

Model MFMII™

Fire Line Meter

Sizes 4", 6", 8", 10", 12"

Mueller SYSTEMS

NOTICE OF DISCONTINUATION, Effective October 2011

Mueller Systems has discontinued new sales of our MFMII meter line in an effort to introduce new metrology requested by our customer base. If you need an alternative meter to our MFMII fire meter line, please take a look at the Hersey FM3 fire meters and our HbMAG electromagnetic meters. Anticipated availability of the FM approved HbMAG is May, 2012.

Replacement component parts for the MFMII meters will continue to be available for the foreseeable future. As we deplete our existing stock of components, we will no longer offer these options for sale. Check the exploded diagram and table in this data sheet for highlighted replacement components to keep your MFMII performing to new meter accuracy standards.

Thank you for using Hersey meters. We appreciate your continued business.

Model MFMII™

Fire Line Meter

Sizes 4", 6", 8", 10", 12"

Mueller SYSTEMS

Features

APPLICATIONS: The Hersey Model MFMII® was designed for use as a combined fire and domestic service meter where one water line serves both fire and domestic, or process needs. Also as a master meter for an entire water system; for water system zones; automatic sprinkler systems and fire services; for domestic or process water systems where low pressure loss and dependable accuracy over a very wide flow range are essential. Hersey Water Meters will measure accurately at full pipe capacity and have the highest flow capability available.

CONSTRUCTION: Hersey MFM II Water Meters consist of a mainline meter to measure high flow rates, a bypass meter to measure the lower flow rates, and a weight and lever valve (mainline valve) to automatically control the point at which the larger mainline meter registers. The valve is self-aligning and self-adjusting. The bypass includes a resilient seated isolation valve, a swing check valve, and depending upon the bypass meter, either a Hersey Model MVR™ Meter or Hersey Horizon™ Meter. The mainline meter maincase is cast iron with epoxy coating inside and out.

The MFM II is designed with an unobstructed full flow that eliminates the need for an external strainer. An internal strainer protects each measuring element.

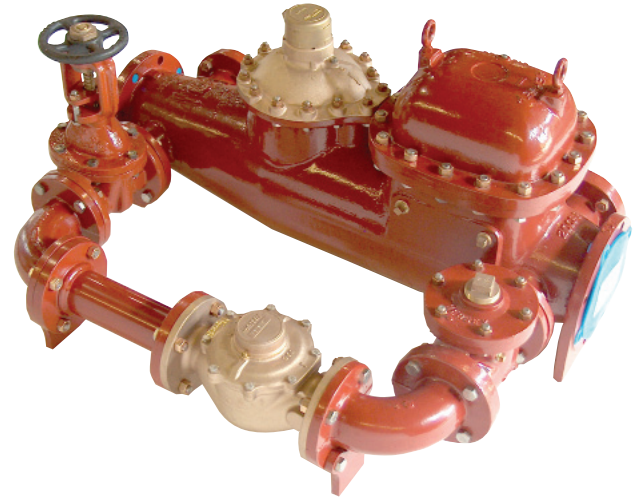
REGISTERS: Separate mainline and bypass registers are provided. Permanently sealed registers use proven magnetic drive design and the exclusive Hersey triple seal to provide clarity and error free meter reading. Internal gears in all assemblies are self-lubricating, molded plastic for long life and minimum friction. The standard registers include a straight reading, odometer-type, totalization display, a 360 degree test circle with center sweep hand, and a low flow indicator. The Calibrator Gear Train permits accuracy calibration on MFM II mainlines and bypasses. For accuracy calibration on MVR and Horizon bypasses, consult the appropriate meter sections. All Hersey models are available with electronic meter reading systems for increased meter reading efficiency. (See Automatic Meter Reading Equipment)

OPERATION: In normal operation, during low flow rates all water flows through the bypass section and is registered by a model MVR vertical turbine meter or a Hersey Horizon Meter (see separate data pages for description of these meters). When pressure loss through the bypass section approaches 4 PSI, the mainline lever valve automatically opens permitting the torrent proportional mainline meter to measure flow. When flow rate decreases sufficiently, the mainline lever valve closes, and all lower flows are again measured by the bypass meter.

The exclusive automatic lever valve is controlled by a specially designed weight which locks the valve in the closed position until a predetermined pressure loss overcomes the weight and opens the valve. A venturi effect causes a precise portion of the total volume to pass through the torrent proportional mainline meter. The self-aligning rubber-faced valve clapper assures a positive seal for accurate bypass meter registration.

MAINTENANCE: The Hersey MFM II and bypass meters are designed and manufactured to provide long service life with low maintenance. All parts are accessible for in-line service if needed.

CONNECTIONS: ANSI class 125 flanges standard.



MFM II

MFM II

Materials and Specifications

MODEL DESIGNATION	MFM II
SIZES	4", 6", 8", 10", 12"
STANDARDS	Manufactured and tested to meet or exceed all applicable parts of AWWA C703, FM approved mainline; UL listed, ULC classified.
INSTALLATION	Horizontal only with 8x pipe diameter of straight pipe (same size as meter) on inlet side of meter.
OPERATING FLOW RANGE	See Charts on the following pages
ACCURACY	See Charts on the following pages
MAXIMUM WORKING PRESSURE	175 PSI
TEMPERATURE RANGE	33° F to 100° F water temperature
MEASURING ELEMENT	Mainline – Torrent Wheel MVR – Rotor Horizon – Rotor
REGISTER TYPE	Permanently sealed, straight reading, magnetic drive with low flow indicator. Remote reading units optional.
METER CONNECTIONS	ANSI class 125 standard end flanges.
MATERIALS	Maincase – epoxy-coated cast iron; Bypass meter case – bronze UNSC84400; Valve weight, Swing arm and Seats – bronze UNSC84400; Valve discs – elastomer; Casing bolts – steel.
OPTIONS	AMR/AMI Reading Systems.

Meter Registration

Meter Size	Initial Dial*	Capacity	Initial Dial*	Capacity
4"	1000 Gal.	100 Million	100 Cubic Ft.	10 Million
6"	1000 Gal.	1 Billion	100 Cubic Ft.	100 Million
8"	1000 Gal.	1 Billion	100 Cubic Ft.	100 Million
10"	1000 Gal.	1 Billion	100 Cubic Ft.	100 Million
12"	1000 Gal.	1 Billion	100 Cubic Ft.	100 Million

*Registration equal to one full revolution of the sweep hand.

NOTE: Mainline Meter Size is reflected in the chart above for MVR or Horizon bypass meters. See appropriate sections.

Mueller Systems offers remote and AMR registers as options for new meters and retrofit applications. See Meter Reading Systems section for more details. These options offer the utmost in remote reading flexibility, allowing for diverse combinations of remote read systems, as well as the ability to upgrade or migrate from one system to another.

Flow Characteristics

MFM II /Vertical Turbine			
Meter Size	Typical Low Flow (95% Minimum)	Typical Operating Range (100% ± 3.0%)	Maximum Intermittent Flow
4"x2"	1/4 GPM	3-1000 GPM	1250 GPM or full pipe capacity
6"x2"	2 GPM	3-2000 GPM	2600 GPM or full pipe capacity
6"x3"	2-1/2 GPM	4-2000 GPM	2600 GPM or full pipe capacity
8"x4"	3-1/2 GPM	5-4000 GPM	5000 GPM or full pipe capacity
10"x6"	5 GPM	15-6200 GPM	7750 GPM or full pipe capacity
12"x6"	5 GPM	15-6400 GPM	8000 GPM or full pipe capacity

MFM II /Horizontal Turbine			
Meter Size	Typical Low Flow (95% Minimum)	Typical Operating Range (100% ± 3.0%)	Maximum Intermittent Flow
4"x2"	2-1/2 GPM	4-1000 GPM	1250 GPM or full pipe capacity
6"x3"	3 GPM	6-2000 GPM	2600 GPM or full pipe capacity
8"x4"	4 GPM	8-4000 GPM	5000 GPM or full pipe capacity
10"x6"	9 GPM	15-6200 GPM	7750 GPM or full pipe capacity
12"x6"	9 GPM	15-6400 GPM	8000 GPM or full pipe capacity

*Performance curves are typical only and not a guarantee of performance.

**Minimum to Maximum

Model MFMII™

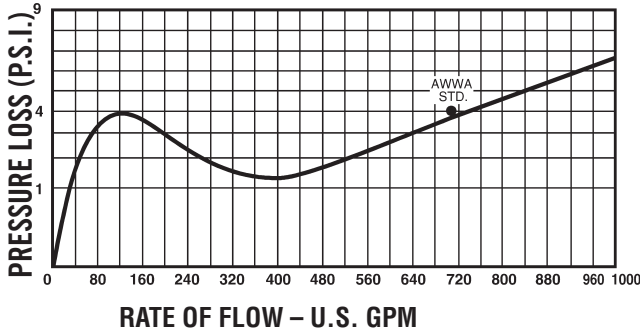
Fire Line Meter

Sizes 4", 6", 8", 10", 12"



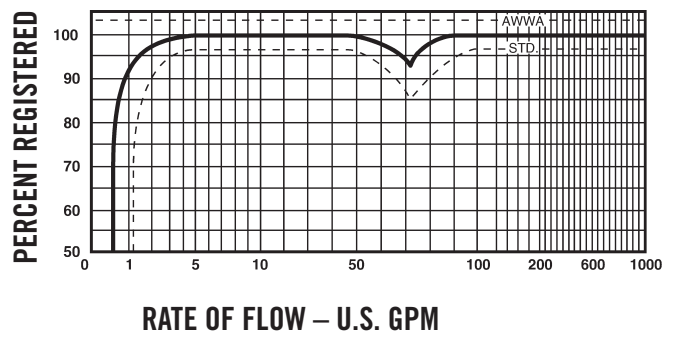
Performance

Head loss – 4" MFM II with 2" MVR

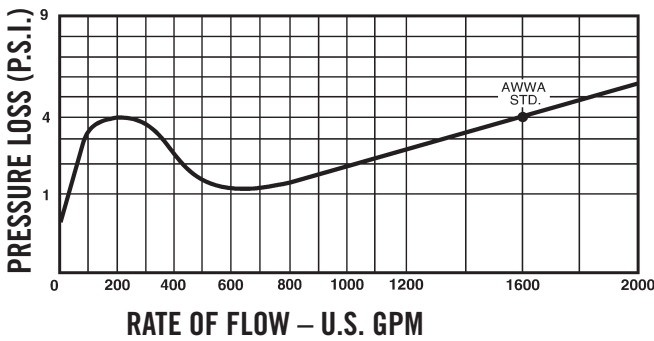


Performance

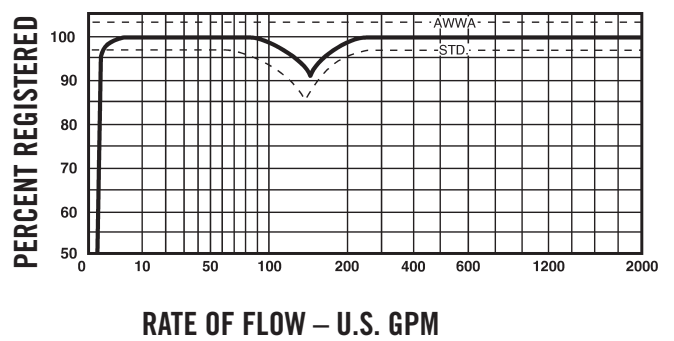
Accuracy – 4" MFM II with 2" MVR



Head loss – 6" MFM II with 2" MVR



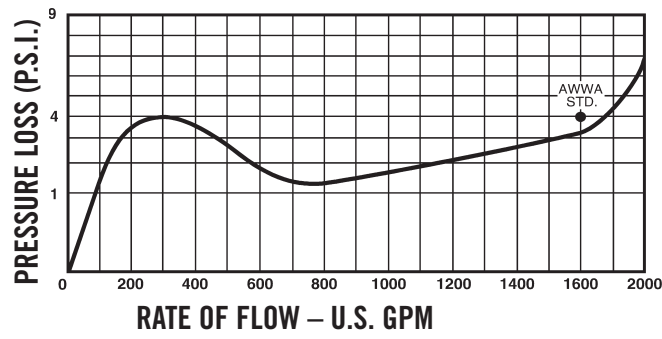
Accuracy – 6" MFM II with 2" MVR



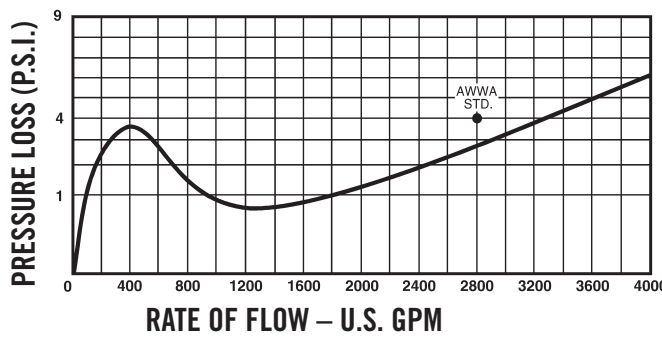
Model MFMII

Performance

Head loss – 6" MFM II with 3" MVR

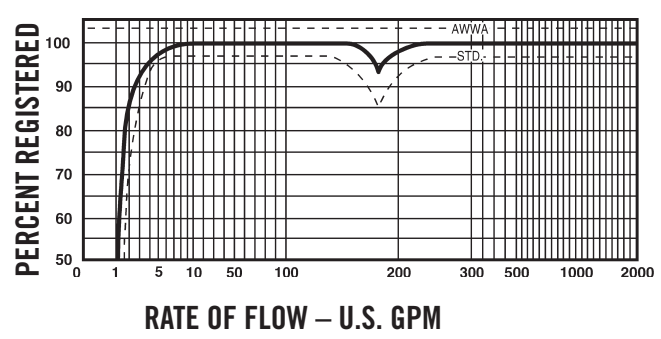


Head loss – 8" MFM II with 4" MVR

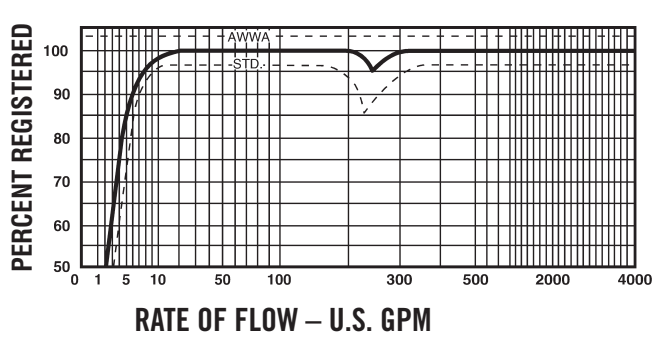


Performance

Accuracy – 6" MFM II with 3" MVR



Accuracy – 8" MFM II with 4" MVR



Model MFMII™

Fire Line Meter

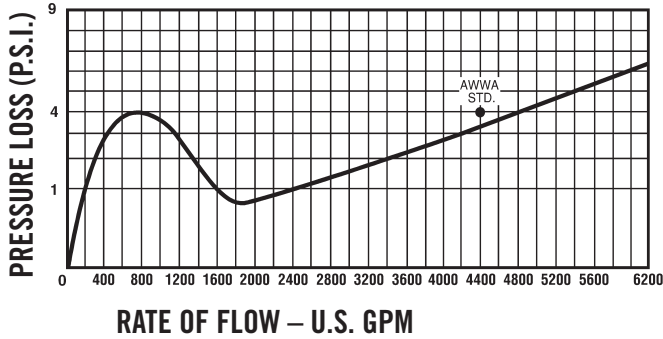
Sizes 4", 6", 8", 10", 12"



Model MFMII

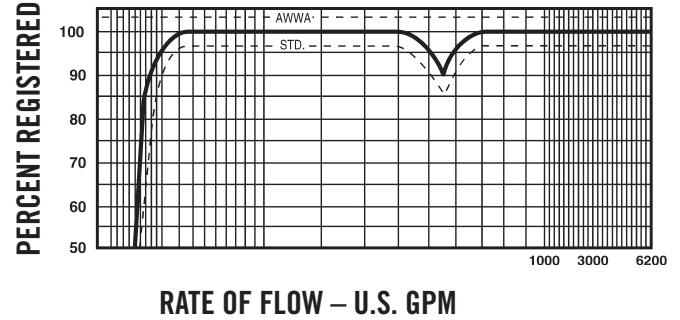
Performance

Head loss – 10" MFM II with 6" MVR

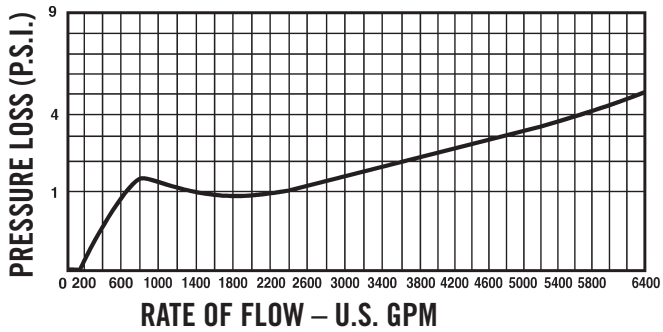


Performance

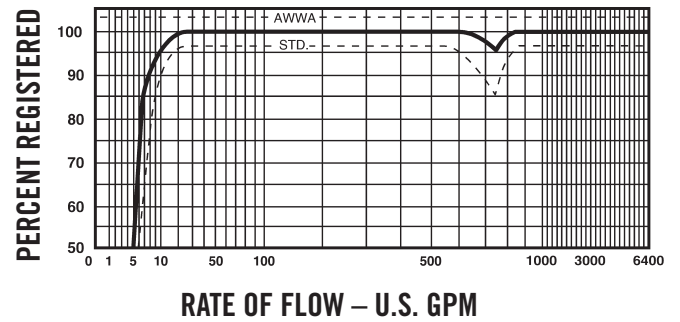
Accuracy – 10" MFM II with 6" MVR



Head loss – 12" MFM II with 6" MVR



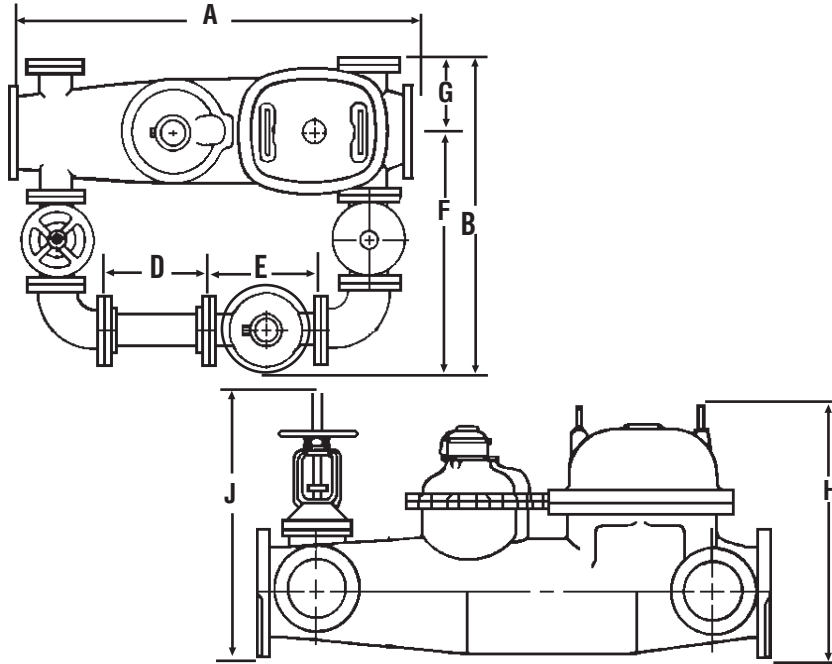
Accuracy – 12" MFM II with 6" MVR



*Performance curves are typical only and not a guarantee of performance.

Dimensions and Weights

Model MFM II with Vertical Turbine Bypass



Compressed Size	4" x 2"	6" x 2"	6" x 3"	8" x 4"	10" x 6"	12" x 6"
A	33"	45"	45"	53"	68"	68"
B-Vertical Turbine	28"	34-1/2"	35"	41-3/4"	53-1/4"	53-1/4"
D-Vertical Turbine Spool	7"	N/A	12"	15"	18-1/2"	18-1/2"
E-Vertical Turbine	10"	10"	12"	14"	18"	18"
F-Vertical Turbine	20-3/4"	26"	26-1/2"	32-7/8"	39-3/4"	39-3/4"
G	7-1/4"	8-1/2"	8-1/2"	10-3/8"	13-1/2"	13-1/2"
H	17-1/2"	23-1/2"	23-1/2"	30-1/2"	36-1/2"	40"
J Open	19"	N/A	25"	31-1/2"	41"	43"
Net wt. with Vertical Turbine	433	1030	878	1602	2860	2925

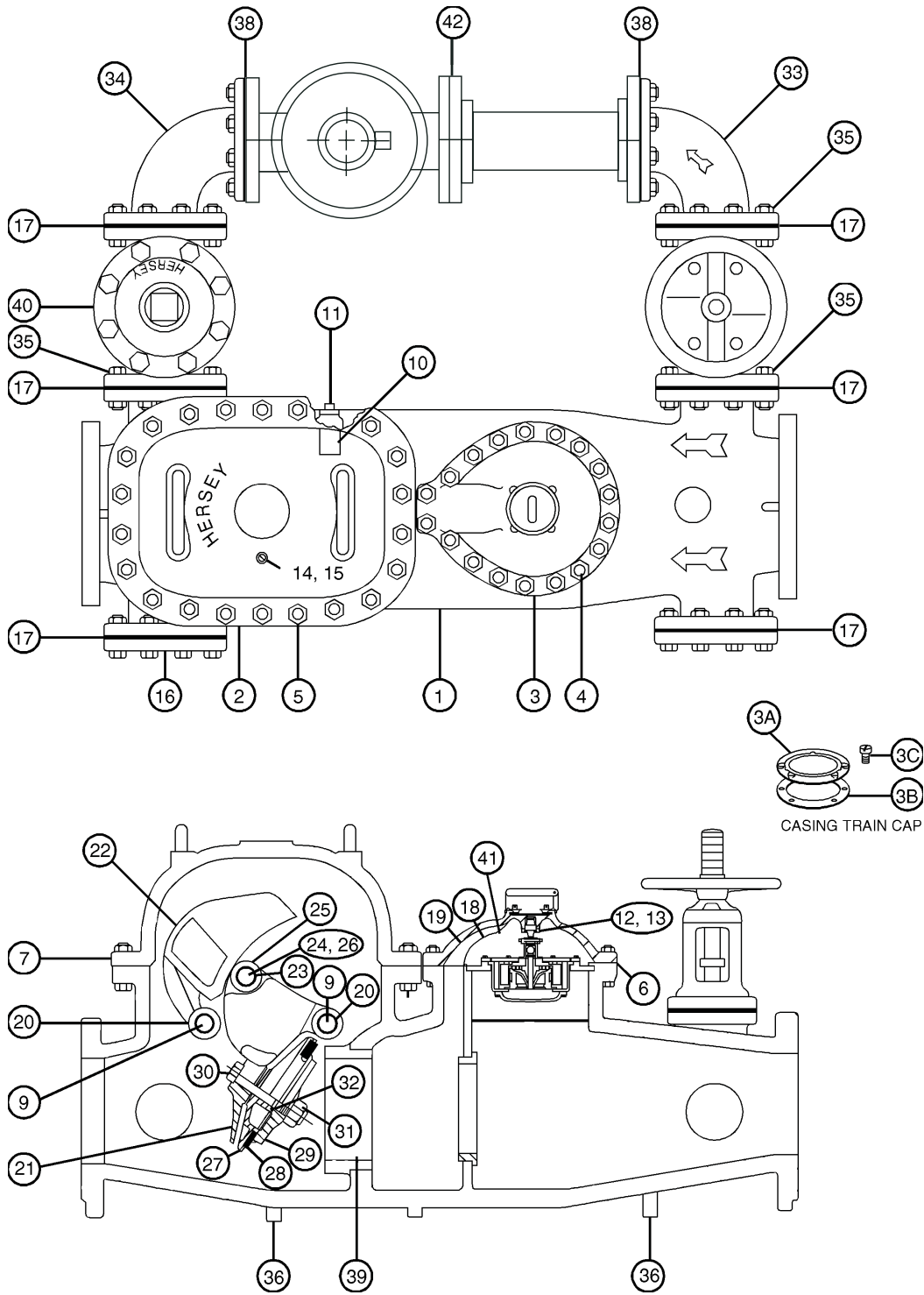
Model MFMII™

Fire Line Meter Parts

Sizes 4", 6", 8", 10", 12"



Model MFMII



Ref. No.	Description	4" Model	6" Model	8" Model	10" Model	12" Model
1	Bottom Case Assembly Epoxy	55715	56515	57515	58515	58915
2	Dome Epoxy	55760	56560	57560	58560	58560
3	Mainline Top Case Train Cap Train Cap Gasket Train Cap Screw	55785 - - -	56585 - - -	57585 - - -	58554 59069 59046 90166 (6)	58554 59069 59046 90166 (6)
4	Mainline Bolt	90189 (10) 90180 (2)	90129 (14)	90131 (18)	90130 (16)	90130 (16)
4	Mainline Nut	90159 (10)	90159 (14)	90219 (18)	90219 (16)	90219 (16)
5	Dome Bolt Dome Nut	90135 (12) 90251 (12)	90135 (16) 90251 (16)	90342 (22) 90301 (22)	90347 (28) 90301 (28)	90347 (28) 90301 (28)
6	Mainline Top Case Gasket	55756	56556	57556	58559	58559
7	Dome Ring Gasket	55727	56527	57427	58427	58427
9	Weight & Swing Arm Hinge Pin	55379 (2)	56379 (2)	57379 (2)	58379 (2)	58379 (2)
10	Hinge Pin Bushing	55707 (4)	56507 (4)	57307 (4)	58307 (4)	58307 (4)
11	Pipe Plug, taped	59006 (4)	59007 (4)	59008 (4)	59009 (4)	59009 (4)
12	Lower Magnetic Drive Assembly	33170	33170	33170	33170	33170
13	Magnetic Lower Drive Retaining Ring	50139	50139	50139	50139	50139
14	Vent Screw	59003 (2)	59003 (2)	59003 (2)	59003 (2)	59003 (2)
15	Nylon Vent Screw Washer	59073 (4)	59073 (4)	59073 (4)	59073 (4)	59073 (4)
16	Blank Flange Epoxy	59063 (2)	59064 (2)	59065 (2)	59066 (2)	59066 (2)
17	Flange Ring Gasket	59051 (6)	59052 (8)	59053 (8)	59054 (8)	59054 (8)
18	Torrent Adapter Ring	-	56511	56511	-	-
19	Torrent Adapter	-	56512	57512	-	-
20	Weight and Swing Arm Bushing	55325 (4)	56325 (4)	57325 (4)	58325 (4)	58325 (4)
21	Swing Arm	55313	56313	57313	58313	58313
22	Weight, full (MVR as bypass)	55327	56327	57328	58328	58328
23	Swing Arm Roller Assembly	55362	56362	57362	58362	58362
24	Swing Arm Roll Pin	55345	56384	57384	58384	58384
25	Swing Arm Roll Pin Washer	55323 (2)	56323 (2)	57323 (2)	58323 (2)	58323 (2)
26	Swing Arm Roll Pin Clip	55326 (2)	56383 (2)	57383	58383 (2)	58383 (2)
27	Clapper	55365	56315	57315	58315	58315
28	Clapper Rubber	55366	56316	57316	58316	58316
29	Clapper Disc	55367	56317	57317	58317	58317
30	Clapper Bolt	55318	56318	57318	58318	58318
31	Clapper Bolt Stop Nut Cotter Pin*	59147 54320	59148 56320	59149 57320	59150 58320	59150 58320
32	O-Ring	55396	56396	57396	58396	58396
33	Inlet Elbow Epoxy	54558	56558	57558	58571	58571
34	Outlet Elbow Epoxy	54549	56549	57549	58549	58549
35	Bypass Flange Bolt	90135 (8) 90132 (16)	90133 (28)	90135 (59)**	90139 (68)	90139 (68)
35	Bypass Flange Nut	90251 (24)	90251 (28)	90251 (65)	90301 (68)	90301 (68)
36	Bypass Support Support Bolt (not shown) Support Nut (not shown)	55746 (2) 90132 (4) 90251 (4)	56546 (2) 90136 (4) 90251 (4)	57546 (2) 90136 (4) 90251 (4)	58558 (2) 90347 (4) 90301 (4)	58558 (2) 90347 (4) 90301 (4)
37	OS&Y Gate Valve	96206	96217	96218	96219	96219
38	Flange Gasket	59123 (2)	59052 (8)	59053 (8)	59054 (8)	59054 (8)
39	Seat Ring	55769	56368	57369	58369	58369
40	Check Valve Assembly Epoxy***	54590E	56590E	57590E	58593	58593
41	Torrent Interior with Strainer***	44676	44676	44676	44782	44782
42	Bypass Meter – MVR	Refer to MVR or Horizon Parts List		-	-	-

*Older style, for meter manufactured prior to 1988.

**When replacing bypass flange bolts.

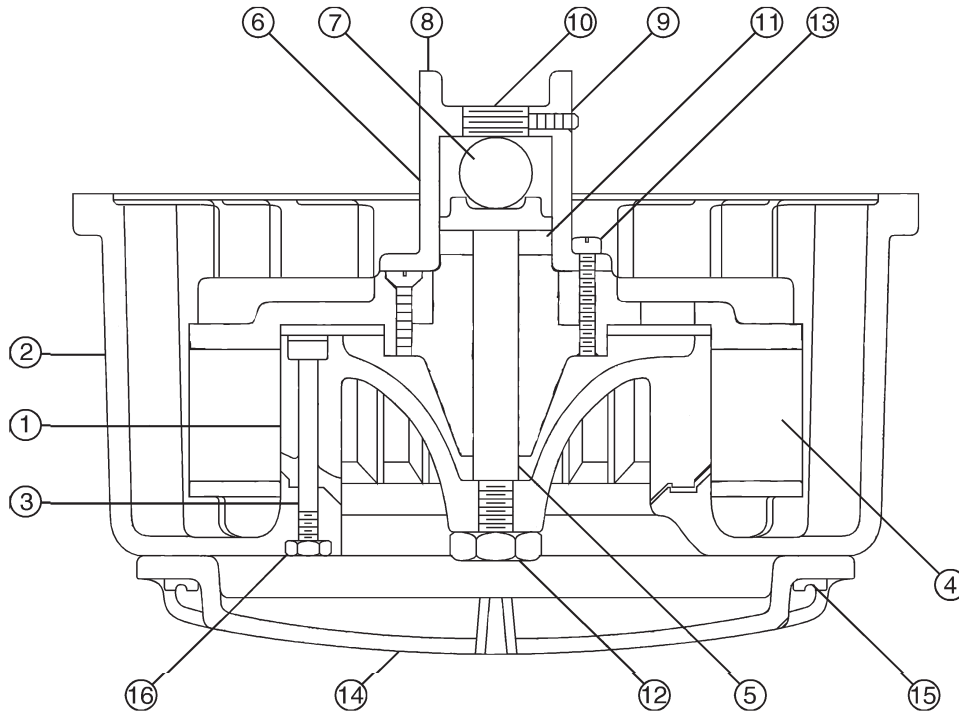
***See the following pages for component parts.

Model MFMII™

Mueller SYSTEMS

Torrent Interior with Strainer
 Sizes 4", 6", 8", 10", 12"

Model MFMII



Ref. No.	Description	4" Model	6" Model	8" Model	10" & 12" Model
	Torrent Interior with Strainer	44676	44676	44676	44782
	Torrent Spindle Assembly	44681	44681	44681	44793
1	Torrent Deflector	44672	44672	44672	44797
2	Torrent Receptor	44673	44673	44673	44798
3	Deflector/Receptor Assembly Screw	98379 (3)	98379 (3)	98379 (3)	98441 (3)
4	Torrent Wheel and Bushing Assembly	44663	44663	44663	44715
	Torrent Wheel	44669	44669	44669	44769
	Wheel Bushing	44634	44634	44634	44734
	Bushing Screw	A5729 (4)	A5729 (4)	A5729 (4)	A5730 (4)
5	Torrent Spindle	44667	44667	44667	44767
6	Torrent Spindle Head	44668	44668	44668	44770
7	Torrent Bearing Ball	44626	44626	44626	44726
8	Torrent Spindle Cap	44675	44675	44675	44754
9	Set Screw	99920	99920	99920	99921
10	Torrent Interior Adjusting Screw	44658	44658	44658	44758
11	Torrent Thrust Washer	44632	44632	44632	44732
12	Torrent Check Nut	98033	98033	98033	44756
13	Cap Screw	98177 (4)	98177 (4)	98177 (4)	98179 (4)
14	Torrent Strainer	44674	44674	44674	44774
15	Strainer Attachment Screws	98394 (2)	98394 (2)	98394 (2)	98395 (2)
16	Deflector/Receptor Assembly Nut	98032 (3)	98032 (3)	98032 (3)	98032 (3)

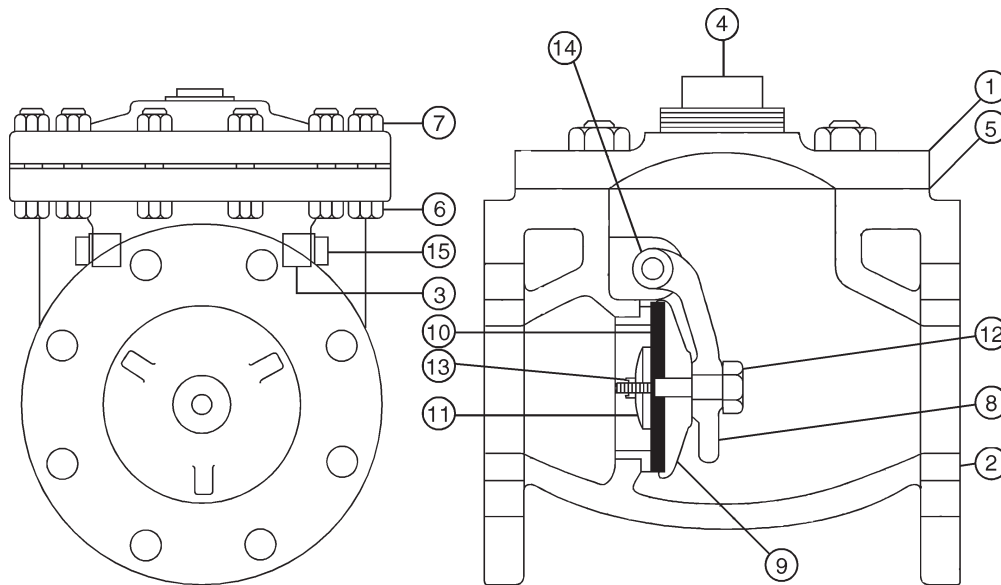
NOTE: If more than one part is required per assembly, quantity is noted after part number (in parenthesis)

Model MFMII™

Check Valve Assembly
 Sizes 4", 6", 8", 10", 12"

Mueller SYSTEMS

Model MFMIII



Ref. No.	Description	4" Model 2" CV	6" Model 3" CV	8" Model 4" CV	10" Model 6" CV	12" Model 6" CV
	Check Valve Assembly – Epoxy Coated	54590E	56590E	57590E	58593	58593
1	Cover – Epoxy Coated	54540	56540	57540	58540	58540
2	Bottom Case – Epoxy Coated	54550	56550	57550	58550	58550
3	Hinge Pin Bushing	54538 (2)	54507 (2)	55707 (2)	56507 (2)	56507 (2)
4	Hollow Plug – Bronze Plug	59010	59010	5907A	5907A	5907A
5	Case Gasket	54563	56563	57563	58563	58563
6	Hex HD Bolt	90127 (4)	90129 (6)	90131 (8)	90135 (12)	90135 (12)
7	Nut	90151 (4)	90151 (6)	90212 (8)	90251 (12)	90251 (12)
8	Swing Arm	54534	56534	57534	58534	58534
9	Clapper	53815	54365	55365	56315	56315
10	Clapper Rubber	53816	54366	55366	56316	56316
11	Clapper Disc	53817	54367	55367	56317	56317
12	Clapper Bolt	53818	54318	55318	56318	56318
13	Lock Nut	59145	59146	59147	59148	59148
14	Hinge Pin	54552	56569	57552	58575	58575
15	Square HD Pipe Plug	59005 (2)	59011 (2)	59006 (2)	59007 (2)	59007 (2)

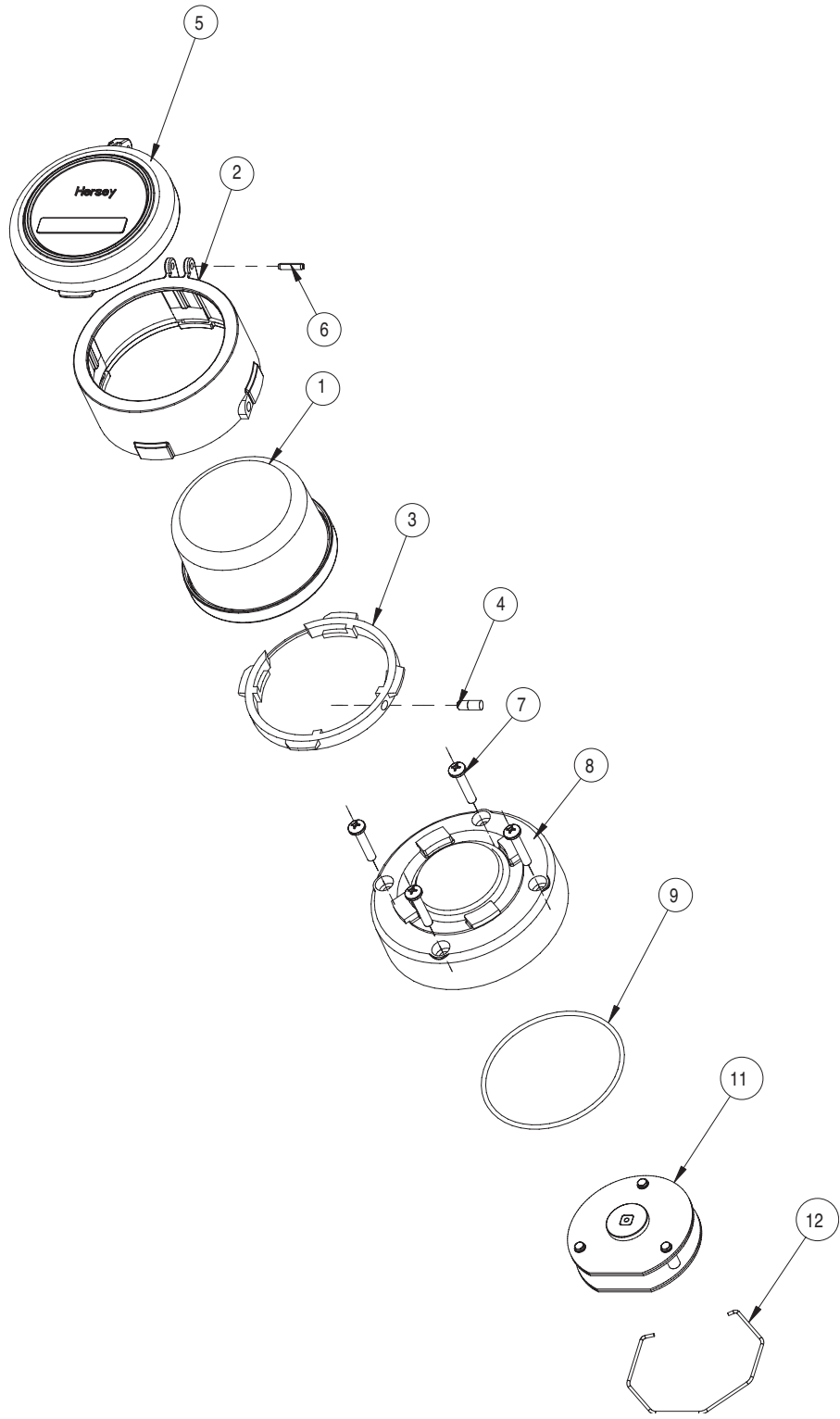
*NOTE: If more than one part is required per assembly, quantity is noted after part number (in parenthesis).

Model MFMII™

Visual Register Options for MFMII
Sizes 4", 6", 8", 10", 12"



Model MFMII



Ref	Description	4" MFMII Mainline	2" MVR Bypass	2" Horizon Bypass
1	Visual Register Gallons Cubic Feet	D353217 D353317	See MVR Section pg. 4.1	See Horizon Section pg. 3.1
2	Register Housing Base (Bronze)	C5772	See MVR	See Horizon
2	Register Housing Base (Plastic)	C5769	See MVR	See Horizon
3	Register Housing Insert	C5770	See MVR	See Horizon
4	Register Locking Pin (Bronze Plastic)	A126581	See MVR	See Horizon
4	Register Locking Pin (Blue Color Plastic)	A12558	See MVR	See Horizon
5	Lid (Bronze)	C5774	See MVR	See Horizon
5	Lid (Plastic)	C5768	See MVR	See Horizon
6	Roll Pin	AS41122	AS41122	AS41122
7	Calibrator Mounting Screws (4)	A13014	A13014	A13014
8	Calibrator Housing	C6523	C6523	C6523
9	Calibrator O-ring	19210	19210	19210
10	Calibrator Holding Ring	19106	19106	19106
11	Calibrator Gear Train	C6534XX***	C6534XX***	C6534XX***
12	Calibrator Housing Kit (includes 7-10)	B7860	B7860	B7860

Ref	Description	6" MFMII	3" MVR	3" Horizon
1	Visual Register Gallons Cubic Feet	D35327 D35337	See MVR Section pg. 4.1	See Horizon Section pg. 3.1
2	Register Housing Base (Bronze)	C5772	See MVR	See Horizon
2	Register Housing Base (Plastic)	C5769	See MVR	See Horizon
3	Register Housing Insert	C5770	See MVR	See Horizon
4	Register Locking Pin (Bronze Plastic)	A126581	See MVR	See Horizon
4	Register Locking Pin (Blue Color Plastic)	A12558	See MVR	See Horizon
5	Lid (Bronze)	C5774	See MVR	See Horizon
5	Lid (Plastic)	C5768	See MVR	See Horizon
6	Roll Pin	AS41122	See MVR	See Horizon
7	Calibrator Mounting Screws (4)	A13014	See MVR	See Horizon
8	Calibrator Housing	C6523	See MVR	See Horizon
9	Calibrator O-ring	19210	See MVR	See Horizon
10	Calibrator Holding Ring	19106	See MVR	See Horizon
11	Calibrator Gear Train	C6534XX***	See MVR	See Horizon
12	Calibrator Housing Kit (includes 7-10)	B7860	See MVR	See Horizon

***Call Mueller Systems Customer Service for the appropriate Calibrator Gear Train.

Model MFMII™



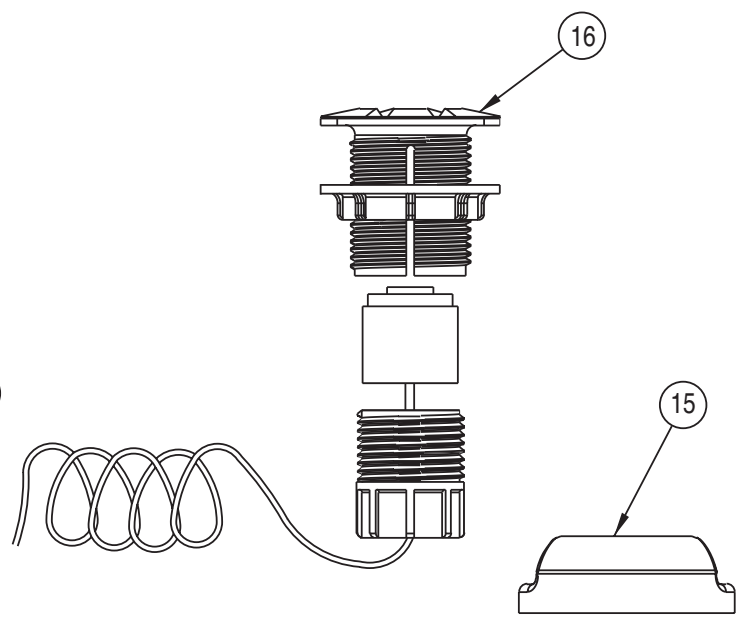
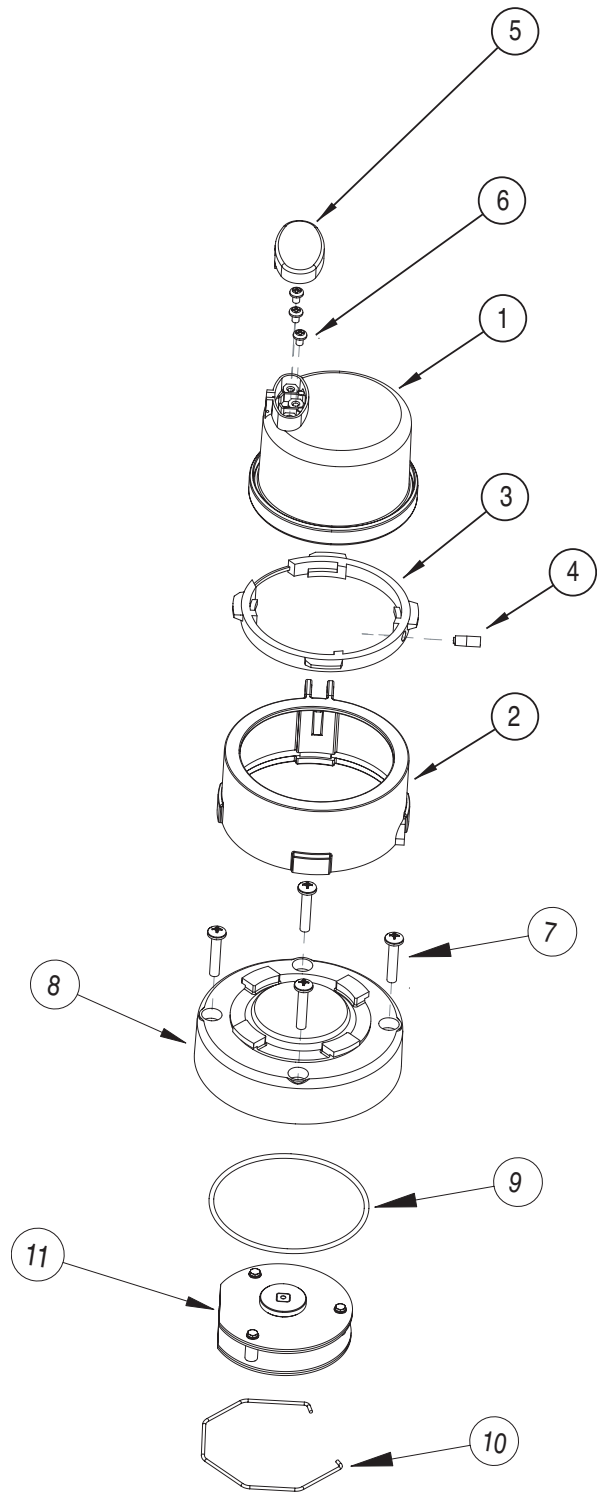
Visual Register Options for MFMII
 Sizes 4", 6", 8", 10", 12"

Model MFMII

Ref	Description	8" MFMII Mainline	4" MVR Bypass	4" Horizon Bypass
1	Visual Register			
	Gallons	D35324	See MVR	See Horizon
	Cubic Feet	D35334	See MVR	See Horizon
2	Register Housing Base (Bronze)	C5772	See MVR	See Horizon
2	Register Housing Base (Plastic)	C5769	See MVR	See Horizon
3	Register Housing Insert	C5770	See MVR	See Horizon
4	Register Locking Pin (Bronze Plastic)	A126581	See MVR	See Horizon
4	Register Locking Pin (Blue Color Plastic)	A12558	See MVR	See Horizon
5	Lid (Bronze)	C5774	See MVR	See Horizon
5	Lid (Plastic)	C5768	See MVR	See Horizon
6	Roll Pin	AS41122	See MVR	See Horizon
7	Calibrator Mounting Screws (4)	A13014	See MVR	See Horizon
8	Calibrator Housing	C6523	See MVR	See Horizon
9	Calibrator O-ring	19210	See MVR	See Horizon
10	Calibrator Holding Ring	19106	See MVR	See Horizon
11	Calibrator Gear Train	C6534XX***	See MVR	See Horizon
12	Calibrator Housing Kit (includes 7-10)	B7860	See MVR	See Horizon

Ref	Description	10" MFMII Mainline	12" MFMII Mainline	6" MVR Bypass	6" Horizon Bypass
1	Visual Register				
	Gallons	D35321	D35321	See MVR	See Horizon
	Cubic Feet	D35331	D35331	See MVR	See Horizon
2	Register Housing Base (Bronze)	C5772	C5772	See MVR	See Horizon
2	Register Housing Base (Plastic)	C5769	C5769	See MVR	See Horizon
3	Register Housing Insert	C5770	C5770	See MVR	See Horizon
4	Register Locking Pin (Bronze Plastic)	A126581	A126581	See MVR	See Horizon
4	Register Locking Pin (Blue Color Plastic)	A12558	A12558	See MVR	See Horizon
5	Lid (Bronze)	C5774	C5774	See MVR	See Horizon
5	Lid (Plastic)	C5768	C5768	See MVR	See Horizon
6	Roll Pin	AS41122	AS41122	See MVR	See Horizon
7	Calibrator Mounting Screws (4)	A13014	A13014	See MVR	See Horizon
8	Calibrator Housing	C6523	C6523	See MVR	See Horizon
9	Calibrator O-ring	19210	19210	See MVR	See Horizon
10	Calibrator Holding Ring	19106	19106	See MVR	See Horizon
11	Calibrator Gear Train	C6534XX***	C6534XX***	See MVR	See Horizon
12	Calibrator Housing Kit (includes 7-10)	B7860	B7860	See MVR	See Horizon

***Call Mueller Systems Customer Service for the appropriate Calibrator Gear Train.



Calibrator Train	%
C65341	5%
C65342	4.50%
C65343	4%
C65344	3.50%
C65345	3%
C65346	2.50%
C65347	2%
C65348	1.5%
C65349	1%
C653410	0.50%
C653411	0% Nominal
C653412	-0.50%
C653413	-1%
C653414	-1.5%
C653415	-2%
C653416	-2.50%
C653417	-3%
C653418	-3.50%
C653419	-4%
C653420	-4.50%
C653421	-5.0%

Model MFMII™

Translator Register Options for MFMII



Ref	Description	4" MFMII Mainline	2" MVR Bypass	2" Horizon Bypass
1	Translator Register Gallons* Cubic Feet*	D353417xxx D353517xxx	See MVR Section	See Horizon Section
2	Register Housing Base (Plastic)	C5769	See MVR	See Horizon
3	Register Housing Insert	C5770	See MVR	See Horizon
4	Register Locking Pin (Bronze Plastic)	A126581	See MVR	See Horizon
4	Register Locking Pin (Blue Color Plastic)	A12658	See MVR	See Horizon
5	Lens Terminal Cover	B8447	See MVR	See Horizon
6	Terminal Lug Screw	98197 (3)	See MVR	See Horizon
7	Calibrator Mounting Screws	A13014	See MVR	See Horizon
8	Calibrator Housing	C6523	See MVR	See Horizon
9	Calibrator O-ring	19210	See MVR	See Horizon
10	Calibrator Holding Ring	19106	See MVR	See Horizon
11	Calibrator Gear Train	C6534XX*	See MVR	See Horizon
12	Calibrator Housing Kit (includes 7-10)	B7860	See MVR	See Horizon
13	TrueRead (not shown)	C6551G	See MVR	See Horizon
14	1,000' Spool of Wire	AS755	See MVR	See Horizon
15	Wall Pad	T1234	See MVR	See Horizon
16	Pit Pad with 3' of wire	T1235	See MVR	See Horizon

Ref	Description	6" MFMII Mainline	3" MVR Bypass	3" Horizon Bypass
1	Translator Register Gallons* Cubic Feet*	D353407xxx D353507xxx	See MVR Section	See Horizon Section
2	Register Housing Base (Plastic)	C5769	See MVR	See Horizon
3	Register Housing Insert	C5770	See MVR	See Horizon
4	Register Locking Pin (Bronze Plastic)	A126581	See MVR	See Horizon
4	Register Locking Pin (Blue Color Plastic)	A12658	See MVR	See Horizon
5	Lens Terminal Cover	B8447	See MVR	See Horizon
6	Terminal Lug Screw	98197 (3)	See MVR	See Horizon
7	Calibrator Mounting Screws	A13014	See MVR	See Horizon
8	Calibrator Housing	C6523	See MVR	See Horizon
9	Calibrator O-ring	19210	See MVR	See Horizon
10	Calibrator Holding Ring	19106	See MVR	See Horizon
11	Calibrator Gear Train	C6534XX*	See MVR	See Horizon
12	Calibrator Housing Kit (includes 7-10)	B7860	See MVR	See Horizon
13	TrueRead (not shown)	C6551G	See MVR	See Horizon
14	1,000' Spool of Wire	AS755	See MVR	See Horizon
15	Wall Pad	T1234	See MVR	See Horizon
16	Pit Pad with 3' of wire	T1235	See MVR	See Horizon

*Call Mueller Systems Customer Service for the appropriate Translator Register, AMR device and Calibrator Gear Train part numbers.

Ref	Description	8" MFMII Mainline	4" MVR Bypass	4" Horizon Bypass
1	Translator Register Gallons* Cubic Feet*	D353404xxx D353504xxx	See MVR Section	See Horizon Section
2	Register Housing Base (Plastic)	C5769	See MVR	See Horizon
3	Register Housing Insert	C5770	See MVR	See Horizon
4	Register Locking Pin (Bronze Plastic)	A126581	See MVR	See Horizon
4	Register Locking Pin (Blue Color Plastic)	A12658	See MVR	See Horizon
5	Lens Terminal Cover	B8447	See MVR	See Horizon
6	Terminal Lug Screw	S98197 (3)	See MVR	See Horizon
8	Calibrator Housing	C6523	See MVR	See Horizon
9	Calibrator O-ring	19210	See MVR	See Horizon
10	Calibrator Holding Ring	19106	See MVR	See Horizon
11	Calibrator Gear Train	C6534XX*	See MVR	See Horizon
12	Calibrator Housing Kit (includes 7-10)	B7860	See MVR	See Horizon
13	TrueRead (not shown)	C6551G	See MVR	See Horizon
14	1,000' Spool of Wire	AS755	See MVR	See Horizon
15	Wall Pad	T1234	See MVR	See Horizon
16	Pit Pad with 3' of wire	T1235	See MVR	See Horizon

Ref	Description	10" MFMII Mainline	12" MFMII Mainline	6" MVR Bypass	6" Horizon Bypass
1	Translator Register – 25' wire only Gallons Cubic Feet	D353401xxx D353501xxx	D353401xxx D353501xxx	See MVR Section	See Horizon Section
2	Register Housing Base (Plastic)	C5769	C5769	See MVR	See Horizon
3	Register Housing Insert	C5770	C5770	See MVR	See Horizon
4	Register Locking Pin (Bronze Plastic)	A126581	A126581	See MVR	See Horizon
4	Register Locking Pin (Blue Color Plastic)	A12658	A12658	See MVR	See Horizon
5	Lens Terminal Cover	B8447	B8447	See MVR	See Horizon
6	Terminal Lug Screw	98197 (3)	98197 (3)	See MVR	See Horizon
7	Calibrator Mounting Screws	A13014	A13014	See MVR	See Horizon
8	Calibrator Housing	C6523	C6523	See MVR	See Horizon
9	Calibrator O-ring	19210	19210	See MVR	See Horizon
10	Calibrator Holding Ring	19106	19106	See MVR	See Horizon
11	Calibrator Gear Train	C6534XX*	C6534XX*	See MVR	See Horizon
12	Calibrator Housing Kit (includes 7-10)	B7860	B7860	See MVR	See Horizon
13	TrueRead (not shown)	C6551G	C6551G	See MVR	See Horizon
14	1,000' Spool of Wire	AS755	AS755	See MVR	See Horizon
15	Wall Pad	T1234	T1234	See MVR	See Horizon
16	Pit Pad with 3' of wire	T1235	T1235	See MVR	See Horizon

*Call Mueller Systems Customer Service for the appropriate Translator Register, AMR device and Calibrator Gear Train part number.

Model MFMII™

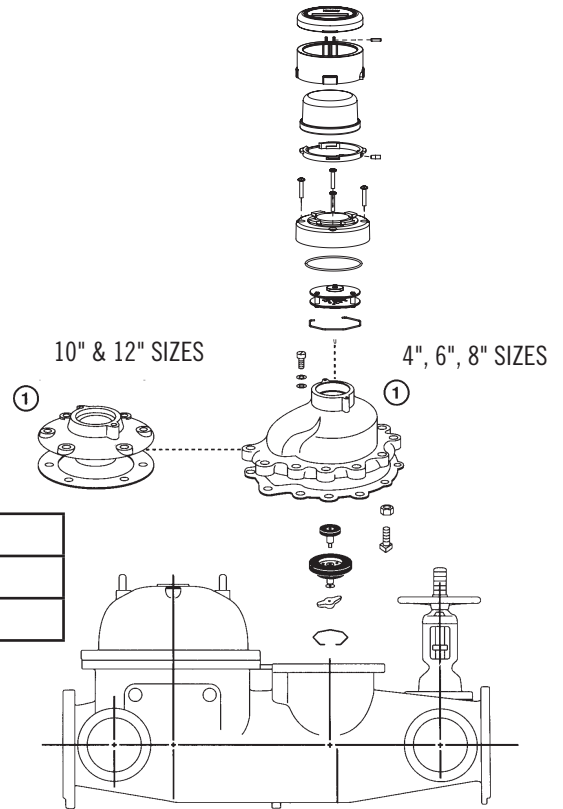
Mainline Standard Conversion Kits



Model MFMII

Parts supplied in a Hersey Fireline Conversion Kit:

1. New complete top case with gasket, nuts and bolts.
2. New sealed registers.
3. New register bayont style housing with locking pin.
4. New calibrator gear train and housing.



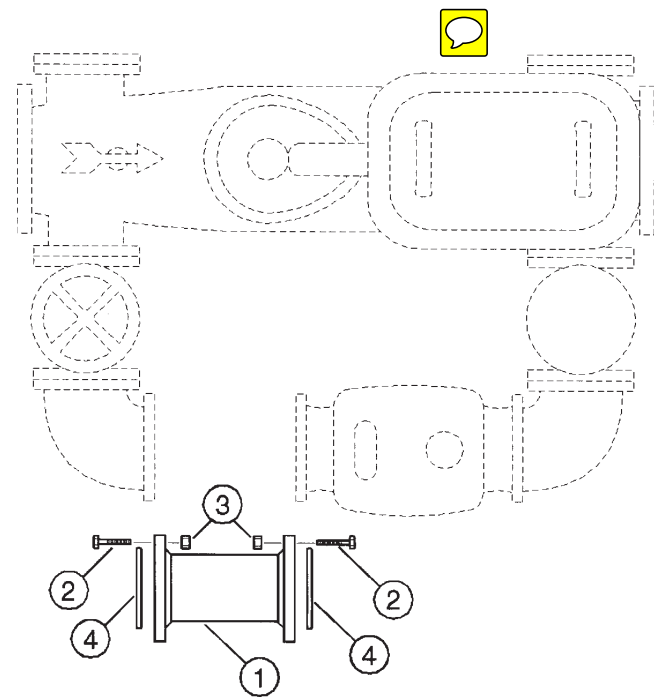
Description	4"	6"	8"	10" & 12"
U.S. Gallon	PCS0201	PCT0201	PCU0201	PCV0201
Cubic Foot	PCS0101	PCT0101	PCU0101	PCV0101

*Part numbers listed are for standard read registers.
Contact customer service for optional AMR registers.

Mainline Weights Necessary for Converting to Different Bypass Meters

Original Bypass Meter	Conversion to	Part Number
CT/MCT/MCTII	MVR	No Need to Change Weight
CT/MCT/MCTII – 2"	HORIZON – 2"	55328
CT/MCT/MCTII – 3"	HORIZON – 3"	56328
CT/MCT/MCTII – 4"	HORIZON – 4"	57327
CT/MCT/MCTII – 6"	HORIZON – 6"	58327
MHR OR HORIZON – 2"	MVR – 2"	55731
MHR OR HORIZON – 3"	MVR – 3"	56327
MHR OR HORIZON – 4"	MVR – 4"	57328
MHR OR HORIZON – 6"	MVR – 6"	58328
MVR – 2"	HORIZON – 2"	55328
MVR – 3"	HORIZON – 3"	56328
MVR – 4"	HORIZON – 4"	57327
MVR – 6"	HORIZON – 6"	58327

NOTE: Using anything other than a genuine Hersey bypass meter may affect performance, may void approvals and test data.



Ref.	Description	Part Number
1	2" Adapter * for Replacement of Compound or Disc Bypass Meter on 4" FM/MFM/MFMI	95340 (Epoxy Coated)
1	3" Adapter for Replacement of Compound or Disc Bypass Meter (with MVR) on 6" FM/MFM/MFMI	95341 (Epoxy Coated)
1	4" Adapter for Replacement of Compound or Disc Bypass Meter (with MVR) on 8" FM/MFM/MFMI	95344 (Epoxy Coated)
1	6" Adapter for Replacement of Compound or Disc Bypass Meter (with MVR) on 10", 12" FM/MFM/MFMI	95343 (Epoxy Coated)
2	Bolt for 2" Bypass Meter Connection	90136 (4) 90135 (2)
2	Bolt for 3" Bypass Meter Connection	90135 (4) 90133 (8)
2	Bolt for 4" Bypass Meter Connection	90136 (4) 90135 (20)
2	Bolt for 6" Bypass Meter Connection	90347 (4) 90139 (20)
3	Nut for 2" Bypass Meter Connection	90251 (6)
3	Nut for 3" Bypass Meter Connection	90251 (12)
3	Nut for 4" Bypass Meter Connection	90251 (24)
3	Nut for 6" Bypass Meter Connection	90301 (24)
4	Gasket for 2" Bypass Meter Connection	95123 (3)
4	Gasket for 3" Bypass Meter Connection	59052 (3)
4	Gasket for 4" Bypass Meter Connection	59053 (3)
4	Gasket for 6" Bypass Meter Connection	59054 (3)

*Not needed if replacement is 2" MVR-160 flanged meter.

NOTE: If more than one part is required per assembly, quantity is noted after part number (in parenthesis).