

VERTICAL MULTI-STAGE PUMPS

VR SERIES - 60 HZ

FPS

FEATURES

- All 316 SS hydraulic components for superior durability, efficiency, and performance over a wide variety of applications
- Rugged NEMA motor mounting with oversized ball bearings ensure long operating life in the toughest jobs. Heavy-duty motor bearing not required
- Silicon Carbide/Carbon/EPDM/SS mechanical seal for superior sealing
- In-line suction and discharge with round ANSI flanges fit widest range of applications and provide convenient, compact installation
- NEMA, ODP, TEFC, 1-ph or 3-ph premium efficiency available

SPECIFICATIONS

- Standard 316 SS hydraulics
- Up to 600 gpm, 750' tdh / 140 m³/h, 23 bar flow and head capacities
- 360 psi (230 psi oval flange) / 26 bar (16 bar oval flange) maximum working pressure
- -15 °C to 120 °C / 5 °F to 250 °F liquid temperature range
- Clockwise rotation
- Round ANSI flanged discharge / suction ports; available options for oval / Victaulic® connections

APPLICATIONS

Water Supply and Pressure Boosting

- Pressure boosting in buildings, hotels, residences
- Booster stations
- Pump packages

Water Treatment

- Filtration systems
- Reverse osmosis systems

Light Industry

- Commercial washers
- Firefighting system pumps
- Car wash systems

Irrigation and Agriculture

- Drip irrigation
- Sprinkler irrigation

Heating, Ventilation, and Air Conditioning (HVAC)

- Cooling towers
- Temperature control
- Refrigeration
- Heating systems
- Boiler feed
- Water recirculation

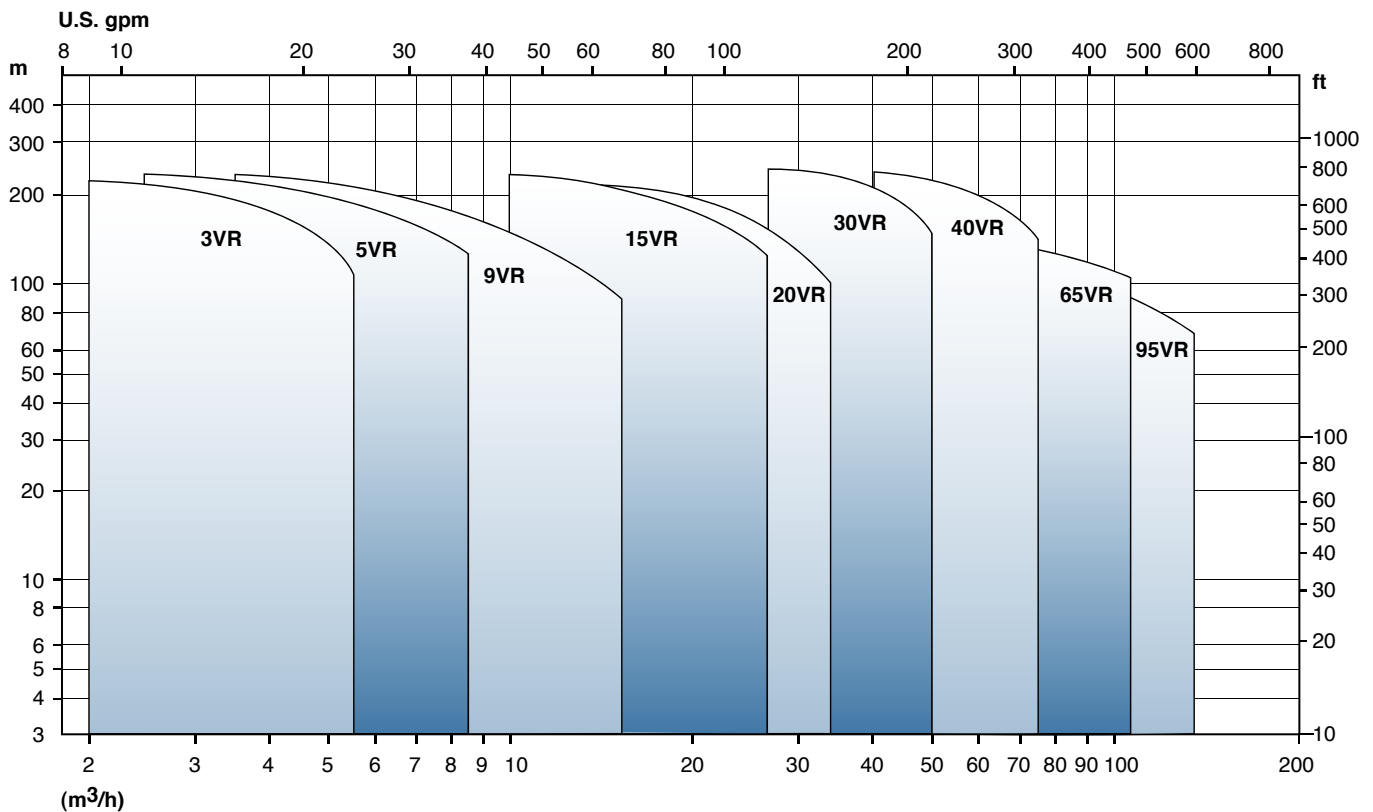


VERTICAL MULTI-STAGE PUMPS

VR SERIES - 60 HZ



60 HZ FAMILY CURVE



MAXIMUM WORKING PRESSURE

Models	Maximum Working Pressure								
	3 VR bar	5 VR bar	9 VR bar	15 VR bar	20 VR bar	30 VR bar	45 VR bar	65 VR bar	95 VR bar
T version (oval)	16	16	16	16	16				
F, V, and C version	26	26	26	26	26				
F version (PN16)						16	16	16	16
F version (PN25/40)						32	32	25	25

Note: The inlet pressure of the pump plus the pressure of the water inside the pump cannot exceed the maximum working pressure.

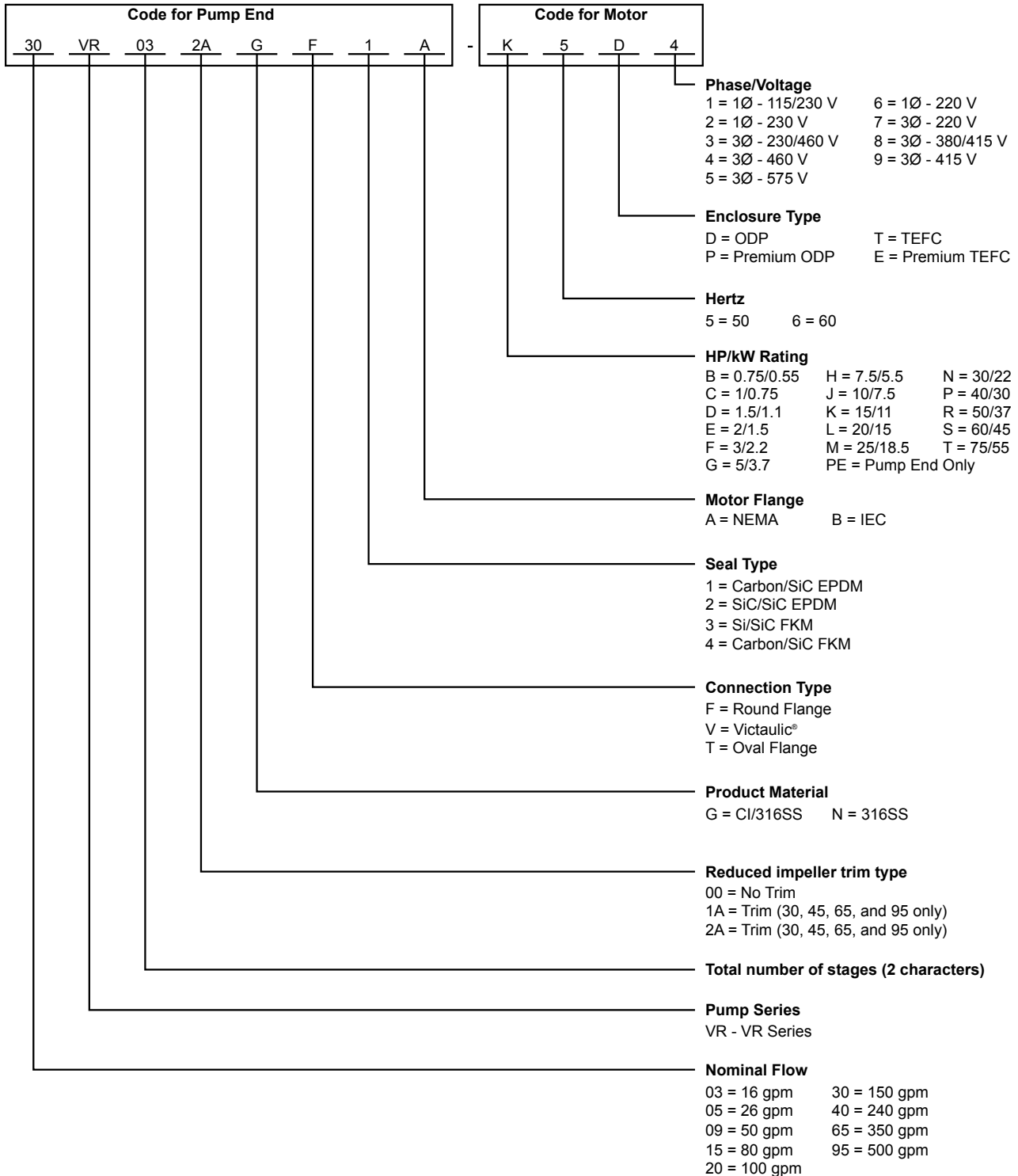
VERTICAL MULTI-STAGE PUMPS

VR SERIES - 60 HZ



VR MODEL NOMENCLATURE

Example Product Description/Order Number



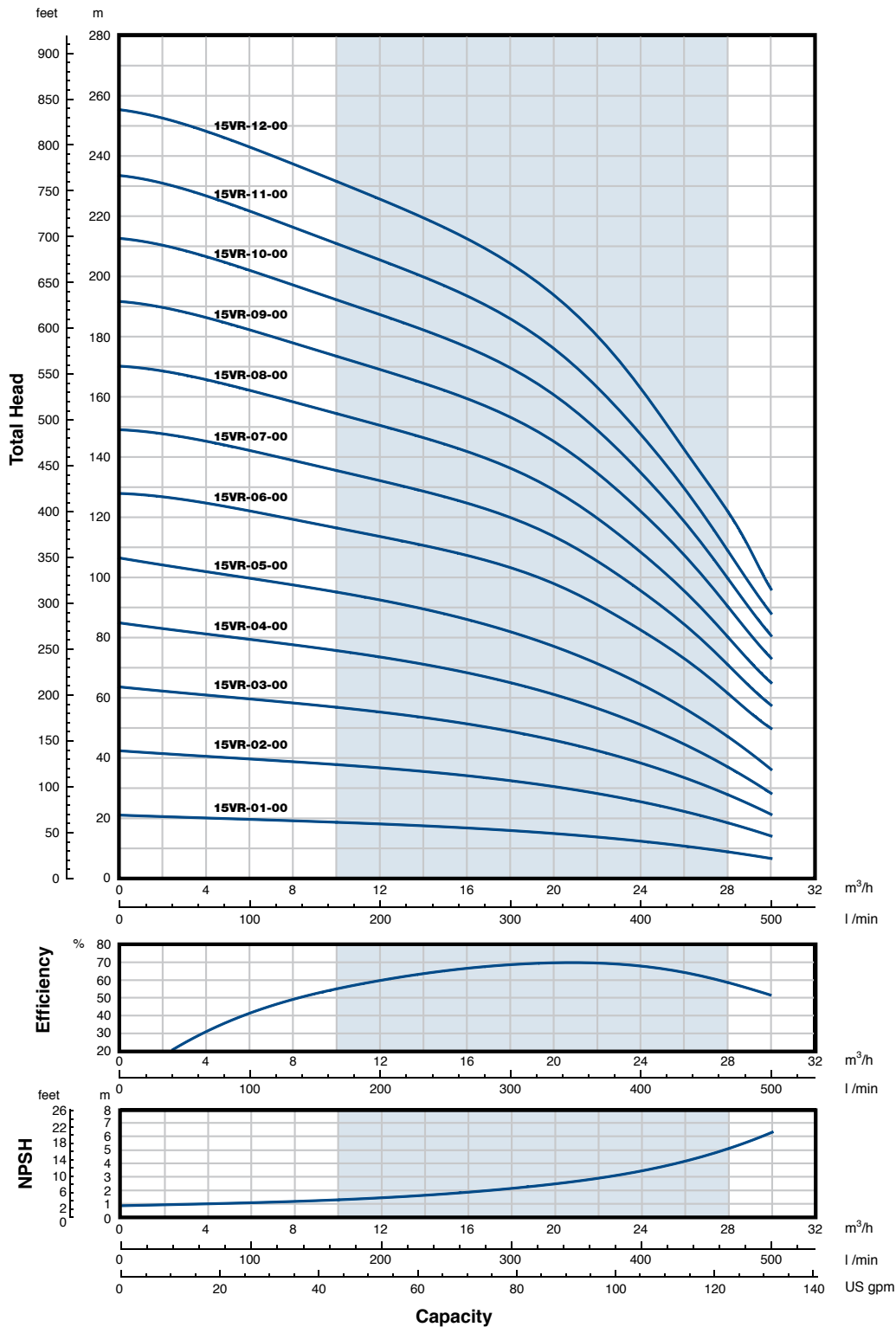
VERTICAL MULTI-STAGE PUMPS

VR SERIES - 60 HZ



PERFORMANCE CURVE

15VR 60 HZ



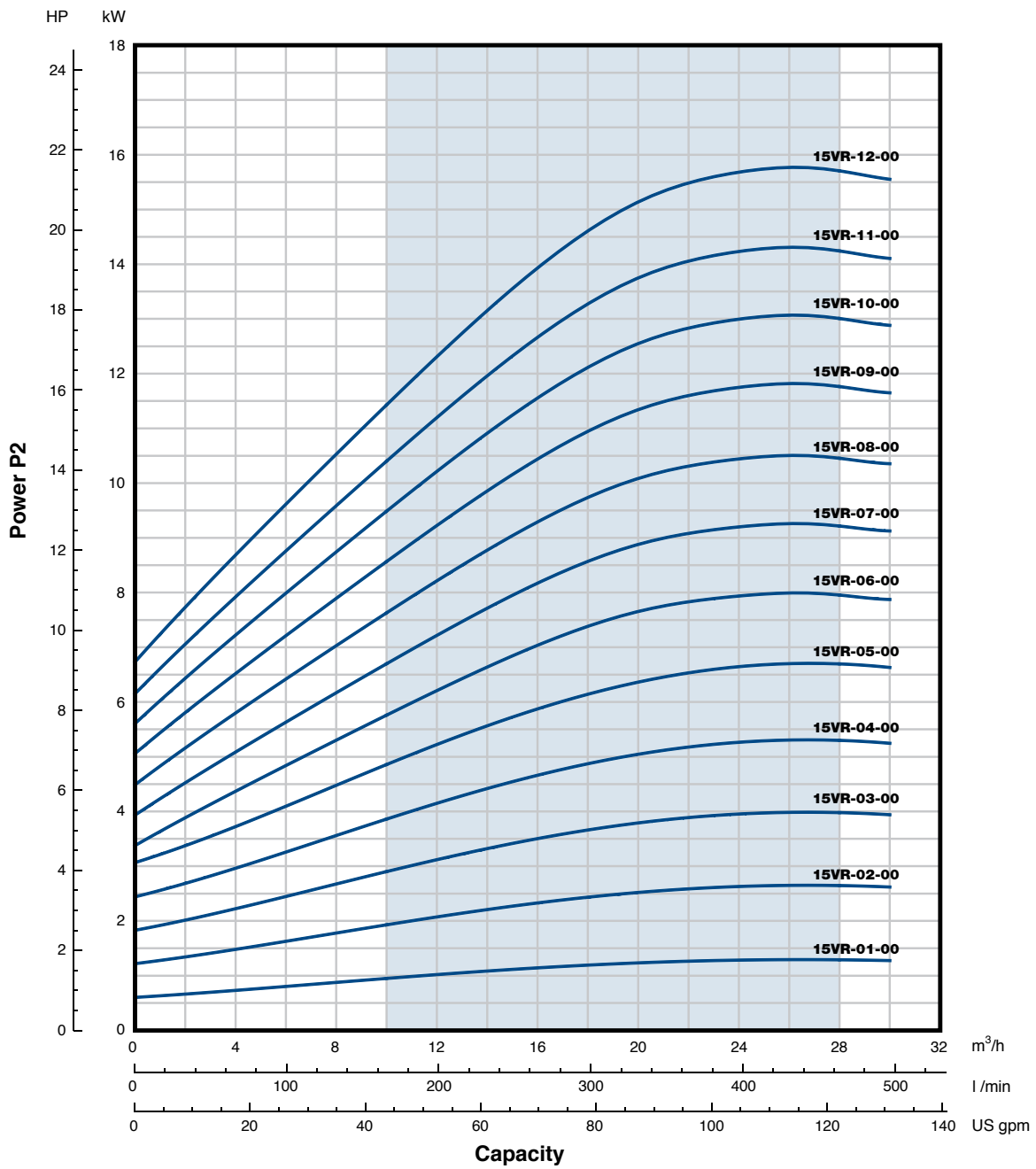
VERTICAL MULTI-STAGE PUMPS

VR SERIES - 60 HZ



POWER CURVE

15VR 60 HZ



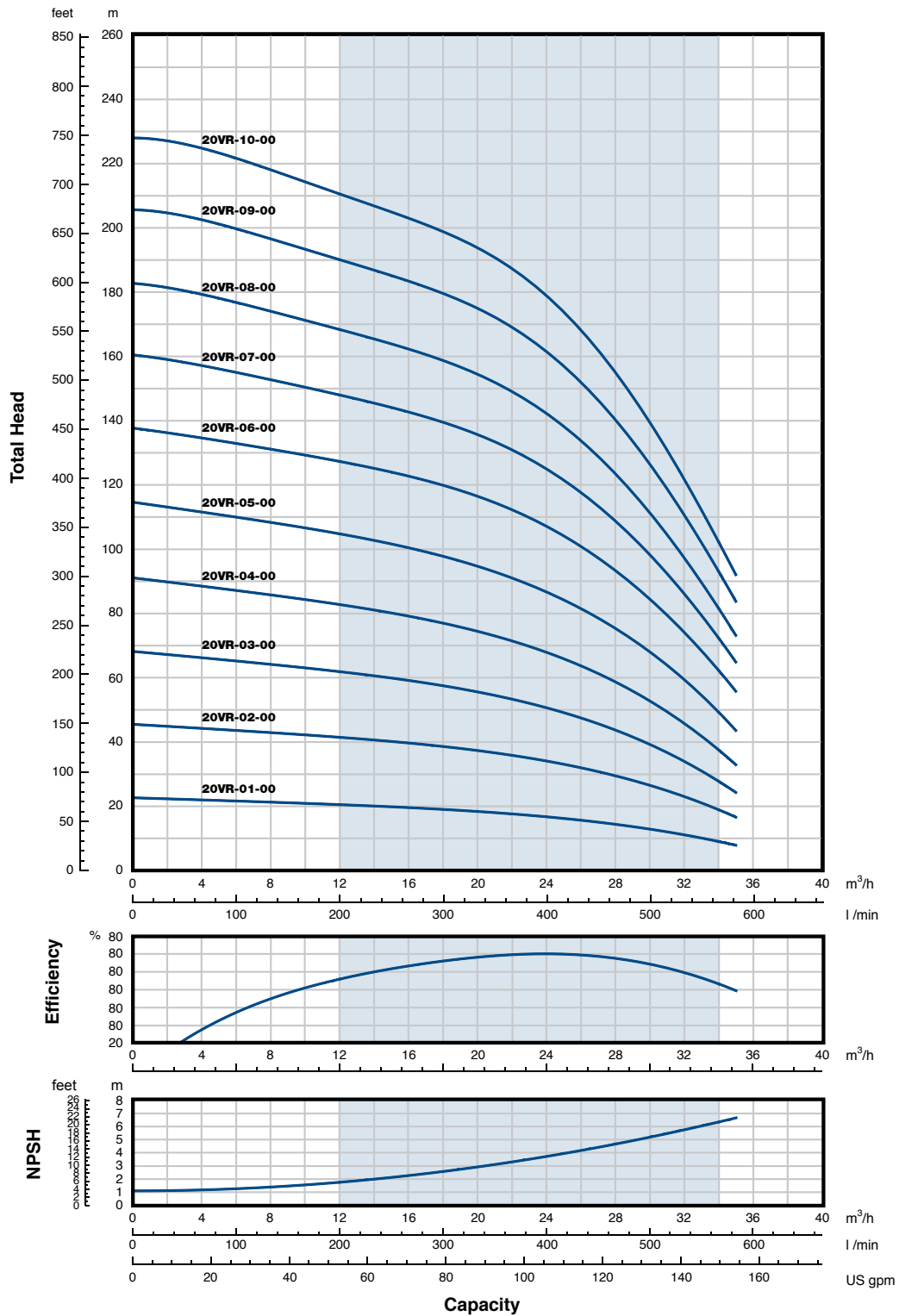
VERTICAL MULTI-STAGE PUMPS

VR SERIES - 60 HZ



PERFORMANCE CURVE

20VR 60 HZ



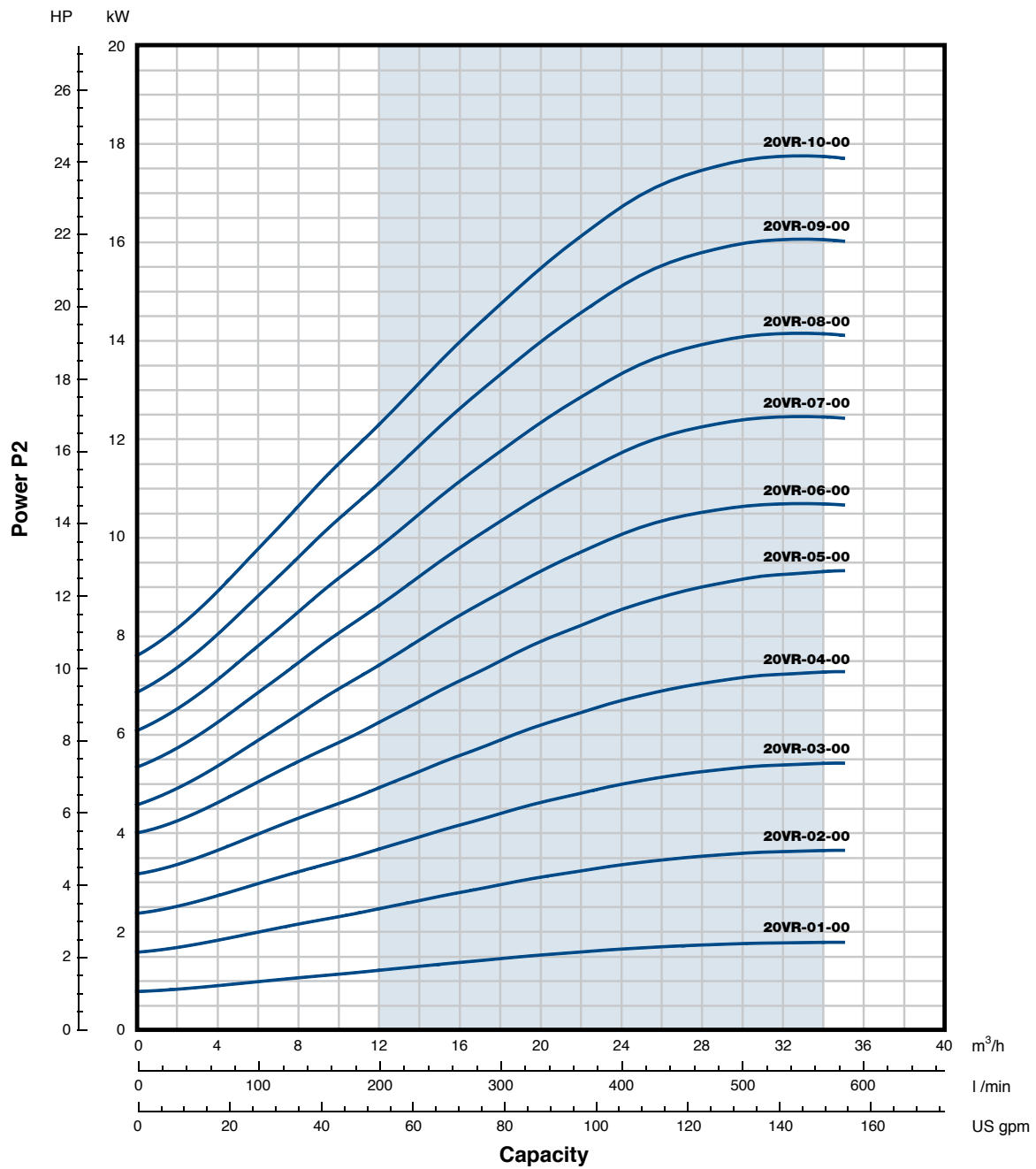
VERTICAL MULTI-STAGE PUMPS

VR SERIES - 60 HZ



POWER CURVE

20VR 60 HZ



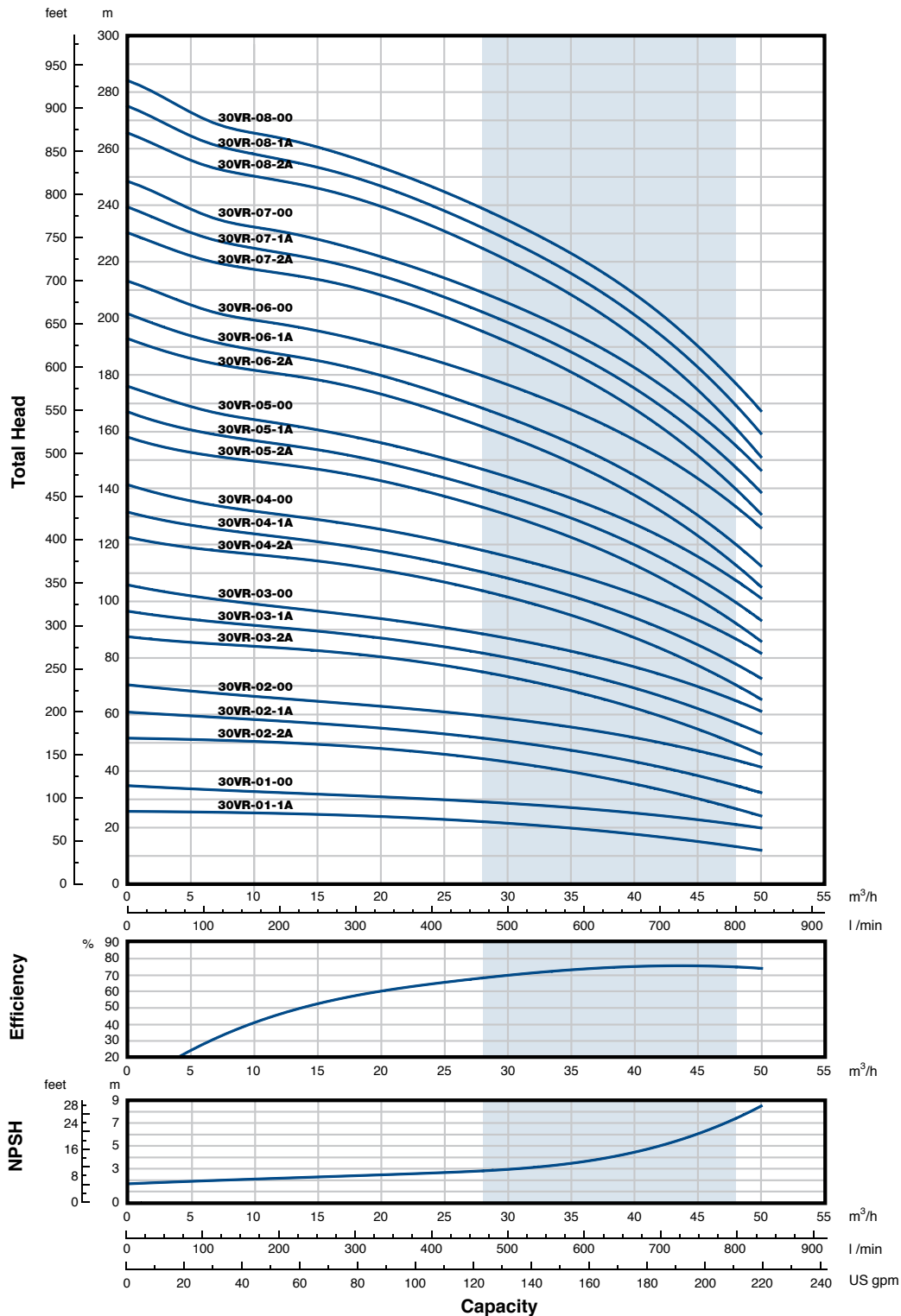
VERTICAL MULTI-STAGE PUMPS

VR SERIES - 60 HZ



PERFORMANCE CURVE

30VR 60 HZ



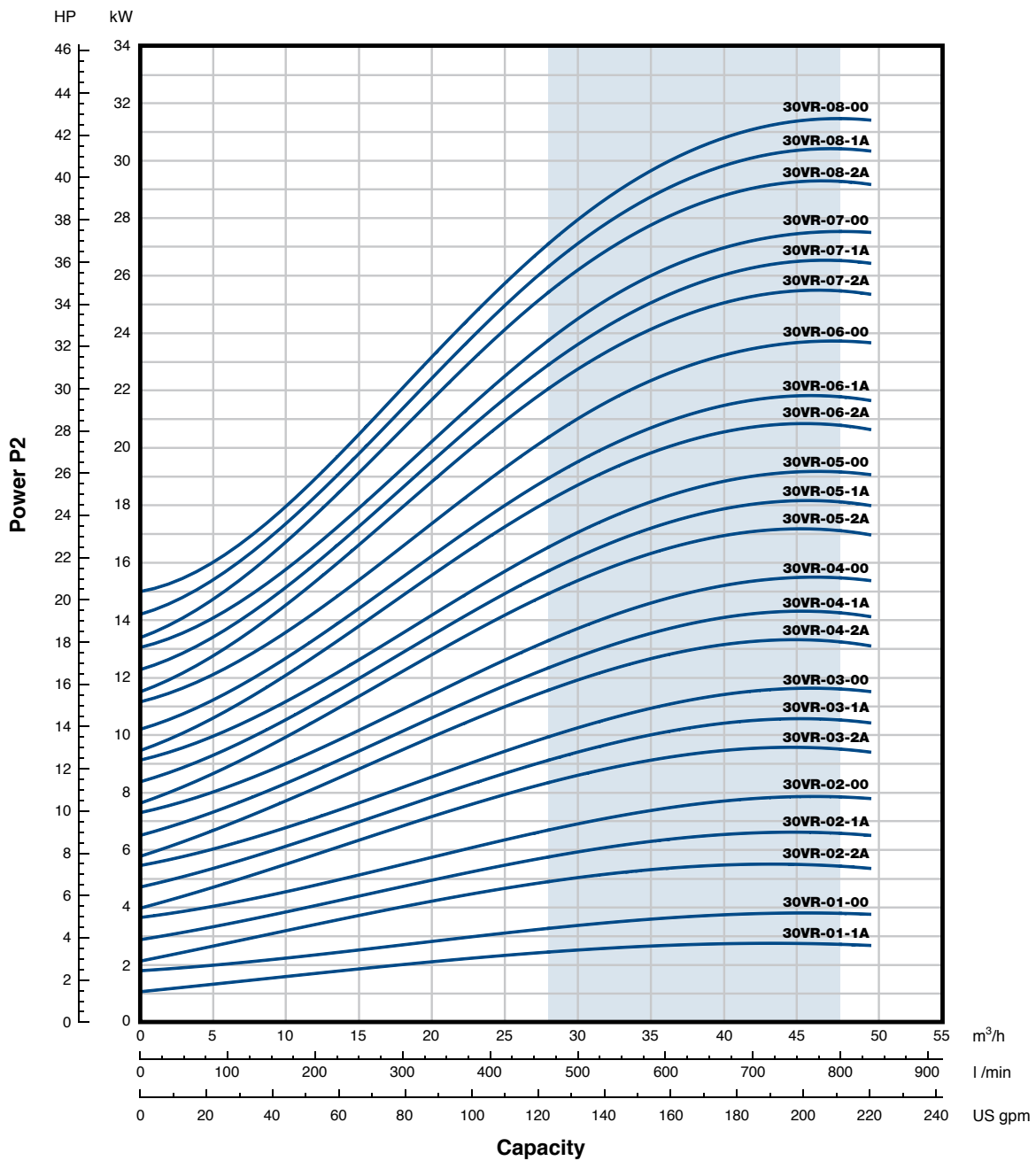
VERTICAL MULTI-STAGE PUMPS

VR SERIES - 60 HZ



POWER CURVE

30VR 60 HZ



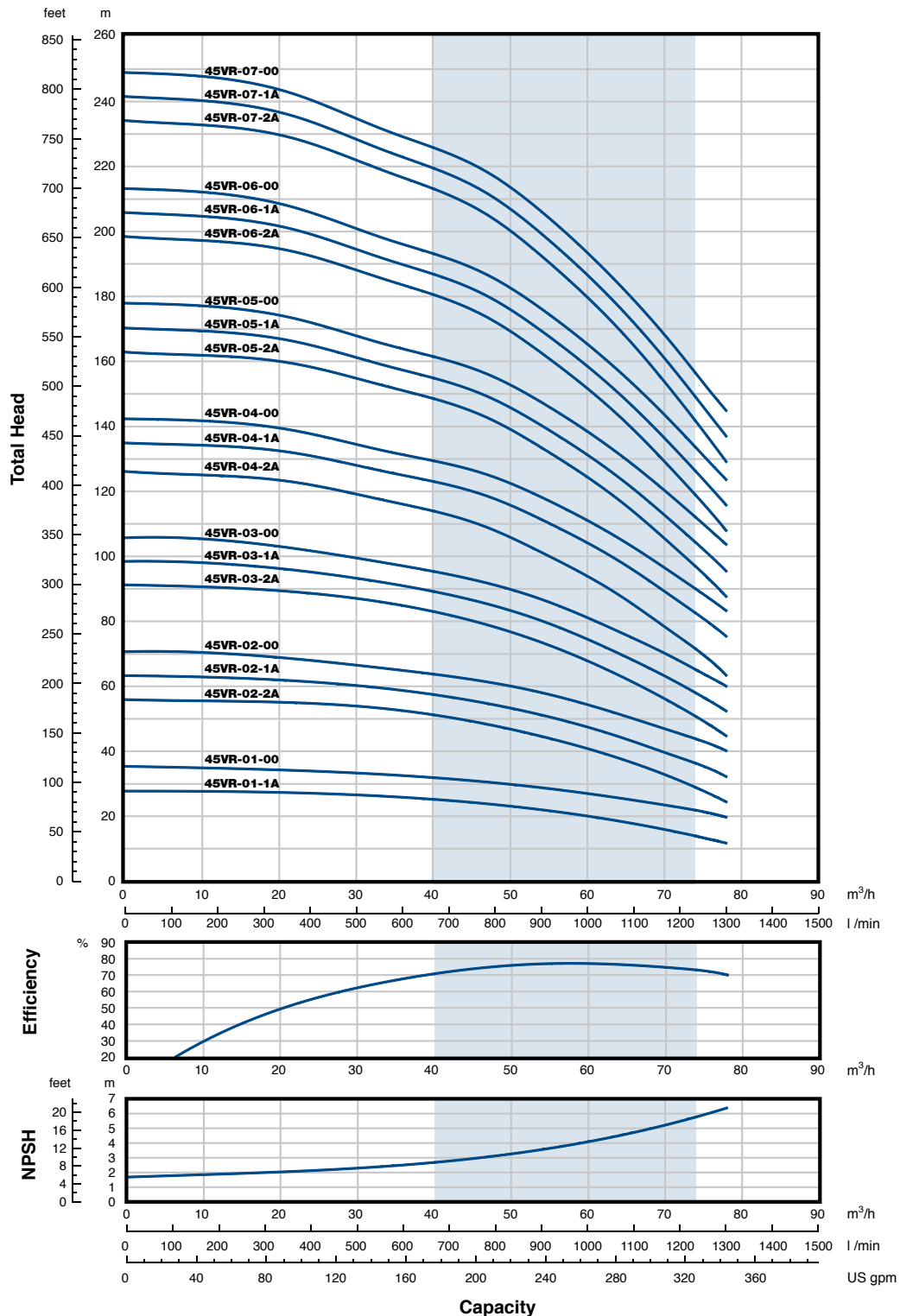
VERTICAL MULTI-STAGE PUMPS

VR SERIES - 60 HZ



PERFORMANCE CURVE

45VR 60 HZ



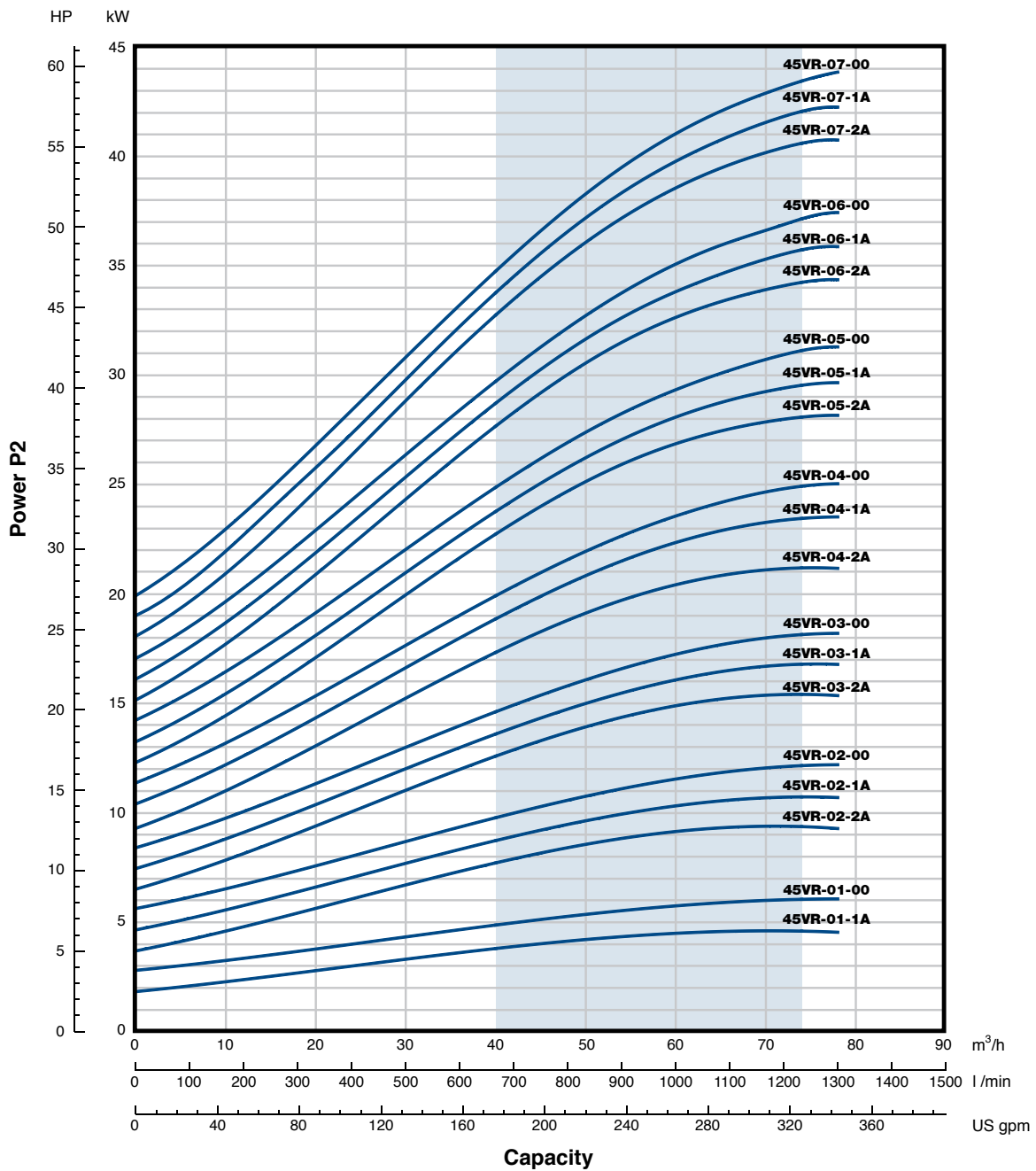
VERTICAL MULTI-STAGE PUMPS

VR SERIES - 60 HZ



POWER CURVE

45VR 60 HZ



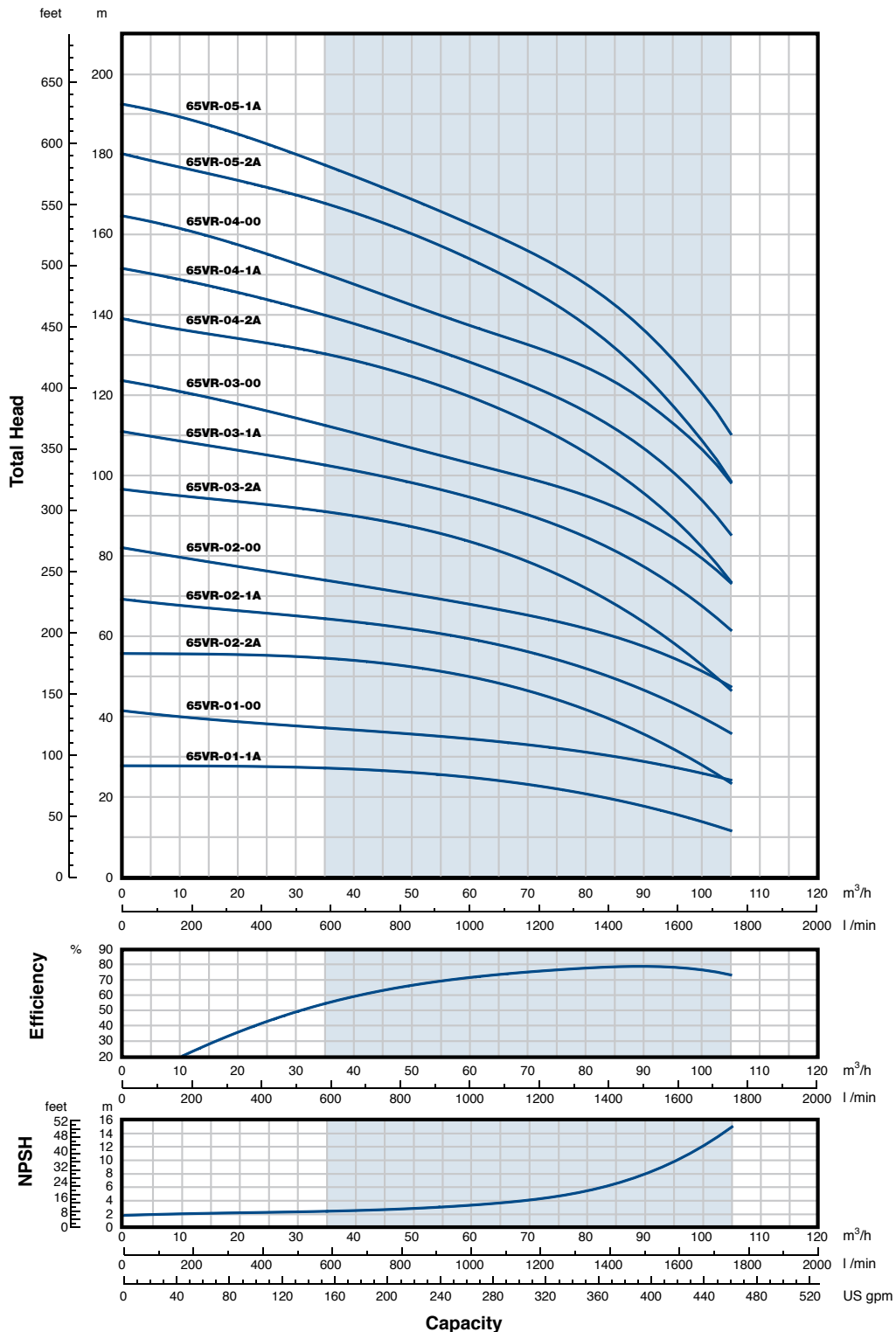
VERTICAL MULTI-STAGE PUMPS

VR SERIES - 60 HZ



PERFORMANCE CURVE

65VR 60 HZ



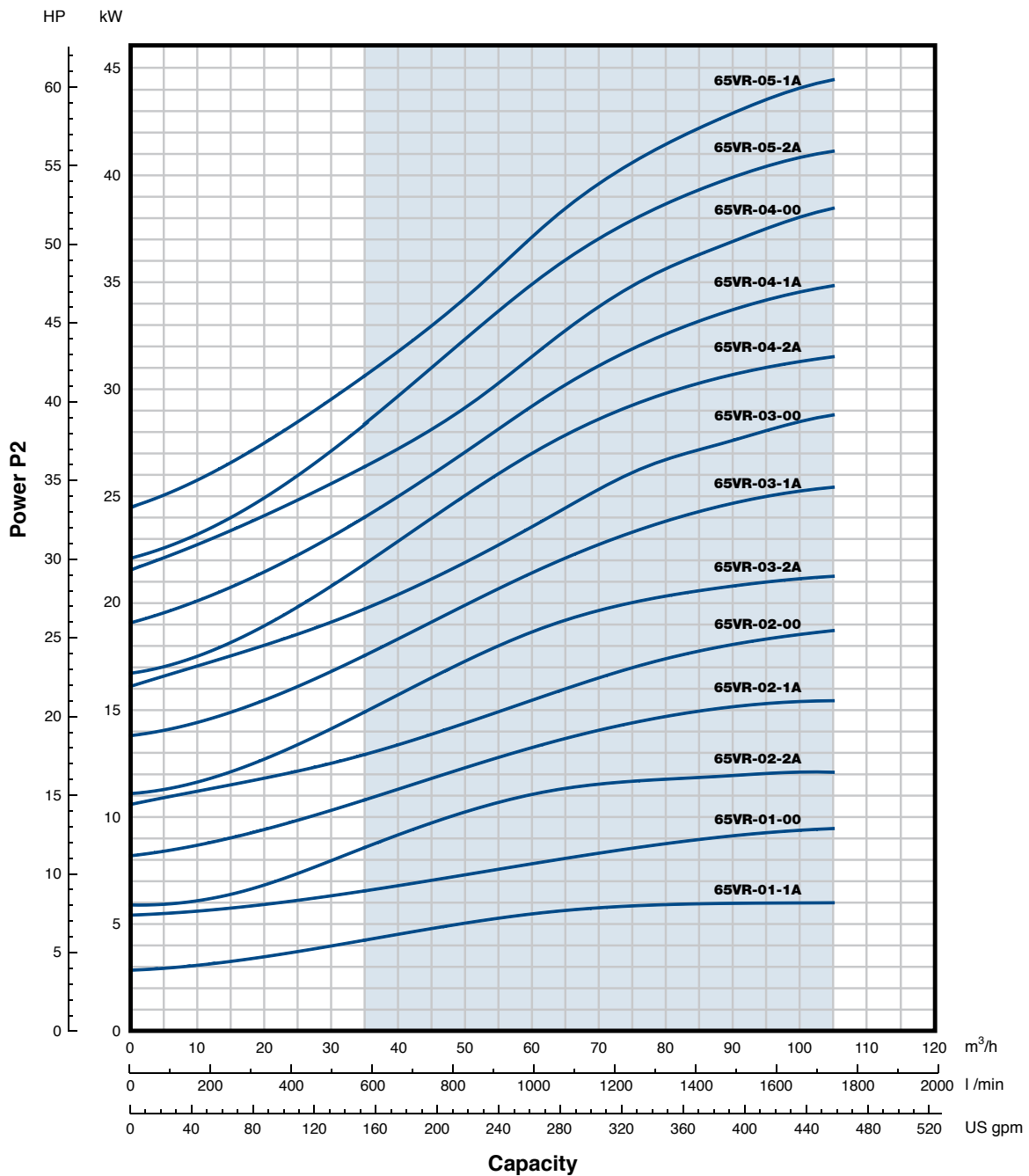
VERTICAL MULTI-STAGE PUMPS

VR SERIES - 60 HZ



POWER CURVE

65VR 60 HZ



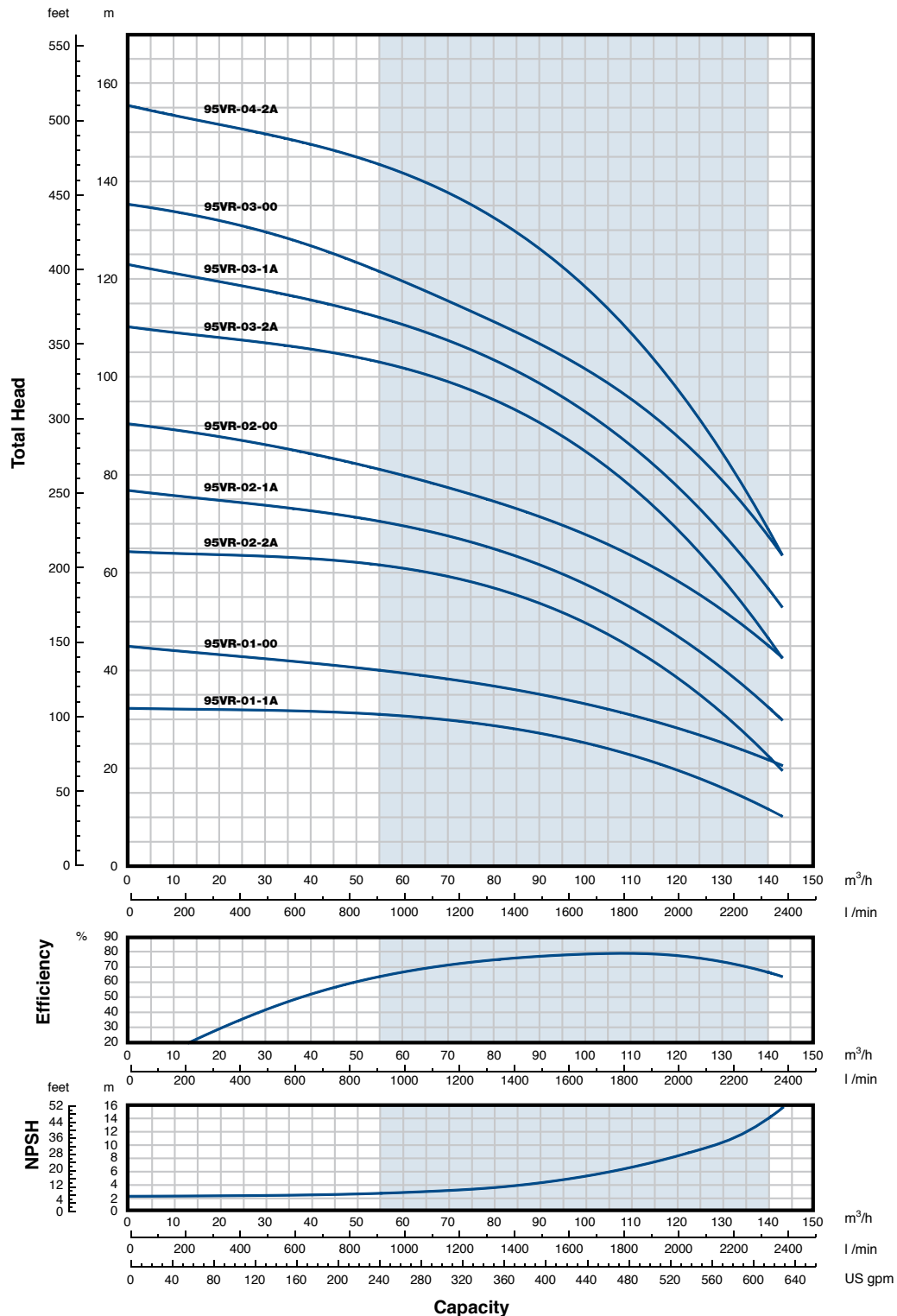
VERTICAL MULTI-STAGE PUMPS

VR SERIES - 60 HZ



PERFORMANCE CURVE

95VR 60 HZ



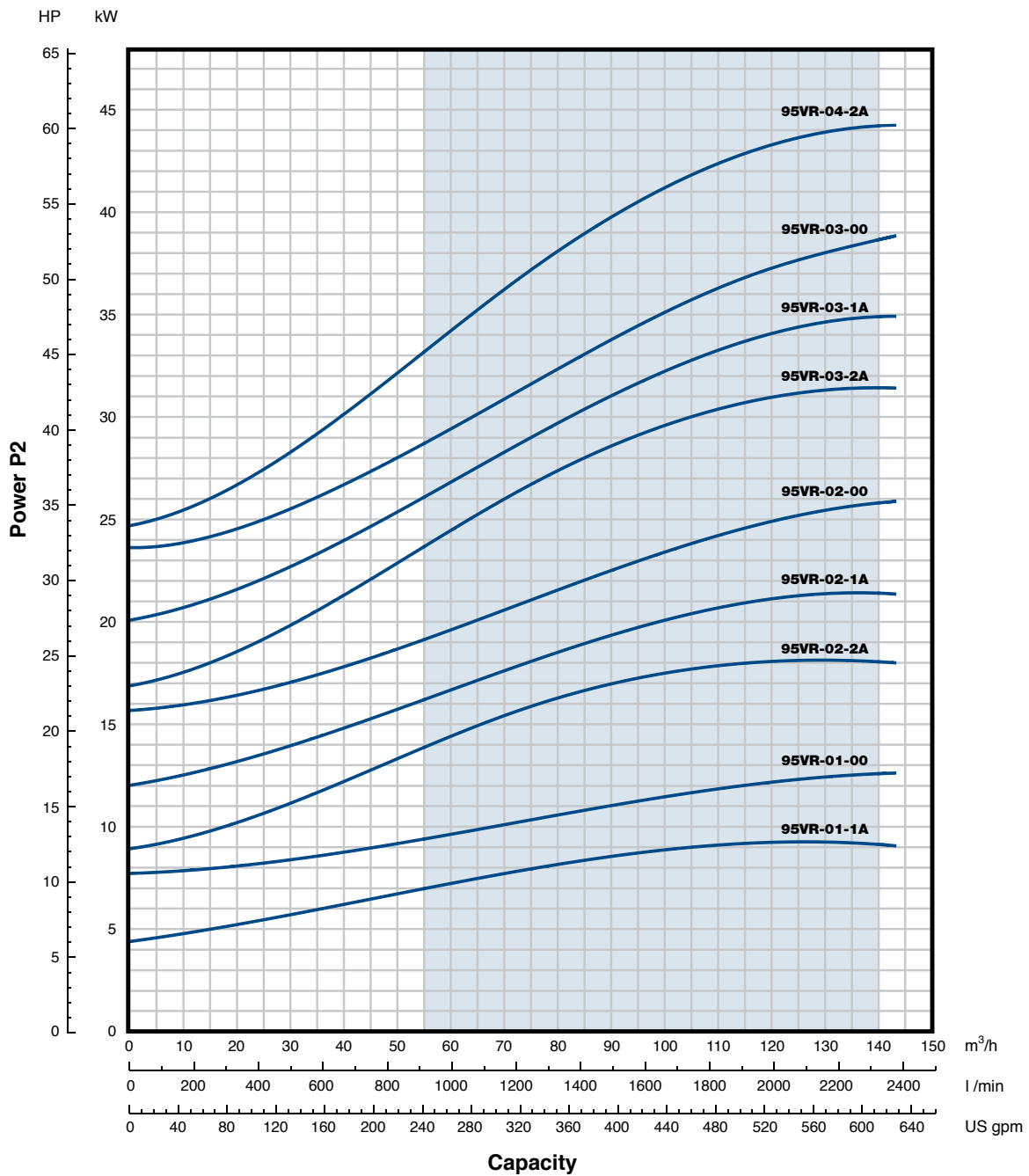
VERTICAL MULTI-STAGE PUMPS

VR SERIES - 60 HZ



POWER CURVE

95VR 60 HZ



VERTICAL MULTI-STAGE PUMPS

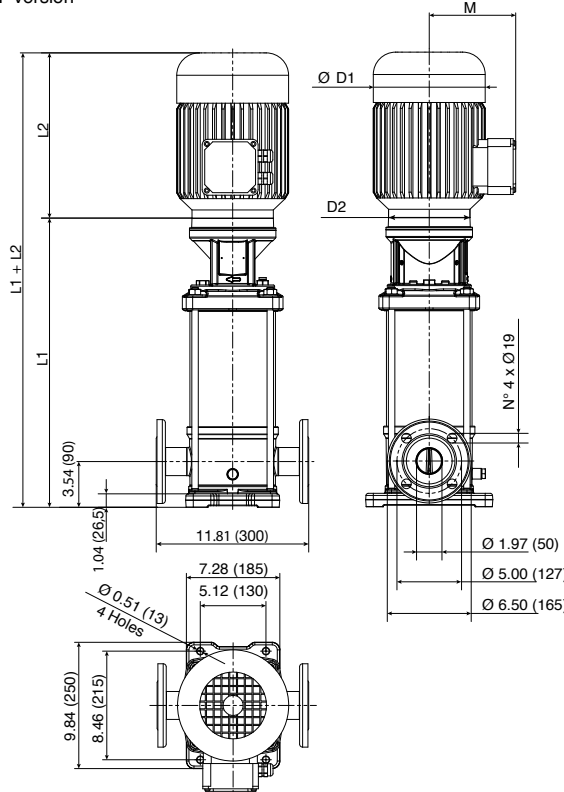
VR SERIES - 60 HZ



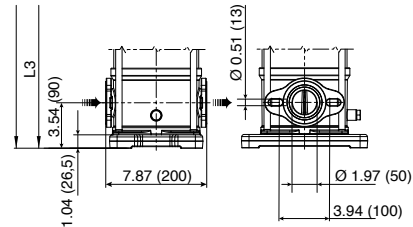
DIMENSIONS

15VR 60 HZ

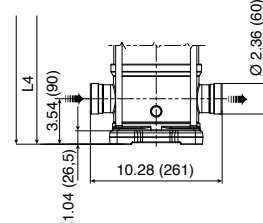
F version



T version



V version



inches (mm)

F version Round flanges on body type PN25: the pump is supplied without counterflanges (optional accessories, including bolts and joints).

V version Connections with rapid fittings type "Victaulic®": the pump is supplied without the collars (optional accessories).

T version Oval flanges on body type PN16: the pump is supplied without threaded oval counterflanges (optional accessories, including bolts and joints).

Model	Motor			Dimensions (in)											Weight (lbs)									
	Rated Power		NEMA Frame	L1	L2				L3	L4	M (max)	D1				PE	Motor				PMA			
	kW	HP			10 ODP	10 TEFC	30 ODP	30 TEFC				10 ODP	10 TEFC	30 ODP	30 TEFC		10 ODP	10 TEFC	30 ODP	30 TEFC	10 ODP	10 TEFC	30 ODP	30 TEFC
15VR01-00	1.5	2	56C	16.34	11.401	11.401	9.433	11.047	10.51	10.51	5.873	6.457	7.323	6.456	7.638	53	42	44	27	31	95	97	80	84
15VR02-00	3.7	5	182/4TC	16.73	-	14.3	12.603	15.359	11.42	11.42	6.696	-	8.74	10.079	10.079	57	-	103	53	69	-	160	110	126
15VR03-00	3.7	5	182/4TC	18.62	-	14.3	12.603	15.359	12.05	12.05	6.696	-	8.74	10.079	10.079	60	-	103	53	69	-	163	113	129
15VR04-00	5.5	7.5	213/5TC	27.87	-	-	15.124	18.628	12.91	12.91	7.973	-	-	9.846	11.306	108	-	-	103	118	-	-	211	226
15VR05-00	7.5	10	213/5TC	29.76	-	-	15.124	18.628	13.78	13.78	7.973	-	-	9.846	11.306	111	-	-	103	133	-	-	214	244
15VR06-00	7.5	10	213/5TC	32.44	-	-	15.124	18.628	16.73	16.73	7.973	-	-	9.846	11.306	120	-	-	103	133	-	-	223	253
15VR07-00	11	15	254/6TC	34.33	-	-	19.021	20.488	16.73	16.73	9.448	-	-	11.558	13.18	123	-	-	151	156	-	-	274	279
15VR08-00	11	15	254/6TC	36.22	-	-	19.021	20.488	-	16.73	9.448	-	-	11.558	13.18	127	-	-	151	156	-	-	278	283
15VR09-00	11	15	254/6TC	38.11	-	-	19.021	20.488	-	18.74	9.448	-	-	11.558	13.18	130	-	-	151	156	-	-	281	286
15VR10-00	15	20	254/6TC	40.00	-	-	18.401	21.275	-	18.74	9.448	-	-	11.558	13.18	133	-	-	151	211	-	-	284	344
15VR11-00	15	20	254/6TC	41.89	-	-	18.401	21.275	-	18.74	9.448	-	-	11.558	13.18	136	-	-	151	211	-	-	287	347
15VR12-00	15	20	254/6TC	43.78	-	-	18.401	21.275	-	21.34	9.448	-	-	11.558	13.18	139	-	-	151	211	-	-	290	350

VERTICAL MULTI-STAGE PUMPS

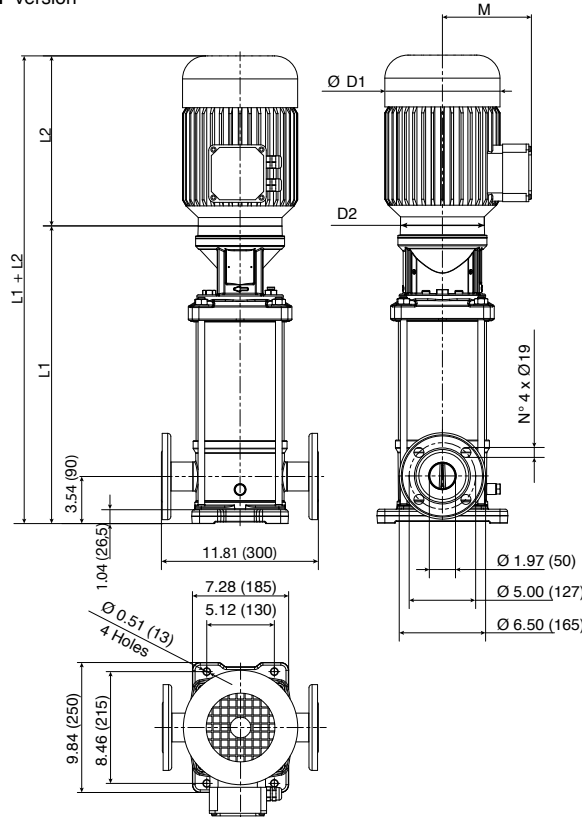
VR SERIES - 60 HZ



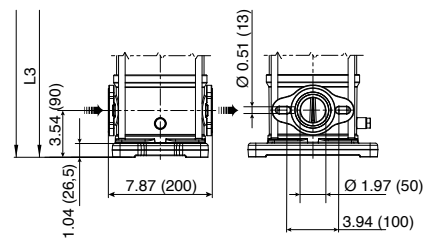
DIMENSIONS

20VR 60 HZ

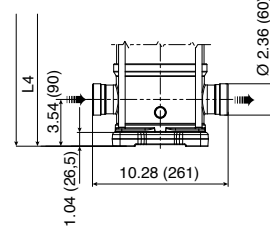
F version



T version



V version



inches (mm)

F version Round flanges on body type PN25: the pump is supplied without counterflanges (optional accessories, including bolts and joints).

V version Connections with rapid fittings type "Victaulic®": the pump is supplied without the collars (optional accessories).

T version Oval flanges on body type PN16: the pump is supplied without threaded oval counterflanges (optional accessories, including bolts and joints).

Model	Motor			Dimensions (in)											Weight (lbs)									
	Rated Power		NEMA Frame	L1	L2				L3	L4	M (max)	D1				PE	Motor				PMA			
	kW	HP			1Ø ODP	1Ø TEFC	3Ø ODP	3Ø TEFC				1Ø ODP	1Ø TEFC	3Ø ODP	3Ø TEFC		1Ø ODP	1Ø TEFC	3Ø ODP	3Ø TEFC	1Ø ODP	1Ø TEFC	3Ø ODP	3Ø TEFC
20VR01-00	1.5	2	56C	16.34	11.401	11.401	9.433	11.047	10.51	10.51	5.873	6.457	7.323	6.456	7.638	53	42	44	27	31	95	97	80	84
20VR02-00	3.7	5	182/4TC	16.73	-	14.3	12.603	15.359	12.05	12.05	6.696	-	8.74	10.079	10.079	57	-	103	53	69	-	160	110	126
20VR03-00	5.5	7.5	213/5TC	25.98	-	-	15.124	18.628	12.91	12.91	7.973	-	-	9.846	11.306	105	-	-	103	118	-	-	208	223
20VR04-00	7.5	10	213/5TC	27.87	-	-	15.124	18.628	13.78	13.78	7.973	-	-	9.846	11.306	108	-	-	103	133	-	-	211	241
20VR05-00	11	15	254/6TC	30.55	-	-	19.021	20.488	16.73	16.73	9.448	-	-	11.558	13.18	117	-	-	151	156	-	-	268	273
20VR06-00	11	15	254/6TC	32.44	-	-	19.021	20.488	16.73	16.73	9.448	-	-	11.558	13.18	120	-	-	151	156	-	-	271	276
20VR07-00	11	15	254/6TC	34.33	-	-	19.021	20.488	18.74	18.74	9.448	-	-	11.558	13.18	123	-	-	151	156	-	-	274	279
20VR08-00	15	20	254/6TC	36.22	-	-	18.401	21.275	-	18.74	9.448	-	-	11.558	13.18	127	-	-	151	211	-	-	278	338
20VR09-00	15	20	254/6TC	38.11	-	-	18.401	21.275	-	21.34	9.448	-	-	11.558	13.18	130	-	-	151	211	-	-	281	341
20VR10-00	15	20	254/6TC	40.00	-	-	18.401	21.275	-	21.34	9.448	-	-	11.558	13.18	133	-	-	151	211	-	-	284	344

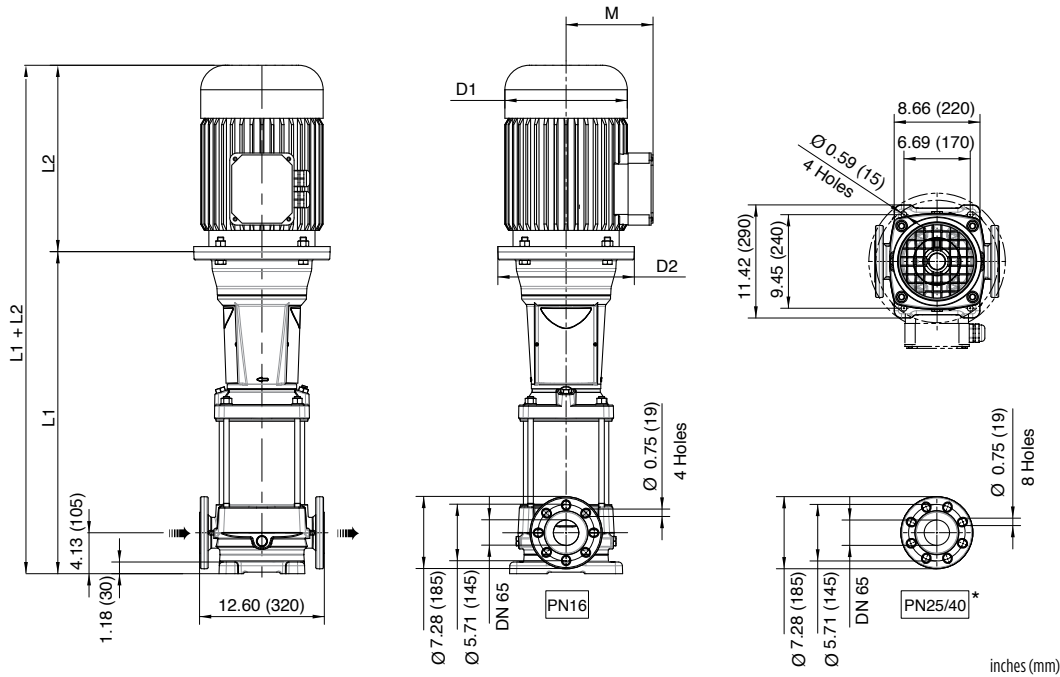
VERTICAL MULTI-STAGE PUMPS

VR SERIES - 60 HZ



DIMENSIONS

30VR 60 HZ



inches (mm)

F version The pump is supplied without counterflanges (optional accessories, including bolts and joints).

*Please note: The holes are rotated compared to PN 16.

Model	Motor			Dimensions (in)										Weight (lbs)								
	Rated Power		NEMA Frame	L1	L2				M (max)	D1				PE	Motor				PMA			
	kW	HP			1Ø ODP	1Ø TEFC	3Ø ODP	3Ø TEFC		1Ø ODP	1Ø TEFC	3Ø ODP	3Ø TEFC		1Ø ODP	1Ø TEFC	3Ø ODP	3Ø TEFC	1Ø ODP	1Ø TEFC	3Ø ODP	3Ø TEFC
30VR01-1A	3.7	5	182/4TC	17.91	-	14.3	12.603	15.359	6.696	-	8.74	10.079	10.079	117	-	103	53	69	-	-	170	186
30VR01-00	3.7	5	182/4TC	17.91	-	14.3	12.603	15.359	6.696	-	8.74	10.079	10.079	117	-	103	53	69	-	-	170	186
30VR02-2A	5.5	7.5	213/5TC	28.50	-	-	15.124	18.628	7.973	-	-	9.846	11.306	164	-	-	103	118	-	-	267	282
30VR02-1A	5.5	7.5	213/5TC	28.50	-	-	15.124	18.628	7.973	-	-	9.846	11.306	164	-	-	103	118	-	-	267	282
30VR02-00	7.5	10	213/5TC	29.29	-	-	15.124	18.628	7.973	-	-	9.846	11.306	171	-	-	103	133	-	-	274	304
30VR03-2A	11	15	254/6TC	32.52	-	-	19.021	20.488	9.448	-	-	11.558	13.18	180	-	-	151	156	-	-	331	336
30VR03-1A	11	15	254/6TC	32.52	-	-	19.021	20.488	9.448	-	-	11.558	13.18	180	-	-	151	156	-	-	331	336
30VR03-00	11	15	254/6TC	32.52	-	-	19.021	20.488	9.448	-	-	11.558	13.18	180	-	-	151	156	-	-	331	336
30VR04-2A	15	20	254/6TC	35.75	-	-	18.401	21.275	9.448	-	-	11.558	13.18	188	-	-	151	211	-	-	339	399
30VR04-1A	15	20	254/6TC	35.75	-	-	18.401	21.275	9.448	-	-	11.558	13.18	188	-	-	151	211	-	-	339	399
30VR04-00	15	20	254/6TC	35.75	-	-	18.401	21.275	9.448	-	-	11.558	13.18	188	-	-	151	211	-	-	339	399
30VR05-2A	15	20	254/6TC	38.98	-	-	18.401	21.275	9.448	-	-	11.558	13.18	197	-	-	151	211	-	-	348	4408
30VR05-1A	18.5	25	284/6TSC	38.98	-	-	21.073	23.307	11.073	-	-	13.7	14.173	197	-	-	298	362	-	-	495	559
30VR05-00	18.5	25	284/6TSC	38.98	-	-	21.073	23.307	11.073	-	-	13.7	14.173	197	-	-	298	362	-	-	495	559
30VR06-2A	18.5	25	284/6TSC	42.20	-	-	21.073	23.307	11.073	-	-	13.7	14.173	206	-	-	299	392	-	-	504	568
30VR06-1A	22	30	284/6TSC	42.20	-	-	18.75	23.307	11.073	-	-	13.7	14.173	206	-	-	299	392	-	-	505	598
30VR06-00	22	30	284/6TSC	42.20	-	-	18.75	23.307	11.073	-	-	13.7	14.173	213	-	-	299	392	-	-	512	605
30VR07-2A	22	30	284/6TSC	45.63	-	-	18.75	23.307	11.073	-	-	13.7	14.173	222	-	-	299	392	-	-	521	614
30VR07-1A	30	40	324/TSC	45.63	-	-	23.651	25.866	12.575	-	-	15.118	15.827	222	-	-	531	547	-	-	753	769
30VR07-00	30	40	324/TSC	45.63	-	-	23.651	25.866	12.575	-	-	15.118	15.827	222	-	-	531	547	-	-	753	769
30VR08-2A	30	40	324/TSC	48.86	-	-	23.651	25.866	12.575	-	-	15.118	15.827	230	-	-	531	547	-	-	761	777
30VR08-1A	30	40	324/TSC	48.86	-	-	23.651	25.866	12.575	-	-	15.118	15.827	230	-	-	531	547	-	-	761	777
30VR08-00	30	40	324/TSC	48.86	-	-	23.651	25.866	12.575	-	-	15.118	15.827	230	-	-	531	547	-	-	761	777

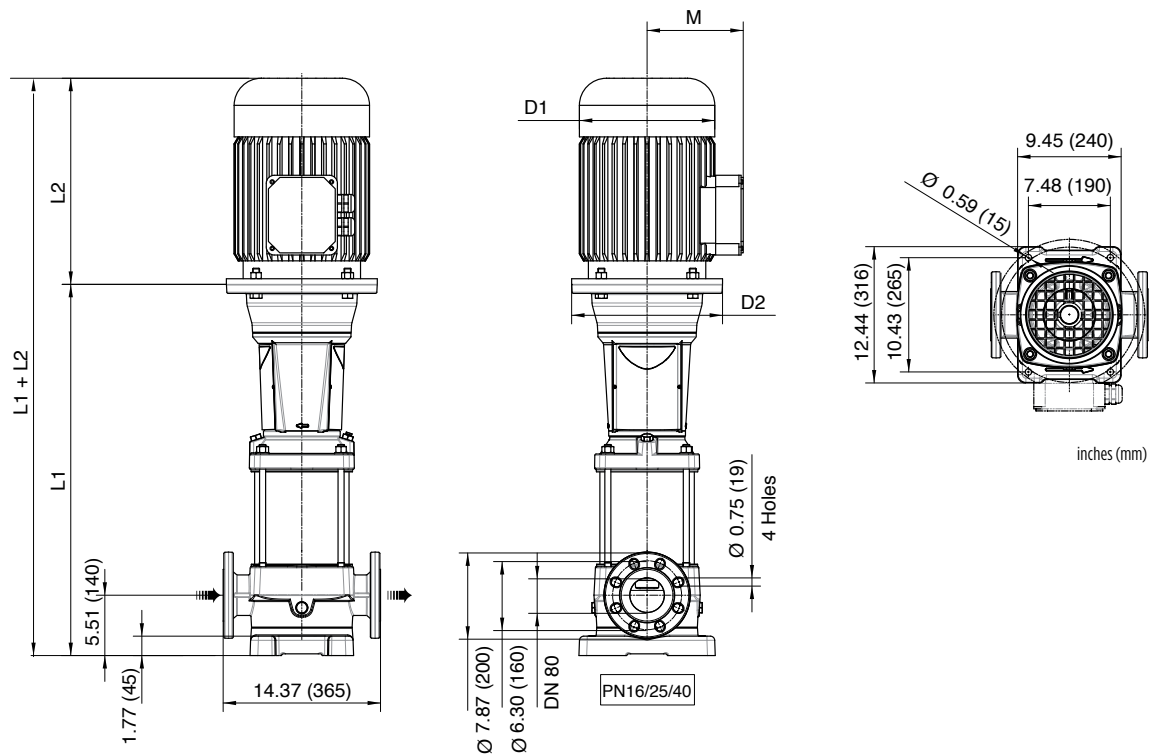
VERTICAL MULTI-STAGE PUMPS

VR SERIES - 60 HZ



DIMENSIONS

45VR 60 HZ



F version The pump is supplied without counterflanges (optional accessories, including bolts and joints).

Model	Motor			Dimensions (in)											Weight (lbs)							
	Rated Power		NEMA Frame	L1	L2				M (max)	D1				PE	Motor				PMA			
	kW	HP			1Ø ODP	1Ø TEFC	3Ø ODP	3Ø TEFC		1Ø ODP	1Ø TEFC	3Ø ODP	3Ø TEFC		1Ø ODP	1Ø TEFC	3Ø ODP	3Ø TEFC	1Ø ODP	1Ø TEFC	3Ø ODP	3Ø TEFC
45VR01-1A	5.5	7.5	213/5TC	26.65	-	-	15.124	18.628	7.973	-	-	9.846	11.306	169	-	-	103	118	-	-	272	287
45VR01-00	5.5	7.5	213/5TC	26.65	-	-	15.124	18.628	7.973	-	-	9.846	11.306	169	-	-	103	118	-	-	272	287
45VR02-2A	11	15	254/6TC	30.67	-	-	19.021	20.488	9.448	-	-	11.558	13.18	184	-	-	151	156	-	-	335	340
45VR02-1A	11	15	254/6TC	30.67	-	-	19.021	20.488	9.448	-	-	11.558	13.18	184	-	-	151	156	-	-	335	340
45VR02-00	11	15	254/6TC	30.67	-	-	19.021	20.488	9.448	-	-	11.558	13.18	184	-	-	151	156	-	-	335	340
45VR03-2A	15	20	254/6TC	33.90	-	-	18.401	21.275	9.448	-	-	11.558	13.18	193	-	-	151	211	-	-	344	404
45VR03-1A	15	20	254/6TC	33.90	-	-	18.401	21.275	9.448	-	-	11.558	13.18	193	-	-	151	211	-	-	344	404
45VR03-00	18.5	25	284/6TSC	33.90	-	-	21.073	23.307	11.073	-	-	13.7	14.173	193	-	-	298	362	-	-	491	555
45VR04-2A	22	30	284/6TSC	37.13	-	-	18.75	23.307	11.073	-	-	13.7	14.173	201	-	-	299	392	-	-	500	593
45VR04-1A	22	30	284/6TSC	37.32	-	-	18.75	23.307	11.073	-	-	13.7	14.173	207	-	-	299	392	-	-	506	599
45VR04-00	30	40	324TSC	37.32	-	-	23.651	25.866	12.575	-	-	15.118	15.827	207	-	-	531	547	-	-	738	754
45VR05-2A	30	40	324TSC	40.55	-	-	23.651	25.866	12.575	-	-	15.118	15.827	216	-	-	531	547	-	-	747	763
45VR05-1A	30	40	324TSC	40.55	-	-	23.651	25.866	12.575	-	-	15.118	15.827	216	-	-	531	547	-	-	747	763
45VR05-00	30	40	324TSC	40.55	-	-	23.651	25.866	12.575	-	-	15.118	15.827	216	-	-	531	547	-	-	747	763
45VR06-2A	30	40	324TSC	43.78	-	-	23.651	25.866	12.575	-	-	15.118	15.827	225	-	-	531	547	-	-	756	772
45VR06-1A	37	50	324/6TSC	43.78	-	-	20.935	25.866	12.575	-	-	15.118	15.827	225	-	-	532	584	-	-	757	809
45VR06-00	37	50	324/6TSC	43.78	-	-	20.935	25.866	12.575	-	-	15.118	15.827	225	-	-	532	584	-	-	757	809
45VR07-2A	37	50	324/6TSC	47.01	-	-	20.935	25.866	12.575	-	-	15.118	15.827	240	-	-	532	584	-	-	772	824
45VR07-1A	37	50	324/6TSC	47.01	-	-	20.935	25.866	12.575	-	-	15.118	15.827	240	-	-	532	584	-	-	772	824
45VR07-00	45	60	324/6TSC	47.01	-	-	27.077	28.526	16.016	-	-	17.874	17.914	240	-	-	527	825	-	-	767	1065

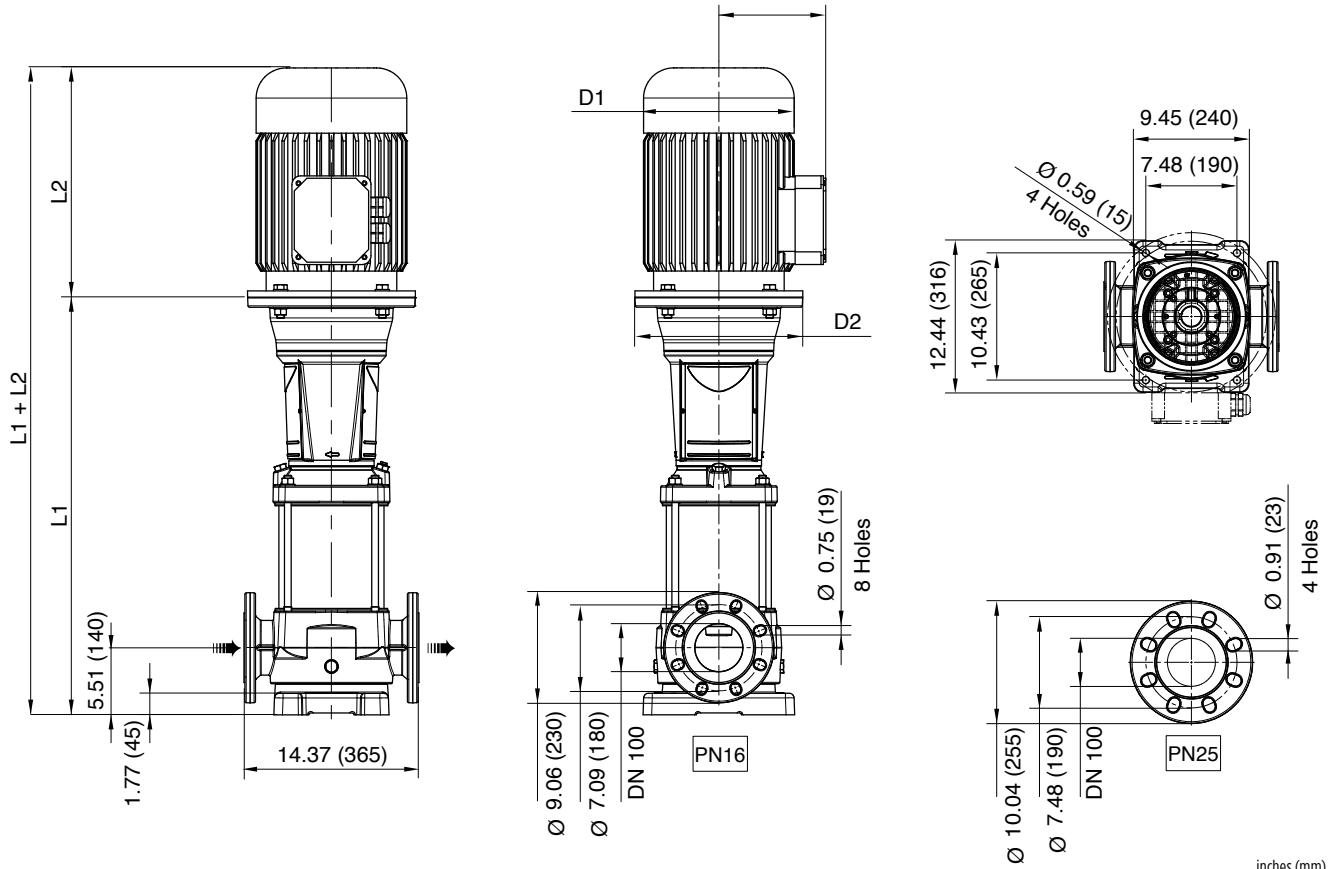
VERTICAL MULTI-STAGE PUMPS

VR SERIES - 60 HZ



DIMENSIONS

65VR 60 HZ



F version The pump is supplied without counterflanges (optional accessories, including bolts and joints).

inches (mm)

Model	Motor			Dimensions (in)											Weight (lbs)							
	Rated Power		NEMA Frame	L1	L2				M (max)	D1				PE	Motor				PMA			
	kW	HP			1Ø ODP	1Ø TEFC	3Ø ODP	3Ø TEFC		1Ø ODP	1Ø TEFC	3Ø ODP	3Ø TEFC		1Ø ODP	1Ø TEFC	3Ø ODP	3Ø TEFC	1Ø ODP	1Ø TEFC	3Ø ODP	3Ø TEFC
65VR01-1A	5.5	7.5	213/5TC	29.02	-	-	15.124	18.628	7.973	-	-	9.846	11.306	179	-	-	103	118	-	-	282	297
65VR01-00	11	15	254/6TC	29.81	-	-	19.021	20.488	9.448	-	-	11.558	13.18	185	-	-	151	156	-	-	336	341
65VR02-2A	11	15	254/6TC	33.43	-	-	19.021	20.488	9.448	-	-	11.558	13.18	195	-	-	151	156	-	-	346	351
65VR02-1A	15	20	254/6TC	33.43	-	-	18.401	21.275	9.448	-	-	11.558	13.18	195	-	-	151	211	-	-	346	406
65VR02-00	18.5	25	284/6TSC	33.43	-	-	21.073	23.307	11.073	-	-	13.7	14.173	196	-	-	298	362	-	-	494	558
65VR03-2A	18.5	25	284/6TSC	37.06	-	-	21.073	23.307	11.073	-	-	13.7	14.173	206	-	-	298	362	-	-	504	568
65VR03-1A	22	30	284/6TSC	37.26	-	-	18.75	23.307	11.073	-	-	13.7	14.173	213	-	-	299	392	-	-	512	605
65VR03-00	30	40	324TSC	37.26	-	-	23.651	25.866	12.575	-	-	15.118	15.827	213	-	-	531	547	-	-	744	760
65VR04-2A	30	40	324TSC	40.88	-	-	23.651	25.866	12.575	-	-	15.118	15.827	223	-	-	531	547	-	-	754	770
65VR04-1A	37	50	324/6TSC	40.88	-	-	20.953	25.866	12.575	-	-	15.118	15.827	223	-	-	532	584	-	-	755	807
65VR04-00	37	50	324/6TSC	40.88	-	-	20.953	25.866	12.575	-	-	15.118	15.827	229	-	-	532	584	-	-	761	813
65VR05-2A	37	50	324/6TSC	44.51	-	-	20.953	25.866	12.575	-	-	15.118	15.827	239	-	-	532	584	-	-	771	823
65VR05-1A	45	60	364/5TSC	44.51	-	-	27.077	28.526	16.016	-	-	17.874	17.914	239	-	-	527	825	-	-	766	1064

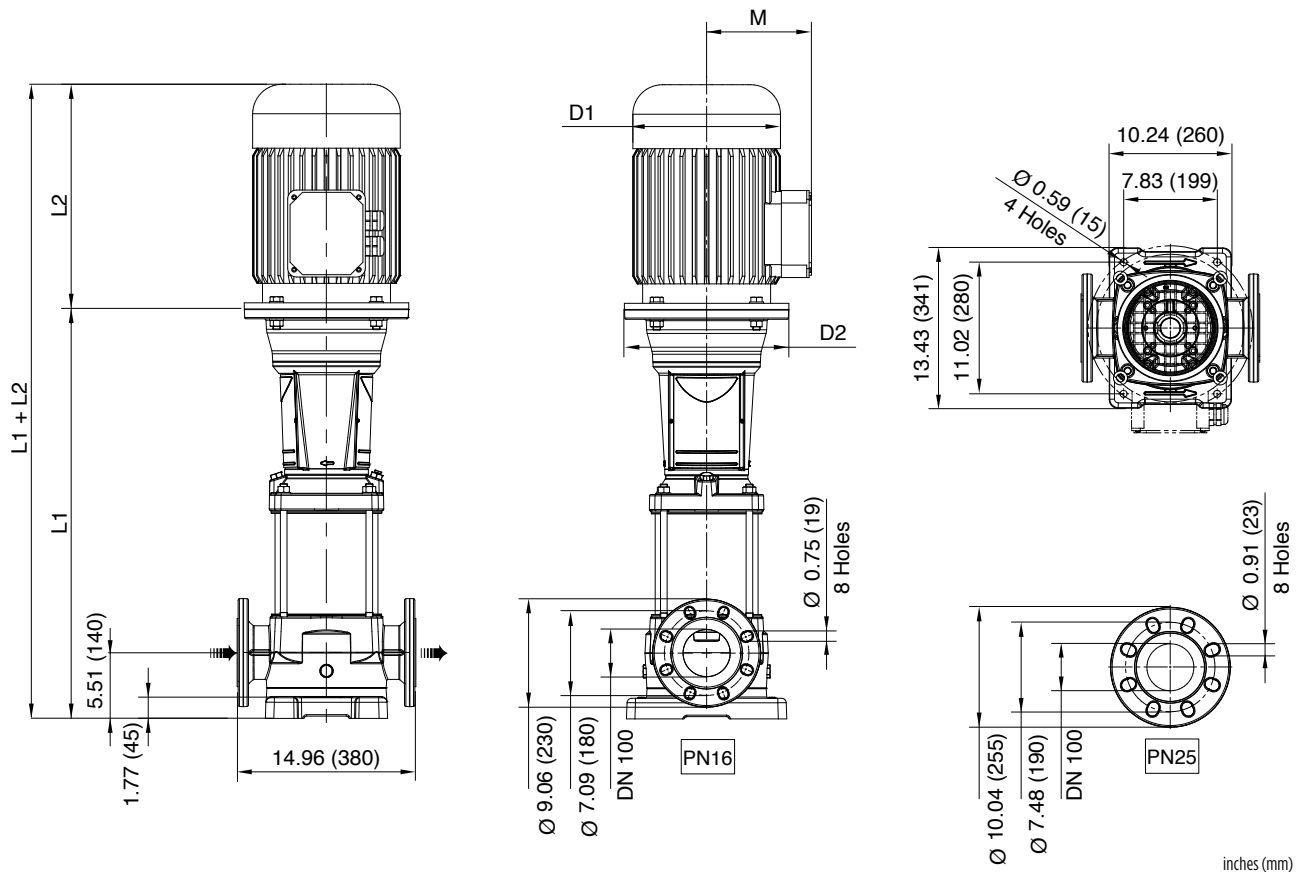
VERTICAL MULTI-STAGE PUMPS

VR SERIES - 60 HZ



DIMENSIONS

95VR 60 HZ



inches (mm)

F version The pump is supplied without counterflanges (optional accessories, including bolts and joints).

Model	Motor			Dimensions (in)										Weight (lbs)								
	Rated Power		NEMA Frame	L1	L2				M (max)	D1				PE	Motor				PMA			
	kW	HP			1Ø ODP	1Ø TEFC	3Ø ODP	3Ø TEFC		1Ø ODP	1Ø TEFC	3Ø ODP	3Ø TEFC		1Ø ODP	1Ø TEFC	3Ø ODP	3Ø TEFC	1Ø ODP	1Ø TEFC	3Ø ODP	3Ø TEFC
95VR01-1A	11	15	213/5TC	29.02	-	-	19.021	20.488	9.448	-	-	11.558	13.18	182	-	-	151	156	-	-	333	338
95VR01-00	15	20	254/6TC	29.81	-	-	18.401	21.275	9.448	-	-	11.558	13.18	188	-	-	151	211	-	-	339	399
95VR02-2A	18.5	25	254/6TC	33.43	-	-	21.073	23.307	11.073	-	-	13.7	14.173	196	-	-	298	362	-	-	494	558
95VR02-1A	22	30	254/6TC	33.43	-	-	18.75	23.307	11.073	-	-	13.7	14.173	197	-	-	299	392	-	-	496	589
95VR02-00	22	30	284/6TSC	33.63	-	-	18.75	23.307	11.073	-	-	13.7	14.173	204	-	-	299	392	-	-	503	596
95VR03-2A	30	40	284/6TSC	37.26	-	-	23.651	25.866	12.575	-	-	15.118	15.827	213	-	-	531	547	-	-	744	760
95VR03-1A	37	50	284/6TSC	37.26	-	-	20.935	25.866	12.575	-	-	15.118	15.827	213	-	-	532	584	-	-	745	797
95VR03-00	37	50	324TSC	37.26	-	-	20.935	25.866	12.575	-	-	15.118	15.827	219	-	-	532	584	-	-	751	803
95VR04-2A	45	60	324TSC	40.88	-	-	27.077	28.526	16.016	-	-	17.874	17.914	227	-	-	527	825	-	-	754	1052

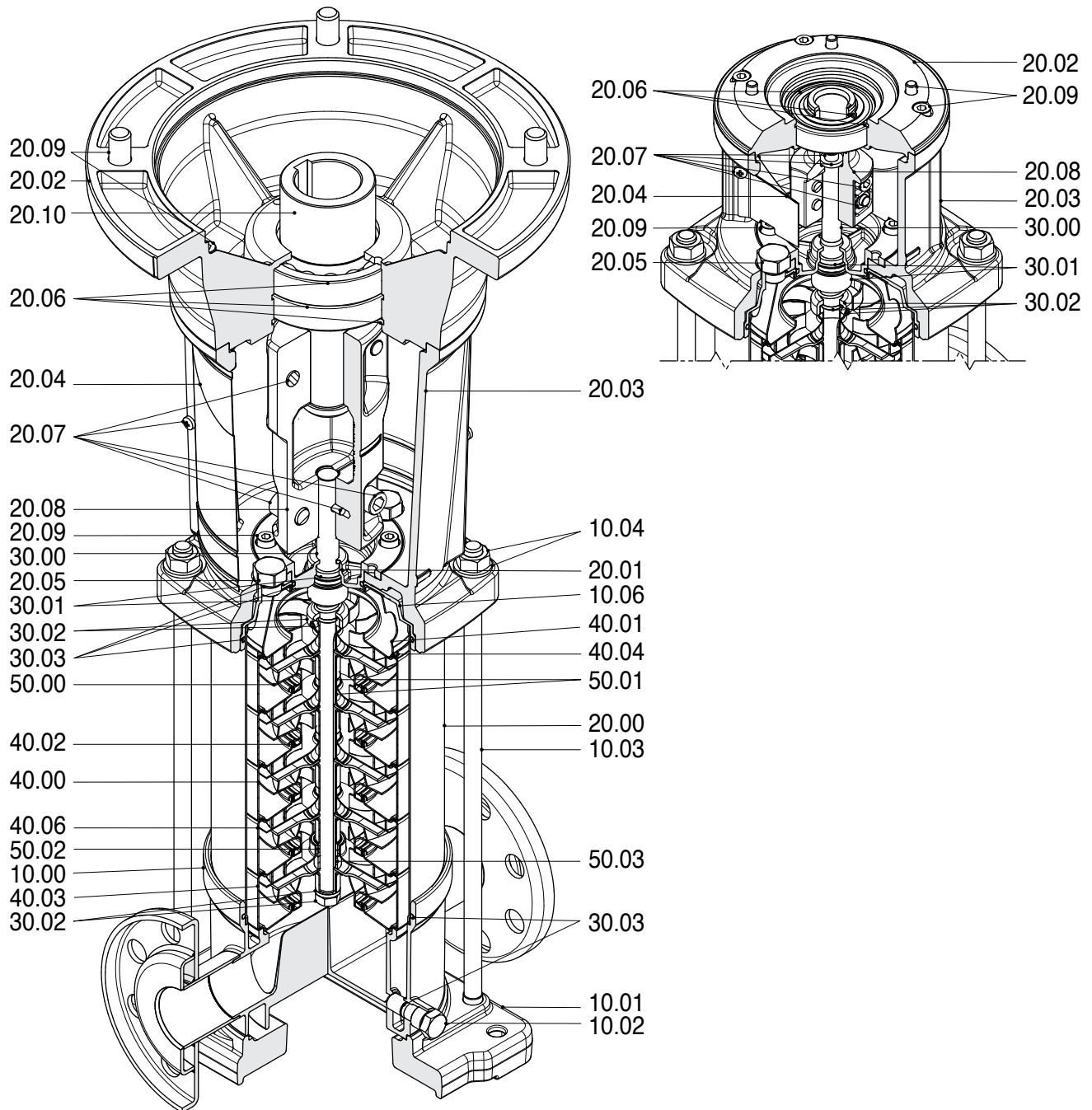
VERTICAL MULTI-STAGE PUMPS

VR SERIES - 60 HZ



PUMP SECTION VIEW

15-20VR 60 HZ



VERTICAL MULTI-STAGE PUMPS

VR SERIES - 60 HZ



MATERIALS OF CONSTRUCTION

15-20VR 60 HZ

Ref. No.	Parts Description	Type	Material			
			G - Standard Version		N - 316SS Version	
			ASTM/AISI	DIN/EN	ASTM/AISI	DIN/EN
10.00	Pump casing	Stainless Steel	-	-	CF 8M / AISI 316	1.4408
10.02	Draining and priming cap	Stainless Steel	-	-	AISI 316	1.4401
10.06	Upper flange	Stainless Steel	-	-	CF 8M / AISI 316	1.4408
20.00	Outer case	Stainless Steel	-	-	AISI 316	1.4401
20.01	Mechanical seal housing	Stainless Steel	-	-	CF 8M / AISI 316	1.4408 / 1.4401
20.05	Filling plugs	Stainless Steel	-	-	AISI 316	1.4401
30.00	Pump shaft	Stainless Steel	-	-	AISI 316	1.4401
30.01	Kit mechanical seal	Silicon Carbide SiC, Carbon Graphite, EPDM, Stainless Steel	-	-	-	-
30.02	Kit mechanical seal fastening kit	Stainless Steel	-	-	AISI 316	1.4401
30.03	Kit O-ring	EPDM	-	-	-	-
40.00	Stage housing and diffuser	Stainless Steel	-	-	AISI 316	1.4401
40.01	Stage centering outlet	Stainless Steel	-	-	AISI 316	1.4401
40.02	Floating neck ring	PTFE/PPS	-	-	-	-
40.03	Initial stage housing	Stainless Steel	-	-	AISI 316	1.4401
40.04	Last stage with diffuser	Stainless Steel	-	-	AISI 316	1.4401
40.06	Stage housing and diffuser w/ bearing	Stainless Steel, Tungsten Carbide WC	-	-	AISI 316	1.4401
50.00	Impeller	Stainless Steel	-	-	AISI 316	1.4401
50.01	Impeller spacer	Stainless Steel	-	-	AISI 316	1.4401
50.02	Intermediary sleeve	Tungsten Carbide WC	-	-	-	-
50.03	Intermediary sleeve spacer	Stainless Steel	-	-	AISI 316	1.4401

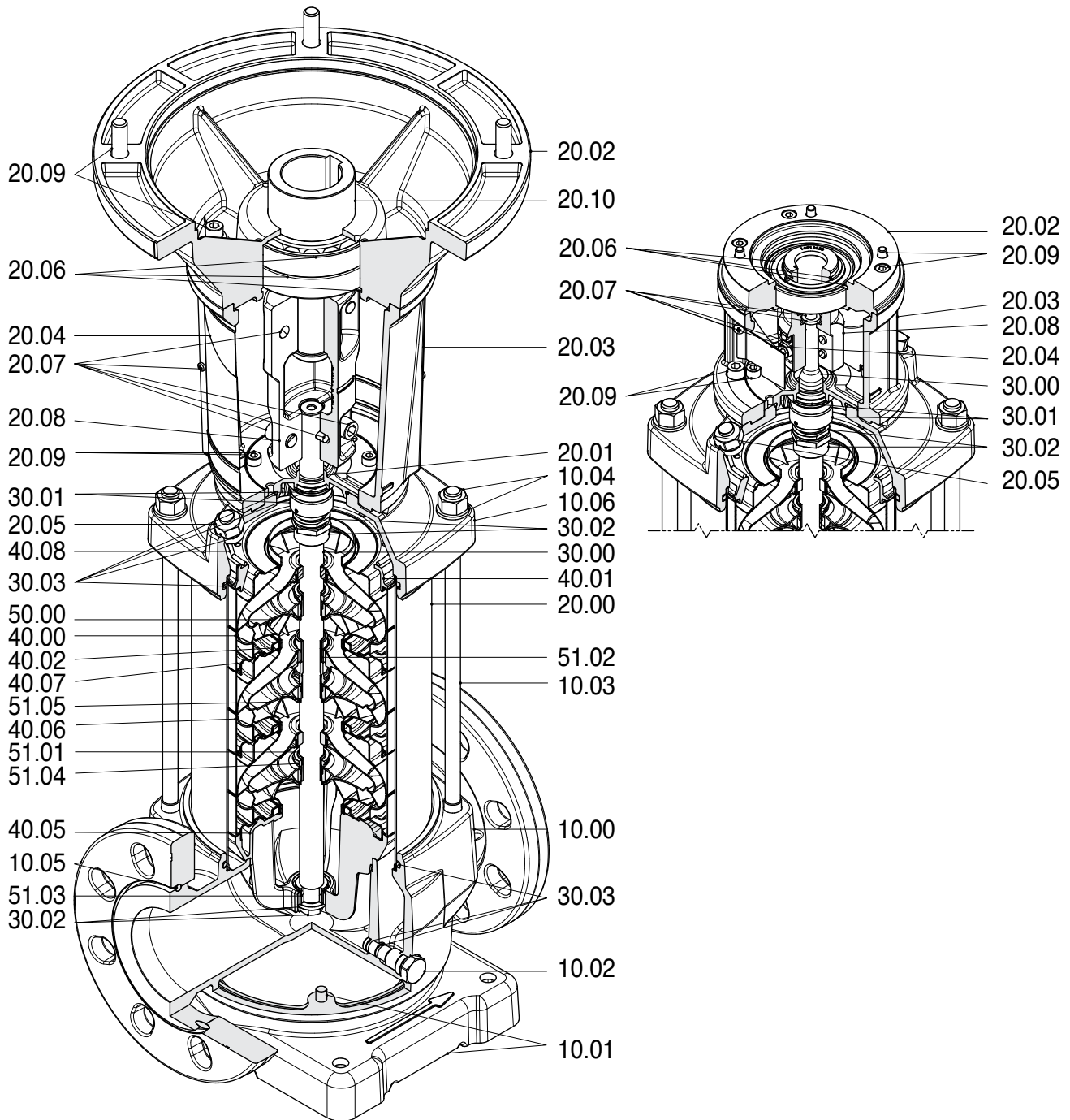
VERTICAL MULTI-STAGE PUMPS

VR SERIES - 60 HZ



PUMP SECTION VIEW

30-45-65-95VR 60 HZ



VERTICAL MULTI-STAGE PUMPS

VR SERIES - 60 HZ



MATERIALS OF CONSTRUCTION

30-45-65-95VR 60 HZ

Ref. No.	Parts Description	Type	Material			
			G - Standard Version		N - 316SS Version	
			ASTM/AISI	DIN/EN	ASTM/AISI	DIN/EN
10.00	Pump casing	Stainless Steel / Cast Iron	A48 - C35	GG 25	CF 8M / AISI 316	1.4408
10.02	Draining and priming cap	Stainless Steel	-	-	AISI 316	1.4401
10.06	Upper flange	Stainless Steel / Cast Iron	A48 - C35	GG 25	CF 8M / AISI 316	1.4408
20.00	Outer case	Stainless Steel	-	-	AISI 316	1.4401
20.01	Mechanical seal housing	Stainless Steel	-	-	CF 8M / AISI 316	1.4408 / 1.4401
20.05	Filling plugs	Stainless Steel	-	-	AISI 316	1.4401
30.00	Pump shaft	Stainless Steel	-	-	AISI 316	1.4401
30.01	Kit mechanical seal	Silicon Carbide SiC, Carbon Graphite, EPDM, Stainless Steel	-	-	-	-
30.02	Kit mechanical seal fastening kit	Stainless Steel	-	-	AISI 316	1.4401
30.03	Kit O-ring	EPDM	-	-	-	-
40.00	Stage housing and diffuser	Stainless Steel	-	-	AISI 316	1.4401
40.01	Stage centering outlet	Stainless Steel	-	-	AISI 316	1.4401
40.02	Floating neck ring	PTFE/PPS	-	-	-	-
40.03	Initial stage housing	Stainless Steel	-	-	AISI 316	1.4401
40.04	Last stage with diffuser	Stainless Steel	-	-	AISI 316	1.4401
40.06	Stage housing and diffuser w/ bearing	Stainless Steel, Tungsten Carbide WC	-	-	AISI 316	1.4401
50.00	Impeller	Stainless Steel	-	-	AISI 316	1.4401
50.01	Impeller spacer	Stainless Steel	-	-	AISI 316	1.4401
50.02	Intermediary sleeve	Tungsten Carbide WC	-	-	-	-
50.03	Intermediary sleeve spacer	Stainless Steel	-	-	AISI 316	1.4401

VERTICAL MULTI-STAGE PUMPS

VR SERIES - 60 HZ



BUILD THE PUMP END

Choose one (1) value from each column

Nominal Flow

Pump Series

Stages

Trim Type

Product Material

Connection Type

Seal Type

Motor Flange

Pump/Motor
Combination

15

VR

04

00

N

T

3

A

-

H

Note: See Page 28 for motor configuration details

VR PUMP END ORDER INFORMATION

15-20-30VR 60 HZ

Pump Hydraulics				Reference Only		Available Pump Features				Pump and Motor Combination		
Nominal Flow	Pump Series	Stages	Trim Type	HP	kW	Product Material	Connection Type	Seal Type	Motor Flange	Liquid End Only	Motor Rating	
15	VR	01	00	2	1.5	N - 316SS	F - Round Flange T - Oval Flange V - Victaulic®	1 - Carbon/SiC EPDM 2 - SiC/SiC EPDM 3 - SiC/SiC FKM 4 - Carbon/SiC FKM	A - NEMA	PE - Pump End	OR	E
		02		5	3.7							G
		03		5	3.7							G
		04		7.5	5.5							H
		05		10	7.5							J
		06		10	7.5							J
		07		15	11							K
15	VR	08	00	15	11	N - 316SS	F - Round Flange V - Victaulic®	1 - Carbon/SiC EPDM 2 - SiC/SiC EPDM 3 - SiC/SiC FKM 4 - Carbon/SiC FKM	A - NEMA	PE - Pump End	OR	K
		09		15	11							K
		10		20	15							L
		11		20	15							L
		12		20	15							L
20	VR	01	00	2	1.5	N - 316SS	F - Round Flange T - Oval Flange V - Victaulic®	1 - Carbon/SiC EPDM 2 - SiC/SiC EPDM 3 - SiC/SiC FKM 4 - Carbon/SiC FKM	A - NEMA	PE - Pump End	OR	E
		02		5	3.7							G
		03		7.5	5.5							H
		04		10	7.5							J
		05		15	11							K
		06		15	11							K
		07		15	11							K
20	VR	08	00	20	15	N - 316SS	F - Round Flange V - Victaulic®	1 - Carbon/SiC EPDM 2 - SiC/SiC EPDM 3 - SiC/SiC FKM 4 - Carbon/SiC FKM	A - NEMA	PE - Pump End	OR	L
		09		20	15							L
		10		20	15							L
30	VR	01	1A	5	3.7	G - CI/316SS	F - Round Flange	1 - Carbon/SiC EPDM 2 - SiC/SiC EPDM 3 - SiC/SiC FKM 4 - Carbon/SiC FKM	A - NEMA	PE - Pump End	OR	G
		01	00	5	3.7							G
		02	2A	7.5	5.5							H
		02	1A	7.5	5.5							H
		02	00	10	7.5							J
		03	2A	15	11							K
		03	1A	15	11							K
		03	00	15	11							K
		04	2A	20	15							L
		04	1A	20	15							L
		04	00	20	15							L
		05	2A	20	15							L
		05	1A	25	18.5							M
		05	00	25	18.5							M
		06	2A	25	18.5							M
		06	1A	30	22							N
		06	00	30	22							N
		07	2A	30	22							N
		07	1A	40	30							P
		07	00	40	30							P
08	2A	40	30	P								
08	1A	40	30	P								
08	00	40	30	P								

VERTICAL MULTI-STAGE PUMPS

VR SERIES - 60 HZ



BUILD THE PUMP END

Choose one (1) value from each column

Nominal Flow	Pump Series	Stages	Trim Type	Product Material	Connection Type	Seal Type	Motor Flange	Pump/Motor Combination
15	VR	04	00	N	T	3	A	- H

Note: See Page 28 for motor configuration details

VR PUMP END ORDER INFORMATION

45-65-95VR 60 HZ

Nominal Flow	Pump Hydraulics			Reference Only		Available Pump Features				Pump and Motor Combination		
	Pump Series	Stages	Trim Type	HP	kW	Product Material	Connection Type	Seal Type	Motor Flange	Liquid End Only	Motor Rating	
45	VR	01	1A	7.5	5.5	G - CI/316SS N - 316SS	F - Round Flange	1 - Carbon/SiC EPDM 2 - SiC/SiC EPDM 3 - SiC/SiC FKM 4 - Carbon/SiC FKM	A - NEMA	PE - Pump End	OR	H
		01	00	7.5	5.5							H
		02	2A	15	11							K
		02	1A	15	11							K
		02	00	15	11							K
		03	2A	20	15							L
		03	1A	20	15							L
		03	00	25	18.5							M
		04	2A	30	22							N
		04	1A	30	22							N
		04	00	40	30							P
		05	2A	40	30							P
		05	1A	40	30							P
		05	00	40	30							P
65	VR	01	1A	7.5	5.5	G - CI/316SS N - 316SS	F - Round Flange	1 - Carbon/SiC EPDM 2 - SiC/SiC EPDM 3 - SiC/SiC FKM 4 - Carbon/SiC FKM	A - NEMA	PE - Pump End	OR	H
		01	00	15	11							K
		02	2A	15	11							K
		02	1A	20	15							L
		02	00	25	18.5							M
		03	2A	25	18.5							M
		03	1A	30	22							N
		03	00	40	30							P
		04	2A	40	30							P
		04	1A	50	37							R
		04	00	50	37							R
		05	2A	50	37							R
		05	1A	60	45							S
		95	VR	01	1A							15
01	00			20	15	L						
02	2A			25	18.5	M						
02	1A			30	22	N						
02	00			30	22	N						
03	2A			40	30	P						
03	1A			50	37	R						
03	00			50	37	R						
		04	2A	60	45							S

VERTICAL MULTI-STAGE PUMPS

VR SERIES - 60 HZ



BUILD THE PUMP MOTOR ASSEMBLY

Choose one (1) value from each column

Selected Pump: 15VR0400NT3A

HP/kW Rating Hertz Enclosure Type Phase/Voltage

H **6** **E** **3**

VR SERIES MOTOR ORDER INFORMATION

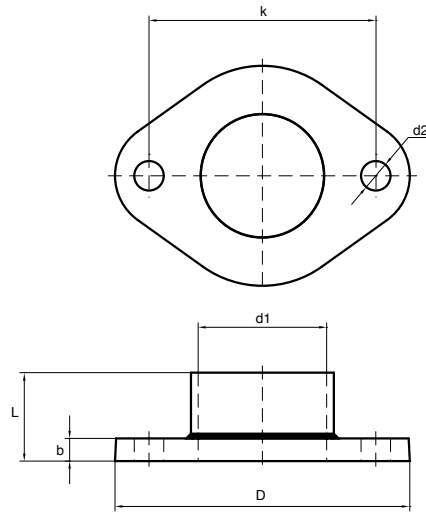
HP/kW Rating	Hertz	Enclosure Type	Phase/Voltage	
B - 0.75/0.55 C - 1/0.75 D - 1.5/1.1	6 - 60	D - ODP	1	10 - 115/230 V
			3	30 - 230/460 V
		T - TEFC	1	10 - 115/230 V
3	30 - 230/460 V			
5	30 - 575 V			
E - 2/1.5	6 - 60	D - ODP	1	10 - 115/230 V
			3	30 - 230/460 V
		T - TEFC	1	10 - 115/230 V
			3	30 - 230/460 V
5	30 - 575 V			
F - 3/2.2	6 - 60	D - ODP	1	10 - 115/230 V
			3	30 - 230/460 V
		T - TEFC	3	30 - 230/460 V
5	30 - 575 V			
G - 5/3.7	6 - 60	T - TEFC	1	10 - 115/230 V
			3	30 - 230/460 V
		P - Premium ODP	3	30 - 230/460 V
			5	30 - 575 V
H - 7.5/5.5 J - 10/7.5 K - 15/11 L - 20/15 M - 25/18.5 N - 30/2240/30 P - 40/30 R - 50/37 S - 60/45	6 - 60	E - Premium TEFC	3	30 - 230/460 V
			5	30 - 575 V
		P - Premium ODP	3	30 - 230/460 V
			5	30 - 575 V
			3	30 - 230/460 V

VERTICAL MULTI-STAGE PUMPS

VR SERIES - 60 HZ



DIMENSIONS OF OVAL COUNTERFLANGES



Oval Counterflanges								
DN	Dimensions [inches (mm)]					Holes		PN
	D	dL	kL	b	d2	Nº		
32	3.90 (99)	Rp 1-1/4"	2.95 (75)	1.30 (33)	0.31 (8)	0.43 (11)	2	16
		NPT 1-1/4"						
40	5.12 (130)	Rp 1-1/2"	3.94 (100)	1.38 (35)	0.39 (10)	0.51 (13)		
		NPT 1-1/2"						
50		Rp 2"		1.54 (39)				
		NPT 2"						

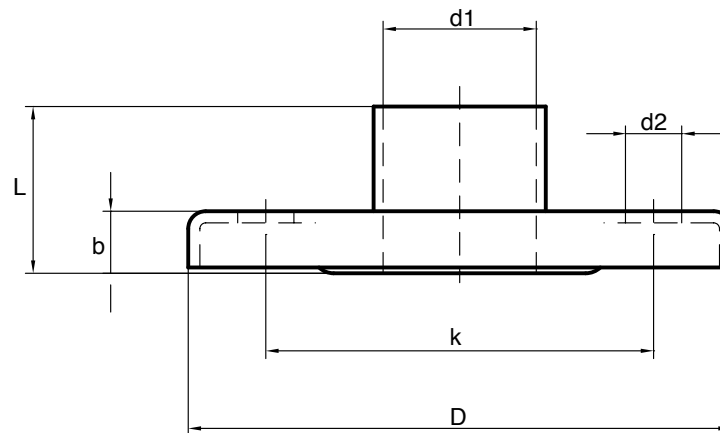
VERTICAL MULTI-STAGE PUMPS

VR SERIES - 60 HZ



DIMENSIONS OF ROUND THREADED COUNTERFLANGES

ACCORDING TO EN 1092-1



Round Threaded Counterflanges								
DN	Dimensions [inches (mm)]				Holes			PN
	D	dL	kL	b	d2	N°		
25	4.53 (115)	Rp 1"	3.35 (85)	1.69 (43)	0.63 (16)	0.55 (14)	0.16 (4)	25
		NPT 1"						
32	5.51 (140)	Rp 1-1/4"	3.94 (100)			0.71 (18)		
		NPT 1-1/4"						
40	5.91 (150)	Rp 1-1/2"	4.33 (110)		0.71 (18)			
		NPT 1-1/2"						
50	6.50 (165)	Rp 2"	5.00 (127)		0.75 (19)	0.31 (8)		
		NPT 2"						

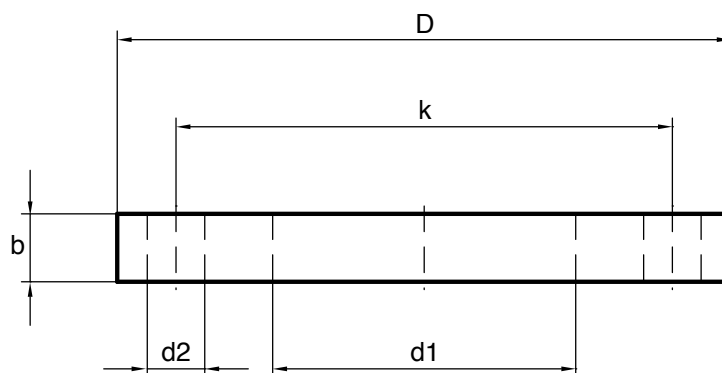
VERTICAL MULTI-STAGE PUMPS

VR SERIES - 60 HZ



DIMENSIONS OF WELDING ROUND COUNTERFLANGES

ACCORDING TO EN 1092-1



Welding Round Counterflanges								
DN	Dimensions [inches (mm)]				Holes		PN	
	D	dL	kL	b	d2	N°		
65	7.28 (185)	3.05 (77.5)	5.71 (145)	-	0.87 (22)	0.31 (8)	25	
80	7.87 (200)	3.56 (90.51)	2.36 (60)		0.94 (24)			
100	9.25 (235)	4.57 (116)	7.48 (190)		1.02 (26)			

VERTICAL MULTI-STAGE PUMPS

VR SERIES - 60 HZ



ROUND THREADED COMPANION FLANGE KIT - TYPE F

Part No.	Female NPT	Description
14262024	1-1/4"	Fits VR 3/5: Includes (2) AISI 316 SS flanges, (2) gaskets, (8 each) bolts and nuts
14262025	2"	Fits VR 9/15/20: Includes (2) AISI 316 SS flanges, (2) gaskets, (8 each) bolts and nuts

Note: Includes gasket and fasteners

MECHANICAL SEAL KITS

Part No.	Description
315104	15VR/20VR Type 1 Carbon/SiC EPDM Seal Kit
315105	15VR/20VR Type 2 SiC/SiC EPDM Seal Kit
315106	15VR/20VR Type 3 SiC/SiC FKM Seal Kit
315107	15VR/20VR Type 4 Carbon/SiC FKM Seal Kit
315108	30VR thru 95VR Type 1 Carbon/SiC FKM Seal Kit
315109	30VR thru 95VR Type 2 SiC/SiC EPDM Seal Kit
315110	30VR thru 95VR Type 3 SiC/SiC FKM Seal Kit
315111	30VR thru 95VR Type 4 Carbon/SiC FKM Seal Kit

O-RING KITS

Part No.	Description
315112	15VR/20VR EPDM O-ring Kit
315113	15VR/20VR FKM O-ring Kit
315114	30VR thru 95VR EPDM O-ring Kit
315115	30VR thru 95VR FKM O-ring Kit

VERTICAL MULTI-STAGE PUMPS

VR SERIES - 60 HZ



VR SERIES REPLACEMENT STACK KITS

15VR

Stages	HP	kW	Part No.	Description
1	2	1.5	315000	Stack Kit VR1501-00
2	5	3.7	315001	Stack Kit VR1502-00
3	5	3.7	315002	Stack Kit VR1503-00
4	7.5	5.5	315003	Stack Kit VR1504-00
5	10	7.5	315004	Stack Kit VR1505-00
6	10	7.5	315005	Stack Kit VR1506-00
7	15	11	315006	Stack Kit VR1507-00
8	15	11	315007	Stack Kit VR1508-00
9	15	11	315008	Stack Kit VR1509-00
10	20	15	315009	Stack Kit VR1510-00
11	20	15	315010	Stack Kit VR1511-00
12	20	15	315011	Stack Kit VR1512-00

VR SERIES REPLACEMENT STACK KITS

20VR

Stages	HP	kW	Part No.	Description
1	2	1.5	315012	Stack Kit VR2001-00
2	5	3.7	315013	Stack Kit VR2002-00
3	7.5	5.5	315014	Stack Kit VR2003-00
4	10	7.5	315015	Stack Kit VR2004-00
5	15	11	315016	Stack Kit VR2005-00
6	15	11	315017	Stack Kit VR2006-00
7	15	11	315018	Stack Kit VR2007-00
8	20	15	315019	Stack Kit VR2008-00
9	20	15	315020	Stack Kit VR2009-00
10	20	15	315021	Stack Kit VR2010-00

VR SERIES REPLACEMENT STACK KITS

30VR

Stages	HP	kW	Part No.	Description
1	5	3.7	315022	Stack Kit VR3001-1A
1	5	3.7	315023	Stack Kit VR3001-00
2	7.5	5.5	315024	Stack Kit VR3002-2A
2	7.5	5.5	315025	Stack Kit VR3002-1A
2	10	7.5	315026	Stack Kit VR3002-00
3	15	11	315027	Stack Kit VR3003-2A
3	15	11	315028	Stack Kit VR3003-1A
3	15	11	315029	Stack Kit VR3003-00
4	20	15	315030	Stack Kit VR3004-2A
4	20	15	315031	Stack Kit VR3004-1A
4	20	15	315032	Stack Kit VR3004-00
5	20	15	315033	Stack Kit VR3005-2A
5	25	18.5	315034	Stack Kit VR3005-1A
5	25	18.5	315035	Stack Kit VR3005-00
6	25	18.5	315036	Stack Kit VR3006-2A
6	30	22	315037	Stack Kit VR3006-1A
6	30	22	315038	Stack Kit VR3006-00
7	30	22	315039	Stack Kit VR3007-2A
7	40	30	315040	Stack Kit VR3007-1A
7	40	30	315041	Stack Kit VR3007-00
8	40	30	315042	Stack Kit VR3008-2A
8	40	30	315043	Stack Kit VR3008-1A
8	40	30	315044	Stack Kit VR3008-00

Note: Components included: shaft, complete stages, and spacers

VERTICAL MULTI-STAGE PUMPS

VR SERIES - 60 HZ



VR SERIES REPLACEMENT STACK KITS

45VR

Stages	HP	kW	Part No.	Description
1	7.5	5.5	315045	Stack Kit VR3001-1A
1	7.5	5.5	315046	Stack Kit VR3001-00
2	15	11	315047	Stack Kit VR3002-2A
2	15	11	315048	Stack Kit VR3002-1A
2	15	11	315049	Stack Kit VR3002-00
3	20	15	315050	Stack Kit VR3003-2A
3	20	15	315051	Stack Kit VR3003-1A
3	25	18.5	315052	Stack Kit VR3003-00
4	30	22	315053	Stack Kit VR3004-2A
4	30	22	315054	Stack Kit VR3004-1A
4	40	30	315055	Stack Kit VR3004-00
5	40	30	315056	Stack Kit VR3005-2A
5	40	30	315057	Stack Kit VR3005-1A
5	40	30	315058	Stack Kit VR3005-00
6	40	30	315059	Stack Kit VR3006-2A
6	50	37	315060	Stack Kit VR3006-1A
6	50	37	315061	Stack Kit VR3006-00
7	50	37	315062	Stack Kit VR3007-2A
7	50	37	315063	Stack Kit VR3007-1A
7	60	45	315064	Stack Kit VR3008-00

VR SERIES REPLACEMENT STACK KITS

65VR

Stages	HP	kW	Part No.	Description
1	7.5	5.5	315065	Stack Kit VR6501-1A
1	15	11	315066	Stack Kit VR6501-00
2	15	11	315067	Stack Kit VR6502-2A
2	20	15	315068	Stack Kit VR6502-1A
2	25	18.5	315069	Stack Kit VR6502-00
3	25	18.5	315070	Stack Kit VR6503-2A
3	30	22	315071	Stack Kit VR6503-1A
3	40	30	315072	Stack Kit VR6503-00
4	40	30	315073	Stack Kit VR6504-2A
4	50	37	315074	Stack Kit VR6504-1A
4	50	37	315075	Stack Kit VR6504-00
5	50	37	315076	Stack Kit VR6505-2A
5	60	45	315077	Stack Kit VR6505-1A

VR SERIES REPLACEMENT STACK KITS

95VR

Stages	HP	kW	Part No.	Description
1	15	11	315078	Stack Kit VR9501-1A
1	20	15	315079	Stack Kit VR9501-00
2	25	18.5	315080	Stack Kit VR9502-2A
2	30	22	315081	Stack Kit VR9502-1A
2	30	22	315082	Stack Kit VR9502-00
3	40	30	315083	Stack Kit VR9503-2A
3	50	37	315084	Stack Kit VR9503-1A
3	50	37	315085	Stack Kit VR9503-00
4	60	45	315086	Stack Kit VR9504-2A

Note: Components included: shaft, complete stages, and spacers

VERTICAL MULTI-STAGE PUMPS

VR SERIES - 60 HZ



MOTOR DATA

3600 RPM SINGLE PHASE

Efficiency	HP	Volts	Frame	Service Factor	Rated Current	NEMA-NOM-EFF	Part Number
Standard ODP	2	115/230	56C	1.15	21.9/11.00	77.9%	315116
Standard TEFC	2	115/230	56C	1.15	20.0/10.0	77.9%	315117
	5	230	184TC	1.15	21.0	83.0%	315118

MOTOR DATA

3600 RPM THREE PHASE

Efficiency	HP	Volts	Frame	Service Factor	Rated Current	NEMA-NOM-EFF	Part Number
Standard ODP	2	208-230/460	56C	1.15	5.79-5.24/2.62	80.0%	315119
Standard TEFC	2	208-230/460	56C	1.15	6.24-5.64/2.82	78.5%	315120
Premium ODP	5	208-230/460	182/4TC	1.15	13.5-12.2/6.10	86.5%	315121
	7.5	208-230/460	213/5TC	1.15	20.9-18.9/9.44	89.2%	315122
	10	208-230/460	213/5TC	1.15	26.5-24.0/12.0	89.5%	315123
	15	208-230/460	254/6TC	1.15	41.0-37.1/18.5	90.8%	315124
	20	208-230/460	254/6TC	1.15	52.6-47.6/23.8	91.0%	315125
	25	208-230/460	284/6TC	1.15	66.0-59.7/29.9	92.6%	315126
	30	208-230/460	284/6TC	1.15	76.7-69.4/34.7	92.4%	315127
	40	208-230/460	324/6TSC	1.15	110-99.6/49.8	93.3%	315128
	50	208-230/460	324/6TSC	1.15	131-118/59.1	93.6%	315129
60	208-230/460	324/6TSC	1.15	151-137/68.3	94.0%	315130	
Premium TEFC	2	208-230/460	56C	1.15	5.46-4.94/2.47	85.5%	315131
	5	208-230/460	182/4TC	1.15	13.0-11.8/5.90	88.5%	315132
	7.5	208-230/460	213/5TC	1.15	19.2-17.3/8.67	89.5%	315133
	10	208-230/460	213/5TC	1.15	25.4-23.0/11.5	90.2%	315134
	15	208-230/460	254/6TC	1.15	38.5-34.8/17.4	91.0%	315135
	20	208-230/460	254/6TC	1.15	50.2-45.4/22.7	91.0%	315136
	25	208-230/460	284/6TC	1.25	63.0-57.0/28.5	91.7%	315137
	30	208-230/460	284/6TC	1.25	74.8-67.6/33.8	91.7%	315138
	40	208-230/460	324/6TSC	1.25	101-91.6/45.8	92.4%	315139
	50	208-230/460	324/6TSC	1.25	124-112/56.1	93.0%	315140
	60	208-230/460	324/6TSC	1.25	148-134/67.0	93.6%	315141

MOTOR DATA

3600 RPM THREE PHASE

Efficiency	HP	Volts	Frame	Service Factor	Rated Current	NEMA-NOM-EFF	Part Number
Standard TEFC	2	575	56C	1.15	2.1	80.0%	315142
Premium TEFC	5	575	182/4TC	1.15	4.72	88.5%	315143
	7.5	575	213/5TC	1.15	6.86	89.5%	315144
	10	575	213/5TC	1.15	9.2	90.2%	315145
	15	575	254/6TC	1.15	13.6	91.0%	315146
	20	575	254/6TC	1.15	18.2	91.0%	315147
	25	575	284/6TC	1.25	22.8	91.7%	315148
	30	575	284/6TC	1.25	27	91.7%	315149
	40	575	324/6TSC	1.25	36.6	92.4%	315150
	50	575	324/6TSC	1.25	44.9	93.0%	315151



Franklin Electric