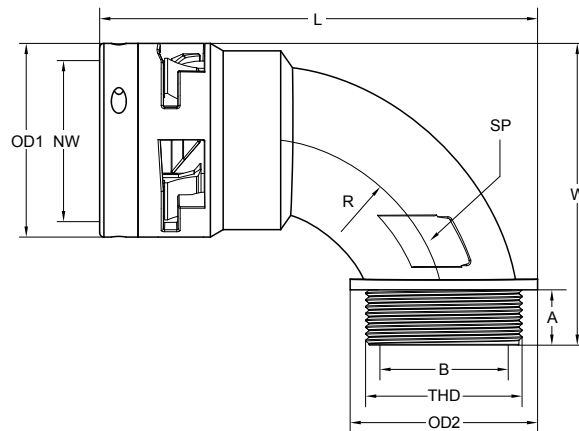
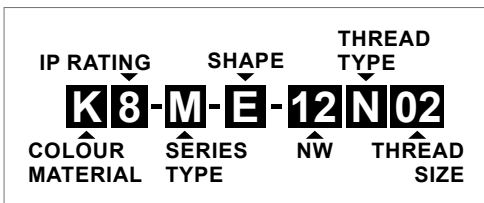


TEAFLEX



- Locking device system provides a quick and secure push-in connection of corrugated conduits
- High-grade formulated polyamide
- Self-extinguishing, free from halogens and cadmium
- Excellent impact strength
- Temperature range: -40°C(-40°F) to 105°C(221°F)
- Short-term to 160°C(320°F)
- Up to IP68 / NEMA 6P protection with the reinforced sealing cap at conduit side
- Colour: Black standard, other colours available upon request



Specifications are subject to change without notice

**NPT
THREAD**

Order No.	Order No.	THD	Fits to Conduit		A		B		L		R		W		OD1		OD2		SP		
			NPT	NW	mm	in	mm	in	mm	in	mm	in	mm	in	mm	in	mm	in	mm	in	
Ⓢ K6-M-E-12N02	K8-M-E-12N02	1/2	12	16	3/8	11.0	0.43	12.0	0.47	66.4	2.61	31.7	1.25	45.7	1.80	24.0	0.94	27.0	1.06	15.0	0.59
Ⓢ K6-M-E-17N02	K8-M-E-17N02	1/2	17	20	1/2	13.5	0.53	13.8	0.54	75.5	2.97	36.6	1.44	56.2	2.21	30.0	1.18	27.0	1.06	17.0	0.67
Ⓢ K6-M-E-23N04	K8-M-E-23N04	3/4	23	25	3/4	14.0	0.55	18.0	0.71	89.5	3.52	41.5	1.63	63.2	2.49	38.0	1.50	34.0	1.34	22.0	0.87
Ⓢ K6-M-E-29N06	K8-M-E-29N06	1	29	32	1	17.3	0.68	23.7	0.93	101.3	3.99	47.5	1.87	75.2	2.96	45.5	1.79	41.0	1.61	28.0	1.10
Ⓢ K6-M-E-36N07	K8-M-E-36N07	1-1/4	36	40	1-1/4	18.0	0.71	31.8	1.25	123.3	4.85	59.4	2.34	90.5	3.56	57.0	2.24	51.0	2.01	36.0	1.42
Ⓢ K6-M-E-48N09	K8-M-E-48N09	2	48	50	1-1/2	19.0	0.75	47.8	1.88	144.0	5.67	63.3	2.49	100.6	3.96	68.0	2.68	70.0	2.76	55.0	2.17