



**MicroAge**<sup>®</sup>

The IT Solution Experts

**HP ProLiant DL360 Gen 7**

Read more **HP** solutions

Contact Us

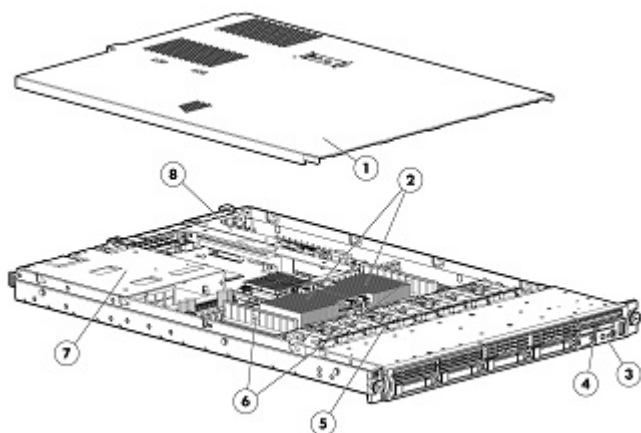
800-544-8877

solutions@microage.com

MicroAge.com

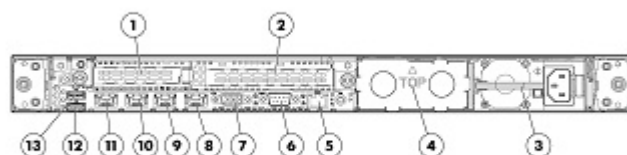
### Overview

The HP ProLiant DL360 G7 combines performance, intelligent power and cooling management with IT management tools and essential fault tolerance, all optimized for space constrained installations. A 1U server with the improved performance of the latest Intel 5600 series processors, Unique HP Thermal Logic Technologies that provide leadership in energy efficiencies and ProLiant iLO 3 remote management. HP continues to provide more performance, flexibility and efficiency for space constrained environments.



#### Front View:

1. Hood Cover
2. Up to two Intel processors
3. Video connector
4. Slide-out System Insight Display (SID)
5. Removable fan modules for easy serviceability
6. Eighteen DIMM slots: DDR3 Registered (RDIMM) or Unbuffered (UDIMM) memory
7. Redundant Hot Plug Power Supplies (upgradeable option)
8. 2 PCI-E Slots



#### Rear View:

1. PCI Express expansion slot 1, low profile
2. PCI Express expansion slot 2 full-height full-length x16 (16, 8, 4, 2, 1), 75W +EXT 75W (option for PCI-X card only support)
3. Power supply bay 1 (populated)
4. Power supply bay 2
5. iLO 3 NIC connector
6. Serial connector
7. Video connector
8. NIC 4 connector
9. NIC 3 connector
10. NIC 2 connector
11. NIC 1 connector
12. USB connector
13. USB connector

### What's New

- Support for new HP hard drives, UPS

### Standard Features

**NOTE:** For the Standard Features shipped in the "Factory Integrated Models", please see the "Configuration Information - Factory Integrated Models" section.

#### Processor

One of the following depending on Model

#### Six-Core Processors

Intel® Xeon® X5690 (3.46GHz/6-core/12MB/130W, DDR3-1333, HT Turbo 1/1/1/2/2) Processor

**NOTE:** Not sold individually - CTO Only

Intel® Xeon® X5675 (3.06GHz/6-core/12MB/95W, DDR3-1333, HT Turbo 2/2/2/2/3/3) Processor

Intel® Xeon® X5670 (2.93GHz/6-core/12MB/95W, DDR3-1333, HT Turbo 2/2/2/2/3/3) Processor

Intel® Xeon® X5660 (2.80GHz/6-core/12MB/95W, DDR3-1333, HT Turbo 2/2/2/2/3/3) Processor

Intel® Xeon® X5650 (2.66GHz/6-core/12MB/95W, DDR3-1333, HT Turbo 2/2/2/2/3/3) Processor

Intel® Xeon® E5649 (2.53GHz/6-core/12MB/80W, DDR3-1333, HT Turbo 1/1/1/1/2/2) Processor

Intel® Xeon® E5645 (2.40GHz/6-core/12MB/80W, DDR3-1333, HT Turbo 1/1/1/1/2/3) Processor

Intel® Xeon® L5640 (2.26GHz/6-core/12MB/60W, DDR3-1333, HT Turbo 2/2/3/3/4/4) Processor

#### Quad-Core Processors

Intel® Xeon® X5687 (3.60GHz/4-core/12MB/130W, DDR3-1333, HT Turbo 1/1/2/2) Processor

**NOTE:** Not sold individually - CTO Only.

Intel® Xeon® X5672 (3.20GHz/4-core/12MB/95W, DDR3-1333, HT Turbo 2/2/3/3) Processor

Intel® Xeon® E5620 (2.40GHz/4-core/12MB/80W, DDR3-1066, HT Turbo 1/1/2/2) Processor

Intel® Xeon® L5630 (2.13GHz/4-core/12MB/40W, DDR3-1066, HT Turbo 1/1/2/2) Processor

Intel® Xeon® E5606 (2.13GHz/4-core/8MB/80W, DDR3-800) Processor

Intel® Xeon® E5603 (1.60GHz/4-core/4MB/80W, DDR3-800) Processor

**NOTE:** Up to 2 processors supported. Performance Model configurations include two processors.

**NOTE:** HT indicates that the processor model supports Intel® /Hyper-Threading Technology

**NOTE:** Turbo indicates the maximum potential frequency increment when using Intel® Turbo Boost Technology, with 6,5,4,3,2 and 1(6 cores) or 4,3,2 and 1(4 cores) cores active.

**NOTE:** DDR3 speed is the maximum memory speed of the processor. Actual memory speed may depend on the quantity and type of DIMMs installed.

**NOTE:** For the Intel 5600 Series, the letter preceding the model number indicated the performance/wattage of the processor. "X" denotes High Performance/Wattage; "E" denotes Enterprise Performance/Wattage (Mainstream); and "L" denotes Lower Wattage.

#### Cache Memory

One of the following depending on Model

12MB (1 x 12MB) Level 3 cache

**NOTE:** All processor models except for those identified below.

8MB (1 x 8MB) Level 3 cache

**NOTE:** For processors /E5606.

4MB (1 x 4MB) Level 3 cache

**NOTE:** For processors /E5603.

#### Chipset

Intel® 5520 Chipset

**NOTE:** For more information regarding Intel® chipsets, please see the following URL:

<http://www.intel.com/products/server/chipsets/>.

---

### Standard Features

**Upgradeability** Upgradeable to two processors

---

**Memory Protection** Advanced ECC (multi-bit error protection)  
Online Spare mode (available with Intel Xeon 5600 Series processors)  
Mirroring mode  
Lock-step mode

---

<b>Memory</b>	Type	DDR3 Registered (RDIMM) or Unbuffered (UDIMM)
	DIMM Slots Available	18 (3 DIMM slots per Channel/3 channels per processor)
	Standard (Performance Models)	12GB (6 x 2GB) PC3-10600R (DDR3-1333) Registered DIMMs
	Standard (Base Models)	6GB (3 x 2GB) PC3-10600R (DDR3-1333) Registered DIMMs
	Standard (Entry Model)	4GB (2 x 2GB) PC3-10600R (DDR3-1333) Registered DIMMs
	Standard (Efficiency Model)	4GB (2 x 2GB) PC3-10600E (DDR3-1333) Unbuffered DIMMs
	Maximum Capacity (RDIMM)	384GB (12 slots x 32GB @800MHz)
	Maximum Performance Capacity (RDIMM)	192GB (6 slots x 32GB @1066MHz)
Maximum Capacity (UDIMM)	48GB (12 slots x 4GB @ 1333MHz)	

**NOTE:** If only one processor is installed, only half the DIMM slots are available.

**NOTE:** When populating with two processors the 16GB or 32GB Memory Kits (Quad-Rank), only 12 DIMMs can be populated.

**NOTE:** Depending on the memory configuration and processor model, the memory speed may run at 1333MHz, 1066MHz, or 800MHz. Please see the Online Memory Configuration Tool at: [www.hp.com/go/ddr3memory-configurator](http://www.hp.com/go/ddr3memory-configurator).

**NOTE:** Kits described as LP include Low Power DIMMs. For more information on ProLiant Energy Efficient Features, see: [www.hp.com/go/proliant-energy-efficient](http://www.hp.com/go/proliant-energy-efficient).

---

**Network Controller** Two HP NC382i Dual Port Multifunction Gigabit Server Adapters (four ports total) with TCP/IP Offload Engine, including support for Accelerated iSCSI

---

### Standard Features

Expansion Slots	Expansion Slots #	Technology	Bus Width*	Connector Width	Form Factor	Notes
	1	PCI-e	x8	x8	Low profile slot	
	2	PCI-e	x16	x16	Full-length, full-height slot	
	2	PCI-X** (133 MHz, 3.3 Voltage)	64-bit		Full-length, full-height slot	

\*Indicates the number of physical electrical lanes running to the connector.

\*\* Indicates Option kit designed for PCI-X cards only.

**NOTE:** For external power requirements for PCI options a PCI Thermal-Power Kit is offered optionally for higher power requirements.

**NOTE:** Two PCI-Express Gen 2 expansion slots: (1) full-length, full-height slot and (1) low-profile slot. Optional PCI-X Riser expansion slot for PCI-X cards only.

### Storage Controller One of the following depending on Model

Entry Models	HP Smart Array P410i/Zero Memory Controller (RAID 0/1/1+0)
Base Models	HP Smart Array P410i/256 MB Controller (RAID 0/1/1+0/5/5+0)
Performance Models	HP Smart Array P410i/1G FBWC Controller (RAID 0/1/1+0/5/5+0)
Efficiency Models	HP Smart Array P410i/Zero Memory Controller (RAID 0/1/1+0)

Available Smart Array upgrades: 256MB, Battery kit upgrade (to add BBWC to the 256MB Memory option), 512MB BBWC, 512MB FBWC or 1G FBWC and Smart Array Advanced Pack (SAAP)

### Internal Storage Devices

Diskette Drive	None
Optical Drive One of the following depending on Model	Optional: DVD-ROM, DVD-RW <b>NOTE:</b> This option available on 4 drive bay models only. Optional HP External USB CD/DVD R/RW for 8 drive models
Hard Drives	None Standard
Drive Bays	4 SFF Bays standard with option for up to 8 SFF drive bays total. <b>NOTE:</b> 4 bays standard in Entry, Base and CTO models, with optional upgrade to 8 bays with the SFF HD Backplane Kit (516966-B21). No CD or DVD options available when server is configured with 8 drive bays. <b>NOTE:</b> This option available for 8 drive models. HP External USB CD/DVD R/RW Drive available for 8 drive systems (must be ordered separately).

### Maximum Internal Storage

Hot Plug SAS	9.6TB	8 x 1.2TB SAS
Hot Plug SATA	4.0TB	8 x 500GB SATA
Hot Plug SAS SSD	6.4TB	8 x 800GB SAS SSD
Hot Plug SATA SSD	3.2TB	8 x 400GB SATA SSD

### Standard Features

<b>Interfaces</b>	Serial	1
	Video	1
	Network RJ-45	4
	iLO 3 remote RJ-45 management port	1
	SD slot	1 Internal secure
	USB 2.0 Ports	4 total: 2 rear, 1 front, 1 internal (secure)

**NOTE:** PS/2 ports have been removed for NIC expansion.

<b>Industry Standard Compliance</b>	ACPI 2.0b Compliant
	PCI 2.2 Compliant
	PXE Support
	WOL Support
	Microsoft® Logo certifications
	USB 1.1 and 2.0 Compliant

SMBIOS 2.6.1

### Server Power Cords

All Pre-configured Models servers ship with a high voltage server to PDU power cord. Localized cables may be included with geographic specific models in other world regions.

**NOTE:** ProLiant DL servers do not ship standard with NEMA power cords that allow connection to 110V US wall outlets in a home or office. ProLiant DL servers are primarily connected to PDU's in data center racks so they ship standard with only a PDU power cord (416151-B21). If a user wishes to power a ProLiant DL server using a standard wall receptacle (NEMA-15), the NEMA power cord must be ordered separately and the server will be shipped with both cords. If the order is a Factory-Integration or CTO order only the NEMA-15 power will be shipped. See Power Cords in the Additional Options section below for selection for your region.

### Common Slot Power Supplies

HP's Common Slot (CS) Power Supply bay design provides the customer with commonality in power supplies across multiple platforms, saving on the cost of spares and allows HP to offer multiple power solutions to fit the customers' needs. Many HP ProLiant Servers come with high-efficiency CS Power Supplies. HP's new CS power supplies are designed to provide power efficiency without degrading performance of the ProLiant. Power Supplies will have efficiency ratings up to 94%. There are multiple CS power output options available allowing you to "right-size" the most appropriate power supply option for your server configuration. Check the Power Supplies section for power sizes supported. To make sure you select the correct power supply to meet your configuration, we suggest that you use the HP Power Advisor to "right-size" a power supply option for your configuration. All HP Common Slot power sources are UL, CE Mark Compliant, Hot Plug and support redundant configurations. The HP Power Advisor is located at: [www.hp.com/go/hppoweradvisor](http://www.hp.com/go/hppoweradvisor)

**NOTE:** All HP Common Slot Power Supplies are not supported by all ProLiant Servers. Please check your server QuickSpecs to confirm support by that server.

HP's CS power supplies support multiple energy efficiency initiatives including Climate Savers Computing Initiative (CSCI) and ECOS Consulting/80PLUS ratings for Silver, Gold, and Platinum power efficiency. Additionally, server models that meet efficiency requirements for Energy Star compliance will be

### Standard Features

published once testing has been completed.

HP's -48VDC power supply is designed for those environments that require DC Voltage to operate. This power supply supplies up to 1200Watts of power on 48 Volts DC and comes with a DC power cable.

Redundant Power: Optional (1+ 1 or n+n redundant) power supplies can be purchased through power supply option kits (see Redundant Options for part numbers).

### System Fans

3 fan modules ship standard in 1 processor models

4 fan modules ship standard in 2 processor models

Fan redundancy standard with all modules

**NOTE:** The processor option kit contains 1 additional fan module, when upgrading from a 1 processor to two processor models. A Fan Module Option kit can also be purchased separately for use with PCI Graphics card upgrades. See HP PCI Thermal Power Kit (519254-B21) in the Core Options section.

### Required Cabling

For required cabling information, refer to the Web site at: [www.hp.com/servers/dl360-g7](http://www.hp.com/servers/dl360-g7)

### Operating Systems and Virtualization Software Support for ProLiant Servers

[Microsoft Windows Server](#)

[Red Hat Enterprise Linux \(RHEL\)](#)

[SUSE Linux Enterprise Server \(SLES\)](#)

[Oracle Solaris](#)

[VMware](#)

[Citrix XenServer](#)

**NOTE:** For more information on HP's Certified and Supported ProLiant Servers for OS and Virtualization Software and latest listing of software drivers available for your server including how to purchase from HP, please visit our OS Support Site at: <http://www.hp.com/go/ossupport>

### Graphics

Integrated ATI ES1000, 32MB video standard

- 16 bit color: maximum resolution of 1600 x 1200
- 32 bit color: maximum resolution of 1280 x 1024

**NOTE:** Maximum resolution available via iLO 3 remote console for ProLiant is 1280 x 1024 (for 32 bit color) and 1600 x 1200 (DVR max resolution).

**NOTE:** DL360 G7 supports an HP Quadro 4000 PCIe Graphics Adapter Kit (655933-B21), selection of which requires HP PCI Thermal Power Kit (519254-B21), as well as a choice of a higher power HP Common Slot Pwr Supply Kit.

**NOTE:** Please see the HP Power Advisor for estimated power consumption of your individual system configuration prior to installing GPUs. The HP Power Advisor is located at: [www.hp.com/go/hppoweradvisor](http://www.hp.com/go/hppoweradvisor).

### Form Factor

1U Rack form factor (1.75"), less than 28 inches (70.5 cm) deep

### HP Insight management

HP Service Pack for ProLiant

HP Service Pack for ProLiant (SPP) and HP Smart Update Manager (HP SUM) version 5 provide a new, comprehensive approach to firmware and system

### Standard Features

software maintenance. Together they provide better operating stability and ensure maximum uptime. The SPP will be updated at a predictable cadence, typically coinciding with new HP server hardware launches. By enabling firmware to be updated online and integrating firmware and system software updates in one operation HP SUM and the SPP offer faster updates of individual servers and dramatically faster updates of entire BladeSystem enclosures. Further improving system uptime and stability is the fact that HP provides 12 months of support on each Service Pack for ProLiant.

The user experience around HP SUM and the SPP has been improved in several ways, starting with the web download. A single web page provides access to a single download containing both the latest version of HP SUM version 5 and the latest SPP. Optional smaller subsets with only specific types of servers or specific operating systems are offered to save on download time. The HP SUM application has been re-written to provide a more straightforward, intuitive user interface that guides the user through the steps of discovery, analyses and update, providing comprehensive information on available updates, criticality and interdependencies. This information is also available in reports. By providing the option of multiple local or shared repositories which can be easily updated from hp.com, HP SUM provides the tools to optimize stability and consistency throughout the company. While HP SUM and the SPP will recommend the combinations of firmware and system software that HP has found to be the best practice, the application gives customers the flexibility to set their own specific baseline.

The Service Pack for ProLiant has been rigorously tested with specific attention for interaction between firmware, drivers and agents both within the server as well as in interaction with the BladeSystem enclosure components (Onboard Administrator and Virtual Connect). This testing ensures the highest quality as well as providing the input for HP SUM to deploy updates taking into account all interdependencies, when determining the correct updates and order of update deployment.

The Service Pack for ProLiant (which includes HP SUM 5) can be downloaded from: [www.hp.com/go/spp/download](http://www.hp.com/go/spp/download). More information can be found: <http://www.hp.com/go/spp> and <http://www.hp.com/go/hpsum>

#### HP Insight Foundation

Insight Foundation is being baselined at version v8.70 which means the following:

- Its Media Kit (contains 2 SmartStart CDs, the Firmware DVD, and the Management DVD) will continue to ship with all supported ProLiant G7 or earlier BTO servers until the last supported server is no longer shipping.
- The Media Kit will not be updated past version 8.70.
- ProLiant G7 or earlier CTO servers are able to order the Media Kit with the understanding that the media is not updated. Please check specific server QuickSpecs for availability of CTO Kit.
- PSP and Firmware DVD downloads will be updated through 2Q 2012 at the HP Insight Foundation Suite for ProLiant downloads tab: <http://www.hp.com/go/foundation>



### Standard Features

Customers are urged to use the replacement product, HP Service Pack for ProLiant, instead of Insight Foundation Suite which is found at these location:  
[www.hp.com/go/spp](http://www.hp.com/go/spp)  
[www.hp.com/go/spp/download](http://www.hp.com/go/spp/download)

**HP Integrated Lights-Out 3 (iLO 3)** HP Integrated Lights-Out 3 (iLO) simplifies server setup, health monitoring, power and thermal control, and lights-out remote administration of ProLiant ML, DL, and BL servers. HP iLO functions without additional software and can be accessed from any location via a web browser. HP iLO works hand-in-hand with HP Systems Insight Manager, Insight Control suites, and Insight Dynamics for ProLiant, helping customers unleash the value of the ProLiant platform and deliver the highest possible quality of IT service. For more information, visit: [www.hp.com/go/iLO](http://www.hp.com/go/iLO)

### Security

Power-on password  
Keyboard password  
QuickLock, Network Server Mode  
Serial interface control  
Administrator's password  
iLO 3 (Integrated Lights-Out 3) has 12 customizable user accounts and SSL encryption  
iLO 3 can be disabled via a Global Setting  
iLO Advanced supports directory services integration

### Warranty

This product is covered by a global limited warranty and supported by HP Services and a worldwide network of HP Authorized Channel Partners resellers. Hardware diagnostic support and repair is available for three years from date of purchase. Support for software and initial setup is available for 90 days from date of purchase. Enhancements to warranty services are available through HP Care Pack services or customized service agreements. Hard drives have either a one year or three year warranty; refer to the specific hard drive QuickSpecs for details.

**NOTE:** Server Warranty includes 3-Year Parts, 3-Year Labor, 3-Year Onsite support with next business day response. Warranty repairs may be accomplished through the use of Customer Self Repair (CSR) parts. These parts fall into two categories: 1) Mandatory CSR parts are designed for easy replacement. A travel and labor charge will result when customers decline to replace a Mandatory CSR part; 2) Optional CSR parts are also designed for easy replacement but may involve added complexity. Customers may choose to have HP replace Optional CSR parts at no charge. Additional information regarding worldwide limited warranty and technical support is available at:

<http://h18004.www1.hp.com/products/servers/platforms/warranty/index.html>

### Optional Features

<b>HP Insight management</b>	HP Insight Control	HP Insight Control, a product option, delivers essential infrastructure management that can help save time and money by making it easy to deploy, migrate, monitor, remote control, and optimize your IT infrastructure through a single, simple management console. For more information, see <a href="http://www.hp.com/go/insightcontrol">http://www.hp.com/go/insightcontrol</a> .
	HP iLO Advanced	HP Insight Control includes one year of 24 x 7 HP Software Technical Support and Update Service ensuring rapid access to HP support staff and proactive delivery of software updates. For more information about this service, see: <a href="http://www.hp.com/services/insight">http://www.hp.com/services/insight</a>
	HP iLO Advanced	HP Integrated Lights-Out Advanced License a product option, providing smart remote server management without compromise. iLO Advanced unlocks the full set of remote administration functionality for all HP ProLiant servers by activating the full Virtual Keyboard Video and Mouse remote console, multi-user collaboration, console record and replay, GUI-based and scripted virtual media and virtual folders, and enhanced security and power management functionality. For more information, see: <a href="http://www.hp.com/go/iloadvance">http://www.hp.com/go/iloadvance</a>
	HP Insight Dynamics for ProLiant	HP Insight Dynamics for ProLiant, a product option, is advanced infrastructure management software that enables IT staff to instantly adjust their environments to meet dynamic business demands by provisioning, optimizing and protecting complex infrastructure in minutes. It's a powerful toolkit, integrated-by-design, that accelerates complex technology projects and simplifies daily operations, transforming data center economics. With Insight Dynamics IT professionals can plan capacity and power continuously, balance workloads across physical and virtual resources, and ensure cost-effective high availability. It also enables IT organizations to provision infrastructure consistently and automatically from pools of shared resources using a self-service portal. Resources provisioned can range from a single virtual machine to complex multi-tier environments and their associated physical and virtual resource requirements. In addition to the previous functional benefits, it also provides a cost-effective disaster recovery for physical and virtual environments that works with HP Continuous Access software for both the Enterprise Virtual Array and the XP storage array allowing application environments to be reactivated in minutes with the touch of a button to a remote location.

**NOTE:** For more information, visit: <http://www.hp.com/go/insightdynamics>

---

### High Performance Clusters

HP Cluster Platforms	HP Cluster Platforms are specifically engineered, factory-integrated large-scale ProLiant clusters optimized for High Performance Computing, with a choice of servers, networks and software. Operating system options include specially priced offerings for Red Hat Enterprise Linux and SUSE Linux Enterprise Server, as well as Microsoft Windows HPC Server. A Cluster Platform Configurator simplifies ordering. <a href="http://www.hp.com/go/clusters">http://www.hp.com/go/clusters</a>
----------------------	--

### Optional Features

HP HPC Interconnects	High Performance Computing (HPC) interconnect technologies are available for this server as part of the HP Cluster Platform portfolio. These high-speed InfiniBand and Gigabit interconnects are fully supported by HP when integrated within an HP cluster. Flexible, validated solutions can be defined with the help of configuration tools. <a href="http://www.hp.com/techservers/clusters/ucp/index.html">http://www.hp.com/techservers/clusters/ucp/index.html</a>
HP Cluster Management Utility	HP Cluster Management Utility (CMU) is an HP-licensed and HP-supported suite of tools that are used to manage large-scale Linux ProLiant systems. CMU includes software for the centralized provisioning, management and monitoring of nodes. CMU makes the administration of clusters user friendly, efficient, and effective. <a href="http://www.hp.com/go/cmu">http://www.hp.com/go/cmu</a>
HP HPC Linux Value Pack	HP HPC Linux Value Pack (Value Pack) is an HP-licensed and HP-supported specially priced software bundle for the development and deployment of applications on HPC Cluster Platforms. Value Pack includes the Platform HPC Enterprise Edition suite of tools including the LSF workload scheduler, the HP-MPI parallelization library. Also included are the HP Unified Parallel C compiler and the HP Shmem library, as well as the execution environments for the libraries and compiler. <a href="#">HP HPC Linux Value Pack</a>

### Storage Software

Whether you need to solve a specific data protection, archiving, or storage command and control challenge, or deliver on strategic consolidation, compliance, or continuity initiatives, look no further than HP storage software. Our storage software helps you reduce costs, simplify storage infrastructure, protect vital assets and respond faster to business opportunities.

Storage software that gets the job done:

- **Data Protection and Recovery Software**  
Whether you're a large enterprise or a smaller business, HP data protection and recovery software will cost-effectively protect you against disaster and ensure business continuity.
- **Data Archive and Migration Software**  
HP's storage software enables you to comply with data retention and retrieval requirements, improve application performance, and reduce costs by efficiently migrating infrequently accessed or less valuable data to lower cost storage.
- **Storage Resource Management Software (SRM)**  
HP's storage resource management software reduces operational costs and provides the command and control foundation you need to efficiently manage and visualize your physical and virtual environments.
- **Data Replication Software**  
HP offers array-based and host-based replication software for use in disaster recovery, testing, application development and reporting.
- **Storage Device Management Software**  
Maximize your investment in HP storage and networking with software that enables hardware-specific configuration, performance tuning and connectivity management.
- **HP StoreVirtual VSA**  
With HP StoreVirtual VSA you can use the power of virtualization to turn a set of heterogeneous and disconnected physical disk drives in your servers and storage devices into a single pool of logical storage capacity.

**NOTE:** For more information available Storage Software including QuickSpecs, please see:

### Optional Features

---

[www.hp.com/go/storage/software](http://www.hp.com/go/storage/software).

---

#### **HP Insight Online**

HP Insight Online is a new capability available through the HP Support Center portal for one stop, secure access to product and HP support information specific to your IT environment. Insight Online can automatically display devices remotely monitored by HP Insight Remote Support. With Insight Online's easy navigation you can efficiently track your IT support contracts and device status from anywhere and at anytime. [www.hp.com/go/insightonline](http://www.hp.com/go/insightonline)

---

#### **HP Proactive Insight experience**

Prevent problems with innovative, automated monitoring tools and proactive services. The HP Proactive Insight experience consist of using Insight Online, Insight Remote Support, and Proactive Care Support Service as one integrated solution. The Proactive Insight experience provides you with expert advice and personalized, cloud-based automated IT support, helping to prevent unplanned down time and solve problems quickly. For more information, visit: [www.hp.com/go/proactiveinsightexperience](http://www.hp.com/go/proactiveinsightexperience)

---

#### **Factory Express Portfolio for Servers and Storage**

HP Factory Express offers configuration, customization, integration and deployment services for HP servers and storage products. Customers can choose how their factory solutions are built, tested, integrated, shipped and deployed.

Factory Express offers service packages for simple configuration, racking, installation, complex configuration and design services as well as individual factory services, such as image loading, asset tagging, and custom packaging. HP products supported through Factory Express include a wide array of servers and storage: HP Integrity, HP ProLiant, HP ProLiant Server Blades, HP BladeSystem, HP 9000 servers as well as the MSAxxxx, VA7xxx, EVA, XP, rackable tape libraries and configurable network switches.

For more information on Factory Express services for your specific server model please contact your sales representative or go to: <http://www.hp.com/go/factory-express>.

---

#### **HP Simple Configurator**

SCE is a guided self service tool to help sales and non technical people provide customers with initial configurations in 3 to 5 minutes. You may then send the configuration on for configuration help, or use in your existing ordering processes. If you require "custom" rack configuration or configuration for products not available in SCE, please contact HP's Customer Business Center or an Authorized Partner for assistance. <http://www.hp.com/products/configurator>

### Service and Support

#### Service and Support

##### **HP Technology Services for Industry Standard Servers and BladeSystem**

Capitalizing on HP ProLiant server and HP BladeSystem capabilities requires a service partner who understands your increasingly complex business technology environment. That's why it makes sense to team up with the people who know HP infrastructure hardware and software best - the experienced professionals at HP Services.

##### **What HP ProLiant and BladeSystem Services can do for you**

HP ProLiant and BladeSystem Services can help you design, deploy, test, integrate, support, and manage IT and infrastructure solutions. This way, HP proposes services solutions that include more than just uplift of base warranty. You can get the support you need by choosing from one of a number of service packaged solutions we have designed to address wider set of customer support needs:

HP Technology Services meets business challenges with services offered in three packages -

**Optimized Care Package, Standard Care Package, and Basic Care Package** - available for each product group. Such packaged solutions enable customers to optimize technology operations, minimize risk and drive better business outcomes with easy-to-buy, easy-to-use scalable support packages for servers, storage, networking and software.

#### Optimized Care Package

##### **Supports maintaining servers at optimum performance availability**

##### **HP ProLiant Server Hardware Installation**

Provides for the basic hardware installation of HP branded servers, storage devices and networking options to assist you in bringing your new hardware into operation in a timely and professional manner  
<http://h20195.www2.hp.com/V2/GetPDF.aspx/5981-9356EN>

##### **HP Installation and Startup for Insight Control Software**

Provides for the deployment and basic configuration of HP Insight Control on HP ProLiant ML and DL series servers or HP BladeSystem servers  
<http://h20195.www2.hp.com/v2/GetPDF.aspx/4AA0-9972ENW.pdf>

##### **3-Year HP Critical Advantage**

Provides end-to-end infrastructure support solution for business critical applications running on virtualized/x86 infrastructures, enabling the customers to cost effectively build, operate, and continuously improve their IT environment  
<http://h20195.www2.hp.com/V2/GetDocument.aspx?docname=4AA3-1772ENW>

**Additional Services:** Microsoft or Linux or VMware education courses + Facility & technology environmental assessment services + Energy Efficiency Design, Factory Express

#### Standard Care Package

##### **Package that maintains high level of server availability**

##### **HP ProLiant Server Hardware Installation**

Provides for the basic hardware installation of HP branded servers, storage devices and networking options to assist you in bringing your new hardware into operation in a timely and professional manner  
<http://h20195.www2.hp.com/V2/GetPDF.aspx/5981-9356EN>

##### **HP Installation and Startup for Insight Control Software**

Provides for the deployment and basic configuration of HP Insight Control on HP ProLiant ML and DL series servers or HP BladeSystem servers  
<http://h20195.www2.hp.com/v2/GetPDF.aspx/4AA0-9972ENW.pdf>

### Service and Support

#### **3-Year HP 6 hour Hardware Support Onsite Call-to-Repair Service**

Provides an IT manager with a team of support specialists who will quickly begin troubleshooting the system to help return the hardware to operating condition within 6 hours of the initial service request to the HP Global Solution Center

<http://h20195.www2.hp.com/V2/GetPDF.aspx/5982-6547EN.pdf>

#### **3-Year , HP 24x7 Software Support for Insight Control**

Provides for the deployment and basic configuration of HP Insight Control on HP ProLiant ML and DL series servers or HP BladeSystem servers

<http://h20195.www2.hp.com/V2/GetPDF.aspx/5981-6645EEE.pdf>

**Additional Services** - Software OS (Microsoft, Linux (SUSE/Red Hat) & VMware Installation & Start Up, and Software Support; Install and Startup Services for Insight Control; Microsoft or Linux or VMware education courses; +30 Proactive Select Credits, Factory Express

#### **Basic Care Package**

**Basic Care Package: delivers minimum recommended support service level**

#### **HP ProLiant Server Hardware Installation**

Provides for the basic hardware installation of HP branded servers, storage devices and networking options to assist you in bringing your new hardware into operation in a timely and professional manner

<http://h20195.www2.hp.com/V2/GetPDF.aspx/5981-9356EN>

#### **3-Year HP 24x7 4 hour Response, Hardware Support Onsite Service**

Provides for the deployment and basic configuration of HP Insight Control on HP ProLiant ML and DL series servers or HP BladeSystem servers

<http://h20195.www2.hp.com/v2/GetPDF.aspx/4AA0-9972ENW.pdf>

**Additional Services:** Software OS (Microsoft, Linux (SUSE/Red Hat) & VMware Installation & Start Up and Software Support); +10 Proactive Select Credits, Factory Express

#### **Insight Remote Support**

The packages include HP Insight Remote Support that uses proven technology to deliver secure, reliable 24x7 remote monitoring, diagnoses, and problem resolution. It is available at no additional cost to all warranty, HP Care Pack Service, and service agreement customers.

#### **For more information**

To learn more on HP ProLiant servers and HP BladeSystem servers, please contact your HP sales representative or HP Authorized Channel Partner. Or visit: <http://www.hp.com/services/proliant>

### Pre-configured Models

**NOTE:** For the Standard Features shipped in the "Factory Integrated Models", please see the "Configuration Information - Factory Integrated Models" section.

**NOTE:** Pre-configured models ship with the configurations below. Options can be selected from the Core or Additional options section of this QuickSpecs.

**NOTE:** HP does not allow factory integration of options into pre-configured models. Any additional options purchased will be shipped separately.

**NOTE:** If you desire a custom configuration please see "Configuration Information - Factory Integrated Models" section of this QuickSpecs.

**NOTE:** Not all models are available in all regions. Check with your local country HP offices for availability.

### Performance Models

<p><b>Six-Core Model</b>  <b>HP ProLiant DL360 G7</b>  <b>X5675 2P 12GB-R</b>  <b>P410i/1GB FBWC 8 SFF</b>  <b>SAS/SATA 460W PS Svr</b>          636365-xx1</p>	<p><b>Processor(s)</b></p>	<p>(2) Intel® Xeon® X5675 (3.06GHz/6-core/12MB/95W, DDR3-1333, HT Turbo 2/2/2/2/3/3) Processors            (2) Intel® Xeon® X5650 (2.66GHz/6-core/12MB/95W DDR3-1333, HT Turbo 2/2/2/2/3/3) Processors</p>
<p><b>HP ProLiant DL360 G7</b>  <b>X5650 2P 12GB-R</b>  <b>P410i/1GB FBWC 8 SFF</b>  <b>460W 92 EFF RPS IC Svr</b>          579239-xx1</p>	<p><b>Cache Memory</b></p>	<p>12MB (1 x 12MB) Level 3 cache</p>
	<p><b>Memory</b></p>	<p>12 GB (6 x 2 GB) PC3-10600R (DDR3-1333) Registered DIMMs  <b>NOTE: Total of 18 DDR3 DIMM slots.</b></p>
	<p><b>Network Controller</b></p>	<p>Two HP NC382i Dual Port Multifunction Gigabit Server Adapter (4 x 1Gb Ports)</p>
	<p><b>Storage Controller</b></p>	<p>HP Smart Array P410i/1GB FBWC</p>
	<p><b>Hard Drive</b></p>	<p>None ship standard</p>
	<p><b>Internal Storage</b></p>	<p>8 SFF SAS/SATA HDD Bays</p>
	<p><b>Optical Drive</b></p>	<p>Not available for 8 drive models</p>
	<p><b>PCI-Express Slots</b></p>	<p>PCIe 2.01-full-length, full-height and 1-low profile</p>
	<p><b>Power Supply</b></p>	<p>Two 460W Common Slot Gold Hot Plug Power Supplies, redundant</p>
	<p><b>Fans</b></p>	<p>4 total fans, redundancy standard</p>
	<p><b>Insight Control</b></p>	<p>HP Insight Control No Media single server license, including 1 year of 24x7 Technical Support and Updates</p>
	<p><b>Form Factor</b></p>	<p>1U Rack form factor (1.75"), less than 28 inches (70.5 cm) deep</p>
	<p><b>Warranty</b></p>	<p>Server Warranty includes 3-Year Parts, 3-Year Labor, 3-Year Onsite support with next business day response.</p>

### Pre-configured Models

#### Base Models

##### Six-Core Models

**HP ProLiant DL360 G7  
E5649 1P 6GB-R  
P410i/256 4 SFF 460W  
RPS Server**  
633776-xx1

**Processor(s)**  
One of the following  
depending on Model

(1) Intel® Xeon® E5649 (2.53GHz/6-core/12MB/80W, DDR3-1333, HT Turbo 1/1/1/1/2/2) Processor  
(1) Intel® Xeon® E5645 (2.40GHz/6-core/12MB/80W, DDR3-1333, HT Turbo 1/1/1/1/2/2) Processor

**Cache Memory**

12MB (1 x 12MB) Level 3 cache

**Memory**

6 GB (3 x 2 GB) PC3-10600R (DDR3-1333) Registered DIMMs  
**NOTE: Total of 18 DDR3 DIMM slots.**

**Network Controller**

Two HP NC382i Dual Port Multifunction Gigabit Server Adapter (4 x 1Gb Ports)

**Storage Controller**

HP Smart Array P410i/256MB Controller

**Hard Drive**

None ship standard

**Internal Storage**

4 SFF SAS/SATA HDD Bays (with optional 4SFF HDD upgrade)

**Optical Drive**

None ship standard

**PCI-Express Slots**

PCIe 2.01-full-length, full-height and 1-low profile

**Power Supply**

One 460W Common Slot Gold Hot Plug Power Supply

**Fans**

3 total fans redundancy standard

**Form Factor**

1U Rack form factor (1.75"), less than 28 inches (70.5 cm) deep

**Warranty**

Server Warranty includes 3-Year Parts, 3-Year Labor, 3-Year Onsite support with next business day response.

#### Entry Models

##### Quad-Core Models

**HP ProLiant DL360 G7  
E5606 1P 4GB-R P410i/ZM  
4 SFF 460W RPS Server**  
633778-xx1

**Processor(s)**  
One of the following  
depending on Model

(1) Intel® Xeon® E5606 (2.13GHz/4-core/8MB/80W, DDR3-800) Processor

**Cache Memory**

One of the following  
depending on Model

4MB (1 x 4MB) Level 3 cache

**Memory**

4 GB (2 x 2 GB) PC3-10600R (DDR3-1333) Registered DIMMs  
**NOTE: Total of 18 DDR3 DIMM slots.**

**Network Controller**

Two HP NC382i Dual Port Multifunction Gigabit Server Adapter (4 x 1Gb Ports)

**Storage Controller**

HP Smart Array P410i/Zero Memory Controller

**Hard Drive**

None ship standard

**Internal Storage**

4 SFF SAS/SATA HDD Bays (with optional 4SFF HDD upgrade)

**Optical Drive**

None ship standard

**PCI-Express Slots**

PCIe 2.01-full-length, full-height and 1-low profile

**Power Supply**

One 460W Common Slot Gold Hot Plug Power Supply

**Fans**

3 total fans redundancy standard

**Form Factor**

1U Rack form factor (1.75"), less than 28 inches (70.5 cm) deep



### Pre-configured Models

#### Warranty

Server Warranty includes 3-Year Parts, 3-Year Labor, 3-Year Onsite support with next business day response.

### Efficiency Models

<p><b>Quad-Core Models</b>  <b>HP ProLiant DL360 G7</b>  <b>L5630 1P 4GB-U P410i/ZM</b>  <b>4 SFF 460W PS Efficiency</b>  <b>Server</b>                      579242-xx1</p>	<p><b>Processor(s)</b></p> <p><b>Cache Memory</b></p> <p><b>Memory</b></p> <p><b>Network Controller</b></p> <p><b>Storage Controller</b></p> <p><b>Hard Drive</b></p> <p><b>Internal Storage</b></p> <p><b>Optical Drive</b></p> <p><b>PCI-Express Slots</b></p> <p><b>Power Supply</b></p> <p><b>Fans</b></p> <p><b>Form Factor</b></p> <p><b>Warranty</b></p>	<p>(1) Intel® Xeon® L5630 (2.13GHz/4-core/12MB/40W, DDR3-1066, HT Turbo 1/1/2/2) Processor</p> <p>12MB (1 x 12MB) Level 3 cache</p> <p>4 GB (2 x 2 GB) PC3-10600E (DDR3-1333) Unbuffered Memory  <b>NOTE: Total of 18 DDR3 DIMM slots.</b></p> <p>Two HP NC382i Dual Port Multifunction Gigabit Server Adapter (4 x 1Gb Ports)</p> <p>HP Smart Array P410i/Zero Memory Controller</p> <p>None ship standard</p> <p>4 SFF SAS/SATA HDD Bays (with optional 4SFF HDD upgrade)</p> <p>None ship standard</p> <p>PCIe 2.01-full-length, full-height and 1-low profile</p> <p>One 460W Common Slot Platinum Hot Plug Power Supply</p> <p>3 total fans redundancy standard</p> <p>1U Rack form factor (1.75"), less than 28 inches (70.5 cm) deep</p> <p>Server Warranty includes 3-Year Parts, 3-Year Labor, 3-Year Onsite support with next business day response.</p>
---	---	--

#### Country Code Key

xx=00	US
xx=20	Brazil
xx=29	Japan
xx=37	APD
xx=42	Europe
xx=AA	PRC

### Configuration Information - Factory Integrated Models

**NOTE:** This section lists some of the steps required to configure a Factory Integrated Model. To ensure only valid configurations are ordered, HP recommends the use of an HP approved configurator. Contact your local sales representative for information on configurable product offerings and requirements.

**NOTE:** Configure-to-order (CTO) servers must start with a CTO Chassis.

**NOTE:** FIO indicates that this option is only available as a factory installable option.

### Step 1: Base Configuration (choose one of the following configurable models)

<b>HP Models</b>	HP ProLiant DL360 G7 Configure-to-order Server	579237-B21
	HP ProLiant DL360 G7 Performance Configure-to-order Server	641749-B21
	<b>NOTE:</b> This Model is sold in CTO only and with Dual X5690 or X5687 130Watt processors only.	
	<b>Factory Integrated Model ships with:</b>	
	Two HP NC382i Dual Port Multifunction Gigabit Server Adapter (4x1Gb Ports)	
	HP Smart Array P410i/Zero Memory Controller	
	HP Integrated Lights-Out 3 (iLO 3) embedded	
	2 PCIe 2.0 Slots - 1 full-length, full-height x16 and 1 low-profile x8.	
	4 bays for Hot-Plug SAS/SATA Drives(Factory Option for up to 8)	
	4 USB ports(1-front, 1-internal, 2-rear)	
	1 Internal Secure Digital(SD) slot	
	3 fan modules; fan redundancy standard	
	1U Rack form factor (1.75"), less than 28 inches (70.5 cm) deep	

### Step 2: Choose Required Options (only one of the following from each list unless otherwise noted)

<b>HP Processors</b>	<b>Six-Core Processors</b>	
	HP DL360 G7 Intel® Xeon® X5690 (3.46GHz/6-core/12MB/130W) FIO 2-processor Kit	644131-L21
	<b>NOTE:</b> This kit includes two processors.	
	HP DL360 G7 Intel® Xeon® X5675 (3.06GHz/6-core/12MB/95W) FIO Processor Kit	633781-L21
	HP DL360 G7 Intel® Xeon® X5670 (2.93GHz/6-core/12MB/95W) FIO Processor Kit	588062-L21
	HP DL360 G7 Intel® Xeon® X5660 (2.80GHz/6-core/12MB/95W) FIO Processor Kit	588064-L21
	HP DL360 G7 Intel® Xeon® X5650 (2.66GHz/6-core/12MB/95W) FIO Processor Kit	588066-L21
	HP DL360 G7 Intel® Xeon® E5649 (2.53GHz/6-core/12MB/80W) FIO Processor Kit	633785-L21
	HP DL360 G7 Intel® Xeon® E5645 (2.40GHz/6-core/12MB/80W) FIO Processor Kit	633787-L21
	<b>Quad-Core Processors</b>	
	HP DL360 G7 Intel® Xeon® X5687 (3.60GHz/4-core/12MB/130W) FIO 2-processor Kit	644130-L21
	<b>NOTE:</b> This kit includes two processors.	
	HP DL360 G7 Intel® Xeon® X5672 (3.20GHz/4-core/12MB/95W) FIO Processor Kit	633783-L21
	HP DL360 G7 Intel® Xeon® E5606 (2.13GHz/4-core/8MB/80W) FIO Processor Kit	633789-L21
	HP DL360 G7 Intel® Xeon® E5603 (1.60GHz/4-core/4MB/80W) FIO Processor Kit	633791-L21
	<b>NOTE:</b> Up to 2 processors supported. Performance Model configurations include two processors.	
	<b>NOTE:</b> HT indicates that the processor model supports Intel® /Hyper-Threading Technology	

### Configuration Information - Factory Integrated Models

**NOTE:** Turbo indicates the maximum potential frequency increment when using Intel® Turbo Boost Technology, with 4,3,2 and 1 cores active.

**NOTE:** DDR3 speed is the maximum memory speed of the processor. Actual memory speed may depend on the quantity and type of DIMMs installed.

**NOTE:** For the Intel 5600 Series, the letter preceding the model number indicated the performance/wattage of the processor. "X" denotes High Performance/Wattage; "E" denotes Enterprise Performance/Wattage (Mainstream); and "L" denotes Lower Wattage.

#### HP Memory

##### Registered DIMMs (RDIMMs)

HP 2GB (1x2GB) Dual Rank x8 PC3-10600 (DDR3-1333) Registered CAS-9 Memory Kit 500656-B21

HP 4GB (1x4GB) Dual Rank x4 PC3-10600 (DDR3-1333) Registered CAS-9 Memory Kit 500658-B21

HP 4GB (1x4GB) Single Rank x4 PC3-10600 (DDR3-1333) Registered CAS-9 Memory Kit 593339-B21

HP 4GB (1x4GB) Single Rank x4 PC3L-10600 (DDR3-1333) Registered CAS-9 Low Power Memory Kit 604504-B21

**NOTE:** Low Voltage DIMMs can only be used with Intel® Xeon® processor 5600 series processors.

HP 8GB (1x8GB) Dual Rank x4 PC3-10600 (DDR3-1333) Registered CAS-9 Memory Kit 500662-B21

HP 8GB (1x8GB) Dual Rank x4 PC3L-10600 (DDR3-1333) Registered CAS-9 Low Power Memory Kit 604506-B21

**NOTE:** Low Voltage DIMMs can only be used with Intel® Xeon® processor 5600 series processors.

HP 16GB (1x16GB) Quad Rank x4 PC3-8500 (DDR3-1066) Registered CAS-7 Memory Kit 500666-B21

HP 16GB (1x16GB) Dual Rank x4 PC3L-10600 (DDR3-1333) Registered CAS-9 LP Memory Kit 627812-B21

HP 32GB (1x32GB) Quad Rank x4 PC3L-8500 (DDR3-1066) Registered CAS-7 LP Memory Kit 627814-B21

##### Unbuffered with ECC DIMMs (UDIMMs)

HP 1GB (1x1GB) Single Rank x8 PC3-10600 (DDR3-1333) Unbuffered CAS-9 Memory Kit 500668-B21

HP 2GB (1x2GB) Dual Rank x8 PC3-10600 (DDR3-1333) Unbuffered CAS-9 Memory Kit 500670-B21

HP 4GB (1x4GB) Dual Rank x8 PC3-10600 (DDR3-1333) Unbuffered CAS-9 Memory Kit 500672-B21

HP 4GB (1x4GB) Dual Rank x8 PC3L-10600 (DDR3-1333) Unbuffered CAS-9 Low Power Memory Kit 619488-B21

**NOTE:** All DDR3 memory option kits consist of one DIMM per kit. For detailed memory configuration rules and guidelines, please use the Online DDR3 Memory Configuration Tool: [www.hp.com/go/ddr3memory-configurator](http://www.hp.com/go/ddr3memory-configurator).

**NOTE:** For more information on ProLiant Energy Efficient Features, see:

[www.hp.com/go/proliant-energy-efficient](http://www.hp.com/go/proliant-energy-efficient)

**NOTE:** PC3L is a low voltage memory.

#### HP Power Supplies

**NOTE:** Most DL360 Series Servers operate within the 460Watt range of the base model Common Slot Power Supply. However, prior to making a power supply selection it is highly recommended that the HP Power Advisor is run to determine the right size power supply for your server configuration. The HP Power Advisor is located at:

[www.hp.com/go/hppoweradvisor](http://www.hp.com/go/hppoweradvisor).

Standard Power Supplies only come with "PreConfigured Models" shown previously and are defined in those lists of options.

### Configuration Information - Factory Integrated Models

HP 460W Common Slot Gold Hot Plug Power Supply Kit	503296-B21
<b>NOTE:</b> Standard on most models.	
HP 460W Common Slot Platinum Hot Plug Power Supply Kit	593188-B21
HP 750W Common Slot Gold Hot Plug Power Supply Kit	512327-B21
HP 750W Common Slot Platinum Hot Plug Power Supply Kit	593831-B21
<b>NOTE:</b> Standard on Efficiency Model Server.	
HP 1200W Common Slot Silver Hot Plug Power Supply Kit	500172-B21
HP 1200W Common Slot -48VDC Hot Plug Power Supply Kit	437573-B21
<b>NOTE:</b> DC power supplies contain a -48V DC power cord designed for in rack DC power rectifiers.	
<b>NOTE:</b> Option Kits contain optional power supply, an IEC power cable and PDU IEC cables.	

### Step 3: Choose Additional Factory Integratable Options

<b>HP Storage Controllers</b>	<p><b>NOTE:</b> For additional Cache Memory Options for the standard integrated Smart Array (P410i) see HP Storage Controllers section in Step 4: below.</p> <p><b>NOTE:</b> For additional Storage Controller Options select from these options. See Additional Options in next section below for more details.</p>	
	HP Smart Array P212/256 BBWC 1-ports Int/1-ports Ext PCIe x8 FIO SAS Controller	491191-B21
	HP Smart Array P411/256 BBWC 2-ports Ext PCIe x8 FIO SAS Controller	491193-B21
	<p><b>NOTE:</b> For more information on optional controllers.</p> <p><a href="http://h18004.www1.hp.com/products/servers/proliantstorage/arraycontrollers/index.html">http://h18004.www1.hp.com/products/servers/proliantstorage/arraycontrollers/index.html</a></p>	
<b>HP Performance Packs</b>	<p>The HP ProLiant DL360 G7 performance packs are necessary to configure a HP ProLiant DL360 G7 Performance Model. HP ProLiant DL360 G7 Performance model includes the latest performance technologies and enterprise class availability features pre-installed for convenience and value. The performance pack includes a 2nd processor, redundant 460w power supplies, 1G of FBWC, a second HDD backplane for full 8 SFF/SSD hard drive support and Insight Control license.</p>	
	HP DL360G7 X5650 High Performance Model FIO Performance Pack	593829-B21
	HP DL360 G7 X5675 FIO High Performance Pack	636366-B21
<b>HP Insight Software</b>	HP Insight Control including 1yr 24x7 Support ProLiant ML/DL/BL-bundle Single Server FIO License	C6N36A

### Step 4: Choose Additional Options for Factory Integration

**NOTE:** For additional options, please refer to the "Core Options" and "Additional Options" sections below.

### Core Options

**NOTE:** Some options may not be integrated at the factory. To ensure only valid configurations are ordered, HP recommends the use of an HP approved configurator. Contact your local sales representative for additional information.

<b>HP Unique Options</b>	HP DL360 G6/G7 Small Form Factor Hard Drive Backplane Kit	516966-B21
	<b>NOTE:</b> Integrated Optical/DVD cannot be used with this option. Optional External USB CD/DVD Drive available.	
	HP DL360G6 Slimline 12.7mm SATA DVD Optical Drive	532066-B21
	HP DL360G6 Slimline 12.7mm SATA DVD-RW Optical Drive	532068-B21
	<b>NOTE:</b> Integrated DVD/Optical drive option is supported on 4 Hard drive models only.	
	HP DL360 G6 PCI-X Riser Kit	518824-B21
	<b>NOTE:</b> For PCI-X Card support only.	
	<b>NOTE:</b> The PCI-X Riser option is available to convert the full-length, full-height PCI-Express slot to PCI-X slot for PCI-X cards only.	

### HP Processor

#### Six-Core Processors

HP DL360 G7 Intel® Xeon® X5675 (3.06GHz/6-core/12MB/95W) Processor Kit	633781-B21
HP DL360 G7 Intel® Xeon® X5670 (2.93GHz/6-core/12MB/95W) Processor Kit	588062-B21
HP DL360 G7 Intel® Xeon® X5660 (2.80GHz/6-core/12MB/95W) Processor Kit	588064-B21
HP DL360 G7 Intel® Xeon® X5650 (2.66GHz/6-core/12MB/95W) Processor Kit	588066-B21
HP DL360 G7 Intel® Xeon® E5649 (2.53GHz/6-core/12MB/80W) Processor Kit	633785-B21
HP DL360 G7 Intel® Xeon® E5645 (2.40GHz/6-core/12MB/80W) Processor Kit	633787-B21
HP DL360 G7 Intel® Xeon® L5640 (2.26GHz/6-core/12MB/60W) Processor Kit	588078-B21

#### Quad-Core Processors

HP DL360 G7 Intel® Xeon® X5672 (3.20GHz/4-core/12MB/95W) Processor Kit	633783-B21
HP DL360 G7 Intel® Xeon® E5640 (2.66GHz/4-core/12MB/80W) Processor Kit	588068-B21
HP DL360 G7 Intel® Xeon® E5630 (2.53GHz/4-core/12MB/80W) Processor Kit	588070-B21
HP DL360 G7 Intel® Xeon® E5620 (2.40GHz/4-core/12MB/80W) Processor Kit	588072-B21
HP DL360 G7 Intel® Xeon® L5630 (2.13GHz/4-core/12MB/40W) Processor Kit	588080-B21
HP DL360 G7 Intel® Xeon® E5606 (2.13GHz/4-core/8MB/80W) Processor Kit	633789-B21
HP DL360 G7 Intel® Xeon® E5603 (1.60GHz/4-core/4MB/80W) Processor Kit	633791-B21

**NOTE:** Up to 2 processors supported. Performance Model configurations include two processors.

**NOTE:** HT indicates that the processor model supports Intel® /Hyper-Threading Technology

**NOTE:** Turbo indicates the maximum potential frequency increment when using Intel® Turbo Boost Technology, with 6,5,4,3,2 and 1 cores active.

**NOTE:** DDR3 speed is the maximum memory speed of the processor. Actual memory speed may depend on the quantity and type of DIMMs installed.

**NOTE:** For the Intel 5600 Series, the letter preceding the model number indicated the performance/wattage of the processor. "X" denotes High Performance/Wattage; "E" denotes Enterprise Performance/Wattage (Mainstream); and "L" denotes Lower Wattage.

### Core Options

#### HP Memory

##### Registered DIMMs (RDIMMs)

HP 2GB (1x2GB) Dual Rank x8 PC3-10600 (DDR3-1333) Registered CAS-9 Memory Kit	500656-B21
HP 4GB (1x4GB) Dual Rank x4 PC3-10600 (DDR3-1333) Registered CAS-9 Memory Kit	500658-B21
HP 4GB (1x4GB) Single Rank x4 PC3-10600 (DDR3-1333) Registered CAS-9 Memory Kit	593339-B21
HP 4GB (1x4GB) Single Rank x4 PC3L-10600 (DDR3-1333) Registered CAS-9 Low Power Memory Kit	604504-B21

**NOTE:** Low Voltage DIMMs can only be used with Intel® Xeon® processor 5600 series processors.

HP 8GB (1x8GB) Dual Rank x4 PC3-10600 (DDR3-1333) Registered CAS-9 Memory Kit	500662-B21
HP 8GB (1x8GB) Dual Rank x4 PC3L-10600 (DDR3-1333) Registered CAS-9 Low Power Memory Kit	604506-B21

**NOTE:** Low Voltage DIMMs can only be used with Intel® Xeon® processor 5600 series processors.

HP 16GB (1x16GB) Quad Rank x4 PC3-8500 (DDR3-1066) Registered CAS-7 Memory Kit	500666-B21
HP 16GB (1x16GB) Dual Rank x4 PC3L-10600 (DDR3-1333) Registered CAS-9 LP Memory Kit	627812-B21

HP 32GB (1x32GB) Quad Rank x4 PC3L-8500 (DDR3-1066) Registered CAS-7 LP Memory Kit	627814-B21
--	------------

##### Unbuffered with ECC DIMMs (UDIMMs)

HP 1GB (1x1GB) Single Rank x8 PC3-10600 (DDR3-1333) Unbuffered CAS-9 Memory Kit	500668-B21
HP 2GB (1x2GB) Dual Rank x8 PC3-10600 (DDR3-1333) Unbuffered CAS-9 Memory Kit	500670-B21
HP 4GB (1x4GB) Dual Rank x8 PC3-10600 (DDR3-1333) Unbuffered CAS-9 Memory Kit	500672-B21
HP 4GB (1x4GB) Dual Rank x8 PC3L-10600 (DDR3-1333) Unbuffered CAS-9 Low Power Memory Kit	619488-B21

**NOTE:** All DDR3 memory option kits consist of one DIMM per kit. For detailed memory configuration rules and guidelines, please use the Online DDR3 Memory Configuration Tool: [www.hp.com/go/ddr3memory-configurator](http://www.hp.com/go/ddr3memory-configurator).

**NOTE:** Kits described as LP include Low Power DIMMs. For more information on ProLiant Energy Efficient Features, see: [www.hp.com/go/proliant-energy-efficient](http://www.hp.com/go/proliant-energy-efficient).

**NOTE:** PC3L is a low voltage memory.

#### HP Drive Cage Options

HP DL360 G6/G7 Small Form Factor Hard Drive Backplane Kit	516966-B21
---	------------

**NOTE:** For 4 addition HD Bays, slots 5-8. This option will work on both DL360 G6 and G7 servers.

**NOTE:** Optical/DVD cannot be used with this option.

#### HP Optical Drives

HP DL360G6 Slimline 12.7mm SATA DVD Optical Drive	532066-B21
---	------------

HP DL360G6 Slimline 12.7mm SATA DVD-RW Optical Drive	532068-B21
--	------------

**NOTE:** Integrated DVD/Optical drive option is supported on 4 Hard drive models only.

#### HP Hard Drives

**NOTE:** The components of a storage subsystem (e.g. the drive, the HBA/controller, firmware, and the server backplane) should operate at the same data transfer rate or the system bandwidth will be negotiated down to an acceptable level for all

### Core Options

components.

**NOTE:** Hard drives have either a one year or three year warranty; refer to the specific hard drive QuickSpecs for details.

#### SAS Hot Plug SFF (2.5-inch) Enterprise (ENT) Drives

HP 1.2TB 6G SAS 10K SFF (2.5-inch) Dual Port Enterprise 3yr Warranty Hard Drive	693648-B21
HP 900GB 6G SAS 10K rpm SFF (2.5-inch) Dual Port Enterprise 3yr Warranty Hard Drive	619291-B21
HP 600GB 6G SAS 10K rpm SFF (2.5-inch) Dual Port Enterprise 3yr Warranty Hard Drive	581286-B21
HP 450GB 6G SAS 10K rpm SFF (2.5-inch) Dual Port Enterprise 3yr Warranty Hard Drive	581284-B21
HP 300GB 6G SAS 15K rpm SFF (2.5-inch) Hot Plug Enterprise 3 yr Warranty Hard Drive	627117-B21
HP 300GB 6G SAS 10K rpm SFF (2.5-inch) Dual Port Enterprise 3yr Warranty Hard Drive	507127-B21
HP 146GB 6G SAS 15K rpm SFF (2.5-inch) Dual Port Enterprise 3yr Warranty Hard Drive	512547-B21

#### SAS Hot Plug SFF (2.5-inch) Midline (MDL) Drives

HP 1TB 6G SAS 7.2K rpm SFF (2.5-inch) Dual Port Midline 1yr Warranty Hard Drive	605835-B21
HP 500GB 6G SAS 7.2K rpm SFF (2.5-inch) Dual Port Midline 1yr Warranty Hard Drive	507610-B21

**NOTE:** SAS Enterprise drives have a 3 year warranty. Please see the QuickSpecs for Technical Specifications and additional information:

[http://h18000.www1.hp.com/products/quickspecs/12244\\_div/12244\\_div.html](http://h18000.www1.hp.com/products/quickspecs/12244_div/12244_div.html)  
(Worldwide)

#### SATA Hot Plug SFF (2.5-inch) Midline (MDL) Drives

HP 1TB 3G SATA 7.2K rpm SFF (2.5-inch) Hot Plug Midline 1yr Warranty Hard Drive	625609-B21
HP 500GB 3G SATA 7.2K rpm SFF (2.5-inch) Midline 1yr Warranty Hard Drive	507750-B21

**NOTE:** SATA drives have a 1 year warranty. Please see the QuickSpecs for Technical Specifications and additional information:

[http://h18000.www1.hp.com/products/quickspecs/13021\\_div/13021\\_div.html](http://h18000.www1.hp.com/products/quickspecs/13021_div/13021_div.html)  
(Worldwide)

#### SATA Hot Plug 2.5" Enterprise Mainstream Solid State Drives

HP 400GB 3G SATA MLC SFF (2.5-inch) Enterprise Mainstream 3yr Warranty Solid State Drive	636597-B21
HP 200GB 3G SATA MLC SFF (2.5-inch) Enterprise Mainstream 3yr Warranty Solid State Drive	636595-B21
HP 100GB 3G SATA MLC SFF (2.5-inch) Enterprise Mainstream 3yr Warranty Solid State Drive	636593-B21

**RECOMMENDATION:** For best performance of SSD drives it is recommended that any Smart Array Controller use a max of 4 drives. For this product a second Smart Array option can be used for the second set of 4 SSD drives.

**NOTE:** Please see the QuickSpecs for Technical Specifications and additional information:

[http://h18000.www1.hp.com/products/quickspecs/14038\\_div/14038\\_div.html](http://h18000.www1.hp.com/products/quickspecs/14038_div/14038_div.html)  
(Worldwide)

#### 6G SAS Hot Plug Enterprise Performance Solid State Drives

HP 400GB 6G SAS SLC SFF (2.5-inch) Enterprise Performance 3yr Warranty Solid State Drive	632494-B21
HP 200GB 6G SAS SLC SFF (2.5-inch) Enterprise Performance 3yr Warranty Solid State Drive	632492-B21

### Core Options

**NOTE:** Please see the QuickSpecs for Technical Specifications and additional information:  
[http://h18000.www1.hp.com/products/quickspecs/14038\\_div/14038\\_div.html](http://h18000.www1.hp.com/products/quickspecs/14038_div/14038_div.html)  
 (Worldwide)

#### HP Networking

##### Gigabit Ethernet Adapters

HP NC112T PCI Express Gigabit Server Adapter	503746-B21
HP NC360T PCI-E Dual Port Gigabit Server Adapter	412648-B21
HP NC365T 4-port Ethernet Server Adapter	593722-B21
HP NC373F PCI-E Multifunction 1000SX Gigabit Svr Adapter	394793-B21
HP NC373T PCI-E Multifunction Gigabit Server Adapter	394791-B21
HP NC375T PCI Express Quad Port Gigabit Server Adapter	538696-B21
HP NC382T PCI Express Dual Port Multifunction Gigabit Server Adapter	458492-B21

##### 10 Gigabit Ethernet Adapters

**NOTE:** A minimum of two Gigabytes (2 GB) of server memory is required per each adapter.

**NOTE:** Direct Attach Cable (DAC) for copper environments or fiber transceivers and cables for fiber-optic environments must be purchased separately.

HP NC522SFP Dual Port 10GbE Gigabit Server Adapter	468332-B21
HP NC523SFP 10Gb 2-port Server Adapter	593717-B21
HP NC550SFP Dual Port 10GbE Server Adapter	581201-B21
HP NC552SFP 10Gb 2-port Ethernet Server Adapter	614203-B21

**NOTE:** Please see the QuickSpecs for Technical Specifications and additional information: [www.hp.com/go/ProLiantNICs](http://www.hp.com/go/ProLiantNICs)

HP 10 GbE PCI-e G2 Dual Port Network Interface Card	516937-B21
---	------------

#### HP InfiniBand

QLogic InfiniBand 4X QDR PCI-E G2 Dual Port HCA	583211-B21
HP InfiniBand 4X QDR ConnectX-2 PCIe G2 Dual Port HCA	592520-B21
HP InfiniBand FDR/EN 10/40Gb Dual Port 544QSFP Adapter	649281-B21

**NOTE:** Please see the QuickSpecs for additional information:  
[http://h18000.www1.hp.com/products/quickspecs/13078\\_div/13078\\_div.html](http://h18000.www1.hp.com/products/quickspecs/13078_div/13078_div.html).

#### HP I/O Expansion Options

HP DL360 G6 PCI-X Riser Kit	518824-B21
-----------------------------	------------

**NOTE:** To convert full-length, full-height PCI-Express slot to PCI-X slot for PCI-X cards only.



### Core Options

#### HP Power Supplies

**NOTE:** Prior to making a power supply selection it is highly recommended that the HP Power Advisor is run to determine the right size power supply for your server configuration. The HP Power Advisor is located at: [www.hp.com/go/hppoweradvisor](http://www.hp.com/go/hppoweradvisor).

HP 460W Common Slot Gold Hot Plug Power Supply Kit 503296-B21

**NOTE:** Standard on most models.

HP 460W Common Slot Platinum Hot Plug Power Supply Kit 593188-B21

HP 750W Common Slot Gold Hot Plug Power Supply Kit 512327-B21

HP 750W Common Slot Platinum Hot Plug Power Supply Kit 593831-B21

**NOTE:** Standard on Efficiency Model Server.

HP 1200W Common Slot Silver Hot Plug Power Supply Kit 500172-B21

HP 1200W Common Slot -48VDC Hot Plug Power Supply Kit 437573-B21

**NOTE:** DC power supplies contain a -48V DC power cord designed for in rack DC power rectifiers.

**NOTE:** Option Kits contain optional power supply, an IEC power cable and PDU IEC cables.

---

#### HP Graphic Options

NVIDIA Quadro 4000 2GB PCI-E Adapter 655933-B21

**NOTE:** HP Quadro 4000 PCIe Graphics Adapter requires HP PCI Thermal Power Kit (519254-B21), as well as a choice of a higher power HP Common Slot Pwr Supply Kit.

**NOTE:** Please see the HP Power Advisor for estimated power consumption of your individual system configuration prior to installing GPUs. The HP Power Advisor is located at: [www.hp.com/go/hppoweradvisor](http://www.hp.com/go/hppoweradvisor).

HP DL360G6 PCI Thermal Power Cable Kit 519254-B21

**NOTE:** Supports 3rd Party PCI Video Graphics cards.

### Additional Options

**NOTE:** Some options may not be integrated at the factory. To ensure only valid configurations are ordered, HP recommends the use of an HP approved configurator. Contact your local sales representative for additional information.

#### HP Insight Software

#### HP Insight Control

HP Insight Control including 1yr 24x7 Technical Support and Updates Single Server License	C6N27A
HP Insight Control including 1yr 24x7 Technical Support and Updates Electronic License	C6N28AAE
HP Insight Control Server Provisioning Media Kit	BD883A
HP Insight Management Media Kit	C6N31A
HP Insight Control including 1yr 24x7 Support ProLiant ML/DL/BL-bundle Electronic License	C6N36AAE
HP Insight Control Server Deployment including 1yr 24x7 Support Electronic License	T9082AAE
HP Insight Control Server Deployment including 1yr 24x7 Support Single Server License	452151-B21

**NOTE:** Electronic and Flexible-Quantity licenses can be used to purchase multiple licenses with a single activation key.

**NOTE:** Customer will receive a license entitlement certificate. The license entitlement certificate must be redeemed online or via fax in order to obtain the license activation key(s). Includes one year of 24 x 7 HP Software Technical Support and Update Service.

**NOTE:** Licenses ship without media. The HP Insight Control Media Kit can be ordered separately, or can be downloaded at: <http://www.hp.com/go/insightupdates>.

**NOTE:** For additional license options please see the QuickSpecs at:

[http://h18000.www1.hp.com/products/quickspecs/12631\\_div/12631\\_div.html](http://h18000.www1.hp.com/products/quickspecs/12631_div/12631_div.html)

#### HP Integrated Lights-Out (iLO) Advanced for ProLiant

HP iLO Advanced including 1yr 24x7 Technical Support and Updates Electronic License	TA850AAE
HP iLO Advanced Electronic License with 3yr 24x7 Tech Support and Updates	BD506AAE
HP iLO Advanced including 1yr 24x7 Technical Support and Updates Single Server License	512485-B21
HP iLO Advanced 1 Server License with 3yr 24x7 Tech Support and Updates	BD505A

**NOTE:** For additional license options please see the QuickSpecs at:

[http://h18004.www1.hp.com/products/quickspecs/14276\\_div/14276\\_div.html](http://h18004.www1.hp.com/products/quickspecs/14276_div/14276_div.html)

**NOTE:** For more information, visit: <http://www.hp.com/go/ilo>

### Additional Options

#### High Performance Clusters

##### HP Cluster Management Utility

HP Insight Cluster Management Utility 1yr 24x7 Flexible License QL803B

**NOTE:** This part number can be used to purchase one certificate for multiple licenses with a single activation key. Each license is for one node (server). Customer will receive a printed end user license agreement and license entitlement certificate via physical shipment. The license entitlement certificate must be redeemed online in order to obtain a license key.

HP Insight Cluster Management Utility 3yr 24x7 Flexible License BD476A

**NOTE:** These part numbers can be used to purchase one certificate for multiple licenses and support with a single activation key. Each license is for one node (server). Customer will receive a printed end user license agreement and license entitlement certificate via physical shipment. The license entitlement certificate must be redeemed online in order to obtain a license key. Customer also will receive a support agreement.

HP Insight Cluster Management Utility Media BD477A

**NOTE:** For additional license kits please see the QuickSpecs at:  
[http://h18004.www1.hp.com/products/quickspecs/12612\\_div/12612\\_div.html](http://h18004.www1.hp.com/products/quickspecs/12612_div/12612_div.html)

##### HP HPC Linux Value Pack

HP High Performance Computing Linux Value Pack 1 Processor Flexible License for ProLiant Servers TC293B

**NOTE:** This part number can be used to purchase one certificate for multiple licenses with a single activation key. Each license is for one socket (a.k.a. processor). Customer will receive a printed end user license agreement and license entitlement certificate via physical shipment. The license entitlement certificate must be redeemed online in order to obtain a license key.

HP High Performance Computing Linux Value Pack Media Kit for ProLiant Servers TC294A

**NOTE:** This part number can be used to purchase media including software and documentation, which will be delivered to the customer.

**NOTE:** For additional license kits please see the QuickSpecs at:  
[http://h18004.www1.hp.com/products/quickspecs/13485\\_div/13485\\_div.html](http://h18004.www1.hp.com/products/quickspecs/13485_div/13485_div.html)

#### HP I/O Accelerator Options

##### Second Generation Accelerators

HP 365GB Multi Level Cell G2 PCIe ioDrive2 for ProLiant Servers 673642-B21

HP 785GB Multi Level Cell G2 PCIe ioDrive2 for ProLiant Servers 673644-B21

HP 1205GB Multi Level Cell G2 PCIe ioDrive2 for ProLiant Servers 673646-B21

HP 2410GB Multi Level Cell G2 PCIe ioDrive2 Duo for ProLiant Servers 673648-B21

##### First Generation Accelerators

HP 160GB Single Level Cell PCIe ioDrive for ProLiant Servers 600278-B21

**NOTE:** A low-profile PCI bracket is included for use in low-profile slots.

HP 320GB Single Level Cell PCIe ioDrive Duo for ProLiant Servers 600281-B21

**NOTE:** Please see the QuickSpecs for Technical Specifications and additional information:

[http://h18000.www1.hp.com/products/quickspecs/13587\\_div/13587\\_div.html](http://h18000.www1.hp.com/products/quickspecs/13587_div/13587_div.html)  
 (Worldwide)

### Additional Options

#### HP Security

HP Trusted Platform Module Option

488069-B21

**NOTE:** The TPM (Trusted Platform Module) is a microcontroller chip that can securely store artifacts used to authenticate the server platform. These artifacts can include passwords, certificates and encryption keys. Windows® BitLocker™ Drive Encryption (BitLocker) is a data protection feature available in Windows Server® 2008. BitLocker leverages the enhanced security capabilities of a Trusted Platform Module (TPM) version 1.2. The TPM works with BitLocker to help protect user data and to ensure that a server running Windows Server 2008 has not been tampered with while the system was offline. For more information about TPM, including a white paper, go to: [www.hp.com/go/TPM](http://www.hp.com/go/TPM).

**NOTE:** ProLiant OS pre-installed units will come with the partition required for TPM deployment.

**NOTE:** The TPM key is unique to every TPM deployed server and must be retained. Misplacing or losing the key could result in data loss.

#### HP Storage Controllers

**NOTE:** The DL360 G7 Server comes standard with an integrated P410i Smart Array Controller designed to manage up to 8 SFF hard drives from HP. For additional capabilities and capacities HP offers additional Smart Arrays. (BBWC=Battery Backed Write Cache and FBWC=Flash Back Write Cache)

##### SAS Controllers

##### Smart Array P212 Controller

HP Smart Array P212/ZM 1-ports Int/1-ports Ext PCIe x8 SAS Controller

462828-B21

HP Smart Array P212/256 1-ports Int/1-ports Ext PCIe x8 SAS Controller

462834-B21

##### Smart Array P411 Controller

HP Smart Array P411/256 2-ports Ext PCIe x8 SAS Controller

462830-B21

HP Smart Array P411/512 BBWC 2-ports Ext PCIe x8 SAS Controller

462832-B21

HP Smart Array P411/512 FBWC 2-ports Ext PCIe x8 SAS Controller

578229-B21

HP Smart Array P411/1G FBWC 2-ports Ext PCIe x8 SAS Controller

572531-B21

##### Smart Array P812 Controller

HP Smart Array P812/1G FBWC 2-ports Int/4-ports Ext PCIe x8 SAS Controller

487204-B21

**NOTE:** The HP Smart Array P812/1G Flash Backed Cache Controller has the ability to support 8 internal drives on the DL360 G7 as well as external storage solutions. For use with the internal 8 drives the Mini-SAS to Mini-SAS, 25.50" & 28.00" option kit (PN: 496013-B21) is required.

##### Optional Upgrades

**NOTE:** For Smart Array P410i Controller and Smart Array P212 Controller. Not available for factory integration.

HP 256MB P-series Cache Upgrade

462968-B21

**NOTE:** Supported on HP Smart Array P212 Controller and HP Smart Array P410i Controller.

HP 512MB P-Series Battery Backed Write Cache Upgrade

462967-B21

HP 512MB Flash Backed Write Cache

534916-B21

**NOTE:** Supported on the Smart Array P410i Controller only.

### Additional Options

HP 1GB Flash Backed Cache	534562-B21
<b>NOTE:</b> Supported on the Smart Array P410i Controller only.	
HP 650 mAh P-Series Battery	462969-B21
<b>NOTE:</b> To enable BBWC on the 256MB cache kits.	
HP Mini SAS to Mini SAS 28in Cable Assembly	496013-B21
HP Smart Array Advanced Pack including 1yr 24x7 Technical Support and Updates Single Server License	516471-B21
<b>NOTE:</b> This part number can be used to purchase a single license or to order multiple licenses with a single activation key. Customers will receive a license entitlement certificate via e-mail. The license entitlement certificate must be redeemed online or via fax in order to obtain the license activation key(s). Include one year of 24x7 HP Software Technical Support Services.	
<b>NOTE:</b> Please see the QuickSpecs for Technical Specifications and additional information: <a href="http://h18000.www1.hp.com/products/quickspecs/13203_div/13203_div.html">http://h18000.www1.hp.com/products/quickspecs/13203_div/13203_div.html</a> (Smart Array P212 Controller) <a href="http://h18000.www1.hp.com/products/quickspecs/13202_div/13202_div.html">http://h18000.www1.hp.com/products/quickspecs/13202_div/13202_div.html</a> (Smart Array P411 Controller) <a href="http://h18000.www1.hp.com/products/quickspecs/13558_div/13558_div.html">http://h18000.www1.hp.com/products/quickspecs/13558_div/13558_div.html</a> (Smart Array P812 Controller) <a href="http://h18000.www1.hp.com/products/quickspecs/13200_div/13200_div.html">http://h18000.www1.hp.com/products/quickspecs/13200_div/13200_div.html</a> (Smart Array Advanced Pack)	
<b>SAS HBA</b>	
HP Modular Smart Array SC08e 2-ports Ext PCIe x8 SAS Host Bus Adapter	614988-B21
<b>NOTE:</b> This is a 2 x4 External Port HBA	
<b>NOTE:</b> This is only approved for the HP Storage Works P2000 G3 SAS Modular Smart Array.	
<b>NOTE:</b> Please see the QuickSpecs for Technical Specifications and additional information: <a href="http://h18004.www1.hp.com/products/quickspecs/13651_div/13651_div.html">http://h18004.www1.hp.com/products/quickspecs/13651_div/13651_div.html</a> (SC08e 6Gb HBA)	
<b>SCSI HBA</b>	
HP SC11Xe Ultra320 Single Channel/ PCIe x4 SCSI Host Bus Adapter	412911-B21
<b>NOTE:</b> Recommended HBA for SCSI tape drive connect.	
<b>NOTE:</b> Please see the QuickSpecs for additional information: <a href="http://h18000.www1.hp.com/products/quickspecs/12566_div/12566_div.html">http://h18000.www1.hp.com/products/quickspecs/12566_div/12566_div.html</a> (SC11Xe HBA)	

### Additional Options

#### HP Power Cords

**NOTE:** The HP ProLiant DL360 G7 ships with an IEC-IEC power cord used for rack mounting with Power Distribution Units (PDUs). For specific regional power cords purchase from the following.

HP C13 - Nema 5-15P US/CA 110V 10Amp 1.83m Power Cord	AF556A
HP C13 - GB-1002 CN 250V 10Amp 1.83m Power Cord	AF557A
HP C13 - IRAM -2073 AR 250V 10A 2.5m Power Cord	AF558A
HP C13 - Nema 5-15P TH/PH 250V 10Amp 1.83m Power Cord	AF559A
HP C13 - CNS-690 TW 110V 13Amp 1.83m Power Cord	AF561A
HP C13 - IS-1293 IN 240V 6Amp LV 2.0m Power Cord	AF562A
HP C13 - KSC- 8305 KR 250V 10Amp 1.83m Power Cord	AF560A
HP C13 - SI-32 IL 250V 10Amp 1.83m Power Cord	AF564A
HP C13 - SEV 1011 CH 250V 10Amp 1.83m Power Cord	AF565A
HP C13 - DK-2.5A DK 250V 10Amp 1.83m Power Cord	AF566A
HP C13 - SABS-164 ZA 250V 10Amp 2.5m Power Cord	AF567A
HP C13 - CEE-VII EU 250V 10Amp 1.83m Power Cord	AF568A
HP C13 - AS3112-3 AU 250V 10Amp 2.5m Power Cord	AF569A
HP C13 - BS-1363A UK/HK/SG 250V 10Amp 1.83m Power Cord	AF570A
HP C13 - CEI-23-50 IT/CL 250V 10Amp 1.83m Power Cord	AF571A
HP C13 - JIS C8303 JP 100V 12Amp 2.0m Power Cord	AF572A
HP C13 - IS-1293 IN 250V 10Amp HV 2.5m Power Cord	SG579A
HP C13 - C14 WW 250V 10Amp Flint Gray 2.0m Jumper Cord	AF573A
HP C13 - NBR-14136 BR 250V 10Amp 1.83m Power Cord	AF591A
HP C13 - C14 WW 250V 10Amp 2.0m Jumper Cord	A0K02A
HP C13 - C14 WW 250V 10A Gray 0.7m Jumper Cord	A0K03A
HP C13 - C14 WW 250V 10A Gray 1.37m Jumper Cord	A0K04A
HP C13 - C14 WW 250V 10A Gray 3.0m Jumper Cord	A0K06A
HP C13 - Nema 6-15P US 250V 15A JP 3.6m Power Cord	A0N33A

### Additional Options

#### HP Tape Backup

**NOTE:** For the complete range of tape drives, autoloaders, libraries and media see: <http://www.hp.com/go/tape>. For hardware and software compatibility of HP tape backup products see: <http://www.hp.com/storage/SPOCK> and [www.hp.com/go/ebs](http://www.hp.com/go/ebs).

**NOTE:** For Internal drives to be connected to DL servers please make sure that you order rack mount kit as well.

HP StoreEver LTO-3 Ultrium 920 SAS Internal Tape Drive	EH847B
<b>NOTE:</b> For installation into 1U SAS rack kit (AE459B) or 3U SAS rack kit (AG576B). No peripheral bay available for installation into the server. Connection using HP Smart Array P212/Zero Memory Controller (462828-B21) recommended.	
HP StoreEver LTO-2 Ultrium 448 SAS External Drive	DW086B
HP StoreEver LTO-2 Ultrium 448 SAS Internal Tape Drive	DW085B
HP StoreEver LTO-4 Ultrium 1760 SAS (1) in 1U Rack-mount Kit	EH946C
HP StoreEver LTO-5 Ultrium 3000 SAS Tape Drive in 1U Rack-mount	EJ014B
HP StoreEver LTO-6 Ultrium 6250 Tape Drive in 1U Rack-mount Kit	COL99A
HP StoreEver LTO-6 Ultrium 6650 Internal Tape Drive	EH963A
HP StoreEver LTO-6 Ultrium 6650 External Tape Drive	EH964A
HP StoreEver LTO-6 Ultrium 6250 Internal Tape Drive	EH969A
HP StoreEver LTO-6 Ultrium 6250 External Tape Drive	EH970A

#### HP Disk Backup

**NOTE:** For the complete range of D2D Backup Systems see: <http://www.hp.com/go/d2d>. For the complete range of RDX drives and media see: <http://www.hp.com/go/rdx>. For hardware and software compatibility of HP disk backup products see: <http://www.hp.com/storage/SPOCK>.

##### HP D2D Backup Systems with Backup Data Deduplication

HP StoreOnce D2D2502i Backup System	EJ001C
HP StoreOnce D2D2504i Backup System	EJ002C
HP StoreOnce D2D4112 Backup System	EH993C

##### HP RDX Removable Disk Backup Systems USB

HP RDX1000 USB3.0 Internal Disk Backup System	B7B67A
HP RDX320 USB3.0 Internal Disk Backup System	B7B62A
HP RDX500 USB3.0 Internal Disk Backup System	B7B64A

##### HP StoreOnce Backup systems

HP StoreOnce 2620 iSCSI Backup	BB852A
HP StoreOnce 4220 Backup	BB855A

### Additional Options

#### HP Storage Options

#### Storage Fibre Channel HBA

**NOTE:** The following is a list of all Fibre Channel Host Bus Adapters for Windows and Linux. For detailed compatibility information please see:

<http://h18006.www1.hp.com/storage/saninfrastructure/hba.html>

#### Brocade Fibre Channel HBAs

HP 81B 8Gb 1-port PCIe Fibre Channel Host Bus Adapter	AP769B
HP 82B 8Gb 2-port PCIe Fibre Channel Host Bus Adapter	AP770B
HP 41B 4Gb 1-port PCIe Fibre Channel Host Bus Adapter	AP767B
HP 42B 4Gb 2-port PCIe Fibre Channel Host Bus Adapter	AP768B

#### Emulex Fibre Channel HBAs

HP 81E 8Gb 1-port PCIe Fibre Channel Host Bus Adapter	AJ762B
HP 82E 8Gb 2-port PCIe Fibre Channel Host Bus Adapter	AJ763B
HP FC2142SR 4Gb 1-port PCIe Fibre Channel Host Bus Adapter	A8002B
HP FC2242SR 4Gb 2-port PCIe Fibre Channel Host Bus Adapter	A8003B
HP SN1000E 16Gb 2-port PCIe Fibre Channel Host Bus Adapter	QR559A
HP SN1000E 16Gb 1-port PCIe Fibre Channel Host Bus Adapter	QR558A

#### QLogic Fibre Channel HBAs

HP 81Q 8Gb 1-port PCIe Fibre Channel Host Bus Adapter	AK344A
HP 82Q 8Gb 2-port PCIe Fibre Channel Host Bus Adapter	AJ764A
HP FC1142SR 4Gb 1-port PCIe Fibre Channel Host Bus Adapter	AE311A
HP FC1242SR 4Gb 2-port PCIe Fibre Channel Host Bus Adapter	AE312A

#### Converged Network Adapter

HP CN1100E Dual Port Converged Network Adapter	BK835A
HP CN1000Q Dual Port Converged Network Adapter	BS668A
HP CN1000E Dual Port Converged Network Adapter	AW520B

#### HP Disk Storage Systems

#### Disk Enclosures

HP D2600 Disk Enclosure	AJ940A
HP D2700 Disk Enclosure	AJ941A

**NOTE:** Please see the QuickSpecs for additional options and configuration information at:

[http://h18000.www1.hp.com/products/quickspecs/13404\\_div/13404\\_div.html](http://h18000.www1.hp.com/products/quickspecs/13404_div/13404_div.html)  
(Worldwide)



### Additional Options

#### HP Uninterruptible Power Systems HP Rack-mountable UPS

##### HP R1500 G3 Uninterruptible Power Supply (UPS)

HP R1.5kVA G3 1U NA Uninterruptible Power System	AF469A
HP R1.5kVA G3 1U JP/TW Uninterruptible Power System	AF470A
HP R1.5kVA G3 1U INTL Uninterruptible Power System	AF471A

**NOTE:** Please see the QuickSpecs for additional information:

[http://h18000.www1.hp.com/products/quickspecs/14059\\_div/14059\\_div.html](http://h18000.www1.hp.com/products/quickspecs/14059_div/14059_div.html)  
(Worldwide)

##### HP R/T3000 G2 Uninterruptible Power System (UPS)

HP R/T3000 G2 2U L530 Low Voltage NA/JP Uninterruptible Power System	AF466A
HP R/T3000 G2 2U L620 High Voltage NA/JP Uninterruptible Power System	AF467A
HP R/T3000 G2 2U Detachable Cord High Voltage INTL Uninterruptible Power System	AF468A

**NOTE:** Please see the QuickSpecs for additional information:

[http://h18000.www1.hp.com/products/quickspecs/14058\\_div/14058\\_div.html](http://h18000.www1.hp.com/products/quickspecs/14058_div/14058_div.html)  
(Worldwide)

##### R5000 Uninterruptible Power System (UPS)

HP R5KVA 3U IEC309-32A High Voltage INTL Uninterruptible Power System	AF461A
HP R5KVA 3U L630 High Voltage NA/JP Uninterruptible Power System	AF460A

**NOTE:** Please see the QuickSpecs for additional information:

[http://h18000.www1.hp.com/products/quickspecs/14109\\_div/14109\\_div.html](http://h18000.www1.hp.com/products/quickspecs/14109_div/14109_div.html)  
(Worldwide)

##### R7000 Uninterruptible Power System (UPS)

HP R7KVA 4U 50A High Voltage NA/JP Uninterruptible Power System	AF462A
HP R7KVA 4U IEC-32A High Voltage INTL Uninterruptible Power System	AF463A
HP R5KVA and R7KVA 3U Extended Runtime Module	AF464A

**NOTE:** Please see the QuickSpecs for additional information:

[http://h18000.www1.hp.com/products/quickspecs/14110\\_div/14110\\_div.html](http://h18000.www1.hp.com/products/quickspecs/14110_div/14110_div.html)  
(Worldwide)

**NOTE:** For additional information on HP Uninterruptible Power Systems please go to:

[www.hp.com/servers/rackups](http://www.hp.com/servers/rackups).

**NOTE:** For additional information on sizing your server, please reference:

<http://www.upssizer.com>.

**NOTE:** Please see the UPS and PDU cable matrix's on the HP Power Protection and Management page. Under Power Cords, click on the "HP Power Cord Matrix" link. That link will list cable descriptions, requirements, and specifications for UPS and PDU units. Please see the following link: [www.hp.com/products/powercords](http://www.hp.com/products/powercords).

### Additional Options

#### HP Power Distribution Units

#### Monitored PDUs

##### HP Monitored Power Distribution Unit: Full Rack Version

HP 8.6kVA 24A Single Input Three Phase NA/JP Monitored Power Distribution Unit	AF504A
HP 16.6kVA 40A Dual Input Single Phase NA/JP Monitored Power Distribution Unit	AF505A
HP 8.3kVA 40A Single Input Single Phase NA/JP Monitored Power Distribution Unit	AF506A
HP 22.1kVA 16A Dual Input Three Phase INTL Monitored Power Distribution Unit	AF507A
HP 11kVA 16A Single Input Three Phase INTL Monitored Power Distribution Unit	AF508A
HP 14.7kVA 32A Dual Input Single Phase INTL Monitored Power Distribution Unit	AF509A
HP 7.3kVA 32A Single Input Single Phase INTL Monitored Power Distribution Unit	AF510A

##### HP Monitored Power Distribution Unit: Half Rack Version

HP 4.9kVA 24A Single Input Single Phase NA/JP Monitored Power Distribution Unit	AF914A
HP 7.3kVA 32A Single Input Single Phase INTL Monitored Power Distribution Unit	AF915A

**NOTE:** Please see the QuickSpecs for Technical Specifications and additional information:

[http://h18000.www1.hp.com/products/quickspecs/12118\\_div/12118\\_div.html](http://h18000.www1.hp.com/products/quickspecs/12118_div/12118_div.html)

#### Modular PDUs 1U/0U

**NOTE:** 1U/0U mounting brackets shipped with the unit (optimized for 10000 G2 and 9000 series racks).

HP 3.6kVA 16A High Voltage INTL Modular Power Distribution Unit	252663-B24
HP 4.9kVA 24A High Voltage NA/JP Modular Power Distribution Unit	252663-D72
HP 2.8kVA 24A Low Voltage NA/JP Modular Power Distribution Unit	252663-D71
HP 7.3kVA 32A High Voltage INTL Modular Power Distribution Unit	252663-B31
HP 8.3kVA 40A High Voltage NA/JP Modular Power Distribution Unit	252663-D73

**NOTE:** For additional information on HP Power Distribution Units including accessories please go to: [www.hp.com/go/pdu](http://www.hp.com/go/pdu).

**NOTE:** Please see the UPS and PDU cable matrix's on the HP Power Protection and Management page. Under Power Cords, click on the "HP Power Cord Matrix" link. That link will list cable descriptions, requirements, and specifications for UPS and PDU units. Please see the following link: [www.hp.com/products/powercords](http://www.hp.com/products/powercords).

### Additional Options

<b>HP Intelligent Power Distribution Units (iPDU)</b>	<b>iPDU Core Units</b>	
	HP 4.9kVA 24A Single Phase NA/JP Core Intelligent Modular Power Distribution Unit	AF520A
	HP 8.3kVA 40A Single Phase NA/JP Core Intelligent Modular Power Distribution Unit	AF521A
	HP 8.6kVA 24A Three Phase NA/JP Core Intelligent Modular Power Distribution Unit	AF522A
	HP 17.3kVA 48A Three Phase NA/JP Core Intelligent Modular Power Distribution Unit	AF523A
	HP 7.3kVA 32A Single Phase INTL Core Intelligent Modular Power Distribution Unit	AF525A
	HP 11kVA 16A Three Phase INTL Core Intelligent Modular Power Distribution Unit	AF526A
	HP 22kVA 32A Three Phase INTL Core Intelligent Modular Power Distribution Unit	AF527A
	HP 11.4kVA 16A 415V Three Phase L22-20 NA Core Intelligent Power Distribution Unit	AF900A
	HP 17.3kVA 24A 415V Three Phase L22-30 NA Core Intelligent Power Distribution Unit	AF902A
	HP 17.3kVA 24A 415V Three Phase IEC309 NA Core Intelligent Power Distribution Unit	AF901A
	HP 17.3kVA 48A 208V Three Phase 12 Outlet Core NA/JP Intelligent Power Distribution Unit	AF535A
	HP 17.3kVA 24A 415V Three Phase 12 Outlet Core NA/JP Intelligent Power Distribution Unit	AF537A
	HP 22kVA 32A 400V Three Phase 12 Outlet Core INTL Intelligent Power Distribution Unit	AF538A
	<b>PDU Extension Bars</b>	
	HP 5x13 Intelligent PDU Extension Bar G2 Kit	AF547A
	HP 5x13 Outlets Power and UID LEDs Pair Standard Extension Bar	AF528A

**NOTE:** Please see the QuickSpecs for Technical Specifications and additional information:  
[http://h18000.www1.hp.com/products/quickspecs/13650\\_div/13650\\_div.html](http://h18000.www1.hp.com/products/quickspecs/13650_div/13650_div.html)  
 (Worldwide)

<b>HP Rack Options</b>	<b>HP USB Keyboard and Mouse</b>	
	HP USB BFR with PVC Free US Keyboard/Mouse Kit	631341-B21
	HP USB BFR with PVC Free UK Keyboard/Mouse Kit	631344-B21
	HP USB BFR with PVC Free FR Keyboard/Mouse Kit	631346-B21
	HP USB BFR with PVC Free ES Keyboard/Mouse Kit	631348-B21
	HP USB BFR with PVC Free DE Keyboard/Mouse Kit	631358-B21
	HP USB BFR with PVC Free JP Keyboard/Mouse Kit	631360-B21
	HP USB BFR with PVC Free IT Keyboard/Mouse Kit	631362-B21
	HP USB BFR with PVC Free CN Keyboard/Mouse Kit	631364-B21
	HP USB BFR with PVC Free AE Keyboard/Mouse Kit	638212-B21
	HP USB BFR with PVC Free RU Keyboard/Mouse Kit	638214-B21
	HP USB BFR with PVC Free IN Keyboard/Mouse Kit	672097-D63
	HP USB BFR with PVC Free AP-Intl Keyboard/Mouse Kit	672097-373
	HP USB BFR with PVC Free Intl Keyboard/Mouse Kit	672097-B33
	HP USB BFR with PVC Free PT Keyboard/Mouse Kit	672097-133
	HP USB BFR with PVC Free TR Keyboard/Mouse Kit	672097-143
	HP USB BFR with PVC Free CZ Keyboard/Mouse Kit	672097-223

### Additional Options

HP USB BFR with PVC Free FI Keyboard/Mouse Kit	672097-353
HP USB BFR with PVC Free SE Keyboard/Mouse Kit	672097-103
HP USB BFR with PVC Free CH Keyboard/Mouse Kit	672097-113
HP USB BFR with PVC Free KR Keyboard/Mouse Kit	672097-KD3

**NOTE:** Please see the QuickSpecs for Technical Specifications and additional information:

[http://h18000.www1.hp.com/products/quickspecs/13972\\_div/13972\\_div.html](http://h18000.www1.hp.com/products/quickspecs/13972_div/13972_div.html)  
(Worldwide)

#### HP TFT7600 G2 KVM Console Rackmount Keyboard Monitor

HP TFT7600 G2 KVM Console Rackmount Keyboard US Monitor	AZ870A
HP TFT7600 G2 KVM Console Rackmount Keyboard UK Monitor	AZ871A
HP TFT7600 G2 KVM Console Rackmount Keyboard DE Monitor	AZ872A
HP TFT7600 G2 KVM Console Rackmount Keyboard FR Monitor	AZ873A
HP TFT7600 G2 KVM Console Rackmount Keyboard IT Monitor	AZ874A
HP TFT7600 G2 KVM Console Rackmount Keyboard ES Monitor	AZ875A
HP TFT7600 G2 KVM Console Rackmount Keyboard DK Monitor	AZ876A
HP TFT7600 G2 KVM Console Rackmount Keyboard NO Monitor	AZ877A
HP TFT7600 G2 KVM Console Rackmount Keyboard SE/FI Monitor	AZ878A
HP TFT7600 G2 KVM Console Rackmount Keyboard CH Monitor	AZ879A
HP TFT7600 G2 KVM Console Rackmount Keyboard PT Monitor	AZ880A
HP TFT7600 G2 KVM Console Rackmount Keyboard BE Monitor	AZ881A
HP TFT7600 G2 KVM Console Rackmount Keyboard JP Monitor	AZ882A
HP TFT7600 G2 KVM Console Rackmount Keyboard RU Monitor	AZ883A
HP TFT7600 G2 KVM Console Rackmount Keyboard Intl Monitor	AZ884A
HP TFT7600 G2 KVM Console Rackmount Keyboard US TAA Monitor	AZ885A

**NOTE:** Please see the QuickSpecs for Technical Specifications and additional information:

[http://h18000.www1.hp.com/products/quickspecs/13731\\_div/13731\\_div.html](http://h18000.www1.hp.com/products/quickspecs/13731_div/13731_div.html)  
(Worldwide)

#### HP Server Console Switches

HP Server Console 0x2x8 Port Analog Switch	AF616A
HP Server Console 0x2x16 Port Analog Switch	AF617A
HP TAA 0x2x16xKVM Server Console G2 Switch	AF626A

**NOTE:** Please see the QuickSpecs for Technical Specifications and additional information:

[http://h18000.www1.hp.com/products/quickspecs/11834\\_div/11834\\_div.html](http://h18000.www1.hp.com/products/quickspecs/11834_div/11834_div.html)  
(Worldwide)

HP 0x2x16 KVM Server Console Switch G2 with Virtual Media CAC Software	AF618A
HP 0x2x32 KVM Server Console Switch G2 with Virtual Media CAC Software	AF619A
HP KVM CAT5 1-pack USB Interface Adapter	336047-B21

### Additional Options

**NOTE:** Please see the QuickSpecs for Technical Specifications and additional information:  
[http://h18000.www1.hp.com/products/quickspecs/13475\\_div/13475\\_div.html](http://h18000.www1.hp.com/products/quickspecs/13475_div/13475_div.html)  
 (Worldwide)

#### HP IP Console Switch G2 with Virtual Media & CAC

HP 1x4 USB/PS2 KVM Console Switch	AF611A
HP 1x1Ex8 KVM IP Console Switch G2 with Virtual Media CAC Software	AF620A
HP 2x1Ex16 KVM IP Console Switch G2 with Virtual Media CAC Software	AF621A
HP 4x1Ex32 KVM IP Console Switch G2 with Virtual Media CAC Software	AF622A

**NOTE:** Please see the QuickSpecs for Technical Specifications and additional information:  
[http://h18000.www1.hp.com/products/quickspecs/13474\\_div/13474\\_div.html](http://h18000.www1.hp.com/products/quickspecs/13474_div/13474_div.html)  
 (Worldwide)

#### Rack Kit

HP DL360G4 1U Cable Management Arm	365403-B21
------------------------------------	------------

#### HP USB and SD Options

HP USB 04 Standard Keyboard	DT528A#ABA
HP 4GB SD Enterprise Performance Flash Media Kit	580387-B21

**NOTE:** Blank SD media device is supported for use with VMware and Citrix. SD media must be installed in the internal slot of the ProLiant server. Learn more at:  
<http://www.hp.com/go/proliantvirtualization>.

#### HP Care Pack Services

##### Proactive Care

**NOTE:** Collaborative Support plus Proactive services delivered by the onshore, local language Advanced Solution Center (ASC), end-to-end case ownership from a Technical Solution Specialists and Technical Account Manager who remotely delivers firmware/software revision management, proactive scans and incident trend reports. Recommended for customers running a virtualized infrastructure and/or customers who desire an enhanced call support experience.

HP 3 year 4 hour 24x7 ProLiant DL36x(p) Proactive Care Service	U2Z86E
HP 3 year 4 hour 24x7 with Defective Media Retention ProLiant DL36x(p) Proactive Care Service	U2Z89E
HP 3 year 6 hour Call To Repair 24x7 ProLiant DL36x(p) Proactive Care Service	U2Z92E
HP 3 year 6 hour Call To Repair 24x7w/Defective Media Retention ProLiant DL36x(p) Proactive Care SVC	U2Z95E
HP 3 year 4 hour 24x7 ProLiant DL36x(p) with Insight Control Proactive Care Service	U3N59E
HP 3 year 4hr 24x7 with Defective Media Retention DL36x(p) with Insight Control Proactive Care SVC	U3N62E
HP 3yr 6hrCallToRepair 24x7w/Defective Media Retention DL36x(p) w/Insight Control Proactive Care SVC	U3N68E

### Additional Options

#### Collaborative Support

**NOTE:** Hardware break/fix plus 24x7 software diagnosis support with collaborative call management for a broad spectrum of 3rd Party software products including O/S and hypervisors. Recommended for customers procuring 3rd party SW O/S and hypervisors from the software vendors directly and deploying them on HP ProLiant servers.

HP 3 year 4 hour 24x7 ProLiant DL36x(p) Collaborative Support U1J66E

HP 3 year 4 hour 24x7 with Defective Media Retention ProLiant DL36x(p) Collaborative Support U1J69E

HP 3 year 6 hour Call To Repair 24x7 ProLiant DL36x(p) Collaborative Support U1J72E

HP 3 year 6hr Call To Repair 24x7 with Defective Media Retention ProLiant DL36x(p) Collaborative Support U1J75E

#### Proactive Care Personalized Support Option

**NOTE:** To add an onsite Account Support Manager (ASM) to Proactive Care. ASM is an assigned resource who delivers support planning and brings technical expertise and best practices advices for the customer's environment.

HP 3yr Provides annual personalized proactive supp for existing Proactive Care ISS centric environment U6W98E

#### Installation Services

**NOTE:** Reduce the time required to get your system up and running and help minimize disruptions to your business.

HP Install ProLiant DL36x(p) Service U4506E

HP Startup ProLiant DL36x(p) Service U4507E

**NOTE:** For more information, customer/resellers can contact:  
<http://www.hp.com/services/carepack>.

### Memory

**NOTE:** Memory configurations listed do not apply to "Factory Integrated Models".

#### DDR3 memory population guidelines

For detailed memory configuration rules and guidelines, please use the Online DDR3 Memory Configuration Tool:  
[www.hp.com/go/ddr3memory-configurator](http://www.hp.com/go/ddr3memory-configurator)

Some DIMM installation guidelines are summarized below:

- For servers with eighteen (18) memory slots:
  - There are three (3) channels per processor; six (6) channels per server
  - There are three (3) DIMM slots for each memory channel; eighteen (18) total slots
  - Memory channel 1 consists of the three (3) DIMMs that are closest to the processor
  - Memory channel 3 consists of the three (3) DIMMs that are furthest from the processor
- DIMM slots that are white should be populated first
- Do not mix Unbuffered memory (UDIMMs) with Registered memory (RDIMMs)
- Do not install DIMMs if the corresponding processor is not installed
- If only one processor is installed in a 2CPU system, only half of the DIMM slots are available
- To maximize performance, balance the total memory capacity between all installed processors
- It is not required, but it is recommended to load the channels similarly if possible
- You can only have up to eight (8) ranks installed per channel
- When using quad-rank DIMMs, only 2 DIMMs can be installed per channel. The combinations are as follows: 2 quad-rank DIMMs, 1 quad-rank DIMM + 1 dual-rank DIMM or 1 quad-rank DIMM + 1 single-rank DIMM
- You can only install two quad-rank DIMMs per channel
- You can only install two UDIMMs per channel; if available, the third slot in the channel must remain empty
- Populate DIMMs from heaviest load (quad-rank) to lightest load (single-rank) within a channel
- Heaviest load (DIMM with most ranks) within a channel goes furthest from the chipset
- For memory mirroring mode, channel 3 must be unpopulated. Channels 1 and 2 are populated identically
- For lock-step mode, channel 3 must be unpopulated. DIMMs in channels 1 and 2 will be installed in pairs. The paired slots will be 1,4; 2,5; 3,6 on a 3DPC system or 1,4; 2,5; on a 2DPC system
- Low Voltage DIMMs can only be used with Intel® Xeon® processor 5600 series processors
- If mixing DIMM voltage is a requirement, please note that the DIMMs will run at 1.5V since all 1.35V are capable of supporting 1.5V operations

**DIMM slot/capacity/populated speed table**

DIMM Type	Registered DIMMs (RDIMMs)									Unbuffered with ECC DIMMs (UDIMMs)		
	Single Rank (1R)	Dual Rank (2R)					Quad Rank (4R)			Single Rank (1R)	Dual Rank (2R)	
DIMM Rank	Single Rank (1R)	Dual Rank (2R)					Quad Rank (4R)			Single Rank (1R)	Dual Rank (2R)	
DIMM Capacity	4GB	2GB	4GB	8GB	8GB	16GB	4GB	16GB	32GB	1GB	2GB	4GB
DIMM Native Speed (MHz)	1333	1333	1333	1066	1333	1333	1066	1066	1066	1333	1333	1333
Voltage	LV/Std	Std	Std	Std	LV/Std	LV	Std	Std	LV	Std	Std	LV/Std
<b>SLOTS THAT CAN BE POPULATED</b>												
18 slot servers	18	18	18	18	18	18	12	12	12	12	12	12
<b>MAXIMUM CAPACITY (GB)</b>												

### Memory

	72	36	72	144	144	288	48	192	384	12	24	48
	<b>POPULATED DIMM SPEED (MHz)</b>											
1 DIMM Per Channel	1333	1333	1333	1066	1333	1333	1066	1066	1066	1333	1333	1333
2 DIMM Per Channel	1333*	1333	1333	1066	1333*	1066/ 1333*	800	800	800	1333	1333	1333*
3 DIMM Per Channel	800	800	800	800	800	800**	n/a	n/a	n/a	n/a	n/a	n/a

\*2DPC: LV runs at 1066, Std voltage runs at 1333

\*\*3DPC: LV/Std voltage runs at 800

#### NOTES:

- Mixing DIMM speeds is allowed, but the system processor speed rules always override the DIMM capabilities
- If you do mix DIMM speeds, the memory bus will default to the minimum clock rate of all DIMMs in the system - even if the slower DIMM is on the other processor
- If you install 1x 1066MHz DIMM in channel 1 and 1x 1333MHz DIMM in channel 2, you still run at 1066MHz
- If you install 1x 1066MHz DIMM in channel 1 and 5x 1333MHz DIMMs with 1 DIMM Per Channel (DPC) in each of the other channels, you run at 1066MHz
- If you install 3DPC in one channel (if applicable) and 1DPC in all other channels, you run at 800MHz
- References to the above MHz speeds are for the various speeds of DDR3 DIMMs; 1333 refers to DDR3-1333, etc.

#### DIMM slot and configuration diagrams

##### Basic memory slot & population diagram

- Population order; start with "A" first, "B" second, "C" third, etc.

18 DIMM SLOTS (9 per CPU node)					
	CPU1		CPU2		
	slot #	population order	slot #	population order	
Chnl 1	1	G	1	G	Chnl 1
	2	D	2	D	
	3	A	3	A	
Chnl 2	4	H	4	H	Chnl 2
	5	E	5	E	
	6	B	6	B	
Chnl 3	7	I	7	I	Chnl 3
	8	F	8	F	
	9	C	9	C	

##### Standard memory configuration (1 CPU model)

- 6GB, consisting of three (3) 2GB dual-rank PC3-10600 RDIMMs



### Memory

	CPU1		CPU2		
	slot #	population order	slot #	population order	
Chnl 1	1	G; empty	1	G; empty	Chnl 1
	2	D; empty	2	D; empty	
	3	A; 2GB DIMM	3	A; empty	
Chnl 2	4	H; empty	4	H; empty	Chnl 2
	5	E; empty	5	E; empty	
	6	B; 2GB DIMM	6	B; empty	
Chnl 3	7	I; empty	7	I; empty	Chnl 3
	8	F; empty	8	F; empty	
	9	C; 2GB DIMM	9	C; empty	

#### Standard memory plus optional memory (1 CPU model)

- 54GB, consisting of three (3) 2GB RDIMMs plus six (6) 8GB RDIMMs
  - 3x 2GB dual-rank PC3-10600 RDIMMs
  - 6x 8GB dual-rank PC3-8500 RDIMMs

	CPU1		CPU2		
	slot #	population order	slot #	population order	
Chnl 1	1	G; 8GB DIMM	1	G; empty	Chnl 1
	2	D; 8GB DIMM	2	D; empty	
	3	A; 2GB DIMM	3	A; empty	
Chnl 2	4	H; 8GB DIMM	4	H; empty	Chnl 2
	5	E; 8GB DIMM	5	E; empty	
	6	B; 2GB DIMM	6	B; empty	
Chnl 3	7	I; 8GB DIMM	7	I; empty	Chnl 3
	8	F; 8GB DIMM	8	F; empty	
	9	C; 2GB DIMM	9	C; empty	

#### Standard memory replaced with optional memory (1 CPU model) RDIMM maximum configuration

- 72GB, consisting of nine (9) 8GB dual-rank PC3-8500 RDIMMs

### Memory

	CPU1		CPU2		
	slot #	population order	slot #	population order	
Chnl 1	1	G; 8GB DIMM	1	G; empty	Chnl 1
	2	D; 8GB DIMM	2	D; empty	
	3	A; 8GB DIMM	3	A; empty	
Chnl 2	4	H; 8GB DIMM	4	H; empty	Chnl 2
	5	E; 8GB DIMM	5	E; empty	
	6	B; 8GB DIMM	6	B; empty	
Chnl 3	7	I; 8GB DIMM	7	I; empty	Chnl 3
	8	F; 8GB DIMM	8	F; empty	

### UDIMM maximum configuration (1 CPU model)

- 12GB, consisting of six (6) 2GB dual-rank PC3-10600 UDIMMs

	CPU1		CPU2		
	slot #	population order	slot #	population order	
Chnl 1	1	G; empty	1	G; empty	Chnl 1
	2	D; 2GB DIMM	2	D; empty	
	3	A; 2GB DIMM	3	A; empty	
Chnl 2	4	H; empty	4	H; empty	Chnl 2
	5	E; 2GB DIMM	5	E; empty	
	6	B; 2GB DIMM	6	B; empty	
Chnl 3	7	I; empty	7	I; empty	Chnl 3
	8	F; 2GB DIMM	8	F; empty	
	9	C; 2GB DIMM	9	C; empty	

### Standard memory replaced with optional memory (2 CPU model)

#### RDIMM maximum configuration

- 384GB, consisting of twelve (12) 32GB quad-rank PC3L-8500 RDIMMs

### Memory

	CPU1		CPU2		
	slot #	population order	slot #	population order	
Chnl 1	1	G; empty	1	G; empty	Chnl 1
	2	D; 32GB DIMM	2	D; 32GB DIMM	
	3	A; 32GB DIMM	3	A; 32GB DIMM	
Chnl 2	4	H; empty	4	H; empty	Chnl 2
	5	E; 32GB DIMM	5	E; 32GB DIMM	
	6	B; 32GB DIMM	6	B; 32GB DIMM	
Chnl 3	7	I; empty	7	I; empty	Chnl 3
	8	F; 32GB DIMM	8	F; 32GB DIMM	
	9	C; 32GB DIMM	9	C; 32GB DIMM	

### UDIMM maximum configuration (2 CPU model)

- 24GB, consisting of twelve (12) 2GB dual-rank PC3-10600 UDIMMs

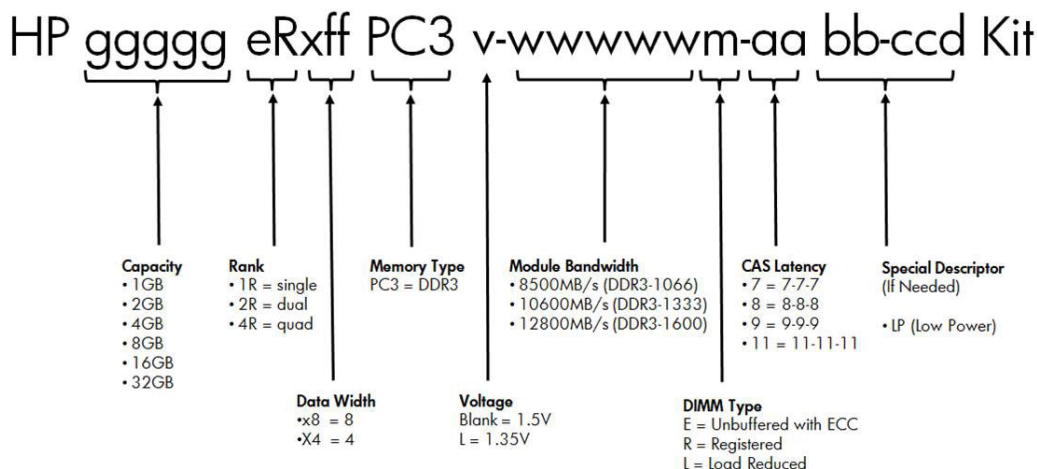
	CPU1		CPU2		
	slot #	population order	slot #	population order	
Chnl 1	1	G; empty	1	G; empty	Chnl 1
	2	D; 2GB DIMM	2	D; 2GB DIMM	
	3	A; 2GB DIMM	3	A; 2GB DIMM	
Chnl 2	4	H; empty	4	H; empty	Chnl 2
	5	E; 2GB DIMM	5	E; 2GB DIMM	
	6	B; 2GB DIMM	6	B; 2GB DIMM	
Chnl 3	7	I; empty	7	I; empty	Chnl 3
	8	F; 2GB DIMM	8	F; 2GB DIMM	
	9	C; 2GB DIMM	9	C; 2GB DIMM	

**NOTE:** Capacity references are rounded to the common Gigabyte values.

- 1GB = 1024MB
- 2GB = 2048MB
- 4GB = 4096MB
- 8GB = 8192MB
- 16GB = 16384MB
- 32GB = 32768MB

### DDR3 memory options part number decoder

### Memory



Following are memory options available from HP:

#### HP Memory

##### Registered DIMMs (RDIMMs)

HP 2GB (1x2GB) Dual Rank x8 PC3-10600 (DDR3-1333) Registered CAS-9 Memory Kit 500656-B21

HP 4GB (1x4GB) Dual Rank x4 PC3-10600 (DDR3-1333) Registered CAS-9 Memory Kit 500658-B21

HP 4GB (1x4GB) Single Rank x4 PC3-10600 (DDR3-1333) Registered CAS-9 Memory Kit 593339-B21

HP 4GB (1x4GB) Single Rank x4 PC3L-10600 (DDR3-1333) Registered CAS-9 Low Power Memory Kit 604504-B21

**NOTE:** Low Voltage DIMMs can only be used with Intel® Xeon® processor 5600 series processors.

HP 8GB (1x8GB) Dual Rank x4 PC3-10600 (DDR3-1333) Registered CAS-9 Memory Kit 500662-B21

HP 8GB (1x8GB) Dual Rank x4 PC3L-10600 (DDR3-1333) Registered CAS-9 Low Power Memory Kit 604506-B21

HP 16GB (1x16GB) Quad Rank x4 PC3-8500 (DDR3-1066) Registered CAS-7 Memory Kit 500666-B21

HP 16GB (1x16GB) Dual Rank x4 PC3L-10600 (DDR3-1333) Registered CAS-9 LP Memory Kit 627812-B21

HP 32GB (1x32GB) Quad Rank x4 PC3L-8500 (DDR3-1066) Registered CAS-7 LP Memory Kit 627814-B21

**NOTE:** Low Voltage DIMMs can only be used with Intel® Xeon® processor 5600 series processors.

##### Unbuffered with ECC DIMMs (UDIMMs)

HP 1GB (1x1GB) Single Rank x8 PC3-10600 (DDR3-1333) Unbuffered CAS-9 Memory Kit 500668-B21

HP 2GB (1x2GB) Dual Rank x8 PC3-10600 (DDR3-1333) Unbuffered CAS-9 Memory Kit 500670-B21

HP 4GB (1x4GB) Dual Rank x8 PC3-10600 (DDR3-1333) Unbuffered CAS-9 Memory Kit 500672-B21

HP 4GB (1x4GB) Dual Rank x8 PC3L-10600 (DDR3-1333) Unbuffered CAS-9 Low Power Memory Kit 619488-B21

**NOTE:** All DDR3 memory option kits consist of one DIMM per kit. For detailed memory configuration rules and guidelines, please use the Online DDR3 Memory Configuration Tool: [www.hp.com/go/ddr3memory-configurator](http://www.hp.com/go/ddr3memory-configurator).

**NOTE:** Kits described as LP include Low Power DIMMs. For more information on ProLiant Energy Efficient Features, see: [www.hp.com/go/proliant-energy-efficient](http://www.hp.com/go/proliant-energy-efficient).

### Memory

**NOTE:** PC3L is a low voltage memory.

### Storage

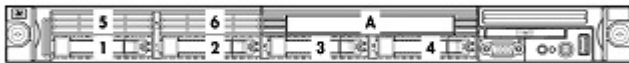
- 1-8 8 x SFF SAS Hot Pluggable Hard Drive Bays. Optical Media Bay not available for this configuration



- 1-4 4 x SFF SAS Hot Pluggable Hard Drives

- A Optical Media Bay

- 5, 6 Blanks (these HDD Bays are not available when DVD installed)



### Drive Support

	Quantity Supported	Position Supported	Controller
<b>Removable Media</b>			
HP DL360 SL 12.7mm SATA DVD-RW	1	Slim Line Bay	Integrated SATA
HP DL360 SL 12.7mm SATA DVD	1	Slim Line Bay	Integrated SATA

**NOTE:** DVD/Optical drive options supported on 4 hard drive models only.

#### Hard Drives

**NOTE:** The components of a storage subsystem (e.g. the drive, the HBA/controller, firmware, and the server backplane) should operate at the same data transfer rate or the system bandwidth will be negotiated down to an acceptable level for all components.

**NOTE:** Hard drives have either a one year or three year warranty; refer to the specific hard drive QuickSpecs for details.

#### SAS Hot Plug SFF (2.5-inch) Enterprise (ENT) Drives

	Quantity Supported	Position Supported	Controller
1.2TB 6G SAS 10K	8	1-8	HP Smart Array P212/Zero Memory Controller
900GB 6G SAS 10K			HP Smart Array P212/256 MB Controller
600GB 6G SAS 10K			HP Smart Array P411/256 MB Controller
450GB 6G SAS 10K			HP Smart Array P411/512 MB BBWC Controller
300GB 6G SAS 10K			

### Storage

300GB 6G SAS 15K  
 146GB 6G SAS 15K  
 72GB 6G SAS 15K

#### SAS Hot Plug SFF (2.5-inch) Midline (MDL) Drives

	Quantity Supported	Position Supported	Controller
1TB 6G SAS 7.2K 500GB 6G SAS 7.2K	8	1-8	HP Smart Array P212/Zero Memory Controller HP Smart Array P212/256 MB Controller HP Smart Array P411/256 MB Controller HP Smart Array P411/512 MB BBWC Controller

#### SATA Hot Plug SFF (2.5-inch) Midline (MDL) Drives

	Quantity Supported	Position Supported	Controller
1TB 3G SATA 7.2K 500GB 3G SATA 7.2K	8	1-8	HP Smart Array P212/Zero Memory Controller HP Smart Array P212/256 MB Controller HP Smart Array P411/256 MB Controller HP Smart Array P411/512 MB BBWC Controller

#### SATA Hot Plug 2.5" Enterprise Mainstream Solid State Drives

	Quantity Supported	Position Supported	Controller
400GB 3.0G SATA SSD 200GB 3.0G SATA SSD 100GB 3.0G SATA SSD	8	1-8	HP Smart Array P212/Zero Memory Controller HP Smart Array P212/256 MB Controller HP Smart Array P411/256 MB Controller HP Smart Array P411/512 MB BBWC Controller

#### 6G SAS Hot Plug Enterprise Performance Solid State Drives

	Quantity Supported	Position Supported	Controller
400GB 6G SAS SLC SFF 200GB 6G SAS SLC SFF	8	1-8	HP Smart Array P212/Zero Memory Controller HP Smart Array P212/256 MB Controller HP Smart Array P411/256 MB Controller HP Smart Array P411/512 MB BBWC Controller

#### 6G SAS Hot Plug Enterprise Mainstream Solid State Drives

	Quantity Supported	Position Supported	Controller
800GB 6G SAS MLC SFF 400GB 6G SAS MLC SFF 200GB 6G SAS MLC SFF	8	1-8	HP Smart Array P212/Zero Memory Controller HP Smart Array P212/256 MB Controller HP Smart Array P411/256 MB Controller HP Smart Array P411/512 MB BBWC Controller

### Storage

#### External Storage

	Quantity Supported	Position Supported	Host Controller or Adapter
70 Modular Smart Array	Up to 2	External	HP Smart Array P212/256 MB Controller
	Up to 4	External	HP Smart Array P411/512 MB BBWC Controller HP Smart Array P411/256 MB Controller HP Smart Array P411/1G Flash Backed Write Cache HP Smart Array P812/1G Flash Backed Cache Controller
D2600 Disk Enclosure	Up to 4	External	HP Smart Array P212/256 MB Controller
	Up to 8	External	HP Smart Array P411/256 MB Controller HP Smart Array P411/512 MB BBWC Controller HP Smart Array P411/1G Flash Backed Write Cache HP Smart Array P812/1G Flash Backed Cache Controller
D2700 Disk Enclosure	Up to 2	External	HP Smart Array P212/ 256 MB Controller
	Up to 4	External	HP Smart Array P411/256 MB Controller HP Smart Array P411/512 MB BBWC Controller HP Smart Array P411/1G Flash Backed Write Cache HP Smart Array P812/1G Flash Backed Cache Controller

#### Tape and Disk Backup

**NOTE:** For the complete range of tape drives, autoloaders, libraries and media, including the internal fitting models, see: <http://www.hp.com/go/tape>. For the complete range of D2D Backup Systems see: <http://www.hp.com/go/d2d>. For the complete range of RDX drives and media see: <http://www.hp.com/go/rdx>. For hardware and software compatibility of HP disk and tape backup products see: <http://www.hp.com/storage/SPOCK>.

	Position Supported	Controller	Part Number
<b>HP SCSI Tape Drives</b>	External	HP SC11Xe Ultra320 Single Channel/ PCIe x4 SCSI Host Bus Adapter	412911-B21
LTO-1 Ultrium 232			
LTO-2 Ultrium 448			
LTO-3 Ultrium 920			
LTO-3 Ultrium 960			
LTO4 Ultrium 1760			
LTO-4 Ultrium 1840			
DAT 40			
DAT 72			
DAT 160			
1U Rack-Mount Kit			
3U Rack-Mount Kit			
<b>HP USB Tape Drives</b>	External	USB 2.0 Port	N/A
DAT 40			
DAT 72			
DAT 160			
DAT 320			



### Storage

1U USB Rack-Mount Kit

<p><b>HP SAS Tape Drives</b>            DAT 160            DAT 320            LTO-2 Ultrium 448            LTO-3 Ultrium 920            LTO-4 Ultrium 1760            LTO-4 Ultrium 1840            LTO-5 Ultrium 3000            LTO-5 Ultrium 3280            1U Rack-Mount Kit            3U Rack-Mount Kit</p>	<p>External</p>	<p>HP Smart Array P212/ZM 1-ports Int/1-ports Ext PCIe x8 SAS Controller</p> <p><b>NOTE:</b> Please check the full compatibility information at:  <a href="http://www.hp.com/storage/SPOCK">http://www.hp.com/storage/SPOCK</a></p>	<p>462828-B21</p>
--	-----------------	---	-------------------

<p><b>HP SCSI Tape Autoloaders</b>            DAT 72x10 Autoloader            1/8 G2 Autoloader</p>	<p>External</p>	<p>HP SC11Xe Ultra320 Single Channel/ PCIe x4 SCSI Host Bus Adapter</p> <p><b>NOTE:</b> Please check the full compatibility information at:  <a href="http://www.hp.com/storage/SPOCK">http://www.hp.com/storage/SPOCK</a></p>	<p>412911-B21</p>
---	-----------------	--	-------------------

<p><b>HP SCSI Tape Libraries, External</b>            MSL2024            MSL4048            MSL8096            MSL6000</p>	<p>External</p>	<p>HP U320e SCSI Dual Channel Host Bus Adapter</p> <p><b>NOTE:</b> Please check the full compatibility information at:  <a href="http://www.hp.com/storage/SPOCK">http://www.hp.com/storage/SPOCK</a></p>	<p>AH627A</p>
--	-----------------	---	---------------

<p><b>HP SAS Tape Autoloaders and Libraries</b>            1/8 G2 Autoloader            MSL2024            MSL4048            MSL8096</p>	<p>External</p>	<p>HP Smart Array P212/ZM 1-ports Int/1-ports Ext PCIe x8 SAS Controller</p> <p><b>NOTE:</b> Please check the full compatibility information at:  <a href="http://www.hp.com/storage/SPOCK">http://www.hp.com/storage/SPOCK</a></p>	<p>462828-B21</p>
---	-----------------	---	-------------------

<p><b>HP Fibre Channel Tape Libraries</b>            MSL2024            MSL4048            MSL8096            MSL6000</p>	<p>External</p>	<p>Please consult the EBS connectivity matrix at:  <a href="http://www.hp.com/go/ebs">http://www.hp.com/go/ebs</a> for connectivity information and the supported Fibre Channel HBAs shown in this QuickSpecs.</p>	<p>N/A</p>
---	-----------------	--	------------

<p><b>HP USB RDX Removable Disk Backup System</b>            RDX160            RDX320            RDX500            RDX750            RDX1TB</p>	<p>External</p>	<p>USB 2.0 Port</p>	<p>N/A</p>
---	-----------------	---------------------	------------

### Storage

**HP D2D Backup Systems,  
iSCSI**

D2D2500i  
D2D4000i

External

Embedded Network Controller. If the server requires a hardware iSCSI initiator, the QLogic QLA4050 Host Bus Adapter is recommended.

**HP D2D Backup Systems,  
Fibre Channel**

D2D4000fc

External

Direct server attach is not supported, requires connection via SAN fabric. See: <http://www.hp.com/storage/SPOCK>

N/A

### Power Specifications

<b>HP 460W Common Slot Gold Hot Plug Power Supply Kit</b>							
Part Number	503296-B21						
Input Voltage Range ( V rms )	100 to 240						
Frequency Range (Nominal) ( Hz )	50/60						
Nominal Input Voltage ( Vrms )	<b>100</b>	<b>120</b>	<b>200</b>	<b>208</b>	<b>220</b>	<b>230</b>	<b>240</b>
Maximum Rated Output Wattage Rating	460	460	460	460	460	460	460
Nominal Input Current ( A rms )	5.5	4.5	2.6	2.5	2.4	2.3	2.2
Maximum Rated Input Wattage Rating ( Watts )	526	520	505	505	503	503	503
Maximum Rated VA ( Volt-Amp )	548	542	527	527	524	524	524
Efficiency ( % )	87.5	88.5	91	91	91.5	91.5	91.5
Power Factor	0.97						
Leakage Current ( mA )	0.42	0.50	0.83	0.87	0.92	0.96	1.00
Maximum Inrush Current ( A peak )	30						
Maximum Inrush Current duration ( mS )	20						
Maximum British Thermal Unit Rating ( BTU-Hr )	1794	1773	1725	1725	1715	1715	1715

<b>HP 460W Common Slot Platinum Hot Plug Power Supply Kit</b>							
Part Number	593188-B21						
Input Voltage Range ( V rms )	100 to 240						
Frequency Range (Nominal) ( Hz )	50/60						
Nominal Input Voltage ( Vrms )	<b>100</b>	<b>120</b>	<b>200</b>	<b>208</b>	<b>220</b>	<b>230</b>	<b>240</b>
Maximum Rated Output Wattage Rating	460	460	460	460	460	460	460
Nominal Input Current ( A rms )	5.3	4.3	2.5	2.4	2.3	2.2	2.1
Maximum Rated Input Wattage Rating ( Watts )	512	505	493	493	492	492	491
Maximum Rated VA ( Volt-Amp )	526	518	506	506	505	505	504
Efficiency ( % )	89.8	91.2	93.2	93.3	93.5	93.6	93.6
Power Factor	0.985						
Leakage Current ( mA )	0.42	0.50	0.83	0.87	0.92	0.96	1.00
Maximum Inrush Current ( A peak )	30						
Maximum Inrush Current duration ( mS )	20						
Maximum British Thermal Unit Rating ( BTU-Hr )	1747	1722	1683	1682	1679	1678	1677

### Power Specifications

<b>HP 750W Common Slot Gold Hot Plug Power Supply Kit</b>							
Part Number	512327-B21						
Input Voltage Range ( V rms )	100 to 240						
Frequency Range (Nominal) ( Hz )	50/60						
Nominal Input Voltage ( Vrms )	<b>100</b>	<b>120</b>	<b>200</b>	<b>208</b>	<b>220</b>	<b>230</b>	<b>240</b>
Maximum Rated Output Wattage Rating	750	750	750	750	750	750	750
Nominal Input Current ( A rms )	8.9	7.4	4.3	4.1	3.9	3.7	3.6
Maximum Rated Input Wattage Rating ( Watts )	857	847	824	824	820	820	820
Maximum Rated VA ( Volt-Amp )	894	884	859	854	854	854	
Efficiency ( % )	87.5	88.5	91	91	91.5	91.5	91.5
Power Factor	0.97						
Leakage Current ( mA )	0.42	0.50	0.83	0.87	0.92	0.96	1.00
Maximum Inrush Current ( A peak )	30						
Maximum Inrush Current duration ( mS )	20						
Maximum British Thermal Unit Rating ( BTU-Hr )	2925	2892	2812	2812	2797	2797	2797

<b>HP 750W Common Slot Platinum Hot Plug Power Supply Kit</b>							
Part Number	593831-B21						
Input Voltage Range ( V rms )	100 to 240						
Frequency Range (Nominal) ( Hz )	50/60						
Nominal Input Voltage ( Vrms )	<b>100</b>	<b>120</b>	<b>200</b>	<b>208</b>	<b>220</b>	<b>230</b>	<b>240</b>
Maximum Rated Output Wattage Rating	750	750	750	750	750	750	750
Nominal Input Current ( A rms )	8.6	7.1	4.2	4.0	3.8	3.6	3.4
Maximum Rated Input Wattage Rating ( Watts )	841	828	809	808	807	806	805
Maximum Rated VA ( Volt-Amp )	863	850	830	829	828	827	826
Efficiency ( % )	89.2	90.6	92.7	92.8	93	93.1	93.2
Power Factor	0.985						
Leakage Current ( mA )	0.42	0.50	0.83	0.87	0.92	0.96	1.00
Maximum Inrush Current ( A peak )	30						
Maximum Inrush Current duration ( mS )	20						
Maximum British Thermal Unit Rating ( BTU-Hr )	2868	2825	2761	2757	2753	2749	2747

### Power Specifications

HP 1200W Common Slot Silver Hot Plug Power Supply Kit							
Part Number	500172-B21						
Input Voltage Range ( V rms )	100 to 240						
Frequency Range (Nominal) ( Hz )	50/60						
Nominal Input Voltage ( Vrms )	<b>100</b>	<b>120</b>	<b>200</b>	<b>208</b>	<b>220</b>	<b>230</b>	<b>240</b>
Maximum Rated Output Wattage Rating	800	900	1200	1200	1200	1200	1200
Nominal Input Current ( A rms )	9.7	9.0	7.0	6.8	6.4	6.1	5.9
Maximum Rated Input Wattage Rating ( Watts )	930	1034	1348	1348	1348	1348	1348
Maximum Rated VA ( Volt-Amp )	970	1079	1406	1406	1406	1406	1406
Efficiency ( % )	86	87	89	89	89	89	89
Power Factor	0.97						
Leakage Current ( mA )	0.42	0.50	0.83	0.87	0.92	0.96	1.00
Maximum Inrush Current ( A peak )	30						
Maximum Inrush Current duration ( mS )	20						
Maximum British Thermal Unit Rating ( BTU-Hr )	3174	3530	4600	4600	4600	4600	4600

HP 1200W Common Slot Silver Hot Plug Power Supply Kit			
Part Number	437573-B21		
Input Voltage Range ( V rms )	36-72		
Frequency Range (Nominal) ( Hz )	DC		
Nominal Input Voltage ( Vrms )	<b>36</b>	<b>48</b>	<b>72</b>
Maximum Rated Output Wattage Rating	1200	1200	1200
Nominal Input Current ( A rms )	38	28	19
Maximum Rated Input Wattage Rating ( Watts )	1380	1350	1365
Maximum Rated VA ( Volt-Amp )	1380	1350	1365
Efficiency ( % )	87	89	88
Power Factor	N/A		
Leakage Current ( mA )	N/A		
Maximum Inrush Current ( A peak )	20	25	35
Maximum Inrush Current duration ( mS )	1	1	3
Maximum British Thermal Unit Rating ( BTU-Hr )	4713	4610	4662

To review typical system power ratings use the HP Power Advisor which is available via the online tool located at URL: [www.hp.com/go/proliant-energy-efficient](http://www.hp.com/go/proliant-energy-efficient) or [www.hp.com/go/hppoweradvisor](http://www.hp.com/go/hppoweradvisor)

### Technical Specifications

<b>System Unit</b>	<b>Dimensions</b> (H x W x D) (with bezel)	1.70 x 16.78 x 27.25 in (4.32 x 42.62 x 69.22 cm)		
	<b>Weight</b> (approximate)	Maximum	39.5 lb (17.92 kg)	
		(all hard drives, power supplies, and processors installed)		
	<b>Input Requirements</b> (for Standard 460W PSU, see power specifications tables for detail on 460W, 750W and 1200W power supplies)	Minimum	32 lb (14.51 kg)	
		(one hard drive, power supply, and processor installed)		
	<b>BTU Rating</b>	Rated Line Voltage	100 to 240 VAC	
		Rated Input Current	4.5 Amps (at 120VAC) to 2.2 Amps (at 240 VAC)	
		Rated Input Frequency	50 to 60 Hz	
	<b>Power Specifications</b>	Maximum	1773 BTU / hr (at 120 VAC), 1715 (at 240 VAC)	
		To review typical system power ratings use the HP Power Advisor which is available via the online tool located at URL: <a href="http://www.hp.com/go/proliant-energy-efficient">www.hp.com/go/proliant-energy-efficient</a> or <a href="http://www.hp.com/go/hppoweradvisor">www.hp.com/go/hppoweradvisor</a>		
<b>Power Supply Output</b> (per power supply)	- Click on the system of interest. Example: DL360 G7			
	- Follow the instructions of the next screens.			
<b>System Inlet Temperature</b>	Rated Steady-State Power	460 W (at 100 VAC), 460 W (at 200 VAC)		
	Maximum Peak Power	460 W (at 100 VAC), 460 W (at 200 VAC)		
<b>Relative Humidity</b> (non-condensing)	<b>NOTE:</b> See Power Supply Specifications tables for complete details on 460W PSU and optional 750W and 1200W Power Supply Options.			
	Operating	10° to 35° C (50° to 95° F) at sea level with an altitude derating of 1.0°C per every 305 m (1.8° F per every 1000 ft) above sea level to a maximum of 3050 m (10,000 ft), no direct sustained sunlight. Maximum rate of change is 10° C/hr (18° F/hr). The upper limit may be limited by the type and number of options installed. System performance may be reduced if operating with a fan fault or above 30° C (86° F).		
<b>Relative Humidity</b> (non-condensing)	Non-operating	-30° to 60° C (-22° to 140° F). Maximum rate of change is 20° C/hr (36° F/hr).		
	Operating	10 to 90% relative humidity (Rh), 28° C (82.4° F) maximum wet bulb temperature, non-condensing.		
<b>Relative Humidity</b> (non-condensing)	Non-operating	5 to 95% relative humidity (Rh), 38.7° C (101.7° F) maximum wet bulb temperature, non-condensing.		

### Technical Specifications

<b>Altitude</b>	Operating	3050 m (10,000 ft). This value may be limited by the type and number of options installed. Maximum allowable altitude change rate is 457 m/min (1500 ft/min).
	Non-operating	9144 m (30,000 ft). Maximum allowable altitude change rate is 457 m/min (1500 ft/min).

**Acoustic Noise** Listed are the declared A-Weighted sound power levels (LWAd) and declared average bystander position A-Weighted sound pressure levels (LpAm) when the product is operating in a 23° C ambient environment. Noise emissions were measured in accordance with ISO 7779 (ECMA 74) and declared in accordance with ISO 9296 (ECMA 109).

#### Idle (Single Processor, Note 1)

L WAd	4.3 B Average Bystander
L pAm	27 dBA

#### Operating

L WAd	4.8 B Average Bystander
L pAm	32 dBA

#### Idle (Dual Processors, Note 2)

L WAd	4.9 B Average Bystander
L pAm	33 dBA

#### Operating

L WAd	5.4 B Average Bystander
L pAm	38 dBA

#### NOTES:

Note 1) Configuration tested included an Intel X5520 quad-core 2.27GHz processor, one 72GB SAS HDD, four 250GB 5400 rpm SATA hard drives, six system fans, three 4GB(2x2GB) DIMM's, and one power supply (1P SKU).

Note 2) Configuration tested included two Intel X5520 quad-core 2.27GHz processors, one 72GB SAS HDD, four 250GB 5400 rpm SATA hard drives, eight system fans, six 4GB(2x2GB) DIMM's, and one power supply (2P SKU).

Note 3) Values are subject to change without notification and are for reference only.

Note 4) Performance of system, options, and ancillary equipment will vary depending on the system configuration.

Note 5) Levels presented do not account for non-Hewlett-Packard installed hardware.

<b>Emissions Classification (EMC)</b>	FCC Rating	Class A
	Normative Standards	CISPR 22; EN55022; EN55024; FCC CFR 47, Pt 15; ICES-003; CNS13438; GB9254; K22; K24; EN 61000-3-2; EN 61000-3-3; EN 60950-1; IEC 60950-1

**NOTE:** Product conformance to cited product specifications is based on sample (type) testing, evaluation, or assessment. This product or family of products is eligible to bear the appropriate compliance logos and statements.

### Technical Specifications

<b>Integrated Lights-Out 3 (iLO 3) integrated on system board</b>	<b>Architecture</b>	PCI Express based health and remote management ASIC
	<b>Processor</b>	PCI Express RISC processor core running at 250MHz
	<b>Upgradeability</b>	Option firmware upgradeable via Flash ROM.
	<b>Video Support</b>	1600 x 1200 DVR max resolution
	<b>Interfaces</b>	One Ethernet Sideband connection (10/100/1000 Mb/s)
		One Ethernet network connection (10/100Mb/s)
	<b>Memory</b>	128-MB SDRAM with ECC
	<b>Operating System Support</b>	Microsoft Windows 2008 R2
		Microsoft Windows 2008 (32 bit and 64 bit)
		Microsoft Windows Server 2008 Standard Edition (32bit and 64bit)
		Microsoft Windows Server 2008 Enterprise Edition (32bit and 64bit)
		Microsoft Windows Server 2003 and Windows Server 2003 R2, and Windows Server 2003 for Embedded Systems Standard Edition, Enterprise Edition
		Red Hat Enterprise Linux 5.4 (32 bit and 64 bit)
SUSE LINUX Enterprise Server 11 (32bit and 64bit)		
SUSE LINUX Enterprise Server 10 (32bit and 64bit)		
VMware ESX 4.0		
VMware ESX 3.5.0		
<b>Client System Support</b>	Microsoft Windows 7	
	Microsoft Windows XP Professional Edition	
	Microsoft Windows Vista Business and Ultimate Editions	
	Red Hat Enterprise Desktop 5.00	
	SUSE Linux Enterprise Desktop 11 SUSE Linux Enterprise Desktop 10	
<b>Client Browser Support</b>	Microsoft Internet Explorer 8	
	Microsoft Internet Explorer 7	
	Microsoft Internet Explorer 6	
	Firefox 3.5 (on supported Windows and Linux systems) Firefox 3.0 (on supported Windows and Linux systems)	
<b>Command Line Support</b>	Secure Shell and serial port access	
	<b>Security</b>	Secure Socket Layer Secure Shell version 2 (Password and certificate) Advanced Encryption Standard (AES) and Triple Data Encryption Standard (3DES) on browser, CLP and XML scripting interface AES encryption of video RC4 encryption of video
<b>Directory Support Services</b>	Active Directory v1.0 (Windows 2003)	
<b>Driver Support</b>	HP ProLiant iLO 3 Management Controller Driver Package iLO Management Channel Interface Driver	



### Technical Specifications

<b>Management protocols supported</b>	SNMP, IPMI 2.0 (System and LAN interface), DMTF Systems Management Architecture for Server Hardware Command Line Protocol (SMASH CLP), HP RIBCL XML
---------------------------------------	---

#### Smart Array P410i Controller

<b>Dimensions</b>	Embedded
<b>Disk Drive and Enclosure Interface - Transfer rate</b>	6Gb/s SAS (Serial Attached SCSI) 3Gb/s SATA (Serial ATA)
<b>SAS Connectors</b>	2 internal 4X connectors
<b>Cache Memory Speed</b>	DDR2-800MHz with 40 or 72-bit wide bus
<b>Server Interface</b>	x4 PCIe 2.0 provides 2GB/s maximum bandwidth
<b>SAS Speed</b>	8 6Gb/s SAS links provide 4.8GB/s maximum bandwidth
<b>Cache Memory</b>	Zero Memory RAID has no cache memory 40-bit 256MB ECC protected cache (battery upgrade available) 72-bit 512MB BBWC or 72-bit 512MB and 1G FBWC
<b>Logical Drives Supported</b>	Zero Memory, Up to 2 logical volumes (8 physical drives) Up to 64 logical drives with cache
<b>Host Memory Addressing</b>	64-bit, supporting greater than 4GB server memory space
<b>RAID Support</b>	RAID 6, 6+0 (Advanced Data Guarding) <b>NOTE:</b> RAID 6, 6+0 can be enabled with one of the following combinations: <ul style="list-style-type: none"> <li>• 256 MB cache, Battery kit and Smart Array Advanced Pack License key option upgrades</li> <li>• 512 MB BBWC/FBWC and Smart Array Advanced Pack License key option upgrades</li> <li>• 1G FBWC and Smart Array Advanced Pack License key option upgrades</li> </ul> RAID 5, 5+0 (Distributed Data Guarding) <b>NOTE:</b> A minimum of 256 MB cache is required to enable RAID 5, 5+0 support RAID 1+0 (Striping & Mirroring) RAID 0 (Striping), RAID 1 (Mirroring)

### Technical Specifications

<b>Embedded NC382i Dual Port Multifunction Gigabit Server Adapter</b>	<b>Network Interface</b>	10Base-T/100Base-TX/1000Base-TX	
	<b>Compatibility</b>	IEEE 802.3 10Base-T	
		IEEE 802.3ab 1000Base-T	
		IEEE 802.3u 100Base-TX	
		IEEE 802.3ad 1000Base-TX	
		IEEE 802.1p 100Base-TX	
		IEEE 802.1q 100Base-TX	
	<b>Data Transfer Method</b>	PCI Express, four lanes (x4)	
	<b>Controller</b>	BCM5709C	
	<b>Network Transfer Rate</b>	10Base-T (Half-Duplex)	10 Mb/s
10Base-T (Full-Duplex)		20 Mb/s	
100Base-TX (Half-Duplex)		100 Mb/s	
100Base-TX (Full-Duplex)		200 Mb/s	
1000Base-TX (Half and Full-Duplex)		2000 Mb/s	
<b>Connector</b>	Two RJ-45		
<b>Cable Support</b>	10Base-T	Categories 3, 4 or 5 UTP; up to 328 ft (100 m)	
	100Base-TX	Category 5 or higher UTP; up to 328 ft (100 m)	
	1000BaseTX	Category 5 or higher UTP; up to 328 ft (100 m)	

<b>Environment-friendly Products and Approach</b>	<b>End-of-life Management and Recycling</b>	<p>Hewlett-Packard offers end-of-life HP product return, trade-in, and recycling programs in many geographic areas. For trade-in information, please go to: <a href="http://www.hp.com/go/green">http://www.hp.com/go/green</a>. To recycle your product, please go to: <a href="http://www.hp.com/go/green">http://www.hp.com/go/green</a> or contact your nearest HP sales office. Products returned to HP will be recycled, recovered or disposed of in a responsible manner.</p>
---	---	--

The EU WEEE directive (2002/95/EC) requires manufacturers to provide treatment information for each product type for use by treatment facilities. This information (product disassembly instructions) is posted on the Hewlett Packard web site at: <http://www.hp.com/go/green>. These instructions may be used by recyclers and other WEEE treatment facilities as well as HP OEM customers who integrate and re-sell HP equipment.

### Technical Specifications

© Copyright 2013 Hewlett-Packard Development Company, L.P.

The information contained herein is subject to change without notice.

Intel, the Intel logo, Xeon and Xeon Inside are trademarks of Intel Corporation in the U.S. and other countries.

Microsoft and Windows NT are US registered trademarks of Microsoft Corporation. Intel is a US registered trademark of Intel Corporation.

The only warranties for HP products and services are set forth in the express warranty statements accompanying such products and services. Nothing herein should be construed as constituting an additional warranty. HP shall not be liable for technical or editorial errors or omissions contained herein.

For hard drives, 1GB = 1 billion bytes. Actual formatted capacity is less.