

Service Manual

ViewSonic PJ402D-2

Model No. VS10400

DLP™ Projector

(PJ402D-2_SM Rev. 1e Dec. 2008)

ViewSonic® 381 Brea Canyon Road, Walnut, California 91789 USA - (800) 888-8583

Copyright

Copyright © 2007 by ViewSonic Corporation. All rights reserved. No part of this publication may be reproduced, transmitted, transcribed, stored in a retrieval system, or translated into any language or computer language, in any form or by any means, electronic, mechanical, magnetic, optical, chemical, manual or otherwise, without the prior written permission of ViewSonic Corporation.

Disclaimer

ViewSonic makes no representations or warranties, either expressed or implied, with respect to the contents hereof and specifically disclaims any warranty of merchantability or fitness for any particular purpose. Further, ViewSonic reserves the right to revise this publication and to make changes from time to time in the contents hereof without obligation of ViewSonic to notify any person of such revision or changes.

Trademarks

Optiquest is a registered trademark of ViewSonic Corporation.

ViewSonic is a registered trademark of ViewSonic Corporation.

All other trademarks used within this document are the property of their respective owners.

Revision History

Revision	SM Editing Date	Documents Number		Description of Changes	Editor
		DCN Number	ECR Number		
1a	12/20/05	5755		Initial Release	BonnieT.
1b	5/30/06			RoHS issue(revise RSPL, add BOM list of page 66-74)	BonnieT.
1c	7/13/06			Replace the photos to be clear to read.	BonnieT.
1d	1/10/07			Add content of reset the lamp hours (Appendix)	Sophia Kao
1e	12/15/08		VS-E080372	RSPL update	Sophia Kao

TABLE OF CONTENTS

1. Precautions and Safety Notices.....	1
2. System Introduction.....	2
3. Firmware Update.....	9
4. Machine Disassembly and Replacement.....	11
5. Trouble shooting.....	23
6. Connector Information.....	33
7. FRU(Field Replaceable Unit) List.....	43
8. Basic Circuit Diagrams.....	47
9. Recommended Spare Parts List.....	65
10. Appendix.....	75

Chapter 1

Precautions and Safety Notices

1. When replacing the lamp, use care to avoid burns to your fingers. The lamp becomes very hot during operation.
2. Never touch the lamp with your fingers as body oil transferred to the lamp can damage the lamp's useful life.
3. Never drop the lamp or jar it in any manner. This may cause the lamp to burst.
4. This projector is provided with a high voltage circuit for the lamp. Do not touch any electric part or component after the projector has been turned on and is operating. Doing so could induce a severe shock causing injury or death.
5. Do not touch the exhaust fan, nor block its air flow, during operation, as the fan is hot.
6. Use only the cables which are included with the projector, or are specified in this manual.
7. Ensure that screws are tightened properly. Screws not tightened fully may result in injury or accidents.
8. Since the lamp is made of glass, do not drop the unit and do not scratch the glass.
9. Do not reuse the old lamp. This could cause the lamp to explode.
10. Be sure to turn off the projector and unplug the AC power cord before replacing the lamp.
11. Do not use the projector with the lamp cover removed.

Disposal : For disposal of spent lamps, always consult federal, state, local and provincial hazardous waste disposal rules and regulations to ensure proper disposal.

Caution : This lamp emits ultra violet (UV) radiation and operates at high pressure.

This lamp may only be used in enclosed fixtures that comply with UL1572.

Due to the high luminous efficacy, the UV radiation which the lamp emits and the high pressure within the lamp, P-VIP lamps may only be operated within enclosed, purpose-built housings.

Chapter 2

System Introduction

Technical Specification

Item	Description
Display Type	Single Panel 0.55" DLP Projector
Lamp Type	NUP 200W
Resolution(Pixels)	786,432 dot x1 (1024 x 768 x1)
Optical Compensation	Light Tunnel
Screen Size	31~312 inches
Projection Type	Front, Rear, Ceiling
Compatibility	"Horizontal frequency (31~79KHz")
	"Vertical frequency (50~85Hz")
	Pixel Rate 108 MHz
Keystone Correction	Vertical: +/-15
Audio System	2W x 1
Aspect Ratio	1:1 , 16:9 , 4:3
Video Input	PAL , NTSC , SECAM
Input Source	Computer , HDTV , S-Video , Video
Analog RGB (Input Signal)	D-Sub Connector

Item	Description
Other Key Features	3:2 Pull Down
	Progressive Scan
	Blank
	Auto Source Detection
	Freeze
	Auto Tracking/Sync.
	Plastic Body
Power Requirement	100~240v, 50~60Hz
Dimensions(WxDxH)	254 x 202 x 98 mm
Weight	2.2 KG (<4.9 lb)
Remote Mouse	Multifunctional
OSD Language	Chinese, English, French, German, Spanish, Italian, Portuguese, Russian, Japanese, Korean
Power Consumption	250 W
Operation AC Temperature Range	+5 ~ +35C
Power Supply	AC 100 - 240 V , 50 - 60 Hz

Lamp Specification

1.Scope

The product is a lamp system consisting of a short arc burner with a reflector and an electric lamp ballast.

2. Product : NSH200PT

Product name: Short arc mercury lamp with reflector
USHIO type NSH200PT (see Figure 3.)

3. Application

Back lighting for DMD projector

4. Appearance, Structure and dimension

Appearance:

There must not be any defect which deviates from initial characteristics showing in Table 1.

As for scratches, coating peeling, dirt and on reflector or lamp, whether defective or not is to be judged by the initial characteristics shown in the Table 1.

5.Initial characteristics

Initial lamp bulb characteristics:

Wattage 入力(W)	Lamp Voltage 電圧(V)	Lamp Current 電流(A)	Efficiency ランプ効率(lm/W)	Color Temperature 色温度
DC200	82	2.4	66	8090

Initial lamp bulb characteristics:

Characteristics should satisfy the values of table 1, when lamp is operated to optical bench specified under figure 1.

6. Lamp life

Normal lamp life is 2000 hours

Lamp life represents the average number of hours when then lumens flux drops to less than 50% of its initial value under the following conditions:

- 1.The lamp must be operated under the temperature condition mentioned in Figure 2.
- 2.USHIO lamp driver(type:PHG201G16**) must be used.
- 3.On/off cycle(repetition):3 hours and 30 minutes on, 30 minutes off.

Table 1: Initial characteristics and lamp voltage

付表 1 初期特性⁽¹⁾ と電気特性

項目 Item	Min.	Typ.	Max.
Luminous Flux ^{(2) (3) (4)} 光束 (lm)		χ ⁽⁵⁾	—
Lamp Voltage ランプ電圧 (V)	67	82	97
Flicker ⁽⁶⁾ フリッカ (%)	-	-	8)

Figure 1.

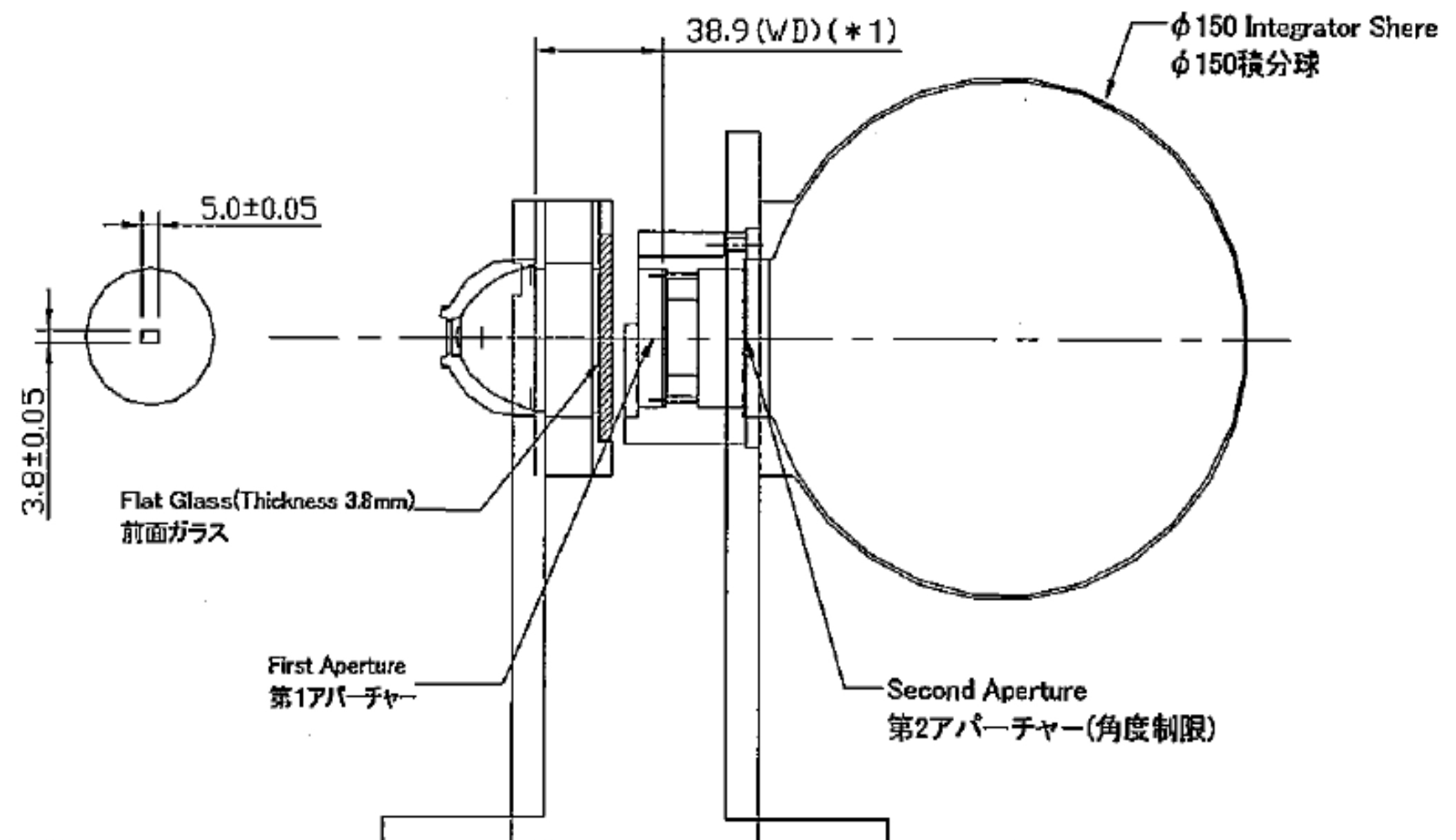
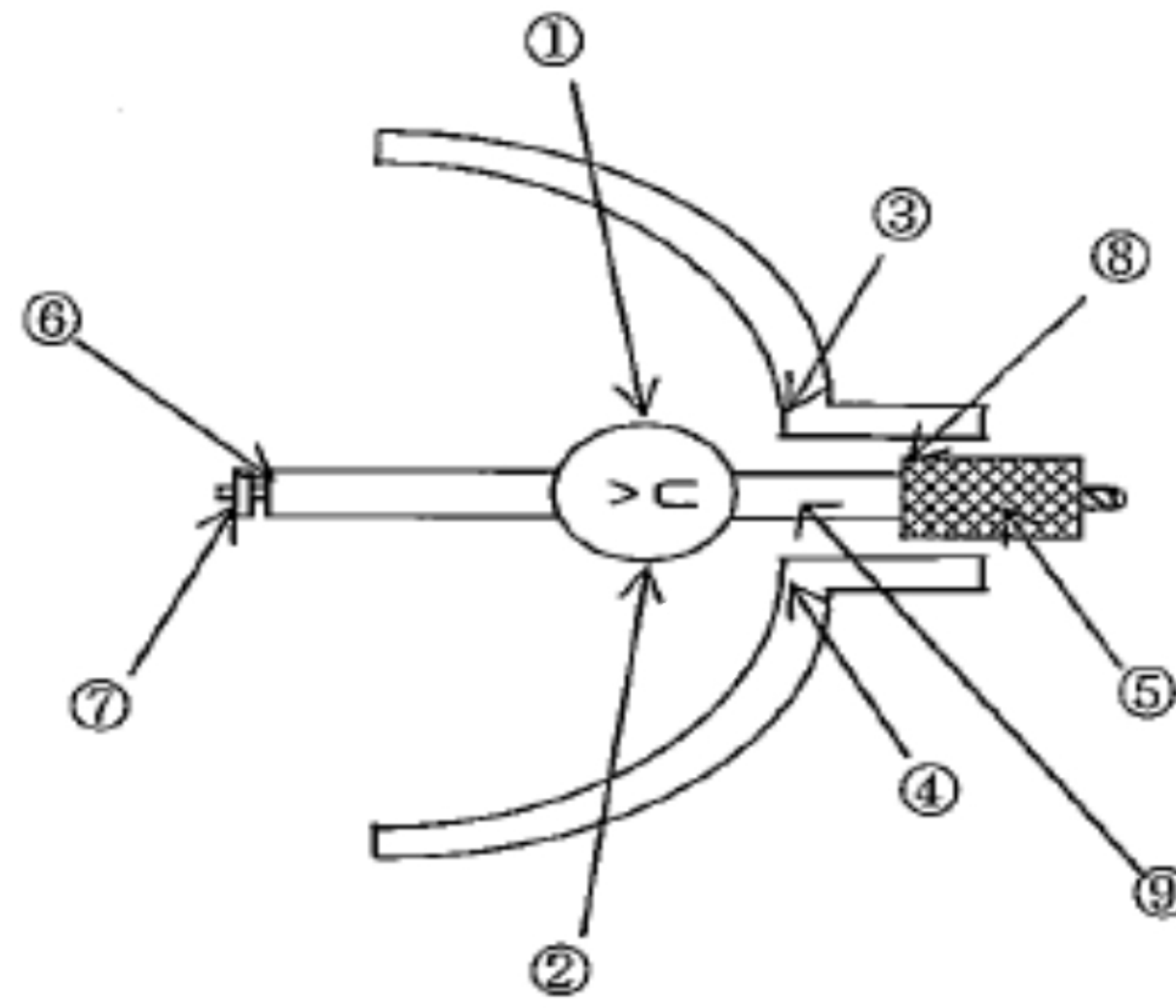


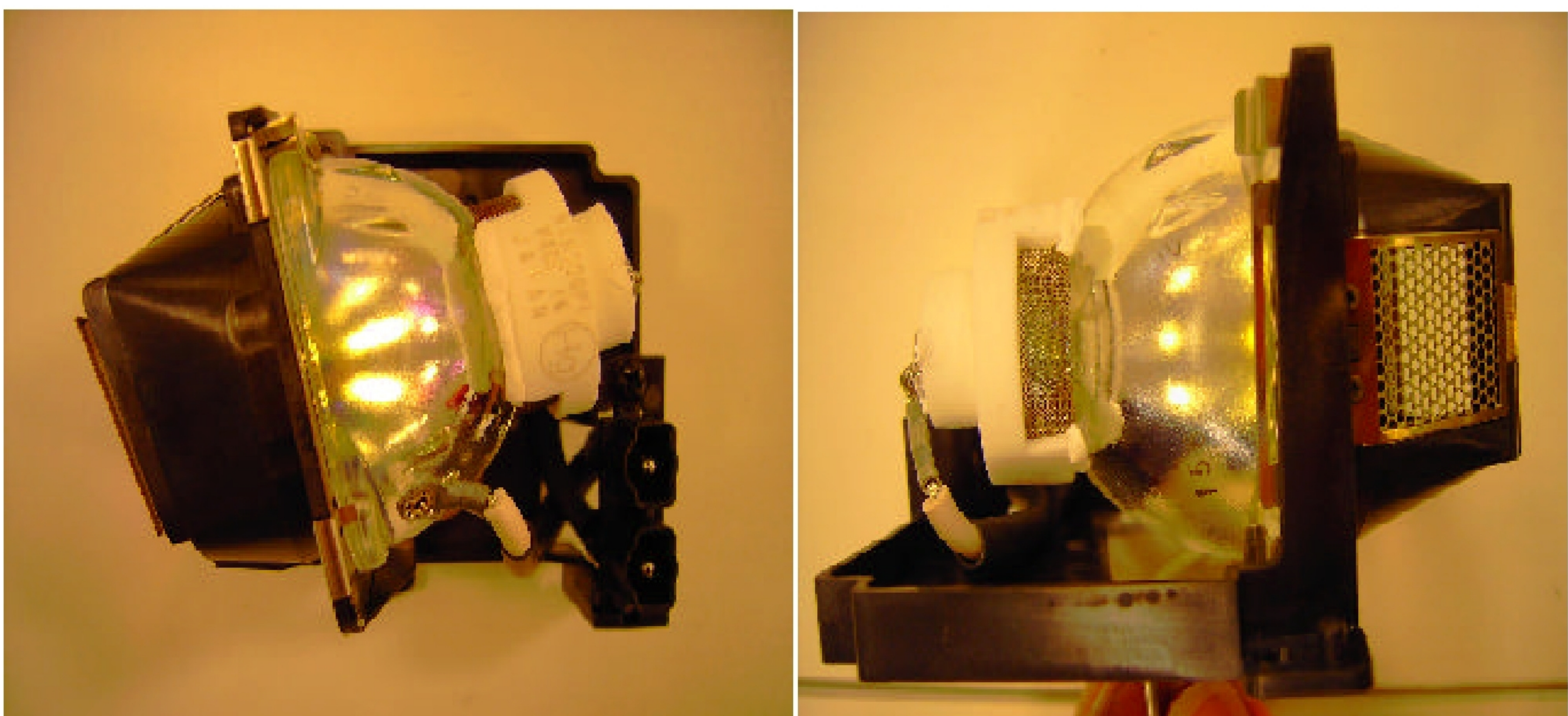
Figure 2.



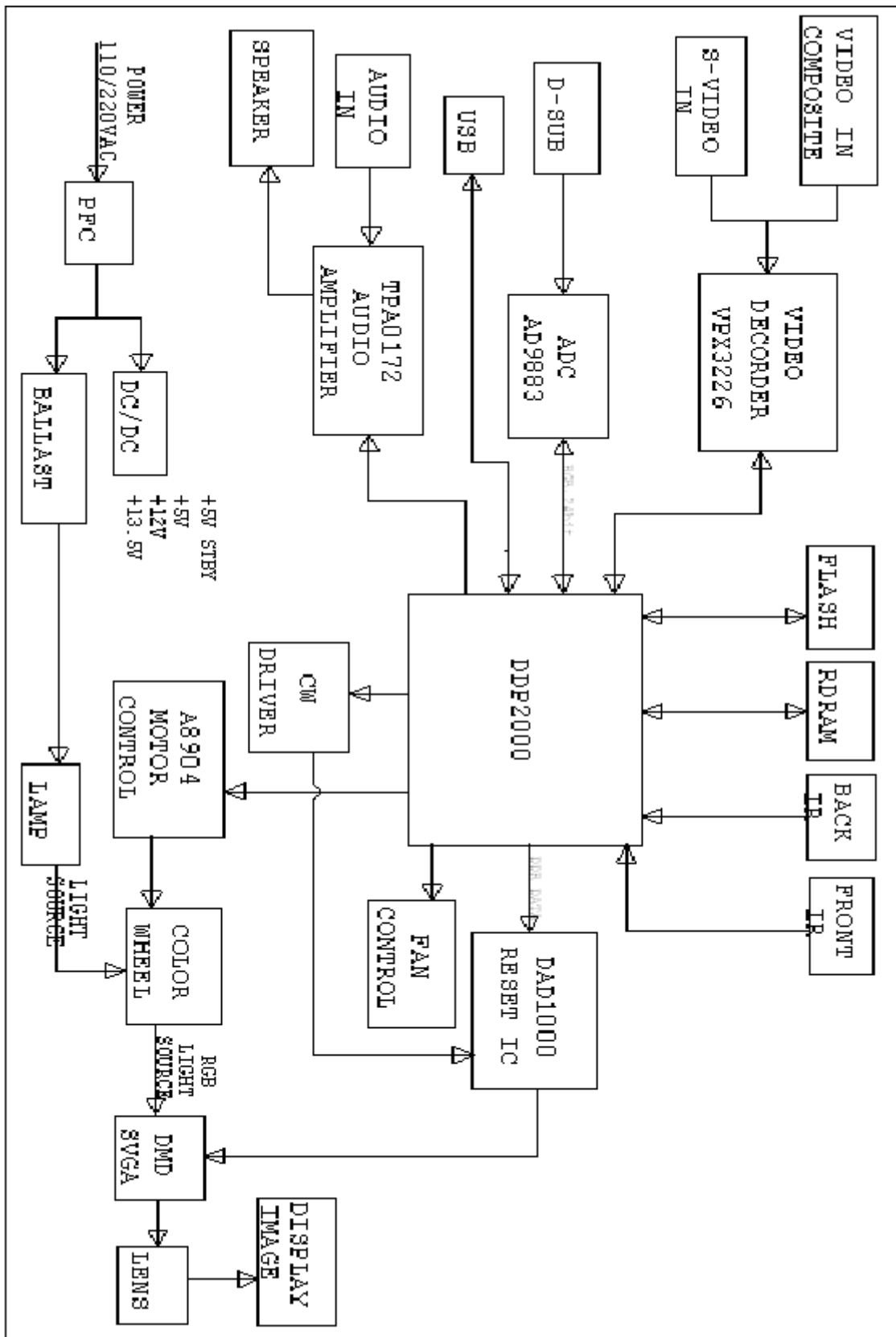
Measurement Point 測定ポイント	Temperature 推奨温度
① Bulb top 発光管上部	1020°C MAX.
② Bulb bottom 発光管下部	900°C Min.
③ Reflector hole top リフレクタホール上部	450°C MAX.
④ Reflector hole bottom リフレクタホール下部	450°C MAX.
⑤ Anode seal 陽極シール部	420°C MAX.
⑥ Cathode seal 陰極シール部	420°C MAX.
⑦ Nickel sleeve ニッケルスリーブ部	370°C MAX.
⑧ Edge of metal base 口金部	400°C MAX.
⑨ Anode welding point 陽極銅部	Above Temperature Ushio recommends ウシオ推奨温度以上
⑩ Bulb bottom ※ 発光管下部(注)	170°C MAX.

Figure2: Lamp operating temperature condition in Projector
付図 2 ランプ点灯時の各部の温度条件

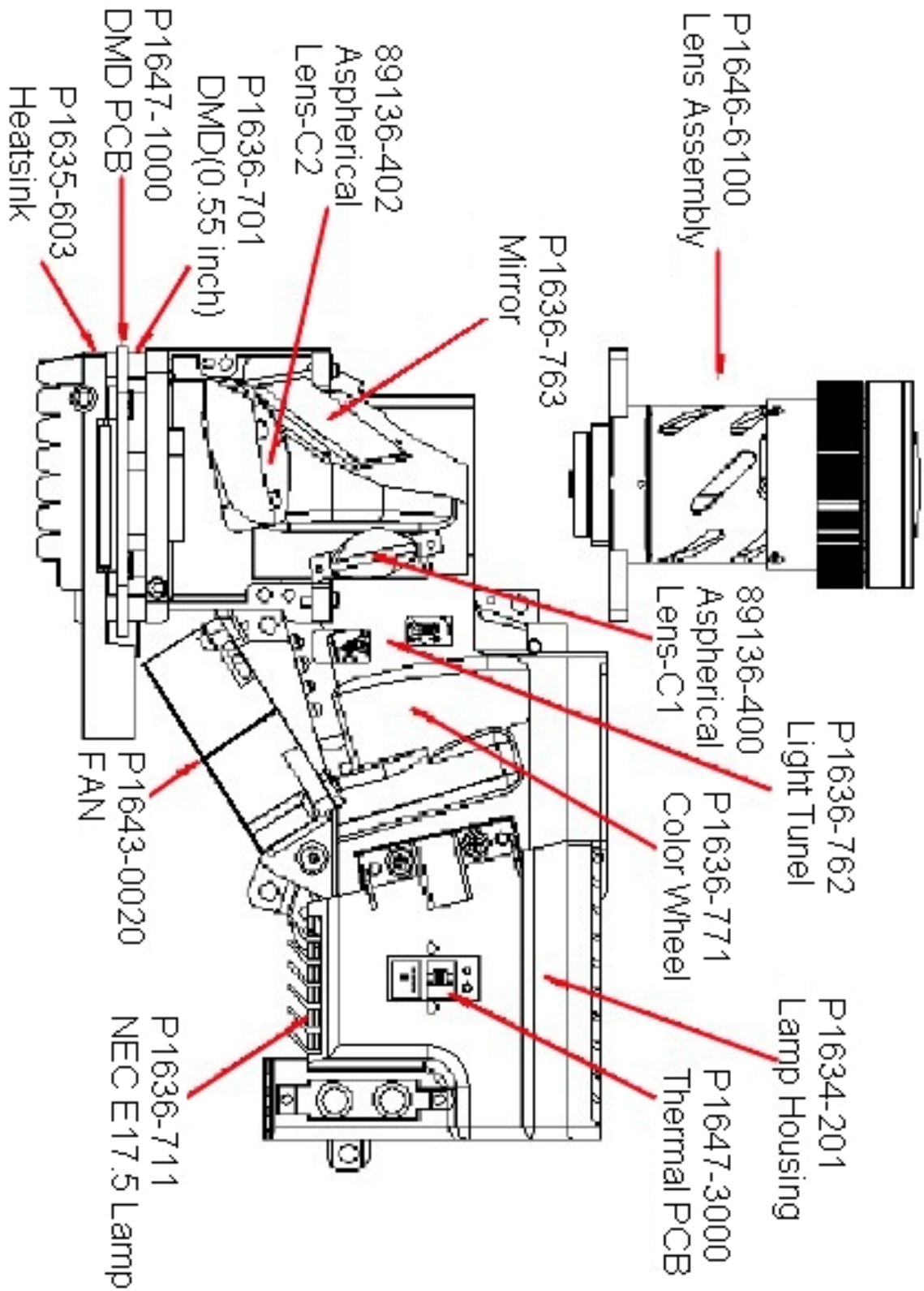
Figure 3.



System Block Diagram



Optics-Conceptual Drawing



Firmware Upgrade

This chapter provides the equipment needed, setup and upgrading procedure for Firmware.

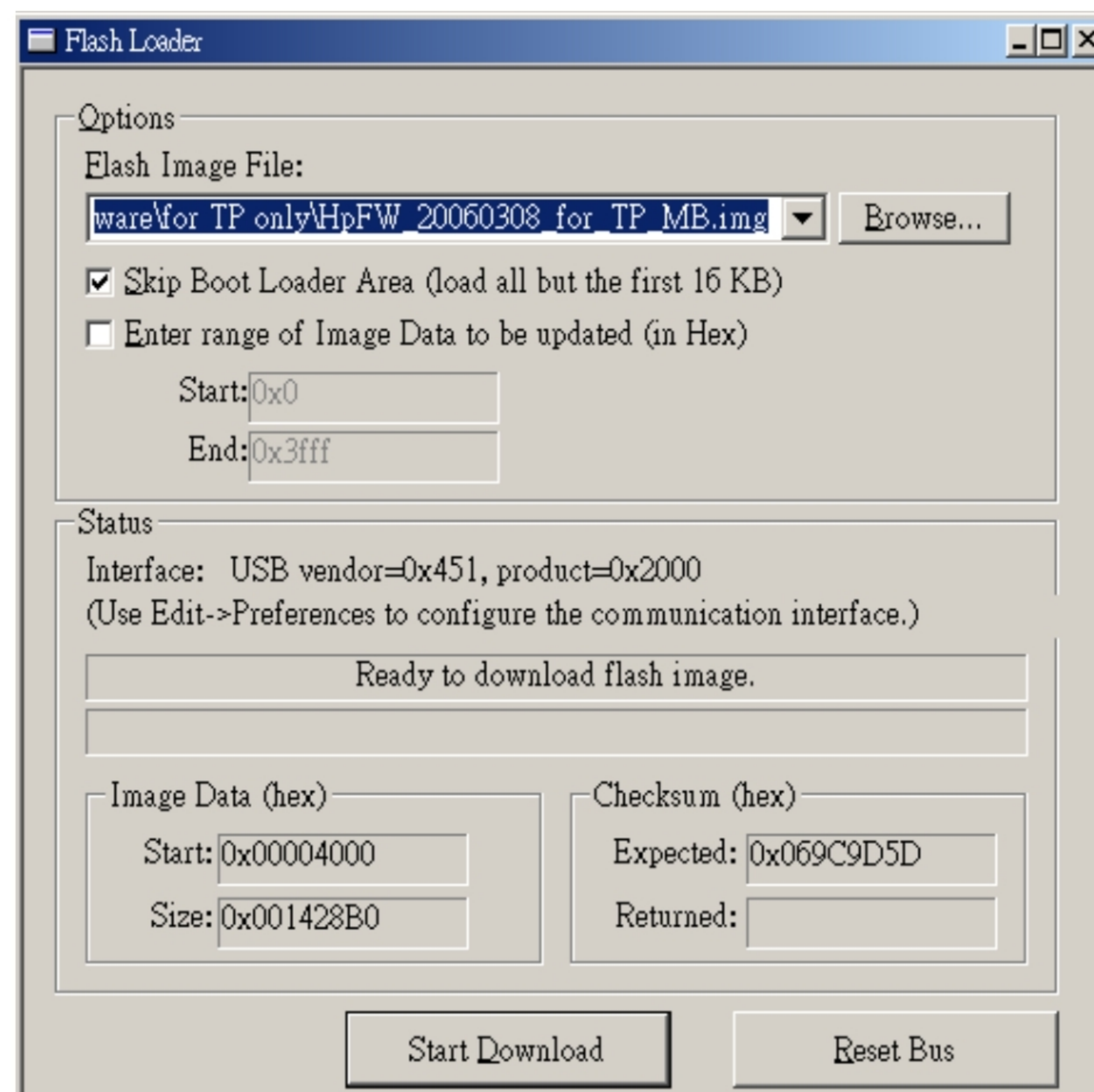
Setup Tool / Equipment

1. Computer
2. USB Cable (see right picture)
3. Power Cord

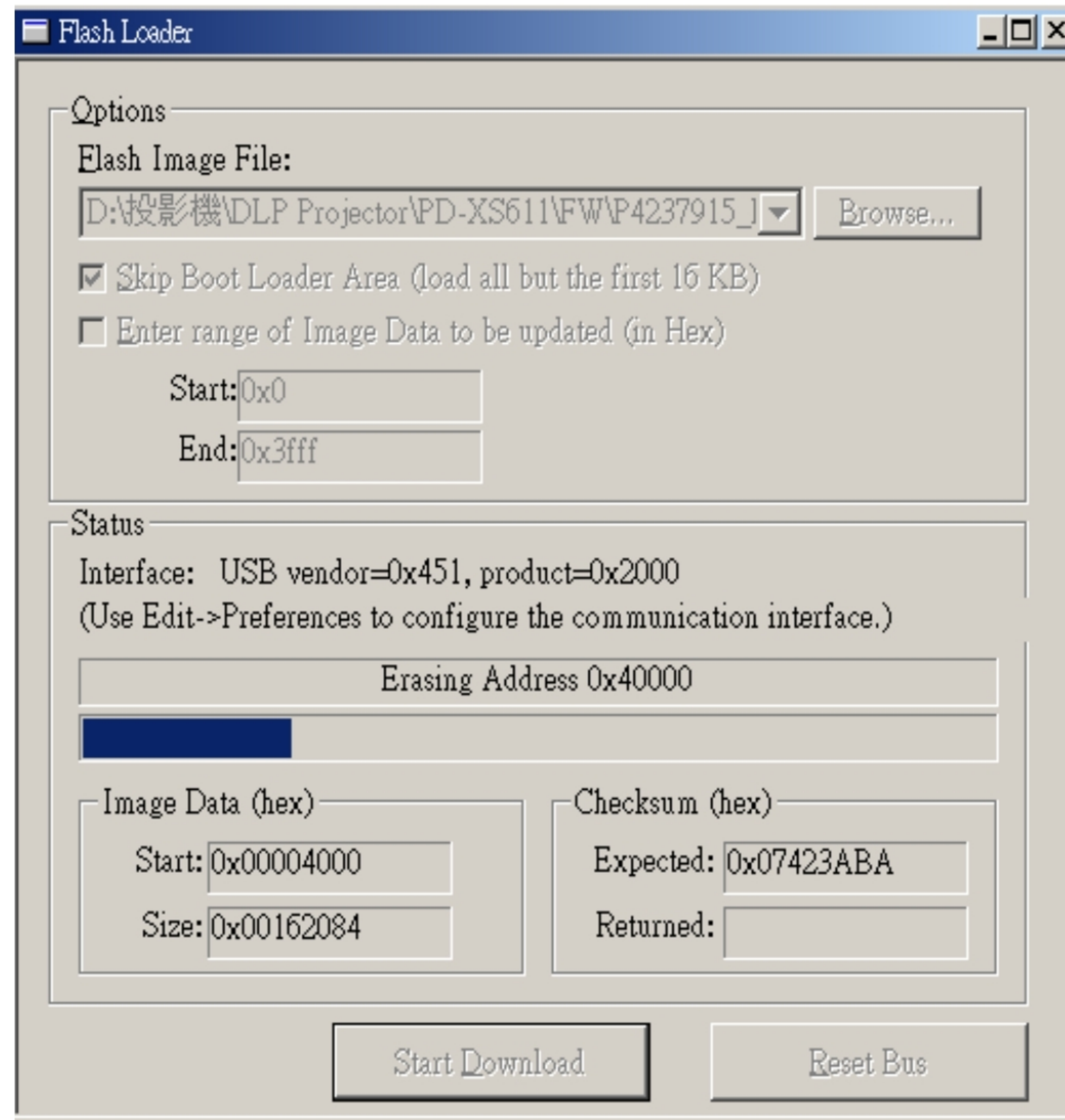


Upgrading Procedure

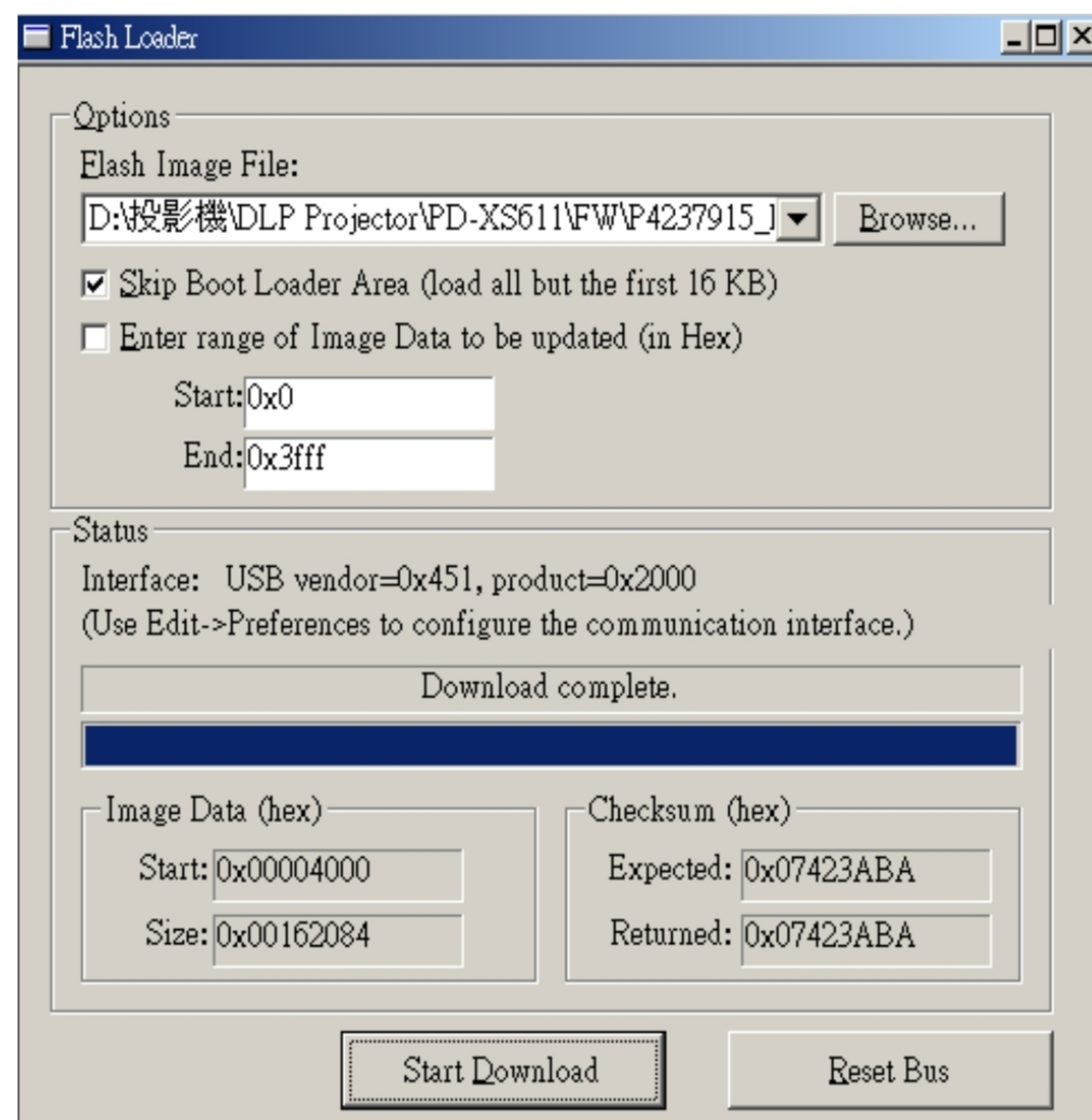
1. Connect Download Cable to projector
2. Open burn-in programmer (DLP Composer Lite)



3. Press Power and Menu button together and connect the power cord into the projector . Then release these 2 bottoms .
4. Click the **Start Download** button and then start to burning of program .






5. Completion of Burn-in then remove Power Cord and Burn-in Cord .



Machine Disassembly and Replacement

This section provides disassembly procedures for PJ458D DLP Projector. Before you begin any of these procedures, be sure to turn off the power, computer system, and other attached devices; then disconnect the power cable from the electronically outlet. Moreover, when you disassemble the projector, be sure to put the screws in a safe place and separate them according to grouping.

Tools Needed

Item	PHOTO
Long Nose Nipper	
Hex Sleeves 5mm	
Screw Bit (+) : 107 Screw Bit (+) : 101 Screw Bit (+) : 102	

General Information

Before You Begin

Before proceeding with the disassembly procedure, make sure that you do the following:

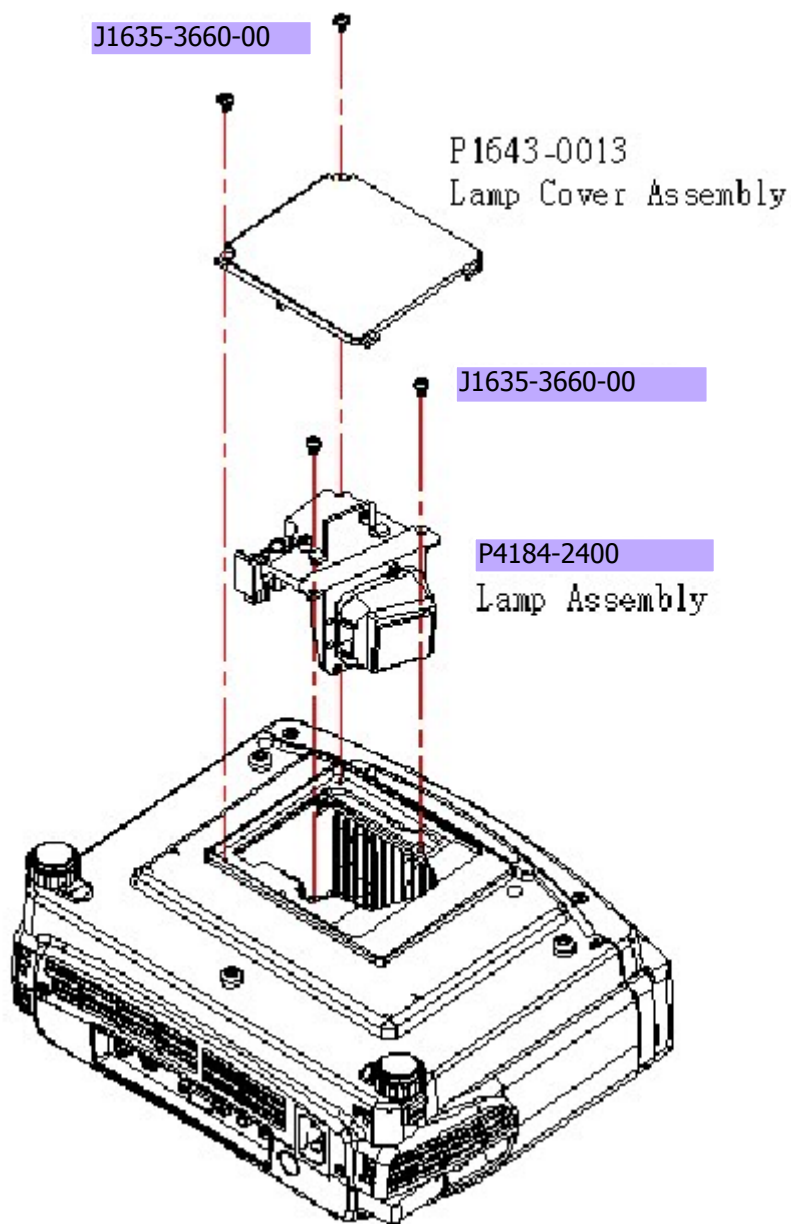
1. Turn off the power to the system and all peripherals.
2. Unplug the AC adapter and all power and signal cables from the system.
3. Wear a grounded Anti-static wrist strap.

Disassemble Lamp Module

Note:Unplug all the cords before disassembling the Projector.

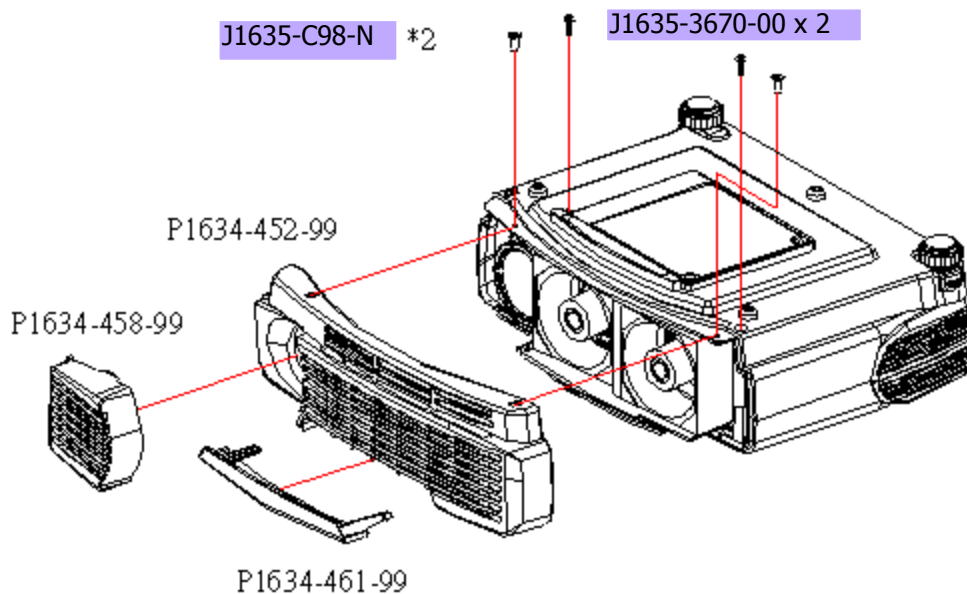
1. Loosen two screws of Lamp Cover.
2. Remove Lamp Cover.
3. Loosen two screws of Lamp Module.
4. Grasp the lamp handle and pull out Lamp Module.

p.s Related notice of replace went lamp please refer to the **Lamp Specification section** .

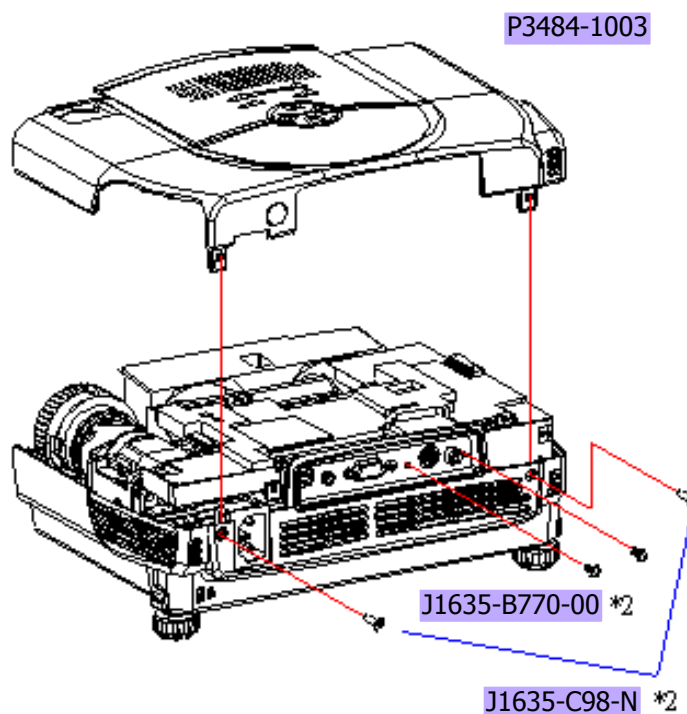


Disassemble Front & Top Cover

1. Turn over the Projector.
2. Remove four 4 screws on bottom cover.
3. Remove the front cover set.

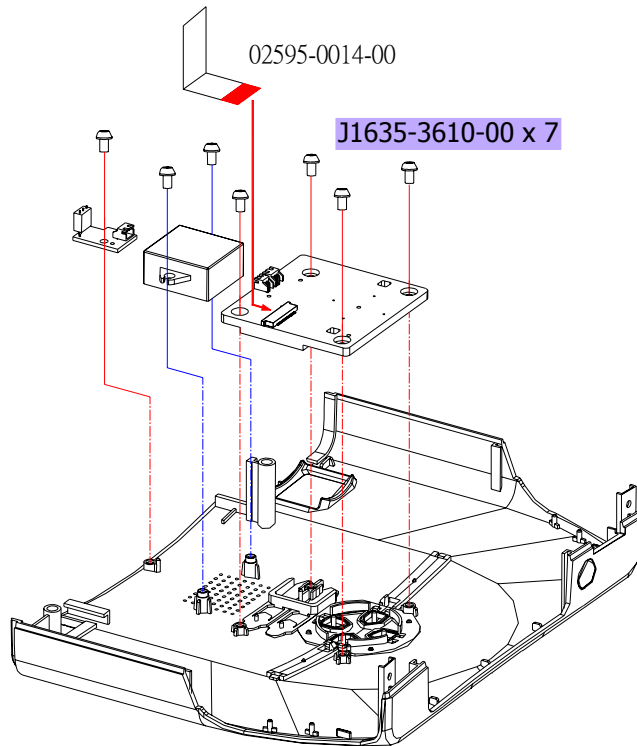


1. Remove the 4 screws of back cover.
2. Lift up top cover directly (Be careful there is an internal wire connected with the main board).



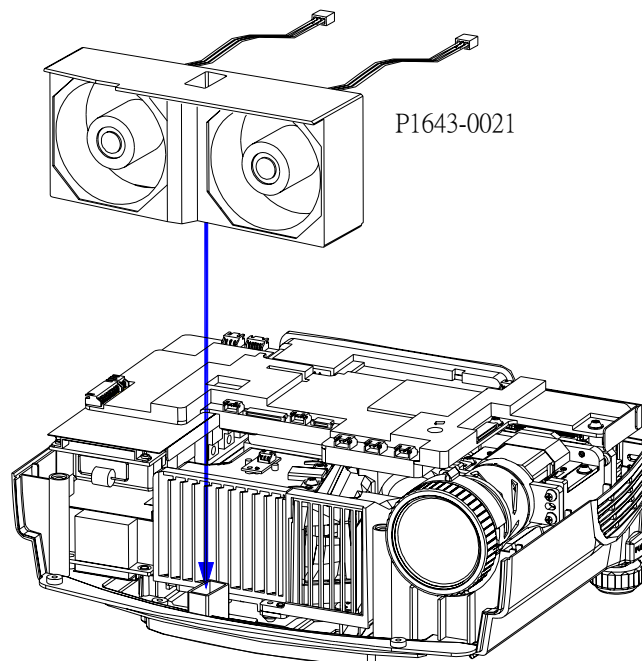
Disassemble Key Pad , Speaker & Front IR Board

1. Remove all screws of top cover.
2. Lift up all components including key pad, speaker , front IR board.



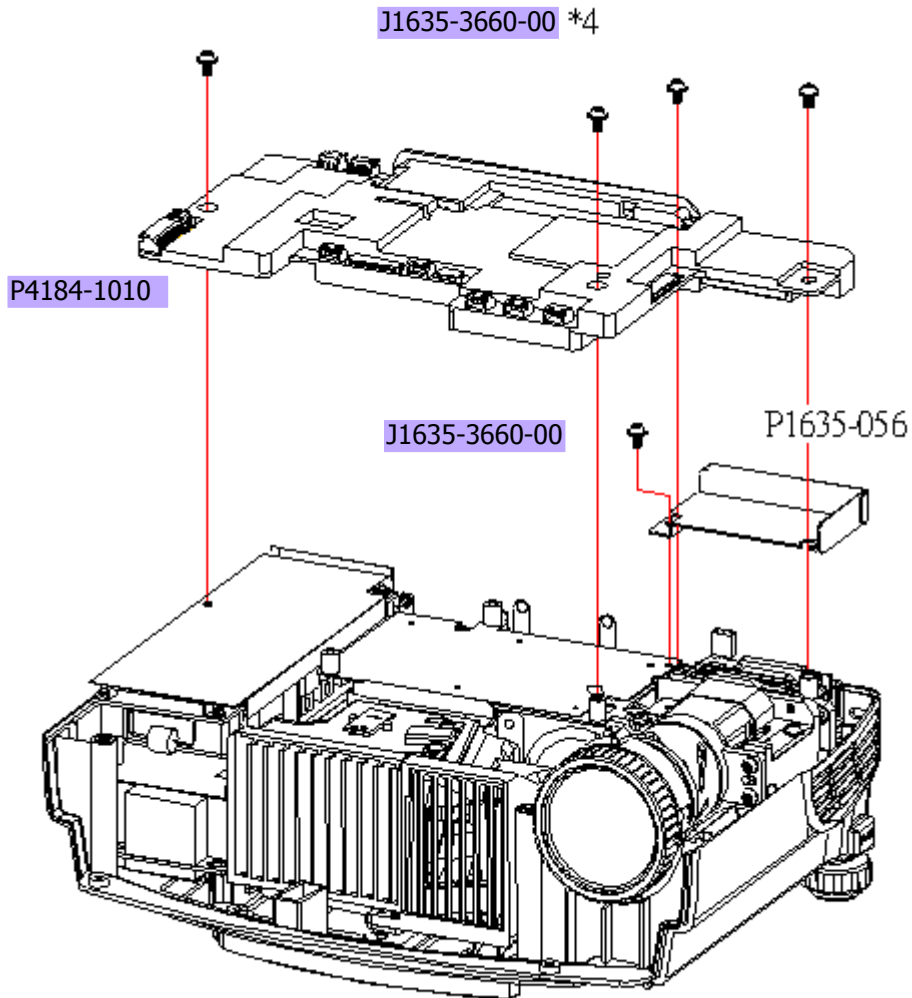
Disassemble Front Fan

1. Lift up the fan set directly .



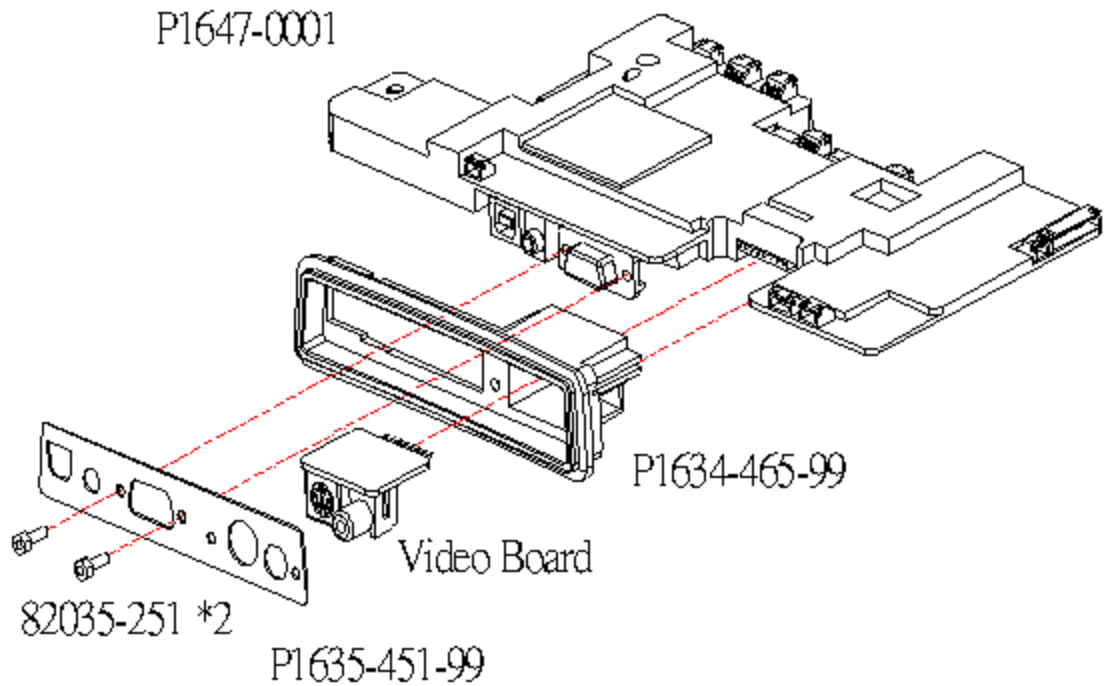
Disassemble Main Board

1. Remove the five screws of main board .
2. Unplug all wires on the board (Main Board PIN location of connectors please refer to Chapter 5)
3. Remove the Main Board.



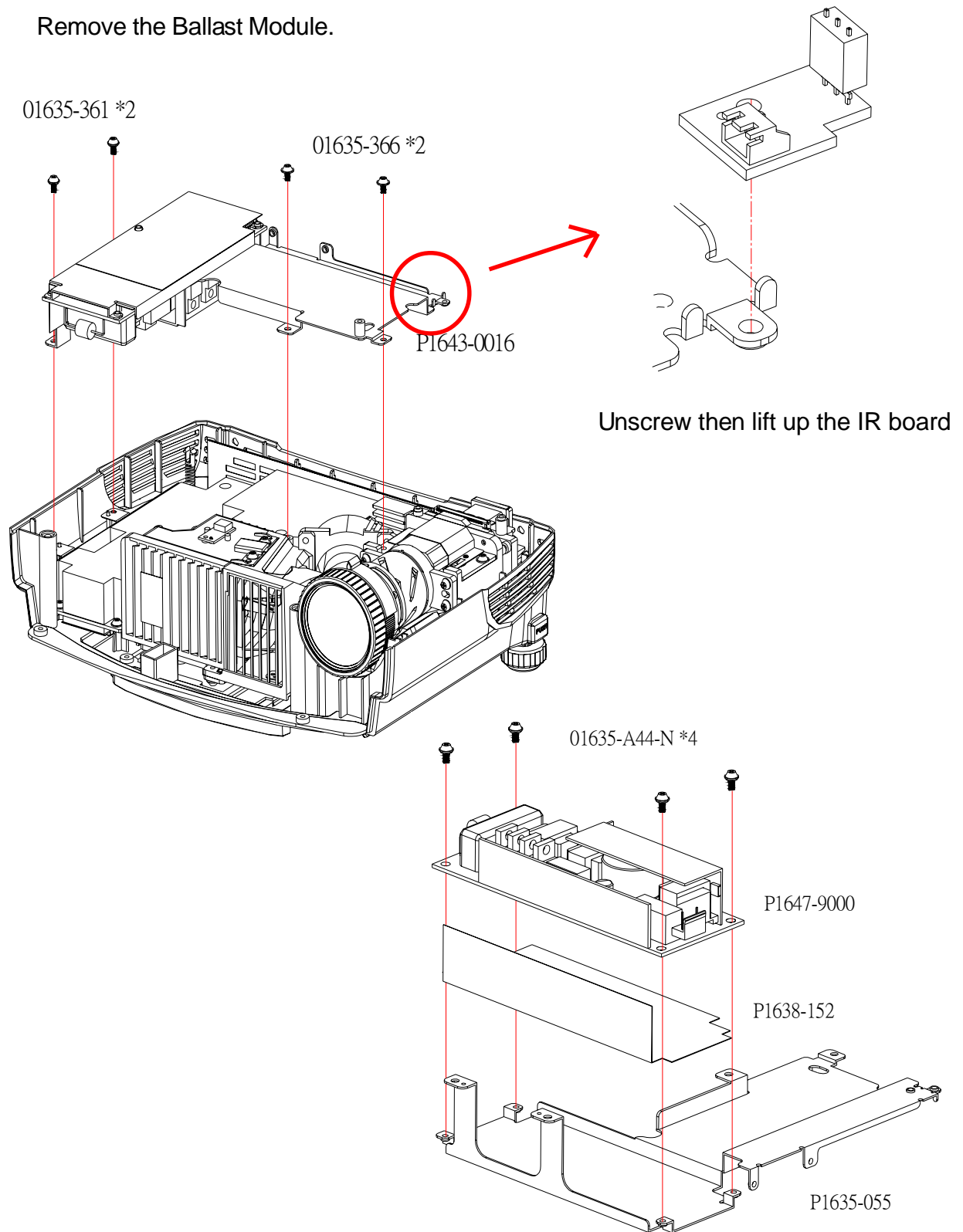
Disassemble IO Cover and Video Board

1. Unscrew two screws of the IO cover.
2. Separate all parts individually .



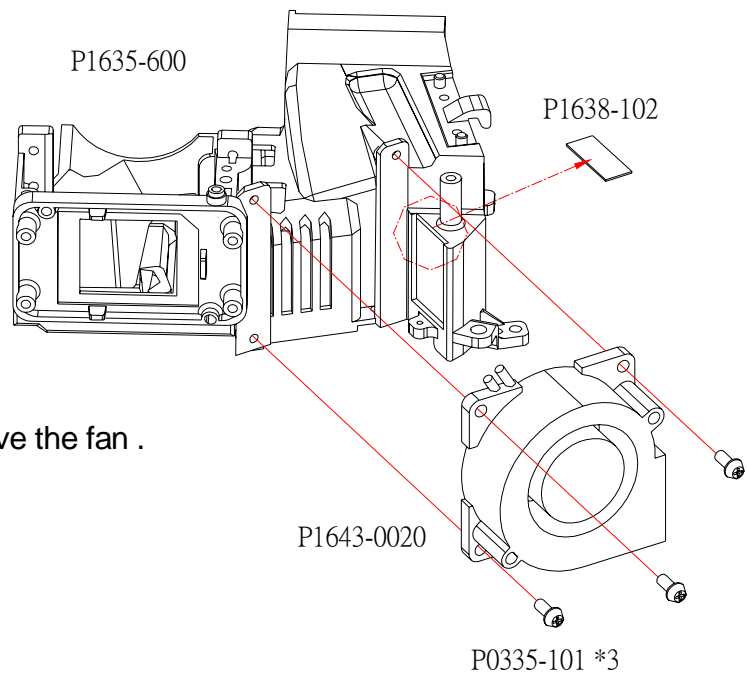
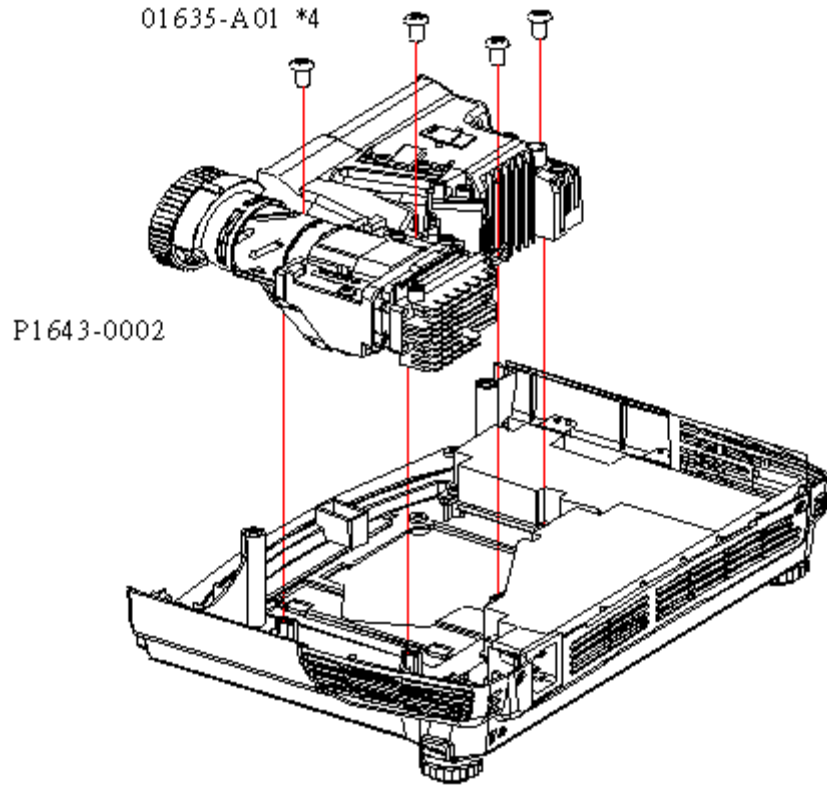
Disassemble Ballast Module

1. Unplug all wires on Ballast Module (Ballast Board PIN location of connectors : please refer to Chapter 5)
2. Unscrew four screws on Ballast Module.
3. Remove the Ballast Module.



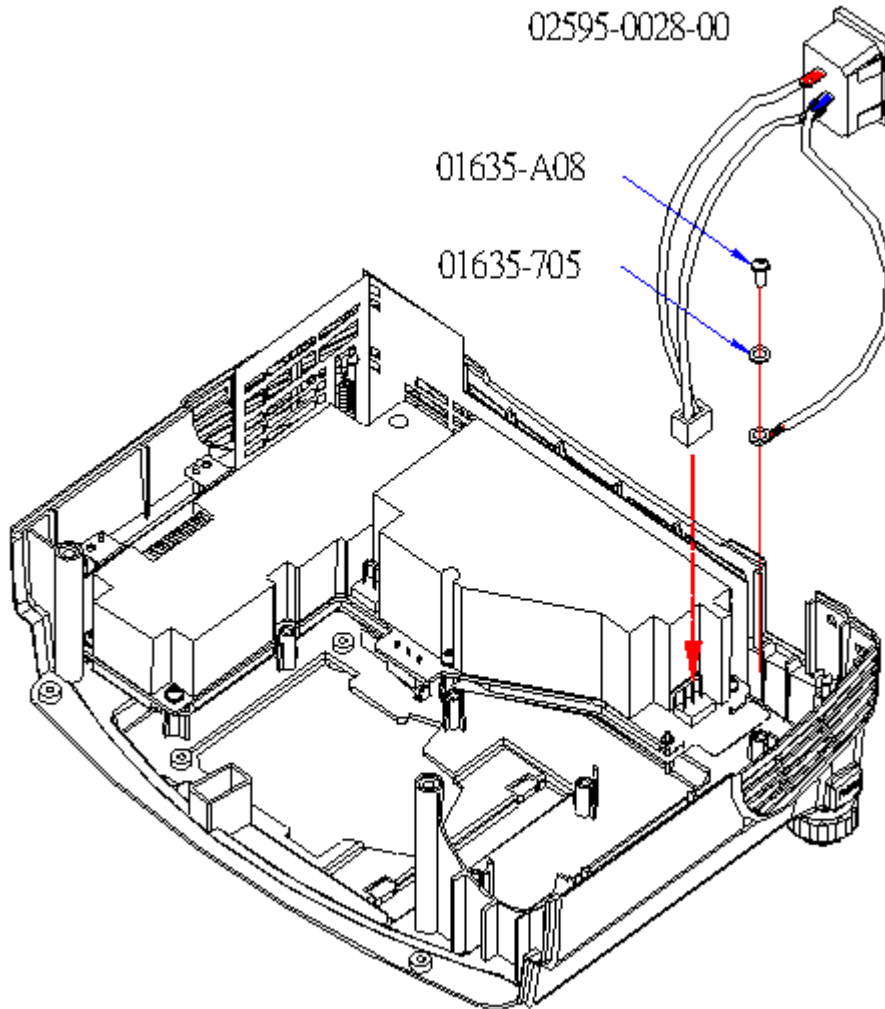
Disassemble Optical Engine

1. Unplug the wire inside.
2. Unscrew four screws on Optical Engine.
3. Then remove the Engine Module.
4. Be careful and don't drop the Engine due to the heavy weight.



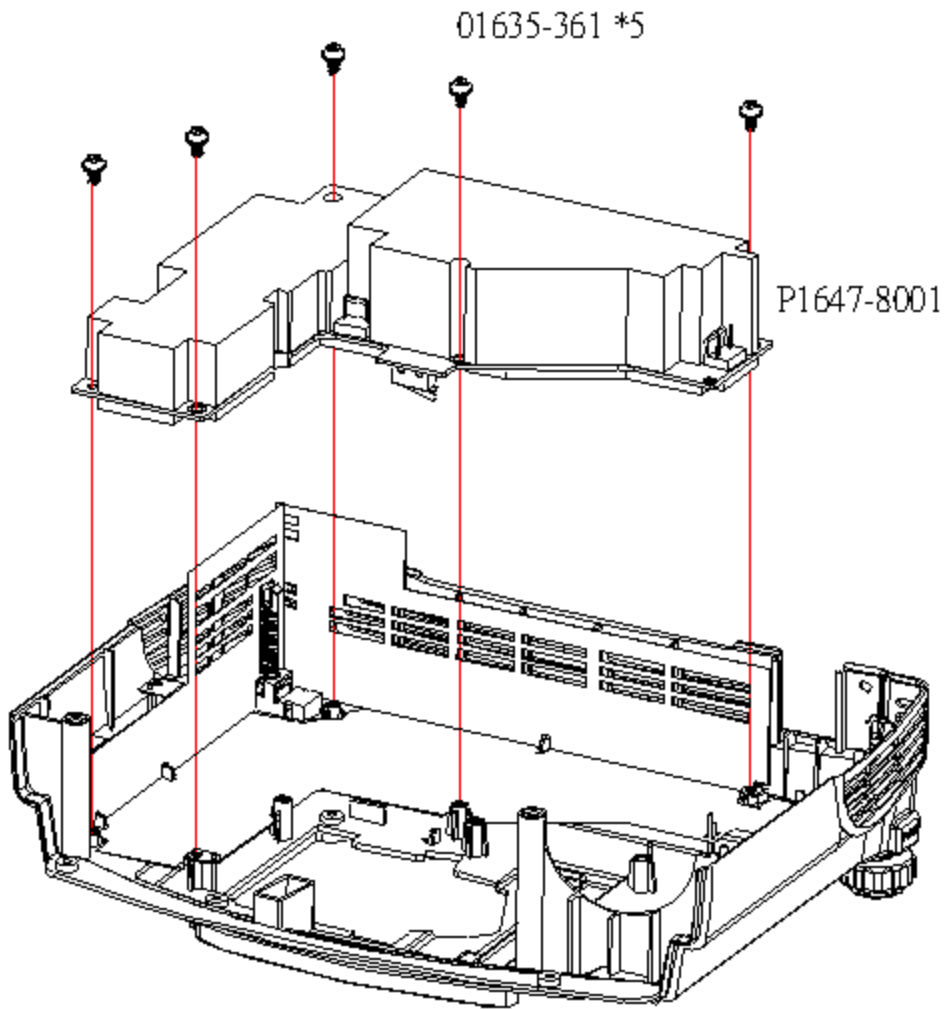
Disassemble Power Outlet Set

1. Remove the screw from the bottom of power wires and unplug the connector.
2. Then lift up the power outlet set.



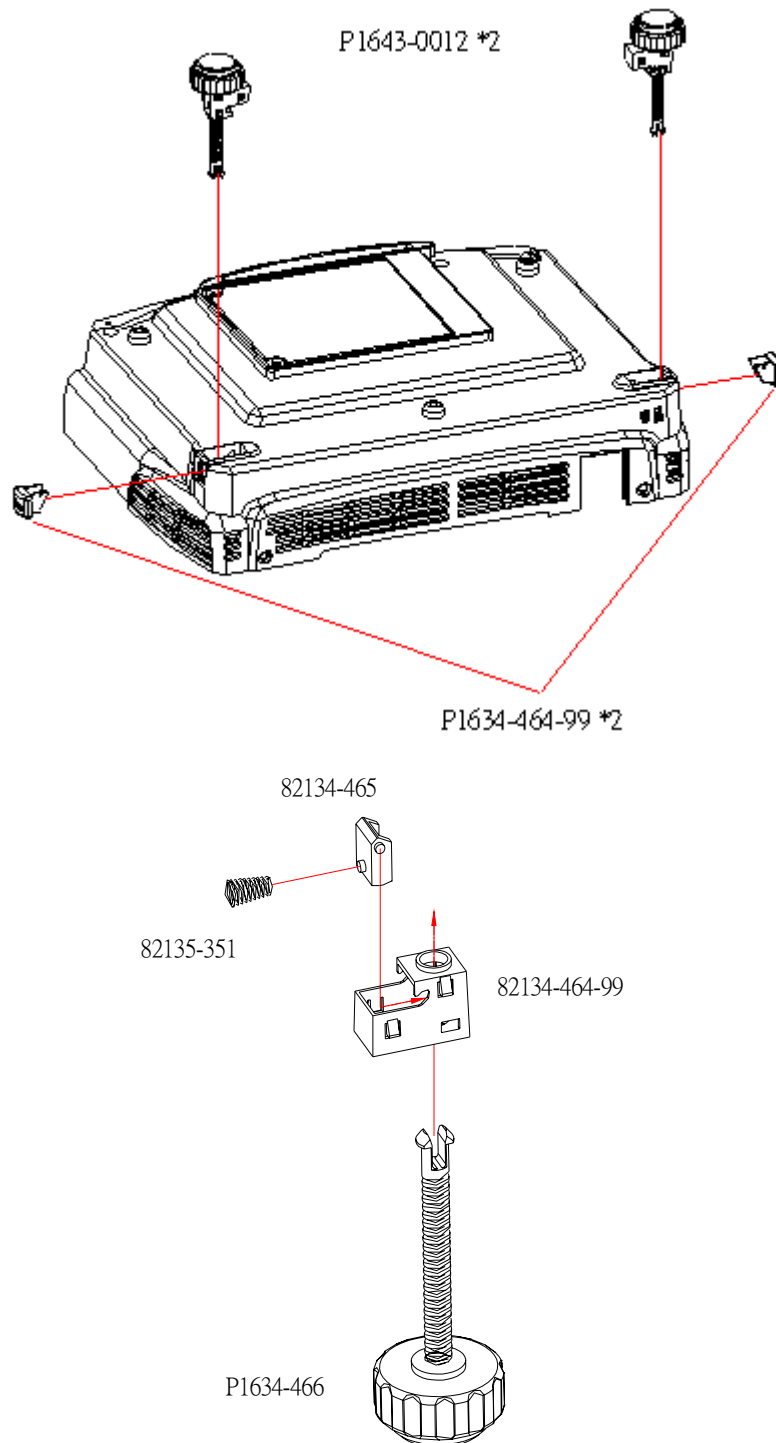
Disassemble Power Board

1. Unplug all the wires on the board (Power Board PIN location of connectors: please refer to Chapter 5)
2. Unscrew five screws on Power Board.
3. Then remove Power Board.



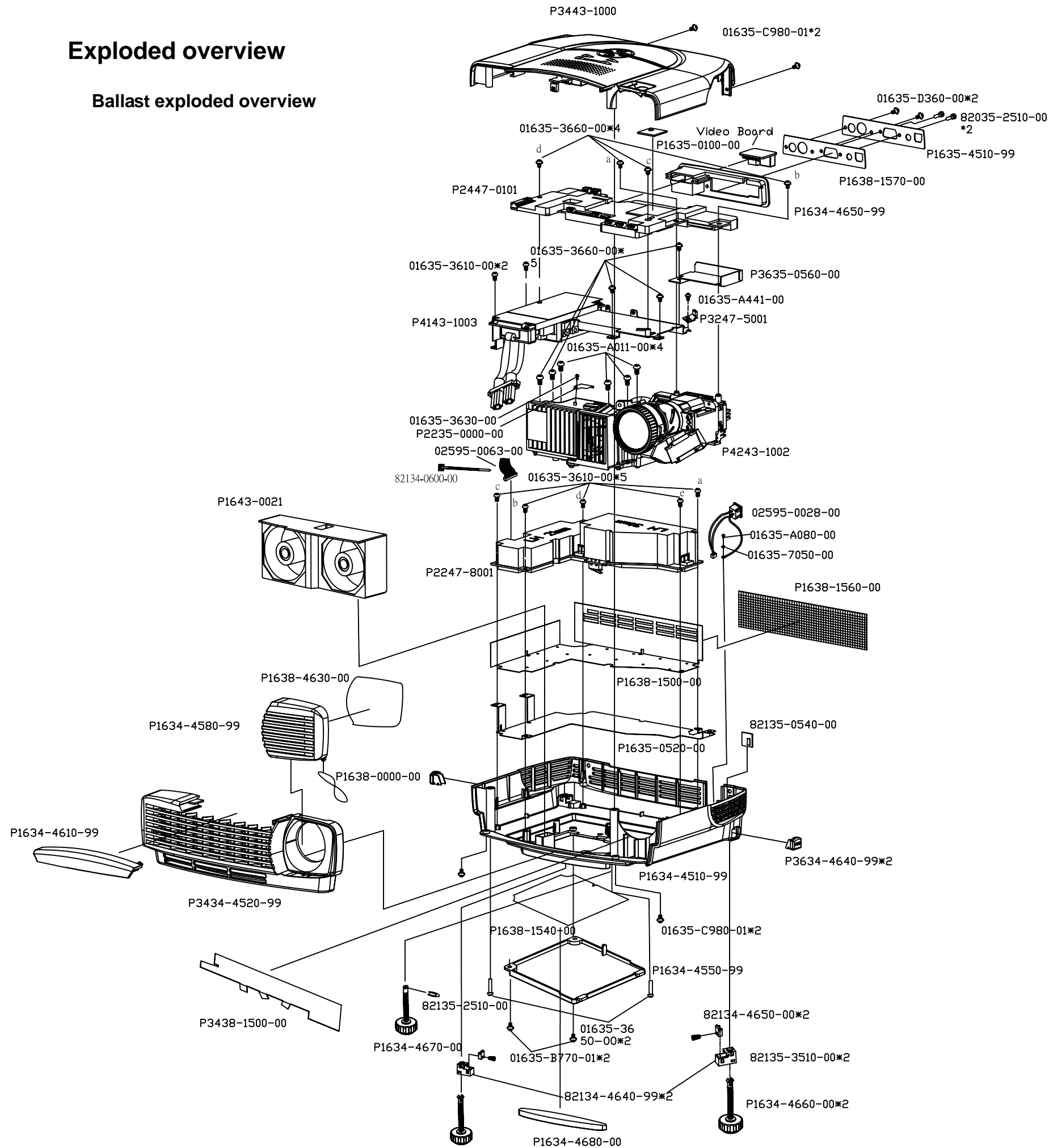
Disassemble Foot Screw Assembly

1. Push button let foot screw assembly fall off.
2. Use nipper or tweezers carefully to press the head of foot screw .
3. Then foot screw assembly drop out by itself .



Exploded overview

Ballast exploded overview



圖示說明:

1. 螺絲鎖附順序如圖示字母順序;
2. 圖中鎖附螺絲01635-C980-01 電動起子扭力設定 $5.5 \pm 0.5 \text{kgf-cm}$, 批咀型號為:十字, $P \times D \times L = 2 \times 5 \times 150$;
3. 圖中鎖附螺絲01635-A011-00 電動起子扭力設定 $7.3 \pm 0.5 \text{kgf-cm}$, 批咀型號為:十字, $P \times D \times L = 2 \times 5 \times 150$;
4. 圖中鎖附六角螺絲82035-2510-00 電動起子扭力設定 $5.5 \pm 0.5 \text{kgf-cm}$;
5. 圖中鎖附螺絲01635-A441-00 電動起子扭力設定 $5 \pm 0.5 \text{kgf-cm}$, 批咀型號都選為:十字, $P \times D \times L = 2 \times 5 \times 150$;
6. 圖中鎖附其他的螺絲電動起子扭力都設定為 $5 \pm 0.5 \text{kgf-cm}$, 批咀型號都選為:十字, $P \times D \times L = 2 \times 5 \times 150$;
7. 以上所用電動起子型號都為:HIOS,CL-6500
鎖六角螺絲電動起子型號為:HIOS,CL-4000
8. 鎖螺絲01635-C980-01 電動起子型號為:SK-3120L

Chapter 5

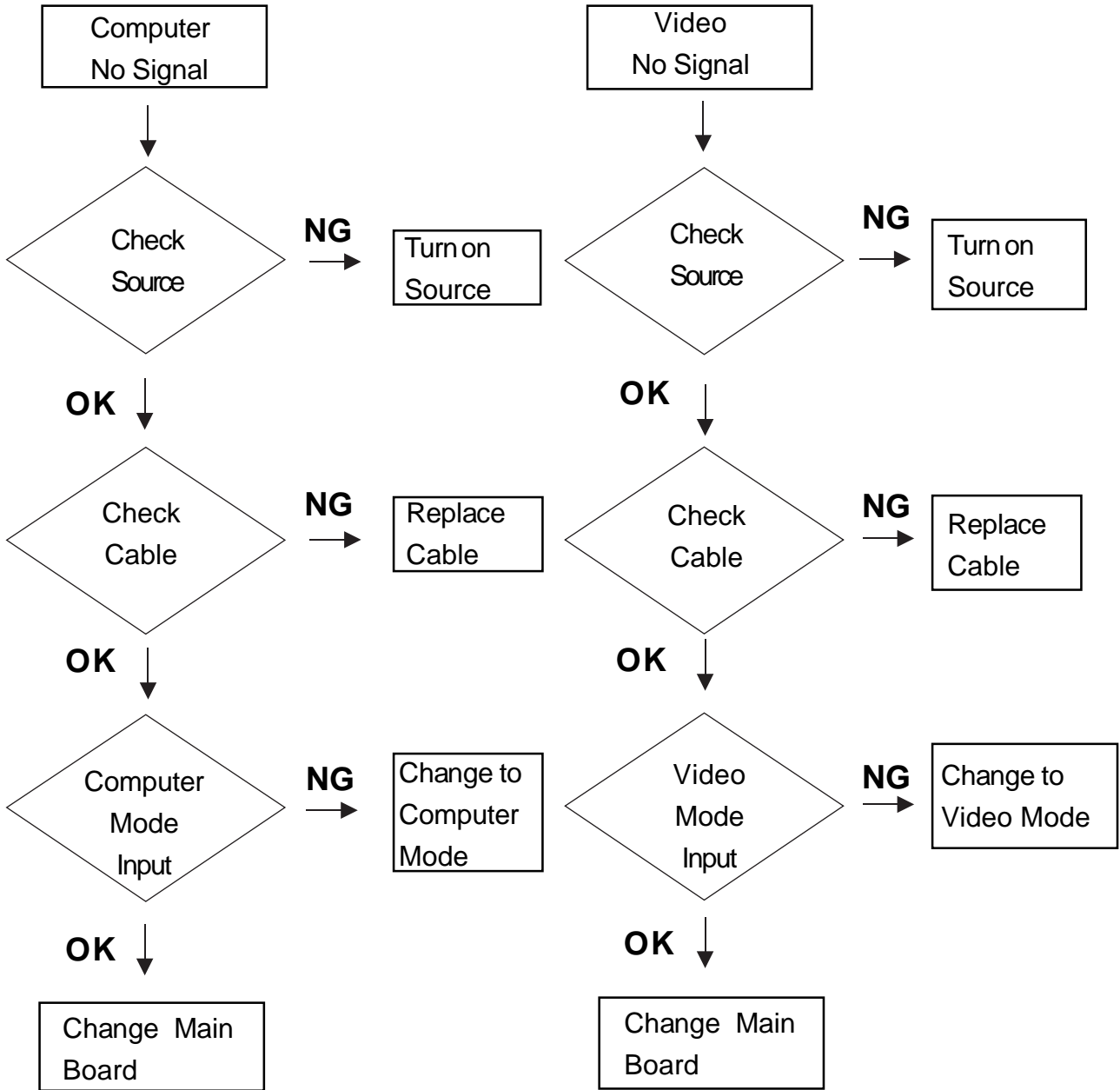
Troubleshooting

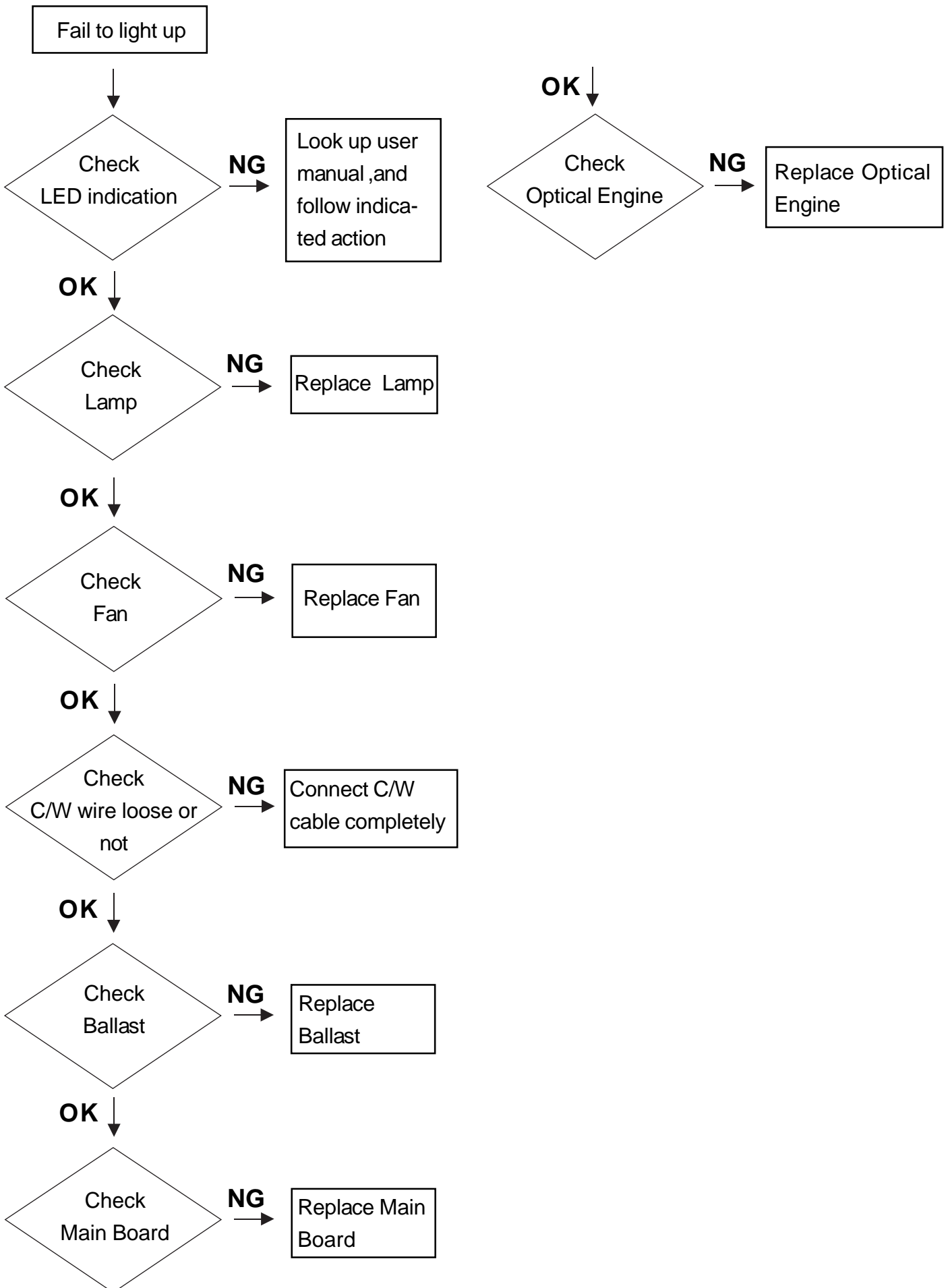
This chapter provides technicians and people who have an electronic background a primary description about maintaining the product. Moreover, you can get the appropriate operation to solve some complicated problems of component repairing and professional problems.

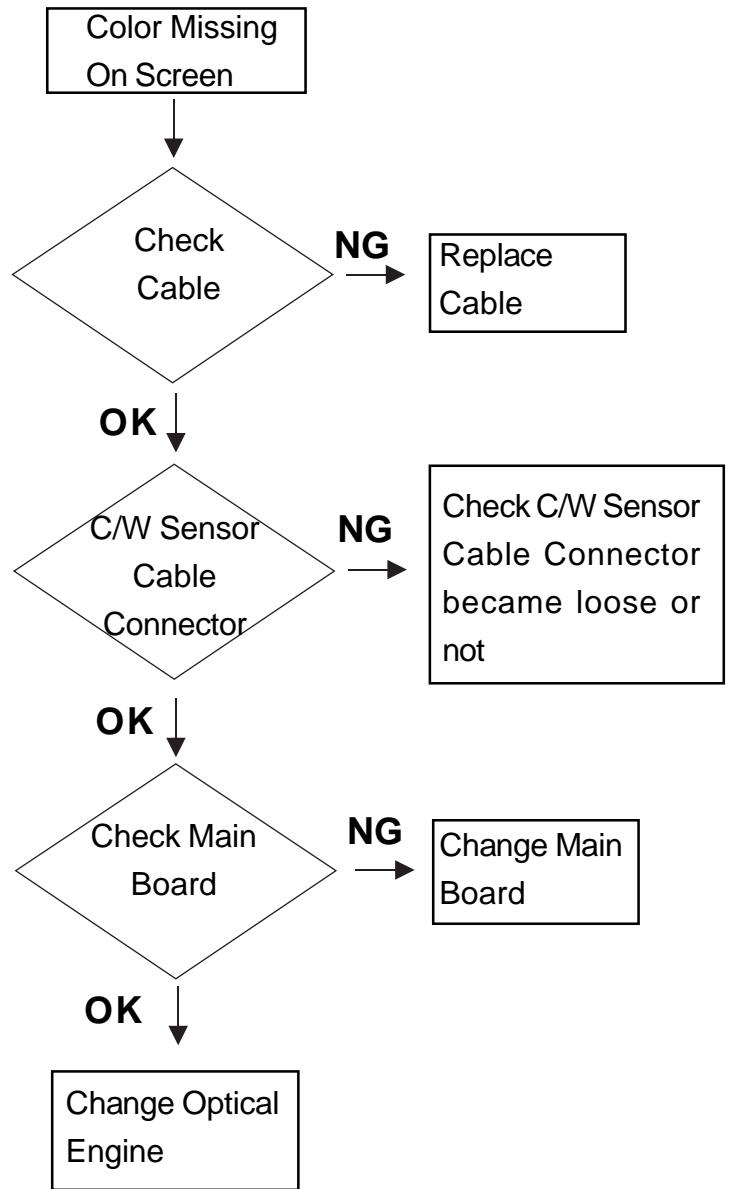
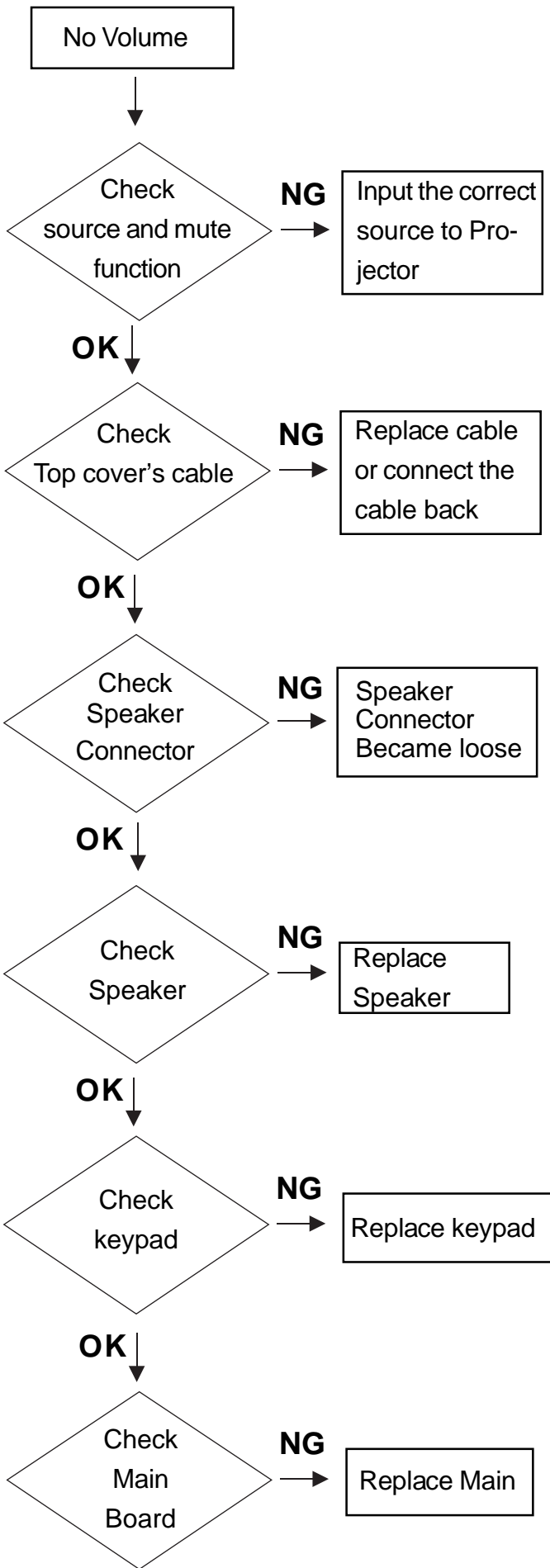
The Troubleshooting section focus on:

1. Video Signal Troubleshooting
2. Operation Function Troubleshooting
3. Power Source Troubleshooting

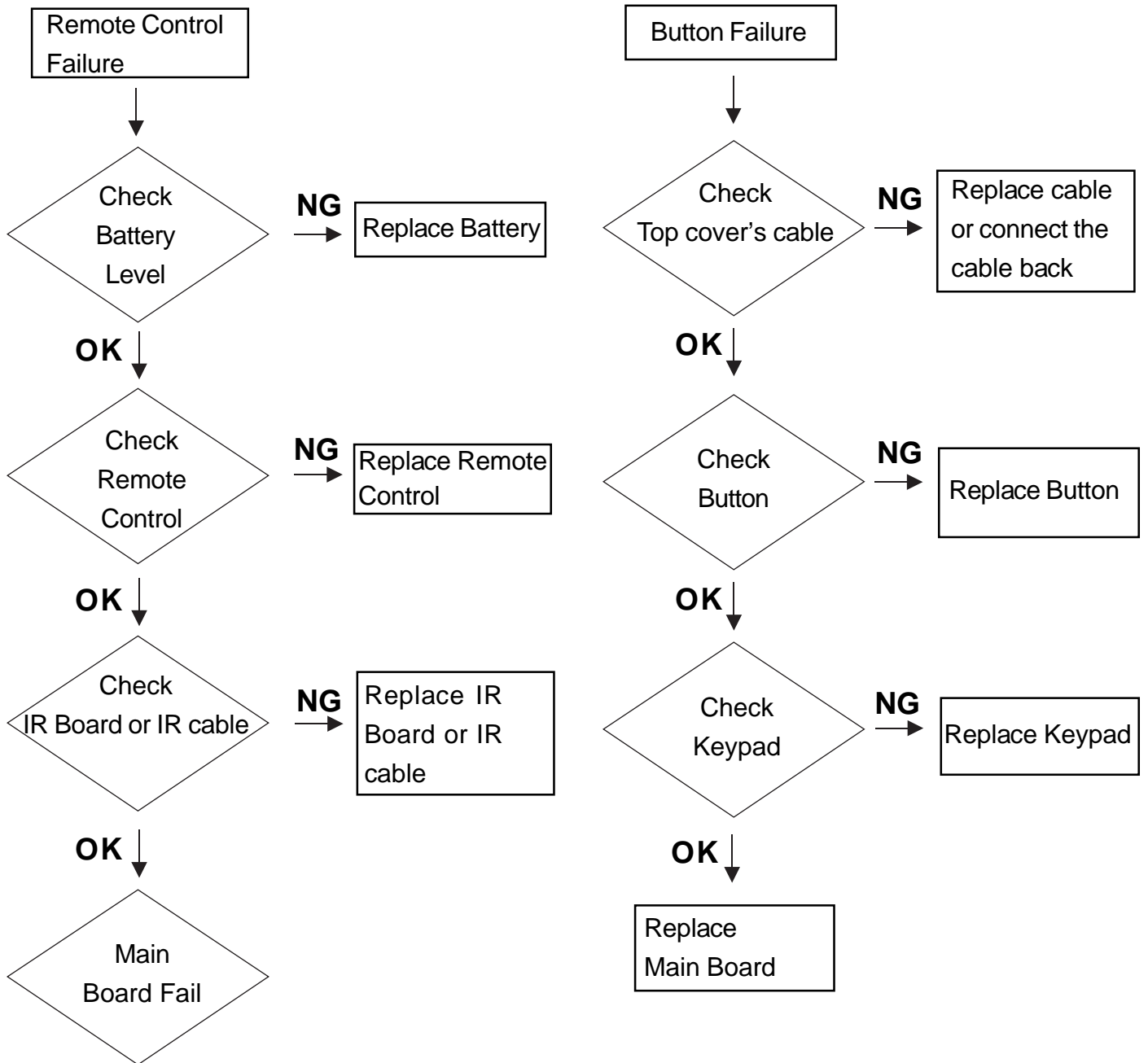
Video Signal



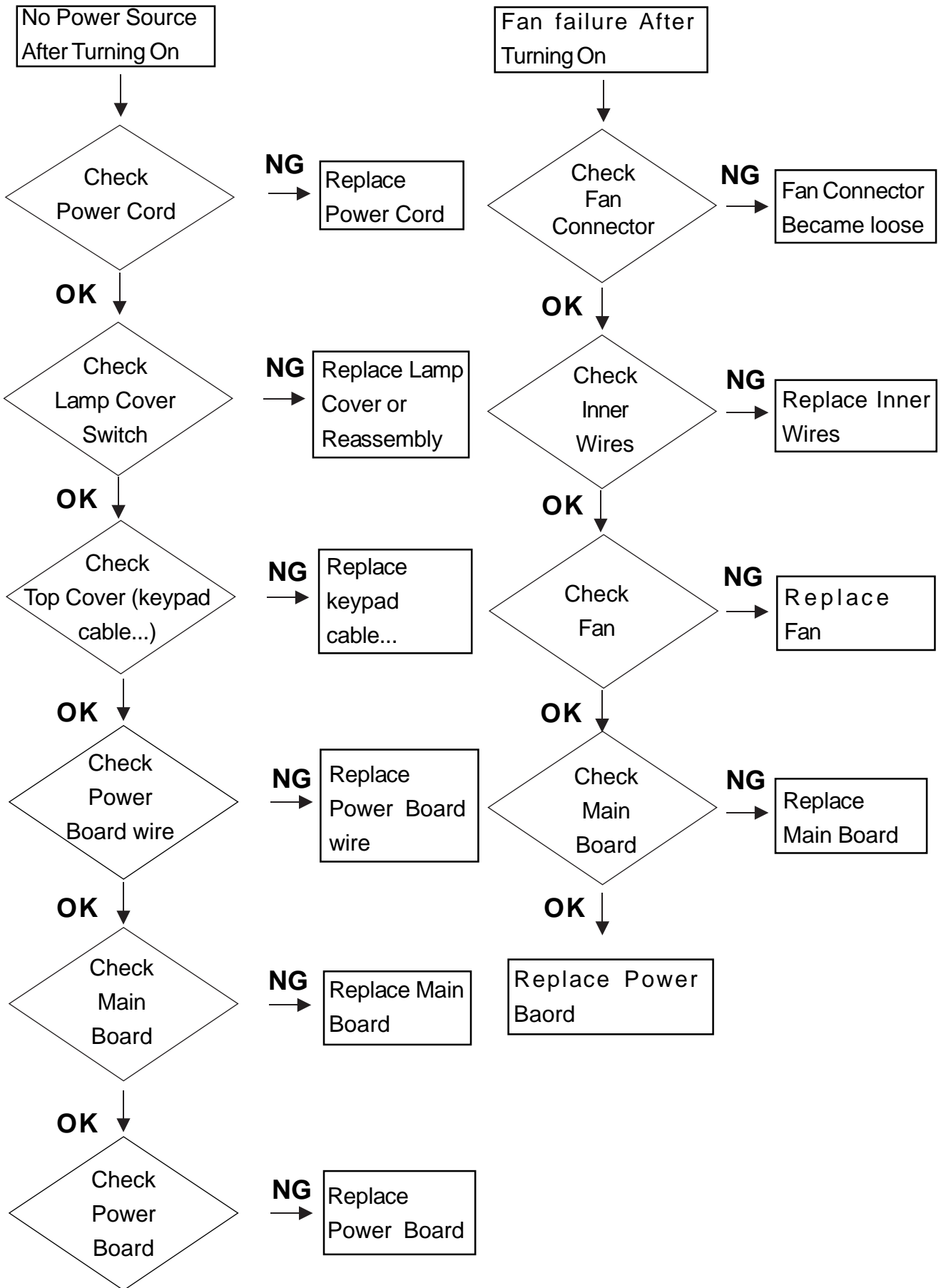




Operation Function:



Power Source:



Function Test and Alignment

Equipment Needed

Item	Description
1	PC with SVGA resolution (Color Video Signal & Pattern Generator)
2	Remote Controller
3	Test Cable
4	Power Cord
5	DVD Player

Test Condition

Item	Description
1	Circumstance Brightness : Dark room less than 60 lux
2	Inspection Distance : 1.8m
3	Screen Size : 60 inches diagonal (wide)
4	Before function test and alignment, each PJ458D should be run-in and warmed-up for at least 5 minutes with following conditions. 1.) In room temperature 2.) With cycled display colors (R,G,B,White) 3.) With cycled display modes 640 x 350 (H=31.5 KHz, V=70 Hz) 640 x 400 (H=31.5 KHz, V=70 Hz) 640 x 480 (H=37.5 KHz, V=75 Hz) 720 x 400 (H=31.5 KHz, V=70 Hz) 800 x 600 (H=53.7 KHz, V=85 Hz) 800 x 600 (H=37.9 KHz, V=60 Hz) 1024 x 768 (H=48.4 KHz, V=60 Hz) 1024 x 768 (H=68.7 KHz, V=85 Hz)
5	Test Display Mode and Pattern

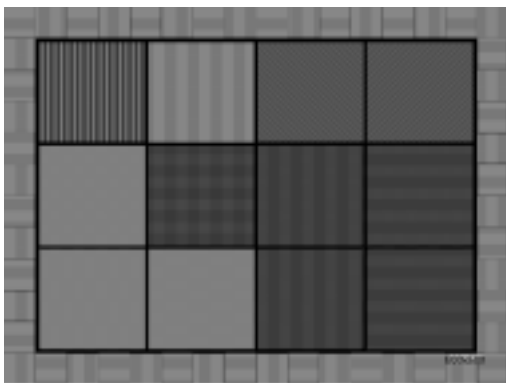
Test Display Modes and Patterns

Compatible Modes

Preset Signal	Sync	Resolution	fV(Hz)	fH(Hz)	Size
VGA	H(+), V(-)	640 x 800	59.94	31.469	800
			72.809	37.861	832
			75	37.5	840
			85.008	43.269	832
SVGA	H(-), V(+)	800 x 600	56.25	35.156	1024
			60.317	37.879	1056
			72.188	48.077	1040
			75	46.875	1056
			85.061	53.674	1048
XGA	H(-), V(-)	1024 x 768	60.004	48.363	1344
			70.069	56.476	1328
			75.029	60.023	1312
			84.997	68.677	1376
SXGA	H(+), V(+)	1152 x 864	70.016	63.995	1472
	H(-), V(-)		75	67.5	1600
	H(-), V(-)		85.057	77.487	1568
SXGA	H(+), V(+)	1280 x 960	60	60	1800
	H(+), V(+)		75	75	1680
SXGA	H(+), V(+)	1280 x 1024	60.02	63.981	1688

Function Test Display Pattern

Item	Test Content	Pattern	Specification	Remark
1	Noise check up	12 squares	(1).Select the "12 squares" BMP file to check if there is any noises during the stage of turning on, and warming up the projector.	Figure 1
		12 squares	(2). The noises appear on the square should be less than three squares.	Figure 1
		800 flicker	(3).Select the " 800 flicker" BMP file. Make sure teach word on the projected image doesn't flicker.	Figure 2
2	Dust check up	Full Black	(1) Select the " Full Black" BMP file to project the image on the screen .Stand 1.8 meters from it and ensure there are no stains .	Figure 3
3	Dust check up	Full White	(1) Select the " Full White" BMP file to project the image on the screen .Stand 1.8 meters from it and ensure there are no stains .	Figure 4
4	Resolution check up	Black and White Word	(1) Select the " black and white word" BMP file. Use the projector to adjust the projected image to the maximum size and minimum size and make sure each word is distinguishable under both conditions.	Figure 5
5	RGB color check up	256RGB	(1) Select the "256RGB" BMP file to check if the color ladder of the image matches the color ladder of the file.	Figure 6
6	Dust check up	Full Gray	(1) Select the " Full Gray " BMP file to project the image on the screen .Stand 1.8 meters from it and ensure there are no stains .	Figure 7
7	Light leakage check up	Boundary Frame	(1) Click on the folder, select the " Boundary Frame " BMP file, press the AUTO button on the projector, check if the lines and colors of the projected image are clear as presented on the BMP file .	Figure 8





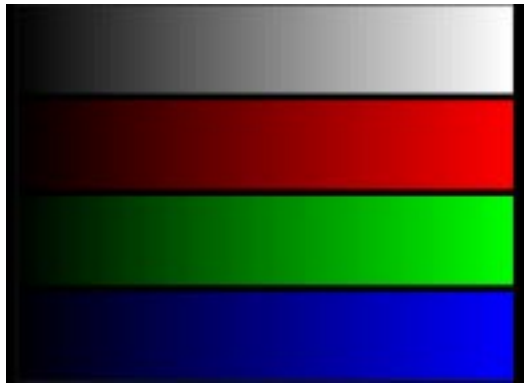
Full Black Pattern (Figure 3)



Full White Pattern (Figure 4)



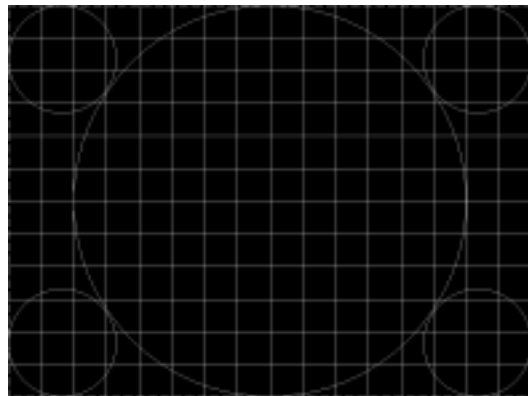
Black and White Word Pattern (Figure 5)



256RGB Pattern (Figure 6)



Gray Pattern (Figure 7)



Boundary Frame (Figure 8)

Connector Information

Introduction

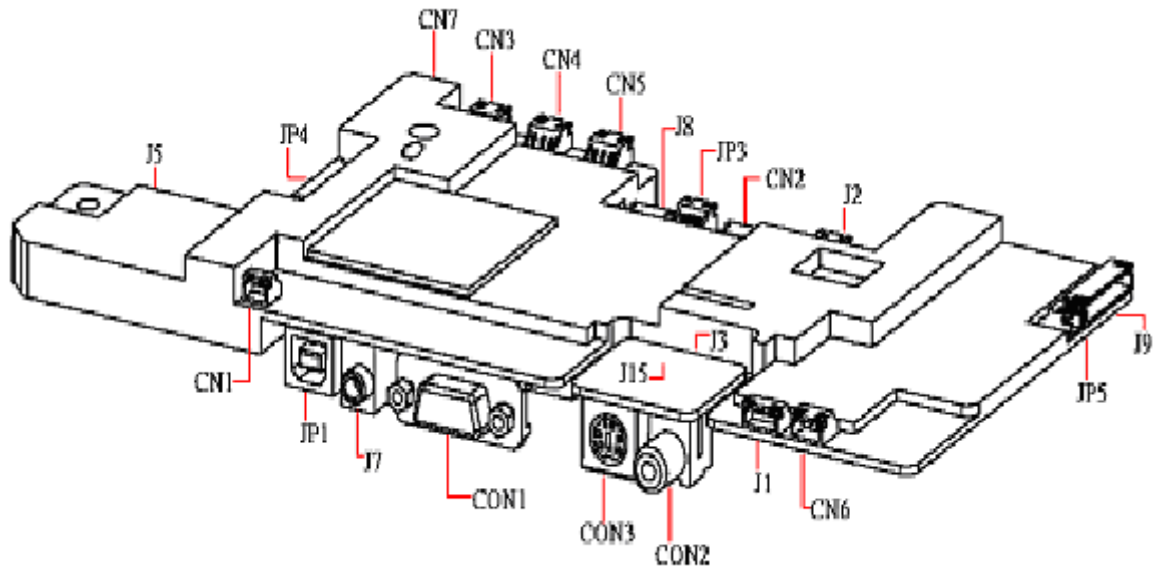
This section provides each connector location on boards, signal and function of each board. They will be useful for your detecting the defective boards.

Main Board

Summarize

Connector	Description
CN1	IR
CN2	Keypad control
CN3	Fan
CN4	Fan
CN5	Fan
CN6	Fan
CN7	IR
J1	Ballast control
J2	Thermal
J3	Vidio & S-Video in
J5	DMD connector
J7	Phone jack stereo-R
J8	Color wheel
J9	Power in
J15	Vidio & S-Video in
JP1	USB
JP3	CW index
JP4	Firmware debug
JP5	Standby run
CON1	D-SUB
CON2	Video
CON3	S-video

The Locations of Connectors



CN1 , CN7 : IR

P IN #	Description
1	IR 0
2	GND
3	+3.3 V

CN3 , CN4 , Cn5 : FAN

P IN #	Description
1	PWM
2	Control
3	GND

J1 :Ballast Control

P IN #	Description
1	12V_S1
2	FAN_FB3
3	GND_PWM3

CN2 : Keypad Control

PIN #	Description
1	GND
2	GND
3	SP_R+
4	SP_R+
5	SP_R-
6	SP_R-
7	SP_L+
8	SP_L+
9	SP_L-
10	SP_L-
11	Keypad_PWR
12	Keypad_Menu
13	Keypad_Up
14	Keypad_Down
15	Keypad_Left
16	Keypad_Right
17	GND
18	GND
19	Power_LED
20	LED_SYS2
21	LED_Lamp1
22	LED_Lamp2
23	P3P3V_STBY_PWR
24	P3P3V_STBY_PWR
25	P3P3V_STBY_PWR
26	Key_Source
27	IR 1
28	Key_Auto

J2 :Thermal

PIN #	Description
1	+ 3.3 V
2	SCL
3	SDA
4	GND

J3 , J15 : Video & S-Videop IN

PIN #	Description
1	COMPVID
2	AGND
3	SVID_LUM
4	AGND
5	SVID_CHR
6	GND
7	+ 3.3 V
8	+ 3.3 V

CON2 : Video

PIN #	Description
1	CVBS
2	AGND

CON3 : S-Video

PIN #	Description
1	AGND
2	AGND
3	SVIDEO
4	SVIDEO

CON1 : D_SUB

PIN #	Description
1	V- Red
2	V-Green
3	V-Blue
4	NC
5	AGND
6	AGND
7	AGND
8	AGND
9	+5V
10	DSUB_Detect
11	AGND
12	VSDA
13	H-Sync
14	V-Sync
15	VSCL

J7 : Phone jack Stereo-R

PIN #	Description
1	GND
2	A INC_L
3	NC
4	A INC_R
5	NC

J8 : Color Wheel

PIN #	Description
1	CW_CTR
2	CW_Y3
3	CW_Y2
4	CW_Y1

J9 : Power Supply

PIN #	Description
1	+5V_STBY
2	GND
3	GND
4	+5V
5	+5V
6	GND
7	+13.5V
8	GND
9	+12.5V
10	GND

JP1 : USB

PIN #	Description
1	NC
2	USB DATN
3	USB DATP
4	GND
5	GND
6	GND

JP3 : CW Index

PIN #	Description
1	+3.3V
2	+3.3V
3	+3.3V
4	GND

JP3 : CW Index

PIN #	Description
1	STBY_PWR
2	GND

JP4 : FirmWare Debug

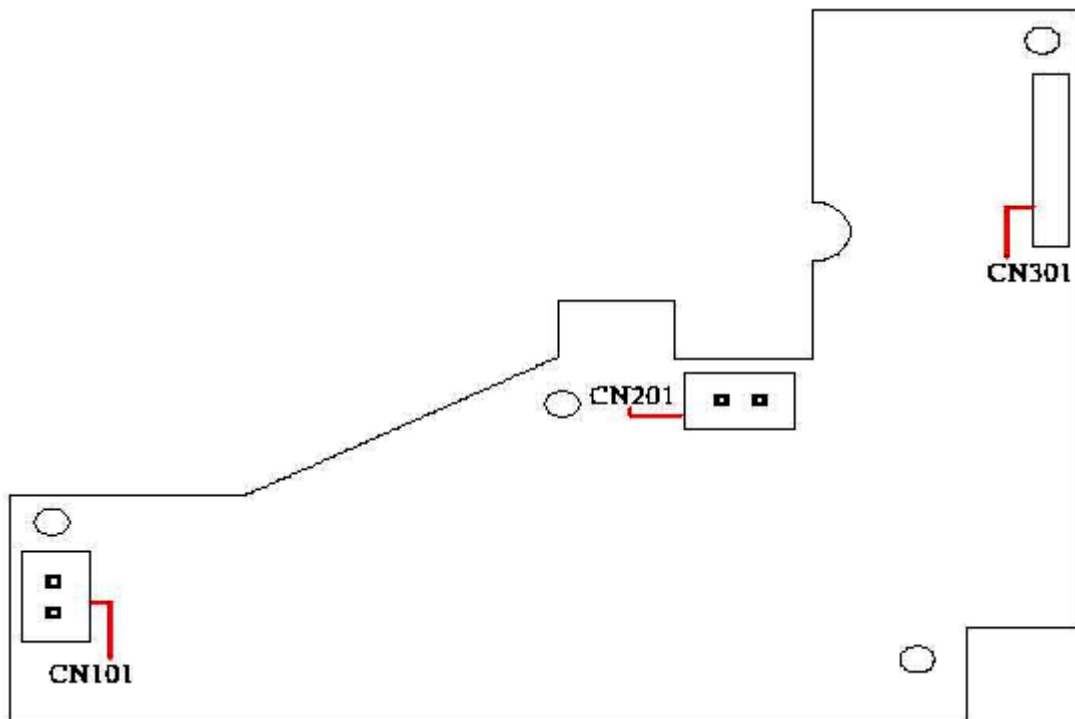
PIN #	Description
1	GND
2	GND
3	TMS1
4	TD01_OUT
5	SYSRSTZ
6	TRSTZ
7	TDI
8	TMS2
9	TCK
10	RTCK
11	TD02
12	ICE_RSTZ
13	TRACEPKT15
14	TRACEPKT14
15	TRACEPKT13
16	TRACEPKT12
17	TRACEPKT11
18	TRACEPKT10
19	TRACEPKT9
20	TRACEPKT8
21	TRACEPKT7
22	TRACEPKT6
23	TRACEPKT5
24	TRACEPKT4
25	TRACEPKT3
26	TRACEPKT2
27	TRACEPKT1
28	TRACEPKT0
29	TRACECLK
30	TRACESYNC
31	PIPESTAT0
32	PIPESTAT1
33	PIPESTAT2
34	+3.3V
35	+3.3V
36	+3.3V

Power Board

Summarize

Connector	Description
CN101	AC Inout
CN201	+380V Output
CN301	DC Output

The Locations of Connectors



CN101 : AC Inout

PIN #	Description
1	Line
2	NEUTRAL

CN201 : +380V Output

P IN #	D e s c r i p t i o n
1	+380V
2	GND

CN301 :DC Output

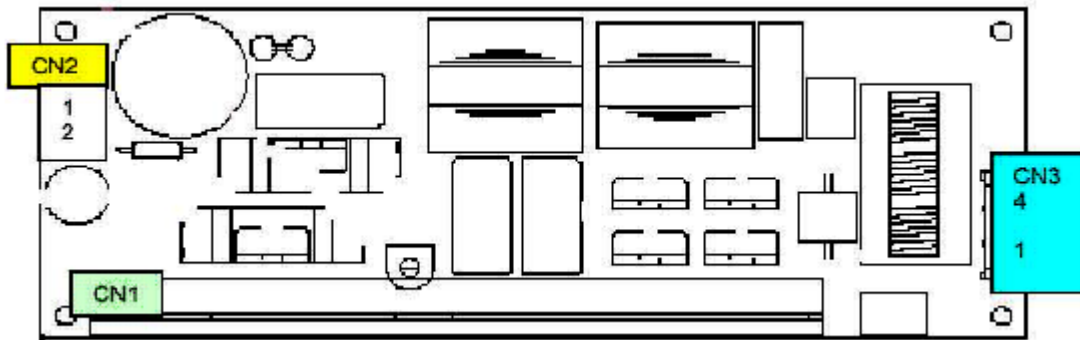
P IN #	D e s c r i p t i o n
1	+5V _ S T B Y
2	GND
3	GND
4	+5V
5	+5V
6	GND
7	+13.5V
8	GND
9	+12.5V
10	GND
11	GND
12	S T B Y _ C T R L

Ballast Board

Summarize

Connector	Description
CN100	380V
W03	Lamp Signal

The Locations of Connectors



W03 : Lamp Signal

PIN #	Description
1	DIM /RX D (Cathode LED)
2	SC I/Sync.(Cathode LED)
3	Common LED + (Anodes)
4	FLA G /TX D -(Emitter)
5	FLA G /TX D +(C ollector)

CN100 : 380V

PIN #	Description
1	GND
2	+380V D C

CN100 : 380V

PIN #	Description
1	Lamp Output
2	Lamp Output



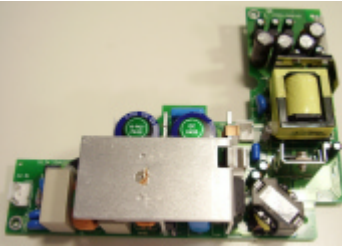




Chapter 7

FRU (Field Replaceable Unit) List






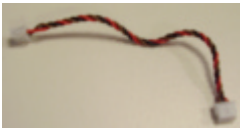




This chapter gives you FRU (Field Replaceable Unit) listing in global configuration of PJ458D. Refer to this chapter whenever ordering parts to repair or for RMA (Return Merchandise Authorization). Please note that WHEN ORDERING FRU PARTS, you should check the most up-to-date information available on your regional web or channel. For whatever reasons a part number change is made, it will not be noted on the printed Service Guide. For ViewSonic AUTHORIZED SERVICE PROVIDERS, ViewSonic office may have a DIFFERENT part number code from those given in the FRU list of this printed Service Guide. You MUST use the local FRU list provided by your regional ViewSonic office to order FRU parts for repair and service of customer machines.

NOTE : To scrap or to return the defective parts, you should follow the local government ordinance or regulations on how to dispose it properly, or follow the rules set by your regional ViewSonic office on how to return it.

FRU List

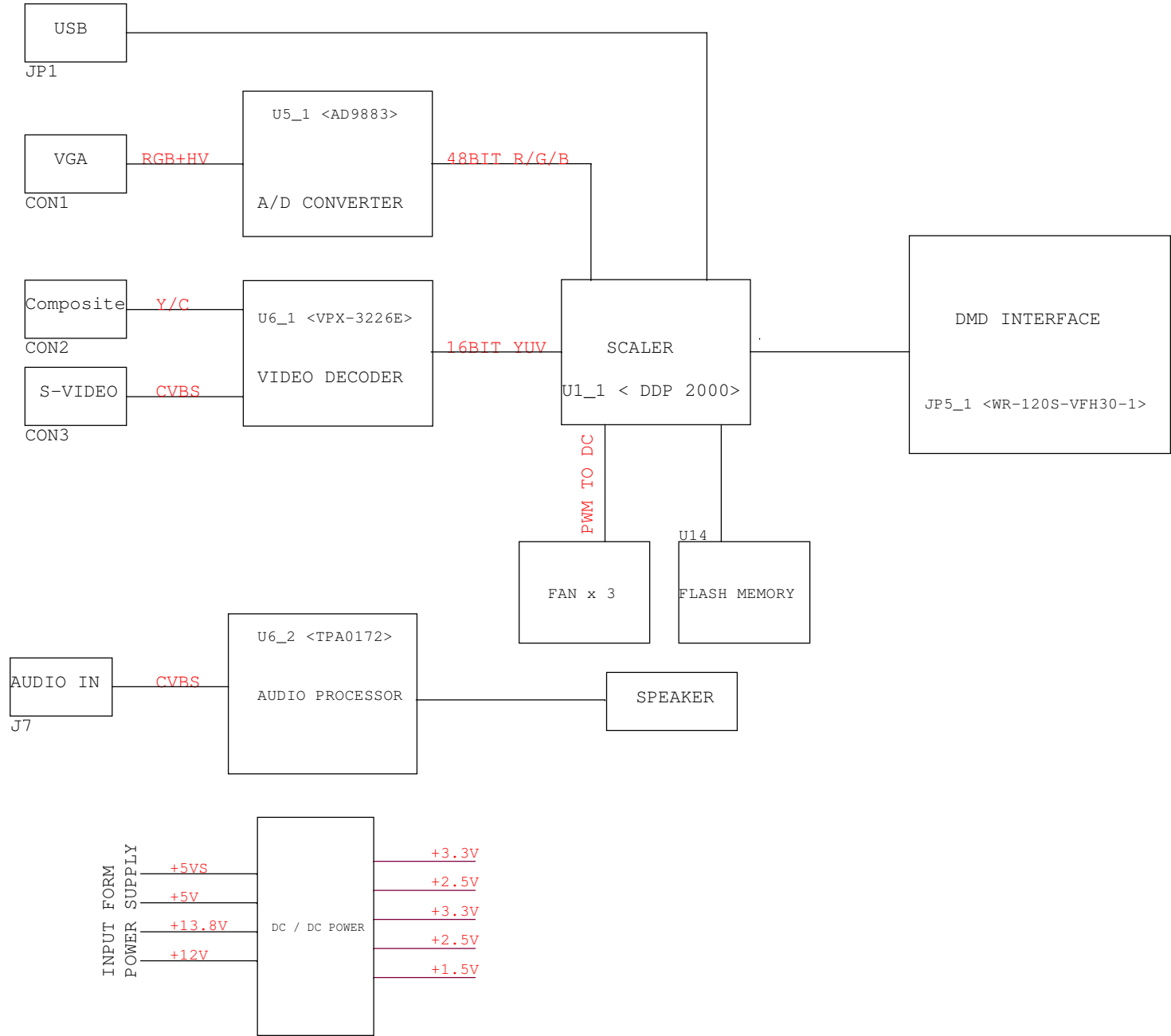
No	Photo	Part Name	Part Number
1		Main Board	P3584-1002
2		Ballast Board	P4184-1001
3		Power Board	P4184-1007
4		Keypad	P4184-1006
5		Front IR Board	P3247-5100
6		Back IR Board	P3247-5101
7		Top Cover	P3484-1003

No	Photo	Part Name	Part Number
8		Bottom Cover	P1684-0004
9		Front Cover	P3484-1002
10		Front IR Cover	P1634-461-99
11		IO Cover	P1634-465-99
12		Foot Screw	P1643-0012
13		Optical Engine	P4184-1008
14		Lamp Module	P4184-1005
15		Fan x 1	02394-0011-01

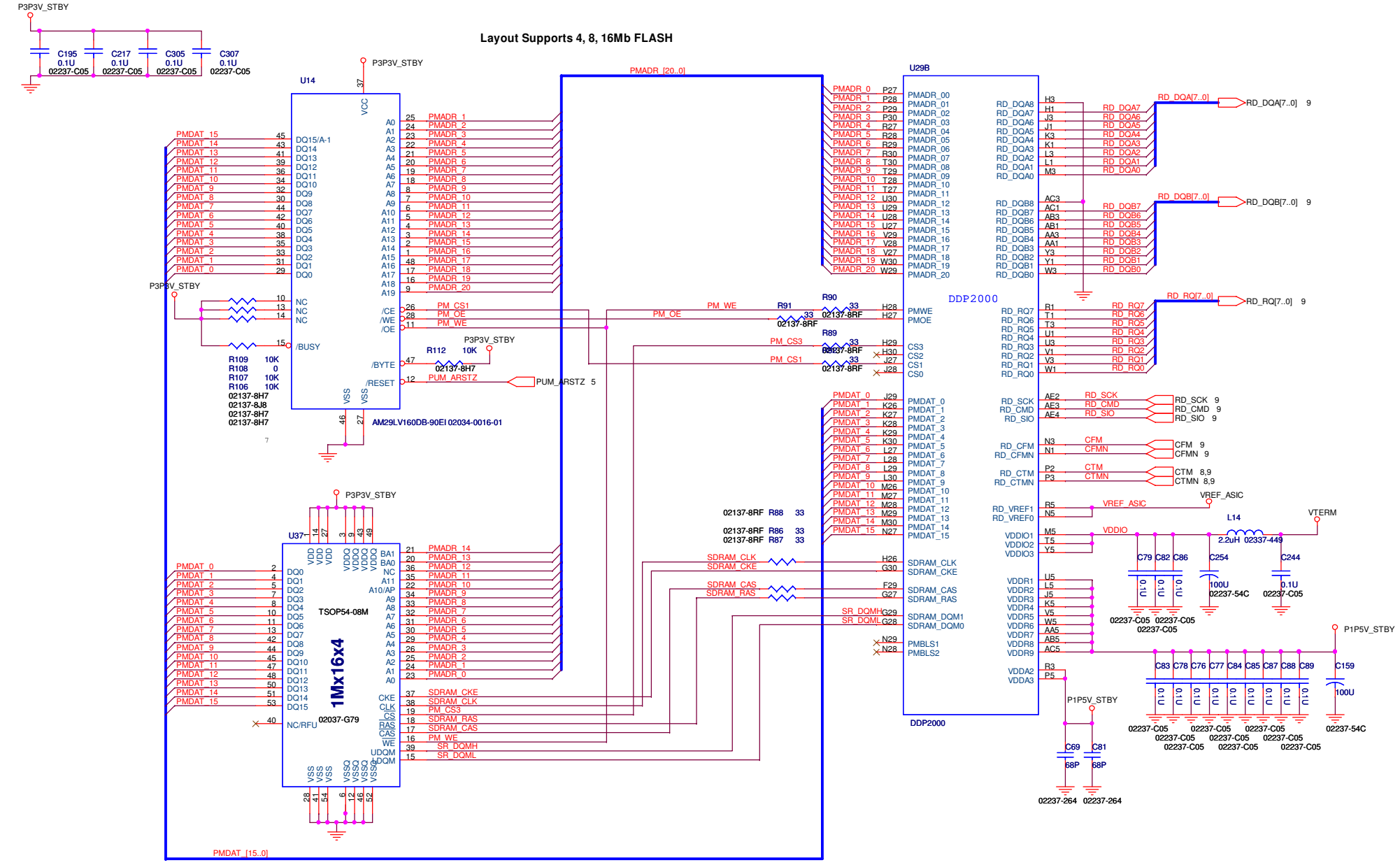
No	Photo	Part Name	Part Number
16		Fan x 2	P1643-0021
17		Speaker	02413-0016-00
18		FFC Cable	02591-0014-00
19		Wire 4P C/W	02595-0018-00
20		Wire 3P IR/F	02595-0016-00
21		Wire 3P IR/B	02472-0016-00
22		Wire 5P BST	02595-0030-00
23		Wire 2P 380V	02595-0019-00
24		Wire 12P-10+2P PWB	02595-0063-00
25		Wire 2P AC Socket	02595-0028-00

Basic Circuit Diagrams

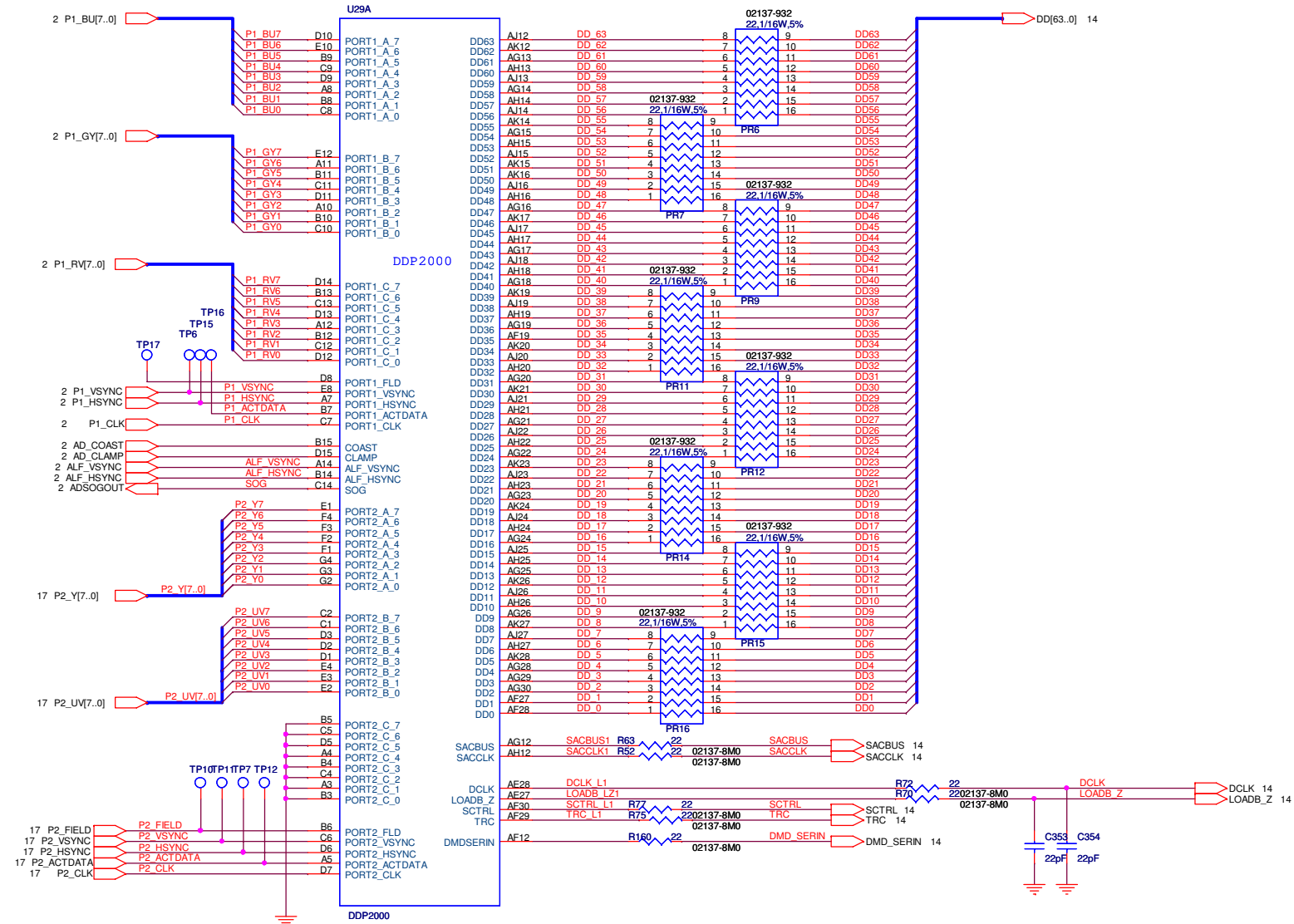
BLOCK DIAGRAM



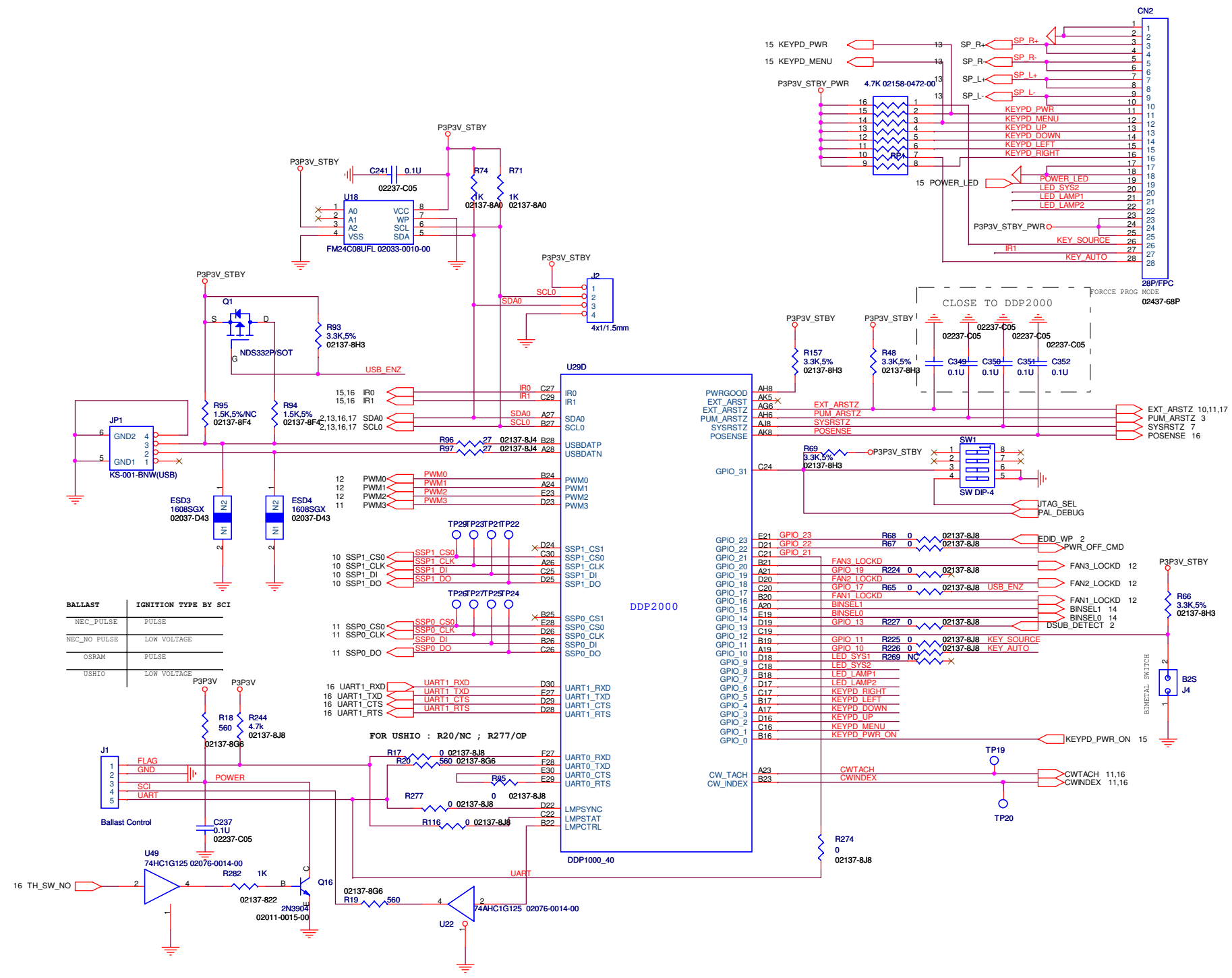
DDP2000 FLASH



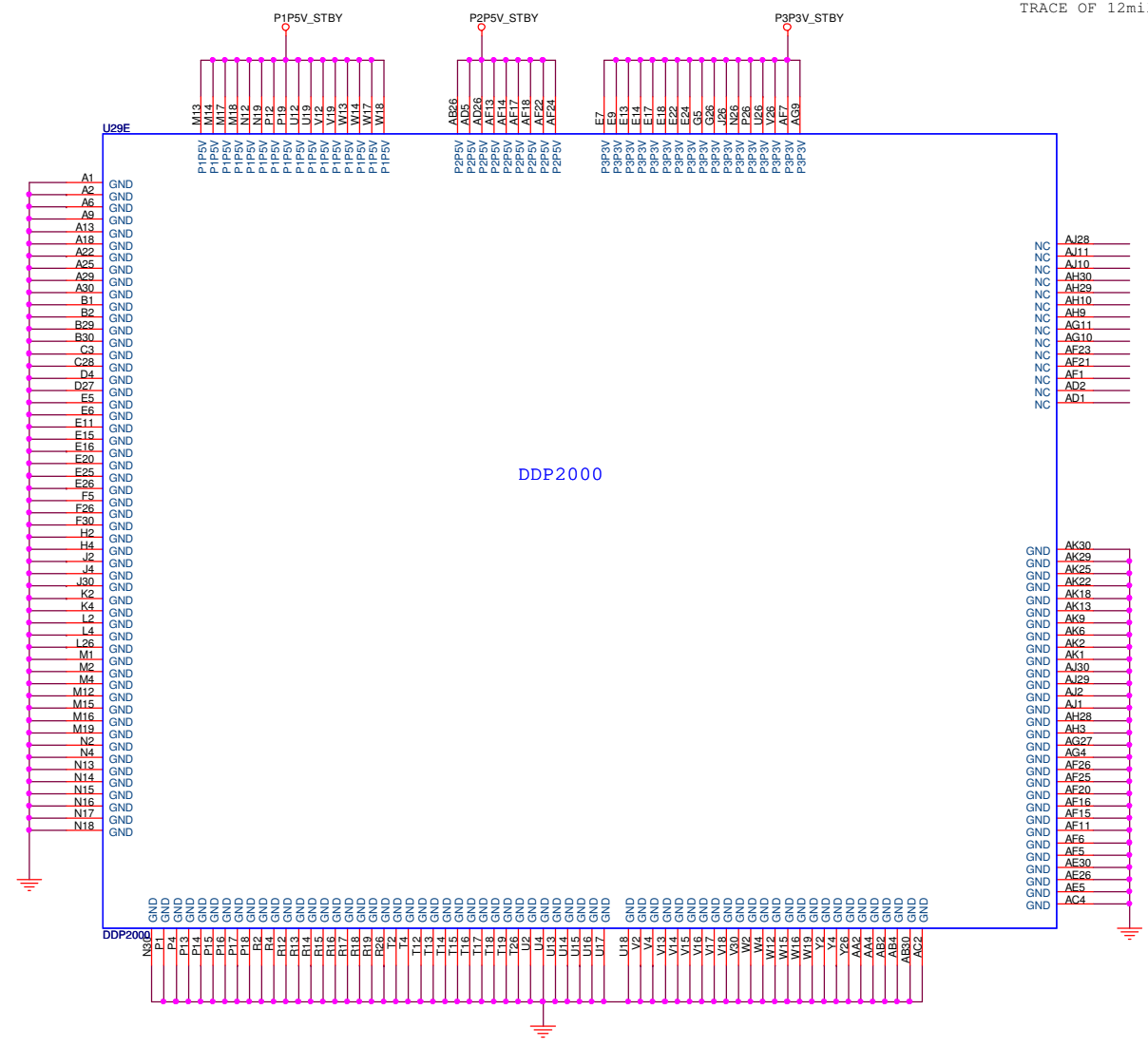
DDP2000 DATA



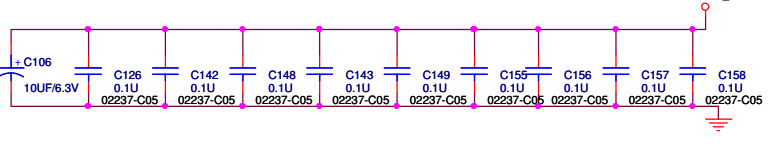
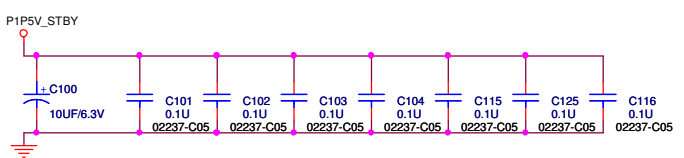
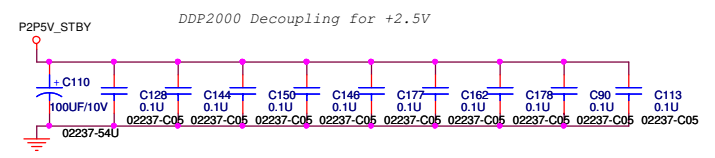
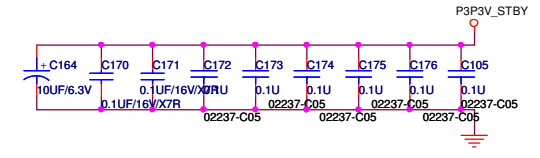
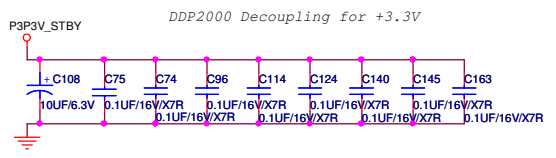
DDP2000 MCU



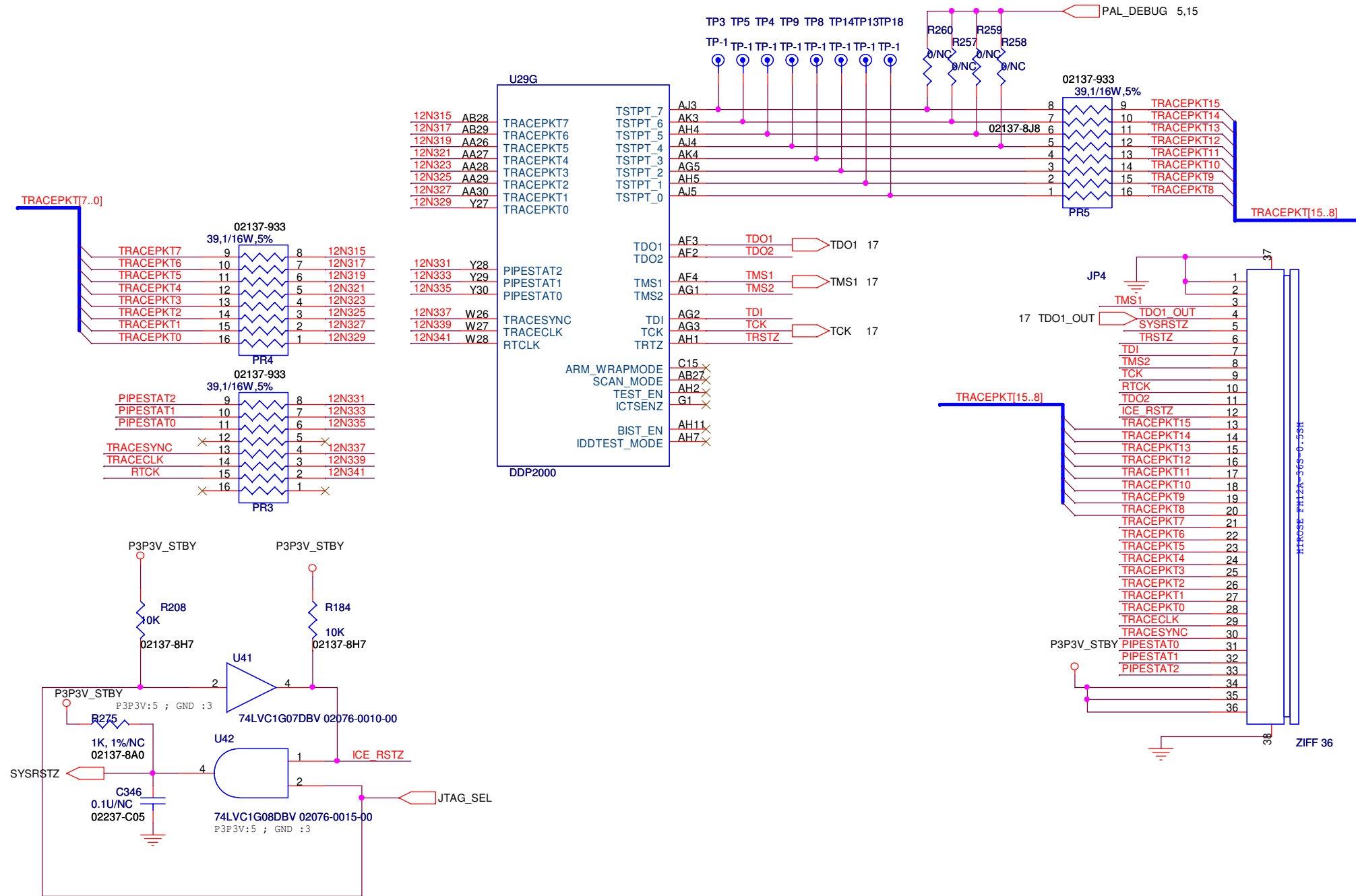
DDP2000 POWER



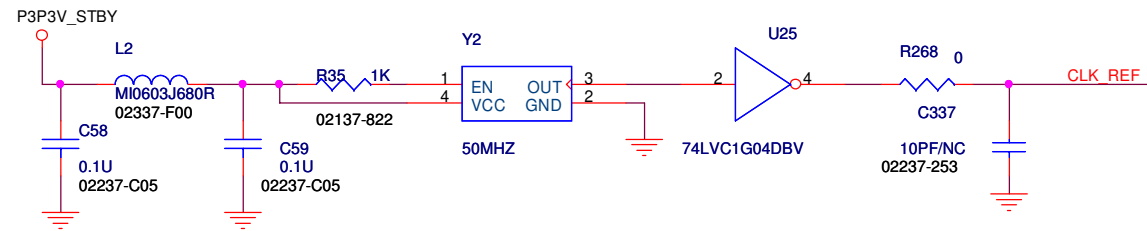
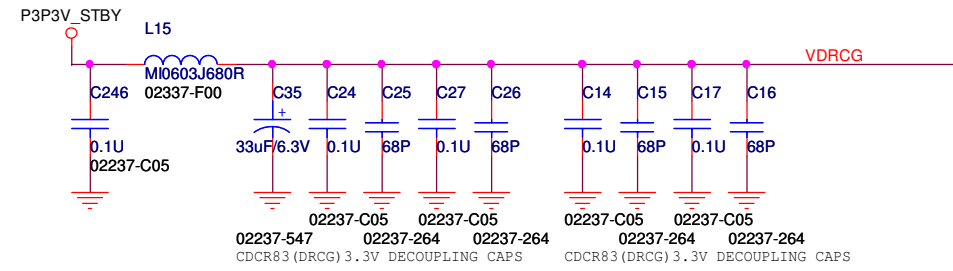
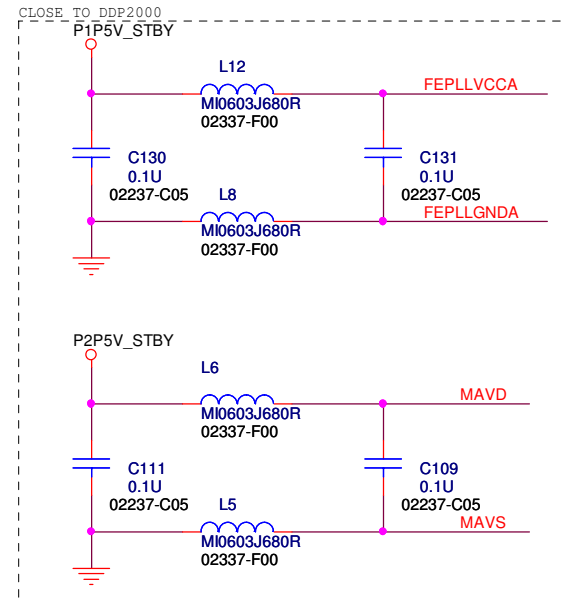
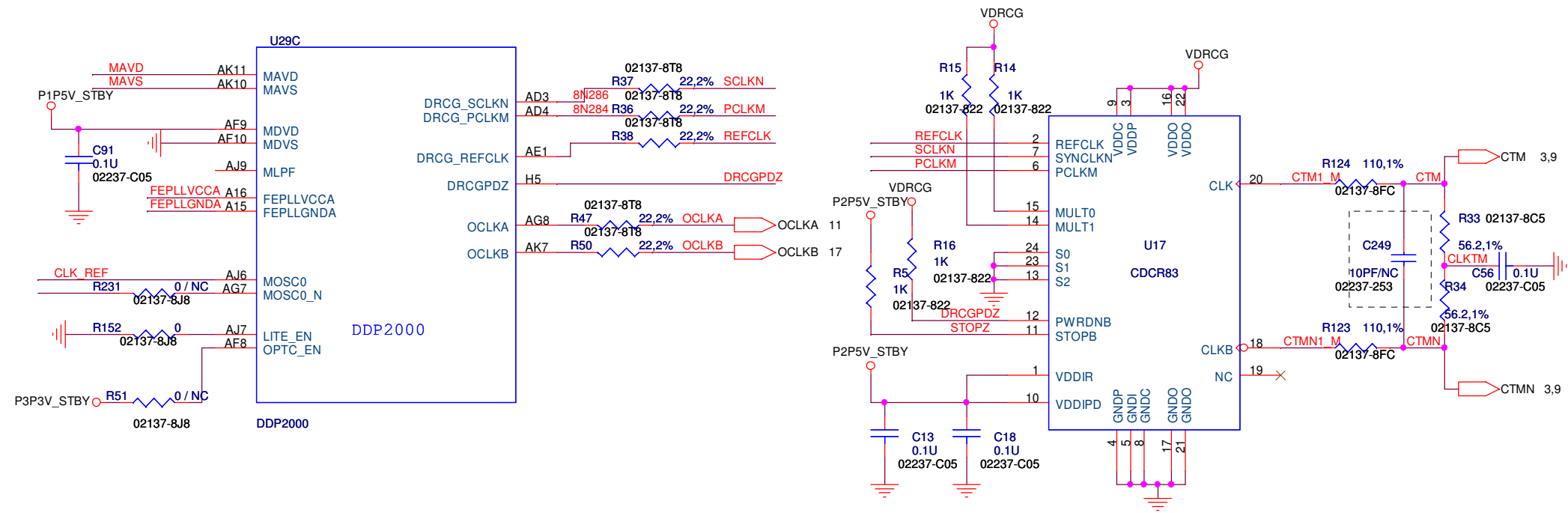
TRACE OF 12mil/s



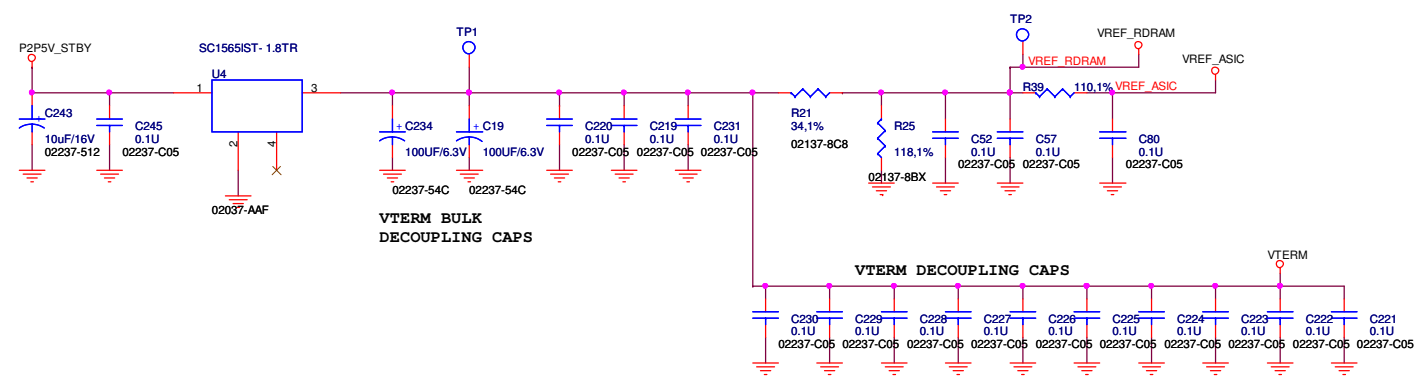
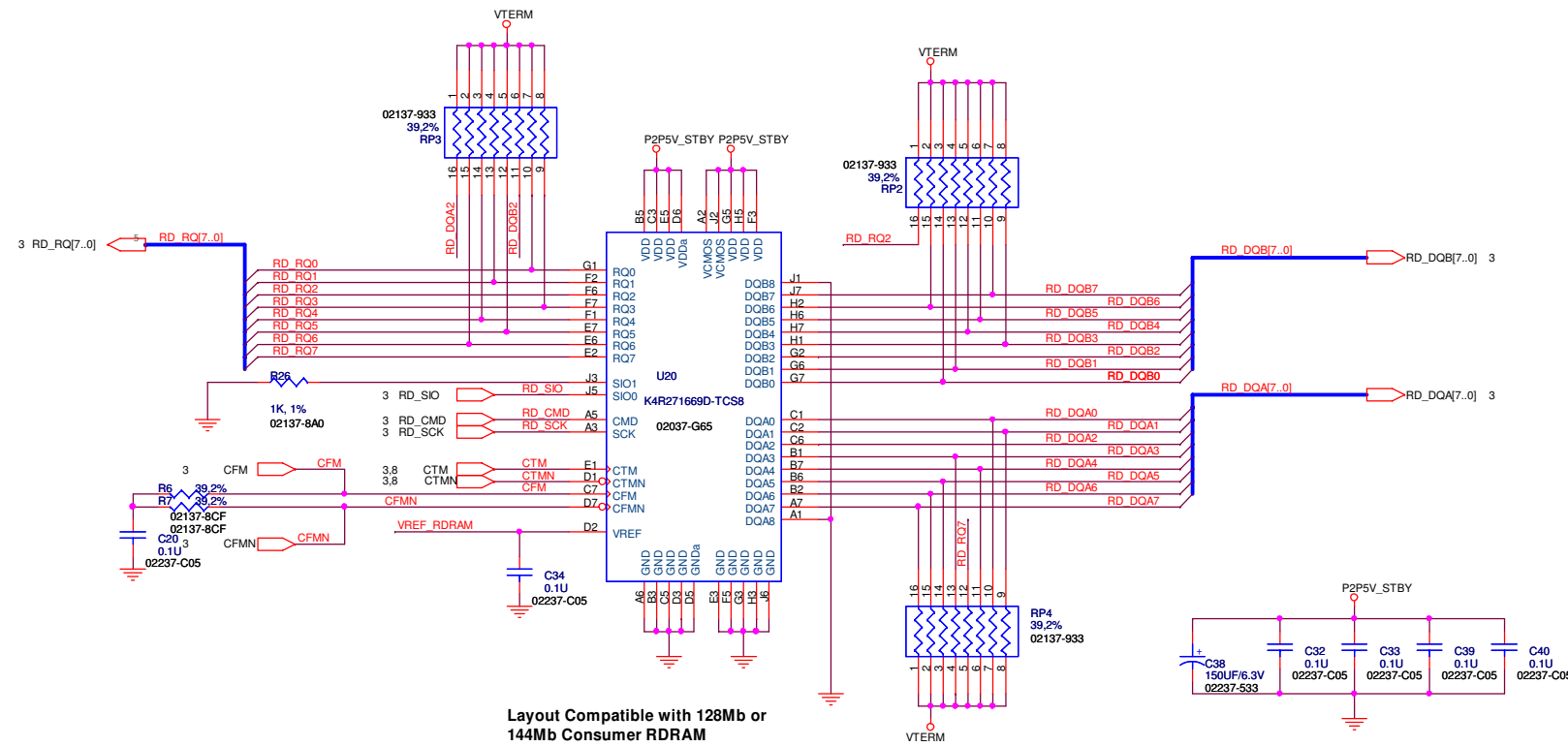
DDP2000 PERIPHERAL



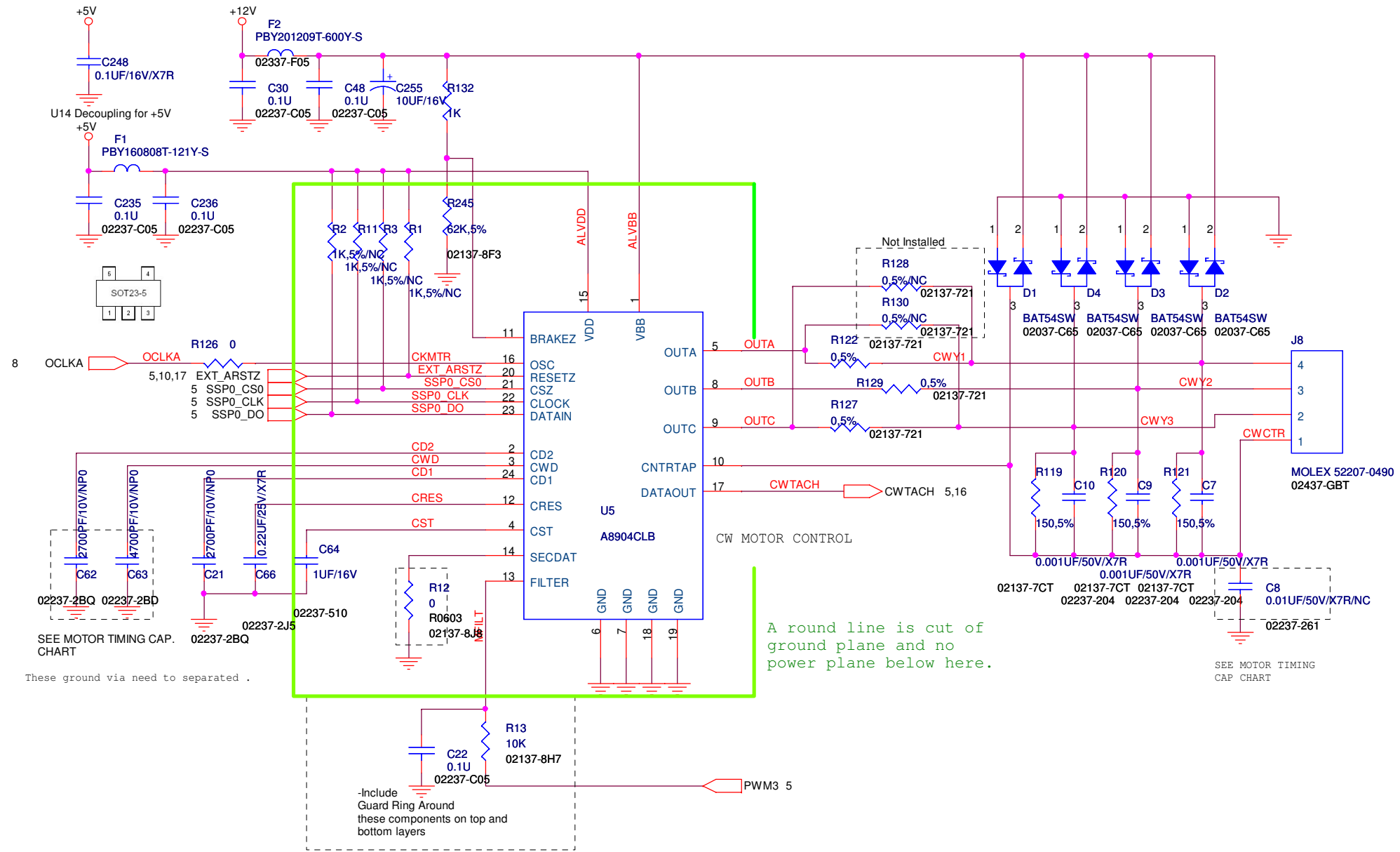
DDP2000 PLL



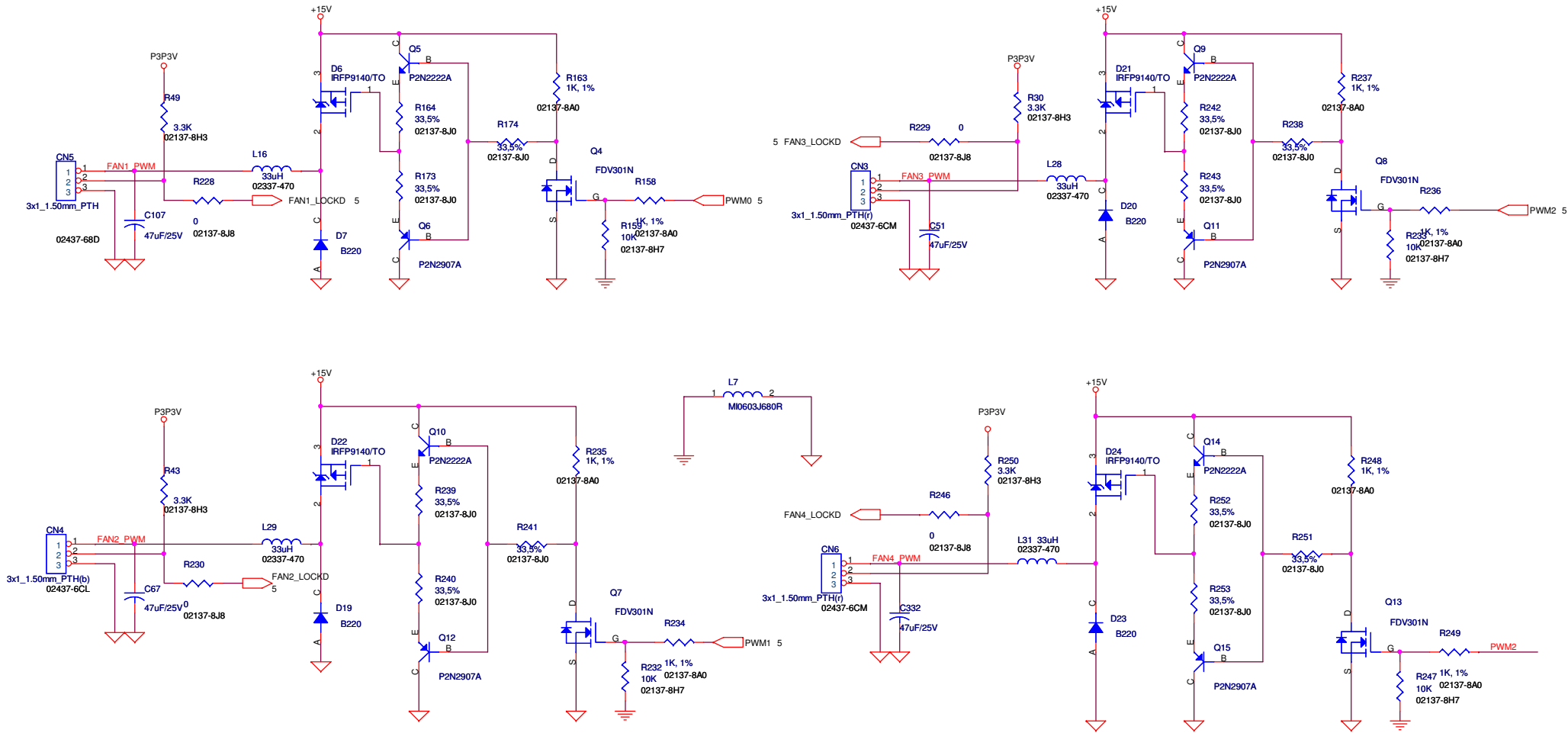
DDP2000 RAMBUS



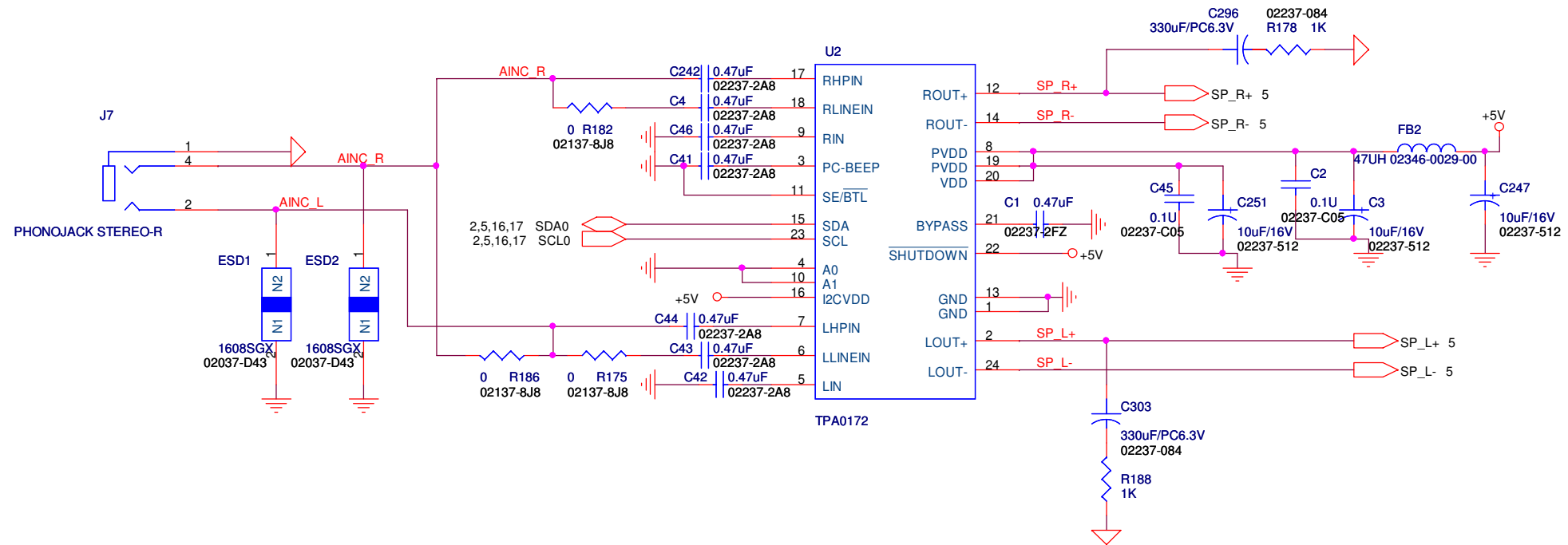
MOTOR CONTROL



FAN CONTROL

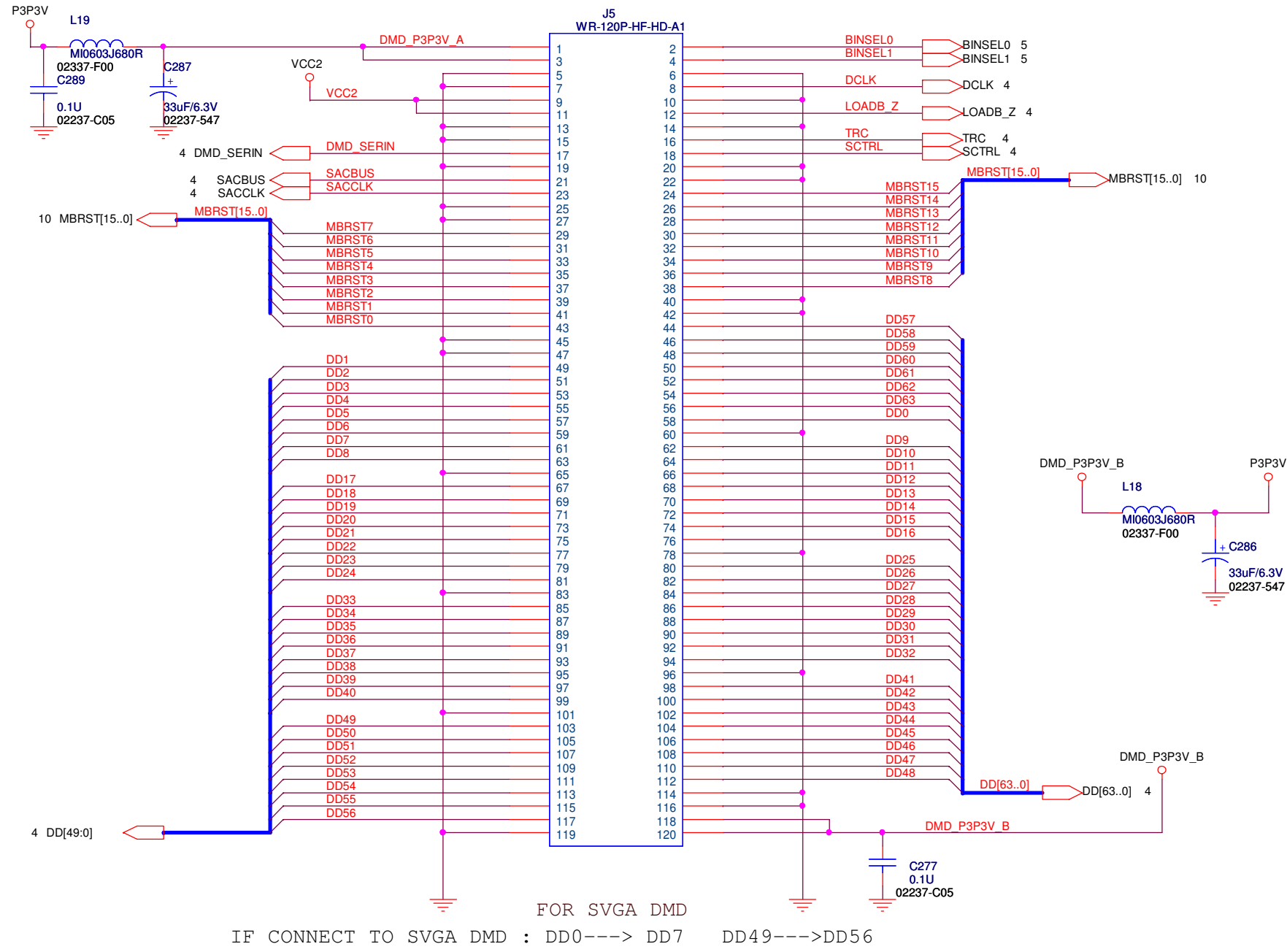


AUDIO

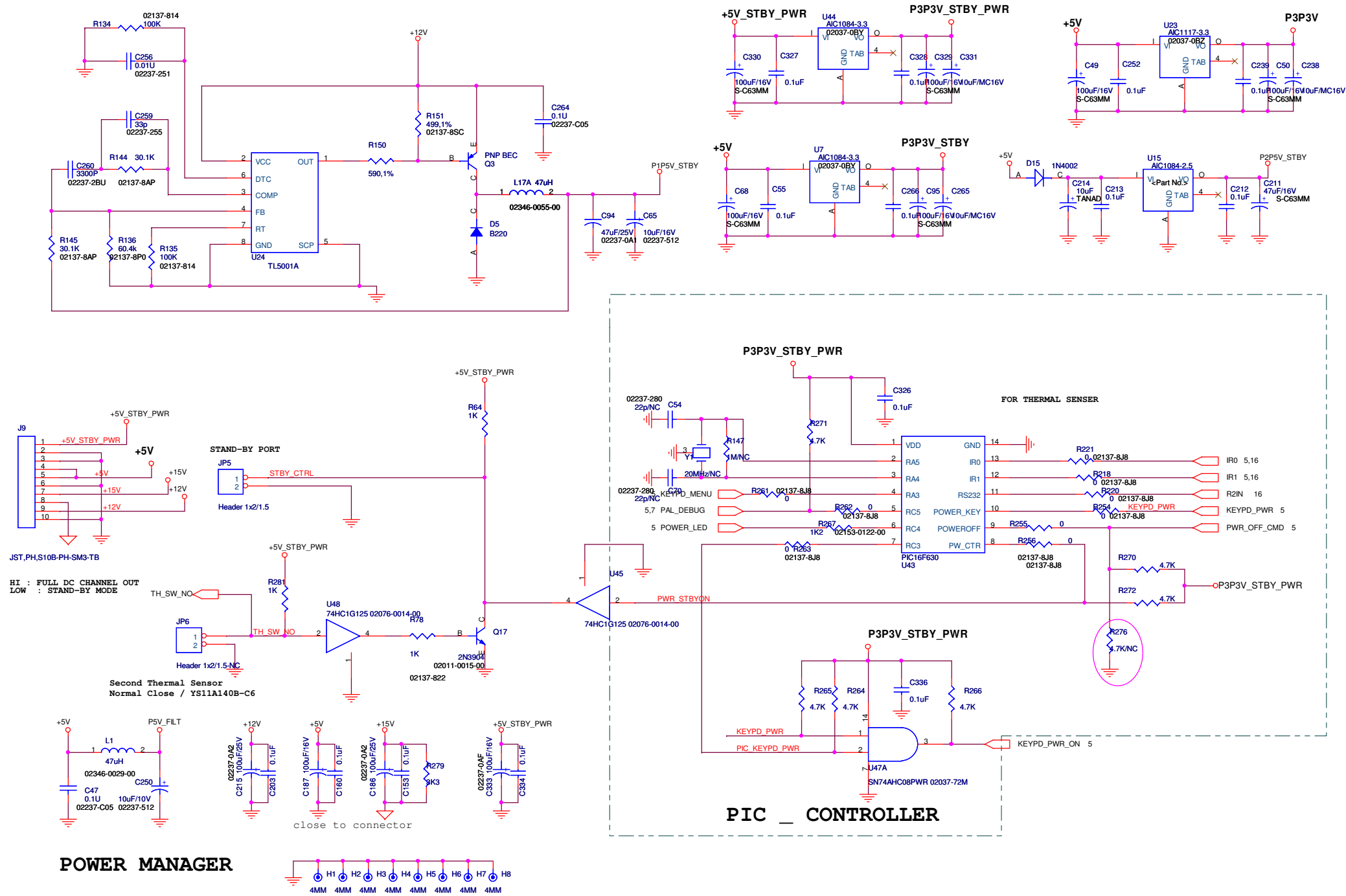


TPA0127	
I2C ADDRESS	
WRITE	D8H
READ	D9H

DMD CONNECTOR

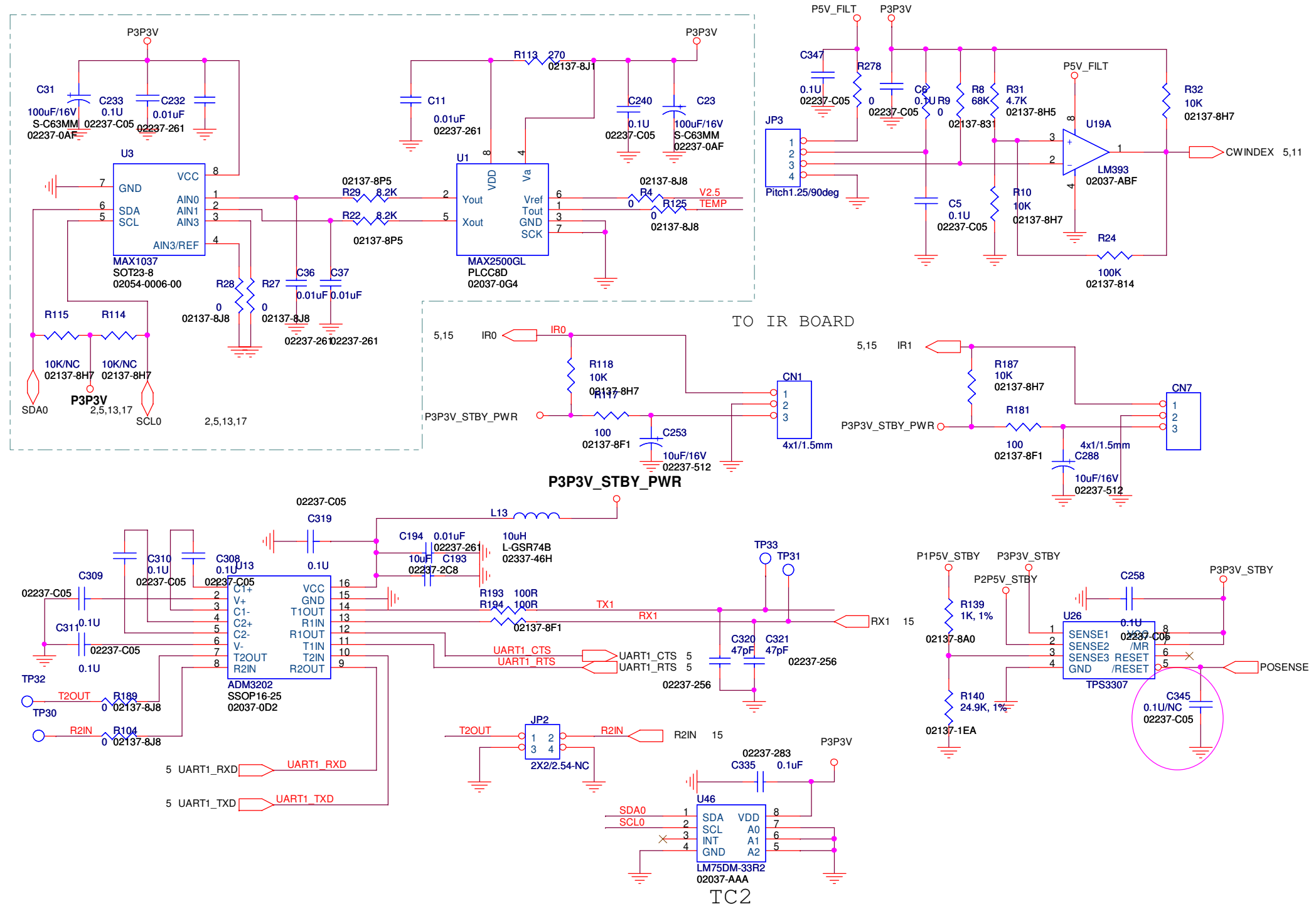


POWER+PIC

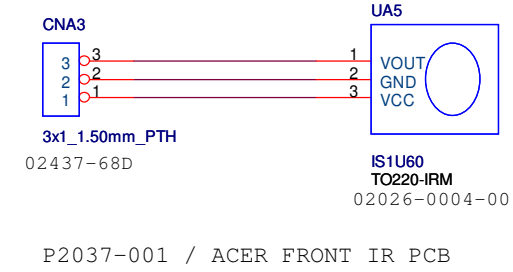
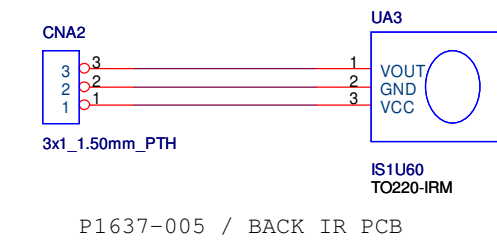
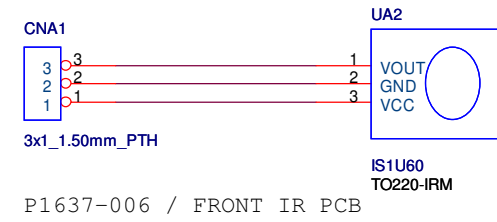
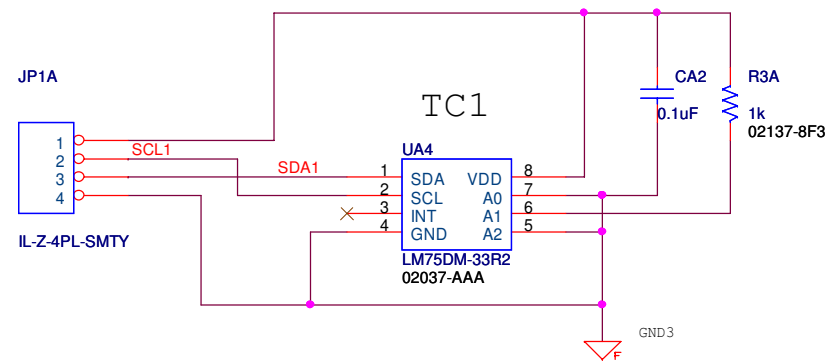
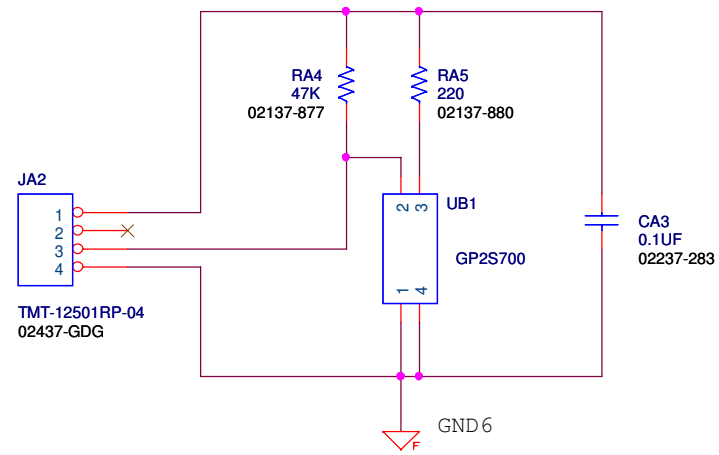
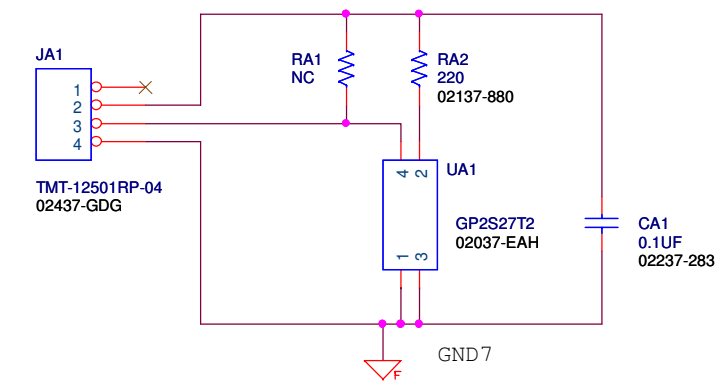


POWER MANAGER

MISC



DESIGN NOTE



Chapter 9

Recommended Spare Parts List

RECOMMENDED SPARE PARTS LIST (PJ402D-2)

ViewSonic Model Number: VS10040

Rev. 1f

Serial No. Prefix: Q3V

Item	Description	ECR/ECN	ViewSonic P/N	Ref. P/N	Location	Universal number#
1	REMOTE CONTROLLER	Replaced on 11/28/2008 per ECR#VS-E080372	A-00003062	82143-4000		
2	Accessories: [Adapter, Remote Control]	POWER CORD (AUSTRALIA). (SAA)YP-35/YC-12 YUNG LI ROHS	A-00008053	P1600-RC02		
3		POWER CORD(CHINA). YP-03/YC-12 YUNG LI ROHS	A-00008060	J2552-0053-00		
4		POWER CORD(UK). YP-61/YC-12 YUNG LI ROHS	A-00008058	J2552-0108-00		
5		POWER CORD(CHINA). YP-03/YC-12 YUNG LI ROHS	A-00008056	J2552-0106-00		
6		POWER CORD(USA). UL/YP-12/YC-12 YUNG LI ROHS	A-00008059	J2552-0109-00		
7		POWER CORD(EUROPE). YP-22/YC-12 YUNG LI ROHS	A-00008057	J2552-0107-00		
8	LAMP MODULE		RLC-014	P4184-1005		
9	MAIN BOARD(INCLUDE VIDEO BOARD)	VS-E060448/Updated	B-00004674	P3584-1002		
10	Main Board with Updated Firmware P4137965 C. 06 06 13 S611 Viewsonic	and replaced on 12/14/06	B-00008249	P4184-1010		
11	USHIO BALLAST		B-00004675	P4184-1001		
12	PC Board Assembly: [All PCBA]		B-00004676	P4184-1007		
13	PD-S600 PFC, POWER		B-00004677	P4184-1006		
14	PD-S600 KEYPAD+METAL DOME		B-00004678	P3247-5100		
15	FIR_DIP_PCB_ASY_PD-S610_ROHS		B-00004679	P3247-5101		
16	BIR_DIP_PCB_ASY_PD-S610_ROHS		B-00004680	P3634-7400-00		
17	PD-S600 THERMAL PCB		C-00003070	P1634-462		
18	BACK IR COVER		C-00003071	P1684-0004		
19	BOTTOM COVER		C-00003072	P1684-0002		
20	FRONT COVER (PD-S611)		C-00003075	P1643-0013		
21	LAMP COVER + ISOLATOR		C-00004681	P3484-1003		
22	TOP COVER MODULE		C-00004682	P1634-461-99		
23	FRONT IR COVER		C-00004683	P1634-465-99		
24	IO COVER		C-00004684	P1634-458-99		
25	LENS COVER		CB-00003084	02595-0019-00		
26	WIRE CON-CON 2P 380V		CB-00003085	02595-0028-00		
27	WIRE CON-CON 2P AC SOCKET		CB-00003087	02595-0016-00		
28	WIRE CON-CON 3P IR/F		CB-00003088	02595-0027-00		
29	WIRE CON-CON 3P BST		CB-00004685	02591-0014-00		
30	FFC CABLE 0.5P 28P		CB-00004686	02595-0018-00		
31	WIRE CON-CON 4P C/W		CB-00004687	02472-0016-00		
32	WIRE CON-CON 3P IR/R		CB-00004688	02595-0030-00		
33	WIRE CON-CON 5P BST		CB-00004689	02472-0017-00		
34	CONN WIRE 4PIN MCU	Updated on 11/28/2008 per ECR#VS-E080372	CB-00004690	02595-0063-00		
35	WIRE CON-CON 12P-10+2P PWR BD		CB-00004691	J2595-0063-00		
36	CONN WIRE 10PIN MCU		CB-00004692	02472-0006-01		
37	CONN WIRE 5PIN MCU		CB-00004693	02472-0014-00		
38	CONN WIRE 2PIN MCU		CB-00004693	02472-0015-00		
39	PHONE TO 2 RCA CABLE L2000_A9108054_SINBON_ROHS	Added on 11/28/2008 per ECR#VS-E080372	CB-00008064	J2552-0111-00		
40	RCA CABLE 933211000056 MPT ROHS	Added on 11/28/2008 per ECR#VS-E080372	CB-00008462	J2552-0075-00		
41	Documentation:		DC-00006277	P4139-7013-00		
42	Quick Start Guide		DC-00006278	P4139-A006-00		
43	User Guide		E-00003094	02413-0016-00		
44	SPEAKER	Updated on 11/28/2008 per ECR#VS-E080372		J2413-0016-00		
45	OPTICAL ENGINE without LAMP (PD-S611)		E-00004774	P4184-1008		
46	COLORWHEEL MODULE-SHINANO	VS-E080399 Added on 11/26/08	E-00009051	P1643-0008		
47	S: M3*28.5*E1.2 BL	Added 06/01/06	HW-00003097	01635-C98-N		
48	SHD-PWR-BD-PD-S600		HW-00003105	P1635-052		
49	S:M3*6*D2 BL NL D=5.5	Added 06/01/06	HW-00004836	01635-B77-N		
50	SCREW 3*5*A2 D=5.3 BLACK ROHS	Added 06/01/06	HW-00004837	01635-3610-00		
51	HEXAGON-HEAT-BOLT-4.8 PJ-X900_3M ROHS	Added 06/01/06	HW-00004839	82035-2510-00		
52	SCREW M3*12*A2 D=5.3 NI_NL ROHS	Added 06/01/06	HW-00004840	01635-C010-00		
53	SCREW 2*4*E0.5 D=4 BLACK ROHS	Added 06/01/06	HW-00004841	01635-3530-00		
54	SCREW M3*4*A2 D=5.3 NI_NL ROHS	Added 06/01/06	HW-00004842	01635-A441-00		
55	SCREW-WASHER M3*8*D2 D=5.5 BLACK ROHS	Added 06/01/06	HW-00004843	01635-D360-00		
56	SCREW 4*10*A2.5 D=6 NI ROHS	Added 06/01/06	HW-00005969	01635-A011-00		
57	S:M3*10*A2 NI LF*	Added 06/01/06	M-SCW-0824-6912	01635-365		
58	S: M1.7*2 BL	Added 06/01/06	M-SCW-0824-6913	01635-366		
59	WSC:8*4.3*1FE/NI S-GTY	Added 06/01/06	M-SCW-0824-6916	01635-705		
60	S:M4*6*A3 NI HK*	Added 06/01/06	M-SCW-0824-6918	01635-A08		
61	S:M3*6*D2 BL	Added 06/01/06	M-SCW-0824-6923	01635-B77		
62	FAN	Added on 11/28/2008 per ECR#VS-E080372	M-00008266	J2394-0011-01		
63	Miscellaneous: [Switch, Fan, Rubber Foot, Logo]		M-00003102	P1643-0021		
64	FAN MODULE PD-S600		M-00003103	P1638-156		
65	MESH		M-00003104	P1638-150		
66	MYLAR-POWER-BD-PD-S600		M-00004772	02394-0011-01		
67	FAL3F12LLSC ASSY		M-00004773	P1636-7640-00		
68	UV-IR PD-S600 ROHS		P-00003108	04039-544		
69	EPE FOR PD-S600	Added 01/04/05	P-00008880	J4039-R128-01		
70	SILICA GEL DESICCANT	Added on 11/28/2008 per ECR#VS-E080372	P-00004844	P4139-6002-00		
71	CARTON PJ402D-2 USA	Added 01/04/05	PL-00003113	P1643-0012		
72	FOOT ASSEMBLY		PL-00003114	P1634-460		
73	FUNCTION KEYSTROKE		PL-00003115	P1634-459		
74	KEYSTROKE		P-00003110	P1639-690		
75	CARTON PAD	Replaced on 11/28/2008 per ECR#VS-E080372	PL-00008100	P1639-R690-00		

Remark 1: Above listed items are examples, supplier can expand the rows to add more necessary items.

Remark 2: All revised RSPLs with newly added items or any change made should be highlighted and correlated with the ECN/ECR approved by ViewSonic Corporation. This is to eliminate repeated cross checks of each item between this version and prior versions.

BOM LIST (PJ402D-2)

ViewSonic Model Number: VS10040-2W

Rev: 1a (for RoHS issue)

Serial No. Prefix: Q3V

Item	ViewSonic P/N	Ref. P/N	Description	Location	Universal number#	Q'ty
1	N/A	01496-3008	BOROFLOAT GLASS 80X88X2.75MM_XXPTBU_ROHS			
2	N/A	P2236-7710-00	COLOR-WHEEL_TOD-S601_RoHS			
3	N/A	P3247-5002	CW-SENSOR_SMT_PCB_ASY_PD-S610_ROHS			
4	N/A	P4236-7630-00	LIGHT TUNNEL -5.2*3.8_PD-X611_ROHS			
5	N/A	01496-3003-00	BOROFLOAT 850X575X+/-10MM T:2.75+/-0.2MM			
6	N/A	01635-0780-00	SCREW_M2*2.5*A0.8_D=3_BLACK_ROHS			
7	N/A	01635-0780-00	SCREW_M2*2.5*A0.8_D=3_BLACK_ROHS			
8	N/A	01635-0860-00	SCREW_1.2*2*A0.4_D=2_BLACK_ROHS			
9	N/A	01635-1010-00	SCREW_M1.4*2.5*A0.5_D=2.5_BLACK_ROHS			
10	N/A	01635-2250-00	SCREW_M2*5*A0.8_D=3_BLACK_ROHS			
11	N/A	01635-2660-00	SCREW_1.7*4*A0.5_D=4_BLACK_ROHS			
12	HW-00004841	01635-3530-00	SCREW_2*4*E0.5_D=4_BLACK_ROHS			
13	HW-00004837	01635-3610-00	SCREW_3*5*A2_D=5.3_BLACK_ROHS			
14	N/A	01635-3620-00	SCREW-WASHER_3*6*D2.6_D=5.4_NI_ROHS			
15	N/A	01635-3630-00	SCREW_M3*24*A2_D=5.3_BLACK_ROHS			
16	N/A	01635-3650-00	SCREW_M3*10*A2_D=5_NI_ROHS			
17	N/A	01635-3660-00	SCREW_M3*5*D2_D=5.5_NI_ROHS			
18	N/A	01635-7050-00	WASHER_ELASTIC_CLOSE:8*4.3*1_FE_NI_ROHS			
19	HW-00005969	01635-A011-00	SCREW_4*10*A2.5_D=6_NI_ROHS			
20	N/A	01635-A080-00	SCREW_M4*6*A3_D=6.7_NI_ROHS			
21	HW-00004842	01635-A441-00	SCREW_M3*4*A2_D=5.3_NI_NL_ROHS			
22	N/A	01635-A660-00	SCREW_M2*10*A1.3_D=3_NI_ROHS			
23	N/A	01635-B592-00	SCREW_M1.8*5*A1.0_D=3.5_BLACK_ROHS			
24	N/A	01635-B770-00	SCREW_M3*6*D2_D=5.5_BLACK_NL_ROHS			
25	N/A	01635-B770-00	SCREW-WASHER_M3*6*D2_D=5.5_BLACK_ROHS			
26	HW-00004840	01635-C010-00	SCREW_M3*12*A2_D=5.3_NI_NL_ROHS			
27	N/A	01635-C980-01	SCREW_M_3_8_E_1.2_6.5_BLACK_NL_ROHS			
28	N/A	01635-D100-00	SCREW_M2*2.5_A0.8_D=3.5_BLACK_ROHS			
29	N/A	01635-D311-00	SCREW_M3*7.1*E1.2_D=6_NI_NL_ROHS			
30	HW-00004843	01635-D360-00	SCREW-WASHER_M3*8*D2_D=5.5_BLACK_ROHS			
31	N/A	02001-0027-00	SWITCHING DIODE_SOT-23_BAV99-7-F_DIODES_ROHS	D10 D11 D12 D13 D16 D17 D18 D25		
32	N/A	02001-0028-00	SWITCHING DIODE_SOT-23_BAV70TR_PANJIT_ROHS	D9		
33	N/A	02002-0011-00	ZENER DIODE_UMD2_UDZSTE-172.0B_ROHM_VZ=2.0V_ROHS			
34	N/A	02002-0015-00	ZENER DIODE_LL-34_RLZTE-118.2B_ROHM_ROHS	ZD2		
35	N/A	02003-0022-00	SCHOTTKY DIODE_SMB_SBM22PT_CHEMCKO_ROHS	D23		
36	N/A	02003-0031-00	SCHOTTKY DIODE_SOD-123_B0540W-7-F_DIODES_ROHS	D8 D14		
37	N/A	02003-0042-00	SCHOTTKY DIODE_SOT-323_BAT54SW_PHILIPS_ROHS	D1 D2 D3 D4		
38	N/A	02004-0009-00	RECTIFIER PMDS_1SR154-400TE25_ROHM_ROHS	D15		
39	N/A	02005-0078-00	CHIP LED_L2.7*W3.4*H1.5_KA-2734SGEC-F01_KINGBRIGHT_GREEN+RED_ROHS			
40	N/A	02011-0044-00	TR NPN_SST3_SST222AT116_ROHM_ROHS	Q5 Q9 Q10 Q14		
41	N/A	02012-0012-00	TR PNP_SOT89_PBSS5350X_PHILIPS_ROHS	Q3		
42	N/A	02012-0024-00	TR PNP_SST3_SST2907AT116_ROHM_ROHS	Q6 Q11 Q12 Q15		
43	N/A	02013-0025-00	TR MOSFET_SOT-23_P-CHANNEL_AO3401L_ALPHA-OMEGA_ROHS	Q1		
44	N/A	02013-0029-00	TR MOSFET_SOT-23_N-CHANNEL_FDV301N-NL_FAIRCHILD_ROHS	Q4 Q7 Q8 Q13		
45	N/A	02013-0064-00	TR MOSFET_P-CHANNEL_SOT-223_IRFL9014TRPBF_IR_ROHS	D6 D21 D22 D24		
46	N/A	02023-0008-00	PHOTO INTERRUPTER_GP2S27T2J00F_SHARP_ROHS			
47	N/A	02026-0003-00	IR RECEIVER_FM-6038LN-5AN_OPTO-SENSOR_ROHS			
48	N/A	02026-0003-00	IR RECEIVER_FM-6038LN-5AN_OPTO-SENSOR_ROHS			
49	N/A	02029-0010-00	TEMPERATURE SENSORS_MSOP8_LM75CMM-3_NOPB_NS_ROHS	U46		
50	N/A	02032-0008-09	K4R271669F-TCS8.62BGA_RDRAM,SAMSUNG_ROHS	U20		
51	N/A	02033-0010-01	EEPROM_SOIC8_24LC08BT-I-SN_MICROCHIP_8KBIT_ROHS	U18		
52	N/A	02033-0017-00	EEPROM_SOIC8_24LC21AT-SN_MICROCHIP_1KBIT_ROHS	U36		
53	N/A	02034-0016-03	FLASH MEMORY_48TSOP_S29AL016M90TFI020-90EL_SPANSION_1M*16_ROHS	U14		
54	N/A	02041-0007-00	OSCILLATOR_6N50000267_TXC_50MHZ_ROHS	Y2		
55	N/A	02042-0034-00	CRYSTAL_HC-49/S_9C20200024_TXC_20.25MHZ_ROHS	Y3		
56	N/A	02051-0027-00	DUAL COMPARATOR_SOIC-8_LM393MX_NS_ROHS	U19		
57	N/A	02051-0030-00	AUDIO AMP_TSSOP-24_TPA0172PWPGR4_TI_ROHS	U2		
58	N/A	02052-0038-01	LINEAR REGULATOR_TO-263_AIC1084-25PMTR_AIC_LEAD-FREE	U15		
59	N/A	02052-0053-00	LINEAR REGULATOR_TO-263_AIC1084-33PMTR_AIC_LEAD-FREE	U7 U44		

Item	ViewSonic P/N	Ref. P/N	Description	Location	Universal number#	Q'ty
60	N/A	02052-0054-00	LINEAR REGULATOR_TO-252_AIC1117-33PETR_AIC_LEAD-FREE	U6 U9 U23 U27 U30		
61	N/A	02052-0110-00	LDO REGULATOR_SOT-223_SC1565IST-1.8TRT_SEMTECH_1.8V_ROHS	U4		
62	N/A	02053-0001-00	RS232 DRIVER RECEIVER_TSSOP-16_ADM3202ARUZ-REEL_ANALOG DEVICES_ROHS	U13		
63	N/A	02054-0016-00	ADC_LQFP-80P_AD9883AKSTZ-140_ANALOG DEVICES_ROHS	U10		
64	N/A	02055-0016-01	RESET IC_SO-8_TPS3307-25DR_TI_2.5V_ROHS	U26		
65	N/A	02057-0008-01	VIDEO PIXEL DECORDER_PMQFP-44_VPX3226F_MICRONAS_ROHS	U8		
66	N/A	02059-0011-01	PWM CONTROL CIRCUIT_SO-8_TL5001ACDRG4_TI_ROHS	U24		
67	N/A	02060-0016-00	MOTOR DRIVER_SOIC-24_A8904SLB-T_ALLEGRO_ROHS	U5		
68	N/A	02071-0039-00	2-INPUT POSITIVE-AND GATES_TSSOP-14_SN74HCT08PWR_TI_ROHS	U47		
69	N/A	02075-0002-00	CLOCK GENERATOR_SSOP-24_CDCCR83DBQR_TI_ROHS	U17		
70	N/A	02076-0013-00	SINGLE INVERTER GATE_SOT23-5_SN74LVC1G04DBVR_TI_ROHS	U25		
71	N/A	02076-0014-01	BUS BUFFER GATE_SOT23-5_SN74AHC1G125DBVR_TI_ROHS	U28 U34 U35 U45		
72	N/A	02078-0000-01	SCALER_564PBGA_DDP2000_2504504-3_TI_ROHS			
73	N/A	02080-0014-01	CPU-OTP ROM_SOIC14_PIC16F630-I-SL_MICROCHIP_ROHS			
74	N/A	02081-0012-01	ASIC IC_PFP80_DAD1000_2503253-0004_TI_ROHS	U11		
75	N/A	02112-1100-00	CHIP RESISTOR_110_1%_1/16W_0402_ROHS	R124		
76	N/A	02112-2492-01	CHIP RESISTOR_24.9K_0402_1%_1/16W_ROHS	R140		
77	N/A	02113-1001-00	CHIP RESISTOR_1K_0603_1%_0.1W_ROHS	R26 R71 R74 R139 R158 R163		
78	N/A	02113-1100-00	CHIP RESISTOR_110_0603_1%_0.1W_ROHS	R39 R123		
79	N/A	02113-1180-00	CHIP RESISTOR_118_0603_1%_0.1W_ROHS	R25		
80	N/A	02113-220Z-00	CHIP RESISTOR_22_0603_1%_0.1W_ROHS	R50 R176 R185		
81	N/A	02113-3012-00	CHIP RESISTOR_30.1K_0603_1%_0.1W_ROHS	R144 R145		
82	N/A	02113-3301-00	CHIP RESISTOR_3.3K_0603_1%_0.1W_ROHS	R100		
83	N/A	02113-330Z-00	CHIP RESISTOR_33_0603_1%_0.1W_ROHS	R90 R91		
84	N/A	02113-340Z-00	CHIP RESISTOR_34_0603_1%_0.1W_ROHS	R21		
85	N/A	02113-390Z-00	CHIP RESISTOR_39_0603_1%_0.1W_ROHS	R6 R7		
86	N/A	02113-4990-00	CHIP RESISTOR_499_0603_1%_0.1W_ROHS	R151		
87	N/A	02113-562Z-00	CHIP RESISTOR_56.2_0603_1%_0.1W_ROHS	R33 R34		
88	N/A	02113-5900-00	CHIP RESISTOR_590_0603_1%_0.1W_ROHS	R150		
89	N/A	02113-6042-00	CHIP RESISTOR_60.4K_0603_1%_0.1W_ROHS	R136		
90	N/A	02113-6202-00	CHIP RESISTOR_62K_0603_1%_0.1W_ROHS	R245		
91	N/A	02113-750Z-00	CHIP RESISTOR_75_0603_1%_0.1W_ROHS	R168 R169 R170		
92	N/A	02113-8201-00	CHIP RESISTOR_8.2K_0603_1%_0.1W_ROHS			
93	N/A	02152-0000-01	CHIP RESISTOR_0_0402_5%_1/16W_ROHS	R268		
94	N/A	02153-0000-01	CHIP RESISTOR_0_0603_5%_1/10W_ROHS	R9 R12 R18 R41 R42 R65 R67 R68 R85 R104 R108 R116 R126 R152 R162 R175 R182 R186 R189 R218 R9 R12 R18 R41 R42 R65 R67 R68 R85 R104 R108 R116 R126 R152 R162 R175 R182 R186 R189 R218		
95	N/A	02153-0000-01	CHIP RESISTOR_0_0603_5%_1/10W_ROHS	R9 R12 R18 R41 R42 R65 R67 R68 R85 R104 R108 R116 R126 R152 R162 R175 R182 R186 R189 R218		
96	N/A	02153-0101-00	CHIP RESISTOR_100_0603_5%_0.1W_ROHS	R194		
97	N/A	02153-0101-00	CHIP RESISTOR_100_0603_5%_0.1W_ROHS	R194		
98	N/A	02153-0102-01	CHIP RESISTOR,1K,5%,1/10W,0603,ROHS	R5 R14 R15 R16 R35 R64 R178		
99	N/A	02153-0102-01	CHIP RESISTOR,1K,5%,1/10W,0603,ROHS	R5 R14 R15 R16 R35 R64 R178		
100	N/A	02153-0103-00	CHIP RESISTOR,10K,5%,1/10W,0603,ROHS	R10 R13 R19 R32 R106 R107 R109 R112 R118 R159		
101	N/A	02153-0103-00	CHIP RESISTOR,10K,5%,1/10W,0603,ROHS	R10 R13 R19 R32 R106 R107 R109 R112 R118 R159		
102	N/A	02153-0104-00	CHIP RESISTOR,100K,5%,1/10W,0603,ROHS	R24 R134 R135		
103	N/A	02153-0105-00	CHIP RESISTOR,1M,5%,1/10W,0603,ROHS	R155		
104	N/A	02153-0122-00	CHIP RESISTOR,1.2K,5%,1/10W,0603,ROHS	R262		
105	N/A	02153-0152-00	CHIP RESISTOR_1.5K_0603_5%_0.1W_ROHS	R94 R273		
106	N/A	02153-0202-00	CHIP RESISTOR_2K_0603_5%_0.1W_ROHS	R177 R179		
107	N/A	02153-0220-00	CHIP RESISTOR_22_0603_5%_0.1W_ROHS	R52 R63 R70 R72 R75 R77 R141 R143 R146 R148		
108	N/A	02153-0221-00	CHIP RESISTOR,220,5%,1/10W,0603,ROHS			
109	N/A	02153-0270-00	CHIP RESISTOR_27_0603_5%_0.1W_ROHS	R96 R97		

Item	ViewSonic P/N	Ref. P/N	Description	Location	Universal number#	Q'ty
110	N/A	02153-0271-10	CHIP RESISTOR 270 5% 1/10W 0603 LEAD-FREE			
111	N/A	02153-0330-00	CHIP RESISTOR_33_0603_5%_0.1W_ROHS	R164 R173 R174 R238 R239 R240		
112	N/A	02153-0332-00	CHIP RESISTOR_3.3K_0603_5%_0.1W_ROHS	R30 R43 R48 R49 R93 R157 R250		
113	N/A	02153-0470-10	CHIP RESISTOR_47_0603_5%_0.1W_ROHS	R171		
114	N/A	02153-0472-00	CHIP RESISTOR_4.7K_0603_5%_0.1W_ROHS	R31 R83 R84 R101 R244 R264 R265 R266 R272 R302R 303 R296		
115	N/A	02153-0683-00	CHIP RESISTOR_68K_0603_5%_0.1W_ROHS	R8		
116	N/A	02155-0000-01	CHIP RESISTOR_0_1206_5%_0.25W_ROHS	FB1 R122 R127 R129 R180 R183		
117	N/A	02155-0151-00	CHIP RESISTOR_150_1206_5%_0.25W_ROHS	R119 R120 R121		
118	N/A	02158-0220-00	RESISTOR ARRAY SMD_22*8_0602_5%_0.063W_16P8R_ROHS	PR11 PR12 PR14 PR15 PR16		
119	N/A	02158-0330-00	RESISTOR ARRAY SMD_33*8_0402_5_0.063W_ROHS	PR10 PR13		
120	N/A	02158-0390-00	RESISTOR ARRAY SMD_39*8_0402_5%_0.063W_16P8R_ROHS	PR3 PR4 PR5 RP2 RP3 RP4		
121	N/A	02158-0472-00	RESISTOR ARRAY SMD_4.7K*8_0402_5%_0.063W_16P8R_ROHS	RP1		
122	N/A	02202-0680-00	CERAMIC CAP SMD_68PF_50V_0402_T0.55MM_NP0_5%_ROHS	C15 C16 C25 C26 C69 C81		
123	N/A	02203-0100-00	CERAMIC CAP SMD_10PF_50V_0603_T0.9MM_NP0_5%_ROHS	C249		
124	N/A	02203-0102-01	CERAMIC CAP SMD_1000PF_50V_0603_T0.9MM_X7R_10%_ROHS	C7 C9 C10 C119 C165 C346		
125	N/A	02203-0103-02	CERAMIC CAP SMD_0.01UF_50V_0603_T0.9MM_Y5V_+80/- 20%_ROHS	C194 C256		
126	N/A	02203-0104-01	CERAMIC CAP SMD_0.1UF_16V_0603_T0.9MM_X7R_10%_ROHS			
127	N/A	02203-0104-02	CERAMIC CAP SMD_0.1UF_50V_0603_T0.9MM_X7R_10%_ROHS			
128	N/A	02203-0104-05	CERAMIC CAP SMD_0.1UF_25V_0603_T0.9MM_X7R_10%_ROHS	C270 C273 C314 C315 C2 C5 C6 C13 C14 C17 C18 C20 C22 C24 C27 C29 C30 C32 C33 C34 C39 C40 C45 C47 C48 C52 C55 C56 C57 C58 C59 C60 C61 C71 C74 C75 C76 C77 C78 C79 C80 C82 C83 C84 C85 C86 C87 C88 C89 C90 C91 C96 C97 C99 C101 C102 C103 C104 C105 C109 C111 C112 C113 C114 C115 C116 C120 C121 C122 C123 C124 C125 C126 C128 C130 C131 C132 C140 C141 C142 C143 C144 C145 C146 C147 C148 C149 C150 C153 C154 C155 C156 C157 C158 C160 C162		

Item	ViewSonic P/N	Ref. P/N	Description	Location	Universal number#	Q'ty
129	N/A	02203-0104-05	CERAMIC CAP SMD_0.1UF_25V_0603_T0.9MM_X7R_10%_ROHS	C270 C271 C272 C273 C274 C315 C2 C5 C6 C13 C14 C17 C18 C20 C22 C24 C27 C29 C30 C32 C33 C34 C39 C40 C45 C47 C48 C52 C55 C56 C57 C58 C59 C60 C61 C71 C74 C75 C76 C77 C78 C79 C80 C82 C83 C84 C85 C86 C87 C88 C89 C90 C91 C96 C97 C99 C101 C102 C103 C104 C105 C109 C111 C112 C113 C114 C115 C116 C120 C121 C122 C123 C124 C125 C126 C128 C130 C131 C132 C140 C141 C142 C143 C144 C145 C146 C147 C148 C149 C150 C153 C154 C155 C156 C157 C158 C160 C162		
130	N/A	02203-0220-00	CERAMIC CAP SMD_22PF_50V_0603_T0.9MM_NP0_5%_ROHS	C269 C270		
131	N/A	02203-0272-00	CERAMIC CAP SMD_2700PF_50V_0603_T0.9MM_X7R_10%_ROHS	C21 C62		
132	N/A	02203-0330-00	CERAMIC CAP SMD_33PF_50V_0603_T0.9MM_NP0_5%_ROHS	C259		
133	N/A	02203-0331-01	CERAMIC CAP SMD_330PF_50V_0603_T0.9MM_C0G_5%_ROHS	C133 C134 C135 C136 C137 C138		
134	N/A	02203-0332-00	CERAMIC CAP SMD_3300PF_50V_0603_T0.9MM_X7R_10%_ROHS	C260		
135	N/A	02203-0393-00	CERAMIC CAP SMD_0.039UF_50V_0603_T0.9MM_X7R_10%_ROHS	C201		
136	N/A	02203-0470-00	CERAMIC CAP SMD_47PF_50V_0603_T0.9MM_NP0_5%_ROHS	C320 C321		
137	N/A	02203-0472-00	CERAMIC CAP SMD_4700PF_50V_0603_T0.9MM_X7R_10%_ROHS	C63		
138	N/A	02203-0473-00	CERAMIC CAP SMD_0.047UF_16V_0603_T0.9MM_X7R_10%_ROHS	C152 C161 C179		
139	N/A	02203-0473-10	CERAMIC CAP SMD_0.047UF_50V_0603_T0.9MM_Y5V_+80/-20%_ROHS	C73		
140	N/A	02203-0474-01	CERAMIC CAP SMD_0.47UF_16V_0603_T0.9MM_Y5V_+80/-20%_ROHS	C4 C41 C42 C43 C44 C46 C242		
141	N/A	02203-0680-00	CERAMIC CAP SMD_68PF_50V_0603_T0.9MM_C0G_5%_ROHS	C340 C343		
142	N/A	02203-0684-00	CERAMIC CAP SMD_0.68UF_10V_0603_T0.9MM_X7R_10%_ROHS	C117 C118		
143	N/A	02204-0224-02	CERAMIC CAP SMD_0.22UF_25V_0805_T1.35MM_X7R_10%_ROHS	C66		
144	N/A	02204-0392-00	CERAMIC CAP SMD_3900PF_50V_0805_T1.4MM_NP0_5%_ROHS	C202		
145	N/A	02204-0474-02	CERAMIC CAP SMD_0.47UF_16V_0805_T0.9MM_Y5V_+80/-20%_ROHS	C1		
146	N/A	02205-0106-02	CERAMIC CAP SMD_10UF_10V_1206_T1.8MM_Y5V_+80/-20%_ROHS	C193		
147	N/A	02206-0105-01	CERAMIC CAP SMD_1UF_50V_1210_T2.7MM_X7R_10%_ROHS			
148	N/A	02212-0105-01	TANTALUM CAP SMD_1UF_16V_A CASE_T1.8MM_20%_ROHS			
149	N/A	02212-0105-02	TANTALUM CAP SMD_1UF_16V_A CASE_T1.8MM_20%_F931C105MAA_NICHICON_ROHS	C64 C200		
150	N/A	02212-0106-00	TANTALUM CAP SMD_10UF_10V_A CASE_T1.8MM_20%_TEESVA1A106M8R_NEC_ROHS	C3 C28 C53 C65 C93 C98 C100 C106 C108 C129 C164 C168 C214		
151	N/A	02212-0106-00	TANTALUM CAP SMD_10UF_10V_A CASE_T1.8MM_20%_TEESVA1A106M8R_NEC_ROHS	C3 C28 C53 C65 C93 C98 C100 C106 C108 C129 C164 C168 C214		
152	N/A	02212-0106-03	TANTALUM CAP SMD_10UF_16V_A CASE_T1.8MM_20ROHS	C188 C255 C317		

Item	ViewSonic P/N	Ref. P/N	Description	Location	Universal number#	Q'ty
153	N/A	02212-0106-03	TANTALUM CAP SMD_10UF_16V_A CASE_T1.8MM_20ROHS	C188 C255 C317		
154	N/A	02212-0336-00	TANTALUM CAP SMD_33UF_6.3V_A CASE_T1.8MM_20ROHS	C257 C263 C272 C280 C286 C287		
155	N/A	02212-0336-00	TANTALUM CAP SMD_33UF_6.3V_A CASE_T1.8MM_20_ROHS	C257 C263 C272 C280 C286 C287		
156	N/A	02214-0107-00	TANTALUM CAP SMD_100UF_6.3V_B2 CASE_T2.1MM_20ROHS	C19 C159 C234 C254 C38 C110		
157	N/A	02215-0107-00	TANTALUM CAP SMD_100UF_10V_C CASE_T2.7MM_20ROHS			
158	N/A	02217-0476-00	TANTALUM CAP SMD_47UF_20V_D CASE_T3.0MM_20ROHS	C107 C332		
159	N/A	02251-0107-01	ELECTROLYSIC CAP SMD_100UF_25V_D8*L6.5_ALU_20%_RV-100M25V0806E- U_ELNA_ROHS	C186 C215		
160	N/A	02251-0107-02	ELECTROLYSIC CAP SMD_100UF_16V_D6.3*L5.3_ALU_20%_RV2-16V101MSU- R_ELNA_ROHS	C49 C50 C68 C95 C187 C329 C330 C333		
161	N/A	02251-0337-00	ELECTROLYSIC CAP SMD_330UF_6.3V_L10.1*W4.6*H4.6_ALU_20%_SE0J331- 4B_SHOEI_ROHS	C296 C303		
162	N/A	02251-0476-07	ELECTROLYSIC CAP SMD_47UF_25V_D6.3*L5.3_ALU_20%_RV2-47M25V6353E- U_ELNA_ROHS	C211		
163	N/A	02304-0225-01	CHIP INDUCTOR_2.2UH_0805_T1.1MM_10%_FLMA-201209- 2R2K-T_KING CORE_ROHS	L10 L11		
164	N/A	02304-0335-00	CHIP INDUCTOR_3.3UH_0805_T1.1MM_10%_FLMA-201209- 3R3K-T_KING CORE_ROHS	L9		
165	N/A	02306-0225-00	CHIP INDUCTOR_2.2UH_1210_T2.4MM_5%_NLV32T-2R2J- PF_TDK_ROHS	L14		
166	N/A	02313-0010-00	CHIP FERRITE BEAD_120_0603_T0.95MM_25%_PBY160808T- 121Y-N_CHILISIN_ROHS	F1		
167	N/A	02313-0012-00	CHIP FERRITE BEAD_68_0603_T0.95MM_25%_MI0603J680R- 10_STEWARD_ROHS	L12 L15 L18 L19 L27		
168	N/A	02313-0012-00	CHIP FERRITE BEAD_68_0603_T0.95MM_25%_MI0603J680R- 10_STEWARD_ROHS	L12 L15 L18 L19 L27		
169	N/A	02314-0010-00	CHIP FERRITE BEAD_60_0805_T1.1MM_25%_PBY201209T- 600Y-N_CHILISIN_ROHS	F2		
170	N/A	02314-0012-00	CHIP FERRITE BEAD_120 OHM_0805_T1.2MM_25%_CH201209T-121Y_CTC_ROHS	L21 L22 L23 L32 L33		
171	N/A	02319-0003-00	ESD SUPPRESSOR_0603_T0.6MM_1608SGXA- TR1_PICO_ROHS	ESD1 ESD2 ESD3 ESD4		
172	N/A	02346-0029-00	POWER INDUCTOR_47UH_L5.1*W5.1*H3.0_PIH4D28- 470M_EROCORE_ROHS	FB2 L1		
173	N/A	02346-0055-00	POWER INDUCTOR_47UH_L10.4*W10.3*H4.0_20%_RH104R- 470M_ASATECH_ROHS	L171		
174	N/A	02346-0069-00	POWER INDUCTOR_10UH_L7.5*W7.5*H4.5_20%_RH74- 100MR_ASATECH_ROHS	L25		
175	N/A	02346-0071-00	POWER INDUCTOR_33UH_L5.0*W5.0*H3.0_30%_CDRH4D28NP- 330NC_SUMIDA_ROHS	L16 L28 L29 L31		
176	N/A	02346-0093-00	POWER INDUCTOR_22UH_L6.6*W4.54*H2.92_20%_SDT0402T-220M- N_CHILISIN_ROHS	L20 L24		
177	N/A	02394-0003-01	FAN_FBA06A12L4PX(WIRE=100MM)_PANAFLO_ROHS			
178	M-00004772	02394-0011-01	FAN_BFB0512LD-F00-G_DELTA_ROHS			
179	N/A	02394-0023-00	FAN_KDEI1206PTV3-MS-M-GN_SUNON_ROHS			
180	N/A	02405-0036-00	SLIDE SW_HDS404-021E_HCH_ROHS	SW1		
181	N/A	02405-0068-00	DIP SW_NHDS-02-F-T-V-T/R_DIPTRONICS_ROHS			
182	E-00003094	02413-0016-00	SPEAKER_PB28KC04-9-7 JS_VECO_ROHS			
183	N/A	02452-0078-00	CONN B-B_0.5PITCH_120PIN_WR-120P-HF-HD- A1E_JAE_FEMALE_ROHS			
184	N/A	02452-0079-00	CONN B-B_0.5PITCH_120PIN_WR-120SB-VF- N1_JAE_MALE_ROHS	J5		
185	N/A	02461-0000-01	CONN B-B_2.54PITCH_8PIN_CPBA850R01X8- L_CSE_FEMALE_ROHS			
186	N/A	02461-0001-01	CONN B-B_2.54PITCH_8PIN_CPHA90001X8-1- L_CSE_MALE_ROHS			
187	N/A	02471-0071-01	CONN FPC_0.5PITCH_28PIN_FH12-28S- 0.5SH(55)_HIROSE_ROHS	CN2		
188	N/A	02471-0071-01	CONN FPC_0.5PITCH_28PIN_FH12-28S- 0.5SH(55)_HIROSE_ROHS	CN2		
189	N/A	02471-0136-00	CONN FPC_1.0PITCH_4PIN_52207-0485_MOLEX_TOP_ROHS	J8		
190	CB-00004691	02472-0006-01	CONN WIRE_10PIN_S10B-PH-SM4-TB(LF)(SN)_JST_ROHS	J9		
191	CB-00004692	02472-0014-00	CONN WIRE_5PIN_SM05B-SRSS-TB(LF)(SN)_JST_ROHS	J1		
192	CB-00004693	02472-0015-00	CONN WIRE_2PIN_S2B-ZR-SM4A-TF(LF)(SN)_JST_ROHS	JP5		

Item	ViewSonic P/N	Ref. P/N	Description	Location	Universal number#	Q'ty
193	CB-00004693	02472-0015-00	CONN WIRE_2PIN_S2B-ZR-SM4A-TF(LF)(SN)_JST_ROHS	JP5		
194	CB-00004687	02472-0016-00	CONN WIRE_3PIN_S3B-ZR-SM4A-TF(LF)(SN)_JST_ROHS	CN5 CN6 CN7		
195	CB-00004687	02472-0016-00	CONN WIRE_3PIN_S3B-ZR-SM4A-TF(LF)(SN)_JST_ROHS	CN5 CN6 CN7		
196	CB-00004687	02472-0016-00	CONN WIRE_3PIN_S3B-ZR-SM4A-TF(LF)(SN)_JST_ROHS	CN5 CN6 CN7		
197	CB-00004687	02472-0016-00	CONN WIRE_3PIN_S3B-ZR-SM4A-TF(LF)(SN)_JST_ROHS	CN5 CN6 CN7		
198	CB-00004689	02472-0017-00	CONN WIRE_4PIN_S4B-ZR-SM4A-TF(LF)(SN)_JST_ROHS	J2 JP3		
199	CB-00004689	02472-0017-00	CONN WIRE_4PIN_S4B-ZR-SM4A-TF(LF)(SN)_JST_ROHS	J2 JP3		
200	N/A	02474-0034-00	CONN_EARPHONE JACK_5PIN_EPJ-035-33A_NINTY NINE_ROHS	J7		
201	N/A	02474-0036-00	CONN_S-VIDEO JACK_4PIN_MD-508BS-4_NINTY NINE_ROHS	CON2		
202	N/A	02474-0048-00	CONN_D-SUB JACK_15PIN_0401018-3_MSK_ROHS	P1		
203	N/A	02474-0061-00	CONN_USB JACK_KS-001-BNW_99_INC_ROHS	JP1		
204	N/A	02474-0092-00	CONN_RCA JACK_RJ848Y-2RA_99_INC_ROHS	CON3		
205	N/A	02475-0003-10	DMD_203PIN SOCKET_203PIN_J103U SERIES_TELEDYNE_ROHS			
206	CB-00004685	02591-0014-00	FFC CABLE_CCAA28200GF07AA_P-TWO_0.5PITCH_28PIN_L200MM_ROHS			
207	CB-00003087	02595-0016-00	WIRE CON-CON_1102003-11_MSK_3PIN_L70MM_1571#28_LEAD-REE			
208	CB-00004686	02595-0018-00	WIRE CON-CON_1102003-13_MSK_4PIN_L130MM_1571#28_ROHS			
209	CB-00003084	02595-0019-00	WIRE CON-CON_1102003-14_MSK_2PIN_L100MM_1015#22_ROHS			
210	CB-00003088	02595-0027-00	WIRE CON-CON_1102003-15_MSK_3PIN_L50MM_1571#28_ROHS			
211	CB-00003085	02595-0028-00	WIRE AC SOCKET-CON_1102003-16_MSK_2PIN_L70/L40MM_1015#18_ROHS			
212	CB-00004688	02595-0030-00	WIRE CON-CON_1102003-24_MSK_5PIN_L50MM_1571#28_ROHS			
213	CB-00004690	02595-0063-00	WIRE CON-CON_1102003-31_MSK_12PIN_L210MM_1095#24_ROHS			
214	N/A	04039-1400-00	BAG_ACER_HDPE-EPE			
215	HW-00004839	82035-2510-00	HEXAGON-HEAT-BOLT-4.8_PJ-X900_3M_ROHS			
216	N/A	82134-0660-00	PINGOOD-YJ90_PJ-700_00_ROHS			
217	N/A	82134-4640-00	FOOT-HOUSING_PJ-700_00_ROHS			
218	N/A	82134-4640-99	FOOT-HOUSING_PJ-700_00_ROHS			
219	N/A	82134-4650-00	FOOT-BLOCK_PJ-700_00_ROHS			
220	N/A	82135-0540-00	LOCK-SHEET_PJ-700_3M_ROHS			
221	N/A	82135-2510-00	E-RING_PJ-700_3M_ROHS			
222	N/A	82135-3010-00	LAMP-BAR_PJ-X700_00_ROHS			
223	N/A	82135-3510-00	FOOT-SPRING_PJ-700_3M_ROHS			
224	N/A	P0335-7010-00	LAMP SCREW_PJ-X701_00_ROHS			
225	N/A	P0338-1010-00	REFLECTIVE TAPE_PJ-S701_ROHS			
226	N/A	P1634-2000-00	OE TOP CAP_PD-S600_00_ROHS			
227	N/A	P1634-2010-00	LAMP HAUSING_PD-S600_00_ROHS			
228	N/A	P1634-2030-00	OE C1 CAP_PD-S600_00_ROHS			
229	N/A	P1634-2040-00	WIND TUNNEL_PD-S600_00_ROHS			
230	N/A	P1634-2060-00	FAN1_BLOCKER_PD-S600_00_ROHS			
231	N/A	P1634-2070-00	TOP C1CLAMP_PD-S600_00_ROHS			
232	N/A	P1634-2080-00	FAN-RUBERCOV_PD-S600_00_ROHS			
233	N/A	P1634-2090-00	COLORW-SEN-STD_PD-S600_00_ROHS			
234	N/A	P1634-2110-00	TUNNEL-ADJ-COVER_PD-S600_00_ROHS			
235	N/A	P1634-4500-0E	TOP-COVER_PD-S600_2BJ_ROHS			
236	N/A	P1634-4500-99	TOP-COVER_PD-S600_2BJ_ROHS			
237	N/A	P1634-4510-0E	BOTTOM-COVER_PD-S600_4AW_ROHS			
238	N/A	P1634-4510-99	BOTTOM-COVER_PD-S600_4AW_ROHS			
239	N/A	P1634-4520-0E	FRONT-COVER_PD-S600_4AW_ROHS			
240	N/A	P1634-4520-99	FRONT-COVER_PD-S600_4AW_ROHS			
241	N/A	P1634-4530-0E	RIGHT-COVER_PD-S600_4AW_ROHS			
242	N/A	P1634-4530-99	RIGHT-COVER_PD-S600_4AW_ROHS			
243	N/A	P1634-4540-0E	LEFT-COVER_PD-S600_4AW_ROHS			
244	N/A	P1634-4540-99	LEFT-COVER_PD-S600_4AW_ROHS			
245	N/A	P1634-4550-00	LAMP-COVER_PD-S600_4AW_ROHS			
246	N/A	P1634-4550-99	LAMP-COVER_PD-S600_4AW_ROHS			
247	N/A	P1634-4560-00	ZOOM-RING_PD-S600_0CJ_ROHS			
248	N/A	P1634-4560-99	PAINTED-ZOOM-RING_PD-S600_0CJ_ROHS			
249	N/A	P1634-4580-00	LENS-COVER_PD-S600_4AW_ROHS			
250	N/A	P1634-4580-99	LENS-COVER_PD-S600_4AW_ROHS			
251	N/A	P1634-4590-0E	4-KEY_PD-S600_3AG_ROHS			
252	N/A	P1634-4600-0E	2-KEY-LED-LENS_PD-S600_3AG_ROHS			
253	N/A	P1634-4610-00	IR-LENS-F_PD-S600_DEFAULT_ROHS			
254	N/A	P1634-4610-99	IR-LENS-F_PD-S600_DEFAULT_ROHS			
255	N/A	P1634-4620-00	IR-LENS-B_PD-S600_DEFAULT_ROHS			
256	N/A	P1634-4630-00	STRIP_PD-S600_4AW_ROHS			

Item	ViewSonic P/N	Ref. P/N	Description	Location	Universal number#	Q'ty
257	N/A	P1634-4630-99	STRIP_PD-S600_4AW_ROHS			
258	N/A	P1634-4650-0E	IO-COVER_PD-S600_4AW_ROHS			
259	N/A	P1634-4650-99	IO-COVER_PD-S600_4AW_ROHS			
260	N/A	P1634-4660-00	FOOT-SCREW_PD-S600_00_ROHS			
261	N/A	P1634-4670-00	FOOT-SCREW-M6_PD-S600_00_ROHS			
262	N/A	P1634-4680-00	RUBBER-BTM-CASE_PD-S600_00_ROHS			
263	N/A	P1635-0010-00	MIRROR CLAMP_PD-S600_00_ROHS			
264	N/A	P1635-0020-00	TOPCAP SINK_PD-S600_00_ROHS			
265	N/A	P1635-0030-00	COLORW CLAMP_PD-S600_00_ROHS			
266	N/A	P1635-0040-00	C1 STOP_PD-S600_00_ROHS			
267	N/A	P1635-0070-00	COLORW-TUNNER_PD-S600_00_ROHS			
268	N/A	P1635-0100-00	HEAT SINK_PD-S600_00_ROHS			
269	N/A	P1635-0110-00	COLORW-CUTTER_PD-S600_00_ROHS			
270	N/A	P1635-0150-00	BAFFLE_PD-S600_00_ROHS			
271	N/A	P1635-0170-00	HOUSING BLOCK_PD-S600_DEFAULT_ROHS			
272	N/A	P1635-0200-00	WC-2 PIN GOOD_PD-S600_00_ROHS			
273	N/A	P1635-0520-00	SHD-PWR-BD_PD-S600_DEFAULT_ROHS			
274	N/A	P1635-0540-00	HOLDER-PLATE_PD-S600_DEFAULT_ROHS			
275	N/A	P1635-0570-00	HOLDER-PCB_PD-S600_DEFAULT_ROHS			
276	N/A	P1635-4500-00	AL-PLATE_PD-S600_DEFAULT_ROHS			
277	N/A	P1635-4500-99	AL-PLATE_PD-S600_DEFAULT_ROHS			
278	N/A	P1635-4510-00	IO-PLATE_PD-S600_DEFAULT_ROHS			
279	N/A	P1635-4510-99	IO-PLATE_PD-S600_00_ROHS			
280	N/A	P1635-6000-00	OE CHASS_PD-S600_00_ROHS			
281	N/A	P1635-6010-00	OE BOT CAP_PD-S600_00_ROHS			
282	N/A	P1635-6030-00	DMD-HSINK_PD-S600_00_ROHS			
283	N/A	P1636-7010-00	DMD-0.55INCH_PD-S600_ROHS			
284	N/A	P1636-7400-00	AC1-AR COATING_PD-S600_ROHS			
285	N/A	P1636-7410-00	AC2-AR COATING_PD-S600_ROHS			
286	N/A	P1636-7630-00	MIRROR_PD-S600_ROHS			
287	M-00004773	P1636-7640-00	UV-IR_PD-S600_ROHS			
288	N/A	P1638-0000-00	STRAP_PREMIER_PD-S600_ROHS			
289	N/A	P1638-1010-00	C1 PAD_PD-S600_ROHS			
290	N/A	P1638-1030-00	C2 PAD_PD-S600_ROHS			
291	N/A	P1638-1040-00	MIRROR PAD_PD-S600_ROHS			
292	N/A	P1638-1050-00	EMI PAD_PD-S600_ROHS			
293	N/A	P1638-1060-00	DMD PAD_PD-S600_ROHS			
294	N/A	P1638-1081-00	FAN-PAD-1_PD-S600_ROHS			
295	N/A	P1638-1090-00	FAN-PAD-2_PD-S600_ROHS			
296	N/A	P1638-1100-00	BUFFER-PAD_PD-S600_ROHS			
297	N/A	P1638-1500-00	MYLAR-POWER-BD_PD-S600_ROHS			
298	N/A	P1638-1530-00	MAINBOARD-MYLAR_PD-S600_ROHS			
299	N/A	P1638-1540-00	AL-SHEET-MYLAR_PD-S600_ROHS			
300	N/A	P1638-1550-00	METAL-DOME_PD-S600_ROHS			
301	N/A	P1638-1560-00	MESH_PD-S600_ROHS			
302	N/A	P1638-1570-00	SPONGE_PD-S600_ROHS			
303	N/A	P1638-1630-00	LENS-COVER-MYLAR_PD-S600_ROHS			
304	N/A	P1643-0005	OE TOP MODULE_PD-S600			
305	N/A	P1643-0008	COLORWHEEL MODULE-SHINANO			
306	PL-00003113	P1643-0012	FOOT ASSEMBLY_PD-S600			
307	C-00003075	P1643-0013	LAMP COVER ASSEMBLY_PD-S600			
308	N/A	P1643-0017	IO ASSEMBLY_PD-S600			
309	M-00003102	P1643-0021	FAN MODULE_PD-S600			
310	N/A	P1646-6100	DS-600 LENS ASSEMBLY			
311	N/A	P1935-0050-00	PLATE-USHIO-E19_DPD-S601_00_ROHS			
312	N/A	P1935-0060-00	CAP-NET-2_DPD-S601_00_ROHS			
313	N/A	P1935-0080-00	CAP-NET-1_DPD-S601_00_ROHS			
314	N/A	P1935-0120-00	CAP-CLAMP-USHIO_DPD-S601_00_ROHS			
315	N/A	P2038-1010-00	FAN-MYLAR_APD-S601_ROHS			
316	N/A	P2235-0000-00	SENSOR BRACKET_TPD-S601_ROHS_3CS			
317	N/A	P2238-1010-00	REFLECTIVE TAPE_TPDS601_ROHS			
318	N/A	P2247-8001	POWER_216W_TPD-S601 P10-TPD-S601_DOMINION_ASY_ROHS			
319	N/A	P2447-0001	MB_SMT_PCB_ASY_APD-S601_ROHS			
320	N/A	P2447-0101	MB_DIP_PCB_ASY_APD-S601_ROHS			
321	N/A	P2934-2020-00	LAMP BASE_MPD-S601_00_ROHS			
322	N/A	P2934-2030-00	LAMP CLAMP-PPS_MPD-S601_00_ROHS			
323	N/A	P3237-0500-00	FIR_PCB_2L_FR4_T:1.6MM_REV:A_PD-S610_ROHS			
324	N/A	P3237-0501-00	BIR_PCB_2L_FR4_T:1.6MM_REV:A_PD-S610_ROHS			
325	N/A	P3237-0502-00	CW-SENSOR_PCB_2L_FR4_T:1.6MM_REV:A_PD-S610_ROHS			
326	N/A	P3237-0701-00	KEYPAD_PCB_2L_FR4_T=1.6MM_REV=A_PD-S610_ROHS			
327	N/A	P3247-5000	FIR_SMT_PCB_ASY_PD-S610_ROHS			
328	N/A	P3247-5001	BIR_SMT_PCB_ASY_PD-S610_ROHS			
329	B-00004678	P3247-5100	FIR_DIP_PCB_ASY_PD-S610_ROHS			
330	B-00004679	P3247-5101	BIR_DIP_PCB_ASY_PD-S610_ROHS			

Item	ViewSonic P/N	Ref. P/N	Description	Location	Universal number#	Q'ty
331	N/A	P3247-7001	KEYPAD_SMT_PCB_ASY_PD-S610_ROHS			
332	N/A	P3335-0050-00	TUNNEL_CLAMP_L_MPD-X601_00_ROHS			
333	N/A	P3437-0600-00	DMD_PCB_8L_FR4_T:1.6MM_REV:A_PD-X600_ROHS			
334	N/A	P3438-1510-00	BALLAST_MYLAR_PD-X600_DEFAULT_ROHS			
335	N/A	P3443-1000	TOP_ASY_PD-X600_ROHS			
336	N/A	P3447-6000	DMD_SMT_PCB_ASY_PD-X600_ROHS			
337	N/A	P3634-4640-00	FOOT-BUTTON_APD-X601_OCI/C0463_ROHS			
338	N/A	P3634-4640-99	FOOT-BUTTON_APD-X601_OCI/C0463_ROHS			
339	B-00004680	P3634-7400-00	THERMAL_PAD_TFLEX-640_APD-X601_00_ROHS			
340	N/A	P3635-0560-00	DMD_SHD_PD-S600_3M_ROHS			
341	N/A	P3636-7110-00	LAMP_E19-USHIO-205W-ASAHI_APD-X601_ROHS			
342	N/A	P3637-0000-00	MB_PCB_8L_FR4_T:1.6MM_REV:A_APD-X601_ROHS			
343	N/A	P3647-9001	USHIO-205W-BALLAST_ASY_APD-X601_ROHS -E19- 205W- tBALLAST_ASY_APD-X601_ROHS			
344	N/A	P3834-2050-00	LAMP_CAP-450G903_MPD-X611_0A_ROHS			
345	N/A	P4100-100	PD-S611_DLP_SVGA_BODY_1			
346	N/A	P4100-BO	PD-S611_DLP_SVGA_BODY			
347	N/A	P4143-1001	BOTTOM_ASY_PD-S611_ROHS			
348	N/A	P4143-1002	OPTICAL_ENGINE_ASY_PD-S611_ROHS			
349	N/A	P4143-1003	BALLAST_ASY_PD-S611_ROHS			
350	N/A	P4143-1004	POWER_ASY_PD-S611_ROHS			
351	N/A	P4143-1007	ENGINE_BODY_ASY_PD-S611_ROHS			
352	N/A	P4143-1014	USHIO_LAMP_MODULE_ASY_PD-S611_ROHS			
353	N/A	04039-R128-00	PKG_VIEWSONIC_VIEWSONIC_PJ402D-2_KIT_USA			
354	N/A	04039-R157-00	CD_ROM_VIEWSONIC_PJ402D-2_USA			
355	N/A	04039-R544-00	LB_NO_BRAND_NO_MODEL_FOR_HI_POT_PASS			
356	N/A	04238-R765-00	LB_NO_BRAND_NO_MODEL_FOR_OK_CERTIFICATION			
357	N/A	04238-R766-00	CARTON_PAD_NO_BRAND_NO_MODEL-P1639-690			
358	N/A	04238-R801-00	LB_NO_BRAND_04238-765			
359	N/A	P1238-504-VIE	SILICA_GEL_DESICCANT_NO_BRAND_50G-04039-128			
360	N/A	P1638-5007-00	CARTON_LB_VIEWSONIC_PJ402D-2_76.2MM*76.2MM			
361	N/A	P1638-5008-00	LABEL_BIRD_LOGO_PJ-X711_VIEWSONIC			
362	N/A	P1638-5010-00	QG_VIEWSONIC_PJ402D-2_GLOBAL			
363	N/A	P1638-5011-00	WARNING_LB_VIEWSONIC_PJ402D_FOR_MERCURY			
364	N/A	P1638-R501-01	LB_NO_BRAND_NO_MODEL_FOR_BATTERY_RECYCLE			
365	N/A	P1638-R502-00	CARTON_PAD_NO_BRAND_NO_MODEL-P1639-690			
366	N/A	P1639-R306-00	LB_NO_BRAND_04238-765			
367	N/A	P1639-R481-00	LB_NO_BRAND_04238-766			
368	N/A	P1639-R690-00	OUTER_CARTON_VIEWSONIC_PJ402D+ CHINA			
369	N/A	P4138-5002-00	CD_ROM_VIEWSONIC_PJ402D+ CHINA			
370	N/A	P4138-5003-00	CARTON_LB_VIEWSONIC_PJ402D-2_76.2MM*76.2MM			
371	N/A	P4138-5004-00	FCC_LB_VIEWSONIC_PJ402D+ CHINA			
372	N/A	P4138-5005-00	LB_NO_BRAND_NO_MODEL_FOR_HI_POT_PASS			
373	N/A	P4139-4002-00	POUCH_VIEWSONIC_PJ402D_BLACK-P1639-306-VIE			
374	N/A	P4139-4003-00	WY_VIEWSONIC_PJ402D_P1639-481-VIE			
375	P-00004844	P4139-6002-00	LB_NO_BRAND_NO_MODEL_WARNING-P1638-502			
376	N/A	P4139-6003-00	LB_NO_BRAND_NO_MODEL_WARNING-P1638-501A			
377	N/A	P4139-6004-00	CARTON_PAD_NO_BRAND_NO_MODEL-P1639-690			
378	N/A	P4139-A002-00	DLP_SVGA_PD-S600-04039-544_ROHS			
379	N/A	P4139-A003-00	LB_NO_BRAND_04238-765			
380	N/A	P4139-A004-00	LB_NO_BRAND_32*13MM-04238-801-ROHS			
381	N/A	-P4183-6002-00	HDPE_BAG_NO_BRAND_04039-157			
382	N/A	-P4183-6003-00	SILICA_GEL_DESICCANT_NO_BRAND_50G-04039-128			
383	N/A	-P4183-6004-00	LB_NO_BRAND_04238-766			
384	N/A	02547-1006-00	D-SUB_CABLE,L=1.8M_TTL,FOR_PJ-X900			
385	N/A	02547-1007-00	S-VIDEO_CABLE,L=1.8M_TTL,FOR_PJ-X900			
386	N/A	02547-100A-00	POWER_CORD_US_L=1.8M,TTL,FOR_PJ-X900			
387	N/A	02547-100G-00	POWER_CORD(EUR) #B_TTL,1.8M,PJ-X000			
388	N/A	02547-100H-00	POWER_CORE(ENG)TTL,1.8M,			
389	N/A	02547-1027-00	POWER_CORD(AUS),1.8M #B_YUNG-LI,PJ-X900			
390	N/A	02547-102A-00	YP03-YC12,YUNG-LI #B_POWER_CORD,CHINA			
391	N/A	02547-B060-00	RCA/Y_TO_RCA/Y_BLK,2M_CABLE,LIN_SHIUNG			
392	N/A	02547-B063-00	3.5ST,PHONE_PLUG-2RCA_2M,BLK,CABLE,LIN_SHIUNG			
393	N/A	04039-184-00	PE_BAG_298x190mm			
394	N/A	P1600-RC02	VIEWSONIC_VIEWSONIC_PJ-46D_REMOTE CONTROL_PD-S600_W/B_AAA_2PCS			
395	N/A	04739-0050-00	ALKALINE_BATTERY-AAA_MX2400_DURACELL_NOT CHARGE_1.5V_LEAD			
396	N/A	P1600-BM02-00	PREMOTE_CONTROL_PD-S600-BM02			
397	N/A	82143-4000-00	REMOTE_CONTROLLER_ASY#A			
398	N/A	01635-1490-00	S:1.7*4*A0.5_BL_HK*-			
399	N/A	83034-0000-00	LED_COVER_HK*-			
400	N/A	83034-001*2CF	BUTTON_17_COLOR_HK*-			
401	N/A	83034-0030-00	HOLDER_HK*-			
402	N/A	83034-420-99	FRONT_COVER_HK*-			
403	N/A	83034-420*00	FRONT_COVER_COLOR_HK*-			
404	N/A	83034-440-0AT	BACK_COVER_HK*-			
405	N/A	83034-440*00	BACK_COVER_HK*-			
406	N/A	83034-460-0AT	BATTERY_COVER_HK*-			
407	N/A	83034-460*00	BATTERY_COVER_COLOR_HK*-			
408	N/A	83035-3000-00	BATTERY_SPRING(ANODE) HK			

Item	ViewSonic P/N	Ref. P/N	Description	Location	Universal number#	Q'ty
409	N/A	83035-3010-00	BATTERY SPRING(MINUS)HK*.			
410	N/A	83035-3020-00	BATTERY SPRING(MINUS)HK*.			
411	N/A	83047-5100--00	REMOTE ELECTROM,DIP,ASY			
412	N/A	83047-3000-00	REMOTE ELECTROM,SMT,ASY			
413	N/A	02037-2200-00	RLS4148N #LL-34 IP*A DIODE 7EE162>A			
414	N/A	02037-BA70-00	PT2221#SOP-20 INFRARED TR.PTC			
415	N/A	02137-8370-00	R,1.5%,1/16W,0603 HK*- RESISTOR			
416	N/A	02237-2GR0-00	C,200PJ/50V,NP0,0603 T0.9MM C-CAP			
417	N/A	02437-D400-00	SW,SOP-112HST MITSUMI			
418	N/A	83037-5000-00	REMOTE PCB,1 LAYER PCBC			
419	N/A	02011-0044-00	TR NPN SST3 SST2222AT116 ROHM ROHS			
420	N/A	02153-0104-00	CHIP RESISTOR,100K,5%,1/10W,0603,ROHS			
421	N/A	02037-C920-00	SIR-563ST3F INFRARED DIODES,ROHM			
422	N/A	02037-D400-00	LASER,B.6@SIZE,EL-501 LASER,E-LASER ENTERPISE			
423	N/A	02237-0280-00	100UF/6.3V 5D*7L HK*- ELECTROLYTIC CAPACITOR			
424	N/A	02437-F910-00	OSC,CRCR-455KHZ,0.2% ZTB,CVIC-DAWN			
425	N/A	18938-9120-00	AW VIEWSONIC VIEWSONIC PJ402D PMS423C USA			
426	N/A	18983-6018-00	PKG VIEWSONIC VIEWSONIC PJ402D KIT USA			
427	N/A	82138-360-00	N/P VIEWSONIC PJ402D			
428	N/A	83038-5020-00	LB,NB LASER NOTICE TS*.			

Chapter 10

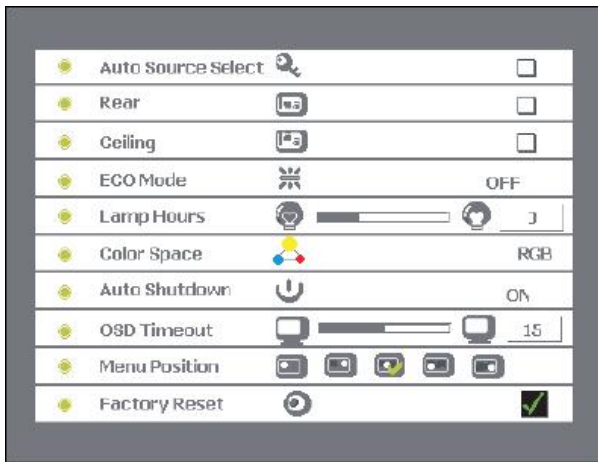
Appendix

How to reset the lamp hours of PJ402D-2:

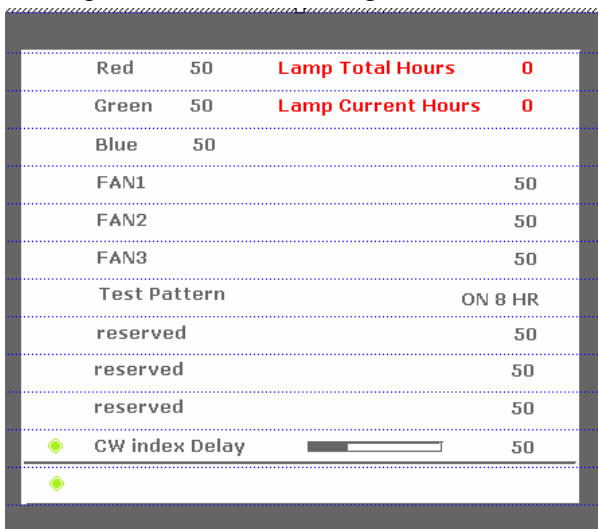
1. Enter the engineering mode.
 - (1) Press “Menu” button to open the OSD menu.
 - (2) Move the color bar to “Advanced” item.



- (3) Move down the color bar to “Auto Source Select” item



- (4) Press the direction keypad following the actions below:
 Right once, left twice, right three times, left four times



2. Move the color bar to “Lamp Total Hours”.
3. Press “Menu” button.
4. Then the lamp hours would be reset to zero.

** Reader's Response **

Dear Readers:

Thank you in advance for your feedback on our Service Manual, which allows continuous improvement of our products. We would appreciate your completion of the Assessment Matrix below, for return to ViewSonic Corporation.

Assessment

A. What do you think about the content of this Service Manual?

<i>Unit</i>	<i>Excellent</i>	<i>Good</i>	<i>Fair</i>	<i>Bad</i>
1. Precautions and Safety Notices				
2. System Introduction				
3. Firmware Update				
4. Machine Dissassembly and Replacement				
5. Trouble shooting				
6. Connector Information				
7. FRU(Field Replaceable Unit) List				
8. Basic Circuit Diagrams				
9. Recommended Spare Parts List				
10. Appendix				

B. Are you satisfied with this Service Manual?

<i>Item</i>	<i>Excellent</i>	<i>Good</i>	<i>Fair</i>	<i>Bad</i>
1. Service Manual Content				
2. Service Manual Layout				
3. The form and listing				

C. Do you have any other opinions or suggestions regarding this service manual?

Reader's basic data:

Name:		Title:	
Company:			
Add:			
Tel:		Fax:	
E-mail:			

After completing this form, please return it to ViewSonic Quality Assurance in the USA at facsimile 1-909-839-7943. You may also e-mail any suggestions to the Director, Quality Systems & Processes (marc.maupin@viewsonic.com)