



Register your new Bosch now:
www.bosch-home.com/welcome



KAD90..
KAG90..



BOSCH

دليل الاستعمال
والتركيب

en Instructions for use and
installation

en Table of contents

Safety and warning information	3
Directions for disposal	4
Specifications supplied	4
Installing the appliance	4
Installation dimensions	6
Door opening angle	6
Connecting the appliance	7
Fitting the doors	10
Getting to know the appliance	11
Switching on the appliance	13
Setting the temperature	13
Fast cooling function	13
Fast freezing function	14
Button lock (childproof lock)	14
Alarm functions	14
Temperature units	15
Energy-saving mode	15
Water filter symbol	15
Usable capacity	16
Fridge compartment	16
Cold storage container	16
Freezer compartment	17
Max. freezing capacity	17
Freezing and storing	17
Freezing fresh food	17
Defrosting frozen food	18
Ice and water dispenser	18
Water filter	20
Performance Data Sheet	22
Fittings	23
Switching off and shutting down the appliance	24
Defrosting	24
Cleaning the appliance	25
Smells	25
Lighting (LED)	25
Saving energy	26
Operation noises	26
Rectifying minor faults yourself	27
After-sales Service	28

Safety and warning information

Before you put the appliance into operation

Carefully read through the instructions for use and assembly instructions. They contain important information on setting up, using and maintaining the appliance.

The manufacturer is not liable for any damage caused by failure to follow the guidance and warnings contained in the instructions for use. Retain all documents for later use or for subsequent owners.

Technical safety

The appliance contains a small quantity of the environmentally-friendly, though flammable, refrigerant R600a. Make sure that the pipes of the refrigerant circuit are not damaged during transport or installation. If refrigerant squirts out, it may cause eye injuries or ignite.

In the event of damage:

- Keep naked flames or sources of ignition away from the appliance,
- Ventilate the room well for a few minutes,
- Switch off the appliance and unplug it from the mains,
- Inform After-sales Service.

The more refrigerant an appliance contains, the larger the room must be in which it stands. If there is a leak and the room is too small, a flammable gas-air mixture may form.

The room must be at least 1 m³ in size for each 8 g of refrigerant. The quantity of refrigerant in your appliance is stated on the rating plate inside the appliance.

If the mains power lead of this appliance is damaged, it must be replaced by the manufacturer, After-sales Service or an equally qualified person. Incorrect installation or repairs may result in significant risks to the user.

Repairs may only be carried out by the manufacturer, After-sales Service or an equally qualified person.

Only genuine replacement parts from the manufacturer may be used. Only such parts are guaranteed by the manufacturer to meet the safety requirements.

Any mains power lead extension may only be obtained from After-sales Service.

During use

- Never use electrical appliances inside the appliance (e.g. heaters, electric ice-makers). Risk of explosion!
- Never defrost or clean the appliance with a steam-cleaning device. The steam may come into contact with electrical components and cause a short circuit. Risk of electric shock!
- Do not use pointed or sharp objects to remove layers of ice and frost! You could damage the refrigerant pipes. If refrigerant shoots out, it may ignite or cause eye injuries.

- Do not store products with flammable propellant gases (e.g. spray cans) or explosive substances inside the appliance. Risk of explosion!
- Do not use the base, rails, doors, etc. as a step or support.
- For defrosting and cleaning, unplug the appliance from the mains or switch off the circuit-breaker. When unplugging the mains plug, always take hold of the plug itself, never pull on the connecting lead.
- High-proof alcohol must always be tightly sealed and stored in an upright position.
- Do not contaminate plastic parts or door seals with oil or grease. Plastic parts and door seals will otherwise become porous.
- Never cover or block ventilation openings for the appliance.
- This appliance may only be used by persons (including children) with impaired physical, sensory, or mental abilities or insufficient knowledge of the appliance if they are supervised by a person responsible for their safety or have been instructed by such a person on how to use the appliance.
- Do not store liquids in bottles or tins in the freezer compartment (in particular carbonated drinks). Bottles and tins may burst.
- Never eat frozen foods immediately after they have been taken out of the freezer compartment. Risk of freezer burn!
- Avoid prolonged hand contact with frozen foods, ice, and the evaporator tubes, etc. Risk of freezer burn!

Avoiding risks to children and other at-risk persons

Persons at risk are:

- Children
- Persons whose powers of perception are physically or psychologically limited
- Persons who do not have sufficient knowledge about how to use the appliance safely.

Action required:

- Make sure that children and other at-risk persons have understood the dangers.
- A person responsible for safety must supervise or instruct children and other at-risk persons when they are using the appliance.
- Do not allow children under 8 years old to use the appliance.
- Supervise children when cleaning and servicing.
- Never let children play with the appliance.

General requirements

The appliance is suitable for the following tasks:

- Chilling and freezing food,
- Making ice cubes.

This appliance is intended for use up to a maximum height of 2000 metres above sea level.

This appliance is intended for domestic use in private households and for a domestic environment.

The appliance is fitted with interference suppression in accordance with EU Directive 2004/108/EC.

The refrigeration circuit has been checked for leak tightness.

This product complies with the applicable safety requirements for electrical appliances (EN 60335-2-24).

Directions for disposal

Disposing of packaging.

The packaging protects your appliance from damage during transport. All the materials used are environmentally friendly and can be recycled. Please help by disposing of the packaging in an environmentally responsible manner.

Information about the available disposal methods and sites can be obtained from your appliance retailer or your local authority.

Disposing of your old appliance

Used appliances are not valueless waste. Valuable raw materials can be recovered through environmentally responsible disposal.



This appliance is labelled in accordance with European Directive 2012/19/EU concerning used electrical and electronic appliances (waste electrical and electronic equipment - WEEE).

The Directive determines the framework for the return and recycling of used appliances as applicable throughout the EU.

Warning

Appliances at the end of their useful life:

1. Unplug the mains plug.
2. Cut the power cord and remove it along with the mains plug.
3. Do not remove the shelves and containers. Leaving them intact makes it more difficult for children to climb in.
4. Never let children play with a disused appliance.
Risk of asphyxiation!

Refrigerators contain refrigerant as well as gases in the insulation material. Refrigerant and gases must be disposed of properly. Do not damage the refrigerant circuit pipes before disposing of them properly.

Specifications supplied

After unpacking the appliance, check all parts for transport damage.

If you find any defects, contact the retailer from whom you purchased the appliance or our After-sales Service.

The appliance supplied consists of the following components:

- Free-standing appliance
- Features (vary depending on the model)
- Bag of assembly materials
- Instructions for use and installation
- Service record
- Guarantee slip
- Information on energy consumption and noise

Installing the appliance

Transport

The appliance is heavy and must be securely fixed when being transported and installed.

Because of the weight and size of the appliance, and in order to minimise the risk of personal injury or damage to the appliance, at least two persons are required for moving and positioning the appliance safely.

The castors are provided for installation purposes only. Do not use the castors for transporting the appliance.

Do not move the appliance over uneven or soft ground on its castors.

Installation site

The ideal installation site is a dry, well ventilated room. The appliance should not be installed in a position that is exposed to direct sunlight or close to a source of heat, such as a cooker or radiator. If installation near to a source of heat is unavoidable, use a suitable insulating panel or keep to the following minimum distances from the source of heat:

- 3 cm from an electric or gas cooker.
- 30 cm from oil or solid fuel cookers.

Floor surface

The floor at the installation site must not give. Reinforce the floor if necessary.

The appliance is very heavy. The weight when empty is detailed in the table below.

Version with ice and water dispenser	107 kg
Version with ice and water dispenser and cold storage container	109 kg
Version with ice and water dispenser, cold storage container and mini-bar	111 kg

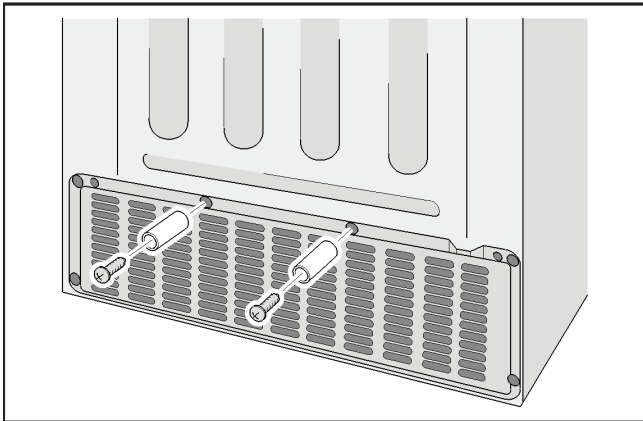
Wall clearance

If the appliance is positioned in the corner of a room or a recess, minimum clearances (see the section headed Installation dimensions) at the sides must be maintained so that the appliance doors can be fully opened.

If the depth of the adjacent kitchen fittings exceeds 65 cm, minimum clearances at the sides must be maintained so that the full opening width of the doors can be utilised (see section headed Door opening angle).

Minimum clearance at rear

Fix the spacers supplied to the holes provided on the rear of the appliance using the screws.



The spacers maintain the minimum clearance of 22 mm from the wall, thus providing adequate ventilation.

Observe the room temperature and ventilation requirements

Room temperature

The appliance is designed for a certain climate class. Depending on the climate class, the appliance can be operated at the following ambient temperatures.

The climate class is specified on the rating plate.

Climate class	Permissible room temperature
SN	+10 °C to 32 °C
N	+16 °C to 32 °C
ST	+16 °C to 38 °C
T	+16 °C to 43 °C

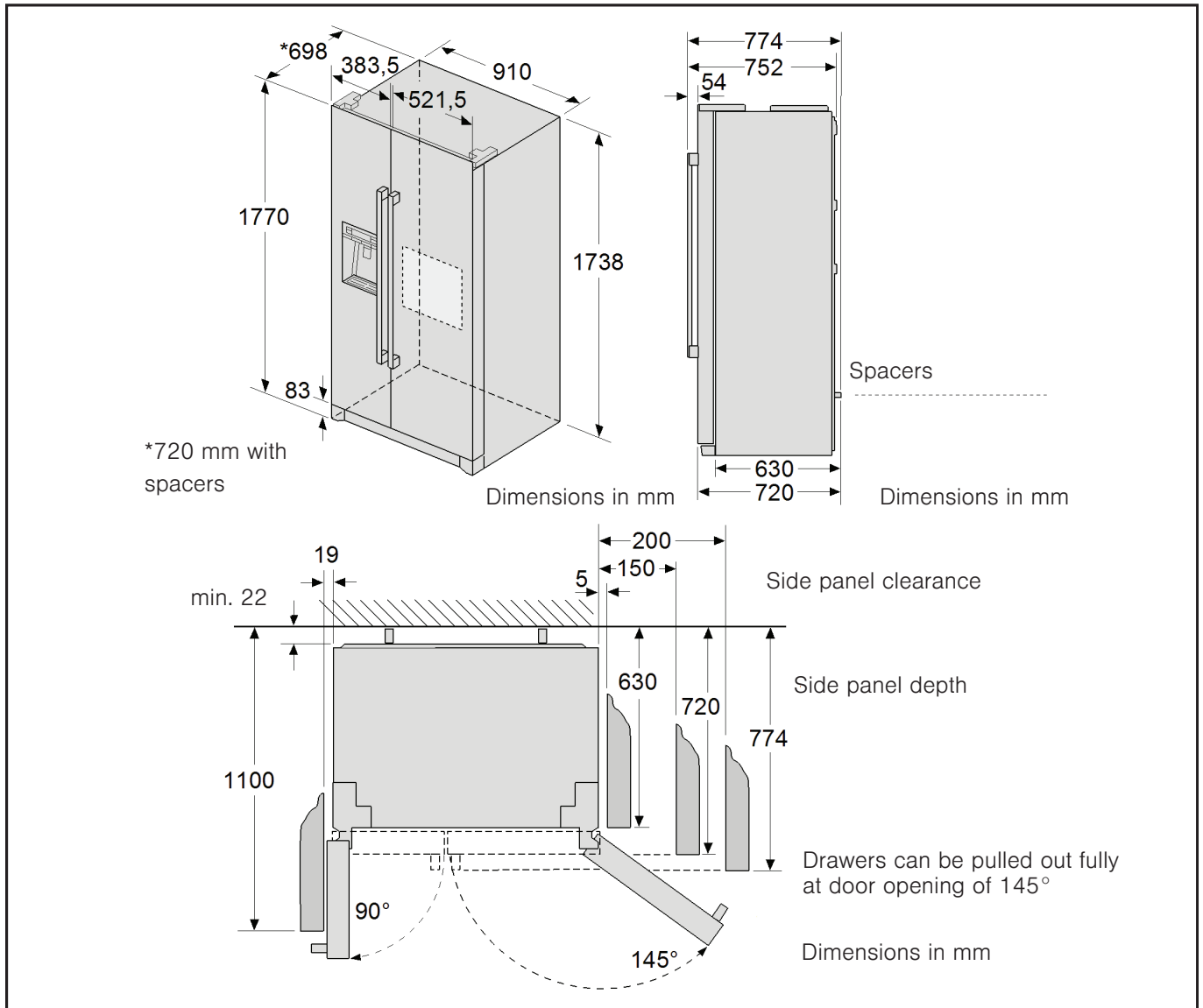
Note

The appliance is fully functional within the room temperature limits of the specified climate class. If an appliance in the SN climate class is operated at lower ambient temperatures, damage to the appliance can be excluded up to a temperature of +5 °C.

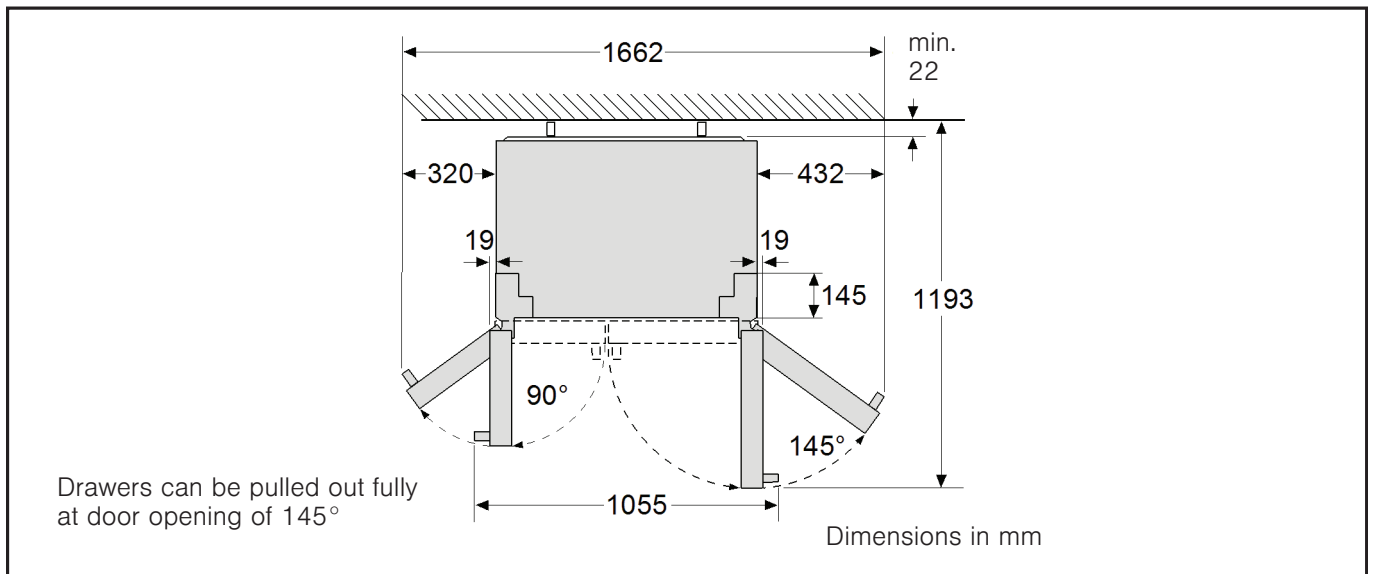
Ventilation

The heated air must be able to escape unimpeded. Otherwise, the refrigerating unit has to work harder, which increases the appliance's power consumption. Therefore, never cover over or block the air vent.

Installation dimensions



Door opening angle



Connecting the appliance

After setting up the appliance, wait for at least 1 hour before starting the appliance up. The oil contained in the compressor may have been displaced into the refrigeration system during transport.

Before starting the appliance up for the first time, clean its interior (see section "Cleaning the appliance").

It is imperative to connect the appliance to the water supply before establishing the electrical connections.

Do not remove the transit locks from the shelves and trays until the appliance has been installed.

Water connection

⚠ Warning

Risk of electric shock and damage to property.

Disconnect the appliance from the electricity mains before carrying out any work on the water connection.

The water connection must only be installed by a qualified plumber and in accordance with local legislation and regulations governing water quality.

A 3/4-inch water connection is required to connect the appliance.

Connect the appliance to a domestic water supply with the following specifications:

- Minimum pressure: 1.0 bar
- Maximum pressure: 8.0 bar

Contact a plumbing professional if you are uncertain how to check the current water pressure.

⚠ Caution

If the water pressure is more than 5.5 bar, a pressure-reducing valve must be fitted; otherwise there is a risk of water damage. If the water pressure is below 1.0 bar, the ice-maker will not function.

The water tap to which the connecting hose supplied is connected should be easily accessible.

The appliance may only be connected to a cold water pipe.

The taste and smell of the water can be improved by installing the filter cartridge supplied. If doing so, take note of the different connection specifications (see section headed Water filter).

Note

After the appliance has been switched on, water can drip from the water dispenser. After approx. 24 hours, when the appliance has reached its operating temperature, the dripping stops.

Connecting

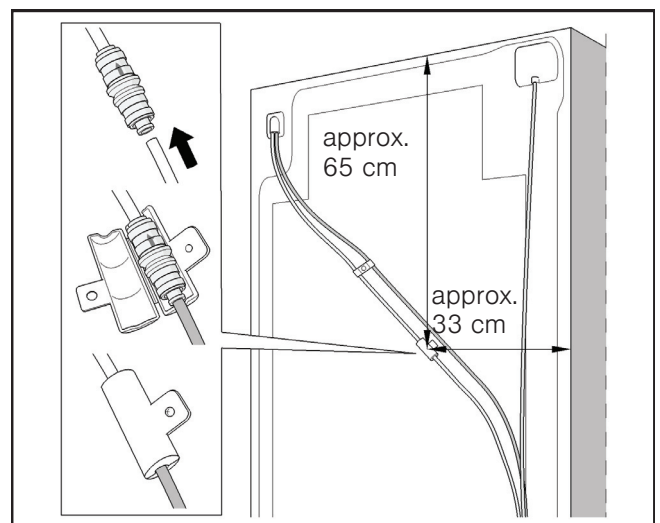
⚠ Caution

Risk of leaks and water damage.

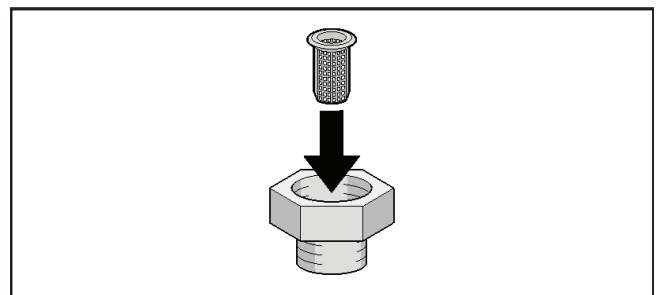
Observe the following points:

- Do not bend the connecting hose.
- Cut off the connecting hose evenly.
- Do not cut off the connection hose with pliers.
- Put the connection hose all the way onto the screw socket and the return stop valve.
- Tighten the screw socket by hand. Do not use pliers.
- Check the flow direction of the return stop valve. Arrows on the return stop valve indicate the flow direction.

1. Insert the connecting hose all the way into the return stop valve.



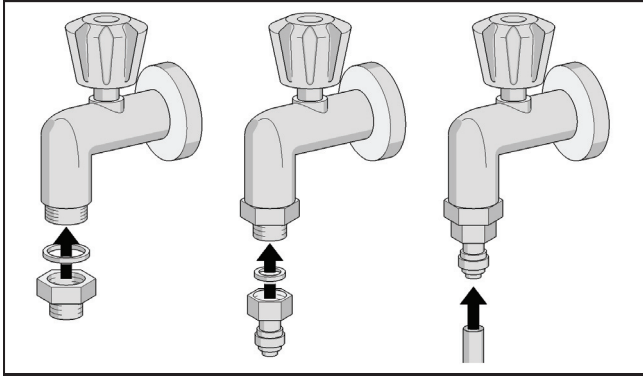
2. Close the sleeve at the return stop valve and fasten with a screw.
3. Insert the sieve into the reducing piece.



Note

Clean the sieve every year. If there are many particles in the water, clean the sieve more frequently.

4. Connect the screw socket to the water tap.



5. Insert the connecting hose all the way into the screw socket.

6. Loop or coil the connecting hose so that the appliance can be moved away from the wall.

The connecting hose can be attached to the wall with the enclosed clamp.

⚠ Caution

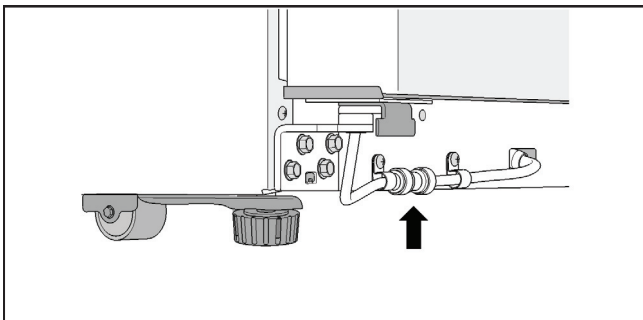
Never bore or screw into the appliance!

Checking the water connection for leaks

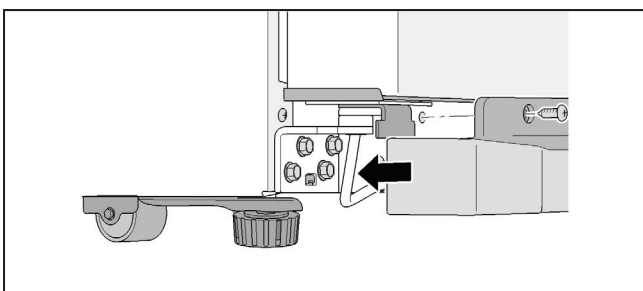
⚠ Warning

Risk of electric shock and damage to property.
Disconnect the appliance from the electricity mains before carrying out any work on the water connection.

1. Turn on the water tap and wait a moment for the water pipes in the appliance to fill with water.
2. Check the connecting hose and joints for leaks.
3. Open the appliance doors.
4. Unscrew the 3 screws holding the base panel and remove it.
5. Check the connections to the freezer compartment door for leaks.



6. Put the base panel back in place and secure it with the 3 screws.

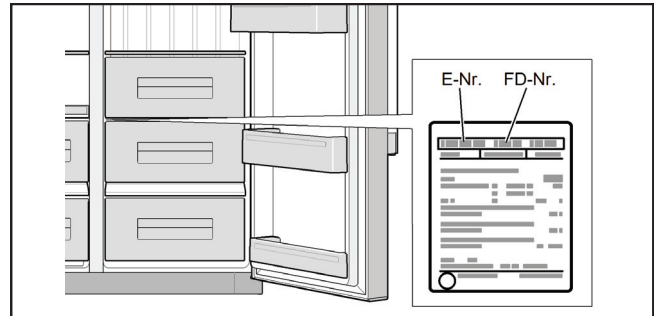


Electrical connection

The socket must be near to the appliance and easily accessible after the appliance has been installed.

The appliance conforms to protection class I. Connect the appliance to a 220-240 V/50 Hz alternating current supply using a socket with protective earthing conductor which has been correctly installed. The socket must be protected by a fuse with a rating of 10 A to 16 A.

In the case of appliances operated outside of Europe, check whether the voltage and type of current specified conform to the values of your electricity grid. You will find this information on the rating plate.



⚠ Warning

The appliance must never be connected up to an electronic energy-saving socket.

Sinusoidal-commutated and line-commutated inverters can be used with our appliances. Line-commutated inverters are used with photovoltaic systems that are connected directly to the national grid. Sinusoidal-commutated inverters must be used with standalone applications (e.g. on ships or mountain huts) that do not have a direct connection to the national grid.

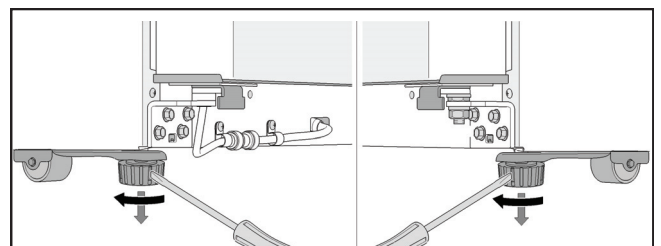
Levelling the appliance

Note

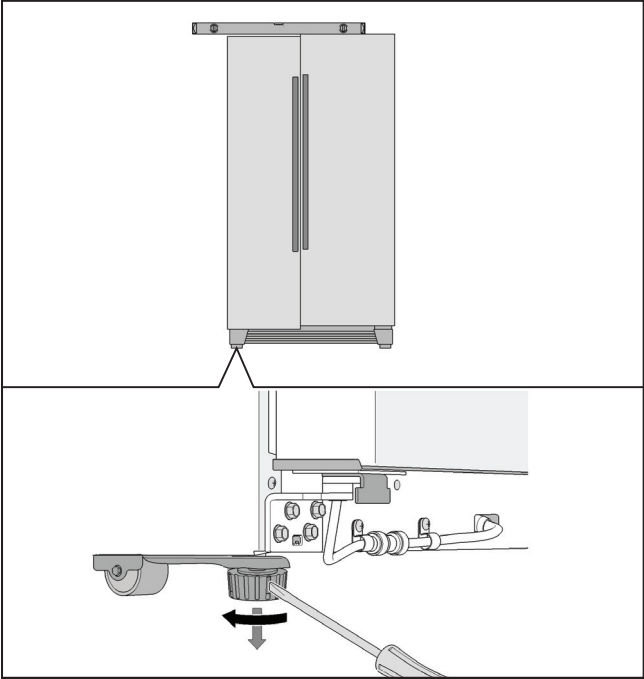
To ensure that it functions properly, the appliance must be set level using a spirit level.

If the appliance is not level, it could cause the water to run out of the ice-maker, produce unevenly sized ice cubes or prevent the doors closing properly.

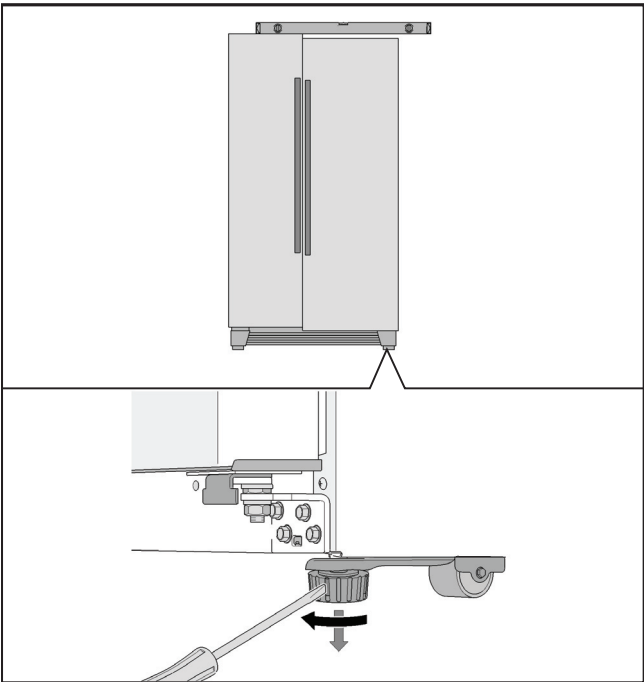
1. Move the appliance into its intended installation position.
2. So that the appliance cannot move, unscrew the two front feet until they are standing firmly on the floor.



- 3. Screw the feet in/out until the appliance is exactly level. Use the appliance doors as a reference point.
- 4. If the freezer compartment door is lower:

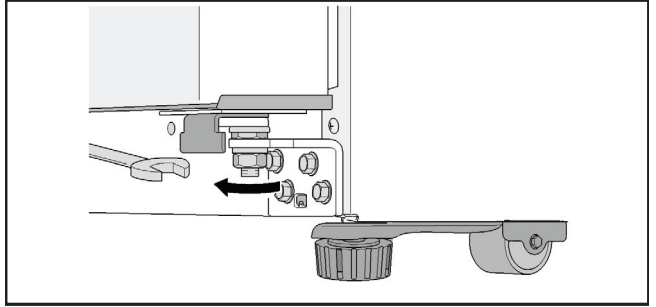


- 5. If the fridge compartment door is lower:

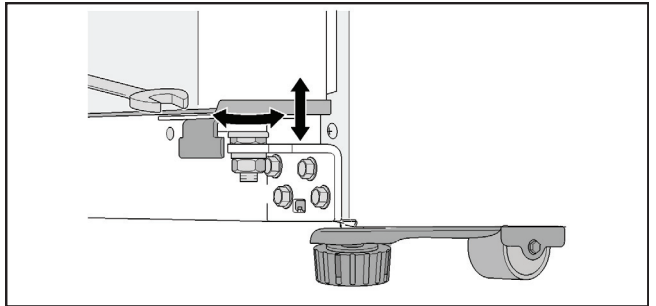


If the appliance is exactly level but one of the doors is lower than the other:

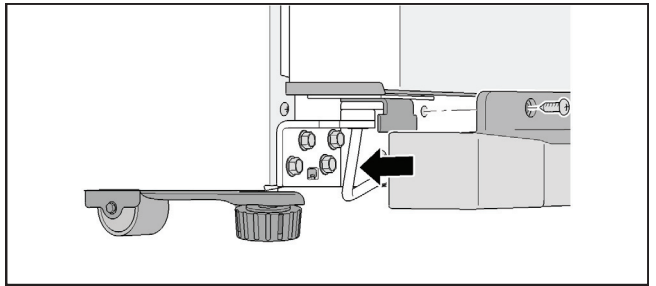
- 1. Open the appliance doors.
- 2. Unscrew the 3 screws holding the base panel and remove it.
- 3. Undo the nut.



- 4. Turn the adjusting nut until the appliance doors are aligned.

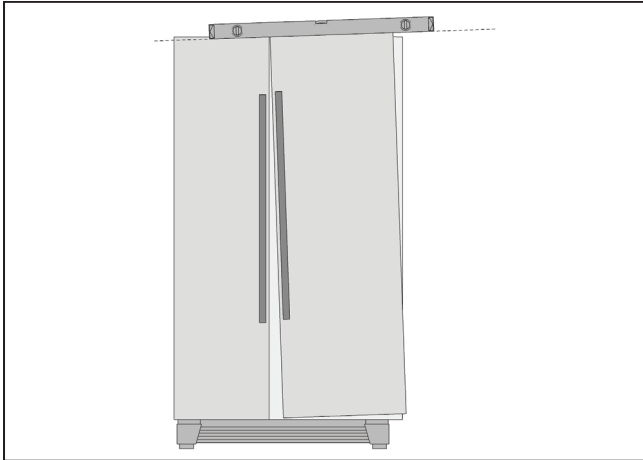


- 5. If the freezer compartment door is lower: Turn the adjusting nut anti-clockwise.
- 6. If the fridge compartment door is lower: Turn the adjusting nut clockwise.
- 7. Tighten the nut.
- 8. Put the base panel back in place and secure it with the 3 screws.

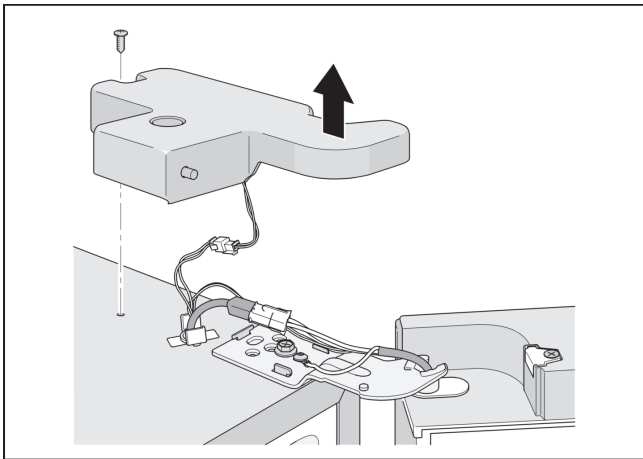


Note

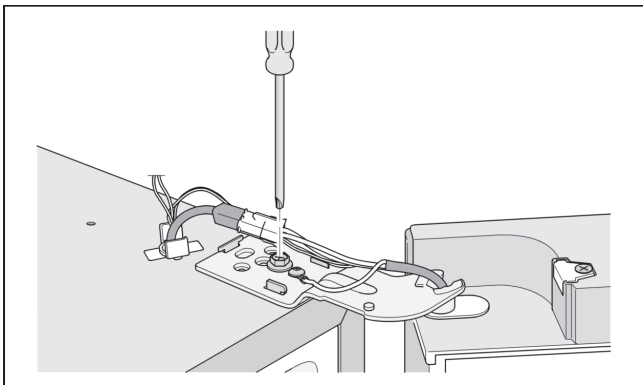
Due to its own weight or when the door is filled with foodstuffs, it is possible that the fridge compartment door leans even when the appliance is standing up vertically. The door gap at the top and at the bottom is not identical.



If the door gap at the top and at the bottom is not identical:



1. Unscrew 2 screws and remove the top hinged cover.



2. Slacken the hinge screw.
Do not unscrew the screw completely!
3. Adjust the fridge compartment door's vertical alignment.
4. Tighten the hinge screw.
5. Apply the hinged cover and fasten with 2 screws.

Fitting the doors

If the appliance is too big to fit through the doors of your home, the door handles or the appliance doors can be unscrewed.

Note

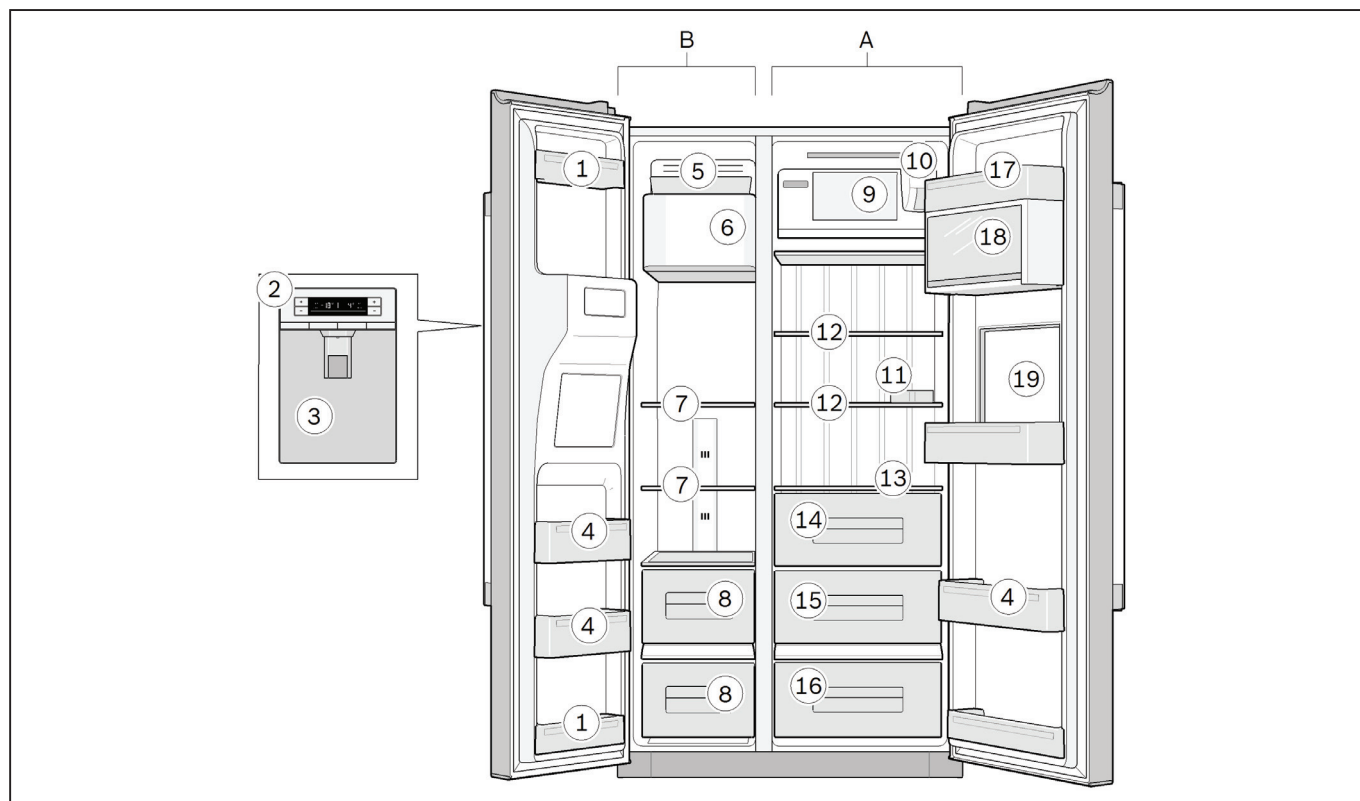
The door handles or the appliance doors may only be removed by an After-sales Service technician. Your local After-sales Service centre will advise you of the cost.

Getting to know the appliance

Appliance

The features of the models may vary.

The illustrations may differ from your particular model.



- A Fridge compartment
 B Freezer compartment (4 stars)

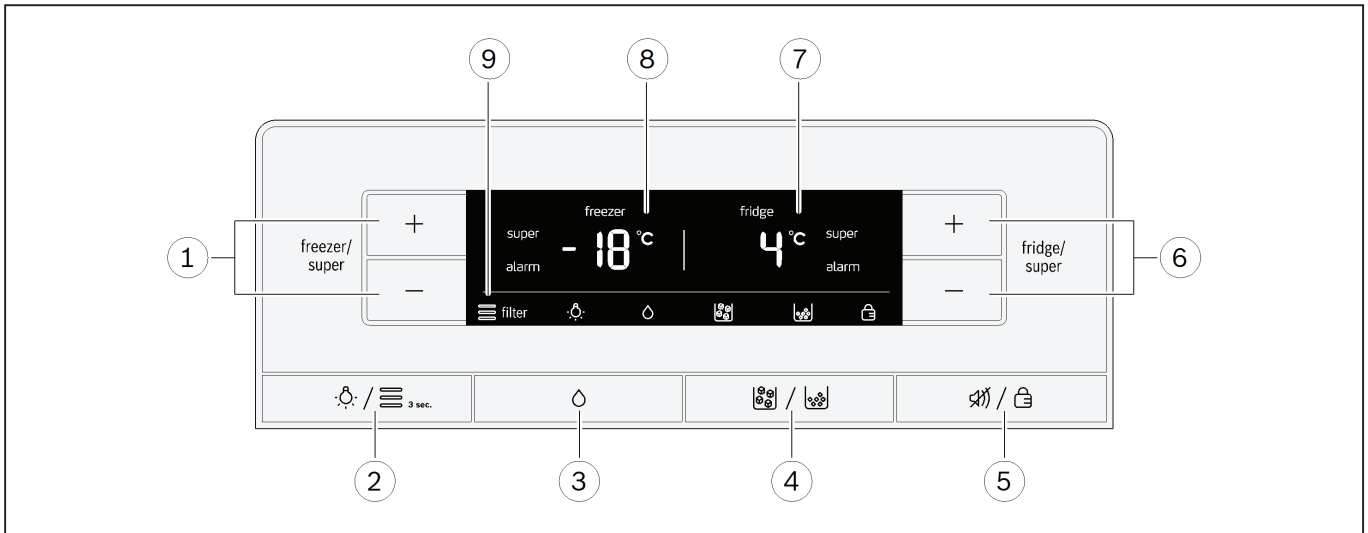
- 1 Door pockets (2-star compartment)

Note

Only the door pockets are rated as 2 stars, the rest of the freezer compartment is 4-star rated.







- 2 Operating controls
 3 Ice and water dispenser
 4 Door pockets
 5 Ice-cube tray
 6 Ice maker
 7 Freezer compartment glass shelves
 8 Freezer compartment drawers
 9 Shelf
 10 Water filter
 11 Egg tray
 12 Fridge compartment glass shelves
 13 Glass shelf
 14 Vegetable drawer
 15 Fruit drawer
 16 Cold storage container (not available on all models)
 17 Butter and cheese compartment
 18 Door pocket with lid
 19 Mini-bar (not available on all models)

Operating controls



- 1 **"freezer/super" buttons**
 - For setting the temperature in the freezer compartment.
 - For switching fast freezing function on and off.
- 2 **"Light/Filter" button**
 - Switches the light for the ice/water dispenser on or off.
 - Resets the filter indicator.
- 3 **"Water" button**
- 4 **"Ice cubes/Crushed ice" button**
- 5 **"Alarm off/Lock" button**
 - Switches off the display of the temperature alarm.
 - Switches the button lock (childproof lock) on or off.
- 6 **"fridge/super" buttons**
 - For setting the temperature in the fridge compartment.
 - For switching the fast cooling function on and off.

- 7 **Fridge compartment display panel**
 - Fridge compartment temperature.
 - "super" symbol shown when fast cooling function is active.
 - "alarm" symbol shown when fridge compartment alarm is active.
- 8 **Freezer compartment display panel**
 - Freezer compartment temperature.
 - "super" symbol shown when fast freezing function is active.
 - "alarm" symbol shown when freezer compartment alarm is active.

- 9 **Symbols on the display panel**
 -  **Water filter**
Condition of filter cartridge.
 -  **Lighting**
Ice and water dispenser light is switched on.
 -  **Water**
Water dispenser function is switched on.
 -  **Ice cubes**
Ice-cube dispenser function is switched on.
 -  **Crushed ice**
Crushed ice dispenser function is switched on.
 -  **Button lock (childproof lock)**
Button lock is switched on.

Switching on the appliance

Plug the mains plug into the mains outlet socket.
The appliance will start cooling.

When the appliance is switched on for the first time, the alarm function is deactivated until the appliance has reached the set temperature. If the appliance is switched off for an extended period, the temperature alarm may be triggered when it is first switched on again.

The temperatures flash and the display panels show the "alarm" symbol until the appliance has reached the set temperatures.

By pressing the "Alarm off/Lock" button the temperature warning is switched off.

The lights come on when the appliance doors are opened.

The following temperatures are recommended by the manufacturer and pre-set at the factory:

- Fridge compartment +4 °C
- Freezer compartment -18 °C

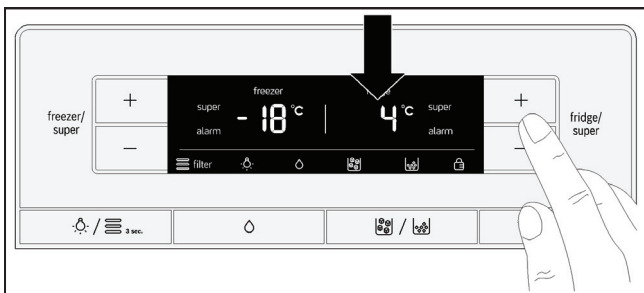
Notes on using the appliance

- After switching on the appliance, it may be several hours before the set temperatures are reached.
Do not put any food in the appliance before then.
- Thanks to the fully automatic NoFrost system, the freezer compartment remains free of ice. Defrosting is not required.
- Some of the casing end faces are slightly heated to prevent condensation forming in the door seal area.
- If you cannot open the freezer compartment door again immediately after closing it, wait a moment for the low pressure created to equalise.

Setting the temperature

Fridge compartment

The temperature can be set from +2 °C up to +8 °C.
Repeatedly press the "fridge/super +" or "fridge/super -" button until the desired fridge compartment temperature is set.

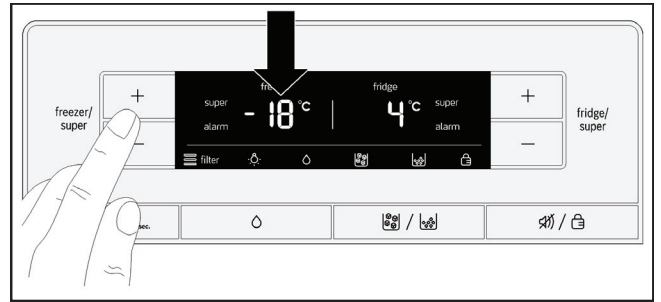


The temperature last set is saved. The set temperature is shown on the fridge compartment display panel.

Freezer compartment

The temperature can be set to between -16 °C and -22 °C.

Repeatedly press the "freezer/super +" or "freezer/super -" button until the desired freezer compartment temperature is set.



The temperature last set is saved. The set temperature is shown on the freezer compartment display panel.

Fast cooling function

The fast cooling function cools the fridge compartment to the coldest possible temperature for approximately 40 minutes. After that, the temperature setting automatically reverts to +4 °C.

Switch on fast cooling, for example

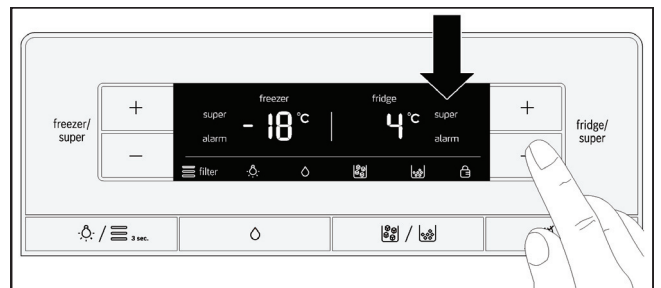
- before putting a large amount of food in the fridge compartment.
- to cool drinks quickly.

Note

When fast cooling is switched on, the appliance may make more noise.

Switching on

Press the "fridge/super -" button repeatedly until the fridge compartment display panel shows "super".



Switching off

Press the "fridge/super +" button.

Note

The display panel no longer shows "super". The temperature setting automatically reverts to +4 °C.

Fast freezing function

Food should be frozen thoroughly as quickly as possible. This ensures that vitamins, nutritional values, the look and the taste of the food is retained.

Switch on fast freezing a few hours before placing fresh food in the freezer in order to prevent a drop in temperature.

In general, 4 - 6 hours is sufficient.

When the function is switched on, the appliance operates continuously. As a result, a very cold temperature in the freezer compartment is achieved.

Fast freezing automatically switches off after about 48 hours.

If the maximum freezing capacity is to be used, fast freezing should be switched on 24 hours before placing the fresh food in the freezer.

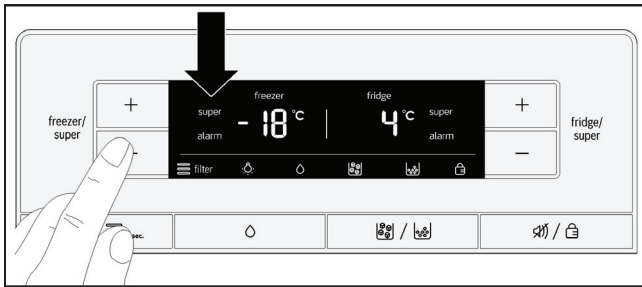
Small quantities of food for freezing (up to 2 kg) can be frozen without using the fast freezing function.

Note

When fast freezing is switched on, the appliance may make more noise.

Switching on

Press the "freezer/super -" button repeatedly until the freezer compartment display panel shows "super".



Switching off

Press the "freezer/super +" button.

Note

The display panel no longer shows "super". The temperature automatically switches back to the temperature set before the "Fast freezing" function was activated.

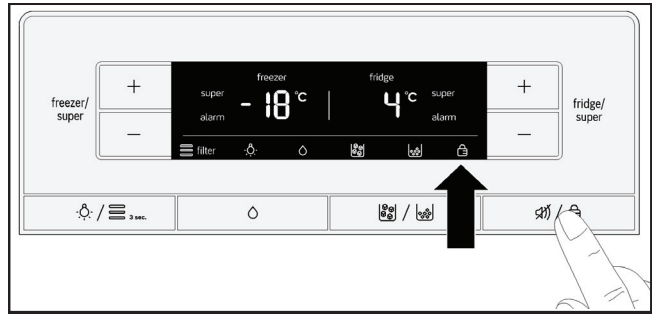
Button lock (childproof lock)

When the button lock is switched on, all buttons are locked.

When the button lock is switched on, the "Alarm off/Lock" button can be used to switch off the audible warning signal.

Switching on

Press the "Alarm off/Lock" button.



The display panel shows the "Button lock" symbol.

Switching off

Press and hold the "Alarm off/Lock" button for 3 seconds.

Alarm functions

Door alarm

The door alarm switches on if one of the appliance doors is open for longer than one minute. The warning sound repeats every 60 seconds for a period of 5 minutes. Closing the door switches off the warning sound.

The door alarm also switches on if the mini-bar is open for longer than one minute.

Temperature alarm

The display panel shows the temperature alarm if the fridge or freezer compartment becomes too warm and the food is at risk.

The relevant display panel shows the highest temperature and "alarm".

Fridge compartment

If the temperature in the fridge compartment has become too high, before eating any food that has got warm, make sure you heat it through properly. In no doubt, do not use raw food.

Freezer compartment

Do not refreeze defrosted food. It can only be refrozen after it has been made into a ready-to-eat meal (cooked or roasted).

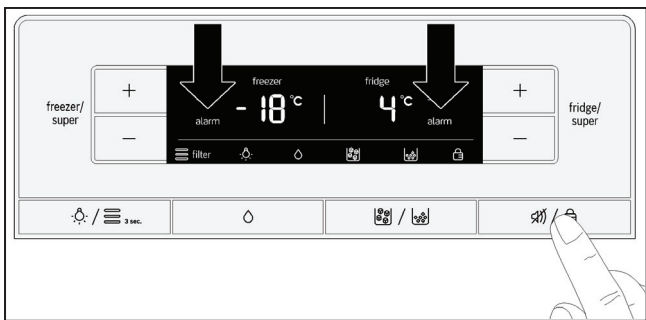
Do not then leave the food in the freezer for the maximum storage period.

Without any risk to the frozen food, the alarm may be triggered:

- when the appliance is first used.
- when putting large quantities of fresh food in the freezer.
- if the freezer compartment door is left open for too long.

Switching off the alarm

Press the "Alarm off/Lock" button.



Note

As soon as the set temperature is reached again, the display stops showing "alarm".

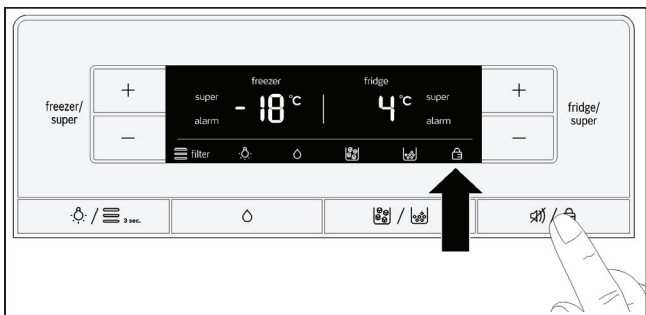
Temperature units

The temperature can be displayed in degrees Celsius (°C) or Fahrenheit (°F).

When the appliance is first switched on, the display panel shows the temperature in degrees Celsius (°C).

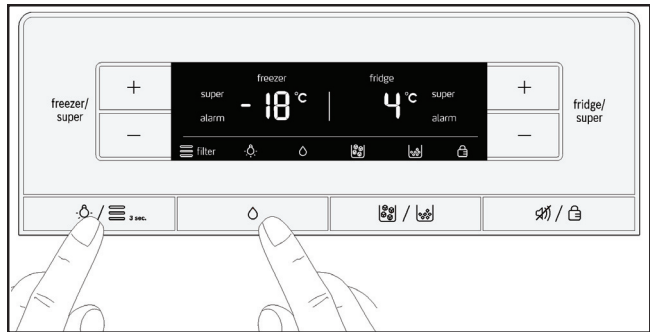
Setting

1. Press the "Alarm off/Lock" button.



The display panel shows the "Button lock" symbol.

2. Simultaneously press and hold the "Light/Filter" and "Water" buttons for 10 seconds.



The temperature units change.





Energy-saving mode

20 seconds after the doors are closed or the last button is pressed, the display panel switches to energy-saving mode. The display panel switches off and leaves only the words "freezer" and "fridge" and the symbol for the selected dispenser mode (water, ice cubes or crushed ice) dimly illuminated.

As soon as a door is opened or a button pressed, the display panel switches on and returns to the normal brightness.

Water filter symbol

This symbol indicates how long the filter cartridge can still be used.

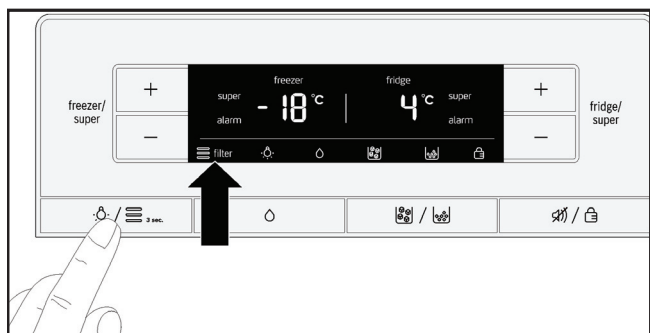
-  filter Up to six months
-  filter Up to four months
-  filter Up to two months
-  filter Up to 10 days:
the three bars of the symbol start flashing.
Change the filter cartridge.

Note

If the appliance is switched off, the water filter indicator is reset.

After changing the filter cartridge, reset the water filter indicator as follows:

Press and hold the "Light/Filter" button for 3 seconds.



The symbol will then stop flashing.

Usable capacity

You will find the details of the usable capacity on the rating plate inside the appliance.

Using the entire freezing capacity

To accommodate the maximum quantity of frozen food, you can remove all of the fittings from inside the appliance. You can then stack the food directly on the shelves and the bottom of the freezer compartment.

How to remove and refit the fittings is described in the section headed Fittings.

Fridge compartment

The fridge compartment is the perfect place for keeping ready meals, bread and pastries, jams and preserves, condensed milk and hard cheeses.

When placing food in the fridge, follow these guidelines:

- Keep fresh, untouched food in the fridge. In that way it will keep longer and stay fresher.
- In the case of ready-made products and packaged foods and liquids, pay attention to the manufacturer's specified best-before or use-by date.
- In order to maintain flavour, colour and freshness, keep food well packed or covered over. That also prevents flavours from mixing and the plastic parts from becoming discoloured in the fridge compartment.
- Allow warm food and beverages to cool before putting them into the appliance.

Note

Keep food from coming into contact with the rear panel. Otherwise, the air circulation will be impaired.

Food or packaging could also become frozen to the rear panel.

Pay attention to the temperature zones in the fridge compartment

The air circulation produces different temperature zones in the fridge compartment:

- The coldest zones are close to the rear panel.
- The warmest zone is at the very top of the door.

Note

Keep items such as hard cheese and butter in the warmest zone. That will allow the cheese to continue developing its flavour and the butter will remain spreadable.

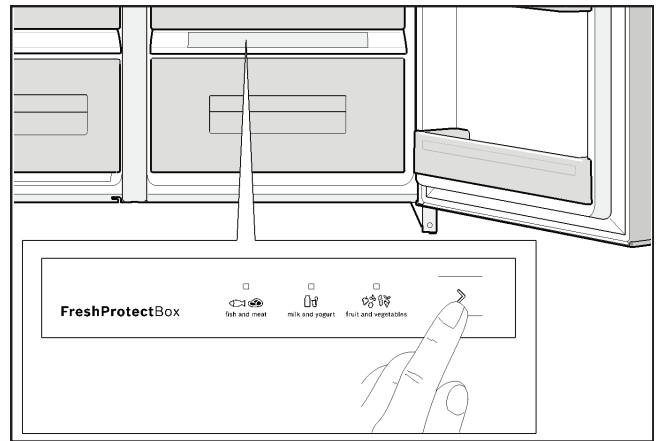
Cold storage container

Food can be kept in the cold storage container up to two times longer than in the normal fridge compartment – to keep it fresher for longer and retain its nutritional value and taste.

The temperature can be individually adjusted to suit the food placed inside. Setting the optimum temperature and air humidity ensures the ideal storage conditions for fresh food.

Setting the temperature

Using the selector button, select the type of food that is in the cold storage container.



The LED lights up to show the selection made.

The following foods are unsuitable for keeping in the cold storage container:

- Fruit and vegetables that are sensitive to the cold (e.g. pineapples, bananas, papaya and citrus fruits, aubergines, cucumbers, zucchini, peppers, tomatoes and potatoes) should be stored outside the refrigerator at temperatures between about +8 °C and +12 °C in order to keep their flavour and condition at their best.

The following foods are suitable for keeping in the cold storage container:

- Fish, seafood, meat, sausage and cold meats, dairy products, ready meals
- Vegetables (e.g. carrots, asparagus, celery, leeks, beetroot, mushrooms, cabbage, broccoli, cauliflower, sprouts, kohlrabi)
- Lettuce varieties (e.g. lamb's lettuce, iceberg, chicory, round lettuce)
- Herbs (e.g. dill, parsley, chives, basil)
- Fruit (varieties not sensitive to cold, e.g. apples, peaches, berries, grapes).

⚠ Caution

After power failure or disconnection of the appliance from the mains, the temperature of the cold storage container must be readjusted.

Storage times (at 0 °C)

Depending on initial quality	
Fresh fish, seafood meat	Up to 3 days
Poultry, meat (cooked)	Up to 5 days
Beef, pork, lamb, sausage and cold cuts	Up to 7 days
Smoked fish, broccoli	Up to 14 days
Lettuce, fennel, apricots, plums	Up to 21 days
Soft cheese, yoghurt, quark, buttermilk, cauliflower	Up to 30 days

Freezer compartment

Use the freezer compartment for the following:

- Storing deep frozen food.
- To make ice cubes.
- To freeze food.

Note

Make sure that the freezer compartment door is always closed. When the door is open, the frozen foods defrost and the freezer compartment ices up heavily. In addition: Energy is wasted due to the power consumption.

Note

The 2-star door pockets can be used to store ice and food at -12 °C for short periods.

The rest of the freezer compartment is 4-star rated.

Max. freezing capacity

You will find information on the maximum freezing capacity in 24 hours on the rating plate.

Conditions for use of max. freezing capacity

- Switch on the fast freezing function before placing the food in the freezer (see section headed Fast freezing).
- Remove the freezer compartment fittings.
- Stack the food directly on the shelves and the bottom of the freezer compartment.

Note

Do not cover over the ventilation slots in the rear panel with the food you are freezing.

- Preferably, large quantities of food for freezing should be placed in the top compartment. There it will freeze quickly and, therefore, without adversely affecting the food quality.

Freezing and storing

Purchasing frozen foods

- Packaging must not be damaged.
- Observe the best before date.
- The temperature in the commercial chest freezer must be -18 °C or colder.
- As far as possible, frozen food must be transported in an insulated container and quickly placed in the freezer compartment.

When arranging the food, note the following:

- Preferably, large quantities of food for freezing should be placed in the top compartment. There it will freeze quickly and, therefore, without adversely affecting the food quality.
- Spread the items out well in the compartments/trays.

Note

Food that is already frozen must not come into contact with the food that is to be freshly frozen. If necessary, move already frozen items to other freezer trays.

Storing frozen food

Push the freezer trays in as far as they will go so as to ensure perfect air circulation.

Freezing fresh food

Only use fresh, undamaged food for freezing.

In order to retain the nutritional value, aroma and colour of the food as much as possible, blanch vegetables before they are frozen.

Blanching is not required for aubergines, peppers, courgettes and asparagus.

You can find literature about freezing and blanching in bookshops.

Note

Do not allow food that is to be frozen to sit right next to food that has already been frozen.

- The following are suitable for freezing:
Baked goods, fish and seafood, meat, game, poultry, vegetables, fruit, herbs, eggs without their shells, dairy products such as cheese, butter and curd cheese, prepared dishes and leftovers such as soups, stews, cooked meat and fish, potato dishes, baked casseroles and sweet foods.
- The following are not suitable for freezing:
types of vegetable that are usually eaten raw, such as lettuces or radishes, eggs in their shells, grapes, whole apples, pears and peaches, hard-boiled eggs, yoghurt, curds, soured cream, crème fraîche and mayonnaise.

Packing frozen food

Pack food so that it is airtight to prevent it from losing its flavour or drying out.

1. Store food in its packaging.
2. Press out any air.
3. Close the packaging tightly.
4. Label packaging with its contents and date of freezing.

The following are suitable as packaging:

Plastic film, polyethylene hose film, aluminium foil, freezer bags.

You will find these products at your specialist dealer.

The following are not suitable as packaging:

Wrapping paper, greaseproof paper, cellophane, rubbish bags and used shopping bags.

The following are suitable for sealing packaging:

Rubber bands, plastic clips, pack-twines, cold-resistant scotch tape, or similar.

Polyethylene bags and hose film can be fused closed using a bag sealer.

Storage life of frozen foods

The storage life depends on the type of food.

At a temperature of -18 °C:

- Fish, sausages, prepared dishes, baked goods:
Up to 6 months.
- Cheese, poultry, meat:
Up to 8 months.
- Vegetables, fruit:
Up to 12 months.

Defrosting frozen food

You can choose between the following options, depending on the type of food and its intended use:

- at ambient temperature
- in the fridge
- in an electric oven, with/without hot air convection
- In the microwave oven.

Caution

Do not refreeze defrosted food. It can only be refrozen after it has been made into a ready-to-eat meal (cooked or roasted).

Do not continue to use the complete max. storage time for the frozen food.

Ice and water dispenser

Any of the following can be dispensed, as required:

- chilled water
- crushed ice
- ice cubes

Warning

Never reach into the ice cube dispenser spout.

There is a risk of injury.

Caution

Never place bottles or food in the ice cube container in an attempt to cool them quickly. You could block and/or damage the ice-maker.

Points to observe when switching on for the first time

The ice and water dispenser only functions when the appliance is connected to the water supply.

After the appliance is first switched on, it takes roughly 24 hours for the first portion of ice cubes to be produced.

When the water supply is first connected, there are still air bubbles in the pipes.

Draw off and throw away the drinking water until there are no longer any air bubbles in the water dispensed. Discard the first 5 glasses of water.

When the ice-cube maker is used for the first time, for hygiene reasons the first 30 - 40 ice cubes should not be used.

Notes on using the ice-maker

Once the freezer compartment has reached its freezing temperature, water is fed into the ice-maker and freezes into ice cubes inside. When ready, the ice cubes are automatically discharged into the ice-cube container.

After the appliance is first switched on, it takes roughly 24 hours for the first portion of ice cubes to be produced.

Sometimes, the ice cubes may stick together. They usually come apart of their own accord when fed to the dispenser spout.

When the ice-cube container is full, the ice-maker switches off automatically.

The ice-maker can make roughly 140 ice cubes in a period of 24 hours depending on the ambient temperature and the appliance setting.

When ice cubes are being made, the sound of the water valve humming, the water running into the ice tray and the ice cubes dropping into the container can be heard.

Observing the drinking water quality

All materials used to manufacture the water dispenser are odourless and tasteless.

If the water has an after-taste, this may be caused by the following:

- The mineral and chlorine content of the drinking water.
- The material that the household plumbing or water mains are made of.
- The freshness of the drinking water. If water has not been dispensed for a long period of time, the water may taste "stale". In such cases, draw off and throw away about 15 glasses of water.

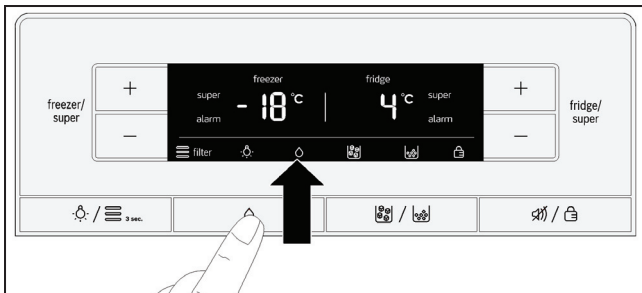
We recommend that you regularly draw off a certain amount of water from the water dispenser and do not switch the appliance off. This will maintain the best water quality.

Note

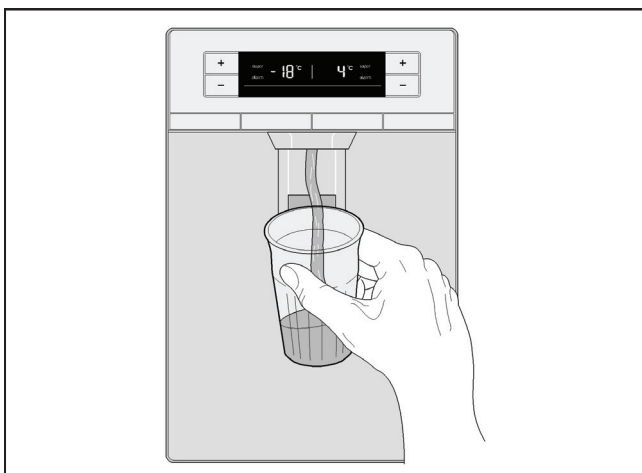
The water filter supplied only filters particles out of the water supply; it does not remove bacteria or microbes.

Dispensing water

1. Press the "Water" button. The display panel shows the "Water" symbol.



2. Press a glass against the dispenser lever until the glass is filled with the desired amount of water.



Tip

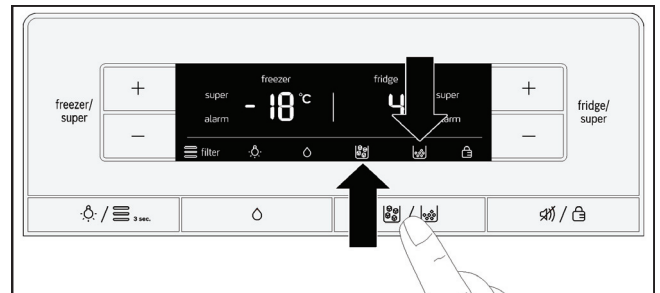
The water from the water dispenser is cooled to a pleasant temperature for drinking. If you prefer the water to be colder, dispense some ice cubes into the glass before drawing the water.

Dispensing ice

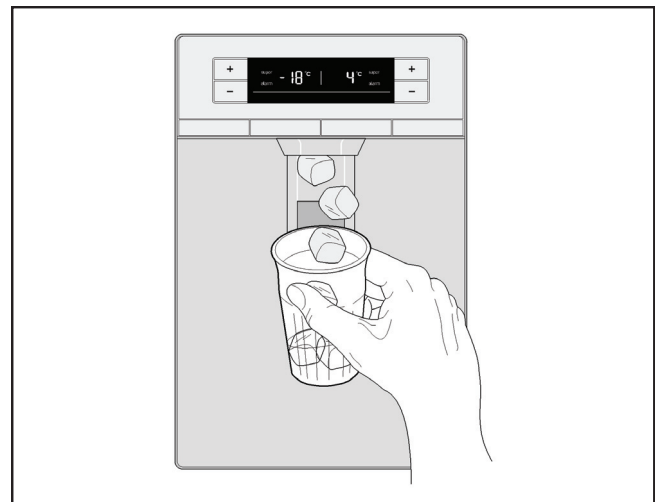
Only hold the container against the dispenser lever until the container is half full of ice. Otherwise, the ice in the ice-cube dispenser spout may cause the container to overflow or block the ice cube dispenser spout.

If crushed ice was dispensed before dispensing ice cubes, there may still be some crushed ice in the dispenser spout. It will come out together with the first few ice cubes.

1. Press the "Ice cubes/Crushed ice" button until the display shows the "Ice cubes" or "Crushed ice" symbol.



2. Press a suitable vessel against the dispenser lever until it is filled with the desired amount of ice.



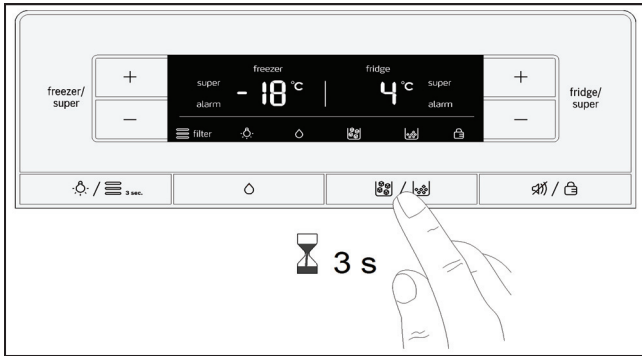
Switching off the ice-maker

Note

It is imperative to turn off the water supply to the appliance several hours before switching off the ice-maker.

If you do not expect to be using the ice-maker for longer than 1 week (e.g. when going on holiday), the ice-maker should be temporarily switched off to stop the ice cubes freezing together.

1. Press and hold the "Ice cubes/Crushed ice" button for 3 seconds.



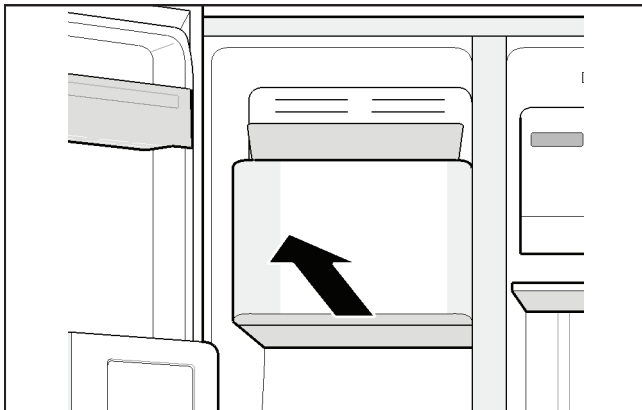
In the display, the symbols "Ice cubes", "Crushed ice" and "Lock" flash for approx. 3 seconds.

Then the water dispensing is switched on and the symbol "Water" lights up.

Note

When the "Ice cubes/Crushed ice" button is pressed, when the ice-maker is switched off, an alarm sounds and the symbols "Ice cubes", "Crushed ice" and "Lock" flash for approx. 3 seconds.

2. Pull out the ice-cube container.



3. Empty the ice-cube container and clean it.
4. Push the ice-cube container all the way back on the runners until it snaps into place.

Switching on the ice-maker

Press and hold the "Ice cubes/Crushed ice" button for 3 seconds.

An alarm sounds as soon as the ice-maker is switched on.

Water filter

Warning

In localities where the water quality is not ideal or not known, do not use the appliance without suitable means of disinfection on the inlet and outlet side of the filter.

Filter cartridges for the water filter can be obtained from After-sales Service.

Caution

- After fitting a new filter cartridge, always throw away the first 24 hours' worth of ice produced after switching on the ice-maker.
- If the ice has not been used for an extended period, throw away all the ice cubes in the ice-cube container as well as the ice produced over the next 24 hours.
- If the appliance has not been used or no ice has actually been dispensed for several weeks or months, or if the ice cubes have an unpleasant taste or smell, change the filter cartridge.
- Air trapped in the system can cause water to spurt out and eject the filter cartridge. Take care when removing it.
- The filter cartridge must be replaced at least every 6 months.

Important notes on the water filter

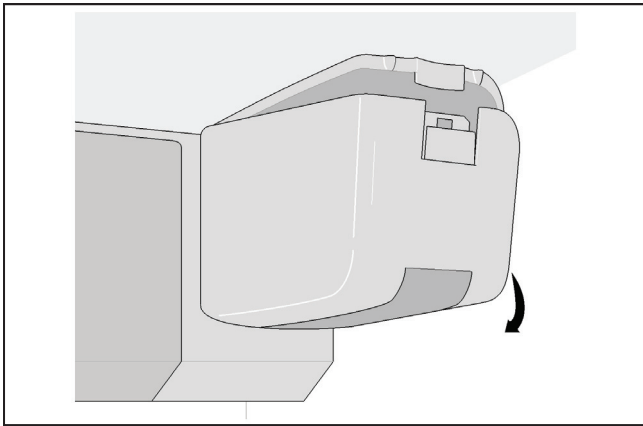
- After use, the water system is slightly under pressure. Take care when removing the filter cartridge.
- If the appliance has not been used for an extended period or the water has an unpleasant taste or smell, flush the water system through. To do so, draw water from the dispenser continuously for several minutes. If the unpleasant taste or smell persists, change the filter cartridge.

Changing the filter cartridge

After six months has elapsed, the water filter symbol starts flashing as a prompt to change the filter cartridge (see section headed Water filter symbol).

The filter cartridge must be replaced after six months at the latest.

1. **Caution!** Unplug the appliance from the mains or switch off the circuit-breaker.
2. Turn off the water supply to the appliance.
3. Press the button and remove the lid.

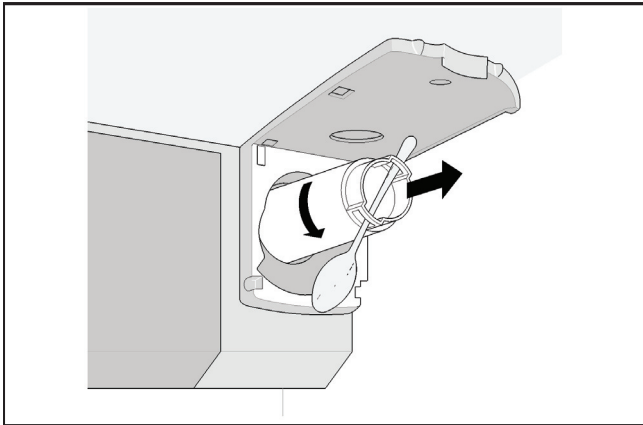


Note

Take care when removing the filter cartridge.

The water system is slightly under pressure after use.

4. Carefully turn the filter cartridge 90° anti-clockwise e.g. with a spoon and pull it out.

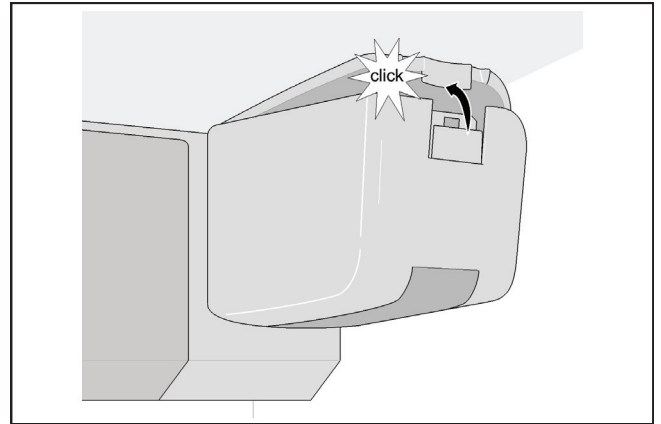


5. Take the new filter cartridge out of its packaging and remove the safety cap.
6. Insert the new filter cartridge and carefully turn it 90° clockwise as far as the stop e.g. with a spoon.

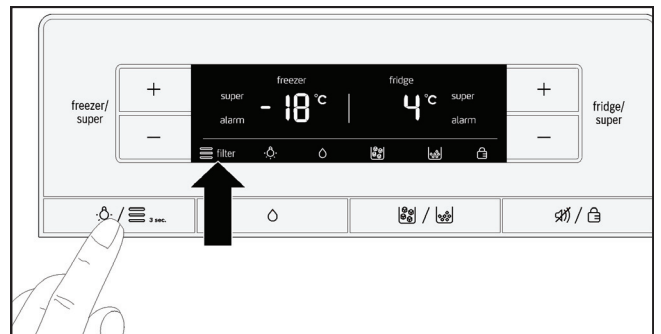
Note

The filter cartridge must be tightened by hand so that no leaks are created and that the appliance is correctly supplied with water.

7. Refit the lid and snap it into place.

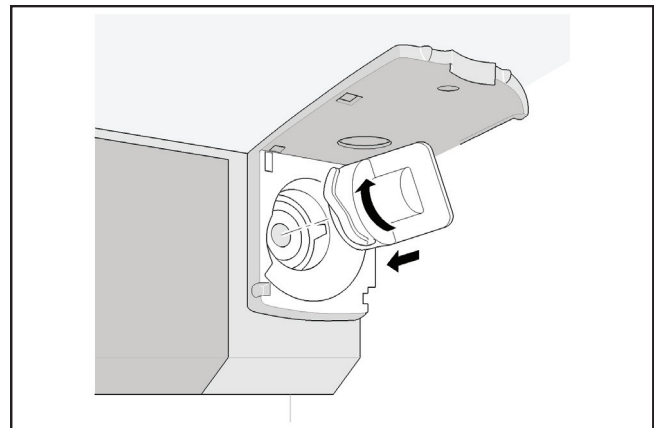


8. Turn on the water supply to the appliance.
9. Switch on the appliance.
10. Draw off several litres of water from the water dispenser. This will remove any air from the water system.
11. Pour the water out of the old filter cartridge. The filter cartridge can be disposed of together with the normal household waste.
12. Press and hold the "Light/Filter" button for 3 seconds. That resets the water filter indicator. The symbol will then stop flashing. The new filter has now been activated.



Note

The ice and water dispenser can also be used without a water filter. In that case, fit the cover cap.



Performance Data Sheet

Model 9000 7775078

Use Replacement Cartridge 9000 674655.

The concentration of the indicated substances in water entering the system was reduced to a concentration less than or equal to the permissible limit for water leaving the system as specified in NSF/ANSI Standard 42 and Standard 53.



System tested and certified by NSF International against NSF/ANSI Standard 42 and Standard 53 for the reduction of the claims specified on the Performance Data Sheet.

Capacity 739.68 Gallons (2800 Liters)

Contaminant Reduction Determined by NSF testing.

Contaminant Reduction	Average Influent	NSF specified Challenge Concentration	Avg % Reduction	Average Product Water Concentration	Max Permissible Product Water Concentration	NSF Reduction Requirements	NSF Test Report
Chlorine Taste and Odor	2,1 mg/l	2,0 mg/l ± 10 %	97,6 %	0,05 mg/l	N/A	≥ 50 %	J-00121313
Nominal Particulate Class I, ≥ 0,5 to < 1,0 µm	9.100.000 particles/ml	Mind. 10.000 particles/ml	98,8 %	111.817 particles/ml	N/A	≥ 85 %	J-00099871
Cyst*	170.00 cysts/l	Minimum 50.000 cysts/l	99,99 %	0,001 cyst/l	N/A	≥ 99,95 %	J-00109715
Turbidity	11 NTU	11 ± 1 NTU	98,1 %	< 1 NTU	0,5 NTU	≥ 95,5 %	J-00099885

* Based on the use of Cryptosporidium parvum oocysts

Application Guidelines/Water Supply Parameters	
Service Flow	0,75 gpm (2,83 lpm)
Water Supply	Potable Water
Water Pressure	30 - 120 psi (207 - 827 kPa)
Water Temperature	0,6 °C - 38 °C (33 °F - 100 °F)

It is essential that the manufacturer's recommended installation, maintenance and filter replacement requirements be carried out for the product to perform as advertised. See Installation Manual for Warranty information.

Note: While the testing was performed under standard laboratory conditions, actual performance may vary.

Replacement Cartridge: 9000 674655. For estimated costs of replacement elements please contact your local dealer or call 1-800-578-6890.

Warning

To reduce the risk associated with ingestion of contaminants:

- Do not use with water that is microbiologically unsafe or of unknown quality without adequate disinfection before and after the system. Systems certified for cyst reduction may be used on disinfected water that may contain filterable cysts.

EPA Establishment Number 10350-MN-005

3M is a trademark of 3M Company used under license.

NSF is a trademark of NSF International.

© 2013 3M Company. All rights reserved.

Caution

To reduce the risk associated with property damage due to water leakage:

- **Read and follow** Use Instructions before installation and use of this system.
- Installation and use **MUST** comply with all state and local plumbing codes.
- Do not install if water pressure exceeds 120 psi (827 kPa). If your water pressure exceeds 80 psi, you must install a pressure limiting valve. Contact a plumbing professional if you are uncertain how to check your water pressure.
- Do not install where water hammer conditions may occur. If water hammer conditions exist you must install a water hammer arrester. Contact a plumbing professional if you are uncertain how to check for this condition.
- Do not install on hot water supply lines. The maximum operating water temperature of this filter system is 100 °F (38 °C).
- Protect filter from freezing. Drain filter when temperatures drop below 33 °F (0.6 °C).
- The disposable filter cartridge must be replaced every 6 months, at the rated capacity or if a noticeable reduction in flow rate occurs.

Manufactured by:
 3M Purification Inc.
 400 Research Parkway
 Meriden, Ct 06450
 USA
 Tel. (800) 222-7880
 (203) 237-5541

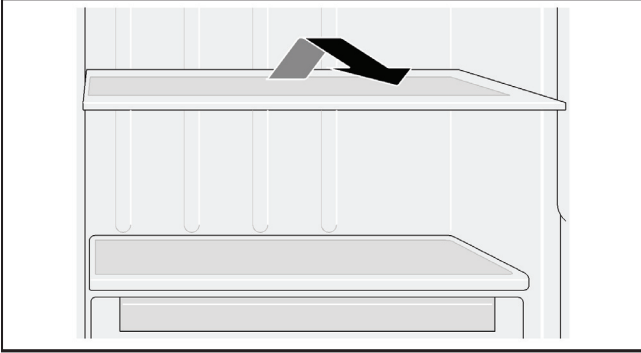
Fittings

Glass shelves

The glass shelves can be removed and fitted at different heights.

Removing

Lift the glass shelf at the back and pull it out.



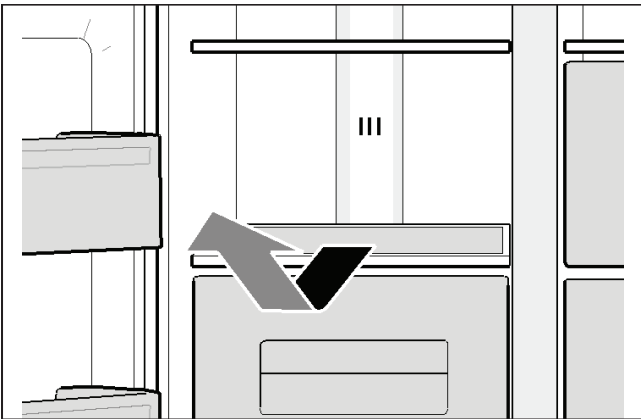
Inserting

Slide the glass shelf backwards on the guide rails until it snaps downwards into place.

Glass shelves over the drawers

The glass shelves can be removed.

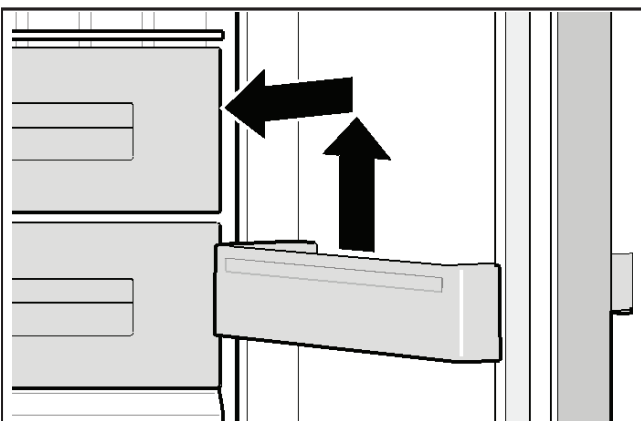
Pull the shelf out and lift it upwards to remove it.



Door pockets

The door pockets can be removed.

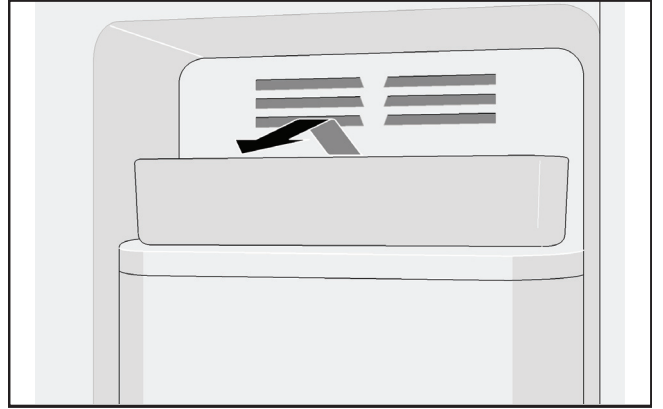
Pull the door pockets upwards to remove.



Ice-cube tray

The ice-cube tray is for keeping ice cubes in.

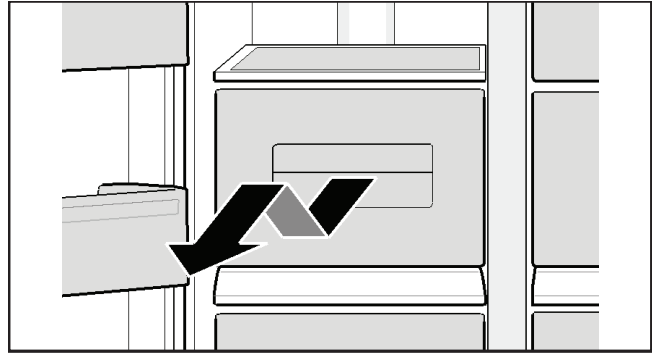
Lift the ice-cube tray slightly at the front and unhook it.



Drawers

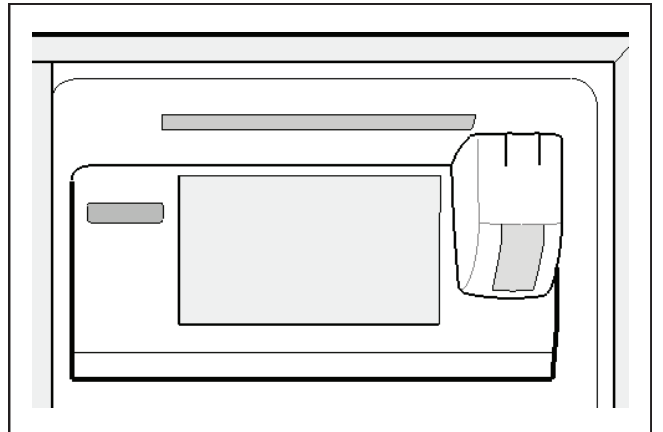
The drawers can be removed.

Pull the drawer out as far as the stop, lift it at the front and remove it completely.

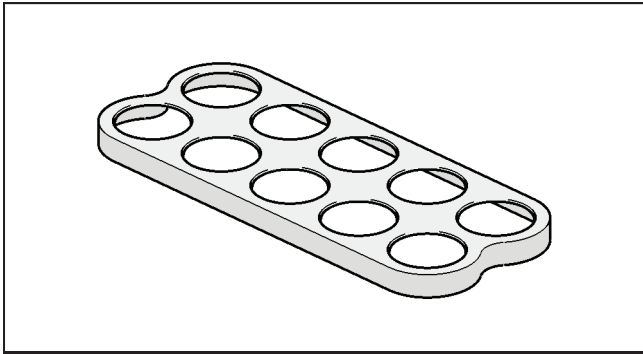


Shelf

For holding drinks cans.



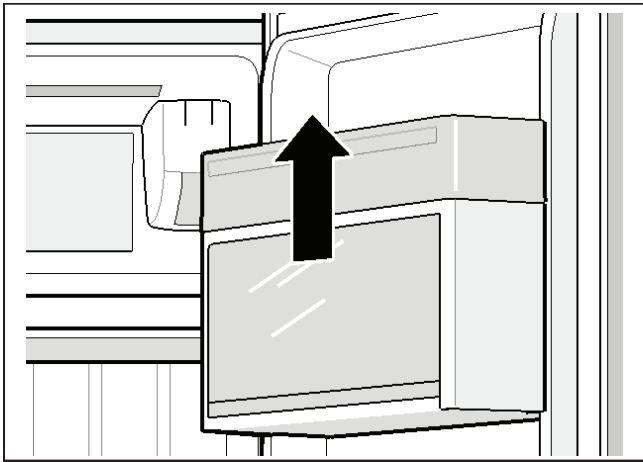
Egg tray



Door pocket with lid

This compartment can be removed.

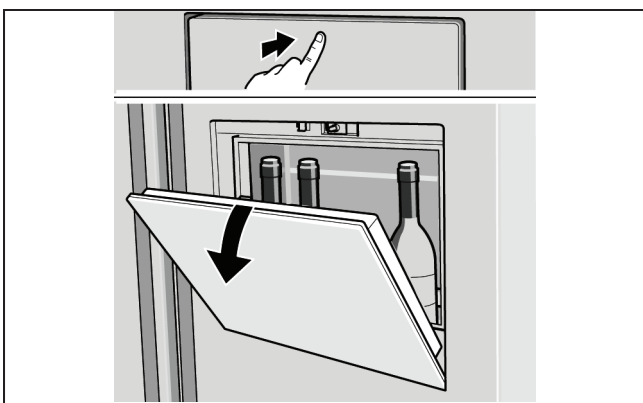
Pull the compartment upwards to remove.



Mini-bar (not available on all models)

This compartment is for quick access to drinks in the fridge compartment. When the compartment is opened, the lights switch on.

To open, carefully press the top of the mini-bar.



Switching off and shutting down the appliance

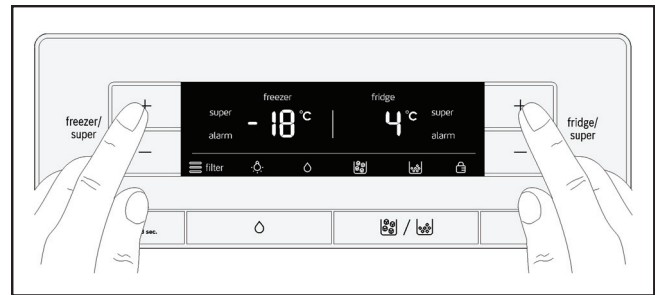
Switch off the appliance

Unplug the appliance from the mains or switch off the circuit-breaker.

The refrigeration system and lights switch off.

If the appliance is to be switched off but not unplugged (e.g. while you are on holiday):

Press and hold the "freezer/super +" and "fridge/super +" buttons for 5 seconds. When the appliance is off, the temperature displays will show "- -". The rest of the display panel is off.



Switching on the appliance:

Press and hold the "freezer/super +" and "fridge/super +" buttons for 5 seconds.

Putting the appliance out of service

If you do not use the appliance for long periods:

1. It is imperative to turn off the water supply to the appliance several hours before switching off the ice-maker.
2. Remove all food from the appliance.
3. Switch off the appliance.
4. Empty the ice-cube container and clean it.
5. Clean the appliance.
6. Leave the appliance doors open.

Defrosting

Fridge compartment

While the appliance is in use, drops of condensation or frost form on the back of the fridge compartment. As the rear panel defrosts automatically, it is not necessary to remove the frost or the condensation.

Freezer compartment

Thanks to the fully automatic NoFrost system, the freezer compartment remains free of ice. There is no longer any need to defrost it.

Cleaning the appliance

Caution

- Do not use gritty, acidic or chlorine-based cleaning agents or solvents.
- Do not use abrasive cleaning pads or sponges that may scratch surfaces. This may lead to corrosion of the metallic surfaces.
- Never clean the shelves or containers in the dishwasher. The parts may warp.

Proceed as follows:

1. Switch off the appliance before cleaning.
2. Unplug the appliance from the mains or switch off the circuit-breaker.
3. Take out the food and store it in a cool place. Place an ice block (if you have one) on the food.
4. Wait until the layer of frost has thawed out.
5. Clean the appliance with a soft cloth, lukewarm water, and a little pH-neutral washing-up liquid. The washing-up liquid solution must not be allowed to get into the lights or run into the evaporation tray through the drain hole.
6. Only wipe the door seal with clean water and then rub it until it is dry.
7. After cleaning, reconnect the appliance to the mains and switch it on.
8. Put the food back in.

Fittings

All the variable components of the appliance can be removed for cleaning (see section headed Fittings).

Ice-cube container

If no ice-cubes are dispensed for an extended period, the ice cubes in the container shrink, taste stale and stick together. Therefore, the ice-cube container should be cleaned regularly.

Caution

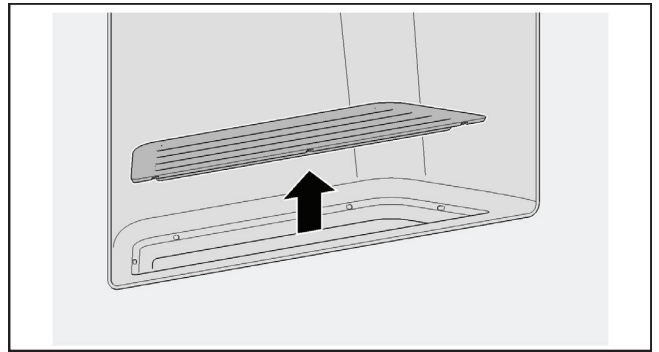
The ice-cube container is heavy when it is full.

1. Press and hold the "Ice cubes/Crushed ice" button for 3 seconds.
2. Pull out the ice-cube container.
3. Empty the ice-cube container and clean it.
4. Push the ice-cube container all the way back on the runners until it snaps into place.

Water spillage tray

Spilt water collects in the water spillage tray.

1. To empty and clean it, remove the strainer.



2. Clean the water spillage tray with a sponge or absorbent cloth.
3. Refit the strainer.

Smells

If you notice unpleasant smells:

1. Unplug the appliance from the mains or switch off the circuit-breaker.
2. Remove all food from the appliance.
3. Clean the inside of the appliance (see section headed Cleaning the appliance).
4. Clean all packaging.
5. Pack strongly smelling food in air-tight containers to prevent odours.
6. Switch on the appliance again.
7. Arrange the food.
8. After 24 hours, check again to see if the smells have reappeared.

Lighting (LED)

Your appliance is equipped with a maintenance-free LED light.

Any repair work on the lighting must only be carried out by the after-sales service or authorised experts.

Saving energy

- Install the appliance in a dry, well ventilated room. The appliance must be installed out of direct sunlight and away from heat sources (e.g. heating elements, cooker).
Use an insulating plate if necessary.
- Allow hot food and drinks to cool before placing them in the appliance.
- Place frozen food in the fridge compartment to defrost and utilise the low temperature of the frozen food to cool other food.
- Only open the appliance doors for as short a time as possible.
- To prevent the food warming up quickly in the event of a power cut or a fault, place blocks of ice in the top compartment directly on top of the food.
- Make sure that the freezer compartment door is always closed.
- The arrangement of the fittings has no effect on the energy consumption of the appliance.
- To prevent increased power consumption, occasionally clean the air vent with a soft brush or vacuum cleaner.

Operating noises

Completely normal noises

Humming

Motors running (e.g. refrigeration units, ventilator).

Bubbling, whirring or gurgling noises

Refrigerant circulating through the pipes or water running into the ice-maker.

Clicking

Motors, switches or solenoid valves are switching on/off.

Rattling

Ice cubes dropping into the ice-cube container from the ice-cube maker.

Preventing noises

The appliance is not standing straight

Make sure the appliance is exactly level by using a spirit level. To adjust the position of the appliance, use the adjustable feet or place something underneath.

The appliance is touching adjacent units or appliances

Move the appliance away from adjacent furniture or appliances.

Containers or shelves are wobbling or sticking

Check the removable parts and re-insert them if necessary.

Containers are touching

Move the containers apart slightly.

Rectifying minor faults yourself

Before calling After-sales Service:

Check whether you can rectify the fault yourself by using the notes below.

You must pay the cost of the After-sales Service call out – even during the guarantee period.

Appliance

Problem	Possible cause	Remedy
Appliance is not cooling/freezing.	Power cut.	Check whether there is power to the appliance.
The lighting is not working.	Circuit-breaker is switched off.	Check circuit-breaker.
The display does not light up.	Power plug not properly plugged in.	Check whether power plug is properly plugged in.
The refrigeration unit switches on with increasing frequency and for longer periods.	The appliance door is being opened frequently.	Do not open the appliance door unnecessarily.
	The ventilation openings are covered.	Remove any obstructions.
	Placing large quantities of food in the appliance.	Switch on fast cooling/fast freezing function.
The fridge compartment/freezer compartment is too cold.	The temperature setting is too low.	Set a higher temperature.
The (LED) lighting does not work.	The LED lighting is faulty.	See section headed Lighting (LED).
	Light switch is sticking.	Check whether you can move the light switch.
	The appliance door was opened for too long. The lighting switches off after approx. 10 minutes.	After closing and opening the appliance door, the lighting is switched on again.
Unpleasant smells are noticeable.	Strongly smelling food not packed in air-tight containers.	Clean the appliance. Pack strongly smelling food in air-tight containers (see section headed Smells).
Warning beeper sounds or temperature indicator flashes. It is too warm in the fridge or freezer compartment. Food is at risk.	Appliance door is open.	See section headed Alarm functions.
	Too much food was stored at once.	
Cold storage container (if existing) does not cool.	Disconnect the appliance from the mains (power failure or power plug pulled).	Reset the desired temperature.

Ice-maker

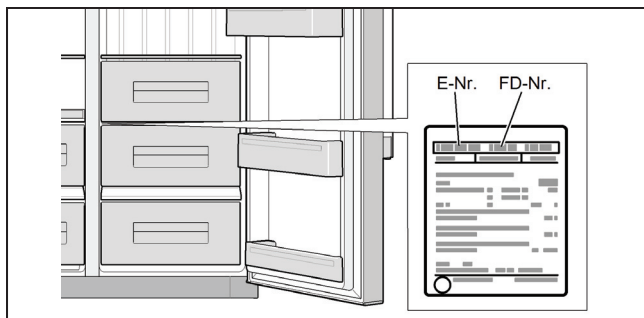
Problem	Possible cause	Remedy
Ice-maker not working.	Ice-maker is not connected to the power supply.	Call After-sales Service.
	Ice-maker is not receiving a supply of water.	Make sure that the water supply is properly connected.
	The temperature in the freezer compartment is too high.	Check the freezer compartment temperature setting and set it slightly colder if necessary.
Ice-maker is not making enough ice or the ice is misshapen.	Appliance or ice-maker has only been switched on for a short time.	It takes roughly 24 hours for ice production to start.
	A large quantity of ice has been dispensed.	It takes roughly 24 hours for the ice-cube container to be refilled.
	Low water pressure.	The appliance should only be connected to a water supply with the specified pressure (see section headed Connecting the appliance, subheading Water connection).
	Water filter clogged or used up.	Replace water filter.

Problem	Possible cause	Remedy
Ice-maker not making any ice.	Ice-maker is switched off.	Switch on the ice-maker.
	Appliance not being supplied with water.	Contact your installer or water company.
	Kinks in the water supply hose.	Turn off the water supply at the isolating valve. Straighten out any kinks or have hose replaced if necessary.
	Low water pressure.	The appliance should only be connected to a water supply with the specified pressure (see section headed Connecting the appliance, subheading Water connection).
	Freezer compartment temperature too high.	Set a slightly colder temperature for the freezer compartment.
	Ice-cube container not inserted properly.	Check the position, re-insert if necessary.
	Incorrect isolating valve fitted.	Unsuitable valves can reduce the water pressure and cause damage to the appliance.
Ice forms in the feeder hose to the ice-maker.	Low water pressure.	Turn off the water supply at the isolating valve. Straighten out any kinks or have hose replaced if necessary.
	Isolating valve not fully open.	Fully open isolating valve.
Water runs out of the appliance.	Water connecting hose is leaking.	Have hose replaced with a genuine replacement hose from the manufacturer.
	Incorrect isolating valve fitted.	Unsuitable valves can reduce the water pressure and cause damage to the appliance.
No water comes out of the water dispenser.	The return stop valve has been installed incorrectly	Check the flow direction, Arrows on the return stop valve indicate the flow direction.
	Sieve is clogged.	Turn off the water supply at the isolating valve. Remove and clean the sieve.

After-sales Service

You can find your local After-sales Service centre in the phone book or the After-sales Service directory. Please quote the product number (E no.) and production number (FD no.) of your appliance.

You will find this information on the rating plate.



Please help us to avoid unnecessary journeys by quoting the appliance and production number. By doing so, you will save any associated additional charges.

Booking a repair call-out and advice on faults

The After-sales Service contact details for all countries are listed in the attached After-sales Service directory.

GB	0344 892 8979	Calls charged at local or mobile rate.
IE	01450 2655	0.03 € per minute at peak. Off peak 0.0088 € per minute.
US	800 944 2904	toll-free

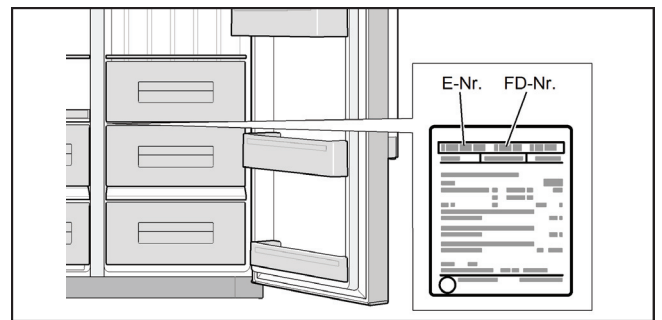
الخلل	السبب المحتمل	كيفية التصرف
جهاز تحضير الثلج لا يقوم بإنتاج الثلج.	جهاز تحضير الثلج متوقف.	قم بتشغيل جهاز تحضير الثلج.
لا يتم إمداد الجهاز بالماء.	وصلة الماء بها ثنيات.	اتصل بفني التركيب أو مرفق المياه.
صغط الماء منخفض.	درجة الحرارة في حيز التجميد أعلى من اللازم.	أوقف الإمداد بالماء عن طريق صمام الغلق. قم بفك الثنيات أو تغيير الوصلة إذا لزم الأمر.
تكون ثلج في خرطوم سحب الماء الواصل لجهاز تحضير الثلج.	لم يتم تركيب وعاء مكعبات الثلج بشكل صحيح.	قم بتوصيل الجهاز فقط بضغط الماء المقرر (انظر فصل توصيل الجهاز، موضوع وصلة الماء).
هناك ماء يتسرب من الجهاز.	تم تركيب صمام غلق خاطئ.	اضبط درجة الحرارة في حيز التجميد على درجة حرارة أكثر برودة.
صمام الغلق مفتوح بشكل غير صحيح.	عدم إحكام خرطوم وصلة الماء ضد التسرب.	قم بمراجعة الوضع، وإعادة تركيب الوعاء مرة أخرى عند اللزوم.
صمام الغلق مفتوح بشكل غير صحيح.	تم تركيب صمام غلق خاطئ.	يمكن أن تتسبب الصمامات الخاطئة في خفض ضغط الماء وحدوث أضرار بالجهاز.
عدم إحكام خرطوم وصلة الماء ضد التسرب.	تم تركيب صمام غلق خاطئ.	أوقف الإمداد بالماء عن طريق صمام الغلق. قم بفك الثنيات أو تغيير الوصلة إذا لزم الأمر.
هناك ماء يتسرب من الجهاز.	تم تركيب صمام غلق خاطئ.	افتح صمام الغلق تمامًا.
لا يخرج ماء من مخرج الماء.	تم تركيب الصمام اللارجوعي بشكل خاطئ.	قم بتغيير الخرطوم بقطعة غيار أصلية من إنتاج الجهة الصانعة.
المصفاة مسدودة.	تم تركيب الصمام اللارجوعي بشكل خاطئ.	يمكن أن تتسبب الصمامات الخاطئة في خفض ضغط الماء وحدوث أضرار بالجهاز.
	المصفاة مسدودة.	راجع اتجاه التدفق. الأسهم الموجودة على الصمام اللارجوعي توضح اتجاه التدفق.
	المصفاة مسدودة.	أوقف الإمداد بالماء عن طريق صمام الغلق. قم بفك المصفاة وتنظيفها.

طلب الإصلاح والمشورة في حالة الاختلالات

بيانات الاتصال لجميع البلدان تجدها في دليل مراكز خدمة العملاء المرفق.

خدمة العملاء

تجد مركز خدمة العملاء القريب منك في دليل الهاتف أو في دليل مراكز خدمة العملاء. ويرجى إعطاء مركز خدمة العملاء رقم المنتج (E) ورقم الصنع (FD) الخاص بالجهاز. تجد هذه البيانات على لوحة الصنع.



رجاءً ساعدنا بذكر رقم المنتج ورقم الصنع تجنباً للزيارات غير الضرورية. لأنك توفر أيضاً النفقات الإضافية المرتبطة بذلك.

إصلاح الاختلالات البسيطة بنفسك

قبل أن تتصل بمركز خدمة العملاء:

راجع ما إذا كان يمكنك إصلاح الخلل بنفسك بناء على الإرشادات التالية.
سوف تتحمل تكاليف استشارة مركز خدمة العملاء - حتى أثناء فترة الضمان!

الجهاز

الخلل	السبب المحتمل	كيفية التصرف
لا توجد أي قدرة تبريد بالجهاز.	انقطاع التيار الكهربائي.	افحص ما إذا كان التيار متوفر.
الإضاءة لا تعمل.	المصهر موصول.	افحص المصهر.
البيان لا يضيء.	القابس الكهربائي لا يستقر بثبات.	افحص ما إذا كان القابس الكهربائي مستقر بثبات.
ماكينة التبريد يتم تشغيلها دائماً بشكل متكرر ولفترات أطول.	الفتح المتكرر للجهاز.	لا تقم بفتح الجهاز دون داع.
درجة الحرارة في حيز التبريد أو حيز التجميد أبرد من اللازم.	فتحات التهوية وتصريف الهواء مغطاة.	قم بإزالة العوائق.
درجة الحرارة في حيز التبريد أو حيز التجميد أعلى من اللازم.	وضع كمية أكبر من المواد الغذائية الطازجة.	قم بتشغيل وظيفة التبريد الفائقة أو التجميد الفائقة.
الإضاءة (لمبة LED) لا تعمل.	درجة الحرارة مضبوطة على درجة باردة للغاية.	اضبط درجة الحرارة على درجة أعلى.
الإضاءة بلمبات LED بها عطل.	مفتاح الضوء منحصر.	انظر فصل الإضاءة (لمبة LED).
مفتاح الضوء منحصر.	تم فتح الجهاز لفترة أطول من اللازم.	افحص ما إذا كان مفتاح الضوء يتحرك.
تم فتح الجهاز لفترة أطول من اللازم.	يتم إطفاء الإضاءة بعد مرور حوالي 10 دقائق.	بعد غلق وفتح الجهاز تعود الإضاءة مرة أخرى.
يلاحظ وجود روائح غير مستحبة.	لم يتم تغليف المواد الغذائية ذات الرائحة النفاذة بشكل محكم ضد الهواء.	قم بتنظيف الجهاز. قم بتغليف المواد الغذائية ذات الرائحة النفاذة بشكل محكم ضد الهواء (انظر فصل الروائح).
تصدر إشارة تحذير أو يومض بيان درجة الحرارة.	باب الجهاز مفتوح.	انظر فصل وظائف الإنذار.
درجة الحرارة في حيز التبريد أو حيز التجميد دافئة أكثر من اللازم. خطر على المواد الغذائية.	تم وضع الكثير من المواد الغذائية مرة واحدة.	قم بوضع المواد الغذائية مرة واحدة.
درج التبريد (إذا كان موجوداً) لا يقوم بالتبريد.	الجهاز كان مفصلاً عن الشبكة العمومية (انقطاع التيار أو خلع القابس).	اضبط درجة الحرارة المرغوبة مجدداً.

جهاز تحضير الثلج

الخلل	السبب المحتمل	كيفية التصرف
جهاز تحضير الثلج لا يعمل.	جهاز تحضير الثلج غير موصل بمصدر الإمداد بالتيار.	اتصل بمركز خدمة العملاء.
جهاز تحضير الثلج لا ينتج ثلجاً كافياً أو أن الثلج مشوه.	جهاز تحضير الثلج لا يصله أي ماء نقي.	تأكد أن وصلة الماء موصلة بشكل صحيح.
جهاز تحضير الثلج لا ينتج ثلجاً كافياً أو أن الثلج مشوه.	درجة حرارة حيز التجميد أعلى من اللازم.	راجع درجة حرارة حيز التجميد واضبطها إذا لزم الأمر على درجة أكثر برودة.
جهاز تحضير الثلج لا ينتج ثلجاً كافياً أو أن الثلج مشوه.	تم تشغيل الجهاز أو جهاز تحضير الثلج منذ قليل.	وقد يستغرق الأمر 24 ساعة تقريباً حتى يبدأ إنتاج الثلج.
جهاز تحضير الثلج لا ينتج ثلجاً كافياً أو أن الثلج مشوه.	تم إخراج كمية كبيرة من الثلج.	يستغرق الأمر حوالي 24 ساعة حتى يتم ملء وعاء مكعبات الثلج من جديد.
جهاز تحضير الثلج لا ينتج ثلجاً كافياً أو أن الثلج مشوه.	صغط الماء منخفض.	قم بتوصيل الجهاز فقط بضغط الماء المقرر (انظر فصل توصيل الجهاز، موضوع وصلة الماء).
جهاز تحضير الثلج لا ينتج ثلجاً كافياً أو أن الثلج مشوه.	فلتر الماء مسدود أو مستهلك.	قم بتغيير فلتر الماء.

التوفير في الطاقة

- انصب الجهاز في مكان جاف وجيد التهوية. لا يجوز نصب الجهاز في مكان معرض بشكل مباشر للشمس أو بالقرب من مصدر حراري (مثل عنصر تسخين أو موقد).
- إذا لزم الأمر استخدم لوح عازل.
- اترك المواد الغذائية والمشروبات الساخنة تبرد أولاً، ثم ضعها في الجهاز.
- ضع المواد المجمدة في حيز التبريد لإذابة التجمد عنها، واستغل برودة المجمدات في تبريد المواد الغذائية.
- افتح الجهاز لفترت قصيرة قدر الإمكان.
- لمنع ارتفاع درجة حرارة المواد الغذائية في حالة الانقطاع المحتمل للتيار الكهربائي أو في حالة وجود خلل، ضع بطارية التبريد في أعلى درج على المواد الغذائية مباشرة.
- تأكد أن باب حيز التجميد مغلق دائماً!
- لا يوجد تأثير لوضع أجزاء التجهيز على استهلاك الجهاز للطاقة.
- لتجنب الاستهلاك المرتفع للتيار الكهربائي قم بتنظيف فتحة التهوية تصريف الهواء من حين إلى آخر باستخدام فرشاة أو مكنسة.

ضوضاء التشغيل

الضوضاء العادية

الأزيز

دوران المحرك (مثل جهاز التبريد، المروحة).

ضوضاء فقاعات أو قرقرة أو طنين

مادة التبريد تتدفق خلال الأنبوب أو وجود ماء في جهاز تحضير الثلج.

طقطقة

يتم تشغيل/إيقاف المحرك أو المفتاح أو الصمامات المغناطيسية.

ضجيج

سقوط مكعبات الثلج من جهاز تحضير الثلج في وعاء مكعبات الثلج.

تجنب الضوضاء

الجهاز يقف على أرضية غير مستوية

اضبط استواء الجهاز بالاستعانة بميزان ماء. استخدم لهذا الغرض الأقدام ذات البراغي الخاصة بالجهاز أو ضع شيئاً أسفل منه.

الجهاز «ملاصق لشيء»

أبعد الجهاز عن أي قطع أثاث أو أجهزة ملاصقة له.

الأوعية أو الأغذية تتمايل أو تحدث تشويش

افحص الأجهزة القابلة للخلع وقم بتركيبها مرة أخرى إذا لزم الأمر.

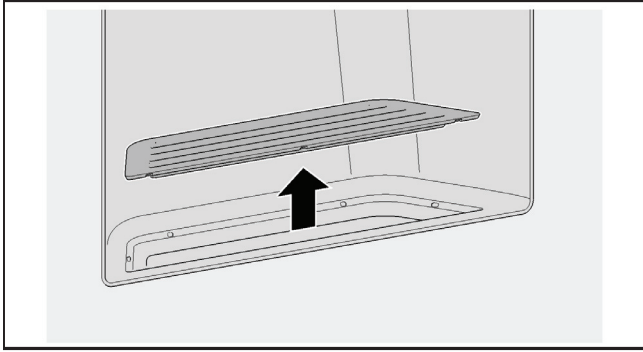
الأوعية تلامس بعضها

أبعد الأوعية عن بعضها قليلاً.

وعاء تجميع الماء

يتجمع الماء المسكوب في وعاء تجميع الماء.

1. للتفريغ والتنظيف اخلع المصفاة.



2. امسح وعاء تجميع الماء باستخدام إسفنجة أو منديل ماص.

3. قم بتركيب المصفاة.

الروائح

إذا تحققت من وجود روائح غير مستحبة:

1. انزع القابض الكهربائي أو قم بفصل المصهر.

2. أخرج جميع المواد الغذائية من الجهاز.

3. قم بتنظيف الحيز الداخلي (انظر فصل تنظيف الجهاز).

4. قم بتنظيف جيمع عبوات التغليف.

5. قم بتغليف جميع المواد الغذائية ذات الرائحة النفاذة بحيث تكون محكمة ضد الهواء، لمنع تكون الروائح.

6. أعد تشغيل الجهاز.

7. قم بوضع المواد الغذائية في الثلاجة.

8. افحص بعد مرور 24 ساعة، ما إذا تكونت الروائح من جديد.

الإضاءة (لمبة LED)

جهازك مزود بإضاءة بلمبات LED لا تحتاج لصيانة.

لا يجوز إجراء إصلاحات على هذه الإضاءة إلا بمعرفة خدمة العملاء أو الفنيين المعتمدين.

تنظيف الجهاز

⚠ تنبيه

- لا تستخدم أية مذيبات تحتوي على رمل أو كلوريد أو مواد منظفة تحتوي على أحماض
- لا تستخدم أية إسفنجيات خادشة أو حادة. حيث يمكن أن يتكون الصدأ على الأسطح المعدنية.
- لا تقم أبداً بتنظيف الأرفف والأوعية في غسالة الأطباق. فقد تتعرض الأجزاء للتشوه!

تصرف كما يلي:

1. أوقف الجهاز قبل التنظيف.
2. انزع القابض الكهربائي أو قم بفصل المصهر.
3. أخرج المواد الغذائية وقم بتخزينها في مكان بارد. ضع بطارية التبريد (إن وجدت) على المواد الغذائية.
4. انتظر حتى تذوب طبقة الصقيع.
5. قم بتنظيف الجهاز باستخدام منديل ناعم وماء فاتر وقليل من مادة تنظيف متعادلة الحموضة. لا يجوز أن تصل مادة الشطف إلى الإضاءة أو تمر على ثقب التصريف إلى علبة التبخر.
6. امسح إطار إحكام الباب باستخدام ماء نقي فقط ثم قم بتجفيفه جيداً.
7. أعد توصيل الجهاز مرة أخرى وتشغيله بعد تنظيفه.
8. قم بوضع المواد الغذائية مرة أخرى.

التجهيزات

للتنظيف أخرج كل الأجزاء المتغيرة بالجهاز (انظر فصل التجهيزات)

وعاء مكعبات الثلج

إذا لم يتم إخراج مكعبات الثلج لفترة طويلة، تتقلص مكعبات الثلج الموجودة بالفعل، ويفسد مذاقها وتلتصق معا. لذلك يجب تنظيف وعاء مكعبات الثلج بانتظام.

⚠ تنبيه

وعاء مكعبات الثلج المملوء ثقيل.

1. اضغط على الزر «مكعبات ثلج/ثلج مجروش» لمدة 3 ثوان.
2. أخرج وعاء مكعبات الثلج.
3. قم بتفريغ وعاء مكعبات الثلج وتنظيفه.
4. حرك وعاء مكعبات الثلج على المجرى الدليلي للخلف تماماً حتى يثبت في مكانه.

طبق البيض

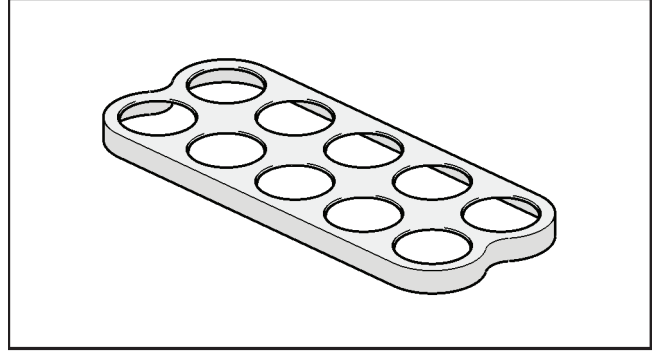
إيقاف الجهاز وفصله

قم بإيقاف الجهاز

افصل القابس الكهربائي أو المصهر.
تتوقف الثلاجة وتنطفئ الإضاءة.

في حالة الرغبة في إيقاف الجهاز، دون فصل القابس الكهربائي (مثلاً أثناء الإجازة):

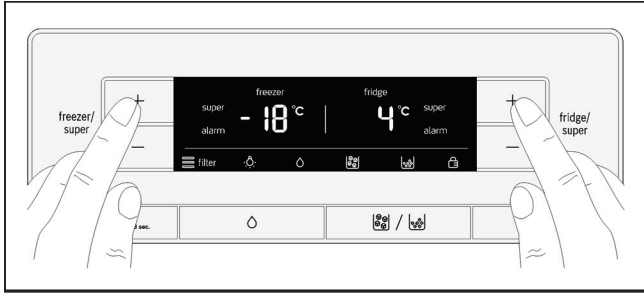
اضغط على الأزرار "freezer/super +" (فريزر/فائق) و "fridge/super +" (ثلاجة/فائق) لمدة 5 ثوان. عندما يكون الجهاز متوقفاً، يظهر في بيانات درجة الحرارة "- -". وتتوقف باقي شاشة البيان.



رف الباب المزود بغطاء

يمكن خلع هذا الدرج.

اجذب الدرج لأعلى.



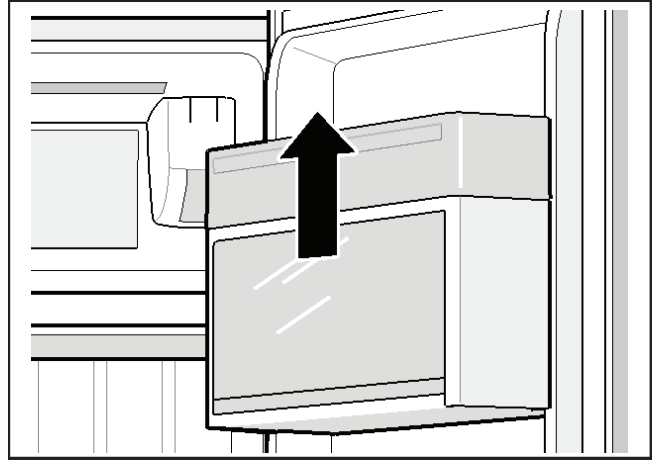
قم بتشغيل الجهاز:

اضغط على الأزرار "freezer/super +" (فريزر/فائق) و "fridge/super +" (ثلاجة/فائق) لمدة 5 ثوان.

فصل الجهاز

في حالة عدم استخدام الجهاز لفترة طويلة:

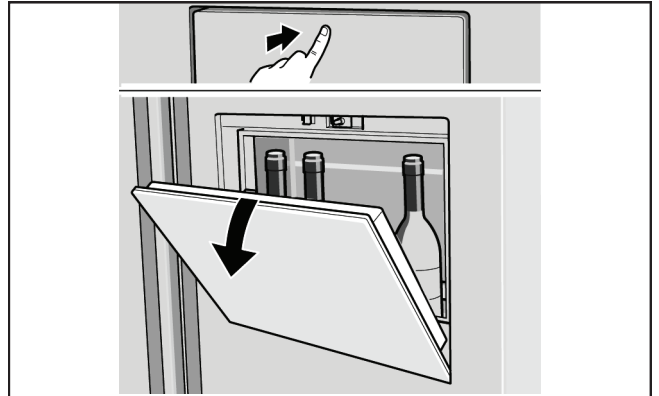
1. يلزم قطع الإمداد بالماء للجهاز عدة ساعات قبل فصل جهاز تحضير الثلج.
2. أخرج جميع المواد الغذائية من الجهاز.
3. قم بإيقاف الجهاز.
4. قم بتفريغ وعاء مكعبات الثلج وتنظيفه.
5. قم بتنظيف الجهاز.
6. اترك أبواب الجهاز مفتوحة.



الميني بار (لا يتوفر بجميع الموديلات)

هذا الدرج يستخدم لإخراج المشروبات بسرعة من حيز التبريد. عند فتح الدرج يتم تشغيل الإضاءة.

للفتح اضغط بحذر على الميني بار من أعلى.



إذابة الجليد

حيز التبريد

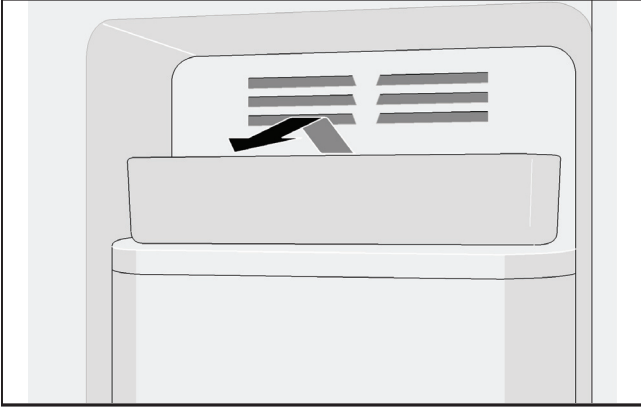
أثناء تشغيل الجهاز تتكون نقاط من الماء المتكثف أو من الصقيع على الجدار الخلفي لحيز التبريد. نظراً لأن الجليد على الجدار الخلفي يذوب أوتوماتيكياً، فليس من الضروري إزالة الصقيع أو قطرات الماء المتكثف.

حيز التجميد

من خلال نظام منع تكون الصقيع يظل حيز التجميد بدون جليد. وبالتالي ليس هناك حاجة لإذابة الجليد.

درج مكعبات الثلج

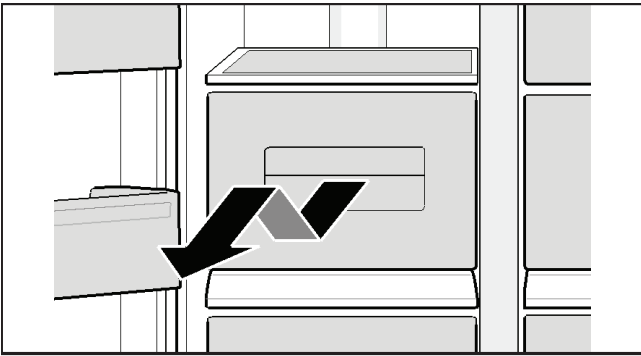
يستخدم درج مكعبات الثلج لحفظ مكعبات الثلج.
ارفع درج مكعبات الثلج من الأمام وقم بفضه.



الأدراج

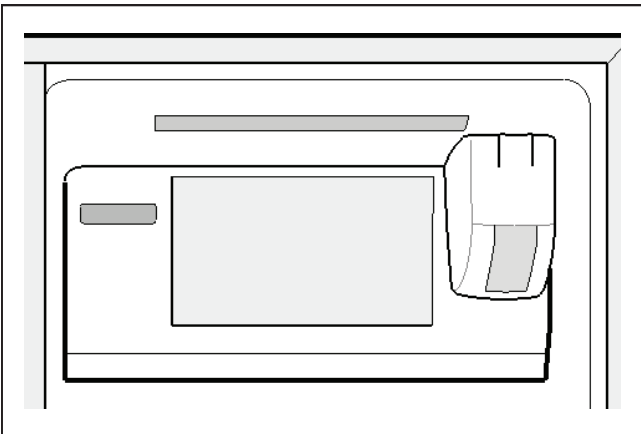
يمكن خلع الأدراج.

اجذب الدرج للخارج حتى النهاية، وارفعه من الأمام ثم اسحبه للخارج
تماما.



الرف

لحفظ علب المشروبات.

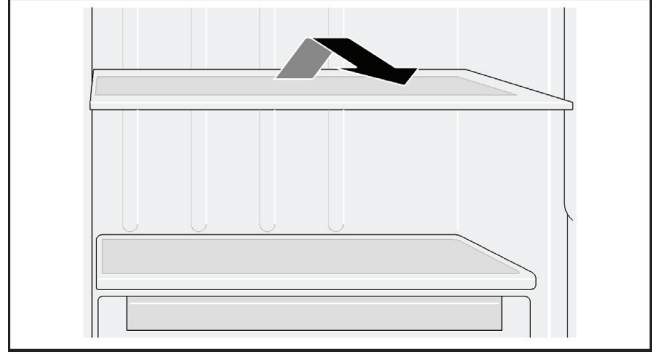


التجهيزات

الأرفف الزجاجية

يمكن خلع الأرفف الزجاجية وتركيبها على ارتفاعات مختلفة.
الخلع

ارفع الرف الزجاجي من الخلف واجذبه للخارج.



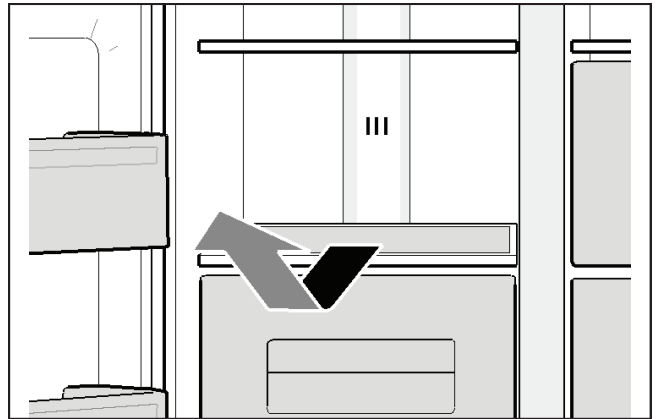
التركيب

ادفع الرف الزجاجي على المجاري الدليلية للخلف حتى يثبت لأسفل.

الأرفف الزجاجية فوق الأدراج

يمكن خلع الأرفف الزجاجية.

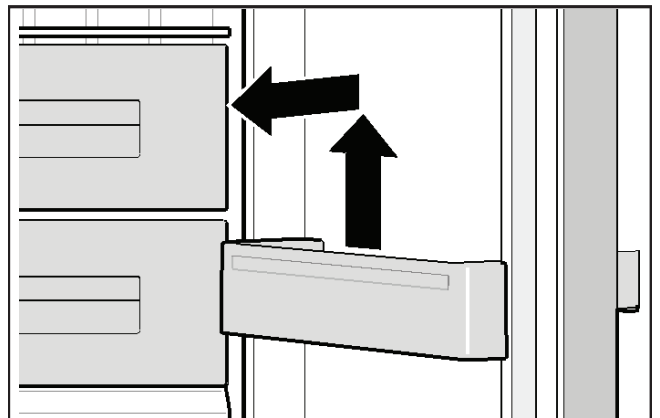
اجذب الرف الزجاجي للخارج واخضعه بسحبه لأعلى.



أرفف الباب

يمكن خلع أرفف الباب.

اجذب أرفف الباب لأعلى.



نشرة بيانات الأداء التشغيلي

الطران 9000 7775078

مع استخدام خرطوشة الفلتر البديلة 9000 674655.

تم تقليل تركيز المواد المذكورة في الماء الذي يتوغل في النظام، إلى قيمة أقل من أو تساوي القيمة الحدية المسموح بها طبقاً للمواصفة NSF-ANSI-42 و 53 بالنسبة للماء الخارج من الجهاز.

تم فحص واعتماد النظام من قبل منظمة NSF International طبقاً للمواصفة NSF-ANSI-42 و 53 لتقليل المواد المذكورة فيما يلي طبقاً لنشرة بيانات الأداء التشغيلي.



السعة 739,68 جالون (2.800 لتر)

تقليل الاتساخات - مختر من قبل منظمة NSF

تقليل الاتساخات	متوسط السحب	تركيز اختباري خاص بمنظمة NSF	متوسط التقليل	متوسط التركيز في الماء المفلتر	أقصى تركيز مسموح به في الماء المفلتر	التقليل المطلوب وفقاً لمنظمة NSF	بروتوكول اختبار NSF
مذاق ورائحة كلور	2,1 مجم/لتر	2,0 مجم/لتر ± 10%	97,6%	0,05 مجم/لتر	غير متوفر	≤ 50%	J-00121313
القيمة الاسمية للجزيئات الفئة 1، ≤ 0,5 حتى > 1,0 ميكرومتر	9.100.000 جزيئ/ملي لتر	بحد أدنى 10.000 جزيئ/ملي لتر	98,8%	111.817 جزيئ/ملي لتر	غير متوفر	≤ 85%	J-00099871
الطفيليات*	170.00 طفيل/لتر	الحد الأدنى 50.000 طفيل/لتر	99,99%	0,001 طفيل/لتر	غير متوفر	≤ 99,95%	J-00109715
التعكر	11 وحدة عكارة	1 ± 11 وحدة عكارة	98,1%	> 1 وحدة عكارة	0,5 وحدة عكارة	≤ 95,5%	J-00099885

* بناء على استخدام طفيليات الكريبتوسبورديوم الصغيرة

⚠️ تنبيه

لتقليل خطر المواد الضارة بناء على مخرج الماء:

■ **احرص على قراءة ومراعاة.** اقرأ الأدلة قبل تركيب النظام واستخدامه.

■ **يجب أن يتوافق التركيب والاستخدام مع لوائح التوصيل المحلية.**

■ لا تقم بالتركيب إذا كان ضغط الماء أعلى من 120 رطل بوصة مربعة (827 ك. باسكال). إذا تجاوز ضغط الماء 80 رطل بوصة مربعة، يجب تركيب صمام تحديد الضغط. يرجى الاتصال بأحد جهات التركيبات الصحية، عندما يتعذر عليك فحص وقياس ضغط الماء.

■ لا تقم بالتركيب إذا طرأت ظروف طرق مائي. إذا كانت ظروف الطرق المائي ستظل باقية، يجب تركيب مخمد للطرق المائي. توجه إلى أحد جهات التركيبات الصحية إذا لم تكن متأكدًا من صحة ذلك.

■ لا تقم بالتوصيل بإحدى وصلات الماء الساخن. أقصى درجة حرارة تشغيل للفلتر هي 100°ف (38°م).

■ قم بحماية الفلتر من التجمد. قم بتفريغ الفلتر إذا انخفضت درجة الحرارة عن 33°ف (0,6°م).

■ قم بتغيير خرطوشة الفلتر في الظروف العادية كل ستة أشهر أو في حالة انخفاض التدفق بشكل واضح.

تعليمات الاستخدام/بارامترات الإمداد بالماء	
سرعة التدفق	0,75 جالون/دقيقة (2,83 لتر/دقيقة)
الإمداد بالماء	ماء الشرب
ضغط الماء	30 - 120 رطل بوصة مربعة (207 - 827 ك. باسكال)
درجة حرارة الماء	0,6°م - 38°م (33°ف - 100°ف)

من الضروري اتباع جميع التعليمات الخاصة بالتشغيل والصيانة وتغيير الفلتر، لتحقيق الأداء المنشود من المنتج على النحو المذكور. اقرأ إرشادات الضمان الواردة في الكتيب.

ملحوظة: تم إجراء الاختبارات في ظروف المختبر القياسية. ومن الممكن أن يختلف الأداء الفعلي.

خرطوشة الفلتر البديلة: 9000 674655. تجد المزيد من المعلومات عن الأسعار الخاصة بقطع الغيار لدى التاجر أو اتصل على 1-800-578-6890.

⚠️ تحذير

لتقليل خطر تناول مواد ضارة:

■ لا تقم باستخدام ماء مشكوك فيه من الناحية الميكروبيولوجية أو جودته غير معروفة قبل أو بعد النظام بدون التعقيم الكافي. يسمح باستخدام النظام المعتمد لتقليل الطفيليات لتعقيم الماء الذي يحتوي على طفيليات قابلة للفلتر.

رقم مؤسسة حماية البيئة 10350-MN-005

3M هي علامة تجارية مسجلة لشركة 3M ويتم استخدامها بترخيص.

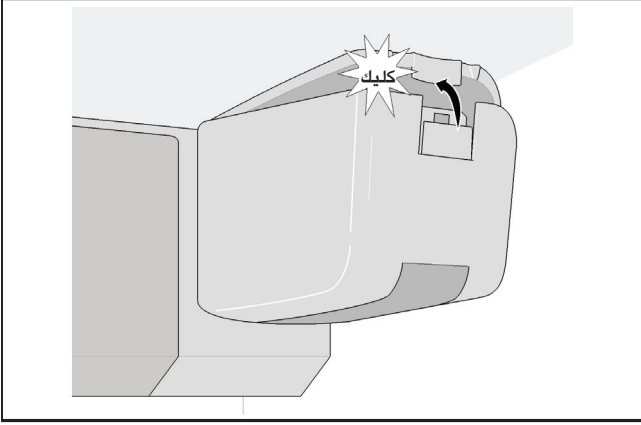
NSF هي علامة تجارية مسجلة لمنظمة NSF International.

© 2013 3M Company. جميع الحقوق محفوظة.

من إنتاج:

3M Purification Inc.
400 Research Parkway
Meriden, Ct 06450
USA
هاتف (800) 222-7880
(203) 237-5541

7. قم بوضع الغطاء وتثبيتته في مكانه.



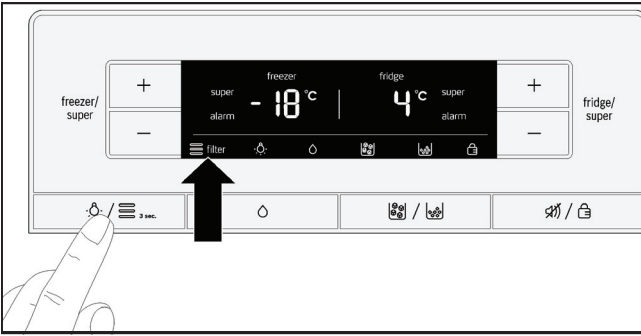
8. قم بإمداد الجهاز بالماء.

9. قم بتشغيل الجهاز.

10. أخرج عدة لترات ماء من مخرج الماء. وبذلك يتم سحب الهواء الموجود بدورة الماء.

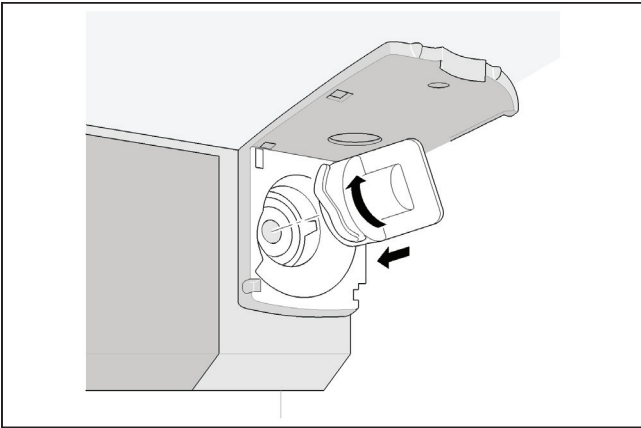
11. قم بتفريغ الماء من خرطوشة الفلتر القديمة. يمكن التخلص من خرطوشة الفلتر بوضعها في سلة المهملات المنزلية.

12. استمر في الضغط على الرمز «ضوء/فلتر» لمدة 3 ثوان. يتم إعادة ضبط الرمز الخاص بفلتر الماء. يتوقف الرمز عن الوميض. يتم تفعيل خرطوشة الفلتر الجديدة.



إرشاد

يمكن استخدام مخرج الثلج والماء أيضا بدون فلتر الماء. في هذه الحالة قم بتركيب غطاء الغلق.



تغيير خرطوشة الفلتر

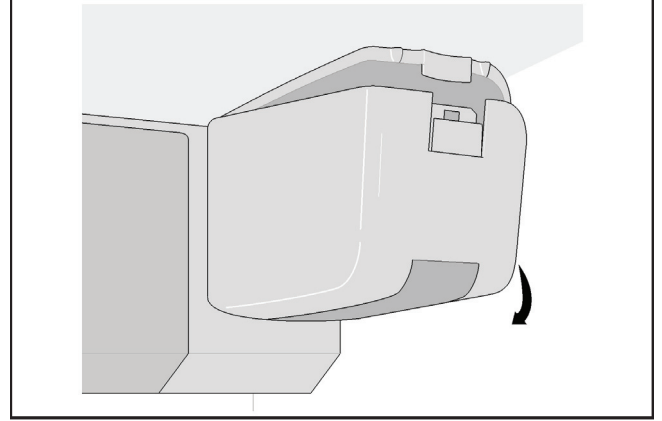
بعد مرور 6 أشهر يومض رمز فلتر الماء إشارة إلى حلول ميعاد تغيير خرطوشة الفلتر (انظر فصل رمز فلتر الماء).

يجب تغيير خرطوشة الفلتر بعد مرور 6 أشهر كحد أقصى.

1. تنبيه افصل القابس الكهربائي أو المصهر.

2. قم بقطع إمداد الماء عن الجهاز.

3. اضغط على الزر واخلع الغطاء.

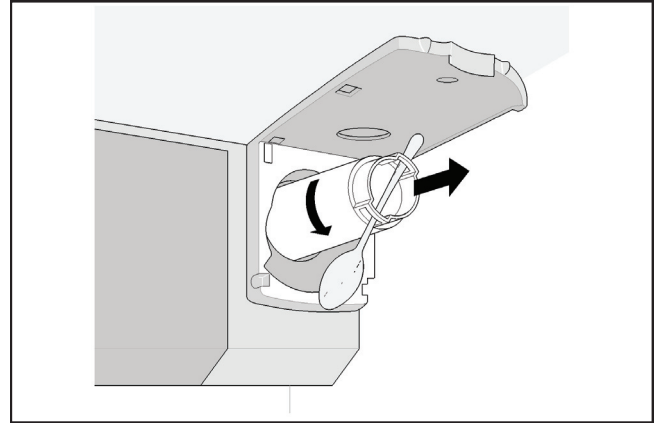


إرشاد

توخى الحذر عند خلع خرطوشة الفلتر!

تقع دورة الماء حسب الاستخدام تحت ضغط منخفض.

4. أدر خرطوشة الفلتر بحرص حتى 90° عكس اتجاه حركة عقارب الساعة باستخدام ملعقة مثلا ثم اسحبها للخارج.



5. أخرج خرطوشة الفلتر الجديدة من العبوة وقم بإزالة غطاء الحماية عن الخرطوشة.

6. أدر خرطوشة الفلتر بحرص حتى 90° في اتجاه حركة عقارب الساعة باستخدام ملعقة مثلا واستمر حتى النهاية.

إرشاد

يجب جذب خرطوشة الفلتر باليد، لضمان عدم حدوث تسربات ولتزويد الجهاز بالماء بشكل صحيح.

فلتر الماء

⚠ تحذير

لا يجوز استخدام الجهاز في الأماكن، ذات المياه المشكوك في جودتها أو عدم توافر معلومات كافية بشأن جودتها، دون القيام بتعقيم مناسب قبل الفلترة وبعدها.

يمكنك طلب خرطوشة الفلتر الخاصة بفلتر الماء من خلال الاتصال بخدمة العملاء.

⚠ تنبيه

- بعد تركيب خرطوشة الفلتر الجديدة، تجنب استخدام ما ينتج عن جهاز تحضير الثلج بعد تشغيله لمدة 24 ساعة.
- وعند عدم الانتفاع بالثلج لفترة طويلة، فلا تستخدم أيضا جميع مكعبات الثلج الموجودة في الوعاء وأيضا تجنب استخدام الثلج المتكون خلال الـ 24 ساعة القادمة.
- إذا لم يتم استخدام الجهاز أو الثلج لأسابيع أو أشهر عديدة أو كان لمكعبات الثلج رائحة غريبة أو مذاق غير مقبول، فاحرص على تغيير خرطوشة الفلتر.
- فقد تؤدي الجيوب الهوائية الموجودة في النظام إلى تسريب الماء وطرده خرطوشة الفلتر. توخى الحذر عند خلع الخرطوشة.
- يجب استبدال خرطوشة الفلتر كل 6 أشهر على الأقل.

إرشادات مهمة حول فلتر الماء

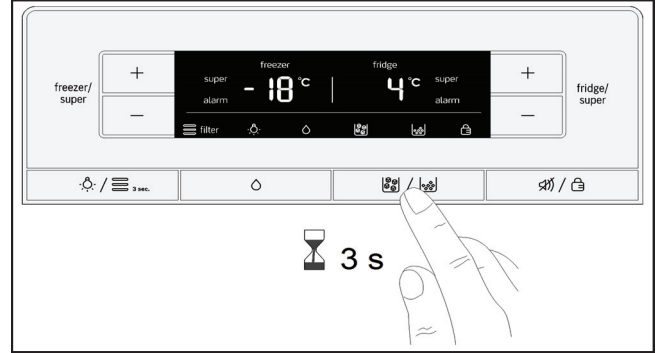
- تقع دورة الماء حسب الاستخدام تحت ضغط منخفض. توخى الحذر عند خلع خرطوشة الفلتر!
- عند عدم استخدام الجهاز لمدة طويلة أو كان مذاق الماء غير مقبول أو يوجد به رائحة غريبة، قم بشطف دورة الماء. ولذلك اسحب الماء لدقائق عديدة من مخرج الماء. وفي حالة استمرار المذاق الغريب أو الرائحة غير المقبولة للماء، قم بتغيير خرطوشة الفلتر.

إيقاف جهاز تحضير الثلج

إرشاد

يجب قطع إمداد الماء قبل عدة ساعات من فصل جهاز تحضير الثلج. إذا كان من المفترض عدم الحاجة لإخراج مكعبات الثلج لمدة تزيد عن أسبوع (كعطله مثلا)، فإنه ينبغي فصل جهاز تحضير الثلج مؤقتا، لتجنب التصاق مكعبات الثلج مع بعضها.

1. اضغط على الزر «مكعب ثلج/ثلج مجروش» لمد 3 ثوان.

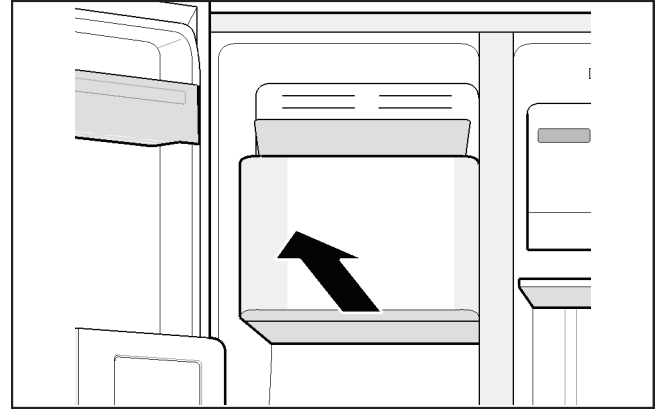


يوميض في شاشة البيان لمدة 3 ثوان الرمز «مكعب ثلج» و «ثلج مجروش» و «قفل الأزرار». ثم يتم تشغيل مخرج الماء ويضيء الرمز «ماء».

إرشاد

عند الضغط على الزر «مكعب ثلج/ثلج مجروش»، في حالة توقف جهاز تحضير الثلج، تصدر صافرة تحذيرية ويوميض الرمز «مكعب ثلج/ثلج مجروش» لمدة 3 ثوان تقريبا.

2. سحب وعاء مكعبات الثلج.



3. قم بتفريغ وتنظيف وعاء مكعبات الثلج.

4. حرك وعاء مكعبات الثلج على المجرى الدليلي للخلف تماما حتى يثبت في مكانه.

تشغيل جهاز تحضير الثلج

اضغط على الزر «مكعب ثلج/ثلج مجروش» لمد 3 ثوان.

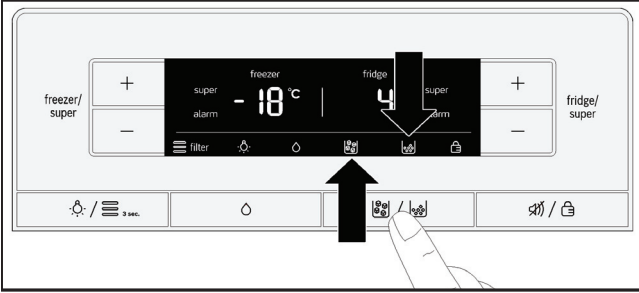
تصدر صافرة تحذيرية بمجرد تشغيل جهاز تحضير الثلج.

إخراج الثلج

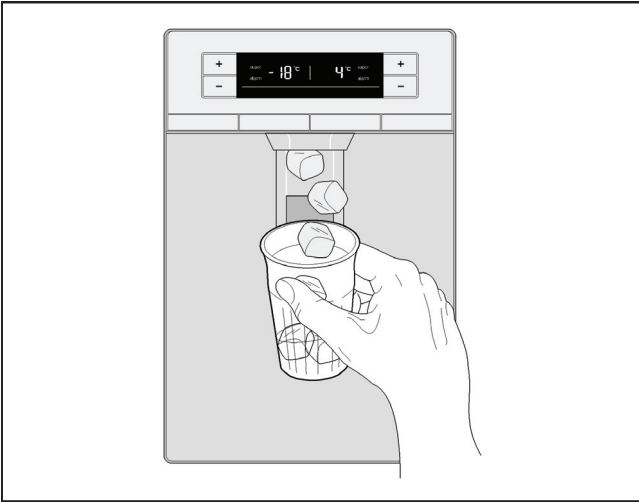
اضغط بالوعاء فقط على ذراع الإخراج، حتى يمتلئ الوعاء بالثلج بمقدار النصف. قد يؤدي الثلج الموجود في فتحة مخرج الثلج إلى فرط ملء الوعاء أو انسداد فتحة مخرج الثلج.

إذا تم خروج ثلج مجروش قبل خروج مكعبات الثلج، فمن الممكن وجود ثلج مجروش أيضا في فتحة مخرج مكعبات الثلج. وهذا سيخرج مع الجزء الأول لمكعبات الثلج.

1. اضغط على الزر «مكعب ثلج/ثلج مجروش»، حتى يظهر بشاشة البيان الرمز «مكعب ثلج» أو «ثلج مجروش».



2. اضغط بالوعاء المناسب على ذراع الإخراج، حتى يتم سكب الكمية المرغوبة.



يرجى مراعاة جودة ماء الشرب

جميع المواد المستخدمة في أجهزة مخرج الماء طبيعية الطعم والرائحة.

إذا كان للماء مذاق معين، فقد يرجع ذلك للأسباب التالية:

- نسبة المعادن والكلور في الماء.
- نوع خامة ماسورة الماء المنزلي أو ماسورة التوصيل.
- مستوى عذوبة ماء الشرب. في حالة عدم إخراج الماء لفترة طويلة، فقد يؤدي ذلك إلى تقليل مستوى عذوبة الماء. في هذه الحالة، قم بصب 15 كوب ماء تقريبا وتخلص منهم.

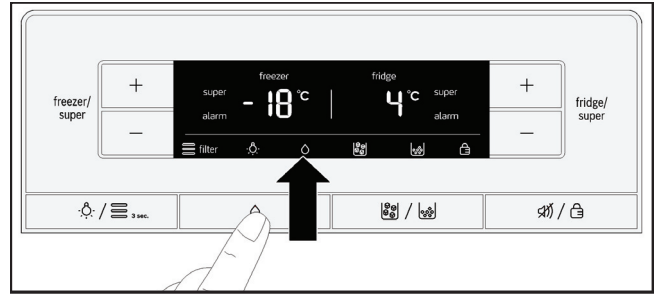
ننصح بإخراج بعض الماء العذب بانتظام من مخرج الماء بدلا من إيقاف الجهاز. وبذلك يتم الاحتفاظ بأفضل مستوى لعذوبة الماء.

إرشاد

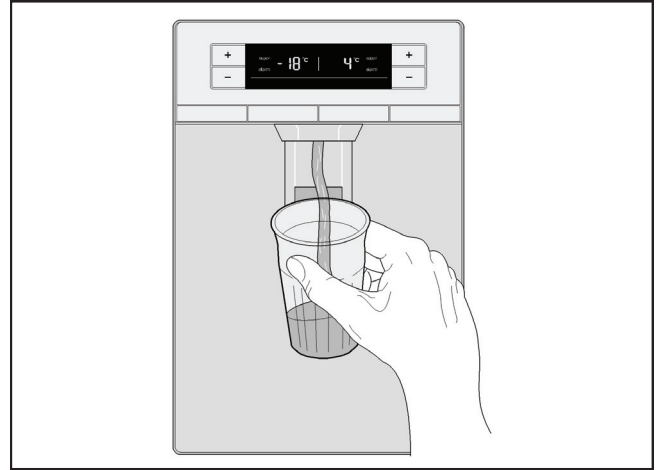
يقوم فلتر الماء المورد بفلتر الجزيئات فقط من الماء المسحوب، ولا يقوم بفلتر البكتيريا أو الفيروسات.

إخراج الماء

1. اضغط على الزر «ماء». يظهر بشاشة البيان الرمز «ماء».



2. اضغط بالكوب على ذراع الإخراج، حتى يتم سكب كمية الماء المرغوبة.



نصيحة

الماء المبرد في مخرج الماء يكون مناسب للشرب. إذا كنت تريد زيادة تبريد الماء، ضع مكعب ثلج إضافي في الكوب قبل صب الماء.

تغليف المجمدات

قم بتغليف المواد الغذائية بحيث تصبح محكمة ضد الهواء، وذلك حتى لا تفقد مذاقها أو تجف.

1. قم بإدخال المواد الغذائية في عبوة التغليف.
2. واضغط عليها لطرد الهواء.
3. أغلق عبوة التغليف بشكل محكم.
4. اكتب على عبوة التغليف المحتوى وتاريخ التجميد.

ويناسب للتغليف:

الرقائق البلاستيكية، والرقائق الأنبوبية من البولي إيثيلين ورقائق الألومنيوم وعلب التجميد تجد هذه المنتجات في المتاجر المتخصصة.

لا يصلح للتغليف:

ورق التغليف والورق المضاد للشحوم وورق السيلوفان وأكياس القمامة وأكياس التسوق المستعملة.

مناسب للغلق:

الحلقات المطاطية والمشابك البلاستيكية وخيوط الربط وأشرطة اللطق المقاومة للبرودة، وما شابه ذلك.

يمكن لحام الأكياس والرقائق الأنبوبية من البولي إيثيلين باستخدام جهاز لحام الرقائق.

صلاحية المجمدات

تتوقف الصلاحية على نوع المادة الغذائية.

في درجة الحرارة -18°م:

- الأسماك واللحوم والوجبات الجاهزة والمخبوزات: حتى 6 أشهر
- الحبن والطيور والأسماك: حتى 8 أشهر
- الخضروات والفاكهة: حتى 12 شهرا.

إذابة المجمدات

تبعا لنوع وغرض الاستخدام يمكن الاختيار من ضمن الإمكانيات التالية:

- في درجة حرارة الغرفة
- في التلاجة
- في الفرن الكهربائي، المزود/غير المزود بمروحة الهواء الساخن
- في جهاز الميكروويف.

⚠ تنبيه

لا تقم بإعادة تجميد المجمدات التي أذيت عنها التجميد. ويمكن إعادة تجميدها فقط بعد تحضيرها كقطع نهائي (مطهية أو محمرة).

ولا تستنجد مدة التخزين القصوى للمجمدات بعد ذلك حتى آخرها.

مخرج الثلج والماء

يمكن حسب الطلب إخراج الآتي:

- ماء بارد،
- ثلج مجروش،
- مكعبات ثلج.

⚠ تحذير

لا تقوم أبدا بإدخال يديك فتحة مخرج مكعبات الثلج!

خطر الإصابة!

⚠ تنبيه

تجنب وضع الزجاجات أو الأطعمة لغرض التبريد السريع في وعاء مكعبات الثلج. فقد يتعرض جهاز تحضير الثلج إلى الانسداد مما ينتج عنه أضرار بالغة.

يرجى مراعاة خطوات التشغيل

يتم تشغيل مخرج الثلج والماء فقط عند توصيل الجهاز بشبكة الماء.

بعد تشغيل الجهاز يستغرق الأمر 24 ساعة تقريبا حتى يتكون أول جزء من مكعبات الثلج.

بعد التوصيل يتبقى فقاعات هواء في الماسير.

يتم سحب الماء وتقليله حتى يتسنى سحب ماء خالي من الفقاعات تماما. لا تستخدم الأكواب الخمس الأولى.

عند استخدام جهاز تحضير الثلج للمرة الأولى، فتجنب استخدام أول 30-40 مكعب ثلج وذلك لدواعي صحية.

إرشادات تشغيل جهاز تحضير الثلج

عند وصول حيز التجميد إلى درجة التجميد المطلوبة، يتدفق الماء داخل

جهاز تحضير الثلج ويتجمد في حجيرات مكعبات الثلج. ويتم خروج مكعبات الثلج الجاهزة أوتوماتيكا في وعاء مكعبات الثلج.

بعد تشغيل الجهاز يستغرق الأمر 24 ساعة تقريبا حتى يتكون أول جزء من مكعبات الثلج.

في بعض الأحيان تلتصق مكعبات الثلج مع بعضها بشكل جانبي. وعند نقل فتحة المخرج تتفكك مكعبات الثلج عن بعضها في الغالب.

عندما يمتلئ وعاء مكعبات الثلج، يتوقف جهاز تحضير الثلج أوتوماتيكا.

يستطيع جهاز تحضير الثلج، بالارتباط بدرجة الحرارة المحيطة ووضع ضبط الجهاز، تكوين ما يقرب من 140 مكعب ثلج في خلال 24 ساعة.

أثناء تكوين مكعبات الثلج، فإنه يمكن سماع طنين صمام الماء، وصوت تدفق الماء داخل درج الثلج وسقوط مكعبات الثلج.

فترات التخزين (عند 0°م)

حسب جودة الإخراج

الأسماك الطازجة، فواكه البحر	حتى 3 أيام
الطيور، اللحوم (مطهورة/محمرة)	حتى 5 أيام
لحم البقر، اللحوم الدسمة، لحم الضأن، النقانق (شرائح)	حتى 7 أيام
الأسماك المدخنة، البروكلي	حتى 14 يوم
السلطات، الشمر، المشمش والخوخ	حتى 21 يوم
الأجبان الطرية، الزبادي، الجبن، الحليب الرائب والقرنبيط	حتى 30 يوم

التجميد والتخزين

شراء الأطعمة المجمدة

- لا يجوز أن يكون التغليف به ضرر.
- يُراعى تاريخ الصلاحية.
- يجب أن تكون درجة الحرارة في ثلاجة البيع -18°م أو أكثر انخفاضاً.
- انقل الأطعمة المجمدة في كيس عازل وضعها سريعاً في حيز التجميد.

عند وضع الطعام يراعى

- يفضل تجميد الكميات الكبيرة من المواد الغذائية في أعلى درج. وبذلك يتم تجميدها بشكل أسرع وبالتالي يتم الحفاظ عليها.
- قم بتوزيع المواد الغذائية على مساحة كبيرة في الأدراج أو في أوعية المجمدات.

إرشاد

لا يجوز أن يحدث تلامس بين المواد الغذائية المجمدة والمواد الغذائية الطازجة المراد تجميدها. إذا لزم الأمر قم بوضع المواد الغذائية المجمدة في وعاء مجمدات آخر.

تخزين المجمدات

قم بإدخال أوعية المجمدات حتى النهاية، لضمان تدوير الهواء بشكل سليم.

تجميد المواد الغذائية الطازجة

اقتصر على تجميد المواد الغذائية الطازجة والسليمة. للحفاظ على القيمة الغذائية والنكهة واللون قدر الإمكان يجب سلق الخضروات قبل تجميدها سلقاً خفيفاً. مع الباذنجان والفلفل والكوسة والهلينون ليس من الضروري القيام بالسلق الخفيف. تجد كتباً بخصوص التجميد والسلق الخفيف في متجر الكتب.

إرشاد

تجنب حدوث تلامس بين المواد الغذائية المراد تجميدها والتي سبق تجميدها.

■ يصلح للتجميد:

المخبوزات والأسماك وفواكه البحر واللحوم ولحوم الحيوانات البرية والطيور والخضروات والفواكه، والأعشاب والبيض بدون قشر ومنتجات الألبان مثل الجبن والزبدة والجبن الطري واللوجبات الجاهزة وبقايا الطعام مثل الحساء واليخنة واللحم المطبوخ والأسماك وأطباق البطاطا والبودينج والحلويات.

■ ولا يصلح للتجميد:

الخضروات التي عادة ما تؤكل نيئة مثل الخس أو الفجل والبيض بالقشر والعنب والتفاح الكامل والكمثرى والخوخ والبيض المسلووق والزبادي واللبن الرائب والقشدة الحامضة والكريمة فريش والمايونيز.

حيز التجميد

استخدم حيز التجميد

- لتخزين الأطعمة المجمدة.
- لعمل مكعبات الثلج.
- لتجميد المواد الغذائية.

إرشاد

تأكد أن باب حيز التجميد مغلق دائماً! عندما يكون الباب مفتوحاً يذوب الجليد عن المجمدات ويزداد الثلج في حيز التجميد. بالإضافة إلى ذلك: إهدار الطاقة بسبب زيادة استهلاك التيار الكهربائي!

إرشاد

يمكن استخدام أرفف الباب ذات النجمتين لتخزين الثلج والمواد الغذائية لفترة قصيرة عند درجة حرارة -12°م. باقى حيز التجميد يحتوي على 4 نجوم.

قدرة التجميد القصوى

تجد البيانات الخاصة بقدرة التجميد القصوى خلال 24 ساعة في لوحة الصنع.

شروط قدرة التجميد القصوى

- تشغيل وظيفة التجميد الفائت قبل وضع المنتجات الطازجة (انظر فصل التجميد الفائت).
- خلع أجزاء التجهيزات.
- حفظ المواد الغذائية مباشرة على الأرفف وأرضية حيز التجميد.

إرشاد

- لا تقم بتغطية فتحة التهوية بالجدار الخلفي بالمجمدات.
- يفضل تجميد الكميات الكبيرة من المواد الغذائية في أعلى درج. وبذلك يتم تجميدها بشكل أسرع وبالتالي يتم الحفاظ عليها.

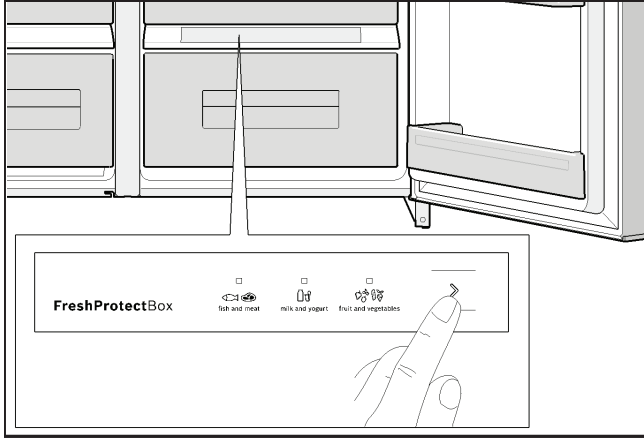
درج التبريد

يمكن باستخدام درج التبريد الاحتفاظ بنضارة المواد الغذائية بما يزيد بمقدار مرتين عن استخدام منطقة التبريد العادية - للاحتفاظ بنضارة الطعام مدة أطول مع بقاء العناصر الغذائية والمذاق المرغوب.

يمكن مواءمة درجة الحرارة بشكل شخصي حسب الأطعمة المحددة. حيث تضمن درجة الحرارة المثالية والرطوبة المعتدلة تأمين ظروف التخزين المثالي لضمان نضارة الأطعمة.

ضبط درجة الحرارة

باستخدام زر الاختيار، يمكن اختيار الأطعمة الموجودة في درج التبريد.



وتشير لمبة LED المضيئة إلى الاختيار.

لا يناسب درج التبريد الأطعمة التالية:

- ينبغي تخزين الفاكهة الحساسة للبرودة (مثل الأناناس، الموز، البابايا و الحمضيات) والخضروات (مثل الباذنجان، الخيار، الكوسة، الفلفل، الطماطم والبطاطس) وذلك في مكان خارج الثلاجة في درجة حرارة من $+8^{\circ}\text{C}$ إلى $+12^{\circ}\text{C}$ للحفاظ على جودتها ونكهتها أيضاً.

يناسب درج التبريد الأطعمة التالية:

- الأسماك، فواكه البحر، اللحوم، النقانق، منتجات الألبان والوجبات الجاهزة
- الخضروات (مثل الجزر، الهليون، الكرفس، الكراث، الشمندر، عيش الغراب، الملفوف مثل البروكلي، القرنبيط، كرنب بروكسل والكرنب)
- السلطات (مثل الخضار، خس النعجة، الشيكوريا، سلطة الخس)
- الأعشاب (مثل الشبت، البقدونس، الثوم، الريحان)
- الفاكهة (الفاكهة غير الحساسة للبرودة مثل التفاح، الخوخ، الثمار العنبية والعنب).

⚠ تنبيه

عند رجوع التيار بعد فترة انقطاع أو بعد فصل الجهاز عن الشبكة العمومية يجب ضبط درجة حرارة درج التبريد مجدداً!

السعة الصافية

تجد البيانات الخاصة بالسعة الصافية في لوحة الصنع بجهازك.

استغلال قدرة التجميد بالكامل

لوضع الكمية القصوى من المجمدات، يمكنك خلع جميع أجزاء التجهيزات. يمكنك حفظ المواد الغذائية مباشرة على الأرفف وفي أرضية حيز التجميد.

خلع وتركيب أجزاء التجهيزات مشروح في فصل التجهيزات.

حيز التبريد

حيز التبريد هو مكان الحفظ المثالي للأطعمة الجاهزة والمخبوزات والأطعمة المحفوظة واللبن المجفف والجبن الصلب.

يراعى عند الحفظ

- قم بحفظ المواد الغذائية الطازجة والسليمة. وبذلك يتم الحفاظ على الجودة والطزاجة لمدة أطول.
- مع المنتجات الجاهزة والمنتجات المعبأة يراعى تاريخ الاستهلاك أو تاريخ الصلاحية المدون من قبل الجهة الصانعة.
- للحفاظ على النكهة واللون والطزاجة قم بتغليف المواد الغذائية جيداً أو وضعها مغطاة. وبذلك يتم تجنب اختلاط المذاقات وتغير ألوان الأجزاء البلاستيكية الموجودة بحيز التبريد.
- اترك الأطعمة والمشروبات الساخنة تبرد أولاً، ثم ضعها في الجهاز.

إرشاد

تجنب أي ملامسة بين المواد الغذائية والجدار الخلفي. وإلا فسوف تتأثر بذلك عملية تدوير الهواء تأثيراً سلبياً. يمكن أن تتجمد المواد الغذائية وعبوات التغليف في الجدار الخلفي.

تراعى مناطق التبريد في حيز التبريد

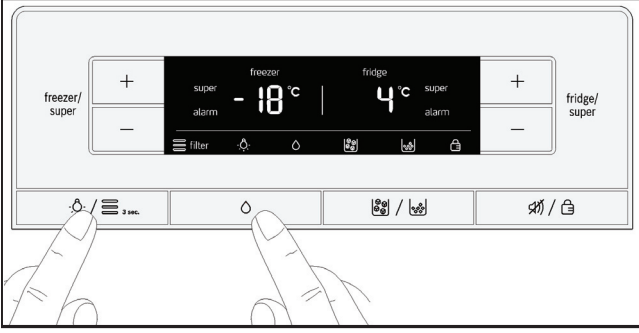
من خلال تدوير الهواء في حيز التبريد تنشأ مناطق ذات درجة برودة مختلفة:

- أكثر المناطق برودة بجوار الجدار الخلفي.
- أقل المناطق برودة بجوار الباب.

إرشاد

قم بتخزين الجبن الصلب مثلاً والزبدة في المناطق الأقل برودة. فالجبن يمكن أن يحتفظ بنكهته وتظل الزبدة قابلة للدهن.

2. اضغط على الزر «ضوء/فلتر» والزر «ماء» لمدة 10 ثوان.



فتتغير وحدة درجة الحرارة.


وضعية توفير الطاقة


إذا تم غلق الأبواب بعد 20 ثانية أو تم الضغط على آخر زر، تنتقل شاشة البيان إلى وضعية التوفير في الطاقة. تنطفئ شاشة البيان، ولا يضيء إضاءة خافتة إلا الكلمتين "freezer" و "fridge" (فريزر) و (ثلاجة) ورمز نوع الإخراج المختار (ماء، ثلج أو ثلج مجروش). بمجرد فتح أحد الأبواب أو الضغط على أحد الأزرار، يتم تشغيل شاشة البيان والتحويل إلى قوة الإضاءة العادية.

رمز فلتر الماء

يشير هذا الرمز إلى المدة المقررة لاستخدام خرطوشة الفلتر.

حتى 6 دقائق. 

حتى 4 دقائق. 

حتى دقيقتين. 

حتى 10 أيام. 

تومض أشرطة الرمز الثلاثة.

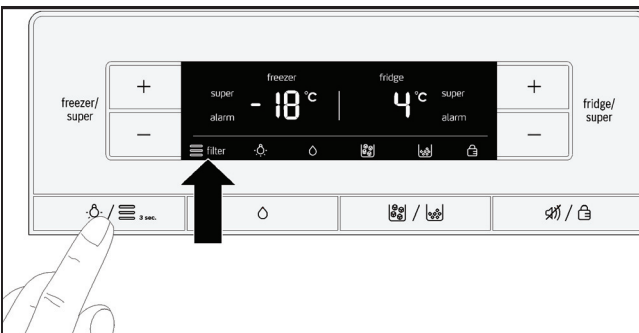
قم بتغيير خرطوشة الفلتر.

إرشاد

عند إيقاف الجهاز، يتم إعادة ضبط رمز فلتر الماء.

بعد تغيير خرطوشة الفلتر، يتم إعادة ضبط رمز فلتر الماء:

اضغط على الرمز «ضوء/فلتر» لمدة 3 ثوان.



يتوقف الرمز عن الوميض.

حيز التجميد

لا تتم بإعادة تجميد المجمدات التي أذيب عنها التجميد. ويمكن إعادة تجميدها فقط بعد تحضيرها كقطع نهائي (مطهية أو محمرة).

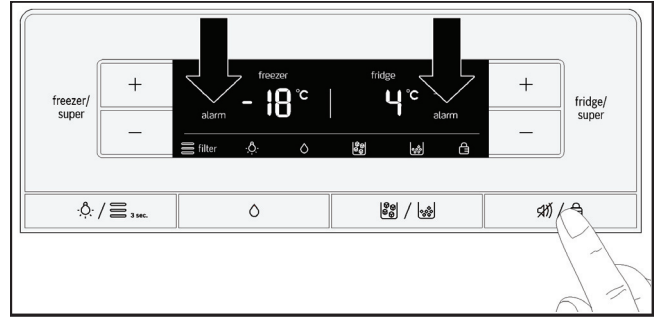
ولا تستنفد مدة التخزين بعد ذلك حتى آخرها.

يمكن أن يعمل الإنذار دون أن يكون هناك خطر على المجمدات:

- عند تشغيل الجهاز،
- عند وضع كميات كبيرة من المواد الغذائية الطازجة،
- عند فتح باب حيز التجميد لفترة طويلة.

إيقاف الإنذار

اضغط على الزر «إيقاف الإنذار/القفل».



إرشاد

بمجرد الوصول إلى درجة الحرارة المضبوطة، ينطفئ في شاشة البيان "alarm" (إنذار).

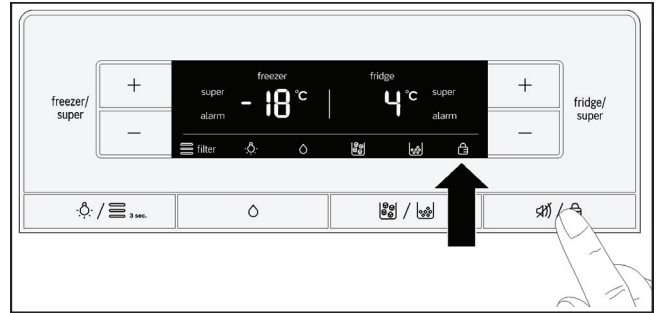
وحدة درجة الحرارة

يمكن أن يتم بيان درجة الحرارة بدرجة مئوية (°م) أو درجة فهرنهايت (°ف).

بعد التشغيل تقوم شاشة البيان بعرض درجة الحرارة بدرجة مئوية (°م).

الضبط

1. اضغط على الزر «إيقاف الإنذار/القفل».



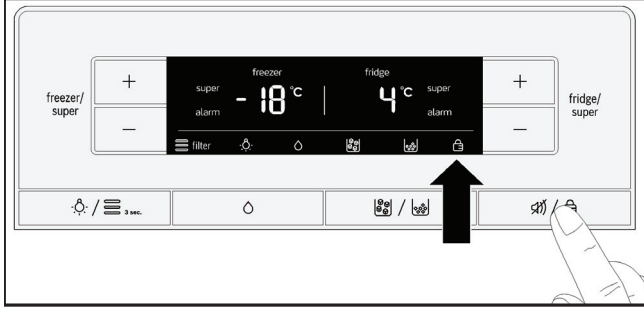
تعرض شاشة البيان الرمز «قفل الأزرار»

قفل الأزرار (وظيفة أمان الأطفال)

عندما يكون قفل الأزرار مشغلا تكون جميع الأزرار مقفلة. عندما يكون قفل الأزرار مشغلا، يمكن إيقاف إشارة التحذير عند صدورها عن طريق الزر «إيقاف الإنذار/القفل».

التشغيل

اضغط على الزر «إيقاف الإنذار/القفل».



تعرض شاشة البيان الرمز «قفل الأزرار»

الإيقاف

اضغط على الزر «إيقاف الإنذار/القفل» لمدة 3 ثوان.

وظائف الإنذار

إنذار الباب

يتم تشغيل إنذار الباب، إذا تم فتح أحد أبواب الجهاز لمدة أطول من دقيقة واحدة. تتكرر الإشارة التحذيرية كل 60 لمدة 5 دقائق. من خلال غلق الباب تتوقف الإشارة التحذيرية مرة أخرى.

يتم تشغيل إنذار الباب أيضا، إذا تم فتح الميني بار لمدة أطول من دقيقة واحدة.

إنذار درجة الحرارة

تعرض شاشة البيان إنذار درجة الحرارة، إذا ارتفعت درجة حرارة حيز التبريد أو حيز التجميد أكثر من اللازم وأصبحت المواد الغذائية معرضة للضرر.

تعرض شاشة البيان المعنية درجة الحرارة القصوى و «الإنذار».

حيز التبريد

إذا ارتفعت درجة الحرارة في حيز التبريد أكثر من اللازم، فيجب تسخين المادة المبردة التي ارتفعت درجة حرارتها قبل استهلاكها. لا تستخدم المواد الغذائية النيئة في حالة الشك في سلامتها.

التجميد الفائق

يجب أن يتم تجميد المواد الغذائية تماما بأسرع وقت ممكن، للحفاظ على الفيتامينات والقيم الغذائية والمظهر والمذاق.

قم بتشغيل وظيفة التجميد الفائق قبل وضع المواد الغذائية الطازجة بعدة ساعات، لتجنب أي ارتفاع غير مرغوب فيه في درجة الحرارة.

وفي العموم تكفي 4 - 6 ساعات.

يستمر عمل الجهاز بعد التشغيل. وبذلك يتم الوصول إلى درجة حرارة باردة للغاية في حيز التجميد.

تعمل وظيفة التجميد الفائق أوتوماتيكيا بعد حوالي 48 ساعة.

في حالة الرغبة في الاستفادة بأقصى قدرة تبريد، يجب تشغيل وظيفة التجميد الفائق قبل وضع المنتجات الطازجة بـ 24 ساعة.

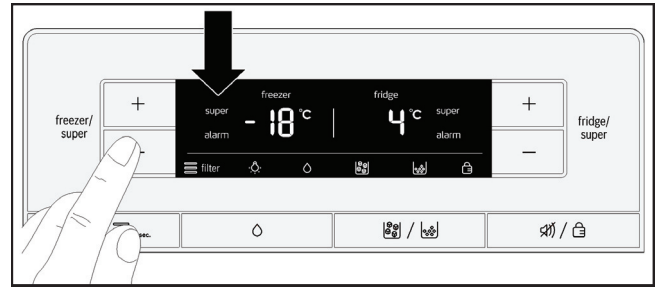
أما الكميات القليلة من المواد الغذائية (حتى 2 كجم) فيمكن تجميدها بدون وظيفة التجميد الفائق.

إرشاد

إذا كانت وظيفة التجميد الفائق مشغلة، قد تصدر ضوضاء تشغيل مرتفعة.

التشغيل

كرر الضغط على الزر « freezer/super - (فريزر/فائق)، حتى تعرض شاشة البيان بحيز التجميد «super» (فائق).



الإيقاف

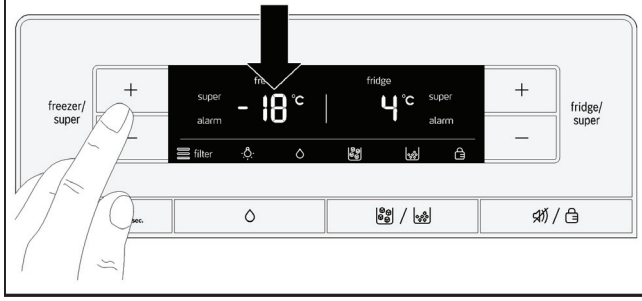
اضغط على الزر « freezer/super + (فريزر/فائق).

إرشاد

يختفي البيان «super» (فائق) من شاشة البيان. يتم ضبط درجة الحرارة أوتوماتيكيا على درجة الحرارة التي كانت مضبوطة قبل التجميد الفائق.

حيز التجميد

يمكن ضبط درجة الحرارة من -16°C إلى -22°C .
 كزر الضغط على الزر "freezer/super +" (فريزر/فائق) أو الزر
 "freezer/super -" (فريزر/فائق)، حتى يتم ضبط درجة الحرارة
 المرغوبة لحيز التجميد.



يتم تخزين آخر قيمة مضبوطة. تظهر درجة الحرارة المضبوطة في شاشة
 البيان بحيز التجميد.

التبريد الفائق

في حالة التبريد الفائق يتم تبريد حيز التبريد لمدة 40 دقيقة تقريباً
 بأقصى قدرة تبريد ممكنة. بعد ذلك يتم ضبط درجة الحرارة أوتوماتيكياً
 على $+4^{\circ}\text{C}$.

تشغيل وظيفة التبريد الفائق مثلاً

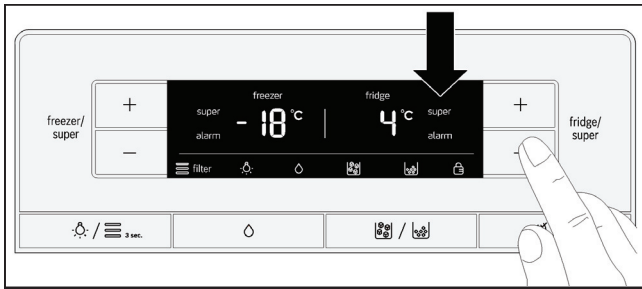
- قبل وضع كميات كبيرة من المواد الغذائية
- للتبريد السريع للمشروبات.

إرشاد

إذا كانت وظيفة التبريد الفائق مشغلة، فقد تصدر ضوضاء تشغيل
 مرتفعة.

التشغيل

كرر الضغط على الزر "fridge/super -" (ثلاجة/فائق)، حتى تعرض
 شاشة البيان بحيز التبريد "super" (فائق).



الإيقاف

اضغط على الزر "fridge/super +" (ثلاجة/فائق).

إرشاد

يختفي البيان "super" (فائق) من شاشة البيان. يتم ضبط درجة
 الحرارة أوتوماتيكياً على $+4^{\circ}\text{C}$.

تشغيل الجهاز

قم بتركيب القابس الكهربائي في المقبس الكهربائي.
 فبدأ الجهاز بالتبريد.

عند التشغيل لأول مرة تكون وظيفة الإنذار غير مفعلة، إلى أن يصل الجهاز
 إلى درجة الحرارة المضبوطة. عند التشغيل مرة أخرى بعد إيقاف الجهاز
 لفترة طويلة، يمكن أن ينطلق إنذار درجة الحرارة.

تومض بيانات درجة الحرارة وتعرض شاشات البيان الرمز "alarm"
 (إنذار)، حتى يصل الجهاز إلى درجات الحرارة المضبوطة.

من خلال الضغط على الزر «إيقاف الإنذار/قفل الأزرار» يتم إيقاف بيان
 إنذار درجة الحرارة.

تضيء عناصر الإضاءة عند فتح أبواب الجهاز.

درجات الحرارة التالية موصى بها ومضبوطة من قبل المصنع:

- حيز التبريد $+4^{\circ}\text{C}$
- حيز التجميد -18°C .

إرشادات التشغيل

■ بعد التشغيل قد يستغرق الأمر عدة ساعات للوصول إلى درجات
 الحرارة المضبوطة.

قبل ذلك لا تضع أية مواد غذائية في الجهاز.

■ من خلال نظام منع تكون الصقيع يظل حيز التجميد بدون جليد.
 وبالتالي ليس هناك حاجة لإذابة الجليد.

■ تسخن الأجزاء الأمامية لجسم الجهاز جزئياً بشكل طفيف، وهذا يمنع
 تكثف الماء في نطاق إطار إحكام الباب.

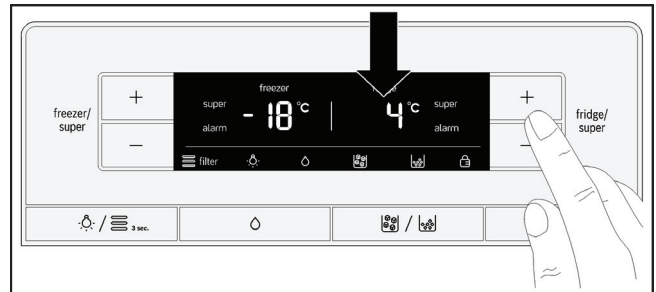
■ إذا لم يفتح باب حيز التجميد بعد الغلق مباشرة، فانتظر لحظة حتى
 يتم معادلة الضغط المنخفض المتكون.

ضبط درجة الحرارة

حيز التبريد

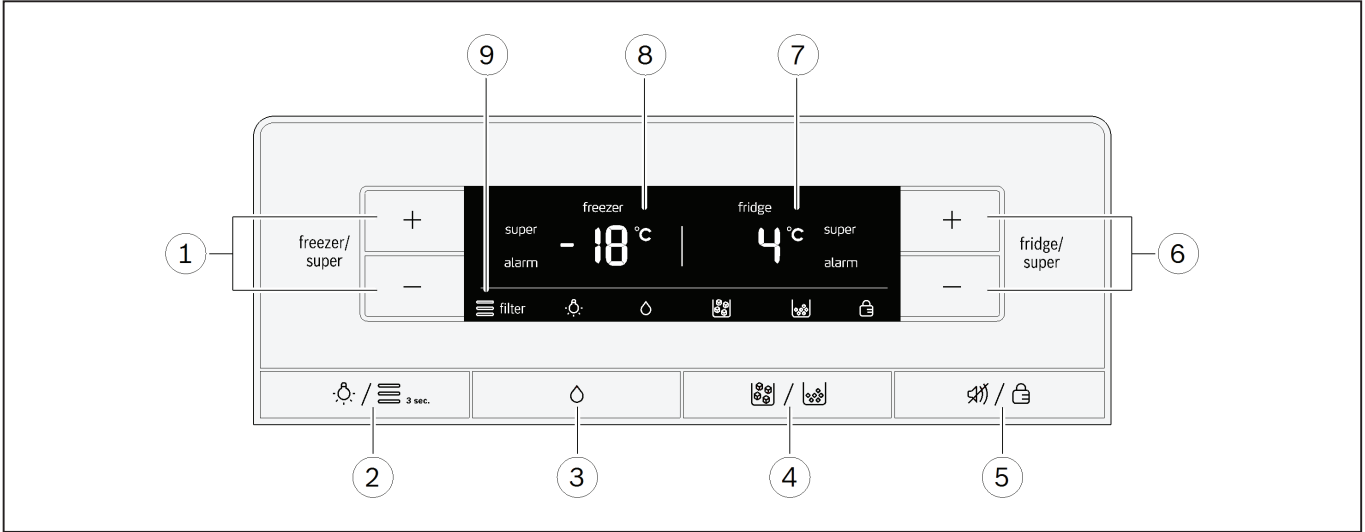
يمكن ضبط درجة الحرارة من $+2^{\circ}\text{C}$ حتى $+8^{\circ}\text{C}$.

كرر الضغط على الزر "fridge/super +" (ثلاجة/فائق) أو الزر
 "fridge/super -" (ثلاجة/فائق)، حتى يتم ضبط درجة الحرارة
 المرغوبة لحيز التبريد.



يتم تخزين آخر قيمة مضبوطة. تظهر درجة الحرارة المضبوطة في شاشة
 البيان بحيز التبريد.

عناصر الاستعمال



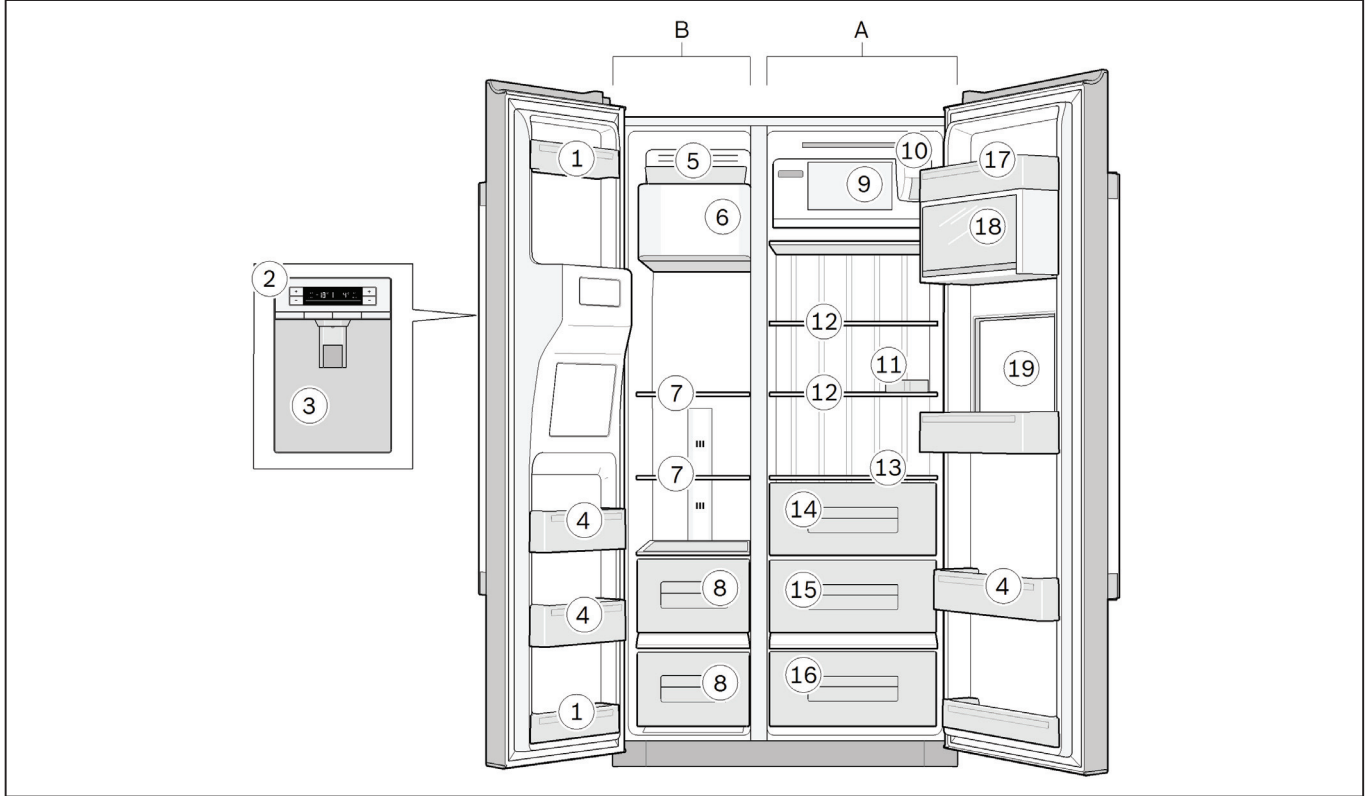
- | | |
|--|---|
| <p>9 الرموز في شاشة البيان</p> <p>فلتر الماء  بيان حالة خرطوشة الفلتر.</p> <p>الإضاءة  إضاءة لبيان تشغيل مخرج الثلج والماء.</p> <p>الماء  بيان أن مخرج الماء مشغل.</p> <p>مكعب ثلج  بيان أن مخرج مكعبات الثلج مشغل.</p> <p>ثلج مجروش  بيان أن مخرج الثلج المجروش مشغل.</p> <p>قفل الأزرار (وظيفة أمان الأطفال)  قفل الأزرار مشغل.</p> | <p>1 الأزرار "freezer/super" (الفريزر/فائق) ■ ضبط درجة الحرارة في حيز التجميد.</p> <p>■ تشغيل وإيقاف وظيفة «التجميد الفائق».</p> <p>2 الزر « ضوء/فلتر » ■ إضاءة لبيان تشغيل وإيقاف مخرج الثلج والماء.</p> <p>■ إعادة ضبط بيان الفلتر.</p> <p>3 الزر « ماء » ■ إضاءة لبيان تشغيل وإيقاف مخرج الماء مشغل.</p> <p>4 الزر « مكعبات ثلج/ثلج مجروش » ■ إضاءة لبيان تشغيل وإيقاف مخرج الثلج المشغل.</p> <p>5 الزر « إيقاف الإنذار/القفل » ■ إضاءة لبيان إنذار درجة الحرارة.</p> <p>■ تشغيل وإيقاف قفل الأزرار (وظيفة أمان الأطفال).</p> <p>6 الأزرار "fridge/super" (الثلاجة/فائق) ■ ضبط درجة الحرارة في حيز التبريد.</p> <p>■ تشغيل وإيقاف وظيفة «التبريد الفائق».</p> <p>7 شاشة بيان حيز التبريد ■ درجة الحرارة في حيز التبريد.</p> <p>■ الرمز "super" (فائق) عندما تكون وظيفة «التبريد الفائق» مشغلة.</p> <p>■ الرمز "alarm" (إنذار) عندما يكون هناك إنذار في حيز التبريد.</p> <p>8 شاشة البيان بحيز التجميد ■ درجة الحرارة في حيز التجميد.</p> <p>■ الرمز "super" (فائق) عندما تكون وظيفة «التجميد الفائق» مشغلة.</p> <p>■ الرمز "alarm" (إنذار) عندما يكون هناك إنذار في حيز التجميد.</p> |
|--|---|

التعرف على الجهاز

الجهاز

يمكن أن تختلف تجهيزات الموديلات.

قد يكون هناك اختلافات في الصور.



A حيز التبريد
B حيز التجميد (4 نجوم)

1 أرفف الباب (2 درجة نجمة)

إرشاد

يوجد نجمتان بأرفف هذا الباب فقط، أما سائر حيز التجميد فبه 4 نجوم.

2 عناصر الاستعمال

3 مخرج الثلج والماء

4 أرفف الباب

5 درج مكعبات الثلج

6 جهاز تحضير الثلج

7 الأرفف الزجاجية بحيز التجميد

8 أدراج حيز التجميد

9 الرف

10 فلتر الماء

11 طبق البيض

12 الأرفف الزجاجية بحيز التبريد

13 رف زجاجي

14 درج الخضروات

15 درج الفاكهة

16 درج التبريد (لا يتوفر بجميع الموديلات)

17 درج الزبدة والجبن

18 رف الباب المزود بغطاء

19 الميني بار (لا يتوفر بجميع الموديلات)

تركيب الأبواب

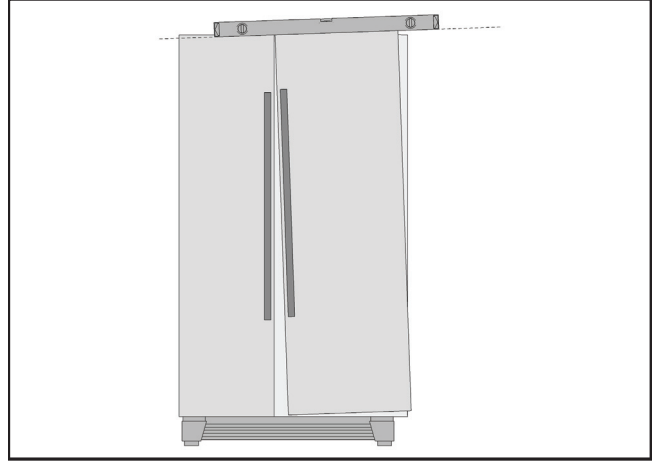
إذا لم يمر الجهاز من أبواب السكن، يمكن خلع مقابض الأبواب أو أبواب الجهاز.

إرشاد

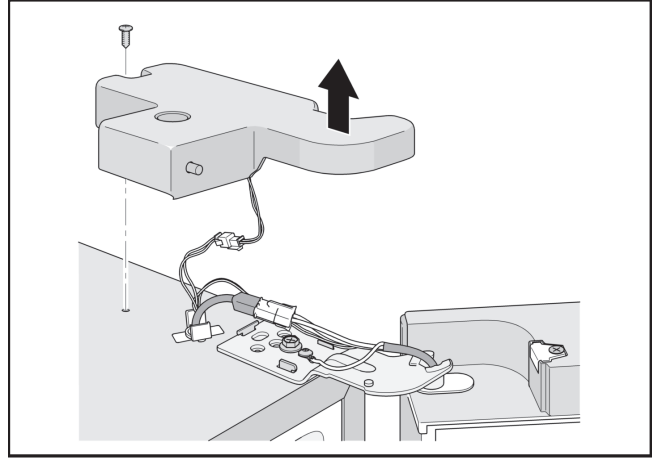
لا يتم فك مقابض الأبواب أو أبواب الأجهزة إلا بمعرفة خدمة العملاء. ويمكنك الاستعلام عن التكلفة لدى مركز خدمة العملاء المتخصص.

إرشاد

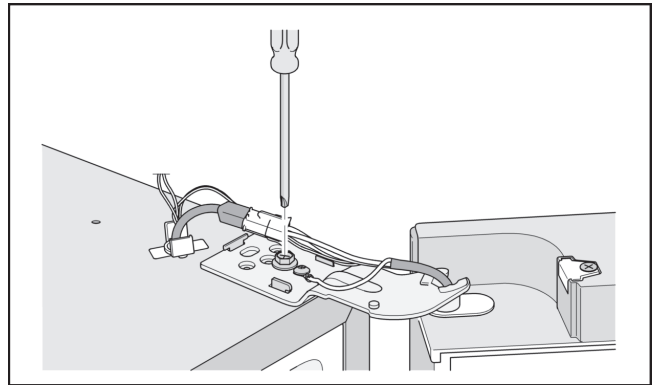
بسبب الوزن الذاتي وتحميل الباب بالمواد الغذائية يمكن أن يميل باب التلاجة حتى وإن كان الجهاز نفسه مستو. فتحة الباب من أعلى ومن أسفل غير متساوية.



عندما تكون فتحة الباب العلوية والسفلية غير متساويتين:



1. قم بفك البرغيين واخلع غطاء المفصلة العلوي.



2. قم بحل برغي المفصلة.

لا تقم بخلع البرغي كاملاً!

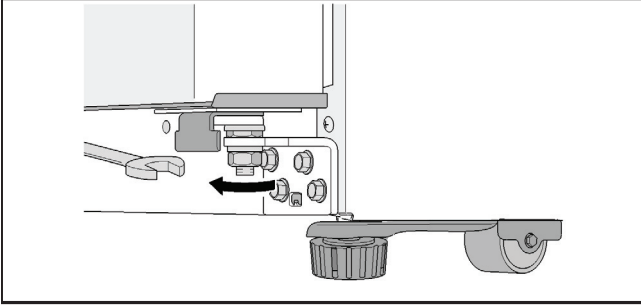
3. ضبط ميل باب حيز التبريد.

4. أحكم ربط برغي المفصلة.

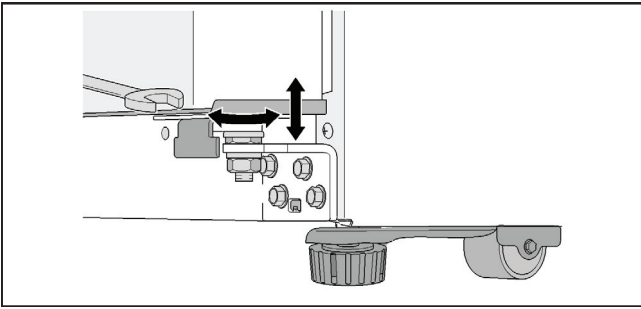
5. قم بتركيب غطاء المفصلة وثبته بواسطة برغيين.

إذا تم ضبط استواء الجهاز تمامًا ولكن باب الجهاز على مستوى أكثر انخفاضًا:

1. افتح أبواب الجهاز.
2. قم بفك 3 براغي وإزالة إطار القاعدة.
3. قم بحل الصواميل.



4. أدر صواميل الضبط حتى يتم ضبط استواء أبواب الجهاز.

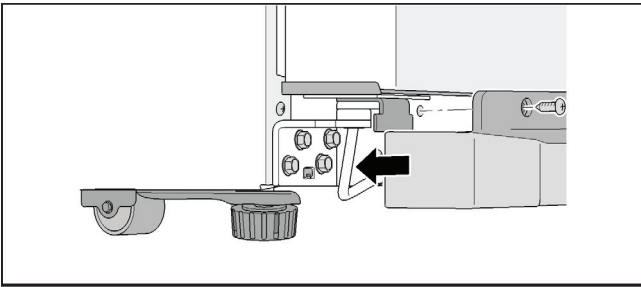


5. باب حيز التجميد أكثر انخفاضًا: أدر صواميل الضبط عكس اتجاه حركة عقارب الساعة.

6. باب حيز التبريد أكثر انخفاضًا: أدر صامولة الضبط في اتجاه حركة عقارب الساعة.

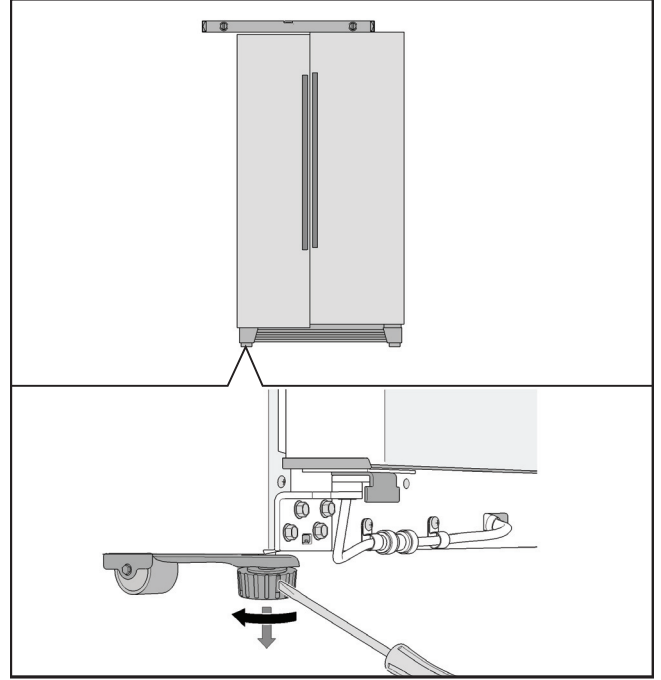
7. أحكم ربط الصواميل.

8. قم بتركيب إطار القاعدة وثبته بواسطة 3 براغي.

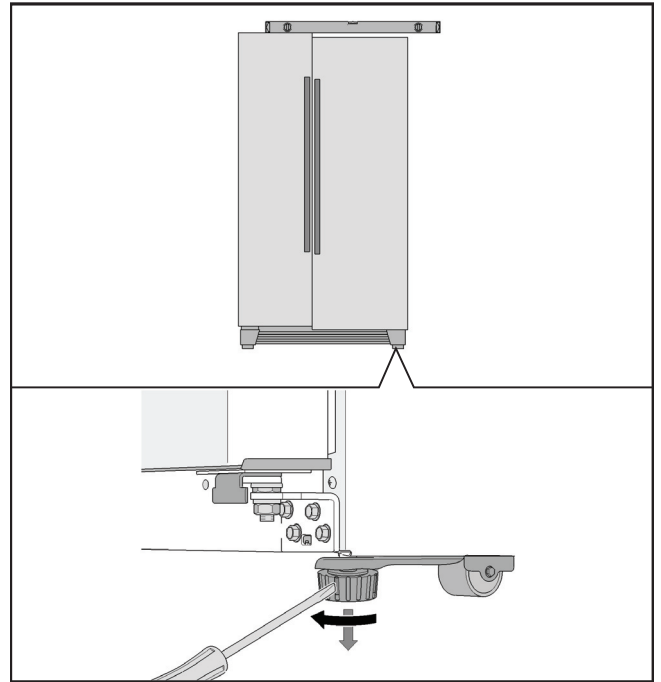


3. أدر الأرجل حتى يتم ضبط استواء الجهاز تمامًا. استخدم أبواب الجهاز كنقطة استرشادية.

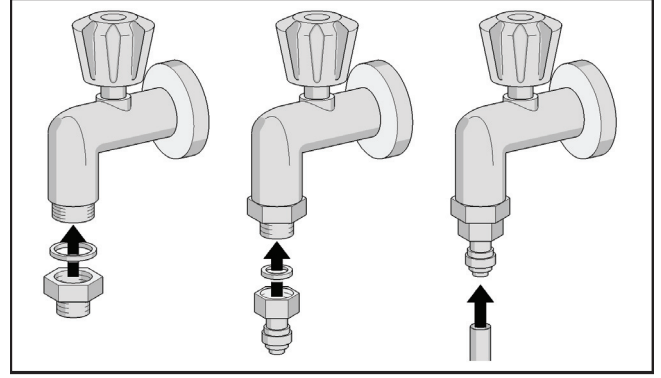
4. باب حيز التجميد أكثر انخفاضًا:



5. باب حيز التبريد أكثر انخفاضًا:



4. قم بتوصيل الجلبة المطلوبة بصنبور الماء.



5. أدخل ماسورة التوصيل حتى النهاية في الجلبة المطلوبة.

6. ضع ماسورة التوصيل في العروات أو اللفات، وبذلك يحتفظ الجهاز بمسافة آمنة عن الحائط.

يمكن تثبيت ماسورة التوصيل على جدار الغرفة باستخدام القامطات المرفقة.

تنبيه ⚠️

لا تقم أبداً بعمل ثقوب أو ربط براغي في الجهاز!

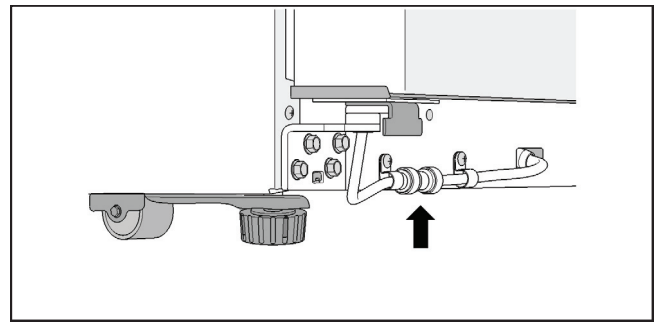
فحص إحكام ربط وصلة الماء

تحذير ⚠️

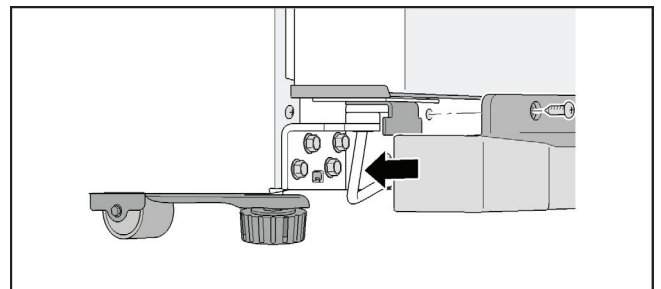
خطر الصعق الكهربائي وخطر تلف الأغراض!

احرص على فصل الجهاز من الشبكة الكهربائية عند القيام بأي أعمال على وصلة الماء.

1. افتح صنبور الماء وانتظر قليلاً حتى يتم ملاءمات مواسير الماء الموجود في الجهاز تماماً.
2. تأكد من إحكام ربط ماسورة التوصيل وجميع الوصلات الأخرى.
3. افتح أبواب الجهاز.
4. قم بفك 3 براغي واخلع إطار القاعدة.
5. تأكد من إحكام ربط الوصلات الخاصة بباب حيز التجميد.



6. قم بتركيب إطار القاعدة وثبته بواسطة 3 براغي.

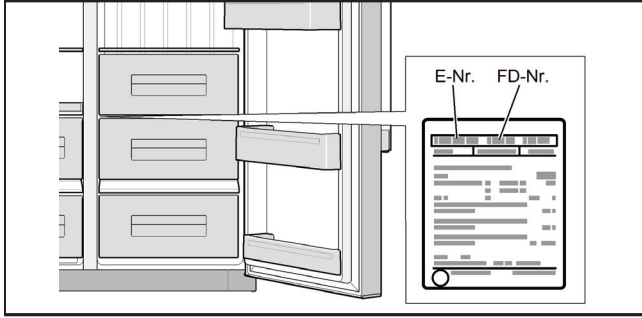


وصلة الكهرباء

يجب أن يكون المقبس الكهربائي قريباً من الجهاز ويمكن الوصول إليه بسهولة بعد تركيب الجهاز.

الجهاز مطابق لفئة الحماية A. عن طريق المقبس الكهربائي المركب طبقاً للوائح والمزود بوصلة أرضي قم بتوصيل الجهاز بتيار متردد 220-240 فولت/50 هرتز. قم بتأمين المقبس الكهربائي بواسطة مصهر 10 أمبير حتى 16 أمبير.

في الأجهزة التي يتم تشغيلها في الدول غير الأوروبية، يجب مراجعة ما إذا كان الجهد المذكور ونوع التيار مطابقان للقيم الخاصة بشبكة الكهرباء لديك. تجد هذه البيانات على لوحة الصنع.



تحذير ⚠️

لا يجوز توصيل الجهاز بأي حال من الأحوال بقابس إلكتروني موفر للطاقة.

لاستخدام أجهزتنا يمكن استخدام عاكس تيار جيبي وتبديلي للخط. يتم استخدام عاكس التيار التبديلي للخط مع النظم الكهربائية الضوئية التي يتم توصيلها مباشرة بالشبكة العمومية. مع الحلول المخصصة للمناطق المعزولة (مثلاً في السفن أو في الأكواخ الجبلية)، التي ليس لها اتصال مباشر بالشبكة العمومية، يجب استخدام المحولات الجيبية.

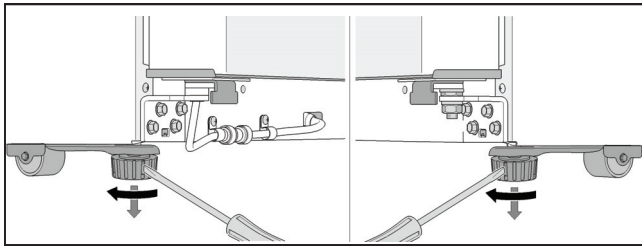
ضبط استواء الجهاز

إرشاد

حتى يعمل الجهاز بدون مشاكل يجب أن يتم ضبط استوائه باستخدام ميزان ماء.

إذا كان الجهاز مائلاً، فقد يؤدي ذلك إلى تسرب الماء من جهاز تحضير الثلج وتكوين مكعبات ثلجية متفاوتة الحجم وتعذر غلق الأبواب بشكل صحيح.

1. قم ب نصب الجهاز في المكان المخصص له.
2. حتى لا يتحرك الجهاز قم بخلع الأرجل الأمامية حتى يستقر الجهاز على الأرض.



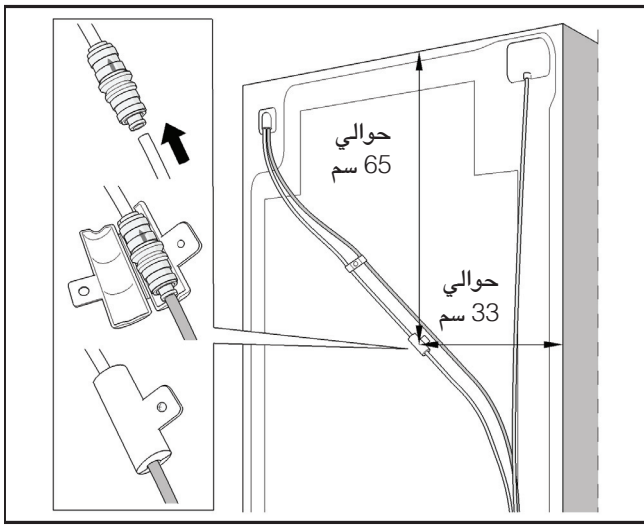
التوصيل

⚠️ تنبيه

خطر حدوث تسرب وأضرار مائية.

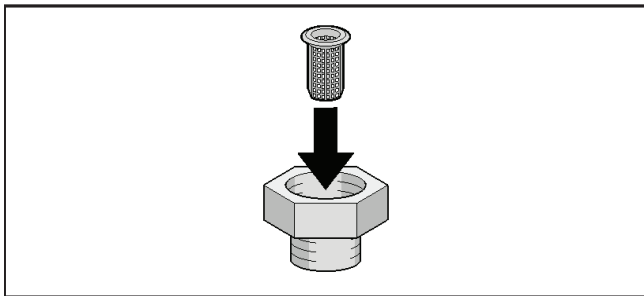
يرجى مراعاة النقاط التالية:

- تجنب ثني ماسورة التوصيل.
 - احرص على قطع ماسورة التوصيل بشكل مستقيم.
 - تجنب نزع ماسورة التوصيل باستخدام كمامة.
 - أدخل ماسورة التوصيل حتى النهاية في الجلبة الملولبة والصمام اللارجوعي.
 - أحكم ربط الجلبة الملولبة يدويا. تجنب استخدام أية كمامة.
 - افحص اتجاه التدفق في الصمام اللارجوعي. الأسهم الموجودة على الصمام اللارجوعي توضح اتجاه التدفق.
1. أدخل ماسورة التوصيل حتى النهاية في الصمام اللارجوعي.



2. أغلق غطاء الصمام اللارجوعي وقم بتثبيته باستخدام برغي.

3. أدخل المصفاة في قطعة التخفيض.



إرشاد

احرص على تنظيف المصفاة سنويا. عند وجود جزيئات عديدة بالماء، قم بتنظيف المصفاة بشكل متكرر.

توصيل الجهاز

بعد نصب الجهاز انتظر ساعة على الأقل قبل تشغيل الجهاز. حيث إنه أثناء النقل قد يحدث أن يتجمع الزيت الموجود في الضاغط في دورة التبريد.

قبل التشغيل لأول مرة قم بتنظيف الحيز الداخلي للجهاز (انظر فصل تنظيف الجهاز).

يجب أن يتم توصيل الماء قبل التوصيل الكهربائي.

لا تقم بإزالة وسائل تأمين نقل الأرفف والأدراج إلا بعد النصب.

وصلة الماء

⚠️ تحذير

خطر الصعق الكهربائي وخطر تلف الأغراض!

احرص على فصل الجهاز من الشبكة الكهربائية عند القيام بأي أعمال على وصلة الماء.

يجب أن يتم عمل وصلة الماء بمعرفة فني تركيب متخصص فقط وفقا لأصول التركيبات الصحية ولوائح مرفق المياه المختص.

يتطلب الأمر وجود وصلة ماء 4% بوصة، للتمكن من توصيل الجهاز.

توصيل الجهاز بماسورة ماء الشرب:

■ الحد الأدنى للضغط: 1,0 بار

■ الحد الأقصى للضغط: 8,0 بار.

يرجى الاتصال بأحد جهات التركيبات الصحية، عندما يتعذر عليك فحص وقياس ضغط الماء.

⚠️ تنبيه

إذا كان ضغط الماء يزيد عن 5,5 بار، فإنه يجب تركيب صمام تخفيض الضغط، وإلا سينتج عن عدم وجوده أضرار مائية خطيرة. إذا كان ضغط الماء أقل من 1,0 بار، فلن يستطيع جهاز تحضير الثلج القيام بوظيفته.

يجب أن يسهل الوصول إلى صنبور الماء المستخدم لتوصيل ماسورة التوصيل المرفقة.

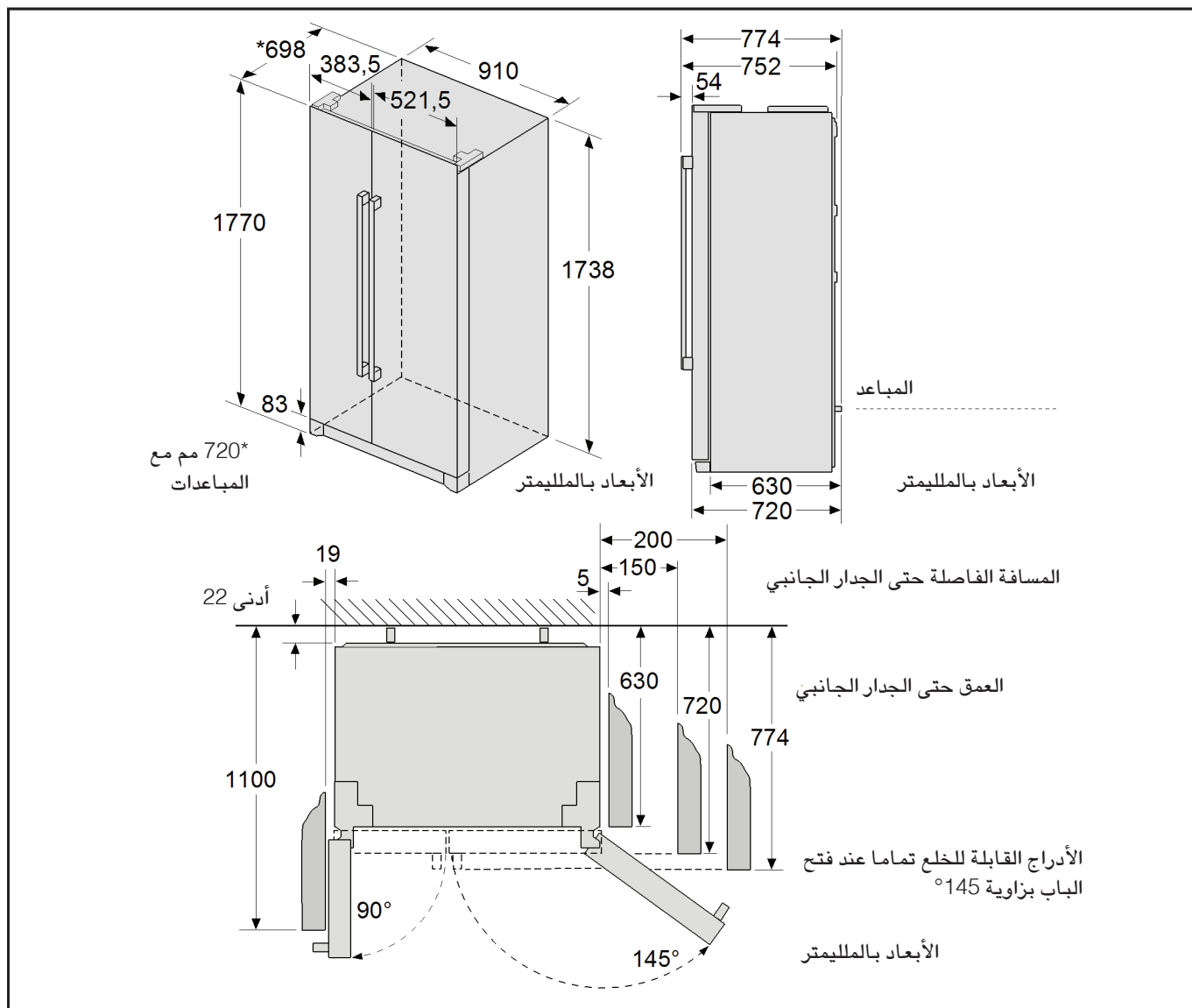
يجب أن يتم توصيل الجهاز بماسورة ماء بارد فقط.

يمكن تحسين مذاق ورائحة الماء من خلال تركيب خرطوشة الفلتر المرفقة. ويراعي في هذه الحالة شروط التوصيل المختلفة (انظر فصل فلتر الماء).

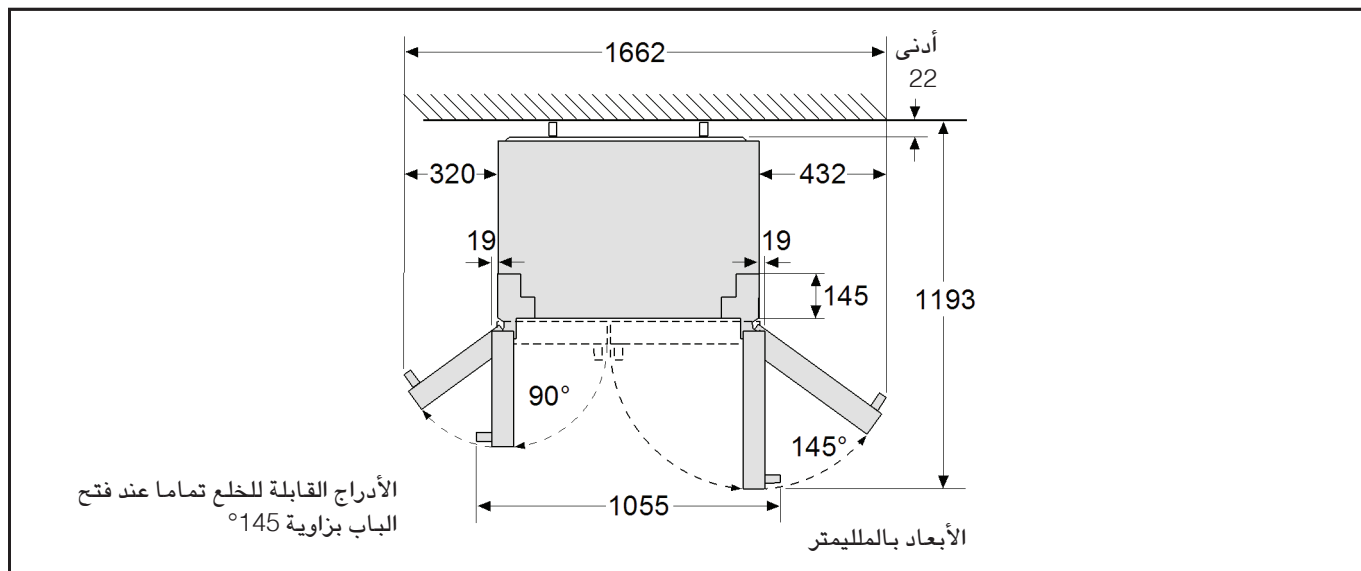
إرشاد

من الممكن تساقط قطرات ماء من مخرج الماء بعد تشغيل الجهاز. ولكن بعد مرور 24 ساعة تقريبا، أي وصول الجهاز لدرجة حرارة التشغيل، يتوقف تساقط قطرات الماء.

أبعاد النصب



زاوية فتح الباب



تراعى درجة حرارة الغرفة والتهوية

درجة حرارة الغرفة

هذا الجهاز مصمم لفئة مناخية معينة. وطبقا لهذه الفئة المناخية يمكن تشغيل الجهاز في درجات حرارة الغرفة التالية.
تجد الفئة المناخية على لوحة الصنع.

الفئة المناخية	درجة حرارة الغرفة المسموح بها
SN	+10°م حتى +32°م
N	+16°م حتى +32°م
ST	+16°م حتى +38°م
T	+16°م حتى +43°م

إرشاد

يمكن استخدام الجهاز بكل وظائفه في إطار درجة حرارة الغرفة للفئة المناخية المذكورة. إذا تم تشغيل الجهاز من الفئة المناخية SN في درجات حرارة أكثر انخفاضاً، فيمكن استبعاد حدوث أضرار بالجهاز حتى درجة حرارة +5°م.

التهوية

يجب أن يتم سحب الهواء الساخن دون عائق. وإلا فسوف تزداد قدرة التلاجة. مما يرفع من استهلاك التيار الكهربائي. لذلك: لا تقم أبداً بتغطية أو سد فتحة التهوية وتصريف الهواء!

الأرضية

يجب ألا تكون أرضية مكان النصب رخوة. إذا لزم الأمر قم بتقوية الأرضية.

الجهاز ثقيل للغاية. تعرف على الوزن الفارغ من الجدول التالي.

الطراز المزود بمخرج الثلج والماء	107 كجم
الطراز المزود بمخرج الثلج والماء ودرج التبريد	109 كجم
الطراز المزود بمخرج الثلج والماء ودرج التبريد والميني بار	111 كجم

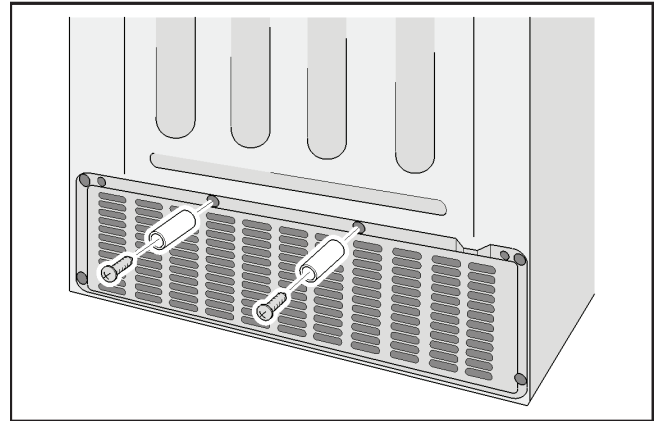
المسافة حتى الجدار

عند نصب الجهاز في أحد أركان الغرفة أو في تجويف فيجب الالتزام بالحد الأدنى للمسافات الجانبية (انظر فصل أبعاد النصب)، حتى يتسنى فتح أبواب الجهاز حتى النهاية.

فإذا تجاوز عمق تجهيزات المطبخ المجاورة 65 سم، فيجب الالتزام بأقل المسافات الجانبية الفاصلة، للاستفادة من زاوية الفتح الكاملة للباب (انظر فصل زاوية فتح الباب).

الحد الأدنى للمسافة الفاصلة عن الجدار الخلفي

قم بتثبيت وسائل المباعدة المرفقة باستخدام البراغي في الفتحات المخصصة لها بظهر الجهاز.



من خلال وسائل المباعدة يتم الالتزام بالحد الأدنى للمسافة البالغ 22 مم والذي يفصل الجهاز عن الجدار ويضمن التهوية.

أحكام عامة

الجهاز يصلح

■ لتبريد وتجميد المواد الغذائية،

■ لتحضير الثلج.

هذا الجهاز مخصص للاستخدام حتى ارتفاع يبلغ 2000 متر فوق مستوى سطح البحر.

هذا الجهاز مخصص للاستخدام المنزلي في المنازل الخاصة ومحيط هذه المنازل.

يعمل الجهاز وفقا لمواصفة الاتحاد الأوروبي 2004/108/EC.

تم فحص دورة التبريد من حيث الأحكام ضد التسريب.

هذه الشهادة تناسب لوائح السلامة ذات الصلة الخاصة بالأجهزة الكهربائية (EN 60335-2-24).

مجموعة التجهيزات

بعد فك مواد التغليف افحص جميع الأجهزة للتأكد من عدم تضررها من النقل.

في حالة وجود أية شكاوى توجه إلى التاجر الذي اشترت منه الجهاز أو إلى مركز خدمة العملاء التابع لنا.

يتم توريد الجهاز بالأجزاء التالية:

■ جهاز مستقل

■ التجهيزات (حسب الموديل)

■ كيس به وسائل التركيب

■ دليل الاستعمال والتركيب

■ كتيب خدمة العملاء

■ ملحق الضمان

■ معلومات حول استهلاك الطاقة والضوضاء

إرشادات التكهين

التخلص من مواد التغليف

تعمل مواد التغليف على حماية جهازك من أضرار النقل. جميع الخامات المستخدمة هي خامات غير ضارة بالبيئة ويمكن إعادة استغلالها. رجاءً ساعدنا بما يلي: تخلص من مواد التغليف بطريقة لا تضر بالبيئة.

يرجى الاستعلام عن أحدث وسائل التخلص من المخلفات لدى التاجر المتخصص أو لدى إدارة البلدية التي تتبع لها.

التخلص من الجهاز القديم

الأجهزة القديمة ليست مجرد مخلفات لا قيمة لها! فمن خلال التخلص من الجهاز بطريقة تحافظ على البيئة يمكن إعادة الانتفاع بالمواد الخام الثمينة

هذا الجهاز مميز طبقا للمواصفة الأوروبية 2012/19/EU فيما يتعلق بالأجهزة الكهربائية والإلكترونية القديمة (waste electrical and electronic equipment - WEEE).

وتحدد هذه المواصفة الإطار العام الساري داخل دول الاتحاد الأوروبي EU لعملية استرداد الأجهزة القديمة وإعادة استغلالها.

تحذير

في حالة الغسالات القديمة غير المستخدمة:

1. اخلع القابس الكهربائي.
2. افصل كابل التوصيل وقم بإزالة القابس الكهربائي.
3. لا تقم بخلع الأرفف والأوعية لتحول دون تسلق الأطفال عليها بالداخل!
4. لا تسمح للأطفال بالعبث بالجهاز القديم. خطر الاختناق!

تحتوي أجهزة التبريد على مادة تبريد، وعلى غازات معزولة. يجب التخلص من مادة التبريد والغازات بشكل سليم. لا تقم بإتلاف ماسورة دورة مادة التبريد حتى يتم التخلص من الجهاز بشكل سليم.

نصب الجهاز

النقل

وزن الجهاز ثقيل ويجب تأمينه أثناء النقل وعند التركيب.

وبسبب وزن وأبعاد الجهاز ولتقليل خطر الإصابات أو الأضرار، يلزم وجود شخصين على الأقل لتركيب الجهاز بشكل آمن.

العجلات مخصصة فقط لعملية التركيب. لا تنقل الجهاز باستخدام العجلات

لا يجوز تحريك الجهاز باستخدام العجلات على أرض غير مستوية أو ليننة.

مكان النصب

يحتاج النصب إلى غرفة جافة وجيدة التهوية. يجب أن يكون مكان التركيب غير معرض لأشعة الشمس المباشرة وألا يكون بالقرب من مصدر الحرارة كالموقد وعناصر التسخين وغيرها. إذا لم يكن بالإمكان تحاشي نصب الجهاز بالقرب من مصدر حراري، فاستخدم لوح عازل مناسب أو التزم بالحد الأدنى للمسافات التي تفصل الجهاز عن المصدر الحراري كما يلي:

- 3 سم عن المواقد الكهربائية أو مواقد الغاز.
- 30 سم عن مواقد الزيت أو مواقد الوقود الصلب.

- لا تقم بتخزين أية منتجات مع الغازات الدافعة القابلة للاشتعال (مثل علب الاسبراي) ولا مع المواد القابلة للانفجار. خطر الانفجار!
- لا تستخدم القاعدة أو الأجزاء البارزة أو الأبواب وخلافه كمسند للقدم أو كسنادة.
- لإذابة الثلج والتنظيف انزع القابس الكهربائي أو قم بفصل المصدر. وانزع القابس الكهربائي من جسم القابس نفسه لا من كابل التوصيل.
- عند تخزين الكحوليات ذات التركيز العالي أحكم غلقها جيداً وتوضع واقفة.
- لا تقم بتلويث الأجزاء البلاستيكية أو إطار إحكام الباب بالزيت أو الشحم. وإلا فسوف تنفذ هذه المواد من الأجزاء البلاستيكية ومن إطار إحكام الباب.
- لا تقم أبداً بتغطية أو سد فتحات التهوية وتصريف الهواء بالجهاز.
- يُسمح باستخدام هذا الجهاز من قِبَل الأشخاص (بما في ذلك الأطفال) الذين يعانون من نقص في القدرات الجسدية أو الحسية أو العقلية أو الأشخاص الذين لديهم قصور في الخبرة أو المعرفة، شريطة أن يقوم شخص مسؤول عن سلامتهم بمراقبتهم أو إذا تم توجيههم إلى كيفية استخدام الجهاز طبقاً لهذا الدليل.
- لا تقم بتخزين أية سوائل في زجاجات أو علب في حيز التجميد (خصوصاً المشروبات المحتوية على حمض الكربون). يمكن أن تنفجر الزجاجات والعلب!
- لا تضع أي مجمدات في فمك مباشرة فور خروجها من حيز التجميد. خطر الإصابة باكتواءات الجليد!
- تجنب ملامسة الأيدي لفترة طويلة لأي مجمدات أو للثلج أو مواشير المبخر وخلافه.
- خطر الإصابة باكتواءات الجليد!

تجنب الأخطار التي يمكن أن يتعرض لها الأطفال أو الأشخاص المعرضون للخطر

المعرضون للخطر هم:

- الأطفال.
- الأشخاص الذين يعانون من نقص في القدرات الجسدية أو العقلية أو الذين لديهم قصور في الوعي،
- الأشخاص الذين لديهم قصور في معرفة كيفية استخدام هذا الجهاز. الإجراءات:
- تأكد أن الأطفال والأشخاص المعرضون للخطر قد استوعبوا المخاطر.
- يجب أن يقوم شخص مسؤول عن السلامة بمراقبة أو توجيه الأطفال أو الأشخاص المعرضين،
- يسمح فقط للأطفال من سن 8 أعوام باستخدام الجهاز.
- يجب مراقبة الأطفال عند التنظيف والصيانة،
- لا تسمح للأطفال أبداً بالعبث بالجهاز.

إرشادات السلامة والتحذير

قبل تشغيل الجهاز

- اقرأ دليل الاستعمال والتركيب بعناية! فهو يحتوي على معلومات هامة عن نصب الجهاز واستخدامه وصيانتته.
- لا تتحمل الجهة الصانعة أية مسؤولية في حالة عدم التزامك بالإرشادات والتحذيرات الواردة في دليل الاستعمال. احتفظ بجميع المستندات لاستعمالها فيما بعد أو لإعطائها للمالك الجديد.

السلامة الفنية

يحتوي الجهاز على كمية قليلة من مادة التبريد R600a الصديقة للبيئة والقابلة للاشتعال. احرص على عدم تعريض ماسورة دورة مادة التبريد للضرر عند النقل أو التركيب. يمكن أن يؤدي رذاذ مادة التبريد إلى إصابات بالعينين أو قد يشتعل.

في حالة الضرر

- احرص على إبعاد النار المشكوكه أو أي مصدر للهب عن الجهاز،
- قم بتهوية الغرفة لعدة دقائق جيداً،
- أوقف الجهاز وانزع القابس الكهربائي،
- أبلغ مركز خدمة العملاء.

كلما ازدادت كمية مادة التبريد في أحد الأجهزة، تعين أن تكون الغرفة التي سيركب فيها الجهاز أكبر. في الغرف الأصغر من اللازم يمكن في حالة وجود تسرب أن يتكون خليط من الهواء والغاز القابل للاشتعال. كل 8 جم من مادة التبريد يجب أن يقابها زيادة في حجم الغرفة قدرها 1 م³ على الأقل. توجد كمية مادة التبريد بجهازك على لوحة الصنع بداخل الجهاز.

إذا كان كابل التوصيل الخاص بهذا الجهاز به ضرر، فإنه يجب استبداله من الجهة الصانعة أو من خدمة العملاء التابعة لها أو بمعرفة شخص له نفس المؤهلات، وذلك تجنباً للمخاطر. التركيبات غير السليمة والإصلاحات يمكن أن تعرض المستخدم لخطر كبير.

لا يجوز إجراء الإصلاحات إلا بمعرفة الجهة الصانعة أو مركز خدمة العملاء أو فني على نفس مستوى التأهيل.

اقتصر على استخدام الأجزاء الأصلية للجهة الصانعة. فهذه الأجزاء فقط تضمن الجهة الصانعة استيفائها لشروط الأمان.

لا يجوز الحصول على أية وصلة إطالة لكابل التوصيل إلا بمعرفة مركز خدمة العملاء.

أثناء الاستخدام

- لا تستخدم أبداً أية أجهزة كهربائية داخل الجهاز (مثل أجهزة التدفئة، جهاز تحضير الثلج الكهربائي). خطر الانفجار!
- لا تقم أبداً بتنظيف الجهاز أو إذابة التجمد عنه باستخدام جهاز التنظيف بالبخار! يمكن أن يصل البخار إلى الأجزاء الكهربائية ويتسبب في حدوث قفلة كهربائية. خطر الصعق الكهربائي!
- لا تستخدم أية أشياء مدببة أو حادة لإزالة طبقات الجليد والثلج. فهذه الأشياء يمكن أن تلحق الضرر بماسورة مادة التبريد. يمكن أن يشتعل رذاذ مادة التبريد و يؤدي إلى إصابات بالعينين.

ar فهرس المحتويات

3	إرشادات السلامة والتحذير
4	إرشادات التكهين
4	مجموعة التجهيزات
4	نصب الجهاز
6	أبعاد النصب
6	زاوية فتح الباب
7	توصيل الجهاز
10	تركيب الأبواب
11	التعرف على الجهاز
13	تشغيل الجهاز
13	ضبط درجة الحرارة
13	التبريد الفائق
14	التجميد الفائق
14	قفل الأزرار (وظيفة أمان الأطفال)
14	وظائف الإنذار
15	وحدة درجة الحرارة
15	وضعية توفير الطاقة
15	رمز فلتر الماء
16	السعة الصافية
16	حيز التبريد
16	درج التبريد
17	حيز التجميد
17	قدرة التجميد القصوى
17	التجميد والتخزين
17	تجميد المواد الغذائية الطازجة
18	إذابة المجمدات
18	مخرج الثلج والماء
20	فلتر الماء
22	نشرة بيانات الأداء التشغيلي
23	التجهيزات
24	إيقاف الجهاز وفصله
24	إذابة الجليد
25	تنظيف الجهاز
25	الروائح
25	الإضاءة (لمبة LED)
26	التوفير في الطاقة
26	ضوضاء التشغيل
27	إصلاح الاختلالات البسيطة بنفسك
28	خدمة العملاء

Robert Bosch Hausgeräte GmbH

Carl-Wery-Straße 34

81739 München

GERMANY

www.bosch-home.com



9001000239 (9807)
en, ar