



Stainless Steel Spectra® IV Series

BACK BOX AND LOWER DOME

Product Features

- All Stainless Steel Construction
- Built-in Back Box Memory
- Integrated Passive UTP Circuit
- 7 Alarm Inputs; 2 Programmable Auxiliary Outputs
- Built-in Surge and Limited Lightning Protection
- Compatible with All Spectra® IV SE and Spectra IV Dome Drives
- Bubble Constructed of Optically Clear Acrylic
- Environmental Pendant Model Only
- Indoor/Outdoor Applications
- Meets NEMA Type 4X and IP66 Standards



**ENVIRONMENTAL PENDANT
BB4-PSG-E AND LD53PSB-1
(SHOWN WITH IDM4012SS WALL MOUNT)**

Pelco's **Stainless Steel Spectra® IV** is designed for harsh environmental installations and meets NEMA Type 4X and IP66 standards.

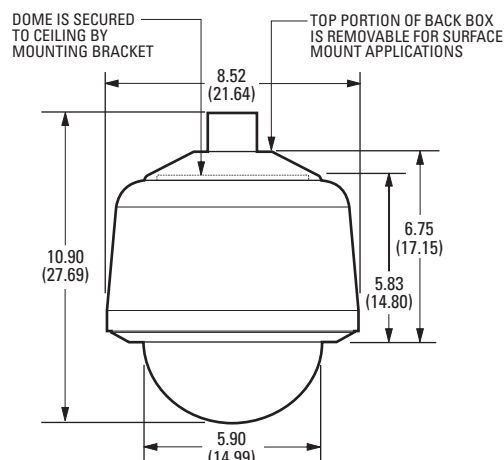
The components (back box and lower dome) provide added protection against corrosive conditions. The pendant-style back box (**BB4-PSG-E**) is constructed of Type 316 Stainless Steel (SS) and includes a sun shield (also constructed of Type 316 SS), heater, and fan. The lower dome features a trim ring constructed of Type 316 SS and an optically clear bubble that is available in smoked (**LD53PSB-0**) or clear (**LD53PSB-1**) acrylic.

The **Stainless Steel Spectra IV** has all the features of the Spectra IV SE dome system (built-in back box memory, two auxiliary outputs, seven alarm inputs) and is also compatible with all Spectra IV SE and Spectra IV dome drives.

Camera and lens options for the **Stainless Steel Spectra IV** include:

- Day/night camera, 128X wide dynamic range, motion detection, electronic image stabilization, LowLight™ technology, and 35X optical zoom with 12X digital zoom
- Day/night camera, 80X wide dynamic range, motion detection, LowLight technology, and 23X optical zoom with 12X digital zoom
- Day/night camera, LowLight technology, and 18X optical zoom with 12X digital zoom
- High-resolution color camera with an EXview HAD™ CCD, LowLight technology, and 22X optical zoom with 12X digital zoom
- High-resolution black-white camera with an EXview HAD CCD, LowLight technology, and 22X optical zoom with 12X digital zoom
- High-resolution color camera with LowLight technology, and 16X optical zoom with 8X digital zoom

For an alternative mounting option use the **IDM4012SS** wall mount. The **IDM4012SS** mount is designed specifically for the **Stainless Steel Spectra IV Series** and features all stainless steel construction and conduit access in the bottom and back of the mount.



NOTE: VALUES IN PARENTHESES ARE CENTIMETERS; ALL OTHERS ARE INCHES.



C3415 / NEW 1-07

IP66



International Standards
Organization Registered Firm;
ISO 9001 Quality System



TECHNICAL SPECIFICATIONS

SYSTEM MODEL NUMBERS

Back Box Type	Lower Dome	SPECTRA IV		SPECTRA IV SE			
		16X Color*	18X Day/Night*	22X Black-White*	22X Color*	23X Day/Night*	35X Day/Night*
Environmental Pendant	Smoked	SD4TC-PSGE0	SD418-PSGE0	SD4M22-PSGE0	SD4C22-PSGE0	SD4CBW-PSGE0	SD435-PSGE0
	Clear	SD4TC-PSGE1	SD418-PSGE1	SD4M22-PSGE1	SD4C22-PSGE1	SD4CBW-PSGE1	SD435-PSGE1

COMPONENT MODEL NUMBERS

Back Box		Lower Dome		Dome Drive*	
BB4-PSG-E Environmental Pendant mount, gray 316 SS		LD53PSB-0	Smoked, pendant, black trim ring 316 SS	DD4TC16	Color (NTSC) camera (16X)
		LD53PSB-1	Clear, pendant, black trim ring 316 SS	DD4CBW18	Day/night (NTSC) camera (18X)
				DD4CBW	Day/night (NTSC) camera (23X)
				DD4C22	Color (NTSC) camera (22X)
				DD4M22	Black-white (EIA) camera (22X)
				DD4CBW35	Day/Night (NTSC) camera (35X)
				DD5-FM**	Removable, fixed mount bracket only (camera and lens not included); interchangeable with all Spectra IV dome drives

*For PAL and CCIR models add "-X" suffix to part number. (Example: SD4C22-PSGE0-X or DD4C22-X)

**DD5-FM is ideal for use with Pelco's CCC1380, CCC1390, and MCC1380 Series cameras with selected Pelco lenses.

ELECTRICAL

Input Voltage	18-32 VAC; 24 VAC nominal
Input Power	
24 VAC	73 VA nominal
24 VDC	3 A nominal
Fuse	1.6 A
Auxiliary Outputs	2
Alarm Inputs	7

GENERAL

Construction		
Back Box	316 stainless steel; gray, polyurethane powder coated finish	
Lower Dome		
Trim Ring	316 stainless steel; black, polyurethane powder coated finish	
Bubble	Acrylic, clear or smoked	
Cable Entry	Through 1.5-inch NPT back box pendant mount	
Weight (approximate)	Unit	Shipping
Back Box	4.75 lb (2.15 kg)	7 lb (3.18 kg)
Lower Dome	1.83 lb (0.83 kg)	4 lb (1.81 kg)
Dome Drive	3.3 lb (1.48 kg)	4.9 lb (2.22 kg)
Environment	Indoor/Outdoor	
Operating Temperature	(Assumes no wind chill factor; for detailed test conditions, contact Pelco)	
Maximum	140°F (60°C) absolute maximum; 122°F (50°C) sustained maximum	
Minimum	-60°F (-51.11°C) absolute minimum; minimal icing at sustained minimum of -50°F (-45.56°C); prevents icing at sustained minimum of -40°F (-40°C); de-ices 0.1 inch (2.5 mm) within 3 hours after power-up	

CERTIFICATIONS

- CE, Class B
- UL Listed
- UL Listed to Canadian safety standards
- FCC, Class B
- Meets NEMA Type 4X, IP66 standards when installed properly
- Complies with Argentina compliance requirements under Res. 92/98

OPTIONAL ACCESSORIES

IPS-CABLE	Remote monitor cable and software. See www.pelco.com for a list of compatible devices.
IPS-RDPE-2	Remote data port. 24 VAC, wall/pole mount video/data breakout box. Allows ground-level control/programming and Spectra OS software upgrades when used with the IPS-RMK or IPS-CABLE.
IPS-RMK	Remote monitor kit.
TXB Series	Translator boards for AD Manchester, Hernis, Bosch (Philips, Burle), Sensomatic, Vicon, and NTCIP protocols.
FS85011 [†]	Fiber transmitter sends one unidirectional composite video channel and one bidirectional data channel over one multi-mode or single-mode fiber optic cable.

[†]If TXB or FS85011 boards are installed, it is not possible to upgrade system operating software through the remote data port (IPS-RDPE-2).

RECOMMENDED POWER SUPPLIES

WCS Series	Single/multiple 24 VAC camera power supply, outdoor
------------	---

RECOMMENDED MOUNT

IDM4012SS	Stainless steel wall mount with feed-through capabilities
-----------	---

Pelco Worldwide Headquarters:

625 W. Alluvial Avenue, Fresno, California 93711 USA

USA & Canada Tel: (800) 289-9100 • FAX (800) 289-9150

International Tel: (559) 292-1981 • FAX (559) 348-1120

www.pelco.com

Pelco, the Pelco logo, and Spectra are registered trademarks of Pelco.

LowLight is a trademark of Pelco.

EXview HAD is a trademark of Sony Corporation.

Specifications subject to change without notice.

©Copyright 2007, Pelco. All rights reserved.