



PRINT



FAX



COPY



UP TO 55 PPM



SCAN



DUPLEX



NETWORK



Lexmark X650 Series

Lexmark X651de

Lexmark X652de

Lexmark X654de

Lexmark X656de

Lexmark X656dte

The super-fast, ultra-reliable productivity booster!



LEXMARKTM

Print Less. Save More.

Print less? This may seem like a surprising message for a company dedicated solely to printing. But when you consider that businesses spend, on average, up to 6% of their turnover on printing, and that active print management can cut office print costs by up to 30%¹, it makes a lot of sense. Lexmark products, solutions and services provide innovative ways to save you time, drive down costs and reduce your impact on the environment. We are committed to helping you print less and save more.

¹ Source: InfoTrends/CapVentures, "Network Document Solutions Forecast 2007-2012, Network Document Solutions Consulting Service", August, 2008

The Lexmark X650de Series packs more benefits than ever into a high-performance, space-saving multifunction laser. Power up your workgroup with reliable, ultra-fast printing and copying. Boost productivity with superior colour-scanning capabilities and efficient workflow solutions. And experience smart, new ways to lower costs while reducing the environmental impact of printing.



Enhance workflow performance!

There are enough things that can slow you down in a day – your documents shouldn't be one of them. Powerful print speeds and intelligent time-saving features team up to make your workday fully efficient and productive.

- Rapid printing and copying as fast as 55 ppm
- Rapid high-quality duplex scanning in monochrome and colour
- Optimised workflow capabilities with flexible scan destinations and formats
- Lexmark X656dte model with hard disk supports advanced features, like on-screen scan previews
- Includes advanced faxing with time-saving shortcuts (fax is optional on Lexmark X651de)



Outstanding versatility

One size never fits all. That's why Lexmark offers you more options, more versatility and more functionality for a truly customised solution. Choose from a wide range of flexible features to achieve a perfect fit for your business.

- Input options let you load up to 3,200 sheets
- Customisable touch screen for simple one-touch operation
- MyMFP lets users personalise the touch screen with the functions and shortcuts they use most
- Lexmark's Embedded Solutions Framework enables your MFP to be tailored for workflow efficiency



Cutting-edge security

The Lexmark X650de Series is equipped with state-of-the-art security to protect your valuable corporate data. It also features customisable user-access controls, allowing you to enable or disable functions with ease.

- IPSec, SNMPv3 and 802.1x network security
- Secure data encryption and disk wiping
- Industry-leading access restrictions, including LDAP
- Proactively tracks and identifies security risks



Prints black, thinks green

Lexmark multifunction technology makes it easy to reduce the amount of information you print, copy and distribute in hardcopy format. You'll save time, costs and office space, while powering fewer devices. You can also significantly reduce cartridge waste by using Lexmark's high-yield and extra-high-yield print cartridges, which boast extraordinary page yields – up to 36,000 pages.

- Eco-Mode reduces power consumption
- Built-in duplex printing saves paper
- 25,000-page and 36,000-page print cartridges reduce waste as well as lower your cost per page
- Lexmark Cartridge Collection Program offers fast, free and easy recycling



Lexmark X650 Series

Explore the features that keep you moving



Colour scanning

Scan up to 75 pages at a time with the automatic document feeder



Two-sided savings

Built-in duplex printing saves you paper and money



Now showing on the big screen

All the functions you need are just a touch away



Direct USB

Front USB port for walk-up printing and scanning to memory device



High-yield and extra-high-yield cartridges

Low cost per page, fewer interventions, less impact on the environment



Paper possibilities

Expandable drawers let you load up to 3,200 sheets

Loads of benefits packed into one device!

What can device consolidation do for your business?

If you're still struggling between multiple devices across your office – printers, scanners, copiers and fax machines – then your true productivity potential is still far out of reach. But with Lexmark, there's an easy fix!

Solidly robust and competitively fast, Lexmark's industry-leading MFPs allow you to unite all your critical document functions into one high-performance device.

And the benefits go far! You'll optimise office space and save money on hardware, consumables, service contracts and even electricity!

Solidly robust and competitively fast, Lexmark's industry-leading MFPs allow you to unite all your critical document functions into one high-performance device. And the benefits go far! You'll optimise office space and save money on hardware, consumables, service contracts and even electricity.

The Productivity Checklist

If you've got all these, then you've got a Lexmark!



Enormously intuitive touch screen

The incredibly large, fully featured colour touch screen gives you fast, easy access to document capture and workflow functions. Tailor it to your business requirements with the icons and shortcuts you need most. You can even change the background image to whatever suits you best, like your own logo.

Efficient traffic shaping

When you email a large file from your Lexmark X650de Series MFP, it won't cause a traffic jam on your network. That's because traffic-shaping technology can partition your network traffic and designate lower bandwidth for outbound flows. This is especially useful for busy networks and externally hosted Web servers.

On-screen scan previews

Before you scan and email an important image file, see how it looks and fits on the page. Should it be in colour or black and white? Is the page orientation correct? Are you sure you scanned the correct side of the page? You may also want to check the file size of the scanned document before you save or forward it on. The Lexmark X650de Series lets you preview your scan and note the file size, saving you time and eliminating errors (hard disk required).

Multitalented copying

Benefit from a rich range of advanced copy functions to boost your productivity, such as Priority Copy to temporarily interrupt long print runs; ID Card Copy to copy both sides of a card on a single sheet; Sample Copy to proof the first copy set before printing the remaining copies; and Remote Copy, which you can use to scan colour documents on your monochrome Lexmark X650de Series MFP and retrieve them from a Lexmark colour laser printer.

Personalised user settings

A real efficiency booster, Lexmark's new MyMFP feature lets multiple users save and re-access their personal settings on a simple flash drive, including their local address book, personal fax numbers, individual copy settings, and even their own touch-screen configuration. They simply walk up to the MFP, slide in their flash drive and the MFP literally transforms into their own personal device. A warm welcome each time they use it!

Effortless manageability

Take a load off your help desk. These printers are network-ready and very easy to set up. If you're installing multiple Lexmark laser devices, the Lexmark Universal Driver offers even easier deployment. Once you're up and running, Lexmark's free remote management software, Lexmark MarkVision™ Professional, keeps the workday flowing.

Lexmark's Embedded Solutions Framework

Experience more productivity than you could ever imagine! Lexmark new MFPs come solutions-ready, so you can easily opt for one of Lexmark's leading workflow-enhancing applications, such as Remote Copy, embedded Document Accounting Solution, and more. These solutions are specially designed to help you lower costs, analyse usage patterns, expand your functionality and move information more efficiently throughout your enterprise. To find out how multifunction solutions can boost your performance, call your Lexmark representative today.



Lexmark X650 Series



Get exactly the performance you need



Lexmark X651de

- Includes print, copy and scan functions
- Up to 45 ppm, as fast as 8 seconds to first page
- Customisable 7" colour touch screen
- Recommended monthly volume: 3,000 to 20,000 pages
- 650-sheet standard input, 550-sheet output capacity
- Ships with 7,000-page Return Program Print Cartridge
- Lexmark High Yield Print Cartridges available (25,000 pages)



Lexmark X652de

- Same as X651de but also includes:
- High-speed faxing



Lexmark X654de

- Up to 55 ppm, as fast as 9.5 seconds to first page
- Automatic document feeder holds up to 75 sheets and scans both sides of your document in one pass
- Extra-large 9" colour touch screen
- Recommended monthly volume: 5,000 to 30,000 pages
- Ships with an 18,000-page Starter Return Program Print Cartridge
- Lexmark Extra High Yield Print Cartridges available (36,000 pages)



Lexmark X656de

- Same as X654de but also includes:
- 80GB hard disk for expanded functionality

Lexmark X656dte

- Same as X656de but also includes:
- Added 550-sheet drawer for 1,200-sheet total input capacity

	Lexmark X652de	Lexmark X656de	Lexmark X656dte
Printing			
Print Technology	Monochrome Laser		
Print Speed (Letter, Black): Up to	45 ppm	55 ppm	55 ppm
Time to First Page (Black)	As fast as 8.0 seconds		As fast as 9.5 seconds
Print Resolution, Black	1200 Image Quality, 1200 x 1200 dpi, 2400 Image Quality, 600 x 600 dpi		
Memory, Standard	256 MB		
Memory, Maximum	1280 MB		
Print Noise Level, Operating	54 dBA	56 dBA	56 dBA
Noise Level, Idle	29 dBA		
Maximum Monthly Duty Cycle: Up to	200000 pages per month	275000 pages per month	275000 pages per month
Recommended Monthly Page Volume	3000 - 20000 pages	5000 - 30000 pages	5000 - 30000 pages
Supplies			
Supplies Yield	25,000*-page High Yield Print Cartridge, *Average standard page yield value declared in accordance with ISO/IEC 19752., 7,000*-page Print Cartridge	25,000*-page High Yield Print Cartridge, *Average standard page yield value declared in accordance with ISO/IEC 19752., 7,000*-page Print Cartridge, 36,000*-page Extra High Yield Print Cartridge	25,000*-page High Yield Print Cartridge, *Average standard page yield value declared in accordance with ISO/IEC 19752., 7,000*-page Print Cartridge, 36,000*-page Extra High Yield Print Cartridge
Cartridge(s) Shipping with Product	7,000*-page Return Program Print Cartridge	18,000*-page Starter Return Program Print Cartridge	18,000*-page Starter Return Program Print Cartridge
Copying			
Copy Speed (A4, Black): Up to	43 cpm	53 cpm	53 cpm
Copy Speed (Letter, Black): Up to	45 cpm	55 cpm	55 cpm
Scanning			
Scanning Resolution	600 X 600 dpi (black)		
Reduce / Enlarge Range	25 - 400 %		
Faxing			
Modem Speed	33.6 Kbps		
Paper Handling			
Paper Handling Standard	Integrated Duplex, 100-Sheet Multipurpose Feeder, 550-Sheet Input Tray, 550-Sheet Output Bin	Integrated Duplex, 100-Sheet Multipurpose Feeder, 550-Sheet Input Tray, 550-Sheet Output Bin	Integrated Duplex, 100-Sheet Multipurpose Feeder, 550-Sheet Drawer, 550-Sheet Input Tray, 550-Sheet Output Bin
Paper Handling Optional	400-Sheet Universally Adjustable Tray with Drawer, 550-Sheet Drawer, 250-Sheet Drawer, Optional furniture required., 2,000-Sheet High-capacity Feeder		
Paper Input Capacity, Standard	650 pages 20 lb or 75 gsm bond	650 pages 20 lb or 75 gsm bond	1200 pages 20 lb or 75 gsm bond
Paper Input Capacity, Maximum	3200 pages 20 lb or 75 gsm bond		
Paper Output Capacity, Standard	550 pages 20 lb or 75 gsm bond		
Paper Output Capacity, Maximum	550 pages 20 lb or 75 gsm bond		
ADF Paper Input Capacity : Up to	75 pages 20 lb or 75 gsm bond		
Media Types Supported	Card Stock, Dual Web Labels, Envelopes, Integrated Labels, Paper Labels, Plain Paper, Polyester Labels, Transparencies, Vinyl Labels, Refer to the Card Stock & Label Guide		
Media Sizes Supported	10 Envelope, 7 3/4 Envelope, 9 Envelope, A4, A5, DL Envelope, Executive, Folio, JIS-B5, Legal, Letter, Statement, Universal		
Compatibility			
Network Protocol Support	TCP/IP IPv4, IPX/SPX, AppleTalk™, LexLink (DLC), TCP/IP IPv6, TCP, UDP		
Printer Languages (Standard)	PCL 5e Emulation, PCL 6 Emulation, Personal Printer Data Stream (PPDS), PostScript 3 Emulation, xHTML, PDF 1.6, Direct Image, Microsoft XPS (XML Paper Specification)		
Standard Ports	Ethernet 10/100BaseTX (RJ-45), One Internal Card Slot, USB 2.0 Specification Hi-Speed Certified, USB port (Type A) compatible with USB 2.0 Specification, Front USB port Compatible with USB 2.0 Specification (Type A)		
Microsoft Windows Operating Systems Supported	2000, XP, Server 2003, XP x64, Server 2003 running Terminal Services, 2000 Server running Terminal Services, Server 2003 x64, Server 2003 x64 running Terminal Services, Vista, Vista x64, Server 2008, Server 2008 x64, Server 2008 running Terminal Services, Server 2008 x64 running Terminal Services		
Apple Macintosh Operating Systems Supported	Mac OS X, Mac OS 9.x		
Other Operating Systems Supported	www.lexmark.ca		
General			
Function	Colour Scanning, Copying, Faxing, Network Scanning, Printing		
Product Warranty	1-Year Onsite Service, Next Business Day		
Product Certifications	www.lexmark.ca		
Size (in. - H x W x D)	29.7 x 21.6 x 24.1 in.	29.7 x 21.6 x 24.1 in.	34.8 x 21.6 x 24.1 in.
Weight (lb.)	100 lb.		
Specified Operating Environment	Temperature: 16 to 32°C (60 to 90°F), Humidity: 8 to 80% Relative Humidity, Altitude: 0 - 3048 Meters (10,000 Feet)		

Maximum Monthly Duty Cycle

Maximum Monthly Duty Cycle is defined as the maximum number of pages a device could deliver in a month. This metric provides a comparison of robustness in relation to other Lexmark printers and MFPS.

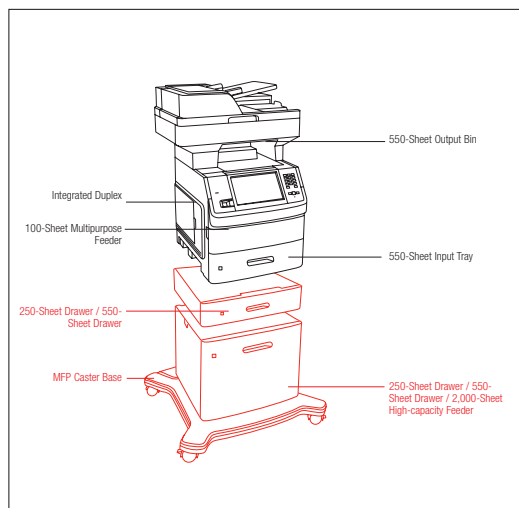
Recommended Monthly Page Volume

Recommended Monthly Page Volume is a range of pages that helps customers evaluate Lexmark's product offerings based on the average number of pages customers plan to print on the device each month. Lexmark recommends that the number of pages per month be within the stated range for optimum device performance, based on factors including: supplies replacement intervals, paper loading intervals, speed, and typical customer usage.

Trademarks

Lexmark and Lexmark with the diamond design are trademarks of Lexmark International, Inc., registered in the United States and/or other countries. All other trademarks are the property of their respective owners. PCL is a registered trademark of Hewlett-Packard Company, AppleTalk, Mac and Macintosh are trademarks of Apple Computer, Inc., registered in the United States and other countries. MarkNet and MarkVision are trademarks of Lexmark International, Inc., registered in the United States and/or other countries. The USB-IF logos are trademarks of Universal Serial Bus Implementers Forum, Inc. ENERGY STAR® is a U.S. registered mark. Microsoft, Windows, the Windows logo, Windows Vista, and the Windows Vista logo are trademarks or registered trademarks of Microsoft Corporation in the United States and/or other countries. Citrix, MetaFrame and MetaFrame XP are registered trademarks or trademarks of Citrix Systems, Inc. in the U.S. and other countries. Information in this document is subject to change without notice.

Lexmark X652de MFP



Part #	Model
16M1260	Lexmark X652de MFP
Part #	Laser Toner/Print Cartridge
X651H11A	X651, X652, X654, X656, X658 High Yield Return
X651A11A	X651, X652, X654, X656, X658 Return Program Print
X651H04A	X651, X652, X654, X656, X658 High Yield Return
X651H21A	X651, X652, X654, X656, X658 High Yield Print
X651A21A	X651, X652, X654, X656, X658 Print Cartridge
Part #	Paper & Transparencies
70X7240	Laser Printer Transparencies (Letter)
Part #	Paper Handling
30G0800	250-Sheet Drawer
30G0802	550-Sheet Drawer
30G0804	2000-Sheet High Capacity Feeder
30G0871	200-Sheet Universally Adjustable Tray with Drawer
30G0860	400-Sheet Universally Adjustable Tray with Drawer
Part #	Furniture
16M1216	MFP Caster Base
Part #	Memory Options
1025041	256MB DDR2-DRAM
1025042	512MB DDR2-DRAM
1025043	1024MB DDR2-DRAM
14F0245	256MB Flash Card
14F0102	80+GB Hard Disk
30G0828	Japanese Font Card
30G0825	Korean Font Card
Part #	Application Solutions
30G0829	Lexmark PrintCrypton Card
16M1254	X65x Card for IPDS and SCS/TNe
16M1253	X65x Forms and Bar Code Card
Part #	Connectivity
1021294	USB (2 Meter) Cable
1021231	Parallel (10') Cable
14F0037	MarkNet N8120 Serveur d'impression Gigabit
14F0042	MarkNet N8130 Fiber Ethernet 100BaseFX, 10BaseFL
14F0040	MarkNet N8150 802.11b/g/n Wireless Print Server
14T0145	Lexmark N4050e 802.11g Wireless Print Server
14T0220	MarkNet™ N7020e Gigabit Ethernet Print Server

14F0000	Parallel 1284-B Interface Card
14F0100	RS-232C Serial Interface Card

Part #	Extended Warranties
2350539	1 Year Extended Warranty Onsite Repair, Next
2350540	2 Year Extended Warranty Onsite Repair, Next
2350541	3 Year Extended Warranty Onsite Repair, Next
2350543	Onsite Repair, Next Business Day Renewal

Part #	User Replaceable Parts
40X4724	T65x, X654e, X656e, X658e Fuser Maintenance Kit
40X2665	Oil Fuser Wiper
40X2666	Wax Fuser Wiper

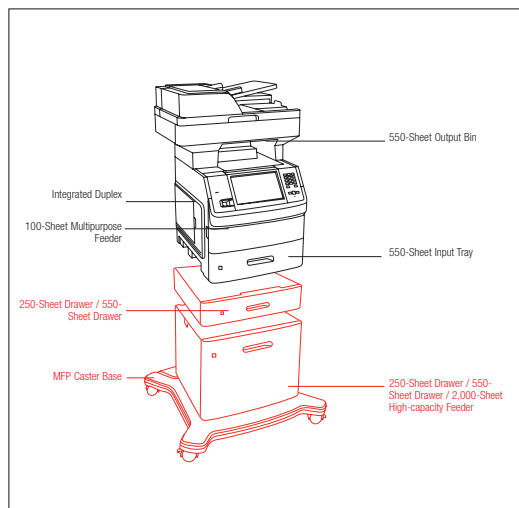
Other models available

Lexmark X651de: Part #16M1255

In the box

Lexmark X652de multifunction laser printer, Up to 7,000 pages* Return Program Print Cartridge, Software and documentation CD, Setup guide or sheet (network and local attachment), Power cord(s), RJ-11 Phone cable or adapter (country dependent), Statement of limited warranty / guarantee, Safety sheet or booklet, Lexmark Cartridge Collection Program Information, Safety stability sheet, Blue Angel sheet

Lexmark X656de MFP



Part #	Model
16M1797	Lexmark X656de MFP
Part #	Laser Toner/Print Cartridge
X654X11A	X654, X656, X658 Extra High Yield Return Program
X651H11A	X651, X652, X654, X656, X658 High Yield Return
X651A11A	X651, X652, X654, X656, X658 Return Program Print
X654X04A	X654, X656, X658 Extra High Yield Return Program
X651H04A	X651, X652, X654, X656, X658 High Yield Return
X654X21A	X654, X656, X658 Extra High Yield Print Cartridge
X651H21A	X651, X652, X654, X656, X658 High Yield Print
X651A21A	X651, X652, X654, X656, X658 Print Cartridge
Part #	Paper & Transparencies
70X7240	Laser Printer Transparencies (Letter)
Part #	Paper Handling
30G0800	250-Sheet Drawer
30G0802	550-Sheet Drawer
30G0804	2000-Sheet High Capacity Feeder
30G0871	200-Sheet Universally Adjustable Tray with Drawer
30G0860	400-Sheet Universally Adjustable Tray with Drawer
Part #	Furniture
16M1216	MFP Caster Base
Part #	Memory Options
1025041	256MB DDR2-DRAM
1025042	512MB DDR2-DRAM
1025043	1024MB DDR2-DRAM
14F0245	256MB Flash Card
30G0828	Japanese Font Card
30G0825	Korean Font Card
Part #	Application Solutions
30G0829	Lexmark PrintCrypton Card
16M1254	X65x Card for IPDS and SCS/TNe
16M1253	X65x Forms and Bar Code Card
Part #	Connectivity
1021294	USB (2 Meter) Cable
1021231	Parallel (10') Cable
14F0037	MarkNet N8120 Serveur d'impression Gigabit
14F0042	MarkNet N8130 Fiber Ethernet 100BaseFX, 10BaseFL
14F0040	MarkNet N8150 802.11b/g/n Wireless Print Server

14T0145	Lexmark N4050e 802.11g Wireless Print Server
14T0220	MarkNet™ N7020e Gigabit Ethernet Print Server
14F0000	Parallel 1284-B Interface Card
14F0100	RS-232C Serial Interface Card

Part #	Extended Warranties
2350557	1 Year Extended Warranty Onsite Repair, Next
2350558	2 Year Extended Warranty Onsite Repair, Next
2350559	3 Year Extended Warranty Onsite Repair, Next
2350561	Onsite Repair, Next Business Day Renewal

Part #	User Replaceable Parts
40X4724	T65x, X654e, X656e, X658e Fuser Maintenance Kit
40X2665	Oil Fuser Wiper
40X2666	Wax Fuser Wiper

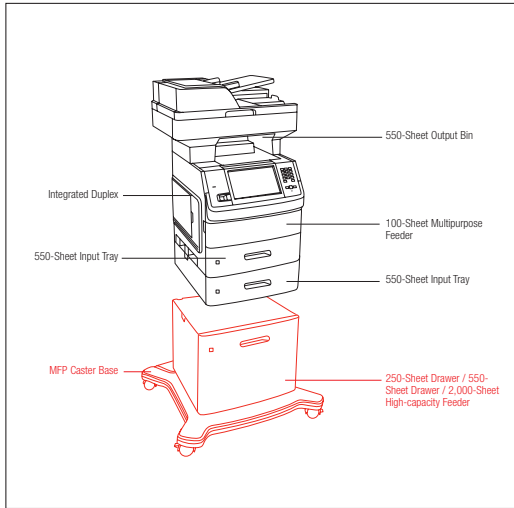
Other models available

Lexmark X654de: Part #16M1265

In the box

Lexmark X656de multifunction laser printer, Up to 18,000 pages* Starter Return Program Print Cartridge, Software and documentation CD, Setup guide or sheet (network and local attachment), Power cord(s), RJ-11 Phone cable or adapter (country dependent), Statement of limited warranty / guarantee, Safety sheet or booklet, Lexmark Cartridge Collection Program Information, Safety stability sheet, Blue Angel sheet

Lexmark X656dte MFP



Paper Handling Standard
 Paper Handling Optional

Part #	Model
16M1270	Lexmark X656dte MFP
Part #	Laser Toner/Print Cartridge
X654X11A	X654, X656, X658 Extra High Yield Return Program
X651H11A	X651, X652, X654, X656, X658 High Yield Return
X651A11A	X651, X652, X654, X656, X658 Return Program Print
X654X04A	X654, X656, X658 Extra High Yield Return Program
X651H04A	X651, X652, X654, X656, X658 High Yield Return
X654X21A	X654, X656, X658 Extra High Yield Print Cartridge
X651H21A	X651, X652, X654, X656, X658 High Yield Print
X651A21A	X651, X652, X654, X656, X658 Print Cartridge
Part #	Paper & Transparencies
70X7240	Laser Printer Transparencies (Letter)
Part #	Paper Handling
30G0802	550-Sheet Drawer
30G0800	250-Sheet Drawer
30G0804	2000-Sheet High Capacity Feeder
30G0871	200-Sheet Universally Adjustable Tray with Drawer
30G0860	400-Sheet Universally Adjustable Tray with Drawer
Part #	Furniture
16M1216	MFP Caster Base
Part #	Memory Options
1025041	256MB DDR2-DRAM
1025042	512MB DDR2-DRAM
1025043	1024MB DDR2-DRAM
14F0245	256MB Flash Card
30G0828	Japanese Font Card
30G0825	Korean Font Card
Part #	Application Solutions
30G0829	Lexmark PrintCrypton Card
16M1254	X65x Card for IPDS and SCS/TNe
16M1253	X65x Forms and Bar Code Card
Part #	Connectivity
1021294	USB (2 Meter) Cable
1021231	Parallel (10') Cable
14F0037	MarkNet N8120 Serveur d'impression Gigabit
14F0042	MarkNet N8130 Fiber Ethernet 100BaseFX, 10BaseFL
14F0040	MarkNet N8150 802.11b/g/n Wireless Print Server

14T0145	Lexmark N4050e 802.11g Wireless Print Server
14T0220	MarkNet™ N7020e Gigabit Ethernet Print Server
14F0000	Parallel 1284-B Interface Card
14F0100	RS-232C Serial Interface Card

Part #	Extended Warranties
2350557	1 Year Extended Warranty Onsite Repair, Next Business Day
2350558	2 Year Extended Warranty Onsite Repair, Next Business Day
2350559	3 Year Extended Warranty Onsite Repair, Next Business Day
2350561	Onsite Repair, Next Business Day Renewal

Part #	User Replaceable Parts
40X4724	T65x, X654e, X656e, X658e Fuser Maintenance Kit
40X2665	Oil Fuser Wiper
40X2666	Wax Fuser Wiper

	<p>In the box</p> <p>Lexmark X656dte multifunction laser printer. Includes a 550-Sheet Drawer, Up to 18,000 pages* Starter Return Program Print Cartridge, Software and documentation CD, Setup guide or sheet (network and local attachment), Power cord(s), RJ-11 Phone cable or adapter (country dependent), Statement of limited warranty / guarantee, Safety sheet or booklet, Lexmark Cartridge Collection Program Information, Safety stability sheet, Blue Angel sheet</p>
--	---

<p>Lexmark's guarantee to you</p> <p>Lexmark's 1-Year Onsite guarantee provides added peace of mind. Enhanced service offerings may be available by contacting your Lexmark representative or visiting www.lexmark.ca. Optimize your printer's performance and investment value by using genuine Lexmark supplies, service and parts.</p>
--



Environmental commitment

Lexmark believes that the environment is a critical component of responsible business management and clearly demonstrates it by implementing the "4R" strategy: Reduce, Recover, Reuse and Recycle. To learn more about these programmes please visit www.lexmark.com/recycle

Cost-saving and environmental features

- Duplex models are Energy Star compliant
- Duplex printing, Print and Hold, multi-up and support of recycled paper help reduce paper consumption
- Eco-Mode reduces power consumption and Quiet Mode reduces noise
- High Yield Cartridges and Lexmark Cartridge Collection Program help reduce waste

