

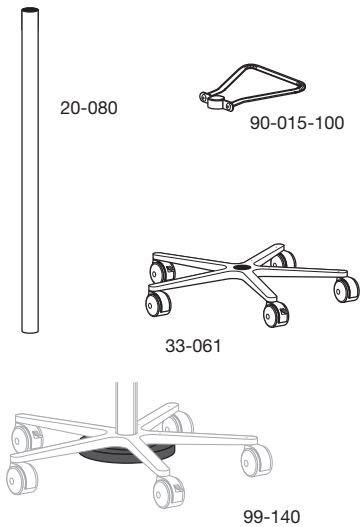
# Carts

## Mobile WorkStand Cart

### Mobile WorkStand

Configure a mobile mounting solution that works for you

No matter how demanding the mobile computing application, or what type of computing equipment you need to mobilize, Ergotron has a computer cart to get the job done. The Mobile WorkStand integrates technology and convenience, allowing the user to move a computer system from room to room. It quickly adjusts to a sitting or standing user height, providing an ergonomically-correct work environment at all times.



### Configure Your Own Mobile WorkStand

Start with the basic components below. Then add peripherals and components from selections on the next page. Finally, choose arms/pivots to mount your monitor, keyboard and/or laptop: Ergotron's LX, 400 and 200 Series mounting solutions are all compatible with Mobile WorkStand.

Part Number	Description	Dimensions H x W x D	Shipping Weight
20-080, chrome	2" Round Pole	48" x 2" x 2" (1270 x 51 x 51 mm)	7 lbs (3.2 kg)
33-061, black	Base & Casters	7" x 27" x 27" (178 x 686 x 686 mm)	13 lbs (5.9 kg)
90-015-100, chrome	Handle	1" x 9-1/4" x 11" (25 x 235 x 279 mm)	2 lbs (.9 kg)
99-140*, black	Stabilizer Weight 25 lbs (11.4 kg)	1" x 11-1/4" x 11-1/4" (25 x 286 x 286 mm)	26 lbs (11.8 kg)

Mobile WorkStand with LX Laptop Arm - pole mount brackets allow easy attachment of many Ergotron mounts, placed at any point along the pole



Mobile WorkStand with 400 Series LCD and Keyboard Arms offer vertical adjustment range of 22"-24" (56-61 cm) for sit-to-stand flexibility



Ergotron's Universal CPU Holder attaches to the base and accommodates a wide range of CPU/UPS sizes

# Carts

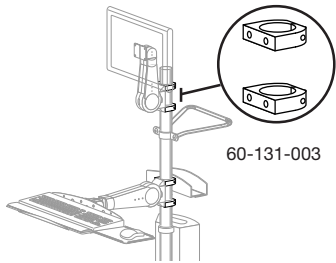
## Mobile WorkStand Cart



99-068-100

Part Number	Description	Dimensions H x W x D	Shipping Weight
99-068-100*, grey	Wire Storage Basket	6-1/8" x 13-1/8" x 4-1/8" (156 x 333 x 105 mm)	3 lbs (1.4 kg)

\* Requires separately ordered Pole Mount Bracket. May be mounted to Bracket shared by another component.



60-131-003

### Brackets to Mount Arms & Peripherals to Mobile WorkStand

For both arms/pivots and peripherals\*, select the appropriate bracket listed below. Attach anywhere along the Pole.

Part Number	Description	Application	Shipping Weight
60-131-003, aluminum	Pole Mount Brackets (2 Brackets)	Mounts LX, 400, 200 Series and 400 Combo	2 lbs (.9 kg)
60-144-003, aluminum	Pole Mount Bracket (1 Bracket)	Mounts CPU Holders and Wire Storage Basket	1 lbs (.5 kg)
60-199-003**, aluminum	Split Pole Bracket (1 Bracket)	Mounts LX, 400 & 200 Series, 400 Combo, CPU Holders and Storage Basket For use with Pole having no open end – facilitates mounting after Mounting Solutions are in place	2 lbs (.9 kg)
97-094-099, grey	Pole Bracket Kit (1 bracket, 1 plate)	Mounts 100 Series to 2" Pole	2 lbs (.9 kg)

\* Refer to the peripheral's description to see whether Bracket is necessary.

\*\* LX, 400, 200 Series, and 400 Combo require two Brackets for installation.

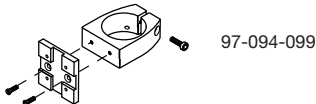
Note: Brackets provide attachment holes on two sides. This allows an additional Arm or peripheral to be mounted on the opposite side.



60-144-003



60-199-003



97-094-099

## 2" Diameter Pole Components

### 2" Round Pole, 50" long

20-080-100 chrome

Use in conjunction with appropriate Bracket for mounting Ergotron LX, 200, 400 Series, Extenders, CPU Holders, Wire Storage Basket.

Dimensions: 2" diameter, 50" (127 cm) Long

Shipping Weight: 7 lbs (3.2 kg)

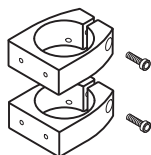


### Pole-Mount Brackets

60-131-003 aluminum

Two Brackets for mounting LX, 200, 400 Series, Extenders, on vertical 2" Round Pole

Shipping Weight: 2 lbs (.9 kg)

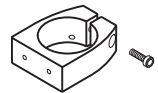


### Pole-Mount Bracket

60-144-003 aluminum

Use this single bracket to mount CPU Holders, Wire Storage Basket on vertical 2" Round Pole

Shipping Weight: 2 lbs (.9 kg)

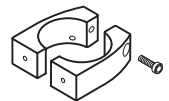


### Split Pole-Mount Bracket

60-199-003 aluminum

Split Pole-Mount Bracket (1 Bracket) - use with Pole having no open end to mount LX, 200, 400 Series, Extenders, CPU Holders, and Wire Storage Basket on vertical 2" Round Pole

Shipping Weight: 2 lbs (.9 kg)



### Pole-Mount Bracket Kit

97-094-099 grey

Pole-Mount Bracket Kit (1 Bracket, 1 Plate) - use on 2" Pole to mount 100 Series pivots.

Shipping Weight: 2 lbs (.9 kg)

