

ID Label Locator Guide

Products are no longer being added to this document. The products listed here pre-date Feb. 2016. For more recent products or any product that is not listed here, please see last page of installation manual for ID label location. Product manuals are available on the product pages at www.ergotron.com.

Use this guide to locate ID labels on Ergotron products. Search (use “find” command) by product number or name, or by product type: desk mount, wall mount, cart.

ID labels provide the part number, and work order, vendor-date code or serial number. They tell us about the origin of the product, and help us determine the extent of the issue. They make it possible to isolate a production lot and address issues with the responsible parties. ID label information is the most important data for corrective action and improving the product quality.

The diagram illustrates four types of ID labels with arrows pointing to specific fields:

- Label 1 (Top Left):** A white label with a barcode. Fields include:
 - www.ergotron.com
 - COUNTRY OF ORIGIN: XXXXXXXX
 - 00000000000000000000
 - Barcode
 - 00000000-0001
- Label 2 (Top Right):** A white label with the Ergotron logo and contact info. Fields include:
 - ERGOTRON® 1-800-383-1916
 - 1181 Trapp Rd., St. Paul MN 55121 USA
 - 10623-I20
 - 615-303-207-00
 - MADE IN CHINA
- Label 3 (Middle Right):** A white label with the Ergotron logo and contact info. Fields include:
 - ERGOTRON® 1-800-383-1916
 - 1181 Trapp Rd., St. Paul MN 55121 USA
 - Patented or Patents Pending
 - 187244 -57
 - SV22-92023
- Label 4 (Bottom Right):** A white label with the Ergotron logo and contact info. Fields include:
 - ERGOTRON® 1-800-383-1916
 - 1181 Trapp Rd., St. Paul MN 55121 USA
 - Patented or Patents Pending
 - 186927
 - 697-112-00
- Label 5 (Bottom Right):** A white label for a Medical-Grade Power Strip. Fields include:
 - ERGOTRON
 - Medical-Grade Power Strip
 - 97-466
 - Fully tested, certified and compliant to:
 - UL 1363A
 - Input and Output: 120 V~, 60 Hz, 15 A max
 - yyww
 - Made in China
 - 822-104-00

DS100

LABEL LOCATION: On underside of base.



- 33-091-200**
- 33-322-200**
- 33-323-200**
- 33-324-200**



**Neo-Flex Combo Lift Stand
Neo-Flex Combo WorkBase**

LABEL LOCATION: On underside of base.



- 33-331-057**
- 33-331-085**



Neo-Flex Dual Display Lift Stand



33-330-057
33-330-085

LABEL LOCATION: On underside of base.



LX Triple/Widescreen Dual Display Lift Stand



33-296-195

LABEL LOCATION: On front cover - behind mounted monitor.



LX Dual Display Lift Stand



33-299-195

LABEL LOCATION: On front cover - behind mounted monitor.



Neo-Flex All-In-One Lift Stand



33-326-055
33-326-085
33-338-085

LABEL LOCATION: On back of monitor mounting plate



DELL Neo-Flex All-In-One\ Lift Stand



066-850

LABEL LOCATION: On monitor mounting plate



Neo-Flex LCD Arm
Neo-Flex Tablet Arm

LABEL LOCATION: Front of desk clamp under base



45-174-300
45-306-101



MX Desk Mount LCD Arm

LABEL LOCATION: Inside arm near monitor pivot



45-214-026

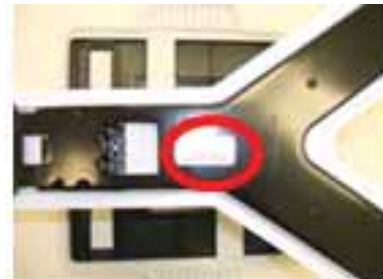


Neo-Flex Notebook Lift Stand

LABEL LOCATION: On underside of base (foot)



33-315-194
33-334-085

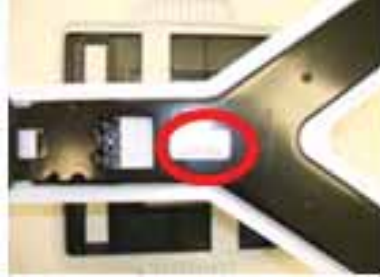


Neo-Flex Notebook WorkBase

LABEL LOCATION: On underside of base (foot)



33-328-085
Includes key-
board & mouse



Neo-Flex Widescreen Lift Stand

LABEL LOCATION: On underside of base



33-329-057
33-329-085



Neo-Flex LCD Stand

LABEL LOCATION: On back of monitor mounting plate



33-310-060



Neo-Flex Adjustable Lift Stand

LABEL LOCATION: On underside of base (foot)



33-288



LX Desk Mount Arms

LABEL LOCATION: Front of desk clamp under base



45-248-026
Dual Stacking
Arm



45-245-026
Side-by-Side Arm

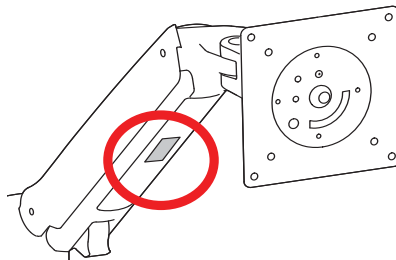


45-241-026
LCD Arm



45-384-026
HD Sit-Stand Arm

45-360-026
Sit-Stand Arm



WorkFit-S Sit-Stand Workstations

LABEL LOCATION: Under keyboard arm



33-350-200
33-342-200
 Single LD



33-351-200
33-344-200
 Single HD



33-349-200
33-341-200
 Dual



33-348-200
33-340-200
 LCD & Laptop



WorkFit-A Sit-Stand Workstations

LABEL LOCATION: Under arm



24-274-026
24-259-026
24-317-026
24-313-026



24-390-026
 Single LD

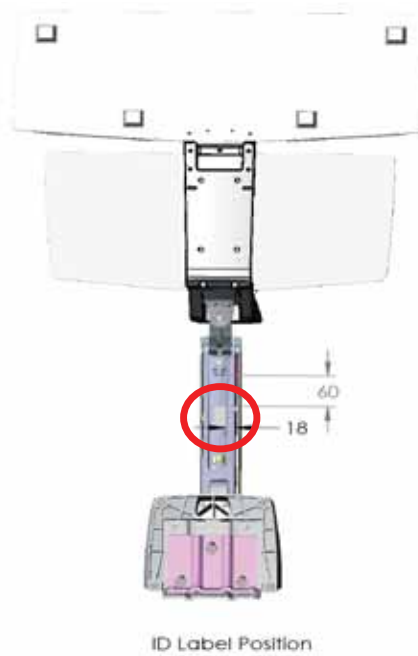


24-275-026
24-260-026
24-314-026
24-391-026
 Single HD



24-272-026
24-257-026
24-316-026
24-312-026
24-392-026
 Dual

24-273-026
24-258-026
 LCD & Laptop



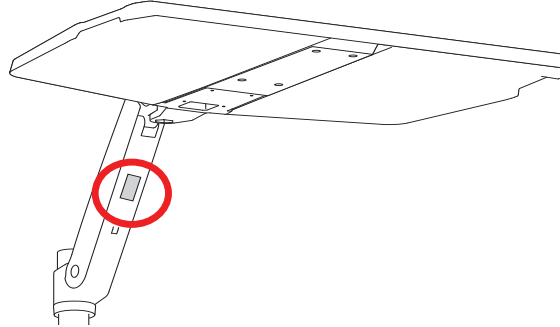
ID Label Position

WorkFit-P



24-383-026

LABEL LOCATION: Under arm



Neo-Flex Extend LCD Arm



45-235-194

LABEL LOCATION: Front of desk clamp under base

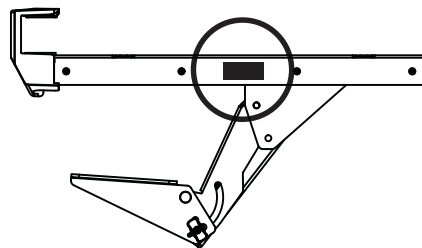


Neo-Flex® Underdesk Keyboard Arm



97-582-009

LABEL LOCATION: On side of track

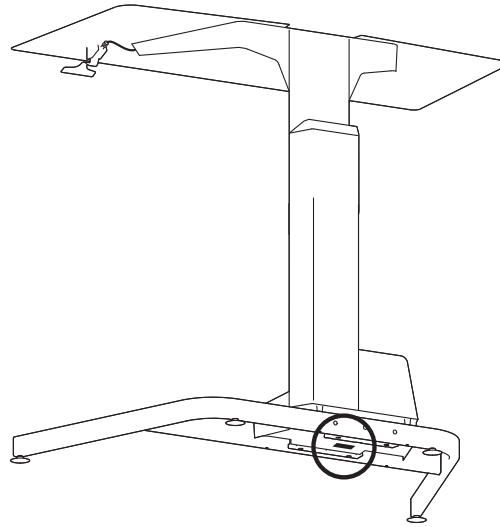


WorkFit-D, Sit-Stand Desk



24-219-200

LABEL LOCATION: On bottom

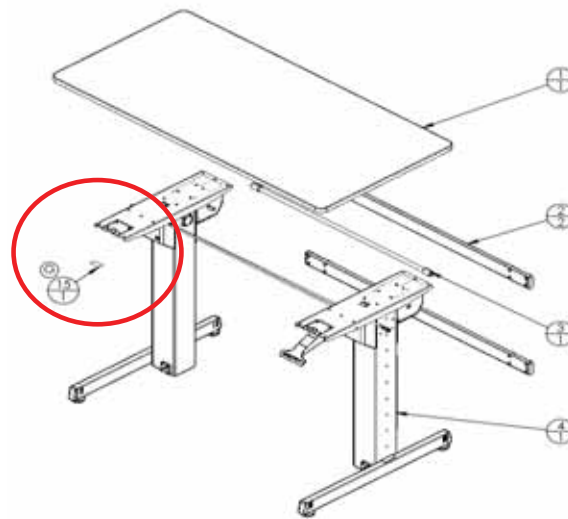


WorkFit-D, Sit-Stand Desk



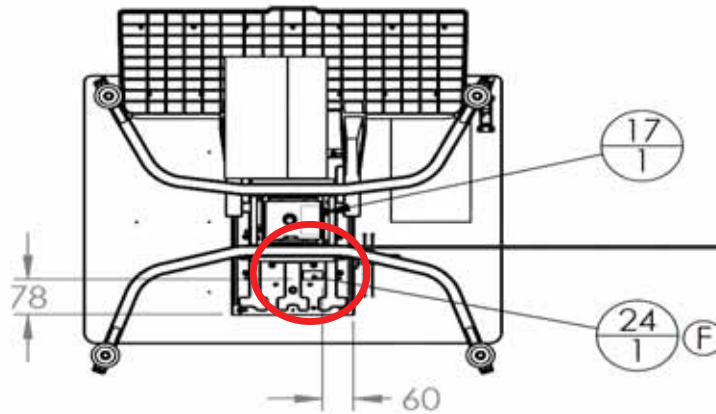
24-271- 927
24-271- 928
24-271- 926

LABEL LOCATION: balloon 15, under the top of the left leg



WorkFit-PD, Sit-Stand Desk

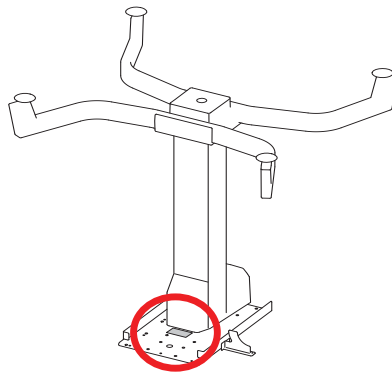
LABEL LOCATION: Balloon 24, under the worksurface



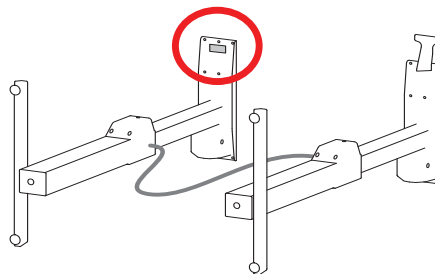
WorkFit-B, Sit-Stand Desk

LABEL LOCATION: Balloon 24, under the worksurface

24-387-200
LD



24-388-009
HD



MX Wall Mount LCD Arm

LABEL LOCATION: Inside arm near monitor pivot



45-228-026



Interactive Arm

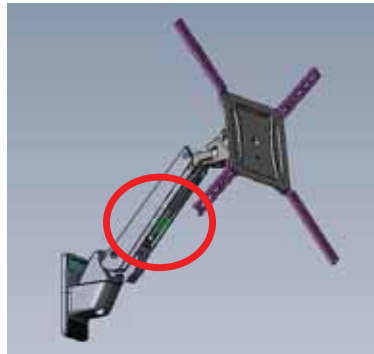
LABEL LOCATION: Under Arm



45-296-026

45-304-026

45-361-026



TM Tilting Wall Mount

TM Tilting Wall Mount, XL

LABEL LOCATION: At side of display mount bracket



60-572-003

60-603-003

60-601-003



WM Low Profile Wall Mount

WM Low Profile Wall Mount, XL

LABEL LOCATION: Inside display mount bracket



60-578-003
60-604-003
60-602-003



Neo-Flex HD Wall Mount Pivot

LABEL LOCATION: Inside mounting bracket pivot

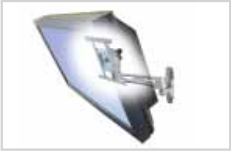


45-195-194
45-269-009



Neo-Flex HD Wall Mount Swing Arm

LABEL LOCATION: Inside mounting bracket pivot



45-194-194
45-268-026



Neo-Flex® Tilting Wall Mount

LABEL LOCATION: On side of display bracket



60-612
UHD



60-613
VHD



60-614
UHD



60-615
VHD



Neo-Flex® Wall Mount, ULD

LABEL LOCATION: On rear of plate



97-589

Rear of plate →



TM Cantilever, UHD



LABEL LOCATION: Under cover

Under cover.



TM Cantilever, VHD



LABEL LOCATION: Under cover

Under cover.

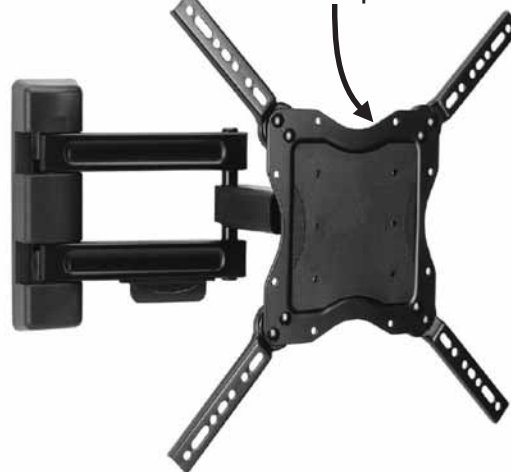


Neo-Flex® Cantilever, VHD



LABEL LOCATION: Rear of plate

Rear of plate



Neo-Flex® Cantilever, UHD

LABEL LOCATION: Rear of plate



60-619



Glide Wall Mount

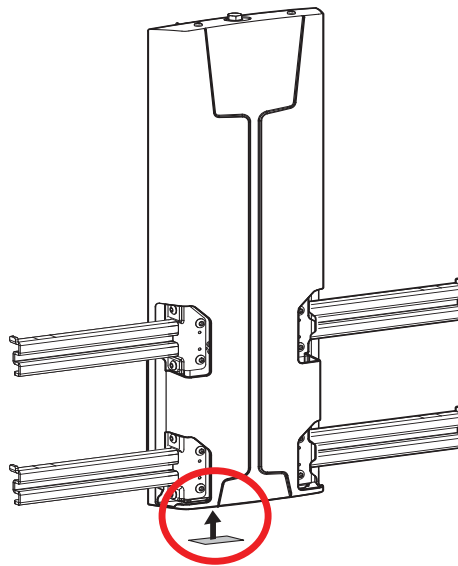
LABEL LOCATION: Bottom

61-061-085

HD

61-128-085

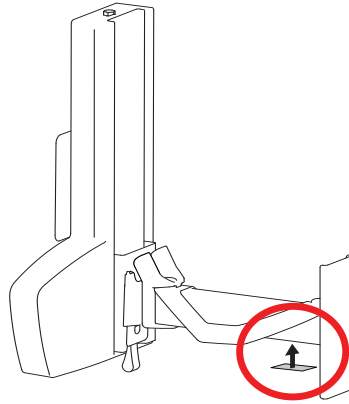
VHD



Glide Wall Mount

LABEL LOCATION: Bottom

61-113-085
LD



100 Series Pivots

LABEL LOCATION: On back of monitor mounting plate



47-092-800
Single
47-093-800
Double



FX30

LABEL LOCATION: On mounting plate



60-239-007



200 Series Wall Mounts

LABEL LOCATION: On back of monitor mounting plate



- 45-232-200**
Wall Mount Pivot
- 45-233-200**
Wall Mount Arm,
1 Extension
- 45-234-200**
Wall Mount Arm,
2 Extensions



200 Series Dual Monitor Wall Mount

LABEL LOCATION: On back of crossbar



- 45-231-200**



200 Series Combo Arm

LABEL LOCATION: On bottom of combo bracket mounting plate



- 45-230-216**
- 45-230-200**



Neo-Flex Wall Mount Lift

LABEL LOCATION: On front of column



60-577-195



StyleView® Vertical Lift

LABEL LOCATION: At bottom center



60-594-216

Patient Room

60-594-195

Patient Room

60-593-216

High Traffic

Areas

60-593-195

High Traffic

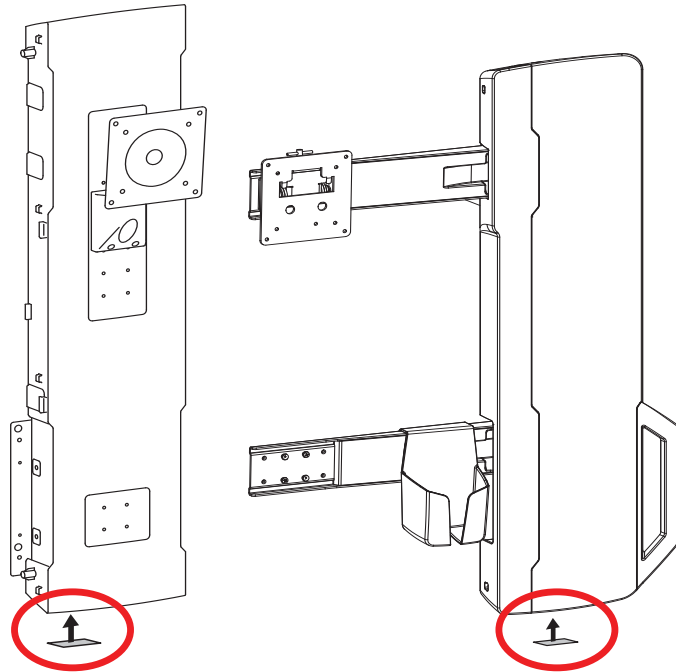
Areas



StyleView® Sit-Stand Vertical Lift

LABEL LOCATION: Bottom

61-080
61-081



LX Wall Mount Arms

LABEL LOCATION: Inside mounting bracket pivot



45-246-026
Keyboard Arm



45-243-026
LCD Arm



45-247-026
45-253-026
Wall Mount
System

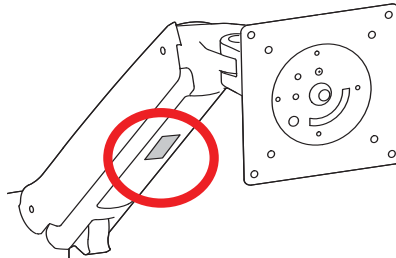


45-383-026
HD Sit-Stand
Wall Mount Arm

45-353-026
Sit-Stand Wall
Mount Arm

45-354-026
Sit-Stand Key-
board Wall Mount
Arm

45-358-026
45-359-026
Sit-Stand Wall
Mount System



StyleView® Sit-Stand Combo

LABEL LOCATION: Under arm



45-260-026
Arm with
worksurface



45-266-026
Arm



45-270-026
System with
worksurface



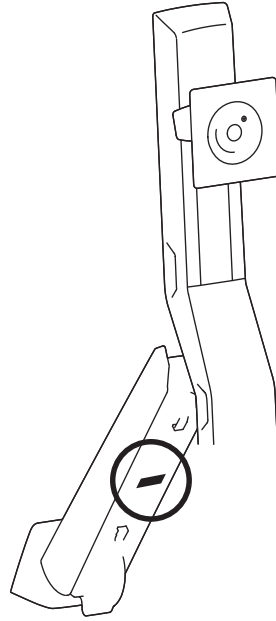
45-271-026
System



45-272-026
System with
worksurface



45-273-026
System

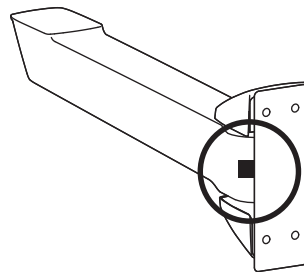


SV Sit-Stand Combo Extender

LABEL LOCATION: On back of extender



45-261-026



StyleView® Sit-Stand Enclosure

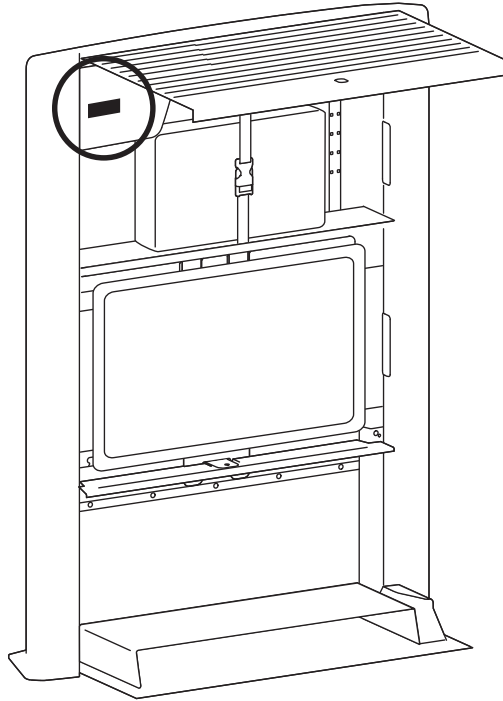
LABEL LOCATION: Inside CPU door



60-610-060
Black



60-610-062
White



Ceiling Mounts

Neo-Flex® Ceiling Mount

LABEL LOCATION: Rear of plate



60-621
60-842-223

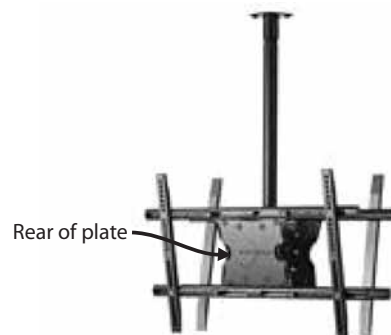


Neo-Flex® Ceiling Mount, Double

LABEL LOCATION: Rear of plate



60-622



Neo-Flex® Projector Ceiling Mount

LABEL LOCATION: As shown



NF Ceiling Plate

LABEL LOCATION: As shown



Carts

StyleView Non-Powered Carts SV40, SV41, SV43

LABEL LOCATION: Beneath top cover (work order number)



StyleView Powered Carts SV42 & SV44

LABEL LOCATION: Beneath top cover (serial number and work order number) and/or
Beneath base cover (serial number on power module)



**SV42
SV44**



StyleView Powered Carts SV32

LABEL LOCATION: Beneath top cover (serial number and work order number) and/or
Beneath base cover (serial number on power module)



SV32



StyleView Non-Powered Carts SV31

LABEL LOCATION: Beneath top cover (work order number)



SV31



StyleView Non-Powered Carts

- SV21

and

StyleView Powered Carts

- SV22

LABEL LOCATION: Depends on date

- After 10/17/06: Beneath top cover
- Before 10/17/06: Beneath keyboard tray or behind ICP cover



Neo-Flex Carts

LABEL LOCATION: Beneath top cover of tower (lift engine)



24-205-214

Laptop

24-206-214

LCD



Neo-Flex Mobile MediaCenter

LABEL LOCATION: Beneath top cover of tower (lift engine)



24-190-057

Light Duty

24-191-057

Very Heavy Duty

24-192-057

Ultra Heavy Duty



Neo-Flex Mobile Workspace

LABEL LOCATION: Balloon 24, on front of lift engine under keyboard tray



24-182-055



Neo-Flex Laptop Mobile WorkSpace

LABEL LOCATION: Balloon 24, on front of lift engine under keyboard tray



24-186-055



Neo-Flex WideView WorkSpace

LABEL LOCATION: Balloon 24, on front of lift engine under keyboard tray



24-189-055

Dual

24-194-055



Neo-Flex Mobile ESD WorkSpace

LABEL LOCATION: Balloon 24, on front of lift engine under keyboard tray



24-193-085



Dell Mobile Computing Station

LABEL LOCATION: On side panel



K000927
K000978
K001002

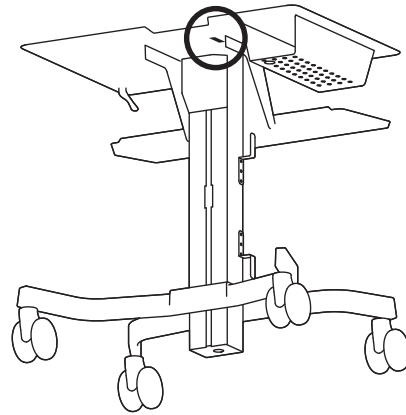


TeachWell® Mobile Digital Workspace

LABEL LOCATION: Under worksurface



24-220-055



WorkFit-C Sit-Stand Workstation

LABEL LOCATION: Under worksurface

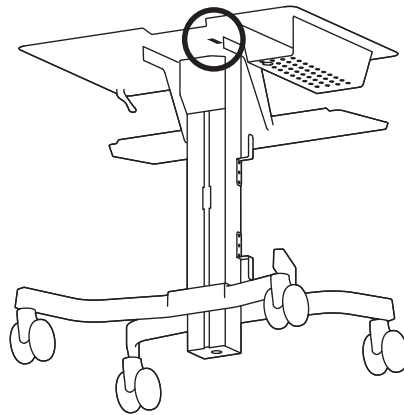


24-215-085
Single LD

24-216-085
Single HD

24-214-085
Dual

24-213-085
LCD & Laptop



Tablet Management Cart

LABEL LOCATION: On side panel

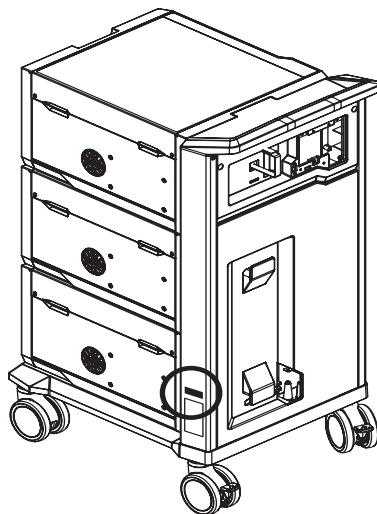


24-236-085
Three Modules

24-239-085
Three Modules
with ISI

24-238-085
Two Modules
with ISI

24-224-085
Two Modules



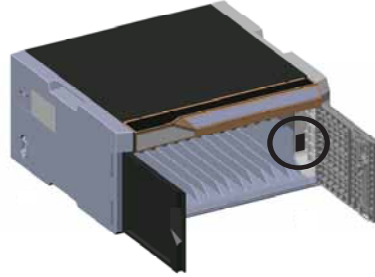
Tablet Management Desktop Module

Inside door



24-235-085

24-237-085
With ISI



HP Notebook Charging Cart

Side Panel



QL490AA
QL489AA
QL488AA

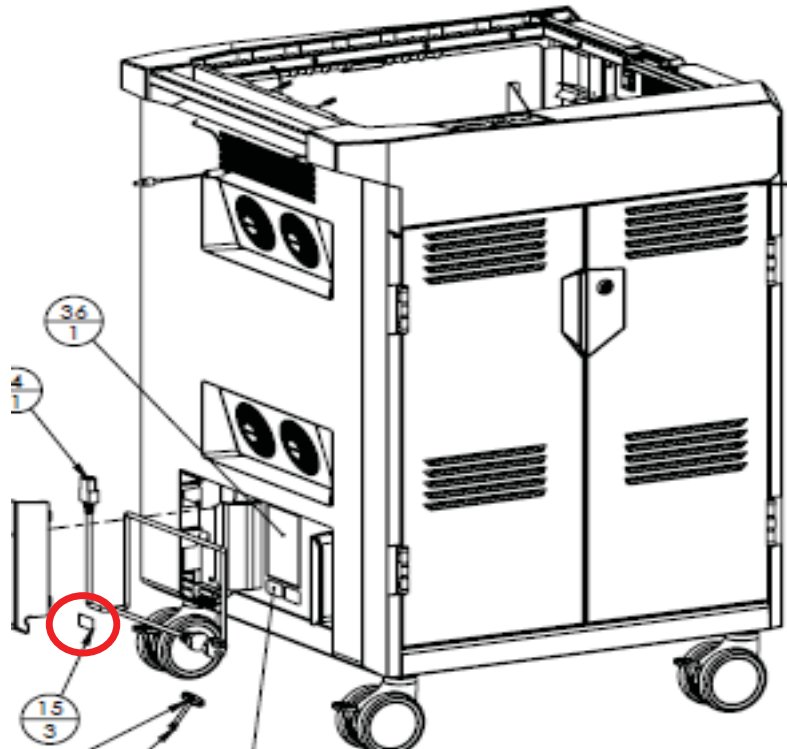


PS Laptop Management Cart PS Laptop Charging Cart PS Tablet Charging Cart, AC

LABEL LOCATION: On the side under the handle near the bottom



24-246-085
Laptop Management
24-291-085
Laptop Charging
24-302-085
Tablet Charging

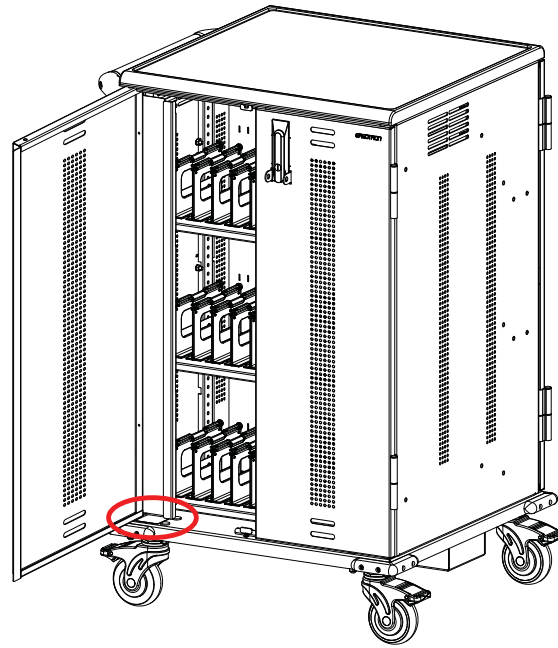


YES 36 Charging Cart For Mini Laptops

LABEL LOCATION: Inside door on bottom left side.



YESMOR2GMPW4



LT Charging Cart For Laptops

LABEL LOCATION: On the base shelf in the IT area.



LTSC20XX/XX
LTSC30XX/XX



YES 40 Charging Cart For Tablets

LABEL LOCATION: On the base shelf in the IT area.



YESTABGMPW4



YES 20 Charging Cart For Mini Laptops

LABEL LOCATION: On the base shelf in the IT area.



YESMJUGMPW4



YES 20 Charging Wall Cabinet For Tablets
YES 12 Charging Wall Cabinet For Mini Laptops

LABEL LOCATION: On the base shelf in the IT area.



YESCABGMPW
YESMLCGMPW



Miscellaneous

Large Utility Shelf



97-540-053

LABEL LOCATION: Under mounting bracket



CPU Holder

LABEL LOCATION: On back of mounting bracket

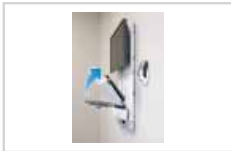


**80-102-064
97-480-003**



Vertical Lift Auto-Retracting Keyboard Kit

LABEL LOCATION: On back of pivot



97-487-800



Medical Grade Power Strip

LABEL LOCATION: On back of power strip



97-466-214

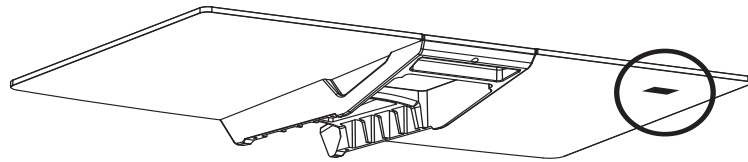


Worksurface for WorkFit-S

LABEL LOCATION: On bottom of worksurface



97-581-019

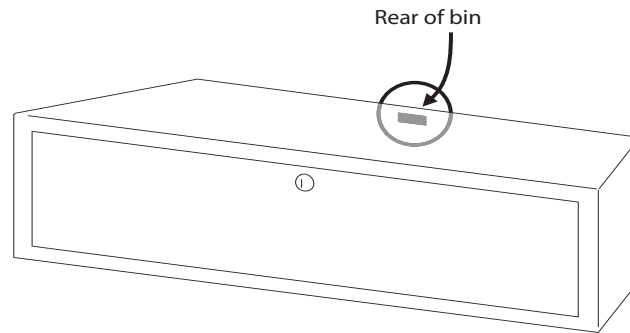


TeachWell® MDW Storage Bin

LABEL LOCATION: On back of bin



97-608

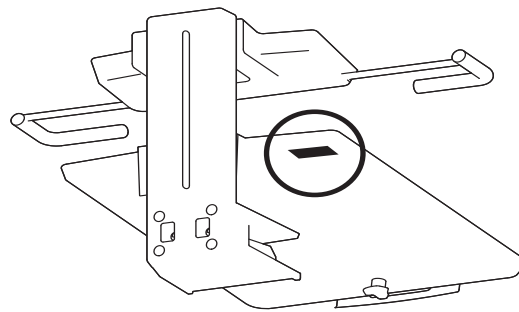


TeachWell® MDW Laptop Kit

LABEL LOCATION: On bottom or notebook tray



97-585

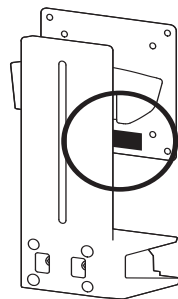


TeachWell® MDW LCD Kit

LABEL LOCATION: On back of monitor interface



97-586

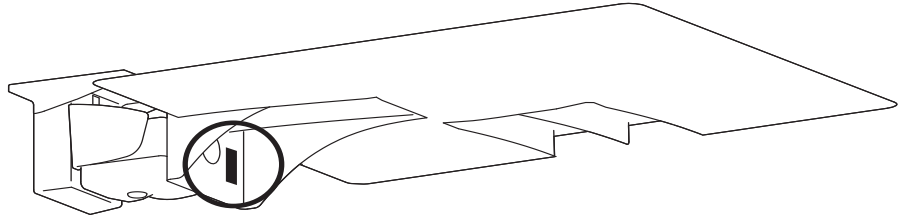


TeachWell® MDW Projector Shelf

LABEL LOCATION: Inside of shelf bracket



97-598-055

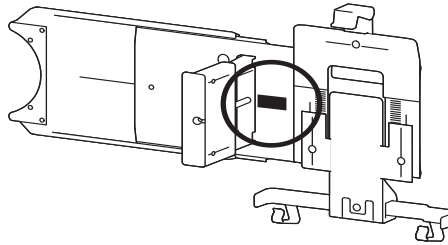


Universal Tablet Cradle

LABEL LOCATION: On front of extender plate



80-106-085

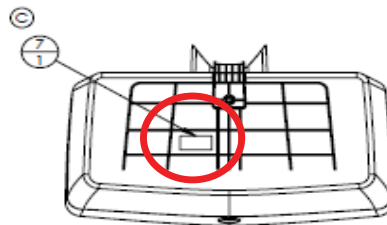


SV Storage Bin

LABEL LOCATION: On bottom



97-740

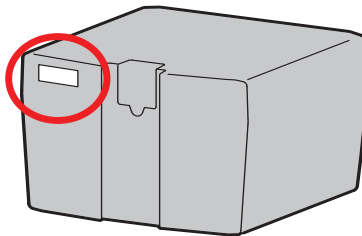


SV Envelope Drawer

LABEL LOCATION: On back



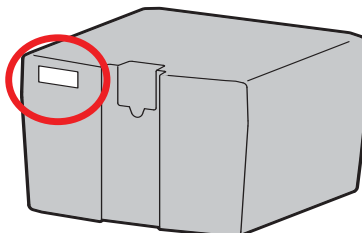
97-731
97-724
97-819
97-820
97-821
97-822
97-823



SV Telepresence Kits

LABEL LOCATION: On back

97-819
97-820
97-821
97-822
97-823

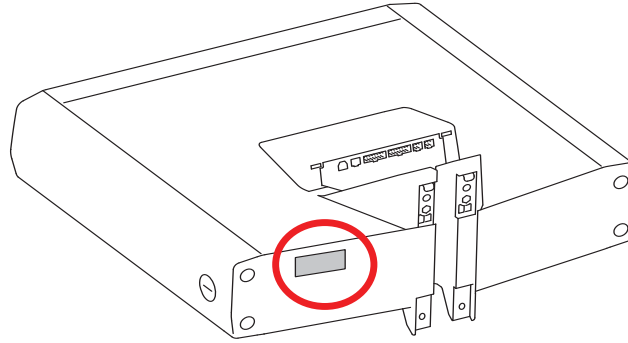


SV Drawer

LABEL LOCATION: On back



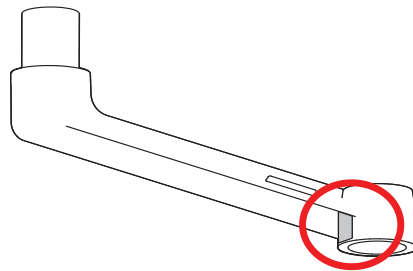
97-723
97-730
97-729
97-716
97-722
97-727
97-728
97-725
97-726
97-720
97-721
97-715
97-719
97-795



LX Sit-Stand Extension

LABEL LOCATION: Under Extension

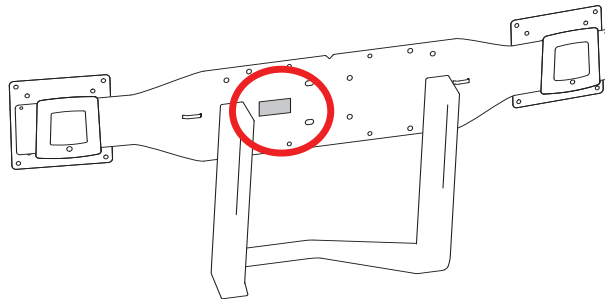
45-362-026



Dual Monitor Handle Kit

LABEL LOCATION: On Back

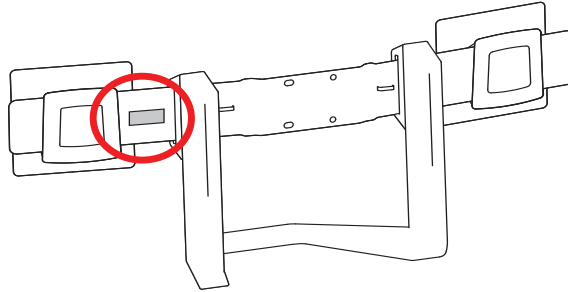
97-718-009



Dual Monitor Handle Kit NEW

LABEL LOCATION: On Back

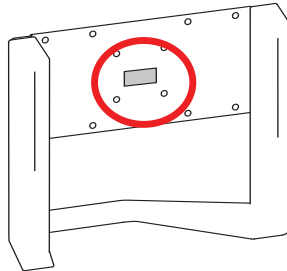
97-783



Monitor Handle Kit

LABEL LOCATION: On Back

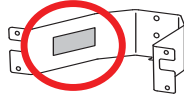
97-760-009



SV Front Tray

LABEL LOCATION: On Bracket

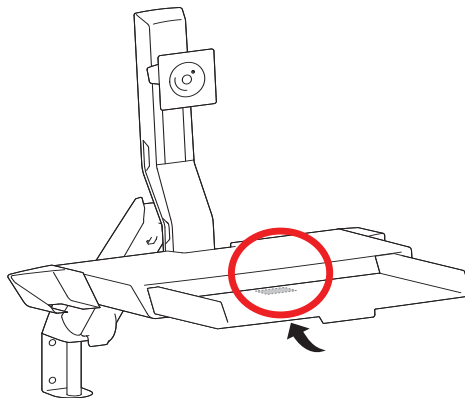
97-777-062



Mouse Tray for SV Combo

LABEL LOCATION: Under Pull-out Keyboard Tray

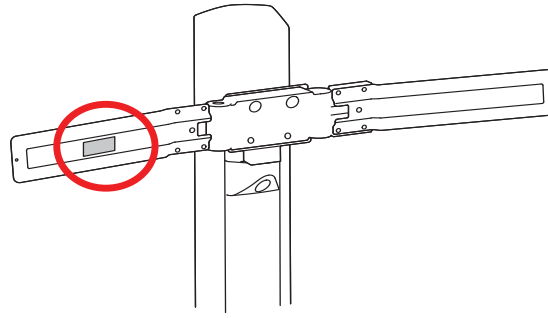
97-805-055



SV Dual Monitor Mount Kit

LABEL LOCATION: On Crossbar

97-574



StyleView Shelf

LABEL LOCATION: Under Shelf

97-776-194

StyleView Camera
Shelf

97-780-194

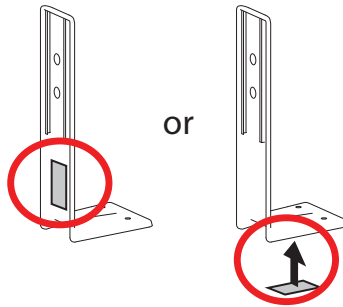
StyleView Scanner
Shelf



VESA Scanner Bracket

LABEL LOCATION: On Back or On Bottom

97-815



Reworkded VESA Plates

LABEL LOCATION: On bottom, back of VESA plate

45-296-026

45-304-026

45-284-026

45-294-026

45-308-223



300 Series Arm

28-170
28-171

LABEL LOCATION: On back of monitor mounting plate



400 Series Arm

28-383
45-007-099

LABEL LOCATION: Under side covers of arm



N12 Suspension Arm (NEMA)

44-360

LABEL LOCATION: On back of arm



FX75 Fixed Wall Mount

60-494

LABEL LOCATION: On bottom of wall mount



FXT 75 Tilt Mount

60-521

LABEL LOCATION: On bottom of wall mount



LX Large Display and Conferencing Carts

LABEL LOCATION: Beneath top cover of tower

- 24-173-194** - Display VHD
- 24-176-194** - Display UHD
- 24-183-194** - Conferencing VHD
- 24-184-194** - Conferencing UHD



HD45 Arm & HD Dual Arm

28-355-100
28-355-101
28-493

LABEL LOCATION: On back of arm



HD Combo Arm

44-373

LABEL LOCATION: On back of arm



200 & 300 Series Wall Mount

460-249

LABEL LOCATION: Inside mounting bracket



200 & 300 Series Desk Mount

LABEL LOCATION: On back of base clamp

33-069-180
33-069-200



LX Dual Side-by-Side Arm

LABEL LOCATION: Front of desk clamp under base



45-218-194
45-218-195



LX Desk Mount Arms



45-192-194
45-192-195
Notebook Arm
28-512-194



28-512-195
Dual Mount
Notebook Arm
45-179-194



45-179-195
LX Desk Mount
LCD Arm

LABEL LOCATION: Front of desk clamp under base



LX Wall Mount LCD Arm



45-180-194
45-180-195

LABEL LOCATION: Inside mounting bracket pivot



LX Keyboard Arm

LABEL LOCATION: Inside mounting bracket pivot



45-186-194
45-186-195



StyleView HD Combo Arm

LABEL LOCATION: On back of Arm



45-215-216
45-215-200



StyleView HD Combo Extender

LABEL LOCATION: On back of Extender



Extender
45-219-216
45-219-200
45-254-216
45-254-200



StyleView HD Combo System

LABEL LOCATION: On back of Arm



45-216-216
45-216-200
45-252-216
45-252-200



StyleView VL Enclosure

LABEL LOCATION: Inside enclosure above cable channel



60-595-062



WorkFit C-Mod

LABEL LOCATION: Under the worksurface on the cable storage box



- 24-198-055**
Single Display
- 24-197-055**
Mid-size Display
- 24-196-055**
Dual Display
- 24-195-055**
Combo



TeachWell Mobile Digital Platforms

LABEL LOCATION: Beneath top cover



24-199-053
Notebook



24-203-053
LCD

