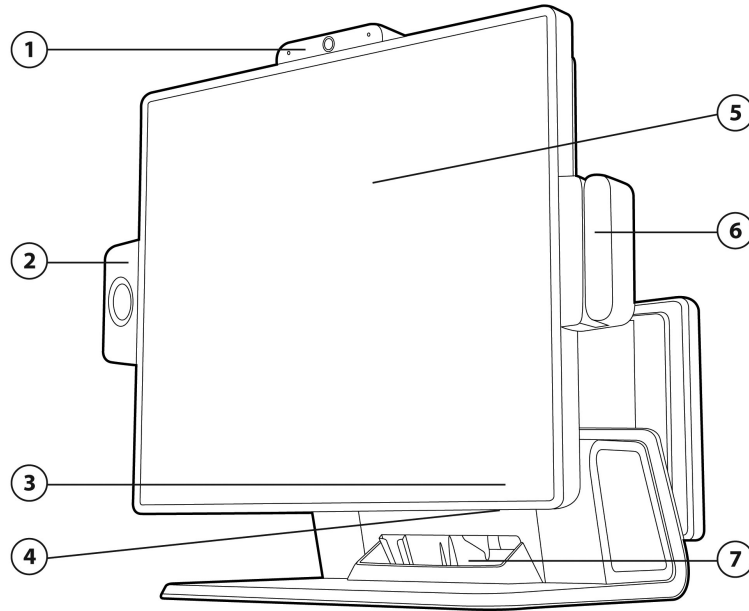


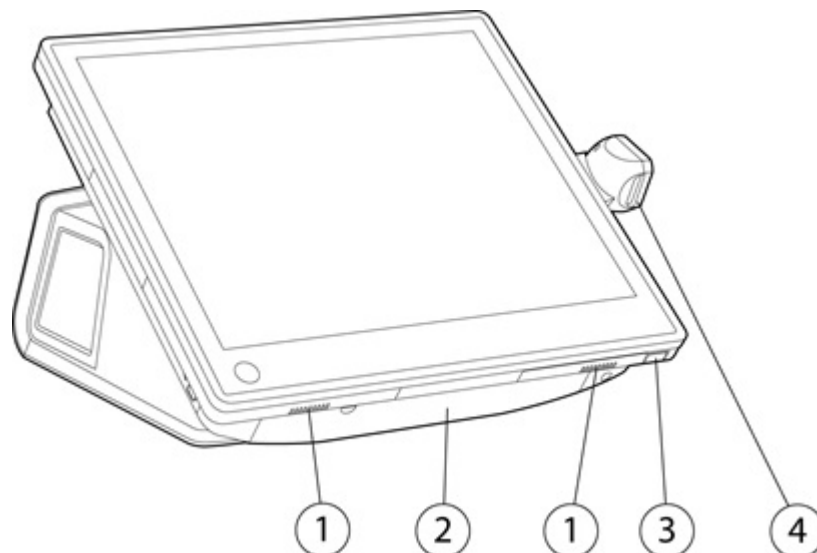
Overview

FRONT VIEW



1. Optional HP Retail Integrated Webcam
2. Optional HP Retail Integrated Fingerprint Reader
3. On-screen display buttons
4. Recessed Power button
5. Touchscreen Assembly
6. Optional HP Retail Integrated Dual-Head MSR
7. Cable pass-through channel

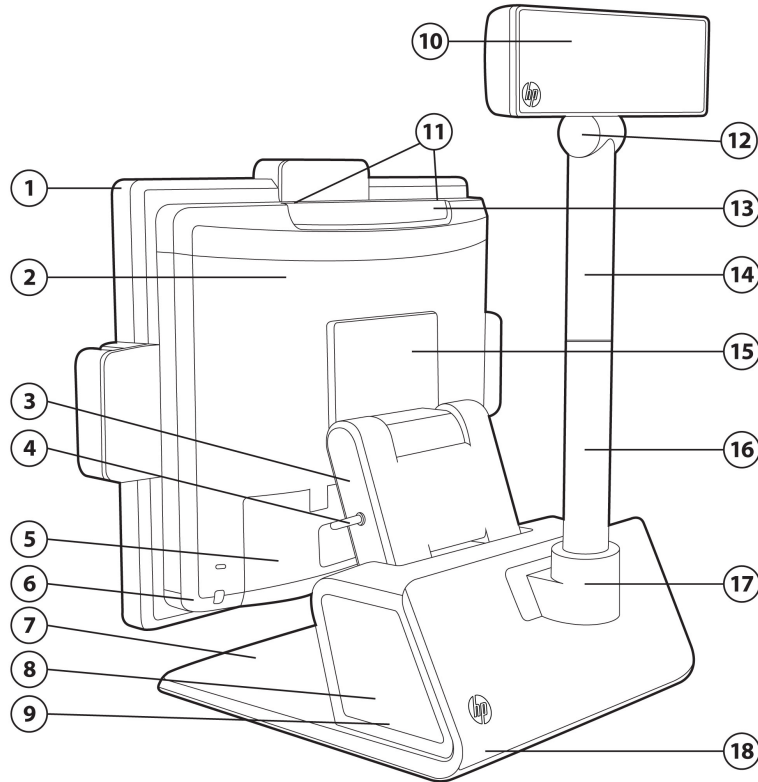
FRONT VIEW tilt position, showing speakers



Overview

1. Speakers (1W each)
2. I/O Panel Cover
3. Recessed Power Button
4. HP Retail Integrated Barcode Scanner

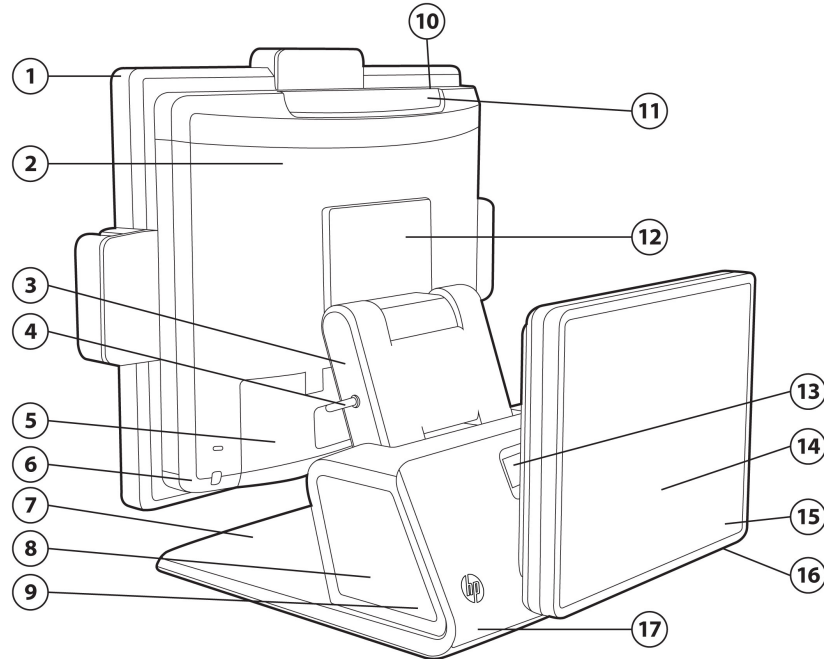
REAR VIEW of Model 7100 with 2-Line Display - VFD (Vacuum Florescent Display)



- | | |
|---|--|
| 1. Operator display | 10. 2-Line VFD (Vacuum Florescent Display) |
| 2. Rear cover | 11. DIMM Security Screw |
| 3. Dual hinge | 12. VFD Hinge |
| 4. Cable-management retainer | 13. Decorative panel |
| 5. I/O Cover | 14. VFD Pole (Section 2) |
| 6. Kensington lock & padlock loop | 15. 100mm VESA Mount (Wall Mountable) |
| 7. Base & keyboard tray | 16. VFD Pole (Section 1) |
| 8. Power supply cover (180W EPS inside) | 17. VFD Mount |
| 9. "Bolt-to-counter" feature | 18. Decorative panel |

REAR VIEW with Customer-Facing Display Model 7100

Overview



- | | |
|--|---|
| 1. Operator display | 10. DIMM Security Screw (underneath decorative panel) |
| 2. Aluminum rear cover | 11. Decorative panel |
| 3. Dual hinge | 12. 100 mm VESA mount (wall mountable) |
| 4. Cable retainer | 13. Customer-facing display hinge |
| 5. I/O cover | 14. Customer-facing display |
| 6. Kensington lock & padlock loop | 15. On-screen display buttons |
| 7. Base & keyboard tray | 16. Customer-facing display power button |
| 8. Power supply cover(180W EPS inside) | 17. Decorative panel |
| 9. "Bolt-to-counter" feature | |

At A Glance

- Designed for long-term deployment within hospitality and retail markets
- Choice of operator display:
 - 15" 5-Wire Resistive Touchscreen
 - 15" Flush-Glass, Projective Capacitive Touchscreen
 - 17" Flush-Glass, Projective Capacitive Touchscreen
- Processor choices:
 - Intel® Celeron 807UE (1 GHz, 1 core) with Intel® HD Graphics
- Operating System choices:
 - Windows® 7 Professional (32-bit or 64-bit) (Preinstalled)
 - Windows® Embedded POSReady 7 (32-bit or 64-bit) (Preinstalled)
 - Windows® Embedded POSReady 2009 (Preinstalled)
 - FreeDOS 2.0 (Preinstalled)
 - Novell® SUSE Linux Enterprise Desktop† (Certified)
- Integrated peripheral options (can also be purchased and installed separately):
 - HP Retail Integrated Dual-Head MSR
 - HP Retail Integrated Fingerprint Reader
 - HP Retail Integrated Webcam

Overview

- HP Retail Integrated Barcode Scanner
- Customer-facing 2 line VFD (Vacuum Fluorescent Display)
- Customer-facing 10.4" CFD Display
- Industry-standard 100mm VESA mounting pattern allows for flexible use without the optional stand (HP RP7 Adjustable Stand)
- 1 DDR3 Memory Slots (8 GB Maximum)
- Gigabit NIC
- Trusted Platform Module (TPM)
- Cable Management Features
- Energy Star® 5 qualified, EU Compliant, RoHS2 Compliant
- 87% energy efficient power supply (enclosed in stand)
- HP Limited Warranty, 3/3/3 standard: 3 years parts, 3 years labor, and 3 years on-site services

NOTE: All models and features may not be available in all countries.

RP7 Model 7100

Operator Display

- 15" 5-Wire Resistive Touchscreen
- 15" Flush-Glass, Projected Capacitive Touchscreen
- 17" Flush-Glass, Projected Capacitive Touchscreen

Processor

- Intel Celeron 807UE (1 GHZ, 1 core) with Intel® HD Graphics

Operating Systems

- Windows 7 Professional 32-bit
- Windows 7 Professional 64-bit
- Windows Embedded POSReady 7 32-bit
- Windows Embedded POSReady 7 64-bit
- Windows Embedded POSReady 2009
- FreeDOS

For all Preinstalled operating systems HP provides Microsoft WHQL certified (where applicable) drivers on www.hp.com at the time of product announcement.

Limited Support Windows XP Professional (32-bit)

For all Limited Support operating systems HP will make available on www.hp.com certified drivers for major subsystems, if not provided by the operating system, within 30 days of product announcement. HP performs functional testing on representative configurations. Some newer technologies may not be supported. HP value added software and 3rd party applications (i.e., DVD players) are not supported.

Certified Novell SUSE Linux Enterprise Desktop†

For all Certified operating systems HP will submit hardware to the operating system vendor for testing and certification. All drivers would be obtained from the operating system vendor, not supplied by HP. Certification will be posted by the operating system vendor.

† The following features are not supported by Novell SUSE Linux Enterprise Desktop:

- Broadcom Gigabit CT Desktop NIC
- Broadcom NetXtreme Gigabit Ethernet Plus
- HP ProtectTools
- DisplayPort video interface
- HP 2nd serial port adapter
- Power Management features
- Systems configured with Linux do not qualify for ENERGY STAR®

Overview

Integrated peripheral options

(can also be purchased and installed separately)

- HP Retail Integrated Dual-Head MSR
- HP Retail Integrated Fingerprint Reader
- HP Retail Integrated Webcam
- HP Retail Integrated Barcode Scanner
- Customer-facing 2 line VFD (Vacuum Fluorescent Display)
- Customer-facing 10.4" LCD Display

Additional Features

- Industry-standard 100mm VESA mounting pattern allows for flexible use without the optional stand (HP RP7 Adjustable Stand)
- 1 DDR3 Memory Slot (8 GB Maximum)
- Gigabit NIC
- Trusted Platform Module (TPM)
- Hard Drive and Solid-State Drive Options
- Solid-State Drive Options
- Cable Management Features
- ENERGY STAR® 5 qualified, EU Compliant, RoHS2 Compliant
- 87% energy efficient power supply (enclosed in stand)
- HP Limited Warranty, 3/3/3 standard: 3 years parts, 3 years labor, and 3 years on-site services
- IP 54 rating (Ingress Protection rating) certifies that the RP7 Retail System Model 7100 is designed so that dust or splashed water will not interfere with the operation of the system

Standard and Configurable Components

CHIPSET

HM65 Chipset

GRAPHICS

Intel® HD Graphics

OPERATOR DISPLAY

15" Resistive Operator Display

Touch Technology	5-wire Resistive
Resolution	1024 x 768
Aspect Ratio	4:3
Max Color	16.7M
Contrast Ratio	700:1
Brightness	350 cd/m ²
Pixel Pitch	0.297mm x 0.297mm
Viewing Angle	160° horizontally and 140° vertically
Response rate	25ms on/off
Default Color Temperature	6500 K
Anti-Glare Hardness	>8H
Color Gamut	52%
Backlight	LED

15" Projective Capacitive Operator Display

Touch Technology	Flush-Glass Projected Capacitive
Resolution	1024 x 768
Aspect Ratio	4:3
Max Color	16.7M
Contrast Ratio	700:1
Brightness	350 cd/m ²
Pixel Pitch	0.297mm x 0.297mm
Viewing Angle	160° horizontally and 140° vertically
Response rate	25ms on/off
Default Color Temperature	6500° K
Anti-Glare Hardness	>8H
Color Gamut	52%
Backlight	LED

17" Projective Capacitive Operator Display

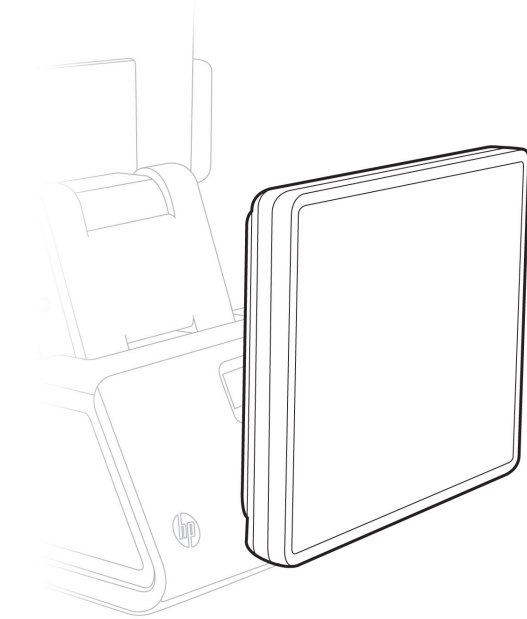
Touch Technology	Flush-Glass Projected Capacitive
------------------	----------------------------------

Standard and Configurable Components

Resolution	1280 x 1024
Aspect Ratio	5:4
Max Color	16.7M
Contrast Ratio	800:1
Brightness	225 cd/m ²
Pixel Pitch	0.264mm x 0.264mm
Viewing Angle	170° horizontally and 160° vertically
Response rate	20m on/off
Default Color Temperature	6500 K
Anti-Glare Hardness	>8H
Color Gamut	68%
Backlight	LED

INTEGRATED PERIPHERAL OPTIONS

HP RP7 10.4-inch Customer Display Option



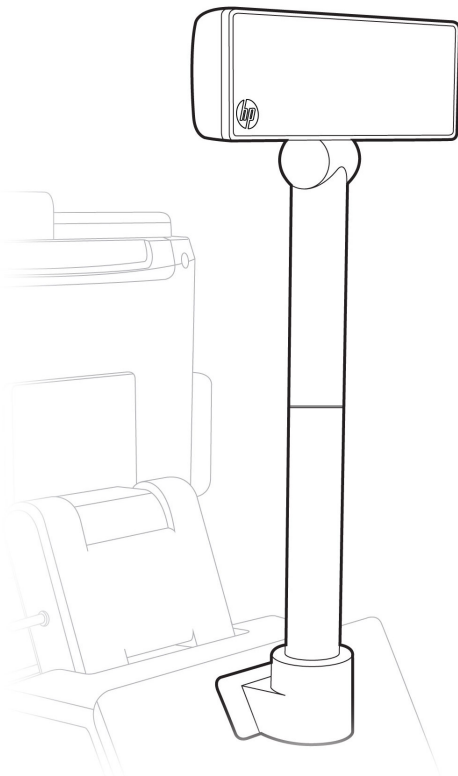
QZ702AA/B0T22AV

Touch Technology	Not supported
Resolution	1024 x 768
Aspect Ratio	4:3
Max Color	16.2M

Standard and Configurable Components

Contrast Ratio	1000:1
Brightness	300 cd/m ²
Pixel Pitch	0.0685(H) x 0.2055(V)
Viewing Angle (of LCD Panel)	170° horizontally and 160° vertically
Tilt Adjustment (of display)	-5deg to + 45deg
Response rate	25ms (rise+fall time)
Default Color Temperature	6500° K
Anti-Glare Hardness	>8H
Color Gamut	57%
Backlight	LED
Video Interface	DVI-D
Dimensions	25.4 x 4.1 x 20.8 (head unit only)
Weight	1.2kg (head unit only)
Power	DC (powered from a DC-Out port on the RP7 terminal)
Audio	Integrated speakers (connected through line-out on RP7 terminal)
Two Optional Stands	HP RP7 Adjustable Stand (AQ703AA/BOT02AV) HP RP7 Value Stand (E5E14AA/E3A13AV)

HP RP7 2-Line VFD (Vacuum Florescent Display) **Customer Display Option** **QZ701AA/BOT26AV**



Standard and Configurable Components

Display Type	Vacuum Fluorescent Display, Blue Green
Brightness	350 - 700 cd/m ²
Character Number	2 x 20
Character Support	Complex Characters and Graphics
Character Font	20 x 2 for 16 x 16 font 10 x 1 for 32 x 32 font 320 x 32 for graphics
Character Size	5.5(W) x 10.5(H) mm
Emulation Modes	ICD-2002, EPSON POS D101, Aedex, UTC/S, UTC/P, ADM788, DSP800, CD5220
Supported Code Pages	Bosnian (852), Croatian (852), Czech (1252), Danish (1252), Dutch (1252), English (US) (437), Estonian (1257), Faroese (1252), Finnish (1252), Flemish (1252), French (1252), German (1252), Greek (1253), Hebrew (1255), Hungarian (852), Icelandic (1252), Indonesian (1252), International English (1252), Italian (1252), Japanese (Shift-JIS), Latvian (1257), Lithuanian (1257), Norwegian (865), Polish (852), Slavonic/Russian (866), Slovak (852), Slovene (852), Spanish (1252), Swedish (1252), Thai (874)
Horizontal Rotation	180°
Height Adjustment	(through two included pole extension options)
Tilt Adjustment	-5° to 60°
Interface/Connection	USB+PWR 12V (connects to the RP7 I/O panel)
Mechanical Dimensions (LxWxH)	226 x 40.05 x 72 mm
Power Voltage (typical)	12V nominal
Drivers	OPOS, JPOS

HP RP7 Adjustable Stand QZ703AA /B0T02AV

Stand can be pre-configured with the HP RP7 Retail System or purchased and installed separately. The stand connects to the terminal through an industry-standard 100mm VESA pattern and conceals the sealed power supply for the RP7. The dual-hinge mechanism allows for a broad range of user adjustability and allows the terminal to be used in an upright or a low-profile, reclining position. The built-in cable-management features provide for a clean terminal installation and bolt-down capabilities allow the terminal to be secured to the counter.

HP RP7 Value Stand E3A13AV /E5E14AA

A budget-friendly stand that's ideal for tight spaces. The single-hinge fixed height design delivers -5° to +30° adjustable tilt range for easy positioning. With a smaller footprint than the performance stand, it fits easily into small work environments such as kiosks, corners, and tight hospitality countertops and sits neatly on top of HP RPOS Cash Drawers. A printer and keyboard can be positioned on the stand along with the HP RP7 for a tidy solution that maximizes the available space.

Standard and Configurable Components

HP Retail Integrated Dual-Head MSR

QZ673AA/BOT12AV

General	Magnetic stripe formats	ISO 7811 (JIS I), AAMVA
	Card thickness	0.015 to 0.045 in (0.38 to 1.14 mm)
	Indicators	
Mechanical	Dimensions (LxWxH)	3.94in x 3.06in x 1.34in (99.98mm x 77.8mm x 34mm)
	Weight	4.06 oz (115g)
	Slot width	0.45 in (0.114 cm)
	Color	HP Black
Interface/ Connection	Interface	USB 2.0
	Connection	Type A
Power	Voltage (typical)	5.0V +/- 5% supplied by USB, 50mV ripple max
	Current consumption (typical)	40mA max
Drivers		Windows Native, OPOS, JPOS
Operating Systems	Compatibility	Microsoft Windows 7 Professional 32-bit Microsoft Windows 7 Professional 64-bit Microsoft Windows Embedded POSReady 2009 Microsoft Windows Embedded POSReady 7 32-bit Microsoft Windows Embedded POSReady 7 64-bit Microsoft Windows XP Professional
Option Kit Contents		HP Retail Integrated Dual-Head MSR, HP Point of Sale System Software and Documentation CD.

HP Retail Integrated Fingerprint Reader

QZ672AA/BOT13AV

General	Scan Data	8-bit grayscale (256 levels of gray)
	Pixel resolution	512 dpi (average x,y over the scan area)
	Scan capture area	14.6 mm (nom. width at center) 18.1 mm (nom. length)
Mechanical	Dimensions (L x W x H)	3.94in x 3.06in x 1.34in (99.98mm x 77.8mm x 34mm)
	Weight	3.39 oz (96 g)
	Color	HP Black
Interface/ Connection	Interface	USB 2.0
Power	Supply Voltage	5.0V ±5% supplied by USB
	Supply Current scanning	< 100 mA (Typical)
	Supply Current idle mode 1	20 mA (Typical)
	Supply Current-suspend mode	< 0.5 mA (Maximum)

Standard and Configurable Components

Environmental	Temperature	Operating 0° - 40° C
	Humidity	Operating 20% - 80% non-condensing
Drivers		Windows Native
Operating Systems	Compatibility	Microsoft Windows 7 Professional 32-bit Microsoft Windows 7 Professional 64-bit Microsoft Windows Embedded POSReady 2009 Microsoft Windows Embedded POSReady 7 32-bit Microsoft Windows Embedded POSReady 7 64-bit Microsoft Windows XP Professional
Option Kit Contents	HP Retail Integrated Fingerprint Reader (available soon), HP Point of Sale System Software and Documentation CD.	

HP Retail Integrated Webcam QZ700AA/B0T03AV

General	CMOS Sensor	OV9726
	Resolution	HD: 1280x720
	Image Control	Automatic Exposure, Automatic White Balance, Automatic Gain
	Field of View	74.9°
	Focus Distance	19.69 in (500 mm)
	Focus Range	20.5cm ~ infinity
	Microphone	Yes (2, Stereo)
Mechanical	Dimensions (LxWxH)	3.94in x 1.77in x 1.34in (100mm x 44.9mm x 34mm)
	Weight	2.05 oz (58g)
	Color	HP Black
Interface/ Connection	Interface	USB 2.0
Power	Voltage (typical)	3.3V (5V to 3.3V conversion board inside Webcam module to make it USB compatible)
	Current consumption (typical)	150mA
Drivers		Windows Native
Operating Systems	Compatibility	Microsoft Windows 7 Professional 32-bit Microsoft Windows 7 Professional 64-bit Microsoft Windows Embedded POSReady 2009 Microsoft Windows Embedded POSReady 7 32-bit Microsoft Windows Embedded POSReady 7 64-bit Microsoft Windows XP Professional
Option Kit Contents	HP Retail Integrated Webcam, HP Installation Guide.	

HP Retail Integrated Barcode Scanner E1L07AA/E6N62AV

Standard and Configurable Components

General	Indicators	Audible and visual read indicators
	Scan direction	Omni-directional
Symbologies	1D / Linear Codes	Autodiscriminates all standard 1D codes including GS1 DataBar™ linear codes.
	2D Codes	Aztec Code; China Han Xin Code; Data Matrix; MaxiCode; Micro QR Code; QR Code
	Postal codes	Australian Post; British Post; China Post; IMB; Japanese Post; KIX Post; Korea Post; Planet Code; Postnet; Royal Mail Code (RM4SCC)
	Stacked codes	EAN/JAN Composites; GS1 DataBar Composites; GS1 DataBar Expanded Stacked; GS1 DataBar Stacked; GS1 DataBar Stacked Omnidirect
Depth of field	Code 39: 5 mils	4.7 to 17.7 cm (1.8 to 7.0 in)
	Code 39: 10 mils	1.7 to 33.2 cm (0.7 to 13.1 in)
	Data Matrix: 10 mils	2.7 to 17.1 cm (1.0 to 6.7 in)
	Data Matrix: 15 mils	1.2 to 24.6 cm (0.5 to 9.7 in)
	EAN: 13 mils	2.5 to 41.9 cm (1.0 to 16.5 in)
	PDF417: 10 mils	2.2 to 23.9 cm (0.9 to 9.4 in)
	QR Code: 10 mils	3.5 to 16.0 cm (1.4 to 6.3 in)
Mechanical	Dimensions (LxWxH)	4.63 x 3.94 x 2.09 in
	Weight	6.1 ounces (172g) (approximately)
	Adjustability	±120°(side to side), ±1.5° +90°/-5°(down/up), ±1.5°
	Color	HP Black
Interface/ Connection	Interface	USB 2.0
	Connection	Type A
Power	Voltage (typical)	5.0V +/- 5% supplied by USB
	Current consumption (typical)	<180mA
Drivers	Windows Native, OPOS, JPOS	
Operating Systems	Compatibility	Windows 8 Professional (64-bit)* Windows 8 Professional (32-bit)* Windows 7 Professional 32-bit** Windows 7 Professional 64-bit** Windows Embedded POSReady 2009 Windows Embedded POSReady 7 32-bit Windows Embedded POSReady 7 64-bit Microsoft Windows XP Professional

*Not all features are available in all editions of Windows 8. Systems may require upgraded and/or separately purchased hardware, drivers and/or software to take full advantage of Windows 8 functionality. See <http://www.microsoft.com>.

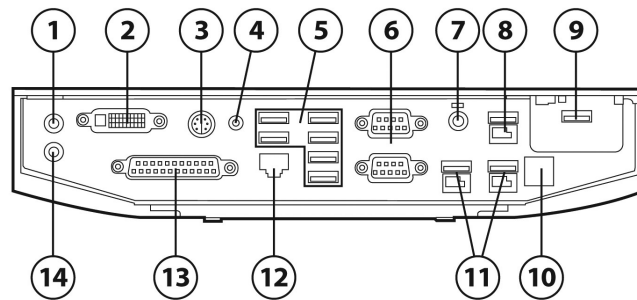
Options Kit Contents HP Retail Integrated Barcode Scanner, HP Point of Sale System Software and Documentation CD. Drivers for the HP Retail Integrated Barcode Scanner are on www.hp.com, listed under the RP7 Model 7100, RP7 model 7800, HP L6015tm monitor, and HP L6017tm monitors.

Standard and Configurable Components

I/O PORTS - CONNECTIVITY

- 6 USB 2.0
- 2 USB+PWR 12V (1 available if HP RP7 Vacuum Florescent Customer Display is installed)
- 1 USB+PWR 24V (Printer)
- 1 USB in lockable compartment (Security screw provided and housed in I/O cover. Requires the HP security screwdriver)
- 1 RJ-12 Cash Drawer (dual drawers via optional Y cable)
- 2 RS-232 Powered (+5V/+12V, F-10 Setup Configurable)
- 1 Parallel
- 1 PS/2 (supports keyboard or mouse, both through a splitter)
- 1 DVI-I for Secondary Display (not available if HP RP7 10.4-inch CFD is installed)
- 1 RJ-45 10/100/1000 LAN
- 1 Audio line-in
- 1 Audio line-out (not available if HP RP7 10.4-inch CFD is installed and audio is connected)
- 1 DC-in (for power supply)
- 1 DC-out (for HP RP7 10.4-inch CFD only)
- 4 USB connectors for select HP integrated peripherals

I/O PANEL



- | | |
|---|--|
| 1. 1 Audio line-in | 8. 1 USB+PWR 24V (Printer) |
| 2. 1 DVI-I for Secondary Display (not available if HP RP7 10.4-inch CFD is installed) | 9. 1 USB in lockable compartment (Security screw provided and housed in I/O cover. Requires the HP security screwdriver) |
| 3. 1 PS/2 (supports keyboard or mouse, both through a splitter) | 10. 1 RJ-12 Cash Drawer (dual drawers via optional Y cable) |
| 4. 1 DC-out (for HP RP7 10.4-inch CFD only) | 11. 2 USB+PWR 12V (1 available if HP RP7 Vacuum Florescent Customer Display is installed) |
| 5. 6 USB 2.0 | 12. 1 RJ-45 10/100/1000 LAN |
| 6. 2 RS-232 Powered (+5V/+12V, F-10 Setup Configurable) | 13. 1 Parallel |
| 7. 1 DC-in (for power supply) | 14. 1 Audio line-out (not available if HP RP7 10.4-inch CFD is installed and audio is connected) |

Standard and Configurable Components

STORAGE

Size

2.5"

Drive Bays

1

OPTIONS:**Solid State Drives**

32 GB SSD, 2.5" (RAID not supported)

128 GB SSD, 2.5"

256 GB SSD, 2.5"

REDUNDANT ARRAY OF INDEPENDENT DRIVES (RAID)

Flexible implementation:

- DriveLock is supported while in RAID mode. Users can manage the DriveLock password from within F10 Setup. Locked drives will be displayed as such in the RAID option ROM interface.
- Hard drive information can be viewed within F10 Setup while in RAID mode. Previously, the hard drives will not appear in Drive Configuration when switching to RAID mode.
- DPS Self Test can be executed on physical hard drives while in RAID mode.
- The RAID Setup Utility (accessed through CTRL-I) can be protected by the F10 Setup password.

NOTE: RAID 1 is the only RAID configuration offered via factory configurations. RAID is not supported on the 32GB SSD. The pre-configured systems:

- Are complete RAID systems and have both drives installed.
- Have the necessary Option ROM configuration.
- Are pre-loaded and pre-installed with all required Intel software.
- Include a preinstalled operating system that is mirrored mode out of the box.

Please refer to the HP White Paper titled "Advanced Host Controller Interface (AHCI) and Redundant Array of Independent Disks (RAID) on HP Compaq PCs" at: <http://www.hp.com> for more information and instructions.

MEMORY

Type	Non-ECC, DDR3 SDRAM, 1600 MHz, SODIMM
Maximum	8 GB
# of Slots	1

NOTE: Full availability of 4 GB or more of memory requires a 64-bit operating system. With Windows 32-bit operating systems, the amount of usable memory is dependent upon your configuration, so that above 3 GB all memory may not be available due to system resource requirements.

Standard and Configurable Components

MEMORY UPGRADES

Memory upgrades are accomplished by adding DIMMs of the same or varied sizes.. The HP RP7 Retail System supports non-ECC DDR3 PC3-10600 (1600 MHz) and PC3-8500 (1066 MHz) memory.

CAUTION: You must shut down the Retail System and disconnect the power cord before adding or removing memory modules. Regardless of the power-on state, voltage is always supplied to the memory modules as long as the Retail System is plugged in to an active AC outlet. Adding or removing memory modules while voltage is present may cause irreparable damage to the memory modules or system board.

MEMORY CONFIGURATIONS

Slot 1
2 GB
4 GB
8 GB

SOFTWARE

HP Client Management Solutions (available for free download from hp.com/go/easydeploy)

HP SoftPaq Download Manager

HP Client Catalog for Microsoft SMS

HP Systems Software Manager

HP Client Automation Starter

NETWORK CONNECTIVITY

Broadcom BCM57788A1KMLG (Model 7100)

Optional Wireless: HP WLAN 802.11 a/b/g/n 2x2 DB MCard BT, HP WLAN 802.11 b/g/n 1x1 MCard NIC

AUDIO/MULTIMEDIA

Rear-line input (supports microphone or line input), lineout

All ports are 3.5mm in diameter

High Definition Audio with Realtek ALC221 codec (all ports are stereo)

SRS Premium Sound audio management technology

Multi-streaming capable*

Dual Internal Speakers (standard)

* Audio input ports are re-taskable as a Line-in or Microphone-in port. External speakers must be powered externally. Multi-streaming can be enabled in the Realtek control panel to allow independent audio streams to be sent to/from the front and rear jacks. This allows for different audio applications to use separate audio ports on the system. For example, the front jacks could be used with a headset for a communications application while the rear jacks are being used with external speakers and a multimedia application.

Standard and Configurable Components

POWER

Power Supply	180W External power supply, 87% Efficiency, Active PFC <i>*This power supply meets ENERGY STAR compliance in conjunction with a select range of processors and modules.</i>
Operating Voltage Range	90 to 264 VAC
Rated Voltage Range	100 to 240VAC
Rated Line Frequency	50/60 Hz
Operating Line Frequency Range	47 – 63 Hz
Rated Input Current	<2.9A AVG Efficiency 87% (calculated by testing at 20/50/75/100% load)
Power Supply Fan	None
ENERGY STAR® Compliant	ENERGY STAR® 5.0 compliant
Power Cord Length	6.0ft (1.83m)
Current Leakage (NFPA99)	< 275 µA

WEIGHTS & DIMENSIONS

Weight	With HP Adjustable Stand 12.14 kg to 14.24 kg 26.76 lb to 31.29 lb
	With HP Value Stand 8.6 kg 18.96 lb
	Without stand 6.8 kg to 8.9 kg 14.99 lb to 19.62 lb
Dimensions (W x D x H)	With HP Adjustable Stand – 15" Display Option 36.6 x 42.4 x 33.58 cm 14.41 x 16.7 x 13.22 in
	With HP Adjustable Stand – 17" Display Option 38.6 x 43.07 x 34.72 cm 15.19 x 16.95 x 13.67 in
	With HP Value Stand – 15" Display Option 19.28 x 37.61 x 36.6 cm 7.59 x 14.81 x 14.41 in
	Without stand – 15" Display Option 36.6 x 8.94 x 31.3 cm 14.41 x 3.52 x 14.41 in

Standard and Configurable Components

	Without stand – 17" Display Option 38.56 x 9.1 x 33.89 cm 15.18 x 3.58 x 13.34 in
Box Dimension	With HP Adjustable Stand 54.7 x 49.2 x 68.8 cm 21.54 x 19.37 x 27.09 in
	With HP Value Stand 59.6 x 48.4 x 27.2 cm 23.47 x 10.71 x 19.06 in
	Without Stand 54.2 x 48.5 x 16.9 cm 21.34 x 19.09 x 6.65 in
Shipping Weight	With HP Adjustable Stand – 15" 18.963 to 20.513 kg 41.8 to 45.22 lb
	With HP Adjustable Stand – 17" 19.513 to 21.063 kg 43.02 to 46.44 lb
	With HP Value Stand – 15" 8.29 to 10.39 kg 18.28 to 22.91 lb
	Without Stand – 15" 8.97 to 10.52 kg 19.78 to 23.19 lb
	Without Stand – 17" 9.52 to 11.07 kg 20.99 to 24.41 lb
	*(Minimum weight with 15" monitor, no peripherals and 1 SSD, Maximum weight with 17" monitor, CFD, webcam, Biometric reader, and MSR reader)

TEMPERATURE, HUMIDITY, ALTITUDE

Temperature	Operating	50° to 95° F (10° to 35° C)
	Non-operating	50° to 95° F (10° to 35° C)
Relative humidity	Operating	20 to 85%
Altitude (unpressurized)	Operating	0 to 10,000 ft (3,048 m)
	Non-operating	0 to 30,000 ft (9,144 m)

Standard and Configurable Components

ENVIRONMENTAL & INDUSTRY

Eco-Label Certifications & Declarations

This product has received or is in the process of being certified to the following approvals and may be labeled with one or more of these marks:

- US Energy Star®
- IT ECO declaration
- EPEAT Gold where HP registers commercial desktop products. See <http://www.epeat.net> for registration status in your country.

SERVICE AND SUPPORT

On-site Warranty^{Note 1}: Limited warranty delivers on-site, next business-day^{Note 2} service for parts and labor and includes free telephone support^{Note 3} 24 x 7. The warranty terms vary by region and onsite and labor are not available in all countries. Depending on region and warranty terms, extended service offers terms up to 3 years by choosing a Carepack. To choose the right level of extended service for your HP product, visit HP Care Pack Central: www.hp.com/go/cpc

NOTE 1: Terms and conditions may vary by country. Certain restrictions and exclusions apply. Other warranty variations may be offered in your region.

NOTE 2: On-site service may be provided pursuant to a service contract between HP and an authorized HP third-party provider, and is not available in certain countries. Global service response times are based on commercially reasonable best effort and may vary by country.

NOTE 3: Technical telephone support applies only to HP-configured Compaq and third-party HP-qualified hardware and software. Toll-free calling and 24 x 7 support may not be available in some countries.

Environmental

Eco-Label Certifications & declarations

This product has received or is in the process of being certified to the following approvals and may be labeled with one or more of these marks:

- IT ECO declaration
- US ENERGY STAR®
- EPEAT Gold registered in the United States. See <http://www.epeat.net> for registration status in your country.

Energy Consumption	<u>115 VAC</u>	<u>230 VAC</u>	<u>100 VAC</u>
Normal Operation	20.064 W	20.292 W	19.944 W
Sleep (Energy Star low power mode)	2.280 W	2.460 W	2.316 W
Off	1.068 W	1.116 W	1.056 W

NOTE:

Energy efficiency data listed is for an ENERGY STAR® compliant product if offered within the model family. HP computers marked with the ENERGY STAR® Logo are compliant with the applicable U.S. Environmental Protection Agency (EPA) ENERGY STAR® specifications for computers. If a model family does not offer ENERGY STAR® compliant configurations, then energy efficiency data listed is for a typically configured model.

Heat Dissipation*	<u>115 VAC</u>	<u>230 VAC</u>	<u>100 VAC</u>
Normal Operation	69 BTU/hr	69 BTU/hr	68 BTU/hr
Sleep	8 BTU/hr	8 BTU/hr	8 BTU/hr
Off	4 BTU/hr	4 BTU/hr	4 BTU/hr

* Heat dissipation is calculated based on the measured watts, assuming the service level is attained for one hour.

Declared Noise Emissions (in accordance with ISO 7779 and ISO 9296)

(Typically Configured)	Sound Power (LWAd, bels)	Sound Pressure (LpAm, decibels)
Idle	2.4	12
Fixed Disk (random writes)	2.4	12

Batteries

This battery(s) in this product comply with EU Directive 2006/66/EC

Batteries used in the product do not contain:

- Mercury greater the 5ppm by weight
- Cadmium greater than 10ppm by weight

Battery size: CR2032 (coin cell)

Environmental

Battery type: Lithium

Additional Information

- This product is in compliance with the Restrictions of Hazardous Substances (RoHS) directive – 2002/95/EC.
- This HP product is designed to comply with the Waste Electrical and Electronic Equipment (WEEE) Directive – 2002/96/EC.
- This product is in compliance with California Proposition 65 (State of California; Safe Drinking Water and Toxic Enforcement Act of 1986).
- This product is in compliance with the IEEE 1680 (EPEAT) standard at the Gold level, see www.epeat.net
- Plastics parts weighing over 25 grams used in the product are marked per ISO 11469 and ISO1043.
- This product contains 28.7% post consumer recycled plastic (by wt.)
- This product is 96.2% recyclable when properly disposed of at end of life.

Packaging Materials

- External:
 - PAPER/Corrugated – 2862.3 g
- Internal:
 - PLASTIC/Polyethylene high density – 42.2 g
 - PLASTIC/EPE-Expanded Polyethylene – 1745 g
- The PAPER/Corrugated packaging material is made from 24% recycled content.
- The PLASTIC/Polyethylene high density packaging material is made from 1.8% recycled content.
- The PLASTIC/EPE-Expanded Polyethylene packaging material is made from 1.8% recycled content.

RoHS Compliance

Hewlett-Packard is committed to compliance with all applicable environmental laws and regulations, including the European Union Restriction of Hazardous Substances (RoHS) Directive. HP's goal is to exceed compliance obligations by meeting the requirements of the RoHS Directive on a worldwide basis. By July 1, 2006, RoHS substances will be virtually eliminated (virtually = to levels below legal limits) for all HP electronic products subject to the RoHS Directive, except where it is widely recognized that there is no technically feasible alternative (as indicated by an exemption under the EU RoHS Directive).

Material Usage

This product does not contain any of the following substances in excess of regulatory limits (refer to the HP General Specification for the Environment at:

http://www.hp.com/hpinfo/globalcitizenship/environment/supplychain/gen_specifications.html):

- Asbestos
- Certain Azo Colorants
- Certain Brominated Flame Retardants – may not be used as flame retardants in plastics
- Cadmium
- Chlorinated Hydrocarbons
- Chlorinated Paraffins
- Formaldehyde
- Halogenated Diphenyl Methanes
- Lead carbonates and sulfates
- Lead and Lead compounds
- Mercuric Oxide Batteries
- Ozone Depleting Substances

Environmental

- Polybrominated Biphenyls (PBBs)
- Polybrominated Biphenyl Ethers (PBBEs)
- Polybrominated Biphenyl Oxides (PBBOs)
- Polychlorinated Biphenyl (PCB)
- Polychlorinated Terphenyls (PCT)
- Polyvinyl Chloride (PVC) – except for wires and cables, and certain retail packaging has been voluntarily removed from most applications.
- Radioactive Substances
- Tributyl Tin (TBT), Triphenyl Tin (TPT), Tributyl Tin Oxide (TBTO)
- Nickel finishes that release greater than 0.5 micro-grams/cm²/week, measured according to EN 1811:1998, are not used on any product surface designed to be frequently handled or touched by users.

Packaging

HP follows these guidelines to decrease the environmental impact of product packaging:

- Eliminate the use of heavy metals such as lead, chromium, mercury and cadmium in packaging materials.
- Eliminate the use of ozone-depleting substances (ODS) in packaging materials.
- Design packaging materials for ease of disassembly.
- Maximize the use of post-consumer recycled content materials in packaging materials.
- Use readily recyclable packaging materials such as paper and corrugated materials.
- Reduce size and weight of packages to improve transportation fuel efficiency.
- Plastic packaging materials are marked according to ISO 11469 and DIN 6120 standards.

End-of-life Management and Recycling

Hewlett-Packard offers end-of-life HP product return and recycling programs in many geographic areas. To recycle your product, please go to: <http://www.hp.com/go/reuse-recycle> or contact your nearest HP sales office. Products returned to HP will be recycled, recovered or disposed of in a responsible manner.

The EU WEEE directive (2002/95/EC) requires manufacturers to provide treatment information for each product type for use by treatment facilities. This information (product disassembly instructions) is posted on the Hewlett Packard web site at: <http://www.hp.com/go/recyclers>. These instructions may be used by recyclers and other WEEE treatment facilities as well as HP OEM customers who integrate and re-sell HP equipment.

Hewlett-Packard Corporate Environmental Information

For more information about HP's commitment to the environment:

Global Citizenship Report

<http://www.hp.com/hpinfo/globalcitizenship/gcreport/index.html>

Eco-label certifications

<http://www.hp.com/hpinfo/globalcitizenship/environment/productdesign/ecolabels.html>

ISO 14001 certificates:

<http://www.hp.com/hpinfo/globalcitizenship/environment/operations/envmanagement.html>

Options and Accessories (sold separately)

OPTIONS AND ACCESSORIES (sold separately)

Input Devices

	Part Number
HP RP7 VFD (Vacuum Florescent Display) Customer Display	QZ701AA
HP RP7 10.4 inch CFD Display	QZ702AA
HP Retail Integrated Dual-Head MSR	QZ673AA
HP Retail Integrated Fingerprint Reader	QZ672AA
HP Retail Integrated Webcam	QZ700AA
HP Retail Integrated Barcode Scanner	E1L07AA
HP POS Keyboard without MSR (AMS Region Only)	FK221AA
HP POS Keyboard with MSR	FK218AA
HP PS/2 Standard Keyboard	DT527A
HP USB Standard Keyboard	DT527A
HP USB Mini Keyboard	AS601AA
HP USB Washable Keyboard	BM866AA
HP USB and PS/2 Washable Keyboard and Mouse Kit	BU207AA
HP PS/2 Optical Mouse	EY703AA
HP USB Optical Mouse	DC172AA
HP USB Laser Mouse	GW405AA

Security

HP/Kensington MicroSaver Cable Lock	PC766A
HP Business PC Security Lock	PV606AA
HP Keyed Lock Cable	BV411AA

Barcode Scanners

HP Imaging Barcode Scanner	BW868AA
HP Linear Barcode Scanner	QY405AA
HP Presentation Barcode Scanner	QY439AA
HP Retail Integrated Barcode Scanner	E1L07AA

Cash drawers

HP Heavy Duty Cash Drawer	FK182AA
HP Standard Duty Cash Drawer	QT457AA
HP Standard Duty Till with Locking Cover	QT458AA
HP Flip-Top Cash Drawer (EMEA Region Only)	BW867AA
HP Flip-Top Till with Locking Cover (EMEA Region Only)	BZ335AA
HP Cable Pack for Dual Cash Drawers	QT538AA

Printers

HP Powered USB Thermal Receipt Printer	FK224AA
--	---------

Options and Accessories (sold separately)

HP Serial/USB Thermal Receipt Printer	BM476AA
HP Hybrid Printer with MICR	FK184AA
HP USB Y Cable (for Serial USB/Receipt Printer)	BM477AA

System Memory

2GB DDR3-1600 SODIMM	B4U38AA
4GB DDR3-1600 SODIMM	B4U39AA
8GB DDR3-1600 SODIMM	B4U40AA

Storage

128GB SATA 2.5 SSD	QV063AA
--------------------	---------

MSR

HP Mini-MSR	FK186AA
-------------	---------

Displays

HP Retail Integrated 7-inch CFD	F7A92AA
HP LCD Pole Display	F7A93AA
HP POS Pole Display	FK225AA
HP Graphical POS Pole Display	QZ704AA

Stands

HP RP7 Adjustable Stand	B0T02AV/ QZ703AA
HP RP7 Value Stand	E3A13AV/ E5E14AA

Copyright © 2013 Hewlett-Packard Development Company, L.P

All rights reserved. Microsoft, Windows, Windows 7, and Windows Vista are registered trademarks or trademarks of Microsoft Corporation in the U.S. and/or other countries. Intel, Core, and Pentium are registered trademarks or trademarks of Intel Corporation in the U.S. and/or other countries. Bluetooth is a registered trademark of Bluetooth SIG, Inc., in the U.S. and other countries. All other product names mentioned herein may be trademarks of their respective companies.

The information contained herein is subject to change without notice and is provided "as is" without warranty of any kind. The warranties for HP products are set forth in the express limited warranty statements accompanying such products. Nothing herein should be construed as constituting an additional warranty. HP shall not be liable for technical or editorial errors or omissions contained herein.