

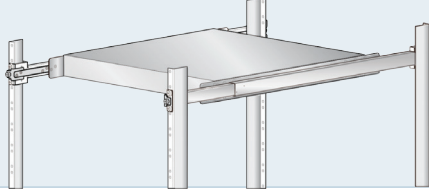
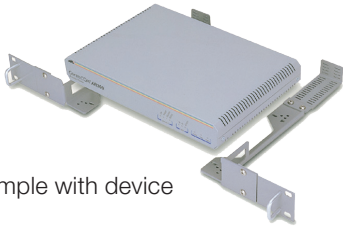





## BRACKET

PRODUCT	ORDER NAME	SUPPORTED DEVICES
	<b>AT-BRKT-J22</b>	FS980M Series
 <p>*sample with device</p>	<b>AT-BRKT-J23</b>	x230-10GT GS970M/10 <sup>1</sup> GS910/5 GS910/8 GS910/8E
	<b>AT-BRKT-J24</b>	x230-10GP x230-18GP x230-28GP x230-18GT x230-28GT GS970M/10PS <sup>1</sup> GS970M/18PS <sup>1</sup> GS970M/28PS <sup>1</sup> GS970M/18 <sup>1</sup> GS970M/28 <sup>1</sup> AR4050S AR3050S AR2050V
 <p>*sample with device</p>	<b>AT-BRKT-J26</b>	TQ2450 <sup>2</sup>
 <p>*sample with device</p>	<b>AT-DMCWLMT</b> Not available in NA	DMC100 Series DMC1000 Series
 <p>*sample with device</p>	<b>AT-MMCWLMT</b> Not available in NA	MMC200 Series MMC2000 Series MMC6005
	<b>AT-WLMT-010</b>	MC100 Series MC1000 Series MC115XL MC116XL MC13 GS2002/SP FS200 Series

<sup>1</sup> GS970M series will be available in Q2/2017

<sup>2</sup> EoS in EMEA



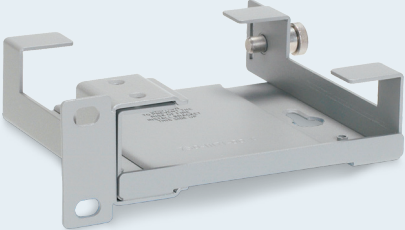

## RACKMOUNT

PRODUCT	ORDER NAME	SUPPORTED DEVICES
	<b>AT-RKMT-SL01</b>	x930 Series x510DP-52GTX IX5-28GPX DC2552XS/L3 x900 Series <sup>3</sup>
 <p>*sample with device</p>	<b>AT-RKMT-J05</b>	x230-10GT GS970M/10 <sup>1</sup>
 <p>*sample with device</p>	<b>AT-RKMT-J08</b>	GS910/8 GS910/8E
 <p>*sample with device</p>	<b>AT-RKMT-J13</b>	x230-18GP x230-18GT GS970M/18PS <sup>1</sup> GS970M/18 <sup>1</sup>
 <p>*sample with device</p>	<b>AT-RKMT-J14</b>	x230-10GP GS970M/10PS <sup>1</sup> AR4050S AR3050S AR2050V
 <p>*sample with device</p>	<b>AT-RKMT-J15</b>	XS900MX Series AR4050S AR3050S
 <p>*sample with device</p>	<b>AT-RKMT-APL1</b>	UWC-60-APL

<sup>1</sup> GS970M series will be available in Q2/2017

<sup>3</sup> EoS

## DIN RAIL / OTHER

PRODUCT	ORDER NAME	SUPPORTED DEVICES
	<b>AT-DINRAIL1</b>	MC100 Series MC1000 Series MC115XL MC116XL MC13 FS200 Series GS2002/SP PC232/POE PC2002/POE
 <p>*sample with device</p>	<b>AT-DRMT-J02</b>	AR2010V
	<b>AT-TRAY1</b>	MC100 Series MC1000 Series MC115XL MC116XL MC13 GS2002/SP FS200 Series
	<b>AT-TRAY4</b>	