



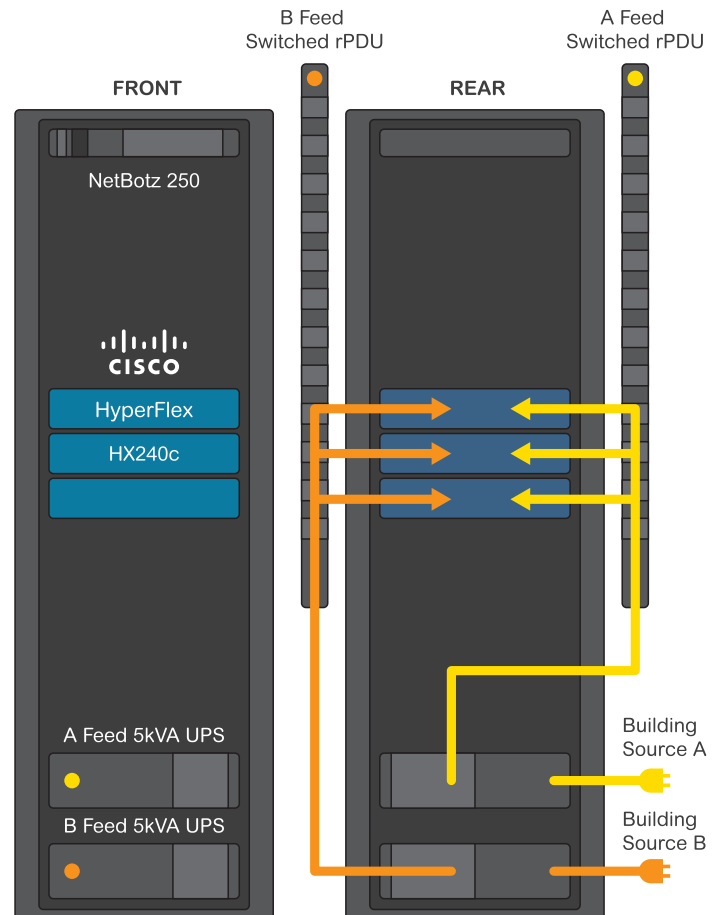
Cisco HyperFlex Reference Architectures

Purpose built, pre-validated, and Cisco Certified for Cisco HyperFlex platform and Cisco HyperFlex platform for SMB and Remote Office/Branch Office space.

Cisco HyperFlex systems simplify and minimize IT deployments risks. To support them, you need compatible physical infrastructure solutions that are integrated, pre-engineered, and pre-validated. You need to lower your time-to-market and deployment time; you also need to minimize on-site and remote management as well as change management costs.

Enterprise Solution for data center environments

| Enterprise Solution Details | | |
|-----------------------------|---|--|
| Cisco | | HyperFlex HX240c |
| Rack | 1 | AR3100SP NetShelter SX 42U with Shock Pallet |
| UPS | 2 | SRT5KRMXLT Smart UPS 5000VA RM 208V |
| rPDU | 2 | AP8941 Rack PDU, Switched Zero U, 30A, 200/208V, (21) C13 & (3) C19 |
| Power Cord Kit | 1 | AR8706S-NA Power Cord Kit (6 ea), Locking, C13 to C14, 1.8m, North America |
| NetBotz 250 | 1 | NBACS125 NetBotz 125kHz Rack Access Control |
| Cable Management | 1 | AR8429 Horizontal Cable Organizer 1U with Brush Strip |
| Blanking Panels | 1 | AR8136BLK Toolless Airflow Management Blanking Panel – Qty 10 |
| Options | | |
| Software | | StruxureWare Data Center Operation |
| Services | | LifeCycle Services |
| Office Rack Solution | | NetShelter CX Product Family |



Complete Products

APC by Schneider Electric provides an infrastructure and physical management wrapper around converged and hyperconverged infrastructures, which completes the product to enable organizations to simply and efficiently deliver a complete and highly energy-efficient IT solution that is pre-tested, optimized, and able to be rapidly deployed across an organization.

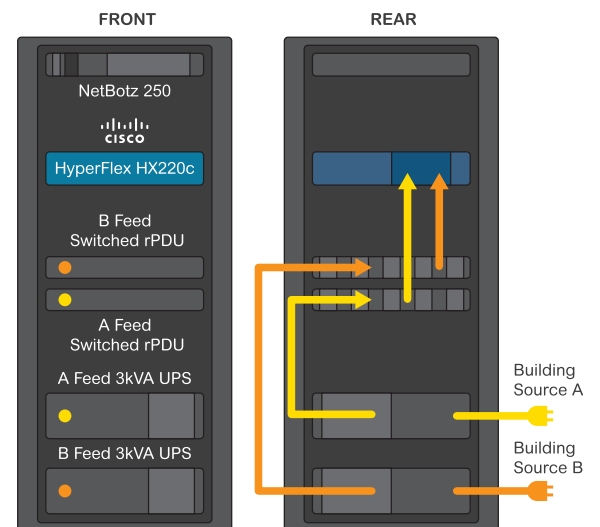
Certainty in a Connected World

APC's proven industry leadership and collaborative technology provide integrated solutions for the transformation of IT. These solutions enable connectivity, reliability, and accessibility through validation and certifications with the largest IT vendors and alliances.

Remote Office/Branch Office and SMB Solutions

for smaller, distributed IT environments outside of the data center

| Remote/Branch/SMB Solution Details | | |
|------------------------------------|---|---|
| Cisco | | HyperFlex HX220c |
| Rack | 1 | AR3104SP1 NetShelter SX 24U with Shock Pallet |
| UPS | 2 | SMX3000RMLV2UNC Smart UPS X 3000VA Rack/ Tower LCD 100-127V with Network Card |
| rPDU | 2 | AP7902B Rack PDU, Switched 2U, 30A, 120V, (16)5-20 |
| Netbotz 250 | 1 | NBACS125 NetBotz 125kHz Rack Access Control |
| Cable Management | 1 | AR8429 Horizontal Cable Organizer 1U with Brush Strip |
| Power Cord Kit | 1 | AP9891 Power Cord Kit (5 ea), C13 - 5-15P, 0.6m |
| Blanking Panels | 1 | AR8136BLK Toolless Airflow Management Blanking Panel - Qty 10 |
| Options | | |
| Software | | StruxureWare Data Center Expert |
| Services | | LifeCycle Services |
| Office Rack Solution | | NetShelter CX Product Family |



*Configurability is available via Local Edge Configurator on Design Portal

Complete Management:

Management tools from APC by Schneider Electric seamlessly integrate with the IT hardware allowing for remote management, reducing the need and cost of on-site IT support staff.

apc.com/cisco-alliance



Life Is On

