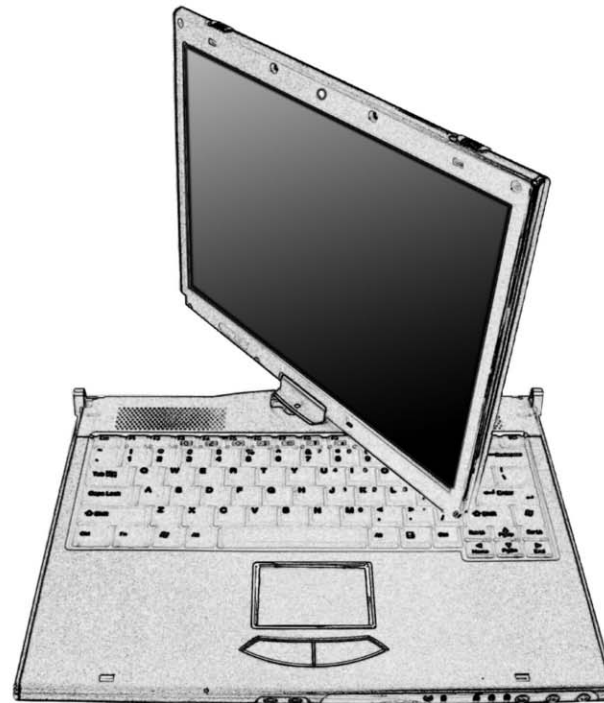


SERVICE MANUAL

T2C (T200C / T210C)

notebook



TabletNote Computer

T200C/T210C

T200V/T210V

Service Manual

Notice

The company reserves the right to revise this publication or to change its contents without notice. Information contained herein is for reference only and does not constitute a commitment on the part of the manufacturer or any subsequent vendor. They assume no responsibility or liability for any errors or inaccuracies that may appear in this publication nor are they in anyway responsible for any loss or damage resulting from the use (or misuse) of this publication.

This publication and any accompanying software may not, in whole or in part, be reproduced, translated, transmitted or reduced to any machine readable form without prior consent from the vendor, manufacturer or creators of this publication, except for copies kept by the user for backup purposes.

Brand and product names mentioned in this publication may or may not be copyrights and/or registered trademarks of their respective companies. They are mentioned for identification purposes only and are not intended as an endorsement of that product or its manufacturer.

Version 1.0
November 2003

Trademarks

Intel[®] and **Pentium**[®] are registered trademarks of Intel Corporation.

Windows[®] is a registered trademark of Microsoft Corporation.

Other brand and product names are trademarks and/or registered trademarks of their respective companies.

About this Manual

This manual is intended for service personnel who have completed sufficient training to undertake the maintenance and inspection of personal computers.

It is organized to allow you to look up basic information for servicing and/or upgrading components of the computer.

The following information is included:

Chapter 1, Introduction, provides general information about the location of system elements and their specifications.

Chapter 2, Disassembly, provides step-by-step instructions for disassembling parts and subsystems and how to upgrade elements of the system.

Appendix A, Part Lists

Appendix B, T2X0C Schematic Diagrams

Appendix C, T2X0V Schematic Diagrams

Preface

Related Documents

You may also need to consult the following manual for additional information:

User's Manual on CD

This describes the computer's features and the procedures for operating the computer and its ROM-based setup program. It also describes the installation and operation of the utility programs provided with the computer.

Introduction1-1

Overview 1-1
 Model Differences 1-2
 System Specifications T200C/T210C 1-3
 System Specifications T200D/T210D 1-5
 System Specifications T200V/T210V 1-7
 System Specifications T200H/T210H 1-9
 External Locator - Top View with LCD Open 1-11
 Rotating the LCD Swivel Screen 1-12
 External Location - Front & Rear Views 1-14
 External Locator - Left & Right Views 1-15
 External Locator - Bottom View 1-16
 T2X0C/T2X0D Mainboard Overview - Top 1-17
 T2X0C/T2X0D Mainboard Overview - Bottom 1-18
 T2X0C/T2X0D Mainboard Overview - Top 1-19
 T2X0C/T2X0D Mainboard Overview - Bottom 1-20
 T2X0V/T2X0H Mainboard Overview - Top 1-21
 T2X0V/T2X0H Mainboard Overview - Bottom 1-22
 T2X0V/T2X0H Mainboard Overview - Top 1-23
 T2X0V/T2X0H Mainboard Overview - Bottom 1-24

Disassembly2-1

Overview 2-1
 Disassembly Steps 2-4
 Removing the Battery 2-5
 Removing the Hard Disk 2-6
 Removing the System Memory (RAM) 2-7
 Removing the Intel WLAN Module (T2X0C/T2X0D Only) 2-8
 Removing the Processor (T2X0C/T2X0D Only) 2-9

Contents

Part ListsA-1

Part List Illustration Location A-1
 Top (T200C) A-2
 Bottom (T200C) A-3
 14.1" LCD (T200C) A-4
 Hard Disk Drive (T200C) A-5
 Top (T210C) A-6
 Bottom (T210C) A-7
 14.1" LCD (T210C) A-8
 Hard Disk Drive (T210C) A-9
 Top (T200V) A-10
 Bottom (T200V) A-11
 14.1" LCD (T200V) A-12
 Hard Disk Drive (T200V) A-13
 Top (T210V) A-14
 Bottom (T210V) A-15
 14.1" LCD (T210V) A-16
 Hard Disk Drive (T210V) A-17

T200C/T210C Schematic DiagramsB-1

System Block Diagram B-2
 Pentium-M-1 B-3
 Pentium-M-2 B-4
 855GM-1 B-5
 855GM-2 B-6
 855GM-3 B-7
 DDR SODIMM B-8
 DDR Termination B-9
 LVDS, CRT B-10

Preface

Clock Generator	B-11	LVDS Transmitter, Panel I/F	C-10
ICH4-1	B-12	Clock (W311 + W256)	C-11
ICH4-2	B-13	VT2835 (1 of 3)	C-12
ICH4-3, HDD	B-14	VT2835 (2 of 3)	C-13
USB2.0 Port	B-15	VT2835 (3 of 3)	C-14
MDC, Mini PCI	B-16	All USB 2.0 Port	C-15
LAN RTL8100BL	B-17	HDD, MDC, BT, Indicator, WLAN	C-16
PCMCIA ENE CB710	B-18	LAN PHY VT6103	C-17
PCM Socket, 4 IN 1 Socket	B-19	PCMCIA ENE CB710	C-18
SIO, BIOS	B-20	PCM Socket, 4 In 1 Socket	C-19
Touch Panel	B-21	SIO, BIOS, FIR	C-20
Hitachi H8S	B-22	H8S / 2104LPC	C-21
LED B'd, HOT KEY B'd, FAN, K/B	B-23	Fan, CRT, Inverter, DC, Power_GD	C-22
CODEC, AMP	B-24	Audio Codec VT1616	C-23
+3VS, +5VS	B-25	Touch Panel Controller	C-24
+2.5V, +1.25V, 1.5V	B-26	System Power 1	C-25
V_CORE/ +VCCP/ +1.2VS	B-27	System Power 2	C-26
5V, 3.3V, +1.2, 1.5V	B-28	System Power 3	C-27
Charger	B-29	CPU VCORE	C-28
Hot Key	B-30	Charger	C-29
Inverter	B-31		
LCD LED Board	B-32		

T200V/T210V Schematic Diagrams C-1


System Block Diagram	C-2
VIA C3 (1 of 2)	C-3
VIA C3 (2 of 2)	C-4
VT8623 (1 of 3)	C-5
VT8623 (2 of 3)	C-6
VT8623 (3 of 3)	C-7
DDR SO-DIMM	C-8
DDR Termination	C-9

1: Introduction

Overview

This manual covers the information you need to service or upgrade the T200C/T210C/T200D/T210D/T200V/T210V/T200H/T210H TabletNote computer. Information about operating the computer (e.g. getting started, and the *Setup* utility) is in the *User's Manual*. Information about drivers (e.g. VGA & audio) is also found in *User's Manual*. That manual is shipped with the computer.

Operating systems (e.g. *DOS*, *Windows 9x*, *Windows NT 4.0*, *Windows 2000*, *Windows XP*, *OS/2 Warp*, *UNIX*, etc.) have their own manuals as do application software (e.g. word processing and database programs). If you have questions about those programs, you should consult those manuals.

The T200C/T210C/T200D/T210D/T200V/T210V/T200H/T210H TabletNote computer is designed to be upgradeable. See ***“Disassembly” on page 2 - 1*** for a detailed description of the upgrade procedures for each specific component. Please note the warning and safety information indicated by the “” symbol.

The balance of this chapter reviews the computer's technical specifications and features.

Model Differences

The differences between the model types are indicated in the table and pictures below.

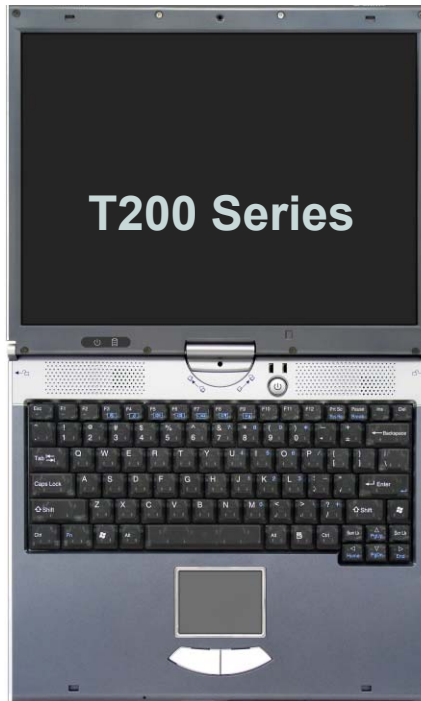
Specifications

Table 1 - 1
Model Specifications

Feature/Model	T200C T210C	T200D T210D	T200V T210V	T200H T210H
Processor Type	Intel Pentium® M	Intel Pentium® M	VIA Antaur	VIA Antaur
Touch Panel Functionality Supported	Yes	No	Yes	No

Designs

Figure 1 - 1
Design Differences



System Specifications T200C/T210C

Table 1 - 2
T200C/T210C
System
Specifications

Feature	Specification T200C & T210C	
Processor Types	Intel Pentium® M Processor (478-pin) Micro-FCPGA Package	(μ0.13) 0.13 Micron Process Technology, 1MB On-Die L2 Cache & 400MHz Front Side Bus - 1.3/ 1.4/ 1.5/ 1.6/ 1.7 GHz
Core Logic	Intel® 855 GM + Intel 82801DBM (ICH4-M)	
Security	Security (Kensington® Type) Lock Slot	BIOS Password
Memory	Two 200 Pin DDR SODIMM Sockets Supporting DDR 266 MHz Modules	Supporting 256/512MB DDR RAM Modules Expandable up to 1024 MB
BIOS	ACPI 4MB Flash ROM Insyde BIOS	
LCD	Flat Panel TFT - 14.1" XGA LCD with Built-in Touch Panel and Stylus Pen Supporting 1024 * 768 dot resolution LCD Swivel Hinge (allows conversion between Notebook and Tablet Modes)	
Display	Intel Chipset 855GM Integrated Graphics Shared Video Memory Architecture Supporting up to 32MB (Default Setting 32MB)	
Storage	Easy Changeable 2.5" 9.5 mm (h) IDE HDD Supporting Ultra DMA 66/100	Built-in 4-in-1 Card Reader for the following formats: SD (Secure Digital) MMC (Multi Media Card) MS (Memory Stick) SM (Smart Media Card)
Audio	Integrated Direct Sound Audio Compliant with AC'97 2.2 2 Built-In Speakers	
Keyboard, Pointing Device & Buttons	Winkey Keyboard Built-In TouchPad	4 Hardware Buttons: "Q" for screen rotation/power Tab Escape Scroll Up/Scroll Down/Enter
Indicators	7 LED Indicators (Power/Suspend, Battery, HDD, Caps Lock, Scroll Lock, Num Lock, Wireless LAN)	

Introduction

Feature	Specification T200C & T210C	
Interface & Communication	Two USB 2.0/1.1 Ports One Type-II PCMCIA 3.3V/5V Socket One Stereo Headphone-Out Jack One Monaural Microphone-In Jack One RJ-11 (V.90 K56flex™) Jack for Fax/Modem MDC Modem Module Supporting Wake On Ring	One RJ-45 Jack for 100M (Max) Fast Ethernet Intel Pro 2100 (802.11b) Mini PCI Wireless LAN Module One External (VGA) Monitor Port One DC-in Jack One Infrared FIR, IrDA 1.1 Transceiver One Type II PCMCIA 3.3V/5V Socket Supporting CardBus
Power Management	Supports ACPI v1.0b Supports Hibernate Mode Supports Standby Mode Supports Battery Low Sleep	Supports Resume From Modem Ring Supports Resume From LAN Close Cover Switch
Power	Full Range AC adapter AC Input 100~240V, 50~60Hz DC Output 20V, 3.25A, 65W	One Primary Smart Lithium-Ion (1800mAH x 6 cells) Battery Pack with Gas Gauge
Environmental Spec	Temperature Operating: 5°C ~ 35°C Non-Operating: -20°C ~ 60°C	Relative Humidity Operating: 20% ~ 80% Non-Operating: 10% ~ 90%
Physical Dimensions & Weight	313 (w) x 265 (d) x 26.5/29.5(h) mm	2.3 Kg Without Battery
Optional	PC Camera (factory option) Smart Lithium-Ion Battery Pack) Standard - 1800mAH x 6 cells (40W) Optional - 1800mAH x 8 cells (53W) Handwriting Recognition Utility Car Adapter MDC Module (factory option) Intel Pro 2100 (802.11b) Mini PCI Wireless LAN Module	External FDD with USB Interface External Slim Optical Drive with One of the Following Options: CD-ROM DVD-ROM CD-RW Combo DVD-RW DVD+RW

System Specifications T200D/T210D

Table 1 - 3
T200D/T210D
System
Specifications

Feature	Specification T200D & T210D	
Processor Types	Intel Pentium® M Processor (478-pin) Micro-FCPGA Package	(μ0.13) 0.13 Micron Process Technology, 1MB On-Die L2 Cache & 400MHz Front Side Bus - 1.3/ 1.4/ 1.5/ 1.6/ 1.7 GHz
Core Logic	Intel® 855 GM + Intel 82801DBM (ICH4-M)	
Security	Security (Kensington® Type) Lock Slot	BIOS Password
Memory	Two 200 Pin DDR SODIMM Sockets Supporting DDR 266 MHz Modules	Supporting 256/512MB DDR RAM Modules Expandable up to 1024 MB
BIOS	ACPI 4MB Flash ROM Insyde BIOS	
LCD	Flat Panel TFT - 14.1" XGA LCD Supporting 1024 * 768 dot resolution LCD Swivel Hinge (allows conversion between Notebook and Tablet Modes)	
Display	Intel Chipset 855GM Integrated Graphics Shared Video Memory Architecture Supporting up to 32MB (Default Setting 32MB)	
Storage	Easy Changeable 2.5" 9.5 mm (h) IDE HDD Supporting Ultra DMA 66/100	Built-in 4-in-1 Card Reader for the following formats: SD (Secure Digital) MMC (Multi Media Card) MS (Memory Stick) SM (Smart Media Card)
Audio	Integrated Direct Sound Audio Compliant with AC'97 2.2 2 Built-In Speakers	
Keyboard, Pointing Device & Buttons	Winkey Keyboard Built-In TouchPad	4 Hardware Buttons: "Q" for screen rotation/power Tab Escape Scroll Up/Scroll Down/Enter
Indicators	7 LED Indicators (Power/Suspend, Battery, HDD, Caps Lock, Scroll Lock, Num Lock, Wireless LAN)	

Introduction

Feature	Specification T200D & T210D	
Interface & Communication	Two USB 2.0/1.1 Ports One Type-II PCMCIA 3.3V/5V Socket One Stereo Headphone-Out Jack One Monaural Microphone-In Jack One RJ-11 (V.90 K56flex™) Jack for Fax/Modem MDC Modem Module Supporting Wake On Ring	One RJ-45 Jack for 100M (Max) Fast Ethernet Intel Pro 2100 (802.11b) Mini PCI Wireless LAN Module One External (VGA) Monitor Port One DC-in Jack One Infrared FIR, IrDA 1.1 Transceiver One Type II PCMCIA 3.3V/5V Socket Supporting CardBus
Power Management	Supports ACPI v1.0b Supports Hibernate Mode Supports Standby Mode Supports Battery Low Sleep	Supports Resume From Modem Ring Supports Resume From LAN Close Cover Switch
Power	Full Range AC adapter AC Input 100~240V, 50~60Hz DC Output 20V, 3.25A, 65W	One Primary Smart Lithium-Ion (1800mAH x 6 cells) Battery Pack with Gas Gauge
Environmental Spec	Temperature Operating: 5°C ~ 35°C Non-Operating: -20°C ~ 60°C	Relative Humidity Operating: 20% ~ 80% Non-Operating: 10% ~ 90%
Physical Dimensions & Weight	313 (w) x 265 (d) x 26.5/29.5(h) mm	2.3 Kg Without Battery
Optional	PC Camera (factory option) Smart Lithium-Ion Battery Pack) Standard - 1800mAH x 6 cells (40W) Optional - 1800mAH x 8 cells (53W) Handwriting Recognition Utility Car Adapter MDC Module (factory option) Intel Pro 2100 (802.11b) Mini PCI Wireless LAN Module	External FDD with USB Interface External Slim Optical Drive with One of the Following Options: CD-ROM DVD-ROM CD-RW Combo DVD-RW DVD+RW

System Specifications T200V/T210V

Table 1 - 4
T200V/T210V
System
Specifications

Feature	Specification T200V & T210V	
Processor Types	VIA Antaur 1.0 GHz	
Core Logic	CLE266CE	
Security	Security (Kensington® Type) Lock Slot	BIOS Password
Memory	Two 200 Pin DDR SODIMM Sockets Supporting DDR 266 MHz Modules	Supporting 256/512MB DDR RAM Modules Expandable up to 1024 MB
BIOS	ACPI 4MB Flash ROM Insyde BIOS	
LCD	Flat Panel TFT - 14.1" XGA LCD with Built-in Touch Panel and Stylus Pen Supporting 1024 * 768 dot resolution LCD Swivel Hinge (allows conversion between Notebook and Tablet Modes)	
Storage	Easy Changeable 2.5" 9.5 mm (h) IDE HDD Supporting ATA-33/66/100	Built-in 4-in-1 Card Reader for the following formats: SD (Secure Digital) MMC (Multi Media Card) MS (Memory Stick) SM (Smart Media Card)
Audio	AC'97 2.1 Compliant 2 Built-In Speakers	
Keyboard, Pointing Device & Buttons	Winkey Keyboard Built-In TouchPad	4 Hardware Buttons: "Q" for screen rotation/power Tab Escape Scroll Up/Scroll Down/Enter
Indicators	7 LED Indicators (Power/Suspend, Battery, HDD, Caps Lock, Scroll Lock, Num Lock, Wireless LAN)	
Interface & Communication	Two USB 2.0/1.1 Ports One Type-II PCMCIA 3.3V/5V Socket One Stereo Headphone-Out Jack One Monaural Microphone-In Jack One RJ-11 (V.90 K56flex™) Jack for Fax/Modem MDC Modem Module Supporting Wake On Ring	One RJ-45 Jack for 100M (Max) Fast Ethernet One External (VGA) Monitor Port One DC-in Jack One Infrared FIR, IrDA 1.1 Transceiver One Type II PCMCIA 3.3V/5V Socket Supporting CardBus

Introduction

Feature	Specification T200V & T210V	
Power Management	Supports ACPI v1.0b Supports Hibernate Mode Supports Standby Mode Supports Battery Low Sleep	Supports Resume From Modem Ring Supports Resume From LAN Close Cover Switch
Power	Full Range AC adapter AC Input 100~240V, 50~60Hz DC Output 20V, 2.5A, 50W	One Primary Smart Lithium-Ion (1800mAH x 6 cells) Battery Pack with Gas Gauge
Environmental Spec	Temperature Operating: 5°C ~ 35°C Non-Operating: -20°C ~ 60°C	Relative Humidity Operating: 20% ~ 80% Non-Operating: 10% ~ 90%
Physical Dimensions & Weight	313 (w) x 265 (d) x 26.5/29.5(h) mm Min	2.2 Kg Without Battery Pack
Optional	PC Camera (factory option) Smart Lithium-Ion Battery Pack) Standard - 1800mAH x 6 cells Optional - 1800mAH x 8 cells Handwriting Recognition Utility Car Adapter MDC Module (factory option) 802.11b Wireless LAN Module with USB Interface	External FDD with USB Interface External Slim Optical Drive with One of the Following Options: CD-ROM DVD-ROM CD-RW Combo

System Specifications T200H/T210H

Table 1 - 5
T200H/T210H
System
Specifications

Feature	Specification T200H & T210H	
Processor Types	VIA Antaur 1.0 GHz	
Core Logic	CLE266CE	
Security	Security (Kensington® Type) Lock Slot	BIOS Password
Memory	Two 200 Pin DDR SODIMM Sockets Supporting DDR 266 MHz Modules	Supporting 256/512MB DDR RAM Modules Expandable up to 1024 MB
BIOS	ACPI 4MB Flash ROM Insyde BIOS	
LCD	Flat Panel TFT - 14.1" XGA LCD Supporting 1024 * 768 dot resolution LCD Swivel Hinge (allows conversion between Notebook and Tablet Modes)	
Storage	Easy Changeable 2.5" 9.5 mm (h) IDE HDD Supporting ATA-33/66/100	Built-in 4-in-1 Card Reader for the following formats: SD (Secure Digital) MMC (Multi Media Card) MS (Memory Stick) SM (Smart Media Card)
Audio	AC'97 2.1 Compliant 2 Built-In Speakers	
Keyboard, Pointing Device & Buttons	Winkey Keyboard Built-In TouchPad	4 Hardware Buttons: "Q" for screen rotation/power Tab Escape Scroll Up/Scroll Down/Enter
Indicators	7 LED Indicators (Power/Suspend, Battery, HDD, Caps Lock, Scroll Lock, Num Lock, Wireless LAN)	
Interface & Communication	Two USB 2.0/1.1 Ports One Type-II PCMCIA 3.3V/5V Socket One Stereo Headphone-Out Jack One Monaural Microphone-In Jack One RJ-11 (V.90 K56flex™) Jack for Fax/Modem MDC Modem Module Supporting Wake On Ring	One RJ-45 Jack for 100M (Max) Fast Ethernet One External (VGA) Monitor Port One DC-in Jack One Infrared FIR, IrDA 1.1 Transceiver One Type II PCMCIA 3.3V/5V Socket Supporting CardBus

Introduction

Feature	Specification T200H & T210H	
Power Management	Supports ACPI v1.0b Supports Hibernate Mode Supports Standby Mode Supports Battery Low Sleep	Supports Resume From Modem Ring Supports Resume From LAN Close Cover Switch
Power	Full Range AC adapter AC Input 100~240V, 50~60Hz DC Output 20V, 2.5A, 50W	One Primary Smart Lithium-Ion (1800mAH x 6 cells) Battery Pack with Gas Gauge
Environmental Spec	Temperature Operating: 5°C ~ 35°C Non-Operating: -20°C ~ 60°C	Relative Humidity Operating: 20% ~ 80% Non-Operating: 10% ~ 90%
Physical Dimensions & Weight	313 (w) x 265 (d) x 26.5/29.5(h) mm Min	2.2 Kg Without Battery Pack
Optional	PC Camera (factory option) Smart Lithium-Ion Battery Pack) Standard - 1800mAH x 6 cells Optional - 1800mAH x 8 cells Handwriting Recognition Utility Car Adapter MDC Module (factory option) 802.11b Wireless LAN Module with USB Interface	External FDD with USB Interface External Slim Optical Drive with One of the Following Options: CD-ROM DVD-ROM CD-RW Combo

External Locator - Top View with LCD Open

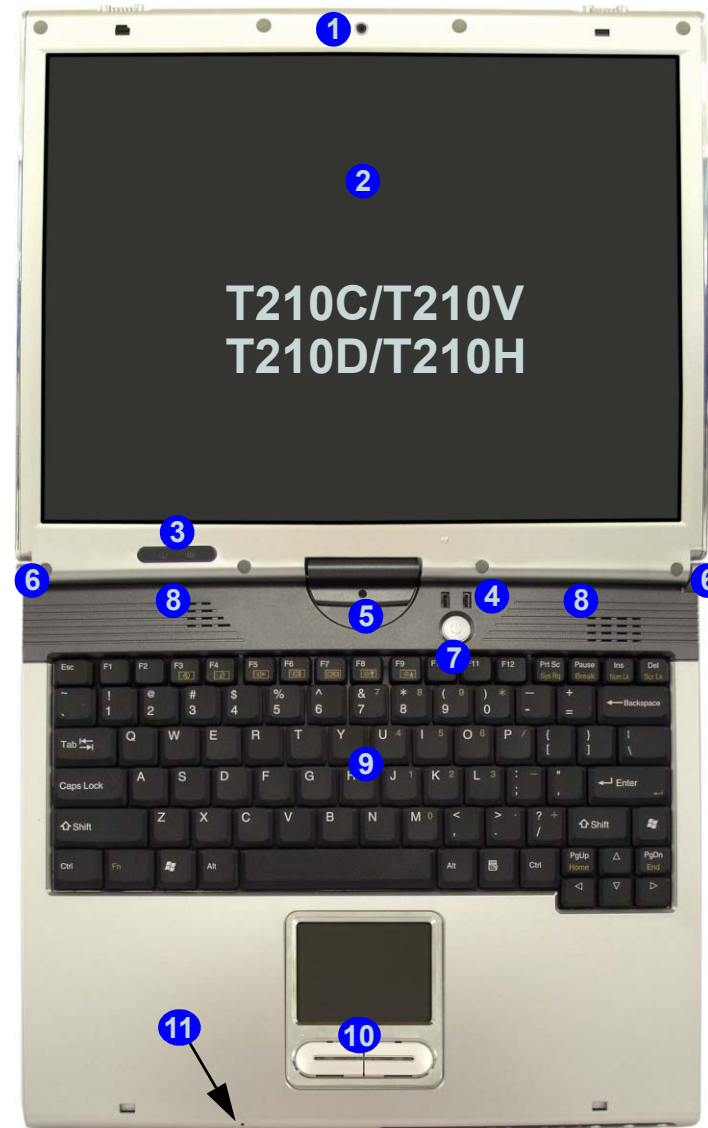
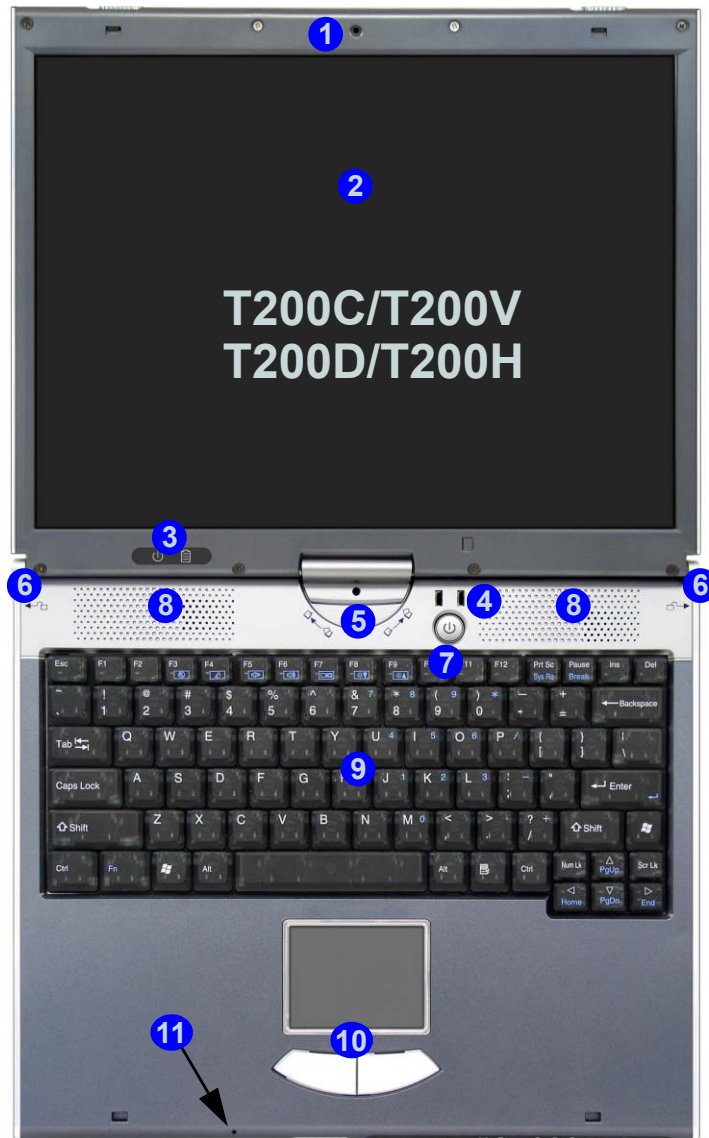


Figure 1 - 2
Top View with LCD
Panel Open

1. Built-In PC Camera (Optional)
2. LCD Swivel Screen
3. LED Power Indicators
4. Cover Sensors
5. LCD Swivel Hinge
6. LCD Side Hinges
7. Power Button
8. Speakers
9. Keyboard
10. TouchPad and Buttons
11. Built-In Microphone

Rotating the LCD Swivel Screen

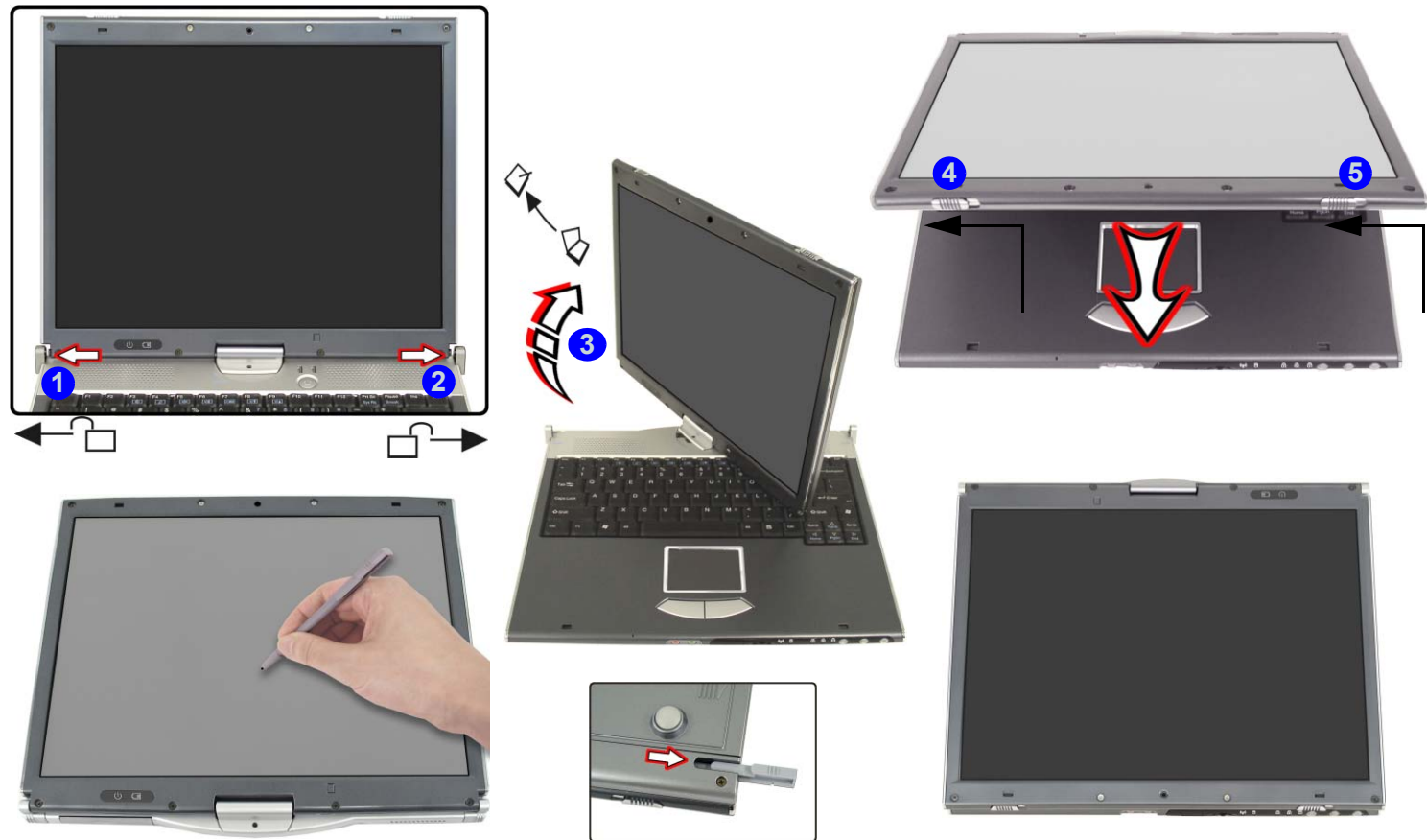
Figure 1 - 3
Rotating the LCD Swivel Screen



Lid Button

It is recommended that the lid (left LCD cover sensor) power button should be set to "Do nothing" in the Power Options control panel.

This will prevent accidentally triggering a power saving mode when you rotate the LCD swivel screen.



1. Unlock the LCD side hinges ① & ② by moving them in the direction of the arrows.
2. Carefully rotate the LCD fully in the direction indicated by the arrow ③, then lock the side hinges ① & ②.
3. Move latches ④ & ⑤ in and to the left (if they are not already in this position), then push the LCD down to lock it in position.



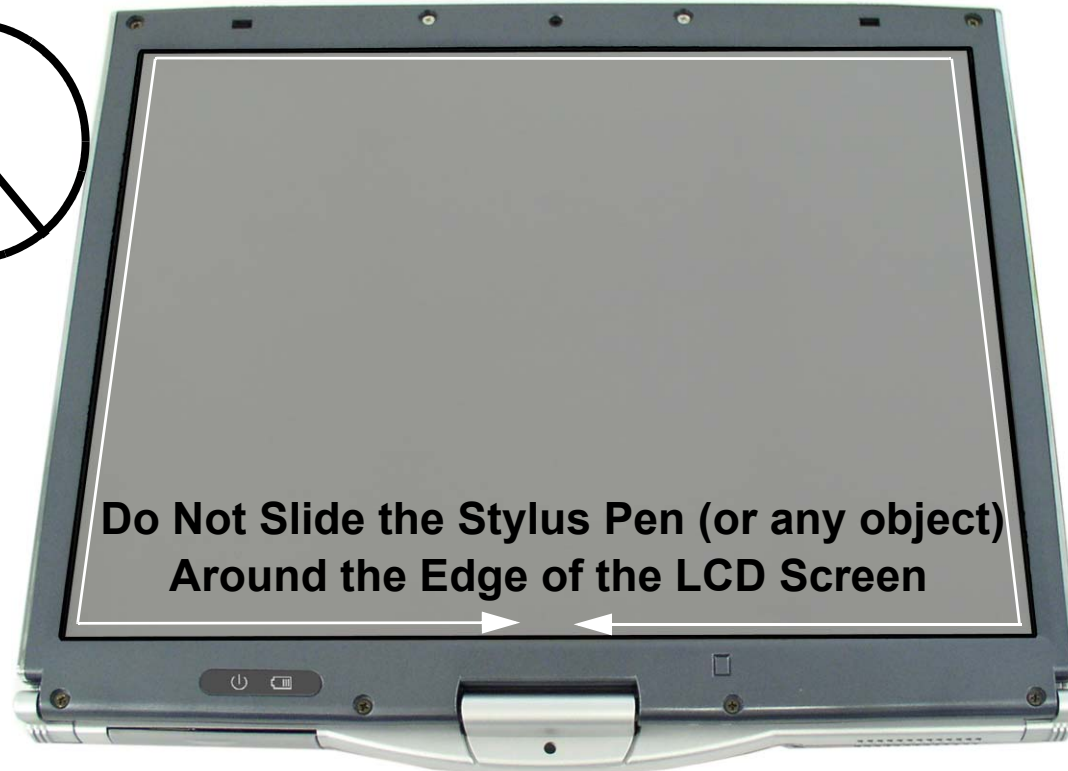
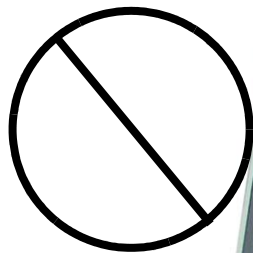
Touch Panel Warning

Users should be very careful not to press too hard with the stylus pen when using it as the input device. Only the approved stylus pen provided should be used as the input device. Users should avoid sliding the stylus pen (or any object) in the area around the edge of the screen (between the LCD and the frame) when writing on the screen,



Touch Panel Input Device

Do not use any sharp or pointed objects as an input device e.g. the end of a pen or pencil. Only use the provided stylus pen (PDA type) as an input device.



**Do Not Slide the Stylus Pen (or any object)
Around the Edge of the LCD Screen**

Figure 1 - 4
**Touch Panel
Warning**

Introduction

External Location - Front & Rear Views

Figure 1 - 5
Front View

1. LCD Latches
2. Microphone-In Jack
3. Headphone-Out Jack
4. Infrared Transceiver
5. Scroll/Enter Wheel
6. LED Status Indicators
7. 3 * Hot-Key Buttons (Esc, Tab, & "Q" Rotate)



Figure 1 - 6
Rear View

8. External Monitor (CRT) Port
9. RJ-45 LAN Jack
10. RJ-11 Phone Jack
11. DC-In Jack
12. Vent



External Locator - Left & Right Views



Figure 1 - 7
Left View

1. Security Lock Slot
2. Vent
3. Stylus Pen Holder



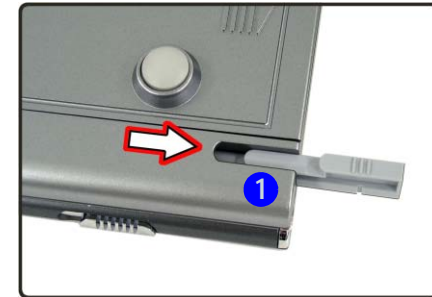
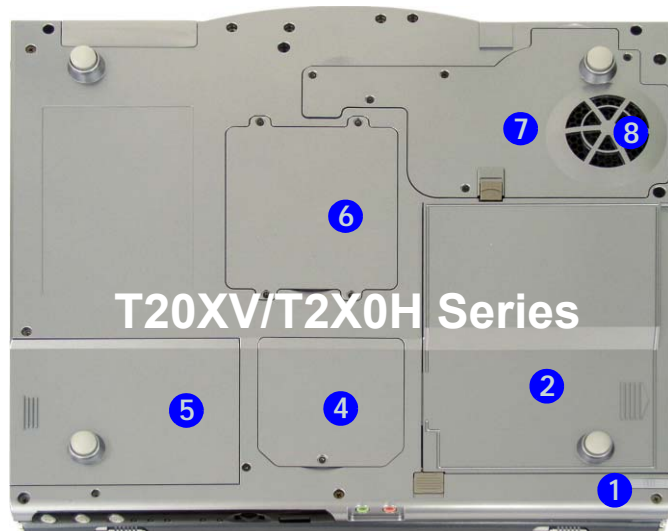
Figure 1 - 8
Right View

4. 4-in-1 Flash Card Reader
5. 2 * USB 2.0 Ports
6. PC Card Slot

External Locator - Bottom View

Figure 1 - 9
Bottom View

1. Stylus Pen Holder
2. Battery
3. Intel WLAN Module Cover
4. Modem & Wireless LAN Module Cover
5. Hard Disk Cover
6. RAM Cover
7. CPU Cover
8. Fan Intake



Wireless Device Operation Aboard Aircraft

The use of any portable electronic transmission devices aboard aircraft is usually prohibited.

Make sure the module is **OFF** if you are using the computer aboard aircraft. When the computer 'Boots Up' the module will be **ON**.

To toggle power to the WLAN module use the key combination **Fn + F11**.

T2X0C/T2X0D Mainboard Overview - Top Key Parts



Figure 1 - 10
**T2X0C/T2X0D
Mainboard
Overview - Top
Key Parts**

1. Intel ICH4 421 BGA
2. CardBus ENE CB710
3. LAN Controller RTL8100BL
4. Hitachi H8
5. NS 87393
6. Clock Generator

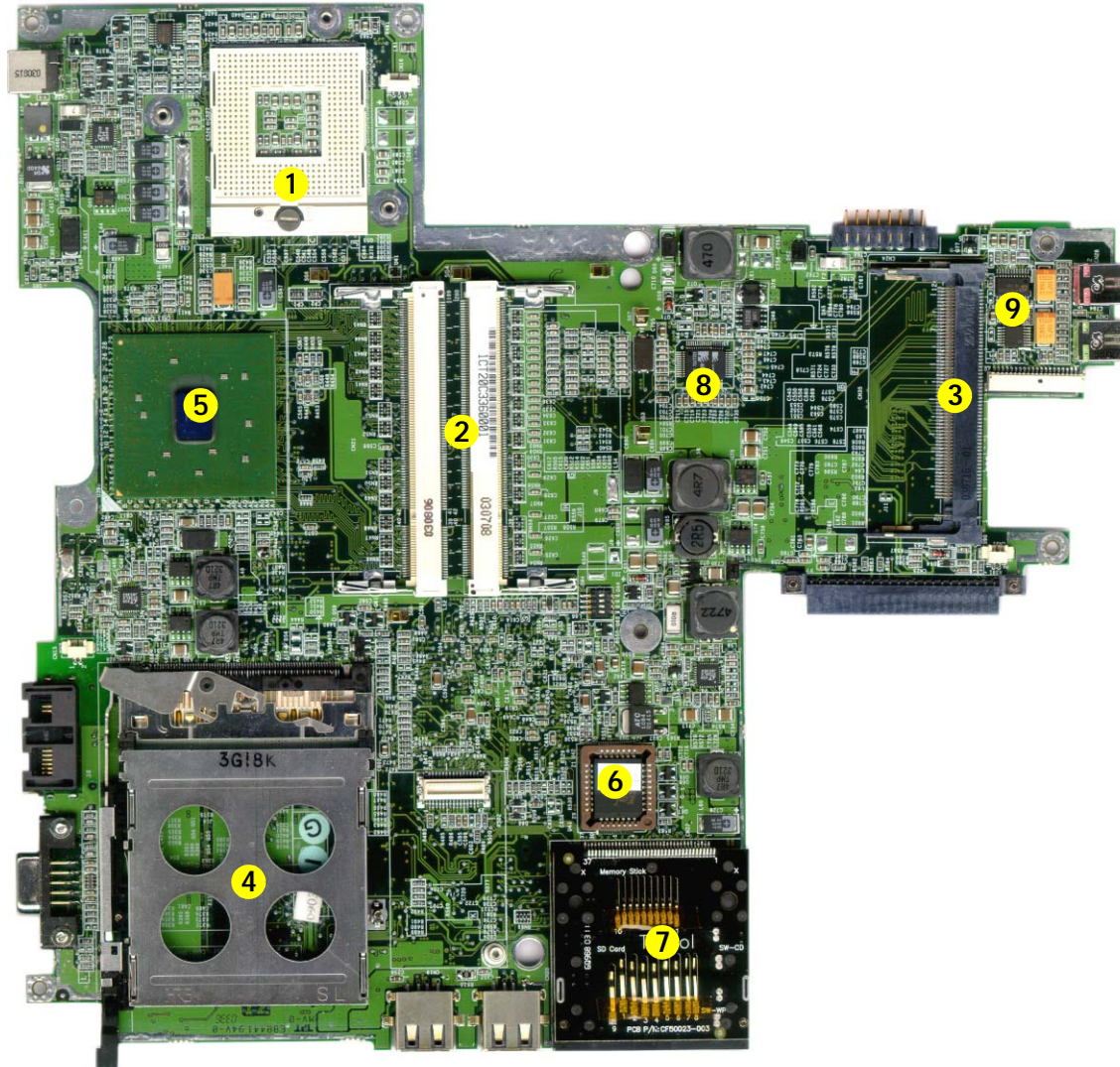
Introduction

Figure 1 - 11
T2X0C/T2X0D
Mainboard
Overview - Bottom
Key Parts

1. CPU Socket (no CPU installed)
2. Memory Sockets
3. WLAN Module Socket
4. PCMCIA Socket
5. Intel 855GM(E) 732 Micro FCBGA
6. Flash RAM BIOS
7. 4-in-1 Card Reader Module
8. CODEC ALC201A
9. AMP APA2020A

T2X0C/T2X0D Mainboard Overview - Bottom

Key Parts



T2X0C/T2X0D Mainboard Overview - Top Cable Connectors

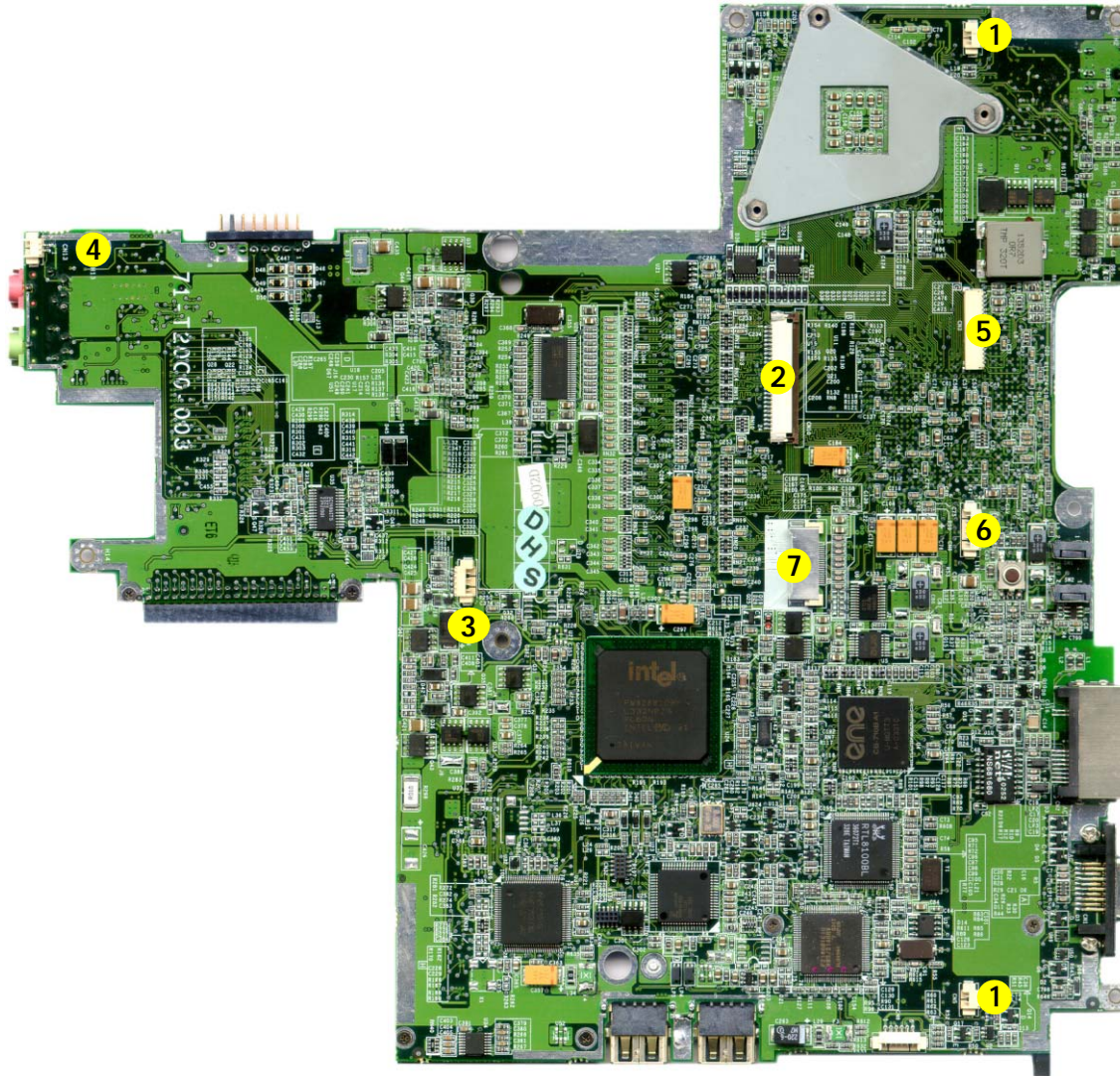


Figure 1 - 12
**T2X0C/T2X0D
Mainboard Top
Cable Connectors**

1. Speakers (CN4/
CN5)
2. Keyboard (CN10)
3. Buttons (CN12)
4. Microphone
(CN13)
5. LED Board (CN3)
6. Inverter (CN6)
7. LCD (CN9)

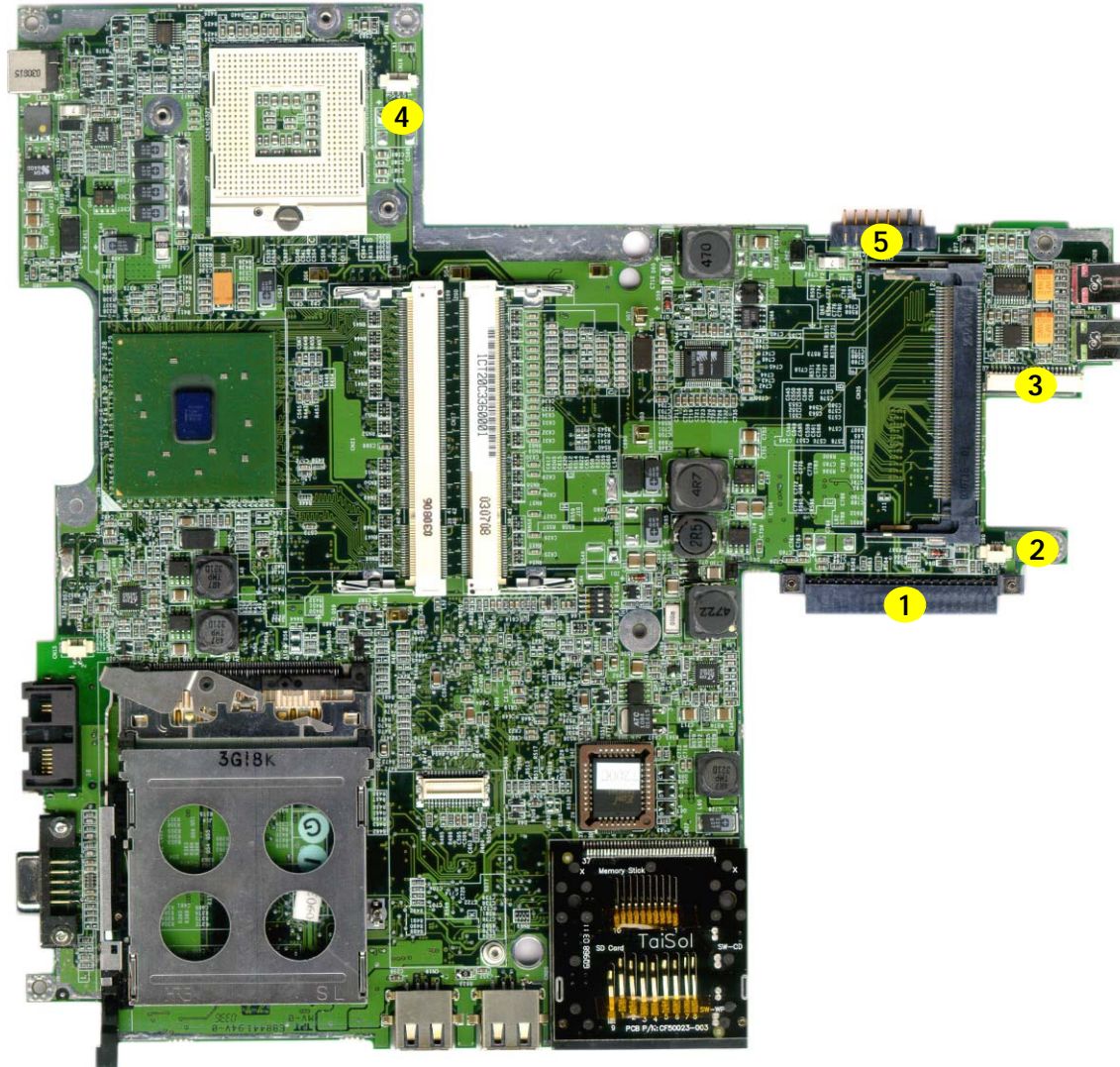
Introduction

Figure 1 - 13
T2X0C/T2X0D
Mainboard Bottom
Cable Connectors

1. Hard Disk (CN25)
2. CMOS Battery (CN31)
3. Hot_Key Board(CN27)
4. CPU Fan (CN18)
5. Battery (CN24)

T2X0C/T2X0D Mainboard Overview - Bottom

Cable Connectors



T2X0V/T2X0H Mainboard Overview - Top Key Parts

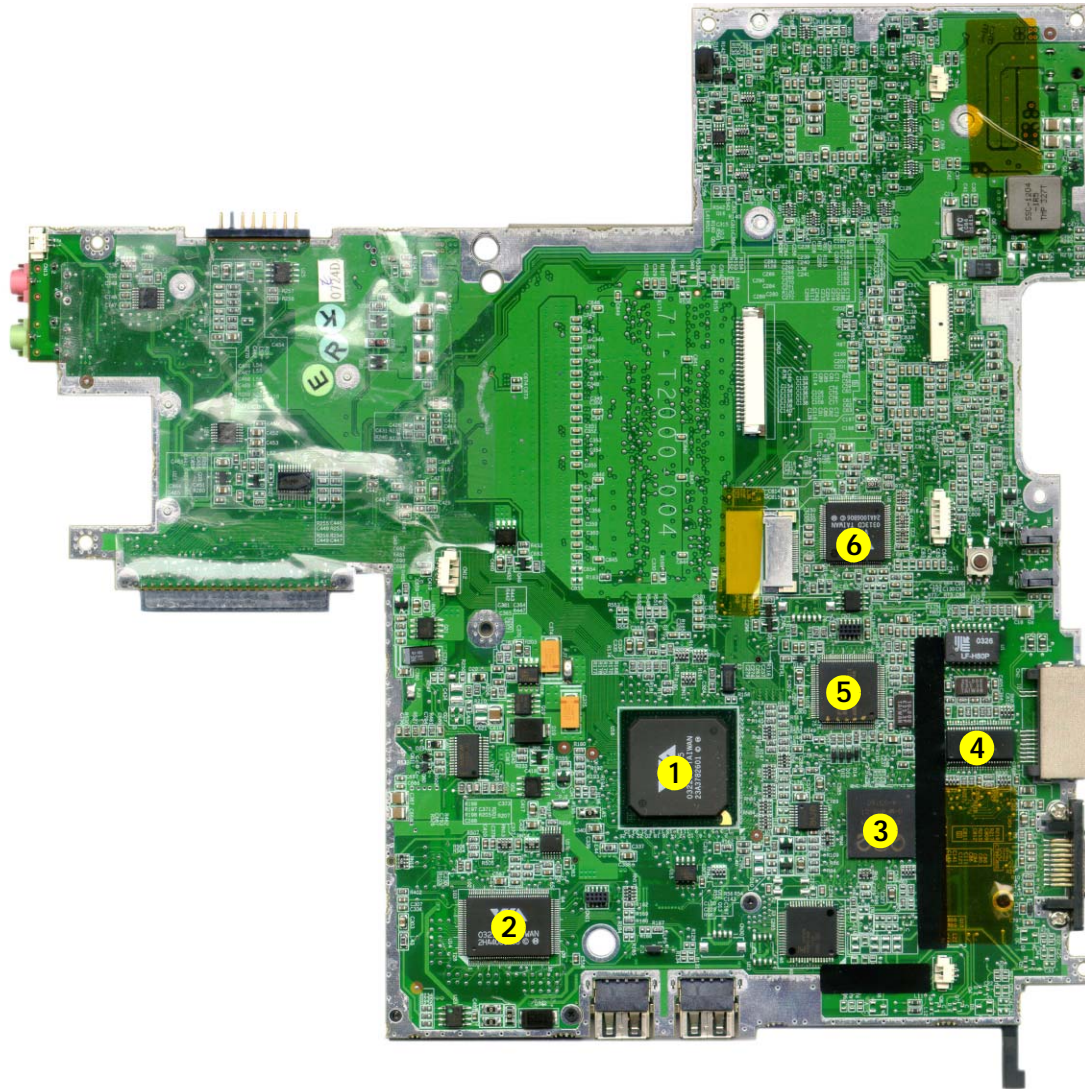


Figure 1 - 14
**T2X0V/T2X0H
Mainboard
Overview - Top
Key Parts**

1. South Bridge
VT-8235
2. Super I/O
VT1211
3. PCMCIA ENE
CB710/BGA
4. LAN/PHY
VT6103
5. Micro-P H8/2140
6. LVDS VT1631
Transmitter,
Panel I/F

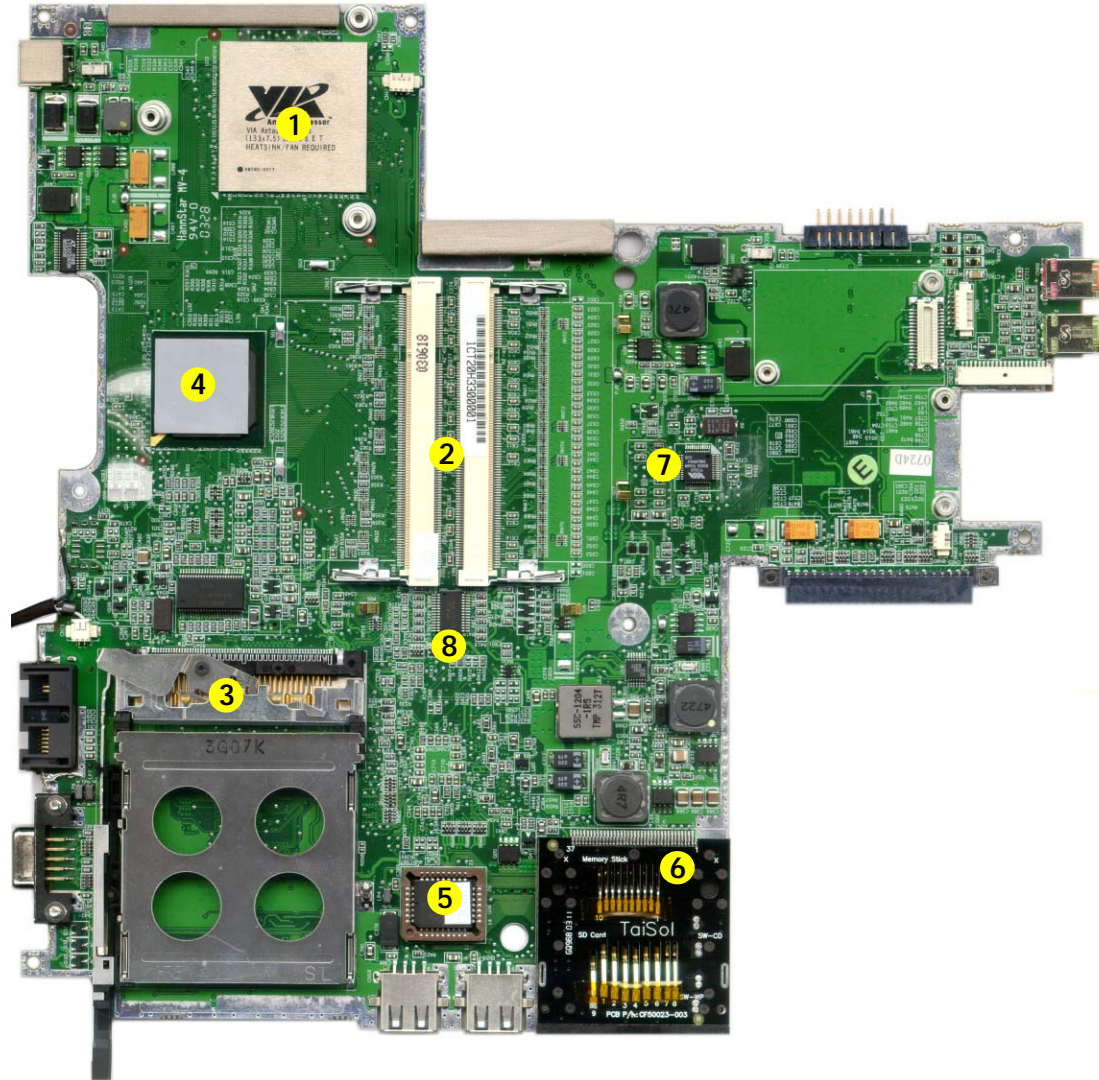
Introduction

T2X0V/T2X0H Mainboard Overview - Bottom

Key Parts

Figure 1 - 15
T2X0V/T2X0H
Mainboard
Overview - Bottom
Key Parts

1. VIA-C3 Processor (surface mounted)
2. Memory Sockets
3. PCMCIA Module Slot
4. North Bridge VT-8623
5. Flash ROM BIOS
6. 4-in-1 Card Reader Module Socket
7. CODEC VT1616
8. Clock Generator W311



T2X0V/T2X0H Mainboard Overview - Top Cable Connectors

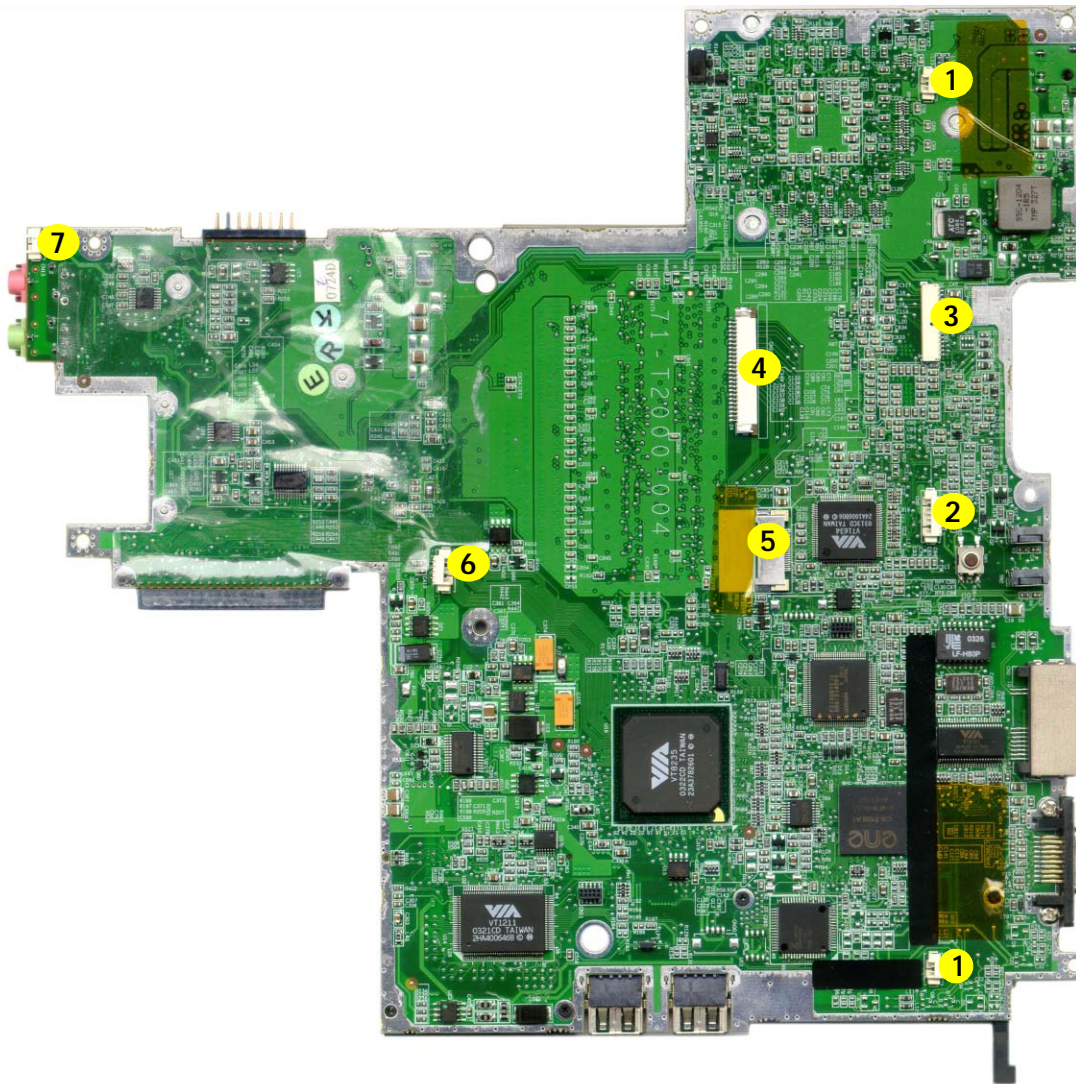


Figure 1 - 16
**T2X0V/T2X0H
Mainboard Top
Cable Connectors**

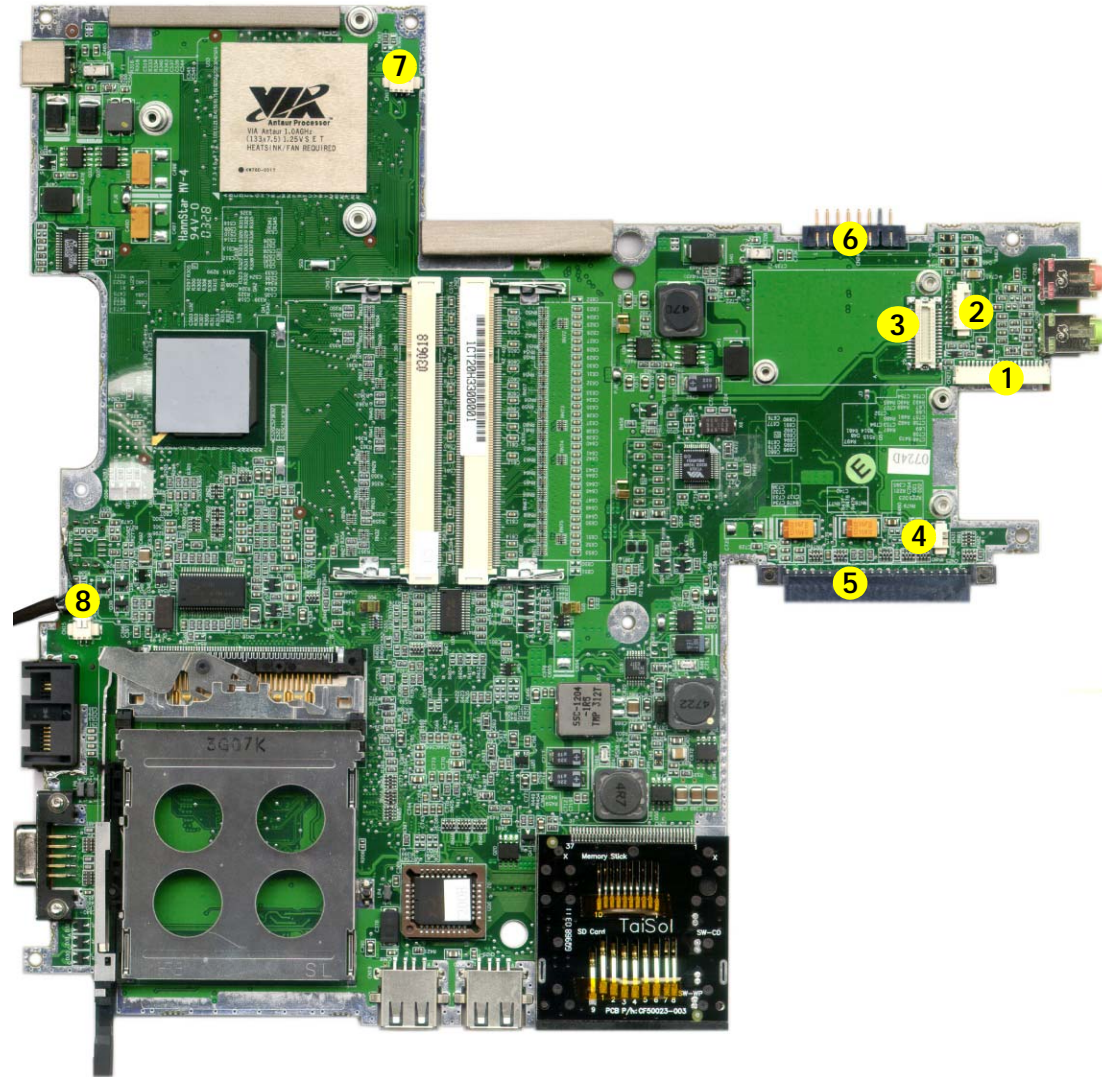
1. Speakers (CN4/
CN5)
2. Inverter Board
(CN3)
3. LED Board (CN6)
4. Keyboard (CN10)
5. LCD (CN9)
6. TouchPad(CN12)
7. Microphone
(CN13)

Introduction

Figure 1 - 17
T2X0V/T2X0H
Mainboard Bottom
Cable Connectors

1. Hot-Key Board (CN27)
2. Wireless LAN(CN26)
3. Modem (CN23)
4. CMOS Battery(CN31)
5. Hard Disk (CN25)
6. Battery (CN24)
7. CPU Fan (CN18)
8. Modem Cable (CN15)

T2X0V/T2X0H Mainboard Overview - Bottom Cable Connectors




2: Disassembly



Overview

This chapter provides step-by-step instructions for disassembling parts and subsystems. When it comes to reassembly, reverse the procedures (unless otherwise indicated).

We suggest you completely review any procedure before you take the computer apart.

Procedures such as upgrading/replacing the RAM, CD device and hard disk are included in the User's Manual but are repeated here for your convenience.

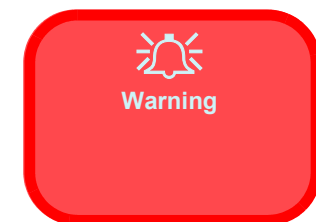
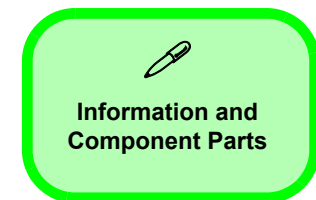
To make the disassembly process easier each section may have a box in the page margin. Information contained under the figure # will give a synopsis of the sequence of procedures involved in the disassembly procedure. A box with a  lists the relevant parts you will have after the disassembly process is complete. **Note:** The parts listed will be for the disassembly procedure listed ONLY, and not any previous disassembly step(s) required. Refer to the part list for the previous disassembly procedure. The amount of screws you should be left with will be listed here also.

A box with a  will provide any possible helpful information. A box with a  contains warnings.

An example of these types of boxes are shown in the sidebar.

Model Differences

This Service Manual covers the disassembly procedures for both the T20X0C/D and T2X0V/H series Tabletnote computers. The model types differ very slightly in appearance (when viewed from the bottom), however the disassembly procedures are identical with the exception of the Wireless LAN and modem modules. The pictures used throughout the disassembly procedures are of the T200C model.



Disassembly

NOTE: All disassembly procedures assume that the system is turned **OFF**, and disconnected from any power supply, and that all peripheral cables are disconnected (including telephone lines and network cables).

Maintenance Tools

The following tools are recommended when working on the computer:

- M3 Philips-head screwdriver
- M2.5 Philips-head screwdriver (magnetized)
- M2 Philips-head screwdriver
- Small flat-head screwdriver
- Pair of needle-nose pliers
- Anti-static wrist-strap

Connections

Connections within the computer are one of four types:

Locking collar sockets for ribbon connectors	To release these connectors, use a small flat-head screwdriver to gently pry the locking collar away from its base. When replacing the connection, make sure the connector is oriented in the same way. The pin1 side is usually not indicated.
Pressure sockets for multi-wire connectors	To release this connector type, grasp it at its head and gently rock it from side to side as you pull it out. Do not pull on the wires themselves. When replacing the connection, do not try to force it. The socket only fits one way.
Pressure sockets for ribbon connectors	To release these connectors, use a small pair of needle-nose pliers to gently lift the connector away from its socket. When replacing the connection, make sure the connector is oriented in the same way. The pin1 side is usually not indicated.
Board-to-board or multi-pin sockets	To separate the boards, gently rock them from side to side as you pull them apart. If the connection is very tight, use a small flat-head screwdriver - use just enough force to start.

Maintenance Precautions

The following precautions are a reminder. To avoid personal injury or damage to the computer while performing a removal and/or replacement job, take the following precautions:

1. **Don't drop it.** Perform your repairs and/or upgrades on a stable surface. If the computer falls, the case and other components could be damaged.
2. **Don't overheat it.** Note the proximity of any heating elements. Keep the computer out of direct sunlight.
3. **Avoid interference.** Note the proximity of any high capacity transformers, electric motors, and other strong magnetic fields. These can hinder proper performance and damage components and/or data. You should also monitor the position of magnetized tools (i.e. screwdrivers).
4. **Keep it dry.** This is an electrical appliance. If water or any other liquid gets into it, the computer could be badly damaged.
5. **Be careful with power.** Avoid accidental shocks, discharges or explosions.
 - Before removing or servicing any part from the computer, turn the computer off and detach any power supplies.
 - When you want to unplug the power cord or any cable/wire, be sure to disconnect it by the plug head. Do not pull on the wire.
6. **Peripherals** – Turn off and detach any peripherals.
7. **Beware of static discharge.** ICs, such as the CPU and main support chips, are vulnerable to static electricity. Before handling any part in the computer, discharge any static electricity inside the computer. When handling a printed circuit board, do not use gloves or other materials which allow static electricity buildup. We suggest that you use an anti-static wrist strap instead.
8. **Beware of corrosion.** As you perform your job, avoid touching any connector leads. Even the cleanest hands produce oils which can attract corrosive elements.
9. **Keep your work environment clean.** Tobacco smoke, dust or other air-borne particulate matter is often attracted to charged surfaces, reducing performance.
10. **Keep track of the components.** When removing or replacing any part, be careful not to leave small parts, such as screws, loose inside the computer.

Cleaning

Do not apply cleaner directly to the computer, use a soft clean cloth.

Do not use volatile (petroleum distillates) or abrasive cleaners on any part of the computer.



Power Safety Warning

Before you undertake any upgrade procedures, make sure that you have turned off the power, and disconnected all peripherals and cables (including telephone lines). It is advisable to also remove your battery in order to prevent accidentally turning the machine on.

Disassembly Steps

The following lists the disassembly steps, and on which page to find the related information. **PLEASE PERFORM THE DISASSEMBLY STEPS IN THE ORDER INDICATED.**

To remove the battery:

1. Remove the battery *page 2 - 5*

To remove the hard disk drive:

1. Remove the battery *page 2 - 5*
2. Remove the hard disk drive *page 2 - 6*

To remove the system memory (RAM):

1. Remove the battery *page 2 - 5*
2. Remove the system memory *page 2 - 7*

To remove the T2X0C/T2X0D WLAN module:

1. Remove the battery *page 2 - 5*
2. Remove the Intel WLAN module *page 2 - 8*

To remove the T2X0C/T2X0D processor:

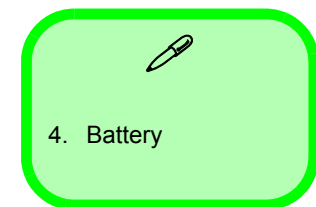
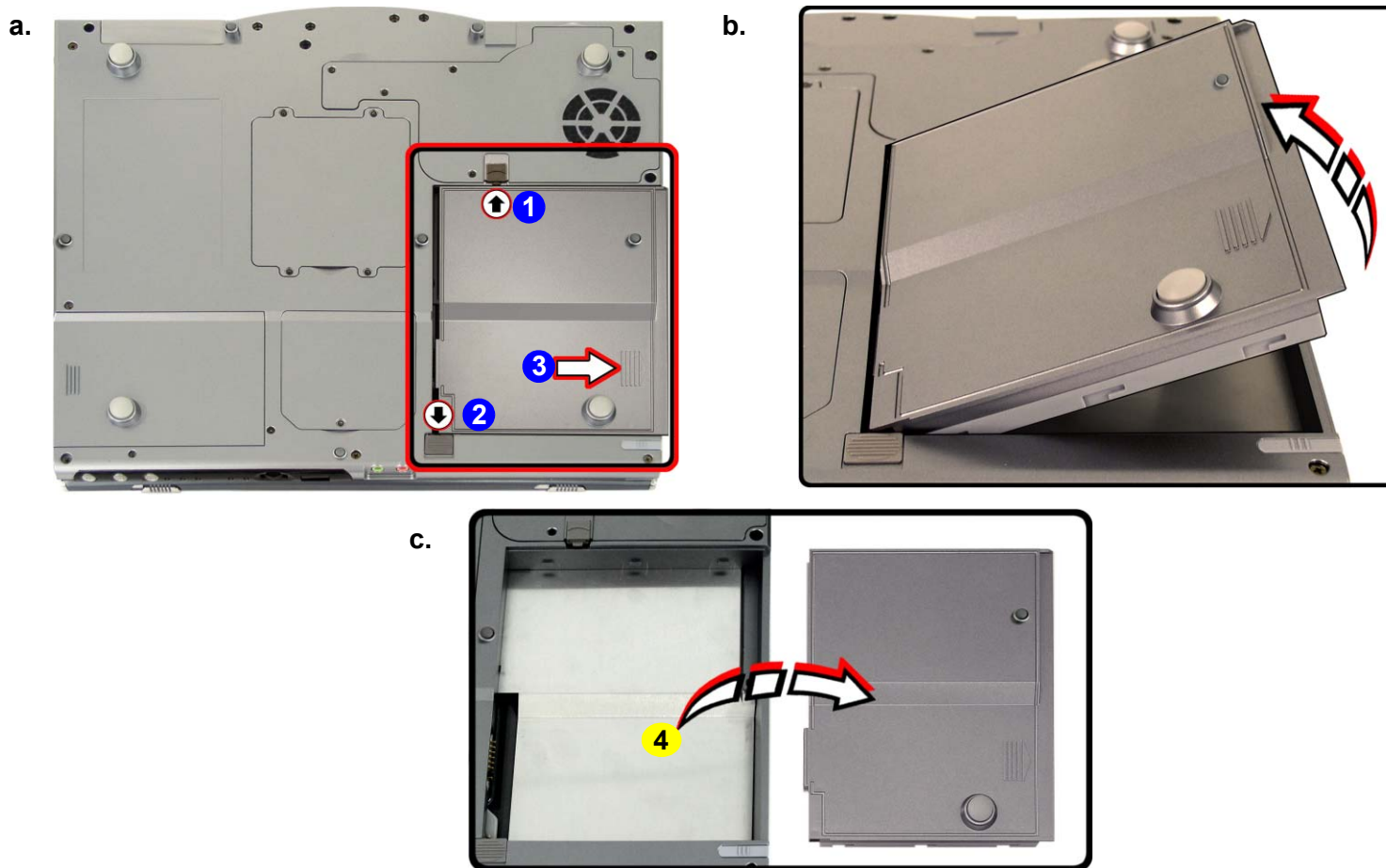
1. Remove the battery *page 2 - 5*
2. Remove the CPU *page 2 - 9*

Removing the Battery

1. Turn the computer **off**, and turn it over.
2. Locate the battery bay as highlighted in *Figure 2 - 1*.
3. Slide the battery lock in the direction of the arrow **1**.
4. Slide the battery lock in the direction of the arrow **2**, and hold it in place.
5. Slide the battery in the direction of the arrow **3**, then lift it up and out of the computer's battery bay.

Figure 2 - 1
Battery Removal Sequence

- a. Move the battery locks open, then slide the battery in the direction of the arrow.
- b. Lift the battery up.
- c. Remove the battery.



Disassembly

Figure 2 - 2

Hard Disk Removal Sequence

- Remove the screw.
- Slide the hard disk assembly in the direction of the arrow.
- Remove the hard disk assembly.
- Separate the hard disk from the case.

Removing the Hard Disk

- Turn the computer off, and turn it over and remove the battery (page 2 - 5).
- Remove screw 1 from the hard disk cover.
- Slide the hard disk assembly in the direction of the arrow 2.
- Lift the hard disk assembly out of the computer.
- Remove screws 3 - 6 from the hard disk case 7 and remove the hard disk 8.



HDD System Warning

New HDD's are blank. Before you begin make sure:

You have backed up any data you want to keep from your old HDD.

You have all the CD-ROMs and FDDs required to install your operating system and programs.

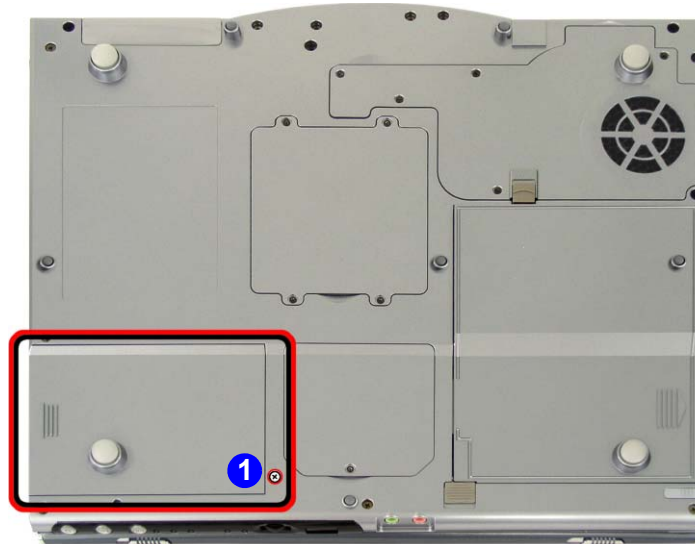
If you have access to the internet, download the latest application and hardware driver updates for the operating system you plan to install. Copy these to a removable medium.



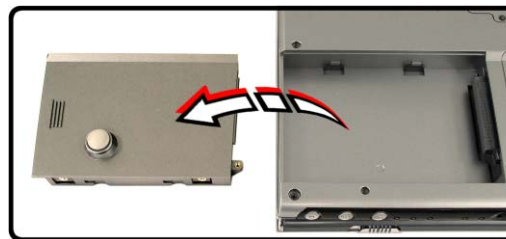
- Hard Disk Case
- Hard Disk

- 5 Screws

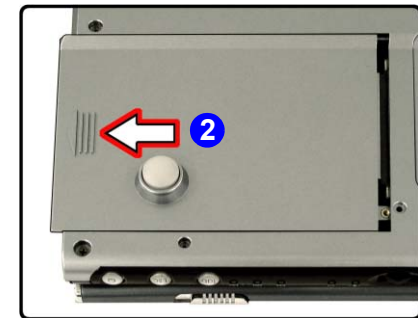
a.



c.



b.



d.

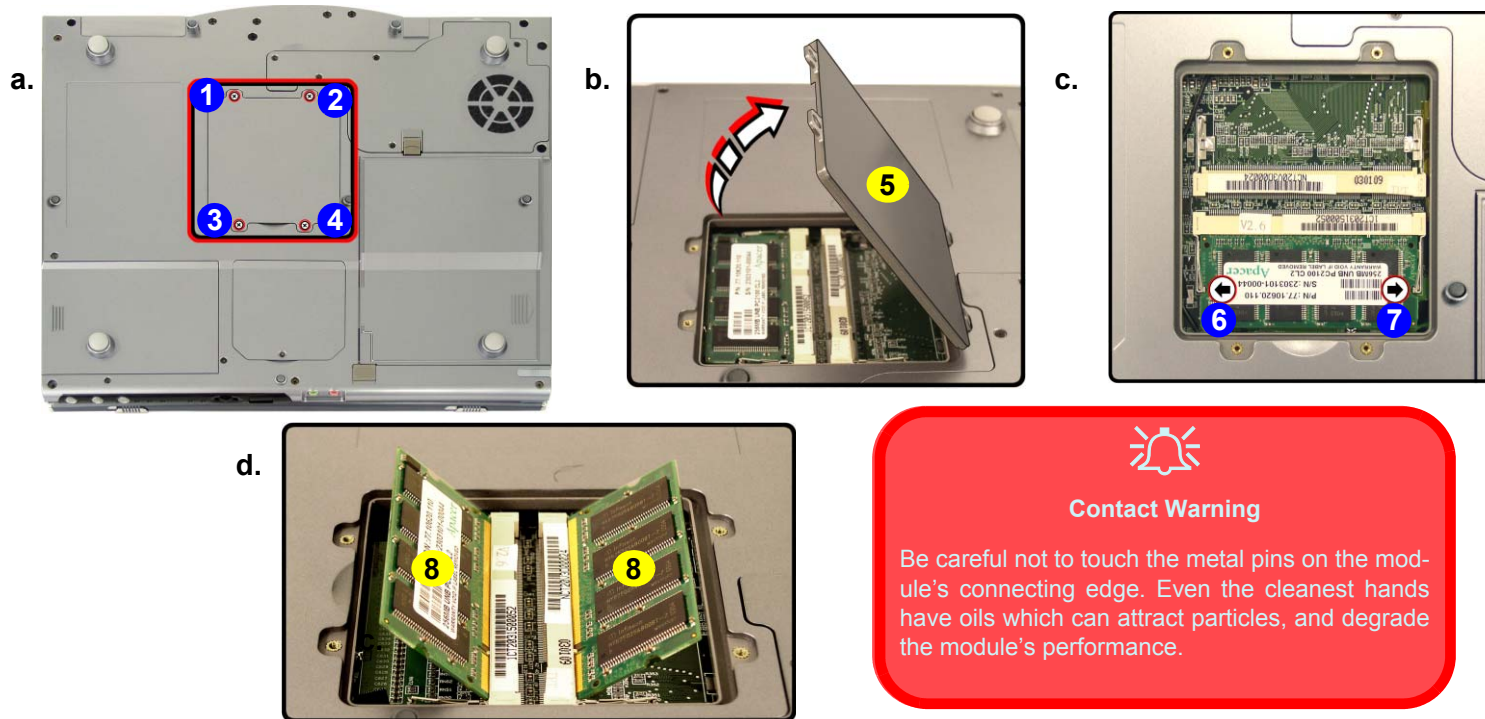


Removing the System Memory (RAM)

1. Turn the computer off, and remove the battery ([page 2 - 5](#)).
2. Remove screws **1** - **4** from the memory socket cover **5**, and remove the cover.
3. Gently pull the two release latches on the sides of the memory socket in the direction of the arrows (**6** & **7** in [Figure 2 - 3](#)).
4. The module **8** will pop-up, and you can remove it.
5. Insert a new module holding it at about a 30° angle and fit the connectors firmly into the memory slot.
6. The module's pin alignment will allow it to only fit one way. Make sure the module is seated as far into the slot as it will go. **DO NOT FORCE** the module; it should fit without much pressure.
7. Press the module in and down towards the mainboard until the slot levers click into place to secure the module.
8. Replace the memory socket cover and the 4 screws.
9. Restart the computer to allow the BIOS to register the new memory configuration as it starts up.

Figure 2 - 3
RAM Removal Sequence

- a. Remove the RAM cover screws.
- b. Lift up the RAM cover.
- c. Pull the release latches and allow the module to pop-up.
- d. Remove the RAM module.



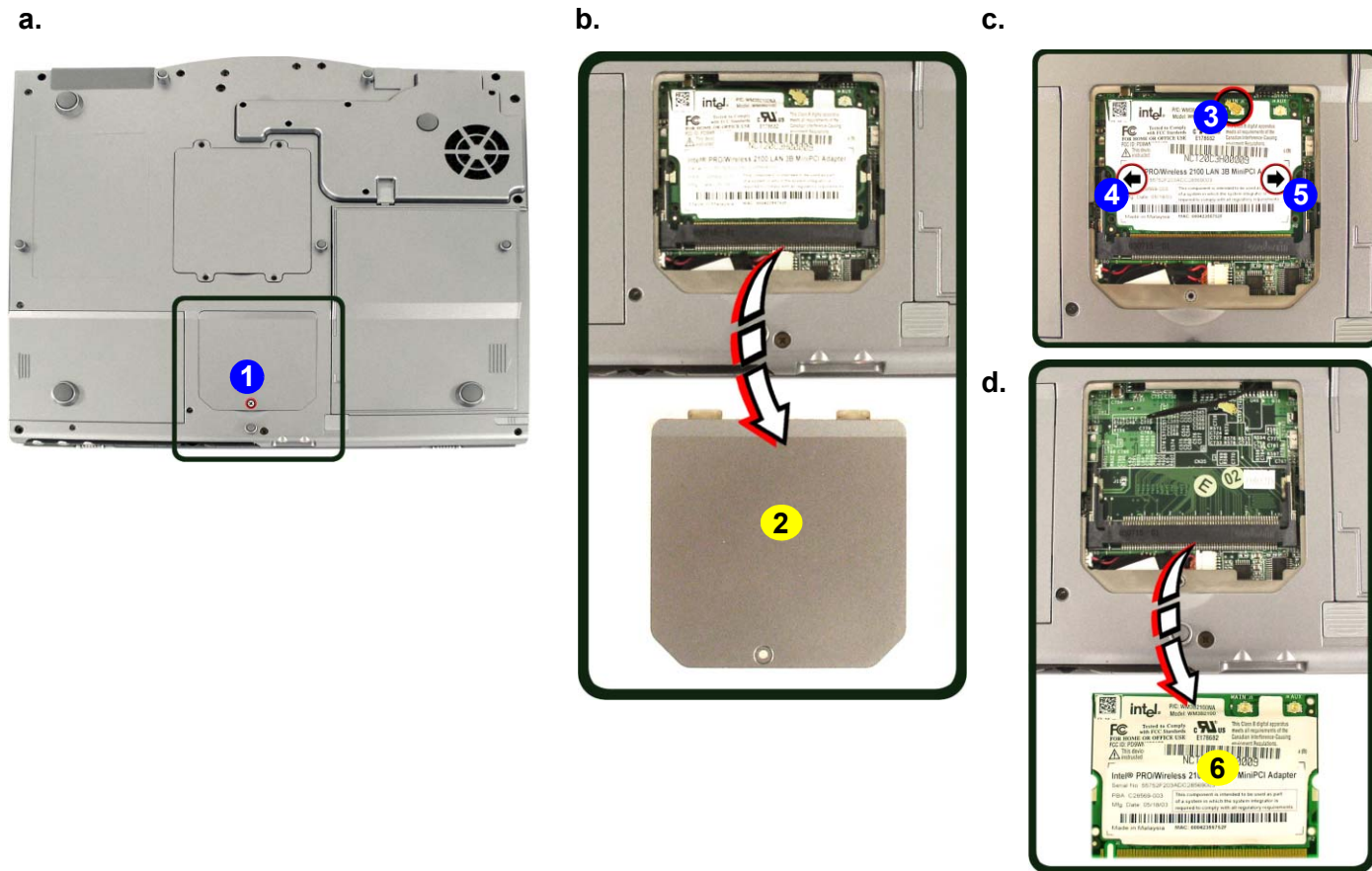
Disassembly

Figure 2 - 4 T2X0C/T2X0D Intel WLAN Module Removal Sequence

- Remove the screw.
- Remove the cover.
- Release the antenna cable, and pull the latches to release the WLAN module.
- Remove the module.

Removing the Intel WLAN Module (T2X0C/T2X0D Only)

- Turn the computer off, and remove the battery ([page 2 - 5](#)).
- Remove screw **1** from the WLAN module cover, and remove the cover **2**.
- Release the antenna cable **3**.
- Gently pull the two release latches on the sides of the WLAN socket in the direction of the arrows (**4** & **5** in [Figure 2 - 4](#)).
- The module **6** will pop-up, and you can remove it.



- 2. WLAN Cover
- 6. WLAN Module
- 1 Screw

Removing the Processor (T2X0C/T2X0D Only)

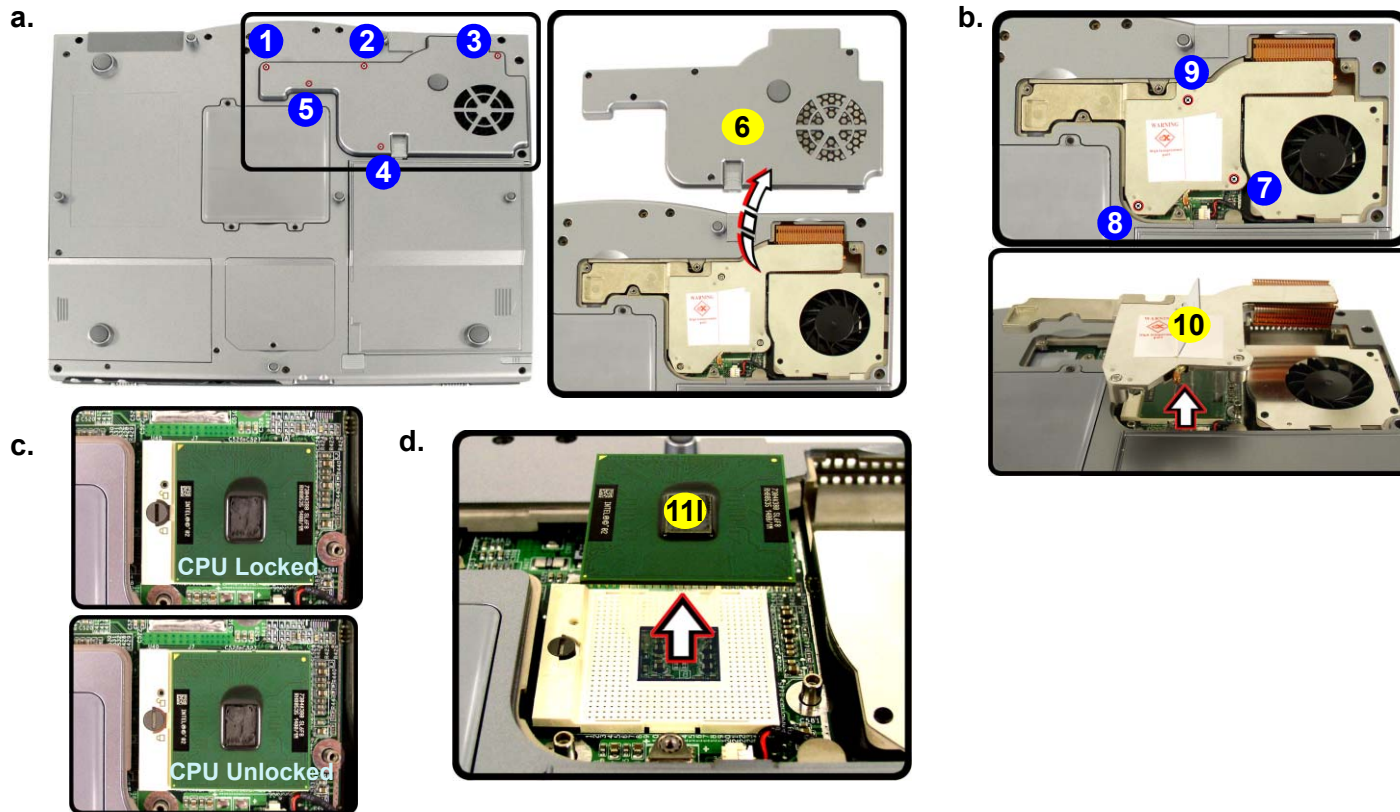
You can only upgrade the T2X0C/T2X0D model's processor (the T2X0V/T2X0H model's processor is surface mounted and cannot be removed).

1. Turn the computer off, and remove the battery ([page 2 - 5](#)).
2. Remove screws ① - ⑤ from the CPU cover, and remove the cover ⑥.
3. Remove screws ⑦ - ⑨ from the heat sink, and remove the heat sink ⑩.
4. Use a small screwdriver to release the lock holding down the CPU by giving it a counter-clockwise turn towards the open symbol.
5. Remove the CPU ⑪.

Figure 2 - 5

T2X0C/T2X0D Processor Removal Sequence

- a. Remove the screws and the CPU cover.
- b. Remove the screws and the heat sink.
- c. Unlock the CPU.
- d. Remove the CPU.



Caution

The heat sink, and CPU area in general, contains parts which are subject to high temperatures - Please allow the area time to cool before removing these parts.



- 6. CPU Cover
- 10. Heat Sink
- 11. CPU

- 8 Screws

Appendix A:Part Lists

This appendix breaks down the computer's construction into a series of illustrations. The component part numbers are indicated in the tables opposite the drawings.

Note: This section indicates the *manufacturer's* part numbers. Your organization may use a different system, so be sure to cross-check any relevant documentation.

Note: Some assemblies may have parts in common (especially screws). However, the part lists DO NOT indicate the total number of duplicated parts used.

Note: Be sure to check any update notices. The parts shown in these illustrations are appropriate for the system at the time of publication. Over the product life, some parts may be improved or re-configured, resulting in *new* part numbers.

Part List Illustration Location

The following table indicates where to find the appropriate part list illustration.

Part	T200C	T210C	T200V	T210V
Top	<i>page A - 2</i>	<i>page A - 6</i>	<i>page A - 10</i>	<i>page A - 14</i>
Bottom	<i>page A - 3</i>	<i>page A - 7</i>	<i>page A - 11</i>	<i>page A - 15</i>
14.1" LCD	<i>page A - 4</i>	<i>page A - 8</i>	<i>page A - 12</i>	<i>page A - 16</i>
Hard Disk Drive	<i>page A - 5</i>	<i>page A - 9</i>	<i>page A - 13</i>	<i>page A - 17</i>

Table A-1
Part Lists

Top (T200C)

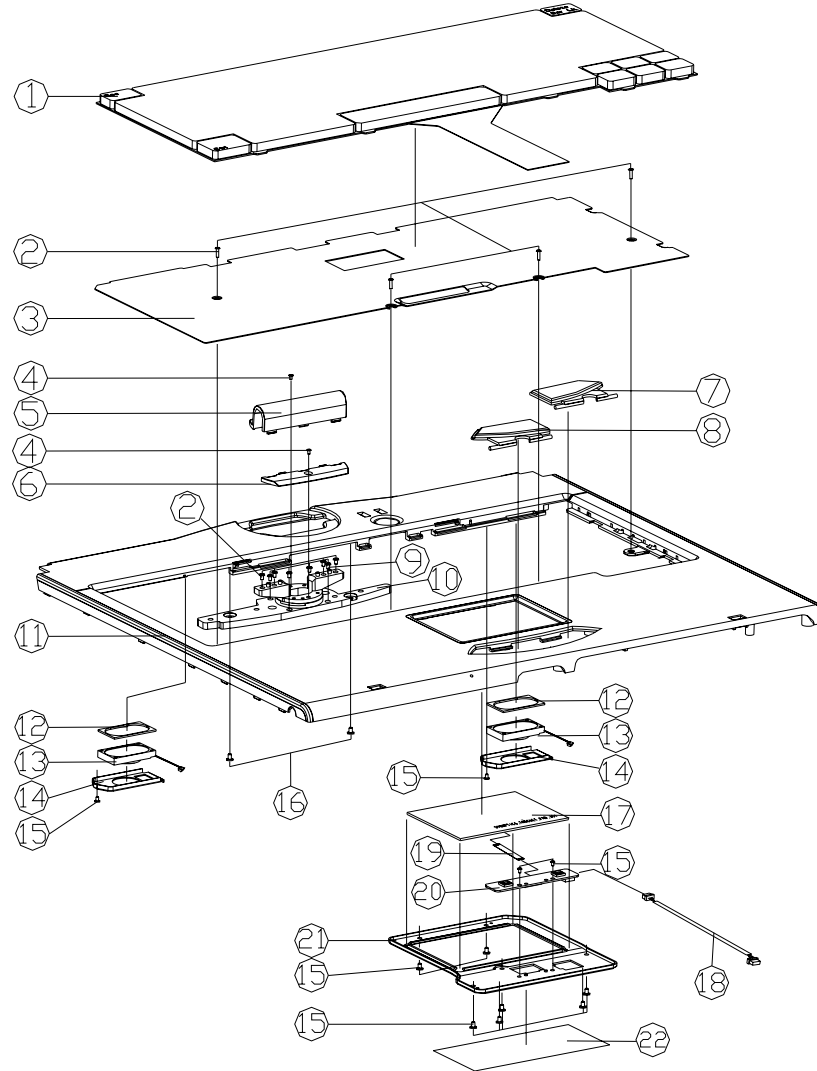
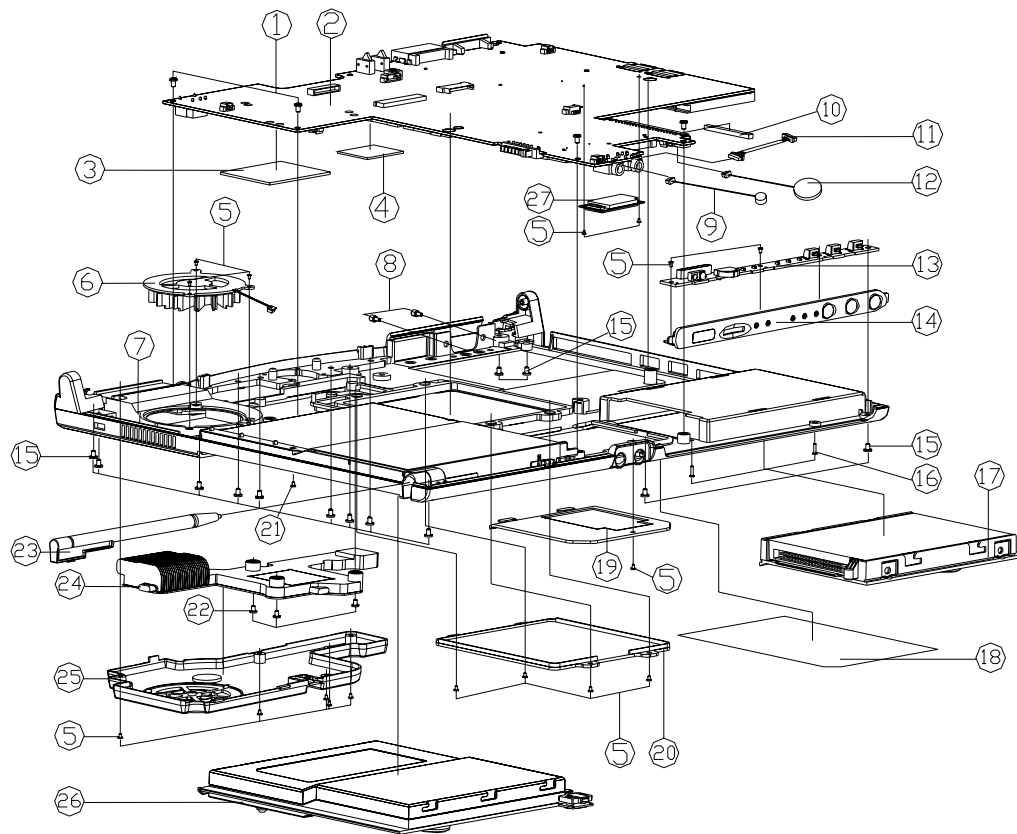


Figure A-1
Top
(T200C)

ITEM	PART NAME	PART NO	REMARK
1	KEYBOARD	80-T2009-7G0	
2	SCREW M2.5*6L K1 NI ICT NY	35-B1125-6RB	
3	KEYBOARD SUPPORTER BRACKET MODULE T200V	33-T2007-102	
4	SCREW M2*3L K1 BK/Z ICT NY	35-B6120-3RE	
5	HINGE ROTATION COVER(B).PC+ABS T200V	42-T200Y-022	
6	HINGE ROTATION COVER(F).PC+ABS T200V	42-T200Y-012	
7	TRACKPAD BUTTON (R).PC+ABS T200V	42-T2002-052	
8	TRACKPAD BUTTON (L).PC+ABS T200V	42-T2002-062	
9	SCREW M2.5*6L B NI ICT NY	35-41125-6R0	
10	HINGE BASE MODULE.ZP T200V	33-T200Y-102	
11	TOP CASE MODULE T200V	39-T2002-012	
12	SPEAKER RUBBER,SILICONE T200V	47-T200T-020	
13	SPEAKER 25*15*5.7mm 1W 4 FG25H15A	23-32510-400A	
14	SPEAKER BRACKET,SUS T200V	33-T200T-010	
15	SCREW M2*2.5L K1 NI ICT NY	35-B1120-2R5	
16	SCREW M2.5*3L K1 BK/Z ICT NY	35-B6125-3RA	
17	TOUCH PAD SYNAPTICS TM41PDG351-1	49-42002-010	
18	WIRE CABLE FOR TOUCH PAD TO M/B AP T200V	43-T2002-011	
19	FTC CABLE FOR TOUCH PAD I2P T200V	43-T2002-020	
20	TRACKPAD BOARD	77-T200M-003	
21	TRACKPAD BRACKET MODULE T200V	33-T2002-100	
22	NYLAR FOR TRACKPAD BRACKET	47-T2002-010	

Bottom (T200C)



ITEM	PART NAME	PART NO	REMARK
1	SCREW M2.5*6L B NI ICT NY	35-41125-6R0	
2	MAIN BOARD	77-T200C-002	
3	CPU THERMAL PAD SILICONE T200V	47-T200P-010	
4	NORTH BRIDGE THERMAL PAD SILICONE T200V	47-T200P-020	
5	SCREW M2*3L K1 BK/Z ICT NY	35-B6120-3RE	
6	FAN 455mm 5v 02A B5500S2B APDWER	23-A4511-462A	
7	BOTTOM COVER MODULE T200V	39-T2003-012	
8	SCREW #4*8.3L NI-PZ NY FDR VGA COVN	34-W7003-010	
9	MC 6MM 3V 22KTF0H-68A) W/CABLE T200V	23-E0603-222	
10	GASKET(45*5*8E3)	47-00190-456	
11	WIRE CABLE FOR HOT KEY TO M/B 2P T200V	43-T2002-031	
12	BAT. 200M 3V 230mAh W.CABLE 56MM CR	23-22015-P80	
13	HOTKEY BOARD	77-T200S-001	
14	HOTKEY COVER MODULE T200V	42-T2004-102	
15	SCREW M2.5*9L K1 BNI ICT NY	35-B9125-9RA	
16	SCREW M2*10L K1 BNI ICT NY	35-B9120-10A	
17	W/O HDD ASS'Y T200V	79-T2001-010	Reference Ass'y No C99-T2005-840
18	PRODUCT LABEL T200C	45-T2003-010	
19	MINIPCI COVER.PC+ABS T200V	42-T2003-011	
20	RAM COVER.PC+ABS T200V	42-T2003-022	
21	SCREW M2.5*3L K1 BK/Z ICT NY	35-B6125-3RA	
22	SCREW M2.5*4L K1 BNI ICT NY	35-B9125-4RA	
23	PEN MODULE T200V	42-T2000-101	
24	CPU HEATSINK MODULE T200C	31-T20CN-100	
25	CPU COVER MODULE T200C	42-T200S-100	
26	BAT(PC) S L 36Ah GLW/MDLI (6 CELLS)	87-T200S-44C	
26	BAT(PC) S L 36Ah GLW/MDLI (8 CELLS)	87-T200S-44C-A	
26	BAT(PC) S L 36Ah ?? MDLI(6 CELLS)	87-T200S-49C	
26	BAT(PC) S L 45P 148V 36Ah ?? MDLI(6 CELLS)	87-T200S-49C-A	
27	MOD MIDDLE MODULE (X800) ?? W/EMI	76-32200-004	

Figure A - 2
Bottom
(T200C)

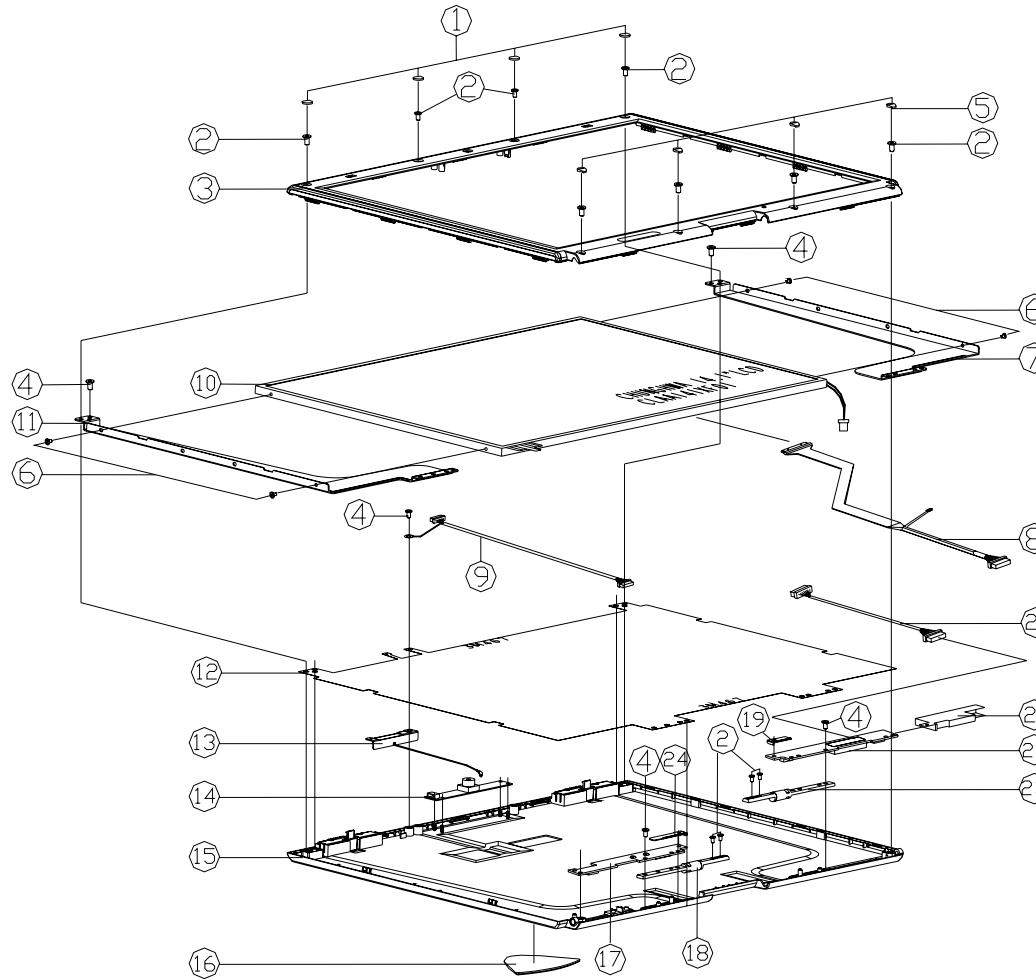
A.Part Lists

Part Lists

14.1" LCD (T200C)

A.Part Lists

Figure A - 3
14.1" LCD
(T200C)



ITEM	PART NAME	PART NO	REMARK
1	LCD FRONT UP RUBBER SILICONE T200V	47-T2001-030	
2	SCREW M2.5*7L KI BNI ICT NY	35-B9125-7RA	
3	LCD FRONT COVER MODULE T200V	39-T2001-012	
4	SCREW M2.5*6L KI NI ICT NY	35-B1125-6RA	
5	LCD FRONT DOWN RUBBER SILICONE T200V	47-T2001-020	
6	SCREW M2*2.5L KI NI ICT NY	35-B1120-2R5	
7	LCD BRACKET(R) SUS T200V	33-T2001-052	
8	COAXIAL CABLE FOR LCD (CPT) T200V	43-T2001-012	
8	COAXIAL CABLE FOR LCD (AU) T200V	43-T2001-021	
9	WIRE CABLE FOR LED BOARD 16P T200V	43-T200S-022	
10	LCD OPT 0.4MM/0.15MM TOUCH PANEL MIDDLE T200V	50-J2252-C00-1	
10	LCD AU 0.4MM/0.15MM TOUCH PANEL MIDDLE T200V	50-J2287-G08-1	
11	LCD BRACKET(L) SUS T200V	33-T2001-062	
12	LCD SHIELDING AL T200V	33-T2001-050	
13	ANTENNA 2.4GZ PIFA FOR WLAN DD-113m	23-742R4-A90	
14	VIDEO CAMERA OM3130, 300K Pixels Resolu	88-D40C0-410	OPTION
15	LCD BACK COVER MODULE T200V	39-T2001-022	
16	LOGO BASE MODULE T200V	42-T2001-100	
17	LED BOARD	77-T20C4-001	
18	LCD HINGE (L) SUM22 T200V	33-T2001-022	
19	LCD INVERTER BRACKET,K7 T200V	33-T2001-080	
20	WIRE CABLE FOR INVERTER 6P T200V	43-T200S-012	
21	INVERTER MYLAR FRI T200V	40-T200S-022	
22	INVERTER BOARD	77-T20CR-001	
23	LCD HINGE (R) SUM22 T200V	33-T2001-032	
24	LCD LED BRACKET,K7 T200V	33-T2001-070	

Hard Disk Drive (T200C)

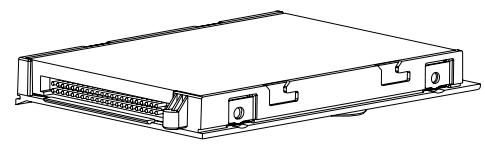
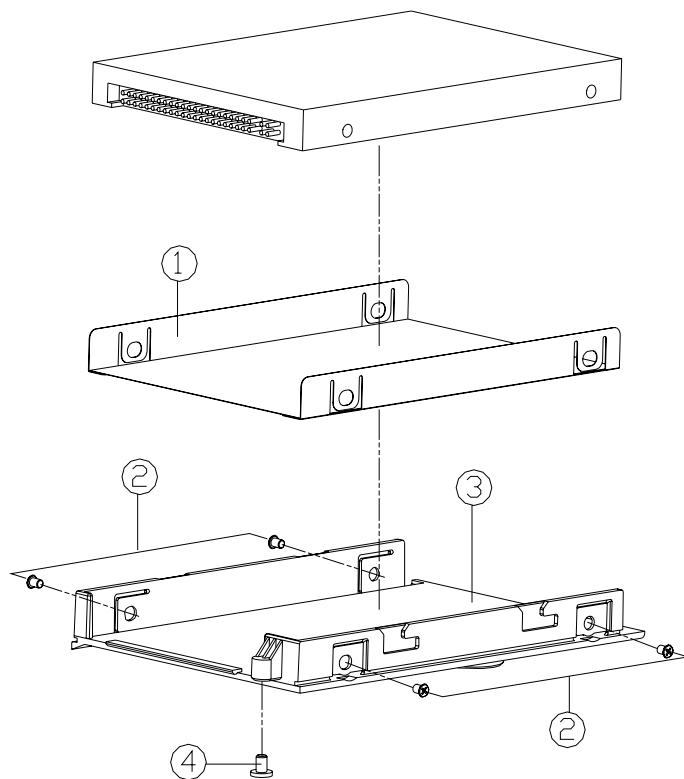


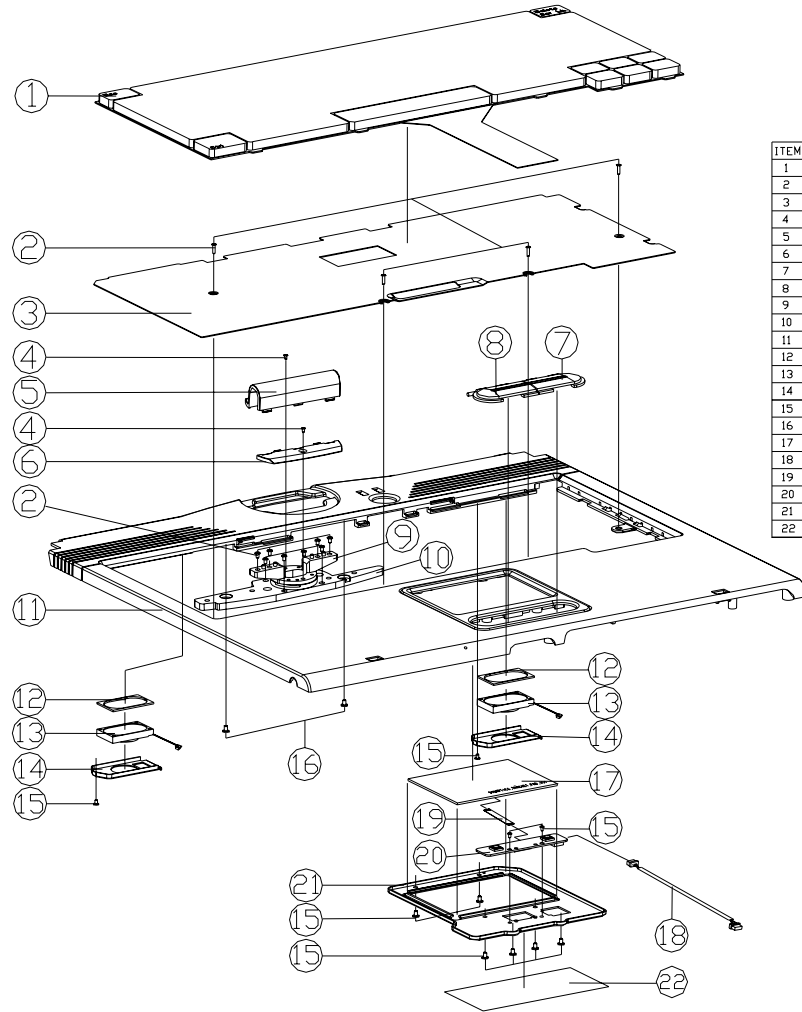
Figure A-4
Hard Disk Drive
(T200C)

ITEM	PART NAME	PART NO	REMARK
1	HDD SHIELDING SPTE T200V	33-T2001-011	
2	SCREW M3*4L KI NI ICT	35-B1130-4RB	
3	HDD HOUSING MODULE T200V	42-T2001-101	
4	SCREW M2*3L KI BK/Z ICT NY	35-B6120-3RE	

A.Part Lists

Top (T210C)

Figure A-5
Top
(T210C)



ITEM	PART NAME	PART NO	REMARK
1	KEYBOARD	80-T2008-7G0	
2	SCREW M2.5*6L K1 NI ICT NY	35-B1125-6RB	
3	KEYBOARD SUPPORTER BRACKET MODULE T200V	33-T2007-102	
4	SCREW M2*3L K1 BK/Z ICT NY	35-B6120-3RE	
5	HINGE ROTATION COVER(B).PC+ABS T210V	42-T21VY-020	
6	HINGE ROTATION COVER(F).PC+ABS T210V	42-T21VY-010	
7	TRACKPAD BUTTON (R).PC+ABS T210V	42-T21V2-021	
8	TRACKPAD BUTTON (L).PC+ABS T210V	42-T21V2-031	
9	SCREW M2.5*6L B NI ICT NY	35-41125-6R0	
10	HINGE BASE MODULE.Z2 T200V	33-T200Y-103	
11	TOP CASE MODULE T210V	39-T21V2-011	
12	SPEAKER RUBBER.SILICONE T200V	47-T200T-020	
13	SPEAKER 25*15*5.7mm 1W 4 F625N15A	23-32510-400A	
14	SPEAKER BRACKET.SUS T200V	33-T200T-010	
15	SCREW M2*2.5L K1 NI ICT NY	35-B1120-2R5	
16	SCREW M2.5*3L K1 BK/Z ICT NY	35-B6125-3RA	
17	TOUCH PAD SYNAPTICS TM41P06391-I	49-42002-010	
18	WIRE CABLE FOR TOUCH PAD TO M/B 4P T200V	43-T2002-011	
19	FTC CABLE FOR TOUCH PAD 12P T200V	43-T2002-020	
20	TRACKPAD BOARD	77-T200M-003-1	
21	TRACKPAD BRACKET MODULE T210V	33-T21V2-100	
22	NYLON FOR TRACKPAD BRACKET	47-T2002-010	

Bottom (T210C)

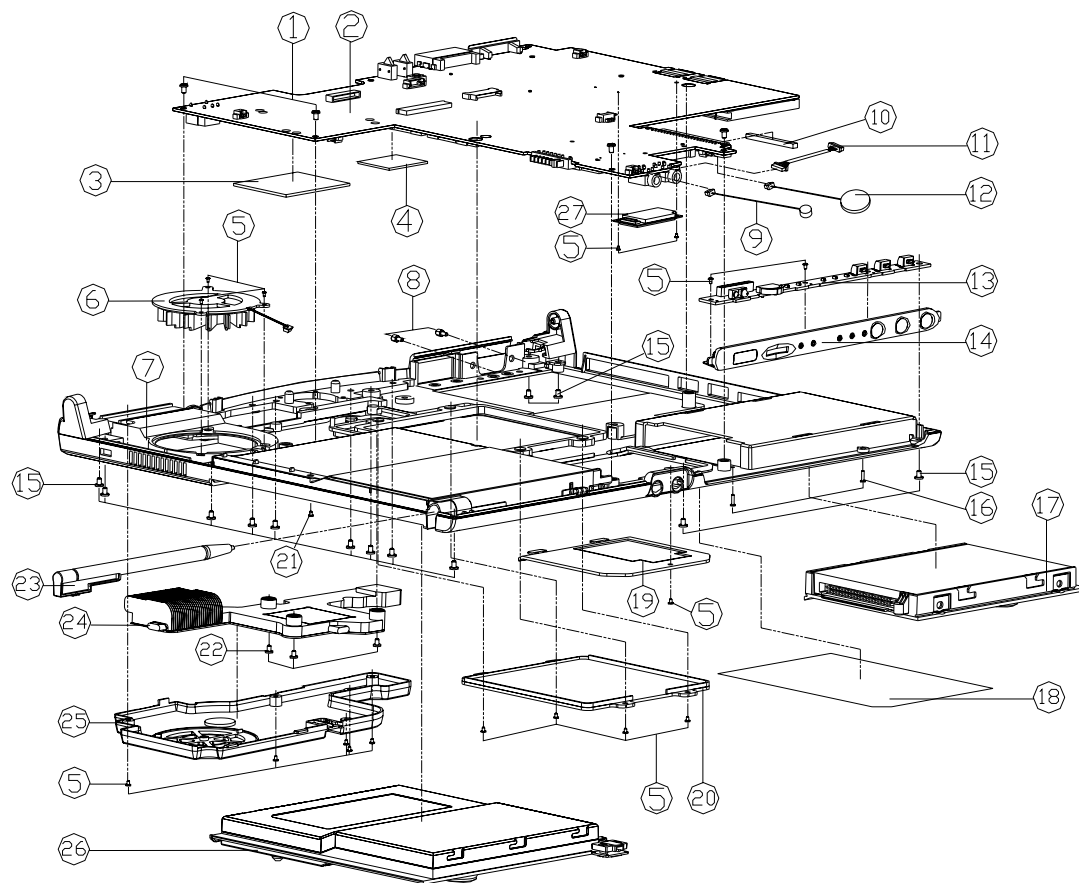


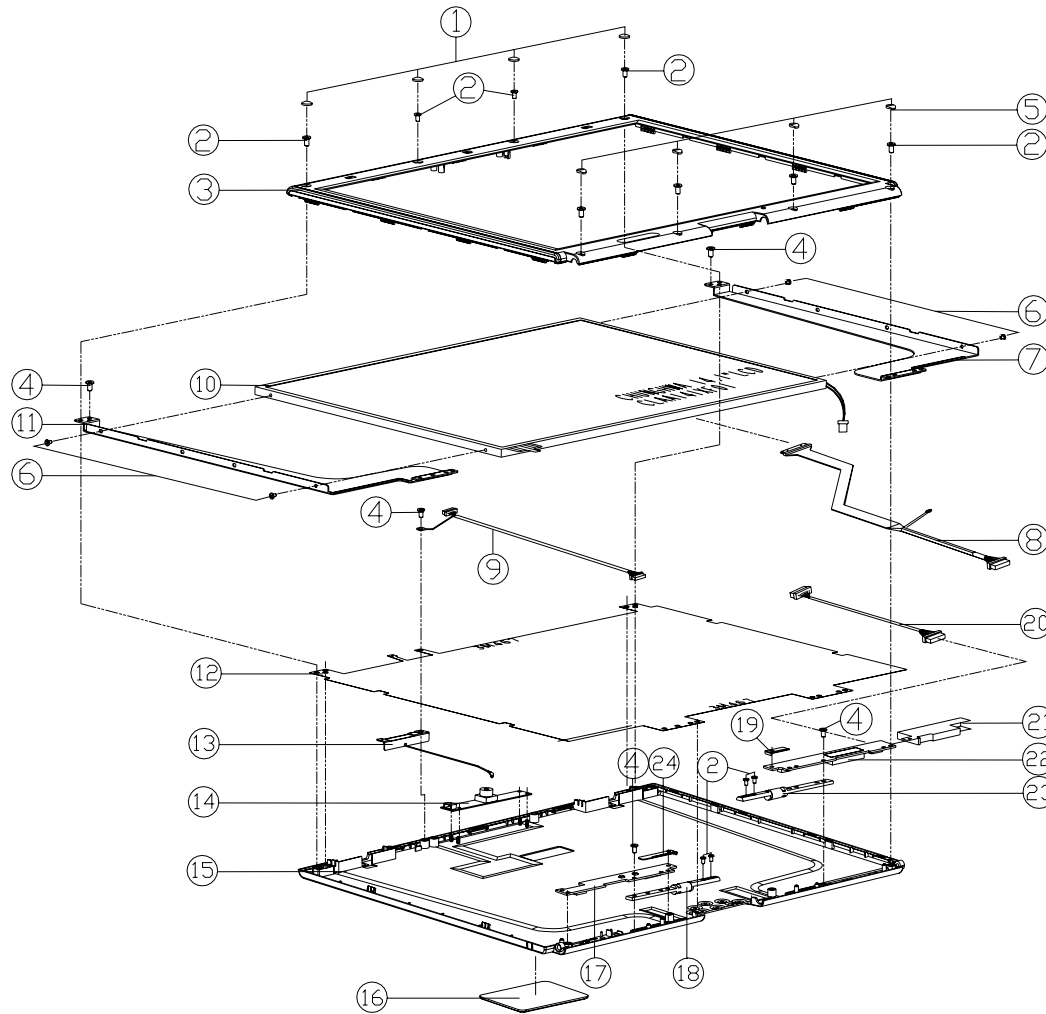
Figure A-6
Bottom
(T210C)

ITEM	PART NAME	PART NO	REMARK
1	SCREW M2.5*6L B NI ICT NY	35-41125-6R0	
2	MAIN BOARD	77-T20C0-00P	
3	CPU THERMAL PAD SILICONE T200V	47-T200P-010	
4	NORTH BRIDGE THERMAL PAD SILICONE T200V	47-T200P-020	
5	SCREW M2*3L KI BK/Z ICT NY	35-B6120-3RE	
6	FAN 45.5mm 5v 0.2A BSS005L2B APOWER	23-A4511-462A	
7	BOTTOM COVER MODULE T210V	39-T21V3-011	
8	SCREW #4*8.3L NI-PZ NY FOR VGA CONN	34-W7003-010	
9	NIC 6MM 3V 22K(FDM-60A) W/CABLE T200V	23-E0603-222	
10	GASKET (40L*5W*0.9H)	47-00190-409	
11	WIRE CABLE FOR HOT KEY TO W/B ZOP T200V	43-T2002-031	
12	BAT. 20MM 3V 230MAH W/CABLE 56MM CR	23-22015-P80	
13	HOTKEY BOARD	77-T20CS-001	
14	HOTKEY ASS'Y T200V	79-T2004-001	
15	SCREW M2.5*9L KI BNI ICT NY	35-B9125-9RA	
16	SCREW M2*10L KI BNI ICT NY	35-B9120-10A	
17	W/D HDD ASS'Y T210V	79-T21V1-010	Reference Assy 363 (99-T21V5-340)
18	PRODUCT LABEL T210C	45-T21C3-010	
19	MINIPCI COVER,PC+ABS T200V	42-T2003-011	
20	RAM COVER,PC+ABS T200V	42-T21V3-020	
21	SCREW M2.5*3L KI BK/Z ICT NY	35-B6125-3RA	
22	SCREW M2.5*4L KI BNI ICT NY	35-B9125-4RA	
23	PEN MODULE T210V	42-T21V0-100	
24	CPU HEATSINK MODULE.AL T200C	31-T20CN-100	
25	CPU COVER MODULE T210C	42-T21CS-101	
26	BAT(PK?) S L 3.6AH GLW/MDLI (6 CELLS)	87-T200S-44C	
26	BAT(PK?) S L 3.6AH GLW/MDLI (8 CELLS)	87-T200S-44C-A	
26	BAT(PK?) S L 3.6AH ?? MDLI(6 CELLS)	87-T200S-49C	
26	BAT(PK?) S L 4.8SD 14.8V 3.6AH ?? MDLI(6L)	87-T200S-49C-A	
27	MDC MODEM MODULE (X800) ?? W/EMI	76-32200-004	

A.Part Lists

14.1" LCD (T210C)

Figure A-7
14.1" LCD
(T210C)



ITEM	PART NAME	PART NO	REMARK
1	LED FRONT UP RUBBER SILICONE T200V	47-T2001-030	
2	SCREW M2.5*7L K1 BNI ICT NY	35-B9125-7RA	
3	LCD FRONT COVER MODULE T210V	39-T21V1-011	
4	SCREW M2.5*6L K1 NI ICT NY	35-B1125-6RB	
5	LCD FRONT DOWN RUBBER SILICONE T200V	47-T2001-020	
6	SCREW M2*2.5L K1 NI ICT NY	35-B1120-2R5	
7	LCD BRACKET(R) SUS T200V	33-T2001-052	
8	COAXIAL CABLE FOR LCD (CPT) T200V	43-T2001-012	
8	COAXIAL CABLE FOR LCD (AUD) T200V	43-T2001-021	
9	WIRE CABLE FOR LED BOARD 16P T200V	43-T200S-023	
10	LCD OPT GLASS/TOUCH PANEL MODULE T200V	50-J2252-C00-1	
10	LCD AU BR/IN/4-7/TOUCH PANEL MODULE T200V	50-J2287-G08-1	
11	LCD BRACKET(L) SUS T200V	33-T2001-062	
12	LCD SHIELDING AL T200V	33-T2001-050	
13	ANTENNA 2.4GHZ PIFA FOR WLAN OD=113m	23-742R4-A90	
14	VIDEO CAMERA CM3130, 300K Pixels Resolu	88-D40C0-410	OPTION
15	LCD BACK COVER MODULE T210V	39-T21V1-021	
16	LOGO BASE MODULE T210V	42-T21V1-100	
17	LED BOARD	77-T20C4-001	
18	LCD HINGE (L) SUM22 T200V	33-T2001-023	
19	LCD INVERTER BRACKET,K7 T200V	33-T2001-081	
20	WIRE CABLE FOR INVERTER 6P T200V	43-T200S-013	
21	INVERTER MYLAR FRI T200V	40-T200S-022	
22	INVERTER BOARD	77-T20CR-001	
23	LCD HINGE (R) SUM22 T200V	33-T2001-033	
24	LCD LED BRACKET,K7 T200V	33-T2001-071	

Hard Disk Drive (T210C)

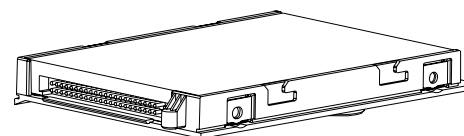
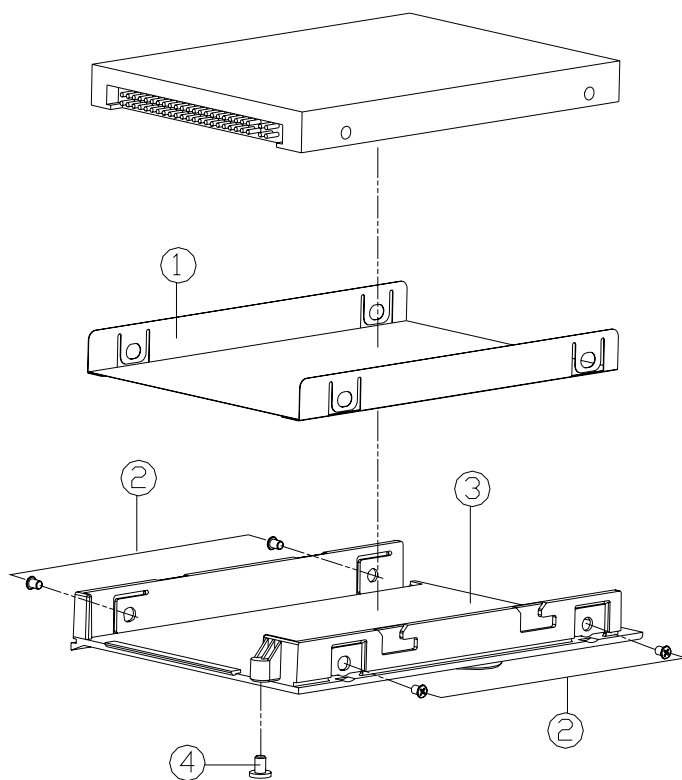


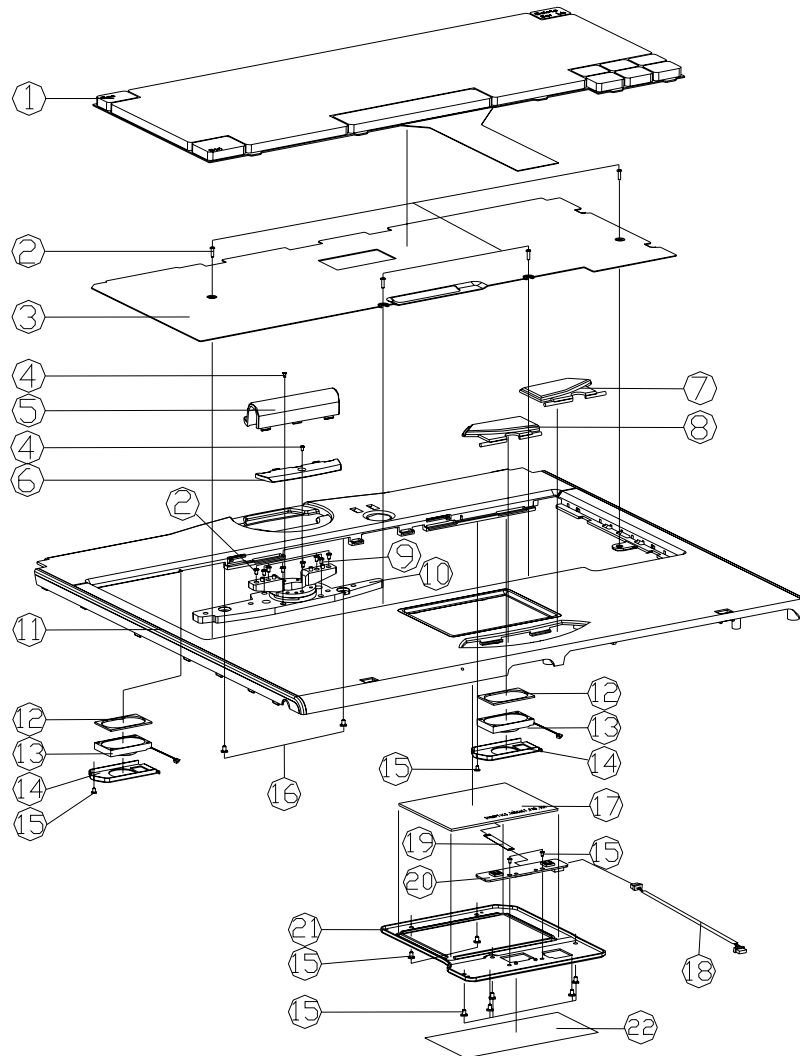
Figure A-8
Hard Disk Drive
(T210C)

ITEM	PART NAME	PART NO	REMARK
1	HDD SHIELDING SPTe T200V	33-T2001-012	
2	SCREW M3*4L KI NI ICT	35-B1130-4RB	
3	HDD HOUSING MODULE T210V	42-T21V1-100	
4	SCREW M2*3L KI BK/Z ICT NY	35-B6120-3RE	

A.Part Lists

Top (T200V)

Figure A-9
Top
(T200V)



ITEM	PART NAME	PART NO	REMARK
1	KEYBOARD	80-T2008-7G0	
2	SCREW M2.5*6L KI NI ICT NY	35-B1125-6RB	
3	KEYBOARD SUPPORTER BRACKET MODULE T200V	33-T2007-102	
4	SCREW M2*3L KI BK/Z ICT NY	35-B6120-3RE	
5	HINGE ROTATION COVER(B)/PC+ABS T200V	42-T200Y-022	
6	HINGE ROTATION COVER(F)/PC+ABS T200V	42-T200Y-012	
7	TRACKET PAD BUTTON (R)/PC+ABS T200V	42-T2002-052	
8	TRACKET PAD BUTTON (L)/PC+ABS T200V	42-T2002-062	
9	SCREW M2.5*6L B NI ICT NY	35-41125-6R0	
10	HINGE BASE MODULE,ZB T200V	33-T200Y-102	
11	TOP CASE MODULE T200V	39-T2002-012	
12	SPEAKER RUBBER,SILICONE T200V	47-T200T-020	
13	SPEAKER 25*15*5.7mm IW 4 FG29NISA	23-32510-400A	
14	SPEAKER BRACKET,SUS T200V	33-T200T-010	
15	SCREW M2*2.5L KI NI ICT NY	35-B1120-2R5	
16	SCREW M2.5*3L KI BK/Z ICT NY	35-B6125-3RA	
17	TOUCH PAD SYNAPTICS TM4IPDG35I-1	49-42002-010	
18	WIRE CABLE FOR TOUCH PAD TO W/B 4P T200V	43-T2002-011	
19	FFC CABLE FOR TOUCH PAD 12P T200V	43-T2002-020	
20	TRACKET PAD BOARD	77-T200M-002	
21	TRACKET PAD BRACKET MODULE T200V	33-T2002-100	
22	8018-1WYLAR FOR TRACKET PAD BRACKET	47-T2002-010	

Bottom (T200V)

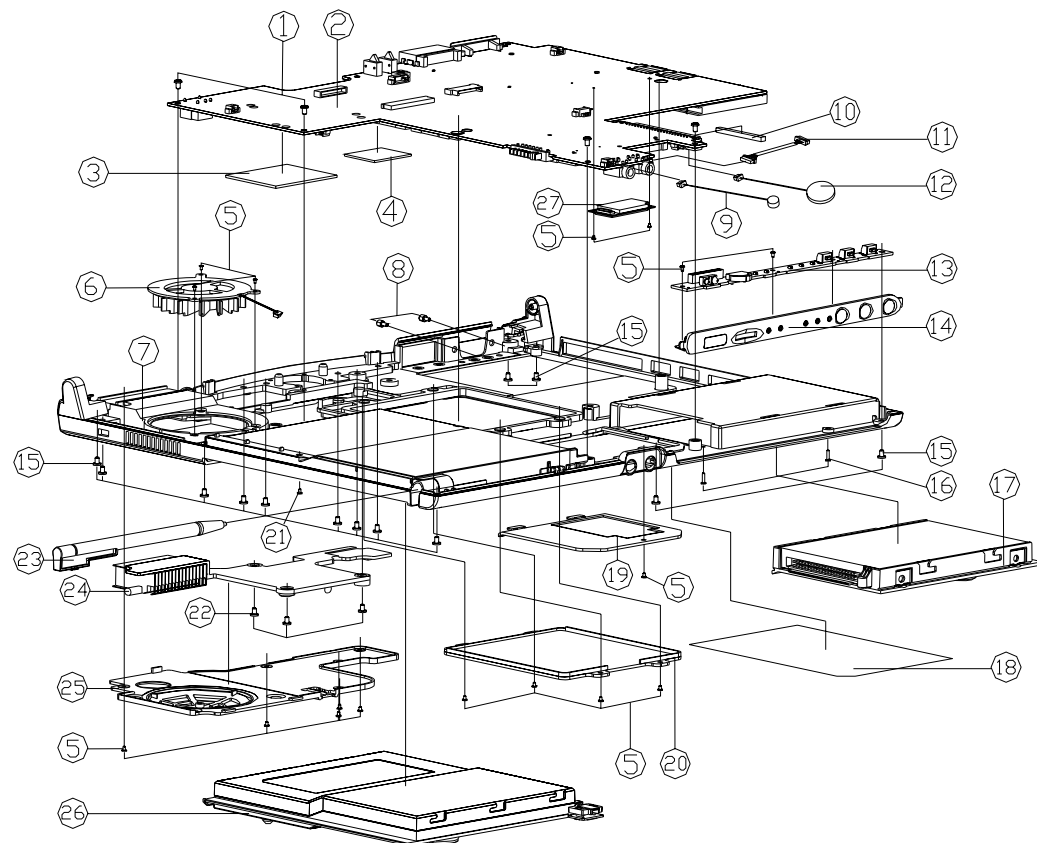


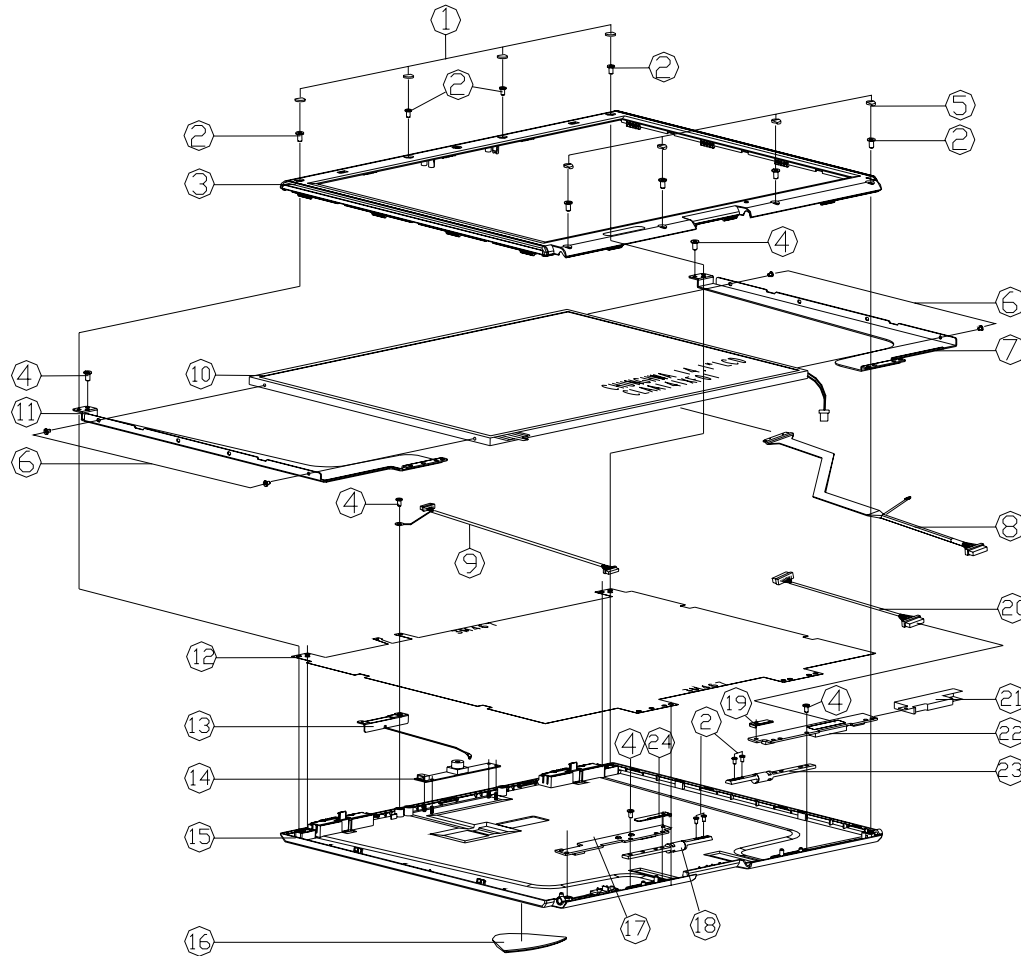
Figure A-10
Bottom
(T200V)

ITEM	PART NAME	PART NO	REMARK
1	SCREW M2.5*6L B NI ICT NY	35-41125-6R0	
2	MAIN BOARD	77-T2000-003	
3	CPU THERMAL PAD SILICONE T200V	47-T200P-010	
4	NORTH BRIDGE THERMAL PAD SILICONE T200V	47-T200P-020	
5	SCREW M2*3L KI BK/Z ICT NY	35-B6120-3RE	
6	FAN 45.5mm 5v 0.2A B55009L29 APOWEX	23-A4511-462A	
7	BOTTOM COVER MODULE T200V	39-T2003-012	
8	SCREW #4*8.3L NI-PZ NY FOR VGA CONN	34-W7003-010	
9	MIC 6MM 3V 22K(OM-60A) W/CABLE T200V	23-E0603-222	
10	GASKET(45*55*8L)	47-00190-456	
11	WIRE CABLE FOR HOT KEY TO M/B 20P T200V	43-T2002-031	
12	BAT. 200M 3V 230MAH W/CABLE 56MM CR	23-22015-P80	
13	HOTKEY BOARD	77-T200S-004	
14	HOTKEY COVER MODULE T200V	42-T2004-102	
15	SCREW M2.5*9L KI BNI ICT NY	35-B9125-9RA	
16	SCREW M2*10L KI BNI ICT NY	35-B9120-10A	
17	W/O HDD ASS'Y T200V	79-T2001-010	Reference Assy No c99-T200S-0405
18	PRODUCT LABEL T200V	45-T2003-010	
19	MINIPCI COVER,PC+ABS T200V	42-T2003-011	
20	RAM COVER,PC+ABS T200V	42-T2003-022	
21	SCREW M2.5*3L KI BK/Z ICT NY	35-B6125-3RA	
22	SCREW M2.5*4L KI BNI ICT NY	35-B9125-4RA	
23	PEN MODULE T200V	42-T2000-101	
24	CPU HEATSINK MODULE T200V	31-T200N-100	
25	CPU COVER MODULE T200V	42-T200S-102	
26	BAT(PC) S L 36Ah GLV/MELI (6 CELLS)	87-T200S-44C	
26	BAT(PC) S L 36Ah GLV/MELI (8 CELLS)	87-T200S-44C-A	
26	BAT(PC) S L 36Ah ?? MELI(6 CELLS)	87-T200S-49C	
26	BAT(PC) S L 452P 14.8V 36Ah ?? MELI(CELL	87-T200S-49C-A	
27	MDC MODEM MODULE (x8000) ?? W/FEM	76-32200-004	

A.Part Lists

14.1" LCD (T200V)

Figure A-11
14.1" LCD
(T200V)



ITEM	PART NAME	PART NO	REMARK
1	LCD FRONT UP RUBBER SILICONE T200V	47-T2001-030	
2	SCREW M2.5*7L K1 BNI ICT NY	35-B9125-7RA	
3	LCD FRONT COVER MODULE T200V	39-T2001-012	
4	SCREW M2.5*6L K1 NI ICT NY	35-B1125-6RA	
5	LCD FRONT DOWN RUBBER SILICONE T200V	47-T2001-020	
6	SCREW M2*2.5L K1 NI ICT NY	35-B1120-2R5	
7	LCD BRACKET(R) SUS T200V	33-T2001-052	
8	COAXIAL CABLE FOR LCD (CPT) T200V	43-T2001-012	
8	COAXIAL CABLE FOR LCD (AUD) T200V	43-T2001-021	
9	WIRE CABLE FOR LED BOARD 16P T200V	43-T200S-022	
10	LCD OPT CLAM/HTD+TOUCH PANEL MIDDLE T200V	50-J2252-C00-1	
10	LCD (W) 844MM-7+TOUCH PANEL MIDDLE T200V	50-J2287-G08-1	
11	LCD BRACKET(L) SUS T200V	33-T2001-062	
12	LCD SHIELDING AL T200V	33-T2001-050	
13	ANTENNA 24G4Z PIFA FOR WLAN 00-113m	23-742R4-A90	
14	VIDEO CAMERA CMOS30, 300K Pixels Resolu	88-D40C0-410	OPTION
15	LCD BACK COVER MODULE T200V	39-T2001-022	
16	LOGO BASE MODULE T200V	42-T2001-100	
17	LED BOARD	77-T2004-004	
18	LCD HINGE (L) SLM22 T200V	33-T2001-022	
19	LCD INVERTER BRACKET,K7 T200V	33-T2001-080	
20	WIRE CABLE FOR INVERTER 6P T200V	43-T200S-012	
21	INVERTER MYLAR FRI T200V	40-T200S-022	
22	INVERTER BOARD	77-T200R-004	
23	LCD HINGE (R) SLM22 T200V	33-T2001-032	
24	LCD LED BRACKET,K7 T200V	33-T2001-070	

Hard Disk Drive (T200V)

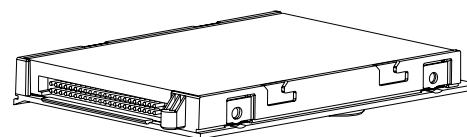
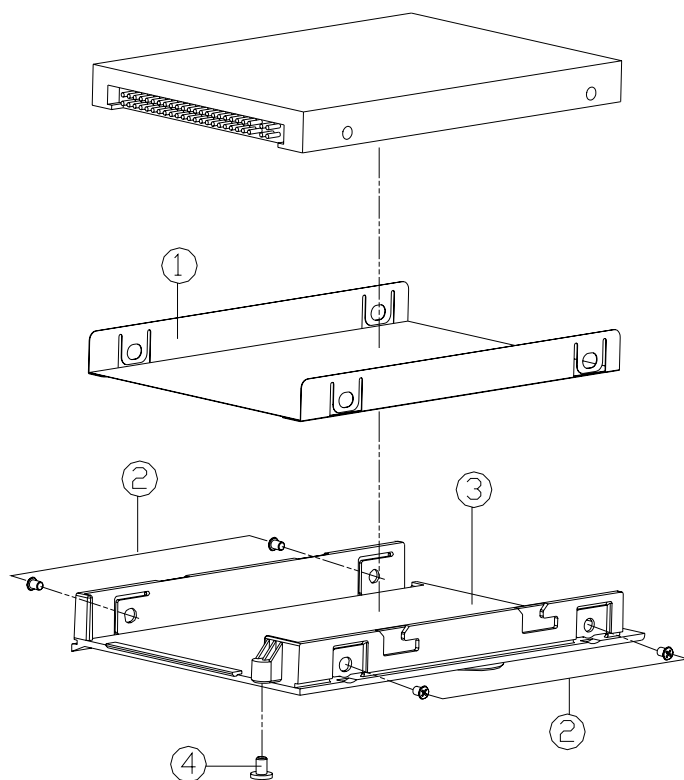


Figure A-12
Hard Disk Drive
(T200V)

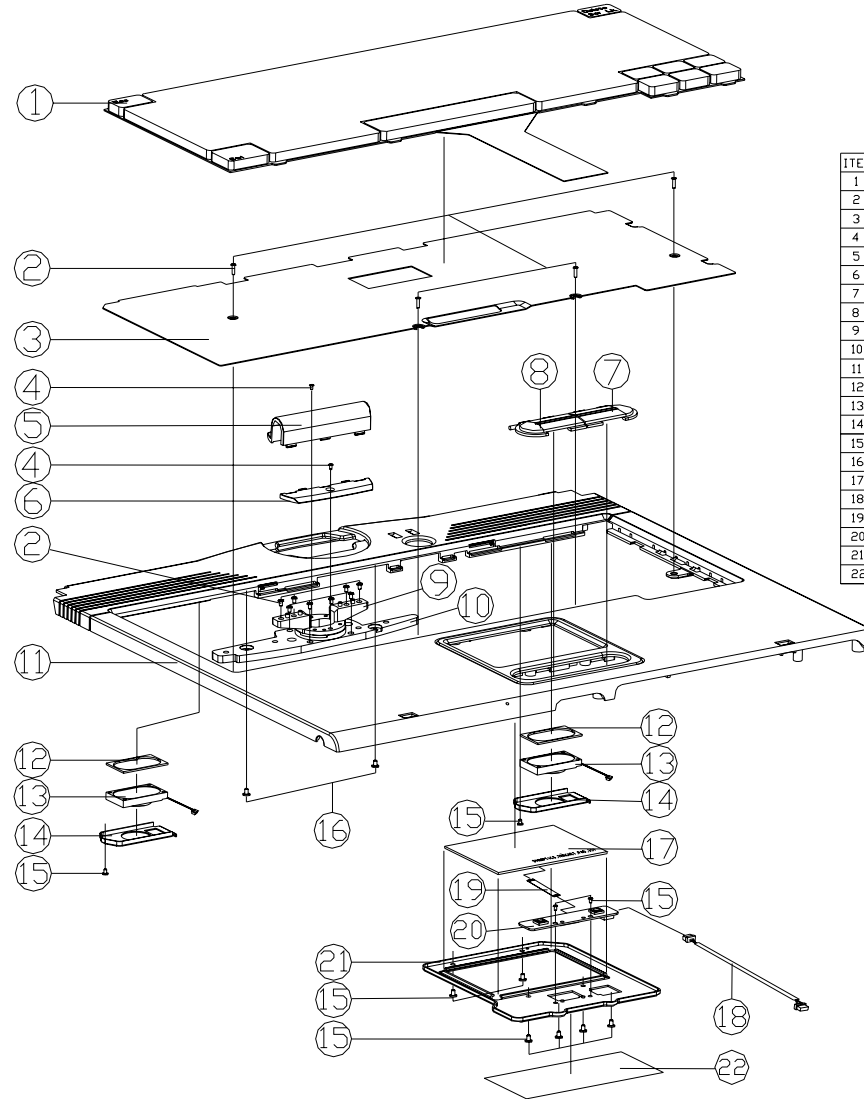
ITEM	PART NAME	PART NO	REMARK
1	HDD SHIELDING SPTE T200V	33-T2001-011	
2	SCREW M3*4L KI NI ICT	35-B1130-4RB	
3	HDD HOUSING MODULE T200V	42-T2001-101	
4	SCREW M2*3L KI BK/Z ICT NY	35-B6120-3RE	

A.Part Lists

Part Lists

Top (T210V)

Figure A-13
Top
(T210V)



ITEM	PART NAME	PART NO	REMARK
1	KEYBOARD	80-T2008-7G0	
2	SCREW M2.5*6L K1 NI ICT NY	35-B1125-6RB	
3	KEYBOARD SUPPORTER BRACKET MIDDLE T200V	33-T2007-102	
4	SCREW M2*3L K1 BK/Z ICT NY	35-B6120-3RE	
5	HINGE ROTATION COVER(R),PC+ABS T210V	42-T21VY-020	
6	HINGE ROTATION COVER(L),PC+ABS T210V	42-T21VY-010	
7	TRACKPAD BUTTON (R),PC+ABS T210V	42-T21V2-021	
8	TRACKPAD BUTTON (L),PC+ABS T210V	42-T21V2-031	
9	SCREW M2.5*6L B NI ICT NY	35-41125-6R0	
10	HINGE BASE MODULE,ZP T200V	33-T200Y-103	
11	TOP CASE MODULE T210V	39-T21V2-011	
12	SPEAKER RUBBER,SILICONE T200V	47-T200T-020	
13	SPEAKER 25*15*5.7mm IW 4 FG29N15A	23-32510-400A	
14	SPEAKER BRACKET,SUS T200V	33-T200T-010	
15	SCREW M2*2.5L K1 NI ICT NY	35-B1120-2R5	
16	SCREW M2.5*3L K1 BK/Z ICT NY	35-B6125-3RA	
17	TOUCH PAD SYNAPTICS TM41PDG351-1	49-42002-010	
18	WIRE CABLE FOR TOUCH PAD TO M/B AP T200V	43-T2002-011	
19	FFC CABLE FOR TOUCH PAD I2P T200V	43-T2002-020	
20	TRACKPAD BOARD	77-T200M-003-1	
21	TRACKPAD BRACKET MODULE T210V	33-T21V2-100	
22	MYLAR FOR TRACKPAD BRACKET	47-T2002-010	

Bottom (T210V)

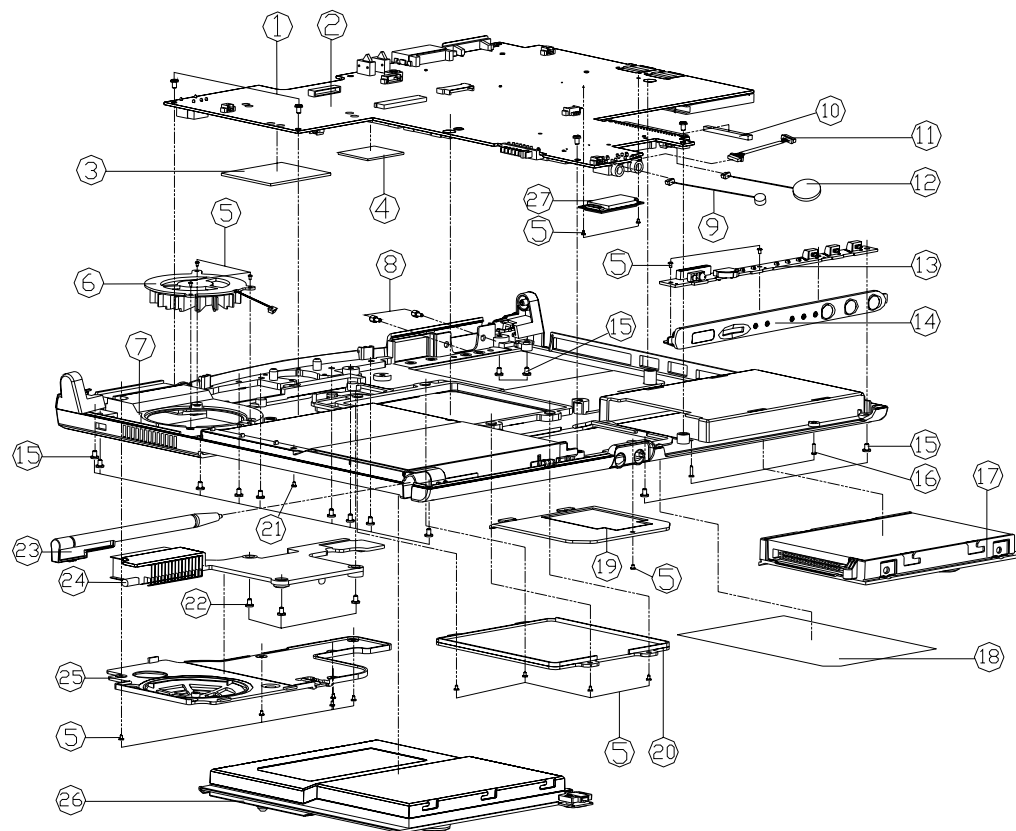


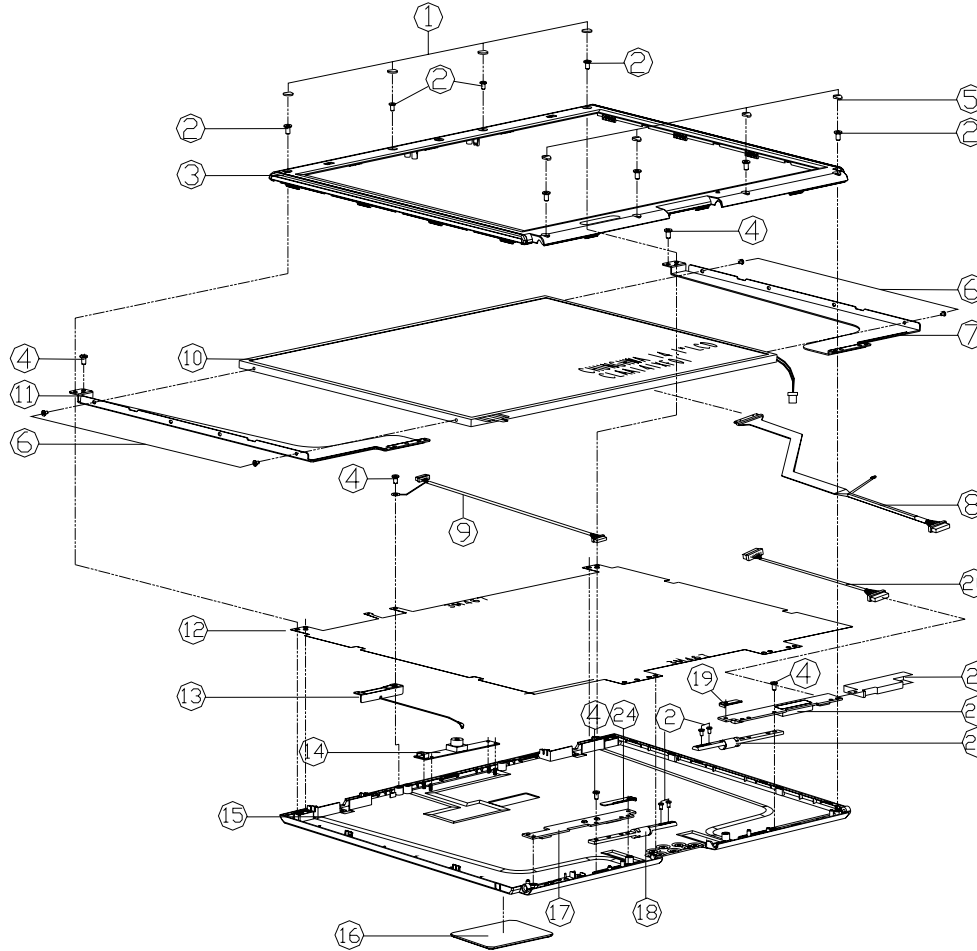
Figure A-14
Bottom
(T210V)

ITEM	PART NAME	PART NO	REMARK
1	SCREW M2.5*6L B NI ICT NY	35-41125-6R0	
2	MAIN BOARD	77-T2000-003	
3	CPU THERMAL PAD SILICONE T200V	47-T200P-010	
4	NORTH BRIDGE THERMAL PAD SILICONE T200V	47-T200P-020	
5	SCREW M2*3L KI BK/Z ICT NY	35-B6120-3RE	
6	FAN 45mm 5v 0.2A B550SL2B APPOWER	23-A4511-462A	
7	BOTTOM COVER MODULE T210V	39-T21V3-011	
8	SCREW #4*8.3L NI-P2 NY FOR VGA CONN	34-W7003-010	
9	MEM 6MM 3V 22KFGM-60A) W/CABLE T200V	23-E0603-222	
10	GASKET (40L*15W*8H)	47-00190-409	
11	WIRE CABLE FOR HOT KEY TO M/B 2P T200V	43-T2002-031	
12	BAT. 20MM 3V 230mAh W.CABLE 56MM CR	33-22015-P80	
13	HOTKEY BOARD	77-T200S-005	
14	HOTKEY ASS'Y T200V	79-T2004-001	
15	SCREW M2.5*9L KI BNI ICT NY	35-B9125-9RA	
16	SCREW M2*10L KI BNI ICT NY	35-B9120-10A	
17	W/O HDD ASS'Y T210V	79-T21V1-010	Reference Part No. (99-T21V3-040)
18	PRODUCT LABEL T210V	45-T21V3-010	
19	MINIPCI COVER,PC+ABS T200V	42-T2003-011	
20	RAM COVER,PC+ABS T200V	42-T21V3-020	
21	SCREW M2.5*3L KI BK/Z ICT NY	35-B6125-3RA	
22	SCREW M2.5*4L KI BNI ICT NY	35-B9125-4RA	
23	PEN MODULE T210V	42-T21V0-100	
24	CPU HEATSINK MODULE T200V	31-T200N-100	
25	CPU COVER MODULE T210V	42-T21VS-100	
26	BAT(P1) S L 36Ah GLW/M/L1 (6 CELLS)	87-T200S-44C	
26	BAT(P1) S L 36Ah GLW/M/L1 (6 CELLS)	87-T200S-44C-A	
26	BAT(P1) S L 36Ah ?? M/L1 (6 CELLS)	87-T200S-49C	
26	BAT(P1) S L 450P 148V 36Ah ?? M/L1 (6 CELLS)	87-T200S-49C-A	
27	MOEM MODULE (X800) ?? W/EM	76-32200-004	

A.Part Lists

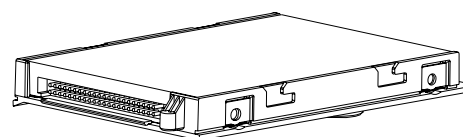
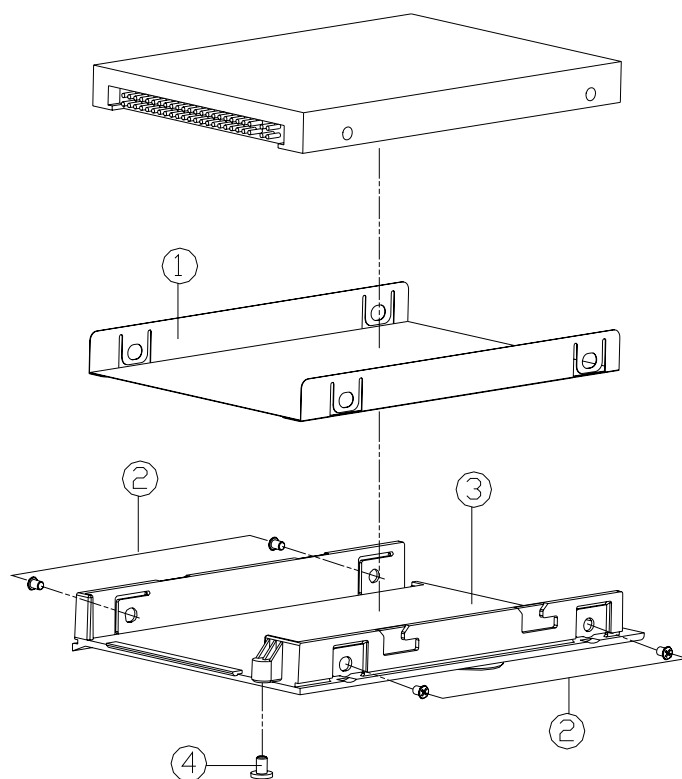
14.1" LCD (T210V)

Figure A-15
14.1" LCD
(T210V)



ITEM	PART NAME	PART NO	REMARK
1	LCD FRONT UP RUBBER SILICONE T200V	47-T2001-030	
2	SCREW M2.5*7L KI BNI ICT NY	35-B9125-7RA	
3	LCD FRONT COVER MODULE T210V	39-T21V1-011	
4	SCREW M2.5*6L KI NI ICT NY	35-B1125-6RB	
5	LCD FRONT DOWN RUBBER SILICONE T200V	47-T2001-020	
6	SCREW M2*2.5L KI NI ICT NY	35-B1120-2R5	
7	LCD BRACKET(L) SUS T200V	33-T2001-052	
8	COAXIAL CABLE FOR LCD (RPT) T200V	43-T2001-012	
8	COAXIAL CABLE FOR LCD (AU) T200V	43-T2001-021	
9	WIRE CABLE FOR LED BOARD 16P T200V	43-T2005-023	
10	LCD OPT GLASS/HD-TOUCH PANEL MODULE T200V	50-J2287-G08-1	
10	LCD (AU) BRACKET(R)-TOUCH PANEL MODULE T200V	50-J2287-G08-1	
11	LCD BRACKET(L) SUS T200V	33-T2001-062	
12	LCD SHIELDING AL T200V	33-T2001-050	
13	ANTENNA 24GHZ PIFA FOR WLAN 00-1120	23-742R4-A90	
14	VIDEO CAMERA (CM)30, 30K Pixels Resolu	88-D40C0-410	OPTION
15	LCD BACK COVER MODULE T210V	39-T21V1-021	
16	LCD BASE MODULE T210V	42-T21V1-100	
17	LED BOARD	77-T2004-004	
18	LCD HINGE (L) SUM22 T200V	33-T2001-023	
19	LCD INVERTER BRACKET,K7 T200V	33-T2001-081	
20	WIRE CABLE FOR INVERTER 6P T200V	43-T2005-013	
21	INVERTER MYLAR FRI T200V	40-T2005-022	
22	INVERTER BOARD	77-T200R-004	
23	LCD HINGE (R) SUM22 T200V	33-T2001-033	
24	LCD LED BRACKET,K7 T200V	33-T2001-071	

Hard Disk Drive (T210V)



ITEM	PART NAME	PART NO	REMARK
1	HDD SHIELDING SPTe T200V	33-T2001-012	
2	SCREW M3*4L KI NI ICT	35-B1130-4RB	
3	HDD HOUSING MODULE T210V	42-T21V1-100	
4	SCREW M2*3L KI BK/Z ICT NY	35-B6120-3RE	

Figure A-16
Hard Disk Drive
(T210V)

Appendix B: T200C/T210C Schematic Diagrams

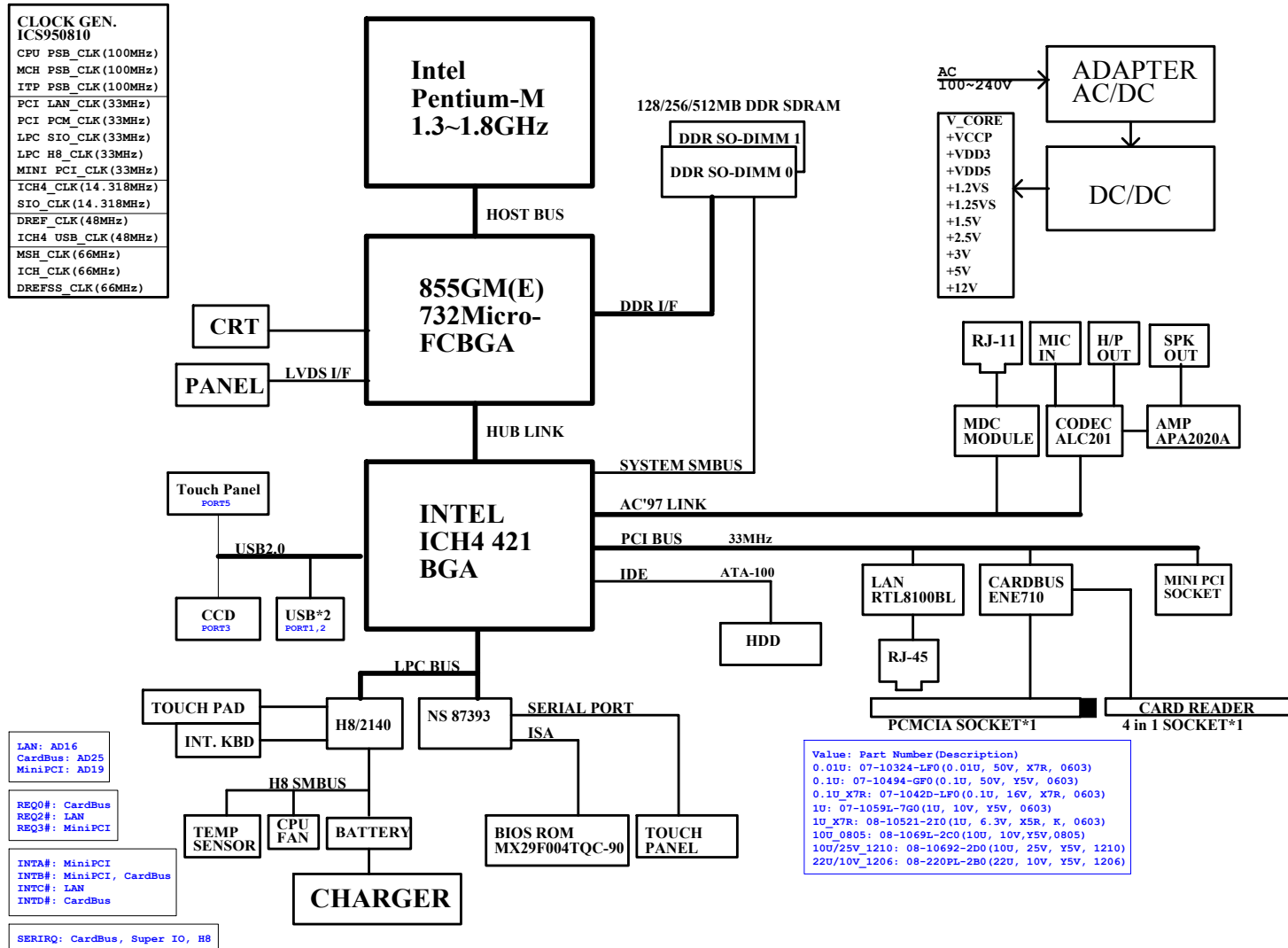
This appendix has circuit diagrams of the T200C/T210C computers PCB's:

Diagram - Page	Diagram - Page
<i>System Block Diagram - Page B - 2</i>	<i>PCMCIA ENE CB710 - Page B - 18</i>
<i>Pentium-M-1 - Page B - 3</i>	<i>PCM Socket, 4 IN 1 Socket - Page B - 19</i>
<i>Pentium-M-2 - Page B - 4</i>	<i>SIO, BIOS - Page B - 20</i>
<i>855GM-1 - Page B - 5</i>	<i>Touch Panel - Page B - 21</i>
<i>855GM-2 - Page B - 6</i>	<i>Hitachi H8S - Page B - 22</i>
<i>855GM-3 - Page B - 7</i>	<i>LED B'd, HOT KEY B'd, FAN, K/B - Page B - 23</i>
<i>DDR SODIMM - Page B - 8</i>	<i>CODEC, AMP - Page B - 24</i>
<i>DDR Termination - Page B - 9</i>	<i>+3VS, +5VS - Page B - 25</i>
<i>LVDS, CRT - Page B - 10</i>	<i>+2.5V, +1.25V, 1.5V - Page B - 26</i>
<i>Clock Generator - Page B - 11</i>	<i>V_CORE/ +VCCP/ +1.2VS - Page B - 27</i>
<i>ICH4-1 - Page B - 12</i>	<i>5V, 3.3V, +1.2, 1.5V - Page B - 28</i>
<i>ICH4-2 - Page B - 13</i>	<i>Charger - Page B - 29</i>
<i>ICH4-3, HDD - Page B - 14</i>	<i>Hot Key - Page B - 30</i>
<i>USB2.0 Port - Page B - 15</i>	<i>Inverter - Page B - 31</i>
<i>MDC, Mini PCI - Page B - 16</i>	<i>LCD LED Board - Page B - 32</i>
<i>LAN RTL8100BL - Page B - 17</i>	

Table B - 1
Schematic Diagram

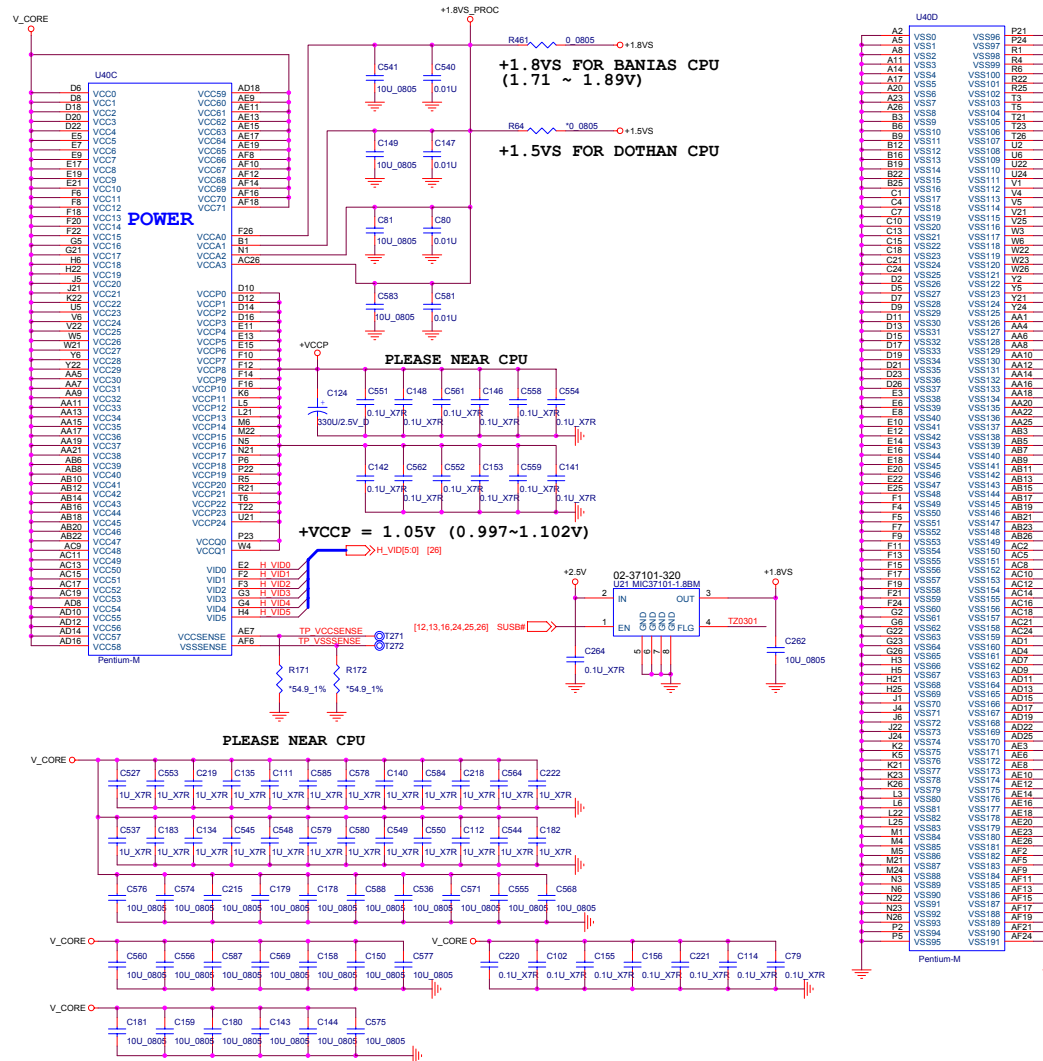
System Block Diagram

Sheet 1 of 30
System Block
Diagram



Pentium-M-2

Sheet 3 of 31
Pentium-M-2



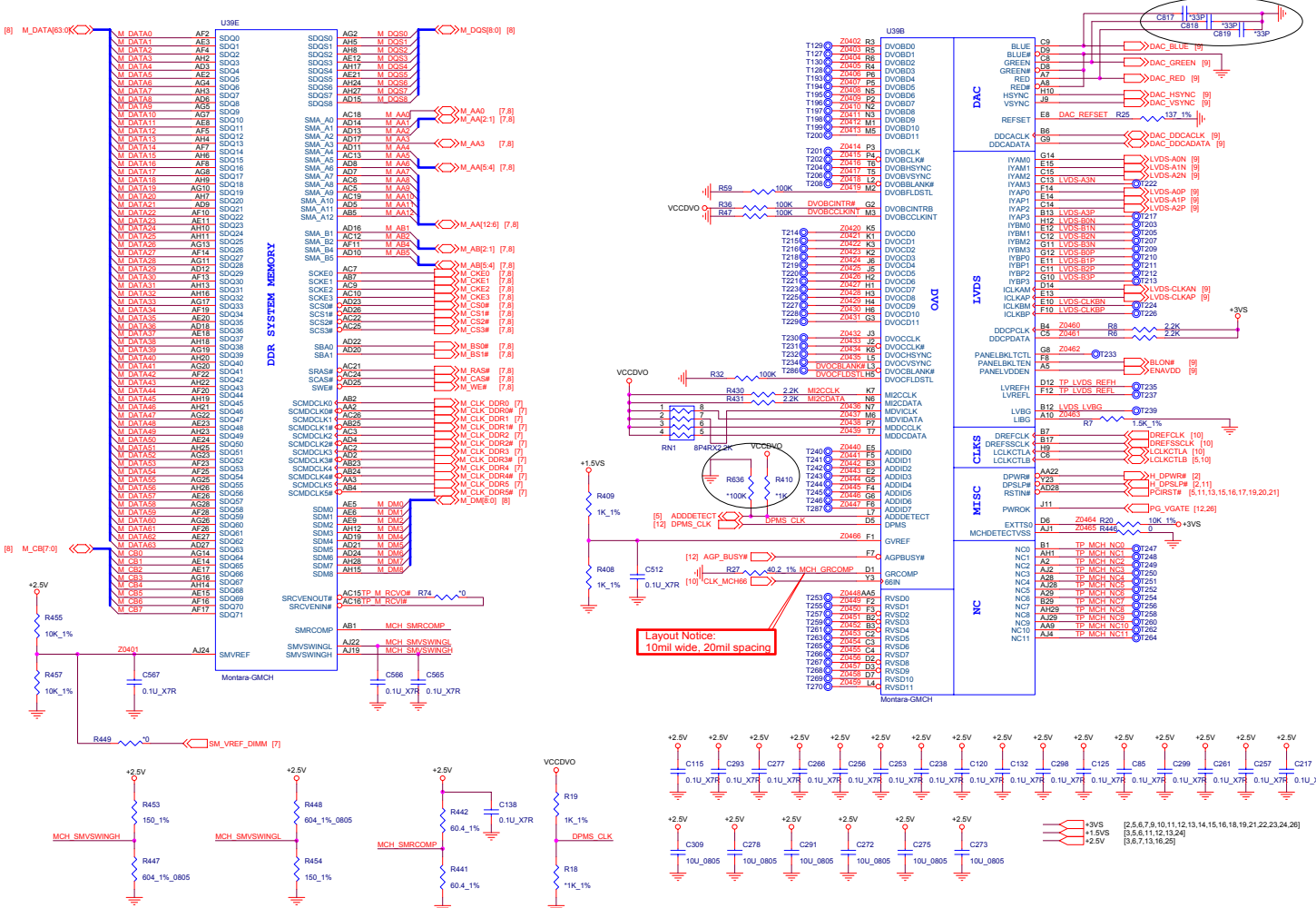
- 1.7GHz & 1.468V = 24.5W
- 1.6GHz & 1.468V = 24.5W
- 1.5GHz & 1.468V = 24.5W
- 1.4GHz & 1.468V = 22W
- 1.3GHz & 1.468V = 22W
- 1.1GHz & 1.468V = 12W

VID						Vcc	VID						Vcc
5	4	3	2	1	0	V	5	4	3	2	1	0	V
0	0	0	0	0	0	1.708	1	0	0	0	0	0	1.196
0	0	0	0	0	1	1.692	1	0	0	0	0	1	1.180
0	0	0	0	1	0	1.676	1	0	0	0	1	0	1.164
0	0	0	0	1	1	1.660	1	0	0	0	1	1	1.148
0	0	0	1	0	0	1.644	1	0	0	1	0	0	1.132
0	0	0	1	0	1	1.628	1	0	0	1	0	1	1.116
0	0	0	1	1	0	1.612	1	0	0	1	1	0	1.100
0	0	1	0	0	0	1.596	1	0	1	0	0	0	1.084
0	0	1	0	0	1	1.580	1	0	1	0	0	0	1.068
0	0	1	0	1	0	1.564	1	0	1	0	0	1	1.052
0	0	1	0	1	1	1.548	1	0	1	0	1	0	1.036
0	0	1	1	0	0	1.532	1	0	1	0	1	1	1.020
0	0	1	1	0	1	1.516	1	0	1	1	0	0	1.004
0	0	1	1	0	1	1.500	1	0	1	1	0	1	0.988
0	0	1	1	1	0	1.484	1	0	1	1	1	0	0.972
0	0	1	1	1	1	1.468	1	0	1	1	1	1	0.956
0	1	0	0	0	0	1.452	1	1	0	0	0	0	0.940
0	1	0	0	0	1	1.436	1	1	0	0	0	1	0.924
0	1	0	0	1	0	1.420	1	1	0	0	1	0	0.908
0	1	0	0	1	1	1.404	1	1	0	0	1	1	0.892
0	1	0	1	0	0	1.388	1	1	0	0	1	0	0.876
0	1	0	1	0	1	1.372	1	1	0	1	0	0	0.860
0	1	0	1	1	0	1.356	1	1	0	1	0	1	0.844
0	1	0	1	1	1	1.340	1	1	0	1	1	0	0.828
0	1	1	0	0	0	1.324	1	1	1	0	0	0	0.812
0	1	1	0	0	1	1.308	1	1	1	0	0	1	0.796
0	1	1	0	1	0	1.292	1	1	1	0	1	0	0.780
0	1	1	0	1	1	1.276	1	1	1	1	0	1	0.764
0	1	1	1	0	0	1.260	1	1	1	1	0	0	0.748
0	1	1	1	0	1	1.244	1	1	1	1	0	1	0.732
0	1	1	1	1	0	1.228	1	1	1	1	1	0	0.716
0	1	1	1	1	1	1.212	1	1	1	1	1	1	0.700

- V_CORE [26] {2,5,6,12,13,26}
- +VCCP [19]
- +1.8VS [1,9]
- +1.5VS [4,5,6,11,12,13,24]
- +2.5V [4,6,7,13,16,25]

855GM-1

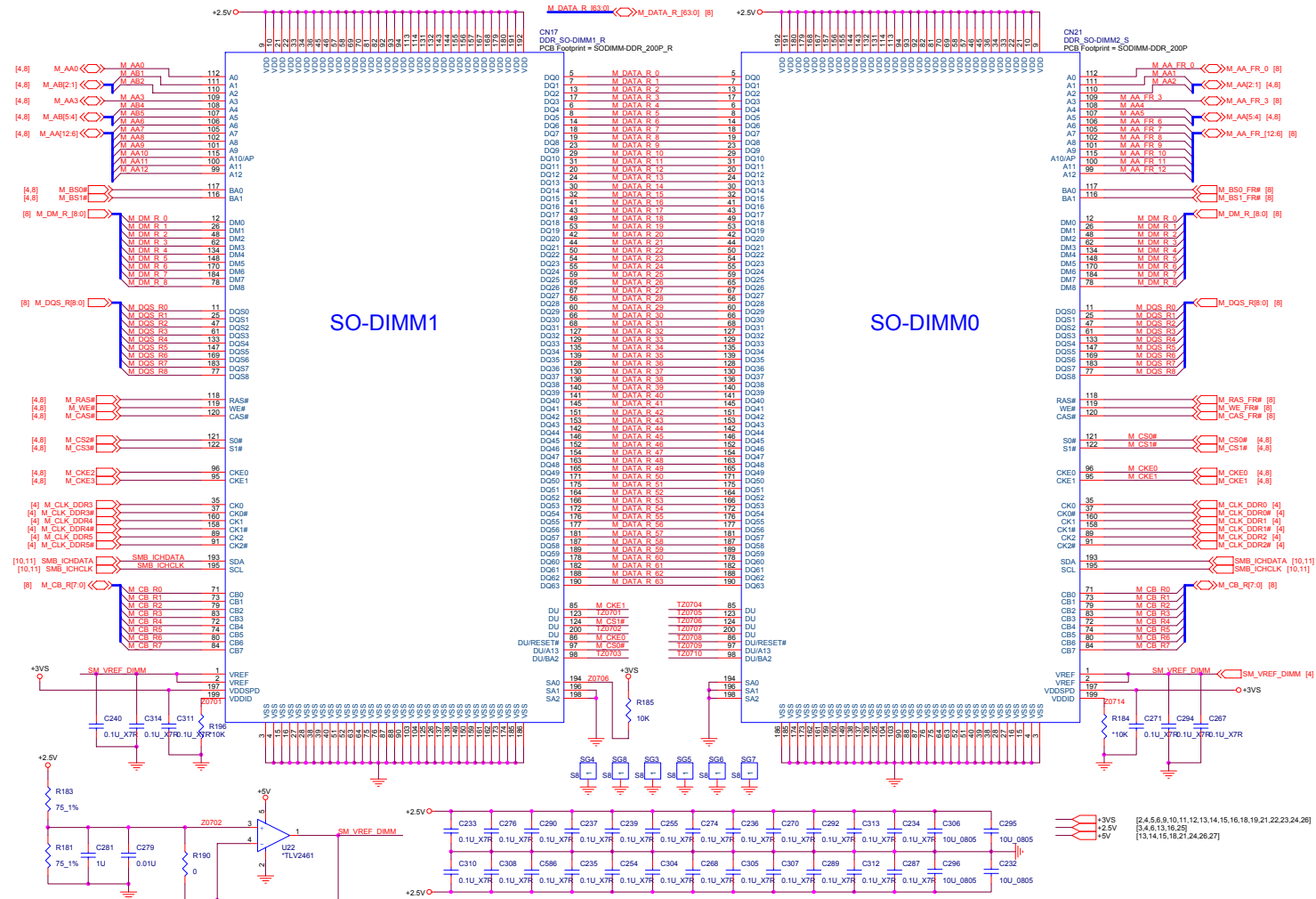
Sheet 4 of 31
855GM-1



B. T2X0C Schematics

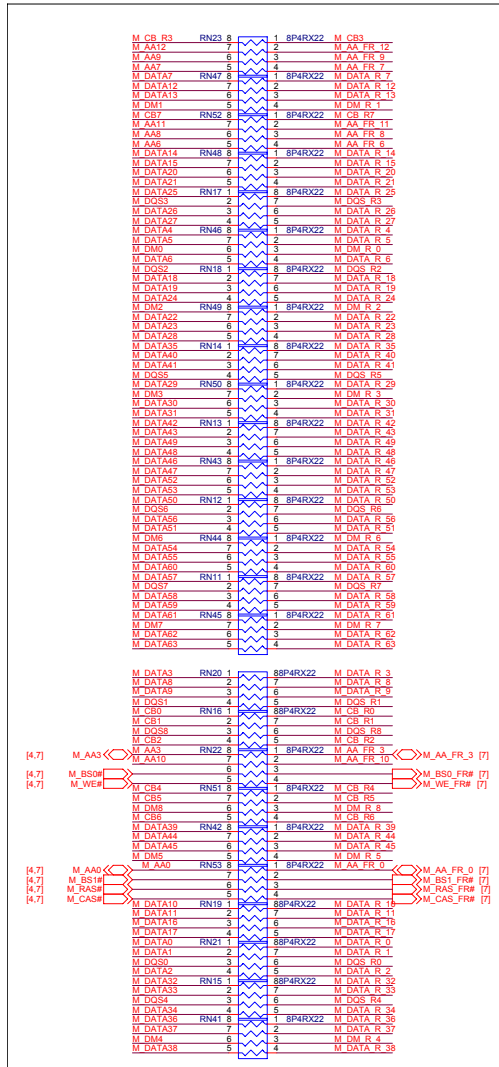
DDR SODIMM

Sheet 7 of 31
DDR SODIMM

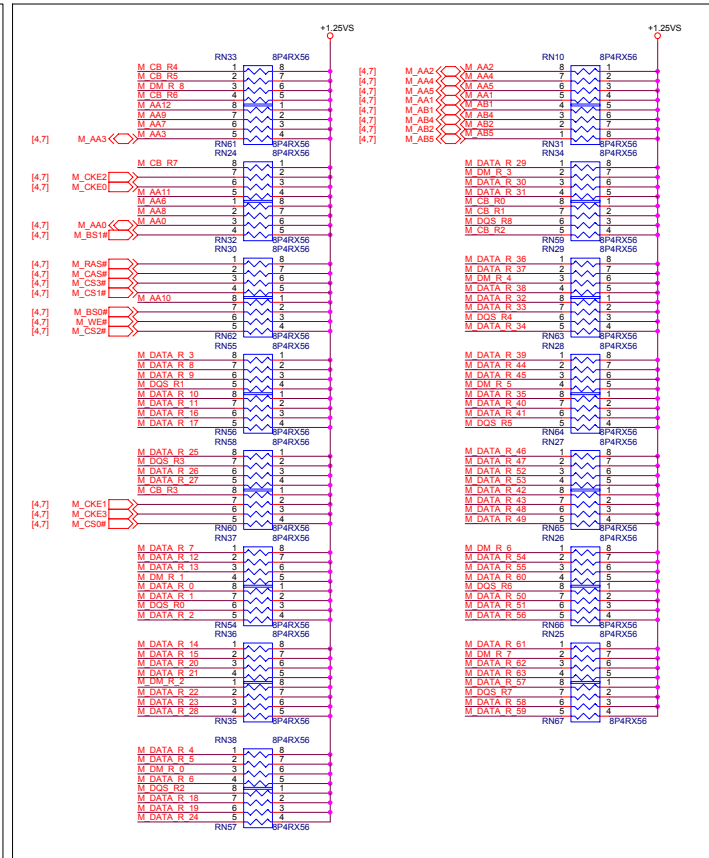


DDR Termination

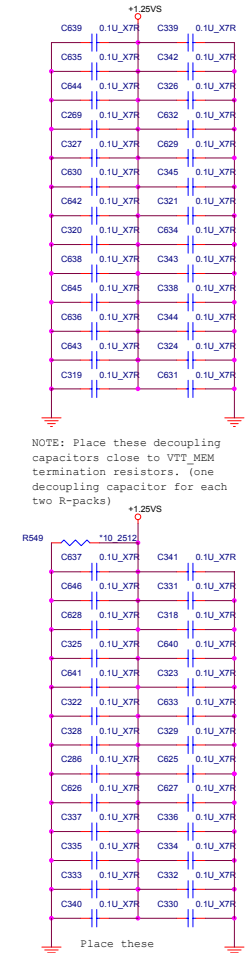
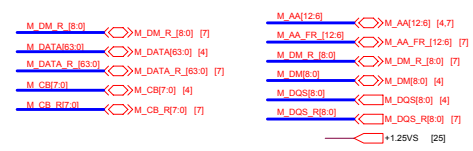
Sheet 8 of 31 DDR Termination



Place these damping resistors close to SO-DIMM



VTT_MEM RESISTORS

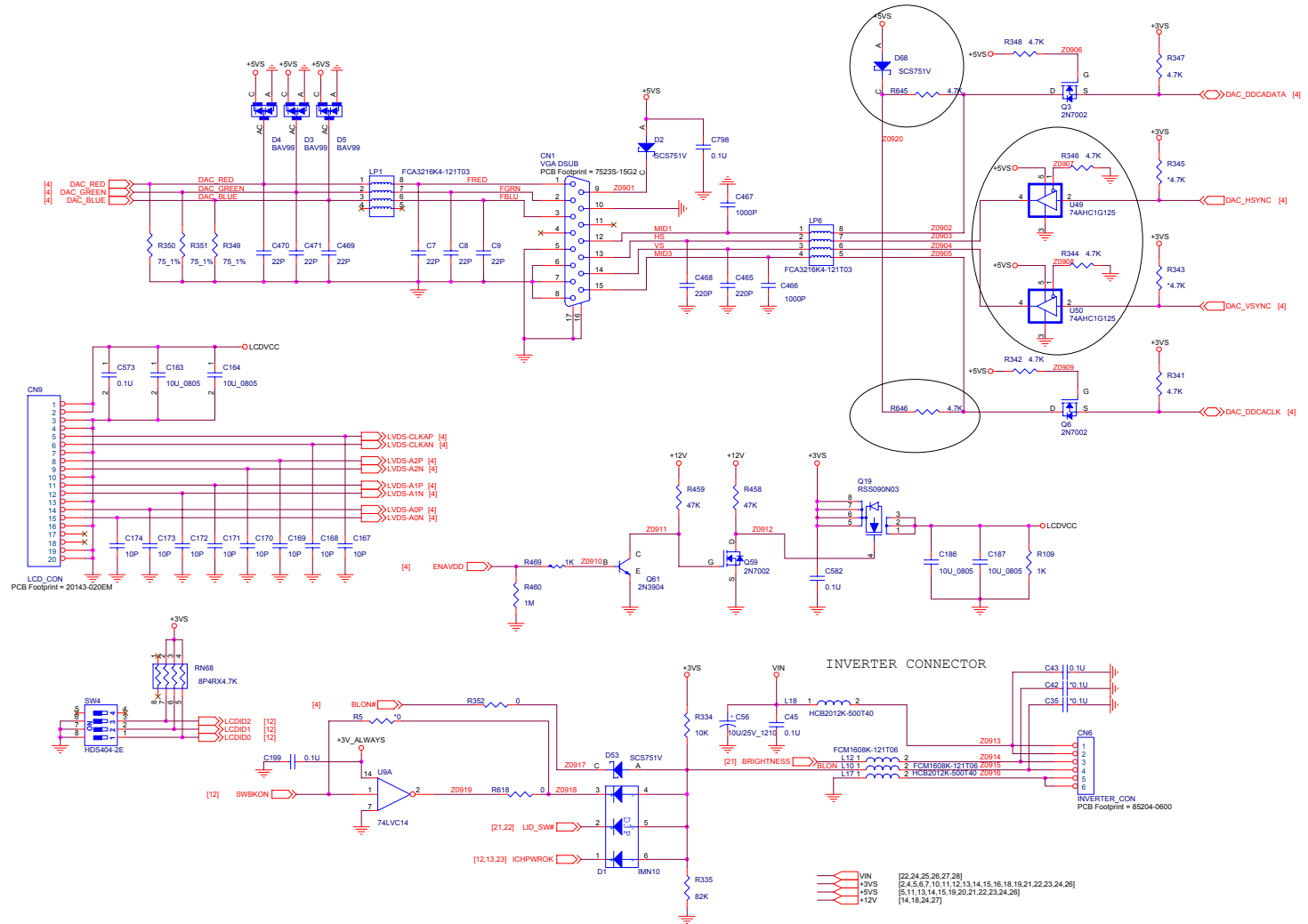


NOTE: Place these decoupling capacitors close to VTT_MEM termination resistors. (one decoupling capacitor for each two R-packs)

Place these decoupling capacitors on VTT_MEM trace

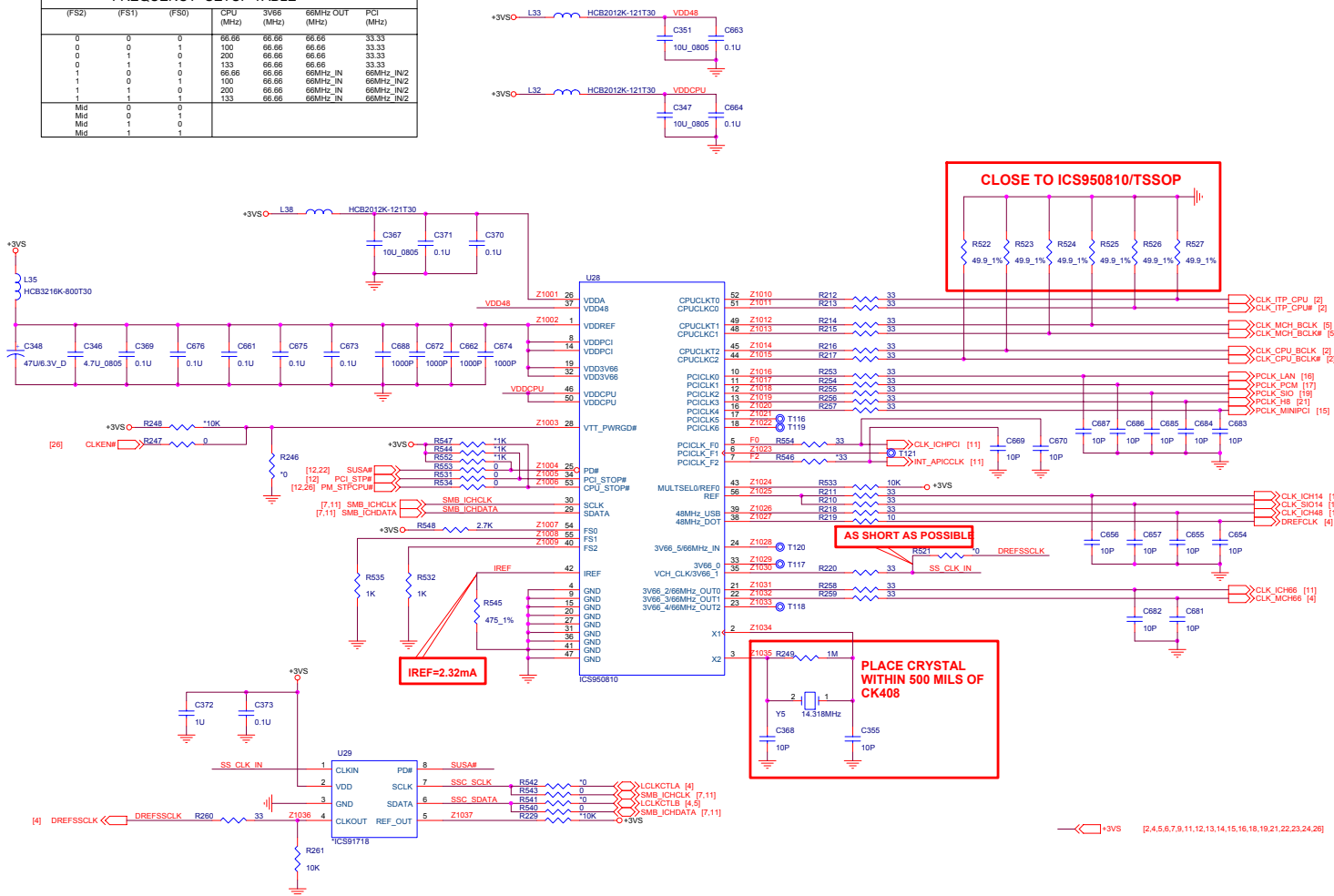
LVDS, CRT

Sheet 9 of 31
LVDS, CRT



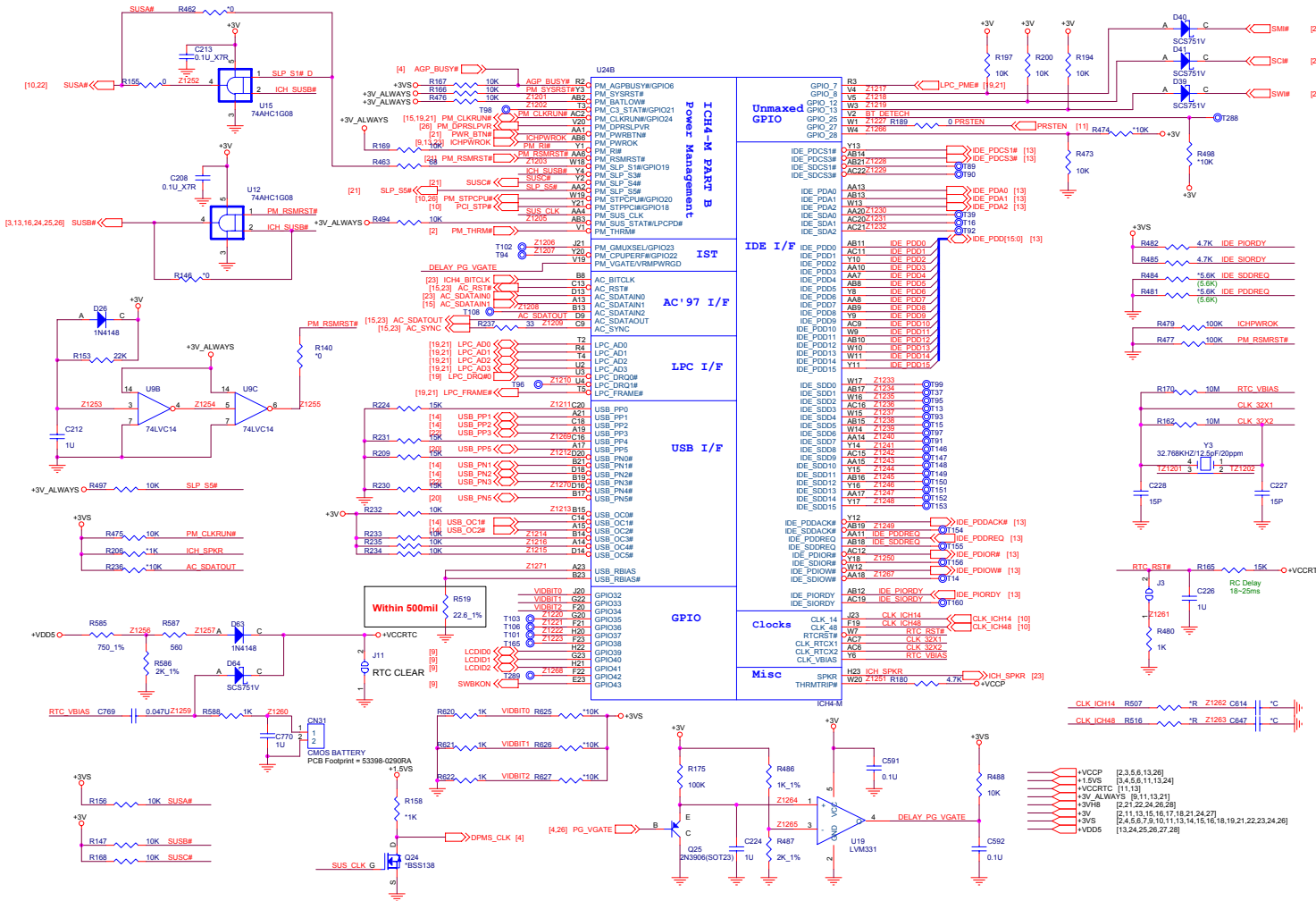
Clock Generator

(FS2)	(FS1)	(FS0)	CPU (MHz)	3V66 (MHz)	66MHz OUT (MHz)	PCI (MHz)
0	0	0	66.66	66.66	66.66	33.33
0	0	1	100	66.66	66.66	33.33
0	1	0	200	66.66	66.66	33.33
0	1	1	133	66.66	66.66	33.33
1	0	0	66.66	66.66	66MHz_IN2	66MHz_IN2
1	0	1	100	66.66	66MHz_IN2	66MHz_IN2
1	1	0	200	66.66	66MHz_IN2	66MHz_IN2
1	1	1	133	66.66	66MHz_IN2	66MHz_IN2
Mid	0	0				
Mid	0	1				
Mid	1	0				
Mid	1	1				



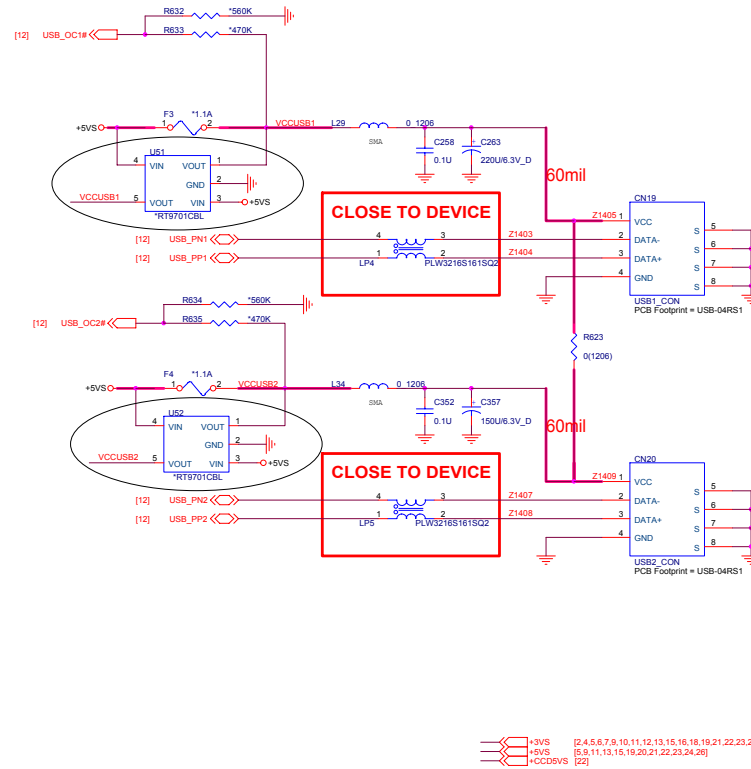
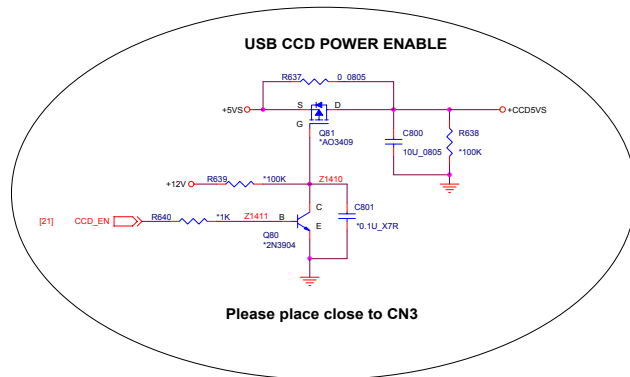
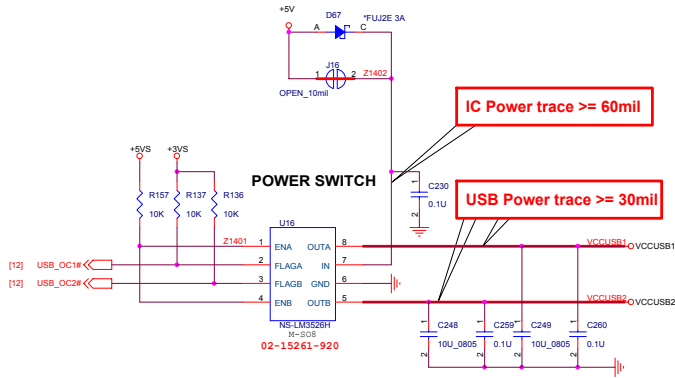
B. T2X0C Schematics

ICH4-2

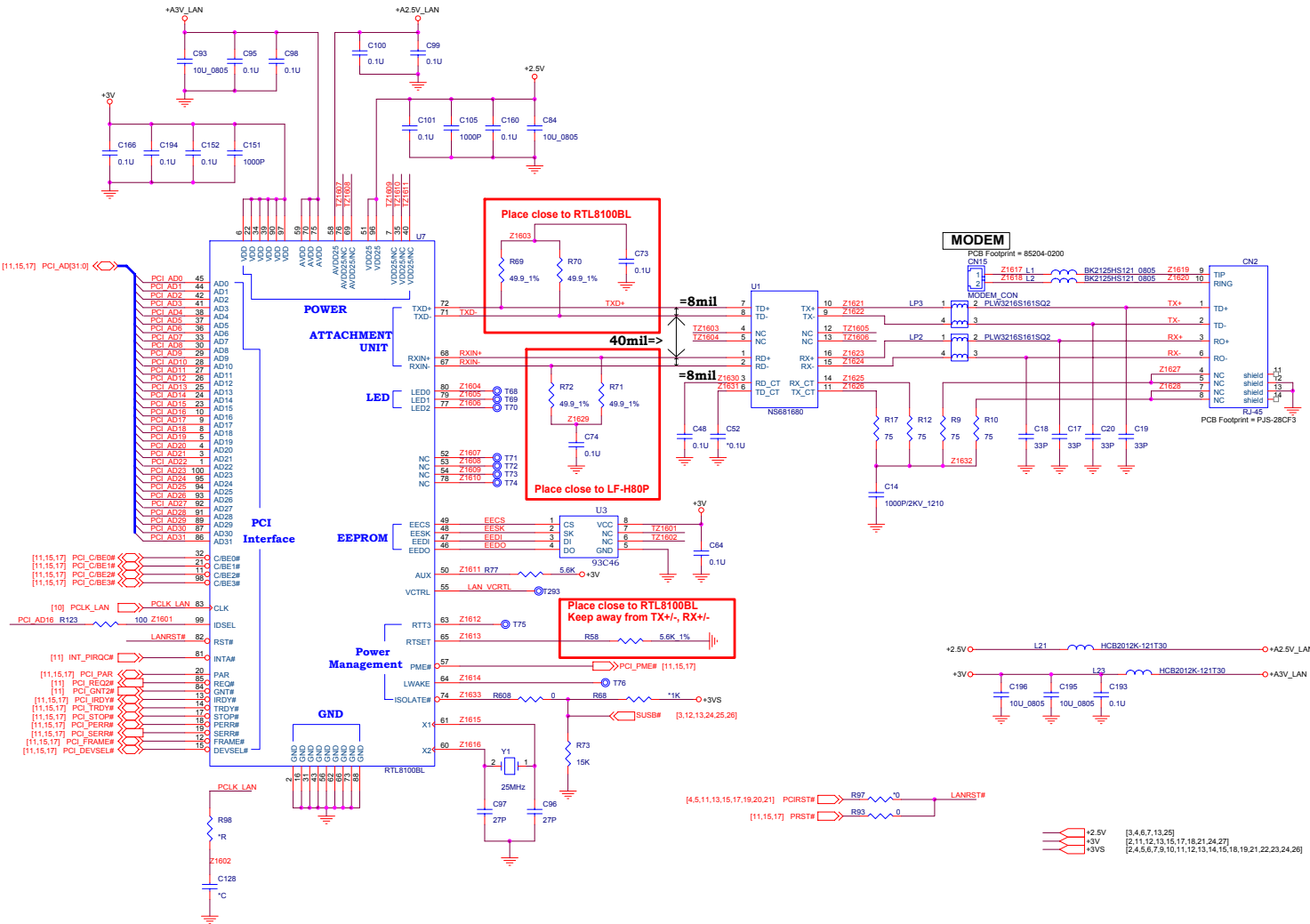


B. T2X0C Schematics

USB2.0 Port



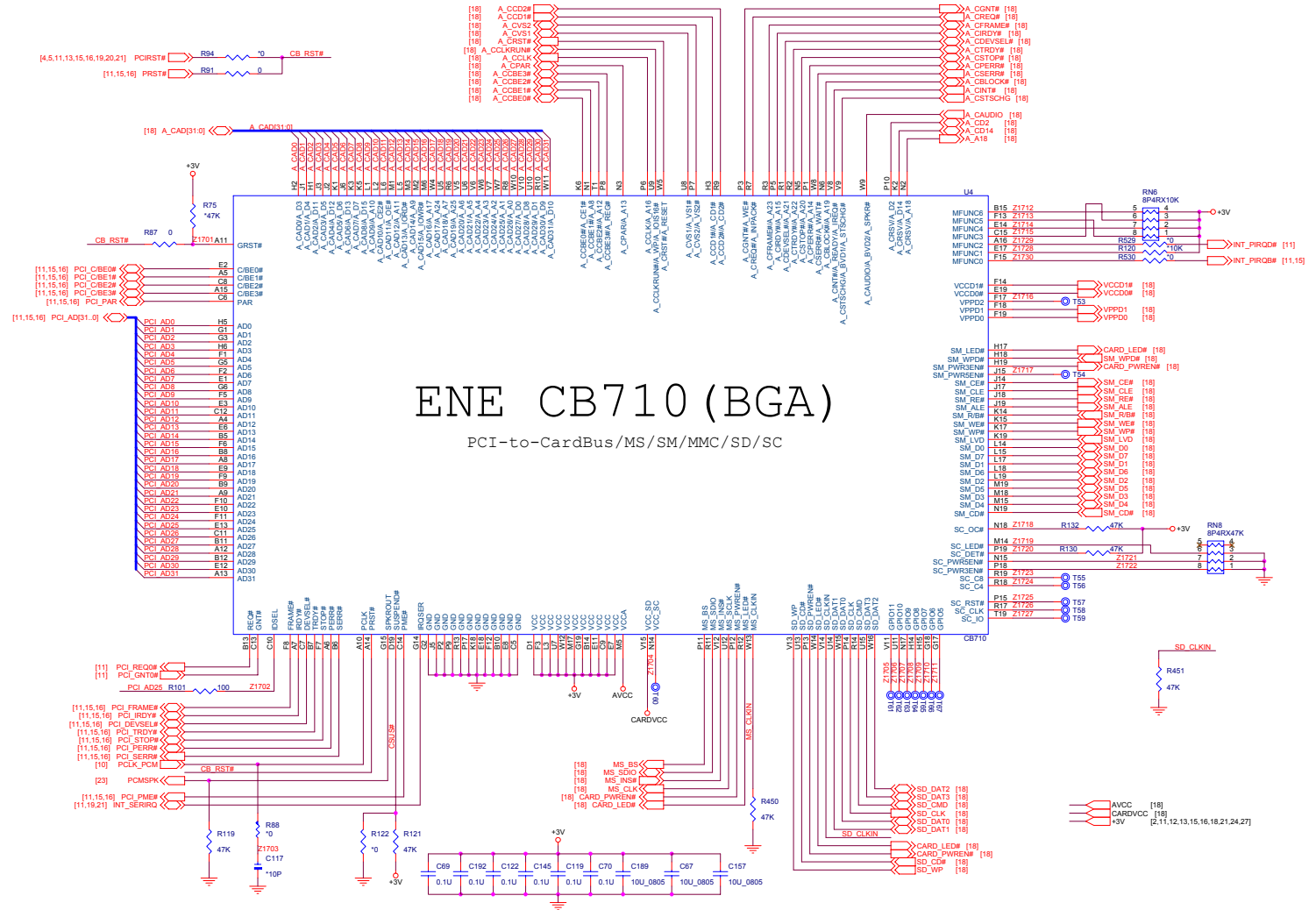
LAN RTL8100BL



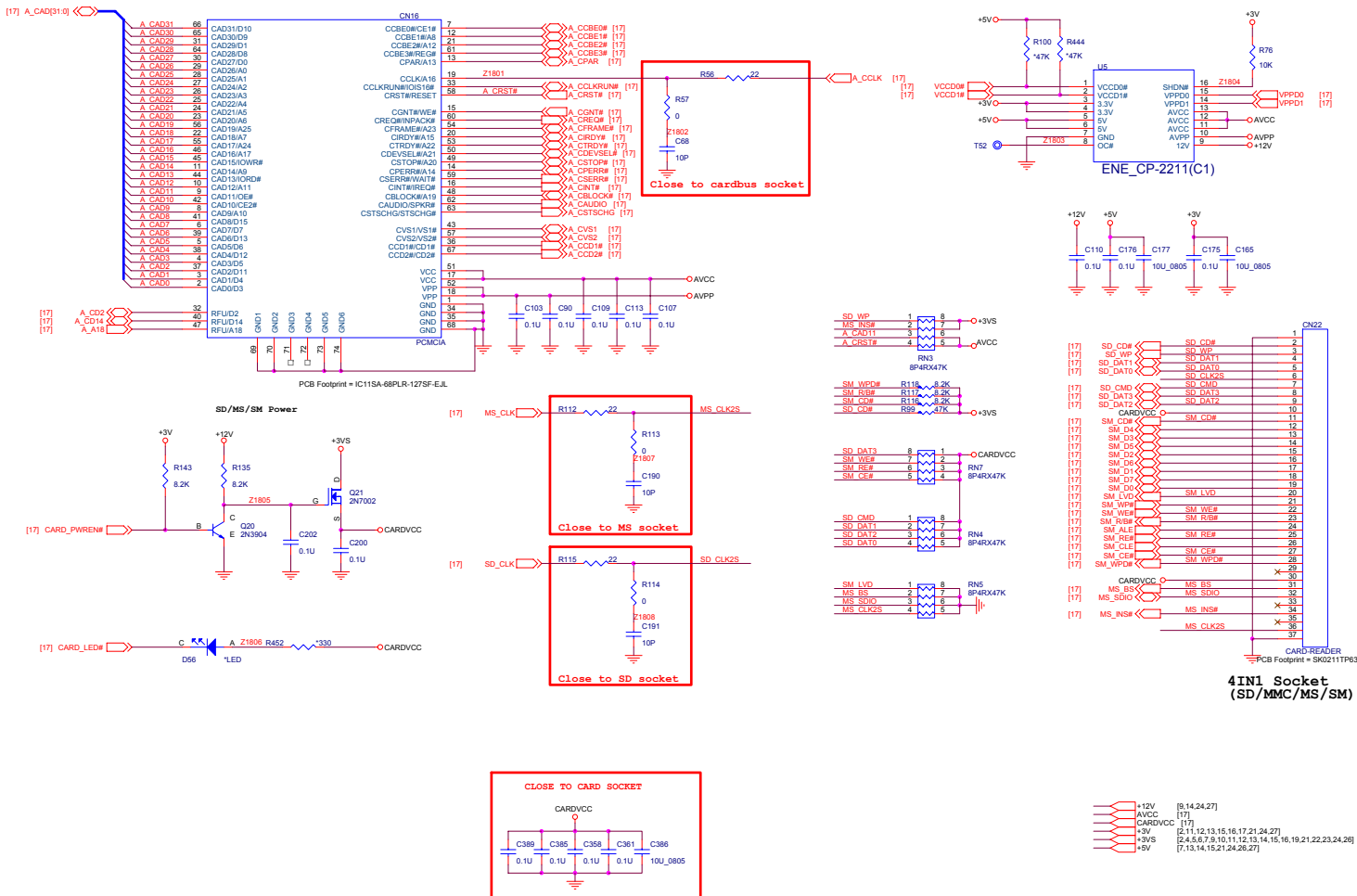
B. T2X0C Schematics

PCMCIA ENE CB710

Sheet 17 of 31
PCMCIA ENE CB710



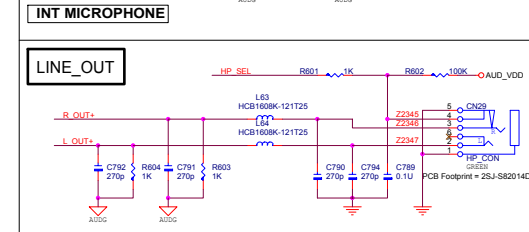
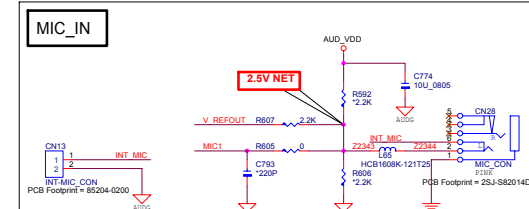
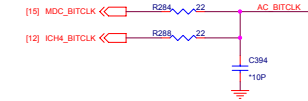
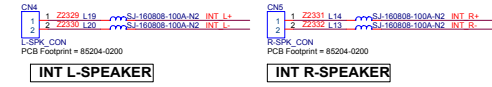
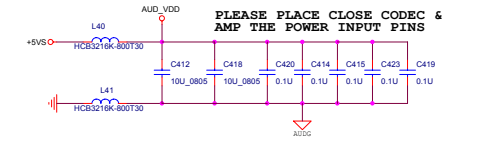
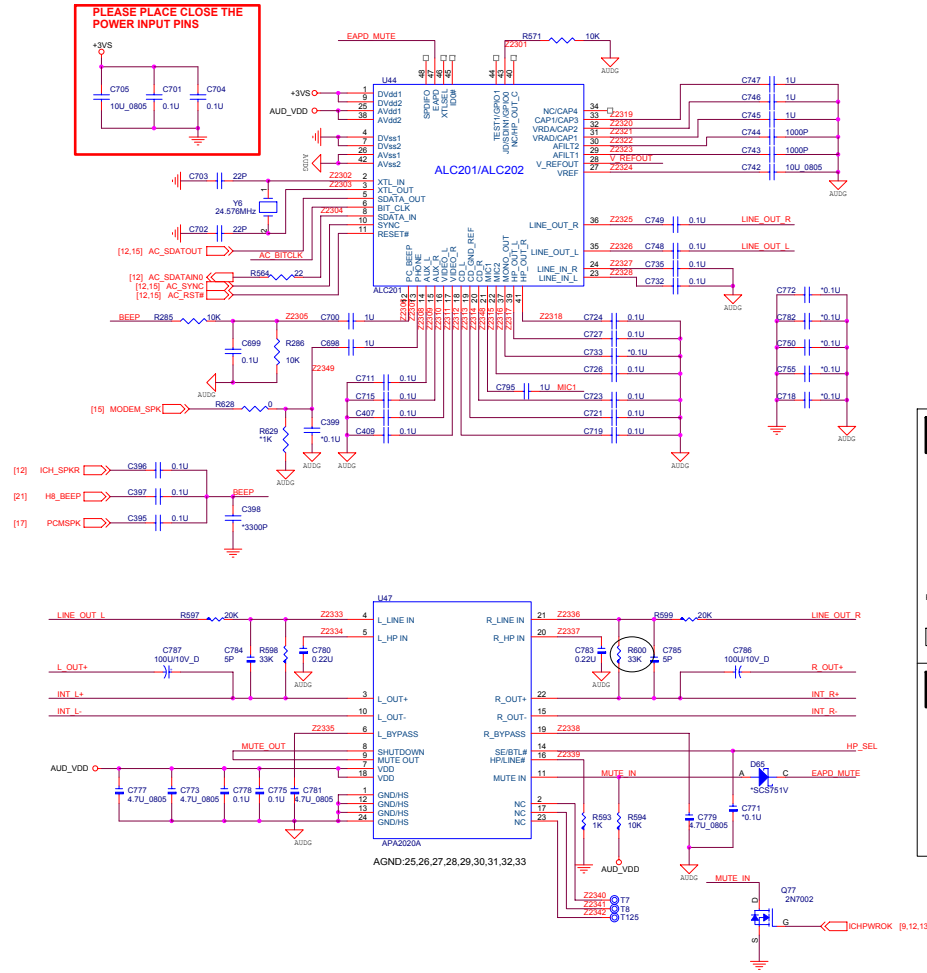
PCM Socket, 4 IN 1 Socket



B. T2X0C Schematics

CODEC, AMP

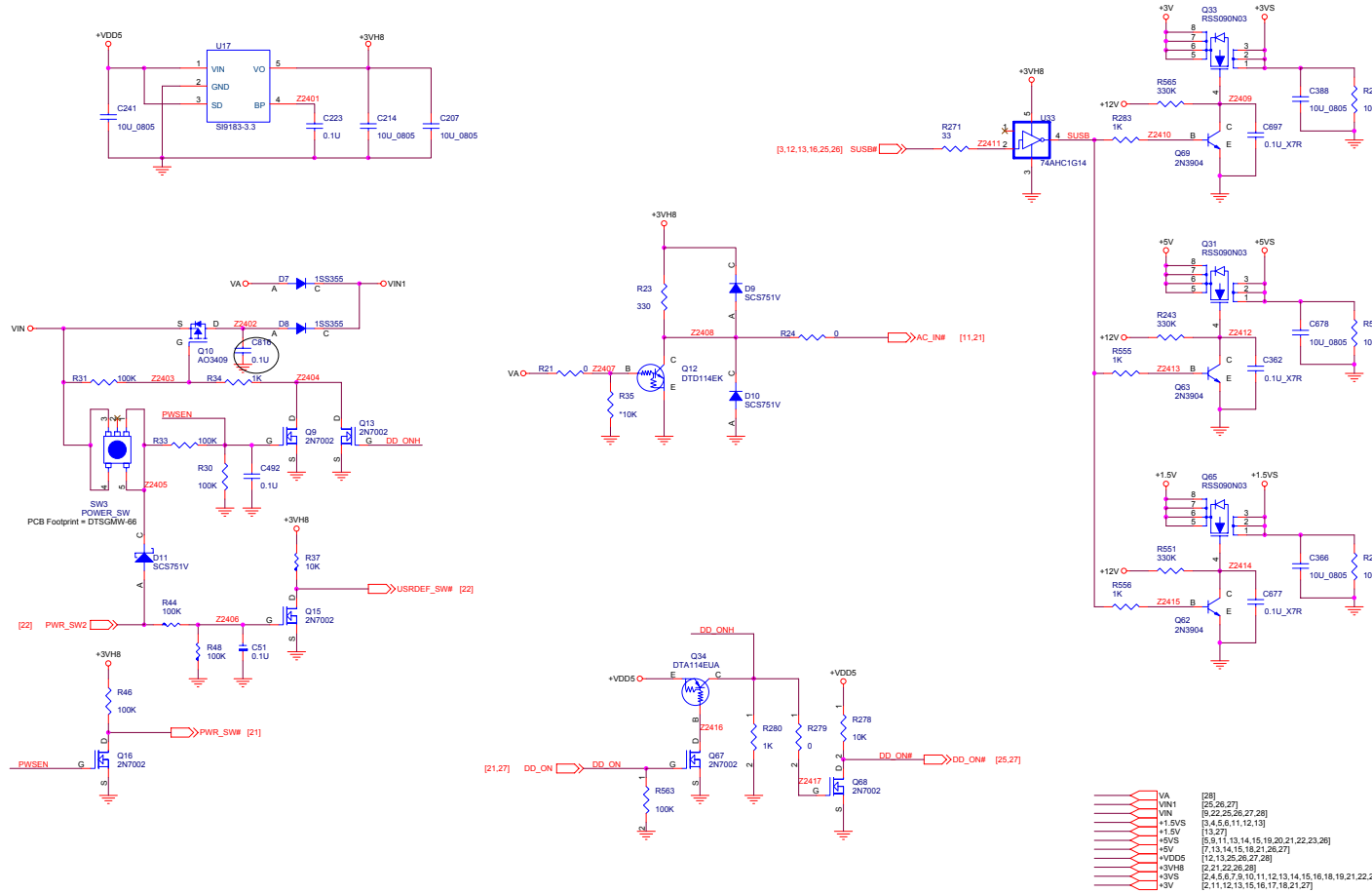
Sheet 23 of 31
CODEC, AMP



[2,4,5,6,7,9,10,11,12,13,14,15,16,18,19,21,22,24,26]
[5,9,11,13,14,15,19,20,21,22,24,26]

+3VS, +5VS

Sheet 24 of 31
+3VS, +5VS

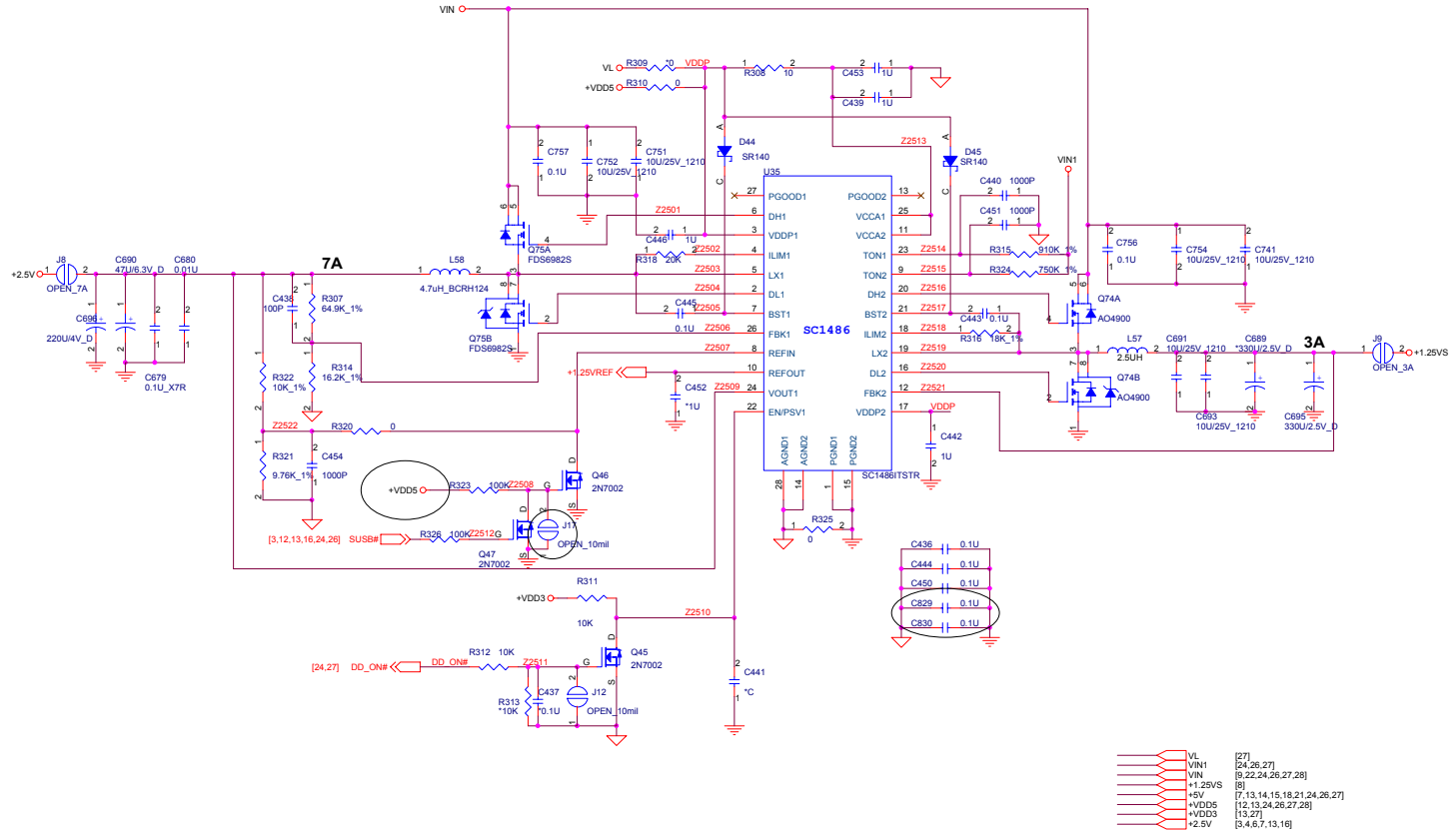


B. T2X0C Schematics

Schematic Diagrams

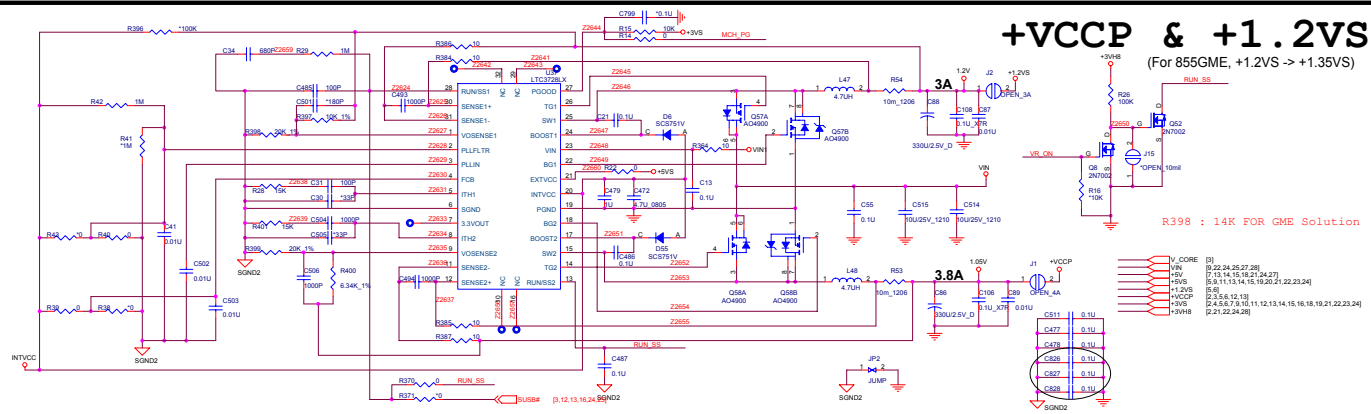
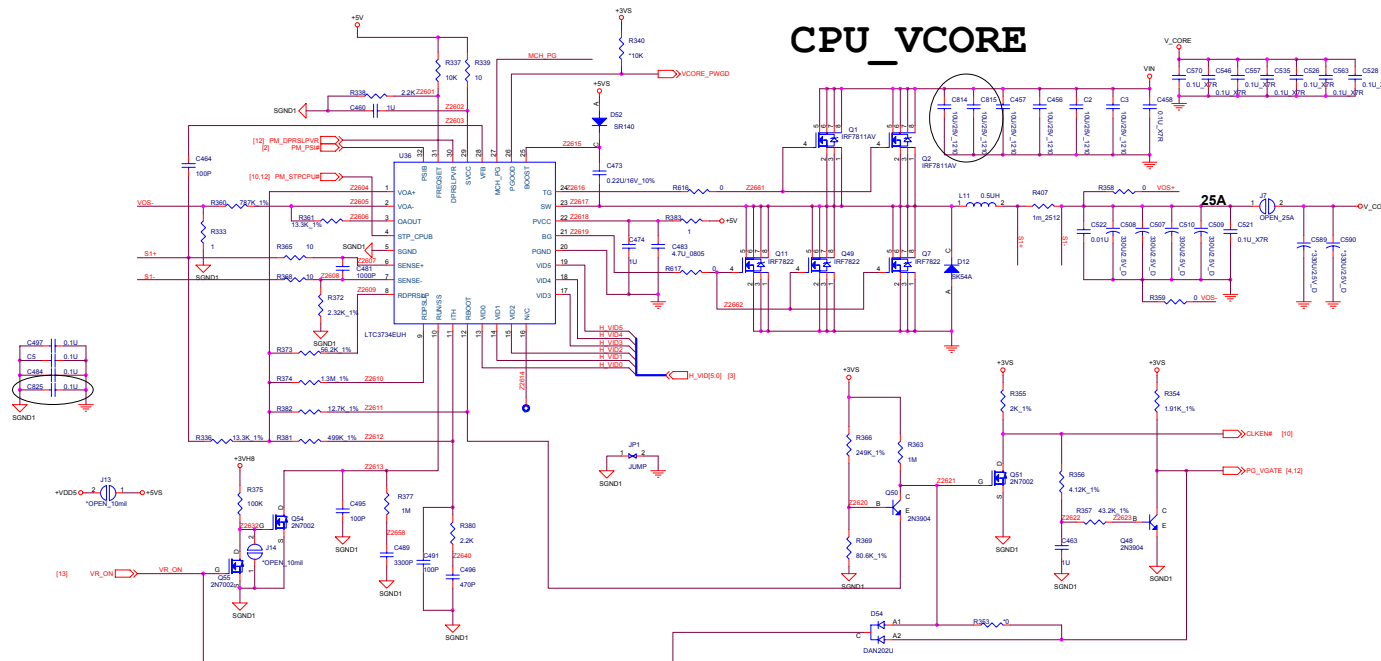
+2.5V, +1.25V, 1.5V

Sheet 25 of 31
+2.5V, +1.25V, 1.5V



V_CORE/ +VCCP/ +1.2VS

Sheet 26 of 31
**V_CORE/ VCCP/
 +1.2VS**



+VCCP & +1.2VS

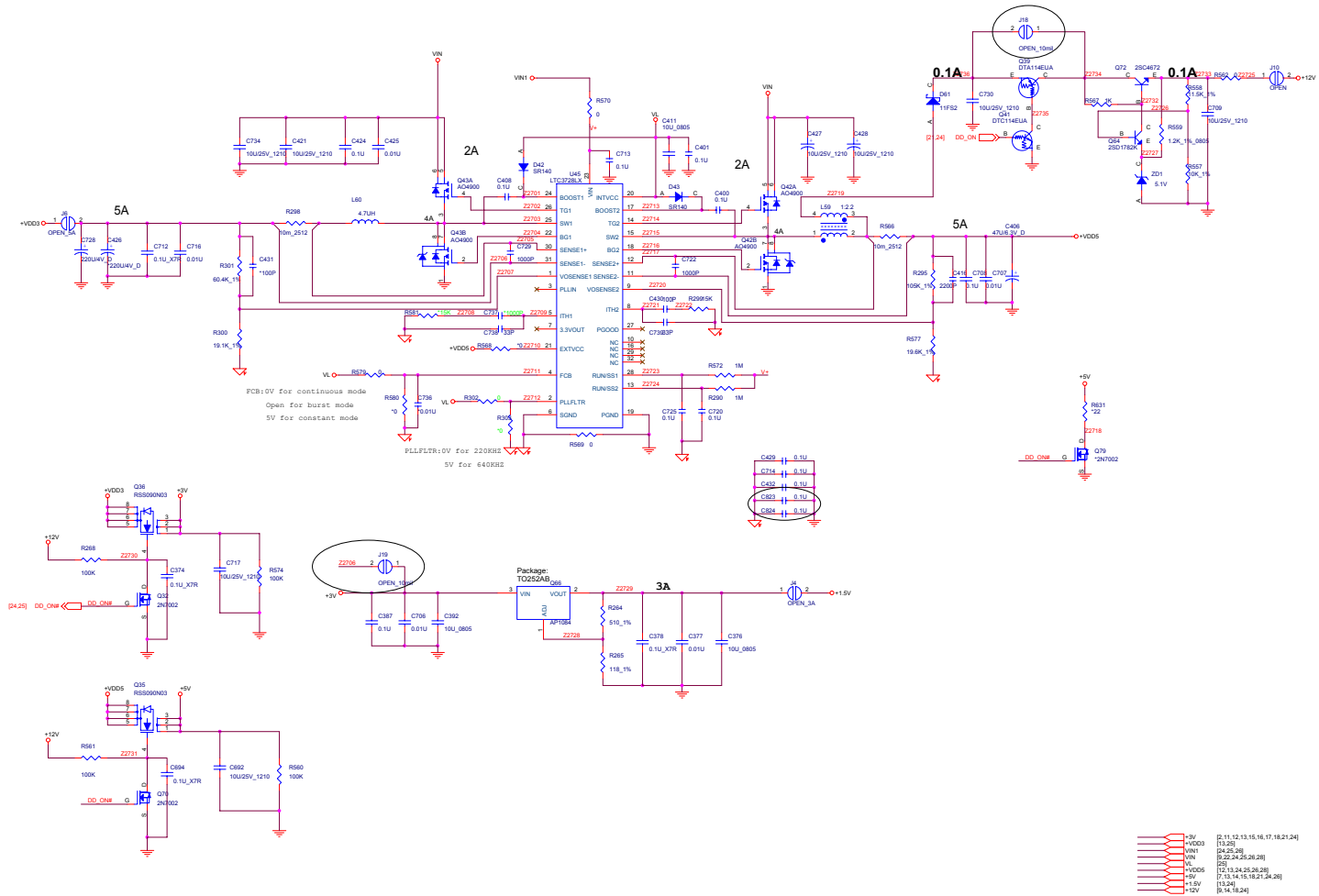
(For 855GME, +1.2VS -> +1.35VS)

V_CORE [3]	[8,22,24,25,27,28]
+5V	[7,13,14,15,16,21,24,27]
+3VS	[3,11,13,14,15,16,20,21,22,23,24]
+1.2VS	[5]
+VCCP	[6,9,12,13]
+3V8	[2,4,5,6,7,8,10,11,12,13,14,15,16,18,19,21,22,23,24]
+3V8B	[21,22,24,28]

Schematic Diagrams

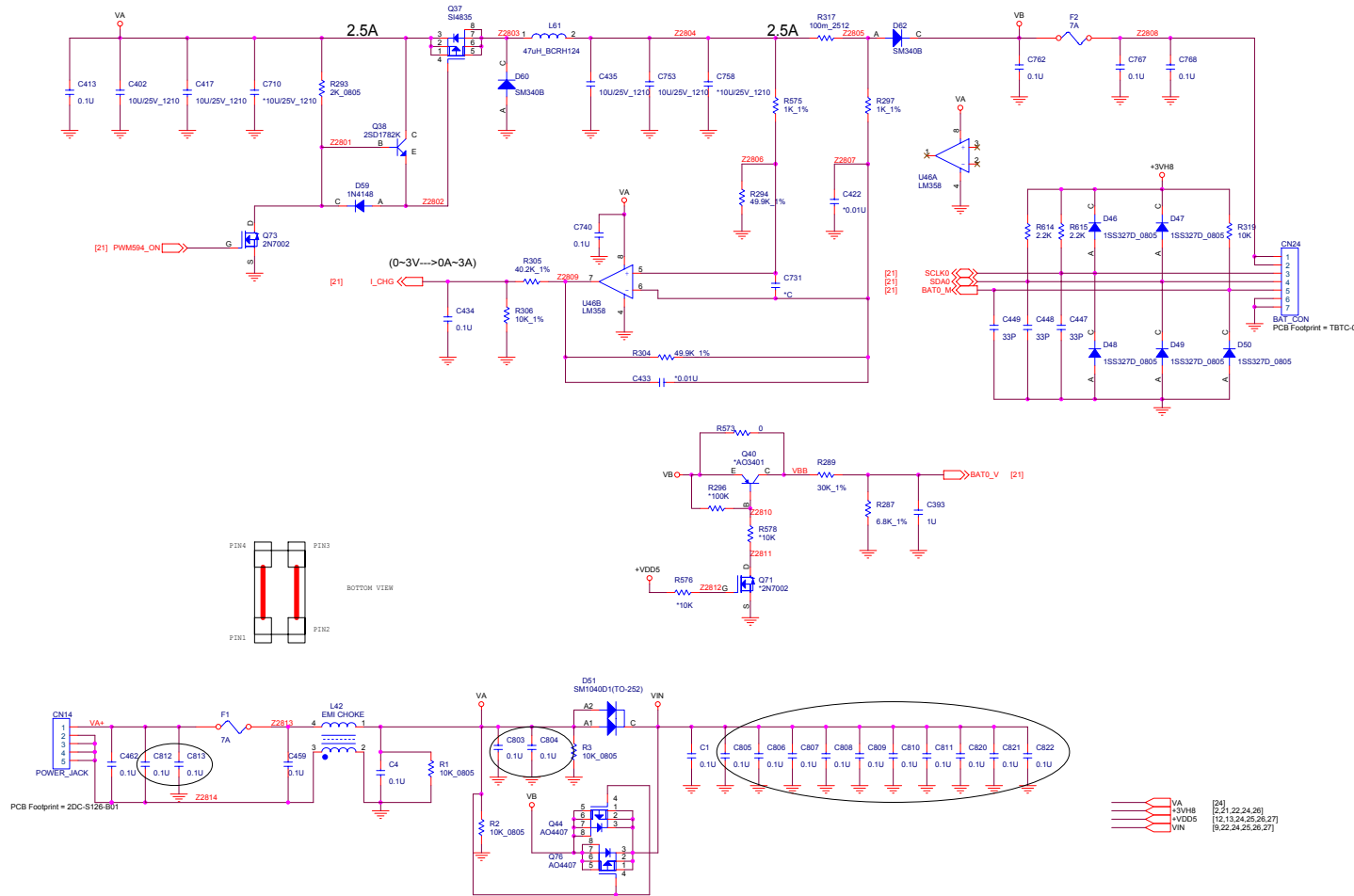
5V, 3.3V, +1.2, 1.5V

Sheet 27 of 31
5V, 3.3V, +1.2V, 1.5V



Charger

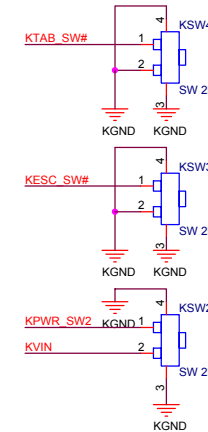
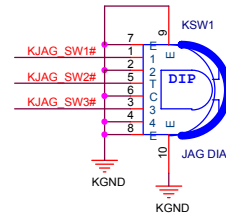
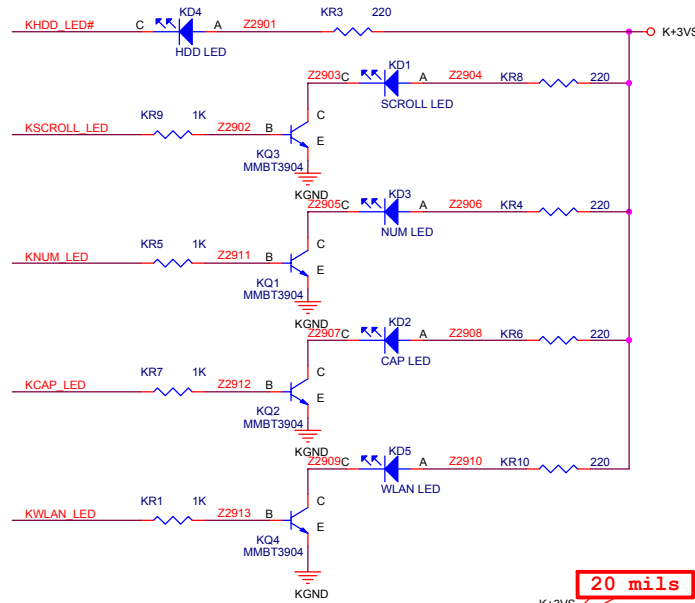
Sheet 28 of 31
Charger



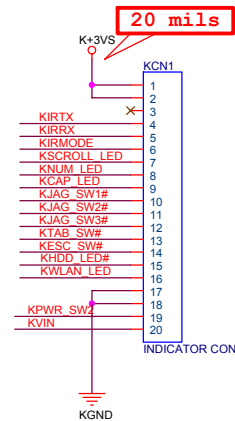
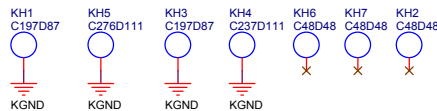
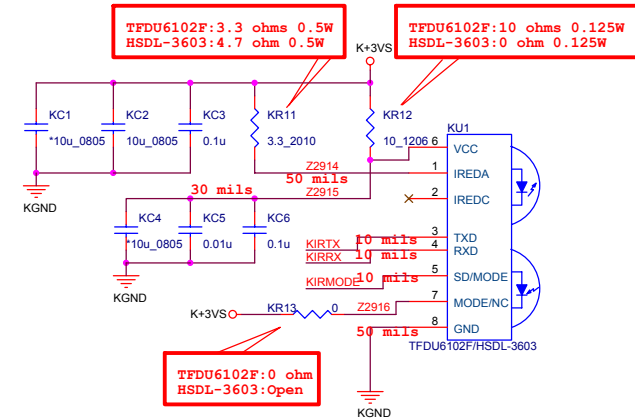
Schematic Diagrams

Hot Key

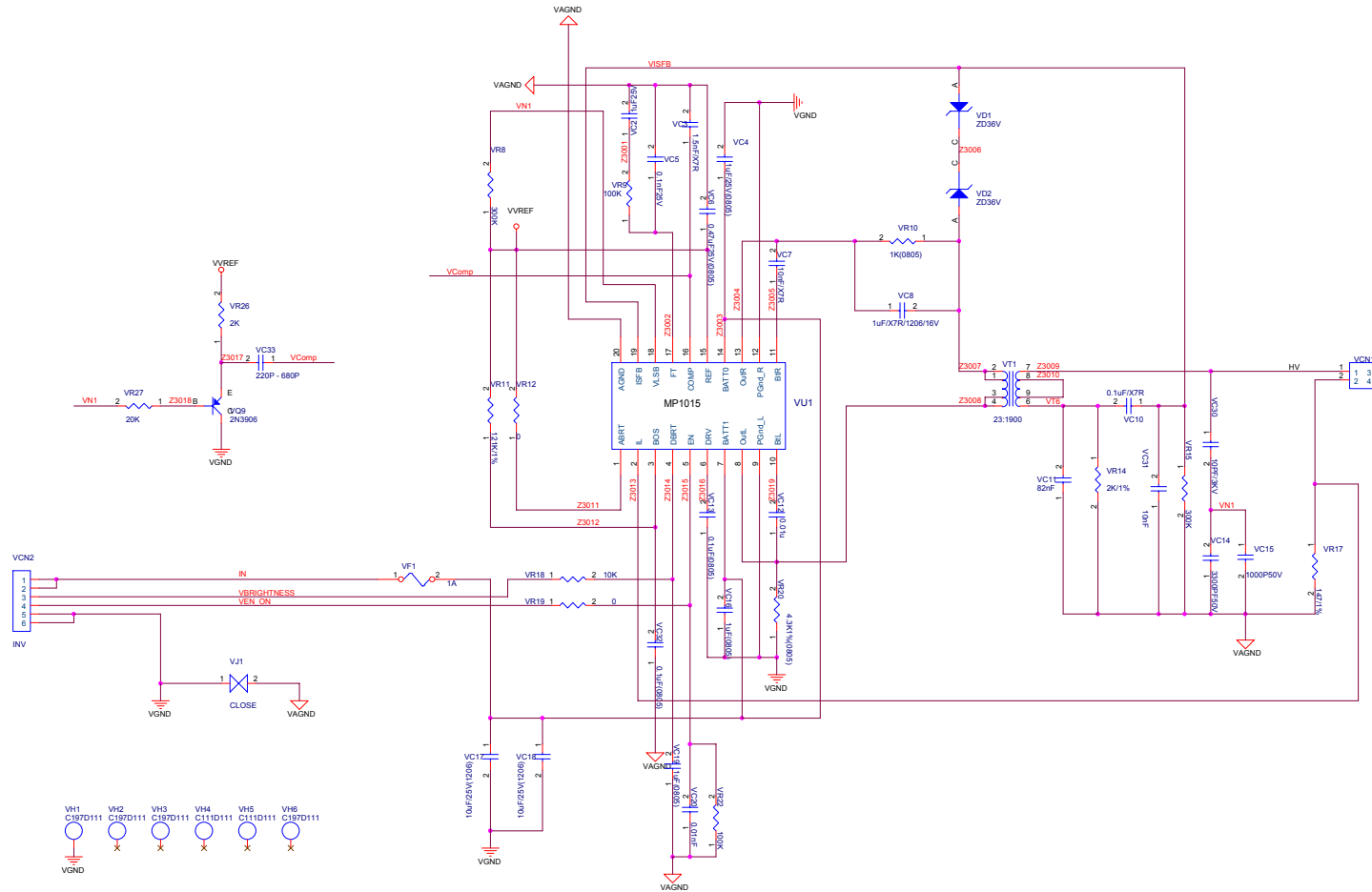
Sheet 29 of 31
Hot Key



IR Transceiver



Inverter

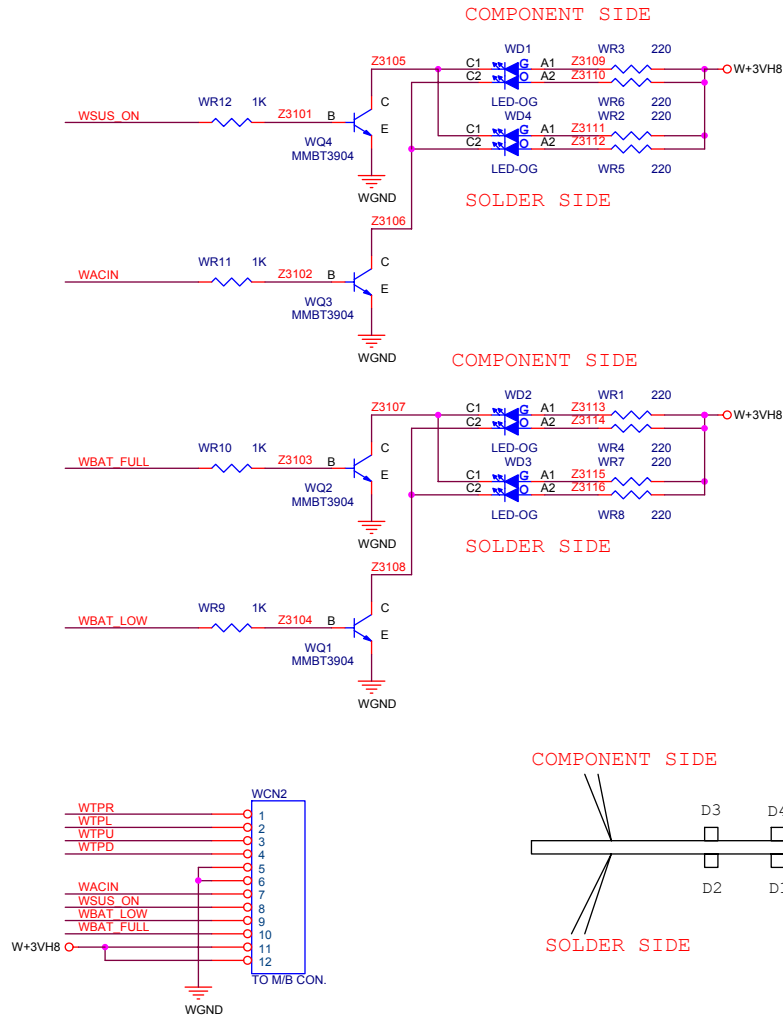


Schematic Diagrams

LCD LED Board

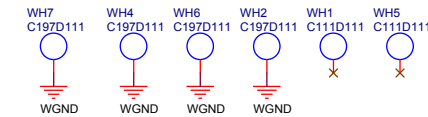
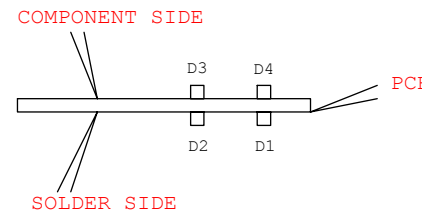
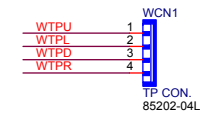
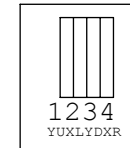
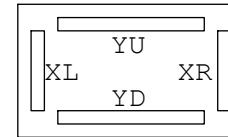
Sheet 31 of 31
LCD LED Board

B. T2X0C Schematics



SIGNAL	BAT CHARGING	BAT FULL	BAT FAIL	BAT LOW
BAT_FULL	LO	HI	HI	LO
BAT_LOW	HI	LO	HI	0.5Sec-HI 2.0Sec-LO
COLOR	ORANGE	GREEN	GREEN/ ORANGE	FLASH ORANGE

SIGNAL	POWER ON	ACIN	STR
SUS_ON	HI	LO	0.5Sec-HI 2.0Sec-LO
ACIN	LO	HI	LO
COLOR	GREEN	ORANGE	FLASH GREEN



Appendix C: T200V/T210V Schematic Diagrams

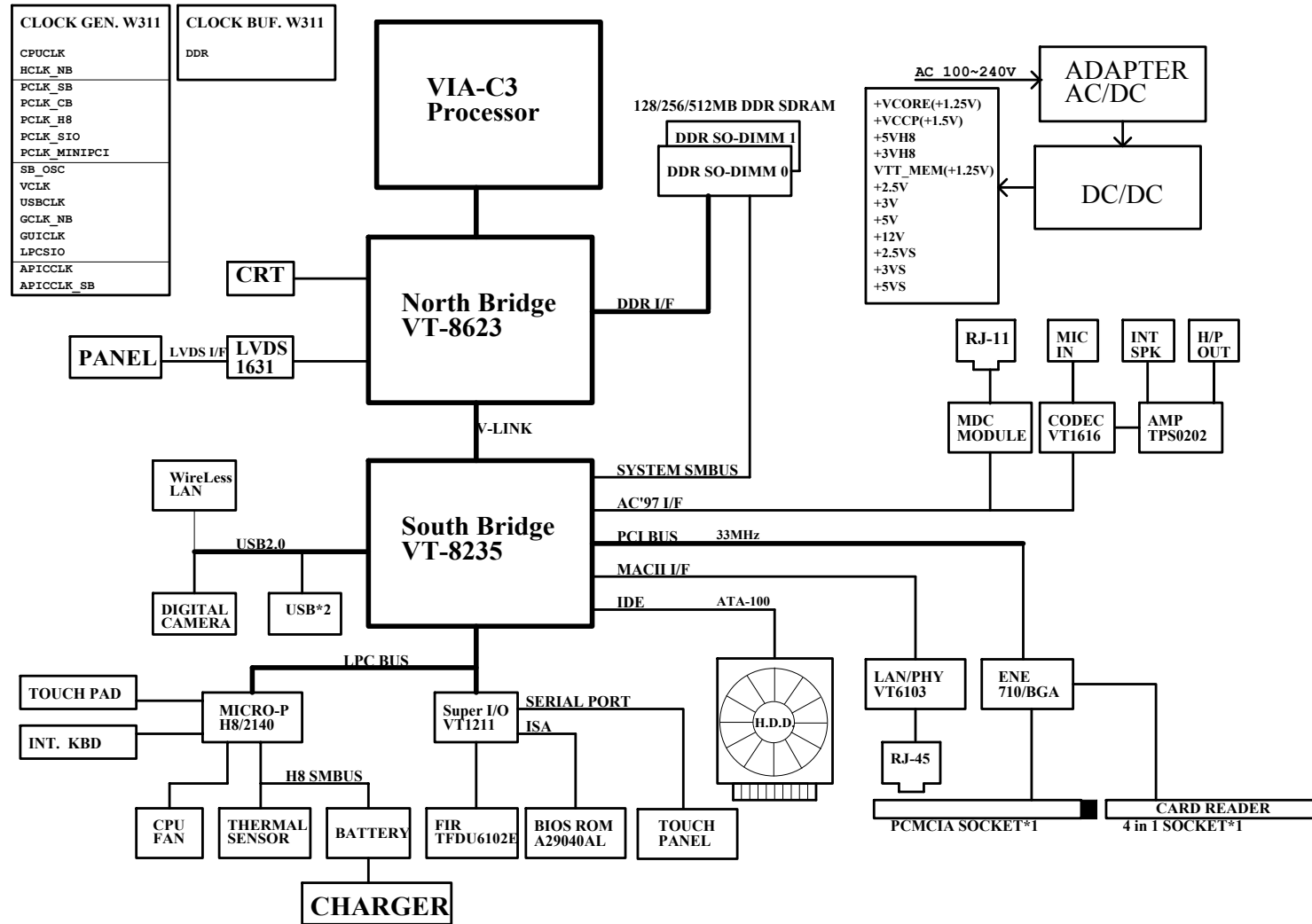
This appendix has circuit diagrams of the T200V/T210V computers PCB's:

Diagram - Page	Diagram - Page
<i>System Block Diagram - Page C - 2</i>	<i>HDD, MDC, BT, Indicator, WLAN - Page C - 16</i>
<i>VIA C3 (1 of 2) - Page C - 3</i>	<i>LAN PHY VT6103 - Page C - 17</i>
<i>VIA C3 (2 of 2) - Page C - 4</i>	<i>PCMCIA ENE CB710 - Page C - 18</i>
<i>VT8623 (1 of 3) - Page C - 5</i>	<i>PCM Socket, 4 In 1 Socket - Page C - 19</i>
<i>VT8623 (2 of 3) - Page C - 6</i>	<i>SIO, BIOS, FIR - Page C - 20</i>
<i>VT8623 (3 of 3) - Page C - 7</i>	<i>H8S / 2104LPC - Page C - 21</i>
<i>DDR SO-DIMM - Page C - 8</i>	<i>Fan, CRT, Inverter, DC, Power_GD - Page C - 22</i>
<i>DDR Termination - Page C - 9</i>	<i>Audio Codec VT1616 - Page C - 23</i>
<i>LVDS Transmitter, Panel I/F - Page C - 10</i>	<i>Touch Panel Controller - Page C - 24</i>
<i>Clock (W311 + W256) - Page C - 11</i>	<i>System Power 1 - Page C - 25</i>
<i>VT2835 (1 of 3) - Page C - 12</i>	<i>System Power 2 - Page C - 26</i>
<i>VT2835 (2 of 3) - Page C - 13</i>	<i>System Power 3 - Page C - 27</i>
<i>VT2835 (3 of 3) - Page C - 14</i>	<i>CPU VCORE - Page C - 28</i>
<i>All USB 2.0 Port - Page C - 15</i>	<i>Charger - Page C - 29</i>

Table C - 1
Schematic Diagram

System Block Diagram

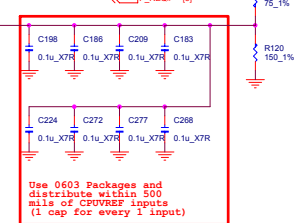
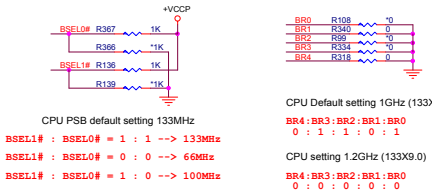
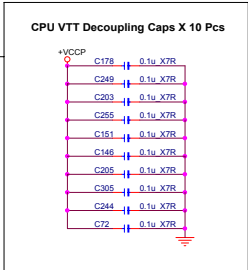
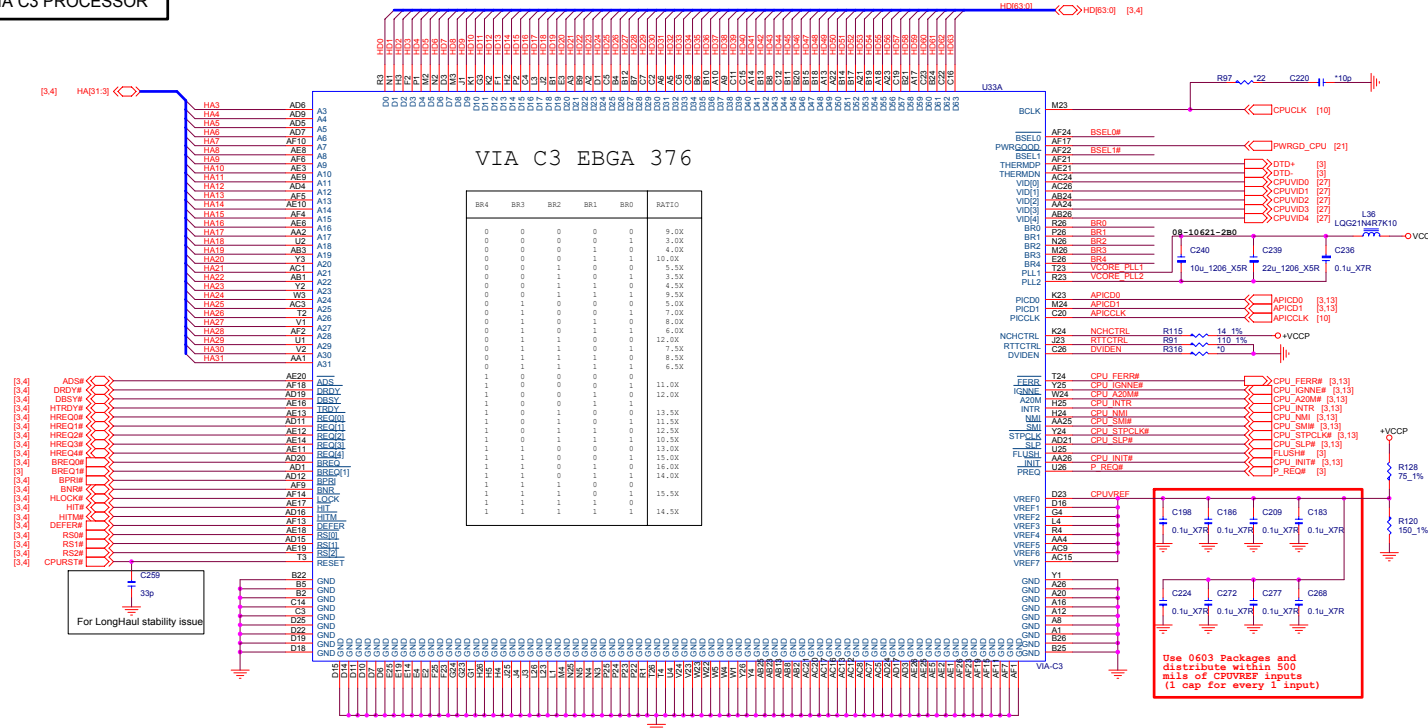
Sheet 1 of 29
System Block
Diagram



VIA C3 (1 of 2)

Sheet 2 of 29
VIA C3 (1 of 2)
Sheet 3 of 29

VIA C3 PROCESSOR

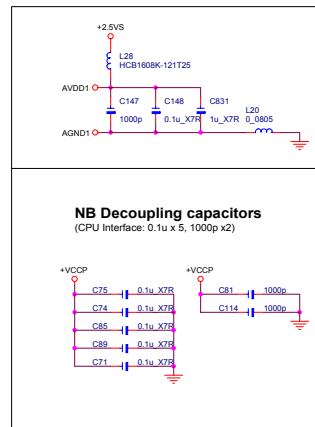
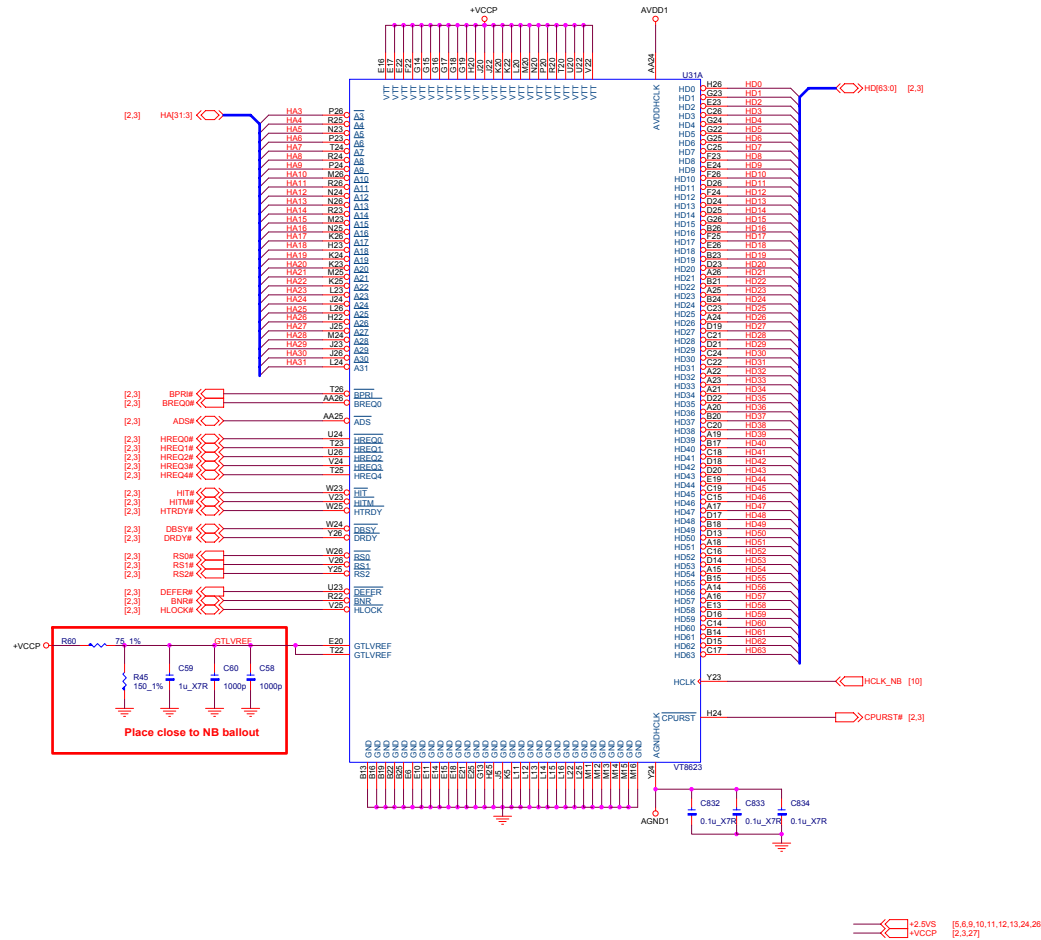


C. T2X0V Schematics

VT8623 (1 of 3)

CLE266

Sheet 5 of 29
VT8623 (1 of 3)



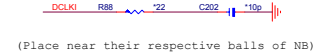
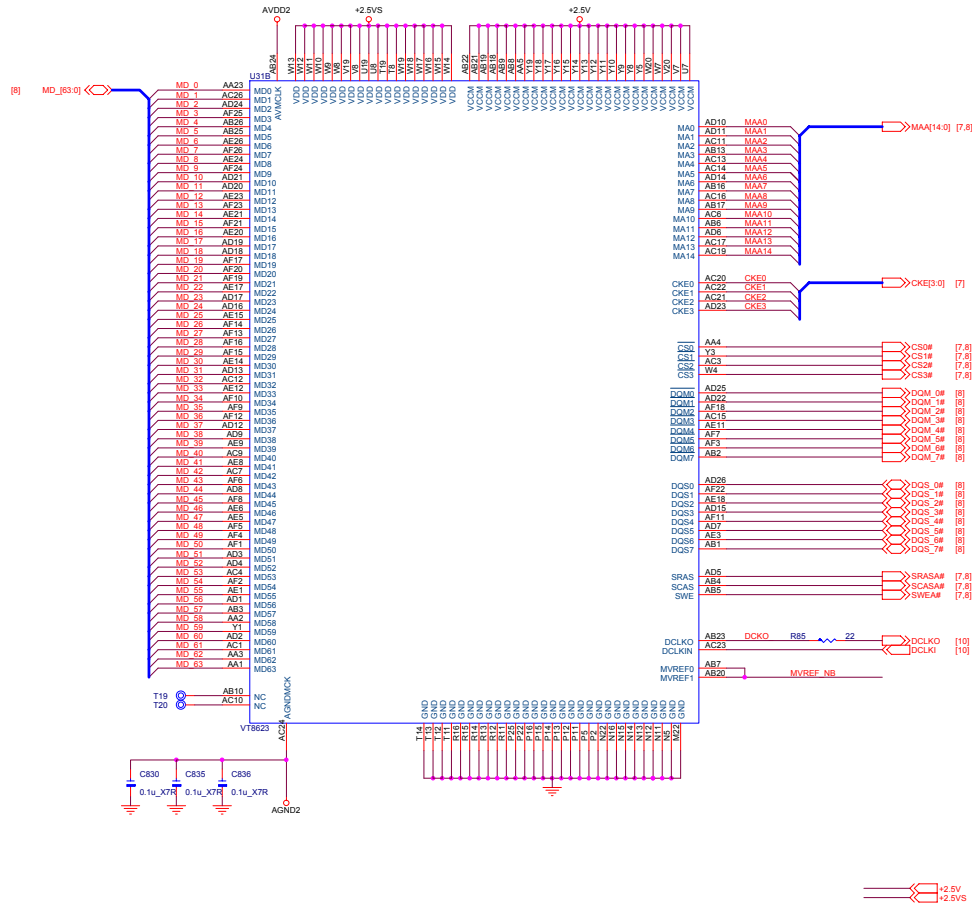
C. T2X0V Schematics

Schematic Diagrams

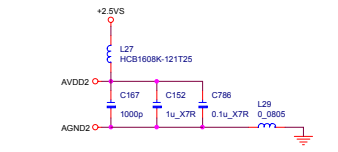
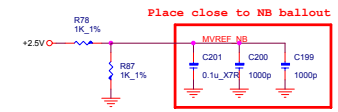
VT8623 (2 of 3)

Sheet 6 of 29
VT8623 (2 of 3)

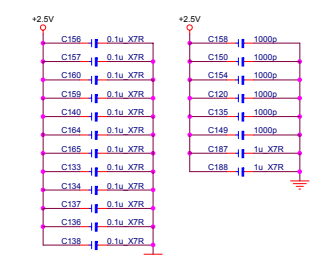
CLE266



(Place near their respective balls of NB)



NB Decoupling capacitors
(Memory Interface: 1u x 2, 0.1u x 12, 1000p x 6)

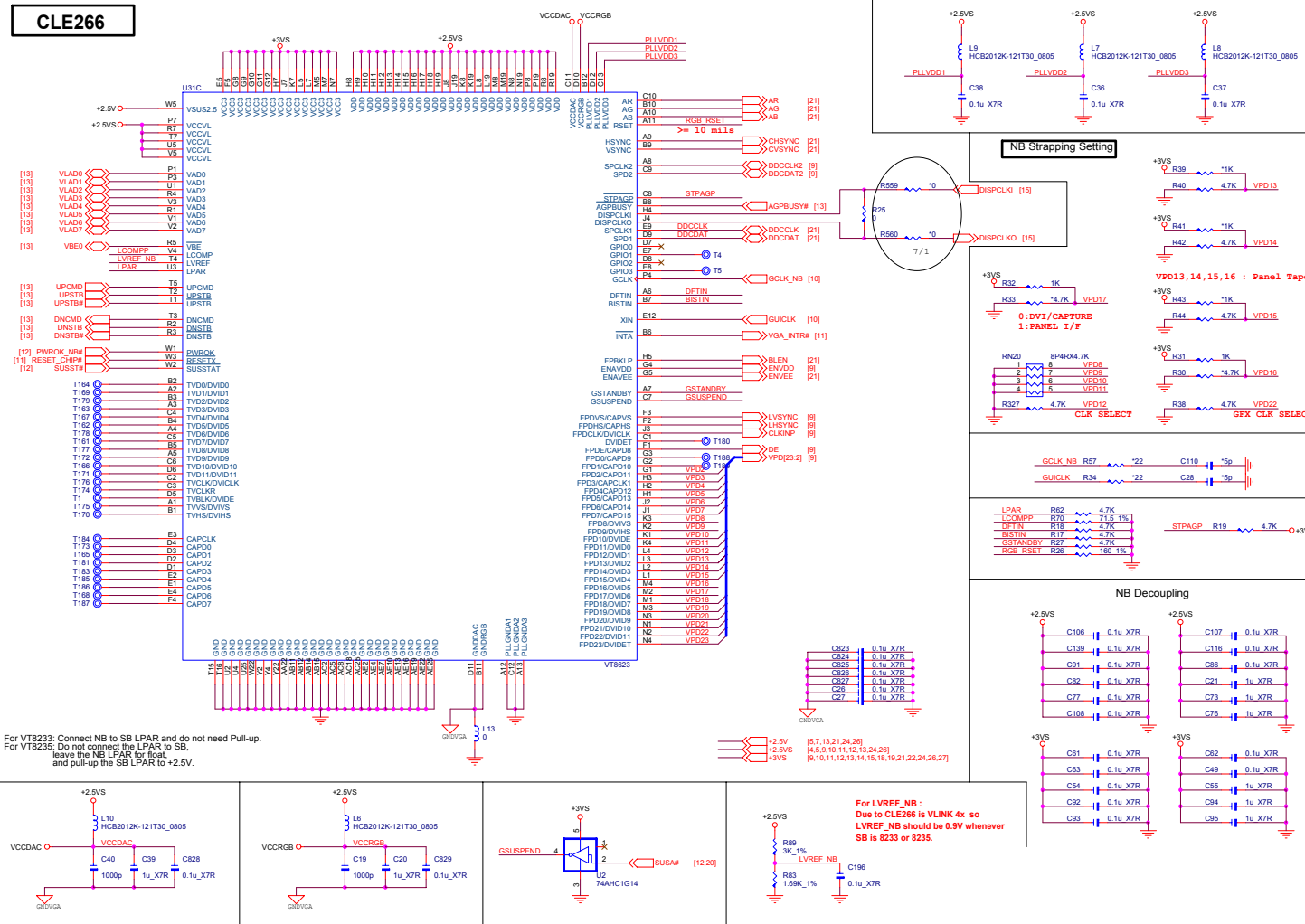


+2.5V [6,7,13,21,24,26]
+2.5VS [4,6,8,10,11,12,13,24,26]

C. T2X0V Schematics

VT8623 (3 of 3)

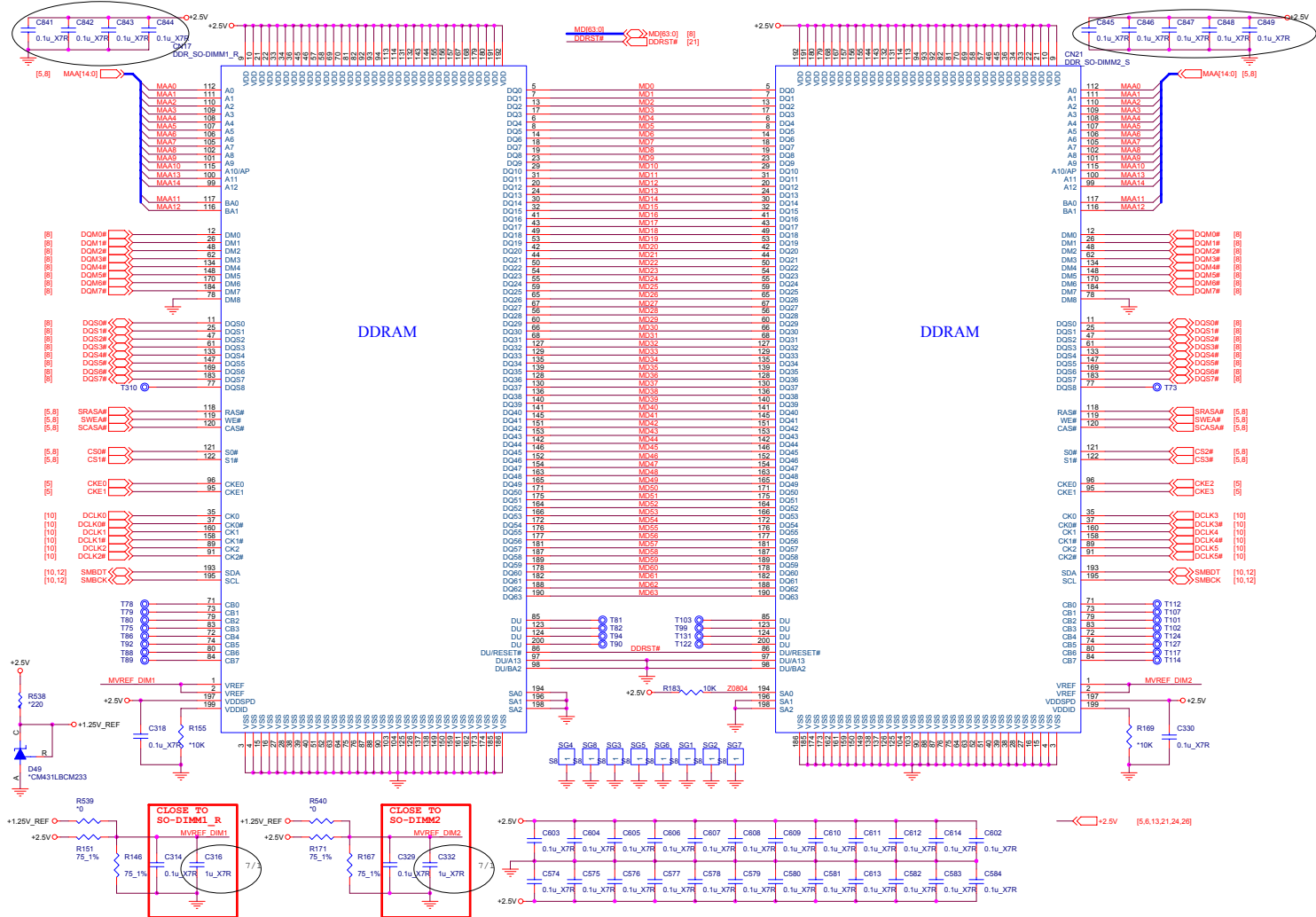
Sheet 7 of 29
VT8623 (3 of 3)



Schematic Diagrams

DDR SO-DIMM

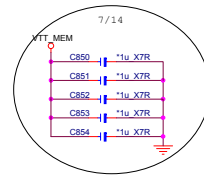
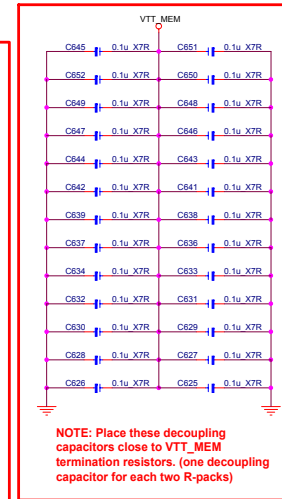
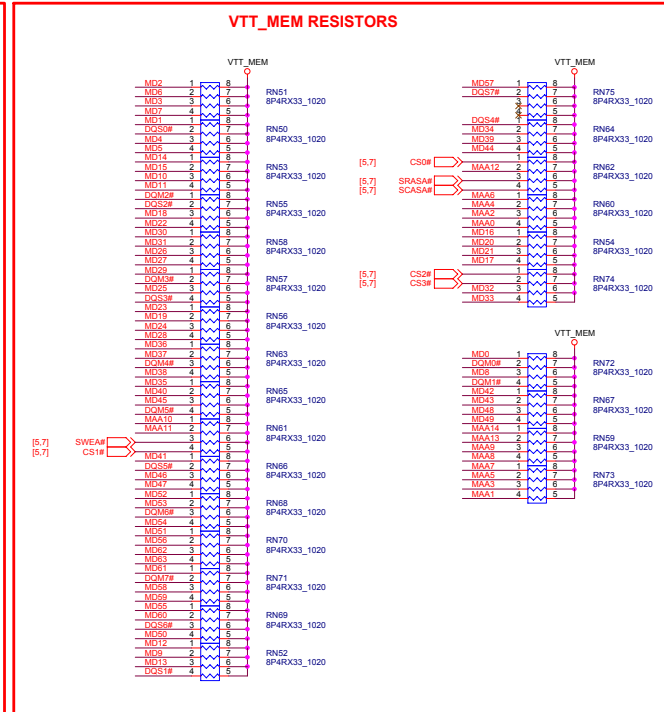
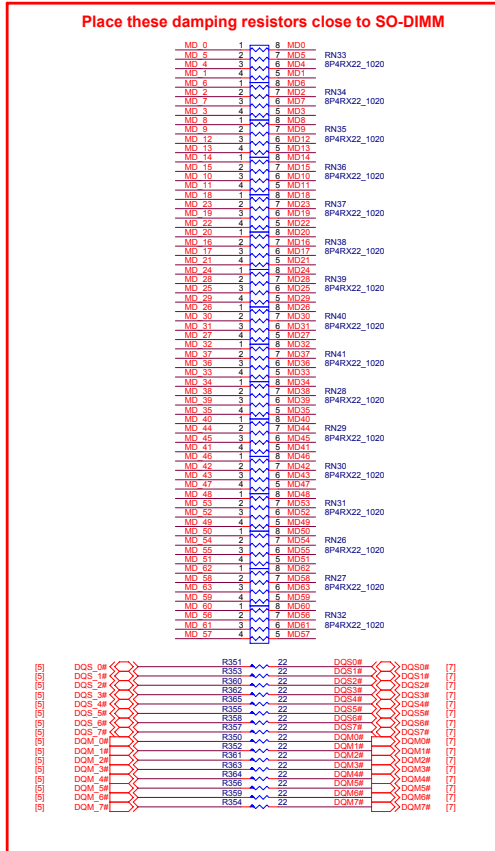
Sheet 8 of 29
DDR SO-DIMM



C. T2X0V Schematics

DDR Termination

Sheet 9 of 29
DDR Termination

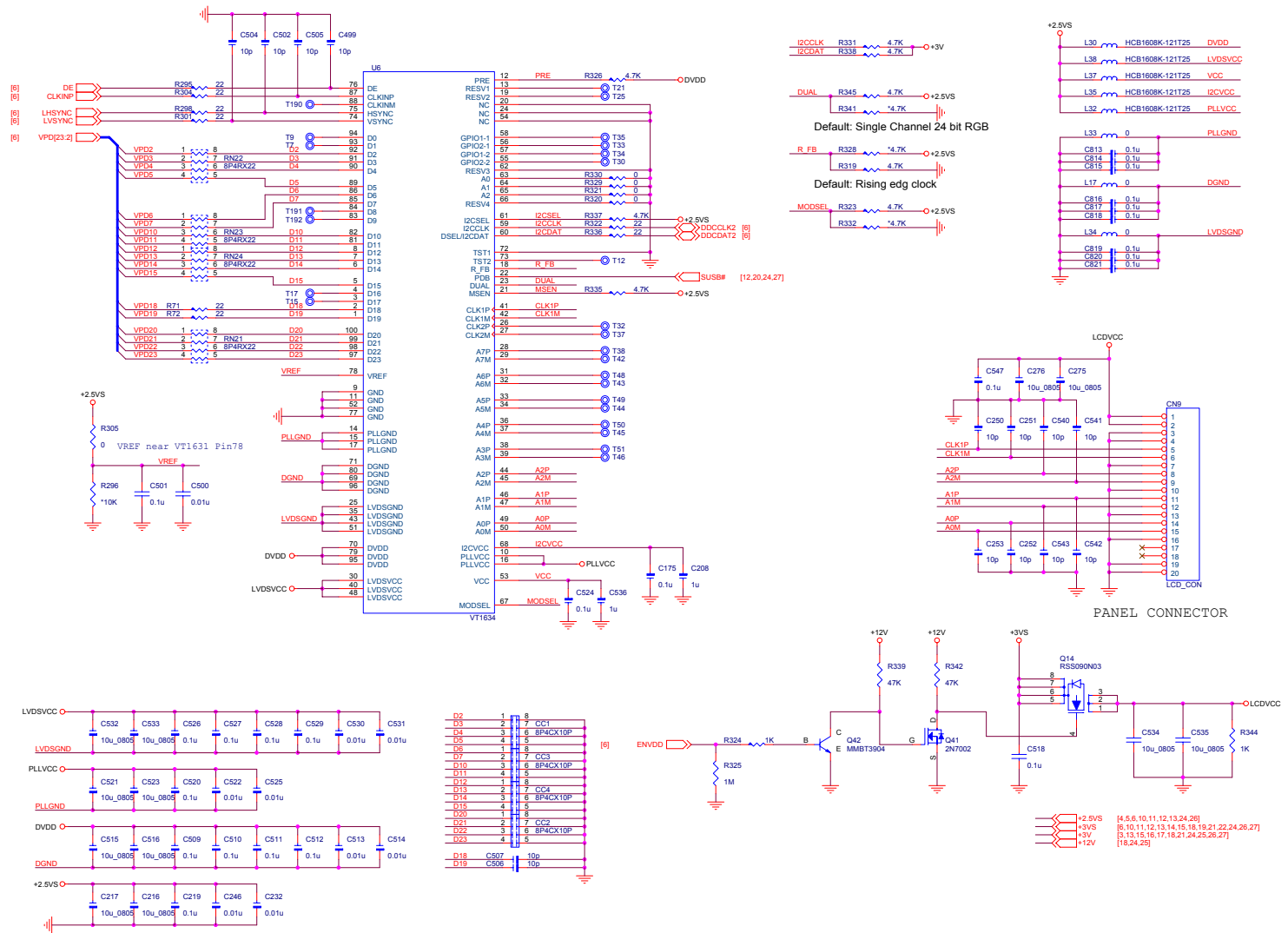


C. T2X0V Schematics

LVDS Transmitter, Panel I/F

Sheet 10 of 29
LVDS Transmitter,
Panel I/F

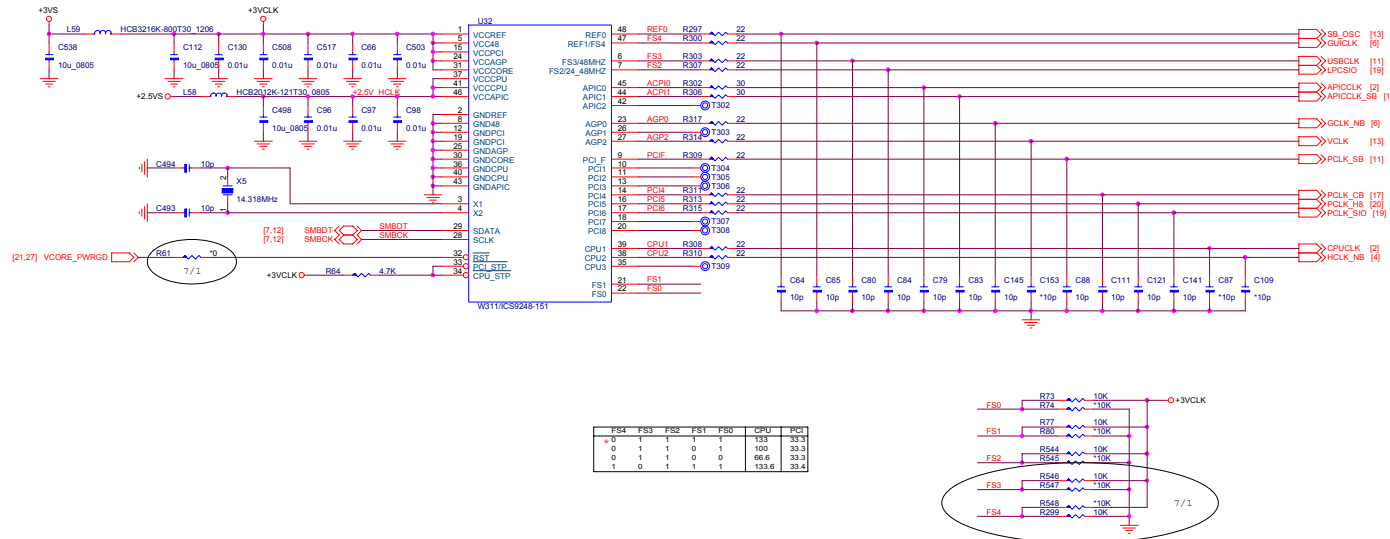
C. T2X0V Schematics



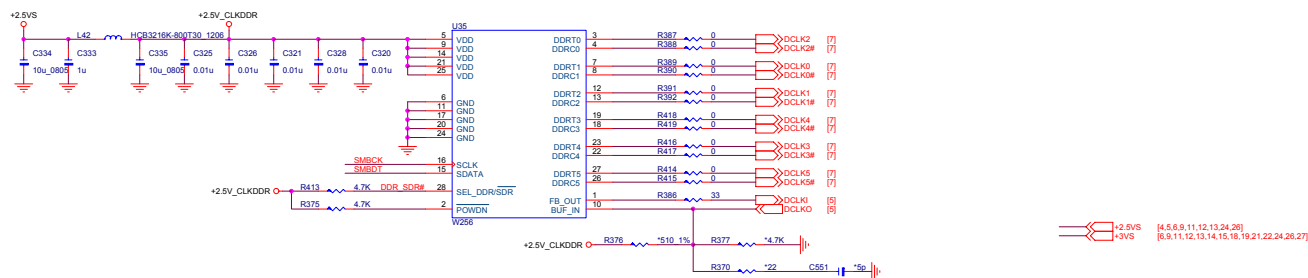
Clock (W311 + W256)

Sheet 11 of 29
Clock (W311 + W256)

W311



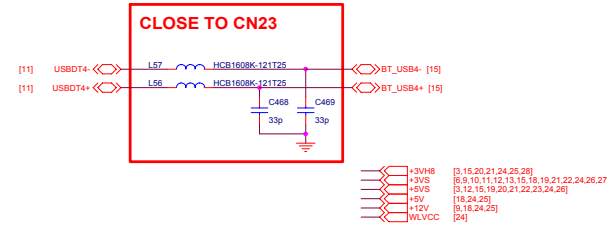
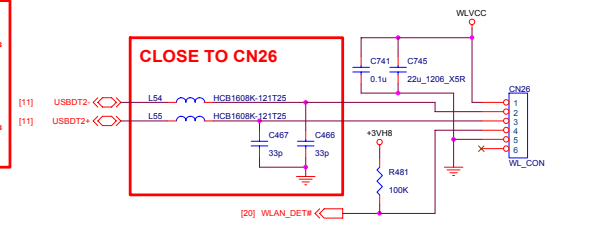
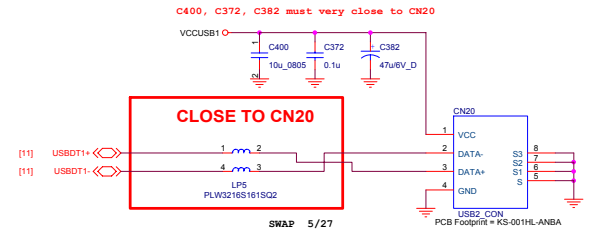
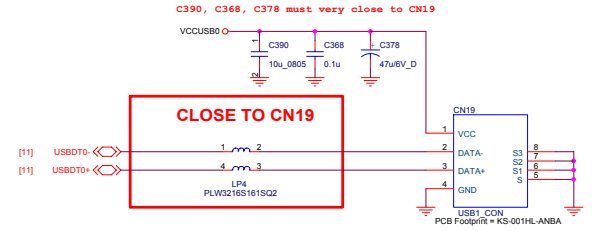
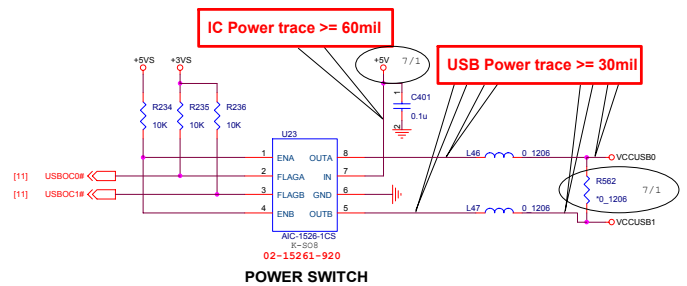
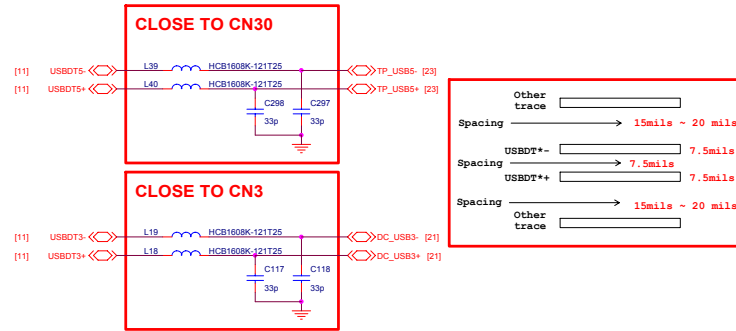
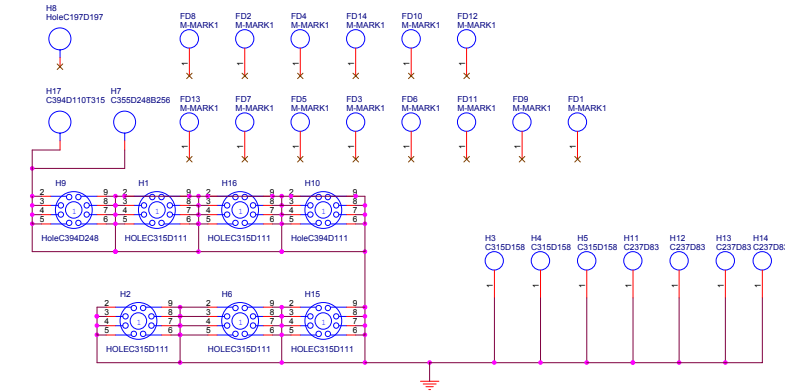
W256



C. T2X0V Schematics

All USB 2.0 Port

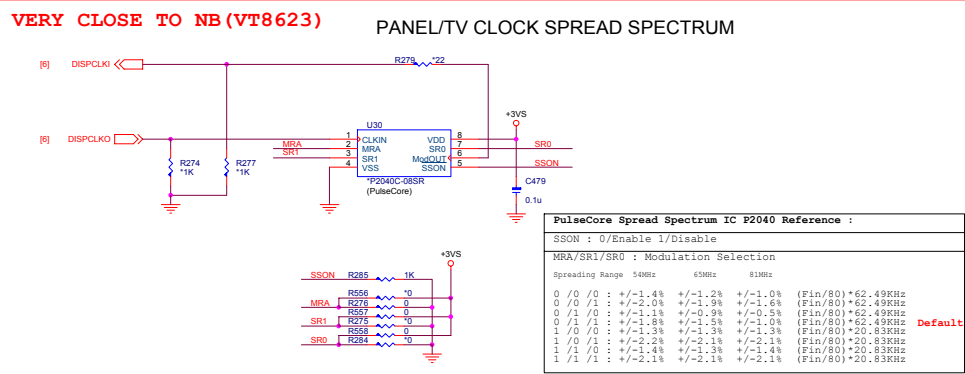
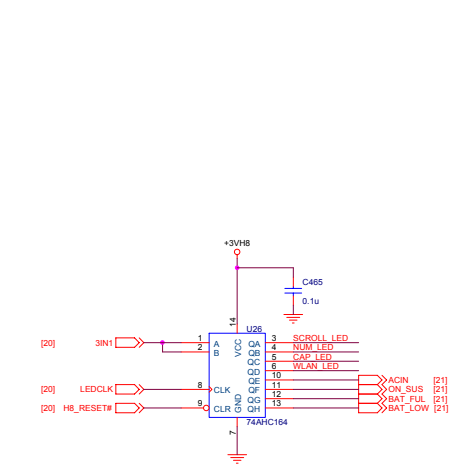
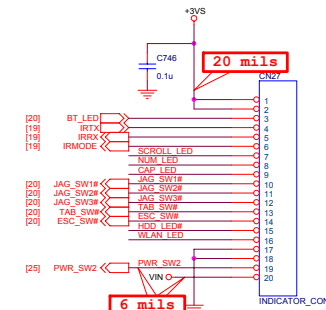
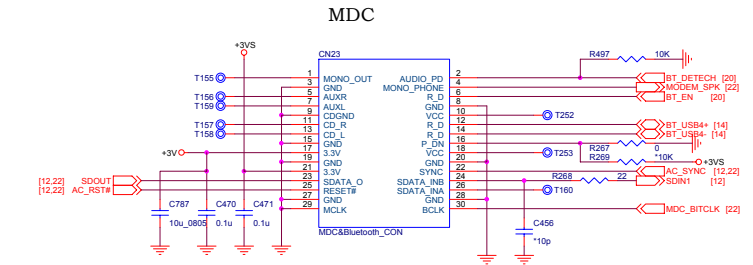
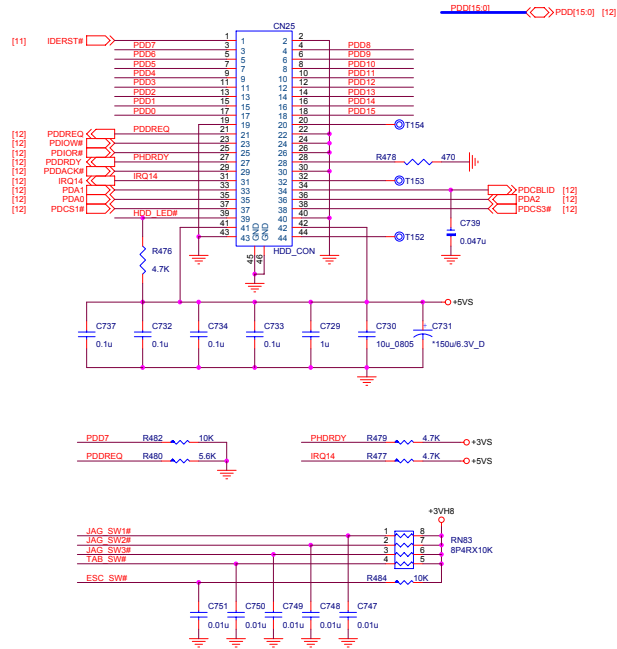
Sheet 15 of 29
All USB 2.0 Port



- [3, 15, 20, 21, 24, 25, 26]
- [5, 10, 11, 12, 13, 15, 16, 19, 21, 22, 24, 26, 27]
- [3, 12, 15, 19, 20, 21, 22, 23, 24, 26]
- [18, 24, 25]
- [5, 18, 24, 25]
- [24]

HDD, MDC, BT, Indicator, WLAN

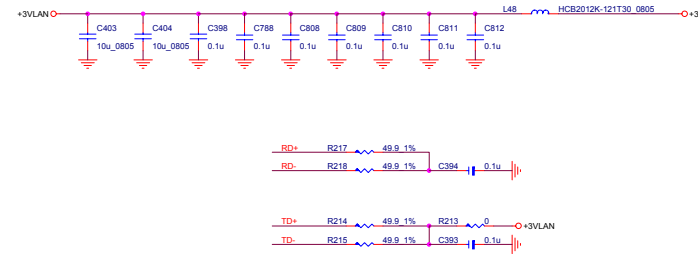
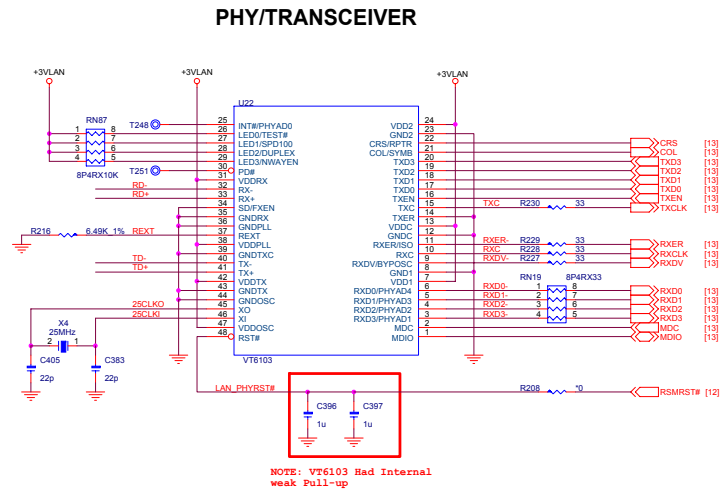
Sheet 16 of 29
HDD, MDC, BT,
Indicator, WLAN



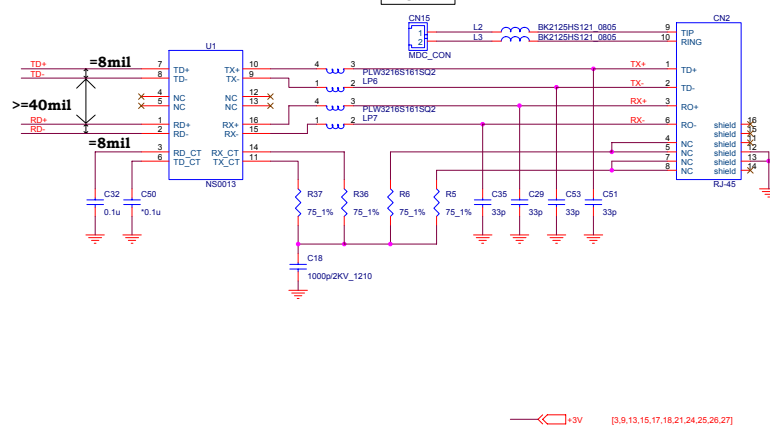
LAN PHY VT6103

Sheet 17 of 29
LAN PHY VT6103

VT6103

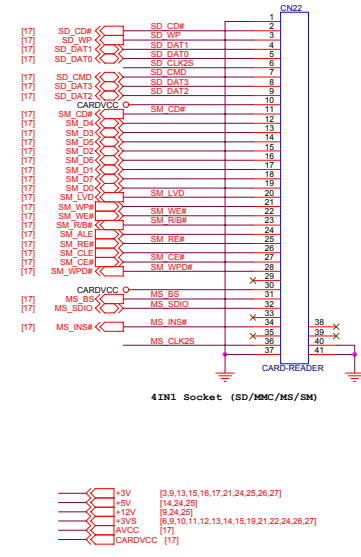
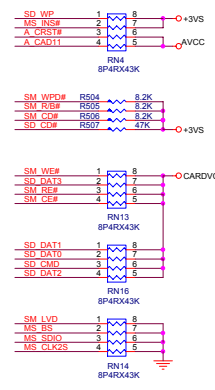
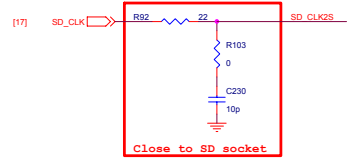
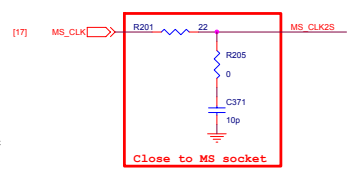
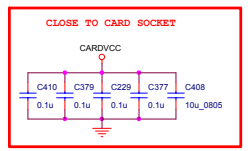
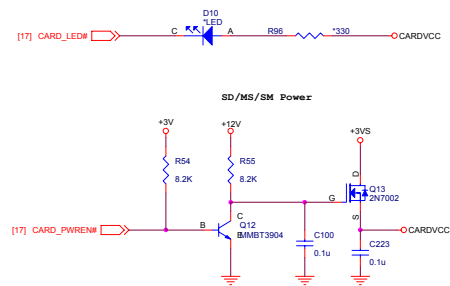
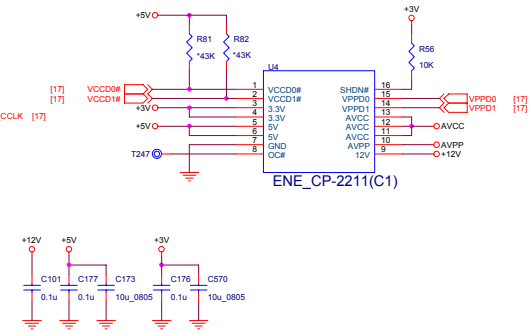
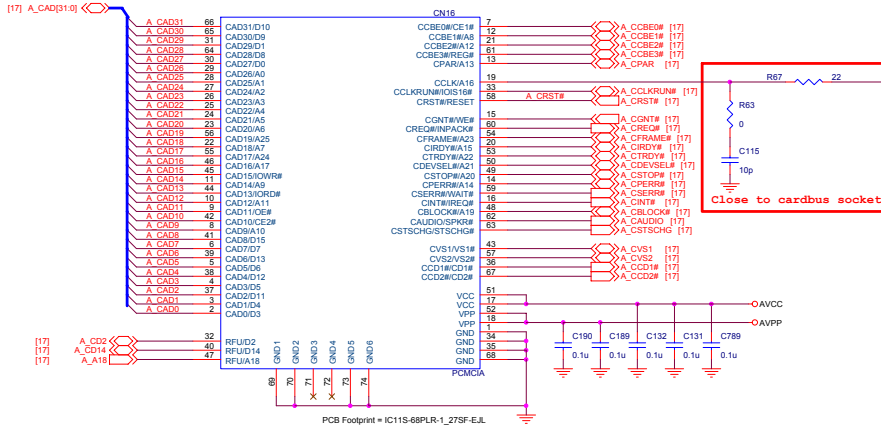


MODEM



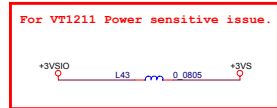
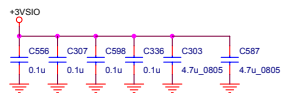
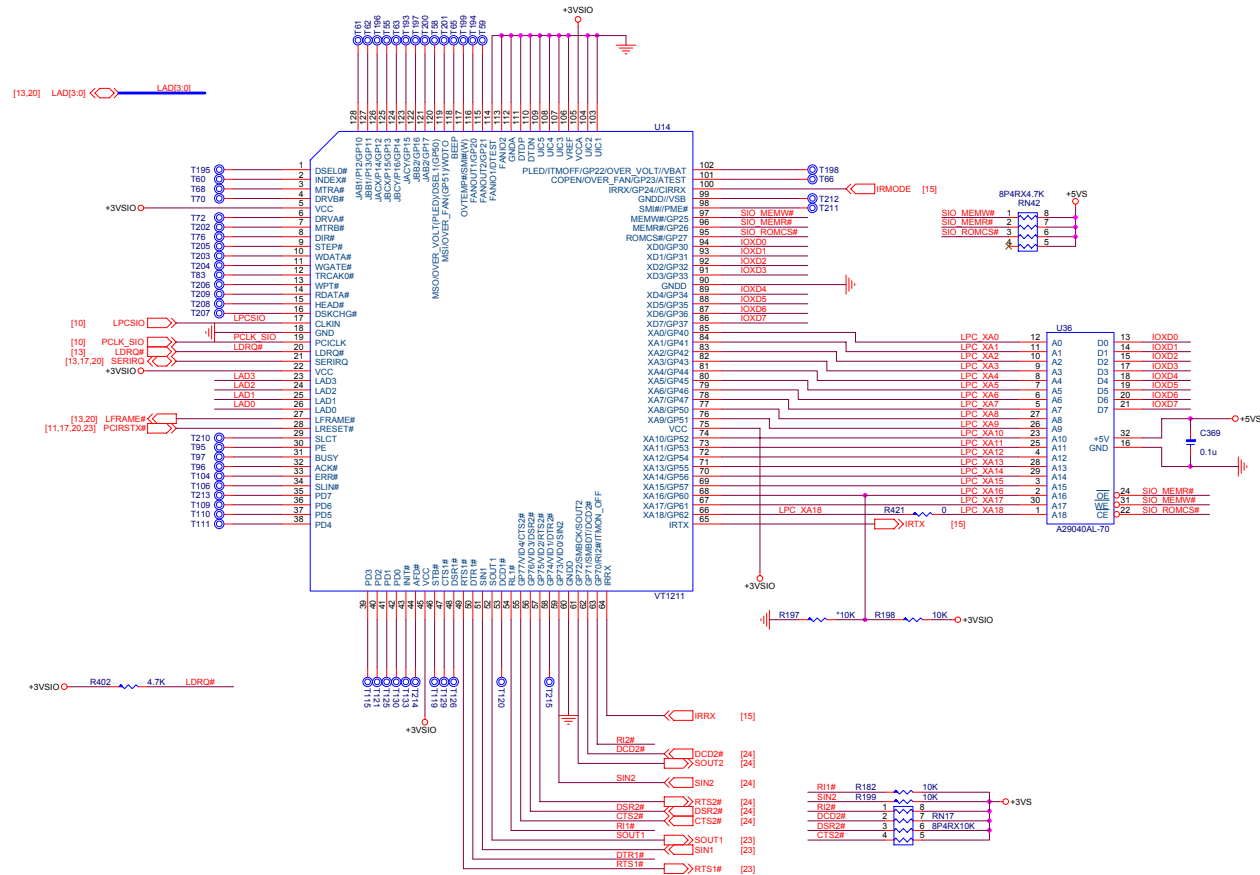
C. T2X0V Schematics

PCM Socket, 4 In 1 Socket



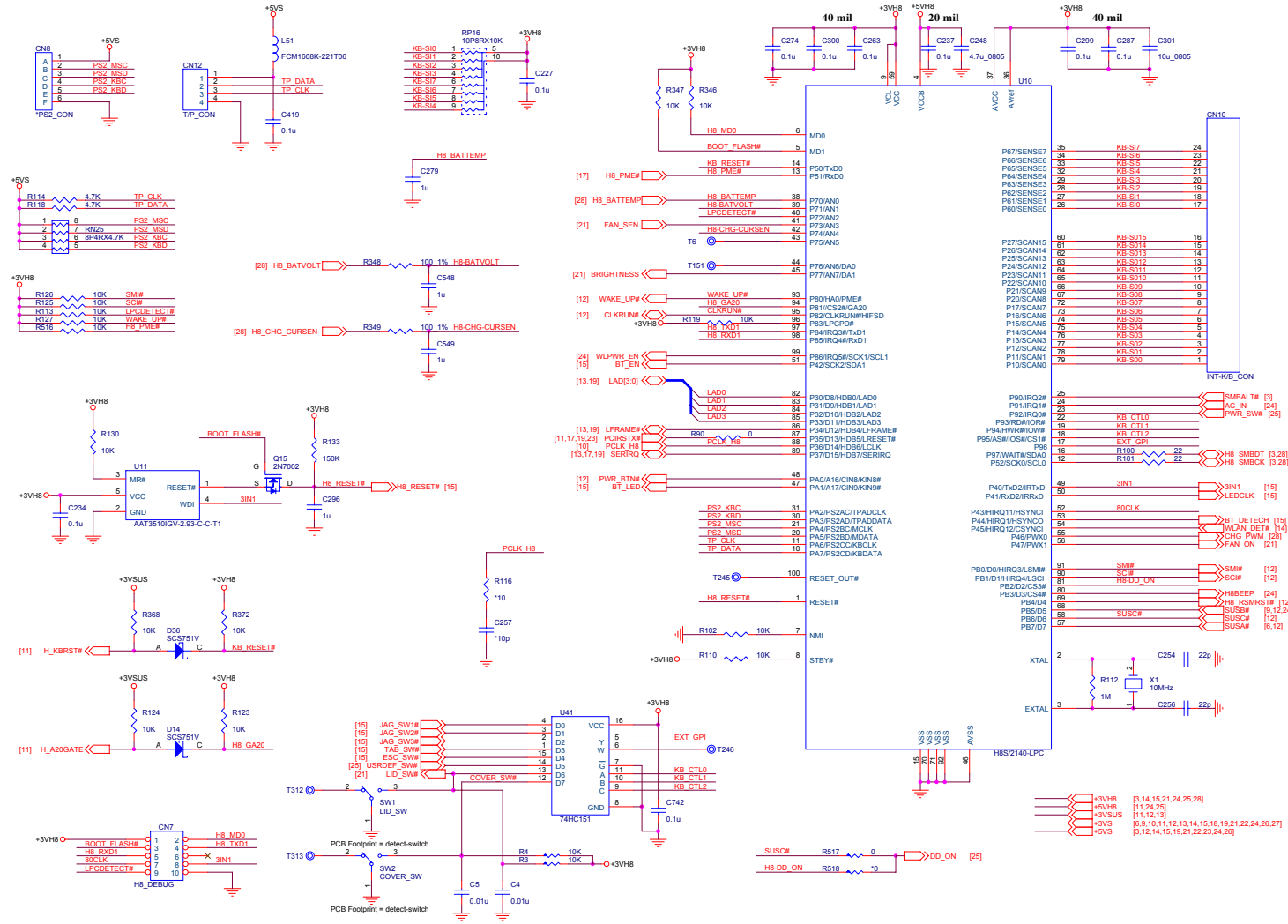
SIO, BIOS, FIR

Sheet 20 of 29
SIO, BIOS, FIR



H8S / 2104LPC

Sheet 21 of 29
H8S / 2104LPC



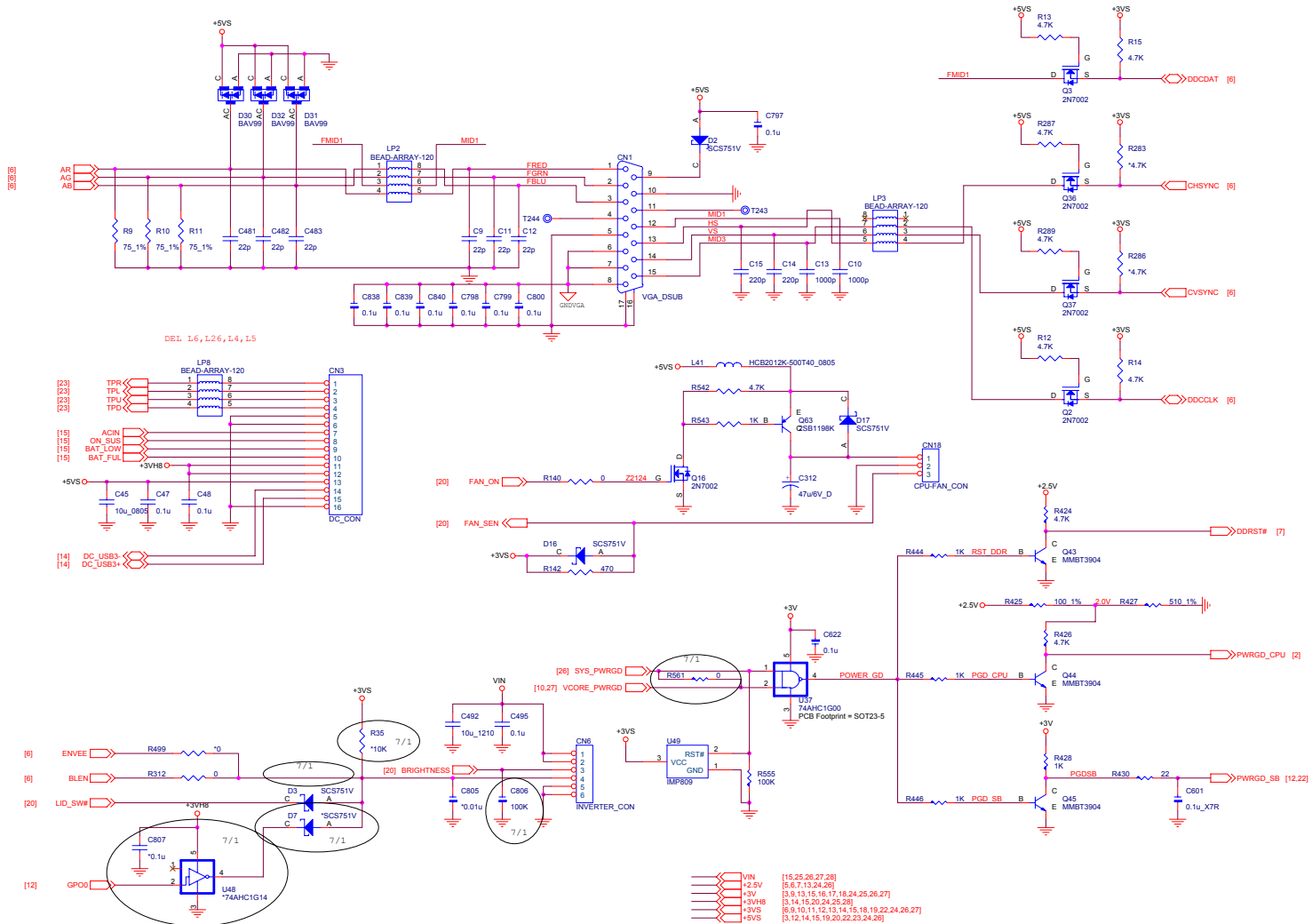
C. T2X0V Schematics

Schematic Diagrams

Fan, CRT, Inverter, DC, Power_GD

Sheet 22 of 29
Fan, CRT, Inverter,
DC, Power_GD

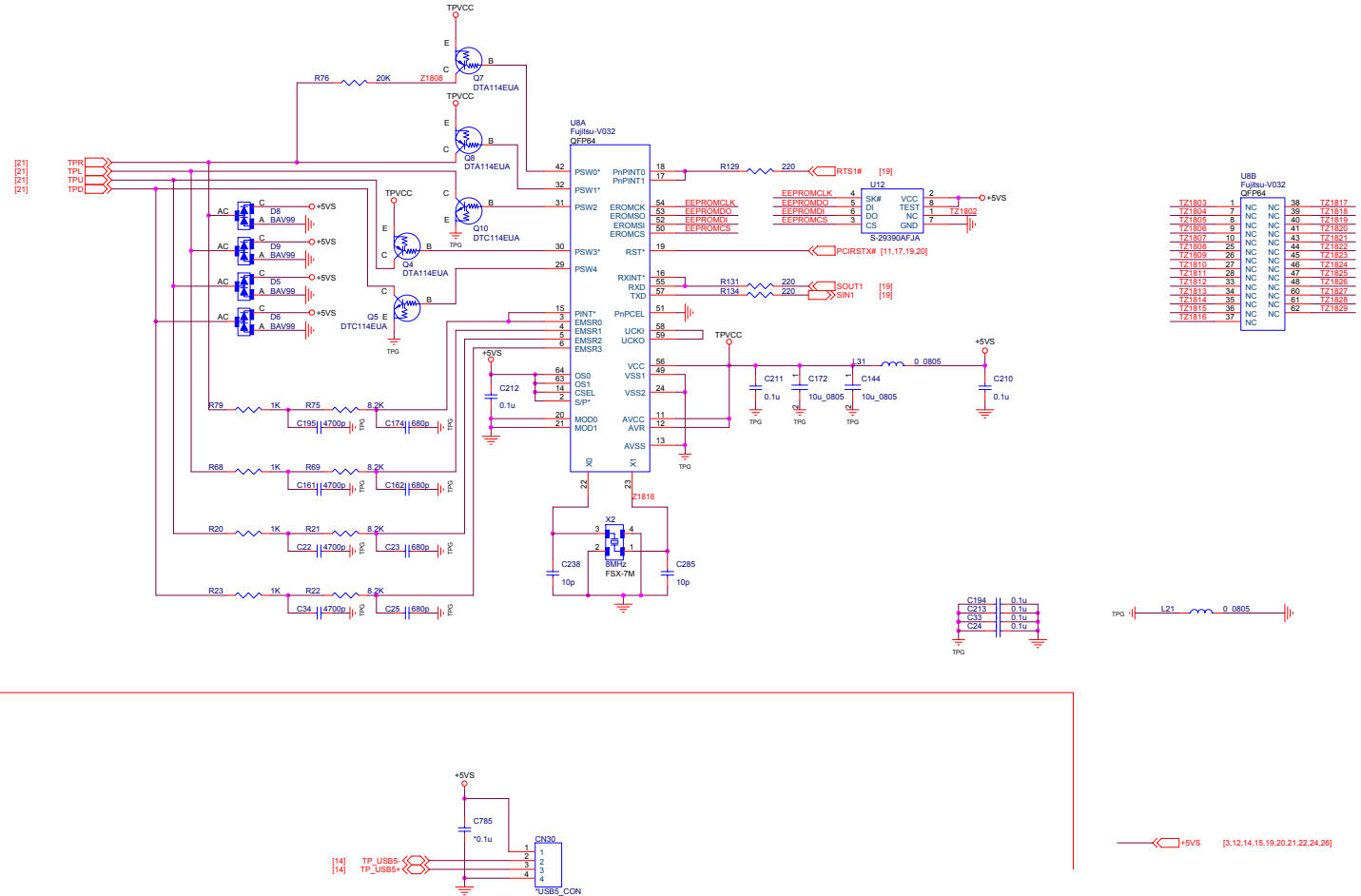
C. T2X0V Schematics



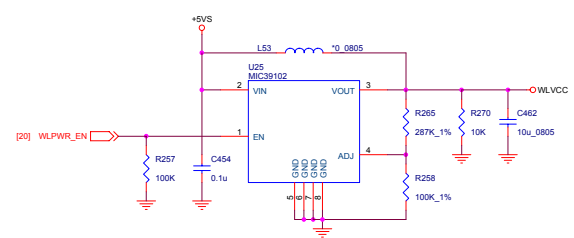
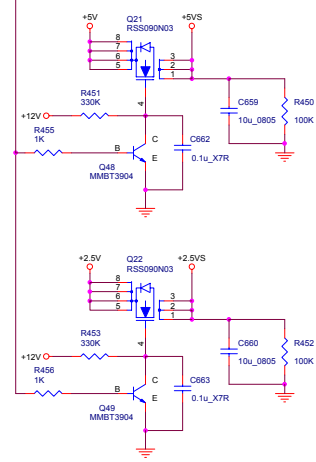
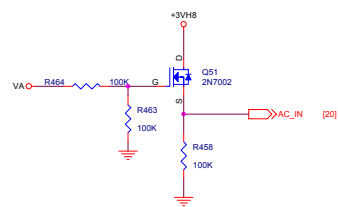
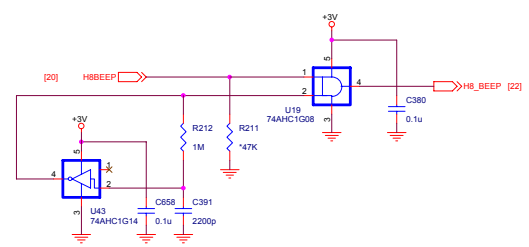
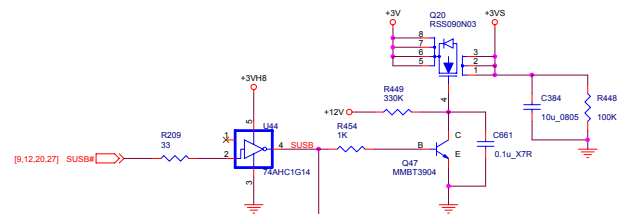
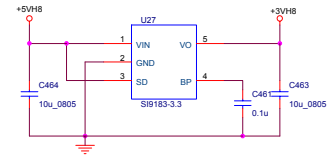
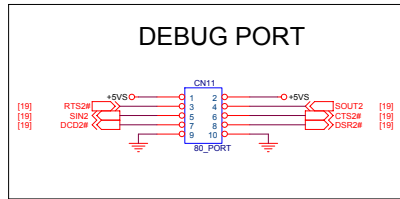
- [18,25,26,27,28] VIN
- [5,6,7,13,24,25] +2.5V
- [3,9,13,15,16,17,18,24,25,26,27] +3V
- [3,14,15,20,24,26,28] +3VH
- [6,9,10,11,12,13,14,15,16,19,22,24,26,27] +3VS
- [3,12,14,15,19,20,22,23,24,28] +5VS

Touch Panel Controller

Sheet 24 of 29
Touch Panel
Controller



System Power 1



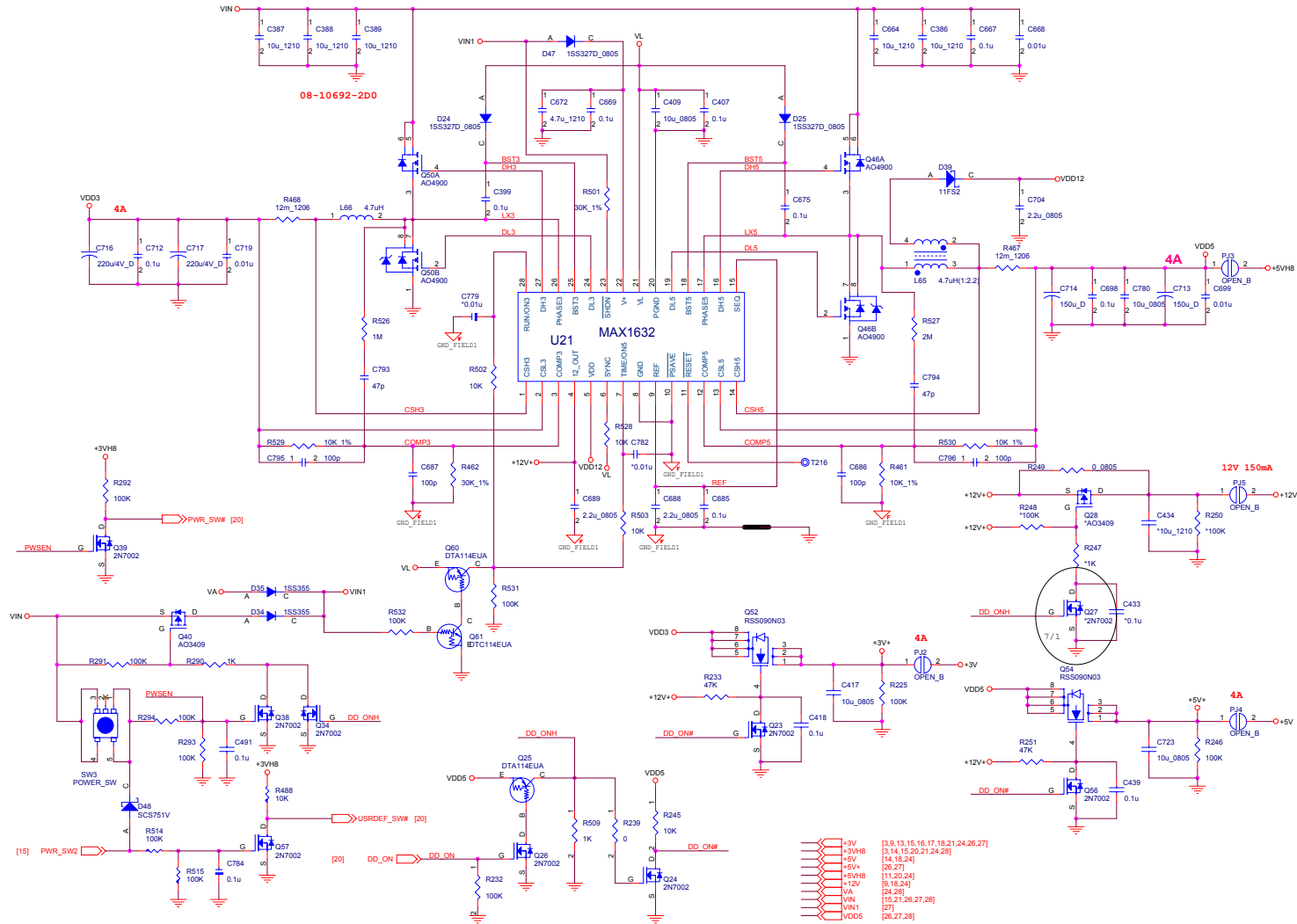
+2.5V	{5, 6, 7, 13, 21, 28}
+2.5VS	{4, 5, 6, 9, 10, 11, 12, 13, 28}
+3V	{3, 9, 13, 15, 16, 17, 18, 21, 25, 26, 27}
+5V	{8, 9, 10, 11, 12, 13, 14, 15, 16, 19, 21, 22, 26, 27}
+5V	{14, 15, 25}
+5VS	{3, 12, 14, 15, 19, 20, 21, 22, 23, 28}
+12V	{8, 18, 25}
+3VHB	{3, 14, 15, 20, 21, 25, 28}
+3VHB	{11, 26, 25}
VA	{25, 28}
WL_VCC	{14}

C. T2X0V Schematics

Schematic Diagrams

System Power 2

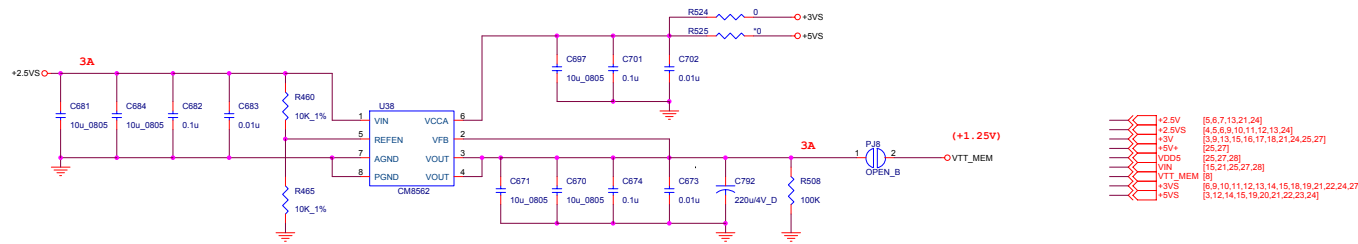
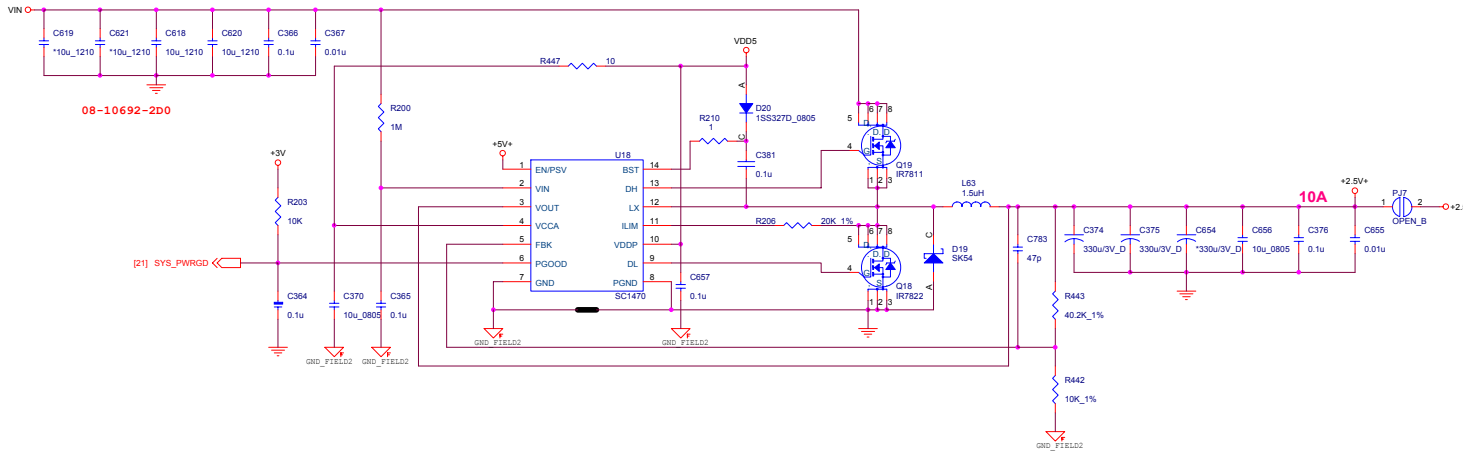
Sheet 26 of 29
System Power 2



C. T2X0V Schematics

System Power 3

Sheet 27 of 29
System Power 3

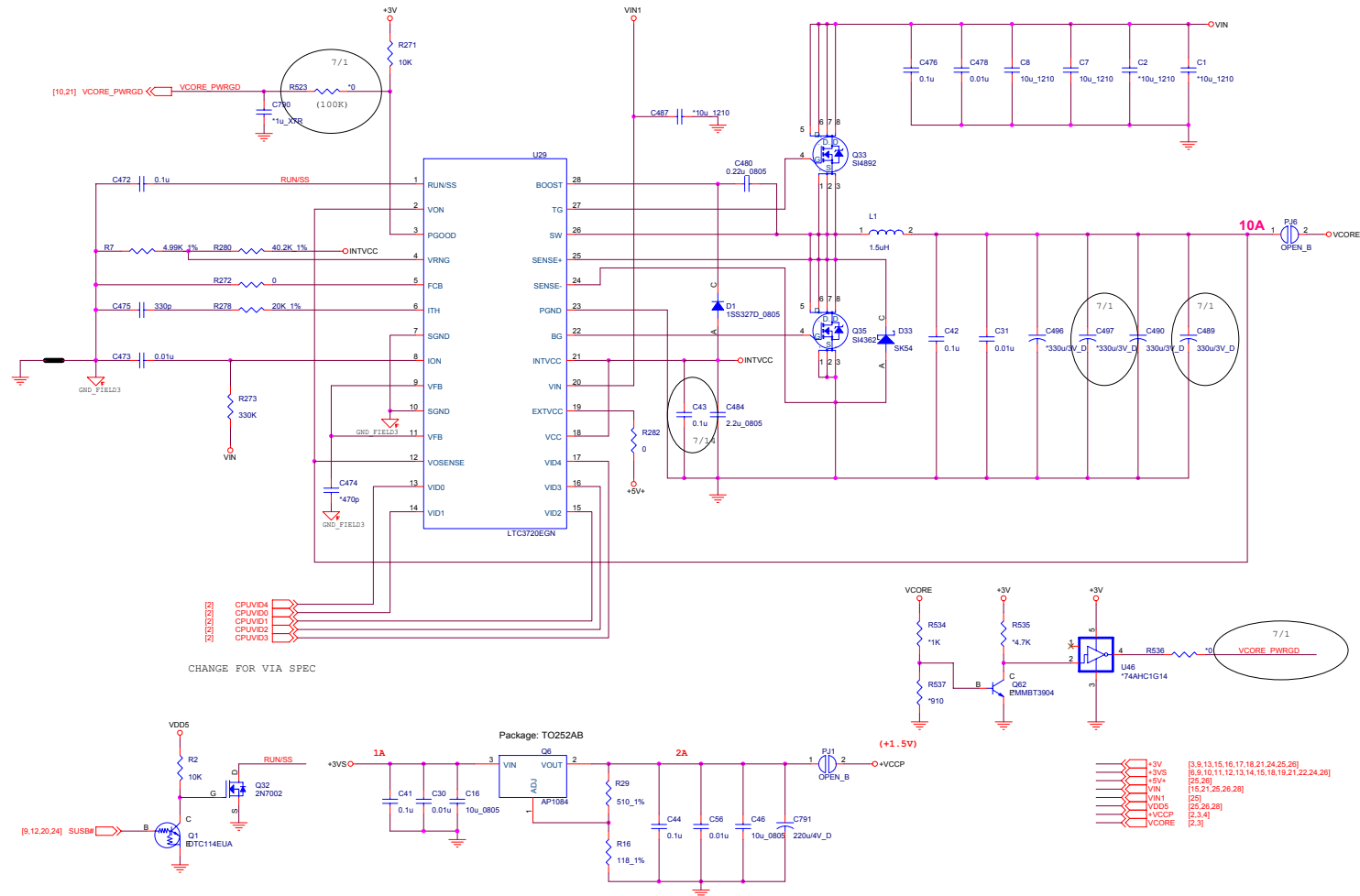


+2.5V	[5,6,7,13,21,24]
+2.5VS	[4,5,6,9,10,11,12,13,24]
+3V	[3,8,13,15,16,17,18,21,24,25,27]
+5V	[25,27]
VDD5	[25,27,28]
VIN	[15,21,25,27,28]
VTT_MEM	[8]
+3VS	[6,9,10,11,12,13,14,15,16,18,19,21,22,24,27]
+5VS	[3,12,14,16,19,20,21,22,23,24]

C. T2X0V Schematics

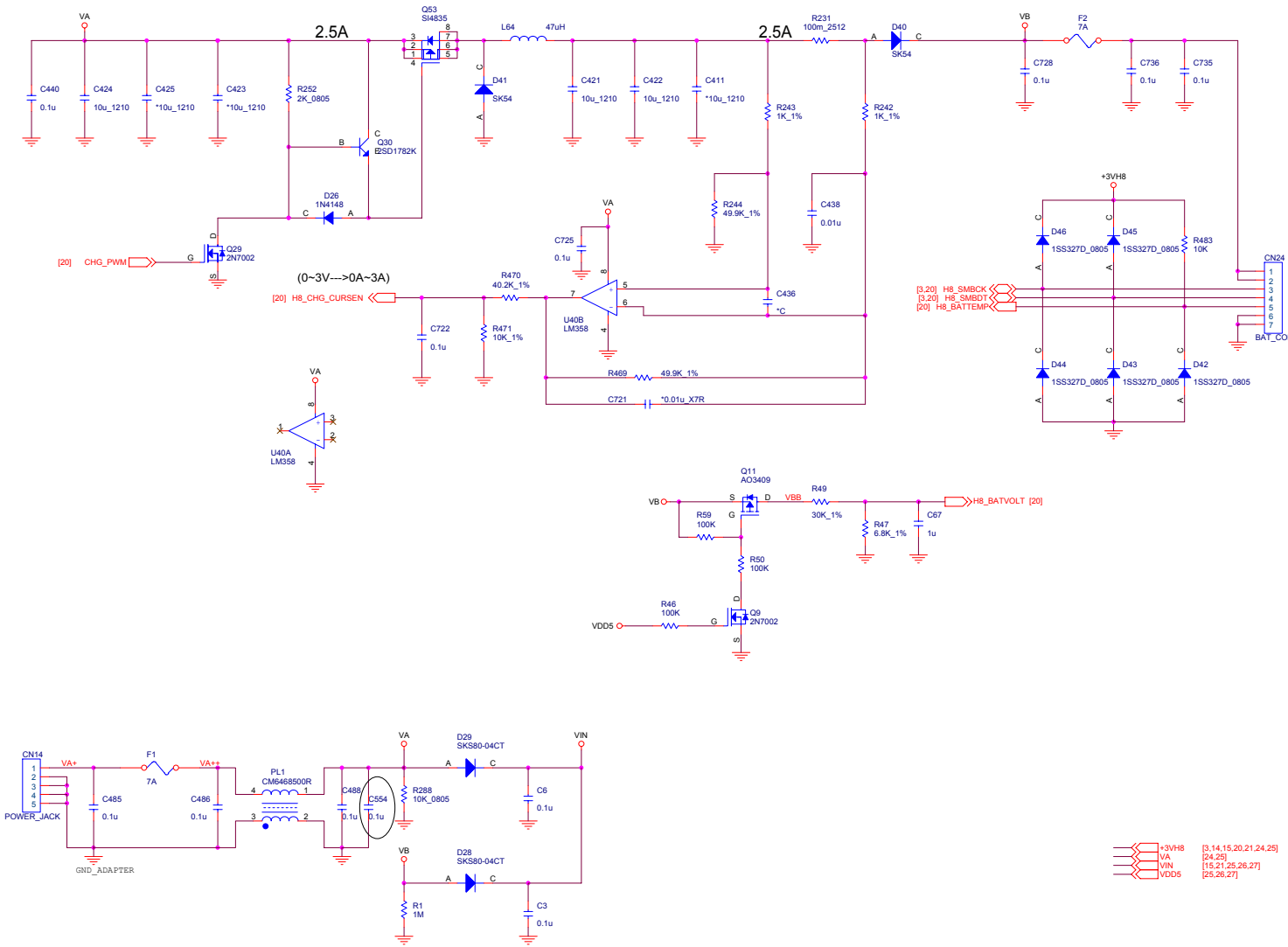
CPU VCORE

Sheet 28 of 29
CPU VCORE



Charger

Sheet 29 of 29
Charger



C. T2X0V Schematics

- ⊞ +3VH8 [3,14,15,20,21,24,25]
- ⊞ VA [24,25]
- ⊞ VIN [15,21,25,26,27]
- ⊞ VDD5 [25,26,27]

Schematic Diagrams