

TYPE 4X STAINLESS STEEL SINGLE DOOR ENCLOSURES

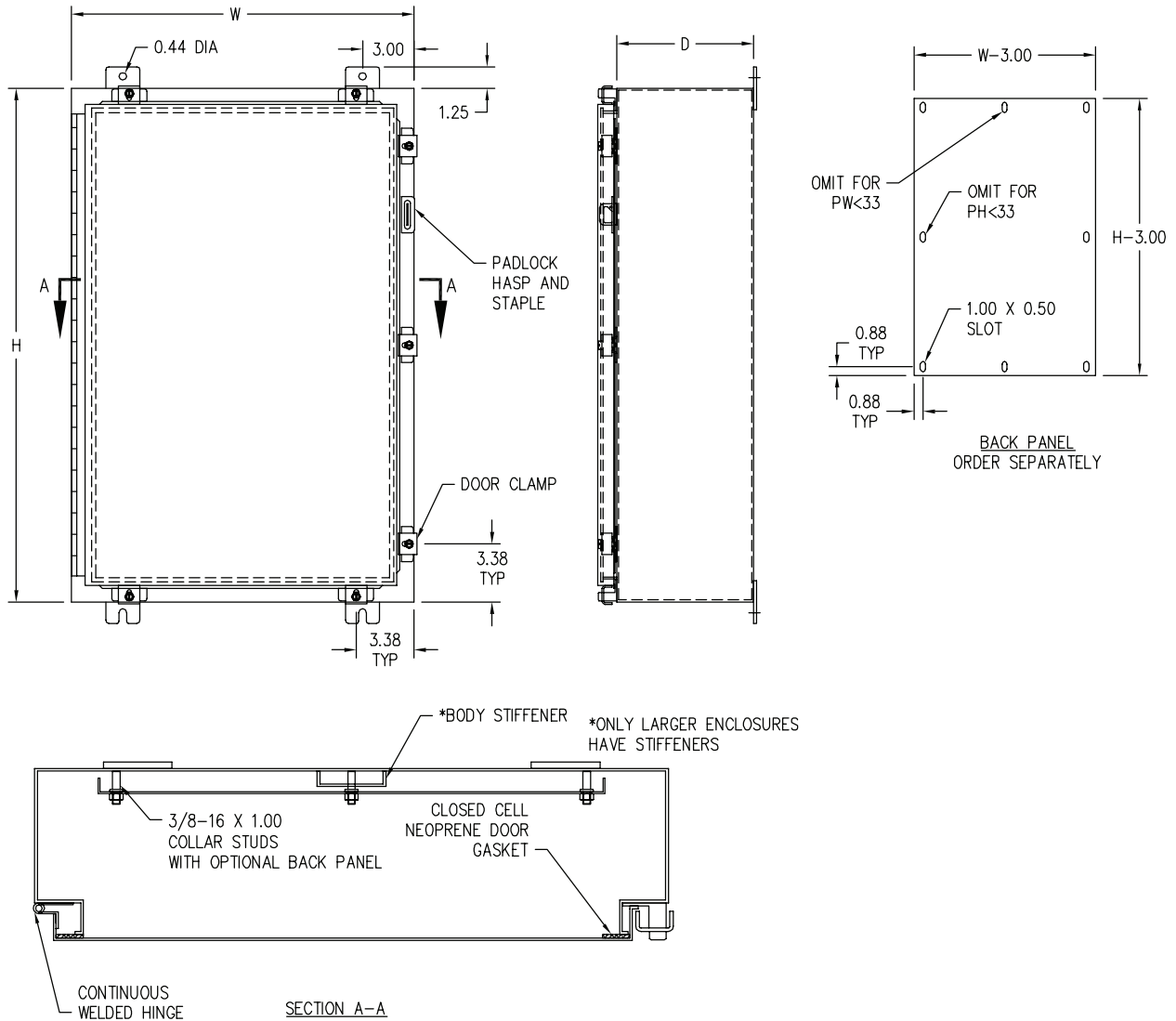


Construction: C & I Enclosures Type 4X Stainless Steel Single Door Enclosures are fabricated in accordance with U.L. specifications from code gauge Type 304 Stainless Steel. A rolled lip is provided around three sides of the door and all sides of the enclosure opening to prevent dirt and water from falling into the enclosure when the door is opened. An oil resistant gasket is attached to the cover. The enclosures are provided with a continuous hinge and door clamps on three sides to insure a water-tight seal. A hasp and staple are provided for padlocking. All seams are continuously welded and ground smooth. External mounting feet are provided along with studs for mounting optional panels.

Finish: C & I Enclosures Type 4X Stainless Steel Single Door Enclosures are provided unpainted and have a brushed finish on the exterior.

Enclosure Size HxWxD	Catalog Number	Weight	Panel
16x12x6	I-16126ST4X	16	CI-1612P
16x16x6	I-16166ST4X	20	CI-1616P
20x16x6	I-20166ST4X	23	CI-2016P
20x20x6	I-20206ST4X	28	CI-2020P
24x24x6	I-24246ST4X	38	CI-2424P
16x12x8	I-16128ST4X	24	CI-1612P
24x20x8	I-24208ST4X	44	CI-2420P
24x24x8	I-24248ST4X	42	CI-2424P
30x20x8	I-30208ST4X	43	CI-3020P
30x24x8	I-30248ST4X	50	CI-3024P
36x24x8	I-36248ST4X	58	CI-3624P
36x30x8	I-36308ST4X	98	CI-3630P
48x36x8	I-48368ST4X	146	CI-4836P
20x16x10	I-201610ST4X	30	CI-2016P
24x20x10	I-242010ST4X	40	CI-2420P
36x24x10	I-362410ST4X	64	CI-3624P
36x30x10	I-363010ST4X	106	CI-3630P
24x24x12	I-242412ST4X	50	CI-2424P
30x24x12	I-302412ST4X	59	CI-3024P
36x30x12	I-363012ST4X	114	CI-3630P
36x36x12	I-363612ST4X	114	CI-3636P
48x36x12	I-483612ST4X	166	CI-4836P
60x36x12	I-603612ST4X	200	CI-6036P

TYPE 4X STAINLESS STEEL SINGLE DOOR ENCLOSURES



COMPLETE DETAILS AVAILABLE ON OUR WEB SITE