



NEMA Premium, High, and Standard Efficiency

Vertical Pump Motors

WP1 or TEFC Enclosures available with Hollow Shaft or Solid Shaft



RELIABILITY MATTERS

2020 Catalog



Vertical Pump Motors

RELIABILITY MATTERS

Aurora Motors a leading global supplier of premium vertical pump motors for OEMs, electric motor distributors, well drillers, and municipalities. Our inverter-duty motors are precision manufactured to provide superior reliability and durability, with the lowest vibration levels in the industry. Our engineers and designers are among the most respected and recognized in the world. We work at the leading edge of technology, combining our product research and development with application knowledge and a comprehensive understanding of market demands.



Wide Range of Inverter-Duty Motors

Our commitment to continual innovation and growth is reflected in our wide range of available products. In addition to the range of motor configurations below, we have a limited stock of 6-pole, TEFC, and solid shaft models.

| Motor Efficiency | Configuration | HP Range Available | |
|--|---------------|--------------------|----------------|
| | | 6-Lead | 12-Lead |
| NEMA Premium Efficiency (WP1) | 4-Pole | 40hp – 1000hp | 7.5hp – 1000hp |
| High Efficiency (WP1) | 4-Pole | 40hp – 600hp | 7.5hp – 600hp |
| Standard Efficiency (WP1) | 4-Pole | 40hp – 350hp | 7.5hp – 350hp |
| NEMA Premium Efficiency (TEFC) | 4-Pole | 25hp – 250hp | |
| Fire Protection NEMA Premium Efficiency (WP1) | 4-Pole | 40hp – 1000hp | 7.5hp – 1000hp |
| Fire Protection NEMA Premium Efficiency (TEFC) | 4-Pole | 25hp – 250hp | |



NEMA Premium Designation

We offer DOE Certified Premium Efficiency motors featuring optimized systems efficiency, reduced electrical power consumption and costs, and improved reliability as established by the National Electrical Manufacturers Association.



UL Certified

Aurora vertical hollow shaft motors are listed by Underwriters Laboratories (UL). Our products have been evaluated by UL and meet their energy efficiency, safety standards, and fire protection.



ISO 9001 Certification

Aurora Motor’s quality management principles meet ISO 9001 standards. These principles include a strong customer focus, the motivation and implication of our top management, our process approach, and our dedication to continual improvement.



EASA Member

Aurora Motors is an associate member of the Electrical Apparatus Service Association, Inc. (EASA). EASA is an international trade organization of nearly 1,800 electromechanical sales and service firms in nearly 80 countries.



Superior Performance

Aurora inverter-duty motors are among the most recognized brands in the industry. Available as WP1 or TEFC, our Vertical Hollow Shaft (VHS) and Vertical Solid Shaft (VSS) motors are built from the highest quality materials. Tailored to your specific requirements, our robust motors perform under the most strenuous and extreme conditions.

Superior Durability

The Aurora insulation system has been designed to withstand a wide range of environmental conditions, thermal shocks, and voltage stresses. It contains all UL-approved, inverter-duty copper wire and a double VPI treatment with a non-water absorbent epoxy varnish for maximum winding protection.

Applications



Water and waste water



Pulp and paper mills



Municipalities



Agriculture



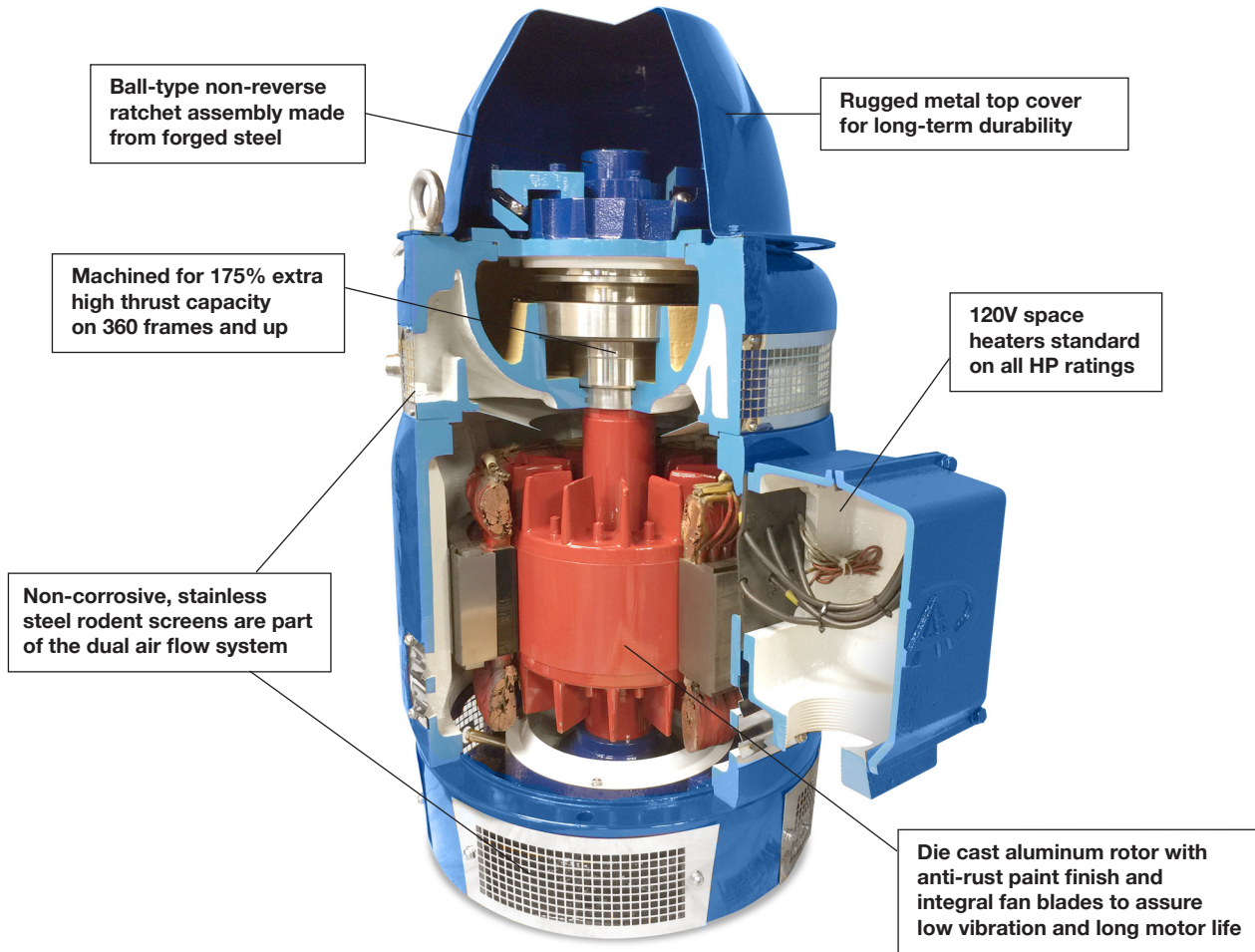
Well drilling



Mining

OUR DIFFERENCE

Put your trust in a better built motor. Demand quality construction, lower total cost of ownership, and optimum efficiency from the motors that drive your business. Aurora Motors delivers the performance you expect with the reliability you need.



Quality Construction

- UL Certified for both construction and efficiency levels
- UL Approved insulation system (NEMA MG-1 Part 31 Inverter Duty)
- Non-Hygroscopic epoxy varnish
- Dual air flow system

Superior Durability

- Cast-iron construction
- Durable metal top cover
- Oversized conduit box
- Precision vibration tolerance as low as .02 velocity (IPS – Peak)

Built-In Protection

- Positive Temperature Coefficient thermistors
- Space heaters
- Forged ball-type non-reverse ratchet
- Insulated Upper Thrust Bearings (an option)



VHS WP1 Vertical Pump Motors

NEMA PREMIUM EFFICIENCY

| HP | RPM | Model No. | Frame | Eff % | List Price | CD H | Voltage | Down Thrust | Est. Ship Weight (lbs.) |
|------|------|----------------|-------|-------|--------------|-------|---------|-------------|-------------------------|
| 7.5 | 1800 | 4WP1HS7.5PE | 213TP | 91.0 | \$3,988.02 | 17.58 | 230/460 | 2515 | 275 |
| 10 | 1800 | 4WP1HS010PE | 215TP | 91.7 | \$4,399.42 | 17.58 | 230/460 | 2515 | 286 |
| 15 | 1800 | 4WP1HS015PE | 254TP | 93.0 | \$5,550.32 | 23.56 | 230/460 | 3213 | 561 |
| 20 | 1800 | 4WP1HS020PE | 256TP | 93.0 | \$6,753.20 | 23.56 | 230/460 | 3333 | 590 |
| 25 | 1800 | 4WP1HS025PE | 284TP | 93.6 | \$7,013.91 | 24.94 | 230/460 | 3333 | 651 |
| 30 | 1800 | 4WP1HS030PE | 286TP | 94.1 | \$7,840.50 | 24.94 | 230/460 | 3333 | 682 |
| 40 | 1800 | 46WP1HS040PE | 324TP | 94.1 | \$9,479.89 | 28.22 | 460 | 5713 | 884 |
| 50 | 1800 | 46WP1HS050PE | 326TP | 94.5 | \$10,110.04 | 28.22 | 460 | 5713 | 924 |
| 60 | 1800 | 46WP1HS060PE | 364TP | 95.0 | \$11,967.46 | 31.13 | 460 | 5713 | 1247 |
| 75 | 1800 | 46WP1HS075PE | 365TP | 95.0 | \$12,608.45 | 31.13 | 460 | 5713 | 1333 |
| 100 | 1800 | 46WP1HS100PE | 404TP | 95.4 | \$16,430.26 | 36.94 | 460 | 6743 | 1903 |
| 125 | 1800 | 46WP1HS125PE | 405TP | 95.4 | \$18,196.46 | 36.94 | 460 | 6743 | 1923 |
| 150 | 1800 | 46WP1HS150PE | 444TP | 95.8 | \$21,883.45 | 42.66 | 460 | 9835 | 2006 |
| 200 | 1800 | 46WP1HS200PE | 445TP | 95.8 | \$26,465.37 | 42.66 | 460 | 9835 | 2097 |
| 250 | 1800 | 46WP1HS250PE | 445TP | 95.8 | \$32,197.41 | 42.66 | 460 | 9835 | 2350 |
| 300 | 1800 | 46WP1HS300PE-4 | 447TP | 95.8 | \$33,025.63 | 49.76 | 460 | 10000 | 2397 |
| 300 | 1800 | 46WP1HS300PE-5 | 5804 | 95.8 | \$43,738.80 | 53.25 | 460 | 17500 | 4032 |
| 350 | 1800 | 46WP1HS350PE-4 | 449TP | 95.8 | \$35,674.79 | 49.76 | 460 | 10000 | 2486 |
| 350 | 1800 | 46WP1HS350PE-5 | 5804 | 95.8 | \$50,505.22 | 53.25 | 460 | 17500 | 4162 |
| 400 | 1800 | 46WP1HS400PE | 5806 | 95.8 | \$58,098.82 | 56.25 | 460 | 17,500 | 4462 |
| 450 | 1800 | 46WP1HS450PE | 5808 | 96.2 | \$62,582.53 | 58.25 | 460 | 17500 | 4533 |
| 500 | 1800 | 46WP1HS500PE | 5808 | 96.2 | \$70,411.39 | 58.25 | 460 | 17500 | 4800 |
| 600 | 1800 | 46WP1HS600PE | 5808 | 96.2 | \$78,895.47 | 58.25 | 460 | 17500 | 5004 |
| 700 | 1800 | 46WP1HS700PE | 5809 | 96.2 | \$89,129.63 | 62.25 | 460 | 17500 | 5450 |
| 800 | 1800 | 46WP1HS800PE | 5809 | 96.2 | \$101,607.20 | 62.25 | 460 | 17500 | 5670 |
| 900 | 1800 | 46WP1HS900PE | 5810 | 96.2 | \$116,848.34 | 62.25 | 460 | 17500 | 5965 |
| 1000 | 1800 | 46WP1HS1000PE | 5810 | 96.2 | \$136,711.66 | 62.25 | 460 | 17500 | 6320 |

VHS WP1 Vertical Pump Motors

H I G H E F F I C I E N C Y

| HP | RPM | Model No. | Frame | Eff % | List Price | CD H | Voltage | Down Thrust | Est. Ship Weight (lbs.) |
|-----|------|----------------|-------|-------|-------------|-------|---------|-------------|-------------------------|
| 7.5 | 1800 | 4WP1HS7.5HE | 213TP | 88.5 | \$3,618.25 | 17.58 | 230/460 | 2515 | 262 |
| 10 | 1800 | 4WP1HS010HE | 215TP | 89.5 | \$3,899.88 | 17.58 | 230/460 | 2515 | 277 |
| 15 | 1800 | 4WP1HS015HE | 254TP | 91.0 | \$4,929.09 | 23.56 | 230/460 | 3213 | 487 |
| 20 | 1800 | 4WP1HS020HE | 256TP | 91.0 | \$5,960.12 | 23.56 | 230/460 | 3333 | 523 |
| 25 | 1800 | 4WP1HS025HE | 284TP | 91.7 | \$6,254.78 | 24.94 | 230/460 | 3333 | 535 |
| 30 | 1800 | 4WP1HS030HE | 286TP | 92.4 | \$6,910.88 | 24.94 | 230/460 | 3333 | 561 |
| 40 | 1800 | 46WP1HS040HE | 324TP | 93.0 | \$8,342.89 | 28.22 | 460 | 5713 | 752 |
| 50 | 1800 | 46WP1HS050HE | 326TP | 93.0 | \$8,880.20 | 28.22 | 460 | 5713 | 782 |
| 60 | 1800 | 46WP1HS060HE | 364TP | 93.6 | \$10,513.11 | 31.13 | 460 | 5713 | 1019 |
| 75 | 1800 | 46WP1HS075HE | 365TP | 94.1 | \$11,180.73 | 31.13 | 460 | 5713 | 1061 |
| 100 | 1800 | 46WP1HS100HE | 404TP | 94.1 | \$14,612.35 | 36.94 | 460 | 6743 | 1428 |
| 125 | 1800 | 46WP1HS125HE | 405TP | 94.5 | \$16,178.27 | 36.94 | 460 | 6743 | 1608 |
| 150 | 1800 | 46WP1HS150HE | 444TP | 95.0 | \$19,408.29 | 42.66 | 460 | 9835 | 1954 |
| 200 | 1800 | 46WP1HS200HE | 445TP | 95.0 | \$23,435.79 | 42.66 | 460 | 9835 | 2131 |
| 250 | 1800 | 46WP1HS250HE | 445TP | 95.4 | \$28,329.08 | 42.66 | 460 | 9835 | 2216 |
| 300 | 1800 | 46WP1HS300HE-4 | 447TP | 95.4 | \$31,377.54 | 49.8 | 460 | 10000 | 2397 |
| 300 | 1800 | 46WP1HS300HE-5 | 5804 | 95.4 | \$38,741.33 | 53.25 | 460 | 17500 | 3958 |
| 350 | 1800 | 46WP1HS350HE-4 | 449TP | 95.4 | \$36,481.96 | 49.8 | 460 | 10000 | 2486 |
| 350 | 1800 | 46WP1HS350HE-5 | 5804 | 95.4 | \$44,869.93 | 53.25 | 460 | 17500 | 4100 |
| 400 | 1800 | 46WP1HS400HE | 5806 | 95.4 | \$51,707.49 | 56.25 | 460 | 17500 | 4350 |
| 450 | 1800 | 46WP1HS450HE | 5808 | 95.8 | \$55,632.29 | 58.25 | 460 | 17500 | 4484 |
| 500 | 1800 | 46WP1HS500HE | 5808 | 95.8 | \$62,517.00 | 58.25 | 460 | 17500 | 4620 |
| 600 | 1800 | 46WP1HS600HE | 5808 | 95.8 | \$70,018.66 | 58.25 | 460 | 17500 | 4830 |

VHS WP1 Vertical Pump Motors

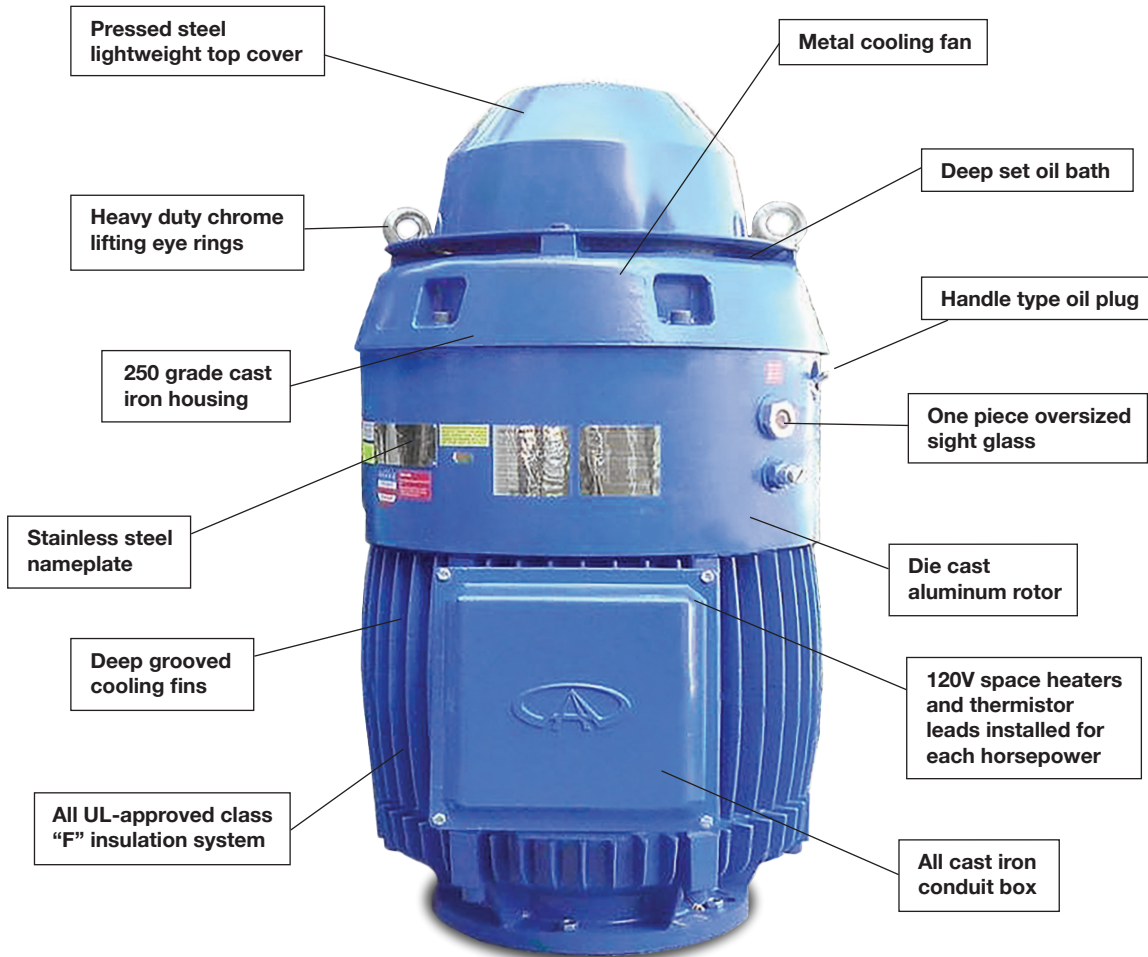
STANDARD EFFICIENCY

| HP | RPM | Model No. | Frame | Eff % | List Price | CD H | Voltage | Down Thrust | Est. Ship Weight (lbs.) |
|-----|------|----------------|-------|-------|-------------|-------|---------|-------------|-------------------------|
| 7.5 | 1800 | 4WP1HS7.5SE | 213TP | 86.0 | \$3,071.28 | 17.58 | 230/460 | 2515 | 255 |
| 10 | 1800 | 4WP1HS010SE | 215TP | 86.3 | \$3,301.62 | 17.58 | 230/460 | 2515 | 266 |
| 15 | 1800 | 4WP1HS015SE | 254TP | 88.0 | \$4,244.89 | 23.56 | 230/460 | 3213 | 473 |
| 20 | 1800 | 4WP1HS020SE | 256TP | 88.6 | \$5,143.57 | 23.56 | 230/460 | 3333 | 499 |
| 25 | 1800 | 4WP1HS025SE | 284TP | 89.5 | \$5,285.94 | 24.94 | 230/460 | 3333 | 502 |
| 30 | 1800 | 4WP1HS030SE | 286TP | 89.7 | \$6,082.14 | 24.94 | 230/460 | 3333 | 534 |
| 40 | 1800 | 46WP1HS040SE | 324TP | 90.1 | \$7,271.44 | 28.22 | 460 | 5713 | 722 |
| 50 | 1800 | 46WP1HS050SE | 326TP | 90.4 | \$7,669.61 | 28.22 | 460 | 5713 | 759 |
| 60 | 1800 | 46WP1HS060SE | 364TP | 90.4 | \$9,040.77 | 31.13 | 460 | 5713 | 926 |
| 75 | 1800 | 46WP1HS075SE | 365TP | 91.7 | \$9,547.07 | 31.13 | 460 | 5713 | 946 |
| 100 | 1800 | 46WP1HS100SE | 404TP | 92.2 | \$12,486.19 | 36.94 | 460 | 6743 | 1395 |
| 125 | 1800 | 46WP1HS125SE | 405TP | 92.8 | \$13,712.17 | 36.94 | 460 | 6743 | 1509 |
| 150 | 1800 | 46WP1HS150SE | 444TP | 93.3 | \$16,496.18 | 42.66 | 460 | 9835 | 1852 |
| 200 | 1800 | 46WP1HS200SE | 445TP | 93.4 | \$20,173.61 | 42.66 | 460 | 9835 | 1969 |
| 250 | 1800 | 46WP1HS250SE | 445TP | 93.9 | \$24,249.47 | 42.66 | 460 | 9835 | 2094 |
| 300 | 1800 | 46WP1HS300SE-4 | 447TP | 94.3 | \$26,367.70 | 49.8 | 460 | 10000 | 2389 |
| 300 | 1800 | 46WP1HS300SE-5 | 5804 | 94.3 | \$33,582.93 | 53.25 | 460 | 17500 | 3948 |
| 350 | 1800 | 46WP1HS350SE-4 | 449TP | 94.8 | \$30,657.11 | 49.8 | 460 | 10000 | 2479 |
| 350 | 1800 | 46WP1HS350SE-5 | 5804 | 94.8 | \$39,880.13 | 53.25 | 460 | 17500 | 3990 |



INNOVATION AND QUALITY

Aurora Totally Enclosed Fan Cooled (TEFC) Vertical Pump Motors are robust inverter-duty motors that perform under the most strenuous and extreme conditions. They are built from the highest quality materials. Innovation and quality have always been among our top priorities and why we have made major strides in all sectors of the VHS market.



Quality Construction

- UL Certified for both construction and efficiency levels
- UL Approved insulation system (NEMA MG-1 Part 31 Inverter Duty)
- Non-Hygroscopic epoxy varnish
- Dual air flow system

Superior Durability

- Cast-iron construction
- Durable metal top cover
- Oversized conduit box
- Precision vibration tolerance as low as .02 velocity (IPS – Peak)

Built-In Protection

- Positive Temperature Coefficient thermistors
- Space heaters
- Forged ball-type non-reverse ratchet
- Insulated Upper Thrust Bearings (an option)

TEFC Inverter-Duty Vertical Pump Motors

N E M A P R E M I U M E F F I C I E N C Y

| HP | RPM | Model No. | Frame | Eff % | List Price | CD H | Voltage | Down Thrust | Est. Ship Weight (lbs.) |
|-----|------|--------------|-------|-------|-------------|-------|---------|-------------|-------------------------|
| 25 | 1800 | 4TEHS025PE | 284TP | 93.6 | \$9,304.17 | 24.94 | 230/460 | 3333 | 651 |
| 30 | 1800 | 4TEHS030PE | 286TP | 94.1 | \$9,895.78 | 24.94 | 230/460 | 3333 | 682 |
| 40 | 1800 | 46TEHS040PE | 324TP | 94.1 | \$11,964.91 | 28.22 | 460 | 5713 | 884 |
| 50 | 1800 | 46TEHS050PE | 326TP | 94.5 | \$12,760.24 | 28.22 | 460 | 5713 | 924 |
| 60 | 1800 | 46TEHS060PE | 364TP | 95.0 | \$15,104.56 | 31.13 | 460 | 5713 | 1247 |
| 75 | 1800 | 46TEHSS075PE | 365TP | 95.0 | \$15,913.57 | 31.13 | 460 | 5713 | 1333 |
| 100 | 1800 | 46TEHS100PE | 404TP | 95.4 | \$20,737.22 | 36.94 | 460 | 6743 | 1903 |
| 125 | 1800 | 46TEHS125PE | 405TP | 95.4 | \$22,966.41 | 36.94 | 460 | 6743 | 1923 |
| 150 | 1800 | 46TEHS150PE | 444TP | 95.8 | \$27,619.89 | 42.66 | 460 | 9835 | 2006 |
| 200 | 1800 | 46TEHS200PE | 445TP | 95.8 | \$33,402.89 | 42.66 | 460 | 9835 | 2097 |
| 250 | 1800 | 46TEHS250PE | 447TP | 95.8 | \$40,637.51 | 42.66 | 460 | 9835 | 2350 |

D E S I G N O V E R V I E W

Our insulation system has been designed to withstand a wide range of environmental conditions, thermal shock, and voltage stress. The system is composed of all UL and inverter-duty copper wire. For maximum winding protection, we use a double VPI treatment with a non-water-absorbent epoxy varnish. Plus, to maintain optimum performance and further protect the winding system in motors used in coastal areas, mining applications, and in locations with high humidity or hazardous particles, we apply a tropicalization varnish.

Aurora vertical hollow shaft motors are all MG-1 Part 31 Spec (Inverter-Duty Rated).



DURABLE FIRE PUMP MOTORS

The Aurora Vertical Fire Pump Motor line extends our leading-edge vertical motor technology to fire protection. Available in both WP1 and TEFC designs, our robust, UL-certified fire pump motors meet the industry's demanding safety requirements, including NFPA20. Built from the highest-quality materials, they perform under the most strenuous and extreme conditions at the highest efficiency levels, guaranteeing they are ready to go when needed.



STANDARD FEATURES

- Non-reverse ratchet
- Standard-sized couplings
- Thermistors
- Space heaters
- Steady bushings

MOTOR OPTIONS

- Alternate bases
- Alternate couplings
- 900 and 1200 RPM available
- Extra high thrust bearings
- Cast iron top hat available

AURORA PREMIUM FEATURES

- P5 (aviation grade) angular contact thrust bearing
- Double VPI winding treatment (all horsepower)
- End turns capable of 2300V peak-to-peak

TEFC Vertical Fire Pump Motors

NEMA PREMIUM EFFICIENCY

| HP | RPM | Model No. | Frame | Eff % | List Price | CD H | Voltage | Down Thrust | Est. Ship Weight (lbs.) |
|-----|------|---------------|-------|-------|-------------|-------|---------|-------------|-------------------------|
| 25 | 1800 | 4TEHS025PEFP | 284TP | 93.6 | \$9,644.12 | 24.94 | 230/460 | 3333 | 651 |
| 30 | 1800 | 4TEHS030PEFP | 286TP | 94.1 | \$10,780.69 | 24.94 | 230/460 | 3333 | 682 |
| 40 | 1800 | 46TEHS040PEFP | 324TP | 94.1 | \$13,034.85 | 28.22 | 460 | 5713 | 884 |
| 50 | 1800 | 46TEHS050PEFP | 326TP | 94.5 | \$13,901.30 | 28.22 | 460 | 5713 | 924 |
| 60 | 1800 | 46TEHS060PEFP | 364TP | 95.0 | \$16,455.25 | 31.13 | 460 | 5713 | 1247 |
| 75 | 1800 | 46TEHS075PEFP | 365TP | 95.0 | \$17,336.61 | 31.13 | 460 | 5713 | 1333 |
| 100 | 1800 | 46TEHS100PEFP | 404TP | 95.4 | \$22,591.61 | 36.94 | 460 | 6743 | 1903 |
| 125 | 1800 | 46TEHS125PEFP | 405TP | 95.4 | \$25,020.14 | 36.94 | 460 | 6743 | 1923 |
| 150 | 1800 | 46TEHS150PEFP | 444TP | 95.8 | \$30,089.75 | 42.66 | 460 | 9835 | 2006 |
| 200 | 1800 | 46TEHS200PEFP | 445TP | 95.8 | \$36,389.88 | 42.66 | 460 | 9835 | 2097 |
| 250 | 1800 | 46TEHS250PEFP | 447TP | 95.8 | \$44,271.44 | 42.66 | 460 | 9835 | 2350 |



WP1 Vertical Fire Pump Motors

NEMA PREMIUM EFFICIENCY

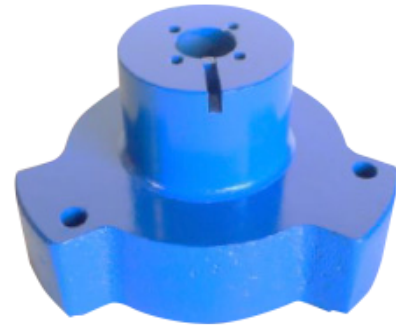
| HP | RPM | Model No. | Frame | Eff % | List Price | CD H | Voltage | Down Thrust | Est. Ship Weight (lbs.) |
|------|------|------------------|-------|-------|--------------|-------|---------|-------------|-------------------------|
| 7.5 | 1800 | 4WP1HS7.5PEFP | 213TP | 91.0 | \$4,386.82 | 17.58 | 230/460 | 2515 | 275 |
| 10 | 1800 | 4WP1HS010PEFP | 215TP | 91.7 | \$4,839.36 | 17.58 | 230/460 | 2515 | 286 |
| 15 | 1800 | 4WP1HS015PEFP | 254TP | 93.0 | \$6,105.35 | 23.56 | 230/460 | 3213 | 561 |
| 20 | 1800 | 4WP1HS020PEFP | 256TP | 93.0 | \$7,428.52 | 23.56 | 230/460 | 3333 | 590 |
| 25 | 1800 | 4WP1HS025PEFP | 284TP | 93.6 | \$7,715.30 | 24.94 | 230/460 | 3333 | 651 |
| 30 | 1800 | 4WP1HS030PEFP | 286TP | 94.1 | \$8,624.55 | 24.94 | 230/460 | 3333 | 682 |
| 40 | 1800 | 46WP1HS040PEFP | 324TP | 94.1 | \$10,427.88 | 28.22 | 460 | 5713 | 884 |
| 50 | 1800 | 46WP1HS050PEFP | 326TP | 94.5 | \$11,121.04 | 28.22 | 460 | 5713 | 924 |
| 60 | 1800 | 46WP1HS060PEFP | 364TP | 95.0 | \$13,164.20 | 31.13 | 460 | 5713 | 1247 |
| 75 | 1800 | 46WP1HS075PEFP | 365TP | 95.0 | \$13,869.29 | 31.13 | 460 | 5713 | 1333 |
| 100 | 1800 | 46WP1HS100PEFP | 404TP | 95.4 | \$18,073.29 | 36.94 | 460 | 6743 | 1903 |
| 125 | 1800 | 46WP1HS125PEFP | 405TP | 95.4 | \$20,016.11 | 36.94 | 460 | 6743 | 1923 |
| 150 | 1800 | 46WP1HS150PEFP | 444TP | 95.8 | \$24,071.80 | 42.66 | 460 | 9835 | 2006 |
| 200 | 1800 | 46WP1HS200PEFP | 445TP | 95.8 | \$29,111.90 | 42.66 | 460 | 9835 | 2097 |
| 250 | 1800 | 46WP1HS250PEFP | 445TP | 95.8 | \$35,417.15 | 42.66 | 460 | 9835 | 2350 |
| 300 | 1800 | 46WP1HS300PE-4FP | 447TP | 95.8 | \$36,328.19 | 49.76 | 460 | 10000 | 2397 |
| 300 | 1800 | 46WP1HS300PE-5FP | 5804 | 95.8 | \$48,112.68 | 53.25 | 460 | 17500 | 4032 |
| 350 | 1800 | 46WP1HS350PE-4FP | 449TP | 95.8 | \$39,242.27 | 49.76 | 460 | 10000 | 2486 |
| 350 | 1800 | 46WP1HS350PE-5FP | 5804 | 95.8 | \$55,555.74 | 53.25 | 460 | 17500 | 4162 |
| 400 | 1800 | 46WP1HS400PEFP | 5806 | 95.8 | \$63,908.70 | 56.25 | 460 | 17500 | 4462 |
| 450 | 1800 | 46WP1HS450PEFP | 5808 | 96.2 | \$68,840.79 | 58.25 | 460 | 17500 | 4533 |
| 500 | 1800 | 46WP1HS500PEFP | 5808 | 96.2 | \$77,452.53 | 58.25 | 460 | 17500 | 4800 |
| 600 | 1800 | 46WP1HS600PEFP | 5808 | 96.2 | \$86,785.01 | 58.25 | 460 | 17500 | 5004 |
| 700 | 1800 | 46WP1HS700PEFP | 5809 | 96.2 | \$98,042.59 | 62.25 | 460 | 17500 | 5450 |
| 800 | 1800 | 46WP1HS800PEFP | 5809 | 96.2 | \$111,767.92 | 62.25 | 460 | 17500 | 5670 |
| 900 | 1800 | 46WP1HS900PEFP | 5810 | 96.2 | \$128,533.17 | 62.25 | 460 | 17500 | 5965 |
| 1000 | 1800 | 46WP1HS1000PEFP | 5810 | 96.2 | \$150,382.83 | 62.25 | 460 | 17500 | 6320 |



Vertical Pump Motors

COUPLINGS

The following tables show the standard and alternate coupling that fit each of the HP/Frame sizes. Bore sizes highlighted in blue indicate the standard coupling for that particular frame size.



Standard Coupling

| HP | Frame | Model No. | Bore Size (in) | List Price | Est. Weight (lbs.) | | |
|-----------|--------|------------|----------------|------------|--------------------|----------|-----|
| 7.5-10 | 210TP | C210-34 | .75 | \$275.00 | 4.5 | | |
| | | C210-1 | 1 | \$275.00 | 4.5 | | |
| | | C210-1316 | 1.1875 | \$275.00 | 4.5 | | |
| | | C210-114 | 1.25 | \$275.00 | 4.5 | | |
| 15-20 | 250TP | C250-34 | .75 | \$278.00 | 5.5 | | |
| | | C250-1 | 1 | \$278.00 | 5.5 | | |
| | | C250-1316 | 1.1875 | \$278.00 | 5.5 | | |
| | | C250-114 | 1.25 | \$278.00 | 5.5 | | |
| | | 25-30 | 280TP | C280-34 | .75 | \$310.00 | 5.5 |
| | | | | C280-1 | 1 | \$310.00 | 5.5 |
| C280-1316 | 1.1875 | | | \$310.00 | 5.5 | | |
| C280-114 | 1.25 | | | \$310.00 | 5.5 | | |
| C280-112 | 1.5 | | | \$310.00 | 5.5 | | |
| 40-50 | 320TP | C320-1 | 1 | \$328.00 | 6.5 | | |
| | | C320-1316 | 1.1875 | \$328.00 | 6.5 | | |
| | | C320-114 | 1.25 | \$328.00 | 6.5 | | |
| | | C320-1716 | 1.4375 | \$328.00 | 6.5 | | |
| | | C320-112 | 1.5 | \$328.00 | 6.5 | | |
| | | C320-11116 | 1.6875 | \$328.00 | 6.5 | | |
| 60-75 | 360TP | C360-1 | 1 | \$334.00 | 6.5 | | |
| | | C360-1316 | 1.1875 | \$334.00 | 6.5 | | |
| | | C360-114 | 1.25 | \$334.00 | 6.5 | | |
| | | C360-1716 | 1.4375 | \$334.00 | 6.5 | | |
| | | C360-112 | 1.5 | \$334.00 | 6.5 | | |
| | | C360-11116 | 1.6875 | \$334.00 | 6.5 | | |

| HP | Frame | Model No. | Bore Size (in) | List Price | Est. Weight (lbs.) |
|-------------|-------------|-------------|----------------|-------------|--------------------|
| 100-125 | 400TP | C400-1316 | 1.1875 | \$364.00 | 13 |
| | | C400-114 | 1.25 | \$364.00 | 13 |
| | | C400-1716 | 1.4375 | \$364.00 | 13 |
| | | C400-112 | 1.5 | \$364.00 | 13 |
| | | C400-11116 | 1.6875 | \$364.00 | 13 |
| 150-250 | 440TP | C440-1316 | 1.1875 | \$404.00 | 16.8 |
| | | C440-114 | 1.25 | \$404.00 | 16.8 |
| | | C440-112 | 1.5 | \$404.00 | 16.8 |
| | | C440-11116 | 1.6875 | \$404.00 | 16.8 |
| | | C440-11516 | 1.9375 | \$404.00 | 16.8 |
| 300-350 | 447TP-449TP | C440-1316 | 1.1875 | \$404.00 | 16.8 |
| | | C440-114 | 1.25 | \$404.00 | 16.8 |
| | | C440-112 | 1.5 | \$404.00 | 16.8 |
| | | C440-11116 | 1.6875 | \$404.00 | 16.8 |
| | | C440-11516 | 1.9375 | \$404.00 | 16.8 |
| 300-350 | 5800 | C5800-11116 | 1.6875 | \$452.00 | 28 |
| | | C5800-11516 | 1.9375 | \$452.00 | 28 |
| | | C5800-2316 | 2.1875 | \$452.00 | 28 |
| | | C5800-2716 | 2.4375 | \$452.00 | 28 |
| 400-500 | 5800 | C5800-11116 | 1.6875 | \$452.00 | 28 |
| | | C5800-11516 | 1.9375 | \$452.00 | 28 |
| | | C5800-2316 | 2.1875 | \$452.00 | 28 |
| | | C5800-2716 | 2.4375 | \$452.00 | 28 |
| | | 600-1000 | 5800 | C5800-11116 | 1.6875 |
| C5800-11516 | 1.9375 | | | \$452.00 | 28 |
| C5800-2316 | 2.1875 | | | \$452.00 | 28 |
| C5800-2716 | 2.4375 | | | \$452.00 | 28 |

Parts shown are for WP1 Premium and WP1 Fire Protection motors. Parts for TEFC motors available upon request.

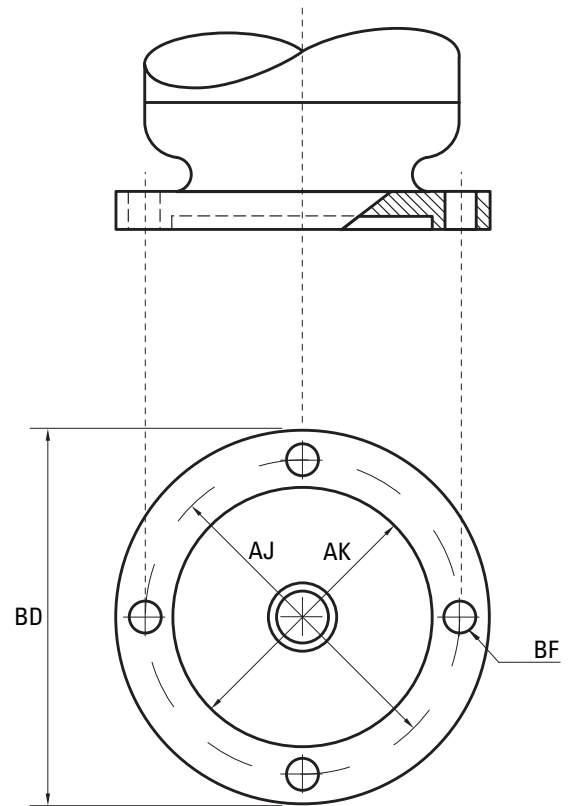


Vertical Pump Motors

P - B A S E

The following table shows the bases that fit each of the HP/Frame sizes. Models highlighted in blue indicate the standard P-Base for that particular frame size. Proper alignment of pump flange and motor flange is critical. Small errors in alignment are magnified by the distance from the flange to the top of the motor, resulting in vibration, electrical noise, premature bearing wear and oil leakage.

| HP | Frame | P-Base Model No. | Base Size (in) | List Price | Est. Weight (lbs.) |
|----------|-------|------------------|----------------|------------|--------------------|
| 7.5-10 | 210TP | PBASE210-10 | 10 | \$418.00 | 33 |
| | | PBASE210-12 | 12 | \$468.00 | 39.1 |
| | | PBASE210-1612 | 16.5 | \$514.00 | 51.3 |
| 15-20 | 250TP | PBASE250-10 | 10 | \$418.00 | 48.5 |
| | | PBASE250-12 | 12 | \$514.00 | 55.1 |
| | | PBASE250-1612 | 16.5 | \$532.00 | 68.3 |
| 25-30 | 280TP | PBASE280-10 | 10 | \$418.00 | 48.5 |
| | | PBASE280-12 | 12 | \$514.00 | 55.1 |
| | | PBASE280-1612 | 16.5 | \$532.00 | 68.3 |
| 40-50 | 320TP | PBASE320-12 | 12 | \$514.00 | 75 |
| | | PBASE320-1612 | 16.5 | \$532.00 | 85 |
| 60-75 | 360TP | PBASE360-12 | 12 | \$530.00 | 81.5 |
| | | PBASE360-1612 | 16.5 | \$562.00 | 92 |
| 100-125 | 400TP | PBASE400-1612 | 16.5 | \$657.00 | 182.1 |
| | | PBASE400-20 | 20 | \$852.00 | 208 |
| 150-350 | 440TP | PBASE440-1612 | 16.5 | \$798.00 | 198 |
| | | PBASE440-20 | 20 | \$990.00 | 233.2 |
| 300-1000 | 5800 | PBASE5800-2412 | 24.5 | \$1,135.00 | 330 |





Vertical Pump Motors

REPLACEMENT PARTS

Top Cover

| HP | Frame | Part No. | List Price | Est. Weight (lbs.) |
|----------|-----------|----------|------------|--------------------|
| 7.5 | 213TP | TC-210 | \$224.00 | 11.1 |
| 10 | 215TP | TC-210 | \$224.00 | 11.1 |
| 15 | 254TP | TC-250 | \$270.00 | 19 |
| 20 | 256TP | TC-250 | \$270.00 | 19 |
| 25 | 284TP | TC-280 | \$312.00 | 19 |
| 30 | 286TP | TC-280 | \$312.00 | 19 |
| 40 | 324TP | TC-320 | \$344.00 | 7.1 |
| 50 | 326TP | TC-320 | \$344.00 | 7.1 |
| 60 | 364TP | TC-360 | \$504.00 | 8.1 |
| 75 | 365TP | TC-360 | \$504.00 | 8.1 |
| 100 | 404TP | TC-400 | \$851.00 | 10.4 |
| 125 | 405TP | TC-400 | \$851.00 | 10.4 |
| 150 | 444TP | TC-440 | \$1,056.00 | 12.3 |
| 200 | 445TP | TC-440 | \$1,056.00 | 12.3 |
| 250 | 445TP | TC-440 | \$1,056.00 | 12.3 |
| 300 | 447TP | TC-440 | \$1,056.00 | 12.3 |
| 350 | 449TP | TC-440 | \$1,056.00 | 12.3 |
| 300-1000 | 5804-5810 | TC-5800 | \$1,120.00 | 12.3 |

Conduit Box

| HP | Frame | Description | Part No. | List Price | Est. Weight (lbs.) |
|----------|-------------|-------------|----------|------------|--------------------|
| 7.5-10 | 213TP-215TP | Cover | CBC-210 | \$134.00 | 4 |
| | | Base | CBB-210 | \$134.00 | 6.9 |
| 15-30 | 254TP-286TP | Cover | CBC-250 | \$208.00 | 8 |
| | | Base | CBB-250 | \$208.00 | 12.9 |
| 40-50 | 324TP-326TP | Cover | CBC-320 | \$340.00 | 8 |
| | | Base | CBB-320 | \$340.00 | 12.9 |
| 60-75 | 364TP-365TP | Cover | CBC-360 | \$478.00 | 8 |
| | | Base | CBB-360 | \$478.00 | 12.9 |
| 100-125 | 404TP-405TP | Cover | CBC-400 | \$565.00 | 8 |
| | | Base | CBB-400 | \$565.00 | 12.9 |
| 150-350 | 444TP-449TP | Cover | CBC-440 | \$665.00 | 15.5 |
| | | Base | CBB-440 | \$665.00 | 33.5 |
| 300-1000 | 5804-5810 | Cover | CBC-5800 | \$1,722.00 | 5 |
| | | Base | CBB-5800 | \$1,722.00 | 19.7 |

Non-Reverse Ratchet

| HP | Frame | Part No. | List Price | Est. Weight (lbs.) |
|----------|-----------|----------|------------|--------------------|
| 7.5 | 213TP | NRR-210 | \$380.00 | 16 |
| 10 | 215TP | NRR-210 | \$380.00 | 16 |
| 15 | 254TP | NRR-250 | \$516.00 | 25 |
| 20 | 256TP | NRR-250 | \$516.00 | 25 |
| 25 | 284TP | NRR-280 | \$602.00 | 25 |
| 30 | 286TP | NRR-280 | \$602.00 | 25 |
| 40 | 324TP | NRR-320 | \$638.00 | 36 |
| 50 | 326TP | NRR-320 | \$638.00 | 36 |
| 60 | 364TP | NRR-360 | \$742.00 | 36 |
| 75 | 365TP | NRR-360 | \$742.00 | 36 |
| 100 | 404TP | NRR-400 | \$1,038.00 | 68.3 |
| 125 | 405TP | NRR-400 | \$1,038.00 | 68.3 |
| 150 | 444TP | NRR-440 | \$1,470.00 | 90.4 |
| 200 | 445TP | NRR-440 | \$1,470.00 | 90.4 |
| 250 | 445TP | NRR-440 | \$1,470.00 | 90.4 |
| 300 | 447TP | NRR-440 | \$1,470.00 | 90.4 |
| 350 | 449TP | NRR-440 | \$1,470.00 | 90.4 |
| 300-1000 | 5804-5810 | NRR-5800 | \$1,800.00 | 127.9 |

Oil Tubes

| HP | Frame | Description | Part No. | List Price | Est. Weight (lbs.) |
|---------|-------------|----------------------|----------|------------|--------------------|
| 7.5 | 213TP | Endbell Inlet/Outlet | OTE-210 | \$60.00 | 0.1 / 0.1 |
| | | Bottom Inlet/Outlet | OTB-210 | \$60.00 | 0.07 / 0.1 |
| 10 | 215TP | Endbell Inlet/Outlet | OTE-210 | \$60.00 | 0.12 / 0.12 |
| | | Bottom Inlet/Outlet | OTB-210 | \$60.00 | 0.07 / 0.1 |
| 15 | 254TP | Endbell Inlet/Outlet | OTE-250 | \$65.00 | 0.12 / 0.12 |
| | | Bottom Inlet/Outlet | OTB-250 | \$65.00 | 0.07 / 0.11 |
| 20 | 256TP | Endbell Inlet/Outlet | OTE-250 | \$65.00 | 0.12 / 0.12 |
| | | Bottom Inlet/Outlet | OTB-250 | \$65.00 | 0.07 / 0.11 |
| 25 | 284TP | Endbell Inlet/Outlet | OTE-280 | \$70.00 | 0.12 / 0.12 |
| | | Bottom Inlet/Outlet | OTB-280 | \$70.00 | 0.15 / 0.27 |
| 30 | 286TP | Endbell Inlet/Outlet | OTE-280 | \$70.00 | 0.12 / 0.12 |
| | | Bottom Inlet/Outlet | OTB-280 | \$70.00 | 0.15 / 0.27 |
| 40 | 324TP | Bottom Inlet/Outlet | OTB-320 | \$70.00 | 0.16 / 0.16 |
| 50 | 326TP | Bottom Inlet/Outlet | OTB-320 | \$75.00 | 0.16 / 0.16 |
| 60 | 364TP | Bottom Inlet/Outlet | OTB-360 | \$75.00 | 0.14 / 0.14 |
| 75 | 365TP | Bottom Inlet/Outlet | OTB-360 | \$80.00 | 0.14 / 0.14 |
| 100 | 404TP | Bottom Inlet/Outlet | OTB-400 | \$80.00 | 0.11 / 0.11 |
| 125 | 405TP | Bottom Inlet/Outlet | OTB-400 | \$85.00 | 0.11 / 0.11 |
| 150-350 | 444TP-449TP | Bottom Inlet/Outlet | OTB-440 | \$85.00 | 0.18 / 0.18 |

Parts shown are for WP1 Premium and WP1 Fire Protection motors. Parts for TEFC motors available upon request.



Vertical Pump Motors

REPLACEMENT PARTS

Sight Glass

| HP | Frame | Part No. | List Price | Est. Weight (lbs.) |
|----------|-----------|----------|------------|--------------------|
| 7.5 | 213TP | SG-210 | N/A | N/A |
| 10 | 215TP | SG-210 | N/A | N/A |
| 15 | 254TP | SG-250 | N/A | N/A |
| 20 | 256TP | SG-250 | N/A | N/A |
| 25 | 284TP | SG-280 | N/A | N/A |
| 30 | 286TP | SG-280 | \$172.00 | .11 |
| 40 | 324TP | SG-320 | \$172.00 | .11 |
| 50 | 326TP | SG-320 | \$172.00 | .11 |
| 60 | 364TP | SG-360 | \$172.00 | .11 |
| 75 | 365TP | SG-360 | \$172.00 | .11 |
| 100 | 404TP | SG-400 | \$172.00 | .33 |
| 125 | 405TP | SG-400 | \$172.00 | .33 |
| 150 | 444TP | SG-440 | \$172.00 | .33 |
| 200 | 445TP | SG-440 | \$172.00 | .33 |
| 250 | 445TP | SG-440 | \$172.00 | .33 |
| 300 | 447TP | SG-440 | \$172.00 | .33 |
| 350 | 449TP | SG-440 | \$172.00 | .33 |
| 300-1000 | 5804-5810 | SG-5800 | \$220.00 | .66 |

Oil Plug

| HP | Frame | Part No. | List Price | Est. Weight (lbs.) |
|----------|-----------|----------|------------|--------------------|
| 7.5 | 213TP | OP-210 | N/A | N/A |
| 10 | 215TP | OP-210 | N/A | N/A |
| 15 | 254TP | OP-250 | N/A | N/A |
| 20 | 256TP | OP-250 | N/A | N/A |
| 25 | 284TP | OP-280 | N/A | N/A |
| 30 | 286TP | OP-280 | \$150.00 | .67 |
| 40 | 324TP | OP-320 | \$150.00 | .67 |
| 50 | 326TP | OP-320 | \$150.00 | .67 |
| 60 | 364TP | OP-360 | \$150.00 | .67 |
| 75 | 365TP | OP-360 | \$150.00 | .67 |
| 100 | 404TP | OP-400 | \$200.00 | .88 |
| 125 | 405TP | OP-400 | \$200.00 | .88 |
| 150 | 444TP | OP-440 | \$200.00 | .88 |
| 200 | 445TP | OP-440 | \$200.00 | .88 |
| 250 | 445TP | OP-440 | \$200.00 | .88 |
| 300 | 447TP | OP-440 | \$200.00 | .88 |
| 350 | 449TP | OP-440 | \$200.00 | .88 |
| 300-1000 | 5804-5810 | OP-5800 | \$250.00 | 1.15 |

Bearings

| HP | Frame | Description | Part No. | List Price | Est. Weight (lbs.) |
|----------|-----------|-----------------------|----------|------------|--------------------|
| 7.5 | 213TP | Angular Contact (Top) | 7310BM | \$130.00 | .99 |
| | | Guided (Bottom) | 6210 | \$56.00 | 2.64 |
| 10 | 215TP | Angular Contact (Top) | 7310BM | \$130.00 | .99 |
| | | Guided (Bottom) | 6210 | \$56.00 | 2.64 |
| 15 | 254TP | Angular Contact (Top) | 7312BM | \$148.00 | 1.65 |
| | | Guided (Bottom) | 6212 | \$75.00 | 4.29 |
| 20 | 256TP | Angular Contact (Top) | 7312BM | \$148.00 | 1.65 |
| | | Guided (Bottom) | 6212 | \$75.00 | 4.29 |
| 25 | 284TP | Angular Contact (Top) | 7312BM | \$162.00 | 1.65 |
| | | Guided (Bottom) | 6212 | \$75.00 | 4.29 |
| 30 | 286TP | Angular Contact (Top) | 7312BM | \$162.00 | 1.65 |
| | | Guided (Bottom) | 6212 | \$75.00 | 4.29 |
| 40 | 324TP | Angular Contact (Top) | 7221BM | \$178.00 | 9.68 |
| | | Guided (Bottom) | 6213 | \$85.00 | 6.09 |
| 50 | 326TP | Angular Contact (Top) | 7221BM | \$178.00 | 9.68 |
| | | Guided (Bottom) | 6213 | \$85.00 | 6.09 |
| 60 | 364TP | Angular Contact (Top) | 7224BM | \$264.00 | 13.75 |
| | | Guided (Bottom) | 6314 | \$95.00 | 7.9 |
| 75 | 365TP | Angular Contact (Top) | 7224BM | \$264.00 | 13.75 |
| | | Guided (Bottom) | 6314 | \$95.00 | 7.9 |
| 100 | 404TP | Angular Contact (Top) | 7230BM | \$548.00 | 24.75 |
| | | Guided (Bottom) | 6317 | \$100.00 | 8.4 |
| 125 | 405TP | Angular Contact (Top) | 7230BM | \$548.00 | 24.75 |
| | | Guided (Bottom) | 6317 | \$100.00 | 8.4 |
| 150-350 | 444-449TP | Angular Contact (Top) | 7232BM | \$750.00 | 30.91 |
| | | Guided (Bottom) | 6318 | \$114.00 | 10.45 |
| 300-1000 | 5804-5810 | Angular Contact (Top) | 7238BM | \$924.00 | 47.4 |
| | | Guided (Bottom) | 6220 | \$120.00 | 12.1 |

Lifting Bolts

| HP | Frame | Part No. | List Price | Est. Weight (lbs.) |
|----------|-------------|----------|------------|--------------------|
| 7.5-10 | 213TP-215TP | LB-210 | \$80.00 | .22 |
| 15-125 | 254TP-405TP | LB-250 | \$86.00 | .57 |
| 150-350 | 444TP-449TP | LB-440 | \$88.00 | .99 |
| 300-1000 | 5804-5810 | LB-5800 | \$110.00 | 1 |

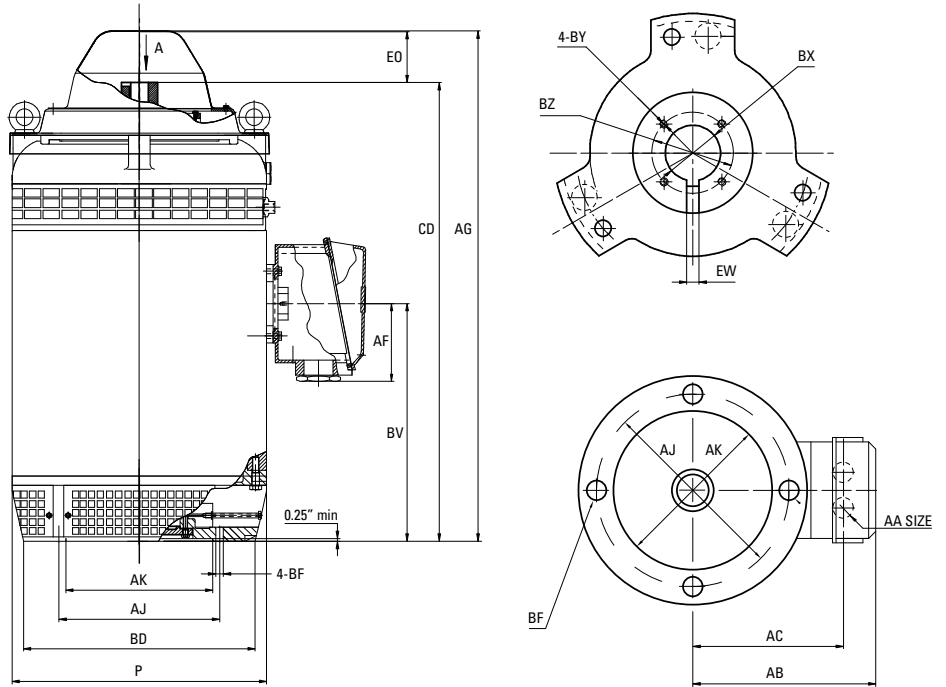
Steady Bushings

| HP | Frame | Part No. | List Price | Est. Weight (lbs.) |
|----------|-------------|----------|------------|--------------------|
| 7.5-10 | 213TP-215TP | SB-210 | \$15.08 | .25 |
| 15-20 | 254TP-286TP | SB-250 | \$20.36 | .3 |
| 25-30 | 284TP-286TP | SB-280 | \$27.48 | .3 |
| 40-50 | 324TP-326TP | SB-320 | \$37.02 | .35 |
| 60-75 | 364TP-365TP | SB-360 | \$46.36 | .35 |
| 100-125 | 404TP-405TP | SB-400 | \$57.96 | .4 |
| 150-350 | 444TP-449TP | SB-440 | \$72.46 | .42 |
| 300-1000 | 5804-5810 | SB-5800 | \$97.80 | .5 |

Parts shown are for WP1 Premium and WP1 Fire Protection motors. Parts for TEFC motors available upon request.

Vertical Pump Motors

DIMENSIONS



Dimensions shown are for WP1 Premium and WP1 Fire Protection motors. Dimensions for TEFC motors available upon request.

| HP | Frame | Mounting Dimensions (in) | | | | | | | | | | | Overall Dimensions (in) | | | Bearings | | Weight (lb) | | |
|------|-------|--------------------------|-------|------|-------|------|------|--------|-------|-------|----------|-------|-------------------------|-------|-------|----------|-------|-------------|-----------|--------------------|
| | | BD | AJ | AK | BV | AF | BF | BX | BZ | EW | BY | CD | EO | P | AB | AC | AG | | Drive End | Opposite Drive End |
| 7.5 | 213TP | 10 | 9.125 | 8.25 | 9.55 | 3.25 | 0.44 | 1 | 1.374 | 0.258 | 10-32 | 17.58 | 3 | 13.58 | 7.56 | 6.5 | 26.83 | 6210 | 7310B | 305 |
| 10 | 215TP | 10 | 9.125 | 8.25 | 9.55 | 3.25 | 0.44 | 1 | 1.374 | 0.258 | 10-32 | 17.58 | 3 | 13.58 | 7.56 | 6.5 | 26.83 | 6210 | 7310B | 315 |
| 15 | 254TP | 10 | 9.125 | 8.25 | 12.09 | 5.64 | 0.44 | 1 | 1.374 | 0.257 | 10-32 | 23.56 | 3 | 15.24 | 14.11 | 10.095 | 26.89 | 6212 | 7312B | 532 |
| 20 | 256TP | 10 | 9.125 | 8.25 | 12.09 | 5.64 | 0.44 | 1 | 1.374 | 0.257 | 10-32 | 23.56 | 3 | 15.24 | 14.11 | 10.095 | 26.89 | 6212 | 7312B | 550 |
| 25 | 284TP | 10 | 9.125 | 8.25 | 12.09 | 5.64 | 0.44 | 1 | 1.374 | 0.257 | 10-32 | 24.94 | 3 | 15.24 | 14.11 | 10.095 | 28.27 | 6212 | 7312B | 585 |
| 30 | 286TP | 10 | 9.125 | 8.25 | 12.09 | 5.64 | 0.44 | 1 | 1.374 | 0.257 | 10-32 | 24.94 | 3 | 15.24 | 14.11 | 10.095 | 28.27 | 6212 | 7312B | 602 |
| 40 | 324TP | 16.5 | 14.72 | 13.5 | 13.78 | 4 | 0.69 | 1.25 | 1.75 | 0.25 | 0.25-20 | 28.22 | 4 | 17.32 | 15.1 | 11.08 | 32.52 | 6213 | 7221B | 825 |
| 50 | 326TP | 16.5 | 14.72 | 13.5 | 13.78 | 4 | 0.69 | 1.25 | 1.75 | 0.25 | 0.25-20 | 28.22 | 4 | 17.32 | 15.1 | 11.08 | 32.52 | 6213 | 7221B | 876 |
| 60 | 364TP | 16.5 | 14.75 | 13.5 | 15.06 | 4 | 0.69 | 1.25 | 1.75 | 0.25 | 0.25-20 | 31.13 | 4.56 | 18.9 | 15.55 | 11.19 | 35.75 | 6314 | 7224B | 1080 |
| 75 | 365TP | 16.5 | 14.75 | 13.5 | 15.06 | 4 | 0.69 | 1.25 | 1.75 | 0.25 | 0.25-20 | 31.13 | 4.56 | 18.9 | 15.55 | 11.19 | 35.75 | 6314 | 7224B | 1309 |
| 100 | 404TP | 16.5 | 14.72 | 13.5 | 19.3 | 6 | 0.69 | 1.5 | 2.13 | 0.375 | 0.25-20 | 36.94 | 4.89 | 21 | 17.13 | 13.16 | 42.5 | 6317 | 7230B | 1585 |
| 125 | 405TP | 16.5 | 14.72 | 13.5 | 19.3 | 6 | 0.69 | 1.5 | 2.13 | 0.375 | 0.25-20 | 36.94 | 4.89 | 21 | 17.13 | 13.16 | 42.5 | 6317 | 7230B | 1730 |
| 150 | 444TP | 16.5 | 14.75 | 13.5 | 22.44 | 4.88 | 0.69 | 1.69 | 2.5 | 0.375 | 0.25-20 | 42.66 | 5.37 | 23.35 | 17.78 | 13.53 | 48.03 | 6318 | 7232B | 2100 |
| 200 | 445TP | 16.5 | 14.75 | 13.5 | 22.44 | 4.88 | 0.69 | 1.69 | 2.5 | 0.375 | 0.25-20 | 42.66 | 5.37 | 23.35 | 17.78 | 13.53 | 48.03 | 6318 | 7232B | 2290 |
| 250 | 445TP | 16.5 | 14.75 | 13.5 | 22.44 | 4.88 | 0.69 | 1.69 | 2.5 | 0.375 | 0.25-20 | 42.66 | 5.37 | 23.35 | 17.78 | 13.53 | 48.03 | 6318 | 7232B | 2360 |
| 300 | 5804 | 24.5 | 22 | 13.5 | 28.72 | 9.55 | 0.69 | 1.9375 | 3.25 | 0.51 | 0.375-16 | 53.25 | 8 | 31.29 | 26.91 | 21.34 | 61.25 | 6220 | 7238B | 4032 |
| 350 | 5804 | 24.5 | 22 | 13.5 | 28.72 | 9.55 | 0.69 | 1.9375 | 3.25 | 0.51 | 0.375-16 | 53.25 | 8 | 31.29 | 26.91 | 21.34 | 61.25 | 6220 | 7238B | 4162 |
| 400 | 5806 | 24.5 | 22 | 13.5 | 28.72 | 9.55 | 0.69 | 1.9375 | 3.25 | 0.51 | 0.375-16 | 56.25 | 8 | 31.29 | 26.91 | 21.34 | 64.25 | 6220 | 7238B | 4462 |
| 450 | 5808 | 24.5 | 22 | 13.5 | 30.74 | 9.55 | 0.69 | 1.9375 | 3.25 | 0.51 | 0.375-16 | 58.25 | 8 | 31.29 | 26.91 | 21.34 | 66.25 | 6220 | 7238B | 4533 |
| 500 | 5808 | 24.5 | 22 | 13.5 | 30.74 | 9.55 | 0.69 | 2.1875 | 3.25 | 0.51 | 0.375-16 | 58.25 | 8 | 31.29 | 26.91 | 21.34 | 66.25 | 6220 | 7238B | 4800 |
| 600 | 5808 | 24.5 | 22 | 13.5 | 30.74 | 9.55 | 0.69 | 2.1875 | 3.25 | 0.51 | 0.375-16 | 58.25 | 8 | 31.29 | 26.91 | 21.34 | 66.25 | 6220 | 7238B | 5004 |
| 700 | 5809 | 24.5 | 22 | 13.5 | 34.74 | 9.55 | 0.69 | 2.4375 | 3.25 | 0.51 | 0.375-16 | 62.25 | 8 | 31.29 | 26.91 | 21.34 | 70.75 | 6220 | 7238B | 5450 |
| 800 | 5809 | 24.5 | 22 | 13.5 | 34.74 | 9.55 | 0.69 | 2.4375 | 3.25 | 0.51 | 0.375-16 | 62.25 | 8 | 31.29 | 26.91 | 21.34 | 70.75 | 6220 | 7238B | 5670 |
| 900 | 5810 | 24.5 | 22 | 13.5 | 38.74 | 9.55 | 0.69 | 2.4375 | 3.25 | 0.51 | 0.375-16 | 66.25 | 8 | 31.29 | 26.91 | 21.34 | 74.25 | 6220 | 7238B | 5965 |
| 1000 | 5810 | 24.5 | 22 | 13.5 | 38.74 | 9.55 | 0.69 | 2.4375 | 3.25 | 0.51 | 0.375-16 | 66.25 | 8 | 31.29 | 26.91 | 21.34 | 74.25 | 6220 | 7238B | 6320 |



Vertical Pump Motors

CROSS REFERENCE GUIDE

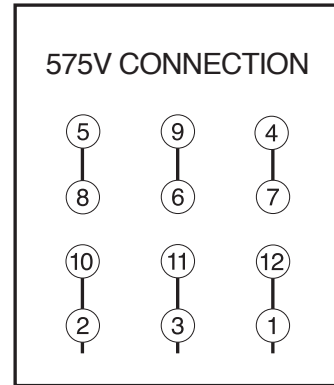
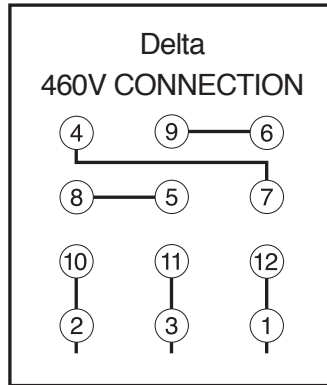
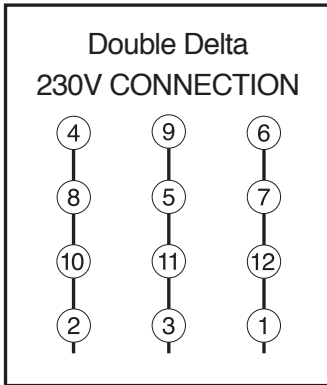
| Features | Aurora | NIDEC | GE |
|--|--------|-------|----|
| UL Listed VHS & VSS from 7.5HP - 600HP PE | ✓ | ✓ | |
| UL Listed VHS & VSS from 650HP - 1000HP PE | ✓ | | |
| 7.5 - 250HP | ✓ | ✓ | ✓ |
| 300 -500HP | ✓ | ✓ | ✓ |
| 600 - 5000HP | ✓ | ✓ | ✓ |
| 4 Pole 1800 RPM | ✓ | ✓ | ✓ |
| 6 Pole 1200 RPM | ✓ | ✓ | ✓ |
| 6 Lead PWS | ✓ | ✓ | ✓ |
| 12 Leads | ✓ | | |
| 230/460V | ✓ | ✓ | ✓ |
| 460V | ✓ | ✓ | ✓ |
| 575V | ✓ | ✓ | ✓ |
| Standard Efficiency | ✓ | ✓ | |
| Premium Efficiency | ✓ | ✓ | |
| NEMA MG1-Part 31 | ✓ | ✓ | ✓ |
| Double VPI Insulation | ✓ | | |
| WP-1 Enclosure | ✓ | ✓ | ✓ |
| TEFC Enclosure | ✓ | ✓ | |
| Class B Temp Rise @ 1.15 S.F. | ✓ | | |
| Peak To Peak Insulation 2300V | ✓ | | |
| Special Double Rotor Balanced | ✓ | | |
| Angular Contact P-5 Aviation Bearings | ✓ | | |
| Extra High Thrust Capable | ✓ | ✓ | ✓ |
| Ball Type Non Reverse Ratchet | ✓ | ✓ | |
| Casting Grey 250 and Ductile End Bell | ✓ | | |

| Aurora Motors Brand | NIDEC Brand | GE |
|--|--|------------------------------------|
| 7.5 HP - 700 HP STOCK | 5 HP - 500 HP | 5 HP - 300HP |
| 3600 RPM, 1800 RPM, 1200 RPM | 1200, 1800 & 3600 RPM | 1800 RPM & 3600 RPM |
| 6 Leads & 12 Leads | 6 Leads & 9 Leads | 6 Leads & 9 Leads |
| 230/460V, 460V PWS & 575V | 230/460V & 460 V | 230/460V & 460V |
| WP-1 &TEFC | WP-1 & TEFC | WP-1 ONLY |
| Standard, High, & Premium Eff | Premium Efficiencies | Premium Efficiency |
| Meets or Exceeds NEMA | Meets or Exceeds NEMA | Meets or Exceeds NEMA |
| MG1 Part 31 | MG1 Part 31 | MG1 Part 31 |
| Double VPI w/Tropicalized Epoxy Coating | Insulation System not VPI | Insulation System not VPI |
| Oversized P-5 Angular Contact Bearings | Standard Angular Contact Bearings | Standard Angular Contact Bearings |
| Balancing Standard NEMA | Balancing Standard NEMA | Balancing Standard NEMA |
| Class "B" Temp Rise @ 1.15 S.F. | Temp Rise Class "F" @1.15 S.F. | Temp Rise Class "F" @1.15 S.F. |
| Grey 250 Cast Iron | Standard Casting | Standard Casting |
| Precision Cast Frames & EB | Standard Casting | Standard Casting |
| Non Reverse Ratchet Ball Type all Models | Non Reverse Ratchet Ball Type all Models | Non Reverse Ratchet Pin, Ball Type |
| Extra High Thrust Capable | Extra High Thrust Capable | Extra High Thrust Capable |
| Agency Approvals UL, CSA Equal, CE | Agency Approvals UL, CSA Equal, CE | Agency Approvals UL, CSA Equal, CE |

LEAD CONNECTION DIAGRAMS

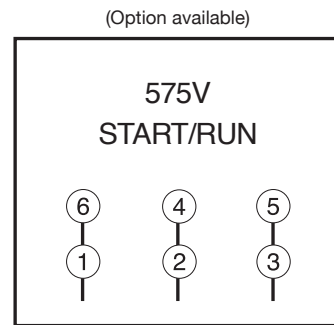
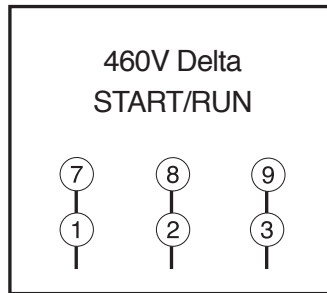
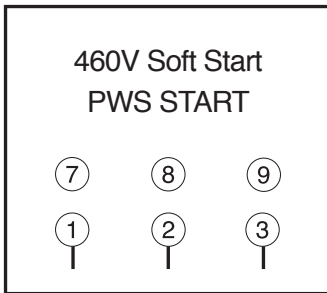
12-Leads Connection Diagrams

(575 volts for Canadian market or 230/460 volts for US market)

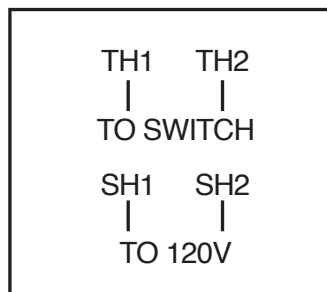


6-Leads Connection Diagrams

(for US market 40HP and up)



Thermistors and Space Heater Connection



TH1 ----- To Switch

TH2 ----- To Switch

SH1 ----- To 120V

SH2 ----- To 120V

Thermistors PTC type: The lead wire is red.

The space heater lead wire hook up to 120V is white.



Vertical Pump Motors

WARRANTY POLICY

Aurora Motors warrants its motor/product against defects in material and workmanship provided the motor/product has properly been cared for, installed, and operated in the application for which the motor/product was designed. Aurora Motors warrants its motor/product for 12 months after the date of sale by the distributor or 24 months from the date of shipment from the manufacturer, whichever expires first. This warranty shall be in lieu of any other warranty expressed or implied including but limited to, any implied warranty of merchantability, or fitness for a particular purpose. A defective motor/product must be taken to an independent repair facility authorized by Aurora Motors for inspection or returned to Aurora Motors for completion of warranty. Any and all repairs must have a written authorization by Aurora Motors prior to such repair.

To claim a warranty on a motor/product, the purchaser must provide the original invoice, date of installation, authorized inspection report, cost of repair (authorized repair facility) and photographs/video of failure which support the warranty claim. Aurora Motors will be responsible for repairs or replacing the defective motor/product provided that the motor/product has an Aurora Motors nameplate on it and in fact is an Aurora Motors product, has never being altered, is returned, and freight pre-paid. Before returning the motor/product, a return merchandise authorized number (R.M.A.) must be obtained. Aurora Motors will pay the transportation charge one way only, from the warehouse to the customer. Aurora Motors is not responsible for any expenses in connection with any repair made by anyone other than the factory or an authorized service facility. Aurora Motors is not responsible for removal, installation, or other incidental expenses incurred in shipping the motor/product to or from facilities. The utilization of the thermistors and space heaters are required for warranty inspection.

Aurora Motors assumes no responsibility for consequential or incidental damages, including but not limited to, personal injury or labor costs arising from an operating failure of the motor/product for any reason whatsoever, nor does it assume responsibility for improper storage and handling by the distributor and/or end-user. Also, for warranty purposes, customer must be ready to provide relevant data to Aurora Motors such as the end-user and installer contact information, (preferably at the time of installation). Before a warranty can be determined, the warranty department needs documentation of what application the motor/product was being utilized for, date the motor/product was purchased, the date the motor/product was installed and if all wiring was properly connected, if both the thermistor and space heater had been installed correctly, if the motor/product had been properly filled with oil, and a complete description of the cause of failure.

CUSTOMER SERVICE AND SUPPORT

Our Customer Support Guarantee

Your business relies on Aurora Motors, and our Customer Support Services Team is here to help you with responsive and quick help.

We promise to:

- Be responsive. If a problem happens, we will be there for you.
- Provide a quick turn-around. We will help you to get back up and running as soon as possible.
- Give you reliable answers. Our engineers and designers have both a thorough knowledge of our products and your application.
- Treat you like a respected partner.



Phone: 510-264-1318

Fax: 510-264-1317

www.aurora-motors.com



aurora-motors.com



Please follow us on Facebook, Twitter and LinkedIn.

AURORA MOTORS 2031 American Avenue Hayward, California 94545
telephone: (510) 264-1318 fax: (510) 264-1317 email: sales@aurora-motors.com