

ReliaMAX™

Reliable Performance & Maximum Value

LUBRICATION Technologies, Inc.

SEPARATING SURFACES SINCE '76



EXCLUSIVE UNITED STATES DISTRIBUTOR
SERIES PROGRESSIVE LUBRICATION SYSTEMS EXPERTS

LUBRICATION SYSTEM FITTINGS

Compression Fittings



Push To Connect Fittings



Threaded Hose Sleeves for Resuable Ends



Tube Sockets Tube Studs - Hose studs



Adapters - Extensions Reducers



8.6MM High Pressure Hose

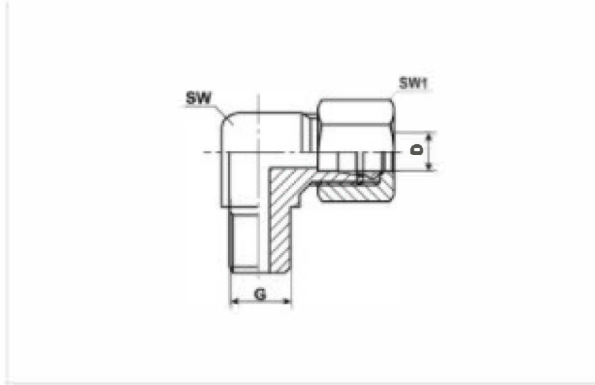


120 BOSWORTH STREET, WEST SPRINGFIELD MA 01089

413-788-LUBE (5823)

www.LubeTechnologies.com

COMPRESSION FITTINGS - ELBOW SCREW



Steel, chrome-VI free, galvanised

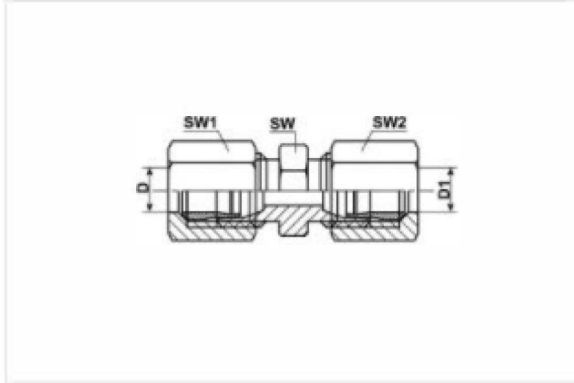
Item No.	Description	D	G	SW	SW1	Serie	Bag	Box
104-101	WE04-LL M6x1	4	6 x 1 tap	9	10	LL	50	500
104-102	WE04-LL M8x1	4	8 x 1 tap	9	10	LL	50	500
104-102-Øx1,25	WE04-LL M8x1,25	4	8 x 1,25 tap	9	10	LL	50	500
104-103	WE04-LL M10x1	4	10 x 1 tap	11	10	LL	50	500
104-104	WE04-LL R1/8	4	R 1/8 BSP / tap	11	10	LL	50	500
106-101	WE06-LL M6x1	6	6 x 1 tap	11	12	LL	100	500
106-102	WE06-LL M8x1	6	8 x 1 tap	11	12	LL	100	500
106-102-Øx1,25	WE06-LL M8x1,25	6	8 x 1,25 tap	11	12	LL	100	500
106-103	WE06-LL M10x1	6	10 x 1 tap	11	12	LL	100	500
106-103-L	WE06-L M10x1	6	10 x 1 tap	12	14	L	50	500
106-104	WE06-LL R1/8	6	R 1/8 BSP / tap	11	12	LL	100	500
106-104-NPT	WE06-LL 1/8NPT	6	1/8 NPT	11	12	LL	100	500
106-104-L	WE06-L R1/8	6	R 1/8 BSP / tap	12	14	L	50	500
106-105-L	WE06-L R1/4	6	R 1/4 BSP / tap	12	14	L	50	500
1010-005	WE06-LL 1/4-2ØUNF	6	14 - 2Ø UNF	11	12	LL	100	500
108-103	WE08-LL M10x1	8	10x1 / tap	12	14	LL	50	500
108-104	WE08-LL R1/8	8	R 1/8 / tap	12	14	LL	50	500
108-104-L	WE08-L R1/8	8	R 1/8 / tap	12	14	L	50	500
108-105-L	WE08-L R1/4	8	R 1/4 BSP / tap	12	17	L	50	500
110-105-L	WE10-L R1/4	10	R 1/4 BSP / tap	14	19	L	50	250

COMPRESSION FITTINGS - ELBOW SCREW

Item No.	Description	D	G	SW	SW1	Serie	Bag	Box
1010-001	WE04-LL M6x1	4	6 x 1 tap	9	10	LL	25	250
1010-002	WE04-LL M8x1	4	8 x 1 tap	9	10	LL	25	250
1010-003	WE04-LL M10x1	4	10 x 1 tap	11	10	LL	25	250
1010-004	WE04-LL R1/8 BSPT	4	R 1/8 BSP tap	11	10	LL	25	250
106-101-VA	WE06-LL M6x1	6	6 x 1 tap	11	12	LL	25	500
106-102-VA	WE06-LL M8x1	6	8 x 1 tap	11	12	LL	25	500
106-103-VA	WE06-LL M10x1	6	10 x 1 tap	11	12	LL	25	500
106-104-VA	WE06-LL R1/8	6	R 1/8 BSP / tap	11	12	LL	25	500
106-104-VA-L	WE06-L R1/8	6	R 1/8 BSP / tap	12	14	L	25	250
106-105-VA-L	WE06-L R1/4	6	R 1/4 BSP / tap	12	14	L	25	250
108-104-VA	WE08-LL R1/8	8	R 1/8 BSP / tap	12	14	LL	25	250
108-104-VA-L	WE08-L R1/8	8	R 1/8 BSP / tap	12	17	L	25	125
108-105-VA-L	WE08-L R1/4	8	R 1/4 BSP / tap	12	17	L	25	125



COMPRESSION FITTINGS - STRAIGHT CONNECTORS



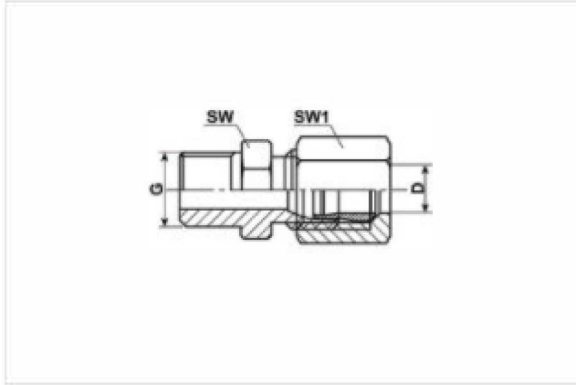
Steel, surface chrome-VI free, galvanised

Item No.	Description	D	D1	SW	SW1	SW2	Serie	Bag	Box
104-000	G04-LL	4	4	9	10	10	LL	50	500
104-000-6	GR06/04-LL	4	6	11	12	10	LL	50	500
106-000	G06-LL	6	6	11	12	12	LL	100	500
106-000-L	G06-L	6	6	12	14	14	L	50	500
106-000-8	GR08/06-LL	6	8	12	14	12	LL	50	500
106-000-10-L	GR10/06-L	6	10	17	19	14	L	50	500
108-000	G08-LL	8	8	12	14	14	LL	50	250
108-000-L	G08-L	8	8	14	17	17	L	50	250
110-000	G10-LL	10	10	14	17	17	LL	50	500
110-000-L	G10-L	10	10	17	19	19	L	50	250
110-000-8-L	GR10/08-L	8	10	17	19	17	L	50	500

Stainless steel 1.4401 / 316 / V4A

Item No.	Description	D	D1	SW	SW1	SW2	Serie	Bag	Box
104-000-VA	G04-LL	4	4	9	10	10	LL	25	250
1014-001	G06/04-LL	4	6	11	12	10	LL	25	250
106-000-VA	G06-LL	6	6	11	12	12	LL	25	250
106-000-VA-L	G06-L	6	6	12	14	14	L	25	250
108-000-VA	G08-LL	8	8	12	14	14	LL	25	250
108-000-VA-L	G08-L	8	8	14	17	17	L	25	125
110-000-VA-L	G10-L	10	10	17	19	19	L	25	125

COMPRESSION FITTINGS - STRAIGHT SCREW COUPLING



Steel chrome-VI free, galvanised

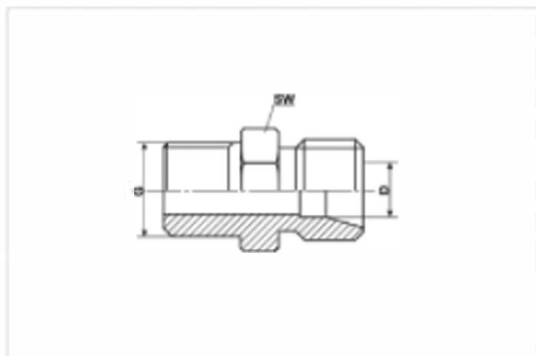
Item No.	Description	D	G	SW	SW1	Serie	Bag	Box
104-001	GE04-LL M6x1	4	M 6 x 1 tap	9	10	LL	50	500
104-002	GE04-LL M8x1	4	M 8 x 1 tap	9	10	LL	50	500
104-002-8x1,25	GE04-LL M8x1,25	4	M 8 x 1,25 tap	9	10	LL	50	500
104-003	GE04-LL M10x1	4	M 10 x 1 tap	11	10	LL	50	500
104-004	GE04-LL 1/8BSPT	4	R 1/8 BSP tap	11	10	LL	50	500
106-001	GE06-LL M6x1	6	M 6 x 1 tap	11	12	LL	100	500
106-002	GE06-LL M8x1	6	M 8 x 1 tap	11	12	LL	100	500
106-002-8x1,25	GE06-LL M8x1,25	6	M 8 x 1,25 tap	11	12	LL	100	500
106-003	GE06-LL M10x1	6	M 10 x 1 tap	11	12	LL	100	500
106-003-L	GE06-L M10x1	6	M 10 x 1 tap	14	14	L	50	500
106-003-L-ZYL	GE06-L M10x1	6	M 10 x 1 cyl	14	14	L	50	500
106-006-L	GE06-L M12x1,5	6	M 12 x 1,5 cyl	17	14	L	50	500
106-007-L	GE06-L M14x1,5	6	M 14 x 1,5 cyl	19	14	L	50	500
106-004	GE06-LL 1/8BSPT	6	R 1/8 BSP tap	11	12	LL	100	500
106-004-L	GE06-L 1/8BSPT	6	R 1/8 BSP tap	14	14	L	50	500
106-004-L-ZYL	GE06-L 1/8BSPT	6	R 1/8 BSP cyl	14	14	L	50	500
106-004-NPT	GE06-LL 1/8NPT	6	1/8 NPT	11	12	LL	100	500
106-005-L-NPT	GE06-L 1/4NPT	6	1/4 NPT	17	14	L	50	500
106-008-L	GE06-L 3/8BSP	6	R 3/8 BSP zyl	14	14	L	100	500
106-005	GE06-LL 1/4BSPT	6	R 1/4 BSP keg	11	12	LL	100	500
106-005-L	GE06-L 1/4BSPT	6	R 1/4 BSP tap	14	14	L	50	500
106-005-S	GE06-S 1/4BSP	6	R 1/4 BSP cyl	17	19	S	50	

COMPRESSION FITTINGS - STRAIGHT SCREW COUPLING

106-005-L-NPT	GE06-L 1/4NPT	6	1/4 NPT	17	14	L	50	500
106-004-NPT	GE06-LL 1/8NPT	6	1/8 NPT	11	12	LL	100	500
1012-005	GE06-LL 1/4-28UNF	6	1/4 - 28 UNF	11	12	LL	100	500
108-001	GE08-LL M6x1	8	M 6 x 1 tap	14	14	LL	50	500
108-002	GE08-LL M8x1	8	M 8 x 1 tap	14	14	LL	50	500
108-003	GE08-LL M10x1	8	M 10 x 1 tap	14	14	LL	50	500
108-008-L	GE08-L M14x1.5	8	M 14 x 1.5 cyl	19	14	L	50	250
108-004	GE08-LL 1/8 BSPT	8	R 1/8 BSP tap	14	14	LL	50	500
108-004-L	GE08-L 1/8BSPT	8	R 1/8 BSP tap	19	14	L	50	250
108-005	GE08-LL 1/4BSPT	8	R 1/4 BSP tap	19	14	LL	50	250
108-005-L	GE08-L 1/4BSPT	8	R 1/4 BSP tap	19	17	L	50	250
110-003-L	GE10-L M 10x1	10	M 10 x 1 cyl	17	19	L	50	500
110-004-L	GE10-L 1/8BSP	10	R 1/8 BSP cyl	17	19	L	50	500
110-005-L	GE10-L 1/4BSP	10	R 1/4 BSP cyl	19	19	L	50	250
110-008-L	GE10-L M14x1.5	10	M 14 x 1.5 cyl	19	19	L	50	500

Item No.	Description	D	G	SW	SW1	Serie	Bag	Box
1012-001	GE04-LL M6x1	4	M 6 x 1 tap	9	10	LL	25	250
1012-002	GE04-LL M8x1	4	M 8 x 1 tap	9	10	LL	25	250
1012-003	GE04-LL M10x1	4	M 10 x 1 tap	11	10	LL	25	250
1012-004	GE04-LL R1/8BSPT	4	R 1/8 BSP tap	11	10	LL	25	250
106-001-VA	GE06-LL M6x1	6	M 6 x 1 tap	11	12	LL	25	500
106-002-VA	GE06-LL M8x1	6	M 8 x 1 tap	11	12	LL	25	500
106-003-VA	GE06-LL M10x1	6	M 10 x 1 tap	11	12	LL	25	500
106-003-L-VA	GE06-L M10x1cyl	6	M 10 x 1 cyl	14	14	L	25	250
106-004-VA	GE06-LL 1/8BSPT	6	R 1/8 BSP tap	11	12	LL	25	250
106-004-VA-L	GE06-L 1/8BSP	6	R 1/8 BSP cyl	14	14	L	25	250
106-005-VA-L	GE06-L 1/4BSPT	6	R 1/4 BSP tap	19	14	L	25	250
108-003-VA-L	GE08-L M10x1	8	M 10 x 1 cyl	17	17	L	25	250
108-004-VA	GE08-LL 1/8BSP	8	R 1/8 BSP cyl	14	14	LL	25	250
108-004-VA-L	GE08-L 1/8BSPT	8	R 1/8 BSP tap	14	17	L	25	250
108-005-VA-L	GE08-L 1/4BSPT	8	R 1/4 BSP tap	19	17	L	25	250
110-003-VA-L	GE10-L M10x1	10	M 10 x 1 cyl	17	19	L	25	250

COMPRESSION FITTINGS - STRAIGHT CONNECTORS Body



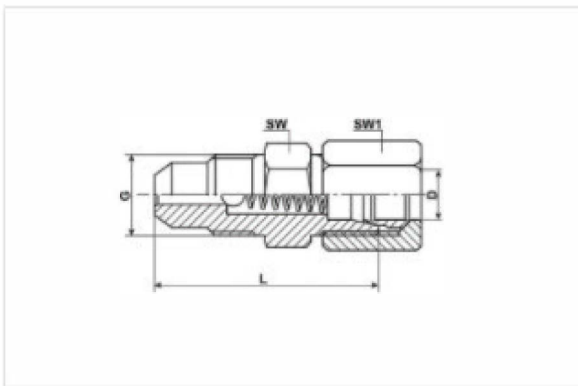
Steel zinc / steel zinc-nickel / Cr-VI free

Item No.	Description	D	G	SW	Serie	Bag	Box
104-031	XGE04-LL M6x1	4	M 6 x 1 tap	9	LL	100	1000
104-032	XGE04-LL M8x1	4	M 8 x 1 tap	9	LL	100	1000
104-033	XGE04-LL M10x1	4	M 10 x 1 tap	11	LL	100	1000
104-034	XGE04-LL 1/8BSP	4	R 1/8 BSP tap	11	LL	100	1000
106-031	XGE06-LL M6x1	6	M 6 x 1 tap	11	LL	100	1000
106-032	XGE06-LL M8x1	6	M 8 x 1 tap	11	LL	100	1000
106-032-8x1.25	XGE06-LL M8x1.25	6	M 8 x 1.25 tap	11	LL	100	1000
106-033	XGE06-LL M10x1	6	M 10 x 1 tap	11	LL	100	1000
106-034	XGE06-LL M1/8BSP	6	R 1/8 BSP tap	11	LL	100	1000
106-034-NPT	XGE06-LL 1/8NPT	6	1/8 NPT	11	LL	100	1000

Stainless steel 1.4401 / 316 / V4A

Item No.	Description	D	G	SW	Serie	Bag	Box
1013-001	XGE04-LL M6x1	4	M 6 x 1 tap	9	LL	100	1000
1013-002	XGE04-LL M8x1	4	M 8 x 1 tap	9	LL	100	1000
1013-003	XGE04-LL M10x1	4	M 10 x 1 tap	9	LL	100	1000
1013-004	XGE04-LL R1/8 BSP	4	R 1/8 BSP tap	11	LL	100	1000
106-031-VA	XGE06-LL M6x1	6	M 6 x 1 tap	11	LL	100	1000
106-032-VA	XGE06-LL M8x1	6	M 8 x 1 tap	11	LL	100	1000
106-033-VA	XGE06-LL M10x1	6	M 10 x 1 tap	11	LL	100	1000
106-034-VA	XGE06-LL 1/8BSP	6	R 1/8 BSP tap	11	LL	100	1000
1013-006	XGE06-LL 1/8NPT	6	1/8 NPT	11	LL	100	1000

COMPRESSION FITTINGS - NON RETURN VALVES

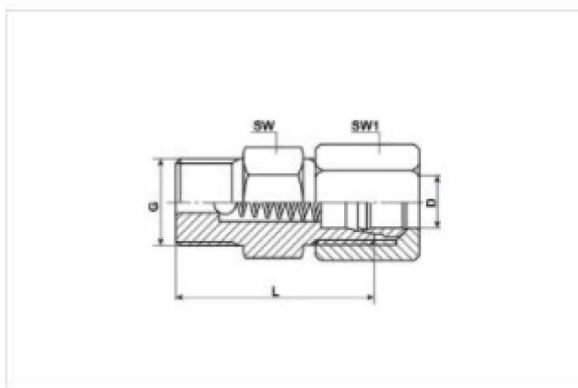


Steel, surface chrome-VI free, galvanised

Item No.	D	G	L	SW	SW1	Serie	Bag	Box
106-003-RVB	6	M 10 x 1	26,5	11	12	LL	100	500

Stainless steel 1.4401 / 316 / V4A

Item No.	D	G	L	SW	SW1	Serie	Bag	Box
1017-001	6	M 10 x 1	26,5	11	12	LL	100	500



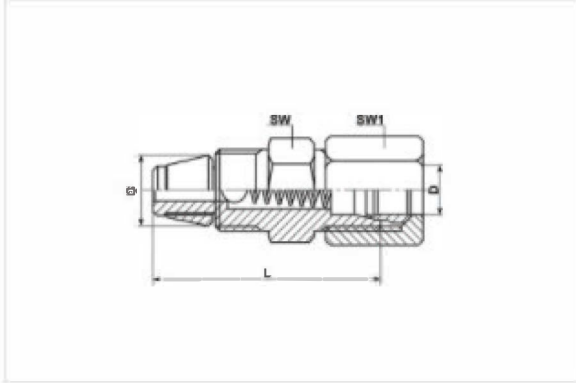
Steel, surface chrome-VI free, galvanised

Item No.	D	G	L	SW	SW1	Serie	Bag	Box
106-003-RVV	6	M 10x1 keg	23	11	12	LL	100	500
106-004-RVV	6	R 1/8 BSPT	20,5	11	12	LL	100	500

Stainless steel 1.4401 / 316 / V4A

Item No.	D	G	L	SW	SW1	Serie	Bag	Box
106-003-RVV-VA	6	M 10 x 1 tap		11	12	LL	25	500

COMPRESSION FITTINGS - NON RETURN VALVES



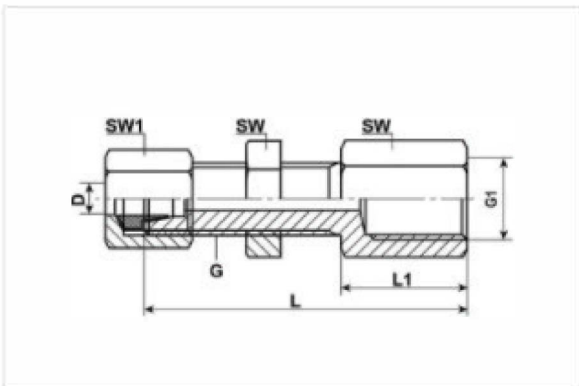
Steel, surface chrome-VI free, black Fn galvanised

Item No.	D	G	L	SW	SW1	Serie	Bag	box
106-003-RVL	6	M 10 x 1	27	11	12	LL	100	500

Stainless steel 1.4401 / 316 / V4A

Item No.	D	G	L	SW	SW1	Serie	Bag	Box
106-003-RVL-VA	6	M 10 x 1	27	11	12	LL	100	500

COMPRESSION FITTINGS - BULKHEADS 24°



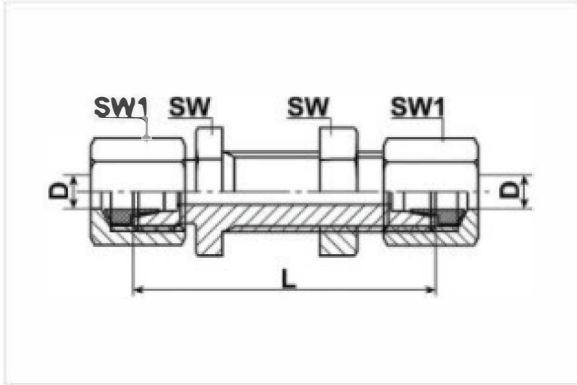
Steel, surface chrome-VI free, galvanised

Item No.	D	G	G1	SW	SW1	L	L1	Serie	Bag	Box
106-241-L	6	M 12x1,5	M 6x1	17	14	28	5	L	10	250
106-243-L	6	M 12x1,5	M 10x1	17	14	60	20	L	10	250
1020-001	6	M 12x1,5	Rp 1/8 BSPP	17	14	54	20	L	10	250

Stainless steel 1.4404 / 316 / V4A

Item No.	D	G	G1	SW	SW1	L	L1	Serie	Bag	Box
106-243-VA-L	6	M 12x1,5	M 10x1	17	14	60	20	L	10	250

COMPRESSION FITTINGS - BULKHEADS STRAIGHT 24°



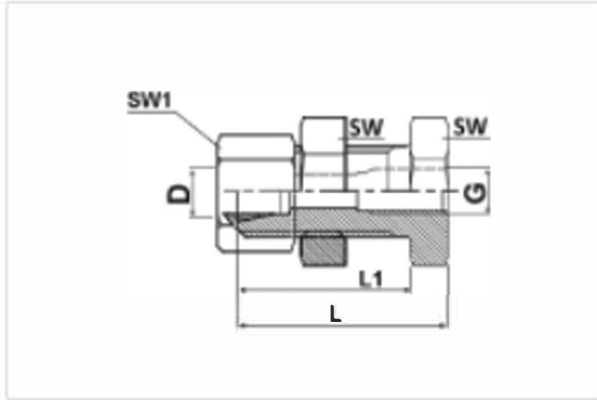
Steel, surface chrome-VI free, galvanised

Item No.	D	SW	SW1	L	Serie	Bag	Box
106-221-L	6	17	14	48	L	10	100
108-221-L	8	19	17	49	L	10	50
110-221-L	10	22	19	52	L	10	50

Stainless steel 1.4571 / 316ti

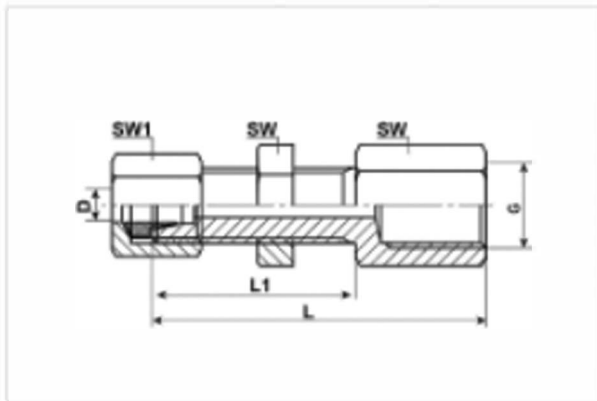
Item No.	D	SW	SW1	L	Serie	Bag	Box
106-221-VA-L	6	17	14	48	L	10	100
108-221-VA-L	8	19	17	49	L	10	50

COMPRESSION FITTINGS - BULKHEADS STRAIGHT 24° Female Thread



Steel zinc / steel zinc-nickel / Cr-VI free

Item No.	D	G	SW	SW1	L	L1	Serie	Bag	Box
106-241-L	6	M 6x1	17	14	28	23	L	10	250



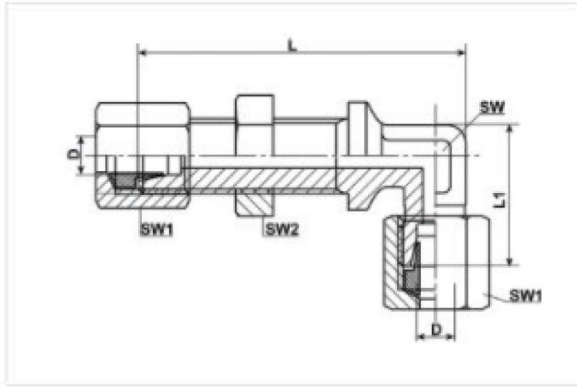
Steel zinc / steel zinc-nickel / Cr-VI free

Item No.	D	G	SW	SW1	L	L1	Serie	Bag	Box
106-243-L	6	M 10x1	17	14	60	40	L	10	250
1020-001	6	Rp 1/8 BSPP	17	14	54	34	L	10	250

Stainless steel 1.4404 / 316 / V4A

Item No.	D	G	SW	SW1	L	L1	Serie	Bag	Box
106-243-VA-L	6	M 10x1	17	14	60	40	L	10	250

COMPRESSION FITTINGS - BULKHEADS elbows 24°



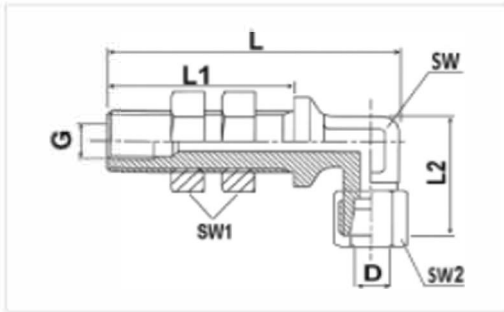
Steel, surface chrome-VI free, galvanised

Item No.	D	SW	SW1	SW2	L	L1	Serie	Bag	Box
106-231-L	6	12	14	17	48	19	L	10	100
108-231-L	8	12	17	19	57	26	L	10	50
110-231-L	10	19	19	22	60	29	L	10	50

Stainless steel 1.4571 / 316ti

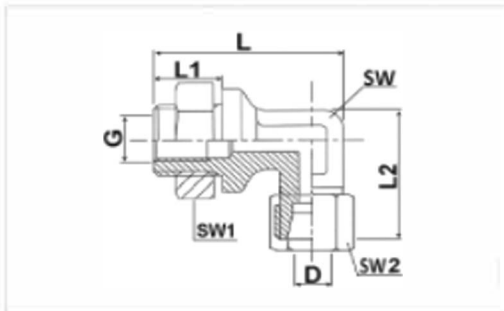
Item No.	D	SW	SW1	SW2	L	L1	Serie	Bag	Box
106-231-VA-L	6	12	14	17	48	19	L	10	100
108-231-VA-L	8	12	17	19	57	26	L	10	50

Bulkheads 24° elbow - female thread greasing aid



Steel, surface zinc-nickel / chrome-VI free

Item No.	D	G	L	L1	L2	SW	SW1	SW2	Serie	Bag	Box
1019-001	6	M 6 x 1	54	34	24	12	17	14	L	10	250



Steel, surface zinc-nickel / chrome-VI free

Item No.	D	G	L	L1	L2	SW	SW1	SW2	Serie	Bag	Box
1019-002	6	M 6 x 1	30	11	24	12	17	14	L	10	250

Bulkhead fittings with grease nipples are used wherever lubrication points (bearings, threads...) are difficult to access, for ex. behind covers, protective walls or similar devices.

The usage can be the classic manual lubrication or an emergency lubrication function, which plays an important role in a central lubrication system.

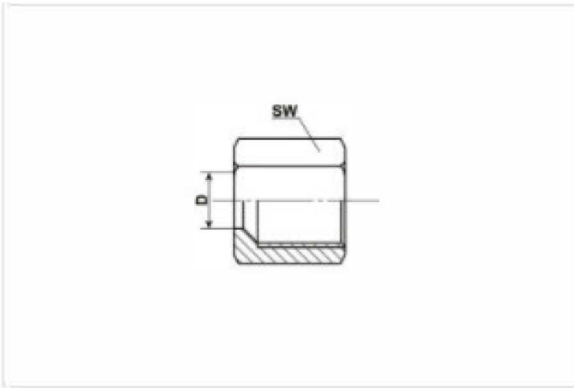


Our lubrication aid, bulkhead fitting with grease nipple, is the „fitting duo“ for all common grease guns. The grease is fed to the lube point via the grease nipple and through the bulkhead screw connection.

Either the bulkhead is screwed directly on the lubrication point with a cutting ring fitting or a connection with the help of a high pressure hose or a plastic tube is needed.

For the maintenance and servicing of lubrication systems in construction machinery and construction vehicles, ... but also in industrial plants, the bulkhead screw connection with lubrication function is essential.

COMPRESSION FITTINGS - COUPLING NUTS 24°



Steel, surface chrome-VI free, galvanised

Item No.	D	SW	Serie	Bag	Box
104-200	4	10	LL	100	1000
106-200	6	12	LL	100	4000
106-200-L	6	14	L	100	2500
106-200-S	6	17	S	50	2500
108-200	8	14	LL	100	2500
108-200-L	8	17	L	100	1500
110-200	10	17	LL	100	1000
110-200-L	10	19	L	100	1000

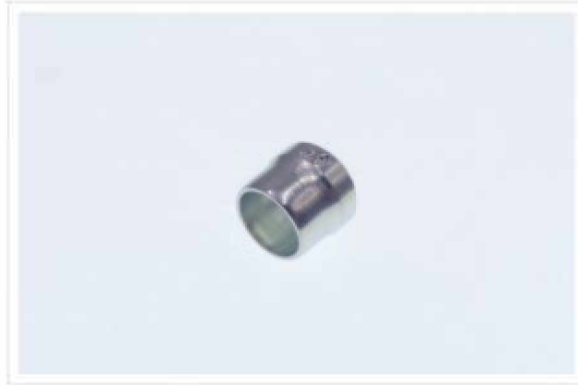
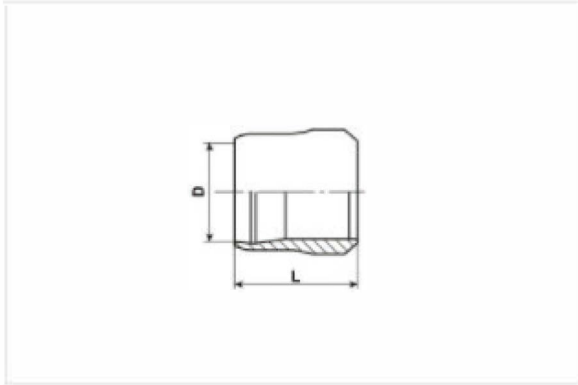
Steel, surface chrome-VI free, black Fn galvanised

Item No.	D	SW	Serie	Bag	Box
106-200-SW	6	12	LL	100	4000

Stainless steel 1.4571 / 316ti

Item No.	D	SW	Serie	Bag	Box
1023-001	4	10	LL	50	5000
106-200-VA	6	12	LL	50	1000
106-200-L-VA	6	14	L	50	2500
108-200-VA	8	14	LL	50	500

COMPRESSION FITTINGS - CUTTING RINGS 24°



Steel, surface chrome-VI free, galvanised

Item No.	D	L	Serie	Bag	Box
104-210	4	6	LL	100	1000
106-210	6	7	LL	100	2000
106-210-L	6	9,45	L / S	100	2000
108-210	8	7,35	LL	100	1000
108-210-L	8	9,48	L / S	100	1000
110-210	10	7,02	LL	100	1000
110-210-L	10	9,5	L / S	100	1000

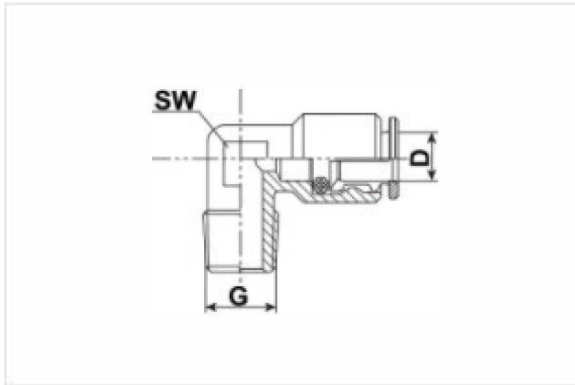
Stainless steel 1.4571 / 316ti

Item No.	D	L	Series	Bag	Box
1024-001	4	6	LL	50	1000
106-210-VA	6	7	LL	50	1000
106-210-L-VA	6	9,45	L / S	50	1000
108-210-VA	8	7,35	LL	50	1000
108-210-L-VA	8	9,48	L / S	50	1000
110-210-L-VA	10	9,5	L / S	50	1000

Brass

Item No.	D	L	Serie	Bag	Box
106-210-MS	6	7	LL	100	2000

PUSH LOCKS - PUSH TO CONNECT FITTINGS - 90° ELBOW CONNECTORS



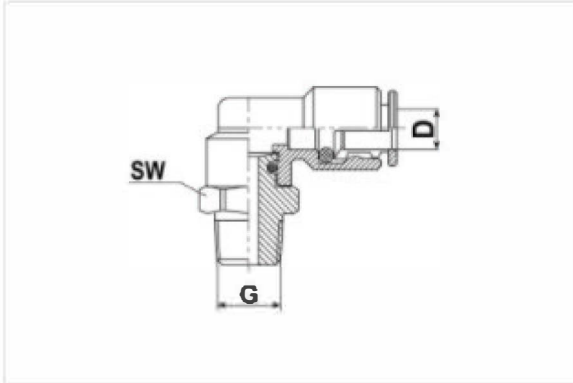
Plated brass, metric screw thread

Item No.	G	D	SW	Bag	Box
104-151	M6 x 1 tap	4	10	50	500
104-152	M8 x 1 tap	4	10	50	500
104-153	M10 x 1 tap	4	10	50	500
106-151	M6 x 1 tap	6	10	50	500
106-152	M8 x 1 tap	6	10	50	500
106-153	M10 x 1 tap	6	10	50	500

Plated brass, inch screw thread

Item No.	G	D	SW	Bag	Box
104-154	R 1/8 BSP tap	4	10	50	500
104-154-NPT	1/8 NPT	4	10	50	500
104-155-UNF	1/4 - 28 UNF	4	10	50	500
106-154	R 1/8 BSP tap	6	10	50	500
106-154-NPT	1/8 NPT	6	10	50	500
106-155-UNF	1/4 - 28 UNF	6	10	50	500
2011-101	1/4 - 28 UNF	1/4"	10	50	500
2011-102	1/8 NPT	1/4"	10	50	500

PUSH LOCKS - PUSH TO CONNECT FITTINGS - 90° SWIVEL CONNECTOR



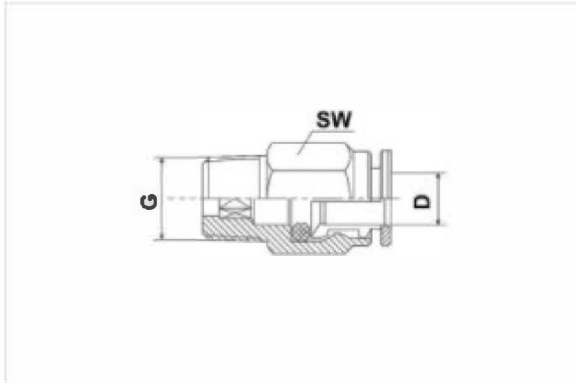
Plated brass, metric screw thread

Item No.	G	D	SW	Bag	Box
104-111	M6 x 1 tap	4	13	50	500
104-112	M8 x 1 tap	4	13	50	500
104-113	M10 x 1 tap	4	13	50	500
106-111	M6 x 1 tap	6	13	50	500
106-112	M8 x 1 tap	6	13	50	500
106-113	M10 x 1 tap	6	13	50	500

Plated brass, inch screw thread

Item No.	G	D	SW	Bag	Box
104-114	R 1/8 BSP tap	4	13	50	500
104-114-NPT	1/8 NPT	4	13	50	500
104-115-UNF	1/4 - 28 UNF	4	13	50	500
106-114	R 1/8 BSP tap	6	13	50	500
106-114-NPT	1/8 NPT	6	13	50	500
106-115-UNF	1/4 - 28 UNF	6	13	50	500
2012-101	1/4 - 28 UNF	1/4"	13	50	500
2012-102	1/8 NPT	1/4"	13	50	500

PUSH LOCKS - PUSH TO CONNECT FITTINGS - STRAIGHT CONNECTORS



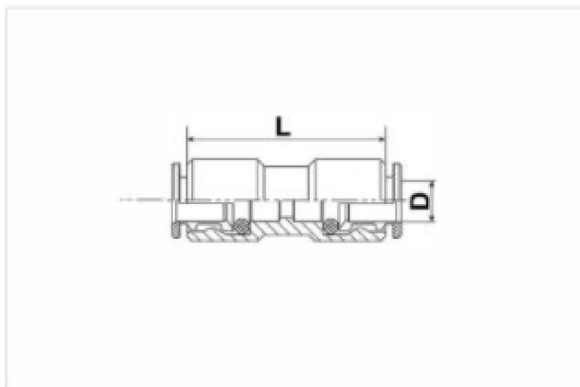
Plated brass, metric screw thread

Item No.	G	D	SW	Bag	Box
104-051	M 6 x 1 tap	4	10	50	500
104-052	M 8 x 1 tap	4	10	50	500
104-053	M 10 x 1 tap	4	11	50	500
106-051	M 6 x 1 tap	6	12	50	500
106-052	M 8 x 1 tap	6	12	50	500
106-053	M 10 x 1 tap	6	12	50	500

Plated brass, inch screw thread

Item No.	G	D	SW	Bag	Box
104-054	R 1/8 BSP tap	4	10	50	500
104-054-NPT	1/8 NPT	4	11	50	500
104-055-UNF	1/4 - 28 UNF	4	11	50	500
106-054	R 1/8 BSP tap	6	12	50	500
106-054-NPT	1/8 NPT	6	12	50	500
106-055-UNF	1/4 - 28 UNF	6	12	50	500
2010-101	1/4 - 28 UNF	1/4"	12	50	500
2010-102	1/8 NPT	1/4"	12	50	500

PUSH LOCKS - PUSH TO CONNECT FITTINGS - QUICK CONNECTORS



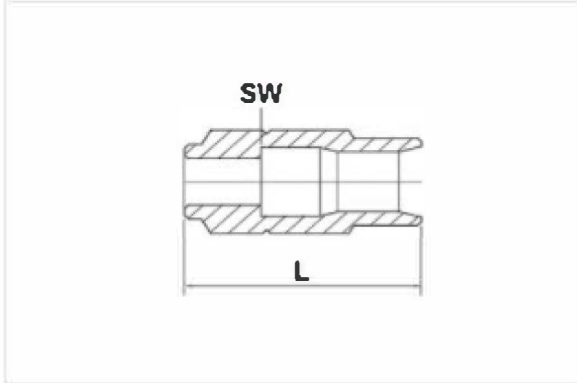
Plated brass, metric screw thread

Item No.	D	L	Bag	Box
104-110	4	26	50	500
106-110	6	29,5	50	500

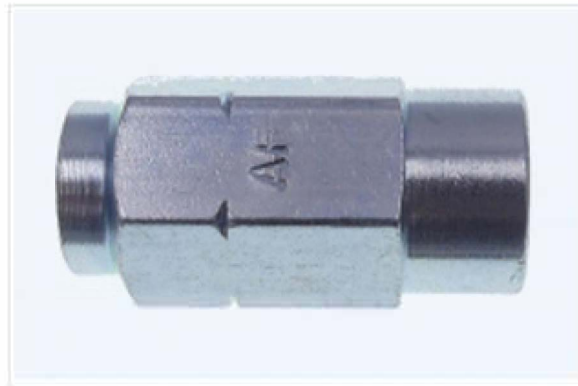
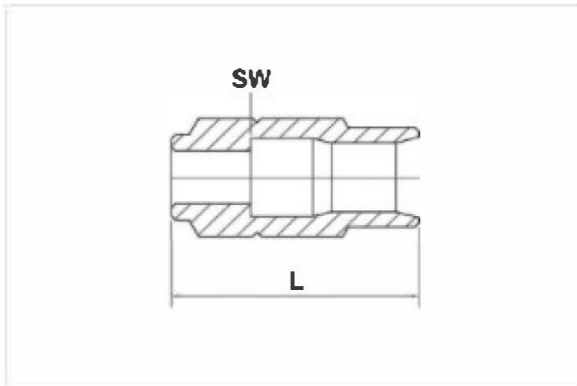
Plated brass, inch screw thread

Item No.	D	L	Bag	Box
2013-100	1/4"	30	50	500

THREADED HOSE SLEEVES FOR REUSABLE ENDS

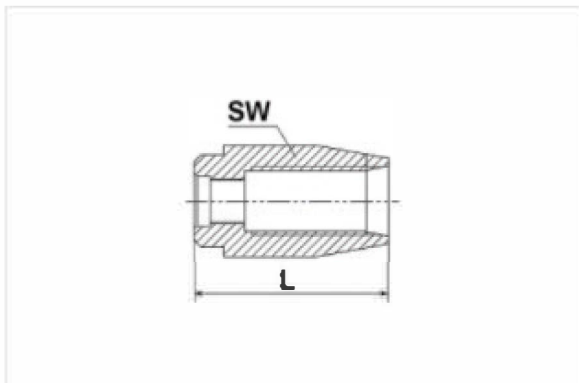


Item No.	Material	L	SW	Bag	Box
100-050	steel, surface chrome-VI free, galvanised	28	12	100	500
100-050-SW	steel, surface chrome-VI free, black Frn galvanised	28	12	100	500
100-050-VA	stainless steel 1.4401 / 316 / V4A	28	12	25	500



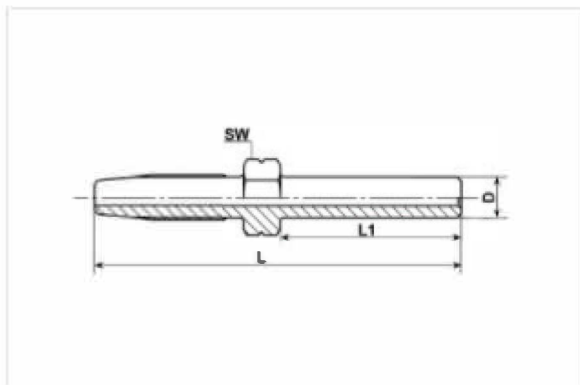
Item No.	Material	L	SW	Bag	Box
100-060	steel, surface chrome-VI free, galvanised	35,8	17	50	500
100-060-VA	stainless steel 1.4401 / 316 / V4A	35,8	17	25	500

THREADED HOSE SLEEVES FOR REUSABLE ENDS



Item No.	Material	L	SW	Bag	Box
100-050-1	steel, surface chrome-VI free, galvanised	26	1/2"	100	500
3010-001	stainless steel 1.4401 / 316 / V4A	26	1/2"	25	500

TUBE SOCKETS - TUBE STUDS - HOSE STUDS - MALE STAND PIPES - STRAIGHT



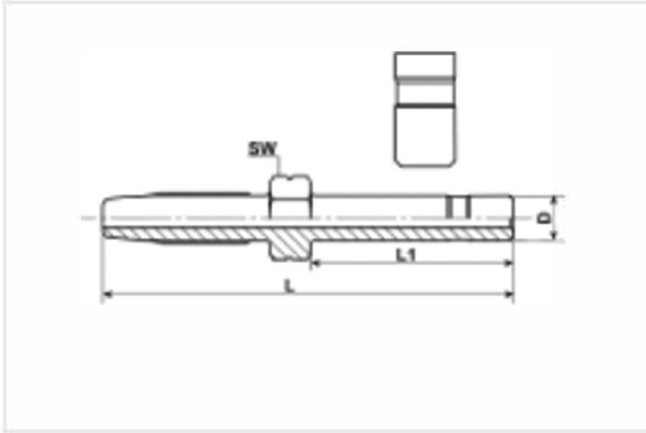
Steel, surface chrome-VI free, galvanised

Item No.	Hose Ø	D	L	L1	SW	Bag	Box
100-054-4	4,1 x 8,75	4	51	20	10	50	500
100-054	4,1 x 8,75	6	51	20	10	100	500
100-055	4,1 x 8,75	6	55	24	10	100	500
100-051	4,1 x 8,75	6	61	30	10	100	500
100-091	4,1 x 8,75	6	96,5	65,5	10	100	500
100-051-8	4,1 x 8,75	8	61	30	10	50	500
3510-110	4,1 x 8,75	1/4"	61	30	11	100	500
3510-113	4,1 x 8,75	3/16"	51	20	10	100	500
100-064	6,35 x 11,3	6	65,5	22	12	50	500
100-074	6,35 x 11,3	8	65,5	22	12	50	500
100-081	6,35 x 11,3	10	73,5	30	12	50	500

Stainless steel 1.4401 / 316 / V4A

Item No.	Hose Ø	D	L	L1	SW	Bag	Box
100-051-VA	4,1 x 8,75	6	61	30	10	25	500
100-064-VA	6,35 x 11,3	6	65,5	22	12	25	250
100-074-VA	6,35 x 11,3	8	65,5	22	12	25	250
100-081-VA	6,35 x 11,3	10	73,5	30	12	25	500

TUBE SOCKETS - TUBE STUDS - HOSE STUDS - MALE STAND PIPES - STRAIGHT



Steel zinc / steel zinc-nickel / CrVIF

Item No.	Hose Ø	D	L	L1	SW	Bag	Box
100-054-NUT	4,1 x 8,75	6	51	20	10	100	500
100-051-NUT	4,1 x 8,75	6	61	30	10	100	500
3510-111	4,1 x 8,75	1/4"	61	30	11	100	500
100-064-NUT	6,35 x 11,3	6	65,5	22	12	50	500
3510-112	1/8" x 5/16"	1/4"	2,09"	1,18"	7/16"	100	500

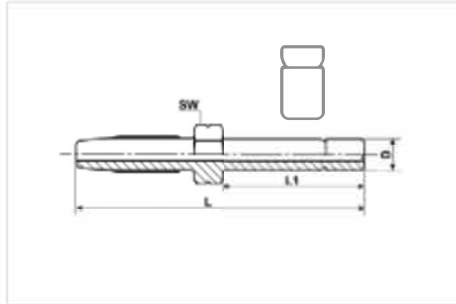
Stainless steel 1.4401 / 316 / V4A

Item No.	Hose Ø	D	L	L1	SW	Bag	Box
3510-142	4,1 x 8,75	6	51	20	10	25	500
3510-141	1/8" x 5/16"	1/4"	53	21,5	7/16"	25	500

Steel zinc / steel zinc-nickel / CrVIF, black

Item No.	Hose Ø	D	L	L1	SW	Bag	Box
100-054-NUT-SW	4,1 x 8,75	6	52,5	21,5	10	100	500
100-051-NUT-SW	4,1 x 8,75	6	61	30	10	100	500

TUBE SOCKETS - TUBE STUDS - HOSE STUDS - MALE STAND PIPES - STRAIGHT



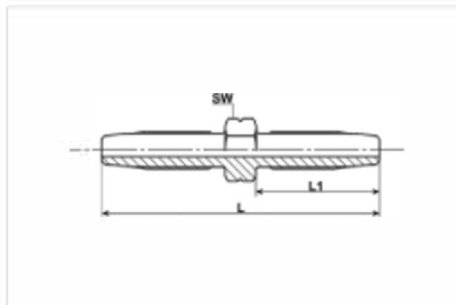
Steel zinc / steel zinc-nickel / CrVIF

Item No.	Hose Ø	D	L	L1	SW	Bag	Box
100-055-NUT-V	4,1 x 8,75	6	55	24	10	100	500



Steel zinc / steel zinc-nickel / CrVIF

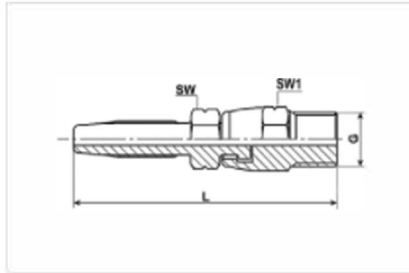
Item No.	Hose Ø	D	L	L1	SW	Bag	Box
3510-115	4,1 x 8,75	6	61	33	10	100	500



Steel zinc / steel zinc-nickel / CrVIF

Item No.	Hose Ø	L	L1	SW	Bag	Box
100-061	4,1 x 8,75	56	25	10	100	500

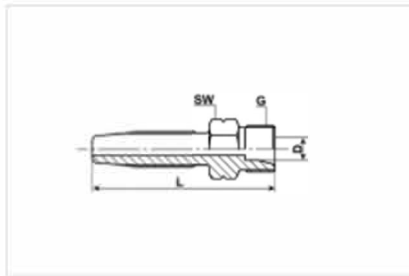
TUBE SOCKETS - TUBE STUDS - HOSE STUDS - MALE STAND PIPES - STRAIGHT



Steel zinc / steel zinc-nickel / CrVIF

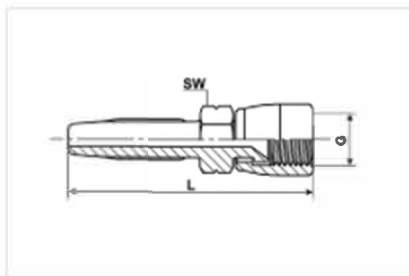
Item No.	Hose Ø	L	G	SW	SW1	Bag	Box
100-051-1	1/8" x 5/16"	56	1/8 NPT	7/16"	1/2"	100	500
3510-140	1/8" x 5/16"	57	1/8 BSPT	7/16"	1/2"	100	500

Note:
Please use the swivel function of the hose end – NPT swivel exclusively for mounting.
It is not suitable for permanent use.



Steel zinc / steel zinc-nickel / CrVIF

Item No.	Hose Ø	G	D	L	SW	Bag	Box
3510-101	4.1 x 8.75	M 10x1	6 LL	39	11	100	500

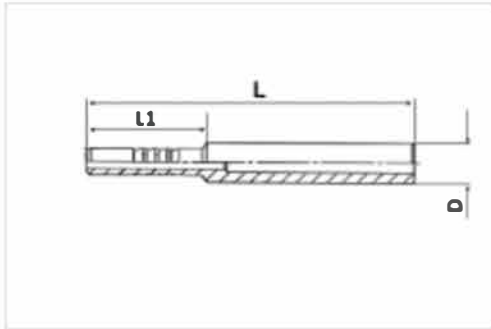


Steel zinc / steel zinc-nickel / CrVIF

Item No.	Hose Ø	G	L	SW	SW1	Bag	Box
3510-114	4.1 x 8.75	JIC37° 7/16	27.5	14	14	50	500

Note:
Please use the swivel function of the rotatable fitting socket exclusively for mounting.
It is not suitable for permanent use.

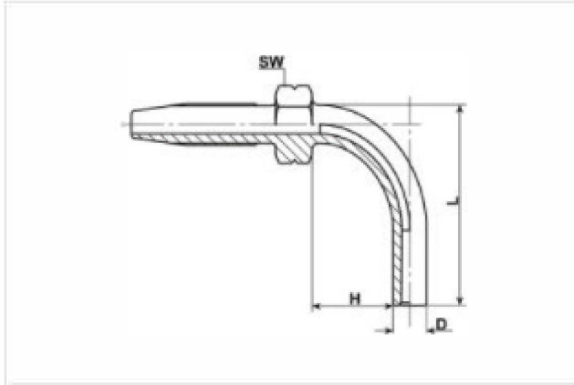
TUBE SOCKETS - TUBE STUDS - HOSE STUDS - MALE STAND PIPES - STRAIGHT



Steel zinc / steel zinc-nickel / CrVIF

Item No.	Hose Ø	D	L	L1	Bag	Box
100-051-press	4.1 x 8.75	6	48.5	16.5	100	1000

TUBE SOCKETS - TUBE STUDS - HOSE STUDS - 90°



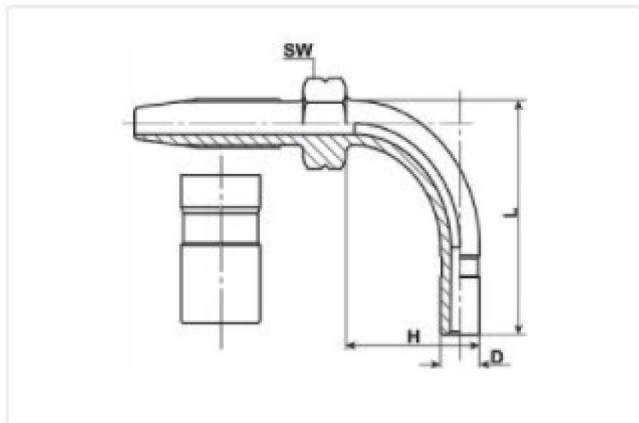
Steel, surface chrome-VI free galvanised

Item No.	Hose Ø	D	H	L	SW	Bag	Box
100-059-4	4,1 x 8,75	4	14	30	10	50	500
100-052	4,1 x 8,75	6	13	21	10	100	500
100-059	4,1 x 8,75	6	14	33	10	100	500
100-062	4,1 x 8,75	6	17	28	10	100	500
100-053	4,1 x 8,75	6	28	37	10	100	500
100-056	4,1 x 8,75	6	28	53	10	100	500
3511-110	4,1 x 8,75	1/4"	28	37	11	100	500
3511-113	4,1 x 8,75	3/16"	14	32	10	100	500
100-063	6,35 x 11,3	6	22	45	12	50	500
100-073	6,35 x 11,3	8	23	36	12	50	500
100-076	6,35 x 11,3	8	23	55	12	50	500
100-083	6,35 x 11,3	10	23	36	12	50	500

Stainless steel 1.4401 / 316 / V4A

Item No.	Hose Ø	D	H	L	SW	Bag	Box
100-053-VA	4,1 x 8,75	6	28	37	10	25	500
3511-210	6,35 x 11,3	6	22	45	12	25	500
100-073-VA	6,35 x 11,3	8	23	36	12	25	250
3511-212	6,35 x 11,3	10	23	36	12	25	500

TUBE SOCKETS - TUBE STUDS - HOSE STUDS - 90°

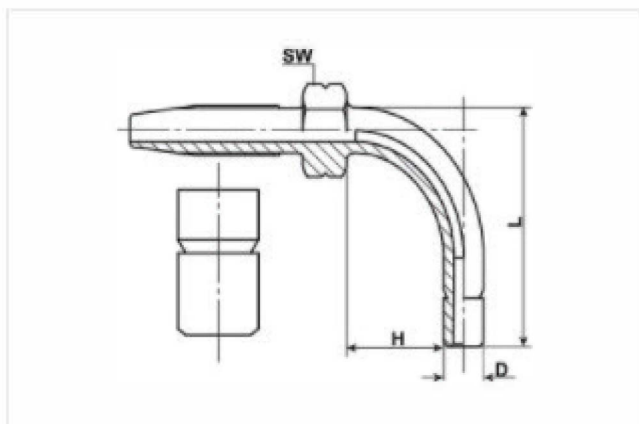


Steel, surface chrome-VI free, galvanised

Item No.	Hose Ø	D	H	L	SW	Bag	Box
100-053-NUT	4,1 x 8,75	6	25	37	10	100	1000
100-056-NUT	4,1 x 8,75	6	28	53	10	100	500
3511-111	4,1 x 8,75	1/4"	28	37	11	100	500
3511-112	1/8" x 5/16"	1/4"	27 mm / 1,06"	35 mm / 1,38"	11 mm / 7/16"	100	500

Steel, surface chrome-VI free, black Fn galvanised

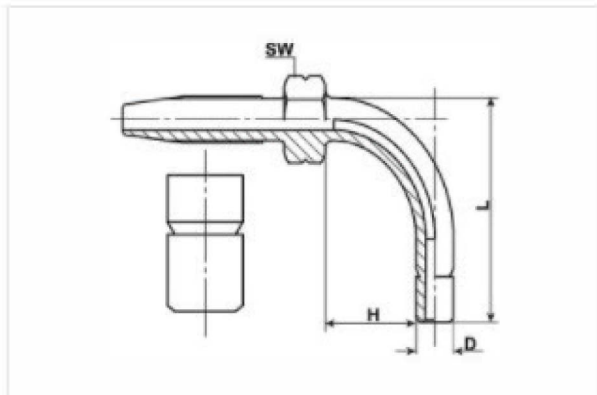
Item No.	Hose Ø	D	H	L	SW	Bag	Box
3511-116	4,1 x 8,75	6	17	28	10	100	500
100-053-NUT-SW	4,1 x 8,75	6	28	37	10	100	500
100-056-NUT-SW	4,1 x 8,75	6	28	53	10	100	500



Steel, surface chrome-VI free, galvanised

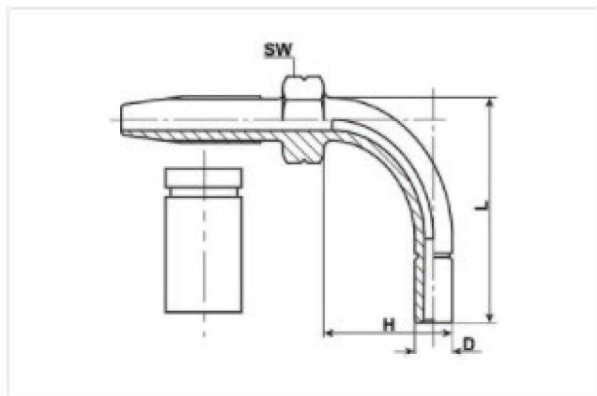
Item No.	Hose Ø	D	H	L	SW	Bag	Box
100-059-NUT-V	4,1 x 8,75	6	14	33	10	25	500

TUBE SOCKETS - TUBE STUDS - HOSE STUDS - 90°



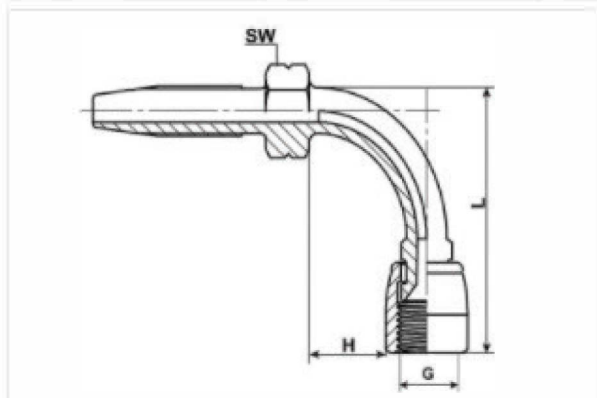
Steel, surface chrome-VI free, galvanised

Item No.	Hose Ø	D	H	L	SW	Bag	Box
100-059-NUT-V	4,1 x 8,75	6	14	33	10	25	500



Steel, surface chrome-VI free, galvanised

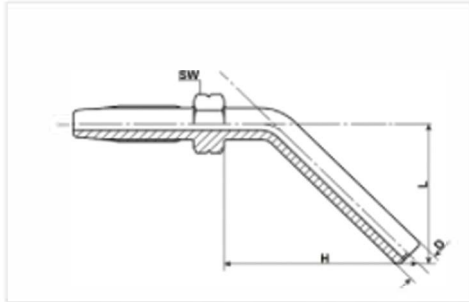
Item No.	Hose Ø	D	H	L	SW	Bag	Box
3511-115	4,1 x 8,75	6	17	28	10	100	500



Steel, surface chrome-VI free, galvanised

Item No.	Schlauch Ø	G	H	L	SW	SW1	Bag	Box
3511-114	4,1 x 8,75 4,1 x 8,75	JIC37°7/16	20,7	25,7	14	14	50	500

TUBE SOCKETS - TUBE STUDS - HOSE STUDS - 45°

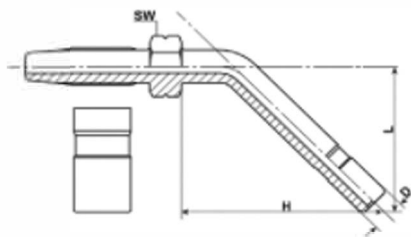


Steel zinc / steel zinc-nickel / CrVIF

Item No.	Hose Ø	D	H	L	SW	Bag	Box
100-057	4.1 x 8.75	6	24	15	10	100	500
100-058	4.1 x 8.75	6	35	25	10	100	500
3512-110	4.1 x 8.78	1/4"	35	25	11	100	1000
100-068	6.35 x 11.3	6	35	25	12	50	500
100-078	6.35 x 11.3	8	35	25	12	50	500

Stainless steel 1.4401 / 316 / V4A

Item No.	Hose Ø	D	H	L	SW	Bag	Box
100-058-VA	4.1 x 8.75	6	35	25	10	25	500



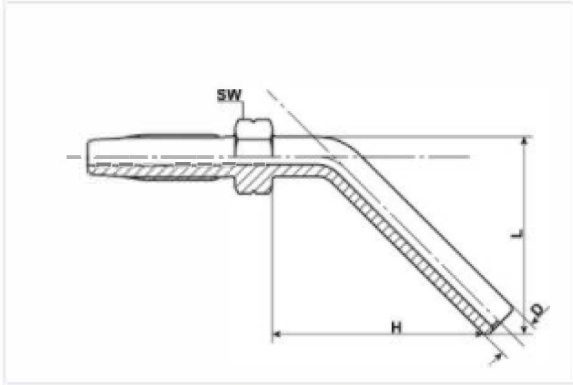
Steel zinc / steel zinc-nickel / CrVIF

Item No.	Hose Ø	D	H	L	SW	Bag	Box
100-057-NUT	4.1 x 8.75	6	24	15	10	100	500
100-058-NUT	4.1 x 8.75	6	35	25	10	100	500
3512-111	4.1 x 8.75	1/4"	35	25	11	100	1000

Steel zinc / steel zinc-nickel / CrVIF, black

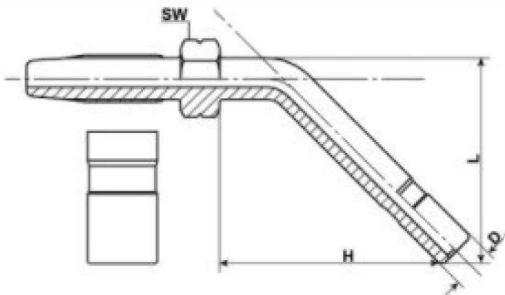
Item No.	Hose Ø	D	H	L	SW	Bag	Box
100-058-NUT-SW	4.1 x 8.75	6	35	25	10	100	500

TUBE SOCKETS - TUBE STUDS - HOSE STUDS - 45°



Steel, surface chrome-VI free, galvanised

Item No.	Hose Ø	D	H	L	SW	Bag	Box
100-057	4,1 x 8,75	6	24	15	10	100	500
100-058	4,1 x 8,75	6	35	25	10	100	500
3512-110	4,1 x 8,78	1/4"	35	25	11	100	1000
100-068	6,35 x 11,3	6	35	25	12	50	500
100-078	6,35 x 11,3	8	35	25	12	50	500



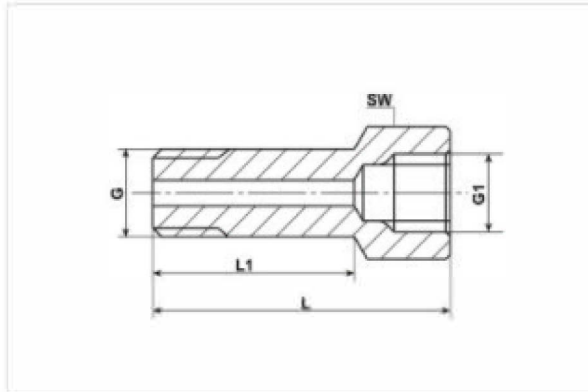
Steel, surface chrome-VI free, galvanised

Item No.	Hose Ø	D	H	L	SW	Bag	Box
100-057-NUT	4,1 x 8,75	6	24	15	10	100	500
100-058-NUT	4,1 x 8,75	6	35	25	10	100	500
3512-111	4,1 x 8,75	1/4"	35	25	11	100	1000

Steel, surface chrome-VI free, black Fn galvanised

Item No.	Hose Ø	D	H	L	SW	Bag	Box
100-058-NUT-SW	4,1 x 8,75	6	35	25	10	100	500

ADAPTERS - EXTENSIONS - REDUCERS



Adapter - extension piece with metric and BSP thread

steel, surface chrome-VI free, galvanised

Item N°	G	G1	L	L1	SW	Bag	Box
100-125	M 6 x 1 tap	M 6 x 1	57,5	7,5	9	50	500
2510-102	M 6 x 1 tap	M 6 x 1	20	7,5	9	50	500
100-120	M 6 x 1 tap	M 8 x 1	19	7	11	50	500
2510-103	M 6 x 1 tap	M 10 x 1	23	10	13	50	500
2510-104	M 6 x 1 tap	Rp 1/8 BSP	23	10	13	50	500
100-130	M 8 x 1 tap	M 8 x 1	18	8	11	50	500
100-130-1	M 8 x 1,25 tap	M 8 x 1,25	20	7	11	50	500
100-132	M 8 x 1 tap	M 8 x 1	32	22	11	50	500
100-132-1	M 8 x 1,25 tap	M 8 x 1,25	32	22	11	50	500
100-135	M 8 x 1 tap	M 8 x 1	62,5	52,5	11	50	500
100-137	M 8 x 1 tap	M 10 x 1	23	12	13	50	500
100-170	M 8 x 1 tap	Rp 1/8 BSP	23	12	13	50	500
100-169	M 8 x 1 tap	Rp 1/4 BSP	22	8	17	50	500
100-140	M 10 x 1 tap	M 8 x 1	18	8	11	50	500
100-142	M 10 x 1 tap	M 10 x 1	18	7	13	50	500
100-141	M 10 x 1 tap	M 10x1	23	12	13	50	500
2510-211	M 10 x 1,5 tap	M 10x1	23	12	13	50	500
100-145	M 10 x 1 tap	M 10x1	35	24	13	50	500
100-143	M 10 x 1 tap	M 10x1	40	29	13	50	500

ADAPTERS - EXTENSIONS - REDUCERS

2510-105	M 10 x 1 tap	M 10x1	40	9	14	50	500
100-146	M 10 x 1 tap	M 10x1	50	39	13	50	500
100-171	M 10 x 1 tap	Rp 1/4 BSP	22	8	17	50	500
100-151	R 1/8 BSP tap	M 10x1	18	7	13	50	500
100-152	R 1/8 BSP tap	Rp 1/8 BSP	18	11	13	50	500
100-155	R 1/8 BSP tap	M 8x1	18	7	13	50	500
2510-106	M 10 x 1 tap	Rp 1/8 BSP	18	7	13	50	500
100-148	R 1/8 BSP tap	Rp 1/8 BSP	23	12	13	50	500
100-156	R 1/8 BSP tap	Rp 1/8 BSP	30	18	13	50	500
100-149	R 1/8 BSP tap	Rp 1/8 BSP	35	23	13	50	500
100-157	R 1/8 BSP tap	Rp 1/8 BSP	41	29	13	50	500
100-154	R 1/8 BSP tap	Rp 1/8 BSP	45	33	13	50	500
100-153	R 1/8 BSP tap	Rp 1/8 BSP	50	38	13	50	500
100-144	R 1/4 BSP tap	M 10x1	20	9	17	50	500
100-147	R 1/4 BSP tap	Rp 1/8 BSP	20	9	17	50	500
100-162	R 1/8 BSP tap	Rp 1/4 BSP	22	8	17	50	500
100-160	R 1/4 BSP tap	Rp 3/8 BSP	27	11	22	50	500
100-161	R 1/4 BSP tap	Rp 1/4 BSP	25	9	19	50	500
2510-210	R 1/4 BSP tap	Rp 1/4 BSP	50	36	17	50	250
2510-209	R 1/4 BSP tap	Rp 1/4 BSP	65	51	17	50	250
100-186	R 1/4 BSP tap	Rp 1/4 BSP	85	71	17	50	250
100-187	R 1/4 BSP tap	Rp 1/4 BSP	104	90	17	50	250

ADAPTERS - EXTENSIONS - REDUCERS

Stainless steel 1.4401 / 316 / V4A

Item N°	G	G1	L	L1	SW	Bag	Box
2510-208	M 8 x 1 tap	Rp 1/8 BSP	23	10	13	25	500
2510-201	M 10 x 1 tap	M 10 x 1	18	7	13	25	500
100-141-VA	M 10 x 1 tap	M 10 x 1	23	12	13	25	500
2510-207	M 10 x 1 tap	Rp 1/8 BSP	23	12	13	25	500
2510-202	M 10 x 1 tap	M 10 x 1	35	24	13	25	500
2510-203	M 10 x 1 tap	M 10 x 1	50	39	13	25	500
2510-204	R 1/8 BSP tap	Rp 1/8 BSP	18	7	11	25	250
100-148-VA	R 1/8 BSP tap	Rp 1/8 BSP	23	12	13	25	500
2510-205	R 1/8 BSP tap	Rp 1/8 BSP	35	23	13	25	500
2510-206	R 1/8 BSP tap	Rp 1/8 BSP	50	38	13	25	250

Adapter - extension piece with NPT / UNF thread

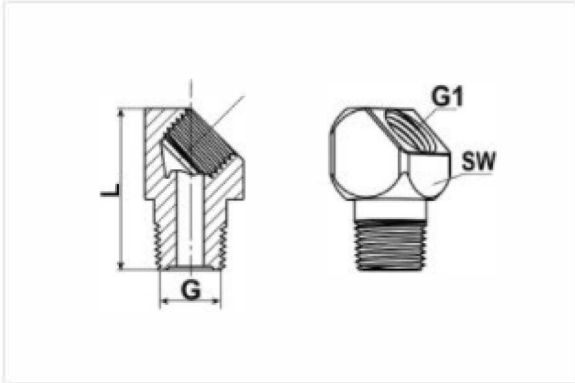
steel, surface chrome-VI free, galvanised

Item N°	G	G1	L	L1	SW	Bag	Box
100-182	1/8 NPT	1/8 NPT	20	9	1/2	50	500
100-183	1/8 NPT	1/8 NPT	30	18	1/2	50	500
2510-101	1/8 NPT	1/8 NPT	48	36	9/16	50	500
100-167	1/4-28 UNF	Rp 1/8 BSP	23	12	1/2	50	500

Please note:

It is also possible to connect a lubrication line directly to this adapter, extension piece.

ADAPTERS - EXTENSIONS - REDUCERS - 45°



Attention:

Please check after assembly the fitting (male thread) into the angle adapter 90° (female thread), that the passage / flow is not closed.

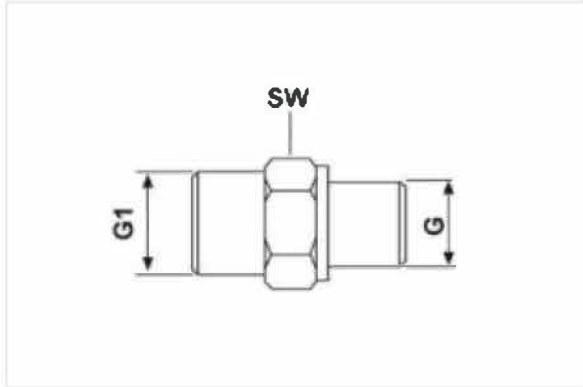
Steel, surface chrome-VI free, galvanised

Item No.	G	G1	L	SW	Bag	Box
100-821	M 6 x 1 tap	M 8x1	23	13	50	500
100-822	M 8 x 1 tap	M 8x1	23	13	50	500
100-823	M 10 x 1 tap	M 8x1	23	13	50	500
100-833	M 10 x 1 tap	M 10x1	23	13	50	500
5010-102	M 6 x 1 tap	Rp 1/8 BSP	23	13	50	500
100-844	R 1/8 BSP tap	Rp 1/8 BSP	23	13	50	500
100-855	R 1/4 BSP tap	RP 1/4 BSP	33	17	50	500
5010-101	1/8 NPT tap	1/8 NPT	23	9/16	50	500

Stainless steel 1.4401 / 316 / V4A

Item No.	G	G1	L	SW	Bag	Box
5010-201	M 10 x 1 tap	M 10x1	23	13	25	500
5010-202	R 1/8 BSPT tap	Rp 1/8 BSP	23	13	25	500

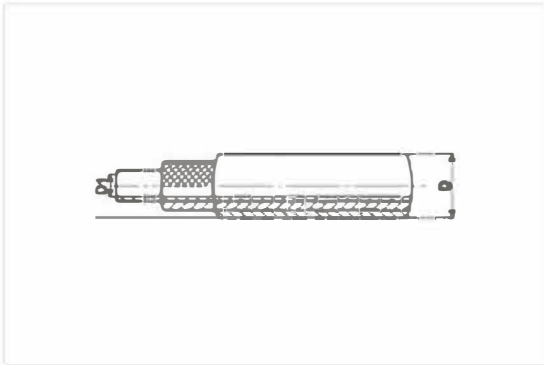
ADAPTERS - EXTENSIONS - REDUCERS



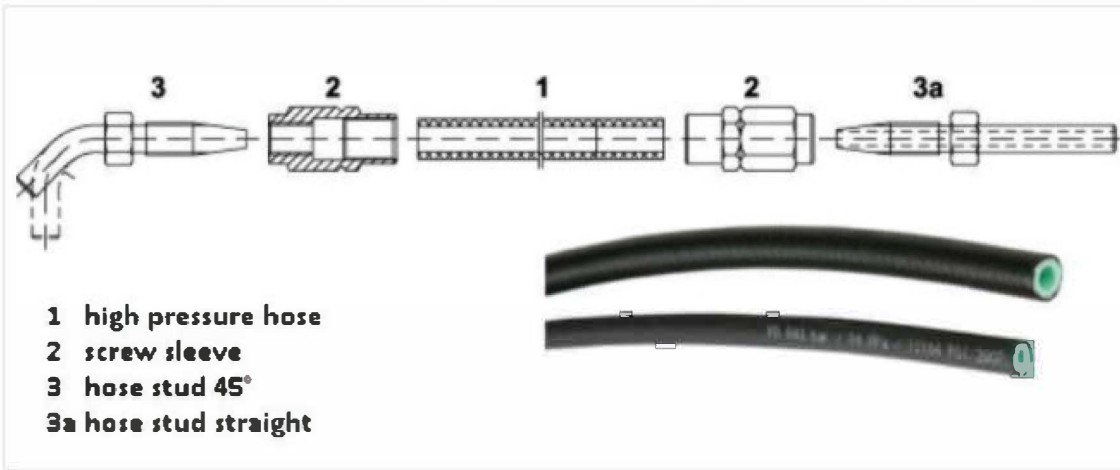
Steel, surface chrome-VI free, galvanised

Item No.	G	G1	SW	Bag	Box
100-209	1/4 BSPP	1/4 BSPP	17	5	100
100-209-20x1,5	1/4 BSPP	M 20 x 1,5	24	5	50
100-209-22x1,5	1/4 BSPP	M 22 x 1,5	24	5	50

HIGH-PRESSURE HOSES - 840 BAR



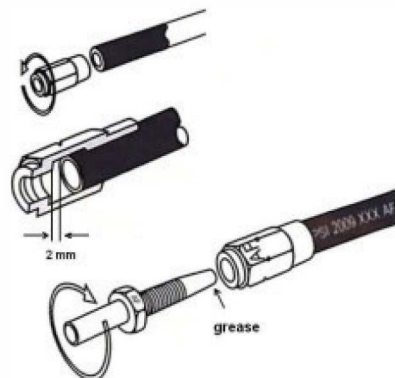
Item No.	D	D1	Grease	m / coil	Box	Palett
100-001	8,6	4,0	NLGI class 2	50 m	250	3000
100-002	8,6	4,0	empty	50 m	250	3000
100-011	11,3	6,3	NLGI class 2	100 m	200	2000
100-012	11,3	6,3	empty	100 m	200	2000
4010-100	5/16"	1/8"	empty	50 m	250	3000



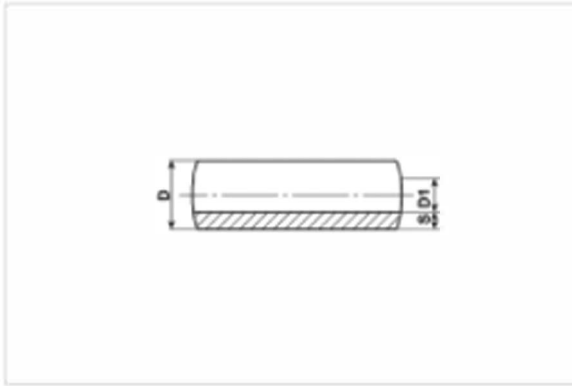
After cutting the hose to the required size, grease first the nozzle tip of the hose stud before assembling. This avoids damages of the inner core of the hose.

Then screw the screw sleeve with the left-hand thread on the end of the hose. Leave a 2 mm space, see drawing.

Final, screw the hose stud with right-hand thread. Automatically, the high pressure hose is pressed pressure-resistant with the screw sleeve.



PLASTIC TUBES SEMI-RIGID - FLEXIBLE PA 12 HL, PA 12 PHL, PA 12 HJIPHL



Plastic tubes / nylon tubings semi rigid PA 12 HL

DIN 73378

Operative pressure for Ø 4 x 0,85 and 23°C: approx. 1044 PSI / 7 MPA / 72 bar

Operative pressure for Ø 6 x 1,25 and 23°C: approx. 1015 PSI / 7 MPA / 70 bar

Operative pressure for Ø 6 x 1,5 and 23°C: approx. 1291 PSI / 9 MPA / 89 bar

Item No.	Color	Material	Dimension	Grease	D	D1	S	m / coil	Box	Palett
100-010	black	PA 12 HL	4 x 0,85	unfilled	4	2,3	0,85	50	2000	5000
4511-100	black	PA 12 HL	4 x 0,85	NLGI class 000	4	2,3	0,85	50	2000	5000
100-009-25	black	PA 12 HL	6 x 1,5	NLGI class 2	6	3,0	1,5	25	750	4000
100-004	black	PA 12 HL	6 x 1,5	NLGI class 000	6	3,0	1,5	100	500	4000
100-003-25	black	PA 12 HL	6 x 1,5	unfilled	6	3,0	1,5	25	750	4000
100-003	black	PA 12 HL	6 x 1,5	unfilled	6	3,0	1,5	100	500	4000
4510-001	transparent	PA 12 HL	6 x 1,25	unfilled	6	3,5	1,25	100	500	4000