



L.T.F

Dimmable Low Voltage LED Driver - CLASS 2



10W DA10W 120V Series Constant Current / Constant Voltage



Efficiency	higher than 85%
Power Factor	>95%
Case TC	90°C Max.
Protection	Input / Output
Storage	-30°C / +90°C
Humidity	95% RH Max.
IP Rating	IP 60, 65, 67
Class	Class 2 power Supply
Dimming	ELV & Triac Dimmable
Optional Dimming	0-10V



Intertek



RoHS



FCC Part 15
Class B compliant



* Ask for More
Information

FEATURES

- Isolated output power per NEC and UL safety requirements
- UL and ETL recognized/ Listed, UL 8750, 1310
- Auto-reset ; Short circuit, Overload and Thermal protection
- Dimmable with ELV and Triac type dimmers
- Aluminum casing for optimal heat dissipation
- Low profile, small form factor, junction box mountable
- Flicker free dimming and excellent dimming range
- Class 2 power supply and other than Class 2 options
- Efficient, high power factor, low THD, FCC compliant

ELECTRICAL SPECIFICATIONS

Constant Current					
Model #	Input Voltage	Input Current	Output Voltage	Output Current	Available Form Factors
DA10W220C	120V AC 50/60Hz	0.08 A	45.5V DC	220 mA	A4, B5, D2
DA10W280C	120V AC 50/60Hz	0.08 A	35.8V DC	280 mA	A4, B5, D2
DA10W320C	120V AC 50/60Hz	0.08 A	31.3V DC	320 mA	A4, B5, D2
DA10W350C	120V AC 50/60Hz	0.08 A	28.6V DC	350 mA	A4, B5, D2
DA10W420C	120V AC 50/60Hz	0.08 A	23.9V DC	420 mA	A4, B5, D2
DA10W440C	120V AC 50/60Hz	0.08 A	22.8V DC	440 mA	A4, B5, D2
DA10W500C	120V AC 50/60Hz	0.08 A	20.0V DC	500 mA	A4, B5, D2
DA10W550C	120V AC 50/60Hz	0.08 A	18.2V DC	550 mA	A4, B5, D2
DA10W620C	120V AC 50/60Hz	0.08 A	16.2V DC	620 mA	A4, B5, D2
DA10W700C	120V AC 50/60Hz	0.08 A	14.3V DC	700 mA	A4, B5, D2
DA10W750C	120V AC 50/60Hz	0.08 A	13.4V DC	750 mA	A4, B5, D2
DA10W900C	120V AC 50/60Hz	0.08 A	11.2V DC	900 mA	A4, B5, D2
DA10W1000C	120V AC 50/60Hz	0.08 A	10.0V DC	1000 mA	A4, B5, D2

Dimmable Low Voltage LED Driver - CLASS 2 - DA10W



Constant Voltage					
Model #	Input Voltage	Input Current	Output Voltage	Output Current	Available Form Factors
DA10W12V	120V AC 50/60Hz	0.08 A	12V DC	860 mA	A4, B5, D2
DA10W24V	120V AC 50/60Hz	0.08 A	24V DC	430 mA	A4, B5, D2

Dimming Guide	
Model #	Dimming Code
(L) DA10WXXXX	Standard Dimming
(L) DA10WXXXXD010	0-10V Dimming
(L) DA10WXXXXDALI	DALI Dimming

Remote Enclosure Option	
Model #	Remote Enclosure
LDA10WXXXXRE	G1
LDA10WXXXXREO	G4

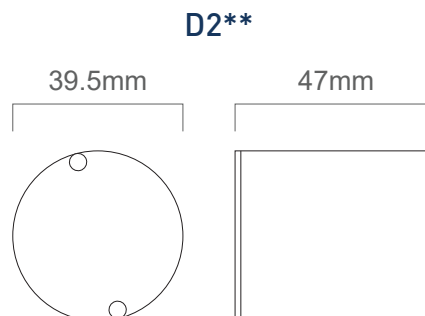
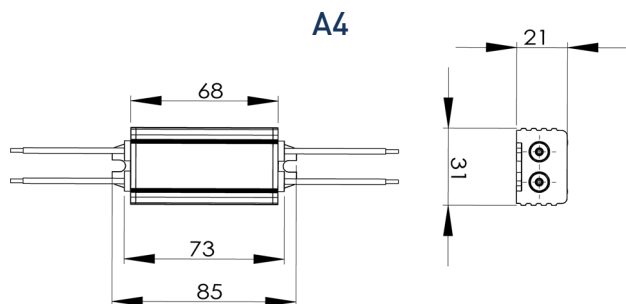
MECHANICAL SPECS.

Available Form Factors	Dimensions
"A4"	68X31X21mm
"B5"	68X33X21mm
"D2"	39.5x47mm
"G1"	207X50.8X43mm
"G4"	238X66X48mm

** D2 case is for standard dimming only.

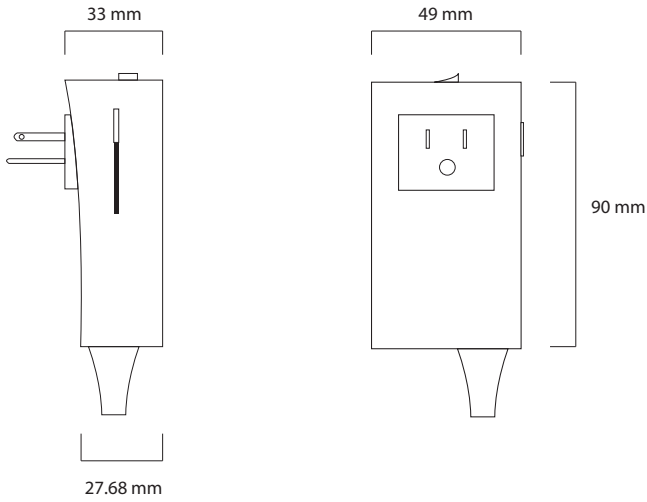
0-10V dimming case for D2 measures 75x39.5mm

0-10V dimming not available in A4 case.

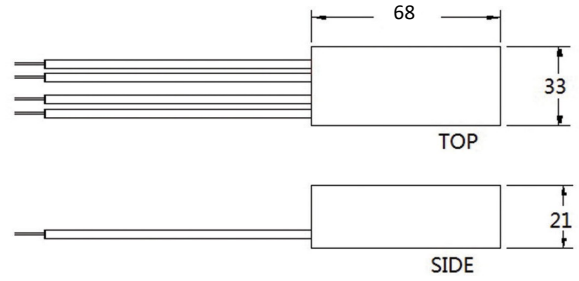




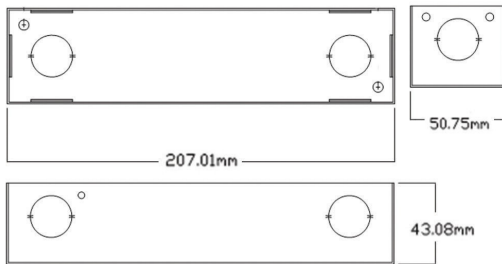
PL1



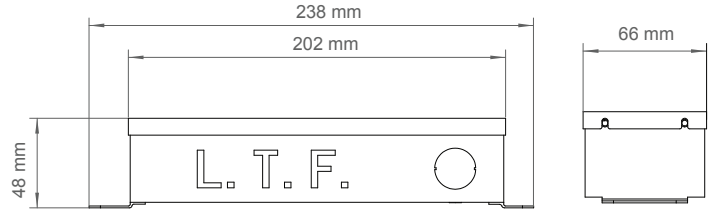
B5



G1



G4





L.T.F

Dimmable Low Voltage LED Driver - CLASS 2

10W DE10W 277V Series Constant Current / Constant Voltage



Efficiency	higher than 85%
Power Factor	>95%
Case TC	90°C Max.
Protection	Input / Output
Storage	-30°C / +90°C
Humidity	95% RH Max.
IP Rating	IP 60, 65, 67
Class	Class 2 Power Supply
Dimming	ELV & Triac Dimmable
Optional Dimming	0-10V



Intertek



RoHS



FCC Part 15
Class B compliant



* Ask for More Information

FEATURES

- Isolated output power per NEC and UL safety requirements
- UL and ETL recognized/ Listed, UL 8750, 1310
- Auto-reset ; Short circuit, Overload and Thermal protection
- Dimmable with ELV and Triac type dimmers
- Aluminum casing for optimal heat dissipation
- Low profile, small form factor, junction box mountable
- Flicker free dimming and excellent dimming range
- Class 2 power supply and other than Class 2 options
- Efficient, high power factor, low THD, FCC compliant

ELECTRICAL SPECIFICATIONS

Constant Current					
Model #	Input Voltage	Input Current	Output Voltage	Output Current	Available Form Factors
DE10W220C	277V AC 50/60Hz	0.03 A	45.5V DC	220 mA	A4, B5, D2
DE10W280C	277V AC 50/60Hz	0.03 A	35.8V DC	280 mA	A4, B5, D2
DE10W320C	277V AC 50/60Hz	0.03 A	31.3V DC	320 mA	A4, B5, D2
DE10W350C	277V AC 50/60Hz	0.03 A	28.6V DC	350 mA	A4, B5, D2
DE10W420C	277V AC 50/60Hz	0.03 A	23.9V DC	420 mA	A4, B5, D2
DE10W440C	277V AC 50/60Hz	0.03 A	22.8V DC	440 mA	A4, B5, D2
DE10W500C	277V AC 50/60Hz	0.03 A	20.0V DC	500 mA	A4, B5, D2
DE10W550C	277V AC 50/60Hz	0.03 A	18.2V DC	550 mA	A4, B5, D2
DE10W620C	277V AC 50/60Hz	0.03 A	16.2V DC	620 mA	A4, B5, D2
DE10W700C	277V AC 50/60Hz	0.03 A	14.3V DC	700 mA	A4, B5, D2
DE10W750C	277V AC 50/60Hz	0.03 A	13.4V DC	750 mA	A4, B5, D2
DE10W900C	277V AC 50/60Hz	0.03 A	11.2V DC	900 mA	A4, B5, D2
DE10W1000C	277V AC 50/60Hz	0.03 A	10.0V DC	1000 mA	A4, B5, D2



Constant Voltage					
Model #	Input Voltage	Input Current	Output Voltage	Output Current	Available Form Factors
DE10W12V	277V AC 50/60Hz	0.03 A	12V DC	860 mA	A4, B5, D2
DE10W24V	277V AC 50/60Hz	0.03 A	24V DC	430 mA	A4, B5, D2

Dimming Guide	
Model #	Dimming Code
(L) DE10WXXXX	Standard Dimming
(L) DE10WXXXXD010	0-10V Dimming
(L) DE10WXXXXDALI	DALI Dimming

Remote Enclosure Option	
Model #	Remote Enclosure
LDE10WXXXXRE	G1
LDE10WXXXXREO	G4

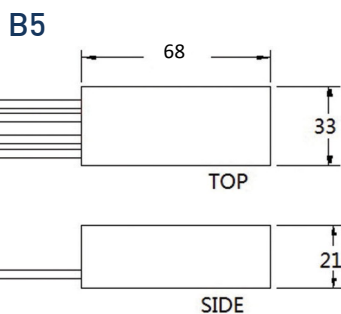
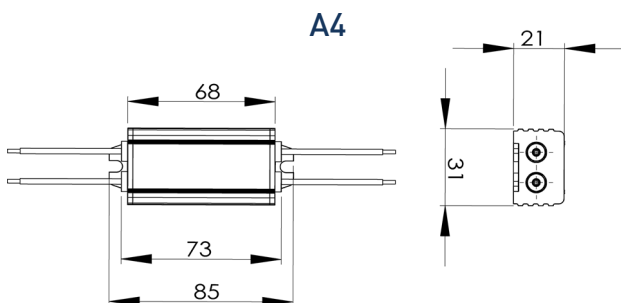
MECHANICAL SPECS.

Available Form Factors	Dimensions
"A4"	68X31X21mm
"B5"	68X33X21mm
"D2"	39.5x47mm
"G1"	207X50.8X43mm
"G4"	238X66X48mm

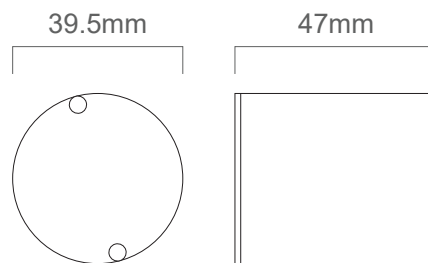
** D2 case is for standard dimming only.

0-10V dimming case for D2 measures 75x39.5mm

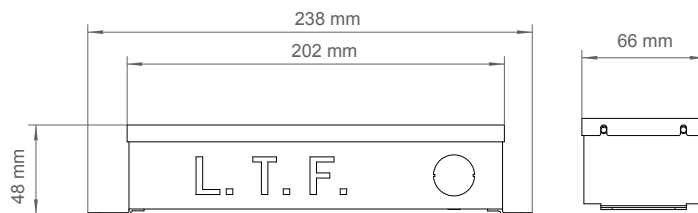
0-10V dimming not available in A4 case.



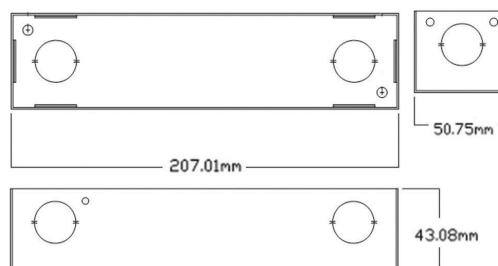
D2**



G4



G1





L.T.F

Dimmable Low Voltage LED Driver - CLASS 2



10W DU10W 220-240V Series Constant Current / Constant Voltage



Efficiency	higher than 85%
Power Factor	>95%
Case TC	90°C Max.
Protection	Input / Output
Storage	-30°C / +90°C
Humidity	95% RH Max.
IP Rating	IP 60, 65, 67
Class	Class 2 Power Supply
Dimming	ELV & Triac Dimmable
Optional Dimming	0-10V



Intertek



RoHS



FCC Part 15
Class B compliant



* Ask for More Information

FEATURES

- Isolated output power per NEC and UL safety requirements
- UL and ETL recognized/ Listed, UL 8750, 1310
- Auto-reset ; Short circuit, Overload and Thermal protection
- Dimmable with ELV and Triac type dimmers
- Aluminum casing for optimal heat dissipation
- Low profile, small form factor, junction box mountable
- Flicker free dimming and excellent dimming range
- Class 2 power supply and other than Class 2 options
- Efficient, high power factor, low THD, FCC compliant

ELECTRICAL SPECIFICATIONS

Constant Current					
Model #	Input Voltage	Input Current	Output Voltage	Output Current	Available Form Factors
DU10W220C	220-240V AC 50/60Hz	0.04 A	45.5V DC	220 mA	A4, B5, D2
DU10W280C	220-240V AC 50/60Hz	0.04 A	35.8V DC	280 mA	A4, B5, D2
DU10W320C	220-240V AC 50/60Hz	0.04 A	31.3V DC	320 mA	A4, B5, D2
DU10W350C	220-240V AC 50/60Hz	0.04 A	28.6V DC	350 mA	A4, B5, D2
DU10W420C	220-240V AC 50/60Hz	0.04 A	23.9V DC	420 mA	A4, B5, D2
DU10W440C	220-240V AC 50/60Hz	0.04 A	22.8V DC	440 mA	A4, B5, D2
DU10W500C	220-240V AC 50/60Hz	0.04 A	20.0V DC	500 mA	A4, B5, D2
DU10W550C	220-240V AC 50/60Hz	0.04 A	18.2V DC	550 mA	A4, B5, D2
DU10W620C	220-240V AC 50/60Hz	0.04 A	16.2V DC	620 mA	A4, B5, D2
DU10W700C	220-240V AC 50/60Hz	0.04 A	14.3V DC	700 mA	A4, B5, D2
DU10W750C	220-240V AC 50/60Hz	0.04 A	13.4V DC	750 mA	A4, B5, D2
DU10W900C	220-240V AC 50/60Hz	0.04 A	11.2V DC	900 mA	A4, B5, D2
DU10W1000C	220-240V AC 50/60Hz	0.04 A	10.0V DC	1000 mA	A4, B5, D2

Dimmable Low Voltage LED Driver - CLASS 2 - DU10W



Constant Voltage					
Model #	Input Voltage	Input Current	Output Voltage	Output Current	Available Form Factors
DU10W12V	220-240V AC 50/60Hz	0.04 A	12V DC	860 mA	A4, B5, D2
DU10W24V	220-240V AC 50/60Hz	0.04 A	24V DC	430 mA	A4, B5, D2

Dimming Guide	
Model #	Dimming Code
(L) DU10WXXXX	Standard Dimming
(L) DU10WXXXXD010	0-10V Dimming
(L) DU10WXXXXDALI	DALI Dimming

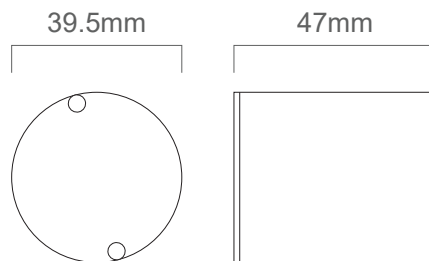
Remote Enclosure Option	
Model #	Remote Enclosure
LDU10WXXXXRE	G1
LDU10WXXXXREO	G4

MECHANICAL SPECS.

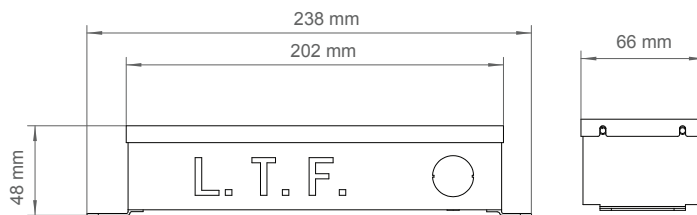
Available Form Factors	Dimensions
"A4"	68X31X21mm
"B5"	68X33X21mm
"D2"	39.5x47mm
"G1"	207X50.8X43mm
"G4"	238X66X48mm

** D2 case is for standard dimming only.
0-10V dimming case for D2 measures 75x39.5mm
0-10V dimming not available in A4 case.

D2**

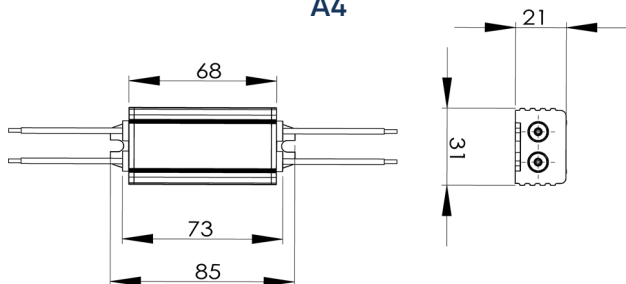


G4



G1

A4



B5

