



REMA[®]

HOLLAND

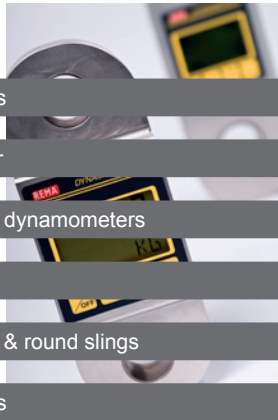
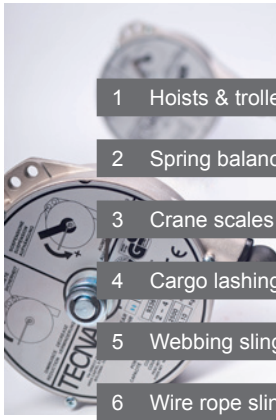
REMA HOISTING | LIFTING | HANDLING | SAFETY Edition 12

SAFETY FIRST.

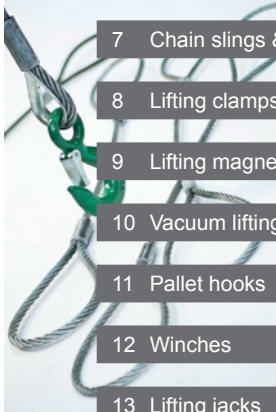
Edition no.12



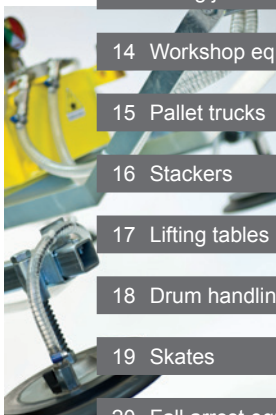
REMA[®]



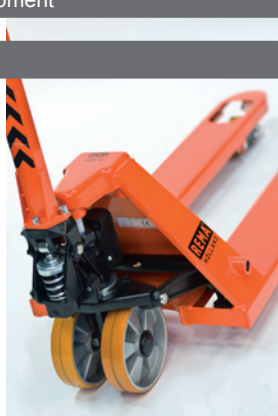
1	Hoists & trolleys	4
2	Spring balancer	32
3	Crane scales & dynamometers	36
4	Cargo lashing	42
5	Webbing slings & round slings	48
6	Wire rope slings	60



7	Chain slings & shackles	66
8	Lifting clamps	92
9	Lifting magnets	112
10	Vacuum lifting	116
11	Pallet hooks	120
12	Winches	122
13	Lifting jacks	136



14	Workshop equipment	142
15	Pallet trucks	144
16	Stackers	148
17	Lifting tables	150
18	Drum handling	156
19	Skates	160



20	Fall arrest equipment	164
21	Crane systems	166





Hand chain hoists	4
Ratchet hoists	7
Power pullers	10
Wire rope hoists	11
Pneumatic hoists	12
Elephant electric chain hoist	13
Electric trolley's for Elephant	16
REMA SR Electric chain hoist	17
REMA SR trolley	21
REMA LK Heavy electric chain hoist	23
REMA SR 230V Electric chain hoist	24
Radio remote control	25
Trolleys	26
Beam buffer	30



Rema C-21 hand chain hoist

H

Safety factor of at least 4.8 or higher. Very compact and light body, 5.5 kg/0.5 ton, can be carried easily. Strong and shape retaining housing due to high-grade steel. Stronger forged hook and newly developed safety latch for even more safety. Durable brake discs for a long life. Probably the strongest hoist load chain B39VH, Grade +100.

Properties

- Safety factor of at least 4,8 or higher.
- Very compact and light body, 6,1 kg 0,5 ton, can be carried easily.
- Strong and shape retaining housing due to high-grade steel.
- Stronger forged hook and newly developed safety latch for even more safety.
- Durable brake discs for a long life.
- Probably the strongest hoist load chain B39VH, Grade +100.
- Technical features load chain: Strain 22% Tensile strength remains unchanged down to – 60°C.
- Surface hardened load chain for an even longer life.

Standard delivery

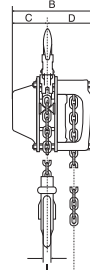
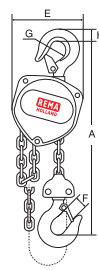
- 3 m hoisting height.
- 2,5 m operating height.

Option

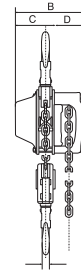
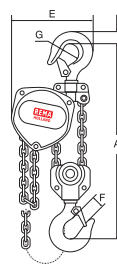
- Available in any other hoisting and operational heights.



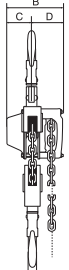
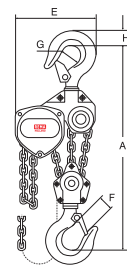
C-21/500 - C-21/2000



C-21/3000



C-21/5000



Type	Safe working load (kg)	Hand force max. (kg)	Load chain (mm)	Number of falls	Hand chain (mm)	Construction height (mm)	Weight (kg)	Productid
C21-500KG	500	26	4,3 x 12	1	4,5 x 23	275	5,5	0021001
C21-1000KG	1000	32	5,6 x 17	1	4,5 x 23	310	8,9	0021003
C21-1500KG	1500	36	6,5 x 19	1	4,5 x 23	340	12,6	0021005
C21-2000KG	2000	36	7,5 x 21	1	4,5 x 23	380	16,6	0021007
C21-3000KG	3000	39	6,5 x 19	2	4,5 x 23	480	19,3	0021009
C21-5000KG	5000	35	7,5 x 21	3	4,5 x 23	555	34,0	0021011

Type	A (mm)	B (mm)	C (mm)	D (mm)	E (mm)	F (mm)	G (mm)	H (mm)	I (mm)
C21-500KG	275	131	54	77	121	24	30	16	13
C21-1000KG	310	143	54	82	148	29	34	22	16
C21-1500KG	340	152	68	84	168	29	35	26	21
C21-2000KG	380	164	75	89	193	34	43	29	22
C21-3000KG	480	152	68	84	209	36	43	35	28
C21-5000KG	555	164	75	89	297	45	58	46	34

REMA Select 200 Hand chain hoist

Q

The REMA Select 200 is a robust hand chain hoist for heavy and intensive use, safety and ergonomics comes on the first place. The type with OD have a Overload Device.



Properties

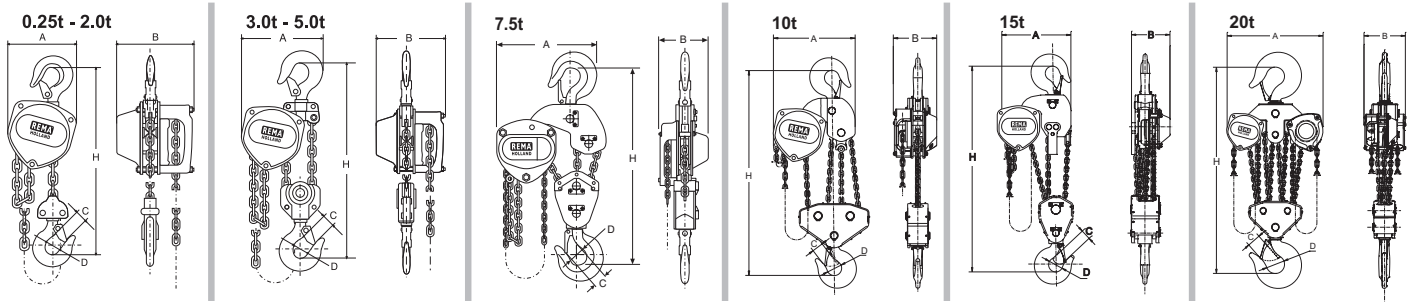
- Overload prevention device to prevents hoists from dangerous overloads.
- Low operating effort at full due to bearing support and driving gear.
- Extremely safe operation thanks to a double brake pawl system.
- Self-locking brake with asbestos-free friction discs.
- Chain wheels are made of precision and strain-resistant alloy steel.
- Suspension and load hooks with safety latches.
- Load hooks will yield under overload instead of abrupt breaking.
- Zinc-plated load chain (Grade 80 vlg EN 818-7).
- Zinc-plated hand chain.
- Reliable steel plate housing in orange finishing (powder coating) with REMA stance in it.
- Chain hoist is CE and TÜV/GS tested.

Standard delivery

- Lifting height 3 meter.
- Handchain height 2,5 meter

Option

- Available in any other hoisting and operational heights



Type	Safe working load (kg)	Hand force max. (kg)	Load chain (mm)	Number of falls	Hand chain (mm)	Construction height (mm)	Weight (kg)	Productid
S200-250KG	250	23.5	4.0 x 12.0	1	5.0 x 23.7	280	6.0	0120000
S200OD-500KG	500	24.9	5.0 x 15.0	1	5.0 x 23.7	280	9.0	0120001
S200OD-1000KG	1000	28.4	6.3 x 19.0	1	5.0 x 23.7	330	12.0	0120003
S200OD-1500KG	1500	30.8	7.1 x 21.0	1	5.0 x 23.7	360	16.0	0120005
S200OD-2000KG	2000	34.3	8.0 x 24.0	1	5.0 x 23.7	385	20.0	0120007
S200OD-3000KG	3000	34.3	7.1 x 21.0	2	5.0 x 23.7	510	24.0	0120009
S200OD-5000KG	5000	37.2	9.0 x 27.0	2	5.0 x 23.7	615	37.0	0120011
S200OD-7500KG-3000	7500	36.8	9.0 x 27.0	3	5.0 x 23.7	690	62.0	0120013
S200OD-10000KG-3000	10000	40.0	9.0 x 27.0	4	5.0 x 23.7	820	104.6	0120015
S200-15000KG-3000	15000	40.0	9.0 x 27.0	6	5.0 x 23.7	920	162.6	0120017
S200-20000KG-3000	20000	40.0	9.0 x 27.0	8	5.0 x 23.7 (2x)	1060	200.0	0120019

Type	A (mm)	B (mm)	C (mm)	D (mm)	H (mm)
S200-250KG	108	106	20	30	280
S200OD-500KG	130	128	22	34	280
S200OD-1000KG	150	142	26	39	330
S200OD-1500KG	170	158	29	42	360
S200OD-2000KG	185	175	35	49	385
S200OD-3000KG	220	158	37	50	510
S200OD-5000KG	255	183	43	60	615
S200OD-7500KG-3000	430	189	47	67	690
S200OD-10000KG-3000	360	183	47	65	820
S200-15000KG-3000	386	183	62	77	920
S200-20000KG-3000	577	183	75	90	1060



KBT200OD low headroom hoist-trolley V

These low headroom hoist-trolley combi are only deliverable in combination with REMA Select 200OD hand chain hoist.

Properties

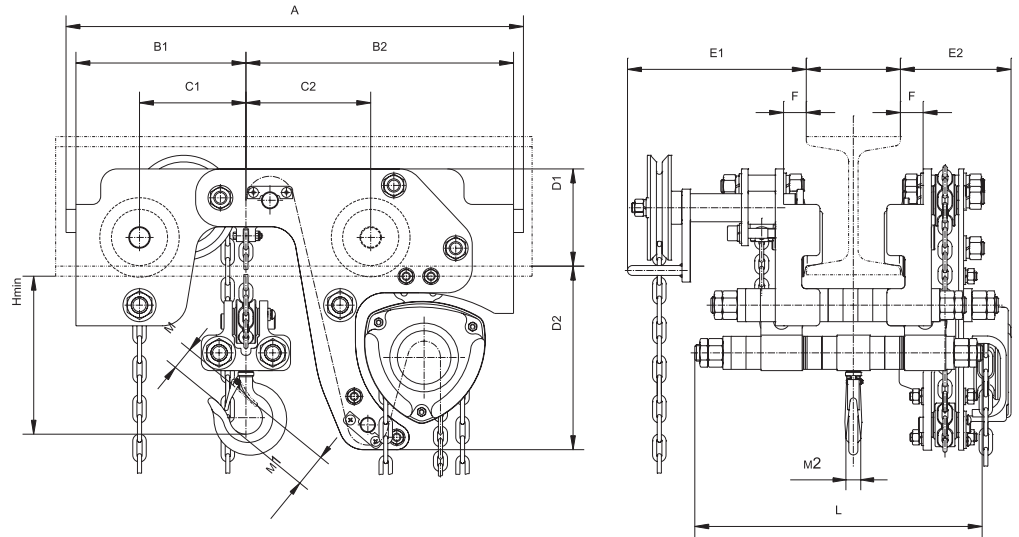
- This trolley can only be supplied in combination with hand chain hoist Select 200 OD.
- Extremely low construction height (135-235 mm).
- Suitable for profiles with both straight and sloping flanges.
- Bearing through maintenance free ball bearings.
- Wheel fracture support devices for additional safety.
- Moveable by hand.
- Technical ind hoist, see Select 200 OD.

Standard delivery

- 3 meter lifting height.
- 2,5 meter handchain height.

Option

- Available in any other lifting and operating heights.



Type	Safe working load (kg)	Number of falls	Flange width (mm)	Minimum radius (mm)	Load chain (mm)	Hand chain (mm)	Weight (kg)	Productid
KBT200OD-1	1000	2	74-150	2500	5.0 x 15.0	5.0 x 23.7	69	0923001
KBT200OD-2	2000	2	82-156	4000	6.3 x 19.1	5.0 x 23.7	118	0923003
KBT200OD-3.2	3200	2	103-223	4500	8.0 x 24.2	5.0 x 23.7	181	0923005
KBT200OD-5	5000	4	119-215	6000	8.0 x 24.2	5.0 x 23.7	293	0923007
KBT200OD-6.3	6300	4	119-215	6000	8.0 x 24.2	5.0 x 23.7	296	0923009

Type	A (mm)	B1 (mm)	B2 (mm)	C1 (mm)	C2 (mm)	D1 (mm)	D2 (mm)	E1 (mm)	E2 (mm)	F (mm)	H (mm)	L (mm)	M1 (mm)	M2 (mm)
KBT200OD-1	554	206	234	129	151	117	223	217	134	27.5	135	348	40	18
KBT200OD-2	684	254	406	149	211	165	265	240	152	36.5	160	392	50	24
KBT200OD-3.2	765	279	461	169	236	165	325	240	173	44.0	190	499	55	28
KBT200OD-5	873	336	524	201	279	184	327	259	180	39.0	235	512	65	37
KBT200OD-6.3	873	336	524	201	279	184	327	259	180	39	235	512	65	37



REMA YA ratchet hoist

H

Model REMA YA Puller is a positively robust ratchet lever hoist suitable for lifting, pulling, spanning and clamping in any directions.

Properties

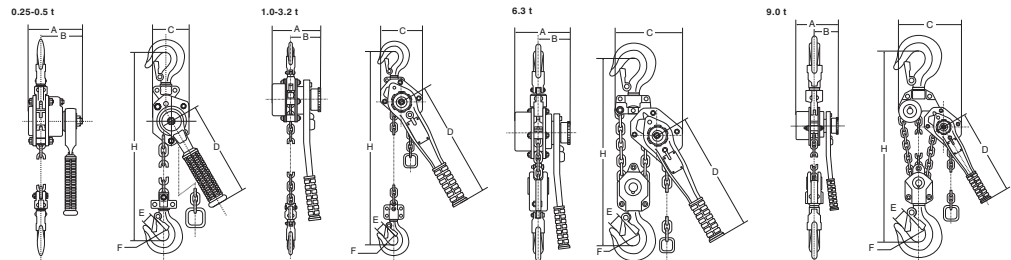
- Grade 100 Galvanized load chain with high tensile strength (EN 818/7).
- Compact construction and very low self-weight.
- Reliable load-pressure brake which will retain the load at every required height.
- Hooks provided with safety latches.
- Patented guide for the load chain.
- A double spring on each catch for additional safety.
- Load hooks gradually bend outwards in case of overload, instead of breaking abruptly.

Standard delivery

- 1,5 m lifting height (max distance between top and bottom hook positions).

Option

- Available in any other lifting heights.



Type	Safe working load (kg)	Hand force max. (kg)	Load chain (mm)	Number of falls	Construction height (mm)	Weight (kg)	Productid
YA-250KG	250	30	4.0 x 12.0	1	235	2.0	0208000
YA-500KG	500	35	5.0 x 15.0	1	265	3.6	0208001
YA-1000KG	1000	37	5,6 x 17,1	1	312	7,5	0208003
YA-1600KG	1600	30	7.1 x 21.0	1	352	9.2	0208005
YA-3200KG	3200	37	9.0 x 27.2	1	420	15.5	0208007
YA-6300KG	6300	38	9.0 x 27.2	2	564	26.5	0208009
YA-9000KG	9000	39	9.0 x 27.2	3	589	42	0208011

Type	A (mm)	B (mm)	C (mm)	D (mm)	E (mm)	F (mm)	H (mm)
YA-250KG	91	70	60	155	70	31	235
YA-500KG	110	83	85	284	23	34	265
YA-1000KG	144	91	122	268	28	36	312
YA-1600KG	162	99	136	310	29	43	352
YA-3200KG	186.5	104	180	310	36	53	420
YA-6300KG	186.5	104	235	310	47	70	564
YA-9000KG	186.5	104	300	310	73	85	689


Rema Select 2OD ratchet hoist

Q

REMA select 2OD (Overload Device) ratchet lever hoist equipped with an overload prevention, except 250kg, device is a reliable means for lifting, pulling, lashing and clamping.

Properties

- Low operating effort at full load due to bearing shafts.
- Overload prevention device that prevents hoist from dangerous overloads.
- Double brake pawl system for an improved safety of operation.
- Self-locking brake with asbestos-free friction discs.
- Load chain wheel of precision and wear-resistant alloy steel.
- With no load, the chain can be moved freely.
- Suspension and load hooks equipped with safety latches.
- Load hooks will yield under overload instead of abrupt breaking.
- Zinc-plated load chain (grade 80 in compliance with EN 818/7).
- Lever with rubber-coated anti-slip grip.
- Reliable steel plate housing in orange finish.

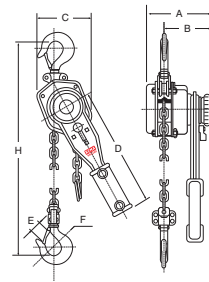
Standard delivery

- 1,5 m lifting height (max distance between top and bottom hook).

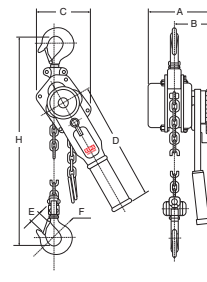
Option

- Available in any other lifting heights.

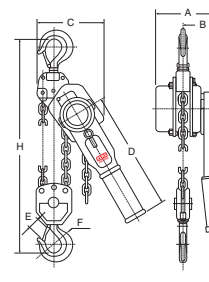
0.25 t



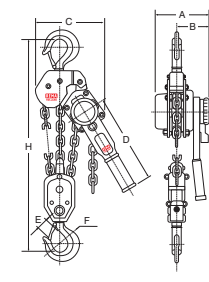
0.5 t - 3.0 t



6.0 t



9.0 t



Type	Safe working load (kg)	Hand force max. (kg)	Load chain (mm)	Number of falls	Construction height (mm)	Weight (kg)	Productid
S2-250KG	250	28.2	4.0 x 12.0	1	235	2.5	0220000
S2OD-500KG	500	24.8	5.0 x 15.0	1	310	5.5	0220001
S2OD-800KG	800	26.5	5.6 x 17.0	1	340	6.5	0220003
S2OD-1600KG	1600	29.5	7.1 x 21.0	1	400	10.2	0220005
S2OD-3200KG	3200	33.5	10.0 x 28.0	1	520	22.0	0220007
S2OD-6300KG	6300	37.0	10.0 x 28.0	2	640	34.0	0220009
S2OD-9000KG	9000	42.0	10.0 x 28.0	3	730	45.0	0220011

Type	A (mm)	B (mm)	C (mm)	D (mm)	E (mm)	F (mm)	H (mm)
S2-250KG	100	70	86	163	20	31	235
S2OD-500KG	150	90	118	253	22	32	310
S2OD-800KG	158	98	132	273	26	36	340
S2OD-1600KG	185	111	145	378	29	43	400
S2OD-3200KG	212	124	198	418	37	50	520
S2OD-6300KG	212	124	230	418	43	53	640
S2OD-9000KG	212	124	338	418	44	67	730



QP-25 ratchet hoist **Q**

Model REMA QP23 is a safe and user-friendly ratchet lever hoist. Can be used both for hoisting, towing and clamping.

Properties

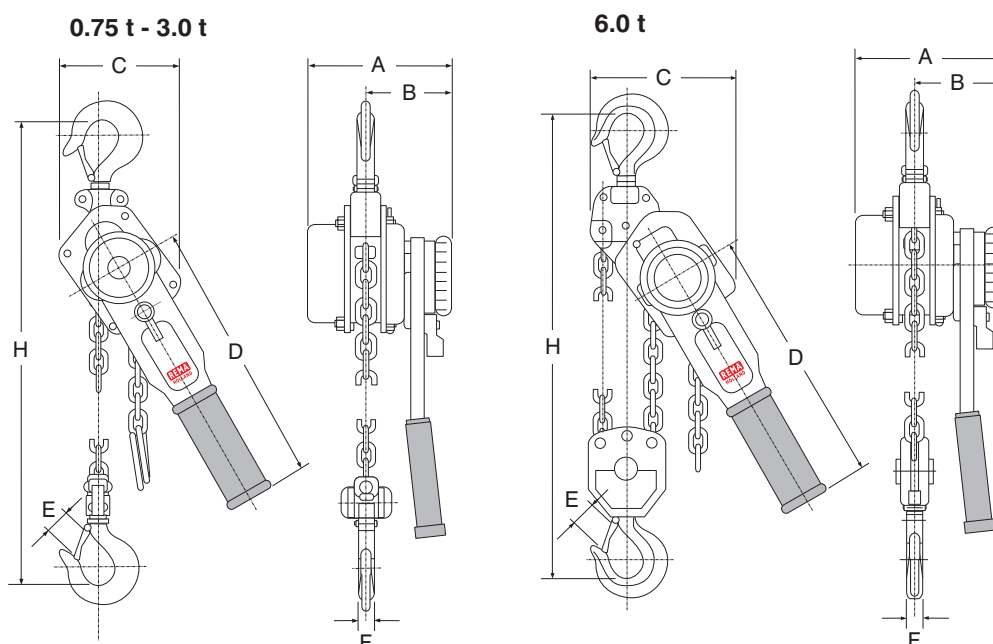
- With no load, the chain can be moved freely.
- Safe and reliable self-locking brake.
- Double brake pawl system for increased safety.
- Lever with rubber-coated anti-slip grip.
- Freely rotating hooks equipped with safety latches.
- Load hooks will yield under overload instead of abrupt breaking.
- Grade 80 zinc-plated load chains (EN 818/7).

Standard delivery

- 1,5 m lifting height (max distance between top and bottom hook positions).

Option

- Available in any other lifting heights.



Type	Safe working load (kg)	Hand force max. (kg)	Load chain (mm)	Number of falls	Construction height (mm)	Weight (kg)	Productid
QP25-750KG	750	15	6.0 x 18.0	1	321	7	0207003
QP25-1500KG	1500	23	8.0 x 24.2	1	376	13	0207005
QP25-3000KG	3000	35	10.0 x 30.0	1	475	21	0207007
QP25-6000KG	6000	37	10.0 x 30.0	2	495	30	0207009

Type	A (mm)	B (mm)	C (mm)	D (mm)	E (mm)	F (mm)	H (mm)
QP25-750KG	151	90	111	279	25.5	17.5	321
QP25-1500KG	175	100	121	413	30.8	20.6	376
QP25-3000KG	200	116	191	413	40.5	26.9	475
QP25-6000KG	200	116	191	413	45.5	34.5	495


MD Power Puller

H

A light-weight and especially robust spanning tool. Ideal for many kinds of operation. Innumerable applications for pulling, dragging and spanning purposes.

Properties

- Safety factor 4.
- Hooks are equipped with safety latches.
- Anti-slip safety grip.

Option

- 0310012 Wire pulling chain.
- 0310014 Barbed wire puller.

Type	Safe working load (kg)	Working range (m)	Cable diameter (mm)	Weight (kg)	Productid
MD-144 S	450	3.66	4.76	3.6	0310001
MD-144 SB	750	1.83	4.76	4.1	0310003


MDWS Band Puller

H

A flexible sheath prevents from injuries and controls loads.

Properties

- Safety factor 4.
- Hooks are equipped with safety latches.
- Anti-slip safety grip.

Type	Safe working load (kg)	Working range (m)	Webbing width (mm)	Webbing length (m)	Weight (kg)	Productid
MDWS-1	225	3.5	25	3.66	3.3	0310005
MDWS-2	450	1.73	25	3.66	3.8	0310007
MDWS-25	225	3.05	25	7.62	3.5	0310009


MDA Rope puller

H

Lightweight and very robust spanning tool. Ideally suited for many jobs. Innumerable applications for pulling, dragging and spanning operations.

Properties

- Safety factor 4.
- Hooks are equipped with safety latches.
- Anti-slip safety grip.

Option

- Rope inclusive hook 6 - 9 -12 m.
- Longer length on request.

Type	Safe working load (kg)	Cable diameter (mm)	Weight (kg)	Productid
MDA-0	350	12.7	3.2	0310011

Gripper wire rope hoist

H

REMA Gripper is a very robust wire rope gripper that can be used in vertical, horizontal and diagonal directions in designs of 800 kg, 1600 kg and 3200 kg load capacities. Both the shear pin and the lever will reliably indicate overload.

Standard delivery

- Excluding wire rope.

Option

- Steel wire rope.



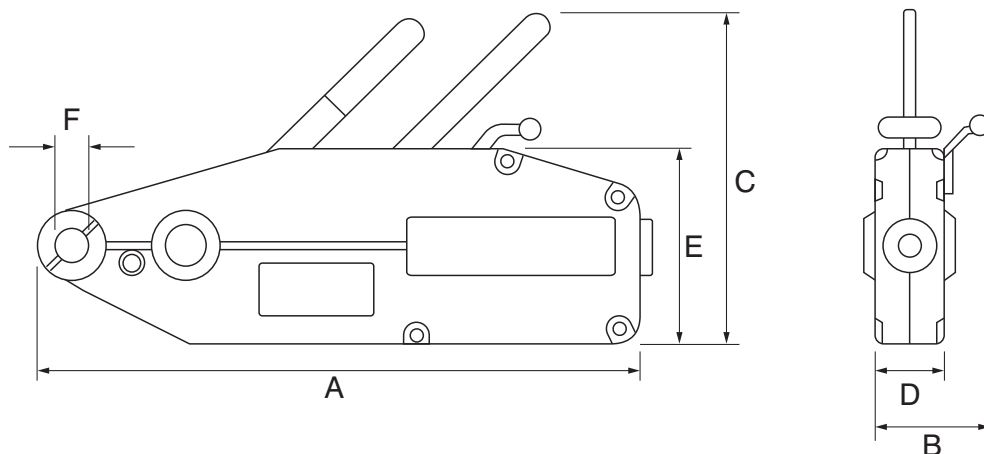
GP-0.8



GP-1.6



GP-3.2



Type	Safe working load (kg)	Hand force max. (kg)	Lever length (mm)	Lifting height at 1 lever movement (mm)	Cable diameter (mm)	Weight (kg)	Productid
GP-0.8	800	28		52	8.4	6.1	0350001
GP-1.6	1600	41		55	11.0	11.9	0350003
GP-3.2	3200	44		28	16.1	21.1	0350005

Type	A (mm)	B (mm)	C (mm)	D (mm)	E (mm)	F (mm)
GP-0.8	425	65	230	59	170	22.0
GP-1.6	545	95	270	72	190	24.5
GP-3.2	660	116	325	94	220	29.5

GP-wire rope set

H

REMA wire rope set for GP wire rope hoist are according NEN 10204.

Option

- Longer length on request.



Type	Safe working load (kg)	Cable diameter (mm)	Length (m)	Productid
GP-STD8.3mm-20m	800	8.4	20	0354001
GP-STD11mm-20m	1600	11.0	20	0355001
GP-STD16mm-20m	3200	16.1	20	0356001

Pneumatic Chain hoist


REMA pneumatic chain hoist can be utilized advantageously in ports, marine applications, in the petrochemical, pulp and food industries. Safety Working load limit from 250 till 2000 kg.

Properties

- Air pressure 6 bar.
- Air hose 12 mm until < length 10 m; 20 mm until > length 10 m.
- From 1000 kg upwards models are equipped with an overload protection device.
- Self-locking brake that can hold loads at any desired height.
- Electroplated load chain (grade 80 in compliance with EN 818/7).

Standard delivery

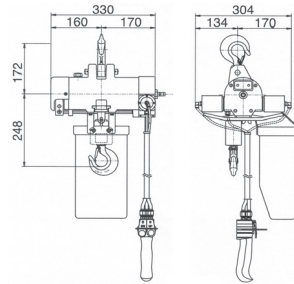
- 3 m lifting height (max distance between top and bottom hook positions).
- 1,8 m cord control (K) or push-button control (DK).
- Limit switches at the top and bottom hook positions.
- Chain casing for 3 m lifting height.
- Type LKDK is delivered with a pneumatic trolley and push-button control.

Option

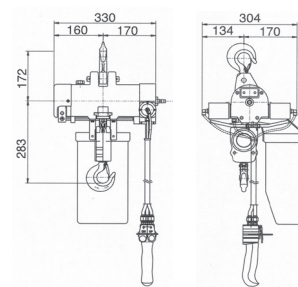
- Larger lifting and control heights.
- Larger chain casing.
- Oil filter/diffuser.
- Overload protection 500 kg.



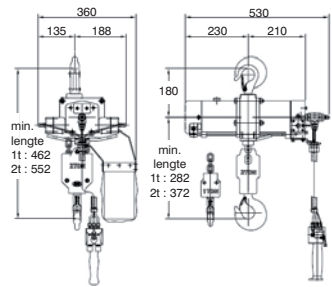
KA1S-025DK t/m KA1S-050DK



KA1S-100DK



KA2S-100DK t/m KA2S-200DK



Type	Safe working load (kg)	Lifting speed (m/min)	lifting speed without load (m/min)	Number of falls	Load chain (mm)	airuse (ltr/sec)	Weight (kg)	Productid
KA1S-025K	250	18.0	23.0	1	6.3 x 19.0	27	23	0701001
KA1S-050K	500	12.0	19.0	1	6.3 x 19.0	27	23	0701003
KA1S-100K	1000	6.0	9.5	2	6.3 x 19.0	27	33	0701005
KA2S-100K	1000	6.5	10.0	1	7.1 x 21.0	30	40	0701007
KA2S-200K	2000	3.2	5.0	2	7.1 x 21.0	30	45	0701009
KA1S-025DK	250	18.0	23.0	1	6.3 x 19.0	27	23	0701101
KA1S-050DK	500	12.0	19.0	1	6.3 x 19.0	27	23	0701103
KA1S-100DK	1000	6.0	9.5	2	6.3 x 19.0	27	33	0701105
KA2S-100DK	1000	6.5	10.0	1	7.1 x 21.0	30	40	0701107
KA2S-200DK	2000	3.2	5.0	2	7.1 x 21.0	30	45	0701109

Elephant FAH/FBH 400V electric chain hoist
H

The 400 V electric chain hoists are extremely solid and have a robust steelplate housing. Very popular due to its complete design with limit switches, 24V control voltage and plug connectors. Its long duty cycle and high hoisting speed guarantee trouble free operation and a long life.


Properties

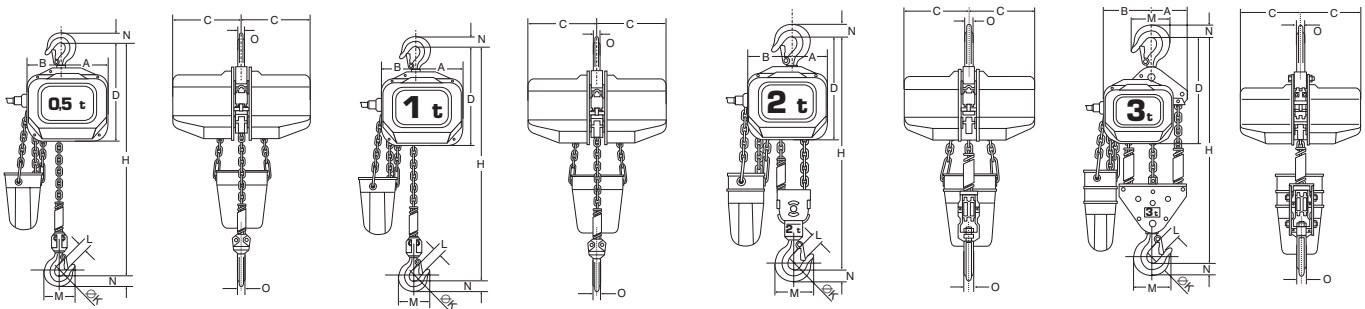
- Slipping clutch to prevent overload.
- Brake that will hold the load at any desired height.
- Limit switch for top and lowest hook position.
- 24Volt control voltage.
- Power and control cables provide with plug connectors.
- Protection against phase transposition.
- Galvanized load chain, class DAT (Grade 80) according to EN 818/7.

Standard delivery

- 3 m lifting height (max distance between top and lower hook).
- 1,8 m control cable length with load relief.
- Limit switches top and lowest hook positions.
- 24V pendant control station.
- 4 m power cable.
- Plastic chain container for 3 m lifting height.
- Exclusive trolley.

Option

- Increased lifting and/or control height.
- Larger chain container > 3 m.
- Radio remote control.
- Trolley


Elephant FAH electric chain hoist 1 speed

Type	Safe working load (kg)	Lifting speed (m/min)	Duty cycle 120 sch/h (%)	Load chain (mm)	Number of falls	Max. lifting height (m)	Construction height (mm)	Power output (kW)	Weight (kg)	Productid
FAH05/500	500	7.0	40	6,3 x 19,1	1	30	480	0.9	43	0515001
FAH10/1000	1.000	7.6	40	7,1 x 21,2	1	30	570	1.6	56	0515003
FAH20/2000	2.000	3.8	40	7,1 x 21,2	2	15	710	1.6	64	0515005
FAH30/3000	3.000	2.5	40	7,1 x 21,2	3	10	810	1.6	83	0515007

Elephant FBH electric chain hoist 2 speed

Type	Safe working load (kg)	Lifting speed (m/min)	Duty cycle 120 sch/h (%)	Load chain (mm)	Number of falls	Max. lifting height (m)	Construction height (mm)	Power output (kW)	Weight (kg)	Productid
FBH05/500	500	7.0/1.8	40/20	6,3 x 19,1	1	30	480	0.9/0.25	44	0512013
FBH10/1000	1.000	7.6/1.9	40/20	7,1 x 21,2	1	30	570	1.6/0.4	57	0512015
FBH20/2000	2.000	3.8/1.0	40/20	7,1 x 21,2	2	15	710	1.6/0.4	65	0512017
FBH30/3000	3.000	2.5/0.6	40/20	7,1 x 21,2	3	10	810	1.6/0.4	84	0512019

Type	A (mm)	B (mm)	C (mm)	D (mm)	H (mm)	K (mm)	L (mm)	M (mm)	N (mm)	O (mm)	Isolation class	Current (V)	Protection class IP	FEM 9.511 lifting motor
FAH05/500	161	124	224	311	480	36	26	86	24	19	E	400	IP54	1Am
FAH10/1000	170	128	239	348	570	43	33	107	31	23	E	400	IP54	1Am
FAH20/2000	133	165	239	372	710	53	42	144	44	30	E	400	IP54	1Am
FAH30/3000	148	208	239	427	810	60	50	165	49	35	E	400	IP54	1Am


Elephant Alpha 230 V electric chain hoists

H

The Elephant Alpha 230V electric chain hoists are compact and very low in weight (aluminium housing). Applicable in many situations due to high duty cycle in combination with a high lifting speed.

Properties

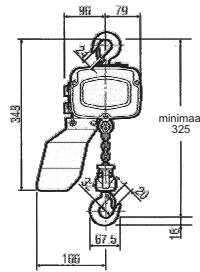
- Slipping clutch to prevent overload.
- Load-pressure brake that will hold the load at any required height.
- Galvanized load chain, class DAT (grade 80) according to EN 818/7.

Standard delivery

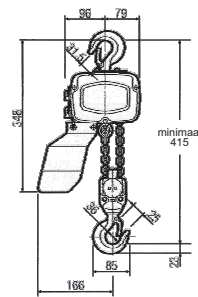
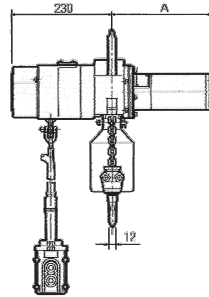
- 3 m lifting height (max distance between top and lower hook).
- 1,8 m control height with load relief and pendant control station.
- ALH-direct control.
- 4 m power cable.
- Plastic chain container till 6 m chain, plastic bag from 6 m chain.

Option

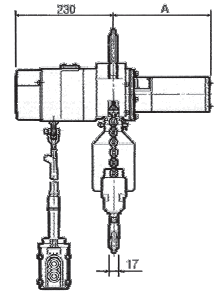
- Increased lifting and/or control height.
- Larger chain container > 3 m.
- Radio remote control with the exception of type ALC and ALHV.



100-250 kg



500 kg



Type	Safe working load (kg)	Lifting speed (m/min)	Duty cycle 120 sch/h (%)	Load chain (mm)	Number of falls	Max. lifting height (m)	Construction height (mm)	Power output (kW)	Weight (kg)	Productid
ALH01/100	100	13.0	30	4 x 12	1	30	325	0.3	15	0513005
ALH16/160	160	15.0	30	4 x 12	1	30	325	0.6	17	0513007
ALH025/250	250	10.0	30	4 x 12	1	30	325	0.6	17	0513009
ALH05/500	500	5.0	30	4 x 12	2	15	415	0.6	20	0513011
ALHB01/100	100	13.0/4.0	30	4 x 12	1	30	325	0.3	15	0513015
ALHB016/160	160	15.0/5.0	30	4 x 12	1	30	325	0.6	17	0513017
ALHB025/250	250	10.0/4.0	30	4 x 12	1	30	325	0.6	17	0513019
ALHB05/500	500	5.0/2.0	30	4 x 12	2	15	415	0.6	20	0513021
ALHV01/100	100	1~13.0	30	4 x 12	1	30	325	0.3	15	0513101
ALHV16/160	160	1~15.0	30	4 x 12	1	30	325	0.6	17	0513103
ALHV025/250	250	1~10.0	30	4 x 12	1	30	325	0.6	17	0513105
ALHV05/500	500	0.5~5.0	30	4 x 12	2	15	415	0.6	20	0513107

Type	A (mm)	H (mm)	Isolation class	Duty cycle 120 sch/h (%)	FEM 9.511 lifting motor	Current (V)	Protection class IP	Control voltage (VAC)	Power output (kW)
ALH01/100	177	325	B	30	1Am	230	IP54	230	0.3
ALH16/160	233	325	B	30	1Am	230	IP54	230	0.6
ALH025/250	233	325	B	30	1Am	230	IP54	230	0.6
ALH05/500	233	415	B	30	1Am	230	IP54	230	0.6
ALHB01/100	177	325	B	30	1Am	230	IP54	230	0.3
ALHB016/160	233	325	B	30	1Am	230	IP54	230	0.6
ALHB025/250	233	325	B	30	1Am	230	IP54	230	0.6
ALHB05/500	233	415	B	30	1Am	230	IP54	230	0.6
ALHV01/100	177	325	B	30	1Am	230	IP54	230	0.3
ALHV16/160	233	325	B	30	1Am	230	IP54	230	0.6
ALHV025/250	233	325	B	30	1Am	230	IP54	230	0.6
ALHV05/500	233	415	B	30	1Am	230	IP54	230	0.6

Elephant Alpha 400V electric chain hoist
H


The Elephant Alpha 400V electric chain hoists are compact and very low in weight (aluminium housing). Applicable in many situations due to high duty cycle in combination with a high lifting speed.

Properties

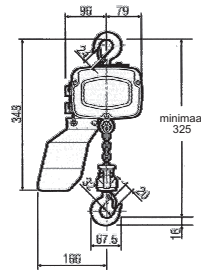
- Slipping clutch to prevent overload.
- Load-pressure brake that will hold the load at any required height.
- Galvanized load chain, class DAT (grade 80) according to EN 818/7.

Standard delivery

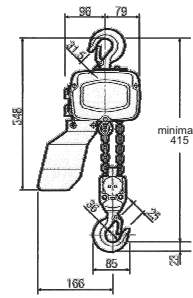
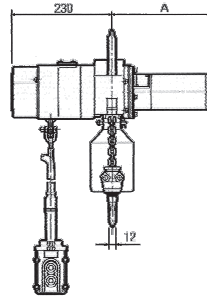
- 3 m lifting height (max distance between top and lower hook).
- 1,8 m control height with load relief.
- Limit switches top and lowest hook positions.
- 24V pendant control station.
- 4 m power cable.
- Plastic chain container for 3 m lifting height.
- Exclusive trolley.

Option

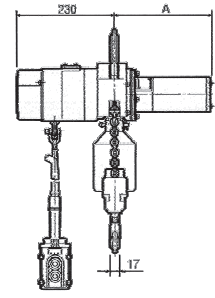
- Increased lifting and/or control height.
- Larger chain container > 3 m.
- Trolley.



100-250 kg



500 kg



Type	Safe working load (kg)	Lifting speed (m/min)	Duty cycle 120 sch/h (%)	Load chain (mm)	Number of falls	Max. lifting height (m)	Construction height (mm)	Power output (kW)	Weight (kg)	Productid
ALC015/150	150	9	40	4 x 12	1	30	325	0.55	18	0514001
ALC025/250	250	9	40	4 x 12	1	30	325	0.55	18	0514003
ALC05/500	500	4.5	40	4 x 12	2	15	415	0.55	22	0514005

Type	A (mm)	H (mm)	Isolation class	Duty cycle 120 sch/h (%)	FEM 9.511 lifting motor	Current (V)	Protection class IP	Control voltage (VAC)	Power output (kW)
ALC015/150	203	325	E	40	2m	400	IP54	400/24	0.55
ALC025/250	203	325	E	40	2m	400	IP54	400/24	0.55
ALC05/500	203	415	E	40	2m	400	IP54	400/24	0.55

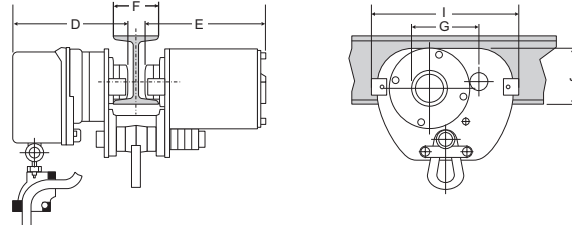

Elephant MAS electric trolleys

H

These trolley are only suitable in combination with Elephant electric chain hoist FAH or FBH.

Properties

- Single axle design.
- 1 travel speed.
- Anti-tilt and wheel fracture support device.
- incl 24V control unit and pendant control with emergency stop.
- Convenient plug-type connection.



Type	Safe working load (kg)	Flange width (mm)	Speed (m/min)	Current (V)	Control voltage (VAC)	Protection class IP	Duty cycle 120 sch/h (%)	Isolation class	Power output (kW)	Minimum radius (mm)	Weight (kg)	Productid
MAS-0.5	500	75-300		400	24	IP54	30	E	0,4	1100	31	0920001
MAS-1.0	1000	75-300		400	24	IP54	30	E	0,4	1100	31	0920003
MAS-2.0	2000	100-300		400	24	IP54	30	E	0,4	1500	40	0920005
MAS-3.0	3000	100-300		400	24	IP54	30	E	0,4	1500	64	0920007

Type	D (mm)	E (mm)	F (mm)	G (mm)	I (mm)	J (mm)
MAS-0.5	228	248	75-300	120	242	102
MAS-1.0	228	248	75-300	120	242	102
MAS-2.0	245	265	100-300	148	288	120
MAS-3.0	234	318	100-300	117	310	154

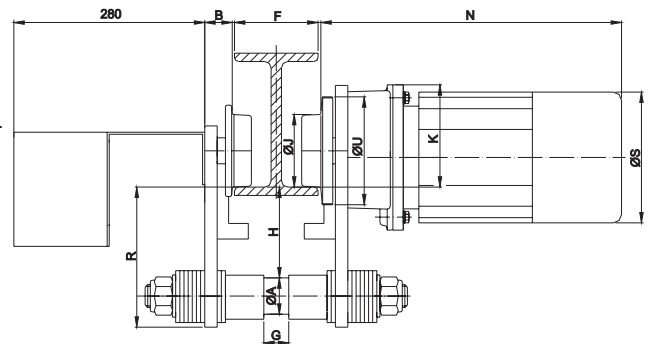

EEFS electric trolley 5/20 m/min.

H

EEFS electric trolley are suitable for any combination with electric chain hoist. Standard with 2 speed drive 5/20 m/min.

Properties

- Single pin design.
- 2 speeds 5/20 m/min.
- Anti-tilt and fall-restraining devices.
- Excl.
- push button control.



Type	Safe working load (kg)	Flange width (mm)	Speed (m/min)	Current (V)	Control voltage (VAC)	Protection class IP	Duty cycle 120 sch/h (%)	Isolation class	Power output (kW)	Minimum radius (mm)	Weight (kg)	Productid
EEFS10	1000	66-300		400	24	IP54	40 / 120	F	0.04/0.18	1000	22	0821001
EEFS20	2000	66-300		400	24	IP54	40 / 120	F	0.04/0.18	1500	25	0821003
EEFS32	3200	82-300		400	24	IP54	40 / 120	F	0.04/0.18	2000	40	0821005

Type	A (mm)	B (mm)	F (mm)	G (mm)	H (mm)	J (mm)	K (mm)	N (mm)	R (mm)	S (mm)	U (mm)
EEFS10	28 / 32 / 35	26,5	66-300	24	71	70	122	356	109	140	104
EEFS20	35 / 40 / 45	26,5	66-300	24	87,5	70	122	356	135	140	104
EEFS32	45 / 50 / 55	28	82-300	32	93	103	122	356	156	140	141


SR 400V direct controlled electric chain hoist
V

The new REMA series SR is an advanced-design electric chain hoist exhibiting such important features such as the very high duty cycle and modular assembly.

Properties

- 400 V, 3 phase 50 Hz - direct control.
- Attractive appearance, low constructional height.
- Very high duty cycle thanks to an air-cooled hoisting motor used.
- Easy repair & maintenance due to modular design.
- The patented slip-type clutch unit meets all the safety requirements, thus loads will not fall even clutch malfunction or overload.
- Brake holds loads at any desired height.
- As a result of modular design, the motor, the encapsulated drive, the brake and the drive motor can be replaced independently.
- Easy converting from single chain to double chain due to patented chain end locking.
- Pewag zinc-plated load chain.
- DAT grade 80 complies with EN 818/7.

Standard delivery

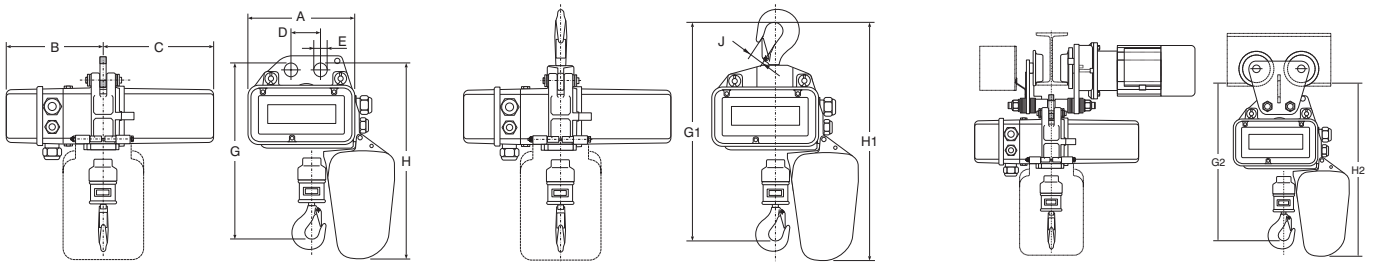
- 3 m lifting height (max distance between top and bottom hook).
- Control height of 1,8 meter.
- Model 110/111 supplied with one hole suspension plate.
- 1 m power cable.
- Chain container.
- Exclusive trolley.

Option

- Higher lifting and control heights.
- Chain containers of larger capacity.
- Other operating voltages and frequencies are available.
- Cordless remote control.
- Push or electric trolley.

Type	Safe working load (kg)	Lifting speed (m/min)	Number of falls	Load chain (mm)	FEM 9.511 lifting motor	Duty cycle (ED%-sw/h)	Motor output (kW)	Standard chain container lifting height (m)	(A) Big-ger chain bucket lifting height (m)	Trolley type	Weight (kg)	Productid
SR020/52-125KG-DIREKT	125	8	1	4.0 x 12	3m	60/360	0.25	12	30	500	16	0860000
SR021/53-125KG-DIREKT	125	8/2	1	4.0 x 12	3m	60/40/240	0.32/0.08	12	30	500	16	0860001
SR021/52-160KG-DIREKT	160	6/1.5	1	4.0 x 12	3m	40/25-240	0.32/0.08	12	30	500	16	0860002
SR021/51-250KG-DIREKT	250	8/2	1	4.0 x 12	2m	40/25/240	0.32/0.08	12	30	500	17	0860003
SR0020/53-250KG-DIREKT	250	6	1	4.0 x 12	2m	60/240	0.55	12	30	500	17	0860006
SR021/53-250KG-DIREKT	250	4/1	2	4.0 x 12	3m	50/40/240	0.32/0.08	6	15	500	18	0860007
SR021/52-320KG-DIREKT	320	3/0.75	2	4.0 x 12	3m	40/25/240	0.32/0.08	6	15	500	17	0860004
SR021/51-500KG-DIREKT	500	4/1	2	4.0 x 12	2m	40/25/240	0.32/0.08	6	15	500	18	0860009
SR030/50-500KG-DIREKT	500	6	2	5.2 x 15	2m	60/240	0.55	4	12	500	18	0860011
SR030/52-500KG-DIREKT	500	8	1	5.2 x 15	2m	40/240	0.7	8	25	1000	18	0860013
SR071/53-500KG-DIREKT	500	10/2.5	1	7.2 x 21	2m	60/25/240	0.9/0.2	5	17	1000	45	0860017
SR070/54-800KG-DIREKT	800	8	1	7.2 x 21	2m	60/240	1.1	5	17	2000	39	0860025
SR030/52-1000KG-DIREKT	1000	4	2	5.2 x 15	1Bm	40/240	0.7	4	12	1000	20	0860015
SR071/53-1000KG-DIREKT	1000	5/1.25	2	7.2 x 21	2m	60/25/240	0.9/0.2	4	8	1000	53	0860019
SR071/55-1000KG-DIREKT	1000	6/1.5	1	7.2 x 21	1Am	60/25/240	1.1/0.2	5	17	2000	45	0860029
SR070/53-1000KG-DIREKT	1000	10	1	7.2 x 21	1Am	60/240	1.7	5	17	2000	45	0860033
SR070/56-1250KG-DIREKT	1250	8	1	7.2 x 21	1Bm	60/240	1.7	5	17	3200	45	0860037
SR090/55-1600KG-DIREKT	1600	8	1	9.0 x 27	2m	60/240	2.2	10	18	3200	70	0860041
SR070/54-1600KG-DIREKT	1600	4	2	7.2 x 21	2m	60/240	1.1	4	8	2000	53	0860027
SR071/55-2000KG-DIREKT	2000	3/0.75	2	7.2 x 21	1Am	60/25/240	1.1/0.2	4	8	2000	53	0860031
SR070/53-2000KG-DIREKT	2000	5	2	7.2 x 21	1Am	60/240	1.7	4	8	2000	53	0860035
SR070/56-2500KG-DIREKT	2500	4	2	7.2 x 21	1Bm	60/240	1.7	4	8	3200	53	0860039
SR090/55-3200KG-DIREKT	3200	4	2	9.0 x 27	2m	60/240	2.2	5	9	3200	79	0860043

Type	A (mm)	B (mm)	C (mm)	D (mm)	E (mm)	G (mm)	G1 (mm)	G2 (mm)	H (mm)	H1 (mm)	H2 (mm)	J (mm)
SR020/52-125KG-DIREKT	212	192	218	58	27	354	432	401	409	487	456	20
SR021/53-125KG-DIREKT	212	192	218	58	27	354	432	401	409	487	456	20
SR021/52-160KG-DIREKT	212	192	218	58	27	354	432	401	409	487	456	20
SR021/51-250KG-DIREKT	212	192	218	58	27	354	432	401	409	487	456	20
SR0020/53-250KG-DIREKT	212	192	218	58	27	354	432	401	409	487	456	20
SR021/53-250KG-DIREKT	212	192	218	58	27	407	485	454	409	487	456	22
SR021/52-320KG-DIREKT	212	192	218	58	27	407	485	454	409	487	456	22
SR021/51-500KG-DIREKT	212	192	218	58	27	407	485	454	409	487	456	22
SR030/50-500KG-DIREKT	212	192	218	58	27	407	485	454	409	487	456	22
SR030/52-500KG-DIREKT	212	192	218	58	30	354	432	410	409	487	456	20
SR071/53-500KG-DIREKT	266	232	274	58	30	404	492	468	451	539	577	22
SR070/54-800KG-DIREKT	266	232	274	58	30	404	492	460	451	539	507	22
SR030/52-1000KG-DIREKT	212	192	218	58	30	407	485	463	409	487	456	22
SR071/53-1000KG-DIREKT	266	232	274	58	30	514	602	570	511	599	567	28
SR071/55-1000KG-DIREKT	266	232	274	58	30	404	492	460	451	539	507	22
SR070/53-1000KG-DIREKT	266	232	274	58	30	404	492	460	451	539	507	22
SR070/56-1250KG-DIREKT	266	232	274	85	34	421	492	480	468	539	527	22
SR090/55-1600KG-DIREKT	358	285	359	85	34	491	616	550	619	744	678	28
SR070/54-1600KG-DIREKT	266	232	274	58	30	514	602	570	511	599	567	28
SR071/55-2000KG-DIREKT	266	232	274	58	30	514	570	602	511	599	567	28
SR070/53-2000KG-DIREKT	266	232	274	58	30	514	602	570	511	599	567	28
SR070/56-2500KG-DIREKT	266	232	274	85	34	531	602	590	528	599	587	28
SR090/55-3200KG-DIREKT	358	285	359	85	34	600	725	659	619	744	678	30




SR 24V low voltage control electric chain hoist
V

The new REMA series SR is an advanced-design electric chain hoist exhibiting such important features such as the very high duty cycle and modular assembly.

Properties

- 400 V, 3 phase 50 Hz - 24V low voltage control.

Standard delivery

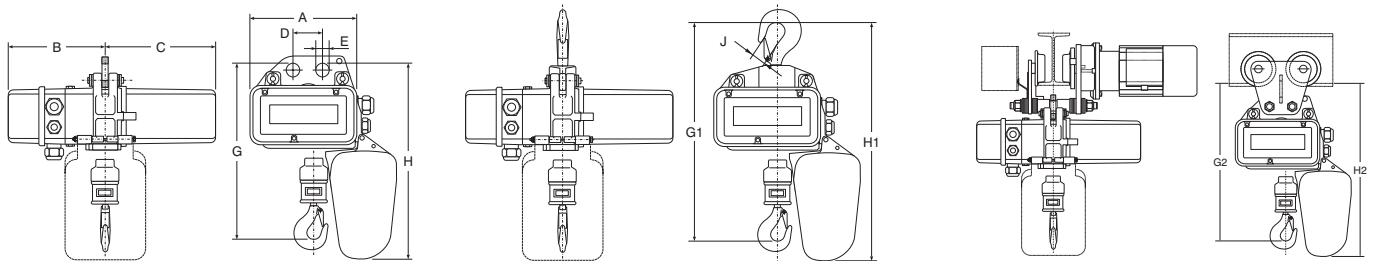
- 3 m lifting height (max distance between top and bottom hook).
- Control height of 1,8 meter.
- Model 110/111 supplied with one hole suspension plate.
- 1 m power cable.
- Chain container.
- Exclusive trolley.

Option

- Higher lifting and control heights.
- Chain containers of larger capacity.
- Other operating voltages and frequencies are available.
- Cordless remote control.
- Push or electric trolley.

Type	Safe working load (kg)	Lifting speed (m/min)	Number of falls	Load chain (mm)	FEM 9.511 lifting motor	Duty cycle (ED%-sw/h)	Motor output (kW)	Standard chain container lifting height (m)	(A) Bigger chain bucket lifting height (m)	Trolley type	Weight (kg)	Productid
SR020/52-125KG-24V	125	8	1	4.0 x 12	3m	60/360	0.25	12	30	500	16	0861000
SR021/53-125KG-24V	125	8/2	1	4.0 x 12	3m	60/40/240	0.32/0.08	12	30	500	16	0861001
SR021/52-160KG-24V	160	6/1.5	1	4.0 x 12	3m	40/25/240	0.32/0.08	12	30	500	16	0861002
SR021/51-250KG-24V	250	8/2	1	4.0 x 12	2m	40/25/240	0.32/0.08	12	30	500	17	0861003
SR020/53-250KG-24V	250	6	1	4.0 x 12	2m	60/240	0.55	12	30	500	17	0861006
SR021/53-250KG-24V	250	4/1	2	4.0 x 12	3m	60/40/240	0.32/0.08	6	15	500	18	0861007
SR021/52-320KG-24V	320	3/0.75	2	4.0 x 12	3m	40/25/240	0.32/0.08	6	15	500	17	0861004
SR021/51-500KG-24V	500	4/1	2	4.0 x 12	2m	40/25/240	0.32/0.08	6	15	500	18	0861009
SR030/50-500KG-24V	500	6	2	5.2 x 15	2m	60/240	0.55	4	12	500	18	0861011
SR030/52-500KG-24V	500	8	1	5.2 x 15	2m	40/240	0.7	8	25	1000	18	0861013
SR071/53-500KG-24V	500	10/2.5	1	7.2 x 21	2m	60/25/240	0.9/0.2	5	17	1000	45	0861017
SR070/54-800KG-24V	800	8	1	7.2 x 21	2m	60/240	1.1	5	17	2000	39	0861025
SR030/52-1000KG-24V	1000	4	2	5.2 x 15	1Bm	40/240	0.7	4	12	1000	20	0861015
SR071/53-1000KG-24V	1000	5/1.25	2	7.2 x 21	2m	60/25/240	0.9/0.2	4	8	1000	53	0861019
SR071/55-1000KG-24V	1000	6/1.5	1	7.2 x 21	1Am	60/25/240	1.1/0.2	5	17	2000	45	0861029
SR070/53-1000KG-24V	1000	10	1	7.2 x 21	1Am	60/240	1.7	5	17	2000	45	0861033
SR070/56-1250KG-24V	1250	8	1	7.2 x 21	1Bm	60/240	1.7	5	17	3200	45	0861037
SR090/55-1600KG-24V	1600	8	1	9.0 x 27	2m	60/240	2.2	10	18	3200	70	0861041
SR091/56 1600KG-24V	1600	10/2.5	1	9.0 x 27	2m	60/25/240	3/0.75	10	18	3200	78	0861045
SR070/54-1600KG-24V	1600	4	2	7.2 x 21	2m	60/240	1.1	4	8	2000	53	0861027
SR071/55-2000KG-24V	2000	3/0.75	2	7.2 x 21	1Am	60/25/240	1.1/0.2	4	8	2000	53	0861031
SR070/53-2000KG-24V	2000	5	2	7.2 x 21	1Am	60/240	1.7	4	8	2000	53	0861035
SR110/52-2500KG-24V	2500	10	1	11.3 x 31	2m	60/240	4	6	12	6300	90	0861049
SR111/52-2500KG-24V	2500	10/2.5	1	11.3 x 31	2m	40/25/240	4.4/1.0	6	12	6300	108	0861053
SR070/56-2500KG-24V	2500	4	2	7.2 x 21	1Bm	60/240	1.7	4	8	3200	53	0861039
SR090/55-3200KG-24V	3200	4	2	9.0 x 27	2m	60/240	2.2	5	9	3200	79	0861043
SR091/56-3200KG-24V	3200	5/1.25	2	9.0 x 27	2m	60/25/240	3/0.75	5	9	3200	88	0861047
SR111/54-3200KG-24V	3200	8/2	1	11.3 x 31	1Bm	25/25/150	4.4/1.0	6	12	6300	108	0861057
SR110/52-5000KG-24V	5000	5	2	11.3 x 31	2m	40/240	4	3	6	6300	107	0861051
SR111/52-5000KG-24V	5000	5/1.25	2	11.3 x 31	2m	40/25/240	4.4/1.0	3	6	6300	125	0861055
SR111/54-6300KG-24V	6300	4/1	2	11.3 x 31	1Bm	25/25/150	4.4/1.0	3	6	6300	125	0861059

Type	A (mm)	B (mm)	C (mm)	D (mm)	E (mm)	G (mm)	G1 (mm)	G2 (mm)	H (mm)	H1 (mm)	H2 (mm)	J (mm)
SR020/52-125KG-24V	212	192	218	58	27	354	432	401	409	487	456	20
SR021/53-125KG-24V	212	192	218	58	27	354	432	378	409	487	477	20
SR021/52-160KG-24V	212	192	218	58	27	354	432	401	409	487	456	20
SR021/51-250KG-24V	212	192	218	58	27	354	432	401	409	487	456	20
SR020/53-250KG-24V	212	192	218	58	27	354	432	401	409	487	456	20
SR021/53-250KG-24V	212	192	218	58	27	407	485	454	409	487	456	22
SR021/52-320KG-24V	212	192	218	58	27	407	485	454	409	487	456	22
SR021/51-500KG-24V	212	192	218	58	27	407	485	454	409	487	456	22
SR030/50-500KG-24V	212	192	218	58	27	407	485	454	409	487	456	22
SR030/52-500KG-24V	212	192	218	58	30	354	432	410	409	487	456	20
SR071/53-500KG-24V	266	232	274	58	30	404	492	460	451	539	507	22
SR070/54-800KG-24V	266	232	274	58	30	404	492	460	451	539	507	22
SR030/52-1000KG-24V	212	192	218	58	30	407	485	463	409	487	456	22
SR071/53-1000KG-24V	266	232	274	58	30	514	602	570	511	599	567	28
SR071/55-1000KG-24V	266	232	274	58	30	404	492	460	451	539	507	22
SR070/53-1000KG-24V	266	232	274	58	30	404	492	460	451	539	507	22
SR070/56-1250KG-24V	266	232	274	85	34	421	492	480	468	539	527	22
SR090/55-1600KG-24V	358	285	359	85	34	491	616	550	619	744	678	28
SR091/56 1600KG-24V	358	285	359	85	34	491	616	550	619	744	678	28
SR070/54-1600KG-24V	266	232	274	58	30	514	602	570	511	599	567	28
SR071/55-2000KG-24V	266	232	274	58	30	514	602	570	511	599	567	28
SR070/53-2000KG-24V	266	232	274	58	30	514	602	570	511	599	567	28
SR110/52-2500KG-24V	358	285	363	120	47	610	728	676	671	790	738	30
SR111/52-2500KG-24V	358	285	410	120	47	610	728	676	671	790	738	30
SR070/56-2500KG-24V	266	232	274	85	34	531	602	590	528	599	587	28
SR090/55-3200KG-24V	358	285	359	85	34	600	725	659	619	744	678	30
SR091/56-3200KG-24V	358	285	359	85	34	600	725	659	619	744	678	30
SR111/54-3200KG-24V	358	285	410	120	47	610	728	676	671	790	738	30
SR110/52-5000KG-24V	358	285	363	120	47	740	858	806	671	790	738	42
SR111/52-5000KG-24V	358	285	410	120	47	740	858	806	671	790	738	42
SR111/54-6300KG-24V	358	285	410	120	47	740	858	806	671	790	738	42





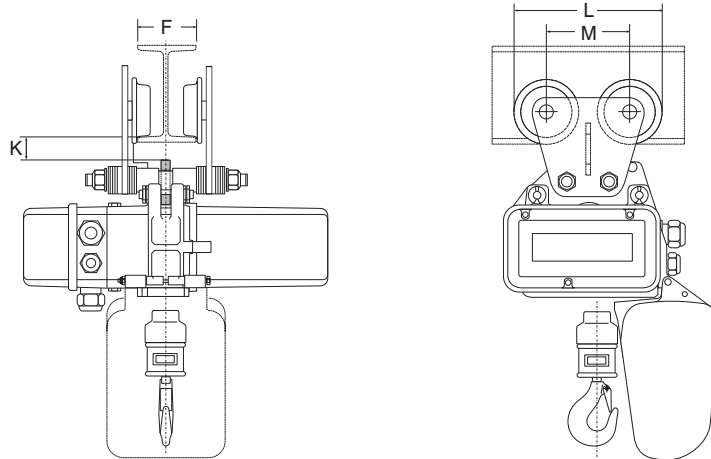
HFN push trolley

V

REMAHFN trolley can only be delivered in combination with REMA SR electric chain hoist.

Properties

- Double axle design.
- Anti-tilt and fall-restraining devices.



Type	Safe working load (kg)	Diameter wheel (mm)	F (mm)	K (mm)	L (mm)	M (mm)	Weight (kg)	Productid
HFN500	500	70	50-300	33	200	112	8	0814001
HFN1000	1000	70	66-300	35	200	112	10	0814002
HFN2000	2000	70	66-300	35	200	112	10	0814003
HFN3200	3200	103	82-300	35	288.5	152.5	22	0814005
HFN6300	6300	103	140-310	36	351	191	47	0814007



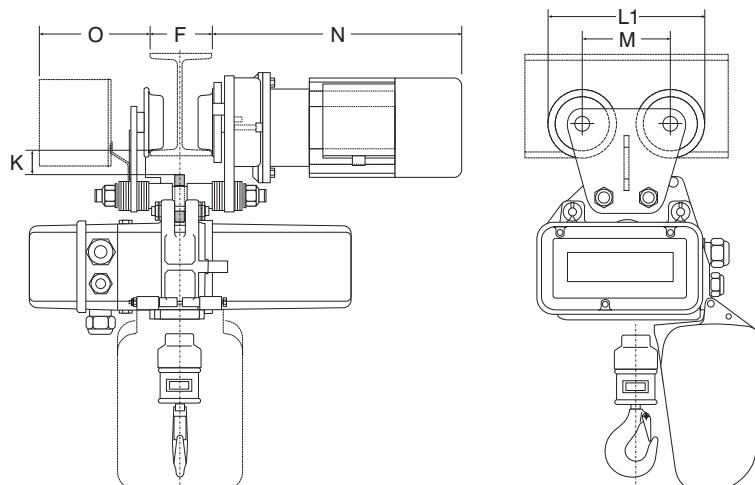
EFS electric trolley

V

REMAEFS trolley can only be delivered in combination with REMA SR 400/24V electric chain hoist.

Properties

- 400 V, 3 phase, 50 Hz Double-pin design.
- 1 or 2 travel speeds.
- Anti-tilt and fall-restraining devices.
- Excl 24 V control and pendant control.
- Excl supporting rollers.



Type	Safe working load (kg)	Current (V)	Duty cycle (ED%-sw/h)	Isolation class	Protection class IP	Speed (m/min)	Motor (kW)	Weight (kg)	Productid
EFS500-16	500	400	40 / 120	F	IP54	16		17	0817001
EFS1000-16	1000	400	40 / 120	F	IP54	16		17	0817003
EFS2000-16	2000	400	40 / 120	F	IP54	16		17	0817005
EFS500-5/20	500	400	40 / 120	F	IP54	5/20		19	0818001
EFS1000-5/20	1000	400	40 / 120	F	IP54	5/20		19	0818003
EFS2000-5/20	2000	400	40 / 120	F	IP54	5/20		18	0818005
EFS3200	3200	400	40 / 120	F	IP54	5/20		34	0818007
EFS6300	6300	400	40 / 120	F	IP54	4/16		34	0818009
EFS12500	12500	400	40 / 120	F	IP54	4/16		63	0818011

Type	Diameter wheel (mm)	F (mm)	K (mm)	L1 (mm)	M (mm)	N (mm)	O (mm)	Minimum radius (mm)
EFS500-16	70	50-300	33	216	112	220	142	1000
EFS1000-16	70	66-300	38	216	112	220	146	1000
EFS2000-16	70	66-300	38	216	112	220	146	1500
EFS500-5/20	70	50-300	33	216	112	292	280	1000
EFS1000-5/20	70	66-300	38	216	112	292	280	1000
EFS2000-5/20	70	66-300	35	216	112	292	280	1000
EFS3200	103	82-300	38	293.5	152.5	385	280	1500
EFS6300	103	90-310	38	293.5	152.5	409	280	2000
EFS12500	103	140-310	38	351	191	409	280	2500

LK-13 400/24V Heavy duty electric chain hoist
V

During the last decade, REMA LK has been proven to be a reliable and safe electric chain hoist among the most different applications.

Properties

- 400 V, 50 phase, 50 Hz, 24V control voltage.
- An outstandingly high load capacity among electric chain hoists up to 12,5 t.
- Overload prevention through the patented slip clutch brake combination where load is withheld from lowering even at clutch overload conditions.
- The brake holds loads at any desired height.
- Shut-off at uppermost and lowermost hook positions is ensured by the slip clutch.
- Long duty cycle combined with a fast hoisting speed.
- Pewag zinc-plated load chain.
- DAT grade 80 in compliance with EN 818/7.

Standard delivery

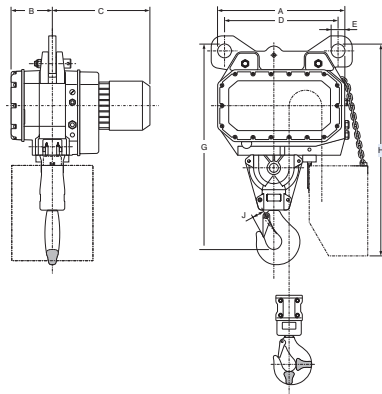
- 3 m lifting height (max distance between top and bottom hook positions).
- 1,8 m control height, with pendant control switch (24 V control inclusive lifting limit switches).
- 1 m connecting cable.
- Chain container.
- Double-hole suspension plate.

Option

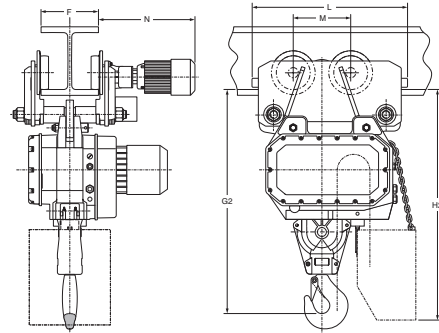
- Higher lifting and control heights.
- Chain containers of larger capacity.
- Other operating voltages and frequencies.
- Cordless remote control.



LK samenbouw met oog-ophanging



LK samenbouw met loopkat



Type	Safe working load (kg)	Lifting speed (m/min)	Number of falls	Load chain (mm)	FEM 9.511 lifting motor	Duty cycle (ED%-sw/h)	Motor output (kW)	Standard chain container lifting height (m)	(A) Bigger chain bucket lifting height (m)	Trolley type	Weight (kg)	Productid
LK-13/5000	5.000	5.6/1.4	1	16 x 45	1Am	60/40/180	6.0/1.3	10	16	12500	180	0803037
LK-13/6300	6.300	5.6/1.4	1	16 x 45	1Bm	60/40/150	6.4/1.6	10	16	12500	180	0803039
LK-13/8000	8.000	2.8/0.7	2	16 x 45	2m	60/40/240	6.0/1.3	5	8	12500	199	0803041
LK-13/10000	10.000	2.8/0.7	2	16 x 45	1Am	60/40/180	6.4/1.6	5	8	12500	199	0803043
LK-13/12500	12.500	2.8/0.7	2	16 x 45	1Bm	60/40/150	6.4/1.6	5	8	12500	199	0803045

Type	C (mm)	D (mm)	E (mm)	F (mm)	G (mm)	G2 (mm)	H (mm)	H2 (mm)	J (mm)	L (mm)	M (mm)	N (mm)
LK-13/5000	434	500	66	140-310	823	903	957	1036	52	700	256	430
LK-13/6300	434	500	66	140-310	823	903	957	1036	52	700	256	430
LK-13/8000	434	500	66	140-310	917	1287	957	1036	52	700	256	430
LK-13/10000	434	500	66	140-310	917	1287	957	1036	52	700	256	430
LK-13/12500	434	500	66	140-310	917	1287	957	1036	52	700	256	430



REMA SR electric chain hoist 230 Vac

V

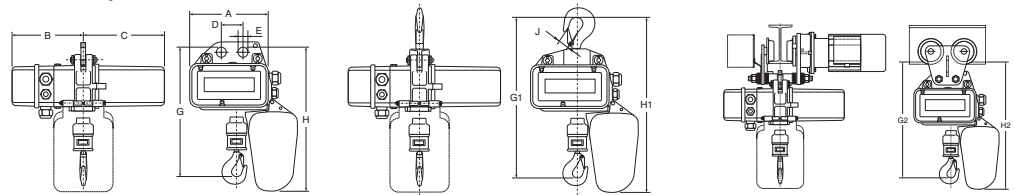
Series SR 230V electric chain hoists are available in several designs and they have the same advantages as standard 400V models i.e. safety slip clutch/brake assembly, low constructional height etc. For the 1-phase connection, use wire having a minimum cross-section of 2.5 mm². For power distribution at building sites, use connection cables of as short as possible to minimize voltage drop.

Standard delivery

- 3 m lifting height (maximum distance between top and bottom hook positions).
- 1,8 m control cable with pendant control.
- 1 m connecting cable.
- Chain container.
- Exclusive trolley

Option

- Higher lifting and control heights.
- Chain containers of larger capacity.
- Cordless remote control.
- Trolley



Type	Safe working load (kg)	Lifting speed (m/min)	Number of falls	Load chain (mm)	FEM 9.511 lifting motor	Duty cycle (ED%-sw/h)	Motor output (kW)	Standard chain container lifting height (m)	(A) Bigger chain bucket lifting height (m)	Trolley type	Weight (kg)	Productid
SR050/01-125KG-DIREKT	125	24	1	5.2 x 15	3m	40/240	0.55	8	25	HFN500	33	0801101
SR020/01-250KG-DIREKT	250	8	1	4.0 x 12	2m	40/240	0.35	12	30	HFN500	16	0801103
SR020/01-500KG-DIREKT	500	4	2	4.0 x 12	2m	40/240	0.35	6	15	HFN500	17	0801105
SR050/02-500KG-DIREKT	500	8	1	5.2 x 15	1Am	40/240	0.7	8	25	HFN1000	33	0801107
SR050/02-1000KG-DIREKT	1000	4	2	5.2 x 15	1Am	40/240	0.7	4	12	HFN1000	35	0801109
SR070/01-1000KG-DIREKT	1000	6	1	7.2 x 21	1Am	40/240	1.1	5	17	HFN2000	36	0801115
SR070/01-2000KG-DIREKT	2000	3	2	7.2 x 21	1Am	40/240	1.1	4	8	HFN2000	41	0801117

Type	A (mm)	B (mm)	C (mm)	D (mm)	E (mm)	G (mm)	G1 (mm)	G2 (mm)	H (mm)	H1 (mm)	H2 (mm)	J (mm)
SR050/01-125KG-DIREKT	266	232	274	58	30	390	462	436	449	522	505	20
SR020/01-250KG-DIREKT	212	192	218	58	27	354	432	401	409	487	456	20
SR020/01-500KG-DIREKT	212	192	218	58	27	407	485	454	409	487	456	22
SR050/02-500KG-DIREKT	266	232	274	58	30	390	462	436	449	522	505	20
SR050/02-1000KG-DIREKT	266	232	274	58	30	443	515	489	449	522	505	22
SR070/01-1000KG-DIREKT	266	232	274	58	30	404	492	460	451	539	507	22
SR070/01-2000KG-DIREKT	266	232	274	58	30	514	582	570	511	599	567	28



L4-L6



L6B



I-SYON CAT 3



TM-70/1-13



HYBRIDE

Cordless remote control V

REMA radio frequency system is a user-friendly, flexible and, first of all, a safe and ergono-mic way of remote control. It can be applied in the areas of industrial and building engineering.

Standard delivery

- 1 transmitter included cord L-type, I-SYON included clip for belt.
- 1 receiver 24 VAC or 230 VAC.
- Included not-rechargeable batteries type AA for L-type and I-SYON.
- Tm60 included rechargeable battery and charger.

Option

- Several hoists can be controlled with a single hand-held transmitter (TM70).
- Crane bridge travelling.
- Other control voltages are available on request.

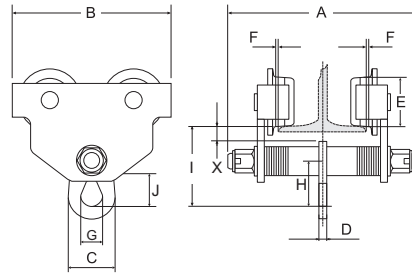
Type	Function	Number of speed	Dimension of receiver L x B x D (mm)	Dimension of transmitter L x B x D (mm)	Protection class IP	Current (VAC)	Weight (kg)	Productid
I-HYBRIDE	up/down/left/right	2	151 x 129 x 61	160 x 75 x 45	65	24	0,64	0725300
I-SYON	up/down/left/right	2	151 x 129 x 61	160 x 75 x 45	65	24	0,25	0725400
TM-70/1.13	up/down/left/right/crane drive	2	285 x 200 x 110	215 x 70 x 52	65	24	0,46	0725500
1-L4	up/down	1	161 x 74 x 52	163 x 49 x 45	65	24	0,155	0725700
1-L6	up/down/left/right	1	161 x 74 x 52	163 x 49 x 45	65	24	0,155	0725702
1-L6B	up/down/left/right	2	167 x 154 x 88	163 x 49 x 45	65	24	0,28	0725706



REMA 116 push trolley

Q

REMA 116 push trolley can be used for every beam profil.



Type	Safe working load (kg)	Flange width (mm)	Minimum radius (mm)	Weight (kg)	Productid
116-0.5	500	50 - 152	800	6.5	0921001
116-1.0	1000	64 - 203	1000	10.5	0921003
116-2.0	2000	88 - 203	1100	17.5	0921005
116-3.0	3000	100 - 203	1300	27.0	0921007
116-5.0	5000	114 - 203	1400	41.0	0921009

Type	A (mm)	B (mm)	C (mm)	D (mm)	E (mm)	F (mm)	G (mm)	H (mm)	I (mm)	J (mm)	X (mm)
116-0.5	245	199	51	6	55	1.5 - 3	24	30	105	32	30
116-1.0	311	246	62.5	8	68	1.5 - 3	30	35	125	40	38
116-2.0	327	276	76	12	80	1.5 - 3	38	46	150	51	38
116-3.0	343	332	86	13.6	100	1.5 - 3	39	48	171	62	40
116-5.0	355	377	109	16.4	110	1.5 - 3	49	51	196	74	42



REMA 117 geared trolley

Q

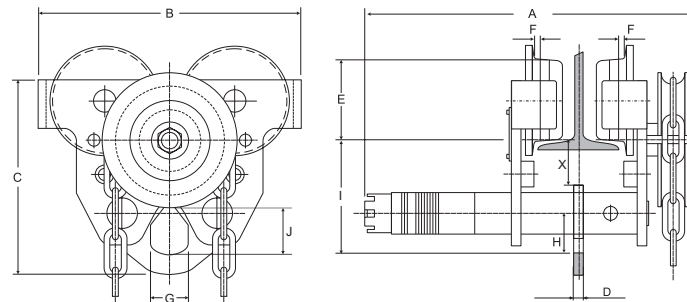
REMA 117 geared trolley can be used for every beam profil.

Properties

- 2,5 m manual hand chain length.
- Zinc-coated hand chain 5 x 24 mm.
- Adjustable flange width.
- Suitable for various types of profiles.
- Wheel break supports for higher safety.
- Double axle.

Option

- Longer manual hand chain.



Type	Safe working load (kg)	Flange width (mm)	Minimum radius (mm)	Weight (kg)	Productid
117-10.0	10.000	124-305	2000	94	0922011
117-20.0	20.000	136-305	3500	174	0922013

Type	A (mm)	B (mm)	C (mm)	D (mm)	E (mm)	F (mm)	G (mm)	H (mm)	I (mm)	J (mm)	X (mm)
117-10.0	525	442	396	30	136	2-3.5	92	120	190	137	45
117-20.0	600	555	498	30	175	2-3.5	92	120	233	137	58



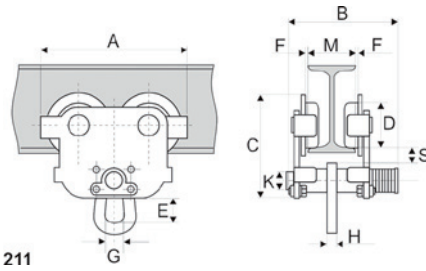
REMA 211/211BF push trolley.

Q

Suitable for various profiles, with both a straight and an inclined flange.

Properties

- Adjustable flange width by setting rings.
- Using of maintenance-free bearings.
- Short height in combination with REMA hand hoists S-200OD by intermediate link (option), which replaces the top hook.
- Wheel break and anti-tilt supports for higher safety.
- The REMA Trolleys are made from high quality steel.
- Maintenance free and user friendly.



211

Type	Safe working load (kg)	Flange width (mm)	Minimum radius (mm)	Weight (kg)	Productid
211-0.25	250	50-145	800	4.6	0924000
211-0.5-50/130	500	50-130	800	6.8	0924001
211-1.0-55/135	1000	55-135	1000	11.2	0924003
211-2.0-65/150	2000	65-150	1100	16.9	0924005
211-3.0-90/155	3000	90-155	1300	28.6	0924007
211-5.0-90/175	5000	90-175	1500	44.8	0924009
211BF-0.5-130/215	500	130-215	800	6.8	0924101
211BF-0.5-215/300	500	215-300	800	6.8	0924102
211BF-1.0-140/215	1000	140-215	1000	11.2	0924201
211BF-1.0-215/300	1000	215/300	1000	11.2	0924202
211BF-2.0-150/230	2000	150-230	1100	16.9	0924301
211BF-2.0-230/300	2000	230-300	1100	16.9	0924302
211BF-3.0-160/230	3000	160-230	1300	28.6	0924401
211BF-3.0-230/300	3000	230-300	1300	28.6	0924402
211BF-5.0-180/230	5000	180-230	1500	44.8	0924501
211BF-5.0-230/300	5000	230-300	1500	44.8	0924502

Type	A (mm)	B (mm)	C (mm)	D (mm)	E (mm)	F (mm)	G (mm)	H (mm)	K (mm)	S (mm)
211-0.25	188	208	137	50	29	1.5~3	28	6	20	27
211-0.5-50/130	205	198	150	55	30	1.5~3	28	8	28	27
211-1.0-55/135	242	211	174	68	30	1.5~3	32	10	32	28
211-2.0-65/150	270	238	194	80	49	1.5~3	40	12	36	27
211-3.0-90/155	325	246	234	100	60	1.5~3	49	14	44	29
211-5.0-90/175	370	280	267	110	79	1.5~3	59	16	55	29
211BF-0.5-130/215	205	278	150	55	30	1.5~3	28	8	28	27
211BF-0.5-215/300	205	363	150	55	30	1.5~3	28	8	28	27
211BF-1.0-140/215	242	286	174	68	30	1.5~3	32	10	32	28
211BF-1.0-215/300	242	371	174	68	30	1.5~3	32	10	32	28
211BF-2.0-150/230	270	313	194	80	49	1.5~3	40	12	36	27
211BF-2.0-230/300	270	383	194	80	49	1.5~3	40	12	36	27
211BF-3.0-160/230	325	316	234	100	60	1.5~3	49	14	44	29
211BF-3.0-230/300	325	386	234	100	60	1.5~3	49	14	44	29
211BF-5.0-180/230	370	330	267	110	79	1.5~3	59	16	55	29
211BF-5.0-230/300	370	330	267	110	79	1.5~3	59	16	55	29

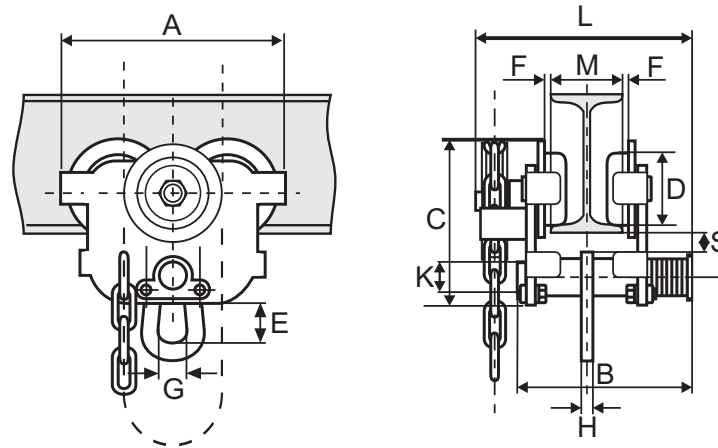

Rema 212/212BF Geared trolley.

Q

Suitable for various profiles, both for flat or bevel flange.

Properties

- Adjustable flange width by setting rings.
- Using of maintenance-free bearings.
- Short height in combination with REMA hand hoists S-200OD by intermediate link (option), which replaces the top hook.
- Wheel break and anti-tilt supports for higher safety.
- The REMA Trolleys are made from high quality steel.
- Maintenance free and user friendly.



Type	Safe working load (kg)	Flange width (mm)	Minimum radius (mm)	Weight (kg)	Productid
212-0.5-50/130	500	50-130	800	8.0	0925001
212-1.0-55/135	1000	55-135	1000	12.4	0925003
212-2.0-65/150	2000	65-150	1100	18.1	0925005
212-3.0-90/155	3000	90-155	1300	30.3	0925007
212-5.0-90/175	5000	90-175	1500	46.5	0925009
212BF-0.5-130/215	500	130-215	800	8.0	0925101
212BF-0.5-215/300	500	215-300	800	8.0	0925102
212BF-1.0-140/215	1000	140-215	1000	12.4	0925201
212BF-1.0-215/300	1000	215-300	1000	12.4	0925202
212BF-2.0-150/230	2000	150-230	1100	18.1	0925301
212BF-2.0-230/300	2000	230-300	1100	18.1	0925302
212BF-3.0-160/230	3000	160-230	1300	30.3	0925401
212BF-3.0-230/300	3000	230-300	1300	30.3	0925402
212BF-5.0-180/230	5000	180-230	1500	46.5	0925501
212BF-5.0-230/300	5000	230-300	1500	46.5	0925502

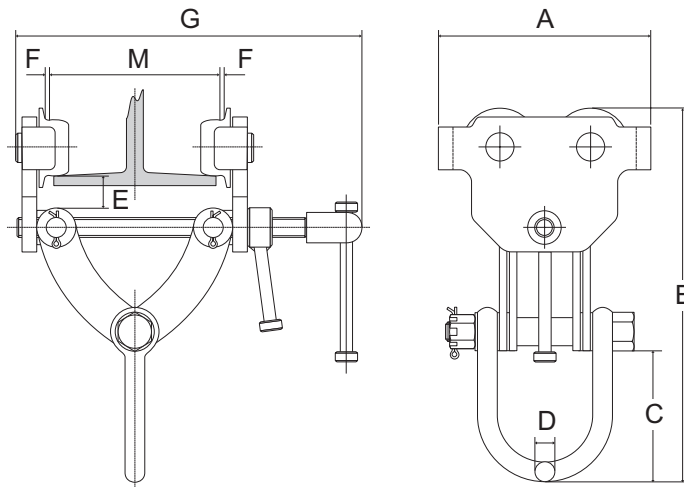
Type	A (mm)	B (mm)	C (mm)	D (mm)	E (mm)	F (mm)	G (mm)	H (mm)	K (mm)	L (mm)	S (mm)
212-0.5-50/130	205	198	150	55	30	1.5~3	28	8	28	239	27
212-1.0-55/135	242	211	174	68	30	1.5~3	32	10	32	254	28
212-2.0-65/150	270	238	194	80	49	1.5~3	40	12	36	277	27
212-3.0-90/155	325	246	234	100	60	1.5~3	49	14	44	287	29
212-5.0-90/175	370	280	267	110	79	1.5~3	59	16	55	320	29
212BF-0.5-130/215	205	278	150	55	30	1.5~3	28	8	28	239	27
212BF-0.5-215/300	205	363	150	55	30	1.5~3	28	8	28	239	27
212BF-1.0-140/215	242	286	174	68	30	1.5~3	32	10	32	254	28
212BF-1.0-215/300	242	371	174	68	30	1.5~3	32	10	32	254	28
212BF-2.0-150/230	270	313	194	80	49	1.5~3	40	12	36	277	27
212BF-2.0-230/300	270	383	194	80	49	1.5~3	40	12	36	277	27
212BF-3.0-160/230	325	316	234	100	60	1.5~3	49	14	44	287	29
212BF-3.0-230/300	325	386	234	100	60	1.5~3	49	14	44	287	29
212BF-5.0-180/230	370	330	267	110	79	1.5~3	59	16	55	320	29
212BF-5.0-230/300	370	400	267	110	79	1.5~3	59	16	55	320	29



SELECT 30S spindle trolley

Q

REMA Select 30 spindle hand trolley can be mounted easily, quickly and safely as an aid for mounting work to be carried out at various sites.



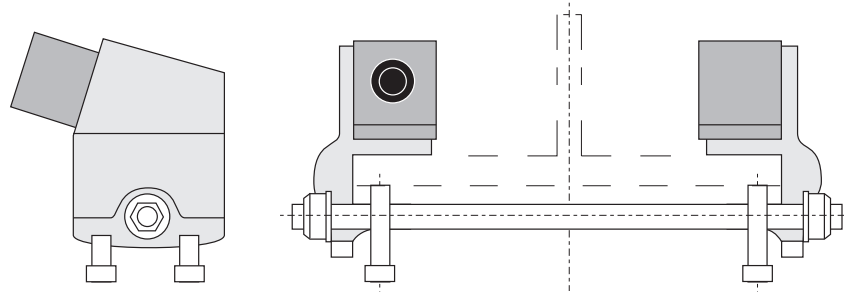
Type	Safe working load (kg)	Flange width (mm)	Minimum radius (mm)	Weight (kg)	Productid
S30S 005	500	64 - 203	1100	6	0918001
S30S 010	1000	63 - 203	1100	7	0918003
S30S 020	2000	76 - 203	1300	20	0918005
S30S 030	3000	76 - 203	1400	32	0918007
S30S 050	5000	100 - 305	1500	53	0918009

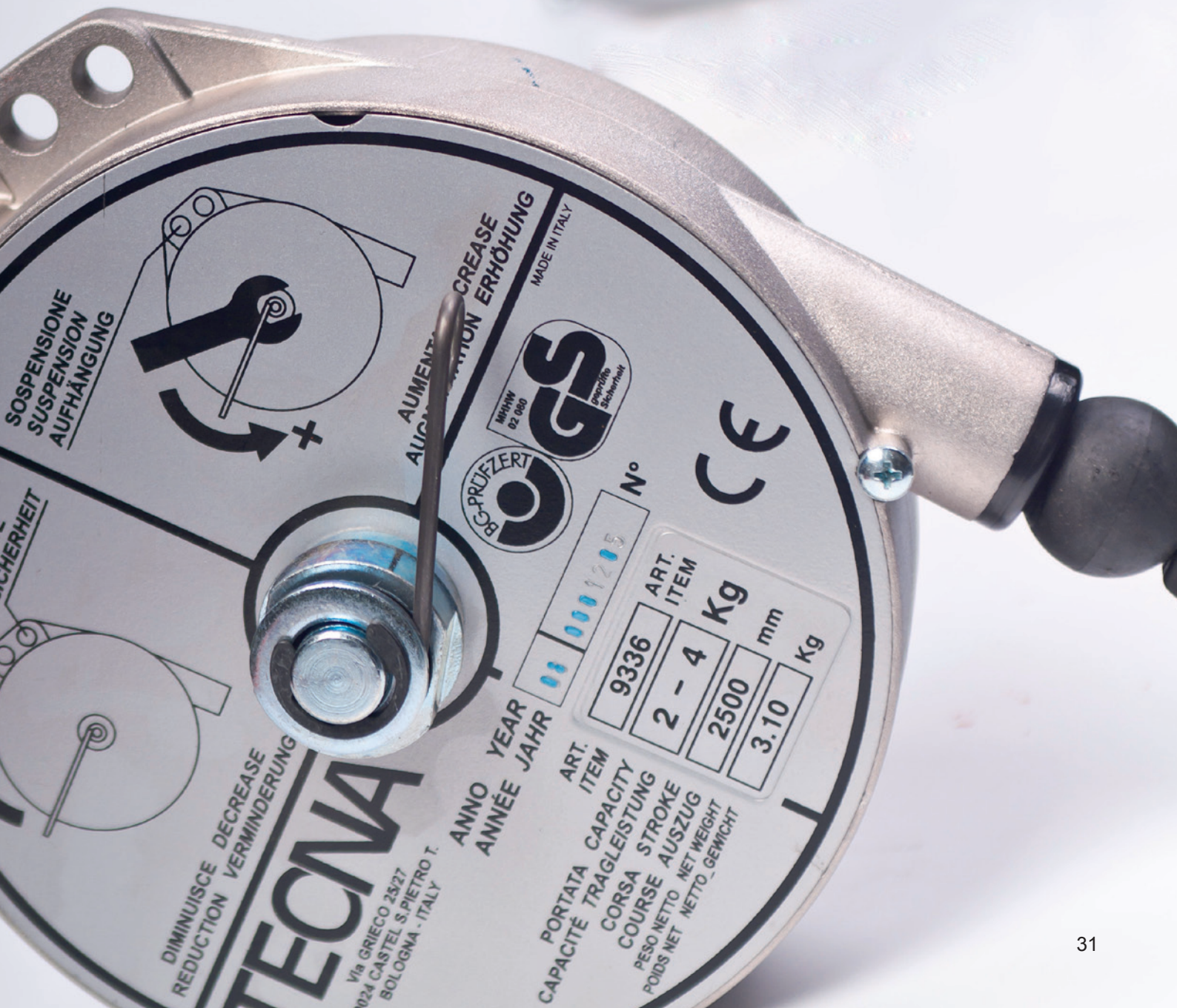
Type	A (mm)	B min (mm)	B max (mm)	C (mm)	D (mm)	E (mm)	G (mm)
S30S 005	174	263	324	105	16	25.4	340
S30S 010	174	263	324	105	16	25.4	340
S30S 020	280	339	387	111	22	25.4	340
S30S 030	345	374	438	127	27	26	345
S30S 050	395	450	528	135	35	81	465



REMA beam buffers **H**

REMA beam buffers.







Tool balancer, light-weight design. H

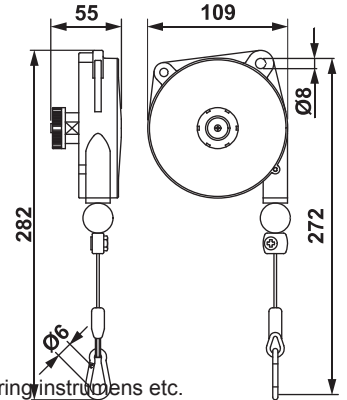
By means of REMA spring-tool balancers, electric and pneumatic tools can be operated as weightless ones and can be kept at suitable height. Complies with DIN 15112.

Properties

- Aluminium housing.
- Specifically designed spiral spring ensures low-noise operation.
- Flexible stainless steel cable.
- Wear-resistant cable guide.
- Adjustable load capacity (button).
- Adjustable cable length.
- Carbine.
- Insulated suspension system.
- Extra safety suspension eye.
- Fixation at particular points.

Applications

- Low-power pneumatic and electric drilling and screwing tools, metering instruments etc.



Type	Safe working load (kg)	Length (m)	Weight (kg)	Productid
9311	0.4-1.0	1.6	0.6	0629311
9312	1.0-2.0	1.6	0.6	0629312
9313	2.0-3.0	1.6	0.7	0629313



Tool balancer, medium-weight design. H

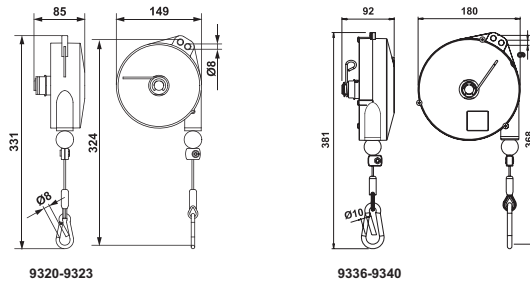
By means of REMA spring-tool balancers, electric and pneumatic tools can be operated as weightless ones and can be kept at suitable height. Complies with DIN 15112.

Properties

- Lever-adjustable load capacity.
- Fall restraining, except for model 9320.
- Type 9320 up to 9340 fixation on 1 point.

Applications

- Polishing machines, stapling machines, drilling machines etc.



Type	Safe working load (kg)	Length (m)	Weight (kg)	Productid
9320	1.0- 2.5	2	2	0629320
9321	2.0- 4.0	2	2	0629321
9322	4.0- 6.0	2	2.3	0629322
9323	6.0- 8.0	2	2.5	0629323
9336	2.0- 4.0	2.5	2.9	0629336
9337	4.0- 6.0	2.5	3.2	0629337
9338	6.0- 8.0	2.5	3.5	0629338
9339	8.0-10.0	2.5	3.7	0629339
9340	10.0-14.0	2.5	4	0629340
9346	2.0- 4.0	2.5	3	0629346
9347	4.0- 6.0	2.5	3.3	0629347
9348	6.0- 8.0	2.5	3.6	0629348
9349	8.0-10.0	2.5	3.8	0629349
9350	10.0-14.0	2.5	4.1	0629350

Tool balancer, heavy-weight design.

H

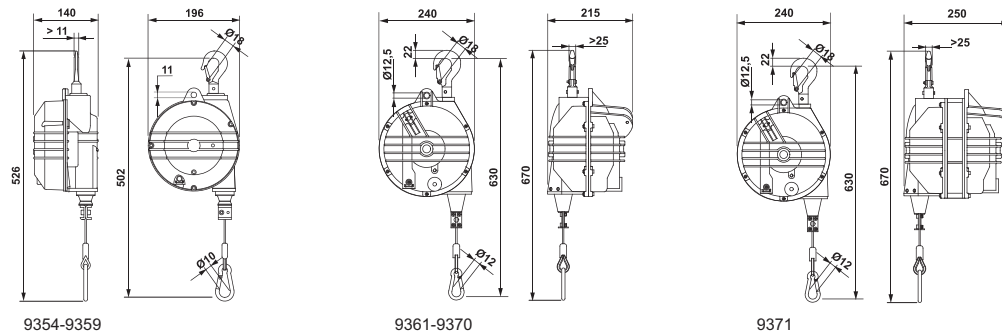
By means of REMA spring-tool balancers, electric and pneumatic tools can be operated as weightless ones and can be kept at suitable height. Complies with DIN 15112.

Properties

- Cone-shaped drum supported on bearing.
- * Blocking device; the spring can be tensioned at any desired height after mounting the tool.
- Adjustable load capacity, by means of a screw.
- Fixation of a desired cable length at various points, by means of a separate distance control device.

Applications

- Heavy electric and pneumatic tools, metering instruments etc.



Type	Safe working load (kg)	Length (m)	Weight (kg)	Productid
9354	4.0-7.0	2	5	0629354
9355	7.0-10.0	2	5.5	0629355
9356	10.0-14.0	2	5.5	0629356
9357	14.0- 18.0	2	6.5	0629357
9358	18.0- 22.0	2	6	0629358
9359	22.0- 25.0	2	6.6	0629359
9361*	10.0-15.0	2	10.3	0629361
9362*	15.0- 20.0	2	10.6	0629362
9363*	20.0- 25.0	2	11.2	0629363
9364*	25.0- 30.0	2	11.5	0629364
9365*	30.0- 35.0	2	11.8	0629365
9366*	35.0- 45.0	2	12.4	0629366
9367*	45.0- 55.0	2	12.5	0629367
9368*	55.0- 65.0	2	13.6	0629368
9369*	65.0- 75.0	2	14.5	0629369
9370*	75.0- 90.0	2	17.3	0629370
9371*	90.0-105.0	2	18	0629371

Dynamometer DSD04

36

Dynamometer DSD01

38



Dynamometer 04

V

Complete with plastic case, manual and calibration certificate.

Mechanical properties

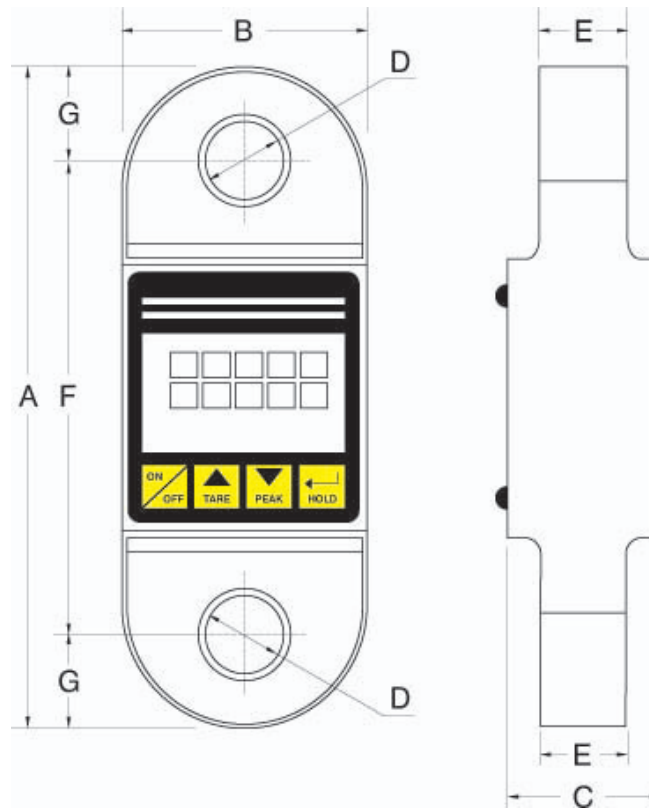
- Anodized aluminum housing.
- Electric class of protection: IP 65.
- Overload indication at 10% overload.
- Test load: 2 x measurement limit.
- Safety factor: 5 x measurement limit.
-

Functions

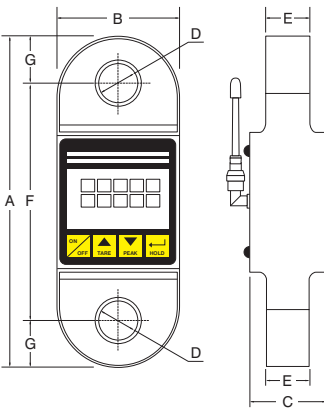
- Automatic resetting when switched on.
- Easy-to-use menu: ON/OFF, tare, peak value and hold buttons.
- Self-calibrating at zero and weight values.
- Readout possibilities: gross, net and tare weight.
- In peak value function, maximum weight is held.
- In hold function, current weight is held.
- Measuring unit selection (kg - t - ton - lbs - daN - kN).
- Automatic power supply OFF.
-

Option

- Bow shackle from 10 to 20 ton models.



Type	Safe working load (kg)	Resolution (kg)	A (mm)	B (mm)	C (mm)	D (mm)	E (mm)	F (mm)	G (mm)	Bow shackle (t)	Weight (kg)	Productid
DSD04-2.5	2500	1	215	85	54	21	25	159	28	3,25 incl.	1.35	1508001
DSD04-5.0	5000	2	232	85	54	27	32	168	32	6.50 incl.	1.85	1508003
DSD04-10.0	10000	5	315	100	59	39	49	203	56	12.00 excl.	3.60	1508005
DSD04-20.0	20000	10	350	126	70	55	70	210	70	25.00 excl.	7.00	1508007



Dynamometer 04 TX/RX V

Complete with plastic case, manual and calibration certificate.

Mechanical properties

- Anodized aluminum housing.
- Electric class of protection: IP 65.
- Overload indication at 10% overload.
- Test load: 2 x measurement limit.
- Safety factor: 5 x measurement limit.

Functions

- Automatic resetting when switched on.
- Easy-to-use menu: ON/OFF, tare, peak value and hold buttons.
- Self-calibrating at zero and weight values.
- Readout possibilities: gross, net and tare weight.
- In peak value function, maximum weight is held.
- In hold function, current weight is held.
- Measuring unit selection (kg - t - ton - lbs - daN - kN).
- Automatic power supply OFF.

RX-PORT electrical specifications

- Dry batteries (3 x type AA).
- Operating time appr up to 150 hours.
- Battery voltage indicator.

RX-PORT electronic specifications

- 5-digit LCD display, 12 mm digit height.
- 433,92 MHz data transmission frequency setting.
- Ambient temperature range: -5°C to +55°C.
- RS232 port for printer or PC connection.

TX-LOAD electric specifications

- Data transmission range: max 50m.

TX-LOAD electronic specifications

- 433,92 MHz Data transmission frequency setting.

Option

- Shackle > 10 ton type

Type	Safe working load (kg)	Resolution (kg)	A (mm)	B (mm)	C (mm)	D (mm)	E (mm)	F (mm)	G (mm)	Bow shackle (t)	Weight (kg)	Productid
DSD04-05TX/RX	5000	2	232	85	54	27	32	168	32	6.5 incl.	1.85	1512003
DSD04-10TX/RX	10000	5	315	100	59	39	49	203	56	12 excl.	3.6	1512005
DSD04-25TX/RX	25000	10	350	126	70	55	70	210	70	25.00 excl.	7.0	1512009

Dynamometer 01 and 01T with remote control

V

Complete with plastic case, manual and calibration certificate.



DSD01



DSD01T

Mechanical properties

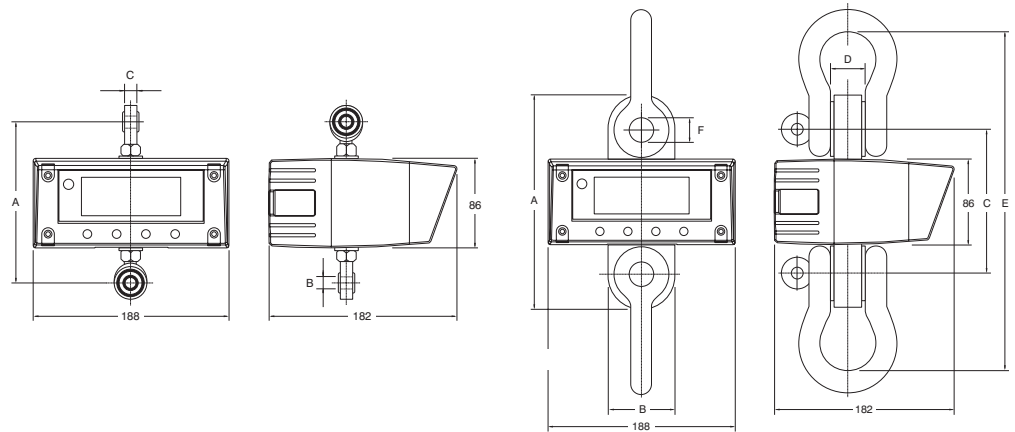
- Plastic housing.
- Steel pulling force unit supported on bearings.
- Test load: 2 x measurement limit (without disconnecting the pulling force unit).
- Safety factor: 5 x measurement limit.

Functions

- Automatic resetting when switched on.
- Digital zeroing and weight setting.
- Digital stabilization filter.
- Tare, peak value and hold functions.
- Measuring unit selection (kg - N - kN - Lb).
- Automatic switching OFF.
- Remote control unit for taring model 01T.

Option

- Shackle above 10T.
- U-10 shackle for 0,6T and 1,0T.



Type	Safe working load (kg)	Resolution (kg)	A (mm)	B (mm)	C (mm)	D (mm)	E (mm)	F (mm)	Bow shackle (t)	Weight (kg)	Productid
DSD01-0.6	600	0.2	170	16	21				U-13 excl.	2.3	1507003
DSD01T-1.0	1000	0.5	170	16	21				U-13 excl.	2.3	1507005
DSD01T-3.2	3200	1	199	69	130	25	269	20	3.25 incl.	4.2	1509001
DSD01T-6.3	6300	2	213	69	144	35	348	26	6.5 incl.	6.5	1509003
DSD01T-10.0	10000	5	265	100	181	50	455	36	12 excl.	9.6	1509005

Dynamometer 01 TX with display-type remote control unit

V

Complete with plastic case, manual and calibration certificate.



Functions

- Automatic resetting when switched on.
- Digital zeroing and weight setting.
- Tare, peak value and hold functions.
- Digital stabilization filter.
- Measuring unit selection (kg - N - kN - Lb).
- Automatic switching OFF.

RX-PORT electrical specifications

- Dry batteries (3 x type AA).
- Operating time appr up to 150 hours.
- Battery voltage indicator.

RX-PORT electronic specifications

- 5-digit LCD display, 12 mm digit height.
- 433,92 MHz data transmission frequency setting.
- Ambient temperature range: -5°C to +55°C.
- RS232 port for printer or PC connection.

RX-PORT mechanical specifications

- Plastic housing, 110 x 68 x 31 mm.
- Class of protection IP 62 (EN 60529).

TX-LOAD electric specifications

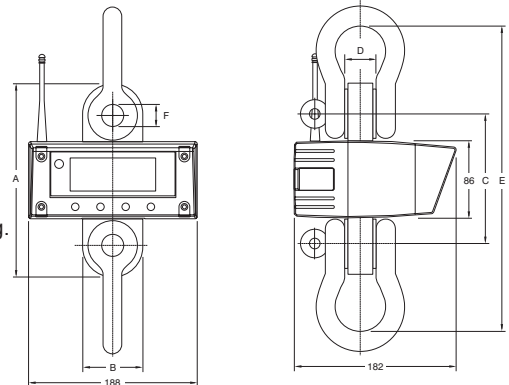
- Dry batteries (3 x type AA).
- Operating time appr up to 100 hours.
- Data transmission range: max 50 m.

TX-LOAD electronic specifications

- 433,92 MHz data transmission frequency setting.
- Ambient temperature range: - 5°C to +55°C.
- Accuracy: appr 0,15 % of the displayed value.

TX-LOAD mechanical specifications

- Plastic housing.
- Class of protection IP 63 (EN 60529).
- Stainless steel load cell body.
- Test load: 2 x measurement limit (without disconnecting the pulling force unit).
- Safety factor: 5 x measurement limit.



Option

- Shackle above 10T.

Type	Safe working load (kg)	Resolution (kg)	A (mm)	B (mm)	C (mm)	D (mm)	E (mm)	F (mm)	Bow shackle (t)	Weight (kg)	Productid
DSD01TX/RX-3.2	3200	1	199	69	130	25	269	20	3.25 incl.	4.2	1510001
DSD01TX/RX-6.3	6300	2	213	69	144	35	348	26	6.5 incl.	6.5	1510003
DSD01TX/RX-10.0	10000	5	265	100	181	50	455	36	12 excl.	9.6	1510005

Cargo lashing	42
Load binders & chain pullers	45
Edge protectors and anti-slip mats	46




System 50 force Stf 350 daN / LC 5000 daN

Z

Cargo Lashing system 50 force.

Properties

- Complies with EN 12195-2.
- Robust stainless ratchet.
- Low elongation rate of the webbing will lessen the need for after-stretching.

Standard delivery

- Sealed in plastic included REMA manual.

Type	Stf values (daN)	Lashing capacity LC (daN)	Lashing capacity LC reeved (daN)	Lashing capacity LC endless in (daN)	Webbing width (mm)	Length (m)	End fittings	Productid
50F/2	350	2500	5000		50	9	grab hook 419	1450005


System 50 Stf 320 daN / LC 4000 daN

Z

Cargo Lashing system 50 standard.

Properties

- Complies with EN 12195-2.
- Robust stainless ratchet.
- Low elongation rate of the webbing will lessen the need for after-stretching.

Standard delivery

- Sealed in plastic included REMA manual.

Type	Stf values (daN)	Lashing capacity LC (daN)	Lashing capacity LC reeved (daN)	Lashing capacity LC endless in (daN)	Webbing width (mm)	Length (m)	End fittings	Productid
50/2-411-9m	320	2000	4000		50	9	twisted snap hook 411	1401005
50/2-420-9m	320	2000	4000		50	9	triangle 420	1402005
50/2-409-9m	320	2000	4000		50	9	triangle-carbine hook 409	1403005
50/2-419-7m	320	2000	4000		50	7	grab hook 419	1405003
50/2-419-8m	320	2000	4000		50	8	grab hook 419	1405004
50/2-419-9m	320	2000	4000		50	9	grab hook 419	1405005
50/2-419-10m	320	2000	4000		50	10	grab hook 419	1405007
50/2-419-12m	320	2000	4000		50	12	grab hook 419	1405009
50/2-400U-9m	320	2000	4000		50	9	claw hook 400U	1407005
50/1-6m	320			4000	50	6	endless	1408001


System 50 Easy-Release Stf 400 daN / LC 4000 daN

Z

Ratchet EASY-RELEASE is very secure seeing that spanning of stretching straps can be relieved gradually and in a controlled way until an entire release of loads to avoid dangerous situations (cp. standard ratchets where strain is released abruptly). Due to the small spring-operated toothed wheels automatically leads to a higher stretching force of Stf400 daN.

Properties

- According EN12195-2.

Standard delivery

- Sealed in plastic included REMA manual.

Type	Stf values (daN)	Lashing capacity LC (daN)	Lashing capacity LC reeved (daN)	Lashing capacity LC endless in (daN)	Webbing width (mm)	Length (m)	End fittings	Productid
50ER/2-419-9m	400	2000	4000		50	9	grab hook 419	1409001



Cargo lashing 50 Ergo Stf 480 daN / LC 4000 daN **Z**

ERGO ratchets having long levers can be stretched with a pulling movement facilitating to exert a higher force (standard systems are made with push-type ratchets). Thanks to the higher stretching force (Stf 480 daN), much less cargo lashings are needed.

Properties

- Complies with EN 12195-2.
- Robust stainless ratchet.
- Low elongation rate of the webbing will lessen the need for after-stretching.

Standard delivery

- Sealed in plastic included REMA manual.

Type	Stf values (daN)	Lashing capacity LC (daN)	Lashing capacity LC reeved (daN)	Lashing capacity LC endless in (daN)	Webbing width (mm)	Length (m)	End fittings	Productid
50R/2-419-9m	480	2000	4000		50	9	grab hook 419	1450001



Cargo lashings 35 **Z**

Cargo lashing 35 mm.

Properties

- Complies with EN 12195-2.
- Robust stainless ratchet.
- Low elongation rate of the webbing will lessen the need for after-stretching.

Standard delivery

- Sealed in plastic included REMA manual.

Type	Stf values (daN)	Lashing capacity LC (daN)	Lashing capacity LC reeved (daN)	Lashing capacity LC endless in (daN)	Webbing width (mm)	Length (m)	End fittings	Productid
35/2-419-9m	180	1000	2000		35	9	grab hook 419	1452001
35/2-410-9m	180	1000	2000		35	9	carabine hook 410	1452003
35/1-6m	180			2000	35	6	endless	1452005
35/2-419-7m	180	1000	2000		35	7	grab hook 419	1452007
35/2-419-6m	180	1000	2000		35	6	grab hook 419	1452009
35/1-12M	180			2000	35	12	endless	1452011



Cargo Lashing 25B Stf 135 daN / LC 1500 daN **Z**

Cargo Lashing 25 mm.

Properties

- Complies with EN 12195-2.
- Robust stainless ratchet.
- Low elongation rate of the webbing will lessen the need for after-stretching.

Standard delivery

- Sealed in plastic included REMA manual.

Type	Stf values (daN)	Lashing capacity LC (daN)	Lashing capacity LC reeved (daN)	Lashing capacity LC endless in (daN)	Webbing width (mm)	Length (m)	End fittings	Productid
25B/2-402-7m	135	750	1500		25	7	narrow wire hook 402	1416001
25B/2-402-5m	135	750	1500		25	5	narrow wire hook 402	1416003
25B/2-402-3m	135	750	1500		25	3	narrow wire hook 402	1416005
25B/1-6m	135		-	1500	25	6	endless	1416007

Cargo Lashing 25A Stf 120 daN / LC 800 daN

Z

Cargo Lashing 25 mm A.


Properties

- Complies with EN 12195-2.
- Robust stainless ratchet.
- Low elongation rate of the webbing will lessen the need for after-stretching.

Standard delivery

- Sealed in plastic included REMA manual.

Type	Stf values (daN)	Lashing capacity LC (daN)	Lashing capacity LC reeved (daN)	Lashing capacity LC endless in (daN)	Webbing width (mm)	Length (m)	End fittings	Productid
25A/2-402-7M	120	400	800		25	7	narrow wire hook 402	1416011
25A/2-402-5M	120	400	800		25	5	narrow wire hook 402	1416013
25A/2-402-3M	120	400	800		25	3	narrow wire hook 402	1416015
25A/1-6M	120		-	800	25	6	endless	1416017
25A/1-3M	120		-	800	25	3	endless	1416019
25A/1-4M	120		-	800	25	4	endless	1416021

Cargo Lashing IG LC 300 daN / SBIG LC 450 daN

Z

Cargo Lashing IG and SBIG system

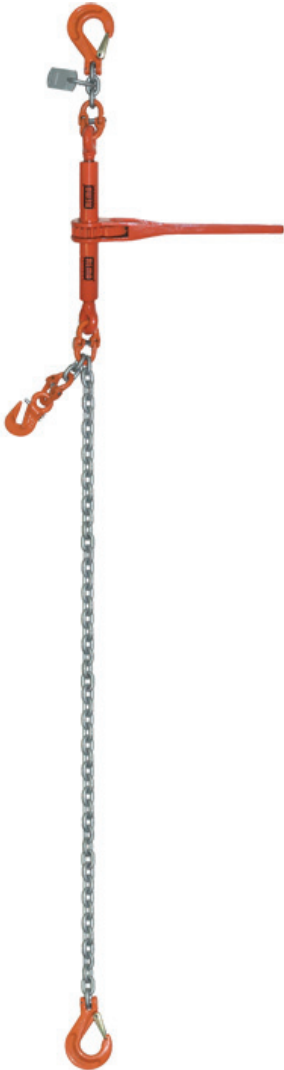

Properties

- Complies with EN 12195-2.
- Low elongation rate of the webbing will lessen the need for after-stretching.

Standard delivery

- Sealed in plastic included REMA manual.

Type	Stf values (daN)	Lashing capacity LC (daN)	Lashing capacity LC reeved (daN)	Lashing capacity LC endless in (daN)	Webbing width (mm)	Length (m)	End fittings	Productid
IG-001-2.5M	300			300	25	2.5	endless	1432001
IG-002-3.5M	300			300	25	3.5	endless	1432002
IG-003-4.5M	300			300	25	4.5	endless	1432003
SBIG-103	450			450	25	3	endless	1433001
SBIG-105	450			450	25	5	endless	1433002
SBIG-107	450			450	25	7	endless	1433003



Load binders Grade 100

Z

Load binders are designed for a secure binding of heavy loads when transported on road, on rail, by air and aboard ship. Load binders are supplied with ratchet-type stretchers, load hooks fitted with safety latches and shortening clamps to prevent chains from dislocation because of loosening by vibrations during transport. By means of the ratchet provided, load binders can be stretched in a controlled way.

Properties

- Complies with EN 12195-3.
- Stretching ratchet with anti-tilt protection.
- The longer chain side can be shortened by means of a pin clamp.
- Safety label showing work load and spanning force.
- Chains and accessories made of steel grade 100.

Type	Stf values (daN)	Lashing capacity LC (daN)	Minimum breaking force (daN)	Chain diameter (mm)	H (mm)	Length (m)	Stroke length (mm)	Weight (kg)	Productid
SJORKETTING 7	3150	3800	7600	7	355		185	11	3025007
SJORKETTING 8	3150	5000	10000	8	355		170	12	3025008
SJORKETTING 10	3150	8000	16000	10	355		200	19	3025010
SJORKETTING 13	3150	13400	26800	13	355		230	33	3025013



Chain pullers TLB-R - Grade 80

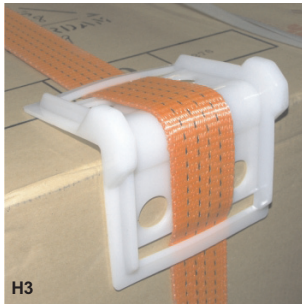
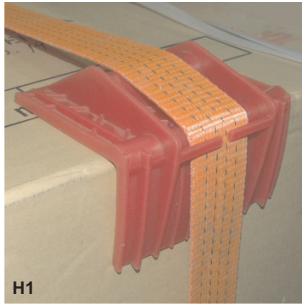
Z

Chain pullers TLB-R - Grade 80 in compliance with EN 12195-3

Properties

- Chain puller with ratcheting mechanism.
- Hooks equipped with safety latches.
- Anti-tilt device.
- Forged design.
- Easy functioning.
- In combination with grade 80 chains.

Type	Stf values (daN)	Lashing capacity LC (daN)	Minimum breaking force (daN)	Chain diameter (mm)	G (mm)	H (mm)	L min (mm)	L max (mm)	Stroke length (mm)	Weight (kg)	Productid
TLB- 7R 8	3150	4000	8000	8	12.7	355	595	780	185	4.9	3023010
TLB- 8R 10	3150	6300	12600	10	14	355	620	790	170	5.5	3023013
TLB-10R 13	3150	10000	20000	13	16.5	355	685	885	200	7.4	3023016
TLB-13R 16	3150	16000	32000	16	23.5	381	825	1055	230	12.5	3023017



Heavy duty edge protectors - model 3

Z

Due to their typical shapes, heavy duty edge protectors are very suitable for protecting sensitive products such as paper against damages. Specifically shaped to protect straps and goods at the same time.

Properties

- Suitable for use with straps of 50 mm wide.
- One piece moulded.
- Good guidance for straps.
- Protection for products through their purposely designed shapes (pressure distribution).
- Will not crack and hold its shape even at temperatures below freezing point.
- Shape holding and reusable.
- Made from high-quality plastic.

Type	Dimensions (mm)	Webbing width (mm)	Productid
H3	100 x 100	<100	1460083

Heavy duty edge protectors - model 2

Z

Heavy duty edge protectors are suitable for fixation with straps and/or chains.



Properties

- Protect straps and goods at the same time.
- Pressure distribution over products.
- Holds cargo together.
- Holds partial loads together.

Type	Dimensions (mm)	Length (mm)	Productid
H2-0.3	190 x 190 x 20	300	1460091
H2-0.8	190 x 190 x 20	800	1460093
H2-1.0	190 x 190 x 20	1000	1460095
H2-1.2	190 x 190 x 20	1200	1460097

Anti-slip mats

Z

Forces which are required to hold cargo's in place are determined by the coefficient of friction between the different surface materials and, in some cases, dependable on temperature and humidity. Anti-slip mats, used in conjunction with REMA lashings, maximizes the lashing effect and adds to cargo safety.

Properties

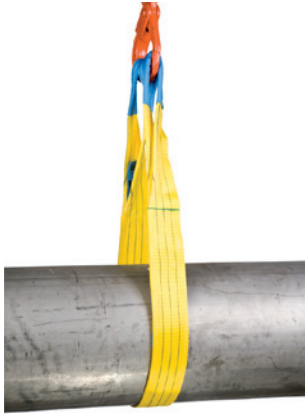
- Tested in compliance with German Standard VDI 2700.
- Available in various thicknesses and sizes.
- Coefficient of friction $\mu > 0,6$.
- **AS-5** Popular anti-slip mat to be placed between cargo and platform.
- **AS-2,4** An Anti-slip mat of favourable price, mostly for covering the whole platform on trucks.
- **AS-20** Thin anti-slip mat (3mm); advantageous for custom cutting to size. Mostly placed between cargo units for safety and stability.
- **AS-0,25/0,5** Can be used either between platform and cargo or between cargo units.

Type	Length (mm)	Dimensions (mm)	Productid
AS-0.25	250	250 x 8	1460101
AS-0.50	500	500 x 8	1460103
AS-5.0	5000	250 x 8	1460105
AS-2.4	2400	200 x 6	1460107
AS-13.6	13600	130 x 3	1460108



Polyester webbing slings	48
Polyester webbing slings with triangles	51
Polyester round slings	53
Sling protectors	57
Roundsling assy types	58




S1 polyester flat webbing slings with reinforced eyes
Z

These professional webspings are suitable exclusively for intensive industrial applications.

Properties

- Colour coding in compliance with EN 1492-1.
- VGS model designation.
- Duplex webspings; double strap layers.
- Extreme strong, water- and stain-repellent, impregnated filaments, thus a longer life.
- Tonnage steps, with 1 ton at each step (up to 10 tons).
- 1 t load capacity for each 30 mm strap width.

Standard delivery

- Sealed in plastic including REMA certificate and manual.

Type	Safe working load (kg)	Webbing width (mm)	Upright length (m)	W.L.L. 45 degree (kg)	W.L.L. 60 degree (kg)	W.L.L. loop (kg)	W.L.L. U (kg)	Productid
S1-PE-1M	1000	30	1	1400	1000	800	2000	1211031
S1-PE-1,5M	1000	30	1,5	1400	1000	800	2000	1211033
S1-PE-2M	1000	30	2	1400	1000	800	2000	1211035
S1-PE-3M	1000	30	3	1400	1000	800	2000	1211037
S1-PE-4M	1000	30	4	1400	1000	800	2000	1211039
S1-PE-5M	1000	30	5	1400	1000	800	2000	1211041
S1-PE-6M	1000	30	6	1400	1000	800	2000	1211043
S1-PE-7M	1000	30	7	1400	1000	800	2000	1211045
S1-PE-8M	1000	30	8	1400	1000	800	2000	1211047
S1-PE-9M	1000	30	9	1400	1000	800	2000	1211049
S1-PE-10M	1000	30	10	1400	1000	800	2000	1211051
S1-PE-1M	2000	60	1	2800	2000	1600	4000	1211061
S1-PE-1,5M	2000	60	1.5	2800	2000	1600	4000	1211063
S1-PE-2M	2000	60	2	2800	2000	1600	4000	1211065
S1-PE-3M	2000	60	3	2800	2000	1600	4000	1211067
S1-PE-4M	2000	60	4	2800	2000	1600	4000	1211069
S1-PE-5M	2000	60	5	2800	2000	1600	4000	1211071
S1-PE-6M	2000	60	6	2800	2000	1600	4000	1211073
S1-PE-7M	2000	60	7	2800	2000	1600	4000	1211075
S1-PE-8M	2000	60	8	2800	2000	1600	4000	1211077
S1-PE-9M	2000	60	9	2800	2000	1600	4000	1211079
S1-PE-10M	2000	60	10	2800	2000	1600	4000	1211081
S1-PE-1M	3000	90	1	4200	3000	2400	6000	1211091
S1-PE-1,5M	3000	90	1,5	4200	3000	2400	6000	1211093
S1-PE-2M	3000	90	2	4200	3000	2400	6000	1211095
S1-PE-3M	3000	90	3	4200	3000	2400	6000	1211097
S1-PE-4M	3000	90	4	4200	3000	2400	6000	1211099
S1-PE-5M	3000	90	5	4200	3000	2400	6000	1211101
S1-PE-6M	3000	90	6	4200	3000	2400	6000	1211103
S1-PE-7M	3000	90	7	4200	3000	2400	6000	1211105
S1-PE-8M	3000	90	8	4200	3000	2400	6000	1211107
S1-PE-9M	3000	90	9	4200	3000	2400	6000	1211109
S1-PE-10M	3000	90	10	4200	3000	2400	6000	1211111
S1-PE-2M	4000	120	2	5600	4000	3200	8000	1211125
S1-PE-3M	4000	120	3	5600	4000	3200	8000	1211127
S1-PE-4M	4000	120	4	5600	4000	3200	8000	1211129
S1-PE-5M	4000	120	5	5600	4000	3200	8000	1211131
S1-PE-6M	4000	120	6	5600	4000	3200	8000	1211133
S1-PE-7M	4000	120	7	5600	4000	3200	8000	1211135
S1-PE-8M	4000	120	8	5600	4000	3200	8000	1211137
S1-PE-9M	4000	120	9	5600	4000	3200	8000	1211139
S1-PE-10M	4000	120	10	5600	4000	3200	8000	1211141

Type	Safe working load (kg)	Webbing width (mm)	Upright length (m)	W.L.L. 45 degree (kg)	W.L.L. 60 degree (kg)	W.L.L. loop (kg)	W.L.L. U (kg)	Productid
S1-PE-2M	5000	150	2	7000	5000	4000	10000	1211155
S1-PE-3M	5000	150	3	7000	5000	4000	10000	1211157
S1-PE-4M	5000	150	4	7000	5000	4000	10000	1211159
S1-PE-5M	5000	150	5	7000	5000	4000	10000	1211161
S1-PE-6M	5000	150	6	7000	5000	4000	10000	1211163
S1-PE-7M	5000	150	7	7000	5000	4000	10000	1211165
S1-PE-8M	5000	150	8	7000	5000	4000	10000	1211167
S1-PE-9M	5000	150	9	7000	5000	4000	10000	1211169
S1-PE-10M	5000	150	10	7000	5000	4000	10000	1211171
S1-PE-3M	6000	180	3	8400	6000	4800	12000	1211187
S1-PE-4M	6000	180	4	8400	6000	4800	12000	1211189
S1-PE-5M	6000	180	5	8400	6000	4800	12000	1211191
S1-PE-6M	6000	180	6	8400	6000	4800	12000	1211193
S1-PE-7M	6000	180	7	8400	6000	4800	12000	1211195
S1-PE-8M	6000	180	8	8400	6000	4800	12000	1211197
S1-PE-9M	6000	180	9	8400	6000	4800	12000	1211199
S1-PE-10M	6000	180	10	8400	6000	4800	12000	1211201
S1-PE-3M	8000	240	3	11200	8000	6400	16000	1211217
S1-PE-4M	8000	240	4	11200	8000	6400	16000	1211219
S1-PE-5M	8000	240	5	11200	8000	6400	16000	1211221
S1-PE-6M	8000	240	6	11200	8000	6400	16000	1211223
S1-PE-7M	8000	240	7	11200	8000	6400	16000	1211225
S1-PE-8M	8000	240	8	11200	8000	6400	16000	1211227
S1-PE-9M	8000	240	9	11200	8000	6400	16000	1211229
S1-PE-10M	8000	240	10	11200	8000	6400	16000	1211231
S1-PE-3M	10000	300	3	14000	10000	8000	20000	1211247
S1-PE-4M	10000	300	4	14000	10000	8000	20000	1211249
S1-PE-5M	10000	300	5	14000	10000	8000	20000	1211251
S1-PE-6M	10000	300	6	14000	10000	8000	20000	1211253
S1-PE-7M	10000	300	7	14000	10000	8000	20000	1211255
S1-PE-8M	10000	300	8	14000	10000	8000	20000	1211257
S1-PE-9M	10000	300	9	14000	10000	8000	20000	1211259
S1-PE-10M	10000	300	10	14000	10000	8000	20000	1211261


S2 endless polyester flat slings

Z

These professional webslings are suitable exclusively for intensive industrial applications.

Properties

- Colour coding in compliance with EN 1492-1.
- Simplex design.
- Tonnage steps, with 1 ton at each step (up to 10 tons).
- 1 t load capacity for each 30 mm webbing width.
- Available up to 10 Ton.

Standard delivery

- sealed in plastic, including REMA certificate and manual.

Type	Safe working load (kg)	Webbing width (mm)	Usefull length (m)	Cicumference length (m)	W.L.L. 45 degree (kg)	W.L.L. 60 degree (kg)	W.L.L. loop (kg)	W.L.L. U (kg)	Productid
S2-PE-0,5M	1000	30	0.5	1	1400	1000	800	2000	1212031
S2-PE-1M	1000	30	1	2	1400	1000	800	2000	1212035
S2-PE-1,5M	1000	30	1,5	3	1400	1000	800	2000	1212037
S2-PE-2M	1000	30	2	4	1400	1000	800	2000	1212039
S2-PE-2,5M	1000	30	2.5	5	1.400	1.000	800	2.000	1212041
S2-PE-3M	1000	30	3	6	1400	1000	800	2000	1212043
S2-PE-3,5M	1000	30	3.5	7	1400	1000	800	2000	1212045
S2-PE-4M	1000	30	4	8	1400	1000	800	2000	1212047
S2-PE-4,5M	1000	30	4.5	9	1400	1000	800	2000	1212049
S2-PE-5M	1000	30	5	10	1400	1000	800	2000	1212051
S2-PE-0,5M	2000	60	0.5	1	2800	2000	1600	4000	1212061
S2-PE-1M	2000	60	1	2	2800	2000	1600	4000	1212065
S2-PE-1,5M	2000	60	1.5	3	2800	2000	1600	4000	1212067
S2-PE-2M	2000	60	2	4	2800	2000	1600	4000	1212069
S2-PE-2,5M	2000	60	2.5	5	2800	2000	1600	4000	1212071
S2-PE-3M	2000	60	3	6	2800	2000	1600	4000	1212073
S2-PE-3,5M	2000	60	3.5	7	2800	2000	1600	4000	1212075
S2-PE-4M	2000	60	4	8	2800	2000	1600	4000	1212077
S2-PE-4,5M	2000	60	4.5	9	2800	2000	1600	4000	1212079
S2-PE-5M	2000	60	5	10	2800	2000	1600	4000	1212081
S2-PE-0,5M	3000	90	0.5	1	4200	3000	2400	6000	1212091
S2-PE-1M	3000	90	1	2	4200	3000	2400	6000	1212095
S2-PE-1,5M	3000	90	1.5	3	4200	3000	2400	6000	1212097
S2-PE-2M	3000	90	2	4	4200	3000	2400	6000	1212099
S2-PE-2,5M	3000	90	2.5	5	4200	3000	2400	6000	1212101
S2-PE-3M	3000	90	3	6	4200	3000	2400	6000	1212103
S2-PE-3,5M	3000	90	3.5	7	4200	3000	2400	6000	1212105
S2-PE-4M	3000	90	4	8	4200	3000	2400	6000	1212107
S2-PE-4,5M	3000	90	4.5	9	4200	3000	2400	6000	1212109
S2-PE-5M	3000	90	5	10	4200	3000	2400	6000	1212111



S-3 Webbing slings with triangles

Z

These professional webslings are suitable exclusively for intensive industrial applications.

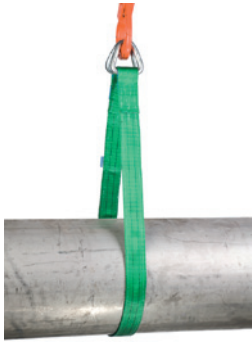
Properties

- Colourc EN 1492-1.
- Duplex flat webbing slings; double webbing.
- Tonnage steps, with 1 ton at each step.
- 1 t load capacity for each 30 mm webbing width.
- Available up to 20 Ton.

Standard delivery

- Sealed in plastic including REMA certificate and manual.

Type	Safe working load (kg)	Webbing width (mm)	Upright length (m)	W.L.L. 45 degree (kg)	W.L.L. 60 degree (kg)	W.L.L. loop (kg)	W.L.L. U (kg)	Productid
S3-PE-1M	1000	30	1	1400	1000	800	2000	1213031
S3-PE-2M	1000	30	2	1400	1000	800	2000	1213035
S3-PE-3M	1000	30	3	1400	1000	800	2000	1213037
S3-PE-4M	1000	30	4	1400	1000	800	2000	1213039
S3-PE-5M	1000	30	5	1400	1000	800	2000	1213041
S3-PE-6M	1000	30	6	1400	1000	800	2000	1213043
S3-PE-7M	1000	30	7	1400	1000	800	2000	1213045
S3-PE-8M	1000	30	8	1400	1000	800	2000	1213047
S3-PE-9M	1000	30	9	1400	1000	800	2000	1213049
S3-PE-10M	1000	30	10	1400	1000	800	2000	1213051
S3-PE-1M	2000	60	1	2800	2000	1600	4000	1213061
S3-PE-2M	2000	60	2	2800	2000	1600	4000	1213065
S3-PE-3M	2000	60	3	2800	2000	1600	4000	1213067
S3-PE-4M	2000	60	4	2800	2000	1600	4000	1213069
S3-PE-5M	2000	60	5	2800	2000	1600	4000	1213071
S3-PE-6m	2000	60	6	2800	2000	1600	4000	1213073
S3-PE-7M	2000	60	7	2800	2000	1600	4000	1213075
S3-PE-8M	2000	60	8	2800	2000	1600	4000	1213077
S3-PE-9M	2000	60	9	2800	2000	1600	4000	1213079
S3-PE-10M	2000	60	10	2800	2000	1600	4000	1213081
S3-PE-1M	3000	90	1	4200	3000	2400	6000	1213091
S3-PE-2M	3000	90	2	4200	3000	2400	6000	1213095
S3-PE-3M	3000	90	3	4200	3000	2400	6000	1213097
S3-PE-4M	3000	90	4	4200	3000	2400	6000	1213099
S3-PE-5M	3000	90	5	4200	3000	2400	6000	1213101
S3-PE-6M	3000	90	6	4200	3000	2400	6000	1213103
S3-PE-7M	3000	90	7	4200	3000	2400	6000	1213105
S3-PE-8M	3000	90	8	4200	3000	2400	6000	1213107
S3-PE-9M	3000	90	9	4200	3000	2400	6000	1213109
S3-PE-10M	3000	90	10	4200	3000	2400	6000	1213111
S3-PE-2M	4000	120	2	5600	4000	3200	8000	1213125
S3-PE-3M	4000	120	3	5600	4000	3200	8000	1213127
S3-PE-4M	4000	120	4	5600	4000	3200	8000	1213129
S3-PE-5M	4000	120	5	5600	4000	3200	8000	1213131
S3-PE-6M	4000	120	6	5600	4000	3200	8000	1213133
S3-PE-7M	4000	120	7	5600	4000	3200	8000	1213135
S3-PE-8M	4000	120	8	5600	4000	3200	8000	1213137
S3-PE-9M	4000	120	9	5600	4000	3200	8000	1213139
S3-PE-10M	4000	120	10	5600	4000	3200	8000	1213141
S3-PE-2M	5000	150	2	7000	5000	4000	10000	1213155
S3-PE-3M	5000	150	3	7000	5000	4000	10000	1213157
S3-PE-4M	5000	150	4	7000	5000	4000	10000	1213159
S3-PE-5M	5000	150	5	7000	5000	4000	10000	1213161
S3-PE-6M	5000	150	6	7000	5000	4000	10000	1213163
S3-PE-7M	5000	150	7	7000	5000	4000	10000	1213165
S3-PE-8M	5000	150	8	7000	5000	4000	10000	1213167
S3-PE-9M	5000	150	9	7000	5000	4000	10000	1213169
S3-PE-10M	5000	150	10	7000	5000	4000	10000	1213171


S-4 Webbing slings with D-triangles

Z

These professional webblings are suitable exclusively for intensive industrial applications.

Properties

- Colourc EN 1492-1.
- Duplex flat webbing slings; double webbing.
- Tonnage steps, with 1 ton at each step.
- 1 t load capacity for each 30 mm webbing width.
- Available up to 20 Ton.

Standard delivery

- Sealed in plastic including REMA certificate and manual.

Type	Safe working load (kg)	Webbing width (mm)	Upright length (m)	W.L.L. 45 degree (kg)	W.L.L. 60 degree (kg)	W.L.L. loop (kg)	W.L.L. U (kg)	Productid
S4-PE-1M	1000	30	1	1400	1000	800	2000	1214031
S4-PE-2M	1000	30	2	1400	1000	800	2000	1214035
S4-PE-3M	1000	30	3	1400	1000	800	2000	1214037
S4-PE-4M	1000	30	4	1400	1000	800	2000	1214039
S4-PE-5M	1000	30	5	1400	1000	800	2000	1214041
S4-PE-6M	1000	30	6	1400	1000	800	2000	1214043
S4-PE-7M	1000	30	7	1400	1000	800	2000	1214045
S4-PE-8M	1000	30	8	1400	1000	800	2000	1214047
S4-PE-9M	1000	30	9	1400	1000	800	2000	1214049
S4-PE-10M	1000	30	10	1400	1000	800	2000	1214051
S4-PE-1M	2000	60	1	2800	2000	1600	4000	1214061
S4-PE-2M	2000	60	2	2800	2000	1600	4000	1214065
S4-PE-3M	2000	60	3	2800	2000	1600	4000	1214067
S4-PE-4M	2000	60	4	2800	2000	1600	4000	1214069
S4-PE-5M	2000	60	5	2800	2000	1600	4000	1214071
S4-PE-6M	2000	60	6	2800	2000	1600	4000	1214073
S4-PE-7M	2000	60	7	2800	2000	1600	4000	1214075
S4-PE-8M	2000	60	8	2800	2000	1600	4000	1214077
S4-PE-9M	2000	60	9	2800	2000	1600	4000	1214079
S4-PE-10M	2000	60	10	2800	2000	1600	4000	1214081
S4-PE-1M	3000	90	1	4200	3000	2400	6000	1214091
S4-PE-2M	3000	90	2	4200	3000	2400	6000	1214095
S4-PE-3M	3000	90	3	4200	3000	2400	6000	1214097
S4-PE-4M	3000	90	4	4200	3000	2400	6000	1214099
S4-PE-5M	3000	90	5	4200	3000	2400	6000	1214101
S4-PE-6M	3000	90	6	4200	3000	2400	6000	1214103
S4-PE-7M	3000	90	7	4200	3000	2400	6000	1214105
S4-PE-8M	3000	90	8	4200	3000	2400	6000	1214107
S4-PE-9M	3000	90	9	4200	3000	2400	6000	1214109
S4-PE-10M	3000	90	10	4200	3000	2400	6000	1214111
S4-PE-2M	4000	120	2	5600	4000	3200	8000	1214125
S4-PE-3M	4000	120	3	5600	4000	3200	8000	1214127
S4-PE-4M	4000	120	4	5600	4000	3200	8000	1214129
S4-PE-5M	4000	120	5	5600	4000	3200	8000	1214131
S4-PE-6M	4000	120	6	5600	4000	3200	8000	1214133
S4-PE-7M	4000	120	7	5600	4000	3200	8000	1214135
S4-PE-8M	4000	120	8	5600	4000	3200	8000	1214137
S4-PE-9M	4000	120	9	5600	4000	3200	8000	1214139
S4-PE-10M	4000	120	10	5600	4000	3200	8000	1214141
S4-PE-2M	5000	150	2	7000	5000	4000	10000	1214155
S4-PE-3M	5000	150	3	7000	5000	4000	10000	1214157
S4-PE-4M	5000	150	4	7000	5000	4000	10000	1214159
S4-PE-5M	5000	150	5	7000	5000	4000	10000	1214161
S4-PE-6M	5000	150	6	7000	5000	4000	10000	1214163
S4-PE-7M	5000	150	7	7000	5000	4000	10000	1214165
S4-PE-8M	5000	150	8	7000	5000	4000	10000	1214167
S4-PE-9M	5000	150	9	7000	5000	4000	10000	1214169
S4-PE-10M	5000	150	10	7000	5000	4000	10000	1214171

S5 polyester round slings

Z

The standard round sling for industrial application.

Properties

- Colour coding in compliance with EN 1492-1.
- VGS model designation.
- Tonnage steps, with 1 ton at each step (up to 10 tons).
- Load capacity is shown along the whole webbing length.
- Extremely wear-resistant due to the filaments inside the sheath.
- Available up to 30 Ton.

Standard delivery

- Sealed in plastic uncluding REMA certificate and manual.



Type	Safe working load (kg)	Usefull length (m)	Cicumference length (m)	W.L.L. 45 degree (kg)	W.L.L. 60 degree (kg)	W.L.L. loop (kg)	W.L.L. U (kg)	Productid
S5-PE-0,5M	1000	0.5	1	1400	1000	800	2000	1301000
S5-PE-1M	1000	1	2	1400	1000	800	2000	1301001
S5-PE-1,5M	1000	1.5	3	1400	1000	800	2000	1301003
S5-PE-2M	1000	2	4	1400	1000	800	2000	1301005
S5-PE-2,5M	1000	2.5	5	1400	1000	800	2000	1301007
S5-PE-3M	1000	3	6	1400	1000	800	2000	1301009
S5-PE-3,5M	1000	3.5	7	1400	1000	800	2000	1301010
S5-PE-4M	1000	4	8	1400	1000	800	2000	1301011
S5-PE-4,5M	1000	4.5	9	1400	1000	800	2000	1301012
S5-PE-5M	1000	5	10	1400	1000	800	2000	1301013
S5-PE-0,5M	2000	0.5	1	2800	2000	1600	4000	1303000
S5-PE-1M	2000	1	2	2800	2000	1600	4000	1303001
S5-PE-1,5M	2000	1.5	3	2800	2000	1600	4000	1303003
S5-PE-2M	2000	2	4	2800	2000	1600	4000	1303005
S5-PE-2,5M	2000	2.5	5	2800	2000	1600	4000	1303007
S5-PE-3M	2000	3	6	2800	2000	1600	4000	1303009
S5-PE-3,5M	2000	3.5	7	2800	2000	1600	4000	1303010
S5-PE-4M	2000	4	8	2800	2000	1600	4000	1303011
S5-PE-4,5M	2000	4.5	9	2800	2000	1600	4000	1303012
S5-PE-5M	2000	5	10	2800	2000	1600	4000	1303013
S5-PE-0,5M	3000	0.5	1	4200	3000	2400	6000	1305000
S5-PE-1M	3000	1	2	4200	3000	2400	6000	1305001
S5-PE-1,5M	3000	1.5	3	4200	3000	2400	6000	1305003
S5-PE-2M	3000	2	4	4200	3000	2400	6000	1305005
S5-PE-2,5M	3000	2.5	5	4200	3000	2400	6000	1305007
S5-PE-3M	3000	3	6	4200	3000	2400	6000	1305009
S5-PE-3,5M	3000	3.5	7	4200	3000	2400	6000	1305010
S5-PE-4M	3000	4	8	4200	3000	2400	6000	1305011
S5-PE-4,5M	3000	4.5	9	4200	3000	2400	6000	1305012
S5-PE-5M	3000	5	10	4200	3000	2400	6000	1305013
S5-PE-0,5M	4000	0.5	1	5600	4000	3200	8000	1306000
S5-PE-1M	4000	1	2	5600	4000	3200	8000	1306001
S5-PE-1,5M	4000	1.5	3	5600	4000	3200	8000	1306003
S5-PE-2M	4000	2	4	5600	4000	3200	8000	1306005
S5-PE-2,5M	4000	2.5	5	5600	4000	3200	8000	1306007
S5-PE-3M	4000	3	6	5600	4000	3200	8000	1306009
S5-PE-3,5M	4000	3.5	7	5600	4000	3200	8000	1306010
S5-PE-4M	4000	4	8	5600	4000	3200	8000	1306011
S5-PE-4,5M	4000	4.5	9	5600	4000	3200	8000	1306012
S5-PE-5M	4000	5	10	5600	4000	3200	8000	1306013

Type	Safe working load (kg)	Usefull length (m)	Cicumference length (m)	W.L.L. 45 degree (kg)	W.L.L. 60 degree (kg)	W.L.L. loop (kg)	W.L.L. U (kg)	Productid
S5-PE-1M	5000	1	2	7000	5000	4000	10000	1307001
S5-PE-1,5M	5000	1.5	3	7000	5000	4000	10000	1307003
S5-PE-2M	5000	2	4	7000	5000	4000	10000	1307005
S5-PE-2,5M	5000	2.5	5	7000	5000	4000	10000	1307007
S5-PE-3M	5000	3	6	7000	5000	4000	10000	1307009
S5-PE-3,5M	5000	3.5	7	7000	5000	4000	10000	1307010
S5-PE-4M	5000	4	8	7000	5000	4000	10000	1307011
S5-PE-4,5M	5000	4.5	9	7000	5000	4000	10000	1307012
S5-PE-5M	5000	5	10	7000	5000	4000	10000	1307013
S5-PE-1M	6000	1	2	8400	6000	4800	12000	1308001
S5-PE-1,5M	6000	1.5	3	8400	6000	4800	12000	1308003
S5-PE-2M	6000	2	4	8400	6000	4800	12000	1308005
S5-PE-2,5M	6000	2.5	5	8400	6000	4800	12000	1308007
S5-PE-3M	6000	3	6	8400	6000	4800	12000	1308009
S5-PE-3,5M	6000	3.5	7	8400	6000	4800	12000	1308010
S5-PE-4M	6000	4	8	8400	6000	4800	12000	1308011
S5-PE-4,5M	6000	4.5	9	8400	6000	4800	12000	1308012
S5-PE-5M	6000	5	10	8400	6000	4800	12000	1308013
S5-PE-8T-1M	8000	1	2	11200	8000	6400	16000	1309001
S5-PE-8T-1,5M	8000	1.5	3	11200	8000	6400	16000	1309003
S5-PE-8T-2M	8000	2	4	11200	8000	6400	16000	1309005
S5-PE-8T-2,5M	8000	2.5	5	11200	8000	6400	16000	1309007
S5-PE-8T-3M	8000	3	6	11200	8000	6400	16000	1309009
S5-PE-8T-3,5M	8000	3.5	7	11200	8000	6400	16000	1309010
S5-PE-8T-4M	8000	4	8	11200	8000	6400	16000	1309011
S5-PE-8T-4,5M	8000	4.5	9	11200	8000	6400	16000	1309012
S5-PE-8T-5M	8000	5	10	11200	8000	6400	16000	1309013
S5-PE-8T-6M	8000	6	12	11200	8000	6400	16000	1309015
S5-PE-10T-1M	10000	1	2	14000	10000	8000	20000	1311001
S5-PE-10T-1,5M	10000	1.5	3	14000	10000	8000	20000	1311003
S5-PE-10T-2M	10000	2	4	14000	10000	8000	20000	1311005
S5-PE-10T-2,5M	10000	2.5	5	14000	10000	8000	20000	1311007
S5-PE-10T-3M	10000	3	6	14000	10000	8000	20000	1311009
S5-PE-10T-3,5M	10000	3.5	7	14000	10000	8000	20000	1311010
S5-PE-10T-4M	10000	4	8	14000	10000	8000	20000	1311011
S5-PE-10T-4,5M	10000	4.5	9	14000	10000	8000	20000	1311012
S5-PE-10T-5M	10000	5	10	14000	10000	8000	20000	1311013
S5-PE-10T-6M	10000	6	12	14000	10000	8000	20000	1311015

S5 EX polyester roundsling with sleeve protected label

Z

Extra professional roundslings that are ultimately suitable for intensive industrial use. This model has proved its suitability in the German heavy industry for years.

Properties

- Colour coding in compliance with EN 1492-1.
- VGS model designation.
- Tonnage steps, with 1 ton at each step (up to 10 tons).
- Load capacity is shown along the whole rope length.
- High quality polyester sheath due to the extra strong monofil textile sheath, it has a very strong and wear-resistant covering.
- Extremely wear-resistant due to the ribbed structure inside the sheath.
- Sleeve protected label.
- Available up to 100 Ton



open closed

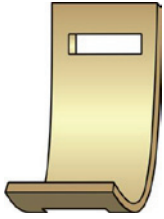
Standard delivery

- Sealed in plastic including REMA certificate and manual.



Type	Safe working load (kg)	Usefull length (m)	Cicumference length (m)	W.L.L. 45 degree (kg)	W.L.L. 60 degree (kg)	W.L.L. loop (kg)	W.L.L. U (kg)	Productid
S5EX-PE-1M	1000	1	2	1400	1000	800	2000	1321001
S5EX-PE-1,5M	1000	1.5	3	1400	1000	800	2000	1321003
S5EX-PE-2M	1000	2	4	1400	1000	800	2000	1321005
S5EX-PE-2,5M	1000	2.5	5	1400	1000	800	2000	1321007
S5EX-PE-3M	1000	3	6	1400	1000	800	2000	1321009
S5EX-PE-3,5M	1000	3.5	7	1400	1000	800	2000	1321010
S5EX-PE-4M	1000	4	8	1400	1000	800	2000	1321011
S5EX-PE-5M	1000	5	10	1400	1000	800	2000	1321013
S5EX-PE-1M	2000	1	2	2800	2000	1600	4000	1323001
S5EX-PE-1,5M	2000	1.5	3	2800	2000	1600	4000	1323003
S5EX-PE-2M	2000	2	4	2800	2000	1600	4000	1323005
S5EX-PE-2,5M	2000	2.5	5	2800	2000	1600	4000	1323007
S5EX-PE-3M	2000	3	6	2800	2000	1600	4000	1323009
S5EX-PE-3,5M	2000	3.5	7	2800	2000	1600	4000	1323010
S5EX-PE-4M	2000	4	8	2800	2000	1600	4000	1323011
S5EX-PE-5M	2000	5	10	2800	2000	1600	4000	1323013
S5EX-PE-1M	3000	1	2	4200	3000	2400	6000	1325001
S5EX-PE-1,5M	3000	1.5	3	4200	3000	2400	6000	1325003
S5EX-PE-2M	3000	2	4	4200	3000	2400	6000	1325005
S5EX-PE-2,5M	3000	2.5	5	4200	3000	2400	6000	1325007
S5EX-PE-3M	3000	3	6	4200	3000	2400	6000	1325009
S5EX-PE-3,5M	3000	3.5	7	4200	3000	2400	6000	1325010
S5EX-PE-4M	3000	4	8	4200	3000	2400	6000	1325011
S5EX-PE-5M	3000	5	10	4200	3000	2400	6000	1325013
S5EX-PE-1M	4000	1	2	5600	4000	3200	8000	1326001
S5EX-PE-1,5M	4000	1.5	3	5600	4000	3200	8000	1326003
S5EX-PE-2M	4000	2	4	5600	4000	3200	8000	1326005
S5EX-PE-2,5M	4000	2.5	5	5600	4000	3200	8000	1326007
S5EX-PE-3M	4000	3	6	5600	4000	3200	8000	1326009
S5EX-PE-3,5M	4000	3.5	7	5600	4000	3200	8000	1326010
S5EX-PE-4M	4000	4	8	5600	4000	3200	8000	1326011
S5EX-PE-5M	4000	5	10	5600	4000	3200	8000	1326013
S5EX-PE-1M	5000	1	2	7000	5000	4000	10000	1327001
S5EX-PE-1,5M	5000	1.5	3	7000	5000	4000	10000	1327003
S5EX-PE-2M	5000	2	4	7000	5000	4000	10000	1327005
S5EX-PE-2,5M	5000	2.5	5	7000	5000	4000	10000	1327007
S5EX-PE-3M	5000	3	6	7000	5000	4000	10000	1327009
S5EX-PE-3,5M	5000	3.5	7	7000	5000	4000	10000	1327010
S5EX-PE-4M	5000	4	8	7000	5000	4000	10000	1327011
S5EX-PE-5M	5000	5	10	7000	5000	4000	10000	1327013

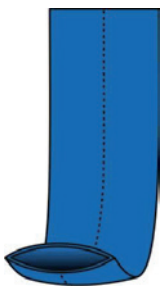
Type	Safe working load (kg)	Usefull length (m)	Cicumference length (m)	W.L.L. 45 degree (kg)	W.L.L. 60 degree (kg)	W.L.L. loop (kg)	W.L.L. U (kg)	Productid
S5EX-PE-1M	6000	1	2	8400	6000	4800	12000	1328001
S5EX-PE-1,5M	6000	1.5	3	8400	6000	4800	12000	1328003
S5EX-PE-2M	6000	2	4	8400	6000	4800	12000	1328005
S5EX-PE-2,5M	6000	2.5	5	8400	6000	4800	12000	1328007
S5EX-PE-3M	6000	3	6	8400	6000	4800	12000	1328009
S5EX-PE-3,5M	6000	3.5	7	8400	6000	4800	12000	1328010
S5EX-PE-4M	6000	4	8	8400	6000	4800	12000	1328011
S5EX-PE-5M	6000	5	10	8400	6000	4800	12000	1328013
S5EX-PE-1M	8000	1	2	11200	8000	6400	16000	1329001
S5EX-PE-1,5M	8000	1.5	3	11200	8000	6400	16000	1329003
S5EX-PE-2M	8000	2	4	11200	8000	6400	16000	1329005
S5EX-PE-2,5M	8000	2.5	5	11200	8000	6400	16000	1329007
S5EX-PE-3M	8000	3	6	11200	8000	6400	16000	1329009
S5EX-PE-3,5M	8000	3.5	7	11200	8000	6400	16000	1329010
S5EX-PE-4M	8000	4	8	11200	8000	6400	16000	1329011
S5EX-PE-5M	8000	5	10	11200	8000	6400	16000	1329013
S5EX-PE-1M	10000	1	2	14000	10000	8000	20000	1331001
S5EX-PE-1,5M	10000	1.5	3	14000	10000	8000	20000	1331003
S5EX-PE-2M	10000	2	4	14000	10000	8000	20000	1331005
S5EX-PE-2,5M	10000	2.5	5	14000	10000	8000	20000	1331007
S5EX-PE-3M	10000	3	6	14000	10000	8000	20000	1331009
S5EX-PE-3,5M	10000	3.5	7	14000	10000	8000	20000	1331010
S5EX-PE-4M	10000	4	8	14000	10000	8000	20000	1331011
S5EX-PE-5M	10000	5	10	14000	10000	8000	20000	1331013



Rema DF polyurethane protective sheet **Z**

REMA sling protectors for safe and problem-free hoisting. Sling protectors applicable for hoisting straps, round ropes and hold-down straps have a significant role when goods of coarse finish and/or sharp edges are to be lifted. Rema DF polyurethane protective sheet - Suitable for hoisting straps models S1, S3 and S4. - Models 300 x 100 are suitable for hold-down strap system Rema 50.

Type	For webbing slings	Inside dimensions A x B (mm)	For roundslings	Outside dimensions L x H (mm)	For cargo lashings	Productid
DF-25	-	25x10	-	250x80	25	1105025
DF-35	-	35x10	-	250x80	30	1105035
DF-55	-	55x10	-	300x100	50	1105055
DF-60	50	60x30	1 t/2t	450x100	-	1105060
DF-70	60	70x30	-	450x120	-	1105070
DF-80	65/75	80x30	3t	450x120	75	1105080
DF-90	80	90x40	4t	470x130	-	1105090
DF-100	90	100x40	-	470x150	-	1105100
DF-110	100	110x40	5t	470x150	-	1105110
DF-130	120	130x40	8t	470x170	-	1105130
DF-160	150	160x40	-	470 X 200	-	1105160
DF-220	210	220 X 40	-	470 X 240	-	1105220



Rema BS protective sheath (PVC) **Z**

Suitable for model Rema S-1 hoisting straps and model S-2 and S-5 round slings.

Type	For webbing slings	WLL (kg) P1	WLL (kg) P2	Inside dimensions (mm)	Productid
BS-50	50	1t/2t	1t	60	1107050
BS-60	60	3t/4t/5t	2t/3t	80	1107060
BS-75	75	6t/8t	4t	100	1107075
BS-100	100	10t/12t	5t/6t	120	1107090
BS-150	150	15t/20t	8t	160	1107150
BS-180	180	25t/30t	10t/12t/15t	200	1107180
BS-200	200	30t/40t	-	240	1107200
BS-300	300	-	20t/25t/30t/40t	320	1107300

Pict. 1

Pict. 2



use by Round slings


1-leg roundsling assy

Z

1-leg roundsling assy

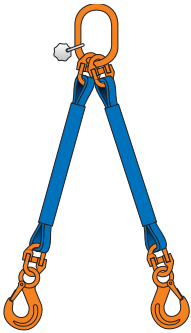
Properties

- End fittings class T8/grade 100.
- Roundslings connection piece (CARW) for a safe and problem-free connection between the roundsling and the end fittings.
- Roundslings in compliance with EN 1492-2.
- Length of roundslings is 1 meter.
- Type label.

Option

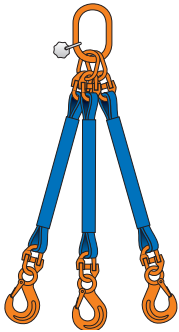
- Extra long ropes and protection sheaths on request.

Type	Safe working load (kg)	Typ roundsling	Typ protection	Typ masterlink	Typ connection link	Hook type	Productid
1SPR-1000KG-1M	1000	S5-1.0	BS-50	A8W-13	CARW-8	HSW-7/8	2591101
1SPR-2000KG-1M	2000	S5-2.0	BS-60	A8W-16	CARW-8	HSW-7/8	2591201
1SPR-3000KG-1M	3000	S5-3.0	BS-60	A8W-18	CARW-10	HSW-10	2591301
1SPR-4000KG-1M	4000	S5-4.0	BS-75	A8W-22	CARW-13	HSW-13	2591401
1SPR-5000KG-1M	5000	S5-5.0	BS-75	A8W-22	CARW-13	HSW-13	2591501


2-leg roundsling assy

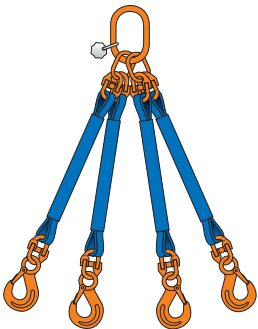
Z

Type	Safe working load (kg)	Typ roundsling	Typ protection	Typ masterlink	Typ connection link	Hook type	Productid
2SPR-1000KG-1M	1400-1000	S5-1.0 (2x)	BS-50	A8W-13	CARW-8	HSW-7/8	2592101
2SPR-2000KG-1M	2800-2000	S5-2.0 (2x)	BS-60	A8W-18	CARW-8	HSW-7/8	2592201
2SPR-3000KG-1M	4200-3000	S5-3.0 (2x)	BS-60	A8W-22	CARW-10	HSW-10	2592301
2SPR-4000KG-1M	5600-4000	S5-4.0 (2x)	BS-75	A8W-26	CARW-13	HSW-13	2592401
2SPR-5000KG-1M	7000-5000	S5-5.0	BS-75	A8W-26	CARW-13	HSW-13	2592501


3-leg roundsling assy

Z

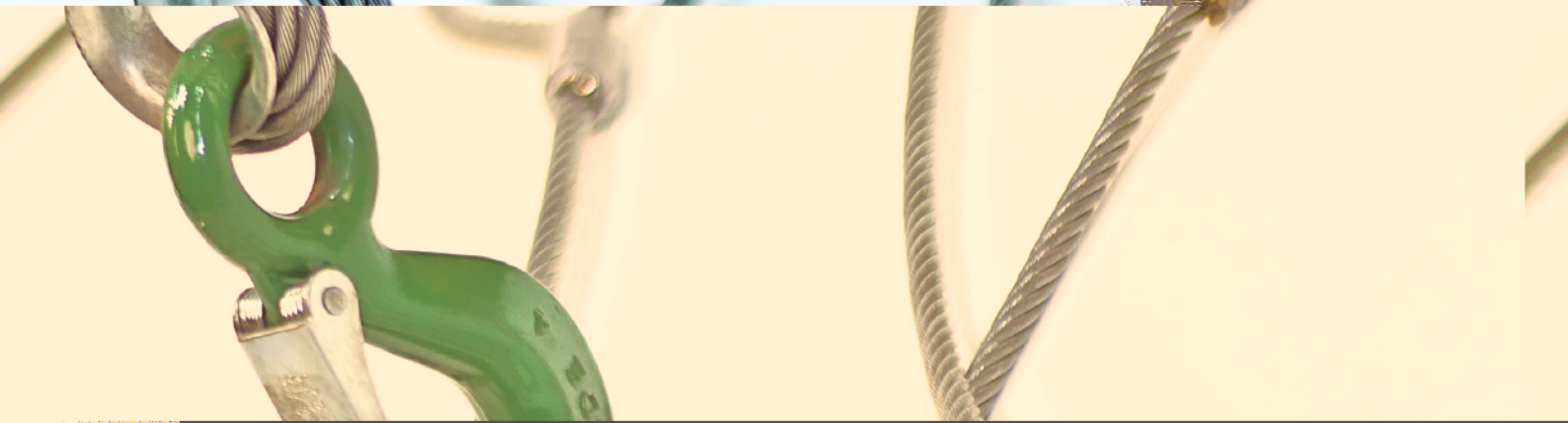
Type	Safe working load (kg)	Typ roundsling	Typ protection	Typ masterlink	Typ connection link	Hook type	Productid
3SPR-1500KG-1M	2100-1500	S5-1.0 (3x)	BS-50	VW-6	CARW-8	HSW-7/8	2593101
3SPR-3000KG-1M	4200-3000	S5-2.0 (3x)	BS-60	VW-7/8	CARW-8	HSW-7/8	2593201
3SPR-4500KG-1M	6300-4500	S5-3.0 (3x)	BS-60	VW-10	CARW-10	HSW-10	2593301
3SPR-6000KG-1M	8400-6000	S5-4.0 (3x)	BS-75	VW-13	CARW-13	HSW-13	2593401
3SPR-7500KG-1M	10500-7500	S5-5.0 (3x)	BS-75	VW-13	CARW-13	HSW-13	2593501


4-leg roundsling assy

Z

Type	Safe working load (kg)	Typ roundsling	Typ protection	Typ masterlink	Typ connection link	Hook type	Productid
4SPR-1500KG-1M	2100-1500	S5-1.0 (4x)	BS-50	VW-6	CARW-8	HSW-7/8	2594101
4SPR-3000KG-1M	4200-3000	S5-2.0 (4x)	BS-60	VW-7/8	CARW-8	HSW-7/8	2594201
4SPR-4500KG-1M	6300-4500	S5-3.0 (4x)	BS-60	VW-10	CARW-10	HSW-10	2594301
4SPR-6000KG-1M	8400-6000	S5-4.0 (4x)	BS-75	VW-13	CARW-13	HSW-13	2594401
4SPR-7500KG-1M	10500-7500	S5-5.0 (4x)	BS-75	VW-13	CARW-13	HSW-13	2594501

System S	60
System T	61
Grommet	63



System S Zinc-coated wire rope slings

Z

Zinc-coated wire rope slings

Properties

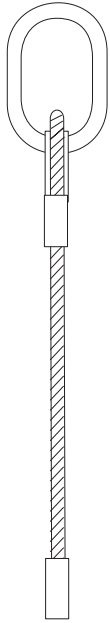
- Assembly in compliance with EN 13414-1.
- Steel wire rope in compliance with DIN 3068.
- Standard length 1 meter.

Option

- Bigger length.
- Higher capacities.



Type	Safe working load (kg)	Tensile strength (N/mm ²)	Cable diameter (mm)	Length (m)	Productid
SLL-1T-10MM-1M	1000	1770	10	1.0	3101001
SLL-1.45T-12MM-1M	1450	1770	12	1.0	3101011
SLL-2T-14MM-1M	2000	1770	14	1.0	3101021
SLL-2.5T-16MM-1M	2500	1770	16	1.0	3101031
SLL-3.2T-18MM-1M	3200	1770	18	1.0	3101051
SLK-1T-10MM-1M	1000	1770	10	1.0	3103101
SLK-1.45T-12MM-1M	1450	1770	12	1.0	3103201
SLK-2T-14MM-1M	2000	1770	14	1.0	3103301
SLK-2.5T-16MM-1M	2500	1770	16	1.0	3103401
SLK-3.2T-18MM-1M	3200	1770	18	1.0	3103501
SKK-1T-10MM-1M	1000	1770	10	1.0	3104101
SKK-1.45T-12MM-1M	1450	1770	12	1.0	3104201
SKK-2T-14MM-1M	2000	1770	14	1.0	3104301
SKK-2.5T-16MM-1M	2500	1770	16	1.0	3104401
SKK-3.2T-18MM-1M	3200	1770	18	1.0	3104501
SLLH-1T-10MM-1M	1000	1770	10	1.0	3105101
SLLH-1.45T-12MM-1M	1450	1770	12	1.0	3105201
SLLH-2T-14MM-1M	2000	1770	14	1.0	3105301
SLLH-2.5T-16MM-1M	2500	1770	16	1.0	3105401
SLLH-3.2T-18MM-1M	3200	1770	18	1.0	3105501
SLWS-1T-10MM-1M	1000	1770	10	1.0	3106101
SLWS-1.45T-12MM-1M	1450	1770	12	1.0	3106201
SLWS-2T-14MM-1M	2000	1770	14	1.0	3106301
SLWS-2.5T-16MM-1M	2500	1770	16	1.0	3106401
SLWS-3.2T-18MM-1M	3200	1770	18	1.0	3106501
SLSCH-1T-10MM-1M	1000	1770	10	1.0	3107101
SLSCH-1.45T-12MM-1M	1450	1770	12	1.0	3107201
SLSCH-2T-14MM-1M	2000	1770	14	1.0	3107301
SLSCH-2.5T-16MM-1M	2500	1770	16	1.0	3107401
SLSCH-3.2T-18MM-1M	3200	1770	18	1.0	3107501



Wire rope slings 1-leg

Z

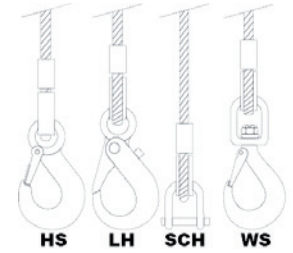
System T zinc-coated wire rope slings with masterlink and end fittings.

Properties

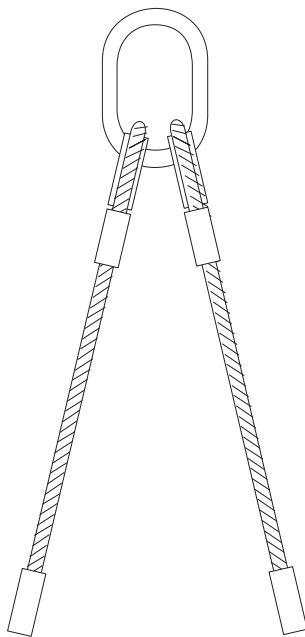
- Steel wire rope according to EN 13414-1.
- Assembly according to DIN 3088.
- Wire rope length 1 meter.

Option

- Bigger length.
- Higer capacities.



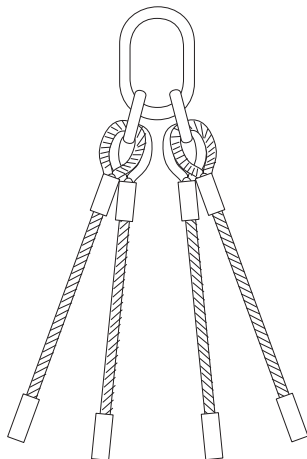
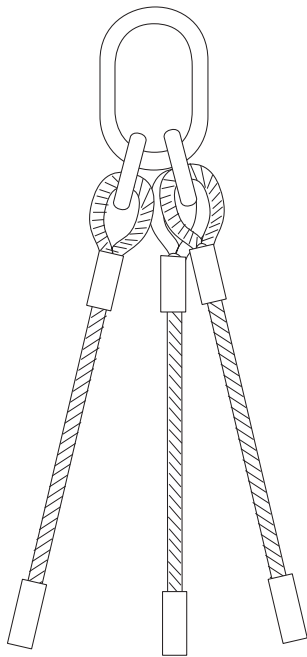
Type	Safe working load (kg)	Tensile strength (N/mm ²)	Cable diameter (mm)	Length (m)	Productid
SK1-EHS-10MM-1M-1T	1000	1770	10	1.0	3110111
SK1-ELH-10MM-1M-1T	1000	1770	10	1.0	3110121
SK1-EWS-10MM-1M-1T	1000	1770	10	1.0	3110131
SK1-ESCH-10MM-1M-1T	1000	1770	10	1.0	3110141
SK1-EHS-12MM-1M-1.45T	1450	1770	12	1.0	3112111
SK1-ELH-12MM-1M-1.45T	1450	1770	12	1.0	3112121
SK1-EWS-12MM-1M-1.45T	1450	1770	12	1.0	3112131
SK1-ESCH-12MM-1M-1.45T	1450	1770	12	1.0	3112141
SK1-EHS-14MM-1M-2T	2000	1770	14	1.0	3114111
SK1-ELH-14MM-1M-2T	2000	1770	14	1.0	3114121
SK1-EWS-14MM-1M-2T	2000	1770	14	1.0	3114131
SK1-ESCH-14MM-1M-2T	2000	1770	14	1.0	3114141
SK1-EHS-16MM-1M-2.5T	2500	1770	16	1.0	3116111
SK1-ELH-16MM-1M-2.5T	2500	1770	16	1.0	3116121
SK1-EWS-16MM-1M-2.5T	2500	1770	16	1.0	3116131
SK1-ESCH-16MM-1M-2.5T	2500	1770	16	1.0	3116141
SK1-EHS-18MM-1M-3.2T	3200	1770	18	1.0	3118111
SK1-ELH-18MM-1M-3.2T	3200	1770	18	1.0	3118121
SK1-EWS-18MM-1M-3.2T	3200	1770	18	1.0	3118131
SK1-ESCH-18MM-1M-3.2T	3200	1770	18	1.0	3118141



Wire rope slings 2-leg.

Z

Type	Safe working load (kg)	Tensile strength (N/mm ²)	Cable diameter (mm)	Length (m)	Productid
SK2-EHS-10MM-1M-1T	1400-1000	1770	10	1.0	3110211
SK2-ELH-10MM-1M-1T	1400-1000	1770	10	1.0	3110221
SK2-EWS-10MM-1M-1T	1400-1000	1770	10	1.0	3110231
SK2-ESCH-10MM-1M-1T	1400-1000	1770	10	1.0	3110241
SK2-EHS-12MM-1M-1.45T	2000-1450	1770	12	1.0	3112211
SK2-ELH-12MM-1M-1.45T	2000-1450	1770	12	1.0	3112221
SK2-EWS-12MM-1M-1.45T	2000-1450	1770	12	1.0	3112231
SK2-ESCH-12MM-1M-1.45T	2000-1450	1770	12	1.0	3112241
SK2-EHS-14MM-1M-2T	2800-2000	1770	14	1.0	3114211
SK2-ELH-14MM-1M-2T	2800-2000	1770	14	1.0	3114221
SK2-EWS-14MM-1M-2T	2800-2000	1770	14	1.0	3114231
SK2-ESCH-14MM-1M-2T	2800-2000	1770	14	1.0	3114241
SK2-EHS-16MM-1M-2.5T	3500-2500	1770	16	1.0	3116211
SK2-ELH-16MM-1M-2.5T	3500-2500	1770	16	1.0	3116221
SK2-EWS-16MM-1M-2.5T	3500-2500	1770	16	1.0	3116231
SK2-ESCH-16MM-1M-2.5T	3500-2500	1770	16	1.0	3116241
SK2-EHS-18MM-1M-3.2T	4500-3200	1770	18	1.0	3118211
SK2-ELH-18MM-1M-3.2T	4500-3200	1770	18	1.0	3118221
SK2-EWS-18MM-1M-3.2T	4500-3200	1770	18	1.0	3118231
SK2-ESCH-18MM-1M-3.2T	4500-3200	1770	18	1.0	3118241


Wire rope slings 3-leg.

Z

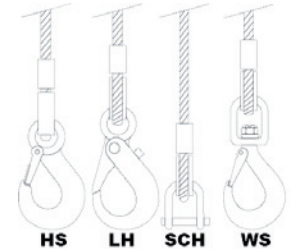
System T zinc-coated wire rope slings with masterlink and end fittings.

Properties

- Steel wire rope according to EN 13414-1.
- Assembly according to DIN 3088.
- Wire rope length 1 meter.

Option

- Bigger length.
- Higher capacities.

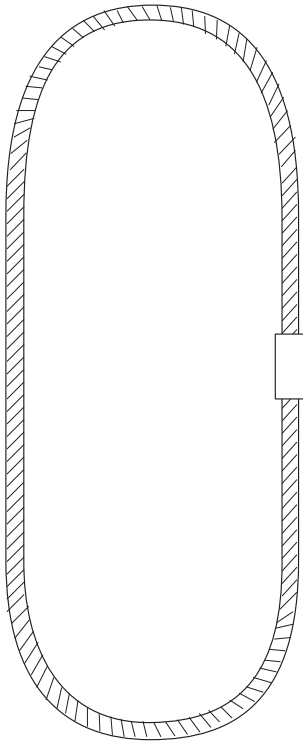


Type	Safe working load (kg)	Tensile strength (N/mm ²)	Cable diameter (mm)	Length (m)	Productid
SK3-EHS-10MM-1M-1T	2100-1500	1770	10	1.0	3110311
SK3-ELH-10MM-1M-1T	2100-1500	1770	10	1.0	3110321
SK3-EWS-10MM-1M-1T	2100-1500	1770	10	1.0	3110331
SK3-ESCH-10MM-1M-1T	2100-1500	1770	10	1.0	3110341
SK3-EHS-12MM-1M-1.45T	3000-2150	1770	12	1.0	3112311
SK3-ELH-12MM-1M-1.45T	3000-2150	1770	12	1.0	3112321
SK3-EWS-12MM-1M-1.45T	3000-2150	1770	12	1.0	3112331
SK3-ESCH-12MM-1M-1.45T	3000-2150	1770	12	1.0	3112341
SK3-EHS-14MM-1M-2T	4200-3000	1770	14	1.0	3114311
SK3-ELH-14MM-1M-2T	4200-3000	1770	14	1.0	3114321
SK3-EWS-14MM-1M-2T	4200-3000	1770	14	1.0	3114331
SK3-ESCH-14MM-1M-2T	4200-3000	1770	14	1.0	3114341
SK3-EHS-16MM-1M-2.5T	5250-3750	1770	16	1.0	3116311
SK3-ELH-16MM-1M-2.5T	5250-3750	1770	16	1.0	3116321
SK3-EWS-16MM-1M-2.5T	5250-3750	1770	16	1.0	3116331
SK3-ESCH-16MM-1M-2.5T	5250-3750	1770	16	1.0	3116341
SK3-EHS-18MM-1M-3.2T	6700-4800	1770	18	1.0	3118311
SK3-ELH-18MM-1M-3.2T	6700-4800	1770	18	1.0	3118321
SK3-EWS-18MM-1M-3.2T	6700-4800	1770	18	1.0	3118331
SK3-ESCH-18MM-1M-3.2T	6700-4800	1770	18	1.0	3118341

Wire rope slings 4-leg.

Z

Type	Safe working load (kg)	Tensile strength (N/mm ²)	Cable diameter (mm)	Length (m)	Productid
SK4-EHS-10MM-1M-1T	2100-1500	1770	10	1.0	3110411
SK4-ELH-10MM-1M-1T	2100-1500	1770	10	1.0	3110421
SK4-EWS-10MM-1M-1T	2100-1500	1770	10	1.0	3110431
SK4-ESCH-10MM-1M-1T	2100-1500	1770	10	1.0	3110441
SK4-EHS-12MM-1M-1.45T	3000-2150	1770	12	1.0	3112411
SK4-ELH-12MM-1M-1.45T	3000-2150	1770	12	1.0	3112421
SK4-EWS-12MM-1M-1.45T	3000-2150	1770	12	1.0	3112431
SK4-ESCH-12MM-1M-1.45T	3000-2150	1770	12	1.0	3112441
SK4-EHS-14MM-1M-2T	4200-3000	1770	14	1.0	3114411
SK4-ELH-14MM-1M-2T	4200-3000	1770	14	1.0	3114421
SK4-EWS-14MM-1M-2T	4200-3000	1770	14	1.0	3114431
SK4-ESCH-14MM-1M-2T	4200-3000	1770	14	1.0	3114441
SK4-EHS-16MM-1M-2.5T	5250-3750	1770	16	1.0	3116411
SK4-ELH-16MM-1M-2.5T	5250-3750	1770	16	1.0	3116421
SK4-EWS-16MM-1M-2.5T	5250-3750	1770	16	1.0	3116431
SK4-ESCH-16MM-1M-2.5T	5250-3750	1770	16	1.0	3116441
SK4-EHS-18MM-1M-3.2T	6700-4800	1770	18	1.0	3118411
SK4-ELH-18MM-1M-3.2T	6700-4800	1770	18	1.0	3118421
SK4-EWS-18MM-1M-3.2T	6700-4800	1770	18	1.0	3118431
SK4-ESCH-18MM-1M-3.2T	6700-4800	1770	18	1.0	3118441



Grommet or endless zinc-coated steel wire ropes

Z

Grommet or endless zinc-coated steel wire ropes

Properties

- Assembly according EN 13414.
- Standard length 1 meter (2 meter endless)

Option

- Bigger length.
- Higher capacities.

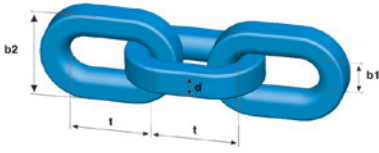
Type	Safe working load (kg)	Tensile strength (N/mm ²)	Cable diameter (mm)	Length (m)	Productid
GROM-10.5MM-OMTR.2M-1T	1000	1770	10.5	1.0	3131001
GROM-12.0MM-OMTR.2M-1.5T	1500	1770	12.0	1.0	3131201
GROM-13.5MM-OMTR.2M-2T	2000	1770	13.5	1.0	3131301
GROM-15.0MM-OMTR.2M-2.5T	2500	1770	15.0	1.0	3131501
GROM-18.0MM-OMTR.2M-3T	3000	1770	18.0	1.0	3131801
GROM-19.5MM-OMTR.2M-4T	4000	1770	19.5	1.0	3131901

Grade 12 chain slings	66
Grade 10 chain	69
Connex system grade 10	74
Chain assemblies	78
Specials grade 8	79
Lifting points	80
Stainless steel chain Grade 5	84
Bow- en d-shackles	86
Hooks- and eye bolts/nut	88

Chain WINPRO (Grade 12)

Z

Chain WINPRO (Grade 12)

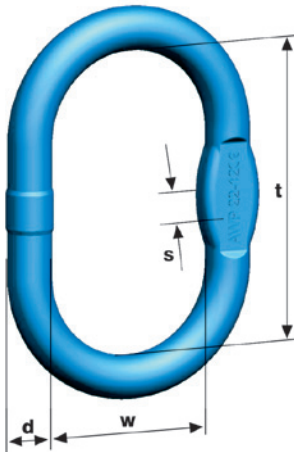


Type	Safe working load (kg)	B1 (mm)	B2 (mm)	D (mm)	T (mm)	Weight (kg/pce/m)	Productid
WINPRO 7	2360	10	26	7	22	1,28	2512007
WINPRO 8	3000	11	29	8	25	1,64	2512008
WINPRO 10	5000	14	37	10	33	2,66	2512010
WINPRO 13	8000	19	50	13	41	4,59	2512013

Enlarged master link AWP (grad 12)

Z

Master link for one-leg slings or end link. Proof tested 2 x WLL. Working load limit of master link only.

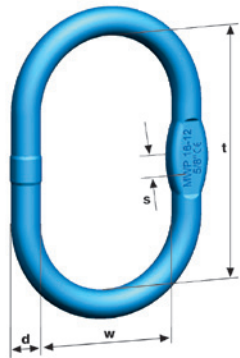


Type	Safe working load (kg)	D (mm)	T (mm)	S (mm)	W (mm)	For 1-leg	For 2-leg	Weight (kg/pce/m)	Productid
AWP13	2360	13	110	10	60	7	-	0.34	2512807
AWP16	3500	17	110	14	60	8	7	0.53	2512808
AWP18	5300	19	135	14	75	10	8	0.92	2512810
AWP22	8000	23	160	17	90	13	10	1.6	2512813
AWP27	11200	28	200	21	110		13	2.85	2512816

Master link MWP (grad 12)

Z

Extra bigger master link for 1 leg chain work. inside dimensions are larger than the master link AWP. Capacity is only for the master link not for the complete assembled chain.

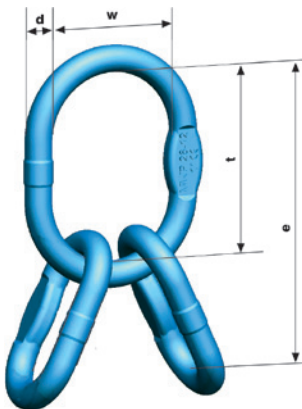


Type	Safe working load (kg)	D (mm)	T (mm)	S (mm)	W (mm)	For 1-leg	Weight (kg/pce/m)	Productid
MWP13	2360	14	120	10	70	7	0.44	2512107
MWP16	3200	17	140	13	80	8	0.67	2512108
MWP18	5000	19	160	14	95	10	1.21	2512110
MWP26	10100	27	190	20	110	13	2.65	2512113

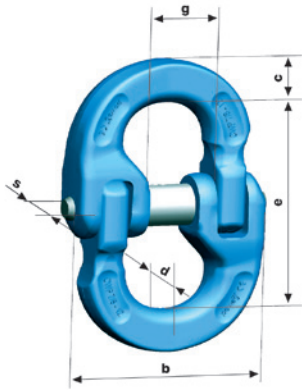
Enlarged master link assembly VMWP

Z

Master link assembly for multi-leg slings. Proof tested.



Type	Safe working load (kg)	D (mm)	E (mm)	T (mm)	W (mm)	For 2-leg	For 3-4 leg	Weight (kg/pce/m)	Productid
VMWP7/8	4250	19	214	160	95	7 + 8		1,55	2512207
VMWP10/7/8	8800	27	260	190	110	10	7 + 8	3,37	2512210
VMWP13/10	12300	33	315	230	130	13	10	6	2512213
VMWP-13	21200	38	415	275	150		13	11,12	2512216

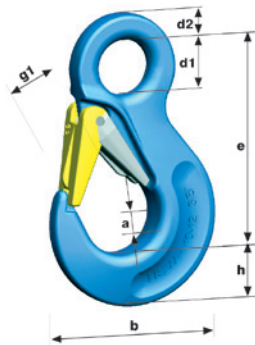


Connex connecting link CWP (Grade 12)

Z

Connex connecting link CWP

Type	Safe working load (kg)	B (mm)	C (mm)	D (mm)	E (mm)	G (mm)	S (mm)	Weight (kg/pce/m)	Productid
CWP7	2360	47	11	9	63	17	13	0.12	2512307
CWP8	3000	58	14	10	62	21	15	0.29	2512308
CWP10	5000	66	16	13	70	22	20	0.33	2512310
CWP13	8000	84	21	17	95	26	24	0.7	2512313

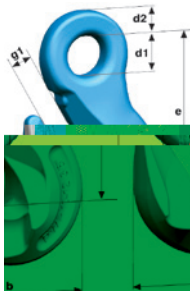


Eye sling hook HSWP G120

Z

General purpose hook with forged safety latch.

Type	Safe working load (kg)	A (mm)	B (mm)	D1 (mm)	D2 (mm)	E (mm)	G (mm)	H (mm)	Weight (kg/pce/m)	Productid
HSWP7/8	3000	19	88	25	11	106	26	27	0.5	2512407
HSWP10	5000	26	108	34	16	131	31	33	1.1	2512410
HSWP13	8000	33	132	43	19	164	39	43	2.2	2512413

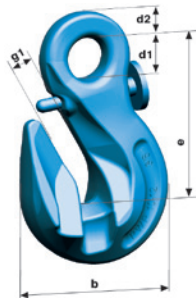


Shortening eye hook PWP G120

Z

Shortening eye hook PWP

Type	Safe working load (kg)	B (mm)	D1 (mm)	D2 (mm)	E (mm)	G (mm)	Weight (kg/pce/m)	Productid
PWP7/8	3000	63	18	11	68	10	0.48	2512507
PWP10	5000	81	22	14	88	13	1.03	2512510
PWP13	8000	103	26	18	110	17	2.1	2512513



PSWP Grap safety hook G12

Z

Complies with EN 1677-1 G12 Lashing capacity. Winner Pro for Connex system. Hooks for shortening with protection against inadvertent removal of the chain. Special design chain support for optimal interaction between the chain and hooks.

Type	Safe working load (kg)	B (mm)	D1 (mm)	D2 (mm)	E (mm)	G (mm)	Weight (kg/pce/m)	Productid
PSWP-7/8	3000	63	18	11	68	10	0.48	2513208
PSWP-10	5000	81	22	14	88	13	1.03	2513210
PSWP-13	8000	103	26	18	110	17	2.10	2513213



Safety eye hook LHWP-G12

Z

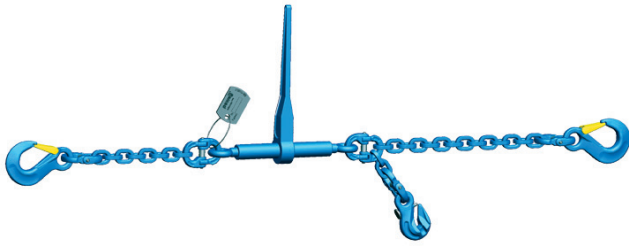
Safety eye hook LHWP-G12

Type	Safe working load (kg)	A (mm)	B (mm)	D1 (mm)	D2 (mm)	E (mm)	G (mm)	H (mm)	Weight (kg/pce/m)	Productid
LHWP7/8	3000	24	89	25	14	126	34	25	0.9	2512607
LHWP10	5000	28	112	31	17	158	45	31	1.6	2512610
LHWP13	8000	34	145	40	22	205	54	41	3.3	2512613

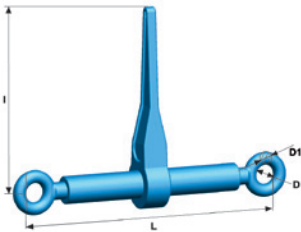
Grade 12 load binders ZRSWP

Z

standard length of 3.5 meters. Chain puller with optimized lever length. Ac-



Type	Stf values (daN)	Lashing capacity LC (daN)	Minimum breaking force (daN)	Chain diameter (mm)	H (mm)	Length (m)	Stroke length (mm)	Weight (kg)	Productid
ZRSWP-7	1900	4630		7		3.5	145	8.2	2513007
ZRSWP-8	1900	5900		8		3.5	145	9.2	2513008
ZRSWP-10	3000	9800		10		3.5	145	13.7	2513010
ZRSWP-13	2500	15700		13		3.5	290	28.4	2513013


Chain puller Grade 12 RSWP

Z

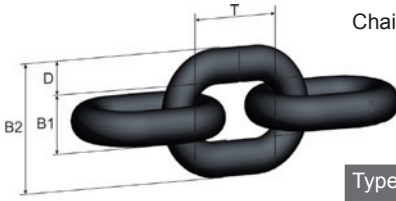
Grade 12 chain puller with optimized lever length. According to EN 12195-3.

Type	Lashing capacity LC (daN)	L min (mm)	L max (mm)	D (mm)	D1 (mm)	l (mm)	Weight (kg)	Productid
RSWP-7/8	6.000	355	500	20	16	145	3.20	2513108
RSWP-10	10.000	365	510	26	18	145	3.80	2513110
RSWP-13	16.000	576	866	31	22	290	9.90	2513113

Chain WIN 200 (Grade 10)

Z

Chain WIN 200 8W (Grade 10)

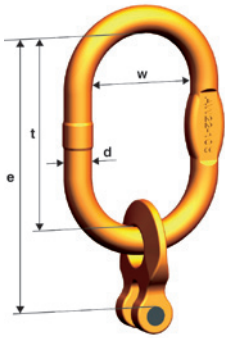


Type	Safe working load (kg)	B1 (mm)	B2 (mm)	D (mm)	T (mm)	Weight (kg/pce/m)	Productid
WIN 5 200	1000	8	19	5	16	0.61	2530005
WIN 6 200	1400	9	22	6	18	0.89	2530006
WIN 7 200	1900	10	25	7	21	1.2	2530007
WIN 8 200	2500	11	29	8	24	1.57	2530008
WIN 10 200	4000	14	36	10	30	2.46	2530010
WIN 13 200	6700	18	47	13	39	4.18	2530013
WIN 16 200	10000	22	58	16	48	6.28	2530016
WIN 19 200	14000	27	69	19	57	8.9	2530019
WIN 22 200	19000	30	79	22	66	11,88	2530022
WIN 26 200	26500	35	94	26	78	16.18	2530026

Master link KAGW1 (Grade 10)

Z

Crane eye assembly for 1 leg.

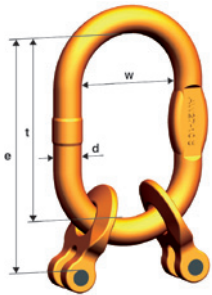


Type	Safe working load (kg)	D (mm)	E (mm)	T (mm)	W (mm)	Chain (mm)	Weight (kg/pce/m)	Productid
KAGW1- 6	1.400	13	141	110	60	6	0.42	2534106
KAGW1- 7	1.900	13	152.5	110	60	7	0.54	2534107
KAGW1- 8	2.500	16	152.5	110	60	8	0.73	2534108
KAGW1-10	4.000	19	186	135	75	10	1.28	2534110
KAGW1-13	6.700	23	223	160	90	13	2.3	2534113
KAGW1-16	10.000	27	254	180	100	16	3.67	2534116
KAGW1-19	14.000	33	290	200	110	19	6.52	2534119
KAGW1-22	19.000	36	357	260	140	22	9.43	2534122

Master link KAGW2 (Grade 10)

Z

Crane eye assembly for 2 leg.

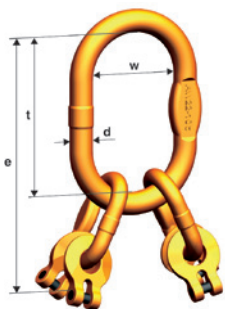


Type	Safe working load (kg)	D (mm)	E (mm)	T (mm)	W (mm)	Chain (mm)	Weight (kg/pce/m)	Productid
KAGW2-6	2.000/1.400	13	141	110	60	6	0.5	2534206
KAGW2-7	2.650/1.900	16	152.5	110	60	7	0.93	2534207
KAGW2-8	3.550/2.500	18	177.5	135	75	8	1.26	2534208
KAGW2-10	5.600/4.000	23	211	160	90	10	2.66	2534210
KAGW2-13	9.500/6.700	27	243	180	100	13	3.86	2534213
KAGW2-16	14.000/10.000	33	274	200	110	16	6.56	2534216
KAGW2-19	20.000/14.000	36	350	260	140	19	10.98	2534219
KAGW2-22	26.500/19.000	45	436.5	340	180	22	19.24	2534222

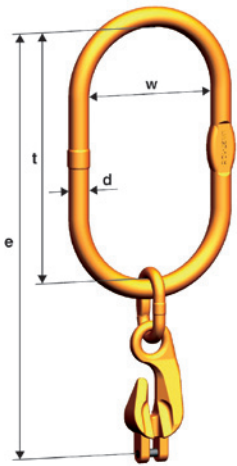
Master link KAGW4 (Grade 10)

Z

Crane eye assembly for 2 leg.



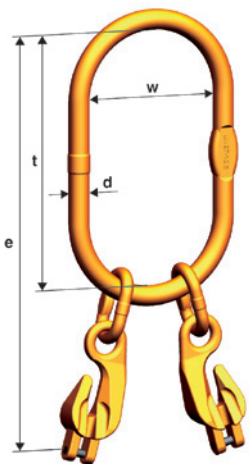
Type	Safe working load (kg)	D (mm)	E (mm)	T (mm)	W (mm)	Chain (mm)	Weight (kg/pce/m)	Productid
KAGW4-6	3.000/2.120	18	220	110	75	6	1.52	2534406
KAGW4-7	4.000/2.800	23	272.5	160	90	7	3.12	2534407
KAGW4-8	5.300/3.750	23	272.5	160	90	8	3.12	2534408
KAGW4-10	8.000/6.000	27	316	180	100	10	5.12	2534410
KAGW4-13	14.000/10.000	33	378	200	110	13	9.26	2534413
KAGW4-16	21.200/15.000	36	474	260	140	16	14.9	2534416
KAGW4-19	30.000/21.200	50	590	350	190	19	32.39	2534419
KAGW4-22	40.000/28.000	50	617	350	190	22	37.63	2534422


Master link LXKW1 leg (Grade 10)

Z

For crane hook no. 25 - DIN 15401. Particularly for large crane hooks. Very useful, because each leg can be shortened.

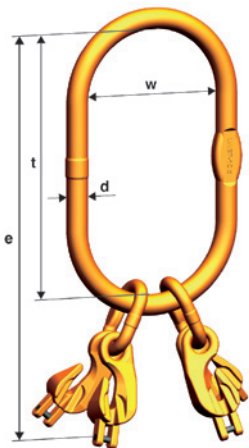
Type	Safe working load (kg)	D (mm)	E (mm)	T (mm)	W (mm)	Chain (mm)	Weight (kg/pce/m)	Productid
LXKW 1-6	1.400	23	478	340	180	6	3.7	2535106
LXKW 1-8	2.500	23	516	340	180	8	4	2535108
LXKW 1-10	4.000	27	569	340	180	10	6	2535110
LXKW 1-13	6.700	27	629	340	180	13	7.8	2535113
LXKW 1-16	10.000	33	688	340	180	16	12.7	2535116


Master link LXKW 2 leg (Grade 10)

Z

For crane hook no. 25 - DIN 15401. Particularly for large crane hooks. Very useful, because each leg can be shortened.

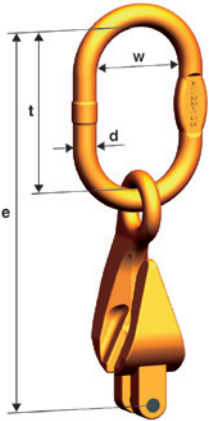
Type	Safe working load (kg)	D (mm)	E (mm)	T (mm)	W (mm)	Chain (mm)	Weight (kg/pce/m)	Productid
LXKW 2-6	2.000/1.400	23	478	340	180	6	4.14	2535206
LXKW 2-8	3.550/2.500	23	516	340	180	8	4.8	2535208
LXKW 2-10	5.600/4.000	27	569	340	180	10	7.6	2535210
LXKW 2-13	9.500/6.700	33	629	340	180	13	13.5	2535213
LXKW 2-16	14.000/10.000	40	688	340	180	16	21.9	2535216


Master link LXKW4 leg (Grade 10)

Z

For crane hook no. 25 - DIN 15401. Particularly for large crane hooks. Very useful, because each leg can be shortened.

Type	Safe working load (kg)	D (mm)	E (mm)	T (mm)	W (mm)	Chain (mm)	Weight (kg/pce/m)	Productid
LXKW 4-6	3.000/2.120	23	478	340	180	6	4.7	2535406
LXKW 4-8	5.300/3.750	27	532	340	180	8	7.6	2535408
LXKW 4-10	8.000/6.000	33	584	340	180	10	13.1	2535410
LXKW 4-13	14.000/10.000	40	659	340	180	13	23.1	2535413
LXKW 4-16	21.200/15.000	40	713	340	180	16	33.1	2535416

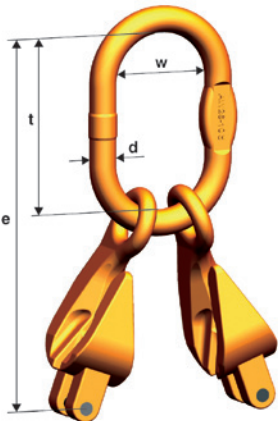


Master link VXXW1 (Grade 10)

Z

Crane eye assembly for 3 and 4 leg.

Type	Safe working load (kg)	D (mm)	E (mm)	T (mm)	W (mm)	Chain (mm)	Weight (kg/pce/m)	Productid
VXXW 1- 5	1.000	10	164	80	50	5	0.44	2554105
VXXW 1- 6	1.400	13	194	110	60	6	0.64	2554106
VXXW 1- 7	1.900	13	232	110	60	7	0.96	2554107
VXXW 1- 8	2.500	16	232	110	60	8	1.16	2554108
VXXW 1-10	4.000	18	294	135	75	10	2.11	2554110
VXXW 1-13	6.700	23	364	160	90	13	4.3	2554113
VXXW 1-16	10.000	27	401	180	100	16	7.26	2554116

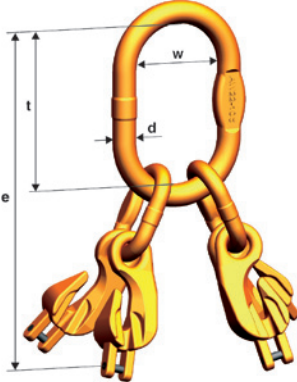


Master link VXXW2 (Grade 10)

Z

Crane eye assembly for 2 leg with shortening hooks.

Type	Safe working load (kg)	D (mm)	E (mm)	T (mm)	W (mm)	Chain (mm)	Weight (kg/pce/m)	Productid
VXXW 2-5	1.400/1.000	10	164.3	80	50	5	0.74	2554205
VXXW 2-6	2.000/1.400	13	194	110	60	6	0.94	2554206
VXXW 2-7	2.650/1.900	16	232	110	60	7	1.77	2554207
VXXW 2-8	3.550/2.500	18	257	135	75	8	2.12	2554208
VXXW 2-10	5.600/4.000	23	319	160	90	10	4.10	2554210
VXXW 2-13	9.500/6.700	27	383	180	100	13	7.86	2554213
VXXW2-16	14.000/10.000	33	421	200	110	16	13.74	2554216

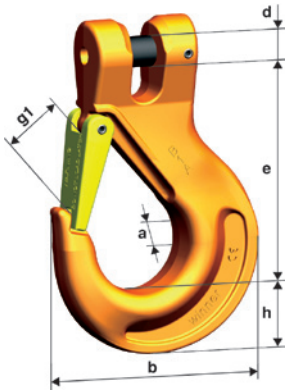


Master link VXXW4 (Grade 10)

Z

Crane eye assembly for 3 and 4 leg with shortening hooks.

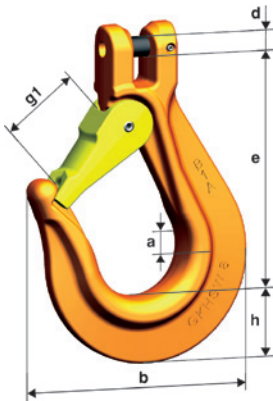
Type	Safe working load (kg)	D (mm)	E (mm)	T (mm)	W (mm)	Chain (mm)	Weight (kg/pce/m)	Productid
VXXW 4-5	2.000/1.500	13	238	110	60	5	1.72	2554405
VXXW 4-6	3.000/2.120	18	273	135	75	6	2.4	2554406
VXXW 4-7	4.000/2.800	23	352	160	90	7	4.84	2554407
VXXW 4-8	5.300/3.750	23	352	160	90	8	4.84	2554408
VXXW 4-10	8.000/6.000	27	424	180	100	10	8.82	2554410
VXXW 4-13	14.000/10.000	33	518	200	110	13	17.26	2554413
VXXW 4-16	21.200/15.000	36	621	260	140	16	29.26	2554416


Clevis sling hook KHSW (Grade 10)

Z

Clevis sling hook KHSW Grade 10

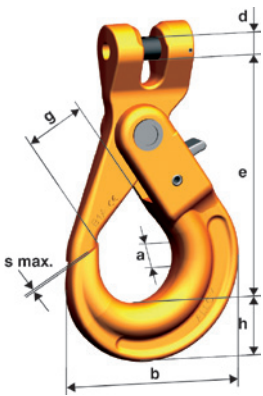
Type	Safe working load (kg)	A (mm)	B (mm)	D (mm)	E (mm)	G (mm)	H (mm)	Weight (kg/pce/m)	Productid
KHSW-5-6	1400	15	66	7.4	69	19	20	0.2	2538006
KHSW- 7	1900	19	90	9	95	27	28	0.6	2538007
KHSW- 8	2500	19	90	10	94.5	27	28	0.6	2538008
KHSW-10	4000	25	108	12.5	109	30	33	1.1	2538010
KHSW-13	6700	34	131	16	136	38	40	2	2538013
KHSW-16	10000	37	153	20	155	46	49	3.48	2538016
KHSW-19-20	16000	46	177	24	183.5	53	53	5	2538019
KHSW-22	19000	50	196	27	213.5	68	62	12.1	2538022


Clevis safety hook GKHSW (Grade 10)

Z

Clevis safety hook GKHSW

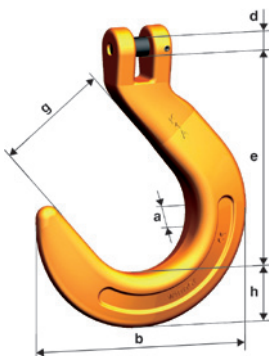
Type	Safe working load (kg)	A (mm)	B (mm)	D (mm)	E (mm)	G (mm)	H (mm)	Weight (kg/pce/m)	Productid
GKHSW - 8	2500	25	113	10	116	31,5	33	1.1	2551008
GKHSW - 10	4000	30	132	12.5	126.1	35,4	40	1.7	2551010


Clevis safety hook KLHW (Grad 10)

Z

Clevis safety hook KLHW

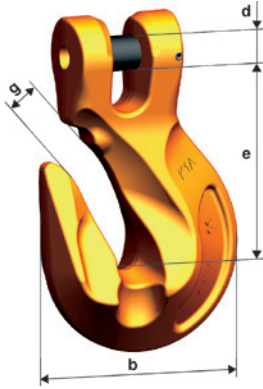
Type	Safe working load (kg)	A (mm)	B (mm)	D (mm)	E (mm)	G (mm)	H (mm)	Weight (kg/pce/m)	Productid
KLHW- 6	1400	16	71	7.5	94	28	20	0.5	2539006
KLHW- 7	1900	20	88	9	123	34	26	0.9	2539007
KLHW- 8	2500	20	88	10	123	34	26	0.9	2539008
KLHW-10	4000	25	107	13	144	45	30	1.6	2539010
KLHW-13	6700	34	138	16	180	52	40	2.9	2539013
KLHW-16	10000	35	168	21	217	60	50	5.8	2539016


Clevis foundry hook KFW (Grade 10)

Z

Clevis foundry hook KFW

Type	Safe working load (kg)	A (mm)	B (mm)	D (mm)	E (mm)	G (mm)	H (mm)	Weight (kg/pce/m)	Productid
KFW- 7	1900	25	118	9	120,5	64	29	1	2541007
KFW- 8	2500	25	118	10	120	64	29	0,92	2541008
KFW-10	4000	32	143	12,5	140	76	35	1.77	2541010
KFW-13	6700	40	170	16	169,5	89	42	2.82	2541013

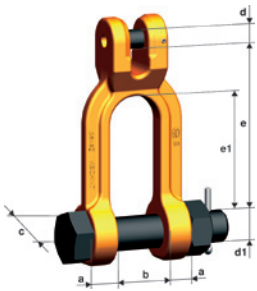


Clevis grab hook KPW (Grade 10)

Z

Clevis grab hook KPW

Type	Safe working load (kg)	B (mm)	D (mm)	E (mm)	G (mm)	Weight (kg/pce/m)	Productid
KPW-5-6	1400	47.4	7.4	45	8	0.15	2542006
KPW - 7	1900	58	9	61	10.5	0.38	2542007
KPW - 8	2500	58	10	60.5	10.5	0.38	2542008
KPW - 10	4000	76	12.5	76	13	0.85	2542010
KPW - 13	6700	101	16	104	17	1.9	2542013
KPW - 16	10000	122	20	107	19	2.8	2542016
KPW-19-20	16000	147.4	24	140	23	3.5	2542019
KPW - 22	19000	172.5	27	167.4	26	5.5	2542022

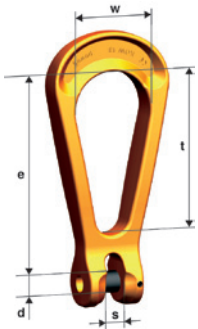


Clevis shackles KSCHW (Grade 10)

Z

Clevis shackles KSCHW

Type	Safe working load (kg)	A (mm)	B (mm)	C (mm)	D1 (mm)	D (mm)	E1 (mm)	E (mm)	Weight (kg/pce/m)	Productid
KSCHW- 7	1900	11.5	28	30.5	16	9	54	76	0.49	2571007
KSCHW- 8	2500	11.5	28	30.5	16	10	54	75.5	0.49	2571008
KSCHW-10	4000	16	34	38.5	20	12.5	76	104.5	0.95	2571010
KSCHW-13	6700	20.5	44	50	24	16	77	113	1.89	2571013

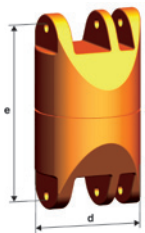


Clevis pear-type link KOW (Grade 10)

Z

Clevis pear-type link KOW

Type	Safe working load (kg)	D (mm)	E (mm)	S (mm)	T (mm)	Weight (kg/pce/m)	Productid
KOW 7	1900	9	92	9	70	0.28	2555007
KOW 8	2500	10	91	9	70	0.3	2555008
KOW 10	4000	12.5	128	12	102	0.7	2555010
KOW 13	6700	16	169	15	136	1.4	2555013
KOW 16	10000	20	214	18	172	2.74	2555016

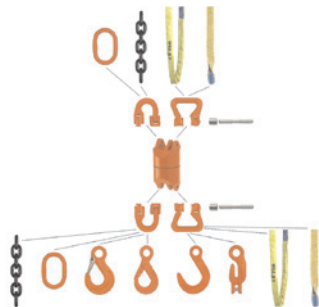


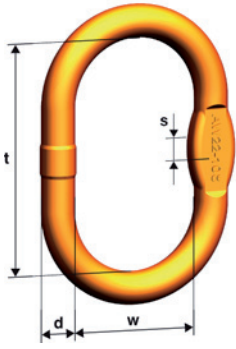
Turn connectors DFW (Grade 10)

Z

Can be rotated under load. Bearing version.

Type	Safe working load (kg)	D (mm)	E (mm)	Weight (kg/pce/m)	Productid
DFW 7	1900	53	91	1.12	2557007
DFW 8	2500	53	92	1.12	2557008
DFW10	4000	63	111	2	2557010

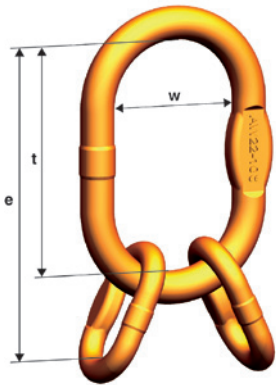



Masterlink A8W (Grade 10)

Z

for 1 or 2 leg

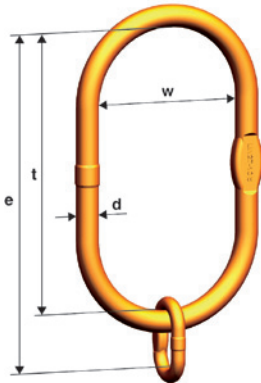
Type	Safe working load (kg)	D (mm)	T (mm)	S (mm)	W (mm)	For 1-leg	For 2-leg	For 3-4 leg	Weight (kg/pce/m)	Productid
A8W-10	1400	10	80	10	50	5	5		0.14	2531010
A8W-13	2300	13	110	10	60	6+7	6	5	0.34	2531013
A8W-16	3500	16	110	14	60	8	7		0.53	2531016
A8W-18	5000	18	135	14	75	10	8	6	0.86	2531018
A8W-22	7600	23	160	17	90	13	10	7+8	1.6	2531022
A8W-26	10000	27	180	20	100	16	13	10	2.46	2531026
A8W-32	14000	33	200	26	110	19	16	13	4.14	2531032
A8W-36	25100	36	260	-	140	22	19	16	6.22	2531036
A8W-45	30800	45	340	-	180	26	22		12.82	2531045
A8W-50	40000	50	350	-	190	32	26	19+22	16.55	2531050
A8W-56	60000	60	400		200		32	26	27.01	2531056


Crane eye for 3 leg 4 leg VW (Grade 10)

Z

Crane eye for 3 leg 4 leg VW

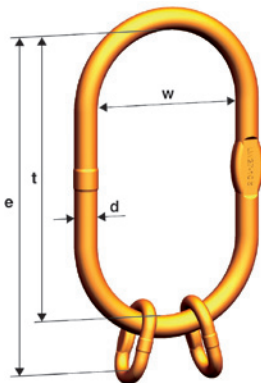
Type	Safe working load (kg)	D (mm)	E (mm)	T (mm)	W (mm)	For 3-4 leg	Weight (kg/pce/m)	Productid
VW-5	2300	13	154	110	60	5	0.52	2533005
VW-6	4200	18	189	135	75	6	1.26	2533006
VW-7-8	7600	23	230	160	90	7-8	2.32	2533008
VW-10	9600	27	265	180	110	10	3.68	2533010
VW-13	14000	33	315	200	110	13	6.46	2533013
VW-16	21200	36	400	260	140	16	10.06	2533016
VW-19-20	34100	50	500	350	190	19-20	22.87	2533019
VW-22	40000	50	520	350	190	22	24.79	2533022
VW-26	56000	60	570	400	200	26	41.31	2533026
VW-32	85000	70	660	460	250	32	66.60	2533032


Crane eye VLW-1 (Grade 10)

Z

For crane hooks No. 25 complying with DIN 15401. For assembling single-leg and/or multi-leg chains through Connex-connector CW.

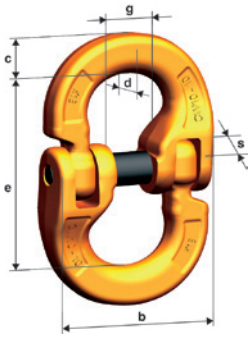
Type	Safe working load (kg)	D (mm)	E (mm)	T (mm)	W (mm)	For 1-leg	Weight (kg/pce/m)	Productid
VLW1-6/7/8	2500	22	394	340	180	6/7/8	3.4	2532108
VLW1-10	4000	27	410	340	180	10	4.8	2532110
VLW1-13	6700	27	340	340	180	13	4.4	2532113
VLW1-16	10000	33	340	340	180	16	6.7	2532116
VLW1-19/22	19000	40	340	340	180	16	10.0	2532119


Crane eye VLW-2 (Grade 100)

Z

For crane hooks No. 25 complying with DIN 15401. For assembling single-leg and/or multi-leg chains through Connex-connector CW. Example multi-fall tackles: VLW 2-10/4-8 is possible with 2legl chains of 10 mm / 4legl chains of 8 mm.

Type	Safe working load (kg)	D (mm)	E (mm)	T (mm)	W (mm)	For 2-leg	For 3-4 leg	Weight (kg/pce/m)	Productid
VLW2-6/7/8/4-6	3550	22	394	340	180	6/7/8	6	3.5	2532208
VLW2-10/4-8	5600	27	410	340	180	10	8	5.1	2532210
VLW2-13/4-10	9500	33	425	340	180	13	10	8	2532213
VLW2-16/4-13	14000	40	455	340	180	16	13	12.3	2532216
VLW2-19/4-16	20000	40	480	340	180	19	16	13.8	2532219

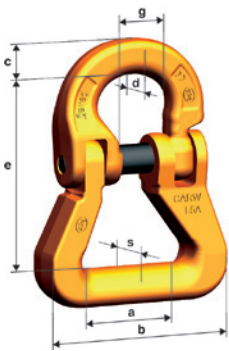


Connex connecting link CW (Grade 10)

Z

Connex connecting link CW

Type	Safe working load (kg)	B (mm)	C (mm)	D (mm)	E (mm)	G (mm)	S (mm)	Weight (kg/pce/m)	Productid
CW 5	1000	34.5	7	7	36	12.7	9.2	0.05	2536005
CW 6	1400	39	7.8	7.6	44.4	14.1	11	0.06	2536006
CW 7	1900	46.5	10	9	51	16.3	12.9	0.12	2536007
CW 8	2500	53	11.5	10	61.5	18.35	15	0.18	2536008
CW 10	4000	63	12.6	12.6	72	23	17.8	0.33	2536010
CW 13	6700	79	19	16.7	88	27.6	22	0.7	2536013
CW 16	10000	106	21	21	103	33	29	1.14	2536016
CW 19-20	16000	118	29.5	24.5	115	41.7	34.8	2.14	2536019
CW22	19000	148	33.8	25.4	160.8	50	38.9	3.21	2536022
CW26	26500	159	35	31	170	59	45	6.2	2536026

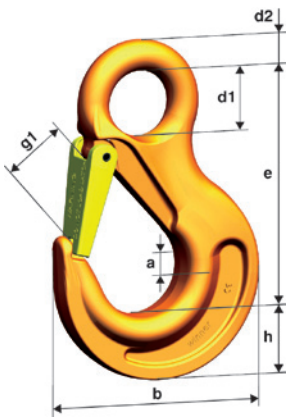


Webbing sling connecting link CARW (Grade 10)

Z

Particularly wide seating for round slings.

Type	Safe working load (kg)	A (mm)	B (mm)	C (mm)	D (mm)	E (mm)	G (mm)	Weight (kg/pce/m)	Productid
CARW-8	2500	29	65	11.5	10	66	18.35	0.3	2583008
CARW-10	4000	40	82	12.6	12.6	81	23	0.5	2583010
CARW-13	6700	50	100	19	16.7	104	27.6	1.1	2583013
CARW-16	10000	68	110	21	21	112.5	33	2	2583016
CARW-22	19000	109	215	29	27	177.5	48	6.5	2583022

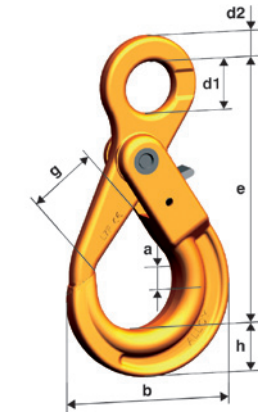


Eye hook HSW (Grade 10)

Z

Fitted with forged safety latches.

Type	Safe working load (kg)	A (mm)	B (mm)	D1 (mm)	D2 (mm)	E (mm)	G (mm)	H (mm)	Weight (kg/pce/m)	Productid
HSW-5-6	1400	16.5	68	20	10	84.5	19	21	0.2	2544006
HSW-7-8	2500	19	88	25	11	106	26	27	0.5	2544008
HSW-10	4000	26	108.5	34	16	131	30	33	1.1	2544010
HSW-13	6700	33	133.7	43	19	164	39	43.5	2	2544013
HSW-16	10000	40	154.6	50	24.5	182.5	46	50	3.5	2544016
HSW-19	16000	48	177.5	55	27	205	53	55	4.7	2544019
HSW-22	19000	50	196.0	60	29	225	62	62	7.3	2544022
HSW-26	26500	60	236.0	70	35	257	73	75	12	2544026

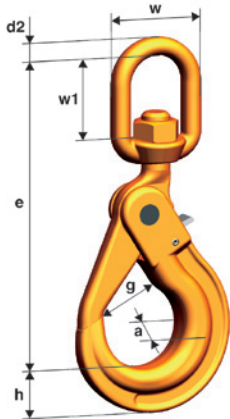


Safety eye hook LHW (Grade 10)

Z

Safety eye hook LHW

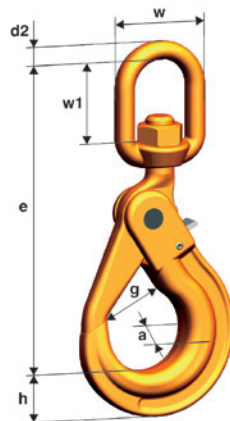
Type	Safe working load (kg)	A (mm)	B (mm)	D1 (mm)	D2 (mm)	E (mm)	G (mm)	H (mm)	Weight (kg/pce/m)	Productid
LHW-5-6	1400	16	71	21	11	110	28	20	0.5	2545006
LHW 7-8	2500	20	88	27	12	136	34	26	0.9	2545008
LHW 10	4000	25	107	32	15	168	45	30	1.5	2545010
LHW 13	6700	34	138	40	20	205	52	40	2.7	2545013
LHW 16	10000	35	168	50	27	251	60	50	5.7	2545016
LHW 19	16000	50	194	60	30	290	70	62	7.9	2545019
LHW 22	19000	52	211	70	32	322	81	65	11.2	2545022


Swivel eye safety hook WLHW (Grade 10)

Z

Closes and locks automatically. Cannot be rotated under load

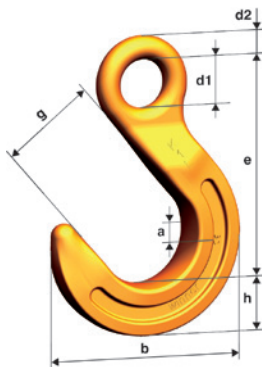
Type	Safe working load (kg)	A (mm)	D2 (mm)	E (mm)	G (mm)	Weight (kg/pce/m)	Productid
WLHW 5-6	1400	16	13	160	28	0.6	2546006
WLHW 7/8	2500	20	13	181	34	1.1	2546008
WLHW 10	4000	25	16	218	45	2	2546010
WLHW 13	6700	34	20	269	52	4	2546013
WLHW 16	10000	35	24	319	60	6.8	2546016


PW WLHBW-NL eye-hook (Grade 10)

Z

Closes and locks automatically. Bearing. Can be rotated under load

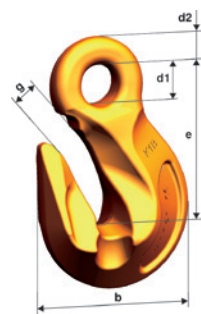
Type	Safe working load (kg)	A (mm)	D2 (mm)	E (mm)	G (mm)	Weight (kg/pce/m)	Productid
WLHBW 5/6	1400	16	13	160	28	0.6	2546106
WLHBW 7/8	2500	20	13	181	34	1.1	2546108
WLHBW 10	4000	25	16	218	45	2	2546110
WLHBW 13	6700	34	20	269	52	4	2546113
WLHBW 16	10000	35	24	319	60	6.8	2546116


Foundry eye hook FW (Grade 10)

Z

Do not use unless operation without safety latches is allowed.

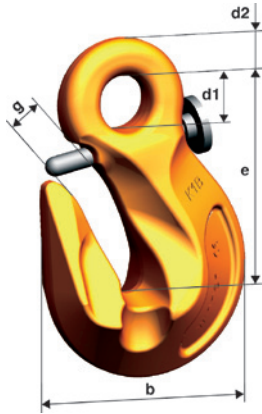
Type	Safe working load (kg)	A (mm)	B (mm)	D1 (mm)	D2 (mm)	E (mm)	G (mm)	H (mm)	Weight (kg/pce/m)	Productid
FW 7/8	2500	25	118	24	11	131	64	29	0.92	2547008
FW 10	4000	32	143	31	14	158	76	35	1.77	2547010
FW 13	6700	40	170	39	17	190	89	42	2.82	2547013
FW 16	10000	46	200	47	22	224	102	50	5.03	2547016
FW 19	16000	54	231	56	28	260	114	61	7.6	2547019


Shortening eye hook PW (Grade 10)

Z

Shortening eye hook PW (Grade 10)

Type	Safe working load (kg)	B (mm)	D1 (mm)	D2 (mm)	E (mm)	G (mm)	Weight (kg/pce/m)	Productid
PW 5/6	1400	47.4	12	8.5	51	8	0.18	2548006
PW 7/8	2500	58	20	11.5	70.5	10.5	0.4	2548008
PW 10	4000	76	22	15	79	13	0.9	2548010
PW 13	6700	101	26	18	113	17	1.8	2548013
PW 16	10000	118	32	23	129	19	3.6	2548016
PW 19/20	16000	150	36	27	151	25	6.15	2548019
PW 22	19000	165	42	31	170	27	8.3	2548022
PW 26	26500	195	50	37	201	38	13.8	2548026
PW 32	40000	242	60	43	243	38	25	2548032

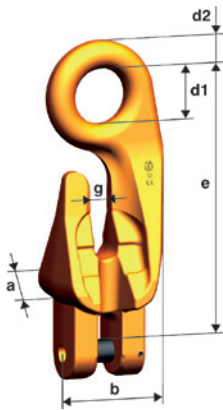


Shortening eye hook with safety pins (Grade 10)

Z

Shortening eye hook with safety pins.

Type	Safe working load (kg)	B (mm)	D1 (mm)	D2 (mm)	E (mm)	G (mm)	Weight (kg/pce/m)	Productid
PSW 7-8	2500	58	20	12	71	11	0.4	2549008
PSW 10	4000	88	22	15	88	13	0.9	2549010
PSW 13	6700	98	24	17	98	16	1.6	2549013
PSW 16	10000	129	32	23	129	19	3.6	2549016

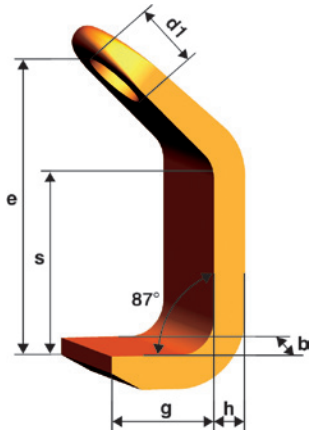


Shortening clamp XKW (Grade 10)

Z

Chain can be directly connect to the shortening clamp.

Type	Safe working load (kg)	A (mm)	B (mm)	D1 (mm)	D2 (mm)	E (mm)	G (mm)	Weight (kg/pce/m)	Productid
XKW 5-6	1400	28.5	36.5	18	9	84	7	0.3	2543006
XKW 7	1900	39	53	24	12	122	9	0.62	2543007
XKW 8	2500	39	53	24	12	122	9	0.63	2543008
XKW 10	4000	50	70	31	14	159	13	1.25	2543010
XKW 13	6700	64	92	37	18	203	15	2.7	2543013
XKW 16	10000	80	102	48	24	233	18	4.8	2543016

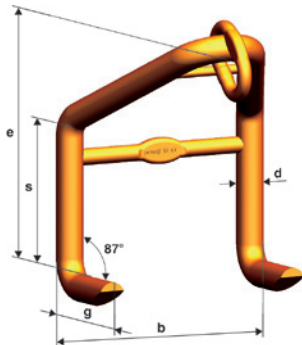


Sheet hook BWW (Grade 10)

Z

For lifting sheets and sheet bundles. Recommended operating angle range: 15° to 30°.

Type	Safe working load (kg)	B (mm)	D1 (mm)	E (mm)	G (mm)	H (mm)	S (mm)	Weight (kg/pce/m)	Productid
BWW 7/8	2500	50	28	131	55	18	80	1.5	2552008
BWW 10	4000	70	36	168	65	20	100	2.8	2552010
BWW-13	6700	80	40	207	90	26	130	5.9	2552013
BWW-16	10000	100	50	261	110	33	160	10.8	2552016
BWW-19-20	16000	120	60	302	130	40	185	17.2	2552019
BWW-22	19000	140	75	363	150	50	220	31.3	2552022

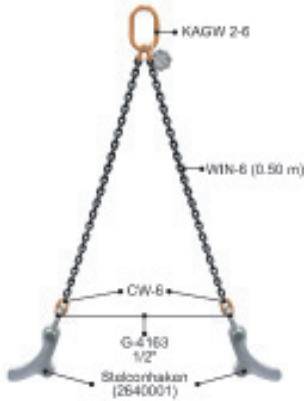


Fork hook GHW (Grade 10)

Z

For lifting large-size sheets and sheet bundles. Recommended operating angle range: 30° to 45°.

Type	Safe working load (kg)	B (mm)	D (mm)	E (mm)	G (mm)	S (mm)	Weight (kg/pce/m)	Productid
GHW 5/6	1400	190	23	203	65	100	2.7	2553006
GHW 7/8	2500	254	30	300	100	150	6.5	2553008
GHW 10	4000	380	40	402	130	200	16.1	2553010


Stelcon drag assembly (Grad 8).

Z

Stecon hooks can only be used for steel tubes 55 x 25 mm.

Properties

- 1 x KAGW2-6.
- 2 x 0,5 m 6 x 18 WIN200.
- 2 x CW6.
- 2 x G4163-1/2".
- 1 x 2640001 stelconset.

Type	Name	Productid
Stelcon	Stelcon drag assembly (Grad 8).	2529010


Barrel grab assembly.

Z

Intended for safe lifting and handling of steel barrels in horizontal position.

Type	Name	Productid
KAGW-FA-1800	Barrel grab assembly.	2529020


Drag chain Grade 100

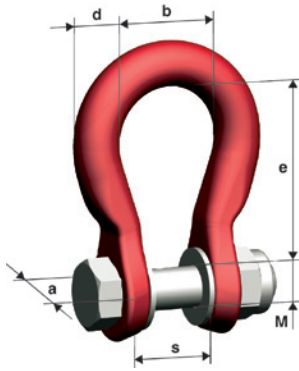
Z

Drag chain Grade 100.

Properties

- 1 x AW18.
- 2 x CW10.
- 1 x PW10.
- 1 x WIN200 10 x 30 x 5000 mm.
- 1 x KHSW10.

Type	Name	Productid
AW-10-CW-PW-KHSW-5000	Drag chain Grade 100	2529030

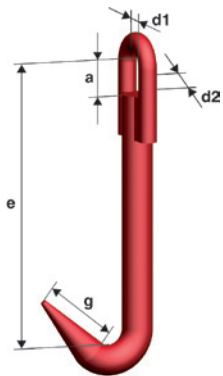


Unilock U (Grade 8)

Z

Standard connection clamps

Type	Safe working load (kg)	A (mm)	B (mm)	D (mm)	E (mm)	M (mm)	S (mm)	Weight (kg/pce/m)	Productid
U-5-6	1120	16	21	9	33.5	7	11	0.1	2635006
U-7	1500	22	28	13	48.5	9	16	0.2	2635007
U-8	2000	22	28	13	48	10	16	0.2	2635008
U-10	3150	27	35	16	60	12	20	0.4	2635010
U-13	5300	34	39	18	72	16	24	0.7	2635013
U-16	8000	44	47	23	80	20	32	1.2	2635016
U-19	11200	52	56	26	96	24	36	2	2635019
U-26	21200	66	77	33	132	30	49	4.1	2635026

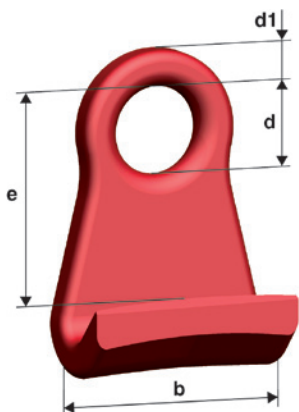


Bale hook BA (Grade 8)

Z

For transporting mesh reinforcements.

Type	Safe working load (kg)	A (mm)	D1 (mm)	D2 (mm)	E (mm)	G (mm)	Weight (kg/pce/m)	Productid
BA-5-6	1120	24	16	7	160	40	0.4	2661006
BA-7-8	2000	30	20	10	200	50	0.7	2661008
BA-10	3150	39	27	13	260	65	1.5	2661010

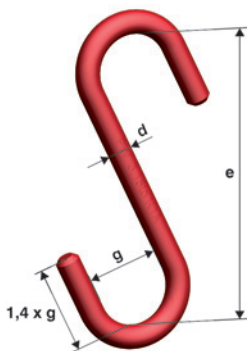


barrel hook FA (Grade 8)

Z

Can be used for drum lifting.

Type	Safe working load (kg)	B (mm)	D1 (mm)	D (mm)	E (mm)	Weight (kg/pce/m)	Productid
FA-5-6	500	70	17	40	90	0.8	2662006

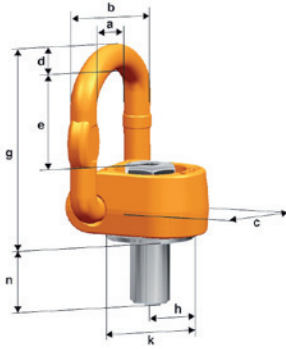


S hook SM (grade 8)

Z

Can be utilized as connecting hooks for steel wire loops.

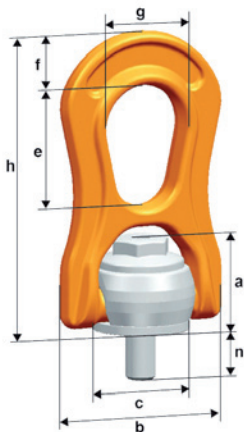
Type	Safe working load (kg)	D (mm)	E (mm)	G (mm)	Weight (kg/pce/m)	Productid
SM-5	800	16	180	42	0.6	2664005
SM-7-8	2000	23	220	53	1.5	2664008
SM-10	3150	27	280	63	2.6	2664010
SM-13	5300	40	400	90	8.2	2664013
SM-16	8000	50	500	120	16	2664016
SM-19	11200	60	550	130	26	2664019
SM-22	15000	80	750	175	64.5	2664022


PLAW lifting point (Grade 10)

Z

Rotating and folding in lashing point. Special mounting screw with metric screw thread and replaceable hold spring.

Type	Safe working load (kg)	A (mm)	B (mm)	C (mm)	D (mm)	E (mm)	G (mm)	H (mm)	K (mm)	M (mm)	N (mm)	SW (mm)	SWI (mm)	Weight (kg/pce/m)	Productid
PLAW-0.3T-M8	300	45	67	40	11	44	95	23	55	8	20	24	10	0.64	2558008
PLAW-0.63T-M10	630	45	67	40	11	44	95	23	55	10	20	24	10	0.65	2558010
PLAW-1T-M12	1000	45	67	40	11	44	95	23	55	12	33	24	10	0.66	2558012
PLAW-1.5T-M16	1500	45	67	40	11	44	95	23	55	16	33	24	10	0.67	2558016
PLAW-2.5T-M20	2500	54	81	50	13	57	111	33	67	20	33	24	8	1.1	2558020
PLAW-4T-M24	4000	75	115	67	20	70	143	45	100	24	36	36	14	2.7	2558024
PLAW-6T-M30	6000	75	115	67	20	70	143	45	100	30	49	36	14	2.8	2558030
PLAW-8T-M36	8000	93	147	85	27	90	188	52	120	36	55	36	19	6	2558036
PLAW-10T-M42	10000	93	147	85	27	90	188	52	120	42	65	36	19	6.3	2558042
PLAW-15T-M42	15000	115	181	105	33	115	246	63	150	42	65	55	19	11.7	2558043
PLAW-20T-M48	20000	115	181	105	33	115	246	63	150	48	73	55	19	11.8	2558048


PLBW Lifting point (Grade 10)

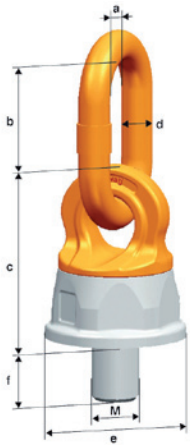
Z

360° rotating. 180° swivel. Orange powder coating.

Type	Safe working load (kg)	A (mm)	B (mm)	C (mm)	E (mm)	F (mm)	G (mm)	H (mm)	M (mm)	N (mm)	SW (mm)	SWI (mm)	Weight (kg/pce/m)	Productid
PLBW-0.3T-M8	300	28	14.2	30	38	17.5	27	94	8	14	15	8	0.3	2559008
PLBW-0.6T-M10	600	28	56	30	38	17.5	27	94	10	16	15	8	0.31	2559010
PLBW-1T-M12	1000	28	56	30	38	17.5	27	94	12	18	15	8	0.32	2559012
PLBW-1.3T-M14	1300	43	79	45	55	25	38	138	14	22	24	10	1.03	2559014
PLBW-1.6-M16	1600	43	79	45	55	25	38	138	16	24	24	10	1.04	2559016
PLBW-2T-M18	2000	43.2	27.3	45	55	25	38	138	18	27	24	10	1.07	2559018
PLBW-2.5T-M20	2500	43	79	45	55	25	38	138	20	30	24	10	1.08	2559020
PLBW-3T-M22	3000	64	118	68	85	37.5	58	209	22	33	36	14	3.52	2559022
PLBW-4T-M24	4000	64	118	68	85	37.5	58	209	24	36	36	14	3.55	2559024
PLBW-5T-M27	5000	64	118	68	85	37.5	58	209	27	40	36	14	3.6	2559027
PLBW-6.3T-M30	6300	64	118	68	85	37.5	58	209	30	45	36	14	3.68	2559030
PLBW-8T-M33	8000	106	188	108	132	60	91	331	33	54	55	19	14.32	2559033
PLBW-10T-M36	10000	106	188	108	132	60	91	331	36	59	55	19	14.43	2559036
PLBW-12.5T-M42	12500	106	188	108	132	60	91	331	42	69	55	19	14.72	2559042
PLBW-15T-M48	15000	106	188	108	132	60	91	331	48	74	55	19	15.03	2559048

PLDW lifting points Grade 10

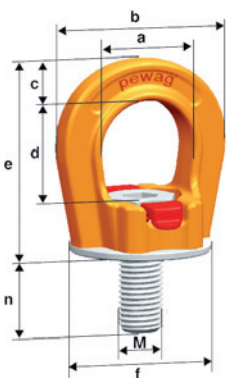
Z



Type	Safe working load (kg)	A (mm)	B (mm)	C (mm)	D (mm)	E (mm)	F (mm)	M (mm)	SW (mm)	Weight (kg/pce/m)	Productid
PLDW-0.3T-M8	300	30	40	45	11	38	20	8	34	0.31	2561008
PLDW-0.5T-M10	500	30	40	45	11	38	20	10	34	0.32	2561010
PLDW-0.7T-M12	700	30	40	45	11	38	22	12	34	0.34	2561012
PLDW-1.5T-M16	1500	35	45	45	13	38	33	16	34	0.43	2561016
PLDW-2.5T-M20	2500	35	57	70.5	13	55	33	20	46	0.86	2561020
PLDW-4T-M24	4000	40	70	79	20	63	40	24	50	1.55	2561024
PLDW-6T-M30	6000	50	94	88	23	72	40	30	60	2.49	2561030
PLDW-8T-M36	8000	50	92	119	23	92	55	36	75	4.31	2561036
PLDW-10T-M42	10000	60	112	119	27	92	60	42	75	5.22	2561042
PLDW-12.5T-M48	12500	60	112	119	27	92	68	42	75	5.37	2561048

PLGW lifting points Grade 10

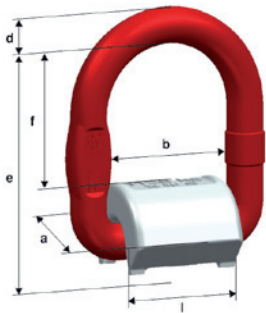
Z



Type	Safe working load (kg)	A (mm)	B (mm)	C (mm)	D (mm)	E (mm)	F (mm)	M (mm)	N (mm)	SWI (mm)	Weight (kg/pce/m)	Productid
PLGW-0.4T-M8	400	25	45	9	26.5	53	35	8	15	6	0.22	2562008
PLGW-0.5T-M10	500	25	45	9	26.5	53	35	10	15	6	0.24	2562010
PLGW-0.7T-M12	700	30	55	11	32	63	43	12	20	8	0.29	2562012
PLGW-1.5T-M16	1500	35	64	13	35.5	70	50	16	25	10	0.45	2562016
PLGW-2T-M20	2000	40	69	15	40.5	78	54	20	30	12	0.58	2562020
PLGW-3T-M24	3000	50	86	17	50	93	69	24	35	14	1.1	2562024
PLGW-4T-M30	4000	60	110	23	60	114	90	30	45	17	2.1	2562030
PLGW-7T-M36	7000	70	132	31	70	136	108	36	55	19	3.9	2562036
PLGW-9T-M42	9000	80	150	32	80	155	125	42	65	22	5.95	2562042
PLGW-12T-M48	12000	95	179	42	95	179	148	48	75	24	8.9	2562048

PLE Weldable eye (Grade 8)

Z



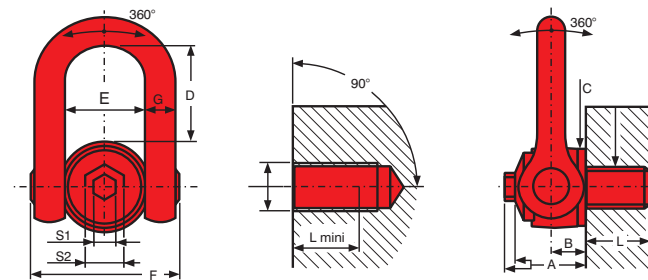
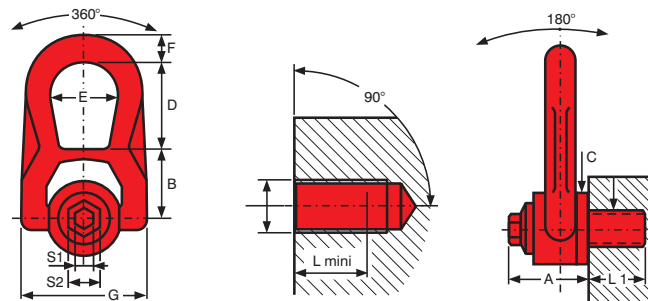
Red finish. For welding on machine parts or truck chassis. Ideal for anchoring and cargo fixation. Can be loaded in any direction. Adhere to welding requirements!

Type	Safe working load (kg)	A (mm)	B (mm)	D (mm)	E (mm)	F (mm)	L (mm)	Weight (kg/pce/m)	Productid
PLE-6	1120	36	38	11	67	40	35	0.28	2677006
PLE-8	2000	37	40	13	75	43	37	0.39	2677008
PLE-10	3150	41	43	16.5	83	48	40	0.64	2677010
PLE-13	5300	57	52	19.5	101	56	50	1.7	2677013
PLE-16	8000	63	67	23	118	70	64	2	2677016
PLE-22	15000	89	93	33	159	93	90	5.5	2677022

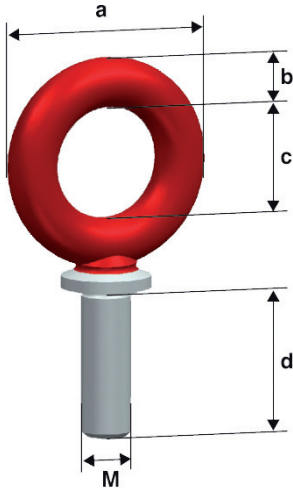
Screw suspension eye DSR / DSS (Grade 8)

Z

360° rotatable. 180° tiltable. Red finish.



Type	Safe working load (kg)	A (mm)	B (mm)	C (mm)	D (mm)	E (mm)	F (mm)	G (mm)	L (mm)	S (mm)	SW (mm)	Weight (kg/pce/m)	Productid
DSR-M10	600	33	30	30	33	27	14	53	17	8	16	0.32	2674010
DSR-M12	1000	33	30	30	38	27	14	53	21	8	16	0.32	2674012
DSR-M14	1300	45	42	45	54	38	17	76	23	8	20	0.83	2674014
DSR-M16	1600	45	42	45	54	38	17	76	27	8	20	0.85	2674016
DSR-M18	2000	45	42	45	54	38	17	76	27	8	20	0.86	2674018
DSR-M20	2500	45	42	45	54	38	17	76	30	8	20	0.91	2674020
DSR-M22	3000	63	55	60	83	55	25	107	33	14	24	2.44	2674022
DSR-M24	4000	63	55	60	83	55	25	107	36	14	24	2.45	2674024
DSR-M30	6300	63	55	60	83	55	25	107	45	14	24	2.66	2674030
DSS-M36	10000	61	31	70	104	73	145	29	54	19		5.22	2674036
DSS-M42	12500	61	31	70	104	73	145	29	63	19		5.44	2674042
DSS-M48	20000	79	38	90	125	91	184	33	68	19		11	2674048
DSS-M56	25000	79	38	90	125	91	184	33	78	19		11.3	2674056
DSS-M64	32100	79	38	95	125	91	184	33	90	19		12.2	2674064

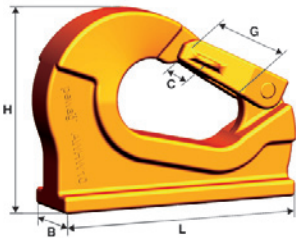


RGS Eye bolt (Grade 8)

Z

Red finish.

Type	Safe working load (kg)	A (mm)	B (mm)	C (mm)	D (mm)	M (mm)	Weight (kg/pce/m)	Productid
RGS08-M8	400	36	8	20	25	8	0.06	2675008
RGS10-M10	700	42	10	22	30	10	0.1	2675010
RGS12-M12	1000	51	12	27	36	12	0.2	2675012
RGS14-M14	1200	58	14	30	40	14	0.3	2675014
RGS16-M16	1500	66	16	36	53	16	0.4	2675016
RGS20-M20	2500	76	18	40	58	20	0.7	2675020
RGS24-M24	4000	98	22	54	82	24	1.32	2675024

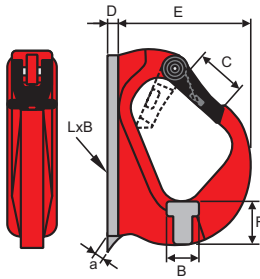


Weldable hook AHW (Grade 10)

Z

Safety hook complying with the safety rules. Adhere to welding requirements!

Type	Safe working load (kg)	B (mm)	C (mm)	G (mm)	H (mm)	L (mm)	Weight (kg/pce/m)	Productid
AHW-1.3	1300	25	34	25	71	95	0.6	2672002
AHW-3.8	3800	35	40	29	105	132	1.3	2672004
AHW-6.3	6300	45	49	34	130	167	2.8	2672006
AHW-10	10000	50	49	34	133	175	3.7	2672010



AH welding hooks (Grade 8)

Z

Safe working loads from 1000 to 8000 kg. Welding hooks can be used on trucks, trailers, excavators, drag-lines, cross beams etc. The hook can be welded without any after-treatment of any kind. REMA welding hooks are fitted with stable and strong safety latches. All hooks have a powder coated surface.

Type	Safe working load (kg)	A (mm)	B (mm)	C (mm)	D (mm)	E (mm)	F (mm)	L x B (mm)	Weight (kg/pce/m)	Productid
AH-1.0	1000	4	17	24	6	76	22	90x25	0.4	2672501
AH-3.0	3000	5	24	29	8	105	28	130x35	1.25	2672503
AH-5.0	5000	5	30	37	10	132	47	160x45	2.35	2672505
AH-8.0	8000	7	40	47	10	138	50	170x50	3.6	2672507

AOR Weldable eye bolt (Grade 8)

Z

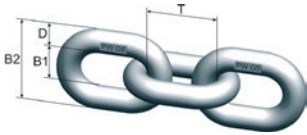
Red finish. For screwing on machine parts or truck chassis. Ideal for anchoring and cargo fixation. Can be loaded in any direction.

Option

- Higher Capacity on request.



Type	Safe working load (kg)	A (mm)	B (mm)	D (mm)	E (mm)	F (mm)	L (mm)	M (mm)	Weight (kg/pce/m)	Productid
AOR10-M16	3150	90	40	18	112	57	130	16	1.54	2676010
AOR13-M20	5300	115	50	22	149	79	165	20	2.83	2676013
AOR16-M30	8000	150	65	26	183	93	212	30	5.87	2676016
AOR22-M36	15000	175	75	36	226	114	255	36	11.2	2676022


chain WOX (Grade 5)

Z

ChainWOX Grade 5

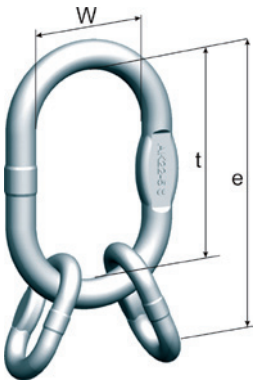
Type	Safe working load (kg)	B1 (mm)	B2 (mm)	D (mm)	T (mm)	Weight (kg/pce/m)	Productid
WOX-5	500	8	19	5	16	0.56	2685005
WOX-7	1000	10	25	7	21.5	1.1	2685007
WOX-10	2000	14	36	10	30	2.2	2685010
WOX-13	3200	18	47	13	39	3.8	2685013
WOX-16	5000	22	58	16	48	5.7	2685016


Crane eye AWI (Grade 5)

Z

Crane eye AWI

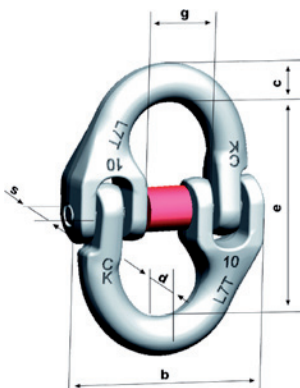
Type	Safe working load (kg)	D (mm)	E (mm)	T (mm)	W (mm)	Chain (mm)	Weight (kg/pce/m)	Productid
AWI-10	700	10		80	50		0.2	2685110
AWI-13	1050	13		110	60		0.3	2685113
AWI-16	1400	16		110	60		0.5	2685116
AWI-18	2000	19		135	75		0.8	2685118
AWI-22	3200	23		160	90		1.5	2685122
AWI-26	5000	27		180	100		2.3	2685126
AWI-32	7000	32		200	110		3.9	2685132


Crane eye VWI (Grade 5)

Z

Crane eye VWI Grade 5.

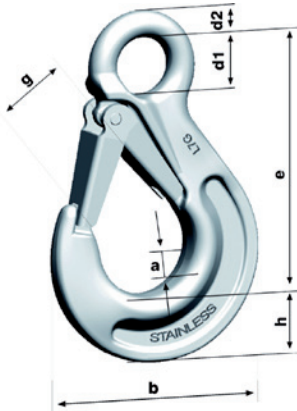
Type	Safe working load (kg)	D (mm)	E (mm)	T (mm)	W (mm)	Chain (mm)	Weight (kg/pce/m)	Productid
VWI-5	1050	13	154	110	60		0.52	2685205
VWI-7/8	3200	23	230	160	90		2.22	2685207
VWI-10	5000	27	265	180	100		3.36	2685210
VWI-13	7000	33	315	200	110		6.02	2685213
VWI-16	10500	36	400	260	140		9.99	2685216


Connex coupling CWI (Grade 5)

Z

Connex coupling CWI Grade 5.

Type	Safe working load (kg)	B (mm)	C (mm)	D (mm)	E (mm)	G (mm)	S (mm)	Weight (kg/pce/m)	Productid
CWI-5	500	34.4	7	7	36	12.7	11	0.05	2685305
CWI-7	1000	50.8	9	9	54	16.6	14	0.12	2685307
CWI-10	2000	69.8	13	13	73	24.6	18	0.33	2685310
CWI-13	3200	85.4	17	17	92	28.6	25	0.7	2685313
CWI-16	5000	105.3	21	21	104	36.5	32	1.22	2685316

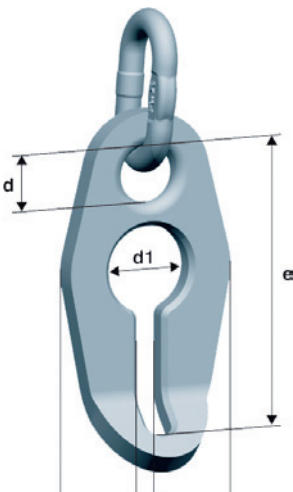


Eye hook HSWI (Grade 5)

Z

Eye hook HSWI Grade 5.

Type	Safe working load (kg)	A (mm)	B (mm)	D1 (mm)	D2 (mm)	E (mm)	G (mm)	H (mm)	Weight (kg/pce/m)	Productid
HSWI-5	500	14	66	21	8	80		20,0	0.2	2685405
HSWI-7	1000	19	88	24	11	104		28,0	0.5	2685407
HSWI-10	2000	27	108	31	14	120		33,0	1	2685410
HSWI-13	3200	32	130	39	17	150		40,0	1,9	2685413
HSWI-16	5000	37	152,5	47	22	175		47,4	3,0	2685416

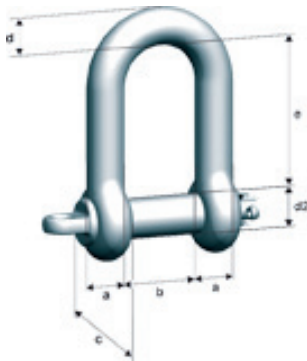


VLWI Stainless steel Shortening link (Grade 5)

Z

VLWI Stainless steel Shortening link (Grade 5)

Type	Safe working load (kg)	A (mm)	D (mm)	D1 (mm)	E (mm)	G (mm)	Weight (kg/pce/m)	Productid
VLWI-5/6	750	44	18	26	82	8	0.15	2685906
VLWI-7/8	1250	68	22	34	111	11	0.40	2685908
VLWI-10	2000	80	30	40	119	12	0.65	2685910
VLWI-13	3200	92	34	52	150	16	1.20	2685913
VLWI-16	5000	114	40	64	185	20	2.30	2685916



SMSWI Stainless steel D-Shackle (Grade 5)

Z

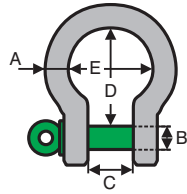
SMSWI Stainless steel D-Shackle

Type	Safe working load (kg)	A (mm)	B (mm)	C (mm)	D (mm)	D2 (mm)	E (mm)	Weight (kg/pce/m)	Productid
SMSWI-4/5	500	8	17	18	8	9	22	0.07	2600005
SMSWI-6/7/8	1250	12	25	25	12	13	40	0.22	2600008
SMSWI-10	2000	16	32	32	16	17	60	0.52	2600010
SMSWI-13	3200	13	25	32	13	16	50	0.35	2600013
SMSWI-16	5000	16	32	38	16	19	64	0.55	2600015


Bow shackle G-4161

Z

Safety factor 6. Zinc-coated.

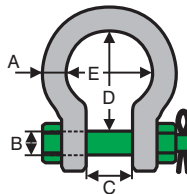


Type	Safe working load (kg)	A (mm)	B (mm)	C (mm)	D (mm)	E (mm)	Weight (kg/pce/m)	Productid
G4161-1/4	500	7	8	12	29	20	0.06	3011001
G4161-5/16	750	9	10	13.5	32	21	0.11	3011003
G4161-3/8	1000	10	11	16.1	36	26	0.15	3011005
G4161-7/16	1500	11	13	18	43	29	0.21	3011007
G4161-1/2	2000	13	16	22	51	32	0.37	3011009
G4161-5/8	3250	16	19	27	64	43	0.65	3011011
G4161-3/4	4750	19	22	31	76	51	1.06	3011013
G4161-7/8	6500	22	25	36	83	58	1.56	3011015
G4161-1	8500	25	28	43	95	68	2.32	3011017
G4161-1.1/8	9500	28	32	47	108	75	3.28	3011018
G4161-1.1/4	12000	32	35	51	115	83	4.51	3011019
G4161-1.3/8	13500	35	38	57	133	92	5.93	3011020
G4161-1.1/2	17000	38	42	60	146	99	7.89	3011021
G4161-3/4	25000	45	50	74	178	126	13.4	3011023
G4161-2	35000	50	57	83	197	138	18.15	3011025
G4161-2.1/4	42500	57	65	95	222	160	26.29	3011027
G4161-2.1/2	55000	65	70	105	260	180	37.6	3011029


Bow shackle G-4163

Z

Safety factor 6. Zinc-coated.

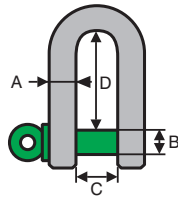


Type	Safe working load (kg)	A (mm)	B (mm)	C (mm)	D (mm)	E (mm)	Weight (kg/pce/m)	Productid
G4163-1/4	500	7	8	12	29	20	0.06	3012001
G4163-5/16	750	9	10	13.5	32	21	0.11	3012003
G4163-3/8	1000	10	11	16.1	36	26	0.15	3012005
G4163-7/16	1500	11	13	18	43	29	0.21	3012007
G4163-1/2	2000	13	16	22	51	32	0.37	3012009
G4163-5/8	3250	16	19	27	64	43	0.65	3012011
G4163-3/4	4750	19	22	31	76	51	1.06	3012013
G4163-7/8	6500	22	25	36	83	58	1.56	3012015
G4163-1	8500	25	28	43	95	68	2.32	3012017
G4163-1.1/8	9500	28	32	47	108	75	3.28	3012018
G4163-1.1/4	12000	32	35	51	115	83	4.51	3012019
G4163-1.3/8	13500	35	38	57	133	92	5.93	3012020
G4163-1.1/2	17000	38	42	60	146	99	7.89	3012021
G4163-1.3/4	25000	45	50	74	178	126	13.4	3012023
G4163-2	35000	50	57	83	197	138	18.15	3012025
G4163-2.1/4	42500	57	65	95	222	160	26.29	3012027
G4163-2.1/2	55000	65	70	105	260	180	37.6	3012029

D-shackle type G-4151

Z

Safety factor 6. Zinc-coated.

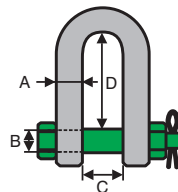


Type	Safe working load (kg)	A (mm)	B (mm)	C (mm)	D (mm)	E (mm)	Weight (kg/pce/m)	Productid
G4151-1/4	500	7	8	12	25		0.06	3013001
G4151-5/16	750	9	10	13.5	27		0.11	3013003
G4151-3/8	1000	10	11	16.1	31		0.15	3013005
G4151-7/16	1500	11	13	18	37		0.21	3013007
G4151-1/2	2000	13	16	22	43		0.37	3013009
G4151-5/8	3250	16	19	27	51		0.65	3013011
G4151-3/4	4750	19	22	31	59		1.06	3013013
G4151-7/8	6500	22	25	36	73		1.56	3013015
G4151-1	8500	25	28	43	85		2.32	3013017
G4151-1.1/8	9500	28	32	47	90		3.28	3013019
G4151-1.1/4	12000	32	35	51	94		4.51	3013021
G4151-1.3/8	13500	35	38	57	115		5.93	3013023
G4151-1.1/2	17000	38	42	60	127		7.89	3013025
G4151-1.3/4	25000	45	50	74	149		13.4	3013027
G4151-2	35000	50	57	83	171		16.86	3013029
G4151-2.1/4	42500	57	65	95	190		24.56	3013031
G4151-2.1/2	55000	65	70	105	203		32.65	3013033

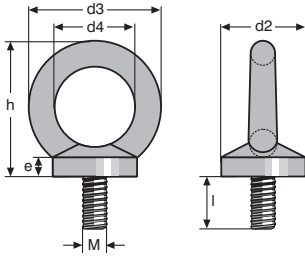
D-shackle type G-4153

Z

Safety factor 6. Zinc-coated.



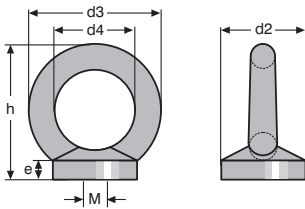
Type	Safe working load (kg)	A (mm)	B (mm)	C (mm)	D (mm)	E (mm)	Weight (kg/pce/m)	Productid
G4153-1/2	2000	13	16	22	43		0.37	3014009
G4153-5/8	3250	16	19	27	51		0.65	3014011
G4153-3/4	4750	19	22	31	59		1.06	3014013
G4153-7/8	6500	22	25	36	73		1.56	3014015
G4153-1	8500	25	28	43	85		2.32	3014017
G4153-1.1/8	9500	28	32	47	90		3.28	3014019
G4153-1.1/4	12000	32	35	51	94		4.51	3014021
G4153-1.3/8	13500	35	38	57	115		5.93	3014023
G4153-1.1/2	17000	38	42	60	127		7.89	3014025
G4153-1.3/4	25000	45	50	74	149		13.4	3014027
G4153-2	35000	50	57	83	171		16.86	3014029
G4153-2.1/4	42500	57	65	95	190		24.56	3014031
G4153-2.1/2	55000	65	70	105	203		32.65	3014033


Eye bolt type G-8140

Z

In compliance with DIN 580. Zinc-coated.

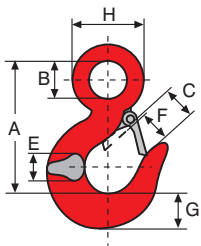
Type	Safe working load (kg)	D2 (mm)	D3 (mm)	D4 (mm)	E (mm)	H (mm)	L (mm)	M (mm)	Weight (kg/pce/m)	Productid
G8140-M8	140	20	36	20	6	36	13	8	0.06	3015001
G8140-M10	230	25	45	25	8	45	17	10	0.11	3015003
G8140-M12	340	30	54	30	10	53	20.5	12	0.18	3015005
G8140-M14	490	35	63	35	12	60	27	14	0.28	3015007
G8140-M16	700	35	63	35	12	62	27	16	0.28	3015009
G8140-M20	1200	40	72	40	14	71	30	20	0.43	3015011
G8140-M24	1800	50	90	50	18	90	36	24	0.84	3015013
G8140-M27	2500	50	90	50	18	90	36	27	1.22	3015015
G8140-M30	3200	65	108	60	22	109	45	30	1.66	3015017
G8140-M36	4600	75	196	70	26	128	54	36	2.65	3015019


Eye nut type G-8142

Z

In compliance with DIN 582. Zinc-coated.

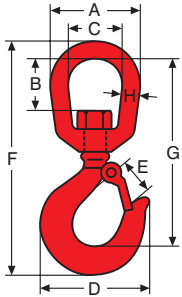
Type	Safe working load (kg)	D2 (mm)	D3 (mm)	D4 (mm)	E (mm)	H (mm)	L (mm)	M (mm)	Weight (kg/pce/m)	Productid
G8142-M8	140	20	36	20	8.5	36		8	0.06	3017001
G8142-M10	230	25	45	25	10	45		10	0.1	3017003
G8142-M12	340	30	54	30	11	53		12	0.16	3017005
G8142-M14	490	35	63	35	13	62		14	0.24	3017007
G8142-M16	700	35	63	35	13	62		16	0.24	3017009
G8142-M20	1200	40	72	40	16	71		20	0.36	3017011
G8142-M24	1800	50	90	50	20	90		24	0.71	3017013
G8142-M27	2500	50	90	50	20	90		27	1.1	3017015
G8142-M30	3200	65	108	60	25	109		30	1.32	3017017
G8142-M36	4600	75	126	70	30	128		36	2.08	3017019


Eye hook type 14A

Z

Safety factor 4. Finished. Safety latch.

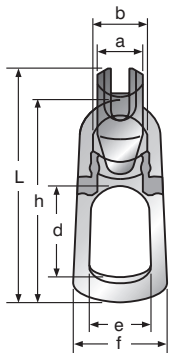
Type	Safe working load (kg)	A (mm)	B (mm)	C (mm)	D (mm)	E (mm)	F (mm)	G (mm)	H (mm)	Weight (kg/pce/m)	Productid
14A-1.25	1250	81	19	24	32	17	22	20	37	0.27	3007001
14A-1.6	1600	93	23	26	34	19	24	23	44	0.4	3007003
14A-2.5	2500	104	28	27	37	25	25	27	51	0.55	3007005
14A-3.2	3200	119	31	31	40	26	28	30	61	0.83	3007007
14A-5.4	5400	146	39	38	50	35	34	40	74	1.9	3007009
14A-8	8000	187	51	47	60	46	43	52	97	3.3	3007011
14A-11.5	11500	230	62	57	72	47	52	63	119	5.7	3007013
14A-16	16000	255	72	63	84	55	57	70	136	8.4	3007015
14A-22	22000	317	89	85	100	66	76	82	168	17	3007017



Swivel hook type 3A Z

Finished. Safety latch. Cannot be rotated under load

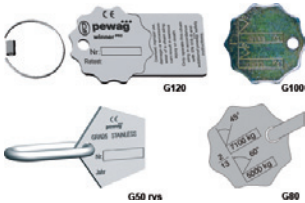
Type	Safe working load (kg)	A (mm)	B (mm)	C (mm)	D (mm)	E (mm)	F (mm)	G (mm)	H (mm)	Weight (kg/pce/m)	Productid
3A-1.25	1250	52	28	31	75	25	148	116	10.5	0.43	3009001
3A-1.6	1600	67	36	40	81	27	180	145	13.5	0.85	3009003
3A-2.5	2500	81	40	47	92	28	208	165	17	1.21	3009005
3A-3.2	3200	81	45	47	103	32	222	175	17	1.51	3009007
3A-5.4	5400	106	65	64	125	38	274	214	21	3.7	3009009
3A-8	8000	129	64	77	165	48	337	264	26	6.6	3009011
3A-11.5	11500	148	66	90	193	58	395	308	29	10.25	3009013
3A-16	16000	165	86	96	221	65	445	344	34	15.8	3009015
3A-22	22000	200	114	120	282	89	543	427	40	26	3009016



Concrete hook type RBH Z

Concrete hook type RBH

Type	Safe working load (kg)	A (mm)	B (mm)	D (mm)	E (mm)	F (mm)	H (mm)	L (mm)	Weight (kg/pce/m)	Productid
RBH-1.3	1300	32	42	70.5	45	73	157	181	0.89	3010101
RBH-2.5	2500	42	49	85	57	88	190	220	1.3	3010103
RBH-5	5000	55	70	88	69	110	233	271	3.24	3010105
RBH-10	10000	74	92	116	83	161	336.5	386	10.01	3010107
RBH-20	20000	110	114.5	133.5	107.5	182	437	497	20.37	3010109



REMA chain Label Z

Type	Name	Productid
IDWP-G120	REMA chain Label	2512050
PLW-1 G100	REMA chain Label	2590011
PLW-2/3/4 G100	REMA chain Label	2590012
IDWOX	REMA chain Label	2685001
PLW-1 G80	REMA chain Label	2690001
PLW-2 G80	REMA chain Label	2690002

Vertical plate clamp	92
Horizontal plate clamp	96
Spindle clamps	99
Bulb-, profil-clamps	100
Rail and beam lifting clamps	101
Pipe-, concrete-, tube-clamps	102
Spindle-beam clamps	104
Superclamp	105
Pallet pullers	110

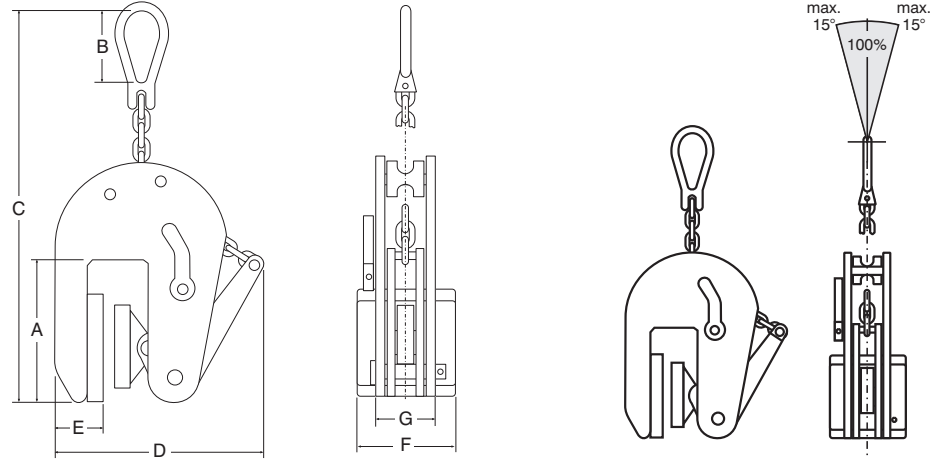


CNM non-marking vertical plate lifting clamps **H**

CNM non-marking vertical plate lifting clamps

Applications

- Purposely designed for damage-free hoisting and safe transportation of stainless steel, aluminum and wooden sheets.



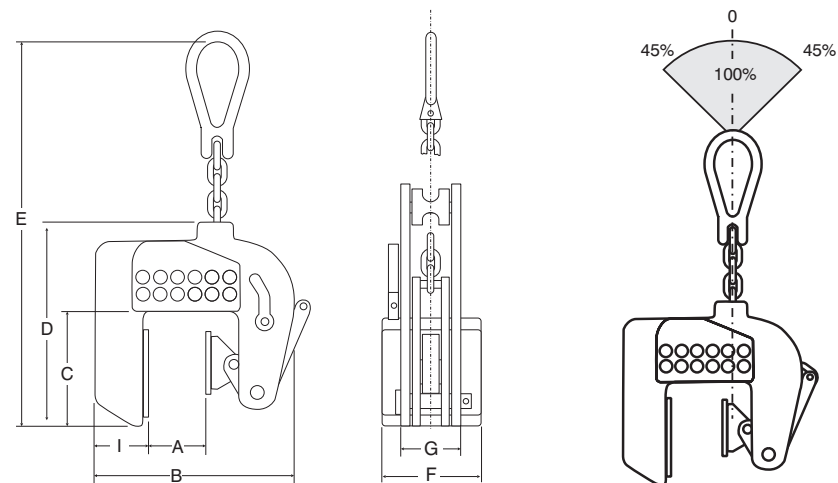
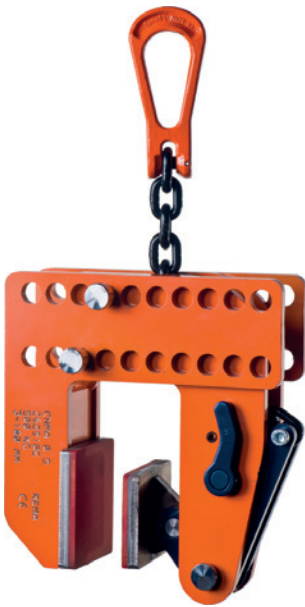
Type	Safe working load (kg)	Jaw opening (mm)	A (mm)	B (mm)	C (mm)	D (mm)	E (mm)	F (mm)	G (mm)	Weight (kg)	Productid
CNM-0.5	500	1-20	93	65	360	220	48	80	48	5.5	3315001
CNM-0.5G	500	17-37	93	65	360	240	48	80	48	6.0	3315003
CNM-1.0	1000	1-30	95	80	400	275	46	80	54	6.5	3315000
CNM-1.5	1500	1-40	95	80	400	275	46	80	54	7.2	3315002
CNM-2.0	2000	1-50	120	100	710	406	63	80	65	14.0	3315004
CNM-3.0	3000	1-60	120	100	710	406	63	80	65	15.0	3315005

CNMA vertical non-marking lifting clamp **H**

CNMA vertical non-marking lifting clamp

Properties

- Purposely designed for damage-free hoisting and safe transportation of stainless steel, aluminum and wooden sheet.



Type	Safe working load (kg)	Jaw opening (mm)	A (mm)	B (mm)	C (mm)	D (mm)	E (mm)	F (mm)	G (mm)	Weight (kg)	Productid
CNMA-05	500	3-180	3-180	220-340	143	223	360	80	66	10	3315006

CS vertical plate lifting clamps

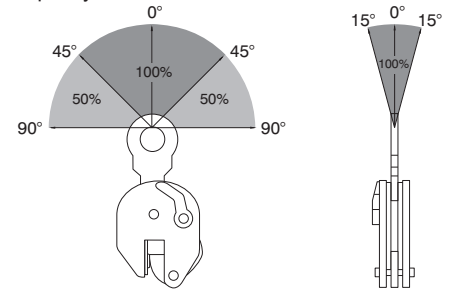
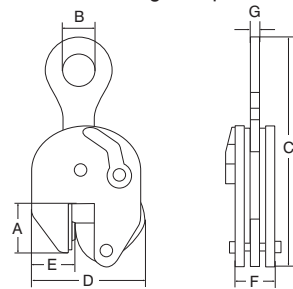
H

Lifting clamps for safe transportation of steel plates in vertical position.



Properties

- Fitted with standard lifting eyes movable in a single direction.
- Even in initial position, the safety lock exerts force on plates by means of a spring so that they may not drop out of the clamps.
- For hoisting steel plates up to hardness 37 RC (345 HB).
- Rated load capacity and size of jaw opening are clearly shown on lifting clamps.
- Suitable for lifting steel plates, rotating them by 180° and transportation them in vertical position.
- Safety factor min 5 x rated load capacity.
- Each lifting clamps is subject to test load at 2 x rated load capacity.



Type	Safe working load (kg)	Jaw opening (mm)	A (mm)	B (mm)	C (mm)	D (mm)	E (mm)	F (mm)	G (mm)	Weight (kg)	Productid
CS-0.75	750	0-13	47	30	205	100	35	37	10	1.5	3360001
CSE-1.0	1000	0-25	55	45	265	142	38	47	15	3.6	3360002
CS-1.0	1000	0-20	55	45	265	125	38	47	15	3.3	3361001
CS-1.5	1500	0-20	80	65	335	165	55	56	17	6.3	3360003
CS-2.0	2000	0-35	80	65	335	185	55	56	17	6.5	3361002
CS-3.0	3000	0-35	80	65	335	185	55	56	17	7	3361003
CS-4.0	4000	0-45	85	70	430	230	60	78	20	16	3361004
CS-6.0	6000	0-50	114	75	490	255	78	78	20	20	3361006
CS-9.0	9000	0-55	112	75	530	267	70	86	20	26	3361009
CS-12.0	12000	0-52	148	85	617	295	100	94	44	42	3361013
CS-15.0	15000	0-75	159	86	760	375	135	105	50	71	3361015

CS-H vertical plate lifting clamps

H

Lifting clamps for safe transportation of steel plates of greater hardness in vertical position.



Properties

- Equipped with a standard lifting eye movable in one directions.
- Even in initial position, the safety lock exerts force on plates by means of a spring so that they may not drop out of the clamps.
- For hoisting steel plates up to hardness 50 RC (485 HB) Rated load capacity and size of jaw opening are clearly shown on lifting clamps.
- For lifting steel plates, rotating them 180° and transportation them in vertical position.
- Safety factor min.
- 5 x rated load capacity.
- Each plate grip is subject to test load at 2 x rated load capacity.

Type	Safe working load (kg)	Jaw opening (mm)	A (mm)	B (mm)	C (mm)	D (mm)	E (mm)	F (mm)	G (mm)	Weight (kg)	Productid
CS-0.75H	750	0-13	47	30	205	100	35	37	10	1.5	3361101
CS-1.0H	1000	0-25	55	45	265	142	38	47	15	3.6	3361103
CS-2.0H	2000	0-35	80	65	335	185	55	56	17	6.5	3361105
CS-3.0H	3000	0-35	80	65	335	185	55	56	17	7	3361107
CS-4.5H	4500	0-45	85	70	430	230	60	77	20	16	3361109
CS-6.0H	6000	0-32	114	75	490	230	78	78	20	19	3361111

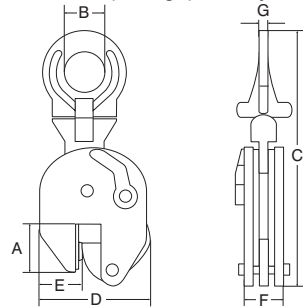

CU universal plate lifting clamps

H

Lifting clamps fitted with universal lifting eye for safe transportation of steel plates in vertical position.

Properties

- Equipped with a universal lifting eye movable in two directions.
- Even in initial position, the safety lock exerts force on plates by means of a spring so that they may not drop out of the clamps.
- For hoisting steel plates up to hardness 37 RC (345 HB).
- Rated load capacity and size of jaw opening are clearly shown on lifting clamps.
- For lifting steel plates, rotating them 180° and transportation them in vertical position.
- Safety factor min.
- 5 x rated load capacity.
- Each plate grip is subject to test load at 2 x rated load capacity.



Type	Safe working load (kg)	Jaw opening (mm)	A (mm)	B (mm)	C (mm)	D (mm)	E (mm)	F (mm)	G (mm)	Weight (kg)	Productid
CU-0.75	750	0-13	47	30	203	100	35	37	10	1.7	3362001
CU-1.5	1500	0-20	80	70	370	165	55	56	16	7	3362003
CU-1.0	1000	0-20	55	50	295	125	38	47	14	3.5	3363001
CU-2.0	2000	0-35	80	70	370	185	55	56	16	7.3	3363002
CU-3.0	3000	0-35	80	70	370	185	55	56	16	8	3363003
CU-4.0	4000	0-45	85	70	430	230	60	78	20	17	3363004
CU-6.0	6000	0-50	114	78	527	255	78	78	32	22	3363006
CU-9.0	9000	0-55	112	78	565	267	70	86	45	30	3363009
CU-12.0	12000	0-52	148	85	650	295	100	94	48	44	3363013
CU-15.0	15000	0-76	159	85	765	373	136	106	48	75	3363015


CU-H universal plate lifting clamps

H

Lifting clamps fitted with universal lifting eye for safe transportation of steel plates in vertical position.

Properties

- Equipped with a universal lifting eye movable in two directions.
- Even in initial position, the safety lock exerts force on plates by means of a spring so that they may not drop out of the clamps.
- For hoisting steel plates up to hardness 50 RC (485 HB).
- Rated load capacity and size of jaw opening are clearly shown on lifting clamps.
- For lifting steel plates, rotating them 180° and transportation them in vertical position.
- Safety factor min 5 x rated load capacity.
- Each plate grip is subject to test load at 2 x rated load capacity.

Type	Safe working load (kg)	Jaw opening (mm)	A (mm)	B (mm)	C (mm)	D (mm)	E (mm)	F (mm)	G (mm)	Weight (kg)	Productid
CU-0.75H	750	0-13	47	30	203	100	35	37	10	1.7	3363101
CU-1.0H	1000	0-25	55	50	295	142	38	47	14	3.9	3363103
CU-2.0H	2000	0-35	80	70	370	185	55	56	16	7.3	3363105
CU-3.0H	3000	0-35	80	70	370	185	55	56	16	8	3363107
CU-4.5H	4500	0-45	85	70	430	230	60	78	20	17	3363109
CU-6.0H	6000	0-40	114	78	527	225	78	78	32	22	3363111
CU-7.5H	7500	1-55	112	78	565	267	70	86	32	26	3363113

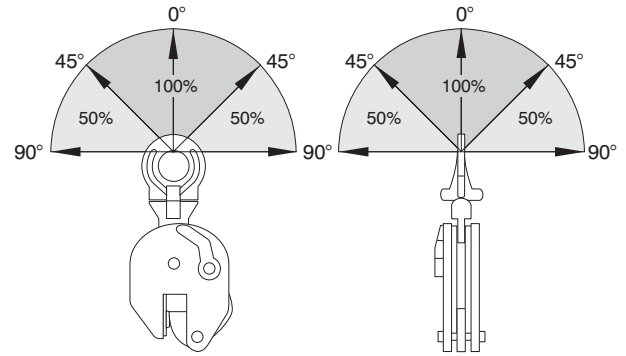
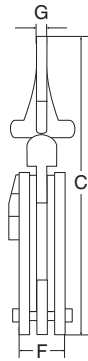
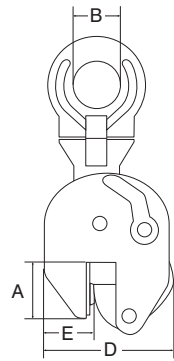
CUR plate lifting clamps for hoisting stainless steel plates

H

For safe vertical transfer of stainless steel sheets.

Properties

- Both the segments, segment pins and the cam are made from stainless steel.
- Both the housing and the latch pin are nickel-plated to prevent carbon steel and stainless steel sheets from contacting.



Type	Safe working load (kg)	Jaw opening (mm)	A (mm)	B (mm)	C (mm)	D (mm)	E (mm)	F (mm)	G (mm)	Weight (kg)	Productid
CUR-2.0	2000	0-20	80	70	370	165	55	56	16	7.2	3313021

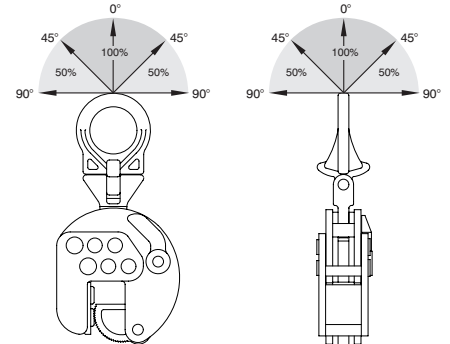
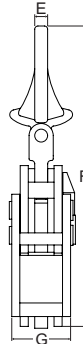
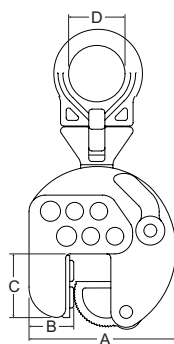
CSEU vertical lifting clamp

H

For lifting and transporting plates and constructions from any position.

Properties

- If a clamp with a variable jaw opening is required.
- Adjustable in steps of 30 mm.
- Strong and light-weight construction.

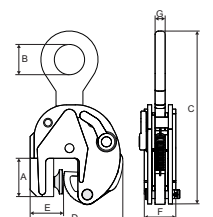
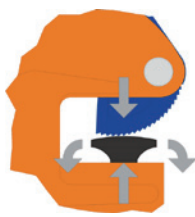


Type	Safe working load (kg)	Jaw opening (mm)	A (mm)	B (mm)	C (mm)	D (mm)	E (mm)	F (mm)	G (mm)	Weight (kg)	Productid
CSEU-3	3000	0-95	182-245	55	80	70	16	370	73	11	3313020

CBT vertical lifting clamp with movable pivot.

H

For lifting and transporting of thinplates. Special movable cam for extra pressure on the material for a safer lifting.



Type	Safe working load (kg)	Jaw opening (mm)	A (mm)	B (mm)	C (mm)	D (mm)	E (mm)	F (mm)	G (mm)	Weight (kg)	Productid
CBT-1	1000	0-20	57	45	258	138	50	47	15	4	3364001

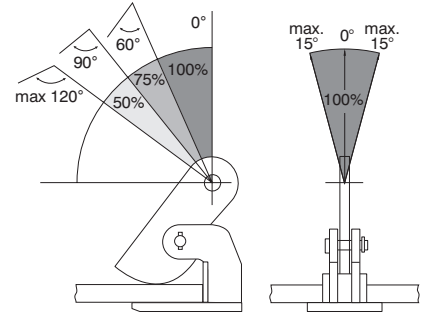
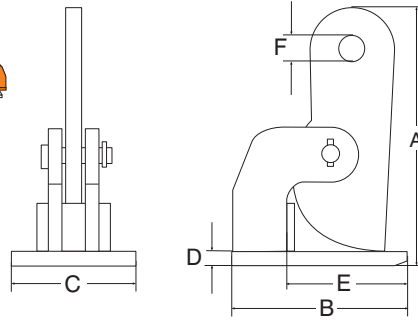


CH horizontal plate lifting clamps **H**

Lifting clamps for safe transportation of steel plates in horizontal position. For hoisting steel plates up to hardness 37 RC (345 HB).

Properties

- Rated load capacity and size of jaw opening are clearly shown on lifting clamps.
- Suitable for lifting non-bending steel plates and transportation them in horizontal position.
- These clamps can also be used directly under a traverse squared to them.
- Always must be used in pairs.
- Low weight and compact design.
- Safety factor min 5 x rated load capacity.
- Each plate lifting clamp is subject to test load at 2 x rated load capacity.



Type	Safe working load (kg)	Jaw opening (mm)	A (mm)	B (mm)	C (mm)	D (mm)	E (mm)	F (mm)	Weight (kg)	Productid
CH-1.0	1000/2	0- 35	188	140	65	10	100	25	5.2/2	3365001
CH-2.0	2000/2	0- 60	290	180	90	15	115	31	15/2	3365002
CH-4.0	4000/2	0- 60	306	220	105	25	145	31	26/2	3365004
CH-6.0	6000/2	0- 60	306	220	110	25	145	31	26/2	3365006
CH-8.0	8000/2	0- 60	335	225	120	35	135	31	36/2	3365008
CH-10.0	10000/2	0- 60	335	225	120	35	135	31	40/2	3365010
CH-2.0/L	2000/2	0-100	380	180	90	15	120	31	18/2	3365102
CH-4.0/L	4000/2	0-100	415	220	105	25	145	31	30/2	3365104
CH-6.0/L	6000/2	0-100	415	220	120	25	145	31	32/2	3365106
CH-8.0/L	8000/2	0-100	430	225	120	35	135	31	44/2	3365108
CH-10.0/L	10000/2	0-100	430	225	120	35	135	31	46/2	3365110

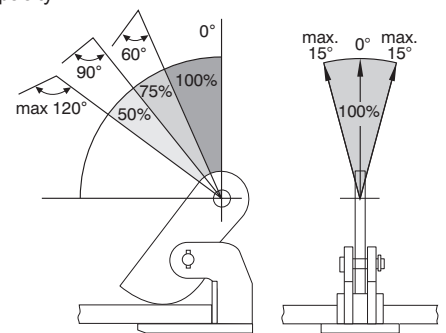
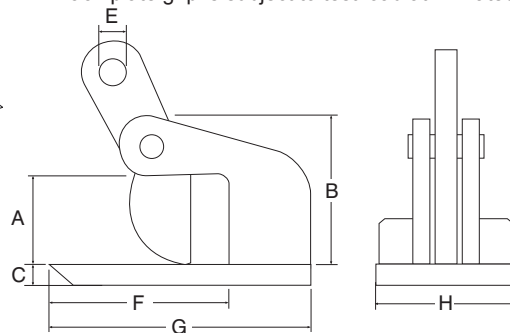
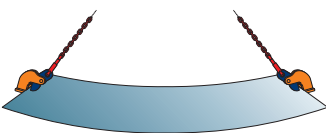


CHT horizontal plate lifting clamps for thin plates **H**

CHT horizontal plate lifting clamps for thin plates

Properties

- Always must be used in pairs.
- Rated load capacity and size of jaw opening are clearly shown on lifting clamps.
- Safety factor min 5 x rated load capacity.
- Each plate grip is subject to test load at 2 x rated load capacity.



Type	Safe working load (kg)	Jaw opening (mm)	A (mm)	B (mm)	C (mm)	D (mm)	E (mm)	F (mm)	G (mm)	Weight (kg)	Productid
CHT-1.0	1000/2	0-15	40	85	10	22.5	100	140	65	6/2	3309001
CHT-2.0	2000/2	0-35	65	135	20		26	115	180	16/2	3309002

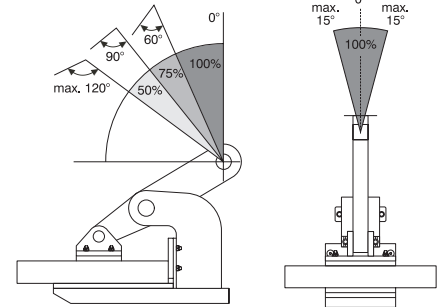
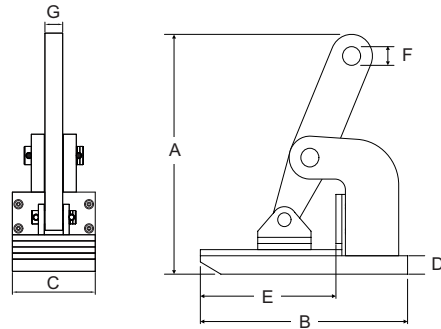
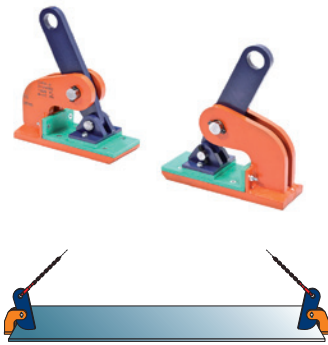
CNMH horizontal lifting clamp

H

CNMH horizontal lifting clamp

Applications

- Purposely designed for damage-free hoisting and safe transportation of stainless steel, aluminum and wooden sheets.

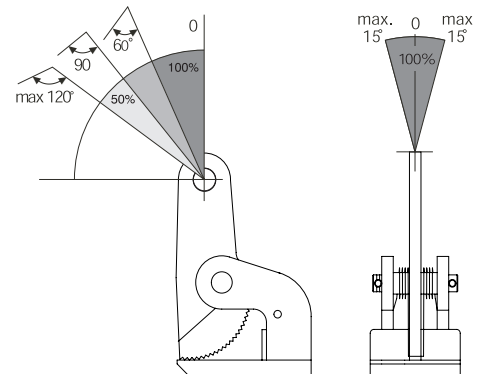
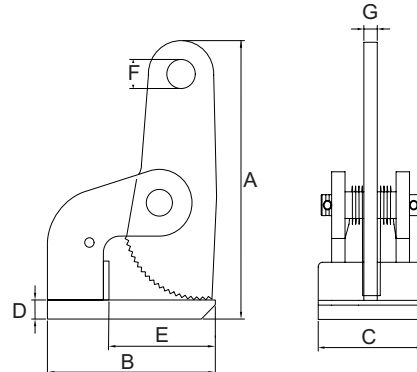
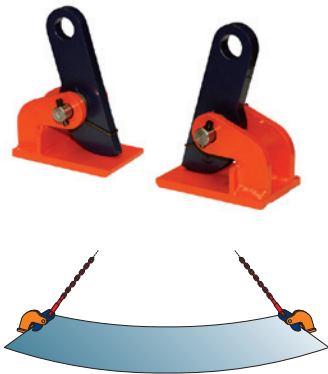


Type	Safe working load (kg)	Jaw opening (mm)	A (mm)	B (mm)	C (mm)	D (mm)	E (mm)	F (mm)	G (mm)	Weight (kg)	Productid
CNMH-1	1000/2	0-25	154	140	65	15	95	20.0	15	7	3366001
CNMH-2	2000/2	0-45	270	225	90	23	150	30.5	15	18	3366002
CNMH-3	3000/2	0-45	275	225	90	28	150	30.5	15	26	3366003
CNMH-4	4000/2	0-50	305	250	105	28	160	30.5	20	32	3366004
CNMH-6	6000/2	0-50	310	250	120	33	160	30.5	20	34	3366006

CHTV horizontal clamp for thin plates

H

CHTV horizontal clamp for thin plates

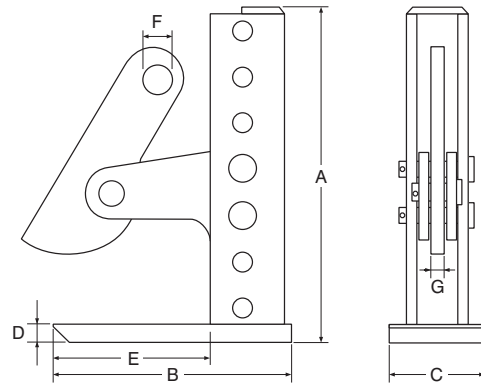


Type	Safe working load (kg)	Jaw opening (mm)	A (mm)	B (mm)	C (mm)	D (mm)	E (mm)	F (mm)	G (mm)	Weight (kg)	Productid
CHTV-1	1000/2	0-35	193	140	85	10	100	25	15	6/2	3369001
CHTV-2	2000/2	0-60	290	180	125	15	115	30.5	16	18/2	3369002
CHTV-3	3000/2	0-60	293	180	125	20	115	30.5	16	20/2	3369003
CHTV-4	4000/2	0-60	310	220	165	30	140	30.5	20	30/2	3369004
CHTV-6	6000/2	0-60	310	220	165	30	140	30.5	20	30/2	3369006



CHV horizontal plate lifting clamps **H**

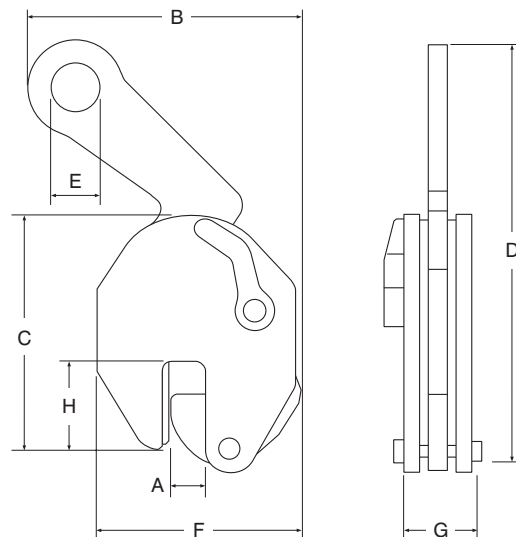
CHV horizontal plate lifting clamps



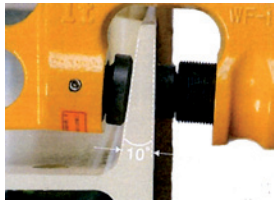
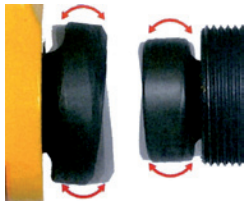
Type	Safe working load (kg)	Jaw opening (mm)	A (mm)	B (mm)	C (mm)	D (mm)	E (mm)	F (mm)	G (mm)	Weight (kg)	Productid
CHV-1.5	1500/2	3-180	290	200	90	15	135	30	20	18/2	3315011
CHV-1.5X	1500/2	3-300	410	200	90	15	135	30	20	23/2	3315013
CHV-3.0	3000/2	3-180	300	235	105	20	165	30	20	29/2	3315015
CHV-3.0X	3000/2	3-300	410	235	105	20	165	30	20	31/2	3315017
CHV-4.5	4500/2	3-180	300	235	105	20	165	30	20	32/2	3315019
CHV-4.5X	4500/2	3-420	535	235	105	20	170	30	20	34/2	3315021
CHV-6.0	6000/2	3-180	305	250	120	25	160	30	20	40/2	3315023
CHV-6.0X	6000/2	3-420	540	250	120	25	165	30	20	46/2	3315025
CHV-9.0	9000/2	3-180	305	250	120	25	160	30	20	51/2	3315027
CHV-9.0X	9000/2	3-420	540	250	120	25	165	30	20	60/2	3315029

CBV beam clamps **H**

Designed for safe lifting and transportation of steel beams in vertical position.



Type	Safe working load (kg)	Jaw opening (mm)	A (mm)	B (mm)	C (mm)	D (mm)	E (mm)	F (mm)	G (mm)	H (mm)	Weight (kg)	Productid
CBV-1.0	1000	0-15	0-15	175	150	226	35	130	35	47	4	3313000
CBV-2.0	2000	0-20	0-20	265	200	345	60	165	56	67	8	3313001
CBV-3.0	3000	0-25	0-25	325	235	410	72	192	77	65	16	3313002



WF-screw clamp

H

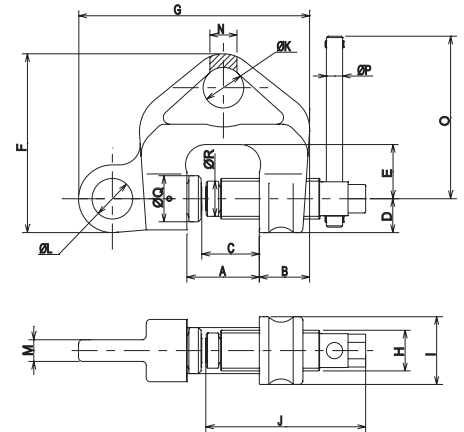
Double cam lock screw clamp. Special alloy steel body makes safety factor 8 times.

Properties

- A circular double cam lock method is employed, resulting in a stronger clamping force and ensuring safe work.
- Two suspension holes enable work to be performed in all directions.
- This clamp can be used to hoist inclined loads such as I-beams.
- The setscrew of the screw is a fine thread type.
- The body is provided with a baked finish.
- The circular cam and the screw are treated to prevent rusting.

Applications

- Hoisting and conveying work.
- Lowering devices.
- Dragging work.



Type	Safe working load (kg)	Minimum load (kg)	Jaw opening (mm)	Weight (kg)	Productid
WF-0.5	500	100	3-28	1.5	3316001
WF-1.0	1000	200	3-40	2.9	3316003
WF-2.0	2000	400	3-45	4.9	3316005
WF-3.0	3000	600	6-49	7.2	3316007
WF-5.0	5000	1000	9-53	10.0	3316009

Type	A (mm)	B (mm)	C (mm)	D (mm)	E (mm)	F (mm)	G (mm)	H (mm)	I (mm)	J (mm)	K (mm)	L (mm)	M (mm)	N (mm)	O (mm)	P (mm)	Q (mm)	R (mm)
WF-0.5	41	32	30.5	21	33	108	138	34	42	10	25	24.5	12	16	120		26	21
WF-1.0	53.5	38	42.5	25	40	132	172	34	50	10	30	29.5	16	20	120		34	26
WF-2.0	60	45	47.5	31	41	157	202	34	62	10	34	33.0	22	28	150		36	29
WF-3.0	65.5	52	51.5	35	44	170	230	34	70	10	35	40.5	28	33	160		40	36
WF-5.0	71	57	55.5	38	46	187	248	34	75	10	40	45.0	38	40	180		41	36



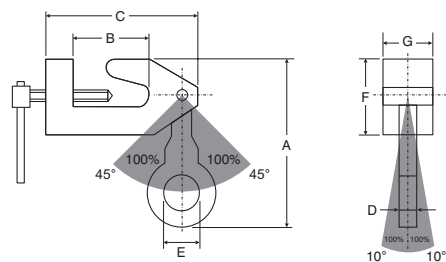
CBS spindle-type flange clamps

H

Spindle clamps for flanged profiles and HP ship profiles.

Applications

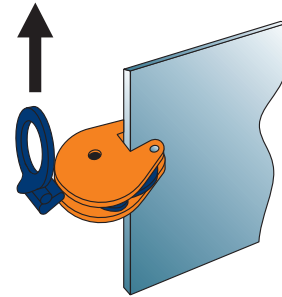
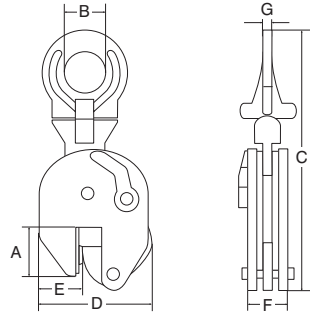
- Special for Profile HP100 and HP240.



Type	Safe working load (kg)	Jaw opening (mm)	A (mm)	B (mm)	C (mm)	D (mm)	E (mm)	F (mm)	G (mm)	K (mm)	Weight (kg)	Productid
CBS-1.5	1500	HP100-240	180	75	150	16	45	75	40		3	3313018
CBS-3.0	3000	HP100-240	205	75	150	16	45	75	80		6.5	3313019

CBU holland profile clamps H

Specifically developed for lifting and transportation HP profiles and ship constructions using HP profiles. Fitted with 2 cams and universal lifting eyes.



Type	Safe working load (kg)	Jaw opening (mm)	A (mm)	B (mm)	C (mm)	D (mm)	E (mm)	F (mm)	Weight (kg)	Productid
CBU-3.0	3000	0-35	90	70	370	185	55	54	15	3310001
CBU-5.0	5000	0-45	110	70	435	225	60	86	19	3310003

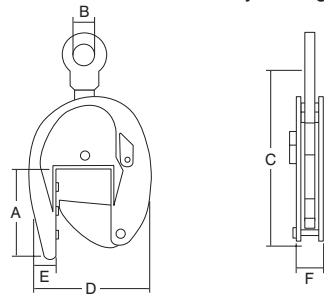
CBL bulb lifting clamps H

These flange clamps are developed specifically for safe lifting and transportation of HP profiles. They can be utilized in shipbuilding very well.



Properties

- 3 cams.
- Standard with safety locking; clamps will not release either during gripping or putting down.



Type	Safe working load (kg)	Jaw opening (mm)	A (mm)	B (mm)	C (mm)	D (mm)	E (mm)	F (mm)	Weight (kg)	Productid
CBL-1.5	1500	0-80	205	70	520	280	66	64	20	3313017

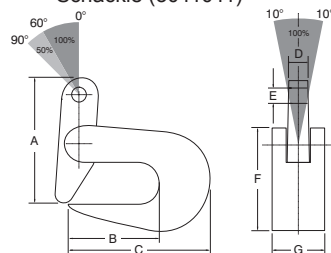
CDK fluted sheet lifting clamps H

Specifically developed for safe lifting and transportation fluted plates of dams. These clamps must always be used in pairs.



Option

- Schackle (3011011)



Type	Safe working load (kg)	Jaw opening (mm)	A (mm)	B (mm)	C (mm)	D (mm)	E (mm)	F (mm)	G (mm)	Weight (kg)	Productid
CDK-3.0	3000/2	0 - 20	185	80	140	15	25	115	40	3	3313023

CRC rail clamp

H



The REMA clamp is made with a safety mechanism that makes sure that the rail cannot slide out of the clamp during transport. The clamp is locked in open and closed position.

Properties

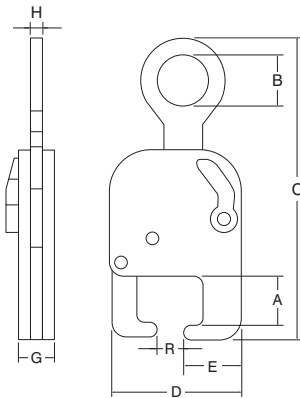
- Lifting capacity and jaw opening are clearly engraved in the housing.

Applications

- For vertical transport of (railway) rail profiles.

Option

- Other capacities and jaw openings.
- Other profile dimensions on request.



Type	Safe working load (kg)	Jaw opening (mm)	A (mm)	B (mm)	C (mm)	D (mm)	E (mm)	G (mm)	H (mm)	Weight (kg)	Productid
CRC-1.5	1500	40-75	64	65	390	170	70	48	16	8	3314015

COBK beam lifting clamp

H



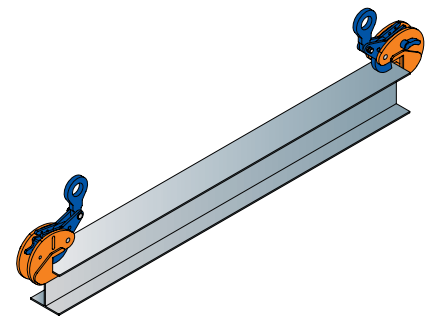
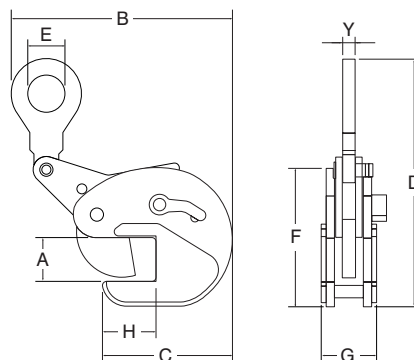
COBK beam lifting clamp

Applications

- For lifting and transporting steel beams, profiles and construction parts.
- The clamp is suitable for lifting the beams at the sides and at the front-ends.

Option

- Other capacities and jaw openings.



Type	Safe working load (kg)	Jaw opening (mm)	A (mm)	B (mm)	C (mm)	D (mm)	E (mm)	F (mm)	G (mm)	H (mm)	Y (mm)	Weight (kg)	Productid
COBK-2.0	2000	3-20	3-20	285	157	295	64	155	67	65	17	19	3313022

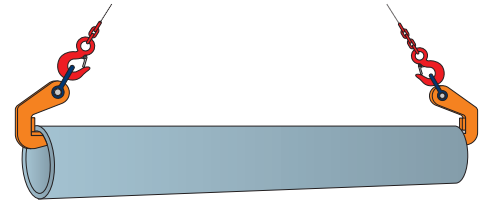
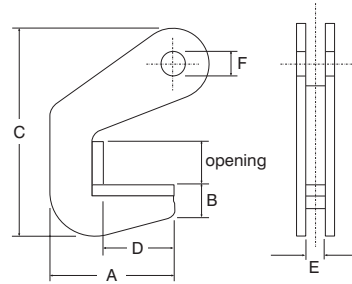


CPH pipe lifting clamps H

CPH pipe lifting clamps

Applications

- With TBK plastic coating.
- These clamps must always be used in pairs.
- Supplied with suspension elements excluded.



Type	Safe working load (kg)	Jaw opening (mm)	A (mm)	B (mm)	C (mm)	D (mm)	E (mm)	F (mm)	Weight (kg)	Productid
CPH-1.5	1500/2	40	120	32	185	70	41	16	3.2/2	3313025
CPH-3.0	3000/2	40	120	32	185	70	41	16	3.2/2	3313027
CPH-4.0	4000/2	50	140	58	180	70	41	26	6.0/2	3313029
CPH-6.0	6000/2	50	140	58	180	70	41	26	6.0/2	3313031
CPH-8.0	8000/2	70	140	58	200	70	45	26	7.2/2	3313033
CPH-10.0	10000/2	70	140	58	200	70	85	26	10.0/2	3313034
CPH-12.0	12000/2	70	140	58	200	70	85	26	12.0/2	3313035
CPH-15.0	15000/2	70	155	75	250	70	100	26	18.0/2	3313037
CPH-20.0	20000/2	70	155	75	250	70	100	26	20.0/2	3313039

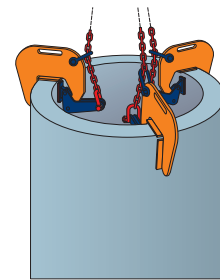
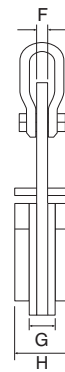
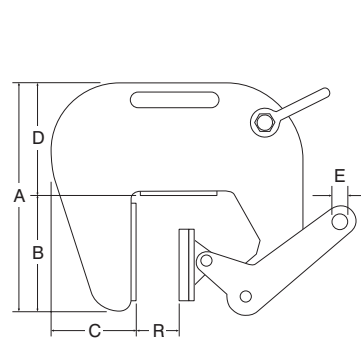


CBA vertical concrete pipe lifting clamps. H

Specifically developed for safe lifting of concrete pipes in vertical position. these clamps must always be used per 3 pieces. On special order supplied with chains and crane eyes.

Option

- Lifting chain: 3LEG-8MM-KAGW-CW-1500.

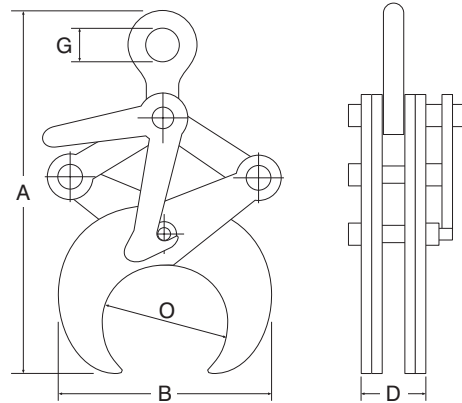


Type	Safe working load (kg)	Jaw opening (mm)	A (mm)	B (mm)	C (mm)	D (mm)	E (mm)	F (mm)	G (mm)	H (mm)	R (mm)	Weight (kg)	Productid
CBA-1.5	1500/3	60-120	320	170	110	160	12	12	40	60	60-120	30/3	3308007
CBA-3.0	3000/3	60-120	320	170	110	160	12	12	40	60	60-120	30/3	3308008

CRK tube lifting clamps

H

Specifically developed for lifting pipes and round material.

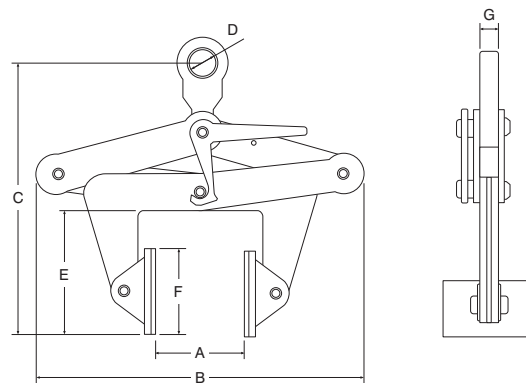


Type	Safe working load (kg)	Jaw opening (mm)	A (mm)	B (mm)	D (mm)	G (mm)	O (mm)	Weight (kg)	Productid
CRK-0.5	500	49-114	314-350	215	47	45	49-114	4	3311001
CRK-1.0	1000	114-219	470-560	345	51	45	115-219	9	3311003
CRK-2.0	2000	219-368	754-870	610	60	65	220-368	31	3311005
CRK-3.0	3000	368-508	840-1100	770	60	65	368-508	40	3311007

CBKN block lifting clamps

H

For lifting and transportation different sorts of product and materials having parallel surfaces. When putting loads down, clamps will open automatically. To prevent possible damages, jaws are coated with wear-resistant plastic. The surfaces of the lifting materials must have a minimum roughness of 25 µm or higher.

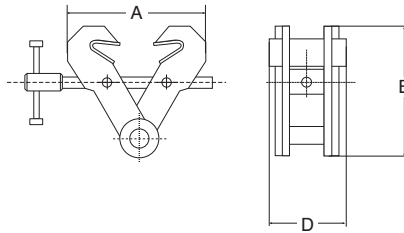


Type	Safe working load (kg)	Jaw opening (mm)	A (mm)	B (mm)	C (mm)	D (mm)	E (mm)	F (mm)	G (mm)	Weight (kg)	Productid
CBKN-0.5	500	30-110	30-110	275-325	270-420	45	100	70-80	15	7	3312013
CBKN-1.0	1000	100-230	100-230	440-530	360-610	45	140	100-120	15	12	3312015
CBKN-2.0	2000	220-360	220-360	600-675	400-680	45	170	100-120	16	18	3312017
CBKN-3.0	3000	350-500	350-500	740-840	490-840	65	200	100-120	20	32	3312019



CSVW spindle beam clamps H

Suitable for lifting steel beams or can be utilized as semi-permanent lifting eyes.

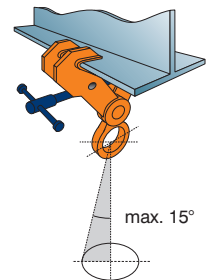
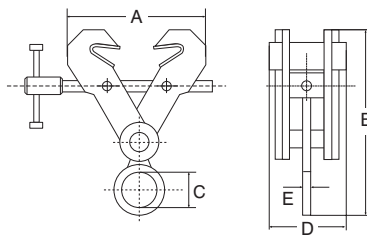


Type	Safe working load (kg)	Jaw opening (mm)	A (mm)	B (mm)	D (mm)	Weight (kg)	Productid
CSVW-1.0	1000	75 - 190	135 - 250	170	120	3	3367001
CSVW-2.0	2000	75 - 190	135 - 250	170	120	4	3367002
CSVW-3.0	3000	75 - 190	135 - 250	170	120	4	3367003
CSVW-4.0	4000	150 - 300	230 - 380	325	180	12	3367004
CSVW-5.0	5000	150 - 300	230 - 380	325	180	12	3367005



CSV spindle beam clamps H

Suitable for lifting steel beams or can be utilized as semi-permanent lifting eyes.



Type	Safe working load (kg)	Jaw opening (mm)	A (mm)	B (mm)	C (mm)	D (mm)	E (mm)	Weight (kg)	Productid
CSV-1.0	1000	75 - 190	135 - 250	300	75	120	16	4	3368001
CSV-2.0	2000	75 - 190	135 - 250	300	75	120	16	5	3368002
CSV-3.0	3000	75 - 190	135 - 250	300	75	120	16	5	3368003
CSV-4.0	4000	150 - 300	230 - 380	450	80	180	20	14	3368004
CSV-5.0	5000	150 - 300	230 - 380	450	80	180	20	15	3368005

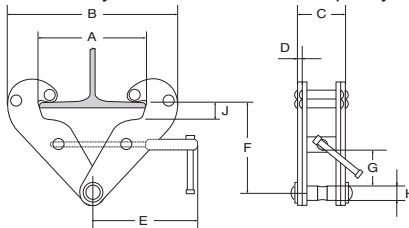


KSB spindle beam clamps H

For lifting and transportation of beams or as fixed suspension points.

Properties

- Low constructional height.
- Easy mounting due to the spindle used.
- Suitable for both IPE or INP steel beams.
- Safetyfactor: 4 x rated load capacity.



Type	Safe working load (kg)	Jaw opening (mm)	A max (mm)	B max (mm)	B min (mm)	C (mm)	D (mm)	E (mm)	F max (mm)	F min (mm)	G (mm)	H (mm)	J (mm)	Weight (kg)	Productid
KSB-1	1000	75 - 220	220	360	180	64	5	215	155	102	25	22	20	5.5	3317001
KSB-2	2000	75 - 220	220	360	180	74	6	215	155	102	25	22	20	6	3317002
KSB-3	3000	80 - 320	320	490	235	103	8	260	225	140	45	24	38	11.5	3317003
KSB-5	5000	80 - 320	320	490	235	110	10	260	225	140	45	28	38	12	3317005
KSB-10	10000	90 - 320	320	520	250	120	12	280	230	160	70	44	38	17	3317010



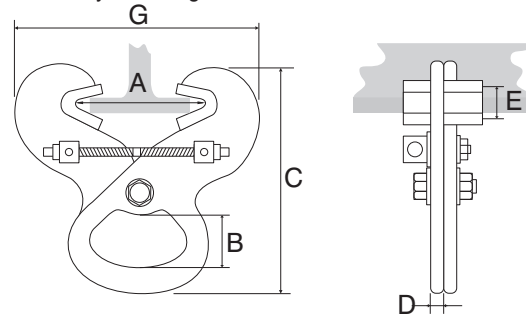
Superclamp PFC1 and PFC2

V

REMA Superclamp series S fitted with adjustable insets is an adjustable spindle beam clamp that grips beam flanges optimally to ensure wider jaw openings.

Properties

- For light industrial applications.
- Compact design and low tare weight.
- Easy mounting



Type	Safe working load (kg)	Jaw opening (mm)	A (mm)	B (mm)	C (mm)	D (mm)	E (mm)	G (mm)	Weight (kg)	Productid
PFC1	1000	96 - 190	96 - 190	38	212	6	22	220	2.1	3501001
PFC2	2000	96 - 190	96 - 190	38	212	6	22	220	2.5	3501002



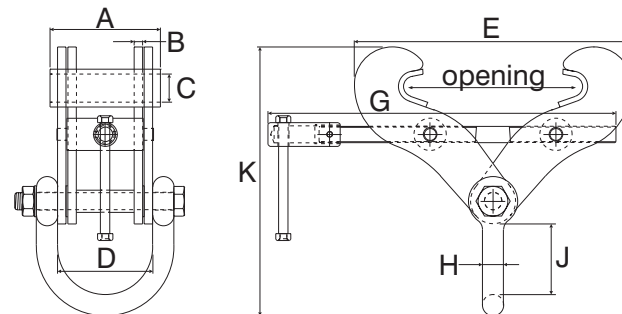
Superclamp S serial

V

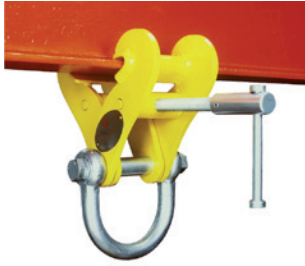
Adjustable spindle beam clamp for establishing a semi-permanent suspension point at angle loads.

Properties

- Compact design and low tare weight.
- Easy mounting.



Type	Safe working load (kg)	Jaw opening (mm)	A (mm)	B (mm)	C (mm)	D (mm)	E (mm)	G (mm)	H (mm)	J (mm)	K (mm)	Weight (kg)	Productid
S1*	2000	76-190	125	3	22	90	188	275	20	77	250	4	3502001
S2*	3000	76-190	125	6	22	90	188	275	20	77	250	5.1	3502003
S2A*	3000	76-190	130	12.5	22	102	250	275	20	103	268	7.4	3502005
S3*	4000	150-254	130	10	22	112	327	410	25	98	332	10.4	3502007
S3X	5000	76-190	130	12.5	22	116	237	295	25	110	300	9	3502009
S3A*	5000	150-305	140	12.5	32	116	373	410	25	110	360	14.9	3502011
S4	7000	101-228	140	12.5	42	118	323	410	32	120	382	17.5	3502012
S4S	6000	203-457	140	12.5	42	116	498	560	25	110	459	18.8	3502013
S4A	10.000	203-457	140	20	42	118	498	560	32	112	476	27.3	3502015
S12	15.000	203-457	170	20	50	116.5	611	660	40	185	616	53.8	3502017
S14	15.000	406-610	175	20	63	116.5	795	810	40	185	673	63	3502019



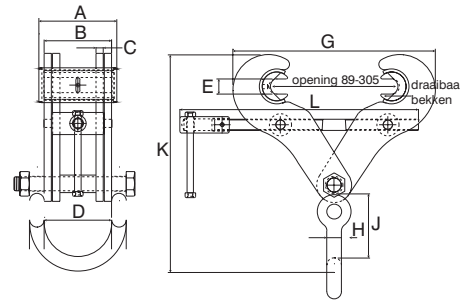
Superclamp S serial with swivel jaw

V

Adjustable spindle beam clamp for establishing a semi-permanent suspension point on angle steels.

Properties

- Robust design.
- Wide jaw openings.
- Easy mounting.



Type	Safe working load (kg)	Jaw opening (mm)	A (mm)	B (mm)	C (mm)	D (mm)	E (mm)	G (mm)	H (mm)	J (mm)	K (mm)	L (mm)	Weight (kg)	Productid
S5	3000	89-305	134	93	6	95	25.4	348	20	102	359	410	10	3503001
S5A	3000	89-305	134	116	10	116	25.4	348	25	110	375	410	13.8	3503003
S6	5000	89-305	134	116	10	116	25.4	348	25	110	375	410	13.8	3503005
S6A	5000	89-305	134	116	12.5	116	25.4	348	25	110	375	410	15.2	3503007
S11	10.000	89-305	134	116	20	118	25.4	348	32	112	391	410	20.6	3503009



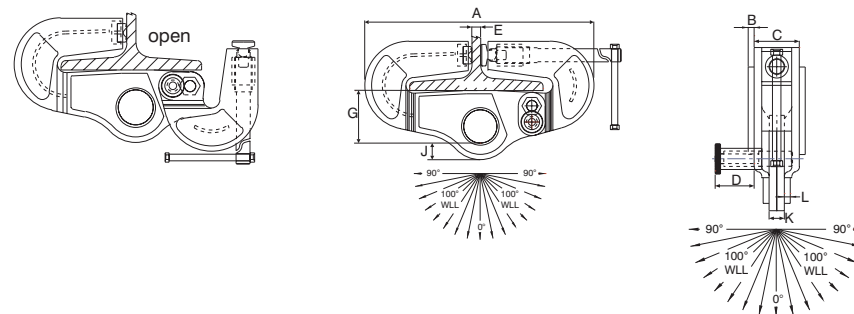
Superclamp Serial USC

V

Adjustable beam clamps for rail profiles.

Properties

- Fitted with a special catch to prevent beams from displacement.
- With fixed suspension eyes allowing loads at any angles.



Type	Safe working load (kg)	Jaw opening (mm)	A (mm)	B (mm)	C (mm)	D (mm)	E (mm)	G (mm)	H (mm)	J (mm)	Weight (kg)	Productid
USC3A	3000	125-204	387	-	70	48	32	100	25.4	28	13.5	3507007
USC4	4000	125-305	518	10	70	48	32	100	25.4	28	23.5	3507009
USC5	5000	125-305	524	10	75	48	32	120	25.4	38	28.5	3507011

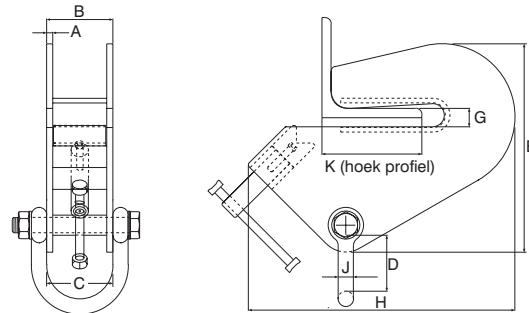


Superclamp serial AC V

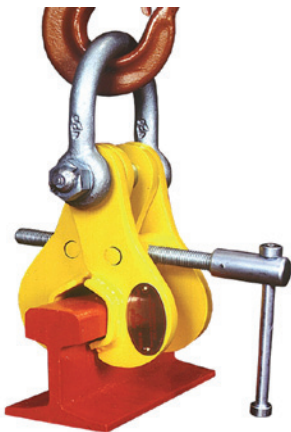
Adjustable beam clamps for rail profiles.

Properties

- Easy and quick mounting.
- Suitable for various angle steel profiles.



Type	Safe working load (kg)	Jaw opening (mm)	A (mm)	B (mm)	C (mm)	D (mm)	E (mm)	G (mm)	H (mm)	J (mm)	K (mm)	Weight (kg)	Productid
AC1	500	15	4	65	70	102	206	15	258	16	38-101	4.5	3508001
AC2	1000	15	6	69	70	96	206	15	258	16	38-101	5.5	3508003
AC3	1500	15	8	86	90	73	270	15	346	20	50-152	11	3508005
AC4	3000	25.4	10	90	102	101	343	25.4	490	20	101-203	21.5	3508007

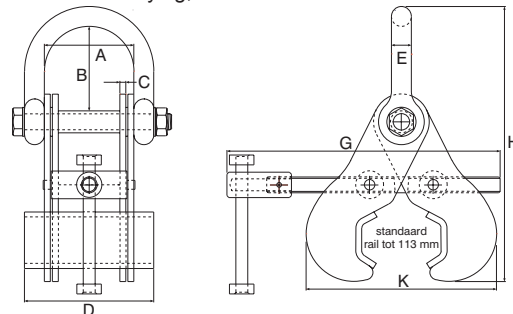


Superclamp R1 and R2 V

Adjustable beam clamps for rail profiles.

Properties

- For rail-laying, rail maintenance and rail manufacturing



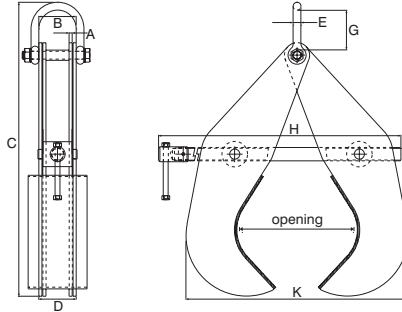
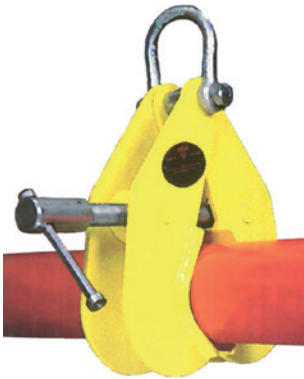
Type	Safe working load (kg)	Jaw opening (mm)	A (mm)	B (mm)	C (mm)	D (mm)	E (mm)	G (mm)	K (mm)	Weight (kg)	Productid
R1	3000	113	90	85	6	130	20	275	192	6	3510001
R2	5000	113	116	110	12.5	130	25	275	192	9.5	3510003

Superclamp Serial P V

Adjustable clamps for lifting round material.

Properties

- For lifting cylindrical materials of various diameter.
- Also can be used as a suspension point.



Type	Safe working load (kg)	Jaw opening (mm)	A (mm)	B (mm)	C (mm)	D (mm)	E (mm)	G (mm)	H (mm)	J (mm)	Weight (kg)	Productid
P1	1000	63-115	6	72	343	80	16	99	290	215	7	3511001
P2	1500	101-178	8	75	434	110	16	99	400	331	14.1	3511003
P3	2000	127-228	8	75	506	110	16	99	470	388	18.6	3511005
P4	3000	178-279	8	95	609	125	20	101	550	462	31.9	3511007
P5	3000	203-330	8	95	674	140	20	101	610	508	36.4	3511009
P6	3000	228-381	8	95	749	150	20	101	670	566	43.6	3511011
P7	3000	254-432	8	95	810	165	20	101	700	636	50	3511013
P8	4000	305-482	8	118	902	165	25	112	790	755	63.6	3511015
P9	4000	406-610	8	118	1087	176	25	112	890	915	77	3511017

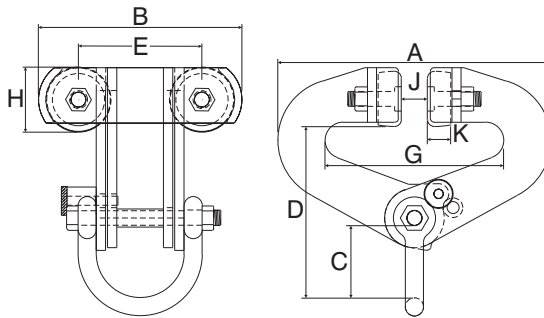


Superclamp serial A V

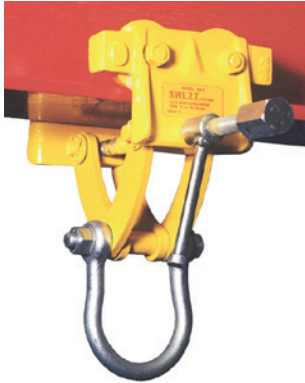
Hinged hand trolley with automatic locking.

Properties

- Can be mounted on rails easily and very quickly.
- With wheel fracture support device.



Type	Safe working load (kg)	Jaw opening (mm)	A (mm)	B (mm)	C (mm)	D (mm)	E (mm)	G (mm)	H (mm)	J (mm)	K (mm)	Weight (kg)	Productid
A1	3000	76-230	380	280	110	250	170	76-230	82	30	32	21	3512001
A2	6000	100-305	500	296	110	290	170	100-305	88	40	38	33	3512003
A3	10.000	100-305	580	290	135	310	170	100-305	109	40	38	47.5	3512005

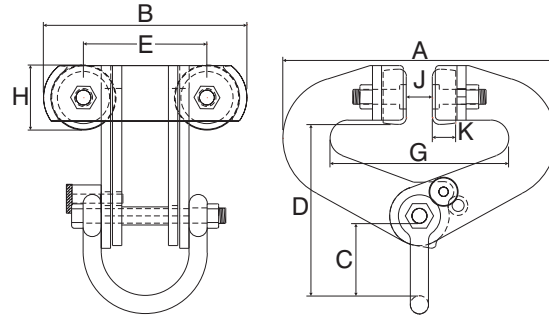


Superclamp serial BA - 1000 - 2000 kg V

Adjustable spindle hand trolley with rod-type counter nuts.

Properties

- Compact design and low tare weight.
- Can be mounted quickly by means of a spindle.
- Rod-type counter nuts for added safety.
- With wheel fracture support device.



Type	Safe working load (kg)	Jaw opening (mm)	A (mm)	B (mm)	C (mm)	D (mm)	E (mm)	G (mm)	H (mm)	J (mm)	K (mm)	Weight (kg)	Productid
BA1	1000	63-203	14	176	360	46	70	16	6	309	101	6.5	3513001
BA2	1500	76-203	21	176	360	54	70	16	6	309	101	7.2	3513003
BA3	2000	76-203	21	176	360	54	70	16	8	309	101	7.2	3513005

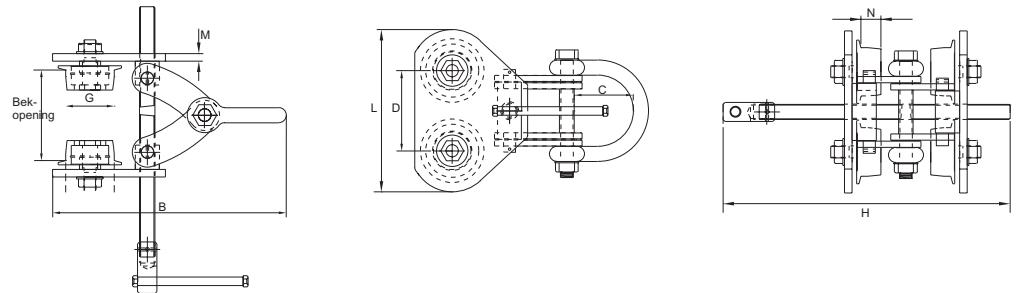


Superclamp B serial 3000-10000 kg V

Adjustable spindle hand trolley with rod-type counter nuts.

Properties

- Robust design.
- Can be mounted quickly by means of a spindle.
- Rod-type counter nuts for added safety.
- With wheel fracture support device.



Type	Safe working load (kg)	Jaw opening (mm)	A (mm)	B (mm)	C (mm)	D (mm)	G (mm)	H (mm)	L (mm)	N (mm)	Weight (kg)	Productid
B1	3000	76-203	76-203	395	112	133	82	480	269	33	23.5	3514001
B2	6000	105-305	105-305	515	100	176	125	560	356	34	50	3514003
B3	10.000	105-305	105-305	570	130	200	145	785	430	41	74,5	3514005


PU-10 pallet puller

V

Single clippers with wider jaw openings. Suitable for wooden pallets and crates.

Type	Safe working load (kg)	Jaw opening (mm)	Length (mm)	Weight (kg)	Productid
PU10	2200	90	760	9.5	3260010


PU 20 pallet puller

V

Single clippers with wider jaw openings. Suitable for wooden pallets and crates.

Type	Safe working load (kg)	Jaw opening (mm)	Length (mm)	Weight (kg)	Productid
PU20	2200	190	495	5,5	3260020


PU 30 pallet puller

V

Single clippers with wider jaw openings. Suitable for wooden pallets and crates.

Type	Safe working load (kg)	Jaw opening (mm)	Length (mm)	Weight (kg)	Productid
PU30	2200	110	390	6.5	3260030

PFR Permanent lifting magnet

112

Hand- and compact crane magnet

113



- 0.3 mm		$\Delta < 0.3 - 0.5$ mm	
Mmax. [kg]	Lmax. x Wmax. (mm x mm)	Mmax. [kg]	Lmax. x Wmax. (mm x mm)
L>400 W>400	L>120 W>245	L>400 W>400	L>120 W>245
380	370	255	250
1250	320	220	200
1250	300	205	150
1250	220	165	80
1250	180	125	55
1250	100	80	33
max. 3500	200	150	

REMA®
HOLLAND
PFR 500



PFR permanent lifting magnets

H

REMA PFR permanent lifting magnets contain neodymium resulting in very strong lifting magnets in relation to their tare weights and dimensions. REMA PFR permanent lifting magnets are suitable both for round and flat-surface workpieces.

Properties

- Safety factor 3.
- Strong neodymium magnet.
- High lifting capacity and easy operation.
- Simple mechanical switching with safety handle.
- Large lifting eye.
- Compact design and low tare weight.
- Housing and magnet of robust construction.
- The HA tilting arm allows you to lift the load from horizontal to vertical (option).

Type	Safe working load (kg)	Safe working load round material (kg)	Material thickness (mm)	max dimensions plate (L x B) (mm)	Dimensions L x W x H (mm)	Diameter range (mm)	Weight (kg)	Productid
PFR-125	125	50	25	1900 x 500	95 x 60 x 110	50-100	3.0	3601004
PFR-250	250	125	30	1750 x 1000	151 x 100 x 168	60-200	10.0	3601005
PFR-500	500	250	40	1800 x 1500	246 x 120 x 168	65-270	19.0	3601007
PFR-1000	1000	500	60	2450 x 1500	316 x 148 x 216	100-300	37.0	3601009
PFR-1500	1500	750	60	2450 x 1500	410 x 165 x 253	150-350	50.0	3601010
PFR-2000	2000	1000	80	3250 x 1500	480 x 165 x 251	100-350	85.0	3601011



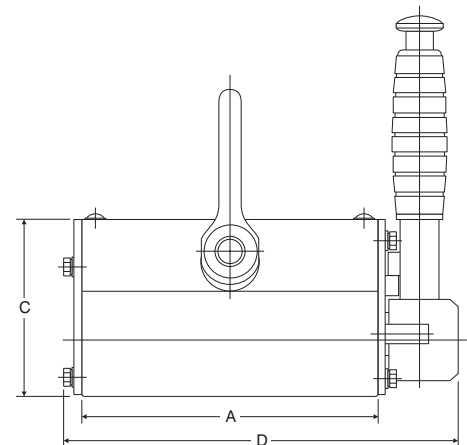
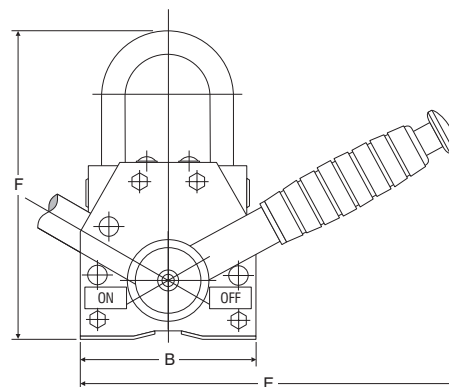
QPM permanent lifting magnets

Q

REMA QPM permanent lifting magnets containing neodymium are suitable for lifting and transferring flat and cylindrical ferromagnetic materials ("magnetizable steels").

Properties

- Safety factor 3,5.
- High quality neodymium magnet [NdFeB].
- After separation, almost no magnetism remains, establishing no risk of accidents.
- Simple and easy handle operation with safety knob.
- V-groove makes possible lifting not only flat workpieces but even cylindrical ones.
- Compact and robust construction provided with a lifting eye of wide opening.



Type	Safe working load (kg)	A (mm)	B (mm)	C (mm)	D (mm)	E (mm)	F (mm)	Lever length (mm)	Weight (kg)	Productid
QPM-100	100	84	62	67	130	150	116	84	2.6	3610001
QPM-300	300	154	92	91	206	195	160	154	9.6	3610003
QPM-600	600	224	122	117	285	254	213	196	23.0	3610006
QPM-1000	1000	250	176	163	322	372	288	264	54.0	3610010


PK/MK compact hand magnets
V

REMA MK hand magnets are essential aids at places where much work is going on with steel plates.

Properties

- GS certification.
- Oil and grease have minor effect on magnetic force.
- The drag handle is robust, ergonomic and coated with plastic.
- The magnet can easily be detached from the workpiece by pressing down the hand grip /lever (with crane magnets).
- Magnet is detached from the workpiece by means of a leaf spring without causing any damage to it.
- When the magnet has been detached workpieces will not retain magnetism.
- PK type is with plastic cover.

Applications

- Transferring steel plates stored either horizontally or vertically from a store to the place of processing.
- Safe manoeuvring of steel plates on processing machines.
- Lifting and transferring steel plate parts to flame cutters.

Type	Safe working load (kg)	Pulling force (kg)	Plate thickness (mm)	L x B (mm)	Weight (kg)	Productid
PK-60	60	35	= 1-2	160 x 150	1.4	3604000
MK-120	120	70	= 1-2	140 x 84	1.4	3604001
MK-170	170	100	= 1-4	140 x 116	1.7	3604003
MK-300	300	180	>2	160 x 180	3.5	3604005


MK-250KS and MK-500KS compact crane magnets
V

REMA MK-250KS and MK-500KS are designed for vertical and horizontal lifting and transferring of steel plates, during which steel plates can be rotated that is advantageous when they are stored vertically. Both models are suitable for lifting steel plates from 4 mm thickness on. The maximum lifting force is sufficient for lifting steel plates of 20 mm thick. Steel plates 1 m x 2 m can be lifted using only one lifting magnet. For steel plates 1.5 x 3 m two lifting magnets and a traverse beam are necessary.

Properties

- Tiltable lifting eye.
- This model can be applied at places where high safety requirements prevail and/or steelplate surfaces are not 100 % smooth or clean.

Type	Safe working load (kg)	Pulling force (kg)	Plate thickness (mm)	L x B (mm)	Weight (kg)	Productid
MK-250KS	250	100	>4	290 x 125	7.5	3604007
MK-500KS	300	125	>4	290 x 180	10.5	3604009

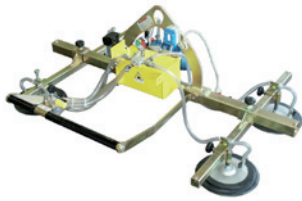
Notice

Lined area for writing notice.

Electric-/pneumatic vacuum lifters 116

Mechanical vacuum lift 117




Vacuum lifters

C

Vacuum lifters can be used for horizontal transferring of smooth, stable and flat metal or plastic plates

Properties

- Elephant VLA types are driven by air.
- Elephant GLA types are driven by an electric vacuum pump.

Option

- GLA types are available with battery-driven vacuum pump.
- Battery, including loading device.
- Manually swivelling and tilting.

Type	Safe working load (kg)	Number of pistons	Piston dimensions (mm)	L x B (mm)	Construction height (mm)	Weight (kg)	Productid
GLA4F-0.25	250	4	250	1750 x 1150	620	55	3660001
GLA4F-0.5	500	4	300	1750 x 1150	620	55	3660003
GLA6F-0.5	500	6	250	2200 x 1200	620	90	3660005
GLA6F-1.0	1000	6	300	2200 x 1200	620	90	3660007
GLA8F-1.0	1000	8	250	2750 x 1150	620	150	3660009
GLA8F-1.5	1500	8	300	2750 x 1150	620	150	3660011
GLA10F-2.0	2000	10	300	2750 x 1150	620	200	3660012
VLA4F-0.25	250	4	250	1750 x 1150	620	55	3660013
VLA4F-0.5	500	4	300	1750 x 1150	620	55	3660015
VLA6F-0.5	500	6	250	2200 x 1200	620	90	3660017
VLA6F-1.0	1000	6	300	2200 x 1200	620	90	3660019
VLA8F-1.0	1000	8	250	2750 x 1150	620	150	3660021
VLA8F-1.5	1500	8	300	2750 x 1150	620	150	3660023


GP electric vacuum lifters for glass 400 V 50 Hz

C

GP electric vacuum lifters are specially for horizontal transferring of glass plates. GP...RB are also for manual rotation or swivel.

Properties

- Elephant GP types driven by an electric vacuum pump

Option

- GP types are also available with electric rotation and tilting.
- GP types are also available in 230Vac and 24Vdc versions.

Type	Safe working load (kg)	Number of pistons	Piston dimensions (mm)	L x B (mm)	Construction height (mm)	Weight (kg)	Productid
GP-2RB	200	2	300	300 x 750	510	55	3661001
GP-4RB	400	4	300	658 x 867	510	55	3661003
GP-6RB	600	6	300	756 x 1100	750	70	3661005
GP-8RB	800	8	300	756 x 1340	750	83	3661007

IMPORTANT !

When ordering, always supply us with specifications and dimensions (LxWxD) of the sheets and/or work pieces to be lifted.

VHM mechanical vacuum lifters

C

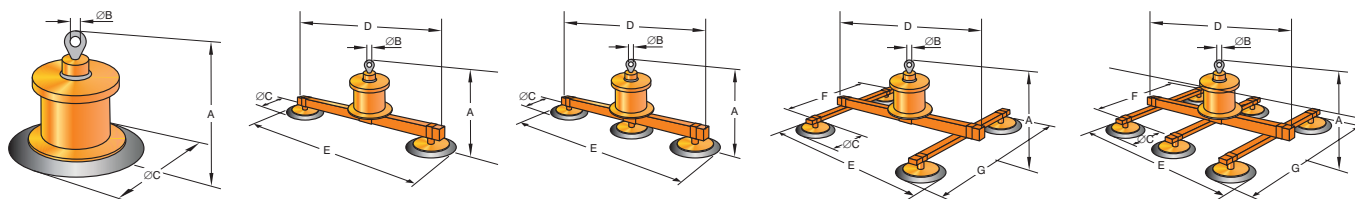
REMA VHM mechanical vacuum lifters are ideal for places where no energy is present.

Properties

- Mechanical energy supply, no costs.
- Easy and quick installation.
- Ergonomic control by one operator.
- Low maintenance.
- TÜV-certified.

Option

- Safety handle for an adequate clearance between man and machine.



Type	Safe working load (kg)	Number of pistons	Thickness (mm) plate 1000 x 2000 mm	Thickness (mm) plate 1250 x 2500 mm	Thickness (mm) plate 1500 x 3000 mm	Weight (kg)	Productid
VHM-400/1	400	1	>5			57	3665001
VHM-600/2	600	2	> 1	> 1.5	> 4	83	3665003
VHM-600/3	600	3	> 1	> 1	> 3	96	3665005
VHM-600/4	600	4	> 1	> 1	> 2	110	3665007
VHM-600/6	600	6	> 1	> 1	> 1	136	3665008
VHM-1200/4	1200	4	> 1	> 1	> 2	188	3665009
VHM-1200/6	1200	6	> 1	> 1	> 2	228	3665011

Type	A min (mm)	A max (mm)	B (mm)	C (mm)	D (mm)	E min (mm)	E max (mm)	F (mm)	G min (mm)	G max (mm)
VHM-400/1	440	580	50	410						
VHM-600/2	610	750	50	410	1910	860	2210			
VHM-600/3	620	810	50	410	1910	1250	2210			
VHM-600/4	690	820	50	290	1910	740	2140	1480	630	1740
VHM-600/6	690	880	50	280	1910	900	2080	1480	570	1680
VHM-1200/4	800	1010	60	410	1910	950	2210	1200	850	1500
VHM-1200/6	800	1010	60	410	1910	1250	2210	1200	850	1500

IMPORTANT !

When ordering, always supply us with specifications and dimensions (LxWxD) of the sheets and/or work pieces to be lifted.



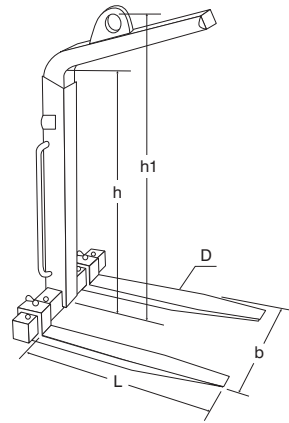
RPHA pallet hooks with automatic balancing

V

RPHA pallet hooks with automatic balancing

Properties

- Adjustable loading forks.
- Height adjustment.
- Minimum load 20-25% of total safe capacity.



Type	Safe working load (kg)	B (mm)	D (mm)	H (mm)	H1 (mm)	Dimensions fork (mm)	Diameter lifting eye (mm)	Productid
RPHA-1	1000	350 - 900	100 x 30	1100 - 1600	1420 - 1920	1000 x 100 x 30	100 x 80	3259010
RPHA-2	2000	400 - 900	120 x 40	1300 - 2000	1655 - 2355	1000 x 120 x 40	100 x 80	3259020
RPHA-3	3000	450 - 900	120 x 50	1300 - 2000	1720 - 2420	1000 x 120 x 50	120 x 100	3259030
RPHA-5	5000	530 - 1000	150 x 60	1300 - 2000	1300 - 2410	1000 x 150 x 60	136 x 120	3259050

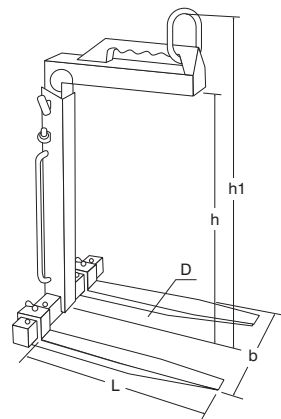
RPHM pallet hooks with manual balancing

V

RPHM pallet hooks with manual balancing

Properties

- Adjustable loading forks.
- Height adjustment.



Type	Safe working load (kg)	B (mm)	D (mm)	H (mm)	H1 (mm)	Dimensions fork (mm)	Diameter lifting eye (mm)	Productid
RPHM-1	1000	350-900	100 x 30	1100-1600	1390-1890	1000 x 100 x 30	100 x 80	3258010
RPHM-2	2000	400-900	120 x 40	1300-2000	1640-2340	1000 x 120 x 40	100 x 80	3258020
RPHM-3	3000	450-900	120 x 50	1300-2000	1670-2370	1000 x 120 x 50	120 x 100	3258030
RPHM-5	5000	530-1000	150 x 60	1300-2000	1700-2450	1000 x 150 x 60	136 x 120	3258050

Hand winches	122
Load sheaves	126
Gear- and worm gear winches	127
Electric worm gear winches	131
Snatch blocks	133



REMA[®] WW-0,25 OR2/D

CE

250 kg
95 kg

Typ: WW-0,25 OR2/D
 Year/Baujahr: 2010
 Serial No /Serien Nr.: 601 00564 / 003
 Capacity/Zugkraft: 1 - Layer/ Seilage
 min. 15,9 kN
 Breaking force cable/ Zugkraft Seil: min. 5 mm



DL winches

Z

DL zinc winch only for pulling.

Properties

- Demountable crank.
- Zinc-plated housing with zinc-plated drum (Model DL-3500 is fitted with a black drum).
- Hardened steel gears.
- Designs of 408 kg, 499 kg and 635 kg load capacity are fitted with locking pawls acting to the direction of idling.
- Designs of 1134 kg and 1589 kg load capacity, respectively, are also fitted with manual brakes.

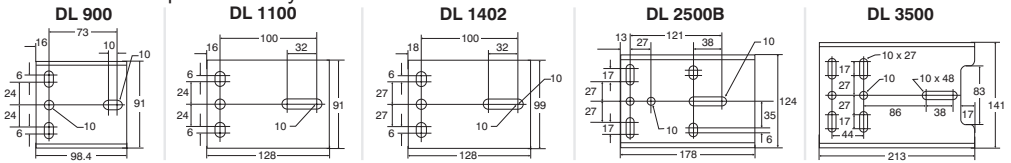
Standard delivery

- Without cable.

Option

- Steel wire rope with safety hook.

NOT SUITABLE FOR LIFTING !!



Type	Safe working load (kg)	Minimum load (kg)	Maximum reel capacity (m)	Cable diameter (mm)	Lifting height per stroke (mm)	Drum diameter (mm)	Drum width (mm)	Gear ratio	Crank length (mm)	Crank force (kg)	Base size (cm)	Weight (kg)	Productid
DL-900A	408		10.9	5	19	16	50	3.2:1	178	7	13 x 9	2	2117001
DL-1100A	499		22.2	5	18	22	53	3.7:1	178	9	13 x 9	3	2117003
DL-1402A	635		14.2	6	16	22	50	4.4 :1	241	8	13 x 10	4	2117005
DL-2500AB	1134		23	8	16	28	60	17.3:1 - 5.4:1	241	5	18 x 12	7	2117007
DL-3500B	1589		12.3	9	16	33	70	12:1 - 6:1	241	13	22 x 14	10	2117009



DLB brake winches

Z

DLB zinc winch with automatic brake.

Properties

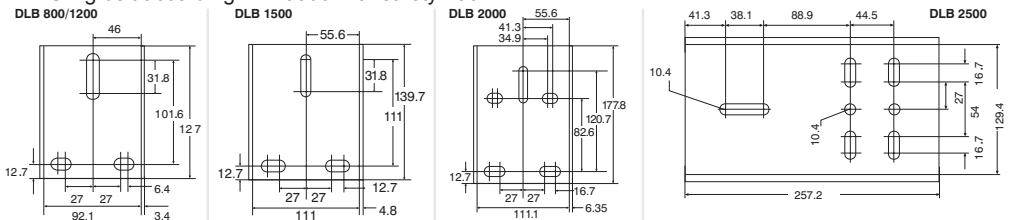
- Zinc-plated housing (DL2500G has a black drum).
- Fitted with automatic load pressure brakes.
- For extra safety, they are fitted with locking pawls.

Standard delivery

- Without cable.

Option

- Steel wire rope according DIN 3060 with safety hook.
- Sling belt according DIN 3060 with safety hook.



Type	Safe working load (kg)	Minimum load (kg)	Maximum reel capacity (m)	Cable diameter (mm)	Lifting height per stroke (mm)	Drum diameter (mm)	Drum width (mm)	Gear ratio	Crank length (mm)	Crank force (kg)	Base size (cm)	Weight (kg)	Productid
DLB-800AG	360	23	23	4	36	48	53	4.4 :1	178	12	13 x 10	3	2117011
DLB-1200AG	545	23	19.7	5	39	64	51	5.4 :1	238	19	13 x 10	4	2117013
DLB-1500AG	680	34	15.1	6	40	64	62	5.4:1	305	18	14 x 12	5	2117015
DLB-2000AG	905	89	8.9	7	30	64	54	17.3 :1	238	8	18 x 12	7	2117016
DLB-2500G	1135	136	7.4	8	23	79	66	12.0 :1	244	13	26 x 14	12	2117017

IMPORTANT !

For lifting, select another wire rope diameter, taking tensile strength into consideration.



Cable set according to DIN 3060. Z

Cable set according to DIN 3060 with thimble and hook

Option

- Longer cable on request.

Type	Safe working load (kg)	Length (m)	Tensile strength (N/mm ²)	Weight (kg)	Cable diameter (mm)	Productid
4mm x 20m	210	20	1770	1.55	4	2221004
5mm x 15m	294	15	1770	1.75	5	2221005
6mm x 15m	470	15	1770	2.50	6	2221006
7mm x 10m	570	10	1770	2.30	7	2221007
8mm x 8m	752	8	1770	2.45	8	2221008
10mm x 10m	850	10	1770	3.5	10	2221010



Winch sling belt set Z

Sling belt set according to DIN 3060 with hook and loop

NOT SUITABLE FOR LIFTING !!

Type	For winch typ	Weight (kg)	Productid
50mm x 4.5m	DL900/DL2500/DLB800/DLB2000	0.60	2222001
50mm x 7.5m	DL1100/DL2500/DLB1200/DLB2000	0.75	2222003



TWZ and TWR manual winches

Z

The compact REMA TWZ and TWR winches are self locking; they are manufactured out of pressed steel plate to ensure durable strength. These winches are utilized in many areas such as: food industry, maritime sector, poultry breeding, trailer manufacturing etc. TWZ: Galvanized. TWR: Stainless steel.

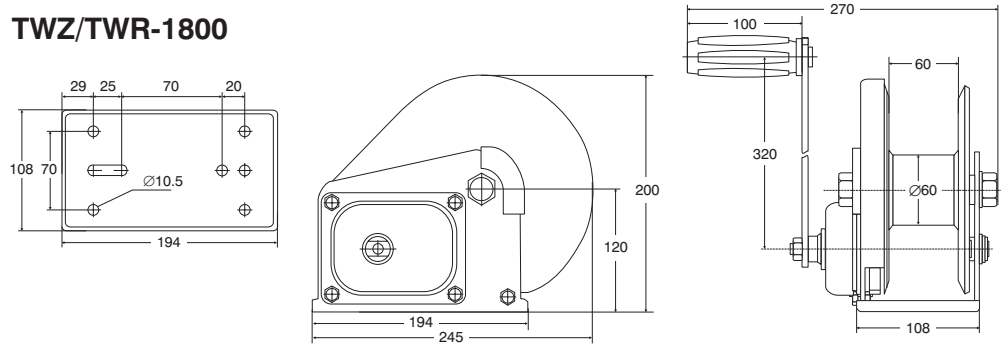
Properties

- Automatic load pressure brake that can hold loads at any desired height.
- Double locking pawl system for extra safety (820 and 1200 kg).
- Drive and brake in an enclosed housing.
- Demountable crank.
- Simple wire rope equipment

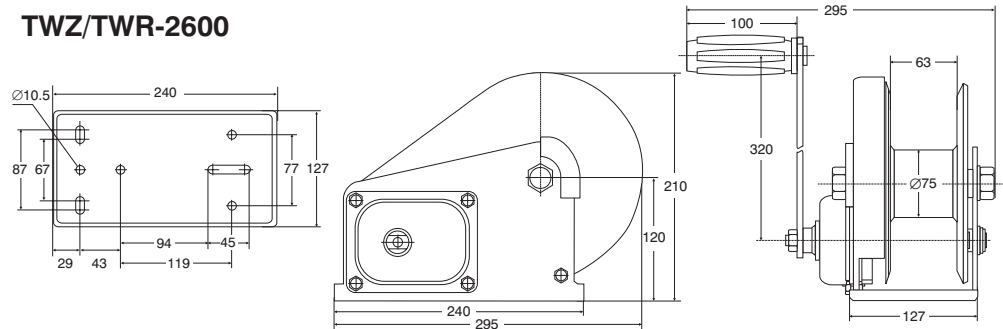
Standard delivery

- Without wire rope.

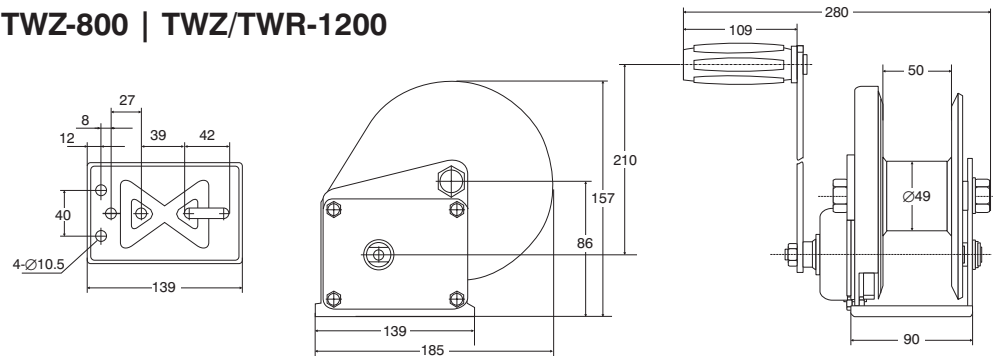
TWZ/TWR-1800



TWZ/TWR-2600



TWZ-800 | TWZ/TWR-1200



Type	Safe working load (kg)	Minimum load (kg)	Maximum reel capacity (m)	Cable diameter (mm)	Lifting height per stroke (mm)	Drum diameter (mm)	Drum width (mm)	Gear ratio	Crank length (mm)	Crank force (kg)	Base size (cm)	Weight (kg)	Productid
TWZ-800	370	10	36	4	34	48	50	4.1 : 1	210	14.5	138 x 89	3	2111001
TWZ-1200	550	10	23	5	42	48	50	4.1 : 1	210	15	138 x 89	3,3	2111003
TWZ-1800	820	15	20	7	49	60	60	5.0 : 1	320	22	194 x 108	8	2111005
TWZ-2600	1200	20	18	8	28	75	63	10.0 : 1	320	19	240 x 127	10,3	2111007
TWR-1200	550	10	23	5	42	48	50	4.1 : 1	210	15	138 x 89	3,3	2112003
TWR-1800	820	15	20	7	49	60	60	5.0 : 1	320	22	194 x 108	8	2112005
TWR-2600	1200	20	18	8	28	75	63	10.0 : 1	320	19	240 x 127	10,3	2112007



ZHV & ZHR self locking manual winches

V

Light weight manual winches in stainless steel or zinc-plated designs. Safe working load 350 kg - 650 kg and 1350 kg. Winches are fitted with an automatic load pressure brake. ZHV: Zinc-plate design. ZHR: Stainless steel design AISI-304.

Properties

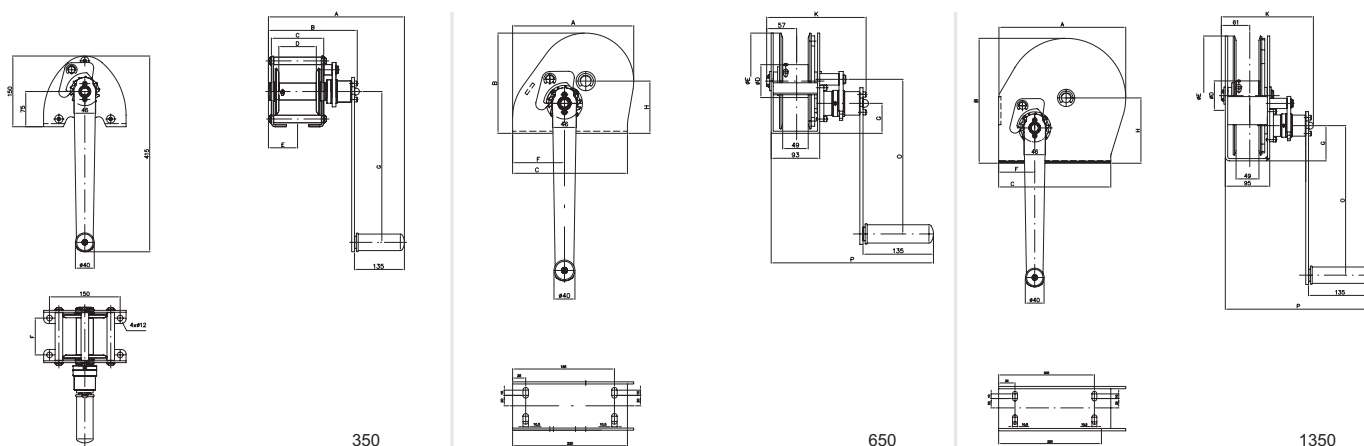
- Automatic load pressure brake that can hold loads at any desired height.
- Double locking pawl system for extra safety (820 and 1200 kg).
- Drive and brake in an enclosed housing.
- Demountable crank.
- Simple wire rope equipment.

Standard delivery

- Without steel wire rope.

Option

- Wire rope according DIN 3060.



Type	Safe working load (kg)	Minimum load (kg)	Maximum reel capacity (m)	Cable diameter (mm)	Lifting height per stroke (mm)	Crank force (kg)	Weight (kg)	Productid
ZHV-350	350	50	20	4	125	25	4.8	2401001
ZHV-650	650	50	20	6	55	22	7.3	2401003
ZHV-1350	1350	50	26	7	75	24	12.1	2401005
ZHR-350	350	50	20	4	125	25	4.8	2402001
ZHR-650	650	50	20	6	55	22	7.3	2402003
ZHR-1350	1350	50	26	7	45	24	12.1	2402005

Type	A (mm)	B (mm)	C (mm)	D (mm)	E (mm)	F (mm)	G (mm)	H (mm)	K (mm)	O (mm)
ZHV-350	318	192	111	75	62	78	320			
ZHV-650	232	192	220	63	184	99	57	100	202	320
ZHV-1350	272	267	240	63	255	78	75	140	202	320
ZHR-350	318	192	111	75	62	78	320			
ZHR-650	232	192	220	63	184	99	57	100	202	320
ZHR-1350	272	267	240	63	255	78	75	140	202	320



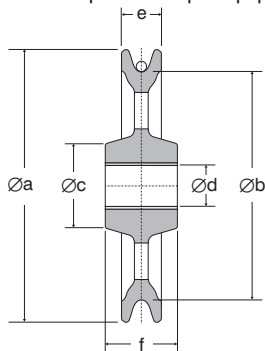
RZ sheaves, unsupported

H

Suitable for manual and mechanical drive

Properties

- Automatic load pressure brake that can hold loads at any desired height.
- Double locking pawl system for extra safety (820 and 1200 kg).
- Drive and brake in an enclosed housing.
- Demountable crank.
- Simple wire rope equipment



IMPORTANT !

Load by mechanical operation is half.

Type	Safe working load (kg)		Cable diameter (mm)	A (mm)	B (mm)	C (mm)	D (mm)	E (mm)	F (mm)	Weight (kg)	Productid
	Manuel operation	Mechanical operation									
RZ-0.5	500	250	5 - 6	150	125	46	22	22	40	2.3	3063001
RZ-1.0	1000	500	8 - 10	235	200	78	40	32	50	6.0	3063003
RZ-2.0	2000	1000	12 - 14	325	280	108	60	41	70	16.0	3063005
RZ-3.0	3000	1500	16 - 18	400	340	110	70	51	87	27.0	3063007
RZ-5.0	5000	2500	20 - 22	475	410	115	75	55	92	39.0	3063009



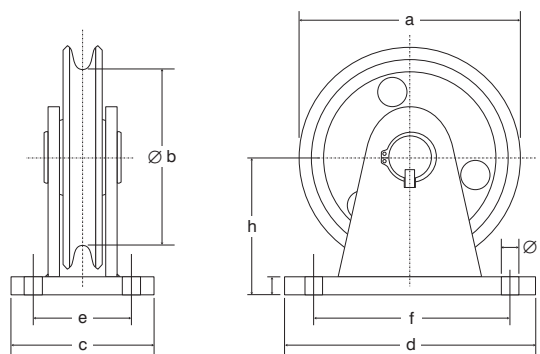
RBZ sheaves, supported

H

Suitable for manual and mechanical drive

Properties

- Suitable both for manual and mechanical drive.
- Maintenance-free design.
- Sheave dimensions according to RZ-0,5 to RZ-5,0.
- Steel stand.
- A cable guide is provided on the support.
- Self-lubricating bearings.



IMPORTANT !

Load by mechanical operation is half.

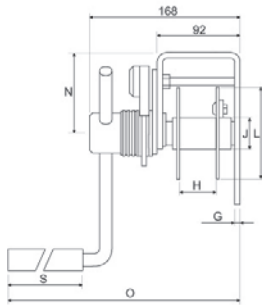
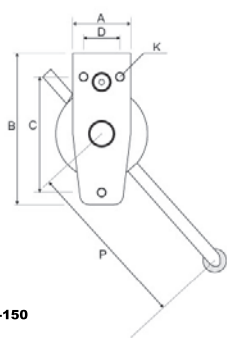
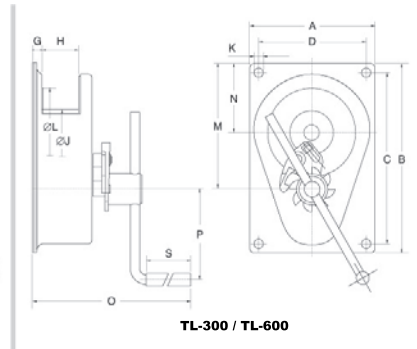
Type	Safe working load (kg)		Cable diameter (mm)	A (mm)	B (mm)	C (mm)	D (mm)	E (mm)	F (mm)	G (mm)	H (mm)	I (mm)	Weight (kg)	Productid
	Manuel operation	Mechanical operation												
RBZ-0.5	500	250	5 - 6	150	125	82	115	55	88	15	92	11.5	3.25	3064001
RBZ-1.0	1000	500	8 - 10	235	200	108	187	70	150	20	138	18	10.6	3064003
RBZ-2.0	2000	1000	12 - 14	325	280	143	260	95	212	25	190	23	31.0	3064005
RBZ-3.0	3000	1500	16 - 18	400	340	188	330	130	242	30	236	28	52.0	3064007
RBZ-5.0	5000	2500	20 - 22	475	410	238	400	178	340	30	275	31	79.0	3064009


TL Gear winch
H

TL gear-type winches are complies with DIN 15020.

Properties

- Complies with DIN 15020.
- Load pressure brake.
- Adjustable crank length; backwind-free.
- The drums and the shaft supported by needle bearings.
- Paint finish and enamel varnish are standard.


TL-150

TL-300 / TL-600

TL-1000 / TL-1500

Type	Lifting capacity 1st layer (kg)	Lifting capacity last layer (kg)	Cable max. (m)	Cable diameter (mm)	Lifting height per stroke (mm)	Crank force (kg)	Weight (kg)	Productid
TL-0.150	150	68	13	4	122	11	4	2015008
TL-0.3	300	120	25	5	21	7	10	2015009
TL-0.6	600	323	12	6	28	10	11	2015012
TL-1.0	1000	684	28	9	21	15	28	2015013
TL-1.5	1500	844	21	14	14	12	27,5	2015014

Type	A (mm)	B (mm)	C (mm)	D (mm)	G (mm)	H (mm)	J (mm)	K (mm)	L (mm)	M (mm)	N (mm)	O (mm)	P (mm)	S (mm)
TL-0.150	65	168	128	-	6	40,5	35	9 (3x)	102	-	89	303	280	128,5
TL-0.3	200	300	268	168	15	60	50	12	140	198	108	263	250	128
TL-0.6	200	300	268	168	20	55	60	12 (4x)	145	203	110	318	325	128,5
TL-1.0	230	340	280	180	27	126	102	17 (4x)	212	266	118	425	250	128
TL-1.5	230	340	280	180	27,5	113	102	17 (4x)	212	266	118	485	350	128,5



REMA RGL gear winches

H

RGL gear winches are with a free wheel system. Construction according to DIN 15020

Properties

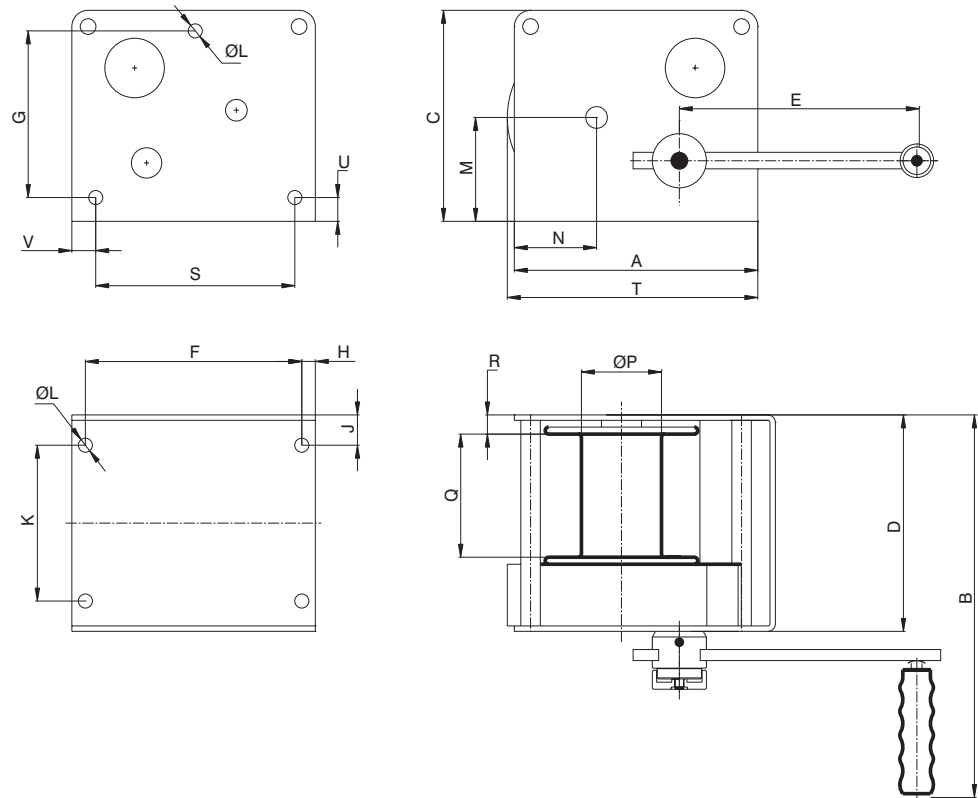
- Construction according to DIN 15020.
- Braked design with double pawl system.
- Crank gradually adjustable in length.
- Drum and shafts provided with bearings.
- Freewheel, through protected pawl system.
- Powdercoating RAL 2004.

Standard delivery

- Without wire rope.

Option

- Steel wire rope on request.



Type	Lifting capacity 1st layer (kg)	Lifting capacity last layer (kg)	Crank length (mm)	Cable max. (m)	Cable diameter (mm)	Gear ratio	Weight (kg)	Productid
RGL-150	150	45	250/100	22	4	2.84 :1	9.2	2017001
RGL-300	300	100	250/100	30	5	6.67:1	16.5	2017003
RGL-500	500	300	250/100	30	6	7.75 :1	18.5	2017005

Type	A (mm)	B (mm)	C (mm)	D (mm)	F (mm)	G (mm)	H (mm)	J (mm)	K (mm)	L (mm)	M (mm)	N (mm)	P (mm)	Q (mm)	R (mm)	S (mm)	T (mm)	U (mm)	V (mm)
RGL-150	180	324	150	150	154	102	13	18	114	7x9	70	66.4	55	77.3	18	132	177	18	24
RGL-300	225	390	195	200	200	154	12.5	28	144	13	96	76	62	107	25	184	235	22.5	20
RGL-500	242	380	200	200	200	154	21	28	144	7x13	102.7	83	74	107	24.5	184	251	22	29

WW worm gear winches
H


WW worm gear winches are compliant with DIN 15020.

Properties

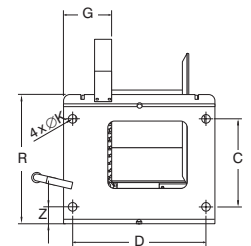
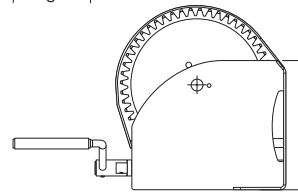
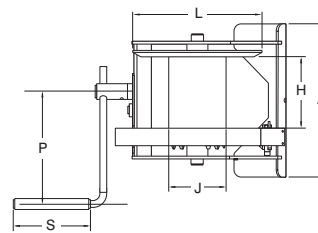
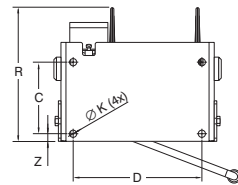
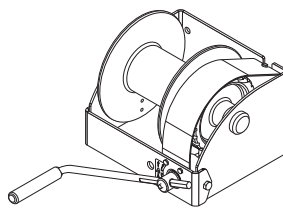
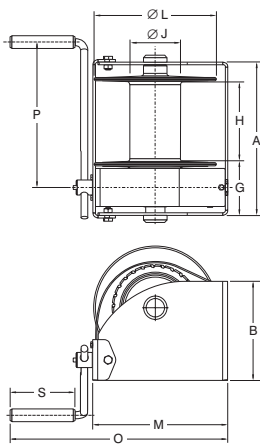
- Complies with DIN 15020.
- Load pressure brake.
- Adjustable crank length; backwind-free.
- Drums and axes run on needle bearings.
- Types above load capacity of 2000 kg have two speeds, that can be shifted by changing the crank over.
- Paint finish and enamel varnish are standard.

Standard delivery

- Exclusive wire rope.

Option

- Steel wire rope on request.


WW-250 - WW-1500
WW-2000 - WW-5000

Type	Lifting capacity 1st layer (kg)	Lifting capacity last layer (kg)	Cable max. (m)	Cable diameter (mm)	Lifting height per stroke (mm)	Crank force (kg)	Weight (kg)	Productid
WW-250	250	95	97	5	17	3.5	13	2016001
WW-500	500	239	77	6	20	9.0	16	2016003
WW-1000	1000	542	55	9	13	15.5	26	2016005
WW-1500	1500	845	42	10	9	19.0	28	2016007
WW-2000	2000	1129	46	13	12/6	22/13	60	2016009
WW-3000	3000	1861	52	16	11/6	27/14	78	2016011
WW-4000	4000	2390	52	16	11/4	35/13	80	2016012
WW-5000	5000	3165	40	20	12/4	58/17	115	2016013

Type	A (mm)	B (mm)	C (mm)	D (mm)	G (mm)	H (mm)	J (mm)	K (mm)	L (mm)	M (mm)	N (mm)	O (mm)	P (mm)	R (mm)	S (mm)
WW-250	238	145	100	192	106	102	48	14	160	191	15	410	280	171	130
WW-500	269	160	115	223	107	131	70	14	190	221	15	440	325	192	130
WW-1000	302	195	141	254	110	160	102	14	240	266	15	490	350	264	130
WW-1500	302	250	178	254	111	160	102	14	240	278	15	490	350	306	130
WW-2000	410	310	196	360	137	176	133	25	312	382	45	724	380	421	220
WW-3000	436	365	251	386	137	176	165	25	376	442	47	784	380	523	220
WW-4000	436	365	251	386	137	174	165	25	376	442	47	784	380	523	220
WW-5000	436	425	316	386	137	200	219	25	437	494	38	836	380	599	220



RWL worm gear winch with freewheel system

H

RWL worm gear winches are with a free wheel system. Construction is according to DIN 15020.

Properties

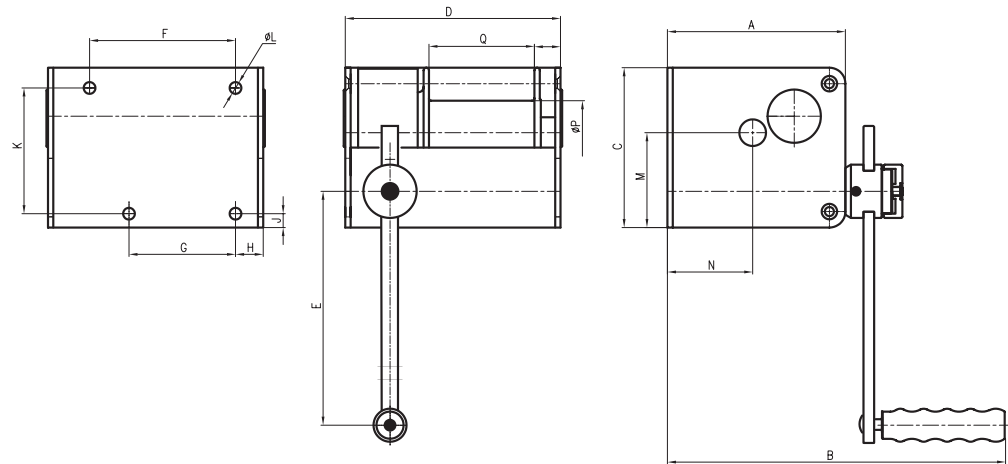
- Construction according to DIN 15020.
- Braked design.
- Crank gradually adjustable in length.
- Drum and shafts provided with bearings.
- Freewheel, through protected pawl system.
- Powdercoating RAL2004.

Standard delivery

- Exclusive wire rope.

Option

- Steel wire rope on request.



Type	Lifting capacity 1st layer (kg)	Lifting capacity last layer (kg)	Crank length (mm)	Cable max. (m)	Cable diameter (mm)	Gear ratio	Weight (kg)	Productid
RWL-250	250	75	250/100	20	5	15:1	11	2018001
RWL-500	500	300	250/100	30	6	24:1	17	2018003
RWL-1000	1000	550	350/100	35	9	26:1	36	2018005

Type	A (mm)	B (mm)	C (mm)	D (mm)	F (mm)	G (mm)	H (mm)	J (mm)	K (mm)	L (mm)	M (mm)	N (mm)	Q (mm)	R (mm)
RWL-250	167	332	150	202	137	100	26	13	118	11	89	80	99	24.5
RWL-500	195	367	190	260	182	132	33	18	142	13	111.5	94	146	32
RWL-1000	295	490	300	300	167	167	32	21	250	17	180.5	136	158	33


EHL electric hoisting winches
V

Electric hoisting winches are constructed to meet the requirements for machines listed in class of use K3 in NEN 3508 that is an applicable standard for European norms. In some European countries, application of overload limiters and/or limit switches is compulsory. Maritime design on special order

Properties

- Lifting force range: 200 kg to 1700 kg.
- Drums run on bearings at both sides (from model EHL 580).
- Steel base plate (from model EHL 580).
- Grooved drums (from model EHL 580).
- Larger drum diameters.
- Maximum number of wire rope levels on drums: 3.

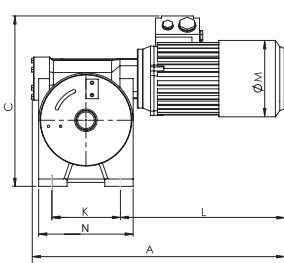
Standard delivery

- RAL2004 Orange painting.
- Excluded steel wire rope.
- excluded control pendant.

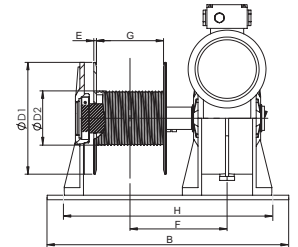
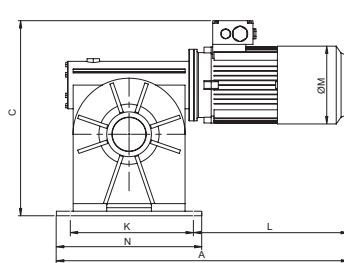
Option

- Steel wire rope on request.
- Above 1000 kg, overload limiter is required.

EHL-200/450



EHL-580/1700



Type	Safe working load 3rd layer (kg)	Cable diameter (mm)	Speed 1st layer (m/min)	Drum capacity 1st layer (m)	Drum capacity 3rd layer (m)	Power output (kW)	Weight (kg)	Productid
EHL-200	200	5	5.8	3.5	12	0.55	24	2300027
EHL-450	450	6	7.0	3.5	12	1.1	40	2300029
EHL-580	580	7	5.7	8	25	1.1	95	2300031
EHL-800	800	8	6.5	8	25	1.5	98	2300033
EHL-1050	1050	10	7.9	10	35	3.0	150	2300035
EHL-1325	1325	11	9.3	13.5	45	4.0	209	2300037
EHL-1700	1700	12	9.7	15.5	50	5.5	315	2300039

Type	A (mm)	B (mm)	C (mm)	D1 (mm)	D2 (mm)	E (mm)	F (mm)	G (mm)	H (mm)	K (mm)	L (mm)	M (mm)	N (mm)
EHL-200	457	284,6	306,6	190	101,6	6	117	60	114	120	302	139	158
EHL-450	516	297	348	187	121	6	123	60	138	140	335	156	193
EHL-580	653	540	436	250	121	6	213	150	500	275	262	157	325
EHL-800	653	540	436	250	139	6	215	150	500	275	282	158	325
EHL-1050	738	640	474	280	168	8	262	200	600	320	307	190	370
EHL-1325	852	710	537	320	195	8	300	250	670	360	307	190	410
EHL-1700	976	850	629	370	205	8	333	300	800	380	324	216	440



EWL electric worm gear winches



Price/quality ratio of series EWL electric self locking worm gear winches is very fair; they are available in designs complying with various classifications and norms.

Properties

- Pulling force: 250 kg to 2800 kg.
- Drums run on bearings at both sides (from model EWL 1000).
- Steel base plate (from model EWL 1000).

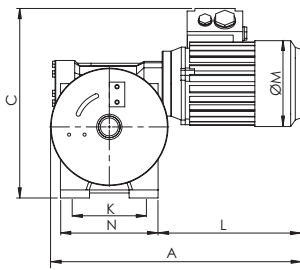
Standard delivery

- Without steel wire rope.
- Without control pendant.
- Above 1000 kg overload limiter is required.

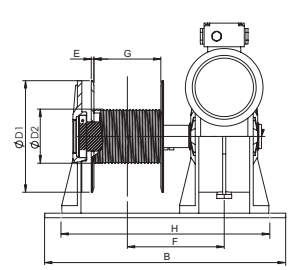
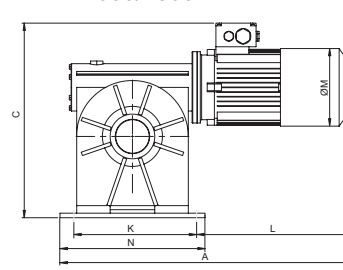
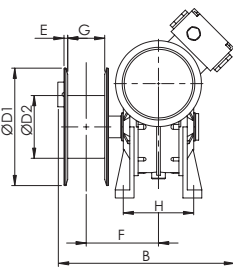
Option

- Steel wire rope.
- Control pendant included switch box.
- Overload limiter (above 1000 kg required).
- Maritime design on special order.

EWL-250/750



EWL-1000/2800



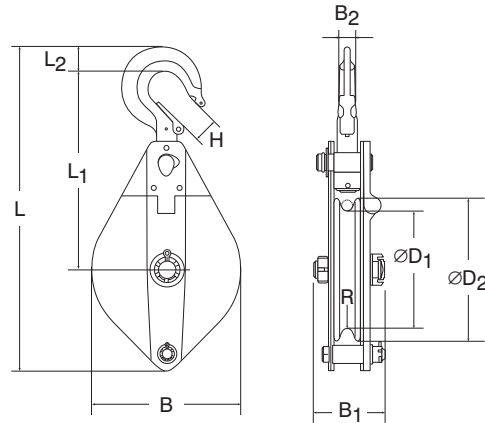
Type	Pulling force 1st layer (kg)	Pulling force 3rd layer (kg)	Cable diameter (mm)	Speed 1st layer (m/min)	Drum capacity 1st layer (m)	Drum capacity 5th layer (m)	Power output (kW)	Weight (kg)	Productid
EWL-250	250	200	6	8.4	3.3	20	0.55	21	2300001
EWL-500	500	400	6	8.4	3.3	20	1.1	36	2300003
EWL-750	750	600	6	5.8	3.3	20	1.1	36	2300005
EWL-1000	1000	770	8	6	6.1	40	1.5	90	2300007
EWL-1250	1250	965	8	6	6.1	40	2.2	93	2300009
EWL-1750	1750	1340	10	5.8	8.2	53	3.0	136	2300011
EWL-2250	2250	1725	12	7	10	65	4.0	192	2300013
EWL-2800	2800	2115	14	7.8	11.6	75	5.5	302	2300015

Type	A (mm)	B (mm)	C (mm)	D1 (mm)	D2 (mm)	E (mm)	F (mm)	G (mm)	H (mm)	K (mm)	L (mm)	M (mm)	N (mm)
EWL-250	405	284,6	306,6	190	101,6	6	117	60	114	120	250	139	158
EWL-500	460	299	348	190	106,6	6	125	60	138	140	279	156	193
EWL-750	460	299	348	190	106,6	6	125	60	138	140	279	156	193
EWL-1000	589	540	436	250	101,6	6	215	150	500	275	264	130	325
EWL-1250	589	540	436	250	101,6	6	215	150	500	275	282	158	325
EWL-1750	660	640	474	280	121	8	262	200	600	320	307	190	370
EWL-2250	706	710	524	320	146	8	300	250	670	360	307	190	410
EWL-2800	825	850	607	370	159	8	333	300	800	380	324	216	440

SKW steel wire rope - snatch block with swivel hook

H

SH hand-operated hydraulic stackers are complies with EN 1757-1.



Type	Safe working load (kg)	Cable diameter (mm)	B (mm)	B1 (mm)	B2 (mm)	D1 (mm)	D2 (mm)	H (mm)	L (mm)	L1 (mm)	L2 (mm)	R (mm)	Weight (kg)	Productid
SKW-10	1000	7	118	76	17	85	105	23	305	200	23	4	3.3	3060001
SKW-20	2000	13	199	92	24	150	190	27	425	263	30	7	8,9	3060003
SKW-32	3200	15	230	108	28	180	220	21	496	295	40	9	15.5	3060005
SKW-64	6400	18	270	116	35	210	260	42	655	375	47	10	26.5	3060007



KBH1 steel wire rope snatch block with 1 sheave

H

safe workload from 500 to 2.000 kg

Type	Safe working load (kg)	Cable diameter (mm)	Thickness (mm)	Width (mm)	Height (mm)	Diameter sheave (mm)	Weight (kg)	Productid
KBH1-05	500	8	50	87	268	75	1.5	3061001
KBH1-10	1000	10	56	112	312	100	2.6	3061003
KBH1-15	1500	13	64	140	370	125	4.8	3061005
KBH1-20	2000	16	101	168	443	150	7.4	3061007



KBH2 steel wire rope snatch block with double sheave

H

safe workload from 500 to 2.000 kg

Type	Safe working load (kg)	Cable diameter (mm)	Thickness (mm)	Width (mm)	Height (mm)	Diameter sheave (mm)	Weight (kg)	Productid
KBH2-05	500	8	77	87	268	75	2.8	3062001
KBH2-10	1000	10	88	112	312	100	4.3	3062003
KBH2-15	1500	13	100	140	370	125	7.8	3062005
KBH2-20	2000	16	146	168	443	150	12.2	3062007



REMA
HOLLAND

REMA
HOLLAND
model: DMK
capacity: 3000
serial no: 023010104
year: 2010/10

1950030 REMA DMK 3T

Steel jacks	136
Hydraulik jacks	137
Hydraulik machine jack	139



DMK steel lifting jacks

H

Robust construction with large-size, stable foot plate according DIN 7396

Properties

- Manufactured in compliance with DIN 7355.
- Low forces thanks to the optimum transmission ratios.
- Robust construction with large-size, stable foot plate.
- Safety crank with foldable handle.
- Type DMK standard model.
- Type DMKK short model.
- Type DMKV in 6 positions adjustable claw.
- Type DMKR with ratchet crank 1,5 / 3 / 5t.



DMKV

Type	Safe working load (kg)	Construction height (mm)	Lifting height (mm)	Height of claw in lowest position (mm)	Weight (kg)	Productid
DMK-1.5	1500	725	350	70	12	1950015
DMK-3.0	3000	725	350	75	20	1950030
DMK-5.0	5000	725	300	75	29	1950050
DMK-10.0	10000	800	300	85	42	1950100
DMKK-1.5	1500	570	300	70	11	1951015
DMKK-3.0	3000	570	300	75	18	1951030
DMKK-5.0	5000	600	300	70	22	1951050
DMKK-10.0	10000	650	300	80	38	1951100
DMKV-3.0	3000	720	350	69	25	1952030
DMKV-5.0	5000	720	300	64	30	1952050
DMKV-10.0	10000	790	300	85	48	1952100
DMKR-1.5	1500	725	350	70	15	1950016
DMKR-3	3000	725	350	75	23	1950031
DMKR-5	5000	725	300	70	27	1950051

Rema-All

H

ACCORDING ASME / ANSI SAFETY STANDARD.

Properties

- A patented overload limiter excludes misoperation, the "safety link" hinders continuing lifting while the jack takes hold of load.
- Long life due to cast parts and easy operation.
- Extra large foot plate for stability.



Type	Safe working load (kg)	Construction height (mm)	Maximum height (mm)	Weight (kg)	Productid
REMA-ALL	3000	120	1200	14	0310050

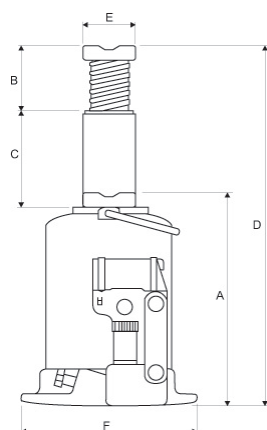
Weber A and AT hydraulic jacks

Z

Weber hydraulic jacks are robust and deployed between 2000 kg and 100,000 kg.

Properties

- Complies with DIN 76024 and VBG 8.
- Model A is equipped with spindle piston to adjust minimum height to the given conditions.
- Series AT is equipped with twin telescopic pistons to attain high jacking-up levels.
- Relief valve for overload prevention.
- For masses above 10 kg a carrying handle is supplied as standard accessory.
- Circular base plate to decrease lateral pressure.
- Ambient temperature -20° to +70°C.
- Not suitable for prolonged loading.
- Suitable for using horizontal til A-30 type.



Type	Safe working load (kg)	A (mm)	B (mm)	C (mm)	D (mm)	E (mm)	F (mm)	Weight (kg)	Productid
A-2.0	2000	170	92	115	377	28	103 x 105	2,9	2705001
A-3.5	3500	170	92	115	377	28	103 x 105	2,9	2705003
A-5.0	5000	212	100	150	462	40	110 x 110	3,9	2705005
AX-8.0*	8000	220	110	150	480	48	124 x 122	5,7	2705007
A-10.0*	10000	220	110	150	480	48	124 x 122	5,7	2705009
A-12.0*	12000	230	110	157	497	48	134 x 120	7,1	2705011
AX-15.0*	15000	230	110	155	495	60	139,5 x 130	8,3	2705013
A-20.0*	20000	240	110	155	505	60	164 x 160	10,7	2705015
AH-25.0*	25000	240	118	157	515	65	185 x 176	13,1	2705017
A-30.0*	30000	240	100	142	482	65	185 x 176	14,5	2705019
A-50.0	50000	250	-	155	405	72	290 x 235	33	2705021
AX-100.0	100000	300	-	150	450	95	330 x 295	87	2705023
ATDX-3.0*	3000	185	-	215	400	R50	126 x 93	4,2	2707001
AT-5.0*	5000	215	-	305	520	43	134 x 120	6,3	2707003
ATG-10.0*	10000	200	68	262	530	43	164 x 160	8,8	2707007
ATPX-12.0	12000	230	85	255	570	48	176 x 185	12,2	2707009



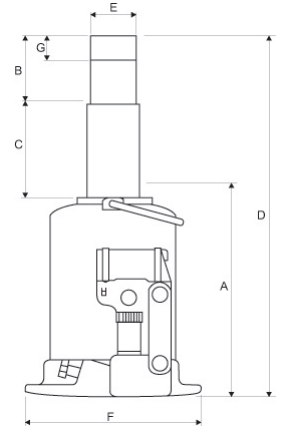
Weber ATD 10-120 extreme low jack

Z

Weber hydraulic jacks are robust and deployed between 2000 kg and 100,000 kg.

Properties

- Circular base plate to decrease lateral pressure.
- Relief valve for overload prevention.
- Ambient temperature -20° to +70°C.
- Complies with DIN 76024 and VBG 8.



Type	Safe working load (kg)	A (mm)	B (mm)	C (mm)	D (mm)	E (mm)	F (mm)	G (mm)	Weight (kg)	Productid
ATD10-120	10000	120	-	110	230	39,5	164 X 160	45	6,9	2707008



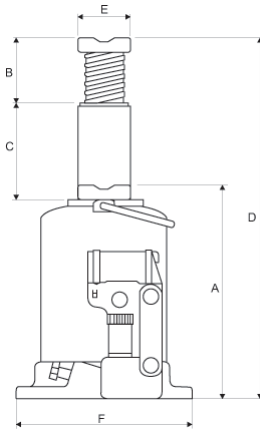
HV hydraulik jacks

Z

REMAhydraulic jacks are robust and deployed between 2000 kg and 50000 kg.

Properties

- The desired height can easily be adjusted by means of a spindle.
- Relief valve for overload prevention.
- Can be used exclusively in upright position, in the temperature range -5°C to 45°C.
- Do not use in aggressive environment (bases, acids etc).
- Not suitable for prolonged loading.
- Not suitable for using horizontal.



Type	Safe working load (kg)	A (mm)	B (mm)	C (mm)	D (mm)	E (mm)	F (mm)	Weight (kg)	Productid
HV-2.0	2000	160	-	100	260	21	80 x 90	2,0	2750016
HV-4.0	4000	190	63	135	388	25	103 x 115	3,3	2750032
HV-6.0	6000	195	77	135	407	30	91 x 112	3,1	2750050
HV-8.0	8000	200	60	135	395	34,5	115 x 125	3,9	2750080
HV-10.0	10000	200	60	135	395	36	122 x 130	5,4	2750100
HV-12.0	12000	210	60	140	410	40	135 x 135	6,5	2750125
HV-16.0	16000	230	70	157	457	43	135 x 142	7,5	2750160
HV-20.0	20000	235	70	145	450	49,5	150 x 190	10,1	2750200
HV-32.0	32000	285	-	200	485	69	150 x 190	19,4	2750300
HV-50.0	50000	290	-	190	480	85	180 x 220	29	2750500

Type	A (mm)	B (mm)	C (mm)	D (mm)	E (mm)	F (mm)	G (mm)	H (mm)	J (mm)	K (mm)	L (mm)	M (mm)	N (mm)
RMH-50	740	368-573	190	93	98	275	115	25-230	205	53	77	76	-
RMH-100	745	420-650	190	108	98	280	120	30-260	230	55	74.5	91	-
RMH-250	1305-1225	505-720	283	175	-	459	420	58-273	215	90	142.5	155	70

REMA
HOLLAND



ROOF CRANE

Model No.	Capacity (kg)
REMA 1000	1000
REMA 2000	2000
REMA 3000	3000
REMA 4000	4000
REMA 5000	5000
REMA 6000	6000
REMA 8000	8000
REMA 10000	10000



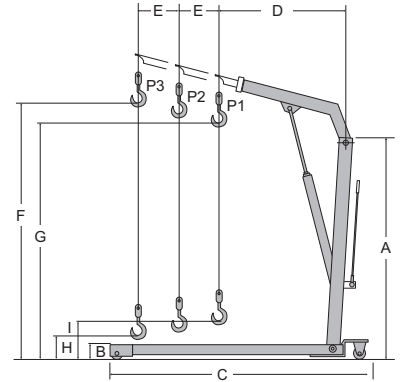
GWK mobile work shop cranes

V

Robust construction, easy functioning. Specially for working shops.

Properties

- Easy functioning.
- Quick lifting due to the double-acting pump.
- Collapsible, readily transportable.
- Robust construction.
- Chrome-plated hydraulic cylinder.
- Caster wheels can be rotated in 360°.
- Rotatable load hook (except when being under load).
- Gib can be set in 3 positions.
- 125% test load.
- Safety valve for overload prevention.
- Model GWK-1000 is equipped with extralong supporting legs.



Type	WLL (kg) P1	Width (mm)	WLL (kg) P2	Weight (kg)	WLL (kg) P3	Productid
GWK-500	500	970	425	75	350	4220015
GWK-1000	1000	1120	800	115	700	4220017
GWK-2000	2000	1165	1700	165	1500	4220019

Type	A (mm)	B (mm)	C (mm)	D (mm)	E (mm)	F (mm)	G (mm)	H (mm)	I (mm)
GWK-500	1410	165	1510	895	102	2120	1960	150	340
GWK-1000	1675	90	1630	1230	150	2445	2330		245
GWK-2000	1690	205	1900	1290	150	2705	2505		230



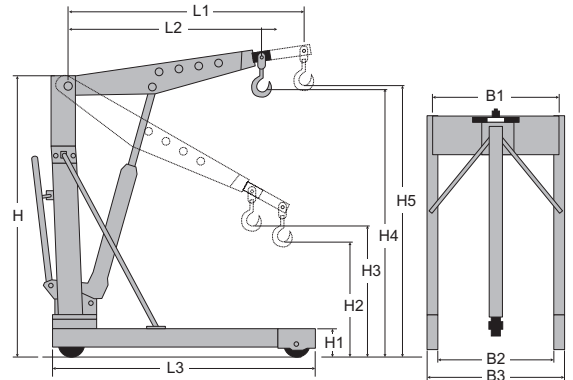
GWKE euro shop cranes

V

Robust construction, easy functioning. Suitable for use with Euro pallets 800 x 1200 mm.

Properties

- Suitable for use with Euro pallets.
- Easy functioning.
- Robust construction.
- Chrome-plated hydraulic cylinder.
- Caster wheels can be rotated in 360°.
- Rotatable load hook (except when being under load).
- Gib can be set in 4 positions.
- 125% test load.
- Safety valve for overload prevention.



Type	WLL (kg) P1	WLL (kg) P4	WLL (kg) P2	Weight (kg)	WLL (kg) P3	Productid
GWKE-500	500	350	450	81	400	4220011
GWKE-1000	1000	700	900	103	800	4220013

Type	B1 (mm)	B2 (mm)	B3 (mm)	H (mm)	H1 (mm)	H2 (mm)	H3 (mm)	H4 (mm)	H5 (mm)	L1 (mm)	L2 (mm)	L3 (mm)
GWKE-500	925	840	1000	1595	155	470	705	2225	2475	1360	1060	1295
GWKE-1000	925	840	1000	1595	155	470	705	2225	2475	1360	1060	1295

Pallet trucks

144

High lifters

145



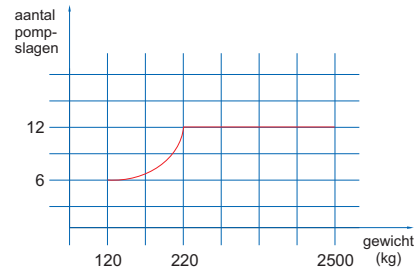

PT pallet truck

V

The new REMA PT pallet trucks fitted with pump (model 25) are very manoeuvrable and user-friendly. The tandem fork rollers are advantageous when using these pallet truck on a less smooth floor. Single truck roller designs are frequently used in the transport sector (rubber steer wheels and polyurethane rollers).

Properties

- Quick-Lift pump (model 25) for a quick lifting of pallets.
- The pump unit has an overload protection function.
- A chromate-coated and polished piston rod provides a long life for the hydraulic cylinder.



Type	Safe working load (kg)	Dimensions (mm)	min height (mm)	width of fork (mm)	Material steering wheels	Model fork roller	Material fork rollers	Weight (kg)	Productid
PTS-25TPP	2500	1150 x 540	85	160	polyurethaan	tandem	polyurethaan	75	3401001


Stainless steel pallettruck REMA HPTR

V

The semi stainless steel hand pallet truck is produced for the food industry and is satisfying all demands to hygiene. European origin.

Properties

- On the semi stainless steel hand pallet truck the frame, handle, axel, bolts and pins are in stainless, while the bars, front/rear rocker arm are in galvanized.
- The hand pallet trucks can resist the most obliquely chemicals, such as salt and cleansing agent.
- The semi stainless steel hand pallet truck have a simple and reliable hydraulic system with built-in automatic neutral position valve.
- Pump unit are zinc sprayed and painted afterwards.

Standard delivery

- Fork rollers and steering wheel of nylon.
- Tandem fork rollers.

Type	Safe working load (kg)	Dimensions (mm)	min height (mm)	width of fork (mm)	Material steering wheels	Model fork roller	Material fork rollers	Weight (kg)	Productid
HPTR 449 TR/3	2500	1130 x 520	85	520	Nylon	Tandem	Nylon	67	2804023



PTH-M High lifter

V

Manoevrability of pallet trucks combined with the lifting height of scissor tables.

Properties

- By means of supports, high stability even at highest position.

Type	Safe working load (kg)	Dimensions (mm)	Dimensions L x W x H (mm)	width of fork (mm)	Lifting height (mm)	Lifting height per lever stroke (mm)	min height (mm)	Model fork roller	Diame-ter fork wheels (mm)	Weight (kg)	Productid
PTH-M	1000	1190 x 560	1600 x 560 x 1300	160	800	15	85	single	82	128	3401051



PTH-E elektrisch hoogheffende pallettruck

V

Manoevrability of pallet trucks combined with the lifting height of scissor tables.

Properties

- Manoevrability of pallet trucks combined with the lifting height of scissors tables.
- By means of supports, high stability even at highest position.
- Lifting height per movement: 15 mm.
- Steering wheels : polyurethane.
- Fork rollers : polyurethane - single.
- Lifting height : 85 to 800 mm.

Type	Safe working load (kg)	Dimensions (mm)	Dimensions L x W x H (mm)	width of fork (mm)	Lifting height (mm)	Lifting height per lever stroke (mm)	min height (mm)	Model fork roller	Diame-ter fork wheels (mm)	Weight (kg)	Productid
PTH-E	1000	1190 x 580	1600 x 580 x 1300	160	800	15	85	single	82	150	3401053



HC-100



HC-50

HC Skid lifter

V

With the supplied plate table, these pallet trucks can be converted to lifting tables with one movement of the hand.

Properties

- Combination of pallet truck and lifttable.
- Ideal for your loading and unloading operations.
- Continious-welded heavy steel frame and forks handle weighty loads with easy.
- Easy-to-use control lever, plus two parking brakes on steering wheels.
- A steering handle on 1000 kg models for easier and comfortable turning.
- Conforms to EN 1757-4.

Type	Safe working load (kg)	Dimensions (mm)	Lifting height per lever stroke (mm)	min height (mm)	width of fork (mm)	Material steering wheels	Material fork rollers	Model fork roller	Weight (kg)	Productid
HC-50	500	1115 x 530	20	85	160	Polyurethane	Polyurethane	single	122	3469001
HC-100	1000	1115 x 530	10	85	160	Polyurethane	Polyurethane		150	3469003




SL hand-operated stackers

V

SL hand-operated stackers are complies with EN 1757-1.

Properties

- Compact and almost maintenance-free.
- Winch fitted with load pressure brake.
- Brakeable polyurethane steering wheels.
- Fork rollers - single : polyurethan.
- Model 50B : fork width, adjustable.
- Model 100B : fork width, non-expandable.

Type	Safe working load (kg)	Dimensions fork (mm)	Construction height (mm)	Width (mm)	Lifting height (mm)	Lifting height per stroke (mm)	Material steering wheels	Material fork rollers	Weight (kg)	Productid
SL-50B	500	1000x160/690	2030	160 - 690	90-1500	22	polyurethane	polyurethane	146	3470101
SL-100B	1000	1150x540	1930	540	90-1500	9.5	polyurethane	polyurethane	182	3470103


SH hand-operated hydraulic stackers

V

SH hand-operated hydraulic stackers are complies with EN 1757-1.

Properties

- Complies with EN 1757-1.
- Hydraulic pump with overload protection.
- Lifting and controlled lowering by means of the bar.
- Steering wheels with brakes.

Type	Safe working load (kg)	Dimensions fork (mm)	Construction height (mm)	Width (mm)	Lifting height (mm)	Lifting height per lever stroke (mm)	Material steering wheels	Material fork rollers	Weight (kg)	Productid
SH-1015	1000	1150x540	1964	540	1500	12.5	polyurethane	polyurethane	220	3470201
SH-1025	1000	1150x540	1964	540	2500	12.5	polyurethane	polyurethane	330	3470205

Movable lift tables	150
Stationary lift tables	151
Double scissor stationary lift tables	152
Lower stationary lift tables	153
Stationary lift tables U-form	154



HT Hand-operated movable lift table

V

HT hand-operated movable lifting tables

Properties

- Complies with DIN 1570.
- Overflow hydraulics for a higher level of safety.
- Foot pedal for lifting.
- Operating handle controls lowering speed.
- REMA movable lifting tables are fitted with two rigid wheels and two steer wheels with brakes each.
- All models have rigid push rods except for Model HT-15 which is equipped with a foldable push rod.



HT-15



HT-15 folded table



HT-D double scissor

Type	Safe working load (kg)	Dimensions platform (mm)	Construction height (mm)	Lifting height (mm)	Lever height (mm)	Wheel diameter (mm)	Weight (kg)	Productid
HT-15	150	700 x 450	225	530	1000	100	41	3460015
HT-25	250	815 x 500	315	590	1100	125	78	3460025
HT-50	500	1010 x 520	430	570	1130	150	118	3460050
HT-75	750	1010 x 520	432	560	1130	150	120	3460075
HT-100	1000	1010 x 520	440	520	1130	150	135	3460100
HT-50D	500	1010 x 520	435	1150	1130	150	168	3460150



HS stationary lifting tables

V

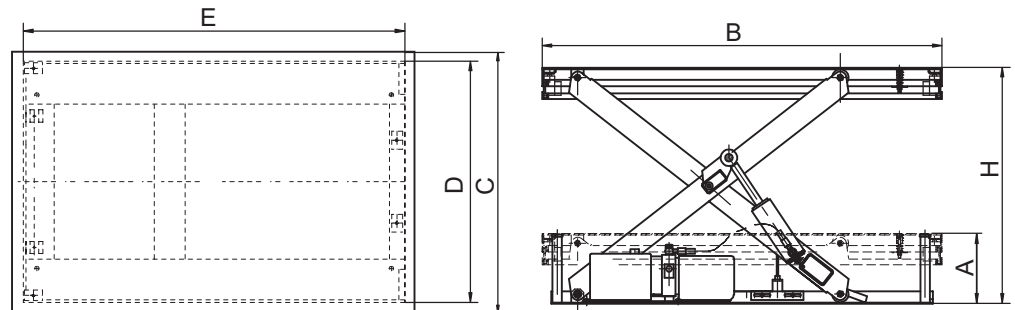
HS stationary lifting tables

Properties

- Complies with DIN 1570.
- 400V, 50 Hz, 3 phase, IP 55.
- Robust foot plate construction.
- Reinforced edge profiles.
- Massive steel scissors mechanism.
- Emergency shut-off bars all round.
- Supports for safe maintenance.
- Overload protection.
- Hose anti-break safety valve.
- Hard chromate-coated cylinder and piston rod.
- Lubrication-free enclosed bearings.
- Compact drive unit.

Standard delivery

- Incl 24 V remote control push buttons with emergency stop.
- Demountable lifting eyes for easy lifting transport.



Type	Safe working load (kg)	Lifting time (sec)	Current (VAC)	Control voltage (VAC)	Power output (kW)	Protection class IP	Weight (kg)	Productid
HS05-01	500	25	400	24	1,1	IP55	193	3459005
HS1-01	1000	20	400	24	0,75	IP55	160	3459001
HS1-04	1000	30	400	24	1,1	IP55	210	3459007
HS2-01	2000	20	400	24	1,5	IP55	235	3459002
HS2-06	2000	35	400	24	2,2	IP55	315	3459003
HS4-01	4000	40	400	24	2,2	IP55	375	3459004
HS4-06	4000	45	400	24	2,2	IP55	505	3459006

Type	A (mm)	B (mm)	C (mm)	D (mm)	E (mm)	H (mm)
HS05-01	200	2000	800	680	1615	200-1000
HS1-01	205	1300	820	640	1240	205-990
HS1-04	240	1700	1000	640	1580	240-1300
HS2-01	230	1300	850	785	1220	230-1050
HS2-06	250	2000	1000	785	1600	250-1300
HS4-01	240	1700	1200	900	1600	240-1100
HS4-06	300	2200	1200	900	2000	300-1400



HSD double scissor stationary lifting table

V

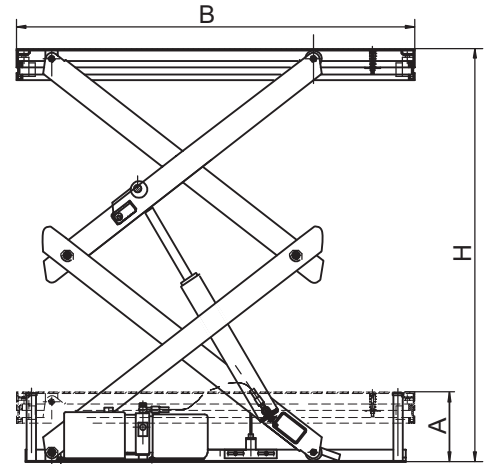
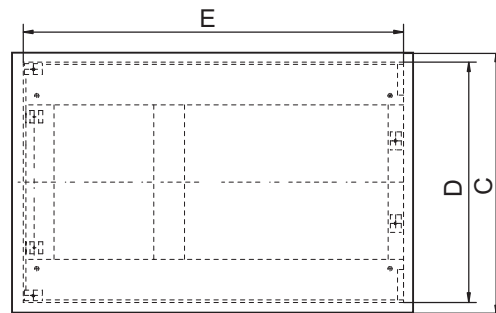
HSD double scissor stationary lifting table

Properties

- This lifting table is equipped with an aluminium safety frame.
- Overload protection.
- Special valve for controlled descent.
- Hose anti-break safety valve.
- Lubrication-free enclosed bearings.
- Hard chromate-coated cylinder and piston rod.
- Conforms EN1570 and ANSI/ASME safety standards.

Standard delivery

- Demountable lifting eyes for easy transport.
- 24V remote control buttons and emergency stop.



Type	Safe working load (kg)	Lifting time (sec)	Current (VAC)	Control voltage (VAC)	Power output (kW)	Protection class IP	Weight (kg)	Productid
HSD-1.0	1000	35	400	24	2,2	IP55	210	3459031
HSD-2.0	2000	35	400	24	2,2	IP55	295	3459033
HSD-4.0	4000	55	400	24	2,2	IP55	520	3459035

Type	A (mm)	B (mm)	C (mm)	D (mm)	E (mm)	H (mm)
HSD-1.0	305	1300	820	680	1266	305-1780
HSD-2.0	360	1300	850	785	1255	360-1780
HSD-4.0	400	1700	1200	930	1600	400-2050


HSL low profile lifting tables
V

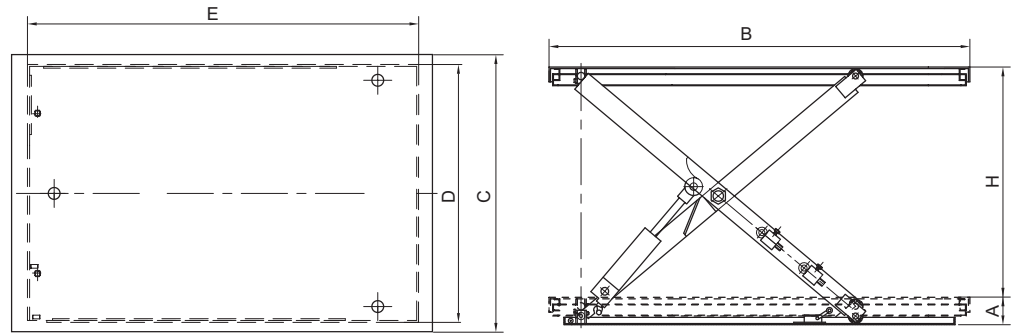
HSL low profile lifting tables

Properties

- Complies with EN 1570.
- Stable, flat floor plate.
- Table with reinforced profiles all around the edges.
- Massive steel scissors.
- Emergency shut-off bars all round.
- Supports for safe maintenance.
- Overload protection.
- Hose anti-break safety valve.
- Hard chromate-coated cylinder and piston rod.
- Lubrication-free enclosed bearings.
- External drive unit.

Standard delivery

- Incl 24 V remote control buttons and emergency stop.
- Demountable lifting eyes for easy transport.
- Loading ramp.



Type	Safe working load (kg)	Lifting time (sec)	Current (VAC)	Control voltage (VAC)	Power output (kW)	Protection class IP	Weight (kg)	Productid
HSL-1.0	1000	20	400	24	0,75	IP54	364	3459011
HSL-1.5	1500	20	400	24	1,5	IP54	401	3459013
HSL-2.0	2000	20	400	24	2,2	IP54	419	3459015

Type	A (mm)	B (mm)	C (mm)	D (mm)	E (mm)	H (mm)
HSL-1.0	85	1600	1140	1074	1325	85-860
HSL-1.5	105	1600	1000	734	1427	105-870
HSL-2.0	105	1600	1200	1114	1427	105-870



HSU low profile lifting table

V

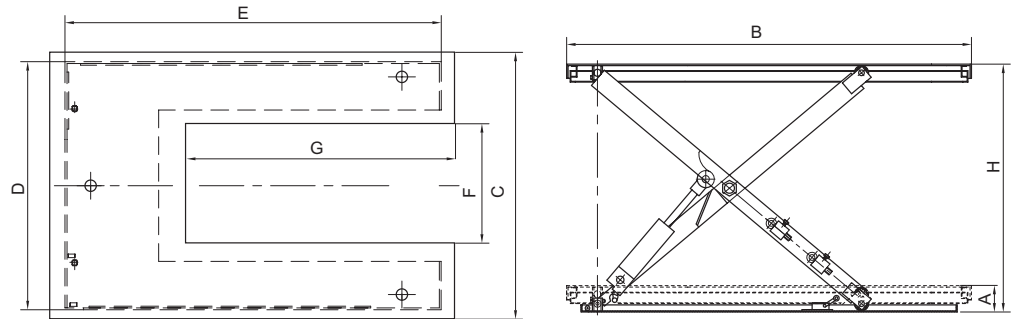
HSU low profile stationary "U"-shaped lifting tables

Properties

- Complies with EN 1570.
- Stable, low-level floor plate.
- Table with reinforced profiles all around the edges.
- Massive steel scissors.
- Emergency shut-off bars all round.
- Supports for safe maintenance.
- Overload protection.
- Hose anti-break safety valve.
- Hard chromate-coated cylinder and piston rod.
- Lubrication-free enclosed bearings.
- External drive unit.

Standard delivery

- Incl 24 V remote control buttons and emergency stop.
- Demountable lifting eyes for easy transport.



Type	Safe working load (kg)	Lifting time (sec)	Current (VAC)	Control voltage (VAC)	Power output (kW)	Protection class IP	Weight (kg)	Productid
HSU-1.0	1000	18	400	24	0,75	IP54	280	3459017
HSU-1.5	1500	18	400	24	1,5	IP54	380	3459019

Type	A (mm)	B (mm)	C (mm)	D (mm)	E (mm)	F (mm)	G (mm)	H (mm)
HSU-1.0	85	1450	1140	1074	1325	585	1080	85-860
HSU-1.5	105	1600	1180	1114	1427	585	1194	105-860

Drum trucks

156

Drum clamps

157



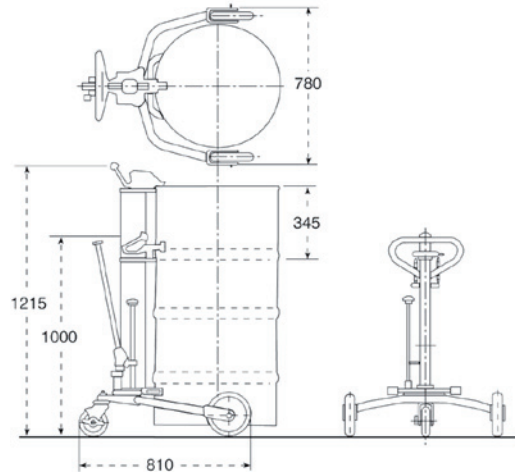


DH hydraulic barrel truck **H**

For handling steel barrels full with liquid in standing position (210 liter).

Properties

- Comfortable operation due to the hydraulic pump provided.
- Excellent rolling properties due to the combination of two large side wheels and a steer wheel.



Type	Safe working load (kg)	Lifting height (mm)	Maximum barrel height (mm)	Weight (kg)	Productid
DH-250	250	345	915	40	4252001

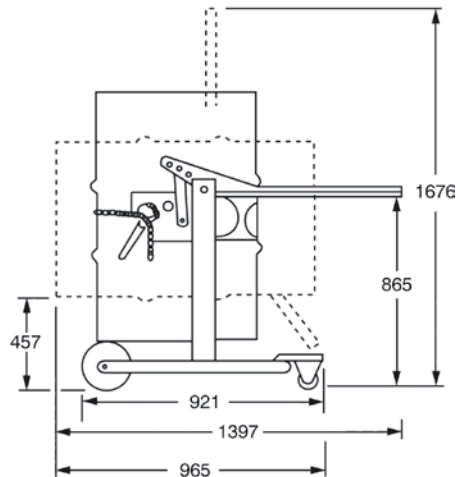


DM movable barrel truck swivel **H**

For lifting, handling, tipping and emptying of steel barrels (210 liter of liquid).

Properties

- Tipping arrangement with locking function both in vertical and horizontal positions.



Type	Safe working load (kg)	Lifting height (mm)	Maximum barrel height (mm)	Weight (kg)	Productid
DM-365	365	292	915	50	4252003



CVA Barrel clamp

H

Intended for safe lifting and handling of standing steel barrels filled with liquids. Automatic locking mechanism. Included shackle.

Properties

- Intended for safe lifting and handling of standing steel barrels filled with liquids.
- Automatic locking mechanism.
- Complete with suspension eye.

Type	Safe working load (kg)	Jaw opening (mm)	Weight (kg)	Productid
CVA-0.5	500	0 - 17	1,6	3308001



CVB barrel clamp

H

Intended for safe lifting and handling of barrels whereby the lifted barrel will be held steadily in vertical position. Easily operable locking mechanism. Complete with suspension eye.

Properties

- Intended for safe lifting and handling of barrels whereby the lifted barrel will be held steadily in vertical position.
- Easily operable locking mechanism.
- Complete with suspension eye.

Type	Safe working load (kg)	Weight (kg)	Productid
CVB-0.5	500	7,1	3308003

VK barrel clamp

Z

For lifting 210 liter barrels.

Properties

- VK-350 type for steel barrels.
- VK-360 type for open and tightly closed steel barrels and plastic barrels with L- or X-rings.
- VK-500 type for open or closed steel barrels.
- VKH-500 for horizontal transport of steel barrels.
- Simply useable with a hoist or lifting hooks.



VK-350



VK-360



VK-500



VKH-500

Type	Safe working load (kg)	Weight (kg)	Productid
VK-350	350	9,5	3308101
VK-360	360	4,5	3308103
VK-500	500	5	3308105
VKH-500	500	7,6	3308107


DTS fork truck barrel clamp

H

Clamp to be fitted to fork lifts for handling steel barrels of 210L.

Properties

- Suitable for steel barrels of 210 liter capacity.
- Clamping force is provided by the dead weight of the full barrel.
- Can be easily mounted by simply pushing the clamp onto the fork.
- Robust steel construction.

Type	Safe working load (kg)	Jaw opening (mm)	Weight (kg)	Productid
DTS-10	680	572	36	4252005


DD steel barrel dolly

H

A simple aid for handling steel barrels of 210 liter.

Properties

- Frame welded from steel band.
- Steer wheels with zinc-coated brackets.
- The threads of wheels are of oil- and water-resistant.
- Zinc-coated bolts and nuts.

Type	Safe working load (kg)	Diameter (mm)	Weight (kg)	Productid
DD-210	410	600	5	4252007

Roller carriages/skates 160

Handspikes 162




TRV Roller carriage

V

Ideal for an easy and safe handling of loads.

Properties

- Nylon rollers running on ball bearings.
- Nylon rollers will not damage floors.
- Platforms have anti-slip rubber coatings.
- Can be easily placed or positioned by means of the hand grip.

Type	Safe working load (kg)	Number of axles	Platform L x W x H (mm)	Number of rollers	Roller x width (mm)	Weight (kg)	Productid
TRV-10	1000	2	330 x 220 x 118	4	100 x 35	7	4250021
TRV-20	2000	2	330 x 220 x 118	8	100 x 35	8	4250023
TRV-25	2500	2	210 x 110 x 105	2	85 x 90	4	4250025
TRV-30	3000	2	330 x 220 x 100	4	85 x 85	10	4250027
TRV-60	6000	3	260 x 200 x 105	6	85 x 85	12	4250029


TRZ Carriage with caster

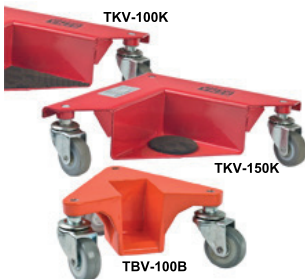
V

Roller carriages fitted with steering rollers for good manoeuvrability.

Properties

- TRZ-102 with 2 steering wheels and 2 fixed wheels.
- TRZ-104 with 4 steering wheels.
- Wheel typ Nylon.

Type	Safe working load (kg)	Number of rollers	Platform L x W x H (mm)	Roller x width (mm)	Material	Weight (kg)	Productid
TRZ-102	1000	4	430 x 340 x 120	75 x 46 / 100 x 35	nylon	13	4250031
TRZ-104	1000	4	430 x 340 x 120	75 x 46	nylon	14	4250033


TKV / TBV Corner movers

V

Rema roller carriages for handling cabinets and office furniture for handling loads with a maximum 600 kg with or without legs.

Properties

- 1 set consists of 4 units.
- Ease of steering due to the 3 supported steer wheels.
- Every carriage is rubber-coated to avoid damages to goods.
- Models KV for loads without legs (cabinets, cases etc).
- Models BV for furniture with legs (tables, desks etc).

Type	Safe working load (kg)	Number of rollers	Dimensions (mm)	Material	Weight (kg)	Productid
TKV-100K	400	3	305 x 165 x 65	aluminium	5.6	4250051
TBV-100B	400	3	195 x 165 x 85	aluminium	4.8	4250053
TKV-150K	600	3	366 x 204 x 85	steel	8.0	4250055



Heavy machinery roller skates TRS V

Nylon rollers running on bearings except for models TRS-120 fitted with steel rollers. Nylon rollers will not damage floors. Platforms have anti-slip rubber coatings. Can be easily placed or positioned by means of the hand grip.

Properties

- The steering platform skate running on bearings makes manoeuvring with heavy loads easier.

Type	Safe working load (kg)	Number of rollers	Platform L x W x H (mm)	Roller x width (mm)	Material	Weight (kg)	Productid
TRS-30	3000	4	310 x 255 x 105	85 x 90	nylon	15	4250001
TRS-60	6000	8	630 x 400 x 115	85 x 90	nylon	50	4250003
TRS-120	12000	8	630 x 400 x 115	83 x 80	steel	66	4250005



TRW roller skates V

Roller skates can be mated by means of two connecting rods. Roller skates are always supplied in pairs incl 2 connecting rods.

Type	Safe working load (kg)	Number of rollers	Platform L x W x H (mm)	Roller x width (mm)	Material	Weight (kg)	Productid
TRW-60	6000/2	8	315 x 200 x 115	85 x 90	nylon	30	4250011
TRW-120	12000/2	12	420 x 200 x 115	85 x 90	nylon	38	4250013
TRW-240	24000/2	16	490 x 220 x 115	83 x 85	steel	65	4250015



TS roller skate for heavy machinery V

REMA roller skate sets consist of 4 rollers, 2 bogies, 2 raising blocks, 2 steering rods and 2 connecting rods. Delivered in metal storage/transport case with the appropriate pull handle.

Applications

- Short, variable handling distances.
- For commissioning work and handling heavy loads.
- Due to the steering rods, large machines can be handled with ease.
- The handling speed may not exceed 5 m/min.
- Minimum turning cycle is 3 meter.

Type	Safe working load (kg)	Platform L x W x H (mm)	Turntable (mm)	Roller diameter (mm)	Weight (kg)	Productid
TS-20	20000	120 x 120 x 108	130	18	50	4211003
TS-30	30000	120 x 120 x 117	130	24	58	4211005
TS-60	60000	130 x 130 x 140	150	30	92	4211007

**TRH roller type handspikes****V**

Handspikes made of steel pipe are designed for a problem-free lifting of loads.

Type	Safe working load (kg)	Lever length (mm)	Lifting height (mm)	Roller diameter (mm)	Weight (kg)	Productid
TRH-15	1500	2000	200	100 x 55	13	4250040



Complete personal safety sets Z

These safety sets meet the requirements of European Norm EN 363. Systems for retaining persons as well as for reducing the arising forces.

Properties

- Tested in compliances with: EN 361 | EN 355 | EN 353-2 | EN 360.



Type	Productid
PERFECT 30 / GRIP 12 IN BAG	1731210
PERFECT ECO / FALL DAMPER UNIT IN BAG	1731222
PERFECT ECO / MINI FALL ARESTOR IN STEEL SUITCASE	1731230
PERFECT 30 / HPS-5 FALL ARESTOR IN STEEL SUITCASE	1731240



Rema KTP-01 harness 3 in 1 Z

The Rema KTP-IZI is a carrier bag, harness and connecting rope integrated in one unit. Open the bag and turn it inside out; your harness will appear and you can step into it, using the bag as the back and with the attached line within reach at the front. Tested in accordance with EN-361 and EN-355.

Properties

- Carrier bag.
- Harness with connecting band and integrated fall damper band.

Type	length min. (m)	Length max. (m)	Productid
KTP-01	2	6	1740001



Rema KTP-04 harness 3 in 1 Z

Properties

- Carrier bag.
- Harness with elastic band with integrated fall damper provided with scaffolding hook.

Type	Length min. (m)	Length max. (m)	Productid
KTP-04	1	2	1740004

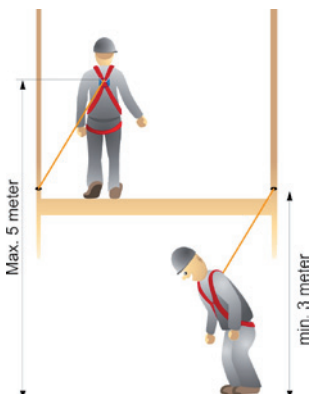


Rema KTP-09 harness 3 in 1 Z

Properties

- Carrier bag.
- Harness with HWB-2,0 mini fall-stop apparatus provided with scaffolding hook.

Type	Length max. (m)	Productid
KTP-09	2	1740009



Overload limiters	166
Portal cranes	167
Tripods	169
Traverse	170



HF overload limiter for wire ropes

V

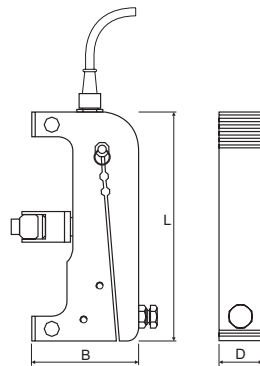
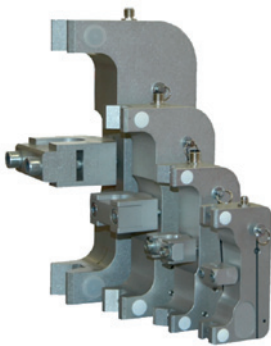
HF cable control devices are designed to ensure that your crane is not overloaded.

Technical specifications

Execution of base	: for cables from 4 to 35 mm
Measurement sensor	: integrated micro switch
Installation	: directly on the dead part
Sensor material	: aeronautical quality aluminium
Surface treatment	: colourless anodic oxidation
Weighing system	: by micrometric screw
Cut-off tension	: maxi 230 VAC
Cut-off intensity	: maxi 5 Amperes
Repetition	: 1%
Rate of precision	: 5% of F.S.R.
Temp. of use	: from -30° to +80° C
Protection class	: IP40
Maintenance	: none
Joining	: electric cables 3 conductors
Electrical outlet	: plug
Length of lead	: 2 metres and option of 5 metres

Option

- IP65.



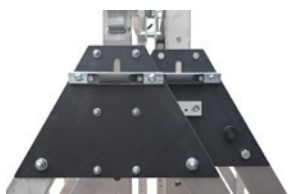
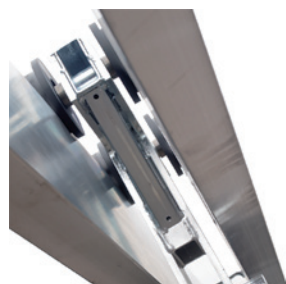
Type	Safe working load (kg)	Cable diameter (mm)	B (mm)	D (mm)	L (mm)	Weight (kg)	Productid
HF-0A	150 - 1600	4 - 10	59	28	120	0,4	4498000
HF-1A	250 - 3200	5 - 16	70	40	150	0.85	4498001
HF-2A	500 - 7000	17 - 25	98	50	200	2	4498002
HF-3A	1000 - 12000	24 - 35	138	60	280	5	4498003



1500KG



3000KG



PKA aluminum portal cranes **C**

Very-short-time assembly and disassembly of some minutes. Where a temporary hoisting point should be established quickly and easily.

Properties

- Very-short-time assembly and disassembly of some minutes.
- Can be dismantled to 3 parts, namely 2 columns and 1 beam.
- Collapsible columns for easy transport.
- Adjustable height.
- Adjustable span through displaceable column on 1 side.
- Very low own weight.

Standard delivery

- With trolley included.
- With hoist excluded (see Chapter 1).

Applications

- Where a temporary hoisting point should be established quickly and easily.

Option

- Beam length between 2 and 5 meter.
- Wall bracket for 1 side.
- Movable design (in unloaded state).

Type	Safe working load (kg)	Beam length (mm)	Height (mm)	Weight (kg)	Leg width (mm)	Productid
PKA-K-2	1500	2000	1180 - 2100	98	1200	3940008
PKA-K-3	1500	3000	1180 - 2100	98	1200	3940000
PKA-K-4	1500	4000	1180 - 2100	98	1200	3940001
PKA-M-2	1500	2000	1680 - 3000	118	1710	3940009
PKA-M-3	1500	3000	1680 - 3000	118	1710	3940002
PKA-M-4	1500	4000	1680 - 3000	118	1710	3940003
PKA-G-2	1500	2000	2230 - 4000	138	2290	3940010
PKA-G-3	1500	3000	2230 - 4000	138	2290	3940004
PKA-G-4	1500	4000	2230 - 4000	138	2290	3940005
PKA-G-5	1500	5000	2230 - 4000	155	2290	3940006



PKAV Aluminium Portal crane

C

PKAV movable portal crane. Very-short-time assembly and disassembly of some minutes. Where a temporary hoisting point should be established quickly and easily.

Properties

- Movable with load in it.
- Very-short-time assembly and disassembly of some minutes.
- Can be dismantled to 3 parts, namely 2 columns and 1 beam.
- Collapsible columns for easy transport.
- Adjustable height.
- Adjustable span through displaceable column on 1 side.
- Very low own weight.

Standard delivery

- With trolley included.
- Without hoist (see Chapter 1).

Applications

- Where a temporary hoisting point should be established quickly and easily.

Option

- Other designs on request

Type	Safe working load (kg)	Beam length (mm)	Height (mm)	Weight (kg)	Leg width (mm)	Productid
PKAV-K-3M	1000	3000	1500-2000	120	1250	3943001
PKAV-K-4M	1000	4000	1500-2000	120	1250	3943003
PKAV-M-3M	1000	3000	2000-3000	150	1700	3943005
PKAV-M-4M	1000	4000	2000-3000	150	1700	3943007
PKAV-G-3M	1000	3000	2250-3500	170	2000	3943009
PKAV-G-4M	1000	4000	2250-3500	170	2000	3943011

D / DW aluminum tripods

V

REMA aluminum tripods are very light and easily transportable in any car trunks as these tripods can be folded as a telescope so they are ideal for every kind of work. Series D is fitted with suspension eyes, height adjustment and tip-end legs. Series DW tripods are fitted with zinc-coated winches with load pressure brakes, complete with steel wire ropes and rotatable hooks, height adjustment and tip-end legs.

Option

- Steel tripods on request.
- 3050025 flat footplates with anti-slip coating.
- 3050026 securing chain against leg slip.



Type	Safe working load (kg)	Leg length min / max (mm)	Height (mm)	maximum spread (mm)	Lifting height (m)	Weight (kg)	Productid
D-250	250	1180 - 1880	940 - 1580	950 - 1500		10	3050001
D-500	500	1500 - 2500	1150 - 2050	1200 - 1950		17	3050005
D-503	530	1760 - 3000	1450 - 2630	1430 - 2390		20	3050002
D-1000	1000	1780 - 3000	1380 - 2540	1650 - 2350		27	3050004
D-1004	1000	2250 - 4000	1860 - 3440	1790 - 3070		36	3050006
DW-200	200	1180 - 1880	940 - 1580	950 - 1500	5	20	3050003
DW-500	500	2100 - 2500	1700 - 2100	1500 - 2000	5	35	3050007
DW-530	500	2400 - 3000	2000 - 2400	1900 - 2500	7	45	3050009
DW-1000	1000	2400 - 3000	1900 - 2400	1900 - 2500	7	45	3050011
DW-1004*	1000	2850 - 4000	2400 - 3400	2200 - 3000	7	69	3050013



Hoist traverse beams with 2 fixed hooks.

V

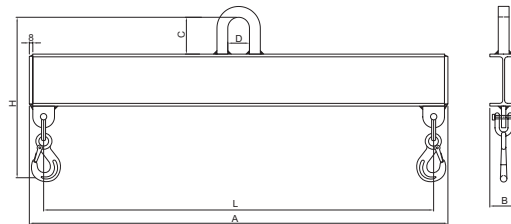
Hoist traverse beams with 2 fixed hooks.

Properties

- Surface finish: zinc phosphate primer RAL 2004 (orange).
- Capacity range labelling.
- Black-and-yellow safety markings at beam ends.
- Hooks equipped with safety latches.
- High quality steel hooks grade 100.

Option

- Sandblasting and painting in every RAL color.
- Higher load capacity and bigger dimensions on request.

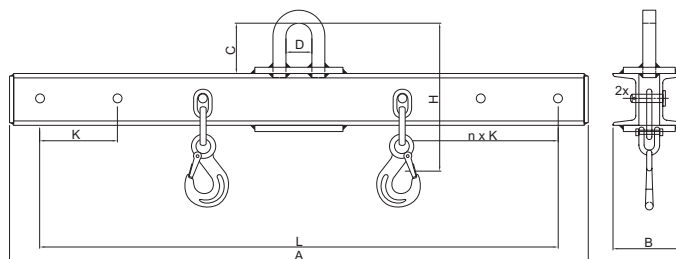


Type	Safe working load (kg)	A (mm)	B1 (mm)	C (mm)	D (mm)	H (mm)	L (mm)	Weight (kg)	Productid
TRA-VA-1000-1M	1000	1070	65	85	55	380	1000	30	3962001
TRA-VA-1000-1.6M	1000	1670	65	85	55	400	1600	40	3962003
TRA-VA-1000-2.5M	1000	2570	75	85	55	420	2500	67	3962005
TRA-VA-1000-3,15M	1000	3220	85	85	55	420	3150	100	3962007
TRA-VA-1600-1,6M	1600	1690	75	85	55	480	1600	48	3962009
TRA-VA-1600-2,5M	1600	2590	85	85	55	500	2500	83	3962011
TRA-VA-1600-3,15M	1600	3240	90	85	55	520	3150	120	3962013
TRA-VA-1600-4M	1600	4090	100	85	55	520	4000	171	3962015
TRA-VA-2500-2,5M	2500	2590	90	85	70	540	2500	115	3962017
TRA-VA-2500-3,15M	2500	3240	100	85	70	560	3150	140	3962019
TRA-VA-2500-4M	2500	4090	110	85	70	580	4000	202	3962021
TRA-VA-2500-5M	2500	5090	135	85	70	600	5000	284	3962023

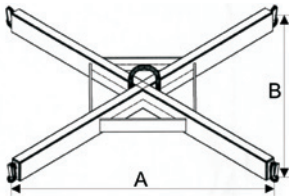


Hoist traverse beams with 2 adjustable hooks.

V



Type	Safe working load (kg)	B2 (mm)	C (mm)	D (mm)	H (mm)	L (mm)	n x k (mm)	Weight (kg)	Productid
TRA-VE-1000-1M	1000	140	85	55	380	1000	2 x 150	13	3962041
TRA-VE-1000-1,6M	1000	140	85	55	400	1600	3 x 150	22	3962043
TRA-VE-1000-2,5M	1000	160	85	55	420	2500	5 x 150	38	3962045
TRA-VE-1000-3,15M	1000	170	85	55	420	3150	7 x 150	57	3962047
TRA-VE-1600-1,6M	1600	150	85	55	480	1600	2 x 200	27	3962049
TRA-VE-1600-2,5M	1600	170	85	55	500	2500	4 x 200	55	3962051
TRA-VE-1600-3,15M	1600	190	85	55	520	3150	5 x 200	78	3962053
TRA-VE-1600-4M	1600	200	85	55	520	4000	7 x 200	98	3962055
TRA-VE-2500-2,5M	2500	180	85	70	540	2500	4 x 200	68	3962057
TRA-VE-2500-3,15M	2500	200	85	70	560	3150	5 x 200	111	3962059
TRA-VE-2500-4M	2500	220	85	70	580	4000	7 x 200	138	3962061
TRA-VE-2500-5M	2500	240	85	70	600	5000	8 x 200	198	3962063



BBJ cross traverses

V

BBJ cross traverses

Properties

- 4 welded hooks for stable suspension.
- Surface finish: RAL 2004 (orange).
- Capacity range labelling.
- Black-and-yellow safety markings at beam ends.
- Hooks equipped with safety latches.

Type	Safe working load (kg)	A (mm)	B (mm)	Construction height (mm)	Lifting eye diameter (mm)	Weight (kg)	Productid
BBJ-1.0	1000	800	800	150	25		3963010
BBJ-1.5	1500	800	800	150	25		3963015
BBJ-2.0	2000	800	800	200	25		3963020
BBJ-2.5	2500	800	800	200	25		3963025



BBJR Stainless steel cross traverses

V

BBJR Stainless steel cross traverses

Properties

- 4 welded hooks for stable suspension.
- Surface finish Stainless steel AISI 316.
- Capacity range labelling.
- Hooks equipped with safety latches.

Type	Safe working load (kg)	A (mm)	B (mm)	Construction height (mm)	Lifting eye diameter (mm)	Weight (kg)	Productid
BBJR-1.0	1000	800	800	215	25		3963110
BBJR-1.5	1500	800	800	230	25		3963115



HTH fork-lift hook

V

HTH fork-lift hook

Properties

- Make a mobile crane of your fork-lift truck.
- Screw clamps on the forks for safety.
- Included swivel hook.

IMPORTANT !

- Do not exceed the capacity of the fork-lift truck.
- Pay attention to the load's centre of gravity.
- Prevent wobbling of the load during transport.

Option

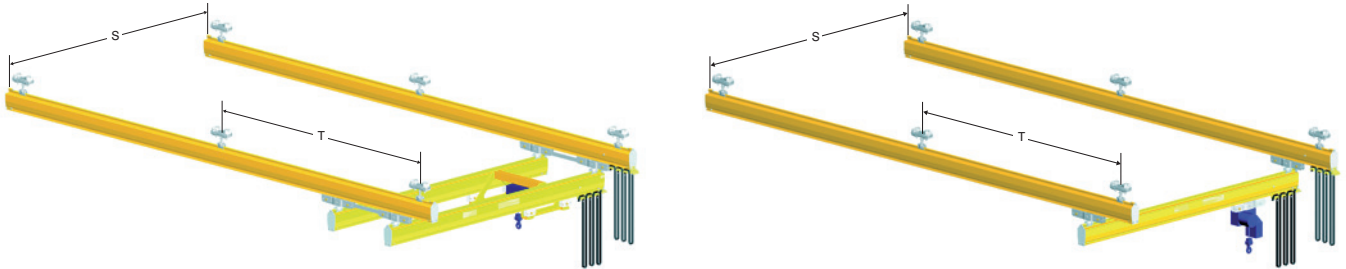
- Higher capacities up to 5000 kg on special request.

Type	Safety working load (kg)	Dimension fork (mm)	Weight (kg)	Productid
HTH-1000	1000	145 x 55	14	3963501
HTH-2500	2500	145 x 55	25	3963503

Type	A (mm)	B (mm)	C (mm)	D (mm)	E (mm)	F (mm)	G (mm)
HTH-1000	437	250	140	66	115	24	8
HTH-2500	657	450	149	70	140	27	8

Specials on request

Light profil crane systems



Steel wire rope hoist



Wall mounted or column crane systems

