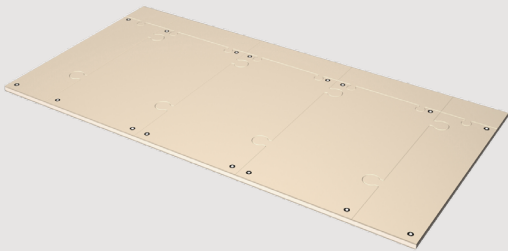


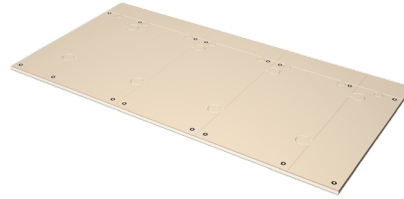


keonn

Retail RFID
Systems

AdvanMat-300™ Modular RFID floor mat





Video

Benefits:

- Excellent performance
- Non visible antennas
- Easy to install
- High flexibility

Applications:

- Loss prevention systems
- People tracking at exhibitions
- Item tracking between backroom and sales floor at retail stores
- Warehouses
- People and object tracking in general at doors or corridors

Product overview

AdvanMat-300 is a high performance modular RFID floor mat that integrates **multiple UHF RFID antennas** inside a floor mat, for tracking people or objects.

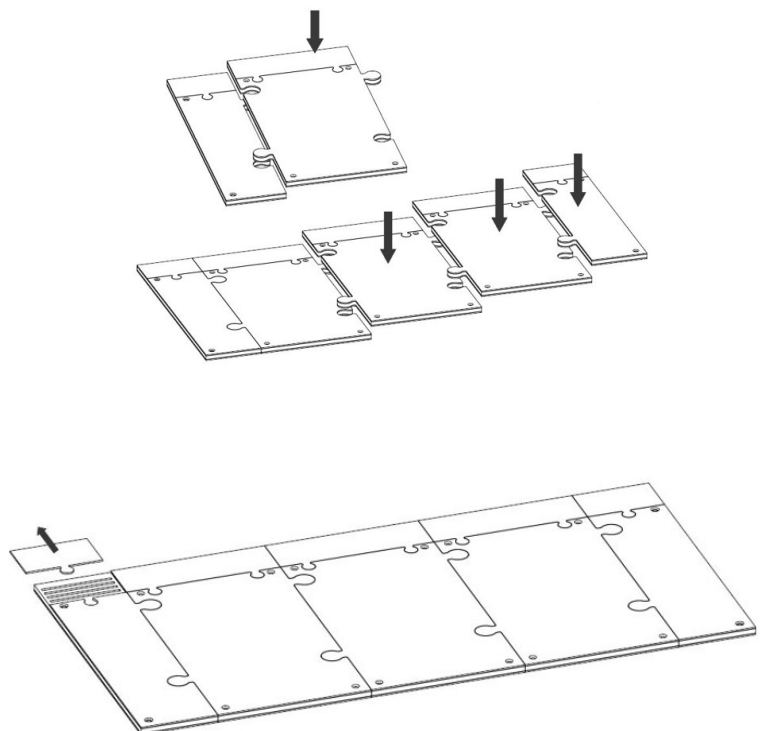
AdvanMat-300 is able to withstand 500kg.

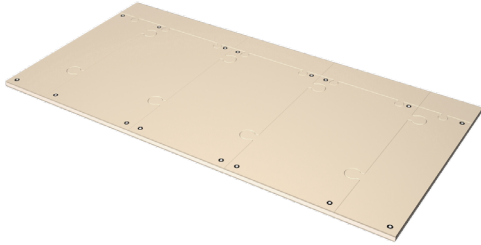
The **antennas** have circular polarization and a radiation pattern characterized by a 40° beam width in one direction and a 90° beam width in the perpendicular direction (curtain beam shape).

This radiation pattern makes this system ideal for RFID **applications** such as loss prevention systems, portals, corridors, doors, etc.

Options

AdvanMat modules can be combined in multiple ways giving the customers high flexibility regarding the width of protected areas. After drilling the modules to the floor, AdvanMat-300 can be covered by any non metallic material.

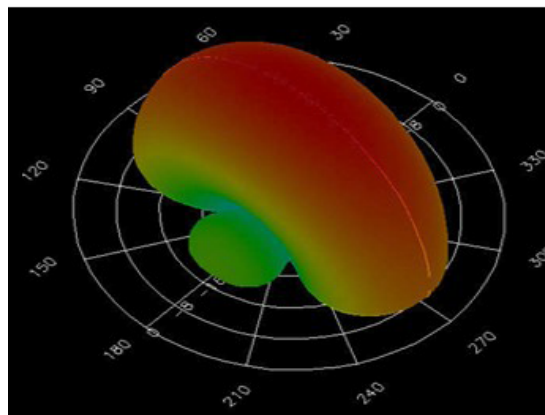




Technical specifications

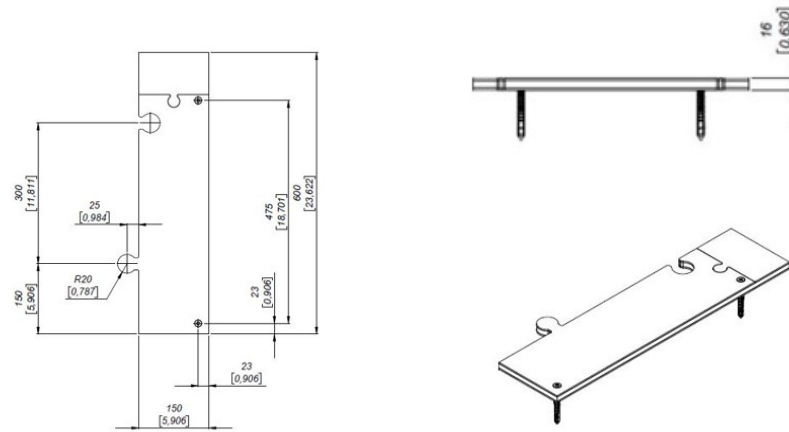
Operating Frequency EU Version	865 - 868 MHz (ETSI EN 302 208)
Operating Frequency US Version	902 - 928 MHz (FCC part 15)
Operating Detection distance	Up to 3 m
Radiation pattern	Fan beam
Gain of each antenna	6 dBi
Beam width of each antenna	40° / 90°
Polarization	Circular
Cables and connectors	Cables with SMA female connectors
Sizes	<ul style="list-style-type: none"> • Right ending module: 600 mm x 150 mm (23.6 inches x 5.9 inches) • Antenna module: 600 mm x 300 mm (23.6 inches x 11.8 inches) • Separation module 30 cm: 600 mm x 300 mm (23.6 inches x 11.8 inches) • Separation module 15 cm: 600 mm x 150 mm (23.6 inches x 5.9 inches) • Left ending module: 600 mm x 150 mm (23.6 inches x 5.9 inches)
Height	16 mm (0.6 inches)
Weight	<ul style="list-style-type: none"> Right ending module: 600 g (21.16 oz) Antenna module: 1600 g (56.44 oz) Separation module 30 cm: 1200 g (42.33 oz) Separation module 15 cm: 600 g (21.16 oz) Left ending module: 600 g (21.16 oz)
Temperature range	-20°C to +55°C

Radiation pattern of each antenna

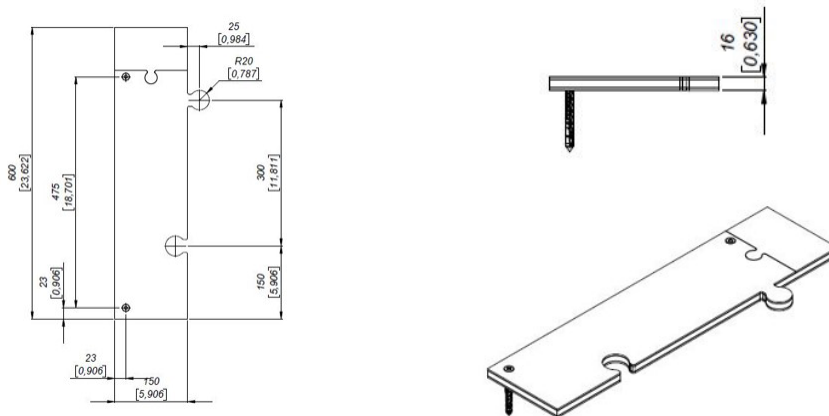


Mechanical specifications

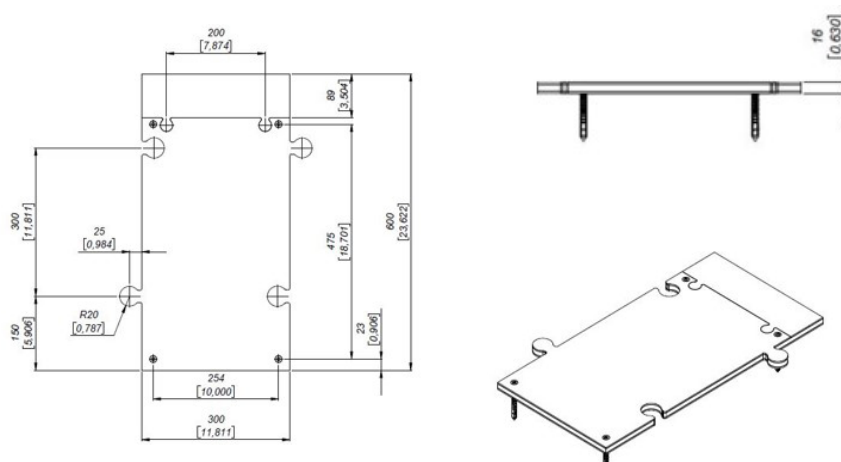
Right ending module



Left ending module



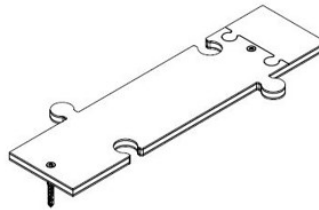
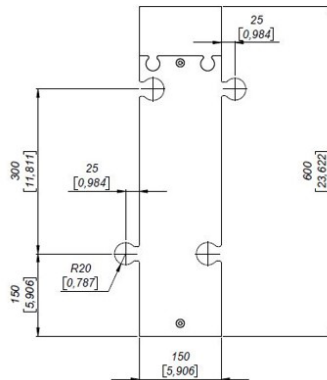
Antenna module



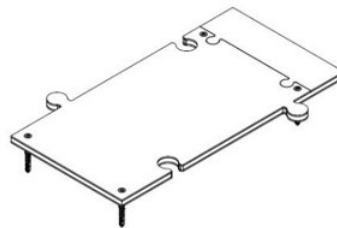
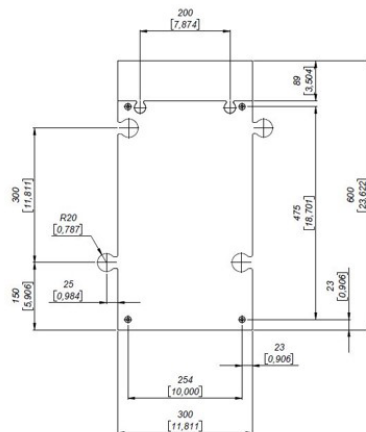
Units in millimeters and [inches]

Mechanical specifications

Separation module, 15 cm width



Separation module, 30 cm width



Units in millimeters and [inches]

Product codes for ordering

ADMT	-	F	-	T	-	AAA	FFF	-	mmm	
										F = finishing
		P								plastic
										T = type of module
				R15						right ending module, 15 cm
				A30						antenna module, 30 cm
				S15						separation module, 15 cm
				S30						separation module, 30 cm
				L15						left ending module
										AXX = antenna type (only in antenna modules)
						P13				advantenna-p13
										FF = frequency band (only in antenna modules)
							EU			ETSI
							US			FCC
										Model
									300	model number

Examples:

ADMT-P-R15-300:

- AdvanMat with **plastic** finishing
- **Right ending** module, 15 cm width
- Model **300**

ADMT-P-A30-P13EU-300:

- AdvanMat with **plastic** finishing
- **Antenna** module, **30** cm width
- **P13** antenna
- **ETSI** frequency band
- Model **300**

ADMT-P-S15-300:

- AdvanMat with **plastic** finishing
- **Separation** module, 15 cm width
- Model **300**

ADMT-P-S30-300:

- AdvanMat with **plastic** finishing
- **Separation** module, 30 cm width
- Model **300**

ADMT-P-L15-300:

- AdvanMat with **plastic** finishing
- **Left ending** module, 15 cm width
- Model **300**



Copyright © Keonn Technologies S.L.
All rights reserved.

Information in this publication
supersedes all earlier versions.
Specifications subject to change
without notice.

