

PRIMERGY RX300 S5

System configurator and order-information guide

December 2009

Contents

Instructions

Configuration diagram

Configurator

0 System software

I Basic unit

II Processor

III Memory

IV Graphics

V Accessible drives

VI Hard disk drives

VII PCI Controller

VIII Communication/Network

IX System Management Products (RemoteView)

X Miscellaneous

XI Country specific power cord

Change report



PRIMERGY Server

Instructions

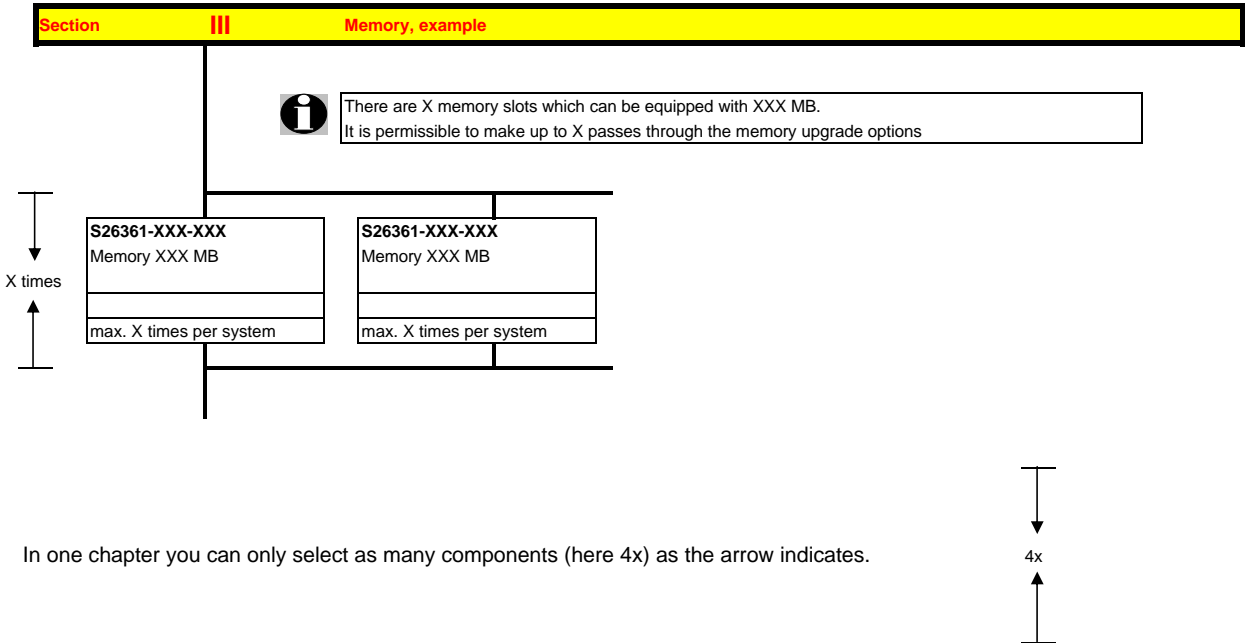
This document contains basic product and configuration information that will enable you to configure your system via PC-/System-Architect.

Only these tools will ensure a fast and proper configuration of your PRIMERGY server or your complete PRIMERGY Rack system.

You can configure your individual PRIMERGY server in order to adjust your specific requirements.

The System configurator is divided into several chapters that are identical to the current price list and PC-/SystemArchitect.

Please follow the lines. If there is a junction, you can choose which way or component you would like to take. Go through the configurator by following the lines from the top to the bottom.



In one chapter you can only select as many components (here 4x) as the arrow indicates.

Please note that there are information symbols which indicate necessary information.



For further information see:

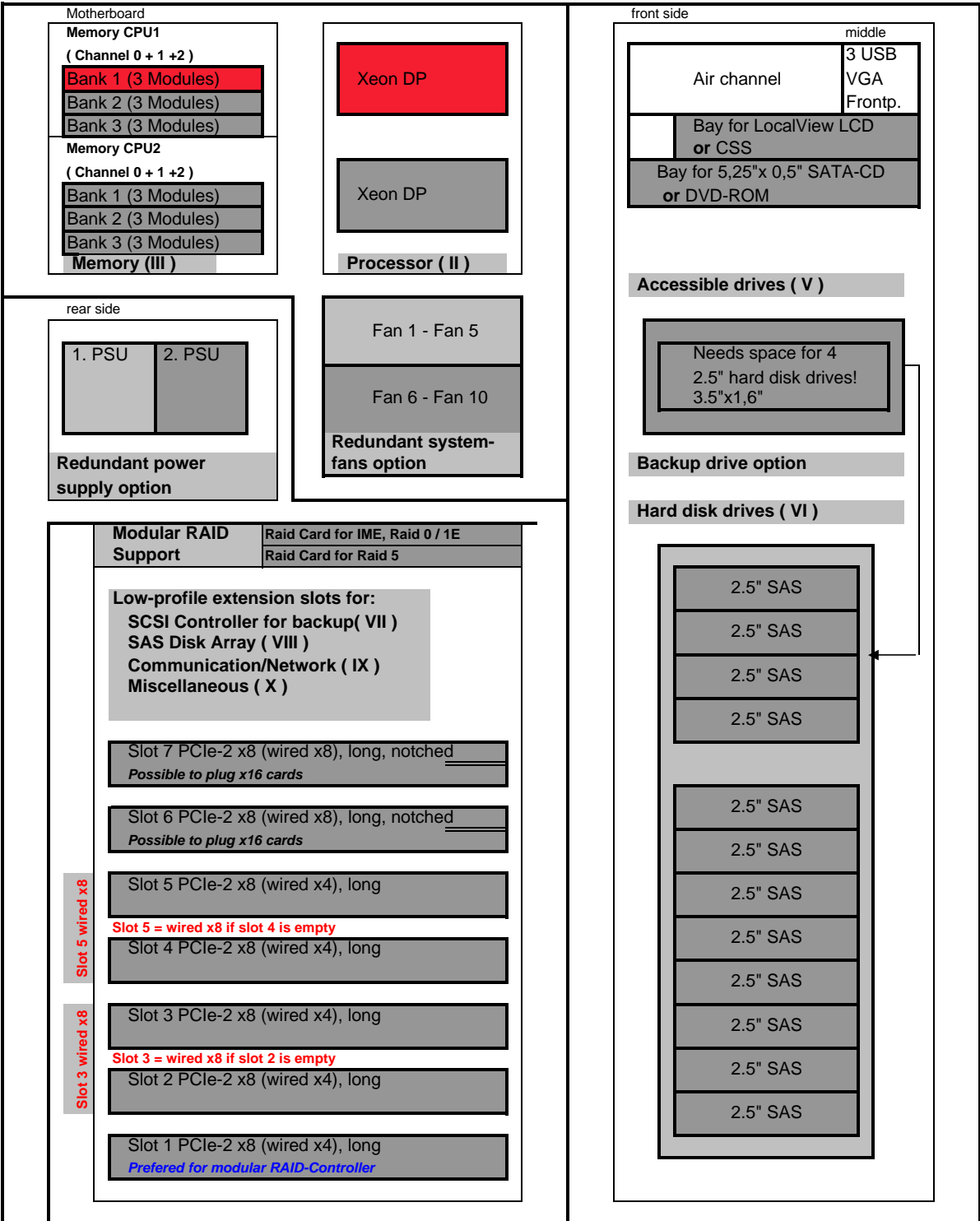
http://ts.fujitsu.com/products/standard_servers/inc (internet)

https://partners.ts.fujitsu.com/com/order-supply/configurators/primergy_config/current/Pages/default.aspx (extranet)

Configuration diagram PRIMERGY RX300 S5

System unit (I)

with 8 or 12 2.5" Hard disk drives



Key:

Included in basic unit Option

One CPU (first CPU) and one memory per CPU (first memory) has to be selected for an orderable basic unit.

Start PRIMERGY RX300 S5

SW - Configurator 32 bit

with OEM-Software
for PRIMERGY Server

without OEM-Software
for PRIMERGY Server

VMware-Software
- Virtual Infrastructure 3

i Usage of OEM SW from MS is not possible under VMware

OEM-SW is bound to HW and is not allowed to be ordered separately.
Exception: VMware SW

i For all SW products please refer to the corresponding software configurator accessible via the Extranet under Configuration & Tools, -All configurations, -Software, URL see below.

Microsoft - Software: W **)
- Windows Server 2003 R2, Standard Edition
Enterprise Edition
! Web Edition, SP2/English

PRIMECLUSTER *)
- Clustering
- Load Balancing

Microsoft-Windows: W
Small Business Server 2003 R2, Standard Edition
for dedicated mono/dual server, see**)

Linux - Software **)
- Open Enterprise Server ***)
- SuSE Linux ES (OEM): LO
- SuSE Linux ES (Support): LS
- Red Hat EL (OEM): LO
- Red Hat EL (Support): LS

MultiPath, Duplex Data Manager (DDM)
W2K; W2K3 Linux (W-DDM)

i Details eg. version numbers are published in the separate SW-Configurator

Manageability Software: V)**
- RemoteDeploy
- RemoteView Software
- Altiris Server Deployment
- iRMC advanced Pack

i ***) Supply over distribution or procurement from FSC VP BC Software

You'll find single software configurators and release lists (OS-matrix/system management/security) under following addresses:

for internal users:
for partners:

Continue with PRIMERGY HW configurator

Start PRIMERGY RX300 S5

SW Configurator EM64T

with OEM-Software
for PRIMERGY Server

without OEM-Software
for PRIMERGY Server

i For all SW products please refer to the corresponding software configurator accessible via the Extranet under "Configuration & Tools, -All configurations, -Software, URL see below.

VMware-Software
- Virtual Infrastructure 3

i Usage of OEM SW from MS is not possible under VMware

only EM64T **Microsoft - Software: W**
- Windows Server 2003 R2, Standard x64 Edition
Enterprise x64 Edition, SP2

only x86_64 **Linux - Software *) (**)**
- SuSE Linux ES (OEM): LO
- SuSE Linux ES (Support): LS
- Red Hat EL (OEM): LO
- Red Hat EL (Support): LS

only EM64T **MultiPath, Duplex Data Manager (DDM)**
Windows, Linux (W-DDM)

only EM64T **Manageability Software: V(**)**
- RemoteView Software
- RemoteDeploy
- iRMC advanced Pack

i Details eg. version numbers are published in the separate SW-Configurator

You'll find single software configurators and release lists (OS-matrix / system management / security) under following addresses:

for internal users:
for partners:

Continue with PRIMERGY HW configurator

Section I Basic unit



System unit consisting of:

- * **2U Housing including one power supply module**
 - hot plug Power supply unit with 1 PSU module and power cord rack 4m length
(can be upgraded with one additional PSU module)
- * **Fan unit with 5 hot plug system-fans and control logic for 10 fans**
 - Additional 5 hot plug system-fans as a redundant fans option (option)
- * **SAS Backplane for 6x 3.5" HD or SAS Backplane for 8 or 12x 2.5" HD**
with cable connection to modular RAID Controller
-> 3 different basic units for 6x 3.5" HD or 8 or 12x 2.5" HD
- * **9 memory DIMMs per CPU (max 72GB) => Total 18 DIMMs (max 144GB) for two CPU's**
- * **Drives/Bays**
 - 6 bays 1" for hot plug 3.5" HD (1" high) or 8 or 12 bays for hot plug 2.5" HD
 - 1 bay for 3.5" and 1.6" high Backup device, consumes 2 bays for 3.5" HD for basic unit 6x 3.5" HD
not possible for basic unit with 12x 2.5" HD
 - 1 bay SATA-CD- or DVD-ROM 0,5" height (option)
 - 1 bay for opt. CSS-Display or LocalView LC-Display
- * **Integrated ServerView Diagnostics Technology (Diagnosis LED's) for indication of internal failed components**

Systemboard D2619 with:

- * **Up to two Xeon Dual Core, Quad-Core or Turbo Quad Core CPU's (Nehalem-EP, LGA 1366 socket)**
with serial QPI links (Quick Path Interconnect) and three memory channels per CPU
First CPU has to be selected for an orderable basic unit,
- * **Chipset Intel® 5520 (codenamed Tylersburg-EP or 36D)**
- * **7 PCI slots:** - 2x PCIe-2 x8 (wired x8, notched, possible to plug x16 card)
- 5x PCIe-2 x8 (wired x4)
From 4 PCIe-slots each two wired x4 slots can be combined to one wired x8 slot
- * **18 memory slots for max. 144GB RAM DDR3 available**
 - Memory is divided into 9 DIMMs per CPU (3 channels with 3 slots per channel)
 - Max. three 8GB modules or two 8GB / 16GB quad rank modules are possible per channel
First Memory (one module) has to be selected for an orderable basic unit per CPU
 - Memory upgrade is possible module wise
 - Memory mirroring is supported with 2 identical modules in channel A+B CPU 1 or D+E CPU 2
 - Hot Spare Memory is supported with 3 identical modules in channel A+B+C CPU 1 or D+E+F CPU 2
 - SDDC (Chipkill) is supported for memory modules,
- * **Dual Port 10/100/1000 x4 PCI Express* Gigabit Ethernet Intel LAN controller Zoar on-board**
- * **iRMC S2 (integrated Remote Management Controller) on-board server management controller with dedicated 10/100 Service LAN-port and integrated graphics controller.**
The Service LAN-port can be switched alternatively on standard Gbit LAN port 1
- * **Graphics Controller integrated in iRMC S2 (integrated Remote Management Controller):**
1600x1200x16bpp 60Hz, 1280x1024x16bpp 60Hz, 1024x768x32bpp 75Hz, 800x600x32bpp 85Hz,
640x480x32bpp 85Hz
(1280x1024x24bpp 60Hz only possible if local monitor or remote video redirection is off)

Interfaces at the rear:

- * 1x RS-232-C (serial, 9 pins) (usable for BMC or OS or shared)
- * 1x RS-232-C (serial, 9 pins)
- * 1x VGA (15 pins)
- * 4x USB 2.0 (UHCI) with 480MBit/s, no USB wakeup
- * 2x LAN RJ45, 1x Service-LAN RJ45

Interfaces on the front:

- * 3x USB 2.0 (UHCI) with 480MBit/s, no USB wakeup
- * 1x VGA (15 pins) as an option

Interfaces internal:

- * 1x released internal USB Interfaces for backup device,
- * 1x USB 2.0 (UHCI) with 480MBit/s for dongle functionality, no USB wakeup
- * 2x SATA for internal devices

Software:

- * **ServerView Suite Software package incl. ServerStart, ServerBooks, Management Software and Updates**
- * **Documentation engl. (multilingual on CD)**

A

Cables included in basic unit

Connections	Cable	PRIMERGY RX300 S5
1. SATA DVD		
2. SAS cables to HDDs		
1x cable for SAS signaling		
3. Power cable		

⊗ SAS
 ○ SATA

Rack version for 19" racks with 1 hot plug power supply module (Eff. 89%)	
Basic unit is without CPU and Memory	
For an orderable basic unit one CPU = first CPU and one memory = first memory has to be selected	
Basic unit with 6x 3,5" hard disk drive bays	S26361-K1237-V101
Basic unit with 8x 2,5" hard disk drive bays	S26361-K1237-V201
Basic unit with 12x 2,5" hard disk drive bays	S26361-K1237-V301

Rack version for 19" racks with 1 hot plug Gold power supply module (Eff. 92%)	
Basic unit is without CPU and Memory	
For an orderable basic unit one CPU = first CPU and one memory = first memory has to be selected	
Basic unit with 6x 3,5" HDD bays, Gold PSU	S26361-K1237-V501
Basic unit with 8x 2,5" HDD bays, Gold PSU	S26361-K1237-V601
Basic unit with 12x 2,5" HDD bays, Gold PSU	S26361-K1237-V701

S26113-F543-E10
2nd power supply 800W (hot plug) for redundancy
occupies one bay for hot plug power supply
max. 1x per system

S26113-F555-E10
2nd Gold power supply 800W (hot plug) for redundancy
occupies one bay for hot plug power supply
max. 1x per system

For later upgrade the following kit is available:

S26113-F543-L10	1 power supply module 800W hot plug: Supplementary module	S26113-F555-L10
-----------------	---	-----------------

S26361-F352-E1
TPM Module
Trusted Platform Module on Motherboard
Use according to import restrictions
max. 1x per system

Be aware of import restrictions!
 Only 1 TPM per system.
 Loose delivery for later integration possible for customer.

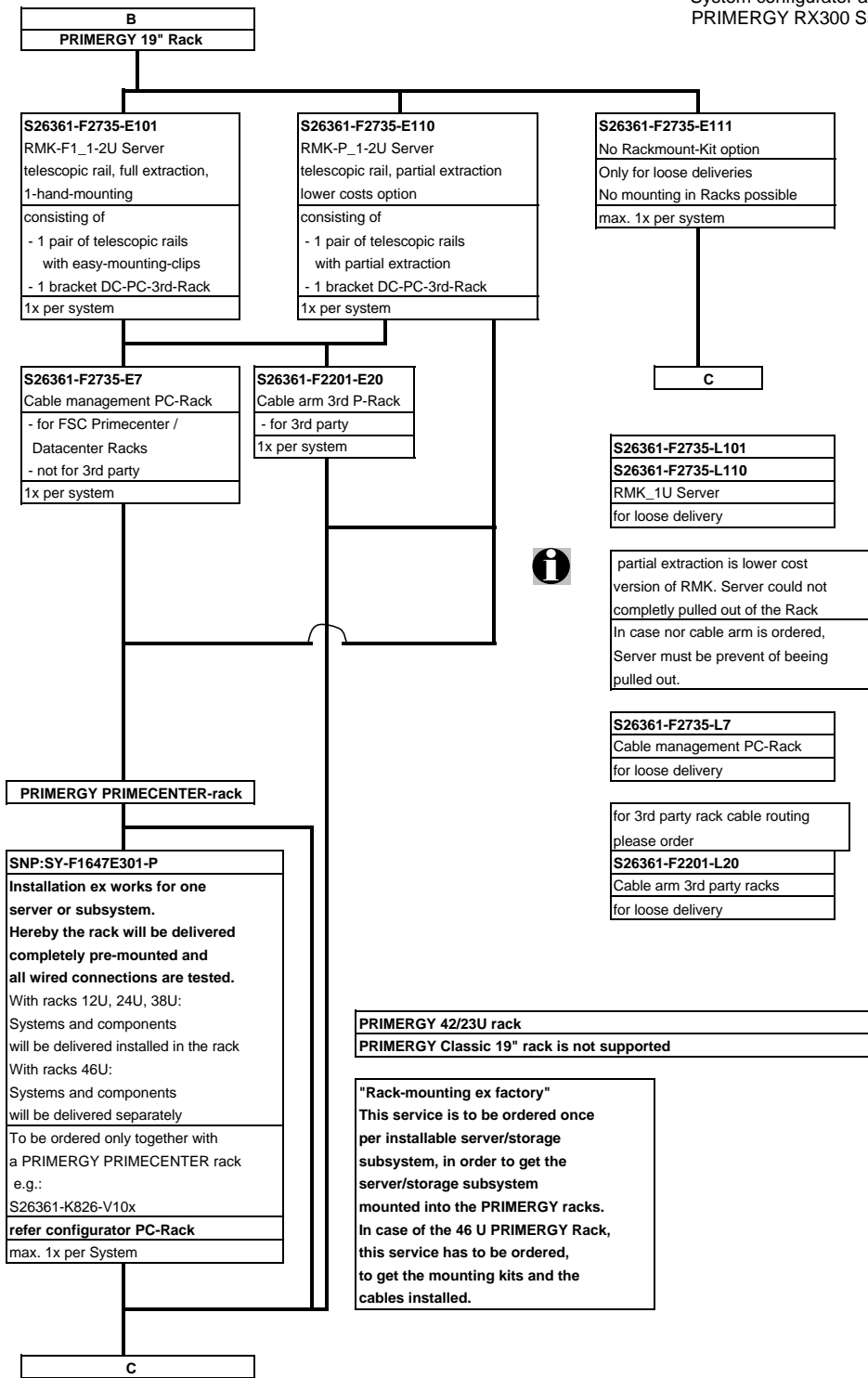
S26361-F352-L1
TPM Module add-on kit for later integration (loose delivery)
Trusted Platform Module on Motherboard
Use according to import restrictions
max. 1x per system

S26361-F2621-E5
Redundant Fans option
5 single hot plug fans
max. 1x per system

For later upgrade the following kit is available:

Fan upgrade kit: Upgrade of standard into redundant fans	S26361-F2621-L5
--	-----------------

B



C

Section II Processor



There are 2 processor sockets available.
 The first socket is always equipped with the **first CPU** which can be selected via configurator
 It is also possible to upgrade a dual-processor system later on with a **second CPU**
Two processors with different clock frequencies are not possible
 A multi-processor operating system is required for a dual-processor system.

Max. two CPU's can be selected per basic unit
One of following CPU's has to be selected as first CPU for an orderable basic unit Optional second CPU has to be the same type like the first CPU
Dual-Core CPU with max. DDR3 Bus Speed 800MHz - 1x 64-bit Intel Xeon DP (4MB shared TLC = Third Level Cache) and passive heat sink occupies socket for one CPU
Xeon DP E5502 (1.86GHz/4M/4.8GT) / 80W S26361-F3277-E186
Quad-Core CPU's with max. DDR3 Bus Speed 800MHz - 1x 64-bit Intel Xeon DP (4MB shared TLC = Third Level Cache) and passive heat sink occupies socket for one CPU
Xeon DP E5504 (2.00GHz/4M/4.8GT) / 80W S26361-F3278-E200
Xeon DP E5506 (2.13GHz/4M/4.8GT) / 80W S26361-F3278-E213
Turbo Quad-Core CPU's with max. DDR3 Bus Speed 1066MHz - 1x 64-bit Intel Xeon DP (8MB shared TLC = Third Level Cache); Hyper-Threading (HT) and passive heat sink occupies socket for one CPU
Xeon DP E5520 (2.26GHz/8M/5.86GT) / 80W S26361-F3279-E226
Xeon DP E5530 (2.40GHz/8M/5.86GT) / 80W S26361-F3279-E240
Xeon DP E5540 (2.53GHz/8M/5.86GT) / 80W S26361-F3279-E253
Turbo Quad-Core CPU's with max. DDR3 Bus Speed 1333MHz - 1x 64-bit Intel Xeon DP (8MB shared TLC = Third Level Cache); Hyper-Threading (HT) and passive heat sink occupies socket for one CPU
Xeon DP X5550 (2.66GHz/8M/6.4GT) / 95W S26361-F3280-E267
Xeon DP X5560 (2.80GHz/8M/6.4GT) / 95W S26361-F3280-E280
Xeon DP X5570 (2.93GHz/8M/6.4GT) / 95W S26361-F3280-E293
Xeon DP W5590 (3.33GHz/8M/6.4GT) / 130W S26361-F3337-E333
Low Voltage Quad-Core CPU with max. 800MHz DDR3 speed (4.8GT/s) - 1x 64-bit Intel Xeon DP (4MB shared TLC = Third Level Cache) and passive heat sink occupies socket for one CPU
Xeon LV DP L5506 (2.13GHz/4M/4.8GT) / 60W S26361-F3281-E213
Low Voltage Turbo Quad-Core CPU's with max. DDR3 Bus Speed 1066MHz - 1x 64-bit Intel Xeon DP (8MB shared TLC = Third Level Cache); Hyper-Threading (HT) and passive heat sink occupies socket for one CPU
Xeon LV DP L5520 (2.26GHz/8M/5.86GT) / 60W S26361-F3281-E226
Xeon LV DP L5530 (2.40GHz/8M/5.86GT) / 60W S26361-F3281-E240

Note: Max. DDR3 Bus Speed depends on:

- max. DDR3 Bus Speed from the CPU and
- max. DDR3 Memory Speed and
- max. memory modules on one memory channel

D

D

Section III Memory



- There are 9 memory slots for max. 72GB DDR3 RAM per CPU available with 8GB DIMMs
 => max. 144GB for two CPU's (72GB per CPU)
 (For explanation of following terms refer to section "Memory Configurations")

- The memory area is divided into 3 channels per CPU with 3 slots per channel
 - Slot 1 of each channel belongs to memory bank 1, the slot 2 belongs to memory bank 2 and slot 3 belongs to memory bank 3
No mix of dual rank and quad rank modules possible for the configuration of the same CPU

1.) In the independent channel mode is following configuration possible
 - Each slot can optionally be equipped with 2GB **single rank**, 4GB and 8GB **dual rank** DDR3 modules or with 8GB **quad rank** DDR3 modules

2.) In the spare channel mode is following configuration possible
 - Each memory bank can optionally be equipped with 3x2GB **single rank**, 3x4GB and 3x8GB dual rank DDR3 modules or with 3x8GB **quad rank** DDR3 modules
Each slot of one bank has to be equipped with identical modules for spare channel mode
 In channel A and B of CPU 1 or channel D and E of CPU 2 are always the active memory modules, in channel C of CPU 1 and channel F of CPU 2 is always the spare module

3.) In the mirrored channel mode is following configuration possible
 - Each memory bank can optionally be equipped with 2x2GB **single rank**, 2x4GB and 2x8GB dual rank DDR3 modules or with 2x8GB **quad rank** DDR3 modules
In each memory bank channel A and B of CPU 1 or channel D and E of CPU 2 have to be equipped with identical modules for mirrored channel mode. Channel C of CPU 1 and channel F of CPU 2 is not equipped
 In channel B is always the mirrored memory of channel A of CPU 1
 In channel E is always the mirrored memory of channel D of CPU 2

DDR3 1066 and 1333MHz modules can be mixed, but run always with the slower speed. With three DIMMs per channel only 800MHz is possible.

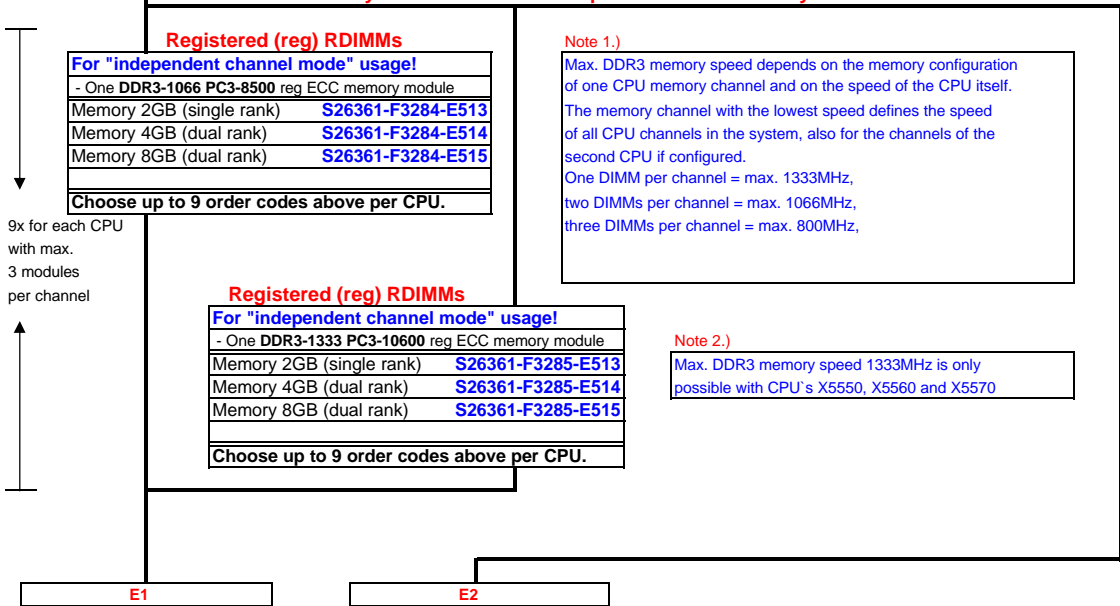
- For each CPU minimum 1 memory module has to be configured in Independent Channel Mode (=> Additional memory extensions can still be configured up to eight times per CPU) or one bank has to be equipped with two modules (channel A+B for CPU 1 or D+E for CPU 2) in Mirrored Channel Mode (=> Additional memory extensions can still be configured up to two times per CPU) or one bank has to be equipped with three modules (channel A+B+C for CPU 1 or D+E+F for CPU 2) in Spare Channel Mode or Performance Mode (=> Additional memory extensions can still be configured up to two times per CPU)

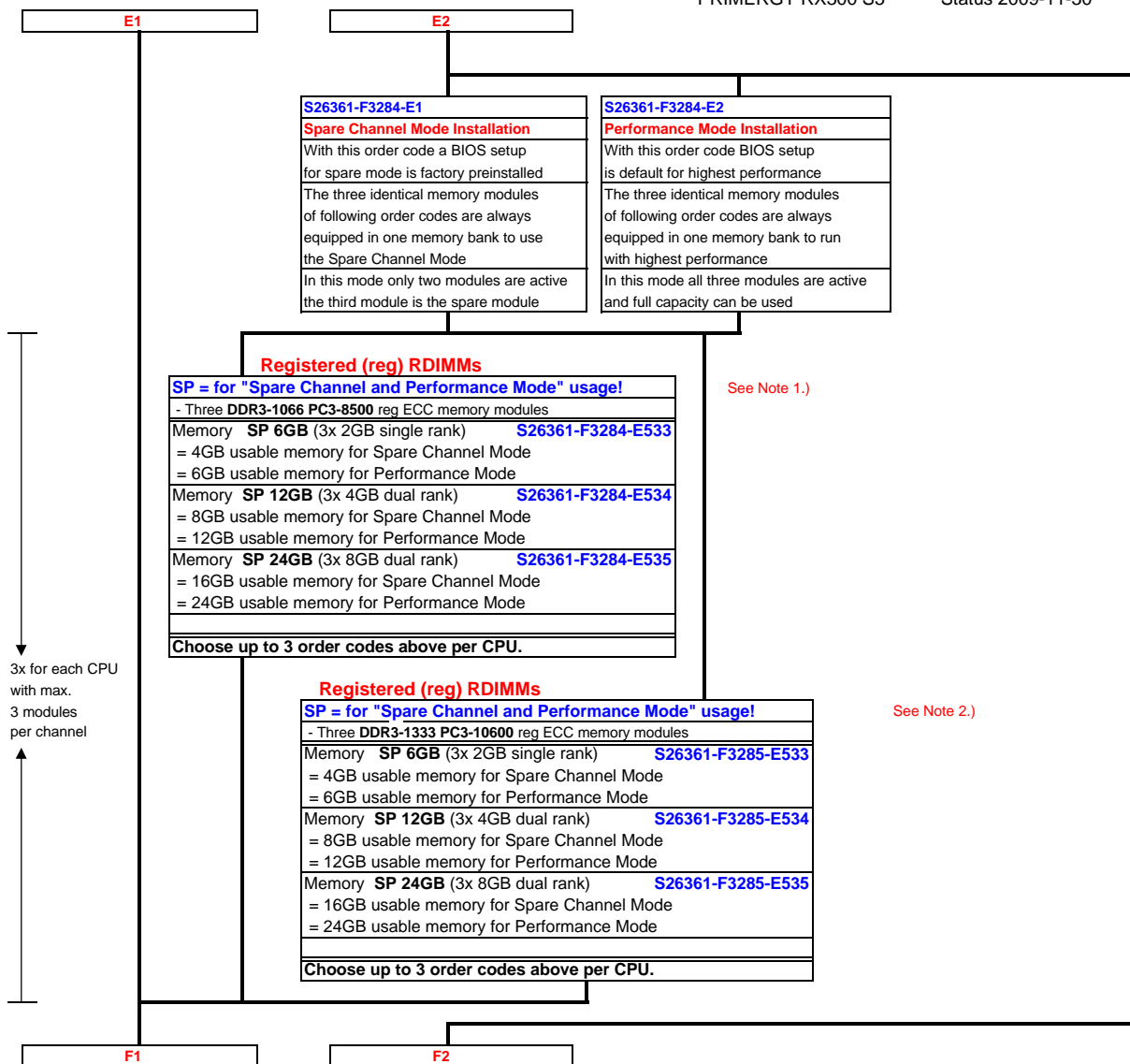
- ECC with SDDC (Chipkill) is standard for RX300 S5.

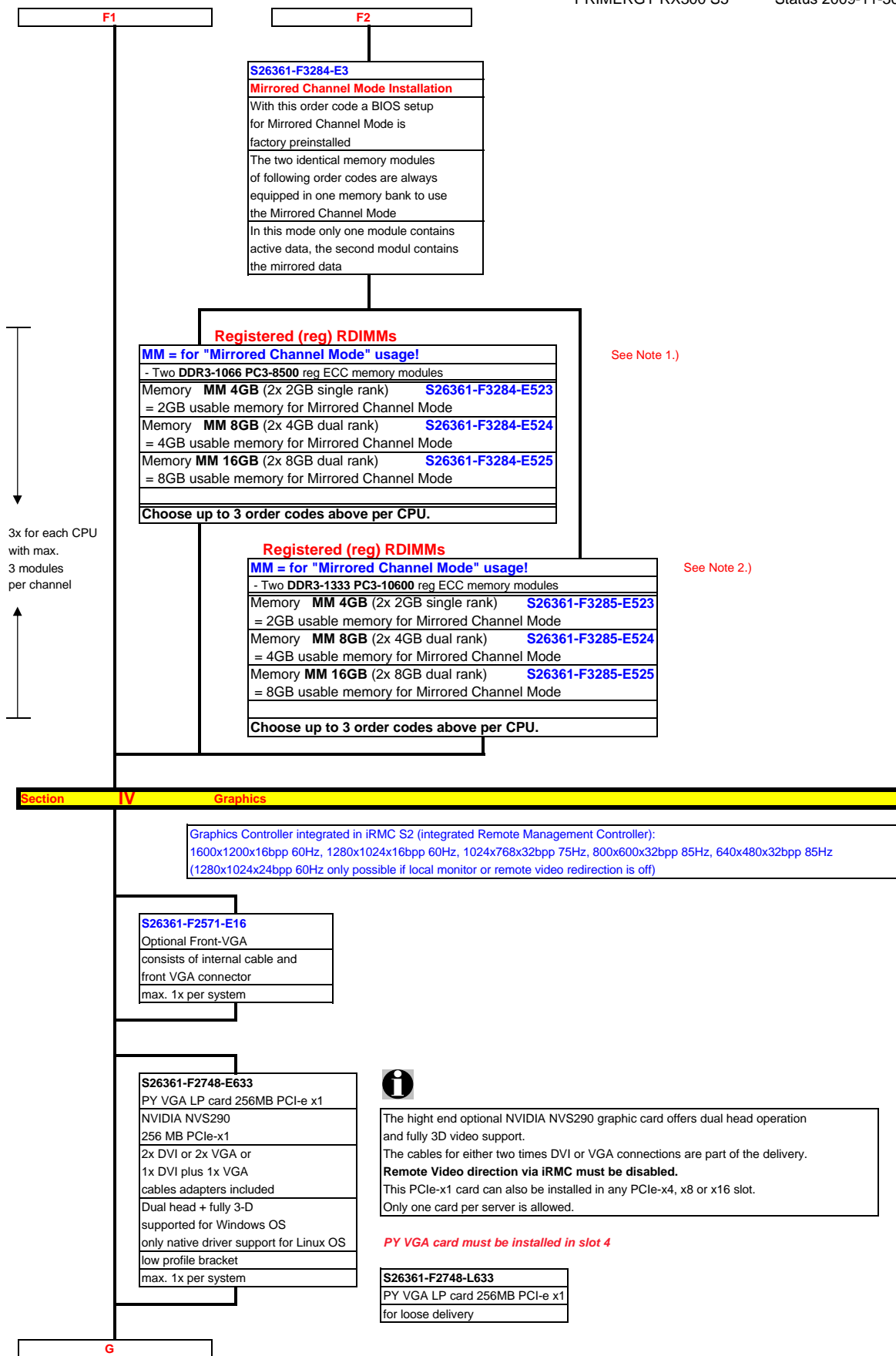


For a description of memory configurations refer to section "Memory Configurations"

Minimum one memory module or order code per CPU = first memory







3x for each CPU
 with max.
 3 modules
 per channel

See Note 1.)

See Note 2.)

Section IV Graphics

Graphics Controller integrated in iRMC S2 (integrated Remote Management Controller):
 1600x1200x16bpp 60Hz, 1280x1024x16bpp 60Hz, 1024x768x32bpp 75Hz, 800x600x32bpp 85Hz, 640x480x32bpp 85Hz
 (1280x1024x24bpp 60Hz only possible if local monitor or remote video redirection is off)

S26361-F2571-E16
 Optional Front-VGA
 consists of internal cable and
 front VGA connector
 max. 1x per system

S26361-F2748-E633
 PY VGA LP card 256MB PCI-e x1
 NVIDIA NVS290
 256 MB PCIe-x1
 2x DVI or 2x VGA or
 1x DVI plus 1x VGA
 cables adapters included
 Dual head + fully 3-D
 supported for Windows OS
 only native driver support for Linux OS
 low profile bracket
 max. 1x per system

i
 The high end optional NVIDIA NVS290 graphic card offers dual head operation and fully 3D video support.
 The cables for either two times DVI or VGA connections are part of the delivery.
Remote Video direction via iRMC must be disabled.
 This PCIe-x1 card can also be installed in any PCIe-x4, x8 or x16 slot.
 Only one card per server is allowed.

PY VGA card must be installed in slot 4

S26361-F2748-L633
 PY VGA LP card 256MB PCI-e x1
 for loose delivery

G

Memory Configuration PRIMERGY RX300 S5

Each CPU offers **9 Slots** for DDR3 Memory Modules organised in **3 Banks and 3 Channels**.

If you need more than 9 Slots you have to configure the 2nd CPU.

Depending on the amount of memory configured you can decide between 4 basic modes of operation (see explanation below).

For RX300 S5 only registered DDR3 memory modules (RDIMM) are available.

Mode	Configuration	RDIMM	Application
chip kill support	any	yes	detect multi-bit errors
Independant Channel Mode	1, 2 or 3 Modules per Bank x	x	offers max. flexibility, upgradeability, capacity use UDIMM modules for lowest cost
Mirrored Channel Mode	2 identical Modules / Bank **)	x	offers maximum security
Performance Mode *)	3 identical Modules / Bank **)	x	offers maximum performance and capacity
Spare Channel Mode *)	3 identical Modules / Bank **)	x	balances security and capacity

*) = Performance Mode and Spare mode use different BIOS settings.

**) = technically possible but no Order Numbers available, use at your own risk

x = order codes available

Configuration hints:

- The memory sockets on the systemboard offer a color coding:

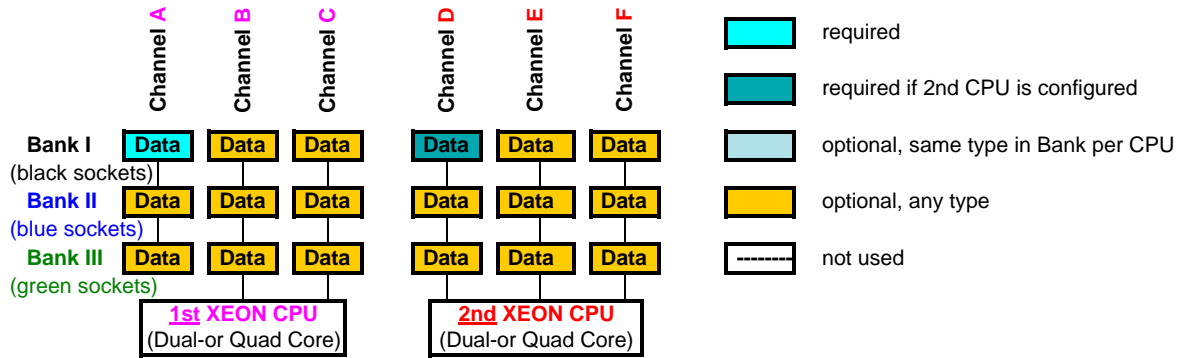
- Bank I** black sockets
- Bank II** blue sockets
- Bank III** green sockets

- A so called Bank consists of 1 memory module on every Channel available on one CPU (examples see below)

- Bank I on CPU 1** up to 3 memory modules connected to Channel A, B and C on the first CPU
- Bank II on CPU 1** up to 3 memory modules connected to Channel A, B and C on the first CPU
- Bank III on CPU 1** up to 3 memory modules connected to Channel A, B and C on the first CPU
- Bank I on CPU 2** up to 3 memory modules connected to Channel D, E and F on the second CPU
- Bank II on CPU 2** up to 3 memory modules connected to Channel D, E and F on the second CPU
- Bank III on CPU 2** up to 3 memory modules connected to Channel D, E and F on the second CPU

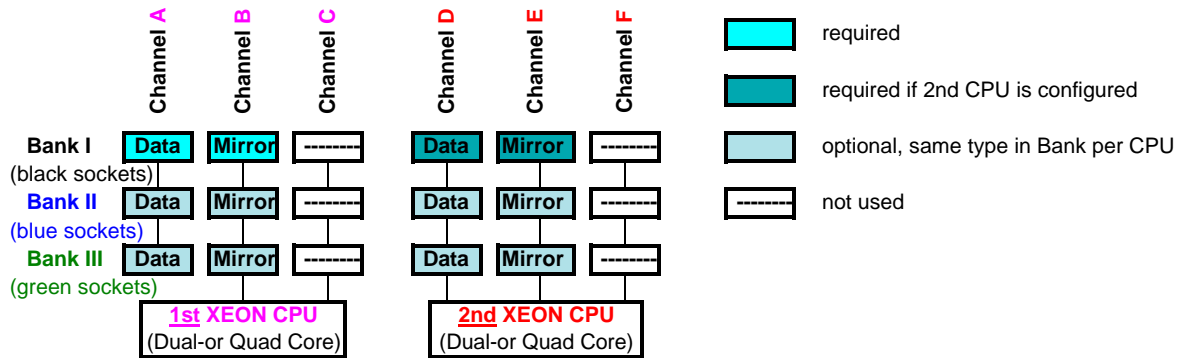
- See below and next page for a detailed descriptions of the memory configuration supported.

1. Independent Channel Mode



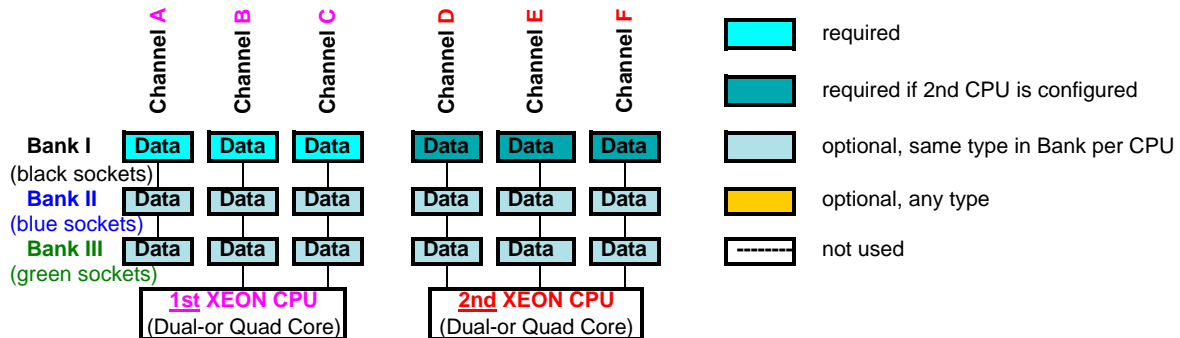
Independent Channel Mode allows all channels to be populated in any order
 Can run with differently rated DIMMs and use the settings of the slowest DIMM within a channel

2. Mirrored Channel Mode



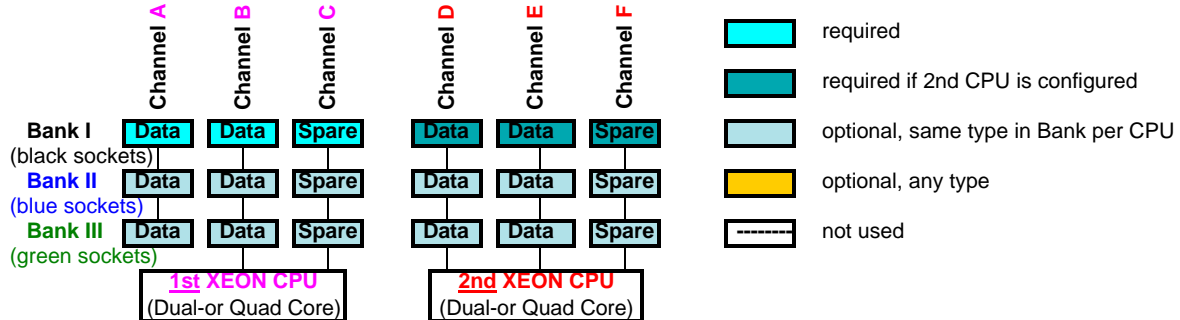
Mirrored Channel Mode requires identical modules on channel A and B (1st CPU) or channel D and E (2nd CPU)
 50% of the capacity is used for the mirror => the available memory for applications is only half of the installed memory
 Channel C (1st CPU) or channel F (2nd CPU) are not usable in Mirrored Channel Mode

3. Performance Channel Mode



Performance Channel Mode requires identical modules on all channels of each Bank per CPU

4. Spare Channel Mode



Spare Channel Mode requires identical modules on all channels of each Bank per CPU
 one third of the capacity is used for the spare => the available memory for applications is two thirds of the installed memroy

G

Section V Accessible drives

i Setup RX300 S5 by ServerStart is supported with following configurations:

no DVD, no CD: remote installation only (PXE service & DHCP server required)
built in CD/DVD or USB CD/DVD disk drive: UNC Network share reachable or USB Floppy connected
USB Floppy, no CD/DVD: USB C/D/DVD connected

i If installation is done locally, make sure you have external FDD available for driver installation.

Following USB Components are available			
1) USB DVD:	External SuperMulti Drive	(USB cable included)	S26341-F103-L82
2) USB FDD:	External USB FDD	(USB cable included)	S26391-F264-L226
3) USB Keyboard:	KBPC PX D, professional keyboard		S26381-K340-V120
4) USB Mouse:	Optical Wheel Mouse Tilt USB/PS2		S26381-K415-L100
5) USB Memorybird:	4GB		S26391-F6047-L104

1x

S26361-F3531-E2
 Blu-ray Combo slim SATA
 6x BD-ROM, 16x DVD, 40x CD
 BD DL and all CD/DVD formats
 0.5 x 5.25", black bezel
 max. 1x per system

S26361-F3269-E2
 DVD-RW supermulti slim SATA
 all formats, DUAL/DL, DVD-RAM
 only W2K, W3K and Linux
 0.5 x 5.25", black bezel
 max. 1x per system

1x

S26361-F3324-E7
 Tape drive DDS Gen5 USB 3.5"
 36GB, 3MB/s, USB 2.0
 1.6 x 3.5", black bezel
 within a tape cage
 incl. description (Ger/US)
 data and cleaning cartridge
 occupies 2 x 1" hard disk bays
 max. 1x per system

S26361-F3857-E7
 RDX drive USB 3.5" internal
 80-320GB, 25MB/s, USB 2.0
 1.6 x 3.5", black bezel
 within a tape cage
 incl. description (Ger/US)
 without RDX cartridges
 occupies 2 x 1" hard disk bays
 max. 1x per system

i
 Only for basic unit
 V1xx

RDX cartridges must be ordered separately
 RDX 80GB = S26361-F3857-L80
 RDX 160GB = S26361-F3857-L160
 RDX 320GB = S26361-F3857-L320

1x

S26361-F3324-E5
 Tape drive DDS Gen5 USB 3.5"
 36GB, 3MB/s, USB 2.0
 Connector: USB "B"
 with USB cable
 incl. description (Ger/US)
 data and cleaning cartridge
 1.6 x 3.5", black bezel
 max. 1x per system

S26361-F3857-E5
 RDX drive USB 3.5" internal
 80-320GB, 25MB/s, USB 2.0
 Connector: USB "B"
 with USB cable
 incl. description (Ger/US)
 without RDX cartridges
 1.6 x 3.5", black bezel
 max. 1x per system

i
 Only for basic unit
 V2xx

RDX cartridges must be ordered separately
 RDX 80GB = S26361-F3857-L80
 RDX 160GB = S26361-F3857-L160
 RDX 320GB = S26361-F3857-L320

H

H

Section VI Hard disks drives

i **Modular Raid controller is connected to internal HDDs**
 For basic units V1xx up to 6 SAS 3.5" hard disks can be configured also in mixed configuration.
 If the option "Tape drive" is configured only 4 bays for hard disks are available
Mixed configurations with SAS (F3291) and BC-SATA 3.5" HD's (F3294) are released
No mix between HD and SSD possible

6x /
4x with tape for
basic units V1xx

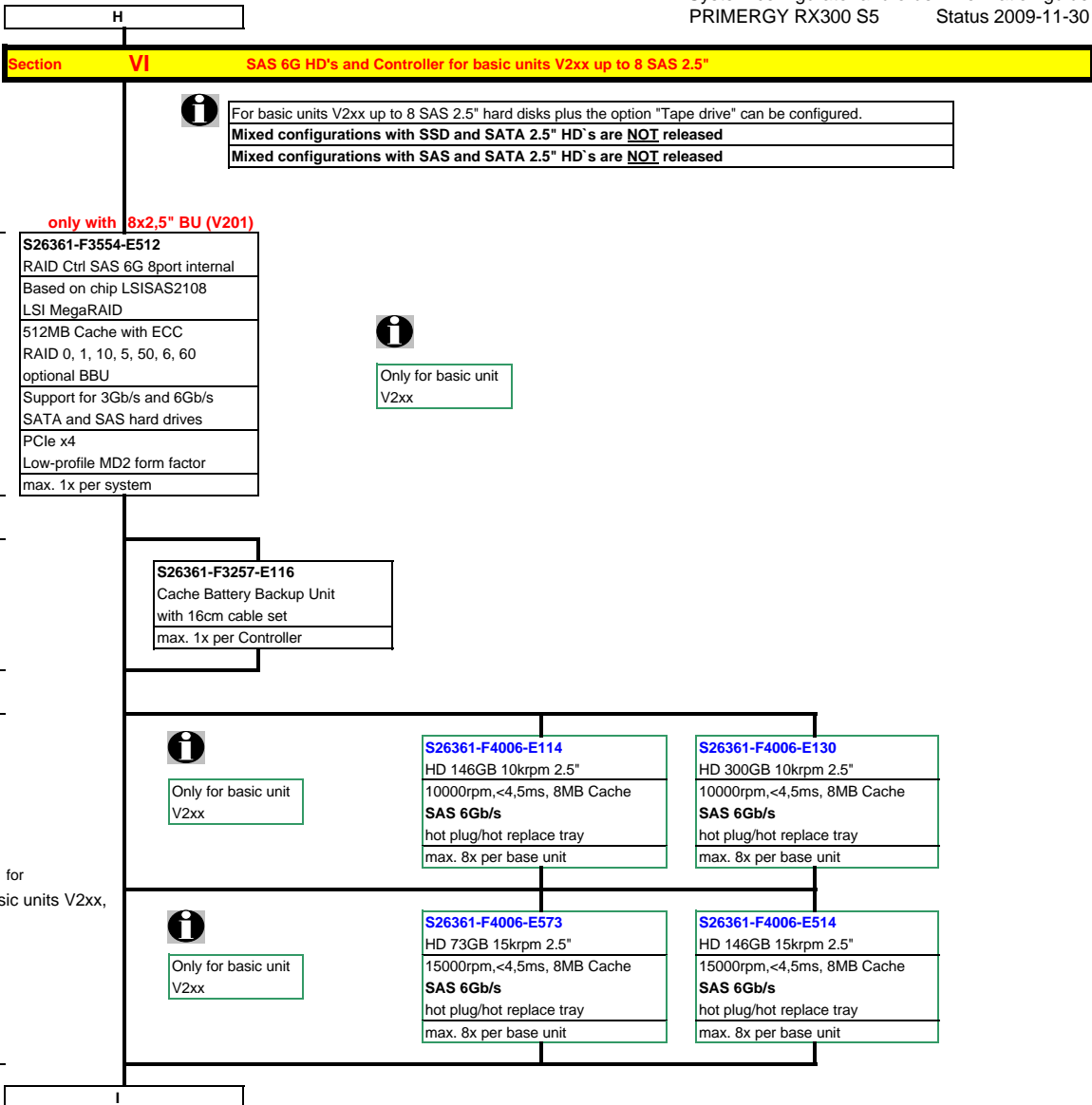
S26361-F3293-E160 HD 160GB 7.2krpm 3.5" 7200rpm,<9.0 ms, 8MB Cache SATA 3Gb/s hot plug/hot replace tray max. 6x (or 4x) per system			
S26361-F3294-E250 HD 250GB 7.2krpm 3.5" 7200rpm,<9.0 ms, 8MB Cache SATA 3Gb/s hot plug/hot replace tray max. 6x (or 4x) per system	S26361-F3294-E500 HD 500GB 7.2krpm 3.5" 7200rpm,<9.0 ms, 8MB Cache SATA 3Gb/s hot plug/hot replace tray max. 6x (or 4x) per system	S26361-F3294-E750 HD 750GB 7.2krpm 3.5" 7200rpm,<9.0 ms, 8MB Cache SATA 3Gb/s hot plug/hot replace tray max. 6x (or 4x) per system	S26361-F3294-E100 HD 1TB 7.2krpm 3.5" 7200rpm,<9.0 ms, 8MB Cache SATA 3Gb/s hot plug/hot replace tray max. 6x (or 4x) per system
S26361-F3291-E573 HD 73GB 15krpm 3.5" 15.000rpm,<4ms, 8MB Cache SAS 3Gb/s hot plug/hot replace tray max. 6x (or 4x) per system	S26361-F3291-E514 Hard disk 146GB 15krpm 3.5" 15.000rpm,<4ms, 8MB Cache SAS 3Gb/s hot plug/hot replace tray max. 6x (or 4x) per system	S26361-F3291-E530 HD 300GB 15krpm 3.5" 15.000rpm,<4ms, 8MB Cache SAS 3Gb/s hot plug/hot replace tray max. 6x (or 4x) per system	S26361-F3291-E545 HD 450GB 15krpm 3.5" 15.000rpm,<4ms, 8MB Cache SAS 3Gb/s hot plug/hot replace tray max. 6x (or 4x) per system

i For basic units V2xx up to 8 SAS 2.5" hard disks plus the option "Tape drive" can be configured.
 For basic units V3xx up to 12 SAS 2.5" hard disks can be configured.
Mixed configurations with SSD and SATA 2.5" HD's are NOT released
Mixed configurations with SAS and SATA 2.5" HD's are NOT released

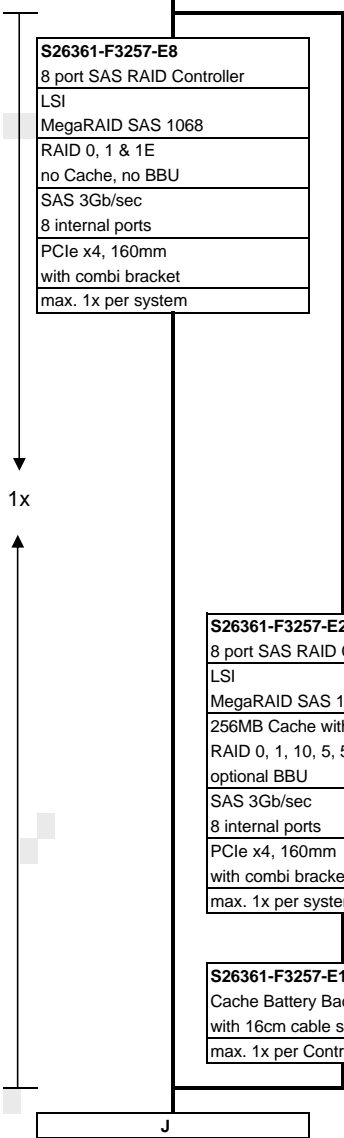
8x for
basic units V2xx,
12x for V3xx

With 0/1/E RAID Controller F3257-E4 & -E8 only Release with 5/6 RAID Controller F3257-E256 -E512 will follow soon			
S26361-F3298-E32 SSD 32GB SATA 3Gb/s hot plug/hot replace tray max. 8x or 12x per base unit	S26361-F3298-E64 SSD 64GB SATA 3Gb/s hot plug/hot replace tray max. 8x or 12x per base unit	S26361-F3297-E160 HD 160GB 5.4krpm 2.5" 5.400rpm,<10,5ms, 8MB Cache SATA hot plug/hot replace tray max. 8x or 12x per base unit	S26361-F3297-E320 HD 320GB 5.4krpm 2.5" 5.400rpm,<10,5ms, 8MB Cache SATA hot plug/hot replace tray max. 8x or 12x per base unit
S26361-F3292-E173 HD 73GB 10krpm 2.5" 10000rpm,<4,5ms, 8MB Cache SAS 3Gb/s hot plug/hot replace tray max. 8x or 12x per base unit	S26361-F3292-E114 HD 146GB 10krpm 2.5" 10000rpm,<4,5ms, 8MB Cache SAS 3Gb/s hot plug/hot replace tray max. 8x or 12x per base unit	S26361-F3292-E130 HD 300GB 10krpm 2.5" 10000rpm,<4,5ms, 8MB Cache SAS 3Gb/s hot plug/hot replace tray max. 8x or 12x per base unit	
S26361-F3292-E573 HD 73GB 15krpm 2.5" 15000rpm,<4,5ms, 8MB Cache SAS 3Gb/s hot plug/hot replace tray max. 8x or 12x per base unit	S26361-F3292-E514 HD 146GB 15krpm 2.5" 15000rpm,<4,5ms, 8MB Cache SAS 3Gb/s hot plug/hot replace tray max. 8x or 12x per base unit		

I



Section VII Modular Raid 0/1 and Raid5 Controller



S26361-F3257-E8
8 port SAS RAID Controller
LSI
MegaRAID SAS 1068
RAID 0, 1 & 1E
no Cache, no BBU
SAS 3Gb/sec
8 internal ports
PCIe x4, 160mm
with combi bracket
max. 1x per system



Modular Raid 0/1 controller with IME support for SAS/SATA-HDs

IME (Integrated Mirroring Enhanced) offers the RAID levels 0, 1, 1E
 IME is a RAID 0, 1 implementation, whereby RAID 1 can operate
 an odd number of hard disks. Up to 8 hard disks including one hot spare HD
 are possible (limited by HDD slots in system).
 Administration of IME is possible with the LSI Global Array Manager (GAM).
 Windows2000/2003 as well as SUSE and RedHat Linux are supported
 (Restrictions refer to Software Configurator)
 The SAS IME solution supports 2 independent RAID volumes.

Modular Raid controller must be ordered, if at least one internal HDD is configured!



Modular Raid 5 controller for SAS/SATA-HDs

RAID levels 0, 1, 10, 5, 50, 6 and 60 are supported
 The RAID controller supports 6 HDDs on the 6 internal SAS ports.
 Tapes and optical devices (e.g. DVD) are not supported.
 Also there is no support of any external storage by this RAID solution.



For the basic unit with
 12x 2.5" HDDs (V301)
 a modular Raid 5 Ctrl.
 must be ordered!

S26361-F3257-E256
8 port SAS RAID Controller
LSI
MegaRAID SAS 1078
256MB Cache with ECC
RAID 0, 1, 10, 5, 50, 6, 60
optional BBU
SAS 3Gb/sec
8 internal ports
PCIe x4, 160mm
with combi bracket
max. 1x per system

S26361-F3257-E512
8 port SAS RAID Controller
LSI
MegaRAID SAS 1078
512MB Cache with ECC
RAID 0, 1, 10, 5, 50, 6, 60
optional BBU
SAS 3Gb/sec
8 internal ports
PCIe x4, 160mm
with combi bracket
max. 1x per system

S26361-F3257-E116
Cache Battery Backup Unit
with 16cm cable set
max. 1x per Controller

S26361-F3257-E116
Cache Battery Backup Unit
with 16cm cable set
max. 1x per Controller



for loose delivery please order
S26361-F3257-L110

J

SAS-/SCSI-/ Fibre-Channel Controller Low Profile

* 2 PCIe-2 slots wired x8 and 5 PCIe-2 slots wired x4:
 Slot 7 and 6 are wired x 8 and notched
 Slot 5 is wired x8 if slot 4 is not populated
 Slot 3 is wired x8 if slot 2 is not populated
 Slot 1 is wired x 4



A PCIe-2 x4 card can also be plugged in a PCIe-2 x8 slot
 A PCIe-2 x8 card can also be plugged in a PCIe-2 x4 slot (mechanical x8)
 A PCIe-2 x16 card can be plugged in a notched PCIe-2 x8 slot

SAS-controller for external backup drives

S26361-F3271-E201
SAS Controller 3Gb/s 8 port LP
LSI SAS3442E-R Low Profile
PCIe x4,
int: 4 port
ext: 4 port
max. 3x per system

SCSI controllers for external backup drives

S26361-F3270-E201
SCSI U320 Controller
Adaptec SCSI Card 29320LPE
Low Profile
PCIe x1,
int: LVD HD68
ext: VHDCI 68pin
max. 2x per system

Fibre Channel Controller for external storage systems

S26361-F3306-E201
4GBit/s FC Controller
Emulex
LPe1150, Low Profile bracket
1 channel 4GBit/sec FC Controller
LC Interface for 50µm Fiber
PCIe x4, 170mm
max. 4x per system

S26361-F3306-E202
4GBit/s FC Controller
Emulex
LPe11002, Low Profile bracket
2 channel 4GBit/sec FC Controller
LC Interface for 50µm Fiber
PCIe x4, 170mm
max. 4x per system

S26361-F3483-E201
4GBit/s FC Controller
Qlogic
QLE2460, low profile bracket
1 channel 4GBit/sec FC Controller
LC Interface for 50µm Fiber
PCIe x4, 170mm
max. 4x per system

S26361-F3483-E202
4GBit/s FC Controller
Qlogic
QLE2462, low profile bracket
2 channel 4GBit/sec FC Controller
LC Interface for 50µm Fiber
PCIe x4, 170mm
max. 4x per system

S26361-F3961-E201
8GBit/s FC Controller
Emulex
LPe1250, low profile bracket
1 channel 8GBit/sec FC Controller
LC Interface for 50µm Fiber
PCIe x4, 170mm
max. 4x per system

S26361-F3961-E202
8GBit/s FC Controller
Emulex
LPe12002, low profile bracket
2 channel 8GBit/sec FC Controller
LC Interface for 50µm Fiber
PCIe x4, 170mm
max. 4x per system



All controllers for the connection of external storage system are delivered without cables. For the configuration of external cabling see the configurator for external storage system.



For Fibre Channel SAN also other componets like switches, SFPs and optical wires are orderable (for details see price liste)



A mix of differt controller types is not supported. e.g. LPe1250 and LPe12002 are same controller types and a combination is supported

K

K

SAS RAID controller for JBOD subsystems

S26361-F3890-E201
8 port SAS RAID Controller
LSI
MegaRAID SAS8880E
512MB Cache with ECC
RAID 0, 1, 10, 5, 50, 6 & 60
without iBBU
SAS 3Gb/sec
8 port external
PCIe x4, 167mm
low profile bracket
max. 1x per system

S26361-F3890-E230
8 port SAS RAID Controller
LSI
MegaRAID SAS8880E
512MB Cache with ECC
RAID 0, 1, 10, 5, 50, 6 & 60
with iBBU
SAS 3Gb/sec
8 port external
PCIe x4, 167mm
low profile bracket
max. 1x per system

iBBU max. 2x per system possible	
for loose delivery please order	
S26361-F3890-L501	Contr. w/o BBU
S26361-F3890-L13	optional BBU

L

L

Section VIII Communication / Network

Dual Port GBit on-board LAN Controller

Gigabit Ethernet Controller on-board
Dual Port GBit LAN controller
Intel 82575EB (Zoar) *
ext: for RJ 45-connector
SW: AFT, VLAN, Fast Channel



Teaming: Failover, Load Balancing
 The Intel LAN Controllers 1000TX and 1000SX can be used with the on-board controller in Teaming Mode. Two onboard LAN ports can likewise educate a team.

* Supporting iSCSI boot (also diskless) by system BIOS and native iSCSI initiators

* 2 PCIe-2 slots wired x8 and 5 PCIe-2 slots wired x4:
 Slot 7 and 6 are wired x 8 and notched
 Slot 5 is wired x8 if slot 4 is not populated
 Slot 3 is wired x8 if slot 2 is not populated
 Slot 1 is wired x 4



A PCIe-2 x4 card can also be plugged in a PCIe-2 x8 slot
 A PCIe-2 x8 card can also be plugged in a PCIe-2 x4 slot (mechanical x8)
 A PCIe-2 x16 card can be plugged in a notched PCIe-2 x8 slot

PCI-Express Adapter 1000TX/SX

S26361-F3516-E201 (Shelter Island)
Gigabit Ethernet Controller 1000TX LP
Eth Ctrl 1x1Gbit PCI-e Gigabit CT DT Cu LP
Intel® Gigabit CT Desktop Adapter
PCIe x1
ext: for RJ45-connector, Cat 5
max. 4x per system

S26361-F3241-E201 (Glyndon)
Gigabit Ethernet Contr. 1000TX
Eth Ctrl 1x1Gbit PCI-e Pro/1000PT Cu LP
Intel PRO/1000 PT Server Adaptor
PCIe x1
ext: for RJ45-connector, Cat 5
max.4x per system

S26361-F3242-E201 (Sheepshead Bay)
Gigabit Ethernet Contr. 1000SX
Eth Ctrl 1x1Gbit PCI-e Pro/1000PF LC LP
Intel PRO/1000 PF Server Adapter
PCIe x4
ext:LC-connector
max.4x per system

2-Port Copper PCIe Adapter 1000TX

S26361-F3228-E201 (Redwater)
Gigabit Ethernet Controller Dual 1000TX
Eth. Ctrl 2x1Gbit PCIe PRO/1000PT Cu LP
Intel Pro/1000 PT dual Server Adapter
PCIe x4
ext: for RJ45-plug, Cat 5
max.4x per system

4x

Quad Port PCIe Adapter 1000TX

S26361-F3462-E201 (Kirkwood 2)
Gigabit Ethernet Controller Quad 1000TX
Eth. Ctrl 4x1Gbit PCIe PRO/1000PT Cu LP
Intel Pro/1000 PT quad Server Adapter
PCIe x4
ext: for RJ45-plug, Cat 5
max.3x per system

10GbE 2-Port MMF

S26361-F3505-E201 (Green Fountain SR)
10 Gigabit Ethernet Controller dual port LC Ip
Eth Ctrl 2x10Gbit PCIe x8 XF SR LC Ip
Intel 10 Gigabit XF SR Dual Port Server Ad.
PCIe x8, low profile
ext:LC-connector
max. 2x per system

Released in PCIe x8 slot only!

M

M

Section IX System Management Products (RemoteView)

S26361-F1790-E241
iRMC S2 advanced pack
 integrated remote management controller
 activation key for
 graphical console redirection
 and remote media redirection
 max. 1x per system

S26361-F1790-E221
RemoteView Software V5.0
 Installation and configuration of
 RemoteView Web and LAN FrontEnd
 BMC-Manager, RTDS and FreeDOS
 Online manuals

1x

S26361-F2557-E205
 Local Service Panel incl. mount. kit
 Customer Self Service
 LSP module incl. mounting kit
 0.5" x 5.25"
 max. 1x per system

S26361-F2557-E106
 Local Service Display incl. mount. kit
 Customer Self Service
 LSD module incl. mounting kit
 0.5" x 5.25"
 max. 1x per system

Section X Miscellaneous

Section XI Country specific power cord

i Options and other peripherals
 For other options, refer to SystemArchitect and Pricelist.
 These options are supplied loose with the shipment.
 For suitable peripherals for this product, please refer to SystemArchitect.

i Country specific power cords are not required for rack versions, except for USA&Canada.
Power cords are shipped in a rack version with inlet connector for non-heating apparatus.
Description in english. Both included in basic unit.
(1x with Standard PSU, 2x with hot plug upgrade)

i T26139-Y1742-E10 USA, Canada
 For shipments to USA&Canada, you have to order
 one power cord (1,8m, grey) per power supply.

End PRIMERGY RX300 S5

