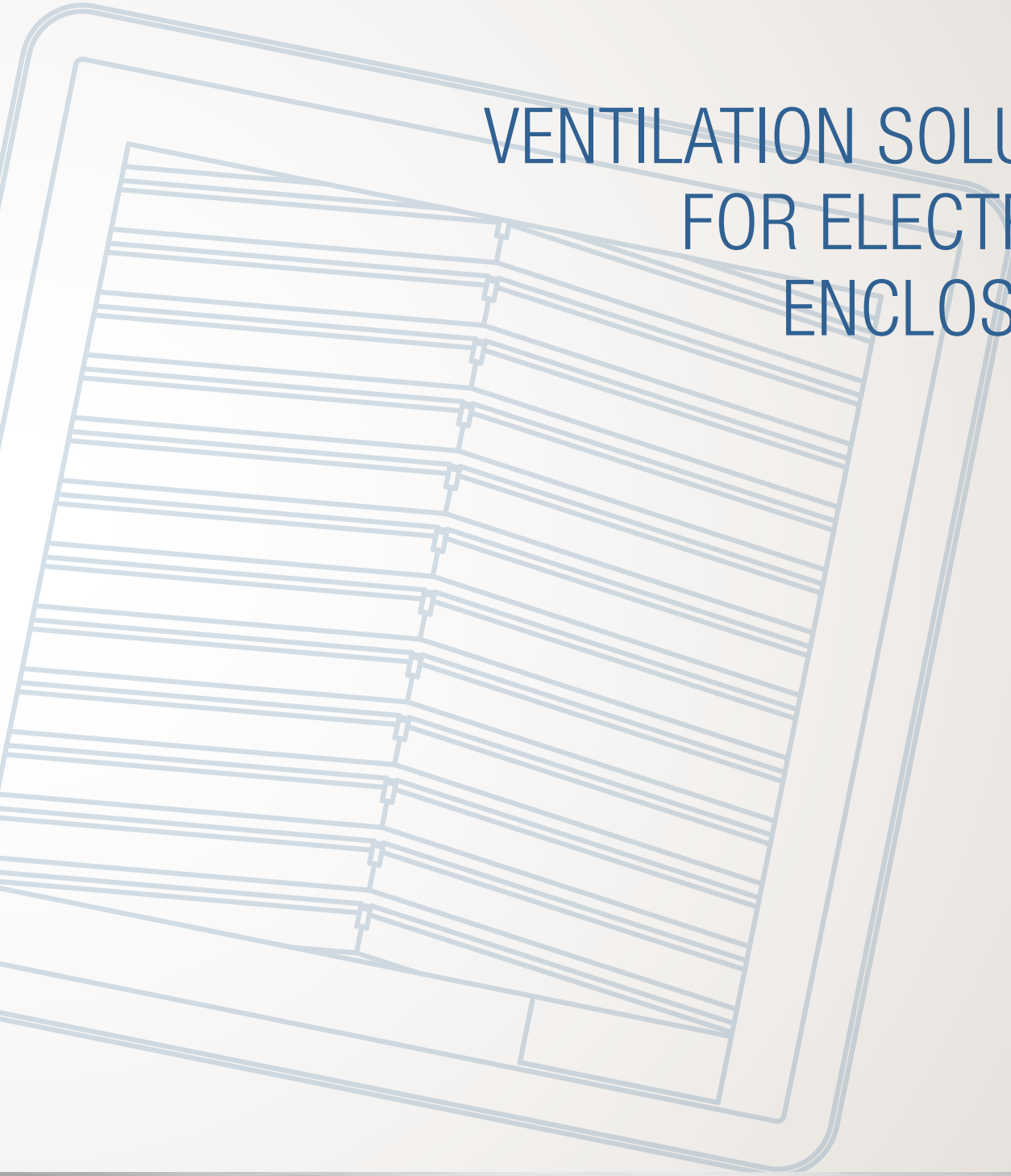


FAN SYSTEM KFF

VENTILATION SOLUTION
FOR ELECTRICAL
ENCLOSURES



IRINOX

IRINOX S.p.A.

Via caduti nei Lager, Z.I Prealpi Loc. Scorigo - 31015 Conegliano (TV) - Italy
T. +39 0438 2020 - F. +39 0438 2023 - quadri@irinox.com

www.irinoxquadri.com

INDEX

NEW KF SERIES FAN-FILTER	page 3
General description.....	page 3
Technical data.....	page 3
General specification.....	page 4
Technical notes.....	page 4
Technical specifications KFF 08.....	page 5
Technical specifications KFF 12.....	page 5
Technical specifications KFF 15.....	page 5
Technical specifications KFF 20.....	page 5
NEW KTP SERIES ROOF-MOUNTED FAN.....	page 6
General specification.....	page 6
Technical data.....	page 6
Technical specifications.....	page 6
Accessories.....	page 7

FAN FILTER NEW KFF SERIES

General description



Rapid installation

The FF filter unit is installed without screws, just by simply pressing it onto the enclosure.



Innovative mounting clips

The clips are made of a highly elastic material, for mounting on 1 to 2.5mm thick plates..



Improved water resistance

The seal between the base and the cover has been substituted by ribbing that facilitates water runoff to the outside.



Easy slide opening

Cover is fixed to and released from base via sliding catches.



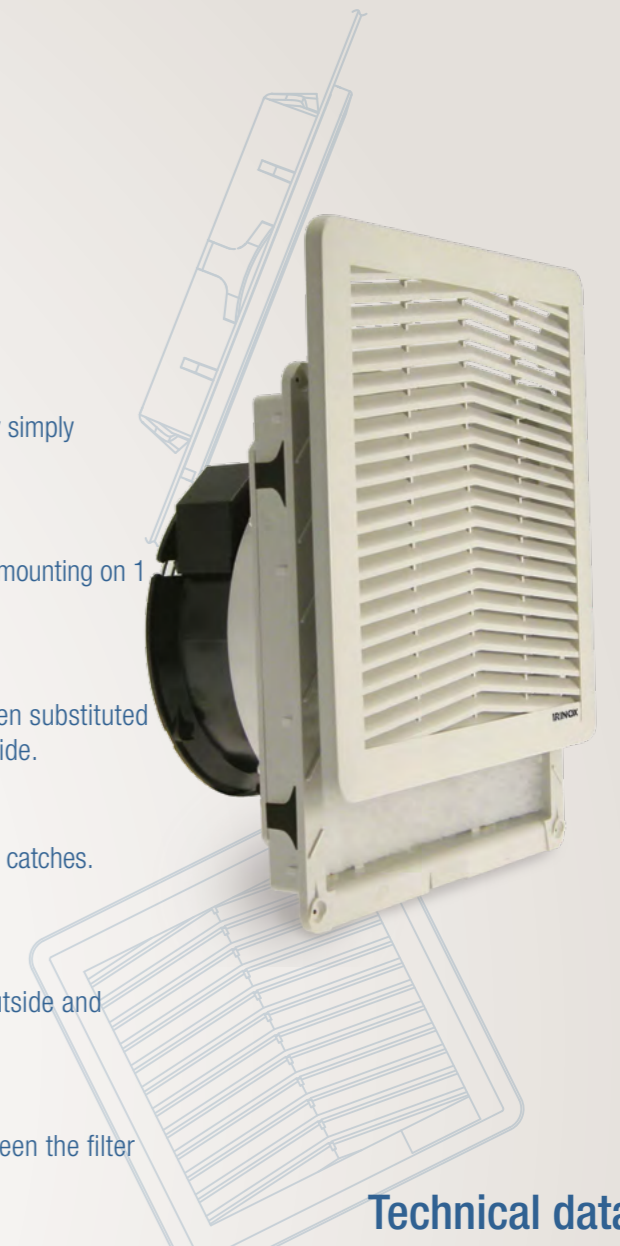
Operational safety

The filter membrane can be replaced from the outside and without the need for tools.



Hidden seal

A dedicated perimeter seat houses the seal between the filter unit and the enclosure.



Technical data

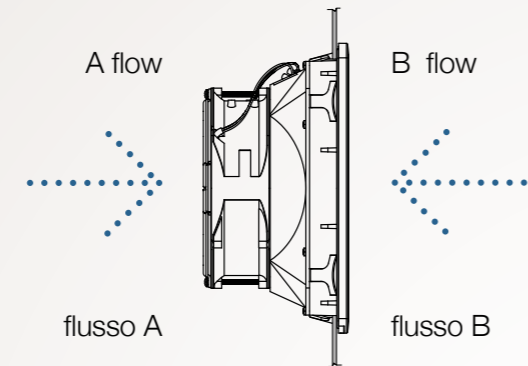
Code	Model	Voltage (V)	Frequency (Hz)	Rated current (mA)	Power (W)	Air outlet (m3/h)**	Noise [dB(A)]	Gross weight (kg)	Temperature range (°C)	Certifications
K0011000	KFF08 230	230 V a.c.	50/60	62/50	10/8.0	12/15	33.0/38.0	0.47	-10 ~ +55	CE cURus
K0011010	KFF08R 230	230 V a.c.	50/60	63/52	10/8.0	16/21	33.0/38.0	0.47	-10 ~ +55	CE cURus
K0011020	KFF08G 24	24 V d.c.	-	610	15	50	59.0	0.42	-10 ~ +55	CE cURus
K0011030	KFF08GR 24	24 V d.c.	-	710	17	60	59.0	0.42	-10 ~ +55	CE cURus
K0011040	Filtro KFF08							0.1	-10 ~ +60	CE cURus
K0011050	KFF12 230	230 V a.c.	50/60	110/100	18/17	45/50	49.0/49.0	0.83	-10 ~ +55	CE cURus
K0011060	KFF12R 230	230 V a.c.	50/60	110/100	18/17	47/52	48.0/54.0	0.83	-10 ~ +55	CE cURus
K0011070	KFF12 24	24 V d.c.	-	310	7.4	47	42.5	0.54	-10 ~ +55	CE UR
K0011080	KFF12R 24	24 V d.c.	-	310	7.4	64	42.5	0.54	-10 ~ +55	CE UR
K0011090	Filtro KFF12							0.19	-10 ~ +60	CE cURus
K0011100	KFF15 230	230 V a.c.	50/60	140/150	32/36	230/270	50.0/55.0	1.8	-10 ~ +55	CE cURus
K0011110	KFF15R 230	230 V a.c.	50/60	140/160	32/36	245/290	50.0/55.0	1.8	-10 ~ +55	CE cURus
K0011120	KFF15 24	24 V d.c.	-	1300	31	275	60.0	1.7	-10 ~ +55	CE cURus
K0011130	KFF15R 24	24 V d.c.	-	1300	31	295	60.0	1.7	-10 ~ +55	CE cURus
K0011240	KFF15P 230	230 V a.c.	50/60	110/100	18/17	105/120	46.0/49.0	1.5	-10 ~ +55	CE cURus
K0011250	KFF15PR 230	230 V a.c.	50/60	110/100	18/17	110/120	46.0/49.0	1.5	-10 ~ +55	CE cURus
K0011140	Filtro KFF15							0.57	-10 ~ +60	CE cURus
K0011150	KFF20 230	230 V a.c.	50/60	310/350	70/85	455/503	57.0/60.0	3.6	-10 ~ +55	CE cURus
K0011160	KFF20R 230	230 V a.c.	50/60	310/350	70/85	540/590	57.0/60.0	3.6	-10 ~ +55	CE cURus
K0011170	KFF20G 230	230 V a.c.	50/60	530/690	120/158	680/765	67.0/71.0	4.68	-10 ~ +55	CE cURus
K0011180	KFF20GR 230	230 V a.c.	50/60	530/690	120/157	760/860	67.0/71.0	4.49	-10 ~ +55	CE cURus
K0011190	Filtro KFF20							0.96	-10 ~ +60	CE cURus

Nomenclature: R = Reverse flow

** Data with uncertainty of 15%

General specification

- Mounting without screws in square openings as indicated in the cut-out diagrama
- Plate thickness between 1 and 2,5 mm
- Plastic parts in PC/ABS alloy, except elastic clips, made in PA66 GF13HSL
- Standard colour RAL 7035
- Permanent sealing gasket in polyurethane foam
- Filter media in thermo-linked progressive structure synthetic fibre
 - › filter media can be cleaned, up to 10 times by washing, blowing dry and lightly beating
 - › possible spare filter mats can be supplied on request
- Shielded and self-lubricating ball bearing fans
- IP54 standard protection degree, according to EN 60529 and Type 12, according to UL 50

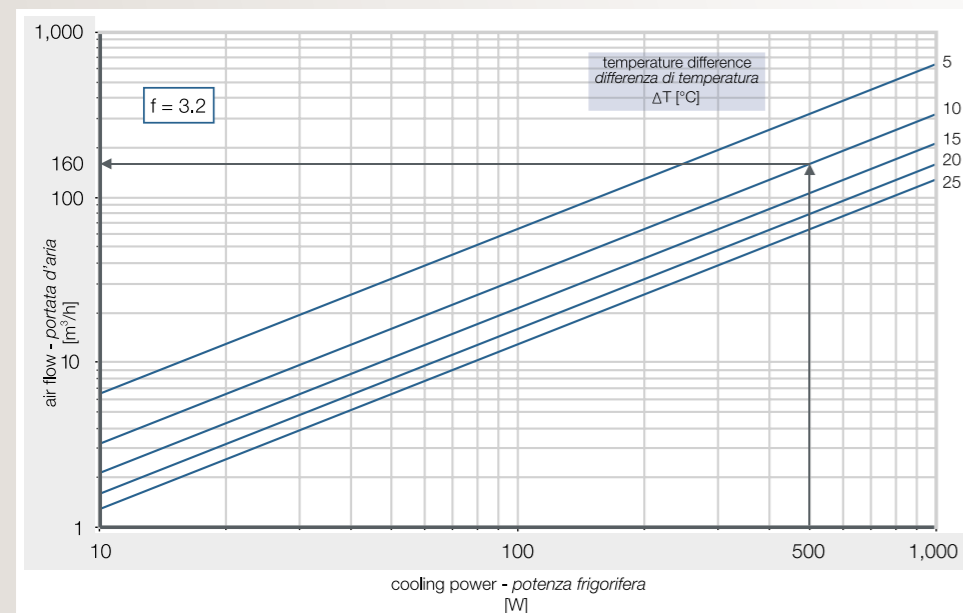


Technical notes

Sizing

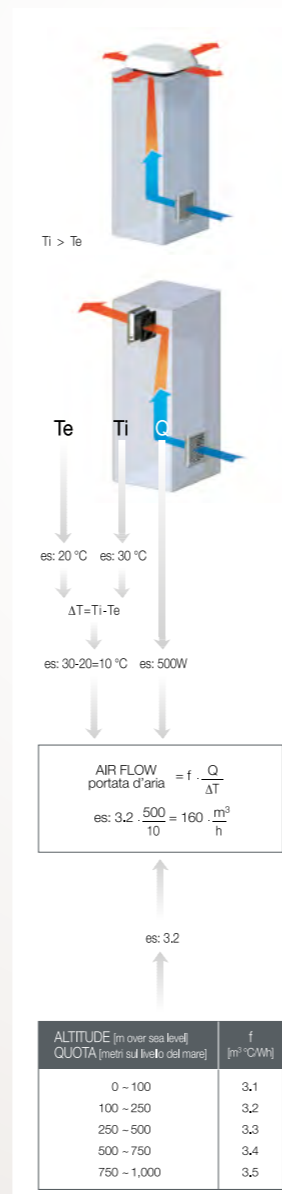
When we use fan filters, we must accept a target temperature inside the cabinet greater than ambient temperature outside the cabinet. So the difference ΔT between inside and outside temperature is always positive.

We can calculate the fan-filter air flow by the ratio between the thermal power Q and the difference of temperature ΔT and multiplying by a coefficient of heat transfer (f) which consider the physical properties of the air such as the specific heat and density which changes with the altitude.



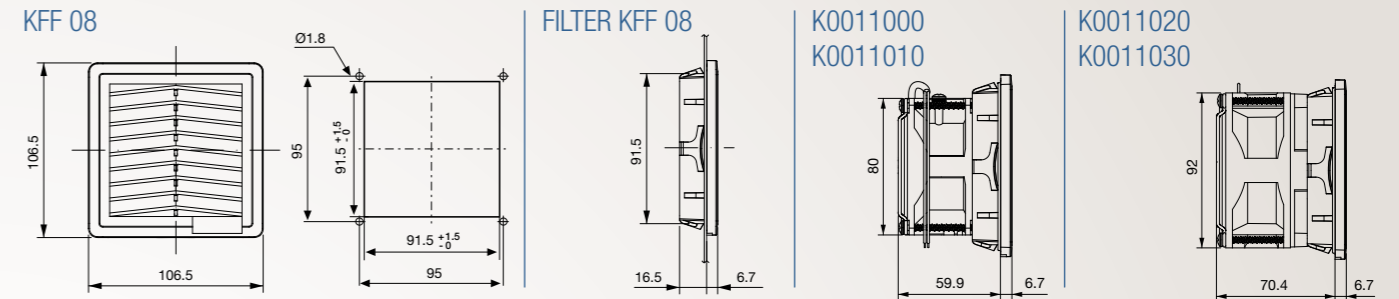
Nomenclature:
 T_i = target temperature inside the cabinet
 T_e = ambient temperature outside the cabinet
 ΔT = temperature difference between inside and outside

the cabinet
 Q = active thermal load inside the cabinet
 f = coefficient of heat transfer



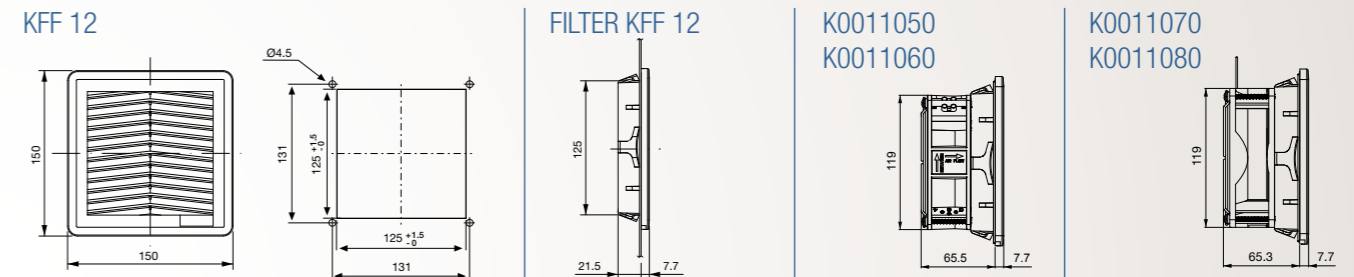
FAN FILTER KFF08 NEW KFF SERIES

Technical specifications / Mounting cut-out



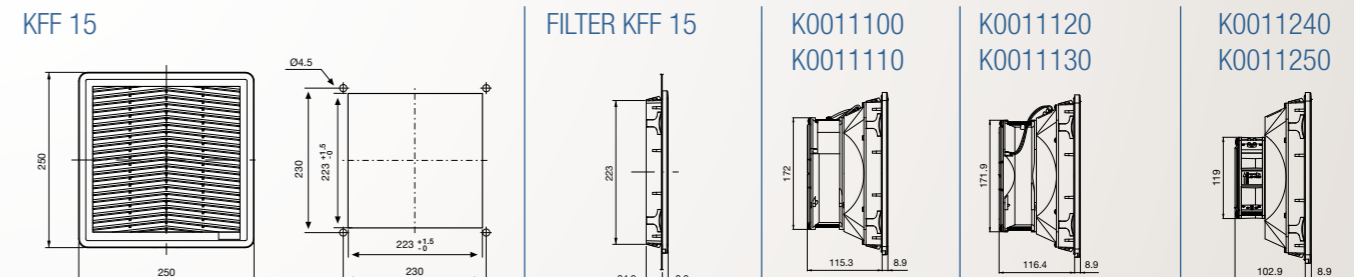
FAN FILTER KFF12 NEW KFF SERIES

Technical specifications / Mounting cut-out



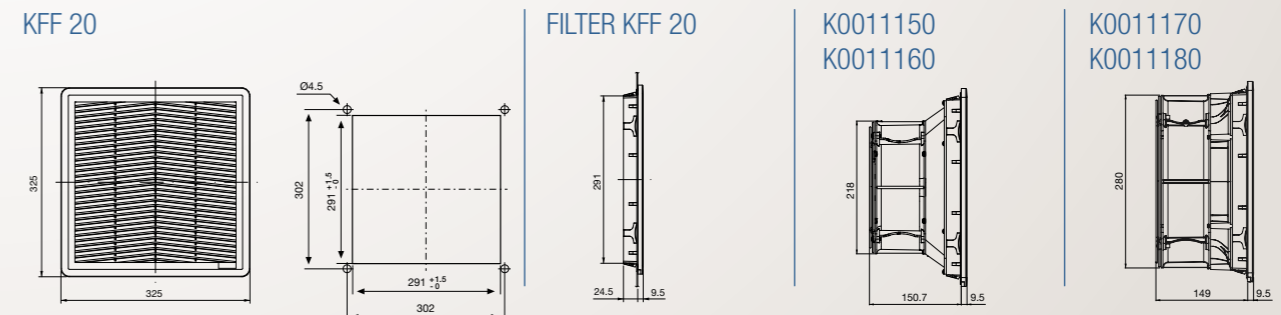
FAN FILTER KFF15 NEW KFF SERIES

Technical specifications / Mounting cut-out



FAN FILTER KFF20 NEW KFF SERIES

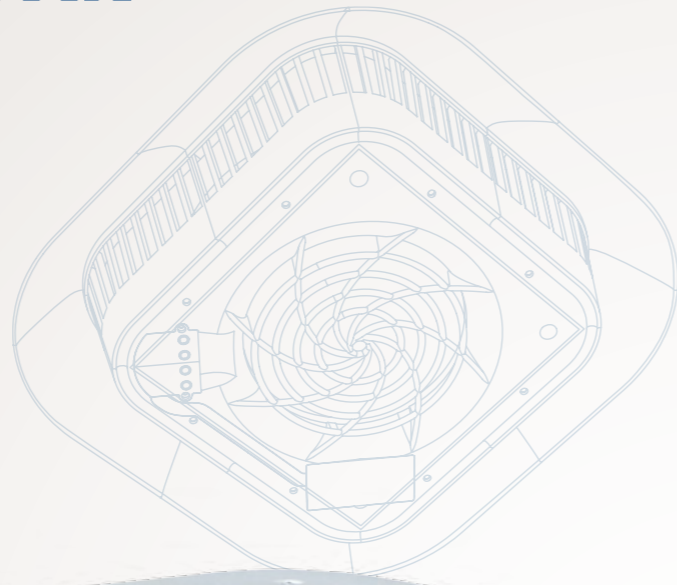
Technical specifications / Mounting cut-out



ROOF-MOUNTED FAN NEW KTP SERIES

General description

The roof exhaust units are used to remove heat from the upper region of the cabinet, improving the internal air flow. The exhaust units, equipped with a high-head radial fan, can be paired with a filter media in order to minimize the ingress of dust. The "TP" series features reduced dimensions and a connection by terminal block. The casing is in plastic with an aluminium top.



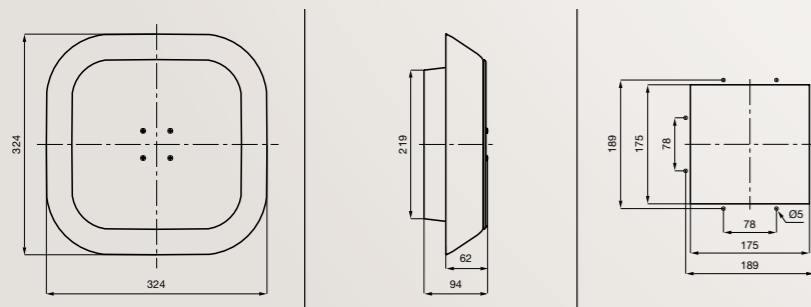
General specification

- Mounting by nr. 8 Ø4x16 mm screws for thermoplastic material in square openings as indicated in the cut-out diagram
- Plastic parts in PC/ABS alloy and aluminium. All parts self-extinguishing, according to UL 94V-0
- Permanent sealing gasket in polyurethane foam
- IP55 standard protection degree, according to EN 60529

Technical data

Code	Model	Voltage (V)	Frequency (Hz)	Rated current (mA)	Power (W)	Air outlet (m³/h)**	Noise [dB(A)]	Weight (kg)	Temperature range (°C)	Certifications
K0011230	KTP19 230	230 V a.c.	50/60	309/360	70/83	420/460	67.9/71.0	2.20	-10 ~ +60	CE cURus

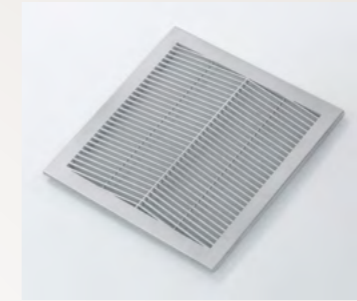
Technical specifications



Accessories

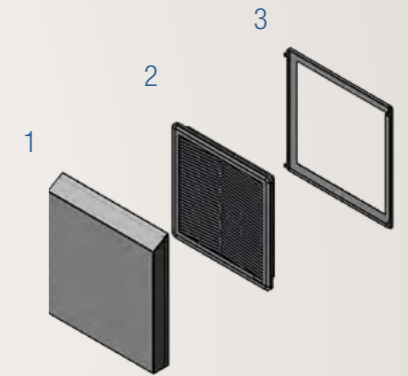
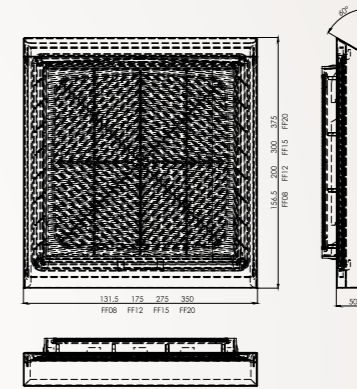
Stainless steel grill

Code	Description
K0012010	Stainless steel grill for KFF 08
K0012020	Stainless steel grill for KFF 12
K0012030	Stainless steel grill for KFF 15
K0012040	Stainless steel grill for KFF 20



Stainless steel cover

Code	Description
K0014010	Stainless steel cover for KFF 08
K0014020	Stainless steel cover for KFF 12
K0014030	Stainless steel cover for KFF 15
K0014040	Stainless steel cover for KFF 20



- 1 = cover
2 = fan filter or filter
3 = cover holder

Stainless steel cover with silicone gasket

Code	Description
K0014010H	Stainless steel cover for KFF08
K0014020H	Stainless steel cover for KFF12
K0014030H	Stainless steel cover for KFF15
K0014040H	Stainless steel cover for KFF20



Filter mat IP55

Code	Description
K0013010	Filter mat for KFF 12 IP55
K0013020	Filter mat for KFF 15 IP55
K0013030	Filter mat for KFF 20 IP55



Irinox reserves the right to further developments and technical modifications of its products. Such modifications, along with errors and printing errata, shall not constitute grounds for compensation. We refer customers to our Terms of Sale and delivery.

Cod. 448471 / 2018-1

ALL RIGHTS RESERVED

The logo for IRINOX features the word "IRINOX" in a bold, sans-serif font. The letter "O" is stylized as a hexagon containing three stars, similar to the European Union flag.

IRINOX S.p.A.

Via caduti nei Lager, Z.I Prealpi Loc. Scomigo - 31015 Conegliano (TV) - Italy
T. +39 0438 2020 - F. +39 0438 2023 - quadri@irinox.com

www.irinoxquadri.com