

HP 8562A/B Component-Level Information Packets

Spectrum Analyzer

HP Part Number 08562-90124

Contents

- General CLIP Information
- Keyboard
- CRT Driver
- HP-IB
- Calibration Oscillator
- Power Supply
- Log Amplifier
- Controller
- RF (Option 003 and Option 013)
- RF (Standard and Option 001)
- IF Filter
- Frequency Control
- Interface

HP MANUAL SCANS

By

Artek Media

1042 Plummer Cir. SW
Rochester, MN 55902

www.artekmedia.com

"High resolution scans of obsolete technical manuals"

**ALL HP MANUALS ARE REPRODUCED
WITH PERMISSION OF
AGILENT TECHNOLOGIES INC.**

**Reproduction of this scanned document or removal of this disclaimer
Will be considered in violation of both Agilent's and Artek Media's copy rights**

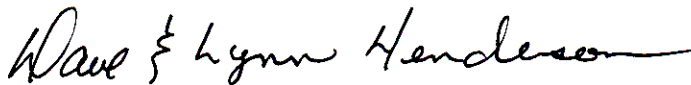
If your looking for a quality scanned technical manual in PDF format please visit our WEB site at www.artekmedia.com or drop us an email at manuals@artekmedia.com and we will be happy to email you a current list of the manuals we have available.

If you don't see the manual you need on the list drop us a line anyway we may still be able to point you to other sources. If you have an existing manual you would like scanned please write for details, This can often be done very reasonably in consideration for adding your manual to our library.

Typically the scans in our manuals are done as follows;

- 1) Typed text pages are typically scanned in black and white at 300 dpi.
- 2) Photo pages are typically scanned in gray scale mode at 600 dpi
- 3) Schematic diagram pages are typically scanned in black and white at 600 dpi unless the original manual had colored high lighting (as is the case for some 70's vintage Tektronix manuals).

Thanks



Dave & Lynn Henderson
Artek Media

Component-Level Information Packets

General CLIP Information

Copyright © 1990 Hewlett-Packard Company

All Rights Reserved.
Reproduction, adaptation, or translation
without prior written permission
is prohibited, except as allowed
under the copyright laws.

HP Document Part Number 5958-7060

Printed January 1990
Printed in USA

The information contained in this document is subject to change
without notice.



General CLIP Information

Component-Level Information Packets (CLIPs) provide information for selected, repairable instrument assemblies. Each CLIP contains a parts list, component-location diagram, and schematic diagram. Each CLIP has an HP part number, which is changed whenever the HP part number for its related instrument assembly is changed.

Updated or replacement CLIPs may be ordered through your local Hewlett-Packard Sales or Service office. Use the CLIP part number provided in Table A-1 of the Service Manual for the instrument documented by this CLIP set.

The information included in this "General CLIP Information" packet is listed below.

- Table 1 provides a guide to reference designations, abbreviations, and multipliers used in the "Description" column of the parts lists.
- Table 2 lists manufacturer codes used in the "Mfr Code" column of the parts lists, along with the names of the manufacturers they represent.
- Figure 1 provides a guide to graphics symbols used on schematic and block diagrams.
- Foldout 1 is an illustration of the general layout of schematic and block diagrams.

Table 1. Reference Designations, Abbreviations, and Multipliers (1 of 4)

| REFERENCE DESIGNATIONS | | | | | |
|------------------------|---|------|--|----------|--|
| A | Assembly | F | Fuse | RT | Thermistor |
| AT | Attenuator, Isolator, Limiter, Termination | FL | Filter | S | Switch |
| B | Fan, Motor | HY | Circulator | T | Transformer |
| BT | Battery | J | Electrical Connector (Stationary Portion), Jack | TB | Terminal Board |
| C | Capacitor | K | Relay | TC | Thermocouple |
| CP | Coupler | L | Coil, Inductor | TP | Test Point |
| CR | Diode, Diode Thyristor, Step Recovery Diode, Varactor | M | Meter | U | Integrated Circuit, Microcircuit |
| DC | Directional Coupler | MP | Miscellaneous Mechanical Part | V | Electron Tube |
| DL | Delay Line | P | Electrical Connector (Movable Portion), Plug | VR | Breakdown Diode (Zener), Voltage Regulator |
| DS | Annunciator, Lamp, Light Emitting Diode (LED), Signaling Device (Visible) | Q | Silicon Controlled Rectifier (SCR), Transistor, Triode Thyristor | W | Cable, Wire, Jumper |
| E | Miscellaneous Electrical Part | R | Resistor | X | Socket |
| | | | | Y | Crystal Unit (Piezoelectric, Quartz) |
| | | | | Z | Tuned Cavity, Tuned Circuit |
| ABBREVIATIONS | | | | | |
| A | | BSC | Basic | CNDCT | Conducting, Conductive, Conductivity, Conductor |
| A | Across Flats, Acrylic, Air (Dry Method), Ampere | BTN | Button | CONT | Contact, Continuous, Control, Controller |
| ADJ | Adjust, Adjustment | C | Capacitance, Capacitor, Center Tapped, Cermet, Cold, Compression | CONV | Converter |
| ANSI | American National Standards Institute (formerly USASI-ASA) | CCP | Carbon Composition Plastic | CPRSN | Co mpression |
| ASSY | Assembly | CD | Cadmium, Card, Cord | CUP-PT | Cup Point |
| AWG | American Wire Gage | CER | Ceramic | CW | Clockwise, Continuous Wave |
| B | | CHAM | Chamfer | D | |
| BCD | Binary Coded Decimal | CHAR | Character, Characteristic, Charcoal | D | Deep, Depletion, Depth, Diameter, Direct Current |
| BD | Board, Bundle | CMOS | Complementary Metal Oxide Semiconductor | DA | Darlington |
| BE-CU | Beryllium Copper | | | | |
| BNC | Type of Connector | | | | |
| BRG | Bearing, Boring | | | | |
| BRS | Brass | | | | |

Table 1. Reference Designations, Abbreviations, and Multipliers (2 of 4)

| ABBREVIATIONS | | | | | |
|---------------|---|-------|---|-------|---|
| DAP-GL | Diallyl Phthalate Glass | FT | Current Gain Bandwidth Product (Transition Frequency), Feet, Foot | JFET | Junction Field Effect Transistor |
| DBL | Double | | | | |
| DCDR | Decoder | | | | K |
| DEG | Degree | | | | |
| D-HOLE | D-Shaped Hole | FXD | Fixed | K | Kelvin, Key, Kilo, Potassium |
| DIA | Diameter | | | | |
| DIP | Dual In-Line Package | | G | KNRLD | Knurled |
| DIP-SLDR | Dip Solder | | | KVDC | Kilovolts |
| D-MODE | Depletion Mode | GEN | General, Generator | | Direct Current |
| DO | Package Type Designation | GND | Ground | | |
| DP | Deep, Depth, Dia- metric Pitch, Dip | GP | General Purpose, Group | | L |
| DP3T | Double Pole Three Throw | | H | LED | Light Emitting Diode |
| DPDT | Double Pole Double Throw | H | Henry, High | LG | Length; Long |
| DWL | Dowell | HDW | Hardware | LIN | Linear, Linearity |
| | E | HEX | Hexadecimal, Hexagon, Hexagonal | LK | Link, Lock |
| E-R | E-Ring | HLCL | Helical | LKG | Leakage, Locking |
| EXT | Extended, Extension, External, Extinguish | HP | Hewlett-Packard Company, High Pass | LUM | Luminous |
| | F | | I | | M |
| F | Fahrenheit, Farad, Female, Film (Resistor), Fixed, Flange, Frequency | IC | Collector Current, Integrated Circuit | M | Male, Maximum, Mega, Mil, Milli, Mode |
| FC | Carbon Film/ Composition, Edge of Cutoff Frequency, Face | ID | Identification, Inside Diameter | MA | Milliampere |
| FDTHRU | Feedthrough | IF | Forward Current, Intermediate Frequency | MACH | Machined |
| FEM | Female | IN | Inch | MAX | Maximum |
| FIL-HD | Fillister Head | INCL | Including | MC | Molded Carbon Composition |
| FL | Flash, Flat, Fluid | INT | Integral, Intensity, Internal | MET | Metal, Metallized |
| FLAT-PT | Flat Point | | J | MHZ | Megahertz |
| FR | Front | | | MINTR | Miniature |
| FREQ | Frequency | J-FET | Junction Field Effect Transistor | MIT | Miter |
| | | | | MLD | Mold, Molded |
| | | | | MM | Magnetized Material, Millimeter |
| | | | | MOM | Momentary |
| | | | | MTG | Mounting |
| | | | | MTLC | Metallic |
| | | | | MW | Milliwatt |

Table 1. Reference Designations, Abbreviations, and Multipliers (3 of 4)

| ABBREVIATIONS | | | |
|---------------|-----------------------|--------|-----------------------|
| | N | PLSTC | Plastic |
| | | PNL | Panel |
| N | Nano, None | PNP | Positive Negative |
| N-CHAN | N-Channel | | Positive (Transistor) |
| NH | Nanohenry | POLYC | Polycarbonate |
| NM | Nanometer, | POLYE | Polyester |
| | Nonmetallic | POT | Potentiometer |
| NO | Normally Open, | POZI | Pozidriv Recess |
| | Number | PREC | Precision |
| NOM | Nominal | PRP | Purple, Purpose |
| NPN | Negative Positive | PSTN | Piston |
| | Negative (Transistor) | PT | Part, Point, |
| NS | Nanosecond, | | Pulse Time |
| | Non-Shorting, Nose | PW | Pulse Width |
| NUM | Numeric | | |
| NYL | Nylon (Polyamide) | | |
| | O | Q | Figure of Merit |
| OA | Over-All | | |
| OD | Outside Diameter | | |
| OP AMP | Operational | | |
| | Amplifier | R | Range, Red, |
| OPT | Optical, Option, | | Resistance, Resistor, |
| | Optional | | Right, Ring |
| | P | REF | Reference |
| | | RES | Resistance, Resistor |
| | | RF | Radio Frequency |
| PA | Picoampere, Power | RGD | Rigid |
| | Amplifier | RND | Round |
| PAN-HD | Pan Head | RR | Rear |
| PAR | Parallel, Parity | RVT | Rivet, Riveted |
| PB | Lead (Metal), | | |
| | Pushbutton | | |
| PC | Printed Circuit | | |
| PCB | Printed Circuit | | |
| | Board | SAWR | Surface Acoustic |
| P-CHAN | P-Channel | | Wave Resonator |
| PD | Pad, Power | SEG | Segment |
| | Dissipation | SGL | Single |
| PF | Picofarad, Power | SI | Silicon, |
| | Factor | | Square Inch |
| PKG | Package | SL | Slide, Slow |
| | | SLT | Slot, Slotted |
| | | SMA | Subminiature, |
| | | | A Type (Threaded |
| | | | Connector) |
| | | SMB | Subminiature, |
| | | | B Type (Slip-on |
| | | | Connector) |
| | | SMC | Subminiature, |
| | | | C-Type (Threaded |
| | | | Connector) |
| | | SPCG | Spacing |
| | | SPDT | Single Pole |
| | | | Double Throw |
| | | SPST | Single Pole |
| | | | Single Throw |
| | | SQ | Square |
| | | SST | Stainless Steel |
| | | STL | Steel |
| | | SUBMIN | Subminiature |
| | | SZ | Size |
| | | | T |
| | | | Teeth, |
| | | | Temperature, |
| | | | Thickness, Time, |
| | | | Timed, Tooth, |
| | | | Typical |
| | | TA | Ambient |
| | | | Temperature, |
| | | | Tantalum |
| | | TC | Temperature |
| | | | Coefficient |
| | | THD | Thread, Threaded |
| | | THK | Thick |
| | | TO | Package Type |
| | | | Designation |
| | | TPG | Tapping |
| | | TR-HD | Truss Head |
| | | TRMR | Trimmer |
| | | TRN | Turn, Turns |
| | | TRSN | Torsion |

Table 1. Reference Designations, Abbreviations, and Multipliers (4 of 4)

| ABBREVIATIONS | | | | | |
|---------------|--|--|--|--|-------------------------|
| | U | | VAR Variable | | Y |
| | | | VDC Volts—Direct Current | | |
| UCD | Microcandela | | | | YIG Yttrium-Iron-Garnet |
| UF | Microfarad | | | | |
| UH | Microhenry | | W | | |
| UL | Microliter, Underwriters' Laboratories, Inc. | | W Watt, Wattage, White, Wide, Width | | Z |
| UNHDND | Unhardened | | W/SW With Switch | | ZNR Zener |
| | | | WW Wire Wound | | |
| | V | | | | |
| V | Variable, Violet, Volt, Voltage | | X | | |
| VAC | Vacuum, Volts— Alternating Current | | X By (Used with Dimensions), Reactance | | |

| MULTIPLIERS | | | | | |
|--------------|--------|------------------|--------------|--------|-------------------|
| Abbreviation | Prefix | Multiple | Abbreviation | Prefix | Multiple |
| T | tera | 10 ¹² | m | milli | 10 ⁻³ |
| G | giga | 10 ⁹ | μ | micro | 10 ⁻⁶ |
| M | mega | 10 ⁶ | n | nano | 10 ⁻⁹ |
| k | kilo | 10 ³ | p | pico | 10 ⁻¹² |
| da | deka | 10 ² | f | femto | 10 ⁻¹⁵ |
| d | deci | 10 ⁻¹ | a | atto | 10 ⁻¹⁸ |
| c | centi | 10 ⁻² | | | |

Table 2. Manufacturers Code List

| Mfr Code | Manufacturer Name | Address | Country | ZIP Code |
|----------|-------------------------------------|----------------------|---------|----------|
| 00039 | NEC ELECTRONICS INC | MTN VIEW, CA | US | 94043 |
| 00046 | UNITRODE CORP | LEXINGTON, MA | US | 02173 |
| 00075 | ARIZONA COIL INC | NOGALES, AZ | US | 85621 |
| 00273 | STILLWATER MFG CO | EAST FREEDOM, MA | US | 02717 |
| 00278 | MCCOY ELECTRONICS CO | HOLLY SPRINGS, PA | US | 17065 |
| 00350 | EXAR INTEGRATED SYSTEMS INC | SUNNYVALE, CA | US | 94086 |
| 00466 | NORELCO NORTH AMER PHILIPS LTG CORP | LOS ANGELES, CA | US | 90021 |
| 00493 | UNITED CHEMI-CON INC | COMPTON, CA | US | 90220 |
| 00746 | ROHM CORP | IRVINE, CA | US | 92713 |
| 00779 | NICHICON (AMERICA) CORP | SCHAUMBERG, IL | US | 60195 |
| 00830 | KYOCERA INTERNATIONAL INC | SAN DIEGO, CA | US | |
| 00901 | UNION CARBIDE CORP | DANBURY, CT | US | 06810 |
| 01064 | SCHAAL BROS INC | BERTHOUD, CO | US | 80513 |
| 01074 | HOLSWORTHY ELECTRONICS LTD | HOLSWORTHY | EG | |
| 01128 | RES-NET CORP | WHIPPANY, NJ | US | 07981 |
| 01131 | WESTERN THERMISTOR CORP | OCEANSIDE, CA | US | 92054 |
| 01136 | ELCO INDUSTRIES INC | ROCKFORD, IL | US | 61125 |
| 01172 | R C D COMPONENTS INC | BEDFORD, NH | US | 03102 |
| 01185 | MAGNET WIRE CORP | NEW YORK, NY | US | 10013 |
| 01230 | AEROVOX CORP | NEW BEDFORD, MA | US | 02741 |
| 01250 | GTE SYLVANIA ELEK COMPONENTS GROUP | WALTHAM, MA | US | 02154 |
| 01339 | GETTIG ENGRG & MFG CO INC | SPRING MILLS, PA | US | 16875 |
| 01380 | AMP INC | HARRISBURG, PA | US | 17111 |
| 01409 | CROVEN CRYSTALS | WHITBY | CN | L1N 5 |
| 01417 | NEL FREQUENCY CONTROLS INC | BURLINGTON, WI | US | 53105 |
| 01452 | SANGAMO WESTON INC | NORCROSS, GA | US | 30071 |
| 01461 | GOE ENGINEERING CO INC | ONTARIO, CA | US | 91761 |
| 01468 | STETTNER & CO | LAUF | GM | D-856 |
| 01478 | BOYD CORP | PLEASANTON, CA | US | 94566 |
| 01542 | HP DIV 01 SAN JOSE COMPONENTS | SAN JOSE, CA | US | 95131 |
| 01590 | PLESSEY SEMICONDUCTORS | SANTA ANA, CA | US | 92705 |
| 01607 | ALLEN-BRADLEY CO INC | EL PASO, TX | US | 79935 |
| 01688 | MURATA CORPORATION OF AMERICA | MARIETTA, GA | US | 30067 |
| 01691 | TRW INC SEMICONDUCTOR DIV | LAWNDALE, CA | US | 90260 |
| 01698 | TEXAS INSTRUMENTS INC | DALLAS, TX | US | 75265 |
| 01708 | JUBULATION | SANTA CRUZ, CA | US | 95060 |
| 01736 | ALLIED ELECTRONICS CORP | CHICAGO, IL | US | 60612 |
| 01760 | MATSUO ELECTRONICS OF AMERICA | HUNTINGTON BEACH, CA | US | 90245 |
| 01795 | SYNERTEK | SANTA CLARA, CA | US | 95051 |
| 01850 | AROMAT CORP | MOUNTAINSIDE, NJ | US | 07092 |
| 01854 | RCL ELECTRONICS INC | NORTHBROOK, IL | US | 60062 |
| 01869 | PULSE ENGINEERING INC | SAN DIEGO, CA | US | 92111 |
| 01876 | HP DIV 02 SCD IC'S | SANTA CLARA, CA | US | 95050 |
| 01885 | HAMILTON STANDARD CONTROLS INC | WINDWOR LOCKS, CT | US | 06096 |
| 01886 | COILCRAFT INC | CARY, IL | US | 60013 |
| 01887 | FERROXCUBE CORP | SAUGERTIES, NY | US | 12477 |

Table 2. Manufacturers Code List (continued)

| Mfr Code | Manufacturer Name | Address | Country | ZIP Code |
|----------|-------------------------------------|--------------------|---------|----------|
| 01898 | HI-G CO INC | HARTFORD, CT | US | 06114 |
| 01916 | BUNKER RAMO CORP AMPHENOL CONN DIV | BROADVILLE, IL | US | 60153 |
| 01921 | RCA CORP | NEW YORK, NY | US | 10112 |
| 01923 | NYLOGRIP PRODUCTS | WALTHAM, MA | US | 02154 |
| 01924 | ITW FASTEX | DES PLAINES, IL | US | 60016 |
| 01939 | ELPAC INC COMPONENTS DIV | IRVINE, CA | US | 92664 |
| 01943 | HP DIV 04 SPD CABLES 64 | PALO ALTO, CA | US | 94304 |
| 01953 | HP DIV 04 SPD MOLDING 91 | PALO ALTO, CA | US | 94304 |
| 01973 | GE CO SEMICONDUCTOR PROD DEPT | AUBURN, NY | US | 13201 |
| 01991 | TRANSITRON ELECTRONIC CORP | WAKEFIELD, MA | US | 01880 |
| 01992 | KDI PYROFILM CORP | WHIPPANY, NJ | US | 07981 |
| 01993 | MARKEL CORP | NORRISTOWN, PA | US | 19404 |
| 02010 | AVX CORP | GREAT NECK, NY | US | 11021 |
| 02030 | NATIONAL WIRE & CABLE CO INC | LOS ANGELES, CA | US | 90031 |
| 02037 | MOTOROLA INC | ROSELLE, IL | US | 60195 |
| 02038 | UNICORP | ORANGE, NJ | US | 07050 |
| 02062 | HP DIV 05 MSD | SAN JOSE, CA | US | 94304 |
| 02086 | WESTINGHOUSE ELEC CORP SEMICON DEPT | YOUNGWOOD, PA | US | 15697 |
| 02091 | ULTRONIX INC | GRAND JUNCTION, CO | US | 81501 |
| 02123 | EG & G INC | WELLESLEY, MA | US | 02181 |
| 02139 | MEPCO/ELECTRA INC | MORRISTOWN, NJ | US | 07960 |
| 02145 | RAYCHEM CORP | MENLO PARK, CA | US | 94025 |
| 02160 | PANDUIT CORP | TINLEY PARK, IL | US | 60477 |
| 02170 | AMATOM ELEK HARDWARE DIV OF MITE | NEW ROCHELLE, NY | US | 06515 |
| 02172 | JEFFERS ELECTRONICS INC | NOGALES, AZ | US | 85621 |
| 02180 | PRECISION MONOLITHICS INC | SANTA CLARA, CA | US | 95054 |
| 02191 | CORNING COMPONENTS INC | CORNING, NY | US | 14830 |
| 02194 | ROBINSON NUGENT INC | NEW ALBANY, IN | US | 47150 |
| 02210 | MILTON ROSS CO | SOUTHAMPTON, PA | US | 18966 |
| 02215 | KELVIN ELECTRIC CO | VAN NUYS, CA | US | 91401 |
| 02236 | SILICON TRANSISTOR CORP | CHELMSFORD, MA | US | 11530 |
| 02237 | FAIRCHILD SEMICONDUCTOR CORP | CUPERTINO, CA | US | 95014 |
| 02273 | TRW INC BURLINGTON DIV | BURLINGTON, IA | US | 52601 |
| 02290 | RAYTHEON CO SEMICONDUCTOR DIV HQ | MOUNTAIN VIEW, CA | US | 94040 |
| 02296 | HP DIV 08 COLO SPRGS | COLORADO SPRGS, CO | US | 80907 |
| 02344 | GE CO MINIATURE LAMP PROD DEPT | CLEVELAND, OH | US | 44112 |
| 02362 | HP DIV 09 LID COMPONENTS | LOVELAND, CO | US | 80537 |
| 02363 | HP DIV C5 COLORADO IC | FT COLLINS, CO | US | 80525 |
| 02366 | KOA SPEER ELECTRONICS INC | BRADFORD, PA | US | 16701 |
| 02367 | CORNELL-DUBILIER/SANGAMO | WAYNE, NJ | US | 07470 |
| 02379 | TEXAS CAPACITOR CO INC | HOUSTON, TX | US | 77036 |
| 02392 | C & K COMPONENTS INC | NEWTON, MA | US | 02158 |
| 02408 | DIXON INDUSTRIES CORPORATION | BRISTOL, RI | US | 02809 |
| 02414 | BURNDY CORP | NORWALK, CT | US | 06856 |
| 02415 | DALE ELECTRONICS INC | YANKTON, SD | US | 57078 |
| 02440 | THOMPSON BREMER DIV VARE | CHICAGO, IL | US | 60622 |

Table 2. Manufacturers Code List (continued)

| Mfr Code | Manufacturer Name | Address | Country | ZIP Code |
|----------|-----------------------------------|---------------------|---------|----------|
| 02465 | ANILLO INDUSTRIES INC | ORANGE, CA | US | 92667 |
| 02483 | CTS CORP | ELKHART, IN | US | 46514 |
| 02484 | CTS CORP PASO ROBLES | PASO ROBLES, CA | US | 93446 |
| 02499 | IRC INC | BOONE, NC | US | 28607 |
| 02501 | TELEDYNE INDUSTRIES INC | LOS ANGELES, CA | US | 90067 |
| 02556 | MONTROSE PRODUCTS CO | AUBURN, MA | US | 01501 |
| 02567 | OMTRONICS MFG INC | OMAHA, NE | US | 68105 |
| 02569 | CRYSTALONICS, DIV TELEDYNE | CAMBRIDGE, MA | US | 02140 |
| 02572 | TELEDYNE THERMATICS | ELM CITY, NC | US | 27822 |
| 02574 | RLC ELECTRONICS INS | MT KISCO, NY | US | 10549 |
| 02577 | HAMLIN INC | LAKE MILLS, WI | US | 53551 |
| 02582 | CLAROSTAT MFG CO INC | DOVER, NH | US | 03820 |
| 02598 | UNITRODE CORP | WATERTOWN, MA | US | 02172 |
| 02603 | NATIONAL WIRE & STAMPING INC | ENGLEWOOD, CO | US | 80110 |
| 02608 | THERMALLOY INC | DALLAS, TX | US | 75234 |
| 02619 | SOLITRON DEVICES INC (DIODES) | TAPPAN, NY | US | 10983 |
| 02634 | SPRAGUE ELECTRIC SEMICON DIV | CONCORD, NH | US | 03301 |
| 02664 | SEMTECH CORP | NEWBURY PARK, CA | US | 91320 |
| 02668 | EDISON ELEK DIV MCGRAW-EDISON | MANCHESTER, NH | US | 03130 |
| 02675 | AMERICAN COMPONENTS INC | CONSHOHOCKEN, PA | US | 19428 |
| 02682 | ITT SEMICONDUCTORS DIV | TUSTIN, CA | US | 92680 |
| 02685 | LOBAUGH ROLLIN J | SOUTH SAN FRANC, CA | US | 94080 |
| 02686 | WATKINS-JOHNSON CO | PALO ALTO, CA | US | 94304 |
| 02688 | MICROSEMI CORP | SCOTSDALE, AZ | US | 85252 |
| 02696 | CORNING GLASS WORKS ELEK PROD DIV | CORNING, NY | US | 14830 |
| 02706 | WARD LEONARD HAGERSTOWN DIV | HAGERSTOWN, MD | US | 21740 |
| 02713 | GENERAL INSTRUMENT CORP (DIODE) | HICKSVILLE, NY | US | 11802 |
| 02718 | VALOR ELECTRONICS INC | SANTA ANA, CA | US | 92705 |
| 02734 | AMETEK INC RODAN DIV | ANAHEIM, CA | US | 92806 |
| 02739 | MINI-CIRCUITS LAB | BROOKLYN, NY | US | 11235 |
| 02744 | ELEC-TROL INC | SAUGUS, CA | US | 91350 |
| 02761 | FENWAL ELECTRONICS INC | SADDLE BROOK, NJ | US | 07662 |
| 02763 | TELEDYNE SEMICONDUCTOR | MOUNTAIN VIEW, CA | US | 94043 |
| 02771 | ANSLEY ELECTRIC | LOS ANGELES, CA | US | 90032 |
| 02788 | M/A-COM INC | BURLINGTON, MA | US | 01803 |
| 02798 | CORNING ELECTRONICS | RALEIGH, NC | US | 27604 |
| 02803 | CODI SEMICONDUCTOR | LINDEN, NJ | US | 07410 |
| 02805 | COOPER INDUSTRIES INC | HOUSTON, TX | US | 77210 |
| 02813 | U S CAPACITOR CORP | BURBANK, CA | US | 91504 |
| 02826 | DENNISON MFG CO | FRAMINGHAM, MA | US | 01701 |
| 02856 | MOHAWK SPRING CO INC | ARLINGTON HEIGH, IL | US | 60008 |
| 02865 | ALPHA INDUSTRIES INC | WOBURN, MA | US | 01801 |
| 02877 | ANGSTROHM PRECISION INC | VAN NUYS, CA | US | 91405 |
| 02883 | SILICONIX INC | SANTA CLARA, CA | US | 95054 |
| 02910 | SIGNETICS CORP | SUNNYVALE, CA | US | 94086 |
| 02923 | CHOMERICS INC | WOBURN, MA | US | 01801 |

Table 2. Manufacturers Code List (continued)

| Mfr Code | Manufacturer Name | Address | Country | ZIP Code |
|----------|-------------------------------------|---------------------|---------|----------|
| 02928 | VISHAY INTERTECHNOLOGY INC | MALVERN, PA | US | 19355 |
| 02937 | VOLTRONICS CORP | HANOVER, NJ | US | 07936 |
| 02946 | DUPONT E I DE NEMOURS & CO | WILMINGTON, DE | US | 19801 |
| 02995 | MEPCO/CENTRALAB INC | RIVIERA, FL | US | 33404 |
| 03038 | INTL RECTIFIER CORP | LOS ANGELES, CA | US | 90069 |
| 03122 | EMCON DIV ITW | SAN DIEGO, CA | US | 92129 |
| 03123 | MICRO-OHM CORP | EL TORO, CA | US | 92630 |
| 03171 | SOLITRON DEVICES INC | PALM BEACH, FL | US | 33404 |
| 03172 | TRW MICROWAVE | SUNNYVALE, CA | US | 94086 |
| 03174 | ANZAC ELEK DIV ADAMS-RUSSEL CO INC | WALTHAM, MA | US | 02154 |
| 03206 | DUPONT CONNECTOR SYSTEMS | CAMP HILL, PA | US | 17011 |
| 03232 | PRODUCT COMPONENT CORP | MT VERNON, NY | US | 10553 |
| 03239 | WAVETEK | SAN DIEGO, CA | US | 92111 |
| 03257 | M-TRON INDUSTRIES INC | YANKTON, SD | US | 57078 |
| 03259 | STANFORD APPLIED ENGINEERING | SANTA CLARA, CA | US | 95054 |
| 03263 | ELECTRONIZED CHEMICALS CORP | BURLINGTON, MA | US | 01803 |
| 03273 | GOWANDA ELECTRONICS CORP | GOWANDA, NY | US | 14070 |
| 03282 | GENERAL CABLE CORP | NEW YORK, NY | US | 10017 |
| 03285 | ANALOG DEVICES INC | NORWOOD, MA | US | 02062 |
| 03291 | AVANTEK INC | SANTA CLARA, CA | US | 95054 |
| 03292 | CORNING GLASS WORKS | CORNING, NY | US | 14830 |
| 03297 | EMC TECHNOLOGY INC | CHERRY HILL, NJ | US | 08034 |
| 03316 | SPECIALTY CONNECTOR CO | FRANKLIN, IN | US | 46131 |
| 03317 | AEG-TELEFUNKEN CORP | ENGLEWOOD, NJ | US | 07632 |
| 03334 | NV PHILIPS ELCOMA | EINDHOVEN | NE | 02876 |
| 03352 | SWISS AUTOMATICS INC | COLUMBUS, NE | US | 68601 |
| 03371 | USM CORP NYLOK FASTENER DIV | TORRANCE, CA | US | 90501 |
| 03380 | GRIES/DYNACAST CO DIV COATES-CLARK | NEW ROCHELLE, NY | US | 10802 |
| 03389 | VARADYNE INC | SANTA MONICA, CA | US | 90404 |
| 03394 | METHODE ELECTRONICS INC | CHICAGO, IL | US | 60656 |
| 03395 | MEPCO/CENTRALAB INC | WEST PALM BEACH, FL | US | 33407 |
| 03406 | NATIONAL SEMICONDUCTOR CORP | SANTA CLARA, CA | US | 95052 |
| 03412 | CORNING GLASS WORKS (WILMINGTON) | WILMINGTON, NC | US | 28401 |
| 03418 | MOLEX INC | LISLE, IL | US | 60532 |
| 03428 | NONOTUCK MFG CO | HADLEY FALLS, MA | US | 01075 |
| 03441 | F-DYNE ELECTRONICS CO | BRIDGEPORT, CT | US | 06605 |
| 03521 | JOHANSON DIELECTRICS INC | BURBANK, CA | US | 91510 |
| 03530 | STACKPOLE COMPONENT CO | RALEIGH, NC | US | 27620 |
| 03545 | TELEDYNE PHILBRICK NEXUS | DEDHAM, MA | US | 02026 |
| 03594 | CARTER SEMICONDUCTORS | LOWELL, MA | US | 01850 |
| 03621 | M/A-COM CABLEWAVE MINI PROD | BURLINGTON, MA | US | 01803 |
| 03627 | SOLID STATE DEVICES INC | LA MIRADA, CA | US | 90638 |
| 03647 | INSTRUMENT SPECIALTIES CO INC | DEL WATER GAP, PA | US | 07424 |
| 03651 | MEPCO/ELECTRA CORP | SAN DIEGO, CA | US | 92121 |
| 03658 | ALPHA IND MICROELECTRONICS DIVISION | COLMAR, PA | US | 18915 |
| 03706 | WEST-CAP ARIZONA | SAN FERNANDO, CA | US | 91340 |

Table 2. Manufacturers Code List (continued)

| Mfr Code | Manufacturer Name | Address | Country | ZIP Code |
|----------|-----------------------------------|---------------------|---------|----------|
| 03714 | INTERSIL INC | CUPERTINO, CA | CA | 95014 |
| 03724 | BIVAR INC | SANTA ANA, CA | US | 92705 |
| 03740 | ERIE TECH PROD INC ERIE FREQ CONT | CARLISLE, PA | US | 17013 |
| 03744 | BOURNS INC | RIVERSIDE, CA | US | 92507 |
| 03746 | SPECTRUM CONTROL INC | ERIE, PA | US | 16505 |
| 03747 | COLORADO CRYSTAL CORP | LOVELAND, CO | US | 80537 |
| 03762 | TELE-TECH CORP | BOZEMAN, MT | US | 59771 |
| 03793 | SILICON GENERAL INC | SAN JOSE, CA | US | 95134 |
| 03794 | ADVANCED MICRO DEVICES INC | SUNNYVALE, CA | US | 94086 |
| 03795 | MOTOROLA INC | FRANKLIN PARK, IL | US | 60131 |
| 03799 | HARRIS CORP | MELBOURNE, FL | US | 32901 |
| 03811 | INTEL CORP | SANTA CLARA, CA | US | 95054 |
| 03827 | FAIR RITE PRODUCTS CORP | WALLKILL, NY | US | 12589 |
| 03849 | MICROSYSTEMS INTERNATIONAL LTD | OTTAWA | CN | |
| 03910 | GENERAL ELECTRIC CO | PHILADELPHIA, PA | US | 19124 |
| 03923 | SIEMENS CORP | ISELIN, NJ | US | 08830 |
| 03938 | MIDLAND-ROSS CORP | CLEVELAND, OH | US | 44113 |
| 03972 | OHMITE MFG CO | SKOKIE, IL | US | 60076 |
| 03973 | HP DIV 45 NMD | SANTA ROSA, CA | US | 95401 |
| 04068 | LABINAL COMPONENTS & SYSTEMS INC | ELK GROVE VILLA, IL | US | 60007 |
| 04078 | SGS-THOMSON MICROELECTRONICS INC | PHOENIX, AZ | US | 85022 |
| 04092 | MONOLITHIC MEMORIES INC | SANTA CLARA, CA | US | 95054 |
| 04121 | SEMICONDUCTOR CIRCUITS INC | HAVERHILL, MA | US | 01830 |
| 04150 | VICLAN INC | SAN DIEGO, CA | US | 92138 |
| 04169 | SANGAMO ELECTRIC CO | SPRINGFIELD, IL | US | 62702 |
| 04181 | AHAM-TOR | RANCHO, CA | US | 91702 |
| 04182 | SHALLCROSS INC | NORTHBROK, IL | US | 60062 |
| 04200 | SPRAGUE ELECTRIC CO | LEXINGTON, MA | US | 02173 |
| 04204 | SPS TECHNOLOGIES | NEWTOWN, PA | US | 18940 |
| 04213 | STIMPSON EDWIN B CO INC | BROOKLYN, NY | US | 11705 |
| 04225 | THOMAS & BETTS CORP | RARITAN, NJ | US | 08869 |
| 04234 | DELBERT BLINN CO | POMONA, CA | US | 91766 |
| 04261 | INSULECTRO CORP | BURLINGAME, CA | US | 94010 |
| 04314 | VLN CORP VICTOREEN INSTRUMENT DIV | CLEVELAND, OH | US | 44103 |
| 04379 | AMETEK INC | PAOLI, PA | US | 19301 |
| 04393 | CENTRE ENGINEERING INC | STATE COLLEGE, PA | US | 16801 |
| 04418 | ALLEN MFG CO | HARTFORD, CT | US | 06101 |
| 04423 | G.E. CERAMICS, INC. | CHATTANOOGA, TN | US | 37405 |
| 04458 | BLILEY ELECTRIC CO | ERIE, PA | US | 16508 |
| 04464 | BRAND REX CO | WILLIMANTIC, CT | US | 06226 |
| 04475 | CAMBRIDGE THERMIONIC CORP | CAMBRIDGE, MA | US | 02138 |
| 04486 | ITT CORP | NEW YORK, NY | US | 10022 |
| 04492 | CENTRALAB INC | MILWAUKEE, WI | US | 53209 |
| 04504 | GENERAL INSTRUMENT CORP | CLIFTON, NJ | US | 07012 |
| 04507 | TRW INC | CLEVELAND, OH | US | 44124 |
| 04514 | DOW CORNING CORP | MIDLAND, MI | US | 48641 |

Table 2. Manufacturers Code List (continued)

| Mfr Code | Manufacturer Name | Address | Country | ZIP Code |
|----------|------------------------------------|-------------------|---------|----------|
| 04522 | ELECTRO MOTIVE CORP | FLORENCE, SC | US | 06226 |
| 04550 | GENERAL ELECTRIC CO | FAIRFIELD, CT | US | 06430 |
| 04563 | ERIE TECHNOLOGICAL PRODUCTS INC | ERIE, PA | US | 16512 |
| 04564 | ESSEX INTERNATIONAL INC | FORT WAYNE, IN | US | 46804 |
| 04567 | ITT HARPER DIV | CHICAGO, IL | US | 60606 |
| 04568 | BECKMAN INDUSTRIAL CORP | FULLERTON, CA | US | 92635 |
| 04581 | BARWOOD MFG CORP | EVERETT, MA | US | 02149 |
| 04605 | FISCHER SPECIAL MFG CO | CINCINNATI, OH | US | 45206 |
| 04615 | J F D ELECTRONICS CORP | BROOKLYN, NY | US | 11219 |
| 04645 | SIGNALITE DIV GENERAL INST CORP | NEPTUNE, NJ | US | 07753 |
| 04648 | PIEZO CRYSTAL CO | CARLSILE, PA | US | 17013 |
| 04670 | EF JOHNSON CO | WASECA, MN | US | 56093 |
| 04672 | TRW INC PHILADELPHIA DIV | PHILADELPHIA, PA | US | 19108 |
| 04703 | LITTELFUSE INC | DES PLAINES, IL | US | 60016 |
| 04719 | MARWEDEL C W | SAN FRANCISCO, CA | US | 94103 |
| 04726 | 3M CO | ST PAUL, MN | US | 55144 |
| 04733 | BELL INDUSTRIES INC MILLER JW DIV | COMPTON, CA | US | 90224 |
| 04757 | OAK SWITCH SYSTEMS INC | CRYSTAL LAKE, IL | US | 60014 |
| 04776 | POTTER & BRUMFIELD INC | PRINCETON, IN | US | 47671 |
| 04805 | ILLINOIS TOOL WORKS INC SHAKEPROOF | ELGIN, IL | US | 60126 |
| 04821 | TILLEY MFG CO | MORGAN HILL, CA | US | 94070 |
| 04822 | STACKPOLE CARBON CO | ST MARYS, PA | US | 15857 |
| 04828 | TINNERMAN PRODUCTS INC | CLEVELAND, OH | US | 44101 |
| 04830 | STEWART STAMPING CORP | YONKERS, NY | US | 10704 |
| 04853 | VARFLEX CORP | ROME, NY | US | 13440 |
| 04880 | ZIERICK MFG CO | MT KISCO, NY | US | 10549 |
| 04935 | MEPCO ELECTRA CORP | MORRISTOWN, NJ | US | 07960 |
| 04939 | SCHNITZER ALLOY PRODUCTS CO | ELIZABETH, NJ | US | 07206 |
| 04977 | ITT CORP COMPONENTS DIV | NEW YORK, NY | US | 10022 |
| 04990 | GRAYHILL INC | LA GRANGE, IL | US | 60525 |
| 05016 | MONITOR PRODUCTS CO INC | OCEANSIDE, CA | US | 92054 |
| 05065 | TEXAS INSTRUMENTS INC | ATTLEBORO, MA | US | 02703 |
| 05088 | VARO INC | GARLAND, TX | US | 75046 |
| 05098 | VICTORY ENGINEERING CORP | SPRINGFIELD, NJ | US | 07081 |
| 05108 | KULKA-SMITH INC | MANASQUAN, NJ | US | 08736 |
| 05131 | ELECTRONIC DEVICES INC | YONKERS, NY | US | 10710 |
| 05160 | VRN INTERNATIONAL | ST PETERSBURG, FL | US | 33710 |
| 05176 | AMERICAN SHIZUKI CORP | CANOGA PARK, CA | US | 91304 |
| 05232 | BRADY W H CO | MILWAUKEE, WI | US | 53209 |
| 05293 | PRECISION METAL PRODUCT CO | STONEHAM, MA | US | 02180 |
| 05347 | UNIMICA | NEW YORK, NY | US | 10013 |
| 05350 | WILMINGTON FIBRE SPECIALTY CO | NEW CASTLE, DE | US | 19720 |
| 05364 | LITTON PRECISION PROD INC | VAN NUYS, CA | US | 91409 |
| 05368 | FCP INC | OLATHE, KS | US | 66062 |
| 05400 | REESE J RAMSEY INC | NEW YORK, NY | US | 10007 |
| 05436 | BURR-BROWN CORP | TUCSON, AZ | US | 85706 |

Table 2. Manufacturers Code List (continued)

| Mfr Code | Manufacturer Name | Address | Country | ZIP Code |
|----------|-------------------------------------|-------------------|---------|----------|
| 05447 | BERGQUIST CO | MINNEAPOLIS, MN | US | 55420 |
| 05453 | ICO-RALLY CORP | SUNNYVALE, CA | US | 94303 |
| 05461 | ITT HARPER INC | MORTON GROVE, IL | US | 60053 |
| 05466 | EMHART CORP | FARMINGTON, CT | US | 06032 |
| 05507 | MILLER DIAL & NAMEPLATE CO | EL MONTE, CA | US | 91734 |
| 05518 | AUGAT INC | MANSFIELD, MA | US | 02048 |
| 05524 | DALE ELECTRONICS INC | COLUMBUS, NE | US | 68601 |
| 05535 | KEYSTONE ELECTRONICS CORP | NEW YORK, NY | US | 10012 |
| 05545 | NATIONAL TEL TRONICS CORP | YONKERS, NY | US | 10701 |
| 05559 | ALPHA WIRE CORP | ELIZABETH, NJ | US | 07207 |
| 05568 | JACOBSON MFG CO INC | KENILWORTH, NJ | US | 07033 |
| 05589 | UNIFORM TUBES | COLLEGEVILLE, PA | US | 19426 |
| 05623 | CAMDEN WIRE CO INC | CAMDEN, NY | US | 13316 |
| 05630 | WESTON COMPONENTS | ARCHBALD, PA | US | 18403 |
| 05648 | MAGNECRAFT ELECTRIC CO | CHICAGO, IL | US | 60630 |
| 05661 | ALCO ELECTRONIC PRODUCTS INC | NORTH ANDOVER, MA | US | 01845 |
| 05668 | VITRAMON INC | MONROE, CT | US | 06468 |
| 05683 | WECKESSER CO INC | CHICAGO, IL | US | 60641 |
| 05704 | SAN FERNANDO ELECTRIC MFG CO | SAN FERNANDO, CA | US | 91341 |
| 05742 | P C A ELECTRONICS INC | SEPULVEDA, CA | US | 91343 |
| 05768 | MALCO-A MICRODOT CO | PASADENA, CA | US | 91030 |
| 05769 | ITT SEAELECTRO CORP | TRUMBULL, CT | US | 06611 |
| 05792 | INTL ELECTRONIC RESEARCH CORP | BURBANK, CA | US | 91502 |
| 05809 | MARSHALL IND CAPACITOR DIV | MONROVIA, CA | US | 91016 |
| 05826 | AMER PRCN IND INC DELEVAN DIV | AURORA, NY | US | 14052 |
| 05879 | AMPHENOL CORPORATION | DANBURY, CT | US | 06810 |
| 05917 | RIFA AB | STOCKHOLM | SW | S-163 |
| 05943 | TEXAS INSTRUMENTS DEUTSCHLAND GMBH | FREISING | GM | 8050 |
| 05946 | VALVO GMBH | HAMBURG | GM | 2000 |
| 05951 | WICKMANN-WERKE A G | WITTEN-ANNEN | GM | 5870 |
| 05959 | MARQUARDT GMBH | RIETHEIM | GM | D-720 |
| 05967 | VTM A/S | GLOSTRUP | DK | 2080 |
| 05982 | CELDUC CONSTR ELECTRIQUES DU CENTRE | SORBIERS | FR | 42 |
| 05985 | SESCOSEM | SAINT EGREVE | FR | 75781 |
| 05992 | EFCO COMPOSANTS | NANTERRE | FR | |
| 05993 | CORNING GLASS EUROPE SOVCOR | LE VESINET | FR | |
| 06003 | SESCOSEM (63) | PARIS | FR | 75781 |
| 06032 | STC/STANTEL | DEVON | EG | |
| 06039 | SEAELECTRO LTD | PORTSMOUTH | EG | |
| 06058 | BOURNS TRIMPOT LTD | MIDDLESEX | EG | |
| 06118 | ROEDERSTEIN/RESISTA GMBH | LANDSHUT | GM | 8300 |
| 06121 | SIEMENS AG | MUNICH | GM | 8000 |
| 06127 | WIMA | MANNHEIM | GM | 6800 |
| 06252 | AB ELEKTRONIK GMBH | SALZBURG | AU | A-501 |
| 06328 | SCHURTER AG | LUZERN | SW | CH-60 |
| 06330 | CONDENSATEURS FRIBOURG S A | FRIBOURG | SW | |

Table 2. Manufacturers Code List (continued)

| Mfr Code | Manufacturer Name | Address | Country | ZIP Code |
|----------|-----------------------------------|--------------------|---------|----------|
| 06337 | PHILLIPS GLOEILAMPENFABRIEKEN N V | EINDHOVEN | HL | |
| 06344 | FUJITSU MICROELECTRONICS INC | SANTA CLARA, CA | US | 95054 |
| 06347 | HITACHI AMERICA LTD | SUNNYVALE, CA | US | 94086 |
| 06352 | TDK CORPORATION OF AMERICA | SKOKIE, IL | US | 60076 |
| 06354 | TOSHIBA CORP | TOKYO | JP | |
| 06424 | E-SIL COMPONENTS LTD | SUNDERLAND | EG | SR4 6 |
| 06501 | BARBER & COLEMAN LTD | SALE CHES | EG | |
| 06563 | SIEMENS CORP COMPONENTS GROUP | SCOTTSDALE, AZ | US | 85252 |
| 06650 | AEG-TELEFUNKEN | HEILBRONN | GM | 7100 |
| 06665 | SAMTEC | NEW ALBANY, IN | US | 47150 |
| 06784 | MIDWEST COMPONENTS | MUSKEGON, MI | US | 49443 |
| 06857 | TRAK MICROWAVE CORP | TAMPA, FL | US | 33614 |
| 06860 | HUBER & SUHNER AG | HERISAU | SW | |
| 06900 | JUDD WIRE | BURLINGTON, MA | US | 01803 |
| 06916 | SONY CORP | TOYKO | JP | 141 |
| 06951 | TRW RESISTIVE PRODUCTS DIV | CORPUS CHRISTI, TX | US | 78411 |
| 07041 | R.A.F. ELECTRONIC HARDWARE INC | STRATFORD, CT | US | 06497 |
| 07050 | MICRO POWER SYSTEMS | SANTA CLARA, CA | US | 95050 |
| 07158 | EATON CORP | CLEVELAND, OH | US | 44144 |
| 07179 | AAVID ENGINEERING INC | LACONIA, NH | US | 03247 |
| 07221 | SUPERTEX INC | SUNNYVALE, CA | US | 94086 |
| 07284 | PAKTRON DIV ITW | VIENNA, VA | US | 22180 |
| 07338 | J K L COMPONENTS CORP | LOS ANGELES, CA | US | 90064 |
| 07379 | SAN-O INDUSTRIAL CORP | BOHEMIA LI, NY | US | 11716 |
| 07398 | BEL FUSE INC | JERSEY CITY, NJ | US | 07302 |
| 07477 | AMERICAN OIL & SUPPLY CO | NEWARK, NJ | US | 07105 |
| 07766 | LA RADIOTECHNIQUE COMPELEC | VILLEVRBANNE | FR | |
| 07798 | REMTEK CORP | SUNNYVALE, CA | US | |
| 08097 | SPRAGUE-GOODMAN ELECTRONICS | NEW HYDE PARK, NY | US | 11040 |
| 08113 | KAHGAN ELECTRONICS CORP | HEMPSTEAD, NY | US | 11550 |
| 08123 | COIL-Q CORP | BRONXVILLE, NY | US | |
| 08259 | DALE ELECTRONICS INC | TEMPE, AZ | US | 85252 |
| 08261 | STAR MICRONICS INC | NEW YORK, NY | US | |
| 08335 | SOURIAU INC | SAUGUS, CA | US | 95203 |
| 08369 | FILECA | STE GENEVIEVE | FR | |
| 08560 | OXLEY DEV LTD | CUMBRIA | EG | |
| 08666 | PANEL COMPONENTS CORP | SANTA ROSA, CA | US | |
| 08709 | PANASONIC INDUSTRIAL CO | SECAUCUS, NJ | US | 07094 |
| 08778 | MADISON CABLE CORP | WORCHESTER, MA | US | 01603 |
| 08779 | MITSUBISHI ELECTRONICS AMERICA | SUNNYVALE, CA | US | 94086 |
| 08781 | CATALYST RESEARCH CORP | BALTIMORE, MD | US | |
| 08810 | ROCKWELL INTERNATIONAL | ANAHEIM, CA | US | |
| 08838 | AND (ALPHA NUMERIC DISPLAYS) | BURLINGAME, CA | US | |
| 08852 | METELICS CORP | SUNNYVALE, CA | US | |
| 09043 | GLOW-LITE DIV OF DUTCH BOY | PAULS VALLEY, OK | US | |
| 09050 | XENELL | WYNNEWOOD, OK | US | |

Table 2. Manufacturers Code List (continued)

| Mfr Code | Manufacturer Name | Address | Country | ZIP Code |
|----------|--------------------------------|----------------------|---------|----------|
| 09126 | ASJ PTE LTD | JURONG TOWN | SG | |
| 09171 | RHOMBUS INDUSTRIES INC | HUNTINGTON BEACH, CA | US | 92649 |
| 09226 | NEC ELECTRONICS INC | SANTA CLARA, CA | US | |
| 09235 | FOX ELECTRONICS | FT MEYERS, FL | US | 33910 |
| 09283 | TOPAZ SEMICONDUCTOR | SAN JOSE, CA | US | 95132 |
| 09441 | APPLIED ENGINEERING PRODUCT CO | HAMDEM, CT | US | |
| 09448 | WAMCO INC | FOUNTAIN VALLEY, CA | US | |
| 09454 | PRECISION RESISTIVE PRODS INC | MEDIAPOLIS, IA | US | 52637 |
| 09507 | HP DIV 53 SAD | ROHNERT PARK, CA | US | 94928 |
| 09538 | TUSONIX | TUCSON, AZ | US | 85740 |
| 09694 | ELECTRONIC ESSENTIALS | WOODSIDE, NY | US | |
| 09849 | NDK AMERICA INC | CUPERTINO, CA | US | 54014 |
| 09855 | KOWASANGYO CORP | TOKYO | JP | |
| 09859 | CERA-MITE CORP | GRAFTON, WI | US | 53024 |
| 09862 | HITACHI CABLE LTD | TOKYO | JP | |
| 09914 | UNITRODE CORP | LEXINGTON, MA | US | |
| 09939 | MURATA ERIE NORTH AMERICA INC | SMYRNA, GA | US | 30080 |
| 09955 | BOYD CORP | DENVER, CO | US | |
| 10183 | TADIRAN | TEL-AVIV | IS | |
| 10200 | ELECTRONIC CONCEPTS INC | EATONTOWN, NJ | US | |
| 10290 | COMMODORE SEMICONDUCTOR GROUP | NORRISTOWN, PA | US | |
| 10302 | CENTENNIAL PLASTICS | YELLVIELLE, AR | US | |
| 10358 | VOGT AG | LOSTORF | GM | |
| 10401 | NEW SYSTEMS MOLDING CORP | LOVELAND, CO | US | 80537 |
| 10407 | LSI LOGIC CORP | MILPITAS, CA | US | 95035 |
| 10421 | EPSON | TORRENCE, CA | US | |
| 10443 | HP DIV 64 NID | CORVALLIS, OR | US | |
| 10456 | PLASTEC PRODUCTS INC | FORT COLLINS, CO | US | |
| 10457 | JERMYN INDUSTRIES LTD (63) | KENT SEVENOAKS | EG | |
| 10481 | DALE ELECTRONICS INC | NORFOLK, NE | US | 68701 |
| 10549 | SCI MANUFACTURING INC | HUNTSVILLE, AL | US | 35805 |
| 10572 | XICOR, INC | MILPITAS, CA | US | |
| 10631 | GASKET SPECIALTIES | BRISBANE, CA | US | |
| 10784 | SHINNITOKU ELECTRIC CO LTD | MINATO-KU TOKYO | JP | 145 |
| 10795 | STANDEX - PAUL SMITH DIVISION | CINCINNATI, OH | US | |
| 10858 | LINEAR TECHNOLOGY CORP | MILPITAS, CA | US | 95035 |
| 10881 | THOMSON-CSF | COURBEVOIE | FR | |
| 10905 | FIRA | LYON | FR | |
| 11047 | TEKA PRODUCTS INC | WOODSIDE, NY | US | |
| 11111 | SEEQ TECHNOLOGY INC | SAN JOSE, CA | US | |
| 11171 | SYNERGY MICROWAVE CORP | FAIRFIELD, NJ | US | |
| 11187 | VLSI TECHNOLOGY INC | SAN JOSE, CA | US | 95131 |
| 11212 | INDUCTOR SUPPLY, INC. | HUNTINGTON BEACH, CA | US | |
| 11248 | MICRON DIV OF R G ALLEN CO INC | NORTH HOLLYWOOD, CA | US | |
| 11263 | W GUNTHER GMBH | NURNBERG | GM | |
| 11298 | AVEL-LINDBURG | DANBURY | CT | |

Table 2. Manufacturers Code List (continued)

| Mfr Code | Manufacturer Name | Address | Country | ZIP Code |
|----------|---------------------------------|-------------------|---------|----------|
| 11345 | CYPRESS SEMICONDUCTOR CORP | SAN JOSE, CA | US | 95134 |
| 11357 | BRISTOL ROYAL WORKSHOP BLIND | BRISTOL | EG | |
| 11412 | ISOLANTITE MFG COMPANY INC | STIRLING, NJ | US | |
| 11421 | KYOCERA CORPORATION | KYOTO | JP | |
| 11599 | MICRO-COAX COMPONENTS, INC | COLLEGEVILLE, PA | US | 19426 |
| 11677 | SARONIX | PALO ALTO, CA | US | |
| 11684 | JOSLYN DEFENSE SYSTEMS INC | BURLINGTON, VT | US | 05401 |
| 11686 | KYUSHU DENTSU CO LTD | NAGASAKI | JP | |
| 11699 | CENTRAL SEMICONDUCTOR CORP | HAUPPAUGE, NY | US | 11788 |
| 11703 | POWER GENERAL | CANTON, MA | US | |
| 11708 | THOMSON SEMICONDUCTORS | VELIZY VILLACOU | FR | 78140 |
| 11723 | CTL COMPONENTS LTD | LONDON | EG | SW19 |
| 11781 | MIDLAND-ROSS CORP | LIVINGSTON, NJ | US | 07039 |
| 11844 | ELECTREY S A | MONTERREY | MX | 64000 |
| 11892 | EVOX/RIFA INC | LINCOLNSHIRE, IL | US | 60015 |
| 11920 | MIYAMA DENSEN CO LTD | TOKYO | JP | |
| 11946 | BKC INTERNATIONAL ELECTRONICS | LAWRENCE, MA | US | 01841 |
| 11961 | ALEXCO ENGINEERING SUPPLIES | COWDENBEATH | EG | KY4 9 |
| 11981 | POWEREX | YOUNGWOOD, PA | US | 15697 |
| 12125 | SAMSUNG SEMICONDUCTOR INC | SANTA CLARA, CA | US | 95054 |
| 12127 | RF MONOLITHICS INC | DALLAS, TX | US | 75234 |
| 12131 | PRESIDIO COMPONENTS INC | SAN DIEGO, CA | US | 92121 |
| 12186 | DALLAS SEMICONDUCTOR CORP | DALLAS, TX | US | 75244 |
| 12213 | STACKPOLE ELECTRONICS INC | RALEIGH, NC | US | 27620 |
| 12261 | ERIE SPECIALTY PRODUCTS INC | ERIE, PA | US | 16512 |
| 12340 | KEMET ELECTRONICS CORPORATION | GREENVILLE, SC | US | 29606 |
| 12355 | INTERCONNECTION PRODUCTS INC | SANTA ANA, CA | US | 92707 |
| 12382 | LATTICE SEMICONDUCTOR CORP | BEAVERTON, OR | US | 97006 |
| 12395 | FEI MICROWAVE, INC. | SUNNYVALE, CA | US | 94086 |
| 12418 | OWL WIRE AND CABLE | CANASTATA, NY | US | 13032 |
| 12456 | WIRE PRO INC | SALEM, NJ | US | 08079 |
| 12465 | INTERNATIONAL POWER DEVICES | BRIGHTON, MA | US | 02135 |
| 12473 | AVX-RALEIGH DIVISION | RALEIGH, NC | US | 27604 |
| 12482 | BRADFORD ELECTRONICS INC | BRADFORD, PA | US | 16701 |
| 12513 | BUNNELL PLASTICS, INC | MICKLETON, NJ | US | 08056 |
| 12516 | MICROTRONICS ASSOCIATES PTE LTD | SINGAPORE | SG | 1334 |
| 12580 | SOUTH AMERICAN DEVELOPMENT CO | HYDE PARK, NY | US | 12538 |
| 12656 | BEYSCHLAG GMBH | HEIDE | GM | |
| 12703 | CHAMPION TECHNOLOGIES INC | FRANKLIN PARK, IL | US | 60131 |
| 12830 | KETEMA | BENSALEM, PA | US | 19020 |
| 12845 | WARTH INTERNATIONAL LTD | EAST GRINSTEAD | EG | RH192 |
| 12896 | DOWKEY MICROWAVE INC | VENTURA, CA | US | 93003 |

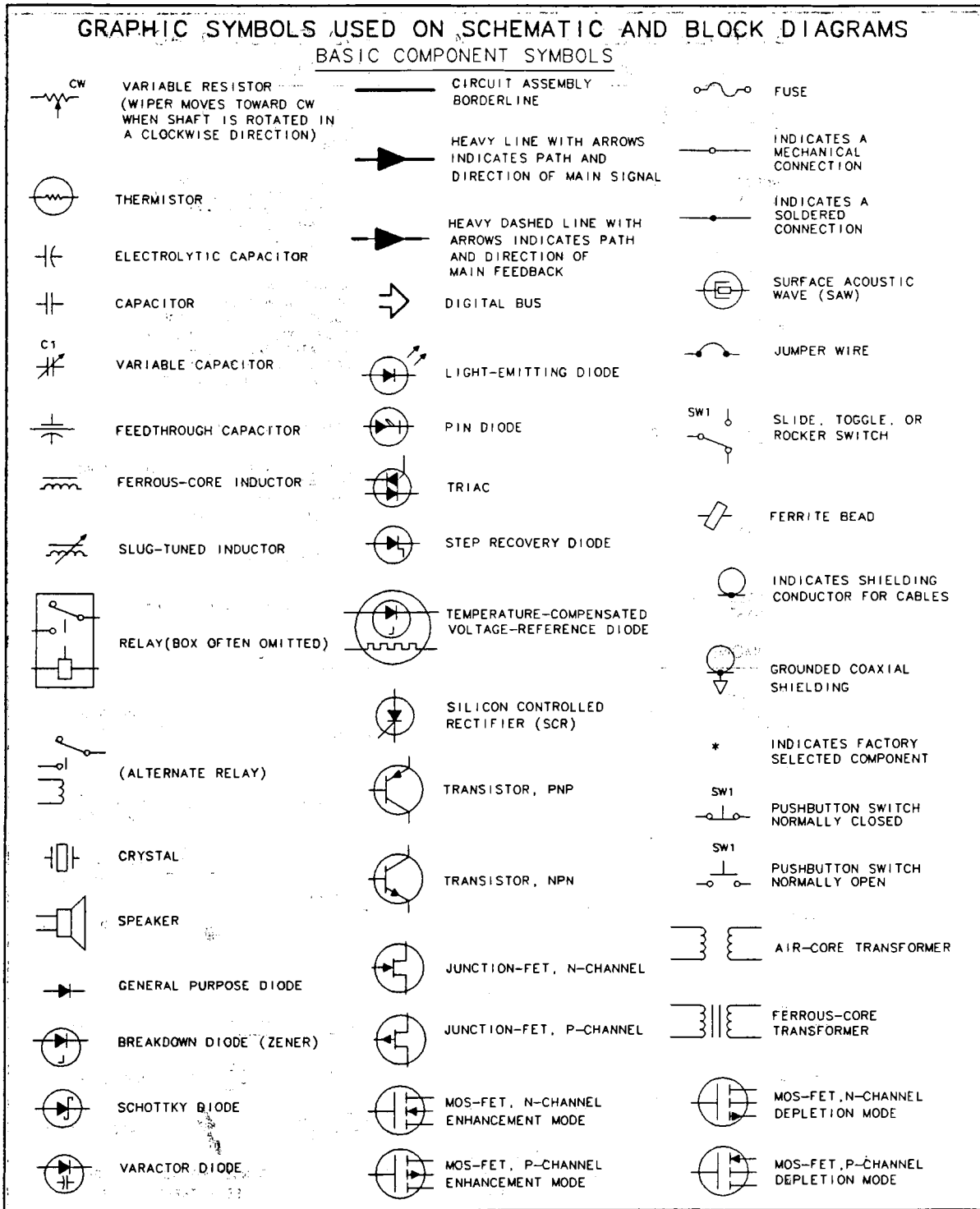
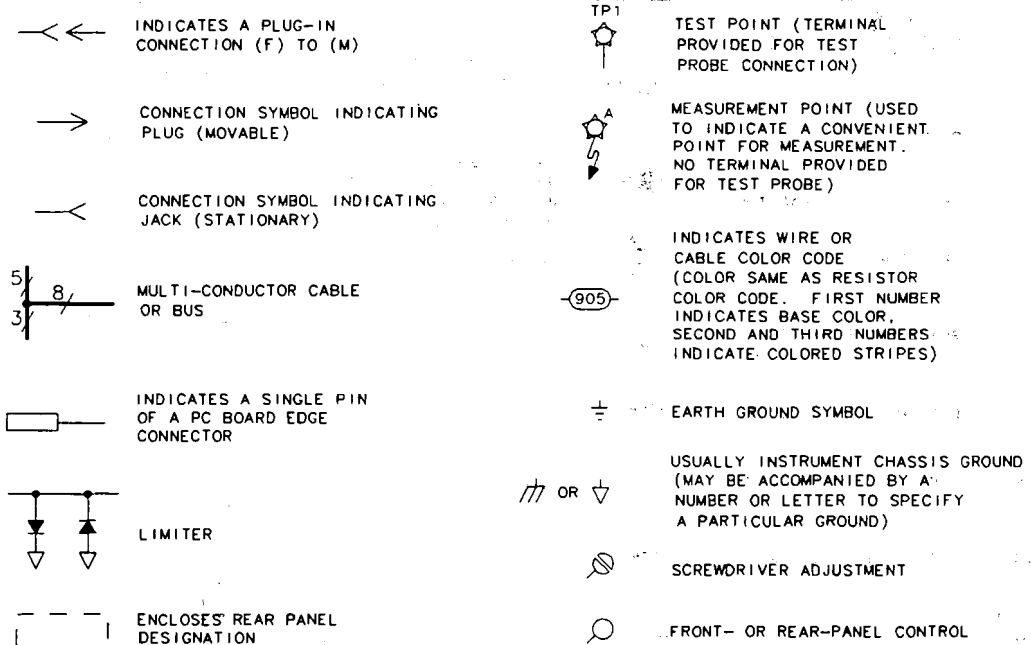


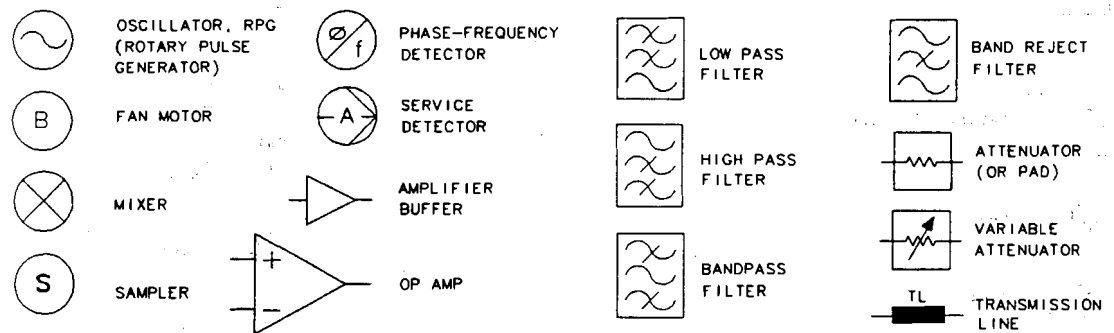
Figure 1. Graphics Symbols (1 of 2)

GRAPHIC SYMBOLS USED ON SCHEMATIC AND BLOCK DIAGRAMS

BASIC COMPONENT SYMBOLS (CONTINUED)



COMMONLY USED ASSEMBLY AND CIRCUIT SYMBOLS



BASIC LOGIC SYMBOLS

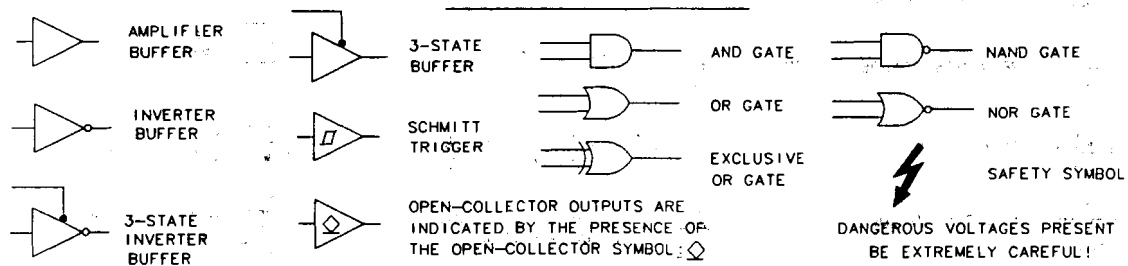
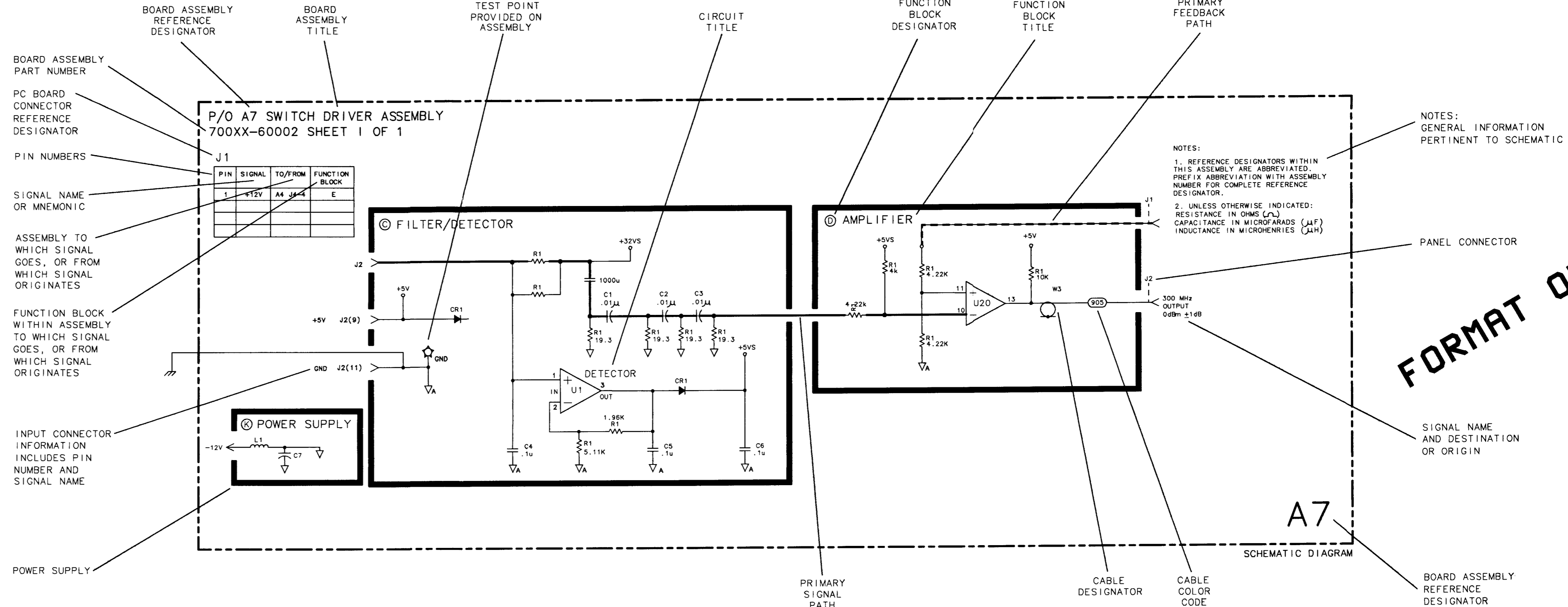
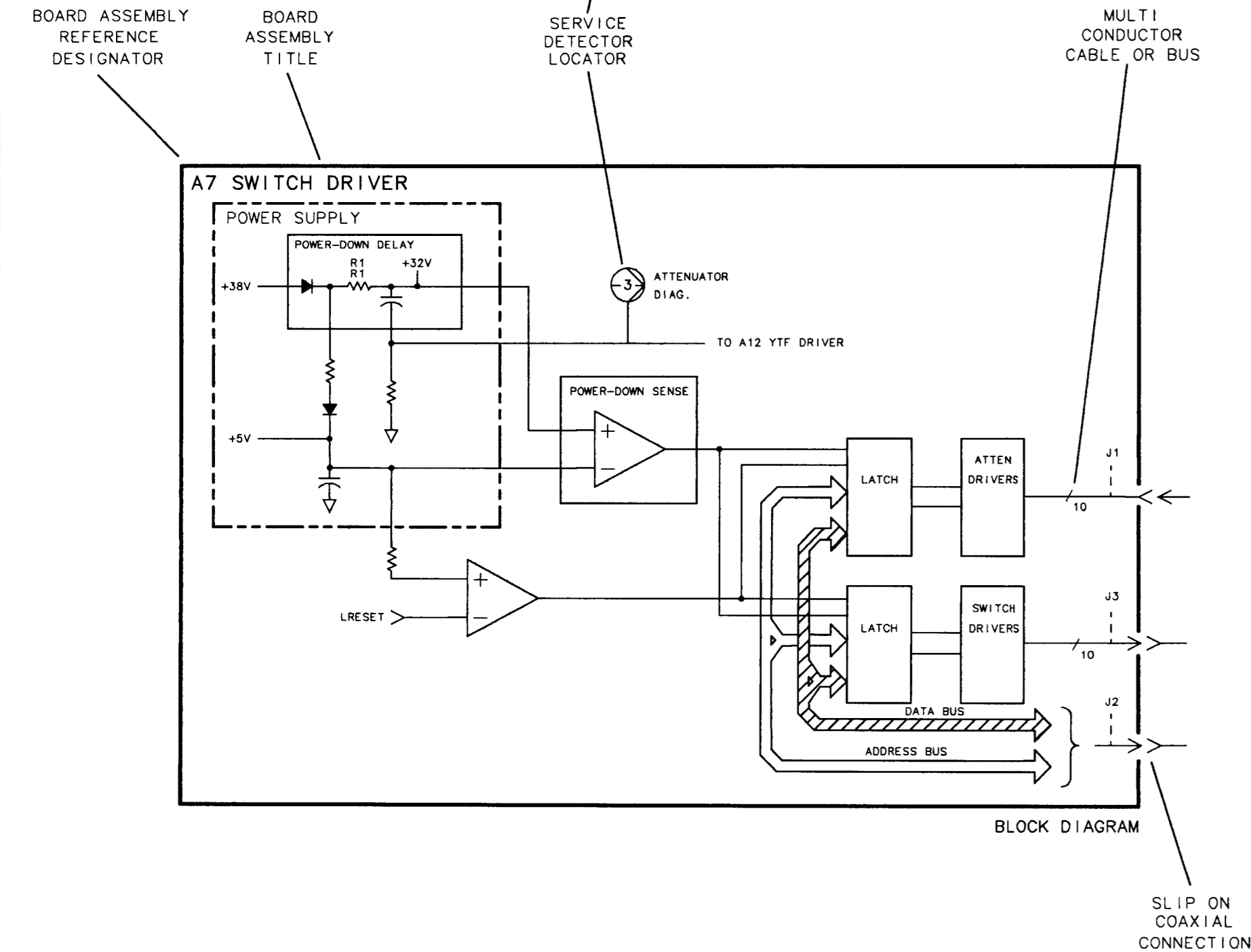


Figure 1. Graphics Symbols (2 of 2)

SCHEMATIC AND BLOCK DIAGRAM
FORMAT



FORMAT ONLY

**Component-Level Information Packet
for 08562-60031
Keyboard**

Copyright © 1990 Hewlett-Packard Company

**All Rights Reserved.
Reproduction, adaptation, or translation
without prior written permission
is prohibited, except as allowed
under the copyright laws.**

HP Document Part Number 08562-90110

**Printed December 1990
Printed in USA**

The information contained in this document is subject to change
without notice.

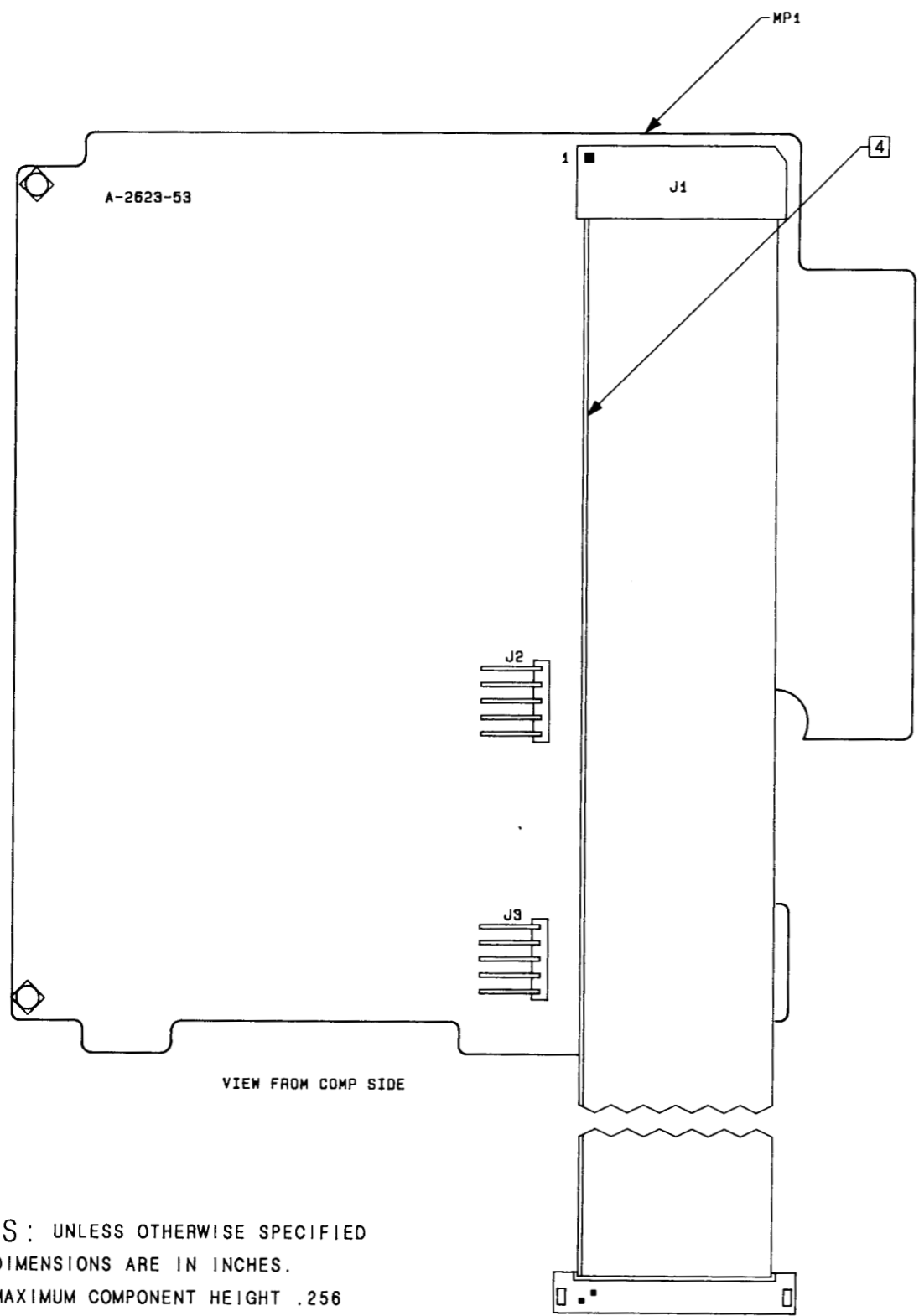


**HP Part Number 08562-60031
Keyboard**

| Reference Designation | HP Part Number | C D | Qty | Description | Mfr Code | Mfr Part Number |
|-----------------------|----------------|--------|-----|-------------------------------------|----------|-----------------|
| J1 | 5061-9027 | 4 | 1 | | 28480 | 5061-9027 |
| J2 | 1252-2043 | 1 | 1 | CONN-POST TYPE .100-PIN-SPCG 4-CONT | 01380 | 86-1538-45-5 |
| J3 | 1251-7678 | 6 | 1 | CONN-POST TYPE .100-PIN-SPCG 5-CONT | 01380 | 641212-5 |
| MP1 | 08562-20031 | 0 | 1 | | 28480 | 08562-20031 |
| A1A1W1 | 5061-9027 | 1 | | CABLE ASSY, KEYBOARD | | |

**Indicates factory-selected value*

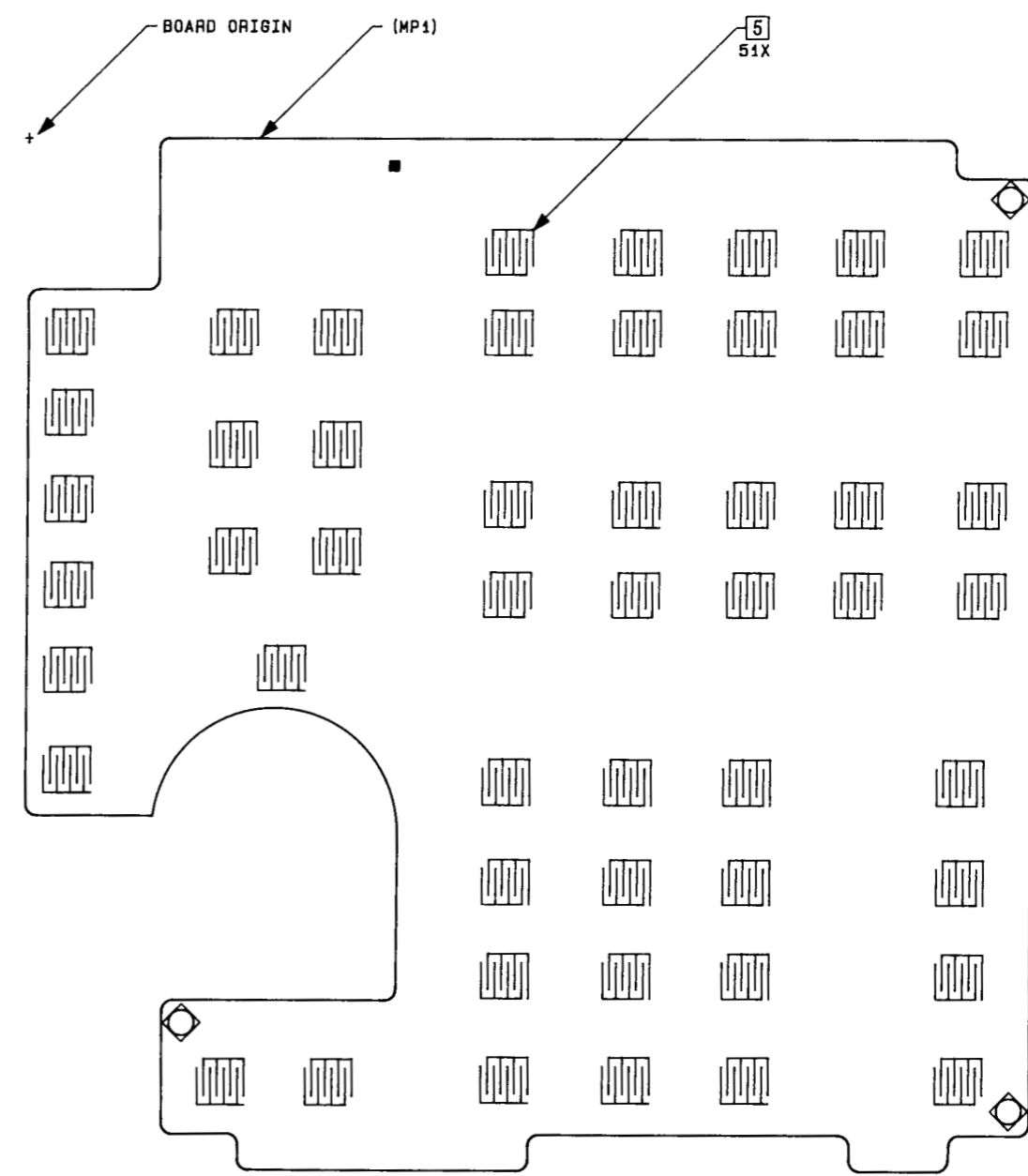
| SYM | REVISIONS | APPROVED | DATE |
|-----|-----------|----------|------|
| A | | | |



VIEW FROM COMP SIDE



SIDE VIEW



VIEW FROM CKT SIDE

NOTES: UNLESS OTHERWISE SPECIFIED

- 1. DIMENSIONS ARE IN INCHES.
- 2. MAXIMUM COMPONENT HEIGHT .256
- 3. MAXIMUM LEAD TRIM LENGTH .118
- 4. BLUE WIRE ON CABLE INDICATES PIN 1.
- 5. CKTS FOR KEY CONTACTS USED IN ANOTHER ASSEMBLY.

SEE 08562-60031 MATERIAL LIST

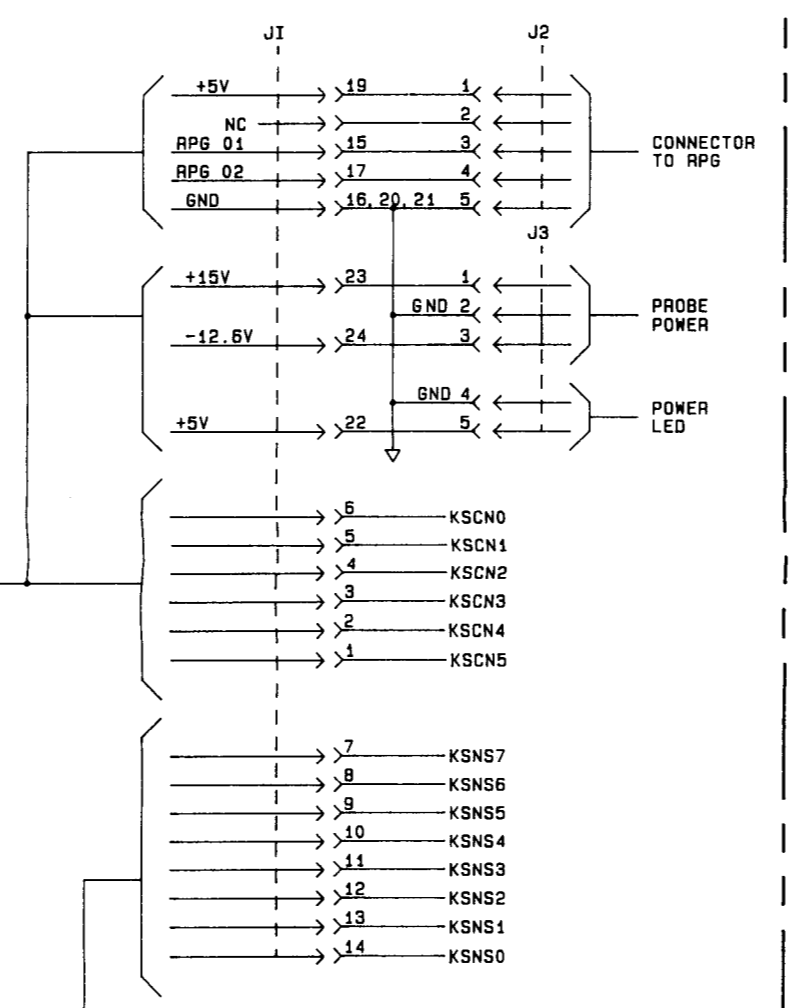
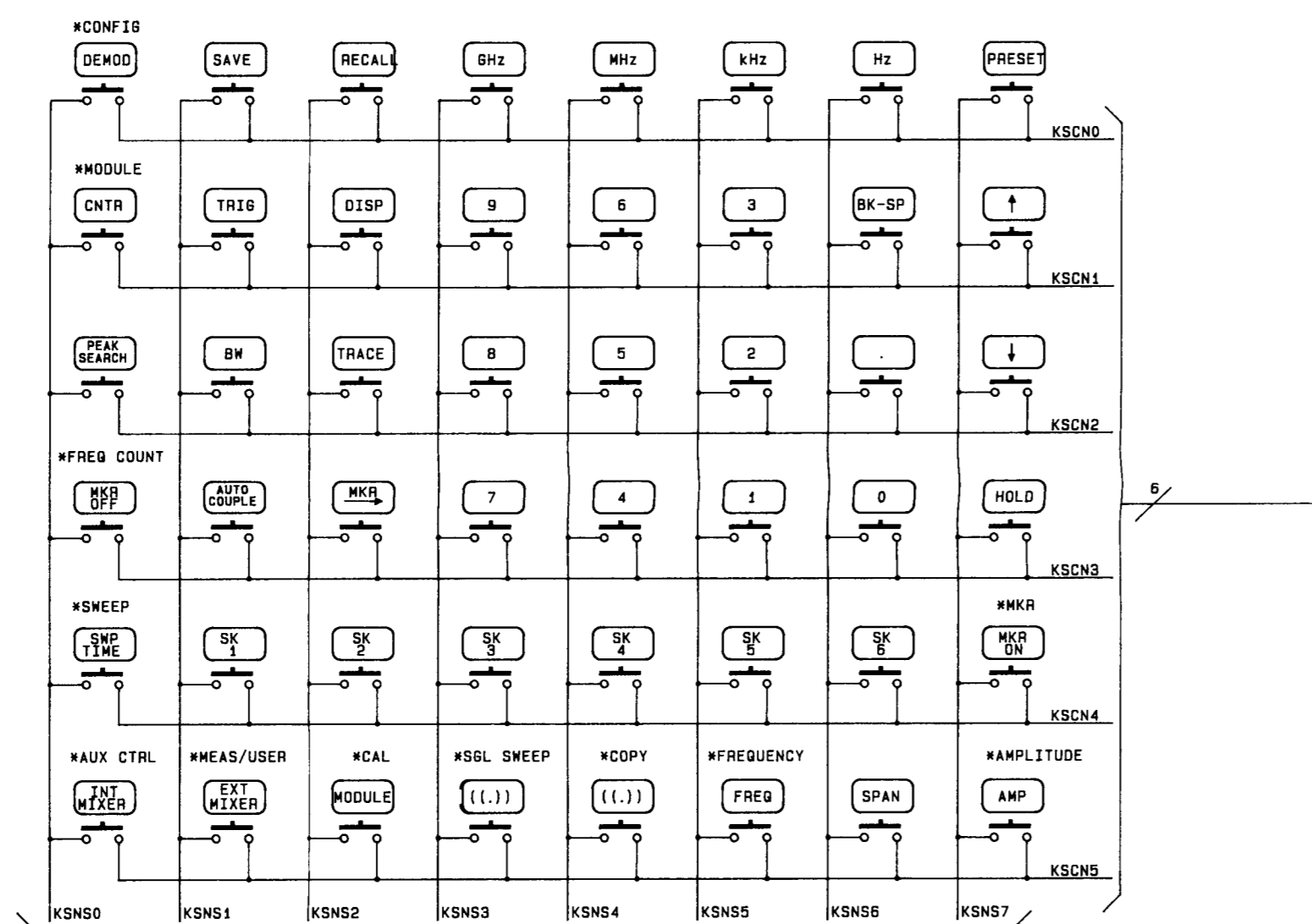
HP PROPRIETARY
THIS DOCUMENT CONTAINS CONFIDENTIAL,
PROPRIETARY INFORMATION THAT IS
HEWLETT-PACKARD HP PROPERTY. DO NOT
DISCLOSE TO OR DUPLICATE FOR OTHERS
EXCEPT AS AUTHORIZED BY HP.

| | | | |
|-------------------------|----------|--|-----------------|
| RELEASE TO PROD | SCALE 2X | SHEET 1 OF 1 | D-08562-60031-2 |
| BOARD ASSEMBLY-KEYBOARD | | HEWLETT PACKARD PART NUMBER 08562-60031 | |

| SYM | REVISIONS | APPROVED | DATE |
|-----|-----------|----------|------|
| A | | | |
| B | | | |
| C | | | |

A10 KEYBOARD BOARD ASSEMBLY
08562-60031

② KEYBOARD



- NOTES:
1. REFERENCE DESIGNATORS WITHIN THIS ASSEMBLY ARE ABBREVIATED. FOR COMPLETE REFERENCE DESIGNATION, PREFIX ABBREVIATION WITH ASSEMBLY DESIGNATION.
 2. UNLESS OTHERWISE INDICATED: RESISTANCE IS IN OHMS (Ω); CAPACITANCE IS IN MICROFARADS (μF); INDUCTANCE IS IN MICRONERMS (μH).
 3. UNLESS OTHERWISE INDICATED: SIGNALS ENTER AT LEFT SIDE AND EXIT AT RIGHT SIDE OF FUNCTION BLOCKS.
 4. MNEMONIC TABLE:

| MNEMONIC | DESCRIPTION |
|----------|-------------|
| | |
| | |

* (ASTERISK) INDICATES KEY NAMES USED ON THE 8560A, 8561B, AND 8563A.

Component-Level Information Packet
for 08562-60039
CRT Driver

Copyright © 1990 Hewlett-Packard Company

All Rights Reserved.
Reproduction, adaptation, or translation
without prior written permission
is prohibited, except as allowed
under the copyright laws.

HP Document Part Number 08562-90114

Printed December 1990
Printed in USA

The information contained in this document is subject to change without notice.



HP Part Number 08562-60039

CRT Driver

| Reference Designation | HP Part Number | C D | Qty | Description | Mfr Code | Mfr Part Number |
|-----------------------|----------------|-----|-----|--|----------|--------------------|
| C1 | 0160-3670 | 6 | 1 | CAP-FXD 0.1uF 200 V | 02010 | SR302E104MAAH |
| C2 | 0160-3670 | 6 | 1 | CAP-FXD 0.1uF 200 V | 02010 | SR302E104MAAH |
| C3 | 0160-3670 | 6 | 1 | CAP-FXD 0.1uF 200 V | 02010 | SR302E104MAAH |
| C4 | 0160-3670 | 6 | 1 | CAP-FXD 0.1uF 200 V | 02010 | SR302E104MAAH |
| C5 | 0160-3670 | 6 | 1 | CAP-FXD 0.1uF 200 V | 02010 | SR302E104MAAH |
| C6 | 0160-3670 | 6 | 1 | CAP-FXD 0.1uF 200 V | 02010 | SR302E104MAAH |
| C7 | 0160-3670 | 6 | 1 | CAP-FXD 0.1uF 200 V | 02010 | SR302E104MAAH |
| C8 | 0160-3670 | 6 | 1 | CAP-FXD 0.1uF 200 V | 02010 | SR302E104MAAH |
| C9 | 0160-3670 | 6 | 1 | CAP-FXD 0.1uF 200 V | 02010 | SR302E104MAAH |
| C10 | 0160-3670 | 6 | 1 | CAP-FXD 0.1uF 200 V | 02010 | SR302E104MAAH |
| C11 | 0160-4835 | 7 | 1 | CAP-FXD 0.1uF 50 V | 02010 | SA115C104KAAH |
| C12 | 0160-0684 | 6 | 1 | CAP-FXD 1000pF 4 kV POLYE-MET | 04200 | 430P102040 |
| C13 | 0160-5336 | 5 | 1 | CAP-FXD 20pF 3 kV | 09859 | 564CP3KAA302AE200M |
| C14 | 0160-4051 | 9 | 1 | CAP-FXD 0.01uF 4 kV POLYE-MET | 04200 | 430P103040 |
| C15 | 0160-5337 | 6 | 1 | CAP-FXD 30pF 3 kV | 09859 | 564CR3LAA302AE300M |
| C16 | 0180-2811 | 7 | 1 | CAP-FXD 10uF 35 V TA | 01760 | 202L3502-106-M6 |
| C17 | 0180-2811 | 7 | 1 | CAP-FXD 10uF 35 V TA | 01760 | 202L3502-106-M6 |
| C18 | 0160-4799 | 2 | 1 | CAP-FXD 2.2pF 100 V | 02010 | MA101A2R2CAAH |
| C19 | 0160-4517 | 2 | 1 | CAP-FXD 1.2pF 200 V | 06352 | FD11C0G2D1R2C |
| C20 | 0160-4051 | 9 | 1 | CAP-FXD 0.01uF 4 kV POLYE-MET | 04200 | 430P103040 |
| CR1 | 1901-0050 | 3 | 1 | DIODE-SWITCHING 80V 200MA 2NS DO-35 | 03334 | BAV10 SELECTED |
| CR2 | 1901-0050 | 3 | 1 | DIODE-SWITCHING 80V 200MA 2NS DO-35 | 03334 | BAV10 SELECTED |
| CR3 | 1901-0050 | 3 | 1 | DIODE-SWITCHING 80V 200MA 2NS DO-35 | 03334 | BAV10 SELECTED |
| CR4 | 1901-0050 | 3 | 1 | DIODE-SWITCHING 80V 200MA 2NS DO-35 | 03334 | BAV10 SELECTED |
| CR5 | 1901-1065 | 2 | 1 | DIODE-PWR RECT 1N4936 400V 1A 200NS | 02037 | 1N4936 |
| CR6 | 1901-1065 | 2 | 1 | DIODE-PWR RECT 1N4936 400V 1A 200NS | 02037 | 1N4936 |
| CR7 | 1901-1065 | 2 | 1 | DIODE-PWR RECT 1N4936 400V 1A 200NS | 02037 | 1N4936 |
| CR8 | 1901-1065 | 2 | 1 | DIODE-PWR RECT 1N4936 400V 1A 200NS | 02037 | 1N4936 |
| CR9 | 1901-1098 | 1 | 1 | DIODE-SWITCHING 1N4150 50V 200MA 4NS | 00746 | |
| CR10 | 1901-1098 | 1 | 1 | DIODE-SWITCHING 1N4150 50V 200MA 4NS | 00746 | |
| CR11 | 1901-0535 | 9 | 1 | DIODE-SCHOTTKY SM SIG | 02062 | |
| CR12 | 1901-1098 | 1 | 1 | DIODE-SWITCHING 1N4150 50V 200MA 4NS | 00746 | |
| CR13 | 1901-0050 | 3 | 1 | DIODE-SWITCHING 80V 200MA 2NS DO-35 | 03334 | BAV10 SELECTED |
| CR14 | 1902-3345 | 7 | 1 | DIODE-ZNR 51.1V 5% DO-35 PD=.4W | 02037 | |
| CR15 | 1901-1098 | 1 | 1 | DIODE-SWITCHING 1N4150 50V 200MA 4NS | 00746 | |
| J1 | 1252-1152 | 1 | 1 | CONN-POST TYPE .100-PIN-SPCG 10-CONT | 02946 | 68794-118 |
| J2 | 1252-2045 | 3 | 1 | CONN-POST TYPE .100-PIN-SPCG 5-CONT | 01380 | 644093-2 |
| J3 | 1252-2046 | 4 | 1 | CONN-POST TYPE .100-PIN-SPCG 7-CONT | 01380 | 644223-1 |
| J4 | 1252-1200 | 0 | 1 | CONN-POST TYPE .100-PIN-SPCG 15-CONT | 02946 | 68449-079 |
| J5 | 1252-2044 | 2 | 1 | CONN-POST TYPE .100-PIN-SPCG 2-CONT | 01380 | 644222-1 |
| J6 | 1252-1644 | 6 | 1 | CONN-POST TYPE .156-PIN-SPCG 4-CONT | 01380 | 644087-2 |
| J7 | 1252-1645 | 7 | 1 | CONN-POST TYPE .156-PIN-SPCG 5-CONT | 01380 | 643734-2 |
| L1 | 9140-0210 | 1 | 1 | INDUCTOR RF-CH-MLD 100UH +-5% .166D-INX. | 03273 | 15M103J |
| L2 | 9140-0210 | 1 | 1 | INDUCTOR RF-CH-MLO 100UH +-5% .166D-INX. | 03273 | 15M103J |
| MP1 | 08562-20039 | 8 | 1 | | 28480 | 08562-20039 |
| MP2 | 0380-1513 | 8 | 4 | STANDOFF-RVT-ON 5-MM-LG M3.0 X 0.5-THD | 02121 | |
| MP3 | 0470-0450 | 1 | | ADHESIVE DOW CORNING 3145RTV CLEAR | 04514 | 3145RTV CLEAR |
| MP4 | 9320-5784 | 6 | | LBL-LNE-PTR .65-IN-WD X .2-IN-LG | 12532 | 1EW10R |

*Indicates factory-selected value

HP Part Number 08562-60039
CRT Driver

| Reference Designation | HP Part Number | C | D | Qty | Description | Mfr Code | Mfr Part Number |
|-----------------------|----------------|---|---|-----|--|----------|-----------------|
| NONE0001 | 5041-7248 | 5 | | 1 | TRAY | 28480 | 5041-7248 |
| NONE0002 | 5041-8961 | 1 | | 1 | COVER | 28480 | 5041-8961 |
| Q1 | 1854-0523 | 4 | | 1 | TRANSISTOR NPN SI T0-39 PD=1W FT=150MHZ | 02037 | |
| Q2 | 1854-0523 | 4 | | 1 | TRANSISTOR NPN SI T0-39 PD=1W FT=150MHZ | 02037 | |
| Q3 | 1854-0523 | 4 | | 1 | TRANSISTOR NPN SI T0-39 PD=1W FT=150MHZ | 02037 | |
| Q4 | 1854-0523 | 4 | | 1 | TRANSISTOR NPN SI T0-39 PD=1W FT=150MHZ | 02037 | |
| Q5 | 1854-0523 | 4 | | 1 | TRANSISTOR NPN SI T0-39 PD=1W FT=150MHZ | 02037 | |
| Q6 | 1854-0523 | 4 | | 1 | TRANSISTOR NPN SI T0-39 PD=1W FT=150MHZ | 02037 | |
| Q7 | 1854-0523 | 4 | | 1 | TRANSISTOR NPN SI T0-39 PD=1W FT=150MHZ | 02037 | |
| Q8 | 1854-0523 | 4 | | 1 | TRANSISTOR NPN SI T0-39 PD=1W FT=150MHZ | 02037 | |
| Q9 | 1854-0523 | 4 | | 1 | TRANSISTOR NPN SI T0-39 PD=1W FT=150MHZ | 02037 | |
| Q10 | 1854-0523 | 4 | | 1 | TRANSISTOR NPN SI T0-39 PD=1W FT=150MHZ | 02037 | |
| Q11 | 1853-0038 | 4 | | 1 | TRANSISTOR PNP SI T0-39 PD=1W FT=100MHZ | 02037 | |
| Q12 | 1853-0038 | 4 | | 1 | TRANSISTOR PNP SI T0-39 PD=1W FT=100MHZ | 02037 | |
| Q13 | 1854-0215 | 1 | | 1 | TRANSISTOR NPN SI T0-92 PD=625MW FT=300M | 00746 | 2N3904 |
| Q14 | 1854-0215 | 1 | | 1 | TRANSISTOR NPN SI T0-92 PD=625MW FT=300M | 00746 | 2N3904 |
| Q15 | 1854-0215 | 1 | | 1 | TRANSISTOR NPN SI T0-92 PD=625MW FT=300M | 00746 | 2N3904 |
| Q16 | 1854-0215 | 1 | | 1 | TRANSISTOR NPN SI T0-92 PD=625MW FT=300M | 00746 | 2N3904 |
| Q17 | 1854-0215 | 1 | | 1 | TRANSISTOR NPN SI T0-92 PD=625MW FT=300M | 00746 | 2N3904 |
| Q18 | 1854-0215 | 1 | | 1 | TRANSISTOR NPN SI T0-92 PD=625MW FT=300M | 00746 | 2N3904 |
| Q19 | 1854-0215 | 1 | | 1 | TRANSISTOR NPN SI T0-92 PD=625MW FT=300M | 00746 | 2N3904 |
| Q20 | 1854-0215 | 1 | | 1 | TRANSISTOR NPN SI T0-92 PD=625MW FT=300M | 00746 | 2N3904 |
| R1 | 0698-3156 | 2 | | 1 | RESISTOR 14.7K 1% .125W TF TC=0+-100 | 00746 | CRB14 OR CRB25 |
| R2 | 0698-3156 | 2 | | 1 | RESISTOR 14.7K 1% .125W TF TC=0+-100 | 00746 | CRB14 OR CRB25 |
| R3 | 0698-3156 | 2 | | 1 | RESISTOR 14.7K 1% .125W TF TC=0+-100 | 00746 | CRB14 OR CRB25 |
| R4 | 0698-3156 | 2 | | 1 | RESISTOR 14.7K 1% .125W TF TC=0+-100 | 00746 | CRB14 OR CRB25 |
| R5 | 0757-0274 | 5 | | 1 | RESISTOR 1.21K +-1% .125W TF TC=0+-100 | 00746 | CRB14 OR CRB25 |
| R6 | 0757-0274 | 5 | | 1 | RESISTOR 1.21K +-1% .125W TF TC=0+-100 | 00746 | CRB14 OR CRB25 |
| R7 | 0757-0460 | 1 | | 1 | RESISTOR 61.9K +-1% .125W TF TC=0+-100 | 00746 | CRB14 OR CRB25 |
| R8 | 0757-0460 | 1 | | 1 | RESISTOR 61.9K +-1% .125W TF TC=0+-100 | 00746 | CRB14 OR CRB25 |
| R9 | 0757-0460 | 1 | | 1 | RESISTOR 61.9K +-1% .125W TF TC=0+-100 | 00746 | CRB14 OR CRB25 |
| R10 | 0757-0460 | 1 | | 1 | RESISTOR 61.9K +-1% .125W TF TC=0+-100 | 00746 | CRB14 OR CRB25 |
| R11 | 0757-0280 | 3 | | 1 | RESISTOR 1K +-1% .125W TF TC=0+-100 | 00746 | CRB14 OR CRB25 |
| R12 | 0757-0280 | 3 | | 1 | RESISTOR 1K +-1% .125W TF TC=0+-100 | 00746 | CRB14 OR CRB25 |
| R13 | 0698-3155 | 1 | | 1 | RESISTOR 4.64K 1% .125W TF TC=0+-100 | 00746 | CRB14 OR CRB25 |
| R14 | 0698-3155 | 1 | | 1 | RESISTOR 4.64K 1% .125W TF TC=0+-100 | 00746 | CRB14 OR CRB25 |
| R15 | 2100-3274 | 2 | | 1 | RESISTOR-TRMR 10K 10% TKF SIDE-ADJ 1-TRN | 03744 | 3386X-Y46-103 |
| R16 | 0698-3152 | 8 | | 1 | RESISTOR 3.48K 1% .125W TF TC=0+-100 | 00746 | CRB14 OR CRB25 |
| R17 | 0757-0280 | 3 | | 1 | RESISTOR 1K +-1% .125W TF TC=0+-100 | 00746 | CRB14 OR CRB25 |
| R18 | 0757-0280 | 3 | | 1 | RESISTOR 1K +-1% .125W TF TC=0+-100 | 00746 | CRB14 OR CRB25 |
| R19 | 2100-3273 | 1 | | 1 | RESISTOR-TRMR 2K 10% TKF SIDE-ADJ 1-TRN | 03744 | 3386X-Y46-202 |
| R20 | 2100-3273 | 1 | | 1 | RESISTOR-TRMR 2K 10% TKF SIDE-ADJ 1-TRN | 03744 | 3386X-Y46-202 |
| R21 | 0757-0420 | 3 | | 1 | RESISTOR 750 +-1% .125W TF TC=0+-100 | 00746 | CRB14 OR CRB25 |
| R22 | 0757-0420 | 3 | | 1 | RESISTOR 750 +-1% .125W TF TC=0+-100 | 00746 | CRB14 OR CRB25 |
| R23 | 0757-0420 | 3 | | 1 | RESISTOR 750 +-1% .125W TF TC=0+-100 | 00746 | CRB14 OR CRB25 |
| R24 | 0757-0420 | 3 | | 1 | RESISTOR 750 +-1% .125W TF TC=0+-100 | 00746 | CRB14 OR CRB25 |

HP Part Number 08562-60039

CRT Driver

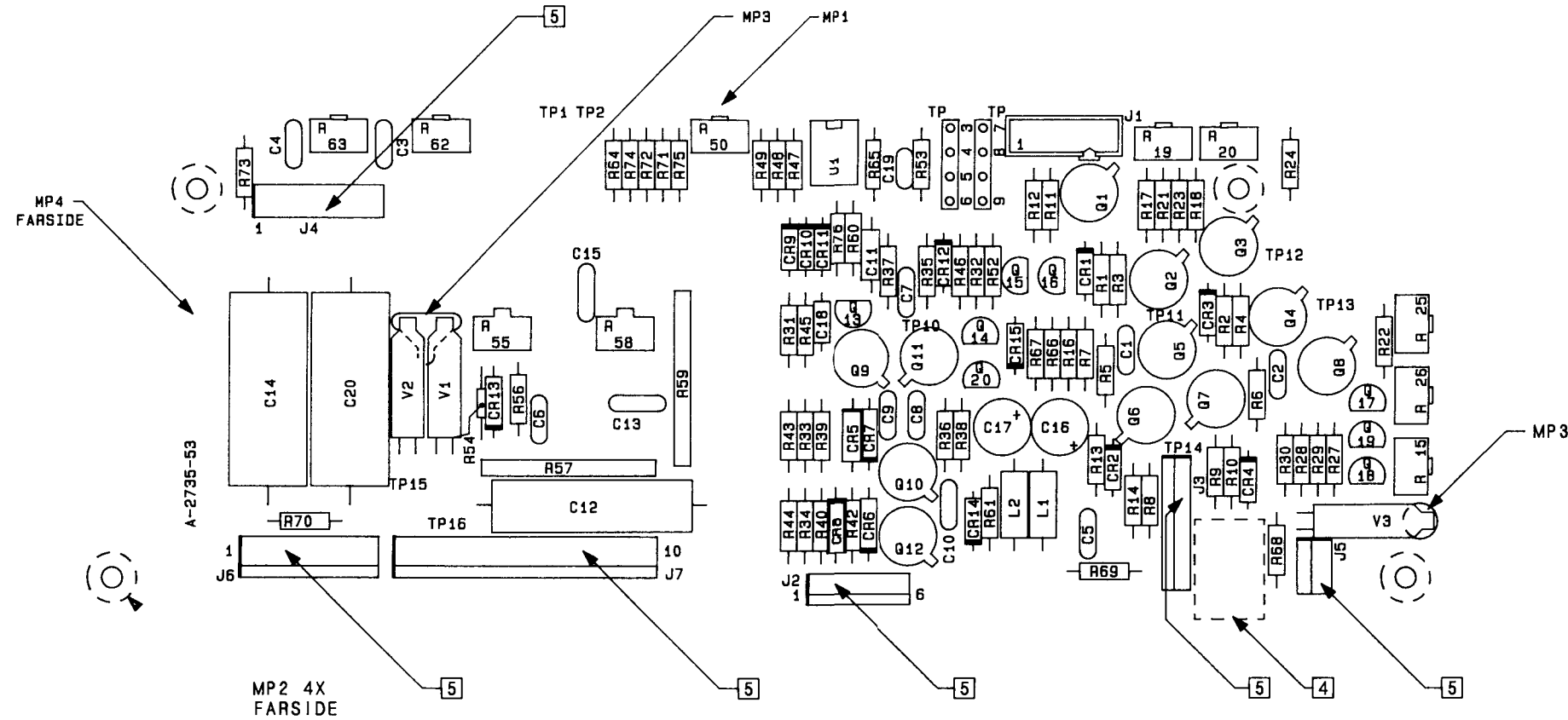
| Reference Designation | HP Part Number | C | Qty | Description | Mfr Code | Mfr Part Number |
|-----------------------|----------------|---|-----|---|----------|-----------------|
| R25 | 2100-3352 | 7 | 1 | RESISTOR-TRMR 1K 10% TKF SIDE-ADJ 1-TRN | 03744 | 3386X-Y46-102 |
| R26 | 2100-3352 | 7 | 1 | RESISTOR-TRMR 1K 10% TKF SIDE-ADJ 1-TRN | 03744 | 3386X-Y46-102 |
| R27 | 0757-0418 | 9 | 1 | RESISTOR 619 +-1% .125W TF TC=0+-100 | 00746 | CRB14 OR CRB25 |
| R28 | 0757-0418 | 9 | 1 | RESISTOR 619 +-1% .125W TF TC=0+-100 | 00746 | CRB14 OR CRB25 |
| R29 | 0757-0418 | 9 | 1 | RESISTOR 619 +-1% .125W TF TC=0+-100 | 00746 | CRB14 OR CRB25 |
| R30 | 0757-0428 | 1 | 1 | RESISTOR 1.82K +-1% .125W TF TC=0+-100 | 00746 | CRB14 OR CRB25 |
| R31 | 0757-0401 | 0 | 1 | RESISTOR 100 +-1% .125W TF TC=0+-100 | 00746 | CRB14 OR CRB25 |
| R32 | 0757-0401 | 0 | 1 | RESISTOR 100 +-1% .125W TF TC=0+-100 | 00746 | CRB14 OR CRB25 |
| R33 | 0757-0439 | 4 | 1 | RESISTOR 6.81K +-1% .125W TF TC=0+-100 | 00746 | CRB14 OR CRB25 |
| R34 | 0757-0439 | 4 | 1 | RESISTOR 6.81K +-1% .125W TF TC=0+-100 | 00746 | CRB14 OR CRB25 |
| R35 | 0757-0461 | 2 | 1 | RESISTOR 68.1K +-1% .125W TF TC=0+-100 | 00746 | CRB14 OR CRB25 |
| R36 | 0757-0461 | 2 | 1 | RESISTOR 68.1K +-1% .125W TF TC=0+-100 | 00746 | CRB14 OR CRB25 |
| R37 | 0757-1094 | 9 | 1 | RESISTOR 1.47K +-1% .125W TF TC=0+-100 | 00746 | CRB14 OR CRB25 |
| R38 | 0757-1094 | 9 | 1 | RESISTOR 1.47K +-1% .125W TF TC=0+-100 | 00746 | CRB14 OR CRB25 |
| R39 | 0698-3150 | 6 | 1 | RESISTOR 2.37K +-1% .125W TF TC=0+-100 | 00746 | CRB14 OR CRB25 |
| R40 | 0757-1094 | 9 | 1 | RESISTOR 1.47K +-1% .125W TF TC=0+-100 | 00746 | CRB14 OR CRB25 |
| R42 | 0757-0460 | 1 | 1 | RESISTOR 61.9K +-1% .125W TF TC=0+-100 | 00746 | CRB14 OR CRB25 |
| R43 | 0757-0401 | 0 | 1 | RESISTOR 100 +-1% .125W TF TC=0+-100 | 00746 | CRB14 OR CRB25 |
| R44 | 0757-0401 | 0 | 1 | RESISTOR 100 +-1% .125W TF TC=0+-100 | 00746 | CRB14 OR CRB25 |
| R45 | 0698-3156 | 2 | 1 | RESISTOR 14.7K +-1% .125W TF TC=0+-100 | 00746 | CRB14 OR CRB25 |
| R46 | 0698-3161 | 9 | 1 | RESISTOR 38.3K +-1% .125W TF TC=0+-100 | 00746 | CRB14 OR CRB25 |
| R47 | 0698-3382 | 6 | 1 | RESISTOR 5.49K 1% .125W TF TC=0+-100 | 00746 | CRB14 OR CRB25 |
| R48 | 0698-3156 | 2 | 1 | RESISTOR 14.7K +-1% .125W TF TC=0+-100 | 00746 | CRB14 OR CRB25 |
| R49 | 0698-6320 | 8 | 1 | RESISTOR 5K +-0.1% .125W TF TC=0+-25 | 00746 | CRB14 OR CRB25 |
| R50 | 2100-3273 | 1 | 1 | RESISTOR-TRMR 2K 10% TKF SIDE-ADJ 1-TRN | 03744 | 3386X-Y46-202 |
| R52 | 0757-0443 | 0 | 1 | RESISTOR 11K +-1% .125W TF TC=0+-100 | 00746 | CRB14 OR CRB25 |
| R53 | 0757-0289 | 2 | 1 | RESISTOR 13.3K +-1% .125W TF TC=0+-100 | 00746 | CRB14 OR CRB25 |
| R54 | 0698-8827 | 4 | 1 | RESISTOR 1M +-1% .125W TF TC=0+-100 | 00746 | CRB14 OR CRB25 |
| R55 | 2100-3354 | 9 | 1 | RESISTOR-TRMR 50K 10% TKF SIDE-ADJ 1-TRN | 03744 | 3386X-Y46-508 |
| R56 | 0757-0461 | 2 | 1 | RESISTOR 68.1K +-1% .125W TF TC=0+-100 | 00746 | CRB14 OR CRB25 |
| R57 | 0699-0172 | 8 | 1 | RESISTOR 3M +-5% 1W TF TC=0+-250 | 01992 | FL181 |
| R58 | 2100-3358 | 3 | 1 | RESISTOR-TRMR 1M 20% TKF SIDE-ADJ 1-TRN | 03744 | 3386X-Y46-105 |
| R59 | 0699-0171 | 7 | 1 | RESISTOR 6.5M +-5% 1W TF TC=0+-250 | 01992 | FL181 |
| R60 | 0757-0417 | 8 | 1 | RESISTOR .562 +-1% .125W TF TC=0+-100 | 00746 | CRB14 OR CRB25 |
| R61 | 0698-3160 | 8 | 1 | RESISTOR 31.6K +-1% .125W TF TC=0+-100 | 00746 | CRB14 OR CRB25 |
| R62 | 2100-3357 | 2 | 1 | RESISTOR-TRMR 500K 10% TKF SIDE-ADJ 1-TRN | 03744 | 3386X-Y46-504 |
| R63 | 2100-3357 | 2 | 1 | RESISTOR-TRMR 500K 10% TKF SIDE-ADJ 1-TRN | 03744 | 3386X-Y46-504 |
| R64 | 0698-6846 | 3 | 1 | RESISTOR 5.42K +-0.5% .125W TF TC=0+-50 | 00746 | CRB14 OR CRB25 |
| R65 | 0698-3155 | 1 | 1 | RESISTOR 4.64K +-1% .125W TF TC=0+-100 | 00746 | CRB14 OR CRB25 |
| R66 | 0698-3151 | 7 | 1 | RESISTOR 2.87K +-1% .125W TF TC=0+-100 | 00746 | CRB14 OR CRB25 |
| R67 | 0757-0280 | 3 | 1 | RESISTOR 1K +-1% .125W TF TC=0+-100 | 00746 | CRB14 OR CRB25 |
| R68 | 0757-0465 | 6 | 1 | RESISTOR 100K +-1% .125W TF TC=0+-100 | 00746 | CRB14 OR CRB25 |
| R69 | 0757-0348 | 2 | 1 | RESISTOR 10 +-1% .125W TF TC=0+-100 | 00746 | CRB14 OR CRB25 |
| R70 | 0757-0442 | 9 | 1 | RESISTOR 10K +-1% .125W TF TC=0+-100 | 00746 | CRB14 OR CRB25 |
| R71 | 0757-0442 | 9 | 1 | RESISTOR 10K +-1% .125W TF TC=0+-100 | 00746 | CRB14 OR CRB25 |
| R72 | 0757-0442 | 9 | 1 | RESISTOR 10K +-1% .125W TF TC=0+-100 | 00746 | CRB14 OR CRB25 |
| R73 | 0757-0442 | 9 | 1 | RESISTOR 10K +-1% .125W TF TC=0+-100 | 00746 | CRB14 OR CRB25 |
| R74 | 0757-0442 | 9 | 1 | RESISTOR 10K +-1% .125W TF TC=0+-100 | 00746 | CRB14 OR CRB25 |

Indicates factory-selected value

HP Part Number 08562-60039
CRT Driver

| Reference Designation | HP Part Number | C D | Qty | Description | Mfr Code | Mfr Part Number |
|-----------------------|----------------|-----|-----|---------------------------------------|----------|-----------------|
| R75 | 0698-3243 | 8 | 1 | RESISTOR 178K 1% .125W TF TC=0+-100 | 00746 | CRB14 OR CRB25 |
| R76 | 0698-7243 | 6 | 1 | RESISTOR 1.96K +-1% .05W TF TC=0+-100 | 00746 | CRB20 |
| TP3 | 1251-8616 | 4 | | CONN-POST TYPE .150-PIN-SPCG 4-CONT | 01380 | 87221-3 |
| TP4 | 1251-8616 | 4 | | CONN-POST TYPE .150-PIN-SPCG 4-CONT | 01380 | 87221-3 |
| TP5 | 1251-8616 | 4 | | CONN-POST TYPE .150-PIN-SPCG 4-CONT | 01380 | 87221-3 |
| TP6 | 1251-8616 | 4 | | CONN-POST TYPE .150-PIN-SPCG 4-CONT | 01380 | 87221-3 |
| TP7 | 1251-8616 | 4 | | CONN-POST TYPE .150-PIN-SPCG 4-CONT | 01380 | 87221-3 |
| TP8 | 1251-8616 | 4 | | CONN-POST TYPE .150-PIN-SPCG 4-CONT | 01380 | 87221-3 |
| TP9 | 1251-8616 | 4 | | CONN-POST TYPE .150-PIN-SPCG 4-CONT | 01380 | 87221-3 |
| U1 | 1826-1543 | 1 | 1 | IC OP AMP HS DUAL 8-DIP-C PKG | 02037 | MC34072AU |
| V1 | 2140-0018 | 0 | 1 | LAMP-GLOW A9A-CT 90VDC 700UA T-2-BULB | 00466 | A9A-CT |
| V2 | 2140-0018 | 0 | 1 | LAMP-GLOW A9A-CT 90VDC 700UA T-2-BULB | 00466 | A9A-CT |
| V3 | 2140-0018 | 0 | 1 | LAMP-GLOW A9A-CT 90VDC 700UA T-2-BULB | 00466 | A9A-CT |

| SYM | REVISIONS | APPROVED | DATE |
|-----|-----------|----------|------|
| A | | | |
| B | | | |
| C | | | |



NOTES: UNLESS OTHERWISE SPECIFIED

1. DIMENSIONS ARE IN INCHES.
2. MAXIMUM COMPONENT HEIGHT .433
3. MAXIMUM LEAD TRIM LENGTH .118
4. COMPONENTS ARE NOT TO BE LOADED IN THIS AREA.
5. ASSURE THAT THE FOLLOWING PINS HAVE BEEN REMOVED, J2 PIN 2, J3 PIN 3, J4 PIN 9, J5 PIN 3, J6 PIN 2, J7 PIN 3, 5, 7, 8, & 9, PRIOR TO ASSEMBLY AND MACHINE SOLDER.
6. TEST POINTS NOT ON MATERIAL LIST ARE SHOWN FOR REFERENCE ONLY.

SEE 08562-60039 MATERIAL LIST

HP PROPRIETARY
 THIS DOCUMENT CONTAINS CONFIDENTIAL PROPRIETARY INFORMATION THAT IS HEWLETT-PACKARD HP PROPERTY. DO NOT DISCLOSE TO OR DUPLICATE FOR OTHERS EXCEPT AS AUTHORIZED BY HP.

| | | | |
|------------------------------------|----------|-------------------------------|---|
| RELEASE TO PROD SUPERSEDES DWG. | TITLE | BOARD ASSEMBLY- CRT DRIVER | HEWLETT PACKARD PART NUMBER 08562-60039 |
| | SCALE 2X | SHEET 1 OF 1 | |

A17 CRT DRIVER BOARD ASSEMBLY
08562-60039

| | | | |
|-----|-----------|----------|------|
| SYM | REVISIONS | APPROVED | DATE |
| A | | | |

J1 SIGNAL IN

| PIN | SIGNAL | TO/FROM | FUNCTION BLOCK |
|-----|--------------|---------|----------------|
| 1 | SIGNAL GND | A2J3-1 | I |
| 2 | Y POSN | A2J3-2 | I |
| 3 | SIGNAL GND | A2J3-3 | K |
| 4 | X POSN | A2J3-4 | H |
| 5 | SIGNAL GND | A2J3-5 | K |
| 6 | INTENSITY IN | A2J3-6 | A |
| 7 | FOCUS IN | A2J3-7 | D |
| 8 | DIGITAL GND | A2J3-8 | K |
| 9 | BLANKING | A2J3-9 | A |
| 10 | +5V | A2J3-10 | K |

J2 POWER

| PIN | SIGNAL | TO/FROM | FUNCTION BLOCK |
|-----|--------------|----------|----------------|
| 1 | +15V | A6J302-1 | K |
| 2 | NC (KEY) | | |
| 3 | GND | A6J302-3 | K |
| 4 | +15V | A6J302-4 | K |
| 5 | -15V | A6J302-5 | K |
| 6 | HV SHUT-DOWN | A6J302-6 | K |

J3 SIGNAL OUT

| PIN | SIGNAL | TO/FROM | FUNCTION BLOCK |
|-----|----------|----------|----------------|
| 1 | X OUT | A18V1-11 | H |
| 2 | X' OUT | A18V1-8 | H |
| 3 | NC (KEY) | | |
| 4 | PATTERN | A18V1-5 | G |
| 5 | ACCEL | A18V1-12 | G |
| 6 | ASTIG | A18V1-9 | G |
| 7 | Y OUT | A18V1-10 | I |
| 8 | Y' OUT | A18V1-6 | I |

J4 TEST

| PIN | SIGNAL | FUNCTION BLOCK |
|-----|-----------|----------------|
| 1 | MS1 | J |
| 2 | MS2 | H |
| 3 | MS3 | H |
| 4 | MS4 | D |
| 5 | MS5 | K |
| 6 | GND | K |
| 7 | TA0 (GND) | K |
| 8 | TA1 (GND) | K |
| 9 | NC (KEY) | |
| 10 | TA2 (GND) | K |
| 11 | TA3 (GND) | K |
| 12 | TA4 (GND) | K |
| 13 | MS6 | A |
| 14 | MS7 | A |
| 15 | MS8 | A |
| 16 | DS1 NC | |

J5 TRACE ALIGN

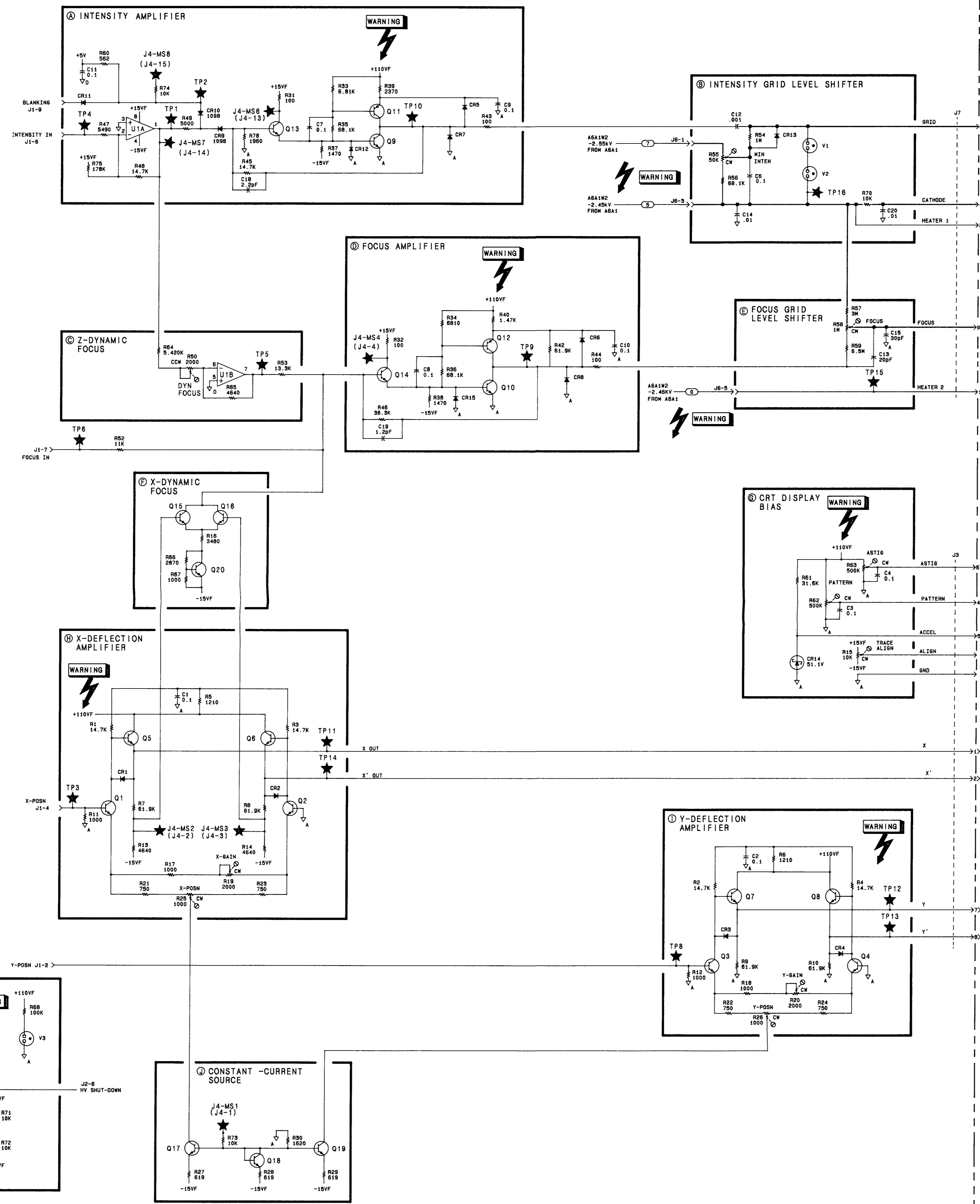
| PIN | SIGNAL | TO/FROM | FUNCTION BLOCK |
|-----|----------|---------|----------------|
| 1 | ALIGN | A18L1-1 | G |
| 2 | GND | A18L1-2 | G |
| 3 | NC (KEY) | | |

J6

| PIN | SIGNAL | TO/FROM | FUNCTION BLOCK |
|-----|---------|---------|----------------|
| 1 | -2.55KV | ABA1 | B |
| 2 | NC | | |
| 3 | -2.45KV | ABA1 | B |
| 4 | NC | | |
| 5 | -2.46KV | ABA1 | E |

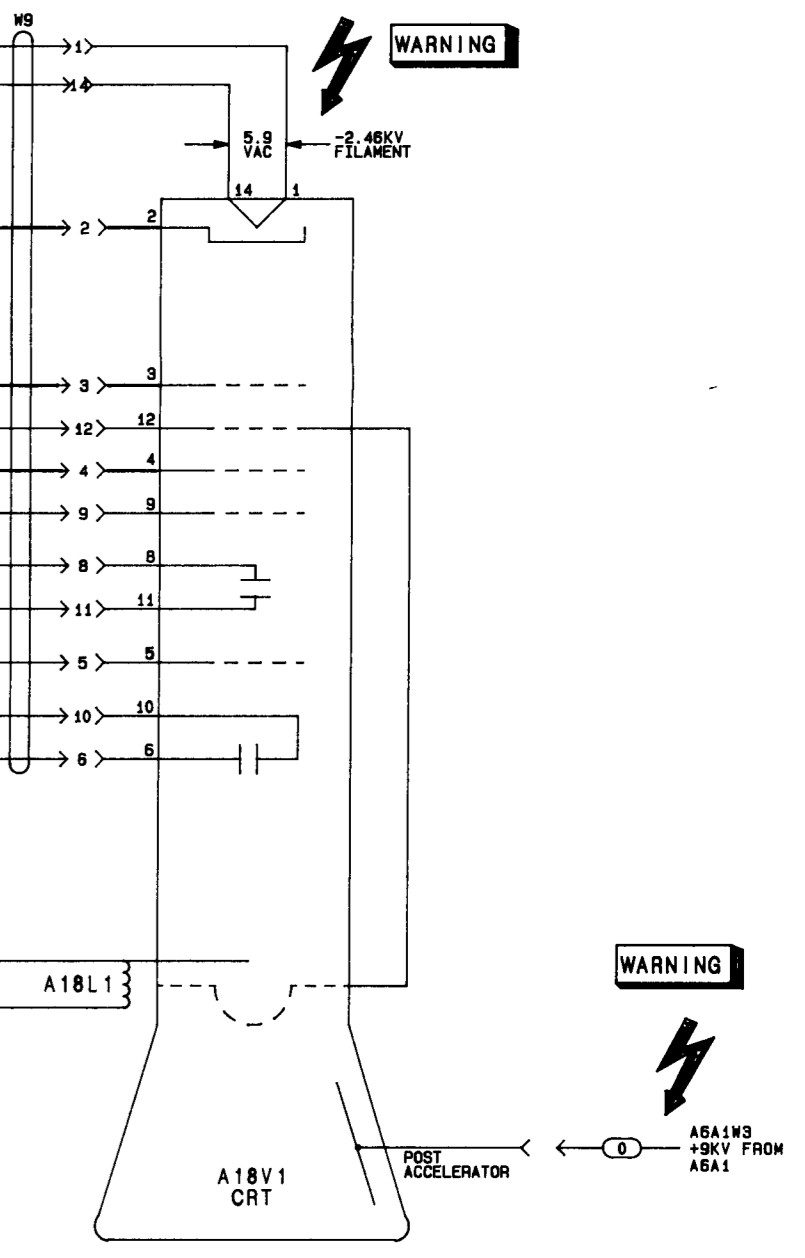
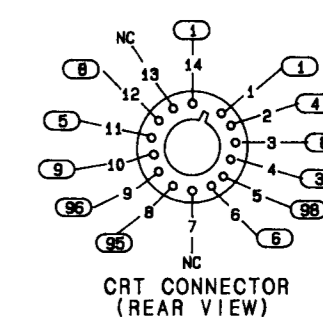
J7

| PIN | SIGNAL | TO/FROM | FUNCTION BLOCK |
|-----|----------|----------|----------------|
| 1 | HEATER 2 | A18V1P14 | B |
| 2 | HEATER 1 | A18V1P1 | B |
| 3 | NC | | |
| 4 | CATHODE | A18V1P2 | B |
| 5 | NC | | |
| 6 | GRID | A18V1P3 | B |
| 7 | NC | | |
| 8 | NC | | |
| 9 | NC | | |
| 10 | FOCUS | A18V1P4 | E |



- NOTES:**
- REFERENCE DESIGNATORS WITHIN THIS ASSEMBLY ARE ABBREVIATED. FOR COMPLETE REFERENCE DESIGNATION, PREFIX ABBREVIATION WITH ASSEMBLY DESIGNATION.
 - UNLESS OTHERWISE INDICATED: RESISTANCE IS IN OHMS (Ω), CAPACITANCE IS IN MICROFARADS (μF), INDUCTANCE IS IN MICROHENRIES (μH).
 - UNLESS OTHERWISE INDICATED: SIGNALS ENTER AT LEFT SIDE AND EXIT AT RIGHT SIDE OF FUNCTION BLOCKS.
 - MNEMONIC TABLE:

| MNEMONIC | DESCRIPTION |
|----------|-------------------|
| MS | MEASURED SIGNAL |
| TA | TRIM ADDRESS LINE |



WARNING HIGH VOLTAGE!
DISCONNECT AT CRT WITH CAUTION!
DISCHARGE FIRST BY GROUNDING AT CRT CONNECTION!

| | | |
|------------------|---|-------------------------|
| ENGINEER/CHECKER | BOARD ASSEMBLY - CRT DRIVER (SCHEMATIC) | HP HEWLETT PACKARD |
| RELEASE TO PROD | TITLE | PART NUMBER 08562-60039 |
| SUPERSEDES DWG. | SCALE NONE SHEET 1 of 1 | D-08562-60039-1 |

Component-Level Information Packet

for 08562-60112

CRT Driver

Copyright © 1990, 1991, 1992 Hewlett-Packard Company

**All Rights Reserved.
Reproduction, adaptation, or translation
without prior written permission
is prohibited, except as allowed
under the copyright laws.**

HP Document Part Number 08562-90117

**Printed April 1992
Printed in USA**

The information contained in this document is subject to change without notice.



**HP Part Number 08562-60112
CRT Driver**

| Reference Designation | HP Part Number | C D | Qty | Description | Mfr Code | Mfr Part Number |
|-----------------------|----------------|--------|-----|--|----------|-----------------------|
| C1 | 0160-3670 | 6 | 1 | CAP-FXD 0.1uF +-20% 200 V CER Y5V | 09939 | RPE113X7R104M200V |
| C2 | 0160-4380 | 7 | 1 | CAP-FXD 1pF +-25% 200 V CER COG | 09939 | RPE110-120COG010C200V |
| C11 | 0160-0684 | 6 | 1 | CAP-FXD 1000pF +-20% 4 kV POLYE-MET | 04200 | 430P102040 |
| C12 | 0160-3670 | 6 | 1 | CAP-FXD 0.1uF +-20% 200 V CER Y5V | 09939 | RPE113X7R104M200V |
| C13 | 0160-4051 | 9 | 1 | CAP-FXD 0.01uF +-20% 4 kV POLYE-MET | 04200 | 430P103040 |
| C14 | 0160-4051 | 9 | 1 | CAP-FXD 0.01uF +-20% 4 kV POLYE-MET | 04200 | 430P103040 |
| C20 | 0160-4380 | 7 | 1 | CAP-FXD 1pF +-25% 200 V CER COG | 09939 | RPE110-120COG010C200V |
| C30 | 0160-0684 | 6 | 1 | CAP-FXD 1000pF +-20% 4 kV POLYE-MET | 04200 | 430P102040 |
| C31 | 0160-4051 | 9 | 1 | CAP-FXD 0.01uF +-20% 4 kV POLYE-MET | 04200 | 430P103040 |
| C50 | 0160-3670 | 6 | 1 | CAP-FXD 0.1uF +-20% 200 V CER Y5V | 09939 | RPE113X7R104M200V |
| C51 | 0160-5899 | 5 | 1 | CAP-FXD 7.5pF +-6.67% 200 V CER COG | 28480 | 0160-5899 |
| C52 | 0160-5899 | 5 | 1 | CAP-FXD 7.5pF +-6.67% 200 V CER COG | 28480 | 0160-5899 |
| C70 | 0160-3670 | 6 | 1 | CAP-FXD 0.1uF +-20% 200 V CER Y5V | 09939 | RPE113X7R104M200V |
| C71 | 0160-5899 | 5 | 1 | CAP-FXD 7.5pF +-6.67% 200 V CER COG | 28480 | 0160-5899 |
| C72 | 0160-5899 | 5 | 1 | CAP-FXD 7.5pF +-6.67% 200 V CER COG | 28480 | 0160-5899 |
| C90 | 0160-3670 | 6 | 1 | CAP-FXD 0.1uF +-20% 200 V CER Y5V | 09939 | RPE113X7R104M200V |
| C91 | 0160-3670 | 6 | 1 | CAP-FXD 0.1uF +-20% 200 V CER Y5V | 09939 | RPE113X7R104M200V |
| C92 | 0160-3670 | 6 | 1 | CAP-FXD 0.1uF +-20% 200 V CER Y5V | 09939 | RPE113X7R104M200V |
| C101 | 0180-3831 | 3 | 1 | CAP-FXD 10uF +-10% 35 V TA | 04200 | 299D106X9035DB1 |
| C102 | 0180-3831 | 3 | 1 | CAP-FXD 10uF +-10% 35 V TA | 04200 | 299D106X9035DB1 |
| CR1 | 1901-1068 | 5 | 1 | DIODE-SCHOTTKY SM SIG | 02062 | 5082-5541 |
| CR2 | 1901-1098 | 1 | 1 | DIODE-SWITCHING 1N4150 50V 200MA 4NS | 04486 | |
| CR4 | 1901-0050 | 3 | 1 | DIODE-SWITCHING 80V 200MA 2NS D0-35 | 03406 | |
| CR5 | 1901-1065 | 2 | 1 | DIODE-PWR RECT 1N4936 400V 1A 200NS | 03627 | 1N4936 |
| CR10 | 1901-0050 | 3 | 1 | DIODE-SWITCHING 80V 200MA 2NS D0-35 | 03406 | |
| CR21 | 1901-1068 | 5 | 1 | DIODE-SCHOTTKY SM SIG | 02062 | 5082-5541 |
| CR22 | 1901-1098 | 1 | 1 | DIODE-SWITCHING 1N4150 50V 200MA 4NS | 04486 | |
| CR24 | 1901-0050 | 3 | 1 | DIODE-SWITCHING 80V 200MA 2NS D0-35 | 03406 | |
| CR25 | 1901-1065 | 2 | 1 | DIODE-PWR RECT 1N4936 400V 1A 200NS | 03627 | 1N4936 |
| CR30 | 1901-0050 | 3 | 1 | DIODE-SWITCHING 80V 200MA 2NS D0-35 | 03406 | |
| CR40 | 1901-0033 | 2 | 1 | DIODE-GEN PRP 180V 200MA D0-35 | 03406 | |
| CR41 | 1901-0033 | 2 | 1 | DIODE-GEN PRP 180V 200MA D0-35 | 03406 | |
| CR51 | 1901-1065 | 2 | 1 | DIODE-PWR RECT 1N4936 400V 1A 200NS | 03627 | 1N4936 |
| CR52 | 1901-1065 | 2 | 1 | DIODE-PWR RECT 1N4936 400V 1A 200NS | 03627 | 1N4936 |
| CR53 | 1901-1065 | 2 | 1 | DIODE-PWR RECT 1N4936 400V 1A 200NS | 03627 | 1N4936 |
| CR54 | 1901-1065 | 2 | 1 | DIODE-PWR RECT 1N4936 400V 1A 200NS | 03627 | 1N4936 |
| CR71 | 1901-1065 | 2 | 1 | DIODE-PWR RECT 1N4936 400V 1A 200NS | 03627 | 1N4936 |
| CR72 | 1901-1065 | 2 | 1 | DIODE-PWR RECT 1N4936 400V 1A 200NS | 03627 | 1N4936 |
| CR73 | 1901-1065 | 2 | 1 | DIODE-PWR RECT 1N4936 400V 1A 200NS | 03627 | 1N4936 |
| CR74 | 1901-1065 | 2 | 1 | DIODE-PWR RECT 1N4936 400V 1A 200NS | 03627 | 1N4936 |
| CR90 | 1902-3357 | 1 | 1 | DIODE-ZNR 56.2V 5% D0-7 PD=.4W TC=+.081% | 02037 | SZ30016-3 |
| J1 | 1252-1152 | 1 | 1 | CONN-POST TYPE .100-PIN-SPCG 10-CONT | 04726 | 2510-6022UB |
| J2 | 1252-2045 | 3 | 1 | CONN-POST TYPE .100-PIN-SPCG 5-CONT | 01380 | 644093-2 |
| J3 | 1252-2046 | 4 | 1 | CONN-POST TYPE .100-PIN-SPCG 7-CONT | 01380 | 644223-1 |
| J4 | 1252-1200 | 0 | 1 | CONN-POST TYPE .100-PIN-SPCG 15-CONT | 02946 | 68449-079 |
| J5 | 1252-2044 | 2 | 1 | CONN-POST TYPE .100-PIN-SPCG 2-CONT | 01380 | 644222-1 |
| J6 | 1252-1644 | 6 | 1 | CONN-POST TYPE .156-PIN-SPCG 4-CONT | 01380 | 644087-2 |
| J7 | 1252-1645 | 7 | 1 | CONN-POST TYPE .156-PIN-SPCG 5-CONT | 01380 | 643734-2 |

*Indicates factory-selected value

HP Part Number 08562-60112

CRT Driver

| Reference Designation | HP Part Number | C | D | Qty | Description | Mfr Code | Mfr Part Number |
|-----------------------|----------------|---|---|-----|---|----------|-----------------|
| L101 | 9140-0210 | 1 | | 1 | INDUCTOR RF-CH-MLD 100UH +-5% | 05826 | 1537-76 |
| L102 | 9140-0210 | 1 | | 1 | INDUCTOR RF-CH-MLD 100UH +-5% | 05826 | 1537-76 |
| MP1 | 08562-20112 | 8 | | 1 | | 28480 | 08562-20112 |
| MP2 | 0380-1513 | 8 | | 4 | STANDOFF-RVT-ON 5-MM-LG M3.0 X 0.5-THD | 02121 | |
| MP3 | 0470-0450 | 1 | | | ADHESIVE DOW CORNING 3145RTV CLEAR | 04514 | 3145RTV CLEAR |
| MP4 | 7121-4611 | 2 | | 1 | LABEL-INFORMATION .15-IN-WD .6-IN-LG | 09002 | |
| MP6 | 1251-8616 | 4 | | 2 | CONN-POST TYPE .150-PIN-SPCG 4-CONT | 01380 | 87221-3 |
| MP7 | 5041-7248 | 5 | | 1 | | 28480 | 5041-7248 |
| MP8 | 5041-8961 | 1 | | 1 | | 28480 | 5041-8961 |
| MP9 | 8150-5022 | 3 | | 1 | WIRE 26AWG G KYNAR (PVF) 1X26 | 03500 | KYNAR 26-1/26-5 |
| NONE0810 | 9320-6209 | 2 | | 1 | LBL-LNE-PTR; .65-IN-WD X .2-IN-LG | 12532 | |
| Q1 | 1854-0523 | 4 | | 1 | TRANSISTOR NPN SI TO-39 PD=1W FT=150MHZ | 02037 | SS3091 |
| Q2 | 1854-0523 | 4 | | 1 | TRANSISTOR NPN SI TO-39 PD=1W FT=150MHZ | 02037 | SS3091 |
| Q20 | 1854-0523 | 4 | | 1 | TRANSISTOR NPN SI TO-39 PD=1W FT=150MHZ | 02037 | SS3091 |
| Q21 | 1854-0523 | 4 | | 1 | TRANSISTOR NPN SI TO-39 PD=1W FT=150MHZ | 02037 | SS3091 |
| Q50 | 1854-0215 | 1 | | 1 | TRANSISTOR NPN SI TO-92 PD=625MW | 02037 | 2N3904 |
| Q51 | 1854-0523 | 4 | | 1 | TRANSISTOR NPN SI TO-39 PD=1W FT=150MHZ | 02037 | SS3091 |
| Q52 | 1854-0523 | 4 | | 1 | TRANSISTOR NPN SI TO-39 PD=1W FT=150MHZ | 02037 | SS3091 |
| Q53 | 1854-0523 | 4 | | 1 | TRANSISTOR NPN SI TO-39 PD=1W FT=150MHZ | 02037 | SS3091 |
| Q54 | 1854-0523 | 4 | | 1 | TRANSISTOR NPN SI TO-39 PD=1W FT=150MHZ | 02037 | SS3091 |
| Q55 | 1854-0215 | 1 | | 1 | TRANSISTOR NPN SI TO-92 PD=625MW | 02037 | 2N3904 |
| Q70 | 1854-0215 | 1 | | 1 | TRANSISTOR NPN SI TO-92 PD=625MW | 02037 | 2N3904 |
| Q71 | 1854-0523 | 4 | | 1 | TRANSISTOR NPN SI TO-39 PD=1W FT=150MHZ | 02037 | SS3091 |
| Q72 | 1854-0523 | 4 | | 1 | TRANSISTOR NPN SI TO-39 PD=1W FT=150MHZ | 02037 | SS3091 |
| Q73 | 1854-0523 | 4 | | 1 | TRANSISTOR NPN SI TO-39 PD=1W FT=150MHZ | 02037 | SS3091 |
| Q74 | 1854-0523 | 4 | | 1 | TRANSISTOR NPN SI TO-39 PD=1W FT=150MHZ | 02037 | SS3091 |
| Q75 | 1854-0215 | 1 | | 1 | TRANSISTOR NPN SI TO-92 PD=625MW | 02037 | 2N3904 |
| Q101 | 1854-0215 | 1 | | 1 | TRANSISTOR NPN SI TO-92 PD=625MW | 02037 | 2N3904 |
| Q102 | 1854-0215 | 1 | | 1 | TRANSISTOR NPN SI TO-92 PD=625MW | 02037 | 2N3904 |
| Q103 | 1854-0215 | 1 | | 1 | TRANSISTOR NPN SI TO-92 PD=625MW | 02037 | 2N3904 |
| R1 | 0757-0290 | 5 | | 1 | RESISTOR 6.19K +-1% .125W TF TC=0+-100 | 05524 | CMF-55-1 |
| R2 | 0757-0470 | 3 | | 1 | RESISTOR 162K +-1% .125W TF TC=0+-100 | 05524 | CMF-55-1 |
| R3 | 0698-3154 | 0 | | 1 | RESISTOR 4.22K +-1% .125W TF TC=0+-100 | 05524 | CMF-55-1 |
| R4 | 2100-3207 | 1 | | 1 | RESISTOR-TRMR 5K 10% TKF SIDE-ADJ 1-TRN | 03744 | 3386X-Y46-502 |
| R5 | 0698-0083 | 8 | | 1 | RESISTOR 1.96K +-1% .125W TF TC=0+-100 | 05524 | CMF-55-1 |
| R6 | 0757-0290 | 5 | | 1 | RESISTOR 6.19K +-1% .125W TF TC=0+-100 | 05524 | CMF-55-1 |
| R7 | 0698-3156 | 2 | | 1 | RESISTOR 14.7K +-1% .125W TF TC=0+-100 | 05524 | CMF-55-1 |
| R8 | 0698-3156 | 2 | | 1 | RESISTOR 14.7K +-1% .125W TF TC=0+-100 | 05524 | CMF-55-1 |
| R9 | 0698-3156 | 2 | | 1 | RESISTOR 14.7K +-1% .125W TF TC=0+-100 | 05524 | CMF-55-1 |
| R10 | 0757-0401 | 0 | | 1 | RESISTOR 100 +-1% .125W TF TC=0+-100 | 05524 | CMF-55-1 |
| R11 | 2100-3355 | 0 | | 1 | RESISTOR-TRMR 100K 10% TKF SIDE-ADJ | 03744 | 3386X-Y46-104 |
| R12 | 0698-8827 | 4 | | 1 | RESISTOR 1M +-1% .125W TF TC=0+-100 | 05524 | CMF-55-1 |
| R13 | 0757-0461 | 2 | | 1 | RESISTOR 68.1K +-1% .125W TF TC=0+-100 | 05524 | CMF-55-1 |
| R14 | 0757-0442 | 9 | | 1 | RESISTOR 10K +-1% .125W TF TC=0+-100 | 05524 | CMF-55-1 |
| R15 | 0757-0442 | 9 | | 1 | RESISTOR 10K +-1% .125W TF TC=0+-100 | 05524 | CMF-55-1 |
| R18 | 0757-0417 | 8 | | 1 | RESISTOR 562 +-1% .125W TF TC=0+-100 | 05524 | CMF-55-1 |
| R20 | 0757-0428 | 1 | | 1 | RESISTOR 1.62K +-1% .125W TF TC=0+-100 | 05524 | CMF-55-1 |

**HP Part Number 08562-60112
CRT Driver**

| Reference Designation | HP Part Number | C | D | Qty | Description | Mfr Code | Mfr Part Number |
|-----------------------|----------------|---|---|-----|--|----------|-----------------|
| R21 | 2100-3352 | 7 | | 1 | RESISTOR-TRMR 1K 10% TKF SIDE-ADJ 1-TRN | 03744 | 3386X-Y46-102 |
| R23 | 0757-0438 | 3 | | 1 | RESISTOR 5.11K +-1% .125W TF TC=0+-100 | 05524 | CMF-55-1 |
| R24 | 0757-0439 | 4 | | 1 | RESISTOR 6.81K +-1% .125W TF TC=0+-100 | 05524 | CMF-55-1 |
| R26 | 2100-3352 | 7 | | 1 | RESISTOR-TRMR 1K 10% TKF SIDE-ADJ 1-TRN | 03744 | 3386X-Y46-102 |
| R27 | 0698-3151 | 7 | | 1 | RESISTOR 2.87K +-1% .125W TF TC=0+-100 | 05524 | CMF-55-1 |
| R28 | 0757-0290 | 5 | | 1 | RESISTOR 6.19K +-1% .125W TF TC=0+-100 | 05524 | CMF-55-1 |
| R29 | 0698-3156 | 2 | | 1 | RESISTOR 14.7K +-1% .125W TF TC=0+-100 | 05524 | CMF-55-1 |
| R30 | 0698-3156 | 2 | | 1 | RESISTOR 14.7K +-1% .125W TF TC=0+-100 | 05524 | CMF-55-1 |
| R31 | 0757-0401 | 0 | | 1 | RESISTOR 100 +-1% .125W TF TC=0+-100 | 05524 | CMF-55-1 |
| R32 | 0698-8959 | 3 | | 1 | RESISTOR 619K +-1% .125W TF TC=0+-100 | 01074 | H8 |
| R33 | 0699-0172 | 8 | | 1 | RESISTOR 3M +-5% 1W TF TC=0+-250 | 01992 | FL1 |
| R34 | 2100-3626 | 8 | | 1 | RESISTOR-TRMR 2M 20% TKF SIDE-ADJ 1-TRN | 03744 | 3386X-Y46-205 |
| R35 | 0699-0171 | 7 | | 1 | RESISTOR 6.5M +-5% 1W TF TC=0+-250 | 01992 | FL1 |
| R36 | 0698-8827 | 4 | | 1 | RESISTOR 1M +-1% .125W TF TC=0+-100 | 05524 | CMF-55-1 |
| R40 | 0757-0465 | 6 | | 1 | RESISTOR 100K +-1% .125W TF TC=0+-100 | 05524 | CMF-55-1 |
| R41 | 0757-0465 | 6 | | 1 | RESISTOR 100K +-1% .125W TF TC=0+-100 | 05524 | CMF-55-1 |
| R42 | 0757-0465 | 6 | | 1 | RESISTOR 100K +-1% .125W TF TC=0+-100 | 05524 | CMF-55-1 |
| R43 | 0757-0465 | 6 | | 1 | RESISTOR 100K +-1% .125W TF TC=0+-100 | 05524 | CMF-55-1 |
| R44 | 0757-0447 | 4 | | 1 | RESISTOR 16.2K +-1% .125W TF TC=0+-100 | 05524 | CMF-55-1 |
| R45 | 0757-0447 | 4 | | 1 | RESISTOR 16.2K +-1% .125W TF TC=0+-100 | 05524 | CMF-55-1 |
| R46 | 0757-0199 | 3 | | 1 | RESISTOR 21.5K +-1% .125W TF TC=0+-100 | 05524 | CMF-55-1 |
| R51 | 0757-0280 | 3 | | 1 | RESISTOR 1K +-1% .125W TF TC=0+-100 | 05524 | CMF-55-1 |
| R52 | 0698-3156 | 2 | | 1 | RESISTOR 14.7K +-1% .125W TF TC=0+-100 | 05524 | CMF-55-1 |
| R53 | 0698-3156 | 2 | | 1 | RESISTOR 14.7K +-1% .125W TF TC=0+-100 | 05524 | CMF-55-1 |
| R54 | 0757-0280 | 3 | | 1 | RESISTOR 1K +-1% .125W TF TC=0+-100 | 05524 | CMF-55-1 |
| R55 | 2100-3207 | 1 | | 1 | RESISTOR-TRMR 5K 10% TKF SIDE-ADJ 1-TRN | 03744 | 3386X-Y46-502 |
| R56 | 0757-0280 | 3 | | 1 | RESISTOR 1K +-1% .125W TF TC=0+-100 | 05524 | CMF-55-1 |
| R57 | 2100-3351 | 6 | | 1 | RESISTOR-TRMR 500 10% TKF SIDE-ADJ 1-TRN | 03744 | 3386X-Y46-501 |
| R58 | 0757-0280 | 3 | | 1 | RESISTOR 1K +-1% .125W TF TC=0+-100 | 05524 | CMF-55-1 |
| R60 | 0698-3156 | 2 | | 1 | RESISTOR 14.7K +-1% .125W TF TC=0+-100 | 05524 | CMF-55-1 |
| R61 | 0698-3156 | 2 | | 1 | RESISTOR 14.7K +-1% .125W TF TC=0+-100 | 05524 | CMF-55-1 |
| R62 | 0698-3444 | 1 | | 1 | RESISTOR 316 +-1% .125W TF TC=0+-100 | 05524 | CMF-55-1 |
| R63 | 0757-0280 | 3 | | 1 | RESISTOR 1K +-1% .125W TF TC=0+-100 | 05524 | CMF-55-1 |
| R64 | 0757-0280 | 3 | | 1 | RESISTOR 1K +-1% .125W TF TC=0+-100 | 05524 | CMF-55-1 |
| R71 | 0757-0280 | 3 | | 1 | RESISTOR 1K +-1% .125W TF TC=0+-100 | 05524 | CMF-55-1 |
| R72 | 0698-3156 | 2 | | 1 | RESISTOR 14.7K +-1% .125W TF TC=0+-100 | 05524 | CMF-55-1 |
| R73 | 0698-3156 | 2 | | 1 | RESISTOR 14.7K +-1% .125W TF TC=0+-100 | 05524 | CMF-55-1 |
| R74 | 0757-0419 | 0 | | 1 | RESISTOR 681 +-1% .125W TF TC=0+-100 | 05524 | CMF-55-1 |
| R75 | 2100-3273 | 1 | | 1 | RESISTOR-TRMR 2K 10% TKF SIDE-ADJ 1-TRN | 03744 | 3386X-Y46-202 |
| R76 | 0757-0280 | 3 | | 1 | RESISTOR 1K +-1% .125W TF TC=0+-100 | 05524 | CMF-55-1 |
| R77 | 2100-3351 | 6 | | 1 | RESISTOR-TRMR 500 10% TKF SIDE-ADJ 1-TRN | 03744 | 3386X-Y46-501 |
| R78 | 0757-0280 | 3 | | 1 | RESISTOR 1K +-1% .125W TF TC=0+-100 | 05524 | CMF-55-1 |
| R80 | 0698-3156 | 2 | | 1 | RESISTOR 14.7K +-1% .125W TF TC=0+-100 | 05524 | CMF-55-1 |
| R81 | 0698-3156 | 2 | | 1 | RESISTOR 14.7K +-1% .125W TF TC=0+-100 | 05524 | CMF-55-1 |
| R82 | 0698-3444 | 1 | | 1 | RESISTOR 316 +-1% .125W TF TC=0+-100 | 05524 | CMF-55-1 |
| R83 | 0757-0280 | 3 | | 1 | RESISTOR 1K +-1% .125W TF TC=0+-100 | 05524 | CMF-55-1 |
| R84 | 0757-0280 | 3 | | 1 | RESISTOR 1K +-1% .125W TF TC=0+-100 | 05524 | CMF-55-1 |
| R90 | 2100-3274 | 2 | | 1 | RESISTOR-TRMR 10K 10% TKF SIDE-ADJ 1-TRN | 03744 | 3386X-Y46-103 |

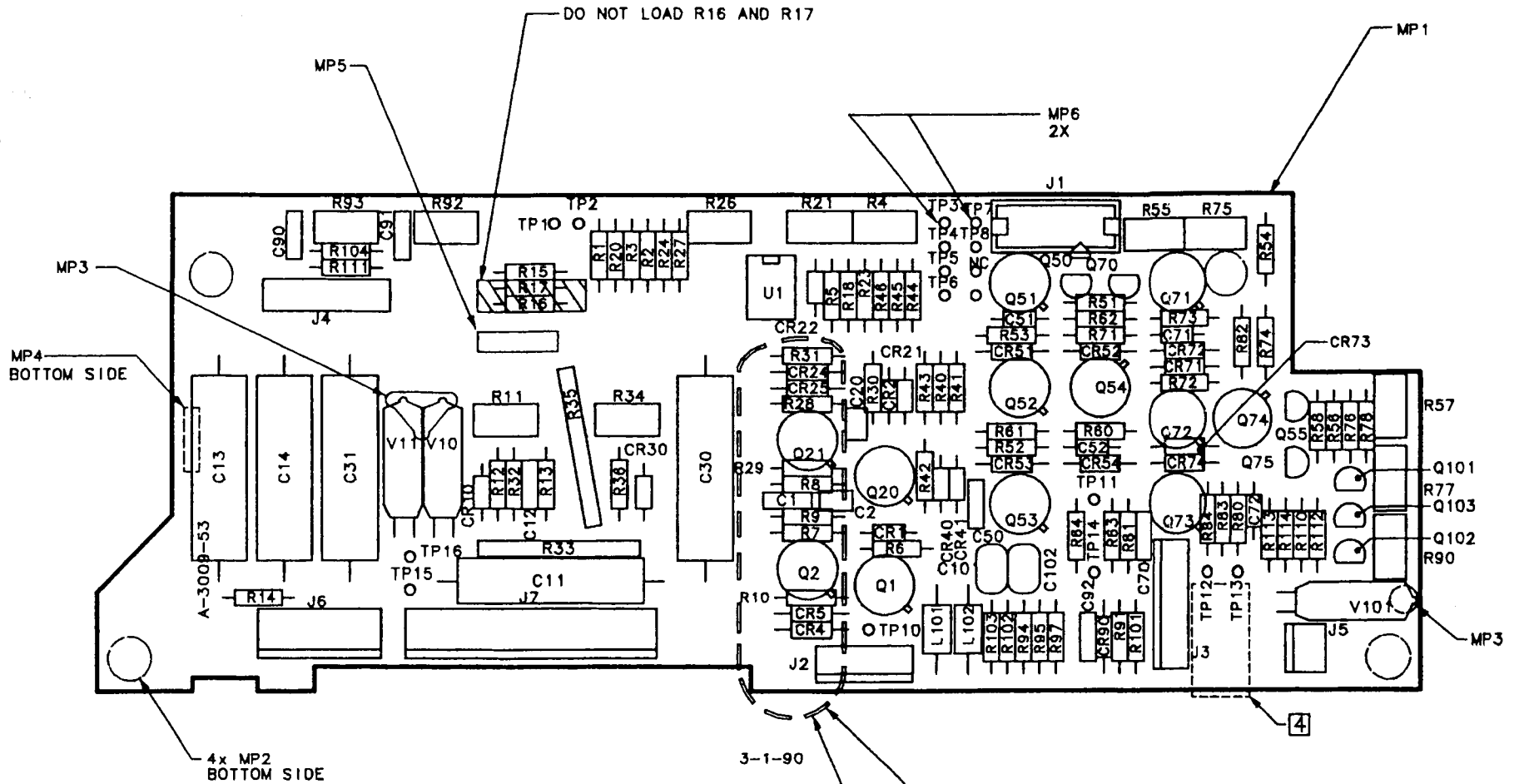
*Indicates factory-selected value

HP Part Number 08562-60112

CRT Driver

| Reference Designation | HP Part Number | C | D | Qty | Description | Mfr Code | Mfr Part Number |
|-----------------------|----------------|---|---|-----|---|----------|-----------------|
| R91 | 0698-3160 | 8 | | 1 | RESISTOR 31.6K +-1% .125W TF TC=0+-100 | 05524 | CMF-55-1 |
| R92 | 2100-3357 | 2 | | 1 | RESISTOR-TTMR 500K 10% TKF SIDE-ADJ | 03744 | 3386X-Y46-504 |
| R93 | 2100-3357 | 2 | | 1 | RESISTOR-TTMR 500K 10% TKF SIDE-ADJ | 03744 | 3386X-Y46-504 |
| R94 | 0757-0280 | 3 | | 1 | RESISTOR 1K +-1% .125W TF TC=0+-100 | 05524 | CMF-55-1 |
| R95 | 0757-0280 | 3 | | 1 | RESISTOR 1K +-1% .125W TF TC=0+-100 | 05524 | CMF-55-1 |
| R97 | 0757-0280 | 3 | | 1 | RESISTOR 1K +-1% .125W TF TC=0+-100 | 05524 | CMF-55-1 |
| R101 | 0757-0465 | 6 | | 1 | RESISTOR 100K +-1% .125W TF TC=0+-100 | 05524 | CMF-55-1 |
| R102 | 0757-0463 | 4 | | 1 | RESISTOR 82.75K +-1% .125W TF TC=0+-100 | 05524 | CMF-55-1 |
| R103 | 0757-0465 | 6 | | 1 | RESISTOR 100K +-1% .125W TF TC=0+-100 | 05524 | CMF-55-1 |
| R104 | 0757-0346 | 2 | | 1 | RESISTOR 10 +-1% .125W TF TC=0+-100 | 05524 | CMF-55-1 |
| R110 | 0698-3446 | 3 | | 1 | RESISTOR 383 +-1% .125W TF TC=0+-100 | 05524 | CMF-55-1 |
| R111 | 0757-0442 | 9 | | 1 | RESISTOR 10K +-1% .125W TF TC=0+-100 | 05524 | CMF-55-1 |
| R112 | 0757-0428 | 1 | | 1 | RESISTOR 1.62K +-1% .125W TF TC=0+-100 | 05524 | CMF-55-1 |
| R113 | 0698-3446 | 3 | | 1 | RESISTOR 383 +-1% .125W TF TC=0+-100 | 05524 | CMF-55-1 |
| R114 | 0698-3446 | 3 | | 1 | RESISTOR 383 +-1% .125W TF TC=0+-100 | 05524 | CMF-55-1 |
| U1 | 1826-0785 | 1 | | 1 | IC OP AMP LOW-BIAS-H-IMPD DUAL 8 PIN | 02037 | MC34002BU |
| V10 | 2140-0018 | 0 | | 1 | LAMP-6LW A9A-CT 90VDC 700UA T-2-BULB | 07338 | |
| V11 | 2140-0018 | 0 | | 1 | LAMP-6LW A9A-CT 90VDC 700UA T-2-BULB | 07338 | |
| V101 | 2140-0018 | 0 | | 1 | LAMP-6LW A9A-CT 90VDC 700UA T-2-BULB | 07338 | |

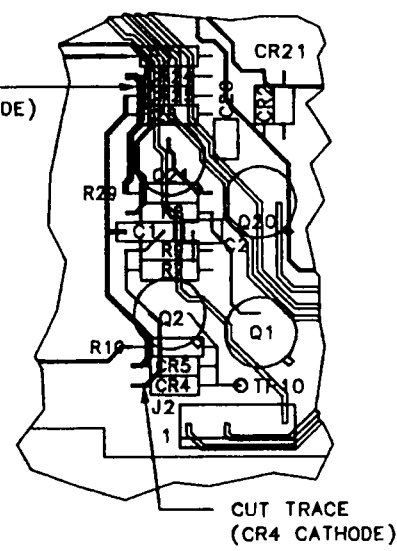
| SYM | REVISIONS | APPROVED | DATE |
|-----|-----------|----------|------|
| 1 | | | |
| 2 | | | |



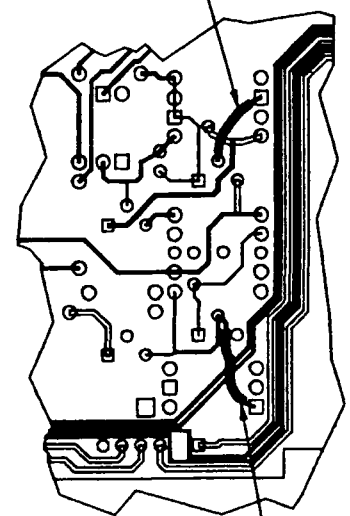
3-1-90

DETAIL A
(TOP SIDE)

DETAIL B
(BOTTOM SIDE)



DETAIL A
(TOP SIDE)



DETAIL B
(BOTTOM SIDE)

NOTES: UNLESS OTHERWISE SPECIFIED

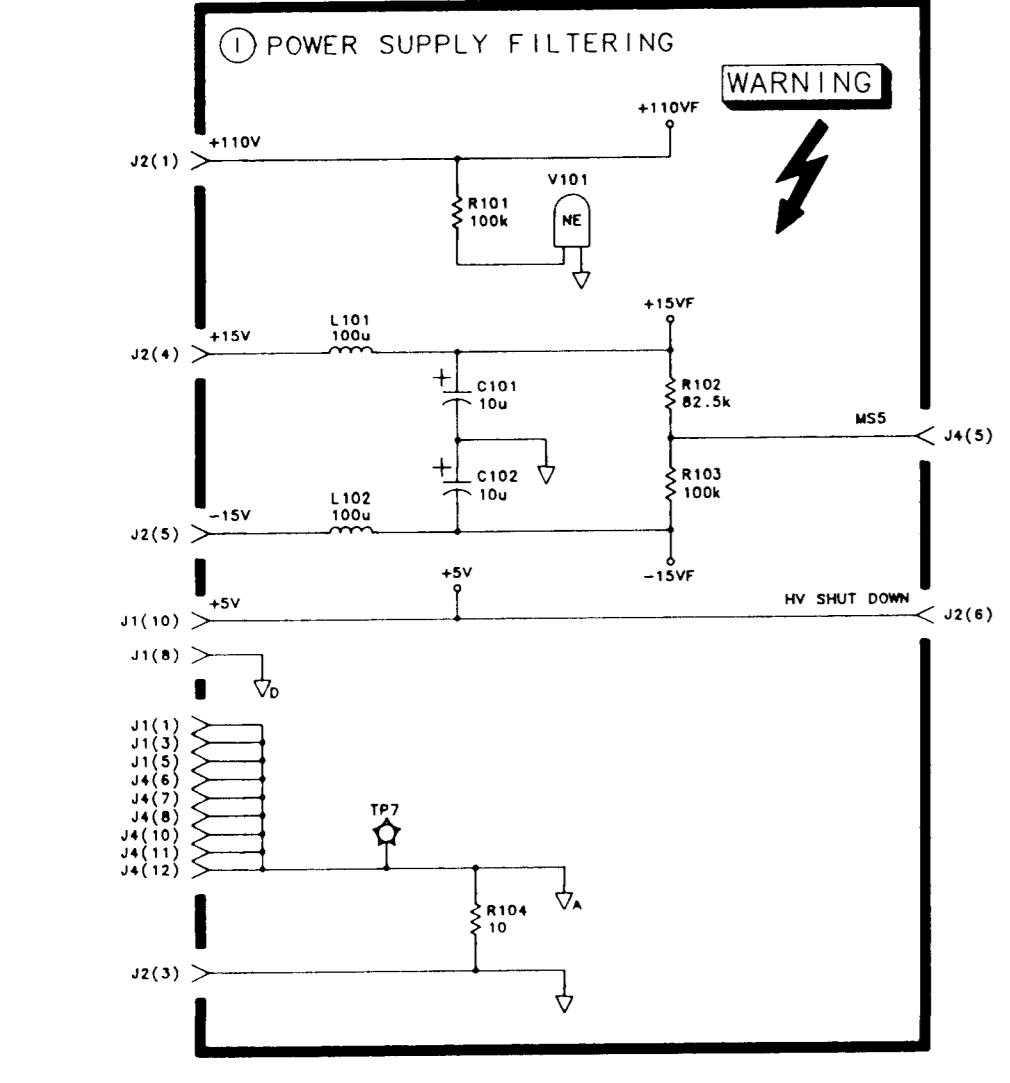
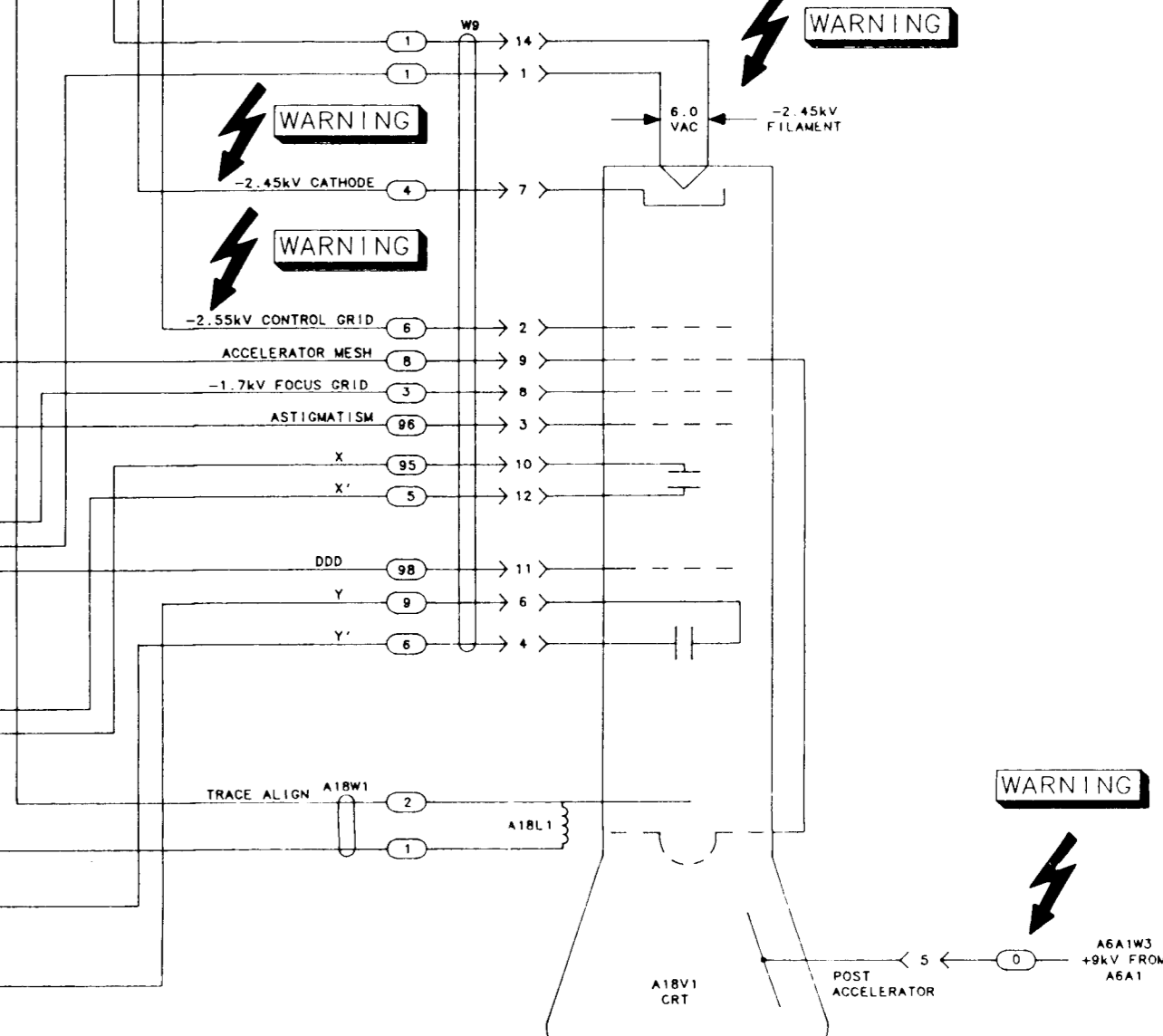
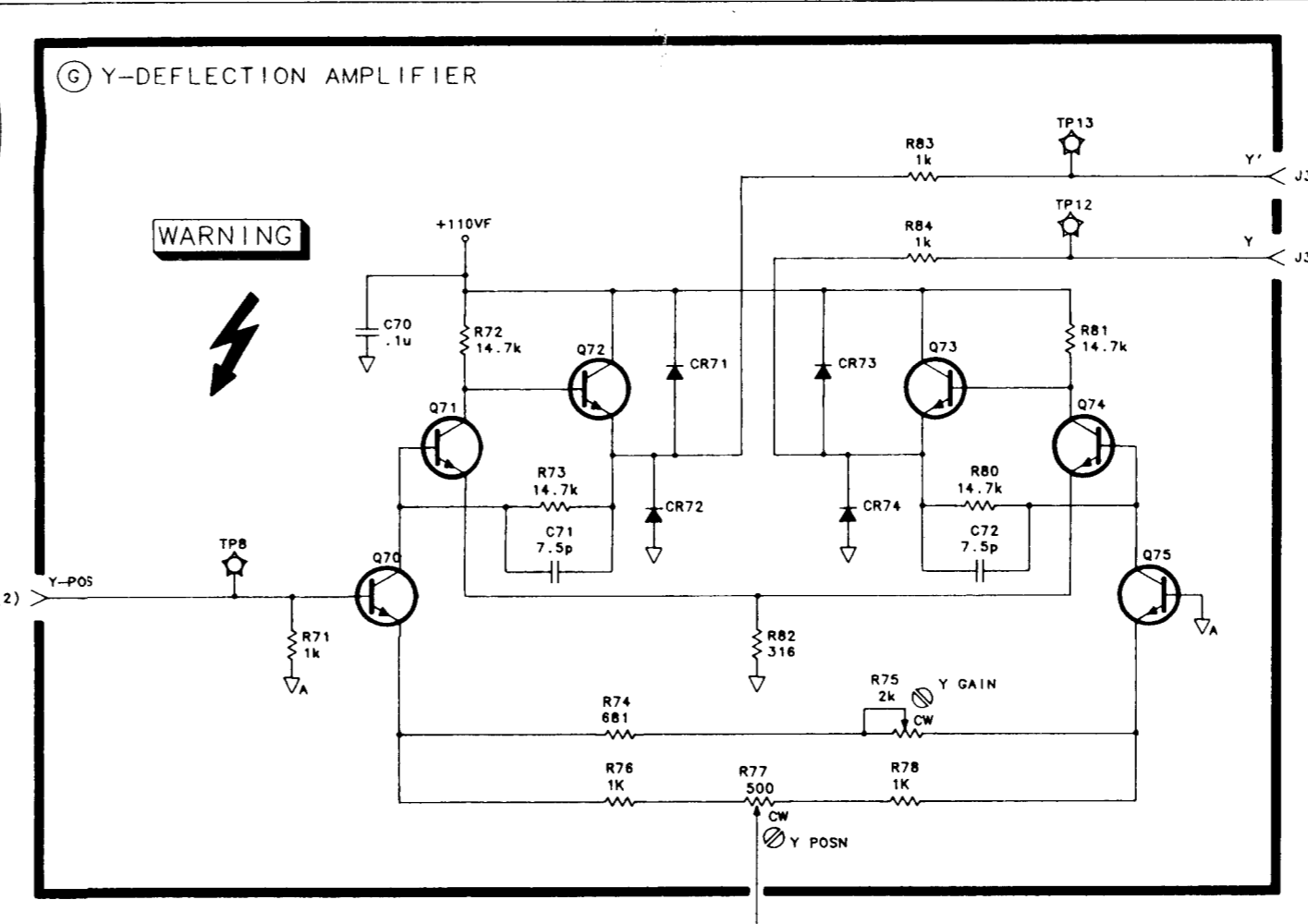
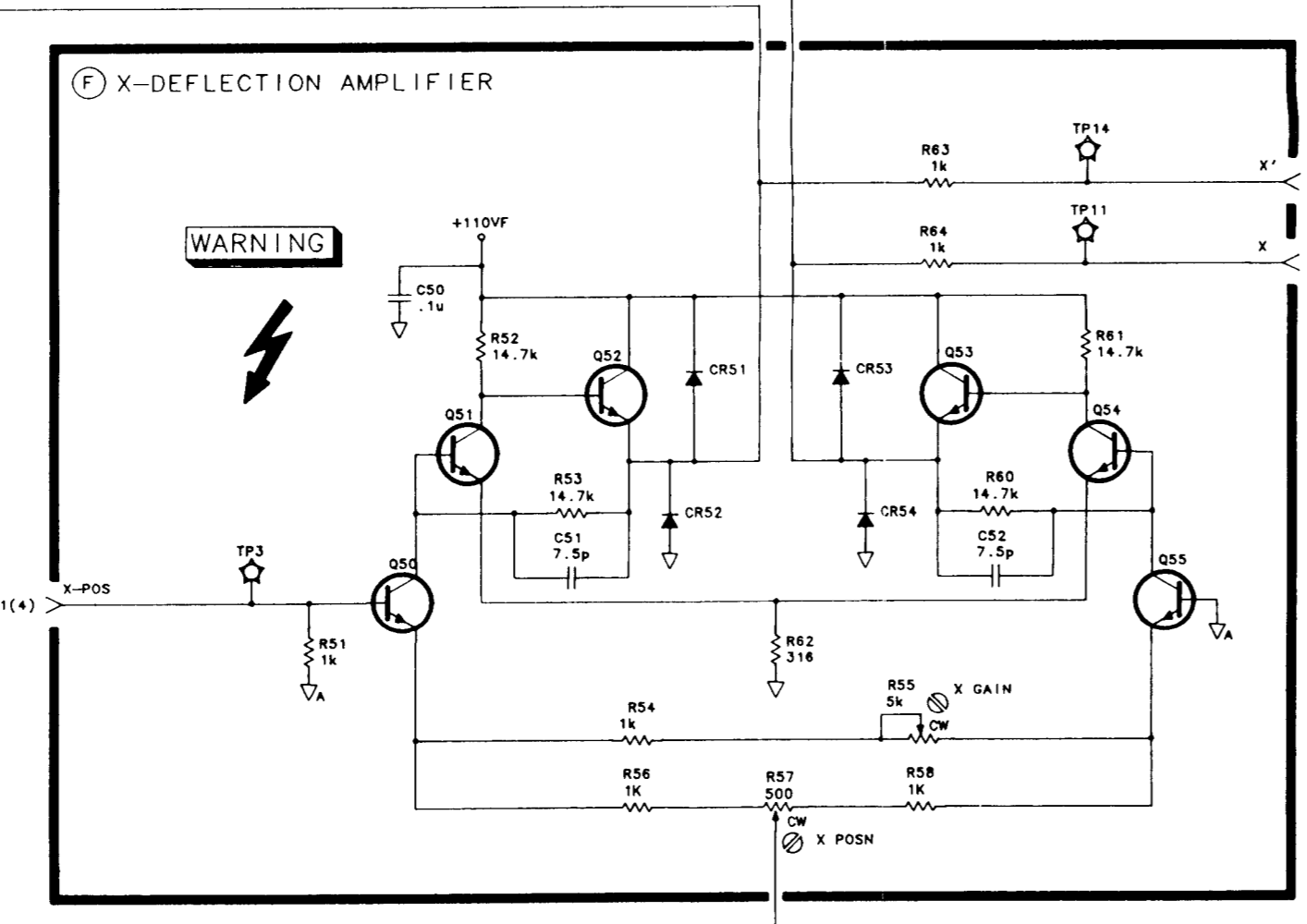
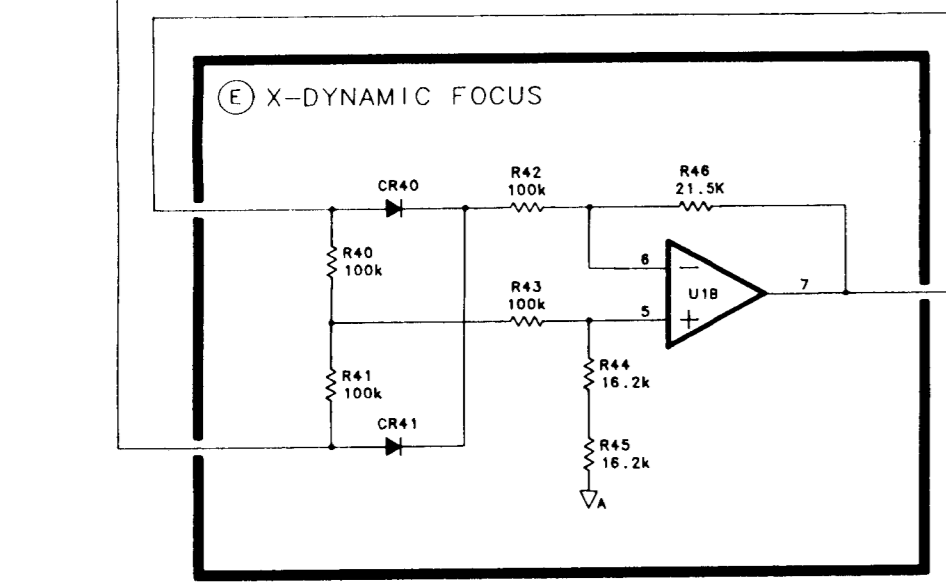
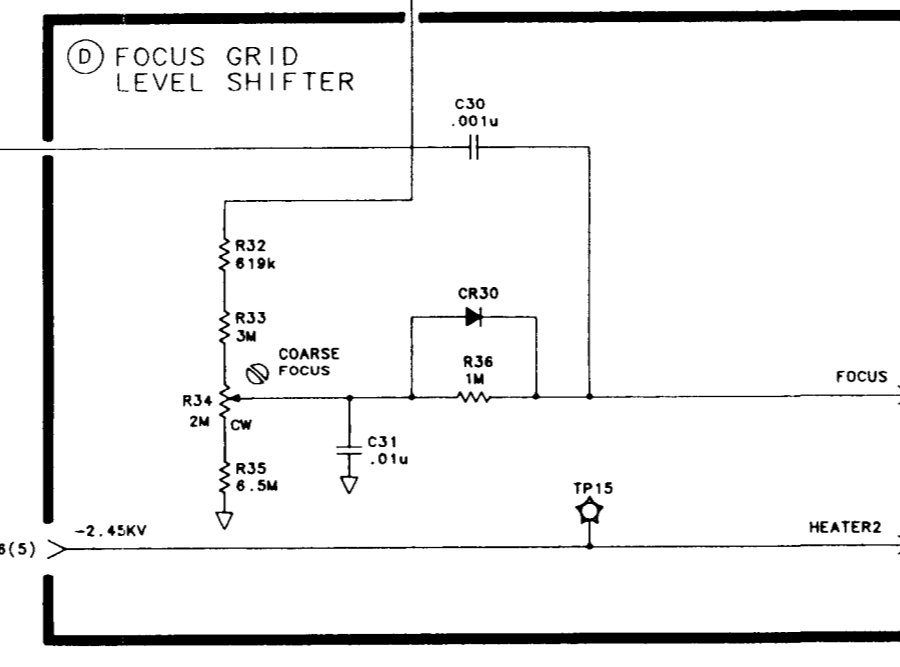
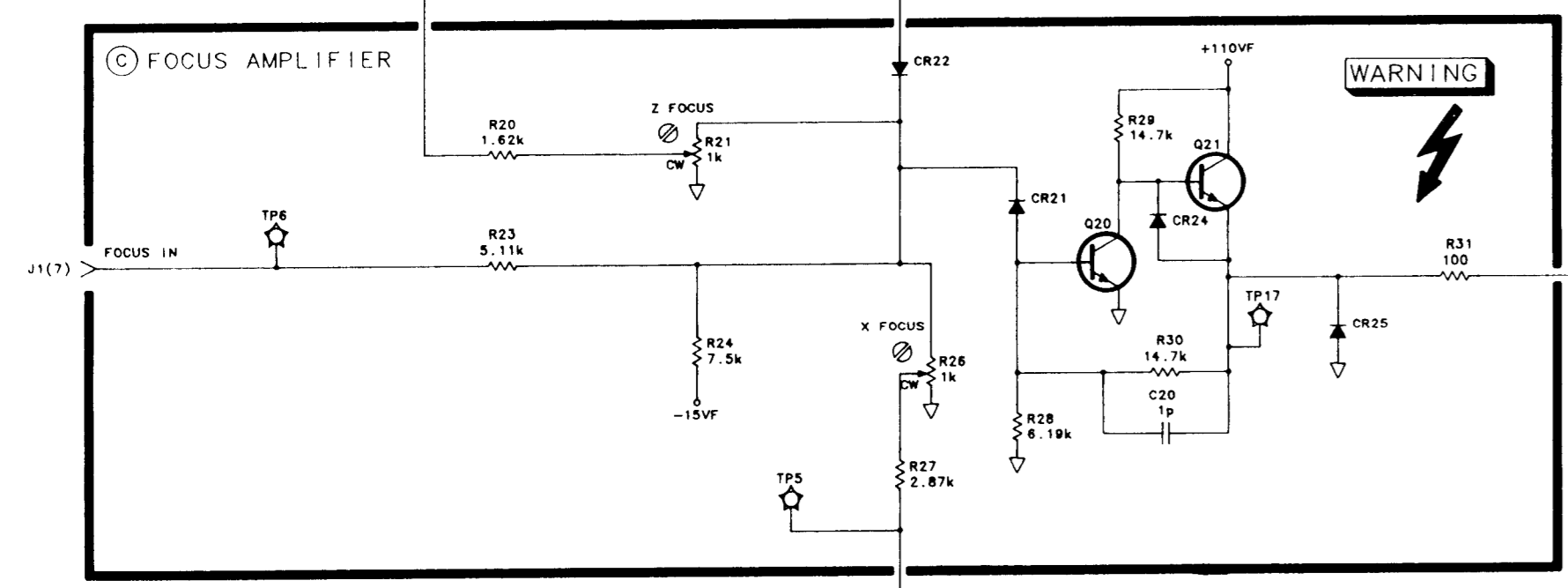
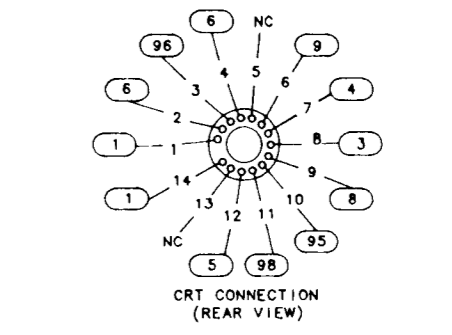
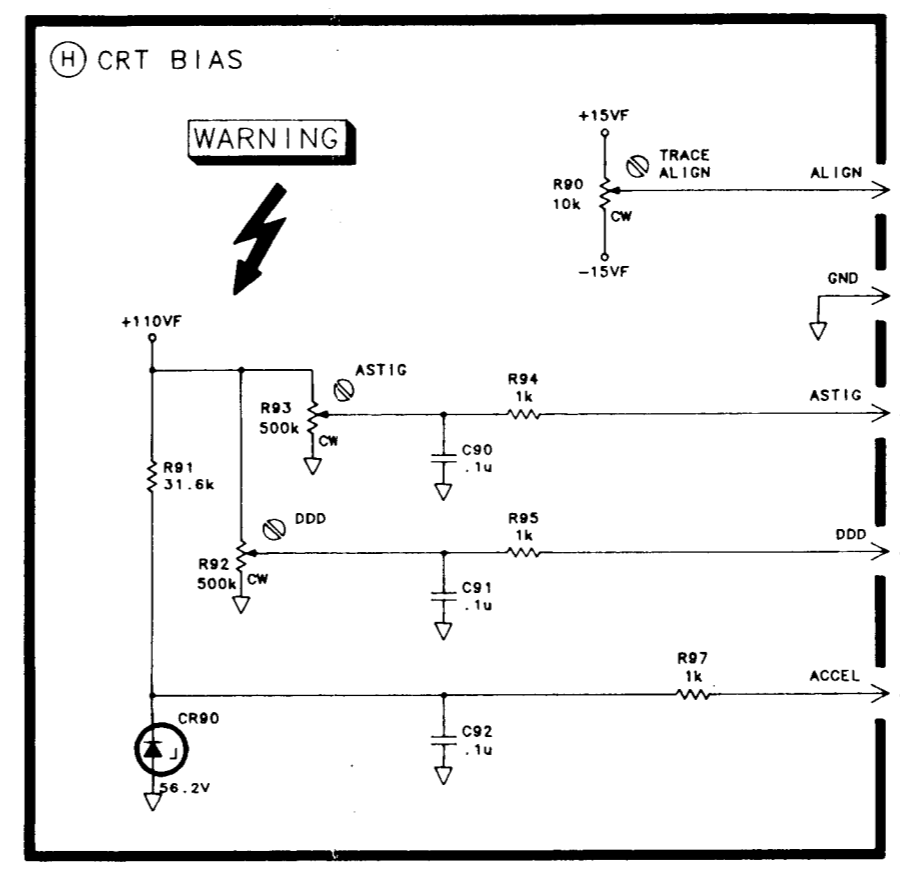
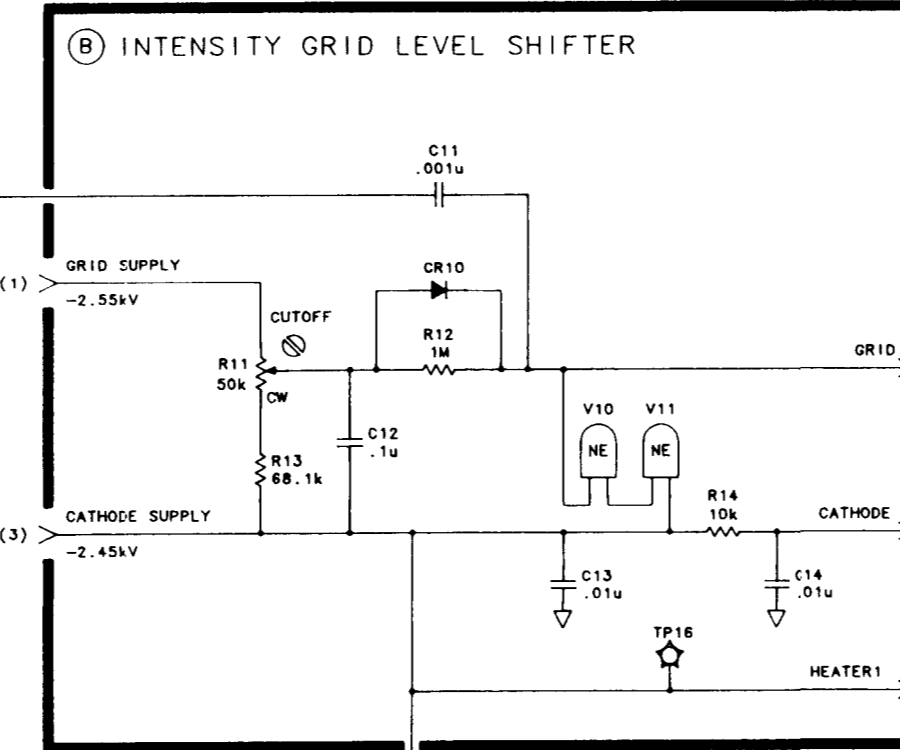
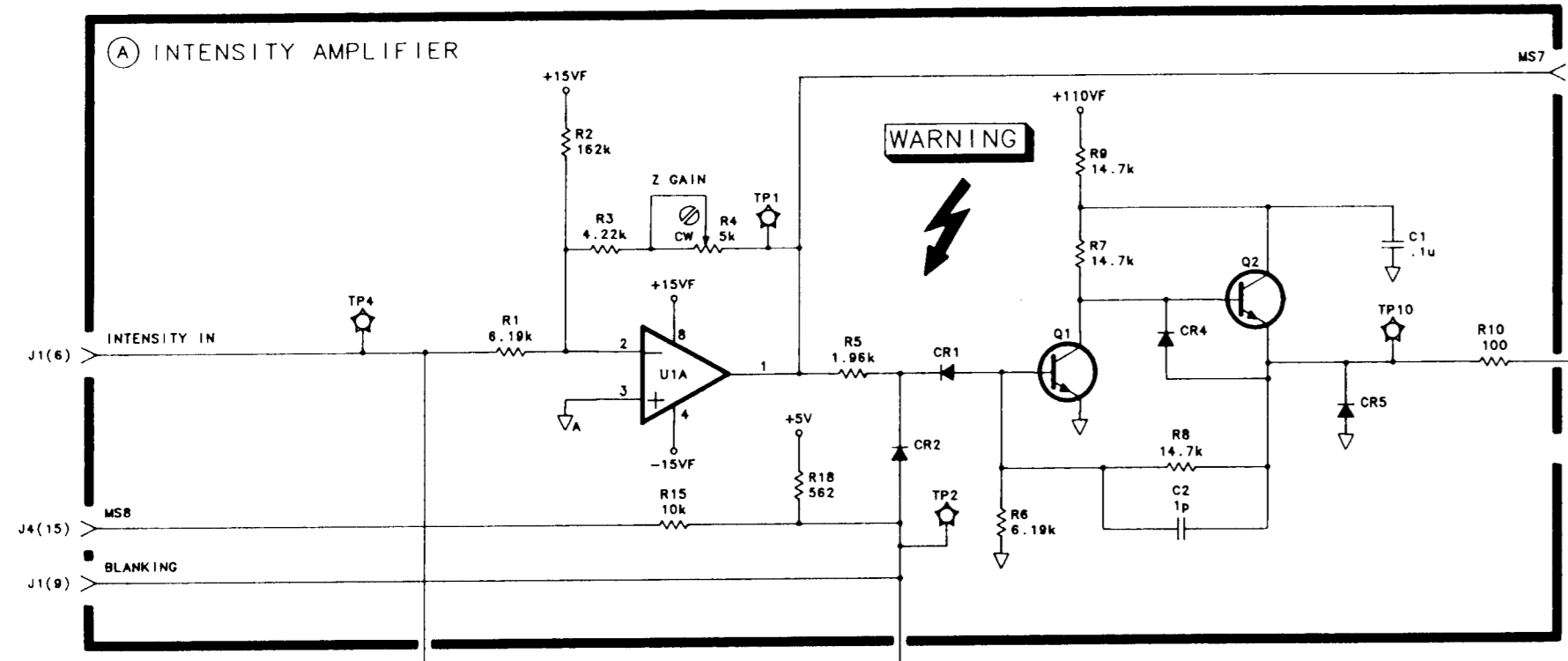
1. DIMENSIONS ARE IN INCHES.
2. MAXIMUM COMPONENT HEIGHT .433
3. MAXIMUM LEAD TRIM LENGTH .118
4. COMPONENTS ARE NOT TO BE LOADED IN THIS AREA
5. TESTPOINTS NOT ON MATERIAL LIST ARE SHOWN FOR REFERENCE ONLY.
6. MP9 IS LOCATED ON THE BOTTOM SIDE OF BOARD, TWO PLACES.

HP PROPRIETARY
THIS DOCUMENT CONTAINS CONFIDENTIAL PROPRIETARY INFORMATION THAT IS HEWLETT-PACKARD (HP) PROPERTY. DO NOT DISCLOSE TO OR DUPLICATE FOR OTHERS EXCEPT AS AUTHORIZED BY HP.

SEE 08562-60112 MATERIAL LIST

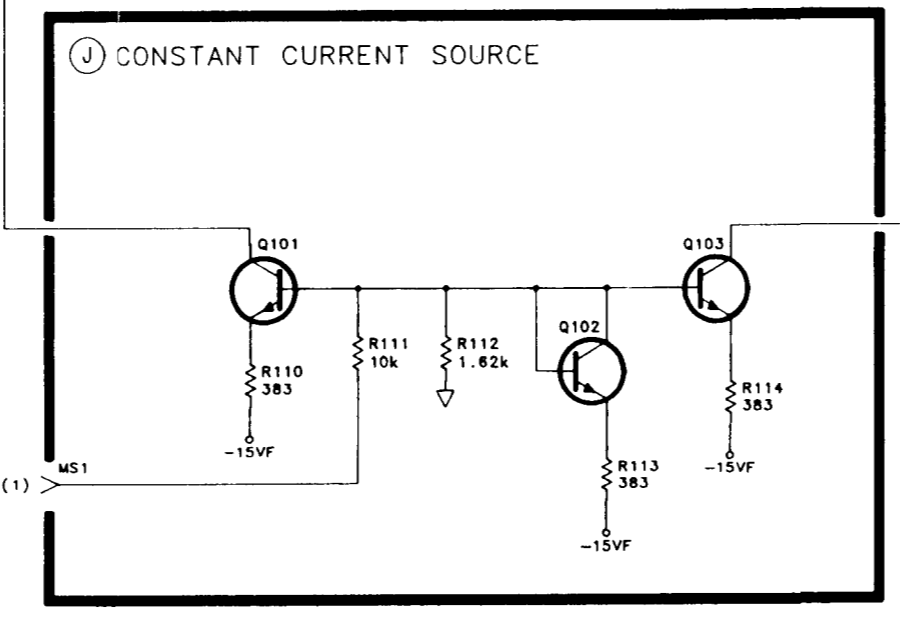
| | | | | |
|--|-------------------|------|-------------------------------|-----------------|
| UNLESS OTHERWISE SPECIFIED, DIMENSIONS ARE IN INCHES. TOLERANCES: XX,XXX CL.015 SEE CORP. STD. 808 | DRAWN BY | DATE | BOARD ASSEMBLY- CRT DRIVER | |
| | ENGINEER/CHECKER | | | |
| | RELEASED TO PROD. | | NONE | 08562-60112 |
| | SUPERSEDES DWG. | | SCALE | PART NUMBER |
| | | | SHEET 1 OF 1 | D-08562-60112-2 |

| SYM | REVISIONS | APPROVED | DATE |
|-----|----------------------------|----------|------|
| A | AS ISSUED PER PCO 53-06282 | | |



NOTES:
 1. REFERENCE DESIGNATORS WITHIN THIS ASSEMBLY ARE ABBREVIATED. PREFIX ABBREVIATION WITH ASSEMBLY NUMBER FOR COMPLETE REFERENCE DESIGNATOR.
 2. UNLESS OTHERWISE INDICATED: RESISTANCE IN OHMS (Ω); CAPACITANCE IN MICROFARADS (μF); INDUCTANCE IN MICROHENRIES (μH).
 3. MNEMONIC TABLE

| MNEMONIC | DESCRIPTION |
|----------|-------------|
| | |



J3

| PIN | SIGNAL | TO/FROM | FUNCTION BLOCK |
|-----|--------|----------|----------------|
| 1 | X | A18V1-10 | F |
| 2 | X' | A18V1-12 | F |
| 3 | NC | | |
| 4 | DDD | A18V1-11 | H |
| 5 | ACOM | A18V1-6 | H |
| 6 | ASTIG | A18V1-3 | H |
| 7 | Y' | A18V1-4 | G |
| 8 | Y | | |

J4

| PIN | SIGNAL | FUNCTION BLOCK |
|-----|--------|----------------|
| 1 | MS1 | |
| 2 | | |
| 3 | | |
| 4 | MS5 | |
| 5 | ACOM | |
| 6 | ACOM | |
| 7 | ACOM | |
| 8 | ACOM | |
| 9 | ACOM | |
| 10 | ACOM | |
| 11 | ACOM | |
| 12 | ACOM | |
| 13 | ACOM | |
| 14 | MS7 | A |
| 15 | MS8 | A |
| 16 | | |

J1

| PIN | SIGNAL | TO/FROM | FUNCTION BLOCK |
|-----|--------------|---------|----------------|
| 1 | ACOM | A2 | I |
| 2 | Y-POS | A2 | G |
| 3 | NC | A2 | I |
| 4 | X-POS | A2 | F |
| 5 | ACOM | A2 | I |
| 6 | INTENSITY IN | A2 | A |
| 7 | FOCUS IN | A2 | C |
| 8 | ACOM | A2 | I |
| 9 | BLANKING | A2 | A |
| 10 | 15V | A2 | I |

J2

| PIN | SIGNAL | TO/FROM | FUNCTION BLOCK |
|-----|--------------|----------|----------------|
| 1 | +110V | A6 | F |
| 2 | HEATER1 | A18V1-14 | B |
| 3 | NC | | |
| 4 | +15V | A6 | I |
| 5 | -15V | A6 | I |
| 6 | HV SHUT DOWN | A6 | I |

J5

| PIN | SIGNAL | TO/FROM | FUNCTION BLOCK |
|-----|--------|---------|----------------|
| 1 | ALIGN | A18V1-2 | H |
| 2 | GND | A18V1-1 | H |
| 3 | NC | | |

J7

| PIN | SIGNAL | TO/FROM | FUNCTION BLOCK |
|-----|---------|----------|----------------|
| 1 | HEATER2 | A18V1-1 | D |
| 2 | HEATER1 | A18V1-14 | B |
| 3 | NC | | |
| 4 | CATHODE | A18V1-7 | B |
| 5 | NC | | |
| 6 | GRID | A18V1-2 | B |
| 7 | NC | | |
| 8 | NC | | |
| 9 | NC | | |
| 10 | FOCUS | A18V1-8 | D |

J6

| PIN | SIGNAL | TO/FROM | FUNCTION BLOCK |
|-----|----------------|---------|----------------|
| 1 | GRID SUPPLY | ABA1 | B |
| 2 | CATHODE SUPPLY | ABA1 | B |
| 3 | NC | | |
| 4 | MS7 | ABA1 | D |
| 5 | -2.45kV | ABA1 | D |

| ITEM | QTY. | PART/MATERIAL-DESCRIPTION | MAT'L-PART NO. | MAT'L-DWG. NO. | MAT'L-SPEC. |
|---------------------------|------|---------------------------|---------------------------|----------------|-------------|
| UPGRADE TO CRT 2030-30112 | | | | | |
| DRAWN BY | | DATE | BOARD ASSEMBLY-CRT DRIVER | | |
| ENGINEER/CHECKER | | | TITLE (SCHEMATIC) | | |
| RELEASE TO PROD. | | | PART NUMBER 08562-60112 | | |
| SUPERSEDES DWG. | | | SCALE NONE SHEET 1 OF 1 | | |

HP PROPRIETARY
 THIS DOCUMENT CONTAINS CONFIDENTIAL, PROPRIETARY INFORMATION THAT IS HEWLETT-PACKARD (HP) PROPERTY. DO NOT DISCLOSE TO OR DUPLICATE FOR OTHERS EXCEPT AS AUTHORIZED BY HP.

Component-Level Information Packet

for 08562-60042

HP-IB

Copyright © 1990 Hewlett-Packard Company

**All Rights Reserved.
Reproduction, adaptation, or translation
without prior written permission
is prohibited, except as allowed
under the copyright laws.**

HP Document Part Number 08562-90115

**Printed December 1990
Printed in USA**

The information contained in this document is subject to change
without notice.



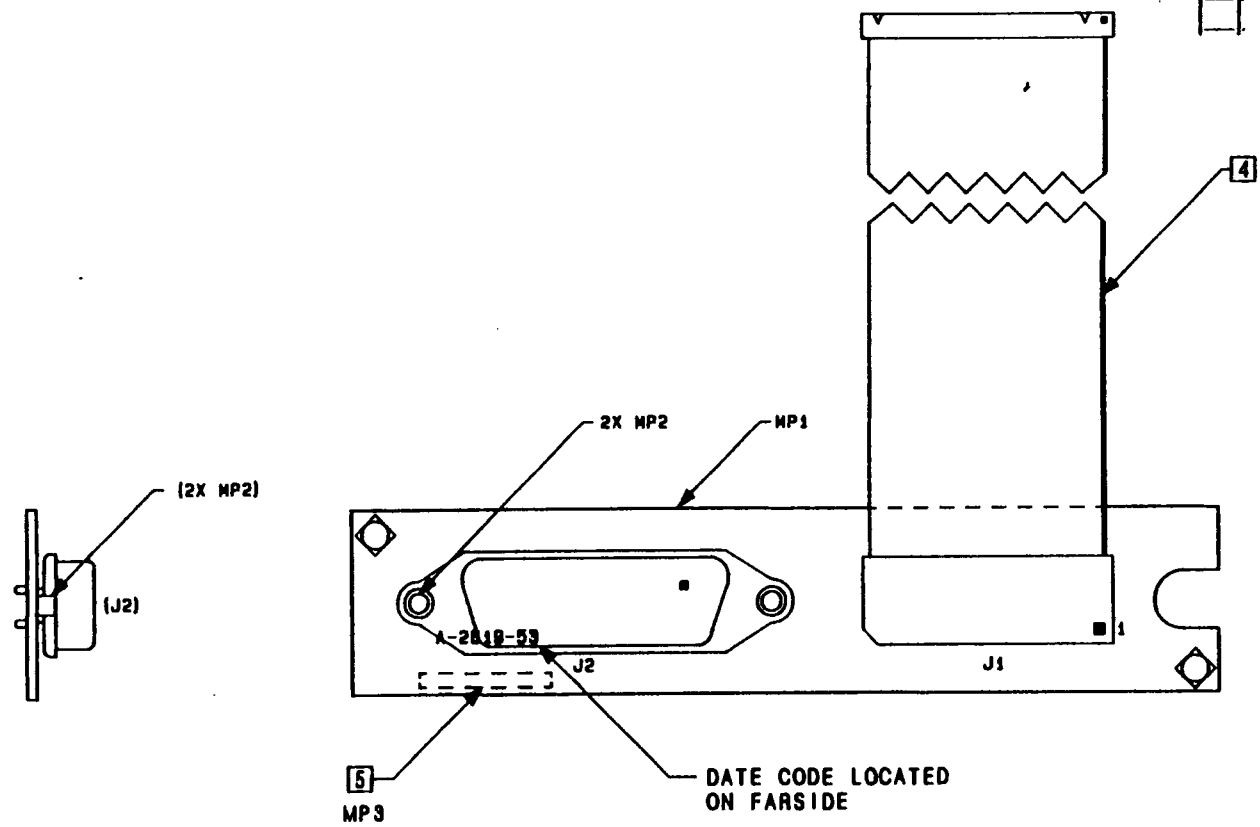
HP Part Number 08562-60042

HP-IB

| Reference Designation | HP Part Number | C D | Qty | Description | Mfr Code | Mfr Part Number |
|------------------------------|-----------------------|------------|------------|-----------------------------------|-----------------|------------------------|
| J1 | 5061-9031 | 0 | 1 | CABLE ASSY HP-IP | 28480 | 5061-9031 |
| J2 | 1251-8061 | 3 | 1 | CONN-RECT MICRORBN 24-CKT 24-CONT | 04068 | 57-20240-11 |
| MP1 | 5021-7404 | 3 | 1 | BOARD, HP-IB | 28480 | 5021-7404 |
| MP2 | 0380-1698 | 0 | 2 | SPACER-RVT-ON 5-MM-LG 4.4-MM-ID | 02121 | |

**Indicates factory-selected value*

| BYN | REVISIONS | APPROVED | DATE |
|-----|-----------|----------|------|
| A | | | |



NOTES: UNLESS OTHERWISE SPECIFIED

- 1. DIMENSIONS ARE IN INCHES
- 2. MAXIMUM COMPONENT HEIGHT .551
- 3. MAXIMUM LEAD TRIM LENGTH .118
- [4] BLUE LINE ON CABLE INDICATES PIN 1.
- [5] LABEL COVERS P. C. BOARD NUMBER ON FAR SIDE OF BOARD BUT LEAVES "HP-1B BOARD" TITLE AND DATE CODE VISIBLE.

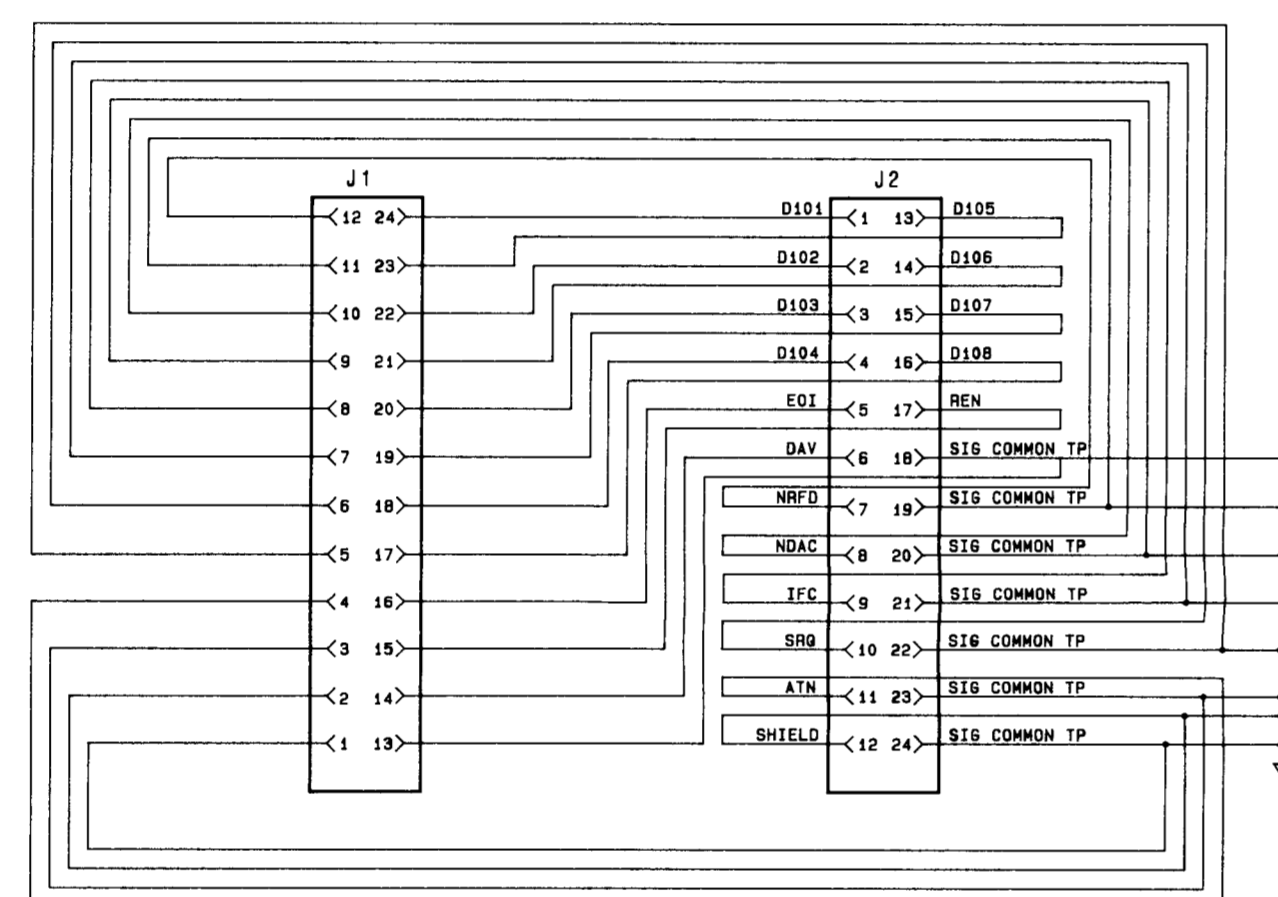
SEE 08562-60042 MATERIAL LIST

HP PROPRIETARY
 THIS DOCUMENT CONTAINS CONFIDENTIAL,
 PROPRIETARY INFORMATION THAT IS
 HENLETT-PACKARD'S PROPERTY. DO NOT
 DISCLOSE TO OR DUPLICATE FOR OTHERS
 EXCEPT AS AUTHORIZED BY HP.

| | | | | |
|-----------------|--|--------------------------|-----------------------|---|
| RELEASE TO PROD | | BOARD ASSEMBLY- HP-1B | | HENLETT PACKARD PART NUMBER 08562-60042 |
| SUPERSEDED ENG. | | TITLE | SCALE 2X SHEET 1 OF 1 | |
| | | | | C - 08562-60042-2 |

| SYM | REVISIONS | APPROVED | DATE |
|-----|-----------|----------|------|
| A | | | |

A1 HP-1B BOARD ASSEMBLY
08562-60042



NOTES:

- REFERENCE DESIGNATORS WITHIN THIS ASSEMBLY ARE ABBREVIATED. FOR COMPLETE REFERENCE SEE: NATION, PREFIX, ABBREVIATION WITH ASSEMBLY DESIGNATION.
- UNLESS OTHERWISE INDICATED: RESISTANCE IS IN OHMS (Ω) CAPACITANCE IS IN MICROFARADS (μF) INDUCTANCE IS IN MICRONHENRIES (μH)
- UNLESS OTHERWISE INDICATED: SIGNALS ENTER AT LEFT SIDE AND EXIT AT RIGHT SIDE OF FUNCTION BLOCKS.
- MNEMONIC TABLE:

| MNEMONIC | DESCRIPTION |
|----------|-------------|
| | |
| | |

Component-Level Information Packet
for 08562-60065
Calibration Oscillator

Copyright © 1990 Hewlett-Packard Company

All Rights Reserved.
Reproduction, adaptation, or translation
without prior written permission
is prohibited, except as allowed
under the copyright laws.

HP Document Part Number 08562-90135

Printed December 1990
Printed in USA

The information contained in this document is subject to change
without notice.



HP Part Number 08562-60065
Calibration Oscillator

| Reference Designation | HP Part Number | C D | Qty | Description | Mfr Code | Mfr Part Number |
|-----------------------|----------------|--------|-----|--|----------|-------------------|
| C1 | 0160-5422 | 0 | 1 | CAP-FXD 0.047uF 50 V | 02010 | SA205C473MAAH |
| C2 | 0180-3844 | 8 | 1 | CAP-FXD 3.3uF 35 V TA | 04200 | 299D335X90358B1 |
| C3 | 0160-4810 | 8 | 1 | CAP-FXD 330pF 100 V | 02010 | SA101A331JAAH |
| C4 | 0160-4810 | 8 | 1 | CAP-FXD 330pF 100 V | 02010 | SA101A331JAAH |
| C5 | 0160-4832 | 4 | 1 | CAP-FXD 0.01uF 100 V | 02010 | SA101C103KAAH |
| C6 | 0160-4833 | 5 | 1 | CAP-FXD 0.022uF 100 V | 02010 | SA201C223KAAH |
| C7 | 0160-4830 | 2 | 1 | CAP-FXD 2200pF 100 V | 02010 | SA101C222KAAH |
| C8 | 0160-4835 | 7 | 1 | CAP-FXD 0.1uF 50 V | 02010 | SA115C104KAAH |
| C9 | 0160-4835 | 7 | 1 | CAP-FXD 0.1uF 50 V | 02010 | SA115C104KAAH |
| C10 | 0160-4835 | 7 | 1 | CAP-FXD 0.1uF 50 V | 02010 | SA115C104KAAH |
| C11 | 0160-5422 | 0 | 1 | CAP-FXD 0.047uF 50 V | 02010 | SA205C473MAAH |
| C12 | 0160-4835 | 7 | 1 | CAP-FXD 0.1uF 50 V | 02010 | SA115C104KAAH |
| C13 | 0160-4832 | 4 | 1 | CAP-FXD 0.01uF 100 V | 02010 | SA101C103KAAH |
| C14 | 0160-6556 | 3 | 1 | CAP-FXD 0.015uF 100 V POLYE-MET | 05176 | TRW74 |
| C15 | 0160-6557 | 4 | 1 | CAP-FXD 0.1uF 50 V POLYC-MET | 05176 | HEW747 |
| C16 | 0160-4801 | 7 | 1 | CAP-FXD 100pF 100 V | 02010 | SA102A101JAAH |
| C17 | 0160-4832 | 4 | 1 | CAP-FXD 0.01uF 100 V | 02010 | SA101C103KAAH |
| C18 | 0160-4786 | 7 | 1 | CAP-FXD 27pF 100 V | 02010 | SA102A270JAAH |
| C19 | 0160-4835 | 7 | 1 | CAP-FXD 0.1uF 50 V | 02010 | SA115C104KAAH |
| C20 | 0160-4797 | 0 | 1 | CAP-FXD 3.3pF 100 V | 02010 | MA101A3R3CAA |
| C21 | 0160-4805 | 1 | 1 | CAP-FXD 47pF 100 V | 02010 | SA102A470JAAH |
| C22 | 0160-4792 | 5 | 1 | CAP-FXD 8.2pF 100 V | 02010 | SA102A8R2DAAH |
| C23 | 0160-4806 | 2 | 1 | CAP-FXD 39pF 100 V | 02010 | SA102A390JAAH |
| C24 | 0160-4825 | 5 | 1 | CAP-FXD 560pF 100 V | 02010 | SA101A561JAAH |
| C25 | 0160-4787 | 8 | 1 | CAP-FXD 22pF 100 V | 02010 | SA102A220JAAH |
| C26 | 0160-4835 | 7 | 1 | CAP-FXD 0.1uF 50 V | 02010 | SA115C104KAAH |
| C27 | 0160-4814 | 2 | 1 | CAP-FXD 150pF 100 V | 02010 | SA101A151JAAH |
| C28 | 0160-4835 | 7 | 1 | CAP-FXD 0.1uF 50 V | 02010 | SA115C104KAAH |
| C29 | 0160-5422 | 0 | 1 | CAP-FXD 0.047uF 50 V | 02010 | SA205C473MAAH |
| C30 | 0160-5422 | 0 | 1 | CAP-FXD 0.047uF 50 V | 02010 | SA205C473MAAH |
| C31 | 0180-3847 | 1 | 1 | CAP-FXD 22uF 25 V TA | 04200 | 299D226X9025DB1 |
| C32 | 0180-3847 | 1 | 1 | CAP-FXD 22uF 25 V TA | 04200 | 299D226X9025DB1 |
| C33 | 0180-3844 | 8 | 1 | CAP-FXD 3.3uF 35 V TA | 04200 | 299D335X90358B1 |
| C101 | 0160-4832 | 4 | 1 | CAP-FXD 0.01uF 100 V | 02010 | SA101C103KAAH |
| C102 | 0180-4281 | 9 | 1 | CAP-FXD 2.2uF 35 V TA | 12340 | T322C225M035AS |
| C103 | 0160-4835 | 7 | 1 | CAP-FXD 0.1uF 50 V | 02010 | SA115C104KAAH |
| C104 | 0180-4129 | 4 | 1 | CAP-FXD 1uF 35 V TA | 04200 | 173D105X9035V |
| C105 | 0160-4835 | 7 | 1 | CAP-FXD 0.1uF 50 V | 02010 | SA115C104KAAH |
| C106 | 0180-3847 | 1 | 1 | CAP-FXD 22uF 25 V TA | 04200 | 299D226X9025DB1 |
| C107 | 0160-4835 | 7 | 1 | CAP-FXD 0.1uF 50 V | 02010 | SA115C104KAAH |
| C108 | 0180-3628 | 6 | 1 | CAP-FXD 220uF 10 V AL-ELCLTL | 00493 | SMC10VB221M8X11.5 |
| CR1 | 0122-0162 | 5 | 1 | DIODE-VVC 29PF 10% C 3/C25-MIN=5 BVR=3 | 03334 | BB809 |
| CR2 | 1901-0376 | 6 | 1 | DIODE-GEN PRP 35V 50MA DO-35 | 00046 | 1N3595 |
| CR3 | 1901-1098 | 1 | 1 | DIODE-SWITCHING 1N4150 50V 200MA 4NS | 00746 | |
| CR4 | 1901-1098 | 1 | 1 | DIODE-SWITCHING 1N4150 50V 200MA 4NS | 00746 | |
| CR5 | 1901-1098 | 1 | 1 | DIODE-SWITCHING 1N4150 50V 200MA 4NS | 00746 | |
| CR6 | 1901-1098 | 1 | 1 | DIODE-SWITCHING 1N4150 50V 200MA 4NS | 00746 | |
| CR7 | 1901-1098 | 1 | 1 | DIODE-SWITCHING 1N4150 50V 200MA 4NS | 00746 | |

*Indicates factory-selected value

HP Part Number 08562-60065
Calibration Oscillator

| Reference Designation | HP Part Number | C | D | Qty | Description | Mfr Code | Mfr Part Number |
|-----------------------|----------------|---|---|-----|--|----------|-----------------|
| CR8 | 1901-1098 | 1 | 1 | | DIODE-SWITCHING 1N4150 50V 200MA 4NS | 00746 | |
| CR10 | 1901-1098 | 1 | 1 | | DIODE-SWITCHING 1N4150 50V 200MA 4NS | 00746 | |
| CR11 | 1901-0518 | 8 | 1 | | DIODE-SCHOTTKY SM SIG | 02062 | 5082-5509 |
| CR12 | 1901-1098 | 1 | 1 | | DIODE-SWITCHING 1N4150 50V 200MA 4NS | 00746 | |
| CR13 | 1901-1098 | 1 | 1 | | DIODE-SWITCHING 1N4150 50V 200MA 4NS | 00746 | |
| CR14 | 1901-1068 | 5 | 1 | | DIODE-SCHOTTKY SM SIG | 02062 | 5082-5541 |
| J1 | 1250-0257 | 1 | 1 | | CONNECTOR-RF SMB M PC-W-STDFS 50-OHM | 02788 | 5162-5021-09 |
| J2 | 1250-0543 | 8 | 1 | | CONNECTOR-RF SM-SNP M PC 50-OHM | 05769 | 51-053-0349-BE8 |
| J3 | 1252-1151 | 0 | 1 | | CONN-POST TYPE 100-PIN-SPCG 20-CONT | 02946 | 68794-072 |
| J4 | 1252-1200 | 0 | 1 | | CONN-POST TYPE 100-PIN-SPCG 15-CONT | 02946 | 68449-079 |
| J101 | 1250-0543 | 8 | 1 | | CONNECTOR-RF SM-SNP M PC 50-OHM | 05769 | 51-053-0349-BE8 |
| J102 | 1252-1743 | 6 | 1 | | CONN-POST TYPE 100-PIN-SPCG 5-CONT | 01380 | 644093-2 |
| L1 | 9100-3313 | 7 | 1 | | INDUCTOR RF-CH-MLD 22UH +-5% .166D-INX.3 | 03273 | 15M222J |
| L2 | 9140-0210 | 1 | 1 | | INDUCTOR RF-CH-MLD 100UH +-5% .166D-INX. | 03273 | 15M103J |
| L3 | 9140-0400 | 1 | 1 | | INDUCTOR RF-CH-MLD 8.2UH +-5% .166D-INX. | 03273 | 15M821J |
| L4 | 9140-0400 | 1 | 1 | | INDUCTOR RF-CH-MLD 8.2UH +-5% .166D-INX. | 03273 | 15M821J |
| L5 | 9140-0738 | 8 | 1 | | INDUCTOR 100UH .7D-INX.6LG-IN | 01869 | |
| L6 | 9140-0738 | 8 | 1 | | INDUCTOR 100UH .7D-INX.6LG-IN | 01869 | |
| L7 | 9140-0210 | 1 | 1 | | INDUCTOR RF-CH-MLD 100UH +-5% .166D-INX. | 03273 | 15M103J |
| L101 | 9100-2259 | 8 | 1 | | INDUCTOR RF-CH-MLD 1.5UH +-10% .105D-INX | 03273 | 10M151K |
| MP2 | 5021-6741 | 9 | 1 | | SHIELD - TOP | 28480 | 5021-6741 |
| MP3 | 5021-6742 | 0 | 1 | | SHIELD - BOTTOM | 28480 | 5021-6742 |
| MP4 | 0380-2054 | 4 | 2 | | SPACER-RVT-ON 17.5-MM-LG 3.8-MM-ID 6.17- | 02121 | |
| MP5 | 0380-2048 | 6 | 2 | | STANDOFF-RVT-ON 13-MM-LG M3.0 X 0.5-THD | 02121 | |
| MP6 | 0380-2049 | 7 | 2 | | SPACER-RND 4.5-MM-LG 4.9-MM-ID 6.35-MM-D | 02121 | |
| MP7 | 1200-0173 | 5 | 1 | | INSULATOR-XSTR DAP-GL | 02210 | A-10001-DAP |
| MP8 | 9320-5784 | 6 | 1 | | LBL-LNE-PTR .65-IN-WD X .2-IN-LG | 12532 | 1EW10R |
| MP11 | 0470-0450 | 7 | 1 | | ADHESIVE DOW CORNING 3145RTV CLEAR | 04514 | 3145RTV CLEAR |
| MP12 | 0470-1553 | 1 | 1 | | ADHESIVE LOCTITE QUICK GEL 409 | 02136 | QUICK GEL 409 |
| NONE1211 | 7121-4611 | 2 | 1 | | LABEL-INFORMATION 15-IN-WD .6-IN-LG | 09002 | |
| Q1 | 1854-0477 | 7 | 1 | | TRANSISTOR NPN 2N2222A SI TO-18 PD=500MW | 02037 | 2N2222A |
| Q3 | 1854-0477 | 7 | 1 | | TRANSISTOR NPN 2N2222A SI TO-18 PD=500MW | 02037 | 2N2222A |
| Q101 | 1854-0477 | 7 | 1 | | TRANSISTOR NPN 2N2222A SI TO-18 PD=500MW | 02037 | 2N2222A |
| R1 | 0757-0346 | 2 | 1 | | RESISTOR 10 +-1% .125W TF TC=0+-100 | 00746 | CRB14 OR CRB25 |
| R2 | 0757-0416 | 7 | 1 | | RESISTOR 511 +-1% .125W TF TC=0+-100 | 00746 | CRB14 OR CRB25 |
| R3 | 0757-0442 | 9 | 1 | | RESISTOR 10K +-1% .125W TF TC=0+-100 | 00746 | CRB14 OR CRB25 |
| R4 | 0757-0442 | 9 | 1 | | RESISTOR 10K +-1% .125W TF TC=0+-100 | 00746 | CRB14 OR CRB25 |
| R5 | 0757-0463 | 4 | 1 | | RESISTOR 82.5K +-1% .125W TF TC=0+-100 | 00746 | CRB14 OR CRB25 |
| R6 | 0698-0083 | 8 | 1 | | RESISTOR 1.96K 1% .125W TE TC=0+-100 | 00746 | CRB14 OR CRB25 |
| R7 | 0757-0439 | 4 | 1 | | RESISTOR 6.81K +-1% .125W TF TC=0+-100 | 00746 | CRB14 OR CRB25 |
| R8 | 0698-3439 | 4 | 1 | | RESISTOR 178 1% .125W TF TC=0+-100 | 00746 | CRB14 OR CRB25 |
| R9 | 0698-3156 | 2 | 1 | | RESISTOR 14.7K 1% .125W TF TC=0+-100 | 00746 | CRB14 OR CRB25 |
| R10 | 0757-0442 | 9 | 1 | | RESISTOR 10K +-1% .125W TF TC=0+-100 | 00746 | CRB14 OR CRB25 |
| R11 | 0698-0084 | 9 | 1 | | RESISTOR 2.15K 1% .125W TF TC=0+-100 | 00746 | CRB14 OR CRB25 |
| R12 | 0757-0441 | 8 | 1 | | RESISTOR 8.25K +-1% .125W TF TC=0+-100 | 00746 | CRB14 OR CRB25 |
| R13 | 0698-3159 | 5 | 1 | | RESISTOR 26.1K 1% .125W TF TC=0+-100 | 00746 | CRB14 OR CRB25 |
| R14 | 0757-0440 | 7 | 1 | | RESISTOR 7.5K +-1% .125W TF TC=0+-100 | 00746 | CRB14 OR CRB25 |

HP Part Number 08562-60065
Calibration Oscillator

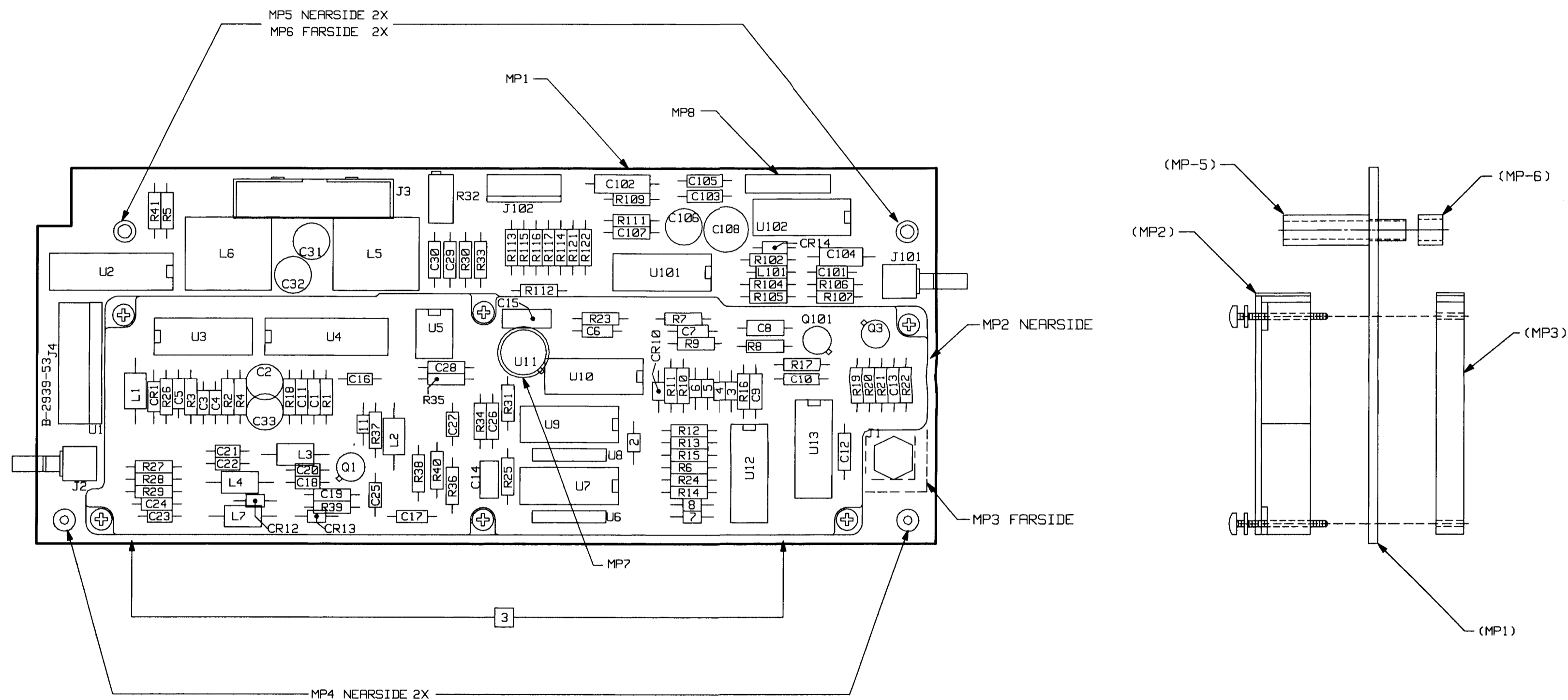
| Reference Designation | HP Part Number | C D | Qty | Description | Mfr Code | Mfr Part Number |
|-----------------------|----------------|-----|-----|--|----------|------------------------|
| R15 | 0757-0440 | 7 | 1 | RESISTOR 7.5K +-1% .125W TF TC=0+-100 | 00746 | CRB14 OR CRB25 |
| R16 | 0757-0442 | 9 | 1 | RESISTOR 10K +-1% .125W TF TC=0+-100 | 00746 | CRB14 OR CRB25 |
| R17 | 0757-0394 | 0 | 1 | RESISTOR 51.1 +-1% .125W TF TC=0+-100 | 00746 | CRB14 OR CRB25 |
| R18 | 0757-0401 | 0 | 1 | RESISTOR 100 +-1% .125W TF TC=0+-100 | 00746 | CRB14 OR CRB25 |
| R19 | 0757-0379 | 1 | 1 | RESISTOR 12.1 +-1% .125W TF TC=0+-100 | 00746 | CRB14 OR CRB25 |
| R20 | 0757-0416 | 7 | 1 | RESISTOR 511 +-1% .125W TF TC=0+-100 | 00746 | CRB14 OR CRB25 |
| R21 | 0757-0442 | 9 | 1 | RESISTOR 10K +-1% .125W TF TC=0+-100 | 00746 | CRB14 OR CRB25 |
| R22 | 0698-3136 | 8 | 1 | RESISTOR 17.8K 1% .125W TF TC=0+-100 | 00746 | CRB14 OR CRB25 |
| R23 | 0757-0123 | 3 | 1 | RESISTOR 34.8K +-1% .125W TF TC=0+-100 | 00746 | CRB14 OR CRB25 |
| R24 | 0757-0428 | 1 | 1 | RESISTOR 1.62K +-1% .125W TF TC=0+-100 | 00746 | CRB14 OR CRB25 |
| R25 | 0698-6376 | 4 | 1 | RESISTOR 200K +-0.1% .125W TF TC=0+-25 | 00746 | CRB14 OR CRB25 |
| R26 | 0757-0280 | 3 | 1 | RESISTOR 1K +-1% .125W TF TC=0+-100 | 00746 | CRB14 OR CRB25 |
| R27 | 0757-0180 | 2 | 1 | RESISTOR 31.6 +-1% .125W TF TC=0+-100 | 00746 | CRB14 OR CRB25 |
| R28 | 0757-0382 | 6 | 1 | RESISTOR 16.2 +-1% .125W TF TC=0+-100 | 00746 | CRB14 OR CRB25 |
| R29 | 0757-0416 | 7 | 1 | RESISTOR 511 +-1% .125W TF TC=0+-100 | 00746 | CRB14 OR CRB25 |
| R30 | 0698-0084 | 9 | 1 | RESISTOR 2.15K 1% .125W TF TC=0+-100 | 00746 | CRB14 OR CRB25 |
| R31 | 0757-0465 | 8 | 1 | RESISTOR 100K +-1% .125W TF TC=0+-100 | 00746 | CRB14 OR CRB25 |
| R32 | 2100-3759 | 8 | 1 | RESISTOR-TRMR 2K 10% TKF SIDE-ADJ 17-TRN | 03744 | 3296X-DM3-202 |
| R33 | 0698-0084 | 9 | 1 | RESISTOR 2.15K 1% .125W TF TC=0+-100 | 00746 | CRB14 OR CRB25 |
| R34 | 0757-0418 | 9 | 1 | RESISTOR 619 +-1% .125W TF TC=0+-100 | 00746 | CRB14 OR CRB25 |
| R35 | 0757-0458 | 7 | 1 | RESISTOR 51.1K +-1% .125W TF TC=0+-100 | 00746 | CRB14 OR CRB25 |
| R36 | 0757-0465 | 6 | 1 | RESISTOR 100K +-1% .125W TF TC=0+-100 | 00746 | CRB14 OR CRB25 |
| R37 | 0757-1094 | 9 | 1 | RESISTOR 1.47K +-1% .125W TF TC=0+-100 | 00746 | CRB14 OR CRB25 |
| R38 | 0757-0401 | 0 | 1 | RESISTOR 100 +-1% .125W TF TC=0+-100 | 00746 | CRB14 OR CRB25 |
| R39 | 0757-0416 | 7 | 1 | RESISTOR 511 +-1% .125W TF TC=0+-100 | 00746 | CRB14 OR CRB25 |
| R40 | 0757-0465 | 6 | 1 | RESISTOR 100K +-1% .125W TF TC=0+-100 | 00746 | CRB14 OR CRB25 |
| R41 | 0757-0465 | 6 | 1 | RESISTOR 100K +-1% .125W TF TC=0+-100 | 00746 | CRB14 OR CRB25 |
| R102 | 0698-3156 | 2 | 1 | RESISTOR 14.7K 1% .125W TF TC=0+-100 | 00746 | CRB14 OR CRB25 |
| R104 | 0698-3444 | 1 | 1 | RESISTOR 316 1% .125W TF TC=0+-100 | 00746 | CRB14 OR CRB25 |
| R105 | 0757-0279 | 0 | 1 | RESISTOR 3.16K +-1% .125W TF TC=0+-100 | 00746 | CRB14 OR CRB25 |
| R106 | 0757-0458 | 7 | 1 | RESISTOR 51.1K +-1% .125W TF TC=0+-100 | 00746 | CRB14 OR CRB25 |
| R107 | 0698-0084 | 9 | 1 | RESISTOR 2.15K 1% .125W TF TC=0+-100 | 00746 | CRB14 OR CRB25 |
| R109 | 0698-3456 | 5 | 1 | RESISTOR 287K 1% .125W TF TC=0+-100 | 00746 | CRB14 OR CRB25 |
| R111 | 0757-0399 | 5 | 1 | RESISTOR 82.5 +-1% .125W TF TC=0+-100 | 00746 | CRB14 OR CRB25 |
| R112 | 0757-0395 | 1 | 1 | RESISTOR 56.2 +-1% .125W TF TC=0+-100 | 00746 | CRB14 OR CRB25 |
| R113 | 0698-3438 | 3 | 1 | RESISTOR 147 1% .125W TF TC=0+-100 | 00746 | CRB14 OR CRB25 |
| R114 | 0698-3443 | 0 | 1 | RESISTOR 287 1% .125W TF TC=0+-100 | 00746 | CRB14 OR CRB25 |
| R115 | 0757-0417 | 8 | 1 | RESISTOR 562 +-1% .125W TF TC=0+-100 | 00746 | CRB14 OR CRB25 |
| R116 | 0757-0424 | 7 | 1 | RESISTOR 1.1K +-1% .125W TF TC=0+-100 | 00746 | CRB14 OR CRB25 |
| R117 | 0698-3151 | 7 | 1 | RESISTOR 2.87K 1% .125W TF TC=0+-100 | 00746 | CRB14 OR CRB25 |
| R121 | 0757-0442 | 9 | 1 | RESISTOR 10K +-1% .125W TF TC=0+-100 | 00746 | CRB14 OR CRB25 |
| R122 | 0698-8817 | 2 | 1 | RESISTOR 2.61 +-1% .125W TF TC=0+-100 | 02995 | SFR25H |
| U1 | 1810-0542 | 5 | 1 | NETWORK-RES 10-SIP 10.0K OHM X 5 | 02483 | 750-103-R10K |
| U2 | 1820-1730 | 6 | 1 | IC FF TTL/LS D-TYPE POS-EDGE-TRIG COM CL | 01698 | SN74LS273N |
| U3 | 1820-2622 | 7 | 1 | IC OSC TTL LS | 01698 | SN74LS624N |
| U4 | 1820-3405 | 6 | 1 | IC MISC CMOS 4-BIT | 02037 | MC145146P |
| U5 | 1826-0915 | 9 | 1 | IC OP AMP LOW-BIAS-H-IMP 8-DIP-C PKG | 01698 | TL071ACJG (PER HP DWG) |
| U6 | 1810-0947 | 4 | 1 | NETWORK-RES 6-SIP MULTI-VALUE | 02483 | 750-6P-5R |

*Indicates factory-selected value

HP Part Number 08562-60065
Calibration Oscillator

| Reference Designation | HP Part Number | C | D | Qty | Description | Mfr Code | Mfr Part Number |
|-----------------------|----------------|---|---|-----|--|----------|-----------------|
| U7 | 1826-0610 | 1 | | 1 | ANALOG MULTIPLEXER 4 CHNL 16 -CERDIP | 02180 | MUX-24FQ |
| U8 | 1810-0948 | 3 | | 1 | NETWORK-RES 6-SIP MULTI-VALUE | 02483 | 750-6P-5R |
| U9 | 1826-1381 | 1 | | 1 | ANALOG SWITCH 4 SPST 16 -DIP-P | 02883 | 8G212CJ |
| U10 | 1826-1976 | 4 | | 1 | | 02037 | MC34004BP |
| U11 | 1826-0742 | 0 | | 1 | IC V RGLTR-V-REF-FXD 10V TO-5 PKG | 03285 | ADS81J |
| U12 | 1820-3637 | 5 | | 1 | IC FF CMOS/74MCT D-TYPE POS-EDGE-TRIG PR | 02910 | 74MCT74N |
| U13 | 1820-2078 | 7 | | 1 | IC CNTR TTL/LS DECD ASYNCHRO NEG-EDGE-TR | 01698 | SN74LS490N |
| U101 | 1820-1427 | 8 | | 1 | IC DCDR TTL/LS BIN 2-TO-4-LINE DUAL 2-IN | 01898 | SN74LS156N |
| U102 | 1826-1315 | 5 | | 1 | IC AUDIO AMPL ANLG 14-DIP-P PKG | 03486 | LM390N |

| SYM | REVISIONS | APPROVED | DATE |
|-----|-----------|----------|------|
| | A | | |
| B | | | |



NOTES: UNLESS OTHERWISE SPECIFIED

1. ALL DIMENSIONS ARE IN INCHES.
2. MAXIMUM HEIGHT FOR COMPONENTS OUTSIDE SHIELD .390
- 3 MAXIMUM COMPONENT HEIGHT UNDER SHIELD IN THIS AREA .320
4. MAXIMUM COMPONENT HEIGHT UNDER AREAS OF SHIELD NOT COVERED IN NOTE 3, .394
5. MAXIMUM LEAD TRIM LENGTH .12
6. ALL 2 LEAD COMPONENTS WITH A NUMERIC ONLY REFERENCE DESIGNATOR AND SQUARE PAD POLARITY MARKINGS TO BE PREFIXED WITH "CR". EXAMPLE- 7 BECOMES CR7.

SEE 08562-60065 MATERIAL LIST

HP PROPRIETARY
 THIS DOCUMENT CONTAINS CONFIDENTIAL, PROPRIETARY INFORMATION THAT IS HEWLETT-PACKARD (HP) PROPERTY. DO NOT DISCLOSE TO OR DUPLICATE FOR OTHERS EXCEPT AS AUTHORIZED BY HP.

| | | | | |
|---|--------------------------|------------------|------------------------|---|
| UNLESS OTHERWISE SPECIFIED, DIMENSIONS ARE IN INCHES. | DRAWN BY | DATE | BOARD ASSEMBLY-CAL OSC | HEWLETT PACKARD PART NUMBER 08562-60065 |
| | TOLERANCES: XX.XXX ±.015 | ENGINEER/CHECKER | | |
| SEE CORP. STD. 888 | RELEASED TO PROD. | SUPERSEDED INC. | SCALE 2X | SHEET 1 of 1 |

| | | | |
|-----|-----------|----------|------|
| SYM | REVISIONS | APPROVED | DATE |
| A | | | |
| B | | | |

A16 CAL OSC BOARD ASSEMBLY
08562-60065

- NOTES:
- REFERENCE DESIGNATORS WITHIN THIS ASSEMBLY ARE ABREVIATED. FOR COMPLETE REFERENCE DESIGNATION, PREFIX ABBREVIATION WITH ASSEMBLY DESIGNATION.
 - UNLESS OTHERWISE INDICATED: RESISTANCE IS IN OHMS (Ω), CAPACITANCE IS IN MICROFARADS (μ F), INDUCTANCE IS IN MICROROHMS (μ H).
 - UNLESS OTHERWISE INDICATED, SIGNALS ENTER AT LEFT SIDE AND EXIT AT RIGHT SIDE OF FUNCTION BLOCKS.
 - WAVEFORM TABLE:

| WAVEFORM | DESCRIPTION |
|----------|----------------------------|
| MSDF-7 | BUFFERED INTERNAL DATA BUS |
| MSI-8 | MEASURED SIGNAL LINE |
| STW-9 | STROBE LINE |
| TAF-4 | TEST ADDRESS |

THIS CHASSIS GROUND CONNECTION IS MADE VIA STANDOFFS W1 AND W2.

J3

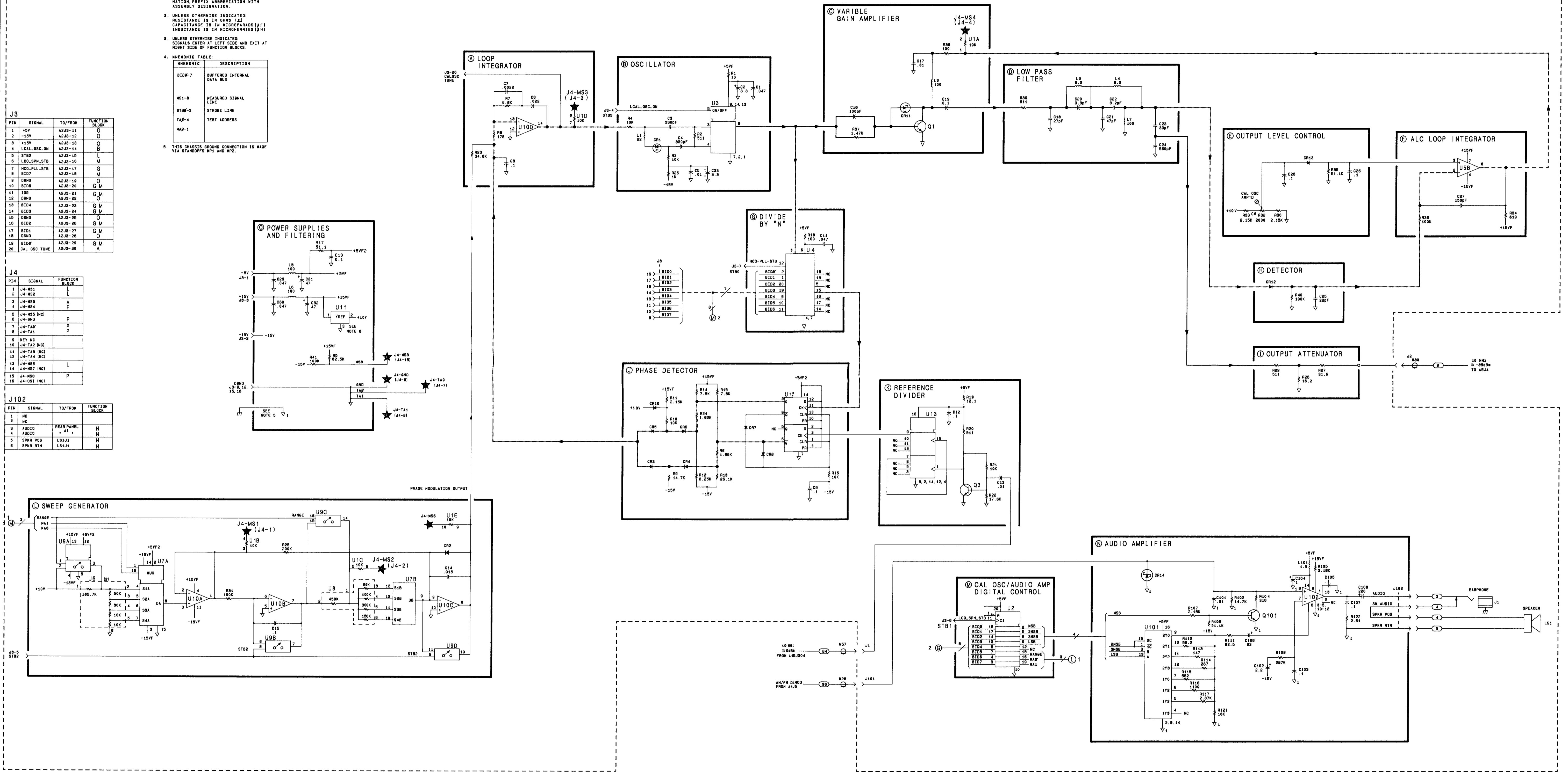
| PIN | SIGNAL | TO/FROM | FUNCTION BLOCK |
|-----|---------------|---------|----------------|
| 1 | +5V | A2J3-11 | O |
| 2 | -15V | A2J3-10 | O |
| 3 | +15V | A2J3-13 | O |
| 4 | LOCAL_OSC_ON | A2J3-14 | B |
| 5 | STW | A2J3-15 | O |
| 6 | LOCAL_SPM_STB | A2J3-16 | M |
| 7 | MSDF-7 | A2J3-17 | G |
| 8 | MSI-8 | A2J3-18 | M |
| 9 | DEND | A2J3-19 | O |
| 10 | MSDF | A2J3-20 | G M |
| 11 | MSDF | A2J3-21 | G M |
| 12 | DEND | A2J3-22 | O |
| 13 | MSDF | A2J3-23 | G M |
| 14 | MSDF | A2J3-24 | G M |
| 15 | DEND | A2J3-25 | O |
| 16 | MSDF | A2J3-26 | G M |
| 17 | MSDF | A2J3-27 | G M |
| 18 | DEND | A2J3-28 | O |
| 19 | MSDF | A2J3-29 | G M |
| 20 | CAL OSC TUNE | A2J3-30 | A |

J4

| PIN | SIGNAL | FUNCTION BLOCK |
|-----|-------------|----------------|
| 1 | J4-MS1 | L |
| 2 | J4-MS2 | F |
| 3 | J4-MS3 | A |
| 4 | J4-MS4 | F |
| 5 | J4-MS5 (NC) | P |
| 6 | J4-MS6 (NC) | P |
| 7 | J4-TAF | P |
| 8 | J4-TAZ | P |
| 9 | KEY NC | (NC) |
| 10 | J4-TA2 (NC) | (NC) |
| 11 | J4-TA3 (NC) | (NC) |
| 12 | J4-TA4 (NC) | (NC) |
| 13 | J4-MS8 (NC) | L |
| 14 | J4-MS7 (NC) | L |
| 15 | J4-MS8 (NC) | P |
| 16 | J4-MS1 (NC) | P |

J102

| PIN | SIGNAL | TO/FROM | FUNCTION BLOCK |
|-----|----------|------------|----------------|
| 1 | NC | | |
| 2 | NC | | |
| 3 | AUDIO | REAR PANEL | N |
| 4 | AUDIO | " " | N |
| 5 | SPKR POS | L5J3 | N |
| 6 | SPKR RTN | L5J4 | N |



Component-Level Information Packet
for 08562-60094
Power Supply

Copyright © 1990 Hewlett-Packard Company

All Rights Reserved.
Reproduction, adaptation, or translation
without prior written permission
is prohibited, except as allowed
under the copyright laws.

HP Document Part Number 08562-90111

Printed December 1990
Printed in USA

The information contained in this document is subject to change
without notice.



HP Part Number 08562-60094
Power Supply

| Reference Designation | HP Part Number | C D | Qty | Description | Mfr Code | Mfr Part Number |
|-----------------------|----------------|-----|-----|------------------------------------|----------|----------------------|
| C101 | 0180-3777 | 6 | 1 | CAP-FXD 270uF 200 V AL-ELCTLT | 00493 | NMHR200VN271M30X30SD |
| C102 | 0180-3777 | 6 | 1 | CAP-FXD 270uF 200 V AL-ELCTLT | 00493 | NMHR200VN271M30X30SD |
| C103 | 0160-4065 | 5 | 1 | CAP-FXD 0.1uF 0 V PPR-MET | 11892 | PME271M610M |
| C104 | 0160-4065 | 5 | 1 | CAP-FXD 0.1uF 0 V PPR-MET | 11892 | PME271M610M |
| C105 | 0160-4281 | 7 | 1 | CAP-FXD 2200pF 0 V PPR-MET | 11892 | PME271Y422M |
| C106 | 0160-4281 | 7 | 1 | CAP-FXD 2200pF 0 V PPR-MET | 11892 | PME271Y422M |
| C107 | 0180-3777 | 6 | 1 | CAP-FXD 270uF 200 V AL-ELCTLT | 00493 | NMHR200VN271M30X30SD |
| C108 | 0180-3777 | 6 | 1 | CAP-FXD 270uF 200 V AL-ELCTLT | 00493 | NMHR200VN271M30X30SD |
| C111 | 0160-4833 | 5 | 1 | CAP-FXD 0.022uF 100 V | 02010 | SA201C223KAAH |
| C112 | 0160-5466 | 2 | 1 | CAP-FXD 1000pF 1 kV POLYP-FL | 06127 | FKP 1 |
| C113 | 0160-4065 | 5 | 1 | CAP-FXD 0.1uF 0 V PPR-MET | 11892 | PME271M610M |
| C201 | 0180-3769 | 6 | 1 | CAP-FXD 6.8uF 35 V TA | 04200 | 299D685X9035DB1 |
| C202 | 0160-4835 | 7 | 1 | CAP-FXD 0.1uF 50 V | 02010 | SA115C104KAAH |
| C203 | 0180-3769 | 6 | 1 | CAP-FXD 6.8uF 35 V TA | 04200 | 299D685X9035DB1 |
| C204 | 0160-4832 | 4 | 1 | CAP-FXD 0.01uF 100 V | 02010 | SA101C103KAAH |
| C205 | 0160-4819 | 7 | 1 | CAP-FXD 2200pF 100 V | 02010 | SA301A222JAAH |
| C206 | 0180-3632 | 2 | 1 | CAP-FXD 22uF 16 V AL-ELCTLT | 00493 | KMC50VB22RM6X11LLM |
| C207 | 0160-4831 | 3 | 1 | CAP-FXD 4700pF 100 V | 02010 | SA101C472KAAH |
| C208 | 0160-4833 | 5 | 1 | CAP-FXD 0.022uF 100 V | 02010 | SA201C223KAAH |
| C209 | 0160-4831 | 3 | 1 | CAP-FXD 4700pF 100 V | 02010 | SA101C472KAAH |
| C210 | 0160-4835 | 7 | 1 | CAP-FXD 0.1uF 50 V | 02010 | SA115C104KAAH |
| C211 | 0180-3771 | 0 | 1 | CAP-FXD 1uF 35 V TA | 04200 | 299D105X9035AB1 |
| C212 | 0160-4832 | 4 | 1 | CAP-FXD 0.01uF 100 V | 02010 | SA101C103KAAH |
| C301 | 0180-2606 | 8 | 1 | CAP-FXD 180uF 40 V AL-ELCTLT | 02367 | 300EM181U040C |
| C302 | 0180-3639 | 9 | 1 | CAPACITOR-FXD 1000UF+-20% 63VDC AL | 00493 | KM63VN102M22X30LL |
| C303 | 0180-3659 | 3 | 1 | CAPACITOR-FXD 2200UF+-20% 35VDC AL | 00493 | KME35VN222M22X25LL |
| C304 | 0160-4835 | 7 | 1 | CAP-FXD 0.1uF 50 V | 02010 | SA115C104KAAH |
| C305 | 0180-3660 | 6 | 1 | CAPACITOR-FXD 6800UF+-20% 10VDC AL | 00493 | KME10VN682M22X25LL |
| C306 | 0180-3659 | 3 | 1 | CAPACITOR-FXD 2200UF+-20% 35VDC AL | 00493 | KME35VN222M22X25LL |
| C307 | 0180-3311 | 4 | 1 | CAP-FXD 6.8uF 50 V AL-ELCTLT | 04200 | 510D685M050AA4D |
| C308 | 0180-3311 | 4 | 1 | CAP-FXD 6.8uF 50 V AL-ELCTLT | 04200 | 510D685M050AA4D |
| C309 | 0160-4835 | 7 | 1 | CAP-FXD 0.1uF 50 V | 02010 | SA115C104KAAH |
| C310 | 0180-2606 | 8 | 1 | CAP-FXD 180uF 40 V AL-ELCTLT | 02367 | 300EM181U040C |
| C311 | 0160-4835 | 7 | 1 | CAP-FXD 0.1uF 50 V | 02010 | SA115C104KAAH |
| C312 | 0180-2606 | 8 | 1 | CAP-FXD 180uF 40 V AL-ELCTLT | 02367 | 300EM181U040C |
| C313 | 0160-4835 | 7 | 1 | CAP-FXD 0.1uF 50 V | 02010 | SA115C104KAAH |
| C314 | 0160-4824 | 4 | 1 | CAP-FXD 680pF 100 V | 02010 | SA101A681JAAH |
| C315 | 0180-3311 | 4 | 1 | CAP-FXD 6.8uF 50 V AL-ELCTLT | 04200 | 510D685M050AA4D |
| C316 | 0180-3311 | 4 | 1 | CAP-FXD 6.8uF 50 V AL-ELCTLT | 04200 | 510D685M050AA4D |
| C317 | 0160-4832 | 4 | 1 | CAP-FXD 0.01uF 100 V | 02010 | SA101C103KAAH |
| C318 | 0160-4832 | 4 | 1 | CAP-FXD 0.01uF 100 V | 02010 | SA101C103KAAH |
| C319 | 0160-4832 | 4 | 1 | CAP-FXD 0.01uF 100 V | 02010 | SA101C103KAAH |
| C320 | 0160-4835 | 7 | 1 | CAP-FXD 0.1uF 50 V | 02010 | SA115C104KAAH |
| C321 | 0160-4830 | 2 | 1 | CAP-FXD 2200pF 100 V | 02010 | SA101C222KAAH |
| C322 | 0180-3921 | 2 | 1 | CAP-FXD 470uF 12 V AL-ELCTLT | 02367 | 300E471U012B1 |
| C324 | 0160-4835 | 7 | 1 | CAP-FXD 0.1uF 50 V | 02010 | SA115C104KAAH |
| C401 | 0180-3850 | 6 | 1 | CAP-FXD 68uF 10 V TA | 04200 | 299D686X9010DB1 |
| C402 | 0160-5100 | 1 | 1 | CAP-FXD 2700pF 100 V | 02010 | SA301A272JAAH |

**Indicates factory-selected value*

HP Part Number 08562-60094
Power Supply

| Reference Designation | HP Part Number | C | D | Qty | Description | Mfr Code | Mfr Part Number |
|-----------------------|----------------|---|---|-----|--|----------|--------------------|
| C403 | 0160-4833 | 5 | 1 | 1 | CAP-FXD 0.022uF 100 V | 02010 | SA201C223KAAH |
| C404 | 0160-4832 | 4 | 1 | 1 | CAP-FXD 0.01uF 100 V | 02010 | SA101C103KAAH |
| C405 | 0160-4832 | 4 | 1 | 1 | CAP-FXD 0.01uF 100 V | 02010 | SA101C103KAAH |
| C406 | 0180-3168 | 9 | 1 | 1 | CAP-FXD 10uF 250 V AL-ELCLT | 00493 | SM250VB10R(M)12X20 |
| C407 | 0160-5583 | 4 | 1 | 1 | CAP-FXD 1uF 160 V POLYP-MET | 06127 | MKP-10 |
| C408 | 0160-4835 | 7 | 1 | 1 | CAP-FXD 0.1uF 50 V | 02010 | SA115C104KAAH |
| C409 | 0160-4832 | 4 | 1 | 1 | CAP-FXD 0.01uF 100 V | 02010 | SA101C103KAAH |
| CR101 | 1901-1098 | 1 | 1 | 1 | DIODE-SWITCHING 1N4150 50V 200MA 4NS | 00746 | |
| CR106 | 1901-1098 | 1 | 1 | 1 | DIODE-SWITCHING 1N4150 50V 200MA 4NS | 00746 | |
| CR107 | 1901-0896 | 5 | 1 | 1 | DIODE-PWR RECT 600V 1A 250NS | 05131 | RC60 |
| CR108 | 1901-1130 | 2 | 1 | 1 | DIODE-GEN PRP 600V .8A .50NS TO-220AC | 02037 | MUR880 |
| CR201 | 1901-1065 | 2 | 1 | 1 | DIODE-PWR RECT 1N4936 400V 1A 200NS | 02037 | 1N4936 |
| CR301 | 1901-0965 | 9 | 1 | 1 | DIODE-PWR RECT 100V 3A 200NS | 02037 | |
| CR302 | 1901-0965 | 9 | 1 | 1 | DIODE-PWR RECT 100V 3A 200NS | 02037 | |
| CR303 | 1901-1065 | 2 | 1 | 1 | DIODE-PWR RECT 1N4936 400V 1A 200NS | 02037 | 1N4936 |
| CR304 | 1906-0262 | 9 | 1 | 1 | DIODE-CT-RECT 100V 3A | 00046 | UES 2402 |
| CR305 | 1906-0270 | 9 | 1 | 1 | DIODE-CT-RECT 100V 20A | 04504 | |
| CR306 | 1906-0269 | 6 | 1 | 1 | DIODE-CT-RECT 40V 10.8A | 02037 | MBR1545CT8 |
| CR308 | 1901-1065 | 2 | 1 | 1 | DIODE-PWR RECT 1N4936 400V 1A 200NS | 02037 | 1N4936 |
| CR310 | 1901-1065 | 2 | 1 | 1 | DIODE-PWR RECT 1N4936 400V 1A 200NS | 02037 | 1N4936 |
| CR311 | 1901-1065 | 2 | 1 | 1 | DIODE-PWR RECT 1N4936 400V 1A 200NS | 02037 | 1N4936 |
| CR313 | 1901-1098 | 1 | 1 | 1 | DIODE-SWITCHING 1N4150 50V 200MA 4NS | 00746 | |
| CR314 | 1901-1098 | 1 | 1 | 1 | DIODE-SWITCHING 1N4150 50V 200MA 4NS | 00746 | |
| CR315 | 1901-0033 | 2 | 1 | 1 | DIODE-GEN PRP 180V .200MA Q0-35 | 03406 | |
| CR401 | 1901-1065 | 2 | 1 | 1 | DIODE-PWR RECT 1N4936 400V 1A 200NS | 02037 | 1N4936 |
| CR402 | 1901-1065 | 2 | 1 | 1 | DIODE-PWR RECT 1N4936 400V 1A 200NS | 02037 | 1N4936 |
| CR403 | 1901-1065 | 2 | 1 | 1 | DIODE-PWR RECT 1N4936 400V 1A 200NS | 02037 | 1N4936 |
| CR404 | 1901-1065 | 2 | 1 | 1 | DIODE-PWR RECT 1N4936 400V 1A 200NS | 02037 | 1N4936 |
| CR405 | 1901-1065 | 2 | 1 | 1 | DIODE-PWR RECT 1N4936 400V 1A 200NS | 02037 | 1N4936 |
| E101 | 1970-0096 | 2 | 1 | 1 | TUBE-ELECTRON SURGE V PTCTR | 08761 | IVP-230B |
| E102 | 1970-0096 | 2 | 1 | 1 | TUBE-ELECTRON SURGE V PTCTR | 08761 | IVP-230B |
| J1 | 1252-1064 | 4 | 1 | 1 | CONN-POST TYPE 100-PIN-SPCG 50-CONT | 01380 | 1-746878-0 |
| J2 | 1251-8507 | 2 | 1 | 1 | CONN-UTIL MT-LK 5-CKT 6-CONT | 01380 | 350762-4 |
| J3 | 1252-2044 | 2 | 1 | 1 | CONN-POST TYPE 100-PIN-SPCG 2-CONT | 01380 | 644222-1 |
| J4 | 1252-2045 | 3 | 1 | 1 | CONN-POST TYPE 100-PIN-SPCG 5-CONT | 01380 | 644093-2 |
| J5 | 1252-1744 | 7 | 1 | 1 | CONN-POST TYPE 100-PIN-SPCG 5-CONT | 01380 | 103414-3 |
| J101 | 1251-5804 | 6 | 1 | 1 | CONN-UTIL MT-LK 2-CKT 2-CONT | 01380 | 350824-1 |
| L101 | 9140-1286 | 3 | 1 | 1 | INDUCTOR POWER LINE COM MODE L=35 mH +6 | 09507 | 5180-4992 |
| L102 | 9140-1181 | 7 | 1 | 1 | INDUCTOR-FIXED L(@10 KHZ): 12 UH+-10% @ | 01888 | G6925-A |
| L103 | 9140-1181 | 7 | 1 | 1 | INDUCTOR-FIXED L(@10 KHZ): 12 UH+-10% @ | 01888 | G6925-A |
| L104 | 9140-1181 | 7 | 1 | 1 | INDUCTOR-FIXED L(@10 KHZ): 12 UH+-10% @ | 01888 | G6925-A |
| L105 | 9140-1330 | 8 | 1 | 1 | INDUCTOR 1MH 22.5W-MMX30LG-MM | 09507 | |
| L301 | 9140-1181 | 7 | 1 | 1 | INDUCTOR-FIXED L(@10 KHZ): 12 UH+-10% @ | 01888 | G6925-A |
| L401 | 9140-0922 | 2 | 1 | 1 | INDUCTOR RF-CH-MLD 20MH +-5% .31W-INX.75 | 02172 | 01289-011J |
| L402 | 9140-1181 | 7 | 1 | 1 | INDUCTOR-FIXED L(@10 KHZ): 12 UH+-10% @ | 01888 | G6925-A |
| MP1 | 08562-20094 | 5 | 1 | 1 | | 28480 | 08562-20094 |
| MP2 | 5021-6308 | 4 | 1 | 1 | HEAT SINK, RGLTR | 28480 | 5021-6308 |

HP Part Number 08562-60094

Power Supply

| Reference Designation | HP Part Number | C D | Qty | Description | Mfr Code | Mfr Part Number |
|-----------------------|----------------|-----|-----|--|----------|-----------------|
| MP3 | 5021-6394 | 8 | 1 | HEAT SINK, RECT. DIO | 28480 | 5021-6394 |
| MP4 | 5021-7455 | 4 | 1 | HEAT SINK | 28480 | 5021-7455 |
| MP6 | 0340-1146 | 9 | 1 | INSULATOR SIL-RBR | 05447 | |
| MP7 | 5041-7282 | 7 | 13 | B INSUL, TO-220 | 28480 | 5041-7282 |
| MP8 | 0515-0367 | 5 | 19 | SCREW-MACHINE ASSEMBLY M2.5 X 0.45 | 05610 | |
| MP10 | 0380-2053 | 3 | 3 | SPACER-RVT-ON 37.5-MM-LG 3.8-MM-ID 6.17- | 02121 | |
| MP11 | 1200-0173 | 5 | 2 | INSULATOR-XSTR DAP-GL | 02210 | A-10001 DAP |
| MP12 | 6040-0454 | 0 | | HEAT SINK COMPOUND SYNTH/REFRC | 07477 | 520221J |
| MP13 | 0515-0894 | 3 | 4 | SCREW-MACH M2.5 X 0.45 6MM-LG PAN-HD | 01125 | |
| MP14 | 3050-0890 | 6 | 4 | WASHER-PL MTL C 2.5 MM 2.78-MM-ID | 06691 | |
| MP21 | 1205-0687 | 6 | 1 | HEAT SINK SGL TO-5/TO-39-CS | 07179 | 21148 |
| MP22 | 0340-1193 | 6 | 1 | ER DIVISION | 28480 | 0340-1193 |
| MP23 | 5001-8765 | 9 | 1 | REG HTSK INSUL | 28480 | 5001-8765 |
| MP26 | 0460-1647 | 9 | | TAPE-INCL .5-IN-W .062-IN-T POLYU-FM | 04726 | 4016 |
| NONE0001 | 7121-4611 | 2 | 1 | LABEL-INFORMATION .15-IN-WD .6-IN-LG | 09002 | |
| Q102 | 1855-0607 | 7 | 1 | TRANSISTOR MOSFET N-CHAN E-MODE TO-220 S | 02037 | MTP4N50 |
| Q103 | 1855-0606 | 6 | 1 | TRANSISTOR MOSFET N-CHAN TO-220 SI | 02037 | MTP5N40 |
| Q104 | 1855-0606 | 6 | 1 | TRANSISTOR MOSFET N-CHAN TO-220 SI | 02037 | MTP5N40 |
| Q201 | 1855-0607 | 7 | 1 | TRANSISTOR MOSFET N-CHAN E-MODE TO-220 S | 02037 | MTP4N50 |
| Q301 | 1855-0517 | 8 | 1 | TRANSISTOR MOSFET P-CHAN E-MODE TO-220 S | 02037 | MTP8P10 |
| Q302 | 1853-0281 | 9 | 1 | TRANSISTOR-PNP 2N2907A SI TO-18 PD=400MW | 02037 | 2N2907A |
| Q303 | 1855-0565 | 6 | 1 | TRANSISTOR MOSFET N-CHAN E-MODE TO-220 S | 02037 | MTP10N12 |
| Q304 | 1854-0712 | 3 | 1 | TRANSISTOR-DUAL NPN PD=1.8W | 02180 | MAT-01GH |
| Q305 | 1853-0635 | 7 | 1 | TRANSISTOR-DUAL PNP TO-71 PD=400MW | 03799 | IT130-T071 |
| Q306 | 1854-0477 | 7 | 1 | TRANSISTOR NPN 2N2222A SI TO-18 PD=500MW | 02037 | 2N2222A |
| Q401 | 1854-0840 | 8 | 1 | TRANSISTOR-NPN DARL TO-220AB PD=2W | 01698 | TIP100 |
| R101 | 0757-0346 | 2 | 1 | RESISTOR 10 +-1% .125W TF TC=0+-100 | 00746 | CRB14 OR CRB25 |
| R103 | 0757-0464 | 5 | 1 | RESISTOR 90.9K +-1% .125W TF TC=0+-100 | 00746 | CRB14 OR CRB25 |
| R104 | 0757-0464 | 5 | 1 | RESISTOR 90.9K +-1% .125W TF TC=0+-100 | 00746 | CRB14 OR CRB25 |
| R106 | 0699-1862 | 5 | 1 | RESISTOR 39K +-5% 5W MO TC=0+-400 | 11248 | MNR05N393J |
| R107 | 0699-1862 | 5 | 1 | RESISTOR 39K +-5% 5W MO TC=0+-400 | 11248 | MNR05N393J |
| R108 | 0698-3430 | 5 | 1 | RESISTOR 21.5 1% .125W TF TC=0+-100 | 00746 | CRB14 OR CRB25 |
| R109 | 0757-0280 | 3 | 1 | RESISTOR 1K +-1% .125W TF TC=0+-100 | 00746 | CRB14 OR CRB25 |
| R110 | 0811-3692 | 3 | 1 | RESISTOR 3.9 +-5% 5W PWI TC=0+-400 | 11248 | MNS05N-3R9-J |
| R111 | 0698-3160 | 8 | 1 | RESISTOR 31.6K 1% .125W TF TC=0+-100 | 00746 | CRB14 OR CRB25 |
| R114 | 0699-1863 | 6 | 1 | RESISTOR 150 +-5% 5W MO TC=0+-400 | 11248 | MNR05N151J |
| R116 | 0811-3739 | 9 | 1 | RESISTOR .22 +-5% 5W PWI TC=0+-400 | 11248 | MNS05NR22J |
| R119 | 0698-3454 | 3 | 1 | RESISTOR 215K 1% .125W TF TC=0+-100 | 00746 | CRB14 OR CRB25 |
| R120 | 0698-3454 | 3 | 1 | RESISTOR 215K 1% .125W TF TC=0+-100 | 00746 | CRB14 OR CRB25 |
| R121 | 0698-3160 | 8 | 1 | RESISTOR 31.6K 1% .125W TF TC=0+-100 | 00746 | CRB14 OR CRB25 |
| R122 | 0698-3441 | 8 | 1 | RESISTOR 215 1% .125W TF TC=0+-100 | 00746 | CRB14 OR CRB25 |
| R201 | 0698-3453 | 2 | 1 | RESISTOR 196K 1% .125W TF TC=0+-100 | 00746 | CRB14 OR CRB25 |
| R202 | 0698-3453 | 2 | 1 | RESISTOR 196K 1% .125W TF TC=0+-100 | 00746 | CRB14 OR CRB25 |
| R203 | 0698-3454 | 3 | 1 | RESISTOR 215K 1% .125W TF TC=0+-100 | 00746 | CRB14 OR CRB25 |
| R204 | 0698-3454 | 3 | 1 | RESISTOR 215K 1% .125W TF TC=0+-100 | 00746 | CRB14 OR CRB25 |
| R205 | 0698-7236 | 7 | 1 | RESISTOR 1K +-1% .05W TF TC=0+-100 | 00746 | CRB20 |
| R206 | 0698-7224 | 3 | 1 | RESISTOR 316 +-1% .05W TF TC=0+-100 | 00746 | CRB20 |
| R207 | 0698-7248 | 1 | 1 | RESISTOR 3.16K +-1% .05W TF TC=0+-100 | 00746 | CRB20 |

*Indicates factory-selected value

HP Part Number 08562-60094

Power Supply

| Reference Designation | HP Part Number | C D | Qty | Description | Mfr Code | Mfr Part Number |
|-----------------------|----------------|-----|-----|--|----------|-----------------|
| R210 | 0757-0398 | 4 | 1 | RESISTOR .75 +-1% .125W TF TC=0+-100 | 00746 | CRB14 OR CRB25 |
| R211 | 0757-0398 | 4 | 1 | RESISTOR .75 +-1% .125W TF TC=0+-100 | 00746 | CRB14 OR CRB25 |
| R212 | 0757-0280 | 3 | 1 | RESISTOR 1K +-1% .125W TF TC=0+-100 | 00746 | CRB14 OR CRB25 |
| R213 | 0757-0418 | 9 | 1 | RESISTOR 619 +-1% .125W TF TC=0+-100 | 00746 | CRB14 OR CRB25 |
| R214 | 0698-8958 | 2 | 1 | RESISTOR 511K +-1% .125W TF TC=0+-100 | 00746 | CRB14 OR CRB25 |
| R215 | 0757-0199 | 3 | 1 | RESISTOR 21.5K +-1% .125W TF TC=0+-100 | 00746 | CRB14 OR CRB25 |
| R216 | 0757-0464 | 5 | 1 | RESISTOR 90.9K +-1% .125W TF TC=0+-100 | 00746 | CRB14 OR CRB25 |
| R217 | 0698-3456 | 5 | 1 | RESISTOR 287K 1% .125W TF TC=0+-100 | 00746 | CRB14 OR CRB25 |
| R218 | 0757-0123 | 3 | 1 | RESISTOR 34.8K +-1% .125W TF TC=0+-100 | 00746 | CRB14 OR CRB25 |
| R219 | 0757-0199 | 3 | 1 | RESISTOR 21.5K +-1% .125W TF TC=0+-100 | 00746 | CRB14 OR CRB25 |
| R221 | 0757-0280 | 3 | 1 | RESISTOR 1K +-1% .125W TF TC=0+-100 | 00746 | CRB14 OR CRB25 |
| R224 | 0757-0458 | 7 | 1 | RESISTOR 51.1K +-1% .125W TF TC=0+-100 | 00746 | CRB14 OR CRB25 |
| R228 | 0698-3430 | 5 | 1 | RESISTOR 21.5 1% .125W TF TC=0+-100 | 00746 | CRB14 OR CRB25 |
| R301 | 0757-0442 | 9 | 1 | RESISTOR 10K +-1% .125W TF TC=0+-100 | 00746 | CRB14 OR CRB25 |
| R302 | 0698-0082 | 7 | 1 | RESISTOR 464 1% .125W TF TC=0+-100 | 00746 | CRB14 OR CRB25 |
| R303 | 0698-0084 | 9 | 1 | RESISTOR 2.15K 1% .125W TF TC=0+-100 | 00746 | CRB14 OR CRB25 |
| R304 | 0757-0401 | 0 | 1 | RESISTOR 100 +-1% .125W TF TC=0+-100 | 00746 | CRB14 OR CRB25 |
| R305 | 0698-0085 | 0 | 1 | RESISTOR 2.61K 1% .125W TF TC=0+-100 | 00746 | CRB14 OR CRB25 |
| R306 | 0698-0084 | 9 | 1 | RESISTOR 2.15K 1% .125W TF TC=0+-100 | 00746 | CRB14 OR CRB25 |
| R307 | 0757-0401 | 0 | 1 | RESISTOR 100 +-1% .125W TF TC=0+-100 | 00746 | CRB14 OR CRB25 |
| R308 | 0698-0085 | 0 | 1 | RESISTOR 2.61K 1% .125W TF TC=0+-100 | 00746 | CRB14 OR CRB25 |
| R309 | 0811-3738 | 8 | 1 | RESISTOR .15 +-5% 5W PWI TC=0+-400 | 11248 | MNS05NR15J |
| R310 | 0757-0442 | 9 | 1 | RESISTOR 10K +-1% .125W TF TC=0+-100 | 00746 | CRB14 OR CRB25 |
| R311 | 0698-3447 | 4 | 1 | RESISTOR 422 1% .125W TF TC=0+-100 | 00746 | CRB14 OR CRB25 |
| R312 | 0698-6362 | 8 | 1 | RESISTOR 1K +-0.1% .125W TF TC=0+-25 | 00746 | CRB14 OR CRB25 |
| R313 | 0698-6362 | 8 | 1 | RESISTOR 1K +-0.1% .125W TF TC=0+-25 | 00746 | CRB14 OR CRB25 |
| R316 | 0757-0438 | 3 | 1 | RESISTOR 5.11K +-1% .125W TF TC=0+-100 | 00746 | CRB14 OR CRB25 |
| R317 | 0757-0280 | 3 | 1 | RESISTOR 1K +-1% .125W TF TC=0+-100 | 00746 | CRB14 OR CRB25 |
| R318 | 0757-0280 | 3 | 1 | RESISTOR 1K +-1% .125W TF TC=0+-100 | 00746 | CRB14 OR CRB25 |
| R319 | 0698-8827 | 4 | 1 | RESISTOR 1M +-1% .125W TF TC=0+-100 | 00746 | CRB14 OR CRB25 |
| R320 | 0757-0458 | 7 | 1 | RESISTOR 51.1K +-1% .125W TF TC=0+-100 | 00746 | CRB14 OR CRB25 |
| R321 | 0757-0199 | 3 | 1 | RESISTOR 21.5K +-1% .125W TF TC=0+-100 | 00746 | CRB14 OR CRB25 |
| R322 | 0811-3738 | 8 | 1 | RESISTOR .15 +-5% 5W PWI TC=0+-400 | 11248 | MNS05NR15J |
| R325 | 0698-6362 | 8 | 1 | RESISTOR 1K +-0.1% .125W TF TC=0+-25 | 00746 | CRB14 OR CRB25 |
| R326 | 0698-6362 | 8 | 1 | RESISTOR 1K +-0.1% .125W TF TC=0+-25 | 00746 | CRB14 OR CRB25 |
| R327 | 0698-6360 | 6 | 1 | RESISTOR 10K +-0.1% .125W TF TC=0+-25 | 00746 | CRB14 OR CRB25 |
| R328 | 0698-6320 | 8 | 1 | RESISTOR 5K +-0.1% .125W TF TC=0+-25 | 00746 | CRB14 OR CRB25 |
| R329 | 0698-6360 | 6 | 1 | RESISTOR 10K +-0.1% .125W TF TC=0+-25 | 00746 | CRB14 OR CRB25 |
| R330 | 0698-6360 | 6 | 1 | RESISTOR 10K +-0.1% .125W TF TC=0+-25 | 00746 | CRB14 OR CRB25 |
| R331 | 0698-6360 | 6 | 1 | RESISTOR 10K +-0.1% .125W TF TC=0+-25 | 00746 | CRB14 OR CRB25 |
| R333 | 0757-0439 | 4 | 1 | RESISTOR 6.81K +-1% .125W TF TC=0+-100 | 00746 | CRB14 OR CRB25 |
| R334 | 0698-3154 | 0 | 1 | RESISTOR 4.22K 1% .125W TF TC=0+-100 | 00746 | CRB14 OR CRB25 |
| R335 | 0698-3439 | 4 | 1 | RESISTOR 178 1% .125W TF TC=0+-100 | 00746 | CRB14 OR CRB25 |
| R339 | 0757-0464 | 5 | 1 | RESISTOR 90.9K +-1% .125W TF TC=0+-100 | 00746 | CRB14 OR CRB25 |
| R341 | 0757-0438 | 3 | 1 | RESISTOR 5.11K +-1% .125W TF TC=0+-100 | 00746 | CRB14 OR CRB25 |
| R342 | 0698-3162 | 0 | 1 | RESISTOR 46.4K 1% .125W TF TC=0+-100 | 00746 | CRB14 OR CRB25 |
| R343 | 0698-8824 | 0 | 1 | RESISTOR 562K +-1% .125W TF TC=0+-100 | 00746 | CRB14 OR CRB25 |

HP Part Number 08562-60094

Power Supply

| Reference Designation | HP Part Number | C | D | Qty | Description | Mfr Code | Mfr Part Number |
|-----------------------|----------------|---|---|-----|---|----------|-----------------|
| R344 | 0757-1094 | 9 | 1 | 1 | RESISTOR 1.47K +-1% .125W TF TC=0+-100 | 00746 | CRB14 OR CRB25 |
| R345 | 0757-1094 | 9 | 1 | 1 | RESISTOR 1.47K +-1% .125W TF TC=0+-100 | 00746 | CRB14 OR CRB25 |
| R401 | 0698-3132 | 4 | 1 | 1 | RESISTOR 261 1% .125W TF TC=0+-100 | 00746 | CRB14 OR CRB25 |
| R402 | 0698-3157 | 3 | 1 | 1 | RESISTOR 19.8K 1% .125W TF TC=0+-100 | 00746 | CRB14 OR CRB25 |
| R403 | 0757-0442 | 9 | 1 | 1 | RESISTOR 10K +-1% .125W TF TC=0+-100 | 00746 | CRB14 OR CRB25 |
| R404 | 0757-0442 | 9 | 1 | 1 | RESISTOR 10K +-1% .125W TF TC=0+-100 | 00746 | CRB14 OR CRB25 |
| R408 | 0757-0442 | 9 | 1 | 1 | RESISTOR 10K +-1% .125W TF TC=0+-100 | 00746 | CRB14 OR CRB25 |
| R410 | 2100-4183 | 4 | 1 | 1 | RESISTOR-TRMR 1K 10% TKF TOP-ADJ 1-TRN | 03744 | 3329H-EG9-102 |
| R411 | 0757-0465 | 6 | 1 | 1 | RESISTOR 100K +-1% .125W TF TC=0+-100 | 00746 | CRB14 OR CRB25 |
| R412 | 0698-3601 | 2 | 1 | 1 | RESISTOR 10 5% 2W HO TC=0+-200 | 02499 | GS-3 |
| R413 | 0812-0021 | 8 | 1 | 1 | RESISTOR .47 +-5% 3W PWI TC=0+-90 | 01854 | T2B-79 |
| RT101 | 0837-0287 | 0 | 1 | 1 | THERMISTOR-SURGE PTCTR 5 OHM AT 25 DEG C | 12830 | SG-80 |
| RT102 | 0837-0287 | 0 | 1 | 1 | THERMISTOR-SURGE PTCTR 5 OHM AT 25 DEG C | 12830 | SG-80 |
| RT201 | 0837-0260 | 9 | 1 | 1 | THERMISTOR-SWITCHING RESISTANCE: 100 | 06784 | 0TP100.11 |
| RT202 | 0837-3720 | 2 | 1 | 1 | THERMISTOR-SWITCHING PTC RESISTANCE AT | 06784 | 195080115 |
| RT301 | 0837-0050 | 5 | 1 | 1 | THERMISTOR DISC 1K-OHM TC=-4.4%/C-DEG | 02761 | KA31J1 |
| S102 | 3101-2608 | 7 | 1 | 1 | SWITCH-SL DPDT STD 5A 250VAC PC | 05959 | 4021.4721 |
| T101 | 9100-0555 | 3 | 1 | 1 | TRANSFORMER-PULSE PRI IND: 10 MH | 01869 | PE-4002X-001 |
| T103 | 9100-4661 | 0 | 1 | 1 | TRANSFORMER-SWITCHING PRI IND: 18.5 MH | 09507 | 5180-8049 |
| TP101 | 0360-0535 | 0 | 1 | 1 | TERMINAL-TEST POINT .330IN ABOVE | 04055 | |
| TP201 | 0360-0535 | 0 | 1 | 1 | TERMINAL-TEST POINT .330IN ABOVE | 04055 | |
| TP401 | 0360-0535 | 0 | 1 | 1 | TERMINAL-TEST POINT .330IN ABOVE | 04055 | |
| TP405 | 0360-0535 | 0 | 1 | 1 | TERMINAL-TEST POINT .330IN ABOVE | 04055 | |
| U101 | 1990-1074 | 0 | 1 | 1 | OPTO-ISOLATOR LED-PXSTR IF=60MA-MAX BVR- | 02037 | 4N35 |
| U102 | 1906-0333 | 5 | 1 | 1 | DIODE-FW BRDG 800V 4A | 04504 | RKBU4K |
| U201 | 1820-4032 | 7 | 1 | 1 | IC-INTERFACE DRVR CMOS PERIPHERAL HIGH C | 02763 | TSC426CPA |
| U202 | 1826-0759 | 9 | 1 | 1 | IC COMPARTOR GP QUAD 14-DIP-C PKG | 02037 | LM339J |
| U203 | 1826-0806 | 7 | 1 | 1 | IC V RGLTR-SWG 18V 16-DIP-P PKG | 02910 | NE5560N |
| U204 | 1820-1112 | 8 | 1 | 1 | IC FF TTL/LS D-TYPE POS-EDGE-TRIG PRESET | 01698 | SN74LS74AN |
| U205 | 1826-0367 | 5 | 1 | 1 | IC V RGLTR-FXD-POS 4.8/5.2V TO-39 PKG | 02037 | MC78M05CG |
| U206 | 1990-0429 | 7 | 1 | 1 | OPTO-ISOLATOR LED-IC GATE IF=10MA-MAX BV- | 01542 | 6N137 |
| U207 | 1820-4032 | 7 | 1 | 1 | IC-INTERFACE DRVR CMOS PERIPHERAL HIGH C | 02763 | TSC426CPA |
| U208 | 1826-0412 | 1 | 1 | 1 | IC COMPARTOR PRCN DUAL 8-DIP-P PKG | 03406 | LM393N |
| U210 | 1810-0954 | 3 | 1 | 1 | NETWORK-RESISTOR 10 PIN SIP 0.100 IN PI | 02483 | 750-10P-7R |
| U211 | 1810-0944 | 1 | 1 | 1 | NETWORK-RESISTOR SINGLE IN LINE PACKAGE | 02483 | 750-10P-8R |
| U212 | 1810-0279 | 5 | 1 | 1 | NETWORK-RES 10-SIP 4.7K OHM X 9 | 02483 | 750-10I |
| U301 | 1826-0393 | 7 | 1 | 1 | IC V RGLTR-ADJ-POS 1.2/37V TO-220 PKG | 01698 | LM317KC |
| U302 | 1826-1221 | 2 | 1 | 1 | IC COMPARTOR PRCN 8-DIP-C PKG | 03406 | LM311J-8 |
| U303 | 1826-0412 | 1 | 1 | 1 | IC COMPARTOR PRCN DUAL 8-DIP-P PKG | 03406 | LM393N |
| U304 | 1826-0300 | 6 | 1 | 1 | IC V RGLTR-FXD-NEG -11.5/-12.5V TO-39 PK | 03406 | LM79M12CH |
| U305 | 1826-1431 | 6 | 1 | 1 | IC V RGLTR-V-REF-FXD 4.9975/5.0025V 8-DI | 10858 | LT1021CCN8-5 |
| U306 | 1826-0557 | 5 | 1 | 1 | IC OP AMP GP QUAD 14-DIP-C PKG | 03406 | LM348J |
| U307 | 1826-0393 | 7 | 1 | 1 | IC V RGLTR-ADJ-POS 1.2/37V TO-220 PKG | 01698 | LM317KC |
| U308 | 1810-0405 | 9 | 1 | 1 | NETWORK-RES 8-SIP 470.0 OHM X 4 | 02483 | 750-83-R470 |
| U401 | 1826-0806 | 7 | 1 | 1 | IC V RGLTR-SWG 18V 16-DIP-P PKG | 02910 | NE5560N |
| U402 | 1826-0412 | 1 | 1 | 1 | IC COMPARTOR PRCN DUAL 8-DIP-P PKG | 03406 | LM393N |
| U403 | 1810-0945 | 2 | 1 | 1 | NETWORK-RES 8-SIP MULTI-VALUE | 02483 | 750-8P-5R |
| U404 | 1810-0955 | 4 | 1 | 1 | NETWORK-RESISTOR 10 PIN SIP PACKAGE 0.1 | 02483 | 750-10P-6R |

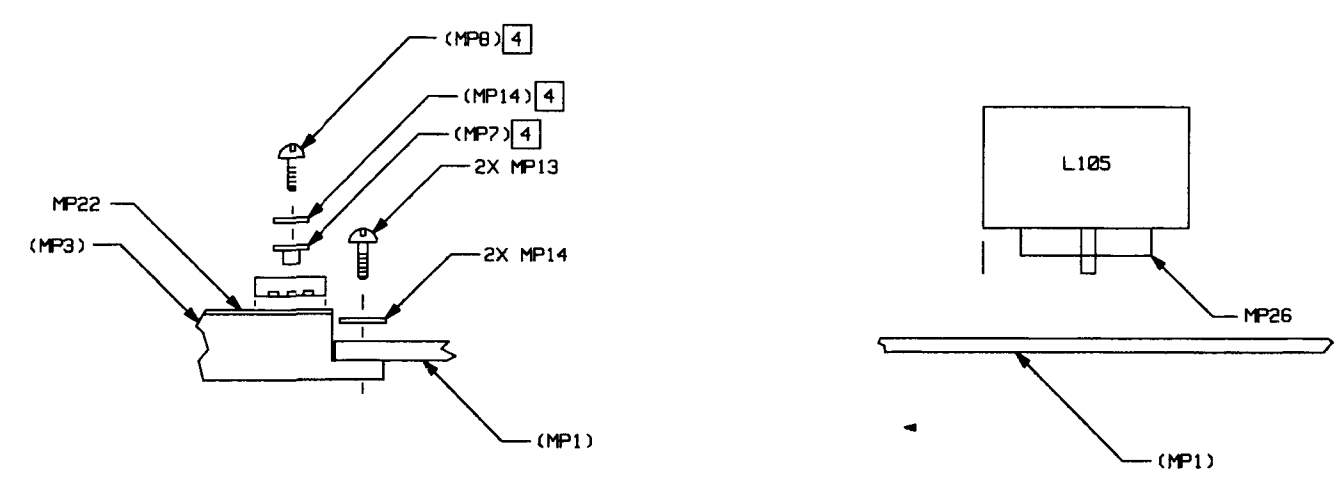
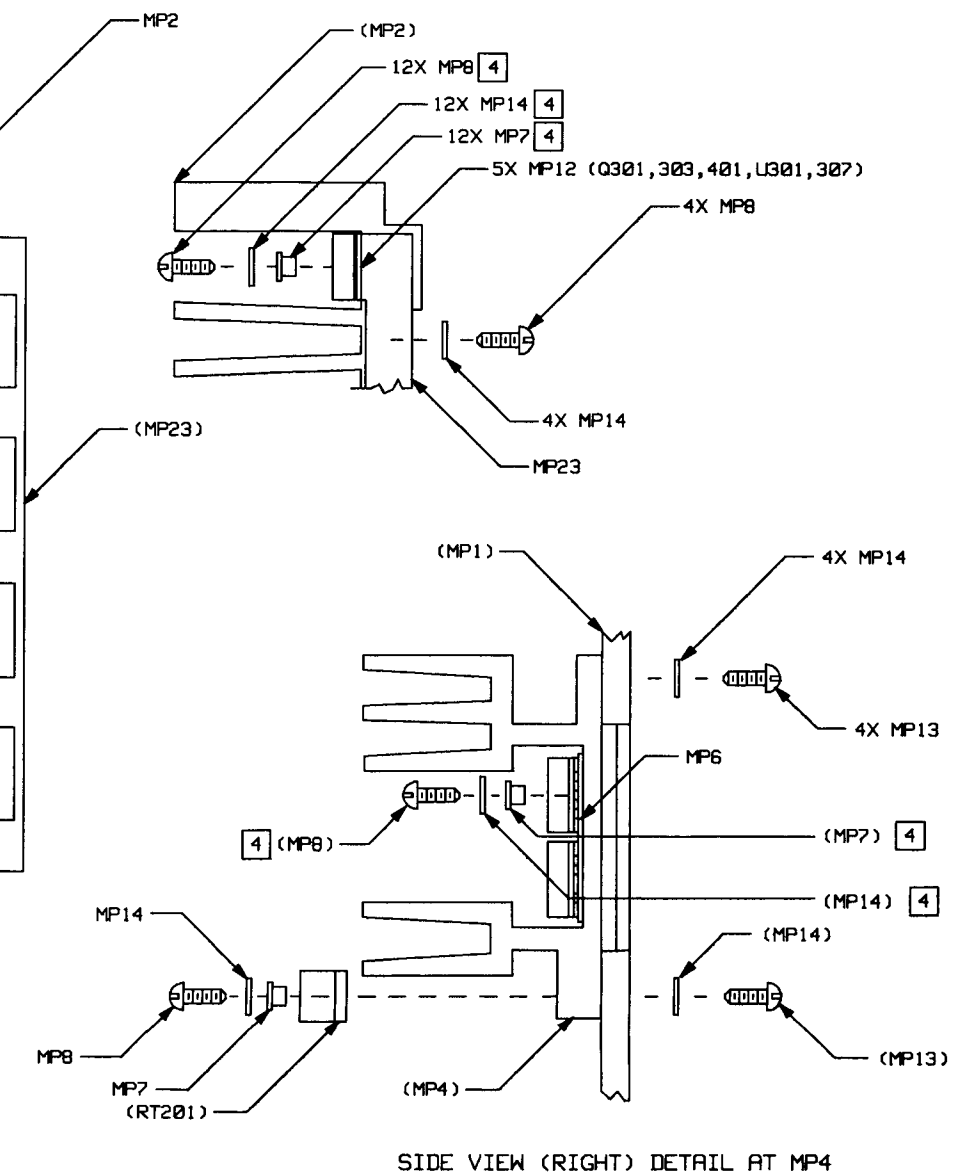
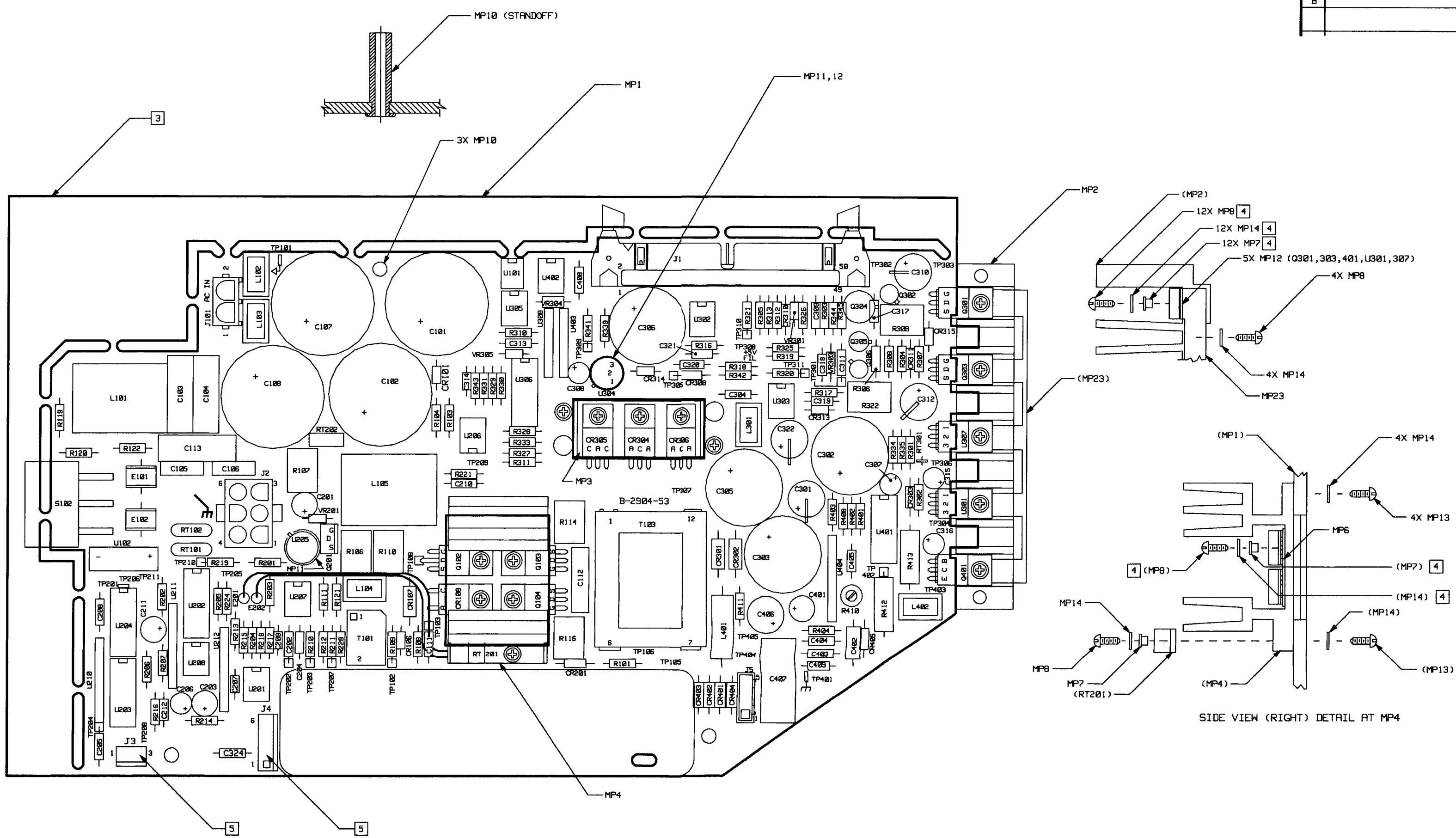
*Indicates factory-selected value

HP Part Number 08562-60094

Power Supply

| Reference Designation | HP Part Number | C D | Qty | Description | Mfr Code | Mfr Part Number |
|-----------------------|----------------|-----|-----|---------------------------------|----------|-----------------|
| VR201 | 1902-3203 | 6 | 1 | DIODE-ZNR 14.7V 5% DO-35 PD=.4W | 02037 | |
| VR301 | 1902-0049 | 2 | 1 | DIODE-ZNR 6.19V 5% DO-35 PD=.4W | 02037 | |
| VR303 | 1902-0049 | 2 | 1 | DIODE-ZNR 6.19V 5% DO-35 PD=.4W | 02037 | |
| VR304 | 1902-3193 | 3 | 1 | DIODE-ZNR 13.3V 5% DO-35 PD=.4W | 02037 | |
| VR305 | 1902-3193 | 3 | 1 | DIODE-ZNR 13.3V 5% DO-35 PD=.4W | 02037 | |

| SYM | REVISIONS | APPROVED | DATE |
|-----|-----------|----------|------|
| A | | | |
| B | | | |



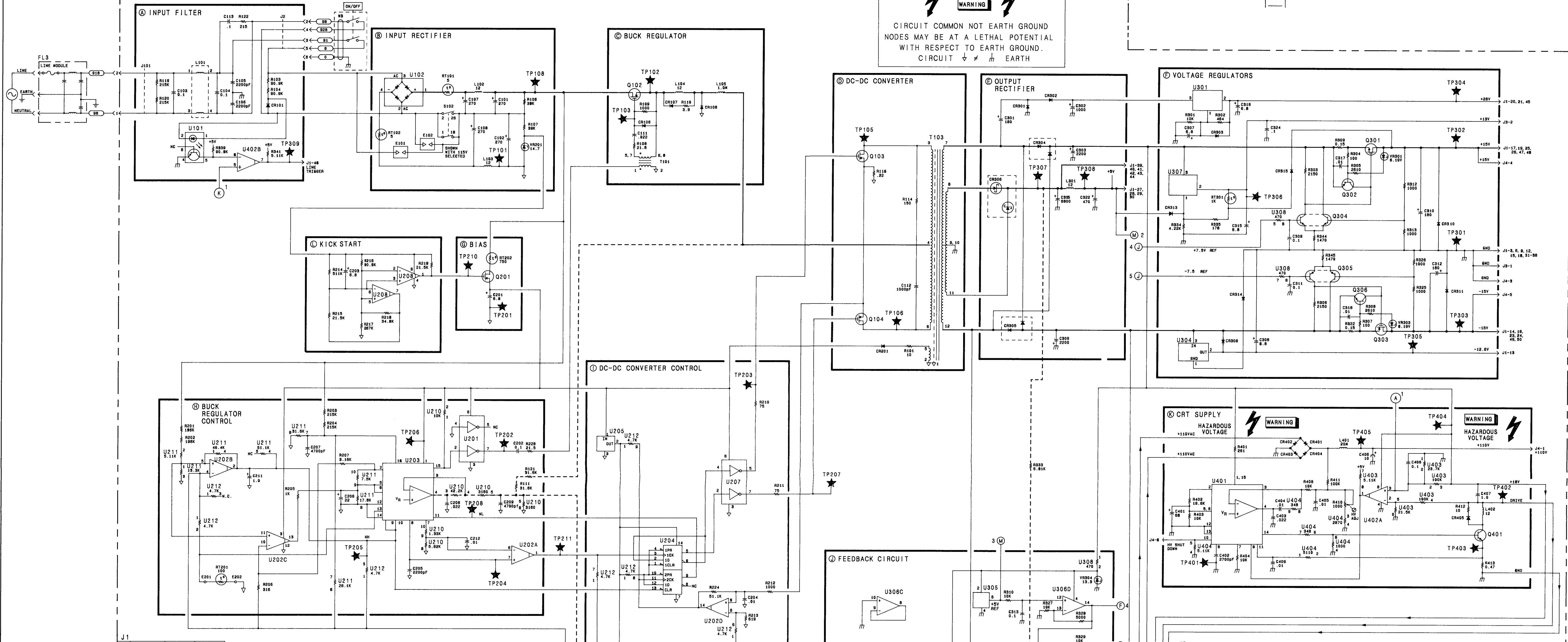
- NOTES: UNLESS OTHERWISE SPECIFIED
1. DIMENSIONS ARE IN INCHES
 2. MAXIMUM LEAD TRIM LENGTH .12
 3. REMOVE TABS AFTER MACHINE SOLDER
 4. HARDWARE STACK-UP RELATES TO TO-220 PACKAGES
 5. ASSURE THAT THE FOLLOWING PINS HAVE BEEN REMOVED, J3 PIN 3, J4 PIN 2, PRIOR TO ASSEMBLY AND MACHINE SOLDER
 6. TEST POINTS NOT ON MATERIAL LIST ARE SHOWN FOR REFERENCE ONLY
 7. E201 AND E202 ARE SHOWN FOR REFERENCE ONLY

SEE 08562-60294 MATERIAL LIST

| | | | | |
|---|------------------|------|---------------------------------|-----------------|
| UNLESS OTHERWISE SPECIFIED, DIMENSIONS ARE IN INCHES. | DESIGNED BY | DATE | BOARD ASSEMBLY- POWER SUPPLY | |
| TELEPHONE: 303.433-4.633 | ENGINEER-CHECKER | | 08562-60294 | |
| SEE COMP. STD. 800 | APPROVED BY | | REV. NO. | E-08562-60294-2 |

A6 POWER SUPPLY BOARD ASSEMBLY
08562-60094

WARNING
CIRCUIT COMMON NOT EARTH GROUND
NODES MAY BE AT A LETHAL POTENTIAL
WITH RESPECT TO EARTH GROUND.
CIRCUIT ≠ EARTH



J1

| PIN | SIGNAL | TO/FROM | FUNCTION BLOCK |
|-----|-----------|---------|----------------|
| 1 | NC | | |
| 2 | NC | | |
| 3 | A GND | W1 | F |
| 4 | NC | | |
| 5 | NC | | |
| 6 | A GND | W1 | F |
| 7 | NC | | |
| 8 | NC | | |
| 9 | A GND | W1 | F |
| 10 | NC | | |
| 11 | NC | | |
| 12 | A GND | W1 | F |
| 13 | -12.8V | W1 | F |
| 14 | -15V | W1 | F |
| 15 | A GND | W1 | F |
| 16 | A GND | W1 | F |
| 17 | -15V | W1 | F |
| 18 | A GND | W1 | F |
| 19 | -15V | W1 | F |
| 20 | -15V | W1 | F |
| 21 | -15V | W1 | F |
| 22 | PRR UP | W1 | M |
| 23 | -15V | W1 | F |
| 24 | -15V | W1 | F |
| 25 | -15V | W1 | F |
| 26 | -15V | W1 | F |
| 27 | -15V | W1 | F |
| 28 | -15V | W1 | F |
| 29 | -15V | W1 | F |
| 30 | -15V | W1 | F |
| 31 | D GND | W1 | F |
| 32 | D GND | W1 | F |
| 33 | D GND | W1 | F |
| 34 | A GND | W1 | F |
| 35 | D GND | W1 | F |
| 36 | D GND | W1 | F |
| 37 | D GND | W1 | F |
| 38 | D GND | W1 | F |
| 39 | -15V | W1 | F |
| 40 | -15V | W1 | F |
| 41 | -15V | W1 | F |
| 42 | -15V | W1 | F |
| 43 | -15V | W1 | F |
| 44 | -15V | W1 | F |
| 45 | -15V | W1 | F |
| 46 | LINE TRIG | W1 | A |
| 47 | -15V | W1 | F |
| 48 | -15V | W1 | F |
| 49 | -15V | W1 | F |
| 50 | -15V | W1 | F |

J3

| PIN | SIGNAL | TO/FROM | FUNCTION BLOCK |
|-----|---------|---------|----------------|
| 1 | GND | B1 | F |
| 2 | FAN PWR | B1 | F |
| 3 | KEY | | |

J4

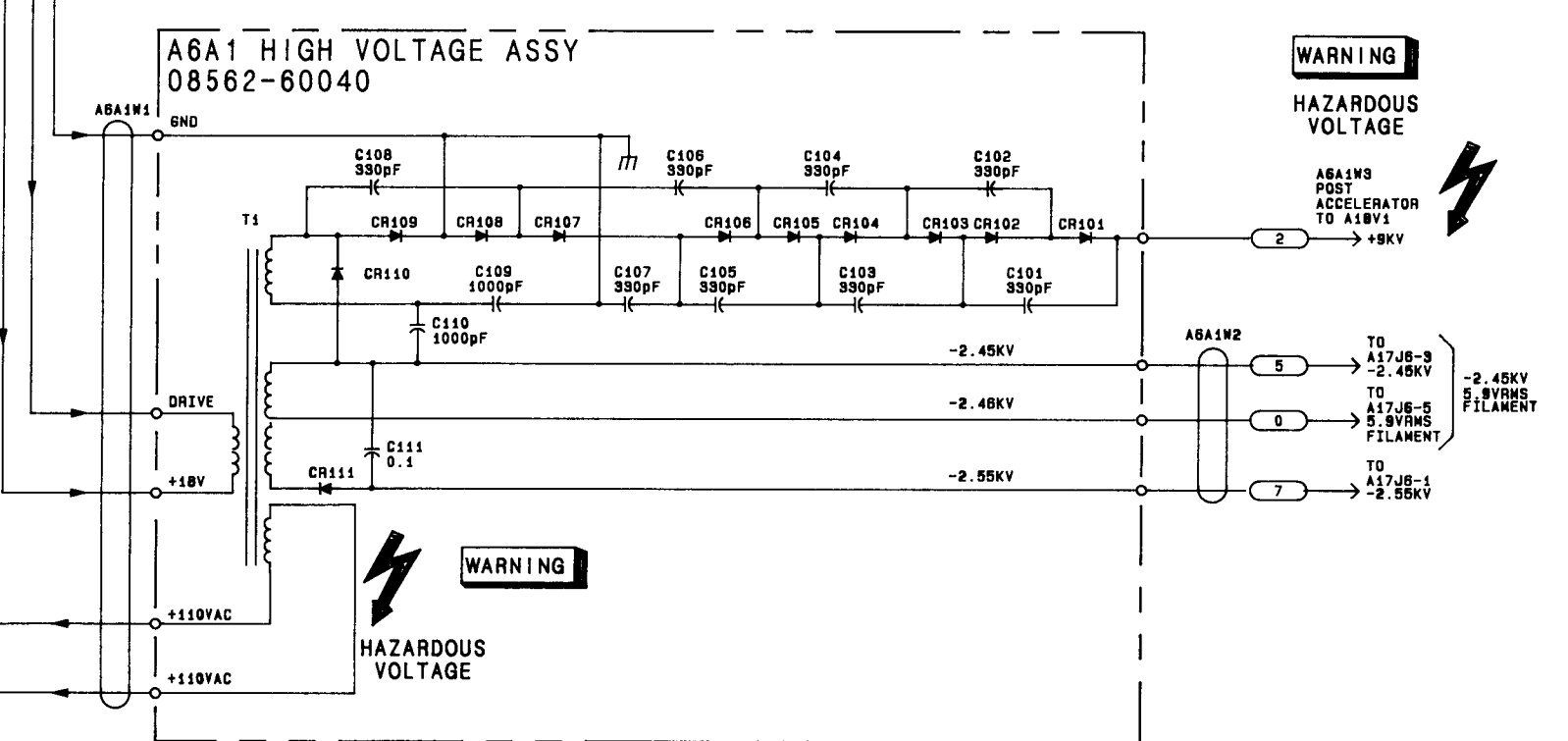
| PIN | SIGNAL | TO/FROM | FUNCTION BLOCK |
|-----|--------------|---------|----------------|
| 1 | +15V | A17J2-1 | K |
| 2 | NC | | |
| 3 | GND | A17J2-3 | F |
| 4 | +15V | A17J2-4 | F |
| 5 | -15V | A17J2-5 | F |
| 6 | HY SHUT DOWN | A17J2-6 | K |

- NOTES:**
- REFERENCE DESIGNATORS WITHIN THIS ASSEMBLY ARE ABBREVIATED. FOR COMPLETE REFERENCE DESIGNATION, PLEASE ASSOCIATION WITH ASSEMBLY DESIGNATION.
 - UNLESS OTHERWISE INDICATED: RESISTANCE IS IN OHMS (Ω), CAPACITANCE IS IN MICROFARADS (μF), INDUCTANCE IS IN MICROHENRIES (μH).
 - SIGNALS ENTER AT LEFT SIDE AND EXIT AT RIGHT SIDE OF FUNCTION BLOCKS.
 - MEMORIC TABLE:

| MEMORIC | DESCRIPTION |
|---------|-------------|
| PRR UP | POWER UP |

WARNING
CIRCUIT COMMON NOT EARTH GROUND
NODES MAY BE AT A LETHAL POTENTIAL
WITH RESPECT TO EARTH GROUND.
CIRCUIT ≠ EARTH

WARNING
LINE TO OUTPUT SAFETY
ISOLATION PROVIDED BY
T103, U101 AND U206



Component-Level Information Packet

for 08562-60109

Log Amplifier

Copyright © 1990 Hewlett-Packard Company

All Rights Reserved.
Reproduction, adaptation, or translation
without prior written permission
is prohibited, except as allowed
under the copyright laws.

HP Document Part Number 08562-90128

Printed December 1990
Printed in USA

The information contained in this document is subject to change without notice.



HP Part Number 08562-60109

Log Amplifier

| Reference Designation | HP Part Number | C D | Qty | Description | Mfr Code | Mfr Part Number |
|-----------------------|----------------|--------|-----|---------------------------------------|----------|--------------------|
| C1 | 0699-1942 | 2 | 1 | RESISTOR 287 +-0.1% .125W TF TC=0+-25 | 00746 | CRB14 OR CRB25 |
| | 0180-3328 | 3 | 1 | CAP-FXD 10uF 35 V AL-ELCTLT | 04200 | 510D106M035AA2D |
| C2 | 0180-3328 | 3 | 1 | CAP-FXD 10uF 35 V AL-ELCTLT | 04200 | 510D106M035AA2D |
| C3 | 0180-3632 | 2 | 1 | CAP-FXD 22uF 16 V AL-ELCTLT | 00493 | KMC50VB22RM6X11LLM |
| C101 | 0160-4832 | 4 | 1 | CAP-FXD 0.01uF 100 V | 02010 | SA101C103KAAH |
| C102 | 0160-4832 | 4 | 1 | CAP-FXD 0.01uF 100 V | 02010 | SA101C103KAAH |
| C103 | 0160-4832 | 4 | 1 | CAP-FXD 0.01uF 100 V | 02010 | SA101C103KAAH |
| C104 | 0160-4832 | 4 | 1 | CAP-FXD 0.01uF 100 V | 02010 | SA101C103KAAH |
| C105 | 0160-4832 | 4 | 1 | CAP-FXD 0.01uF 100 V | 02010 | SA101C103KAAH |
| C106 | 0160-4832 | 4 | 1 | CAP-FXD 0.01uF 100 V | 02010 | SA101C103KAAH |
| C107 | 0160-4832 | 4 | 1 | CAP-FXD 0.01uF 100 V | 02010 | SA101C103KAAH |
| C108 | 0160-4832 | 4 | 1 | CAP-FXD 0.01uF 100 V | 02010 | SA101C103KAAH |
| C109 | 0160-4084 | 8 | 1 | CAP-FXD 0.1uF 50 V | 02010 | SR215C104MAAH |
| C201 | 0160-4832 | 4 | 1 | CAP-FXD 0.01uF 100 V | 02010 | SA101C103KAAH |
| C202 | 0160-4832 | 4 | 1 | CAP-FXD 0.01uF 100 V | 02010 | SA101C103KAAH |
| C203 | 0160-4832 | 4 | 1 | CAP-FXD 0.01uF 100 V | 02010 | SA101C103KAAH |
| C204 | 0160-4832 | 4 | 1 | CAP-FXD 0.01uF 100 V | 02010 | SA101C103KAAH |
| C205 | 0160-4832 | 4 | 1 | CAP-FXD 0.01uF 100 V | 02010 | SA101C103KAAH |
| C206 | 0160-4790 | 3 | 1 | CAP-FXD 12pF +-5% 100 V CER COG | 02010 | SA102A120JAAH |
| C207 | 0160-4790 | 3 | 1 | CAP-FXD 12pF +-5% 100 V CER COG | 02010 | SA102A120JAAH |
| C301 | 0160-4832 | 4 | 1 | CAP-FXD 0.01uF 100 V | 02010 | SA101C103KAAH |
| C302 | 0160-4832 | 4 | 1 | CAP-FXD 0.01uF 100 V | 02010 | SA101C103KAAH |
| C303 | 0160-4832 | 4 | 1 | CAP-FXD 0.01uF 100 V | 02010 | SA101C103KAAH |
| C304 | 0160-4832 | 4 | 1 | CAP-FXD 0.01uF 100 V | 02010 | SA101C103KAAH |
| C305 | 0160-4832 | 4 | 1 | CAP-FXD 0.01uF 100 V | 02010 | SA101C103KAAH |
| C306 | 0160-4832 | 4 | 1 | CAP-FXD 0.01uF 100 V | 02010 | SA101C103KAAH |
| C307 | 0160-4832 | 4 | 1 | CAP-FXD 0.01uF 100 V | 02010 | SA101C103KAAH |
| C309 | 0160-6802 | 2 | 1 | CAP-FXD 110pF 100 V | 02010 | SA102A111FAAH |
| C310 | 0160-4498 | 8 | 1 | CAP-FXD 5.6pF 200 V | 06352 | FD12COG2D5R6D |
| C311 | 0160-4517 | 2 | 1 | CAP-FXD 1.2pF 200 V | 06352 | FD11COG2D1R2C |
| C312 | 0160-4790 | 3 | 1 | CAP-FXD 12pF +-5% 100 V CER COG | 02010 | SA102A120JAAH |
| C313 | 0160-4790 | 3 | 1 | CAP-FXD 12pF +-5% 100 V CER COG | 02010 | SA102A120JAAH |
| C401 | 0160-4832 | 4 | 1 | CAP-FXD 0.01uF 100 V | 02010 | SA101C103KAAH |
| C402 | 0160-4832 | 4 | 1 | CAP-FXD 0.01uF 100 V | 02010 | SA101C103KAAH |
| C403 | 0160-4832 | 4 | 1 | CAP-FXD 0.01uF 100 V | 02010 | SA101C103KAAH |
| C404 | 0160-4832 | 4 | 1 | CAP-FXD 0.01uF 100 V | 02010 | SA101C103KAAH |
| C405 | 0160-4832 | 4 | 1 | CAP-FXD 0.01uF 100 V | 02010 | SA101C103KAAH |
| C406 | 0160-4832 | 4 | 1 | CAP-FXD 0.01uF 100 V | 02010 | SA101C103KAAH |
| C407 | 0160-4835 | 7 | 1 | CAP-FXD 0.1uF 50 V | 02010 | SA115C104KAAH |
| C408 | 0160-4832 | 4 | 1 | CAP-FXD 0.01uF 100 V | 02010 | SA101C103KAAH |
| C410 | 0160-5902 | 1 | 1 | CAP-FXD 11pF +-5% 200 V CER COG | 06352 | DA12COG2D110J |
| C411 | 0160-4790 | 3 | 1 | CAP-FXD 12pF +-5% 100 V CER COG | 02010 | SA102A120JAAH |
| C412 | 0160-5902 | 1 | 1 | CAP-FXD 11pF +-5% 200 V CER COG | 06352 | DA12COG2D110J |
| C501 | 0160-4084 | 8 | 1 | CAP-FXD 0.1uF 50 V | 02010 | SR215C104MAAH |
| C502 | 0160-4801 | 7 | 1 | CAP-FXD 100pF +-5% 100 V CER COG | 02010 | SA102A101JAAH |
| C503 | 0160-4801 | 7 | 1 | CAP-FXD 100pF +-5% 100 V CER COG | 02010 | SA102A101JAAH |
| C504 | 0160-4814 | 2 | 1 | CAP-FXD 150pF +-5% 100 V CER COG | 02010 | SA101A151JAAH |
| C505 | 0160-4814 | 2 | 1 | CAP-FXD 150pF +-5% 100 V CER COG | 02010 | SA101A151JAAH |

*Indicates factory-selected value

HP Part Number 08562-60109

Log Amplifier

| Reference Designation | HP Part Number | C D | Qty | Description | Mfr Code | Mfr Part Number |
|-----------------------|----------------|-----|-----|----------------------------------|----------|-----------------|
| C506 | 0160-4812 | 0 | 1 | CAP-FXD 220pF +-5% 100 V CER COG | 02010 | SA101A221JAAH |
| C507 | 0160-4812 | 0 | 1 | CAP-FXD 220pF +-5% 100 V CER COG | 02010 | SA101A221JAAH |
| C508 | 0160-4825 | 5 | 1 | CAP-FXD 560pF +-5% 100 V CER COG | 02010 | SA101A561JAAH |
| C509 | 0160-4825 | 5 | 1 | CAP-FXD 560pF +-5% 100 V CER COG | 02010 | SA101A561JAAH |
| C510 | 0160-4835 | 7 | 1 | CAP-FXD 0.1uF 50 V | 02010 | SA115C104KAAH |
| C511 | 0160-4806 | 2 | 1 | CAP-FXD 39pF +-5% 100 V CER COG | 02010 | SA102A390JAAH |
| C512 | 0160-4835 | 7 | 1 | CAP-FXD 0.1uF 50 V | 02010 | SA115C104KAAH |
| C513 | 0160-4835 | 7 | 1 | CAP-FXD 0.1uF 50 V | 02010 | SA115C104KAAH |
| C514 | 0160-4574 | 1 | 1 | CAP-FXD 1000pF 100 V | 02010 | SA101C102KAAH |
| C515 | 0160-4832 | 4 | 1 | CAP-FXD 0.01uF 100 V | 02010 | SA101C103KAAH |
| C517 | 0160-4835 | 7 | 1 | CAP-FXD 0.1uF 50 V | 02010 | SA115C104KAAH |
| C518 | 0160-4835 | 7 | 1 | CAP-FXD 0.1uF 50 V | 02010 | SA115C104KAAH |
| C519 | 0160-4084 | 8 | 1 | CAP-FXD 0.1uF 50 V | 02010 | SR215C104MAAH |
| C520 | 0160-4574 | 1 | 1 | CAP-FXD 1000pF 100 V | 02010 | SA101C102KAAH |
| C601 | 0160-4835 | 7 | 1 | CAP-FXD 0.1uF 50 V | 02010 | SA115C104KAAH |
| C602 | 0160-4835 | 7 | 1 | CAP-FXD 0.1uF 50 V | 02010 | SA115C104KAAH |
| C603 | 0160-4835 | 7 | 1 | CAP-FXD 0.1uF 50 V | 02010 | SA115C104KAAH |
| C604 | 0160-4832 | 4 | 1 | CAP-FXD 0.01uF 100 V | 02010 | SA101C103KAAH |
| C605 | 0160-4835 | 7 | 1 | CAP-FXD 0.1uF 50 V | 02010 | SA115C104KAAH |
| C606 | 0160-4832 | 4 | 1 | CAP-FXD 0.01uF 100 V | 02010 | SA101C103KAAH |
| C607 | 0160-4811 | 9 | 1 | CAP-FXD 270pF +-5% 100 V CER COG | 02010 | SA101A271JAAH |
| C608 | 0160-4835 | 7 | 1 | CAP-FXD 0.1uF 50 V | 02010 | SA115C104KAAH |
| C609 | 0160-4832 | 4 | 1 | CAP-FXD 0.01uF 100 V | 02010 | SA101C103KAAH |
| C610 | 0160-4786 | 7 | 1 | CAP-FXD 27pF +-5% 100 V CER COG | 02010 | SA102A270JAAH |
| C611 | 0160-4801 | 7 | 1 | CAP-FXD 100pF +-5% 100 V CER COG | 02010 | SA102A101JAAH |
| C612 | 0160-4574 | 1 | 1 | CAP-FXD 1000pF 100 V | 02010 | SA101C102KAAH |
| C613 | 0160-4835 | 7 | 1 | CAP-FXD 0.1uF 50 V | 02010 | SA115C104KAAH |
| C614 | 0160-4387 | 4 | 1 | CAP-FXD 47pF 200 V | 06352 | FD12COG2D470J |
| C701 | 0160-4835 | 7 | 1 | CAP-FXD 0.1uF 50 V | 02010 | SA115C104KAAH |
| C702 | 0160-4832 | 4 | 1 | CAP-FXD 0.01uF 100 V | 02010 | SA101C103KAAH |
| C703 | 0160-4832 | 4 | 1 | CAP-FXD 0.01uF 100 V | 02010 | SA101C103KAAH |
| C704 | 0160-4832 | 4 | 1 | CAP-FXD 0.01uF 100 V | 02010 | SA101C103KAAH |
| C705 | 0160-4835 | 7 | 1 | CAP-FXD 0.1uF 50 V | 02010 | SA115C104KAAH |
| C706 | 0160-4832 | 4 | 1 | CAP-FXD 0.01uF 100 V | 02010 | SA101C103KAAH |
| C707 | 0160-4835 | 7 | 1 | CAP-FXD 0.1uF 50 V | 02010 | SA115C104KAAH |
| C708 | 0160-4832 | 4 | 1 | CAP-FXD 0.01uF 100 V | 02010 | SA101C103KAAH |
| C709 | 0160-4832 | 4 | 1 | CAP-FXD 0.01uF 100 V | 02010 | SA101C103KAAH |
| C710 | 0160-4574 | 1 | 1 | CAP-FXD 1000pF 100 V | 02010 | SA101C102KAAH |
| C711 | 0160-4835 | 7 | 1 | CAP-FXD 0.1uF 50 V | 02010 | SA115C104KAAH |
| C712 | 0160-4574 | 1 | 1 | CAP-FXD 1000pF 100 V | 02010 | SA101C102KAAH |
| C713 | 0160-4832 | 4 | 1 | CAP-FXD 0.01uF 100 V | 02010 | SA101C103KAAH |
| C714 | 0160-4835 | 7 | 1 | CAP-FXD 0.1uF 50 V | 02010 | SA115C104KAAH |
| C715 | 0160-4574 | 1 | 1 | CAP-FXD 1000pF 100 V | 02010 | SA101C102KAAH |
| C716 | 0160-4835 | 7 | 1 | CAP-FXD 0.1uF 50 V | 02010 | SA115C104KAAH |
| C717 | 0160-4832 | 4 | 1 | CAP-FXD 0.01uF 100 V | 02010 | SA101C103KAAH |
| C718 | 0160-4832 | 4 | 1 | CAP-FXD 0.01uF 100 V | 02010 | SA101C103KAAH |
| C719 | 0160-4832 | 4 | 1 | CAP-FXD 0.01uF 100 V | 02010 | SA101C103KAAH |

HP Part Number 08562-60109

Log Amplifier

| Reference Designation | HP Part Number | C | D | Qty | Description | Mfr Code | Mfr Part Number |
|-----------------------|----------------|---|---|-----|--|----------|-----------------|
| C720 | 0180-4135 | 2 | | 1 | CAP-FXD 33uF 10 V TA | 04200 | 173D336X9010X |
| C801 | 0160-4832 | 4 | | 1 | CAP-FXD 0.01uF 100 V | 02010 | SA101C103KAAH |
| C802 | 0160-4812 | 0 | | 1 | CAP-FXD 220pF +-5% 100 V CER COG | 02010 | SA101A221JAAH |
| C851 | 0160-4835 | 7 | | 1 | CAP-FXD 0.1uF 50 V | 02010 | SA115C104KAAH |
| C852 | 0160-4802 | 8 | | 1 | CAP-FXD 82pF +-5% 100 V CER COG | 02010 | SA102A820JAAH |
| C853 | 0121-0046 | 2 | | 1 | CAP-VAR 35pF 9pF 200 V | 01468 | 304-322-573 |
| C854 | 0160-4574 | 1 | | 1 | CAP-FXD 1000pF 100 V | 02010 | SA101C102KAAH |
| CR101 | 1901-1098 | 1 | | 1 | DIODE-SWITCHING 1N4150 50V 200MA 4NS | 00746 | |
| CR301 | 1901-1098 | 1 | | 1 | DIODE-SWITCHING 1N4150 50V 200MA 4NS | 00746 | |
| CR302 | 1901-1098 | 1 | | 1 | DIODE-SWITCHING 1N4150 50V 200MA 4NS | 00746 | |
| CR303 | 1901-1098 | 1 | | 1 | DIODE-SWITCHING 1N4150 50V 200MA 4NS | 00746 | |
| CR304 | 1901-1098 | 1 | | 1 | DIODE-SWITCHING 1N4150 50V 200MA 4NS | 00746 | |
| CR401 | 1901-1098 | 1 | | 1 | DIODE-SWITCHING 1N4150 50V 200MA 4NS | 00746 | |
| CR402 | 1901-0376 | 6 | | 1 | DIODE-GEN PRP 35V 50MA D0-35 | 00046 | 1N3595 |
| CR403 | 1901-0376 | 6 | | 1 | DIODE-GEN PRP 35V 50MA D0-35 | 00046 | 1N3595 |
| CR404 | 1901-1098 | 1 | | 1 | DIODE-SWITCHING 1N4150 50V 200MA 4NS | 00746 | |
| CR501 | 1901-1098 | 1 | | 1 | DIODE-SWITCHING 1N4150 50V 200MA 4NS | 00746 | |
| CR502 | 1901-1098 | 1 | | 1 | DIODE-SWITCHING 1N4150 50V 200MA 4NS | 00746 | |
| CR503 | 1901-1098 | 1 | | 1 | DIODE-SWITCHING 1N4150 50V 200MA 4NS | 00746 | |
| CR504 | 1901-1098 | 1 | | 1 | DIODE-SWITCHING 1N4150 50V 200MA 4NS | 00746 | |
| CR505 | 1902-0049 | 2 | | 1 | DIODE-ZNR 6.19V 5% D0-35 PD=.4W | 02037 | |
| CR601 | 1901-1098 | 1 | | 1 | DIODE-SWITCHING 1N4150 50V 200MA 4NS | 00746 | |
| CR701 | 1901-0376 | 6 | | 1 | DIODE-GEN PRP 35V 50MA D0-35 | 00046 | 1N3595 |
| CR702 | 1901-0376 | 6 | | 1 | DIODE-GEN PRP 35V 50MA D0-35 | 00046 | 1N3595 |
| CR703 | 1901-1098 | 1 | | 1 | DIODE-SWITCHING 1N4150 50V 200MA 4NS | 00746 | |
| CR704 | 1901-1098 | 1 | | 1 | DIODE-SWITCHING 1N4150 50V 200MA 4NS | 00746 | |
| CR705 | 1902-0025 | 4 | | 1 | DIODE-ZNR 10V 5% D0-35 PD=.4W TC=+.06% | 02037 | |
| CR801 | 1902-0041 | 4 | | 1 | DIODE-ZNR 5.11V 5% D0-35 PD=.4W | 02037 | |
| CR802 | 1902-3002 | 3 | | 1 | DIODE-ZNR 2.37V 5% D0-7 PD=.4W TC=-.074% | 02037 | |
| J1 | 1252-1064 | 4 | | 1 | CONN-POST TYPE .100-PIN-SPCG 50-CONT | 01380 | 1-746878-0 |
| J2 | 1252-1064 | 4 | | 1 | CONN-POST TYPE .100-PIN-SPCG 50-CONT | 01380 | 1-746878-0 |
| J3 | 1250-0543 | 8 | | 1 | CONNECTOR-RF SM-SNP M PC 50-OHM | 05769 | 51-053-0349-BE8 |
| J4 | 1250-0543 | 8 | | 1 | CONNECTOR-RF SM-SNP M PC 50-OHM | 05769 | 51-053-0349-BE8 |
| J5 | 1250-0257 | 1 | | 1 | CONNECTOR-RF SMB M PC-W-STDFS 50-OHM | 02788 | 5162-5021-09 |
| J6 | 1250-0257 | 1 | | 1 | CONNECTOR-RF SMB M PC-W-STDFS 50-OHM | 02788 | 5162-5021-09 |
| J7 | 1252-1200 | 0 | | 1 | CONN-POST TYPE .100-PIN-SPCG 15-CONT | 02946 | 68449-079 |
| J8 | 1252-1200 | 0 | | 1 | CONN-POST TYPE .100-PIN-SPCG 15-CONT | 02946 | 68449-079 |
| J9 | 1252-1200 | 0 | | 1 | CONN-POST TYPE .100-PIN-SPCG 15-CONT | 02946 | 68449-079 |
| L1 | 9140-0738 | 8 | | 1 | INDUCTOR 100UH .7D-INX.6LG-IN | 01869 | |
| L2 | 9140-0738 | 8 | | 1 | INDUCTOR 100UH .7D-INX.6LG-IN | 01869 | |
| L3 | 9140-0736 | 6 | | 1 | INDUCTOR-FIXED L:200 UH MIN @ 0.35 ADC,1 | 04200 | |
| L4 | 9170-1366 | 3 | | 1 | CORE-MAGNETIC SHIELDING BEAD IMPEDANCE | 03827 | 2743001112 |
| L101 | 9170-1380 | 1 | | 1 | CORE-MAGNETIC IMPD: 15 OHMS @ 25 MHZ, 25 | 03827 | SAHP763 |
| L102 | 9170-1380 | 1 | | 1 | CORE-MAGNETIC IMPD: 15 OHMS @ 25 MHZ, 25 | 03827 | SAHP763 |
| L103 | 9170-1380 | 1 | | 1 | CORE-MAGNETIC IMPD: 15 OHMS @ 25 MHZ, 25 | 03827 | SAHP763 |
| L104 | 9170-1380 | 1 | | 1 | CORE-MAGNETIC IMPD: 15 OHMS @ 25 MHZ, 25 | 03827 | SAHP763 |
| L105 | 9170-1380 | 1 | | 1 | CORE-MAGNETIC IMPD: 15 OHMS @ 25 MHZ, 25 | 03827 | SAHP763 |
| L106 | 9170-1366 | 3 | | 1 | CORE-MAGNETIC SHIELDING BEAD IMPEDANCE | 03827 | 2743001112 |

*Indicates factory-selected value

HP Part Number 08562-60109

Log Amplifier

| Reference Designation | HP Part Number | C D | Qty | Description | Mfr Code | Mfr Part Number |
|-----------------------|----------------|-----|-----|--|----------|-----------------|
| L107 | 9170-1380 | 1 | 1 | CORE-MAGNETIC IMPD: 15 OHMS @ 25 MHZ, 25 | 03827 | SAHP763 |
| L108 | 9170-1366 | 3 | 1 | CORE-MAGNETIC SHIELDING BEAD IMPEDANCE | 03827 | 2743001112 |
| L109 | 9170-1366 | 3 | 1 | CORE-MAGNETIC SHIELDING BEAD IMPEDANCE | 03827 | 2743001112 |
| L110 | 9170-1366 | 3 | 1 | CORE-MAGNETIC SHIELDING BEAD IMPEDANCE | 03827 | 2743001112 |
| L111 | 9170-1366 | 3 | 1 | CORE-MAGNETIC SHIELDING BEAD IMPEDANCE | 03827 | 2743001112 |
| L112 | 9170-1366 | 3 | 1 | CORE-MAGNETIC SHIELDING BEAD IMPEDANCE | 03827 | 2743001112 |
| L113 | 9170-1366 | 3 | 1 | CORE-MAGNETIC SHIELDING BEAD IMPEDANCE | 03827 | 2743001112 |
| L114 | 9170-1366 | 3 | 1 | CORE-MAGNETIC SHIELDING BEAD IMPEDANCE | 03827 | 2743001112 |
| L115 | 9140-0555 | 7 | 1 | INDUCTOR RF-CH-MLD 15UH +-5% .105D-INX.2 | 03273 | 10M152J |
| L116 | 9140-0555 | 7 | 1 | INDUCTOR RF-CH-MLD 15UH +-5% .105D-INX.2 | 03273 | 10M152J |
| L117 | 9140-0555 | 7 | 1 | INDUCTOR RF-CH-MLD 15UH +-5% .105D-INX.2 | 03273 | 10M152J |
| L118 | 9140-0555 | 7 | 1 | INDUCTOR RF-CH-MLD 15UH +-5% .105D-INX.2 | 03273 | 10M152J |
| L201 | 9170-1380 | 1 | 1 | CORE-MAGNETIC IMPD: 15 OHMS @ 25 MHZ, 25 | 03827 | SAHP763 |
| L202 | 9170-1380 | 1 | 1 | CORE-MAGNETIC IMPD: 15 OHMS @ 25 MHZ, 25 | 03827 | SAHP763 |
| L203 | 9170-1380 | 1 | 1 | CORE-MAGNETIC IMPD: 15 OHMS @ 25 MHZ, 25 | 03827 | SAHP763 |
| L204 | 9170-1366 | 3 | 1 | CORE-MAGNETIC SHIELDING BEAD IMPEDANCE | 03827 | 2743001112 |
| L205 | 9170-1380 | 1 | 1 | CORE-MAGNETIC IMPD: 15 OHMS @ 25 MHZ, 25 | 03827 | SAHP763 |
| L206 | 9170-1366 | 3 | 1 | CORE-MAGNETIC SHIELDING BEAD IMPEDANCE | 03827 | 2743001112 |
| L207 | 9170-1366 | 3 | 1 | CORE-MAGNETIC SHIELDING BEAD IMPEDANCE | 03827 | 2743001112 |
| L208 | 9170-1366 | 3 | 1 | CORE-MAGNETIC SHIELDING BEAD IMPEDANCE | 03827 | 2743001112 |
| L209 | 9170-1366 | 3 | 1 | CORE-MAGNETIC SHIELDING BEAD IMPEDANCE | 03827 | 2743001112 |
| L210 | 9170-1366 | 3 | 1 | CORE-MAGNETIC SHIELDING BEAD IMPEDANCE | 03827 | 2743001112 |
| L211 | 9140-0555 | 7 | 1 | INDUCTOR RF-CH-MLD 15UH +-5% .105D-INX.2 | 03273 | 10M152J |
| L212 | 9140-0555 | 7 | 1 | INDUCTOR RF-CH-MLD 15UH +-5% .105D-INX.2 | 03273 | 10M152J |
| L213 | 9140-0555 | 7 | 1 | INDUCTOR RF-CH-MLD 15UH +-5% .105D-INX.2 | 03273 | 10M152J |
| L214 | 9140-0555 | 7 | 1 | INDUCTOR RF-CH-MLD 15UH +-5% .105D-INX.2 | 03273 | 10M152J |
| L301 | 9170-1380 | 1 | 1 | CORE-MAGNETIC IMPD: 15 OHMS @ 25 MHZ, 25 | 03827 | SAHP763 |
| L302 | 9170-1380 | 1 | 1 | CORE-MAGNETIC IMPD: 15 OHMS @ 25 MHZ, 25 | 03827 | SAHP763 |
| L303 | 9170-1380 | 1 | 1 | CORE-MAGNETIC IMPD: 15 OHMS @ 25 MHZ, 25 | 03827 | SAHP763 |
| L304 | 9170-1366 | 3 | 1 | CORE-MAGNETIC SHIELDING BEAD IMPEDANCE | 03827 | 2743001112 |
| L305 | 9170-1380 | 1 | 1 | CORE-MAGNETIC IMPD: 15 OHMS @ 25 MHZ, 25 | 03827 | SAHP763 |
| L306 | 9170-1366 | 3 | 1 | CORE-MAGNETIC SHIELDING BEAD IMPEDANCE | 03827 | 2743001112 |
| L307 | 9170-1366 | 3 | 1 | CORE-MAGNETIC SHIELDING BEAD IMPEDANCE | 03827 | 2743001112 |
| L308 | 9170-1366 | 3 | 1 | CORE-MAGNETIC SHIELDING BEAD IMPEDANCE | 03827 | 2743001112 |
| L309 | 9170-1366 | 3 | 1 | CORE-MAGNETIC SHIELDING BEAD IMPEDANCE | 03827 | 2743001112 |
| L310 | 9170-1366 | 3 | 1 | CORE-MAGNETIC SHIELDING BEAD IMPEDANCE | 03827 | 2743001112 |
| L311 | 9140-0266 | 7 | 1 | INDUCTOR RF-CH-MLD 1.8UH +-5% .166D-INX. | 03273 | 15M181J |
| L312 | 9100-3912 | 2 | 1 | INDUCTOR RF-CH-MLD 15UH +-5% .166D-INX.3 | 03273 | 15M152J |
| L313 | 9170-1366 | 3 | 1 | CORE-MAGNETIC SHIELDING BEAD IMPEDANCE | 03827 | 2743001112 |
| L314 | 9140-0555 | 7 | 1 | INDUCTOR RF-CH-MLD 15UH +-5% .105D-INX.2 | 03273 | 10M152J |
| L315 | 9140-0555 | 7 | 1 | INDUCTOR RF-CH-MLD 15UH +-5% .105D-INX.2 | 03273 | 10M152J |
| L316 | 9140-0555 | 7 | 1 | INDUCTOR RF-CH-MLD 15UH +-5% .105D-INX.2 | 03273 | 10M152J |
| L317 | 9140-0555 | 7 | 1 | INDUCTOR RF-CH-MLD 15UH +-5% .105D-INX.2 | 03273 | 10M152J |
| L401 | 9170-1380 | 1 | 1 | CORE-MAGNETIC IMPD: 15 OHMS @ 25 MHZ, 25 | 03827 | SAHP763 |
| L402 | 9170-1380 | 1 | 1 | CORE-MAGNETIC IMPD: 15 OHMS @ 25 MHZ, 25 | 03827 | SAHP763 |
| L403 | 9170-1380 | 1 | 1 | CORE-MAGNETIC IMPD: 15 OHMS @ 25 MHZ, 25 | 03827 | SAHP763 |
| L404 | 9170-1366 | 3 | 1 | CORE-MAGNETIC SHIELDING BEAD IMPEDANCE | 03827 | 2743001112 |

HP Part Number 08562-60109

Log Amplifier

| Reference Designation | HP Part Number | C D | Qty | Description | Mfr Code | Mfr Part Number |
|-----------------------|----------------|--------|-----|--|----------|-----------------|
| L405 | 9170-1380 | 1 | 1 | CORE-MAGNETIC IMPD: 15 OHMS @ 25 MHZ, 25 | 03827 | SAHP763 |
| L406 | 9170-1366 | 3 | 1 | CORE-MAGNETIC SHIELDING BEAD IMPEDANCE | 03827 | 2743001112 |
| L407 | 9140-0453 | 4 | 1 | INDUCTOR RF-CH-MLD 6.8UH +-5% .166D-INX. | 03273 | 15M-681J |
| L408 | 9140-0453 | 4 | 1 | INDUCTOR RF-CH-MLD 6.8UH +-5% .166D-INX. | 03273 | 15M-681J |
| L409 | 9140-0400 | 1 | 1 | INDUCTOR RF-CH-MLD 8.2UH +-5% .166D-INX. | 03273 | 15M821J |
| L410 | 9140-0400 | 1 | 1 | INDUCTOR RF-CH-MLD 8.2UH +-5% .166D-INX. | 03273 | 15M821J |
| L411 | 9140-0400 | 1 | 1 | INDUCTOR RF-CH-MLD 8.2UH +-5% .166D-INX. | 03273 | 15M821J |
| L412 | 9140-0400 | 1 | 1 | INDUCTOR RF-CH-MLD 8.2UH +-5% .166D-INX. | 03273 | 15M821J |
| L413 | 9140-0453 | 4 | 1 | INDUCTOR RF-CH-MLD 6.8UH +-5% .166D-INX. | 03273 | 15M-681J |
| L414 | 9140-0453 | 4 | 1 | INDUCTOR RF-CH-MLD 6.8UH +-5% .166D-INX. | 03273 | 15M-681J |
| L415 | 9170-1366 | 3 | 1 | CORE-MAGNETIC SHIELDING BEAD IMPEDANCE | 03827 | 2743001112 |
| L416 | 9170-1366 | 3 | 1 | CORE-MAGNETIC SHIELDING BEAD IMPEDANCE | 03827 | 2743001112 |
| L417 | 9170-1366 | 3 | 1 | CORE-MAGNETIC SHIELDING BEAD IMPEDANCE | 03827 | 2743001112 |
| L418 | 9170-1366 | 3 | 1 | CORE-MAGNETIC SHIELDING BEAD IMPEDANCE | 03827 | 2743001112 |
| L419 | 9140-0555 | 7 | 1 | INDUCTOR RF-CH-MLD 15UH +-5% .105D-INX.2 | 03273 | 10M152J |
| L420 | 9140-0555 | 7 | 1 | INDUCTOR RF-CH-MLD 15UH +-5% .105D-INX.2 | 03273 | 10M152J |
| L421 | 9140-0555 | 7 | 1 | INDUCTOR RF-CH-MLD 15UH +-5% .105D-INX.2 | 03273 | 10M152J |
| L422 | 9140-0555 | 7 | 1 | INDUCTOR RF-CH-MLD 15UH +-5% .105D-INX.2 | 03273 | 10M152J |
| L501 | 9100-3562 | 8 | 1 | INDUCTOR RF-CH-MLD 4.7UH +-5% .166D-INX. | 03273 | 15M471J |
| L502 | 9100-3562 | 8 | 1 | INDUCTOR RF-CH-MLD 4.7UH +-5% .166D-INX. | 03273 | 15M471J |
| L503 | 9140-0453 | 4 | 1 | INDUCTOR RF-CH-MLD 6.8UH +-5% .166D-INX. | 03273 | 15M-681J |
| L504 | 9140-0453 | 4 | 1 | INDUCTOR RF-CH-MLD 6.8UH +-5% .166D-INX. | 03273 | 15M-681J |
| L505 | 9100-0539 | 3 | 1 | INDUCTOR RF-CH-MLD 10UH +-5% .166D-INX.3 | 03273 | 15M102J |
| L506 | 9100-0539 | 3 | 1 | INDUCTOR RF-CH-MLD 10UH +-5% .166D-INX.3 | 03273 | 15M102J |
| L507 | 9170-1380 | 1 | 1 | CORE-MAGNETIC IMPD: 15 OHMS @ 25 MHZ, 25 | 03827 | SAHP763 |
| L701 | 9170-1366 | 3 | 1 | CORE-MAGNETIC SHIELDING BEAD IMPEDANCE | 03827 | 2743001112 |
| L702 | 9170-1366 | 3 | 1 | CORE-MAGNETIC SHIELDING BEAD IMPEDANCE | 03827 | 2743001112 |
| L703 | 9170-1366 | 3 | 1 | CORE-MAGNETIC SHIELDING BEAD IMPEDANCE | 03827 | 2743001112 |
| L704 | 9170-1380 | 1 | 1 | CORE-MAGNETIC IMPD: 15 OHMS @ 25 MHZ, 25 | 03827 | SAHP763 |
| L705 | 9170-1380 | 1 | 1 | CORE-MAGNETIC IMPD: 15 OHMS @ 25 MHZ, 25 | 03827 | SAHP763 |
| L706 | 9140-0144 | 0 | 1 | INDUCTOR RF-CH-MLD 4.7UH +-10% .105D-INX | 03273 | 10M471K |
| L801 | 9140-0158 | 6 | 1 | INDUCTOR RF-CH-MLD 1UH +-10% .105D-INX.2 | 03273 | 10M101K |
| L851 | 9140-0399 | 7 | 1 | INDUCTOR RF-CH-MLD 2.2UH +-5% .166D-INX. | 03273 | 15M221J |
| L852 | 9100-3313 | 7 | 1 | INDUCTOR RF-CH-MLD 22UH +-5% .166D-INX.3 | 03273 | 15M222J |
| MP1 | 08562-20034 | 3 | 1 | | 28480 | 08562-20034 |
| MP2 | 0380-1251 | 1 | 2 | SPACER-RVT-ON 16-MM-LG 3.8-MM-ID 6.17-MM | 02121 | |
| MP3 | 0380-2055 | 5 | 3 | SPACER-RVT-ON 9.5-MM-LG 3.8-MM-ID 6.17-M | 02121 | |
| MP4 | 5021-6725 | 9 | 1 | | 28480 | 5021-6725 |
| MP5 | 5021-6726 | 0 | 1 | | 28480 | 5021-6726 |
| MP6 | 5021-6727 | 1 | 1 | | 28480 | 5021-6727 |
| MP7 | 5021-6728 | 2 | 1 | | 28480 | 5021-6728 |
| MP9 | 5001-8724 | 0 | 1 | | 28480 | 5001-8724 |
| MP10 | 5041-7264 | 5 | 1 | | 28480 | 5041-7264 |
| MP11 | 0624-0099 | 1 | 1 | SCREW-TPG 4-40 .375-IN-LG PAN-HD-POZI | 01136 | |
| MP13 | 9320-5784 | 6 | | LBL-LNE-PTR .65-IN-WD X .2-IN-LG | 12532 | 1EW10R |
| NONE0001 | 08562-68109 | 3 | 1 | | 28480 | 08562-68109 |
| NONE0002 | 7121-4611 | 2 | 1 | LABEL-INFORMATION .15-IN-WD .6-IN-LG | 09002 | |
| Q501 | 1853-0451 | 5 | 1 | TRANSISTOR PNP 2N3799 SI TO-18 PD=360MW | 02037 | |

*Indicates factory-selected value

HP Part Number 08562-60109

Log Amplifier

| Reference Designation | HP Part Number | C D | Qty | Description | Mfr Code | Mfr Part Number |
|-----------------------|----------------|--------|-----|--|----------|-----------------|
| Q502 | 1854-0907 | 8 | 1 | TRANSISTOR NPN 2N2484 TO-18 PD=360MW | 02037 | |
| Q601 | 1855-0278 | 8 | 1 | TRANSISTOR J-FET 2N5116 P-CHAN D-MODE TO | 02883 | 2N5116 |
| Q801 | 1854-0809 | 9 | 1 | TRANSISTOR NPN 2N2369A SI TO-18 PD=360MW | 02037 | 2N2369A |
| Q851 | 1854-0809 | 9 | 1 | TRANSISTOR NPN 2N2369A SI TO-18 PD=360MW | 02037 | 2N2369A |
| R101 | 0698-7260 | 7 | 1 | RESISTOR 10K +-1% .05W TF TC=0+-100 | 00746 | CRB20 |
| R102 | 0757-0442 | 9 | 1 | RESISTOR 10K +-1% .125W TF TC=0+-100 | 00746 | CRB14 OR CRB25 |
| R103 | 0698-3445 | 2 | 1 | RESISTOR 348 1% .125W TF TC=0+-100 | 00746 | CRB14 OR CRB25 |
| R104 | 0757-0346 | 2 | 1 | RESISTOR 10 +-1% .125W TF TC=0+-100 | 00746 | CRB14 OR CRB25 |
| R105 | 0757-0440 | 7 | 1 | RESISTOR 7.5K +-1% .125W TF TC=0+-100 | 00746 | CRB14 OR CRB25 |
| R106 | 0698-6346 | 8 | 1 | RESISTOR 300 +-0.1% .125W TF TC=0+-25 | 00746 | CRB14 OR CRB25 |
| R107 | 0698-6346 | 8 | 1 | RESISTOR 300 +-0.1% .125W TF TC=0+-25 | 00746 | CRB14 OR CRB25 |
| R108 | 0757-0441 | 8 | 1 | RESISTOR 8.25K +-1% .125W TF TC=0+-100 | 00746 | CRB14 OR CRB25 |
| R109 | 0757-0442 | 9 | 1 | RESISTOR 10K +-1% .125W TF TC=0+-100 | 00746 | CRB14 OR CRB25 |
| R110 | 0698-3152 | 8 | 1 | RESISTOR 3.48K 1% .125W TF TC=0+-100 | 00746 | CRB14 OR CRB25 |
| R111 | 0757-0199 | 3 | 1 | RESISTOR 21.5K +-1% .125W TF TC=0+-100 | 00746 | CRB14 OR CRB25 |
| R112 | 0757-0440 | 7 | 1 | RESISTOR 7.5K +-1% .125W TF TC=0+-100 | 00746 | CRB14 OR CRB25 |
| R113 | 0757-0401 | 0 | 1 | RESISTOR 100 +-1% .125W TF TC=0+-100 | 00746 | CRB14 OR CRB25 |
| R114 | 0757-0440 | 7 | 1 | RESISTOR 7.5K +-1% .125W TF TC=0+-100 | 00746 | CRB14 OR CRB25 |
| R115 | 0757-0199 | 3 | 1 | RESISTOR 21.5K +-1% .125W TF TC=0+-100 | 00746 | CRB14 OR CRB25 |
| R116 | 0698-3152 | 8 | 1 | RESISTOR 3.48K 1% .125W TF TC=0+-100 | 00746 | CRB14 OR CRB25 |
| R117 | 0757-0276 | 7 | 1 | RESISTOR 61.9 +-1% .125W TF TC=0+-100 | 00746 | CRB14 OR CRB25 |
| R118 | 0699-1942 | 2 | 1 | RESISTOR 287 +-0.1% .125W TF TC=0+-25 | 00746 | CRB14 OR CRB25 |
| R119 | 0698-6346 | 8 | 1 | RESISTOR 300 +-0.1% .125W TF TC=0+-25 | 00746 | CRB14 OR CRB25 |
| R120 | 0698-6774 | 6 | 1 | RESISTOR 150 +-0.1% .125W TF TC=0+-25 | 00746 | CRB14 OR CRB25 |
| R121 | 0698-6774 | 6 | 1 | RESISTOR 150 +-0.1% .125W TF TC=0+-25 | 00746 | CRB14 OR CRB25 |
| R122 | 0698-6346 | 8 | 1 | RESISTOR 300 +-0.1% .125W TF TC=0+-25 | 00746 | CRB14 OR CRB25 |
| R123 | 0699-1942 | 2 | 1 | RESISTOR 287 +-0.1% .125W TF TC=0+-25 | 00746 | CRB14 OR CRB25 |
| R124 | 0757-0276 | 7 | 1 | RESISTOR 61.9 +-1% .125W TF TC=0+-100 | 00746 | CRB14 OR CRB25 |
| R125 | 0757-0280 | 3 | 1 | RESISTOR 1K +-1% .125W TF TC=0+-100 | 00746 | CRB14 OR CRB25 |
| R126 | 0698-3132 | 4 | 1 | RESISTOR 261 1% .125W TF TC=0+-100 | 00746 | CRB14 OR CRB25 |
| R127 | 0698-0083 | 8 | 1 | RESISTOR 1.96K 1% .125W TF TC=0+-100 | 00746 | CRB14 OR CRB25 |
| R128 | 0698-0083 | 8 | 1 | RESISTOR 1.96K 1% .125W TF TC=0+-100 | 00746 | CRB14 OR CRB25 |
| R129 | 0757-0401 | 0 | 1 | RESISTOR 100 +-1% .125W TF TC=0+-100 | 00746 | CRB14 OR CRB25 |
| R130 | 0757-0278 | 9 | 1 | RESISTOR 1.78K +-1% .125W TF TC=0+-100 | 00746 | CRB14 OR CRB25 |
| R131 | 0699-0400 | 5 | 1 | RESISTOR 3.6K +-0.1% .125W TF TC=0+-25 | 00746 | CRB14 OR CRB25 |
| R132 | 0698-0085 | 0 | 1 | RESISTOR 2.61K 1% .125W TF TC=0+-100 | 00746 | CRB14 OR CRB25 |
| R133 | 0757-0442 | 9 | 1 | RESISTOR 10K +-1% .125W TF TC=0+-100 | 00746 | CRB14 OR CRB25 |
| R134 | 0757-0403 | 2 | 1 | RESISTOR 121 +-1% .125W TF TC=0+-100 | 00746 | CRB14 OR CRB25 |
| R135 | 0757-0346 | 2 | 1 | RESISTOR 10 +-1% .125W TF TC=0+-100 | 00746 | CRB14 OR CRB25 |
| R136 | 0698-6323 | 1 | 1 | RESISTOR 100 +-0.1% .125W TF TC=0+-25 | 00746 | CRB14 OR CRB25 |
| R137 | 0698-6323 | 1 | 1 | RESISTOR 100 +-0.1% .125W TF TC=0+-25 | 00746 | CRB14 OR CRB25 |
| R138 | 0698-3152 | 8 | 1 | RESISTOR 3.48K 1% .125W TF TC=0+-100 | 00746 | CRB14 OR CRB25 |
| R139 | 0757-0199 | 3 | 1 | RESISTOR 21.5K +-1% .125W TF TC=0+-100 | 00746 | CRB14 OR CRB25 |
| R140 | 0699-1943 | 3 | 1 | RESISTOR 348 +-0.1% .125W TF TC=0+-25 | 00746 | CRB14 OR CRB25 |
| R141 | 0757-0401 | 0 | 1 | RESISTOR 100 +-1% .125W TF TC=0+-100 | 00746 | CRB14 OR CRB25 |
| R142 | 0698-6963 | 5 | 1 | RESISTOR 5.55K +-0.1% .125W TF TC=0+-25 | 00746 | CRB14 OR CRB25 |
| R143 | 0757-0199 | 3 | 1 | RESISTOR 21.5K +-1% .125W TF TC=0+-100 | 00746 | CRB14 OR CRB25 |

HP Part Number 08562-60109

Log Amplifier

| Reference Designation | HP Part Number | C D | Qty | Description | Mfr Code | Mfr Part Number |
|-----------------------|----------------|--------|-----|--|----------|-----------------|
| R144 | 0698-3152 | 8 | 1 | RESISTOR 3.48K 1% .125W TF TC=0+-100 | 00746 | CRB14 OR CRB25 |
| R145 | 0757-0401 | 0 | 1 | RESISTOR 100 +-1% .125W TF TC=0+-100 | 00746 | CRB14 OR CRB25 |
| R146 | 0699-1942 | 2 | 1 | RESISTOR 287 +-0.1% .125W TF TC=0+-25 | 00746 | CRB14 OR CRB25 |
| R147 | 0698-6346 | 8 | 1 | RESISTOR 300 +-0.1% .125W TF TC=0+-25 | 00746 | CRB14 OR CRB25 |
| R148 | 0698-6774 | 6 | 1 | RESISTOR 150 +-0.1% .125W TF TC=0+-25 | 00746 | CRB14 OR CRB25 |
| R149 | 0698-6774 | 6 | 1 | RESISTOR 150 +-0.1% .125W TF TC=0+-25 | 00746 | CRB14 OR CRB25 |
| R150 | 0698-6346 | 8 | 1 | RESISTOR 300 +-0.1% .125W TF TC=0+-25 | 00746 | CRB14 OR CRB25 |
| R151 | 0757-0401 | 0 | 1 | RESISTOR 100 +-1% .125W TF TC=0+-100 | 00746 | CRB14 OR CRB25 |
| R153 | 0699-1942 | 2 | 1 | RESISTOR 287 +-0.1% .125W TF TC=0+-25 | 00746 | CRB14 OR CRB25 |
| R155 | 0698-0083 | 8 | 1 | RESISTOR 1.96K 1% .125W TF TC=0+-100 | 00746 | CRB14 OR CRB25 |
| R156 | 0698-0083 | 8 | 1 | RESISTOR 1.96K 1% .125W TF TC=0+-100 | 00746 | CRB14 OR CRB25 |
| R157 | 0699-1943 | 3 | 1 | RESISTOR 348 +-0.1% .125W TF TC=0+-25 | 00746 | CRB14 OR CRB25 |
| R158 | 0698-6322 | 0 | 1 | RESISTOR 4K +-0.1% .125W TF TC=0+-25 | 00746 | CRB14 OR CRB25 |
| R159 | 0698-6348 | 0 | 1 | RESISTOR 3K +-0.1% .125W TF TC=0+-25 | 00746 | CRB14 OR CRB25 |
| R160 | 0757-0442 | 9 | 1 | RESISTOR 10K +-1% .125W TF TC=0+-100 | 00746 | CRB14 OR CRB25 |
| R161 | 0757-0316 | 6 | 1 | RESISTOR 42.2 +-1% .125W TF TC=0+-100 | 00746 | CRB14 OR CRB25 |
| R162 | 0757-0346 | 2 | 1 | RESISTOR 10 +-1% .125W TF TC=0+-100 | 00746 | CRB14 OR CRB25 |
| R163 | 0698-6346 | 8 | 1 | RESISTOR 300 +-0.1% .125W TF TC=0+-25 | 00746 | CRB14 OR CRB25 |
| R164 | 0698-6346 | 8 | 1 | RESISTOR 300 +-0.1% .125W TF TC=0+-25 | 00746 | CRB14 OR CRB25 |
| R165 | 0698-3152 | 8 | 1 | RESISTOR 3.48K 1% .125W TF TC=0+-100 | 00746 | CRB14 OR CRB25 |
| R166 | 0757-0442 | 9 | 1 | RESISTOR 10K +-1% .125W TF TC=0+-100 | 00746 | CRB14 OR CRB25 |
| R167 | 0757-0440 | 7 | 1 | RESISTOR 7.5K +-1% .125W TF TC=0+-100 | 00746 | CRB14 OR CRB25 |
| R168 | 0757-0401 | 0 | 1 | RESISTOR 100 +-1% .125W TF TC=0+-100 | 00746 | CRB14 OR CRB25 |
| R169 | 0757-0439 | 4 | 1 | RESISTOR 6.81K +-1% .125W TF TC=0+-100 | 00746 | CRB14 OR CRB25 |
| R170 | 0757-0442 | 9 | 1 | RESISTOR 10K +-1% .125W TF TC=0+-100 | 00746 | CRB14 OR CRB25 |
| R171 | 0698-3152 | 8 | 1 | RESISTOR 3.48K 1% .125W TF TC=0+-100 | 00746 | CRB14 OR CRB25 |
| R172 | 0757-0401 | 0 | 1 | RESISTOR 100 +-1% .125W TF TC=0+-100 | 00746 | CRB14 OR CRB25 |
| R173 | 0699-1942 | 2 | 1 | RESISTOR 287 +-0.1% .125W TF TC=0+-25 | 00746 | CRB14 OR CRB25 |
| R174 | 0698-6364 | 0 | 1 | RESISTOR 50 +-0.1% .125W TF TC=0+-25 | 00746 | CRB14 OR CRB25 |
| R175 | 0698-6364 | 0 | 1 | RESISTOR 50 +-0.1% .125W TF TC=0+-25 | 00746 | CRB14 OR CRB25 |
| R176 | 0699-1942 | 2 | 1 | RESISTOR 287 +-0.1% .125W TF TC=0+-25 | 00746 | CRB14 OR CRB25 |
| R177 | 0757-0401 | 0 | 1 | RESISTOR 100 +-1% .125W TF TC=0+-100 | 00746 | CRB14 OR CRB25 |
| R180 | 0757-0438 | 3 | 1 | RESISTOR 5.11K +-1% .125W TF TC=0+-100 | 00746 | CRB14 OR CRB25 |
| R181 | 0757-0401 | 0 | 1 | RESISTOR 100 +-1% .125W TF TC=0+-100 | 00746 | CRB14 OR CRB25 |
| R182 | 2100-4183 | 4 | 1 | RESISTOR-TRMR 1K 10% TKF TOP-ADJ 1-TRN | 03744 | 3329H-EG9-102 |
| R183 | 2100-4183 | 4 | 1 | RESISTOR-TRMR 1K 10% TKF TOP-ADJ 1-TRN | 03744 | 3329H-EG9-102 |
| R184 | 2100-4182 | 3 | 1 | RESISTOR-TRMR 2K 10% TKF TOP-ADJ 1-TRN | 03744 | 3329H-EG9-202 |
| R201 | 0757-0442 | 9 | 1 | RESISTOR 10K +-1% .125W TF TC=0+-100 | 00746 | CRB14 OR CRB25 |
| R202 | 0757-0316 | 6 | 1 | RESISTOR 42.2 +-1% .125W TF TC=0+-100 | 00746 | CRB14 OR CRB25 |
| R203 | 0757-0346 | 2 | 1 | RESISTOR 10 +-1% .125W TF TC=0+-100 | 00746 | CRB14 OR CRB25 |
| R204 | 0757-0440 | 7 | 1 | RESISTOR 7.5K +-1% .125W TF TC=0+-100 | 00746 | CRB14 OR CRB25 |
| R205 | 0698-6346 | 8 | 1 | RESISTOR 300 +-0.1% .125W TF TC=0+-25 | 00746 | CRB14 OR CRB25 |
| R206 | 0698-6346 | 8 | 1 | RESISTOR 300 +-0.1% .125W TF TC=0+-25 | 00746 | CRB14 OR CRB25 |
| R207 | 0757-0440 | 7 | 1 | RESISTOR 7.5K +-1% .125W TF TC=0+-100 | 00746 | CRB14 OR CRB25 |
| R208 | 0698-3152 | 8 | 1 | RESISTOR 3.48K 1% .125W TF TC=0+-100 | 00746 | CRB14 OR CRB25 |
| R209 | 0757-0442 | 9 | 1 | RESISTOR 10K +-1% .125W TF TC=0+-100 | 00746 | CRB14 OR CRB25 |
| R210 | 0757-0439 | 4 | 1 | RESISTOR 6.81K +-1% .125W TF TC=0+-100 | 00746 | CRB14 OR CRB25 |
| R211 | 0757-0401 | 0 | 1 | RESISTOR 100 +-1% .125W TF TC=0+-100 | 00746 | CRB14 OR CRB25 |

*Indicates factory-selected value

HP Part Number 08562-60109

Log Amplifier

| Reference Designation | HP Part Number | C D | Qty | Description | Mfr Code | Mfr Part Number |
|-----------------------|----------------|--------|-----|--|----------|-----------------|
| R212 | 0757-0439 | 4 | 1 | RESISTOR 6.81K +-1% .125W TF TC=0+-100 | 00746 | CRB14 OR CRB25 |
| R213 | 0757-0442 | 9 | 1 | RESISTOR 10K +-1% .125W TF TC=0+-100 | 00746 | CRB14 OR CRB25 |
| R214 | 0698-3152 | 8 | 1 | RESISTOR 3.48K 1% .125W TF TC=0+-100 | 00746 | CRB14 OR CRB25 |
| R215 | 0757-0401 | 0 | 1 | RESISTOR 100 +-1% .125W TF TC=0+-100 | 00746 | CRB14 OR CRB25 |
| R216 | 0699-1942 | 2 | 1 | RESISTOR 287 +-0.1% .125W TF TC=0+-25 | 00746 | CRB14 OR CRB25 |
| R217 | 0698-6364 | 0 | 1 | RESISTOR 50 +-0.1% .125W TF TC=0+-25 | 00746 | CRB14 OR CRB25 |
| R218 | 0698-6364 | 0 | 1 | RESISTOR 50 +-0.1% .125W TF TC=0+-25 | 00746 | CRB14 OR CRB25 |
| R219 | 0699-1942 | 2 | 1 | RESISTOR 287 +-0.1% .125W TF TC=0+-25 | 00746 | CRB14 OR CRB25 |
| R220 | 0757-0401 | 0 | 1 | RESISTOR 100 +-1% .125W TF TC=0+-100 | 00746 | CRB14 OR CRB25 |
| R223 | 0757-0438 | 3 | 1 | RESISTOR 5.11K +-1% .125W TF TC=0+-100 | 00746 | CRB14 OR CRB25 |
| R224 | 0698-6625 | 6 | 1 | RESISTOR 6K +-0.1% .125W TF TC=0+-25 | 00746 | CRB14 OR CRB25 |
| R225 | 0699-1943 | 3 | 1 | RESISTOR 348 +-0.1% .125W TF TC=0+-25 | 00746 | CRB14 OR CRB25 |
| R226 | 0757-0442 | 9 | 1 | RESISTOR 10K +-1% .125W TF TC=0+-100 | 00746 | CRB14 OR CRB25 |
| R227 | 0757-0316 | 6 | 1 | RESISTOR 42.2 +-1% .125W TF TC=0+-100 | 00746 | CRB14 OR CRB25 |
| R228 | 0757-0346 | 2 | 1 | RESISTOR 10 +-1% .125W TF TC=0+-100 | 00746 | CRB14 OR CRB25 |
| R229 | 0698-3444 | 1 | 1 | RESISTOR 316 1% .125W TF TC=0+-100 | 00746 | CRB14 OR CRB25 |
| R230 | 0698-3444 | 1 | 1 | RESISTOR 316 1% .125W TF TC=0+-100 | 00746 | CRB14 OR CRB25 |
| R231 | 0698-3152 | 8 | 1 | RESISTOR 3.48K 1% .125W TF TC=0+-100 | 00746 | CRB14 OR CRB25 |
| R232 | 0757-0442 | 9 | 1 | RESISTOR 10K +-1% .125W TF TC=0+-100 | 00746 | CRB14 OR CRB25 |
| R233 | 0699-1943 | 3 | 1 | RESISTOR 348 +-0.1% .125W TF TC=0+-25 | 00746 | CRB14 OR CRB25 |
| R234 | 0757-0401 | 0 | 1 | RESISTOR 100 +-1% .125W TF TC=0+-100 | 00746 | CRB14 OR CRB25 |
| R235 | 0698-6625 | 6 | 1 | RESISTOR 6K +-0.1% .125W TF TC=0+-25 | 00746 | CRB14 OR CRB25 |
| R236 | 0757-0442 | 9 | 1 | RESISTOR 10K +-1% .125W TF TC=0+-100 | 00746 | CRB14 OR CRB25 |
| R237 | 0698-3152 | 8 | 1 | RESISTOR 3.48K 1% .125W TF TC=0+-100 | 00746 | CRB14 OR CRB25 |
| R238 | 0757-0401 | 0 | 1 | RESISTOR 100 +-1% .125W TF TC=0+-100 | 00746 | CRB14 OR CRB25 |
| R239 | 0699-1942 | 2 | 1 | RESISTOR 287 +-0.1% .125W TF TC=0+-25 | 00746 | CRB14 OR CRB25 |
| R240 | 0698-6364 | 0 | 1 | RESISTOR 50 +-0.1% .125W TF TC=0+-25 | 00746 | CRB14 OR CRB25 |
| R241 | 0698-6364 | 0 | 1 | RESISTOR 50 +-0.1% .125W TF TC=0+-25 | 00746 | CRB14 OR CRB25 |
| R242 | 0699-1942 | 2 | 1 | RESISTOR 287 +-0.1% .125W TF TC=0+-25 | 00746 | CRB14 OR CRB25 |
| R243 | 0757-0401 | 0 | 1 | RESISTOR 100 +-1% .125W TF TC=0+-100 | 00746 | CRB14 OR CRB25 |
| R246 | 0757-0438 | 3 | 1 | RESISTOR 5.11K +-1% .125W TF TC=0+-100 | 00746 | CRB14 OR CRB25 |
| R247 | 0757-0401 | 0 | 1 | RESISTOR 100 +-1% .125W TF TC=0+-100 | 00746 | CRB14 OR CRB25 |
| R248 | 2100-4182 | 3 | 1 | RESISTOR-TRMR 2K 10% TKF TOP-ADJ 1-TRN | 03744 | 3329H-EG9-202 |
| R249 | 2100-4182 | 3 | 1 | RESISTOR-TRMR 2K 10% TKF TOP-ADJ 1-TRN | 03744 | 3329H-EG9-202 |
| R301 | 0757-0442 | 9 | 1 | RESISTOR 10K +-1% .125W TF TC=0+-100 | 00746 | CRB14 OR CRB25 |
| R302 | 0757-0316 | 6 | 1 | RESISTOR 42.2 +-1% .125W TF TC=0+-100 | 00746 | CRB14 OR CRB25 |
| R303 | 0757-0346 | 2 | 1 | RESISTOR 10 +-1% .125W TF TC=0+-100 | 00746 | CRB14 OR CRB25 |
| R304 | 0757-0440 | 7 | 1 | RESISTOR 7.5K +-1% .125W TF TC=0+-100 | 00746 | CRB14 OR CRB25 |
| R305 | 0698-3444 | 1 | 1 | RESISTOR 316 1% .125W TF TC=0+-100 | 00746 | CRB14 OR CRB25 |
| R306 | 0698-3444 | 1 | 1 | RESISTOR 316 1% .125W TF TC=0+-100 | 00746 | CRB14 OR CRB25 |
| R307 | 0757-0440 | 7 | 1 | RESISTOR 7.5K +-1% .125W TF TC=0+-100 | 00746 | CRB14 OR CRB25 |
| R308 | 0698-3152 | 8 | 1 | RESISTOR 3.48K 1% .125W TF TC=0+-100 | 00746 | CRB14 OR CRB25 |
| R309 | 0757-0442 | 9 | 1 | RESISTOR 10K +-1% .125W TF TC=0+-100 | 00746 | CRB14 OR CRB25 |
| R310 | 0757-0439 | 4 | 1 | RESISTOR 6.81K +-1% .125W TF TC=0+-100 | 00746 | CRB14 OR CRB25 |
| R311 | 0757-0401 | 0 | 1 | RESISTOR 100 +-1% .125W TF TC=0+-100 | 00746 | CRB14 OR CRB25 |
| R312 | 0757-0439 | 4 | 1 | RESISTOR 6.81K +-1% .125W TF TC=0+-100 | 00746 | CRB14 OR CRB25 |
| R313 | 0757-0442 | 9 | 1 | RESISTOR 10K +-1% .125W TF TC=0+-100 | 00746 | CRB14 OR CRB25 |

HP Part Number 08562-60109

Log Amplifier

| Reference Designation | HP Part Number | C | D | Qty | Description | Mfr Code | Mfr Part Number |
|-----------------------|----------------|---|---|-----|--|----------|-----------------|
| R314 | 0698-3152 | 8 | | 1 | RESISTOR 3.48K 1% .125W TF TC=0+-100 | 00746 | CRB14 OR CRB25 |
| R315 | 0757-0401 | 0 | | 1 | RESISTOR 100 +-1% .125W TF TC=0+-100 | 00746 | CRB14 OR CRB25 |
| R316 | 0699-1942 | 2 | | 1 | RESISTOR 287 +-0.1% .125W TF TC=0+-25 | 00746 | CRB14 OR CRB25 |
| R317 | 0698-6364 | 0 | | 1 | RESISTOR 50 +-0.1% .125W TF TC=0+-25 | 00746 | CRB14 OR CRB25 |
| R318 | 0698-6364 | 0 | | 1 | RESISTOR 50 +-0.1% .125W TF TC=0+-25 | 00746 | CRB14 OR CRB25 |
| R319 | 0699-1942 | 2 | | 1 | RESISTOR 287 +-0.1% .125W TF TC=0+-25 | 00746 | CRB14 OR CRB25 |
| R320 | 0757-0401 | 0 | | 1 | RESISTOR 100 +-1% .125W TF TC=0+-100 | 00746 | CRB14 OR CRB25 |
| R323 | 0757-043B | 3 | | 1 | RESISTOR 5.11K +-1% .125W TF TC=0+-100 | 00746 | CRB14 OR CRB25 |
| R324 | 0698-6625 | 6 | | 1 | RESISTOR 6K +-0.1% .125W TF TC=0+-25 | 00746 | CRB14 OR CRB25 |
| R325 | 0699-1943 | 3 | | 1 | RESISTOR 348 +-0.1% .125W TF TC=0+-25 | 00746 | CRB14 OR CRB25 |
| R326 | 0757-0442 | 9 | | 1 | RESISTOR 10K +-1% .125W TF TC=0+-100 | 00746 | CRB14 OR CRB25 |
| R327 | 0757-0346 | 2 | | 1 | RESISTOR 10 +-1% .125W TF TC=0+-100 | 00746 | CRB14 OR CRB25 |
| R328 | 0757-0346 | 2 | | 1 | RESISTOR 10 +-1% .125W TF TC=0+-100 | 00746 | CRB14 OR CRB25 |
| R329 | 0698-6355 | 9 | | 1 | RESISTOR 400 +-0.1% .125W TF TC=0+-25 | 00746 | CRB14 OR CRB25 |
| R330 | 0698-6355 | 9 | | 1 | RESISTOR 400 +-0.1% .125W TF TC=0+-25 | 00746 | CRB14 OR CRB25 |
| R331 | 0698-3152 | 8 | | 1 | RESISTOR 3.48K 1% .125W TF TC=0+-100 | 00746 | CRB14 OR CRB25 |
| R332 | 0757-0442 | 9 | | 1 | RESISTOR 10K +-1% .125W TF TC=0+-100 | 00746 | CRB14 OR CRB25 |
| R333 | 0699-1943 | 3 | | 1 | RESISTOR 348 +-0.1% .125W TF TC=0+-25 | 00746 | CRB14 OR CRB25 |
| R334 | 0757-0401 | 0 | | 1 | RESISTOR 100 +-1% .125W TF TC=0+-100 | 00746 | CRB14 OR CRB25 |
| R335 | 0698-6625 | 6 | | 1 | RESISTOR 6K +-0.1% .125W TF TC=0+-25 | 00746 | CRB14 OR CRB25 |
| R336 | 0757-0442 | 9 | | 1 | RESISTOR 10K +-1% .125W TF TC=0+-100 | 00746 | CRB14 OR CRB25 |
| R337 | 0698-3152 | 8 | | 1 | RESISTOR 3.48K 1% .125W TF TC=0+-100 | 00746 | CRB14 OR CRB25 |
| R338 | 0757-0401 | 0 | | 1 | RESISTOR 100 +-1% .125W TF TC=0+-100 | 00746 | CRB14 OR CRB25 |
| R339 | 0699-1942 | 2 | | 1 | RESISTOR 287 +-0.1% .125W TF TC=0+-25 | 00746 | CRB14 OR CRB25 |
| R340 | 0698-6364 | 0 | | 1 | RESISTOR 50 +-0.1% .125W TF TC=0+-25 | 00746 | CRB14 OR CRB25 |
| R341 | 0698-6364 | 0 | | 1 | RESISTOR 50 +-0.1% .125W TF TC=0+-25 | 00746 | CRB14 OR CRB25 |
| R342 | 0699-1942 | 2 | | 1 | RESISTOR 287 +-0.1% .125W TF TC=0+-25 | 00746 | CRB14 OR CRB25 |
| R343 | 0757-0401 | 0 | | 1 | RESISTOR 100 +-1% .125W TF TC=0+-100 | 00746 | CRB14 OR CRB25 |
| R346 | 0757-0438 | 3 | | 1 | RESISTOR 5.11K +-1% .125W TF TC=0+-100 | 00746 | CRB14 OR CRB25 |
| R347 | 0757-0401 | 0 | | 1 | RESISTOR 100 +-1% .125W TF TC=0+-100 | 00746 | CRB14 OR CRB25 |
| R348 | 0698-7282 | 3 | | 1 | RESISTOR 82.5K +-1% .05W TF TC=0+-100 | 00746 | CRB20 |
| R349 | 0698-0085 | 0 | | 1 | RESISTOR 2.61K 1% .125W TF TC=0+-100 | 00746 | CRB14 OR CRB25 |
| R350 | 0757-0438 | 3 | | 1 | RESISTOR 5.11K +-1% .125W TF TC=0+-100 | 00746 | CRB14 OR CRB25 |
| R351 | 0757-0441 | 8 | | 1 | RESISTOR 8.25K +-1% .125W TF TC=0+-100 | 00746 | CRB14 OR CRB25 |
| R352 | 0757-0438 | 3 | | 1 | RESISTOR 5.11K +-1% .125W TF TC=0+-100 | 00746 | CRB14 OR CRB25 |
| R353 | 0757-0438 | 3 | | 1 | RESISTOR 5.11K +-1% .125W TF TC=0+-100 | 00746 | CRB14 OR CRB25 |
| R354 | 0698-3152 | 8 | | 1 | RESISTOR 3.48K 1% .125W TF TC=0+-100 | 00746 | CRB14 OR CRB25 |
| R355 | 0757-0438 | 3 | | 1 | RESISTOR 5.11K +-1% .125W TF TC=0+-100 | 00746 | CRB14 OR CRB25 |
| R356 | 0698-3159 | 5 | | 1 | RESISTOR 26.1K 1% .125W TF TC=0+-100 | 00746 | CRB14 OR CRB25 |
| R357 | 0698-7260 | 7 | | 1 | RESISTOR 10K +-1% .05W TF TC=0+-100 | 00746 | CRB20 |
| R358 | 0698-7284 | 5 | | 1 | RESISTOR 100K +-1% .05W TF TC=0+-100 | 00746 | CRB20 |
| R359 | 2100-4182 | 3 | | 1 | RESISTOR-TRMR 2K 10% TKF TOP-ADJ 1-TRN | 03744 | 3329H-EG9-202 |
| R360 | 2100-4182 | 3 | | 1 | RESISTOR-TRMR 2K 10% TKF TOP-ADJ 1-TRN | 03744 | 3329H-EG9-202 |
| R401 | 0757-0442 | 9 | | 1 | RESISTOR 10K +-1% .125W TF TC=0+-100 | 00746 | CRB14 OR CRB25 |
| R402 | 0757-0316 | 6 | | 1 | RESISTOR 42.2 +-1% .125W TF TC=0+-100 | 00746 | CRB14 OR CRB25 |
| R403 | 0757-0346 | 2 | | 1 | RESISTOR 10 +-1% .125W TF TC=0+-100 | 00746 | CRB14 OR CRB25 |
| R404 | 0757-0440 | 7 | | 1 | RESISTOR 7.5K +-1% .125W TF TC=0+-100 | 00746 | CRB14 OR CRB25 |
| R405 | 0698-6346 | 8 | | 1 | RESISTOR 300 +-0.1% .125W TF TC=0+-25 | 00746 | CRB14 OR CRB25 |

*Indicates factory-selected value

HP Part Number 08562-60109

Log Amplifier

| Reference Designation | HP Part Number | C D | Qty | Description | Mfr Code | Mfr Part Number |
|-----------------------|----------------|-----|-----|--|----------|-----------------|
| R406 | 0698-6346 | 8 | 1 | RESISTOR 300 +-0.1% .125W TF TC=0+-25 | 00746 | CRB14 OR CRB25 |
| R407 | 0757-0440 | 7 | 1 | RESISTOR 7.5K +-1% .125W TF TC=0+-100 | 00746 | CRB14 OR CRB25 |
| R408 | 0698-3152 | 8 | 1 | RESISTOR 3.48K 1% .125W TF TC=0+-100 | 00746 | CRB14 OR CRB25 |
| R409 | 0757-0442 | 9 | 1 | RESISTOR 10K +-1% .125W TF TC=0+-100 | 00746 | CRB14 OR CRB25 |
| R410 | 0757-0439 | 4 | 1 | RESISTOR 6.81K +-1% .125W TF TC=0+-100 | 00746 | CRB14 OR CRB25 |
| R411 | 0757-0401 | 0 | 1 | RESISTOR 100 +-1% .125W TF TC=0+-100 | 00746 | CRB14 OR CRB25 |
| R412 | 0757-0439 | 4 | 1 | RESISTOR 6.81K +-1% .125W TF TC=0+-100 | 00746 | CRB14 OR CRB25 |
| R413 | 0757-0442 | 9 | 1 | RESISTOR 10K +-1% .125W TF TC=0+-100 | 00746 | CRB14 OR CRB25 |
| R414 | 0698-3152 | 8 | 1 | RESISTOR 3.48K 1% .125W TF TC=0+-100 | 00746 | CRB14 OR CRB25 |
| R415 | 0757-0401 | 0 | 1 | RESISTOR 100 +-1% .125W TF TC=0+-100 | 00746 | CRB14 OR CRB25 |
| R416 | 0699-1942 | 2 | 1 | RESISTOR 287 +-0.1% .125W TF TC=0+-25 | 00746 | CRB14 OR CRB25 |
| R417 | 0698-6364 | 0 | 1 | RESISTOR 50 +-0.1% .125W TF TC=0+-25 | 00746 | CRB14 OR CRB25 |
| R418 | 0698-6364 | 0 | 1 | RESISTOR 50 +-0.1% .125W TF TC=0+-25 | 00746 | CRB14 OR CRB25 |
| R419 | 0699-1942 | 2 | 1 | RESISTOR 287 +-0.1% .125W TF TC=0+-25 | 00746 | CRB14 OR CRB25 |
| R420 | 0757-0401 | 0 | 1 | RESISTOR 100 +-1% .125W TF TC=0+-100 | 00746 | CRB14 OR CRB25 |
| R423 | 0757-0438 | 3 | 1 | RESISTOR 5.11K +-1% .125W TF TC=0+-100 | 00746 | CRB14 OR CRB25 |
| R424 | 0698-6625 | 6 | 1 | RESISTOR 6K +-0.1% .125W TF TC=0+-25 | 00746 | CRB14 OR CRB25 |
| R425 | 0699-1943 | 3 | 1 | RESISTOR 348 +-0.1% .125W TF TC=0+-25 | 00746 | CRB14 OR CRB25 |
| R426 | 0757-0442 | 9 | 1 | RESISTOR 10K +-1% .125W TF TC=0+-100 | 00746 | CRB14 OR CRB25 |
| R427 | 0757-0316 | 6 | 1 | RESISTOR 42.2 +-1% .125W TF TC=0+-100 | 00746 | CRB14 OR CRB25 |
| R428 | 0757-0346 | 2 | 1 | RESISTOR 10 +-1% .125W TF TC=0+-100 | 00746 | CRB14 OR CRB25 |
| R429 | 0699-2124 | 4 | 1 | RESISTOR 619 +-0.1% .125W TF TC=0+-25 | 00746 | CRB14 OR CRB25 |
| R430 | 0699-2124 | 4 | 1 | RESISTOR 619 +-0.1% .125W TF TC=0+-25 | 00746 | CRB14 OR CRB25 |
| R431 | 0698-0083 | 8 | 1 | RESISTOR 1.96K 1% .125W TF TC=0+-100 | 00746 | CRB14 OR CRB25 |
| R432 | 0757-0199 | 3 | 1 | RESISTOR 21.5K +-1% .125W TF TC=0+-100 | 00746 | CRB14 OR CRB25 |
| R433 | 0699-1943 | 3 | 1 | RESISTOR 348 +-0.1% .125W TF TC=0+-25 | 00746 | CRB14 OR CRB25 |
| R434 | 0757-0401 | 0 | 1 | RESISTOR 100 +-1% .125W TF TC=0+-100 | 00746 | CRB14 OR CRB25 |
| R435 | 0698-6625 | 6 | 1 | RESISTOR 6K +-0.1% .125W TF TC=0+-25 | 00746 | CRB14 OR CRB25 |
| R436 | 0757-0199 | 3 | 1 | RESISTOR 21.5K +-1% .125W TF TC=0+-100 | 00746 | CRB14 OR CRB25 |
| R437 | 0698-0083 | 8 | 1 | RESISTOR 1.96K 1% .125W TF TC=0+-100 | 00746 | CRB14 OR CRB25 |
| R438 | 0757-0401 | 0 | 1 | RESISTOR 100 +-1% .125W TF TC=0+-100 | 00746 | CRB14 OR CRB25 |
| R439 | 0699-1942 | 2 | 1 | RESISTOR 287 +-0.1% .125W TF TC=0+-25 | 00746 | CRB14 OR CRB25 |
| R440 | 0698-6364 | 0 | 1 | RESISTOR 50 +-0.1% .125W TF TC=0+-25 | 00746 | CRB14 OR CRB25 |
| R441 | 0698-6364 | 0 | 1 | RESISTOR 50 +-0.1% .125W TF TC=0+-25 | 00746 | CRB14 OR CRB25 |
| R443 | 0757-0401 | 0 | 1 | RESISTOR 100 +-1% .125W TF TC=0+-100 | 00746 | CRB14 OR CRB25 |
| R446 | 0757-0438 | 3 | 1 | RESISTOR 5.11K +-1% .125W TF TC=0+-100 | 00746 | CRB14 OR CRB25 |
| R447 | 0757-0397 | 3 | 1 | RESISTOR 68.1 +-1% .125W TF TC=0+-100 | 00746 | CRB14 OR CRB25 |
| R448 | 0699-2124 | 4 | 1 | RESISTOR 619 +-0.1% .125W TF TC=0+-25 | 00746 | CRB14 OR CRB25 |
| R449 | 0757-0199 | 3 | 1 | RESISTOR 21.5K +-1% .125W TF TC=0+-100 | 00746 | CRB14 OR CRB25 |
| R450 | 0757-0442 | 9 | 1 | RESISTOR 10K +-1% .125W TF TC=0+-100 | 00746 | CRB14 OR CRB25 |
| R451 | 0757-0442 | 9 | 1 | RESISTOR 10K +-1% .125W TF TC=0+-100 | 00746 | CRB14 OR CRB25 |
| R452 | 0757-0199 | 3 | 1 | RESISTOR 21.5K +-1% .125W TF TC=0+-100 | 00746 | CRB14 OR CRB25 |
| R453 | 0698-6317 | 3 | 1 | RESISTOR 500 +-0.1% .125W TF TC=0+-25 | 00746 | CRB14 OR CRB25 |
| R454 | 0698-6630 | 3 | 1 | RESISTOR 20K +-0.1% .125W TF TC=0+-25 | 00746 | CRB14 OR CRB25 |
| R455 | 0698-6630 | 3 | 1 | RESISTOR 20K +-0.1% .125W TF TC=0+-25 | 00746 | CRB14 OR CRB25 |
| R456 | 0757-0288 | 1 | 1 | RESISTOR 9.09K +-1% .125W TF TC=0+-100 | 00746 | CRB14 OR CRB25 |
| R457 | 0698-6360 | 6 | 1 | RESISTOR 10K +-0.1% .125W TF TC=0+-25 | 00746 | CRB14 OR CRB25 |

HP Part Number 08562-60109

Log Amplifier

| Reference Designation | HP Part Number | C D | Qty | Description | Mfr Code | Mfr Part Number |
|-----------------------|----------------|-----|-----|--|----------|-----------------|
| R458 | 0698-7260 | 7 | 1 | RESISTOR 10K +-1% .05W TF TC=0+-100 | 00746 | CRB20 |
| R459 | 2100-4182 | 3 | 1 | RESISTOR-TRMR 2K 10% TKF TOP-ADJ 1-TRN | 03744 | 3329H-EG9-202 |
| R460 | 2100-4182 | 3 | 1 | RESISTOR-TRMR 2K 10% TKF TOP-ADJ 1-TRN | 03744 | 3329H-EG9-202 |
| R461 | 0837-0269 | 8 | 1 | THERMISTOR TUB WITH AXL LEADS 10K-OHM | 06784 | P1H103 |
| R462 | 0699-2124 | 4 | 1 | RESISTOR 619 +-0.1% .125W TF TC=0+-25 | 00746 | CRB14 OR CRB25 |
| R501 | 0698-7253 | 8 | 1 | RESISTOR 5.11K +-1% .05W TF TC=0+-100 | 00746 | CRB20 |
| R502 | 0698-7284 | 5 | 1 | RESISTOR 100K +-1% .05W TF TC=0+-100 | 00746 | CRB20 |
| R503 | 0698-6362 | 8 | 1 | RESISTOR 1K +-0.1% .125W TF TC=0+-25 | 00746 | CRB14 OR CRB25 |
| R504 | 0698-7253 | 8 | 1 | RESISTOR 5.11K +-1% .05W TF TC=0+-100 | 00746 | CRB20 |
| R505 | 0698-7188 | 8 | 1 | RESISTOR 10 +-1% .05W TF TC=0+-100 | 00746 | CRB20 |
| R506 | 0698-6320 | 8 | 1 | RESISTOR 5K +-0.1% .125W TF TC=0+-25 | 00746 | CRB14 OR CRB25 |
| R507 | 0698-6377 | 5 | 1 | RESISTOR 200 +-0.1% .125W TF TC=0+-25 | 00746 | CRB14 OR CRB25 |
| R508 | 0698-6377 | 5 | 1 | RESISTOR 200 +-0.1% .125W TF TC=0+-25 | 00746 | CRB14 OR CRB25 |
| R509 | 0698-6320 | 8 | 1 | RESISTOR 5K +-0.1% .125W TF TC=0+-25 | 00746 | CRB14 OR CRB25 |
| R510 | 0698-6348 | 0 | 1 | RESISTOR 3K +-0.1% .125W TF TC=0+-25 | 00746 | CRB14 OR CRB25 |
| R511 | 0698-6317 | 3 | 1 | RESISTOR 500 +-0.1% .125W TF TC=0+-25 | 00746 | CRB14 OR CRB25 |
| R512 | 0698-6323 | 1 | 1 | RESISTOR 100 +-0.1% .125W TF TC=0+-25 | 00746 | CRB14 OR CRB25 |
| R513 | 0698-6323 | 1 | 1 | RESISTOR 100 +-0.1% .125W TF TC=0+-25 | 00746 | CRB14 OR CRB25 |
| R514 | 0698-6348 | 0 | 1 | RESISTOR 3K +-0.1% .125W TF TC=0+-25 | 00746 | CRB14 OR CRB25 |
| R515 | 0698-6317 | 3 | 1 | RESISTOR 500 +-0.1% .125W TF TC=0+-25 | 00746 | CRB14 OR CRB25 |
| R517 | 0698-6317 | 3 | 1 | RESISTOR 500 +-0.1% .125W TF TC=0+-25 | 00746 | CRB14 OR CRB25 |
| R518 | 0757-0280 | 3 | 1 | RESISTOR 1K +-1% .125W TF TC=0+-100 | 00746 | CRB14 OR CRB25 |
| R519 | 0757-0438 | 3 | 1 | RESISTOR 5.11K +-1% .125W TF TC=0+-100 | 00746 | CRB14 OR CRB25 |
| R520 | 0698-3157 | 3 | 1 | RESISTOR 19.6K 1% .125W TF TC=0+-100 | 00746 | CRB14 OR CRB25 |
| R521 | 0757-0401 | 0 | 1 | RESISTOR 100 +-1% .125W TF TC=0+-100 | 00746 | CRB14 OR CRB25 |
| R522 | 0757-0438 | 3 | 1 | RESISTOR 5.11K +-1% .125W TF TC=0+-100 | 00746 | CRB14 OR CRB25 |
| R523 | 0698-3440 | 7 | 1 | RESISTOR 196 1% .125W TF TC=0+-100 | 00746 | CRB14 OR CRB25 |
| R524 | 0698-6317 | 3 | 1 | RESISTOR 500 +-0.1% .125W TF TC=0+-25 | 00746 | CRB14 OR CRB25 |
| R525 | 0698-6348 | 0 | 1 | RESISTOR 3K +-0.1% .125W TF TC=0+-25 | 00746 | CRB14 OR CRB25 |
| R526 | 0698-3438 | 3 | 1 | RESISTOR 147 1% .125W TF TC=0+-100 | 00746 | CRB14 OR CRB25 |
| R527 | 0698-6348 | 0 | 1 | RESISTOR 3K +-0.1% .125W TF TC=0+-25 | 00746 | CRB14 OR CRB25 |
| R528 | 0698-6317 | 3 | 1 | RESISTOR 500 +-0.1% .125W TF TC=0+-25 | 00746 | CRB14 OR CRB25 |
| R529 | 0698-3440 | 7 | 1 | RESISTOR 196 1% .125W TF TC=0+-100 | 00746 | CRB14 OR CRB25 |
| R530 | 0698-0083 | 8 | 1 | RESISTOR 1.96K 1% .125W TF TC=0+-100 | 00746 | CRB14 OR CRB25 |
| R531 | 0757-0465 | 6 | 1 | RESISTOR 100K +-1% .125W TF TC=0+-100 | 00746 | CRB14 OR CRB25 |
| R532 | 0757-0346 | 2 | 1 | RESISTOR 10 +-1% .125W TF TC=0+-100 | 00746 | CRB14 OR CRB25 |
| R533 | 0757-0346 | 2 | 1 | RESISTOR 10 +-1% .125W TF TC=0+-100 | 00746 | CRB14 OR CRB25 |
| R534 | 0757-0438 | 3 | 1 | RESISTOR 5.11K +-1% .125W TF TC=0+-100 | 00746 | CRB14 OR CRB25 |
| R535 | 0757-0438 | 3 | 1 | RESISTOR 5.11K +-1% .125W TF TC=0+-100 | 00746 | CRB14 OR CRB25 |
| R536 | 0757-0346 | 2 | 1 | RESISTOR 10 +-1% .125W TF TC=0+-100 | 00746 | CRB14 OR CRB25 |
| R537 | 0757-0346 | 2 | 1 | RESISTOR 10 +-1% .125W TF TC=0+-100 | 00746 | CRB14 OR CRB25 |
| R538 | 0757-0438 | 3 | 1 | RESISTOR 5.11K +-1% .125W TF TC=0+-100 | 00746 | CRB14 OR CRB25 |
| R539 | 0698-3156 | 2 | 1 | RESISTOR 14.7K 1% .125W TF TC=0+-100 | 00746 | CRB14 OR CRB25 |
| R540 | 0757-0279 | 0 | 1 | RESISTOR 3.16K +-1% .125W TF TC=0+-100 | 00746 | CRB14 OR CRB25 |
| R541 | 0757-0438 | 3 | 1 | RESISTOR 5.11K +-1% .125W TF TC=0+-100 | 00746 | CRB14 OR CRB25 |
| R542 | 0698-6317 | 3 | 1 | RESISTOR 500 +-0.1% .125W TF TC=0+-25 | 00746 | CRB14 OR CRB25 |
| R543 | 0757-0401 | 0 | 1 | RESISTOR 100 +-1% .125W TF TC=0+-100 | 00746 | CRB14 OR CRB25 |
| R544 | 0757-0401 | 0 | 1 | RESISTOR 100 +-1% .125W TF TC=0+-100 | 00746 | CRB14 OR CRB25 |

*Indicates factory-selected value

HP Part Number 08562-60109

Log Amplifier

| Reference Designation | HP Part Number | C D | Qty | Description | Mfr Code | Mfr Part Number |
|-----------------------|----------------|-----|-----|--|----------|-----------------|
| R545 | 0757-0401 | 0 | 1 | RESISTOR 100 +-1% .125W TF TC=0+-100 | 00746 | CRB14 OR CRB25 |
| R546 | 0757-0401 | 0 | 1 | RESISTOR 100 +-1% .125W TF TC=0+-100 | 00746 | CRB14 OR CRB25 |
| R547 | 0698-7275 | 4 | 1 | RESISTOR 42.2K +-1% .05W TF TC=0+-100 | 00746 | CRB20 |
| R548 | 0698-7275 | 4 | 1 | RESISTOR 42.2K +-1% .05W TF TC=0+-100 | 00746 | CRB20 |
| R549 | 2100-4196 | 9 | 1 | RESISTOR-TRMR 100K 10% TKF TOP-ADJ 1-TRN | 03744 | |
| R550 | 0698-7198 | 0 | 1 | RESISTOR 26.1 +-1% .05W TF TC=0+-100 | 00746 | CRB20 |
| R551 | 0698-7198 | 0 | 1 | RESISTOR 26.1 +-1% .05W TF TC=0+-100 | 00746 | CRB20 |
| R552 | 2100-4184 | 5 | 1 | RESISTOR-TRMR 10K 10% TKF TOP-ADJ 1-TRN | 03744 | 3329H-EG9-103 |
| R553 | 0698-7212 | 9 | 1 | RESISTOR 100 +-1% .05W TF TC=0+-100 | 00746 | CRB20 |
| R554 | 0698-7212 | 9 | 1 | RESISTOR 100 +-1% .05W TF TC=0+-100 | 00746 | CRB20 |
| R601 | 0698-3153 | 9 | 1 | RESISTOR 3.83K 1% .125W TF TC=0+-100 | 00746 | CRB14 OR CRB25 |
| R602 | 0757-0442 | 9 | 1 | RESISTOR 10K +-1% .125W TF TC=0+-100 | 00746 | CRB14 OR CRB25 |
| R603 | 0757-0458 | 7 | 1 | RESISTOR 51.1K +-1% .125W TF TC=0+-100 | 00746 | CRB14 OR CRB25 |
| R604 | 0698-3153 | 9 | 1 | RESISTOR 3.83K 1% .125W TF TC=0+-100 | 00746 | CRB14 OR CRB25 |
| R605 | 0757-0465 | 6 | 1 | RESISTOR 100K +-1% .125W TF TC=0+-100 | 00746 | CRB14 OR CRB25 |
| R606 | 0698-0085 | 0 | 1 | RESISTOR 2.61K 1% .125W TF TC=0+-100 | 00746 | CRB14 OR CRB25 |
| R607 | 0757-0401 | 0 | 1 | RESISTOR 100 +-1% .125W TF TC=0+-100 | 00746 | CRB14 OR CRB25 |
| R608 | 0757-0416 | 7 | 1 | RESISTOR 511 +-1% .125W TF TC=0+-100 | 00746 | CRB14 OR CRB25 |
| R609 | 0757-0442 | 9 | 1 | RESISTOR 10K +-1% .125W TF TC=0+-100 | 00746 | CRB14 OR CRB25 |
| R610 | 0757-0442 | 9 | 1 | RESISTOR 10K +-1% .125W TF TC=0+-100 | 00746 | CRB14 OR CRB25 |
| R611 | 0698-7239 | 0 | 1 | RESISTOR 1.33K +-1% .05W TF TC=0+-100 | 00746 | CRB20 |
| R612 | 0698-3153 | 9 | 1 | RESISTOR 3.83K 1% .125W TF TC=0+-100 | 00746 | CRB14 OR CRB25 |
| R613 | 0757-0280 | 3 | 1 | RESISTOR 1K +-1% .125W TF TC=0+-100 | 00746 | CRB14 OR CRB25 |
| R614 | 0698-7200 | 5 | 1 | RESISTOR 31.6 +-1% .05W TF TC=0+-100 | 00746 | CRB20 |
| R615 | 0698-6364 | 0 | 1 | RESISTOR 50 +-0.1% .125W TF TC=0+-25 | 00746 | CRB14 OR CRB25 |
| R616 | 0757-0416 | 7 | 1 | RESISTOR 511 +-1% .125W TF TC=0+-100 | 00746 | CRB14 OR CRB25 |
| R617 | 0757-0290 | 5 | 1 | RESISTOR 6.19K +-1% .125W TF TC=0+-100 | 00746 | CRB14 OR CRB25 |
| R618 | 0757-0200 | 7 | 1 | RESISTOR 5.62K +-1% .125W TF TC=0+-100 | 00746 | CRB14 OR CRB25 |
| R619 | 0757-0465 | 6 | 1 | RESISTOR 100K +-1% .125W TF TC=0+-100 | 00746 | CRB14 OR CRB25 |
| R620 | 0757-0274 | 5 | 1 | RESISTOR 1.21K +-1% .125W TF TC=0+-100 | 00746 | CRB14 OR CRB25 |
| R621 | 0757-0442 | 9 | 1 | RESISTOR 10K +-1% .125W TF TC=0+-100 | 00746 | CRB14 OR CRB25 |
| R622 | 0698-3156 | 2 | 1 | RESISTOR 14.7K 1% .125W TF TC=0+-100 | 00746 | CRB14 OR CRB25 |
| R623 | 0757-0279 | 0 | 1 | RESISTOR 3.16K +-1% .125W TF TC=0+-100 | 00746 | CRB14 OR CRB25 |
| R701 | 0757-1094 | 9 | 1 | RESISTOR 1.47K +-1% .125W TF TC=0+-100 | 00746 | CRB14 OR CRB25 |
| R702 | 0757-0417 | 8 | 1 | RESISTOR 562 +-1% .125W TF TC=0+-100 | 00746 | CRB14 OR CRB25 |
| R703 | 0698-3156 | 2 | 1 | RESISTOR 14.7K 1% .125W TF TC=0+-100 | 00746 | CRB14 OR CRB25 |
| R704 | 0757-0346 | 2 | 1 | RESISTOR 10 +-1% .125W TF TC=0+-100 | 00746 | CRB14 OR CRB25 |
| R705 | 0757-0419 | 0 | 1 | RESISTOR 681 +-1% .125W TF TC=0+-100 | 00746 | CRB14 OR CRB25 |
| R706 | 0757-0440 | 7 | 1 | RESISTOR 7.5K +-1% .125W TF TC=0+-100 | 00746 | CRB14 OR CRB25 |
| R707 | 0757-0346 | 2 | 1 | RESISTOR 10 +-1% .125W TF TC=0+-100 | 00746 | CRB14 OR CRB25 |
| R708 | 0757-0418 | 9 | 1 | RESISTOR 619 +-1% .125W TF TC=0+-100 | 00746 | CRB14 OR CRB25 |
| R709 | 0757-0416 | 7 | 1 | RESISTOR 511 +-1% .125W TF TC=0+-100 | 00746 | CRB14 OR CRB25 |
| R710 | 0757-0346 | 2 | 1 | RESISTOR 10 +-1% .125W TF TC=0+-100 | 00746 | CRB14 OR CRB25 |
| R711 | 0757-0401 | 0 | 1 | RESISTOR 100 +-1% .125W TF TC=0+-100 | 00746 | CRB14 OR CRB25 |
| R712 | 0757-0401 | 0 | 1 | RESISTOR 100 +-1% .125W TF TC=0+-100 | 00746 | CRB14 OR CRB25 |
| R713 | 0757-0401 | 0 | 1 | RESISTOR 100 +-1% .125W TF TC=0+-100 | 00746 | CRB14 OR CRB25 |
| R714 | 0757-0440 | 7 | 1 | RESISTOR 7.5K +-1% .125W TF TC=0+-100 | 00746 | CRB14 OR CRB25 |

HP Part Number 08562-60109

Log Amplifier

| Reference Designation | HP Part Number | C | D | Qty | Description | Mfr Code | Mfr Part Number |
|-----------------------|----------------|---|---|-----|--|----------|-----------------|
| R715 | 0757-0274 | 5 | | 1 | RESISTOR 1.21K +-1% .125W TF TC=0+-100 | 00746 | CRB14 OR CRB25 |
| R716 | 0757-0401 | 0 | | 1 | RESISTOR 100 +-1% .125W TF TC=0+-100 | 00746 | CRB14 OR CRB25 |
| R717 | 0698-3154 | 0 | | 1 | RESISTOR 4.22K 1% .125W TF TC=0+-100 | 00746 | CRB14 OR CRB25 |
| R718 | 0757-0416 | 7 | | 1 | RESISTOR 511 +-1% .125W TF TC=0+-100 | 00746 | CRB14 OR CRB25 |
| R719 | 0698-3428 | 1 | | 1 | RESISTOR 14.7 1% .125W TF TC=0+-100 | 00746 | CRB14 OR CRB25 |
| R720 | 0698-3445 | 2 | | 1 | RESISTOR 348 1% .125W TF TC=0+-100 | 00746 | CRB14 OR CRB25 |
| R721 | 0757-0442 | 9 | | 1 | RESISTOR 10K +-1% .125W TF TC=0+-100 | 00746 | CRB14 OR CRB25 |
| R722 | 0698-3427 | 0 | | 1 | RESISTOR 13.3 1% .125W TF TC=0+-100 | 00746 | CRB14 OR CRB25 |
| R723 | 0698-3446 | 3 | | 1 | RESISTOR 383 1% .125W TF TC=0+-100 | 00746 | CRB14 OR CRB25 |
| R724 | 0757-0402 | 1 | | 1 | RESISTOR 110 +-1% .125W TF TC=0+-100 | 00746 | CRB14 OR CRB25 |
| R725 | 0757-0274 | 5 | | 1 | RESISTOR 1.21K +-1% .125W TF TC=0+-100 | 00746 | CRB14 OR CRB25 |
| R726 | 0757-0401 | 0 | | 1 | RESISTOR 100 +-1% .125W TF TC=0+-100 | 00746 | CRB14 OR CRB25 |
| R727 | 0757-0442 | 9 | | 1 | RESISTOR 10K +-1% .125W TF TC=0+-100 | 00746 | CRB14 OR CRB25 |
| R728 | 0757-0416 | 7 | | 1 | RESISTOR 511 +-1% .125W TF TC=0+-100 | 00746 | CRB14 OR CRB25 |
| R729 | 0757-0401 | 0 | | 1 | RESISTOR 100 +-1% .125W TF TC=0+-100 | 00746 | CRB14 OR CRB25 |
| R730 | 0757-0401 | 0 | | 1 | RESISTOR 100 +-1% .125W TF TC=0+-100 | 00746 | CRB14 OR CRB25 |
| R731 | 0698-0085 | 0 | | 1 | RESISTOR 2.61K 1% .125W TF TC=0+-100 | 00746 | CRB14 OR CRB25 |
| R732 | 0757-0438 | 3 | | 1 | RESISTOR 5.11K +-1% .125W TF TC=0+-100 | 00746 | CRB14 OR CRB25 |
| R733 | 0757-0416 | 7 | | 1 | RESISTOR 511 +-1% .125W TF TC=0+-100 | 00746 | CRB14 OR CRB25 |
| R734 | 0757-0465 | 6 | | 1 | RESISTOR 100K +-1% .125W TF TC=0+-100 | 00746 | CRB14 OR CRB25 |
| R735 | 0757-0438 | 3 | | 1 | RESISTOR 5.11K +-1% .125W TF TC=0+-100 | 00746 | CRB14 OR CRB25 |
| R736 | 0757-0416 | 7 | | 1 | RESISTOR 511 +-1% .125W TF TC=0+-100 | 00746 | CRB14 OR CRB25 |
| R737 | 0757-0465 | 6 | | 1 | RESISTOR 100K +-1% .125W TF TC=0+-100 | 00746 | CRB14 OR CRB25 |
| R738 | 0757-0438 | 3 | | 1 | RESISTOR 5.11K +-1% .125W TF TC=0+-100 | 00746 | CRB14 OR CRB25 |
| R739 | 0757-0416 | 7 | | 1 | RESISTOR 511 +-1% .125W TF TC=0+-100 | 00746 | CRB14 OR CRB25 |
| R740 | 0757-0465 | 6 | | 1 | RESISTOR 100K +-1% .125W TF TC=0+-100 | 00746 | CRB14 OR CRB25 |
| R742 | 0757-0438 | 3 | | 1 | RESISTOR 5.11K +-1% .125W TF TC=0+-100 | 00746 | CRB14 OR CRB25 |
| R743 | 0698-0083 | 8 | | 1 | RESISTOR 1.96K 1% .125W TF TC=0+-100 | 00746 | CRB14 OR CRB25 |
| R744 | 0757-0199 | 3 | | 1 | RESISTOR 21.5K +-1% .125W TF TC=0+-100 | 00746 | CRB14 OR CRB25 |
| R745 | 0757-0199 | 3 | | 1 | RESISTOR 21.5K +-1% .125W TF TC=0+-100 | 00746 | CRB14 OR CRB25 |
| R746 | 0757-0346 | 2 | | 1 | RESISTOR 10 +-1% .125W TF TC=0+-100 | 00746 | CRB14 OR CRB25 |
| R747 | 0698-3159 | 5 | | 1 | RESISTOR 26.1K 1% .125W TF TC=0+-100 | 00746 | CRB14 OR CRB25 |
| R748 | 0698-0085 | 0 | | 1 | RESISTOR 2.61K 1% .125W TF TC=0+-100 | 00746 | CRB14 OR CRB25 |
| R801 | 0757-0346 | 2 | | 1 | RESISTOR 10 +-1% .125W TF TC=0+-100 | 00746 | CRB14 OR CRB25 |
| RB02 | 0698-3429 | 2 | | 1 | RESISTOR 19.6 1% .125W TF TC=0+-100 | 00746 | CRB14 OR CRB25 |
| R803 | 0757-0438 | 3 | | 1 | RESISTOR 5.11K +-1% .125W TF TC=0+-100 | 00746 | CRB14 OR CRB25 |
| R804 | 0757-0280 | 3 | | 1 | RESISTOR 1K +-1% .125W TF TC=0+-100 | 00746 | CRB14 OR CRB25 |
| R805 | 0698-8816 | 1 | | 1 | RESISTOR 2.15 +-1% .125W TF TC=0+-100 | 02995 | SFR25H |
| R806 | 0757-0346 | 2 | | 1 | RESISTOR 10 +-1% .125W TF TC=0+-100 | 00746 | CRB14 OR CRB25 |
| R807 | 0757-0444 | 1 | | 1 | RESISTOR 12.1K +-1% .125W TF TC=0+-100 | 00746 | CRB14 OR CRB25 |
| R808 | 0757-0444 | 1 | | 1 | RESISTOR 12.1K +-1% .125W TF TC=0+-100 | 00746 | CRB14 OR CRB25 |
| R809 | 0757-0346 | 2 | | 1 | RESISTOR 10 +-1% .125W TF TC=0+-100 | 00746 | CRB14 OR CRB25 |
| R810 | 0757-0441 | 8 | | 1 | RESISTOR 8.25K +-1% .125W TF TC=0+-100 | 00746 | CRB14 OR CRB25 |
| R811 | 0757-0441 | 8 | | 1 | RESISTOR 8.25K +-1% .125W TF TC=0+-100 | 00746 | CRB14 OR CRB25 |
| R812 | 0757-0280 | 3 | | 1 | RESISTOR 1K +-1% .125W TF TC=0+-100 | 00746 | CRB14 OR CRB25 |
| R813 | 0757-0416 | 7 | | 1 | RESISTOR 511 +-1% .125W TF TC=0+-100 | 00746 | CRB14 OR CRB25 |
| R814 | 0757-0346 | 2 | | 1 | RESISTOR 10 +-1% .125W TF TC=0+-100 | 00746 | CRB14 OR CRB25 |
| R815 | 0757-0280 | 3 | | 1 | RESISTOR 1K +-1% .125W TF TC=0+-100 | 00746 | CRB14 OR CRB25 |

*Indicates factory-selected value

HP Part Number 08562-60109

Log Amplifier

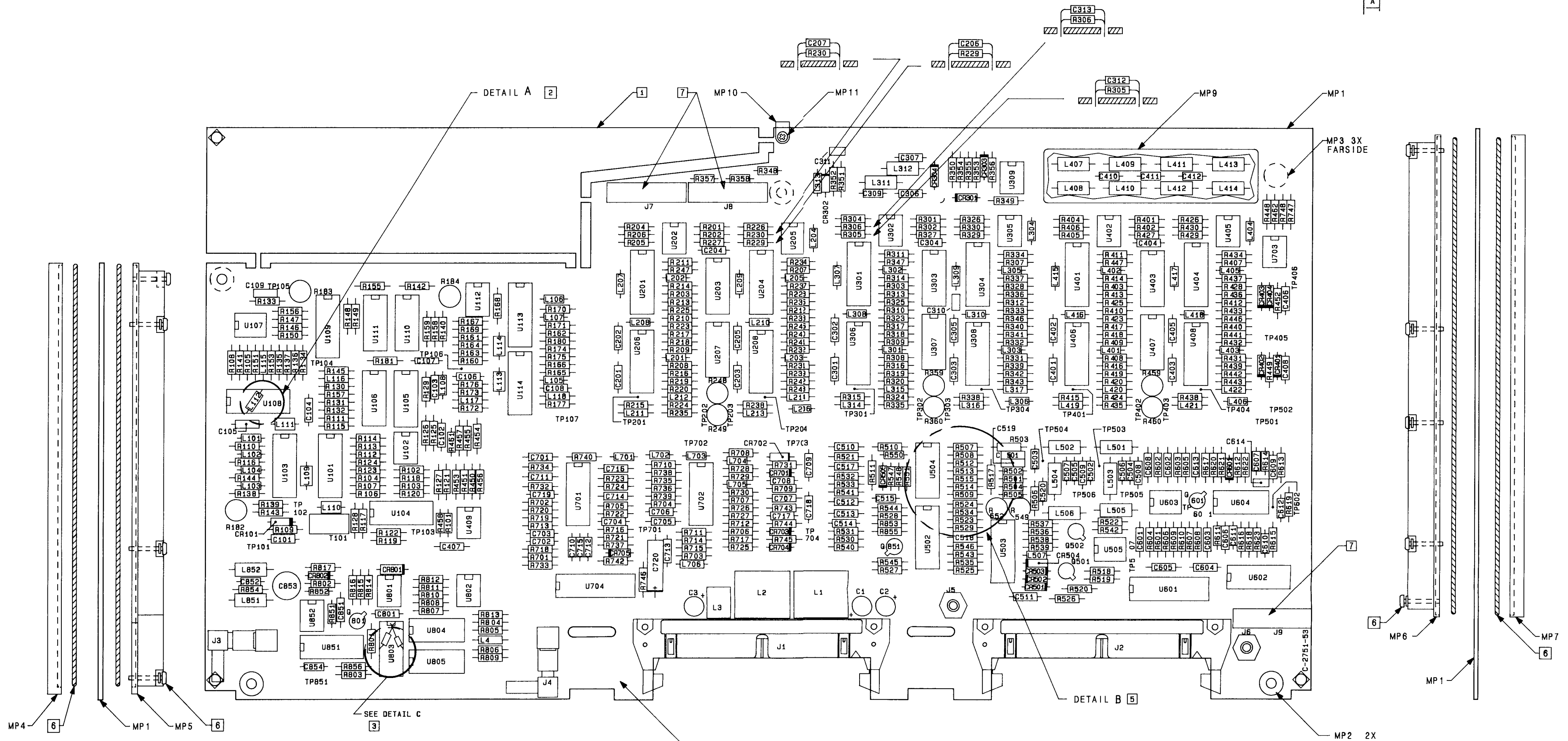
| Reference Designation | HP Part Number | C | D | Qty | Description | Mfr Code | Mfr Part Number |
|-----------------------|----------------|---|---|-----|--|----------|-----------------|
| R816 | 0757-1094 | 9 | | 1 | RESISTOR 1.47K +-1% .125W TF TC=0+-100 | 00746 | CRB14 OR CRB25 |
| R817 | 0757-0438 | 3 | | 1 | RESISTOR 5.11K +-1% .125W TF TC=0+-100 | 00746 | CRB14 OR CRB25 |
| R851 | 0698-7205 | 0 | | 1 | RESISTOR 51.1 +-1% .05W TF TC=0+-100 | 00746 | CRB20 |
| R852 | 0698-7260 | 7 | | 1 | RESISTOR 10K +-1% .05W TF TC=0+-100 | 00746 | CRB20 |
| R853 | 0698-3449 | 6 | | 1 | RESISTOR 28.7K 1% .125W TF TC=0+-100 | 00746 | CRB14 OR CRB25 |
| R854 | 0757-0440 | 7 | | 1 | RESISTOR 7.5K +-1% .125W TF TC=0+-100 | 00746 | CRB14 OR CRB25 |
| R855 | 0698-0083 | 8 | | 1 | RESISTOR 1.96K 1% .125W TF TC=0+-100 | 00746 | CRB14 OR CRB25 |
| R856 | 0757-0401 | 0 | | 1 | RESISTOR 100 +-1% .125W TF TC=0+-100 | 00746 | CRB14 OR CRB25 |
| T101 | 9140-0835 | 6 | | 1 | TRANSFORMER RF XFMR INPUT Z:50 O INP PWR | 02739 | TM01-1T |
| U101 | 1858-0040 | 8 | | 1 | TRANSISTOR ARRAY 16-PIN PLSTC DIP | 03799 | CA3127E |
| U102 | 1810-0789 | 2 | | 1 | NETWORK-CAPACITOR .1UF X 4 +- 20% AT 1.0 | 28480 | 1810-0789 |
| U103 | 1858-0040 | 8 | | 1 | TRANSISTOR ARRAY 16-PIN PLSTC DIP | 03799 | CA3127E |
| U104 | 1858-0040 | 8 | | 1 | TRANSISTOR ARRAY 16-PIN PLSTC DIP | 03799 | CA3127E |
| U105 | 1826-0161 | 7 | | 1 | IC OP AMP GP QUAD 14-DIP-P PKG | 02037 | LM324N |
| U106 | 1858-0102 | 3 | | 1 | TRANSISTOR ARRAY 14-PIN PLSTC TO-116 | 02037 | MPQ6426 |
| U107 | 1810-0789 | 2 | | 1 | NETWORK-CAPACITOR .1UF X 4 +- 20% AT 1.0 | 28480 | 1810-0789 |
| U108 | 1858-0040 | 8 | | 1 | TRANSISTOR ARRAY 16-PIN PLSTC DIP | 03799 | CA3127E |
| U109 | 1858-0040 | 8 | | 1 | TRANSISTOR ARRAY 16-PIN PLSTC DIP | 03799 | CA3127E |
| U110 | 1826-0161 | 7 | | 1 | IC OP AMP GP QUAD 14-DIP-P PKG | 02037 | LM324N |
| U111 | 1858-0102 | 3 | | 1 | TRANSISTOR ARRAY 14-PIN PLSTC TO-116 | 02037 | MPQ6426 |
| U112 | 1810-0789 | 2 | | 1 | NETWORK-CAPACITOR .1UF X 4 +- 20% AT 1.0 | 28480 | 1810-0789 |
| U113 | 1858-0040 | 8 | | 1 | TRANSISTOR ARRAY 16-PIN PLSTC DIP | 03799 | CA3127E |
| U114 | 1858-0040 | 8 | | 1 | TRANSISTOR ARRAY 16-PIN PLSTC DIP | 03799 | CA3127E |
| U201 | 1858-0040 | 8 | | 1 | TRANSISTOR ARRAY 16-PIN PLSTC DIP | 03799 | CA3127E |
| U202 | 1810-0789 | 2 | | 1 | NETWORK-CAPACITOR .1UF X 4 +- 20% AT 1.0 | 28480 | 1810-0789 |
| U203 | 1826-0161 | 7 | | 1 | IC OP AMP GP QUAD 14-DIP-P PKG | 02037 | LM324N |
| U204 | 1858-0040 | 8 | | 1 | TRANSISTOR ARRAY 16-PIN PLSTC DIP | 03799 | CA3127E |
| U205 | 1810-0789 | 2 | | 1 | NETWORK-CAPACITOR .1UF X 4 +- 20% AT 1.0 | 28480 | 1810-0789 |
| U206 | 1858-0040 | 8 | | 1 | TRANSISTOR ARRAY 16-PIN PLSTC DIP | 03799 | CA3127E |
| U207 | 1858-0102 | 3 | | 1 | TRANSISTOR ARRAY 14-PIN PLSTC TO-116 | 02037 | MPQ6426 |
| U208 | 1858-0040 | 8 | | 1 | TRANSISTOR ARRAY 16-PIN PLSTC DIP | 03799 | CA3127E |
| U301 | 1858-0040 | 8 | | 1 | TRANSISTOR ARRAY 16-PIN PLSTC DIP | 03799 | CA3127E |
| U302 | 1810-0789 | 2 | | 1 | NETWORK-CAPACITOR .1UF X 4 +- 20% AT 1.0 | 28480 | 1810-0789 |
| U303 | 1826-0161 | 7 | | 1 | IC OP AMP GP QUAD 14-DIP-P PKG | 02037 | LM324N |
| U304 | 1858-0040 | 8 | | 1 | TRANSISTOR ARRAY 16-PIN PLSTC DIP | 03799 | CA3127E |
| U305 | 1810-0789 | 2 | | 1 | NETWORK-CAPACITOR .1UF X 4 +- 20% AT 1.0 | 28480 | 1810-0789 |
| U306 | 1858-0040 | 8 | | 1 | TRANSISTOR ARRAY 16-PIN PLSTC DIP | 03799 | CA3127E |
| U307 | 1858-0102 | 3 | | 1 | TRANSISTOR ARRAY 14-PIN PLSTC TO-116 | 02037 | MPQ6426 |
| U308 | 1858-0040 | 8 | | 1 | TRANSISTOR ARRAY 16-PIN PLSTC DIP | 03799 | CA3127E |
| U309 | 1826-0990 | 0 | | 1 | IC OP AMP GP DUAL 8-DIP-C PKG | 01698 | MC1458JG |
| U401 | 1858-0040 | 8 | | 1 | TRANSISTOR ARRAY 16-PIN PLSTC DIP | 03799 | CA3127E |
| U402 | 1810-0789 | 2 | | 1 | NETWORK-CAPACITOR .1UF X 4 +- 20% AT 1.0 | 28480 | 1810-0789 |
| U403 | 1826-0161 | 7 | | 1 | IC OP AMP GP QUAD 14-DIP-P PKG | 02037 | LM324N |
| U404 | 1858-0040 | 8 | | 1 | TRANSISTOR ARRAY 16-PIN PLSTC DIP | 03799 | CA3127E |
| U405 | 1810-0789 | 2 | | 1 | NETWORK-CAPACITOR .1UF X 4 +- 20% AT 1.0 | 28480 | 1810-0789 |
| U406 | 1858-0040 | 8 | | 1 | TRANSISTOR ARRAY 16-PIN PLSTC DIP | 03799 | CA3127E |
| U407 | 1858-0102 | 3 | | 1 | TRANSISTOR ARRAY 14-PIN PLSTC TO-116 | 02037 | MPQ6426 |

HP Part Number 08562-60109

Log Amplifier

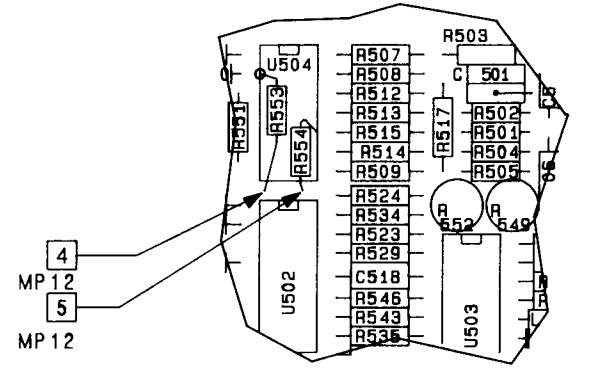
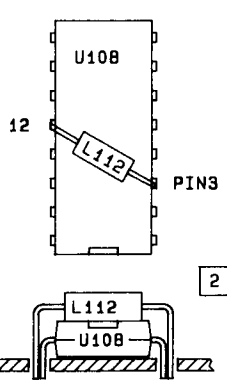
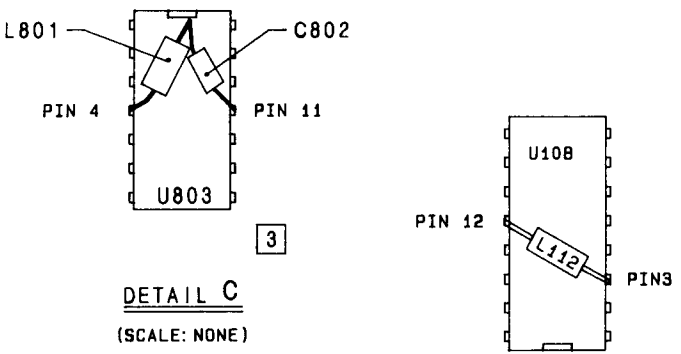
| Reference Designation | HP Part Number | C D | Qty | Description | Mfr Code | Mfr Part Number |
|-----------------------|----------------|-----|-----|--|----------|-----------------|
| U408 | 1858-0040 | 8 | 1 | TRANSISTOR ARRAY 16-PIN PLSTC DIP | 03799 | CA3127E |
| U409 | 1826-0990 | 0 | 1 | IC OP AMP GP DUAL 8-DIP-C PKG | 01698 | MC1458JG |
| U502 | 1858-0040 | 8 | 1 | TRANSISTOR ARRAY 16-PIN PLSTC DIP | 03799 | CA3127E |
| U503 | 1858-0040 | 8 | 1 | TRANSISTOR ARRAY 16-PIN PLSTC DIP | 03799 | CA3127E |
| U504 | 1858-0063 | 5 | 1 | TRANSISTOR ARRAY 14-PIN PLSTC DIP | 03799 | CA3102E |
| U505 | 1826-0990 | 0 | 1 | IC OP AMP GP DUAL 8-DIP-C PKG | 01698 | MC1458JG |
| U601 | 1820-4465 | 0 | 1 | IC FF CMOS/74HCT D-TYPE POS-EDGE-TRIG CO | 02910 | 74HCT377N |
| U602 | 1820-1934 | 2 | 1 | D/A 8-BIT 16-CERDIP BPLR | 02180 | DAC-08EQ |
| U603 | 1826-0990 | 0 | 1 | IC OP AMP GP DUAL 8-DIP-C PKG | 01698 | MC1458JG |
| U604 | 1858-0032 | 8 | 1 | TRANSISTOR ARRAY 14-PIN PLSTC DIP | 03406 | LM3146 |
| U701 | 1858-0040 | 8 | 1 | TRANSISTOR ARRAY 16-PIN PLSTC DIP | 03799 | CA3127E |
| U702 | 1858-0040 | 8 | 1 | TRANSISTOR ARRAY 16-PIN PLSTC DIP | 03799 | CA3127E |
| U703 | 1826-0716 | 8 | 1 | IC OP AMP LOW-NOISE DUAL 8-DIP-C PKG | 02910 | NE5532AFE |
| U704 | 1820-4465 | 0 | 1 | IC FF CMOS/74HCT D-TYPE POS-EDGE-TRIG CO | 02910 | 74HCT377N |
| U801 | 1810-0789 | 2 | 1 | NETWORK-CAPACITOR .1UF X 4 +- 20% AT 1.0 | 28480 | 1810-0789 |
| U802 | 1810-0789 | 2 | 1 | NETWORK-CAPACITOR .1UF X 4 +- 20% AT 1.0 | 28480 | 1810-0789 |
| U803 | 1826-0064 | 9 | 1 | IC WIDEBAND AMPL VID 14-DIP-C PKG | 02037 | MC1733CL |
| U804 | 1820-0723 | 5 | 1 | IC-INTERFACE RCVR LINE RCVR DUAL | 01698 | SN75107AN |
| U805 | 1820-3537 | 5 | 1 | IC FF CMOS/74HCT D-TYPE POS-EDGE-TRIG PR | 02910 | 74HCT74N |
| U851 | 1826-1326 | 8 | 1 | IC RF/IF AMPL 16-DIP-P PKG | 03406 | LM3189N |
| U852 | 1810-0789 | 2 | 1 | NETWORK-CAPACITOR .1UF X 4 +- 20% AT 1.0 | 28480 | 1810-0789 |

*Indicates factory-selected value



NOTES: UNLESS OTHERWISE SPECIFIED

- 1 REMOVE BREAKOFF TABS AFTER MACHINE SOLDER.
- 2 ADD L112 ACROSS U108 BETWEEN PIN 3 AND PIN 12 AS SHOWN IN DETAIL A.
- 3 ONE LEAD OF L801 TO BE INSTALLED IN PIN 4 OF U803. ONE LEAD OF C802 TO BE INSTALLED IN PIN 11 OF U803. C802 AND L801 TO BE SOLDERED TOGETHER AT REMAINING LEADS SEE DETAIL C.
- 4 ON NEARSIDE, ADD R553 FROM U504 PIN 2 TO FEEDTHRU PAD BELOW U504; USE INSULATION ON FEEDTHRU SIDE. SEE DETAIL B.
- 5 ON NEARSIDE, ADD R554 FROM U504 PIN 10 TO PAD BELOW U504; USE INSULATION ON LEAD GOING TO PAD.
- 6 SCREWS FOR SHIELDS (24 PER BD) AND SPIRO-GASKET ARE ON THE MATERIAL LIST FOR THE SHIELDS. MAKE SURE ALL THE PARTS ARE INTACT.
- 7 ASSURE THAT THE FOLLOWING PINS HAVE BEEN REMOVED, J7 PIN9, J8 PIN9, J9 PIN9, PRIOR TO ASSEMBLY AND MACHINE SOLDER.
8. TEST POINTS NOT ON MATERIAL LIST ARE SHOWN FOR REFERENCE ONLY.



SEE 08562-60109 MATERIAL LIST

| J1 | | | |
|-----|----------------|---------|----------------|
| PIN | SIGNAL | TO/FROM | FUNCTION BLOCK |
| 1 | NC | | |
| 2 | NC | | |
| 3 | AGND | ASJ1-3 | U |
| 4 | NC | | |
| 5 | NC | | |
| 6 | AGND | ASJ1-8 | U |
| 7 | NC | | |
| 8 | NC | | |
| 9 | AGND | ASJ1-9 | U |
| 10 | FST. SCAN RAMP | | |
| 11 | NC | | |
| 12 | AGND | ASJ1-12 | U |
| 13 | -12.5V (PULSE) | NC | |
| 14 | -15V | ASJ1-14 | U |
| 15 | AGND | ASJ1-15 | U |
| 16 | -15V | ASJ1-16 | U |
| 17 | +15V | ASJ1-17 | U |
| 18 | AGND | ASJ1-18 | U |
| 19 | +15V | ASJ1-19 | U |
| 20 | +28V | NC | |
| 21 | +28V | NC | |
| 22 | PWR UP | NC | |
| 23 | -15V | ASJ1-23 | U |
| 24 | -15V | ASJ1-24 | U |
| 25 | +15V | ASJ1-25 | U |
| 26 | +15V | ASJ1-26 | U |
| 27 | +5V | ASJ1-27 | U |
| 28 | +5V | ASJ1-28 | U |
| 29 | +5V | ASJ1-29 | U |
| 30 | +5V | ASJ1-30 | U |
| 31 | DNND | ASJ1-31 | U |
| 32 | DNND | ASJ1-32 | U |
| 33 | AGND | ASJ1-33 | U |
| 34 | AGND | ASJ1-34 | U |
| 35 | DNND | ASJ1-35 | U |
| 36 | DNND | ASJ1-36 | U |
| 37 | DNND | ASJ1-37 | U |
| 38 | DNND | ASJ1-38 | U |
| 39 | +5V | NC | |
| 40 | +5V | NC | |
| 41 | +5V | NC | |
| 42 | +5V | NC | |
| 43 | +5V | NC | |
| 44 | +5V | NC | |
| 45 | +28V | NC | |
| 46 | LINE TRIGGER | NC | |
| 47 | +15V | NC | |
| 48 | +15V | NC | |
| 49 | -15V | NC | |
| 50 | -15V | NC | |

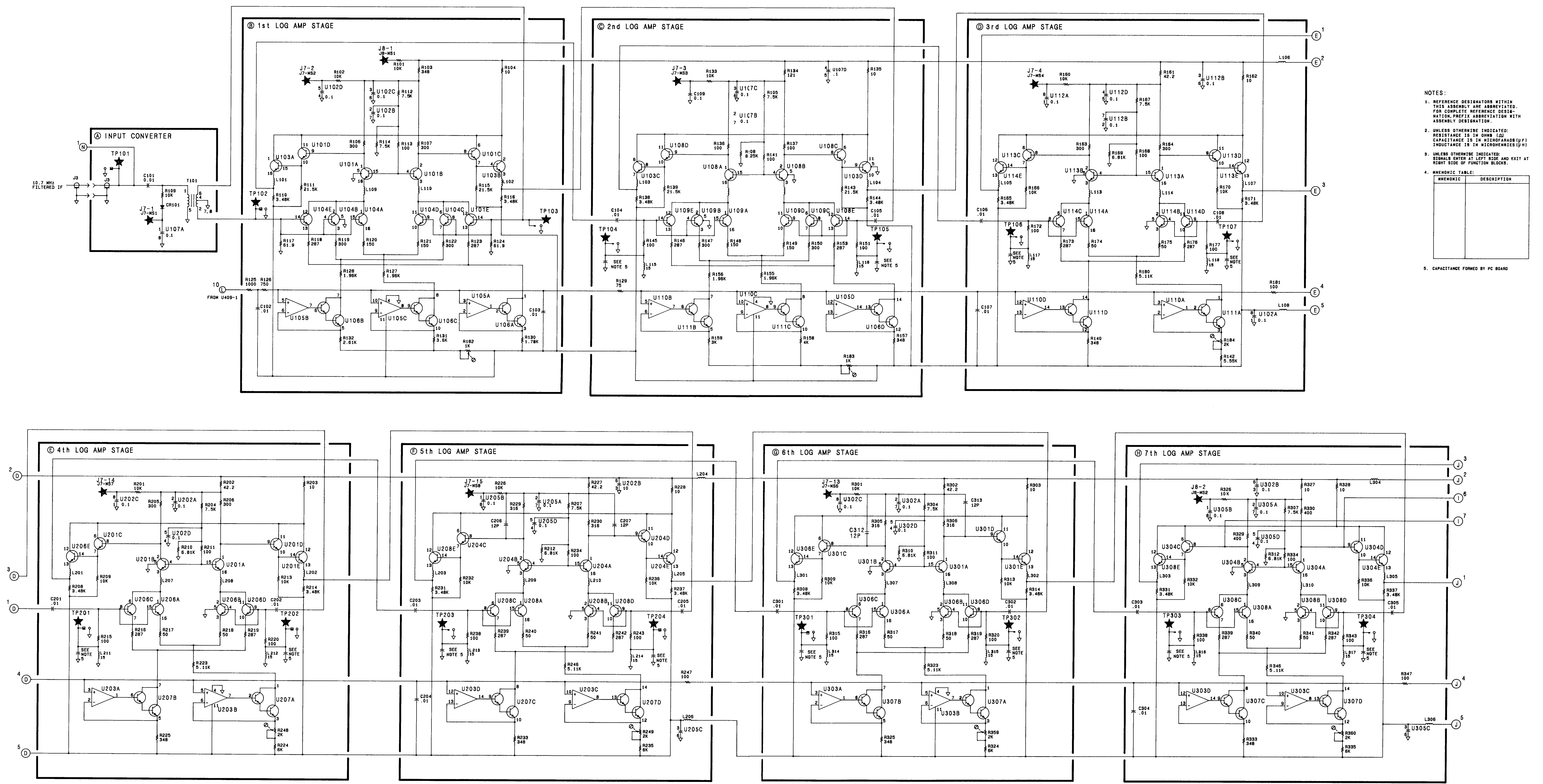
| J2 | | | |
|-----|---------------|---------|----------------|
| PIN | SIGNAL | TO/FROM | FUNCTION BLOCK |
| 1 | D8 | ASJ2-1 | M |
| 2 | DNND | | U |
| 3 | D1 | ASJ2-3 | M |
| 4 | D2 | ASJ2-4 | M |
| 5 | D3 | ASJ2-5 | M |
| 6 | D4 | ASJ2-6 | M |
| 7 | DNND | | U |
| 8 | D5 | ASJ2-8 | M |
| 9 | D6 | ASJ2-9 | M |
| 10 | D7 | ASJ2-10 | M |
| 11 | A0 | ASJ2-11 | U |
| 12 | DNND | | U |
| 13 | A1 | NC | |
| 14 | A2 | NC | |
| 15 | A3 | ASJ2-15 | M |
| 16 | A4 | NC | |
| 17 | DNND | | U |
| 18 | A5 | NC | |
| 19 | A6 | NC | |
| 20 | A7 | NC | |
| 21 | DNND | | U |
| 22 | LRF_STB | NC | |
| 23 | LFC_STB | NC | |
| 24 | LTF_STB | NC | |
| 25 | NC | | |
| 26 | LLOG_STB | ASJ2-26 | M |
| 27 | NC | | |
| 28 | DNND | | U |
| 29 | RT PULSE | NC | |
| 30 | HSCAN | NC | |
| 31 | DNND | | U |
| 32 | RESERVED | NC | |
| 33 | OFL_ERR | NC | |
| 34 | R/T DAC3 | NC | |
| 35 | AGND | | U |
| 36 | RF GAIN | NC | |
| 37 | LD 3 ERR | NC | |
| 38 | AGND | | U |
| 39 | NC | | |
| 40 | FC_ERR | NC | |
| 41 | AGND | | U |
| 42 | YTO_ERR | NC | |
| 43 | +10V REF | ASJ2-43 | Q |
| 44 | AGND | | U |
| 45 | SCAN RAMP | NC | |
| 46 | VIDEO TRIGGER | NC | |
| 47 | AGND | | U |
| 48 | NC | | |
| 49 | R/T DAC2 | NC | |
| 50 | R/T DAC1 | NC | |

| J7 TEST | | |
|---------|-----------|----------------|
| PIN | SIGNAL | FUNCTION BLOCK |
| 1 | MS1 | A |
| 2 | MS2 | B |
| 3 | MS3 | C |
| 4 | MS4 | D |
| 5 | MS5 | I |
| 6 | GND | U |
| 7 | TA0 (GND) | U |
| 8 | TA1 (NC) | |
| 9 | N.C. KEY | |
| 10 | TA2 (GND) | U |
| 11 | TA3 (GND) | U |
| 12 | TA4 (NC) | |
| 13 | MS6 | I |
| 14 | MS7 | E |
| 15 | MS8 | F |
| 16 | OPEN | |

| J8 TEST | | |
|---------|-----------|----------------|
| PIN | SIGNAL | FUNCTION BLOCK |
| 1 | MS1 | G |
| 2 | MS2 | H |
| 3 | MS3 | J |
| 4 | MS4 | K |
| 5 | MS5 | I |
| 6 | GND | |
| 7 | TA0 (NC) | |
| 8 | TA1 (NC) | |
| 9 | N.C. KEY | |
| 10 | TA2 (GND) | U |
| 11 | TA3 (GND) | U |
| 12 | TA4 (NC) | |
| 13 | MS6 | L |
| 14 | MS7 | L |
| 15 | MS8 | L |
| 16 | OPEN (NC) | |

| J9 TEST | | |
|---------|-----------|----------------|
| PIN | SIGNAL | FUNCTION BLOCK |
| 1 | MS1 | N |
| 2 | MS2 | N |
| 3 | MS3 (NC) | |
| 4 | MS4 (NC) | |
| 5 | MS5 | O |
| 6 | GND | U |
| 7 | TA0 (GND) | U |
| 8 | TA1 (GND) | U |
| 9 | N.C. KEY | |
| 10 | TA2 (NC) | |
| 11 | TA3 (GND) | U |
| 12 | TA4 (NC) | |
| 13 | MS6 | P |
| 14 | MS7 (NC) | |
| 15 | MS8 | R |
| 16 | OPEN (NC) | |

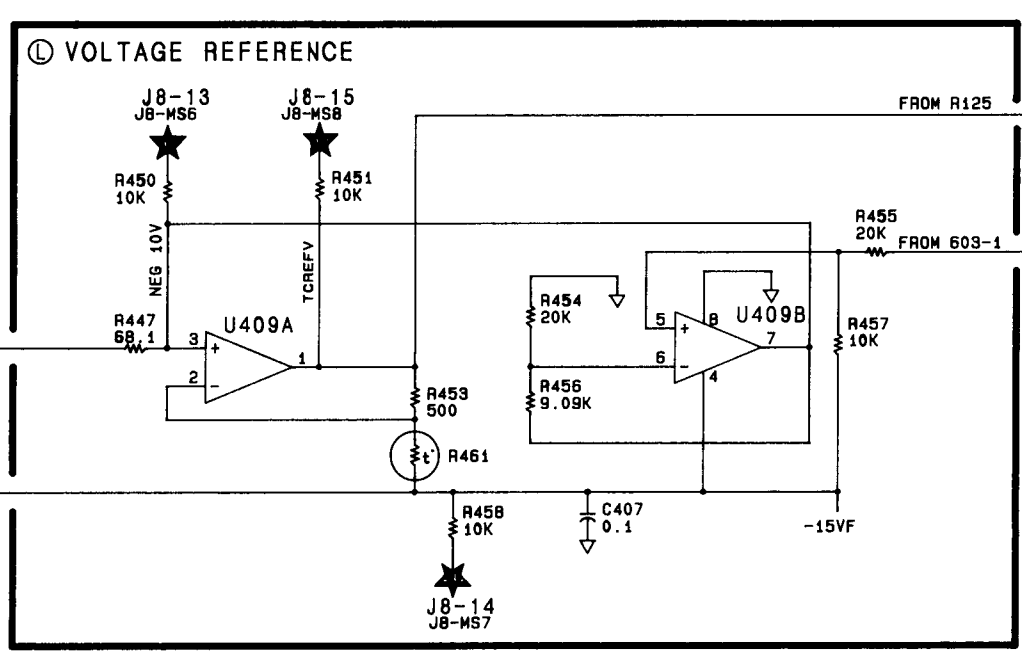
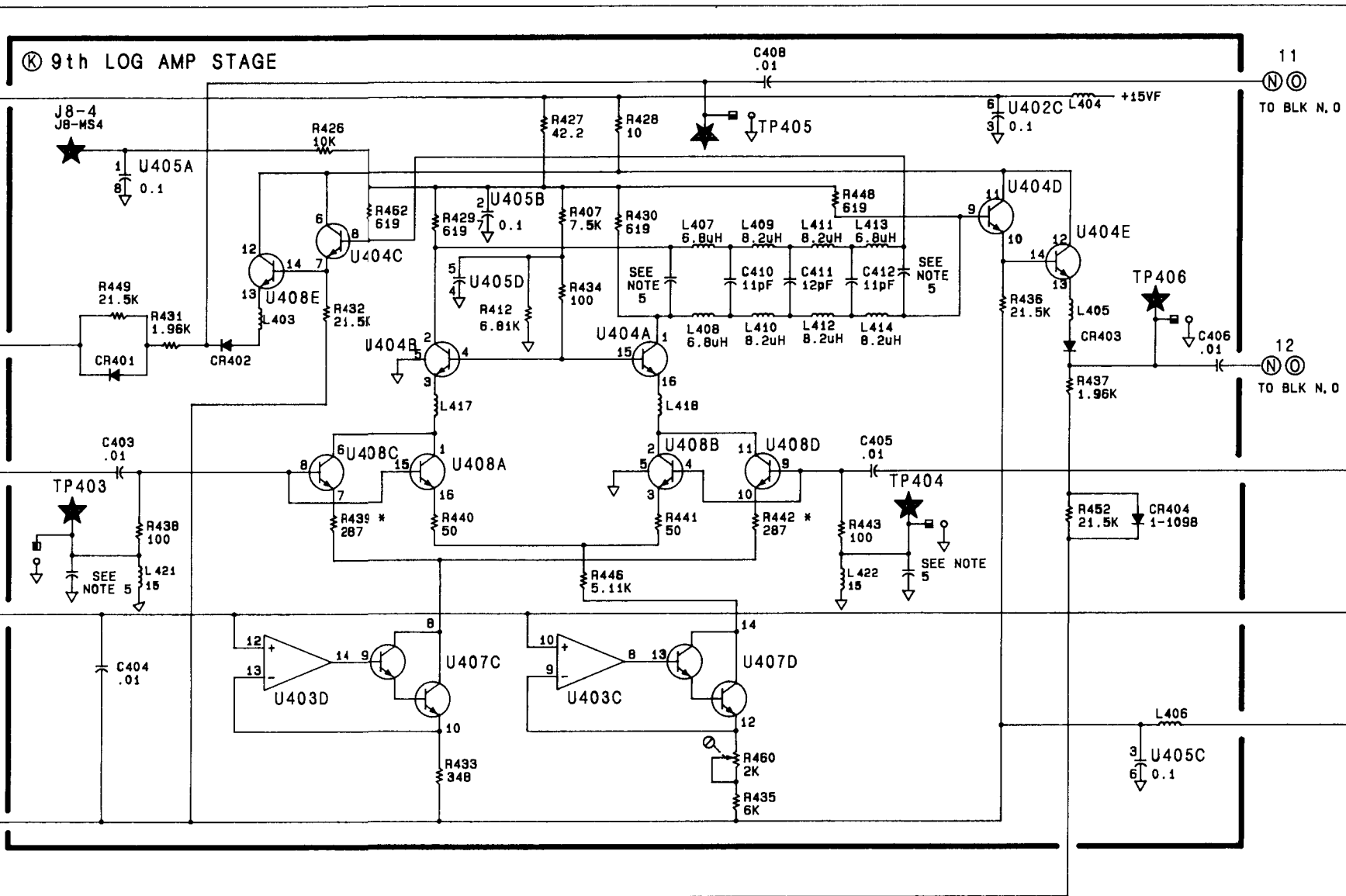
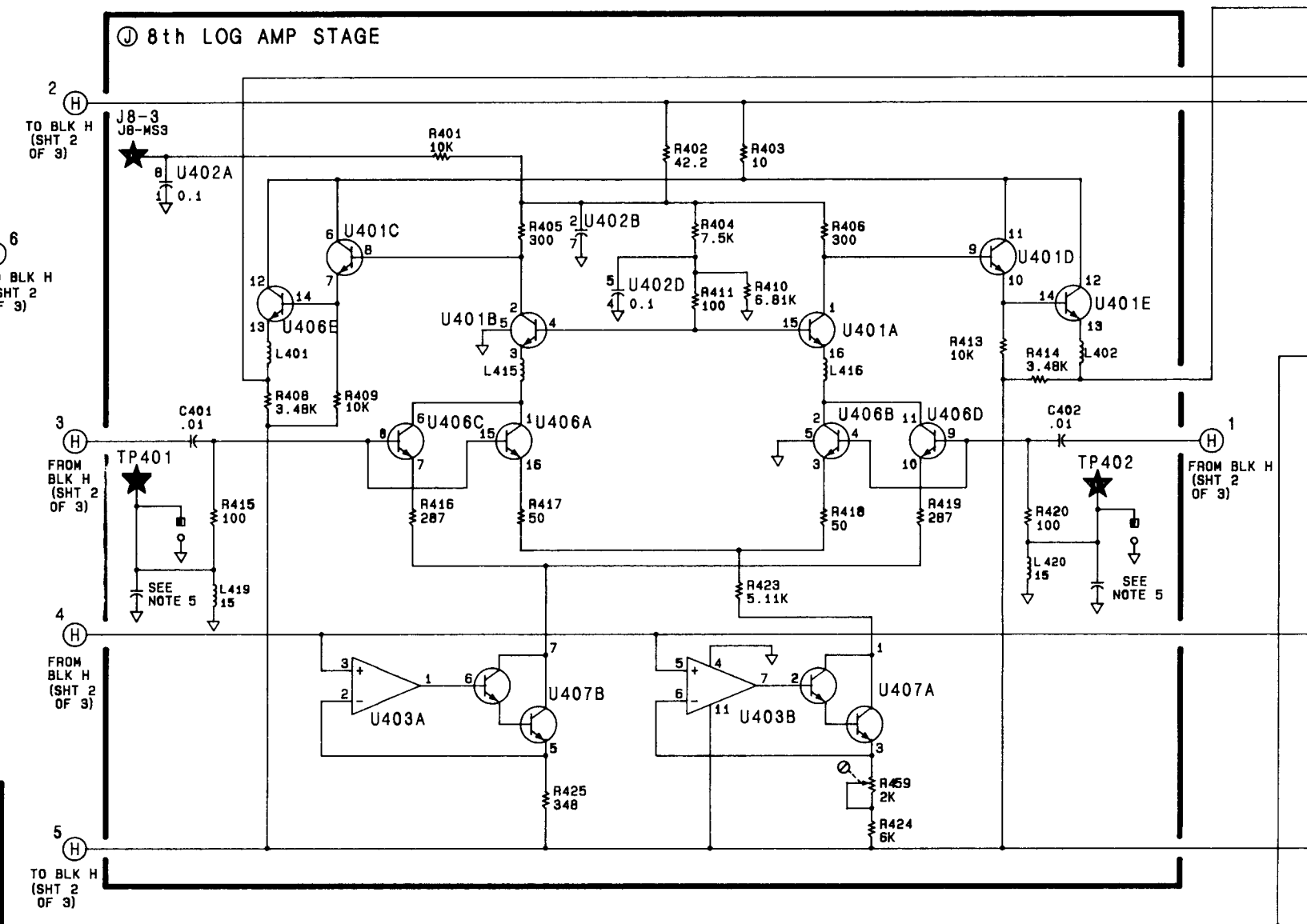
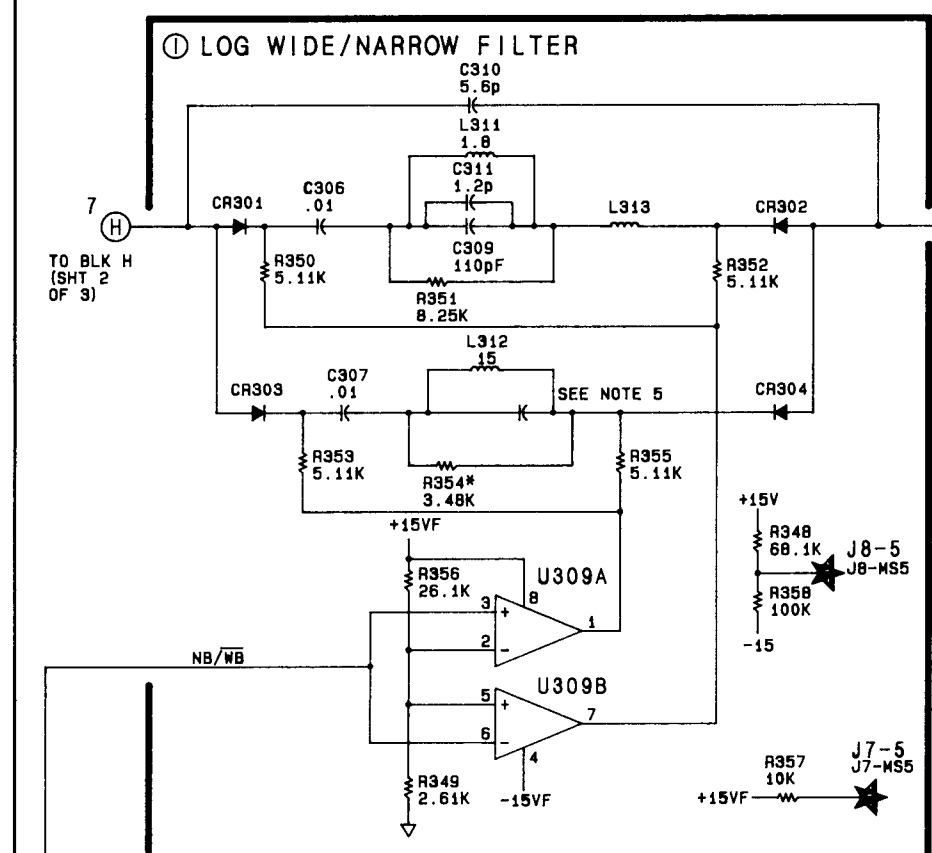
| | | | |
|-----|-----------|----------|------|
| SYM | REVISIONS | APPROVED | DATE |
| A | | | |



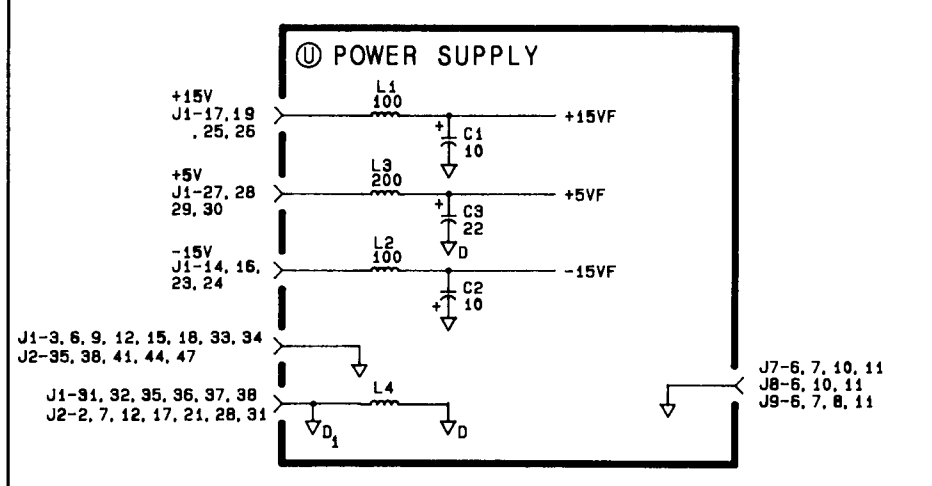
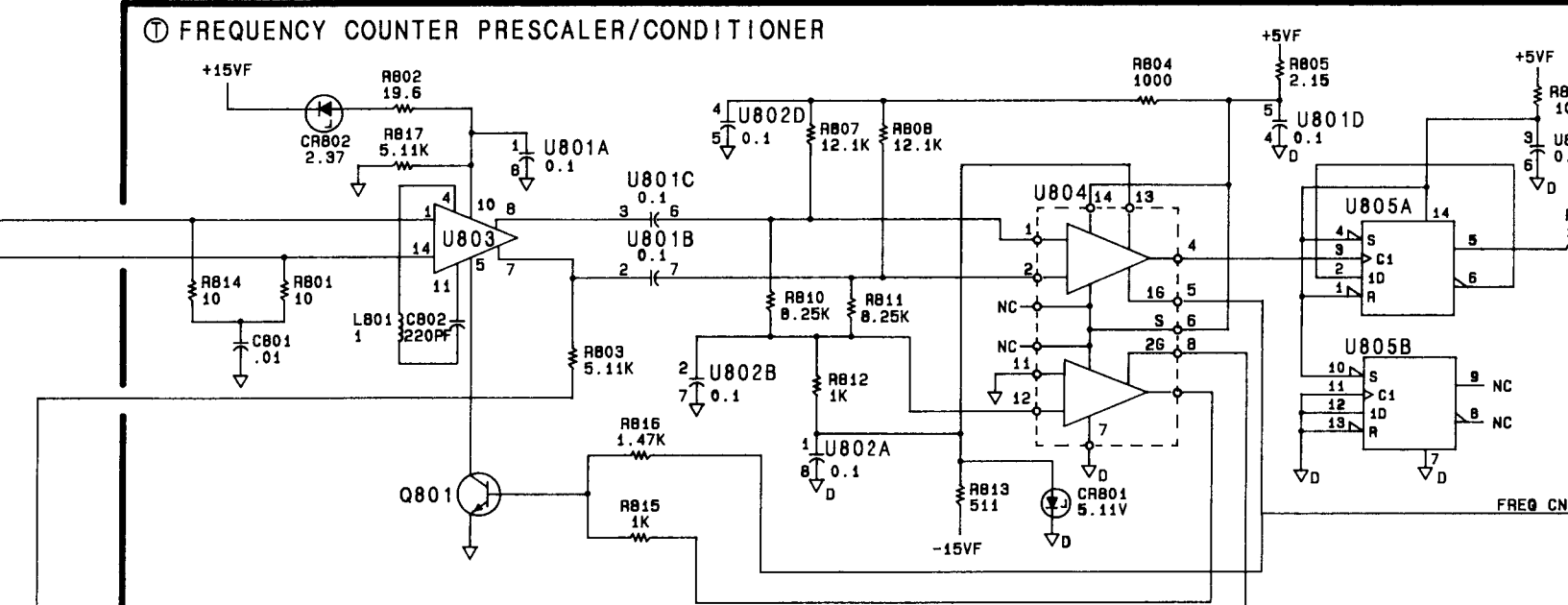
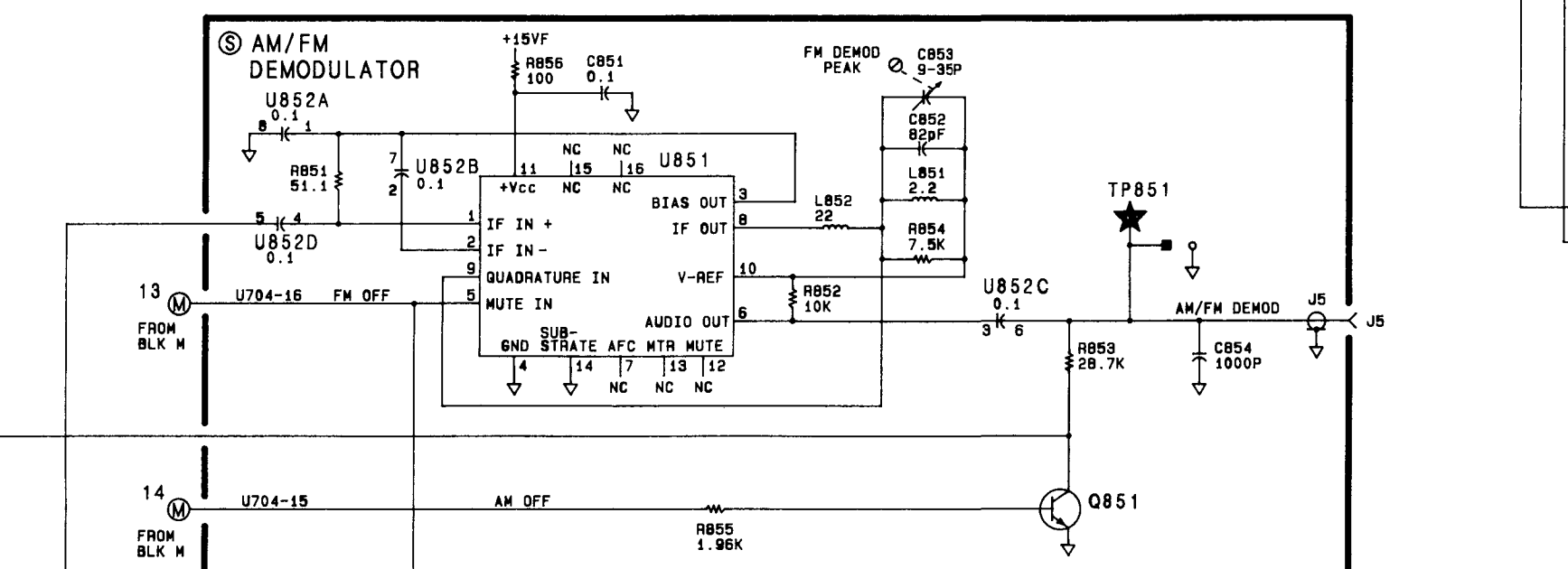
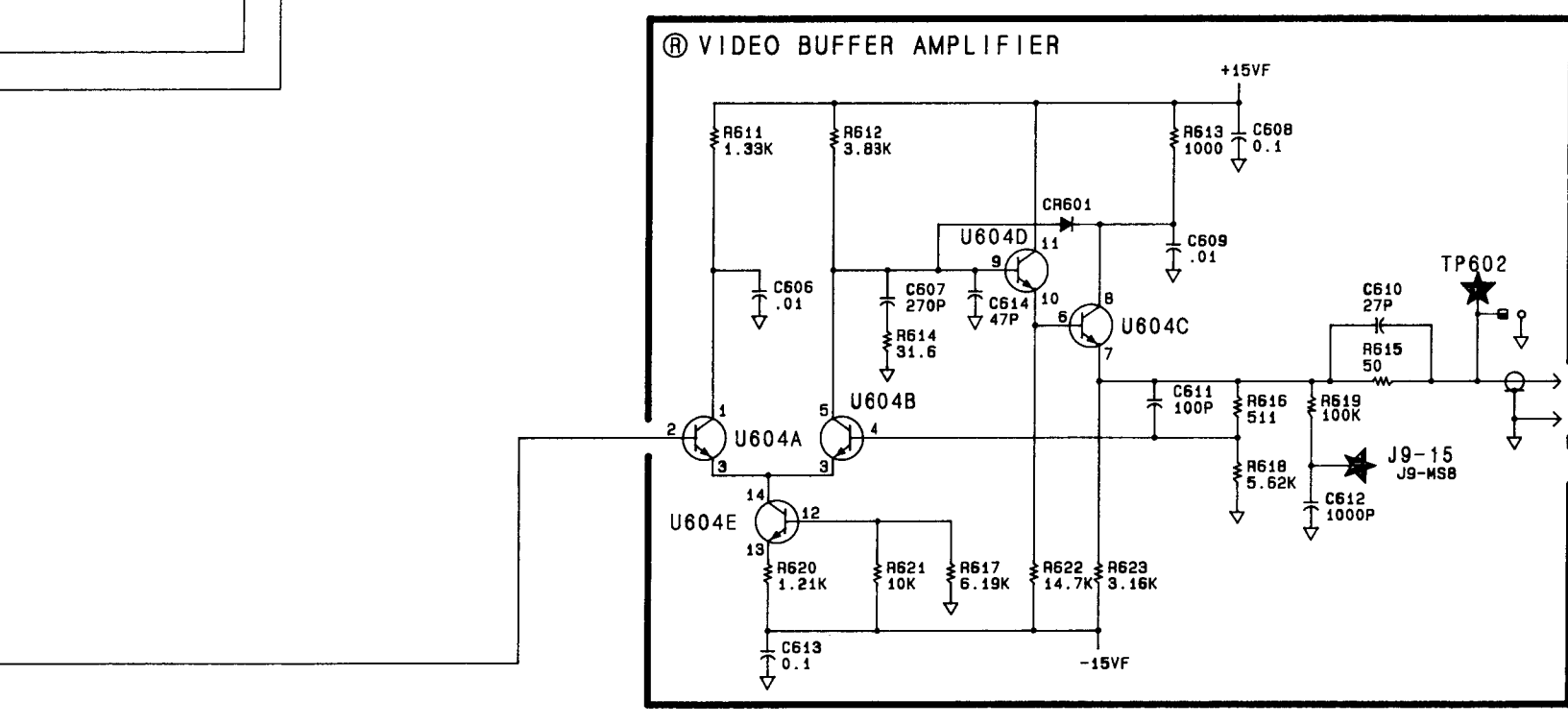
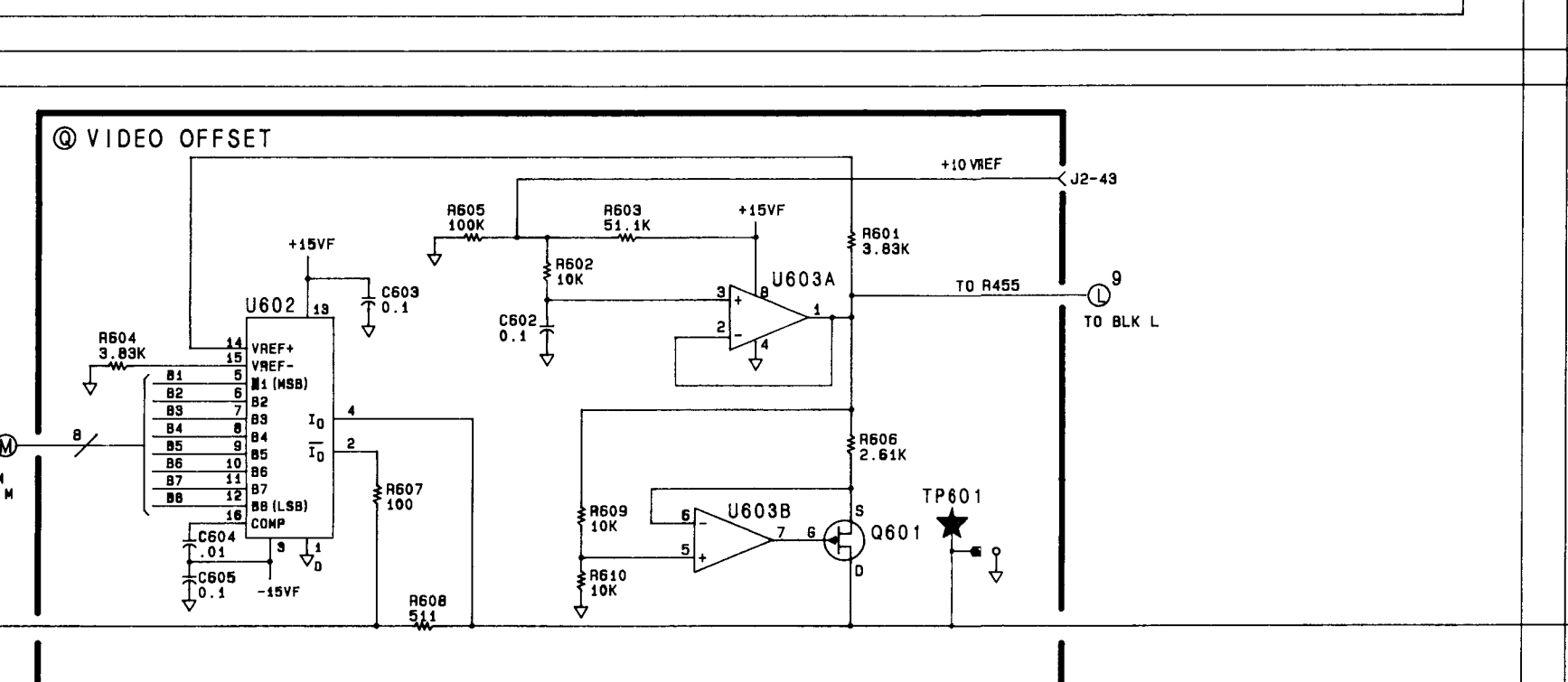
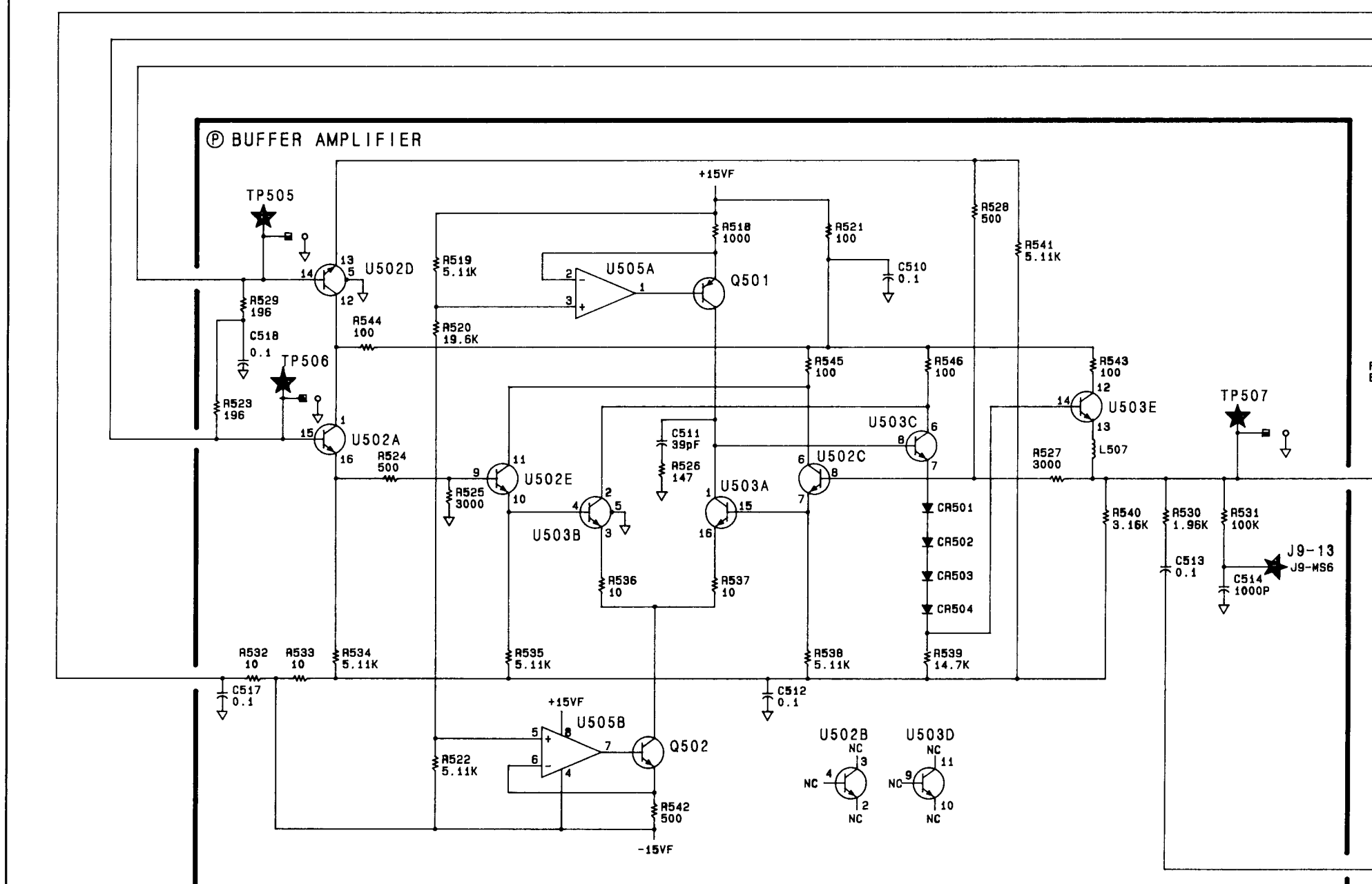
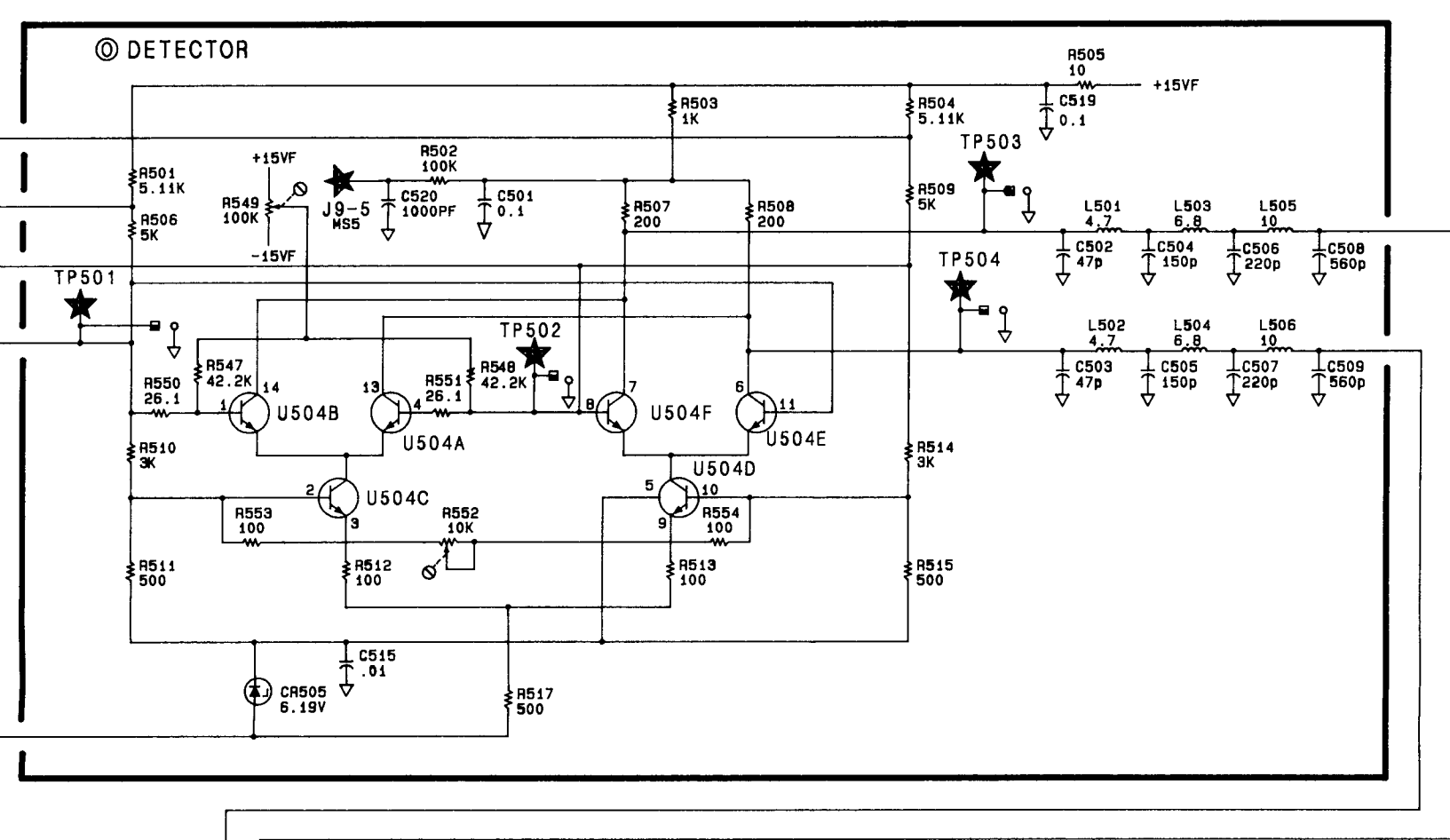
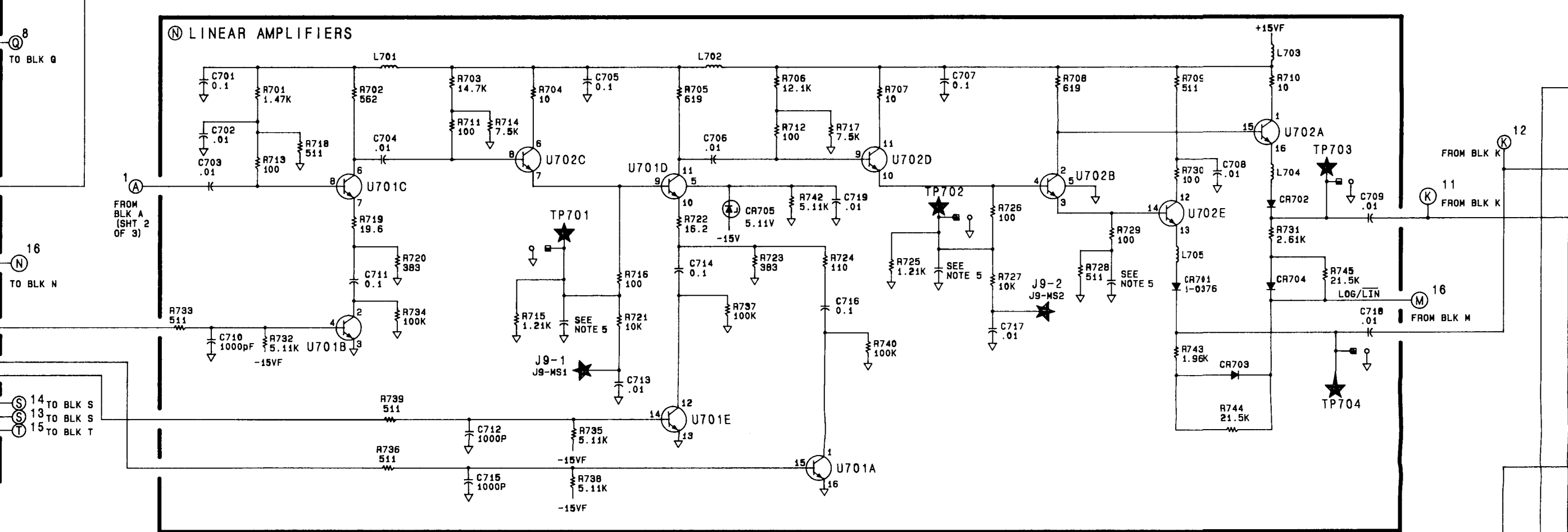
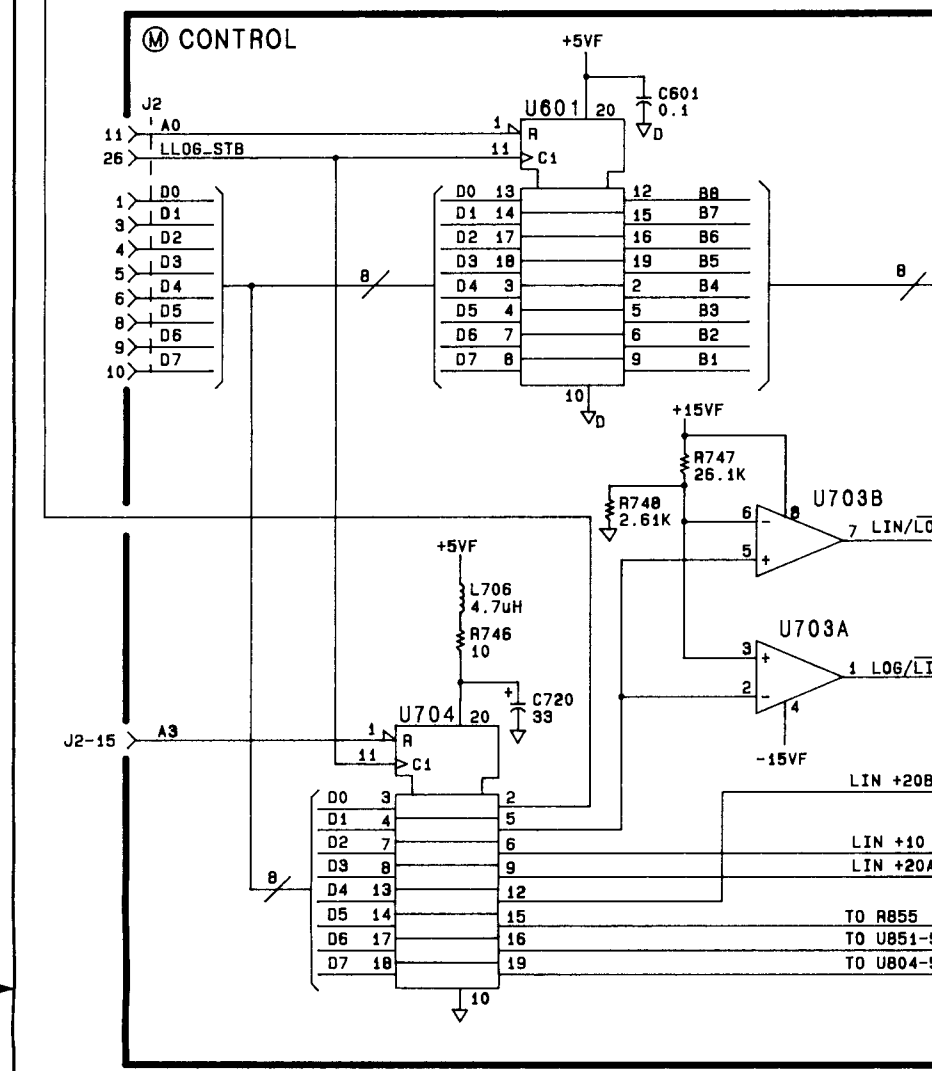
- NOTES:
1. REFERENCE DESIGNATORS WITHIN THIS ASSEMBLY ARE ABBREVIATED. FOR COMPLETE REFERENCE DESIGNATION, PREFIX ABBREVIATION WITH ASSEMBLY DESIGNATION.
 2. UNLESS OTHERWISE INDICATED: RESISTANCE IS IN OHMS (Ω); CAPACITANCE IS IN MICROFARADS (μ F); INDUCTANCE IS IN MICRONHENRIES (μ H).
 3. UNLESS OTHERWISE INDICATED: SIGNALS ENTER AT LEFT SIDE AND EXIT AT RIGHT SIDE OF FUNCTION BLOCKS.
 4. MNEMONIC TABLE:
- | MNEMONIC | DESCRIPTION |
|----------|-------------|
| | |
5. CAPACITANCE FORMED BY PC BOARD

| | | |
|------------------|--------------------------------|---|
| ENGINEER/CHECKER | BOARD ASSEMBLY - LOG AMPLIFIER | HEWLETT PACKARD 08562-60109 PART NUMBER |
| RELEASE TO PROD | TITLE (SCHEMATIC) | |
| SUPSEDES DWG. | SCALE NONE SHEET 2 OF 3 | D-08562-60109-1 |

| SYM | REVISIONS |
|-----|-----------|
| A | |



- NOTES:
- REFERENCE DESIGNATIONS WITHIN THIS ASSEMBLY ARE ABBREVIATED. FOR COMPLETE REFERENCE DESIGNATION, PREFIX ABBREVIATION WITH ASSEMBLY DESIGNATION.
 - UNLESS OTHERWISE INDICATED: RESISTANCE IS IN OHMS (Ω), CAPACITANCE IS IN MICROFARADS (μF), INDUCTANCE IS IN MICROHENRIES (μH)
 - UNLESS OTHERWISE INDICATED: SIGNALS ENTER AT LEFT SIDE AND EXIT AT RIGHT SIDE OF FUNCTION BLOCKS.
 - MEMORIC TABLE:
- | MEMORIC | DESCRIPTION |
|---------|-------------|
| | |
5. CAPACITANCE FORMED BY P.C. BOARD
 6. * INDICATES FACTORY SELECTED VALUES.



Component-Level Information Packet

for 08562-60110

Controller

Copyright © 1990 Hewlett-Packard Company

All Rights Reserved.
Reproduction, adaptation, or translation
without prior written permission
is prohibited, except as allowed
under the copyright laws.

HP Document Part Number 08562-90126

Printed December 1990
Printed in USA

The information contained in this document is subject to change without notice.



**HP Part Number 08562-60110
Controller**

| Reference Designation | HP Part Number | C D | Qty | Description | Mfr Code | Mfr Part Number |
|-----------------------|----------------|-----|-----|----------------------------------|----------|------------------------|
| C1 | 0180-4136 | 3 | 1 | CAP-FXD 10uF 20 V TA | 04200 | 173D106X9020W |
| C2 | 0180-4132 | 9 | 1 | CAP-FXD 6.8uF 35 V TA | 04200 | 173D685X9035X |
| C3 | 0160-4832 | 4 | 1 | CAP-FXD 0.01uF 100 V | 02010 | SA101C103KAAH |
| C4 | 0180-4132 | 9 | 1 | CAP-FXD 6.8uF 35 V TA | 04200 | 173D685X9035X |
| C5 | 0160-4832 | 4 | 1 | CAP-FXD 0.01uF 100 V | 02010 | SA101C103KAAH |
| C6 | 0180-4135 | 2 | 1 | CAP-FXD 33uF 10 V TA | 04200 | 173D336X9010X |
| C7 | 0160-4832 | 4 | 1 | CAP-FXD 0.01uF 100 V | 02010 | SA101C103KAAH |
| C8 | 0160-4832 | 4 | 1 | CAP-FXD 0.01uF 100 V | 02010 | SA101C103KAAH |
| C9 | 0160-4832 | 4 | 1 | CAP-FXD 0.01uF 100 V | 02010 | SA101C103KAAH |
| C10 | 0160-4832 | 4 | 1 | CAP-FXD 0.01uF 100 V | 02010 | SA101C103KAAH |
| C11 | 0160-4832 | 4 | 1 | CAP-FXD 0.01uF 100 V | 02010 | SA101C103KAAH |
| C12 | 0160-4832 | 4 | 1 | CAP-FXD 0.01uF 100 V | 02010 | SA101C103KAAH |
| C101 | 0160-4832 | 4 | 1 | CAP-FXD 0.01uF 100 V | 02010 | SA101C103KAAH |
| C102 | 0160-4832 | 4 | 1 | CAP-FXD 0.01uF 100 V | 02010 | SA101C103KAAH |
| C103 | 0160-4832 | 4 | 1 | CAP-FXD 0.01uF 100 V | 02010 | SA101C103KAAH |
| C201 | 0160-4835 | 7 | 1 | CAP-FXD 0.1uF 50 V | 02010 | SA115C104KAAH |
| C202 | 0160-4832 | 4 | 1 | CAP-FXD 0.01uF 100 V | 02010 | SA101C103KAAH |
| C203 | 0160-4832 | 4 | 1 | CAP-FXD 0.01uF 100 V | 02010 | SA101C103KAAH |
| C204 | 0160-4832 | 4 | 1 | CAP-FXD 0.01uF 100 V | 02010 | SA101C103KAAH |
| C205 | 0160-4791 | 4 | 1 | CAP-FXD 10pF +-5% 100 V CER COG | 02010 | SA102A100JAAH |
| C206 | 0160-4832 | 4 | 1 | CAP-FXD 0.01uF 100 V | 02010 | SA101C103KAAH |
| C207 | 0160-4791 | 4 | 1 | CAP-FXD 10pF +-5% 100 V CER COG | 02010 | SA102A100JAAH |
| C208 | 0160-4832 | 4 | 1 | CAP-FXD 0.01uF 100 V | 02010 | SA101C103KAAH |
| C209 | 0160-4832 | 4 | 1 | CAP-FXD 0.01uF 100 V | 02010 | SA101C103KAAH |
| C210 | 0160-4832 | 4 | 1 | CAP-FXD 0.01uF 100 V | 02010 | SA101C103KAAH |
| C212 | 0160-4832 | 4 | 1 | CAP-FXD 0.01uF 100 V | 02010 | SA101C103KAAH |
| C213 | 0160-4832 | 4 | 1 | CAP-FXD 0.01uF 100 V | 02010 | SA101C103KAAH |
| C214 | 0160-4832 | 4 | 1 | CAP-FXD 0.01uF 100 V | 02010 | SA101C103KAAH |
| C215 | 0160-4832 | 4 | 1 | CAP-FXD 0.01uF 100 V | 02010 | SA101C103KAAH |
| C216 | 0160-4832 | 4 | 1 | CAP-FXD 0.01uF 100 V | 02010 | SA101C103KAAH |
| C217 | 0160-4832 | 4 | 1 | CAP-FXD 0.01uF 100 V | 02010 | SA101C103KAAH |
| C218 | 0160-4835 | 7 | 1 | CAP-FXD 0.1uF 50 V | 02010 | SA115C104KAAH |
| C219 | 0160-4832 | 4 | 1 | CAP-FXD 0.01uF 100 V | 02010 | SA101C103KAAH |
| C220 | 0160-4832 | 4 | 1 | CAP-FXD 0.01uF 100 V | 02010 | SA101C103KAAH |
| C221 | 0160-4832 | 4 | 1 | CAP-FXD 0.01uF 100 V | 02010 | SA101C103KAAH |
| C222 | 0160-5422 | 0 | 1 | CAP-FXD 0.047uF 50 V | 02010 | SA205C473MAAH |
| C223 | 0160-4438 | 6 | 1 | CAP-FXD 470pF 630 V POLYP-FL | 06121 | B33062/470PF/2.5%/630V |
| C224 | 0160-4438 | 6 | 1 | CAP-FXD 470pF 630 V POLYP-FL | 06121 | B33062/470PF/2.5%/630V |
| C225 | 0160-4438 | 6 | 1 | CAP-FXD 470pF 630 V POLYP-FL | 06121 | B33062/470PF/2.5%/630V |
| C226 | 0160-5104 | 5 | 1 | CAP-FXD 3900pF 200 V POLYP-FL | 05176 | HEW-535 |
| C227 | 0160-5104 | 5 | 1 | CAP-FXD 3900pF 200 V POLYP-FL | 05176 | HEW-535 |
| C228 | 0160-4804 | 0 | 1 | CAP-FXD 56pF +-5% 100 V CER COG | 02010 | SA102A560JAAH |
| C229 | 0160-4812 | 0 | 1 | CAP-FXD 220pF +-5% 100 V CER COG | 02010 | SA101A221JAAH |
| C230 | 0160-4824 | 4 | 1 | CAP-FXD 680pF +-5% 100 V CER COG | 02010 | SA101A681JAAH |
| C231 | 0160-4804 | 0 | 1 | CAP-FXD 56pF +-5% 100 V CER COG | 02010 | SA102A560JAAH |
| C232 | 0160-4812 | 0 | 1 | CAP-FXD 220pF +-5% 100 V CER COG | 02010 | SA101A221JAAH |
| C233 | 0160-4824 | 4 | 1 | CAP-FXD 680pF +-5% 100 V CER COG | 02010 | SA101A681JAAH |
| C234 | 0160-4791 | 4 | 1 | CAP-FXD 10pF +-5% 100 V CER COG | 02010 | SA102A100JAAH |

**Indicates factory-selected value*

**HP Part Number 08562-60110
Controller**

| Reference Designation | HP Part Number | C D | Qty | Description | Mfr Code | Mfr Part Number |
|-----------------------|----------------|-----|-----|--------------------------------------|----------|-----------------|
| C235 | 0160-4791 | 4 | 1 | CAP-FXD 10pF +-5% 100 V CER COG | 02010 | SA102A100JAAH |
| C237 | 0160-4791 | 4 | 1 | CAP-FXD 10pF +-5% 100 V CER COG | 02010 | SA102A100JAAH |
| C238 | 0160-4791 | 4 | 1 | CAP-FXD 10pF +-5% 100 V CER COG | 02010 | SA102A100JAAH |
| C239 | 0160-4832 | 4 | 1 | CAP-FXD 0.01uF 100 V | 02010 | SA101C103KAAH |
| C240 | 0160-4832 | 4 | 1 | CAP-FXD 0.01uF 100 V | 02010 | SA101C103KAAH |
| C241 | 0160-4835 | 7 | 1 | CAP-FXD 0.1uF 50 V | 02010 | SA115C104KAAH |
| C242 | 0160-4832 | 4 | 1 | CAP-FXD 0.01uF 100 V | 02010 | SA101C103KAAH |
| C243 | 0160-4811 | 9 | 1 | CAP-FXD 270pF +-5% 100 V CER COG | 02010 | SA101A271JAAH |
| C244 | 0160-4497 | 7 | 1 | CAP-FXD 82pF 200 V | 06352 | FD12C0G2D820J |
| C246 | 0160-4521 | 8 | 1 | CAP-FXD 12pF +-5% 200 V CER COG | 06352 | FD12C0G2D120J |
| C301 | 0180-4130 | 7 | 1 | CAP-FXD 2.2uF 20 V TA | 04200 | 173D225X9020V |
| C302 | 0160-4832 | 4 | 1 | CAP-FXD 0.01uF 100 V | 02010 | SA101C103KAAH |
| C303 | 0160-4832 | 4 | 1 | CAP-FXD 0.01uF 100 V | 02010 | SA101C103KAAH |
| C304 | 0160-4832 | 4 | 1 | CAP-FXD 0.01uF 100 V | 02010 | SA101G103KAAH |
| C305 | 0160-4832 | 4 | 1 | CAP-FXD 0.01uF 100 V | 02010 | SA101C103KAAH |
| C306 | 0160-4832 | 4 | 1 | CAP-FXD 0.01uF 100 V | 02010 | SA101C103KAAH |
| C307 | 0160-4832 | 4 | 1 | CAP-FXD 0.01uF 100 V | 02010 | SA101G103KAAH |
| C308 | 0160-4832 | 4 | 1 | CAP-FXD 0.01uF 100 V | 02010 | SA101C103KAAH |
| C309 | 0160-4832 | 4 | 1 | CAP-FXD 0.01uF 100 V | 02010 | SA101C103KAAH |
| C401 | 0160-4835 | 7 | 1 | CAP-FXD 0.1uF 50 V | 02010 | SA115C104KAAH |
| C403 | 0160-4832 | 4 | 1 | CAP-FXD 0.01uF 100 V | 02010 | SA101C103KAAH |
| C404 | 0160-4832 | 4 | 1 | CAP-FXD 0.01uF 100 V | 02010 | SA101C103KAAH |
| C405 | 0160-4832 | 4 | 1 | CAP-FXD 0.01uF 100 V | 02010 | SA101C103KAAH |
| C501 | 0160-4832 | 4 | 1 | CAP-FXD 0.01uF 100 V | 02010 | SA101C103KAAH |
| C502 | 0160-4832 | 4 | 1 | CAP-FXD 0.01uF 100 V | 02010 | SA101C103KAAH |
| C503 | 0160-4832 | 4 | 1 | CAP-FXD 0.01uF 100 V | 02010 | SA101C103KAAH |
| C504 | 0160-4832 | 4 | 1 | CAP-FXD 0.01uF 100 V | 02010 | SA101C103KAAH |
| C701 | 0160-4832 | 4 | 1 | CAP-FXD 0.01uF 100 V | 02010 | SA101G103KAAH |
| C702 | 0160-4832 | 4 | 1 | CAP-FXD 0.01uF 100 V | 02010 | SA101C103KAAH |
| C801 | 0180-4131 | 8 | 1 | CAP-FXD 4.7uF 35 V TA | 04200 | 173D105X9035W |
| C802 | 0160-4557 | 0 | 1 | CAP-FXD 0.1uF 50 V | 02010 | SA3056104MAAH |
| CR6 | 1990-0487 | 7 | 1 | LED-LAMP LUM-INT=2MCD BVR=5V | 01542 | HLMP-1401 |
| CR201 | 1901-0535 | 9 | 1 | DIODE-SCHOTTKY SM SIG | 02062 | |
| CR202 | 1901-0535 | 9 | 1 | DIODE-SCHOTTKY SM SIG | 02062 | |
| CR203 | 1901-0535 | 9 | 1 | DIODE-SCHOTTKY SM SIG | 02062 | |
| CR204 | 1901-0535 | 9 | 1 | DIODE-SCHOTTKY SM SIG | 02062 | |
| CR205 | 1901-1098 | 1 | 1 | DIODE-SWITCHING 1N4150 50V 200MA 4NS | 00746 | |
| CR206 | 1901-1098 | 1 | 1 | DIODE-SWITCHING 1N4150 50V 200MA 4NS | 00746 | |
| CR207 | 1901-1098 | 1 | 1 | DIODE-SWITCHING 1N4150 50V 200MA 4NS | 00746 | |
| CR208 | 1901-1098 | 1 | 1 | DIODE-SWITCHING 1N4150 50V 200MA 4NS | 00746 | |
| CR209 | 1901-0535 | 9 | 1 | DIODE-SCHOTTKY SM SIG | 02062 | |
| CR210 | 1901-1098 | 1 | 1 | DIODE-SWITCHING 1N4150 50V 200MA 4NS | 00746 | |
| CR211 | 1901-1098 | 1 | 1 | DIODE-SWITCHING 1N4150 50V 200MA 4NS | 00746 | |
| CR212 | 1901-1098 | 1 | 1 | DIODE-SWITCHING 1N4150 50V 200MA 4NS | 00746 | |
| CR301 | 1901-0518 | 8 | 1 | DIODE-SCHOTTKY SM SIG | 02062 | 5082-5509 |
| E1 | 1251-4787 | 2 | 1 | SHUNT-DIP 8 POSITION DUAL INLINE PKG | 01380 | 435704-8 |
| E6 | 9170-0016 | 8 | 1 | CORE-SHIELDING BEAD | 01887 | 56-590-65A1/38 |

HP Part Number 08562-60110 Controller

| Reference Designation | HP Part Number | C | D | Qty | Description | Mfr Code | Mfr Part Number |
|-----------------------|----------------|---|---|-----|--|----------|--------------------|
| J1 | 1252-1064 | 4 | 1 | | CONN-POST TYPE .100-PIN-SPCG 50-CONT | 01380 | 1-746878-0 |
| J2 | 1252-1063 | 3 | 1 | | CONN-POST TYPE .100-PIN-SPCG 40-CONT | 01380 | 746878-9 |
| J3 | 1252-1062 | 2 | 1 | | CONN-POST TYPE .100-PIN-SPCG 30-CONT | 01380 | 746878-7 |
| J4 | 1250-0543 | 8 | 1 | | CONNECTOR-RF SM-SNP M PC 50-OHM | 05769 | 51-053-0349-BE8 |
| J5 | 1252-1065 | 5 | 1 | | CONN-POST TYPE .100-PIN-SPCG 24-CONT | 01380 | 746878-5 |
| J6 | 1252-0449 | 7 | 1 | | CONN-POST TYPE .100-PIN-SPCG 50-CONT | 01380 | 1-499141-0 |
| J7 | 1250-0543 | 8 | 1 | | CONNECTOR-RF SM-SNP M PC 50-OHM | 05769 | 51-053-0349-BE8 |
| J8 | 1250-0543 | 8 | 1 | | CONNECTOR-RF SM-SNP M PC 50-OHM | 05769 | 51-053-0349-BE8 |
| J9 | 1251-5238 | 0 | 1 | | CONN-POST TYPE .100-PIN-SPCG 10-CONT | 02946 | 68001-610 |
| J10 | 1252-1882 | 4 | 1 | | CONN-POST TYPE .100-PIN-SPCG 3-CONT | 02946 | 78208-103 |
| J11 | 1252-1200 | 0 | 1 | | CONN-POST TYPE .100-PIN-SPCG 15-CONT | 02946 | 68449-079 |
| J12 | 1252-0523 | 8 | 1 | | CONN-POST TYPE .100-PIN-SPCG 3-CONT | 01380 | 641216-3 |
| J13 | 1252-0523 | 8 | 1 | | CONN-POST TYPE .100-PIN-SPCG 3-CONT | 01380 | 641216-3 |
| J14 | 1251-5639 | 5 | 1 | | CONN-POST TYPE .100-PIN-SPCG 2-CONT | 01380 | 103239-2 |
| J201 | 1252-1200 | 0 | 1 | | CONN-POST TYPE .100-PIN-SPCG 15-CONT | 02946 | 68449-079 |
| J202 | 1252-1200 | 0 | 1 | | CONN-POST TYPE .100-PIN-SPCG 15-CONT | 02946 | 68449-079 |
| L1 | 9140-0738 | 8 | 1 | | INDUCTOR 100UH .70-INX.6LG-IN | 01869 | |
| L2 | 9140-0738 | 8 | 1 | | INDUCTOR 100UH .70-INX.6LG-IN | 01869 | |
| L3 | 9140-0737 | 7 | 1 | | INDUCTOR 10UH .70-INX.6LG-IN | 01869 | |
| L4 | 9100-3552 | 6 | 1 | | INDUCTOR RF-CH-MLD 1.5UH +-5% .166D-INX. | 03273 | 15M151J |
| L5 | 9140-0210 | 1 | 1 | | INDUCTOR RF-CH-MLD 100UH +-5% .166D-INX. | 03273 | 15M103J |
| L201 | 9100-3560 | 6 | 1 | | INDUCTOR RF-CH-MLD 5.6UH +-5% .166D-INX. | 03273 | 15M561J |
| L202 | 9100-3560 | 6 | 1 | | INDUCTOR RF-CH-MLD 5.6UH +-5% .166D-INX. | 03273 | 15M561J |
| L203 | 9100-3912 | 2 | 1 | | INDUCTOR RF-CH-MLD 15UH +-5% .166D-INX.3 | 03273 | 15M152J |
| L204 | 9100-3912 | 2 | 1 | | INDUCTOR RF-CH-MLD 15UH +-5% .166D-INX.3 | 03273 | 15M152J |
| MP1 | 08562-20051 | 4 | 1 | | | 28480 | 08562-20051 |
| MP2 | 1400-0866 | 7 | 1 | | CLAMP-CABLE .187-DIA .25-WD NYL | 07158 | C61332AA |
| MP3 | 0403-0026 | 6 | 7 | | PLUG-HOLE BDR-HD FOR .19-D-HOLE NYL | 01924 | 207-120241-03-0101 |
| MP4 | 0380-2056 | 6 | 8 | | SPACER-RVT-ON 17.5-MM-LG 3.8-MM-ID 6.17- | 02121 | |
| MP5 | 1258-0141 | 8 | 3 | | JUMPER-REMOVABLE FOR 0.025 IN SQ PINS | 01380 | 530153-2 |
| MP8 | 9320-5784 | 6 | | | LBL-LNE-PTR .65-IN-WD X .2-IN-LG | 12532 | 1EW10R |
| NONE0010 | 08562-68110 | 6 | 1 | | | 28480 | 08562-68110 |
| Q201 | 1854-0809 | 9 | 1 | | TRANSISTOR NPN 2N2369A SI TO-18 PD=360MW | 02037 | 2N2369A |
| Q202 | 1854-0809 | 9 | 1 | | TRANSISTOR NPN 2N2369A SI TO-18 PD=360MW | 02037 | 2N2369A |
| Q203 | 1854-0215 | 1 | 1 | | TRANSISTOR NPN SI TO-92 PD=625MW FT=300M | 00746 | 2N3904 |
| Q204 | 1855-0241 | 5 | 1 | | TRANSISTOR MOSFET N-CHAN E-MODE TO-72 SI | 02763 | |
| Q205 | 1855-0241 | 5 | 1 | | TRANSISTOR MOSFET N-CHAN E-MODE TO-72 SI | 02763 | |
| Q206 | 1855-0241 | 5 | 1 | | TRANSISTOR MOSFET N-CHAN E-MODE TO-72 SI | 02763 | |
| Q207 | 1855-0241 | 5 | 1 | | TRANSISTOR MOSFET N-CHAN E-MODE TO-72 SI | 02763 | |
| Q208 | 1855-0241 | 5 | 1 | | TRANSISTOR MOSFET N-CHAN E-MODE TO-72 SI | 02763 | |
| Q301 | 1853-0213 | 7 | 1 | | TRANSISTOR PNP 2N4236 SI TO-5 PD=1W | 02037 | 2N4236 |
| Q302 | 1854-0477 | 7 | 1 | | TRANSISTOR NPN 2N2222A SI TO-18 PD=500MW | 02037 | 2N2222A |
| Q801 | 1853-0281 | 9 | 1 | | TRANSISTOR PNP 2N2907A SI TO-18 PD=400MW | 02037 | 2N2907A |
| R1 | 0757-0442 | 9 | 1 | | RESISTOR 10K +-1% .125W TF TC=0+-100 | 00746 | CRB14 OR CRB25 |
| R2 | 0698-3155 | 1 | 1 | | RESISTOR 4.64K 1% .125W TF TC=0+-100 | 00746 | CRB14 OR CRB25 |
| R3 | 0757-0419 | 0 | 1 | | RESISTOR 681 +-1% .125W TF TC=0+-100 | 00746 | CRB14 OR CRB25 |
| R4 | 0698-3444 | 1 | 1 | | RESISTOR 316 1% .125W TF TC=0+-100 | 00746 | CRB14 OR CRB25 |
| R5 | 0757-0317 | 7 | 1 | | RESISTOR 1.33K +-1% .125W TF TC=0+-100 | 00746 | CRB14 OR CRB25 |

*Indicates factory-selected value

HP Part Number 08562-60110

Controller

| Reference Designation | HP Part Number | C | D | Qty | Description | Mfr Code | Mfr Part Number |
|-----------------------|----------------|---|---|-----|--|----------|-----------------|
| R6 | 0757-0317 | 7 | 1 | 1 | RESISTOR 1.33K +-1% .125W TF TC=0+-100 | 00746 | CRB14 OR CRB25 |
| R7 | 0698-0085 | 0 | 1 | 1 | RESISTOR 2.61K 1% .125W TF TC=0+-100 | 00746 | CRB14 OR CRB25 |
| R8 | 0757-0280 | 3 | 1 | 1 | RESISTOR 1K +-1% .125W TF TC=0+-100 | 00746 | CRB14 OR CRB25 |
| R9 | 0757-0442 | 9 | 1 | 1 | RESISTOR 10K +-1% .125W TF TC=0+-100 | 00746 | CRB14 OR CRB25 |
| R10 | 0757-0442 | 9 | 1 | 1 | RESISTOR 10K +-1% .125W TF TC=0+-100 | 00746 | CRB14 OR CRB25 |
| R11 | 0757-0442 | 9 | 1 | 1 | RESISTOR 10K +-1% .125W TF TC=0+-100 | 00746 | CRB14 OR CRB25 |
| R12 | 0757-0442 | 9 | 1 | 1 | RESISTOR 10K +-1% .125W TF TC=0+-100 | 00746 | CRB14 OR CRB25 |
| R13 | 0698-3155 | 1 | 1 | 1 | RESISTOR 4.64K 1% .125W TF TC=0+-100 | 00746 | CRB14 OR CRB25 |
| R14 | 0698-7210 | 7 | 1 | 1 | RESISTOR 82.5 +-1% .05W TF TC=0+-100 | 00746 | CRB20 |
| R201 | 0699-0853 | 2 | 1 | 1 | RESISTOR 5.3K +-0.1% .125W TF TC=0+-50 | 00746 | CRB14 OR CRB25 |
| R202 | 0757-0438 | 3 | 1 | 1 | RESISTOR 5.11K +-1% .125W TF TC=0+-100 | 00746 | CRB14 OR CRB25 |
| R203 | 0698-6362 | 8 | 1 | 1 | RESISTOR 1K +-0.1% .125W TF TC=0+-25 | 00746 | CRB14 OR CRB25 |
| R204 | 0698-6362 | 8 | 1 | 1 | RESISTOR 1K +-0.1% .125W TF TC=0+-25 | 00746 | CRB14 OR CRB25 |
| R205 | 0757-0401 | 0 | 1 | 1 | RESISTOR 100 +-1% .125W TF TC=0+-100 | 00746 | CRB14 OR CRB25 |
| R206 | 2100-4183 | 4 | 1 | 1 | RESISTOR-TRMR 1K 10% TKF TOP-ADJ 1-TRN | 03744 | 3329H-EG9-102 |
| R207 | 0757-0424 | 7 | 1 | 1 | RESISTOR 1.1K +-1% .125W TF TC=0+-100 | 00746 | CRB14 OR CRB25 |
| R208 | 0698-3440 | 7 | 1 | 1 | RESISTOR 196 1% .125W TF TC=0+-100 | 00746 | CRB14 OR CRB25 |
| R209 | 2100-4184 | 5 | 1 | 1 | RESISTOR-TRMR 10K 10% TKF TOP-ADJ 1-TRN | 03744 | 3329H-EG9-103 |
| R210 | 0757-0428 | 1 | 1 | 1 | RESISTOR 1.62K +-1% .125W TF TC=0+-100 | 00746 | CRB14 OR CRB25 |
| R211 | 0757-0416 | 7 | 1 | 1 | RESISTOR 511 +-1% .125W TF TC=0+-100 | 00746 | CRB14 OR CRB25 |
| R212 | 0698-6362 | 8 | 1 | 1 | RESISTOR 1K +-0.1% .125W TF TC=0+-25 | 00746 | CRB14 OR CRB25 |
| R213 | 0698-6362 | 8 | 1 | 1 | RESISTOR 1K +-0.1% .125W TF TC=0+-25 | 00746 | CRB14 OR CRB25 |
| R214 | 0757-0401 | 0 | 1 | 1 | RESISTOR 100 +-1% .125W TF TC=0+-100 | 00746 | CRB14 OR CRB25 |
| R215 | 2100-4183 | 4 | 1 | 1 | RESISTOR-TRMR 1K 10% TKF TOP-ADJ 1-TRN | 03744 | 3329H-EG9-102 |
| R216 | 0757-0424 | 7 | 1 | 1 | RESISTOR 1.1K +-1% .125W TF TC=0+-100 | 00746 | CRB14 OR CRB25 |
| R217 | 0698-3440 | 7 | 1 | 1 | RESISTOR 196 1% .125W TF TC=0+-100 | 00746 | CRB14 OR CRB25 |
| R218 | 2100-4194 | 7 | 1 | 1 | RESISTOR-TRMR 5K 10% TKF TOP-ADJ 1-TRN | 03744 | 3329H-EG9-104 |
| R219 | 0757-0428 | 1 | 1 | 1 | RESISTOR 1.62K +-1% .125W TF TC=0+-100 | 00746 | CRB14 OR CRB25 |
| R220 | 0757-0416 | 7 | 1 | 1 | RESISTOR 511 +-1% .125W TF TC=0+-100 | 00746 | CRB14 OR CRB25 |
| R221 | 0698-6320 | 8 | 1 | 1 | RESISTOR 5K +-0.1% .125W TF TC=0+-25 | 00746 | CRB14 OR CRB25 |
| R222 | 0757-0438 | 3 | 1 | 1 | RESISTOR 5.11K +-1% .125W TF TC=0+-100 | 00746 | CRB14 OR CRB25 |
| R223 | 0698-6904 | 4 | 1 | 1 | RESISTOR 39.2K +-0.5% .125W TF TC=0+-50 | 00746 | CRB14 OR CRB25 |
| R224 | 0698-3150 | 6 | 1 | 1 | RESISTOR 2.37K 1% .125W TF TC=0+-100 | 00746 | CRB14 OR CRB25 |
| R225 | 0698-0084 | 9 | 1 | 1 | RESISTOR 2.15K 1% .125W TF TC=0+-100 | 00746 | CRB14 OR CRB25 |
| R226 | 0698-6992 | 0 | 1 | 1 | RESISTOR 8.947K +-0.1% .125W TF TC=0+-50 | 01074 | H8 |
| R227 | 0757-0401 | 0 | 1 | 1 | RESISTOR 100 +-1% .125W TF TC=0+-100 | 00746 | CRB14 OR CRB25 |
| R228 | 0698-6904 | 4 | 1 | 1 | RESISTOR 39.2K +-0.5% .125W TF TC=0+-50 | 00746 | CRB14 OR CRB25 |
| R229 | 0698-3150 | 6 | 1 | 1 | RESISTOR 2.37K 1% .125W TF TC=0+-100 | 00746 | CRB14 OR CRB25 |
| R230 | 0757-0442 | 9 | 1 | 1 | RESISTOR 10K +-1% .125W TF TC=0+-100 | 00746 | CRB14 OR CRB25 |
| R231 | 0698-6992 | 0 | 1 | 1 | RESISTOR 8.947K +-0.1% .125W TF TC=0+-50 | 01074 | H8 |
| R232 | 0757-0401 | 0 | 1 | 1 | RESISTOR 100 +-1% .125W TF TC=0+-100 | 00746 | CRB14 OR CRB25 |
| R233 | 0757-1094 | 9 | 1 | 1 | RESISTOR 1.47K +-1% .125W TF TC=0+-100 | 00746 | CRB14 OR CRB25 |
| R234 | 0698-0083 | 8 | 1 | 1 | RESISTOR 1.96K 1% .125W TF TC=0+-100 | 00746 | CRB14 OR CRB25 |
| R235 | 0757-0317 | 7 | 1 | 1 | RESISTOR 1.33K +-1% .125W TF TC=0+-100 | 00746 | CRB14 OR CRB25 |
| R236 | 0757-1094 | 9 | 1 | 1 | RESISTOR 1.47K +-1% .125W TF TC=0+-100 | 00746 | CRB14 OR CRB25 |
| R237 | 0757-1094 | 9 | 1 | 1 | RESISTOR 1.47K +-1% .125W TF TC=0+-100 | 00746 | CRB14 OR CRB25 |
| R238 | 0698-3444 | 1 | 1 | 1 | RESISTOR 316 1% .125W TF TC=0+-100 | 00746 | CRB14 OR CRB25 |

HP Part Number 08562-60110

Controller

| Reference Designation | HP Part Number | C | D | Qty | Description | Mfr Code | Mfr Part Number |
|-----------------------|----------------|---|---|-----|--|----------|-----------------|
| R239 | 0698-3152 | 8 | 1 | 1 | RESISTOR 3.48K 1% .125W TF TC=0+-100 | 00746 | CRB14 OR CRB25 |
| R240 | 0757-0428 | 1 | 1 | 1 | RESISTOR 1.62K +-1% .125W TF TC=0+-100 | 00746 | CRB14 OR CRB25 |
| R241 | 0698-3443 | 0 | 1 | 1 | RESISTOR 287 1% .125W TF TC=0+-100 | 00746 | CRB14 OR CRB25 |
| R242 | 0757-0279 | 0 | 1 | 1 | RESISTOR 3.16K +-1% .125W TF TC=0+-100 | 00746 | CRB14 OR CRB25 |
| R243 | 0757-0278 | 9 | 1 | 1 | RESISTOR 1.78K +-1% .125W TF TC=0+-100 | 00746 | CRB14 OR CRB25 |
| R244 | 0698-3160 | 8 | 1 | 1 | RESISTOR 31.6K 1% .125W TF TC=0+-100 | 00746 | CRB14 OR CRB25 |
| R245 | 0698-3160 | 8 | 1 | 1 | RESISTOR 31.6K 1% .125W TF TC=0+-100 | 00746 | CRB14 OR CRB25 |
| R246 | 0757-0447 | 4 | 1 | 1 | RESISTOR 16.2K +-1% .125W TF TC=0+-100 | 00746 | CRB14 OR CRB25 |
| R247 | 0698-3160 | 8 | 1 | 1 | RESISTOR 31.6K 1% .125W TF TC=0+-100 | 00746 | CRB14 OR CRB25 |
| R248 | 0698-3160 | 8 | 1 | 1 | RESISTOR 31.6K 1% .125W TF TC=0+-100 | 00746 | CRB14 OR CRB25 |
| R249 | 0757-0447 | 4 | 1 | 1 | RESISTOR 16.2K +-1% .125W TF TC=0+-100 | 00746 | CRB14 OR CRB25 |
| R250 | 0698-8827 | 4 | 1 | 1 | RESISTOR 1M +-1% .125W TF TC=0+-100 | 00746 | CRB14 OR CRB25 |
| R251 | 0698-3460 | 1 | 1 | 1 | RESISTOR 422K 1% .125W TF TC=0+-100 | 00746 | CRB14 OR CRB25 |
| R252 | 0757-0461 | 2 | 1 | 1 | RESISTOR 68.1K +-1% .125W TF TC=0+-100 | 00746 | CRB14 OR CRB25 |
| R253 | 0757-0465 | 6 | 1 | 1 | RESISTOR 100K +-1% .125W TF TC=0+-100 | 00746 | CRB14 OR CRB25 |
| R255 | 0757-0442 | 9 | 1 | 1 | RESISTOR 10K +-1% .125W TF TC=0+-100 | 00746 | CRB14 OR CRB25 |
| R256 | 0757-0401 | 0 | 1 | 1 | RESISTOR 100 +-1% .125W TF TC=0+-100 | 00746 | CRB14 OR CRB25 |
| R257 | 0757-0442 | 9 | 1 | 1 | RESISTOR 10K +-1% .125W TF TC=0+-100 | 00746 | CRB14 OR CRB25 |
| R258 | 0757-0463 | 4 | 1 | 1 | RESISTOR 82.5K +-1% .125W TF TC=0+-100 | 00746 | CRB14 OR CRB25 |
| R259 | 0698-3440 | 7 | 1 | 1 | RESISTOR 196 1% .125W TF TC=0+-100 | 00746 | CRB14 OR CRB25 |
| R260 | 0698-7403 | 0 | 1 | 1 | RESISTOR 1.285K +-0.1% .125W TF TC=0+-50 | 01074 | H8 |
| R261 | 0698-7403 | 0 | 1 | 1 | RESISTOR 1.285K +-0.1% .125W TF TC=0+-50 | 01074 | H8 |
| R262 | 2100-4192 | 5 | 1 | 1 | RESISTOR-TRMR 50K 10% TKF TOP-ADJ 1-TRN | 03744 | 3329H-EG9-503 |
| R263 | 2100-4192 | 5 | 1 | 1 | RESISTOR-TRMR 50K 10% TKF TOP-ADJ 1-TRN | 03744 | 3329H-EG9-503 |
| R264 | 0757-1094 | 9 | 1 | 1 | RESISTOR 1.47K +-1% .125W TF TC=0+-100 | 00746 | CRB14 OR CRB25 |
| R265 | 0757-1094 | 9 | 1 | 1 | RESISTOR 1.47K +-1% .125W TF TC=0+-100 | 00746 | CRB14 OR CRB25 |
| R266 | 0698-3260 | 9 | 1 | 1 | RESISTOR 464K 1% .125W TF TC=0+-100 | 00746 | CRB14 OR CRB25 |
| R267 | 0698-3159 | 5 | 1 | 1 | RESISTOR 26.1K 1% .125W TF TC=0+-100 | 00746 | CRB14 OR CRB25 |
| R268 | 2100-4184 | 5 | 1 | 1 | RESISTOR-TRMR 10K 10% TKF TOP-ADJ 1-TRN | 03744 | 3329H-EG9-103 |
| R269 | 0757-0401 | 0 | 1 | 1 | RESISTOR 100 +-1% .125W TF TC=0+-100 | 00746 | CRB14 OR CRB25 |
| R270 | 0757-0416 | 7 | 1 | 1 | RESISTOR 511 +-1% .125W TF TC=0+-100 | 00746 | CRB14 OR CRB25 |
| R271 | 2100-4194 | 7 | 1 | 1 | RESISTOR-TRMR 5K 10% TKF TOP-ADJ 1-TRN | 03744 | |
| R272 | 0757-0438 | 3 | 1 | 1 | RESISTOR 5.11K +-1% .125W TF TC=0+-100 | 00746 | CRB14 OR CRB25 |
| R273 | 0757-0398 | 4 | 1 | 1 | RESISTOR 75 +-1% .125W TF TC=0+-100 | 00746 | CRB14 OR CRB25 |
| R274 | 0698-3160 | 8 | 1 | 1 | RESISTOR 31.6K 1% .125W TF TC=0+-100 | 00746 | CRB14 OR CRB25 |
| R275 | 0698-3160 | 8 | 1 | 1 | RESISTOR 31.6K 1% .125W TF TC=0+-100 | 00746 | CRB14 OR CRB25 |
| R276 | 0698-3155 | 1 | 1 | 1 | RESISTOR 4.64K 1% .125W TF TC=0+-100 | 00746 | CRB14 OR CRB25 |
| R277 | 0698-3155 | 1 | 1 | 1 | RESISTOR 4.64K 1% .125W TF TC=0+-100 | 00746 | CRB14 OR CRB25 |
| R278 | 0757-0442 | 9 | 1 | 1 | RESISTOR 10K +-1% .125W TF TC=0+-100 | 00746 | CRB14 OR CRB25 |
| R279 | 0757-0458 | 7 | 1 | 1 | RESISTOR 51.1K +-1% .125W TF TC=0+-100 | 00746 | CRB14 OR CRB25 |
| R280 | 0757-0465 | 6 | 1 | 1 | RESISTOR 100K +-1% .125W TF TC=0+-100 | 00746 | CRB14 OR CRB25 |
| R281 | 0757-0401 | 0 | 1 | 1 | RESISTOR 100 +-1% .125W TF TC=0+-100 | 00746 | CRB14 OR CRB25 |
| R282 | 0698-7261 | 8 | 1 | 1 | RESISTOR 11K +-1% .05W TF TC=0+-100 | 00746 | CRB20 |
| R283 | 0698-7260 | 7 | 1 | 1 | RESISTOR 10K +-1% .05W TF TC=0+-100 | 00746 | CRB20 |
| R301 | 0698-3150 | 6 | 1 | 1 | RESISTOR 2.37K 1% .125W TF TC=0+-100 | 00746 | CRB14 OR CRB25 |
| R302 | 0757-0419 | 0 | 1 | 1 | RESISTOR 681 +-1% .125W TF TC=0+-100 | 00746 | CRB14 OR CRB25 |
| R303 | 0757-0401 | 0 | 1 | 1 | RESISTOR 100 +-1% .125W TF TC=0+-100 | 00746 | CRB14 OR CRB25 |
| R304 | 0698-3440 | 7 | 1 | 1 | RESISTOR 196 1% .125W TF TC=0+-100 | 00746 | CRB14 OR CRB25 |

*Indicates factory-selected value

**HP-Part Number 08562-60110
Controller**

| Reference Designation | HP Part Number | C | D | Qty | Description | Mfr Code | Mfr Part Number |
|-----------------------|----------------|---|---|-----|--|----------|-----------------|
| R700 | 0698-3155 | 1 | 1 | 1 | RESISTOR 4.64K 1% .125W TF TC=0+-100 | 00746 | CRB14 OR CRB25 |
| R701 | 0757-0274 | 5 | 1 | 1 | RESISTOR 1.21K +-1% .125W TF TC=0+-100 | 00746 | CRB14 OR CRB25 |
| R702 | 0698-3153 | 9 | 1 | 1 | RESISTOR 3.83K 1% .125W TF TC=0+-100 | 00746 | CRB14 OR CRB25 |
| R703 | 0698-3155 | 1 | 1 | 1 | RESISTOR 4.64K 1% .125W TF TC=0+-100 | 00746 | CRB14 OR CRB25 |
| R801 | 0698-3155 | 1 | 1 | 1 | RESISTOR 4.64K 1% .125W TF TC=0+-100 | 00746 | CRB14 OR CRB25 |
| R802 | 0698-3155 | 1 | 1 | 1 | RESISTOR 4.64K 1% .125W TF TC=0+-100 | 00746 | CRB14 OR CRB25 |
| R803 | 0757-0442 | 9 | 1 | 1 | RESISTOR 10K +-1% .125W TF TC=0+-100 | 00746 | CRB14 OR CRB25 |
| R804 | 0757-0465 | 6 | 1 | 1 | RESISTOR 100K +-1% .125W TF TC=0+-100 | 00746 | CRB14 OR CRB25 |
| R805 | 0757-0317 | 7 | 1 | 1 | RESISTOR 1.33K +-1% .125W TF TC=0+-100 | 00746 | CRB14 OR CRB25 |
| R806 | 0698-3162 | 0 | 1 | 1 | RESISTOR 46.4K 1% .125W TF TC=0+-100 | 00746 | CRB14 OR CRB25 |
| R807 | 0757-0442 | 9 | 1 | 1 | RESISTOR 10K +-1% .125W TF TC=0+-100 | 00746 | CRB14 OR CRB25 |
| R808 | 0757-0465 | 6 | 1 | 1 | RESISTOR 100K +-1% .125W TF TC=0+-100 | 00746 | CRB14 OR CRB25 |
| R809 | 0698-3155 | 1 | 1 | 1 | RESISTOR 4.64K 1% .125W TF TC=0+-100 | 00746 | CRB14 OR CRB25 |
| TP3 | 0360-2050 | 8 | 1 | 1 | CONNECTOR-SGL CONT | 04055 | |
| TP10 | 0360-2050 | 8 | 1 | 1 | CONNECTOR-SGL CONT | 04055 | |
| TP11 | 0360-2050 | 8 | 1 | 1 | CONNECTOR-SGL CONT | 04055 | |
| TP12 | 0360-2050 | 8 | 1 | 1 | CONNECTOR-SGL CONT | 04055 | |
| U1 | 1820-3532 | 0 | 1 | 1 | IC-16 BIT MICROPROCESSOR /8 MHZ | 02037 | MC68000P8 |
| U2 | 1820-1851 | 2 | 1 | 1 | IC ENCDR TTL/LS PRIORITY 8-TO-3-LINE | 01698 | SN74LS148N |
| U3 | 1820-2075 | 4 | 1 | 1 | IC TRANSCEIVER TTL/LS BUS OCTL | 01698 | SN74LS245N |
| U4 | 1820-1200 | 5 | 1 | 1 | IC INV TTL/LS HEX | 01698 | SN74LS05N |
| U5 | 1820-2024 | 3 | 1 | 1 | IC DRVR TTL/LS BUS OCTL | 01698 | SN74LS244N |
| U6 | 1820-2024 | 3 | 1 | 1 | IC DRVR TTL/LS BUS OCTL | 01698 | SN74LS244N |
| U7 | 1810-0279 | 5 | 1 | 1 | NETWORK-RES 10-SIP 4.7K OHM X 9 | 02483 | 750-101 |
| U8 | 1810-0279 | 5 | 1 | 1 | NETWORK-RES 10-SIP 4.7K OHM X 9 | 02483 | 750-101 |
| U9 | 1810-0279 | 5 | 1 | 1 | NETWORK-RES 10-SIP 4.7K OHM X 9 | 02483 | 750-101 |
| U10 | 1820-2024 | 3 | 1 | 1 | IC DRVR TTL/LS BUS OCTL | 01698 | SN74LS244N |
| U11 | 1820-2024 | 3 | 1 | 1 | IC DRVR TTL/LS BUS OCTL | 01698 | SN74LS244N |
| U12 | 1820-2075 | 4 | 1 | 1 | IC TRANSCEIVER TTL/LS BUS OCTL | 01698 | SN74LS245N |
| U13 | 1810-0279 | 5 | 1 | 1 | NETWORK-RES 10-SIP 4.7K OHM X 9 | 02483 | 750-101 |
| U14 | 1820-1208 | 3 | 1 | 1 | IC GATE TTL LS OR QUAD 2-INP | 01698 | SN74LS32N |
| U15 | 1810-0279 | 5 | 1 | 1 | NETWORK-RES 10-SIP 4.7K OHM X 9 | 02483 | 750-101 |
| U16 | 1810-0279 | 5 | 1 | 1 | NETWORK-RES 10-SIP 4.7K OHM X 9 | 02483 | 750-101 |
| U17 | 1810-0279 | 5 | 1 | 1 | NETWORK-RES 10-SIP 4.7K OHM X 9 | 02483 | 750-101 |
| U18 | 1810-0279 | 5 | 1 | 1 | NETWORK-RES 10-SIP 4.7K OHM X 9 | 02483 | 750-101 |
| U19 | 1990-0980 | 5 | 1 | 1 | LED-LAMP ARRAY LUM-INT=1MCD IF=20MA-MAX | 01542 | HLMP-6755 |
| U100 | 1SF8-0068 | 9 | 1 | 1 | | 28480 | 1SF8-0068 |
| U101 | 1818-3760 | 1 | 1 | 1 | IC CMOS 65536 (64K) STAT RAM 150-NS 3-S | 06354 | TC5564APL-15 |
| U102 | 1818-3760 | 1 | 1 | 1 | IC CMOS 65536 (64K) STAT RAM 150-NS 3-S | 06354 | TC5564APL-15 |
| U103 | 1820-1438 | 1 | 1 | 1 | IC MUXR/DATA-SEL TTL LS 2-TO-1-LINE QUAD | 01698 | SN74LS257BN |
| U104 | 1820-1438 | 1 | 1 | 1 | IC MUXR/DATA-SEL TTL LS 2-TO-1-LINE QUAD | 01698 | SN74LS257BN |
| U105 | 1820-1438 | 1 | 1 | 1 | IC MUXR/DATA-SEL TTL LS 2-TO-1-LINE QUAD | 01698 | SN74LS257BN |
| U106 | 1820-1322 | 2 | 1 | 1 | IC GATE TTL/S NOR QUAD 2-INP | 01698 | SN74S02N |
| U201 | 1826-0716 | 8 | 1 | 1 | IC OP AMP LOW-NOISE DUAL 8-DIP-C PKG | 02910 | NE5532AFE |
| U202 | 1826-1422 | 5 | 1 | 1 | IC OP AMP WB QUAD 14-DIP-P PKG | 02037 | MC34084P |
| U203 | 1826-0716 | 8 | 1 | 1 | IC OP AMP LOW-NOISE DUAL 8-DIP-C PKG | 02910 | NE5532AFE |
| U204 | 1826-0938 | 6 | 1 | 1 | D/A 10-BIT 18-CERDIP BPLR | 02180 | DAC-10FX |

HP Part Number 08562-60110

Controller

| Reference Designation | HP Part Number | C | Qty | Description | Mfr Code | Mfr Part Number |
|-----------------------|----------------|---|-----|--|----------|-----------------|
| U205 | 1826-0938 | 6 | 1 | D/A 10-BIT 18-CERDIP BPLR | 02180 | DAC-10FX |
| U206 | 1820-1202 | 7 | 1 | IC GATE TTL LS NAND TPL 3-INP | 01698 | SN74LS10N |
| U207 | 1826-0811 | 4 | 1 | ANALOG SWITCH 4 SPST 16 -CERDIP | 02180 | SW-01FQ |
| U208 | 1826-0783 | 9 | 1 | IC OP AMP LOW-NOISE 8-DIP-C PKG | 01698 | NE5534AJG |
| U209 | 1826-0610 | 1 | 1 | ANALOG MULTIPLEXER 4 CHNL 16 -CERDIP | 02180 | MUX-24FQ |
| U210 | 1826-1422 | 5 | 1 | IC OP AMP WB QUAD 14-DIP-P PKG | 02037 | MC34084P |
| U211 | 1826-1422 | 5 | 1 | IC OP AMP WB QUAD 14-DIP-P PKG | 02037 | MC34084P |
| U212 | 1826-1231 | 4 | 1 | D/A 8-DGT 20-PLASTIC CMOS | 02180 | PM7528HP |
| U213 | 1820-1144 | 6 | 1 | IC GATE TTL LS NOR QUAD 2-INP | 01698 | SN74LS02N |
| U214 | 1820-1112 | 8 | 1 | IC FF TTL/LS D-TYPE POS-EDGE-TRIG PRESET | 01698 | SN74LS74AN |
| U215 | 1820-1423 | 4 | 1 | IC MV TTL/LS MONOSTBL RETRIG DUAL | 01698 | SN74LS123N |
| U216 | 1826-0783 | 9 | 1 | IC OP AMP LOW-NOISE 8-DIP-C PKG | 01698 | NE5534AJG |
| U300 | 1818-3760 | 1 | 1 | IC CMOS 65536 (64K) STAT RAM 150-NS 3-S | 06354 | TC5564APL-15 |
| U301 | 1818-3760 | 1 | 1 | IC CMOS 65536 (64K) STAT RAM 150-NS 3-S | 06354 | TC5564APL-15 |
| U302 | 1818-3760 | 1 | 1 | IC CMOS 65536 (64K) STAT RAM 150-NS 3-S | 06354 | TC5564APL-15 |
| U303 | 1818-3760 | 1 | 1 | IC CMOS 65536 (64K) STAT RAM 150-NS 3-S | 06354 | TC5564APL-15 |
| U304 | 1818-3760 | 1 | 1 | IC CMOS 65536 (64K) STAT RAM 150-NS 3-S | 06354 | TC5564APL-15 |
| U305 | 1818-3760 | 1 | 1 | IC CMOS 65536 (64K) STAT RAM 150-NS 3-S | 06354 | TC5564APL-15 |
| U401 | 08562-80022 | 5 | 1 | | 28480 | 08562-80022 |
| U402 | 1820-3972 | 2 | 1 | IC OSC TTL/LS | 01698 | SN74LS321N |
| U403 | 1820-1449 | 4 | 1 | IC GATE TTL/S OR QUAD 2-INP | 01698 | SN74S32N |
| U404 | 1820-1199 | 4 | 1 | IC INV TTL LS HEX 1-INP | 01698 | SN74LS04N |
| U405 | 1820-1216 | 3 | 1 | IC DCDR TTL/LS BIN 3-TO-8-LINE 3-INP | 01698 | SN74LS138N |
| U406 | 08562-80023 | 6 | 1 | | 28480 | 08562-80023 |
| U407 | 1820-0681 | 4 | 1 | IC GATE TTL/S NAND QUAD 2-INP | 01698 | SN74S00N |
| U408 | 1820-1449 | 4 | 1 | IC GATE TTL/S OR QUAD 2-INP | 01698 | SN74S32N |
| U501 | 08562-80186 | 2 | 1 | XICOR XC2816AD | 28480 | 08562-80186 |
| U502 | 1820-1445 | 0 | 1 | IC LCH TTL/LS TRANSPARENT 4-BIT | 01698 | SN74LS375N |
| U503 | 1820-2548 | 6 | 1 | IC-GENERAL PURPOSE INTERFACE BUS ADAPTER | 01698 | |
| U504 | 1820-3431 | 8 | 1 | IC-INTERFACE XCVR INSTRUMENT BUS IEEE 48 | 03406 | DS75160AN |
| U505 | 1820-3513 | 7 | 1 | IC-INTERFACE XCVR INSTRUMENT BUS IEEE 48 | 03406 | DS75161AN |
| U506 | 1820-1858 | 9 | 1 | IC FF TTL/LS D-TYPE POS-EDGE-TRIG COM CL | 01698 | SN74LS377N |
| U507 | 1820-1858 | 9 | 1 | IC FF TTL/LS D-TYPE POS-EDGE-TRIG COM CL | 01698 | SN74LS377N |
| U508 | 1820-2024 | 3 | 1 | IC DRVR TTL/LS BUS OCTL | 01698 | SN74LS244N |
| U509 | 1820-1144 | 6 | 1 | IC GATE TTL LS NOR QUAD 2-INP | 01698 | SN74LS02N |
| U510 | 1820-1208 | 3 | 1 | IC GATE TTL LS OR QUAD 2-INP | 01698 | SN74LS32N |
| U511 | 1820-1197 | 9 | 1 | IC GATE TTL LS NAND QUAD 2-INP | 01698 | SN74LS00N |
| U512 | 1820-1198 | 0 | 1 | IC GATE TTL/LS NAND QUAD 2-INP | 01698 | SN74LS03N |
| U513 | 1820-1203 | 8 | 1 | IC GATE TTL LS AND TPL 3-INP | 01698 | SN74LS11N |
| U700 | 1820-3425 | 0 | 1 | IC-PROGRAMMABLE INTERVAL TIMER, DC-10MHZ | 03811 | D8254-2 |
| U701 | 1820-1112 | 8 | 1 | IC FF TTL/LS D-TYPE POS-EDGE-TRIG PRESET | 01698 | SN74LS74AN |
| U702 | 1820-1435 | 8 | 1 | IC CNTR TTL LS BIN UP/DOWN SYNCHRO POS-E | 01698 | SN74LS669N |
| U703 | 1820-2096 | 9 | 1 | IC CNTR TTL/LS BIN ASYNCHRO NEG-EDGE-TRI | 01698 | SN74LS393N |
| U704 | 1820-1238 | 9 | 1 | IC MUXR/DATA-SEL TTL LS 4-TO-1-LINE DUAL | 01698 | SN74LS253N |
| U801 | 1826-0412 | 1 | 1 | IC COMPARATOR PRCN DUAL 8-DIP-P PKG | 03406 | LM393N |
| XE1 | 1200-0607 | 0 | 1 | SOCKET-IC-DIP 16-CONT DIP DIP-SLDR | 01380 | 2-641600-1 |
| XU306 | 1200-0567 | 1 | 1 | SOCKET-IC 28-CONT DIP DIP-SLDR | 01380 | 2-641605-1 |
| XU307 | 1200-0567 | 1 | 1 | SOCKET-IC 28-CONT DIP DIP-SLDR | 01380 | 2-641605-1 |

*Indicates factory-selected value

**HP Part Number 08562-60110
Controller**

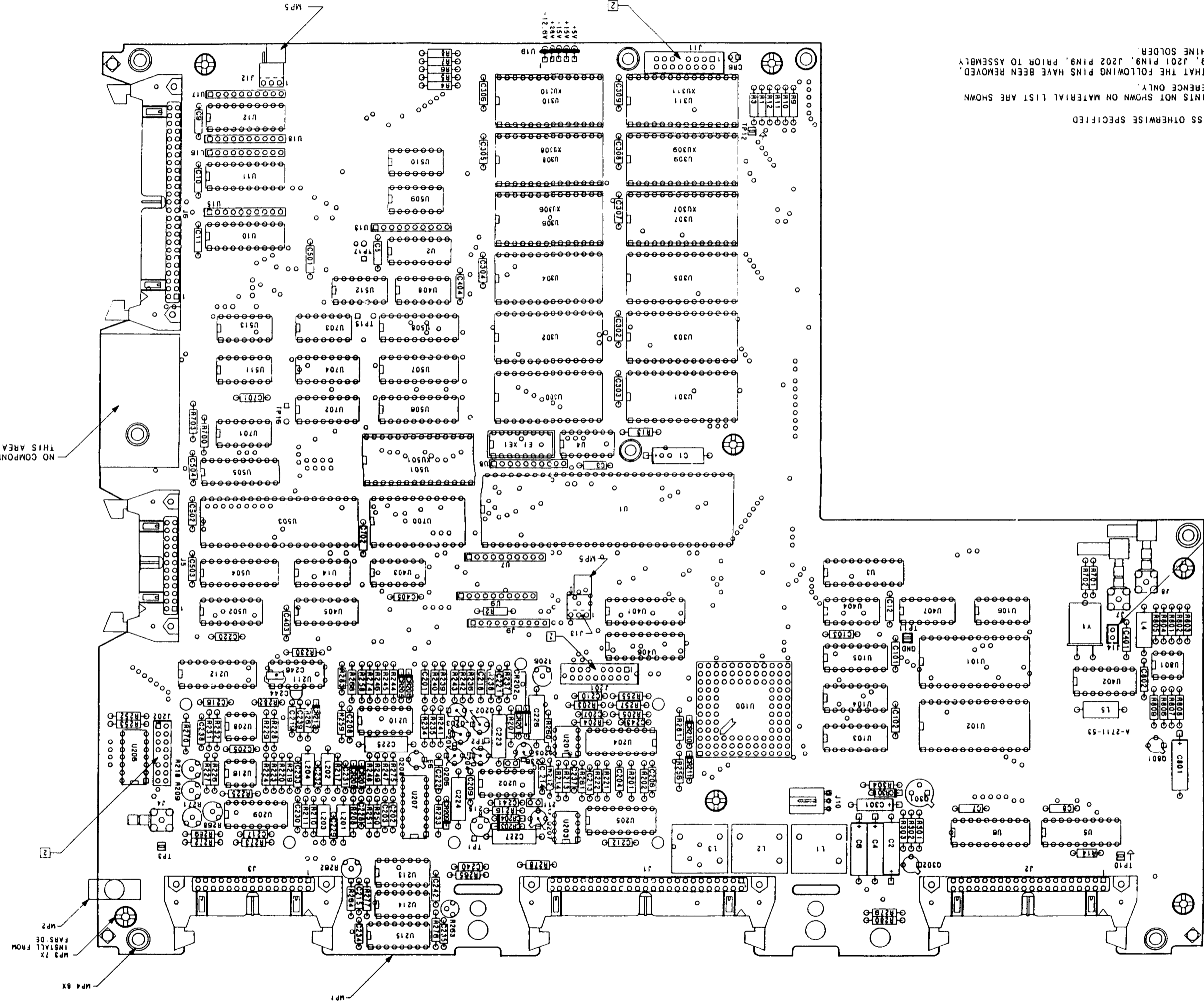
| Reference Designation | HP Part Number | C D | Qty | Description | Mfr Code | Mfr Part Number |
|-----------------------|----------------|-----|-----|--|----------|-----------------|
| XU308 | 1200-0567 | 1 | 1 | SOCKET-IC 28-CONT DIP DIP-SLDR | 01380 | 2-641605-1 |
| XU309 | 1200-0567 | 1 | 1 | SOCKET-IC 28-CONT DIP DIP-SLDR | 01380 | 2-641605-1 |
| XU310 | 1200-0567 | 1 | 1 | SOCKET-IC 28-CONT DIP DIP-SLDR | 01380 | 2-641605-1 |
| XU311 | 1200-0567 | 1 | 1 | SOCKET-IC 28-CONT DIP DIP-SLDR | 01380 | 2-641605-1 |
| XU501 | 1200-0541 | 1 | 1 | SOCKET-IC-DIP 24-CONT DIP DIP-SLDR | 01380 | 2-641604-1 |
| Y1 | 0410-1865 | 8 | 1 | CRYSTAL-QUARTZ 16.000 MHZ HC-18/U-HLDR | 02483 | |

HEWLETT
PACKARD
BOARD ASSEMBLY -
CONTROLLER
08562-60110-2

SEE 08562-60110 MATERIAL LIST

| REV | DATE | APPROVED | REVISIONS |
|-----|------|----------|-----------|
| 0 | | | |

THIS DOCUMENT CONTAINS CONFIDENTIAL
 INFORMATION. DISSEMINATION OF THIS
 INFORMATION TO UNAUTHORIZED PERSONS
 IS PROHIBITED. EXCEPT AS AUTHORIZED BY HP
 PROGRAM MANAGERS, CONTRACTORS, OR OTHERS
 HEREON.



NOTES: UNLESS OTHERWISE SPECIFIED
 1. TEST POINTS NOT SHOWN ON MATERIAL LIST ARE SHOWN
 FOR REFERENCE ONLY.
 2. ASSURE THAT THE FOLLOWING PINS HAVE BEEN REMOVED,
 J11 PIN9, J201 PIN9, J202 PIN9, PRIOR TO ASSEMBLY,
 AND MACHINE SOLDER

| SYM | REVISIONS | APPROVED | DATE |
|-----|-----------|----------|------|
| | A | | |

J1 POWER BUS

| PIN | SIGNAL | TO/FROM | SHEET/ BLOCK |
|-----|------------|---------|-----------------|
| 1 | -15V | | 2 K |
| 2 | NC | | 2 K |
| 3 | +15V | | 2 K |
| 4 | NC | | 2 K |
| 5 | LINE TRIG | NC | |
| 6 | +5V | | 2 K |
| 7 | +5V | | 2 K |
| 8 | +5V | | 2 K |
| 9 | +5V | | 2 K |
| 10 | +5V | | 2 K |
| 11 | +5V | | 2 K |
| 12 | +5V | | 2 K |
| 13 | GNND | | 2 K |
| 14 | GNND | | 2 K |
| 15 | GNND | | 2 K |
| 16 | GNND | | 2 K |
| 17 | GNND | | 2 K |
| 18 | GNND | | 2 K |
| 19 | GNND | | 2 K |
| 20 | GNND | | 2 K |
| 21 | +5V | NC | |
| 22 | +5V | NC | |
| 23 | +5V | NC | |
| 24 | +5V | NC | |
| 25 | +5V | NC | |
| 26 | +5V | NC | |
| 27 | +5V | NC | |
| 28 | +5V | NC | |
| 29 | PKG-UP | 3 0 | |
| 30 | +5V | NC | |
| 31 | +5V | NC | |
| 32 | +5V | NC | |
| 33 | +5V | NC | |
| 34 | +5V | NC | |
| 35 | +5V | NC | |
| 36 | GNND | NC | |
| 37 | -15V | NC | |
| 38 | -15V | NC | |
| 39 | GNND | NC | 2 K |
| 40 | NC | | |
| 41 | SWEEP TRIG | | 2 F |
| 42 | GNND | NC | |
| 43 | NC | | |
| 44 | NC | | |
| 45 | GNND | NC | |
| 46 | NC | | |
| 47 | NC | | |
| 48 | GNND | NC | |
| 49 | NC | | |
| 50 | NC | | |

J2

| PIN | SIGNAL | TO/FROM | SHEET/ BLOCK |
|-----|--------------|---------|-----------------|
| 1 | NC | | |
| 2 | NC | | |
| 3 | NC | | |
| 4 | NC | | |
| 5 | RESET | 3 0 | |
| 6 | RCAN | | |
| 7 | ENTR/CLK | 2 M | |
| 8 | ENTR/CLK | 5 2 | |
| 9 | ENTR/CLK | 3 R | |
| 10 | ENTR/CLK | 3 P | |
| 11 | GNND | | 2 K |
| 12 | KEYSTRTRG | 3 P | |
| 13 | GNND | | 2 K |
| 14 | +15V | 2 A | |
| 15 | GNND | | 2 K |
| 16 | CAL OSC/TUNE | 2 K | |
| 17 | GNND | | 2 K |
| 18 | HDR/CLK | 3 0 | |
| 19 | GNND | | 2 K |
| 20 | GNND | | 2 K |
| 21 | HBR/PRERE | 3 0 | |
| 22 | TRIG | 3 0 | |
| 23 | STOP-PLL | 2 J | |
| 24 | IAB | 3 0 | |
| 25 | BTB | 3 0 | |
| 26 | BTB | 3 0 | |
| 27 | BTB | 3 0 | |
| 28 | BTB | 3 0 | |
| 29 | BTB | 3 0 | |
| 30 | BTB | 3 0 | |
| 31 | BTB | 3 0 | |
| 32 | BTB | 3 0 | |
| 33 | IAB | 3 0 | |
| 34 | IAB | 3 0 | |
| 35 | IAB | 3 0 | |
| 36 | IAB | 3 0 | |
| 37 | IAB | 3 0 | |
| 38 | IAB | 3 0 | |
| 39 | IAB | 3 0 | |
| 40 | IAB | 3 0 | |

J3 CAL OSC/DISP DRVR BUS

| PIN | SIGNAL | TO/FROM | SHEET/ BLOCK |
|-----|--------------|---------|-----------------|
| 1 | NC | | |
| 2 | Y POS | 2 M | |
| 3 | ABND | 2 K | |
| 4 | X POS | 2 0 | |
| 5 | ABND | 2 0 | |
| 6 | ZOUT | 2 M | |
| 7 | FOCUS CNTL | 2 N | |
| 8 | GNND | 2 K | |
| 9 | FLANKING | 2 J | |
| 10 | +5V | 2 K | |
| 11 | +5V | 2 K | |
| 12 | -15V | 2 K | |
| 13 | +15V | 2 K | |
| 14 | LOCAL OSC | 2 N | |
| 15 | BTB | 5 W | |
| 16 | LOC-SPN-STR | 5 W | |
| 17 | HDR-PLL-STR | 5 W | |
| 18 | BTB | 3 0 | |
| 19 | GNND | 2 K | |
| 20 | BTB | 3 0 | |
| 21 | BTB | 3 0 | |
| 22 | BTB | 3 0 | |
| 23 | BTB | 3 0 | |
| 24 | BTB | 3 0 | |
| 25 | GNND | 2 K | |
| 26 | BTB | 3 0 | |
| 27 | BTB | 3 0 | |
| 28 | GNND | 2 K | |
| 29 | BTB | 3 0 | |
| 30 | CAL OSC/TUNE | 2 K | |

J6 OPTION MODULE BUS

| PIN | SIGNAL | TO/FROM | SHEET/ BLOCK |
|-----|-------------|---------|-----------------|
| 1 | LOPT STROBE | 3 R | |
| 2 | NC | | |
| 3 | BAID CLK1 | 3 0 | |
| 4 | JABV | 2 K | |
| 5 | +5V | 2 K | |
| 6 | +5V | 2 K | |
| 7 | QFTR/CLK | 3 0 | |
| 8 | +15V | 2 K | |
| 9 | LMHLE | 3 0 | |
| 10 | +15V | 2 K | |
| 11 | OPT LOG/LOG | 3 P | |
| 12 | +15V | 2 K | |
| 13 | DA13 | 3 0 | |
| 14 | DA14 | 3 0 | |
| 15 | DA15 | 3 0 | |
| 16 | LOPTION IO | 3 0 | |
| 17 | DA14 | 3 0 | |
| 18 | NC | | |
| 19 | GNND | 2 K | |
| 20 | DA12 | 3 0 | |
| 21 | DA11 | 3 0 | |
| 22 | DA10 | 3 0 | |
| 23 | DA9 | 3 0 | |
| 24 | DA8 | 3 0 | |
| 25 | NC-PROT | 3 0 | |
| 26 | DA8 | 3 0 | |
| 27 | DA7 | 3 0 | |
| 28 | NC | | |
| 29 | DA6 | 3 0 | |
| 30 | DA5 | 3 0 | |
| 31 | NC | | |
| 32 | DA4 | 3 0 | |
| 33 | DA3 | 3 0 | |
| 34 | NC | | |
| 35 | DA2 | 3 0 | |
| 36 | DA1 | 3 0 | |
| 37 | NC | | |
| 38 | DA8 | 3 0 | |
| 39 | DA7 | 3 0 | |
| 40 | NC | | |
| 41 | DA6 | 3 0 | |
| 42 | DA5 | 3 0 | |
| 43 | DA4 | 3 0 | |
| 44 | DA3 | 3 0 | |
| 45 | NC | | |
| 46 | NC | | |
| 47 | DA2 | 3 0 | |
| 48 | DA1 | 3 0 | |
| 49 | NC | | |
| 50 | DA8 | 3 0 | |

J9 TEST POINTS

| PIN | SIGNAL | TO/FROM | SHEET/ BLOCK |
|-----|-----------|---------|-----------------|
| 1 | GNND | | 2 K |
| 2 | RESET | | S P |
| 3 | ABV | | S P |
| 4 | RESET CLK | | S P |
| 5 | DAV | | S P |
| 6 | A19 | | S P |
| 7 | LOTRACK | | S P |
| 8 | LAS | | S P |
| 9 | GEN CLK | | S P |
| 10 | GNND | | 2 K |

J11 TEST & ADJUSTMENT

| PIN | SIGNAL | TO/FROM | SHEET/ BLOCK |
|-----|----------|---------|-----------------|
| 1 | MS1 | | 2 B |
| 2 | MS2 | | 2 B |
| 3 | MS3 | | 2 B |
| 4 | MS4 | | 2 B |
| 5 | MS5 | | 2 A |
| 6 | GNND | | GNND |
| 7 | A8 | | NC |
| 8 | A1 | | NC |
| 9 | NC (REV) | | NC |
| 10 | A2 | | GNND |
| 11 | A3 | | NC |
| 12 | A4 | | NC |
| 13 | MS6 | | 2 B |
| 14 | MS7 | | 2 B |
| 15 | MS8 | | 2 B |
| 16 | OS1 | | 2 B |

J201 TEST & ADJUSTMENT

| PIN | SIGNAL | TO/FROM | FUNCTION BLOCK |
|-----|----------|---------|-------------------|
| 1 | MS1 | | NC |
| 2 | MS2 | | 2 B |
| 3 | MS3 | | 2 B |
| 4 | MS4 | | 2 A |
| 5 | MS5 | | NC |
| 6 | GNND | | GNND |
| 7 | A8 | | NC |
| 8 | A1 | | NC |
| 9 | NC (REV) | | NC |
| 10 | A2 | | NC |
| 11 | A3 | | NC |
| 12 | A4 | | NC |
| 13 | MS6 | | 2 B |
| 14 | MS7 | | 2 B |
| 15 | MS8 | | 2 B |
| 16 | OS1 | | NC |

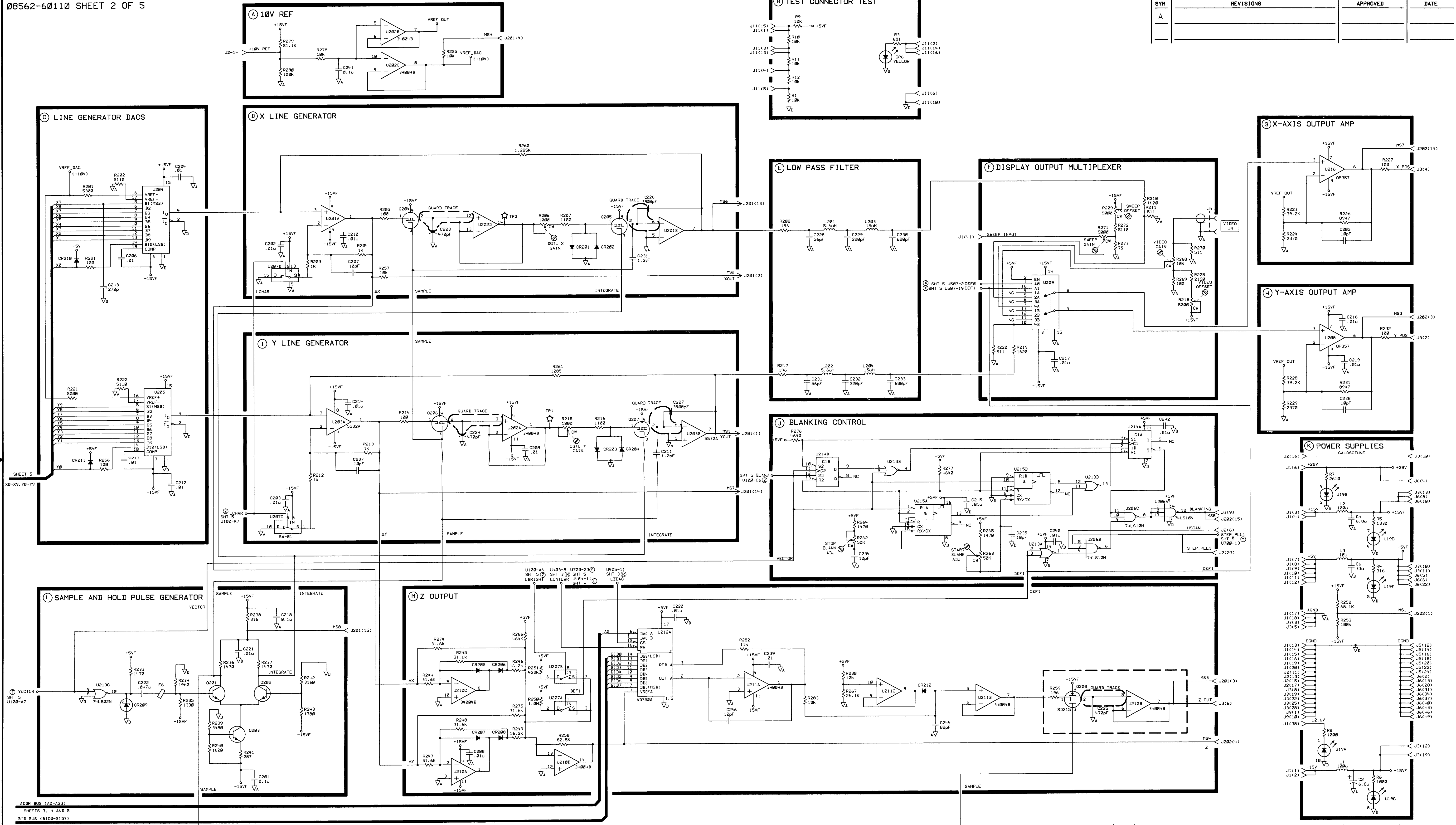
J202 TEST & ADJUSTMENT

| PIN | SIGNAL | TO/FROM | FUNCTION BLOCK |
|-----|----------|---------|-------------------|
| 1 | MS1 | | NC |
| 2 | MS2 | | 2 B |
| 3 | MS3 | | 2 B |
| 4 | MS4 | | 2 A |
| 5 | MS5 | | NC |
| 6 | GNND | | GNND |
| 7 | A8 | | NC |
| 8 | A1 | | NC |
| 9 | NC (REV) | | NC |
| 10 | A2 | | NC |
| 11 | A3 | | NC |
| 12 | A4 | | NC |
| 13 | MS6 | | 2 B |
| 14 | MS7 | | 2 B |
| 15 | MS8 | | 2 B |
| 16 | OS1 | | NC |

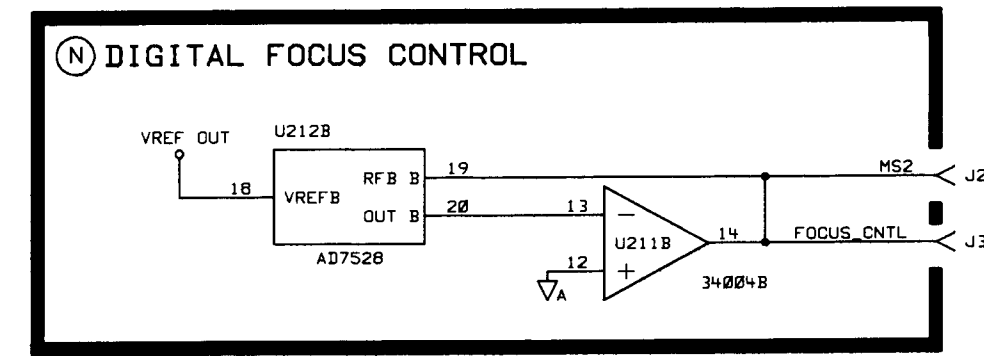
| | | | | | |
|------------------|------|---------------------------|----------------|--|-------------|
| ITEM | QTY. | PART/MATERIAL-DESCRIPTION | MAT'L-PART NO. | MAT'L-DWG. NO. | MAT'L-SPEC. |
| DRAWN BY | | DATE | | BOARD ASSEMBLY- CONTROLLER (SCHEMATIC) | |
| ENGINEER/CHECKER | | | | HEWLETT PACKARD | |
| RELEASE TO PROD. | | | | 08562-60110 PART NUMBER | |
| SUPERSEDES DWG. | | | | SCALE NONE SHEET 1 OF 5 D-08562-60110-1 | |

HP PROPRIETARY
 THIS DOCUMENT CONTAINS CONFIDENTIAL, PROPRIETARY INFORMATION THAT IS HEWLETT-PACKARD (HP) PROPERTY. DO NOT DISCLOSE TO OR DUPLICATE FOR OTHERS EXCEPT AS AUTHORIZED BY HP.

| SYM | REVISIONS | APPROVED | DATE |
|-----|-----------|----------|------|
| A | | | |



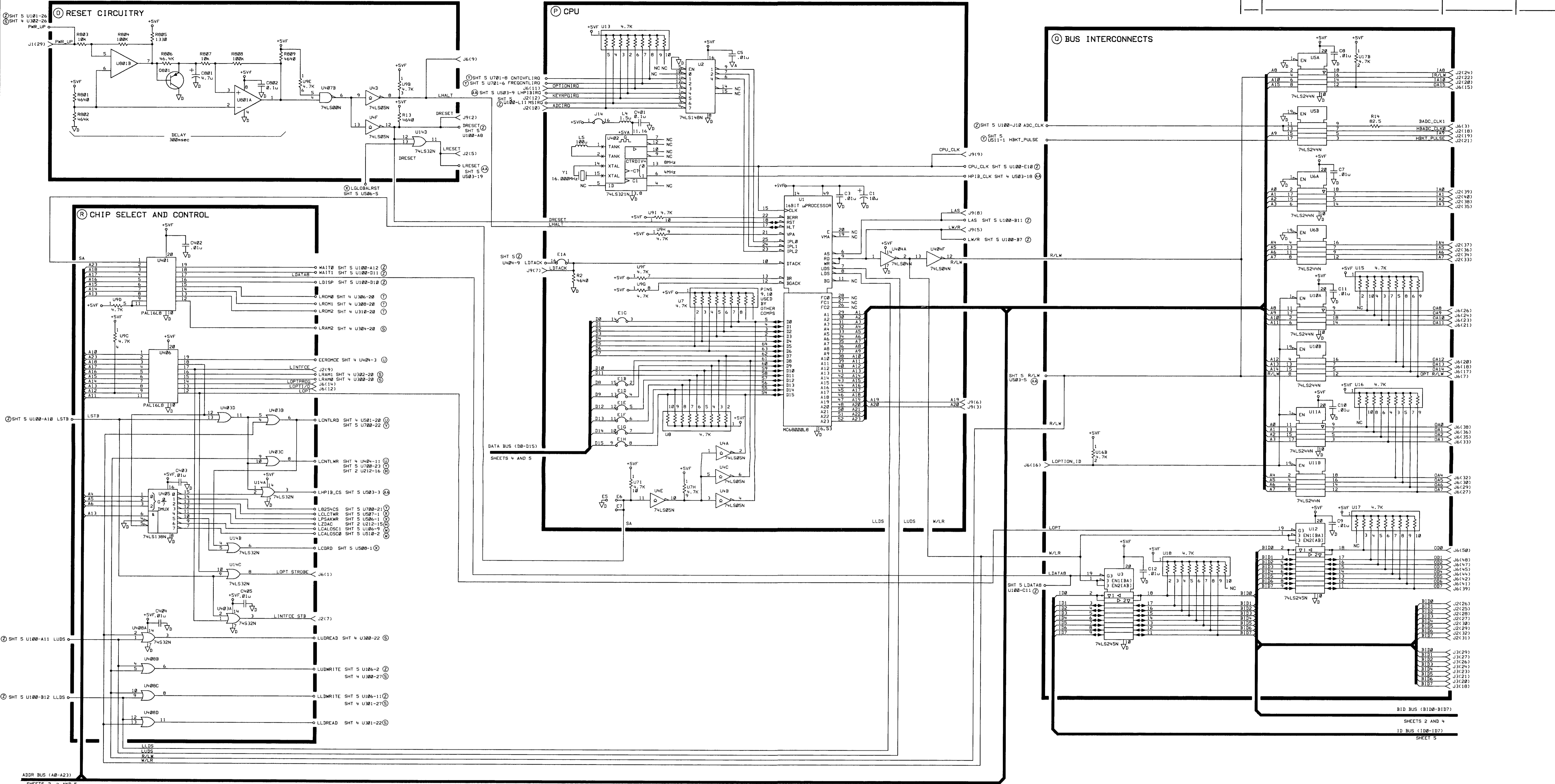
ADDR BUS (A8-A23)
 SHEETS 3, 4 AND 5
 BIT BUS (B10B-B107)
 SHEETS 3 AND 4



HP PROPRIETARY
 THIS DOCUMENT CONTAINS CONFIDENTIAL PROPRIETARY INFORMATION THAT IS HEWLETT-PACKARD (HP) PROPERTY. DO NOT DISCLOSE TO OR DUPLICATE FOR OTHERS EXCEPT AS AUTHORIZED BY HP.

| ITEM | QTY. | PART/MATERIAL-DESCRIPTION | MAT'L-PART NO. | MAT'L-DWG. NO. | MAT'L-SPEC. |
|------------------|------|---------------------------|---------------------------------------|----------------|-------------|
| DRAWN BY | | DATE | BOARD ASSEMBLY-CONTROLLER (SCHEMATIC) | | |
| ENGINEER/CHECKER | | | PART NUMBER 08562-60110 | | |
| RELEASE TO PROD. | | | TITLE FILENAME=01108A | | |
| SUPERSEDES DWG. | | | D-08562-60110-1 | | |

| SYN | REVISIONS | APPROVED | DATE |
|-----|-----------|----------|------|
| A | | | |



ADDR BUS (A0-A23)
 SHEETS 2, 4 AND 5

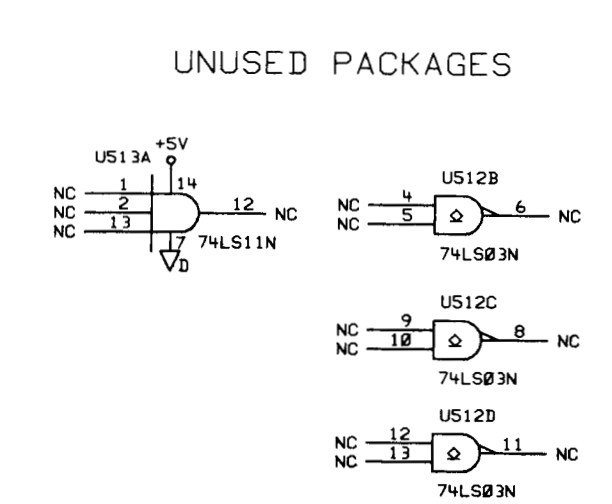
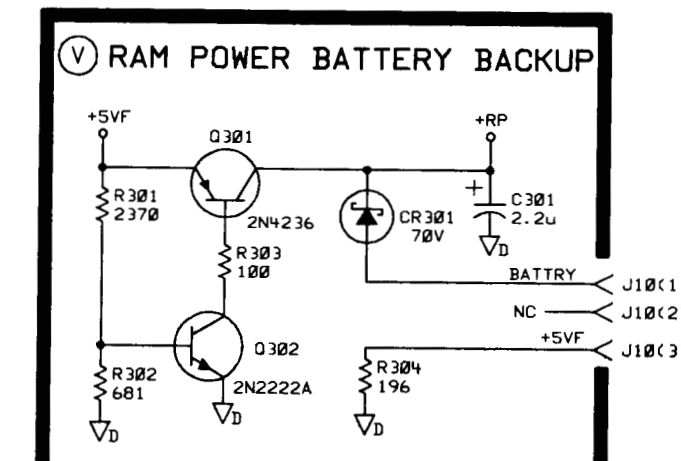
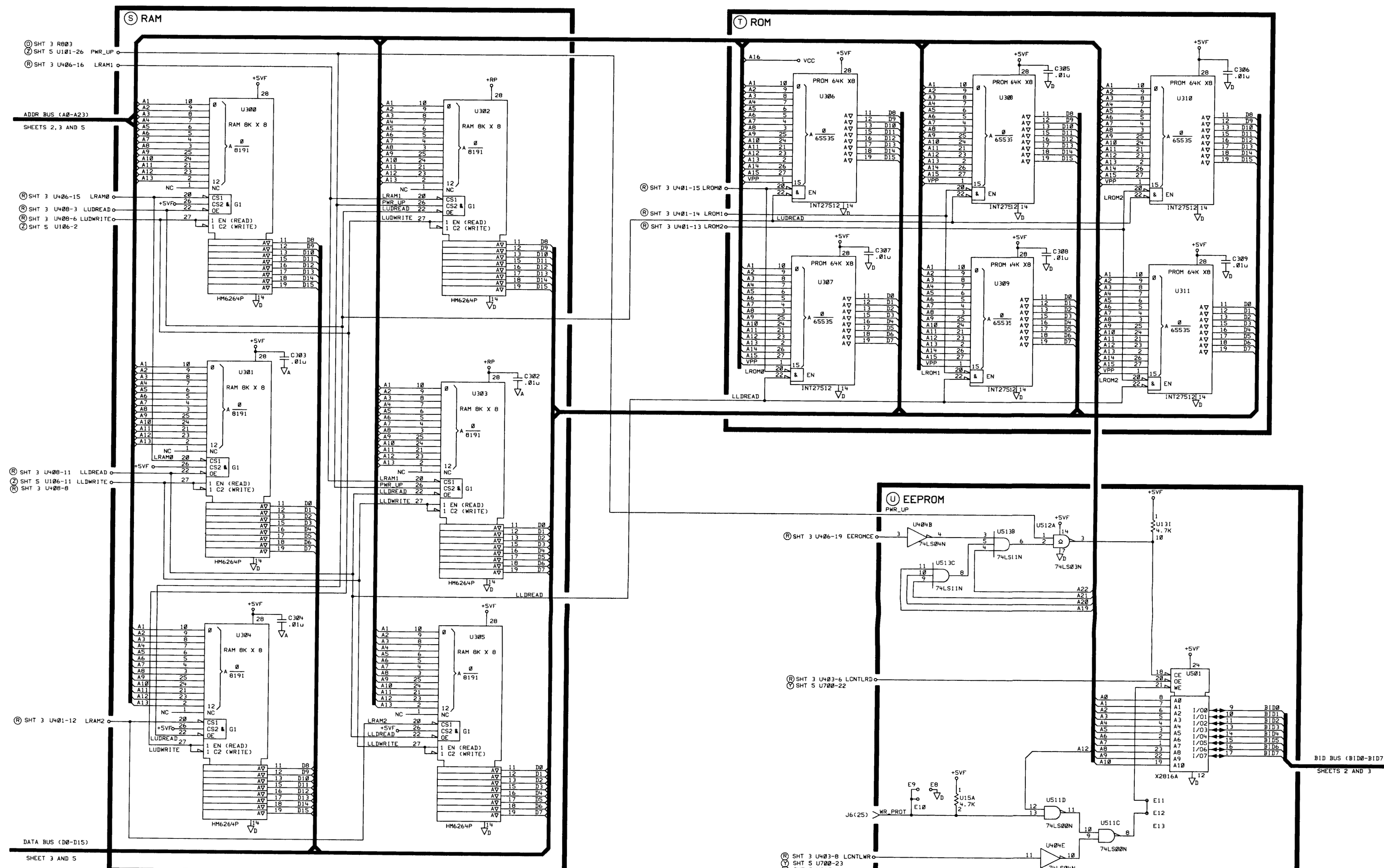
HP PROPRIETARY
 THIS DOCUMENT CONTAINS CONFIDENTIAL, PROPRIETARY INFORMATION THAT IS HEWLETT-PACKARD (HP) PROPERTY. DO NOT DISCLOSE TO OR DUPLICATE FOR OTHERS EXCEPT AS AUTHORIZED BY HP.

| ITEM | QTY. | PART/MATERIAL-DESCRIPTION | MAT'L-PART NO. | MAT'L-DWG. NO. | MAT'L-SPEC. |
|------------------|------|---------------------------|---------------------------------------|-----------------|-------------|
| DRAWN BY | | DATE | BOARD ASSEMBLY-CONTROLLER (SCHEMATIC) | | |
| ENGINEER/CHECKER | | | TITLE | | |
| RELEASE TO PROD. | | | FILENAME=8110CA | | |
| SUPERSEDES DWG. | | | SCALE NONE SHEET 3 OF 5 | | |
| | | PART NUMBER 08562-60110 | | D-08562-60110-1 | |



HEWLETT PACKARD

| SYM | REVISIONS | APPROVED | DATE |
|-----|-----------|----------|---------|
| A | | | 4-24-90 |
| | | | |
| | | | |



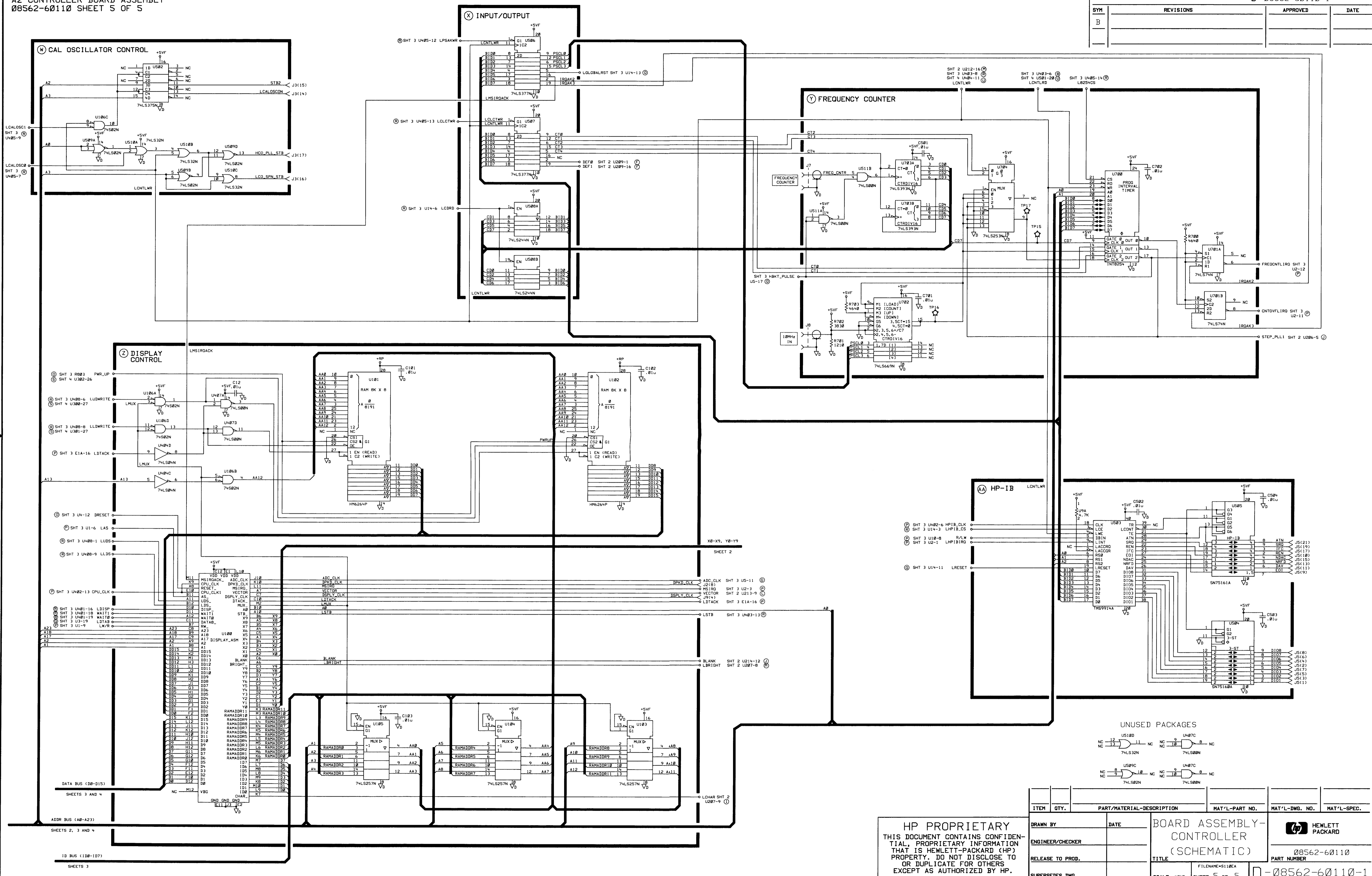
HP PROPRIETARY
THIS DOCUMENT CONTAINS CONFIDENTIAL, PROPRIETARY INFORMATION THAT IS HEWLETT-PACKARD (HP) PROPERTY. DO NOT DISCLOSE TO OR DUPLICATE FOR OTHERS EXCEPT AS AUTHORIZED BY HP.

| ITEM | QTY. | PART/MATERIAL-DESCRIPTION | MAT'L-PART NO. | NAT'L-ING. NO. | MAT'L-SPEC. |
|------|------|---------------------------|----------------|----------------|-------------|
| | | | | | |
| | | | | | |
| | | | | | |

DRAWN BY: _____ DATE: _____
 ENGINEER/CHECKER: _____
 RELEASE TO PROD.: _____
 SUPERSEDES DWG.: _____

BOARD ASSEMBLY-CONTROLLER (SCHEMATIC)
 TITLE: BOARD ASSEMBLY-CONTROLLER (SCHEMATIC)
 FILENAME=S110DA
 SCALE: NONE SHEET 4 OF 5
 PART NUMBER: 08562-60110
 DATE: 4-24-90

| SYN | REVISIONS | APPROVED | DATE |
|-----|-----------|----------|------|
| B | | | |



| ITEM | QTY. | PART/MATERIAL-DESCRIPTION | MAT'L-PART NO. | MAT'L-DWG. NO. | MAT'L-SPEC. |
|------|------|---------------------------|----------------|----------------|-------------|
| | | | | | |

HP PROPRIETARY
 THIS DOCUMENT CONTAINS CONFIDENTIAL, PROPRIETARY INFORMATION THAT IS HEWLETT-PACKARD (HP) PROPERTY. DO NOT DISCLOSE TO OR DUPLICATE FOR OTHERS EXCEPT AS AUTHORIZED BY HP.

BOARD ASSEMBLY-CONTROLLER (SCHEMATIC)
 TITLE
 FILENAME=S118EA
 SCALE NONE SHEET 5 OF 5
 D-08562-60110-1

Component-Level Information Packet
for 08562-60117
RF (Option 003 and Option 013)

Copyright © 1990 Hewlett-Packard Company

All Rights Reserved.
Reproduction, adaptation, or translation
without prior written permission
is prohibited, except as allowed
under the copyright laws.

HP Document Part Number 08562-90113

Printed December 1990
Printed in USA

The information contained in this document is subject to change
without notice.



HP Part Number 08562-60117
RF (Option 003 and Option 013)

| Reference Designation | HP Part Number | C D | Qty | Description | Mfr Code | Mfr Part Number |
|-----------------------|----------------|-----|-----|---------------------------------|----------|--------------------|
| C100 | 0121-0061 | 1 | 1 | CAP-VAR 18pF 5.5pF 350 V | 01468 | 304-322-237 |
| C101 | 0160-4383 | 0 | 1 | CAP-FXD 6.8pF 200 V | 06352 | FD12C0G2D6R8D |
| C102 | 0180-3328 | 3 | 1 | CAP-FXD 10uF 35 V AL-ELCTLT | 04200 | 510D106M035AA2D |
| C103 | 0180-3328 | 3 | 1 | CAP-FXD 10uF 35 V AL-ELCTLT | 04200 | 510D106M035AA2D |
| C104 | 0160-3879 | 7 | 1 | CAP-FXD 0.01uF 100 V | 02010 | SR201C103MAAH |
| C105 | 0160-3879 | 7 | 1 | CAP-FXD 0.01uF 100 V | 02010 | SR201C103MAAH |
| C106 | 0160-3879 | 7 | 1 | CAP-FXD 0.01uF 100 V | 02010 | SR201C103MAAH |
| C107 | 0160-4040 | 6 | 1 | CAP-FXD 1000pF 100 V | 02010 | SR201A102JAAH |
| C108 | 0160-4040 | 6 | 1 | CAP-FXD 1000pF 100 V | 02010 | SR201A102JAAH |
| C109 | 0160-4832 | 4 | 1 | CAP-FXD 0.01uF 100 V | 02010 | SA101C103KAAH |
| C110 | 0160-4832 | 4 | 1 | CAP-FXD 0.01uF 100 V | 02010 | SA101C103KAAH |
| C111 | 0160-4399 | 8 | 1 | CAP-FXD 0.66pF 50 V | 02010 | 02010 |
| C112 | 0160-4832 | 4 | 1 | CAP-FXD 0.01uF 100 V | 02010 | SA101C103KAAH |
| C113 | 0160-3879 | 7 | 1 | CAP-FXD 0.01uF 100 V | 02010 | SR201C103MAAH |
| C114 | 0180-3632 | 2 | 1 | CAP-FXD 22uF 16 V AL-ELCTLT | 00493 | KMC50VB22RM6X11LLM |
| C115 | 0160-4040 | 6 | 1 | CAP-FXD 1000pF 100 V | 02010 | SR201A102JAAH |
| C116 | 0160-4040 | 6 | 1 | CAP-FXD 1000pF 100 V | 02010 | SR201A102JAAH |
| C117 | 0160-4040 | 6 | 1 | CAP-FXD 1000pF 100 V | 02010 | SR201A102JAAH |
| C119 | 0160-3879 | 7 | 1 | CAP-FXD 0.01uF 100 V | 02010 | SR201C103MAAH |
| C121 | 0160-4383 | 0 | 1 | CAP-FXD 6.8pF 200 V | 06352 | FD12C0G2D6R8D |
| C150 | 0160-4386 | 3 | 1 | CAP-FXD 33pF 200 V | 02010 | SR152A330JAA |
| C151 | 0160-4574 | 1 | 1 | CAP-FXD 1000pF 100 V | 02010 | SA101C102KAAH |
| C152 | 0160-4795 | 8 | 1 | CAP-FXD 4.7pF 100 V | 02010 | SA102A4R7DAAH |
| C153 | 0160-4387 | 4 | 1 | CAP-FXD 47pF 200 V | 06352 | FD12C0G2D470J |
| C154 | 0160-4040 | 6 | 1 | CAP-FXD 1000pF 100 V | 02010 | SR201A102JAAH |
| C155 | 0160-4524 | 1 | 1 | CAP-FXD 24pF +-5% 200 V CER COG | 06352 | FD12C0G2D240J |
| C156 | 0160-4788 | 9 | 1 | CAP-FXD 18pF 100 V | 02010 | SA102A180JAAH |
| C157 | 0160-4526 | 3 | 1 | CAP-FXD 42pF 200 V | 06352 | FD12C0G2D426J |
| C158 | 0160-4492 | 2 | 1 | CAP-FXD 18pF 200 V | 06352 | FD12C0G2D180J |
| C159 | 0160-4040 | 6 | 1 | CAP-FXD 1000pF 100 V | 02010 | SR201A102JAAH |
| C160 | 0160-4766 | 3 | 1 | CAP-FXD 30pF 200 V | 06352 | FD12C0G2D300J |
| C161 | 0160-3879 | 7 | 1 | CAP-FXD 0.01uF 100 V | 02010 | SR201C103MAAH |
| C170 | 0160-4040 | 6 | 1 | CAP-FXD 1000pF 100 V | 02010 | SR201A102JAAH |
| C200 | 0180-3838 | 0 | 1 | CAP-FXD 33uF 25 V AL-ELCTLT | 00493 | SRC25VB33RM |
| C201 | 0160-4835 | 7 | 1 | CAP-FXD 0.1uF 50 V | 02010 | SA115C104KAAH |
| C202 | 0160-4084 | 8 | 1 | CAP-FXD 0.1uF 50 V | 02010 | SR215C104MAAH |
| C203 | 0160-4832 | 4 | 1 | CAP-FXD 0.01uF 100 V | 02010 | SA101C103KAAH |
| C204 | 0160-4835 | 7 | 1 | CAP-FXD 0.1uF 50 V | 02010 | SA115C104KAAH |
| C205 | 0180-4003 | 3 | 1 | CAP-FXD 10uF 25 V TA | 12340 | T398E106K025AS |
| C206 | 0160-4517 | 2 | 1 | CAP-FXD 1.2pF 200 V | 06352 | FD11C0G2D1R2C |
| C207 | 0160-4796 | 9 | 1 | CAP-FXD 3.9pF 100 V | 02010 | SA101A3R9CAAH |
| C208 | 0160-4787 | 8 | 1 | CAP-FXD 22pF 100 V | 02010 | SA102A220JAAH |
| C209 | 0160-4799 | 2 | 1 | CAP-FXD 2.2pF 100 V | 02010 | MA101A2R2CAAH |
| C210 | 0121-0452 | 4 | 1 | CAP-VAR 5.4pF 1.3pF 125 V AIR | 04670 | 187-0103-028 |
| C211 | 0160-4795 | 8 | 1 | CAP-FXD 4.7pF 100 V | 02010 | SA102A4R7DAAH |
| C212 | 0160-4835 | 7 | 1 | CAP-FXD 0.1uF 50 V | 02010 | SA115C104KAAH |
| C213 | 0160-3874 | 2 | 1 | CAP-FXD 10pF 200 V | 06352 | FD12C0G2D100D |
| C214 | 0160-3874 | 2 | 1 | CAP-FXD 10pF 200 V | 06352 | FD12C0G2D100D |

*Indicates factory-selected value

HP Part Number 08562-60117
RF (Option 003 and Option 013)

| Reference Designation | HP Part Number | C D | Qty | Description | Mfr Code | Mfr Part Number |
|-----------------------|----------------|-----|-----|---------------------------------|----------|--------------------|
| C215 | 0160-4791 | 4 | 1 | CAP-FXD 10pF 100 V | 02010 | SA102A100JAAH |
| C216 | 0160-4794 | 7 | 1 | CAP-FXD 5.6pF 100 V | 02010 | SA102A5R6DAAH |
| C217 | 0160-3879 | 7 | 1 | CAP-FXD 0.01uF 100 V | 02010 | SR201C103MAAH |
| C218 | 0160-4832 | 4 | 1 | CAP-FXD 0.01uF 100 V | 02010 | SA101C103KAAH |
| C219 | 0180-4003 | 3 | 1 | CAP-FXD 10uF 25 V TA | 12340 | T398E106K025AS |
| C220 | 0160-0575 | 4 | 1 | CAP-FXD 0.047uF 50 V | 02010 | SR205C473MAAH |
| C221 | 0160-4832 | 4 | 1 | CAP-FXD 0.01uF 100 V | 02010 | SA101C103KAAH |
| C222 | 0160-4832 | 4 | 1 | CAP-FXD 0.01uF 100 V | 02010 | SA101C103KAAH |
| C223 | 0160-4832 | 4 | 1 | CAP-FXD 0.01uF 100 V | 02010 | SA101C103KAAH |
| C224 | 0160-4835 | 7 | 1 | CAP-FXD 0.1uF 50 V | 02010 | SA115C104KAAH |
| C225 | 0180-4003 | 3 | 1 | CAP-FXD 10uF 25 V TA | 12340 | T398E106K025AS |
| C226 | 0160-4832 | 4 | 1 | CAP-FXD 0.01uF 100 V | 02010 | SA101C103KAAH |
| C227 | 0160-4832 | 4 | 1 | CAP-FXD 0.01uF 100 V | 02010 | SA101C103KAAH |
| C228 | 0160-4835 | 7 | 1 | CAP-FXD 0.1uF 50 V | 02010 | SA115C104KAAH |
| C229 | 0180-4003 | 3 | 1 | CAP-FXD 10uF 25 V TA | 12340 | T398E106K025AS |
| C230 | 0180-3328 | 3 | 1 | CAP-FXD 10uF 35 V AL-ELCTLT | 04200 | 510D106M035AA2D |
| C231 | 0180-3328 | 3 | 1 | CAP-FXD 10uF 35 V AL-ELCTLT | 04200 | 510D106M035AA2D |
| C232 | 0180-4003 | 3 | 1 | CAP-FXD 10uF 25 V TA | 12340 | T398E106K025AS |
| C233 | 0160-4801 | 7 | 1 | CAP-FXD 100pF 100 V | 02010 | SA102A101JAAH |
| C234 | 0160-3879 | 7 | 1 | CAP-FXD 0.01uF 100 V | 02010 | SR201C103MAAH |
| C235 | 0160-4793 | 6 | 1 | CAP-FXD 6.8pF 100 V | 02010 | SA102A6R8DAAH |
| C236 | 0160-4832 | 4 | 1 | CAP-FXD 0.01uF 100 V | 02010 | SA101C103KAAH |
| C237 | 0160-4832 | 4 | 1 | CAP-FXD 0.01uF 100 V | 02010 | SA101C103KAAH |
| C238 | 0160-4521 | 8 | 1 | CAP-FXD 12pF +-5% 200 V CER COG | 06352 | FD12C0G2D120J |
| C239 | 0160-4793 | 6 | 1 | CAP-FXD 6.8pF 100 V | 02010 | SA102A6R8DAAH |
| C240 | 0180-3838 | 0 | 1 | CAP-FXD 33uF 25 V AL-ELCTLT | 00493 | SRC25V333RM |
| C241 | 0160-4832 | 4 | 1 | CAP-FXD 0.01uF 100 V | 02010 | SA101C103KAAH |
| C242 | 0160-4574 | 1 | 1 | CAP-FXD 1000pF 100 V | 02010 | SA101C102KAAH |
| C243 | 0160-4040 | 6 | 1 | CAP-FXD 1000pF 100 V | 02010 | SR201A102JAAH |
| C244 | 0160-4040 | 6 | 1 | CAP-FXD 1000pF 100 V | 02010 | SR201A102JAAH |
| C245 | 0160-4040 | 6 | 1 | CAP-FXD 1000pF 100 V | 02010 | SR201A102JAAH |
| C246 | 0160-4040 | 6 | 1 | CAP-FXD 1000pF 100 V | 02010 | SR201A102JAAH |
| C247 | 0160-4574 | 1 | 1 | CAP-FXD 1000pF 100 V | 02010 | SA101C102KAAH |
| C248 | 0160-4389 | 6 | 1 | CAP-FXD 100pF 200 V | 02010 | SR202A101JAAH |
| C301 | 0180-3328 | 3 | 1 | CAP-FXD 10uF 35 V AL-ELCTLT | 04200 | 510D106M035AA2D |
| C302 | 0180-3632 | 2 | 1 | CAP-FXD 22uF 16 V AL-ELCTLT | 00493 | KMC50VB22RM6X11LLM |
| C303 | 0180-3328 | 3 | 1 | CAP-FXD 10uF 35 V AL-ELCTLT | 04200 | 510D106M035AA2D |
| C304 | 0160-4835 | 7 | 1 | CAP-FXD 0.1uF 50 V | 02010 | SA115C104KAAH |
| C305 | 0160-4835 | 7 | 1 | CAP-FXD 0.1uF 50 V | 02010 | SA115C104KAAH |
| C308 | 0160-4832 | 4 | 1 | CAP-FXD 0.01uF 100 V | 02010 | SA101C103KAAH |
| C309 | 0160-4835 | 7 | 1 | CAP-FXD 0.1uF 50 V | 02010 | SA115C104KAAH |
| C310 | 0160-4832 | 4 | 1 | CAP-FXD 0.01uF 100 V | 02010 | SA101C103KAAH |
| C311 | 0160-4832 | 4 | 1 | CAP-FXD 0.01uF 100 V | 02010 | SA101C103KAAH |
| C312 | 0160-4832 | 4 | 1 | CAP-FXD 0.01uF 100 V | 02010 | SA101C103KAAH |
| C313 | 0160-4832 | 4 | 1 | CAP-FXD 0.01uF 100 V | 02010 | SA101C103KAAH |
| C314 | 0160-4832 | 4 | 1 | CAP-FXD 0.01uF 100 V | 02010 | SA101C103KAAH |
| C315 | 0160-4832 | 4 | 1 | CAP-FXD 0.01uF 100 V | 02010 | SA101C103KAAH |

HP Part Number 08562-60117
RF (Option 003 and Option 013)

| Reference Designation | HP Part Number | C D | Qty | Description | Mfr Code | Mfr Part Number |
|-----------------------|----------------|--------|-----|-----------------------|----------|-----------------|
| C316 | 0160-4835 | 7 | 1 | CAP-FXD 0.1uF 50 V | 02010 | SA115C104KAAH |
| C317 | 0160-4832 | 4 | 1 | CAP-FXD 0.01uF 100 V | 02010 | SA101C103KAAH |
| C318 | 0160-4835 | 7 | 1 | CAP-FXD 0.1uF 50 V | 02010 | SA115C104KAAH |
| C319 | 0160-4832 | 4 | 1 | CAP-FXD 0.01uF 100 V | 02010 | SA101C103KAAH |
| C320 | 0160-4832 | 4 | 1 | CAP-FXD 0.01uF 100 V | 02010 | SA101C103KAAH |
| C321 | 0160-4832 | 4 | 1 | CAP-FXD 0.01uF 100 V | 02010 | SA101C103KAAH |
| C322 | 0160-4811 | 9 | 1 | CAP-FXD 270pF 100 V | 02010 | SA101A271JAAH |
| C400 | 0160-4801 | 7 | 1 | CAP-FXD 100pF 100 V | 02010 | SA102A101JAAH |
| C401 | 0160-3879 | 7 | 1 | CAP-FXD 0.01uF 100 V | 02010 | SR201C103MAAH |
| C402 | 0160-4832 | 4 | 1 | CAP-FXD 0.01uF 100 V | 02010 | SA101C103KAAH |
| C403 | 0160-4832 | 4 | 1 | CAP-FXD 0.01uF 100 V | 02010 | SA101C103KAAH |
| C404 | 0160-4793 | 6 | 1 | CAP-FXD 6.8pF 100 V | 02010 | SA102A6R8DAAH |
| C405 | 0160-4801 | 7 | 1 | CAP-FXD 100pF 100 V | 02010 | SA102A101JAAH |
| C406 | 0160-4832 | 4 | 1 | CAP-FXD 0.01uF 100 V | 02010 | SA101C103KAAH |
| C407 | 0160-4832 | 4 | 1 | CAP-FXD 0.01uF 100 V | 02010 | SA101C103KAAH |
| C408 | 0160-4801 | 7 | 1 | CAP-FXD 100pF 100 V | 02010 | SA102A101JAAH |
| C409 | 0160-4813 | 1 | 1 | CAP-FXD 180pF 100 V | 02010 | SA101A181JAAH |
| C410 | 0160-4813 | 1 | 1 | CAP-FXD 180pF 100 V | 02010 | SA101A181JAAH |
| C411 | 0160-4803 | 9 | 1 | CAP-FXD 68pF 100 V | 02010 | SA102A680JAAH |
| C412 | 0160-4803 | 9 | 1 | CAP-FXD 68pF 100 V | 02010 | SA102A680JAAH |
| C413 | 0160-4832 | 4 | 1 | CAP-FXD 0.01uF 100 V | 02010 | SA101C103KAAH |
| C415 | 0160-4832 | 4 | 1 | CAP-FXD 0.01uF 100 V | 02010 | SA101C103KAAH |
| C416 | 0160-4832 | 4 | 1 | CAP-FXD 0.01uF 100 V | 02010 | SA101C103KAAH |
| C417 | 0160-4832 | 4 | 1 | CAP-FXD 0.01uF 100 V | 02010 | SA101C103KAAH |
| C418 | 0160-4835 | 7 | 1 | CAP-FXD 0.1uF 50 V | 02010 | SA115C104KAAH |
| C419 | 0160-4835 | 7 | 1 | CAP-FXD 0.1uF 50 V | 02010 | SA115C104KAAH |
| C420 | 0160-4835 | 7 | 1 | CAP-FXD 0.1uF 50 V | 02010 | SA115C104KAAH |
| C421 | 0160-4832 | 4 | 1 | CAP-FXD 0.01uF 100 V | 02010 | SA101C103KAAH |
| C422 | 0160-4832 | 4 | 1 | CAP-FXD 0.01uF 100 V | 02010 | SA101C103KAAH |
| C423 | 0160-5422 | 0 | 1 | CAP-FXD 0.047uF 50 V | 02010 | SA205C473MAAH |
| C424 | 0160-5422 | 0 | 1 | CAP-FXD 0.047uF 50 V | 02010 | SA205C473MAAH |
| C425 | 0160-5422 | 0 | 1 | CAP-FXD 0.047uF 50 V | 02010 | SA205C473MAAH |
| C426 | 0160-0575 | 4 | 1 | CAP-FXD 0.047uF 50 V | 02010 | SR205C473MAAH |
| C427 | 0160-4835 | 7 | 1 | CAP-FXD 0.1uF 50 V | 02010 | SA115C104KAAH |
| C428 | 0180-4003 | 3 | 1 | CAP-FXD 10uF 25 V TA | 12340 | T398E106K025AS |
| C429 | 0160-4832 | 4 | 1 | CAP-FXD 0.01uF 100 V | 02010 | SA101C103KAAH |
| C430 | 0160-4832 | 4 | 1 | CAP-FXD 0.01uF 100 V | 02010 | SA101C103KAAH |
| C431 | 0180-4003 | 3 | 1 | CAP-FXD 10uF 25 V TA | 12340 | T398E106K025AS |
| C432 | 0160-4835 | 7 | 1 | CAP-FXD 0.1uF 50 V | 02010 | SA115C104KAAH |
| C433 | 0180-4003 | 3 | 1 | CAP-FXD 10uF 25 V TA | 12340 | T398E106K025AS |
| C434 | 0160-4832 | 4 | 1 | CAP-FXD 0.01uF 100 V | 02010 | SA101C103KAAH |
| C435 | 0160-4084 | 8 | 1 | CAP-FXD 0.1uF 50 V | 02010 | SR215C104MAAH |
| C436 | 0160-4813 | 1 | 1 | CAP-FXD 180pF 100 V | 02010 | SA101A181JAAH |
| C437 | 0160-4808 | 4 | 1 | CAP-FXD 470pF 100 V | 02010 | SA101A471JAAH |
| C438 | 0160-4804 | 0 | 1 | CAP-FXD 56pF 100 V | 02010 | SA102A560JAAH |
| C439 | 0160-4835 | 7 | 1 | CAP-FXD 0.1uF 50 V | 02010 | SA115C104KAAH |
| C440 | 0160-4801 | 7 | 1 | CAP-FXD 100pF 100 V | 02010 | SA102A101JAAH |
| C441 | 0160-4833 | 5 | 1 | CAP-FXD 0.022uF 100 V | 02010 | SA201C223KAAH |

*Indicates factory-selected value

HP Part Number 08562-60117
RF (Option 003 and Option 013)

| Reference Designation | HP Part Number | C D | Qty | Description | Mfr Code | Mfr Part Number |
|-----------------------|----------------|-----|-----|------------------------------|----------|-----------------|
| C443 | 0160-4832 | 4 | 1 | CAP-FXD 0.01uF 100 V | 02010 | SA101C103KAAH |
| C444 | 0160-4835 | 7 | 1 | CAP-FXD 0.1uF 50 V | 02010 | SA115C104KAAH |
| C445 | 0160-4835 | 7 | 1 | CAP-FXD 0.1uF 50 V | 02010 | SA115C104KAAH |
| C446 | 0160-4820 | 0 | 1 | CAP-FXD 1800pF 100 V | 02010 | SA301A182JAAH |
| C447 | 0160-4825 | 5 | 1 | CAP-FXD 560pF 100 V | 02010 | SA101A561JAAH |
| C448 | 0160-4831 | 3 | 1 | CAP-FXD 4700pF 100 V | 02010 | SA101C472KAAH |
| C449 | 0160-4441 | 1 | 1 | CAP-FXD 0.47uF 50 V | 02010 | SR305C474KAAH |
| C450 | 0160-5422 | 0 | 1 | CAP-FXD 0.047uF 50 V | 02010 | SA205C473MAAH |
| C451 | 0180-3311 | 4 | 1 | CAP-FXD 6.8uF 50 V AL-ELCTLT | 04200 | 510D685M050AA4D |
| C452 | 0180-3328 | 3 | 1 | CAP-FXD 10uF 35 V AL-ELCTLT | 04200 | 510D106M035AA2D |
| C453 | 0180-3328 | 3 | 1 | CAP-FXD 10uF 35 V AL-ELCTLT | 04200 | 510D106M035AA2D |
| C454 | 0180-3920 | 1 | 1 | CAP-FXD 330uF 10 V AL-ELCTLT | 00779 | TLB1A331MAA1LS |
| C455 | 0180-3920 | 1 | 1 | CAP-FXD 330uF 10 V AL-ELCTLT | 00779 | TLB1A331MAA1LS |
| C456 | 0180-4003 | 3 | 1 | CAP-FXD 10uF 25 V TA | 12340 | T398E106K025AS |
| C457 | 0160-4835 | 7 | 1 | CAP-FXD 0.1uF 50 V | 02010 | SA115C104KAAH |
| C458 | 0180-3838 | 0 | 1 | CAP-FXD 33uF 25 V AL-ELCTLT | 00493 | SRC25VB333RM |
| C459 | 0180-3920 | 1 | 1 | CAP-FXD 330uF 10 V AL-ELCTLT | 00779 | TLB1A331MAA1LS |
| C460 | 0160-4574 | 1 | 1 | CAP-FXD 1000pF 100 V | 02010 | SA101C102KAAH |
| C461 | 0160-4040 | 6 | 1 | CAP-FXD 1000pF 100 V | 02010 | SR201A102JAAH |
| C501 | 0160-4793 | 6 | 1 | CAP-FXD 6.8pF 100 V | 02010 | SA102A6R8DAAH |
| C503 | 0160-4832 | 4 | 1 | CAP-FXD 0.01uF 100 V | 02010 | SA101C103KAAH |
| C504 | 0160-4832 | 4 | 1 | CAP-FXD 0.01uF 100 V | 02010 | SA101C103KAAH |
| C505 | 0160-4789 | 0 | 1 | CAP-FXD 15pF 100 V | 02010 | SA102A150JAAH |
| C506 | 0160-4832 | 4 | 1 | CAP-FXD 0.01uF 100 V | 02010 | SA101C103KAAH |
| C507 | 0160-4801 | 7 | 1 | CAP-FXD 100pF 100 V | 02010 | SA102A101JAAH |
| C508 | 0160-4789 | 0 | 1 | CAP-FXD 15pF 100 V | 02010 | SA102A150JAAH |
| C509 | 0160-4805 | 1 | 1 | CAP-FXD 47pF 100 V | 02010 | SA102A470JAAH |
| C510 | 0160-4832 | 4 | 1 | CAP-FXD 0.01uF 100 V | 02010 | SA101C103KAAH |
| C511 | 0160-4789 | 0 | 1 | CAP-FXD 15pF 100 V | 02010 | SA102A150JAAH |
| C512 | 0160-4832 | 4 | 1 | CAP-FXD 0.01uF 100 V | 02010 | SA101C103KAAH |
| C513 | 0160-4832 | 4 | 1 | CAP-FXD 0.01uF 100 V | 02010 | SA101C103KAAH |
| C514 | 0160-4791 | 4 | 1 | CAP-FXD 10pF 100 V | 02010 | SA102A100JAAH |
| C515 | 0160-4825 | 5 | 1 | CAP-FXD 560pF 100 V | 02010 | SA101A561JAAH |
| C516 | 0160-4832 | 4 | 1 | CAP-FXD 0.01uF 100 V | 02010 | SA101C103KAAH |
| C517 | 0160-4832 | 4 | 1 | CAP-FXD 0.01uF 100 V | 02010 | SA101C103KAAH |
| C518 | 0160-4789 | 0 | 1 | CAP-FXD 15pF 100 V | 02010 | SA102A150JAAH |
| C519 | 0160-4805 | 1 | 1 | CAP-FXD 47pF 100 V | 02010 | SA102A470JAAH |
| C520 | 0160-4789 | 0 | 1 | CAP-FXD 15pF 100 V | 02010 | SA102A150JAAH |
| C521 | 0160-4789 | 0 | 1 | CAP-FXD 15pF 100 V | 02010 | SA102A150JAAH |
| C522 | 0160-4791 | 4 | 1 | CAP-FXD 10pF 100 V | 02010 | SA102A100JAAH |
| C523 | 0160-4791 | 4 | 1 | CAP-FXD 10pF 100 V | 02010 | SA102A100JAAH |
| C524 | 0160-4803 | 9 | 1 | CAP-FXD 68pF 100 V | 02010 | SA102A680JAAH |
| C525 | 0160-4790 | 3 | 1 | CAP-FXD 12pF 100 V | 02010 | SA102A120JAAH |
| C526 | 0160-4789 | 0 | 1 | CAP-FXD 15pF 100 V | 02010 | SA102A150JAAH |
| C527 | 0160-4792 | 5 | 1 | CAP-FXD 8.2pF 100 V | 02010 | SA102A8R2DAAH |
| C528 | 0160-4805 | 1 | 1 | CAP-FXD 47pF 100 V | 02010 | SA102A470JAAH |
| C529 | 0160-4811 | 9 | 1 | CAP-FXD 270pF 100 V | 02010 | SA101A271JAAH |

HP Part Number 08562-60117
RF (Option 003 and Option 013)

| Reference Designation | HP Part Number | C D | Qty | Description | Mfr Code | Mfr Part Number |
|-----------------------|----------------|-----|-----|------------------------------|----------|--------------------|
| C530 | 0160-4832 | 4 | 1 | CAP-FXD 0.01uF 100 V | 02010 | SA101C103KAAH |
| C531 | 0160-4835 | 7 | 1 | CAP-FXD 0.1uF 50 V | 02010 | SA115C104KAAH |
| C532 | 0160-4832 | 4 | 1 | CAP-FXD 0.01uF 100 V | 02010 | SA101C103KAAH |
| C533 | 0160-4835 | 7 | 1 | CAP-FXD 0.1uF 50 V | 02010 | SA115C104KAAH |
| C534 | 0160-4835 | 7 | 1 | CAP-FXD 0.1uF 50 V | 02010 | SA115C104KAAH |
| C535 | 0160-4832 | 4 | 1 | CAP-FXD 0.01uF 100 V | 02010 | SA101C103KAAH |
| C536 | 0160-4811 | 9 | 1 | CAP-FXD 270pF 100 V | 02010 | SA101A271JAAH |
| C537 | 0160-4832 | 4 | 1 | CAP-FXD 0.01uF 100 V | 02010 | SA101C103KAAH |
| C538 | 0160-4832 | 4 | 1 | CAP-FXD 0.01uF 100 V | 02010 | SA101C103KAAH |
| C539 | 0160-4832 | 4 | 1 | CAP-FXD 0.01uF 100 V | 02010 | SA101C103KAAH |
| C540 | 0160-4832 | 4 | 1 | CAP-FXD 0.01uF 100 V | 02010 | SA101C103KAAH |
| C541 | 0160-4835 | 7 | 1 | CAP-FXD 0.1uF 50 V | 02010 | SA115C104KAAH |
| C542 | 0160-4832 | 4 | 1 | CAP-FXD 0.01uF 100 V | 02010 | SA101C103KAAH |
| C543 | 0160-4833 | 5 | 1 | CAP-FXD 0.022uF 100 V | 02010 | SA201C223KAAH |
| C544 | 0160-4833 | 5 | 1 | CAP-FXD 0.022uF 100 V | 02010 | SA201C223KAAH |
| C545 | 0160-4535 | 4 | 1 | CAP-FXD 1uF 50 V | 02010 | SR305C105KAAH |
| C546 | 0160-4535 | 4 | 1 | CAP-FXD 1uF 50 V | 02010 | SR305C105KAAH |
| C547 | 0160-4835 | 7 | 1 | CAP-FXD 0.1uF 50 V | 02010 | SA115C104KAAH |
| C548 | 0160-4835 | 7 | 1 | CAP-FXD 0.1uF 50 V | 02010 | SA115C104KAAH |
| C549 | 0160-4835 | 7 | 1 | CAP-FXD 0.1uF 50 V | 02010 | SA115C104KAAH |
| C550 | 0180-3328 | 3 | 1 | CAP-FXD 10uF 35 V AL-ELCTLT | 04200 | 510D106M035AA20 |
| C551 | 0180-3328 | 3 | 1 | CAP-FXD 10uF 35 V AL-ELCTLT | 04200 | 510D106M035AA2D |
| C552 | 0180-3628 | 6 | 1 | CAP-FXD 220uF 10 V AL-ELCTLT | 00493 | SMC10VB221M8X11.5 |
| C553 | 0180-3328 | 3 | 1 | CAP-FXD 10uF 35 V AL-ELCTLT | 04200 | 510D106M035AA2D |
| C554 | 0180-3632 | 2 | 1 | CAP-FXD 22uF 16 V AL-ELCTLT | 00493 | KMC50VB22RM6X11LLM |
| C555 | 0160-4790 | 3 | 1 | CAP-FXD 12pF 100 V | 02010 | SA102A120JAAH |
| C556 | 0160-4793 | 6 | 1 | CAP-FXD 6.8pF 100 V | 02010 | SA102A6R8DAAH |
| C601 | 0160-4371 | 6 | 1 | CAP-FXD 680pF 100 V | 02010 | SR201A681JAAH |
| C602 | 0160-4803 | 9 | 1 | CAP-FXD 68pF 100 V | 02010 | SA102A680JAAH |
| C603 | 0160-4824 | 4 | 1 | CAP-FXD 680pF 100 V | 02010 | SA101A681JAAH |
| C604 | 0160-4835 | 7 | 1 | CAP-FXD 0.1uF 50 V | 02010 | SA115C104KAAH |
| C605 | 0160-4835 | 7 | 1 | CAP-FXD 0.1uF 50 V | 02010 | SA115C104KAAH |
| C606 | 0160-4835 | 7 | 1 | CAP-FXD 0.1uF 50 V | 02010 | SA115C104KAAH |
| C607 | 0160-4832 | 4 | 1 | CAP-FXD 0.01uF 100 V | 02010 | SA101C103KAAH |
| C608 | 0160-4835 | 7 | 1 | CAP-FXD 0.1uF 50 V | 02010 | SA115C104KAAH |
| C609 | 0160-4835 | 7 | 1 | CAP-FXD 0.1uF 50 V | 02010 | SA115C104KAAH |
| C610 | 0160-4832 | 4 | 1 | CAP-FXD 0.01uF 100 V | 02010 | SA101C103KAAH |
| C611 | 0160-4835 | 7 | 1 | CAP-FXD 0.1uF 50 V | 02010 | SA115C104KAAH |
| C612 | 0160-0575 | 4 | 1 | CAP-FXD 0.047uF 50 V | 02010 | SR205C473MAAH |
| C613 | 0160-4835 | 7 | 1 | CAP-FXD 0.1uF 50 V | 02010 | SA115C104KAAH |
| C614 | 0160-4835 | 7 | 1 | CAP-FXD 0.1uF 50 V | 02010 | SA115C104KAAH |
| C615 | 0160-4574 | 1 | 1 | CAP-FXD 1000pF 100 V | 02010 | SA101C102KAAH |
| C616 | 0160-4787 | 8 | 1 | CAP-FXD 22pF 100 V | 02010 | SA102A220JAAH |
| C617 | 0160-4801 | 7 | 1 | CAP-FXD 100pF 100 V | 02010 | SA102A101JAAH |
| C618 | 0160-4574 | 1 | 1 | CAP-FXD 1000pF 100 V | 02010 | SA101C102KAAH |
| C619 | 0160-4574 | 1 | 1 | CAP-FXD 1000pF 100 V | 02010 | SA101C102KAAH |
| C620 | 0160-4350 | 1 | 1 | CAP-FXD 68pF 200 V | 06352 | FD12C0G2D680J |
| C621 | 0160-3874 | 2 | 1 | CAP-FXD 10pF 200 V | 06352 | FD12C0G2D100D |

*Indicates factory-selected value

HP Part Number 08562-60117
RF (Option 003 and Option 013)

| Reference Designation | HP Part Number | C D | Qty | Description | Mfr Code | Mfr Part Number |
|-----------------------|----------------|--------|-----|-----------------------------|----------|--------------------|
| C622 | 0160-4522 | 9 | 1 | CAP-FXD 13pF 200 V | 06352 | FD12C0G2D130J |
| C623 | 0160-4835 | 7 | 1 | CAP-FXD 0.1uF 50 V | 02010 | SA115C104KAAH |
| C624 | 0160-4574 | 1 | 1 | CAP-FXD 1000pF 100 V | 02010 | SA101C102KAAH |
| C625 | 0180-3328 | 3 | 1 | CAP-FXD 10uF 35 V AL-ELCTLT | 04200 | 510D106M035AA2D |
| C626 | 0160-4835 | 7 | 1 | CAP-FXD 0.1uF 50 V | 02010 | SA115C104KAAH |
| C627 | 0160-5422 | 0 | 1 | CAP-FXD 0.047uF 50 V | 02010 | SA205C473MAAH |
| C628 | 0160-5422 | 0 | 1 | CAP-FXD 0.047uF 50 V | 02010 | SA205C473MAAH |
| C629 | 0121-0448 | 8 | 1 | CAP-VAR 5pF 2.5pF 63 V | 01468 | 302-504-111 |
| C701 | 0160-4835 | 7 | 1 | CAP-FXD 0.1uF 50 V | 02010 | SA115C104KAAH |
| C702 | 0180-3888 | 0 | 1 | CAP-FXD 15uF 25 V TA | 04200 | 173D156X9025X |
| C703 | 0160-4835 | 7 | 1 | CAP-FXD 0.1uF 50 V | 02010 | SA115C104KAAH |
| C704 | 0160-4835 | 7 | 1 | CAP-FXD 0.1uF 50 V | 02010 | SA115C104KAAH |
| C705 | 0160-4790 | 3 | 1 | CAP-FXD 12pF 100 V | 02010 | SA102A120JAAH |
| C706 | 0160-4793 | 6 | 1 | CAP-FXD 6.8pF 100 V | 02010 | SA102A6R8DAAH |
| C707 | 0160-4797 | 0 | 1 | CAP-FXD 3.3pF 100 V | 02010 | MA101A3R3CAA |
| C708 | 0160-4793 | 6 | 1 | CAP-FXD 6.8pF 100 V | 02010 | SA102A6R8DAAH |
| C709 | 0160-4793 | 6 | 1 | CAP-FXD 6.8pF 100 V | 02010 | SA102A6R8DAAH |
| C710 | 0160-4799 | 2 | 1 | CAP-FXD 2.2pF 100 V | 02010 | MA101A2R2CAA |
| C711 | 0180-3328 | 3 | 1 | CAP-FXD 10uF 35 V AL-ELCTLT | 04200 | 510D106M035AA2D |
| C712 | 0160-4835 | 7 | 1 | CAP-FXD 0.1uF 50 V | 02010 | SA115C104KAAH |
| C713 | 0160-4835 | 7 | 1 | CAP-FXD 0.1uF 50 V | 02010 | SA115C104KAAH |
| C714 | 0160-4832 | 4 | 1 | CAP-FXD 0.01uF 100 V | 02010 | SA101C103KAAH |
| C715 | 0160-4790 | 3 | 1 | CAP-FXD 12pF 100 V | 02010 | SA102A120JAAH |
| C716 | 0160-4790 | 3 | 1 | CAP-FXD 12pF 100 V | 02010 | SA102A120JAAH |
| C717 | 0160-4796 | 9 | 1 | CAP-FXD 3.9pF 100 V | 02010 | SA101A3R9CAA |
| C801 | 0160-4574 | 1 | 1 | CAP-FXD 1000pF 100 V | 02010 | SA101C102KAAH |
| C802 | 0160-4574 | 1 | 1 | CAP-FXD 1000pF 100 V | 02010 | SA101C102KAAH |
| C803 | 0160-4574 | 1 | 1 | CAP-FXD 1000pF 100 V | 02010 | SA101C102KAAH |
| C804 | 0160-4574 | 1 | 1 | CAP-FXD 1000pF 100 V | 02010 | SA101C102KAAH |
| C805 | 0160-4835 | 7 | 1 | CAP-FXD 0.1uF 50 V | 02010 | SA115C104KAAH |
| C806 | 0160-4835 | 7 | 1 | CAP-FXD 0.1uF 50 V | 02010 | SA115C104KAAH |
| C807 | 0160-4574 | 1 | 1 | CAP-FXD 1000pF 100 V | 02010 | SA101C102KAAH |
| C808 | 0180-3328 | 3 | 1 | CAP-FXD 10uF 35 V AL-ELCTLT | 04200 | 510D106M035AA2D |
| C809 | 0160-4574 | 1 | 1 | CAP-FXD 1000pF 100 V | 02010 | SA101C102KAAH |
| C810 | 0160-4387 | 4 | 1 | CAP-FXD 47pF 200 V | 06352 | FD12C0G2D470J |
| C901 | 0160-4835 | 7 | 1 | CAP-FXD 0.1uF 50 V | 02010 | SA115C104KAAH |
| C902 | 0160-4835 | 7 | 1 | CAP-FXD 0.1uF 50 V | 02010 | SA115C104KAAH |
| C903 | 0160-4835 | 7 | 1 | CAP-FXD 0.1uF 50 V | 02010 | SA115C104KAAH |
| C904 | 0160-4835 | 7 | 1 | CAP-FXD 0.1uF 50 V | 02010 | SA115C104KAAH |
| C905 | 0160-4835 | 7 | 1 | CAP-FXD 0.1uF 50 V | 02010 | SA115C104KAAH |
| C906 | 0160-4835 | 7 | 1 | CAP-FXD 0.1uF 50 V | 02010 | SA115C104KAAH |
| C907 | 0160-4835 | 7 | 1 | CAP-FXD 0.1uF 50 V | 02010 | SA115C104KAAH |
| C908 | 0160-4787 | 8 | 1 | CAP-FXD 22pF 100 V | 02010 | SA102A220JAAH |
| C909 | 0160-4835 | 7 | 1 | CAP-FXD 0.1uF 50 V | 02010 | SA115C104KAAH |
| C910 | 0180-3328 | 3 | 1 | CAP-FXD 10uF 35 V AL-ELCTLT | 04200 | 510D106M035AA2D |
| C911 | 0180-3328 | 3 | 1 | CAP-FXD 10uF 35 V AL-ELCTLT | 04200 | 510D106M035AA2D |
| C912 | 0180-3632 | 2 | 1 | CAP-FXD 22uF 16 V AL-ELCTLT | 00493 | KMC50VB22RM6X11LLM |

HP Part Number 08562-60117
RF (Option 003 and Option 013)

| Reference Designation | HP Part Number | C D | Qty | Description | Mfr Code | Mfr Part Number |
|-----------------------|----------------|--------|-----|--|----------|-----------------|
| C913 | 0180-3311 | 4 | 1 | CAP-FXD 6.8uF 50 V AL-ELCLT | 04200 | 510D685M050AA4D |
| C914 | 0160-4835 | 7 | 1 | CAP-FXD 0.1uF 50 V | 02010 | SA115C104KAAH |
| C915 | 0160-4835 | 7 | 1 | CAP-FXD 0.1uF 50 V | 02010 | SA115C104KAAH |
| CR101 | 1901-1097 | 0 | 1 | DIODE-PIN | 02062 | 5082-5580 |
| CR102 | 1901-1097 | 0 | 1 | DIODE-PIN | 02062 | 5082-5580 |
| CR103 | 1901-1097 | 0 | 1 | DIODE-PIN | 02062 | 5082-5580 |
| CR200 | 0122-0161 | 4 | 1 | DIODE-VVC 2.15PF 7% BVR=30V | 03334 | BB405B |
| CR301 | 1901-1068 | 5 | 1 | DIODE-SCHOTTKY SM SIG | 02062 | 5082-5541 |
| CR400 | 1901-0539 | 3 | 1 | DIODE-SCHOTTKY SM SIG | 02062 | |
| CR401 | 1901-0539 | 3 | 1 | DIODE-SCHOTTKY SM SIG | 02062 | |
| CR402 | 1901-0539 | 3 | 1 | DIODE-SCHOTTKY SM SIG | 02062 | |
| CR403 | 1901-0539 | 3 | 1 | DIODE-SCHOTTKY SM SIG | 02062 | |
| CR404 | 1901-0539 | 3 | 1 | DIODE-SCHOTTKY SM SIG | 02062 | |
| CR405 | 1901-1098 | 1 | 1 | DIODE-SWITCHING 1N4150 50V 200MA 4NS | 00746 | |
| CR501 | 1901-0033 | 2 | 1 | DIODE-GEN PRP 180V 200MA DO-35 | 03406 | |
| CR502 | 1901-0033 | 2 | 1 | DIODE-GEN PRP 180V 200MA DO-35 | 03406 | |
| CR503 | 1901-1070 | 9 | 1 | DIODE-PIN 110V | 02062 | |
| CR504 | 1901-0539 | 3 | 1 | DIODE-SCHOTTKY SM SIG | 02062 | |
| CR505 | 1901-0539 | 3 | 1 | DIODE-SCHOTTKY SM SIG | 02062 | |
| CR506 | 1901-1068 | 5 | 1 | DIODE-SCHOTTKY SM SIG | 02062 | 5082-5541 |
| CR601 | 1901-1070 | 9 | 1 | DIODE-PIN 110V | 02062 | |
| CR602 | 1901-1070 | 9 | 1 | DIODE-PIN 110V | 02062 | |
| CR603 | 1901-1097 | 0 | 1 | DIODE-PIN | 02062 | 5082-5580 |
| CR604 | 1901-1097 | 0 | 1 | DIODE-PIN | 02062 | 5082-5580 |
| CR605 | 1901-1097 | 0 | 1 | DIODE-PIN | 02062 | 5082-5580 |
| CR606 | 1901-1070 | 9 | 1 | DIODE-PIN 110V | 02062 | |
| CR607 | 1901-1070 | 9 | 1 | DIODE-PIN 110V | 02062 | |
| CR701 | 0122-0161 | 4 | 1 | DIODE-VVC 2.15PF 7% BVR=30V | 03334 | BB405B |
| CR702 | 0122-0161 | 4 | 1 | DIODE-VVC 2.15PF 7% BVR=30V | 03334 | BB405B |
| CR703 | 1901-1098 | 1 | 1 | DIODE-SWITCHING 1N4150 50V 200MA 4NS | 00746 | |
| CR801 | 1901-1097 | 0 | 1 | DIODE-PIN | 02062 | 5082-5580 |
| CR802 | 1901-1097 | 0 | 1 | DIODE-PIN | 02062 | 5082-5580 |
| CR803 | 1902-3005 | 6 | 1 | DIODE-ZNR 2.43V 5% DO-7 PD=.4W TC=-.076% | 02037 | |
| CR804 | 1902-3005 | 6 | 1 | DIODE-ZNR 2.43V 5% DO-7 PD=.4W TC=-.076% | 02037 | |
| CR901 | 1901-0033 | 2 | 1 | DIODE-GEN PRP 180V 200MA DO-35 | 03406 | |
| CR902 | 1901-0033 | 2 | 1 | DIODE-GEN PRP 180V 200MA DO-35 | 03406 | |
| E201 | 9170-1366 | 3 | 1 | CORE-MAGNETIC SHIELDING BEAD IMPEDANCE | 03827 | 2743001112 |
| E204 | 9170-1366 | 3 | 1 | CORE-MAGNETIC SHIELDING BEAD IMPEDANCE | 03827 | 2743001112 |
| E206 | 9170-1366 | 3 | 1 | CORE-MAGNETIC SHIELDING BEAD IMPEDANCE | 03827 | 2743001112 |
| E208 | 9170-1366 | 3 | 1 | CORE-MAGNETIC SHIELDING BEAD IMPEDANCE | 03827 | 2743001112 |
| E209 | 9170-1366 | 3 | 1 | CORE-MAGNETIC SHIELDING BEAD IMPEDANCE | 03827 | 2743001112 |
| E213 | 9170-1366 | 3 | 1 | CORE-MAGNETIC SHIELDING BEAD IMPEDANCE | 03827 | 2743001112 |
| J1 | 1252-1064 | 4 | 1 | CONN-POST TYPE .100-PIN-SPCG 50-CONT | 01380 | 1-746878-0 |
| J2 | 1252-1064 | 4 | 1 | CONN-POST TYPE .100-PIN-SPCG 50-CONT | 01380 | 1-746878-0 |
| J101 | 1250-0543 | 8 | 1 | CONNECTOR-RF SM-SNP M PC 50-OHM | 05769 | 51-053-0349-BE8 |
| J200 | 1252-1200 | 0 | 1 | CONN-POST TYPE .100-PIN-SPCG 15-CONT | 02946 | 68449-079 |
| J301 | 1250-0543 | 8 | 1 | CONNECTOR-RF SM-SNP M PC 50-OHM | 05769 | 51-053-0349-BE8 |
| J302 | 1250-0543 | 8 | 1 | CONNECTOR-RF SM-SNP M PC 50-OHM | 05769 | 51-053-0349-BE8 |

*Indicates factory-selected value

HP Part Number 08562-60117
RF (Option 003 and Option 013)

| Reference Designation | HP Part Number | C D | Qty | Description | Mfr Code | Mfr Part Number |
|-----------------------|----------------|--------|-----|--|----------|-----------------|
| J303 | 1250-0543 | 8 | 1 | CONNECTOR-RF SM-SNP M PC 50-OHM | 05769 | 51-053-0349-BE8 |
| J304 | 1250-0543 | 8 | 1 | CONNECTOR-RF SM-SNP M PC 50-OHM | 05769 | 51-053-0349-BE8 |
| J305 | 1250-0543 | 8 | 1 | CONNECTOR-RF SM-SNP M PC 50-OHM | 05769 | 51-053-0349-BE8 |
| J306 | 1252-0099 | 3 | 1 | CONN-POST TYPE .100-PIN-SPCG 4-CONT | 01380 | 641216-4 |
| J400 | 1252-1200 | 0 | 1 | CONN-POST TYPE .100-PIN-SPCG 15-CONT | 02946 | 68449-079 |
| J501 | 1250-0543 | 8 | 1 | CONNECTOR-RF SM-SNP M PC 50-OHM | 05769 | 51-053-0349-BE8 |
| J502 | 1252-1200 | 0 | 1 | CONN-POST TYPE .100-PIN-SPCG 15-CONT | 02946 | 68449-079 |
| J601 | 1250-0543 | 8 | 1 | CONNECTOR-RF SM-SNP M PC 50-OHM | 05769 | 51-053-0349-BE8 |
| J602 | 1252-1200 | 0 | 1 | CONN-POST TYPE .100-PIN-SPCG 15-CONT | 02946 | 68449-079 |
| J701 | 1250-0543 | 8 | 1 | CONNECTOR-RF SM-SNP M PC 50-OHM | 05769 | 51-053-0349-BE8 |
| J702 | 1250-0543 | 8 | 1 | CONNECTOR-RF SM-SNP M PC 50-OHM | 05769 | 51-053-0349-BE8 |
| J801 | 1250-0257 | 1 | 1 | CONNECTOR-RF SMB M PC-W-STDFS 50-OHM | 02788 | 5162-5021-09 |
| J802 | 1250-0543 | 8 | 1 | CONNECTOR-RF SM-SNP M PC 50-OHM | 05769 | 51-053-0349-BE8 |
| J803 | 1250-0543 | 8 | 1 | CONNECTOR-RF SM-SNP M PC 50-OHM | 05769 | 51-053-0349-BE8 |
| J901 | 1252-1200 | 0 | 1 | CONN-POST TYPE .100-PIN-SPCG 15-CONT | 02946 | 68449-079 |
| L101 | 9100-0539 | 3 | 1 | INDUCTOR RF-CH-MLD 10UH +-5% .166D-INX.3 | 03273 | 15M102J |
| L102 | 9100-2256 | 5 | 1 | INDUCTOR RF-CH-MLD 560NH +-10% .105D-INX | 03273 | 10M560K |
| L103 | 9100-0539 | 3 | 1 | INDUCTOR RF-CH-MLD 10UH +-5% .166D-INX.3 | 03273 | 15M102J |
| L104 | 9100-2256 | 5 | 1 | INDUCTOR RF-CH-MLD 560NH +-10% .105D-INX | 03273 | 10M560K |
| L105 | 9100-2252 | 1 | 1 | INDUCTOR RF-CH-MLD 270NH +-10% .105D-INX | 03273 | 10M270K |
| L106 | 9100-2262 | 3 | 1 | INDUCTOR RF-CH-MLD 3.9UH +-10% .105D-INX | 03273 | 10M391K |
| L110 | 9100-2265 | 6 | 1 | INDUCTOR RF-CH-MLD 10UH +-10% .105D-INX. | 03273 | 10M102K |
| L111 | 9100-2262 | 3 | 1 | INDUCTOR RF-CH-MLD 3.9UH +-10% .105D-INX | 03273 | 10M391K |
| L150 | 9100-2247 | 4 | 1 | INDUCTOR RF-CH-MLD 100NH +-10% .105D-INX | 03273 | 10M100K |
| L151 | 9135-0078 | 8 | 1 | INDUCTOR RF-CH-MLD 82NH +-5.61% | 02172 | |
| L153 | 9100-2247 | 4 | 1 | INDUCTOR RF-CH-MLD 100NH +-10% .105D-INX | 03273 | 10M100K |
| L155 | 9135-0078 | 8 | 1 | INDUCTOR RF-CH-MLD 82NH +-5.61% | 02172 | |
| L200 | 9140-0158 | 6 | 1 | INDUCTOR RF-CH-MLD 1UH +-10% .105D-INX.2 | 03273 | 10M101K |
| L202 | 9100-2256 | 5 | 1 | INDUCTOR RF-CH-MLD 560NH +-10% .105D-INX | 03273 | 10M560K |
| L203 | 9100-2891 | 4 | 1 | INDUCTOR RF-CH-MLD 50NH +-10% .105D-INX. | 03273 | 10M050K-1 |
| L205 | 9100-2891 | 4 | 1 | INDUCTOR RF-CH-MLD 50NH +-10% .105D-INX. | 03273 | 10M050K-1 |
| L207 | 9100-2247 | 4 | 1 | INDUCTOR RF-CH-MLD 100NH +-10% .105D-INX | 03273 | 10M100K |
| L210 | 9100-0539 | 3 | 1 | INDUCTOR RF-CH-MLD 10UH +-5% .166D-INX.3 | 03273 | 15M102J |
| L211 | 9100-0539 | 3 | 1 | INDUCTOR RF-CH-MLD 10UH +-5% .166D-INX.3 | 03273 | 15M102J |
| L212 | 9100-2891 | 4 | 1 | INDUCTOR RF-CH-MLD 50NH +-10% .105D-INX. | 03273 | 10M050K-1 |
| L214 | 9100-2891 | 4 | 1 | INDUCTOR RF-CH-MLD 50NH +-10% .105D-INX. | 03273 | 10M050K-1 |
| L301 | 9100-0539 | 3 | 1 | INDUCTOR RF-CH-MLD 10UH +-5% .166D-INX.3 | 03273 | 15M102J |
| L303 | 9100-0539 | 3 | 1 | INDUCTOR RF-CH-MLD 10UH +-5% .166D-INX.3 | 03273 | 15M102J |
| L304 | 9140-0141 | 7 | 1 | INDUCTOR RF-CH-MLD 680NH +-10% .105D-INX | 03273 | 10M680K |
| L400 | 9100-2891 | 4 | 1 | INDUCTOR RF-CH-MLD 50NH +-10% .105D-INX. | 03273 | 10M050K-1 |
| L401 | 9100-2256 | 5 | 1 | INDUCTOR RF-CH-MLD 560NH +-10% .105D-INX | 03273 | 10M560K |
| L402 | 9100-2256 | 5 | 1 | INDUCTOR RF-CH-MLD 560NH +-10% .105D-INX | 03273 | 10M560K |
| L403 | 9100-2256 | 5 | 1 | INDUCTOR RF-CH-MLD 560NH +-10% .105D-INX | 03273 | 10M560K |
| L404 | 9100-2254 | 3 | 1 | INDUCTOR RF-CH-MLD 390NH +-10% .105D-INX | 03273 | 10M390K |
| L405 | 9100-2256 | 5 | 1 | INDUCTOR RF-CH-MLD 560NH +-10% .105D-INX | 03273 | 10M560K |
| L406 | 9100-2254 | 3 | 1 | INDUCTOR RF-CH-MLD 390NH +-10% .105D-INX | 03273 | 10M390K |
| L407 | 9100-2249 | 6 | 1 | INDUCTOR RF-CH-MLD 150NH +-10% .105D-INX | 03273 | 10M150K |

HP Part Number 08562-60117
RF (Option 003 and Option 013)

| Reference Designation | HP Part Number | C D | Qty | Description | Mfr Code | Mfr Part Number |
|-----------------------|----------------|--------|-----|--|----------|-----------------|
| L408 | 9100-2256 | 5 | 1 | INDUCTOR RF-CH-MLD 560NH +-10% .105D-INX | 03273 | 10M560K |
| L409 | 9100-2256 | 5 | 1 | INDUCTOR RF-CH-MLD 560NH +-10% .105D-INX | 03273 | 10M560K |
| L410 | 9100-2256 | 5 | 1 | INDUCTOR RF-CH-MLD 560NH +-10% .105D-INX | 03273 | 10M560K |
| L411 | 9100-2256 | 5 | 1 | INDUCTOR RF-CH-MLD 560NH +-10% .105D-INX | 03273 | 10M560K |
| L412 | 9100-2256 | 5 | 1 | INDUCTOR RF-CH-MLD 560NH +-10% .105D-INX | 03273 | 10M560K |
| L413 | 9100-2256 | 5 | 1 | INDUCTOR RF-CH-MLD 560NH +-10% .105D-INX | 03273 | 10M560K |
| L414 | 9100-2256 | 5 | 1 | INDUCTOR RF-CH-MLD 560NH +-10% .105D-INX | 03273 | 10M560K |
| L415 | 9100-2258 | 7 | 1 | INDUCTOR RF-CH-MLD 1.2UH +-10% .105D-INX | 03273 | 10M121K |
| L416 | 9100-2256 | 5 | 1 | INDUCTOR RF-CH-MLD 560NH +-10% .105D-INX | 03273 | 10M560K |
| L417 | 9140-0210 | 1 | 1 | INDUCTOR RF-CH-MLD 100UH +-5% .166D-INX. | 03273 | 15M103J |
| L418 | 9100-0539 | 3 | 1 | INDUCTOR RF-CH-MLD 10UH +-5% .166D-INX.3 | 03273 | 15M102J |
| L419 | 9100-2256 | 5 | 1 | INDUCTOR RF-CH-MLD 560NH +-10% .105D-INX | 03273 | 10M560K |
| L420 | 9100-0539 | 3 | 1 | INDUCTOR RF-CH-MLD 10UH +-5% .166D-INX.3 | 03273 | 15M102J |
| L421 | 9100-0539 | 3 | 1 | INDUCTOR RF-CH-MLD 10UH +-5% .166D-INX.3 | 03273 | 15M102J |
| L422 | 9100-0539 | 3 | 1 | INDUCTOR RF-CH-MLD 10UH +-5% .166D-INX.3 | 03273 | 15M102J |
| L423 | 9100-0539 | 3 | 1 | INDUCTOR RF-CH-MLD 10UH +-5% .166D-INX.3 | 03273 | 15M102J |
| L424 | 9100-0539 | 3 | 1 | INDUCTOR RF-CH-MLD 10UH +-5% .166D-INX.3 | 03273 | 15M102J |
| L501 | 9100-2891 | 4 | 1 | INDUCTOR RF-CH-MLD 50NH +-10% .105D-INX. | 03273 | 10M050K-1 |
| L502 | 9100-2891 | 4 | 1 | INDUCTOR RF-CH-MLD 50NH +-10% .105D-INX. | 03273 | 10M050K-1 |
| L503 | 9135-0077 | 7 | 1 | INDUCTOR 36NH +-6.389% 2.6D-MMX6.6LG-MM | 03273 | 10M036X-1 |
| L504 | 9140-0141 | 7 | 1 | INDUCTOR RF-CH-MLD 680NH +-10% .105D-INX | 03273 | 10M680K |
| L505 | 9135-0075 | 5 | 1 | INDUCTOR RF-CH-MLD 43NH +-6.047% | 02172 | |
| L506 | 9100-2256 | 5 | 1 | INDUCTOR RF-CH-MLD 560NH +-10% .105D-INX | 03273 | 10M560K |
| L507 | 9100-2256 | 5 | 1 | INDUCTOR RF-CH-MLD 560NH +-10% .105D-INX | 03273 | 10M560K |
| L508 | 9100-0539 | 3 | 1 | INDUCTOR RF-CH-MLD 10UH +-5% .166D-INX.3 | 03273 | 15M102J |
| L509 | 9100-0539 | 3 | 1 | INDUCTOR RF-CH-MLD 10UH +-5% .166D-INX.3 | 03273 | 15M102J |
| L510 | 9100-0539 | 3 | 1 | INDUCTOR RF-CH-MLD 10UH +-5% .166D-INX.3 | 03273 | 15M102J |
| L511 | 9100-0539 | 3 | 1 | INDUCTOR RF-CH-MLD 10UH +-5% .166D-INX.3 | 03273 | 15M102J |
| L512 | 9100-0539 | 3 | 1 | INDUCTOR RF-CH-MLD 10UH +-5% .166D-INX.3 | 03273 | 15M102J |
| L601 | 9100-2486 | 3 | 1 | INDUCTOR RF-CH-MLD 330NH +-5% .166D-INX. | 03273 | 15M330J |
| L602 | 9100-2486 | 3 | 1 | INDUCTOR RF-CH-MLD 330NH +-5% .166D-INX. | 03273 | 15M330J |
| L603 | 9100-3913 | 3 | 1 | INDUCTOR RF-CH-MLD 3.3UH +-5% .166D-INX. | 03273 | 15M331J |
| L604 | 9140-0144 | 0 | 1 | INDUCTOR RF-CH-MLD 4.7UH +-10% .105D-INX | 03273 | 10M471K |
| L605 | 9140-0141 | 7 | 1 | INDUCTOR RF-CH-MLD 680NH +-10% .105D-INX | 03273 | 10M680K |
| L606 | 9100-2250 | 9 | 1 | INDUCTOR RF-CH-MLD 180NH +-10% .105D-INX | 03273 | 10M180K |
| L607 | 9140-1048 | 5 | 1 | INDUCTOR 23NH +-5% .23W-INX.38LG-IN Q=64 | 01886 | BUGS/132-2.5T |
| L608 | 9140-0141 | 7 | 1 | INDUCTOR RF-CH-MLD 680NH +-10% .105D-INX | 03273 | 10M680K |
| L609 | 9100-0539 | 3 | 1 | INDUCTOR RF-CH-MLD 10UH +-5% .166D-INX.3 | 03273 | 15M102J |
| L610 | 9140-0144 | 0 | 1 | INDUCTOR RF-CH-MLD 4.7UH +-10% .105D-INX | 03273 | 10M471K |
| L611 | 9140-0144 | 0 | 1 | INDUCTOR RF-CH-MLD 4.7UH +-10% .105D-INX | 03273 | 10M471K |
| L701 | 9100-2251 | 0 | 1 | INDUCTOR RF-CH-MLD 220NH +-10% .105D-INX | 03273 | 10M220K |
| L702 | 9100-2251 | 0 | 1 | INDUCTOR RF-CH-MLD 220NH +-10% .105D-INX | 03273 | 10M220K |
| L703 | 9100-2249 | 6 | 1 | INDUCTOR RF-CH-MLD 150NH +-10% .105D-INX | 03273 | 10M150K |
| L704 | 9140-0800 | 5 | 1 | INDUCTOR 16NH +-5% .23W-INX.38LG-IN Q=60 | 01886 | BUGS/132-1.5T |
| L706 | 9100-2891 | 4 | 1 | INDUCTOR RF-CH-MLD 50NH +-10% .105D-INX. | 03273 | 10M050K-1 |
| L709 | 8159-0005 | 0 | 1 | RESISTOR-ZERO OHMS 22 AWG LEAD DIA | 01339 | L-2007-1 |
| L801 | 9100-2252 | 1 | 1 | INDUCTOR RF-CH-MLD 270NH +-10% .105D-INX | 03273 | 10M270K |
| L802 | 9100-2252 | 1 | 1 | INDUCTOR RF-CH-MLD 270NH +-10% .105D-INX | 03273 | 10M270K |

*Indicates factory-selected value

HP Part Number 08562-60117
RF (Option 003 and Option 013)

| Reference Designation | HP Part Number | C | D | Qty | Description | Mfr Code | Mfr Part Number |
|-----------------------|----------------|---|---|-----|--|----------|-----------------|
| L803 | 9100-2256 | 5 | | 1 | INDUCTOR RF-CH-MLD 560NH +-10% .105D-INX | 03273 | 10M560K |
| L804 | 9100-2256 | 5 | | 1 | INDUCTOR RF-CH-MLD 560NH +-10% .105D-INX | 03273 | 10M560K |
| L805 | 9100-2256 | 5 | | 1 | INDUCTOR RF-CH-MLD 560NH +-10% .105D-INX | 03273 | 10M560K |
| L806 | 9100-0539 | 3 | | 1 | INDUCTOR RF-CH-MLD 10UH +-5% .166D-INX.3 | 03273 | 15M102J |
| L901 | 9140-0738 | 8 | | 1 | INDUCTOR 100UH .7D-INX.6LG-IN | 01869 | |
| L902 | 9140-0738 | 8 | | 1 | INDUCTOR 100UH .7D-INX.6LG-IN | 01869 | |
| L903 | 9140-0738 | 8 | | 1 | INDUCTOR 100UH .7D-INX.6LG-IN | 01869 | |
| L904 | 9140-0738 | 8 | | 1 | INDUCTOR 100UH .7D-INX.6LG-IN | 01869 | |
| MP2 | 0380-2056 | 6 | | 6 | SPACER-RVT-ON 17.5-MM-LG 3.8-MM-ID 6.17- | 02121 | |
| MP5 | 5021-6739 | 5 | | 1 | SHLD - TOP SIGPATH | 28480 | 5021-6739 |
| MP6 | 5021-6740 | 8 | | 1 | SHLD - BOT SIGPATH | 28480 | 5021-6740 |
| MP7 | 5022-0047 | 8 | | 1 | SHLD - TOP SYNTHZR | 28480 | 5022-0047 |
| MP8 | 5022-0046 | 7 | | 1 | SHLD - BOT SYNTHZR | 28480 | 5022-0046 |
| MP9 | 5021-6735 | 1 | | 1 | SHLD - TOP REF | 28480 | 5021-6735 |
| MP10 | 5021-6736 | 2 | | 1 | SHLD - BOT REF | 28480 | 5021-6736 |
| MP11 | 1200-0173 | 5 | | 4 | INSULATOR-XSTR DAP-GL | 02210 | A-10001 DAP |
| MP12 | 5041-7283 | 8 | | 1 | CLIP - LONG | 28480 | 5041-7283 |
| MP13 | 0624-0099 | 1 | | 1 | SCREW-TPG 4-40 .375-IN-LG PAN-HD-POZI | 01136 | |
| MP14 | 9320-5784 | 6 | | 1 | LBL-LNE-PTR .65-IN-WD X .2-IN-LG | 12532 | 1EW10R |
| MP15 | 0340-1173 | 2 | | 1 | INSULATOR 0.015 IN THK G-10 MATERIAL | 02739 | B14-047-01 |
| MP16 | 1400-0866 | 7 | | 1 | CLAMP-CABLE .187-DIA .25-WD NYL | 07158 | C61332AA |
| MP17 | 0515-1701 | 3 | | 2 | SCREW-MACHINE ASSEMBLY M2.5 X 0.45 | 05610 | |
| MP18 | 0515-0367 | 5 | | 3 | SCREW-MACHINE ASSEMBLY M2.5 X 0.45 | 05610 | |
| Q200 | 1854-1175 | 4 | | 1 | TRANSISTOR NPN SI TO-39 PD=2.5W FT=4.5GH | 02037 | MRF586 |
| Q201 | 1854-0720 | 3 | | 1 | TRANSISTOR NPN SI PD=500MW FT=4GHZ | 03334 | |
| Q202 | 1854-0345 | 8 | | 1 | TRANSISTOR NPN 2N5179 SI TO-72 PD=200MW | 02037 | 2N5179 |
| Q203 | 1854-0632 | 6 | | 1 | TRANSISTOR NPN SI PD=180MW FT=4GHZ | 02037 | |
| Q301 | 1854-0215 | 1 | | 1 | TRANSISTOR NPN SI TO-92 PD=625MW FT=300M | 00746 | 2N3904 |
| Q400 | 1854-0720 | 3 | | 1 | TRANSISTOR NPN SI PD=500MW FT=4GHZ | 03334 | |
| Q401 | 1854-0632 | 6 | | 1 | TRANSISTOR NPN SI PD=180MW FT=4GHZ | 02037 | |
| Q402 | 1853-0405 | 9 | | 1 | TRANSISTOR PNP SI PD=360MW FT=850MHZ | 02037 | 2N4209 |
| Q403 | 1853-0281 | 9 | | 1 | TRANSISTOR PNP 2N2907A SI TO-18 PD=400MW | 02037 | 2N2907A |
| Q501 | 1854-0720 | 3 | | 1 | TRANSISTOR NPN SI PD=500MW FT=4GHZ | 03334 | |
| Q502 | 1854-0720 | 3 | | 1 | TRANSISTOR NPN SI PD=500MW FT=4GHZ | 03334 | |
| Q503 | 1854-0720 | 3 | | 1 | TRANSISTOR NPN SI PD=500MW FT=4GHZ | 03334 | |
| Q504 | 1854-0632 | 6 | | 1 | TRANSISTOR NPN SI PD=180MW FT=4GHZ | 02037 | |
| Q505 | 1854-0632 | 6 | | 1 | TRANSISTOR NPN SI PD=180MW FT=4GHZ | 02037 | |
| Q506 | 1853-0405 | 9 | | 1 | TRANSISTOR PNP SI PD=360MW FT=850MHZ | 02037 | 2N4209 |
| Q601 | 1854-0378 | 7 | | 1 | TRANSISTOR NPN 2N5109 SI TO-39 PD=800MW | 02037 | 2N5109 |
| Q602 | 1854-0378 | 7 | | 1 | TRANSISTOR NPN 2N5109 SI TO-39 PD=800MW | 02037 | 2N5109 |
| Q603 | 1854-0378 | 7 | | 1 | TRANSISTOR NPN 2N5109 SI TO-39 PD=800MW | 02037 | 2N5109 |
| Q604 | 1854-0345 | 8 | | 1 | TRANSISTOR NPN 2N5179 SI TO-72 PD=200MW | 02037 | 2N5179 |
| Q701 | 1854-0946 | 5 | | 1 | TRANSISTOR NPN SI PD=290MW | 00039 | NE02135 |
| Q702 | 1854-0632 | 6 | | 1 | TRANSISTOR NPN SI PD=180MW FT=4GHZ | 02037 | |
| Q703 | 1853-0451 | 5 | | 1 | TRANSISTOR PNP 2N3799 SI TO-18 PD=360MW | 02037 | |
| Q704 | 1853-0451 | 5 | | 1 | TRANSISTOR PNP 2N3799 SI TO-18 PD=360MW | 02037 | |
| R100 | 0698-7242 | 5 | | 1 | RESISTOR 1.78K +-1% .05W TF TC=0+-100 | 00746 | CRB20 |

HP Part Number 08562-60117
RF (Option 003 and Option 013)

| Reference Designation | HP Part Number | C | D | Qty | Description | Mfr Code | Mfr Part Number |
|-----------------------|----------------|---|---|-----|--|----------|-----------------|
| R101 | 0698-7282 | 3 | | 1 | RESISTOR 82.5K +-1% .05W TF TC=0+-100 | 00746 | CRB20 |
| R102 | 0698-7282 | 3 | | 1 | RESISTOR 82.5K +-1% .05W TF TC=0+-100 | 00746 | CRB20 |
| R103 | 0698-7284 | 5 | | 1 | RESISTOR 100K +-1% .05W TF TC=0+-100 | 00746 | CRB20 |
| R104 | 0698-7284 | 5 | | 1 | RESISTOR 100K +-1% .05W TF TC=0+-100 | 00746 | CRB20 |
| R105 | 0698-7282 | 3 | | 1 | RESISTOR 82.5K +-1% .05W TF TC=0+-100 | 00746 | CRB20 |
| R106 | 0698-7282 | 3 | | 1 | RESISTOR 82.5K +-1% .05W TF TC=0+-100 | 00746 | CRB20 |
| R108 | 0698-7243 | 6 | | 1 | RESISTOR 1.96K +-1% .05W TF TC=0+-100 | 00746 | CRB20 |
| R109 | 0698-7201 | 6 | | 1 | RESISTOR 34.8 +-1% .05W TF TC=0+-100 | 00746 | CRB20 |
| R110 | 0698-7201 | 6 | | 1 | RESISTOR 34.8 +-1% .05W TF TC=0+-100 | 00746 | CRB20 |
| R111 | 0698-7236 | 7 | | 1 | RESISTOR 1K +-1% .05W TF TC=0+-100 | 00746 | CRB20 |
| R112 | 0698-7188 | 8 | | 1 | RESISTOR 10 +-1% .05W TF TC=0+-100 | 00746 | CRB20 |
| R113 | 0698-7243 | 6 | | 1 | RESISTOR 1.96K +-1% .05W TF TC=0+-100 | 00746 | CRB20 |
| R114 | 0698-7188 | 8 | | 1 | RESISTOR 10 +-1% .05W TF TC=0+-100 | 00746 | CRB20 |
| R115 | 0698-7214 | 1 | | 1 | RESISTOR 121 +-1% .05W TF TC=0+-100 | 00746 | CRB20 |
| R150 | 0698-7229 | 8 | | 1 | RESISTOR 511 +-1% .05W TF TC=0+-100 | 00746 | CRB20 |
| R151 | 0698-7229 | 8 | | 1 | RESISTOR 511 +-1% .05W TF TC=0+-100 | 00746 | CRB20 |
| R152 | 0698-7221 | 0 | | 1 | RESISTOR 237 +-1% .05W TF TC=0+-100 | 00746 | CRB20 |
| R153 | 0698-7261 | 8 | | 1 | RESISTOR 11K +-1% .05W TF TC=0+-100 | 00746 | CRB20 |
| R154 | 0698-7236 | 7 | | 1 | RESISTOR 1K +-1% .05W TF TC=0+-100 | 00746 | CRB20 |
| R155 | 0698-7229 | 8 | | 1 | RESISTOR 511 +-1% .05W TF TC=0+-100 | 00746 | CRB20 |
| R156 | 0698-7228 | 7 | | 1 | RESISTOR 464 +-1% .05W TF TC=0+-100 | 00746 | CRB20 |
| R157 | 0698-7212 | 9 | | 1 | RESISTOR 100 +-1% .05W TF TC=0+-100 | 00746 | CRB20 |
| R170 | 0698-7260 | 7 | | 1 | RESISTOR 10K +-1% .05W TF TC=0+-100 | 00746 | CRB20 |
| R200 | 0698-3405 | 4 | | 1 | RESISTOR 422 1% .5W TF TC=0+-100 | 01074 | H2 |
| R201 | 0757-0401 | 0 | | 1 | RESISTOR 100 +-1% .125W TF TC=0+-100 | 00746 | CRB14 OR CRB25 |
| R202 | 0757-0394 | 0 | | 1 | RESISTOR 51.1 +-1% .125W TF TC=0+-100 | 00746 | CRB14 OR CRB25 |
| R203 | 0757-0280 | 3 | | 1 | RESISTOR 1K +-1% .125W TF TC=0+-100 | 00746 | CRB14 OR CRB25 |
| R204 | 0757-0398 | 4 | | 1 | RESISTOR 75 +-1% .125W TF TC=0+-100 | 00746 | CRB14 OR CRB25 |
| R205 | 0757-0394 | 0 | | 1 | RESISTOR 51.1 +-1% .125W TF TC=0+-100 | 00746 | CRB14 OR CRB25 |
| R206 | 0757-0180 | 2 | | 1 | RESISTOR 31.6 +-1% .125W TF TC=0+-100 | 00746 | CRB14 OR CRB25 |
| R207 | 0757-0442 | 9 | | 1 | RESISTOR 10K +-1% .125W TF TC=0+-100 | 00746 | CRB14 OR CRB25 |
| R208 | 0757-0442 | 9 | | 1 | RESISTOR 10K +-1% .125W TF TC=0+-100 | 00746 | CRB14 OR CRB25 |
| R209 | 0757-0280 | 3 | | 1 | RESISTOR 1K +-1% .125W TF TC=0+-100 | 00746 | CRB14 OR CRB25 |
| R210 | 0757-0274 | 5 | | 1 | RESISTOR 1.21K +-1% .125W TF TC=0+-100 | 00746 | CRB14 OR CRB25 |
| R211 | 0698-3429 | 2 | | 1 | RESISTOR 19.6 1% .125W TF TC=0+-100 | 00746 | CRB14 OR CRB25 |
| R212 | 0757-0276 | 7 | | 1 | RESISTOR 61.9 +-1% .125W TF TC=0+-100 | 00746 | CRB14 OR CRB25 |
| R213 | 0757-0276 | 7 | | 1 | RESISTOR 61.9 +-1% .125W TF TC=0+-100 | 00746 | CRB14 OR CRB25 |
| R214 | 0757-0442 | 9 | | 1 | RESISTOR 10K +-1% .125W TF TC=0+-100 | 00746 | CRB14 OR CRB25 |
| R215 | 0698-7195 | 7 | | 1 | RESISTOR 19.6 +-1% .05W TF TC=0+-100 | 00746 | CRB20 |
| R216 | 0757-0416 | 7 | | 1 | RESISTOR 511 +-1% .125W TF TC=0+-100 | 00746 | CRB14 OR CRB25 |
| R217 | 0757-0317 | 7 | | 1 | RESISTOR 1.33K +-1% .125W TF TC=0+-100 | 00746 | CRB14 OR CRB25 |
| R218 | 0757-0394 | 0 | | 1 | RESISTOR 51.1 +-1% .125W TF TC=0+-100 | 00746 | CRB14 OR CRB25 |
| R219 | 0757-0401 | 0 | | 1 | RESISTOR 100 +-1% .125W TF TC=0+-100 | 00746 | CRB14 OR CRB25 |
| R220 | 0757-0442 | 9 | | 1 | RESISTOR 10K +-1% .125W TF TC=0+-100 | 00746 | CRB14 OR CRB25 |
| R221 | 0757-0401 | 0 | | 1 | RESISTOR 100 +-1% .125W TF TC=0+-100 | 00746 | CRB14 OR CRB25 |
| R222 | 0698-3444 | 1 | | 1 | RESISTOR 316 1% .125W TF TC=0+-100 | 00746 | CRB14 OR CRB25 |
| R223 | 0757-0401 | 0 | | 1 | RESISTOR 100 +-1% .125W TF TC=0+-100 | 00746 | CRB14 OR CRB25 |
| R224 | 0757-0401 | 0 | | 1 | RESISTOR 100 +-1% .125W TF TC=0+-100 | 00746 | CRB14 OR CRB25 |

*Indicates factory-selected value

HP Part Number 08562-60117
RF (Option 003 and Option 013)

| Reference Designation | HP Part Number | C | D | Qty | Description | Mfr Code | Mfr Part Number |
|-----------------------|----------------|---|---|-----|---|----------|-----------------|
| R225 | 0757-0397 | 3 | | 1 | RESISTOR 68.1 +-1% .125W TF TC=0+-100 | 00746 | CRB14 OR CRB25 |
| R226 | 0757-0428 | 1 | | 1 | RESISTOR 1.62K +-1% .125W TF TC=0+-100 | 00746 | CRB14 OR CRB25 |
| R227 | 0757-0428 | 1 | | 1 | RESISTOR 1.62K +-1% .125W TF TC=0+-100 | 00746 | CRB14 OR CRB25 |
| R228 | 0698-3132 | 4 | | 1 | RESISTOR 261 1% .125W TF TC=0+-100 | 00746 | CRB14 OR CRB25 |
| R229 | 0698-3434 | 9 | | 1 | RESISTOR 34.8 1% .125W TF TC=0+-100 | 00746 | CRB14 OR CRB25 |
| R230 | 0757-0442 | 9 | | 1 | RESISTOR 10K +-1% .125W TF TC=0+-100 | 00746 | CRB14 OR CRB25 |
| R231 | 0698-3440 | 7 | | 1 | RESISTOR 196 1% .125W TF TC=0+-100 | 00746 | CRB14 OR CRB25 |
| R232 | 0757-0401 | 0 | | 1 | RESISTOR 100 +-1% .125W TF TC=0+-100 | 00746 | CRB14 OR CRB25 |
| R233 | 0757-0401 | 0 | | 1 | RESISTOR 100 +-1% .125W TF TC=0+-100 | 00746 | CRB14 OR CRB25 |
| R234 | 0757-0397 | 3 | | 1 | RESISTOR 68.1 +-1% .125W TF TC=0+-100 | 00746 | CRB14 OR CRB25 |
| R235 | 0757-0442 | 9 | | 1 | RESISTOR 10K +-1% .125W TF TC=0+-100 | 00746 | CRB14 OR CRB25 |
| R236 | 0757-0276 | 7 | | 1 | RESISTOR 61.9 +-1% .125W TF TC=0+-100 | 00746 | CRB14 OR CRB25 |
| R237 | 2100-4208 | 4 | | 1 | RESISTOR-TRMR 200 10% TKF TOP-ADJ 1-TRN | 03744 | 3329H-DM3-201 |
| R238 | 0698-7196 | 8 | | 1 | RESISTOR 21.5 +-1% .05W TF TC=0+-100 | 00746 | CRB20 |
| R301 | 0698-3150 | 6 | | 1 | RESISTOR 2.37K 1% .125W TF TC=0+-100 | 00746 | CRB14 OR CRB25 |
| R302 | 0757-0422 | 5 | | 1 | RESISTOR 909 +-1% .125W TF TC=0+-100 | 00746 | CRB14 OR CRB25 |
| R303 | 0698-3150 | 6 | | 1 | RESISTOR 2.37K 1% .125W TF TC=0+-100 | 00746 | CRB14 OR CRB25 |
| R304 | 0698-3132 | 4 | | 1 | RESISTOR 261 1% .125W TF TC=0+-100 | 00746 | CRB14 OR CRB25 |
| R305 | 0757-0394 | 0 | | 1 | RESISTOR 51.1 +-1% .125W TF TC=0+-100 | 00746 | CRB14 OR CRB25 |
| R307 | 0698-0083 | 8 | | 1 | RESISTOR 1.96K 1% .125W TF TC=0+-100 | 00746 | CRB14 OR CRB25 |
| R308 | 0698-3444 | 1 | | 1 | RESISTOR 316 1% .125W TF TC=0+-100 | 00746 | CRB14 OR CRB25 |
| R309 | 0698-3444 | 1 | | 1 | RESISTOR 316 1% .125W TF TC=0+-100 | 00746 | CRB14 OR CRB25 |
| R310 | 0757-0394 | 0 | | 1 | RESISTOR 51.1 +-1% .125W TF TC=0+-100 | 00746 | CRB14 OR CRB25 |
| R311 | 0698-3445 | 2 | | 1 | RESISTOR 348 1% .125W TF TC=0+-100 | 00746 | CRB14 OR CRB25 |
| R312 | 0698-3132 | 4 | | 1 | RESISTOR 261 1% .125W TF TC=0+-100 | 00746 | CRB14 OR CRB25 |
| R313 | 0757-0317 | 7 | | 1 | RESISTOR 1.33K +-1% .125W TF TC=0+-100 | 00746 | CRB14 OR CRB25 |
| R314 | 0698-0084 | 9 | | 1 | RESISTOR 2.15K 1% .125W TF TC=0+-100 | 00746 | CRB14 OR CRB25 |
| R315 | 0698-3132 | 4 | | 1 | RESISTOR 261 1% .125W TF TC=0+-100 | 00746 | CRB14 OR CRB25 |
| R316 | 0757-0401 | 0 | | 1 | RESISTOR 100 +-1% .125W TF TC=0+-100 | 00746 | CRB14 OR CRB25 |
| R317 | 0698-3437 | 2 | | 1 | RESISTOR 133 1% .125W TF TC=0+-100 | 00746 | CRB14 OR CRB25 |
| R318 | 0757-0420 | 3 | | 1 | RESISTOR 750 +-1% .125W TF TC=0+-100 | 00746 | CRB14 OR CRB25 |
| R319 | 0757-0280 | 3 | | 1 | RESISTOR 1K +-1% .125W TF TC=0+-100 | 00746 | CRB14 OR CRB25 |
| R320 | 0757-0280 | 3 | | 1 | RESISTOR 1K +-1% .125W TF TC=0+-100 | 00746 | CRB14 OR CRB25 |
| R321 | 0757-0422 | 5 | | 1 | RESISTOR 909 +-1% .125W TF TC=0+-100 | 00746 | CRB14 OR CRB25 |
| R322 | 0698-3437 | 2 | | 1 | RESISTOR 133 1% .125W TF TC=0+-100 | 00746 | CRB14 OR CRB25 |
| R323 | 0757-0394 | 0 | | 1 | RESISTOR 51.1 +-1% .125W TF TC=0+-100 | 00746 | CRB14 OR CRB25 |
| R324 | 0757-0422 | 5 | | 1 | RESISTOR 909 +-1% .125W TF TC=0+-100 | 00746 | CRB14 OR CRB25 |
| R325 | 0698-3437 | 2 | | 1 | RESISTOR 133 1% .125W TF TC=0+-100 | 00746 | CRB14 OR CRB25 |
| R326 | 0698-3156 | 2 | | 1 | RESISTOR 14.7K 1% .125W TF TC=0+-100 | 00746 | CRB14 OR CRB25 |
| R327 | 0698-3434 | 9 | | 1 | RESISTOR 34.8 1% .125W TF TC=0+-100 | 00746 | CRB14 OR CRB25 |
| R328 | 0757-0278 | 9 | | 1 | RESISTOR 1.78K +-1% .125W TF TC=0+-100 | 00746 | CRB14 OR CRB25 |
| R329 | 0698-3446 | 3 | | 1 | RESISTOR 383 1% .125W TF TC=0+-100 | 00746 | CRB14 OR CRB25 |
| R330 | 0757-0802 | 5 | | 1 | RESISTOR 162 +-1% .5W TF TC=0+-100 | 01074 | H2 |
| R400 | 0757-0401 | 0 | | 1 | RESISTOR 100 +-1% .125W TF TC=0+-100 | 00746 | CRB14 OR CRB25 |
| R401 | 0757-0401 | 0 | | 1 | RESISTOR 100 +-1% .125W TF TC=0+-100 | 00746 | CRB14 OR CRB25 |
| R402 | 0757-0397 | 3 | | 1 | RESISTOR 68.1 +-1% .125W TF TC=0+-100 | 00746 | CRB14 OR CRB25 |
| R403 | 0757-0428 | 1 | | 1 | RESISTOR 1.62K +-1% .125W TF TC=0+-100 | 00746 | CRB14 OR CRB25 |

HP Part Number 08562-60117
RF (Option 003 and Option 013)

| Reference Designation | HP Part Number | C | D | Qty | Description | Mfr Code | Mfr Part Number |
|-----------------------|----------------|---|---|-----|---|----------|-----------------|
| R404 | 0698-3440 | 7 | | 1 | RESISTOR 196 1% .125W TF TC=0+-100 | 00746 | CRB14 OR CRB25 |
| R405 | 0757-0428 | 1 | | 1 | RESISTOR 1.62K +-1% .125W TF TC=0+-100 | 00746 | CRB14 OR CRB25 |
| R406 | 0698-3132 | 4 | | 1 | RESISTOR 261 1% .125W TF TC=0+-100 | 00746 | CRB14 OR CRB25 |
| R407 | 0698-3434 | 9 | | 1 | RESISTOR 34.8 1% .125W TF TC=0+-100 | 00746 | CRB14 OR CRB25 |
| R408 | 0757-0401 | 0 | | 1 | RESISTOR 100 +-1% .125W TF TC=0+-100 | 00746 | CRB14 OR CRB25 |
| R409 | 0757-0401 | 0 | | 1 | RESISTOR 100 +-1% .125W TF TC=0+-100 | 00746 | CRB14 OR CRB25 |
| R410 | 0757-0397 | 3 | | 1 | RESISTOR 68.1 +-1% .125W TF TC=0+-100 | 00746 | CRB14 OR CRB25 |
| R411 | 0698-3438 | 3 | | 1 | RESISTOR 147 1% .125W TF TC=0+-100 | 00746 | CRB14 OR CRB25 |
| R412 | 0757-0419 | 0 | | 1 | RESISTOR 681 +-1% .125W TF TC=0+-100 | 00746 | CRB14 OR CRB25 |
| R413 | 0757-0400 | 9 | | 1 | RESISTOR 90.9 +-1% .125W TF TC=0+-100 | 00746 | CRB14 OR CRB25 |
| R414 | 0757-0400 | 9 | | 1 | RESISTOR 90.9 +-1% .125W TF TC=0+-100 | 00746 | CRB14 OR CRB25 |
| R415 | 0698-3437 | 2 | | 1 | RESISTOR 133 1% .125W TF TC=0+-100 | 00746 | CRB14 OR CRB25 |
| R416 | 0698-3437 | 2 | | 1 | RESISTOR 133 1% .125W TF TC=0+-100 | 00746 | CRB14 OR CRB25 |
| R417 | 0698-4037 | 0 | | 1 | RESISTOR 46.4 1% .125W TF TC=0+-100 | 00746 | CRB14 OR CRB25 |
| R418 | 0757-0394 | 0 | | 1 | RESISTOR 51.1 +-1% .125W TF TC=0+-100 | 00746 | CRB14 OR CRB25 |
| R419 | 0757-0394 | 0 | | 1 | RESISTOR 51.1 +-1% .125W TF TC=0+-100 | 00746 | CRB14 OR CRB25 |
| R420 | 0757-0394 | 0 | | 1 | RESISTOR 51.1 +-1% .125W TF TC=0+-100 | 00746 | CRB14 OR CRB25 |
| R421 | 0757-0317 | 7 | | 1 | RESISTOR 1.33K +-1% .125W TF TC=0+-100 | 00746 | CRB14 OR CRB25 |
| R422 | 0757-0346 | 2 | | 1 | RESISTOR 10 +-1% .125W TF TC=0+-100 | 00746 | CRB14 OR CRB25 |
| R423 | 0757-0280 | 3 | | 1 | RESISTOR 1K +-1% .125W TF TC=0+-100 | 00746 | CRB14 OR CRB25 |
| R424 | 0757-0280 | 3 | | 1 | RESISTOR 1K +-1% .125W TF TC=0+-100 | 00746 | CRB14 OR CRB25 |
| R425 | 0698-3434 | 9 | | 1 | RESISTOR 34.8 1% .125W TF TC=0+-100 | 00746 | CRB14 OR CRB25 |
| R426 | 0757-0442 | 9 | | 1 | RESISTOR 10K +-1% .125W TF TC=0+-100 | 00746 | CRB14 OR CRB25 |
| R427 | 0698-0085 | 0 | | 1 | RESISTOR 2.61K 1% .125W TF TC=0+-100 | 00746 | CRB14 OR CRB25 |
| R428 | 0698-0082 | 7 | | 1 | RESISTOR 464 1% .125W TF TC=0+-100 | 00746 | CRB14 OR CRB25 |
| R429 | 0698-0082 | 7 | | 1 | RESISTOR 464 1% .125W TF TC=0+-100 | 00746 | CRB14 OR CRB25 |
| R430 | 0698-0083 | 8 | | 1 | RESISTOR 1.96K 1% .125W TF TC=0+-100 | 00746 | CRB14 OR CRB25 |
| R431 | 0698-0083 | 8 | | 1 | RESISTOR 1.96K 1% .125W TF TC=0+-100 | 00746 | CRB14 OR CRB25 |
| R432 | 0757-0274 | 5 | | 1 | RESISTOR 1.21K +-1% .125W TF TC=0+-100 | 00746 | CRB14 OR CRB25 |
| R433 | 0698-0083 | 8 | | 1 | RESISTOR 1.96K 1% .125W TF TC=0+-100 | 00746 | CRB14 OR CRB25 |
| R434 | 0698-0083 | 8 | | 1 | RESISTOR 1.96K 1% .125W TF TC=0+-100 | 00746 | CRB14 OR CRB25 |
| R435 | 0698-3437 | 2 | | 1 | RESISTOR 133 1% .125W TF TC=0+-100 | 00746 | CRB14 OR CRB25 |
| R436 | 0698-3429 | 2 | | 1 | RESISTOR 19.6 1% .125W TF TC=0+-100 | 00746 | CRB14 OR CRB25 |
| R437 | 0698-3440 | 7 | | 1 | RESISTOR 196 1% .125W TF TC=0+-100 | 00746 | CRB14 OR CRB25 |
| R438 | 0757-0346 | 2 | | 1 | RESISTOR 10 +-1% .125W TF TC=0+-100 | 00746 | CRB14 OR CRB25 |
| R439 | 0698-3444 | 1 | | 1 | RESISTOR 316 1% .125W TF TC=0+-100 | 00746 | CRB14 OR CRB25 |
| R443 | 0698-8812 | 7 | | 1 | RESISTOR 1 +-1% .125W TF TC=0+-100 | 02995 | SFR25H |
| R444 | 0757-0280 | 3 | | 1 | RESISTOR 1K +-1% .125W TF TC=0+-100 | 00746 | CRB14 OR CRB25 |
| R445 | 0757-0280 | 3 | | 1 | RESISTOR 1K +-1% .125W TF TC=0+-100 | 00746 | CRB14 OR CRB25 |
| R446 | 0757-0401 | 0 | | 1 | RESISTOR 100 +-1% .125W TF TC=0+-100 | 00746 | CRB14 OR CRB25 |
| R447 | 0698-3156 | 2 | | 1 | RESISTOR 14.7K 1% .125W TF TC=0+-100 | 00746 | CRB14 OR CRB25 |
| R448 | 0757-0443 | 0 | | 1 | RESISTOR 11k +-1% .125W TF TC=0+-100 | 00746 | CRB14 OR CRB25 |
| R449 | 0757-0418 | 9 | | 1 | RESISTOR 619 +-1% .125W TF TC=0+-100 | 00746 | CRB14 OR CRB25 |
| R451 | 0757-0280 | 3 | | 1 | RESISTOR 1K +-1% .125W TF TC=0+-100 | 00746 | CRB14 OR CRB25 |
| R452 | 0757-0416 | 7 | | 1 | RESISTOR 511 +-1% .125W TF TC=0+-100 | 00746 | CRB14 OR CRB25 |
| R453 | 2100-4208 | 4 | | 1 | RESISTOR-TRMR 200 10% TKF TOP-ADJ 1-TRN | 03744 | 3329H-DM3-201 |
| R454 | 0757-0280 | 3 | | 1 | RESISTOR 1K +-1% .125W TF TC=0+-100 | 00746 | CRB14 OR CRB25 |
| R455 | 0757-0401 | 0 | | 1 | RESISTOR 100 +-1% .125W TF TC=0+-100 | 00746 | CRB14 OR CRB25 |

*Indicates factory-selected value

HP Part Number 08562-60117
RF (Option 003 and Option 013)

| Reference Designation | HP Part Number | C D | Qty | Description | Mfr Code | Mfr Part Number |
|-----------------------|----------------|-----|-----|--|----------|-----------------|
| R456 | 0757-0442 | 9 | 1 | RESISTOR 10K +-1% .125W TF TC=0+-100 | 00746 | CRB14 OR CRB25 |
| R457 | 0757-0416 | 7 | 1 | RESISTOR 511 +-1% .125W TF TC=0+-100 | 00746 | CRB14 OR CRB25 |
| R458 | 0757-0464 | 5 | 1 | RESISTOR 90.9K +-1% .125W TF TC=0+-100 | 00746 | CRB14 OR CRB25 |
| R459 | 0757-0464 | 5 | 1 | RESISTOR 90.9K +-1% .125W TF TC=0+-100 | 00746 | CRB14 OR CRB25 |
| R460 | 0698-0085 | 0 | 1 | RESISTOR 2.61K 1% .125W TF TC=0+-100 | 00746 | CRB14 OR CRB25 |
| R461 | 0757-0442 | 9 | 1 | RESISTOR 10K +-1% .125W TF TC=0+-100 | 00746 | CRB14 OR CRB25 |
| R462 | 0698-6360 | 6 | 1 | RESISTOR 10K +-0.1% .125W TF TC=0+-25 | 00746 | CRB14 OR CRB25 |
| R463 | 0698-6360 | 6 | 1 | RESISTOR 10K +-0.1% .125W TF TC=0+-25 | 00746 | CRB14 OR CRB25 |
| R464 | 0698-6360 | 6 | 1 | RESISTOR 10K +-0.1% .125W TF TC=0+-25 | 00746 | CRB14 OR CRB25 |
| R465 | 0698-0083 | 8 | 1 | RESISTOR 1.96K 1% .125W TF TC=0+-100 | 00746 | CRB14 OR CRB25 |
| R466 | 0757-0394 | 0 | 1 | RESISTOR 51.1 +-1% .125W TF TC=0+-100 | 00746 | CRB14 OR CRB25 |
| R467 | 0698-0084 | 9 | 1 | RESISTOR 2.15K 1% .125W TF TC=0+-100 | 00746 | CRB14 OR CRB25 |
| R468 | 0698-3155 | 1 | 1 | RESISTOR 4.64K 1% .125W TF TC=0+-100 | 00746 | CRB14 OR CRB25 |
| R478 | 0698-3440 | 7 | 1 | RESISTOR 196 1% .125W TF TC=0+-100 | 00746 | CRB14 OR CRB25 |
| R479 | 0698-3441 | 8 | 1 | RESISTOR 215 1% .125W TF TC=0+-100 | 00746 | CRB14 OR CRB25 |
| R480 | 0698-3442 | 9 | 1 | RESISTOR 237 1% .125W TF TC=0+-100 | 00746 | CRB14 OR CRB25 |
| R481 | 0698-3443 | 0 | 1 | RESISTOR 287 1% .125W TF TC=0+-100 | 00746 | CRB14 OR CRB25 |
| R482 | 0698-3444 | 1 | 1 | RESISTOR 316 1% .125W TF TC=0+-100 | 00746 | CRB14 OR CRB25 |
| R483 | 0698-3445 | 2 | 1 | RESISTOR 348 1% .125W TF TC=0+-100 | 00746 | CRB14 OR CRB25 |
| R484 | 0698-3446 | 3 | 1 | RESISTOR 383 1% .125W TF TC=0+-100 | 00746 | CRB14 OR CRB25 |
| R485 | 0698-3447 | 4 | 1 | RESISTOR 422 1% .125W TF TC=0+-100 | 00746 | CRB14 OR CRB25 |
| R486 | 0757-0442 | 9 | 1 | RESISTOR 10K +-1% .125W TF TC=0+-100 | 00746 | CRB14 OR CRB25 |
| R487 | 0757-0442 | 9 | 1 | RESISTOR 10K +-1% .125W TF TC=0+-100 | 00746 | CRB14 OR CRB25 |
| R488 | 0757-0442 | 9 | 1 | RESISTOR 10K +-1% .125W TF TC=0+-100 | 00746 | CRB14 OR CRB25 |
| R489 | 0757-0400 | 9 | 1 | RESISTOR 90.9 +-1% .125W TF TC=0+-100 | 00746 | CRB14 OR CRB25 |
| R501 | 0757-0403 | 2 | 1 | RESISTOR 121 +-1% .125W TF TC=0+-100 | 00746 | CRB14 OR CRB25 |
| R502 | 0757-0403 | 2 | 1 | RESISTOR 121 +-1% .125W TF TC=0+-100 | 00746 | CRB14 OR CRB25 |
| R503 | 0757-0394 | 0 | 1 | RESISTOR 51.1 +-1% .125W TF TC=0+-100 | 00746 | CRB14 OR CRB25 |
| R504 | 0757-0442 | 9 | 1 | RESISTOR 10K +-1% .125W TF TC=0+-100 | 00746 | CRB14 OR CRB25 |
| R505 | 0698-3446 | 3 | 1 | RESISTOR 383 1% .125W TF TC=0+-100 | 00746 | CRB14 OR CRB25 |
| R506 | 0698-0084 | 9 | 1 | RESISTOR 2.15K 1% .125W TF TC=0+-100 | 00746 | CRB14 OR CRB25 |
| R507 | 0698-3132 | 4 | 1 | RESISTOR 261 1% .125W TF TC=0+-100 | 00746 | CRB14 OR CRB25 |
| R509 | 0757-0394 | 0 | 1 | RESISTOR 51.1 +-1% .125W TF TC=0+-100 | 00746 | CRB14 OR CRB25 |
| R510 | 0757-0317 | 7 | 1 | RESISTOR 1.33K +-1% .125W TF TC=0+-100 | 00746 | CRB14 OR CRB25 |
| R511 | 0698-3153 | 9 | 1 | RESISTOR 3.83K 1% .125W TF TC=0+-100 | 00746 | CRB14 OR CRB25 |
| R512 | 0698-3444 | 1 | 1 | RESISTOR 316 1% .125W TF TC=0+-100 | 00746 | CRB14 OR CRB25 |
| R513 | 0698-3444 | 1 | 1 | RESISTOR 316 1% .125W TF TC=0+-100 | 00746 | CRB14 OR CRB25 |
| R514 | 0757-0394 | 0 | 1 | RESISTOR 51.1 +-1% .125W TF TC=0+-100 | 00746 | CRB14 OR CRB25 |
| R515 | 0698-3440 | 7 | 1 | RESISTOR 196 1% .125W TF TC=0+-100 | 00746 | CRB14 OR CRB25 |
| R516 | 0757-0274 | 5 | 1 | RESISTOR 1.21K +-1% .125W TF TC=0+-100 | 00746 | CRB14 OR CRB25 |
| R517 | 0698-3444 | 1 | 1 | RESISTOR 316 1% .125W TF TC=0+-100 | 00746 | CRB14 OR CRB25 |
| R518 | 0757-0346 | 2 | 1 | RESISTOR 10 +-1% .125W TF TC=0+-100 | 00746 | CRB14 OR CRB25 |
| R519 | 0757-0442 | 9 | 1 | RESISTOR 10K +-1% .125W TF TC=0+-100 | 00746 | CRB14 OR CRB25 |
| R520 | 0698-8812 | 7 | 1 | RESISTOR 1 +-1% .125W TF TC=0+-100 | 02995 | SFR25H |
| R521 | 0757-0346 | 2 | 1 | RESISTOR 10 +-1% .125W TF TC=0+-100 | 00746 | CRB14 OR CRB25 |
| R522 | 0757-0398 | 4 | 1 | RESISTOR 75 +-1% .125W TF TC=0+-100 | 00746 | CRB14 OR CRB25 |
| R523 | 0698-3150 | 6 | 1 | RESISTOR 2.37K 1% .125W TF TC=0+-100 | 00746 | CRB14 OR CRB25 |

HP Part Number 08562-60117
RF (Option 003 and Option 013)

| Reference Designation | HP Part Number | C | D | Qty | Description | Mfr Code | Mfr Part Number |
|-----------------------|----------------|---|---|-----|--|----------|-----------------|
| R524 | 0698-3437 | 2 | | 1 | RESISTOR 133 1% .125W TF TC=0+-100 | 00746 | CRB14 OR CRB25 |
| R525 | 0757-0280 | 3 | | 1 | RESISTOR 1K +-1% .125W TF TC=0+-100 | 00746 | CRB14 OR CRB25 |
| R526 | 0757-0424 | 7 | | 1 | RESISTOR 1.1K +-1% .125W TF TC=0+-100 | 00746 | CRB14 OR CRB25 |
| R527 | 0757-0418 | 9 | | 1 | RESISTOR 619 +-1% .125W TF TC=0+-100 | 00746 | CRB14 OR CRB25 |
| R528 | 0698-3440 | 7 | | 1 | RESISTOR 196 1% .125W TF TC=0+-100 | 00746 | CRB14 OR CRB25 |
| R529 | 0757-0442 | 9 | | 1 | RESISTOR 10K +-1% .125W TF TC=0+-100 | 00746 | CRB14 OR CRB25 |
| R530 | 0757-0180 | 2 | | 1 | RESISTOR 31.6 +-1% .125W TF TC=0+-100 | 00746 | CRB14 OR CRB25 |
| R531 | 0757-0405 | 4 | | 1 | RESISTOR 162 +-1% .125W TF TC=0+-100 | 00746 | CRB14 OR CRB25 |
| R532 | 0757-0405 | 4 | | 1 | RESISTOR 162 +-1% .125W TF TC=0+-100 | 00746 | CRB14 OR CRB25 |
| R533 | 0757-0346 | 2 | | 1 | RESISTOR 10 +-1% .125W TF TC=0+-100 | 00746 | CRB14 OR CRB25 |
| R534 | 0757-0442 | 9 | | 1 | RESISTOR 10K +-1% .125W TF TC=0+-100 | 00746 | CRB14 OR CRB25 |
| R535 | 0698-3447 | 4 | | 1 | RESISTOR 422 1% .125W TF TC=0+-100 | 00746 | CRB14 OR CRB25 |
| R536 | 0698-3438 | 3 | | 1 | RESISTOR 147 1% .125W TF TC=0+-100 | 00746 | CRB14 OR CRB25 |
| R537 | 0698-0084 | 9 | | 1 | RESISTOR 2.15K 1% .125W TF TC=0+-100 | 00746 | CRB14 OR CRB25 |
| R538 | 0698-3132 | 4 | | 1 | RESISTOR 261 1% .125W TF TC=0+-100 | 00746 | CRB14 OR CRB25 |
| R539 | 0757-0382 | 6 | | 1 | RESISTOR 16.2 +-1% .125W TF TC=0+-100 | 00746 | CRB14 OR CRB25 |
| R540 | 0698-3443 | 0 | | 1 | RESISTOR 287 1% .125W TF TC=0+-100 | 00746 | CRB14 OR CRB25 |
| R541 | 0698-7188 | 8 | | 1 | RESISTOR 10 +-1% .05W TF TC=0+-100 | 00746 | CRB20 |
| R543 | 0698-3443 | 0 | | 1 | RESISTOR 287 1% .125W TF TC=0+-100 | 00746 | CRB14 OR CRB25 |
| R544 | 0757-0294 | 9 | | 1 | RESISTOR 17.8 +-1% .125W TF TC=0+-100 | 00746 | CRB14 OR CRB25 |
| R545 | 0698-3444 | 1 | | 1 | RESISTOR 316 1% .125W TF TC=0+-100 | 00746 | CRB14 OR CRB25 |
| R546 | 0698-0085 | 0 | | 1 | RESISTOR 2.61K 1% .125W TF TC=0+-100 | 00746 | CRB14 OR CRB25 |
| R547 | 0757-0416 | 7 | | 1 | RESISTOR 511 +-1% .125W TF TC=0+-100 | 00746 | CRB14 OR CRB25 |
| R548 | 0757-0442 | 9 | | 1 | RESISTOR 10K +-1% .125W TF TC=0+-100 | 00746 | CRB14 OR CRB25 |
| R549 | 0757-0397 | 3 | | 1 | RESISTOR 68.1 +-1% .125W TF TC=0+-100 | 00746 | CRB14 OR CRB25 |
| R550 | 0757-0401 | 0 | | 1 | RESISTOR 100 +-1% .125W TF TC=0+-100 | 00746 | CRB14 OR CRB25 |
| R551 | 0757-0401 | 0 | | 1 | RESISTOR 100 +-1% .125W TF TC=0+-100 | 00746 | CRB14 OR CRB25 |
| R552 | 0757-0394 | 0 | | 1 | RESISTOR 51.1 +-1% .125W TF TC=0+-100 | 00746 | CRB14 OR CRB25 |
| R553 | 0757-0416 | 7 | | 1 | RESISTOR 511 +-1% .125W TF TC=0+-100 | 00746 | CRB14 OR CRB25 |
| R554 | 0757-0280 | 3 | | 1 | RESISTOR 1K +-1% .125W TF TC=0+-100 | 00746 | CRB14 OR CRB25 |
| R555 | 0757-0442 | 9 | | 1 | RESISTOR 10K +-1% .125W TF TC=0+-100 | 00746 | CRB14 OR CRB25 |
| R556 | 0757-0442 | 9 | | 1 | RESISTOR 10K +-1% .125W TF TC=0+-100 | 00746 | CRB14 OR CRB25 |
| R557 | 0757-0416 | 7 | | 1 | RESISTOR 511 +-1% .125W TF TC=0+-100 | 00746 | CRB14 OR CRB25 |
| R558 | 0757-0401 | 0 | | 1 | RESISTOR 100 +-1% .125W TF TC=0+-100 | 00746 | CRB14 OR CRB25 |
| R559 | 0757-0416 | 7 | | 1 | RESISTOR 511 +-1% .125W TF TC=0+-100 | 00746 | CRB14 OR CRB25 |
| R560 | 0698-7212 | 9 | | 1 | RESISTOR 100 +-1% .05W TF TC=0+-100 | 00746 | CRB20 |
| R561 | 2100-3617 | 7 | | 1 | RESISTOR-TRMR 500 10% TKF TOP-ADJ 17-TRN | 03744 | 3299W-DM3-501 |
| R562 | 0698-7246 | 9 | | 1 | RESISTOR 2.61K +-1% .05W TF TC=0+-100 | 00746 | CRB20 |
| R563 | 0698-7250 | 5 | | 1 | RESISTOR 3.83K +-1% .05W TF TC=0+-100 | 00746 | CRB20 |
| R564 | 0757-0280 | 3 | | 1 | RESISTOR 1K +-1% .125W TF TC=0+-100 | 00746 | CRB14 OR CRB25 |
| R565 | 0698-7236 | 7 | | 1 | RESISTOR 1K +-1% .05W TF TC=0+-100 | 00746 | CRB20 |
| R566 | 0698-7242 | 5 | | 1 | RESISTOR 1.78K +-1% .05W TF TC=0+-100 | 00746 | CRB20 |
| R567 | 0757-0280 | 3 | | 1 | RESISTOR 1K +-1% .125W TF TC=0+-100 | 00746 | CRB14 OR CRB25 |
| R568 | 0698-0082 | 7 | | 1 | RESISTOR 464 1% .125W TF TC=0+-100 | 00746 | CRB14 OR CRB25 |
| R569 | 0698-0082 | 7 | | 1 | RESISTOR 464 1% .125W TF TC=0+-100 | 00746 | CRB14 OR CRB25 |
| R570 | 0757-0280 | 3 | | 1 | RESISTOR 1K +-1% .125W TF TC=0+-100 | 00746 | CRB14 OR CRB25 |
| R571 | 0757-0416 | 7 | | 1 | RESISTOR 511 +-1% .125W TF TC=0+-100 | 00746 | CRB14 OR CRB25 |
| R572 | 0757-0280 | 3 | | 1 | RESISTOR 1K +-1% .125W TF TC=0+-100 | 00746 | CRB14 OR CRB25 |

*Indicates factory-selected value

HP Part Number 08562-60117
RF (Option 003 and Option 013)

| Reference Designation | HP Part Number | C D | Qty | Description | Mfr Code | Mfr Part Number |
|-----------------------|----------------|-----|-----|---|----------|-----------------|
| R573 | 0757-0416 | 7 | 1 | RESISTOR 511 +-1% .125W TF TC=0+-100 | 00746 | CRB14 OR CRB25 |
| R574 | 0698-8822 | 9 | 1 | RESISTOR 6.81 +-1% .125W TF TC=0+-100 | 01074 | H8 |
| R575 | 0757-0405 | 4 | 1 | RESISTOR 162 +-1% .125W TF TC=0+-100 | 00746 | CRB14 OR CRB25 |
| R576 | 0757-0442 | 9 | 1 | RESISTOR 10K +-1% .125W TF TC=0+-100 | 00746 | CRB14 OR CRB25 |
| R577 | 0757-0442 | 9 | 1 | RESISTOR 10K +-1% .125W TF TC=0+-100 | 00746 | CRB14 OR CRB25 |
| R578 | 0757-0442 | 9 | 1 | RESISTOR 10K +-1% .125W TF TC=0+-100 | 00746 | CRB14 OR CRB25 |
| R579 | 0757-0442 | 9 | 1 | RESISTOR 10K +-1% .125W TF TC=0+-100 | 00746 | CRB14 OR CRB25 |
| R580 | 0757-0288 | 1 | 1 | RESISTOR 9.09K +-1% .125W TF TC=0+-100 | 00746 | CRB14 OR CRB25 |
| R581 | 0757-0288 | 1 | 1 | RESISTOR 9.09K +-1% .125W TF TC=0+-100 | 00746 | CRB14 OR CRB25 |
| R582 | 0698-7929 | 5 | 1 | RESISTOR 9.09K +-0.1% .125W TF TC=0+-50 | 00746 | CRB14 OR CRB25 |
| R583 | 0698-6963 | 5 | 1 | RESISTOR 5.55K +-0.1% .125W TF TC=0+-25 | 00746 | CRB14 OR CRB25 |
| R584 | 0698-7233 | 4 | 1 | RESISTOR 750 +-1% .05W TF TC=0+-100 | 00746 | CRB20 |
| R601 | 0698-7205 | 0 | 1 | RESISTOR 51.1 +-1% .05W TF TC=0+-100 | 00746 | CRB20 |
| R602 | 0698-3440 | 7 | 1 | RESISTOR 196 1% .125W TF TC=0+-100 | 00746 | CRB14 OR CRB25 |
| R603 | 0698-0082 | 7 | 1 | RESISTOR 464 1% .125W TF TC=0+-100 | 00746 | CRB14 OR CRB25 |
| R604 | 0757-0317 | 7 | 1 | RESISTOR 1.33K +-1% .125W TF TC=0+-100 | 00746 | CRB14 OR CRB25 |
| R605 | 0698-3438 | 3 | 1 | RESISTOR 147 1% .125W TF TC=0+-100 | 00746 | CRB14 OR CRB25 |
| R606 | 0698-3438 | 3 | 1 | RESISTOR 147 1% .125W TF TC=0+-100 | 00746 | CRB14 OR CRB25 |
| R607 | 0757-0401 | 0 | 1 | RESISTOR 100 +-1% .125W TF TC=0+-100 | 00746 | CRB14 OR CRB25 |
| R608 | 0698-8822 | 9 | 1 | RESISTOR 6.81 +-1% .125W TF TC=0+-100 | 01074 | H8 |
| R609 | 0698-3439 | 4 | 1 | RESISTOR 178 1% .125W TF TC=0+-100 | 00746 | CRB14 OR CRB25 |
| R610 | 0757-0421 | 4 | 1 | RESISTOR 825 +-1% .125W TF TC=0+-100 | 00746 | CRB14 OR CRB25 |
| R611 | 0698-8820 | 7 | 1 | RESISTOR 4.64 +-1% .125W TF TC=0+-100 | 01074 | H8 |
| R612 | 0757-0274 | 5 | 1 | RESISTOR 1.21K +-1% .125W TF TC=0+-100 | 00746 | CRB14 OR CRB25 |
| R613 | 0698-3438 | 3 | 1 | RESISTOR 147 1% .125W TF TC=0+-100 | 00746 | CRB14 OR CRB25 |
| R614 | 0698-3438 | 3 | 1 | RESISTOR 147 1% .125W TF TC=0+-100 | 00746 | CRB14 OR CRB25 |
| R615 | 0757-0401 | 0 | 1 | RESISTOR 100 +-1% .125W TF TC=0+-100 | 00746 | CRB14 OR CRB25 |
| R616 | 0698-3439 | 4 | 1 | RESISTOR 178 1% .125W TF TC=0+-100 | 00746 | CRB14 OR CRB25 |
| R617 | 0757-0420 | 3 | 1 | RESISTOR 750 +-1% .125W TF TC=0+-100 | 00746 | CRB14 OR CRB25 |
| R618 | 0757-0428 | 1 | 1 | RESISTOR 1.62K +-1% .125W TF TC=0+-100 | 00746 | CRB14 OR CRB25 |
| R619 | 0698-3442 | 9 | 1 | RESISTOR 237 1% .125W TF TC=0+-100 | 00746 | CRB14 OR CRB25 |
| R620 | 0698-8818 | 3 | 1 | RESISTOR 3.16 +-1% .125W TF TC=0+-100 | 02995 | SFR25H |
| R621 | 0757-0424 | 7 | 1 | RESISTOR 1.1K +-1% .125W TF TC=0+-100 | 00746 | CRB14 OR CRB25 |
| R622 | 0757-0280 | 3 | 1 | RESISTOR 1K +-1% .125W TF TC=0+-100 | 00746 | CRB14 OR CRB25 |
| R623 | 0757-0280 | 3 | 1 | RESISTOR 1K +-1% .125W TF TC=0+-100 | 00746 | CRB14 OR CRB25 |
| R624 | 0757-0422 | 5 | 1 | RESISTOR 909 +-1% .125W TF TC=0+-100 | 00746 | CRB14 OR CRB25 |
| R625 | 0698-3440 | 7 | 1 | RESISTOR 196 1% .125W TF TC=0+-100 | 00746 | CRB14 OR CRB25 |
| R626 | 0698-3440 | 7 | 1 | RESISTOR 196 1% .125W TF TC=0+-100 | 00746 | CRB14 OR CRB25 |
| R627 | 0698-3437 | 2 | 1 | RESISTOR 133 1% .125W TF TC=0+-100 | 00746 | CRB14 OR CRB25 |
| R628 | 0757-0442 | 9 | 1 | RESISTOR 10K +-1% .125W TF TC=0+-100 | 00746 | CRB14 OR CRB25 |
| R629 | 0757-0442 | 9 | 1 | RESISTOR 10K +-1% .125W TF TC=0+-100 | 00746 | CRB14 OR CRB25 |
| R630 | 0757-0442 | 9 | 1 | RESISTOR 10K +-1% .125W TF TC=0+-100 | 00746 | CRB14 OR CRB25 |
| R631 | 0757-0442 | 9 | 1 | RESISTOR 10K +-1% .125W TF TC=0+-100 | 00746 | CRB14 OR CRB25 |
| R632 | 0757-0442 | 9 | 1 | RESISTOR 10K +-1% .125W TF TC=0+-100 | 00746 | CRB14 OR CRB25 |
| R633 | 0757-0442 | 9 | 1 | RESISTOR 10K +-1% .125W TF TC=0+-100 | 00746 | CRB14 OR CRB25 |
| R634 | 0757-0442 | 9 | 1 | RESISTOR 10K +-1% .125W TF TC=0+-100 | 00746 | CRB14 OR CRB25 |
| R635 | 0757-0422 | 5 | 1 | RESISTOR 909 +-1% .125W TF TC=0+-100 | 00746 | CRB14 OR CRB25 |

HP Part Number 08562-60117

RF (Option 003 and Option 013)

| Reference Designation | HP Part Number | C | D | Qty | Description | Mfr Code | Mfr Part Number |
|-----------------------|----------------|---|---|-----|--|----------|-----------------|
| R636 | 0757-0346 | 2 | | 1 | RESISTOR 10 +-1% .125W TF TC=0+-100 | 00746 | CRB14 OR CRB25 |
| R637 | 0698-3440 | 7 | | 1 | RESISTOR 196 1% .125W TF TC=0+-100 | 00746 | CRB14 OR CRB25 |
| R638 | 0757-0420 | 3 | | 1 | RESISTOR 750 +-1% .125W TF TC=0+-100 | 00746 | CRB14 OR CRB25 |
| R639 | 0698-3442 | 9 | | 1 | RESISTOR 237 1% .125W TF TC=0+-100 | 00746 | CRB14 OR CRB25 |
| R640 | 0698-3437 | 2 | | 1 | RESISTOR 133 1% .125W TF TC=0+-100 | 00746 | CRB14 OR CRB25 |
| R641 | 0698-3438 | 3 | | 1 | RESISTOR 147 1% .125W TF TC=0+-100 | 00746 | CRB14 OR CRB25 |
| R642 | 0698-3440 | 7 | | 1 | RESISTOR 196 1% .125W TF TC=0+-100 | 00746 | CRB14 OR CRB25 |
| R643 | 0698-3438 | 3 | | 1 | RESISTOR 147 1% .125W TF TC=0+-100 | 00746 | CRB14 OR CRB25 |
| R644 | 0698-3440 | 7 | | 1 | RESISTOR 196 1% .125W TF TC=0+-100 | 00746 | CRB14 OR CRB25 |
| R701 | 0698-3445 | 2 | | 1 | RESISTOR 348 1% .125W TF TC=0+-100 | 00746 | CRB14 OR CRB25 |
| R702 | 0757-0438 | 3 | | 1 | RESISTOR 5.11K +-1% .125W TF TC=0+-100 | 00746 | CRB14 OR CRB25 |
| R703 | 0757-0438 | 3 | | 1 | RESISTOR 5.11K +-1% .125W TF TC=0+-100 | 00746 | CRB14 OR CRB25 |
| R704 | 0757-0405 | 4 | | 1 | RESISTOR 162 +-1% .125W TF TC=0+-100 | 00746 | CRB14 OR CRB25 |
| R705 | 0698-3132 | 4 | | 1 | RESISTOR 261 1% .125W TF TC=0+-100 | 00746 | CRB14 OR CRB25 |
| R706 | 0698-3151 | 7 | | 1 | RESISTOR 2.87K 1% .125W TF TC=0+-100 | 00746 | CRB14 OR CRB25 |
| R707 | 0698-3151 | 7 | | 1 | RESISTOR 2.87K 1% .125W TF TC=0+-100 | 00746 | CRB14 OR CRB25 |
| R708 | 0757-0382 | 6 | | 1 | RESISTOR 16.2 +-1% .125W TF TC=0+-100 | 00746 | CRB14 OR CRB25 |
| R709 | 0757-0382 | 6 | | 1 | RESISTOR 16.2 +-1% .125W TF TC=0+-100 | 00746 | CRB14 OR CRB25 |
| R710 | 0698-3432 | 7 | | 1 | RESISTOR 26.1 1% .125W TF TC=0+-100 | 00746 | CRB14 OR CRB25 |
| R714 | 0757-0442 | 9 | | 1 | RESISTOR 10K +-1% .125W TF TC=0+-100 | 00746 | CRB14 OR CRB25 |
| R715 | 0757-0442 | 9 | | 1 | RESISTOR 10K +-1% .125W TF TC=0+-100 | 00746 | CRB14 OR CRB25 |
| R716 | 0757-0400 | 9 | | 1 | RESISTOR 90.9 +-1% .125W TF TC=0+-100 | 00746 | CRB14 OR CRB25 |
| R717 | 0757-0394 | 0 | | 1 | RESISTOR 51.1 +-1% .125W TF TC=0+-100 | 00746 | CRB14 OR CRB25 |
| R718 | 0698-3445 | 2 | | 1 | RESISTOR 348 1% .125W TF TC=0+-100 | 00746 | CRB14 OR CRB25 |
| R719 | 0698-3441 | 8 | | 1 | RESISTOR 215 1% .125W TF TC=0+-100 | 00746 | CRB14 OR CRB25 |
| R720 | 0698-3441 | 8 | | 1 | RESISTOR 215 1% .125W TF TC=0+-100 | 00746 | CRB14 OR CRB25 |
| R721 | 0757-0442 | 9 | | 1 | RESISTOR 10K +-1% .125W TF TC=0+-100 | 00746 | CRB14 OR CRB25 |
| R722 | 0757-0403 | 2 | | 1 | RESISTOR 121 +-1% .125W TF TC=0+-100 | 00746 | CRB14 OR CRB25 |
| R723 | 0698-3446 | 3 | | 1 | RESISTOR 383 1% .125W TF TC=0+-100 | 00746 | CRB14 OR CRB25 |
| R724 | 0698-3446 | 3 | | 1 | RESISTOR 383 1% .125W TF TC=0+-100 | 00746 | CRB14 OR CRB25 |
| R726 | 0757-0394 | 0 | | 1 | RESISTOR 51.1 +-1% .125W TF TC=0+-100 | 00746 | CRB14 OR CRB25 |
| R801 | 0757-0280 | 3 | | 1 | RESISTOR 1K +-1% .125W TF TC=0+-100 | 00746 | CRB14 OR CRB25 |
| R802 | 0757-0280 | 3 | | 1 | RESISTOR 1K +-1% .125W TF TC=0+-100 | 00746 | CRB14 OR CRB25 |
| R803 | 0698-3439 | 4 | | 1 | RESISTOR 178 1% .125W TF TC=0+-100 | 00746 | CRB14 OR CRB25 |
| R804 | 0698-3442 | 9 | | 1 | RESISTOR 237 1% .125W TF TC=0+-100 | 00746 | CRB14 OR CRB25 |
| R805 | 0698-3442 | 9 | | 1 | RESISTOR 237 1% .125W TF TC=0+-100 | 00746 | CRB14 OR CRB25 |
| R901 | 0757-0200 | 7 | | 1 | RESISTOR 5.62K +-1% .125W TF TC=0+-100 | 00746 | CRB14 OR CRB25 |
| R902 | 0698-8961 | 7 | | 1 | RESISTOR 909K +-1% .125W TF TC=0+-100 | 00746 | CRB14 OR CRB25 |
| R903 | 0757-0440 | 7 | | 1 | RESISTOR 7.5K +-1% .125W TF TC=0+-100 | 00746 | CRB14 OR CRB25 |
| R904 | 0757-0278 | 9 | | 1 | RESISTOR 1.78K +-1% .125W TF TC=0+-100 | 00746 | CRB14 OR CRB25 |
| R905 | 0698-3136 | 8 | | 1 | RESISTOR 17.8K 1% .125W TF TC=0+-100 | 00746 | CRB14 OR CRB25 |
| R906 | 0698-3136 | 8 | | 1 | RESISTOR 17.8K 1% .125W TF TC=0+-100 | 00746 | CRB14 OR CRB25 |
| R907 | 0757-0278 | 9 | | 1 | RESISTOR 1.78K +-1% .125W TF TC=0+-100 | 00746 | CRB14 OR CRB25 |
| R908 | 0757-0401 | 0 | | 1 | RESISTOR 100 +-1% .125W TF TC=0+-100 | 00746 | CRB14 OR CRB25 |
| R909 | 0757-0280 | 3 | | 1 | RESISTOR 1K +-1% .125W TF TC=0+-100 | 00746 | CRB14 OR CRB25 |
| R910 | 0757-0280 | 3 | | 1 | RESISTOR 1K +-1% .125W TF TC=0+-100 | 00746 | CRB14 OR CRB25 |
| R911 | 0757-0401 | 0 | | 1 | RESISTOR 100 +-1% .125W TF TC=0+-100 | 00746 | CRB14 OR CRB25 |
| R912 | 0698-3159 | 5 | | 1 | RESISTOR 26.1K 1% .125W TF TC=0+-100 | 00746 | CRB14 OR CRB25 |

*Indicates factory-selected value

08562-60117 Parts List

Page 17 of 19

HP Part Number 08562-60117
RF (Option 003 and Option 013)

| Reference Designation | HP Part Number | C | D | Qty | Description | Mfr Code | Mfr Part Number |
|-----------------------|----------------|---|---|-----|--|----------|------------------------|
| R913 | 0757-0442 | 9 | | 1 | RESISTOR 10K +-1% .125W TF TC=0+-100 | 00746 | CRB14 OR CRB25 |
| R914 | 0757-0442 | 9 | | 1 | RESISTOR 10K +-1% .125W TF TC=0+-100 | 00746 | CRB14 OR CRB25 |
| R915 | 0757-0442 | 9 | | 1 | RESISTOR 10K +-1% .125W TF TC=0+-100 | 00746 | CRB14 OR CRB25 |
| R916 | 0698-3440 | 7 | | 1 | RESISTOR 196 1% .125W TF TC=0+-100 | 00746 | CRB14 OR CRB25 |
| R917 | 0698-3440 | 7 | | 1 | RESISTOR 196 1% .125W TF TC=0+-100 | 00746 | CRB14 OR CRB25 |
| R918 | 0757-0465 | 6 | | 1 | RESISTOR 100K +-1% .125W TF TC=0+-100 | 00746 | CRB14 OR CRB25 |
| R919 | 0757-0458 | 7 | | 1 | RESISTOR 51.1K +-1% .125W TF TC=0+-100 | 00746 | CRB14 OR CRB25 |
| R920 | 0757-0280 | 3 | | 1 | RESISTOR 1K +-1% .125W TF TC=0+-100 | 00746 | CRB14 OR CRB25 |
| R921 | 0757-0276 | 7 | | 1 | RESISTOR 61.9 +-1% .125W TF TC=0+-100 | 00746 | CRB14 OR CRB25 |
| R922 | 0698-6360 | 6 | | 1 | RESISTOR 10K +-0.1% .125W TF TC=0+-25 | 00746 | CRB14 OR CRB25 |
| R923 | 0698-6360 | 6 | | 1 | RESISTOR 10K +-0.1% .125W TF TC=0+-25 | 00746 | CRB14 OR CRB25 |
| R924 | 0698-6630 | 3 | | 1 | RESISTOR 20K +-0.1% .125W TF TC=0+-25 | 00746 | CRB14 OR CRB25 |
| R925 | 0757-0442 | 9 | | 1 | RESISTOR 10K +-1% .125W TF TC=0+-100 | 00746 | CRB14 OR CRB25 |
| R926 | 2100-3863 | 5 | | 1 | RESISTOR-TRMR 200 10% TKF TOP-AOJ 17-TRN | 03744 | 3299W-OM3-201 |
| R927 | 0757-0442 | 9 | | 1 | RESISTOR 10K +-1% .125W TF TC=0+-100 | 00746 | CRB14 OR CRB25 |
| R929 | 0757-0442 | 9 | | 1 | RESISTOR 10K +-1% .125W TF TC=0+-100 | 00746 | CRB14 OR CRB25 |
| R930 | 0757-0442 | 9 | | 1 | RESISTOR 10K +-1% .125W TF TC=0+-100 | 00746 | CRB14 OR CRB25 |
| R931 | 0757-0442 | 9 | | 1 | RESISTOR 10K +-1% .125W TF TC=0+-100 | 00746 | CRB14 OR CRB25 |
| R932 | 0757-0442 | 9 | | 1 | RESISTOR 10K +-1% .125W TF TC=0+-100 | 00746 | CRB14 OR CRB25 |
| R933 | 0757-0442 | 9 | | 1 | RESISTOR 10K +-1% .125W TF TC=0+-100 | 00746 | CRB14 OR CRB25 |
| R934 | 0698-7276 | 5 | | 1 | RESISTOR 46.4K +-1% .05W TF TC=0+-100 | 00746 | CRB20 |
| R935 | 0757-0465 | 6 | | 1 | RESISTOR 100K +-1% .125W TF TC=0+-100 | 00746 | CRB14 OR CRB25 |
| R936 | 0698-7239 | 0 | | 1 | RESISTOR 1.33K +-1% .05W TF TC=0+-100 | 00746 | CRB20 |
| R937 | 0698-3151 | 7 | | 1 | RESISTOR 2.87K 1% .125W TF TC=0+-100 | 00746 | CRB14 OR CRB25 |
| RT901 | 0837-0269 | 8 | | 1 | THERMISTOR TUB WITH AXL LEAOS 10K-OHM | 06784 | PIH103 |
| T100 | 9100-4772 | 4 | | 1 | TRANSFORMER-RF FREQ RANGE 3kHz to 800 MH | 02739 | TM04-2 |
| U100 | 5086-7806 | 5 | | 1 | SAMPLER AY | 28480 | 5086-7806 |
| U101 | 1826-1945 | 7 | | 1 | IC OIFF AMPL 8-OIP-P PKG | 02910 | NE5212N |
| U103 | 1813-0213 | 3 | | 1 | IC WIOEBAND AMPL TO-39 PKG | 02037 | MWA130 |
| U104 | 1826-0915 | 9 | | 1 | IC OP AMP LOW-BIAS-H-IMPD 8-DIP-C PKG | 01698 | TL071ACJG (PER HP DWG) |
| U301 | 1858-0063 | 5 | | 1 | TRANSISTOR ARRAY 14-PIN PLSTC DIP | 03799 | CA3102E |
| U303 | 1820-0683 | 6 | | 1 | IC INV TTL S HEX 1-INP | 01698 | SN74S04N |
| U304 | 1820-1310 | 8 | | 1 | IC-INTERFACE RCVR LINE RCVR DUAL | 01698 | SN75108BN |
| U305 | 1826-0539 | 3 | | 1 | IC V RGLTR-ADJ-POS 1.2/37V TO-39 PKG | 03406 | LM317H |
| U306 | 1826-0496 | 1 | | 1 | IC V RGLTR-FXD-NEG -4.8/-5.2V TO-39 PKG | 02037 | MC79L05ACG |
| U307 | 1826-0276 | 5 | | 1 | IC V RGLTR-FXD-POS 4.8/5.2V TO-92 PKG | 02037 | MC78L05ACP |
| U400 | 0955-0113 | 1 | | 1 | U-WAVE MIXER 1 GHZ MAX | 02739 | TFM-2-38 |
| U401 | 1854-1010 | 6 | | 1 | TRANSISTOR-DUAL NPN PD=600MW | 02037 | MD918A |
| U402 | 1854-1010 | 6 | | 1 | TRANSISTOR-DUAL NPN PD=600MW | 02037 | MD918A |
| U403 | 1820-3842 | 5 | | 1 | IC CNTR TTL/AS BIN UP/DOWN SYNCHRO POS-E | 01698 | SN74AS169N |
| U404 | 1820-3842 | 5 | | 1 | IC CNTR TTL/AS BIN UP/DOWN SYNCHRO POS-E | 01698 | SN74AS169N |
| U405 | 1820-1449 | 4 | | 1 | IC GATE TTL S OR QUAD 2-INP | 01698 | SN74S32N |
| U406 | 1820-0693 | 8 | | 1 | IC FF TTL S D-TYPE POS-EDGE-TRIG PRESET/ | 01698 | SN74S74N |
| U407 | 1826-0718 | 0 | | 1 | IC V RGLTR-V-REF-ADJ 4.95/5.05V 8-DIP-C | 02037 | MC1404U5 |
| U408 | 1826-1049 | 2 | | 1 | IC OP AMP PRCN 8-DIP-C PKG | 02180 | OP-27GZ |
| U409 | 1820-3676 | 3 | | 1 | IC DCDR CMOS/74HC 3-TO-8-LINE | 03406 | MM74HC237N |
| U410 | 1858-0077 | 1 | | 1 | TRANSISTOR ARRAY 14-PIN PLSTC TO-116 | 02037 | MPQ2222P |

HP Part Number 08562-60117

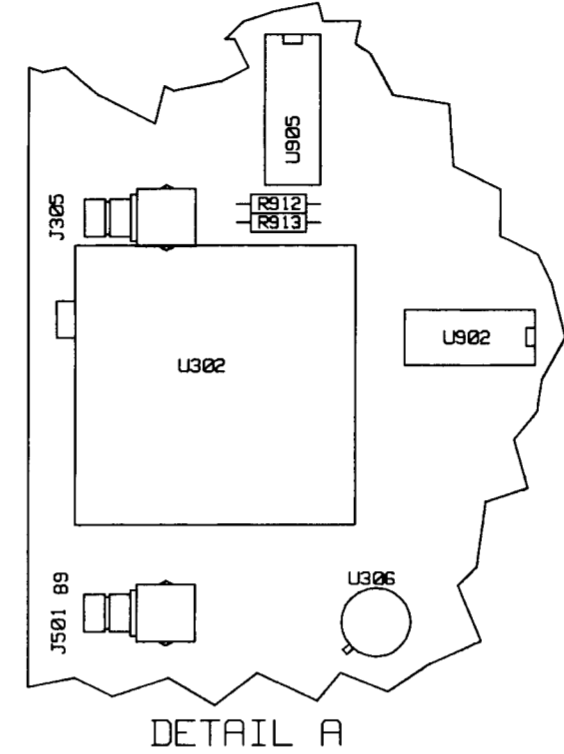
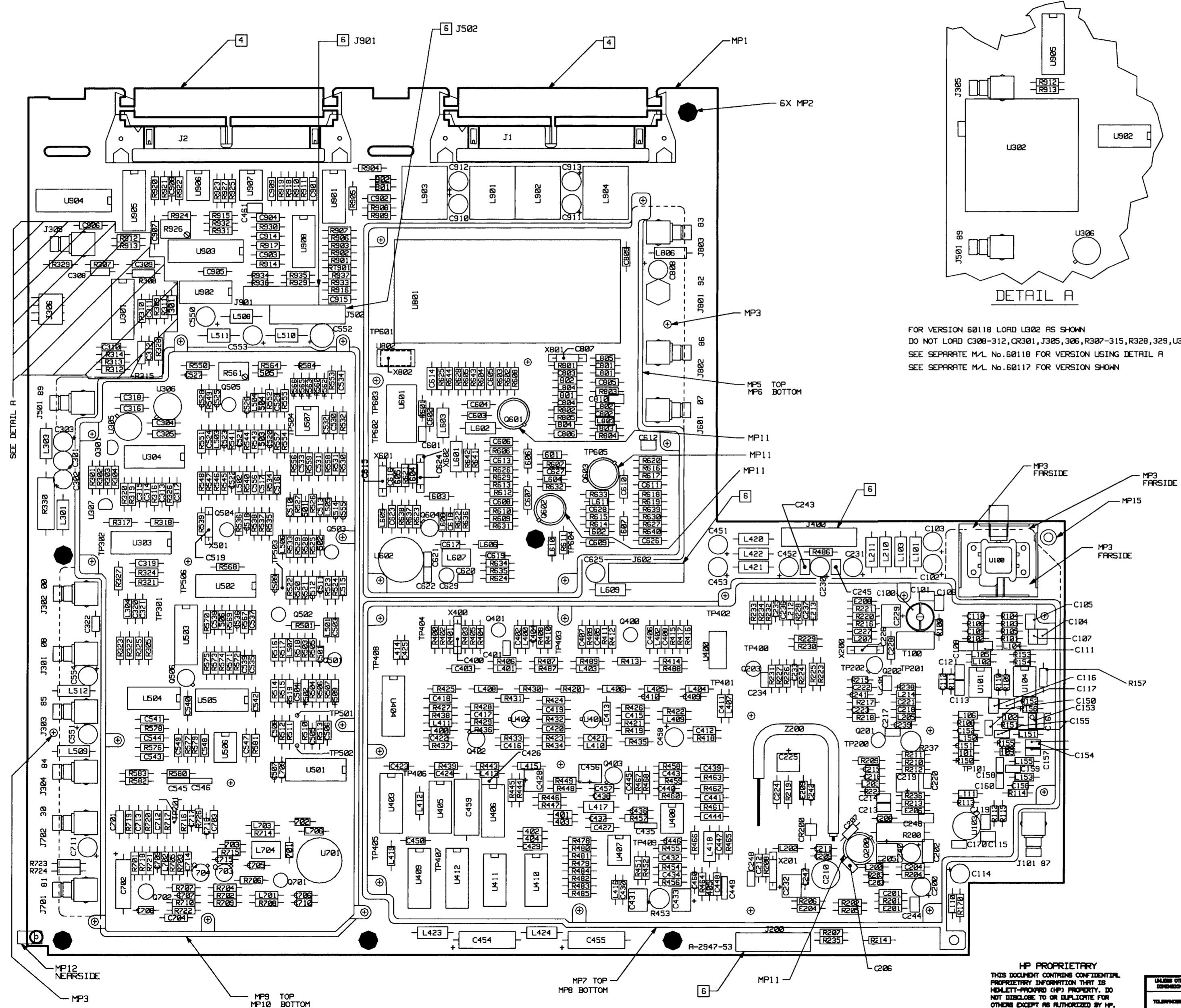
RF (Option 063 and Option 013)

| Reference Designation | HP Part Number | C D | Qty | Description | Mfr Code | Mfr Part Number |
|-----------------------|----------------|-----|-----|--|----------|-----------------|
| U411 | 1858-0077 | 1 | 1 | TRANSISTOR ARRAY 14-PIN PLSTC TO-116 | 02037 | MPQ2222P |
| U412 | 1810-0283 | 1 | 1 | NETWORK-RES. 16-DIP 270.0 OHM X .8 | 02483 | SERIES 760 |
| U501 | 1820-3485 | 2 | 1 | IC PRESCR ECL | 02037 | MC12090L |
| U502 | 1820-3935 | 7 | 1 | IC PRESCR ECL | 02037 | MC12009L |
| U503 | 1820-3935 | 7 | 1 | IC PRESCR ECL | 02037 | MC12009L |
| U504 | 1820-1112 | 8 | 1 | IC FF TTL/LS D-TYPE POS-EDGE-TRIG PRESET | 01698 | SN74LS74AN |
| U505 | 1820-1197 | 9 | 1 | IC GATE TTL LS NAND QUAD 2-IMP | 01698 | SN74LS00N |
| U506 | 1826-1049 | 2 | 1 | IC OP AMP PRCN 8-DIP-C PKG | 02180 | OP-276Z |
| U507 | 1826-1165 | 3 | 1 | IC OP AMP GP DUAL 8-DIP-C PKG | 02180 | OP-14EZ |
| U601 | 0955-0063 | 0 | 1 | U-WAVE MIXER 500 MHZ MAX | 02739 | SRA-1-32 |
| U602 | 1GA1-8006 | 8 | 1 | 298 MHZ SAW | 28480 | 1GA1-8006 |
| U701 | 1GA1-8013 | 7 | 1 | SAW - 600 MHZ | 28480 | 1GA1-8013 |
| U801 | 5086-7751 | 9 | 1 | 2ND IF AMP | 28480 | 5086-7751 |
| U901 | 1826-0753 | 3 | 1 | IC OP AMP LOW-BIAS-H-IMPD QUAD 14-DIP-C | 02037 | MC34004BL |
| U902 | 1826-0759 | 9 | 1 | IC COMPARATOR GP QUAD 14-DIP-C PKG | 02037 | LM339J |
| U903 | 1820-4465 | 0 | 1 | IC FF CMOS/74HCT D-TYPE POS-EDGE-TRIG CO | 02910 | 74HCT377N |
| U904 | 1820-4465 | 0 | 1 | IC FF CMOS/74HCT D-TYPE POS-EDGE-TRIG CO | 02910 | 74HCT377N |
| U905 | 1826-0752 | 2 | 1 | D/A 12-BIT 16-CBRZ CMOS | 03285 | AD7542BD |
| U906 | 1826-1165 | 3 | 1 | IC OP AMP GP DUAL 8-DIP-C PKG | 02180 | OP-14EZ |
| U907 | 1826-0989 | 7 | 1 | IC OP AMP GP 8-DIP-C PKG | 01698 | LM307JG |
| U908 | 1858-0008 | 8 | 1 | TRANSISTOR ARRAY 14-PIN PLSTC DIP | 02037 | SPQ526K |
| X200 | 1200-1247 | 6 | 1 | SOCKET-STRP 5-CONT SIP DIP-SLDR | 05518 | 510-AG92D-05 |
| X201 | 1200-1247 | 6 | 1 | SOCKET-STRP 5-CONT SIP DIP-SLDR | 05518 | 510-AG92D-05 |
| X400 | 1200-1247 | 6 | 1 | SOCKET-STRP 5-CONT SIP DIP-SLDR | 05518 | 510-AG92D-05 |
| X501 | 1200-1247 | 6 | 1 | SOCKET-STRP 5-CONT SIP DIP-SLDR | 05518 | 510-AG92D-05 |
| X601 | 1200-1247 | 6 | 1 | SOCKET-STRP 5-CONT SIP DIP-SLDR | 05518 | 510-AG92D-05 |
| X602 | 1200-1247 | 6 | 1 | SOCKET-STRP 5-CONT SIP DIP-SLDR | 05518 | 510-AG92D-05 |
| X801 | 1200-1247 | 6 | 1 | SOCKET-STRP 5-CONT SIP DIP-SLDR | 05518 | 510-AG92D-05 |
| X802 | 1200-1273 | 8 | 1 | SOCKET-STRP 8-CONT DIP PC | 06665 | SDL-104-TT-12 |
| Z200 | 5021-6707 | 7 | 1 | CABLE - RESONANT | 28480 | 5021-6707 |

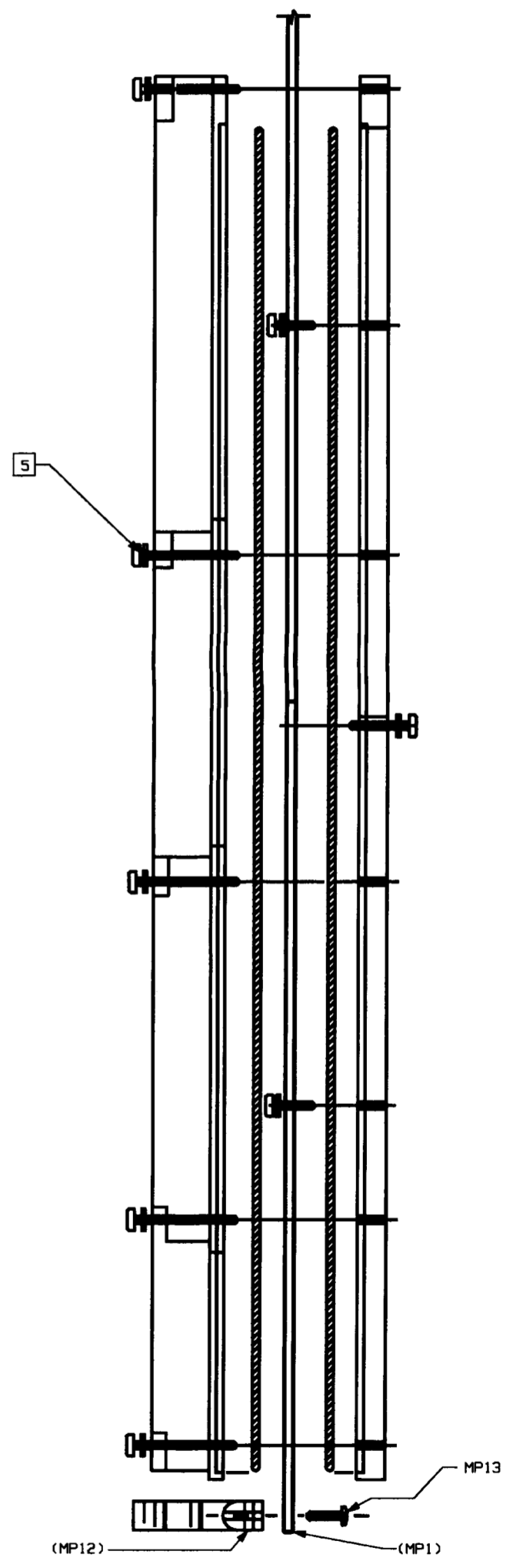
*Indicates factory-selected value.

| SYM | REVISIONS | APPROVED | DATE |
|-----|-----------|----------|------|
| A1 | | | |

- NOTES: UNLESS OTHERWISE SPECIFIED
1. DIMENSIONS ARE IN INCHES.
 2. MAXIMUM COMPONENT HEIGHT .472, UNDER SHIELD .400
 3. MAXIMUM LEAD TRIM LENGTH .118
 4. REMOVE TABS AFTER MACHINE SOLDER.
 5. SCREENS FOR SHIELDS AND SPIRO-GASKETS ARE ON MATERIAL LIST FOR THE SHIELDS. MAKE SURE ALL PARTS ARE INTACT.
 6. ASSURE THAT PIN #9 HAS BEEN REMOVED FROM J200, J400, J502, J602, AND J901 PRIOR TO ASSEMBLY AND MACHINE SOLDER.
 7. TEST POINTS NOT SHOWN ON MATERIAL LIST ARE FOR REFERENCE ONLY.



FOR VERSION 60118 LOAD U302 AS SHOWN
DO NOT LOAD C308-312, CR301, J305, 306, R307-315, R320, 329, U301
SEE SEPARATE M.L. No. 60118 FOR VERSION USING DETAIL A
SEE SEPARATE M.L. No. 60117 FOR VERSION SHOWN

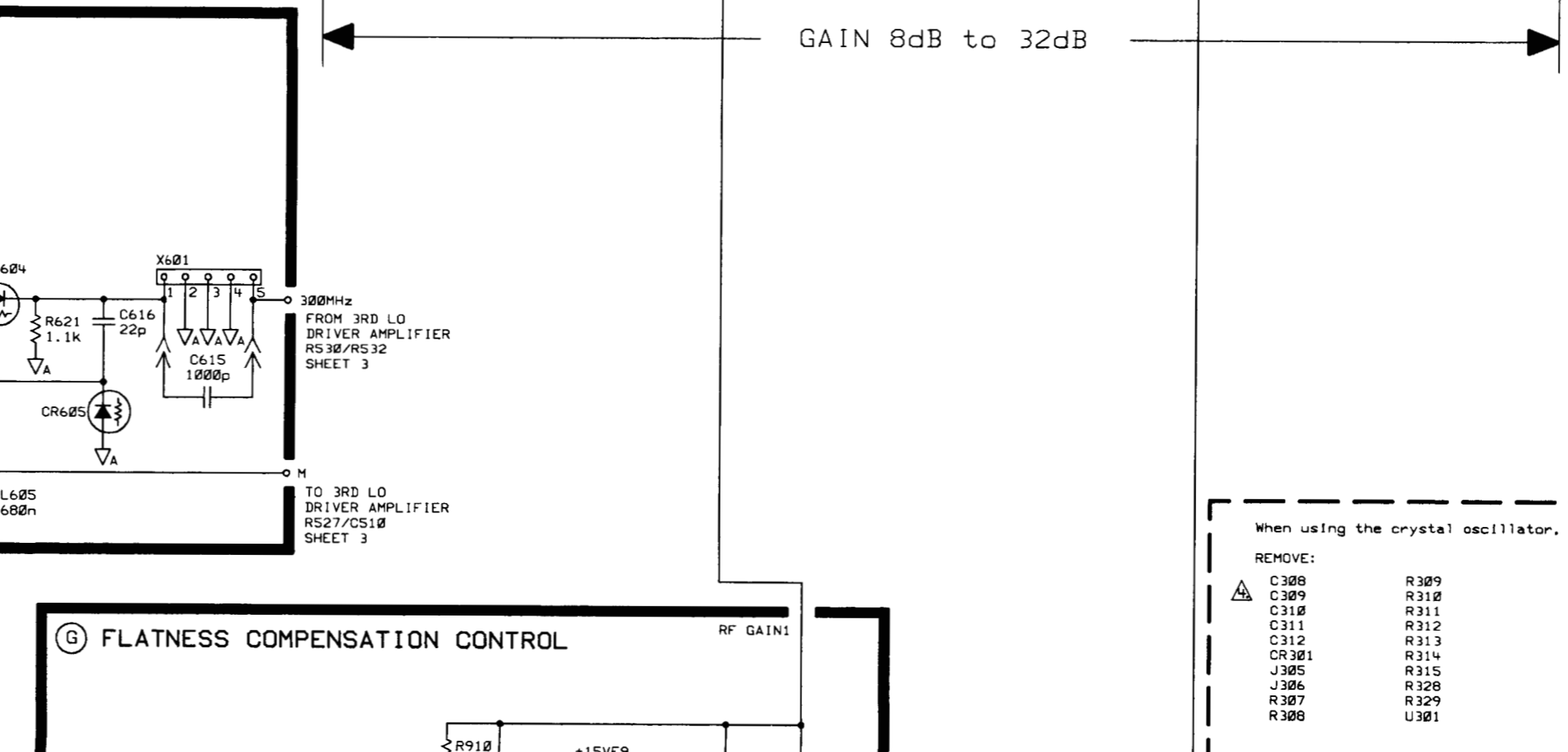
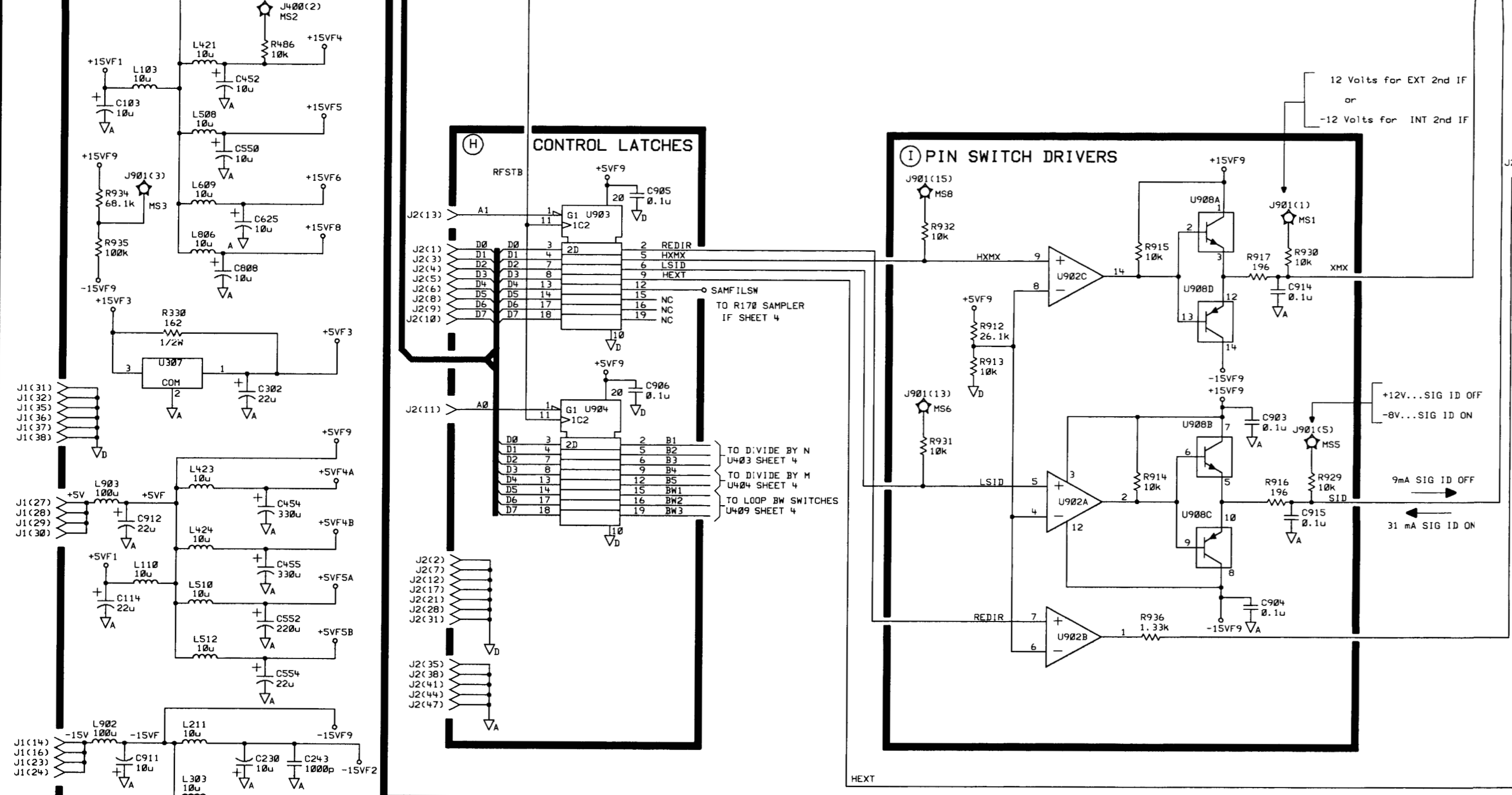
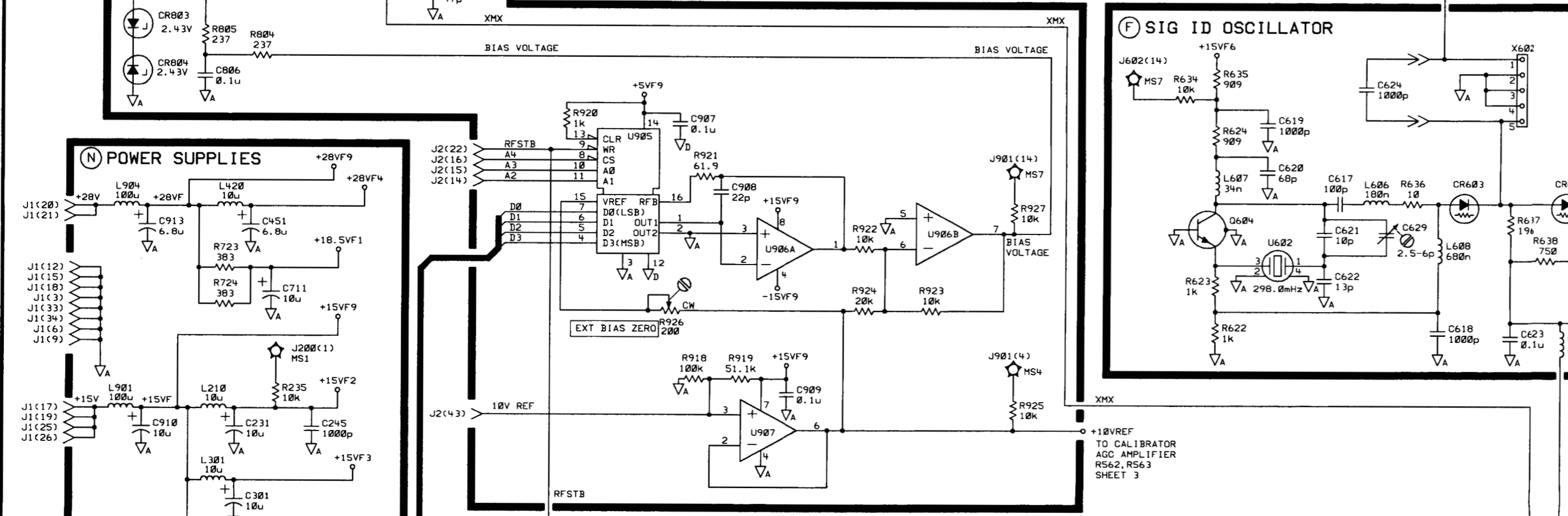
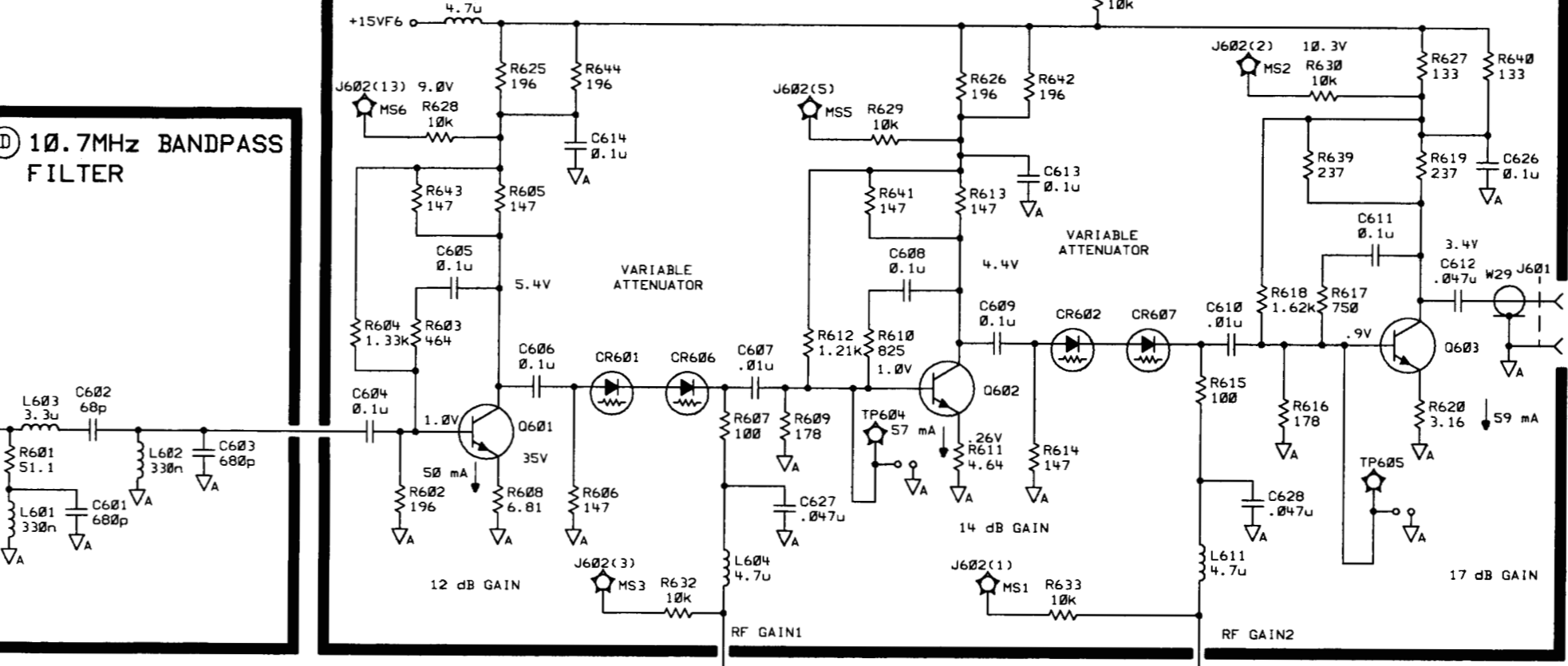
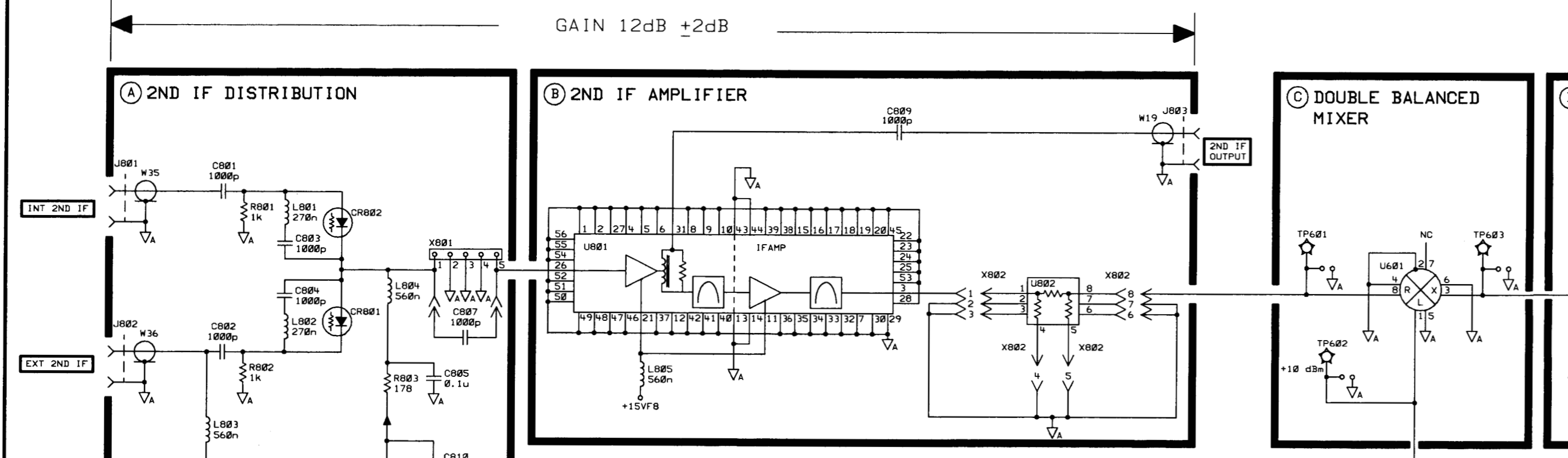


SEE DETAIL A FOR MATERIAL LIST

HP PROPRIETARY
THIS DOCUMENT CONTAINS CONFIDENTIAL
PROPRIETARY INFORMATION THAT IS
HEWLETT-PACKARD (HP) PROPERTY. DO
NOT DISCLOSE TO OR REPRODUCE FOR
OTHERS EXCEPT AS AUTHORIZED BY HP.

| | | | | |
|--|-------------------|------|----------------------------------|--|
| UNLESS OTHERWISE SPECIFIED, DIMENSIONS ARE IN INCHES. | DESIGNED BY | DATE | BOARD ASSEMBLY- R.F. | |
| TOLERANCES: DECIMAL & .001 | DESIGNED-CHECKED | | | |
| SEE COMP. MTL. NO. | RELEASED TO PROD. | | TITLE: NONE PART: 1 REV: 1 | |

| SYM | REVISIONS | APPROVED | DATE |
|-----|-----------|----------|------|
| 1 | | | |
| 2 | | | |



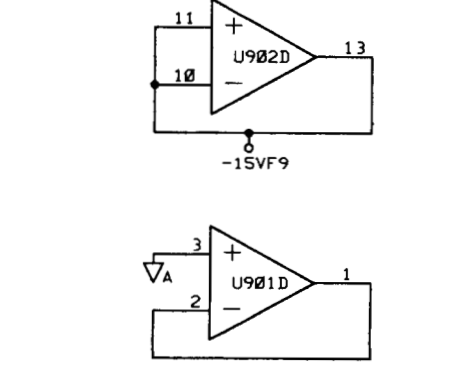
NOTES:
1. REFERENCE DESIGNATORS WITHIN THIS ASSEMBLY ARE ABBREVIATED. PREFIX ABBREVIATION WITH ASSEMBLY NUMBER FOR COMPLETE REFERENCE DESIGNATOR.
2. UNLESS OTHERWISE INDICATED: RESISTANCE IN OHMS (Ω) CAPACITANCE IN MICROFARADS (μF) INDUCTANCE IN MICROHENRIES (μH)

3. MNEMONIC TABLE

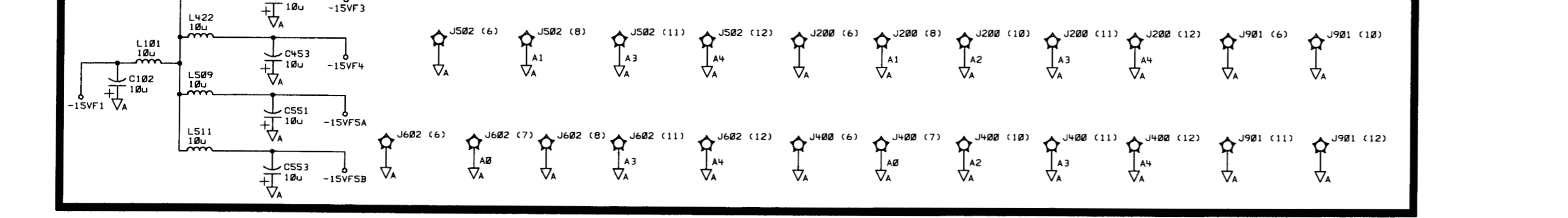
| MNEMONIC | DESCRIPTION |
|----------|-------------|
| | |

△ COMPONENTS DELETED FOR 60118 ASSEMBLY.

UNUSED PACKAGES



When using the crystal oscillator, REMOVE:
C380, C389, C311, C312, C305, J306, R307, R329, U301



THIS DRAWING ALSO USED FOR THE FOLLOWING ASSEMBLIES:

| | |
|-------------|-------------|
| 08562-60118 | 08562-60118 |
|-------------|-------------|

TABLE 1

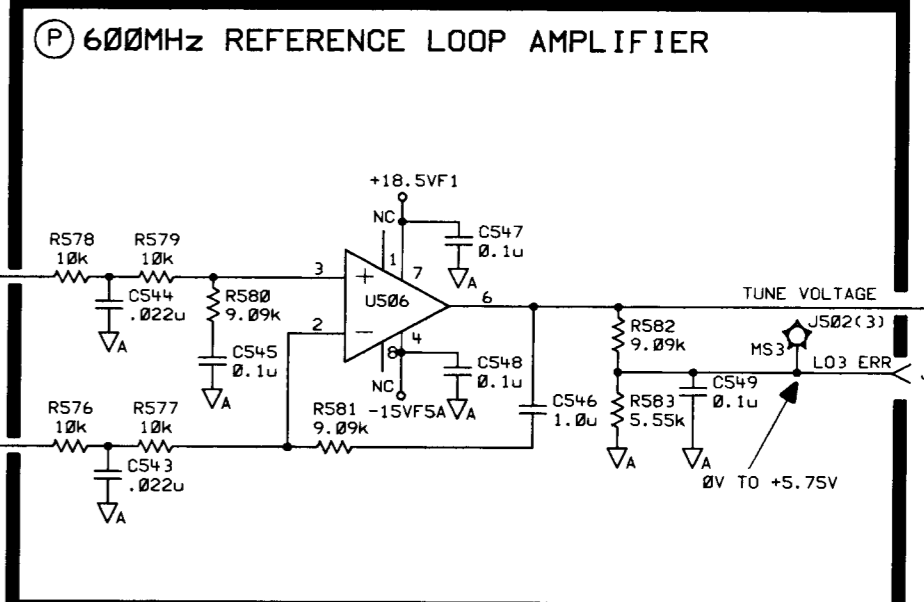
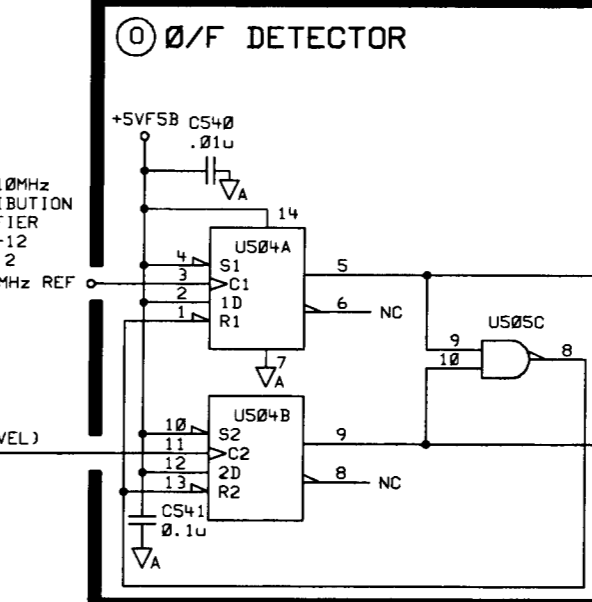
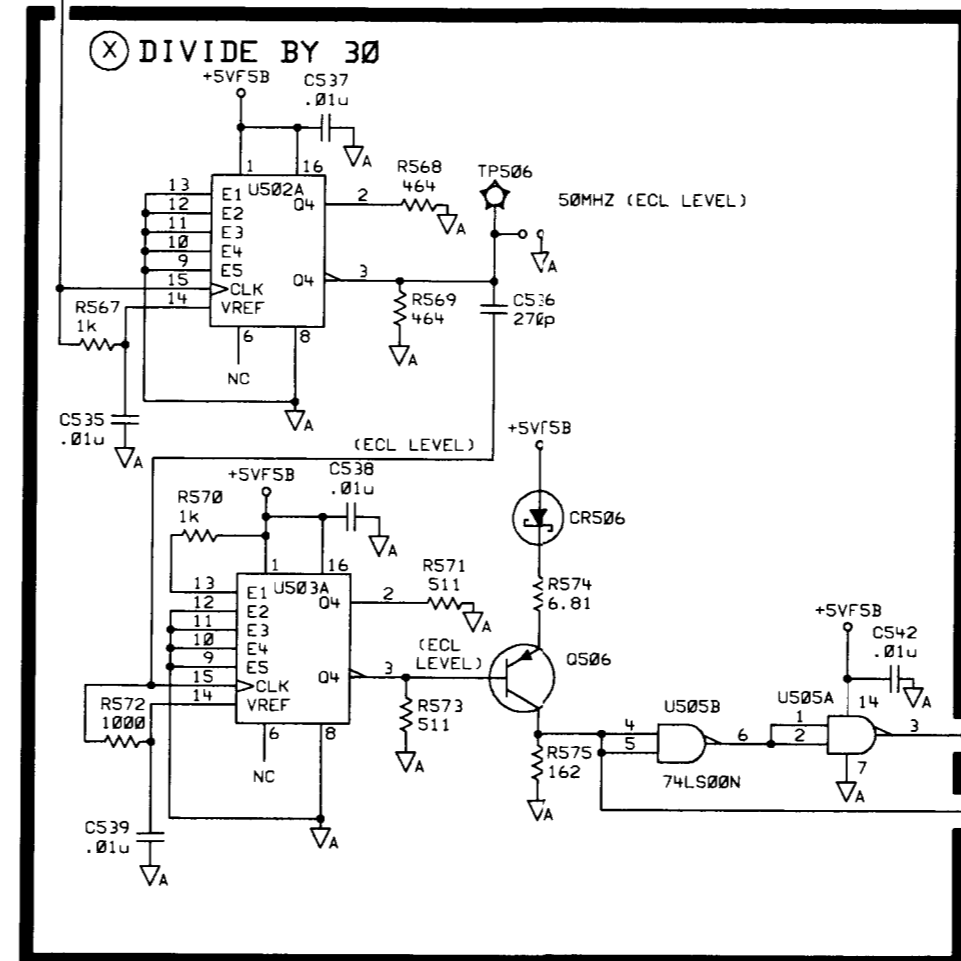
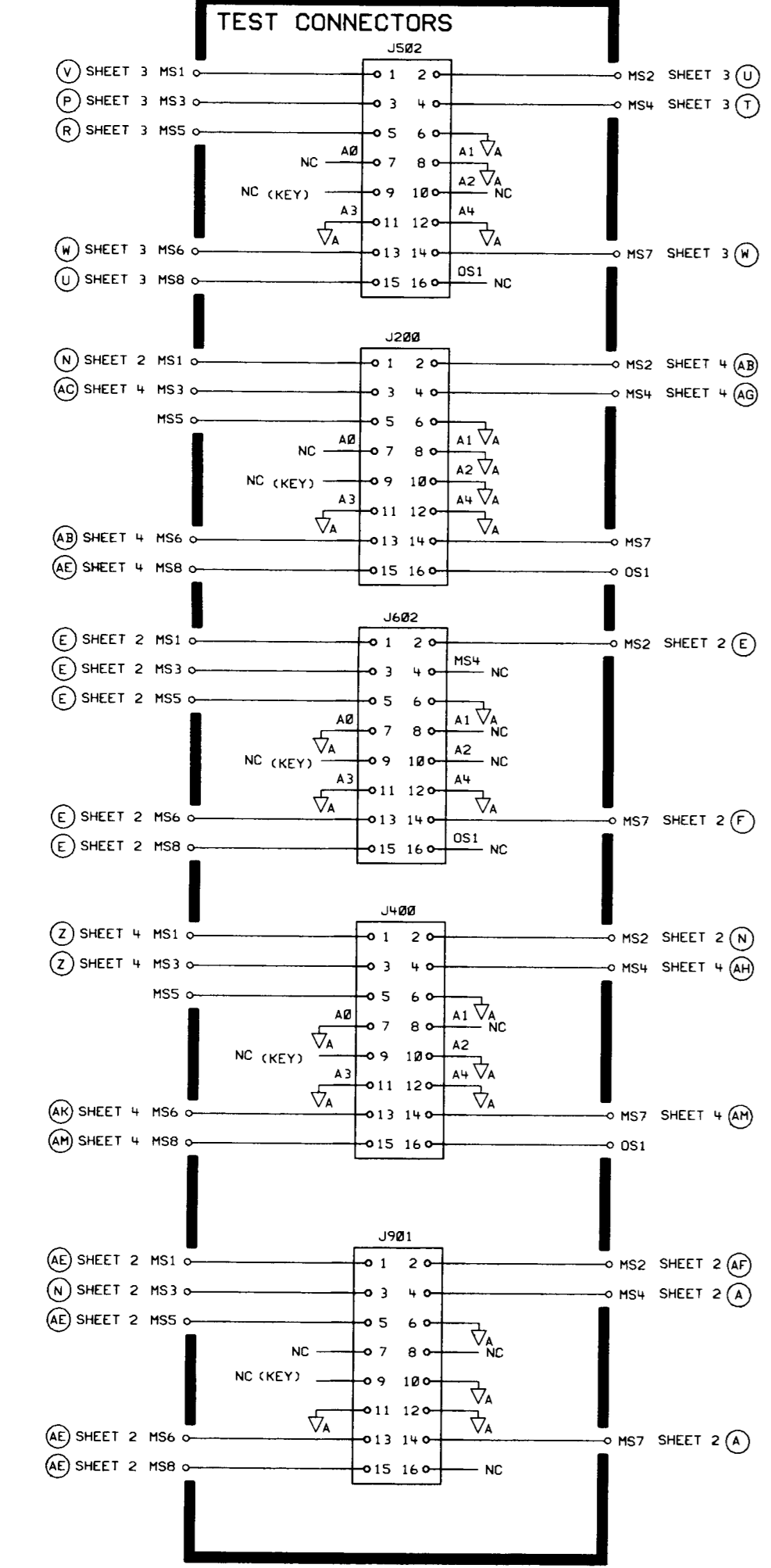
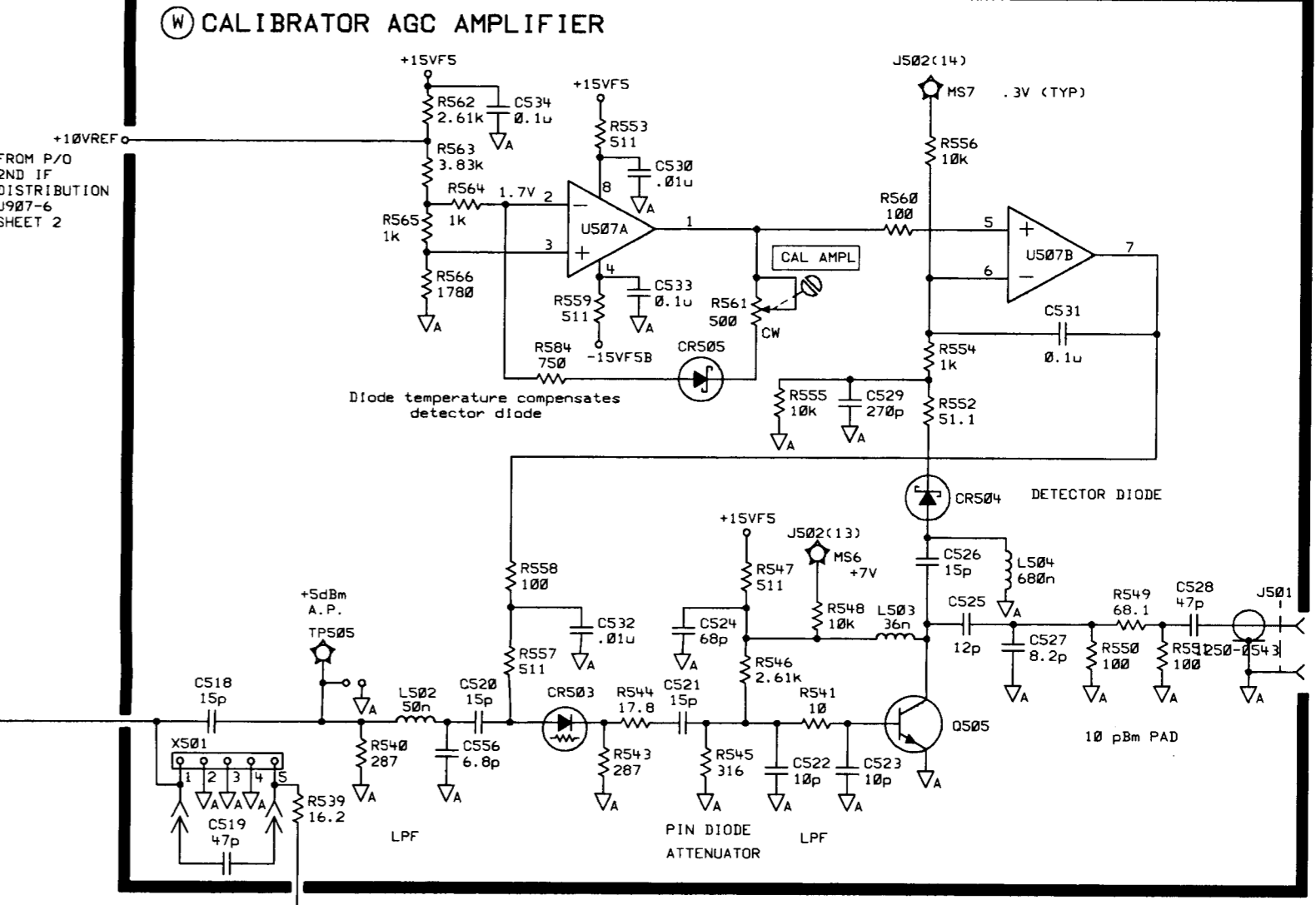
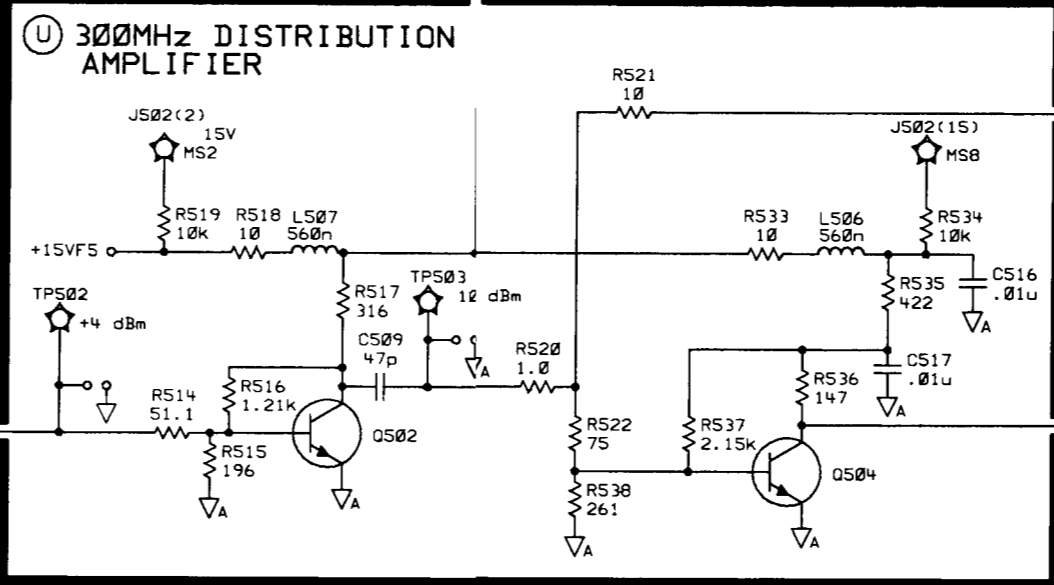
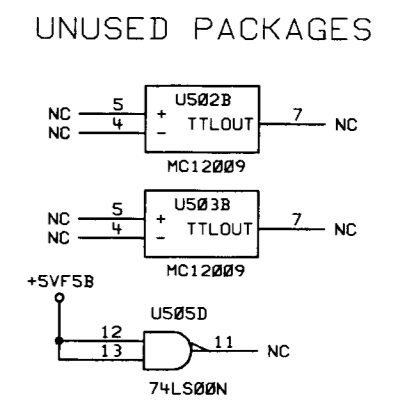
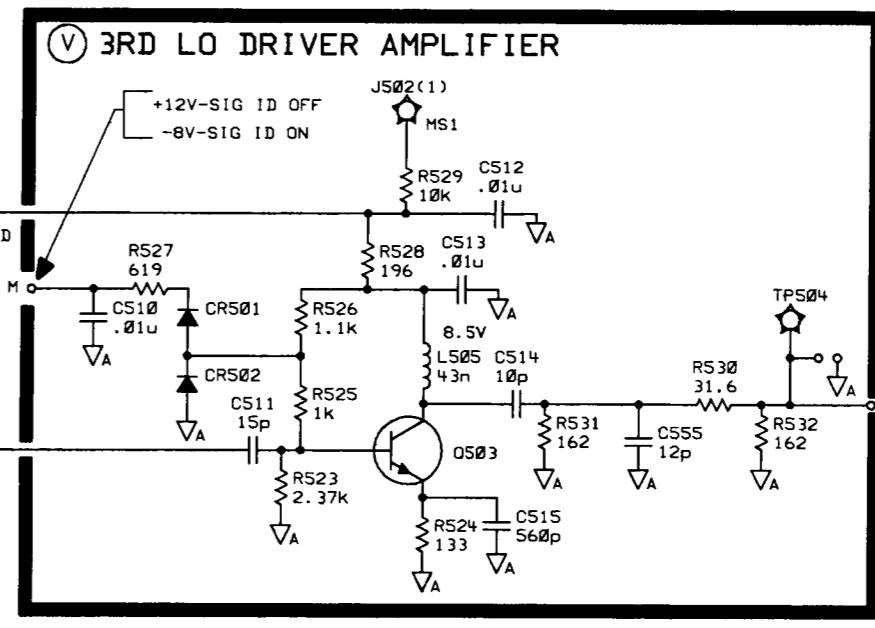
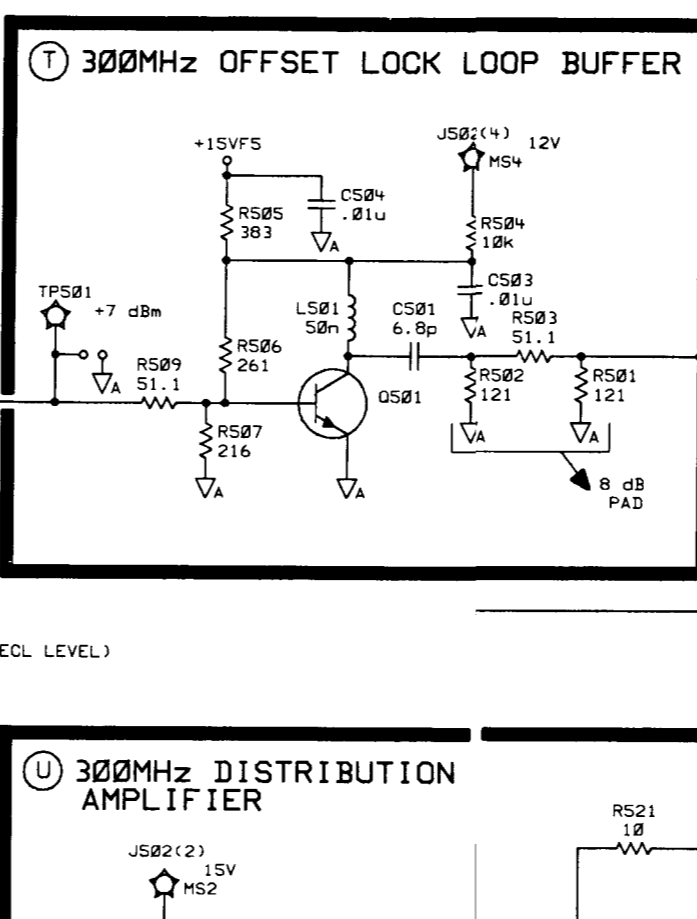
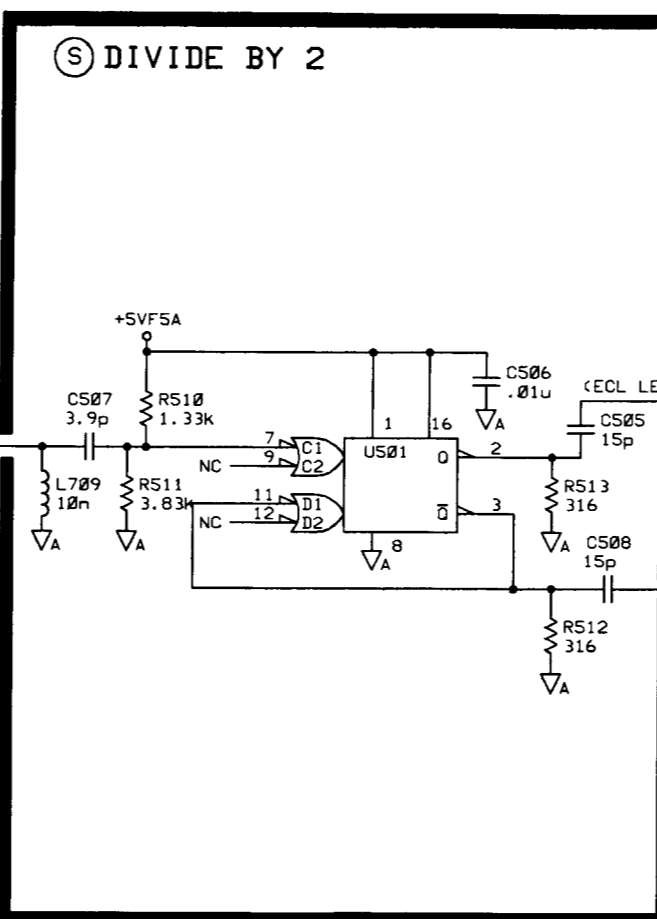
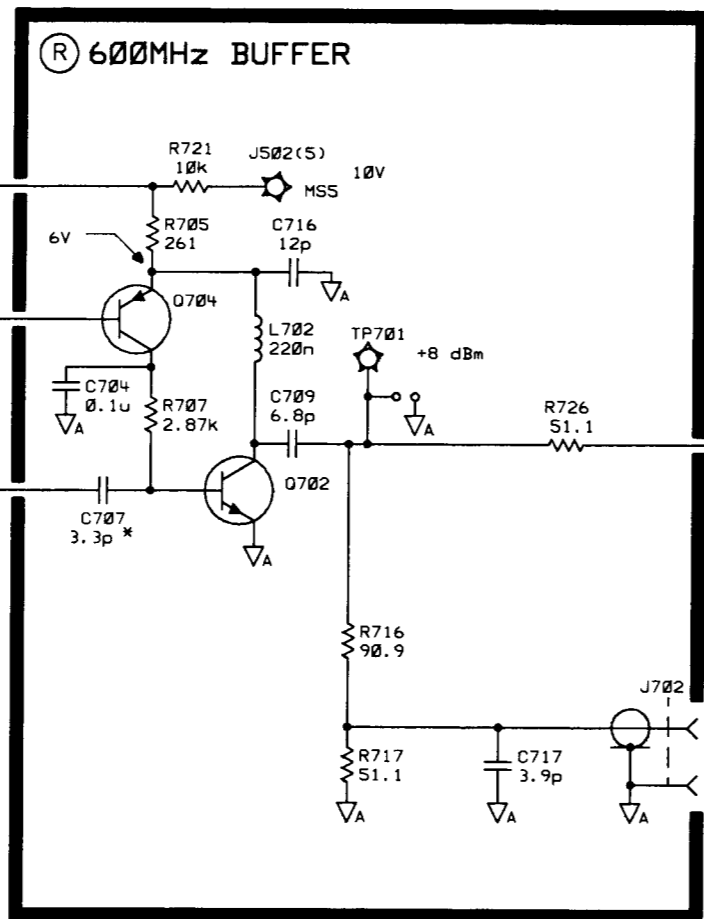
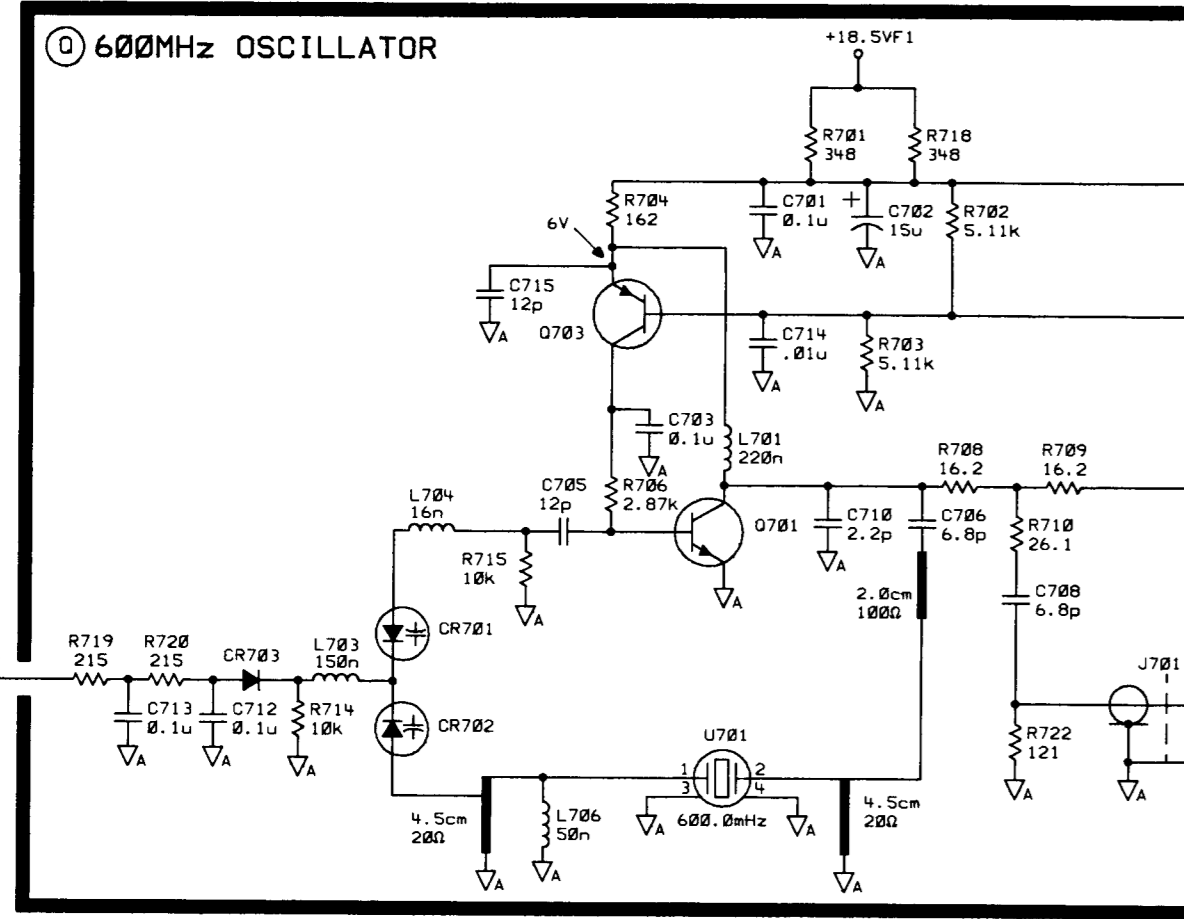
HP PROPRIETARY
THIS DOCUMENT CONTAINS CONFIDENTIAL, PROPRIETARY INFORMATION THAT IS HEWLETT-PACKARD (HP) PROPERTY. DO NOT DISCLOSE TO OR DUPLICATE FOR OTHERS EXCEPT AS AUTHORIZED BY HP.

| | | |
|-------------------------------------|------------------|--|
| RAW BD = 20117 | DATE | FILENAME=5117A97 |
| ITEM QTY. PART/MATERIAL-DESCRIPTION | DATE | SCALE NONE SHEET 1 OF 3 |
| MAT'L-PART NO. | ENGINEER/CHECKER | BOARD ASSEMBLY-RADIO FREQUENCY (SCHEMATIC) |
| MAT'L-DWG. NO. | RELEASE TO PROD. | TITLE |
| MAT'L-SPEC. | SUPERSEDES DRG. | SEE TABLE 1 PART NUMBER |



HEWLETT PACKARD

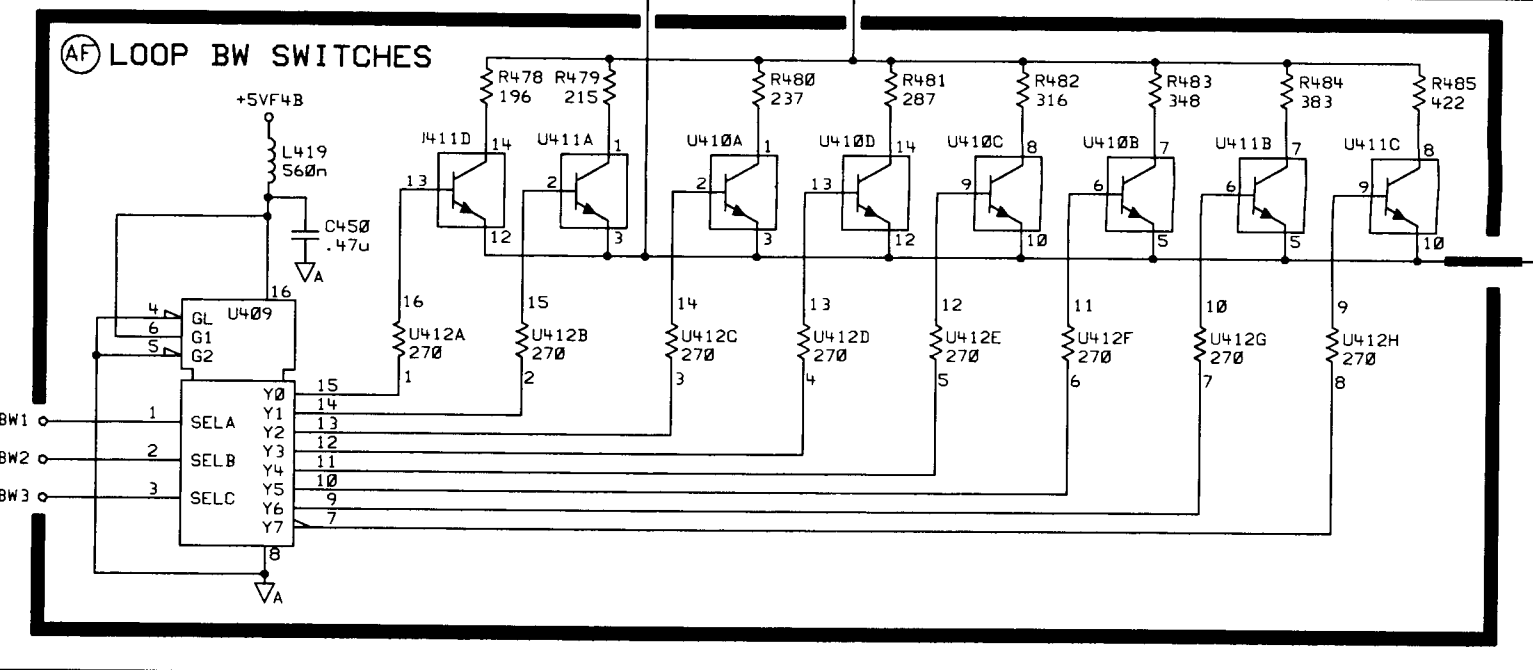
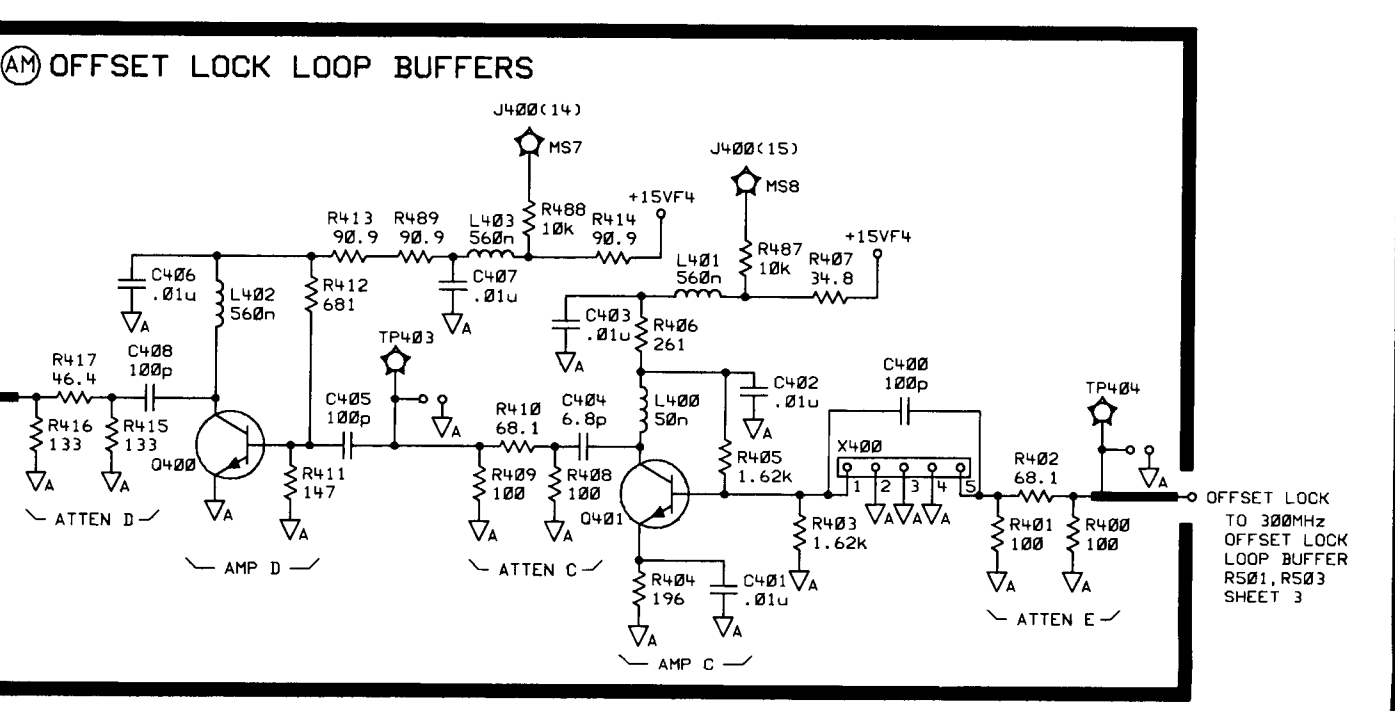
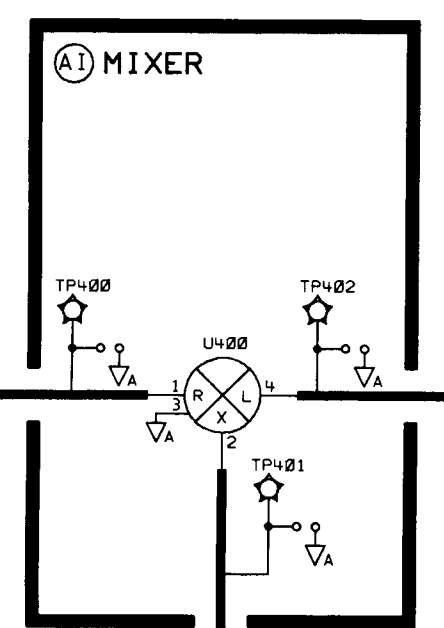
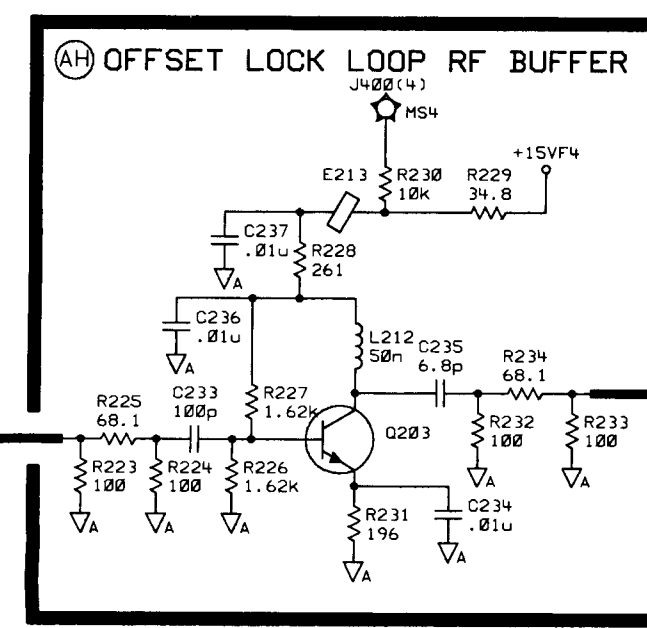
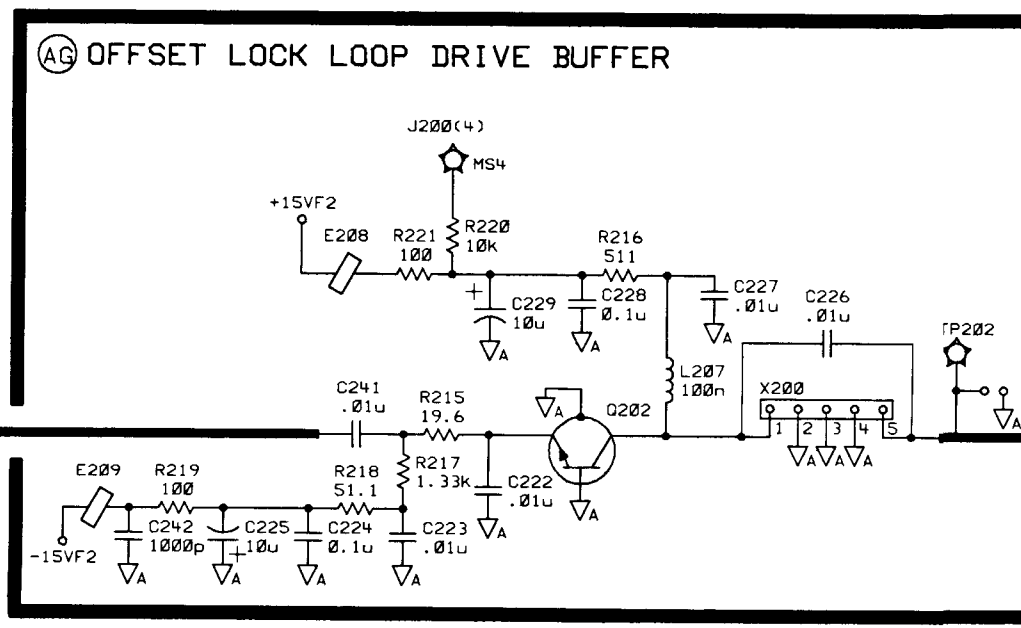
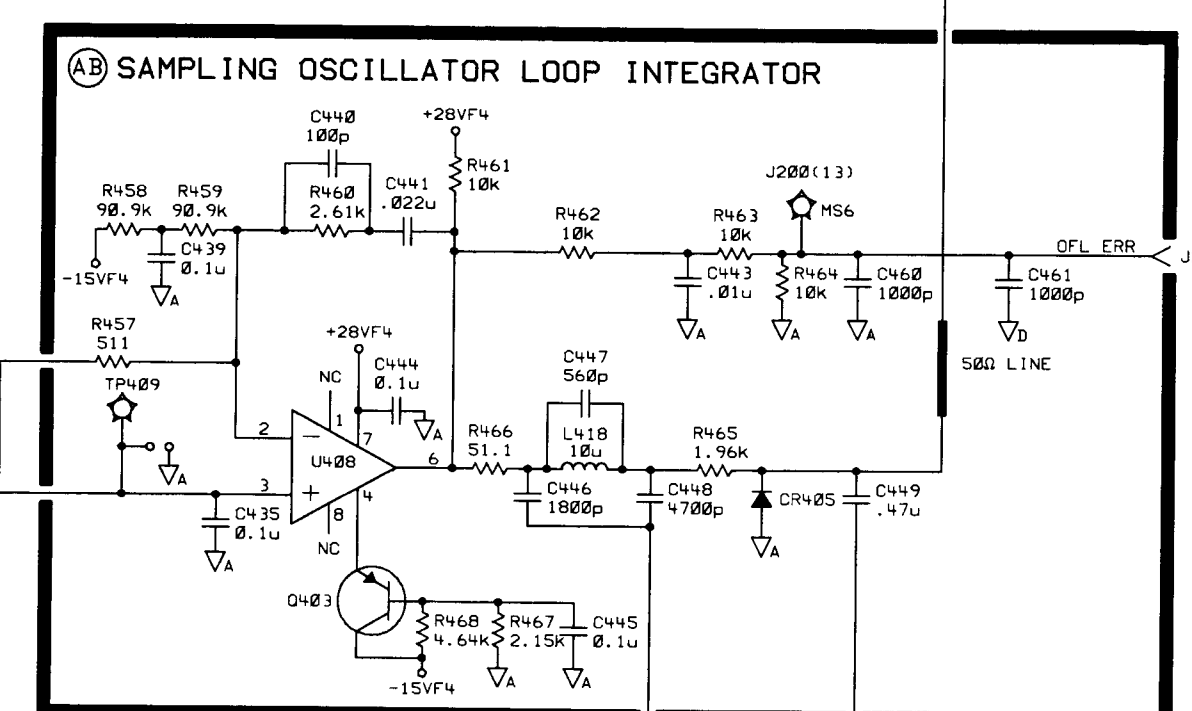
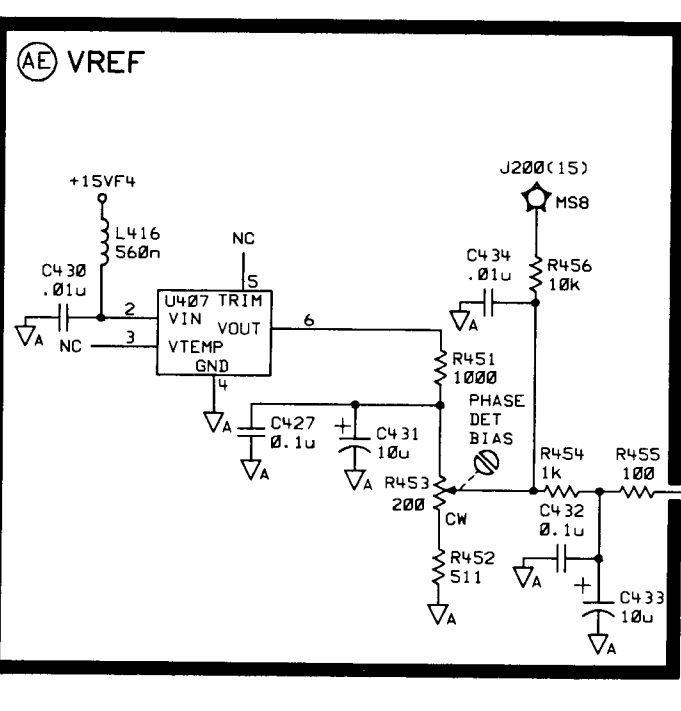
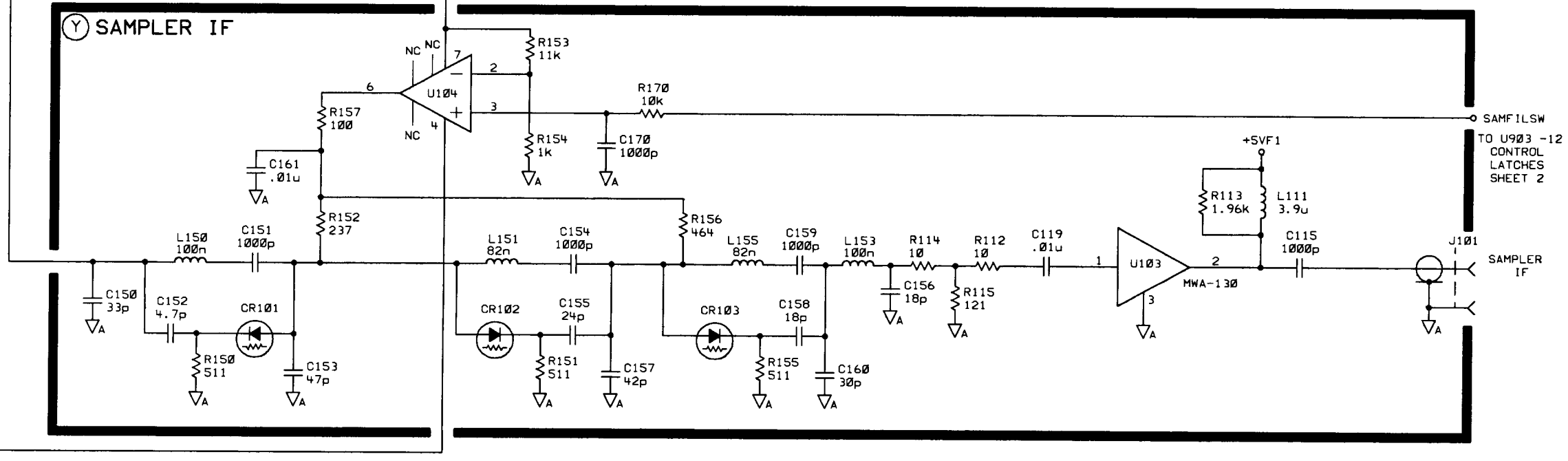
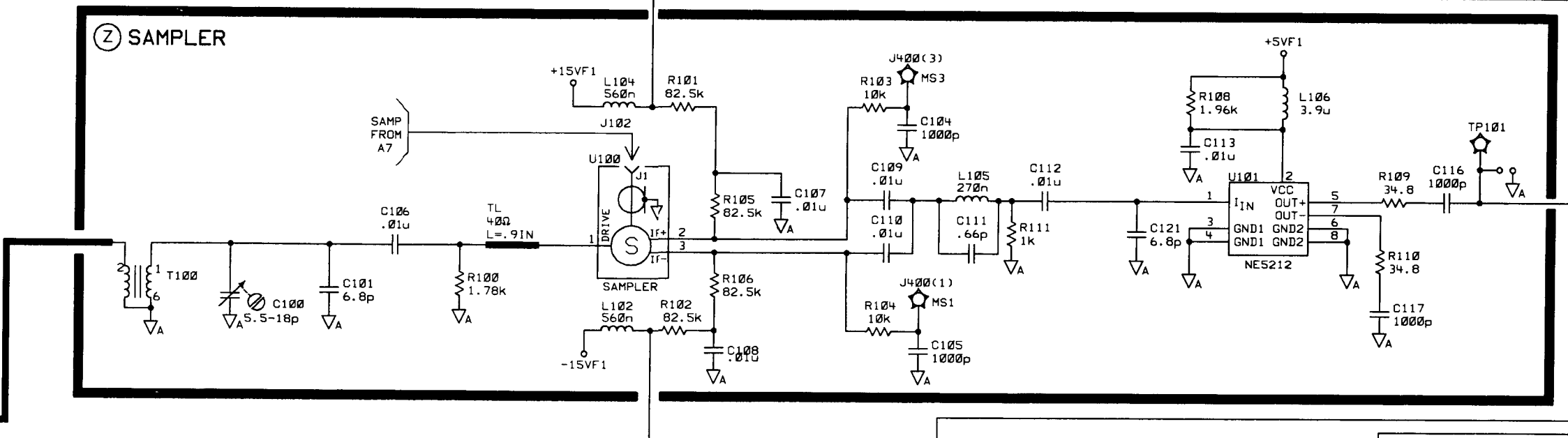
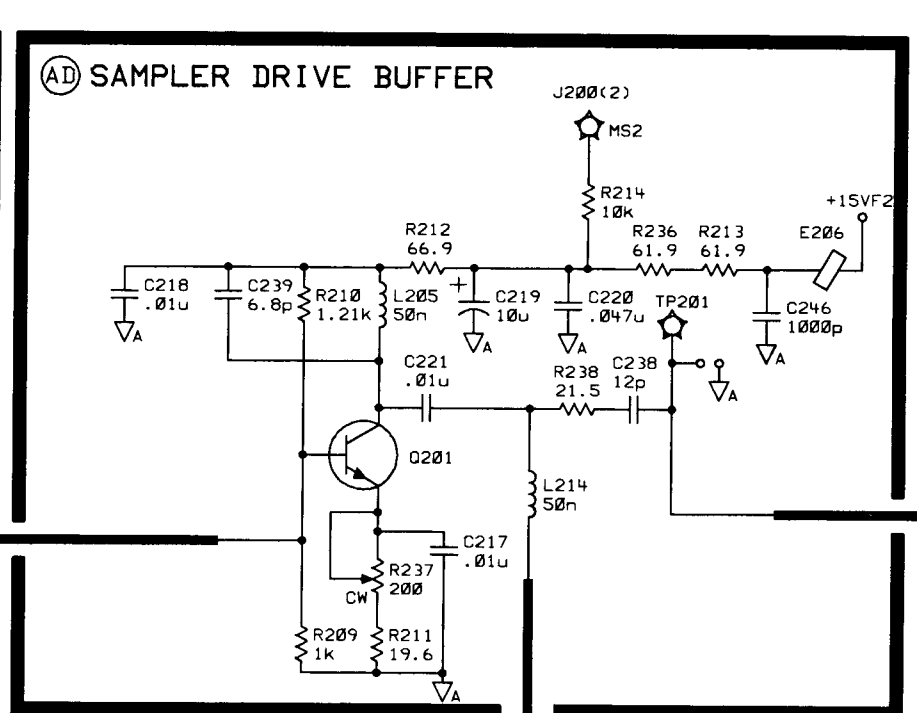
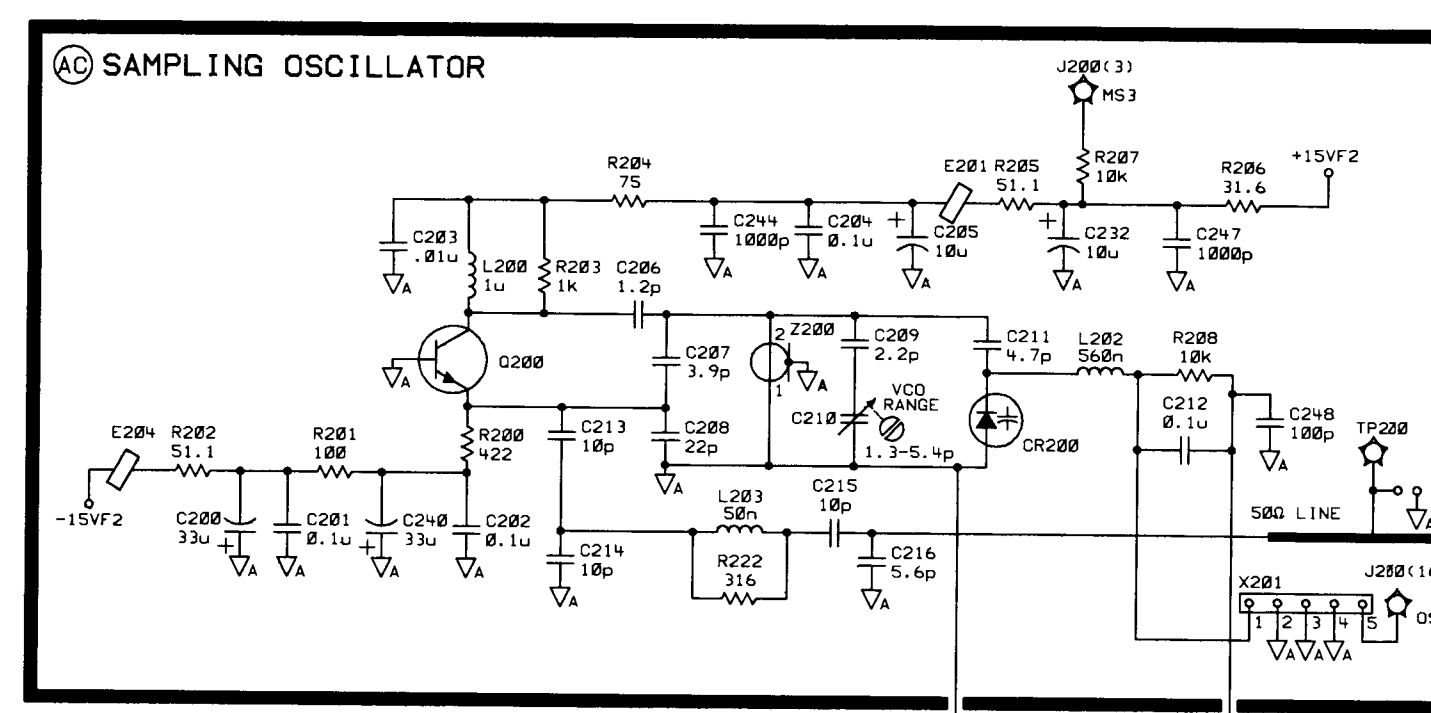
| SYM | REVISIONS | APPROVED | DATE |
|-----|-----------|----------|------|
| 1 | | | |
| 2 | | | |



HP PROPRIETARY
THIS DOCUMENT CONTAINS CONFIDENTIAL, PROPRIETARY INFORMATION THAT IS HEWLETT-PACKARD (HP) PROPERTY. DO NOT DISCLOSE TO OR DUPLICATE FOR OTHERS EXCEPT AS AUTHORIZED BY HP.

| ITEM | QTY. | PART/MATERIAL-DESCRIPTION | MAT'L-PART NO. | MAT'L-DWG. NO. | MAT'L-SPEC. |
|------|------|---------------------------|----------------|--|-------------|
| | | RAW BD = 20117 | | | |
| | | DRAWN BY | DATE | BOARD ASSEMBLY-RADIO FREQUENCY (SCHEMATIC) | |
| | | ENGINEER/CHECKER | | TITLE | |
| | | RELEASE TO PROD. | | FILENAME=5117997 | |
| | | SUPERSEDES DWG. | | SCALE NONE SHEET 2 OF 3 | |
| | | | | PART NUMBER | |
| | | | | D-08562-60117-1 | |

| SYM | REVISIONS | APPROVED | DATE |
|-----|-----------|----------|------|
| 1 | | | |
| 2 | | | |

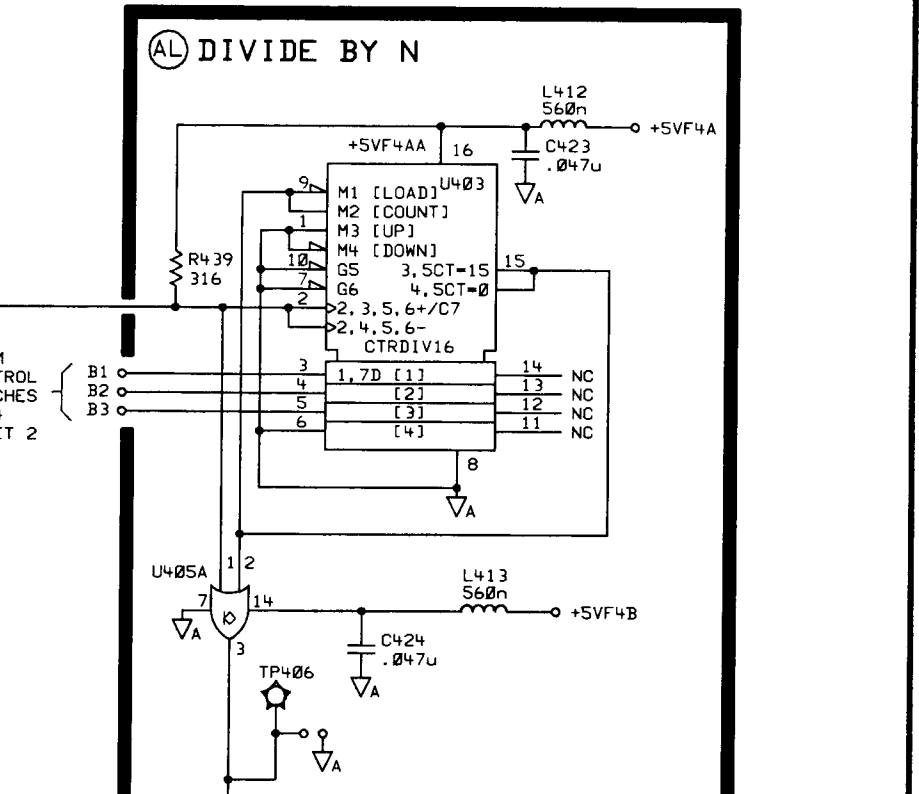
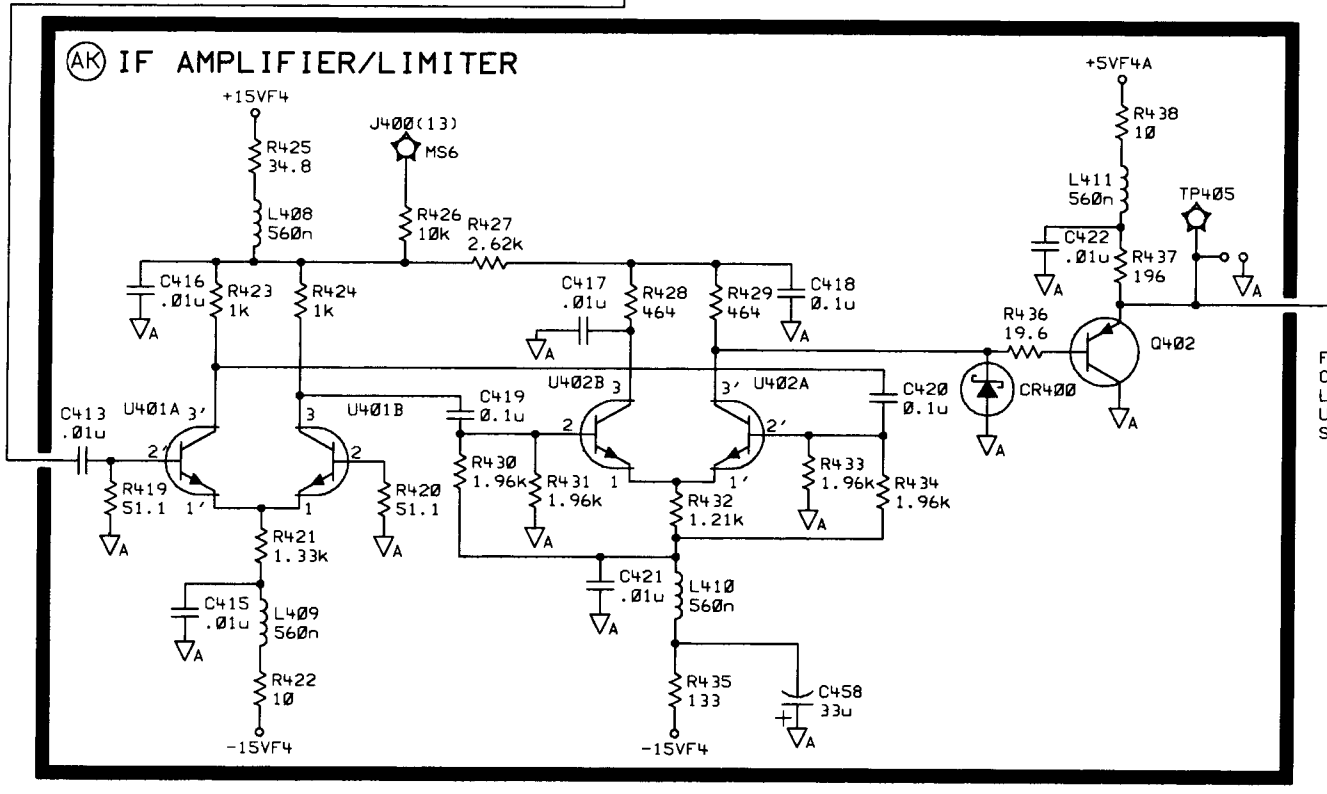
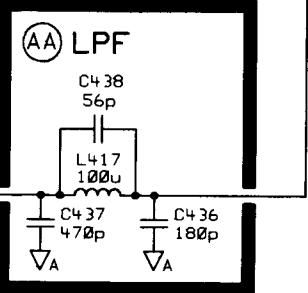
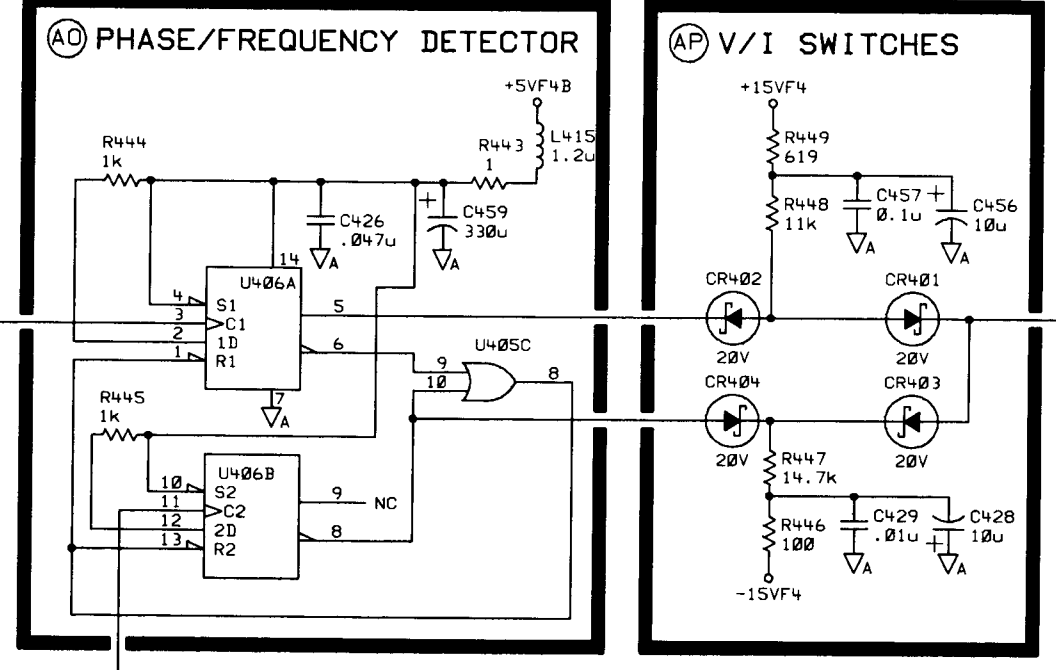
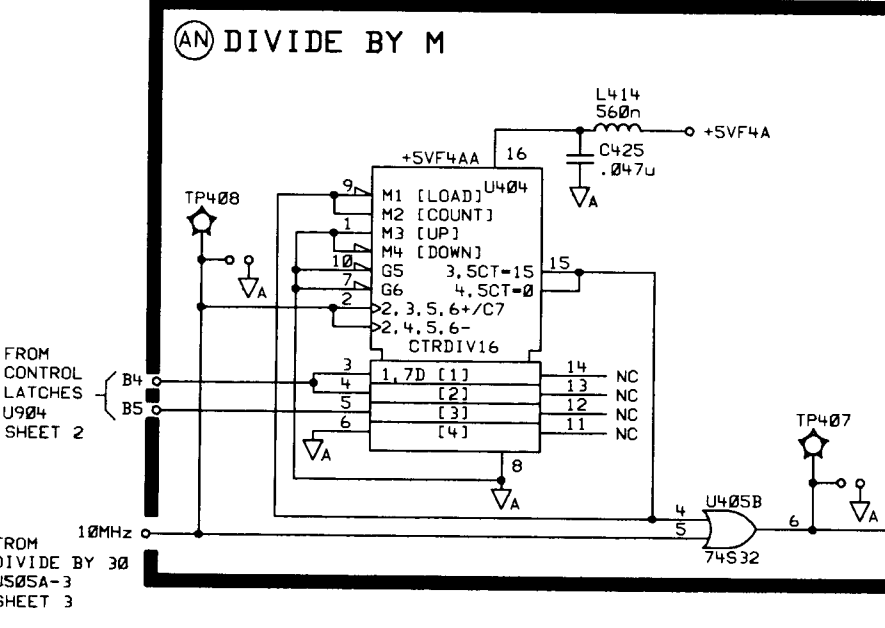


J1

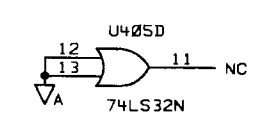
| PIN | SIGNAL | TO/FROM | FUNCTION |
|-----|--------|---------|----------|
| 1 | NC | | |
| 2 | NC | | |
| 3 | ASNB | 2A, 2H | |
| 4 | NC | | |
| 5 | NC | | |
| 6 | ASND | 2A, 2H | |
| 7 | NC | | |
| 8 | ASNB | 2A, 2H | |
| 9 | ASND | 2A, 2H | |
| 10 | NC | | |
| 11 | ASNB | 2A, 2H | |
| 12 | ASND | 2A, 2H | |
| 13 | NC | | |
| 14 | -15V | 2N | |
| 15 | -15V | 2N | |
| 16 | -15V | 2N | |
| 17 | +15V | 2N | |
| 18 | +15V | 2N | |
| 19 | +15V | 2N | |
| 20 | +28V | 2N | |
| 21 | +28V | 2N | |
| 22 | NC | | |
| 23 | -15V | 2N | |
| 24 | -15V | 2N | |
| 25 | -15V | 2N | |
| 26 | +15V | 2N | |
| 27 | +15V | 2N | |
| 28 | +15V | 2N | |
| 29 | +15V | 2N | |
| 30 | NC | | |
| 31 | ASNB | 2A, 2H | |
| 32 | ASND | 2A, 2H | |
| 33 | ASNB | 2A, 2H | |
| 34 | ASND | 2A, 2H | |
| 35 | ASNB | 2A, 2H | |
| 36 | ASND | 2A, 2H | |
| 37 | ASNB | 2A, 2H | |
| 38 | ASND | 2A, 2H | |
| 39 | NC | | |
| 40 | NC | | |
| 41 | NC | | |
| 42 | NC | | |
| 43 | NC | | |
| 44 | NC | | |
| 45 | NC | | |
| 46 | NC | | |
| 47 | NC | | |
| 48 | NC | | |
| 49 | NC | | |
| 50 | NC | | |

J2

| PIN | SIGNAL | TO/FROM | FUNCTION |
|-----|--------|---------|----------|
| 1 | ASNB | 2A, 2H | |
| 2 | ASND | 2A, 2H | |
| 3 | ASNB | 2A, 2H | |
| 4 | ASND | 2A, 2H | |
| 5 | ASNB | 2A, 2H | |
| 6 | ASND | 2A, 2H | |
| 7 | ASNB | 2A, 2H | |
| 8 | ASND | 2A, 2H | |
| 9 | ASNB | 2A, 2H | |
| 10 | ASND | 2A, 2H | |
| 11 | ASNB | 2A, 2H | |
| 12 | ASND | 2A, 2H | |
| 13 | ASNB | 2A, 2H | |
| 14 | ASND | 2A, 2H | |
| 15 | A3 | 2A | |
| 16 | A4 | 2A | |
| 17 | A5 | 2A | |
| 18 | A6 | 2A | |
| 19 | A7 | 2A | |
| 20 | A8 | 2A | |
| 21 | A9 | 2A | |
| 22 | A10 | 2A | |
| 23 | A11 | 2A | |
| 24 | A12 | 2A | |
| 25 | A13 | 2A | |
| 26 | A14 | 2A | |
| 27 | A15 | 2A | |
| 28 | A16 | 2A | |
| 29 | A17 | 2A | |
| 30 | A18 | 2A | |
| 31 | A19 | 2A | |
| 32 | A20 | 2A | |
| 33 | A21 | 2A | |
| 34 | A22 | 2A | |
| 35 | A23 | 2A | |
| 36 | A24 | 2A | |
| 37 | A25 | 2A | |
| 38 | A26 | 2A | |
| 39 | A27 | 2A | |
| 40 | A28 | 2A | |
| 41 | A29 | 2A | |
| 42 | A30 | 2A | |
| 43 | A31 | 2A | |
| 44 | A32 | 2A | |
| 45 | A33 | 2A | |
| 46 | A34 | 2A | |
| 47 | A35 | 2A | |
| 48 | A36 | 2A | |
| 49 | A37 | 2A | |
| 50 | A38 | 2A | |



UNUSED PACKAGES



HP PROPRIETARY
 THIS DOCUMENT CONTAINS CONFIDENTIAL, PROPRIETARY INFORMATION THAT IS HEWLETT-PACKARD (HP) PROPERTY. DO NOT DISCLOSE TO OR DUPLICATE FOR OTHERS EXCEPT AS AUTHORIZED BY HP.

| | | | | | |
|------------------|------|----------------|--|----------------|-------------|
| ITEM | QTY. | RAW BD = 20117 | MAT'L-PART NO. | MAT'L-DWG. NO. | MAT'L-SPEC. |
| DRAWN BY | | DATE | BOARD ASSEMBLY-RADIO FREQUENCY (SCHEMATIC) | | |
| ENGINEER/CHECKER | | | HEWLETT PACKARD | | |
| RELEASE TO PROD. | | | 08562-60117 | | |
| SUPERSEDES DWG. | | | PART NUMBER | | |
| | | SCALE NONE | D-08562-60117-1 | | |

Component-Level Information Packet
for 08562-60118
RF (Standard and Option 001)

Copyright © 1990 Hewlett-Packard Company

All Rights Reserved.
Reproduction, adaptation, or translation
without prior written permission
is prohibited, except as allowed
under the copyright laws.

HP Document Part Number 08562-90112

Printed December 1990
Printed in USA

The information contained in this document is subject to change
without notice.



HP Part Number 08562-60118
RF (Standard and Option 001)

| Reference Designation | HP Part Number | C D | Qty | Description | Mfr Code | Mfr Part Number |
|-----------------------|----------------|-----|-----|---------------------------------|----------|--------------------|
| C100 | 0121-0061 | 1 | 1 | CAP-VAR 18pF 5.5pF 350 V | 01468 | 304-322-237 |
| C101 | 0160-4383 | 0 | 1 | CAP-FXD 6.8pF 200 V | 06352 | FD12C0G2D6R8D |
| C102 | 0180-3328 | 3 | 1 | CAP-FXD 10uF 35 V AL-ELCTLT | 04200 | 510D106M035AA2D |
| C103 | 0180-3328 | 3 | 1 | CAP-FXD 10uF 35 V AL-ELCTLT | 04200 | 510D106M035AA2D |
| C104 | 0160-3879 | 7 | 1 | CAP-FXD 0.01uF 100 V | 02010 | SR201C103MAAH |
| C105 | 0160-3879 | 7 | 1 | CAP-FXD 0.01uF 100 V | 02010 | SR201C103MAAH |
| C106 | 0160-3879 | 7 | 1 | CAP-FXD 0.01uF 100 V | 02010 | SR201C103MAAH |
| C107 | 0160-4040 | 6 | 1 | CAP-FXD 1000pF 100 V | 02010 | SR201A102JAAH |
| C108 | 0160-4040 | 6 | 1 | CAP-FXD 1000pF 100 V | 02010 | SR201A102JAAH |
| C109 | 0160-4832 | 4 | 1 | CAP-FXD 0.01uF 100 V | 02010 | SA101C103KAAH |
| C110 | 0160-4832 | 4 | 1 | CAP-FXD 0.01uF 100 V | 02010 | SA101C103KAAH |
| C111 | 0160-4399 | 8 | 1 | CAP-FXD 0.66pF 50 V | 02010 | |
| C112 | 0160-4832 | 4 | 1 | CAP-FXD 0.01uF 100 V | 02010 | SA101C103KAAH |
| C113 | 0160-3879 | 7 | 1 | CAP-FXD 0.01uF 100 V | 02010 | SR201C103MAAH |
| C114 | 0180-3632 | 2 | 1 | CAP-FXD 22uF 16 V AL-ELCTLT | 00493 | KMC50VB22RM6X11LLM |
| C115 | 0160-4040 | 6 | 1 | CAP-FXD 1000pF 100 V | 02010 | SR201A102JAAH |
| C116 | 0160-4040 | 6 | 1 | CAP-FXD 1000pF 100 V | 02010 | SR201A102JAAH |
| C117 | 0160-4040 | 6 | 1 | CAP-FXD 1000pF 100 V | 02010 | SR201A102JAAH |
| C119 | 0160-3879 | 7 | 1 | CAP-FXD 0.01uF 100 V | 02010 | SR201C103MAAH |
| C121 | 0160-4383 | 0 | 1 | CAP-FXD 6.8pF 200 V | 06352 | FD12C0G2D6R8D |
| C150 | 0160-4386 | 3 | 1 | CAP-FXD 33pF 200 V | 02010 | SR152A330JAA |
| C151 | 0160-4574 | 1 | 1 | CAP-FXD 1000pF 100 V | 02010 | SA101C102KAAH |
| C152 | 0160-4795 | 8 | 1 | CAP-FXD 4.7pF 100 V | 02010 | SA102A4R7DAAH |
| C153 | 0160-4387 | 4 | 1 | CAP-FXD 47pF 200 V | 06352 | FD12C0G2D470J |
| C154 | 0160-4040 | 6 | 1 | CAP-FXD 1000pF 100 V | 02010 | SR201A102JAAH |
| C155 | 0160-4524 | 1 | 1 | CAP-FXD 24pF +-5% 200 V CER COG | 06352 | FD12C0G2D240J |
| C156 | 0160-4788 | 9 | 1 | CAP-FXD 18pF 100 V | 02010 | SA102A180JAAH |
| C157 | 0160-4526 | 3 | 1 | CAP-FXD 42pF 200 V | 06352 | FD12C0G2D426J |
| C158 | 0160-4492 | 2 | 1 | CAP-FXD 18pF 200 V | 06352 | FD12C0G2D180J |
| C159 | 0160-4040 | 6 | 1 | CAP-FXD 1000pF 100 V | 02010 | SR201A102JAAH |
| C160 | 0160-4766 | 3 | 1 | CAP-FXD 30pF 200 V | 06352 | FD12C0G2D300J |
| C161 | 0160-3879 | 7 | 1 | CAP-FXD 0.01uF 100 V | 02010 | SR201C103MAAH |
| C170 | 0160-4040 | 6 | 1 | CAP-FXD 1000pF 100 V | 02010 | SR201A102JAAH |
| C200 | 0180-3838 | 0 | 1 | CAP-FXD 33uF 25 V AL-ELCTLT | 00493 | SRC25VB33RM |
| C201 | 0160-4835 | 7 | 1 | CAP-FXD 0.1uF 50 V | 02010 | SA115C104KAAH |
| C202 | 0160-4084 | 8 | 1 | CAP-FXD 0.1uF 50 V | 02010 | SR215C104MAAH |
| C203 | 0160-4832 | 4 | 1 | CAP-FXD 0.01uF 100 V | 02010 | SA101C103KAAH |
| C204 | 0160-4835 | 7 | 1 | CAP-FXD 0.1uF 50 V | 02010 | SA115C104KAAH |
| C205 | 0180-4003 | 3 | 1 | CAP-FXD 10uF 25 V TA | 12340 | T398E106K025AS |
| C206 | 0160-4517 | 2 | 1 | CAP-FXD 1.2pF 200 V | 06352 | FD11C0G2D1R2C |
| C207 | 0160-4796 | 9 | 1 | CAP-FXD 3.9pF 100 V | 02010 | SA101A3R9CAAH |
| C208 | 0160-4787 | 8 | 1 | CAP-FXD 22pF 100 V | 02010 | SA102A220JAAH |
| C209 | 0160-4799 | 2 | 1 | CAP-FXD 2.2pF 100 V | 02010 | MA101A2R2CAAH |
| C210 | 0121-0452 | 4 | 1 | CAP-VAR 5.4pF 1.3pF 125 V AIR | 04670 | 187-0103-028 |
| C211 | 0160-4795 | 8 | 1 | CAP-FXD 4.7pF 100 V | 02010 | SA102A4R7DAAH |
| C212 | 0160-4835 | 7 | 1 | CAP-FXD 0.1uF 50 V | 02010 | SA115C104KAAH |
| C213 | 0160-3874 | 2 | 1 | CAP-FXD 10pF 200 V | 06352 | FD12C0G2D100D |
| C214 | 0160-3874 | 2 | 1 | CAP-FXD 10pF 200 V | 06352 | FD12C0G2D100D |

**Indicates factory-selected value*

HP Part Number 08562-60118
RF (Standard and Option 001)

| Reference Designation | HP Part Number | C D | Qty | Description | Mfr Code | Mfr Part Number |
|-----------------------|----------------|-----|-----|---------------------------------|----------|--------------------|
| C215 | 0160-4791 | 4 | 1 | CAP-FXD 10pF 100 V | 02010 | SA102A100JAAH |
| C216 | 0160-4794 | 7 | 1 | CAP-FXD 5.6pF 100 V | 02010 | SA102A5R6DAAH |
| C217 | 0160-3879 | 7 | 1 | CAP-FXD 0.01uF 100 V | 02010 | SR201C103MAAH |
| C218 | 0160-4832 | 4 | 1 | CAP-FXD 0.01uF 100 V | 02010 | SA101C103KAAH |
| C219 | 0180-4003 | 3 | 1 | CAP-FXD 10uF 25 V TA | 12340 | T398E106K025AS |
| C220 | 0160-0575 | 4 | 1 | CAP-FXD 0.047uF 50 V | 02010 | SR205C473MAAH |
| C221 | 0160-4832 | 4 | 1 | CAP-FXD 0.01uF 100 V | 02010 | SA101C103KAAH |
| C222 | 0160-4832 | 4 | 1 | CAP-FXD 0.01uF 100 V | 02010 | SA101C103KAAH |
| C223 | 0160-4832 | 4 | 1 | CAP-FXD 0.01uF 100 V | 02010 | SA101C103KAAH |
| C224 | 0160-4835 | 7 | 1 | CAP-FXD 0.1uF 50 V | 02010 | SA115C104KAAH |
| C225 | 0180-4003 | 3 | 1 | CAP-FXD 10uF 25 V TA | 12340 | T398E106K025AS |
| C226 | 0160-4832 | 4 | 1 | CAP-FXD 0.01uF 100 V | 02010 | SA101C103KAAH |
| C227 | 0160-4832 | 4 | 1 | CAP-FXD 0.01uF 100 V | 02010 | SA101C103KAAH |
| C228 | 0160-4835 | 7 | 1 | CAP-FXD 0.1uF 50 V | 02010 | SA115C104KAAH |
| C229 | 0180-4003 | 3 | 1 | CAP-FXD 10uF 25 V TA | 12340 | T398E106K025AS |
| C230 | 0180-3328 | 3 | 1 | CAP-FXD 10uF 35 V AL-ELCTLT | 04200 | 510D106M035AA2D |
| C231 | 0180-3328 | 3 | 1 | CAP-FXD 10uF 35 V AL-ELCTLT | 04200 | 510D106M035AA2D |
| C232 | 0180-4003 | 3 | 1 | CAP-FXD 10uF 25 V TA | 12340 | T398E106K025AS |
| C233 | 0160-4801 | 7 | 1 | CAP-FXD 100pF 100 V | 02010 | SA102A101JAAH |
| C234 | 0160-3879 | 7 | 1 | CAP-FXD 0.01uF 100 V | 02010 | SR201C103MAAH |
| C235 | 0160-4793 | 6 | 1 | CAP-FXD 6.8pF 100 V | 02010 | SA102A6R8DAAH |
| C236 | 0160-4832 | 4 | 1 | CAP-FXD 0.01uF 100 V | 02010 | SA101C103KAAH |
| C237 | 0160-4832 | 4 | 1 | CAP-FXD 0.01uF 100 V | 02010 | SA101C103KAAH |
| C238 | 0160-4521 | 8 | 1 | CAP-FXD 12pF +-5% 200 V CER COG | 06352 | FD12COG2D120J |
| C239 | 0160-4793 | 6 | 1 | CAP-FXD 6.8pF 100 V | 02010 | SA102A6R8DAAH |
| C240 | 0180-3838 | 0 | 1 | CAP-FXD 33uF 25 V AL-ELCTLT | 00493 | SRC25VB33RM |
| C241 | 0160-4832 | 4 | 1 | CAP-FXD 0.01uF 100 V | 02010 | SA101C103KAAH |
| C242 | 0160-4574 | 1 | 1 | CAP-FXD 1000pF 100 V | 02010 | SA101C102KAAH |
| C243 | 0160-4040 | 6 | 1 | CAP-FXD 1000pF 100 V | 02010 | SR201A102JAAH |
| C244 | 0160-4040 | 6 | 1 | CAP-FXD 1000pF 100 V | 02010 | SR201A102JAAH |
| C245 | 0160-4040 | 6 | 1 | CAP-FXD 1000pF 100 V | 02010 | SR201A102JAAH |
| C246 | 0160-4040 | 6 | 1 | CAP-FXD 1000pF 100 V | 02010 | SR201A102JAAH |
| C247 | 0160-4574 | 1 | 1 | CAP-FXD 1000pF 100 V | 02010 | SA101C102KAAH |
| C248 | 0160-4389 | 6 | 1 | CAP-FXD 100pF 200 V | 02010 | SR202A101JAAH |
| C301 | 0180-3328 | 3 | 1 | CAP-FXD 10uF 35 V AL-ELCTLT | 04200 | 510D106M035AA2D |
| C302 | 0180-3632 | 2 | 1 | CAP-FXD 22uF 16 V AL-ELCTLT | 00493 | KMC50VB22RM6X11LLM |
| C303 | 0180-3328 | 3 | 1 | CAP-FXD 10uF 35 V AL-ELCTLT | 04200 | 510D106M035AA2D |
| C304 | 0160-4835 | 7 | 1 | CAP-FXD 0.1uF 50 V | 02010 | SA115C104KAAH |
| C305 | 0160-4835 | 7 | 1 | CAP-FXD 0.1uF 50 V | 02010 | SA115C104KAAH |
| C313 | 0160-4832 | 4 | 1 | CAP-FXD 0.01uF 100 V | 02010 | SA101C103KAAH |
| C314 | 0160-4832 | 4 | 1 | CAP-FXD 0.01uF 100 V | 02010 | SA101C103KAAH |
| C315 | 0160-4832 | 4 | 1 | CAP-FXD 0.01uF 100 V | 02010 | SA101C103KAAH |
| C316 | 0160-4835 | 7 | 1 | CAP-FXD 0.1uF 50 V | 02010 | SA115C104KAAH |
| C317 | 0160-4832 | 4 | 1 | CAP-FXD 0.01uF 100 V | 02010 | SA101C103KAAH |
| C318 | 0160-4835 | 7 | 1 | CAP-FXD 0.1uF 50 V | 02010 | SA115C104KAAH |
| C319 | 0160-4832 | 4 | 1 | CAP-FXD 0.01uF 100 V | 02010 | SA101C103KAAH |
| C320 | 0160-4832 | 4 | 1 | CAP-FXD 0.01uF 100 V | 02010 | SA101C103KAAH |

HP Part Number 08562-60118
RF (Standard and Option 001)

| Reference Designation | HP Part Number | C D | Qty | Description | Mfr Code | Mfr Part Number |
|-----------------------|----------------|-----|-----|-----------------------|----------|-----------------|
| C321 | 0160-4832 | 4 | 1 | CAP-FXD 0.01uF 100 V | 02010 | SA101C103KAAH |
| C322 | 0160-4811 | 9 | 1 | CAP-FXD 270pF 100 V | 02010 | SA101A271JAAH |
| C400 | 0160-4801 | 7 | 1 | CAP-FXD 100pF 100 V | 02010 | SA102A101JAAH |
| C401 | 0160-3879 | 7 | 1 | CAP-FXD 0.01uF 100 V | 02010 | SR201C103MAAH |
| C402 | 0160-4832 | 4 | 1 | CAP-FXD 0.01uF 100 V | 02010 | SA101C103KAAH |
| C403 | 0160-4832 | 4 | 1 | CAP-FXD 0.01uF 100 V | 02010 | SA101C103KAAH |
| C404 | 0160-4793 | 6 | 1 | CAP-FXD 6.8pF 100 V | 02010 | SA102A6R8DAAH |
| C405 | 0160-4801 | 7 | 1 | CAP-FXD 100pF 100 V | 02010 | SA102A101JAAH |
| C406 | 0160-4832 | 4 | 1 | CAP-FXD 0.01uF 100 V | 02010 | SA101C103KAAH |
| C407 | 0160-4832 | 4 | 1 | CAP-FXD 0.01uF 100 V | 02010 | SA101C103KAAH |
| C408 | 0160-4801 | 7 | 1 | CAP-FXD 100pF 100 V | 02010 | SA102A101JAAH |
| C409 | 0160-4813 | 1 | 1 | CAP-FXD 180pF 100 V | 02010 | SA101A181JAAH |
| C410 | 0160-4813 | 1 | 1 | CAP-FXD 180pF 100 V | 02010 | SA101A181JAAH |
| C411 | 0160-4803 | 9 | 1 | CAP-FXD 68pF 100 V | 02010 | SA102A680JAAH |
| C412 | 0160-4803 | 9 | 1 | CAP-FXD 68pF 100 V | 02010 | SA102A680JAAH |
| C413 | 0160-4832 | 4 | 1 | CAP-FXD 0.01uF 100 V | 02010 | SA101C103KAAH |
| C415 | 0160-4832 | 4 | 1 | CAP-FXD 0.01uF 100 V | 02010 | SA101C103KAAH |
| C416 | 0160-4832 | 4 | 1 | CAP-FXD 0.01uF 100 V | 02010 | SA101C103KAAH |
| C417 | 0160-4832 | 4 | 1 | CAP-FXD 0.01uF 100 V | 02010 | SA101C103KAAH |
| C418 | 0160-4835 | 7 | 1 | CAP-FXD 0.1uF 50 V | 02010 | SA115C104KAAH |
| C419 | 0160-4835 | 7 | 1 | CAP-FXD 0.1uF 50 V | 02010 | SA115C104KAAH |
| C420 | 0160-4835 | 7 | 1 | CAP-FXD 0.1uF 50 V | 02010 | SA115C104KAAH |
| C421 | 0160-4832 | 4 | 1 | CAP-FXD 0.01uF 100 V | 02010 | SA101C103KAAH |
| C422 | 0160-4832 | 4 | 1 | CAP-FXD 0.01uF 100 V | 02010 | SA101C103KAAH |
| C423 | 0160-5422 | 0 | 1 | CAP-FXD 0.047uF 50 V | 02010 | SA205C473MAAH |
| C424 | 0160-5422 | 0 | 1 | CAP-FXD 0.047uF 50 V | 02010 | SA205C473MAAH |
| C425 | 0160-5422 | 0 | 1 | CAP-FXD 0.047uF 50 V | 02010 | SA205C473MAAH |
| C426 | 0160-0575 | 4 | 1 | CAP-FXD 0.047uF 50 V | 02010 | SR205C473MAAH |
| C427 | 0160-4835 | 7 | 1 | CAP-FXD 0.1uF 50 V | 02010 | SA115C104KAAH |
| C428 | 0180-4003 | 3 | 1 | CAP-FXD 10uF 25 V TA | 12340 | T398E106K025AS |
| C429 | 0160-4832 | 4 | 1 | CAP-FXD 0.01uF 100 V | 02010 | SA101C103KAAH |
| C430 | 0160-4832 | 4 | 1 | CAP-FXD 0.01uF 100 V | 02010 | SA101C103KAAH |
| C431 | 0180-4003 | 3 | 1 | CAP-FXD 10uF 25 V TA | 12340 | T398E106K025AS |
| C432 | 0160-4835 | 7 | 1 | CAP-FXD 0.1uF 50 V | 02010 | SA115C104KAAH |
| C433 | 0180-4003 | 3 | 1 | CAP-FXD 10uF 25 V TA | 12340 | T398E106K025AS |
| C434 | 0160-4832 | 4 | 1 | CAP-FXD 0.01uF 100 V | 02010 | SA101C103KAAH |
| C435 | 0160-4084 | 8 | 1 | CAP-FXD 0.1uF 50 V | 02010 | SR215C104MAAH |
| C436 | 0160-4813 | 1 | 1 | CAP-FXD 180pF 100 V | 02010 | SA101A181JAAH |
| C437 | 0160-4808 | 4 | 1 | CAP-FXD 470pF 100 V | 02010 | SA101A471JAAH |
| C438 | 0160-4804 | 0 | 1 | CAP-FXD 56pF 100 V | 02010 | SA102A560JAAH |
| C439 | 0160-4835 | 7 | 1 | CAP-FXD 0.1uF 50 V | 02010 | SA115C104KAAH |
| C440 | 0160-4801 | 7 | 1 | CAP-FXD 100pF 100 V | 02010 | SA102A101JAAH |
| C441 | 0160-4833 | 5 | 1 | CAP-FXD 0.022uF 100 V | 02010 | SA201C223KAAH |
| C443 | 0160-4832 | 4 | 1 | CAP-FXD 0.01uF 100 V | 02010 | SA101C103KAAH |
| C444 | 0160-4835 | 7 | 1 | CAP-FXD 0.1uF 50 V | 02010 | SA115C104KAAH |
| C445 | 0160-4835 | 7 | 1 | CAP-FXD 0.1uF 50 V | 02010 | SA115C104KAAH |
| C446 | 0160-4820 | 0 | 1 | CAP-FXD 1800pF 100 V | 02010 | SA301A182JAAH |
| C447 | 0160-4825 | 5 | 1 | CAP-FXD 560pF 100 V | 02010 | SA101A561JAAH |

*Indicates factory-selected value

HP Part Number 08562-60118

RF (Standard and Option 001)

| Reference Designation | HP Part Number | C D | Qty | Description | Mfr Code | Mfr Part Number |
|-----------------------|----------------|--------|-----|------------------------------|----------|-----------------|
| C448 | 0160-4831 | 3 | 1 | CAP-FXD 4700pF 100 V | 02010 | SA101C472KAAH |
| C449 | 0160-4441 | 1 | 1 | CAP-FXD 0.47uF 50 V | 02010 | SR305C474KAAH |
| C450 | 0160-5422 | 0 | 1 | CAP-FXD 0.047uF 50 V | 02010 | SA205C473MAAH |
| C451 | 0180-3311 | 4 | 1 | CAP-FXD 6.8uF 50 V AL-ELCTLT | 04200 | 510D685M050AA4D |
| C452 | 0180-3328 | 3 | 1 | CAP-FXD 10uF 35 V AL-ELCTLT | 04200 | 510D106M035AA2D |
| C453 | 0180-3328 | 3 | 1 | CAP-FXD 10uF 35 V AL-ELCTLT | 04200 | 510D106M035AA2D |
| C454 | 0180-3920 | 1 | 1 | CAP-FXD 330uF 10 V AL-ELCTLT | 00779 | TLB1A331MAA1LS |
| C455 | 0180-3920 | 1 | 1 | CAP-FXD 330uF 10 V AL-ELCTLT | 00779 | TLB1A331MAA1LS |
| C456 | 0180-4003 | 3 | 1 | CAP-FXD 10uF 25 V TA | 12340 | T398E106K025AS |
| C457 | 0160-4835 | 7 | 1 | CAP-FXD 0.1uF 50 V | 02010 | SA115C104KAAH |
| C458 | 0180-3838 | 0 | 1 | CAP-FXD 33uF 25 V AL-ELCTLT | 00493 | SRC25VB33RM |
| C459 | 0180-3920 | 1 | 1 | CAP-FXD 330uF 10 V AL-ELCTLT | 00779 | TLB1A331MAA1LS |
| C460 | 0160-4574 | 1 | 1 | CAP-FXD 1000pF 100 V | 02010 | SA101C102KAAH |
| C461 | 0160-4040 | 6 | 1 | CAP-FXD 1000pF 100 V | 02010 | SR201A102JAAH |
| C501 | 0160-4793 | 6 | 1 | CAP-FXD 6.8pF 100 V | 02010 | SA102A6R8DAAH |
| C503 | 0160-4832 | 4 | 1 | CAP-FXD 0.01uF 100 V | 02010 | SA101C103KAAH |
| C504 | 0160-4832 | 4 | 1 | CAP-FXD 0.01uF 100 V | 02010 | SA101C103KAAH |
| C505 | 0160-4789 | 0 | 1 | CAP-FXD 15pF 100 V | 02010 | SA102A150JAAH |
| C506 | 0160-4832 | 4 | 1 | CAP-FXD 0.01uF 100 V | 02010 | SA101C103KAAH |
| C507 | 0160-4801 | 7 | 1 | CAP-FXD 100pF 100 V | 02010 | SA102A101JAAH |
| C508 | 0160-4789 | 0 | 1 | CAP-FXD 15pF 100 V | 02010 | SA102A150JAAH |
| C509 | 0160-4805 | 1 | 1 | CAP-FXD 47pF 100 V | 02010 | SA102A470JAAH |
| C510 | 0160-4832 | 4 | 1 | CAP-FXD 0.01uF 100 V | 02010 | SA101C103KAAH |
| C511 | 0160-4789 | 0 | 1 | CAP-FXD 15pF 100 V | 02010 | SA102A150JAAH |
| C512 | 0160-4832 | 4 | 1 | CAP-FXD 0.01uF 100 V | 02010 | SA101C103KAAH |
| C513 | 0160-4832 | 4 | 1 | CAP-FXD 0.01uF 100 V | 02010 | SA101C103KAAH |
| C514 | 0160-4791 | 4 | 1 | CAP-FXD 10pF 100 V | 02010 | SA102A100JAAH |
| C515 | 0160-4825 | 5 | 1 | CAP-FXD 560pF 100 V | 02010 | SA101A561JAAH |
| C516 | 0160-4832 | 4 | 1 | CAP-FXD 0.01uF 100 V | 02010 | SA101C103KAAH |
| C517 | 0160-4832 | 4 | 1 | CAP-FXD 0.01uF 100 V | 02010 | SA101C103KAAH |
| C518 | 0160-4789 | 0 | 1 | CAP-FXD 15pF 100 V | 02010 | SA102A150JAAH |
| C519 | 0160-4805 | 1 | 1 | CAP-FXD 47pF 100 V | 02010 | SA102A470JAAH |
| C520 | 0160-4789 | 0 | 1 | CAP-FXD 15pF 100 V | 02010 | SA102A150JAAH |
| C521 | 0160-4789 | 0 | 1 | CAP-FXD 15pF 100 V | 02010 | SA102A150JAAH |
| C522 | 0160-4791 | 4 | 1 | CAP-FXD 10pF 100 V | 02010 | SA102A100JAAH |
| C523 | 0160-4791 | 4 | 1 | CAP-FXD 10pF 100 V | 02010 | SA102A100JAAH |
| C524 | 0160-4803 | 9 | 1 | CAP-FXD 68pF 100 V | 02010 | SA102A680JAAH |
| C525 | 0160-4790 | 3 | 1 | CAP-FXD 12pF 100 V | 02010 | SA102A120JAAH |
| C526 | 0160-4789 | 0 | 1 | CAP-FXD 15pF 100 V | 02010 | SA102A150JAAH |
| C527 | 0160-4792 | 5 | 1 | CAP-FXD 8.2pF 100 V | 02010 | SA102A8R2DAAH |
| C528 | 0160-4805 | 1 | 1 | CAP-FXD 47pF 100 V | 02010 | SA102A470JAAH |
| C529 | 0160-4811 | 9 | 1 | CAP-FXD 270pF 100 V | 02010 | SA101A271JAAH |
| C530 | 0160-4832 | 4 | 1 | CAP-FXD 0.01uF 100 V | 02010 | SA101C103KAAH |
| C531 | 0160-4835 | 7 | 1 | CAP-FXD 0.1uF 50 V | 02010 | SA115C104KAAH |
| C532 | 0160-4832 | 4 | 1 | CAP-FXD 0.01uF 100 V | 02010 | SA101C103KAAH |
| C533 | 0160-4835 | 7 | 1 | CAP-FXD 0.1uF 50 V | 02010 | SA115C104KAAH |
| C534 | 0160-4835 | 7 | 1 | CAP-FXD 0.1uF 50 V | 02010 | SA115C104KAAH |

HP Part Number 08562-60118
RF (Standard and Option 001)

| Reference Designation | HP Part Number | C D | Qty | Description | Mfr Code | Mfr Part Number |
|-----------------------|----------------|-----|-----|------------------------------|----------|--------------------|
| C535 | 0160-4832 | 4 | 1 | CAP-FXD 0.01uF 100 V | 02010 | SA101C103KAAH |
| C536 | 0160-4811 | 9 | 1 | CAP-FXD 270pF 100 V | 02010 | SA101A271JAAH |
| C537 | 0160-4832 | 4 | 1 | CAP-FXD 0.01uF 100 V | 02010 | SA101C103KAAH |
| C538 | 0160-4832 | 4 | 1 | CAP-FXD 0.01uF 100 V | 02010 | SA101C103KAAH |
| C539 | 0160-4832 | 4 | 1 | CAP-FXD 0.01uF 100 V | 02010 | SA101C103KAAH |
| C540 | 0160-4832 | 4 | 1 | CAP-FXD 0.01uF 100 V | 02010 | SA101C103KAAH |
| C541 | 0160-4835 | 7 | 1 | CAP-FXD 0.1uF 50 V | 02010 | SA115C104KAAH |
| C542 | 0160-4832 | 4 | 1 | CAP-FXD 0.01uF 100 V | 02010 | SA101C103KAAH |
| C543 | 0160-4833 | 5 | 1 | CAP-FXD 0.022uF 100 V | 02010 | SA201C223KAAH |
| C544 | 0160-4833 | 5 | 1 | CAP-FXD 0.022uF 100 V | 02010 | SA201C223KAAH |
| C545 | 0160-4535 | 4 | 1 | CAP-FXD 1uF 50 V | 02010 | SR305C105KAAH |
| C546 | 0160-4535 | 4 | 1 | CAP-FXD 1uF 50 V | 02010 | SR305C105KAAH |
| C547 | 0160-4835 | 7 | 1 | CAP-FXD 0.1uF 50 V | 02010 | SA115C104KAAH |
| C548 | 0160-4835 | 7 | 1 | CAP-FXD 0.1uF 50 V | 02010 | SA115C104KAAH |
| C549 | 0160-4835 | 7 | 1 | CAP-FXD 0.1uF 50 V | 02010 | SA115C104KAAH |
| C550 | 0180-3328 | 3 | 1 | CAP-FXD 10uF 35 V AL-ELCTLT | 04200 | 510D106M035AA2D |
| C551 | 0180-3328 | 3 | 1 | CAP-FXD 10uF 35 V AL-ELCTLT | 04200 | 510D106M035AA2D |
| C552 | 0180-3628 | 6 | 1 | CAP-FXD 220uF 10 V AL-ELCTLT | 00493 | SMC10VB221M8X11.5 |
| C553 | 0180-3328 | 3 | 1 | CAP-FXD 10uF 35 V AL-ELCTLT | 04200 | 510D106M035AA2D |
| C554 | 0180-3632 | 2 | 1 | CAP-FXD 22uF 16 V AL-ELCTLT | 00493 | KMC50VB22RM6X11LLM |
| C555 | 0160-4790 | 3 | 1 | CAP-FXD 12pF 100 V | 02010 | SA102A120JAAH |
| C556 | 0160-4793 | 6 | 1 | CAP-FXD 6.8pF 100 V | 02010 | SA102A6R8DAAH |
| C601 | 0160-4371 | 6 | 1 | CAP-FXD 680pF 100 V | 02010 | SR201A681JAAH |
| C602 | 0160-4803 | 9 | 1 | CAP-FXD 68pF 100 V | 02010 | SA102A680JAAH |
| C603 | 0160-4824 | 4 | 1 | CAP-FXD 680pF 100 V | 02010 | SA101A681JAAH |
| C604 | 0160-4835 | 7 | 1 | CAP-FXD 0.1uF 50 V | 02010 | SA115C104KAAH |
| C605 | 0160-4835 | 7 | 1 | CAP-FXD 0.1uF 50 V | 02010 | SA115C104KAAH |
| C606 | 0160-4835 | 7 | 1 | CAP-FXD 0.1uF 50 V | 02010 | SA115C104KAAH |
| C607 | 0160-4832 | 4 | 1 | CAP-FXD 0.01uF 100 V | 02010 | SA101C103KAAH |
| C608 | 0160-4835 | 7 | 1 | CAP-FXD 0.1uF 50 V | 02010 | SA115C104KAAH |
| C609 | 0160-4835 | 7 | 1 | CAP-FXD 0.1uF 50 V | 02010 | SA115C104KAAH |
| C610 | 0160-4832 | 4 | 1 | CAP-FXD 0.01uF 100 V | 02010 | SA101C103KAAH |
| C611 | 0160-4835 | 7 | 1 | CAP-FXD 0.1uF 50 V | 02010 | SA115C104KAAH |
| C612 | 0160-0575 | 4 | 1 | CAP-FXD 0.047uF 50 V | 02010 | SR205C473MAAH |
| C613 | 0160-4835 | 7 | 1 | CAP-FXD 0.1uF 50 V | 02010 | SA115C104KAAH |
| C614 | 0160-4835 | 7 | 1 | CAP-FXD 0.1uF 50 V | 02010 | SA115C104KAAH |
| C615 | 0160-4574 | 1 | 1 | CAP-FXD 1000pF 100 V | 02010 | SA101C102KAAH |
| C616 | 0160-4787 | 8 | 1 | CAP-FXD 22pF 100 V | 02010 | SA102A220JAAH |
| C617 | 0160-4801 | 7 | 1 | CAP-FXD 100pF 100 V | 02010 | SA102A101JAAH |
| C618 | 0160-4574 | 1 | 1 | CAP-FXD 1000pF 100 V | 02010 | SA101C102KAAH |
| C619 | 0160-4574 | 1 | 1 | CAP-FXD 1000pF 100 V | 02010 | SA101C102KAAH |
| C620 | 0160-4350 | 1 | 1 | CAP-FXD 68pF 200 V | 06352 | FD12C0G2D680J |
| C621 | 0160-3874 | 2 | 1 | CAP-FXD 10pF 200 V | 06352 | FD12C0G2D100D |
| C622 | 0160-4522 | 9 | 1 | CAP-FXD 13pF 200 V | 06352 | FD12C0G2D130J |
| C623 | 0160-4835 | 7 | 1 | CAP-FXD 0.1uF 50 V | 02010 | SA115C104KAAH |
| C624 | 0160-4574 | 1 | 1 | CAP-FXD 1000pF 100 V | 02010 | SA101C102KAAH |
| C625 | 0180-3328 | 3 | 1 | CAP-FXD 10uF 35 V AL-ELCTLT | 04200 | 510D106M035AA2D |
| C626 | 0160-4835 | 7 | 1 | CAP-FXD 0.1uF 50 V | 02010 | SA115C104KAAH |

*Indicates factory-selected value

HP Part Number 08562-60118

RF (Standard and Option 001)

| Reference Designation | HP Part Number | C D | Qty | Description | Mfr Code | Mfr Part Number |
|-----------------------|----------------|-----|-----|------------------------------|----------|--------------------|
| C627 | 0160-5422 | 0 | 1 | CAP-FXD 0.047uF 50 V | 02010 | SA205C473MAAH |
| C628 | 0160-5422 | 0 | 1 | CAP-FXD 0.047uF 50 V | 02010 | SA205C473MAAH |
| C629 | 0121-0448 | 8 | 1 | CAP-VAR 5pF 2.5pF 63 V | 01468 | 302-504-111 |
| C701 | 0160-4835 | 7 | 1 | CAP-FXD 0.1uF 50 V | 02010 | SA115C104KAAH |
| C702 | 0180-3888 | 0 | 1 | CAP-FXD 15uF 25 V TA | 04200 | 173D156X9025X |
| C703 | 0160-4835 | 7 | 1 | CAP-FXD 0.1uF 50 V | 02010 | SA115C104KAAH |
| C704 | 0160-4835 | 7 | 1 | CAP-FXD 0.1uF 50 V | 02010 | SA115C104KAAH |
| C705 | 0160-4790 | 3 | 1 | CAP-FXD 12pF 100 V | 02010 | SA102A120JAAH |
| C706 | 0160-4793 | 6 | 1 | CAP-FXD 6.8pF 100 V | 02010 | SA102A6R8DAAH |
| C707 | 0160-4797 | 0 | 1 | CAP-FXD 3.3pF 100 V | 02010 | MA101A3R3CAA |
| C708 | 0160-4793 | 6 | 1 | CAP-FXD 6.8pF 100 V | 02010 | SA102A6R8DAAH |
| C709 | 0160-4793 | 6 | 1 | CAP-FXD 6.8pF 100 V | 02010 | SA102A6R8DAAH |
| C710 | 0160-4799 | 2 | 1 | CAP-FXD 2.2pF 100 V | 02010 | MA101A2R2CAAH |
| C711 | 0180-3328 | 3 | 1 | CAP-FXD 10uF 35 V AL-ELCTLT | 04200 | 510D106M035AA2D |
| C712 | 0160-4835 | 7 | 1 | CAP-FXD 0.1uF 50 V | 02010 | SA115C104KAAH |
| C713 | 0160-4835 | 7 | 1 | CAP-FXD 0.1uF 50 V | 02010 | SA115C104KAAH |
| C714 | 0160-4832 | 4 | 1 | CAP-FXD 0.01uF 100 V | 02010 | SA101C103KAAH |
| C715 | 0160-4790 | 3 | 1 | CAP-FXD 12pF 100 V | 02010 | SA102A120JAAH |
| C716 | 0160-4790 | 3 | 1 | CAP-FXD 12pF 100 V | 02010 | SA102A120JAAH |
| C717 | 0160-4796 | 9 | 1 | CAP-FXD 3.9pF 100 V | 02010 | SA101A3R9CAAH |
| C801 | 0160-4574 | 1 | 1 | CAP-FXD 1000pF 100 V | 02010 | SA101C102KAAH |
| C802 | 0160-4574 | 1 | 1 | CAP-FXD 1000pF 100 V | 02010 | SA101C102KAAH |
| C803 | 0160-4574 | 1 | 1 | CAP-FXD 1000pF 100 V | 02010 | SA101C102KAAH |
| C804 | 0160-4574 | 1 | 1 | CAP-FXD 1000pF 100 V | 02010 | SA101C102KAAH |
| C805 | 0160-4835 | 7 | 1 | CAP-FXD 0.1uF 50 V | 02010 | SA115C104KAAH |
| C806 | 0160-4835 | 7 | 1 | CAP-FXD 0.1uF 50 V | 02010 | SA115C104KAAH |
| C807 | 0160-4574 | 1 | 1 | CAP-FXD 1000pF 100 V | 02010 | SA101C102KAAH |
| C808 | 0180-3328 | 3 | 1 | CAP-FXD 10uF 35 V AL-ELCTLT | 04200 | 510D106M035AA2D |
| C809 | 0160-4574 | 1 | 1 | CAP-FXD 1000pF 100 V | 02010 | SA101C102KAAH |
| C810 | 0160-4387 | 4 | 1 | CAP-FXD 47pF 200 V | 06352 | FD12C0G2D470J |
| C901 | 0160-4835 | 7 | 1 | CAP-FXD 0.1uF 50 V | 02010 | SA115C104KAAH |
| C902 | 0160-4835 | 7 | 1 | CAP-FXD 0.1uF 50 V | 02010 | SA115C104KAAH |
| C903 | 0160-4835 | 7 | 1 | CAP-FXD 0.1uF 50 V | 02010 | SA115C104KAAH |
| C904 | 0160-4835 | 7 | 1 | CAP-FXD 0.1uF 50 V | 02010 | SA115C104KAAH |
| C905 | 0160-4835 | 7 | 1 | CAP-FXD 0.1uF 50 V | 02010 | SA115C104KAAH |
| C906 | 0160-4835 | 7 | 1 | CAP-FXD 0.1uF 50 V | 02010 | SA115C104KAAH |
| C907 | 0160-4835 | 7 | 1 | CAP-FXD 0.1uF 50 V | 02010 | SA115C104KAAH |
| C908 | 0160-4787 | 8 | 1 | CAP-FXD 22pF 100 V | 02010 | SA102A220JAAH |
| C909 | 0160-4835 | 7 | 1 | CAP-FXD 0.1uF 50 V | 02010 | SA115C104KAAH |
| C910 | 0180-3328 | 3 | 1 | CAP-FXD 10uF 35 V AL-ELCTLT | 04200 | 510D106M035AA2D |
| C911 | 0180-3328 | 3 | 1 | CAP-FXD 10uF 35 V AL-ELCTLT | 04200 | 510D106M035AA2D |
| C912 | 0180-3632 | 2 | 1 | CAP-FXD 22uF 16 V AL-ELCTLT | 00493 | KMC50VB22RM6X11LLM |
| C913 | 0180-3311 | 4 | 1 | CAP-FXD 6.8uF 50 V AL-ELCTLT | 04200 | 510D685M050AA4D |
| C914 | 0160-4835 | 7 | 1 | CAP-FXD 0.1uF 50 V | 02010 | SA115C104KAAH |
| C915 | 0160-4835 | 7 | 1 | CAP-FXD 0.1uF 50 V | 02010 | SA115C104KAAH |
| CR101 | 1901-1097 | 0 | 1 | DIODE-PIN | 02062 | 5082-5580 |
| CR102 | 1901-1097 | 0 | 1 | DIODE-PIN | 02062 | 5082-5580 |

HP Part Number 08562-60118
RF (Standard and Option 001)

| Reference Designation | HP Part Number | C D | Qty | Description | Mfr Code | Mfr Part Number |
|-----------------------|----------------|--------|-----|--|----------|-----------------|
| CR103 | 1901-1097 | 0 | 1 | DIODE-PIN | 02062 | 5082-5580 |
| CR200 | 0122-0161 | 4 | 1 | DIODE-VVC 2.15PF 7% BVR=30V | 03334 | BB405B |
| CR400 | 1901-0539 | 3 | 1 | DIODE-SCHOTTKY SM SIG | 02062 | |
| CR401 | 1901-0539 | 3 | 1 | DIODE-SCHOTTKY SM SIG | 02062 | |
| CR402 | 1901-0539 | 3 | 1 | DIODE-SCHOTTKY SM SIG | 02062 | |
| CR403 | 1901-0539 | 3 | 1 | DIODE-SCHOTTKY SM SIG | 02062 | |
| CR404 | 1901-0539 | 3 | 1 | DIODE-SCHOTTKY SM SIG | 02062 | |
| CR405 | 1901-1098 | 1 | 1 | DIODE-SWITCHING 1N4150 50V 200MA 4NS | 00746 | |
| CR501 | 1901-0033 | 2 | 1 | DIODE-GEN PRP 180V 200MA DO-35 | 03406 | |
| CR502 | 1901-0033 | 2 | 1 | DIODE-GEN PRP 180V 200MA DO-35 | 03406 | |
| CR503 | 1901-1070 | 9 | 1 | DIODE-PIN 110V | 02062 | |
| CR504 | 1901-0539 | 3 | 1 | DIODE-SCHOTTKY SM SIG | 02062 | |
| CR505 | 1901-0539 | 3 | 1 | DIODE-SCHOTTKY SM SIG | 02062 | |
| CR506 | 1901-1068 | 5 | 1 | DIODE-SCHOTTKY SM SIG | 02062 | 5082-5541 |
| CR601 | 1901-1070 | 9 | 1 | DIODE-PIN 110V | 02062 | |
| CR602 | 1901-1070 | 9 | 1 | DIODE-PIN 110V | 02062 | |
| CR603 | 1901-1097 | 0 | 1 | DIODE-PIN | 02062 | 5082-5580 |
| CR604 | 1901-1097 | 0 | 1 | DIODE-PIN | 02062 | 5082-5580 |
| CR605 | 1901-1097 | 0 | 1 | DIODE-PIN | 02062 | 5082-5580 |
| CR606 | 1901-1070 | 9 | 1 | DIODE-PIN 110V | 02062 | |
| CR607 | 1901-1070 | 9 | 1 | DIODE-PIN 110V | 02062 | |
| CR701 | 0122-0161 | 4 | 1 | DIODE-VVC 2.15PF 7% BVR=30V | 03334 | BB405B |
| CR702 | 0122-0161 | 4 | 1 | DIODE-VVC 2.15PF 7% BVR=30V | 03334 | BB405B |
| CR703 | 1901-1098 | 1 | 1 | DIODE-SWITCHING 1N4150 50V 200MA 4NS | 00746 | |
| CR801 | 1901-1097 | 0 | 1 | DIODE-PIN | 02062 | 5082-5580 |
| CR802 | 1901-1097 | 0 | 1 | DIODE-PIN | 02062 | 5082-5580 |
| CR803 | 1902-3005 | 6 | 1 | DIODE-ZNR 2.43V 5% DO-7 PD=.4W TC=-.076% | 02037 | |
| CR804 | 1902-3005 | 6 | 1 | DIODE-ZNR 2.43V 5% DO-7 PD=.4W TC=-.076% | 02037 | |
| CR901 | 1901-0033 | 2 | 1 | DIODE-GEN PRP 180V 200MA DO-35 | 03406 | |
| CR902 | 1901-0033 | 2 | 1 | DIODE-GEN PRP 180V 200MA DO-35 | 03406 | |
| E201 | 9170-1366 | 3 | 1 | CORE-MAGNETIC SHIELDING BEAD IMPEDANCE | 03827 | 2743001112 |
| E204 | 9170-1366 | 3 | 1 | CORE-MAGNETIC SHIELDING BEAD IMPEDANCE | 03827 | 2743001112 |
| E206 | 9170-1366 | 3 | 1 | CORE-MAGNETIC SHIELDING BEAD IMPEDANCE | 03827 | 2743001112 |
| E208 | 9170-1366 | 3 | 1 | CORE-MAGNETIC SHIELDING BEAD IMPEDANCE | 03827 | 2743001112 |
| E209 | 9170-1366 | 3 | 1 | CORE-MAGNETIC SHIELDING BEAD IMPEDANCE | 03827 | 2743001112 |
| E213 | 9170-1366 | 3 | 1 | CORE-MAGNETIC SHIELDING BEAD IMPEDANCE | 03827 | 2743001112 |
| J1 | 1252-1064 | 4 | 1 | CONN-POST TYPE .100-PIN-SPCG 50-CONT | 01380 | 1-746878-0 |
| J2 | 1252-1064 | 4 | 1 | CONN-POST TYPE .100-PIN-SPCG 50-CONT | 01380 | 1-746878-0 |
| J101 | 1250-0543 | 8 | 1 | CONNECTOR-RF SM-SNP M PC 50-OHM | 05769 | 51-053-0349-BE8 |
| J200 | 1252-1200 | 0 | 1 | CONN-POST TYPE .100-PIN-SPCG 15-CONT | 02946 | 68449-079 |
| J301 | 1250-0543 | 8 | 1 | CONNECTOR-RF SM-SNP M PC 50-OHM | 05769 | 51-053-0349-BE8 |
| J302 | 1250-0543 | 8 | 1 | CONNECTOR-RF SM-SNP M PC 50-OHM | 05769 | 51-053-0349-BE8 |
| J303 | 1250-0543 | 8 | 1 | CONNECTOR-RF SM-SNP M PC 50-OHM | 05769 | 51-053-0349-BE8 |
| J304 | 1250-0543 | 8 | 1 | CONNECTOR-RF SM-SNP M PC 50-OHM | 05769 | 51-053-0349-BE8 |
| J400 | 1252-1200 | 0 | 1 | CONN-POST TYPE .100-PIN-SPCG 15-CONT | 02946 | 68449-079 |
| J501 | 1250-0543 | 8 | 1 | CONNECTOR-RF SM-SNP M PC 50-OHM | 05769 | 51-053-0349-BE8 |
| J502 | 1252-1200 | 0 | 1 | CONN-POST TYPE .100-PIN-SPCG 15-CONT | 02946 | 68449-079 |
| J601 | 1250-0543 | 8 | 1 | CONNECTOR-RF SM-SNP M PC 50-OHM | 05769 | 51-053-0349-BE8 |

*Indicates factory-selected value

HP Part Number 08562-60118
RF (Standard and Option 001)

| Reference Designation | HP Part Number | C D | Qty | Description | Mfr Code | Mfr Part Number |
|-----------------------|----------------|-----|-----|--|----------|-----------------|
| J602 | 1252-1200 | 0 | 1 | CONN-POST TYPE .100-PIN-SPCG 15-CONT | 02946 | 68449-079 |
| J701 | 1250-0543 | 8 | 1 | CONNECTOR-RF SM-SNP M PC 50-OHM | 05769 | 51-053-0349-BE8 |
| J702 | 1250-0543 | 8 | 1 | CONNECTOR-RF SM-SNP M PC 50-OHM | 05769 | 51-053-0349-BE8 |
| J801 | 1250-0257 | 1 | 1 | CONNECTOR-RF SMB M PC-W-STDFS 50-OHM | 02788 | 5162-5021-09 |
| J802 | 1250-0543 | 8 | 1 | CONNECTOR-RF SM-SNP M PC 50-OHM | 05769 | 51-053-0349-BE8 |
| J803 | 1250-0543 | 8 | 1 | CONNECTOR-RF SM-SNP M PC 50-OHM | 05769 | 51-053-0349-BE8 |
| J901 | 1252-1200 | 0 | 1 | CONN-POST TYPE .100-PIN-SPCG 15-CONT | 02946 | 68449-079 |
| L101 | 9100-0539 | 3 | 1 | INDUCTOR RF-CH-MLD 10UH +-5% .166D-INX.3 | 03273 | 15M102J |
| L102 | 9100-2256 | 5 | 1 | INDUCTOR RF-CH-MLD 560NH +-10% .105D-INX | 03273 | 10M560K |
| L103 | 9100-0539 | 3 | 1 | INDUCTOR RF-CH-MLD 10UH +-5% .166D-INX.3 | 03273 | 15M102J |
| L104 | 9100-2256 | 5 | 1 | INDUCTOR RF-CH-MLD 560NH +-10% .105D-INX | 03273 | 10M560K |
| L105 | 9100-2252 | 1 | 1 | INDUCTOR RF-CH-MLD 270NH +-10% .105D-INX | 03273 | 10M270K |
| L106 | 9100-2262 | 3 | 1 | INDUCTOR RF-CH-MLD 3.9UH +-10% .105D-INX | 03273 | 10M391K |
| L110 | 9100-2265 | 6 | 1 | INDUCTOR RF-CH-MLD 10UH +-10% .105D-INX. | 03273 | 10M102K |
| L111 | 9100-2262 | 3 | 1 | INDUCTOR RF-CH-MLD 3.9UH +-10% .105D-INX | 03273 | 10M391K |
| L150 | 9100-2247 | 4 | 1 | INDUCTOR RF-CH-MLD 100NH +-10% .105D-INX | 03273 | 10M100K |
| L151 | 9135-0078 | 8 | 1 | INDUCTOR RF-CH-MLD 82NH +-5.61% | 02172 | |
| L153 | 9100-2247 | 4 | 1 | INDUCTOR RF-CH-MLD 100NH +-10% .105D-INX | 03273 | 10M100K |
| L155 | 9135-0078 | 8 | 1 | INDUCTOR RF-CH-MLD 82NH +-5.61% | 02172 | |
| L200 | 9140-0158 | 6 | 1 | INDUCTOR RF-CH-MLD 1UH +-10% .105D-INX.2 | 03273 | 10M101K |
| L202 | 9100-2256 | 5 | 1 | INDUCTOR RF-CH-MLD 560NH +-10% .105D-INX | 03273 | 10M560K |
| L203 | 9100-2891 | 4 | 1 | INDUCTOR RF-CH-MLD 50NH +-10% .105D-INX. | 03273 | 10M050K-1 |
| L205 | 9100-2891 | 4 | 1 | INDUCTOR RF-CH-MLD 50NH +-10% .105D-INX. | 03273 | 10M050K-1 |
| L207 | 9100-2247 | 4 | 1 | INDUCTOR RF-CH-MLD 100NH +-10% .105D-INX | 03273 | 10M100K |
| L210 | 9100-0539 | 3 | 1 | INDUCTOR RF-CH-MLD 10UH +-5% .166D-INX.3 | 03273 | 15M102J |
| L211 | 9100-0539 | 3 | 1 | INDUCTOR RF-CH-MLD 10UH +-5% .166D-INX.3 | 03273 | 15M102J |
| L212 | 9100-2891 | 4 | 1 | INDUCTOR RF-CH-MLD 50NH +-10% .105D-INX. | 03273 | 10M050K-1 |
| L214 | 9100-2891 | 4 | 1 | INDUCTOR RF-CH-MLD 50NH +-10% .105D-INX. | 03273 | 10M050K-1 |
| L301 | 9100-0539 | 3 | 1 | INDUCTOR RF-CH-MLD 10UH +-5% .166D-INX.3 | 03273 | 15M102J |
| L303 | 9100-0539 | 3 | 1 | INDUCTOR RF-CH-MLD 10UH +-5% .166D-INX.3 | 03273 | 15M102J |
| L304 | 9140-0141 | 7 | 1 | INDUCTOR RF-CH-MLD 680NH +-10% .105D-INX | 03273 | 10M680K |
| L400 | 9100-2891 | 4 | 1 | INDUCTOR RF-CH-MLD 50NH +-10% .105D-INX. | 03273 | 10M050K-1 |
| L401 | 9100-2256 | 5 | 1 | INDUCTOR RF-CH-MLD 560NH +-10% .105D-INX | 03273 | 10M560K |
| L402 | 9100-2256 | 5 | 1 | INDUCTOR RF-CH-MLD 560NH +-10% .105D-INX | 03273 | 10M560K |
| L403 | 9100-2256 | 5 | 1 | INDUCTOR RF-CH-MLD 560NH +-10% .105D-INX | 03273 | 10M560K |
| L404 | 9100-2254 | 3 | 1 | INDUCTOR RF-CH-MLD 390NH +-10% .105D-INX | 03273 | 10M390K |
| L405 | 9100-2256 | 5 | 1 | INDUCTOR RF-CH-MLD 560NH +-10% .105D-INX | 03273 | 10M560K |
| L406 | 9100-2254 | 3 | 1 | INDUCTOR RF-CH-MLD 390NH +-10% .105D-INX | 03273 | 10M390K |
| L407 | 9100-2249 | 6 | 1 | INDUCTOR RF-CH-MLD 150NH +-10% .105D-INX | 03273 | 10M150K |
| L408 | 9100-2256 | 5 | 1 | INDUCTOR RF-CH-MLD 560NH +-10% .105D-INX | 03273 | 10M560K |
| L409 | 9100-2256 | 5 | 1 | INDUCTOR RF-CH-MLD 560NH +-10% .105D-INX | 03273 | 10M560K |
| L410 | 9100-2256 | 5 | 1 | INDUCTOR RF-CH-MLD 560NH +-10% .105D-INX | 03273 | 10M560K |
| L411 | 9100-2256 | 5 | 1 | INDUCTOR RF-CH-MLD 560NH +-10% .105D-INX | 03273 | 10M560K |
| L412 | 9100-2256 | 5 | 1 | INDUCTOR RF-CH-MLD 560NH +-10% .105D-INX | 03273 | 10M560K |
| L413 | 9100-2256 | 5 | 1 | INDUCTOR RF-CH-MLD 560NH +-10% .105D-INX | 03273 | 10M560K |
| L414 | 9100-2256 | 5 | 1 | INDUCTOR RF-CH-MLD 560NH +-10% .105D-INX | 03273 | 10M560K |
| L415 | 9100-2258 | 7 | 1 | INDUCTOR RF-CH-MLD 1.2UH +-10% .105D-INX | 03273 | 10M121K |

HP Part Number 08562-60118
RF (Standard and Option 001)

| Reference Designation | HP Part Number | C D | Qty | Description | Mfr Code | Mfr Part Number |
|-----------------------|----------------|--------|-----|--|----------|-----------------|
| L416 | 9100-2256 | 5 | 1 | INDUCTOR RF-CH-MLD 560NH +-10% .105D-INX | 03273 | 10M560K |
| L417 | 9140-0210 | 1 | 1 | INDUCTOR RF-CH-MLD 100UH +-5% .166D-INX. | 03273 | 15M103J |
| L418 | 9100-0539 | 3 | 1 | INDUCTOR RF-CH-MLD 10UH +-5% .166D-INX.3 | 03273 | 15M102J |
| L419 | 9100-2256 | 5 | 1 | INDUCTOR RF-CH-MLD 560NH +-10% .105D-INX | 03273 | 10M560K |
| L420 | 9100-0539 | 3 | 1 | INDUCTOR RF-CH-MLD 10UH +-5% .166D-INX.3 | 03273 | 15M102J |
| L421 | 9100-0539 | 3 | 1 | INDUCTOR RF-CH-MLD 10UH +-5% .166D-INX.3 | 03273 | 15M102J |
| L422 | 9100-0539 | 3 | 1 | INDUCTOR RF-CH-MLD 10UH +-5% .166D-INX.3 | 03273 | 15M102J |
| L423 | 9100-0539 | 3 | 1 | INDUCTOR RF-CH-MLD 10UH +-5% .166D-INX.3 | 03273 | 15M102J |
| L424 | 9100-0539 | 3 | 1 | INDUCTOR RF-CH-MLD 10UH +-5% .166D-INX.3 | 03273 | 15M102J |
| L501 | 9100-2891 | 4 | 1 | INDUCTOR RF-CH-MLD 50NH +-10% .105D-INX. | 03273 | 10M050K-1 |
| L502 | 9100-2891 | 4 | 1 | INDUCTOR RF-CH-MLD 50NH +-10% .105D-INX. | 03273 | 10M050K-1 |
| L503 | 9135-0077 | 7 | 1 | INDUCTOR 36NH +-6.389% 2.6D-MMX6.6LG-MM | 03273 | 10M036X-1 |
| L504 | 9140-0141 | 7 | 1 | INDUCTOR RF-CH-MLD 680NH +-10% .105D-INX | 03273 | 10M680K |
| L505 | 9135-0075 | 5 | 1 | INDUCTOR RF-CH-MLD 43NH +-6.047% | 02172 | |
| L506 | 9100-2256 | 5 | 1 | INDUCTOR RF-CH-MLD 560NH +-10% .105D-INX | 03273 | 10M560K |
| L507 | 9100-2256 | 5 | 1 | INDUCTOR RF-CH-MLD 560NH +-10% .105D-INX | 03273 | 10M560K |
| L508 | 9100-0539 | 3 | 1 | INDUCTOR RF-CH-MLD 10UH +-5% .166D-INX.3 | 03273 | 15M102J |
| L509 | 9100-0539 | 3 | 1 | INDUCTOR RF-CH-MLD 10UH +-5% .166D-INX.3 | 03273 | 15M102J |
| L510 | 9100-0539 | 3 | 1 | INDUCTOR RF-CH-MLD 10UH +-5% .166D-INX.3 | 03273 | 15M102J |
| L511 | 9100-0539 | 3 | 1 | INDUCTOR RF-CH-MLD 10UH +-5% .166D-INX.3 | 03273 | 15M102J |
| L512 | 9100-0539 | 3 | 1 | INDUCTOR RF-CH-MLD 10UH +-5% .166D-INX.3 | 03273 | 15M102J |
| L601 | 9100-2486 | 3 | 1 | INDUCTOR RF-CH-MLD 330NH +-5% .166D-INX. | 03273 | 15M330J |
| L602 | 9100-2486 | 3 | 1 | INDUCTOR RF-CH-MLD 330NH +-5% .166D-INX. | 03273 | 15M330J |
| L603 | 9100-3913 | 3 | 1 | INDUCTOR RF-CH-MLD 3.3UH +-5% .166D-INX. | 03273 | 15M331J |
| L604 | 9140-0144 | 0 | 1 | INDUCTOR RF-CH-MLD 4.7UH +-10% .105D-INX | 03273 | 10M471K |
| L605 | 9140-0141 | 7 | 1 | INDUCTOR RF-CH-MLD 680NH +-10% .105D-INX | 03273 | 10M680K |
| L606 | 9100-2250 | 9 | 1 | INDUCTOR RF-CH-MLD 180NH +-10% .105D-INX | 03273 | 10M180K |
| L607 | 9140-1048 | 5 | 1 | INDUCTOR 23NH +-5% .23W-INX.38LG-IN Q=64 | 01886 | BUGS/132-2.5T |
| L608 | 9140-0141 | 7 | 1 | INDUCTOR RF-CH-MLD 680NH +-10% .105D-INX | 03273 | 10M680K |
| L609 | 9100-0539 | 3 | 1 | INDUCTOR RF-CH-MLD 10UH +-5% .166D-INX.3 | 03273 | 15M102J |
| L610 | 9140-0144 | 0 | 1 | INDUCTOR RF-CH-MLD 4.7UH +-10% .105D-INX | 03273 | 10M471K |
| L611 | 9140-0144 | 0 | 1 | INDUCTOR RF-CH-MLD 4.7UH +-10% .105D-INX | 03273 | 10M471K |
| L701 | 9100-2251 | 0 | 1 | INDUCTOR RF-CH-MLD 220NH +-10% .105D-INX | 03273 | 10M220K |
| L702 | 9100-2251 | 0 | 1 | INDUCTOR RF-CH-MLD 220NH +-10% .105D-INX | 03273 | 10M220K |
| L703 | 9100-2249 | 6 | 1 | INDUCTOR RF-CH-MLD 150NH +-10% .105D-INX | 03273 | 10M150K |
| L704 | 9140-0800 | 5 | 1 | INDUCTOR 16NH +-5% .23W-INX.38LG-IN Q=60 | 01886 | BUGS/132-1.5T |
| L706 | 9100-2891 | 4 | 1 | INDUCTOR RF-CH-MLD 50NH +-10% .105D-INX. | 03273 | 10M050K-1 |
| L709 | 8159-0005 | 0 | 1 | RESISTOR-ZERO OHMS 22 AWG LEAD DIA | 01339 | L-2007-1 |
| L801 | 9100-2252 | 1 | 1 | INDUCTOR RF-CH-MLD 270NH +-10% .105D-INX | 03273 | 10M270K |
| L802 | 9100-2252 | 1 | 1 | INDUCTOR RF-CH-MLD 270NH +-10% .105D-INX | 03273 | 10M270K |
| L803 | 9100-2256 | 5 | 1 | INDUCTOR RF-CH-MLD 560NH +-10% .105D-INX | 03273 | 10M560K |
| L804 | 9100-2256 | 5 | 1 | INDUCTOR RF-CH-MLD 560NH +-10% .105D-INX | 03273 | 10M560K |
| L805 | 9100-2256 | 5 | 1 | INDUCTOR RF-CH-MLD 560NH +-10% .105D-INX | 03273 | 10M560K |
| L806 | 9100-0539 | 3 | 1 | INDUCTOR RF-CH-MLD 10UH +-5% .166D-INX.3 | 03273 | 15M102J |
| L901 | 9140-0738 | 8 | 1 | INDUCTOR 100UH .7D-INX.6LG-IN | 01869 | |
| L902 | 9140-0738 | 8 | 1 | INDUCTOR 100UH .7D-INX.6LG-IN | 01869 | |
| L903 | 9140-0738 | 8 | 1 | INDUCTOR 100UH .7D-INX.6LG-IN | 01869 | |
| L904 | 9140-0738 | 8 | 1 | INDUCTOR 100UH .7D-INX.6LG-IN | 01869 | |

*Indicates factory-selected value

HP Part Number 08562-60118
RF (Standard and Option 001)

| Reference Designation | HP Part Number | C | D Qty | Description | Mfr Code | Mfr Part Number |
|-----------------------|----------------|---|-------|--|----------|-----------------|
| MP2 | 0380-2056 | 6 | 6 | SPACER-RVT-ON 17.5-MM-LG 3.8-MM-ID 6.17- | 02121 | |
| MP5 | 5021-6739 | 5 | 1 | SHLD TOP SIGPATH | 28480 | 5021-6739 |
| MP6 | 5021-6740 | 8 | 1 | SHLD BOT SIGPATH | 28480 | 5021-6740 |
| MP7 | 5022-0047 | 8 | 1 | SHLD TOP SYNTHZR | 28480 | 5022-0047 |
| MP8 | 5022-0046 | 7 | 1 | SHLD BOT SYNTHZR | 28480 | 5022-0046 |
| MP9 | 5021-6735 | 1 | 1 | SHLD TOP REF | 28480 | 5021-6735 |
| MP10 | 5021-6736 | 2 | 1 | SHLD BOT REF | 28480 | 5021-6736 |
| MP11 | 1200-0173 | 5 | 4 | INSULATOR-XSTR DAP-GL | 02210 | A-10001 DAP |
| MP12 | 5041-7283 | 8 | 1 | CLIP - LONG | 28480 | 5041-7283 |
| MP13 | 0624-0099 | 1 | 1 | SCREW-TPG 4-40 .375-IN-LG PAN-HD-POZI | 01136 | |
| MP14 | 9320-5784 | 6 | | LBL-LNE-PTR .65-IN-WD X .2-IN-LG | 12532 | 1EW10R |
| MP15 | 0340-1173 | 2 | 1 | INSULATOR 0.015 IN THK G-10 MATERIAL | 02739 | B14-047-01 |
| MP16 | 1400-0866 | 7 | 1 | CLAMP-CABLE .187-DIA .25-WD NYL | 07158 | C61332AA |
| MP17 | 0515-1701 | 3 | 2 | SCREW-MACHINE ASSEMBLY M2.5 X 0.45 | 05610 | |
| MP18 | 0515-0367 | 5 | 3 | SCREW-MACHINE ASSEMBLY M2.5 X 0.45 | 05610 | |
| MP19 | 0340-1124 | 3 | 4 | SPACER-SOLUBLE 0.300IN ID 0.437IN OD | 03724 | TO-9-05 |
| Q200 | 1854-1175 | 4 | 1 | TRANSISTOR NPN SI TO-39 PD=2.5W FT=4.5GH | 02037 | MRF586 |
| Q201 | 1854-0720 | 3 | 1 | TRANSISTOR NPN SI PD=500MW FT=4GHZ | 03334 | |
| Q202 | 1854-0345 | 8 | 1 | TRANSISTOR NPN 2N5179 SI TO-72 PD=200MW | 02037 | 2N5179 |
| Q203 | 1854-0632 | 6 | 1 | TRANSISTOR NPN SI PD=180MW FT=4GHZ | 02037 | |
| Q301 | 1854-0215 | 1 | 1 | TRANSISTOR NPN SI TO-92 PD=625MW FT=300M | 00746 | 2N3904 |
| Q400 | 1854-0720 | 3 | 1 | TRANSISTOR NPN SI PD=500MW FT=4GHZ | 03334 | |
| Q401 | 1854-0632 | 6 | 1 | TRANSISTOR NPN SI PD=180MW FT=4GHZ | 02037 | |
| Q402 | 1853-0405 | 9 | 1 | TRANSISTOR PNP SI PD=360MW FT=850MHZ | 02037 | 2N4209 |
| Q403 | 1853-02B1 | 9 | 1 | TRANSISTOR PNP 2N2907A SI TO-18 PD=400MW | 02037 | 2N2907A |
| Q501 | 1854-0720 | 3 | 1 | TRANSISTOR NPN SI PD=500MW FT=4GHZ | 03334 | |
| Q502 | 1854-0720 | 3 | 1 | TRANSISTOR NPN SI PD=500MW FT=4GHZ | 03334 | |
| Q503 | 1854-0720 | 3 | 1 | TRANSISTOR NPN SI PD=500MW FT=4GHZ | 03334 | |
| Q504 | 1854-0632 | 6 | 1 | TRANSISTOR NPN SI PD=180MW FT=4GHZ | 02037 | |
| Q505 | 1854-0632 | 6 | 1 | TRANSISTOR NPN SI PD=180MW FT=4GHZ | 02037 | |
| Q506 | 1853-0405 | 9 | 1 | TRANSISTOR PNP SI PD=360MW FT=850MHZ | 02037 | 2N4209 |
| Q601 | 1854-0378 | 7 | 1 | TRANSISTOR NPN 2N5109 SI TO-39 PD=800MW | 02037 | 2N5109 |
| Q602 | 1854-0378 | 7 | 1 | TRANSISTOR NPN 2N5109 SI TO-39 PD=800MW | 02037 | 2N5109 |
| Q603 | 1854-0378 | 7 | 1 | TRANSISTOR NPN 2N5109 SI TO-39 PD=800MW | 02037 | 2N5109 |
| Q604 | 1854-0345 | 8 | 1 | TRANSISTOR NPN 2N5179 SI TO-72 PD=200MW | 02037 | 2N5179 |
| Q701 | 1854-0946 | 5 | 1 | TRANSISTOR NPN SI PD=290MW | 00039 | NE02135 |
| Q702 | 1854-0632 | 6 | 1 | TRANSISTOR NPN SI PD=180MW FT=4GHZ | 02037 | |
| Q703 | 1853-0451 | 5 | 1 | TRANSISTOR PNP 2N3799 SI TO-18 PD=360MW | 02037 | |
| Q704 | 1853-0451 | 5 | 1 | TRANSISTOR PNP 2N3799 SI TO-18 PD=360MW | 02037 | |
| R100 | 0698-7242 | 5 | 1 | RESISTOR 1.78K +-1% .05W TF TC=0+-100 | 00746 | CRB20 |
| R101 | 0698-7282 | 3 | 1 | RESISTOR 82.5K +-1% .05W TF TC=0+-100 | 00746 | CRB20 |
| R102 | 0698-7282 | 3 | 1 | RESISTOR 82.5K +-1% .05W TF TC=0+-100 | 00746 | CRB20 |
| R103 | 0698-7284 | 5 | 1 | RESISTOR 100K +-1% .05W TF TC=0+-100 | 00746 | CRB20 |
| R104 | 0698-7284 | 5 | 1 | RESISTOR 100K +-1% .05W TF TC=0+-100 | 00746 | CRB20 |
| R105 | 0698-7282 | 3 | 1 | RESISTOR 82.5K +-1% .05W TF TC=0+-100 | 00746 | CRB20 |
| R106 | 0698-7282 | 3 | 1 | RESISTOR 82.5K +-1% .05W TF TC=0+-100 | 00746 | CRB20 |
| R108 | 0698-7243 | 6 | 1 | RESISTOR 1.96K +-1% .05W TF TC=0+-100 | 00746 | CRB20 |

HP Part Number 08562-60118
RF (Standard and Option 001)

| Reference Designation | HP Part Number | C D | Qty | Description | Mfr Code | Mfr Part Number |
|-----------------------|----------------|-----|-----|--|----------|-----------------|
| R109 | 0698-7201 | 6 | 1 | RESISTOR 34.8 +-1% .05W TF TC=0+-100 | 00746 | CRB20 |
| R110 | 0698-7201 | 6 | 1 | RESISTOR 34.8 +-1% .05W TF TC=0+-100 | 00746 | CRB20 |
| R111 | 0698-7236 | 7 | 1 | RESISTOR 1K +-1% .05W TF TC=0+-100 | 00746 | CRB20 |
| R112 | 0698-7188 | 8 | 1 | RESISTOR 10 +-1% .05W TF TC=0+-100 | 00746 | CRB20 |
| R113 | 0698-7243 | 6 | 1 | RESISTOR 1.96K +-1% .05W TF TC=0+-100 | 00746 | CRB20 |
| R114 | 0698-7188 | 8 | 1 | RESISTOR 10 +-1% .05W TF TC=0+-100 | 00746 | CRB20 |
| R115 | 0698-7214 | 1 | 1 | RESISTOR 121 +-1% .05W TF TC=0+-100 | 00746 | CRB20 |
| R150 | 0698-7229 | 8 | 1 | RESISTOR 511 +-1% .05W TF TC=0+-100 | 00746 | CRB20 |
| R151 | 0698-7229 | 8 | 1 | RESISTOR 511 +-1% .05W TF TC=0+-100 | 00746 | CRB20 |
| R152 | 0698-7221 | 0 | 1 | RESISTOR 237 +-1% .05W TF TC=0+-100 | 00746 | CRB20 |
| R153 | 0698-7261 | 8 | 1 | RESISTOR 11K +-1% .05W TF TC=0+-100 | 00746 | CRB20 |
| R154 | 0698-7236 | 7 | 1 | RESISTOR 1K +-1% .05W TF TC=0+-100 | 00746 | CRB20 |
| R155 | 0698-7229 | 8 | 1 | RESISTOR 511 +-1% .05W TF TC=0+-100 | 00746 | CRB20 |
| R156 | 0698-7228 | 7 | 1 | RESISTOR 464 +-1% .05W TF TC=0+-100 | 00746 | CRB20 |
| R157 | 0698-7212 | 9 | 1 | RESISTOR 100 +-1% .05W TF TC=0+-100 | 00746 | CRB20 |
| R170 | 0698-7260 | 7 | 1 | RESISTOR 10K +-1% .05W TF TC=0+-100 | 00746 | CRB20 |
| R200 | 0698-3405 | 4 | 1 | RESISTOR 422 1% .5W TF TC=0+-100 | 01074 | H2 |
| R201 | 0757-0401 | 0 | 1 | RESISTOR 100 +-1% .125W TF TC=0+-100 | 00746 | CRB14 OR CRB25 |
| R202 | 0757-0394 | 0 | 1 | RESISTOR 51.1 +-1% .125W TF TC=0+-100 | 00746 | CRB14 OR CRB25 |
| R203 | 0757-0280 | 3 | 1 | RESISTOR 1K +-1% .125W TF TC=0+-100 | 00746 | CRB14 OR CRB25 |
| R204 | 0757-0398 | 4 | 1 | RESISTOR 75 +-1% .125W TF TC=0+-100 | 00746 | CRB14 OR CRB25 |
| R205 | 0757-0394 | 0 | 1 | RESISTOR 51.1 +-1% .125W TF TC=0+-100 | 00746 | CRB14 OR CRB25 |
| R206 | 0757-0180 | 2 | 1 | RESISTOR 31.6 +-1% .125W TF TC=0+-100 | 00746 | CRB14 OR CRB25 |
| R207 | 0757-0442 | 9 | 1 | RESISTOR 10K +-1% .125W TF TC=0+-100 | 00746 | CRB14 OR CRB25 |
| R208 | 0757-0442 | 9 | 1 | RESISTOR 10K +-1% .125W TF TC=0+-100 | 00746 | CRB14 OR CRB25 |
| R209 | 0757-0280 | 3 | 1 | RESISTOR 1K +-1% .125W TF TC=0+-100 | 00746 | CRB14 OR CRB25 |
| R210 | 0757-0274 | 5 | 1 | RESISTOR 1.21K +-1% .125W TF TC=0+-100 | 00746 | CRB14 OR CRB25 |
| R211 | 0698-3429 | 2 | 1 | RESISTOR 19.6 1% .125W TF TC=0+-100 | 00746 | CRB14 OR CRB25 |
| R212 | 0757-0276 | 7 | 1 | RESISTOR 61.9 +-1% .125W TF TC=0+-100 | 00746 | CRB14 OR CRB25 |
| R213 | 0757-0276 | 7 | 1 | RESISTOR 61.9 +-1% .125W TF TC=0+-100 | 00746 | CRB14 OR CRB25 |
| R214 | 0757-0442 | 9 | 1 | RESISTOR 10K +-1% .125W TF TC=0+-100 | 00746 | CRB14 OR CRB25 |
| R215 | 0698-7195 | 7 | 1 | RESISTOR 19.6 +-1% .05W TF TC=0+-100 | 00746 | CRB20 |
| R216 | 0757-0416 | 7 | 1 | RESISTOR 511 +-1% .125W TF TC=0+-100 | 00746 | CRB14 OR CRB25 |
| R217 | 0757-0317 | 7 | 1 | RESISTOR 1.33K +-1% .125W TF TC=0+-100 | 00746 | CRB14 OR CRB25 |
| R218 | 0757-0394 | 0 | 1 | RESISTOR 51.1 +-1% .125W TF TC=0+-100 | 00746 | CRB14 OR CRB25 |
| R219 | 0757-0401 | 0 | 1 | RESISTOR 100 +-1% .125W TF TC=0+-100 | 00746 | CRB14 OR CRB25 |
| R220 | 0757-0442 | 9 | 1 | RESISTOR 10K +-1% .125W TF TC=0+-100 | 00746 | CRB14 OR CRB25 |
| R221 | 0757-0401 | 0 | 1 | RESISTOR 100 +-1% .125W TF TC=0+-100 | 00746 | CRB14 OR CRB25 |
| R222 | 0698-3444 | 1 | 1 | RESISTOR 316 1% .125W TF TC=0+-100 | 00746 | CRB14 OR CRB25 |
| R223 | 0757-0401 | 0 | 1 | RESISTOR 100 +-1% .125W TF TC=0+-100 | 00746 | CRB14 OR CRB25 |
| R224 | 0757-0401 | 0 | 1 | RESISTOR 100 +-1% .125W TF TC=0+-100 | 00746 | CRB14 OR CRB25 |
| R225 | 0757-0397 | 3 | 1 | RESISTOR 68.1 +-1% .125W TF TC=0+-100 | 00746 | CRB14 OR CRB25 |
| R226 | 0757-0428 | 1 | 1 | RESISTOR 1.62K +-1% .125W TF TC=0+-100 | 00746 | CRB14 OR CRB25 |
| R227 | 0757-0428 | 1 | 1 | RESISTOR 1.62K +-1% .125W TF TC=0+-100 | 00746 | CRB14 OR CRB25 |
| R228 | 0698-3132 | 4 | 1 | RESISTOR 261 1% .125W TF TC=0+-100 | 00746 | CRB14 OR CRB25 |
| R229 | 0698-3434 | 9 | 1 | RESISTOR 34.8 1% .125W TF TC=0+-100 | 00746 | CRB14 OR CRB25 |
| R230 | 0757-0442 | 9 | 1 | RESISTOR 10K +-1% .125W TF TC=0+-100 | 00746 | CRB14 OR CRB25 |
| R231 | 0698-3440 | 7 | 1 | RESISTOR 196 1% .125W TF TC=0+-100 | 00746 | CRB14 OR CRB25 |

*Indicates factory-selected value

HP Part Number 08562-60118
RF (Standard and Option 001)

| Reference Designation | HP Part Number | C D | Qty | Description | Mfr Code | Mfr Part Number |
|-----------------------|----------------|--------|-----|---|----------|-----------------|
| R232 | 0757-0401 | 0 | 1 | RESISTOR 100 +-1% .125W TF TC=0+-100 | 00746 | CRB14 OR CRB25 |
| R233 | 0757-0401 | 0 | 1 | RESISTOR 100 +-1% .125W TF TC=0+-100 | 00746 | CRB14 OR CRB25 |
| R234 | 0757-0397 | 3 | 1 | RESISTOR 68.1 +-1% .125W TF TC=0+-100 | 00746 | CRB14 OR CRB25 |
| R235 | 0757-0442 | 9 | 1 | RESISTOR 10K +-1% .125W TF TC=0+-100 | 00746 | CRB14 OR CRB25 |
| R236 | 0757-0276 | 7 | 1 | RESISTOR 61.9 +-1% .125W TF TC=0+-100 | 00746 | CRB14 OR CRB25 |
| R237 | 2100-4208 | 4 | 1 | RESISTOR-TRMR 200 10% TKF TOP-ADJ 1-TRN | 03744 | 3329H-DM3-201 |
| R238 | 0698-7196 | 8 | 1 | RESISTOR 21.5 +-1% .05W TF TC=0+-100 | 00746 | CRB20 |
| R301 | 0698-3150 | 6 | 1 | RESISTOR 2.37K 1% .125W TF TC=0+-100 | 00746 | CRB14 OR CRB25 |
| R302 | 0757-0422 | 5 | 1 | RESISTOR 909 +-1% .125W TF TC=0+-100 | 00746 | CRB14 OR CRB25 |
| R303 | 0698-3150 | 6 | 1 | RESISTOR 2.37K 1% .125W TF TC=0+-100 | 00746 | CRB14 OR CRB25 |
| R304 | 0698-3132 | 4 | 1 | RESISTOR 261 1% .125W TF TC=0+-100 | 00746 | CRB14 OR CRB25 |
| R305 | 0757-0394 | 0 | 1 | RESISTOR 51.1 +-1% .125W TF TC=0+-100 | 00746 | CRB14 OR CRB25 |
| R316 | 0757-0401 | 0 | 1 | RESISTOR 100 +-1% .125W TF TC=0+-100 | 00746 | CRB14 OR CRB25 |
| R317 | 0698-3437 | 2 | 1 | RESISTOR 133 1% .125W TF TC=0+-100 | 00746 | CRB14 OR CRB25 |
| R318 | 0757-0420 | 3 | 1 | RESISTOR 750 +-1% .125W TF TC=0+-100 | 00746 | CRB14 OR CRB25 |
| R319 | 0757-0280 | 3 | 1 | RESISTOR 1K +-1% .125W TF TC=0+-100 | 00746 | CRB14 OR CRB25 |
| R320 | 0757-0280 | 3 | 1 | RESISTOR 1K +-1% .125W TF TC=0+-100 | 00746 | CRB14 OR CRB25 |
| R321 | 0757-0422 | 5 | 1 | RESISTOR 909 +-1% .125W TF TC=0+-100 | 00746 | CRB14 OR CRB25 |
| R322 | 0698-3437 | 2 | 1 | RESISTOR 133 1% .125W TF TC=0+-100 | 00746 | CRB14 OR CRB25 |
| R323 | 0757-0394 | 0 | 1 | RESISTOR 51.1 +-1% .125W TF TC=0+-100 | 00746 | CRB14 OR CRB25 |
| R324 | 0757-0422 | 5 | 1 | RESISTOR 909 +-1% .125W TF TC=0+-100 | 00746 | CRB14 OR CRB25 |
| R325 | 0698-3437 | 2 | 1 | RESISTOR 133 1% .125W TF TC=0+-100 | 00746 | CRB14 OR CRB25 |
| R326 | 0698-3156 | 2 | 1 | RESISTOR 14.7K 1% .125W TF TC=0+-100 | 00746 | CRB14 OR CRB25 |
| R327 | 0698-3434 | 9 | 1 | RESISTOR 34.8 1% .125W TF TC=0+-100 | 00746 | CRB14 OR CRB25 |
| R330 | 0757-0802 | 5 | 1 | RESISTOR 162 +-1% .5W TF TC=0+-100 | 01074 | H2 |
| R400 | 0757-0401 | 0 | 1 | RESISTOR 100 +-1% .125W TF TC=0+-100 | 00746 | CRB14 OR CRB25 |
| R401 | 0757-0401 | 0 | 1 | RESISTOR 100 +-1% .125W TF TC=0+-100 | 00746 | CRB14 OR CRB25 |
| R402 | 0757-0397 | 3 | 1 | RESISTOR 68.1 +-1% .125W TF TC=0+-100 | 00746 | CRB14 OR CRB25 |
| R403 | 0757-0428 | 1 | 1 | RESISTOR 1.62K +-1% .125W TF TC=0+-100 | 00746 | CRB14 OR CRB25 |
| R404 | 0698-3440 | 7 | 1 | RESISTOR 196 1% .125W TF TC=0+-100 | 00746 | CRB14 OR CRB25 |
| R405 | 0757-0428 | 1 | 1 | RESISTOR 1.62K +-1% .125W TF TC=0+-100 | 00746 | CRB14 OR CRB25 |
| R406 | 0698-3132 | 4 | 1 | RESISTOR 261 1% .125W TF TC=0+-100 | 00746 | CRB14 OR CRB25 |
| R407 | 0698-3434 | 9 | 1 | RESISTOR 34.8 1% .125W TF TC=0+-100 | 00746 | CRB14 OR CRB25 |
| R408 | 0757-0401 | 0 | 1 | RESISTOR 100 +-1% .125W TF TC=0+-100 | 00746 | CRB14 OR CRB25 |
| R409 | 0757-0401 | 0 | 1 | RESISTOR 100 +-1% .125W TF TC=0+-100 | 00746 | CRB14 OR CRB25 |
| R410 | 0757-0397 | 3 | 1 | RESISTOR 68.1 +-1% .125W TF TC=0+-100 | 00746 | CRB14 OR CRB25 |
| R411 | 0698-3438 | 3 | 1 | RESISTOR 147 1% .125W TF TC=0+-100 | 00746 | CRB14 OR CRB25 |
| R412 | 0757-0419 | 0 | 1 | RESISTOR 681 +-1% .125W TF TC=0+-100 | 00746 | CRB14 OR CRB25 |
| R413 | 0757-0400 | 9 | 1 | RESISTOR 90.9 +-1% .125W TF TC=0+-100 | 00746 | CRB14 OR CRB25 |
| R414 | 0757-0400 | 9 | 1 | RESISTOR 90.9 +-1% .125W TF TC=0+-100 | 00746 | CRB14 OR CRB25 |
| R415 | 0698-3437 | 2 | 1 | RESISTOR 133 1% .125W TF TC=0+-100 | 00746 | CRB14 OR CRB25 |
| R416 | 0698-3437 | 2 | 1 | RESISTOR 133 1% .125W TF TC=0+-100 | 00746 | CRB14 OR CRB25 |
| R417 | 0698-4037 | 0 | 1 | RESISTOR 46.4 1% .125W TF TC=0+-100 | 00746 | CRB14 OR CRB25 |
| R418 | 0757-0394 | 0 | 1 | RESISTOR 51.1 +-1% .125W TF TC=0+-100 | 00746 | CRB14 OR CRB25 |
| R419 | 0757-0394 | 0 | 1 | RESISTOR 51.1 +-1% .125W TF TC=0+-100 | 00746 | CRB14 OR CRB25 |
| R420 | 0757-0394 | 0 | 1 | RESISTOR 51.1 +-1% .125W TF TC=0+-100 | 00746 | CRB14 OR CRB25 |
| R421 | 0757-0317 | 7 | 1 | RESISTOR 1.33K +-1% .125W TF TC=0+-100 | 00746 | CRB14 OR CRB25 |

HP Part Number 08562-60118
RF (Standard and Option 001)

| Reference Designation | HP Part Number | C | D | Qty | Description | Mfr Code | Mfr Part Number |
|-----------------------|----------------|---|---|-----|---|----------|-----------------|
| R422 | 0757-0346 | 2 | | 1 | RESISTOR 10 +-1% .125W TF TC=0+-100 | 00746 | CRB14 OR CRB25 |
| R423 | 0757-0280 | 3 | | 1 | RESISTOR 1K +-1% .125W TF TC=0+-100 | 00746 | CRB14 OR CRB25 |
| R424 | 0757-0280 | 3 | | 1 | RESISTOR 1K +-1% .125W TF TC=0+-100 | 00746 | CRB14 OR CRB25 |
| R425 | 0698-3434 | 9 | | 1 | RESISTOR 34.8 1% .125W TF TC=0+-100 | 00746 | CRB14 OR CRB25 |
| R426 | 0757-0442 | 9 | | 1 | RESISTOR 10K +-1% .125W TF TC=0+-100 | 00746 | CRB14 OR CRB25 |
| R427 | 0698-0085 | 0 | | 1 | RESISTOR 2.61K 1% .125W TF TC=0+-100 | 00746 | CRB14 OR CRB25 |
| R428 | 0698-0082 | 7 | | 1 | RESISTOR 464 1% .125W TF TC=0+-100 | 00746 | CRB14 OR CRB25 |
| R429 | 0698-0082 | 7 | | 1 | RESISTOR 464 1% .125W TF TC=0+-100 | 00746 | CRB14 OR CRB25 |
| R430 | 0698-0083 | 8 | | 1 | RESISTOR 1.96K 1% .125W TF TC=0+-100 | 00746 | CRB14 OR CRB25 |
| R431 | 0698-0083 | 8 | | 1 | RESISTOR 1.96K 1% .125W TF TC=0+-100 | 00746 | CRB14 OR CRB25 |
| R432 | 0757-0274 | 5 | | 1 | RESISTOR 1.21K +-1% .125W TF TC=0+-100 | 00746 | CRB14 OR CRB25 |
| R433 | 0698-0083 | 8 | | 1 | RESISTOR 1.96K 1% .125W TF TC=0+-100 | 00746 | CRB14 OR CRB25 |
| R434 | 0698-0083 | 8 | | 1 | RESISTOR 1.96K 1% .125W TF TC=0+-100 | 00746 | CRB14 OR CRB25 |
| R435 | 0698-3437 | 2 | | 1 | RESISTOR 133 1% .125W TF TC=0+-100 | 00746 | CRB14 OR CRB25 |
| R436 | 0698-3429 | 2 | | 1 | RESISTOR 19.6 1% .125W TF TC=0+-100 | 00746 | CRB14 OR CRB25 |
| R437 | 0698-3440 | 7 | | 1 | RESISTOR 196 1% .125W TF TC=0+-100 | 00746 | CRB14 OR CRB25 |
| R438 | 0757-0346 | 2 | | 1 | RESISTOR 10 +-1% .125W TF TC=0+-100 | 00746 | CRB14 OR CRB25 |
| R439 | 0698-3444 | 1 | | 1 | RESISTOR 316 1% .125W TF TC=0+-100 | 00746 | CRB14 OR CRB25 |
| R443 | 0698-8812 | 7 | | 1 | RESISTOR 1 +-1% .125W TF TC=0+-100 | 02995 | SFR25H |
| R444 | 0757-0280 | 3 | | 1 | RESISTOR 1K +-1% .125W TF TC=0+-100 | 00746 | CRB14 OR CRB25 |
| R445 | 0757-0280 | 3 | | 1 | RESISTOR 1K +-1% .125W TF TC=0+-100 | 00746 | CRB14 OR CRB25 |
| R446 | 0757-0401 | 0 | | 1 | RESISTOR 100 +-1% .125W TF TC=0+-100 | 00746 | CRB14 OR CRB25 |
| R447 | 0698-3156 | 2 | | 1 | RESISTOR 14.7K 1% .125W TF TC=0+-100 | 00746 | CRB14 OR CRB25 |
| R448 | 0757-0443 | 0 | | 1 | RESISTOR 11K +-1% .125W TF TC=0+-100 | 00746 | CRB14 OR CRB25 |
| R449 | 0757-0418 | 9 | | 1 | RESISTOR 619 +-1% .125W TF TC=0+-100 | 00746 | CRB14 OR CRB25 |
| R451 | 0757-0280 | 3 | | 1 | RESISTOR 1K +-1% .125W TF TC=0+-100 | 00746 | CRB14 OR CRB25 |
| R452 | 0757-0416 | 7 | | 1 | RESISTOR 511 +-1% .125W TF TC=0+-100 | 00746 | CRB14 OR CRB25 |
| R453 | 2100-4208 | 4 | | 1 | RESISTOR-TRMR 200 10% TKF TOP-ADJ 1-TRN | 03744 | 3329H-DM3-201 |
| R454 | 0757-0280 | 3 | | 1 | RESISTOR 1K +-1% .125W TF TC=0+-100 | 00746 | CRB14 OR CRB25 |
| R455 | 0757-0401 | 0 | | 1 | RESISTOR 100 +-1% .125W TF TC=0+-100 | 00746 | CRB14 OR CRB25 |
| R456 | 0757-0442 | 9 | | 1 | RESISTOR 10K +-1% .125W TF TC=0+-100 | 00746 | CRB14 OR CRB25 |
| R457 | 0757-0416 | 7 | | 1 | RESISTOR 511 +-1% .125W TF TC=0+-100 | 00746 | CRB14 OR CRB25 |
| R458 | 0757-0464 | 5 | | 1 | RESISTOR 90.9K +-1% .125W TF TC=0+-100 | 00746 | CRB14 OR CRB25 |
| R459 | 0757-0464 | 5 | | 1 | RESISTOR 90.9K +-1% .125W TF TC=0+-100 | 00746 | CRB14 OR CRB25 |
| R460 | 0698-0085 | 0 | | 1 | RESISTOR 2.61K 1% .125W TF TC=0+-100 | 00746 | CRB14 OR CRB25 |
| R461 | 0757-0442 | 9 | | 1 | RESISTOR 10K +-1% .125W TF TC=0+-100 | 00746 | CRB14 OR CRB25 |
| R462 | 0698-6360 | 6 | | 1 | RESISTOR 10K +-0.1% .125W TF TC=0+-25 | 00746 | CRB14 OR CRB25 |
| R463 | 0698-6360 | 6 | | 1 | RESISTOR 10K +-0.1% .125W TF TC=0+-25 | 00746 | CRB14 OR CRB25 |
| R464 | 0698-6360 | 6 | | 1 | RESISTOR 10K +-0.1% .125W TF TC=0+-25 | 00746 | CRB14 OR CRB25 |
| R465 | 0698-0083 | 8 | | 1 | RESISTOR 1.96K 1% .125W TF TC=0+-100 | 00746 | CRB14 OR CRB25 |
| R466 | 0757-0394 | 0 | | 1 | RESISTOR 51.1 +-1% .125W TF TC=0+-100 | 00746 | CRB14 OR CRB25 |
| R467 | 0698-0084 | 9 | | 1 | RESISTOR 2.15K 1% .125W TF TC=0+-100 | 00746 | CRB14 OR CRB25 |
| R468 | 0698-3155 | 1 | | 1 | RESISTOR 4.64K 1% .125W TF TC=0+-100 | 00746 | CRB14 OR CRB25 |
| R478 | 0698-3440 | 7 | | 1 | RESISTOR 196 1% .125W TF TC=0+-100 | 00746 | CRB14 OR CRB25 |
| R479 | 0698-3441 | 8 | | 1 | RESISTOR 215 1% .125W TF TC=0+-100 | 00746 | CRB14 OR CRB25 |
| R480 | 0698-3442 | 9 | | 1 | RESISTOR 237 1% .125W TF TC=0+-100 | 00746 | CRB14 OR CRB25 |
| R481 | 0698-3443 | 0 | | 1 | RESISTOR 287 1% .125W TF TC=0+-100 | 00746 | CRB14 OR CRB25 |
| R482 | 0698-3444 | 1 | | 1 | RESISTOR 316 1% .125W TF TC=0+-100 | 00746 | CRB14 OR CRB25 |

*Indicates factory-selected value

HP Part Number 08562-60118
RF (Standard and Option 001)

| Reference Designation | HP Part Number | C | D | Qty | Description | Mfr Code | Mfr Part Number |
|-----------------------|----------------|---|---|-----|--|----------|-----------------|
| R483 | 0698-3445 | 2 | | 1 | RESISTOR 348 1% .125W TF TC=0+-100 | 00746 | CRB14 OR CRB25 |
| R484 | 0698-3446 | 3 | | 1 | RESISTOR 383 1% .125W TF TC=0+-100 | 00746 | CRB14 OR CRB25 |
| R485 | 0698-3447 | 4 | | 1 | RESISTOR 422 1% .125W TF TC=0+-100 | 00746 | CRB14 OR CRB25 |
| R486 | 0757-0442 | 9 | | 1 | RESISTOR 10K +-1% .125W TF TC=0+-100 | 00746 | CRB14 OR CRB25 |
| R487 | 0757-0442 | 9 | | 1 | RESISTOR 10K +-1% .125W TF TC=0+-100 | 00746 | CRB14 OR CRB25 |
| R488 | 0757-0442 | 9 | | 1 | RESISTOR 10K +-1% .125W TF TC=0+-100 | 00746 | CRB14 OR CRB25 |
| R489 | 0757-0400 | 9 | | 1 | RESISTOR 90.9 +-1% .125W TF TC=0+-100 | 00746 | CRB14 OR CRB25 |
| R501 | 0757-0403 | 2 | | 1 | RESISTOR 121 +-1% .125W TF TC=0+-100 | 00746 | CRB14 OR CRB25 |
| R502 | 0757-0403 | 2 | | 1 | RESISTOR 121 +-1% .125W TF TC=0+-100 | 00746 | CRB14 OR CRB25 |
| R503 | 0757-0394 | 0 | | 1 | RESISTOR 51.1 +-1% .125W TF TC=0+-100 | 00746 | CRB14 OR CRB25 |
| R504 | 0757-0442 | 9 | | 1 | RESISTOR 10K +-1% .125W TF TC=0+-100 | 00746 | CRB14 OR CRB25 |
| R505 | 0698-3446 | 3 | | 1 | RESISTOR 383 1% .125W TF TC=0+-100 | 00746 | CRB14 OR CRB25 |
| R506 | 0698-0084 | 9 | | 1 | RESISTOR 2.15K 1% .125W TF TC=0+-100 | 00746 | CRB14 OR CRB25 |
| R507 | 0698-3132 | 4 | | 1 | RESISTOR 261 1% .125W TF TC=0+-100 | 00746 | CRB14 OR CRB25 |
| R509 | 0757-0394 | 0 | | 1 | RESISTOR 51.1 +-1% .125W TF TC=0+-100 | 00746 | CRB14 OR CRB25 |
| R510 | 0757-0317 | 7 | | 1 | RESISTOR 1.33K +-1% .125W TF TC=0+-100 | 00746 | CRB14 OR CRB25 |
| R511 | 0698-3153 | 9 | | 1 | RESISTOR 3.83K 1% .125W TF TC=0+-100 | 00746 | CRB14 OR CRB25 |
| R512 | 0698-3444 | 1 | | 1 | RESISTOR 316 1% .125W TF TC=0+-100 | 00746 | CRB14 OR CRB25 |
| R513 | 0698-3444 | 1 | | 1 | RESISTOR 316 1% .125W TF TC=0+-100 | 00746 | CRB14 OR CRB25 |
| R514 | 0757-0394 | 0 | | 1 | RESISTOR 51.1 +-1% .125W TF TC=0+-100 | 00746 | CRB14 OR CRB25 |
| R515 | 0698-3440 | 7 | | 1 | RESISTOR 196 1% .125W TF TC=0+-100 | 00746 | CRB14 OR CRB25 |
| R516 | 0757-0274 | 5 | | 1 | RESISTOR 1.21K +-1% .125W TF TC=0+-100 | 00746 | CRB14 OR CRB25 |
| R517 | 0698-3444 | 1 | | 1 | RESISTOR 316 1% .125W TF TC=0+-100 | 00746 | CRB14 OR CRB25 |
| R518 | 0757-0346 | 2 | | 1 | RESISTOR 10 +-1% .125W TF TC=0+-100 | 00746 | CRB14 OR CRB25 |
| R519 | 0757-0442 | 9 | | 1 | RESISTOR 10K +-1% .125W TF TC=0+-100 | 00746 | CRB14 OR CRB25 |
| R520 | 0698-8812 | 7 | | 1 | RESISTOR 1 +-1% .125W TF TC=0+-100 | 02995 | SFR25H |
| R521 | 0757-0346 | 2 | | 1 | RESISTOR 10 +-1% .125W TF TC=0+-100 | 00746 | CRB14 OR CRB25 |
| R522 | 0757-0398 | 4 | | 1 | RESISTOR 75 +-1% .125W TF TC=0+-100 | 00746 | CRB14 OR CRB25 |
| R523 | 0698-3150 | 6 | | 1 | RESISTOR 2.37K 1% .125W TF TC=0+-100 | 00746 | CRB14 OR CRB25 |
| R524 | 0698-3437 | 2 | | 1 | RESISTOR 133 1% .125W TF TC=0+-100 | 00746 | CRB14 OR CRB25 |
| R525 | 0757-0280 | 3 | | 1 | RESISTOR 1K +-1% .125W TF TC=0+-100 | 00746 | CRB14 OR CRB25 |
| R526 | 0757-0424 | 7 | | 1 | RESISTOR 1.1K +-1% .125W TF TC=0+-100 | 00746 | CRB14 OR CRB25 |
| R527 | 0757-0418 | 9 | | 1 | RESISTOR 619 +-1% .125W TF TC=0+-100 | 00746 | CRB14 OR CRB25 |
| R528 | 0698-3440 | 7 | | 1 | RESISTOR 196 1% .125W TF TC=0+-100 | 00746 | CRB14 OR CRB25 |
| R529 | 0757-0442 | 9 | | 1 | RESISTOR 10K +-1% .125W TF TC=0+-100 | 00746 | CRB14 OR CRB25 |
| R530 | 0757-0180 | 2 | | 1 | RESISTOR 31.6 +-1% .125W TF TC=0+-100 | 00746 | CRB14 OR CRB25 |
| R531 | 0757-0405 | 4 | | 1 | RESISTOR 162 +-1% .125W TF TC=0+-100 | 00746 | CRB14 OR CRB25 |
| R532 | 0757-0405 | 4 | | 1 | RESISTOR 162 +-1% .125W TF TC=0+-100 | 00746 | CRB14 OR CRB25 |
| R533 | 0757-0346 | 2 | | 1 | RESISTOR 10 +-1% .125W TF TC=0+-100 | 00746 | CRB14 OR CRB25 |
| R534 | 0757-0442 | 9 | | 1 | RESISTOR 10K +-1% .125W TF TC=0+-100 | 00746 | CRB14 OR CRB25 |
| R535 | 0698-3447 | 4 | | 1 | RESISTOR 422 1% .125W TF TC=0+-100 | 00746 | CRB14 OR CRB25 |
| R536 | 0698-3438 | 3 | | 1 | RESISTOR 147 1% .125W TF TC=0+-100 | 00746 | CRB14 OR CRB25 |
| R537 | 0698-0084 | 9 | | 1 | RESISTOR 2.15K 1% .125W TF TC=0+-100 | 00746 | CRB14 OR CRB25 |
| R538 | 0698-3132 | 4 | | 1 | RESISTOR 261 1% .125W TF TC=0+-100 | 00746 | CRB14 OR CRB25 |
| R539 | 0757-0382 | 6 | | 1 | RESISTOR 16.2 +-1% .125W TF TC=0+-100 | 00746 | CRB14 OR CRB25 |
| R540 | 0698-3443 | 0 | | 1 | RESISTOR 287 1% .125W TF TC=0+-100 | 00746 | CRB14 OR CRB25 |
| R541 | 0698-7188 | 8 | | 1 | RESISTOR 10 +-1% .05W TF TC=0+-100 | 00746 | CRB20 |

HP Part Number 08562-60118
RF (Standard and Option 001)

| Reference Designation | HP Part Number | C D | Qty | Description | Mfr Code | Mfr Part Number |
|-----------------------|----------------|-----|-----|--|----------|-----------------|
| R543 | 0698-3443 | 0 | 1 | RESISTOR 287 1% .125W TF TC=0+-100 | 00746 | CRB14 OR CRB25 |
| R544 | 0757-0294 | 9 | 1 | RESISTOR 17.8 +-1% .125W TF TC=0+-100 | 00746 | CRB14 OR CRB25 |
| R545 | 0698-3444 | 1 | 1 | RESISTOR 316 1% .125W TF TC=0+-100 | 00746 | CRB14 OR CRB25 |
| R546 | 0698-0085 | 0 | 1 | RESISTOR 2.61K 1% .125W TF TC=0+-100 | 00746 | CRB14 OR CRB25 |
| R547 | 0757-0416 | 7 | 1 | RESISTOR 511 +-1% .125W TF TC=0+-100 | 00746 | CRB14 OR CRB25 |
| R548 | 0757-0442 | 9 | 1 | RESISTOR 10K +-1% .125W TF TC=0+-100 | 00746 | CRB14 OR CRB25 |
| R549 | 0757-0397 | 3 | 1 | RESISTOR 68.1 +-1% .125W TF TC=0+-100 | 00746 | CRB14 OR CRB25 |
| R550 | 0757-0401 | 0 | 1 | RESISTOR 100 +-1% .125W TF TC=0+-100 | 00746 | CRB14 OR CRB25 |
| R551 | 0757-0401 | 0 | 1 | RESISTOR 100 +-1% .125W TF TC=0+-100 | 00746 | CRB14 OR CRB25 |
| R552 | 0757-0394 | 0 | 1 | RESISTOR 51.1 +-1% .125W TF TC=0+-100 | 00746 | CRB14 OR CRB25 |
| R553 | 0757-0416 | 7 | 1 | RESISTOR 511 +-1% .125W TF TC=0+-100 | 00746 | CRB14 OR CRB25 |
| R554 | 0757-0280 | 3 | 1 | RESISTOR 1K +-1% .125W TF TC=0+-100 | 00746 | CRB14 OR CRB25 |
| R555 | 0757-0442 | 9 | 1 | RESISTOR 10K +-1% .125W TF TC=0+-100 | 00746 | CRB14 OR CRB25 |
| R556 | 0757-0442 | 9 | 1 | RESISTOR 10K +-1% .125W TF TC=0+-100 | 00746 | CRB14 OR CRB25 |
| R557 | 0757-0416 | 7 | 1 | RESISTOR 511 +-1% .125W TF TC=0+-100 | 00746 | CRB14 OR CRB25 |
| R558 | 0757-0401 | 0 | 1 | RESISTOR 100 +-1% .125W TF TC=0+-100 | 00746 | CRB14 OR CRB25 |
| R559 | 0757-0416 | 7 | 1 | RESISTOR 511 +-1% .125W TF TC=0+-100 | 00746 | CRB14 OR CRB25 |
| R560 | 0698-7212 | 9 | 1 | RESISTOR 100 +-1% .05W TF TC=0+-100 | 00746 | CRB20 |
| R561 | 2100-3617 | 7 | 1 | RESISTOR-TRMR 500 10% TKF TOP-ADJ 17-TRN | 03744 | 3299W-DM3-501 |
| R562 | 0698-7246 | 9 | 1 | RESISTOR 2.61K +-1% .05W TF TC=0+-100 | 00746 | CRB20 |
| R563 | 0698-7250 | 5 | 1 | RESISTOR 3.83K +-1% .05W TF TC=0+-100 | 00746 | CRB20 |
| R564 | 0757-0280 | 3 | 1 | RESISTOR 1K +-1% .125W TF TC=0+-100 | 00746 | CRB14 OR CRB25 |
| R565 | 0698-7236 | 7 | 1 | RESISTOR 1K +-1% .05W TF TC=0+-100 | 00746 | CRB20 |
| R566 | 0698-7242 | 5 | 1 | RESISTOR 1.78K +-1% .05W TF TC=0+-100 | 00746 | CRB20 |
| R567 | 0757-0280 | 3 | 1 | RESISTOR 1K +-1% .125W TF TC=0+-100 | 00746 | CRB14 OR CRB25 |
| R568 | 0698-0082 | 7 | 1 | RESISTOR 464 1% .125W TF TC=0+-100 | 00746 | CRB14 OR CRB25 |
| R569 | 0698-0082 | 7 | 1 | RESISTOR 464 1% .125W TF TC=0+-100 | 00746 | CRB14 OR CRB25 |
| R570 | 0757-0280 | 3 | 1 | RESISTOR 1K +-1% .125W TF TC=0+-100 | 00746 | CRB14 OR CRB25 |
| R571 | 0757-0416 | 7 | 1 | RESISTOR 511 +-1% .125W TF TC=0+-100 | 00746 | CRB14 OR CRB25 |
| R572 | 0757-0280 | 3 | 1 | RESISTOR 1K +-1% .125W TF TC=0+-100 | 00746 | CRB14 OR CRB25 |
| R573 | 0757-0416 | 7 | 1 | RESISTOR 511 +-1% .125W TF TC=0+-100 | 00746 | CRB14 OR CRB25 |
| R574 | 0698-8822 | 9 | 1 | RESISTOR 6.81 +-1% .125W TF TC=0+-100 | 01074 | HB |
| R575 | 0757-0405 | 4 | 1 | RESISTOR 162 +-1% .125W TF TC=0+-100 | 00746 | CRB14 OR CRB25 |
| R576 | 0757-0442 | 9 | 1 | RESISTOR 10K +-1% .125W TF TC=0+-100 | 00746 | CRB14 OR CRB25 |
| R577 | 0757-0442 | 9 | 1 | RESISTOR 10K +-1% .125W TF TC=0+-100 | 00746 | CRB14 OR CRB25 |
| R578 | 0757-0442 | 9 | 1 | RESISTOR 10K +-1% .125W TF TC=0+-100 | 00746 | CRB14 OR CRB25 |
| R579 | 0757-0442 | 9 | 1 | RESISTOR 10K +-1% .125W TF TC=0+-100 | 00746 | CRB14 OR CRB25 |
| R580 | 0757-0288 | 1 | 1 | RESISTOR 9.09K +-1% .125W TF TC=0+-100 | 00746 | CRB14 OR CRB25 |
| R581 | 0757-0288 | 1 | 1 | RESISTOR 9.09K +-1% .125W TF TC=0+-100 | 00746 | CRB14 OR CRB25 |
| R582 | 0698-7929 | 5 | 1 | RESISTOR 9.09K +-0.1% .125W TF TC=0+-50 | 00746 | CRB14 OR CRB25 |
| R583 | 0698-6963 | 5 | 1 | RESISTOR 5.55K +-0.1% .125W TF TC=0+-25 | 00746 | CRB14 OR CRB25 |
| R584 | 0698-7233 | 4 | 1 | RESISTOR 750 +-1% .05W TF TC=0+-100 | 00746 | CRB20 |
| R601 | 0698-7205 | 0 | 1 | RESISTOR 51.1 +-1% .05W TF TC=0+-100 | 00746 | CRB20 |
| R602 | 0698-3440 | 7 | 1 | RESISTOR 196 1% .125W TF TC=0+-100 | 00746 | CRB14 OR CRB25 |
| R603 | 0698-0082 | 7 | 1 | RESISTOR 464 1% .125W TF TC=0+-100 | 00746 | CRB14 OR CRB25 |
| R604 | 0757-0317 | 7 | 1 | RESISTOR 1.33K +-1% .125W TF TC=0+-100 | 00746 | CRB14 OR CRB25 |
| R605 | 0698-3438 | 3 | 1 | RESISTOR 147 1% .125W TF TC=0+-100 | 00746 | CRB14 OR CRB25 |
| R606 | 0698-3438 | 3 | 1 | RESISTOR 147 1% .125W TF TC=0+-100 | 00746 | CRB14 OR CRB25 |

*Indicates factory-selected value

HP Part Number 08562-60118
RF (Standard and Option 001)

| Reference Designation | HP Part Number | C | D | Qty | Description | Mfr Code | Mfr Part Number |
|-----------------------|----------------|---|---|-----|--|----------|-----------------|
| R607 | 0757-0401 | 0 | | 1 | RESISTOR 100 +-1% .125W TF TC=0+-100 | 00746 | CRB14 OR CRB25 |
| R608 | 0698-8822 | 9 | | 1 | RESISTOR 6.81 +-1% .125W TF TC=0+-100 | 01074 | H8 |
| R609 | 0698-3439 | 4 | | 1 | RESISTOR 178 1% .125W TF TC=0+-100 | 00746 | CRB14 OR CRB25 |
| R610 | 0757-0421 | 4 | | 1 | RESISTOR 825 +-1% .125W TF TC=0+-100 | 00746 | CRB14 OR CRB25 |
| R611 | 0698-8820 | 7 | | 1 | RESISTOR 4.64 +-1% .125W TF TC=0+-100 | 01074 | H8 |
| R612 | 0757-0274 | 5 | | 1 | RESISTOR 1.21K +-1% .125W TF TC=0+-100 | 00746 | CRB14 OR CRB25 |
| R613 | 0698-3438 | 3 | | 1 | RESISTOR 147 1% .125W TF TC=0+-100 | 00746 | CRB14 OR CRB25 |
| R614 | 0698-3438 | 3 | | 1 | RESISTOR 147 1% .125W TF TC=0+-100 | 00746 | CRB14 OR CRB25 |
| R615 | 0757-0401 | 0 | | 1 | RESISTOR 100 +-1% .125W TF TC=0+-100 | 00746 | CRB14 OR CRB25 |
| R616 | 0698-3439 | 4 | | 1 | RESISTOR 178 1% .125W TF TC=0+-100 | 00746 | CRB14 OR CRB25 |
| R617 | 0757-0420 | 3 | | 1 | RESISTOR 750 +-1% .125W TF TC=0+-100 | 00746 | CRB14 OR CRB25 |
| R618 | 0757-0428 | 1 | | 1 | RESISTOR 1.62K +-1% .125W TF TC=0+-100 | 00746 | CRB14 OR CRB25 |
| R619 | 0698-3442 | 9 | | 1 | RESISTOR 237 1% .125W TF TC=0+-100 | 00746 | CRB14 OR CRB25 |
| R620 | 0698-8818 | 3 | | 1 | RESISTOR 3.16 +-1% .125W TF TC=0+-100 | 02995 | SFR25H |
| R621 | 0757-0424 | 7 | | 1 | RESISTOR 1.1K +-1% .125W TF TC=0+-100 | 00746 | CRB14 OR CRB25 |
| R622 | 0757-0280 | 3 | | 1 | RESISTOR 1K +-1% .125W TF TC=0+-100 | 00746 | CRB14 OR CRB25 |
| R623 | 0757-0280 | 3 | | 1 | RESISTOR 1K +-1% .125W TF TC=0+-100 | 00746 | CRB14 OR CRB25 |
| R624 | 0757-0422 | 5 | | 1 | RESISTOR 909 +-1% .125W TF TC=0+-100 | 00746 | CRB14 OR CRB25 |
| R625 | 0698-3440 | 7 | | 1 | RESISTOR 196 1% .125W TF TC=0+-100 | 00746 | CRB14 OR CRB25 |
| R626 | 0698-3440 | 7 | | 1 | RESISTOR 196 1% .125W TF TC=0+-100 | 00746 | CRB14 OR CRB25 |
| R627 | 0698-3437 | 2 | | 1 | RESISTOR 133 1% .125W TF TC=0+-100 | 00746 | CRB14 OR CRB25 |
| R628 | 0757-0442 | 9 | | 1 | RESISTOR 10K +-1% .125W TF TC=0+-100 | 00746 | CRB14 OR CRB25 |
| R629 | 0757-0442 | 9 | | 1 | RESISTOR 10K +-1% .125W TF TC=0+-100 | 00746 | CRB14 OR CRB25 |
| R630 | 0757-0442 | 9 | | 1 | RESISTOR 10K +-1% .125W TF TC=0+-100 | 00746 | CRB14 OR CRB25 |
| R631 | 0757-0442 | 9 | | 1 | RESISTOR 10K +-1% .125W TF TC=0+-100 | 00746 | CRB14 OR CRB25 |
| R632 | 0757-0442 | 9 | | 1 | RESISTOR 10K +-1% .125W TF TC=0+-100 | 00746 | CRB14 OR CRB25 |
| R633 | 0757-0442 | 9 | | 1 | RESISTOR 10K +-1% .125W TF TC=0+-100 | 00746 | CRB14 OR CRB25 |
| R634 | 0757-0442 | 9 | | 1 | RESISTOR 10K +-1% .125W TF TC=0+-100 | 00746 | CRB14 OR CRB25 |
| R635 | 0757-0422 | 5 | | 1 | RESISTOR 909 +-1% .125W TF TC=0+-100 | 00746 | CRB14 OR CRB25 |
| R636 | 0757-0346 | 2 | | 1 | RESISTOR 10 +-1% .125W TF TC=0+-100 | 00746 | CRB14 OR CRB25 |
| R637 | 0698-3440 | 7 | | 1 | RESISTOR 196 1% .125W TF TC=0+-100 | 00746 | CRB14 OR CRB25 |
| R638 | 0757-0420 | 3 | | 1 | RESISTOR 750 +-1% .125W TF TC=0+-100 | 00746 | CRB14 OR CRB25 |
| R639 | 0698-3442 | 9 | | 1 | RESISTOR 237 1% .125W TF TC=0+-100 | 00746 | CRB14 OR CRB25 |
| R640 | 0698-3437 | 2 | | 1 | RESISTOR 133 1% .125W TF TC=0+-100 | 00746 | CRB14 OR CRB25 |
| R641 | 0698-3438 | 3 | | 1 | RESISTOR 147 1% .125W TF TC=0+-100 | 00746 | CRB14 OR CRB25 |
| R642 | 0698-3440 | 7 | | 1 | RESISTOR 196 1% .125W TF TC=0+-100 | 00746 | CRB14 OR CRB25 |
| R643 | 0698-3438 | 3 | | 1 | RESISTOR 147 1% .125W TF TC=0+-100 | 00746 | CRB14 OR CRB25 |
| R644 | 0698-3440 | 7 | | 1 | RESISTOR 196 1% .125W TF TC=0+-100 | 00746 | CRB14 OR CRB25 |
| R701 | 0698-3445 | 2 | | 1 | RESISTOR 348 1% .125W TF TC=0+-100 | 00746 | CRB14 OR CRB25 |
| R702 | 0757-0438 | 3 | | 1 | RESISTOR 5.11K +-1% .125W TF TC=0+-100 | 00746 | CRB14 OR CRB25 |
| R703 | 0757-0438 | 3 | | 1 | RESISTOR 5.11K +-1% .125W TF TC=0+-100 | 00746 | CRB14 OR CRB25 |
| R704 | 0757-0405 | 4 | | 1 | RESISTOR 162 +-1% .125W TF TC=0+-100 | 00746 | CRB14 OR CRB25 |
| R705 | 0698-3132 | 4 | | 1 | RESISTOR 261 1% .125W TF TC=0+-100 | 00746 | CRB14 OR CRB25 |
| R706 | 0698-3151 | 7 | | 1 | RESISTOR 2.87K 1% .125W TF TC=0+-100 | 00746 | CRB14 OR CRB25 |
| R707 | 0698-3151 | 7 | | 1 | RESISTOR 2.87K 1% .125W TF TC=0+-100 | 00746 | CRB14 OR CRB25 |
| R708 | 0757-0382 | 6 | | 1 | RESISTOR 16.2 +-1% .125W TF TC=0+-100 | 00746 | CRB14 OR CRB25 |
| R709 | 0757-0382 | 6 | | 1 | RESISTOR 16.2 +-1% .125W TF TC=0+-100 | 00746 | CRB14 OR CRB25 |

HP Part Number 08562-60118
RF (Standard and Option 001)

| Reference Designation | HP Part Number | C D | Qty | Description | Mfr Code | Mfr Part Number |
|-----------------------|----------------|--------|-----|--|----------|-----------------|
| R710 | 0698-3432 | 7 | 1 | RESISTOR 26.1 1% .125W TF TC=0+-100 | 00746 | CRB14 OR CRB25 |
| R714 | 0757-0442 | 9 | 1 | RESISTOR 10K +-1% .125W TF TC=0+-100 | 00746 | CRB14 OR CRB25 |
| R715 | 0757-0442 | 9 | 1 | RESISTOR 10K +-1% .125W TF TC=0+-100 | 00746 | CRB14 OR CRB25 |
| R716 | 0757-0400 | 9 | 1 | RESISTOR 90.9 +-1% .125W TF TC=0+-100 | 00746 | CRB14 OR CRB25 |
| R717 | 0757-0394 | 0 | 1 | RESISTOR 51.1 +-1% .125W TF TC=0+-100 | 00746 | CRB14 OR CRB25 |
| R718 | 0698-3445 | 2 | 1 | RESISTOR 348 1% .125W TF TC=0+-100 | 00746 | CRB14 OR CRB25 |
| R719 | 0698-3441 | 8 | 1 | RESISTOR 215 1% .125W TF TC=0+-100 | 00746 | CRB14 OR CRB25 |
| R720 | 0698-3441 | 8 | 1 | RESISTOR 215 1% .125W TF TC=0+-100 | 00746 | CRB14 OR CRB25 |
| R721 | 0757-0442 | 9 | 1 | RESISTOR 10K +-1% .125W TF TC=0+-100 | 00746 | CRB14 OR CRB25 |
| R722 | 0757-0403 | 2 | 1 | RESISTOR 121 +-1% .125W TF TC=0+-100 | 00746 | CRB14 OR CRB25 |
| R723 | 0698-3446 | 3 | 1 | RESISTOR 383 1% .125W TF TC=0+-100 | 00746 | CRB14 OR CRB25 |
| R724 | 0698-3446 | 3 | 1 | RESISTOR 383 1% .125W TF TC=0+-100 | 00746 | CRB14 OR CRB25 |
| R726 | 0757-0394 | 0 | 1 | RESISTOR 51.1 +-1% .125W TF TC=0+-100 | 00746 | CRB14 OR CRB25 |
| R801 | 0757-0280 | 3 | 1 | RESISTOR 1K +-1% .125W TF TC=0+-100 | 00746 | CRB14 OR CRB25 |
| R802 | 0757-0280 | 3 | 1 | RESISTOR 1K +-1% .125W TF TC=0+-100 | 00746 | CRB14 OR CRB25 |
| R803 | 0698-3439 | 4 | 1 | RESISTOR 178 1% .125W TF TC=0+-100 | 00746 | CRB14 OR CRB25 |
| R804 | 0698-3442 | 9 | 1 | RESISTOR 237 1% .125W TF TC=0+-100 | 00746 | CRB14 OR CRB25 |
| R805 | 0698-3442 | 9 | 1 | RESISTOR 237 1% .125W TF TC=0+-100 | 00746 | CRB14 OR CRB25 |
| R901 | 0757-0200 | 7 | 1 | RESISTOR 5.62K +-1% .125W TF TC=0+-100 | 00746 | CRB14 OR CRB25 |
| R902 | 0698-8961 | 7 | 1 | RESISTOR 909K +-1% .125W TF TC=0+-100 | 00746 | CRB14 OR CRB25 |
| R903 | 0757-0440 | 7 | 1 | RESISTOR 7.5K +-1% .125W TF TC=0+-100 | 00746 | CRB14 OR CRB25 |
| R904 | 0757-0278 | 9 | 1 | RESISTOR 1.78K +-1% .125W TF TC=0+-100 | 00746 | CRB14 OR CRB25 |
| R905 | 0698-3136 | 8 | 1 | RESISTOR 17.8K 1% .125W TF TC=0+-100 | 00746 | CRB14 OR CRB25 |
| R906 | 0698-3136 | 8 | 1 | RESISTOR 17.8K 1% .125W TF TC=0+-100 | 00746 | CRB14 OR CRB25 |
| R907 | 0757-0278 | 9 | 1 | RESISTOR 1.78K +-1% .125W TF TC=0+-100 | 00746 | CRB14 OR CRB25 |
| R908 | 0757-0401 | 0 | 1 | RESISTOR 100 +-1% .125W TF TC=0+-100 | 00746 | CRB14 OR CRB25 |
| R909 | 0757-0280 | 3 | 1 | RESISTOR 1K +-1% .125W TF TC=0+-100 | 00746 | CRB14 OR CRB25 |
| R910 | 0757-0280 | 3 | 1 | RESISTOR 1K +-1% .125W TF TC=0+-100 | 00746 | CRB14 OR CRB25 |
| R911 | 0757-0401 | 0 | 1 | RESISTOR 100 +-1% .125W TF TC=0+-100 | 00746 | CRB14 OR CRB25 |
| R912 | 0698-3159 | 5 | 1 | RESISTOR 26.1K 1% .125W TF TC=0+-100 | 00746 | CRB14 OR CRB25 |
| R913 | 0757-0442 | 9 | 1 | RESISTOR 10K +-1% .125W TF TC=0+-100 | 00746 | CRB14 OR CRB25 |
| R914 | 0757-0442 | 9 | 1 | RESISTOR 10K +-1% .125W TF TC=0+-100 | 00746 | CRB14 OR CRB25 |
| R915 | 0757-0442 | 9 | 1 | RESISTOR 10K +-1% .125W TF TC=0+-100 | 00746 | CRB14 OR CRB25 |
| R916 | 0698-3440 | 7 | 1 | RESISTOR 196 1% .125W TF TC=0+-100 | 00746 | CRB14 OR CRB25 |
| R917 | 0698-3440 | 7 | 1 | RESISTOR 196 1% .125W TF TC=0+-100 | 00746 | CRB14 OR CRB25 |
| R918 | 0757-0465 | 6 | 1 | RESISTOR 100K +-1% .125W TF TC=0+-100 | 00746 | CRB14 OR CRB25 |
| R919 | 0757-0458 | 7 | 1 | RESISTOR 51.1K +-1% .125W TF TC=0+-100 | 00746 | CRB14 OR CRB25 |
| R920 | 0757-0280 | 3 | 1 | RESISTOR 1K +-1% .125W TF TC=0+-100 | 00746 | CRB14 OR CRB25 |
| R921 | 0757-0276 | 7 | 1 | RESISTOR 61.9 +-1% .125W TF TC=0+-100 | 00746 | CRB14 OR CRB25 |
| R922 | 0698-6360 | 6 | 1 | RESISTOR 10K +-0.1% .125W TF TC=0+-25 | 00746 | CRB14 OR CRB25 |
| R923 | 0698-6360 | 6 | 1 | RESISTOR 10K +-0.1% .125W TF TC=0+-25 | 00746 | CRB14 OR CRB25 |
| R924 | 0698-6630 | 3 | 1 | RESISTOR 20K +-0.1% .125W TF TC=0+-25 | 00746 | CRB14 OR CRB25 |
| R925 | 0757-0442 | 9 | 1 | RESISTOR 10K +-1% .125W TF TC=0+-100 | 00746 | CRB14 OR CRB25 |
| R926 | 2100-3863 | 5 | 1 | RESISTOR-TRMR 200 10% TKF TOP-ADJ 17-TRN | 03744 | 3299W-DM3-201 |
| R927 | 0757-0442 | 9 | 1 | RESISTOR 10K +-1% .125W TF TC=0+-100 | 00746 | CRB14 OR CRB25 |
| R929 | 0757-0442 | 9 | 1 | RESISTOR 10K +-1% .125W TF TC=0+-100 | 00746 | CRB14 OR CRB25 |
| R930 | 0757-0442 | 9 | 1 | RESISTOR 10K +-1% .125W TF TC=0+-100 | 00746 | CRB14 OR CRB25 |
| R931 | 0757-0442 | 9 | 1 | RESISTOR 10K +-1% .125W TF TC=0+-100 | 00746 | CRB14 OR CRB25 |

*Indicates factory-selected value

HP Part Number 08562-60118
RF (Standard and Option.001)

| Reference Designation | HP Part Number | C | D | Qty | Description | Mfr Code | Mfr Part Number |
|-----------------------|----------------|---|---|-----|--|----------|------------------------|
| R932 | 0757-0442 | 9 | 1 | 1 | RESISTOR 10K +-1% .125W TF TC=0+-100 | 00746 | CRB14 OR CRB25 |
| R933 | 0757-0442 | 9 | 1 | 1 | RESISTOR 10K +-1% .125W TF TC=0+-100 | 00746 | CRB14 OR CRB25 |
| R934 | 0698-7276 | 5 | 1 | 1 | RESISTOR 46.4K +-1% .05W TF TC=0+-100 | 00746 | CRB20 |
| R935 | 0757-0465 | 6 | 1 | 1 | RESISTOR 100K +-1% .125W TF TC=0+-100 | 00746 | CRB14 OR CRB25 |
| R936 | 0698-7239 | 0 | 1 | 1 | RESISTOR 1.33K +-1% .05W TF TC=0+-100 | 00746 | CRB20 |
| R937 | 0698-3151 | 7 | 1 | 1 | RESISTOR 2.87K 1% .125W TF TC=0+-100 | 00746 | CRB14 OR CRB25 |
| RT901 | 0837-0269 | 8 | 1 | 1 | THERMISTOR TUB WITH AXL LEADS 10K-OHM | 06784 | PIH103 |
| T100 | 9100-4772 | 4 | 1 | 1 | TRANSFORMER-RF FREQ RANGE 3kHz to 800 MH | 02739 | TM04-2 |
| U100 | 5086-7806 | 5 | 1 | 1 | IC INV TTL S HEX 1-INP | 28480 | 5086-7806 |
| U101 | 1826-1945 | 7 | 1 | 1 | IC DIFF AMPL 8-DIP-P PKG | 02910 | NE5212N |
| U103 | 1813-0213 | 3 | 1 | 1 | IC WIDEBAND AMPL TO-39 PKG | 02037 | MWA130 |
| U104 | 1826-0915 | 9 | 1 | 1 | IC OP AMP LOW-BIAS-H-IMPD 8-DIP-C PKG | 01698 | TL071ACJG (PER HP DWG) |
| U302 | 1813-0458 | 8 | 1 | 1 | OSCILLATOR-CRYSTALTEMPERATURE-COMPENSATE | 02483 | 970-3795-0 |
| U303 | 1820-0683 | 6 | 1 | 1 | IC INV TTL S HEX 1-INP | 01698 | SN74S04N |
| U304 | 1820-1310 | 8 | 1 | 1 | IC-INTERFACE RCVR LINE RCVR DUAL | 01698 | SN75108BN |
| U305 | 1826-0539 | 3 | 1 | 1 | IC V RGLTR-ADJ-POS 1.2/37V TO-39 PKG | 03406 | LM317H |
| U306 | 1826-0496 | 1 | 1 | 1 | IC V RGLTR-FXD-NEG -4.8/-5.2V TO-39 PKG | 02037 | MC79L05ACG |
| U307 | 1826-0276 | 5 | 1 | 1 | IC V RGLTR-FXD-POS 4.8/5.2V TO-92 PKG | 02037 | MC78L05ACP |
| U400 | 0955-0113 | 1 | 1 | 1 | U-WAVE MIXER 1 GHZ MAX | 02739 | TFM-2-38 |
| U401 | 1854-1010 | 6 | 1 | 1 | TRANSISTOR-DUAL NPN PD=600MW | 02037 | MD918A |
| U402 | 1854-1010 | 6 | 1 | 1 | TRANSISTOR-DUAL NPN PD=600MW | 02037 | MD918A |
| U403 | 1820-3842 | 5 | 1 | 1 | IC CNTR TTL/AS BIN UP/DOWN SYNCHRO POS-E | 01698 | SN74AS169N |
| U404 | 1820-3842 | 5 | 1 | 1 | IC CNTR TTL/AS BIN UP/DOWN SYNCHRO POS-E | 01698 | SN74AS169N |
| U405 | 1820-1449 | 4 | 1 | 1 | IC GATE TTL S OR QUAD 2-INP | 01698 | SN74S32N |
| U406 | 1820-0693 | 8 | 1 | 1 | IC FF TTL S D-TYPE POS-EDGE-TRIG PRESET/ | 01698 | SN74S74N |
| U407 | 1826-0718 | 0 | 1 | 1 | IC V RGLTR-V-REF-ADJ 4.95/5.05V 8-DIP-C | 02037 | MC1404U5 |
| U408 | 1826-1049 | 2 | 1 | 1 | IC OP AMP PRCN 8-DIP-C PKG | 02180 | OP-27GZ |
| U409 | 1820-3676 | 3 | 1 | 1 | IC DCDR CMOS/74HC 3-TO-8-LINE | 03406 | MM74HC237N |
| U410 | 1858-0077 | 1 | 1 | 1 | TRANSISTOR ARRAY 14-PIN PLSTC TO-116 | 02037 | MPQ2222P |
| U411 | 1858-0077 | 1 | 1 | 1 | TRANSISTOR ARRAY 14-PIN PLSTC TO-116 | 02037 | MPQ2222P |
| U412 | 1810-0283 | 1 | 1 | 1 | NETWORK-RES 16-DIP 270.0 OHM X 8 | 02483 | SERIES 760 |
| U501 | 1820-3485 | 2 | 1 | 1 | IC PRESCR ECL | 02037 | MC12090L |
| U502 | 1820-3935 | 7 | 1 | 1 | IC PRESCR ECL | 02037 | MC12009L |
| U503 | 1820-3935 | 7 | 1 | 1 | IC PRESCR ECL | 02037 | MC12009L |
| U504 | 1820-1112 | 8 | 1 | 1 | IC FF TTL/LS D-TYPE POS-EDGE-TRIG PRESET | 01698 | SN74LS74AN |
| U505 | 1820-1197 | 9 | 1 | 1 | IC GATE TTL LS NAND QUAD 2-INP | 01698 | SN74LS00N |
| U506 | 1826-1049 | 2 | 1 | 1 | IC OP AMP PRCN 8-DIP-C PKG | 02180 | OP-27GZ |
| U507 | 1826-1165 | 3 | 1 | 1 | IC OP AMP GP DUAL 8-DIP-C PKG | 02180 | OP-14EZ |
| U601 | 0955-0063 | 0 | 1 | 1 | U-WAVE MIXER 500 MHZ MAX | 02739 | SRA-1-32 |
| U602 | 1GA1-8006 | 8 | 1 | 1 | | 28480 | 1GA1-8006 |
| U701 | 1GA1-8013 | 7 | 1 | 1 | | 28480 | 1GA1-8013 |
| U801 | 5086-7751 | 9 | 1 | 1 | | 28480 | 5086-7751 |
| U901 | 1826-0753 | 3 | 1 | 1 | IC OP AMP LOW-BIAS-H-IMPD QUAD 14-DIP-C | 02037 | MC34004BL |
| U902 | 1826-0759 | 9 | 1 | 1 | IC COMPARATOR GP QUAD 14-DIP-C PKG | 02037 | LM339J |
| U903 | 1820-4465 | 0 | 1 | 1 | IC FF CMOS/74HCT D-TYPE POS-EDGE-TRIG CO | 02910 | 74HCT377N |
| U904 | 1820-4465 | 0 | 1 | 1 | IC FF CMOS/74HCT D-TYPE POS-EDGE-TRIG CO | 02910 | 74HCT377N |
| U905 | 1826-0752 | 2 | 1 | 1 | D/A 12-BIT 16-CBRZ CMOS | 03285 | AD7542BD |

HP Part Number 08562-60118

RF (Standard and Option 001)

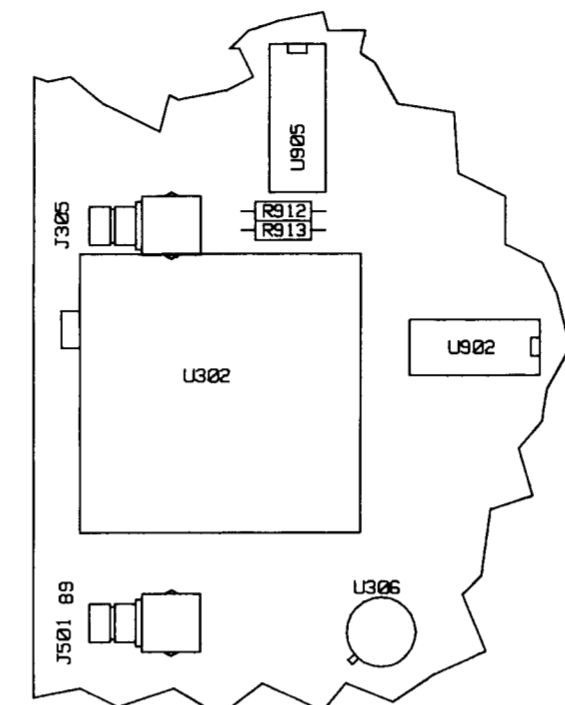
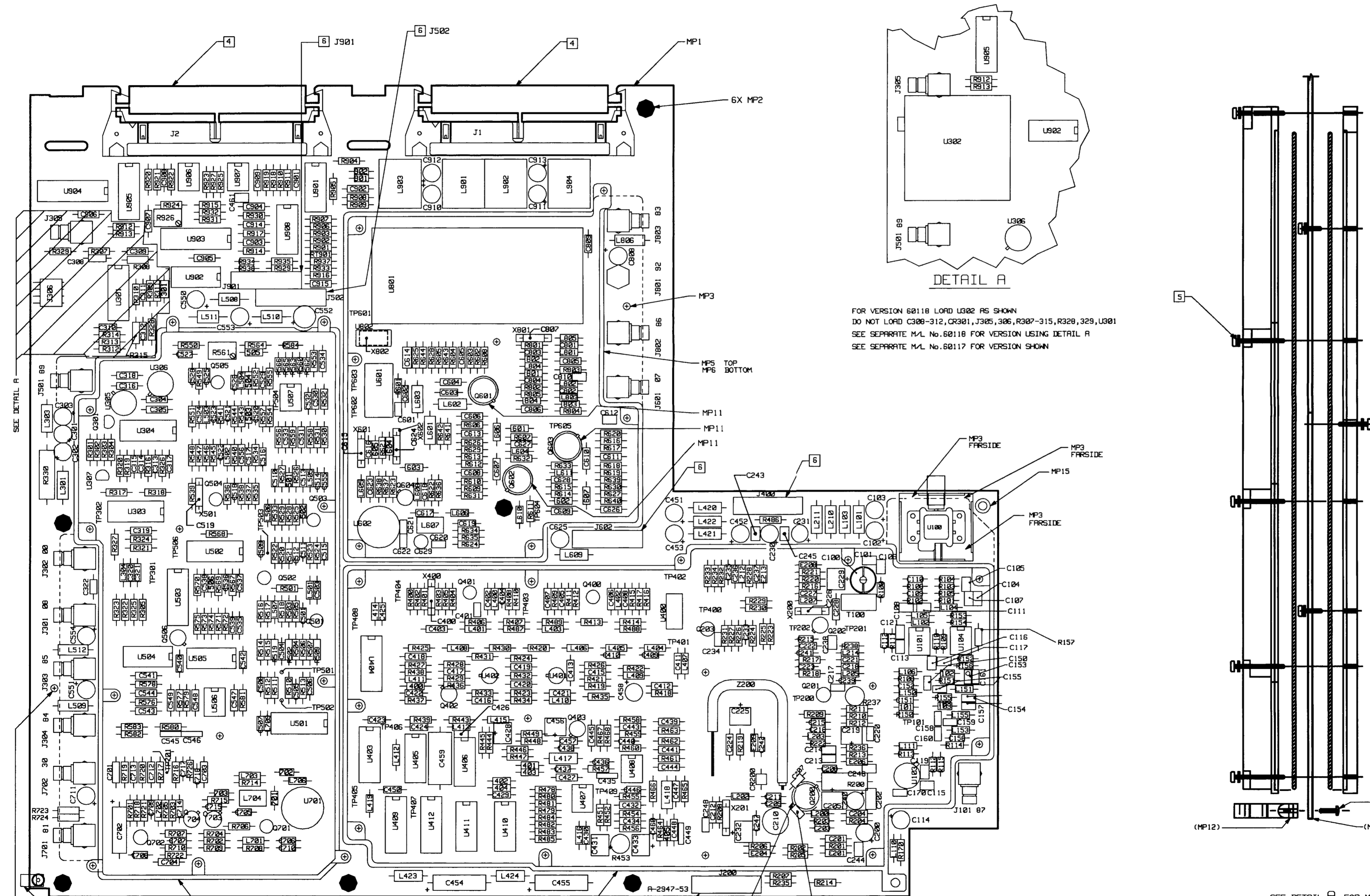
| Reference Designation | HP Part Number | C D | Qty | Description | Mfr Code | Mfr Part Number |
|-----------------------|----------------|-----|-----|-----------------------------------|----------|-----------------|
| U906 | 1826-1165 | 3 | 1 | IC OP AMP GP DUAL 8-DIP-C PKG | 02180 | OP-14EZ |
| U907 | 1826-0989 | 7 | 1 | IC OP AMP GP 8-DIP-C PKG | 01698 | LM307JG |
| U908 | 1858-0008 | 8 | 1 | TRANSISTOR ARRAY 14-PIN PLSTC DIP | 02037 | SPQ526K |
| X200 | 1200-1247 | 6 | 1 | SOCKET-STRP 5-CONT SIP DIP-SLDR | 05518 | 510-AG92D-05 |
| X201 | 1200-1247 | 6 | 1 | SOCKET-STRP 5-CONT SIP DIP-SLDR | 05518 | 510-AG92D-05 |
| X400 | 1200-1247 | 6 | 1 | SOCKET-STRP 5-CONT SIP DIP-SLDR | 05518 | 510-AG92D-05 |
| X501 | 1200-1247 | 6 | 1 | SOCKET-STRP 5-CONT SIP DIP-SLDR | 05518 | 510-AG92D-05 |
| X601 | 1200-1247 | 6 | 1 | SOCKET-STRP 5-CONT SIP DIP-SLDR | 05518 | 510-AG92D-05 |
| X602 | 1200-1247 | 6 | 1 | SOCKET-STRP 5-CONT SIP DIP-SLDR | 05518 | 510-AG92D-05 |
| X801 | 1200-1247 | 6 | 1 | SOCKET-STRP 5-CONT SIP DIP-SLDR | 05518 | 510-AG92D-05 |
| X802 | 1200-1273 | 8 | 1 | SOCKET-STRP 8-CONT DIP PC | 06665 | SDL-104-TT-12 |
| Z200 | 5021-6707 | 7 | 1 | CABLE - RESONANT | 28480 | 5021-6707 |

*Indicates factory-selected value

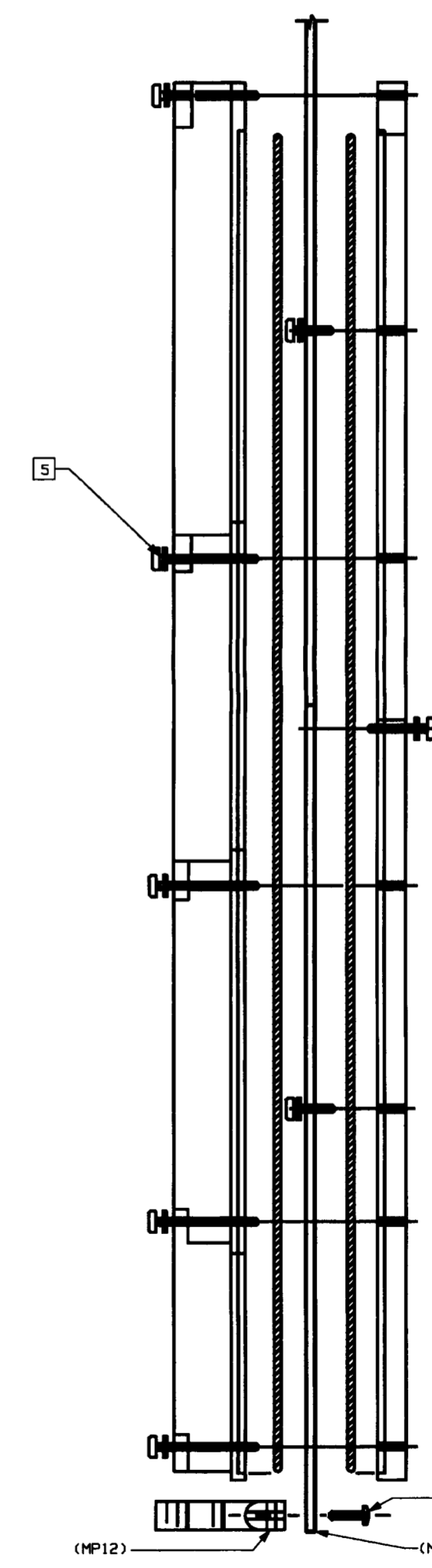
| SYM | REVISIONS | APPROVED | DATE |
|-----|-----------|----------|------|
| R1 | | | |

NOTES: UNLESS OTHERWISE SPECIFIED

1. DIMENSIONS ARE IN INCHES.
2. MAXIMUM COMPONENT HEIGHT .472, UNDER SHIELD .400
3. MAXIMUM LEAD TRIM LENGTH .118
- 4 REMOVE TABS AFTER MACHINE SOLDER.
- 5 SCREWS FOR SHIELDS AND SPIRO-GASKETS ARE ON MATERIAL LIST FOR THE SHIELDS. MAKE SURE ALL PARTS ARE INTACT.
- 6 ASSURE THAT PIN #9 HAS BEEN REMOVED FROM J200, J400, J502, J602, AND J901 PRIOR TO ASSEMBLY AND MACHINE SOLDER.
7. TEST POINTS NOT SHOWN ON MATERIAL LIST ARE FOR REFERENCE ONLY.



FOR VERSION 60118 LOAD U302 AS SHOWN
DO NOT LOAD C308-312, CR301, J305, 306, R307-315, R328, 329, U301
SEE SEPARATE M.L. No. 60118 FOR VERSION USING DETAIL A
SEE SEPARATE M.L. No. 60117 FOR VERSION SHOWN

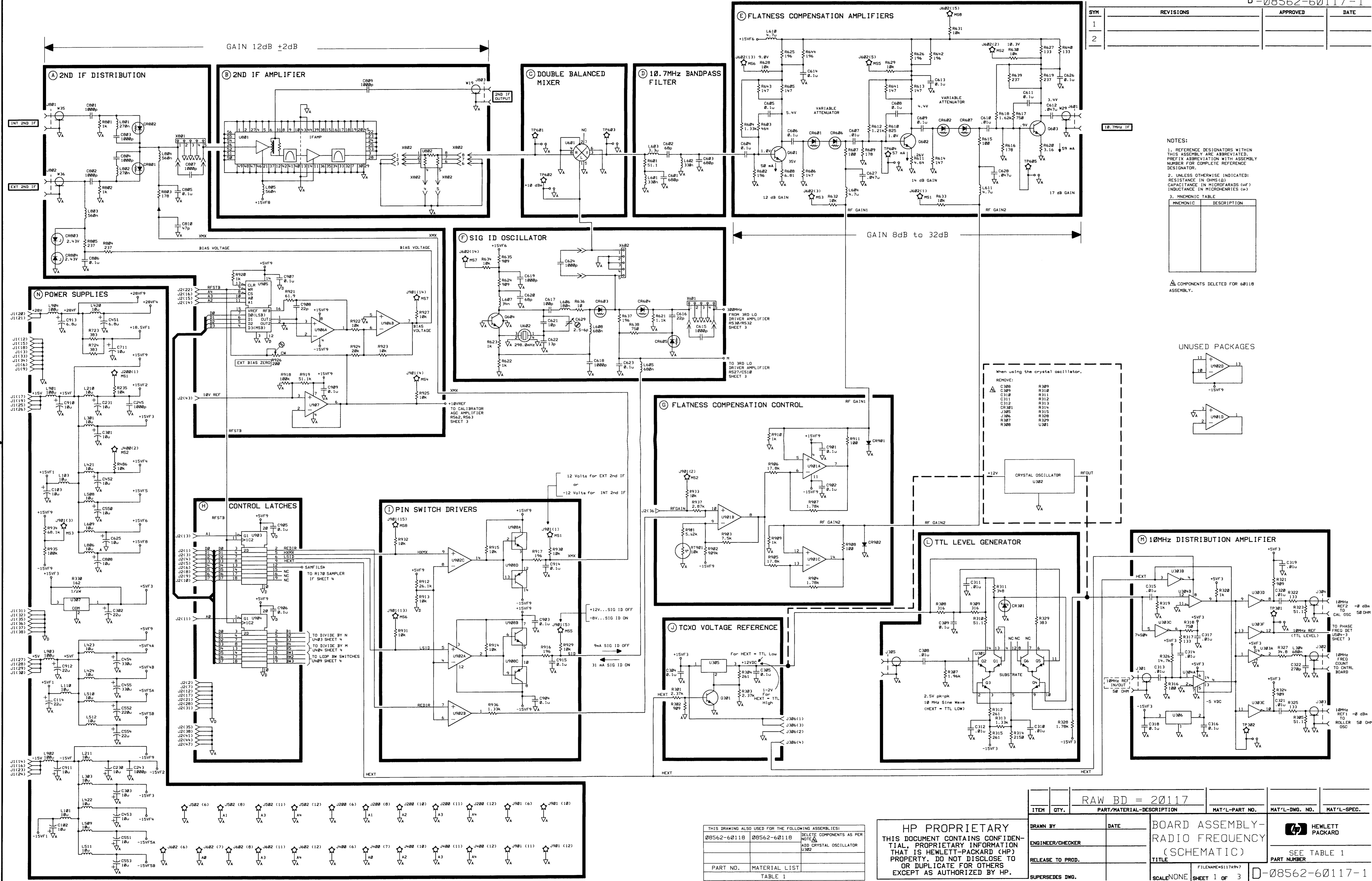


SEE DETAIL A FOR MATERIAL LIST

HP PROPRIETARY
THIS DOCUMENT CONTAINS CONFIDENTIAL
PROPRIETARY INFORMATION THAT IS
HEWLETT-PACKARD (HP) PROPERTY. DO
NOT DISCLOSE TO OR REPRODUCE FOR
OTHERS EXCEPT AS AUTHORIZED BY HP.

| | | | | |
|--|------------------|------|-------------------------|------------------------------|
| UNLESS OTHERWISE SPECIFIED, DIMENSIONS ARE IN INCHES. | DESIGNED BY | DATE | BOARD ASSEMBLY- R.F. | |
| TOLERANCES: .0100 & .005 | DESIGNED/CHANGED | | | |
| RELIEVED TO PROD. | APPROVED | | PART NO. 8652-20117 | HP PART NO. 08562-60117-2 |

| SYM | REVISIONS | APPROVED | DATE |
|-----|-----------|----------|------|
| 1 | | | |
| 2 | | | |

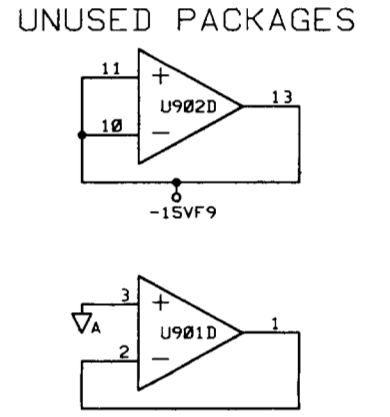


NOTES:

- REFERENCE DESIGNATORS WITHIN THIS ASSEMBLY ARE ABBREVIATED. PREFIX ABBREVIATION WITH ASSEMBLY NUMBER FOR COMPLETE REFERENCE DESIGNATOR.
- UNLESS OTHERWISE INDICATED: RESISTANCE IN OHMS (Ω) CAPACITANCE IN MICROFARADS (μF) INDUCTANCE IN MICROHENRIES (μH)
- MNEMONIC TABLE

| MNEMONIC | DESCRIPTION |
|----------|-------------|
| | |

COMPONENTS DELETED FOR 60118 ASSEMBLY.



| | | | | | | | | | |
|------------------|------|---------------------------|--|--|--|-----------------|--|-------------------------|--|
| RAW BD = 20117 | | PART/MATERIAL-DESCRIPTION | | MAT'L-PART NO. | | MAT'L-DWG. NO. | | MAT'L-SPEC. | |
| ITEM | QTY. | | | | | | | | |
| DRAWN BY | | DATE | | BOARD ASSEMBLY-RADIO FREQUENCY (SCHEMATIC) | | HEWLETT PACKARD | | SEE TABLE 1 | |
| ENGINEER/CHECKER | | | | TITLE | | PART NUMBER | | SCALE NONE SHEET 1 OF 3 | |
| RELEASE TO PROD. | | | | FILE NAME=S117A97 | | D-08562-60117-1 | | | |
| SUPERSEDES DWG. | | | | | | | | | |

THIS DRAWING ALSO USED FOR THE FOLLOWING ASSEMBLIES:

| | | |
|-------------|-------------|-------------------------------|
| 08562-60118 | 08562-60118 | DELETE COMPONENTS AS PER NOTE |
| | | ADD CRYSTAL OSCILLATOR U302 |

PART NO. MATERIAL LIST

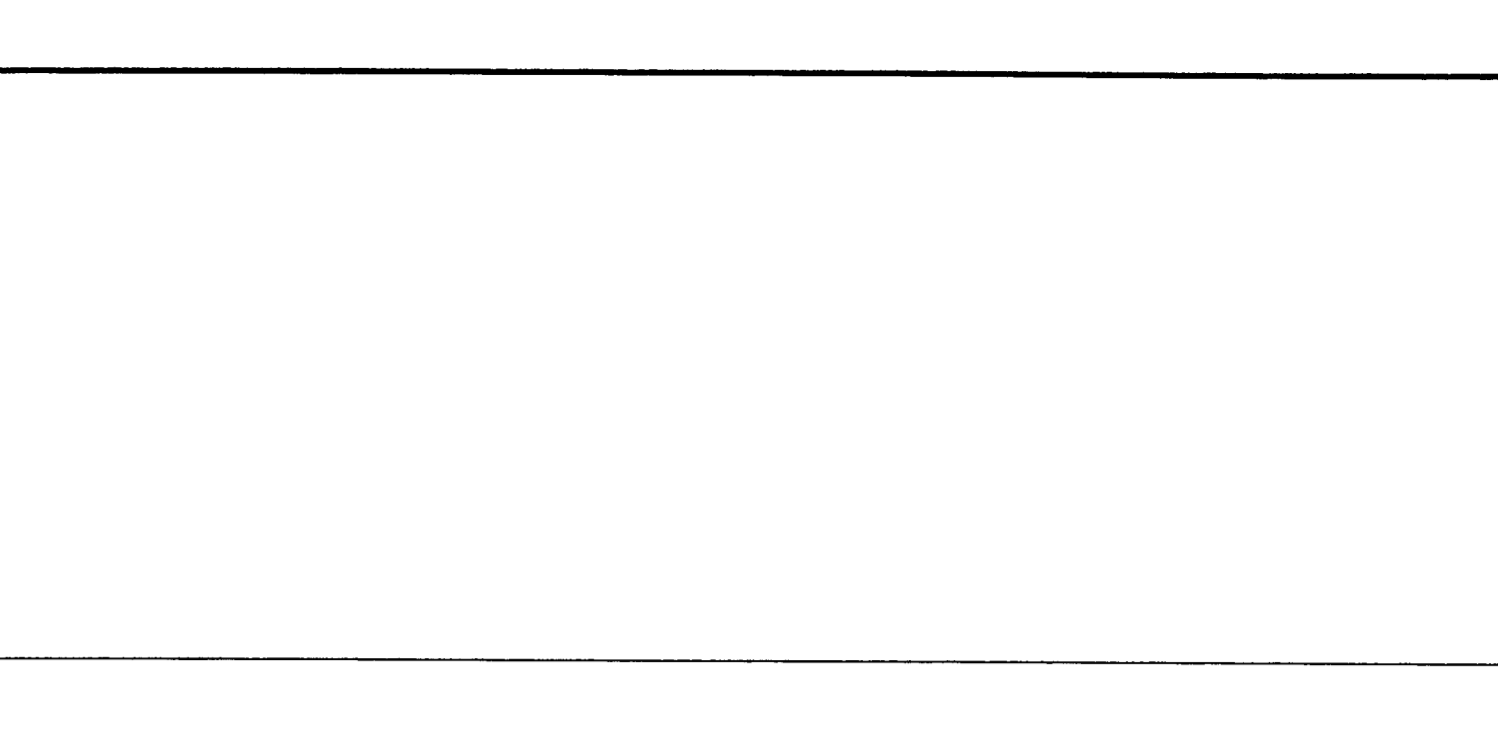
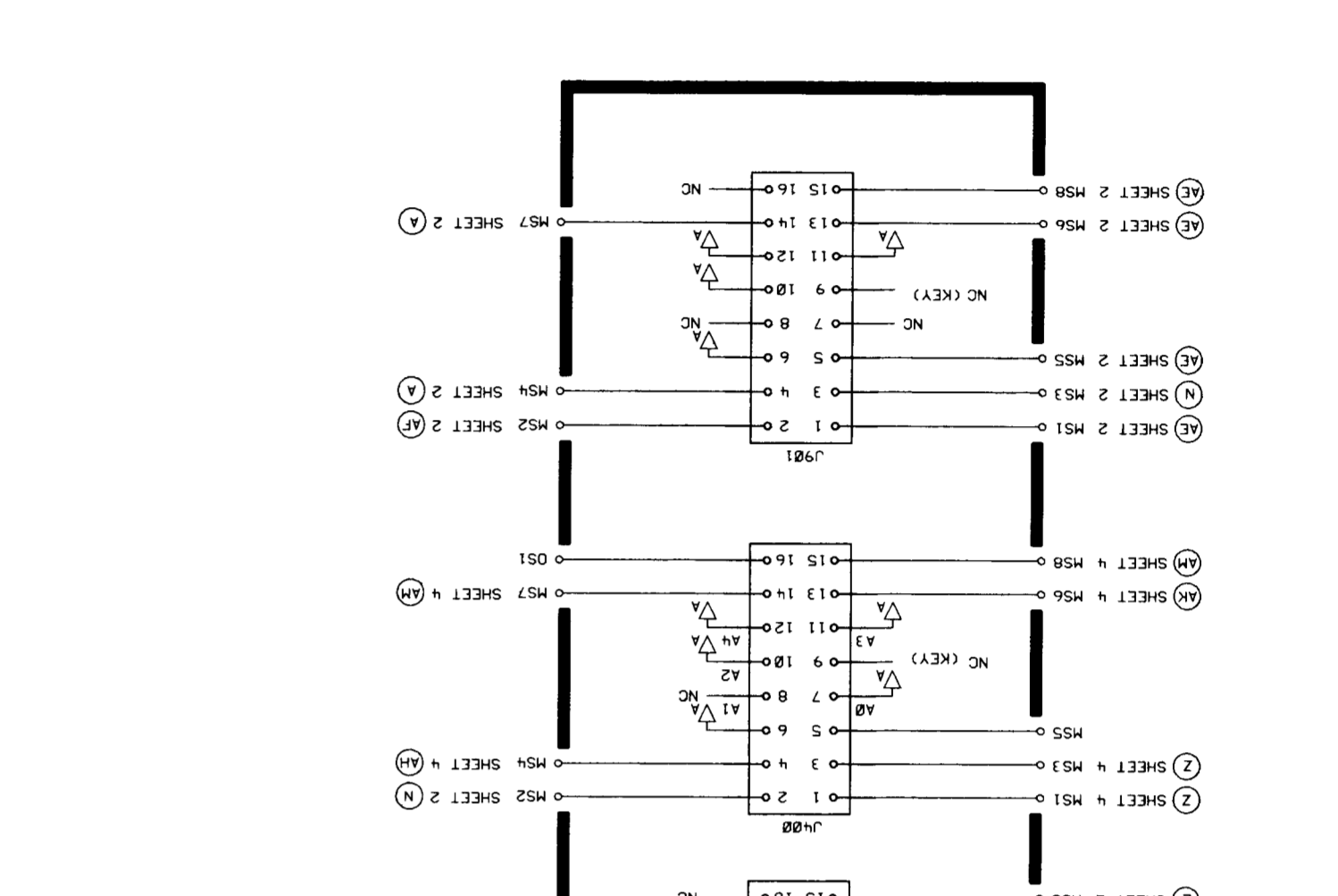
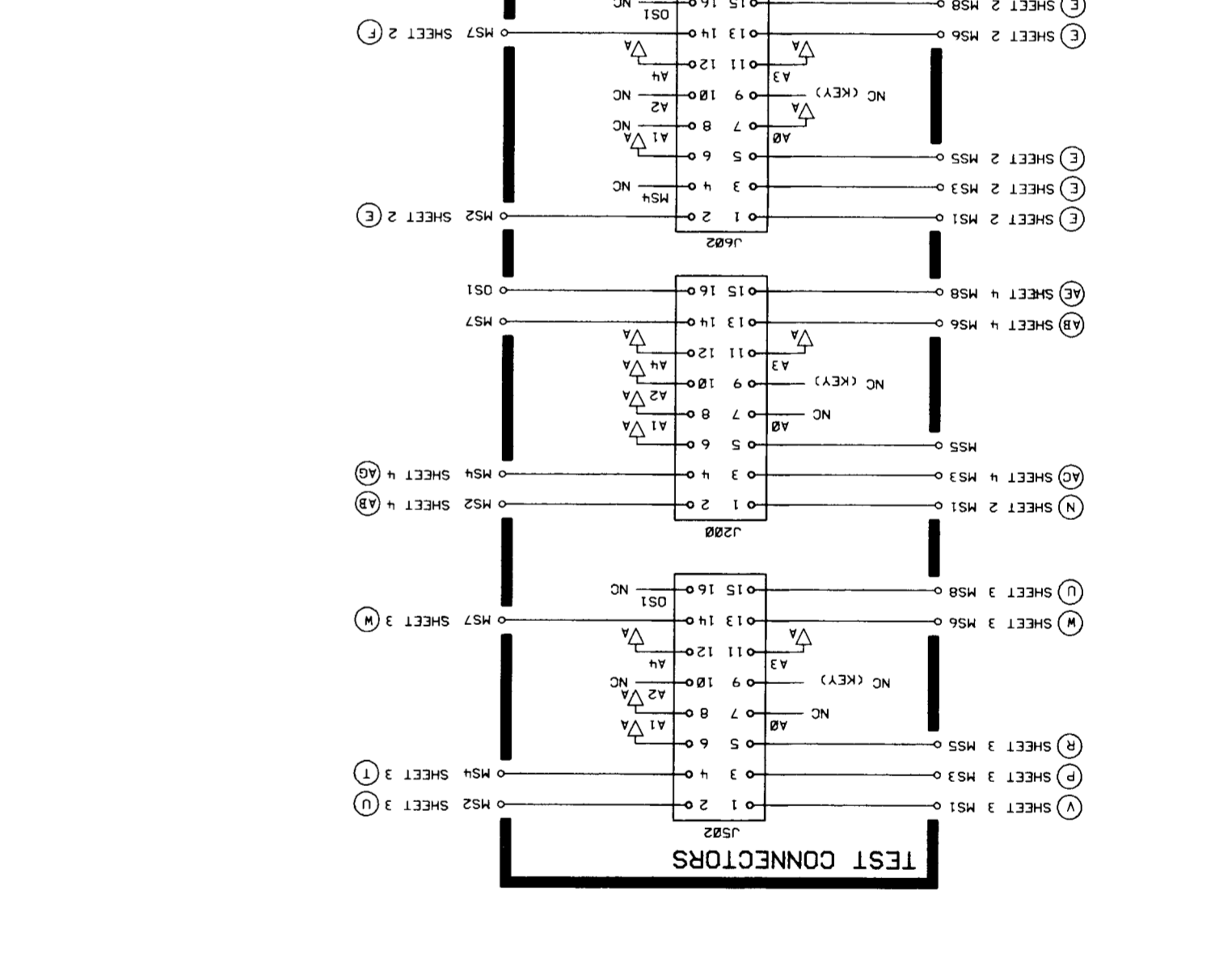
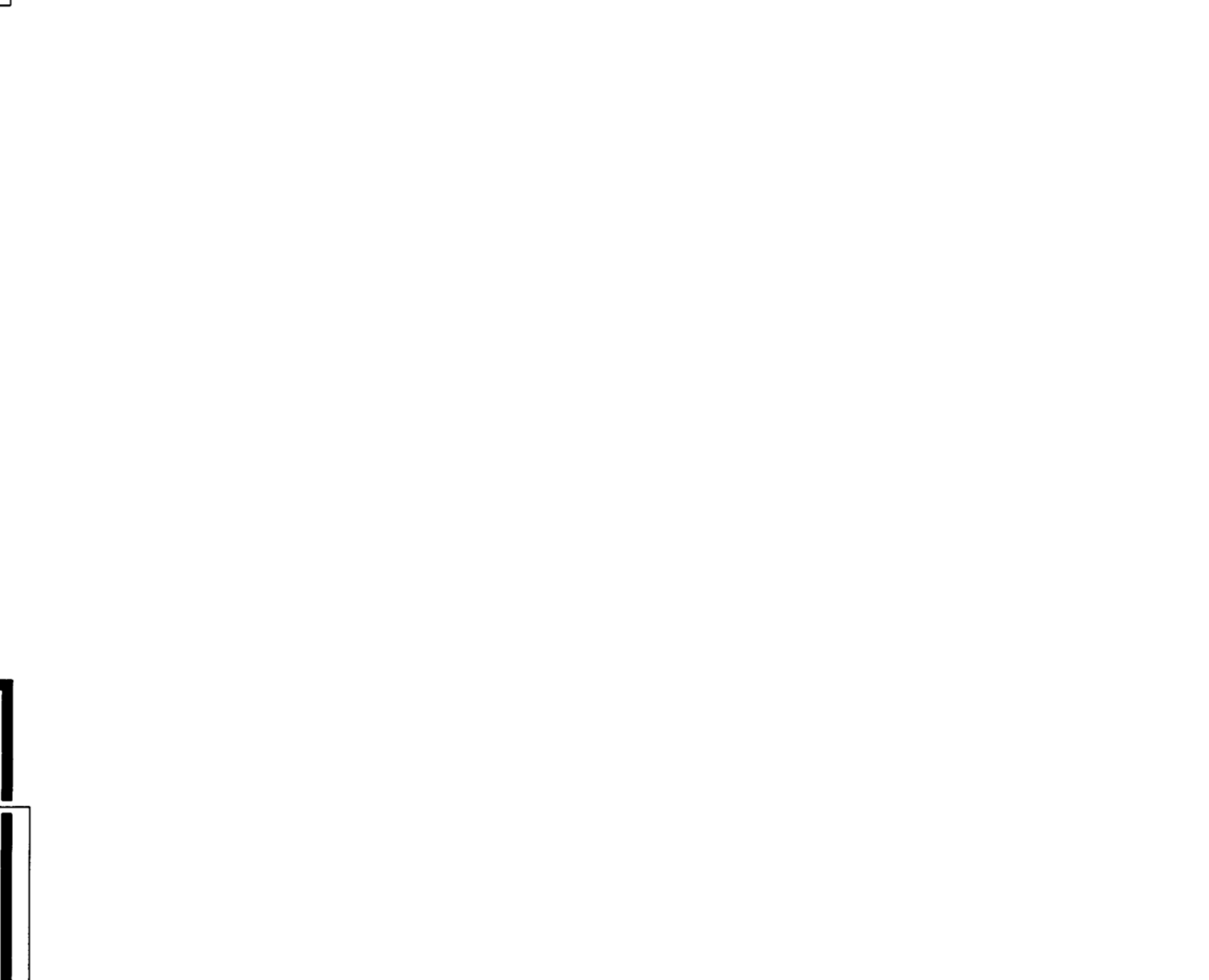
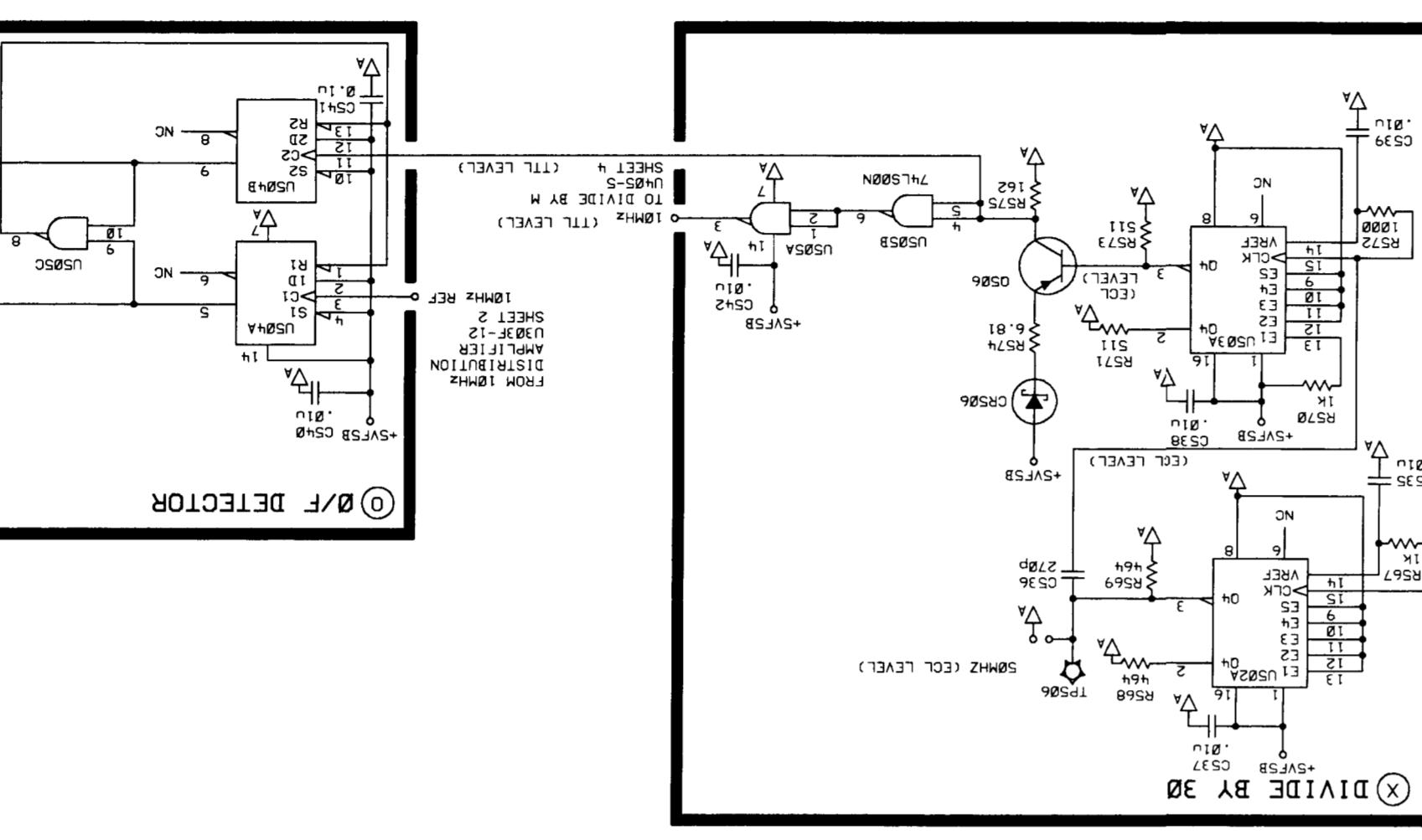
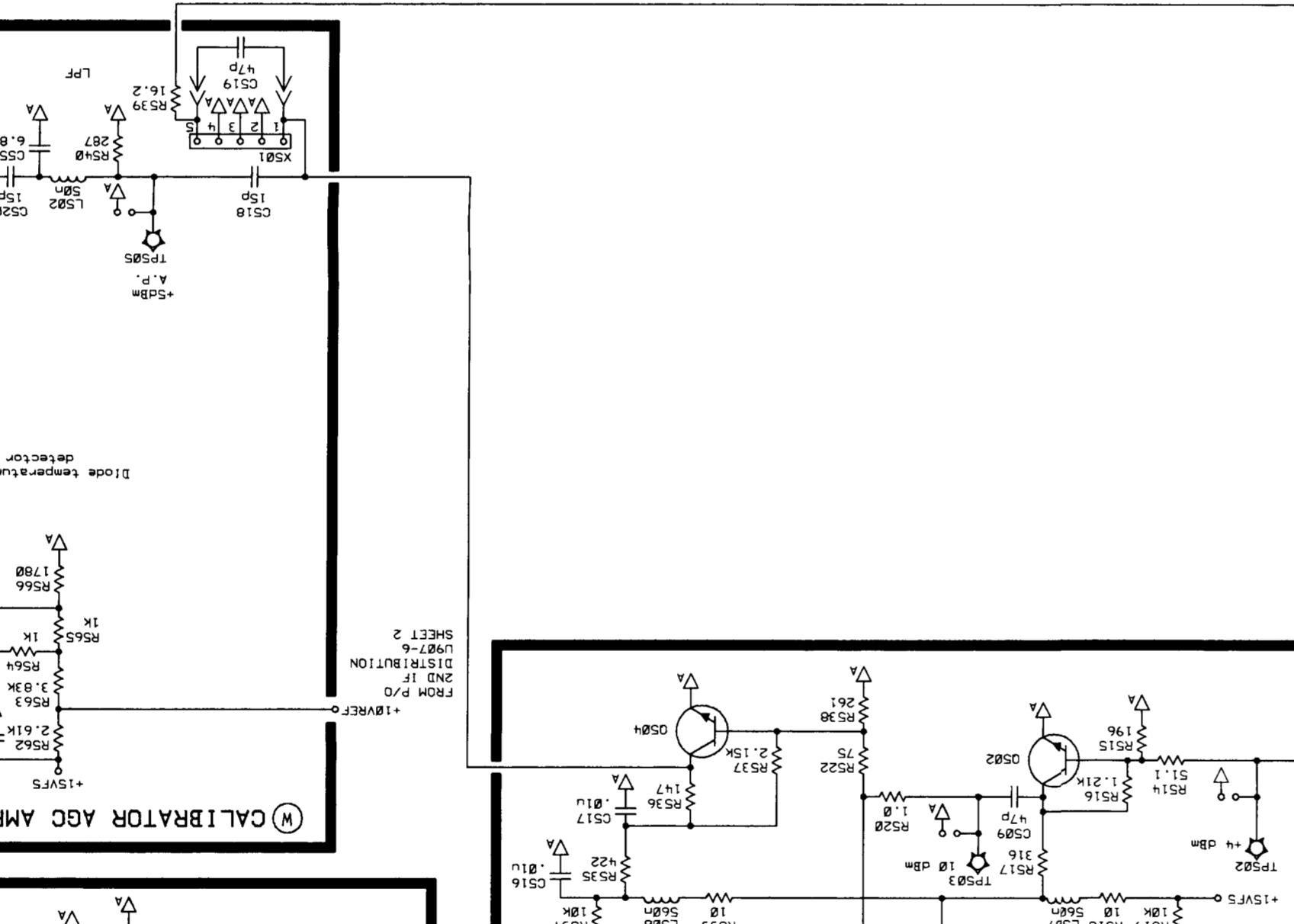
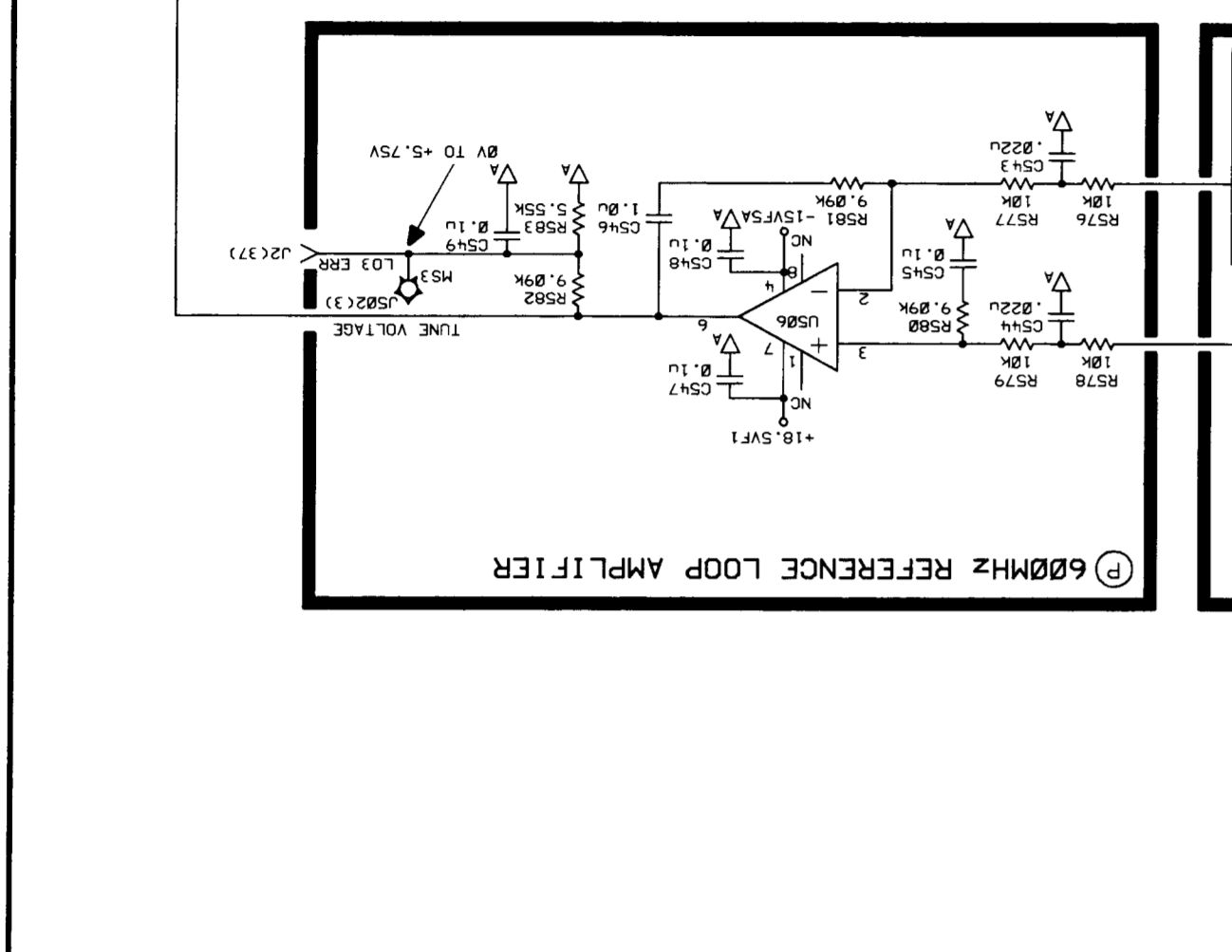
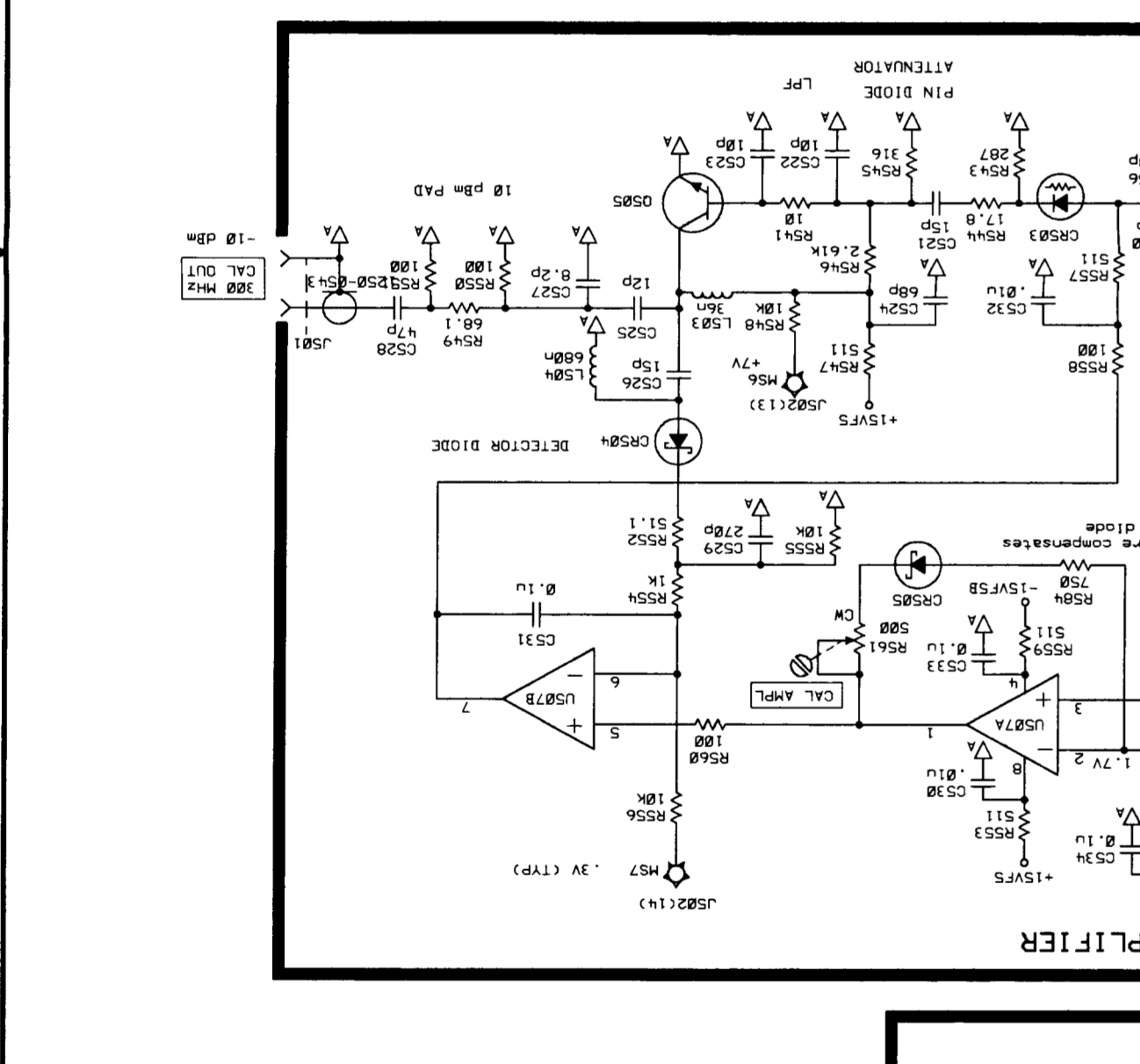
| PART NO. | MATERIAL LIST |
|----------|---------------|
| | TABLE 1 |

HP PROPRIETARY
THIS DOCUMENT CONTAINS CONFIDENTIAL, PROPRIETARY INFORMATION THAT IS HEWLETT-PACKARD (HP) PROPERTY. DO NOT DISCLOSE TO OR DUPLICATE FOR OTHERS EXCEPT AS AUTHORIZED BY HP.

| SYN | REV | DATE |
|-----|-----|------|
| | 2 | |
| | 1 | |

| REV | DESCRIPTION |
|-----|-------------|
| 1 | REVISIONS |
| 2 | APPROVED |

UNUSED PACKAGES



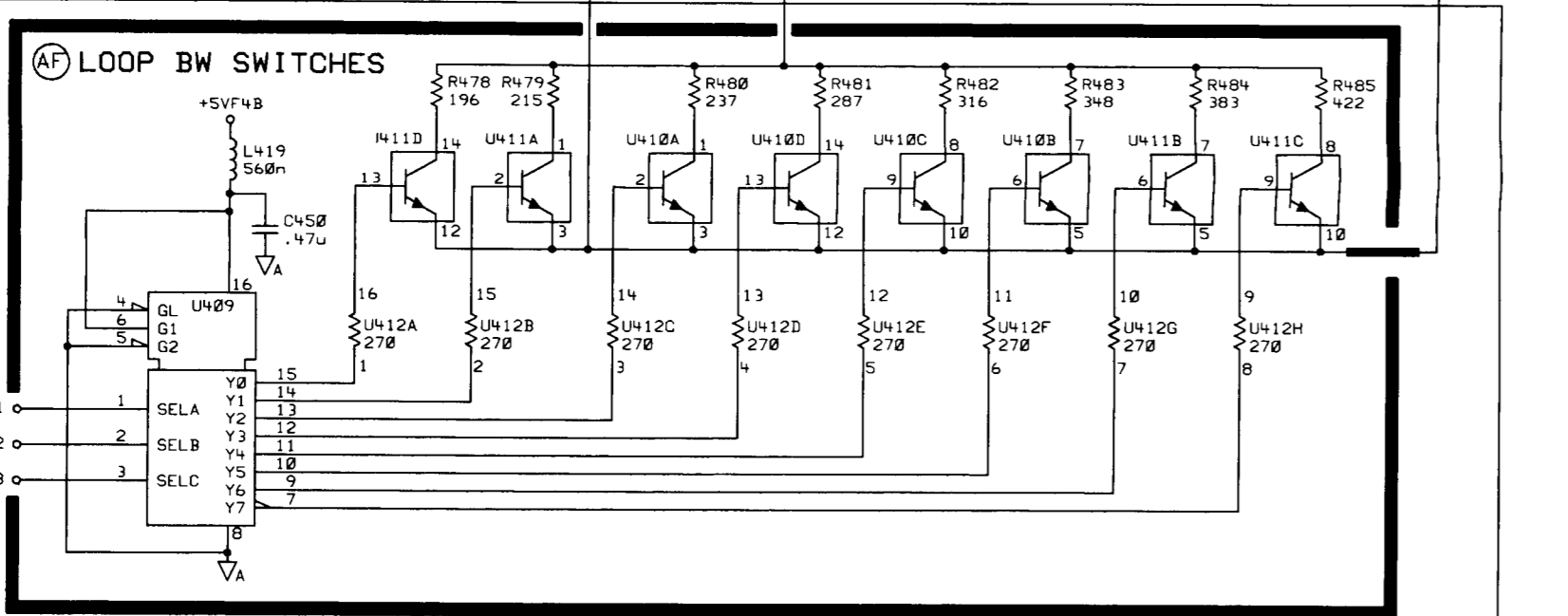
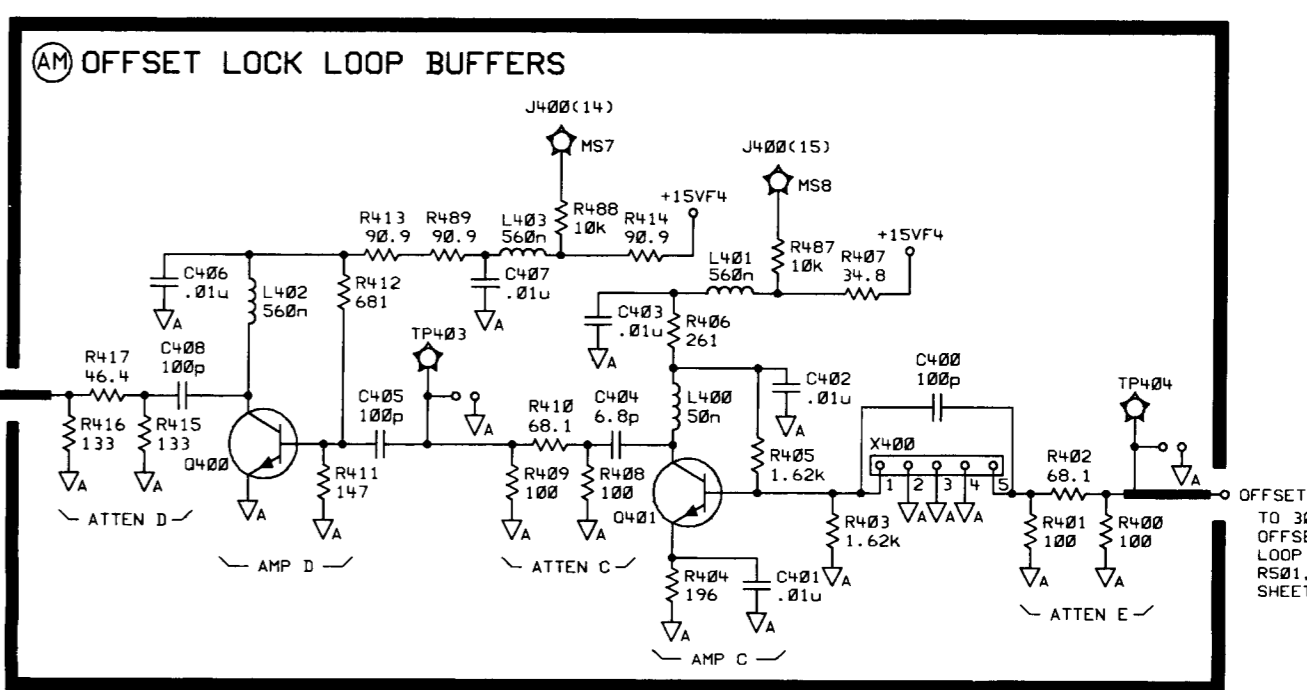
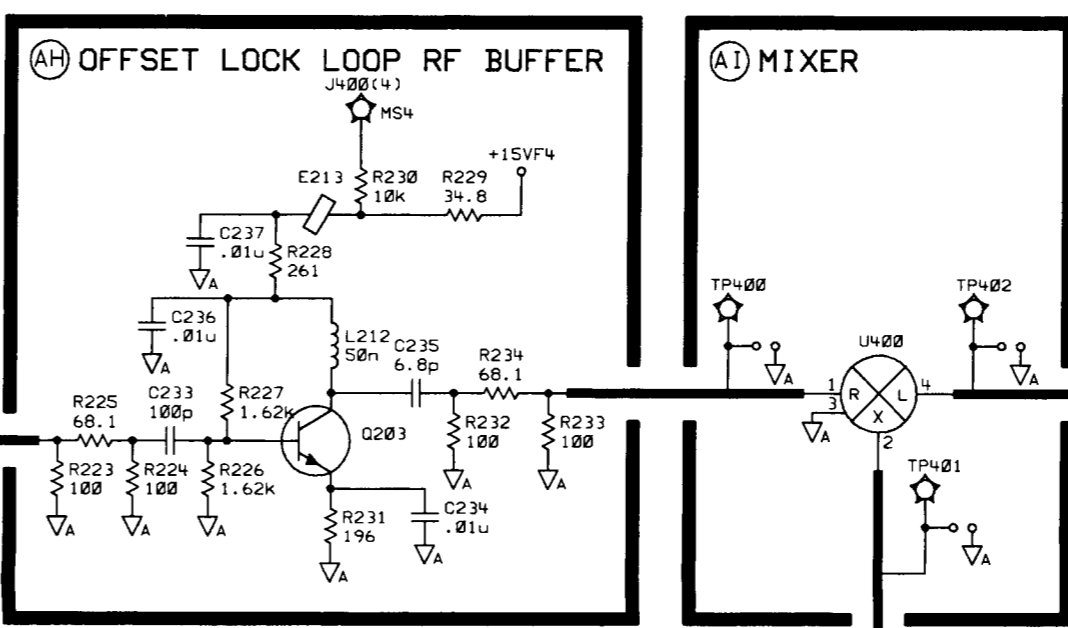
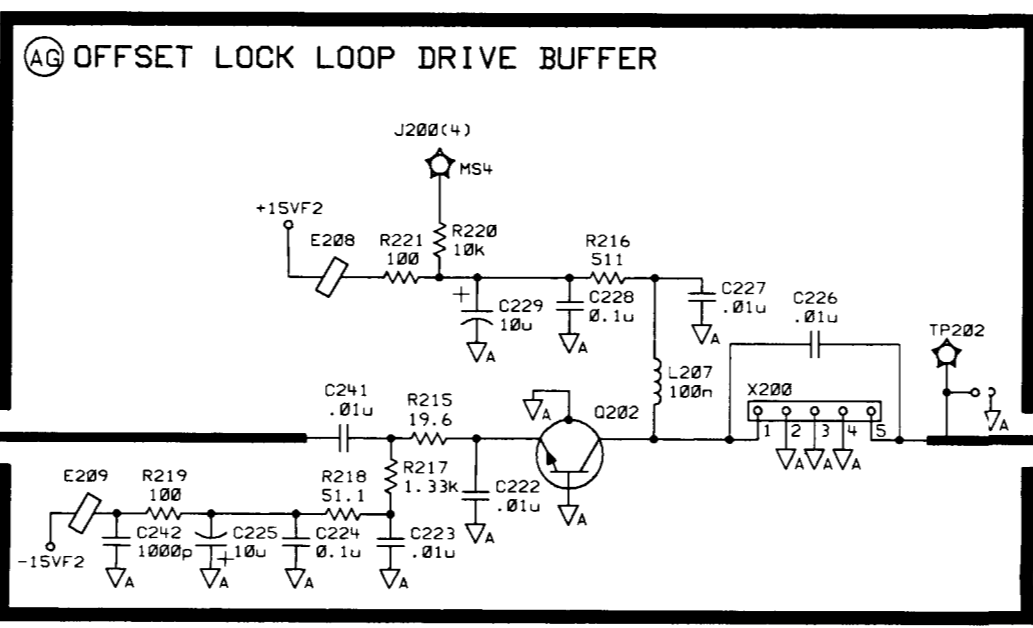
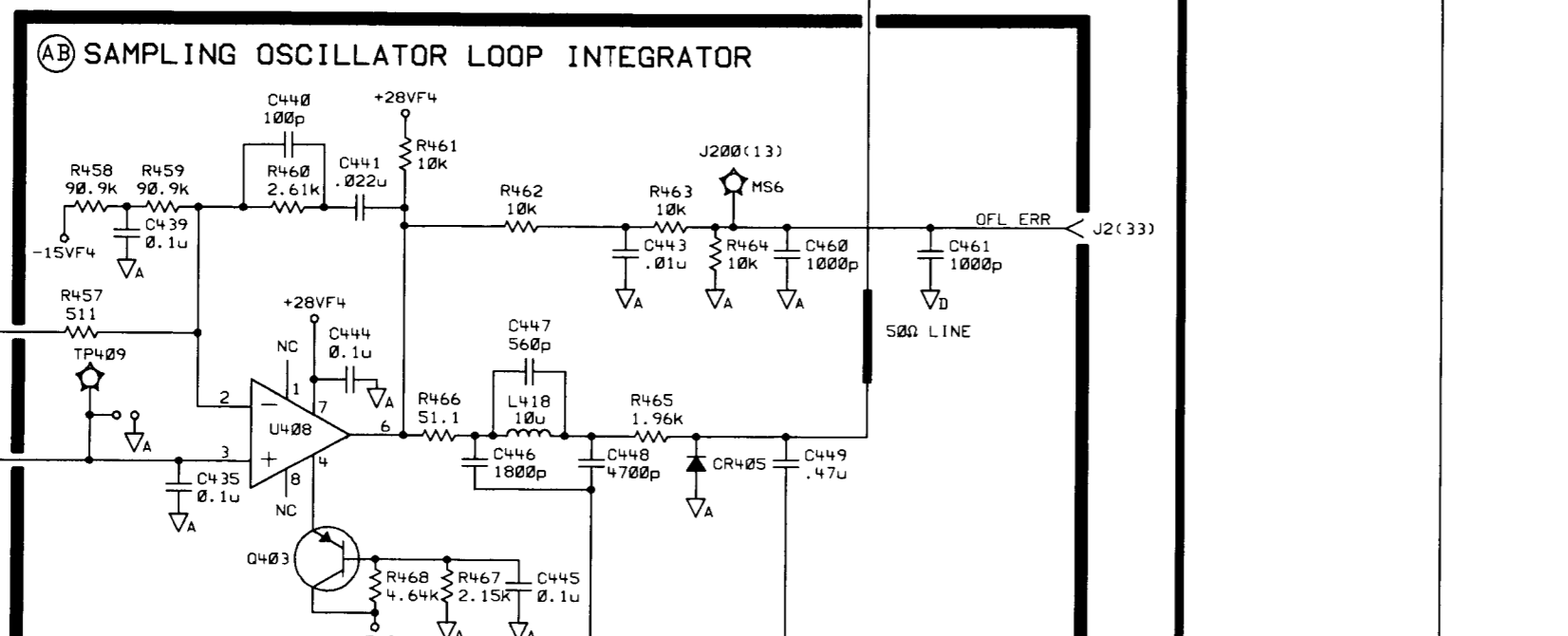
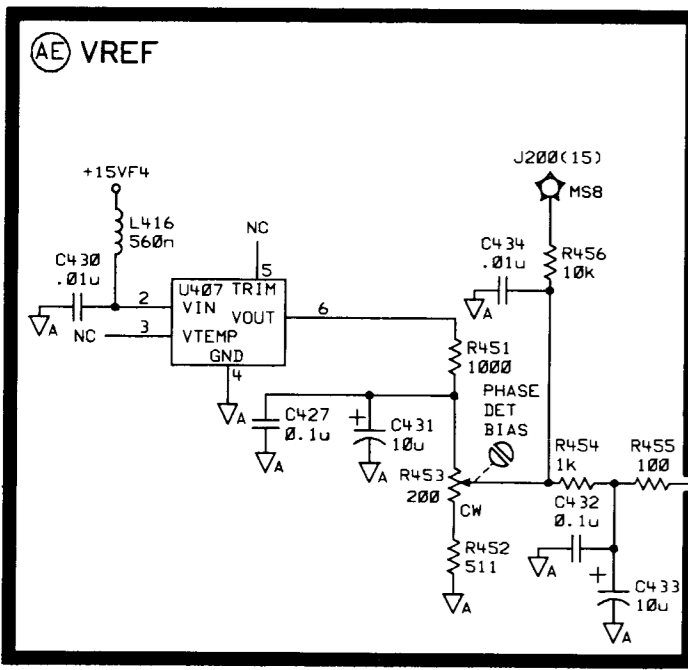
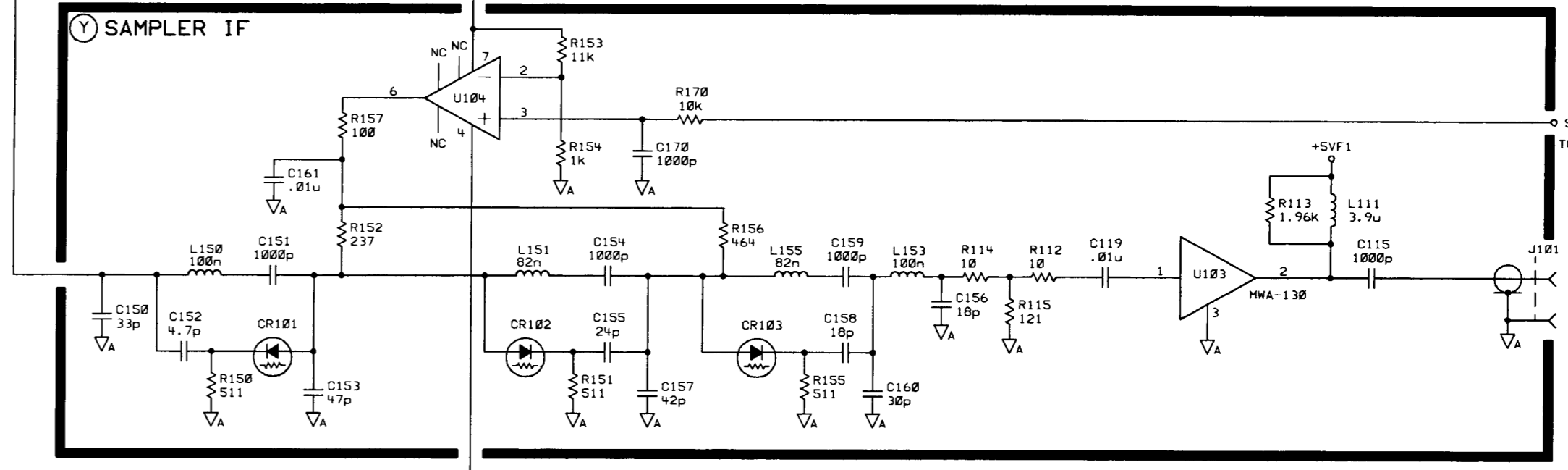
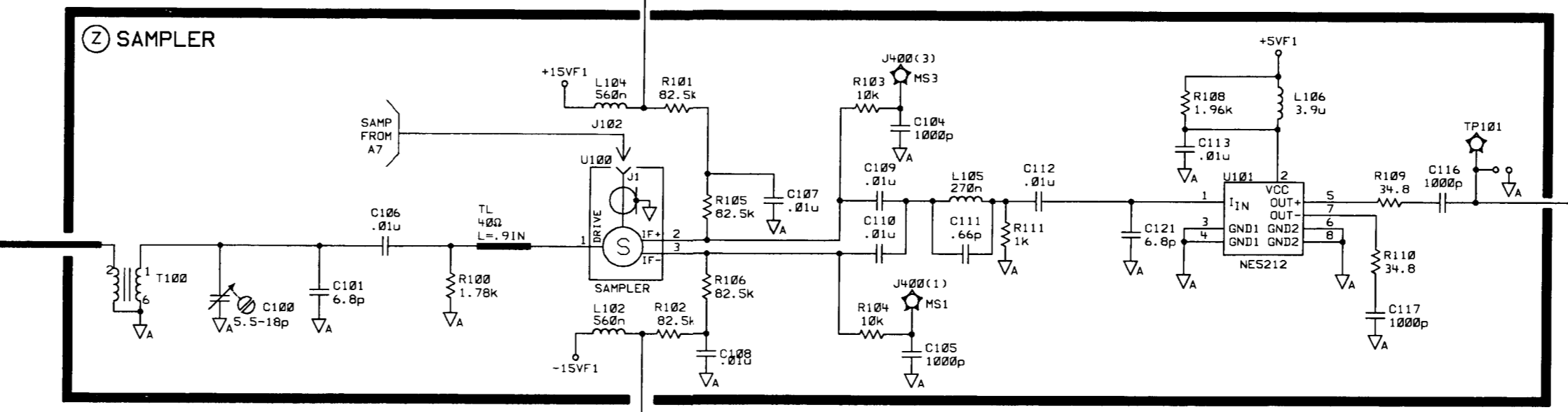
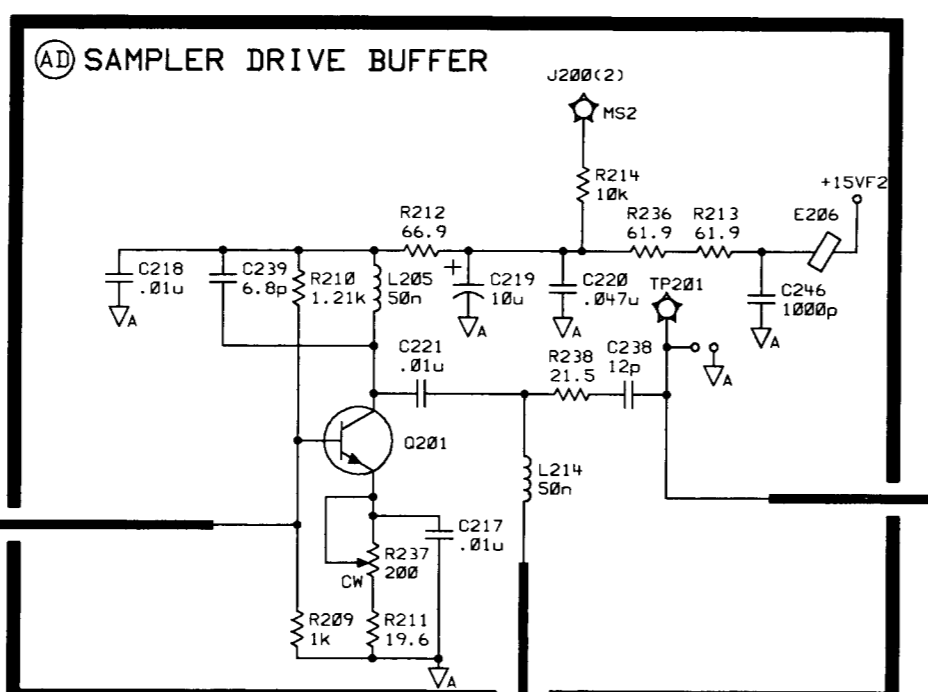
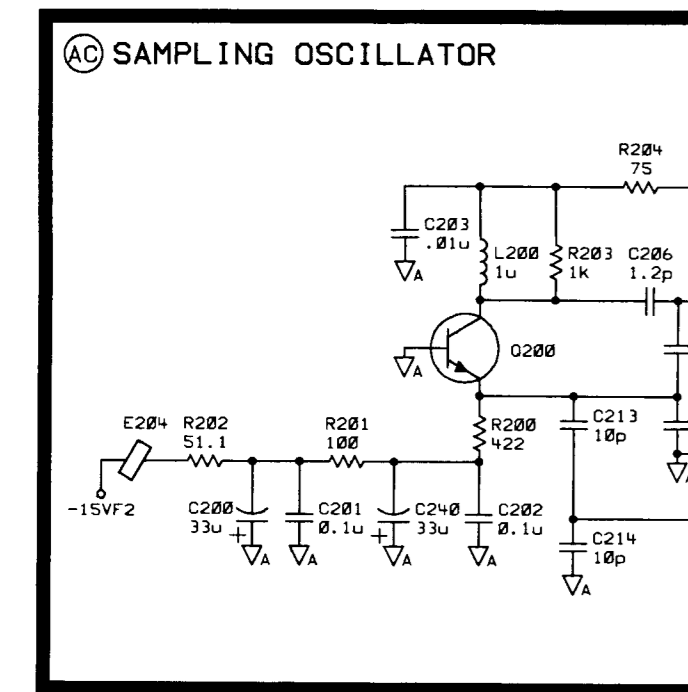
| ITEM | QTY. | PART/MATERIAL-DESCRIPTION | MAT'L-PART NO. | MAT'L-DWG. NO. | MAT'L-SPEC. |
|------|------|---------------------------|----------------|----------------|-------------|
| | | RAW BD = 20117 | | | |

HP PROPRIETARY
THIS DOCUMENT CONTAINS CONFIDENTIAL, PROPRIETARY INFORMATION THAT IS HEWLETT-PACKARD (HP) PROPERTY. DO NOT DISCLOSE OR DUPLICATE FOR OTHERS EXCEPT AS AUTHORIZED BY HP.

| DRAWN BY | DATE | ENGINEER/CHECKER | RELEASE TO PROD. | TITLE | SCALE | SHEET 2 OF 3 |
|----------|------|------------------|------------------|---|-------|--------------|
| | | | | BOARD ASSEMBLY- RADIO FREQUENCY (SCHEMATIC) | NONE | 2 OF 3 |

FILENAME=S117897
D-08562-60117-1
PART NUMBER
08562-60117
HEWLETT
PACKARD

| SYM | REVISIONS | APPROVED | DATE |
|-----|-----------|----------|------|
| 1 | | | |
| 2 | | | |

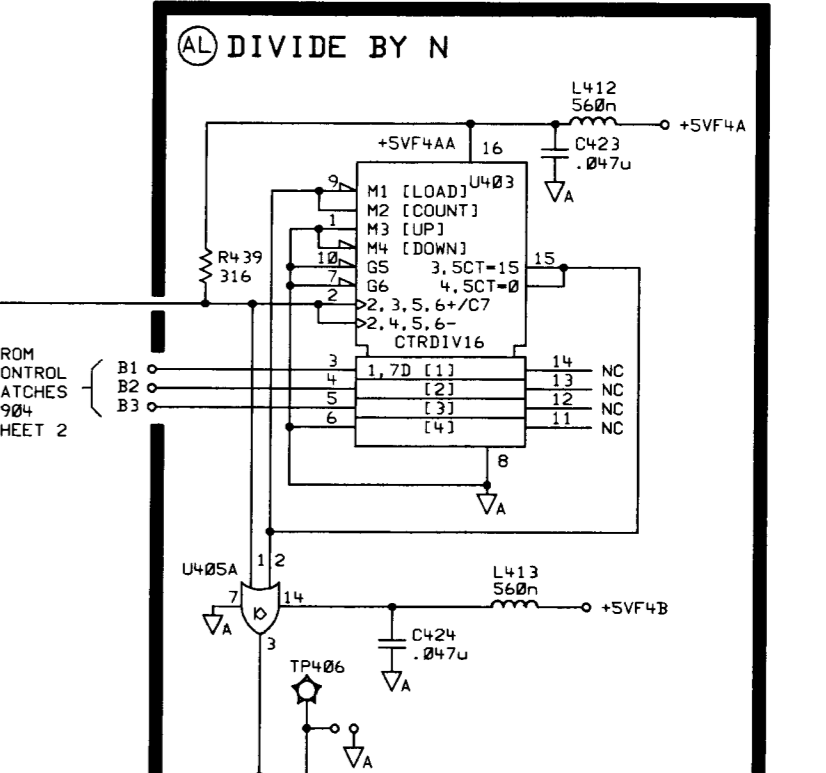
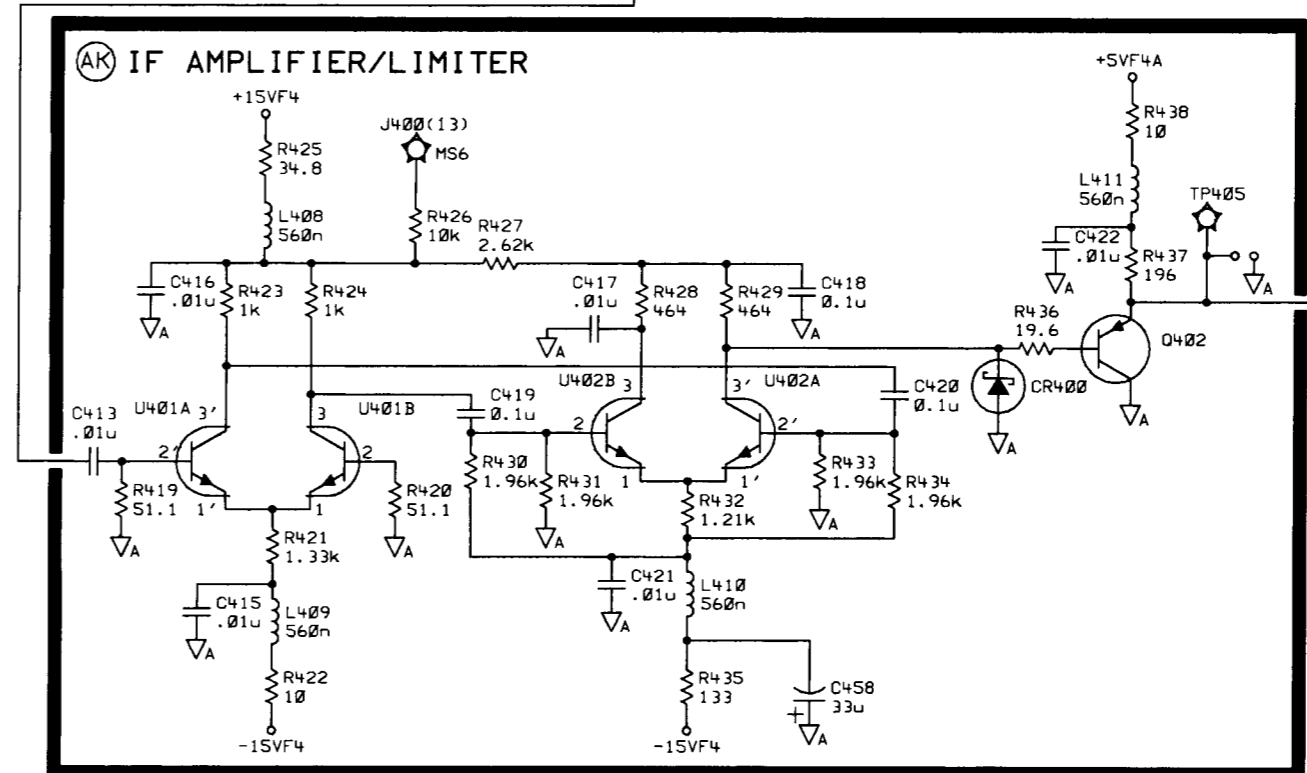
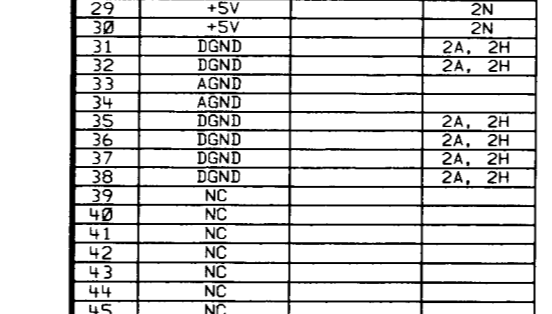
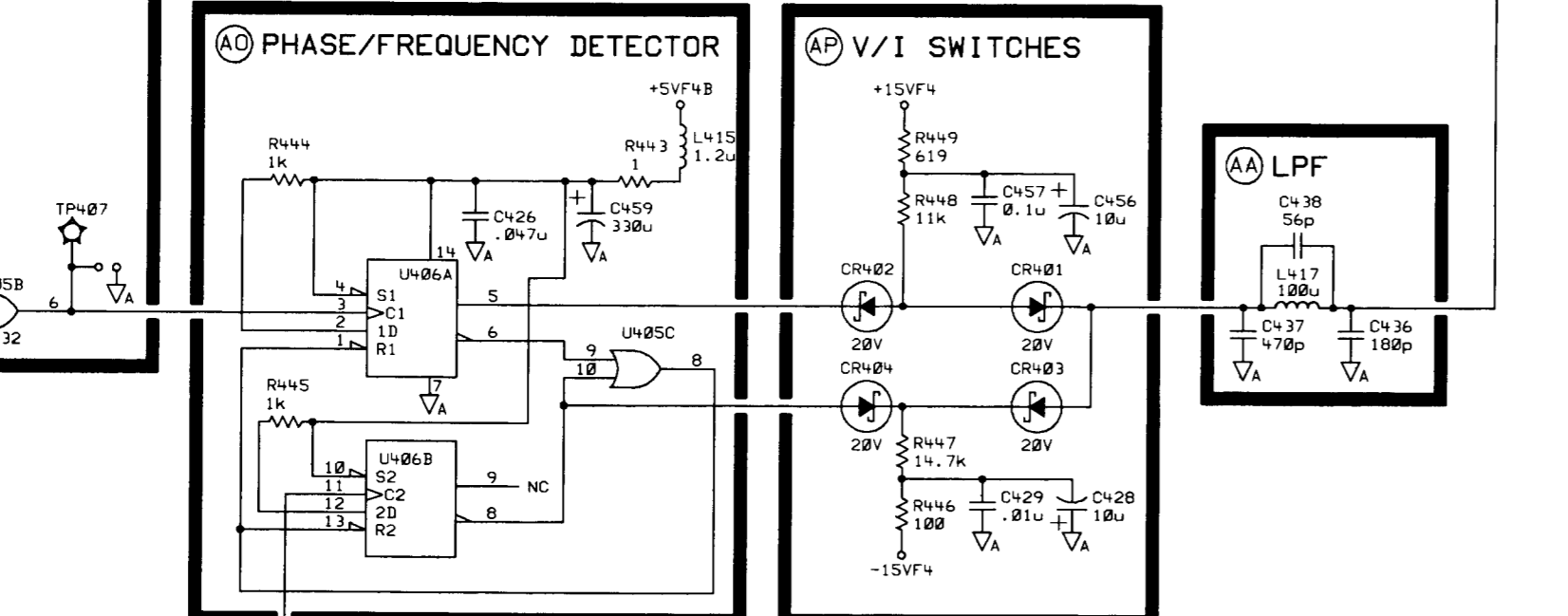
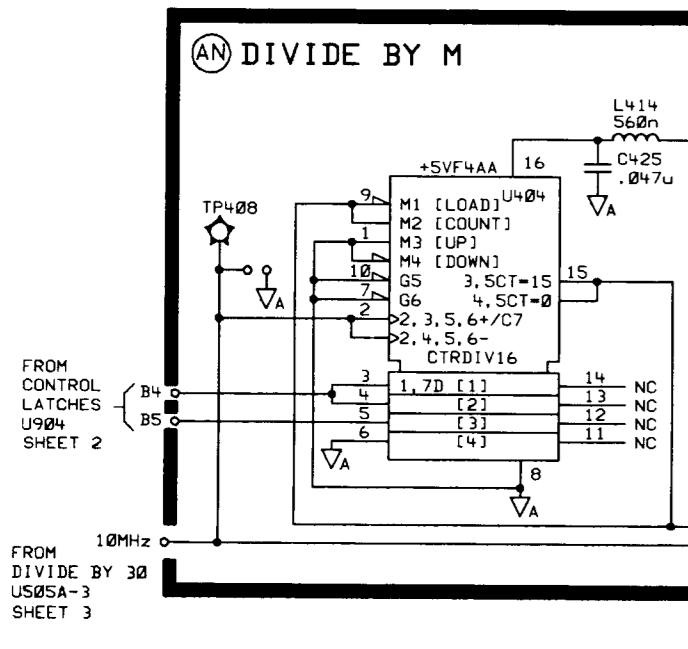


J1

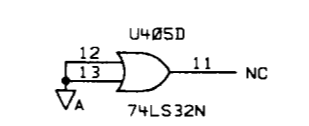
| PIN | SIGNAL | TO/FROM | FUNCTION |
|-----|--------|---------|----------|
| 1 | NC | | |
| 2 | AGND | | |
| 3 | NC | | |
| 4 | NC | | |
| 5 | AGND | | |
| 6 | NC | | |
| 7 | NC | | |
| 8 | NC | | |
| 9 | AGND | | |
| 10 | NC | | |
| 11 | AGND | | |
| 12 | AGND | | |
| 13 | NC | | |
| 14 | NC | | |
| 15 | AGND | | |
| 16 | AV | | |
| 17 | +15V | | |
| 18 | AGND | | |
| 19 | +15V | | |
| 20 | AGND | | |
| 21 | +15V | | |
| 22 | AGND | | |
| 23 | NC | | |
| 24 | NC | | |
| 25 | +15V | | |
| 26 | +15V | | |
| 27 | +15V | | |
| 28 | +15V | | |
| 29 | +15V | | |
| 30 | +15V | | |
| 31 | AGND | | |
| 32 | AGND | | |
| 33 | AGND | | |
| 34 | AGND | | |
| 35 | AGND | | |
| 36 | AGND | | |
| 37 | AGND | | |
| 38 | AGND | | |
| 39 | NC | | |
| 40 | NC | | |
| 41 | NC | | |
| 42 | NC | | |
| 43 | NC | | |
| 44 | NC | | |
| 45 | NC | | |
| 46 | NC | | |
| 47 | NC | | |
| 48 | NC | | |
| 49 | NC | | |
| 50 | NC | | |

J2

| PIN | SIGNAL | TO/FROM | FUNCTION |
|-----|--------|---------|----------|
| 1 | RF | | 2H |
| 2 | RF | | 2H |
| 3 | RF | | 2H |
| 4 | RF | | 2H |
| 5 | RF | | 2H |
| 6 | RF | | 2H |
| 7 | RF | | 2H |
| 8 | RF | | 2H |
| 9 | RF | | 2H |
| 10 | RF | | 2H |
| 11 | RF | | 2H |
| 12 | RF | | 2H |
| 13 | RF | | 2H |
| 14 | RF | | 2H |
| 15 | A3 | | 2A |
| 16 | A4 | | 2A |
| 17 | AGND | | 2A, 2H |
| 18 | NC | | |
| 19 | NC | | |
| 20 | NC | | |
| 21 | NC | | |
| 22 | NC | | |
| 23 | NC | | |
| 24 | RF | | 2A, 2H |
| 25 | RF | | 2A |
| 26 | RF | | 2A, 2H |
| 27 | RF | | 2A |
| 28 | RF | | 2A, 2H |
| 29 | RF | | 2A |
| 30 | RF | | 2A, 2H |
| 31 | RF | | 2A, 2H |
| 32 | RF | | 2A |
| 33 | RF | | 2A, 2H |
| 34 | RF | | 2A |
| 35 | RF | | 2A |
| 36 | RF | | 2A, 2H |
| 37 | RF | | 2A |
| 38 | RF | | 2A, 2H |
| 39 | RF | | 2A |
| 40 | RF | | 2A, 2H |
| 41 | RF | | 2A |
| 42 | RF | | 2A |
| 43 | RF | | 2A |
| 44 | RF | | 2A |
| 45 | RF | | 2A |
| 46 | RF | | 2A |
| 47 | RF | | 2A |
| 48 | RF | | 2A |
| 49 | RF | | 2A |
| 50 | RF | | 2A |



UNUSED PACKAGES



HP PROPRIETARY
 THIS DOCUMENT CONTAINS CONFIDENTIAL, PROPRIETARY INFORMATION THAT IS HEWLETT-PACKARD (HP) PROPERTY. DO NOT DISCLOSE TO OR DUPLICATE FOR OTHERS EXCEPT AS AUTHORIZED BY HP.

| | | | | | | | | | |
|------------------|------|--|--|------------------|--|----------------|--|-----------------|--|
| RAW BD = 20117 | | PART/MATERIAL-DESCRIPTION | | MAT'L-PART NO. | | MAT'L-DWG. NO. | | MAT'L-SPEC. | |
| DRAWN BY | DATE | BOARD ASSEMBLY-RADIO FREQUENCY (SCHEMATIC) | | HEWLETT PACKARD | | 08562-60117 | | PART NUMBER | |
| ENGINEER/CHECKER | | TITLE | | SCALE NONE | | SHEET 3 OF 3 | | D-08562-60117-1 | |
| RELEASE TO PROD. | | SUPERSEDES DWG. | | FILENAME=8117097 | | | | | |

Component-Level Information Packet

for 08562-60120

IF Filter

Copyright © 1990 Hewlett-Packard Company

All Rights Reserved.
Reproduction, adaptation, or translation
without prior written permission
is prohibited, except as allowed
under the copyright laws.

HP Document Part Number 08562-90140

Printed December 1990
Printed in USA

The information contained in this document is subject to change
without notice.



HP Part Number 08562-60120

IF Filter

| Reference Designation | HP Part Number | C D | Qty | Description | Mfr Code | Mfr Part Number |
|-----------------------|----------------|-----|-----|------------------------------|----------|-----------------|
| C1 | 0180-3766 | 3 | 1 | CAP-FXD 220uF 25 V AL-ELCTLT | 00493 | SM25T220 |
| C2 | 0180-3766 | 3 | 1 | CAP-FXD 220uF 25 V AL-ELCTLT | 00493 | SM25T220 |
| C100 | 0160-4832 | 4 | 1 | CAP-FXD 0.01uF 100 V | 02010 | SA101C103KAAH |
| C101 | 0160-3879 | 7 | 1 | CAP-FXD 0.01uF 100 V | 02010 | SR201C103MAAH |
| C102 | 0160-3879 | 7 | 1 | CAP-FXD 0.01uF 100 V | 02010 | SR201C103MAAH |
| C103 | 0160-3874 | 2 | 1 | CAP-FXD 10pF 200 V | 06352 | FD12C0G2D100D |
| C104 | 0160-3879 | 7 | 1 | CAP-FXD 0.01uF 100 V | 02010 | SR201C103MAAH |
| C105 | 0160-4084 | 8 | 1 | CAP-FXD 0.1uF 50 V | 02010 | SR215C104MAAH |
| C106 | 0160-3879 | 7 | 1 | CAP-FXD 0.01uF 100 V | 02010 | SR201C103MAAH |
| C107 | 0160-4084 | 8 | 1 | CAP-FXD 0.1uF 50 V | 02010 | SR215C104MAAH |
| C108 | 0160-3879 | 7 | 1 | CAP-FXD 0.01uF 100 V | 02010 | SR201C103MAAH |
| C109 | 0160-3879 | 7 | 1 | CAP-FXD 0.01uF 100 V | 02010 | SR201C103MAAH |
| C110 | 0160-3879 | 7 | 1 | CAP-FXD 0.01uF 100 V | 02010 | SR201C103MAAH |
| C111 | 0160-3879 | 7 | 1 | CAP-FXD 0.01uF 100 V | 02010 | SR201C103MAAH |
| C112 | 0160-3879 | 7 | 1 | CAP-FXD 0.01uF 100 V | 02010 | SR201C103MAAH |
| C113 | 0160-4084 | 8 | 1 | CAP-FXD 0.1uF 50 V | 02010 | SR215C104MAAH |
| C200 | 0160-4557 | 0 | 1 | CAP-FXD 0.1uF 50 V | 02010 | SA305C104MAAH |
| C201 | 0160-4557 | 0 | 1 | CAP-FXD 0.1uF 50 V | 02010 | SA305C104MAAH |
| C202 | 0160-4822 | 2 | 1 | CAP-FXD 1000pF 100 V | 02010 | SA201A102JAAH |
| C203 | 0160-4832 | 4 | 1 | CAP-FXD 0.01uF 100 V | 02010 | SA101C103KAAH |
| C204 | 0160-4787 | 8 | 1 | CAP-FXD 22pF 100 V | 02010 | SA102A220JAAH |
| C205 | 0160-4832 | 4 | 1 | CAP-FXD 0.01uF 100 V | 02010 | SA101C103KAAH |
| C206 | 0160-4832 | 4 | 1 | CAP-FXD 0.01uF 100 V | 02010 | SA101C103KAAH |
| C207 | 0160-4832 | 4 | 1 | CAP-FXD 0.01uF 100 V | 02010 | SA101C103KAAH |
| C208 | 0160-4832 | 4 | 1 | CAP-FXD 0.01uF 100 V | 02010 | SA101C103KAAH |
| C209 | 0160-3879 | 7 | 1 | CAP-FXD 0.01uF 100 V | 02010 | SR201C103MAAH |
| C210 | 0160-3879 | 7 | 1 | CAP-FXD 0.01uF 100 V | 02010 | SR201C103MAAH |
| C211 | 0160-4557 | 0 | 1 | CAP-FXD 0.1uF 50 V | 02010 | SA305C104MAAH |
| C212 | 0160-4557 | 0 | 1 | CAP-FXD 0.1uF 50 V | 02010 | SA305C104MAAH |
| C213 | 0160-4822 | 2 | 1 | CAP-FXD 1000pF 100 V | 02010 | SA201A102JAAH |
| C214 | 0160-4832 | 4 | 1 | CAP-FXD 0.01uF 100 V | 02010 | SA101C103KAAH |
| C215 | 0160-4832 | 4 | 1 | CAP-FXD 0.01uF 100 V | 02010 | SA101C103KAAH |
| C216 | 0160-5699 | 3 | 1 | CAP-FXD 20pF 100 V | 06352 | DA12C0G2A200J |
| C217 | 0160-4832 | 4 | 1 | CAP-FXD 0.01uF 100 V | 02010 | SA101C103KAAH |
| C218 | 0160-4557 | 0 | 1 | CAP-FXD 0.1uF 50 V | 02010 | SA305C104MAAH |
| C219 | 0160-4832 | 4 | 1 | CAP-FXD 0.01uF 100 V | 02010 | SA101C103KAAH |
| C220 | 0160-4832 | 4 | 1 | CAP-FXD 0.01uF 100 V | 02010 | SA101C103KAAH |
| C221 | 0160-3879 | 7 | 1 | CAP-FXD 0.01uF 100 V | 02010 | SR201C103MAAH |
| C222 | 0160-4832 | 4 | 1 | CAP-FXD 0.01uF 100 V | 02010 | SA101C103KAAH |
| C223 | 0160-4832 | 4 | 1 | CAP-FXD 0.01uF 100 V | 02010 | SA101C103KAAH |
| C224 | 0160-4832 | 4 | 1 | CAP-FXD 0.01uF 100 V | 02010 | SA101C103KAAH |
| C225 | 0160-4832 | 4 | 1 | CAP-FXD 0.01uF 100 V | 02010 | SA101C103KAAH |
| C226 | 0160-4380 | 7 | 1 | CAP-FXD 1pF 200 V | 06352 | FD11COK2D1ROC |
| C227 | 0160-4380 | 7 | 1 | CAP-FXD 1pF 200 V | 06352 | FD11COK2D1ROC |
| C300 | 0160-3879 | 7 | 1 | CAP-FXD 0.01uF 100 V | 02010 | SR201C103MAAH |
| C301 | 0160-4832 | 4 | 1 | CAP-FXD 0.01uF 100 V | 02010 | SA101C103KAAH |
| C302 | 0160-4832 | 4 | 1 | CAP-FXD 0.01uF 100 V | 02010 | SA101C103KAAH |
| C303 | 0160-4799 | 2 | 1 | CAP-FXD 2.2pF 100 V | 02010 | MA101A2R2CAAH |

*Indicates factory-selected value

HP Part Number 08562-60120

IF Filter

| Reference Designation | HP Part Number | C | D | Qty | Description | Mfr Code | Mfr Part Number |
|-----------------------|----------------|---|---|-----|--------------------------|----------|-----------------|
| C304 | 0160-4799 | 2 | 1 | 1 | CAP-FXD 2.2pF 100 V | 02010 | MA101A2R2CAAH |
| C305 | 0160-2206 | 2 | 1 | 1 | CAP-FXD 160pF 300 V MICA | 02367 | CD15FD161J03 |
| C306 | 0160-4832 | 4 | 1 | 1 | CAP-FXD 0.01uF 100 V | 02010 | SA101C103KAAH |
| C307 | 0160-4832 | 4 | 1 | 1 | CAP-FXD 0.01uF 100 V | 02010 | SA101C103KAAH |
| C308 | 0160-4832 | 4 | 1 | 1 | CAP-FXD 0.01uF 100 V | 02010 | SA101C103KAAH |
| C309 | 0160-3879 | 7 | 1 | 1 | CAP-FXD 0.01uF 100 V | 02010 | SR201C103MAAH |
| C310 | 0160-4832 | 4 | 1 | 1 | CAP-FXD 0.01uF 100 V | 02010 | SA101C103KAAH |
| C311 | 0160-4799 | 2 | 1 | 1 | CAP-FXD 2.2pF 100 V | 02010 | MA101A2R2CAAH |
| C312 | 0160-4832 | 4 | 1 | 1 | CAP-FXD 0.01uF 100 V | 02010 | SA101C103KAAH |
| C313 | 0160-4799 | 2 | 1 | 1 | CAP-FXD 2.2pF 100 V | 02010 | MA101A2R2CAAH |
| C314 | 0160-2206 | 2 | 1 | 1 | CAP-FXD 160pF 300 V MICA | 02367 | CD15FD161J03 |
| C315 | 0160-4832 | 4 | 1 | 1 | CAP-FXD 0.01uF 100 V | 02010 | SA101C103KAAH |
| C316 | 0160-4832 | 4 | 1 | 1 | CAP-FXD 0.01uF 100 V | 02010 | SA101C103KAAH |
| C317 | 0160-3879 | 7 | 1 | 1 | CAP-FXD 0.01uF 100 V | 02010 | SR201C103MAAH |
| C318 | 0160-4832 | 4 | 1 | 1 | CAP-FXD 0.01uF 100 V | 02010 | SA101C103KAAH |
| C319 | 0160-4494 | 4 | 1 | 1 | CAP-FXD 39pF 200 V | 06352 | FD12COG2D390J |
| C320 | 0160-4040 | 6 | 1 | 1 | CAP-FXD 1000pF 100 V | 02010 | SR201A102JAAH |
| C321 | 0160-4832 | 4 | 1 | 1 | CAP-FXD 0.01uF 100 V | 02010 | SA101C103KAAH |
| C322 | 0160-4832 | 4 | 1 | 1 | CAP-FXD 0.01uF 100 V | 02010 | SA101C103KAAH |
| C323 | 0160-3879 | 7 | 1 | 1 | CAP-FXD 0.01uF 100 V | 02010 | SR201C103MAAH |
| C324 | 0160-4832 | 4 | 1 | 1 | CAP-FXD 0.01uF 100 V | 02010 | SA101C103KAAH |
| C325 | 0160-3879 | 7 | 1 | 1 | CAP-FXD 0.01uF 100 V | 02010 | SR201C103MAAH |
| C326 | 0160-5699 | 3 | 1 | 1 | CAP-FXD 20pF 100 V | 06352 | DA12COG2A200J |
| C327 | 0160-5699 | 3 | 1 | 1 | CAP-FXD 20pF 100 V | 06352 | DA12COG2A200J |
| C400 | 0160-4832 | 4 | 1 | 1 | CAP-FXD 0.01uF 100 V | 02010 | SA101C103KAAH |
| C401 | 0160-4832 | 4 | 1 | 1 | CAP-FXD 0.01uF 100 V | 02010 | SA101C103KAAH |
| C402 | 0160-3879 | 7 | 1 | 1 | CAP-FXD 0.01uF 100 V | 02010 | SR201C103MAAH |
| C403 | 0160-4832 | 4 | 1 | 1 | CAP-FXD 0.01uF 100 V | 02010 | SA101C103KAAH |
| C404 | 0160-4832 | 4 | 1 | 1 | CAP-FXD 0.01uF 100 V | 02010 | SA101C103KAAH |
| C405 | 0160-3879 | 7 | 1 | 1 | CAP-FXD 0.01uF 100 V | 02010 | SR201C103MAAH |
| C406 | 0160-3879 | 7 | 1 | 1 | CAP-FXD 0.01uF 100 V | 02010 | SR201C103MAAH |
| C407 | 0160-4557 | 0 | 1 | 1 | CAP-FXD 0.1uF 50 V | 02010 | SA305C104MAAH |
| C408 | 0160-3879 | 7 | 1 | 1 | CAP-FXD 0.01uF 100 V | 02010 | SR201C103MAAH |
| C409 | 0160-3879 | 7 | 1 | 1 | CAP-FXD 0.01uF 100 V | 02010 | SR201C103MAAH |
| C410 | 0160-3879 | 7 | 1 | 1 | CAP-FXD 0.01uF 100 V | 02010 | SR201C103MAAH |
| C411 | 0160-3879 | 7 | 1 | 1 | CAP-FXD 0.01uF 100 V | 02010 | SR201C103MAAH |
| C412 | 0160-3879 | 7 | 1 | 1 | CAP-FXD 0.01uF 100 V | 02010 | SR201C103MAAH |
| C413 | 0160-3879 | 7 | 1 | 1 | CAP-FXD 0.01uF 100 V | 02010 | SR201C103MAAH |
| C500 | 0160-3879 | 7 | 1 | 1 | CAP-FXD 0.01uF 100 V | 02010 | SR201C103MAAH |
| C501 | 0160-4557 | 0 | 1 | 1 | CAP-FXD 0.1uF 50 V | 02010 | SA305C104MAAH |
| C502 | 0160-4557 | 0 | 1 | 1 | CAP-FXD 0.1uF 50 V | 02010 | SA305C104MAAH |
| C503 | 0160-4822 | 2 | 1 | 1 | CAP-FXD 1000pF 100 V | 02010 | SA201A102JAAH |
| C504 | 0160-4832 | 4 | 1 | 1 | CAP-FXD 0.01uF 100 V | 02010 | SA101C103KAAH |
| C505 | 0160-4787 | 8 | 1 | 1 | CAP-FXD 22pF 100 V | 02010 | SA102A220JAAH |
| C506 | 0160-4832 | 4 | 1 | 1 | CAP-FXD 0.01uF 100 V | 02010 | SA101C103KAAH |
| C507 | 0160-4832 | 4 | 1 | 1 | CAP-FXD 0.01uF 100 V | 02010 | SA101C103KAAH |
| C508 | 0160-4832 | 4 | 1 | 1 | CAP-FXD 0.01uF 100 V | 02010 | SA101C103KAAH |

HP Part Number 08562-60120

IF Filter

| Reference Designation | HP Part Number | C | D | Qty | Description | Mfr Code | Mfr Part Number |
|-----------------------|----------------|---|---|-----|--------------------------|----------|-----------------|
| C509 | 0160-4832 | 4 | 1 | 1 | CAP-FXD 0.01uF 100 V | 02010 | SA101C103KAAH |
| C510 | 0160-4832 | 4 | 1 | 1 | CAP-FXD 0.01uF 100 V | 02010 | SA101C103KAAH |
| C511 | 0160-3879 | 7 | 1 | 1 | CAP-FXD 0.01uF 100 V | 02010 | SR201C103MAAH |
| C512 | 0160-4557 | 0 | 1 | 1 | CAP-FXD 0.1uF 50 V | 02010 | SA305C104MAAH |
| C513 | 0160-4822 | 2 | 1 | 1 | CAP-FXD 1000pF 100 V | 02010 | SA201A102JAAH |
| C514 | 0160-4832 | 4 | 1 | 1 | CAP-FXD 0.01uF 100 V | 02010 | SA101C103KAAH |
| C515 | 0160-4557 | 0 | 1 | 1 | CAP-FXD 0.1uF 50 V | 02010 | SA305C104MAAH |
| C516 | 0160-4787 | 8 | 1 | 1 | CAP-FXD 22pF 100 V | 02010 | SA102A220JAAH |
| C517 | 0160-4832 | 4 | 1 | 1 | CAP-FXD 0.01uF 100 V | 02010 | SA101C103KAAH |
| C518 | 0160-4832 | 4 | 1 | 1 | CAP-FXD 0.01uF 100 V | 02010 | SA101C103KAAH |
| C519 | 0160-4832 | 4 | 1 | 1 | CAP-FXD 0.01uF 100 V | 02010 | SA101C103KAAH |
| C520 | 0160-4832 | 4 | 1 | 1 | CAP-FXD 0.01uF 100 V | 02010 | SA101C103KAAH |
| C521 | 0160-4832 | 4 | 1 | 1 | CAP-FXD 0.01uF 100 V | 02010 | SA101C103KAAH |
| C522 | 0160-3879 | 7 | 1 | 1 | CAP-FXD 0.01uF 100 V | 02010 | SR201C103MAAH |
| C523 | 0160-4832 | 4 | 1 | 1 | CAP-FXD 0.01uF 100 V | 02010 | SA101C103KAAH |
| C524 | 0160-4832 | 4 | 1 | 1 | CAP-FXD 0.01uF 100 V | 02010 | SA101C103KAAH |
| C525 | 0160-4832 | 4 | 1 | 1 | CAP-FXD 0.01uF 100 V | 02010 | SA101C103KAAH |
| C526 | 0160-4380 | 7 | 1 | 1 | CAP-FXD 1pF 200 V | 06352 | FD11C0K2D1R0C |
| C527 | 0160-4380 | 7 | 1 | 1 | CAP-FXD 1pF 200 V | 06352 | FD11C0K2D1R0C |
| C600 | 0160-3879 | 7 | 1 | 1 | CAP-FXD 0.01uF 100 V | 02010 | SR201C103MAAH |
| C601 | 0160-3879 | 7 | 1 | 1 | CAP-FXD 0.01uF 100 V | 02010 | SR201C103MAAH |
| C602 | 0160-3879 | 7 | 1 | 1 | CAP-FXD 0.01uF 100 V | 02010 | SR201C103MAAH |
| C603 | 0160-3879 | 7 | 1 | 1 | CAP-FXD 0.01uF 100 V | 02010 | SR201C103MAAH |
| C604 | 0160-3879 | 7 | 1 | 1 | CAP-FXD 0.01uF 100 V | 02010 | SR201C103MAAH |
| C605 | 0160-3879 | 7 | 1 | 1 | CAP-FXD 0.01uF 100 V | 02010 | SR201C103MAAH |
| C606 | 0160-3879 | 7 | 1 | 1 | CAP-FXD 0.01uF 100 V | 02010 | SR201C103MAAH |
| C607 | 0160-4557 | 0 | 1 | 1 | CAP-FXD 0.1uF 50 V | 02010 | SA305C104MAAH |
| C608 | 0160-4832 | 4 | 1 | 1 | CAP-FXD 0.01uF 100 V | 02010 | SA101C103KAAH |
| C609 | 0160-4832 | 4 | 1 | 1 | CAP-FXD 0.01uF 100 V | 02010 | SA101C103KAAH |
| C610 | 0160-4832 | 4 | 1 | 1 | CAP-FXD 0.01uF 100 V | 02010 | SA101C103KAAH |
| C611 | 0160-4832 | 4 | 1 | 1 | CAP-FXD 0.01uF 100 V | 02010 | SA101C103KAAH |
| C612 | 0160-4832 | 4 | 1 | 1 | CAP-FXD 0.01uF 100 V | 02010 | SA101C103KAAH |
| C613 | 0160-4832 | 4 | 1 | 1 | CAP-FXD 0.01uF 100 V | 02010 | SA101C103KAAH |
| C614 | 0160-3879 | 7 | 1 | 1 | CAP-FXD 0.01uF 100 V | 02010 | SR201C103MAAH |
| C615 | 0160-4832 | 4 | 1 | 1 | CAP-FXD 0.01uF 100 V | 02010 | SA101C103KAAH |
| C616 | 0160-3879 | 7 | 1 | 1 | CAP-FXD 0.01uF 100 V | 02010 | SR201C103MAAH |
| C617 | 0160-5422 | 0 | 1 | 1 | CAP-FXD 0.047uF 50 V | 02010 | SA205C473MAAH |
| C618 | 0160-5422 | 0 | 1 | 1 | CAP-FXD 0.047uF 50 V | 02010 | SA205C473MAAH |
| C619 | 0160-5422 | 0 | 1 | 1 | CAP-FXD 0.047uF 50 V | 02010 | SA205C473MAAH |
| C700 | 0160-4832 | 4 | 1 | 1 | CAP-FXD 0.01uF 100 V | 02010 | SA101C103KAAH |
| C701 | 0160-4798 | 1 | 1 | 1 | CAP-FXD 2.7pF 100 V | 02010 | MA101A2R7CAA |
| C702 | 0160-4799 | 2 | 1 | 1 | CAP-FXD 2.2pF 100 V | 02010 | MA101A2R2CAAH |
| C703 | 0160-2206 | 2 | 1 | 1 | CAP-FXD 160pF 300 V MICA | 02367 | CD15FD161J03 |
| C704 | 0160-4832 | 4 | 1 | 1 | CAP-FXD 0.01uF 100 V | 02010 | SA101C103KAAH |
| C705 | 0160-3879 | 7 | 1 | 1 | CAP-FXD 0.01uF 100 V | 02010 | SR201C103MAAH |
| C706 | 0160-3879 | 7 | 1 | 1 | CAP-FXD 0.01uF 100 V | 02010 | SR201C103MAAH |
| C707 | 0160-3879 | 7 | 1 | 1 | CAP-FXD 0.01uF 100 V | 02010 | SR201C103MAAH |
| C708 | 0160-4799 | 2 | 1 | 1 | CAP-FXD 2.2pF 100 V | 02010 | MA101A2R2CAAH |

*Indicates factory-selected value

HP Part Number 08562-60120

IF Filter

| Reference Designation | HP Part Number | C D | Qty | Description | Mfr Code | Mfr Part Number |
|-----------------------|----------------|--------|-----|--|----------|---------------------|
| C709 | 0160-4799 | 2 | 1 | CAP-FXD 2.2pF 100 V | 02010 | MA101A2R2CAAH |
| C710 | 0160-3879 | 7 | 1 | CAP-FXD 0.01uF 100 V | 02010 | SR201C103MAAH |
| C711 | 0160-2206 | 2 | 1 | CAP-FXD 160pF 300 V MICA | 02367 | CD15FD161J03 |
| C712 | 0160-3879 | 7 | 1 | CAP-FXD 0.01uF 100 V | 02010 | SR201C103MAAH |
| C713 | 0160-3879 | 7 | 1 | CAP-FXD 0.01uF 100 V | 02010 | SR201C103MAAH |
| C714 | 0160-3879 | 7 | 1 | CAP-FXD 0.01uF 100 V | 02010 | SR201C103MAAH |
| C715 | 0160-3879 | 7 | 1 | CAP-FXD 0.01uF 100 V | 02010 | SR201C103MAAH |
| C716 | 0160-3879 | 7 | 1 | CAP-FXD 0.01uF 100 V | 02010 | SR201C103MAAH |
| C717 | 0160-5699 | 3 | 1 | CAP-FXD 20pF 100 V | 06352 | DA12C0G2A200J |
| C718 | 0160-5699 | 3 | 1 | CAP-FXD 20pF 100 V | 06352 | DA12C0G2A200J |
| C719 | 0160-3879 | 7 | 1 | CAP-FXD 0.01uF 100 V | 02010 | SR201C103MAAH |
| C720 | 0160-3879 | 7 | 1 | CAP-FXD 0.01uF 100 V | 02010 | SR201C103MAAH |
| C721 | 0160-3879 | 7 | 1 | CAP-FXD 0.01uF 100 V | 02010 | SR201C103MAAH |
| C800 | 0180-4135 | 2 | 1 | CAP-FXD 33uF 10 V TA | 04200 | 173D336X9010X |
| C801 | 0180-2731 | 0 | 1 | CAP-FXD 2.2uF 20 V TA | 02010 | TMD5225K020RBLZ9038 |
| C802 | 0160-4557 | 0 | 1 | CAP-FXD 0.1uF 50 V | 02010 | SA305C104MAAH |
| C803 | 0160-4557 | 0 | 1 | CAP-FXD 0.1uF 50 V | 02010 | SA305C104MAAH |
| C804 | 0160-4557 | 0 | 1 | CAP-FXD 0.1uF 50 V | 02010 | SA305C104MAAH |
| C805 | 0160-4557 | 0 | 1 | CAP-FXD 0.1uF 50 V | 02010 | SA305C104MAAH |
| C806 | 0160-4557 | 0 | 1 | CAP-FXD 0.1uF 50 V | 02010 | SA305C104MAAH |
| C807 | 0160-4557 | 0 | 1 | CAP-FXD 0.1uF 50 V | 02010 | SA305C104MAAH |
| C808 | 0160-4557 | 0 | 1 | CAP-FXD 0.1uF 50 V | 02010 | SA305C104MAAH |
| C809 | 0160-4557 | 0 | 1 | CAP-FXD 0.1uF 50 V | 02010 | SA305C104MAAH |
| C810 | 0160-4557 | 0 | 1 | CAP-FXD 0.1uF 50 V | 02010 | SA305C104MAAH |
| C811 | 0160-4557 | 0 | 1 | CAP-FXD 0.1uF 50 V | 02010 | SA305C104MAAH |
| C812 | 0160-4557 | 0 | 1 | CAP-FXD 0.1uF 50 V | 02010 | SA305C104MAAH |
| C813 | 0160-4557 | 0 | 1 | CAP-FXD 0.1uF 50 V | 02010 | SA305C104MAAH |
| C814 | 0160-4557 | 0 | 1 | CAP-FXD 0.1uF 50 V | 02010 | SA305C104MAAH |
| C815 | 0160-4557 | 0 | 1 | CAP-FXD 0.1uF 50 V | 02010 | SA305C104MAAH |
| C816 | 0160-4557 | 0 | 1 | CAP-FXD 0.1uF 50 V | 02010 | SA305C104MAAH |
| C817 | 0160-4557 | 0 | 1 | CAP-FXD 0.1uF 50 V | 02010 | SA305C104MAAH |
| C818 | 0160-4557 | 0 | 1 | CAP-FXD 0.1uF 50 V | 02010 | SA305C104MAAH |
| C819 | 0160-4557 | 0 | 1 | CAP-FXD 0.1uF 50 V | 02010 | SA305C104MAAH |
| C820 | 0160-4557 | 0 | 1 | CAP-FXD 0.1uF 50 V | 02010 | SA305C104MAAH |
| C821 | 0160-4557 | 0 | 1 | CAP-FXD 0.1uF 50 V | 02010 | SA305C104MAAH |
| C822 | 0160-4832 | 4 | 1 | CAP-FXD 0.01uF 100 V | 02010 | SA101C103KAAH |
| CR100 | 1901-1117 | 5 | 1 | DIODE-SWITCHING 30V | 00746 | 1SS135 |
| CR101 | 1901-1117 | 5 | 1 | DIODE-SWITCHING 30V | 00746 | 1SS135 |
| CR102 | 1901-1070 | 9 | 1 | DIODE-PIN 110V | 02062 | |
| CR103 | 1901-1070 | 9 | 1 | DIODE-PIN 110V | 02062 | |
| CR104 | 1901-1098 | 1 | 1 | DIODE-SWITCHING 1N4150 50V 200MA 4NS | 00746 | |
| CR105 | 1901-1117 | 5 | 1 | DIODE-SWITCHING 30V | 00746 | 1SS135 |
| CR200 | 1901-0376 | 6 | 1 | DIODE-GEN PRP 35V 50MA D0-35 | 00046 | 1N3595 |
| CR201 | 0122-0245 | 5 | 1 | DIODE-VVC 1N5139 6.8PF 10% | 02037 | 1N5139 |
| CR202 | 0122-0263 | 7 | 1 | DIODE-VVC 1N5148 47PF 10% C4/C60-MIN=3.2 | 02037 | 1N5148 |
| CR203 | 0122-0263 | 7 | 1 | DIODE-VVC 1N5148 47PF 10% C4/C60-MIN=3.2 | 02037 | 1N5148 |
| CR204 | 1901-0376 | 6 | 1 | DIODE-GEN PRP 35V 50MA D0-35 | 00046 | 1N3595 |

HP Part Number 08562-60120

IF Filter

| Reference Designation | HP Part Number | C D | Qty | Description | Mfr Code | Mfr Part Number |
|-----------------------|----------------|-----|-----|--|----------|-----------------|
| CR205 | 1901-1070 | 9 | 1 | DIODE-PIN 110V | 02062 | |
| CR206 | 1901-1070 | 9 | 1 | DIODE-PIN 110V | 02062 | |
| CR207 | 1901-0376 | 6 | 1 | DIODE-GEN PRP 35V 50MA DO-35 | 00046 | 1N3595 |
| CR208 | 0122-0245 | 5 | 1 | DIODE-VVC 1N5139 6.8PF 10% | 02037 | 1N5139 |
| CR209 | 0122-0263 | 7 | 1 | DIODE-VVC 1N5148 47PF 10% C4/C60-MIN=3.2 | 02037 | 1N5148 |
| CR210 | 0122-0263 | 7 | 1 | DIODE-VVC 1N5148 47PF 10% C4/C60-MIN=3.2 | 02037 | 1N5148 |
| CR211 | 1901-0376 | 6 | 1 | DIODE-GEN PRP 35V 50MA DO-35 | 00046 | 1N3595 |
| CR212 | 1901-1070 | 9 | 1 | DIODE-PIN 110V | 02062 | |
| CR213 | 1901-1070 | 9 | 1 | DIODE-PIN 110V | 02062 | |
| CR300 | 1901-0747 | 5 | 1 | DIODE-PIN | 02062 | 5082-5232 |
| CR301 | 1901-0747 | 5 | 1 | DIODE-PIN | 02062 | 5082-5232 |
| CR302 | 1901-0747 | 5 | 1 | DIODE-PIN | 02062 | 5082-5232 |
| CR303 | 1901-0747 | 5 | 1 | DIODE-PIN | 02062 | 5082-5232 |
| CR304 | 0122-0263 | 7 | 1 | DIODE-VVC 1N5148 47PF 10% C4/C60-MIN=3.2 | 02037 | 1N5148 |
| CR305 | 0122-0263 | 7 | 1 | DIODE-VVC 1N5148 47PF 10% C4/C60-MIN=3.2 | 02037 | 1N5148 |
| CR306 | 1901-0747 | 5 | 1 | DIODE-PIN | 02062 | 5082-5232 |
| CR307 | 1901-0747 | 5 | 1 | DIODE-PIN | 02062 | 5082-5232 |
| CR308 | 1901-0747 | 5 | 1 | DIODE-PIN | 02062 | 5082-5232 |
| CR309 | 1901-0747 | 5 | 1 | DIODE-PIN | 02062 | 5082-5232 |
| CR310 | 0122-0263 | 7 | 1 | DIODE-VVC 1N5148 47PF 10% C4/C60-MIN=3.2 | 02037 | 1N5148 |
| CR311 | 0122-0263 | 7 | 1 | DIODE-VVC 1N5148 47PF 10% C4/C60-MIN=3.2 | 02037 | 1N5148 |
| CR312 | 1901-1117 | 5 | 1 | DIODE-SWITCHING 30V | 00746 | 1S5135 |
| CR313 | 1901-0376 | 6 | 1 | DIODE-GEN PRP 35V 50MA DO-35 | 00046 | 1N3595 |
| CR314 | 1901-0376 | 6 | 1 | DIODE-GEN PRP 35V 50MA DO-35 | 00046 | 1N3595 |
| CR315 | 1901-1098 | 1 | 1 | DIODE-SWITCHING 1N4150 50V 200MA 4NS | 00746 | |
| CR316 | 1901-1098 | 1 | 1 | DIODE-SWITCHING 1N4150 50V 200MA 4NS | 00746 | |
| CR317 | 1901-1098 | 1 | 1 | DIODE-SWITCHING 1N4150 50V 200MA 4NS | 00746 | |
| CR400 | 1901-1070 | 9 | 1 | DIODE-PIN 110V | 02062 | |
| CR401 | 1901-0747 | 5 | 1 | DIODE-PIN | 02062 | 5082-5232 |
| CR402 | 1901-1070 | 9 | 1 | DIODE-PIN 110V | 02062 | |
| CR403 | 1901-1098 | 1 | 1 | DIODE-SWITCHING 1N4150 50V 200MA 4NS | 00746 | |
| CR404 | 1901-1098 | 1 | 1 | DIODE-SWITCHING 1N4150 50V 200MA 4NS | 00746 | |
| CR405 | 1901-1098 | 1 | 1 | DIODE-SWITCHING 1N4150 50V 200MA 4NS | 00746 | |
| CR406 | 1901-0518 | 8 | 1 | DIODE-SCHOTTKY SM SIG | 02062 | 5082-5509 |
| CR407 | 1901-0518 | 8 | 1 | DIODE-SCHOTTKY SM SIG | 02062 | 5082-5509 |
| CR408 | 1901-0518 | 8 | 1 | DIODE-SCHOTTKY SM SIG | 02062 | 5082-5509 |
| CR409 | 1901-1098 | 1 | 1 | DIODE-SWITCHING 1N4150 50V 200MA 4NS | 00746 | |
| CR410 | 1901-1098 | 1 | 1 | DIODE-SWITCHING 1N4150 50V 200MA 4NS | 00746 | |
| CR411 | 1901-1098 | 1 | 1 | DIODE-SWITCHING 1N4150 50V 200MA 4NS | 00746 | |
| CR500 | 1901-0376 | 6 | 1 | DIODE-GEN PRP 35V 50MA DO-35 | 00046 | 1N3595 |
| CR501 | 0122-0245 | 5 | 1 | DIODE-VVC 1N5139 6.8PF 10% | 02037 | 1N5139 |
| CR502 | 0122-0263 | 7 | 1 | DIODE-VVC 1N5148 47PF 10% C4/C60-MIN=3.2 | 02037 | 1N5148 |
| CR503 | 0122-0263 | 7 | 1 | DIODE-VVC 1N5148 47PF 10% C4/C60-MIN=3.2 | 02037 | 1N5148 |
| CR504 | 1901-0376 | 6 | 1 | DIODE-GEN PRP 35V 50MA DO-35 | 00046 | 1N3595 |
| CR505 | 1901-1070 | 9 | 1 | DIODE-PIN 110V | 02062 | |
| CR506 | 1901-1070 | 9 | 1 | DIODE-PIN 110V | 02062 | |
| CR507 | 1901-0376 | 6 | 1 | DIODE-GEN PRP 35V 50MA DO-35 | 00046 | 1N3595 |
| CR508 | 0122-0245 | 5 | 1 | DIODE-VVC 1N5139 6.8PF 10% | 02037 | 1N5139 |

*Indicates factory-selected value

HP Part Number 08562-60120

IF Filter

| Reference Designation | HP Part Number | C | D | Qty | Description | Mfr Code | Mfr Part Number |
|-----------------------|----------------|---|---|-----|--|----------|-----------------|
| CR509 | 0122-0263 | 7 | | 1 | DIODE-VVC 1N5148 47PF 10% C4/C60-MIN=3.2 | 02037 | 1N5148 |
| CR510 | 0122-0263 | 7 | | 1 | DIODE-VVC 1N5148 47PF 10% C4/C60-MIN=3.2 | 02037 | 1N5148 |
| CR511 | 1901-0376 | 6 | | 1 | DIODE-GEN PRP 35V 50MA DO-35 | 00046 | 1N3595 |
| CR512 | 1901-1070 | 9 | | 1 | DIODE-PIN 110V | 02062 | |
| CR513 | 1901-1070 | 9 | | 1 | DIODE-PIN 110V | 02062 | |
| CR600 | 1901-0376 | 6 | | 1 | DIODE-GEN PRP 35V 50MA DO-35 | 00046 | 1N3595 |
| CR602 | 1901-1117 | 5 | | 1 | DIODE-SWITCHING 30V | 00746 | 1S5135 |
| CR604 | 1901-0376 | 6 | | 1 | DIODE-GEN PRP 35V 50MA DO-35 | 00046 | 1N3595 |
| CR605 | 1901-1117 | 5 | | 1 | DIODE-SWITCHING 30V | 00746 | 1S5135 |
| CR606 | 1901-1117 | 5 | | 1 | DIODE-SWITCHING 30V | 00746 | 1S5135 |
| CR700 | 1901-0747 | 5 | | 1 | DIODE-PIN | 02062 | 5082-5232 |
| CR701 | 1901-0747 | 5 | | 1 | DIODE-PIN | 02062 | 5082-5232 |
| CR702 | 1901-0747 | 5 | | 1 | DIODE-PIN | 02062 | 5082-5232 |
| CR703 | 1901-0747 | 5 | | 1 | DIODE-PIN | 02062 | 5082-5232 |
| CR704 | 0122-0300 | 3 | | 1 | DIODE-VVC 100PF 5% C2/C20-MIN=2 BVR=20V | 02037 | |
| CR705 | 0122-0300 | 3 | | 1 | DIODE-VVC 100PF 5% C2/C20-MIN=2 BVR=20V | 02037 | |
| CR706 | 0122-0300 | 3 | | 1 | DIODE-VVC 100PF 5% C2/C20-MIN=2 BVR=20V | 02037 | |
| CR707 | 0122-0300 | 3 | | 1 | DIODE-VVC 100PF 5% C2/C20-MIN=2 BVR=20V | 02037 | |
| CR708 | 1901-0747 | 5 | | 1 | DIODE-PIN | 02062 | 5082-5232 |
| CR709 | 1901-0747 | 5 | | 1 | DIODE-PIN | 02062 | 5082-5232 |
| CR710 | 1901-0747 | 5 | | 1 | DIODE-PIN | 02062 | 5082-5232 |
| CR711 | 1901-0747 | 5 | | 1 | DIODE-PIN | 02062 | 5082-5232 |
| CR712 | 0122-0300 | 3 | | 1 | DIODE-VVC 100PF 5% C2/C20-MIN=2 BVR=20V | 02037 | |
| CR713 | 0122-0300 | 3 | | 1 | DIODE-VVC 100PF 5% C2/C20-MIN=2 BVR=20V | 02037 | |
| CR714 | 0122-0300 | 3 | | 1 | DIODE-VVC 100PF 5% C2/C20-MIN=2 BVR=20V | 02037 | |
| CR715 | 0122-0300 | 3 | | 1 | DIODE-VVC 100PF 5% C2/C20-MIN=2 BVR=20V | 02037 | |
| CR716 | 1901-1117 | 5 | | 1 | DIODE-SWITCHING 30V | 00746 | 1S5135 |
| CR717 | 1901-0376 | 6 | | 1 | DIODE-GEN PRP 35V 50MA DO-35 | 00046 | 1N3595 |
| CR718 | 1901-0376 | 6 | | 1 | DIODE-GEN PRP 35V 50MA DO-35 | 00046 | 1N3595 |
| CR800 | 1901-1098 | 1 | | 1 | DIODE-SWITCHING 1N4150 50V 200MA 4NS | 00746 | |
| CR801 | 1901-1098 | 1 | | 1 | DIODE-SWITCHING 1N4150 50V 200MA 4NS | 00746 | |
| E300 | 9170-0847 | 3 | | 1 | CORE-SHIELDING BEAD | 01887 | 56-590-65/38MCD |
| E600 | 9170-0847 | 3 | | 1 | CORE-SHIELDING BEAD | 01887 | 56-590-65/38MCD |
| E601 | 9170-0847 | 3 | | 1 | CORE-SHIELDING BEAD | 01887 | 56-590-65/38MCD |
| E701 | 9170-0847 | 3 | | 1 | CORE-SHIELDING BEAD | 01887 | 56-590-65/38MCD |
| J1 | 1252-1064 | 4 | | 1 | CONN-POST TYPE .100-PIN-SPCG 50-CONT | 01380 | 1-746878-0 |
| J2 | 1252-1064 | 4 | | 1 | CONN-POST TYPE .100-PIN-SPCG 50-CONT | 01380 | 1-746878-0 |
| J3 | 1250-0543 | 8 | | 1 | CONNECTOR-RF SM-SNP M PC 50-OHM | 05769 | 51-053-0349-BE8 |
| J4 | 1250-0543 | 8 | | 1 | CONNECTOR-RF SM-SNP M PC 50-OHM | 05769 | 51-053-0349-BE8 |
| J5 | 1250-0543 | 8 | | 1 | CONNECTOR-RF SM-SNP M PC 50-OHM | 05769 | 51-053-0349-BE8 |
| J6 | 1252-1200 | 0 | | 1 | CONN-POST TYPE .100-PIN-SPCG 15-CONT | 02946 | 68449-079 |
| J7 | 1252-1200 | 0 | | 1 | CONN-POST TYPE .100-PIN-SPCG 15-CONT | 02946 | 68449-079 |
| J8 | 1252-1200 | 0 | | 1 | CONN-POST TYPE .100-PIN-SPCG 15-CONT | 02946 | 68449-079 |
| J9 | 1252-1200 | 0 | | 1 | CONN-POST TYPE .100-PIN-SPCG 15-CONT | 02946 | 68449-079 |
| L1 | 9140-0738 | 8 | | 1 | INDUCTOR 100UH .7D-INX.6LG-IN | 01869 | |
| L2 | 9140-0738 | 8 | | 1 | INDUCTOR 100UH .7D-INX.6LG-IN | 01869 | |
| L100 | 9100-1625 | 0 | | 1 | INDUCTOR RF-CH-MLD 33UH +-5% .166D-INX.3 | 03273 | 15M332J |

HP Part Number 08562-60120

IF Filter

| Reference Designation | HP Part Number | C D | Qty | Description | Mfr Code | Mfr Part Number |
|-----------------------|----------------|-----|-----|--|----------|-----------------|
| L101 | 9100-3912 | 2 | 1 | INDUCTOR RF-CH-MLD 15UH +-5% .166D-INX.3 | 03273 | 15M152J |
| L102 | 9140-0144 | 0 | 1 | INDUCTOR RF-CH-MLD 4.7UH +-10% .105D-INX | 03273 | 10M471K |
| L204 | 9100-3912 | 2 | 1 | INDUCTOR RF-CH-MLD 15UH +-5% .166D-INX.3 | 03273 | 15M152J |
| L300 | 08562-80072 | 5 | 1 | INDUCTOR 3.6UH VAR | 28480 | 08562-80072 |
| L301 | 08562-80072 | 5 | 1 | INDUCTOR 3.6UH VAR | 28480 | 08562-80072 |
| L400 | 9140-0398 | 6 | 1 | INDUCTOR RF-CH-MLD 12UH +-5% .166D-INX.3 | 03273 | 15M122J |
| L401 | 9100-0539 | 3 | 1 | INDUCTOR RF-CH-MLD 10UH +-5% .166D-INX.3 | 03273 | 15M102J |
| L600 | 9100-3912 | 2 | 1 | INDUCTOR RF-CH-MLD 15UH +-5% .166D-INX.3 | 03273 | 15M152J |
| L601 | 9100-1625 | 0 | 1 | INDUCTOR RF-CH-MLD 33UH +-5% .166D-INX.3 | 03273 | 15M332J |
| L602 | 9100-1625 | 0 | 1 | INDUCTOR RF-CH-MLD 33UH +-5% .166D-INX.3 | 03273 | 15M332J |
| L603 | 9140-0454 | 5 | 1 | INDUCTOR RF-CH-MLD 18UH +-5% .166D-INX.3 | 03273 | 15M-182J |
| L604 | 9100-1625 | 0 | 1 | INDUCTOR RF-CH-MLD 33UH +-5% .166D-INX.3 | 03273 | 15M332J |
| L700 | 08562-80072 | 5 | 1 | INDUCTOR 3.6UH VAR | 28480 | 08562-80072 |
| L701 | 9100-1625 | 0 | 1 | INDUCTOR RF-CH-MLD 33UH +-5% .166D-INX.3 | 03273 | 15M332J |
| L702 | 08562-80072 | 5 | 1 | INDUCTOR 3.6UH VAR | 28480 | 08562-80072 |
| L703 | 9100-0539 | 3 | 1 | INDUCTOR RF-CH-MLD 10UH +-5% .166D-INX.3 | 03273 | 15M102J |
| L800 | 9140-0210 | 1 | 1 | INDUCTOR RF-CH-MLD 100UH +-5% .166D-INX. | 03273 | 15M103J |
| MP2 | 5021-6729 | 3 | 1 | SHIELD - TOP IF 1 | 28480 | 5021-6729 |
| MP3 | 5021-6730 | 6 | 1 | SHIELD - BOT IF 1 | 28480 | 5021-6730 |
| MP4 | 5021-6731 | 7 | 1 | SHIELD - TOP IF 2 | 28480 | 5021-6731 |
| MP5 | 5021-6732 | 8 | 1 | SHIELD - BOT IF 2 | 28480 | 5021-6732 |
| MP6 | 0380-2055 | 5 | 2 | SPACER-RVT-ON 9.5-MM-LG 3.8-MM-ID 6.17-M | 02121 | |
| MP7 | 1400-0866 | 7 | 1 | CLAMP-CABLE .187-DIA .25-WD NYL | 07158 | C61332AA |
| MP8 | 1205-0485 | 2 | 1 | HEAT SINK SGL TO-5/TO-39-CS | 07179 | 3201B |
| MP9 | 8150-5022 | 3 | | WIRE 26AWG G KYNAR (PVF) 1X26 105C | 03500 | KYNAR 26-1/26-5 |
| NONE0001 | 0340-0780 | 5 | 1 | INSULATOR SLBL-LAC-CMPD | 03724 | TO-21-13E |
| NONE0002 | 0340-1132 | 3 | 1 | SPACER-SOLUBLE WATER SOLUBLE 0.062 IN | 03724 | TO-8-12 |
| NONE0004 | 8151-0014 | 5 | 1 | WIRE 24AWG 1X24 | 02805 | 8022 |
| NONE0005 | 9320-5784 | 6 | 1 | LBL-LNE-PTR .65-IN-WD X .2-IN-LG | 12532 | 1EW10R |
| Q100 | 1854-0378 | 7 | 1 | TRANSISTOR NPN 2N5109 SI TO-39 PD=800MW | 02037 | 2N5109 |
| Q101 | 1854-0378 | 7 | 1 | TRANSISTOR NPN 2N5109 SI TO-39 PD=800MW | 02037 | 2N5109 |
| Q102 | 1854-0378 | 7 | 1 | TRANSISTOR NPN 2N5109 SI TO-39 PD=800MW | 02037 | 2N5109 |
| Q200 | 1854-0378 | 7 | 1 | TRANSISTOR NPN 2N5109 SI TO-39 PD=800MW | 02037 | 2N5109 |
| Q201 | 1854-0378 | 7 | 1 | TRANSISTOR NPN 2N5109 SI TO-39 PD=800MW | 02037 | 2N5109 |
| Q202 | 1855-0276 | 6 | 1 | TRANSISTOR J-FET 2N4416A N-CHAN D-MODE T | 02037 | 2N4416A |
| Q203 | 1855-0276 | 6 | 1 | TRANSISTOR J-FET 2N4416A N-CHAN D-MODE T | 02037 | 2N4416A |
| Q300 | 1854-0378 | 7 | 1 | TRANSISTOR NPN 2N5109 SI TO-39 PD=800MW | 02037 | 2N5109 |
| Q301 | 1855-0276 | 6 | 1 | TRANSISTOR J-FET 2N4416A N-CHAN D-MODE T | 02037 | 2N4416A |
| Q302 | 1854-0378 | 7 | 1 | TRANSISTOR NPN 2N5109 SI TO-39 PD=800MW | 02037 | 2N5109 |
| Q303 | 1855-0276 | 6 | 1 | TRANSISTOR J-FET 2N4416A N-CHAN D-MODE T | 02037 | 2N4416A |
| Q304 | 1854-0378 | 7 | 1 | TRANSISTOR NPN 2N5109 SI TO-39 PD=800MW | 02037 | 2N5109 |
| Q305 | 1853-0007 | 7 | 1 | TRANSISTOR PNP 2N3251 SI TO-18 PD=360MW | 02037 | 2N3251 |
| Q306 | 1854-0378 | 7 | 1 | TRANSISTOR NPN 2N5109 SI TO-39 PD=800MW | 02037 | 2N5109 |
| Q400 | 1854-0378 | 7 | 1 | TRANSISTOR NPN 2N5109 SI TO-39 PD=800MW | 02037 | 2N5109 |
| Q401 | 1854-0378 | 7 | 1 | TRANSISTOR NPN 2N5109 SI TO-39 PD=800MW | 02037 | 2N5109 |
| Q402 | 1854-0378 | 7 | 1 | TRANSISTOR NPN 2N5109 SI TO-39 PD=800MW | 02037 | 2N5109 |
| Q403 | 1854-0378 | 7 | 1 | TRANSISTOR NPN 2N5109 SI TO-39 PD=800MW | 02037 | 2N5109 |
| Q404 | 1854-0378 | 7 | 1 | TRANSISTOR NPN 2N5109 SI TO-39 PD=800MW | 02037 | 2N5109 |

*Indicates factory-selected value

HP Part Number 08562-60120

IF Filter

| Reference Designation | HP Part Number | C D | Qty | Description | Mfr Code | Mfr Part Number |
|-----------------------|----------------|-----|-----|--|----------|-----------------|
| Q500 | 1854-0378 | 7 | 1 | TRANSISTOR NPN 2N5109 SI TO-39 PD=800MW | 02037 | 2N5109 |
| Q501 | 1855-0276 | 6 | 1 | TRANSISTOR J-FET 2N4416A N-CHAN D-MODE T | 02037 | 2N4416A |
| Q502 | 1854-0378 | 7 | 1 | TRANSISTOR NPN 2N5109 SI TO-39 PD=800MW | 02037 | 2N5109 |
| Q503 | 1855-0276 | 6 | 1 | TRANSISTOR J-FET 2N4416A N-CHAN D-MODE T | 02037 | 2N4416A |
| Q504 | 1854-0378 | 7 | 1 | TRANSISTOR NPN 2N5109 SI TO-39 PD=800MW | 02037 | 2N5109 |
| Q600 | 1854-0378 | 7 | 1 | TRANSISTOR NPN 2N5109 SI TO-39 PD=800MW | 02037 | 2N5109 |
| Q601 | 1854-0378 | 7 | 1 | TRANSISTOR NPN 2N5109 SI TO-39 PD=800MW | 02037 | 2N5109 |
| Q602 | 1854-0378 | 7 | 1 | TRANSISTOR NPN 2N5109 SI TO-39 PD=800MW | 02037 | 2N5109 |
| Q603 | 1854-0378 | 7 | 1 | TRANSISTOR NPN 2N5109 SI TO-39 PD=800MW | 02037 | 2N5109 |
| Q700 | 1855-0276 | 6 | 1 | TRANSISTOR J-FET 2N4416A N-CHAN D-MODE T | 02037 | 2N4416A |
| Q701 | 1854-0378 | 7 | 1 | TRANSISTOR NPN 2N5109 SI TO-39 PD=800MW | 02037 | 2N5109 |
| Q702 | 1855-0276 | 6 | 1 | TRANSISTOR J-FET 2N4416A N-CHAN D-MODE T | 02037 | 2N4416A |
| Q703 | 1854-0378 | 7 | 1 | TRANSISTOR NPN 2N5109 SI TO-39 PD=800MW | 02037 | 2N5109 |
| Q704 | 1853-0314 | 9 | 1 | TRANSISTOR PNP 2N2905A SI TO-39 PD=600MW | 02037 | 2N2905A |
| Q800 | 1854-0477 | 7 | 1 | TRANSISTOR NPN 2N2222A SI TO-18 PD=500MW | 02037 | 2N2222A |
| Q801 | 1854-0637 | 1 | 1 | TRANSISTOR NPN 2N2219A SI TO-5 PD=800MW | 02037 | 2N2219A |
| Q802 | 1854-0637 | 1 | 1 | TRANSISTOR NPN 2N2219A SI TO-5 PD=800MW | 02037 | 2N2219A |
| R100 | 0698-3442 | 9 | 1 | RESISTOR 237 1% .125W TF TC=0+-100 | 00746 | CRB14 OR CRB25 |
| R101 | 0757-0276 | 7 | 1 | RESISTOR 61.9 +-1% .125W TF TC=0+-100 | 00746 | CRB14 OR CRB25 |
| R102 | 0757-0276 | 7 | 1 | RESISTOR 61.9 +-1% .125W TF TC=0+-100 | 00746 | CRB14 OR CRB25 |
| R103 | 0757-0280 | 3 | 1 | RESISTOR 1K +-1% .125W TF TC=0+-100 | 00746 | CRB14 OR CRB25 |
| R105 | 0757-0280 | 3 | 1 | RESISTOR 1K +-1% .125W TF TC=0+-100 | 00746 | CRB14 OR CRB25 |
| R106 | 0698-3150 | 6 | 1 | RESISTOR 2.37K 1% .125W TF TC=0+-100 | 00746 | CRB14 OR CRB25 |
| R107 | 0698-3153 | 9 | 1 | RESISTOR 3.83K 1% .125W TF TC=0+-100 | 00746 | CRB14 OR CRB25 |
| R108 | 0757-0346 | 2 | 1 | RESISTOR 10 +-1% .125W TF TC=0+-100 | 00746 | CRB14 OR CRB25 |
| R109 | 0698-4190 | 6 | 1 | RESISTOR 50 .25% .125W TF TC=0+-100 | 01074 | H8 |
| R110 | 0698-3441 | 8 | 1 | RESISTOR 215 1% .125W TF TC=0+-100 | 00746 | CRB14 OR CRB25 |
| R112 | 0757-0346 | 2 | 1 | RESISTOR 10 +-1% .125W TF TC=0+-100 | 00746 | CRB14 OR CRB25 |
| R113 | 0757-0428 | 1 | 1 | RESISTOR 1.62K +-1% .125W TF TC=0+-100 | 00746 | CRB14 OR CRB25 |
| R114 | 0698-0085 | 0 | 1 | RESISTOR 2.61K 1% .125W TF TC=0+-100 | 00746 | CRB14 OR CRB25 |
| R117 | 0757-0401 | 0 | 1 | RESISTOR 100 +-1% .125W TF TC=0+-100 | 00746 | CRB14 OR CRB25 |
| R119 | 0757-0401 | 0 | 1 | RESISTOR 100 +-1% .125W TF TC=0+-100 | 00746 | CRB14 OR CRB25 |
| R120 | 0757-0419 | 0 | 1 | RESISTOR 681 +-1% .125W TF TC=0+-100 | 00746 | CRB14 OR CRB25 |
| R121 | 0757-0346 | 2 | 1 | RESISTOR 10 +-1% .125W TF TC=0+-100 | 00746 | CRB14 OR CRB25 |
| R122 | 0757-0401 | 0 | 1 | RESISTOR 100 +-1% .125W TF TC=0+-100 | 00746 | CRB14 OR CRB25 |
| R123 | 0698-7236 | 7 | 1 | RESISTOR 1K +-1% .05W TF TC=0+-100 | 00746 | CRB20 |
| R124 | 0698-7241 | 4 | 1 | RESISTOR 1.62K +-1% .05W TF TC=0+-100 | 00746 | CRB20 |
| R125 | 0698-7193 | 5 | 1 | RESISTOR 16.2 +-1% .05W TF TC=0+-100 | 00746 | CRB20 |
| R201 | 0757-0442 | 9 | 1 | RESISTOR 10K +-1% .125W TF TC=0+-100 | 00746 | CRB14 OR CRB25 |
| R203 | 0698-8827 | 4 | 1 | RESISTOR 1M +-1% .125W TF TC=0+-100 | 00746 | CRB14 OR CRB25 |
| R205 | 0757-0418 | 9 | 1 | RESISTOR 619 +-1% .125W TF TC=0+-100 | 00746 | CRB14 OR CRB25 |
| R206 | 0698-8823 | 0 | 1 | RESISTOR 8.25 +-1% .125W TF TC=0+-100 | 01074 | H8 |
| R208 | 0757-0317 | 7 | 1 | RESISTOR 1.33K +-1% .125W TF TC=0+-100 | 00746 | CRB14 OR CRB25 |
| R209 | 0757-0279 | 0 | 1 | RESISTOR 3.16K +-1% .125W TF TC=0+-100 | 00746 | CRB14 OR CRB25 |
| R210 | 0757-0346 | 2 | 1 | RESISTOR 10 +-1% .125W TF TC=0+-100 | 00746 | CRB14 OR CRB25 |
| R211 | 0698-0084 | 9 | 1 | RESISTOR 2.15K 1% .125W TF TC=0+-100 | 00746 | CRB14 OR CRB25 |
| R212 | 0698-0084 | 9 | 1 | RESISTOR 2.15K 1% .125W TF TC=0+-100 | 00746 | CRB14 OR CRB25 |

HP Part Number 08562-60120

IF Filter

| Reference Designation | HP Part Number | C D | Qty | Description | Mfr Code | Mfr Part Number |
|-----------------------|----------------|--------|-----|--|----------|-----------------|
| R213 | 0757-0438 | 3 | 1 | RESISTOR 5.11K +-1% .125W TF TC=0+-100 | 00746 | CRB14 OR CRB25 |
| R214 | 0757-0401 | 0 | 1 | RESISTOR 100 +-1% .125W TF TC=0+-100 | 00746 | CRB14 OR CRB25 |
| R215 | 0757-0405 | 4 | 1 | RESISTOR 162 +-1% .125W TF TC=0+-100 | 00746 | CRB14 OR CRB25 |
| R216 | 0757-0346 | 2 | 1 | RESISTOR 10 +-1% .125W TF TC=0+-100 | 00746 | CRB14 OR CRB25 |
| R217 | 0757-0442 | 9 | 1 | RESISTOR 10K +-1% .125W TF TC=0+-100 | 00746 | CRB14 OR CRB25 |
| R218 | 0757-0280 | 3 | 1 | RESISTOR 1K +-1% .125W TF TC=0+-100 | 00746 | CRB14 OR CRB25 |
| R219 | 0757-0442 | 9 | 1 | RESISTOR 10K +-1% .125W TF TC=0+-100 | 00746 | CRB14 OR CRB25 |
| R220 | 0698-8827 | 4 | 1 | RESISTOR 1M +-1% .125W TF TC=0+-100 | 00746 | CRB14 OR CRB25 |
| R222 | 0698-8823 | 0 | 1 | RESISTOR 8.25 +-1% .125W TF TC=0+-100 | 01074 | H8 |
| R224 | 0757-0278 | 9 | 1 | RESISTOR 1.78K +-1% .125W TF TC=0+-100 | 00746 | CRB14 OR CRB25 |
| R225 | 0757-0317 | 7 | 1 | RESISTOR 1.33K +-1% .125W TF TC=0+-100 | 00746 | CRB14 OR CRB25 |
| R226 | 0698-0084 | 9 | 1 | RESISTOR 2.15K 1% .125W TF TC=0+-100 | 00746 | CRB14 OR CRB25 |
| R227 | 0757-0279 | 0 | 1 | RESISTOR 3.16K +-1% .125W TF TC=0+-100 | 00746 | CRB14 OR CRB25 |
| R228 | 0757-0346 | 2 | 1 | RESISTOR 10 +-1% .125W TF TC=0+-100 | 00746 | CRB14 OR CRB25 |
| R229 | 0757-0276 | 7 | 1 | RESISTOR 61.9 +-1% .125W TF TC=0+-100 | 00746 | CRB14 OR CRB25 |
| R230 | 0757-0276 | 7 | 1 | RESISTOR 61.9 +-1% .125W TF TC=0+-100 | 00746 | CRB14 OR CRB25 |
| R231 | 0698-3154 | 0 | 1 | RESISTOR 4.22K 1% .125W TF TC=0+-100 | 00746 | CRB14 OR CRB25 |
| R232 | 0698-8823 | 0 | 1 | RESISTOR 8.25 +-1% .125W TF TC=0+-100 | 01074 | H8 |
| R234 | 0757-0274 | 5 | 1 | RESISTOR 1.21K +-1% .125W TF TC=0+-100 | 00746 | CRB14 OR CRB25 |
| R235 | 0757-0274 | 5 | 1 | RESISTOR 1.21K +-1% .125W TF TC=0+-100 | 00746 | CRB14 OR CRB25 |
| R300 | 0757-0416 | 7 | 1 | RESISTOR 511 +-1% .125W TF TC=0+-100 | 00746 | CRB14 OR CRB25 |
| R301 | 0757-0346 | 2 | 1 | RESISTOR 10 +-1% .125W TF TC=0+-100 | 00746 | CRB14 OR CRB25 |
| R302 | 0757-0274 | 5 | 1 | RESISTOR 1.21K +-1% .125W TF TC=0+-100 | 00746 | CRB14 OR CRB25 |
| R303 | 0757-0401 | 0 | 1 | RESISTOR 100 +-1% .125W TF TC=0+-100 | 00746 | CRB14 OR CRB25 |
| R304 | 0757-0442 | 9 | 1 | RESISTOR 10K +-1% .125W TF TC=0+-100 | 00746 | CRB14 OR CRB25 |
| R305 | 0698-8821 | 8 | 1 | RESISTOR 5.62 +-1% .125W TF TC=0+-100 | 01074 | H8 |
| R306 | 0698-0084 | 9 | 1 | RESISTOR 2.15K 1% .125W TF TC=0+-100 | 00746 | CRB14 OR CRB25 |
| R308 | 0698-8827 | 4 | 1 | RESISTOR 1M +-1% .125W TF TC=0+-100 | 00746 | CRB14 OR CRB25 |
| R310 | 0757-0442 | 9 | 1 | RESISTOR 10K +-1% .125W TF TC=0+-100 | 00746 | CRB14 OR CRB25 |
| R311 | 0757-0317 | 7 | 1 | RESISTOR 1.33K +-1% .125W TF TC=0+-100 | 00746 | CRB14 OR CRB25 |
| R312 | 0757-0279 | 0 | 1 | RESISTOR 3.16K +-1% .125W TF TC=0+-100 | 00746 | CRB14 OR CRB25 |
| R313 | 0757-0346 | 2 | 1 | RESISTOR 10 +-1% .125W TF TC=0+-100 | 00746 | CRB14 OR CRB25 |
| R314 | 0698-0082 | 7 | 1 | RESISTOR 464 1% .125W TF TC=0+-100 | 00746 | CRB14 OR CRB25 |
| R315 | 0698-0082 | 7 | 1 | RESISTOR 464 1% .125W TF TC=0+-100 | 00746 | CRB14 OR CRB25 |
| R316 | 0757-0401 | 0 | 1 | RESISTOR 100 +-1% .125W TF TC=0+-100 | 00746 | CRB14 OR CRB25 |
| R317 | 0698-8821 | 8 | 1 | RESISTOR 5.62 +-1% .125W TF TC=0+-100 | 01074 | H8 |
| R318 | 0698-0084 | 9 | 1 | RESISTOR 2.15K 1% .125W TF TC=0+-100 | 00746 | CRB14 OR CRB25 |
| R320 | 0757-0442 | 9 | 1 | RESISTOR 10K +-1% .125W TF TC=0+-100 | 00746 | CRB14 OR CRB25 |
| R321 | 0698-8827 | 4 | 1 | RESISTOR 1M +-1% .125W TF TC=0+-100 | 00746 | CRB14 OR CRB25 |
| R323 | 0757-0317 | 7 | 1 | RESISTOR 1.33K +-1% .125W TF TC=0+-100 | 00746 | CRB14 OR CRB25 |
| R324 | 0757-0279 | 0 | 1 | RESISTOR 3.16K +-1% .125W TF TC=0+-100 | 00746 | CRB14 OR CRB25 |
| R325 | 0698-3445 | 2 | 1 | RESISTOR 348 1% .125W TF TC=0+-100 | 00746 | CRB14 OR CRB25 |
| R326 | 0698-3444 | 1 | 1 | RESISTOR 316 1% .125W TF TC=0+-100 | 00746 | CRB14 OR CRB25 |
| R327 | 0698-3444 | 1 | 1 | RESISTOR 316 1% .125W TF TC=0+-100 | 00746 | CRB14 OR CRB25 |
| R328 | 0757-0346 | 2 | 1 | RESISTOR 10 +-1% .125W TF TC=0+-100 | 00746 | CRB14 OR CRB25 |
| R329 | 0698-3445 | 2 | 1 | RESISTOR 348 1% .125W TF TC=0+-100 | 00746 | CRB14 OR CRB25 |
| R330 | 0698-8823 | 0 | 1 | RESISTOR 8.25 +-1% .125W TF TC=0+-100 | 01074 | H8 |
| R331 | 0698-6355 | 9 | 1 | RESISTOR 400 +-0.1% .125W TF TC=0+-25 | 00746 | CRB14 OR CRB25 |

*Indicates factory-selected value

08562-60120 Parts List

Page 9 of 14

HP Part Number 08562-60120

IF Filter

| Reference Designation | HP Part Number | C D | Qty | Description | Mfr Code | Mfr Part Number |
|-----------------------|----------------|-----|-----|--|----------|-----------------|
| R332 | 0698-6377 | 5 | 1 | RESISTOR 200 +-0.1% .125W TF TC=0+-25 | 00746 | CRB14 OR CRB25 |
| R334 | 0757-0346 | 2 | 1 | RESISTOR 10 +-1% .125W TF TC=0+-100 | 00746 | CRB14 OR CRB25 |
| R335 | 0757-0442 | 9 | 1 | RESISTOR 10K +-1% .125W TF TC=0+-100 | 00746 | CRB14 OR CRB25 |
| R336 | 0698-6323 | 1 | 1 | RESISTOR 100 +-0.1% .125W TF TC=0+-25 | 00746 | CRB14 OR CRB25 |
| R337 | 0757-0289 | 2 | 1 | RESISTOR 13.3K +-1% .125W TF TC=0+-100 | 00746 | CRB14 OR CRB25 |
| R338 | 0757-0441 | 8 | 1 | RESISTOR 8.25K +-1% .125W TF TC=0+-100 | 00746 | CRB14 OR CRB25 |
| R339 | 0757-0401 | 0 | 1 | RESISTOR 100 +-1% .125W TF TC=0+-100 | 00746 | CRB14 OR CRB25 |
| R340 | 0757-0419 | 0 | 1 | RESISTOR 681 +-1% .125W TF TC=0+-100 | 00746 | CRB14 OR CRB25 |
| R341 | 0699-0068 | 1 | 1 | RESISTOR 1.47M +-1% .125W TF TC=0+-100 | 02995 | 5033R |
| R342 | 0699-0068 | 1 | 1 | RESISTOR 1.47M +-1% .125W TF TC=0+-100 | 02995 | 5033R |
| R343 | 2100-4144 | 7 | 1 | RESISTOR-TRMR 200 10% TKF TOP-ADJ 17-TRN | 03744 | 3299Y-DM3-201 |
| R400 | 0757-0346 | 2 | 1 | RESISTOR 10 +-1% .125W TF TC=0+-100 | 00746 | CRB14 OR CRB25 |
| R401 | 0757-0442 | 9 | 1 | RESISTOR 10K +-1% .125W TF TC=0+-100 | 00746 | CRB14 OR CRB25 |
| R402 | 0757-0346 | 2 | 1 | RESISTOR 10 +-1% .125W TF TC=0+-100 | 00746 | CRB14 OR CRB25 |
| R403 | 0698-0084 | 9 | 1 | RESISTOR 2.15K 1% .125W TF TC=0+-100 | 00746 | CRB14 OR CRB25 |
| R404 | 0757-0424 | 7 | 1 | RESISTOR 1.1K +-1% .125W TF TC=0+-100 | 00746 | CRB14 OR CRB25 |
| R405 | 0757-0276 | 7 | 1 | RESISTOR 61.9 +-1% .125W TF TC=0+-100 | 00746 | CRB14 OR CRB25 |
| R406 | 0698-3441 | 8 | 1 | RESISTOR 215 1% .125W TF TC=0+-100 | 00746 | CRB14 OR CRB25 |
| R407 | 0757-0317 | 7 | 1 | RESISTOR 1.33K +-1% .125W TF TC=0+-100 | 00746 | CRB14 OR CRB25 |
| R409 | 0698-3151 | 7 | 1 | RESISTOR 2.87K 1% .125W TF TC=0+-100 | 00746 | CRB14 OR CRB25 |
| R410 | 0698-3151 | 7 | 1 | RESISTOR 2.87K 1% .125W TF TC=0+-100 | 00746 | CRB14 OR CRB25 |
| R411 | 0757-0401 | 0 | 1 | RESISTOR 100 +-1% .125W TF TC=0+-100 | 00746 | CRB14 OR CRB25 |
| R412 | 0698-3443 | 0 | 1 | RESISTOR 287 1% .125W TF TC=0+-100 | 00746 | CRB14 OR CRB25 |
| R413 | 0757-0442 | 9 | 1 | RESISTOR 10K +-1% .125W TF TC=0+-100 | 00746 | CRB14 OR CRB25 |
| R414 | 0757-0316 | 6 | 1 | RESISTOR 42.2 +-1% .125W TF TC=0+-100 | 00746 | CRB14 OR CRB25 |
| R415 | 0757-0403 | 2 | 1 | RESISTOR 121 +-1% .125W TF TC=0+-100 | 00746 | CRB14 OR CRB25 |
| R416 | 0757-0346 | 2 | 1 | RESISTOR 10 +-1% .125W TF TC=0+-100 | 00746 | CRB14 OR CRB25 |
| R417 | 0757-1094 | 9 | 1 | RESISTOR 1.47K +-1% .125W TF TC=0+-100 | 00746 | CRB14 OR CRB25 |
| R419 | 0757-0438 | 3 | 1 | RESISTOR 5.11K +-1% .125W TF TC=0+-100 | 00746 | CRB14 OR CRB25 |
| R420 | 0757-0438 | 3 | 1 | RESISTOR 5.11K +-1% .125W TF TC=0+-100 | 00746 | CRB14 OR CRB25 |
| R421 | 0757-0442 | 9 | 1 | RESISTOR 10K +-1% .125W TF TC=0+-100 | 00746 | CRB14 OR CRB25 |
| R422 | 0757-0401 | 0 | 1 | RESISTOR 100 +-1% .125W TF TC=0+-100 | 00746 | CRB14 OR CRB25 |
| R423 | 0698-3444 | 1 | 1 | RESISTOR 316 1% .125W TF TC=0+-100 | 00746 | CRB14 OR CRB25 |
| R424 | 0698-3445 | 2 | 1 | RESISTOR 348 1% .125W TF TC=0+-100 | 00746 | CRB14 OR CRB25 |
| R425 | 0757-0401 | 0 | 1 | RESISTOR 100 +-1% .125W TF TC=0+-100 | 00746 | CRB14 OR CRB25 |
| R426 | 0757-0346 | 2 | 1 | RESISTOR 10 +-1% .125W TF TC=0+-100 | 00746 | CRB14 OR CRB25 |
| R427 | 0757-0401 | 0 | 1 | RESISTOR 100 +-1% .125W TF TC=0+-100 | 00746 | CRB14 OR CRB25 |
| R428 | 0757-0288 | 1 | 1 | RESISTOR 9.09K +-1% .125W TF TC=0+-100 | 00746 | CRB14 OR CRB25 |
| R430 | 0757-0442 | 9 | 1 | RESISTOR 10K +-1% .125W TF TC=0+-100 | 00746 | CRB14 OR CRB25 |
| R500 | 0757-0346 | 2 | 1 | RESISTOR 10 +-1% .125W TF TC=0+-100 | 00746 | CRB14 OR CRB25 |
| R501 | 0757-0290 | 5 | 1 | RESISTOR 6.19K +-1% .125W TF TC=0+-100 | 00746 | CRB14 OR CRB25 |
| R502 | 0698-3153 | 9 | 1 | RESISTOR 3.83K 1% .125W TF TC=0+-100 | 00746 | CRB14 OR CRB25 |
| R503 | 0698-3444 | 1 | 1 | RESISTOR 316 1% .125W TF TC=0+-100 | 00746 | CRB14 OR CRB25 |
| R504 | 0698-0084 | 9 | 1 | RESISTOR 2.15K 1% .125W TF TC=0+-100 | 00746 | CRB14 OR CRB25 |
| R505 | 0757-0442 | 9 | 1 | RESISTOR 10K +-1% .125W TF TC=0+-100 | 00746 | CRB14 OR CRB25 |
| R507 | 0757-0442 | 9 | 1 | RESISTOR 10K +-1% .125W TF TC=0+-100 | 00746 | CRB14 OR CRB25 |
| R508 | 0698-8827 | 4 | 1 | RESISTOR 1M +-1% .125W TF TC=0+-100 | 00746 | CRB14 OR CRB25 |

HP Part Number 08562-60120

IF Filter

| Reference Designation | HP Part Number | C | D | Qty | Description | Mfr Code | Mfr Part Number |
|-----------------------|----------------|---|---|-----|--|----------|-----------------|
| R511 | 0698-8823 | 0 | | 1 | RESISTOR 8.25 +-1% .125W TF TC=0+-100 | 01074 | H8 |
| R513 | 0757-0346 | 2 | | 1 | RESISTOR 10 +-1% .125W TF TC=0+-100 | 00746 | CRB14 OR CRB25 |
| R514 | 0757-0317 | 7 | | 1 | RESISTOR 1.33K +-1% .125W TF TC=0+-100 | 00746 | CRB14 OR CRB25 |
| R515 | 0757-0279 | 0 | | 1 | RESISTOR 3.16K +-1% .125W TF TC=0+-100 | 00746 | CRB14 OR CRB25 |
| R516 | 0757-0290 | 5 | | 1 | RESISTOR 6.19K +-1% .125W TF TC=0+-100 | 00746 | CRB14 OR CRB25 |
| R517 | 0698-3153 | 9 | | 1 | RESISTOR 3.83K 1% .125W TF TC=0+-100 | 00746 | CRB14 OR CRB25 |
| R518 | 0698-0084 | 9 | | 1 | RESISTOR 2.15K 1% .125W TF TC=0+-100 | 00746 | CRB14 OR CRB25 |
| R519 | 0757-0346 | 2 | | 1 | RESISTOR 10 +-1% .125W TF TC=0+-100 | 00746 | CRB14 OR CRB25 |
| R520 | 0757-0401 | 0 | | 1 | RESISTOR 100 +-1% .125W TF TC=0+-100 | 00746 | CRB14 OR CRB25 |
| R521 | 0698-3444 | 1 | | 1 | RESISTOR 316 1% .125W TF TC=0+-100 | 00746 | CRB14 OR CRB25 |
| R522 | 0757-0442 | 9 | | 1 | RESISTOR 10K +-1% .125W TF TC=0+-100 | 00746 | CRB14 OR CRB25 |
| R524 | 0757-0442 | 9 | | 1 | RESISTOR 10K +-1% .125W TF TC=0+-100 | 00746 | CRB14 OR CRB25 |
| R525 | 0698-8827 | 4 | | 1 | RESISTOR 1M +-1% .125W TF TC=0+-100 | 00746 | CRB14 OR CRB25 |
| R527 | 0698-8823 | 0 | | 1 | RESISTOR 8.25 +-1% .125W TF TC=0+-100 | 01074 | H8 |
| R530 | 0757-0317 | 7 | | 1 | RESISTOR 1.33K +-1% .125W TF TC=0+-100 | 00746 | CRB14 OR CRB25 |
| R531 | 0757-0279 | 0 | | 1 | RESISTOR 3.16K +-1% .125W TF TC=0+-100 | 00746 | CRB14 OR CRB25 |
| R532 | 0757-0346 | 2 | | 1 | RESISTOR 10 +-1% .125W TF TC=0+-100 | 00746 | CRB14 OR CRB25 |
| R533 | 0698-3154 | 0 | | 1 | RESISTOR 4.22K 1% .125W TF TC=0+-100 | 00746 | CRB14 OR CRB25 |
| R534 | 0698-3156 | 2 | | 1 | RESISTOR 14.7K 1% .125W TF TC=0+-100 | 00746 | CRB14 OR CRB25 |
| R535 | 0757-0346 | 2 | | 1 | RESISTOR 10 +-1% .125W TF TC=0+-100 | 00746 | CRB14 OR CRB25 |
| R536 | 0757-0401 | 0 | | 1 | RESISTOR 100 +-1% .125W TF TC=0+-100 | 00746 | CRB14 OR CRB25 |
| R537 | 0757-0421 | 4 | | 1 | RESISTOR 825 +-1% .125W TF TC=0+-100 | 00746 | CRB14 OR CRB25 |
| R538 | 0698-7212 | 9 | | 1 | RESISTOR 100 +-1% .05W TF TC=0+-100 | 00746 | CRB20 |
| R539 | 0757-0274 | 5 | | 1 | RESISTOR 1.21K +-1% .125W TF TC=0+-100 | 00746 | CRB14 OR CRB25 |
| R541 | 0757-0274 | 5 | | 1 | RESISTOR 1.21K +-1% .125W TF TC=0+-100 | 00746 | CRB14 OR CRB25 |
| R600 | 0757-0438 | 3 | | 1 | RESISTOR 5.11K +-1% .125W TF TC=0+-100 | 00746 | CRB14 OR CRB25 |
| R601 | 0757-0280 | 3 | | 1 | RESISTOR 1K +-1% .125W TF TC=0+-100 | 00746 | CRB14 OR CRB25 |
| R602 | 0698-4190 | 6 | | 1 | RESISTOR 50 .25% .125W TF TC=0+-100 | 01074 | H8 |
| R603 | 0698-6320 | 8 | | 1 | RESISTOR 5K +-0.1% .125W TF TC=0+-25 | 00746 | CRB14 OR CRB25 |
| R606 | 0698-3438 | 3 | | 1 | RESISTOR 147 1% .125W TF TC=0+-100 | 00746 | CRB14 OR CRB25 |
| R607 | 0698-0084 | 9 | | 1 | RESISTOR 2.15K 1% .125W TF TC=0+-100 | 00746 | CRB14 OR CRB25 |
| R608 | 0757-0442 | 9 | | 1 | RESISTOR 10K +-1% .125W TF TC=0+-100 | 00746 | CRB14 OR CRB25 |
| R609 | 0757-0346 | 2 | | 1 | RESISTOR 10 +-1% .125W TF TC=0+-100 | 00746 | CRB14 OR CRB25 |
| R610 | 0698-3444 | 1 | | 1 | RESISTOR 316 1% .125W TF TC=0+-100 | 00746 | CRB14 OR CRB25 |
| R611 | 0757-1094 | 9 | | 1 | RESISTOR 1.47K +-1% .125W TF TC=0+-100 | 00746 | CRB14 OR CRB25 |
| R612 | 0757-0346 | 2 | | 1 | RESISTOR 10 +-1% .125W TF TC=0+-100 | 00746 | CRB14 OR CRB25 |
| R613 | 0698-3438 | 3 | | 1 | RESISTOR 147 1% .125W TF TC=0+-100 | 00746 | CRB14 OR CRB25 |
| R614 | 0698-3439 | 4 | | 1 | RESISTOR 178 1% .125W TF TC=0+-100 | 00746 | CRB14 OR CRB25 |
| R615 | 0698-3439 | 4 | | 1 | RESISTOR 178 1% .125W TF TC=0+-100 | 00746 | CRB14 OR CRB25 |
| R616 | 0757-0346 | 2 | | 1 | RESISTOR 10 +-1% .125W TF TC=0+-100 | 00746 | CRB14 OR CRB25 |
| R617 | 0698-3441 | 8 | | 1 | RESISTOR 215 1% .125W TF TC=0+-100 | 00746 | CRB14 OR CRB25 |
| R618 | 0757-0442 | 9 | | 1 | RESISTOR 10K +-1% .125W TF TC=0+-100 | 00746 | CRB14 OR CRB25 |
| R619 | 0757-1094 | 9 | | 1 | RESISTOR 1.47K +-1% .125W TF TC=0+-100 | 00746 | CRB14 OR CRB25 |
| R620 | 0757-0279 | 0 | | 1 | RESISTOR 3.16K +-1% .125W TF TC=0+-100 | 00746 | CRB14 OR CRB25 |
| R621 | 0757-0346 | 2 | | 1 | RESISTOR 10 +-1% .125W TF TC=0+-100 | 00746 | CRB14 OR CRB25 |
| R622 | 0757-0439 | 4 | | 1 | RESISTOR 6.81K +-1% .125W TF TC=0+-100 | 00746 | CRB14 OR CRB25 |
| R623 | 0698-7212 | 9 | | 1 | RESISTOR 100 +-1% .05W TF TC=0+-100 | 00746 | CRB20 |
| R624 | 0757-0276 | 7 | | 1 | RESISTOR 61.9 +-1% .125W TF TC=0+-100 | 00746 | CRB14 OR CRB25 |

*Indicates factory-selected value

08562-60120 Parts List

Page 11 of 14

HP Part Number 08562-60120

IF Filter

| Reference Designation | HP Part Number | C | D | Qty | Description | Mfr Code | Mfr Part Number |
|-----------------------|----------------|---|---|-----|--|----------|-----------------|
| R625 | 0757-0442 | 9 | | 1 | RESISTOR 10K +-1% .125W TF TC=0+-100 | 00746 | CRB14 OR CRB25 |
| R626 | 0757-1094 | 9 | | 1 | RESISTOR 1.47K +-1% .125W TF TC=0+-100 | 00746 | CRB14 OR CRB25 |
| R627 | 0757-0442 | 9 | | 1 | RESISTOR 10K +-1% .125W TF TC=0+-100 | 00746 | CRB14 OR CRB25 |
| R628 | 0757-0401 | 0 | | 1 | RESISTOR 100 +-1% .125W TF TC=0+-100 | 00746 | CRB14 OR CRB25 |
| R629 | 0698-0082 | 7 | | 1 | RESISTOR 464 1% .125W TF TC=0+-100 | 00746 | CRB14 OR CRB25 |
| R630 | 0698-0082 | 7 | | 1 | RESISTOR 464 1% .125W TF TC=0+-100 | 00746 | CRB14 OR CRB25 |
| R631 | 0757-0346 | 2 | | 1 | RESISTOR 10 +-1% .125W TF TC=0+-100 | 00746 | CRB14 OR CRB25 |
| R632 | 0757-0442 | 9 | | 1 | RESISTOR 10K +-1% .125W TF TC=0+-100 | 00746 | CRB14 OR CRB25 |
| R633 | 0698-3438 | 3 | | 1 | RESISTOR 147 1% .125W TF TC=0+-100 | 00746 | CRB14 OR CRB25 |
| R634 | 0698-7253 | 8 | | 1 | RESISTOR 5.11K +-1% .05W TF TC=0+-100 | 00746 | CRB20 |
| R635 | 0698-6364 | 0 | | 1 | RESISTOR 50 +-0.1% .125W TF TC=0+-25 | 00746 | CRB14 OR CRB25 |
| R636 | 0698-6364 | 0 | | 1 | RESISTOR 50 +-0.1% .125W TF TC=0+-25 | 00746 | CRB14 OR CRB25 |
| R700 | 0698-0084 | 9 | | 1 | RESISTOR 2.15K 1% .125W TF TC=0+-100 | 00746 | CRB14 OR CRB25 |
| R701 | 0698-7284 | 5 | | 1 | RESISTOR 100K +-1% .05W TF TC=0+-100 | 00746 | CRB20 |
| R702 | 0757-0346 | 2 | | 1 | RESISTOR 10 +-1% .125W TF TC=0+-100 | 00746 | CRB14 OR CRB25 |
| R703 | 0698-8827 | 4 | | 1 | RESISTOR 1M +-1% .125W TF TC=0+-100 | 00746 | CRB14 OR CRB25 |
| R704 | 0698-8827 | 4 | | 1 | RESISTOR 1M +-1% .125W TF TC=0+-100 | 00746 | CRB14 OR CRB25 |
| R705 | 0698-8827 | 4 | | 1 | RESISTOR 1M +-1% .125W TF TC=0+-100 | 00746 | CRB14 OR CRB25 |
| R706 | 0698-7236 | 7 | | 1 | RESISTOR 1K +-1% .05W TF TC=0+-100 | 00746 | CRB20 |
| R707 | 0757-0279 | 0 | | 1 | RESISTOR 3.16K +-1% .125W TF TC=0+-100 | 00746 | CRB14 OR CRB25 |
| R708 | 0757-0401 | 0 | | 1 | RESISTOR 100 +-1% .125W TF TC=0+-100 | 00746 | CRB14 OR CRB25 |
| R709 | 0698-0082 | 7 | | 1 | RESISTOR 464 1% .125W TF TC=0+-100 | 00746 | CRB14 OR CRB25 |
| R710 | 0698-0082 | 7 | | 1 | RESISTOR 464 1% .125W TF TC=0+-100 | 00746 | CRB14 OR CRB25 |
| R711 | 0698-0084 | 9 | | 1 | RESISTOR 2.15K 1% .125W TF TC=0+-100 | 00746 | CRB14 OR CRB25 |
| R712 | 0698-7284 | 5 | | 1 | RESISTOR 100K +-1% .05W TF TC=0+-100 | 00746 | CRB20 |
| R713 | 0698-8827 | 4 | | 1 | RESISTOR 1M +-1% .125W TF TC=0+-100 | 00746 | CRB14 OR CRB25 |
| R714 | 0757-0346 | 2 | | 1 | RESISTOR 10 +-1% .125W TF TC=0+-100 | 00746 | CRB14 OR CRB25 |
| R715 | 0698-8827 | 4 | | 1 | RESISTOR 1M +-1% .125W TF TC=0+-100 | 00746 | CRB14 OR CRB25 |
| R716 | 0698-8827 | 4 | | 1 | RESISTOR 1M +-1% .125W TF TC=0+-100 | 00746 | CRB14 OR CRB25 |
| R717 | 0698-7236 | 7 | | 1 | RESISTOR 1K +-1% .05W TF TC=0+-100 | 00746 | CRB20 |
| R718 | 0698-7248 | 1 | | 1 | RESISTOR 3.16K +-1% .05W TF TC=0+-100 | 00746 | CRB20 |
| R719 | 0698-7236 | 7 | | 1 | RESISTOR 1K +-1% .05W TF TC=0+-100 | 00746 | CRB20 |
| R720 | 0698-7236 | 7 | | 1 | RESISTOR 1K +-1% .05W TF TC=0+-100 | 00746 | CRB20 |
| R721 | 0757-0442 | 9 | | 1 | RESISTOR 10K +-1% .125W TF TC=0+-100 | 00746 | CRB14 OR CRB25 |
| R722 | 0698-6366 | 2 | | 1 | RESISTOR 800 +-0.1% .125W TF TC=0+-25 | 00746 | CRB14 OR CRB25 |
| R723 | 0757-0317 | 7 | | 1 | RESISTOR 1.33K +-1% .125W TF TC=0+-100 | 00746 | CRB14 OR CRB25 |
| R724 | 0698-6323 | 1 | | 1 | RESISTOR 100 +-0.1% .125W TF TC=0+-25 | 00746 | CRB14 OR CRB25 |
| R725 | 0698-6323 | 1 | | 1 | RESISTOR 100 +-0.1% .125W TF TC=0+-25 | 00746 | CRB14 OR CRB25 |
| R726 | 0698-3438 | 3 | | 1 | RESISTOR 147 1% .125W TF TC=0+-100 | 00746 | CRB14 OR CRB25 |
| R727 | 0699-0068 | 1 | | 1 | RESISTOR 1.47M +-1% .125W TF TC=0+-100 | 02995 | 5033R |
| R728 | 0699-0068 | 1 | | 1 | RESISTOR 1.47M +-1% .125W TF TC=0+-100 | 02995 | 5033R |
| R729 | 0698-3445 | 2 | | 1 | RESISTOR 348 1% .125W TF TC=0+-100 | 00746 | CRB14 OR CRB25 |
| R730 | 0698-3447 | 4 | | 1 | RESISTOR 422 1% .125W TF TC=0+-100 | 00746 | CRB14 OR CRB25 |
| R731 | 0757-0394 | 0 | | 1 | RESISTOR 51.1 +-1% .125W TF TC=0+-100 | 00746 | CRB14 OR CRB25 |
| R732 | 0698-3445 | 2 | | 1 | RESISTOR 348 1% .125W TF TC=0+-100 | 00746 | CRB14 OR CRB25 |
| R800 | 0698-3154 | 0 | | 1 | RESISTOR 4.22K 1% .125W TF TC=0+-100 | 00746 | CRB14 OR CRB25 |
| R801 | 0757-0442 | 9 | | 1 | RESISTOR 10K +-1% .125W TF TC=0+-100 | 00746 | CRB14 OR CRB25 |

HP Part Number 08562-60120

IF Filter

| Reference Designation | HP Part Number | C | D | Qty | Description | Mfr Code | Mfr Part Number |
|-----------------------|----------------|---|---|-----|--|----------|-----------------|
| R802 | 0757-1094 | 9 | 1 | 1 | RESISTOR 1.47K +-1% .125W TF TC=0+-100 | 00746 | CRB14 OR CRB25 |
| R803 | 0757-0279 | 9 | 1 | 1 | RESISTOR 3.16K +-1% .125W TF TC=0+-100 | 00746 | CRB14 OR CRB25 |
| R804 | 0757-0180 | 2 | 1 | 1 | RESISTOR 31.6 +-1% .125W TF TC=0+-100 | 00746 | CRB14 OR CRB25 |
| R805 | 0757-0401 | 0 | 1 | 1 | RESISTOR 100 +-1% .125W TF TC=0+-100 | 00746 | CRB14 OR CRB25 |
| R806 | 0757-0401 | 0 | 1 | 1 | RESISTOR 100 +-1% .125W TF TC=0+-100 | 00746 | CRB14 OR CRB25 |
| R807 | 0757-0401 | 0 | 1 | 1 | RESISTOR 100 +-1% .125W TF TC=0+-100 | 00746 | CRB14 OR CRB25 |
| R808 | 0757-0401 | 0 | 1 | 1 | RESISTOR 100 +-1% .125W TF TC=0+-100 | 00746 | CRB14 OR CRB25 |
| R809 | 0757-0401 | 0 | 1 | 1 | RESISTOR 100 +-1% .125W TF TC=0+-100 | 00746 | CRB14 OR CRB25 |
| R810 | 0698-7284 | 5 | 1 | 1 | RESISTOR 100K +-1% .05W TF TC=0+-100 | 00746 | CRB20 |
| R811 | 0698-7284 | 5 | 1 | 1 | RESISTOR 100K +-1% .05W TF TC=0+-100 | 00746 | CRB20 |
| R812 | 0698-7284 | 5 | 1 | 1 | RESISTOR 100K +-1% .05W TF TC=0+-100 | 00746 | CRB20 |
| R813 | 0757-0461 | 2 | 1 | 1 | RESISTOR 68.1K +-1% .125W TF TC=0+-100 | 00746 | CRB14 OR CRB25 |
| R814 | 0757-0465 | 6 | 1 | 1 | RESISTOR 100K +-1% .125W TF TC=0+-100 | 00746 | CRB14 OR CRB25 |
| R815 | 0698-7284 | 5 | 1 | 1 | RESISTOR 100K +-1% .05W TF TC=0+-100 | 00746 | CRB20 |
| R816 | 0698-7284 | 5 | 1 | 1 | RESISTOR 100K +-1% .05W TF TC=0+-100 | 00746 | CRB20 |
| R817 | 0698-7284 | 5 | 1 | 1 | RESISTOR 100K +-1% .05W TF TC=0+-100 | 00746 | CRB20 |
| R818 | 0698-7284 | 5 | 1 | 1 | RESISTOR 100K +-1% .05W TF TC=0+-100 | 00746 | CRB20 |
| R819 | 0698-7284 | 5 | 1 | 1 | RESISTOR 100K +-1% .05W TF TC=0+-100 | 00746 | CRB20 |
| R820 | 0698-7284 | 5 | 1 | 1 | RESISTOR 100K +-1% .05W TF TC=0+-100 | 00746 | CRB20 |
| R821 | 0698-7284 | 5 | 1 | 1 | RESISTOR 100K +-1% .05W TF TC=0+-100 | 00746 | CRB20 |
| R822 | 0698-7284 | 5 | 1 | 1 | RESISTOR 100K +-1% .05W TF TC=0+-100 | 00746 | CRB20 |
| R823 | 0698-7284 | 5 | 1 | 1 | RESISTOR 100K +-1% .05W TF TC=0+-100 | 00746 | CRB20 |
| R824 | 0698-7284 | 5 | 1 | 1 | RESISTOR 100K +-1% .05W TF TC=0+-100 | 00746 | CRB20 |
| R825 | 0698-7284 | 5 | 1 | 1 | RESISTOR 100K +-1% .05W TF TC=0+-100 | 00746 | CRB20 |
| R826 | 0698-7284 | 5 | 1 | 1 | RESISTOR 100K +-1% .05W TF TC=0+-100 | 00746 | CRB20 |
| R827 | 0698-7284 | 5 | 1 | 1 | RESISTOR 100K +-1% .05W TF TC=0+-100 | 00746 | CRB20 |
| R828 | 0698-7284 | 5 | 1 | 1 | RESISTOR 100K +-1% .05W TF TC=0+-100 | 00746 | CRB20 |
| R829 | 0698-7284 | 5 | 1 | 1 | RESISTOR 100K +-1% .05W TF TC=0+-100 | 00746 | CRB20 |
| R830 | 0698-7284 | 5 | 1 | 1 | RESISTOR 100K +-1% .05W TF TC=0+-100 | 00746 | CRB20 |
| R831 | 0698-7284 | 5 | 1 | 1 | RESISTOR 100K +-1% .05W TF TC=0+-100 | 00746 | CRB20 |
| R832 | 0698-7284 | 5 | 1 | 1 | RESISTOR 100K +-1% .05W TF TC=0+-100 | 00746 | CRB20 |
| R833 | 0698-7284 | 5 | 1 | 1 | RESISTOR 100K +-1% .05W TF TC=0+-100 | 00746 | CRB20 |
| R834 | 0698-7284 | 5 | 1 | 1 | RESISTOR 100K +-1% .05W TF TC=0+-100 | 00746 | CRB20 |
| R835 | 0698-7284 | 5 | 1 | 1 | RESISTOR 100K +-1% .05W TF TC=0+-100 | 00746 | CRB20 |
| RB36 | 0698-7284 | 5 | 1 | 1 | RESISTOR 100K +-1% .05W TF TC=0+-100 | 00746 | CRB20 |
| R837 | 0698-7284 | 5 | 1 | 1 | RESISTOR 100K +-1% .05W TF TC=0+-100 | 00746 | CRB20 |
| R838 | 0698-7284 | 5 | 1 | 1 | RESISTOR 100K +-1% .05W TF TC=0+-100 | 00746 | CRB20 |
| R839 | 0698-7284 | 5 | 1 | 1 | RESISTOR 100K +-1% .05W TF TC=0+-100 | 00746 | CRB20 |
| R840 | 0698-7284 | 5 | 1 | 1 | RESISTOR 100K +-1% .05W TF TC=0+-100 | 00746 | CRB20 |
| R841 | 0757-0442 | 9 | 1 | 1 | RESISTOR 10K +-1% .125W TF TC=0+-100 | 00746 | CRB14 OR CRB25 |
| R842 | 0757-0442 | 9 | 1 | 1 | RESISTOR 10K +-1% .125W TF TC=0+-100 | 00746 | CRB14 OR CRB25 |
| R843 | 0698-7284 | 5 | 1 | 1 | RESISTOR 100K +-1% .05W TF TC=0+-100 | 00746 | CRB20 |
| R844 | 0698-7233 | 4 | 1 | 1 | RESISTOR 750 +-1% .05W TF TC=0+-100 | 00746 | CRB20 |
| R845 | 0698-7257 | 2 | 1 | 1 | RESISTOR 7.5K +-1% .05W TF TC=0+-100 | 00746 | CRB20 |
| R846 | 0698-7212 | 9 | 1 | 1 | RESISTOR 100 +-1% .05W TF TC=0+-100 | 00746 | CRB20 |
| T200 | 08562-80073 | 6 | 1 | 1 | | 28480 | 08562-80073 |
| T201 | 08562-80074 | 7 | 1 | 1 | XFMR RF TOROID | 28480 | 08562-80074 |
| T202 | 08562-80073 | 6 | 1 | 1 | L 1.0UH VAR | 28480 | 08562-80073 |

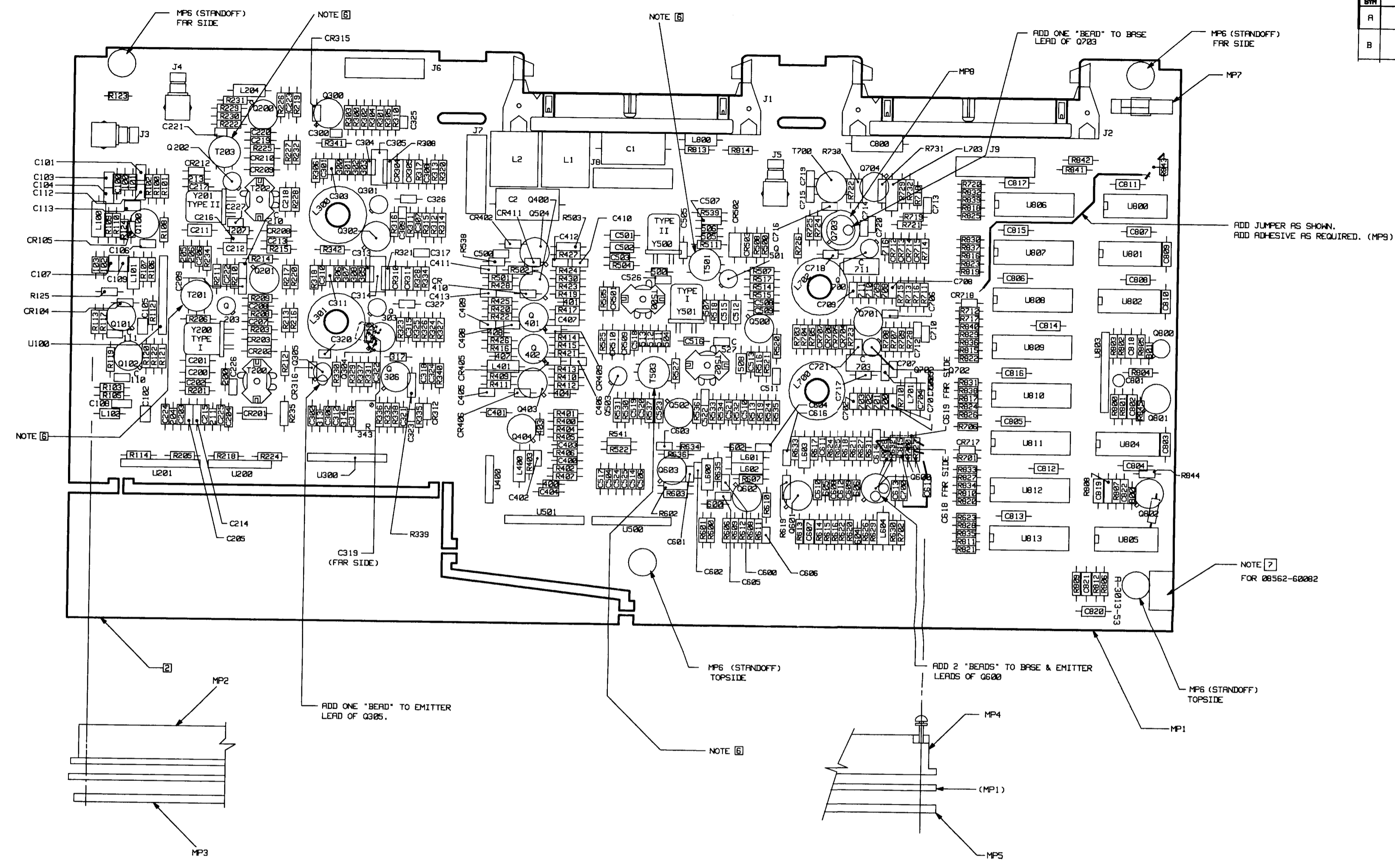
*Indicates factory-selected value

HP Part Number 08562-60120

IF Filter

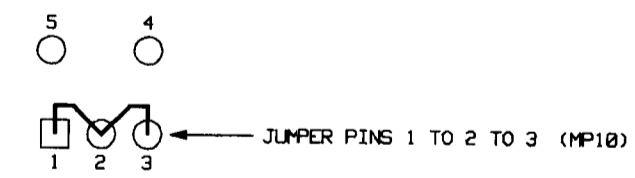
| Reference Designation | HP Part Number | C | D | Qty | Description | Mfr Code | Mfr Part Number |
|-----------------------|----------------|---|---|-----|--|----------|-----------------|
| T203 | 08562-80074 | 7 | | 1 | XFMR RF TOROID | 28480 | 08562-80074 |
| T500 | 08562-80073 | 6 | | 1 | L 1.6UH VAR | 28480 | 08562-80073 |
| T501 | 08562-80074 | 7 | | 1 | XFMR RF TOROID | 28480 | 08562-80074 |
| T502 | 08562-80073 | 6 | | 1 | L 1.0UH VAR | 28480 | 08562-80073 |
| T503 | 08562-80074 | 7 | | 1 | XFMR RF TOROID | 28480 | 08562-80074 |
| T700 | 08562-80075 | 8 | | 1 | XFMR RF TOROID | 28480 | 08562-80075 |
| U100 | 1810-1012 | 6 | | 1 | NETWORK-RES 10-SIP MULTI-VALUE | 02483 | 750-10P-5R |
| U200 | 1810-1013 | 7 | | 1 | NETWORK-RESISTOR MULTIPLE RESISTANCE VAL | 02483 | 750-08-4R |
| U201 | 1810-1014 | 8 | | 1 | NETWORK-RES 10-SIP MULTI-VALUE | 02483 | 750-10P-5R |
| U300 | 1810-1015 | 9 | | 1 | NETWORK-RESISTOR MULTIPLE RESISTANCE VAL | 02483 | 750-10P-5R |
| U400 | 1810-1400 | 6 | | 1 | NETWORK-RESISTOR SPIC 6 PIN SIP | 28480 | 1810-1400 |
| U500 | 1810-1017 | 1 | | 1 | NETWORK-RESISTOR MULTIPLE RESISTANCE VAL | 02483 | 750-10P-5R |
| U501 | 1810-1018 | 2 | | 1 | NETWORK-RESISTOR MULTIPLE RESISTANCE VAL | 02483 | 750 10P-5R |
| U800 | 1820-3847 | 0 | | 1 | IC DCDR CMOS/74HCT BIN 3-TO-8-LINE | 01898 | SN74HCT138N |
| U801 | 1826-0557 | 5 | | 1 | IC OP AMP 6P QUAD 14-DIP-C PKG | 03406 | LM348J |
| U802 | 1826-0753 | 3 | | 1 | IC OP AMP LOW-BIAS-H-IMPD QUAD 14-DIP-C | 02037 | MC34004BL |
| U803 | 1810-0281 | 9 | | 1 | NETWORK-RES 10-SIP 100.0K OHM X 9 | 02483 | 750-101 |
| U804 | 1826-1222 | 3 | | 1 | IC OP AMP H-SLEW-RATE QUAD 14-DIP-C PKG | 02037 | MC34074AL |
| U805 | 1858-0008 | 8 | | 1 | TRANSISTOR ARRAY 14-PIN PLSTC DIP | 02037 | SPQ526K |
| U806 | 1826-1234 | 7 | | 1 | D/A 8-BIT 20-CERDIP CMOS | 02180 | PH7226FR |
| U807 | 1826-1234 | 7 | | 1 | D/A 8-BIT 20-CERDIP CMOS | 02180 | PH7226FR |
| U808 | 1820-4465 | 0 | | 1 | IC FF CMOS/74HCT D-TYPE POS-EDGE-TRIG CO | 02910 | 74HCT377N |
| U809 | 1826-1234 | 7 | | 1 | D/A 8-BIT 20-CERDIP CMOS | 02180 | PH7226FR |
| U810 | 1826-1234 | 7 | | 1 | D/A 8-BIT 20-CERDIP CMOS | 02180 | PH7226FR |
| U811 | 1820-4465 | 0 | | 1 | IC FF CMOS/74HCT D-TYPE POS-EDGE-TRIG CO | 02910 | 74HCT377N |
| U812 | 1826-1234 | 7 | | 1 | D/A 8-BIT 20-CERDIP CMOS | 02180 | PH7226FR |
| U813 | 1826-1234 | 7 | | 1 | D/A 8-BIT 20-CERDIP CMOS | 02180 | PH7226FR |
| Y200 | 0410-1860 | 3 | | | CRYSTAL-QUARTZ CRYSTAL TEST PROGRAM SOFT | 01409 | |
| Y201 | 0410-1860 | 3 | | | CRYSTAL-QUARTZ CRYSTAL TEST PROGRAM SOFT | 01409 | |
| Y500 | 0410-1860 | 3 | | | CRYSTAL-QUARTZ CRYSTAL TEST PROGRAM SOFT | 01409 | |
| Y501 | 0410-1860 | 3 | | | CRYSTAL-QUARTZ CRYSTAL TEST PROGRAM SOFT | 01409 | |

| E-08560-60029-2 | |
|-----------------|------|
| REV | DATE |
| A | |
| B | |



NOTE 6

NOTE 7 FOR 08562-60022



NOTES: UNLESS OTHERWISE SPECIFIED

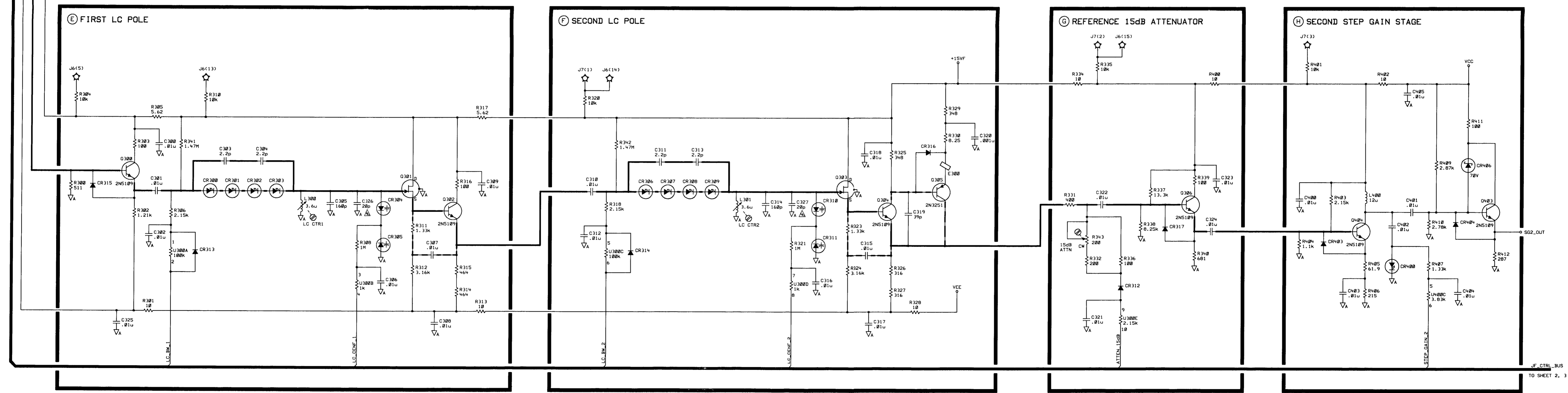
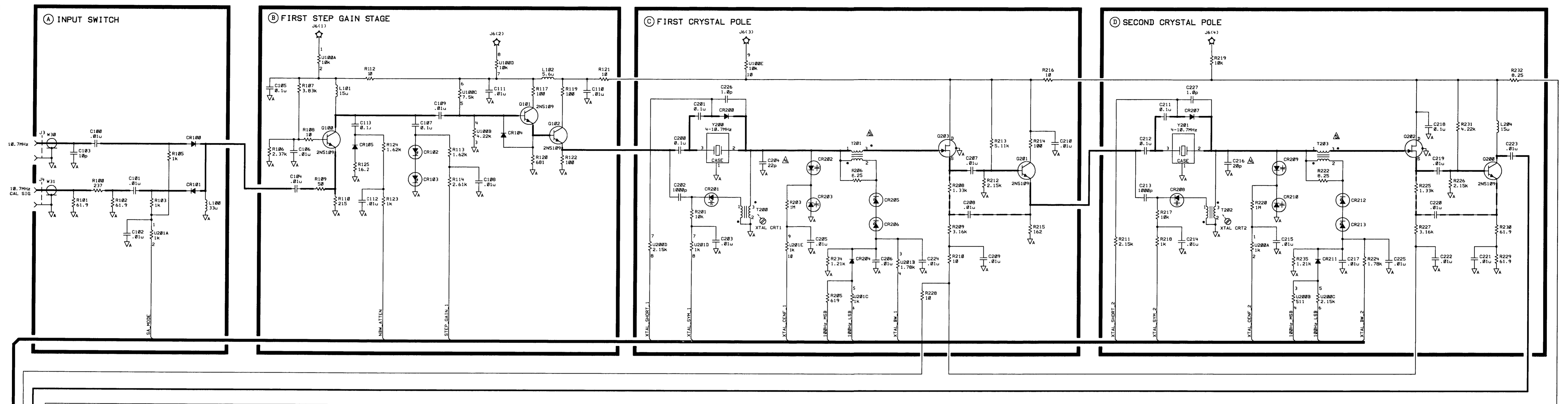
1. DIMENSIONS ARE IN INCHES.
2. REMOVE TABS AFTER WAVE SOLDER.
3. MAXIMUM COMPONENT HEIGHT _____.
4. MAXIMUM LEAD TRIM LENGTH .118 _____.
5. THREE DIGIT REFERENCE DESIGNATORS WITHOUT LETTERS ARE PREFIXED WITH CR. EXAMPLE- 204 BECOMES CR204.
6. FOR 08560-60029 DO NOT LOAD T201, T203, T501 AND T503. LOAD INSTEAD JUMPERS SHOWN IN DETAIL A.
7. FOR 08562-60120 BUILD BOARD AS SHOWN AND ADD LABEL TO CHANGE ASSY NUMBER OF FINISHED ASSY.

DETAIL A
HOLE PATTERN
T201, T203, T501, T503
FOR 08560-60029

HP PROPRIETARY
THIS DOCUMENT CONTAINS CONFIDENTIAL PROPRIETARY INFORMATION THAT IS HEWLETT-PACKARD (HP) PROPERTY. DO NOT DISCLOSE TO OR DUPLICATE FOR OTHERS EXCEPT AS AUTHORIZED BY HP.

| | | |
|---|-------------------|---------------------|
| 08562-60120 | 08562-60120 | NOTE 7 |
| 08560-60029 | 08560-60029 | NOTE 6 AND DETAIL A |
| PART NUMBER | MATERIAL LIST | REMARKS |
| TABLE I | | |
| UNLESS OTHERWISE SPECIFIED, DIMENSIONS ARE IN INCHES. | REVISED BY | DATE |
| TOLERANCES: .001XXX ±.001 | DESIGNED-CHECKED | |
| SEE COP. STD. 000 | RELEASED TO PROD. | |
| | REWORKED BY | |
| | DATE | |
| BOARD ASSEMBLY- 10.7MHZ FILTER | HEWLETT PACKARD | |
| TITLE | SEE TABLE I | |
| NONE | REV. 1 of 1 | E-08560-60029-2 |

| SYM | REVISIONS | | APPROVED | DATE |
|-----|-----------|--|----------|------|
| | A | | | |



- NOTES:
- REFERENCE DESIGNATORS WITHIN THIS ASSEMBLY ARE ABBREVIATED. PREFIX ABBREVIATION WITH ASSEMBLY NUMBER FOR COMPLETE REFERENCE DESIGNATOR.
 - UNLESS OTHERWISE INDICATED: RESISTANCE IN OHMS (Ω) CAPACITANCE IN MICROFARADS (μF) INDUCTANCE IN MICROHENRIES (μH)
 - MNEMONIC TABLE

| MNEMONIC | DESCRIPTION |
|----------|-------------|
| | |

- ON 0560-60029 T201, T203 T501 & T503 ARE NOT IN CIRCUIT PINS 1, 2 & 3 ARE JUMPED TOGETHER INSTEAD
- ON 0560-60029, R406 VALUE IS 237 OHMS ON 0562-60120, R406 VALUE IS 147 OHMS.

THIS DRAWING ALSO USED FOR THE FOLLOWING ASSEMBLIES:

| PART NO. | MATERIAL LIST | REMARKS |
|------------|---------------|------------|
| 0562-60120 | 0562-60120 | AS SHOWN |
| 0560-60029 | 0560-60029 | NOTE 5 & 6 |

TABLE 1

HP PROPRIETARY
 THIS DOCUMENT CONTAINS CONFIDENTIAL, PROPRIETARY INFORMATION THAT IS HEWLETT-PACKARD (HP) PROPERTY. DO NOT DISCLOSE TO OR DUPLICATE FOR OTHERS EXCEPT AS AUTHORIZED BY HP.

| ITEM | QTY. | PART/MATERIAL-DESCRIPTION | MAT'L-PART NO. | MAT'L-DWG. NO. | MAT'L-SPEC. |
|------|------|---------------------------|----------------|----------------|-------------|
| | | | | | |

DRAWN BY _____ DATE _____
 ENGINEER/CHECKER _____
 RELEASE TO PROD. _____
 SUPERSEDES DWG. _____

BOARD ASSEMBLY-
 10.7MHz FILTER
 (SCHEMATIC)
 TITLE

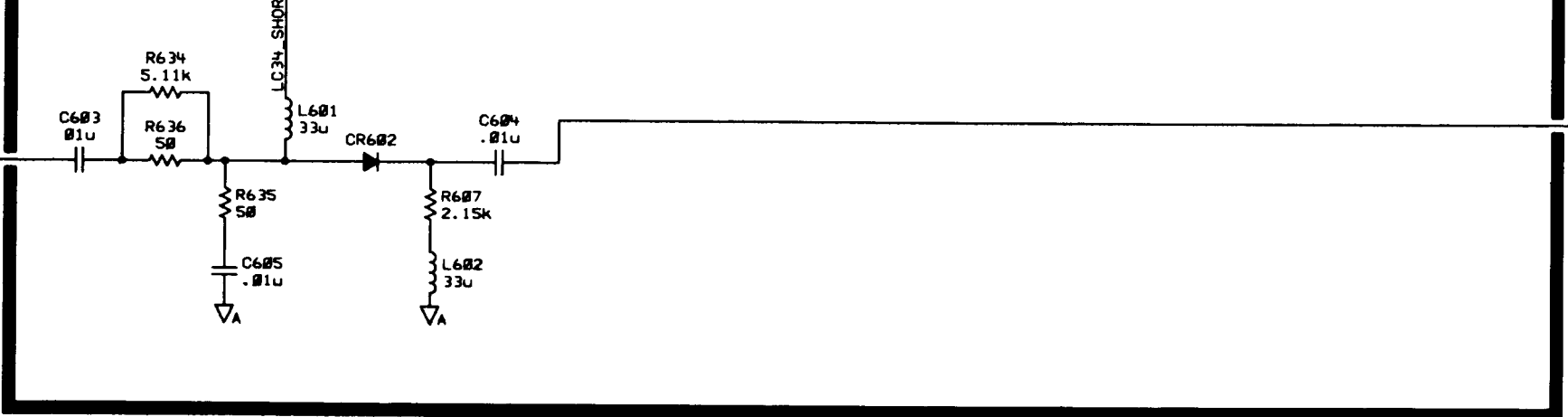
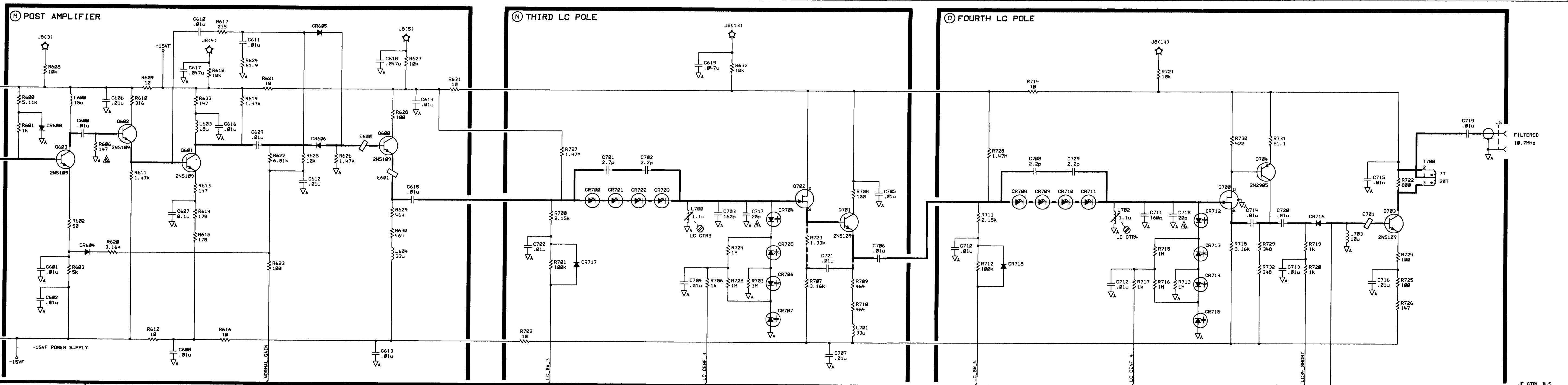
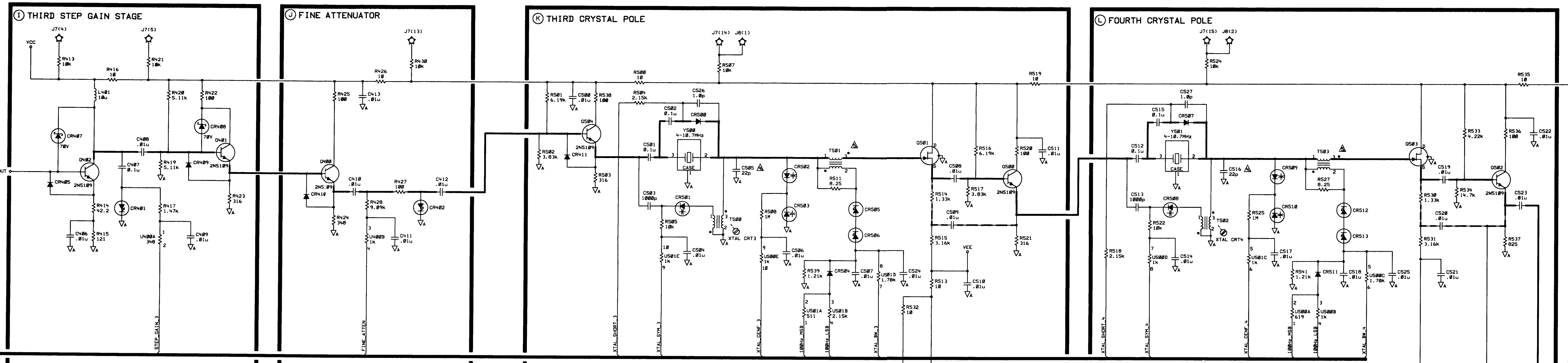
SCALE NONE SHEET 1 OF 3

HEWLETT
 PACKARD

TABLE 1
 PART NUMBER

FILENAME=029a D-0560-60029-1

| SYM | REVISIONS | APPROVED | DATE |
|-----|-----------|----------|------|
| A | | | |



THIS DRAWING ALSO USES FOR THE FOLLOWING ASSEMBLIES:

| PART NO. | MATERIAL LIST | REMARKS |
|-------------|---------------|------------|
| 08562-60120 | 08562-60120 | AS SHOWN |
| 08560-60029 | 08560-60029 | NOTE 5 & 6 |

TABLE 1

HP PROPRIETARY
 THIS DOCUMENT CONTAINS CONFIDENTIAL, PROPRIETARY INFORMATION THAT IS HEWLETT-PACKARD (HP) PROPERTY. DO NOT DISCLOSE TO OR DUPLICATE FOR OTHERS EXCEPT AS AUTHORIZED BY HP.

| ITEM | QTY. | PART/MATERIAL-DESCRIPTION | MAT'L-PART NO. | MAT'L-ING. NO. | MAT'L-SPEC. |
|--|------|---------------------------|----------------|----------------|-------------|
| DRAWN BY _____ DATE _____ | | | | | |
| ENGINEER/CHECKER _____ | | | | | |
| RELEASE TO PROD. _____ | | | | | |
| SUPERSEDES DWG. _____ | | | | | |
| BOARD ASSEMBLY- 10.7MHz FILTER (SCHEMATIC) | | | | | |
| TITLE | | | | | |
| SCALE NONE SHEET 2 OF 3 | | | | | |
| D-08560-60029-1 | | | | | |



TABLE 1
 PART NUMBER

JP_CTRL_BUS
 TO SHEET 1,3

SYM

REVISIONS

APPROVED

DATE

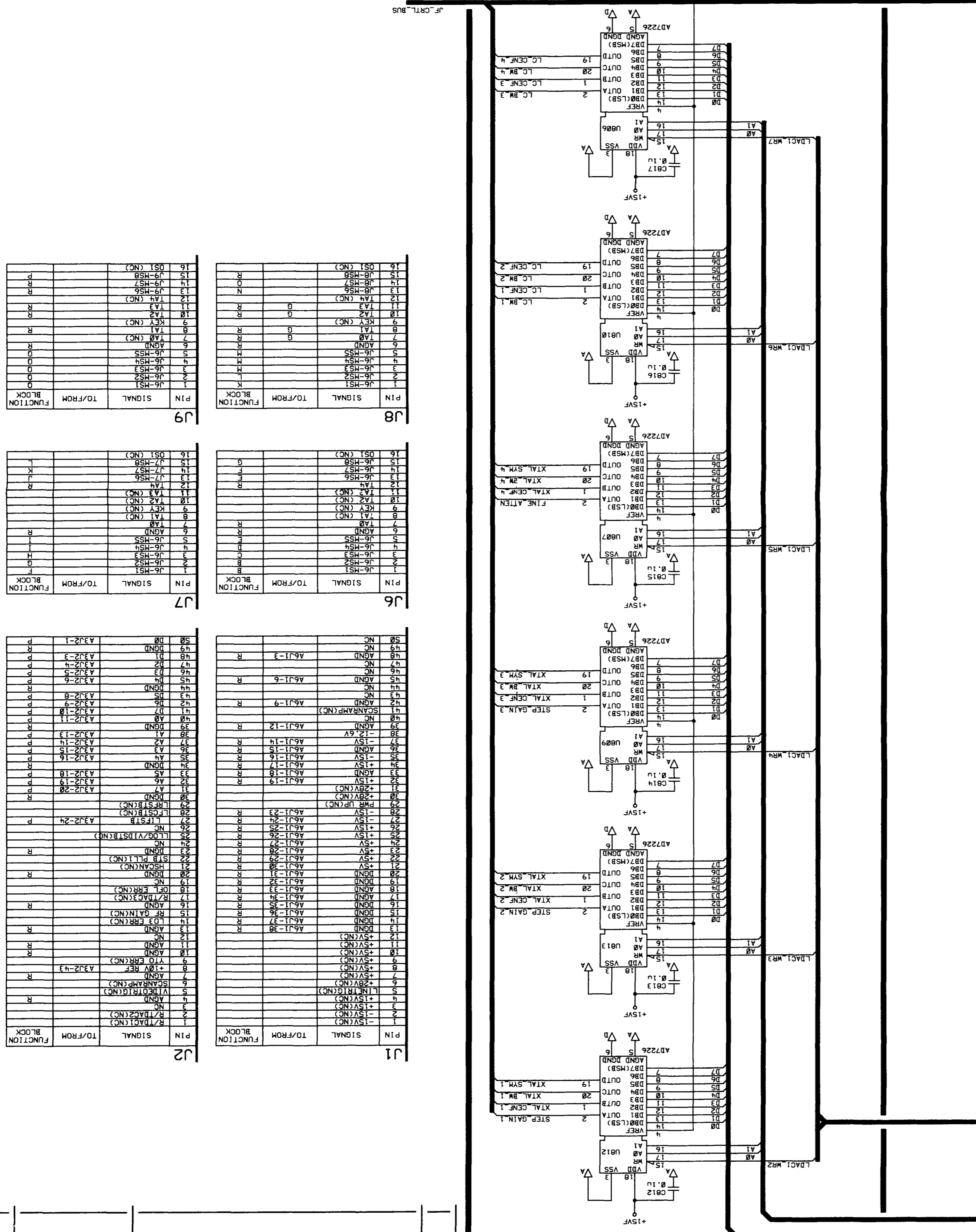
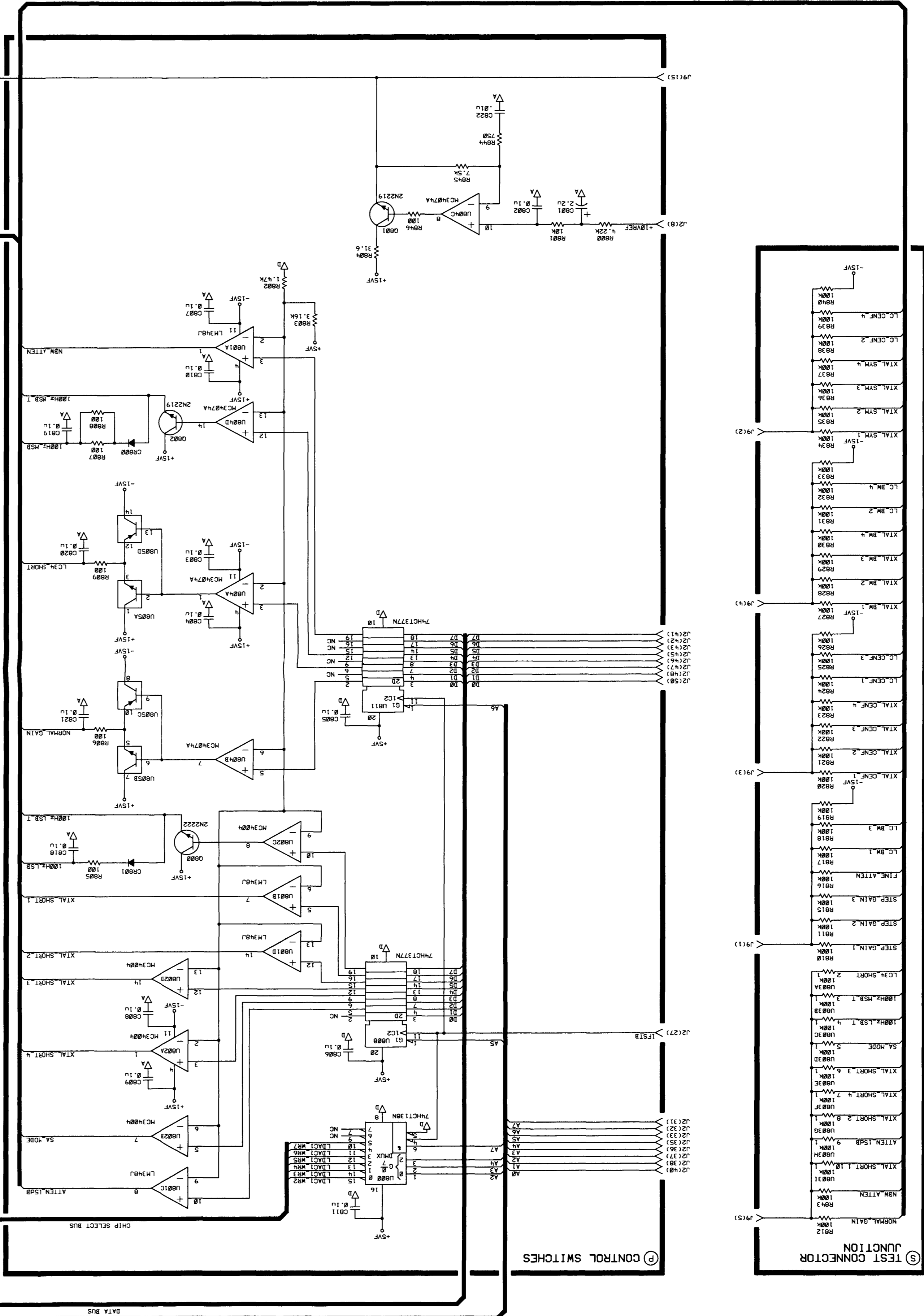


TABLE 1

| PART NO. | MATERIAL LIST | REMARKS |
|-------------|---------------|---------|
| 08562-60120 | AS SHOWN | |
| 08562-60229 | NOTE 5 & 6 | |
| 08560-60029 | | |

| ITEM | QTY. | PART/MATERIAL-DESCRIPTION | MAT'L-PART NO. | MAT'L-DWG. NO. | MAT'L-SPEC. |
|------|------|---------------------------|----------------|----------------|-------------|
| | | | | | |

HP PROPRIETARY
THIS DOCUMENT CONTAINS CONFIDENTIAL, PROPRIETARY INFORMATION THAT IS HEWLETT-PACKARD (HP) PROPERTY, DO NOT DISCLOSE OR DUPLICATE FOR OTHERS EXCEPT AS AUTHORIZED BY HP.

RELEASE TO PROD.
ENGINEER/CHECKER
DATE

BRANN BY

BOARD ASSEMBLY-
(SCHEMATIC)
10.7MHZ FILTER

PART NUMBER
HEWLETT
PACKARD

SCALE NONE
SHEET 3 OF 3
FILENAME: 08562A

08560-60029-1

TABLE 1

| PIN | SIGNAL | TO/FROM | FUNCTION | BLOCK |
|-----|--------|---------|----------|-------|
| 1 | 16-HST | R | | |
| 2 | 16-HST | R | | |
| 3 | 16-HST | R | | |
| 4 | 16-HST | R | | |
| 5 | 16-HST | R | | |
| 6 | 16-HST | R | | |
| 7 | 16-HST | R | | |
| 8 | 16-HST | R | | |
| 9 | 16-HST | R | | |
| 10 | 16-HST | R | | |
| 11 | 16-HST | R | | |
| 12 | 16-HST | R | | |
| 13 | 16-HST | R | | |
| 14 | 16-HST | R | | |
| 15 | 16-HST | R | | |
| 16 | 16-HST | R | | |
| 17 | 16-HST | R | | |
| 18 | 16-HST | R | | |
| 19 | 16-HST | R | | |
| 20 | 16-HST | R | | |
| 21 | 16-HST | R | | |
| 22 | 16-HST | R | | |
| 23 | 16-HST | R | | |
| 24 | 16-HST | R | | |
| 25 | 16-HST | R | | |
| 26 | 16-HST | R | | |
| 27 | 16-HST | R | | |
| 28 | 16-HST | R | | |
| 29 | 16-HST | R | | |
| 30 | 16-HST | R | | |
| 31 | 16-HST | R | | |
| 32 | 16-HST | R | | |
| 33 | 16-HST | R | | |
| 34 | 16-HST | R | | |
| 35 | 16-HST | R | | |
| 36 | 16-HST | R | | |
| 37 | 16-HST | R | | |
| 38 | 16-HST | R | | |
| 39 | 16-HST | R | | |
| 40 | 16-HST | R | | |
| 41 | 16-HST | R | | |
| 42 | 16-HST | R | | |
| 43 | 16-HST | R | | |
| 44 | 16-HST | R | | |
| 45 | 16-HST | R | | |
| 46 | 16-HST | R | | |
| 47 | 16-HST | R | | |
| 48 | 16-HST | R | | |
| 49 | 16-HST | R | | |
| 50 | 16-HST | R | | |
| 51 | 16-HST | R | | |
| 52 | 16-HST | R | | |
| 53 | 16-HST | R | | |
| 54 | 16-HST | R | | |
| 55 | 16-HST | R | | |
| 56 | 16-HST | R | | |
| 57 | 16-HST | R | | |
| 58 | 16-HST | R | | |
| 59 | 16-HST | R | | |
| 60 | 16-HST | R | | |
| 61 | 16-HST | R | | |
| 62 | 16-HST | R | | |
| 63 | 16-HST | R | | |
| 64 | 16-HST | R | | |
| 65 | 16-HST | R | | |
| 66 | 16-HST | R | | |
| 67 | 16-HST | R | | |
| 68 | 16-HST | R | | |
| 69 | 16-HST | R | | |
| 70 | 16-HST | R | | |
| 71 | 16-HST | R | | |
| 72 | 16-HST | R | | |
| 73 | 16-HST | R | | |
| 74 | 16-HST | R | | |
| 75 | 16-HST | R | | |
| 76 | 16-HST | R | | |
| 77 | 16-HST | R | | |
| 78 | 16-HST | R | | |
| 79 | 16-HST | R | | |
| 80 | 16-HST | R | | |
| 81 | 16-HST | R | | |
| 82 | 16-HST | R | | |
| 83 | 16-HST | R | | |
| 84 | 16-HST | R | | |
| 85 | 16-HST | R | | |
| 86 | 16-HST | R | | |
| 87 | 16-HST | R | | |
| 88 | 16-HST | R | | |
| 89 | 16-HST | R | | |
| 90 | 16-HST | R | | |
| 91 | 16-HST | R | | |
| 92 | 16-HST | R | | |
| 93 | 16-HST | R | | |
| 94 | 16-HST | R | | |
| 95 | 16-HST | R | | |
| 96 | 16-HST | R | | |
| 97 | 16-HST | R | | |
| 98 | 16-HST | R | | |
| 99 | 16-HST | R | | |
| 100 | 16-HST | R | | |

HP PROPRIETARY
THIS DOCUMENT CONTAINS CONFIDENTIAL, PROPRIETARY INFORMATION THAT IS HEWLETT-PACKARD (HP) PROPERTY, DO NOT DISCLOSE OR DUPLICATE FOR OTHERS EXCEPT AS AUTHORIZED BY HP.

RELEASE TO PROD.
ENGINEER/CHECKER
DATE

BRANN BY

BOARD ASSEMBLY-
(SCHEMATIC)
10.7MHZ FILTER

PART NUMBER
HEWLETT
PACKARD

SCALE NONE
SHEET 3 OF 3
FILENAME: 08562A

08560-60029-1

Component-Level Information Packet

for 08562-60123

Frequency Control

Copyright © 1990 Hewlett-Packard Company

All Rights Reserved.
Reproduction, adaptation, or translation
without prior written permission
is prohibited, except as allowed
under the copyright laws.

HP Document Part Number 08562-90134

Printed December 1990
Printed in USA

The information contained in this document is subject to change
without notice.



HP Part Number 08562-60123

Frequency Control

| Reference Designation | HP Part Number | C D | Qty | Description | Mfr Code | Mfr Part Number |
|-----------------------|----------------|--------|-----|---------------------------------------|----------|-----------------|
| A101 | 5062-7717 | 7 | 1 | | 28480 | 5062-7717 |
| A102 | 5062-7716 | 6 | 1 | | 28480 | 5062-7716 |
| A103 | 5062-7716 | 6 | 1 | | 28480 | 5062-7716 |
| C1 | 0180-3846 | 0 | 1 | CAP-FXD 15uF +-10% 25 V TA | 04200 | 299D156X9025DB1 |
| C2 | 0160-4832 | 4 | 1 | CAP-FXD 0.01uF 100 V | 02010 | SA101C103KAAH |
| C3 | 0160-4832 | 4 | 1 | CAP-FXD 0.01uF 100 V | 02010 | SA101C103KAAH |
| C4 | 0180-3831 | 3 | 1 | CAP-FXD 10uF +-10% 35 V TA | 04200 | 299D106X9035DB1 |
| C5 | 0180-3831 | 3 | 1 | CAP-FXD 10uF +-10% 35 V TA | 04200 | 299D106X9035DB1 |
| C6 | 0160-4805 | 1 | 1 | CAP-FXD 47pF +-5% 100 V CER COG | 02010 | SA102A470JAAH |
| C7 | 0180-3831 | 3 | 1 | CAP-FXD 10uF +-10% 35 V TA | 04200 | 299D106X9035DB1 |
| C8 | 0180-3850 | 6 | 1 | CAP-FXD 68uF 10 V TA | 04200 | 299D686X9010DB1 |
| C9 | 0160-4832 | 4 | 1 | CAP-FXD 0.01uF 100 V | 02010 | SA101C103KAAH |
| C10 | 0160-4554 | 7 | 1 | CAP-FXD 0.01uF 50 V | 02010 | SA105C103MAAH |
| C11 | 0160-4554 | 7 | 1 | CAP-FXD 0.01uF 50 V | 02010 | SA105C103MAAH |
| C12 | 0160-4832 | 4 | 1 | CAP-FXD 0.01uF 100 V | 02010 | SA101C103KAAH |
| C13 | 0160-4832 | 4 | 1 | CAP-FXD 0.01uF 100 V | 02010 | SA101C103KAAH |
| C14 | 0160-3402 | 2 | 1 | CAP-FXD 1uF 50 V POLYC-MET | 05176 | HEW-249 |
| C15 | 0160-5201 | 3 | 1 | CAP-FXD 0.01uF +-1% 200 V POLYC-MET | 05176 | HEW-249 |
| C16 | 0160-6326 | 5 | 1 | CAP-FXD 1060pF 50 V POLYC-MET | 05176 | HEW-249 |
| C17 | 0160-4835 | 7 | 1 | CAP-FXD 0.1uF 50 V | 02010 | SA115C104KAAH |
| C18 | 0160-4835 | 7 | 1 | CAP-FXD 0.1uF 50 V | 02010 | SA115C104KAAH |
| C20 | 0160-4835 | 7 | 1 | CAP-FXD 0.1uF 50 V | 02010 | SA115C104KAAH |
| C21 | 0160-4835 | 7 | 1 | CAP-FXD 0.1uF 50 V | 02010 | SA115C104KAAH |
| C22 | 0160-4835 | 7 | 1 | CAP-FXD 0.1uF 50 V | 02010 | SA115C104KAAH |
| C23 | 0160-4835 | 7 | 1 | CAP-FXD 0.1uF 50 V | 02010 | SA115C104KAAH |
| C25 | 0160-4822 | 2 | 1 | CAP-FXD 1000pF +-5% 100 V CER COG | 02010 | SA201A102JAAH |
| C27 | 0160-4835 | 7 | 1 | CAP-FXD 0.1uF 50 V | 02010 | SA115C104KAAH |
| C28 | 0160-4831 | 3 | 1 | CAP-FXD 4700pF 100 V | 02010 | SA101C472KAAH |
| C31 | 0160-0298 | 8 | 1 | CAP-FXD 1500pF 200 V POLYE-FL | 02367 | WMC2D15 |
| C32 | 0160-5422 | 0 | 1 | CAP-FXD 0.047uF 50 V | 02010 | SA205C473MAAH |
| C33 | 0160-5422 | 0 | 1 | CAP-FXD 0.047uF 50 V | 02010 | SA205C473MAAH |
| C36 | 0180-0058 | 0 | 1 | CAP-FXD 50uF +75% -10% 25 V AL-ELCTLT | 00493 | 25T500U6X18M |
| C37 | 0180-3850 | 6 | 1 | CAP-FXD 68uF 10 V TA | 04200 | 299D686X9010DB1 |
| C38 | 0160-4808 | 4 | 1 | CAP-FXD 470pF +-5% 100 V CER COG | 02010 | SA101A471JAAH |
| C39 | 0160-4808 | 4 | 1 | CAP-FXD 470pF +-5% 100 V CER COG | 02010 | SA101A471JAAH |
| C40 | 0160-4554 | 7 | 1 | CAP-FXD 0.01uF 50 V | 02010 | SA105C103MAAH |
| C41 | 0180-3771 | 0 | 1 | CAP-FXD 1uF +-10% 35 V TA | 04200 | 299D105X9035AB1 |
| C42 | 0180-3831 | 3 | 1 | CAP-FXD 10uF +-10% 35 V TA | 04200 | 299D106X9035DB1 |
| C43 | 0160-4832 | 4 | 1 | CAP-FXD 0.01uF 100 V | 02010 | SA101C103KAAH |
| C44 | 0160-4832 | 4 | 1 | CAP-FXD 0.01uF 100 V | 02010 | SA101C103KAAH |
| C45 | 0160-4832 | 4 | 1 | CAP-FXD 0.01uF 100 V | 02010 | SA101C103KAAH |
| C46 | 0160-4832 | 4 | 1 | CAP-FXD 0.01uF 100 V | 02010 | SA101C103KAAH |
| C47 | 0160-4832 | 4 | 1 | CAP-FXD 0.01uF 100 V | 02010 | SA101C103KAAH |
| C48 | 0160-4832 | 4 | 1 | CAP-FXD 0.01uF 100 V | 02010 | SA101C103KAAH |
| C49 | 0160-4832 | 4 | 1 | CAP-FXD 0.01uF 100 V | 02010 | SA101C103KAAH |
| C50 | 0160-4832 | 4 | 1 | CAP-FXD 0.01uF 100 V | 02010 | SA101C103KAAH |
| C51 | 0160-4832 | 4 | 1 | CAP-FXD 0.01uF 100 V | 02010 | SA101C103KAAH |
| C53 | 0160-4832 | 4 | 1 | CAP-FXD 0.01uF 100 V | 02010 | SA101C103KAAH |

*Indicates factory-selected value

HP Part Number 08562-60123

Frequency Control

| Reference Designation | HP Part Number | C D | Qty | Description | Mfr Code | Mfr Part Number |
|-----------------------|----------------|-----|-----|-----------------------------------|----------|---------------------|
| C55 | 0160-4832 | 4 | 1 | CAP-FXD 0.01uF 100 V | 02010 | SA101C103KAAH |
| C56 | 0160-4832 | 4 | 1 | CAP-FXD 0.01uF 100 V | 02010 | SA101C103KAAH |
| C57 | 0160-4832 | 4 | 1 | CAP-FXD 0.01uF 100 V | 02010 | SA101C103KAAH |
| C58 | 0160-4832 | 4 | 1 | CAP-FXD 0.01uF 100 V | 02010 | SA101C103KAAH |
| C59 | 0160-4832 | 4 | 1 | CAP-FXD 0.01uF 100 V | 02010 | SA101C103KAAH |
| C62 | 0160-4801 | 7 | 1 | CAP-FXD 100pF +-5% 100 V CER COG | 02010 | SA102A101JAAH |
| C63 | 0160-4801 | 7 | 1 | CAP-FXD 100pF +-5% 100 V CER COG | 02010 | SA102A101JAAH |
| C64 | 0160-4832 | 4 | 1 | CAP-FXD 0.01uF 100 V | 02010 | SA101C103KAAH |
| C66 | 0160-4791 | 4 | 1 | CAP-FXD 10pF +-5% 100 V CER COG | 02010 | SA102A100JAAH |
| C201 | 0180-0500 | 7 | 1 | CAP-FXD 47uF 20 V TA | 01760 | 202L2002-476-M6-552 |
| C302 | 0180-4003 | 3 | 1 | CAP-FXD 10uF 25 V TA | 12340 | T398E106K025AS |
| C303 | 0160-4830 | 2 | 1 | CAP-FXD 2200pF 100 V | 02010 | SA101C222KAAH |
| C304 | 0160-4833 | 5 | 1 | CAP-FXD 0.022uF 100 V | 02010 | SA201C223KAAH |
| C305 | 0160-4832 | 4 | 1 | CAP-FXD 0.01uF 100 V | 02010 | SA101C103KAAH |
| C306 | 0160-4832 | 4 | 1 | CAP-FXD 0.01uF 100 V | 02010 | SA101C103KAAH |
| C307 | 0160-4833 | 5 | 1 | CAP-FXD 0.022uF 100 V | 02010 | SA201C223KAAH |
| C308 | 0160-4830 | 2 | 1 | CAP-FXD 2200pF 100 V | 02010 | SA101C222KAAH |
| C309 | 0180-4003 | 3 | 1 | CAP-FXD 10uF 25 V TA | 12340 | T398E106K025AS |
| C310 | 0160-4233 | 9 | 1 | CAP-FXD 0.47uF 50 V POLYC-MET | 05176 | HEW-249 |
| C311 | 0160-4835 | 7 | 1 | CAP-FXD 0.1uF 50 V | 02010 | SA115C104KAAH |
| C312 | 0160-4832 | 4 | 1 | CAP-FXD 0.01uF 100 V | 02010 | SA101C103KAAH |
| C313 | 0160-4801 | 7 | 1 | CAP-FXD 100pF +-5% 100 V CER COG | 02010 | SA102A101JAAH |
| C315 | 0180-4003 | 3 | 1 | CAP-FXD 10uF 25 V TA | 12340 | T398E106K025AS |
| C316 | 0160-4822 | 2 | 1 | CAP-FXD 1000pF +-5% 100 V CER COG | 02010 | SA201A102JAAH |
| C317 | 0160-4822 | 2 | 1 | CAP-FXD 1000pF +-5% 100 V CER COG | 02010 | SA201A102JAAH |
| C318 | 0160-4814 | 2 | 1 | CAP-FXD 150pF +-5% 100 V CER COG | 02010 | SA101A151JAAH |
| C319 | 0180-4003 | 3 | 1 | CAP-FXD 10uF 25 V TA | 12340 | T398E106K025AS |
| C320 | 0160-4822 | 2 | 1 | CAP-FXD 1000pF +-5% 100 V CER COG | 02010 | SA201A102JAAH |
| C321 | 0160-4822 | 2 | 1 | CAP-FXD 1000pF +-5% 100 V CER COG | 02010 | SA201A102JAAH |
| C322 | 0160-4040 | 6 | 1 | CAP-FXD 1000pF 100 V | 02010 | SR201A102JAAH |
| C323 | 0160-4822 | 2 | 1 | CAP-FXD 1000pF +-5% 100 V CER COG | 02010 | SA201A102JAAH |
| C324 | 0160-4832 | 4 | 1 | CAP-FXD 0.01uF 100 V | 02010 | SA101C103KAAH |
| C325 | 0160-4832 | 4 | 1 | CAP-FXD 0.01uF 100 V | 02010 | SA101C103KAAH |
| C326 | 0160-4801 | 7 | 1 | CAP-FXD 100pF +-5% 100 V CER COG | 02010 | SA102A101JAAH |
| C327 | 0160-4846 | 0 | 1 | CAP-FXD 1500pF +-5% 100 V CER COG | 02010 | SA201A152JAAH |
| C328 | 0160-4814 | 2 | 1 | CAP-FXD 150pF +-5% 100 V CER COG | 02010 | SA101A151JAAH |
| C329 | 0180-4003 | 3 | 1 | CAP-FXD 10uF 25 V TA | 12340 | T398E106K025AS |
| C330 | 0160-4832 | 4 | 1 | CAP-FXD 0.01uF 100 V | 02010 | SA101C103KAAH |
| C331 | 0180-4003 | 3 | 1 | CAP-FXD 10uF 25 V TA | 12340 | T398E106K025AS |
| C332 | 0180-4003 | 3 | 1 | CAP-FXD 10uF 25 V TA | 12340 | T398E106K025AS |
| C333 | 0160-4835 | 7 | 1 | CAP-FXD 0.1uF 50 V | 02010 | SA115C104KAAH |
| C334 | 0160-4814 | 2 | 1 | CAP-FXD 150pF +-5% 100 V CER COG | 02010 | SA101A151JAAH |
| C335 | 0180-4003 | 3 | 1 | CAP-FXD 10uF 25 V TA | 12340 | T398E106K025AS |
| C336 | 0160-4835 | 7 | 1 | CAP-FXD 0.1uF 50 V | 02010 | SA115C104KAAH |
| C337 | 0160-4822 | 2 | 1 | CAP-FXD 1000pF +-5% 100 V CER COG | 02010 | SA201A102JAAH |
| C338 | 0160-4822 | 2 | 1 | CAP-FXD 1000pF +-5% 100 V CER COG | 02010 | SA201A102JAAH |
| C339 | 0160-4822 | 2 | 1 | CAP-FXD 1000pF +-5% 100 V CER COG | 02010 | SA201A102JAAH |

HP Part Number 08562-60123

Frequency Control

| Reference Designation | HP Part Number | C D | Qty | Description | Mfr Code | Mfr Part Number |
|-----------------------|----------------|-----|-----|-------------------------------------|----------|-----------------|
| C340 | 0160-4822 | 2 | 1 | CAP-FXD 1000pF +-5% 100 V CER COG | 02010 | SA201A102JAAH |
| C341 | 0160-4832 | 4 | 1 | CAP-FXD 0.01uF 100 V | 02010 | SA101C103KAAH |
| C342 | 0160-4822 | 2 | 1 | CAP-FXD 1000pF +-5% 100 V CER COG | 02010 | SA201A102JAAH |
| C343 | 0160-4835 | 7 | 1 | CAP-FXD 0.1uF 50 V | 02010 | SA115C104KAAH |
| C344 | 0160-4832 | 4 | 1 | CAP-FXD 0.01uF 100 V | 02010 | SA101C103KAAH |
| C345 | 0160-4832 | 4 | 1 | CAP-FXD 0.01uF 100 V | 02010 | SA101C103KAAH |
| C346 | 0160-4822 | 2 | 1 | CAP-FXD 1000pF +-5% 100 V CER COG | 02010 | SA201A102JAAH |
| C347 | 0160-4830 | 2 | 1 | CAP-FXD 2200pF 100 V | 02010 | SA101C222KAAH |
| C348 | 0160-4832 | 4 | 1 | CAP-FXD 0.01uF 100 V | 02010 | SA101C103KAAH |
| C349 | 0160-4804 | 0 | 1 | CAP-FXD 56pF +-5% 100 V CER COG | 02010 | SA102A560JAAH |
| C350 | 0160-4804 | 0 | 1 | CAP-FXD 56pF +-5% 100 V CER COG | 02010 | SA102A560JAAH |
| C351 | 0160-4814 | 2 | 1 | CAP-FXD 150pF +-5% 100 V CER COG | 02010 | SA101A151JAAH |
| C352 | 0160-4814 | 2 | 1 | CAP-FXD 150pF +-5% 100 V CER COG | 02010 | SA101A151JAAH |
| C353 | 0160-3879 | 7 | 1 | CAP-FXD 0.01uF 100 V | 02010 | SR201C103MAAH |
| C354 | 0160-3879 | 7 | 1 | CAP-FXD 0.01uF 100 V | 02010 | SR201C103MAAH |
| C355 | 0160-3661 | 5 | 1 | CAP-FXD 0.1uF 50 V POLYC-MET | 05176 | HEW-249 |
| C356 | 0160-4574 | 1 | 1 | CAP-FXD 1000pF 100 V | 02010 | SA101C102KAAH |
| C357 | 0160-4807 | 3 | 1 | CAP-FXD 33pF +-5% 100 V CER COG | 02010 | SA102A330JAAH |
| C358 | 0160-4805 | 1 | 1 | CAP-FXD 47pF +-5% 100 V CER COG | 02010 | SA102A470JAAH |
| C359 | 0180-4003 | 3 | 1 | CAP-FXD 10uF 25 V TA | 12340 | T398E106K025AS |
| C360 | 0160-4791 | 4 | 1 | CAP-FXD 10pF +-5% 100 V CER COG | 02010 | SA102A100JAAH |
| C361 | 0180-4003 | 3 | 1 | CAP-FXD 10uF 25 V TA | 12340 | T398E106K025AS |
| C362 | 0160-4786 | 7 | 1 | CAP-FXD 27pF +-5% 100 V CER COG | 02010 | SA102A270JAAH |
| C363 | 0160-4233 | 9 | 1 | CAP-FXD 0.47uF 50 V POLYC-MET | 05176 | HEW-249 |
| C364 | 0180-3771 | 0 | 1 | CAP-FXD 1uF +-10% 35 V TA | 04200 | 299D105X9035AB1 |
| C365 | 0160-3878 | 6 | 1 | CAP-FXD 1000pF +-20% 100 V CER X7R | 02010 | SR201C102MAAH |
| C369 | 0160-4830 | 2 | 1 | CAP-FXD 2200pF 100 V | 02010 | SA101C222KAAH |
| C379 | 0180-3845 | 9 | 1 | CAP-FXD 4.7uF 35 V TA | 04200 | 299D475X9035CB1 |
| C380 | 0160-4574 | 1 | 1 | CAP-FXD 1000pF 100 V | 02010 | SA101C102KAAH |
| C381 | 0160-4835 | 7 | 1 | CAP-FXD 0.1uF 50 V | 02010 | SA115C104KAAH |
| C383 | 0160-4805 | 1 | 1 | CAP-FXD 47pF +-5% 100 V CER COG | 02010 | SA102A470JAAH |
| C384 | 0160-4371 | 6 | 1 | CAP-FXD 680pF +-5% 100 V CER COG | 02010 | SR201A681JAAH |
| C385 | 0160-4812 | 0 | 1 | CAP-FXD 220pF +-5% 100 V CER COG | 02010 | SA101A221JAAH |
| C393 | 0160-3875 | 3 | 1 | CAP-FXD 22pF 200 V | 06352 | FD12C062D220J |
| C535 | 0160-3879 | 7 | 1 | CAP-FXD 0.01uF 100 V | 02010 | SR201C103MAAH |
| C536 | 0160-3879 | 7 | 1 | CAP-FXD 0.01uF 100 V | 02010 | SR201C103MAAH |
| C537 | 0160-3879 | 7 | 1 | CAP-FXD 0.01uF 100 V | 02010 | SR201C103MAAH |
| C539 | 0160-4387 | 4 | 1 | CAP-FXD 47pF 200 V | 06352 | FD12C062D470J |
| C540 | 0160-3879 | 7 | 1 | CAP-FXD 0.01uF 100 V | 02010 | SR201C103MAAH |
| C541 | 0160-3879 | 7 | 1 | CAP-FXD 0.01uF 100 V | 02010 | SR201C103MAAH |
| C542 | 0160-3879 | 7 | 1 | CAP-FXD 0.01uF 100 V | 02010 | SR201C103MAAH |
| C543 | 0160-0570 | 9 | 1 | CAP-FXD 220pF 100 V | 02010 | SR201C221MAAH |
| C544 | 0160-0570 | 9 | 1 | CAP-FXD 220pF 100 V | 02010 | SR201C221MAAH |
| C545 | 0160-6016 | 0 | 1 | CAP-FXD 0.047uF +-10% 100 V CER X7R | 02010 | SR211C473KAAH |
| C546 | 0160-6016 | 0 | 1 | CAP-FXD 0.047uF +-10% 100 V CER X7R | 02010 | SR211C473KAAH |
| C547 | 0160-4031 | 5 | 1 | CAP-FXD 330pF 100 V | 02010 | SR201A331JAAH |
| C548 | 0160-5405 | 9 | 1 | CAP-FXD 130pF +-5% 100 V CER COG | 02010 | SA101A131JAAH |
| C549 | 0160-4615 | 1 | 1 | CAP-FXD 1200pF +-5% 100 V CER COG | 02010 | SR201A122JAAH |

*Indicates factory-selected value

HP Part Number 08562-60123
Frequency Control

| Reference Designation | HP Part Number | C D | Qty | Description | Mfr Code | Mfr Part Number |
|-----------------------|----------------|-----|-----|--------------------------------------|----------|-----------------|
| C550 | 0160-3879 | 7 | 1 | CAP-FXD 0.01uF 100 V | 02010 | SR201C103MAAH |
| C551 | 0160-4040 | 6 | 1 | CAP-FXD 1000pF 100 V | 02010 | SR201A102JAAH |
| C552 | 0160-3879 | 7 | 1 | CAP-FXD 0.01uF 100 V | 02010 | SR201C103MAAH |
| C554 | 0160-3879 | 7 | 1 | CAP-FXD 0.01uF 100 V | 02010 | SR201C103MAAH |
| C556 | 0160-3879 | 7 | 1 | CAP-FXD 0.01uF 100 V | 02010 | SR201C103MAAH |
| C557 | 0160-4040 | 6 | 1 | CAP-FXD 1000pF 100 V | 02010 | SR201A102JAAH |
| C558 | 0160-3879 | 7 | 1 | CAP-FXD 0.01uF 100 V | 02010 | SR201C103MAAH |
| C560 | 0160-3875 | 3 | 1 | CAP-FXD 22pF 200 V | 06352 | FD12C0G2D220J |
| C561 | 0160-6723 | 6 | 1 | CAP-FXD 75pF 200 V | 02010 | SR202A750JAAH |
| C562 | 0160-4521 | 8 | 1 | CAP-FXD 12pF +-5% 200 V CER COG | 06352 | FD12C0G2D120J |
| C563 | 0160-4497 | 7 | 1 | CAP-FXD 82pF 200 V | 06352 | FD12C0G2D820J |
| C564 | 0160-4524 | 1 | 1 | CAP-FXD 24pF +-5% 200 V CER COG | 06352 | FD12C0G2D240J |
| C580 | 0160-4040 | 6 | 1 | CAP-FXD 1000pF 100 V | 02010 | SR201A102JAAH |
| C581 | 0160-4040 | 6 | 1 | CAP-FXD 1000pF 100 V | 02010 | SR201A102JAAH |
| C582 | 0160-4040 | 6 | 1 | CAP-FXD 1000pF 100 V | 02010 | SR201A102JAAH |
| C589 | 0160-3874 | 2 | 1 | CAP-FXD 10pF 200 V | 06352 | FD12C0G2D100D |
| C590 | 0160-4040 | 6 | 1 | CAP-FXD 1000pF 100 V | 02010 | SR201A102JAAH |
| C592 | 0160-3879 | 7 | 1 | CAP-FXD 0.01uF 100 V | 02010 | SR201C103MAAH |
| C601 | 0180-3831 | 3 | 1 | CAP-FXD 10uF +-10% 35 V TA | 04200 | 299D106X9035DB1 |
| C602 | 0160-4084 | 8 | 1 | CAP-FXD 0.1uF 50 V | 02010 | SR215C104MAAH |
| C603 | 0160-4819 | 7 | 1 | CAP-FXD 2200pF +-5% 100 V CER COG | 02010 | SA301A222JAAH |
| C604 | 0160-4389 | 6 | 1 | CAP-FXD 100pF 200 V | 02010 | SR202A101JAAH |
| C606 | 0160-4387 | 4 | 1 | CAP-FXD 47pF 200 V | 06352 | FD12C0G2D470J |
| CR1 | 1901-0376 | 6 | 1 | DIODE-GEN PRP 35V 50MA D0-35 | 00046 | 1N3595 |
| CR2 | 1901-0376 | 6 | 1 | DIODE-GEN PRP 35V 50MA D0-35 | 00046 | 1N3595 |
| CR3 | 1901-0376 | 6 | 1 | DIODE-GEN PRP 35V 50MA D0-35 | 00046 | 1N3595 |
| CR4 | 1901-0376 | 6 | 1 | DIODE-GEN PRP 35V 50MA D0-35 | 00046 | 1N3595 |
| CR5 | 1901-1098 | 1 | 1 | DIODE-SWITCHING 1N4150 50V 200MA 4NS | 00746 | |
| CR6 | 1901-0376 | 6 | 1 | DIODE-GEN PRP 35V 50MA D0-35 | 00046 | 1N3595 |
| CR7 | 1901-1098 | 1 | 1 | DIODE-SWITCHING 1N4150 50V 200MA 4NS | 00746 | |
| CR9 | 1901-1098 | 1 | 1 | DIODE-SWITCHING 1N4150 50V 200MA 4NS | 00746 | |
| CR10 | 1901-1098 | 1 | 1 | DIODE-SWITCHING 1N4150 50V 200MA 4NS | 00746 | |
| CR11 | 1901-0539 | 3 | 1 | DIODE-SCHOTTKY SM SIG | 02062 | |
| CR12 | 1901-0539 | 3 | 1 | DIODE-SCHOTTKY SM SIG | 02062 | |
| CR13 | 1901-0539 | 3 | 1 | DIODE-SCHOTTKY SM SIG | 02062 | |
| CR14 | 1901-0539 | 3 | 1 | DIODE-SCHOTTKY SM SIG | 02062 | |
| CR15 | 1901-0539 | 3 | 1 | DIODE-SCHOTTKY SM SIG | 02062 | |
| CR16 | 1901-0539 | 3 | 1 | DIODE-SCHOTTKY SM SIG | 02062 | |
| CR17 | 1901-0539 | 3 | 1 | DIODE-SCHOTTKY SM SIG | 02062 | |
| CR18 | 1901-0539 | 3 | 1 | DIODE-SCHOTTKY SM SIG | 02062 | |
| CR19 | 1901-0518 | 8 | 1 | DIODE-SCHOTTKY SM SIG | 02062 | 5082-5509 |
| CR21 | 1901-1098 | 1 | 1 | DIODE-SWITCHING 1N4150 50V 200MA 4NS | 00746 | |
| CR22 | 1901-0518 | 8 | 1 | DIODE-SCHOTTKY SM SIG | 02062 | 5082-5509 |
| CR23 | 1901-0539 | 3 | 1 | DIODE-SCHOTTKY SM SIG | 02062 | |
| CR24 | 1901-1098 | 1 | 1 | DIODE-SWITCHING 1N4150 50V 200MA 4NS | 00746 | |
| CR25 | 1901-1098 | 1 | 1 | DIODE-SWITCHING 1N4150 50V 200MA 4NS | 00746 | |
| CR26 | 1901-1098 | 1 | 1 | DIODE-SWITCHING 1N4150 50V 200MA 4NS | 00746 | |

HP Part Number 08562-60123

Frequency Control

| Reference Designation | HP Part Number | C | D | Qty | Description | Mfr Code | Mfr Part Number |
|-----------------------|----------------|---|---|-----|--|----------|-----------------|
| CR27 | 1901-1098 | 1 | | 1 | DIODE-SWITCHING 1N4150 50V 200MA 4NS | 00746 | |
| CR302 | 1901-1097 | 0 | | 1 | DIODE-PIN | 02062 | 5082-5580 |
| CR303 | 1901-1097 | 0 | | 1 | DIODE-PIN | 02062 | 5082-5580 |
| CR304 | 1901-0376 | 6 | | 1 | DIODE-GEN PRP 35V 50MA DO-35 | 00046 | 1N3595 |
| CR305 | 1901-0376 | 6 | | 1 | DIODE-GEN PRP 35V 50MA DO-35 | 00046 | 1N3595 |
| CR601 | 1901-1098 | 1 | | 1 | DIODE-SWITCHING 1N4150 50V 200MA 4NS | 00746 | |
| E501 | 9170-1366 | 3 | | 1 | CORE-MAGNETIC SHIELDING BEAD IMPEDANCE | 03827 | 2743001112 |
| E502 | 9170-1366 | 3 | | 1 | CORE-MAGNETIC SHIELDING BEAD IMPEDANCE | 03827 | 2743001112 |
| E503 | 9170-1366 | 3 | | 1 | CORE-MAGNETIC SHIELDING BEAD IMPEDANCE | 03827 | 2743001112 |
| E504 | 9170-1366 | 3 | | 1 | CORE-MAGNETIC SHIELDING BEAD IMPEDANCE | 03827 | 2743001112 |
| E505 | 9170-1366 | 3 | | 1 | CORE-MAGNETIC SHIELDING BEAD IMPEDANCE | 03827 | 2743001112 |
| E506 | 9170-0029 | 3 | | 1 | CORE-SHIELDING BEAD | 01887 | 56-590-65A2/4A |
| E507 | 9170-1366 | 3 | | 1 | CORE-MAGNETIC SHIELDING BEAD IMPEDANCE | 03827 | 2743001112 |
| E508 | 9170-1366 | 3 | | 1 | CORE-MAGNETIC SHIELDING BEAD IMPEDANCE | 03827 | 2743001112 |
| J1 | 1252-1064 | 4 | | 1 | CONN-POST TYPE .100-PIN-SPCG 50-CONT | 01380 | 1-746878-0 |
| J2 | 1252-1064 | 4 | | 1 | CONN-POST TYPE .100-PIN-SPCG 50-CONT | 01380 | 1-746878-0 |
| J3 | 1252-2007 | 7 | | 1 | CONN-POST TYPE .100-PIN-SPCG 9-CONT | 02946 | 68451-125 |
| J6 | 1252-2221 | 7 | | 1 | CONN-POST TYPE .100-PIN-SPCG 10-CONT | 02946 | 69155-110 |
| J7 | 1250-0543 | 8 | | 1 | CONNECTOR-RF SM-SNP M PC 50-OHM | 05769 | 51-053-0349-BE8 |
| J8 | 1252-2042 | 0 | | 1 | CONN-POST TYPE .100-PIN-SPCG 3-CONT | 01380 | 644224-1 |
| J9 | 1252-2040 | 8 | | 1 | CONN-POST TYPE .100-PIN-SPCG 4-CONT | 01380 | 644220-1 |
| J10 | 1252-2041 | 9 | | 1 | CONN-POST TYPE .100-PIN-SPCG 7-CONT | 01380 | 644219-1 |
| J11 | 1252-0523 | 8 | | 1 | CONN-POST TYPE .100-PIN-SPCG 3-CONT | 01380 | 641216-3 |
| J12 | 1252-2008 | 8 | | 1 | CONN-POST TYPE .100-PIN-SPCG 9-CONT | 02946 | 68451-124 |
| J14 | 1251-5033 | 3 | | 1 | CONN-POST TYPE .100-PIN-SPCG 3-CONT | 01380 | 103239-3 |
| J15 | 1252-1200 | 0 | | 1 | CONN-POST TYPE .100-PIN-SPCG 15-CONT | 02946 | 68449-079 |
| J16 | 1252-1200 | 0 | | 1 | CONN-POST TYPE .100-PIN-SPCG 15-CONT | 02946 | 68449-079 |
| J17 | 1252-1200 | 0 | | 1 | CONN-POST TYPE .100-PIN-SPCG 15-CONT | 02946 | 68449-079 |
| J18 | 1252-1200 | 0 | | 1 | CONN-POST TYPE .100-PIN-SPCG 15-CONT | 02946 | 68449-079 |
| J19 | 1252-1200 | 0 | | 1 | CONN-POST TYPE .100-PIN-SPCG 15-CONT | 02946 | 68449-079 |
| J23 | 1251-5033 | 3 | | 1 | CONN-POST TYPE .100-PIN-SPCG 3-CONT | 01380 | 103239-3 |
| J301 | 1250-0543 | 8 | | 1 | CONNECTOR-RF SM-SNP M PC 50-OHM | 05769 | 51-053-0349-BE8 |
| J302 | 1252-1200 | 0 | | 1 | CONN-POST TYPE .100-PIN-SPCG 15-CONT | 02946 | 68449-079 |
| J303 | 1252-1200 | 0 | | 1 | CONN-POST TYPE .100-PIN-SPCG 15-CONT | 02946 | 68449-079 |
| J304 | 1250-0257 | 1 | | 1 | CONNECTOR-RF SMB M PC-W-STDFS 50-OHM | 02788 | 5162-5021-09 |
| J501 | 1250-0543 | 8 | | 1 | CONNECTOR-RF SM-SNP M PC 50-OHM | 05769 | 51-053-0349-BE8 |
| L1 | 9140-0738 | 8 | | 1 | INDUCTOR 100UH .7D-INX.6LG-IN | 01869 | |
| L2 | 9140-0738 | 8 | | 1 | INDUCTOR 100UH .7D-INX.6LG-IN | 01869 | |
| L3 | 9140-0738 | 8 | | 1 | INDUCTOR 100UH .7D-INX.6LG-IN | 01869 | |
| L4 | 9100-0539 | 3 | | 1 | INDUCTOR RF-CH-MLD 10UH +-5% .166D-INX.3 | 03273 | 15M102J |
| L5 | 9140-0210 | 1 | | 1 | INDUCTOR RF-CH-MLD 100UH +-5% .166D-INX. | 03273 | 15M103J |
| L6 | 9140-0210 | 1 | | 1 | INDUCTOR RF-CH-MLD 100UH +-5% .166D-INX. | 03273 | 15M103J |
| L7 | 9140-0210 | 1 | | 1 | INDUCTOR RF-CH-MLD 100UH +-5% .166D-INX. | 03273 | 15M103J |
| L8 | 9140-0210 | 1 | | 1 | INDUCTOR RF-CH-MLD 100UH +-5% .166D-INX. | 03273 | 15M103J |
| L201 | 9140-0210 | 1 | | 1 | INDUCTOR RF-CH-MLD 100UH +-5% .166D-INX. | 03273 | 15M103J |
| L301 | 9140-0158 | 6 | | 1 | INDUCTOR RF-CH-MLD 1UH +-10% .105D-INX.2 | 03273 | 10M101K |
| L302 | 910D-2256 | 5 | | 1 | INDUCTOR RF-CH-MLD 560NH +-10% .105D-INX | 03273 | 10M560K |
| L303 | 9140-0400 | 1 | | 1 | INDUCTOR RF-CH-MLD 8.2UH +-5% .166D-INX. | 03273 | 15M821J |

*Indicates factory-selected value

08562-60123 Parts List

Page 5 of 15

HP Part Number 08562-60123

Frequency Control

| Reference Designation | HP Part Number | C | D | Qty | Description | Mfr Code | Mfr Part Number |
|-----------------------|----------------|---|---|-----|--|----------|---------------------------|
| L304 | 9100-2261 | 2 | | 1 | INDUCTOR RF-CH-MLD 2.7UH +-10% .105D-INX | 03273 | 10M271K |
| L305 | 9140-0400 | 1 | | 1 | INDUCTOR RF-CH-MLD 8.2UH +-5% .166D-INX. | 03273 | 15M821J |
| L306 | 9100-2261 | 2 | | 1 | INDUCTOR RF-CH-MLD 2.7UH +-10% .105D-INX | 03273 | 10M271K |
| L307 | 9100-2891 | 4 | | 1 | INDUCTOR RF-CH-MLD 50NH +-10% .105D-INX. | 03273 | 10M050K-1 |
| L308 | 9135-0078 | 8 | | 1 | INDUCTOR RF-CH-MLD 82NH +-5.61% | 02172 | |
| L309 | 9135-0071 | 1 | | 1 | INDUCTOR RF-CH-MLD 62NH +-5.806% | 02172 | |
| L310 | 9140-0158 | 6 | | 1 | INDUCTOR RF-CH-MLD 1UH +-10% .105D-INX.2 | 03273 | 10M101K |
| L311 | 9140-0158 | 6 | | 1 | INDUCTOR RF-CH-MLD 1UH +-10% .105D-INX.2 | 03273 | 10M101K |
| L313 | 9100-2256 | 5 | | 1 | INDUCTOR RF-CH-MLD 560NH +-10% .105D-INX | 03273 | 10M560K |
| L314 | 9100-2247 | 4 | | 1 | INDUCTOR RF-CH-MLD 100NH +-10% .105D-INX | 03273 | 10M100K |
| L315 | 9100-2247 | 4 | | 1 | INDUCTOR RF-CH-MLD 100NH +-10% .105D-INX | 03273 | 10M100K |
| L316 | 9100-2261 | 2 | | 1 | INDUCTOR RF-CH-MLD 2.7UH +-10% .105D-INX | 03273 | 10M271K |
| L321 | 9100-2256 | 5 | | 1 | INDUCTOR RF-CH-MLD 560NH +-10% .105D-INX | 03273 | 10M560K |
| L322 | 9100-2256 | 5 | | 1 | INDUCTOR RF-CH-MLD 560NH +-10% .105D-INX | 03273 | 10M560K |
| L512 | 9100-1788 | 6 | | 1 | CORE-FERRITE CHOKE-WIDEBAND IMP:680 OHM | 01887 | VK200 20/4B |
| L541 | 9140-0565 | 9 | | 1 | INDUCTOR RF-CH-MLD 43UH +-5% .105D-INX.2 | 03273 | 10M432J |
| L560 | 9100-3314 | 8 | | 1 | INDUCTOR RF-CH-MLD 150NH +-5% .166D-INX. | 03273 | 15M150J |
| L561 | 9100-2891 | 4 | | 1 | INDUCTOR RF-CH-MLD 50NH +-10% .105D-INX. | 03273 | 10M050K-1 |
| L562 | 9140-0450 | 1 | | 1 | INDUCTOR RF-CH-MLD 270NH +-5% .166D-INX. | 03273 | 15M270J |
| L563 | 9100-2891 | 4 | | 1 | INDUCTOR RF-CH-MLD 50NH +-10% .105D-INX. | 03273 | 10M050K-1 |
| L564 | 9100-3314 | 8 | | 1 | INDUCTOR RF-CH-MLD 150NH +-5% .166D-INX. | 03273 | 15M150J |
| L601 | 9140-0738 | 8 | | 1 | INDUCTOR 100UH .7D-INX.6LG-IN | 01869 | |
| MP1 | 08562-20055 | 8 | | 1 | | 28480 | 08562-20055 |
| MP2 | 1205-0719 | 5 | | 2 | | 05792 | 7-374S4-1-M01-BA |
| MP3 | 1205-0720 | 8 | | 1 | | 05792 | 7-321S4-M01-BA |
| MP4 | 1205-0011 | 0 | | 2 | HEAT SINK TO-5/TO-39-CS | 02608 | 2226B |
| MP5 | 1200-0173 | 5 | | 3 | INSULATOR-XSTR DAP-GL | 02210 | A-10001 DAP |
| MP7 | 3030-0133 | 8 | | 3 | SCREW-SKT HD CAP 6-32 .25-IN-LG SST | 04204 | |
| MP8 | 1200-0172 | 4 | | 1 | INSULATOR-XSTR DAP-GL | 02210 | 10042-DAP |
| MP10 | 0340-1173 | 2 | | 1 | INSULATOR 0.015 IN THK G-10 MATERIAL | 02739 | B14-047-01 |
| MP11 | 1258-0141 | 8 | | 2 | JUMPER-REMOVABLE FOR 0.025 IN SQ PINS | 01380 | 530153-2 |
| MP14 | 0470-1553 | 7 | | | ADHESIVE LOCTITE QUICK GEL 409 | 02136 | QUICK GEL 409 |
| MP15 | 0470-0634 | 3 | | | ADHESIVE HARDMAN EPOWELD 04001 EPXY | 05712 | EPOWELD 04001 DOUBLE BUBB |
| MP16 | 9320-5784 | 6 | | | LBL-LNE-PTR .65-IN-WD X .2-IN-LG | 12532 | 1EW10R |
| MP17 | 1251-7994 | 9 | | 1 | CONN-POST TYPE .100-PIN-SPCG 10-CONT | 01380 | 499568-1 |
| NONE0037 | 5021-6733 | 9 | | 1 | | 28480 | 5021-6733 |
| NONE0038 | 5021-6734 | 0 | | 1 | | 28480 | 5021-6734 |
| NONE0041 | 08562-68123 | 1 | | 1 | | 28480 | 08562-68123 |
| NONE0042 | 7121-4611 | 2 | | 1 | LABEL-INFORMATION .15-IN-WD .6-IN-LG | 09002 | |
| Q101 | 1855-0555 | 4 | | 1 | TRANSISTOR MOSFET N-CHAN E-MODE SI | 02883 | VN0300L |
| Q102 | 1855-0241 | 5 | | 1 | TRANSISTOR MOSFET N-CHAN E-MODE TO-72 SI | 02763 | |
| Q103 | 1855-0555 | 4 | | 1 | TRANSISTOR MOSFET N-CHAN E-MODE SI | 02883 | VN0300L |
| Q104 | 1855-0241 | 5 | | 1 | TRANSISTOR MOSFET N-CHAN E-MODE TO-72 SI | 02763 | |
| Q105 | 1855-0555 | 4 | | 1 | TRANSISTOR MOSFET N-CHAN E-MODE SI | 02883 | VN0300L |
| Q106 | 1855-0280 | 2 | | 1 | TRANSISTOR J-FET N-CHAN D-MODE TO-92 SI | 02883 | E107 |
| Q301 | 1855-0509 | 8 | | 1 | TRANSISTOR MOSFET P-CHAN E-MODE TO-220 S | 03038 | IRF9520 |
| Q302 | 1855-0509 | 8 | | 1 | TRANSISTOR MOSFET P-CHAN E-MODE TO-220 S | 03038 | IRF9520 |

HP Part Number 08562-60123

Frequency Control

| Reference Designation | HP Part Number | C | D | Qty | Description | Mfr Code | Mfr Part Number |
|-----------------------|----------------|---|---|-----|--|----------|-----------------|
| Q303 | 1855-0421 | 3 | | 1 | TRANSISTOR J-FET 2N5114 P-CHAN D-MODE TO | 02883 | 2N5114 |
| Q304 | 1855-0421 | 3 | | 1 | TRANSISTOR J-FET 2N5114 P-CHAN D-MODE TO | 02883 | 2N5114 |
| Q305 | 1855-0414 | 4 | | 1 | TRANSISTOR J-FET 2N4393 N-CHAN D-MODE TO | 02037 | 2N4393 |
| Q306 | 1854-0637 | 1 | | 1 | TRANSISTOR NPN 2N2219A SI TO-5 PD=800MW | 02037 | 2N2219A |
| Q307 | 1853-0314 | 9 | | 1 | TRANSISTOR PNP 2N2905A SI TO-39 PD=600MW | 02037 | 2N2905A |
| Q308 | 1854-0477 | 7 | | 1 | TRANSISTOR NPN 2N2222A SI TO-18 PD=500MW | 02037 | 2N2222A |
| Q310 | 1853-0281 | 9 | | 1 | TRANSISTOR PNP 2N2907A SI TO-18 PD=400MW | 02037 | 2N2907A |
| Q311 | 1855-0522 | 5 | | 1 | TRANSISTOR MOSFET P-CHAN E-MODE SI | 03038 | IRFD9120 |
| Q401 | 1853-0213 | 7 | | 1 | TRANSISTOR PNP 2N4236 SI TO-5 PD=1W | 02037 | 2N4236 |
| Q402 | 1854-0477 | 7 | | 1 | TRANSISTOR NPN 2N2222A SI TO-18 PD=500MW | 02037 | 2N2222A |
| Q403 | 1854-0477 | 7 | | 1 | TRANSISTOR NPN 2N2222A SI TO-18 PD=500MW | 02037 | 2N2222A |
| Q404 | 1855-0581 | 6 | | 1 | TRANSISTOR MOSFET N-CHAN E-MODE TO-220 S | 03038 | IRF521 |
| R1 | 0757-0442 | 9 | | 1 | RESISTOR 10K +-1% .125W TF TC=0+-100 | 00746 | CRB14 OR CRB25 |
| R2 | 0757-0442 | 9 | | 1 | RESISTOR 10K +-1% .125W TF TC=0+-100 | 00746 | CRB14 OR CRB25 |
| R3 | 0757-0401 | 0 | | 1 | RESISTOR 100 +-1% .125W TF TC=0+-100 | 00746 | CRB14 OR CRB25 |
| R4 | 0757-0438 | 3 | | 1 | RESISTOR 5.11K +-1% .125W TF TC=0+-100 | 00746 | CRB14 OR CRB25 |
| R5 | 0699-0642 | 7 | | 1 | RESISTOR 10K +-0.1% .1W TF TC=0+-5 | 02995 | 5023ZA10K00B |
| R6 | 0699-0533 | 5 | | 1 | RESISTOR 4.64K +-0.1% .125W TF TC=0+-25 | 00746 | CRB14 OR CRB25 |
| R7 | 0698-8824 | 1 | | 1 | RESISTOR 562K +-1% .125W TF TC=0+-100 | 00746 | CRB14 OR CRB25 |
| R8 | 0757-0442 | 9 | | 1 | RESISTOR 10K +-1% .125W TF TC=0+-100 | 00746 | CRB14 OR CRB25 |
| R9 | 0757-0279 | 0 | | 1 | RESISTOR 3.16K +-1% .125W TF TC=0+-100 | 00746 | CRB14 OR CRB25 |
| R10 | 0698-3450 | 9 | | 1 | RESISTOR 42.2K 1% .125W TF TC=0+-100 | 00746 | CRB14 OR CRB25 |
| R11 | 0698-0084 | 9 | | 1 | RESISTOR 2.15K 1% .125W TF TC=0+-100 | 00746 | CRB14 OR CRB25 |
| R12 | 0699-0642 | 7 | | 1 | RESISTOR 10K +-0.1% .1W TF TC=0+-5 | 02995 | 5023ZA10K00B |
| R13 | 0699-0642 | 7 | | 1 | RESISTOR 10K +-0.1% .1W TF TC=0+-5 | 02995 | 5023ZA10K00B |
| R14 | 0698-3442 | 9 | | 1 | RESISTOR 237 1% .125W TF TC=0+-100 | 00746 | CRB14 OR CRB25 |
| R15 | 0698-6322 | 0 | | 1 | RESISTOR 4K +-0.1% .125W TF TC=0+-25 | 00746 | CRB14 OR CRB25 |
| R16 | 0757-0443 | 0 | | 1 | RESISTOR 11K +-1% .125W TF TC=0+-100 | 00746 | CRB14 OR CRB25 |
| R17 | 0757-0288 | 1 | | 1 | RESISTOR 9.09K +-1% .125W TF TC=0+-100 | 00746 | CRB14 OR CRB25 |
| R18 | 0698-3153 | 9 | | 1 | RESISTOR 3.83K 1% .125W TF TC=0+-100 | 00746 | CRB14 OR CRB25 |
| R19 | 0757-0279 | 0 | | 1 | RESISTOR 3.16K +-1% .125W TF TC=0+-100 | 00746 | CRB14 OR CRB25 |
| R20 | 0698-0083 | 8 | | 1 | RESISTOR 1.96K 1% .125W TF TC=0+-100 | 00746 | CRB14 OR CRB25 |
| R21 | 0698-6322 | 0 | | 1 | RESISTOR 4K +-0.1% .125W TF TC=0+-25 | 00746 | CRB14 OR CRB25 |
| R22 | 0698-6322 | 0 | | 1 | RESISTOR 4K +-0.1% .125W TF TC=0+-25 | 00746 | CRB14 OR CRB25 |
| R23 | 0698-3450 | 9 | | 1 | RESISTOR 42.2K 1% .125W TF TC=0+-100 | 00746 | CRB14 OR CRB25 |
| R24 | 0698-3460 | 1 | | 1 | RESISTOR 422K 1% .125W TF TC=0+-100 | 00746 | CRB14 OR CRB25 |
| R25 | 0757-0200 | 7 | | 1 | RESISTOR 5.62K +-1% .125W TF TC=0+-100 | 00746 | CRB14 OR CRB25 |
| R26 | 0757-0420 | 3 | | 1 | RESISTOR 750 +-1% .125W TF TC=0+-100 | 00746 | CRB14 OR CRB25 |
| R27 | 0757-0440 | 7 | | 1 | RESISTOR 7.5K +-1% .125W TF TC=0+-100 | 00746 | CRB14 OR CRB25 |
| R28 | 0757-0465 | 6 | | 1 | RESISTOR 100K +-1% .125W TF TC=0+-100 | 00746 | CRB14 OR CRB25 |
| R29 | 0698-8824 | 1 | | 1 | RESISTOR 562K +-1% .125W TF TC=0+-100 | 00746 | CRB14 OR CRB25 |
| R30 | 0757-0459 | 8 | | 1 | RESISTOR 56.2K +-1% .125W TF TC=0+-100 | 00746 | CRB14 OR CRB25 |
| R31 | 0757-0465 | 6 | | 1 | RESISTOR 100K +-1% .125W TF TC=0+-100 | 00746 | CRB14 OR CRB25 |
| R32 | 0698-6619 | 8 | | 1 | RESISTOR 15K +-0.1% .125W TF TC=0+-25 | 00746 | CRB14 OR CRB25 |
| R33 | 0698-6619 | 8 | | 1 | RESISTOR 15K +-0.1% .125W TF TC=0+-25 | 00746 | CRB14 OR CRB25 |
| R34 | 0698-3150 | 6 | | 1 | RESISTOR 2.37K 1% .125W TF TC=0+-100 | 00746 | CRB14 OR CRB25 |
| R35 | 0698-6360 | 6 | | 1 | RESISTOR 10K +-0.1% .125W TF TC=0+-25 | 00746 | CRB14 OR CRB25 |
| R36 | 0698-6360 | 6 | | 1 | RESISTOR 10K +-0.1% .125W TF TC=0+-25 | 00746 | CRB14 OR CRB25 |

*Indicates factory-selected value

HP Part Number 08562-60123

Frequency Control

| Reference Designation | HP Part Number | C | D | Qty | Description | Mfr Code | Mfr Part Number |
|-----------------------|----------------|---|---|-----|--|----------|-----------------|
| R37 | 0699-0642 | 7 | | 1 | RESISTOR 10K +-0.1% .1W TF TC=0+-5 | 02995 | 5023ZA10K00B |
| R39 | 0699-0642 | 7 | | 1 | RESISTOR 10K +-0.1% .1W TF TC=0+-5 | 02995 | 5023ZA10K00B |
| R40 | 0699-0118 | 2 | | 1 | RESISTOR 20K +-0.1% .1W TF TC=0+-5 | 02995 | 5023Z |
| R41 | 0699-0118 | 2 | | 1 | RESISTOR 20K +-0.1% .1W TF TC=0+-5 | 02995 | 5023Z |
| R42 | 2100-3863 | 5 | | 1 | RESISTOR-TRMR 200 10% TKF TOP-ADJ 17-TRN | 03744 | 3299W-DM3-201 |
| R43 | 0698-8821 | 8 | | 1 | RESISTOR 5.62 +-1% .125W TF TC=0+-100 | 01074 | H8 |
| R44 | 0699-0555 | 1 | | 1 | RESISTOR 100 +-0.1% .3W MF TC=0+-5 | 02091 | RCK02A |
| R45 | 0757-0280 | 3 | | 1 | RESISTOR 1K +-1% .125W TF TC=0+-100 | 00746 | CRB14 OR CRB25 |
| R46 | 0698-3155 | 1 | | 1 | RESISTOR 4.64K 1% .125W TF TC=0+-100 | 00746 | CRB14 OR CRB25 |
| R47 | 0698-7229 | 8 | | 1 | RESISTOR 511 +-1% .05W TF TC=0+-100 | 00746 | CRB20 |
| R48 | 0757-0394 | 0 | | 1 | RESISTOR 51.1 +-1% .125W TF TC=0+-100 | 00746 | CRB14 OR CRB25 |
| R49 | 0698-7222 | 1 | | 1 | RESISTOR 261 +-1% .05W TF TC=0+-100 | 00746 | CRB20 |
| R50 | 0757-0442 | 9 | | 1 | RESISTOR 10K +-1% .125W TF TC=0+-100 | 00746 | CRB14 OR CRB25 |
| R51 | 0698-7283 | 4 | | 1 | RESISTOR 90.9K +-1% .05W TF TC=0+-100 | 00746 | CRB20 |
| R52 | 0698-3457 | 6 | | 1 | RESISTOR 316K 1% .125W TF TC=0+-100 | 00746 | CRB14 OR CRB25 |
| R53 | 0698-6320 | 8 | | 1 | RESISTOR 5K +-0.1% .125W TF TC=0+-25 | 00746 | CRB14 OR CRB25 |
| R54 | 0698-6320 | 8 | | 1 | RESISTOR 5K +-0.1% .125W TF TC=0+-25 | 00746 | CRB14 OR CRB25 |
| R55 | 0698-7255 | 0 | | 1 | RESISTOR 6.19K +-1% .05W TF TC=0+-100 | 00746 | CRB20 |
| R56 | 0698-7268 | 5 | | 1 | RESISTOR 21.5K +-1% .05W TF TC=0+-100 | 00746 | CRB20 |
| R57 | 0698-6967 | 9 | | 1 | RESISTOR 32.5K +-1% .125W TF TC=0+-25 | 00746 | CRB14 OR CRB25 |
| R58 | 0698-6323 | 1 | | 1 | RESISTOR 100 +-0.1% .125W TF TC=0+-25 | 00746 | CRB14 OR CRB25 |
| R59 | 0698-7212 | 9 | | 1 | RESISTOR 100 +-1% .05W TF TC=0+-100 | 00746 | CRB20 |
| R60 | 0699-0555 | 1 | | 1 | RESISTOR 100 +-0.1% .3W MF TC=0+-5 | 02091 | RCK02A |
| R61 | 0699-0555 | 1 | | 1 | RESISTOR 100 +-0.1% .3W MF TC=0+-5 | 02091 | RCK02A |
| R62 | 0698-7198 | 0 | | 1 | RESISTOR 26.1 +-1% .05W TF TC=0+-100 | 00746 | CRB20 |
| R63 | 0757-0438 | 3 | | 1 | RESISTOR 5.11K +-1% .125W TF TC=0+-100 | 00746 | CRB14 OR CRB25 |
| R64 | 0757-0438 | 3 | | 1 | RESISTOR 5.11K +-1% .125W TF TC=0+-100 | 00746 | CRB14 OR CRB25 |
| R65 | 0757-0280 | 3 | | 1 | RESISTOR 1K +-1% .125W TF TC=0+-100 | 00746 | CRB14 OR CRB25 |
| R66 | 0757-0401 | 0 | | 1 | RESISTOR 100 +-1% .125W TF TC=0+-100 | 00746 | CRB14 OR CRB25 |
| R67 | 0757-0401 | 0 | | 1 | RESISTOR 100 +-1% .125W TF TC=0+-100 | 00746 | CRB14 OR CRB25 |
| R68 | 0757-0401 | 0 | | 1 | RESISTOR 100 +-1% .125W TF TC=0+-100 | 00746 | CRB14 OR CRB25 |
| R69 | 0698-3152 | 8 | | 1 | RESISTOR 3.48K 1% .125W TF TC=0+-100 | 00746 | CRB14 OR CRB25 |
| R70 | 0698-6360 | 6 | | 1 | RESISTOR 10K +-0.1% .125W TF TC=0+-25 | 00746 | CRB14 OR CRB25 |
| R71 | 0698-6322 | 0 | | 1 | RESISTOR 4K +-0.1% .125W TF TC=0+-25 | 00746 | CRB14 OR CRB25 |
| R72 | 0698-6624 | 5 | | 1 | RESISTOR 2K +-0.1% .125W TF TC=0+-25 | 00746 | CRB14 OR CRB25 |
| R73 | 0757-0003 | 8 | | 1 | RESISTOR 26.1 +-1% .5W TF TC=0+-100 | 01074 | H2 |
| R74 | 0757-0003 | 8 | | 1 | RESISTOR 26.1 +-1% .5W TF TC=0+-100 | 01074 | H2 |
| R75 | 0698-3439 | 4 | | 1 | RESISTOR 178 1% .125W TF TC=0+-100 | 00746 | CRB14 OR CRB25 |
| R76 | 2100-1774 | 3 | | 1 | RESISTOR-TRMR 2K 5% WW TOP-ADJ 1-TRN | 03744 | 3345P-CL4-202 |
| R77 | 0757-0003 | 8 | | 1 | RESISTOR 26.1 +-1% .5W TF TC=0+-100 | 01074 | H2 |
| R78 | 0698-3153 | 9 | | 1 | RESISTOR 3.83K 1% .125W TF TC=0+-100 | 00746 | CRB14 OR CRB25 |
| R79 | 0699-2107 | 3 | | 1 | RESISTOR 63.93K +-0.1% .125W TF TC=0+-5 | 02995 | 5023Z |
| R80 | 0699-2109 | 5 | | 1 | RESISTOR 25K +-0.1% .125W TF TC=0+-5 | 02995 | 5023Z |
| R81 | 0699-2108 | 4 | | 1 | RESISTOR 50K +-0.1% .125W TF TC=0+-5 | 02995 | 5023Z |
| R82 | 0699-2108 | 4 | | 1 | RESISTOR 50K +-0.1% .125W TF TC=0+-5 | 02995 | 5023Z |
| R83 | 0757-0280 | 3 | | 1 | RESISTOR 1K +-1% .125W TF TC=0+-100 | 00746 | CRB14 OR CRB25 |
| R84 | 0698-7260 | 7 | | 1 | RESISTOR 10K +-1% .05W TF TC=0+-100 | 00746 | CRB20 |

HP Part Number 08562-60123
Frequency Control

| Reference Designation | HP Part Number | C D | Qty | Description | Mfr Code | Mfr Part Number |
|-----------------------|----------------|-----|-----|--|----------|-----------------|
| R85 | 0698-7253 | 8 | 1 | RESISTOR 5.11K +-1% .05W TF TC=0+-100 | 00746 | CRB20 |
| R86 | 0698-7253 | 8 | 1 | RESISTOR 5.11K +-1% .05W TF TC=0+-100 | 00746 | CRB20 |
| R87 | 0698-6353 | 7 | 1 | RESISTOR 50K +-0.1% .125W TF TC=0+-25 | 00746 | CRB14 OR CRB25 |
| R88 | 0699-2113 | 1 | 1 | RESISTOR 2K +-0.1% .125W TF TC=0+-5 | 02995 | 5023Z |
| R89 | 0699-2114 | 2 | 1 | RESISTOR 1K +-0.1% .125W TF TC=0+-5 | 02995 | 5023Z |
| R90 | 0699-2110 | 8 | 1 | RESISTOR 20K +-0.1% .125W TF TC=0+-2 | 02995 | 5023Z |
| R91 | 0699-1823 | 8 | 1 | RESISTOR 30 +-1% .3W MF TC=0+-5 | 02091 | RCK02A |
| R92 | 0698-6620 | 1 | 1 | RESISTOR 150K +-0.1% .125W TF TC=0+-25 | 00746 | CRB14 OR CRB25 |
| R93 | 2100-3876 | 0 | 1 | RESISTOR-TRMR 1K 10% TKF TOP-ADJ 17-TRN | 03744 | 3299W-DM3-102 |
| R94 | 0757-0280 | 3 | 1 | RESISTOR 1K +-1% .125W TF TC=0+-100 | 00746 | CRB14 OR CRB25 |
| R95 | 0698-6360 | 6 | 1 | RESISTOR 10K +-0.1% .125W TF TC=0+-25 | 00746 | CRB14 OR CRB25 |
| R96 | 0698-6360 | 6 | 1 | RESISTOR 10K +-0.1% .125W TF TC=0+-25 | 00746 | CRB14 OR CRB25 |
| R97 | 0757-0438 | 3 | 1 | RESISTOR 5.11K +-1% .125W TF TC=0+-100 | 00746 | CRB14 OR CRB25 |
| R99 | 0757-0458 | 7 | 1 | RESISTOR 51.1K +-1% .125W TF TC=0+-100 | 00746 | CRB14 OR CRB25 |
| R100 | 0698-3152 | 8 | 1 | RESISTOR 3.48K 1% .125W TF TC=0+-100 | 00746 | CRB14 OR CRB25 |
| R101 | 0698-7260 | 7 | 1 | RESISTOR 10K +-1% .05W TF TC=0+-100 | 00746 | CRB20 |
| R102 | 0698-7260 | 7 | 1 | RESISTOR 10K +-1% .05W TF TC=0+-100 | 00746 | CRB20 |
| R103 | 0698-7275 | 4 | 1 | RESISTOR 42.2K +-1% .05W TF TC=0+-100 | 00746 | CRB20 |
| R104 | 0698-8827 | 4 | 1 | RESISTOR 1M +-1% .125W TF TC=0+-100 | 00746 | CRB14 OR CRB25 |
| R105 | 0699-0642 | 7 | 1 | RESISTOR 10K +-0.1% .1W TF TC=0+-5 | 02995 | 5023ZA10K00B |
| R106 | 0698-3440 | 7 | 1 | RESISTOR 196 1% .125W TF TC=0+-100 | 00746 | CRB14 OR CRB25 |
| R107 | 0757-0438 | 3 | 1 | RESISTOR 5.11K +-1% .125W TF TC=0+-100 | 00746 | CRB14 OR CRB25 |
| R108 | 0698-6320 | 8 | 1 | RESISTOR 5K +-0.1% .125W TF TC=0+-25 | 00746 | CRB14 OR CRB25 |
| R109 | 0698-3153 | 9 | 1 | RESISTOR 3.83K 1% .125W TF TC=0+-100 | 00746 | CRB14 OR CRB25 |
| R110 | 0757-0442 | 9 | 1 | RESISTOR 10K +-1% .125W TF TC=0+-100 | 00746 | CRB14 OR CRB25 |
| R111 | 0757-0442 | 9 | 1 | RESISTOR 10K +-1% .125W TF TC=0+-100 | 00746 | CRB14 OR CRB25 |
| R112 | 0699-2125 | 5 | 1 | RESISTOR 643.7K +-1% .125W TF TC=0+-100 | 00746 | CRB14 OR CRB25 |
| R113 | 0699-2111 | 9 | 1 | RESISTOR 17.14K +-0.1% .125W TF TC=0+-5 | 02995 | 5023Z |
| R114 | 0699-2106 | 2 | 1 | RESISTOR 100K +-0.1% .125W TF TC=0+-5 | 02995 | 5023Z |
| R115 | 0757-0465 | 6 | 1 | RESISTOR 100K +-1% .125W TF TC=0+-100 | 00746 | CRB14 OR CRB25 |
| R116 | 0757-0465 | 6 | 1 | RESISTOR 100K +-1% .125W TF TC=0+-100 | 00746 | CRB14 OR CRB25 |
| R120 | 0699-2104 | 0 | 1 | RESISTOR 169.5K +-0.1% .125W TF TC=0+-5 | 02995 | 5023Z |
| R121 | 0699-2112 | 0 | 1 | RESISTOR 10K +-0.1% .125W TF TC=0+-2 | 02995 | 5023Z |
| R122 | 0699-2122 | 2 | 1 | RESISTOR 55.5K +-0.1% .125W TF TC=0+-25 | 00746 | CRB14 OR CRB25 |
| R123 | 0698-6360 | 6 | 1 | RESISTOR 10K +-0.1% .125W TF TC=0+-25 | 00746 | CRB14 OR CRB25 |
| R124 | 0757-0442 | 9 | 1 | RESISTOR 10K +-1% .125W TF TC=0+-100 | 00746 | CRB14 OR CRB25 |
| R125 | 0757-0401 | 0 | 1 | RESISTOR 100 +-1% .125W TF TC=0+-100 | 00746 | CRB14 OR CRB25 |
| R126 | 0699-0555 | 1 | 1 | RESISTOR 100 +-0.1% .3W MF TC=0+-5 | 02091 | RCK02A |
| R127 | 0699-1823 | 8 | 1 | RESISTOR 30 +-1% .3W MF TC=0+-5 | 02091 | RCK02A |
| R128 | 0699-1823 | 8 | 1 | RESISTOR 30 +-1% .3W MF TC=0+-5 | 02091 | RCK02A |
| R129 | 0757-0442 | 9 | 1 | RESISTOR 10K +-1% .125W TF TC=0+-100 | 00746 | CRB14 OR CRB25 |
| R132 | 0699-2105 | 1 | 1 | RESISTOR 150K +-0.1% .125W TF TC=0+-5 | 02995 | 5023Z |
| R135 | 0757-0442 | 9 | 1 | RESISTOR 10K +-1% .125W TF TC=0+-100 | 00746 | CRB14 OR CRB25 |
| R137 | 0698-6360 | 6 | 1 | RESISTOR 10K +-0.1% .125W TF TC=0+-25 | 00746 | CRB14 OR CRB25 |
| R138 | 0698-6362 | 8 | 1 | RESISTOR 1K +-0.1% .125W TF TC=0+-25 | 00746 | CRB14 OR CRB25 |
| R139 | 0698-7912 | 6 | 1 | RESISTOR 111.1 +-0.25% .125W TF TC=0+-10 | 01074 | H8 |
| R142 | 0698-3161 | 9 | 1 | RESISTOR 38.3K 1% .125W TF TC=0+-100 | 00746 | CRB14 OR CRB25 |
| R143 | 0698-3454 | 3 | 1 | RESISTOR 215K 1% .125W TF TC=0+-100 | 00746 | CRB14 OR CRB25 |

*Indicates factory-selected value

HP Part Number 08562-60123

Frequency Control

| Reference Designation | HP Part Number | C D | Qty | Description | Mfr Code | Mfr Part Number |
|-----------------------|----------------|--------|-----|---|----------|-----------------|
| R144 | 0699-2110 | 8 | 1 | RESISTOR 20K +-0.1% .125W TF TC=0+-2 | 02995 | 5023Z |
| R145 | 0699-2112 | 0 | 1 | RESISTOR 10K +-0.1% .125W TF TC=0+-2 | 02995 | 5023Z |
| R146 | 0698-8530 | 6 | 1 | RESISTOR 64.9K +-0.1% .125W TF TC=0+-25 | 00746 | CRB14 OR CRB25 |
| R162 | 0698-3441 | 8 | 1 | RESISTOR 215 1% .125W TF TC=0+-100 | 00746 | CRB14 OR CRB25 |
| R164 | 0698-7218 | 5 | 1 | RESISTOR 178 +-1% .05W TF TC=0+-100 | 00746 | CRB20 |
| R165 | 0698-7218 | 5 | 1 | RESISTOR 178 +-1% .05W TF TC=0+-100 | 00746 | CRB20 |
| R166 | 0698-8958 | 2 | 1 | RESISTOR 511K +-1% .125W TF TC=0+-100 | 00746 | CRB14 OR CRB25 |
| R167 | 0698-8958 | 2 | 1 | RESISTOR 511K +-1% .125W TF TC=0+-100 | 00746 | CRB14 OR CRB25 |
| R168 | 0811-3587 | 5 | 1 | RESISTOR 0 CWM | 03123 | 104 |
| R169 | 0811-3587 | 5 | 1 | RESISTOR 0 CWM | 03123 | 104 |
| R180 | 0698-7212 | 9 | 1 | RESISTOR 100 +-1% .05W TF TC=0+-100 | 00746 | CRB20 |
| R301 | 0698-7250 | 5 | 1 | RESISTOR 3.83K +-1% .05W TF TC=0+-100 | 00746 | CRB20 |
| R302 | 0698-7284 | 5 | 1 | RESISTOR 100K +-1% .05W TF TC=0+-100 | 00746 | CRB20 |
| R303 | 0698-7263 | 0 | 1 | RESISTOR 13.3K +-1% .05W TF TC=0+-100 | 00746 | CRB20 |
| R304 | 0757-0289 | 2 | 1 | RESISTOR 13.3K +-1% .125W TF TC=0+-100 | 00746 | CRB14 OR CRB25 |
| R305 | 0757-0289 | 2 | 1 | RESISTOR 13.3K +-1% .125W TF TC=0+-100 | 00746 | CRB14 OR CRB25 |
| R306 | 0757-0289 | 2 | 1 | RESISTOR 13.3K +-1% .125W TF TC=0+-100 | 00746 | CRB14 OR CRB25 |
| R307 | 0698-7260 | 7 | 1 | RESISTOR 10K +-1% .05W TF TC=0+-100 | 00746 | CRB20 |
| R308 | 0698-7253 | 8 | 1 | RESISTOR 5.11K +-1% .05W TF TC=0+-100 | 00746 | CRB20 |
| R309 | 0698-7260 | 7 | 1 | RESISTOR 10K +-1% .05W TF TC=0+-100 | 00746 | CRB20 |
| R311 | 0698-7284 | 5 | 1 | RESISTOR 100K +-1% .05W TF TC=0+-100 | 00746 | CRB20 |
| R312 | 0698-7260 | 7 | 1 | RESISTOR 10K +-1% .05W TF TC=0+-100 | 00746 | CRB20 |
| R313 | 0698-7284 | 5 | 1 | RESISTOR 100K +-1% .05W TF TC=0+-100 | 00746 | CRB20 |
| R315 | 0757-0442 | 9 | 1 | RESISTOR 10K +-1% .125W TF TC=0+-100 | 00746 | CRB14 OR CRB25 |
| R316 | 0757-0401 | 0 | 1 | RESISTOR 100 +-1% .125W TF TC=0+-100 | 00746 | CRB14 OR CRB25 |
| R317 | 0698-7229 | 8 | 1 | RESISTOR 511 +-1% .05W TF TC=0+-100 | 00746 | CRB20 |
| R321 | 0698-3446 | 3 | 1 | RESISTOR 383 1% .125W TF TC=0+-100 | 00746 | CRB14 OR CRB25 |
| R322 | 0757-0394 | 0 | 1 | RESISTOR 51.1 +-1% .125W TF TC=0+-100 | 00746 | CRB14 OR CRB25 |
| R323 | 0698-7248 | 1 | 1 | RESISTOR 3.16K +-1% .05W TF TC=0+-100 | 00746 | CRB20 |
| R324 | 0698-7268 | 5 | 1 | RESISTOR 21.5K +-1% .05W TF TC=0+-100 | 00746 | CRB20 |
| R325 | 0698-7260 | 7 | 1 | RESISTOR 10K +-1% .05W TF TC=0+-100 | 00746 | CRB20 |
| R326 | 0757-0442 | 9 | 1 | RESISTOR 10K +-1% .125W TF TC=0+-100 | 00746 | CRB14 OR CRB25 |
| R327 | 0698-7236 | 7 | 1 | RESISTOR 1K +-1% .05W TF TC=0+-100 | 00746 | CRB20 |
| R328 | 0698-7212 | 9 | 1 | RESISTOR 100 +-1% .05W TF TC=0+-100 | 00746 | CRB20 |
| R329 | 0757-0401 | 0 | 1 | RESISTOR 100 +-1% .125W TF TC=0+-100 | 00746 | CRB14 OR CRB25 |
| R330 | 0698-7229 | 8 | 1 | RESISTOR 511 +-1% .05W TF TC=0+-100 | 00746 | CRB20 |
| R331 | 0757-1094 | 9 | 1 | RESISTOR 1.47K +-1% .125W TF TC=0+-100 | 00746 | CRB14 OR CRB25 |
| R332 | 0699-0068 | 1 | 1 | RESISTOR 1.47M +-1% .125W TF TC=0+-100 | 02995 | 5033R |
| R333 | 0698-3449 | 6 | 1 | RESISTOR 28.7K 1% .125W TF TC=0+-100 | 00746 | CRB14 OR CRB25 |
| R334 | 0757-0442 | 9 | 1 | RESISTOR 10K +-1% .125W TF TC=0+-100 | 00746 | CRB14 OR CRB25 |
| R335 | 0757-0202 | 9 | 1 | RESISTOR 13.7K +-1% .125W TF TC=0+-50 | 00746 | CRB14 OR CRB25 |
| R336 | 0698-3260 | 9 | 1 | RESISTOR 464K 1% .125W TF TC=0+-100 | 00746 | CRB14 OR CRB25 |
| R337 | 0698-3155 | 1 | 1 | RESISTOR 4.64K 1% .125W TF TC=0+-100 | 00746 | CRB14 OR CRB25 |
| R338 | 0698-3154 | 0 | 1 | RESISTOR 4.22K 1% .125W TF TC=0+-100 | 00746 | CRB14 OR CRB25 |
| R340 | 0698-3156 | 2 | 1 | RESISTOR 14.7K 1% .125W TF TC=0+-100 | 00746 | CRB14 OR CRB25 |
| R341 | 0698-7236 | 7 | 1 | RESISTOR 1K +-1% .05W TF TC=0+-100 | 00746 | CRB20 |
| R342 | 0757-0280 | 3 | 1 | RESISTOR 1K +-1% .125W TF TC=0+-100 | 00746 | CRB14 OR CRB25 |

HP Part Number 08562-60123

Frequency Control

| Reference Designation | HP Part Number | C | D | Qty | Description | Mfr Code | Mfr Part Number |
|-----------------------|----------------|---|---|-----|--|----------|-----------------|
| R345 | 0698-7236 | 7 | | 1 | RESISTOR 1K +-1% .05W TF TC=0+-100 | 00746 | CRB20 |
| R347 | 0757-0394 | 0 | | 1 | RESISTOR 51.1 +-1% .125W TF TC=0+-100 | 00746 | CRB14 OR CRB25 |
| R348 | 0757-0394 | 0 | | 1 | RESISTOR 51.1 +-1% .125W TF TC=0+-100 | 00746 | CRB14 OR CRB25 |
| R349 | 0757-0394 | 0 | | 1 | RESISTOR 51.1 +-1% .125W TF TC=0+-100 | 00746 | CRB14 OR CRB25 |
| R350 | 0698-7189 | 9 | | 1 | RESISTOR 11 +-1% .05W TF TC=0+-100 | 00746 | CRB20 |
| R351 | 0698-7189 | 9 | | 1 | RESISTOR 11 +-1% .05W TF TC=0+-100 | 00746 | CRB20 |
| R352 | 0698-7213 | 0 | | 1 | RESISTOR 110 +-1% .05W TF TC=0+-100 | 00746 | CRB20 |
| R353 | 0698-7193 | 5 | | 1 | RESISTOR 16.2 +-1% .05W TF TC=0+-100 | 00746 | CRB20 |
| R354 | 0698-7193 | 5 | | 1 | RESISTOR 16.2 +-1% .05W TF TC=0+-100 | 00746 | CRB20 |
| R355 | 0698-7208 | 3 | | 1 | RESISTOR 68.1 +-1% .05W TF TC=0+-100 | 00746 | CRB20 |
| R356 | 0698-7205 | 0 | | 1 | RESISTOR 51.1 +-1% .05W TF TC=0+-100 | 00746 | CRB20 |
| R357 | 0698-7212 | 9 | | 1 | RESISTOR 100 +-1% .05W TF TC=0+-100 | 00746 | CRB20 |
| R358 | 0698-7260 | 7 | | 1 | RESISTOR 10K +-1% .05W TF TC=0+-100 | 00746 | CRB20 |
| R359 | 0698-7220 | 9 | | 1 | RESISTOR 215 +-1% .05W TF TC=0+-100 | 00746 | CRB20 |
| R360 | 0698-7251 | 6 | | 1 | RESISTOR 4.22K +-1% .05W TF TC=0+-100 | 00746 | CRB20 |
| R361 | 0698-7268 | 5 | | 1 | RESISTOR 21.5K +-1% .05W TF TC=0+-100 | 00746 | CRB20 |
| R362 | 0698-7284 | 5 | | 1 | RESISTOR 100K +-1% .05W TF TC=0+-100 | 00746 | CRB20 |
| R363 | 0698-7268 | 5 | | 1 | RESISTOR 21.5K +-1% .05W TF TC=0+-100 | 00746 | CRB20 |
| R364 | 0698-7284 | 5 | | 1 | RESISTOR 100K +-1% .05W TF TC=0+-100 | 00746 | CRB20 |
| R365 | 0698-7229 | 8 | | 1 | RESISTOR 511 +-1% .05W TF TC=0+-100 | 00746 | CRB20 |
| R366 | 0698-7229 | 8 | | 1 | RESISTOR 511 +-1% .05W TF TC=0+-100 | 00746 | CRB20 |
| R367 | 0698-7241 | 4 | | 1 | RESISTOR 1.62K +-1% .05W TF TC=0+-100 | 00746 | CRB20 |
| R368 | 0757-0346 | 2 | | 1 | RESISTOR 10 +-1% .125W TF TC=0+-100 | 00746 | CRB14 OR CRB25 |
| R369 | 0698-8615 | 8 | | 1 | RESISTOR 75K +-1% .05W TF TC=0+-100 | 00746 | CRB20 |
| R370 | 0698-7236 | 7 | | 1 | RESISTOR 1K +-1% .05W TF TC=0+-100 | 00746 | CRB20 |
| R371 | 0698-7260 | 7 | | 1 | RESISTOR 10K +-1% .05W TF TC=0+-100 | 00746 | CRB20 |
| R372 | 0698-7241 | 4 | | 1 | RESISTOR 1.62K +-1% .05W TF TC=0+-100 | 00746 | CRB20 |
| R373 | 0698-7246 | 9 | | 1 | RESISTOR 2.61K +-1% .05W TF TC=0+-100 | 00746 | CRB20 |
| R375 | 0698-7260 | 7 | | 1 | RESISTOR 10K +-1% .05W TF TC=0+-100 | 00746 | CRB20 |
| R376 | 0698-7260 | 7 | | 1 | RESISTOR 10K +-1% .05W TF TC=0+-100 | 00746 | CRB20 |
| R377 | 0698-7284 | 5 | | 1 | RESISTOR 100K +-1% .05W TF TC=0+-100 | 00746 | CRB20 |
| R379 | 0698-3444 | 1 | | 1 | RESISTOR 316 1% .125W TF TC=0+-100 | 00746 | CRB14 OR CRB25 |
| R380 | 0698-7260 | 7 | | 1 | RESISTOR 10K +-1% .05W TF TC=0+-100 | 00746 | CRB20 |
| R381 | 0757-0420 | 3 | | 1 | RESISTOR 750 +-1% .125W TF TC=0+-100 | 00746 | CRB14 OR CRB25 |
| R382 | 0698-7260 | 7 | | 1 | RESISTOR 10K +-1% .05W TF TC=0+-100 | 00746 | CRB20 |
| R383 | 0698-7271 | 0 | | 1 | RESISTOR 28.7K +-1% .05W TF TC=0+-100 | 00746 | CRB20 |
| R384 | 0698-7248 | 1 | | 1 | RESISTOR 3.16K +-1% .05W TF TC=0+-100 | 00746 | CRB20 |
| R386 | 0698-7260 | 7 | | 1 | RESISTOR 10K +-1% .05W TF TC=0+-100 | 00746 | CRB20 |
| R387 | 0698-7260 | 7 | | 1 | RESISTOR 10K +-1% .05W TF TC=0+-100 | 00746 | CRB20 |
| R388 | 0698-7228 | 7 | | 1 | RESISTOR 464 +-1% .05W TF TC=0+-100 | 00746 | CRB20 |
| R389 | 0757-0438 | 3 | | 1 | RESISTOR 5.11K +-1% .125W TF TC=0+-100 | 00746 | CRB14 OR CRB25 |
| R390 | 0698-7284 | 5 | | 1 | RESISTOR 100K +-1% .05W TF TC=0+-100 | 00746 | CRB20 |
| R391 | 0698-7280 | 1 | | 1 | RESISTOR 68.1K +-1% .05W TF TC=0+-100 | 00746 | CRB20 |
| R392 | 0698-7236 | 7 | | 1 | RESISTOR 1K +-1% .05W TF TC=0+-100 | 00746 | CRB20 |
| R396 | 0757-0401 | 0 | | 1 | RESISTOR 100 +-1% .125W TF TC=0+-100 | 00746 | CRB14 OR CRB25 |
| R397 | 0698-7260 | 7 | | 1 | RESISTOR 10K +-1% .05W TF TC=0+-100 | 00746 | CRB20 |
| R398 | 0699-0073 | 8 | | 1 | RESISTOR 10M +-1% .125W TF TC=0+-100 | 02995 | 5053YD10M00F |
| R399 | 0699-0073 | 8 | | 1 | RESISTOR 10M +-1% .125W TF TC=0+-100 | 02995 | 5053YD10M00F |

*Indicates factory-selected value

HP Part Number 08562-60123

Frequency Control

| Reference Designation | HP Part Number | C | D | Qty | Description | Mfr Code | Mfr Part Number |
|-----------------------|----------------|---|---|-----|---|----------|-----------------|
| R400 | 0699-0127 | 3 | | 1 | RESISTOR 464K +-1% .05W TF TC=0+-100 | 02499 | RG-1/8-T050 |
| R531 | 0698-7228 | 7 | | 1 | RESISTOR 464 +-1% .05W TF TC=0+-100 | 00746 | CRB20 |
| R532 | 0698-7228 | 7 | | 1 | RESISTOR 464 +-1% .05W TF TC=0+-100 | 00746 | CRB20 |
| R533 | 0698-7228 | 7 | | 1 | RESISTOR 464 +-1% .05W TF TC=0+-100 | 00746 | CRB20 |
| R534 | 0698-7228 | 7 | | 1 | RESISTOR 464 +-1% .05W TF TC=0+-100 | 00746 | CRB20 |
| R535 | 0698-7228 | 7 | | 1 | RESISTOR 464 +-1% .05W TF TC=0+-100 | 00746 | CRB20 |
| R541 | 0698-7205 | 0 | | 1 | RESISTOR 51.1 +-1% .05W TF TC=0+-100 | 00746 | CRB20 |
| R542 | 0698-7212 | 9 | | 1 | RESISTOR 100 +-1% .05W TF TC=0+-100 | 00746 | CRB20 |
| R543 | 0698-7236 | 7 | | 1 | RESISTOR 1K +-1% .05W TF TC=0+-100 | 00746 | CRB20 |
| R544 | 0698-7205 | 0 | | 1 | RESISTOR 51.1 +-1% .05W TF TC=0+-100 | 00746 | CRB20 |
| R545 | 0698-7228 | 7 | | 1 | RESISTOR 464 +-1% .05W TF TC=0+-100 | 00746 | CRB20 |
| R548 | 0698-7228 | 7 | | 1 | RESISTOR 464 +-1% .05W TF TC=0+-100 | 00746 | CRB20 |
| R551 | 0698-7284 | 5 | | 1 | RESISTOR 100K +-1% .05W TF TC=0+-100 | 00746 | CRB20 |
| R552 | 0698-7235 | 6 | | 1 | RESISTOR 909 +-1% .05W TF TC=0+-100 | 00746 | CRB20 |
| R553 | 0698-7235 | 6 | | 1 | RESISTOR 909 +-1% .05W TF TC=0+-100 | 00746 | CRB20 |
| R554 | 0698-7219 | 6 | | 1 | RESISTOR 196 +-1% .05W TF TC=0+-100 | 00746 | CRB20 |
| R562 | 0698-7205 | 0 | | 1 | RESISTOR 51.1 +-1% .05W TF TC=0+-100 | 00746 | CRB20 |
| R563 | 0698-7205 | 0 | | 1 | RESISTOR 51.1 +-1% .05W TF TC=0+-100 | 00746 | CRB20 |
| R564 | 0698-7236 | 7 | | 1 | RESISTOR 1K +-1% .05W TF TC=0+-100 | 00746 | CRB20 |
| R570 | 0698-7236 | 7 | | 1 | RESISTOR 1K +-1% .05W TF TC=0+-100 | 00746 | CRB20 |
| R571 | 0698-7225 | 4 | | 1 | RESISTOR 348 +-1% .05W TF TC=0+-100 | 00746 | CRB20 |
| R580 | 0698-7236 | 7 | | 1 | RESISTOR 1K +-1% .05W TF TC=0+-100 | 00746 | CRB20 |
| R581 | 0698-7234 | 5 | | 1 | RESISTOR 825 +-1% .05W TF TC=0+-100 | 00746 | CRB20 |
| R583 | 0698-7193 | 5 | | 1 | RESISTOR 16.2 +-1% .05W TF TC=0+-100 | 00746 | CRB20 |
| R584 | 0698-7212 | 9 | | 1 | RESISTOR 100 +-1% .05W TF TC=0+-100 | 00746 | CRB20 |
| R585 | 0698-7225 | 4 | | 1 | RESISTOR 348 +-1% .05W TF TC=0+-100 | 00746 | CRB20 |
| R586 | 0698-7212 | 9 | | 1 | RESISTOR 100 +-1% .05W TF TC=0+-100 | 00746 | CRB20 |
| R587 | 0698-7197 | 9 | | 1 | RESISTOR 23.7 +-1% .05W TF TC=0+-100 | 00746 | CRB20 |
| R588 | 0698-7205 | 0 | | 1 | RESISTOR 51.1 +-1% .05W TF TC=0+-100 | 00746 | CRB20 |
| R589 | 0698-7205 | 0 | | 1 | RESISTOR 51.1 +-1% .05W TF TC=0+-100 | 00746 | CRB20 |
| R590 | 0698-7225 | 4 | | 1 | RESISTOR 348 +-1% .05W TF TC=0+-100 | 00746 | CRB20 |
| R591 | 0698-7236 | 7 | | 1 | RESISTOR 1K +-1% .05W TF TC=0+-100 | 00746 | CRB20 |
| R592 | 0698-7188 | 8 | | 1 | RESISTOR 10 +-1% .05W TF TC=0+-100 | 00746 | CRB20 |
| R593 | 0698-7234 | 5 | | 1 | RESISTOR 825 +-1% .05W TF TC=0+-100 | 00746 | CRB20 |
| R594 | 0698-7234 | 5 | | 1 | RESISTOR 825 +-1% .05W TF TC=0+-100 | 00746 | CRB20 |
| R601 | 0698-7260 | 7 | | 1 | RESISTOR 10K +-1% .05W TF TC=0+-100 | 00746 | CRB20 |
| R602 | 0698-7260 | 7 | | 1 | RESISTOR 10K +-1% .05W TF TC=0+-100 | 00746 | CRB20 |
| R603 | 0698-7260 | 7 | | 1 | RESISTOR 10K +-1% .05W TF TC=0+-100 | 00746 | CRB20 |
| R604 | 0698-7260 | 7 | | 1 | RESISTOR 10K +-1% .05W TF TC=0+-100 | 00746 | CRB20 |
| R619 | 0757-0442 | 9 | | 1 | RESISTOR 10K +-1% .125W TF TC=0+-100 | 00746 | CRB14 OR CRB25 |
| R620 | 0698-0084 | 9 | | 1 | RESISTOR 2.15K 1% .125W TF TC=0+-100 | 00746 | CRB14 OR CRB25 |
| R621 | 2100-4184 | 5 | | 1 | RESISTOR-TRMR 10K 10% TKF TOP-ADJ 1-TRN | 03744 | 3329H-EG9-103 |
| R623 | 0757-0416 | 7 | | 1 | RESISTOR 511 +-1% .125W TF TC=0+-100 | 00746 | CRB14 OR CRB25 |
| R624 | 0757-0280 | 3 | | 1 | RESISTOR 1K +-1% .125W TF TC=0+-100 | 00746 | CRB14 OR CRB25 |
| R625 | 0757-0416 | 7 | | 1 | RESISTOR 511 +-1% .125W TF TC=0+-100 | 00746 | CRB14 OR CRB25 |
| R628 | 2100-4182 | 3 | | 1 | RESISTOR-TRMR 2K 10% TKF TOP-ADJ 1-TRN | 03744 | 3329H-EG9-202 |
| R629 | 0757-0289 | 2 | | 1 | RESISTOR 13.3K +-1% .125W TF TC=0+-100 | 00746 | CRB14 OR CRB25 |

HP Part Number 08562-60123

Frequency Control

| Reference Designation | HP Part Number | C D | Qty | Description | Mfr Code | Mfr Part Number |
|-----------------------|----------------|-----|-----|--|----------|-----------------|
| R701 | 0698-7260 | 7 | 1 | RESISTOR 10K +-1% .05W TF TC=0+-100 | 00746 | CRB20 |
| R703 | 0698-7260 | 7 | 1 | RESISTOR 10K +-1% .05W TF TC=0+-100 | 00746 | CRB20 |
| R704 | 0698-7260 | 7 | 1 | RESISTOR 10K +-1% .05W TF TC=0+-100 | 00746 | CRB20 |
| R705 | 0698-7260 | 7 | 1 | RESISTOR 10K +-1% .05W TF TC=0+-100 | 00746 | CRB20 |
| R706 | 0698-7260 | 7 | 1 | RESISTOR 10K +-1% .05W TF TC=0+-100 | 00746 | CRB20 |
| R707 | 0698-7260 | 7 | 1 | RESISTOR 10K +-1% .05W TF TC=0+-100 | 00746 | CRB20 |
| R709 | 0698-7260 | 7 | 1 | RESISTOR 10K +-1% .05W TF TC=0+-100 | 00746 | CRB20 |
| R710 | 0698-7260 | 7 | 1 | RESISTOR 10K +-1% .05W TF TC=0+-100 | 00746 | CRB20 |
| R711 | 0698-7260 | 7 | 1 | RESISTOR 10K +-1% .05W TF TC=0+-100 | 00746 | CRB20 |
| R712 | 0698-7260 | 7 | 1 | RESISTOR 10K +-1% .05W TF TC=0+-100 | 00746 | CRB20 |
| R714 | 0698-7260 | 7 | 1 | RESISTOR 10K +-1% .05W TF TC=0+-100 | 00746 | CRB20 |
| R716 | 0698-7260 | 7 | 1 | RESISTOR 10K +-1% .05W TF TC=0+-100 | 00746 | CRB20 |
| R718 | 0698-7260 | 7 | 1 | RESISTOR 10K +-1% .05W TF TC=0+-100 | 00746 | CRB20 |
| R727 | 0698-7260 | 7 | 1 | RESISTOR 10K +-1% .05W TF TC=0+-100 | 00746 | CRB20 |
| R730 | 0698-7260 | 7 | 1 | RESISTOR 10K +-1% .05W TF TC=0+-100 | 00746 | CRB20 |
| R731 | 0698-7260 | 7 | 1 | RESISTOR 10K +-1% .05W TF TC=0+-100 | 00746 | CRB20 |
| R732 | 0698-7260 | 7 | 1 | RESISTOR 10K +-1% .05W TF TC=0+-100 | 00746 | CRB20 |
| U101 | 1820-3964 | 2 | 1 | IC PRESCR ECL | 02037 | MC12018P |
| U102 | 1813-0211 | 1 | 1 | IC WIDEBAND AMPL T0-39 PKG | 02037 | MWA110 |
| U103 | 1820-1888 | 5 | 1 | IC PRESCR ECL | 02037 | MC12013L |
| U104 | 1820-1442 | 7 | 1 | IC CNTR TTL/LS DECD ASYNCHRO NEG-EDGE-TR | 01698 | SN74LS290N |
| U105 | 1820-0630 | 3 | 1 | IC MISC TTL | 02037 | MC4044P |
| U106 | 1826-1640 | 9 | 1 | IC COMPARATOR HS 8-DIP-C PKG | 03406 | LM360J |
| U107 | 1826-0285 | 6 | 1 | IC V RGLTR-FXD-NEG -4.8/-5.2V T0-92 PKG | 02037 | MC79L05ACP |
| U108 | 1826-0276 | 5 | 1 | IC V RGLTR-FXD-POS 4.8/5.2V T0-92 PKG | 02037 | MC78L05ACP |
| U109 | 1826-1175 | 5 | 1 | IC WIDEBAND AMPL VID 10-T0-100 PKG | 02037 | MC1733G |
| U110 | 1820-3405 | 6 | 1 | IC MISC CMOS 4-BIT | 02037 | MC145146P |
| U111 | 1826-0785 | 1 | 1 | IC OP AMP LOW-BIAS-H-IMPD DUAL 8-DIP-C | 01698 | TL072ACJG |
| U112 | 1826-0791 | 9 | 1 | SAMPLE AND HOLD 8 -DIP-P | 03406 | LF398N |
| U113 | 1826-1231 | 4 | 1 | D/A B-DGT 20-PLASTIC CMOS | 02180 | PM7528HP |
| U114 | 1826-1231 | 4 | 1 | D/A 8-DGT 20-PLASTIC CMOS | 02180 | PM7528HP |
| U115 | 1826-0785 | 1 | 1 | IC OP AMP LOW-BIAS-H-IMPD DUAL 8-DIP-C | 01698 | TL072ACJG |
| U116 | 1826-1361 | 1 | 1 | ANALOG SWITCH 4 SPST 16 -DIP-P | 02883 | DG212CJ |
| U117 | 0955-0113 | 1 | 1 | U-WAVE MIXER 1 GHZ MAX | 02739 | TFM-2-38 |
| U118 | 1813-0212 | 2 | 1 | IC WIDEBAND AMPL T0-39 PKG | 02037 | MWA120 |
| U119 | 1826-1231 | 4 | 1 | D/A 8-DGT 20-PLASTIC CMOS | 02180 | PM7528HP |
| U120 | 1826-0890 | 9 | 1 | IC OP AMP GP DUAL 8-DIP-P PKG | 03406 | LM358AN |
| U121 | 1826-0785 | 1 | 1 | IC OP AMP LOW-BIAS-H-IMPD DUAL 8-DIP-C | 01698 | TL072ACJG |
| U122 | 1826-0890 | 9 | 1 | IC OP AMP GP DUAL 8-DIP-P PKG | 03406 | LM358AN |
| U123 | 1813-0211 | 1 | 1 | IC WIDEBAND AMPL T0-39 PKG | 02037 | MWA110 |
| U124 | 1820-3405 | 6 | 1 | IC MISC CMOS 4-BIT | 02037 | MC145146P |
| U125 | 1826-0276 | 5 | 1 | IC V RGLTR-FXD-POS 4.8/5.2V T0-92 PKG | 02037 | MC78L05ACP |
| U126 | 1826-0785 | 1 | 1 | IC OP AMP LOW-BIAS-H-IMPD DUAL 8-DIP-C | 01698 | TL072ACJG |
| U127 | 1820-3646 | 7 | 1 | IC PRESCR ECL | 02037 | MC12015P |
| U128 | 1813-0211 | 1 | 1 | IC WIDEBAND AMPL T0-39 PKG | 02037 | MWA110 |
| U201 | 1813-0212 | 2 | 1 | IC WIDEBAND AMPL T0-39 PKG | 02037 | MWA120 |
| U202 | 1820-0920 | 4 | 1 | IC RCVR ECL LINE RCVR QUAD 2-INP | 02037 | MC1692L |
| U203 | 1820-3485 | 2 | 1 | IC PRESCR ECL | 02037 | MC12090L |

*Indicates factory-selected value

HP Part Number 08562-60123

Frequency Control

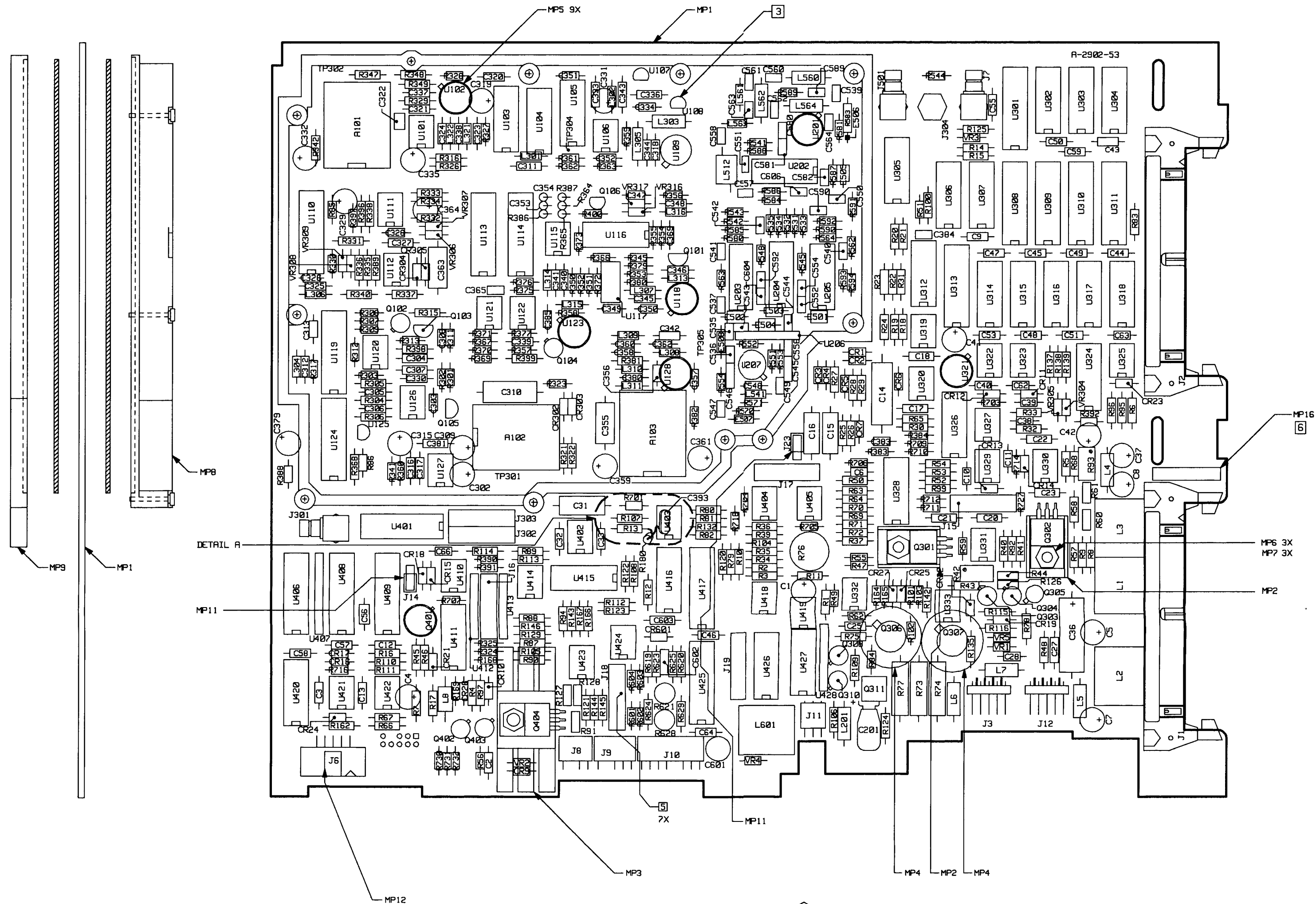
| Reference Designation | HP Part Number | C | D | Qty | Description | Mfr Code | Mfr Part Number |
|-----------------------|----------------|---|---|-----|--|----------|-----------------|
| U204 | 1820-1344 | 8 | | 1 | IC PL LOOP 14-DIP-C PKG | 02037 | MC12040L |
| U205 | 1820-3485 | 2 | | 1 | IC PRESCR ECL | 02037 | MC12090L |
| U206 | 1810-0167 | 0 | | 1 | NETWORK-RES 8-SIP 330.0 OHM X 4 | 02483 | 750-83-R330J |
| U207 | 1826-0371 | 1 | | 1 | IC OP AMP LOW-BIAS-H-IMP 8-T0-99 PKG | 03406 | LF256H |
| U301 | 1826-1231 | 4 | | 1 | D/A 8-DGT 20-PLASTIC CMOS | 02180 | PM7528HP |
| U302 | 1820-3079 | 0 | | 1 | IC DCDR CMOS/74HC BIN 3-T0-8-LINE | 02037 | MC74HC138N |
| U303 | 1820-3079 | 0 | | 1 | IC DCDR CMOS/74HC BIN 3-T0-8-LINE | 02037 | MC74HC138N |
| U304 | 1820-3079 | 0 | | 1 | IC DCDR CMOS/74HC BIN 3-T0-8-LINE | 02037 | MC74HC138N |
| U305 | 1826-0605 | 4 | | 1 | ANALOG MULTIPLEXER 8 CHNL 16 -CERDIP | 02883 | DG508ABK |
| U306 | 1826-1012 | 9 | | 1 | ANALOG SWITCH 4 SPST 16 -CERDIP | 03799 | HI1-0201-4 |
| U307 | 1820-1934 | 2 | | 1 | D/A 8-BIT 16-CERDIP BPLR | 02180 | DAC-08EQ |
| U308 | 1820-3848 | 1 | | 1 | IC FF CMOS/74HCT D-TYPE POS-EDGE-TRIG CO | 01698 | SN74HCT374N |
| U309 | 1820-3848 | 1 | | 1 | IC FF CMOS/74HCT D-TYPE POS-EDGE-TRIG CO | 01698 | SN74HCT374N |
| U310 | 1820-3848 | 1 | | 1 | IC FF CMOS/74HCT D-TYPE POS-EDGE-TRIG CO | 01698 | SN74HCT374N |
| U311 | 1820-4586 | 6 | | 1 | IC DRVR/RCVR CMOS/74HCT BUS OCTL | 01698 | SN74HCT541N |
| U312 | 1826-1012 | 9 | | 1 | ANALOG SWITCH 4 SPST 16 -CERDIP | 03799 | HI1-0201-4 |
| U313 | 1820-3848 | 1 | | 1 | IC FF CMOS/74HCT D-TYPE POS-EDGE-TRIG CO | 01698 | SN74HCT374N |
| U314 | 1826-0752 | 2 | | 1 | D/A 12-BIT 16-CBRZ CMOS | 03285 | AD7542BD |
| U315 | 1826-0752 | 2 | | 1 | D/A 12-BIT 16-CBRZ CMOS | 03285 | AD7542BD |
| U316 | 1826-0752 | 2 | | 1 | D/A 12-BIT 16-CBRZ CMOS | 03285 | AD7542BD |
| U317 | 1826-0811 | 4 | | 1 | ANALOG SWITCH 4-SPST 16 -CERDIP | 02180 | SW-01FQ |
| U318 | 1826-0811 | 4 | | 1 | ANALOG SWITCH 4-SPST 16 -CERDIP | 02180 | SW-01FQ |
| U319 | 1826-0785 | 1 | | 1 | IC OP AMP LOW-BIAS-H-IMP 8-DIP-C | 01698 | TL072ACJG |
| U320 | 1826-0785 | 1 | | 1 | IC OP AMP LOW-BIAS-H-IMP 8-DIP-C | 01698 | TL072ACJG |
| U321 | 1826-0367 | 5 | | 1 | IC V RGLTR-FXD-POS 4.8/5.2V T0-39 PKG | 02037 | MC78M05CG |
| U322 | 1826-1049 | 2 | | 1 | IC OP AMP PRCN 8-DIP-C PKG | 02180 | OP-27GZ |
| U323 | 1826-1049 | 2 | | 1 | IC OP AMP PRCN 8-DIP-C PKG | 02180 | OP-27GZ |
| U324 | 1826-1361 | 1 | | 1 | ANALOG SWITCH 4 SPST 16 -DIP-P | 02883 | DG212CJ |
| U325 | 1826-0785 | 1 | | 1 | IC OP AMP LOW-BIAS-H-IMP 8-DIP-C | 01698 | TL072ACJG |
| U326 | 1826-1361 | 1 | | 1 | ANALOG SWITCH 4 SPST 16 -DIP-P | 02883 | DG212CJ |
| U327 | 1826-1049 | 2 | | 1 | IC OP AMP PRCN 8-DIP-C PKG | 02180 | OP-27GZ |
| U328 | 1826-1116 | 4 | | 1 | IC OP AMP GP QUAD 14-DIP-P PKG | 02290 | RC4156DB |
| U329 | 1826-0785 | 1 | | 1 | IC OP AMP LOW-BIAS-H-IMP 8-DIP-C | 01698 | TL072ACJG |
| U330 | 1826-0932 | 0 | | 1 | IC OP AMP PRCN 8-DIP-C PKG | 02180 | OP-27FZ |
| U331 | 1826-0932 | 0 | | 1 | IC OP AMP PRCN 8-DIP-C PKG | 02180 | OP-27FZ |
| U332 | 1826-1049 | 2 | | 1 | IC OP AMP PRCN 8-DIP-C PKG | 02180 | OP-27GZ |
| U333 | 1826-0785 | 1 | | 1 | IC OP AMP LOW-BIAS-H-IMP 8-DIP-C | 01698 | TL072ACJG |
| U401 | 1820-3848 | 1 | | 1 | IC FF CMOS/74HCT D-TYPE POS-EDGE-TRIG CO | 01698 | SN74HCT374N |
| U402 | 1826-1543 | 1 | | 1 | IC OP AMP HS DUAL 8-DIP-C PKG | 02037 | MC34072AU |
| U403 | 1826-0785 | 1 | | 1 | IC OP AMP LOW-BIAS-H-IMP 8-DIP-C | 01698 | TL072ACJG |
| U404 | 1826-0785 | 1 | | 1 | IC OP AMP LOW-BIAS-H-IMP 8-DIP-C | 01698 | TL072ACJG |
| U405 | 1826-1049 | 2 | | 1 | IC OP AMP PRCN 8-DIP-C PKG | 02180 | OP-27GZ |
| U406 | 1820-3848 | 1 | | 1 | IC FF CMOS/74HCT D-TYPE POS-EDGE-TRIG CO | 01698 | SN74HCT374N |
| U407 | 1810-0527 | 6 | | 1 | NETWORK-RES 10-SIP 1.6K OHM X 9 | 02483 | 750-101-R1.6K |
| U408 | 1826-1231 | 4 | | 1 | D/A 8-DGT 20-PLASTIC CMOS | 02180 | PM7528HP |
| U409 | 1826-1231 | 4 | | 1 | D/A 8-DGT 20-PLASTIC CMOS | 02180 | PM7528HP |
| U410 | 1826-0785 | 1 | | 1 | IC OP AMP LOW-BIAS-H-IMP 8-DIP-C | 01698 | TL072ACJG |

HP Part Number 08562-60123
Frequency Control

| Reference Designation | HP Part Number | C D | Qty | Description | Mfr Code | Mfr Part Number |
|-----------------------|----------------|-----|-----|--|----------|-----------------|
| U411 | 1826-0759 | 9 | 1 | IC COMPARATOR GP QUAD 14-DIP-C PKG | 02037 | LM339J |
| U412 | 1810-1130 | 9 | 1 | NETWORK-RES 8-SIP 47.0K OHM X 4 | 02483 | 750-83-R47K |
| U413 | 1810-0406 | 0 | 1 | NETWORK-RES 8-SIP 10.0K OHM X 4 | 02483 | 750-83-R10K |
| U414 | 1826-0785 | 1 | 1 | IC OP AMP LOW-BIAS-H-IMP DUAL 8-DIP-C | 01698 | TL072ACJG |
| U415 | 1826-0811 | 4 | 1 | ANALOG SWITCH 4 SPST 16 -CERDIP | 02180 | SW-01FQ |
| U416 | 1826-0811 | 4 | 1 | ANALOG SWITCH 4 SPST 16 -CERDIP | 02180 | SW-01FQ |
| U417 | 1820-3848 | 1 | 1 | IC FF CMOS/74HCT D-TYPE POS-EDGE-TRIG CO | 01698 | SN74HCT374N |
| U418 | 1826-1049 | 2 | 1 | IC OP AMP PRCN 8-DIP-C PKG | 02180 | OP-27GZ |
| U419 | 1826-1514 | 6 | 1 | IC V RGLTR-V-REF-FXD 9.95/10.05V 8-DIP-P | 10858 | LT1021BCN8-10 |
| U420 | 1820-1200 | 5 | 1 | IC INV TTL/LS HEX | 01698 | SN74LS05N |
| U421 | 1826-0785 | 1 | 1 | IC OP AMP LOW-BIAS-H-IMP DUAL 8-DIP-C | 01698 | TL072ACJG |
| U422 | 1826-0785 | 1 | 1 | IC OP AMP LOW-BIAS-H-IMP DUAL 8-DIP-C | 01698 | TL072ACJG |
| U423 | 1826-1149 | 3 | 1 | IC OP AMP PRCN 8-DIP-C PKG | 02180 | OP-07EZ |
| U424 | 1826-0785 | 1 | 1 | IC OP AMP LOW-BIAS-H-IMP DUAL 8-DIP-C | 01698 | TL072ACJG |
| U425 | 1820-3848 | 1 | 1 | IC FF CMOS/74HCT D-TYPE POS-EDGE-TRIG CO | 01698 | SN74HCT374N |
| U426 | 1810-0316 | 1 | 1 | NETWORK-RES 16-DIP 10.0K OHM X 8 | 02483 | 761-3-R10K |
| U427 | 1826-0759 | 9 | 1 | IC COMPARATOR GP QUAD 14-DIP-C PKG | 02037 | LM339J |
| U428 | 1810-0406 | 0 | 1 | NETWORK-RES 8-SIP 10.0K OHM X 4 | 02483 | 750-83-R10K |
| VR1 | 1902-0579 | 3 | 1 | DIODE-ZNR 5.1V 5% PD=1W IR=10UA | 02037 | |
| VR2 | 1902-0579 | 3 | 1 | DIODE-ZNR 5.1V 5% PD=1W IR=10UA | 02037 | |
| VR3 | 1902-0202 | 9 | 1 | DIODE-ZNR 15V 5% PD=1W IR=5UA | 02037 | |
| VR4 | 1902-3104 | 6 | 1 | DIODE-ZNR 5.62V 5% DO-35 PD=.4W | 02037 | |
| VR5 | 1902-0554 | 4 | 1 | DIODE-ZNR 10V 5% PD=1W IR=10UA | 02037 | |
| VR304 | 1902-3149 | 9 | 1 | DIODE-ZNR 9.09V 5% DO-35 PD=.4W | 02037 | |
| VR305 | 1902-3149 | 9 | 1 | DIODE-ZNR 9.09V 5% DO-35 PD=.4W | 02037 | |
| VR306 | 1902-3149 | 9 | 1 | DIODE-ZNR 9.09V 5% DO-35 PD=.4W | 02037 | |
| VR307 | 1902-3149 | 9 | 1 | DIODE-ZNR 9.09V 5% DO-35 PD=.4W | 02037 | |
| VR308 | 1902-3139 | 7 | 1 | DIODE-ZNR 8.25V 5% DO-35 PD=.4W | 02037 | |
| VR309 | 1902-3139 | 7 | 1 | DIODE-ZNR 8.25V 5% DO-35 PD=.4W | 02037 | |
| VR316 | 1902-3149 | 9 | 1 | DIODE-ZNR 9.09V 5% DO-35 PD=.4W | 02037 | |
| VR317 | 1902-3149 | 9 | 1 | DIODE-ZNR 9.09V 5% DO-35 PD=.4W | 02037 | |

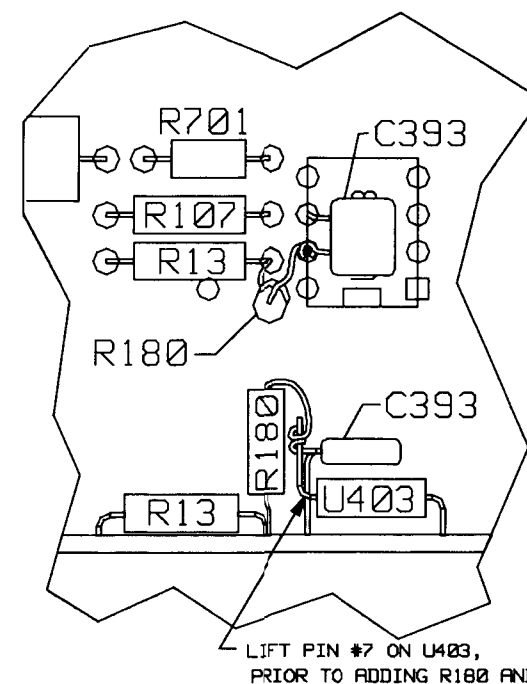
**Indicates factory-selected value*

| E-08562-60123-2 | |
|-----------------|------|
| REV | DATE |
| A | |



NOTES: UNLESS OTHERWISE SPECIFIED

1. DIMENSIONS ARE IN INCHES.
2. REMOVE TABS AFTER WAVE SOLDER.
3. MAXIMUM COMPONENT HEIGHT .400.
4. MAXIMUM LEAD TRIM LENGTH .118.
5. ASSURE THAT PIN #9 HAS BEEN REMOVED FROM J15, J16, J17, J18, J19, J302, J303 PRIOR TO ASSEMBLY AND MACHINE SOLDER.
6. 08562-60123 USES RAW BOARD 08562-20255. ADD LABEL MP16 TO MAKE DISTINCTION.



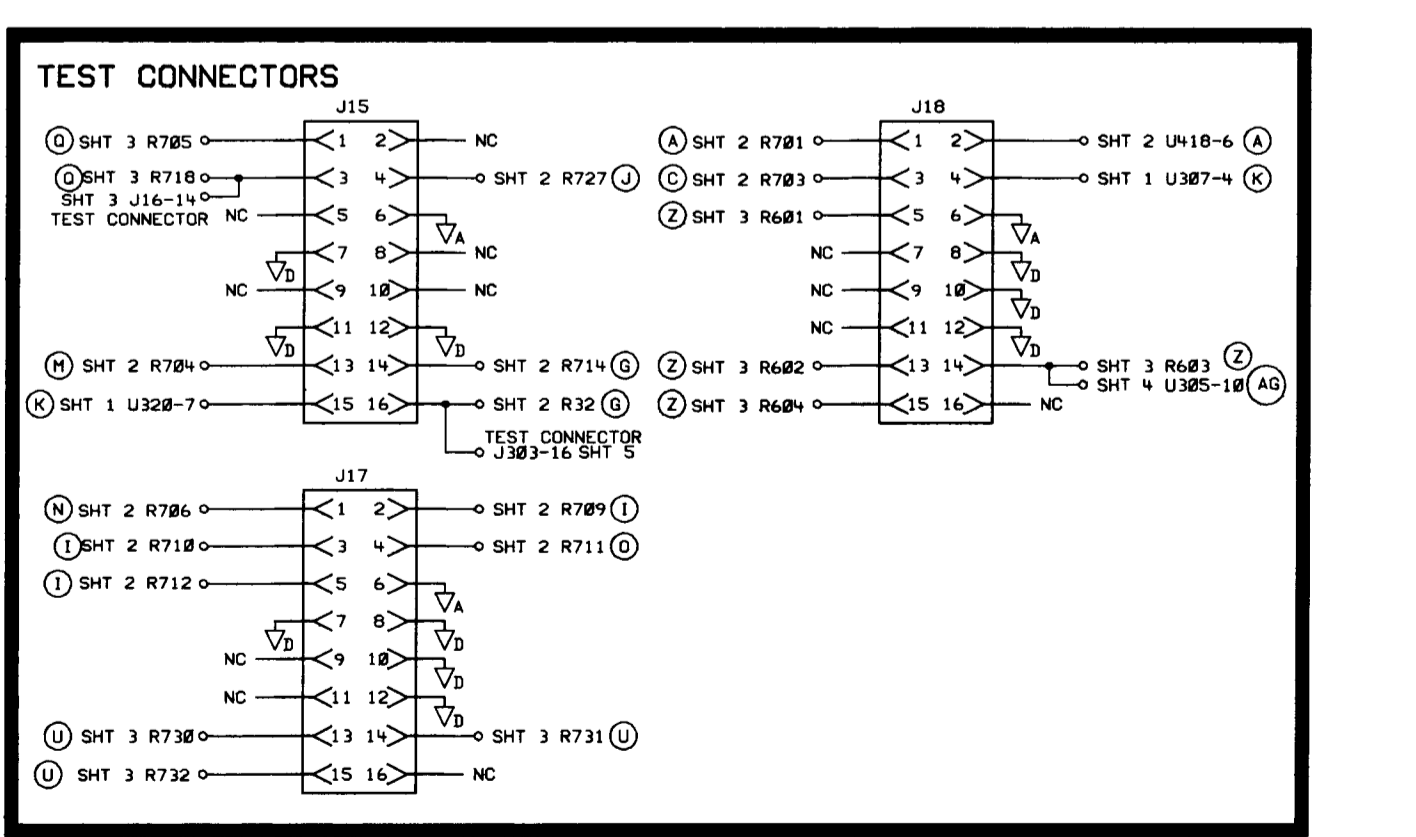
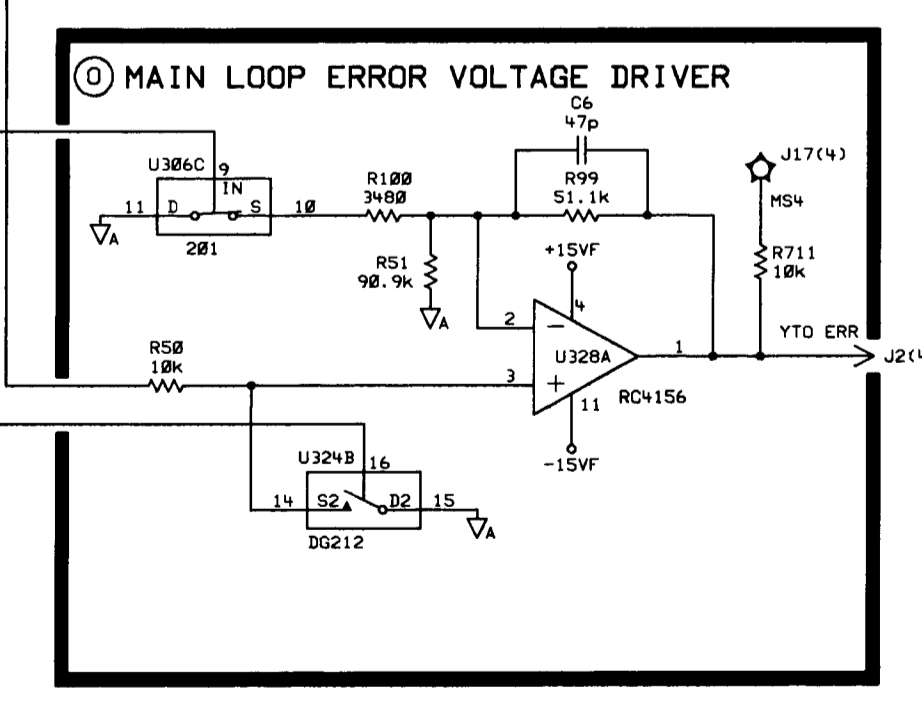
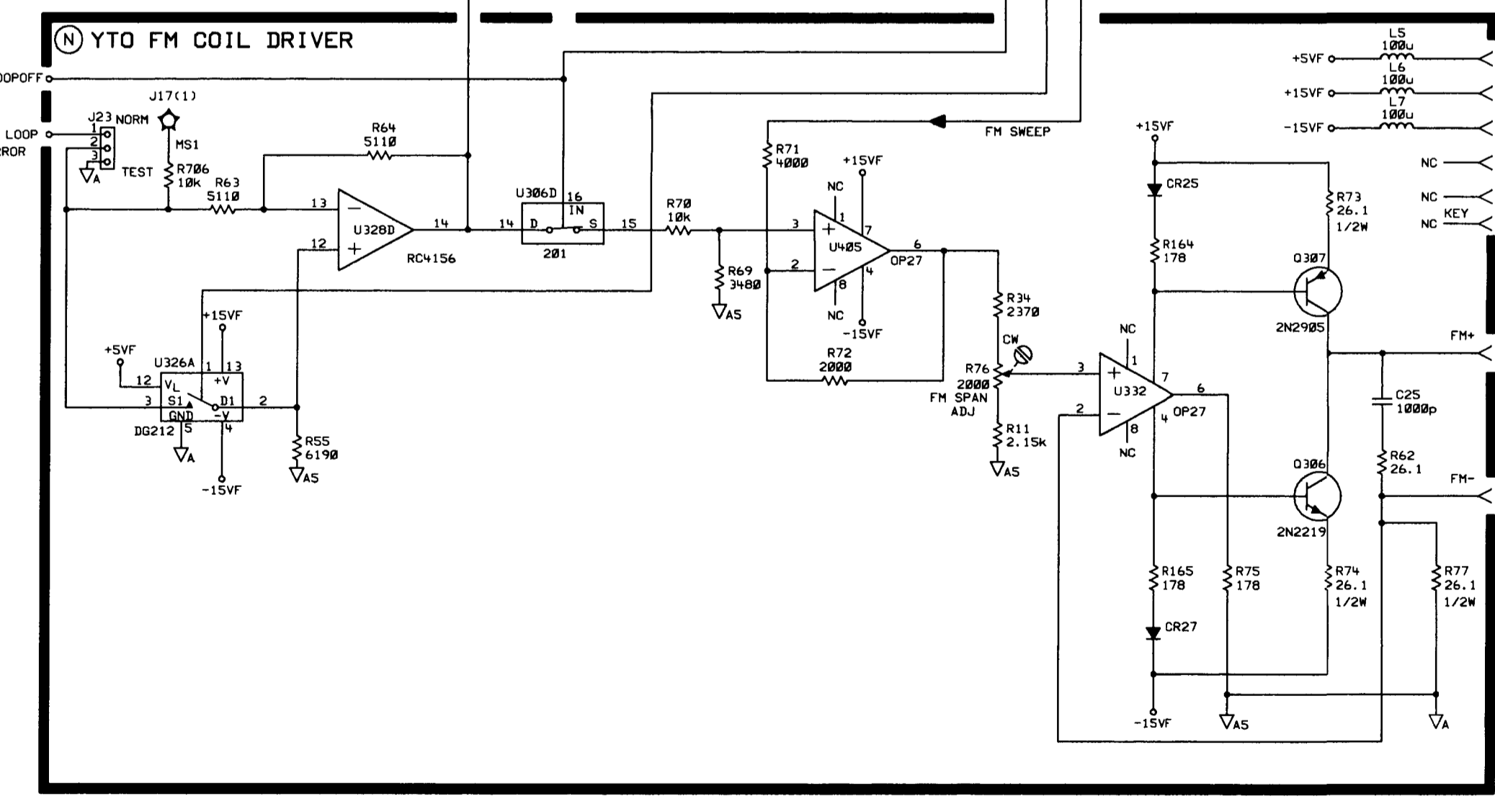
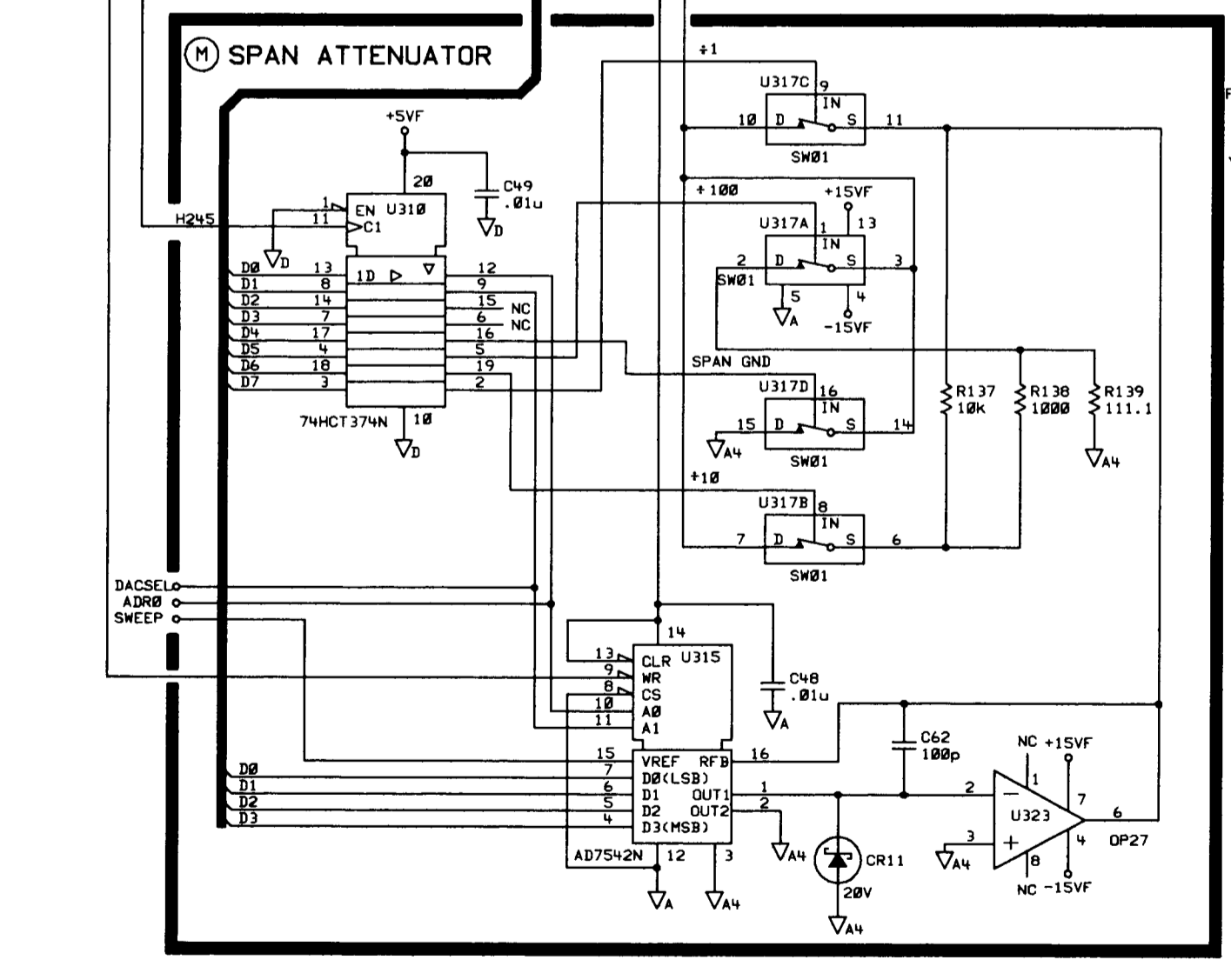
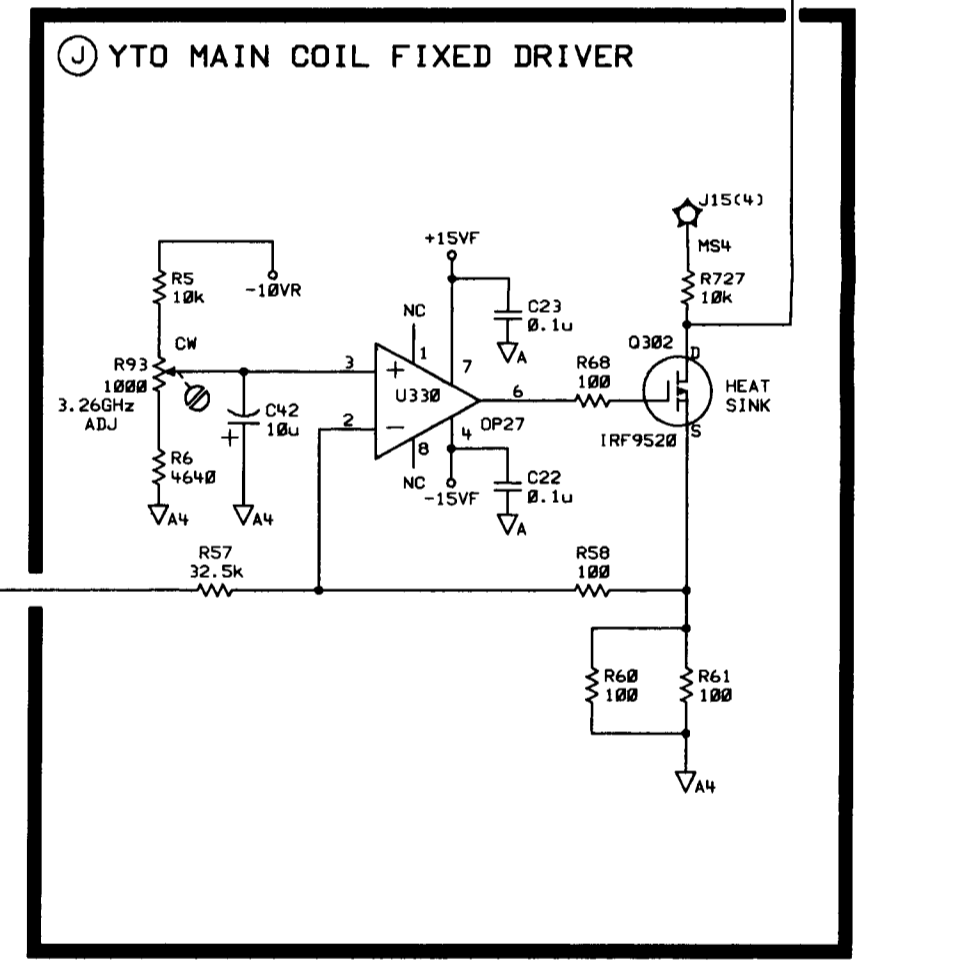
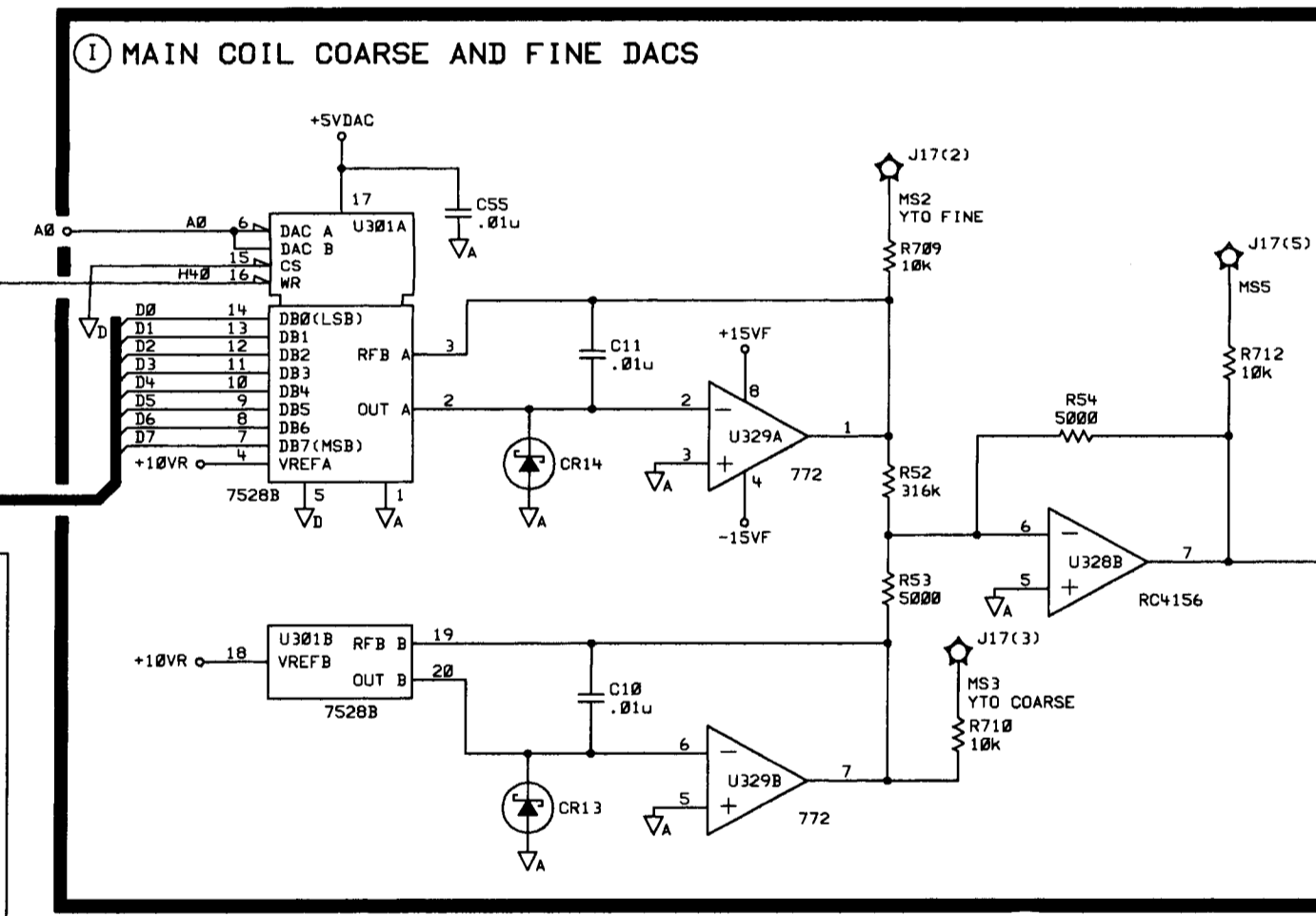
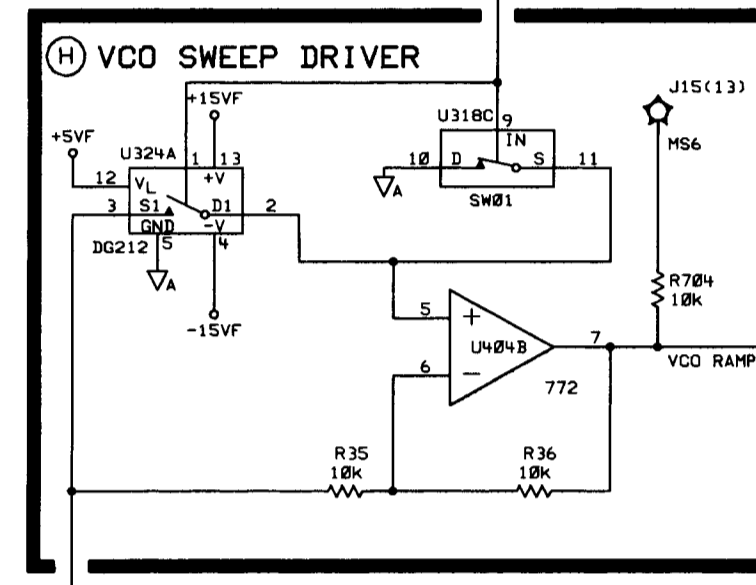
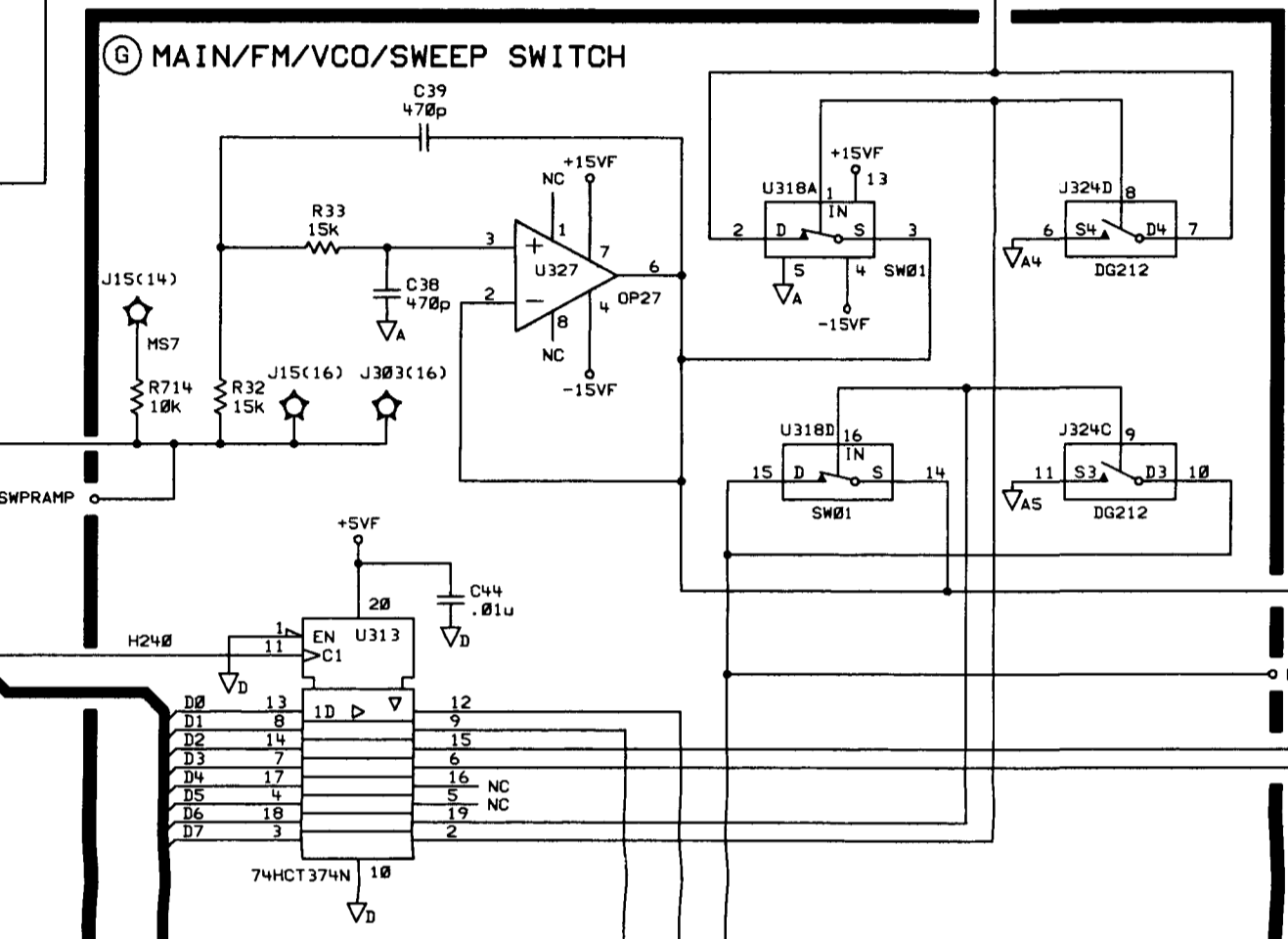
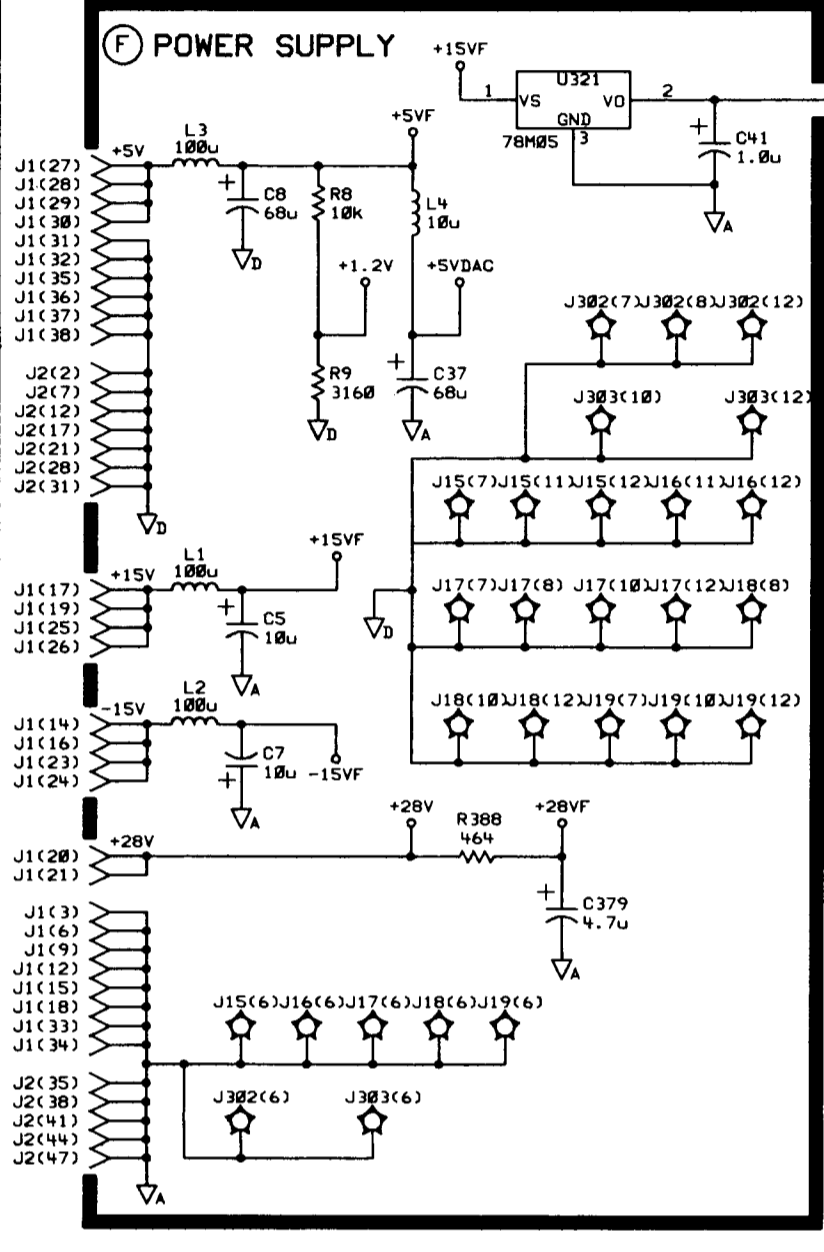
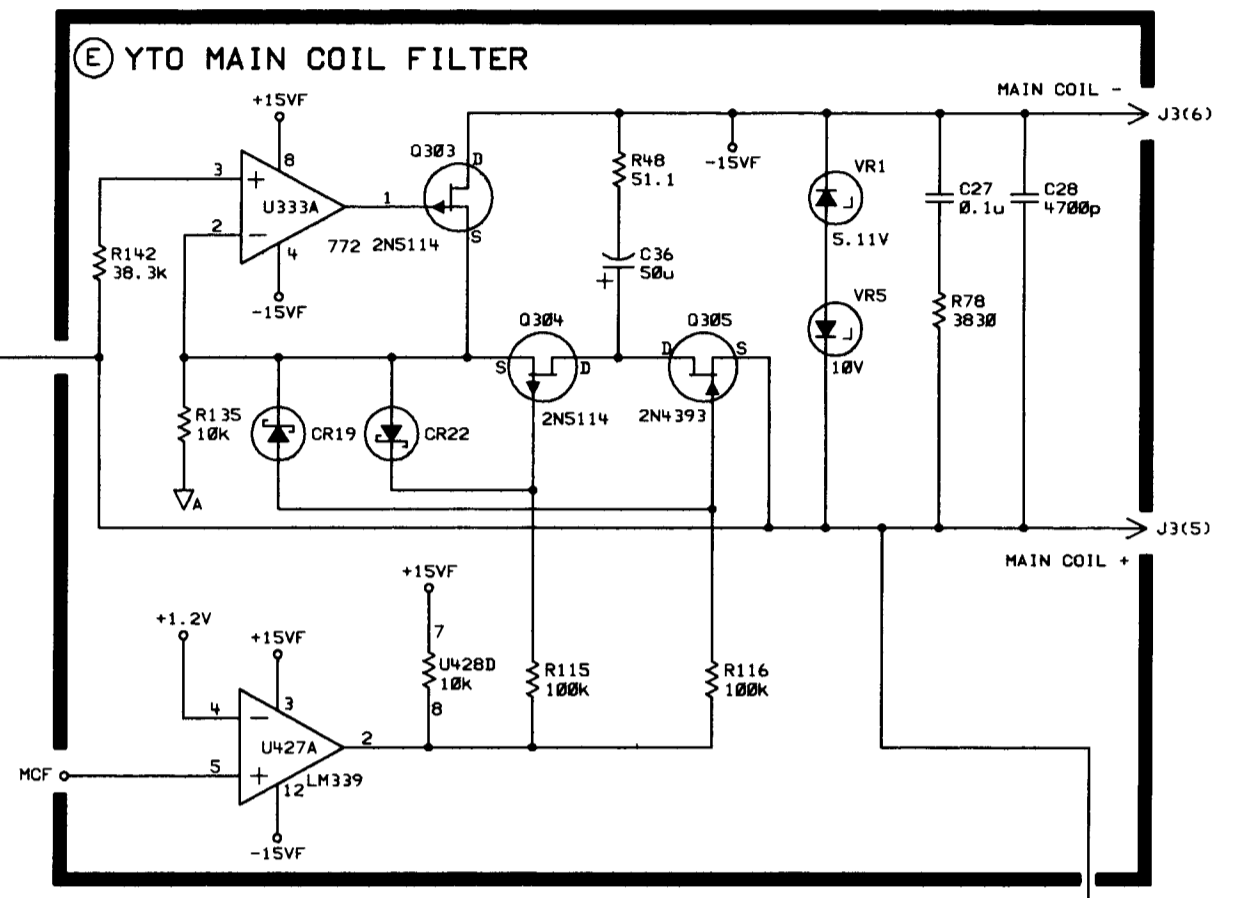
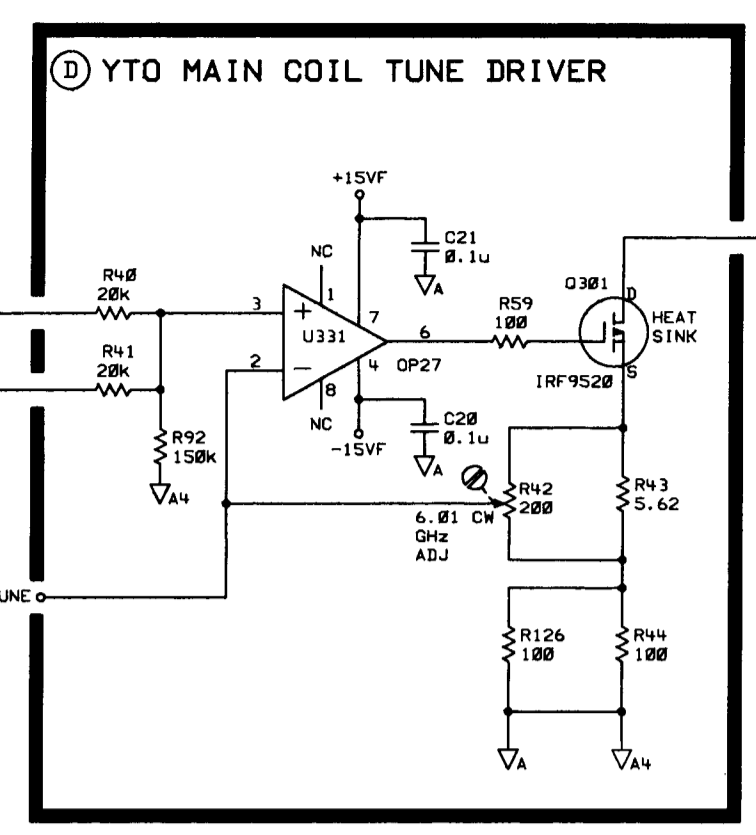
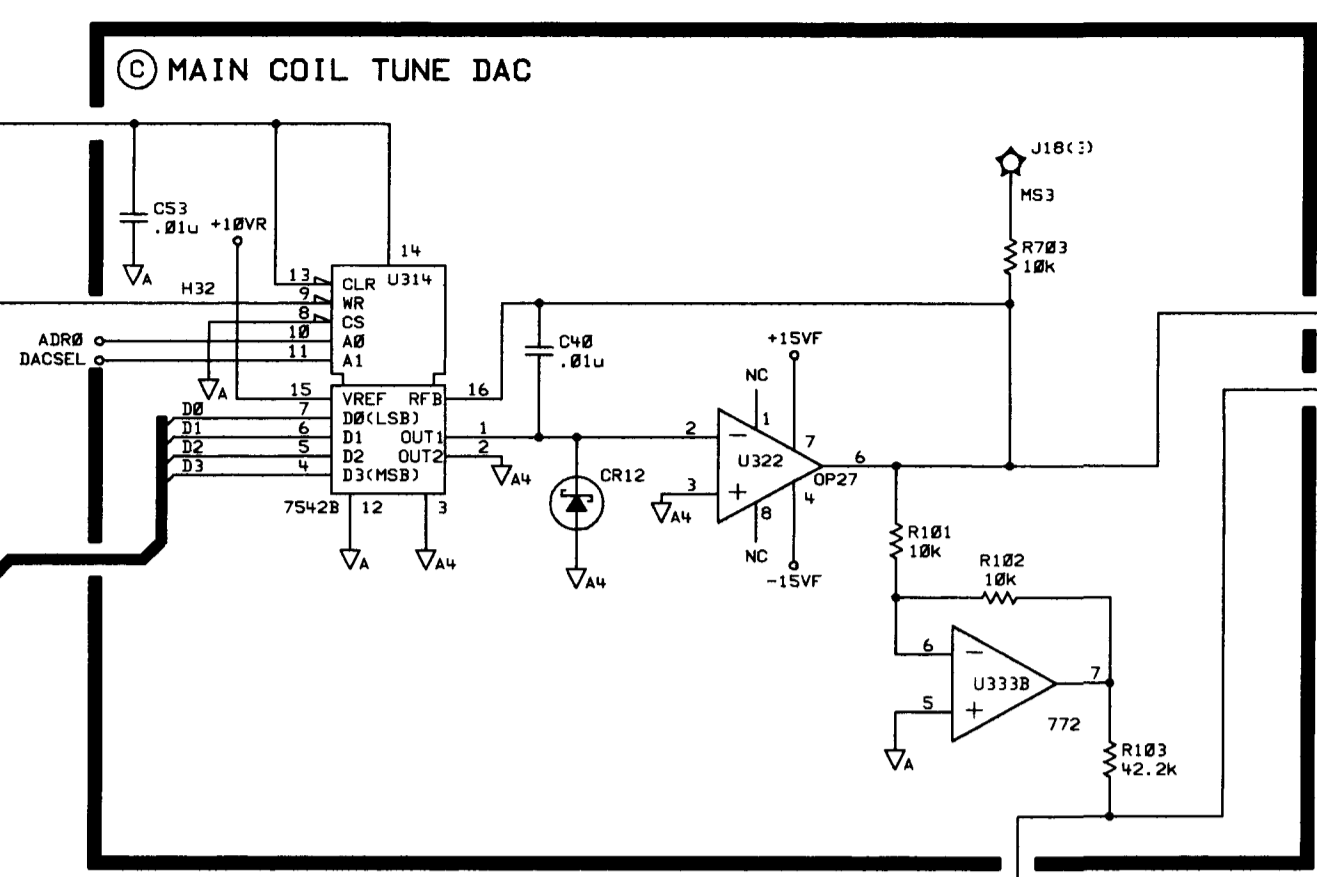
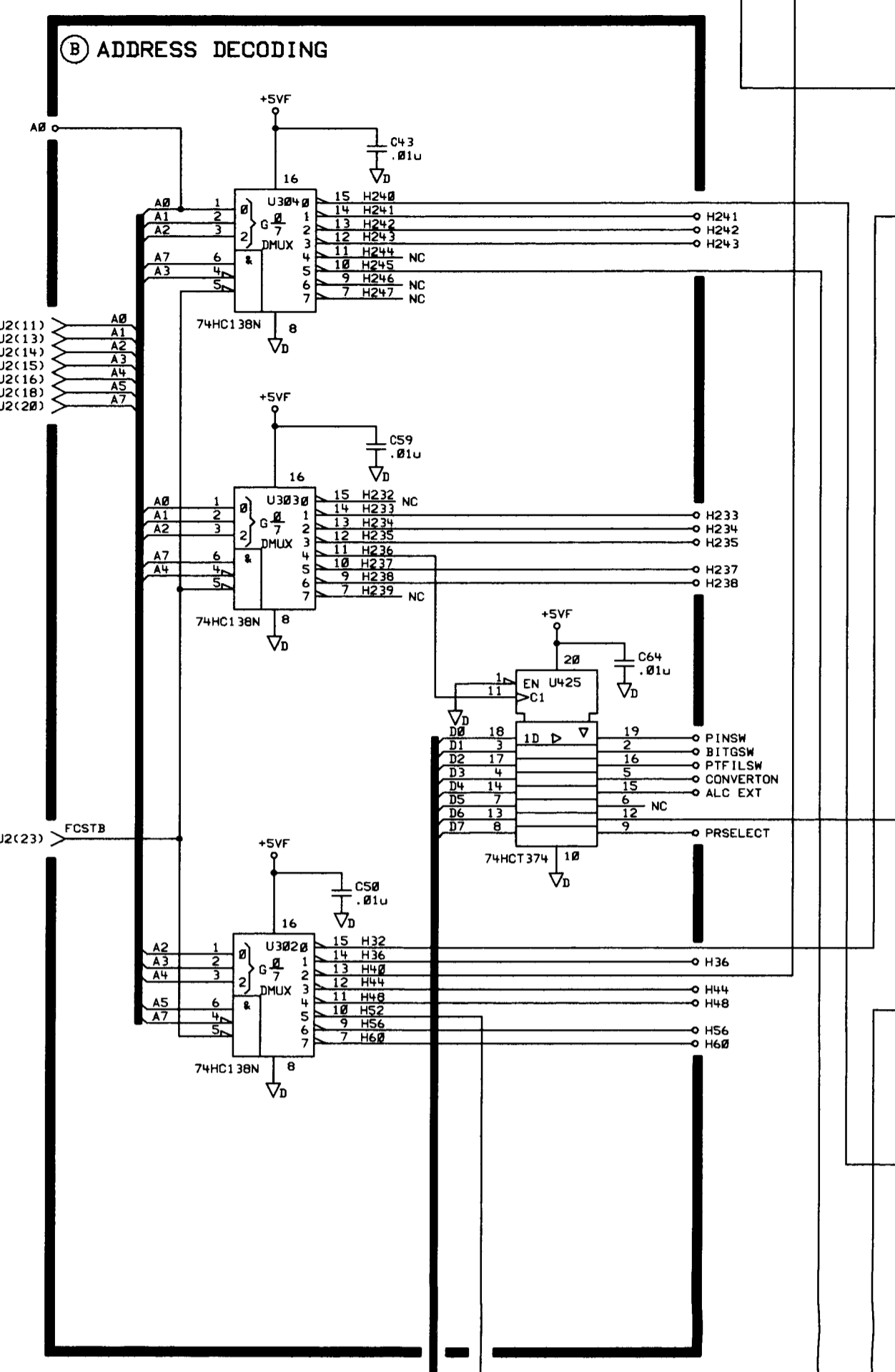
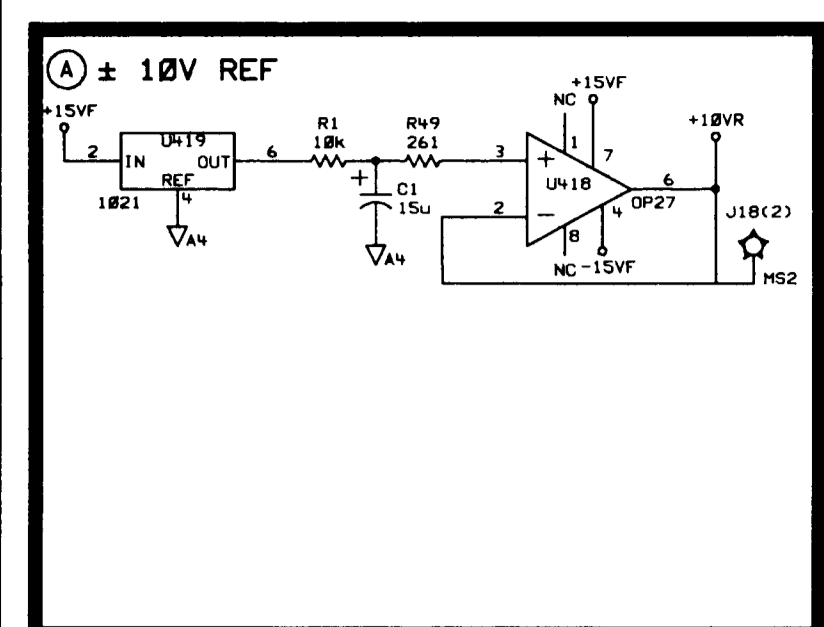
DETAIL A
SCALE: NONE

SEE 08562-60123 MATERIAL LIST

HP PROPRIETARY
THIS DOCUMENT CONTAINS CONFIDENTIAL
PROPRIETARY INFORMATION THAT IS
HEWLETT-PACKARD (HP) PROPERTY. DO
NOT DISCLOSE TO OR DUPLICATE FOR
OTHERS EXCEPT AS AUTHORIZED BY HP.

| | | | | |
|--|-------------------|------|---|-----------------|
| UNLESS OTHERWISE SPECIFIED, DIMENSIONS ARE IN INCHES. | DESIGNED BY | DATE | BOARD ASSEMBLY- FREQUENCY CONTROL | |
| TELEPHONE: 201.261.4100 | DESIGNED-CHECKED | | TITLE | |
| SEE COMP. STD. 808 | RELEASED TO PROD. | | NONE | 08562-60123 |
| | APPROVED BY | | REV. 1 1 | E-08562-60123-2 |

| SYM | REVISIONS | APPROVED | DATE |
|-----|-----------|----------|------|
| A | | | |



| MNEMONIC | 1 | 2 | 3 | 4 | 5 |
|-----------|---|---|---|---|------------|
| AB | B | I | S | | |
| ADDR | L | C | H | W | |
| ALC EXT | | | | | AK, AH, AN |
| BITGSM | | | | | |
| CONVERTON | | | | | |
| DACSEL | L | C | H | W | |
| FREQOFF | | | | | |
| FHYTCORR- | | | | | AB |
| CTION | | | | | |
| H36 | L | B | | | |
| H44 | | | | | AN |
| H48 | | | | | AK |
| H56 | | | | | AN |
| H48 | | | | | |
| H23 | | | | | AG |
| H23H | | | | | |
| H23S | | | | | |

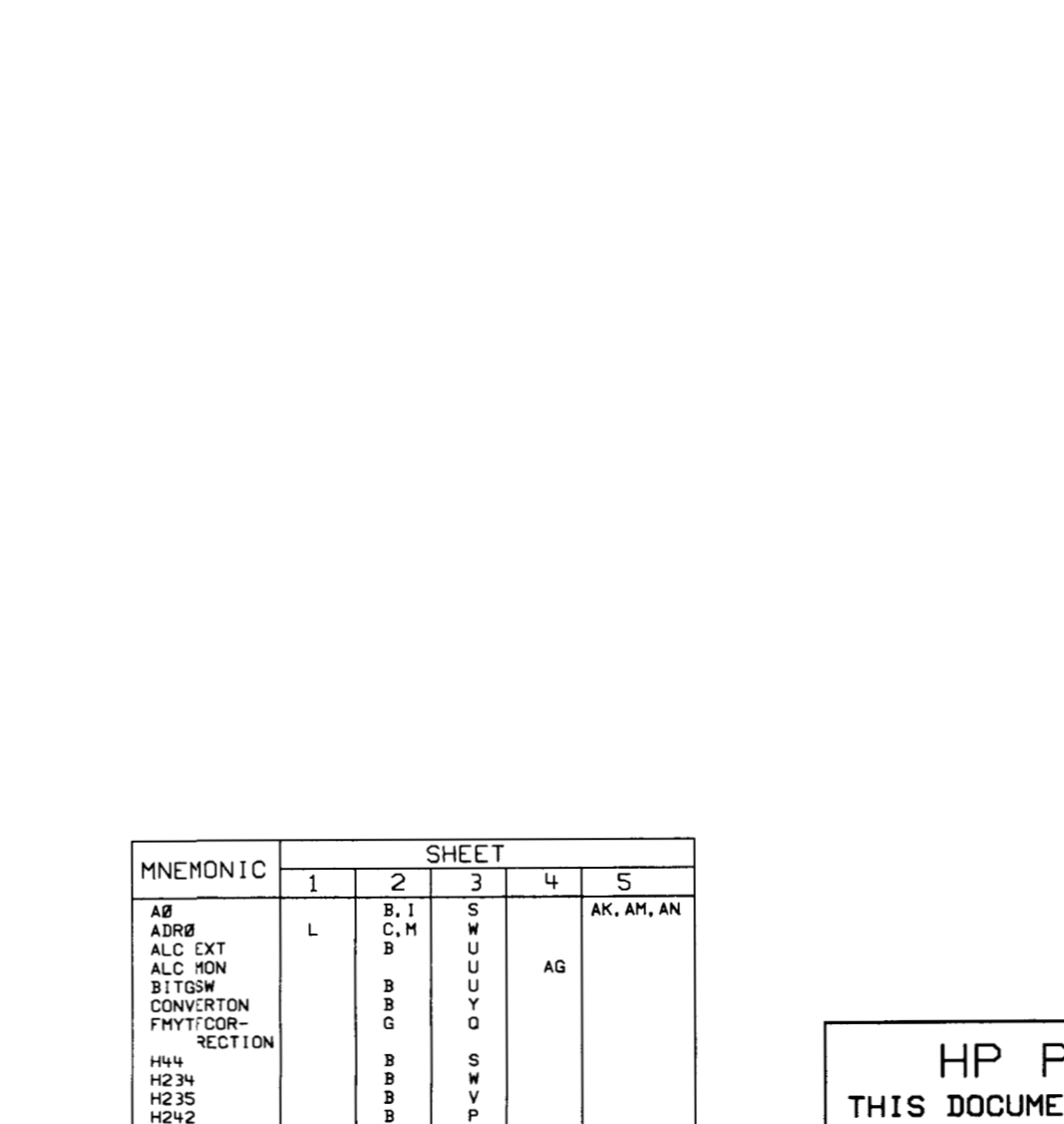
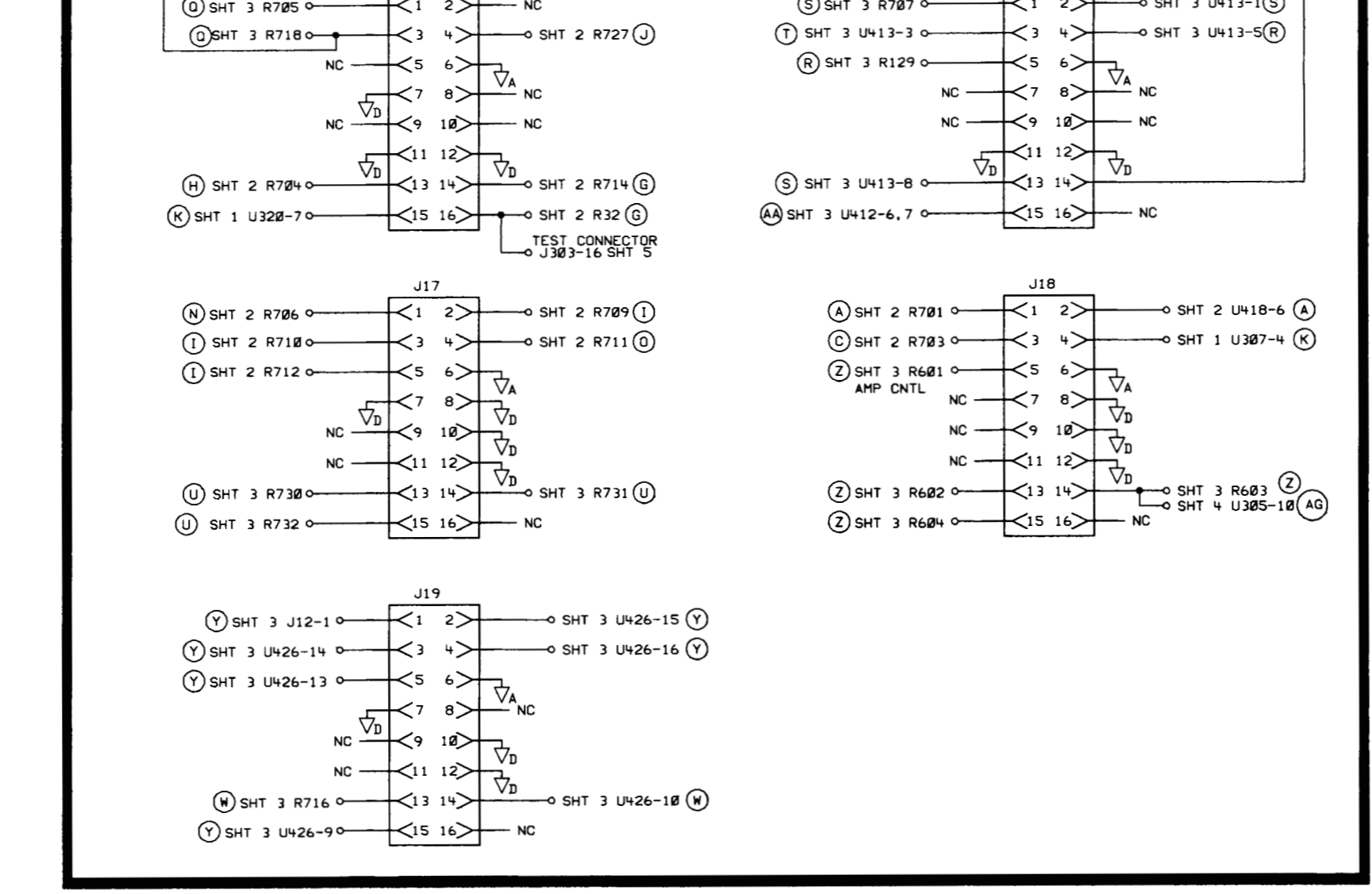
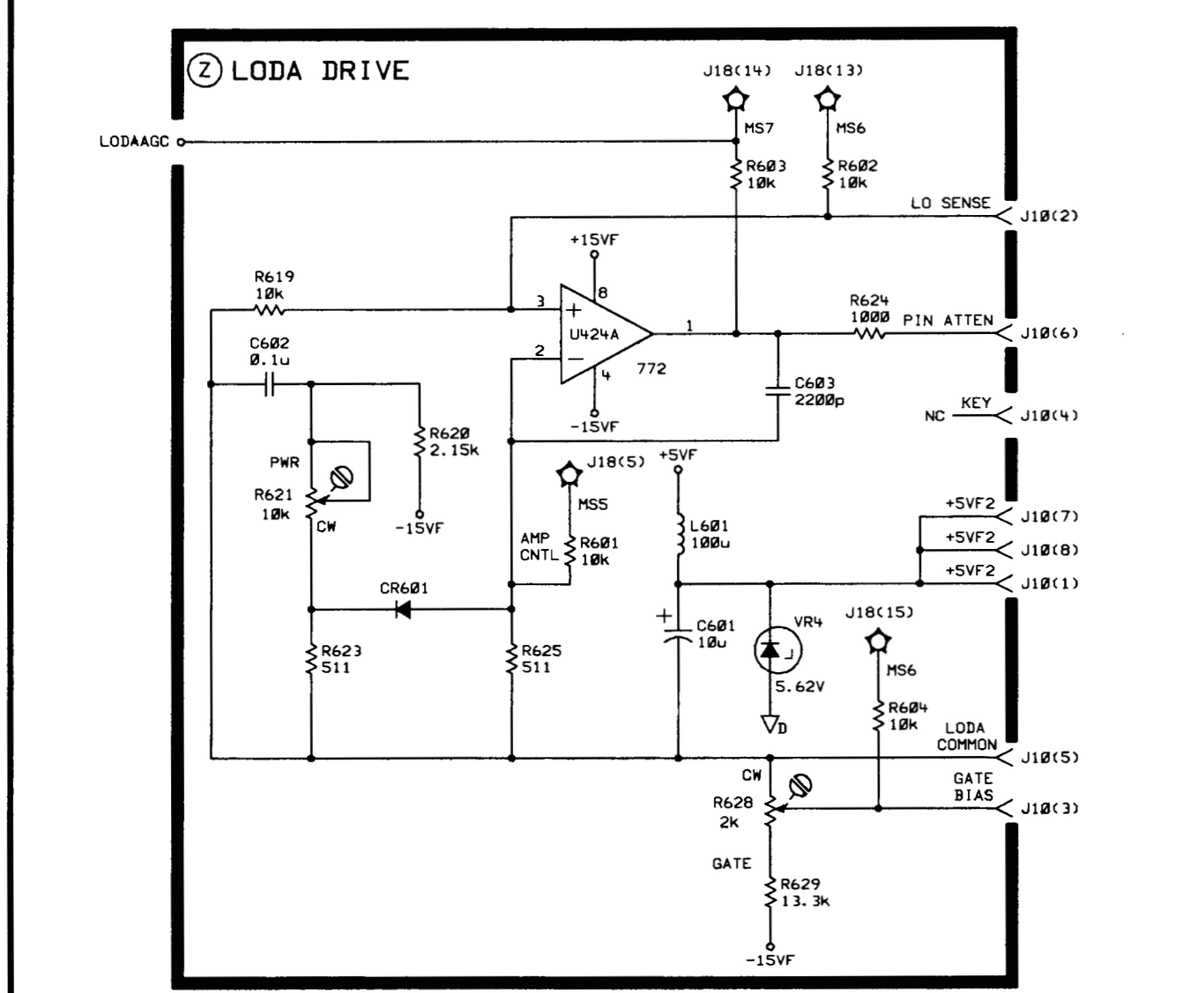
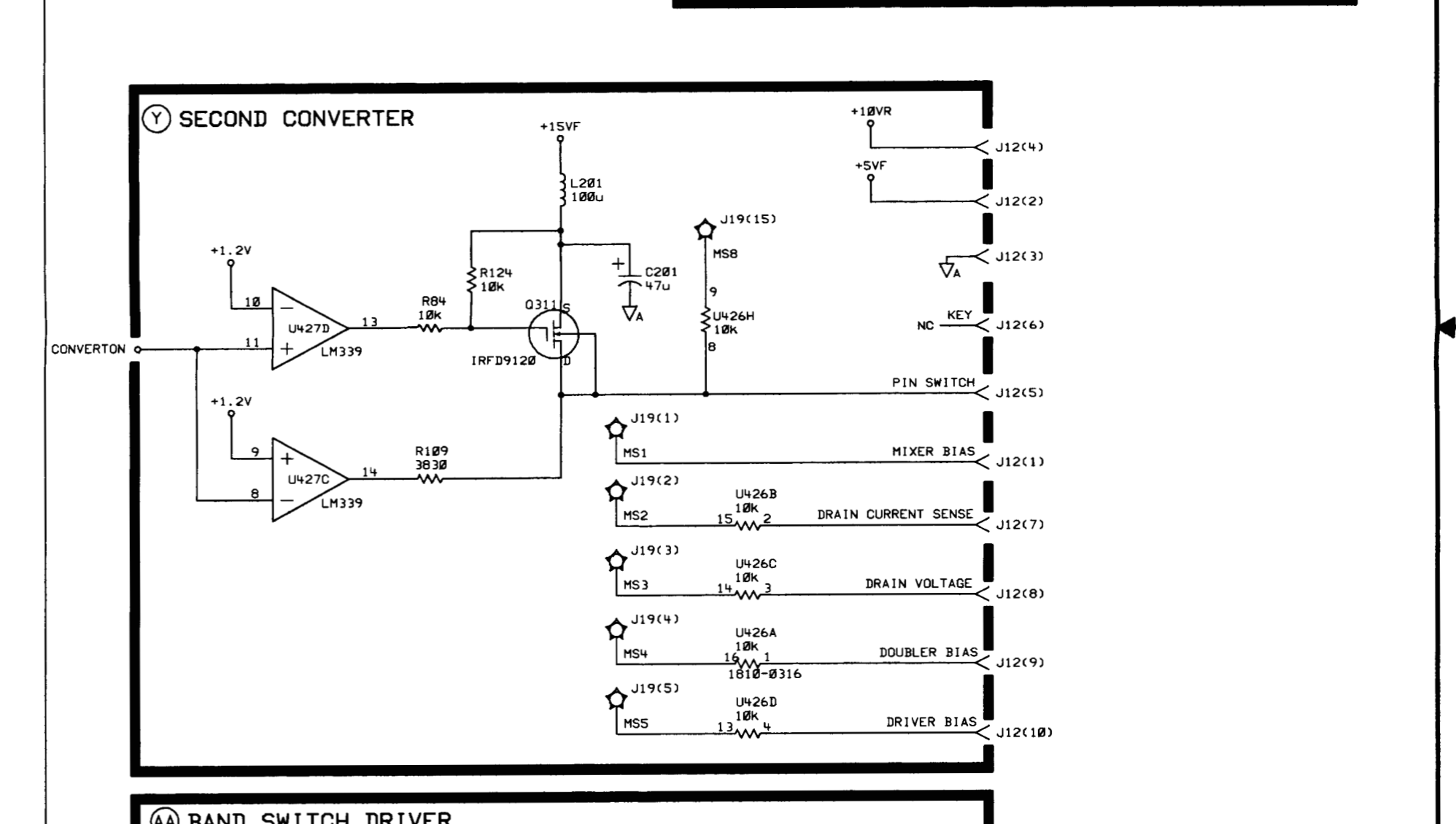
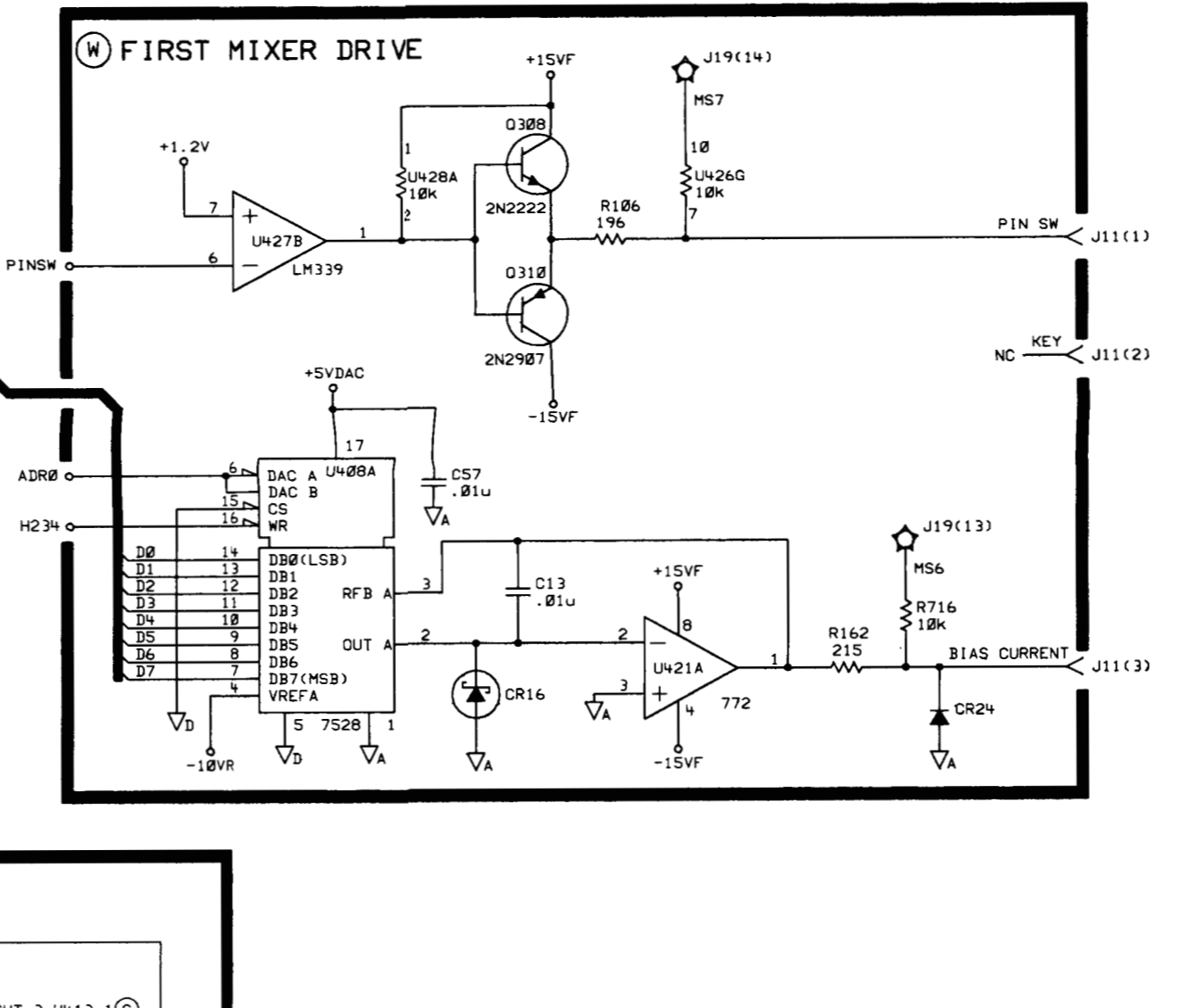
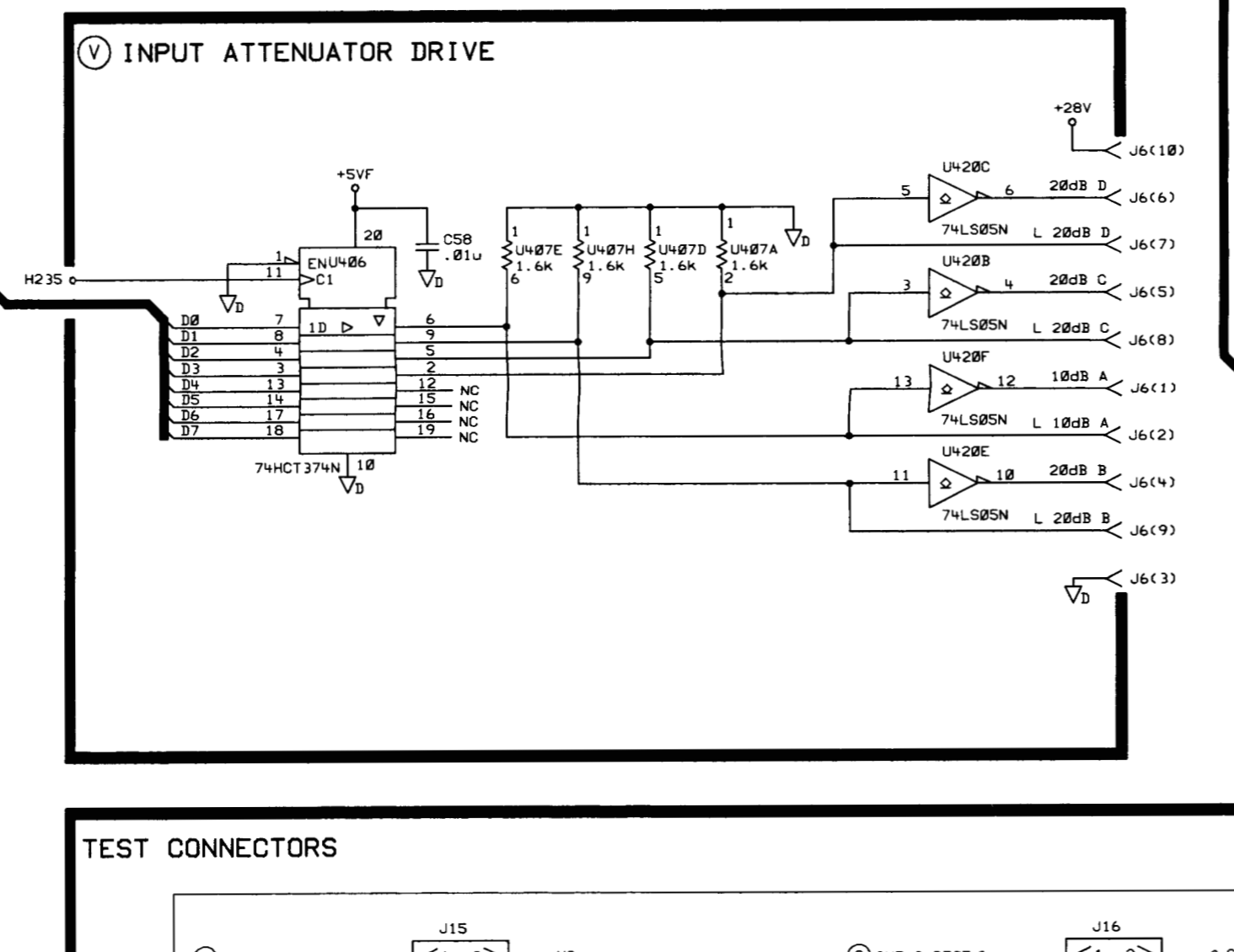
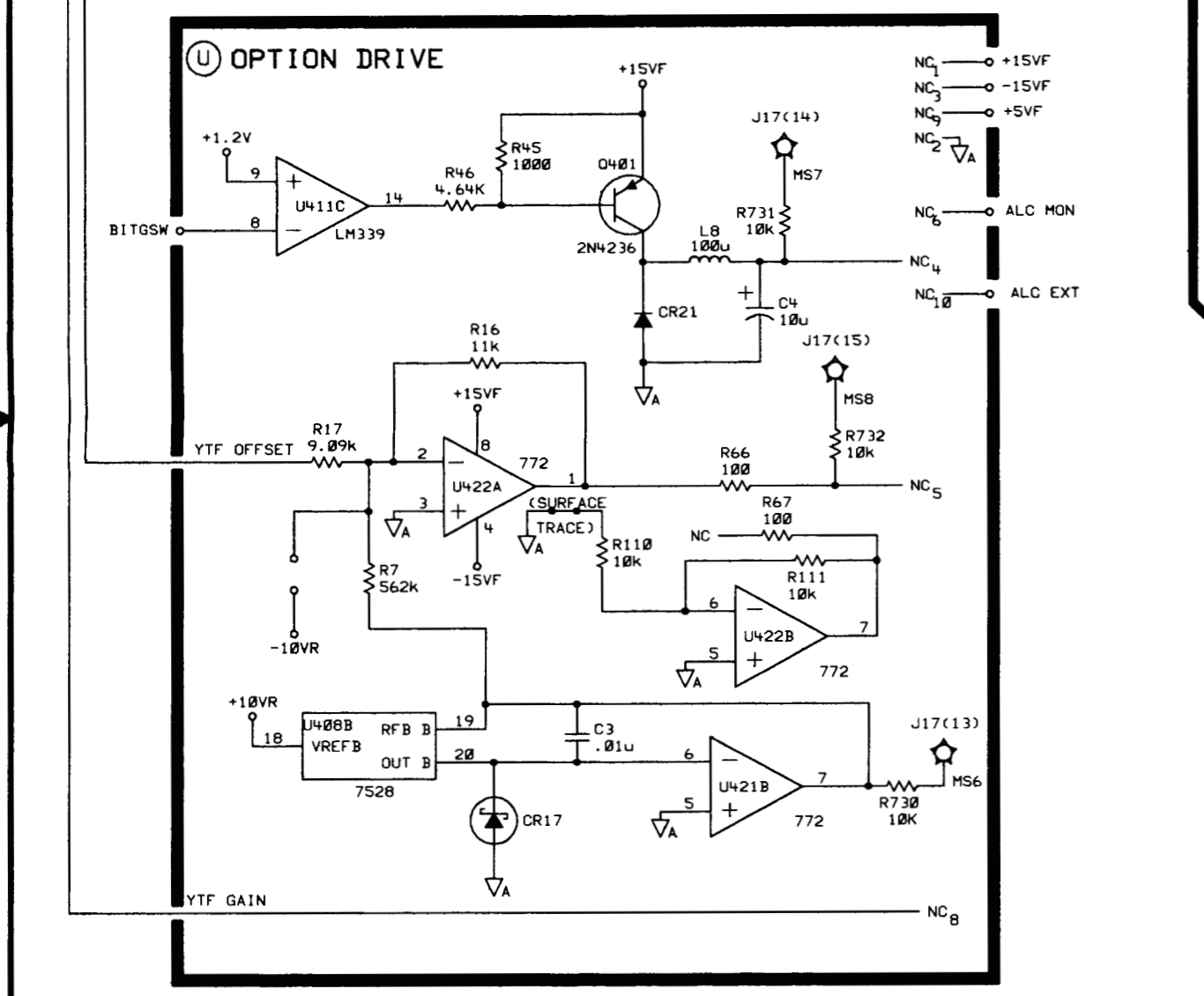
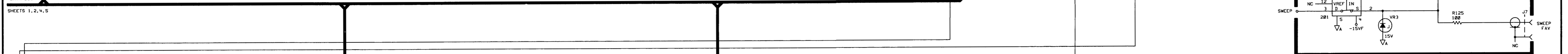
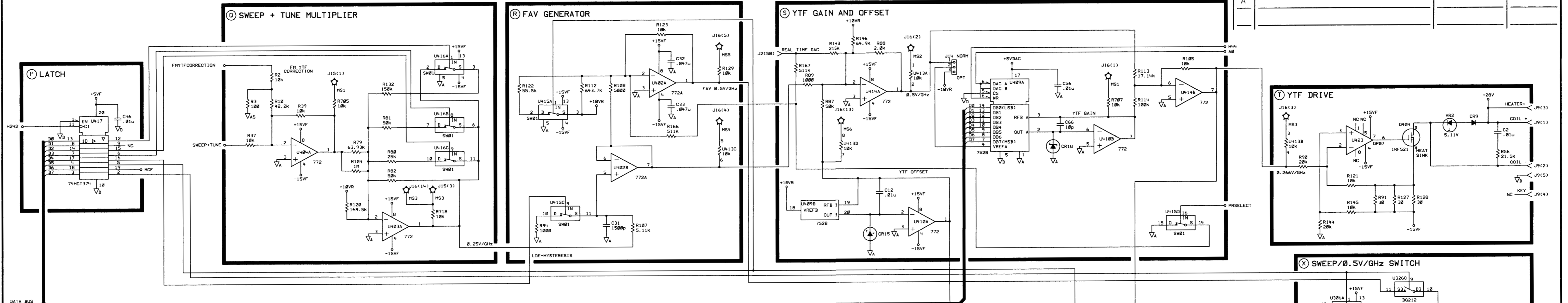
| MNEMONIC | 1 | 2 | 3 | 4 | 5 |
|----------|---|---|---|---|----|
| H237 | B | | | | |
| H238 | K | B | | | AG |
| H241 | | | | | |
| H242 | | | | | |
| H243 | K | B | | | |
| H244 | | | | | |
| H245 | | | | | |
| H246 | | | | | |
| H247 | | | | | |
| H248 | | | | | |
| H249 | | | | | |
| H250 | | | | | |
| H251 | | | | | |
| H252 | | | | | |
| H253 | | | | | |
| H254 | | | | | |
| H255 | | | | | |
| H256 | | | | | |
| H257 | | | | | |
| H258 | | | | | |
| H259 | | | | | |
| H260 | | | | | |
| H261 | | | | | |
| H262 | | | | | |
| H263 | | | | | |
| H264 | | | | | |
| H265 | | | | | |
| H266 | | | | | |
| H267 | | | | | |
| H268 | | | | | |
| H269 | | | | | |
| H270 | | | | | |
| H271 | | | | | |
| H272 | | | | | |
| H273 | | | | | |
| H274 | | | | | |
| H275 | | | | | |
| H276 | | | | | |
| H277 | | | | | |
| H278 | | | | | |
| H279 | | | | | |
| H280 | | | | | |
| H281 | | | | | |
| H282 | | | | | |
| H283 | | | | | |
| H284 | | | | | |
| H285 | | | | | |
| H286 | | | | | |
| H287 | | | | | |
| H288 | | | | | |
| H289 | | | | | |
| H290 | | | | | |
| H291 | | | | | |
| H292 | | | | | |
| H293 | | | | | |
| H294 | | | | | |
| H295 | | | | | |
| H296 | | | | | |
| H297 | | | | | |
| H298 | | | | | |
| H299 | | | | | |
| H300 | | | | | |

HP PROPRIETARY
THIS DOCUMENT CONTAINS CONFIDENTIAL, PROPRIETARY INFORMATION THAT IS HEWLETT-PACKARD (HP) PROPERTY. DO NOT DISCLOSE TO OR DUPLICATE FOR OTHERS EXCEPT AS AUTHORIZED BY HP.

| ITEM | QTY. | PART/MATERIAL-DESCRIPTION | MAT'L-PART NO. | MAT'L-DWG. NO. | MAT'L-SPEC. |
|-----------------------------|------|---------------------------|----------------|----------------|-------------|
| DRAWN BY: _____ DATE: _____ | | | | | |
| ENGINEER/CHECKER: _____ | | | | | |
| RELEASE TO PROD.: _____ | | | | | |
| SUPERSEDES DWG.: _____ | | | | | |

BOARD ASSEMBLY-FREQUENCY CONTROL (SCHEMATIC)
TITLE: _____
SCALE: NONE
SHEET 2 OF 5
PART NUMBER: 08562-60123
FILENAME: S1238A
D-08562-60123-1

| SYM | REVISIONS | APPROVED | DATE |
|-----|-----------|----------|------|
| A | | | |



HP PROPRIETARY
THIS DOCUMENT CONTAINS CONFIDENTIAL, PROPRIETARY INFORMATION THAT IS HEWLETT-PACKARD (HP) PROPERTY. DO NOT DISCLOSE TO OR DUPLICATE FOR OTHERS EXCEPT AS AUTHORIZED BY HP.

| | | | | | |
|---------------------------|------|---------------------------|----------------|----------------|-------------|
| ITEM | QTY. | PART/MATERIAL-DESCRIPTION | MAT'L-PART NO. | MAT'L-DWG. NO. | MAT'L-SPEC. |
| DRAWN BY _____ DATE _____ | | | | | |
| ENGINEER/CHECKER _____ | | | | | |
| RELEASE TO PROD. _____ | | | | | |
| SUPERSEDES DWG. _____ | | | | | |

BOARD ASSEMBLY-FREQUENCY CONTROL (SCHEMATIC)

SCALE NONE SHEET 3 OF 5

FILENAME=8123CA

D-08562-60123-1

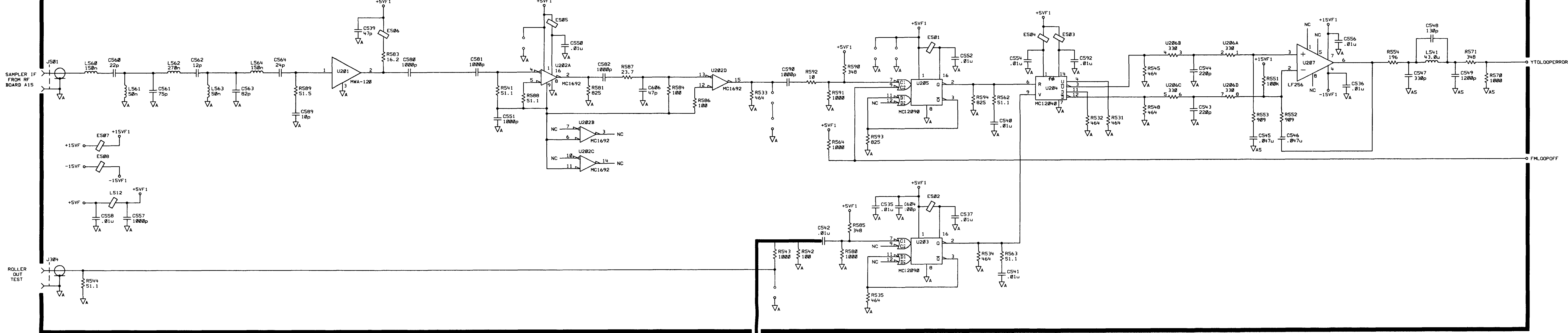


08562-60123

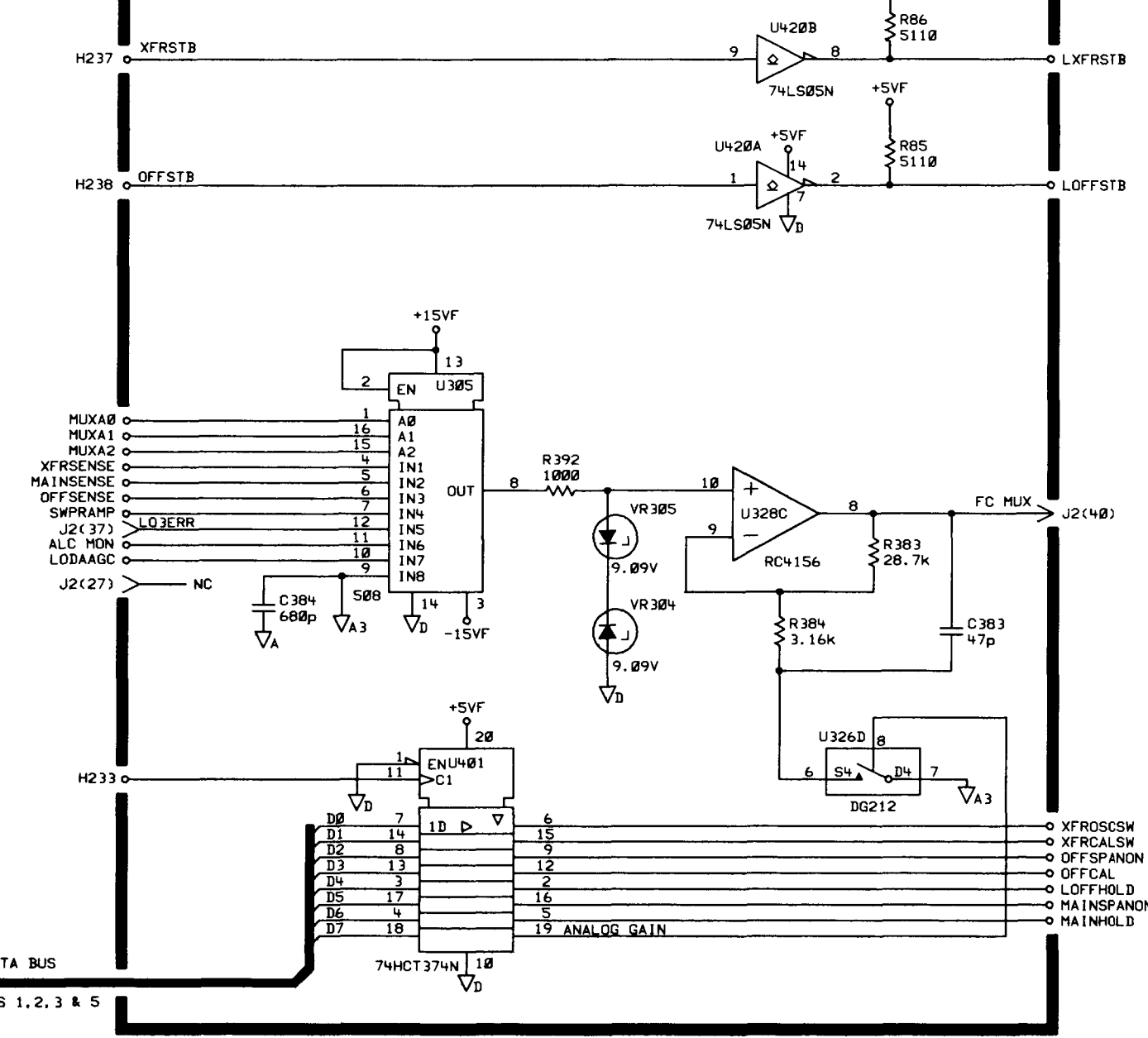
PART NUMBER

| SYM | REVISIONS | APPROVED | DATE |
|-----|-----------|----------|------|
| A | | | |

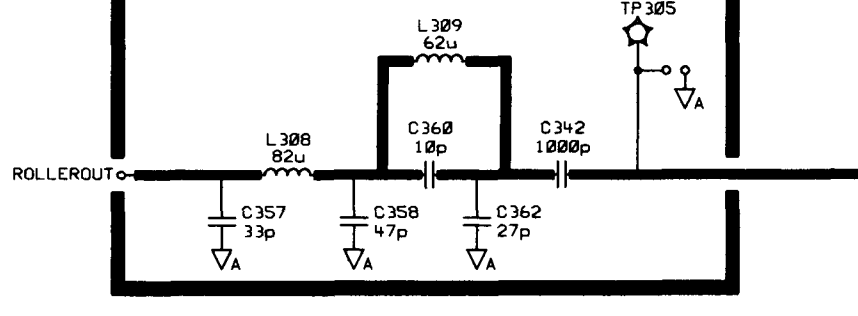
(A) YTO LOOP



(A) ROLLER INTERFACE



(A) OUTPUT FILTER



| MNEMONIC | SHEET | | | | |
|--------------|-------|---|---|---|----|
| | 1 | 2 | 3 | 4 | 5 |
| ALC MON | | | U | | |
| FMLOOPOFF | | | N | | |
| H233 | | B | | | |
| H237 | | B | | | |
| H238 | | B | | | |
| LOADA0C | | | Z | | |
| LOFFHOLD | | | | | AD |
| LOFFSTB | | | | | AC |
| LXFSTB | | | | | AC |
| MAINHOLD | | | | | AG |
| MAINSFANDN | | | | | AG |
| MAINSENSE | | | | | AG |
| MUXA0 | | | | | AG |
| MUXA1 | X | | | | AG |
| MUXA2 | X | | | | AG |
| OFFCAL | | | | | AG |
| OFFSENSE | | | | | AG |
| OFFSPANH | | | | | AG |
| ROLLEROUT | | | G | | AG |
| SWRAMP | | | | | AG |
| XFRALSW | | | | | AG |
| XFRSENSE | | | | | AG |
| XFRSENSE | | | | | AG |
| YTOLOPEERROR | | | N | | AB |

SHEETS 1, 2, 3 & 5

HP PROPRIETARY
THIS DOCUMENT CONTAINS CONFIDENTIAL, PROPRIETARY INFORMATION THAT IS HEWLETT-PACKARD (HP) PROPERTY. DO NOT DISCLOSE TO OR DUPLICATE FOR OTHERS EXCEPT AS AUTHORIZED BY HP.

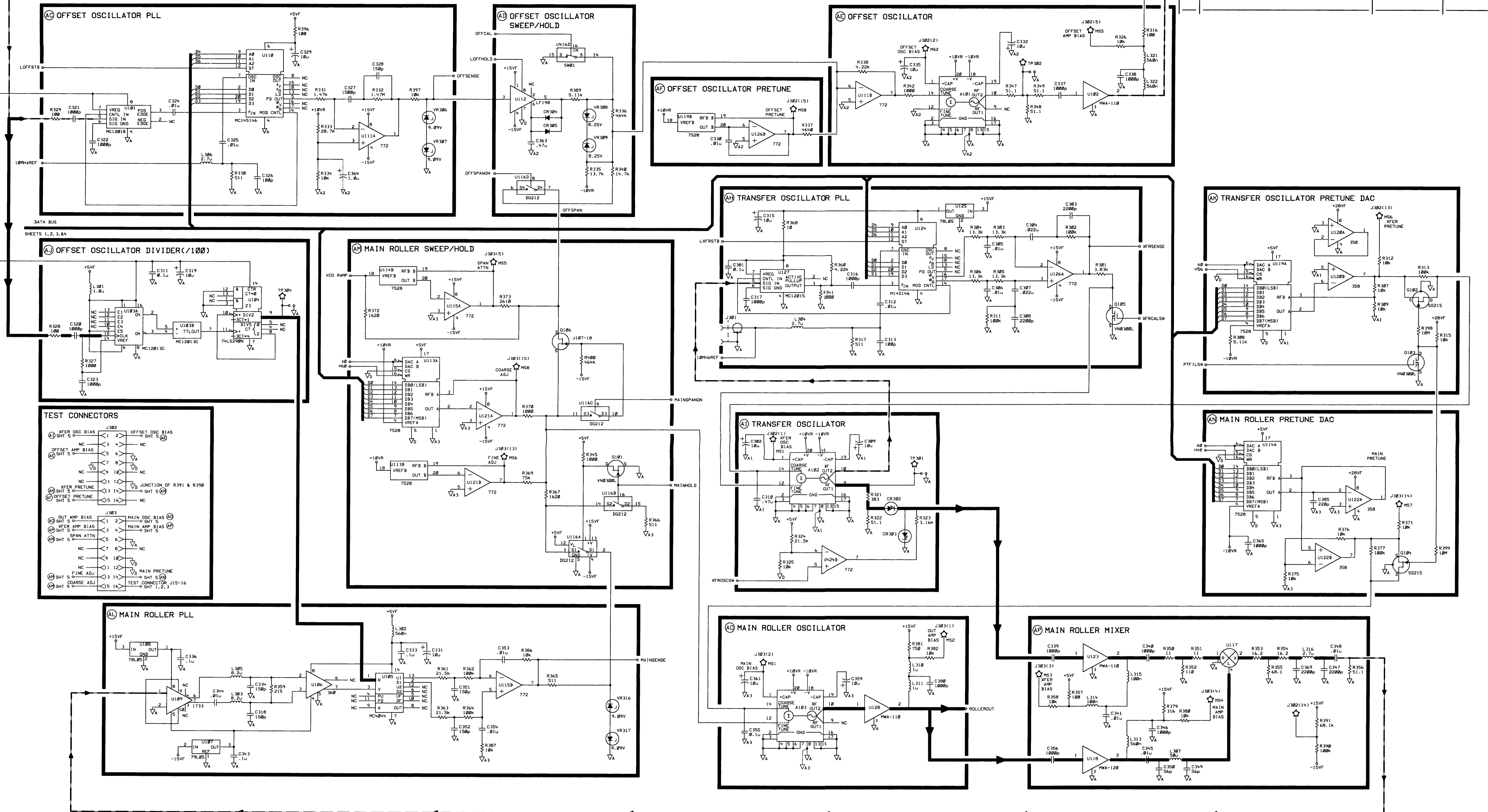
| ITEM | QTY. | PART/MATERIAL-DESCRIPTION | MAT'L-PART NO. | MAT'L-DWG. NO. | MAT'L-SPEC. |
|------------------|------|---------------------------|----------------|----------------------------------|-------------|
| DRAWN BY | | DATE | | BOARD ASSEMBLY-FREQUENCY CONTROL | |
| ENGINEER/CHECKER | | | | TITLE (SCHEMATIC) | |
| RELEASE TO PROD. | | | | PART NUMBER 08562-60123 | |
| SUPERSEDES DWG. | | | | SCALE NONE SHEET 4 OF 5 | |



08562-60123

D-08562-60123-1

| SYM | REVISIONS | | APPROVED | DATE |
|-----|-----------|--|----------|------|
| | A | | | |



SHEETS 1, 2, 3, 4

| MNEMONIC | SHEET | | | | | MNEMONIC | SHEET | | | | |
|-----------|-------|---|---|---|---|-----------|-------|---|---|---|---|
| | 1 | 2 | 3 | 4 | 5 | | 1 | 2 | 3 | 4 | 5 |
| 18MHz REF | | | | | | MAINSPAN | | | | | |
| AB | | | | | | OFFCAL | | | | | |
| MSB | | | | | | OFFSENSE | | | | | |
| MSB | | | | | | OFFSPAN | | | | | |
| MSB | | | | | | PTFLSW | | | | | |
| LOFFHOLD | | | | | | ROLLEROUT | | | | | |
| LOFFSTB | | | | | | VCO RAMP | | | | | |
| LXFSTB | | | | | | XFRCSW | | | | | |
| MAINHOLD | | | | | | XFRSENSE | | | | | |
| MAINSENSE | | | | | | XFRSCSW | | | | | |

HP PROPRIETARY
 THIS DOCUMENT CONTAINS CONFIDENTIAL, PROPRIETARY INFORMATION THAT IS HEWLETT-PACKARD (HP) PROPERTY. DO NOT DISCLOSE TO OR DUPLICATE FOR OTHERS EXCEPT AS AUTHORIZED BY HP.

| | | | | | |
|------------------|------|---------------------------|--|----------------|-------------|
| ITEM | QTY. | PART/MATERIAL-DESCRIPTION | MAT'L-PART NO. | MAT'L-DWG. NO. | MAT'L-SPEC. |
| DRAWN BY | | DATE | BOARD ASSEMBLY-FREQUENCY CONTROL (SCHEMATIC) | | |
| ENGINEER/CHECKER | | | PART NUMBER 08562-60123 | | |
| RELEASE TO PROD. | | | SCALE NONE SHEET 5 OF 5 | | |
| SUPERSEDES DWG. | | | D-08562-60123-1 | | |



Component-Level Information Packet

for 08562-60138

Interface

Copyright © 1990 Hewlett-Packard Company

All Rights Reserved.
Reproduction, adaptation, or translation
without prior written permission
is prohibited, except as allowed
under the copyright laws.

HP Document Part Number 08562-90154

Printed December 1990
Printed in USA

The information contained in this document is subject to change
without notice.



HP Part Number 08562-60138

Interface

| Reference Designation | HP Part Number | C D | Qty | Description | Mfr Code | Mfr Part Number |
|-----------------------|----------------|-----|-----|------------------------------------|----------|--------------------|
| C2 | 0180-3328 | 3 | 1 | CAP-FXD 10uF 35 V AL-ELCTLT | 04200 | 510D106M035AA2D |
| C4 | 0180-3328 | 3 | 1 | CAP-FXD 10uF 35 V AL-ELCTLT | 04200 | 510D106M035AA2D |
| C8 | 0180-3632 | 2 | 1 | CAP-FXD 22uF 16 V AL-ELCTLT | 00493 | KMC50VB22RM6X11LLM |
| C9 | 0180-3632 | 2 | 1 | CAP-FXD 22uF 16 V AL-ELCTLT | 00493 | KMC50VB22RM6X11LLM |
| C10 | 0180-3328 | 3 | 1 | CAP-FXD 10uF 35 V AL-ELCTLT | 04200 | 510D106M035AA2D |
| C101 | 0160-4814 | 2 | 1 | CAP-FXD 150pF +-5% 100 V CER COG | 02010 | SA101A151JAAH |
| C102 | 0160-4835 | 7 | 1 | CAP-FXD 0.1uF 50 V | 02010 | SA115C104KAAH |
| C103 | 0160-4832 | 4 | 1 | CAP-FXD 0.01uF 100 V | 02010 | SA101C103KAAH |
| C104 | 0160-4807 | 3 | 1 | CAP-FXD 33pF +-5% 100 V CER COG | 02010 | SA102A330JAAH |
| C105 | 0160-4796 | 9 | 1 | CAP-FXD 3.9pF +-6.4% 100 V CER COG | 02010 | SA101A3R9CAAH |
| C106 | 0160-4574 | 1 | 1 | CAP-FXD 1000pF 100 V | 02010 | SA101C102KAAH |
| C107 | 0160-4084 | 8 | 1 | CAP-FXD 0.1uF 50 V | 02010 | SR215C104MAAH |
| C108 | 0160-4835 | 7 | 1 | CAP-FXD 0.1uF 50 V | 02010 | SA115C104KAAH |
| C109 | 0160-4804 | 0 | 1 | CAP-FXD 56pF +-5% 100 V CER COG | 02010 | SA102A560JAAH |
| C110 | 0160-4084 | 8 | 1 | CAP-FXD 0.1uF 50 V | 02010 | SR215C104MAAH |
| C111 | 0160-3874 | 2 | 1 | CAP-FXD 10pF 200 V | 06352 | FD12COG2D100D |
| C112 | 0160-4835 | 7 | 1 | CAP-FXD 0.1uF 50 V | 02010 | SA115C104KAAH |
| C113 | 0160-3879 | 7 | 1 | CAP-FXD 0.01uF 100 V | 02010 | SR201C103MAAH |
| C114 | 0160-4574 | 1 | 1 | CAP-FXD 1000pF 100 V | 02010 | SA101C102KAAH |
| C115 | 0160-3879 | 7 | 1 | CAP-FXD 0.01uF 100 V | 02010 | SR201C103MAAH |
| C116 | 0160-5099 | 7 | 1 | CAP-FXD 3300pF +-5% 100 V CER COG | 02010 | SA301A332JAAH |
| C117 | 0160-4040 | 6 | 1 | CAP-FXD 1000pF 100 V | 02010 | SR201A102JAAH |
| C118 | 0160-4810 | 8 | 1 | CAP-FXD 330pF +-5% 100 V CER COG | 02010 | SA101A331JAAH |
| C119 | 0160-4803 | 9 | 1 | CAP-FXD 68pF +-5% 100 V CER COG | 02010 | SA102A680JAAH |
| C120 | 0160-4810 | 8 | 1 | CAP-FXD 330pF +-5% 100 V CER COG | 02010 | SA101A331JAAH |
| C121 | 0160-4832 | 4 | 1 | CAP-FXD 0.01uF 100 V | 02010 | SA101C103KAAH |
| C122 | 0160-4835 | 7 | 1 | CAP-FXD 0.1uF 50 V | 02010 | SA115C104KAAH |
| C123 | 0160-4832 | 4 | 1 | CAP-FXD 0.01uF 100 V | 02010 | SA101C103KAAH |
| C124 | 0160-4788 | 9 | 1 | CAP-FXD 18pF +-5% 100 V CER COG | 02010 | SA102A180JAAH |
| C125 | 0160-4805 | 1 | 1 | CAP-FXD 47pF +-5% 100 V CER COG | 02010 | SA102A470JAAH |
| C126 | 0160-4574 | 1 | 1 | CAP-FXD 1000pF 100 V | 02010 | SA101C102KAAH |
| C127 | 0160-4835 | 7 | 1 | CAP-FXD 0.1uF 50 V | 02010 | SA115C104KAAH |
| C128 | 0160-4835 | 7 | 1 | CAP-FXD 0.1uF 50 V | 02010 | SA115C104KAAH |
| C129 | 0160-4835 | 7 | 1 | CAP-FXD 0.1uF 50 V | 02010 | SA115C104KAAH |
| C130 | 0160-4835 | 7 | 1 | CAP-FXD 0.1uF 50 V | 02010 | SA115C104KAAH |
| C131 | 0160-4832 | 4 | 1 | CAP-FXD 0.01uF 100 V | 02010 | SA101C103KAAH |
| C132 | 0160-4835 | 7 | 1 | CAP-FXD 0.1uF 50 V | 02010 | SA115C104KAAH |
| C133 | 0160-4835 | 7 | 1 | CAP-FXD 0.1uF 50 V | 02010 | SA115C104KAAH |
| C134 | 0160-4835 | 7 | 1 | CAP-FXD 0.1uF 50 V | 02010 | SA115C104KAAH |
| C135 | 0160-4574 | 1 | 1 | CAP-FXD 1000pF 100 V | 02010 | SA101C102KAAH |
| C136 | 0160-4835 | 7 | 1 | CAP-FXD 0.1uF 50 V | 02010 | SA115C104KAAH |
| C137 | 0160-4835 | 7 | 1 | CAP-FXD 0.1uF 50 V | 02010 | SA115C104KAAH |
| C138 | 0160-4789 | 0 | 1 | CAP-FXD 15pF +-5% 100 V CER COG | 02010 | SA102A150JAAH |
| C139 | 0180-4129 | 4 | 1 | CAP-FXD 1uF 35 V TA | 04200 | 173D105X9035V |
| C140 | 0180-4129 | 4 | 1 | CAP-FXD 1uF 35 V TA | 04200 | 173D105X9035V |
| C141 | 0160-4835 | 7 | 1 | CAP-FXD 0.1uF 50 V | 02010 | SA115C104KAAH |
| C142 | 0160-4835 | 7 | 1 | CAP-FXD 0.1uF 50 V | 02010 | SA115C104KAAH |
| C143 | 0160-4574 | 1 | 1 | CAP-FXD 1000pF 100 V | 02010 | SA101C102KAAH |

*Indicates factory-selected value

HP Part Number 08562-60138

Interface

| Reference Designation | HP Part Number | C | D | Qty | Description | Mfr Code | Mfr Part Number |
|-----------------------|----------------|---|---|-----|-----------------------------------|----------|-------------------------|
| C144 | 0160-4574 | 1 | | 1 | CAP-FXD 1000pF 100 V | 02010 | SA101C102KAAH |
| C145 | 0160-5091 | 9 | | 1 | CAP-FXD 2200pF 100 V POLYP-FL | 07284 | 222G01PP481 |
| C146 | 0160-4835 | 7 | | 1 | CAP-FXD 0.1uF 50 V | 02010 | SA115C104KAAH |
| C147 | 0160-4835 | 7 | | 1 | CAP-FXD 0.1uF 50 V | 02010 | SA115C104KAAH |
| C148 | 0160-4835 | 7 | | 1 | CAP-FXD 0.1uF 50 V | 02010 | SA115C104KAAH |
| C149 | 0160-4574 | 1 | | 1 | CAP-FXD 1000pF 100 V | 02010 | SA101C102KAAH |
| C150 | 0160-4574 | 1 | | 1 | CAP-FXD 1000pF 100 V | 02010 | SA101C102KAAH |
| C151 | 0160-3875 | 3 | | 1 | CAP-FXD 22pF 200 V | 06352 | FD12COG2D220J |
| C152 | 0160-3874 | 2 | | 1 | CAP-FXD 10pF 200 V | 06352 | FD12COG2D100D |
| C153 | 0160-4387 | 4 | | 1 | CAP-FXD 47pF 200 V | 06352 | FD12COG2D470J |
| C201 | 0160-4835 | 7 | | 1 | CAP-FXD 0.1uF 50 V | 02010 | SA115C104KAAH |
| C202 | 0180-4129 | 4 | | 1 | CAP-FXD 1uF 35 V TA | 04200 | 173D105X9035V |
| C203 | 0160-4835 | 7 | | 1 | CAP-FXD 0.1uF 50 V | 02010 | SA115C104KAAH |
| C204 | 0160-4832 | 4 | | 1 | CAP-FXD 0.01uF 100 V | 02010 | SA101C103KAAH |
| C205 | 0160-4832 | 4 | | 1 | CAP-FXD 0.01uF 100 V | 02010 | SA101C103KAAH |
| C206 | 0160-3879 | 7 | | 1 | CAP-FXD 0.01uF 100 V | 02010 | SR201C103MAAH |
| C207 | 0160-4040 | 6 | | 1 | CAP-FXD 1000pF 100 V | 02010 | SR201A102JAAH |
| C208 | 0160-4835 | 7 | | 1 | CAP-FXD 0.1uF 50 V | 02010 | SA115C104KAAH |
| C209 | 0160-4832 | 4 | | 1 | CAP-FXD 0.01uF 100 V | 02010 | SA101C103KAAH |
| C210 | 0160-4832 | 4 | | 1 | CAP-FXD 0.01uF 100 V | 02010 | SA101C103KAAH |
| C211 | 0160-3879 | 7 | | 1 | CAP-FXD 0.01uF 100 V | 02010 | SR201C103MAAH |
| C212 | 0160-4832 | 4 | | 1 | CAP-FXD 0.01uF 100 V | 02010 | SA101C103KAAH |
| C214 | 0160-4832 | 4 | | 1 | CAP-FXD 0.01uF 100 V | 02010 | SA101C103KAAH |
| C215 | 0160-3874 | 2 | | 1 | CAP-FXD 10pF 200 V | 06352 | FD12COG2D100D |
| C216 | 0160-4822 | 2 | | 1 | CAP-FXD 1000pF +-5% 100 V CER COG | 02010 | SA201A102JAAH |
| C217 | 0160-6717 | 8 | | 1 | CAP-FXD 1800pF 100 V POLYP-FL | 06127 | FKP2/1800pF/2.5%/100Vdc |
| C218 | 0160-3874 | 2 | | 1 | CAP-FXD 10pF 200 V | 06352 | FD12COG2D100D |
| C219 | 0160-4835 | 7 | | 1 | CAP-FXD 0.1uF 50 V | 02010 | SA115C104KAAH |
| C220 | 0160-4835 | 7 | | 1 | CAP-FXD 0.1uF 50 V | 02010 | SA115C104KAAH |
| C221 | 0160-4835 | 7 | | 1 | CAP-FXD 0.1uF 50 V | 02010 | SA115C104KAAH |
| C222 | 0160-4835 | 7 | | 1 | CAP-FXD 0.1uF 50 V | 02010 | SA115C104KAAH |
| C223 | 0160-4832 | 4 | | 1 | CAP-FXD 0.01uF 100 V | 02010 | SA101C103KAAH |
| C224 | 0160-4832 | 4 | | 1 | CAP-FXD 0.01uF 100 V | 02010 | SA101C103KAAH |
| C225 | 0160-4832 | 4 | | 1 | CAP-FXD 0.01uF 100 V | 02010 | SA101C103KAAH |
| C226 | 0160-4832 | 4 | | 1 | CAP-FXD 0.01uF 100 V | 02010 | SA101C103KAAH |
| C227 | 0160-4832 | 4 | | 1 | CAP-FXD 0.01uF 100 V | 02010 | SA101C103KAAH |
| C228 | 0160-4547 | 8 | | 1 | CAP-FXD 150pF +-5% 200 V CER COG | 02010 | SR202A151JAAH |
| C229 | 0160-4547 | 8 | | 1 | CAP-FXD 150pF +-5% 200 V CER COG | 02010 | SR202A151JAAH |
| C301 | 0160-4835 | 7 | | 1 | CAP-FXD 0.1uF 50 V | 02010 | SA115C104KAAH |
| C302 | 0180-4129 | 4 | | 1 | CAP-FXD 1uF 35 V TA | 04200 | 173D105X9035V |
| C303 | 0160-4835 | 7 | | 1 | CAP-FXD 0.1uF 50 V | 02010 | SA115C104KAAH |
| C304 | 0160-4832 | 4 | | 1 | CAP-FXD 0.01uF 100 V | 02010 | SA101C103KAAH |
| C305 | 0160-4832 | 4 | | 1 | CAP-FXD 0.01uF 100 V | 02010 | SA101C103KAAH |
| C306 | 0160-3879 | 7 | | 1 | CAP-FXD 0.01uF 100 V | 02010 | SR201C103MAAH |
| C307 | 0160-4040 | 6 | | 1 | CAP-FXD 1000pF 100 V | 02010 | SR201A102JAAH |
| C308 | 0160-4835 | 7 | | 1 | CAP-FXD 0.1uF 50 V | 02010 | SA115C104KAAH |
| C309 | 0160-4832 | 4 | | 1 | CAP-FXD 0.01uF 100 V | 02010 | SA101C103KAAH |

HP Part Number 08562-60138

Interface

| Reference Designation | HP Part Number | C D | Qty | Description | Mfr Code | Mfr Part Number |
|-----------------------|----------------|--------|-----|-----------------------------------|----------|-------------------------|
| C310 | 0160-4832 | 4 | 1 | CAP-FXD 0.01uF 100 V | 02010 | SA101C103KAAH |
| C311 | 0160-3879 | 7 | 1 | CAP-FXD 0.01uF 100 V | 02010 | SR201C103MAAH |
| C312 | 0160-4832 | 4 | 1 | CAP-FXD 0.01uF 100 V | 02010 | SA101C103KAAH |
| C314 | 0160-4832 | 4 | 1 | CAP-FXD 0.01uF 100 V | 02010 | SA101C103KAAH |
| C315 | 0160-3874 | 2 | 1 | CAP-FXD 10pF 200 V | 06352 | FD12C0G2D100D |
| C316 | 0160-4822 | 2 | 1 | CAP-FXD 1000pF +-5% 100 V CER COG | 02010 | SA201A102JAAH |
| C317 | 0160-6717 | 8 | 1 | CAP-FXD 1800pF 100 V POLYP-FL | 06127 | FKP2/1800pF/2.5%/100Vdc |
| C318 | 0160-3874 | 2 | 1 | CAP-FXD 10pF 200 V | 06352 | FD12C0G2D100D |
| C319 | 0160-4835 | 7 | 1 | CAP-FXD 0.1uF 50 V | 02010 | SA115C104KAAH |
| C320 | 0160-4835 | 7 | 1 | CAP-FXD 0.1uF 50 V | 02010 | SA115C104KAAH |
| C321 | 0160-4791 | 4 | 1 | CAP-FXD 10pF +-5% 100 V CER COG | 02010 | SA102A100JAAH |
| C322 | 0160-4832 | 4 | 1 | CAP-FXD 0.01uF 100 V | 02010 | SA101C103KAAH |
| C323 | 0160-4832 | 4 | 1 | CAP-FXD 0.01uF 100 V | 02010 | SA101C103KAAH |
| C328 | 0160-4547 | 8 | 1 | CAP-FXD 150pF +-5% 200 V CER COG | 02010 | SR202A151JAAH |
| C329 | 0160-4547 | 8 | 1 | CAP-FXD 150pF +-5% 200 V CER COG | 02010 | SR202A151JAAH |
| C330 | 0160-4835 | 7 | 1 | CAP-FXD 0.1uF 50 V | 02010 | SA115C104KAAH |
| C331 | 0160-4832 | 4 | 1 | CAP-FXD 0.01uF 100 V | 02010 | SA101C103KAAH |
| C400 | 0160-4832 | 4 | 1 | CAP-FXD 0.01uF 100 V | 02010 | SA101C103KAAH |
| C401 | 0160-4832 | 4 | 1 | CAP-FXD 0.01uF 100 V | 02010 | SA101C103KAAH |
| C402 | 0160-4832 | 4 | 1 | CAP-FXD 0.01uF 100 V | 02010 | SA101C103KAAH |
| C403 | 0160-4832 | 4 | 1 | CAP-FXD 0.01uF 100 V | 02010 | SA101C103KAAH |
| C404 | 0160-4832 | 4 | 1 | CAP-FXD 0.01uF 100 V | 02010 | SA101C103KAAH |
| C405 | 0160-4825 | 5 | 1 | CAP-FXD 560pF +-5% 100 V CER COG | 02010 | SA101A561JAAH |
| C406 | 0160-4832 | 4 | 1 | CAP-FXD 0.01uF 100 V | 02010 | SA101C103KAAH |
| C407 | 0160-4801 | 7 | 1 | CAP-FXD 100pF +-5% 100 V CER COG | 02010 | SA102A101JAAH |
| C408 | 0180-4129 | 4 | 1 | CAP-FXD 1uF 35 V TA | 04200 | 173D105X9035V |
| C409 | 0160-4832 | 4 | 1 | CAP-FXD 0.01uF 100 V | 02010 | SA101C103KAAH |
| C410 | 0160-4810 | 8 | 1 | CAP-FXD 330pF +-5% 100 V CER COG | 02010 | SA101A331JAAH |
| C411 | 0160-4832 | 4 | 1 | CAP-FXD 0.01uF 100 V | 02010 | SA101C103KAAH |
| C500 | 0160-4832 | 4 | 1 | CAP-FXD 0.01uF 100 V | 02010 | SA101C103KAAH |
| C501 | 0160-4832 | 4 | 1 | CAP-FXD 0.01uF 100 V | 02010 | SA101C103KAAH |
| C502 | 0160-4832 | 4 | 1 | CAP-FXD 0.01uF 100 V | 02010 | SA101C103KAAH |
| C503 | 0160-4801 | 7 | 1 | CAP-FXD 100pF +-5% 100 V CER COG | 02010 | SA102A101JAAH |
| C504 | 0160-4832 | 4 | 1 | CAP-FXD 0.01uF 100 V | 02010 | SA101C103KAAH |
| C505 | 0160-4832 | 4 | 1 | CAP-FXD 0.01uF 100 V | 02010 | SA101C103KAAH |
| C506 | 0160-4832 | 4 | 1 | CAP-FXD 0.01uF 100 V | 02010 | SA101C103KAAH |
| C507 | 0160-4832 | 4 | 1 | CAP-FXD 0.01uF 100 V | 02010 | SA101C103KAAH |
| C508 | 0160-4832 | 4 | 1 | CAP-FXD 0.01uF 100 V | 02010 | SA101C103KAAH |
| C509 | 0160-4832 | 4 | 1 | CAP-FXD 0.01uF 100 V | 02010 | SA101C103KAAH |
| C510 | 0160-4832 | 4 | 1 | CAP-FXD 0.01uF 100 V | 02010 | SA101C103KAAH |
| C511 | 0160-4832 | 4 | 1 | CAP-FXD 0.01uF 100 V | 02010 | SA101C103KAAH |
| C512 | 0160-4832 | 4 | 1 | CAP-FXD 0.01uF 100 V | 02010 | SA101C103KAAH |
| C513 | 0160-4832 | 4 | 1 | CAP-FXD 0.01uF 100 V | 02010 | SA101C103KAAH |
| C514 | 0160-4832 | 4 | 1 | CAP-FXD 0.01uF 100 V | 02010 | SA101C103KAAH |
| C515 | 0160-4832 | 4 | 1 | CAP-FXD 0.01uF 100 V | 02010 | SA101C103KAAH |
| C516 | 0160-4832 | 4 | 1 | CAP-FXD 0.01uF 100 V | 02010 | SA101C103KAAH |
| C517 | 0160-4832 | 4 | 1 | CAP-FXD 0.01uF 100 V | 02010 | SA101C103KAAH |
| C518 | 0160-4832 | 4 | 1 | CAP-FXD 0.01uF 100 V | 02010 | SA101C103KAAH |

*Indicates factory-selected value

HP Part Number 08562-60138

Interface

| Reference Designation | HP Part Number | C D | Qty | Description | Mfr Code | Mfr Part Number |
|-----------------------|----------------|--------|-----|--------------------------------------|----------|-----------------|
| C519 | 0160-4832 | 4 | 1 | CAP-FXD 0.01uF 100 V | 02010 | SA101C103KAAH |
| C520 | 0160-4832 | 4 | 1 | CAP-FXD 0.01uF 100 V | 02010 | SA101C103KAAH |
| C521 | 0160-4832 | 4 | 1 | CAP-FXD 0.01uF 100 V | 02010 | SA101C103KAAH |
| C522 | 0160-4832 | 4 | 1 | CAP-FXD 0.01uF 100 V | 02010 | SA101C103KAAH |
| C523 | 0160-4835 | 7 | 1 | CAP-FXD 0.1uF 50 V | 02010 | SA115C104KAAH |
| C600 | 0160-4832 | 4 | 1 | CAP-FXD 0.01uF 100 V | 02010 | SA101C103KAAH |
| C601 | 0160-4832 | 4 | 1 | CAP-FXD 0.01uF 100 V | 02010 | SA101C103KAAH |
| C602 | 0160-4832 | 4 | 1 | CAP-FXD 0.01uF 100 V | 02010 | SA101C103KAAH |
| C603 | 0160-4832 | 4 | 1 | CAP-FXD 0.01uF 100 V | 02010 | SA101C103KAAH |
| C604 | 0160-4832 | 4 | 1 | CAP-FXD 0.01uF 100 V | 02010 | SA101C103KAAH |
| C605 | 0160-4832 | 4 | 1 | CAP-FXD 0.01uF 100 V | 02010 | SA101C103KAAH |
| C606 | 0160-4832 | 4 | 1 | CAP-FXD 0.01uF 100 V | 02010 | SA101C103KAAH |
| C607 | 0160-4832 | 4 | 1 | CAP-FXD 0.01uF 100 V | 02010 | SA101C103KAAH |
| CR101 | 1901-1098 | 1 | 1 | DIODE-SWITCHING 1N4150 50V 200MA 4NS | 00746 | |
| CR102 | 1901-0518 | 8 | 1 | DIODE-SCHOTTKY SM SIG | 02062 | 5082-5509 |
| CR103 | 1901-1098 | 1 | 1 | DIODE-SWITCHING 1N4150 50V 200MA 4NS | 00746 | |
| CR104 | 1901-1098 | 1 | 1 | DIODE-SWITCHING 1N4150 50V 200MA 4NS | 00746 | |
| CR105 | 1901-1098 | 1 | 1 | DIODE-SWITCHING 1N4150 50V 200MA 4NS | 00746 | |
| CR106 | 1901-1098 | 1 | 1 | DIODE-SWITCHING 1N4150 50V 200MA 4NS | 00746 | |
| CR107 | 1901-1098 | 1 | 1 | DIODE-SWITCHING 1N4150 50V 200MA 4NS | 00746 | |
| CR108 | 1901-0539 | 3 | 1 | DIODE-SCHOTTKY SM SIG | 02062 | |
| CR109 | 1901-0539 | 3 | 1 | DIODE-SCHOTTKY SM SIG | 02062 | |
| CR110 | 1901-0518 | 8 | 1 | DIODE-SCHOTTKY SM SIG | 02062 | 5082-5509 |
| CR111 | 1901-0539 | 3 | 1 | DIODE-SCHOTTKY SM SIG | 02062 | |
| CR112 | 1902-3104 | 6 | 1 | DIODE-ZNR 5.62V 5% DO-35 PD=.4W | 02037 | |
| CR113 | 1901-1068 | 5 | 1 | DIODE-SCHOTTKY SM SIG | 02062 | 5082-5541 |
| CR114 | 1901-0539 | 3 | 1 | DIODE-SCHOTTKY SM SIG | 02062 | |
| CR115 | 1902-0041 | 4 | 1 | DIODE-ZNR 5.11V 5% DO-35 PD=.4W | 02037 | |
| CR116 | 1901-1098 | 1 | 1 | DIODE-SWITCHING 1N4150 50V 200MA 4NS | 00746 | |
| CR117 | 1902-3188 | 6 | 1 | DIODE-ZNR 12.7V 2% DO-35 PD=.4W | 02037 | |
| CR201 | 1901-1098 | 1 | 1 | DIODE-SWITCHING 1N4150 50V 200MA 4NS | 00746 | |
| CR202 | 1901-1068 | 5 | 1 | DIODE-SCHOTTKY SM SIG | 02062 | 5082-5541 |
| CR203 | 1901-0539 | 3 | 1 | DIODE-SCHOTTKY SM SIG | 02062 | |
| CR204 | 1901-0539 | 3 | 1 | DIODE-SCHOTTKY SM SIG | 02062 | |
| CR206 | 1901-1098 | 1 | 1 | DIODE-SWITCHING 1N4150 50V 200MA 4NS | 00746 | |
| CR207 | 1901-1098 | 1 | 1 | DIODE-SWITCHING 1N4150 50V 200MA 4NS | 00746 | |
| CR208 | 1902-0041 | 4 | 1 | DIODE-ZNR 5.11V 5% DO-35 PD=.4W | 02037 | |
| CR209 | 1901-1098 | 1 | 1 | DIODE-SWITCHING 1N4150 50V 200MA 4NS | 00746 | |
| CR301 | 1901-1098 | 1 | 1 | DIODE-SWITCHING 1N4150 50V 200MA 4NS | 00746 | |
| CR302 | 1901-1068 | 5 | 1 | DIODE-SCHOTTKY SM SIG | 02062 | 5082-5541 |
| CR303 | 1901-0539 | 3 | 1 | DIODE-SCHOTTKY SM SIG | 02062 | |
| CR304 | 1901-0539 | 3 | 1 | DIODE-SCHOTTKY SM SIG | 02062 | |
| CR306 | 1901-1098 | 1 | 1 | DIODE-SWITCHING 1N4150 50V 200MA 4NS | 00746 | |
| CR307 | 1901-1098 | 1 | 1 | DIODE-SWITCHING 1N4150 50V 200MA 4NS | 00746 | |
| CR308 | 1901-1098 | 1 | 1 | DIODE-SWITCHING 1N4150 50V 200MA 4NS | 00746 | |
| CR310 | 1901-1344 | 0 | 1 | DIODE-SWITCHING 125V 225MA DO-34 | 03334 | BAS45 |
| CR311 | 1902-3104 | 6 | 1 | DIODE-ZNR 5.62V 5% DO-35 PD=.4W | 02037 | |

HP Part Number 08562-60138

Interface

| Reference Designation | HP Part Number | C D | Qty | Description | Mfr Code | Mfr Part Number |
|-----------------------|----------------|-----|-----|--|----------|-----------------|
| CR312 | 1902-0126 | 6 | 1 | DIODE-ZNR 2.61V 5% DO-7 PD=.4W TC=-.072% | 02037 | |
| CR500 | 1901-0539 | 3 | 1 | DIODE-SCHOTTKY SM SIG | 02062 | |
| CR501 | 1901-0539 | 3 | 1 | DIODE-SCHOTTKY SM SIG | 02062 | |
| CR502 | 1901-0539 | 3 | 1 | DIODE-SCHOTTKY SM SIG | 02062 | |
| CR600 | 1901-1098 | 1 | 1 | DIODE-SWITCHING 1N4150 50V 200MA 4NS | 00746 | |
| CR601 | 1901-1098 | 1 | 1 | DIODE-SWITCHING 1N4150 50V 200MA 4NS | 00746 | |
| CR602 | 1901-0050 | 3 | 1 | DIODE-SWITCHING 80V 200MA 2NS DO-35 | 03334 | BAV10 SELECTED |
| CR603 | 1902-3357 | 1 | 1 | DIODE-ZNR 56.2V 5% DO-7 PD=.4W TC=+.081% | 02037 | |
| E100 | 9170-1366 | 3 | 1 | CORE-MAGNETIC SHIELDING BEAD IMPEDANCE | 03827 | 2743001112 |
| E200 | 9170-1380 | 1 | 1 | CORE-MAGNETIC IMPD: 15 OHMS @ 25 MHZ, 25 | 03827 | SAHP763 |
| E201 | 9170-1366 | 3 | 1 | CORE-MAGNETIC SHIELDING BEAD IMPEDANCE | 03827 | 2743001112 |
| E300 | 9170-1380 | 1 | 1 | CORE-MAGNETIC IMPD: 15 OHMS @ 25 MHZ, 25 | 03827 | SAHP763 |
| E301 | 9170-1366 | 3 | 1 | CORE-MAGNETIC SHIELDING BEAD IMPEDANCE | 03827 | 2743001112 |
| J1 | 1252-1064 | 4 | 1 | CONN-POST TYPE .100-PIN-SPCG 50-CONT | 01380 | 1-746878-0 |
| J2 | 1252-1064 | 4 | 1 | CONN-POST TYPE .100-PIN-SPCG 50-CONT | 01380 | 1-746878-0 |
| J101 | 1250-0543 | 8 | 1 | CONNECTOR-RF SM-SNP M PC 50-OHM | 05769 | 51-053-0349-BE8 |
| J102 | 1250-0543 | 8 | 1 | CONNECTOR-RF SM-SNP M PC 50-OHM | 05769 | 51-053-0349-BE8 |
| J103 | 1250-0257 | 1 | 1 | CONNECTOR-RF SMB M PC-W-STDFS 50-OHM | 02788 | 5162-5021-09 |
| J105 | 1252-1200 | 0 | 1 | CONN-POST TYPE .100-PIN-SPCG 15-CONT | 02946 | 68449-079 |
| J400 | 1252-1200 | 0 | 1 | CONN-POST TYPE .100-PIN-SPCG 15-CONT | 02946 | 68449-079 |
| J401 | 5061-9029 | 6 | 1 | | 28480 | 5061-9029 |
| J600 | 1250-0543 | 8 | 1 | CONNECTOR-RF SM-SNP M PC 50-OHM | 05769 | 51-053-0349-BE8 |
| J601 | 1250-0543 | 8 | 1 | CONNECTOR-RF SM-SNP M PC 50-OHM | 05769 | 51-053-0349-BE8 |
| J602 | 1252-1065 | 5 | 1 | CONN-POST TYPE .100-PIN-SPCG 24-CONT | 01380 | 746878-5 |
| L1 | 9140-0738 | 8 | 1 | INDUCTOR 100UH .7D-INX.6LG-IN | 01869 | |
| L2 | 9140-0738 | 8 | 1 | INDUCTOR 100UH .7D-INX.6LG-IN | 01869 | |
| L3 | 9140-0737 | 7 | 1 | INDUCTOR 10UH .7D-INX.6LG-IN | 01869 | |
| L4 | 9140-0736 | 6 | 1 | INDUCTOR-FIXED L:200 UH MIN @ 0.35 ADC,1 | 04200 | |
| L5 | 9140-0210 | 1 | 1 | INDUCTOR RF-CH-MLD 100UH +-5% .166D-INX. | 03273 | 15M103J |
| MP2 | 0380-1251 | 1 | 3 | SPACER-RVT-ON 16-MM-LG 3.8-MM-ID 6.17-MM | 02121 | |
| MP3 | 1200-0172 | 4 | 29 | INSULATOR-XSTR DAP-GL | 02210 | 10042-DAP |
| MP4 | 1400-0866 | 7 | 2 | CLAMP-CABLE .187-DIA .25-WD NYL | 07158 | C61332AA |
| MP5 | 5021-6723 | 7 | 1 | SHLD - TOP PK DET | 28480 | 5021-6723 |
| MP6 | 5021-6724 | 8 | 1 | SHLD - BOT PK DET | 28480 | 5021-6724 |
| MP7 | 8150-5022 | 3 | 1 | WIRE 26AWG G KYNAR (PVF) 1X26 105C | 03500 | KYNAR 26-1/26-5 |
| MP8 | 0470-1553 | 7 | | ADHESIVE LOCTITE QUICK GEL 409 | 02136 | QUICK GEL 409 |
| MP9 | 0470-0450 | 1 | | ADHESIVE DOW CORNING 3145RTV CLEAR | 04514 | 3145RTV CLEAR |
| Q101 | 1855-0414 | 4 | 1 | TRANSISTOR J-FET 2N4393 N-CHAN D-MODE TO | 02037 | 2N4393 |
| Q201 | 1855-0414 | 4 | 1 | TRANSISTOR J-FET 2N4393 N-CHAN D-MODE TO | 02037 | 2N4393 |
| Q202 | 1855-0386 | 9 | 1 | TRANSISTOR J-FET 2N4392 N-CHAN D-MODE TO | 02037 | 2N4392 |
| Q203 | 1853-0451 | 5 | 1 | TRANSISTOR PNP 2N3799 SI TO-18 PD=360MW | 02037 | |
| Q204 | 1855-0414 | 4 | 1 | TRANSISTOR J-FET 2N4393 N-CHAN D-MODE TO | 02037 | 2N4393 |
| Q205 | 1855-0386 | 9 | 1 | TRANSISTOR J-FET 2N4392 N-CHAN D-MODE TO | 02037 | 2N4392 |
| Q206 | 1855-0507 | 6 | 1 | TRANSISTOR-JFET DUAL 2N5912 N-CHAN D-MOD | 03285 | 2N5912 |
| Q207 | 1855-0420 | 2 | 1 | TRANSISTOR J-FET 2N4391 N-CHAN D-MODE TO | 02037 | 2N4391 |
| Q208 | 1853-0405 | 9 | 1 | TRANSISTOR PNP SI PD=360MW FT=850MHZ | 02037 | 2N4209 |
| Q209 | 1854-1143 | 6 | 1 | TRANSISTOR NPN SI PD=2.5W FT=5GHZ | 02037 | MRF580A |
| Q210 | 1853-0405 | 9 | 1 | TRANSISTOR PNP SI PD=360MW FT=850MHZ | 02037 | 2N4209 |

*Indicates factory-selected value

08562-60138 Parts List

Page 5 of 14

HP Part Number 08562-60138

Interface

| Reference Designation | HP Part Number | C D | Qty | Description | Mfr Code | Mfr Part Number |
|-----------------------|----------------|--------|-----|--|----------|-----------------|
| Q211 | 1854-1142 | 5 | 1 | TRANSISTOR NPN SI TO-92 PD=625MW FT=6GHZ | 02037 | MPS571 |
| Q212 | 1854-1142 | 5 | 1 | TRANSISTOR NPN SI TO-92 PD=625MW FT=6GHZ | 02037 | MPS571 |
| Q213 | 1854-0215 | 1 | 1 | TRANSISTOR NPN SI TO-92 PD=625MW FT=300M | 00746 | 2N3904 |
| Q215 | 1853-0018 | 0 | 1 | TRANSISTOR PNP SI TO-72 PD=200MW FT=1GHZ | 02037 | |
| Q216 | 1853-0451 | 5 | 1 | TRANSISTOR PNP 2N3799 SI TO-18 PD=360MW | 02037 | |
| Q217 | 1855-0420 | 2 | 1 | TRANSISTOR J-FET 2N4391 N-CHAN D-MODE TO | 02037 | 2N4391 |
| Q218 | 1855-0420 | 2 | 1 | TRANSISTOR J-FET 2N4391 N-CHAN D-MODE TO | 02037 | 2N4391 |
| Q220 | 1855-0420 | 2 | 1 | TRANSISTOR J-FET 2N4391 N-CHAN D-MODE TO | 02037 | 2N4391 |
| Q221 | 1855-0420 | 2 | 1 | TRANSISTOR J-FET 2N4391 N-CHAN D-MODE TO | 02037 | 2N4391 |
| Q222 | 1855-0305 | 2 | 1 | TRANSISTOR J-FET 2N4117A N-CHAN D-MODE T | 02883 | 2N4117A |
| Q301 | 1855-0414 | 4 | 1 | TRANSISTOR J-FET 2N4393 N-CHAN D-MODE TO | 02037 | 2N4393 |
| Q302 | 1855-0386 | 9 | 1 | TRANSISTOR J-FET 2N4392 N-CHAN D-MODE TO | 02037 | 2N4392 |
| Q303 | 1853-0451 | 5 | 1 | TRANSISTOR PNP 2N3799 SI TO-18 PD=360MW | 02037 | |
| Q304 | 1855-0414 | 4 | 1 | TRANSISTOR J-FET 2N4393 N-CHAN D-MODE TO | 02037 | 2N4393 |
| Q305 | 1855-0386 | 9 | 1 | TRANSISTOR J-FET 2N4392 N-CHAN D-MODE TO | 02037 | 2N4392 |
| Q306 | 1855-0507 | 6 | 1 | TRANSISTOR-JFET DUAL 2N5912 N-CHAN D-MOD | 03285 | 2N5912 |
| Q307 | 1855-0420 | 2 | 1 | TRANSISTOR J-FET 2N4391 N-CHAN D-MODE TO | 02037 | 2N4391 |
| Q308 | 1854-1143 | 6 | 1 | TRANSISTOR NPN SI PD=2.5W FT=5GHZ | 02037 | MRF580A |
| Q309 | 1853-0405 | 9 | 1 | TRANSISTOR PNP SI PD=360MW FT=850MHZ | 02037 | 2N4209 |
| Q310 | 1853-0405 | 9 | 1 | TRANSISTOR PNP SI PD=360MW FT=850MHZ | 02037 | 2N4209 |
| Q311 | 1854-1142 | 5 | 1 | TRANSISTOR NPN SI TO-92 PD=625MW FT=6GHZ | 02037 | MPS571 |
| Q312 | 1854-1142 | 5 | 1 | TRANSISTOR NPN SI TO-92 PD=625MW FT=6GHZ | 02037 | MPS571 |
| Q313 | 1853-0451 | 5 | 1 | TRANSISTOR PNP 2N3799 SI TO-18 PD=360MW | 02037 | |
| Q315 | 1853-0018 | 0 | 1 | TRANSISTOR PNP SI TO-72 PD=200MW FT=1GHZ | 02037 | |
| Q316 | 1853-0451 | 5 | 1 | TRANSISTOR PNP 2N3799 SI TO-18 PD=360MW | 02037 | |
| Q317 | 1855-0507 | 6 | 1 | TRANSISTOR-JFET DUAL 2N5912 N-CHAN D-MOD | 03285 | 2N5912 |
| Q318 | 1854-0215 | 1 | 1 | TRANSISTOR NPN SI TO-92 PD=625MW FT=300M | 00746 | 2N3904 |
| Q319 | 1854-0215 | 1 | 1 | TRANSISTOR NPN SI TO-92 PD=625MW FT=300M | 00746 | 2N3904 |
| Q600 | 1854-0234 | 4 | 1 | TRANSISTOR NPN 2N3440 SI TO-5 PD=1W | 02037 | |
| Q601 | 1854-0215 | 1 | 1 | TRANSISTOR NPN SI TO-92 PD=625MW FT=300M | 00746 | 2N3904 |
| R100 | 0698-7212 | 9 | 1 | RESISTOR 100 +-1% .05W TF TC=0+-100 | 00746 | CRB20 |
| R101 | 0698-6317 | 3 | 1 | RESISTOR 500 +-0.1% .125W TF TC=0+-25 | 00746 | CRB14 OR CRB25 |
| R102 | 0757-0290 | 5 | 1 | RESISTOR 6.19K +-1% .125W TF TC=0+-100 | 00746 | CRB14 OR CRB25 |
| R103 | 0757-0442 | 9 | 1 | RESISTOR 10K +-1% .125W TF TC=0+-100 | 00746 | CRB14 OR CRB25 |
| R104 | 0757-0274 | 5 | 1 | RESISTOR 1.21K +-1% .125W TF TC=0+-100 | 00746 | CRB14 OR CRB25 |
| R105 | 0698-3153 | 9 | 1 | RESISTOR 3.83K 1% .125W TF TC=0+-100 | 00746 | CRB14 OR CRB25 |
| R106 | 0698-7210 | 7 | 1 | RESISTOR 82.5 +-1% .05W TF TC=0+-100 | 00746 | CRB20 |
| R107 | 0698-7264 | 1 | 1 | RESISTOR 14.7K +-1% .05W TF TC=0+-100 | 00746 | CRB20 |
| R108 | 0698-7211 | 8 | 1 | RESISTOR 90.9 +-1% .05W TF TC=0+-100 | 00746 | CRB20 |
| R109 | 0698-7236 | 7 | 1 | RESISTOR 1K +-1% .05W TF TC=0+-100 | 00746 | CRB20 |
| R110 | 0698-7236 | 7 | 1 | RESISTOR 1K +-1% .05W TF TC=0+-100 | 00746 | CRB20 |
| R111 | 0698-6364 | 0 | 1 | RESISTOR 50 +-0.1% .125W TF TC=0+-25 | 00746 | CRB14 OR CRB25 |
| R112 | 0698-7284 | 5 | 1 | RESISTOR 100K +-1% .05W TF TC=0+-100 | 00746 | CRB20 |
| R113 | 0757-1094 | 9 | 1 | RESISTOR 1.47K +-1% .125W TF TC=0+-100 | 00746 | CRB14 OR CRB25 |
| R114 | 0698-6355 | 9 | 1 | RESISTOR 400 +-0.1% .125W TF TC=0+-25 | 00746 | CRB14 OR CRB25 |
| R115 | 0698-6320 | 8 | 1 | RESISTOR 5K +-0.1% .125W TF TC=0+-25 | 00746 | CRB14 OR CRB25 |
| R116 | 0698-6360 | 6 | 1 | RESISTOR 10K +-0.1% .125W TF TC=0+-25 | 00746 | CRB14 OR CRB25 |

HP Part Number 08562-60138

Interface

| Reference Designation | HP Part Number | C | D | Qty | Description | Mfr Code | Mfr Part Number |
|-----------------------|----------------|---|---|-----|--|----------|-----------------|
| R117 | 0698-6619 | 8 | | 1 | RESISTOR 15K +-0.1% .125W TF TC=0+-25 | 00746 | CRB14 OR CRB25 |
| R118 | 0757-0438 | 3 | | 1 | RESISTOR 5.11K +-1% .125W TF TC=0+-100 | 00746 | CRB14 OR CRB25 |
| R119 | 0698-6348 | 0 | | 1 | RESISTOR 3K +-0.1% .125W TF TC=0+-25 | 00746 | CRB14 OR CRB25 |
| R120 | 0698-0084 | 9 | | 1 | RESISTOR 2.15K 1% .125W TF TC=0+-100 | 00746 | CRB14 OR CRB25 |
| R121 | 0698-3153 | 9 | | 1 | RESISTOR 3.83K 1% .125W TF TC=0+-100 | 00746 | CRB14 OR CRB25 |
| R122 | 0698-7214 | 1 | | 1 | RESISTOR 121 +-1% .05W TF TC=0+-100 | 00746 | CRB20 |
| R123 | 0698-7255 | 0 | | 1 | RESISTOR 6.19K +-1% .05W TF TC=0+-100 | 00746 | CRB20 |
| R124 | 0698-7260 | 7 | | 1 | RESISTOR 10K +-1% .05W TF TC=0+-100 | 00746 | CRB20 |
| R125 | 0757-0274 | 5 | | 1 | RESISTOR 1.21K +-1% .125W TF TC=0+-100 | 00746 | CRB14 OR CRB25 |
| R126 | 0698-3156 | 2 | | 1 | RESISTOR 14.7K 1% .125W TF TC=0+-100 | 00746 | CRB14 OR CRB25 |
| R127 | 0699-0078 | 3 | | 1 | RESISTOR 2.1K +-0.1% .1W TF TC=0+-10 | 02995 | 5023Z |
| R128 | 0698-6317 | 3 | | 1 | RESISTOR 500 +-0.1% .125W TF TC=0+-25 | 00746 | CRB14 OR CRB25 |
| R129 | 0757-0424 | 7 | | 1 | RESISTOR 1.1K +-1% .125W TF TC=0+-100 | 00746 | CRB14 OR CRB25 |
| R130 | 0698-3159 | 5 | | 1 | RESISTOR 26.1K 1% .125W TF TC=0+-100 | 00746 | CRB14 OR CRB25 |
| R131 | 0698-0085 | 0 | | 1 | RESISTOR 2.61K 1% .125W TF TC=0+-100 | 00746 | CRB14 OR CRB25 |
| R132 | 0698-7212 | 9 | | 1 | RESISTOR 100 +-1% .05W TF TC=0+-100 | 00746 | CRB20 |
| R133 | 0698-7284 | 5 | | 1 | RESISTOR 100K +-1% .05W TF TC=0+-100 | 00746 | CRB20 |
| R134 | 0698-7288 | 9 | | 1 | RESISTOR 147K +-1% .05W TF TC=0+-100 | 00746 | CRB20 |
| R135 | 0698-7253 | 8 | | 1 | RESISTOR 5.11K +-1% .05W TF TC=0+-100 | 00746 | CRB20 |
| R136 | 0698-7229 | 8 | | 1 | RESISTOR 511 +-1% .05W TF TC=0+-100 | 00746 | CRB20 |
| R137 | 0698-7253 | 8 | | 1 | RESISTOR 5.11K +-1% .05W TF TC=0+-100 | 00746 | CRB20 |
| R138 | 0698-7253 | 8 | | 1 | RESISTOR 5.11K +-1% .05W TF TC=0+-100 | 00746 | CRB20 |
| R139 | 0698-7253 | 8 | | 1 | RESISTOR 5.11K +-1% .05W TF TC=0+-100 | 00746 | CRB20 |
| R140 | 0698-7253 | 8 | | 1 | RESISTOR 5.11K +-1% .05W TF TC=0+-100 | 00746 | CRB20 |
| R141 | 0757-0274 | 5 | | 1 | RESISTOR 1.21K +-1% .125W TF TC=0+-100 | 00746 | CRB14 OR CRB25 |
| R143 | 0698-3157 | 3 | | 1 | RESISTOR 19.6K 1% .125W TF TC=0+-100 | 00746 | CRB14 OR CRB25 |
| R144 | 0698-7203 | 8 | | 1 | RESISTOR 42.2 +-1% .05W TF TC=0+-100 | 00746 | CRB20 |
| R145 | 0757-0438 | 3 | | 1 | RESISTOR 5.11K +-1% .125W TF TC=0+-100 | 00746 | CRB14 OR CRB25 |
| R146 | 0698-6364 | 0 | | 1 | RESISTOR 50 +-0.1% .125W TF TC=0+-25 | 00746 | CRB14 OR CRB25 |
| R147 | 0698-6317 | 3 | | 1 | RESISTOR 500 +-0.1% .125W TF TC=0+-25 | 00746 | CRB14 OR CRB25 |
| R148 | 0698-6320 | 8 | | 1 | RESISTOR 5K +-0.1% .125W TF TC=0+-25 | 00746 | CRB14 OR CRB25 |
| R149 | 0757-0280 | 3 | | 1 | RESISTOR 1K +-1% .125W TF TC=0+-100 | 00746 | CRB14 OR CRB25 |
| R150 | 0698-6364 | 0 | | 1 | RESISTOR 50 +-0.1% .125W TF TC=0+-25 | 00746 | CRB14 OR CRB25 |
| R151 | 0757-0465 | 6 | | 1 | RESISTOR 100K +-1% .125W TF TC=0+-100 | 00746 | CRB14 OR CRB25 |
| R152 | 0757-1094 | 9 | | 1 | RESISTOR 1.47K +-1% .125W TF TC=0+-100 | 00746 | CRB14 OR CRB25 |
| R153 | 0757-0438 | 3 | | 1 | RESISTOR 5.11K +-1% .125W TF TC=0+-100 | 00746 | CRB14 OR CRB25 |
| R154 | 0757-0279 | 0 | | 1 | RESISTOR 3.16K +-1% .125W TF TC=0+-100 | 00746 | CRB14 OR CRB25 |
| R155 | 0757-0417 | 8 | | 1 | RESISTOR 562 +-1% .125W TF TC=0+-100 | 00746 | CRB14 OR CRB25 |
| R156 | 0757-0279 | 0 | | 1 | RESISTOR 3.16K +-1% .125W TF TC=0+-100 | 00746 | CRB14 OR CRB25 |
| R157 | 0757-0279 | 0 | | 1 | RESISTOR 3.16K +-1% .125W TF TC=0+-100 | 00746 | CRB14 OR CRB25 |
| R158 | 0698-3136 | 8 | | 1 | RESISTOR 17.8K 1% .125W TF TC=0+-100 | 00746 | CRB14 OR CRB25 |
| R159 | 0698-3136 | 8 | | 1 | RESISTOR 17.8K 1% .125W TF TC=0+-100 | 00746 | CRB14 OR CRB25 |
| R160 | 0757-0280 | 3 | | 1 | RESISTOR 1K +-1% .125W TF TC=0+-100 | 00746 | CRB14 OR CRB25 |
| R161 | 0698-3136 | 8 | | 1 | RESISTOR 17.8K 1% .125W TF TC=0+-100 | 00746 | CRB14 OR CRB25 |
| R162 | 0698-3136 | 8 | | 1 | RESISTOR 17.8K 1% .125W TF TC=0+-100 | 00746 | CRB14 OR CRB25 |
| R163 | 0757-0280 | 3 | | 1 | RESISTOR 1K +-1% .125W TF TC=0+-100 | 00746 | CRB14 OR CRB25 |
| R164 | 0698-3136 | 8 | | 1 | RESISTOR 17.8K 1% .125W TF TC=0+-100 | 00746 | CRB14 OR CRB25 |
| R165 | 0698-3136 | 8 | | 1 | RESISTOR 17.8K 1% .125W TF TC=0+-100 | 00746 | CRB14 OR CRB25 |

*Indicates factory-selected value

HP Part Number 08562-60138

Interface

| Reference Designation | HP Part Number | C D | Qty | Description | Mfr Code | Mfr Part Number |
|-----------------------|----------------|-----|-----|---|----------|-----------------|
| R166 | 0757-0280 | 3 | 1 | RESISTOR 1K +-1% .125W TF TC=0+-100 | 00746 | CRB14 OR CRB25 |
| R167 | 0698-8167 | 5 | 1 | RESISTOR 18K +-0.1% .125W TF TC=0+-25 | 00746 | CRB14 OR CRB25 |
| R168 | 0698-8167 | 5 | 1 | RESISTOR 18K +-0.1% .125W TF TC=0+-25 | 00746 | CRB14 OR CRB25 |
| R169 | 0698-6362 | 8 | 1 | RESISTOR 1K +-0.1% .125W TF TC=0+-25 | 00746 | CRB14 OR CRB25 |
| R170 | 0699-1866 | 9 | 1 | RESISTOR 2.7K +-0.1% .1W TF TC=0+-10 | 02995 | 5023Z |
| R171 | 0698-6346 | 8 | 1 | RESISTOR 300 +-0.1% .125W TF TC=0+-25 | 00746 | CRB14 OR CRB25 |
| R172 | 0698-6322 | 0 | 1 | RESISTOR 4K +-0.1% .125W TF TC=0+-25 | 00746 | CRB14 OR CRB25 |
| R173 | 0698-6362 | 8 | 1 | RESISTOR 1K +-0.1% .125W TF TC=0+-25 | 00746 | CRB14 OR CRB25 |
| R174 | 0698-6320 | 8 | 1 | RESISTOR 5K +-0.1% .125W TF TC=0+-25 | 00746 | CRB14 OR CRB25 |
| R175 | 0698-6323 | 1 | 1 | RESISTOR 100 +-0.1% .125W TF TC=0+-25 | 00746 | CRB14 OR CRB25 |
| R176 | 0698-6362 | 8 | 1 | RESISTOR 1K +-0.1% .125W TF TC=0+-25 | 00746 | CRB14 OR CRB25 |
| R177 | 0698-6624 | 5 | 1 | RESISTOR 2K +-0.1% .125W TF TC=0+-25 | 00746 | CRB14 OR CRB25 |
| R178 | 0698-6360 | 6 | 1 | RESISTOR 10K +-0.1% .125W TF TC=0+-25 | 00746 | CRB14 OR CRB25 |
| R179 | 0698-8756 | 8 | 1 | RESISTOR 166.7 +-0.1% .125W TF TC=0+-25 | 01074 | H8 |
| R180 | 0757-0465 | 6 | 1 | RESISTOR 100K +-1% .125W TF TC=0+-100 | 00746 | CRB14 OR CRB25 |
| R181 | 0698-6362 | 8 | 1 | RESISTOR 1K +-0.1% .125W TF TC=0+-25 | 00746 | CRB14 OR CRB25 |
| R182 | 0698-6347 | 9 | 1 | RESISTOR 1.5K +-0.1% .125W TF TC=0+-25 | 00746 | CRB14 OR CRB25 |
| R183 | 0698-8756 | 8 | 1 | RESISTOR 166.7 +-0.1% .125W TF TC=0+-25 | 01074 | H8 |
| R184 | 0698-7284 | 5 | 1 | RESISTOR 100K +-1% .05W TF TC=0+-100 | 00746 | CRB20 |
| R185 | 0757-0465 | 6 | 1 | RESISTOR 100K +-1% .125W TF TC=0+-100 | 00746 | CRB14 OR CRB25 |
| R186 | 0698-6348 | 0 | 1 | RESISTOR 3K +-0.1% .125W TF TC=0+-25 | 00746 | CRB14 OR CRB25 |
| R187 | 0757-0442 | 9 | 1 | RESISTOR 10K +-1% .125W TF TC=0+-100 | 00746 | CRB14 OR CRB25 |
| R188 | 0757-0458 | 7 | 1 | RESISTOR 51.1K +-1% .125W TF TC=0+-100 | 00746 | CRB14 OR CRB25 |
| R189 | 0757-0420 | 3 | 1 | RESISTOR 750 +-1% .125W TF TC=0+-100 | 00746 | CRB14 OR CRB25 |
| R190 | 0698-6353 | 7 | 1 | RESISTOR 50K +-0.1% .125W TF TC=0+-25 | 00746 | CRB14 OR CRB25 |
| R191 | 0698-6353 | 7 | 1 | RESISTOR 50K +-0.1% .125W TF TC=0+-25 | 00746 | CRB14 OR CRB25 |
| R192 | 0698-6533 | 5 | 1 | RESISTOR 12.5K +-0.1% .125W TF TC=0+-25 | 00746 | CRB14 OR CRB25 |
| R194 | 0757-0274 | 5 | 1 | RESISTOR 1.21K +-1% .125W TF TC=0+-100 | 00746 | CRB14 OR CRB25 |
| R195 | 0699-1759 | 9 | 1 | RESISTOR 1M +-1% .05W TF TC=0+-150 | 02995 | 5033Y |
| R196 | 0698-7212 | 9 | 1 | RESISTOR 100 +-1% .05W TF TC=0+-100 | 00746 | CRB20 |
| R197 | 0698-7212 | 9 | 1 | RESISTOR 100 +-1% .05W TF TC=0+-100 | 00746 | CRB20 |
| R198 | 0757-0274 | 5 | 1 | RESISTOR 1.21K +-1% .125W TF TC=0+-100 | 00746 | CRB14 OR CRB25 |
| R199 | 0698-3132 | 4 | 1 | RESISTOR 261 1% .125W TF TC=0+-100 | 00746 | CRB14 OR CRB25 |
| R201 | 0698-7248 | 1 | 1 | RESISTOR 3.16K +-1% .05W TF TC=0+-100 | 00746 | CRB20 |
| R202 | 0698-7848 | 7 | 1 | RESISTOR 1.25K +-0.1% .125W TF TC=0+-25 | 00746 | CRB14 OR CRB25 |
| R203 | 0698-7229 | 8 | 1 | RESISTOR 511 +-1% .05W TF TC=0+-100 | 00746 | CRB20 |
| R204 | 0757-0401 | 0 | 1 | RESISTOR 100 +-1% .125W TF TC=0+-100 | 00746 | CRB14 OR CRB25 |
| R205 | 0698-7229 | 8 | 1 | RESISTOR 511 +-1% .05W TF TC=0+-100 | 00746 | CRB20 |
| R206 | 0757-0442 | 9 | 1 | RESISTOR 10K +-1% .125W TF TC=0+-100 | 00746 | CRB14 OR CRB25 |
| R207 | 0698-7212 | 9 | 1 | RESISTOR 100 +-1% .05W TF TC=0+-100 | 00746 | CRB20 |
| R208 | 0698-3150 | 6 | 1 | RESISTOR 2.37K 1% .125W TF TC=0+-100 | 00746 | CRB14 OR CRB25 |
| R209 | 0698-3151 | 7 | 1 | RESISTOR 2.87K 1% .125W TF TC=0+-100 | 00746 | CRB14 OR CRB25 |
| R210 | 0698-7212 | 9 | 1 | RESISTOR 100 +-1% .05W TF TC=0+-100 | 00746 | CRB20 |
| R212 | 0757-0442 | 9 | 1 | RESISTOR 10K +-1% .125W TF TC=0+-100 | 00746 | CRB14 OR CRB25 |
| R213 | 0698-3132 | 4 | 1 | RESISTOR 261 1% .125W TF TC=0+-100 | 00746 | CRB14 OR CRB25 |
| R214 | 0757-0394 | 0 | 1 | RESISTOR 51.1 +-1% .125W TF TC=0+-100 | 00746 | CRB14 OR CRB25 |
| R215 | 0698-7212 | 9 | 1 | RESISTOR 100 +-1% .05W TF TC=0+-100 | 00746 | CRB20 |

HP Part Number 08562-60138

Interface

| Reference Designation | HP Part Number | C D | Qty | Description | Mfr Code | Mfr Part Number |
|-----------------------|----------------|-----|-----|---|----------|-----------------|
| R216 | 0698-3440 | 7 | 1 | RESISTOR 196 1% .125W TF TC=0+-100 | 00746 | CRB14 OR CRB25 |
| R217 | 0698-7188 | 8 | 1 | RESISTOR 10 +-1% .05W TF TC=0+-100 | 00746 | CRB20 |
| R218 | 0698-7188 | 8 | 1 | RESISTOR 10 +-1% .05W TF TC=0+-100 | 00746 | CRB20 |
| R219 | 0757-0401 | 0 | 1 | RESISTOR 100 +-1% .125W TF TC=0+-100 | 00746 | CRB14 OR CRB25 |
| R220 | 0698-7188 | 8 | 1 | RESISTOR 10 +-1% .05W TF TC=0+-100 | 00746 | CRB20 |
| R222 | 0698-7848 | 7 | 1 | RESISTOR 1.25K +-0.1% .125W TF TC=0+-25 | 00746 | CRB14 OR CRB25 |
| R223 | 0698-7219 | 6 | 1 | RESISTOR 196 +-1% .05W TF TC=0+-100 | 00746 | CRB20 |
| R224 | 0698-3241 | 6 | 1 | RESISTOR 250 .25% .125W TF TC=0+-50 | 00746 | CRB14 OR CRB25 |
| R225 | 0698-6317 | 3 | 1 | RESISTOR 500 +-0.1% .125W TF TC=0+-25 | 00746 | CRB14 OR CRB25 |
| R226 | 0757-0279 | 0 | 1 | RESISTOR 3.16K +-1% .125W TF TC=0+-100 | 00746 | CRB14 OR CRB25 |
| R227 | 0698-3440 | 7 | 1 | RESISTOR 196 1% .125W TF TC=0+-100 | 00746 | CRB14 OR CRB25 |
| R228 | 0757-0401 | 0 | 1 | RESISTOR 100 +-1% .125W TF TC=0+-100 | 00746 | CRB14 OR CRB25 |
| R229 | 0698-7212 | 9 | 1 | RESISTOR 100 +-1% .05W TF TC=0+-100 | 00746 | CRB20 |
| R230 | 0698-7226 | 5 | 1 | RESISTOR 383 +-1% .05W TF TC=0+-100 | 00746 | CRB20 |
| R232 | 0698-7243 | 6 | 1 | RESISTOR 1.96K +-1% .05W TF TC=0+-100 | 00746 | CRB20 |
| R233 | 0698-3447 | 4 | 1 | RESISTOR 422 1% .125W TF TC=0+-100 | 00746 | CRB14 OR CRB25 |
| R234 | 0757-0401 | 0 | 1 | RESISTOR 100 +-1% .125W TF TC=0+-100 | 00746 | CRB14 OR CRB25 |
| R236 | 0757-0401 | 0 | 1 | RESISTOR 100 +-1% .125W TF TC=0+-100 | 00746 | CRB14 OR CRB25 |
| R237 | 0698-7212 | 9 | 1 | RESISTOR 100 +-1% .05W TF TC=0+-100 | 00746 | CRB20 |
| R238 | 0698-7212 | 9 | 1 | RESISTOR 100 +-1% .05W TF TC=0+-100 | 00746 | CRB20 |
| R240 | 0698-7236 | 7 | 1 | RESISTOR 1K +-1% .05W TF TC=0+-100 | 00746 | CRB20 |
| R241 | 0698-7236 | 7 | 1 | RESISTOR 1K +-1% .05W TF TC=0+-100 | 00746 | CRB20 |
| R242 | 0698-7212 | 9 | 1 | RESISTOR 100 +-1% .05W TF TC=0+-100 | 00746 | CRB20 |
| R243 | 0757-0416 | 7 | 1 | RESISTOR 511 +-1% .125W TF TC=0+-100 | 00746 | CRB14 OR CRB25 |
| R244 | 0698-3132 | 4 | 1 | RESISTOR 261 1% .125W TF TC=0+-100 | 00746 | CRB14 OR CRB25 |
| R245 | 0757-0401 | 0 | 1 | RESISTOR 100 +-1% .125W TF TC=0+-100 | 00746 | CRB14 OR CRB25 |
| R246 | 0757-0416 | 7 | 1 | RESISTOR 511 +-1% .125W TF TC=0+-100 | 00746 | CRB14 OR CRB25 |
| R247 | 0699-2121 | 1 | 1 | RESISTOR 5.62 +-1% .125W TF TC=0+-100 | 12482 | SMA3 5.62R1% |
| R248 | 0698-6317 | 3 | 1 | RESISTOR 500 +-0.1% .125W TF TC=0+-25 | 00746 | CRB14 OR CRB25 |
| R249 | 0698-0083 | 8 | 1 | RESISTOR 1.96K 1% .125W TF TC=0+-100 | 00746 | CRB14 OR CRB25 |
| R250 | 0698-3452 | 1 | 1 | RESISTOR 147K 1% .125W TF TC=0+-100 | 00746 | CRB14 OR CRB25 |
| R253 | 0698-3440 | 7 | 1 | RESISTOR 196 1% .125W TF TC=0+-100 | 00746 | CRB14 OR CRB25 |
| R254 | 0698-3459 | 8 | 1 | RESISTOR 383K 1% .125W TF TC=0+-100 | 00746 | CRB14 OR CRB25 |
| R257 | 0698-0084 | 9 | 1 | RESISTOR 2.15K 1% .125W TF TC=0+-100 | 00746 | CRB14 OR CRB25 |
| R258 | 0757-0438 | 3 | 1 | RESISTOR 5.11K +-1% .125W TF TC=0+-100 | 00746 | CRB14 OR CRB25 |
| R259 | 0698-3440 | 7 | 1 | RESISTOR 196 1% .125W TF TC=0+-100 | 00746 | CRB14 OR CRB25 |
| R260 | 0698-6317 | 3 | 1 | RESISTOR 500 +-0.1% .125W TF TC=0+-25 | 00746 | CRB14 OR CRB25 |
| R262 | 0698-7219 | 6 | 1 | RESISTOR 196 +-1% .05W TF TC=0+-100 | 00746 | CRB20 |
| R263 | 0757-0401 | 0 | 1 | RESISTOR 100 +-1% .125W TF TC=0+-100 | 00746 | CRB14 OR CRB25 |
| R265 | 0757-0418 | 9 | 1 | RESISTOR 619 +-1% .125W TF TC=0+-100 | 00746 | CRB14 OR CRB25 |
| R266 | 0698-6360 | 6 | 1 | RESISTOR 10K +-0.1% .125W TF TC=0+-25 | 00746 | CRB14 OR CRB25 |
| R267 | 0698-6320 | 8 | 1 | RESISTOR 5K +-0.1% .125W TF TC=0+-25 | 00746 | CRB14 OR CRB25 |
| R268 | 0698-0083 | 8 | 1 | RESISTOR 1.96K 1% .125W TF TC=0+-100 | 00746 | CRB14 OR CRB25 |
| R269 | 0698-6360 | 6 | 1 | RESISTOR 10K +-0.1% .125W TF TC=0+-25 | 00746 | CRB14 OR CRB25 |
| R270 | 0698-6360 | 6 | 1 | RESISTOR 10K +-0.1% .125W TF TC=0+-25 | 00746 | CRB14 OR CRB25 |
| R271 | 0698-6360 | 6 | 1 | RESISTOR 10K +-0.1% .125W TF TC=0+-25 | 00746 | CRB14 OR CRB25 |
| R272 | 0698-6360 | 6 | 1 | RESISTOR 10K +-0.1% .125W TF TC=0+-25 | 00746 | CRB14 OR CRB25 |
| R273 | 0698-6360 | 6 | 1 | RESISTOR 10K +-0.1% .125W TF TC=0+-25 | 00746 | CRB14 OR CRB25 |

*Indicates factory-selected value

HP Part Number 08562-60138

Interface

| Reference Designation | HP Part Number | C | D | Qty | Description | Mfr Code | Mfr Part Number |
|-----------------------|----------------|---|---|-----|---|----------|-----------------|
| R274 | 0698-6360 | 6 | | 1 | RESISTOR 10K +-0.1% .125W TF TC=0+-25 | 00746 | CRB14 OR CRB25 |
| R275 | 0698-6360 | 6 | | 1 | RESISTOR 10K +-0.1% .125W TF TC=0+-25 | 00746 | CRB14 OR CRB25 |
| R276 | 0698-6360 | 6 | | 1 | RESISTOR 10K +-0.1% .125W TF TC=0+-25 | 00746 | CRB14 OR CRB25 |
| R277 | 0698-0083 | 8 | | 1 | RESISTOR 1.96K 1% .125W TF TC=0+-100 | 00746 | CRB14 OR CRB25 |
| R278 | 0698-6360 | 6 | | 1 | RESISTOR 10K +-0.1% .125W TF TC=0+-25 | 00746 | CRB14 OR CRB25 |
| R279 | 0698-7253 | 8 | | 1 | RESISTOR 5.11K +-1% .05W TF TC=0+-100 | 00746 | CRB20 |
| R280 | 0698-7260 | 7 | | 1 | RESISTOR 10K +-1% .05W TF TC=0+-100 | 00746 | CRB20 |
| R281 | 0698-6320 | 8 | | 1 | RESISTOR 5K +-0.1% .125W TF TC=0+-25 | 00746 | CRB14 OR CRB25 |
| R282 | 0757-0280 | 3 | | 1 | RESISTOR 1K +-1% .125W TF TC=0+-100 | 00746 | CRB14 OR CRB25 |
| R283 | 0698-0083 | 8 | | 1 | RESISTOR 1.96K 1% .125W TF TC=0+-100 | 00746 | CRB14 OR CRB25 |
| R284 | 0757-0442 | 9 | | 1 | RESISTOR 10K +-1% .125W TF TC=0+-100 | 00746 | CRB14 OR CRB25 |
| R285 | 0757-0278 | 9 | | 1 | RESISTOR 1.78K +-1% .125W TF TC=0+-100 | 00746 | CRB14 OR CRB25 |
| R286 | 0757-0442 | 9 | | 1 | RESISTOR 10K +-1% .125W TF TC=0+-100 | 00746 | CRB14 OR CRB25 |
| R301 | 0698-7248 | 1 | | 1 | RESISTOR 3.16K +-1% .05W TF TC=0+-100 | 00746 | CRB20 |
| R302 | 0698-7848 | 7 | | 1 | RESISTOR 1.25K +-0.1% .125W TF TC=0+-25 | 00746 | CRB14 OR CRB25 |
| R303 | 0698-7229 | 8 | | 1 | RESISTOR 511 +-1% .05W TF TC=0+-100 | 00746 | CRB20 |
| R304 | 0757-0401 | 0 | | 1 | RESISTOR 100 +-1% .125W TF TC=0+-100 | 00746 | CRB14 OR CRB25 |
| R305 | 0698-7229 | 8 | | 1 | RESISTOR 511 +-1% .05W TF TC=0+-100 | 00746 | CRB20 |
| R306 | 0757-0442 | 9 | | 1 | RESISTOR 10K +-1% .125W TF TC=0+-100 | 00746 | CRB14 OR CRB25 |
| R307 | 0698-7212 | 9 | | 1 | RESISTOR 100 +-1% .05W TF TC=0+-100 | 00746 | CRB20 |
| R308 | 0698-3154 | 0 | | 1 | RESISTOR 4.22K 1% .125W TF TC=0+-100 | 00746 | CRB14 OR CRB25 |
| R309 | 0698-3151 | 7 | | 1 | RESISTOR 2.87K 1% .125W TF TC=0+-100 | 00746 | CRB14 OR CRB25 |
| R310 | 0698-7212 | 9 | | 1 | RESISTOR 100 +-1% .05W TF TC=0+-100 | 00746 | CRB20 |
| R312 | 0757-0442 | 9 | | 1 | RESISTOR 10K +-1% .125W TF TC=0+-100 | 00746 | CRB14 OR CRB25 |
| R313 | 0698-3132 | 4 | | 1 | RESISTOR 261 1% .125W TF TC=0+-100 | 00746 | CRB14 OR CRB25 |
| R314 | 0757-0394 | 0 | | 1 | RESISTOR 51.1 +-1% .125W TF TC=0+-100 | 00746 | CRB14 OR CRB25 |
| R315 | 0698-7215 | 2 | | 1 | RESISTOR 133 +-1% .05W TF TC=0+-100 | 00746 | CRB20 |
| R316 | 0698-7219 | 6 | | 1 | RESISTOR 196 +-1% .05W TF TC=0+-100 | 00746 | CRB20 |
| R317 | 0698-7188 | 8 | | 1 | RESISTOR 10 +-1% .05W TF TC=0+-100 | 00746 | CRB20 |
| R318 | 0698-7188 | 8 | | 1 | RESISTOR 10 +-1% .05W TF TC=0+-100 | 00746 | CRB20 |
| R319 | 0757-0401 | 0 | | 1 | RESISTOR 100 +-1% .125W TF TC=0+-100 | 00746 | CRB14 OR CRB25 |
| R320 | 0698-7188 | 8 | | 1 | RESISTOR 10 +-1% .05W TF TC=0+-100 | 00746 | CRB20 |
| R322 | 0698-7848 | 7 | | 1 | RESISTOR 1.25K +-0.1% .125W TF TC=0+-25 | 00746 | CRB14 OR CRB25 |
| R323 | 0698-7219 | 6 | | 1 | RESISTOR 196 +-1% .05W TF TC=0+-100 | 00746 | CRB20 |
| R324 | 0698-3241 | 6 | | 1 | RESISTOR 250 .25% .125W TF TC=0+-50 | 00746 | CRB14 OR CRB25 |
| R325 | 0698-6317 | 3 | | 1 | RESISTOR 500 +-0.1% .125W TF TC=0+-25 | 00746 | CRB14 OR CRB25 |
| R326 | 0757-0279 | 0 | | 1 | RESISTOR 3.16K +-1% .125W TF TC=0+-100 | 00746 | CRB14 OR CRB25 |
| R327 | 0698-3440 | 7 | | 1 | RESISTOR 196 1% .125W TF TC=0+-100 | 00746 | CRB14 OR CRB25 |
| R328 | 0757-0401 | 0 | | 1 | RESISTOR 100 +-1% .125W TF TC=0+-100 | 00746 | CRB14 OR CRB25 |
| R329 | 0698-7212 | 9 | | 1 | RESISTOR 100 +-1% .05W TF TC=0+-100 | 00746 | CRB20 |
| R330 | 0698-7226 | 5 | | 1 | RESISTOR 383 +-1% .05W TF TC=0+-100 | 00746 | CRB20 |
| R332 | 0698-7243 | 6 | | 1 | RESISTOR 1.96K +-1% .05W TF TC=0+-100 | 00746 | CRB20 |
| R333 | 0757-1094 | 9 | | 1 | RESISTOR 1.47K +-1% .125W TF TC=0+-100 | 00746 | CRB14 OR CRB25 |
| R334 | 0757-0276 | 7 | | 1 | RESISTOR 61.9 +-1% .125W TF TC=0+-100 | 00746 | CRB14 OR CRB25 |
| R336 | 0698-7212 | 9 | | 1 | RESISTOR 100 +-1% .05W TF TC=0+-100 | 00746 | CRB20 |
| R337 | 0698-7212 | 9 | | 1 | RESISTOR 100 +-1% .05W TF TC=0+-100 | 00746 | CRB20 |
| R338 | 0698-7212 | 9 | | 1 | RESISTOR 100 +-1% .05W TF TC=0+-100 | 00746 | CRB20 |

HP Part Number 08562-60138

Interface

| Reference Designation | HP Part Number | C D | Qty | Description | Mfr Code | Mfr Part Number |
|-----------------------|----------------|-----|-----|--|----------|-----------------|
| R340 | 0698-7236 | 7 | 1 | RESISTOR 1K +-1% .05W TF TC=0+-100 | 00746 | CRB20 |
| R341 | 0698-7236 | 7 | 1 | RESISTOR 1K +-1% .05W TF TC=0+-100 | 00746 | CRB20 |
| R342 | 0698-7212 | 9 | 1 | RESISTOR 100 +-1% .05W TF TC=0+-100 | 00746 | CRB20 |
| R343 | 0757-0416 | 7 | 1 | RESISTOR 511 +-1% .125W TF TC=0+-100 | 00746 | CRB14 OR CRB25 |
| R344 | 0698-3132 | 4 | 1 | RESISTOR 261 1% .125W TF TC=0+-100 | 00746 | CRB14 OR CRB25 |
| R345 | 0757-0401 | 0 | 1 | RESISTOR 100 +-1% .125W TF TC=0+-100 | 00746 | CRB14 OR CRB25 |
| R346 | 0757-0416 | 7 | 1 | RESISTOR 511 +-1% .125W TF TC=0+-100 | 00746 | CRB14 OR CRB25 |
| R347 | 0699-2121 | 1 | 1 | RESISTOR 5.62 +-1% .125W TF TC=0+-100 | 12482 | SMA3 5.62R1% |
| R348 | 0698-6317 | 3 | 1 | RESISTOR 500 +-0.1% .125W TF TC=0+-25 | 00746 | CRB14 OR CRB25 |
| R349 | 0698-0083 | 8 | 1 | RESISTOR 1.96K 1% .125W TF TC=0+-100 | 00746 | CRB14 OR CRB25 |
| R350 | 0698-3452 | 1 | 1 | RESISTOR 147K 1% .125W TF TC=0+-100 | 00746 | CRB14 OR CRB25 |
| R353 | 0698-3440 | 7 | 1 | RESISTOR 196 1% .125W TF TC=0+-100 | 00746 | CRB14 OR CRB25 |
| R354 | 0698-3459 | 8 | 1 | RESISTOR 383K 1% .125W TF TC=0+-100 | 00746 | CRB14 OR CRB25 |
| R357 | 0698-0084 | 9 | 1 | RESISTOR 2.15K 1% .125W TF TC=0+-100 | 00746 | CRB14 OR CRB25 |
| R358 | 0757-0438 | 3 | 1 | RESISTOR 5.11K +-1% .125W TF TC=0+-100 | 00746 | CRB14 OR CRB25 |
| R359 | 0698-3440 | 7 | 1 | RESISTOR 196 1% .125W TF TC=0+-100 | 00746 | CRB14 OR CRB25 |
| R360 | 0757-0401 | 0 | 1 | RESISTOR 100 +-1% .125W TF TC=0+-100 | 00746 | CRB14 OR CRB25 |
| R361 | 0698-7219 | 6 | 1 | RESISTOR 196 +-1% .05W TF TC=0+-100 | 00746 | CRB20 |
| R362 | 0757-0274 | 5 | 1 | RESISTOR 1.21K +-1% .125W TF TC=0+-100 | 00746 | CRB14 OR CRB25 |
| R363 | 0757-0416 | 7 | 1 | RESISTOR 511 +-1% .125W TF TC=0+-100 | 00746 | CRB14 OR CRB25 |
| R364 | 0698-0083 | 8 | 1 | RESISTOR 1.96K 1% .125W TF TC=0+-100 | 00746 | CRB14 OR CRB25 |
| R365 | 0757-0442 | 9 | 1 | RESISTOR 10K +-1% .125W TF TC=0+-100 | 00746 | CRB14 OR CRB25 |
| R366 | 0757-0401 | 0 | 1 | RESISTOR 100 +-1% .125W TF TC=0+-100 | 00746 | CRB14 OR CRB25 |
| R368 | 0757-0401 | 0 | 1 | RESISTOR 100 +-1% .125W TF TC=0+-100 | 00746 | CRB14 OR CRB25 |
| R400 | 0698-3438 | 3 | 1 | RESISTOR 147 1% .125W TF TC=0+-100 | 00746 | CRB14 OR CRB25 |
| R401 | 0698-3438 | 3 | 1 | RESISTOR 147 1% .125W TF TC=0+-100 | 00746 | CRB14 OR CRB25 |
| R402 | 0698-3151 | 7 | 1 | RESISTOR 2.87K 1% .125W TF TC=0+-100 | 00746 | CRB14 OR CRB25 |
| R403 | 0757-0442 | 9 | 1 | RESISTOR 10K +-1% .125W TF TC=0+-100 | 00746 | CRB14 OR CRB25 |
| R404 | 0757-0465 | 6 | 1 | RESISTOR 100K +-1% .125W TF TC=0+-100 | 00746 | CRB14 OR CRB25 |
| R405 | 0757-0280 | 3 | 1 | RESISTOR 1K +-1% .125W TF TC=0+-100 | 00746 | CRB14 OR CRB25 |
| R406 | 0698-3156 | 2 | 1 | RESISTOR 14.7K 1% .125W TF TC=0+-100 | 00746 | CRB14 OR CRB25 |
| R407 | 0757-0442 | 9 | 1 | RESISTOR 10K +-1% .125W TF TC=0+-100 | 00746 | CRB14 OR CRB25 |
| R408 | 0757-0442 | 9 | 1 | RESISTOR 10K +-1% .125W TF TC=0+-100 | 00746 | CRB14 OR CRB25 |
| R409 | 0757-0442 | 9 | 1 | RESISTOR 10K +-1% .125W TF TC=0+-100 | 00746 | CRB14 OR CRB25 |
| R412 | 0757-0442 | 9 | 1 | RESISTOR 10K +-1% .125W TF TC=0+-100 | 00746 | CRB14 OR CRB25 |
| R413 | 0757-0442 | 9 | 1 | RESISTOR 10K +-1% .125W TF TC=0+-100 | 00746 | CRB14 OR CRB25 |
| R414 | 0757-0465 | 6 | 1 | RESISTOR 100K +-1% .125W TF TC=0+-100 | 00746 | CRB14 OR CRB25 |
| R415 | 0698-0082 | 7 | 1 | RESISTOR 464 1% .125W TF TC=0+-100 | 00746 | CRB14 OR CRB25 |
| R416 | 0698-3151 | 7 | 1 | RESISTOR 2.87K 1% .125W TF TC=0+-100 | 00746 | CRB14 OR CRB25 |
| R417 | 0698-3151 | 7 | 1 | RESISTOR 2.87K 1% .125W TF TC=0+-100 | 00746 | CRB14 OR CRB25 |
| R418 | 0698-3455 | 4 | 1 | RESISTOR 261K 1% .125W TF TC=0+-100 | 00746 | CRB14 OR CRB25 |
| R500 | 0757-0199 | 3 | 1 | RESISTOR 21.5K +-1% .125W TF TC=0+-100 | 00746 | CRB14 OR CRB25 |
| R501 | 0698-3155 | 1 | 1 | RESISTOR 4.64K 1% .125W TF TC=0+-100 | 00746 | CRB14 OR CRB25 |
| R502 | 0757-0442 | 9 | 1 | RESISTOR 10K +-1% .125W TF TC=0+-100 | 00746 | CRB14 OR CRB25 |
| R503 | 0698-3438 | 3 | 1 | RESISTOR 147 1% .125W TF TC=0+-100 | 00746 | CRB14 OR CRB25 |
| R504 | 0698-6360 | 6 | 1 | RESISTOR 10K +-0.1% .125W TF TC=0+-25 | 00746 | CRB14 OR CRB25 |
| R505 | 0698-6320 | 8 | 1 | RESISTOR 5K +-0.1% .125W TF TC=0+-25 | 00746 | CRB14 OR CRB25 |
| R506 | 0698-3438 | 3 | 1 | RESISTOR 147 1% .125W TF TC=0+-100 | 00746 | CRB14 OR CRB25 |

*Indicates factory-selected value

HP Part Number 08562-60138

Interface

| Reference Designation | HP Part Number | C D | Qty | Description | Mfr Code | Mfr Part Number |
|-----------------------|----------------|--------|-----|--|----------|-----------------|
| R507 | 0698-6320 | 8 | 1 | RESISTOR 5K +-0.1% .125W TF TC=0+-25 | 00746 | CRB14 OR CRB25 |
| R508 | 0698-3438 | 3 | 1 | RESISTOR 147 1% .125W TF TC=0+-100 | 00746 | CRB14 OR CRB25 |
| R509 | 0698-3155 | 1 | 1 | RESISTOR 4.64K 1% .125W TF TC=0+-100 | 00746 | CRB14 OR CRB25 |
| R600 | 0698-3160 | 8 | 1 | RESISTOR 31.6K 1% .125W TF TC=0+-100 | 00746 | CRB14 OR CRB25 |
| R601 | 0757-0280 | 3 | 1 | RESISTOR 1K +-1% .125W TF TC=0+-100 | 00746 | CRB14 OR CRB25 |
| R602 | 0757-0470 | 3 | 1 | RESISTOR 162K +-1% .125W TF TC=0+-100 | 00746 | CRB14 OR CRB25 |
| R603 | 0757-0280 | 3 | 1 | RESISTOR 1K +-1% .125W TF TC=0+-100 | 00746 | CRB14 OR CRB25 |
| R604 | 0757-0461 | 2 | 1 | RESISTOR 68.1K +-1% .125W TF TC=0+-100 | 00746 | CRB14 OR CRB25 |
| R605 | 0757-0439 | 4 | 1 | RESISTOR 6.81K +-1% .125W TF TC=0+-100 | 00746 | CRB14 OR CRB25 |
| R606 | 0757-0467 | 8 | 1 | RESISTOR 121K +-1% .125W TF TC=0+-100 | 00746 | CRB14 OR CRB25 |
| R607 | 0757-0438 | 3 | 1 | RESISTOR 5.11K +-1% .125W TF TC=0+-100 | 00746 | CRB14 OR CRB25 |
| R608 | 0757-0417 | 8 | 1 | RESISTOR 562 +-1% .125W TF TC=0+-100 | 00746 | CRB14 OR CRB25 |
| R609 | 0757-0280 | 3 | 1 | RESISTOR 1K +-1% .125W TF TC=0+-100 | 00746 | CRB14 OR CRB25 |
| R610 | 0698-3155 | 1 | 1 | RESISTOR 4.64K 1% .125W TF TC=0+-100 | 00746 | CRB14 OR CRB25 |
| R611 | 0698-3439 | 4 | 1 | RESISTOR 178 1% .125W TF TC=0+-100 | 00746 | CRB14 OR CRB25 |
| R612 | 0698-0084 | 9 | 1 | RESISTOR 2.15K 1% .125W TF TC=0+-100 | 00746 | CRB14 OR CRB25 |
| R613 | 0757-0442 | 9 | 1 | RESISTOR 10K +-1% .125W TF TC=0+-100 | 00746 | CRB14 OR CRB25 |
| R614 | 0698-3155 | 1 | 1 | RESISTOR 4.64K 1% .125W TF TC=0+-100 | 00746 | CRB14 OR CRB25 |
| R615 | 0698-3445 | 2 | 1 | RESISTOR 348 1% .125W TF TC=0+-100 | 00746 | CRB14 OR CRB25 |
| R616 | 0698-3153 | 9 | 1 | RESISTOR 3.83K 1% .125W TF TC=0+-100 | 00746 | CRB14 OR CRB25 |
| TP3 | 0360-2050 | 8 | 1 | CONNECTOR-SGL CONT | 04055 | |
| TP4 | 0360-2050 | 8 | 1 | CONNECTOR-SGL CONT | 04055 | |
| TP5 | 0360-2050 | 8 | 1 | CONNECTOR-SGL CONT | 04055 | |
| U101 | 1858-0032 | 8 | 1 | TRANSISTOR ARRAY 14-PIN PLSTC DIP | 03406 | LM3146 |
| U102 | 1820-2056 | 1 | 1 | IC FF TTL LS D-TYPE POS-EDGE-TRIG COM CL | 01698 | SN74LS378N |
| U103 | 1858-0032 | 8 | 1 | TRANSISTOR ARRAY 14-PIN PLSTC DIP | 03406 | LM3146 |
| U104 | 1820-2244 | 9 | 1 | IC FF TTL/LS D-TYPE POS-EDGE-TRIG COM CL | 01698 | SN74LS379N |
| U105 | 1826-0785 | 1 | 1 | IC OP AMP LOW-BIAS-H-IMP DUAL 8-DIP-C | 01698 | TL072ACJG |
| U106 | 1810-0371 | 8 | 1 | NETWORK-RES 8-SIP 100.OH OHM X 7 | 02483 | 750-81 |
| U107 | 1826-0161 | 7 | 1 | IC OP AMP GP QUAD 14-DIP-P PKG | 02037 | LM324N |
| U108 | 1826-0609 | 8 | 1 | ANALOG MULTIPLEXER 8 CHNL 16 -CERDIP | 02180 | MUX-08FQ |
| U109 | 1826-0557 | 5 | 1 | IC OP AMP GP QUAD 14-DIP-C PKG | 03406 | LM348J |
| U110 | 1826-0785 | 1 | 1 | IC OP AMP LOW-BIAS-H-IMP DUAL 8-DIP-C | 01698 | TL072ACJG |
| U111 | 1826-0990 | 0 | 1 | IC OP AMP GP DUAL 8-DIP-C PKG | 01698 | MC1458JG |
| U112 | 1820-1934 | 2 | 1 | D/A 8-BIT 16-CERDIP BPLR | 02180 | DAC-08EQ |
| U113 | 1820-1934 | 2 | 1 | D/A 8-BIT 16-CERDIP BPLR | 02180 | DAC-08EQ |
| U114 | 1826-0988 | 6 | 1 | SAMPLE AND HOLD 14 -CERDIP | 02180 | SMP-11GY |
| U201 | 1826-0890 | 9 | 1 | IC OP AMP GP DUAL 8-DIP-P PKG | 03406 | LM358AN |
| U202 | 1810-1011 | 5 | 1 | NETWORK-RES 5-SIP 3.3K OHM X 4 | 03744 | 4605X-101-332 |
| U203 | 1826-0161 | 7 | 1 | IC OP AMP GP QUAD 14-DIP-P PKG | 02037 | LM324N |
| U204 | 1858-0040 | 8 | 1 | TRANSISTOR ARRAY 16-PIN PLSTC DIP | 03799 | CA3127E |
| U205 | 1826-1197 | 1 | 1 | IC OP AMP PRCN 8-DIP-C PKG | 02180 | OP-15EZ |
| U206 | 1826-0990 | 0 | 1 | IC OP AMP GP DUAL 8-DIP-C PKG | 01698 | MC1458JG |
| U207 | 1826-1493 | 0 | 1 | IC V RGLTR-V-REF-FXD 9.97/10.03V 8-DIP-C | 02180 | REF-01EZ |
| U208 | 1826-0785 | 1 | 1 | IC OP AMP LOW-BIAS-H-IMP DUAL 8-DIP-C | 01698 | TL072ACJG |
| U209 | 1858-0077 | 1 | 1 | TRANSISTOR ARRAY 14-PIN PLSTC TO-116 | 02037 | MPQ2222P |
| U301 | 1826-0890 | 9 | 1 | IC OP AMP GP DUAL 8-DIP-P PKG | 03406 | LM358AN |

HP Part Number 08562-60138

Interface

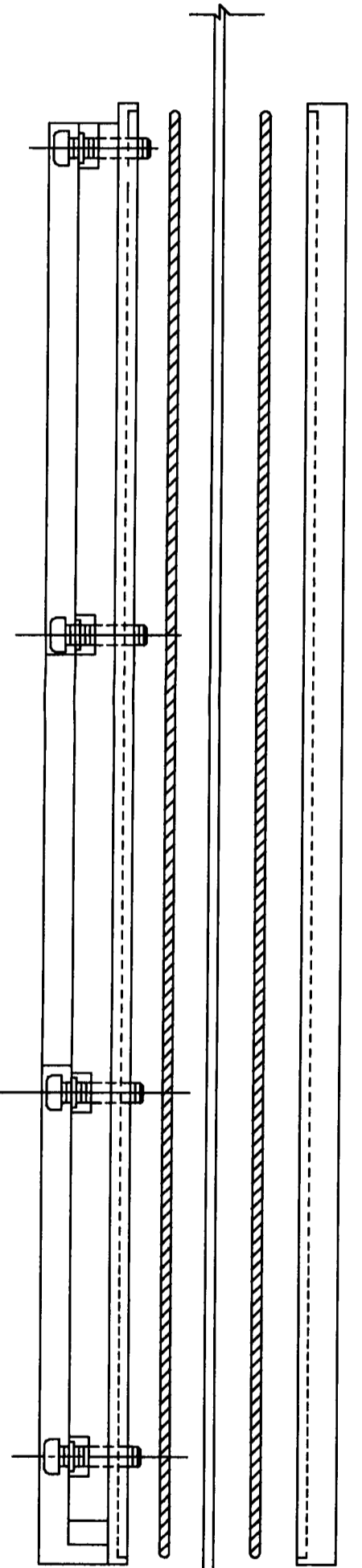
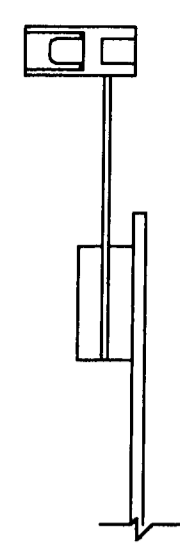
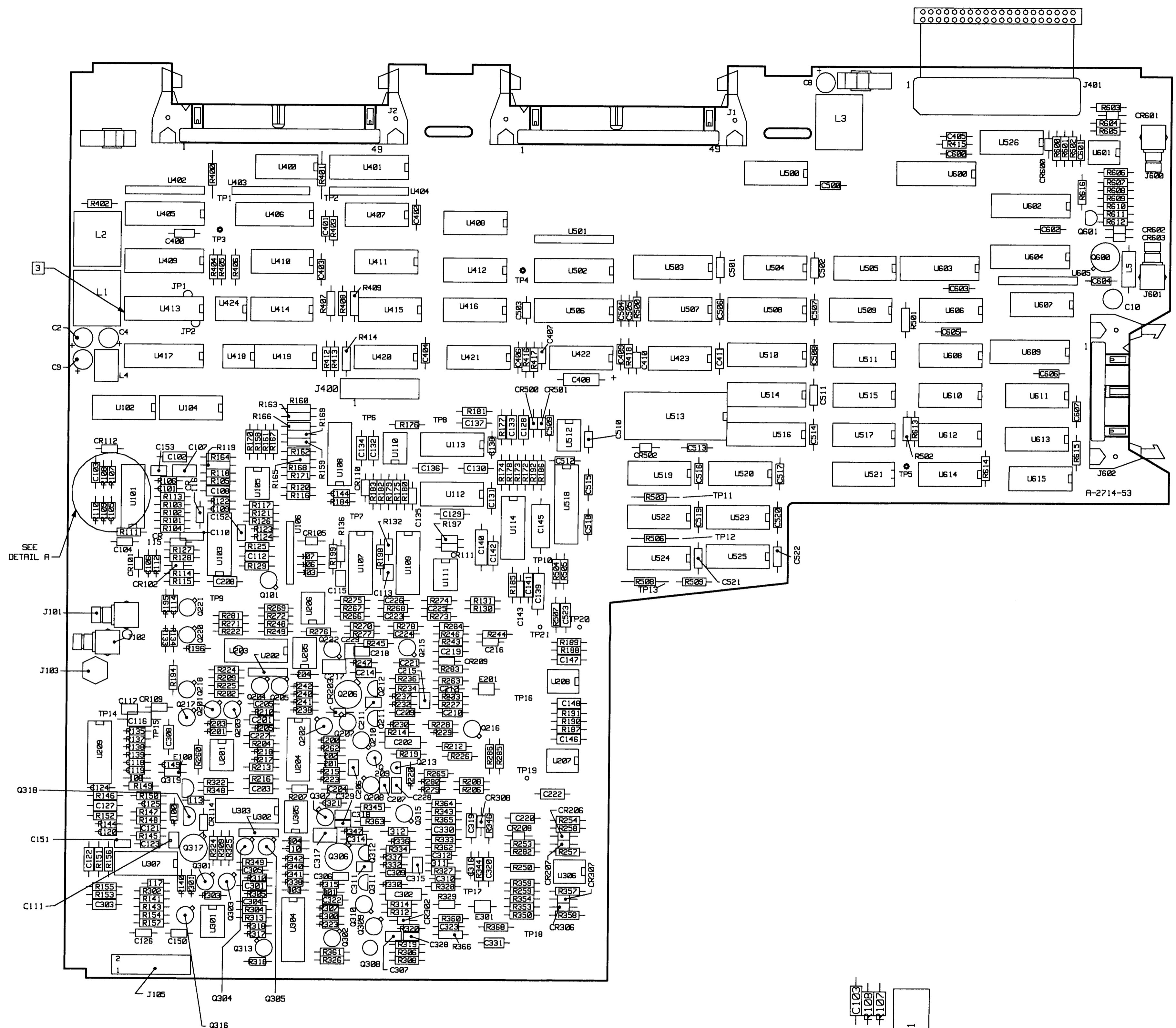
| Reference Designation | HP Part Number | C D | Qty | Description | Mfr Code | Mfr Part Number |
|-----------------------|----------------|-----|-----|--|----------|-----------------|
| U302 | 1810-1011 | 5 | 1 | NETWORK-RES 5-SIP 3.3K OHM X 4 | 03744 | 4605X-101-332 |
| U303 | 1826-0161 | 7 | 1 | IC OP AMP GP QUAD 14-DIP-P PKG | 02037 | LM324N |
| U304 | 1858-0040 | 8 | 1 | TRANSISTOR ARRAY 16-PIN PLSTC DIP | 03799 | CA3127E |
| U305 | 1826-1197 | 1 | 1 | IC OP AMP PRCN 8-DIP-C PKG | 02180 | OP-15EZ |
| U306 | 1826-1616 | 9 | 1 | IC COMPARATOR LP DUAL 8-DIP-C PKG | 01698 | LM393AJG |
| U307 | 1858-0032 | 8 | 1 | TRANSISTOR ARRAY 14-PIN PLSTC DIP | 03406 | LM3146 |
| U400 | 1820-1112 | 8 | 1 | IC FF TTL/LS D-TYPE POS-EDGE-TRIG PRESET | 01698 | SN74LS74AN |
| U401 | 1820-2024 | 3 | 1 | IC DRVR TTL/LS BUS OCTL | 01698 | SN74LS244N |
| U402 | 1810-0279 | 5 | 1 | NETWORK-RES 10-SIP 4.7K OHM X 9 | 02483 | 750-101 |
| U403 | 1810-0279 | 5 | 1 | NETWORK-RES 10-SIP 4.7K OHM X 9 | 02483 | 750-101 |
| U404 | 1810-0279 | 5 | 1 | NETWORK-RES 10-SIP 4.7K OHM X 9 | 02483 | 750-101 |
| U405 | 1820-2102 | 8 | 1 | IC LCH TTL/LS TRANSPARENT OCTL | 01698 | SN74LS373N |
| U406 | 1820-2102 | 8 | 1 | IC LCH TTL/LS TRANSPARENT OCTL | 01698 | SN74LS373N |
| U407 | 1820-1281 | 2 | 1 | IC DCDR TTL/LS BIN 2-TO-4-LINE DUAL 2-IN | 01698 | SN74LS139AN |
| U408 | 1820-1202 | 7 | 1 | IC GATE TTL LS NAND TPL 3-INP | 01698 | SN74LS10N |
| U409 | 1826-1231 | 4 | 1 | D/A 8-DGT 20-PLASTIC CMOS | 02180 | PM7528HP |
| U410 | 1820-1216 | 3 | 1 | IC DCDR TTL/LS BIN 3-TO-8-LINE 3-INP | 01698 | SN74LS138N |
| U411 | 1820-1445 | 0 | 1 | IC LCH TTL/LS TRANSPARENT 4-BIT | 01698 | SN74LS375N |
| U412 | 1820-1112 | 8 | 1 | IC FF TTL/LS D-TYPE POS-EDGE-TRIG PRESET | 01698 | SN74LS74AN |
| U414 | 1820-1212 | 9 | 1 | IC FF TTL LS J-K NEG-EDGE-TRIG PRESET/CL | 01698 | SN74LS112AN |
| U415 | 1820-1208 | 3 | 1 | IC GATE TTL LS OR QUAD 2-INP | 01698 | SN74LS32N |
| U416 | 1820-1197 | 9 | 1 | IC GATE TTL LS NAND QUAD 2-INP | 01698 | SN74LS00N |
| U417 | 1826-1231 | 4 | 1 | D/A 8-DGT 20-PLASTIC CMOS | 02180 | PM7528HP |
| U418 | 1826-0961 | 5 | 1 | IC OP AMP LOW-BIAS-H-IMPD 8-DIP-P PKG | 03406 | LF411CN |
| U419 | 1826-0161 | 7 | 1 | IC OP AMP GP QUAD 14-DIP-P PKG | 02037 | LM324N |
| U420 | 1820-1447 | 2 | 1 | IC TTL LS 16-BIT STAT RAM 45-NS 3-S | 01698 | SN74LS670N |
| U421 | 1820-1447 | 2 | 1 | IC TTL LS 16-BIT STAT RAM 45-NS 3-S | 01698 | SN74LS670N |
| U422 | 1820-1437 | 0 | 1 | IC MV TTL/LS MONOSTBL CLEAR DUAL | 01698 | SN74LS221N |
| U423 | 1820-1423 | 4 | 1 | IC MV TTL/LS MONOSTBL RETRIG DUAL | 01698 | SN74LS123N |
| U424 | 1826-0961 | 5 | 1 | IC OP AMP LOW-BIAS-H-IMPD 8-DIP-P PKG | 03406 | LF411CN |
| U500 | 1820-1216 | 3 | 1 | IC DCDR TTL/LS BIN 3-TO-8-LINE 3-INP | 01698 | SN74LS138N |
| U501 | 1810-0279 | 5 | 1 | NETWORK-RES 10-SIP 4.7K OHM X 9 | 02483 | 750-101 |
| U502 | 1820-2641 | 0 | 1 | IC FF TTL/LS D-TYPE POS-EDGE-TRIG COM CL | 01698 | SN74LS374N |
| U503 | 08562-80030 | 5 | 1 | | 28480 | 08562-80030 |
| U504 | 1820-1298 | 1 | 1 | IC MUXR/DATA-SEL TTL LS 8-TO-1-LINE 8-IN | 01698 | SN74LS251N |
| U505 | 1820-1144 | 6 | 1 | IC GATE TTL LS NOR QUAD 2-INP | 01698 | SN74LS02N |
| U506 | 1820-2641 | 0 | 1 | IC FF TTL/LS D-TYPE POS-EDGE-TRIG COM CL | 01698 | SN74LS374N |
| U507 | 1820-1438 | 1 | 1 | IC MUXR/DATA-SEL TTL LS 2-TO-1-LINE QUAD | 01698 | SN74LS2578N |
| U508 | 1820-1858 | 9 | 1 | IC FF TTL/LS D-TYPE POS-EDGE-TRIG COM CL | 01698 | SN74LS377N |
| U509 | 1820-1238 | 9 | 1 | IC MUXR/DATA-SEL TTL LS 4-TO-1-LINE DUAL | 01698 | SN74LS253N |
| U510 | 1820-2641 | 0 | 1 | IC FF TTL/LS D-TYPE POS-EDGE-TRIG COM CL | 01698 | SN74LS374N |
| U511 | 1820-1112 | 8 | 1 | IC FF TTL/LS D-TYPE POS-EDGE-TRIG PRESET | 01698 | SN74LS74AN |
| U512 | 1826-1384 | 8 | 1 | IC COMPARATOR HS 8-DIP-C PKG | 02180 | CMP-01CZ |
| U513 | 1820-1720 | 4 | 1 | IC RGTR TTL 12-BIT | 03794 | AM2504PC |
| U514 | 1820-2024 | 3 | 1 | IC DRVR TTL/LS BUS OCTL | 01698 | SN74LS244N |
| U515 | 1820-1112 | 8 | 1 | IC FF TTL/LS D-TYPE POS-EDGE-TRIG PRESET | 01698 | SN74LS74AN |
| U516 | 1820-2024 | 3 | 1 | IC DRVR TTL/LS BUS OCTL | 01698 | SN74LS244N |
| U517 | 1820-1208 | 3 | 1 | IC GATE TTL LS OR QUAD 2-INP | 01698 | SN74LS32N |

*Indicates factory-selected value

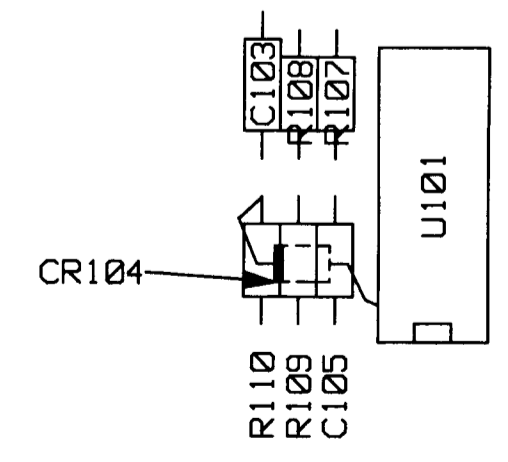
HP Part Number 08562-60138

Interface

| Reference Designation | HP Part Number | C D | Qty | Description | Mfr Code | Mfr Part Number |
|-----------------------|----------------|-----|-----|--|----------|-----------------|
| U518 | 1826-0705 | 5 | 1 | D/A 12-BIT 20-CERDIP BPLR | 03794 | AM6012DC |
| U519 | 1820-1438 | 1 | 1 | IC MUXR/DATA-SEL TTL LS 2-TO-1-LINE QUAD | 01698 | SN74LS257BN |
| U520 | 1820-1194 | 6 | 1 | IC CNTR TTL LS BIN UP/DOWN SYNCHRO POS-E | 01698 | SN74LS193N |
| U521 | 1820-1199 | 1 | 1 | IC INV TTL LS HEX 1-INP | 01698 | SN74LS04N |
| U522 | 1820-1438 | 1 | 1 | IC MUXR/DATA-SEL TTL LS 2-TO-1-LINE QUAD | 01698 | SN74LS257BN |
| U523 | 1820-1194 | 6 | 1 | IC CNTR TTL LS BIN UP/DOWN SYNCHRO POS-E | 01698 | SN74LS193N |
| U524 | 1820-1438 | 1 | 1 | IC MUXR/DATA-SEL TTL LS 2-TO-1-LINE QUAD | 01698 | SN74LS257BN |
| U525 | 1820-1194 | 6 | 1 | IC CNTR TTL LS BIN UP/DOWN SYNCHRO POS-E | 01698 | SN74LS193N |
| U526 | 1820-1112 | 8 | 1 | IC FF TTL/LS D-TYPE POS-EDGE-TRIG PRESET | 01698 | SN74LS74AN |
| U600 | 1820-2075 | 4 | 1 | IC TRANSCEIVER TTL/LS BUS OCTL | 01698 | SN74LS245N |
| U601 | 1826-0412 | 1 | 1 | IC COMPARATOR PRCN DUAL 8-DIP-P PKG | 03406 | LM393N |
| U602 | 1820-1858 | 9 | 1 | IC FF TTL/LS D-TYPE POS-EDGE-TRIG COM CL | 01698 | SN74LS377N |
| U603 | 1820-2024 | 3 | 1 | IC DRVR TTL/LS BUS OCTL | 01698 | SN74LS244N |
| U604 | 1820-3456 | 7 | 1 | IC DRVR CMOS/74HCT BUS OCTL | 01698 | SN74HCT244N |
| U605 | 1810-0279 | 5 | 1 | NETWORK-RES 10-SIP 4.7K OHM X 9 | 02483 | 750-101 |
| U606 | 1820-2096 | 9 | 1 | IC CNTR TTL/LS BIN ASYNCHRO NEG-EDGE-TRI | 01698 | SN74LS393N |
| U607 | 1820-1207 | 2 | 1 | IC GATE TTL LS NAND 8-INP | 01698 | SN74LS30N |
| U608 | 1820-1112 | 8 | 1 | IC FF TTL/LS D-TYPE POS-EDGE-TRIG PRESET | 01698 | SN74LS74AN |
| U609 | 1820-2024 | 3 | 1 | IC DRVR TTL/LS BUS OCTL | 01698 | SN74LS244N |
| U610 | 1820-1201 | 6 | 1 | IC GATE TTL LS AND QUAD 2-INP | 01698 | SN74LS08N |
| U611 | 1820-1729 | 3 | 1 | IC LCH TTL/LS ADDRESSABLE 8-BIT | 02037 | SN74LS259N |
| U612 | 1820-1112 | 8 | 1 | IC FF TTL/LS D-TYPE POS-EDGE-TRIG PRESET | 01698 | SN74LS74AN |
| U613 | 1820-1244 | 7 | 1 | IC MUXR/DATA-SEL TTL LS 4-TO-1-LINE DUAL | 01698 | SN74LS153N |
| U614 | 1820-1197 | 9 | 1 | IC GATE TTL LS NAND QUAD 2-INP | 01698 | SN74LS00N |
| U615 | 1820-3537 | 5 | 1 | IC FF CMOS/74HCT D-TYPE POS-EDGE-TRIG PR | 02910 | 74HCT74N |



- NOTES: UNLESS OTHERWISE SPECIFIED
- ALL 2 LEAD COMPONENTS WITH 3 DIGIT REFERENCE DESIGNATORS AND SQUARE PAD POLARITY MARKING TO BE PREFIXED WITH "CR" EXAMPLE - 200 BECOMES CR200
 - TEST POINTS ARE SHOWN FOR REFERENCE ONLY, DO NOT LOAD
 - THE 08562-60138 ASSEMBLY USES JP1 & JP2, U413 IS NOT LOADED. THE 08563-60008 ASSEMBLY DOES NOT USE JP1 & JP2. U413 IS LOADED.



MOUNT CR104 ON BOTTOM SIDE OF BOARD, CATHODE TO R110, ANODE TO U101-14

DETAIL A
SCALE: NONE

TABLE 1

| INSTRUMENT | ASSEMBLY | REMARKS |
|---------------------|-------------|---------|
| 8562A/B, 8561A | 08562-60138 | NOTE 3 |
| 8560A, 8561B, 8563A | 08563-60008 | NOTE 3 |

| SYM | REVISIONS | APPROVED | DATE |
|-----|-----------|----------|------|
| A | | | |

J1 POWER BUS

| PIN | SIGNAL | TO/FROM | SHEET/BLOCK |
|-----|---------------|---------|-------------|
| 1 | NC | M1 | |
| 2 | NC | M1 | |
| 3 | AGND | M1 | 2C |
| 4 | NC | M1 | |
| 5 | NC | M1 | |
| 6 | AGND | M1 | 2C |
| 7 | NC | M1 | |
| 8 | NC | M1 | |
| 9 | AGND | M1 | 2C |
| 10 | SCAN RAMP | M1 | AAA |
| 11 | NC | M1 | |
| 12 | AGND | M1 | 2C |
| 13 | +12.5V(PHONO) | M1 | 2C |
| 14 | +15V | M1 | 2C |
| 15 | AGND | M1 | 2C |
| 16 | +15V | M1 | 2C |
| 17 | +15V | M1 | 2C |
| 18 | +15V | M1 | 2C |
| 19 | +15V | M1 | 2C |
| 20 | +15V | M1 | 2C |
| 21 | +15V | M1 | 2C |
| 22 | PAR IP | M1 | 2C |
| 23 | +15V | M1 | 2C |
| 24 | +15V | M1 | 2C |
| 25 | +15V | M1 | 2C |
| 26 | +15V | M1 | 2C |
| 27 | +15V | M1 | 2C |
| 28 | +15V | M1 | 2C |
| 29 | +15V | M1 | 2C |
| 30 | +15V | M1 | 2C |
| 31 | AGND | M1 | 2C |
| 32 | AGND | M1 | 2C |
| 33 | AGND | M1 | 2C |
| 34 | AGND | M1 | 2C |
| 35 | AGND | M1 | 2C |
| 36 | AGND | M1 | 2C |
| 37 | AGND | M1 | 2C |
| 38 | AGND | M1 | 2C |
| 39 | +15V | M1 | 2C |
| 40 | +15V | M1 | 2C |
| 41 | +15V | M1 | 2C |
| 42 | +15V | M1 | 2C |
| 43 | +15V | M1 | 2C |
| 44 | +15V | M1 | 2C |
| 45 | +15V | M1 | 2C |
| 46 | +15V | M1 | 2C |
| 47 | +15V | M1 | 2C |
| 48 | +15V | M1 | 2C |
| 49 | +15V | M1 | 2C |
| 50 | +15V | M1 | 2C |

J2 ANALOG BUS

| PIN | SIGNAL | TO/FROM | FUNCTION BLOCK |
|-----|--------|---------|----------------|
| 1 | NR | W3 | UN |
| 2 | AGND | W3 | 2C |
| 3 | NR | W3 | UN |
| 4 | NR | W3 | UN |
| 5 | NR | W3 | UN |
| 6 | NR | W3 | UN |
| 7 | AGND | W3 | 2C |
| 8 | NR | W3 | UN |
| 9 | NR | W3 | UN |
| 10 | NR | W3 | UN |
| 11 | AGND | W3 | 2C |
| 12 | NR | W3 | UN |
| 13 | NR | W3 | UN |
| 14 | NR | W3 | UN |
| 15 | NR | W3 | UN |
| 16 | NR | W3 | UN |
| 17 | NR | W3 | UN |
| 18 | NR | W3 | UN |
| 19 | NR | W3 | UN |
| 20 | NR | W3 | UN |
| 21 | NR | W3 | UN |
| 22 | NR | W3 | UN |
| 23 | NR | W3 | UN |
| 24 | NR | W3 | UN |
| 25 | NR | W3 | UN |
| 26 | NR | W3 | UN |
| 27 | NR | W3 | UN |
| 28 | NR | W3 | UN |
| 29 | NR | W3 | UN |
| 30 | NR | W3 | UN |
| 31 | NR | W3 | UN |
| 32 | NR | W3 | UN |
| 33 | NR | W3 | UN |
| 34 | NR | W3 | UN |
| 35 | NR | W3 | UN |
| 36 | NR | W3 | UN |
| 37 | NR | W3 | UN |
| 38 | NR | W3 | UN |
| 39 | NR | W3 | UN |
| 40 | NR | W3 | UN |
| 41 | NR | W3 | UN |
| 42 | NR | W3 | UN |
| 43 | NR | W3 | UN |
| 44 | NR | W3 | UN |
| 45 | NR | W3 | UN |
| 46 | NR | W3 | UN |
| 47 | NR | W3 | UN |
| 48 | NR | W3 | UN |
| 49 | NR | W3 | UN |
| 50 | NR | W3 | UN |

J602 KEYBOARD/RPG

| PIN | SIGNAL | TO/FROM | FUNCTION BLOCK |
|-----|--------|-----------|----------------|
| 1 | LSB2 | A1A1A1-1 | 3J |
| 2 | LSB2 | A1A1A1-2 | 3J |
| 3 | LSB2 | A1A1A1-3 | 3J |
| 4 | LSB2 | A1A1A1-4 | 3J |
| 5 | LSB2 | A1A1A1-5 | 3J |
| 6 | LSB2 | A1A1A1-6 | 3J |
| 7 | LSB2 | A1A1A1-7 | 3J |
| 8 | LSB2 | A1A1A1-8 | 3J |
| 9 | LSB2 | A1A1A1-9 | 3J |
| 10 | LSB2 | A1A1A1-10 | 3J |
| 11 | LSB2 | A1A1A1-11 | 3J |
| 12 | LSB2 | A1A1A1-12 | 3J |
| 13 | LSB2 | A1A1A1-13 | 3J |
| 14 | LSB2 | A1A1A1-14 | 3J |
| 15 | LSB2 | A1A1A1-15 | 3J |
| 16 | LSB2 | A1A1A1-16 | 3J |
| 17 | LSB2 | A1A1A1-17 | 3J |
| 18 | LSB2 | A1A1A1-18 | 3J |
| 19 | LSB2 | A1A1A1-19 | 3J |
| 20 | LSB2 | A1A1A1-20 | 3J |
| 21 | LSB2 | A1A1A1-21 | 3J |
| 22 | LSB2 | A1A1A1-22 | 3J |
| 23 | LSB2 | A1A1A1-23 | 3J |
| 24 | LSB2 | A1A1A1-24 | 3J |

J400 TEST & ADJ

| PIN | SIGNAL | FUNCTION BLOCK |
|-----|--------|----------------|
| 1 | HS1 | 2C |
| 2 | HS1 | |
| 3 | HS1 | |
| 4 | HS1 | |
| 5 | HS1 | |
| 6 | HS1 | |
| 7 | HS1 | |
| 8 | HS1 | |
| 9 | HS1 | |
| 10 | HS1 | |
| 11 | HS1 | |
| 12 | HS1 | |
| 13 | HS1 | |
| 14 | HS1 | |
| 15 | HS1 | |
| 16 | HS1 | |

J105 TEST & ADJ

| PIN | SIGNAL | FUNCTION BLOCK |
|-----|--------|----------------|
| 1 | HS1 | 3J |
| 2 | HS1 | |
| 3 | HS1 | |
| 4 | HS1 | |
| 5 | HS1 | |
| 6 | HS1 | |
| 7 | HS1 | |
| 8 | HS1 | |
| 9 | HS1 | |
| 10 | HS1 | |
| 11 | HS1 | |
| 12 | HS1 | |
| 13 | HS1 | |
| 14 | HS1 | |
| 15 | HS1 | |
| 16 | HS1 | |

J401 CONTROLLER BUS

| PIN | SIGNAL | TO/FROM | FUNCTION BLOCK |
|-----|--------|---------|----------------|
| 1 | IA1 | A242-48 | 3K |
| 2 | IA2 | A242-49 | 3K |
| 3 | IA3 | A242-50 | 3K |
| 4 | IA4 | A242-51 | 3K |
| 5 | IA5 | A242-52 | 3K |
| 6 | IA6 | A242-53 | 3K |
| 7 | IA7 | A242-54 | 3K |
| 8 | IA8 | A242-55 | 3K |
| 9 | IA9 | A242-56 | 3K |
| 10 | IA10 | A242-57 | 3K |
| 11 | IA11 | A242-58 | 3K |
| 12 | IA12 | A242-59 | 3K |
| 13 | IA13 | A242-60 | 3K |
| 14 | IA14 | A242-61 | 3K |
| 15 | IA15 | A242-62 | 3K |
| 16 | IA16 | A242-63 | 3K |
| 17 | IA17 | A242-64 | 3K |
| 18 | IA18 | A242-65 | 3K |
| 19 | IA19 | A242-66 | 3K |
| 20 | IA20 | A242-67 | 3K |
| 21 | IA21 | A242-68 | 3K |
| 22 | IA22 | A242-69 | 3K |
| 23 | IA23 | A242-70 | 3K |
| 24 | IA24 | A242-71 | 3K |
| 25 | IA25 | A242-72 | 3K |
| 26 | IA26 | A242-73 | 3K |
| 27 | IA27 | A242-74 | 3K |
| 28 | IA28 | A242-75 | 3K |
| 29 | IA29 | A242-76 | 3K |
| 30 | IA30 | A242-77 | 3K |
| 31 | IA31 | A242-78 | 3K |
| 32 | IA32 | A242-79 | 3K |
| 33 | IA33 | A242-80 | 3K |
| 34 | IA34 | A242-81 | 3K |
| 35 | IA35 | A242-82 | 3K |
| 36 | IA36 | A242-83 | 3K |
| 37 | IA37 | A242-84 | 3K |
| 38 | IA38 | A242-85 | 3K |
| 39 | IA39 | A242-86 | 3K |
| 40 | IA40 | A242-87 | 3K |
| 41 | IA41 | A242-88 | 3K |
| 42 | IA42 | A242-89 | 3K |
| 43 | IA43 | A242-90 | 3K |
| 44 | IA44 | A242-91 | 3K |
| 45 | IA45 | A242-92 | 3K |
| 46 | IA46 | A242-93 | 3K |
| 47 | IA47 | A242-94 | 3K |
| 48 | IA48 | A242-95 | 3K |
| 49 | IA49 | A242-96 | 3K |
| 50 | IA50 | A242-97 | 3K |

NOTES:

- REFERENCE DESIGNATORS WITHIN THIS ASSEMBLY ARE ABBREVIATED. PREFIX ABBREVIATION WITH ASSEMBLY NUMBER FOR COMPLETE REFERENCE DESIGNATOR.
- UNLESS OTHERWISE INDICATED: RESISTANCE IN OHMS (Ω) CAPACITANCE IN MICROFARADS (μF) INDUCTANCE IN MICROHENRIES (μH)
- PHONONIC TABLE

| PHONONIC | DESCRIPTION |
|----------|------------------|
| HS | MEASURED SIGNAL |
| TA | TAM ADDRESS LINE |

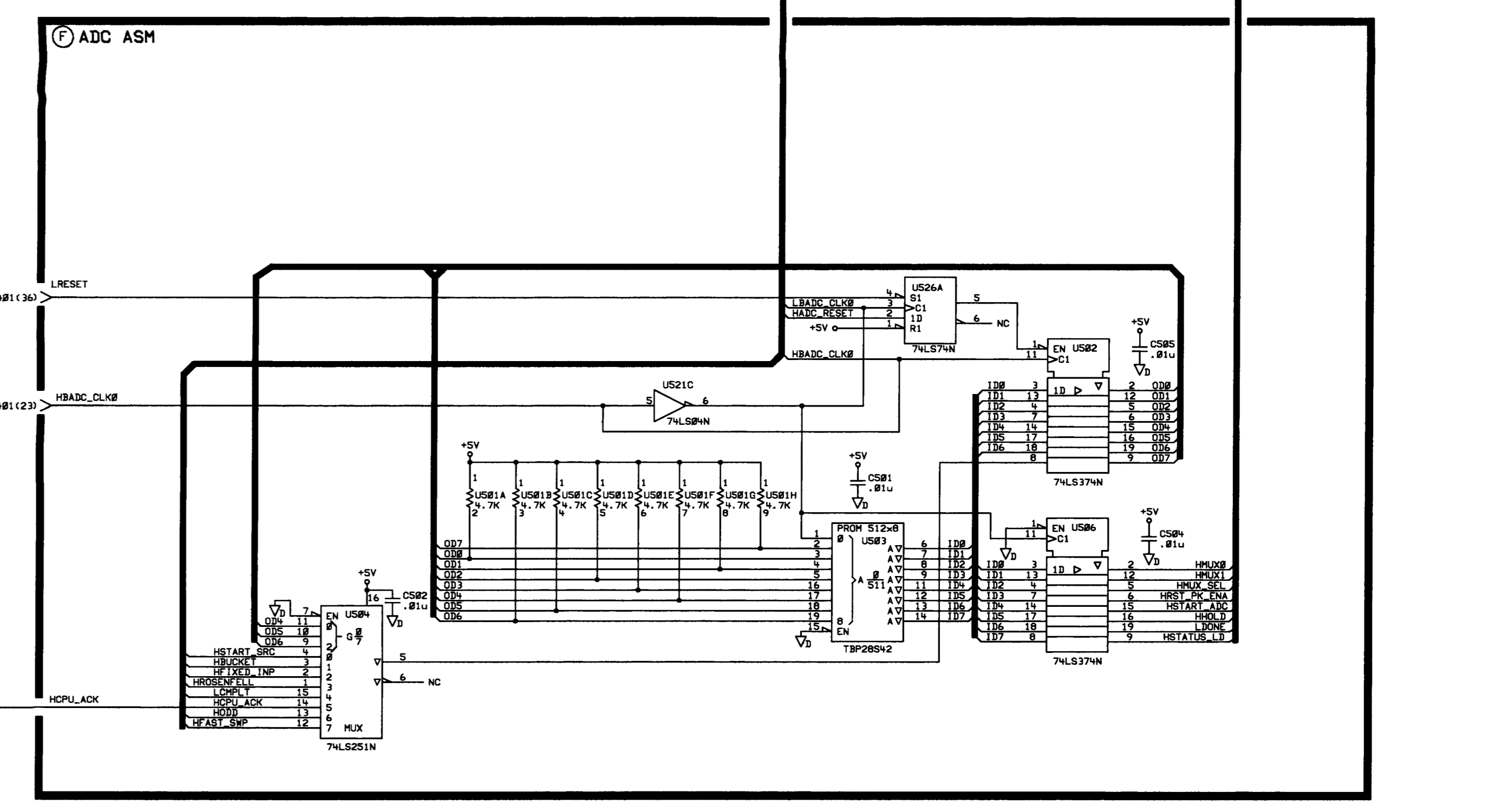
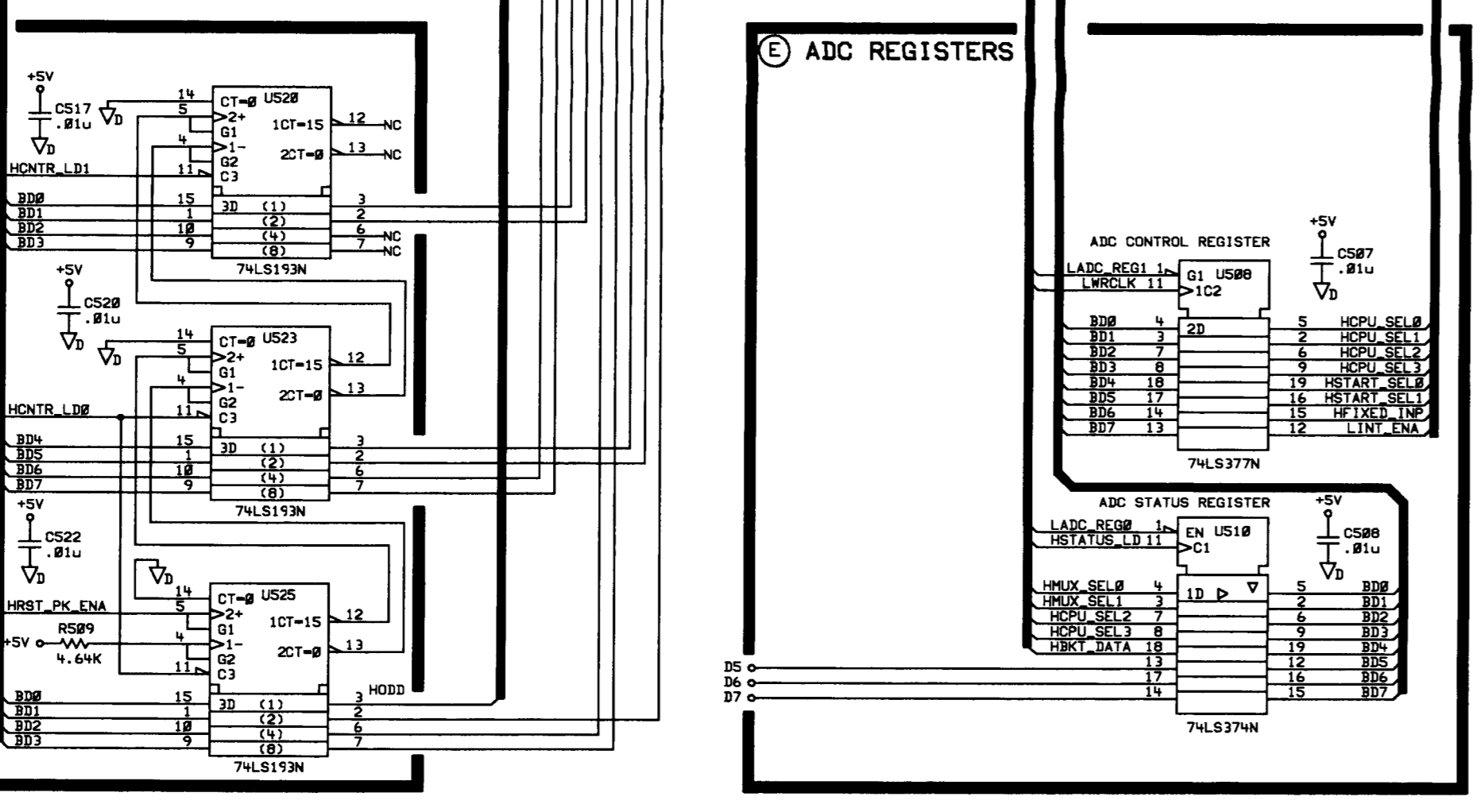
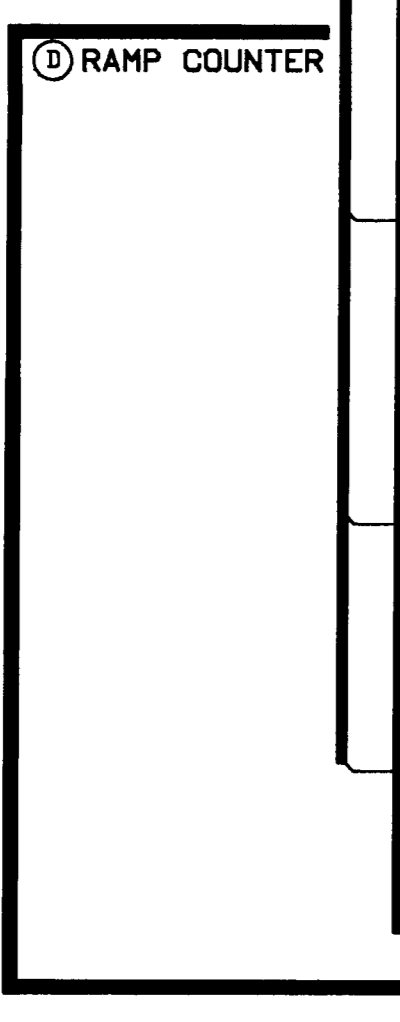
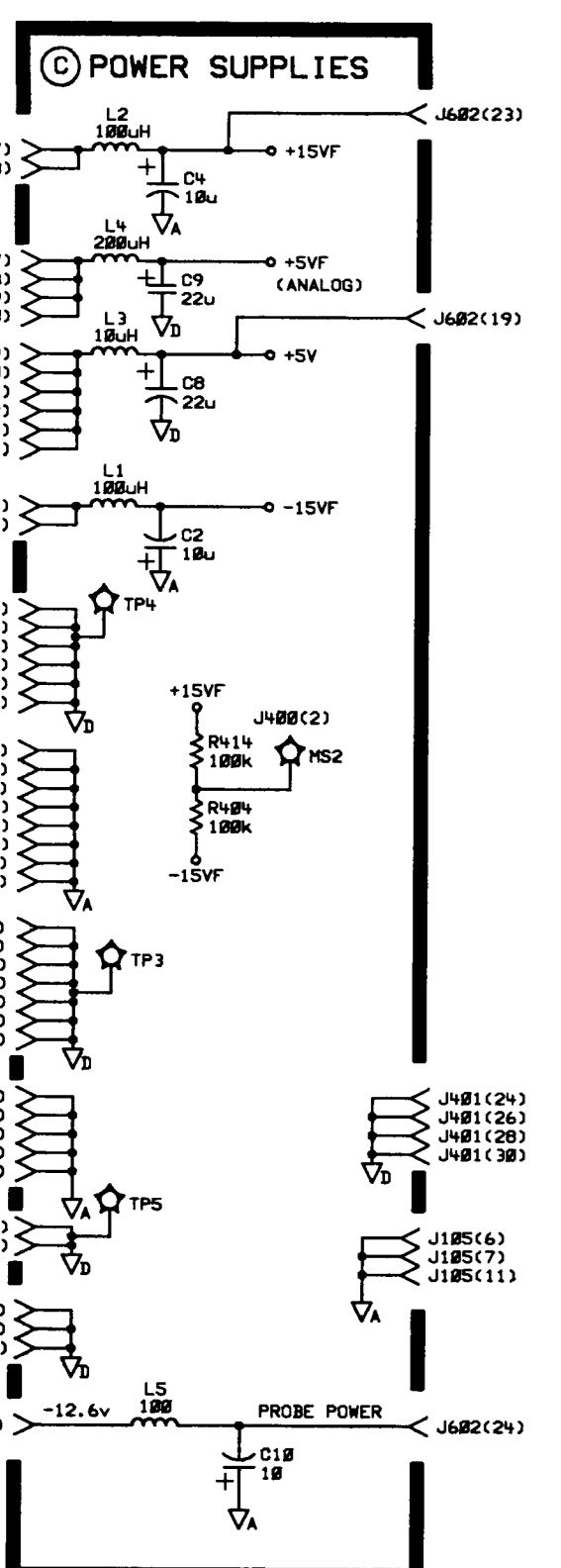
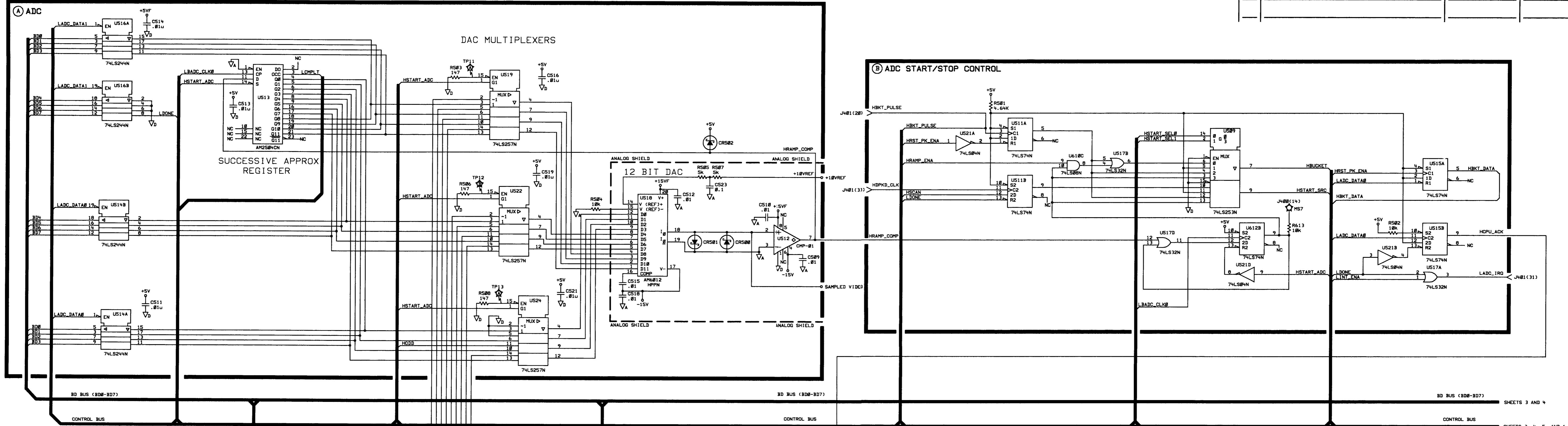
PINS CONNECTED TO EMBEDDED POWER/GROUND NETS:

| U182 | U184 | U188 | U112 | U113 | U12 | U285 | U385 | U485 | U481 | U485 | U486 | U487 | U489 | U4810 | U411 | U412 | U413 | U414 | U415 | U416 | |
|------------------|------------------|-------------------------------|------------------------------|------------------------------|------------------|--------------------|--------------------|------------------|-------------------|-------------------|-------------------|-------------------|---------------------------|------------------|------------------|------------------|------------------------------|------------------|------------------|------------------|------------------|
| 8(DGND), 16(+5V) | 8(DGND), 16(+5V) | 3(-15VF), 13(+15VF), 14(AGND) | 1(DGND), 3(-15VF), 13(+15VF) | 1(DGND), 3(-15VF), 13(+15VF) | 7(DGND), 14(+5V) | 4(-15VF), 8(+15VF) | 4(-15VF), 8(+15VF) | 7(DGND), 14(+5V) | 18(DGND), 28(+5V) | 18(DGND), 28(+5V) | 18(DGND), 28(+5V) | 18(DGND), 28(+5V) | 1(AGND), 5(DGND), 17(+5V) | 8(DGND), 16(+5V) | 8(DGND), 16(+5V) | 7(DGND), 14(+5V) | 1(DGND), 3(-15VF), 13(+15VF) | 8(DGND), 16(+5V) | 7(DGND), 14(+5V) | 7(DGND), 14(+5V) | 7(DGND), 14(+5V) |
| U187 | U188 | U189 | U190 | U191 | U192 | U193 | U194 | U195 | U196 | U197 | U198 | U199 | U200 | U201 | U202 | U203 | U204 | U205 | U206 | U207 | U208 |
| 8(DGND), 16(+5V) | 8(DGND), 16(+5V) | 8(DGND), 16(+5V) | 8(DGND), 16(+5V) | 8(DGND), 16(+5V) | 8(DGND), 16(+5V) | 8(DGND), 16(+5V) | 8(DGND), 16(+5V) | 8(DGND), 16(+5V) | 8(DGND), 16(+5V) | 8(DGND), 16(+5V) | 8(DGND), 16(+5V) | 8(DGND), 16(+5V) | 8(DGND), 16(+5V) | 8(DGND), 16(+5V) | 8(DGND), 16(+5V) | 8(DGND), 16(+5V) | 8(DGND), 16(+5V) | 8(DGND), 16(+5V) | 8(DGND), 16(+5V) | 8(DGND), 16(+5V) | 8(DGND), 16(+5V) |

HP PROPRIETARY
THIS DOCUMENT CONTAINS CONFIDENTIAL, PROPRIETARY INFORMATION THAT IS HEWLETT-PACKARD (HP) PROPERTY. DO NOT DISCLOSE TO OR DUPLICATE FOR OTHERS EXCEPT AS AUTHORIZED BY HP.

| ITEM | QTY. | PART/MATERIAL-DESCRIPTION | MAT'L-PART NO. | MAT'L-DMG. NO. | MAT'L-SPEC. |
|---|------|---------------------------|---|----------------|-------------|
| <p>DRAWN BY _____ DATE _____</p> <p>ENGINEER/CHECKER _____</p> <p>RELEASE TO PROD. _____</p> <p>SUPERSEDES DWG. _____</p> | | | | | |
| <p>INTERFACE (SCHEMATIC)</p> <p>TITLE _____</p> <p>SCALE NONE SHEET 1 OF 6</p> | | | <p>HEWLETT PACKARD</p> <p>08562-60138-1</p> <p>PART NUMBER</p> <p>D-08562-60138-1</p> | | |

| SYM | REVISIONS | APPROVED | DATE |
|-----|-----------|----------|------|
| | A | | |



| MNEMONIC | 2 | 3 | 4 | 5 | 6 |
|------------------|---------|------------------------|---|---|---|
| BD-BUS (808-807) | A, D, E | G, H, J, K, L, N, Q, R | | | |
| HRAMP_ENA | B | | | | |
| HRAMP_COMP | B | | | | |
| HRAMP_SEL1 | B | | | | |
| HRAMP_SEL2 | B | | | | |
| HRAMP_SEL3 | B | | | | |
| HRAMP_SEL4 | B | | | | |
| HRAMP_SEL5 | B | | | | |
| HRAMP_SEL6 | B | | | | |
| HRAMP_SEL7 | B | | | | |
| HRAMP_SEL8 | B | | | | |
| HRAMP_SEL9 | B | | | | |
| HRAMP_SEL10 | B | | | | |
| HRAMP_SEL11 | B | | | | |
| HRAMP_SEL12 | B | | | | |
| HRAMP_SEL13 | B | | | | |
| HRAMP_SEL14 | B | | | | |
| HRAMP_SEL15 | B | | | | |
| HRAMP_SEL16 | B | | | | |
| HRAMP_SEL17 | B | | | | |
| HRAMP_SEL18 | B | | | | |
| HRAMP_SEL19 | B | | | | |
| HRAMP_SEL20 | B | | | | |
| HRAMP_SEL21 | B | | | | |
| HRAMP_SEL22 | B | | | | |
| HRAMP_SEL23 | B | | | | |
| HRAMP_SEL24 | B | | | | |
| HRAMP_SEL25 | B | | | | |
| HRAMP_SEL26 | B | | | | |
| HRAMP_SEL27 | B | | | | |
| HRAMP_SEL28 | B | | | | |
| HRAMP_SEL29 | B | | | | |
| HRAMP_SEL30 | B | | | | |
| HRAMP_SEL31 | B | | | | |
| HRAMP_SEL32 | B | | | | |
| HRAMP_SEL33 | B | | | | |
| HRAMP_SEL34 | B | | | | |
| HRAMP_SEL35 | B | | | | |
| HRAMP_SEL36 | B | | | | |
| HRAMP_SEL37 | B | | | | |
| HRAMP_SEL38 | B | | | | |
| HRAMP_SEL39 | B | | | | |
| HRAMP_SEL40 | B | | | | |
| HRAMP_SEL41 | B | | | | |
| HRAMP_SEL42 | B | | | | |
| HRAMP_SEL43 | B | | | | |
| HRAMP_SEL44 | B | | | | |
| HRAMP_SEL45 | B | | | | |
| HRAMP_SEL46 | B | | | | |
| HRAMP_SEL47 | B | | | | |
| HRAMP_SEL48 | B | | | | |
| HRAMP_SEL49 | B | | | | |
| HRAMP_SEL50 | B | | | | |
| HRAMP_SEL51 | B | | | | |
| HRAMP_SEL52 | B | | | | |
| HRAMP_SEL53 | B | | | | |
| HRAMP_SEL54 | B | | | | |
| HRAMP_SEL55 | B | | | | |
| HRAMP_SEL56 | B | | | | |
| HRAMP_SEL57 | B | | | | |
| HRAMP_SEL58 | B | | | | |
| HRAMP_SEL59 | B | | | | |
| HRAMP_SEL60 | B | | | | |
| HRAMP_SEL61 | B | | | | |
| HRAMP_SEL62 | B | | | | |
| HRAMP_SEL63 | B | | | | |
| HRAMP_SEL64 | B | | | | |
| HRAMP_SEL65 | B | | | | |
| HRAMP_SEL66 | B | | | | |
| HRAMP_SEL67 | B | | | | |
| HRAMP_SEL68 | B | | | | |
| HRAMP_SEL69 | B | | | | |
| HRAMP_SEL70 | B | | | | |
| HRAMP_SEL71 | B | | | | |
| HRAMP_SEL72 | B | | | | |
| HRAMP_SEL73 | B | | | | |
| HRAMP_SEL74 | B | | | | |
| HRAMP_SEL75 | B | | | | |
| HRAMP_SEL76 | B | | | | |
| HRAMP_SEL77 | B | | | | |
| HRAMP_SEL78 | B | | | | |
| HRAMP_SEL79 | B | | | | |
| HRAMP_SEL80 | B | | | | |
| HRAMP_SEL81 | B | | | | |
| HRAMP_SEL82 | B | | | | |
| HRAMP_SEL83 | B | | | | |
| HRAMP_SEL84 | B | | | | |
| HRAMP_SEL85 | B | | | | |
| HRAMP_SEL86 | B | | | | |
| HRAMP_SEL87 | B | | | | |
| HRAMP_SEL88 | B | | | | |
| HRAMP_SEL89 | B | | | | |
| HRAMP_SEL90 | B | | | | |
| HRAMP_SEL91 | B | | | | |
| HRAMP_SEL92 | B | | | | |
| HRAMP_SEL93 | B | | | | |
| HRAMP_SEL94 | B | | | | |
| HRAMP_SEL95 | B | | | | |
| HRAMP_SEL96 | B | | | | |
| HRAMP_SEL97 | B | | | | |
| HRAMP_SEL98 | B | | | | |
| HRAMP_SEL99 | B | | | | |
| HRAMP_SEL100 | B | | | | |

PINS CONNECTED TO EMBEDDED POWER/GROUND NETS THIS SHEET ONLY:

| | |
|-------|-------------------|
| US28 | 18(DGND), 28(+5V) |
| US29 | 8(DGND), 16(+5V) |
| US30 | 18(DGND), 28(+5V) |
| US31 | 8(DGND), 16(+5V) |
| US32 | 8(DGND), 16(+5V) |
| US33 | 8(DGND), 16(+5V) |
| US34 | 8(DGND), 16(+5V) |
| US35 | 8(DGND), 16(+5V) |
| US36 | 8(DGND), 16(+5V) |
| US37 | 8(DGND), 16(+5V) |
| US38 | 8(DGND), 16(+5V) |
| US39 | 8(DGND), 16(+5V) |
| US40 | 8(DGND), 16(+5V) |
| US41 | 8(DGND), 16(+5V) |
| US42 | 8(DGND), 16(+5V) |
| US43 | 8(DGND), 16(+5V) |
| US44 | 8(DGND), 16(+5V) |
| US45 | 8(DGND), 16(+5V) |
| US46 | 8(DGND), 16(+5V) |
| US47 | 8(DGND), 16(+5V) |
| US48 | 8(DGND), 16(+5V) |
| US49 | 8(DGND), 16(+5V) |
| US50 | 8(DGND), 16(+5V) |
| US51 | 8(DGND), 16(+5V) |
| US52 | 8(DGND), 16(+5V) |
| US53 | 8(DGND), 16(+5V) |
| US54 | 8(DGND), 16(+5V) |
| US55 | 8(DGND), 16(+5V) |
| US56 | 8(DGND), 16(+5V) |
| US57 | 8(DGND), 16(+5V) |
| US58 | 8(DGND), 16(+5V) |
| US59 | 8(DGND), 16(+5V) |
| US60 | 8(DGND), 16(+5V) |
| US61 | 8(DGND), 16(+5V) |
| US62 | 8(DGND), 16(+5V) |
| US63 | 8(DGND), 16(+5V) |
| US64 | 8(DGND), 16(+5V) |
| US65 | 8(DGND), 16(+5V) |
| US66 | 8(DGND), 16(+5V) |
| US67 | 8(DGND), 16(+5V) |
| US68 | 8(DGND), 16(+5V) |
| US69 | 8(DGND), 16(+5V) |
| US70 | 8(DGND), 16(+5V) |
| US71 | 8(DGND), 16(+5V) |
| US72 | 8(DGND), 16(+5V) |
| US73 | 8(DGND), 16(+5V) |
| US74 | 8(DGND), 16(+5V) |
| US75 | 8(DGND), 16(+5V) |
| US76 | 8(DGND), 16(+5V) |
| US77 | 8(DGND), 16(+5V) |
| US78 | 8(DGND), 16(+5V) |
| US79 | 8(DGND), 16(+5V) |
| US80 | 8(DGND), 16(+5V) |
| US81 | 8(DGND), 16(+5V) |
| US82 | 8(DGND), 16(+5V) |
| US83 | 8(DGND), 16(+5V) |
| US84 | 8(DGND), 16(+5V) |
| US85 | 8(DGND), 16(+5V) |
| US86 | 8(DGND), 16(+5V) |
| US87 | 8(DGND), 16(+5V) |
| US88 | 8(DGND), 16(+5V) |
| US89 | 8(DGND), 16(+5V) |
| US90 | 8(DGND), 16(+5V) |
| US91 | 8(DGND), 16(+5V) |
| US92 | 8(DGND), 16(+5V) |
| US93 | 8(DGND), 16(+5V) |
| US94 | 8(DGND), 16(+5V) |
| US95 | 8(DGND), 16(+5V) |
| US96 | 8(DGND), 16(+5V) |
| US97 | 8(DGND), 16(+5V) |
| US98 | 8(DGND), 16(+5V) |
| US99 | 8(DGND), 16(+5V) |
| US100 | 8(DGND), 16(+5V) |

HP PROPRIETARY
 THIS DOCUMENT CONTAINS CONFIDENTIAL, PROPRIETARY INFORMATION THAT IS HEWLETT-PACKARD (HP) PROPERTY. DO NOT DISCLOSE TO OR DUPLICATE FOR OTHERS EXCEPT AS AUTHORIZED BY HP.

| ITEM | QTY. | PART/MATERIAL-DESCRIPTION | MAT'L-PART NO. | MAT'L-DWG. NO. | MAT'L-SPEC. |
|---|------|---------------------------|----------------|------------------|-------------|
| <p>HP PROPRIETARY THIS DOCUMENT CONTAINS CONFIDENTIAL, PROPRIETARY INFORMATION THAT IS HEWLETT-PACKARD (HP) PROPERTY. DO NOT DISCLOSE TO OR DUPLICATE FOR OTHERS EXCEPT AS AUTHORIZED BY HP.</p> | | | | | |
| DRAWN BY | | DATE | | TITLE | |
| ENGINEER/CHECKER | | RELEASE TO PROD. | | SUPERSEDES DWG. | |
| SCALE NONE | | SHEET 2 OF 6 | | FILE NAME=013800 | |

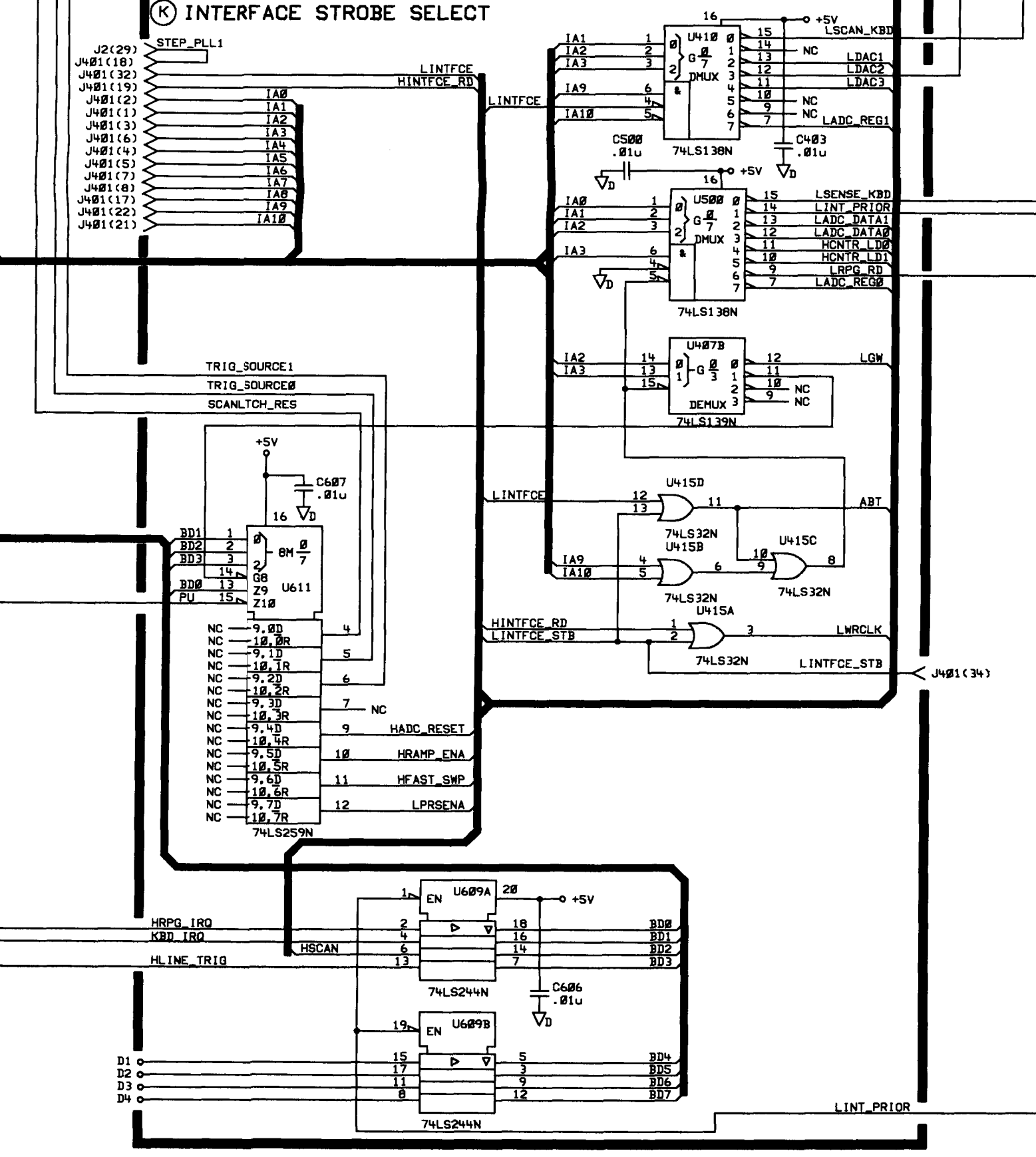
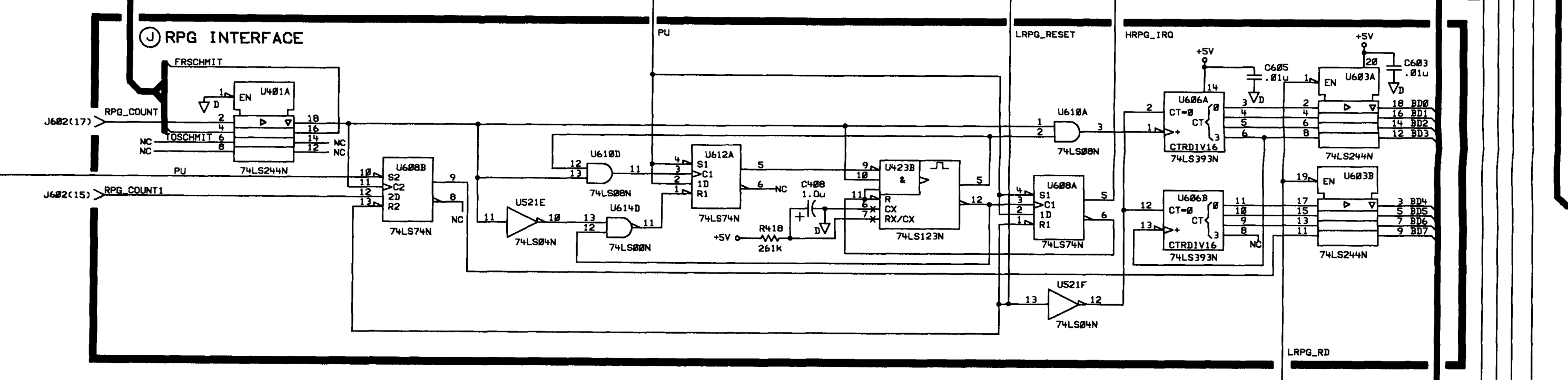
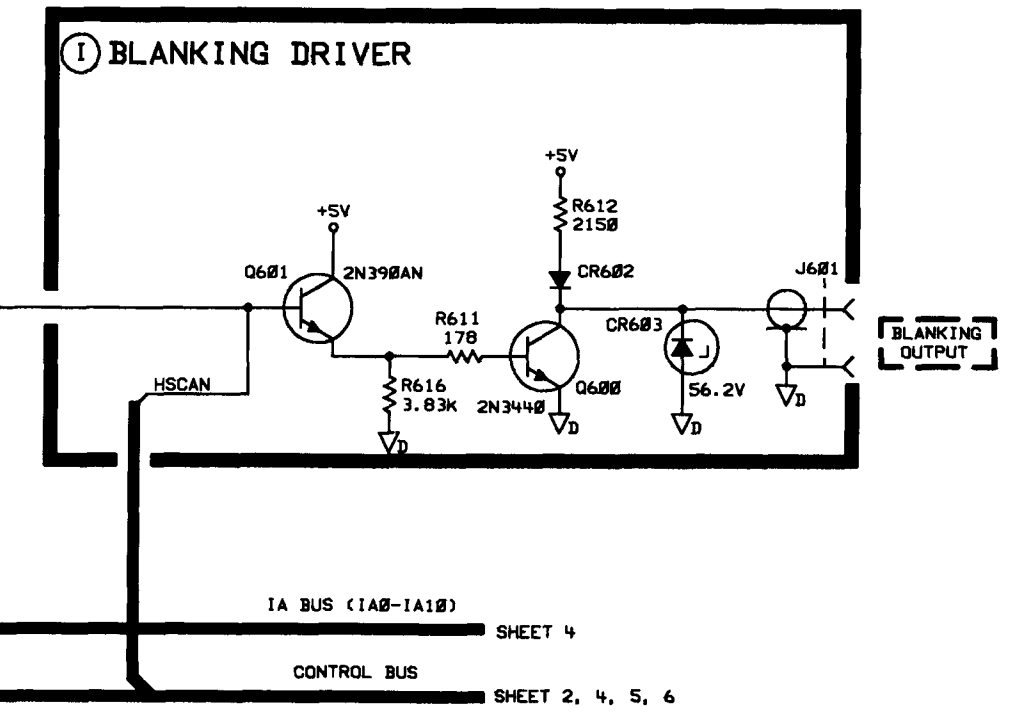
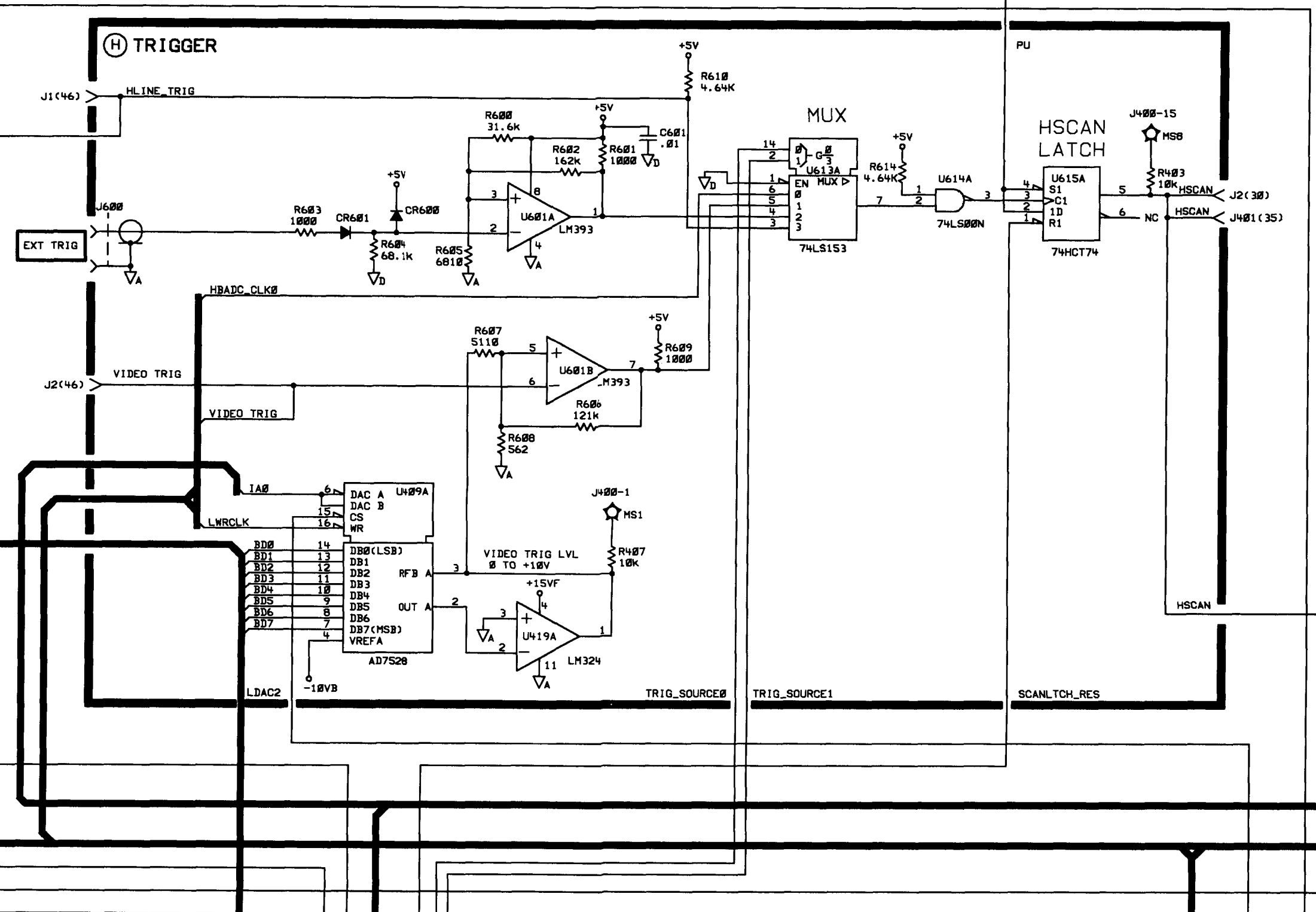
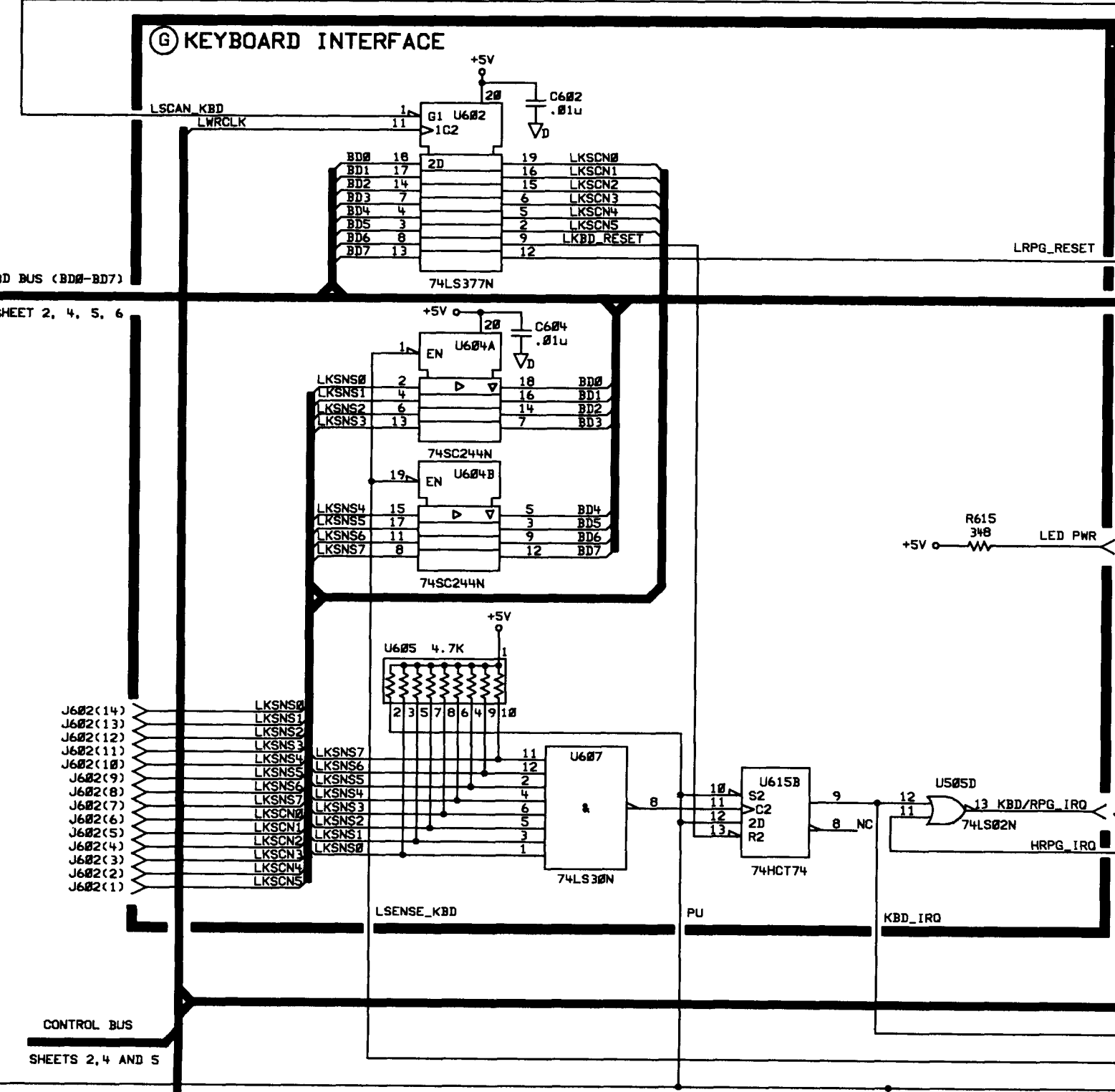
INTERFACE
(SCHEMATIC)

HEWLETT
PACKARD

08562-60138
PART NUMBER

D-08562-60138-1

| SYM | REVISIONS | APPROVED | DATE |
|-----|-----------|----------|------|
| A | | | |



| MNEMONIC | 2 | 3 | 4 | 5 | 6 |
|--------------|---------|---|---|---|---|
| ABT | | | | | |
| BDM-BD7 | A, D, E | G, H, J, K, L, M, N, O, P, Q, R, S, T, U, V | | | |
| FRSCHMIT | E | J | | | |
| HARD_RESET | F | K | | | |
| HBADC_CLKB | F | K | | | |
| HCTRL_LDM | D | K | | | |
| HCTRL_P1 | D | K | | | |
| HFAST_SWP | F | K | | | |
| HINTFCE_RD | H | K | | | |
| HLINE_TRIG | B | H, K | | | |
| HRAMP_ENA | B | H, K | | | |
| HRPD_IRD | B | H, K | | | |
| HSCAN | B | H, K | | | |
| IAB-1A7 | H, K | | | | |
| IAB-1A8 | H, K | | | | |
| KBD_IRD | G, K | | | | |
| KBD/RPG_IRD | A, B | | | | |
| LADC_DATA8 | A, B | | | | |
| LADC_DATA1 | A | | | | |
| LADC_RE0B | E | | | | |
| LADC_RE01 | E | | | | |
| LBAC1 | H | | | | |
| LBAC2 | H, K | | | | |
| LBAC3 | H, K | | | | |
| LDM | L | | | | |
| LINT_PRIOR | K | | | | |
| LINTFCE | O | | | | |
| LINTFCE_STB | K | | | | |
| LKBD_RESET | O | | | | |
| LPRSEN4 | R | | | | |
| LRPD_RD | J, K | | | | |
| LRPD_RESET | G, J | | | | |
| LSCAN_KBD | G, J | | | | |
| LSENSE_KBD | G, K | | | | |
| LKSN08 | G | | | | |
| LKSN09 | G | | | | |
| LKSN10 | G | | | | |
| LKSN11 | G | | | | |
| LKSN12 | G | | | | |
| LKSN13 | G | | | | |
| LKSN14 | G | | | | |
| LKSN15 | G | | | | |
| LKSN16 | G | | | | |
| LKSN17 | G | | | | |
| LKSN18 | G | | | | |
| LKSN19 | G | | | | |
| LKSN20 | G | | | | |
| LKSN21 | G | | | | |
| LKSN22 | G | | | | |
| LKSN23 | G | | | | |
| LKSN24 | G | | | | |
| LKSN25 | G | | | | |
| LKSN26 | G | | | | |
| LKSN27 | G | | | | |
| LKSN28 | G | | | | |
| LKSN29 | G | | | | |
| LKSN30 | G | | | | |
| LKSN31 | G | | | | |
| LKSN32 | G | | | | |
| LKSN33 | G | | | | |
| LKSN34 | G | | | | |
| LKSN35 | G | | | | |
| LKSN36 | G | | | | |
| LKSN37 | G | | | | |
| LKSN38 | G | | | | |
| LKSN39 | G | | | | |
| LKSN40 | G | | | | |
| LKSN41 | G | | | | |
| LKSN42 | G | | | | |
| LKSN43 | G | | | | |
| LKSN44 | G | | | | |
| LKSN45 | G | | | | |
| LKSN46 | G | | | | |
| LKSN47 | G | | | | |
| LKSN48 | G | | | | |
| LKSN49 | G | | | | |
| LKSN50 | G | | | | |
| LKSN51 | G | | | | |
| LKSN52 | G | | | | |
| LKSN53 | G | | | | |
| LKSN54 | G | | | | |
| LKSN55 | G | | | | |
| LKSN56 | G | | | | |
| LKSN57 | G | | | | |
| LKSN58 | G | | | | |
| LKSN59 | G | | | | |
| LKSN60 | G | | | | |
| LKSN61 | G | | | | |
| LKSN62 | G | | | | |
| LKSN63 | G | | | | |
| LKSN64 | G | | | | |
| LKSN65 | G | | | | |
| LKSN66 | G | | | | |
| LKSN67 | G | | | | |
| LKSN68 | G | | | | |
| LKSN69 | G | | | | |
| LKSN70 | G | | | | |
| LKSN71 | G | | | | |
| LKSN72 | G | | | | |
| LKSN73 | G | | | | |
| LKSN74 | G | | | | |
| LKSN75 | G | | | | |
| LKSN76 | G | | | | |
| LKSN77 | G | | | | |
| LKSN78 | G | | | | |
| LKSN79 | G | | | | |
| LKSN80 | G | | | | |
| LKSN81 | G | | | | |
| LKSN82 | G | | | | |
| LKSN83 | G | | | | |
| LKSN84 | G | | | | |
| LKSN85 | G | | | | |
| LKSN86 | G | | | | |
| LKSN87 | G | | | | |
| LKSN88 | G | | | | |
| LKSN89 | G | | | | |
| LKSN90 | G | | | | |
| LKSN91 | G | | | | |
| LKSN92 | G | | | | |
| LKSN93 | G | | | | |
| LKSN94 | G | | | | |
| LKSN95 | G | | | | |
| LKSN96 | G | | | | |
| LKSN97 | G | | | | |
| LKSN98 | G | | | | |
| LKSN99 | G | | | | |
| LKSN00 | G | | | | |
| LRPD_COUNT | J | | | | |
| RPG_COUNT | J | | | | |
| RPG_COUNT1 | J | | | | |
| SCANLCH_RES | H, K | | | | |
| STEP_PL1 | K | | | | |
| TOSCEN1 | J | | | | |
| TRIG_SOURCEB | H, K | | | | |
| TRIG_SOURCE1 | H, K | | | | |
| VIDEO_TRIG | H | | | | |
| -18V8 | H | | | | |

PINS CONNECTED TO EMBEDDED POWER/GROUND NETS

| | |
|------|------------------------------|
| U401 | 18 (CCOM), 28 (+5V) |
| U409 | 1 (A0ND), 5 (00ND), 17 (+5V) |
| U410 | 8 (00ND), 16 (+5V) |
| U415 | 7 (00DM), 14 (+5V) |
| U408 | 8 (00DM), 16 (+5V) |
| U406 | 18 (00DM), 28 (+5V) |
| U407 | 7 (00DM), 14 (+5V) |
| U409 | 18 (00DM), 28 (+5V) |
| U410 | 7 (00DM), 14 (+5V) |
| U411 | 8 (00DM), 16 (+5V) |
| U412 | 7 (00DM), 14 (+5V) |
| U413 | 8 (00DM), 16 (+5V) |
| U414 | 7 (00DM), 14 (+5V) |
| U415 | 7 (00DM), 14 (+5V) |

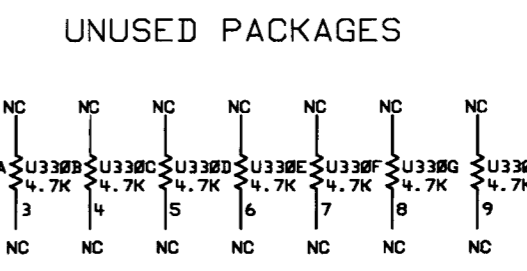
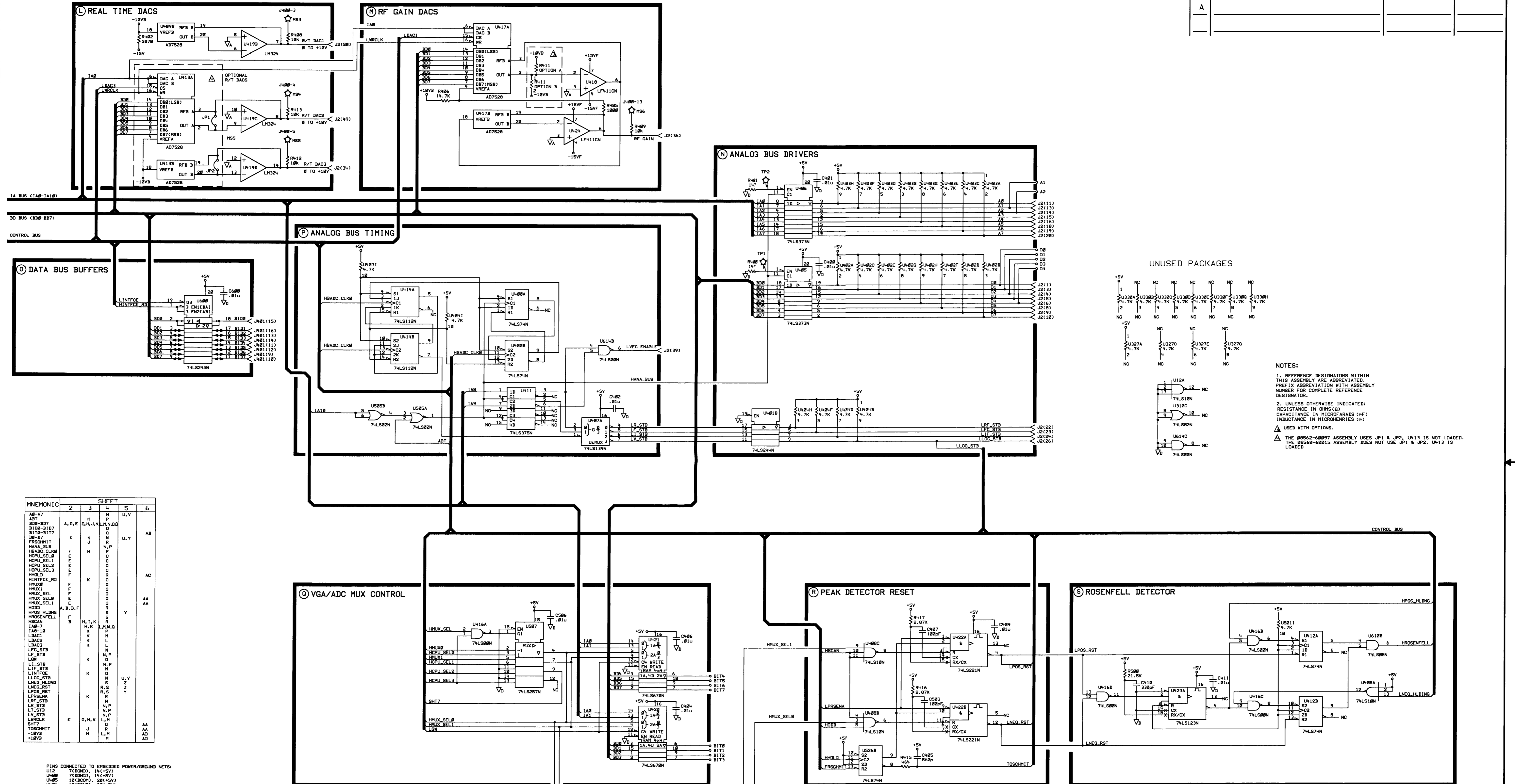
| ITEM | QTY. | PART/MATERIAL-DESCRIPTION | MAT'L-PART NO. | MAT'L-ING. NO. | MAT'L-SPEC. |
|------|------|---------------------------|----------------|----------------|-------------|
| | | | | | |

HP PROPRIETARY
THIS DOCUMENT CONTAINS CONFIDENTIAL, PROPRIETARY INFORMATION THAT IS HEWLETT-PACKARD (HP) PROPERTY. DO NOT DISCLOSE TO OR DUPLICATE FOR OTHERS EXCEPT AS AUTHORIZED BY HP.

INTERFACE (SCHEMATIC)
TITLE
FILE NAME-G138CA
SHEET 3 OF 6
D-08562-60138-1

HEWLETT PACKARD
08562-60138
PART NUMBER

| SYM | REVISIONS | APPROVED | DATE |
|-----|-----------|----------|------|
| A | | | |



NOTES:

1. REFERENCE DESIGNATORS WITHIN THIS ASSEMBLY ARE ABBREVIATED. PREFIX ABBREVIATION WITH ASSEMBLY NUMBER FOR COMPLETE REFERENCE DESIGNATOR.
2. UNLESS OTHERWISE INDICATED: RESISTANCE IN OHMS (Ω) CAPACITANCE IN MICROFARADS (μF) INDUCTANCE IN MICRORHENRIES (μH)
3. USED WITH OPTIONS.
4. THE 08562-60097 ASSEMBLY USES JP1 & JP2. U413 IS NOT LOADED.
5. THE 08562-60095 ASSEMBLY DOES NOT USE JP1 & JP2. U413 IS LOADED.

| MNEMONIC | SHEET | | | |
|------------|------------|---------------------|------|------|
| | 2 | 3 | 4 | 5 |
| AB-A7 | K | N | N | U, V |
| ABT | K | N | N | D |
| BD8-BD7 | A, D, E | G, H, K, L, M, N, Q | N | AA |
| BD8-3107 | | | | |
| BD8-3177 | | | | |
| DB-D7 | E | K | N | U, Y |
| FRESHMIT | J | N | N | |
| MANA_BUS | F | H | N, P | |
| HADC_CLKR | F | H | O | |
| MCPU_SEL0 | E | O | O | |
| MCPU_SEL1 | E | O | O | |
| MCPU_SEL2 | E | O | O | |
| MCPU_SEL3 | E | O | O | |
| MMUX | F | K | O | |
| HINTFCR_RD | F | K | O | |
| MMUX0 | F | K | O | |
| MMUX1 | F | K | O | |
| MMUX_SEL | F | K | O | |
| MMUX_SEL0 | E | O | O | AA |
| MMUX_SEL1 | E | O | O | |
| MMUX_SEL2 | E | O | O | |
| MMUX_SEL3 | E | O | O | |
| HPOS | A, B, D, F | N | S | |
| HPOS_HLDRG | F | N | S | Y |
| HROSENFELL | F | N | S | |
| HSCAN | H, I, K, R | N | S | |
| IAB-7 | H, K | L, M, Q | N | |
| IAB-10 | K | N | N | |
| LDAC1 | K | N | N | |
| LDAC2 | K | N | N | |
| LDAC3 | K | N | N | |
| LFC_STB | K | N, P | N | |
| LF_STB | K | N, P | N | |
| LI_STB | K | N, P | N | |
| LIF_STB | K | N, P | N | |
| LINTFCR | K | N | N | |
| LLDRG_STB | K | N | N | U, V |
| LMCQ_HLDRG | K | N | N | Z |
| LMCQ_RST | R, S | N | N | |
| LPOS_RST | R, S | N | N | |
| LPRSENA | K | R | R | Y |
| LR_STB | K | R | R | |
| LR_STB | K | R | R | |
| LT_STB | K | R | R | |
| LV_STB | K | R | R | |
| LWROLK | G, H, K, L | N | N | AA |
| SHIT7 | D | N | N | |
| TOSCHMIT | J | L, R | N | AA |
| -10VB | H | N | N | AD |
| +10VB | H | N | N | |

PINS CONNECTED TO EMBEDDED POWER/GROUND NETS:

- U12 7(DGND), 14(+5V)
- U48 7(DGND), 14(+5V)
- U48 18(DCCOM), 28(+5V)
- U48 18(DGND), 28(+5V)
- U48 8(DGND), 14(+5V)
- U47 8(DGND), 14(+5V)
- U12 7(DGND), 14(+5V)
- U13 1(CAGND), 5(DGND), 17(+5V)
- U14 8(DGND), 14(+5V)
- U16 7(DGND), 14(+5V)
- U17 1(CAGND), 5(DGND), 17(+5V)
- U21 8(DGND), 14(+5V)
- U21 8(DGND), 14(+5V)
- U22 8(DGND), 14(+5V)
- U23 8(DGND), 14(+5V)
- U48 7(DGND), 14(+5V)
- U48 8(DGND), 14(+5V)
- U48 18(DGND), 28(+5V)

| ITEM | QTY. | PART/MATERIAL-DESCRIPTION | MAT'L-PART NO. | MAT'L-DWG. NO. | MAT'L-SPEC. |
|------------------|------|---------------------------|----------------|----------------|-------------|
| DRAWN BY | | DATE | | | |
| ENGINEER/CHECKER | | | | | |
| RELEASE TO PROD. | | | | | |
| SUPERSEDES DWG. | | | | | |

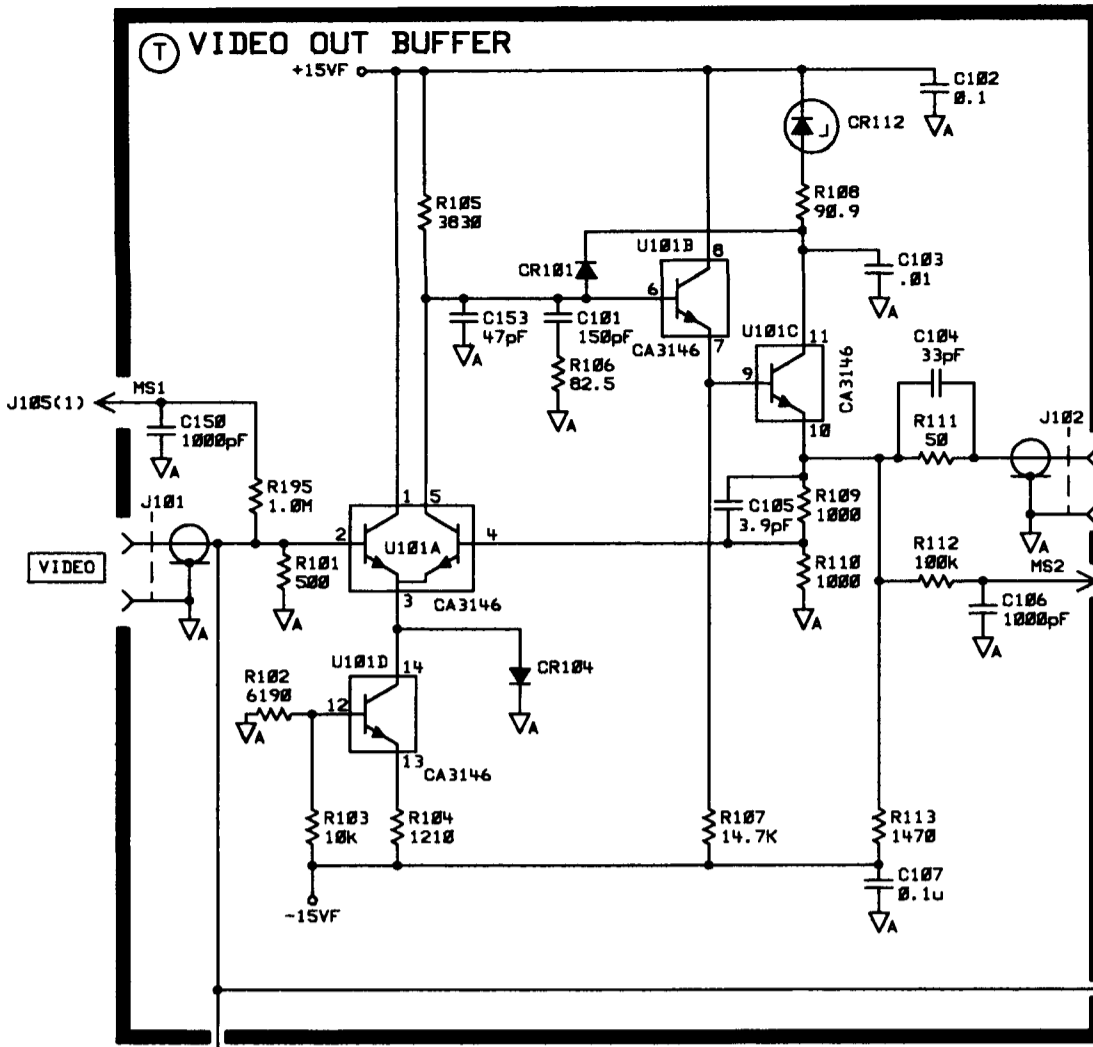
HP PROPRIETARY
THIS DOCUMENT CONTAINS CONFIDENTIAL, PROPRIETARY INFORMATION THAT IS HEWLETT-PACKARD (HP) PROPERTY. DO NOT DISCLOSE TO OR DUPLICATE FOR OTHERS EXCEPT AS AUTHORIZED BY HP.

FILE NAME=S138DA
SCALE NONE
SHEET 4 OF 6

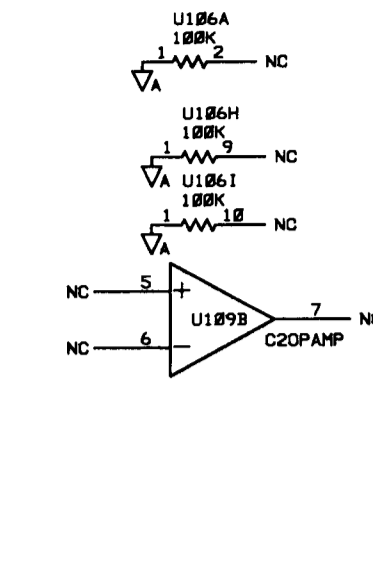
INTERFACE (SCHEMATIC)
PART NUMBER 08562-60138
D-08562-60138-1



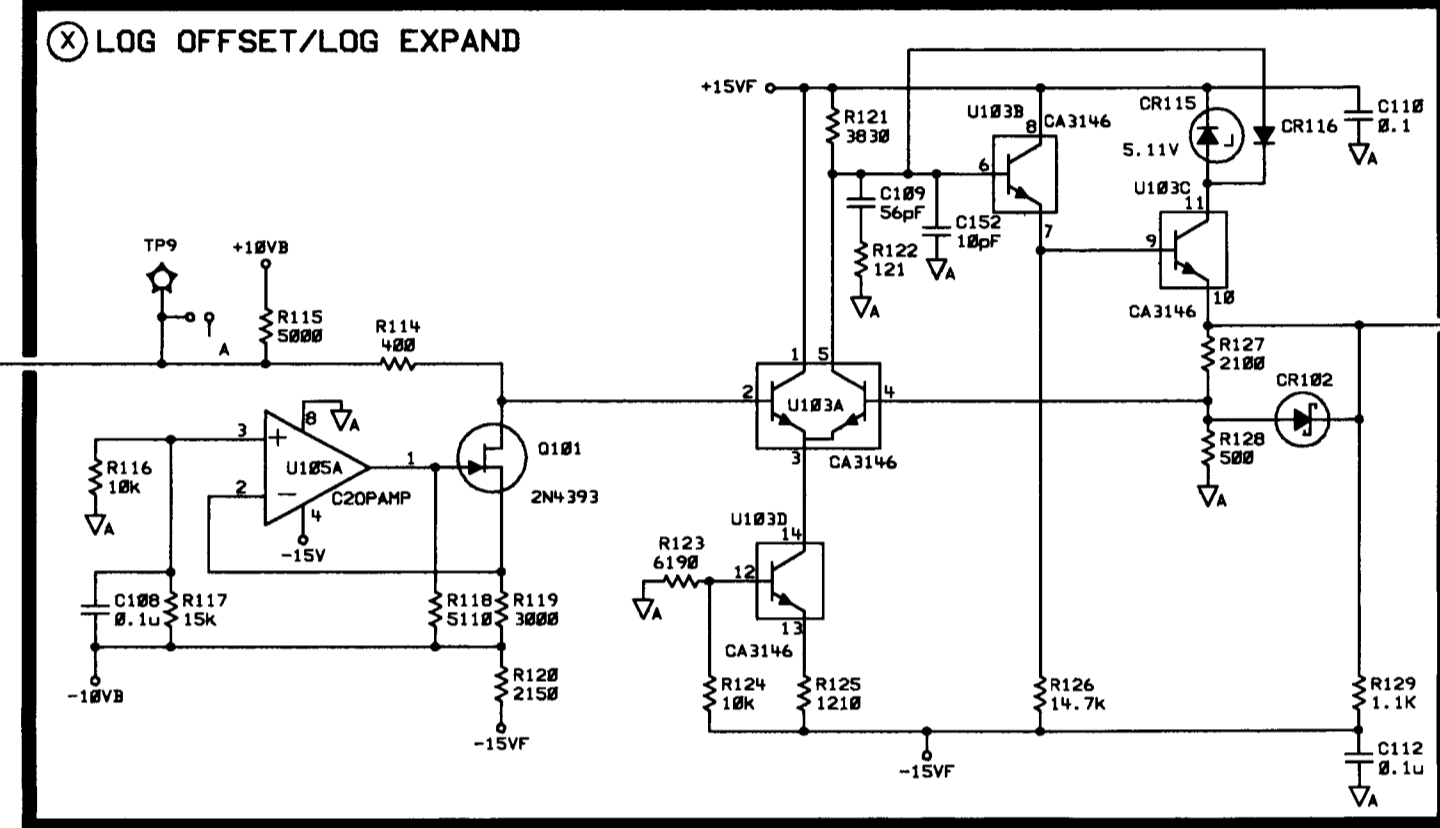
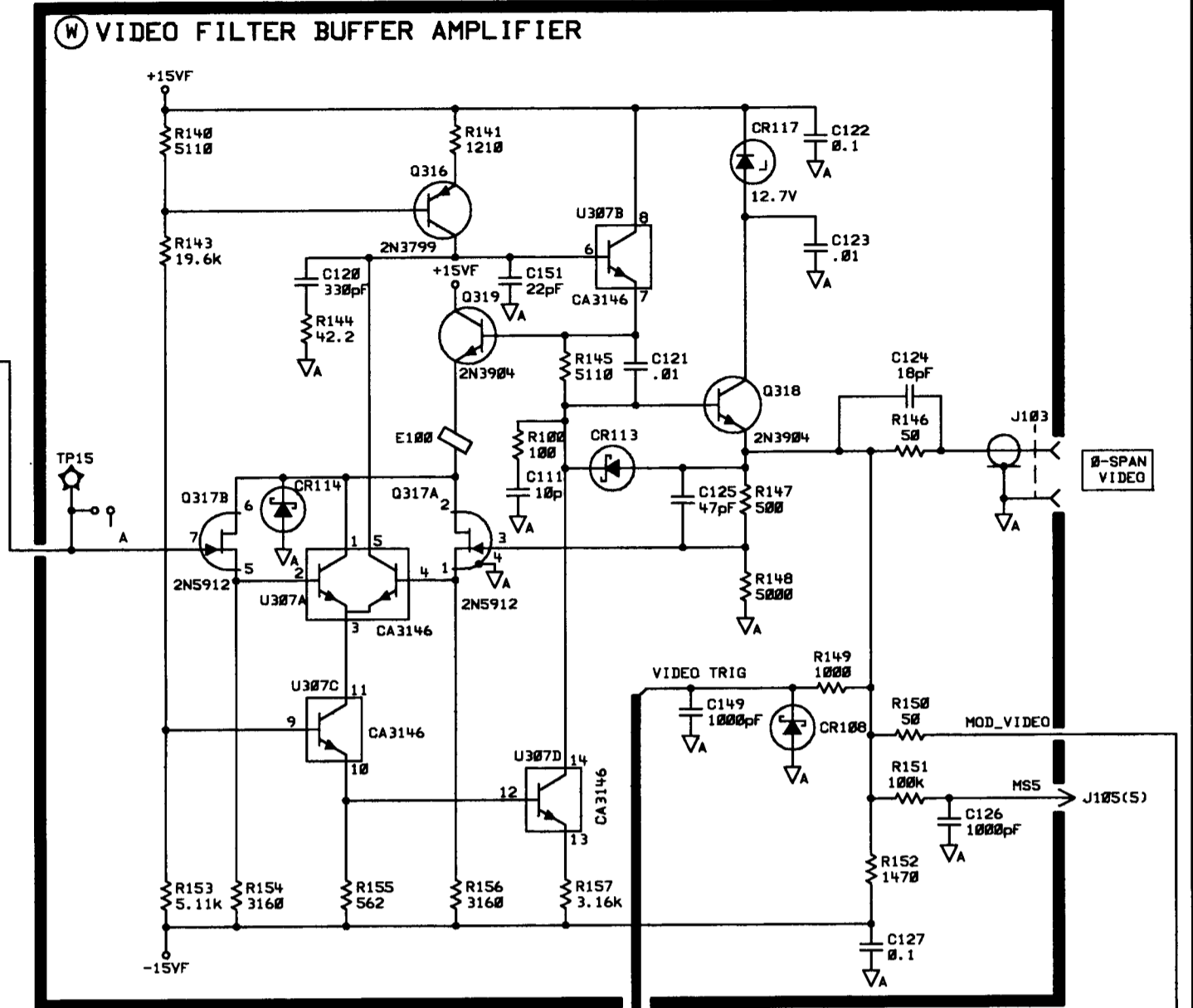
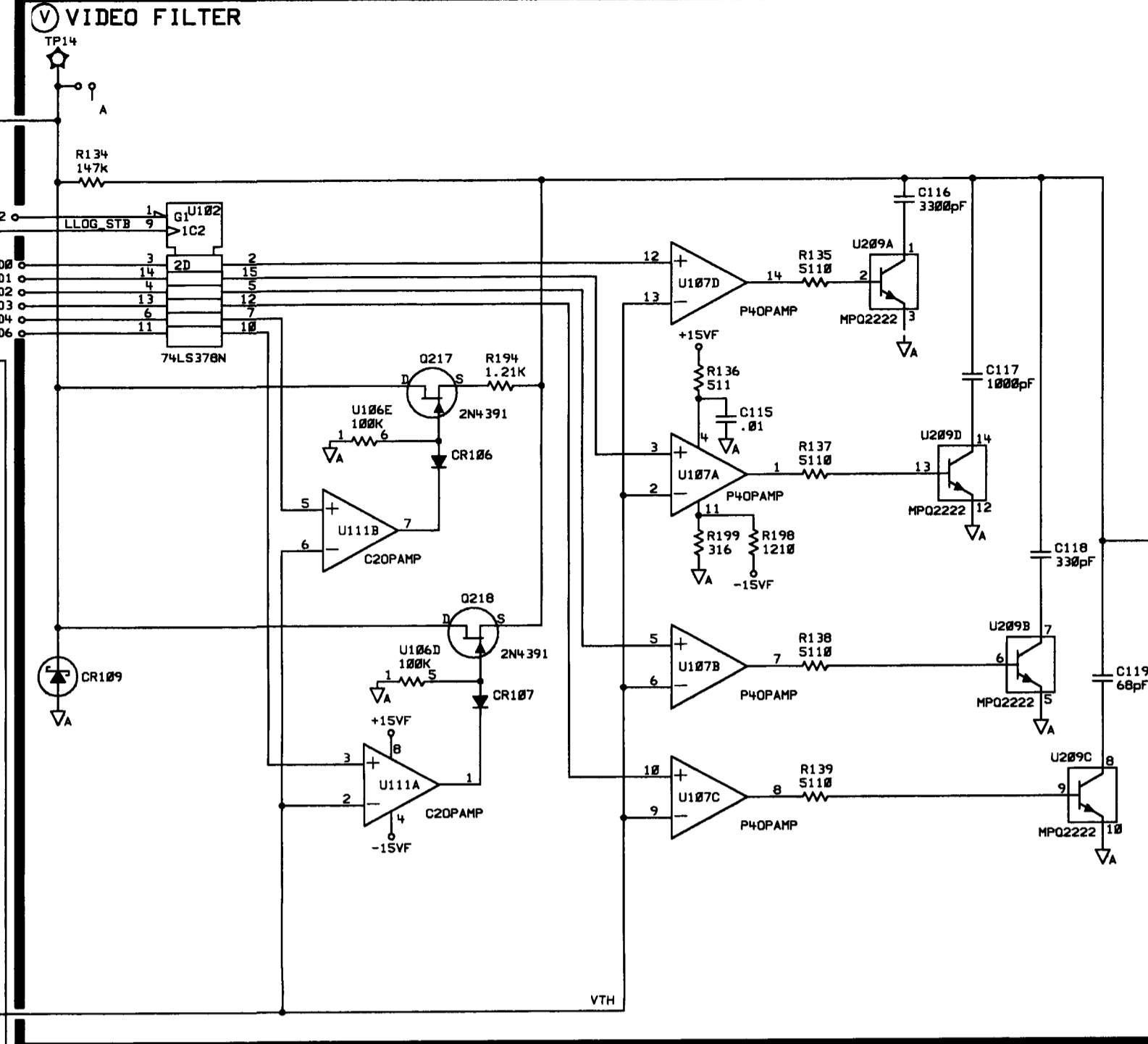
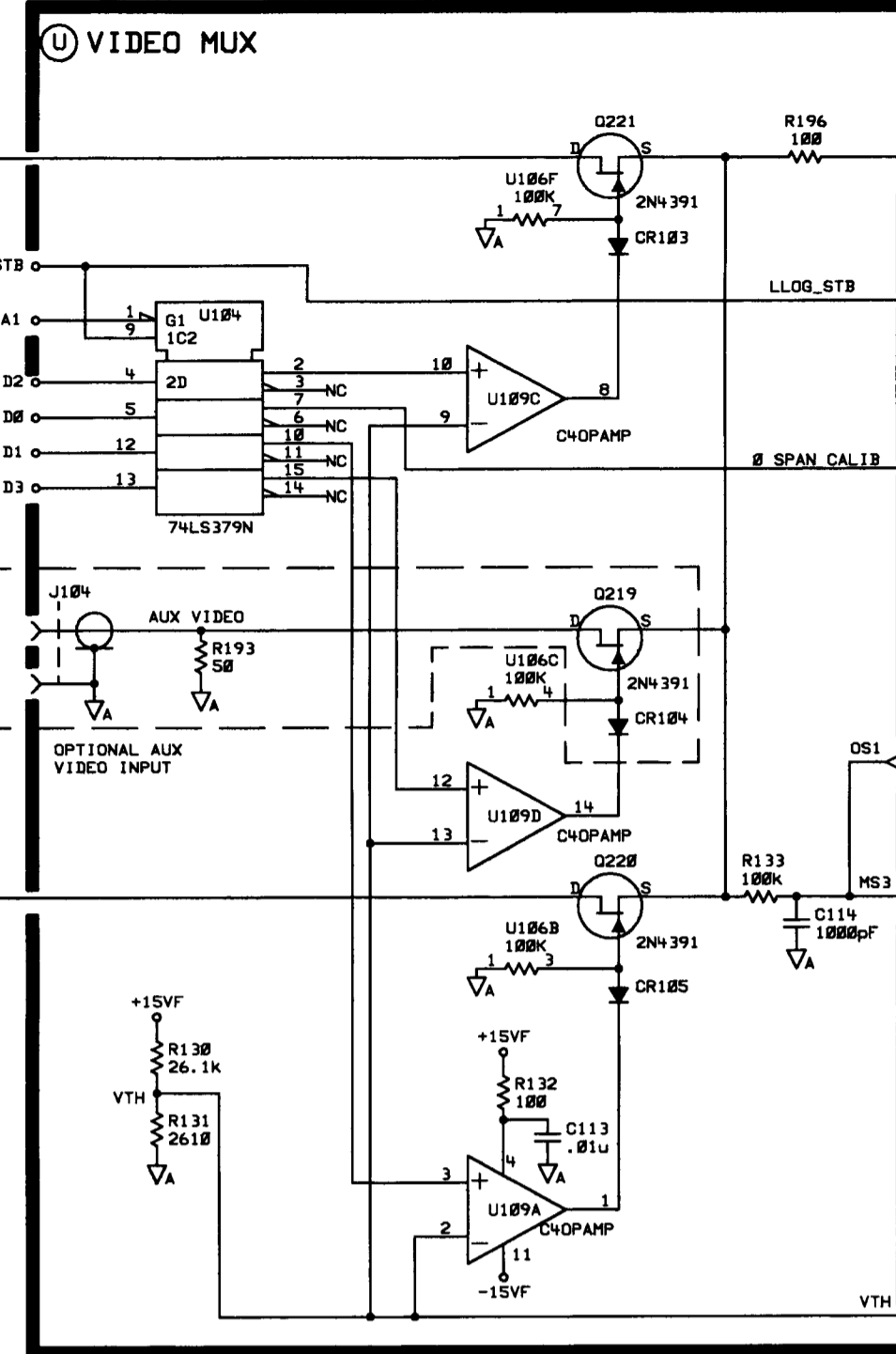
| SYM | REVISONS | APPROVED | DATE |
|-----|----------|----------|------|
| A | | | |



UNUSED PACKAGES

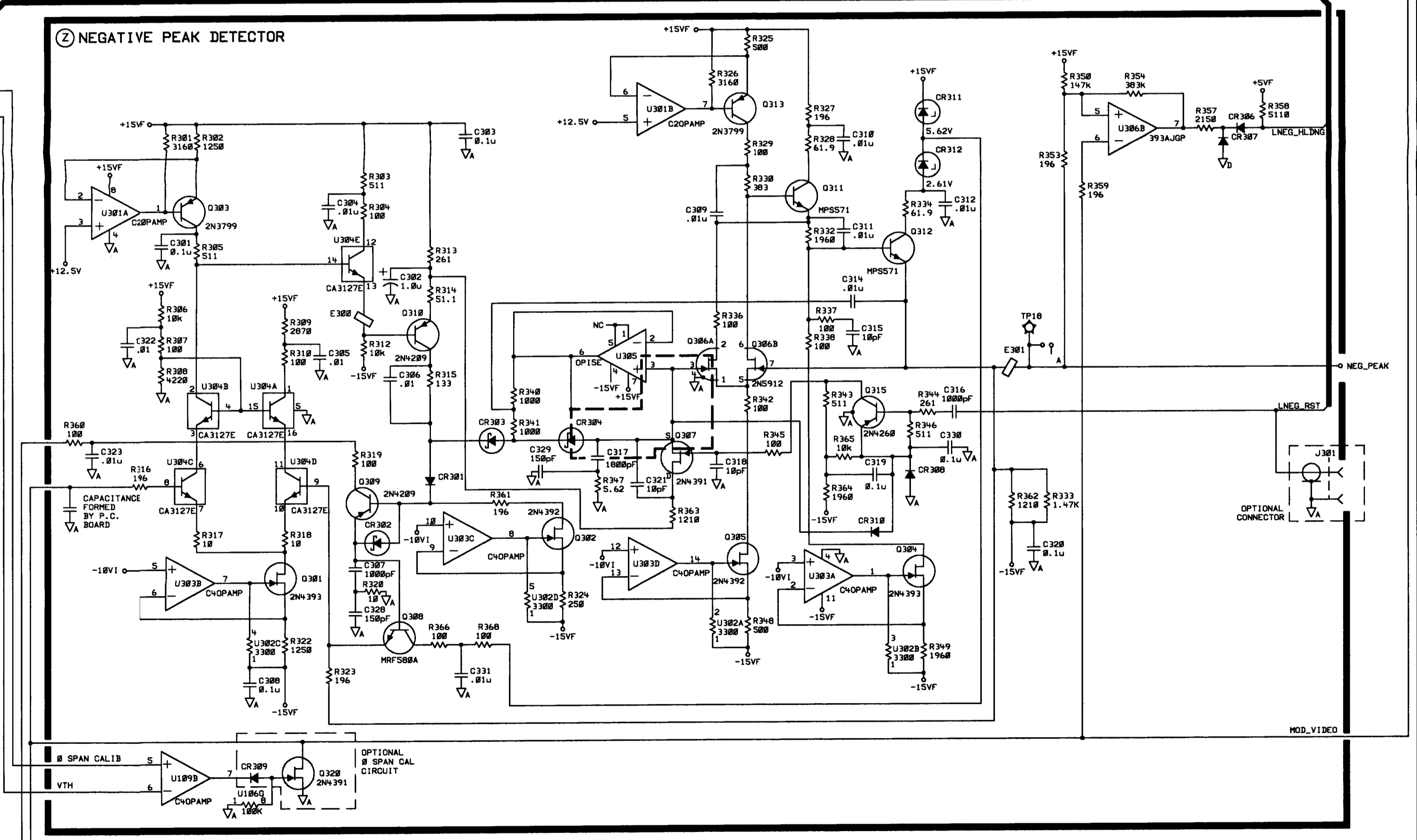
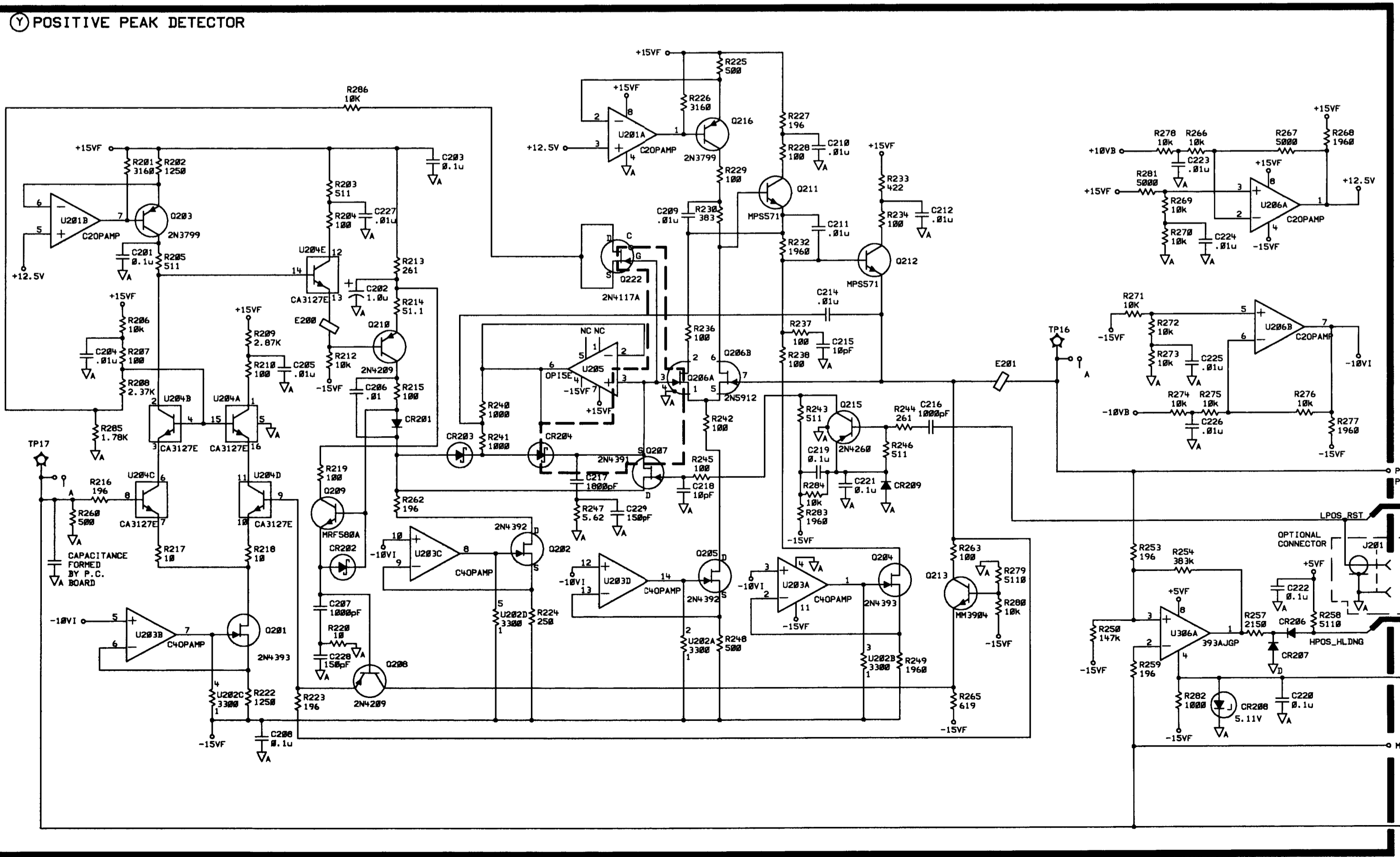


PINS CONNECTED TO EMBEDDED POWER/GROUND NETS:
 U182 8 (DND), 16(+5V)
 U186 4(-5V), 8(10V)
 U285 4(-5V), 8(10V)
 U385 4(-5V), 8(+15V)



| MNEMONIC | 2 | 3 | 4 | 5 | 6 |
|------------|---|------|---|------|------|
| VIDEO TRIG | H | S | Z | Z | AA |
| NEG_PEAK | | R, S | Y | Y | AA |
| LNEG_RST | | R, S | Y | Y | AA |
| POS_PEAK | | R, S | Y | Y | AA |
| LPOS_RST | | R, S | Y | Y | AA |
| MOD_VIDEO | | N | N | U, V | U, V |
| LLOG_STB | | N | N | U, V | U, V |
| A2 | | N | N | U, V | U, V |
| DB-7 | E | K | | | |

CONTROL BUS
 SHEETS 2, 3, 4, 6

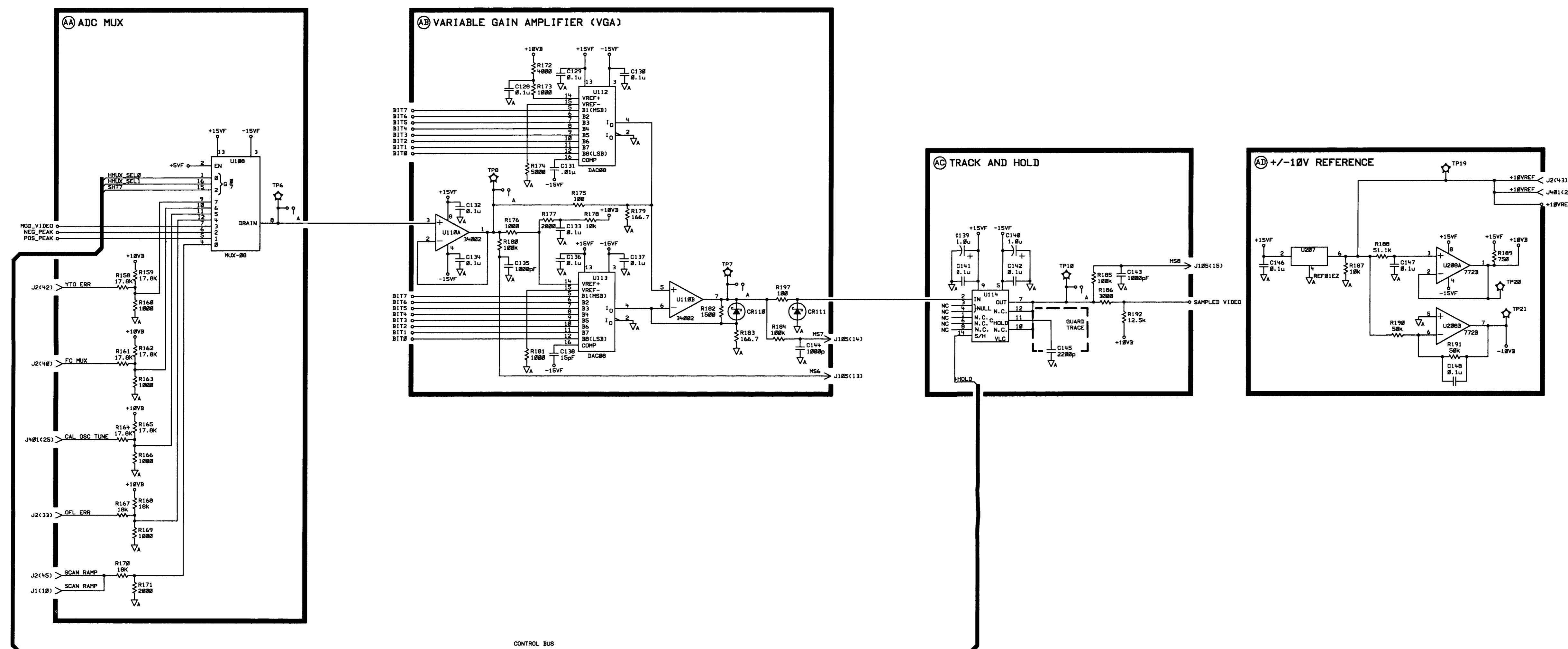


| ITEM | QTY. | PART/MATERIAL-DESCRIPTION | MAT'L-PART NO. | MAT'L-DWG. NO. | MAT'L-SPEC. |
|------------------|------|---------------------------|----------------|----------------|-------------|
| DRAWN BY | | DATE | | | |
| ENGINEER/CHECKER | | | | | |
| RELEASE TO PROD. | | | | | |
| SUPERSEDES DWG. | | | | | |

HP PROPRIETARY
 THIS DOCUMENT CONTAINS CONFIDENTIAL, PROPRIETARY INFORMATION THAT IS HEWLETT-PACKARD (HP) PROPERTY. DO NOT DISCLOSE TO OR DUPLICATE FOR OTHERS EXCEPT AS AUTHORIZED BY HP.

INTERFACE (SCHEMATIC)
 TITLE
 FILENAME=I380CA
 SCALE NONE
 SHEET 5 OF 6
 D-08562-60138-1
 HEWLETT PACKARD
 08562-60138
 PART NUMBER

| SYN | REVISIONS | APPROVED | DATE |
|-----|-----------|----------|------|
| A | | | |



PINS CONNECTED TO EMBEDDED POWER/GROUND NETS:
 U100 3(-15VF), 13(+15VF), 14(GND)
 U112 1(GND), 3(-15VF), 13(+15VF)
 U113 1(GND), 3(-15VF), 13(+15VF)

| MNEMONIC | SHEET | | | | |
|--------------|-------|---|---|---|----|
| | 2 | 3 | 4 | 5 | 6 |
| HMUX_SEL0 | C | | | | AA |
| HMUX_SEL1 | C | | | | AA |
| SH17 | | | | | AA |
| MOD_VIDEO | | | | Y | AA |
| NEG_PEAK | | | | Z | AA |
| POS_PEAK | | | | Y | AA |
| BIT7 | | | | | AB |
| HOLD | F | | | | AC |
| SAMPLE_VIDEO | A | | | | AC |
| 10VREF | A | | | | AD |

| | | | | | | |
|---|--|------|---------------------------|---|----------------|-------------|
| ITEM | | QTY. | PART/MATERIAL-DESCRIPTION | MAT'L-PART NO. | MAT'L-DWG. NO. | MAT'L-SPEC. |
| <p>HP PROPRIETARY THIS DOCUMENT CONTAINS CONFIDENTIAL, PROPRIETARY INFORMATION THAT IS HEWLETT-PACKARD (HP) PROPERTY. DO NOT DISCLOSE TO OR DUPLICATE FOR OTHERS EXCEPT AS AUTHORIZED BY HP.</p> | | | | | | |
| DRAWN BY | | DATE | | INTERFACE (SCHEMATIC) TITLE | | |
| ENGINEER/CHECKER | | | | 08562-60138 PART NUMBER | | |
| RELEASE TO PROD. | | | | FILENAME=6138A SCALE NONE SHEET 6 OF 6 | | |
| SUPERSEDES DWG. | | | | D-08562-60138-1 | | |