

## H4D3PRV2/H4D3PRV3

### PERFORMANCE SERIES IP 3 MP TRUE DAY/NIGHT IR RUGGED INDOOR/OUTDOOR MINI DOME CAMERA

The H4D3PRV2 and H4D3PRV3 are affordable, fully featured IP cameras that pair perfectly with an 8- or 16-channel Performance Series NVR.

#### Superior Image Quality

- 3 MP (20 fps) and Full HD 1080p (25/30 fps) image with 1/3" 3 MP sensor, no distortion of image in 16:9 display, 12.5% more horizontal pixel density than conventional 3 MP 4:3 (2048x1536) cameras
- True Day/Night capability, vivid color pictures by day and clear black-and-white pictures at night with with mechanical IR cut filter
- Excellent low-light performance with 3D Noise Reduction, saving storage and bandwidth together with H.264 High Profile codec

#### Flexible Surveillance Solution

- IR LEDs provide up to 100 ft (30 m) of illumination in dimly lit or nighttime scenes, depending on scene reflectance
- Smart IR technology for even distribution of IR
- Waterproof (IP66) and IK10 vandal resistant camera housing
- Small form factor, inconspicuous after installation
- 2.7–12 mm F1.4 motorized focus/zoom lens (H4D3PRV2) and 2.8 mm F2.1 fixed lens (H4D3PRV3) provide wide range of field of view options
- Monitor from anywhere using HonView Touch mobile app for both Apple® and Android™ smart phones and tablet computers
- Configurable motion detection and camera tamper detection settings, including configurable alarm notifications

#### Easy to Install and Use

- Compact design, easy to hold with one hand during installation
- 3-axis rotation
- Built-in PoE (Power over Ethernet) eliminates separate power supply and associated wiring; 12 V DC inputs where PoE power is unavailable
- Plug-and-play with a Honeywell 8- or 16-channel Performance Series NVR
- Remote configuration, motorized zoom adjustments and auto focus (H4D3PRV2) through Honeywell Viewer web client or Embedded NVR

#### Onboard Video Storage

- H4D3PRV2: Supports up to 128 GB microSDHC (Class 10) card for local video storage when network is interrupted (card not included)

#### Market Opportunities

These fully featured IP cameras perfectly complement your Embedded IP NVR and are an excellent, cost-effective option for both indoor and outdoor surveillance applications, including retail stores, schools, colleges, hospitals, commercial sites, industrial parks, airports, gated entrances, loading docks, and driveways.



H4D3PRV2 HD



H4D3PRV3 HD



# H4D3PRV2/H4D3PRV3

www.honeywellvideo.com

## SPECIFICATIONS

Model	H4D3PRV3		H4D3PRV2	
<b>Camera</b>				
Image Sensor	1/3" 3 megapixel progressive scan CMOS			
Effective Pixels	2304 (H) × 1296 (V)			
Electronic Shutter Speed	Auto/Manual, 1–1/100000 s		Auto/Manual, 1/3(4)–1/100000 s	
Min. Illumination	0.1 lux, F2.1 (Color); 0 lux (IR LEDs on)		0.1 lux, F1.4 (Color); 0 lux (IR LEDs on)	
S/N Ratio	More than 50 dB			
<b>Camera Features</b>				
IR Distance	Up to 100 ft (30 m), depending on scene reflectance			
Day/Night	Auto (ICR)/Color/BW			
Backlight Compensation	BLC/HLC/DWDR			
White Balance	Auto/Manual			
Gain Control	Auto/Manual			
Noise Reduction	3D			
Privacy Masking	Up to 4 areas			
<b>Lens</b>				
Focal Length	2.8 mm		2.7–12 mm	
Max. Aperture	F2.1		F1.4	
Focus Control	Fixed		Auto	
Horizontal Angle of View	92°		86°–28°	
Lens Type	Fixed		Motorized focus/zoom	
<b>Video</b>				
Compression	H.264 (Main/High/Baseline Profile) /MJPEG			
Resolution	3 MP (2304×1296), 1080p (1920×1080), 720p (1280×720), D1 (704×480), CIF (352×240)			
Frame Rate	Main Stream	3 MP (1–20 fps), 1080p (1–25/30 fps)		
	Sub Stream	D1, CIF (1–25/30 fps)		
Bit Rate	H.264: 4–8192 kbps			
Corridor Mode	Support			
<b>Network</b>				
Ethernet	RJ-45 (10/100Base-T)			
Protocol	IPv4/IPv6, HTTP, HTTPS, TCP/IP, UDP, UPnP, ICMP, IGMP, RTSP, RTP, SMTP, NTP, DHCP, DNS, PPPoE, DDNS, FTP, IP Filter, QoS, 802.1X			
Compatibility	ONVIF Profile S.		ONVIF Profile S, Profile G.	
Max. User Access	20 users			
Mobile App	HonView Touch for iPhone, iPad, Android Phone and Tablet			
<b>General</b>				
Power Supply	PoE (802.3af), 12 V DC			
Power Consumption	4.7 W max. (IR LEDs on)		8.5 W max. (IR LEDs on)	
Working Environment	–22°F to 140°F (–30°C to 60°C); 10% to 100% RH, condensing			
Ingress Protection	IP66			
Vandal Resistance	IK10			
Dimensions	4.33 × 3.19 in. (110 × 81 mm)		4.8 × 3.5 in. (122 × 89 mm)	
Weight	0.86 lb (0.39 kg)		1.1 lb (0.5 kg)	
Regulatory	FCC, Part 15B, Class B			

# H4D3PRV2/H4D3PRV3

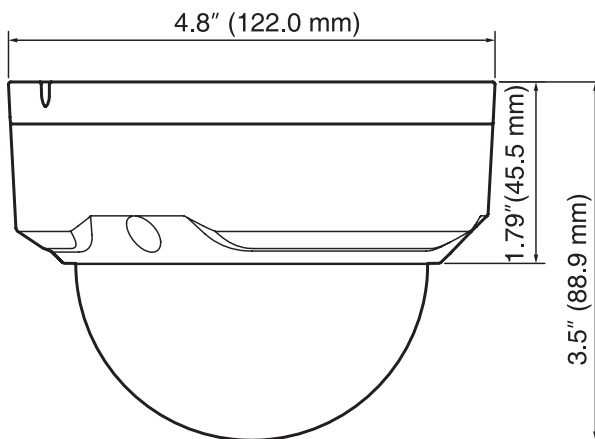
www.honeywellvideo.com

## ORDERING

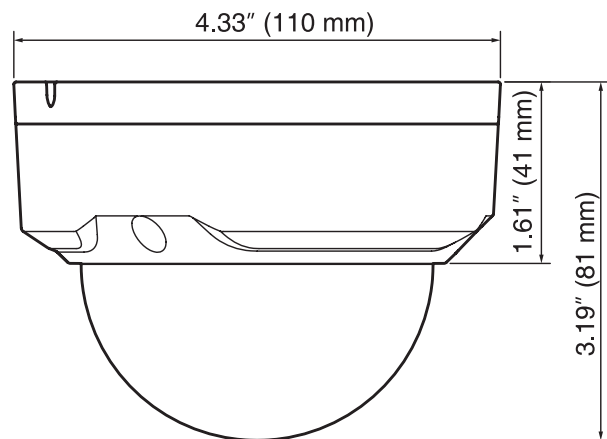
Recommended Accessories	
Mounting Options	
HQA-WK	Wall Mount for Dome and Ball Cameras
HQA-BB2	Junction Box
HB34S2-CM	Corner Mount (for use with HQA-BB2)
HQA-PM	Pole Mount (for use with HQA-BB2)
System Compatibility	
HEN081**	H.264 8-Channel 1080p Embedded Network Video Recorder (2, 4 or 6 TB)
HEN161**	H.264 16-Channel 1080p Embedded Network Video Recorder (3 or 6 TB)

## DIMENSIONS

H4D3PRV2



H4D3PRV3



Ordering	
Honeywell Performance Series IP Cameras	
H4D3PRV2	Network TDN IR Rugged Indoor/Outdoor Mini Dome Camera, 1/3" CMOS, 3 MP, 2.7–12 mm MFZ, 2 High Power IR LEDs, PoE, H.264
H4D3PRV3	Network TDN IR Rugged Indoor/Outdoor Mini Dome Camera, 1/3" CMOS, 3 MP, 2.8 mm Fixed, 24 IR LEDs, PoE, H.264

**For more information:**

[www.honeywell.com/security](http://www.honeywell.com/security)

**Automation and Control Solutions**

Honeywell Security and Fire  
2700 Blankenbaker Pkwy, Suite 150  
Louisville, KY 40299  
1.800.323.4576  
[www.honeywell.com](http://www.honeywell.com)

L/PSIPDXD/D  
December 2015  
© 2015 Honeywell International Inc.

**Honeywell**