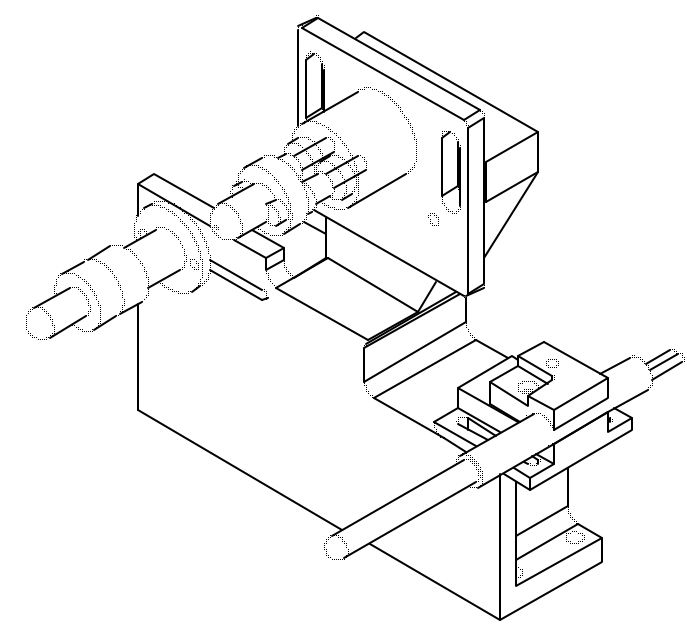
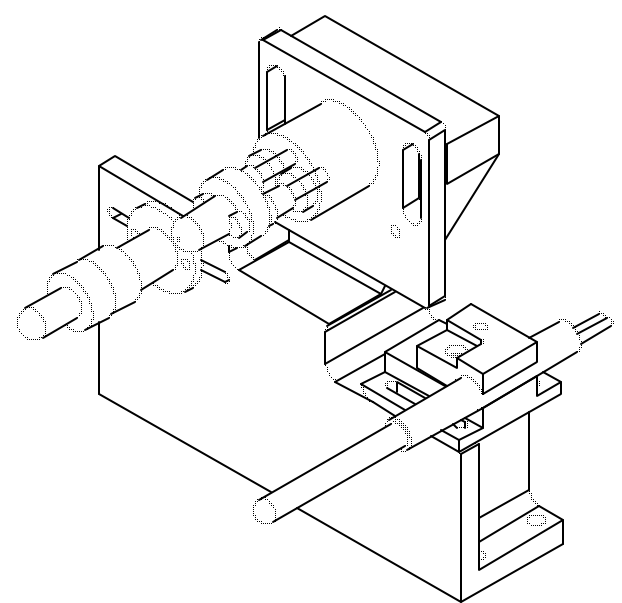


BILL OF MATERIAL

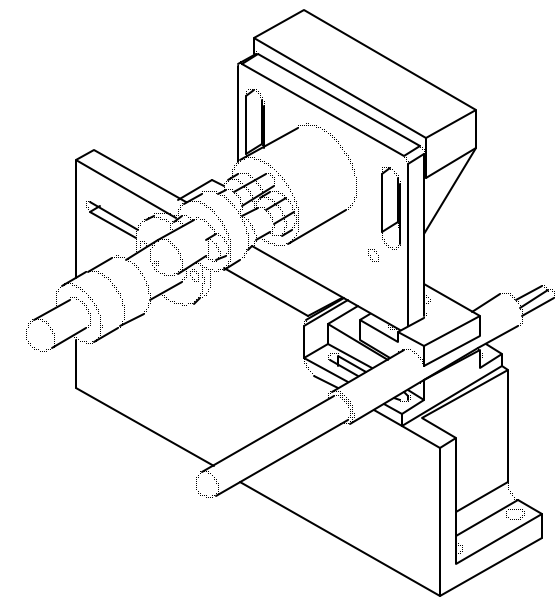
ITEM	Q'TY	DRW. NO.	DESCRIPTION	MATERIAL
------	------	----------	-------------	----------



FULLY EXTENDED



INTERMEDIATE POSITION



FULLY RETRACTED

	<b>TOLERANCES</b>	<b>DRAWING NUMBER</b>	<b>INSTITUTE FOR ASTRONOMY</b>	
	(UNLESS OTHERWISE NOTED)	IAA-001-2	2680 WOODLAWN DR., HENRIEVILLE, NY 13352	
NCXT ASSY	X.X ±0.02	DATE: 11/01/99	NAME: CE LAMP MOUNT ASSEMBLY	
9A2-001	X.XX ±0.005	DESIGNER: NCILL	INSTRUMENT: SFCX	
	X.XXX ±0.001	JOB #:	SIZE: B	REVISION DATE: 11/22/99
	< ±0.5*	MFG:	SCALE: 1:1	SHEET NO. 2 OF 2