

FLUORESCENT



329 SERIES



32913B | WHITE LENS
WITH BRONZE HOUSING



32915 | WHITE LENS
WITH BLACK HOUSING



32911 | WHITE LENS
WITH WHITE HOUSING



32993B | CLEAR LENS
WITH BRONZE HOUSING



32991 | CLEAR LENS
WITH WHITE HOUSING



32995 | CLEAR LENS
WITH BLACK HOUSING

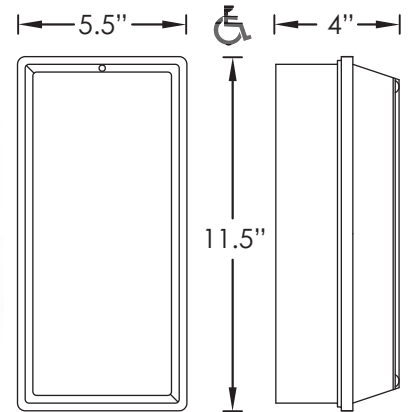
STANDARD SPECIFICATIONS

Housing	Impact Resistant Polycarbonate (Specify Finish)
Lens	Impact Resistant Polycarbonate
Ballast	(i) 120V 60Hz Magnetic NPF (ii) 120V 60Hz Electronic NPF
Lamp(s)	Lamp(s) Included
Certification	Wet Location Listed
Mounting	Wall or Ceiling Mount
Feature	(Except Wattages Marked X Wall Only) Closed Top & Bottom Design



ADDRESS LIGHT

NB | SET OF 3"
VINYL NUMBERS



REPLACEMENT PARTS

LENS-3291	White Impact Resistant Polycarbonate Lens
LENS-3299	Clear Impact Resistant Polycarbonate Lens

PRODUCT FAMILY	LENS TYPE	FINISH	WATTAGE	OPTIONS*
329				



- 1 - White
- 9 - Clear

1 - White

3B - Bronze

5 - Black

13GU - 13W GU-24 (ii)

ALLK DO NB NL PCH PE PL

OPTION LEGEND

27K	2700 Kelvin Warm White Light Temperature
30K	3000 Kelvin Warm White Light Temperature
35K	3500 Kelvin Medium White Light Temperature
41K	4100 Kelvin Cool White Light Temperature
50K	5000 Kelvin Full Spectrum Light Temperature
ALLK	Wattage comes in all kelvin above, choose one.
DO	Feed Through - 1/2" Hole (specify layout)
NB	Set of 3" Black Vinyl Numbers
NL	No Lamp
PCH	On/Off Pullchain
PE	Photocell (120 Volt Only)
PL	Philips Lamp

X Wall Mount Only * May not be available in all wattages or combinations, please call factory. ADA Compliant