

TOTO

URINAL

Wall Hung Urinal

UW104HJ#W/ U104#W



FEATURES

- Compact design with privacy shields.
- Powerful washdown flushing action.
- Integral trap.
- Upgrade with sensor.

SPECIFICATIONS

- Water Usage : 1.9L
- Water Pressure : 0.25MPa~0.75MPa
- Size : 320W x 340D x 540H mm

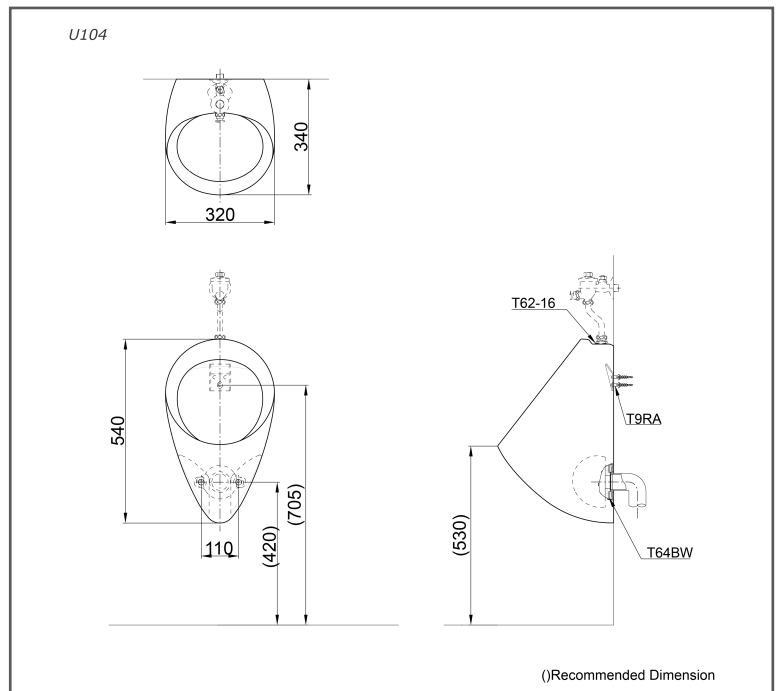
PARTS DESCRIPTION

- UW104HJ#W : Wall Hung Urinal (Back Inlet)
- T025005 : Flexible Hose (For Back Inlet)
- TX803UVI : Inlet Spud
- T64BW#W : Wall Flange
- T9RA#W : Hangers & Screws
- U104#W : Wall Hang Urinal (Top Inlet)
- T62-16 : Top Inlet Spud

COLORS

White, Pastel Ivory

UW104HJ#W/ U104#W



Please consult, TOTO representative for more details.

All rights reserved by TOTO including but not limited to Improve & Change of Product Design, Specs or Availability at any time without prior notice