



9100 SERIES

HID 150 Watt Max In-Grade Luminaire

HIGHLIGHTS

- For walls, building façade, tree, and column illumination
- Distributions as narrow as 7°
- Factory sealed ballast and lamp module
- Lamp module sealed and purged of all moisture to 100°F (38°C)

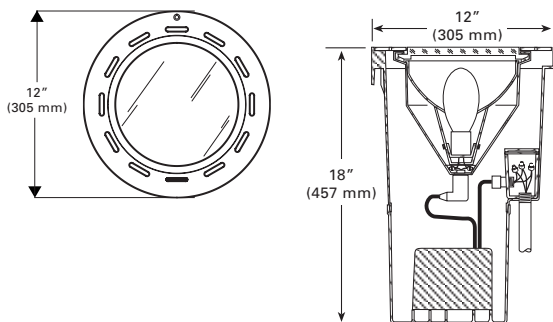
IP68



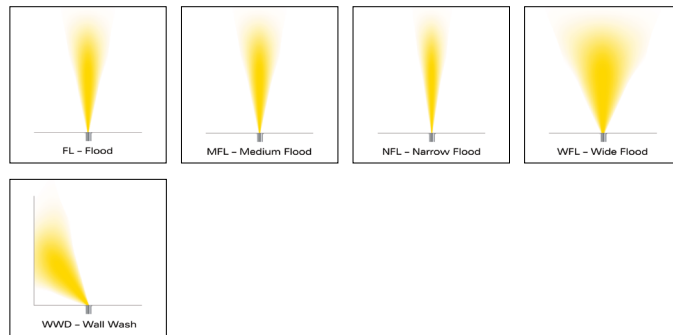
Specifications

Length:	12" 305 mm
Width:	12" 305 mm
Height:	18" 457 mm
Weight:	16lbs

DIMENSIONS



STANDARD DISTRIBUTION



ORDERING INFORMATION (60HZ)

EXAMPLE: 9100 A 150CMT6 MVOLT MFL FLC 34B GEB LP

Model*	Material*	Lamp Type*	Voltage*	Distribution*	Lens*		
9100 Round	A Aluminum	MH ¹	HPS	120	SP Spot	FLC Flat Lens Clear	FLCSR Flat Lens Clear Slip Resistant
		B Bronze	35CMT6 T6, G-12 Base	50S E17 Med.	208	NFL Narrow Flood	FLC5 Flat Lens Clear, 5° Axial Spread
		70CMT6 T6, G-12 Base	70S E17 Med.	240	MFL Medium Flood	FLC10 Flat Lens Clear, 10° tilt	FLC10SR Flat Lens Clear, 10° tilt, Slip Resistant
		150CMT6 T6, G-12 Base	100S E17 Med.	277	FL Flood (PAR lamps only)	FLC20 Flat Lens Clear, 20° tilt	FLC20SR Flat Lens Clear, 20° tilt, Slip Resistant
		50M ED17 Med.	150S E17 Med.	347	WFL Wide Flood	FLF Flat Lens Frosted	FLC25SR Flat Lens Clear, 25° tilt, Slip Resistant
		70M ED17 Med.		MVOLT	WWD Wall Wash Reflector, 5° spread lens	FLCAS Flat Lens Clear, Anti-Slip	FLC20SR Flat Lens Clear, 20° tilt, Slip Resistant
		70CM ED17 Med.				FLC5AS Flat Lens Clear, 5° Axial Spread, Anti-Slip	CLC Convex Lens, Clear
		100M ED17 Med.				CLF Convex Lens Frosted	CLF Convex Lens, Frosted
		100CM ED17 Med.					
		150M ED17 Med.					
		150CM ED17 Med.					
							<i>Note:</i> Slip Resistant Lens (SR) meets ADA requirements for coefficient of friction
Conduit Entries*	Accessories	Options	Lamp*	Finish ³			
34B 3/4" NPT Bottom	<u>Internal</u> MSR Modular Support Ring IHL Internal Honeycomb Louver WWL Wall Wash Louver <u>External²</u> GS Glare Shield RG Rock Guard Note: IHL not available with FLC10 lens RG not available with CLC lens	GEB Electronic Ballast PC21 35cu.in. Potting Compound	LP Lamp Installed	BL Black BZ Bronze DDB Dark Bronze DNA Natural Alum. GN Green GR Gray SND Sand STG Steel Gray TVG Terra Verde Green WH White CF Custom Finish __Z ⁴ Zinc Undercoat (i.e. BLZ)			

*Required Fields

- Notes:
- All metal halide lamps are supplied with MVOLT GEB electronic ballast, except for 347 volt.
 - RG and GS are mutually exclusive.
 - Finish is only valid with "A" door material.
 - Add Zinc undercoat for harsh environments.

Consisting of:
 RIS Rough-In Section
 ACL Lamp Module
 HSL Ballast Module

ORDERING INFORMATION (50HZ)

EXAMPLE: 9100 A 150CMT6 MVOLT SP FLC 16B ISS GEB LP IEC

Model*	Material*	Lamp Type*	Voltage*	Distribution*	Lens*			
9100 Round	A Aluminum	HID¹	HPS	23050HZ	SP Spot	FLC Flat Lens Clear		
	B Bronze	35CMT6 T6, G-12 Base	50S E27 base	24050HZ MVOLT	NFL Narrow Flood	FLC5 Flat Lens Clear, 5°	FLCSR Flat Lens Clear Slip Resistant	
		70CMT6 T6, G-12 Base	70S E27 base		MFL Medium Flood	FLC5SR Flat Lens Clear, 5° Axial Spread	FLC5SR Flat Lens Clear, 5° Axial Spread, Slip Resistant	
		150CMT6 T6, G-12 Base	100S E27 base		WFL Wide Flood	FLC10 Flat Lens Clear, 10° tilt	FLC10SR Flat Lens Clear, 10° tilt, Slip Resistant	
		70M E27 base			WWD Wall Wash Reflector, 5° spread lens	FLC20 Flat Lens Clear, 20° tilt	FLC10SR Flat Lens Clear, 10° tilt, Slip Resistant	
		70CM E27 base				FLF Flat Lens Frosted	FLC20SR Flat Lens Clear, 20° tilt, Slip Resistant	
		100M E27 base				FLCAS Flat Lens Clear, Anti-Slip	CLC Convex Lens, Clear	
		100CM E27 base				FLC5AS Flat Lens Clear, 5° Axial Spread, Anti-Slip	CLF Convex Lens, Frosted	
		150M E27 base				CLF Convex Lens Frosted		
		150CM E27 base						

Conduit Entries*	Accessories	Options	Lamp*	Finish ³	Listing*
16B PG16 Bottom	Internal	GEB⁵ Electronic Ballast	LP Lamp Installed	BL Black	IEC International
20B M20 Bottom	MSR Modular Support Ring	PC21 35 cu.in.Potting Compound		BZ Bronze	Electro-technical Commission (50HZ applications only)
	IHL Internal Honeycomb Louver			DDB Dark Bronze	
	WWL Wall Wash Louver			DNA Natural Alum.	
	External²			GN Green	
	GS Glare Shield			GR Gray	
	RG Rock Guard			SND Sand	
	Note:			STG Steel Gray	
	IHL not available with FLC10 lens			TVG Terra Verde Green	
	RG not available with CLC lens			WH White	
				CF Custom Finish	
				_Z⁴ Zinc Undercoat (i.e. BLZ)	

*Required Fields

- Notes:
- 1 All metal halide lamps are supplied with MVOLT GEB electronic ballast.
 - 2 RG and GS are mutually exclusive.
 - 3 Finish is only valid with "A" door material.
 - 4 Add Zinc undercoat for harsh environments.

Consisting of:
 RIS Rough-In Section
 ACL Lamp Module
 HSL Ballast Module

SPECIFICATIONS AND FEATURES

DOOR MATERIAL: Cast aluminum or bronze that locks the lamp housing into the Rough-In Section with a single tamperproof stainless steel fastener.

ROUGH-IN SECTION: Injection molded ABS, U.V. stabilized, impact and corrosion resistant for use in all types of environments.

LAMP MODULE HOUSING: Stainless steel, sealed and purged of all moisture to 100°F (38°C). Electrical access to lamp module is done through submersible rated connector. THERMALLY PROTECTED.

LAMP TYPES: See ordering guide. LAMP INCLUDED.

VOLTAGE: See ordering guide.

LIGHT DISTRIBUTIONS: The Spot Reflector is specular spun aluminum. The Wide Flood Reflector is diffuse spun aluminum and the Wall Wash Reflector is diffuse hydroformed aluminum. The Spot and Flood Reflector assemblies have 15° of internal lamp tilt on a 360° axis of rotation. Lamp tilt is not used in the Wall Wash units. The lenses are clear tempered flat glass. Convex lenses are available.

THE COMMON LIGHT DISTRIBUTIONS ARE:

SPOT = 7° spread; WFL = 140° spread; NFL = 30° spread; MFL = 60° spread;

WW = 10 to 1 Uniformity Ratio

Reflectorized lamp distributions vary depending on manufacturer. Check Photometric Sheets.

POWER MODULE: Sealed unit encapsulated in an engineered composite resin to eliminate all water entry.

CONDUIT ENTRIES: 3/4" NPT are available in the cast aluminum integral Junction Box. Suitable for thru-branch wiring. This box has 24 cubic inches of volume.

BUY AMERICAN: Hydrel products are assembled in the USA. Our products meet the Buy America(n) government procurement requirements under FAR, DFARS, and DOT. Please refer to www.acuitybrands.com/buy-american

LISTINGS: cCSAus

WARRANTY: 5-year limited warranty. Complete warranty terms located at: www.acuitybrands.com/support/customer-support/terms-and-conditions

Consult factory for details.

NOTE: Actual performance may differ as a result of end-user environment and application. All values are design or typical values, measured under laboratory conditions at 25 °C. Specifications subject to change without notice.