



HLF501

Linear Flood

Tunable White TUWH and Warm Dimming WDIM

Specifications

| Model | Length | Weight |
|--------|--------------------|------------------|
| HLF501 | 25 - 1/8" (639mm) | 7.5 lbs (3.40kg) |
| | 37" (941mm) | 11 lbs (4.98kg) |
| | 48 - 7/8" (1242mm) | 13 lbs (5.90kg) |

HIGHLIGHTS

- Surface mount luminaire designed to graze or wash architectural features or facades with theatrical lighting
- One-piece extruded aluminum housing lending both high quality and longevity.
- IP66 rated per IEC60598
- Available in 2ft, 3ft, or 4ft lengths with wide open distribution, placing the light where it is required.
- DMX controllable with Remote Device Management (RDM) capability
- 3G vibration rated per ANSI C136.31

5
YEAR
warranty



TUNABLE
WHITE



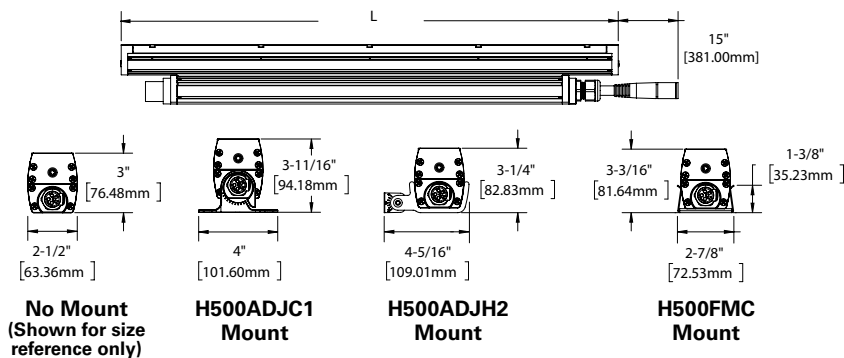
WARMDIM®

66
IP RATED

BAA

BABA

DIMENSIONS



LUMEN PACKAGES

| | 9x9 | 10x60 | 15x30 | 30x60 | 40x60 | 60x60 | WWD |
|------------------|-------|-------|-------|-------|-------|-------|-------|
| Delivered Lumens | 2222 | 2226 | 2113 | 2160 | 2001 | 2141 | 1919 |
| Watts | 16.37 | 16.37 | 16.37 | 16.37 | 16.37 | 16.37 | 16.37 |
| LPW | 136 | 136 | 129 | 132 | 122 | 131 | 117 |

Information based on 4FT, 600 LMF WDIM

| | 9x9 | 10x60 | 15x30 | 30x60 | 40x60 | 60x60 | WWD |
|------------------|------|-------|-------|-------|-------|-------|------|
| Delivered Lumens | 3566 | 3578 | 5128 | 5248 | 4749 | 5224 | 4103 |
| Watts | 56 | 56 | 56 | 56 | 56 | 56 | 56 |
| LPW | 64 | 64 | 92 | 94 | 85 | 93 | 73 |

Information based on 4FT, 1000LMF, TUWH RHYR All On

ORDERING INFORMATION EXAMPLE: HLF501 LCB 2FT MSL2 300LMF 80CRI WDIM GOLR MVOLT 9x9DEG FCA H500ADJH2 CWM6 HVSR DARK FCCSL100D ZT BKT

| Series* | Linear Plan* | Total Run Length* | Maximum Fixture Length* | LED Output* | CRI* | Dynamic Feature* |
|---|--|--|---|---|---|---|
| HLF501 | Hydrel Linear Flood | LCB Linear Center Balance | #FT Total Run Length offered in 1FT increments starting at 2FT. <i>See page 11 for maximum run lengths</i> | MSL2 2FT Section Length | 300LMF 300 Nominal Lumens Per Foot 450LMF 450 Nominal Lumens Per Foot 600LMF 600 Nominal Lumens Per Foot 750LMF 750 Nominal Lumens Per Foot 1000LMF 1000 Nominal Lumens Per Foot | 80CRI 90CRI 90CRI not available with LAYR |
| | | LLP Linear Longest Possible | | MSL3 3FT Section Length | | |
| | | LSL Linear Same Length | | MSL4 4FT Section Length | | |
| | | | | | | |
| | | | | | | |
| | | | | | | |
| Dynamic Range* | Voltage* | Distribution* | Lens* | Mounting* | | |
| GOLR Golden Range (3000K-2200K) | MVOLT 120V-277V | 9X9DEG 9 x 9 Degrees | FCA Frosted Clear Acrylic CAL Clear Acrylic Lens | H500ADJ1 Adjustable Mount Center Axis H500ADJ2 Adjustable Mount Side Hinge H500FMC Fixed Mount | | |
| RHYR Rhythm Range (6500K-2700K) | | 10X60DEG 10 x 60 Degrees | | | | |
| LAYR Layer Range (5000K-2200K) | | 15X30DEG 15 x 30 Degrees | | | | |
| LAYR not available in 90CRI GOLR option used with WDIM RHYR and LAYR options used with TUWH | | 30X60DEG 30 x 60 Degrees | | | | |
| | | 40X60DEG 40 x 60 Degrees | | | | |
| | 60X60DEG 60 x 60 Degrees | WWD Wall Wash (Asymmetric) | | | | |
| | | **WWD option supplied with a snap-on visor | | | | |
| Mounting Accessories Optional | Extra Shielding Optional | Dimming* | Cord Set Length* | Control Input* | Finish* | |
| CWM6 Cantilever Wall Mount 6" Projection | HBFL Baffle Linear Surface (Matte Black Finish) HVSR Glare Visor Linear Surface (Finish to match housing) | DARK Constant Current, Dimming to <1% | FCCSL100D 100FT Feed Cable Wet Location with DMX Plug | DMX DMX ZT 0-10V DMX used with TUWH ZT used with WDIM | BKT Black Textured Paint SIT Silver Textured Paint WHT White Textured Paint CF Custom Painted Finish RALTB RAL Paint Finish | |
| CWM12 Cantilever Wall Mount 12" Projection | | | FCCSL10D 10FT Feed Cable Wet Location with DMX Plug | | | |
| CWM18 Cantilever Wall Mount 18" Projection | | | FCCSL25D 25FT Feed Cable Wet Location DMX Plug | | | |
| CWML6 Cantilever Wall Mount Large 6" Projection | | | FCCSL50D 50FT Feed Cable Wet Location DMX Plug | | | |
| CWML12 Cantilever Wall Mount Large 12" Projection | | | NOFCL No Power Feed Cable | | | |
| CWML18 Cantilever Wall Mount Large 18" Projection | | | FCCSL100N 100FT Feed Cable Wet Location Non DMX Plug | | | |
| Note: Must have 500ADJH2 mounting selected | | | FCCSL10N 10FT Feed Cable Wet Location Non DMX Plug | | | |
| | | | FCCSL25N 25FT Feed Cable Wet Location Non DMX Plug | | | |
| | | | FCCSL50N 50FT Feed Cable Wet Location Non DMX Plug | | | |

Note: * is a required field

| Accessories | |
|---|-------------|
| Controller (Fresco Control System) | See page 13 |
| DMX-RDM Repeater with Power in IP65 Enclosure | See page 11 |
| Feed Cable (required for installation) | See page 13 |
| Jumper Cable | See page 13 |
| Liquid-Tight Cord Grip | See page 13 |
| Glare Visor | See page 13 |
| Baffle | See page 13 |
| Brackets | See page 13 |

PERFORMANCE DATA
Tunable White RHYR Range (continued)

| Lumens Per Foot | Fixture Length | Distribution | CCT/CRI 2700K/80 | Input Watts 2700K/80 | Delivered Lumens Per Foot | Input Watts Per Foot | CCT/CRI 4000K/80 | Input Watts 4000K/80 | Delivered Lumens Per Foot | Input Watts Per Foot | CCT/CRI 6500K/80 | Input Watts 6500K/80 | Delivered Lumens Per Foot | Input Watts Per Foot |
|-----------------|----------------|--------------|---------------------|-------------------------|------------------------------|-------------------------|---------------------|-------------------------|------------------------------|-------------------------|---------------------|-------------------------|------------------------------|-------------------------|
| 750 | 2FT | 9x9 | 1256 | 18.93 | 628 | 9.47 | 1279 | 14.84 | 640 | 7.42 | 1334 | 14.81 | 667 | 7.41 |
| | 2FT | 10x60 | 1259 | 18.93 | 630 | 9.47 | 1282 | 14.84 | 641 | 7.42 | 1336 | 14.81 | 668 | 7.41 |
| | 2FT | 15x30 | 1200 | 16.64 | 600 | 8.32 | 1385 | 15.23 | 693 | 7.62 | 1500 | 14.44 | 750 | 7.22 |
| | 2FT | 30x60 | 1227 | 16.64 | 614 | 8.32 | 1417 | 15.23 | 709 | 7.62 | 1534 | 14.44 | 767 | 7.22 |
| | 2FT | 40x60 | 1137 | 16.64 | 569 | 8.32 | 1312 | 15.23 | 656 | 7.62 | 1421 | 14.44 | 711 | 7.22 |
| | 2FT | 60x60 | 1220 | 16.64 | 610 | 8.32 | 1409 | 15.23 | 705 | 7.62 | 1525 | 14.44 | 763 | 7.22 |
| | 2FT | WWD | 958 | 16.64 | 479 | 8.32 | 1106 | 15.23 | 553 | 7.62 | 1197 | 14.44 | 599 | 7.22 |
| | 3FT | 9x9 | 3042 | 35.98 | 1014 | 11.99 | 3098 | 28.21 | 1,033 | 9.40 | 3230 | 28.14 | 1077 | 9.38 |
| | 3FT | 10x60 | 3048 | 35.98 | 1016 | 11.99 | 3104 | 28.21 | 1,035 | 9.40 | 3236 | 28.14 | 1079 | 9.38 |
| | 3FT | 15x30 | 1689 | 24.18 | 563 | 8.06 | 1950 | 22.13 | 650 | 7.38 | 2111 | 20.99 | 704 | 7.00 |
| | 3FT | 30x60 | 1727 | 24.18 | 576 | 8.06 | 1994 | 22.13 | 665 | 7.38 | 2159 | 20.99 | 720 | 7.00 |
| | 3FT | 40x60 | 1600 | 24.18 | 533 | 8.06 | 1847 | 22.13 | 616 | 7.38 | 2000 | 20.99 | 667 | 7.00 |
| | 3FT | 60x60 | 1717 | 24.18 | 572 | 8.06 | 1983 | 22.13 | 661 | 7.38 | 2147 | 20.99 | 716 | 7.00 |
| | 3FT | WWD | 1348 | 24.18 | 449 | 8.06 | 1556 | 22.13 | 519 | 7.38 | 1685 | 20.99 | 562 | 7.00 |
| | 4FT | 9x9 | 2585 | 34.3 | 646 | 8.58 | 2633 | 26.89 | 658 | 6.72 | 2745 | 26.83 | 686 | 6.71 |
| | 4FT | 10x60 | 2590 | 34.3 | 648 | 8.58 | 2637 | 26.89 | 659 | 6.72 | 2749 | 26.83 | 687 | 6.71 |
| | 4FT | 15x30 | 2294 | 32.19 | 574 | 8.05 | 2649 | 29.45 | 662 | 7.36 | 2868 | 27.94 | 717 | 6.99 |
| | 4FT | 30x60 | 2346 | 32.19 | 587 | 8.05 | 2709 | 29.45 | 677 | 7.36 | 2933 | 27.94 | 733 | 6.99 |
| 4FT | 40x60 | 2173 | 32.19 | 543 | 8.05 | 2509 | 29.45 | 627 | 7.36 | 2717 | 27.94 | 679 | 6.99 | |
| 4FT | 60x60 | 2332 | 32.19 | 583 | 8.05 | 2693 | 29.45 | 673 | 7.36 | 2916 | 27.94 | 729 | 6.99 | |
| 4FT | WWD | 1831 | 32.19 | 458 | 8.05 | 2114 | 29.45 | 529 | 7.36 | 2289 | 27.94 | 572 | 6.99 | |
| 1000 | 2FT | 9x9 | 1587 | 26.41 | 794 | 13.21 | 1616 | 20.71 | 808 | 10.36 | 1685 | 20.66 | 843 | 10.33 |
| | 2FT | 10x60 | 1590 | 26.41 | 795 | 13.21 | 1619 | 20.71 | 810 | 10.36 | 1688 | 20.66 | 844 | 10.33 |
| | 2FT | 15x30 | 1404 | 20.87 | 702 | 10.44 | 1621 | 19.1 | 811 | 9.55 | 1755 | 18.11 | 878 | 9.06 |
| | 2FT | 30x60 | 1435 | 20.87 | 718 | 10.44 | 1657 | 19.1 | 829 | 9.55 | 1795 | 18.11 | 898 | 9.06 |
| | 2FT | 40x60 | 1330 | 20.87 | 665 | 10.44 | 1535 | 19.1 | 768 | 9.55 | 1663 | 18.11 | 832 | 9.06 |
| | 2FT | 60x60 | 1427 | 20.87 | 714 | 10.44 | 1648 | 19.1 | 824 | 9.55 | 1784 | 18.11 | 892 | 9.06 |
| | 2FT | WWD | 1120 | 20.87 | 560 | 10.44 | 1294 | 19.1 | 647 | 9.55 | 1401 | 18.11 | 701 | 9.06 |
| | 3FT | 9x9 | 3843 | 50.19 | 1281 | 16.73 | 3914 | 39.35 | 1,305 | 13.12 | 4081 | 39.26 | 1360 | 13.09 |
| | 3FT | 10x60 | 3850 | 50.19 | 1283 | 16.73 | 3921 | 39.35 | 1,307 | 13.12 | 4088 | 39.26 | 1363 | 13.09 |
| | 3FT | 15x30 | 1975 | 30.32 | 658 | 10.11 | 2281 | 27.75 | 760 | 9.25 | 2470 | 26.32 | 823 | 8.77 |
| | 3FT | 30x60 | 2020 | 30.32 | 673 | 10.11 | 2333 | 27.75 | 778 | 9.25 | 2526 | 26.32 | 842 | 8.77 |
| | 3FT | 40x60 | 1871 | 30.32 | 624 | 10.11 | 2161 | 27.75 | 720 | 9.25 | 2340 | 26.32 | 780 | 8.77 |
| | 3FT | 60x60 | 2009 | 30.32 | 670 | 10.11 | 2319 | 27.75 | 773 | 9.25 | 2511 | 26.32 | 837 | 8.77 |
| | 3FT | WWD | 1577 | 30.32 | 526 | 10.11 | 1821 | 27.75 | 607 | 9.25 | 1972 | 26.32 | 657 | 8.77 |
| | 4FT | 9x9 | 3265 | 47.85 | 816 | 11.96 | 3326 | 37.51 | 832 | 9.38 | 3467 | 37.42 | 867 | 9.36 |
| | 4FT | 10x60 | 3271 | 47.85 | 818 | 11.96 | 3331 | 37.51 | 833 | 9.38 | 3473 | 37.42 | 868 | 9.36 |
| | 4FT | 15x30 | 2684 | 40.36 | 671 | 10.09 | 3099 | 36.94 | 775 | 9.24 | 3356 | 35.03 | 839 | 8.76 |
| | 4FT | 30x60 | 2744 | 40.36 | 686 | 10.09 | 3169 | 36.94 | 792 | 9.24 | 3431 | 35.03 | 858 | 8.76 |
| 4FT | 40x60 | 2542 | 40.36 | 636 | 10.09 | 2936 | 36.94 | 734 | 9.24 | 3179 | 35.03 | 795 | 8.76 | |
| 4FT | 60x60 | 2729 | 40.36 | 682 | 10.09 | 3151 | 36.94 | 788 | 9.24 | 3412 | 35.03 | 853 | 8.76 | |
| 4FT | WWD | 2142 | 40.36 | 536 | 10.09 | 2474 | 36.94 | 619 | 9.24 | 2678 | 35.03 | 670 | 8.76 | |

Lumen values are from photometric tests performed in accordance with IESNA LM-79-08. Data is considered to be representative of the configurations shown, within the tolerances allowed by Lighting Facts. Actual performance may differ as a result of end-user environment and application. Contact factory for performance data on any configurations not shown here.

IES data is available at www.winalighting.com. Refer to website for the latest IES file updates.

PERFORMANCE DATA
Tunable White LAYR Range (continued)

| Lumens Per Foot | Fixture Length | Distribution | CCT/CRI 2200K/80 | Input Watts 2200K/80 | Delivered Lumens Per Foot | Input Watts Per Foot | CCT/CRI 3500K/80 | Input Watts 3500K/80 | Delivered Lumens Per Foot | Input Watts Per Foot | CCT/CRI 5000K/80 | Input Watts 5000K/80 | Delivered Lumens Per Foot | Input Watts Per Foot |
|-----------------|----------------|--------------|------------------|----------------------|---------------------------|----------------------|------------------|----------------------|---------------------------|----------------------|------------------|----------------------|---------------------------|----------------------|
| 750 | 2FT | 9x9 | 1098 | 16.67 | 549 | 8.34 | 1256 | 13.01 | 628 | 6.51 | 1249 | 12.32 | 625 | 6.16 |
| | 2FT | 10x60 | 1100 | 16.67 | 550 | 8.34 | 1258 | 13.01 | 629 | 6.51 | 1251 | 12.32 | 626 | 6.16 |
| | 2FT | 15x30 | 945 | 16.67 | 473 | 8.34 | 1081 | 13.01 | 541 | 6.51 | 1075 | 12.32 | 538 | 6.16 |
| | 2FT | 30x60 | 966 | 16.67 | 483 | 8.34 | 1105 | 13.01 | 553 | 6.51 | 1099 | 12.32 | 550 | 6.16 |
| | 2FT | 40x60 | 895 | 16.67 | 448 | 8.34 | 1024 | 13.01 | 512 | 6.51 | 1018 | 12.32 | 509 | 6.16 |
| | 2FT | 60x60 | 961 | 16.67 | 481 | 8.34 | 1099 | 13.01 | 550 | 6.51 | 1093 | 12.32 | 547 | 6.16 |
| | 2FT | WWD | 740 | 16.67 | 370 | 8.34 | 846 | 13.01 | 423 | 6.51 | 842 | 12.32 | 421 | 6.16 |
| | 3FT | 9x9 | 1593 | 24.9 | 531 | 8.30 | 1821 | 19.43 | 607 | 6.48 | 1811 | 18.4 | 604 | 6.13 |
| | 3FT | 10x60 | 1595 | 24.9 | 532 | 8.30 | 1825 | 19.43 | 608 | 6.48 | 1814 | 18.4 | 605 | 6.13 |
| | 3FT | 15x30 | 1370 | 24.9 | 457 | 8.30 | 1567 | 19.43 | 522 | 6.48 | 1558 | 18.4 | 519 | 6.13 |
| | 3FT | 30x60 | 1401 | 24.9 | 467 | 8.30 | 1603 | 19.43 | 534 | 6.48 | 1594 | 18.4 | 531 | 6.13 |
| | 3FT | 40x60 | 1298 | 24.9 | 433 | 8.30 | 1485 | 19.43 | 495 | 6.48 | 1476 | 18.4 | 492 | 6.13 |
| | 3FT | 60x60 | 1393 | 24.9 | 464 | 8.30 | 1594 | 19.43 | 531 | 6.48 | 1585 | 18.4 | 528 | 6.13 |
| | 3FT | WWD | 1073 | 24.9 | 358 | 8.30 | 1228 | 19.43 | 409 | 6.48 | 1221 | 18.4 | 407 | 6.13 |
| | 4FT | 9x9 | 2088 | 32.38 | 522 | 8.10 | 2388 | 25.26 | 597 | 6.32 | 2374 | 23.93 | 594 | 5.98 |
| | 4FT | 10x60 | 2091 | 32.38 | 523 | 8.10 | 2392 | 25.26 | 598 | 6.32 | 2378 | 23.93 | 595 | 5.98 |
| 4FT | 15x30 | 1797 | 32.38 | 449 | 8.10 | 2055 | 25.26 | 514 | 6.32 | 2043 | 23.93 | 511 | 5.98 | |
| 4FT | 30x60 | 1837 | 32.38 | 459 | 8.10 | 2101 | 25.26 | 525 | 6.32 | 2089 | 23.93 | 522 | 5.98 | |
| 4FT | 40x60 | 1702 | 32.38 | 426 | 8.10 | 1947 | 25.26 | 487 | 6.32 | 1936 | 23.93 | 484 | 5.98 | |
| 4FT | 60x60 | 1827 | 32.38 | 457 | 8.10 | 2089 | 25.26 | 522 | 6.32 | 2077 | 23.93 | 519 | 5.98 | |
| 4FT | WWD | 1407 | 32.38 | 352 | 8.10 | 1609 | 25.26 | 402 | 6.32 | 1600 | 23.93 | 400 | 5.98 | |
| 1000 | 2FT | 9x9 | 1361 | 23.36 | 681 | 11.68 | 1557 | 18.22 | 779 | 9.11 | 1548 | 17.26 | 774 | 8.63 |
| | 2FT | 10x60 | 1364 | 23.36 | 682 | 11.68 | 1560 | 18.22 | 780 | 9.11 | 1551 | 17.26 | 776 | 8.63 |
| | 2FT | 15x30 | 1171 | 23.36 | 586 | 11.68 | 1340 | 18.22 | 670 | 9.11 | 1332 | 17.26 | 666 | 8.63 |
| | 2FT | 30x60 | 1198 | 23.36 | 599 | 11.68 | 1370 | 18.22 | 685 | 9.11 | 1362 | 17.26 | 681 | 8.63 |
| | 2FT | 40x60 | 1110 | 23.36 | 555 | 11.68 | 1269 | 18.22 | 635 | 9.11 | 1262 | 17.26 | 631 | 8.63 |
| | 2FT | 60x60 | 1191 | 23.36 | 596 | 11.68 | 1362 | 18.22 | 681 | 9.11 | 1354 | 17.26 | 677 | 8.63 |
| | 2FT | WWD | 918 | 23.36 | 459 | 11.68 | 1049 | 18.22 | 525 | 9.11 | 1043 | 17.26 | 522 | 8.63 |
| | 3FT | 9x9 | 1974 | 34.89 | 658 | 11.63 | 2258 | 27.22 | 753 | 9.07 | 2245 | 25.78 | 748 | 8.59 |
| | 3FT | 10x60 | 1978 | 34.89 | 659 | 11.63 | 2262 | 27.22 | 754 | 9.07 | 2249 | 25.78 | 750 | 8.59 |
| | 3FT | 15x30 | 1699 | 34.89 | 566 | 11.63 | 1943 | 27.22 | 648 | 9.07 | 1932 | 25.78 | 644 | 8.59 |
| | 3FT | 30x60 | 1737 | 34.89 | 579 | 11.63 | 1987 | 27.22 | 662 | 9.07 | 1976 | 25.78 | 659 | 8.59 |
| | 3FT | 40x60 | 1609 | 34.89 | 536 | 11.63 | 1841 | 27.22 | 614 | 9.07 | 1830 | 25.78 | 610 | 8.59 |
| | 3FT | 60x60 | 1727 | 34.89 | 576 | 11.63 | 1976 | 27.22 | 659 | 9.07 | 1965 | 25.78 | 655 | 8.59 |
| | 3FT | WWD | 1331 | 34.89 | 444 | 11.63 | 1522 | 27.22 | 507 | 9.07 | 1513 | 25.78 | 504 | 8.59 |
| | 4FT | 9x9 | 2588 | 45.37 | 647 | 11.34 | 2960 | 35.4 | 740 | 8.85 | 2944 | 33.53 | 736 | 8.38 |
| | 4FT | 10x60 | 2593 | 45.37 | 648 | 11.34 | 2966 | 35.4 | 742 | 8.85 | 2949 | 33.53 | 737 | 8.38 |
| | 4FT | 15x30 | 2227 | 45.37 | 557 | 11.34 | 2547 | 35.4 | 637 | 8.85 | 2533 | 33.53 | 633 | 8.38 |
| | 4FT | 30x60 | 2278 | 45.37 | 570 | 11.34 | 2605 | 35.4 | 651 | 8.85 | 2590 | 33.53 | 648 | 8.38 |
| 4FT | 40x60 | 2110 | 45.37 | 528 | 11.34 | 2413 | 35.4 | 603 | 8.85 | 2400 | 33.53 | 600 | 8.38 | |
| 4FT | 60x60 | 2265 | 45.37 | 566 | 11.34 | 2590 | 35.4 | 648 | 8.85 | 2576 | 33.53 | 644 | 8.38 | |
| 4FT | WWD | 1745 | 45.37 | 436 | 11.34 | 1995 | 35.4 | 499 | 8.85 | 1984 | 33.53 | 496 | 8.38 | |

Lumen values are from photometric tests performed in accordance with IESNA LM-79-08. Data is considered to be representative of the configurations shown, within the tolerances allowed by Lighting Facts. Actual performance may differ as a result of end-user environment and application. Contact factory for performance data on any configurations not shown here.

IES data is available at www.winalighting.com. Refer to website for the latest IES file updates.

PERFORMANCE DATA

Warm Dimming

| Lumens Per Foot | Fixture Length | Distribution | CRI | Delivered Lumens | Input Watts | Lumen/Watt | Delivered Lumens Per Foot | Input Watts Per Foot |
|-----------------|----------------|--------------|------|------------------|-------------|------------|---------------------------|----------------------|
| 300 | 2FT | 9x9 | 80 | 510 | 5.5 | 93 | 255 | 2.75 |
| | 2FT | 10x60 | 80 | 511 | 5.5 | 93 | 256 | 2.75 |
| | 2FT | 15x30 | 80 | 485 | 5.5 | 88 | 243 | 2.75 |
| | 2FT | 30x60 | 80 | 495 | 5.5 | 90 | 248 | 2.75 |
| | 2FT | 40x60 | 80 | 459 | 5.5 | 83 | 230 | 2.75 |
| | 2FT | 60x60 | 80 | 491 | 5.5 | 89 | 246 | 2.75 |
| | 2FT | WWD | 80 | 440 | 5.5 | 80 | 220 | 2.75 |
| | 3FT | 9x9 | 80 | 793 | 8.21 | 97 | 264 | 2.74 |
| | 3FT | 10x60 | 80 | 795 | 8.21 | 97 | 265 | 2.74 |
| | 3FT | 15x30 | 80 | 754 | 8.21 | 92 | 251 | 2.74 |
| | 3FT | 30x60 | 80 | 771 | 8.21 | 94 | 257 | 2.74 |
| | 3FT | 40x60 | 80 | 715 | 8.21 | 87 | 238 | 2.74 |
| | 3FT | 60x60 | 80 | 765 | 8.21 | 93 | 255 | 2.74 |
| | 3FT | WWD | 80 | 685 | 8.21 | 83 | 228 | 2.74 |
| | 4FT | 9x9 | 80 | 1062 | 8.67 | 122 | 266 | 2.17 |
| | 4FT | 10x60 | 80 | 1064 | 8.67 | 123 | 266 | 2.17 |
| 4FT | 15x30 | 80 | 1010 | 8.67 | 116 | 253 | 2.17 | |
| 4FT | 30x60 | 80 | 1033 | 8.67 | 119 | 258 | 2.17 | |
| 4FT | 40x60 | 80 | 957 | 8.67 | 110 | 239 | 2.17 | |
| 4FT | 60x60 | 80 | 1024 | 8.67 | 118 | 256 | 2.17 | |
| 4FT | WWD | 80 | 917 | 8.67 | 106 | 229 | 2.17 | |
| 450 | 2FT | 9x9 | 80 | 794 | 7.53 | 105 | 397 | 3.77 |
| | 2FT | 10x60 | 80 | 795 | 7.53 | 106 | 398 | 3.77 |
| | 2FT | 15x30 | 80 | 754 | 7.53 | 100 | 377 | 3.77 |
| | 2FT | 30x60 | 80 | 771 | 7.53 | 102 | 386 | 3.77 |
| | 2FT | 40x60 | 80 | 715 | 7.53 | 95 | 358 | 3.77 |
| | 2FT | 60x60 | 80 | 765 | 7.53 | 102 | 383 | 3.77 |
| | 2FT | WWD | 80 | 685 | 7.53 | 91 | 343 | 3.77 |
| | 3FT | 9x9 | 80 | 1235 | 11.23 | 110 | 412 | 3.74 |
| | 3FT | 10x60 | 80 | 1237 | 11.23 | 110 | 412 | 3.74 |
| | 3FT | 15x30 | 80 | 1174 | 11.23 | 105 | 391 | 3.74 |
| | 3FT | 30x60 | 80 | 1201 | 11.23 | 107 | 400 | 3.74 |
| | 3FT | 40x60 | 80 | 1113 | 11.23 | 99 | 371 | 3.74 |
| | 3FT | 60x60 | 80 | 1190 | 11.23 | 106 | 397 | 3.74 |
| | 3FT | WWD | 80 | 1067 | 11.23 | 95 | 356 | 3.74 |
| | 4FT | 9x9 | 80 | 1654 | 11.86 | 139 | 414 | 2.97 |
| | 4FT | 10x60 | 80 | 1657 | 11.86 | 140 | 414 | 2.97 |
| 4FT | 15x30 | 80 | 1572 | 11.86 | 133 | 393 | 2.97 | |
| 4FT | 30x60 | 80 | 1608 | 11.86 | 136 | 402 | 2.97 | |
| 4FT | 40x60 | 80 | 1490 | 11.86 | 126 | 373 | 2.97 | |
| 4FT | 60x60 | 80 | 1594 | 11.86 | 134 | 399 | 2.97 | |
| 4FT | WWD | 80 | 1428 | 11.86 | 120 | 357 | 2.97 | |
| 600 | 2FT | 9x9 | 80 | 1066 | 10.4 | 103 | 533 | 5.20 |
| | 2FT | 10x60 | 80 | 1068 | 10.4 | 103 | 534 | 5.20 |
| | 2FT | 15x30 | 80 | 1014 | 10.4 | 98 | 507 | 5.20 |
| | 2FT | 30x60 | 80 | 1036 | 10.4 | 100 | 518 | 5.20 |
| | 2FT | 40x60 | 80 | 960 | 10.4 | 92 | 480 | 5.20 |
| | 2FT | 60x60 | 80 | 1027 | 10.4 | 99 | 514 | 5.20 |
| | 2FT | WWD | 80 | 921 | 10.4 | 89 | 461 | 5.20 |
| | 3FT | 9x9 | 80 | 1660 | 15.52 | 107 | 553 | 5.17 |
| | 3FT | 10x60 | 80 | 1663 | 15.52 | 107 | 554 | 5.17 |
| | 3FT | 15x30 | 80 | 1578 | 15.52 | 102 | 526 | 5.17 |
| | 3FT | 30x60 | 80 | 1613 | 15.52 | 104 | 538 | 5.17 |
| | 3FT | 40x60 | 80 | 1495 | 15.52 | 96 | 498 | 5.17 |
| | 3FT | 60x60 | 80 | 1599 | 15.52 | 103 | 533 | 5.17 |
| | 3FT | WWD | 80 | 1433 | 15.52 | 92 | 478 | 5.17 |
| | 4FT | 9x9 | 80 | 2222 | 16.37 | 136 | 556 | 4.09 |
| | 4FT | 10x60 | 80 | 2226 | 16.37 | 136 | 557 | 4.09 |
| 4FT | 15x30 | 80 | 2113 | 16.37 | 129 | 528 | 4.09 | |
| 4FT | 30x60 | 80 | 2160 | 16.37 | 132 | 540 | 4.09 | |
| 4FT | 40x60 | 80 | 2001 | 16.37 | 122 | 500 | 4.09 | |
| 4FT | 60x60 | 80 | 2141 | 16.37 | 131 | 535 | 4.09 | |
| 4FT | WWD | 80 | 1919 | 16.37 | 117 | 480 | 4.09 | |

PERFORMANCE DATA

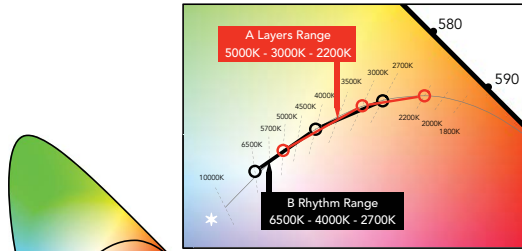
Warm Dimming (continued)

| Lumens Per Foot | Fixture Length | Distribution | CRI | Delivered Lumens | Input Watts | Lumen/Watt | Delivered Lumens Per Foot | Input Watts Per Foot |
|-----------------|----------------|--------------|------|------------------|-------------|------------|---------------------------|----------------------|
| 750 | 2FT | 9x9 | 80 | 1320 | 13.64 | 97 | 660 | 6.82 |
| | 2FT | 10x60 | 80 | 1322 | 13.64 | 97 | 661 | 6.82 |
| | 2FT | 15x30 | 80 | 1255 | 13.64 | 92 | 628 | 6.82 |
| | 2FT | 30x60 | 80 | 1283 | 13.64 | 94 | 642 | 6.82 |
| | 2FT | 40x60 | 80 | 1189 | 13.64 | 87 | 595 | 6.82 |
| | 2FT | 60x60 | 80 | 1272 | 13.64 | 93 | 636 | 6.82 |
| | 2FT | WWD | 80 | 1140 | 13.64 | 84 | 570 | 6.82 |
| | 3FT | 9x9 | 80 | 2055 | 20.35 | 101 | 685 | 6.78 |
| | 3FT | 10x60 | 80 | 2059 | 20.35 | 101 | 686 | 6.78 |
| | 3FT | 15x30 | 80 | 1954 | 20.35 | 96 | 651 | 6.78 |
| | 3FT | 30x60 | 80 | 1998 | 20.35 | 98 | 666 | 6.78 |
| | 3FT | 40x60 | 80 | 1851 | 20.35 | 91 | 617 | 6.78 |
| | 3FT | 60x60 | 80 | 1980 | 20.35 | 97 | 660 | 6.78 |
| | 3FT | WWD | 80 | 1774 | 20.35 | 87 | 591 | 6.78 |
| | 4FT | 9x9 | 80 | 2751 | 21.48 | 128 | 688 | 5.37 |
| | 4FT | 10x60 | 80 | 2756 | 21.48 | 128 | 689 | 5.37 |
| | 4FT | 15x30 | 80 | 2616 | 21.48 | 122 | 654 | 5.37 |
| | 4FT | 30x60 | 80 | 2675 | 21.48 | 125 | 669 | 5.37 |
| 4FT | 40x60 | 80 | 2478 | 21.48 | 115 | 620 | 5.37 | |
| 4FT | 60x60 | 80 | 2651 | 21.48 | 123 | 663 | 5.37 | |
| 4FT | WWD | 80 | 2376 | 21.48 | 111 | 594 | 5.37 | |
| 1000 | 2FT | 9x9 | 80 | 1737 | 19.32 | 90 | 869 | 9.66 |
| | 2FT | 10x60 | 80 | 1740 | 19.32 | 90 | 870 | 9.66 |
| | 2FT | 15x30 | 80 | 1651 | 19.32 | 85 | 826 | 9.66 |
| | 2FT | 30x60 | 80 | 1688 | 19.32 | 87 | 844 | 9.66 |
| | 2FT | 40x60 | 80 | 1564 | 19.32 | 81 | 782 | 9.66 |
| | 2FT | 60x60 | 80 | 1674 | 19.32 | 87 | 837 | 9.66 |
| | 2FT | WWD | 80 | 1500 | 19.32 | 78 | 750 | 9.66 |
| | 3FT | 9x9 | 80 | 2704 | 28.82 | 94 | 901 | 9.61 |
| | 3FT | 10x60 | 80 | 2709 | 28.82 | 94 | 903 | 9.61 |
| | 3FT | 15x30 | 80 | 2571 | 28.82 | 89 | 857 | 9.61 |
| | 3FT | 30x60 | 80 | 2629 | 28.82 | 91 | 876 | 9.61 |
| | 3FT | 40x60 | 80 | 2435 | 28.82 | 84 | 812 | 9.61 |
| | 3FT | 60x60 | 80 | 2606 | 28.82 | 90 | 869 | 9.61 |
| | 3FT | WWD | 80 | 2335 | 28.82 | 81 | 778 | 9.61 |
| | 4FT | 9x9 | 80 | 3620 | 30.42 | 119 | 905 | 7.61 |
| | 4FT | 10x60 | 80 | 3627 | 30.42 | 119 | 907 | 7.61 |
| | 4FT | 15x30 | 80 | 3442 | 30.42 | 113 | 861 | 7.61 |
| | 4FT | 30x60 | 80 | 3519 | 30.42 | 116 | 880 | 7.61 |
| 4FT | 40x60 | 80 | 3260 | 30.42 | 107 | 815 | 7.61 | |
| 4FT | 60x60 | 80 | 3489 | 30.42 | 115 | 872 | 7.61 | |
| 4FT | WWD | 80 | 3126 | 30.42 | 103 | 782 | 7.61 | |

Lumen values are from photometric tests performed in accordance with IESNA LM-79-08. Data is considered to be representative of the configurations shown, within the tolerances allowed by Lighting Facts. Actual performance may differ as a result of end-user environment and application. Contact factory for performance data on any configurations not shown here.

IES data is available at www.winonalighting.com. Refer to website for the latest IES file updates.

Expected Life: TUWH: L70 @ 120,000 hours
WDIM: L70 @ 60,000 hours

TUNABLE WHITE WARM DIMMING GAMUT AND RANGE


A Layers Range 5000K to 2200K

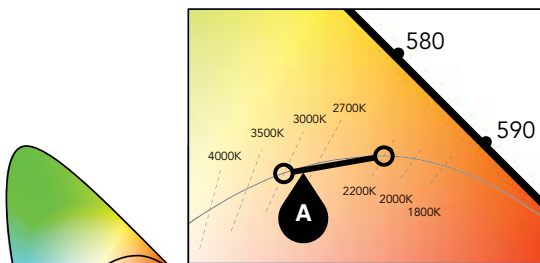
B Rhythm Range 6500K to 2700K

- The Gamut of a luminaire determines the potential color range, as well as light quality through measurements such as CRI and R9.
- The Path determines the range of colors temperatures available for the luminaire and how it tracks the Black Body Curve.

TUNABLE WHITE GPHD

- **Gamut:** One dimensional Warm-Neutral-Cool (WINC)
- **Path:** Multi-segment (6500K to 2700K) (Rhythm Range) or (5000K to 2200K) (Layers Range)
- **Handle:** Three handles: Warm, Neutral and Cool
- **Data:** DMX512/RDM

Rhythm Range is for designers who want to mimic the natural rhythms of daylight, with a broad palette of color temperatures. Layers Range offers the flexibility of tunable white control with the aesthetics of warm dimming, reaching to 2200K.

WARM DIMMING GAMUT AND RANGE


A Golden Range 3000K to 2200K

- The Gamut of a luminaire determines the potential color range, as well as light quality through measurements such as CRI and R9.
- The Path determines the range of colors temperatures available for the luminaire.

WARM DIMMING GPHD

- **Gamut:** One dimensional Warm-Cool (WiC)
- **Path:** Straight Line 3000K to 2200K (Golden Range)
- **Handle:** One Handle: Intensity (with implicit CCT)
- **Data:** 0-10V

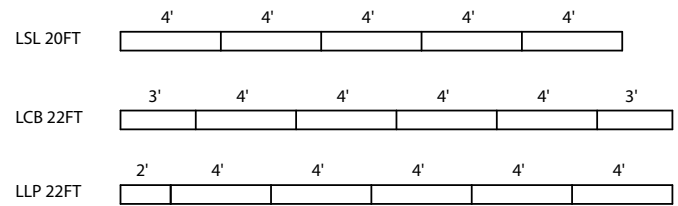
Replicate the comfortable, familiar feeling of traditional light sources warming in color as they are dimmed.

Linear Plan

Hydrel offers the ability to provide a continuous run plan to suit your requirements by optionally offering three methods of configuration.

LSL Linear Same Length:

In this configuration each segment is the same length is standardized based on the longest length available and is the only option provided. Because it is dependent on one segment length there are mathematical limitations on what overall row lengths can be achieved. Example: 20FT row would be achieved with (5) 4FT long segments equaling 20FT (nominal).



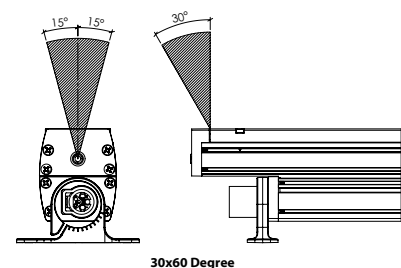
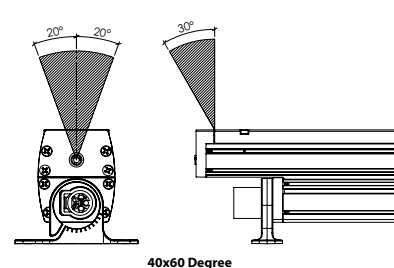
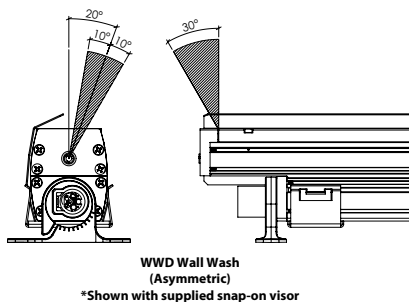
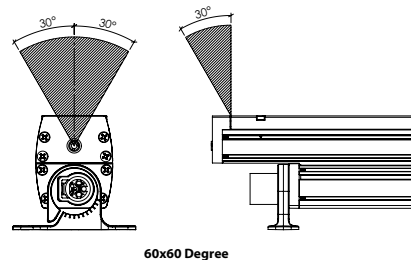
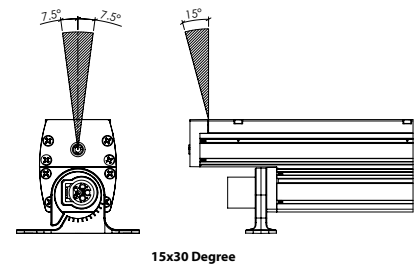
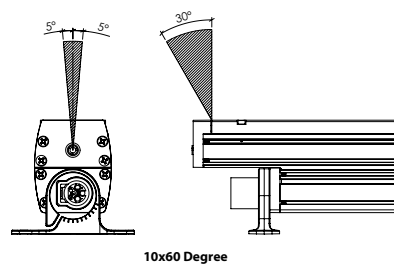
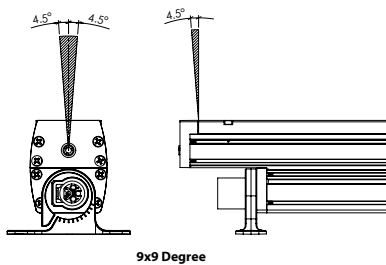
LCB Linear Center Balanced:

This configuration incorporates the longest center segment(s) along with any additional lengths required to fill located at each end. Example: 22FT row would have (2) 3FT segments (one at each end) and (4) 4FT intermediate segments located in between.

LLP Linear Longest Possible:

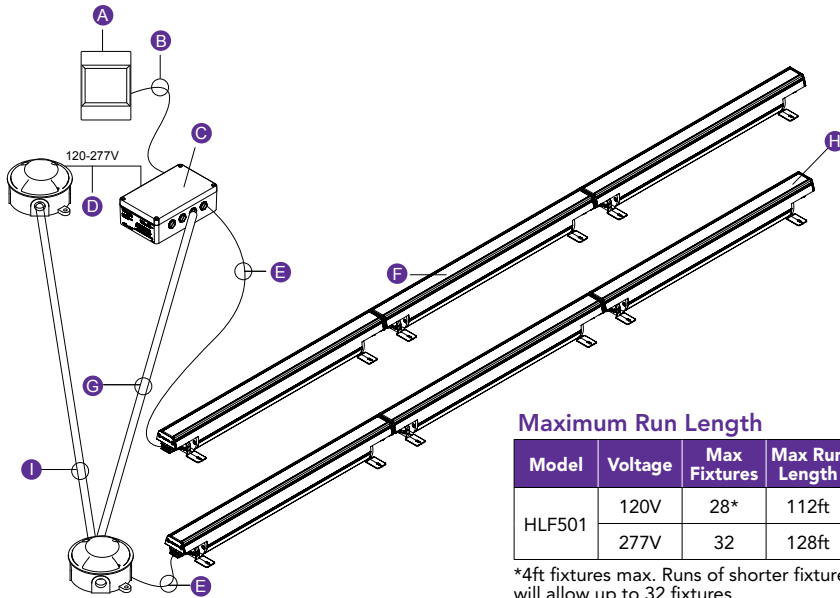
In this plan the longest length available is optimized resulting in the fewest segments and mounting locations. Caution should be used where balanced appearance is a concern. Example: 22FT row would have (5) 4FT segments and (1) 2FT segment located at one end.

DISTRIBUTION



BASIC SYSTEM WIRING INFORMATION WITH DMX

This very basic system wiring diagram provides an overview of components and materials required for a simple installation of HLF501 luminaires controlled by a DMX controller. These diagrams should not be used in place of actual installation instructions or submittal drawings prepared for a specific project.



Maximum Run Length

| Model | Voltage | Max Fixtures | Max Run Length |
|--------|---------|--------------|----------------|
| HLF501 | 120V | 28* | 112ft |
| | 277V | 32 | 128ft |

*4ft fixtures max. Runs of shorter fixtures will allow up to 32 fixtures

PATHWAY CONNECTIVITY SOLUTIONS - DMX NETWORKING AND ADVANCED CONTROL

DMX512 networks create dynamic lighting. Dynamic lighting often brings a lot of color and movement to spaces. The DMX512 lighting protocol was created to serve the needs of performance lighting, such as in theaters or music venues. A DMX network is designed to support large amounts of data continually moving between controllers and luminaires, and at very high speeds. Many non-performance lighting applications also rely on DMX networks, to support RGB LED luminaires featured in applications such as building façades, hotel lobbies and corporate reception areas.

A DMX network always includes a controller and luminaires that are compatible with the DMX protocol. As well, DMX lighting systems must include network devices that route the DMX data to different locations between the controllers and luminaires.

Pathway Connectivity provides these network devices, creating robust and secure network backbones. Pathway devices create bridges between Ethernet and DMX, and DMX and other kinds of lighting control protocols, such as RDM, nLight® or 0-10v.

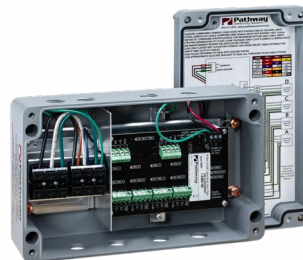
DMX-RDM Repeater with Power in IP65 Enclosure

Model

PWREP IP65 P4 DMX-RDM Repeater with TERM RDM Power in IP65 Enclosure

Refer to [PWREP IP65 spec sheet](#) for additional detail.

Integrates DMX signal & 120-277 line voltage onto a single cable. Exterior rated, up to 4 output feeds, Silver Textured Finish.



- A** DMX controller providing one universe of DMX-512 control. To supply a complete system RDM set-up and playback control solution, use:

Fresco

- Manage multiple light sources in multiple lighting zones, all from one controller
- On screen lighting design and set-up, no computer required or Ethernet connection for remote configuration and advanced control
- All device settings are stored on-board in non-volatile memory

- B** Belden 9829 cable is the preferred communication/data cable used to carry the DMX signal to and from the PWREP IP65. The total length of this cable must not exceed 1000 feet from the DMX controller to the PWREP IP65. No luminaires should be installed between DMX Controller and any PWREP IP65.

- C** PWREP IP65 (DMX-RDM Repeater with Power in IP65 Enclosure) is used to bundle DMX to line voltage and deliver them to the luminaire. This box provides necessary isolation between the DMX control and line voltage and is required for all HLF501 installations. The PWREP IP65 also serves as a 4-channel splitter enabling up to 128 fixtures to be controlled from a single PWREP IP65. Refer to PWREP IP65 Installation Sheet for dimensions and mounting details.

- D** 120V-277V input to PWREP IP65. Metallic conduit and standard fittings are compatible as are multi-conductor cords provided they are appropriate to the mounting location.

- E** Feed cable connects junction box with first fixture in a run. 14 ga. conductors carry power, shielded 18 ga. conductors carry data. Input end is stripped for connection to the Junction or PWREP IP65, output end includes a male or female plug for fixture connection. Also included with each feed cable is a termination/sealing cap for the end of each run. Contact factory for availability of custom feed cable lengths.

- F** A maximum of 32 luminaires can be connected to a single output channel of the PWREP IP65. The maximum length of cord and luminaire run combined is 1000 feet per DMX/RDM specification.

- G** Data can be run to junction box locations in conduits. Use Belden 9829 for data.

- H** To ensure data integrity, a termination/sealing cap with 120 Ohm resistor is required at the last luminaire in each run. See installation instructions.

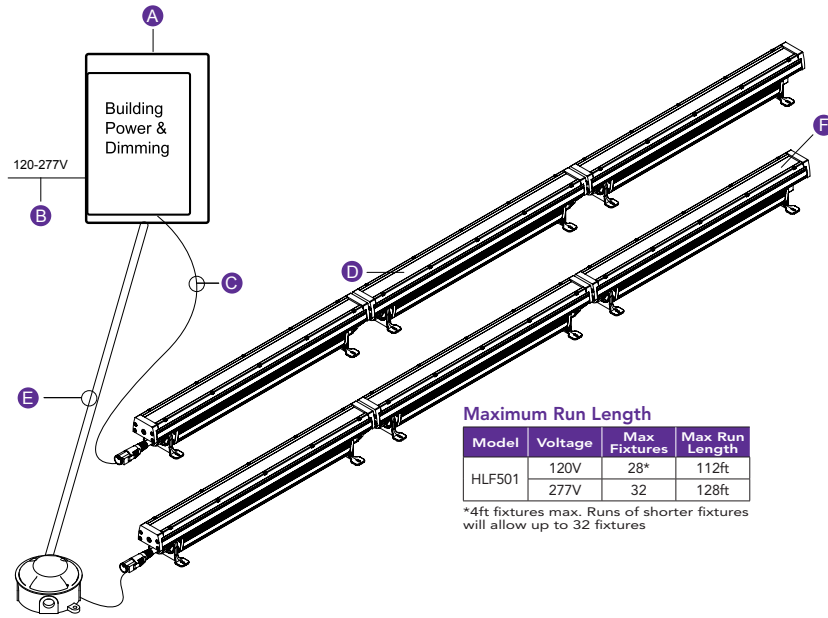
- I** Power can be run to junction box locations in conduits. Use copper wire per local code for power.

Fresco Control System



BASIC SYSTEM WIRING INFORMATION WITHOUT DMX

This very basic system wiring diagram provides an overview of components and materials required for a simple installation of HLF501 luminaires controlled by building system power (By Others). These diagrams should not be used in place of actual installation instructions or submittal drawings prepared for a specific project.

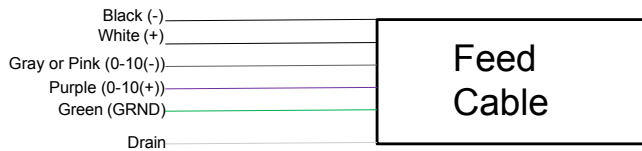


Maximum Run Length

| Model | Voltage | Max Fixtures | Max Run Length |
|--------|---------|--------------|----------------|
| HLF501 | 120V | 28* | 112ft |
| | 277V | 32 | 128ft |

*4ft fixtures max. Runs of shorter fixtures will allow up to 32 fixtures

Feed Cable Wiring



*Notes

- 1) Cap BARE SHIELD WIRE in Junction box. (By Others)
- 2) When not using 0-10 dim ing, cap Gray or Pink and Purple separately in the junction box. (By Others)

Luminaire installation can be as simple as a single luminaire and one control to many different luminaires in multiple locations being triggered and manipulated in real time. Consulting with the factory at the beginning stages of the project will ensure the required equipment be specified and properly installed.

- A** Building power and dimming control input via 0-10V system provided by others.
- B** 120V-277V input. Metallic conduit and standard fittings are compatible as are multi-conductor cords provided they are appropriate to the mounting location.
- C** Feed cable connects junction box or control input with first fixture in a run. 14 ga. conductors carry power, shielded 18 ga. conductors carry data. Input end is stripped for connection to the junction box, output end includes a female or male plug for fixture connection. Also included with each feed cable is a sealing cap for the end of each run.
- D** A maximum of 32 luminaires can be connected to a single feed cable.
- E** Power can be run to junction box locations in rigid conduit. Use Belden 9829 for data and copper wire per local code for power. Use appropriate fitting for combination cord.
- F** Included with each feed cable is a sealing cap for the last luminaire in each run. See installation instructions.

ACCESSORY OPTIONS

Fresco Control System

| Series | Model | Options | Finish |
|---------------------------|--------------------------------------|--|--|
| FCS Fresco Control System | 7TSN 7" touchscreen with nLight port | (blank) nlight only X DMX/RDM control | DBL Black DWH White DNA Natural Aluminum |

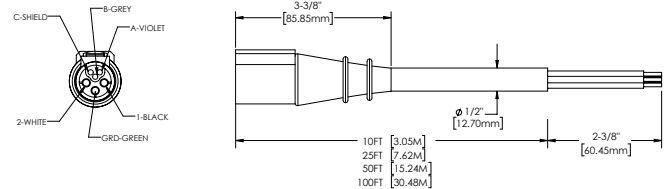


Refer to [FRESKO](#) spec sheet for additional details and options

Feed Cable, Right Feed (Female Plug), EXTERIOR (Linear) *Minimum of one feed cable, left or right, required per installation

Carries DMX or NON-DMX signal and 120-277 line voltage power to right end of first fixture in run.
Supplied with termination/sealing cap.
Use one feed cable per run only.

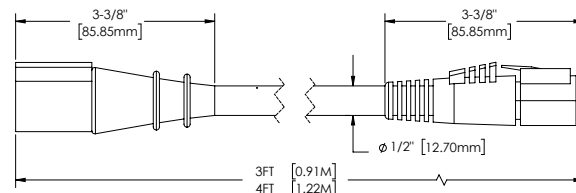
| Model | Description |
|-----------|---|
| FCCSL100D | 100FT Feed Cable Wet Location with DMX Plug |
| FCCSL10D | 10FT Feed Cable Wet Location with DMX Plug |
| FCCSL25D | 25FT Feed Cable Wet Location DMX Plug |
| FCCSL50D | 50FT Feed Cable Wet Location DMX Plug |
| NOFCL | No Power Feed Cable |
| FCCSL100N | 100FT Feed Cable Wet Location Non DMX Plug |
| FCCSL10N | 10FT Feed Cable Wet Location Non DMX Plug |
| FCCSL25N | 25FT Feed Cable Wet Location Non DMX Plug |
| FCCSL50N | 50FT Feed Cable Wet Location Non DMX Plug |



Jumper Cable EXTERIOR (Linear) *Optional*

| Model | Description |
|---------|--|
| HJCLW3L | 3FT Jumper Cable Exterior Location (Black) |
| HJCLW4L | 4FT Jumper Cable Exterior Location (Black) |

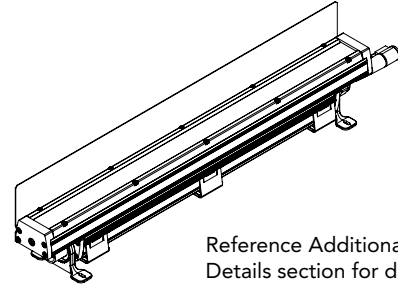
Standard fixture is supplied with 15" cable to connect from one fixture to the other in a continuous run application. If a larger gap between fixtures is required, an optional jumper cable can be ordered separately. Cable carries DMX or NON-DMX signal and 120- 277 line voltage power between two units in a run.



ACCESSORY OPTIONS (CONTINUED)

Glare Visor (Linear) *Optional*

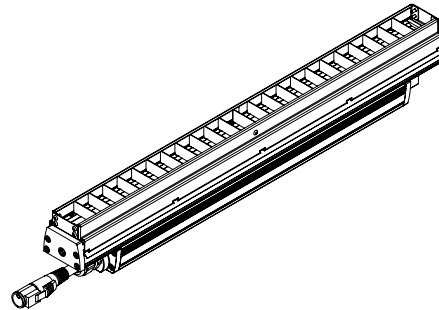
| Model | | Fixture Section | | Finish | |
|--------|----------------------------|-----------------|-----------------|--------|-----------------------|
| HVSRS5 | Glare Visor Linear Surface | U2 | 2FT Length Unit | BKT | Black Textured Paint |
| | | U3 | 3FT Length Unit | SIT | Silver Textured Paint |
| | | U4 | 4FT Length Unit | WHT | White Textured Paint |
| | | | | RALTBD | RAL Paint Finish |
| | | | | CF | Custom Painted Finish |



Reference Additional Accessory Details section for dimensions

Baffle (Linear) *Optional*

| Model | | Fixture Section | |
|-------|---|-----------------|-----------------|
| HBFL5 | Baffle Linear Surface (Available in matte black finish only) | U2 | 2FT Length Unit |
| | | U3 | 3FT Length Unit |
| | | U4 | 4FT Length Unit |

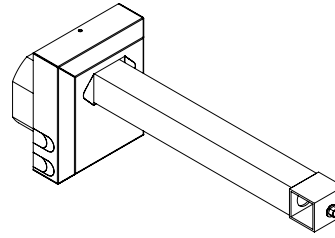


Reference Additional Accessory Details section for dimensions

ACCESSORY OPTIONS (CONTINUED)

Brackets *Optional*

| Series | | Finish | |
|--------|---|--------|-----------------------|
| CWM12 | Cantilever Wall Mount 12" Projection | BKT | Black Textured Paint |
| CWM18 | Cantilever Wall Mount 18" Projection | SIT | Silver Textured Paint |
| CWM6 | Cantilever Wall Mount 6" Projection | WHT | White Textured Paint |
| | | RALTBD | RAL Paint Finish |
| | | CF | Custom Painted Finish |

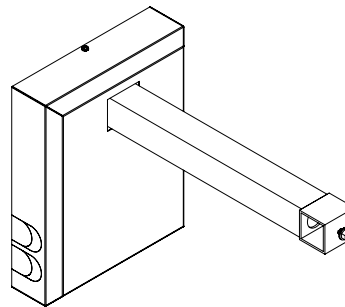


For use with recessed or remote junction box locations. Junction box (by others).

Reference Additional Accessory Details section for dimensions

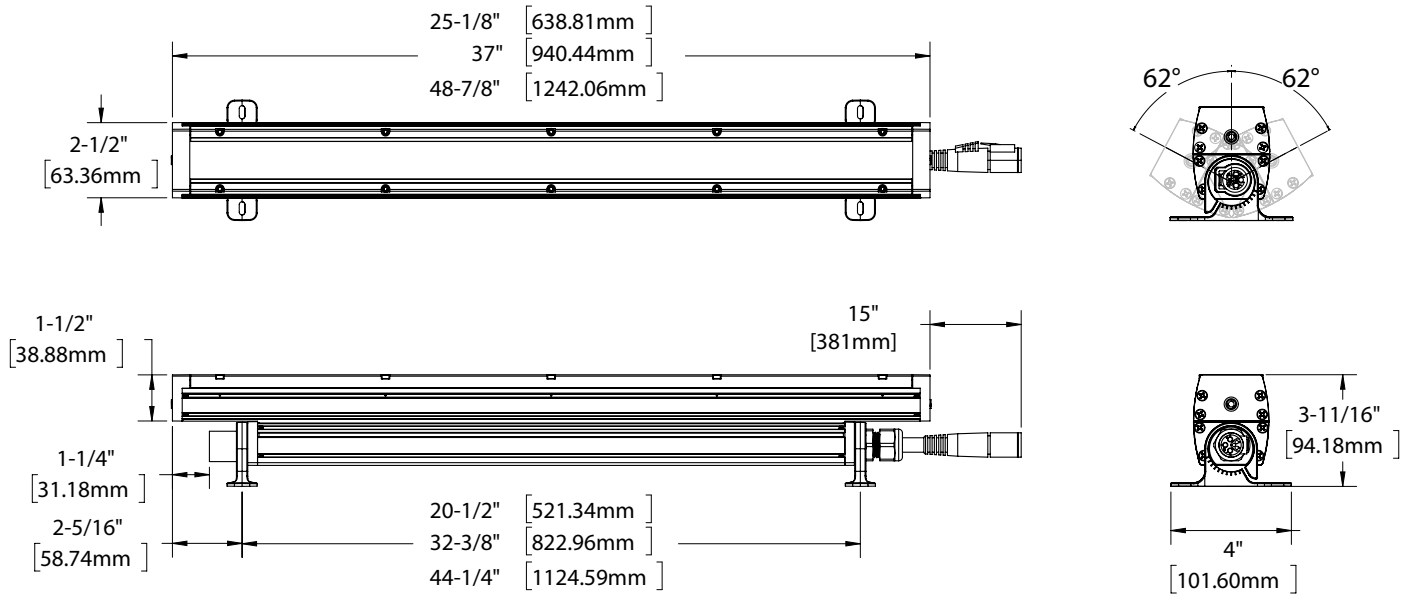
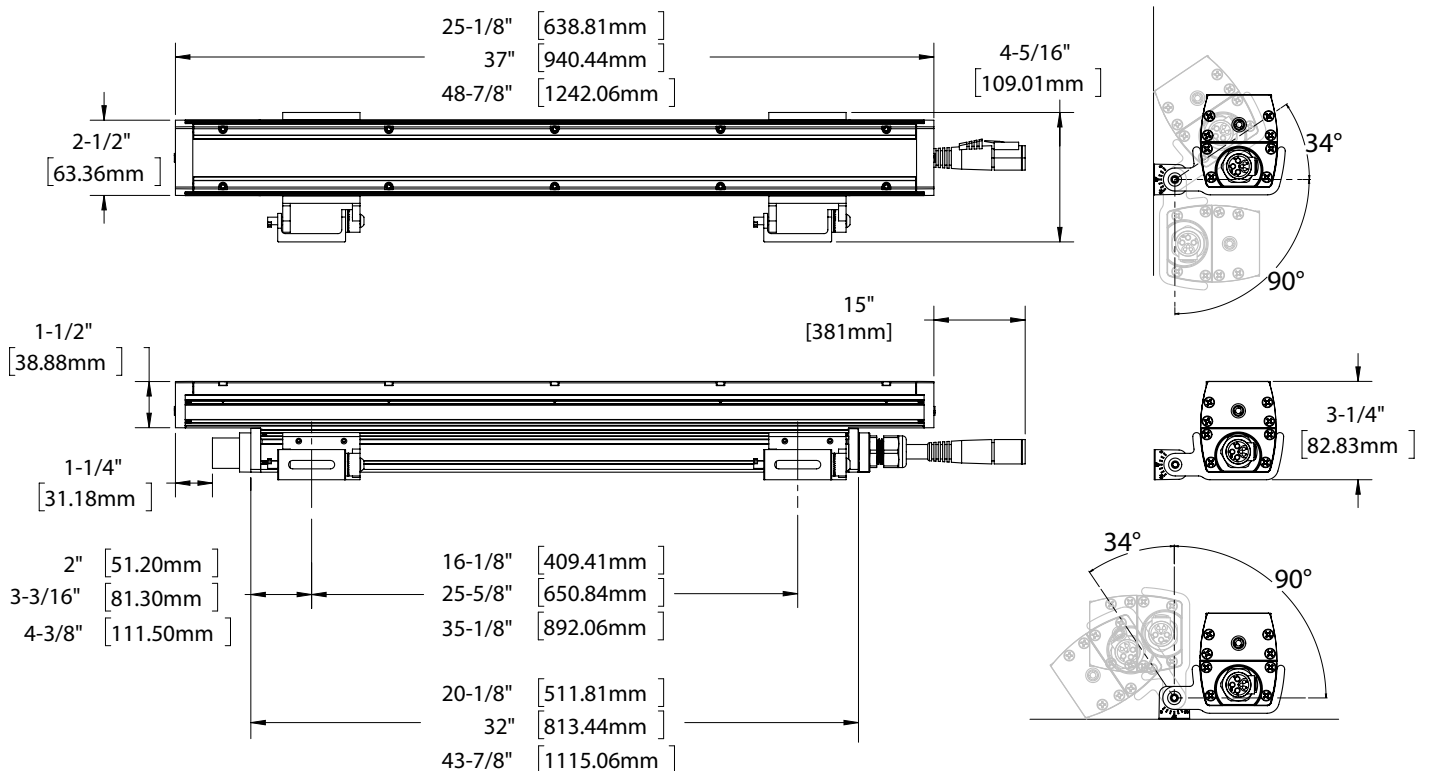
Brackets *Optional*

| Series | | Finish | |
|--------|---|--------|-----------------------|
| CWML12 | Cantilever Wall Mount Large 12" projection | BKT | Black Textured Paint |
| CWML18 | Cantilever Wall Mount Large 18" projection | SIT | Silver Textured Paint |
| CWML6 | Cantilever Wall Mount Large 6" projection | WHT | White Textured Paint |
| | | RALTBD | RAL Paint Finish |
| | | CF | Custom Painted Finish |



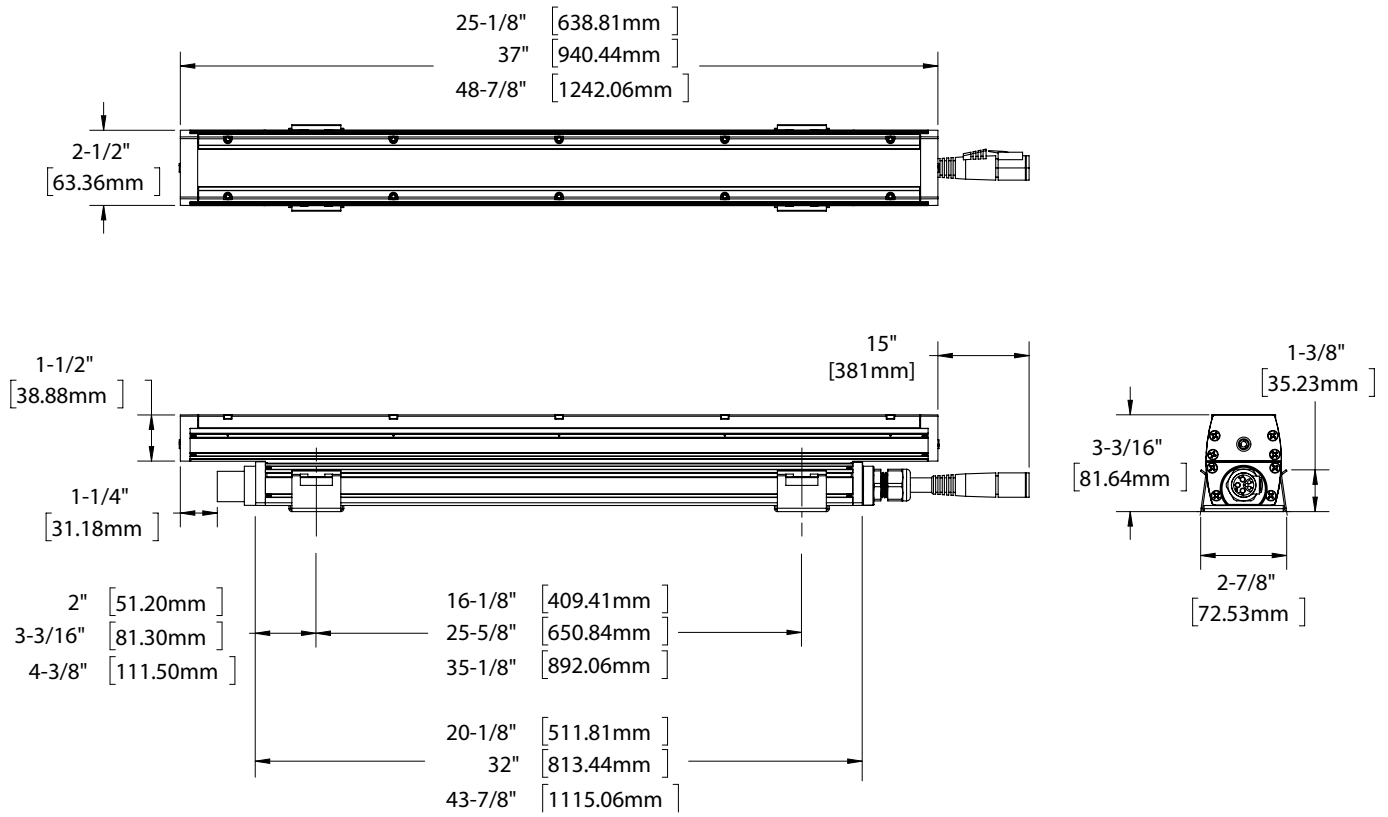
For use with surface mount junction box (by others) and surface mounted conduit (by others).

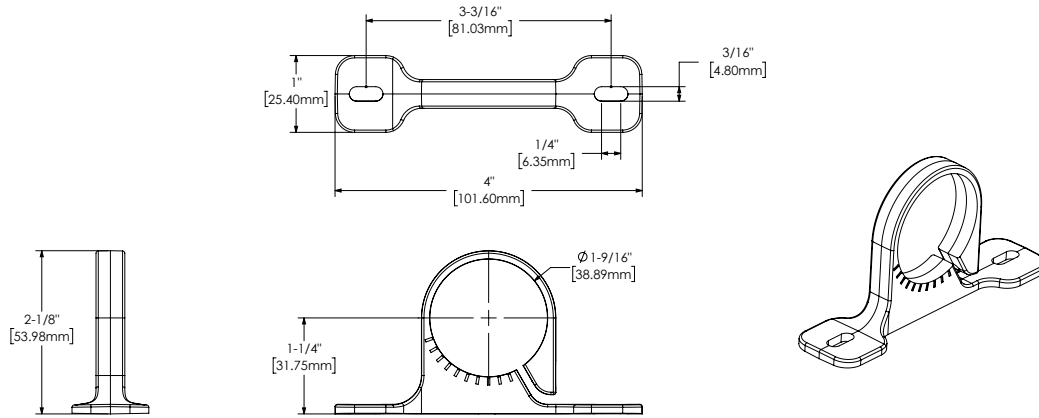
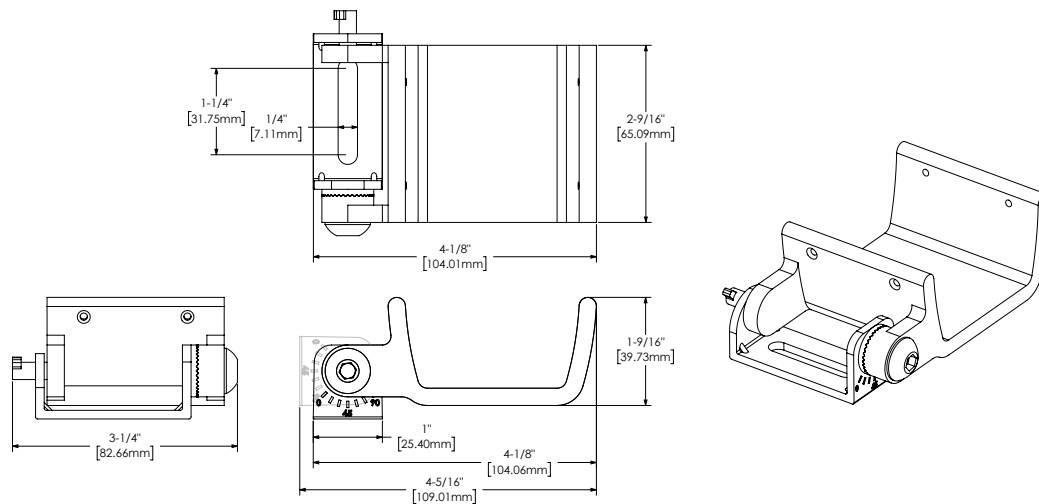
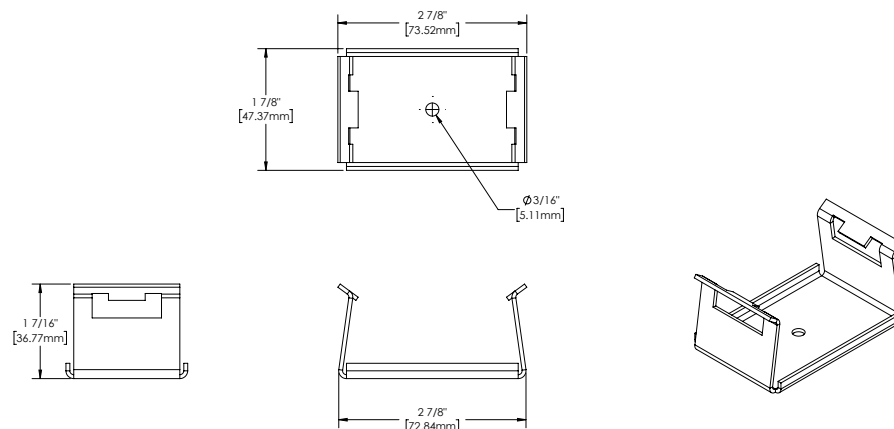
Reference Additional Accessory Details section for dimensions

DIMENSIONS & MOUNTING
H500ADJC1 - Adjustable Mount Center Axis

H500ADJH2 - Adjustable Mount Side Hinge


DIMENSIONS & MOUNTING

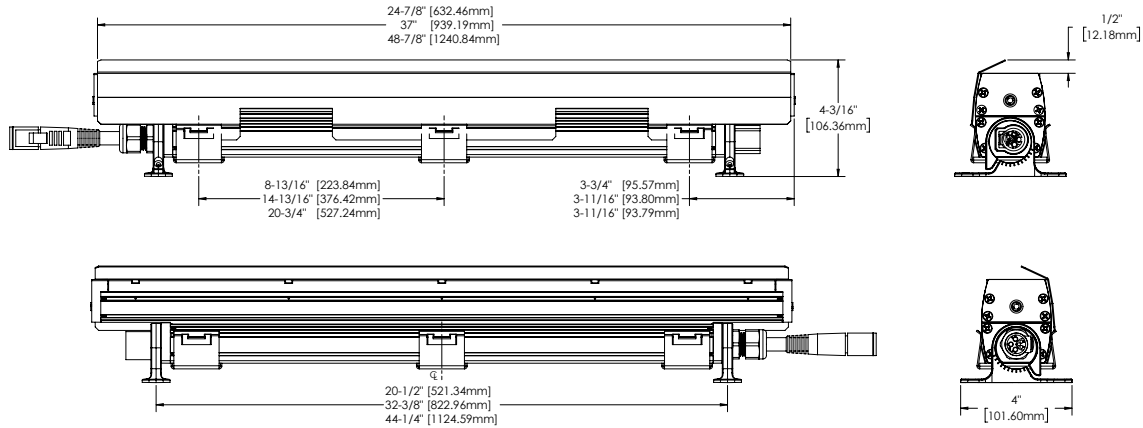
HM500FMC - Fixed Mount



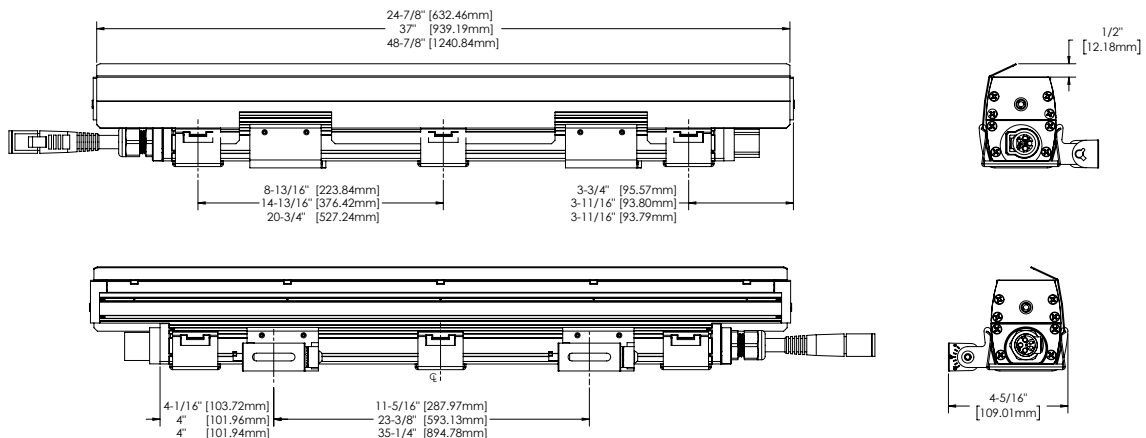
DIMENSIONS & MOUNTING (CONTINUED)
H500ADJC1 - Adjustable Mount Center Axis Detail

H500ADJH2 - Adjustable Mount Side Hinge Detail

H500FMC - Fixed Mount Detail


DIMENSIONS & MOUNTING
WWD Asymmetric Glare Visor with H500ADJC1 Mount

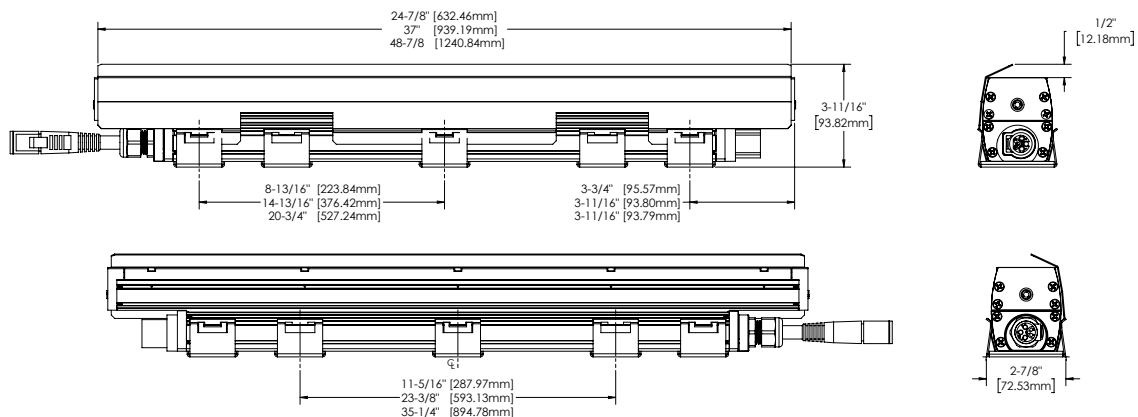
Automatically included when WWD distribution is ordered.


WWD Asymmetric Glare Visor with H500ADJH2 Mount

Automatically included when WWD distribution is ordered.

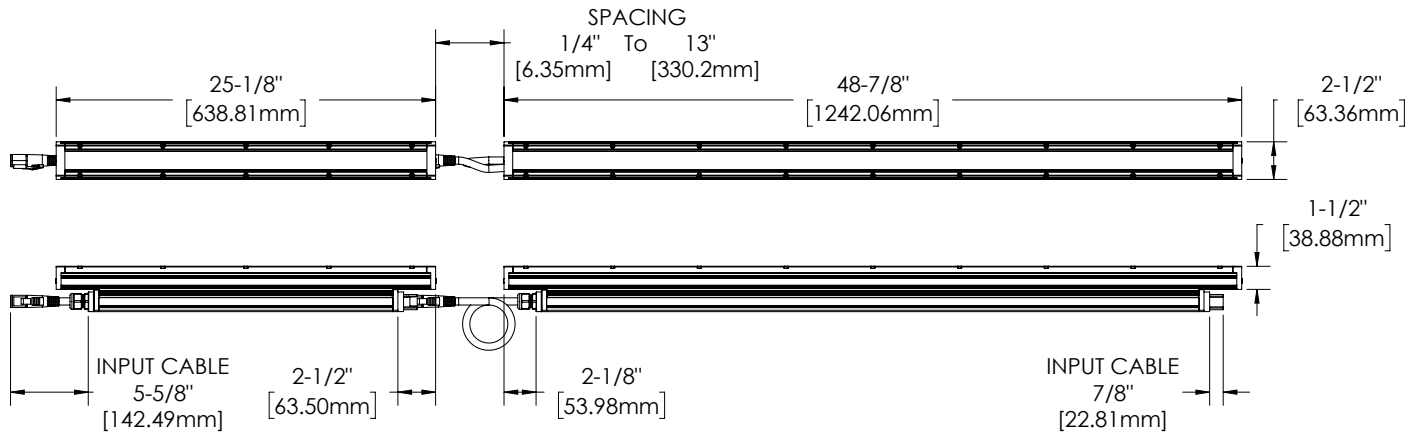

WWD Asymmetric Glare Visor with H500FMC Mount

Automatically included when WWD distribution is ordered.



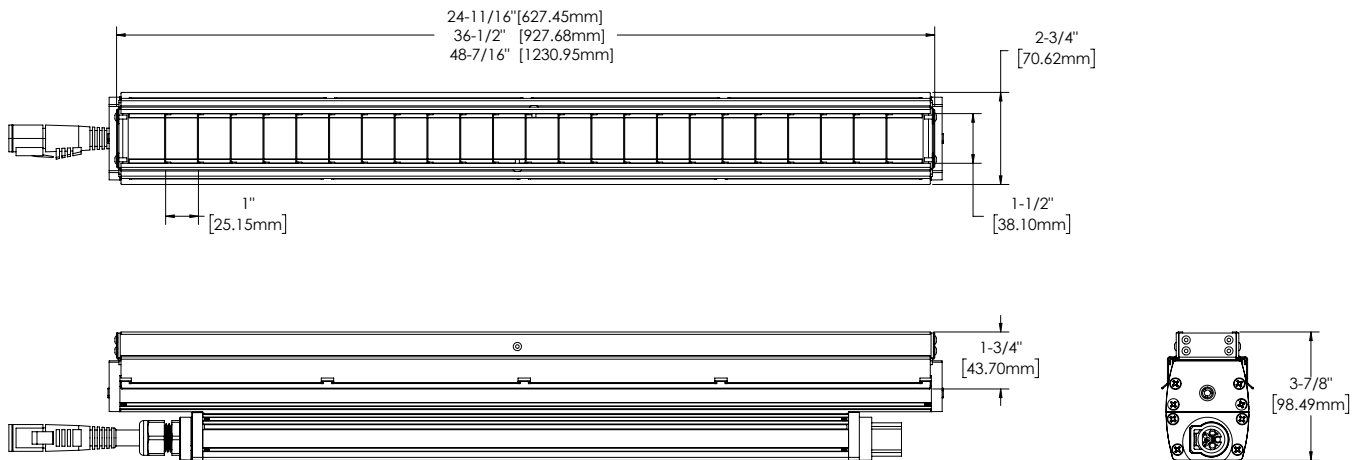
DIMENSIONS & MOUNTING (CONTINUED)

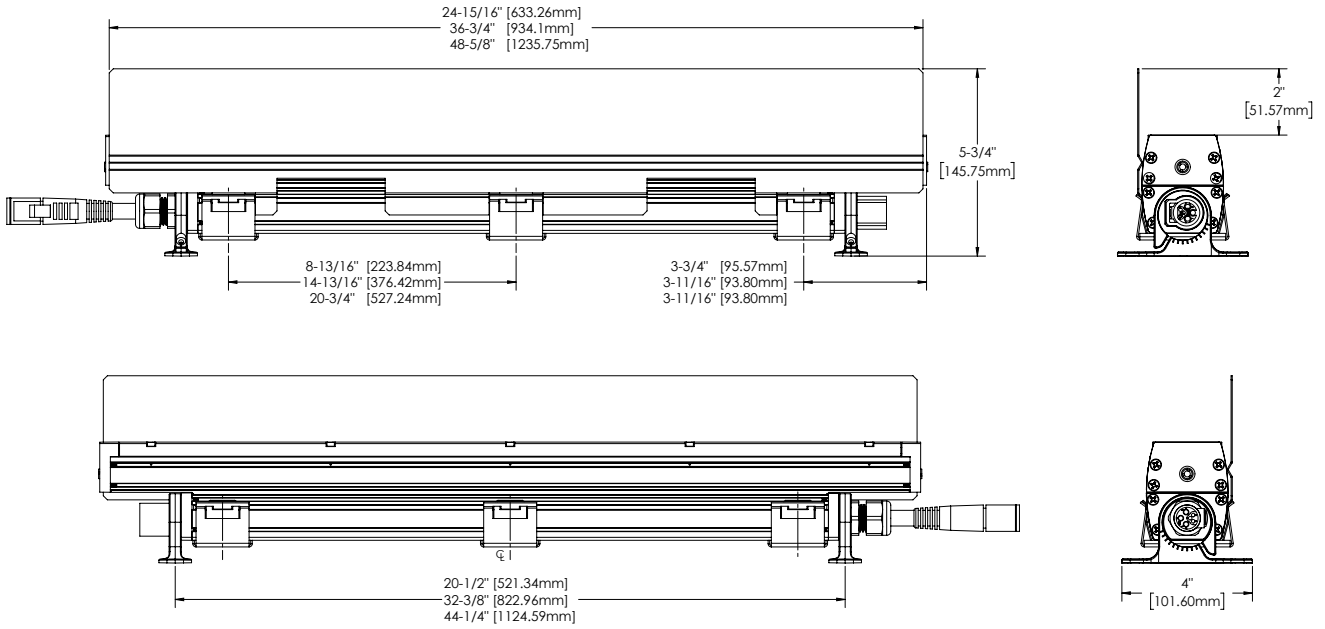
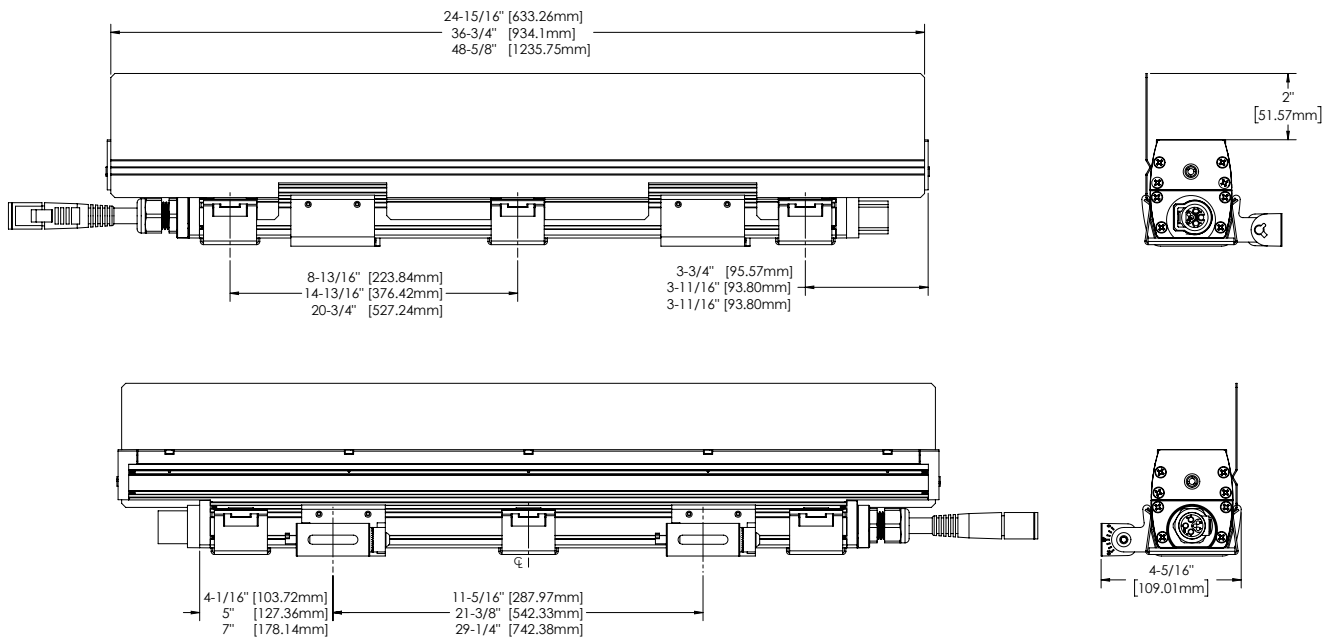
HLF501 Series Typical End-To-End Run Configuration



ADDITIONAL ACCESSORY DETAILS

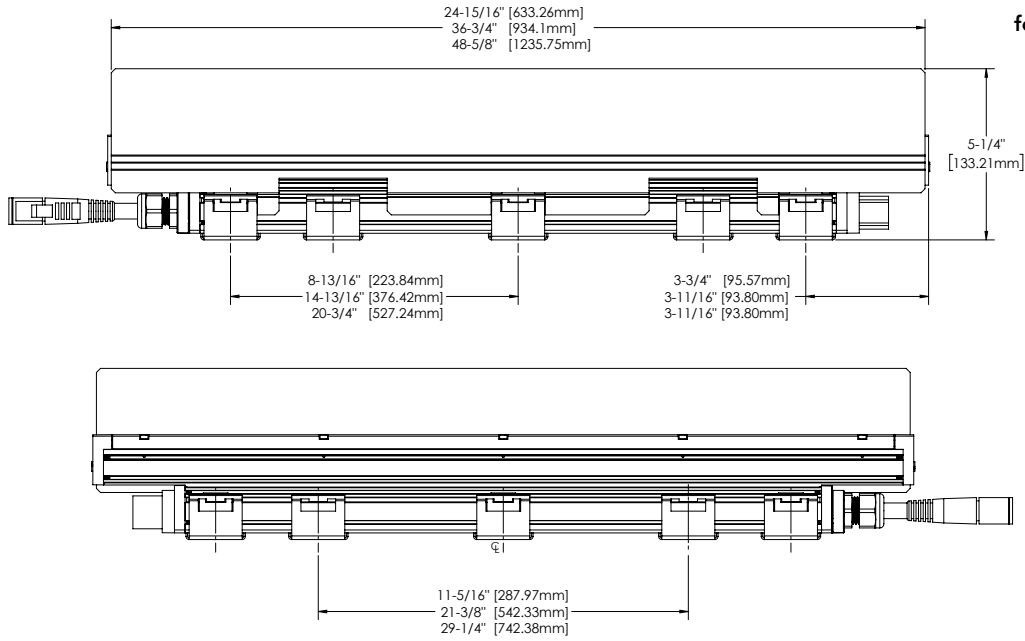
Baffle Linear Surface



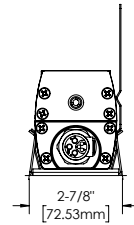
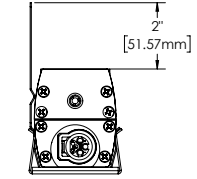
ADDITIONAL ACCESSORY DETAILS (CONTINUED)
Glare Visor with H500ADJC1 Mount

Glare Visor with H500ADJH2 Mount


ADDITIONAL ACCESSORY DETAILS (CONTINUED)

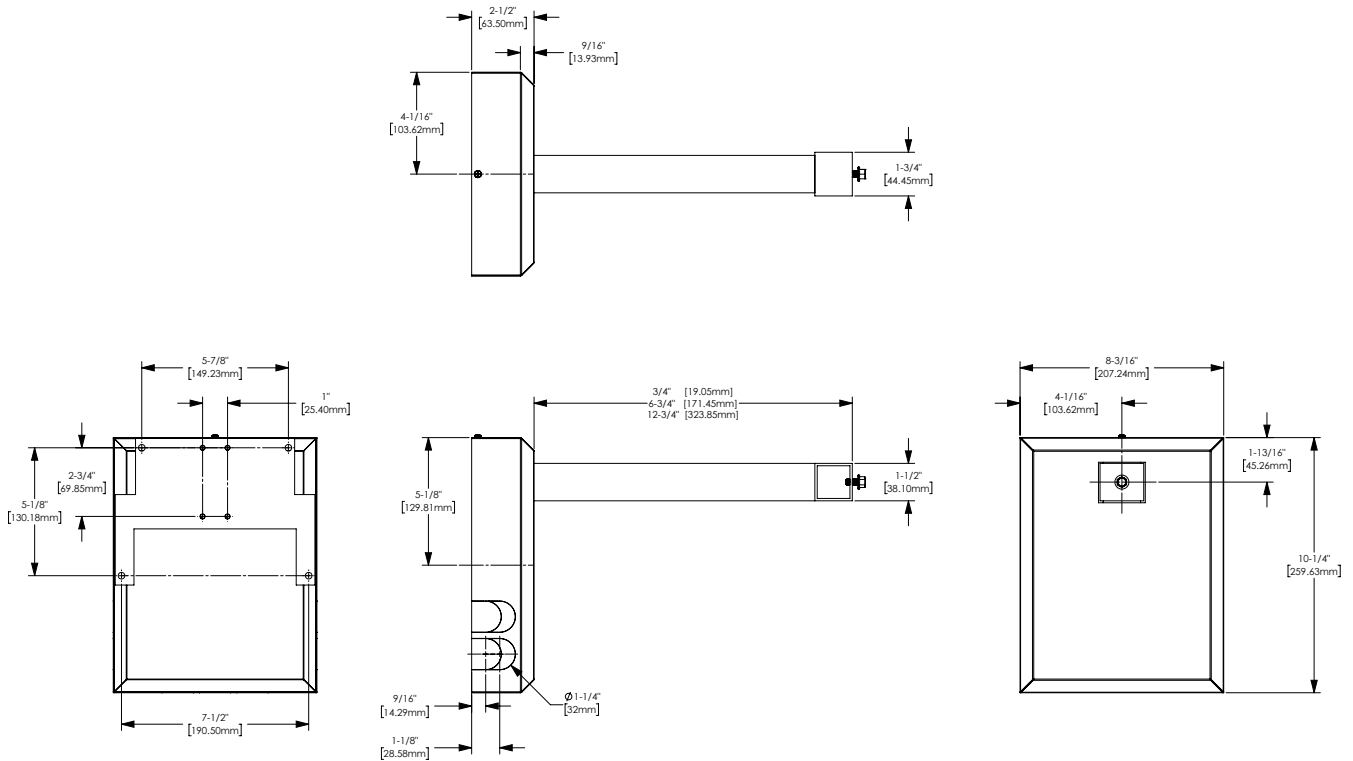
Glare Visor with H500FMC Mount



*The (3) visor clips can also be used for mounting fixture to surface.

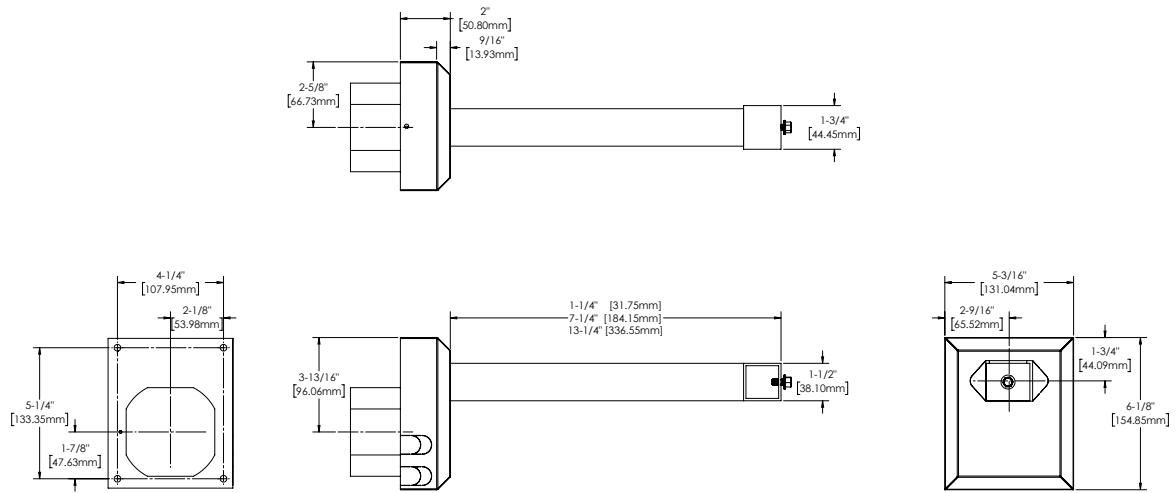


Cantilever Wall Mount Bracket Large Detail

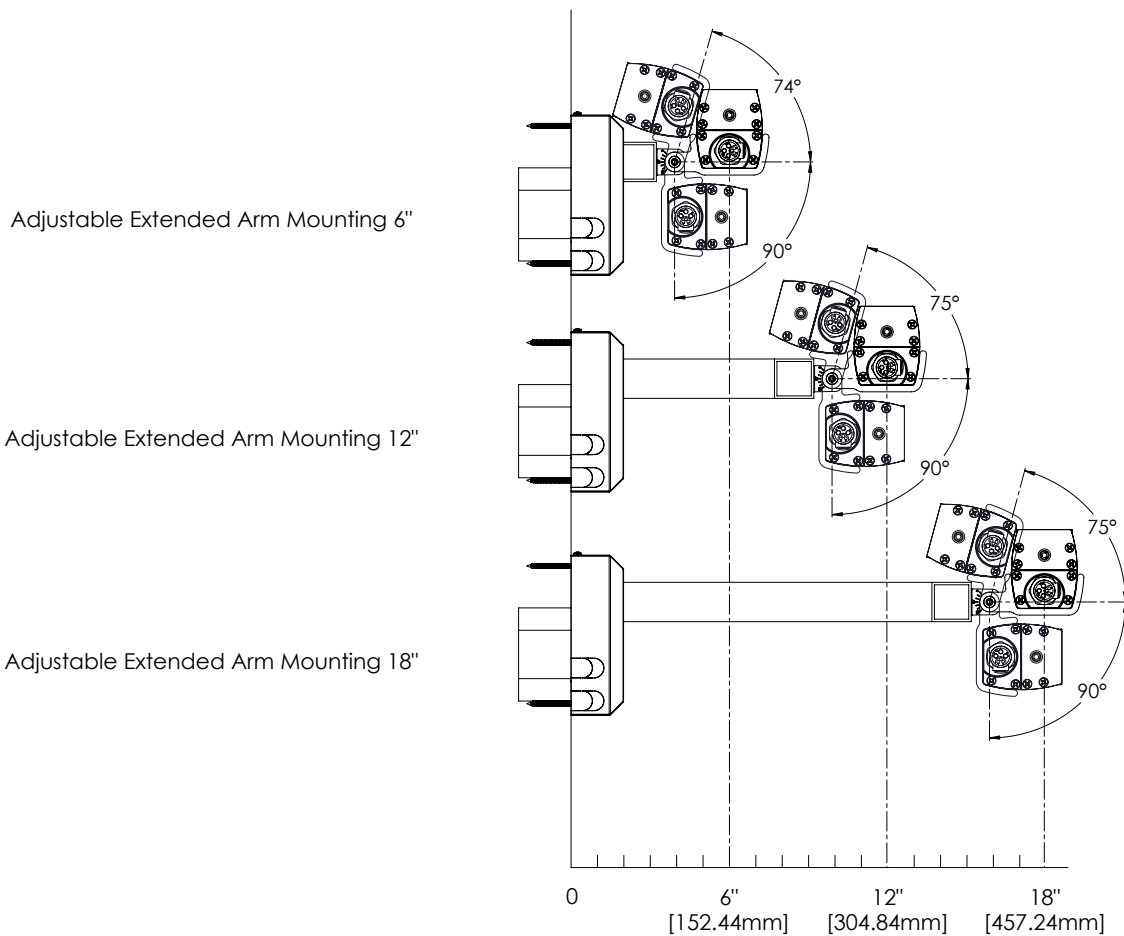


ADDITIONAL ACCESSORY DETAILS (CONTINUED)

Cantilever Wall Mount Bracket Detail

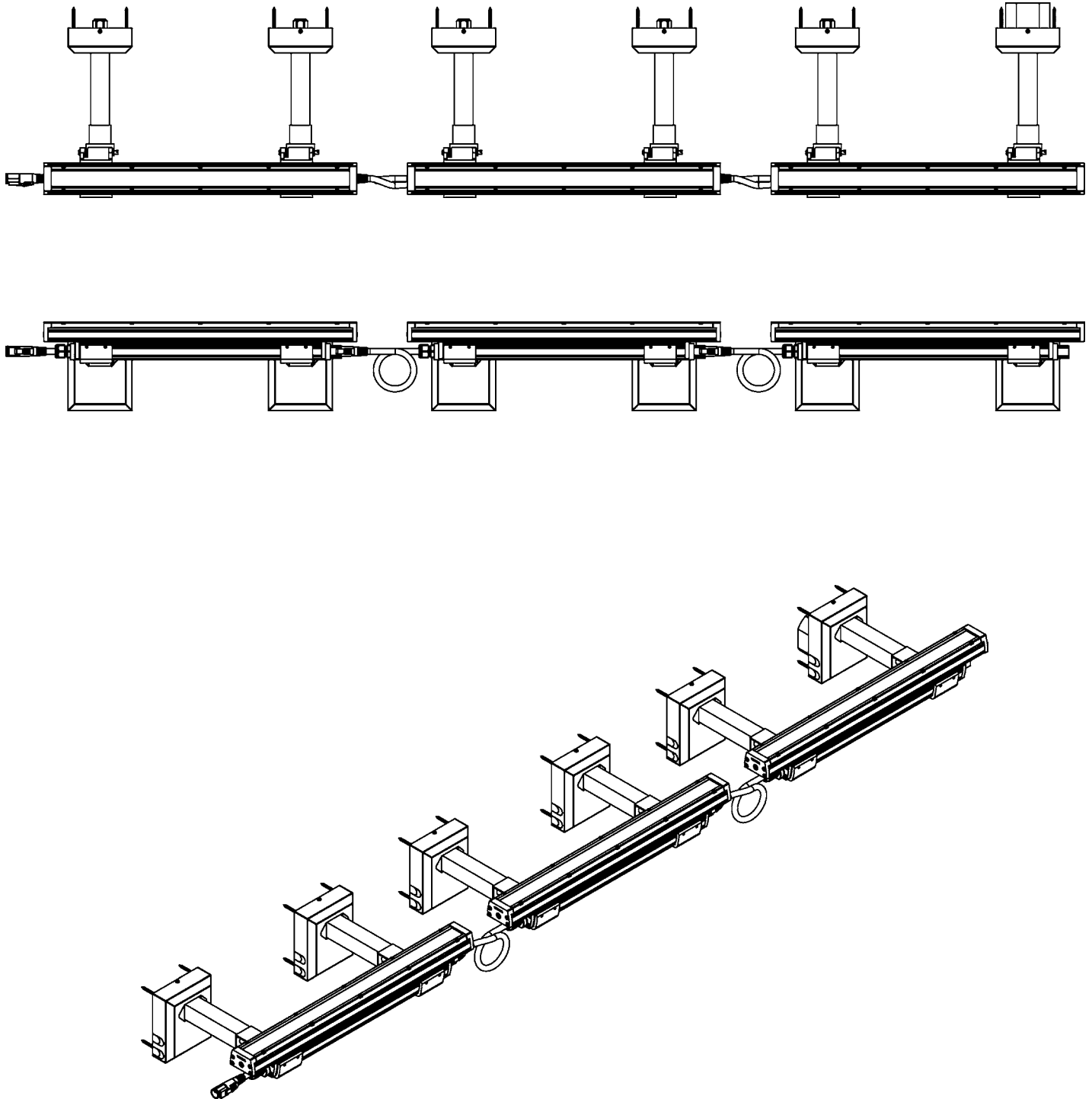


Cantilever Wall Mount Bracket Detail with 500ADJH2 and Fixture



ADDITIONAL ACCESSORY DETAILS (CONTINUED)

**HLF501 Series Typical End-To-End Run Configuration with Cantilever Wall Mount
(Showing 6-foot run of (3) 2-foot units with CWM12 wall mount accessory)**



SPECIFICATIONS & FEATURES

Voltage: 120 through 277v 50/60Hz

Distribution: 9° x 9°, 10° x 60°, 15° x 30°, 30° x 60°, 40° x 60°, 60° x 60°, Asymmetric Wall Wash

Size: 2.50 W x 3.00 H

Housing: Extruded aluminum one-piece construction with fasteners

Finish: Polyester powder coat painted finish. Black oxide fastener color with BKT finish and natural stainless steel fastener color with WHT & SIT finishes

Lens Material: Extruded acrylic

Lumen Maintenance: RHYR (9° x 9°, 10° x 60°): 60,000 hours L70 @ +120deg C. LAYR (9° x 9°, 10° x 60°): 120,000 hours L70@ +55deg C. RHYR & LAYR (15° x 30°, 30° x 60°, 40° x 60°, 60° x 60°, WWD): 120,000 hours L70@ +55deg C. WDIM (9° x 9°, 10° x 60°, 15° x 30°, 30° x 60°, 40° x 60°, 60° x 60°, WWD): 60,000 hours L70 @ +120deg C.

LED Color Mix: RHYR: 12 LEDs per 12 inches in a 1:1 ratio (1x2700k, 1x4000k, 1x6500k). LAYR: 12 LEDs per 12 inches in a 1:1 ratio (1x2200k, 1x3000k, 1x5000k). WDIM 12 LEDs per 12 inches in a 2:1 ratio (2x3000k, 1x2200k)

Control System: Fresco DMX512 controller with TUWH. 0-10V dimmer control with WDIM

Ambient Temperature Ranges: -40° to +45°C

Mounting: Side hinge, Center axis, and fixed mounting brackets available for installation flexibility and luminaire aiming. Suitable for outdoor wet location applications

Ingress Protection Rating: IP66 rated per IEC60598

Vibration: 3G vibration rated per ANSI C136.31

Government Procurement

BAA – Buy America(n) Act: Product qualifies as a domestic end product under the Buy American Act as implemented in the FAR and DFARS. Product also qualifies as manufactured in the United States under DOT Buy America regulations.

BABA – Build America Buy America: Product qualifies as produced in the United States under the definitions of the Build America, Buy America Act.

Please refer to www.acuitybrands.com/resources/buy-american for additional information.

Certification/Compliance: CSA Certified to meet U.S. and Canadian standards conforming to UL 1598 and CAN/CSA C22.2 No. 250.0

Weight: 24" - 7.5 lbs (3.40kg) / 36" - 11 lbs (4.98kg) / 48" - 13 lbs (5.90 kg)

Warranty: 5-year limited warranty. This is the only warranty provided and no other statements in this specification sheet create any warranty of any kind. All other express and implied warranties are disclaimed. Complete warranty terms located at: www.acuitybrands.com/support/warranty/terms-and-conditions

NOTE: Actual performance may differ as a result of end-user environment and application.

All values are design or typical values, measured under laboratory conditions at 25 °C.

Specifications subject to change without notice.