

T.B.VEGAS QUAD

UCTVQ18A

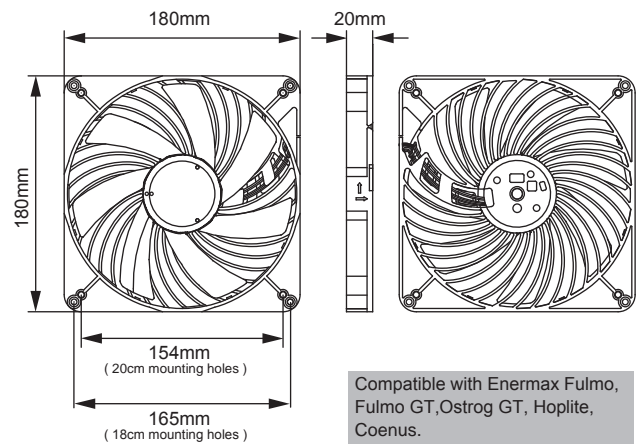
Your satisfaction, Our priority



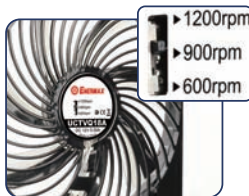
Features

- 18/20cm giant fan for better cooling performance
- Compatible with 18cm and 20cm mounting holes
- Shift Speed Control providing 3 cooling modes
- Blue/Red/Green/White 4-color LED with 6 lightening modes
- Vortex frame design concentrating airflow to cool hotspot
- Focus blades design centering the light to increase brightness
- Turbine blades for high-pressure airflow

Dimension



18 & 20cm Mounting Holes



Shift Speed Control



Vortex Frame Design

Vegas LED Modes



ALL-ON



SPARKLE



TRIPLE PROPELLER

1 All-on mode

2 Sparkle mode

3 Triple propeller mode

4 Flash mode

5 Vegas mode (mode 1-2 repeated)

6 OFF

Specifications

| | Ultra Silent Mode | Silent Mode | Performance Mode |
|---------------------------------------|--------------------------------------------------------------|-------------------|-------------------|
| Dimension | 180 x 180 x 20 mm | 180 x 180 x 20 mm | 180 x 180 x 20 mm |
| Speed (RPM) | 600 | 900 | 1200 |
| Air Flow (m ³ /h) | 116.55 | 174.81 | 209.77 |
| Air Flow (CFM) | 68.60 | 102.89 | 123.47 |
| Static Pressure (mm-H ₂ O) | 0.895 | 1.512 | 2.240 |
| Noise (dBA) | 15 | 18 | 20 |
| Rated Voltage (V) | 12 | 12 | 12 |
| Input Current (A) | 0.30 | 0.35 | 0.55 |
| Input Power (W) | 3.6 | 4.2 | 6.6 |
| MTBF (hour) | 50,000 | 50,000 | 50,000 |
| LED Color | 4-Color (Blue, Red, Green and White) | | |
| LED Number | 24 (4 Colors x 6) | | |
| LED Type | Circular Type LED with 6 Modes | | |
| Accessory | 4 x screws ; 1 x 4 pin fan power adaptor ; 1 x adhesive tape | | |
| Safety & EMC | | | |



© 2013 ENERMAX Technology Corporation. All rights reserved. Specifications are subject to change without prior notice. Actual products and accessories may differ from illustrations. Omissions and printing errors excepted. Content of delivery might differ in different countries or areas. Some trademarks may be claimed as the property of others.