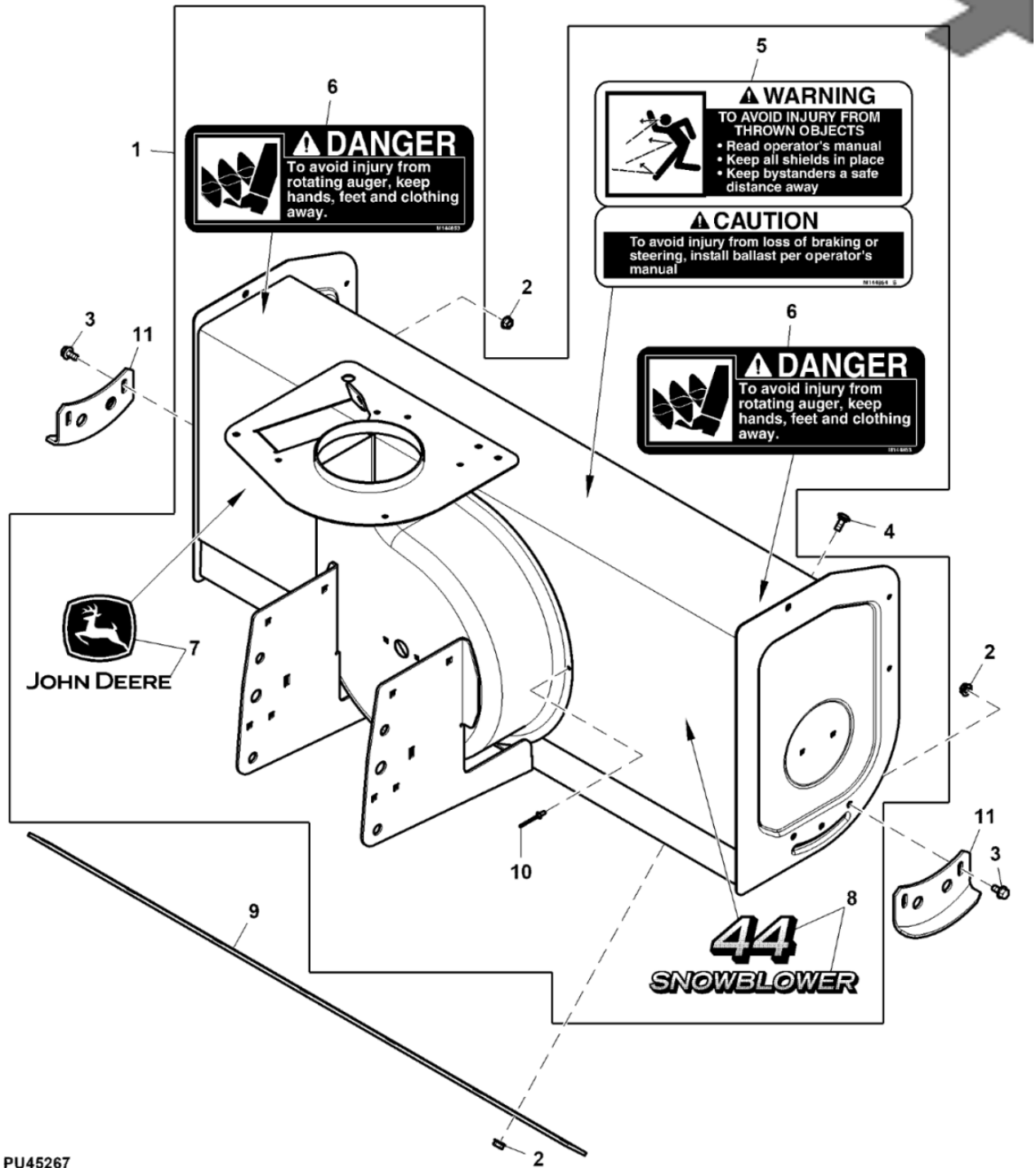


TRACTOR, LAWN AND GARDEN

PC13992

Housing, Snowblower, 44 inch - ST1010942



PU45267

TRACTOR, LAWN AND GARDEN

PC13992

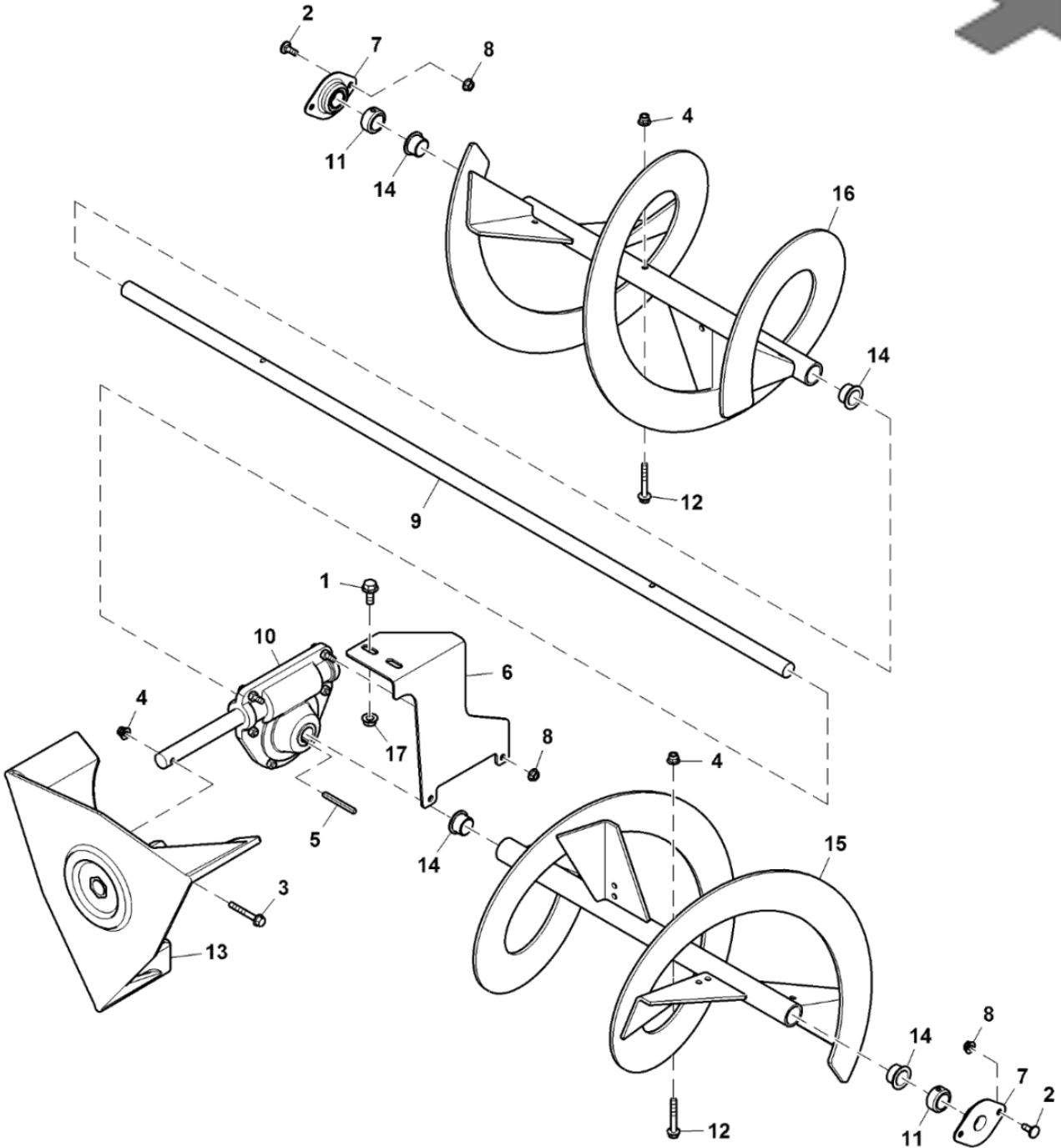
Housing, Snowblower, 44 inch - ST1010942

KEY	PART NO.	PART NAME	QTY	REMARKS
1	AUC14862	Housing	1	
2	E63525	Hexagonal Flange Prevailing Torque Nut, M8	11	
3	19M7865	Hexagonal Head Flanged Screw, M8 X 16	4	M8 X 16
4	03M7184	Round Head Square Neck Bolt, M8 X 20	7	M8 X 20
5	M144854	Label	1	Caution and Warning
6	M144853	Label	2	Danger, Auger
7	JD5775	Label	1	
8	M151665	Label	1	
9	M155105	Scraper Blade for 44 inch Front Blade and Snow Blower	1	
10	M63200	Dome Head Rivet	2	
11	M135188	Shoe Metal Housing	2	

TRACTOR, LAWN AND GARDEN

PC13992

Auger, Snowblower, 44 inch - ST1010933



GX313792

TRACTOR, LAWN AND GARDEN

PC13992

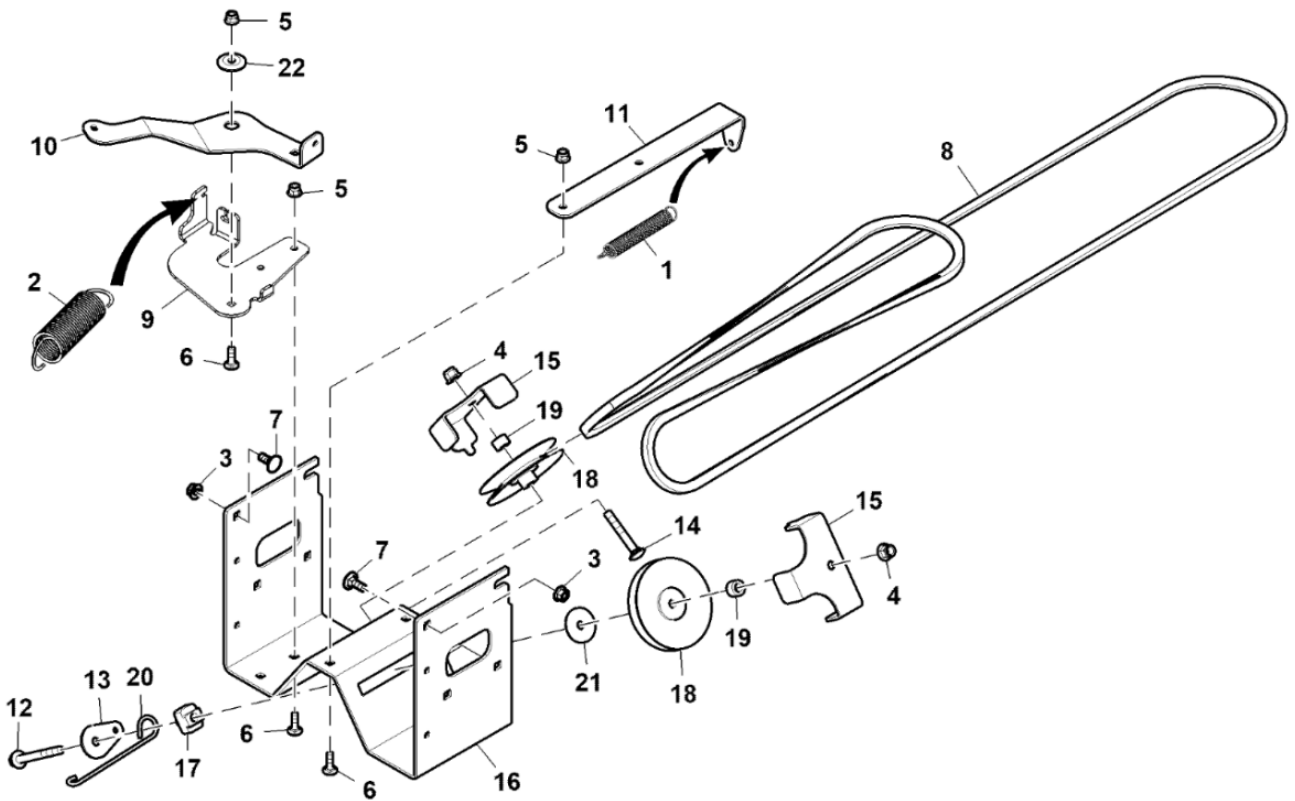
Auger, Snowblower, 44 inch - ST1010933

KEY	PART NO.	PART NAME	QTY	REMARKS
1	19M7866	Hexagonal Head Flanged Screw, M8 X 20	2	M8 X 20
2	03M7221	Round Head Square Neck Bolt, M6 X 16	4	M6 X 16
3	M155919	Bolt-On Single-Closed Loop Steel Clamp	2	
4	14M7397	Hexagonal Prevailing Torque Nut, M6	4	M6
5	M82401	Rear Wheel Tire Key for Lawn Tractors	1	
6	M173953	Bracket	1	Gear Box Support
7	M151395	Bearing with Steel Housing, 19.0 X 37.7 X 12.7 mm	2	
8	E63524	Hexagonal Flange Prevailing Torque Nut, M6	6	
9	UC12407	Shaft	1	Auger Drive
10	AM142008	Auger Worm Gear Drive Assembly	1	
11	M152610	Auger Locking Collar	2	
12	19M7834	Hexagonal Head Flanged Screw, M6 X 45	2	M6 X 45
13	AM140740	Snow Blower Fan	1	
14	M146073	Non-Metallic Flanged Bushing	4	
15	AM134249	Auger	1	RH
16	AM134248	Auger	1	LH

TRACTOR, LAWN AND GARDEN

PC13992

Belt Drive and Pulley, Snowblower, 44 inch - ST1010921



PU44875

TRACTOR, LAWN AND GARDEN

PC13992

Belt Drive and Pulley, Snowblower, 44 inch - ST1010921

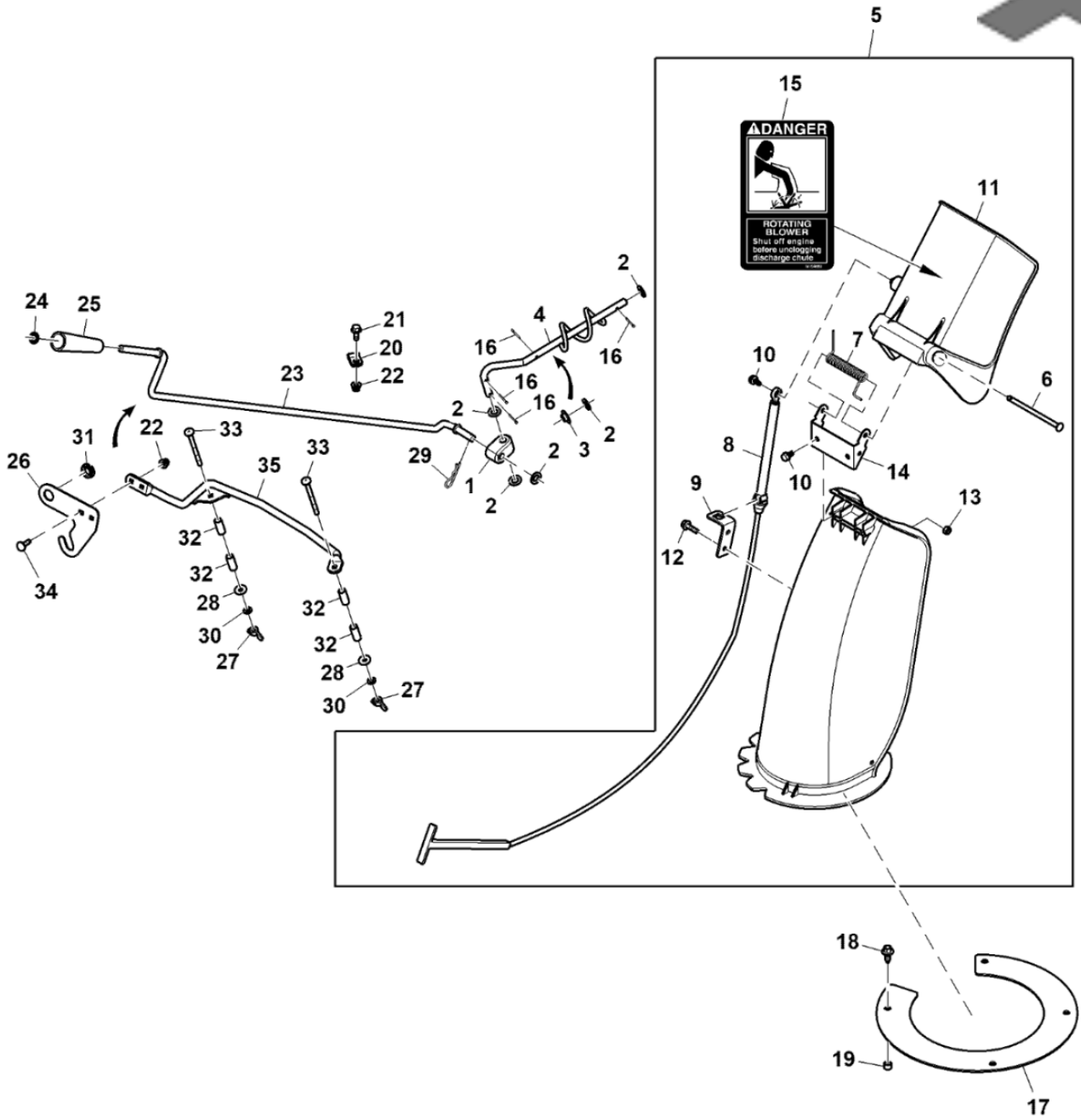
KEY	PART NO.	PART NAME	QTY	REMARKS
1	UC12650	Spring	1	
2	UC13672	Spring	1	
3	E63526	Hexagonal Flange Prevailing Torque Nut, M10	2	
4	14M7465	Hexagonal Flange Prevailing Torque Nut, M10	2	M10
5	14M7396	Hexagonal Prevailing Torque Nut, M8	5	M8
6	03M7185	Round Head Square Neck Bolt, M8 X 25	5	M8 X 25
7	03M7017	Round Head Square Neck Bolt, M10 X 25	2	M10 X 25
8	M158130	Special Section V-Belt, Effective Length 3809.6 mm (150.0 inch)	1	LGTH = 3809.6 mm, WIDTH = 14.3 mm, TK = 11.1 mm
8	A-M158130	V-BELT	1	
9	UC25802	Bracket	1	Spring Mount
10	UC13052	Bracket	1	Tension Pivot
11	UC12351	Bracket	1	Manual Power Take Off
12	19M7811	Hexagonal Head Flanged Screw, M10 X 90	1	M10 X 90
13	UC12436	Bracket	1	Wireform
14	03M7214	Round Head Square Neck Bolt, M10 X 65	1	M10 X 65
15	UC12345	Bracket	2	Belt Guide
16	UC12346	Frame	1	Hanging Belt

KEY	PART NO.	PART NAME	QTY	REMARKS
17	UC12324	Belt Tensioner	1	
18	AM130590	Belt Pulley	2	OD = 115.431 mm
19	M79145	Spacer	2	
20	UC12350	Linkage	1	Tension Connecting
21	24H1314	Round Hole Steel Washer	1	13/32" X 1-3/4" X 7/64"
22	GX23240	Pivot Bushing	1	

TRACTOR, LAWN AND GARDEN

PC13992

Chute and Deflector Controls, Snowblower, 44 inch - ST1010930



PU44877

TRACTOR, LAWN AND GARDEN

PC13992

Chute and Deflector Controls, Snowblower, 44 inch - ST1010930

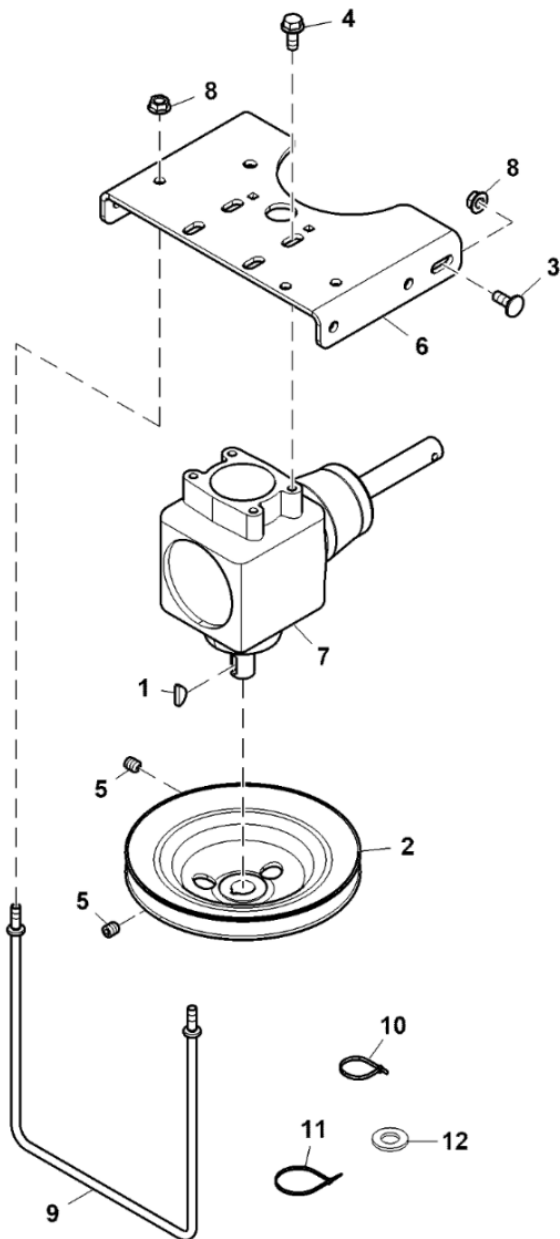
KEY	PART NO.	PART NAME	QTY	REMARKS
1	M76904	Universal Joint Cross	1	
2	24M7096	Round Hole Metallic Steel Washer, 10 X 18 X 2 mm	5	10.500 X 18 X 1.600 mm
3	M143493	Non-Metallic Flanged Split Bushing	1	
4	AM134192	Rod	1	Chute Rotation
5	AM144994	Snowblower Chute Assembly	1	
6	M153478	Pin Fastener	1	
7	M153479	Spring	1	
8	AM134404	Turn-to-Lock Spout Control Cable	1	Turn-To-Lock
9	M153702	Bracket	1	Cable
10	GX24489	Screw	3	
11	M149957	Spout	1	
12	19M7862	Hexagonal Head Flanged Screw, M6 X 20	2	M6 X 20
13	14M7165	Hexagonal Prevailing Torque Nut, M6	2	M6
14	M153703	Plate	1	
15	M154693	Label	1	Danger, Rotating Blower
16	11M7080	Steel Cotter Pin	4	2.500 X 16 mm
17	M155388	Bracket	1	Chute Retaining

KEY	PART NO.	PART NAME	QTY	REMARKS
18	GX22456	Hexagonal Flange Self Tapping Screw, M8 X 20	4	
18	A-B1JD36	SCREW	4	
19	M153790	Cylindrical Alloy Bushing	4	
20	M155919	Bolt-On Single-Closed Loop Steel Clamp	1	
21	19M7775	Hexagonal Head Screw, M6 X 16	1	M6 X 16
22	14M7397	Hexagonal Prevailing Torque Nut, M6	3	M6
23	M154609	Rod Handle	1	Handle
24	M84980	Thrust Washer	1	
25	M90085	Handle	1	
26	UC25617	Bracket	1	Chute Control
27	14M7019	Wing Nut, M6	2	M6
28	24M7139	Round Hole Metallic Steel Washer, 6 X 18 X 2 mm	2	6.400 X 18 X 1.600 mm
29	J16931	Steel Hairpin Spring Locking Pin	1	
30	12H356	Lock Washer	2	1/4"
31	M137713	Non-Metallic Flanged Split Bushing	1	
32	UC25883	Spacer	4	
33	03M7346	Round Head Square Neck Bolt, M6 X 75	2	M6 X 75
34	03M7222	Round Head Square Neck Bolt, M6 X 20	2	M6 X 20
35	AUC17492	Bracket	1	Chute Control

TRACTOR, LAWN AND GARDEN

PC13992

Bevel Gear Drive, 44 inch - ST1010924



PU45265

TRACTOR, LAWN AND GARDEN

PC13992

Bevel Gear Drive, 44 inch - ST1010924

KEY	PART NO.	PART NAME	QTY	REMARKS
1	26H77	Shaft Key	1	3/16" X 3/4"
2	AUC11181	Pulley	1	OD = 188.9 mm
3	03M7184	Round Head Square Neck Bolt, M8 X 20	4	M8 X 20
4	19M7866	Hexagonal Head Flanged Screw, M8 X 20	4	M8 X 20
5	UC28574	Set Screw	2	
6	UC17129	Bracket	1	Mounting
7	AUC11176	Bevel Gear Drive	1	
8	E63525	Hexagonal Flange Prevailing Torque Nut, M8	6	M8
9	UC12353	Link	1	Wireform Belt Guide
10	R76477	Nylon Tie-Band Clamp	2	
11	E73003	Tie Band	3	
12	24M7055	Round Hole Metallic Steel Washer, 8 X 16 X 2 mm	4	8.400 X 16 X 1.600 mm

TRACTOR, LAWN AND GARDEN

PC13992

Hitch linkage and Lift Lever, Snowblower, 44 inch - ST1010919

KEY	PART NO.	PART NAME	QTY	REMARKS
1	GX22456	Hexagonal Flange Self Tapping Screw, M8 X 20	1	
1	A-B1JD36	SCREW	1	
2	AUC18590	Cable	1	Lift Lock SUB FOR AUC13824
3	R44302	Nylon Tie Band Clamp	3	
3	A-14B505	TIE BAND	3	
4	R89833	Grip	1	
5	UC14879	Tube	1	
6	03M7017	Round Head Square Neck Bolt, M10 X 25	4	M10 X 25
7	E63526	Hexagonal Flange Prevailing Torque Nut, M10	4	
8	19M8319	Hexagonal Head Flanged Screw, M8 X 50	2	M8 X 50
9	14M7396	Hexagonal Prevailing Torque Nut, M8	6	M8
10	J16931	Steel Hairpin Spring Locking Pin	1	SUB FOR 11M7077
11	M97609	Steel Both Legs Cross Drilled Bent (Round Stock) Pin	2	
12	M91079	Square Ends(Closed) Compression Spring	1	
13	24M7047	Washer	1	13 X 24 X 2.500 mm
14	M42578	Square Ends(Closed) Compression Spring	2	
15	UC32383	Pin	1	SUB FOR M154524

KEY	PART NO.	PART NAME	QTY	REMARKS
16	34H385	Steel Slotted Spring Pin	2	1/4" X 1-3/4"
17	AUC11175	Hitch	1	Front
18	R27434	E-Ring Large Shoulder External Snap Ring	2	
18	A-B15B78	SNAP RING	2	
19	UC12342	Bracket	1	LH
20	UC18350	Bracket	1	RH
21	03M7094	Round Head Square Neck Bolt, M8 X 30	4	M8 X 30
22	UC15310	Extension Spring	2	
23	UC15320	Bracket	2	Wireform
24	UC16936	Pin	2	
25	24H1391	Round Hole Steel Washer	2	25/32" X 1-5/16" X 0.060"