



WESTIN[®]
Public Safety Division

PROTECTING THOSE
WHO PROTECT US



2015-16 CATALOG

NEW

PUSH BUMPER

ELITE XD

WITH OPTIONAL WING WRAPS AND PIT BAR



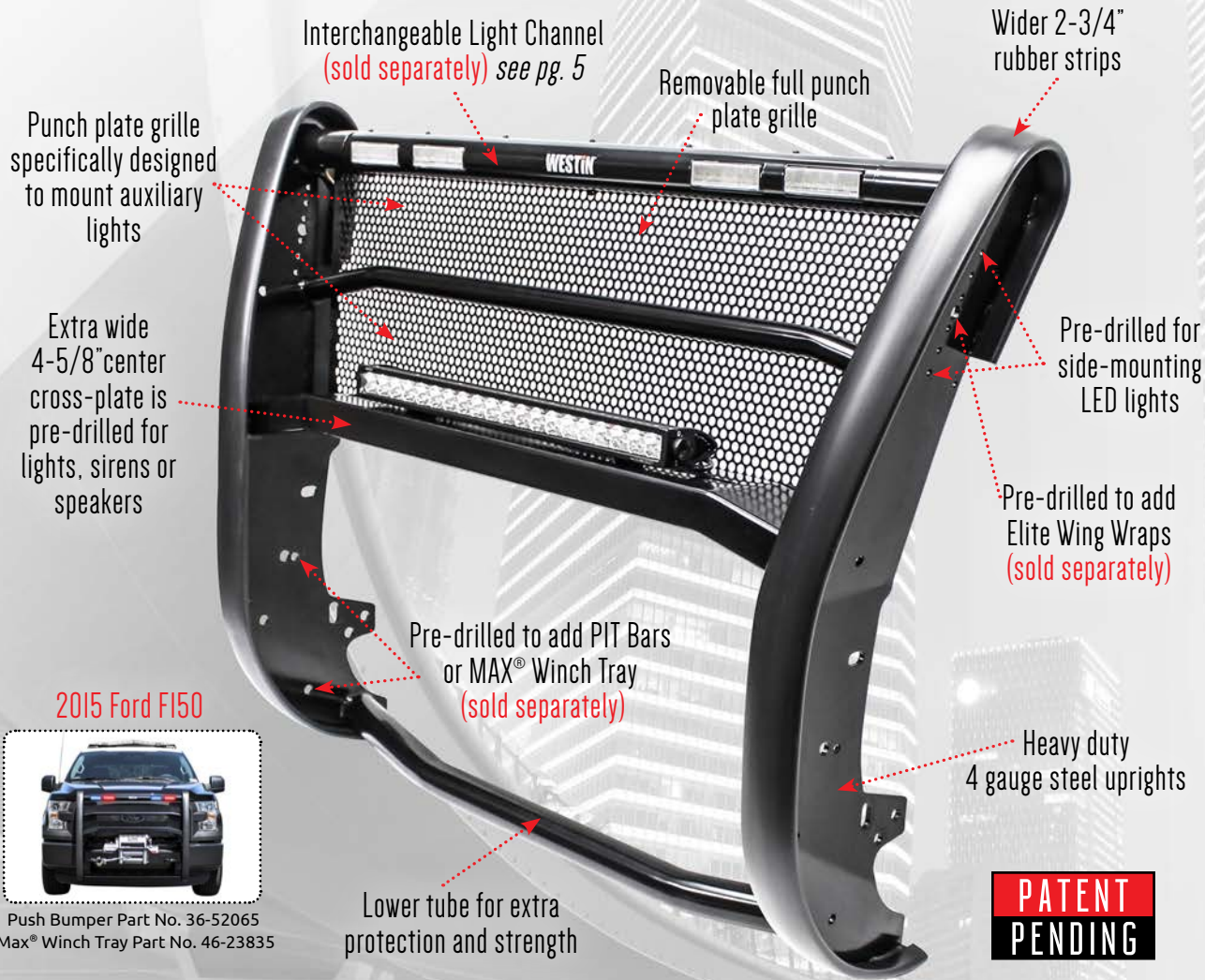
WESTIN
Public Safety Division

PUSH BUMPER ELITEXD

The Push Bumper EliteXD is made of heavy duty 4 gauge HRPO steel uprights to safely push another vehicle. It features 2-3/4" wide heavy-duty rubber strips on the uprights and a removable full punch plate grille. Uprights are pre-drilled for the addition of Elite Wing Wraps and PIT Bars. Pre-drilled holes provide side-mounting points for popular LED Lights. The Push Bumper EliteXD also features an extra wide 4-5/8" stylized and pre-drilled center cross-plate, a significant surface area for top-mounting of LED lights or speakers. All exposed fasteners are black plated stainless for protection against rust. The Push Bumper EliteXD designs are vehicle specific for a clean finished look.

SPECIFICATIONS:

- FINISH:** E-COATED / BLACK POWDER COAT
- MATERIAL:** HRPO STEEL
- VISIBLE HARDWARE:** BLACK PLATED STAINLESS STEEL
- WARRANTY:** 3 YEAR



2015 Ford F150



Push Bumper Part No. 36-52065
Max® Winch Tray Part No. 46-23835

2015-16 Ford F150



Push Bumper Part No. 36-52065
Wing Wraps Part No. 36-52065W

2014-15 Chevy Silverado



Push Bumper Part No. 36-53685
Wing Wraps Part No. 36-53685W

2015-16 Chevy Tahoe



Push Bumper Part No. 36-53805
Wing Wraps Part No. 36-53805W

2013-16 Dodge Ram



Push Bumper Part No. 36-53545
Wing Wraps Part No. 36-53545W

**PATENT
PENDING**

YEAR	MAKE	MODEL	PUSH BUMPER ELITEXD*	PIT BAR**	WING WRAPS**	MAX® WINCH TRAY**
2015-16	Ford	F150	36-52065	N/A	36-52065W	46-23835
2014-15	Chevy	Silverado 1500	36-53685	N/A	36-53685W	46-23685
2015-16	Chevy	Tahoe/Suburban	36-53805	36-53805PB	36-53805W	46-23805
2013-16	Dodge	Ram SSV 1500	36-53545	N/A	36-53545W	46-23755

*Light channel required. Sold separately. (see pg. 5)

**PIT Bar Elite, Elite Wing Wraps and Winch Tray sold separately.



WESTIN®
Public Safety Division

PUSH BUMPER ELITE

Westin's Public Safety Push Bumper Elite is made of heavy duty HRPO steel with 4 gauge uprights featuring 2-3/4" wide rubber strips. The Push Bumper Elite is designed with maximum safety features and options in mind. It offers customization for your agency's specific needs and provides the best in strength, durability, and protection. Choose a Light Channel to complete your Push Bumper Elite front-end protection unit, available in solid (no light openings), 2, 3 or 4 Light options. Westin's Push Bumper Elite is US patent pending.

SPECIFICATIONS:

- FINISH:** E-COATED / BLACK POWDER COAT
- LIGHT CHANNEL:** SOLD SEPARATELY
- MATERIAL:** HRPO STEEL
- VISIBLE HARDWARE:** BLACK PLATED STAINLESS STEEL
- WARRANTY:** 3 YEAR



2016 Ford Interceptor Utility



36-2055

2014 Ford Interceptor Utility



36-2005

2014 Ford Interceptor Sedan



36-2015

2014 Chevy Caprice



36-2045



WESTIN
Public Safety Division

YEAR	MAKE	MODEL	PUSH BUMPER ELITE*
2016	Ford	Interceptor Utility	36-2055
2012-15	Ford	Interceptor Utility	36-2005
2013-16	Ford	Interceptor Sedan	36-2015
2007-14	Chevy	Tahoe/Suburban	36-2025
2012-15	Chevy	Caprice PPV	36-2045
2011-16	Dodge	Charger Pursuit	36-2035

*Light Channel required. Sold separately.

LIGHT CHANNEL OPTIONS - SOLID, 2, 3 OR 4 LIGHT

Westin offers Light Channel options in solid (no light openings) as well as 2, 3 or 4 light configurations. They are designed to fit the industry's most popular public safety light manufacturers: SoundOff Signal (nForce), Code 3 (T-REX, XT4 and Chase), Federal Signal (IPX6-IMPAXX), and Whelen (ION-SERIES). Light Channels include light specific brackets and hardware. One or more of these Light Channel options are sure to serve your agency's public safety lighting requirement.

SPECIFICATIONS:

- FINISH: E-COATED / BLACK POWDER COAT
- LIGHT CHANNEL: SOLID, 2, 3 OR 4 / SOLD SEPARATELY
- MATERIAL: 14 GAUGE HRPO STEEL
- VISIBLE HARDWARE: BLACK PLATED STAINLESS STEEL
- WARRANTY: 3 YEAR

SOLID

LIGHT CHANNEL OPTION



2 LIGHT

LIGHT CHANNEL OPTION



3 LIGHT

LIGHT CHANNEL OPTION



4 LIGHT

LIGHT CHANNEL OPTION



CODE 3 | T-REX

CODE 3 | CHASE

FEDERAL SIGNAL | IPX6-IMPAXX



2014 FORD INTERCEPTOR SEDAN

2014 FORD INTERCEPTOR UTILITY

2016 FORD INTERCEPTOR UTILITY

2015 CHEVY TAHOE



PUSH BUMPER ELITE

YEAR	MAKE	MODEL	PUSH BUMPER	Solid	SoundOff Signal (nForce)		Code 3 (T-REX)		Code 3 (XT4)		Code 3 (Chase)			Federal Signal (IPX6-IMPAXX)		Whelen (ION-SERIES)	
					2 Light	4 Light	2 Light	4 Light	2 Light	4 Light	2 Light	3 Light	4 Light	2 Light	4 Light	2 Light	4 Light
2016	Ford	Interceptor Utility	36-2055	36-6005	36-6005S2	36-6005S4	36-6005C2	36-6005C4	36-6005C2XT4	36-6005C4XT4	36-6005C2CH	—	—	36-6005F2	36-6005F4	36-6005W2	36-6005W4
2012-15	Ford	Interceptor Utility	36-2005	36-6005	36-6005S2	36-6005S4	36-6005C2	36-6005C4	36-6005C2XT4	36-6005C4XT4	36-6005C2CH	36-6005C3CH	—	36-6005F2	36-6005F4	36-6005W2	36-6005W4
2013-16	Ford	Interceptor Sedan	36-2015	36-6005	36-6005S2	36-6005S4	36-6005C2	36-6005C4	36-6005C2XT4	36-6005C4XT4	36-6005C2CH	36-6005C3CH	—	36-6005F2	36-6005F4	36-6005W2	36-6005W4
2007-14	Chevy	Tahoe/Suburban	36-2025	36-6015	36-6015S2	36-6015S4	36-6015C2	36-6015C4	36-6015C2XT4	36-6015C4XT4	36-6015C2CH	—	36-6015C4CH	36-6015F2	36-6015F4	36-6015W2	36-6015W4
2012-15	Chevy	Caprice PPV	36-2045	36-6005	36-6005S2	36-6005S4	36-6005C2	36-6005C4	36-6005C2XT4	36-6005C4XT4	36-6005C2CH	36-6005C3CH	—	36-6005F2	36-6005F4	36-6005W2	36-6005W4
2011-16	Dodge	Charger Pursuit	36-2035	36-6005	36-6005S2	36-6005S4	36-6005C2	36-6005C4	36-6005C2XT4	36-6005C4XT4	36-6005C2CH	36-6005C3CH	—	36-6005F2	36-6005F4	36-6005W2	36-6005W4

PUSH BUMPER ELITEXD

YEAR	MAKE	MODEL	PUSH BUMPER	Solid	SoundOff Signal (nForce)		Code 3 (T-REX)		Code 3 (XT4)		Code 3 (Chase)		Federal Signal (IPX6-IMPAXX)		Whelen (ION-SERIES)	
					2 Light	4 Light	2 Light	4 Light	2 Light	4 Light	2 Light	4 Light	2 Light	4 Light	2 Light	4 Light
2015-16	Ford	F150	36-52065	36-6015	36-6015S2	36-6015S4	36-6015C2	36-6015C4	36-6015C2XT4	36-6015C4XT4	36-6015C2CH	36-6015C4CH	36-6015F2	36-6015F4	36-6015W2	36-6015W4
2014-15	Chevy	Silverado 1500	36-53685	36-6015	36-6015S2	36-6015S4	36-6015C2	36-6015C4	36-6015C2XT4	36-6015C4XT4	36-6015C2CH	36-6015C4CH	36-6015F2	36-6015F4	36-6015W2	36-6015W4
2015-16	Chevy	Tahoe/Suburban	36-53805	36-6015	36-6015S2	36-6015S4	36-6015C2	36-6015C4	36-6015C2XT4	36-6015C4XT4	36-6015C2CH	36-6015C4CH	36-6015F2	36-6015F4	36-6015W2	36-6015W4
2013-16	Dodge	Ram SSV 1500	36-53545	36-6015	36-6015S2	36-6015S4	36-6015C2	36-6015C4	36-6015C2XT4	36-6015C4XT4	36-6015C2CH	36-6015C4CH	36-6015F2	36-6015F4	36-6015W2	36-6015W4

PITBAR ELITE

THE ORIGINAL "DOUBLE BAR" DESIGN



WESTIN
Public Safety Division

THE ORIGINAL "DOUBLE BAR" DESIGN

PIT BAR ELITE

Westin's patent pending PIT Bar Elite has been rigorously tested and approved by major public safety agencies. The PIT Bar Elite is made of heavy duty 7 gauge HRPO steel horizontal bars and features two 2-3/4" wide rubber strips with plastic end caps for a clean finished look. It also features heavy duty 4 gauge HRPO steel reinforcing brackets for maximum strength. Westin's Public Safety PIT Bar Elite is designed to bolt directly to a Westin Push Bumper Elite or EliteXD at the upper bumper level for the best PIT maneuver possible.

SPECIFICATIONS:

- FINISH:** E-COATED / BLACK POWDER COAT
- MATERIAL:** 7 GAUGE HRPO STEEL
- VISIBLE HARDWARE:** BLACK PLATED STAINLESS STEEL
- WARRANTY:** 3 YEAR



Push Bumper Elite
Required (sold separately)



**PATENT
PENDING**



Plastic end caps for a clean finished look



Heavy Duty reinforcing brackets



Bolts on to Push Bumper



Black powder coated steel bars

YEAR	MAKE	MODEL	PIT BAR*	PUSH BUMPER ELITE
2016	Ford	Interceptor Utility	36-2055PB	36-2055
2012-15	Ford	Interceptor Utility	36-2005PB	36-2005
2013-16	Ford	Interceptor Sedan	36-2015PB	36-2015
2011-16	Dodge	Charger Pursuit	36-2035PB	36-2035

*Push Bumper Elite required. Sold separately.

YEAR	MAKE	MODEL	PIT BAR**	PUSH BUMPER ELITEXD
2015-16	Chevy	Tahoe/Suburban	36-53805PB	36-53805

**Push Bumper EliteXD required. Sold separately.

NOTE: Bumper drilling required



WESTIN
Public Safety Division

ELITE WINGWRAPS

A COMPLETE FRONT-END PROTECTION PACKAGE



WESTIN
Public Safety Division

ELITE WING WRAPS

Westin's Elite Wing Wraps are the final build-on unit in the Elite front-end protection package. They bring it all together by connecting the pre-drilled Push Bumper and PIT Bar Elite into a one-piece assembly. The Elite Wing Wraps provide added front-end and headlight protection. They feature welded cross bars (varies by application) and attach to the Push Bumper with a 7 gauge plate. They are also equipped with a 1-1/2" diameter vertical support bar to absorb impact in the event of a collision. US patent pending.

A COMPLETE FRONT-END PROTECTION PACKAGE

SPECIFICATIONS:

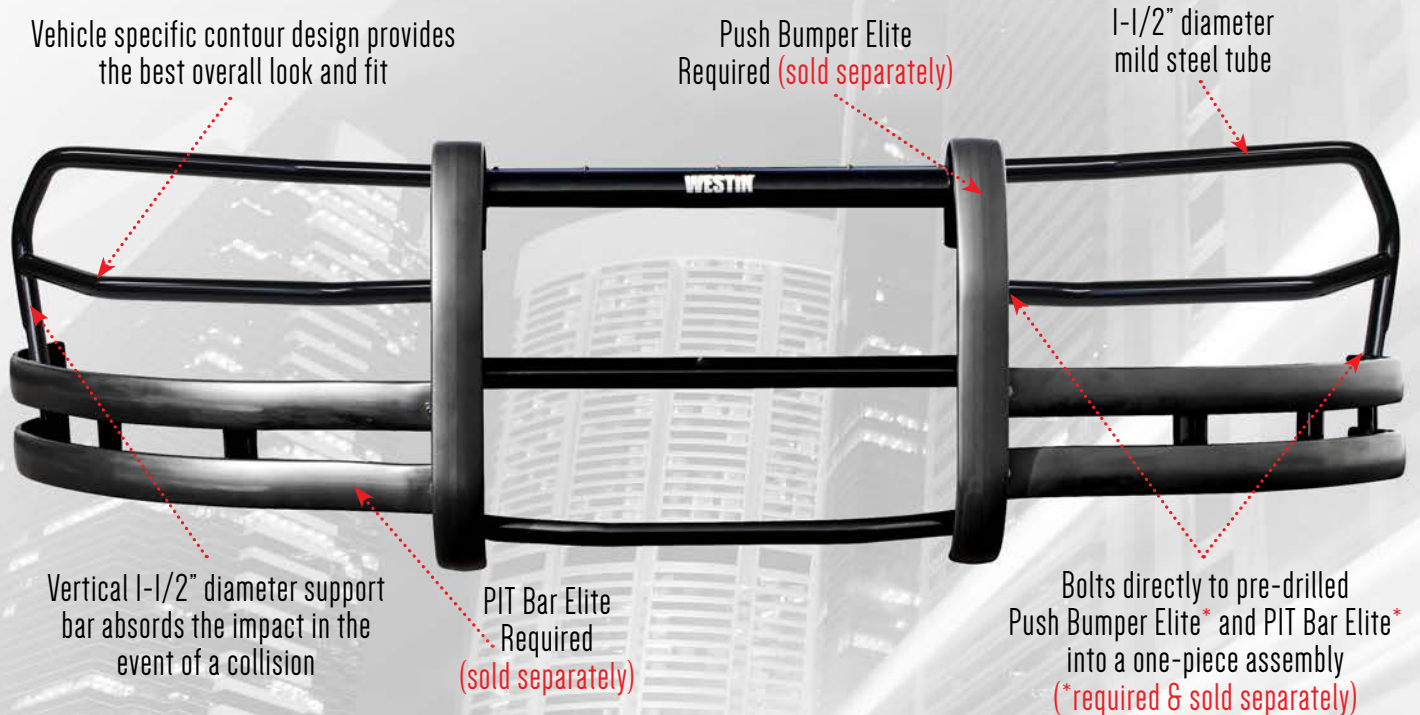
FINISH: E-COATED / BLACK POWDER COAT

MATERIAL: 14 GAUGE HRPO STEEL

VISIBLE HARDWARE: BLACK PLATED

STAINLESS STEEL

WARRANTY: 3 YEAR



Bolt-on to PIT Bar Elite



Bolts to Push Bumper with 7 gauge attachment plate



1-1/2" diameter mild steel tube



Vehicle specific contour design

YEAR	MAKE	MODEL	WING WRAPS*	PUSH BUMPER ELITE	PIT BAR
2016	Ford	Interceptor Utility	36-2055W	36-2055	36-2055PB
2012-15	Ford	Interceptor Utility	36-2005W	36-2005	36-2005PB
2013-16	Ford	Interceptor Sedan	36-2015W	36-2015	36-2015PB
2011-16	Dodge	Charger Pursuit	36-2035W	36-2035	36-2035PB

*Push Bumper Elite and PIT Bar Elite required. Sold separately.

YEAR	MAKE	MODEL	WING WRAPS**	PUSH BUMPER ELITEXD	PIT BAR
2015-16	Ford	F150	36-52065W	36-52065	N/A
2014-15	Chevy	Silverado 1500	36-53685W	36-53685	N/A
2015-16	Chevy	Tahoe/Suburban	36-53805W	36-53805	36-53805PB
2013-16	Dodge	Ram SSV 1500	36-53545W	36-53545	N/A

**Push Bumper EliteXD and PIT Bar Elite required. Sold separately.

**PATENT
PENDING**



WESTIN[®]
Public Safety Division

HDX[®] WINCH MOUNT GRILLE GUARD » MAXIMUM STRENGTH



WESTIN
Public Safety Division

HDX WINCH MOUNT GRILLE GUARD

Westin's HDX® Winch Mount Grille Guard attaches directly to the vehicles frame for maximum strength. The heavy duty design is ideal for the needs of today's public safety officer. It features welded uprights, 2" wraparound tubes and a full punch plate grille that allow emergency lights to be mounted. The MAX® Winch Tray is pre-drilled to accommodate most medium frame winches.

SPECIFICATIONS:

- FINISH:** E-COATED / BLACK POWDER COAT
- MATERIAL:** HRPO STEEL
- VISIBLE HARDWARE:** BLACK PLATED STAINLESS STEEL
- WARRANTY:** 3 YEAR



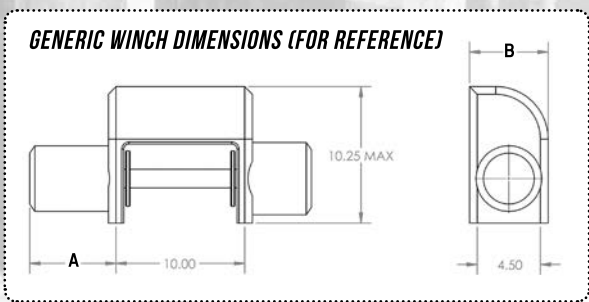
OTHER ACCESSORIES AVAILABLE:



License Plate Re-locator



Outback Series Winch



YEAR	MAKE	MODEL	WINCH MOUNT*	Max. Winch Dim.	
				A	B
2015-16	Ford	F150	57-93835	7.0"	6.5"
2009-14	Ford	F150	57-92505	7.0"	6.5"
2011-16	Ford	F250/350 Super Duty	57-92375	6.5"	7.0"
2014-15	Chevy	Silverado 1500	57-93685	6.5"	6.75"
2007-13	Chevy	Silverado 1500	57-92275	6.5"	6.75"
2011-14	Chevy	Silverado 2500/3500	57-93615	6.5"	6.75"
2015	Chevy	Silverado 2500/3500	57-93785	6.5"	6.75"
2015-16	Chevy	Tahoe/Suburban	57-93805	6.5"	6.75"
2009-16	Ram	1500	57-93545	6.6"	6.4"
2010-16	Ram	2500/3500	57-93555	6.5"	6.75"

*Call for latest application updates

MAX® Tow Hook
» 1 unit per package
» Part No. 46-3005



WESTIN®
Public Safety Division

NEW

SKIDPLATE

MAXIMUM STRENGTH AND DURABILITY

WESTIN



WESTIN
Public Safety Division

SKID PLATE

Westin's Skid Plate is made of heavy duty 10 gauge HRPO steel with the strength to fully protect the under body of the vehicle. It features extra mount points that add maximum strength while still allowing easy access for oil changes. The Skid Plate is a unique design that features vent holes that reduce weight while allowing airflow to the transmission and oil pan. In addition, stamped reinforcing ribs add durability and strength.

SPECIFICATIONS:

FINISH: TEXTURED BLACK

MATERIAL: 10 GAUGE HRPO STEEL

WARRANTY: 3 YEAR

Easy access to replace oil filter

Fits tight to the vehicle for maximum ground clearance

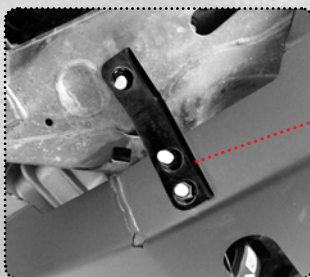
Stamped reinforcing ribs add extra strength without extra weight

Easy access for oil drain plug

Textured black finish

Fully welded bends

Vent holes reduce weight and allow airflow to the transmission and oil pan



Extra mount points provide maximum strength

YEAR	MAKE	MODEL	SKID PLATE
2012-15	Ford	Interceptor Utility	36-10005

NOTE: Does not fit Eco-Boost Models



WESTIN
Public Safety Division

HD HEADACHE RACK

DURABILITY AND PROTECTION



F-150



WESTIN
Public Safety Division

HD HEADACHE RACK

Westin's HD Headache Rack protects your rear window from potential damage due to load shifting. Our unique louvered design keeps harmful sun rays out and protects the interior while giving you unobstructed visibility.

SPECIFICATIONS:

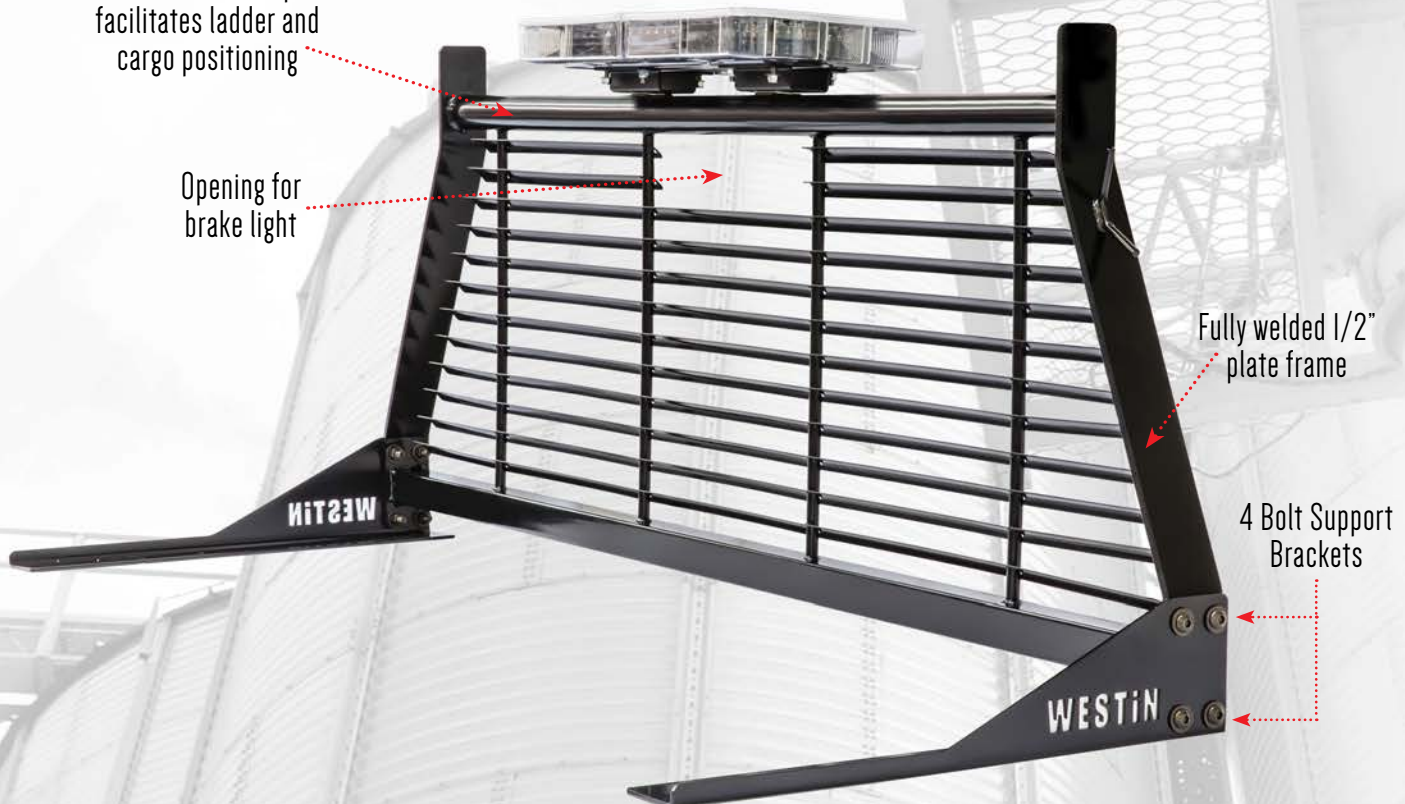
- FINISH:** E-COATED / BLACK POWDER COAT
- MATERIAL:** HRPO STEEL
- VISIBLE HARDWARE:** BLACK PLATED STAINLESS STEEL
- WARRANTY:** 3 YEAR

2" diameter round top tube facilitates ladder and cargo positioning

Opening for brake light

Fully welded 1/2" plate frame

4 Bolt Support Brackets



Welded Tie-Down Hooks



Accessory Mounting Tabs (4)



Oversized Tool Box Bracket
Part No. 57-8095

YEAR	MAKE	MODEL	HD HEADACHE RACK*
2009-16	Ford	F150	57-8025
2004-08	Ford	F150	57-8025
2008-16	Ford	F250/350/450/550HD Super Duty	57-8005
2007-16	Chevy	Silverado 1500/2500/3500	57-8025
1999-07	Chevy	Silverado "Classic" 1500/2500/3500	57-8025
2002-16	Ram	1500	57-8035
2003-16	Ram	2500/3500	57-8035

*Call for latest application updates



WESTIN
Public Safety Division



WESTIN[®]

Public Safety Division

PROTECTING THOSE **WHO PROTECT US**

