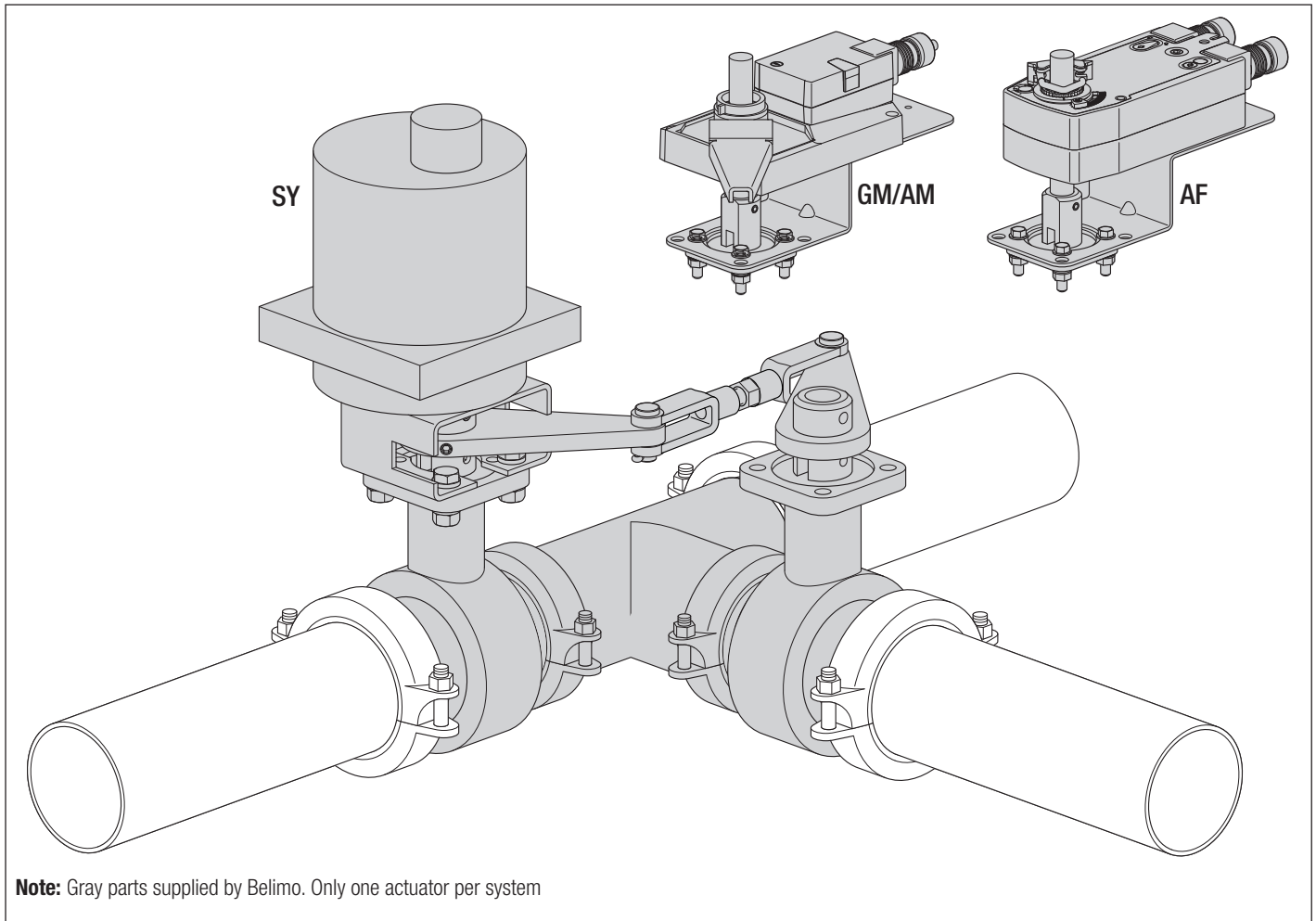


# Victaulic 3-Way Butterfly Valves



Technical Data	
Service	chilled, hot water, 60% glycol
Flow characteristic	modified linear
Action	90° rotation
Sizes	2" to 12"
Type of end fitting	grooved ANSI/AWWA (C606)
Valve materials*	
Body	ductile iron ASTM A536, grade 65-45-12
Disc	electroless nickel coated ductile iron
Seat	EPDM
Shaft	416 stainless steel
Body pressure rating	300 psi at -30°F to 275°F
Media temperature range	-30°F to 250°F [-34°C to 120°C]
Ambient temperature range	-22°F to 122°F [-30°C to 50°C]
Maximum close-off pressure	200 psi
Maximum velocity	20 FPS

\*VIC®300 Masterseal™ as manufactured by Victaulic Company

- 200 psi (2" to 12") bubble tight shut-off
- Long stem design allows for 2" insulation
- Completely assembled and tested, ready for installation

### Application

These valves are designed to meet the needs of HVAC and commercial applications requiring bubble tight shut-off for liquids. Typical applications include chiller isolation, cooling tower isolation, change-over systems, large air handler coil control, bypass and process control applications. The large  $C_v$  values provide for an economical control valve solution for larger flow applications.

### Jobsite Note

Valves should be stored in a weather protected area prior to construction.

# Victaulic 3-Way Butterfly Valves

## Instruction Manual



### Maximum Dimensions (Inches)

Valve	Size	Cv 90°	A (Max)	B (Max)	C (Max)	D (Max)	Actuator	Close-Off (PSI)	Non-Spring Return
F750VIC	2"	115	3.20	6.50	13.10	13.20	AM...	50	
F750VIC	2"	115	3.20	6.50	13.60	13.60	GM...	200	
F765VIC	2½"	260	3.80	7.50	14.10	14.00		50	
F765VIC	2½"	260	3.80	7.50	14.10	14.30	2*GM	200	
F780VIC	3"	440	3.80	8.00	14.30	19.60		50	
F750VIC	2"	115	3.20	6.50	15.70	15.70	SY1...	200	
F765VIC	2½"	260	3.80	7.50	16.20	16.20		50	
F765VIC	2½"	260	3.80	7.50	25.70	16.40	SY2...	200	
F780VIC	3"	440	3.80	8.00	26.00	26.00		200	
F7100VIC	4"	820	4.60	9.60	26.70	26.70	SY3...	200	
F7125VIC	5"	1200	5.90	11.40	27.70	27.70		200	
F7150VIC	6"	1800	5.90	12.40	28.30	28.20	SY4...	50	
F7150VIC	6"	1800	5.90	12.40	32.10	33.30		200	
F7200VIC	8"	3400	5.30	13.10	33.30	35.00	SY6...†	200	
F7250VIC	10"	5800	6.40	15.40	35.10	35.10		50	
F7250VIC	10"	5800	6.40	15.40	38.70	38.70	SY7...†	200	
F7300VIC	12"	9000	6.50	16.50	39.70	39.70		200	

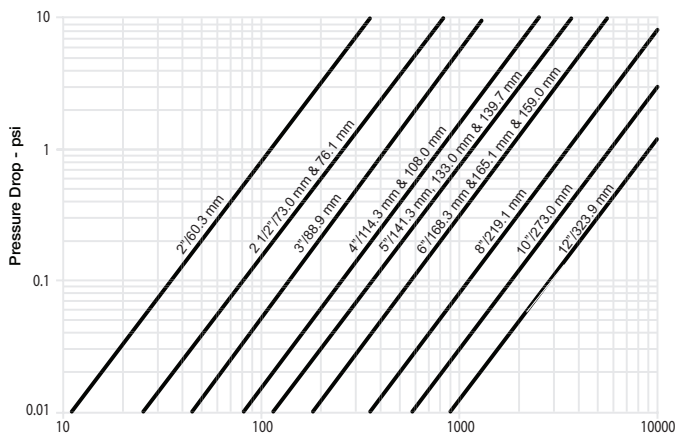
†SY6 and larger available in 110/220 VAC versions only.

SY... maximum actuator ambient temperature is 150°F.

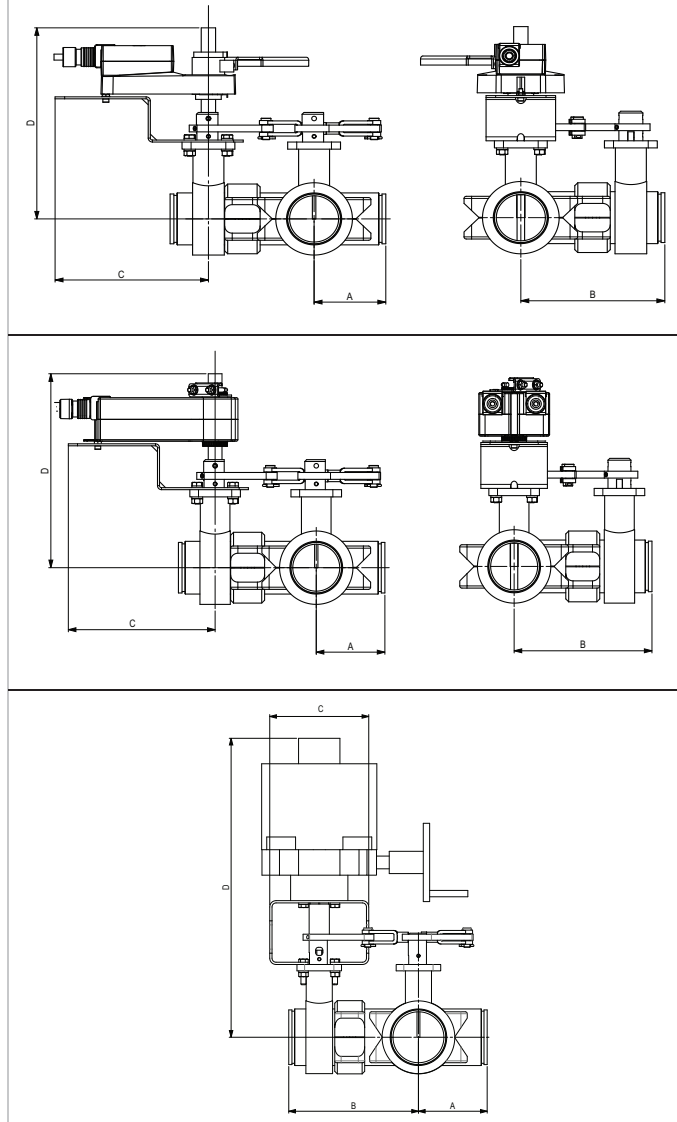
### Application Notes

1. Valves are rated at 200 psi differential pressure in the closed position
2. 3-way assemblies are furnished assembled and tested, ready for installation.
3. Dimension "D" allows for actuator removal without the need to remove the valve from the pipe.
4. Belimo SY Series actuators are NEMA 4X rated.
5. Provide support for the actuator if it is mounted at any angle other than 90° vertical.
6. Installer is to use rigid type couplings for connecting the valve to the piping.

### Flow Rate (GPM)



### Dimensions



Subject to change. © Belimo Aircontrols (USA), Inc.