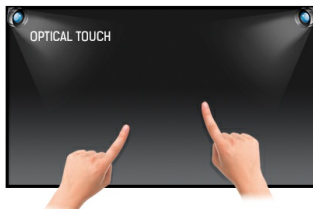




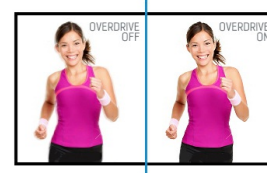
24" Dual Touch screen, based on Optical Touch Screen Technology

The T2452MTS is Windows® compatible and ready for the emerging business and consumer software packages. The monitor lets you browse the web, email and draw while working on multiple screens, docking or typing on the on-screen keyboard. You can scroll and rotate pictures, draw, zoom in and out using certain tap, flick, grab and pincer gestures. The multi touch is not only fast but also fun to work with. The panel features 1920x1080 resolution with a 2ms response time. Multiple inputs (VGA/ HDMI/ DVI) are available for flexible connectivity along with USB for the Touch Interface.



Touch technology - Optical

This technology uses cameras. A touch event is registered with great accuracy when light is blocked by a finger or stylus. It's the only touch technology that does not rely on an overlay or substrate to register a touch, so it's impossible to physically "wear out" the touchscreen. In fact you don't really have to physically touch the screen.



OverDrive ON / OFF

When very fast graphics are displayed your monitor can sometimes get blurry. Turning on the OverDrive feature will eliminate that.

01 DISPLAY CHARACTERISTICS

| | |
|-------------------------|---|
| Diagonal | 23.6", 60cm |
| Panel | TN LED |
| Native resolution | 1920 x 1080 (2.1 megapixel Full HD) |
| Aspect ratio | 16:9 |
| Panel brightness | 300 cd/m ² |
| Brightness | 260 cd/m ² with touch |
| Light transmittance | 88% |
| Static contrast | 1000:1 |
| Advanced contrast | 12M:1 |
| Response time (GTG) | 2ms |
| Viewing zone | horizontal/vertical: 170°/160°, right/left: 85°/85°, up/down: 80°/80° |
| Colour support | 16.7mln |
| Horizontal Sync | 30 - 80kHz |
| Viewable area W x H | 521.3 x 293.2mm, 20.51 x 11.54" |
| Pixel pitch | 0.272mm |
| Bezel colour and finish | black, matte |

02 TOUCH

| | |
|-----------------------------|---|
| Touch technology | optical |
| Touch points | 2 (HID, only with supported OS) |
| Touch method | stylus, finger, glove |
| Touch interface | USB |
| Supported operating systems | All iiyama monitors are Plug & Play and compatible with Windows and Linux. For details regarding the supported OS for the touch models, please refer to the driver instruction file available in the downloads section. |

03 INTERFACES / CONNECTORS / CONTROLS

| | |
|----------------------|---------------------------------|
| Analog signal input | VGA x1 |
| Digital signal input | DVI x1 HDMI x1 |
| Audio output | Mini jack x1 Speakers 2 x 2W |
| HDCP | yes |

04 FEATURES

| | |
|--------------|-----|
| OSD key lock | yes |
|--------------|-----|

05 GENERAL

| | |
|-----------------|---|
| OSD languages | EN, DE, FR, CN, RU, JP, NL, PL |
| Control buttons | Power, Select/ Input Select, Scroll up/ Audio, Scroll down/ i-Style Colour, Menu |
| User controls | auto adjust, picture adjust (contrast, brightness, ACR, ECO, OD) input select, audio adjust (volume, mute, HDMI audio) colour adjust (cool, normal, warm, user colour, i-Style colour) information, manual image adjust (H/V position, clock, phase, sharpness, video mode adjust, blue light reducer) setup menu (language, OSD position, OSD time out, OSD background, opening logo, LED) memory recall |
| Convenience | Kensington-lock™ prepared |

Blue light reducer yes

Plug&Play DDC2B

06 MECHANICAL

Tilt angle 73° up; 3° down

VESA mounting 100 x 100mm

07 ACCESSORIES INCLUDED

Cables power, VGA, DVI, USB, Audio

Touch pen x1

Guides quick start guide, safety guide

08 POWER MANAGEMENT

Power supply unit internal

Power supply AC 100 - 240V, 50/60Hz

Power usage 18W typical, 0.5W stand by, 0.5W off mode

09 SUSTAINABILITY

Regulations CE, TÜV-Bauart, VCCI-B, PSE, RoHS support, ErP, ENERGY STAR[®], WEEE, CU, REACH

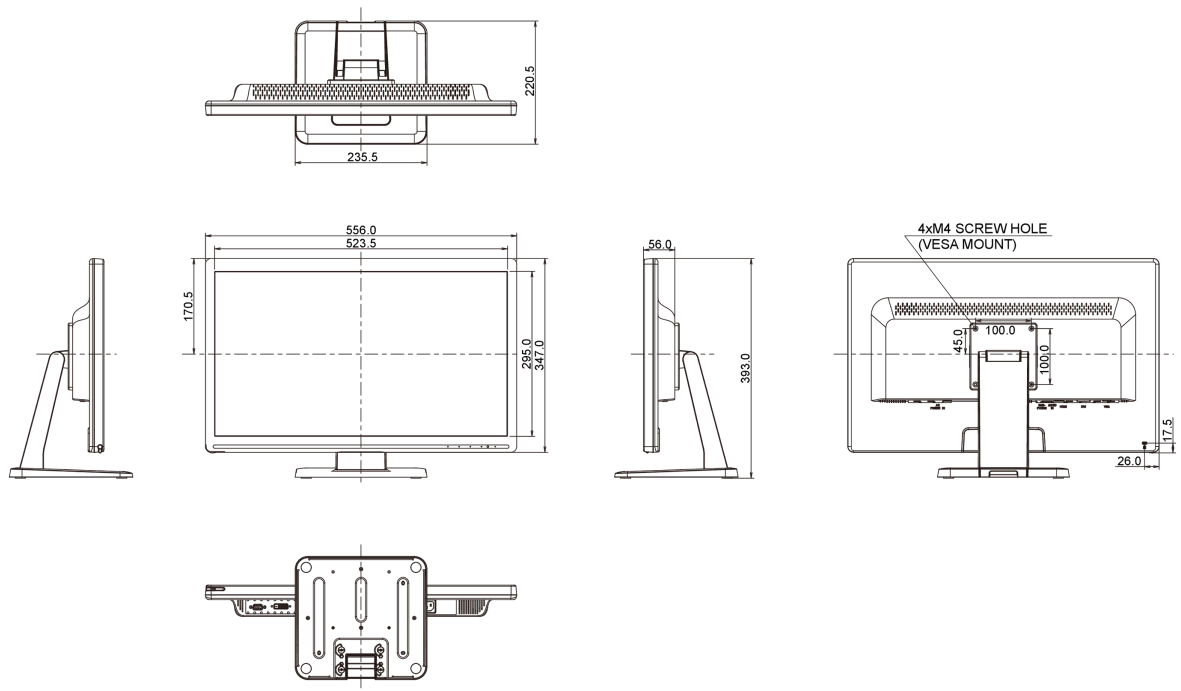
REACH SVHC above 0.1%: Lead

10 DIMENSIONS / WEIGHT

Product dimensions W x H x D 556 x 393 x 220.5mm

Weight (without box) 6.7kg

EAN code 4948570115181



All trademarks and registered trademarks acknowledged. E & O E. Specification subject to change without notice. All LCD's comply with ISO-9241-307:2008 in connection with pixel defects.

© IYAMA CORPORATION. ALL RIGHTS RESERVED