



24" LED backlit LCD Screen featuring IPS technology

ProLite X2485WS features an IPS Technology LED panel offering accurate and consistent colour reproduction with wide viewing angles and fast response time. The ProLite X2485WS is a 16:10 monitor with 1920 x 1200 native screen resolution. An array of inputs including Display Port, DVI and VGA connections ensure compatibility across a range of devices including games consoles and work stations. It also has two integrated stereo speakers and is VESA mount compatible.



IPS Technology

IPS displays are best known for wide viewing angles and natural, highly accurate colours. They are especially suited for colour-critical applications.



Blue light reducer

As we all know looking at a monitor screen for several hours per day, especially from a closer distance, causes eye fatigue. This effect is much stronger with computer screens than with TV equipment. One of the factors responsible for this phenomenon is the blue light emitted by the screen. Therefore reducing the amount of blue light ultimately allows our eyes to feel less tired while working long hours with a computer screen. We achieved it by adjusting the monitor's brightness and color temperature through a new feature called "Blue light reduction" easily accessible through the monitor's OSD menu.

01 DISPLAY CHARACTERISTICS

Diagonal	24.1", 61.13cm
Panel	IPS Technology LED, matte finish
Native resolution	1920 x 1200 (2.3 megapixel)
Aspect ratio	16:10
Panel brightness	250 cd/m ²
Static contrast	1000:1
Advanced contrast	5M:1
Response time (GTG)	4ms
Viewing zone	horizontal/vertical: 178°/178°, right/left: 89°/89°, up/down: 89°/89°
Colour support	16.7mln
Horizontal Sync	30 - 94kHz
Viewable area W x H	518.4 x 324mm, 20.4 x 12.8"
Pixel pitch	0.27mm
Colour	matte

02 INTERFACES / CONNECTORS / CONTROLS

Signal input	VGA x1 DVI x1 DisplayPort x1 (v.1.2)
HDCP	yes
Headphone connector	yes

03 FEATURES

Blue light reducer	yes
OSD languages	EN, DE, FR, ES, IT, CN, RU, JP, NL
Control buttons	Power, Menu, +/- Volume, -/ ECO, Auto
User controls	picture (brightness, contrast, H.position, V.position, phase, clock, colour temp., auto adjust), OSD (H.position, V.position, OSD timeout, transparency), display (display mode, i-style Colour, ACR, X-Res technology, sharpness, OD, gamma, blue light reducer), audio (volume, mute, audio input), miscellaneous (language, input select, opening logo, after AC cut, ECO, reset), information
Speakers	2 x 1.5W
Convenience	Kensington-lock™ prepared, DDC2B, Mac OSX

04 MECHANICAL

Display position adjustments	tilt
Tilt angle	22° up; 5° down
VESA mounting	100 x 100mm

05 ACCESSORIES INCLUDED

Cables	power, DVI, Audio, DP
Other	quick start guide, safety guide

06 POWER MANAGEMENT

Power supply unit	internal
-------------------	----------

Power supply

AC 100 - 240V, 50/60Hz

Power usage

24W typical, 0.5W stand by, 0.5W off mode

07 SUSTAINABILITY**Regulations**

CE, TÜV-GS, VCCI-B, RoHS support, ErP, ENERGY STAR®, WEEE, CU, REACH

EPEAT SilverEPEAT is a comprehensive environmental rating that helps identify greener computers and other electronic equipment. The Silver certification means the monitor meets all required criteria plus at least 50% of the optional requirements. EPEAT Silver is valid in countries where iiyama registers the product. Please visit www.epeat.net for the registration status in your country.**REACH SVHC**

above 0.1%: Lead

08 DIMENSIONS / WEIGHT**Product dimensions W x H x D**

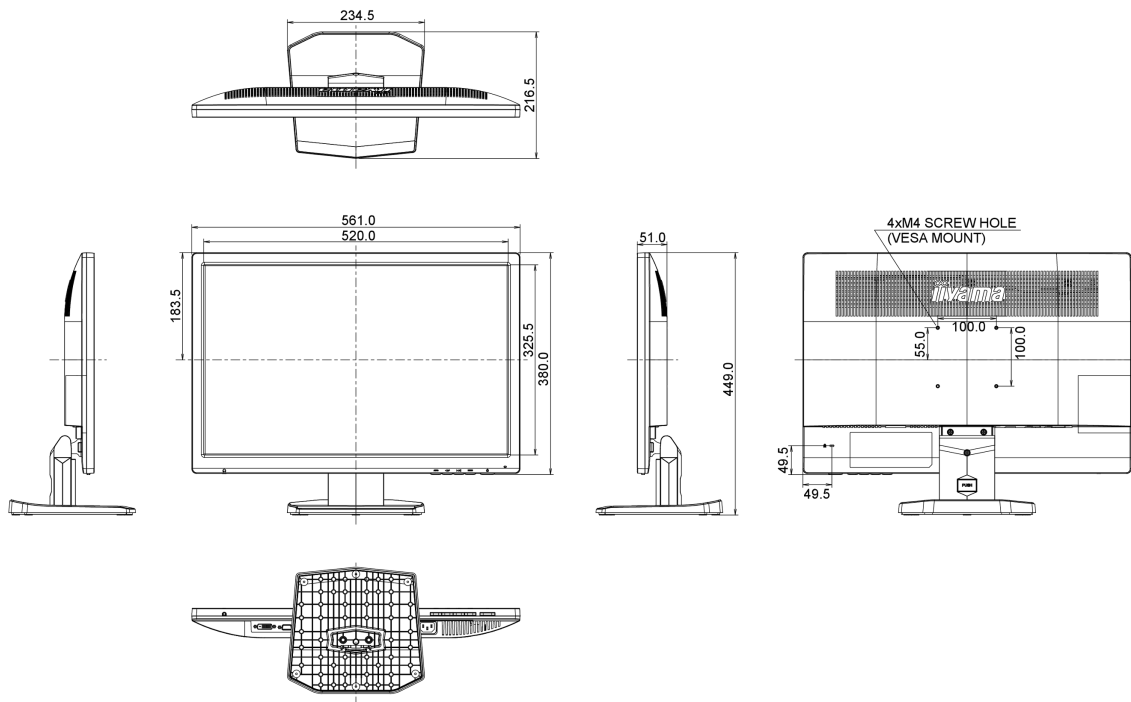
561 x 449 x 216.5mm

Weight (without box)

4.8kg

EAN code

4948570114634



All trademarks and registered trademarks acknowledged. E & O E. Specification subject to change without notice. All LCD's comply with ISO-9241-307:2008 in connection with pixel defects.

© IIYAMA CORPORATION. ALL RIGHTS RESERVED