



**METRIC POLY BASE FIXED STUD LEVELING GLIDES**

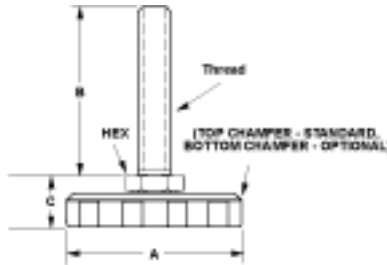
The IEC *Metric Poly Base Steel and Stainless Steel Fixed Stud Glide* offers metric threads and is ideal for medium-duty load requirements. The stud will tilt several degrees under load to adjust for unlevel surfaces. This glide is cost-effective for applications not requiring a swivel base. Zinc plated steel stud and black polypropylene base. Some sizes available with Top-A-Just™ top broached hex, allen drive, (-BR) and top-end external hex (-HX).



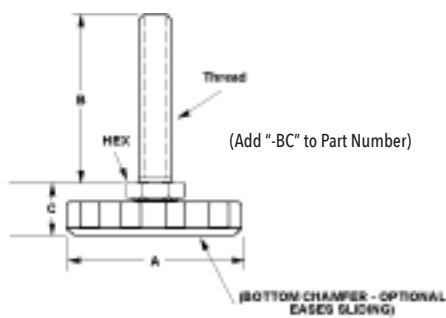
Top-A-Just™ (-BR)



Top-A-Just™ (-HX)



Optional bottom chamfer (reverse assembly) – with 90° top edge



Steel	SS	Load	Thread	Hex	A	B(mm)	C
<b>Metric Poly Base Steel and Stainless Steel Fixed Stud Glides</b>							
IL7-M6Bx25	IL7-M6BSx25	100	M6	1/2	1	25	11/16
IL7-M6Bx38	IL7-M6BSx38	100	M6	1/2	1	38	11/16
IL7-M6Bx51	IL7-M6BSx51	100	M6	1/2	1	51	11/16
IL7-M8Bx38	IL7-M8BSx38	500	M8	1/2	1	38	11/16
IL7-M8Bx51	IL7-M8BSx51	500	M8	1/2	1	51	11/16
IL7-M8Bx62	IL7-M8BSx62	500	M8	1/2	1	62	11/16
IL7-M10Bx38	IL7-M10BSx38	1000	M10	1/2	1	38	11/16
IL7-M10Bx51	IL7-M10BSx51	1000	M10	1/2	1	51	11/16
IL7-M10Bx62	IL7-M10BSx62	1000	M10	1/2	1	62	11/16
IL7-M12Bx38	IL7-M12BSx38	2000	M12	1/2	1	38	11/16
IL7-M12Bx51	IL7-M12BSx51	2000	M12	1/2	1	51	11/16
IL7-M12Bx75	IL7-M12BSx75	2000	M12	1/2	1	75	11/16
IL7-M12Bx102	IL7-M12BSx102	2000	M12	1/2	1	102	11/16
IL7-M16Bx51	IL7-M16BSx51	2500	M16	5/8	1	51	11/16
IL7-M16Bx90-BR	IL7-M16BSx90-BR	2500	M16	5/8	1	90	11/16
IL7-M16Bx102	IL7-M16BSx102	2500	M16	5/8	1	102	11/16
IL7-M16Bx115-BR	IL7-M16BSx115-BR	2500	M16	5/8	1	115	11/16
IL8-M6Bx25	IL8-M6BSx25	100	M6	1/2	1-1/2	25	11/16
IL8-M6Bx38	IL8-M6BSx38	100	M6	1/2	1-1/2	38	11/16
IL8-M6Bx51	IL8-M6BSx51	100	M6	1/2	1-1/2	51	11/16
IL8-M8Bx38	IL8-M8BSx38	500	M8	1/2	1-1/2	38	11/16
IL8-M8Bx51	IL8-M8BSx51	500	M8	1/2	1-1/2	51	11/16
IL8-M8Bx62	IL8-M8BSx62	500	M8	1/2	1-1/2	62	11/16
IL8-M10Bx38	IL8-M10BSx38S	1000	M10	1/2	1-1/2	38	11/16
IL8-M10Bx51	IL8-M10BSx51S	1000	M10	1/2	1-1/2	51	11/16
IL8-M10Bx62	IL8-M10BSx62S	1000	M10	1/2	1-1/2	62	11/16
IL8-M12Bx38	IL8-M12BSx38	2000	M12	1/2	1-1/2	38	11/16
IL8-M12Bx51	IL8-M12BSx51	2000	M12	1/2	1-1/2	51	11/16
IL8-M12Bx75	IL8-M12BSx75	2000	M12	1/2	1-1/2	75	11/16
IL8-M12Bx102	IL8-M12BSx102	2000	M12	1/2	1-1/2	102	11/16
IL8-M16Bx51	IL8-M16BSx51	2500	M16	5/8	1-1/2	51	11/16
IL8-M16Bx90-BR	IL8-M16BSx90-BR	2500	M16	5/8	1-1/2	90	11/16
IL8-M16Bx102	IL8-M16BSx102	2500	M16	5/8	1-1/2	102	11/16
IL8-M16Bx115-BR	IL8-M16BSx115-BR	2500	M16	5/8	1-1/2	115	11/16
IL7A-M6Bx25	IL7A-M6BSx25	100	M6	1/2	2	25	11/16
IL7A-M6Bx38	IL7A-M6BSx38	100	M6	1/2	2	38	11/16
IL7A-M6Bx51	IL7A-M6BSx51	100	M6	1/2	2	51	11/16
IL7A-M8Bx38	IL7A-M8BSx38	500	M8	1/2	2	38	11/16
IL7A-M8Bx51	IL7A-M8BSx51	500	M8	1/2	2	51	11/16
IL7A-M8Bx62	IL7A-M8BSx62	500	M8	1/2	2	62	11/16
IL7A-M10Bx38	IL7A-M10BSx38	1000	M10	1/2	2	38	11/16
IL7A-M10Bx51	IL7A-M10BSx51	1000	M10	1/2	2	51	11/16
IL7A-M10Bx62	IL7A-M10BSx62	1000	M10	1/2	2	62	11/16
IL7A-M12Bx38	IL7A-M12BSx38	2000	M12	1/2	2	38	11/16
IL7A-M12Bx51	IL7A-M12BSx51	2000	M12	1/2	2	51	11/16
IL7A-M12Bx75	IL7A-M12BSx75	2000	M12	1/2	2	75	11/16
IL7A-M12Bx102	IL7A-M12BSx102	2000	M12	1/2	2	102	11/16
IL7A-M16Bx51	IL7A-M16BSx51	2500	M16	5/8	2	51	11/16
IL7A-M16Bx90-BR	IL7A-M16BSx90-BR	2500	M16	5/8	2	90	11/16
IL7A-M16Bx102	IL7A-M16BSx102	2500	M16	5/8	2	102	11/16
IL7A-M16Bx115-BR	IL7A-M16BSx115-BR	2500	M16	5/8	2	115	11/16



**MEDIUM-DUTY LEVELERS**  
**POLY FIXED - METRIC**  
**KNOB STYLE GLIDES**

**METRIC POLY BASE FIXED STUD LEVELING GLIDES**

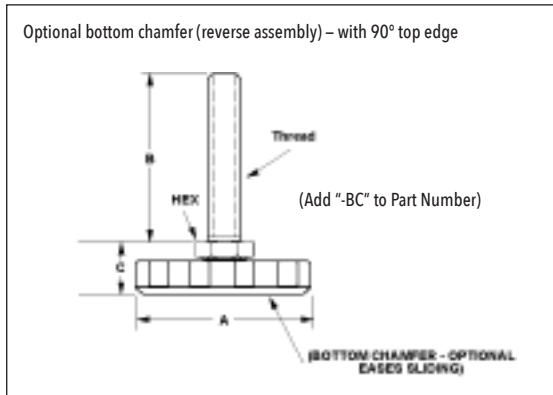
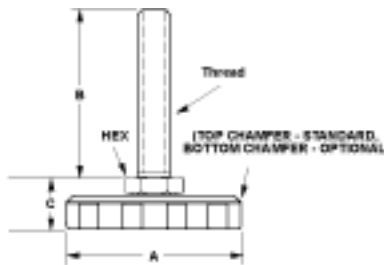
The IEC Metric Poly Base Steel and Stainless Steel Fixed Stud Glide offers metric threads and is ideal for medium-duty load requirements. The stud will tilt several degrees under load to adjust for unlevel surfaces. This glide is cost-effective for applications not requiring a swivel base. Zinc plated steel stud and black polypropylene base. Some sizes available with Top-A-Just™ top broached hex, allen drive, (-BR) and top-end external hex (-HX).



Top-A-Just™(-BR)



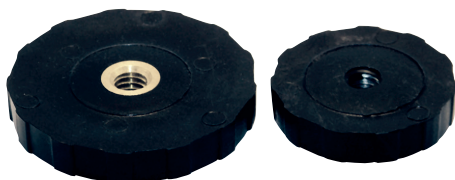
Top-A-Just™(-HX)



Steel	SS	Load	Thread	Hex	A	B(mm)	C
<b>Metric Poly Base Steel and Stainless Steel Fixed Stud Glides</b>							
IL7M-M6Bx25	IL7M-M6BSx25	100	M6	1/2	2-1/2	25	11/16
IL7M-M6Bx38	IL7M-M6BSx38	100	M6	1/2	2-1/2	38	11/16
IL7M-M6Bx51	IL7M-M6BSx51	100	M6	1/2	2-1/2	51	11/16
IL7M-M8Bx38	IL7M-M8BSx38	500	M8	1/2	2-1/2	38	11/16
IL7M-M8Bx51	IL7M-M8BSx51	500	M8	1/2	2-1/2	51	11/16
IL7M-M8Bx62	IL7M-M8BSx62	500	M8	1/2	2-1/2	62	11/16
IL7M-M10Bx38	IL7M-M10BSx38	1000	M10	1/2	2-1/2	38	11/16
IL7M-M10Bx51	IL7M-M10BSx51	1000	M10	1/2	2-1/2	51	11/16
IL7M-M10Bx62	IL7M-M10BSx62	1000	M10	1/2	2-1/2	62	11/16
IL7M-M12Bx38	IL7M-M12BSx38	2000	M12	1/2	2-1/2	38	11/16
IL7M-M12Bx51	IL7M-M12BSx51	2000	M12	1/2	2-1/2	51	11/16
IL7M-M12Bx75	IL7M-M12BSx75	2000	M12	1/2	2-1/2	75	11/16
IL7M-M12Bx102	IL7M-M12BSx102	2000	M12	1/2	2-1/2	102	11/16
IL7M-M16Bx51	IL7M-M16BSx51	2500	M16	5/8	2-1/2	51	11/16
IL7M-M16Bx90-BR	IL7M-M16BSx90-BR	2500	M16	5/8	2-1/2	90	11/16
IL7M-M16Bx102	IL7M-M16BSx102	2500	M16	5/8	2-1/2	102	11/16
IL7M-M16Bx115-BR	IL7M-M16BSx115-BR	2500	M16	5/8	2-1/2	115	11/16
IL8A-M6Bx25	IL8A-M6BSx25	100	M6	1/2	3	25	11/16
IL8A-M6Bx38	IL8A-M6BSx38	100	M6	1/2	3	38	11/16
IL8A-M6Bx51	IL8A-M6BSx51	100	M6	1/2	3	51	11/16
IL8A-M8Bx38	IL8A-M8BSx38	500	M8	1/2	3	38	11/16
IL8A-M8Bx51	IL8A-M8BSx51	500	M8	1/2	3	51	11/16
IL8A-M8Bx62	IL8A-M8BSx62	500	M8	1/2	3	62	11/16
IL8A-M10Bx38	IL8A-M10BSx38	1000	M10	1/2	3	38	11/16
IL8A-M10Bx51	IL8A-M10BSx51	1000	M10	1/2	3	51	11/16
IL8A-M10Bx62	IL8A-M10BSx62	1000	M10	1/2	3	62	11/16
IL8A-M12Bx38	IL8A-M12BSx38	2000	M12	1/2	3	38	11/16
IL8A-M12Bx51	IL8A-M12BSx51	2000	M12	1/2	3	51	11/16
IL8A-M12Bx75	IL8A-M12BSx75	2000	M12	1/2	3	75	11/16
IL8A-M12Bx102	IL8A-M12BSx102	2000	M12	1/2	3	102	11/16
IL8A-M16Bx51	IL8A-M16BSx51	2500	M16	5/8	3	51	11/16
IL8A-M16Bx90-BR	IL8A-M16BSx90-BR	2500	M16	5/8	3	90	11/16
IL8A-M16Bx102	IL8A-M16BSx102	2500	M16	5/8	3	102	11/16
IL8A-M16Bx115-BR	IL8A-M16BSx115-BR	2500	M16	5/8	3	115	11/16

**KNOB STYLE SOCKET TYPE GLIDES (LEVELERS/KNOB)**

These low-profile polypropylene levelers/knobs are designed for use with socket head allen bolts or threaded rod of various lengths. They are available with three different female thread types: brass insert (-BI), steel hex nut (-HN), or threads molded directly into the polypropylene (-MT). The height of all base sizes is 3/8" thick. The PVC base is a flexible, non-skid and non-marring, rubber-like material.



PN (brass)	PN (hex nut)	PN(molded)	Thread	Base Dia.	Load (lbs.)
IL83-4B-BI	IL83-4B-HN	IL83-4B-MT	1/4-20	1-1/2	100
IL83-5B-BI	IL83-5B-HN	IL83-5B-MT	5/16-18	1-1/2	250
IL83-6B-BI	IL83-6B-HN	IL83-6B-MT	3/8-16	1-1/2	250
IL85-4B-BI	IL85-4B-HN	IL85-4B-MT	1/4-20	2	100
IL85-5B-BI	IL85-5B-HN	IL85-5B-MT	5/16-18	2	250
IL85-6B-BI	IL85-6B-HN	IL85-6B-MT	3/8-16	2	250
IL87-4B-BI	IL87-4B-HN	IL87-4B-MT	1/4-20	2-1/2	100
IL87-5B-BI	IL87-5B-HN	IL87-5B-MT	5/16-18	2-1/2	250
IL87-6B-BI	IL87-6B-HN	IL87-6B-MT	3/8-16	2-1/2	250
IL89-4B-BI	IL89-4B-HN	IL89-4B-MT	1/4-20	3	100
IL89-5B-BI	IL89-5B-HN	IL89-5B-MT	5/16-18	3	250
IL89-6B-BI	IL89-6B-HN	IL89-6B-MT	3/8-16	3	250
PN (PVC)	Thread	Base Dia.	Load (lbs.)		
IL83-4B-HN-PVC	1/4-20	1-1/2	75		
IL83-5B-HN-PVC	5/16-18	1-1/2	75		
IL83-6B-HN-PVC	3/8-16	1-1/2	75		