



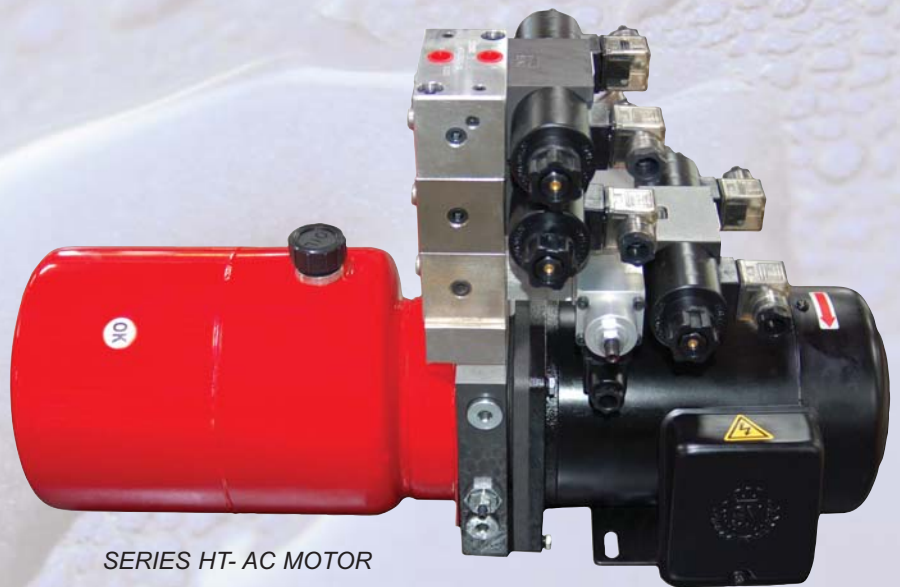
INDUSTRIAL FLUID POWER COMPONENTS
AND SYSTEMS

HT & VT SERIES

AC Motor Small Power Units



SERIES VT- AC MOTOR



SERIES HT- AC MOTOR

Ordering Information



SERIES VT10- AC MOTOR

HT2 - 1HP1 - G1.4 - Options

Type/ Tank Size
HT0.8
HT1.3
HT2
VT3
VT10

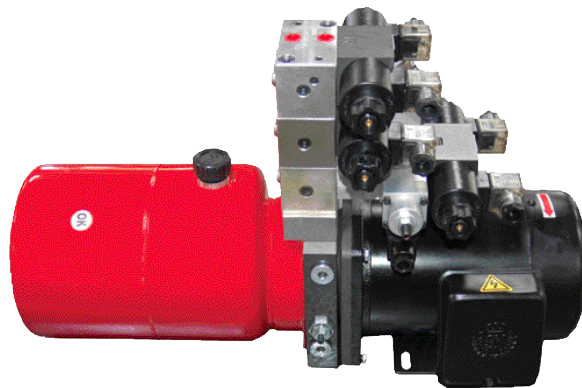
HP
.5
1
2
3

Phase
1
3

Flow (GPM@1800 rpm)
.7
.9
1.4
1.9
3
3.5

Options
DV-Voltage Dump Valve (specify voltage & current type)
D03-X_PorS Manifold (specify number of manifold stations & type of circuit: parallel or series)

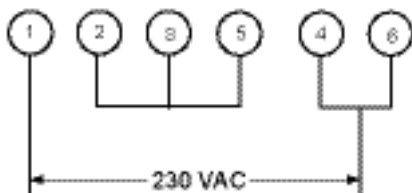
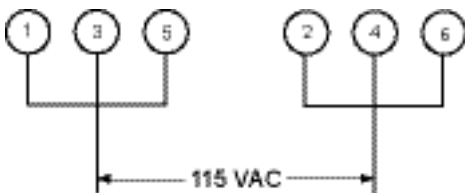
Rated @ 2500 PSI Max.



SERIES HT- AC MOTOR
(With Optional Adapter, Manifolds & D03 Valves)

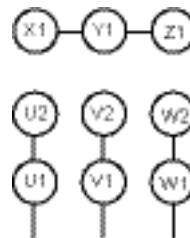
Wiring

SINGLE PHASE

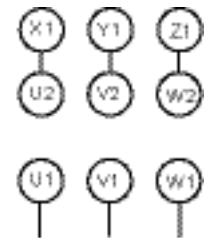


(CCW Rotation)

THREE PHASE



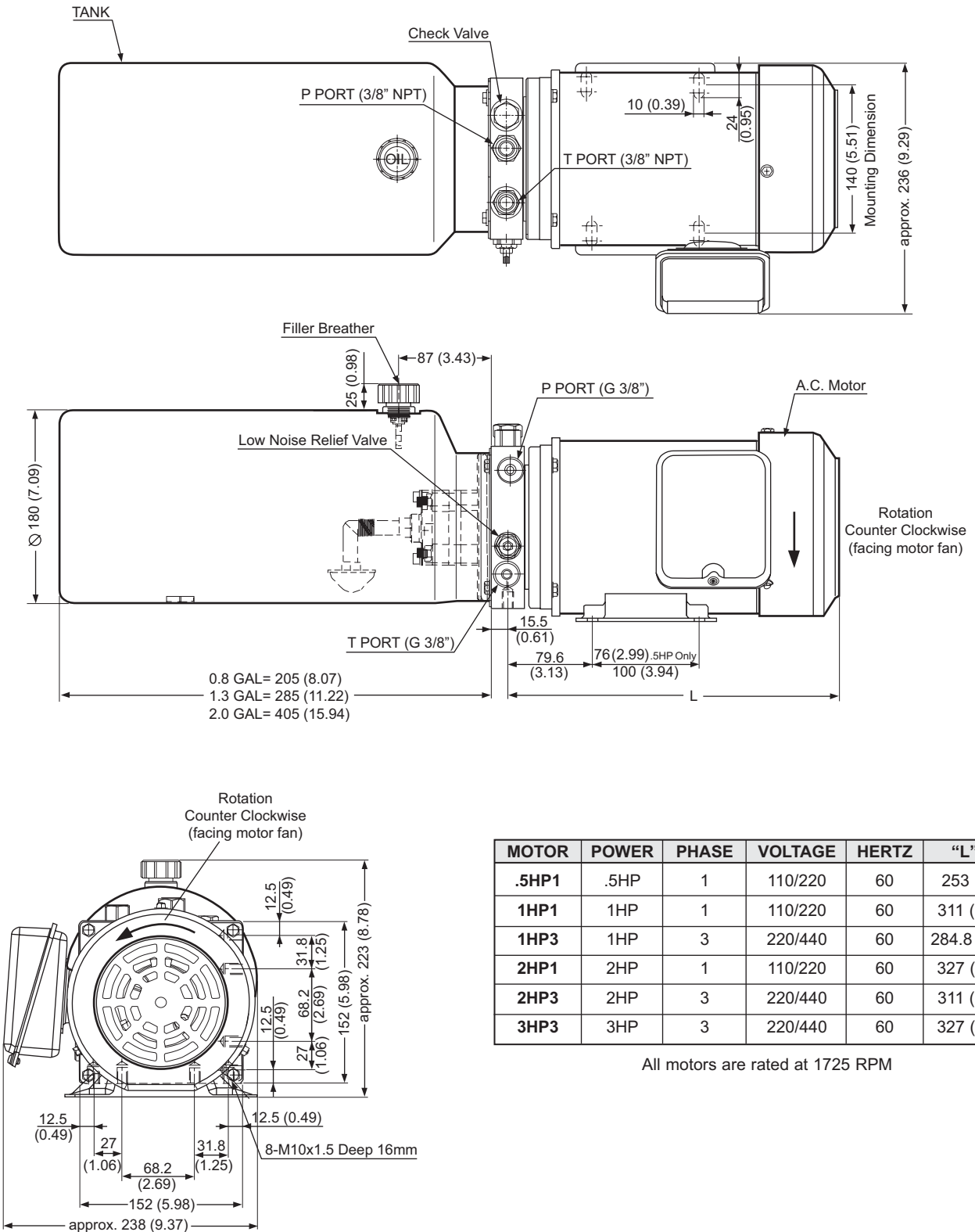
200
208
220
230
VAC



400
415
440
460
VAC

Dimensional Data

Units: mm (inches)

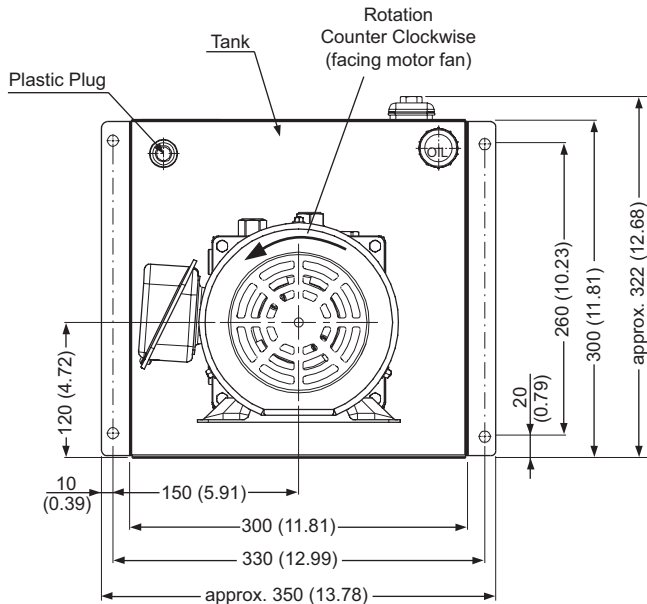
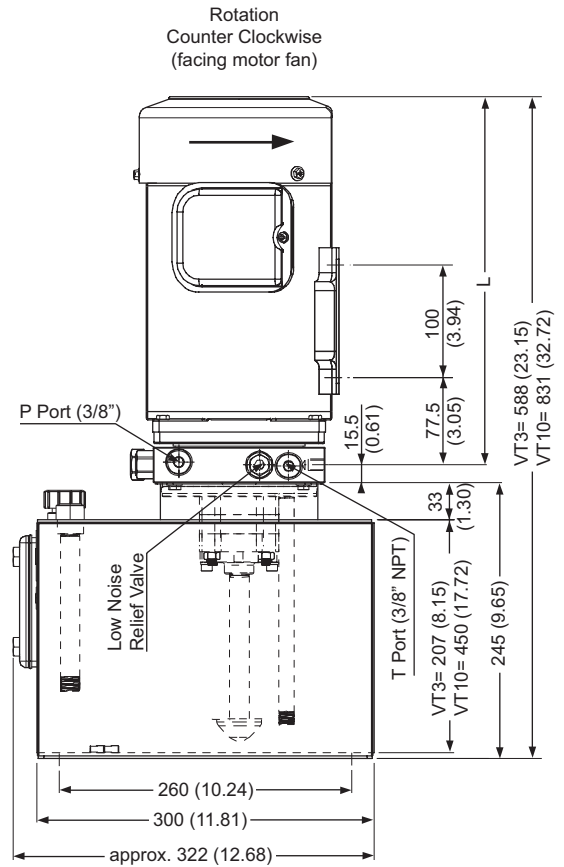
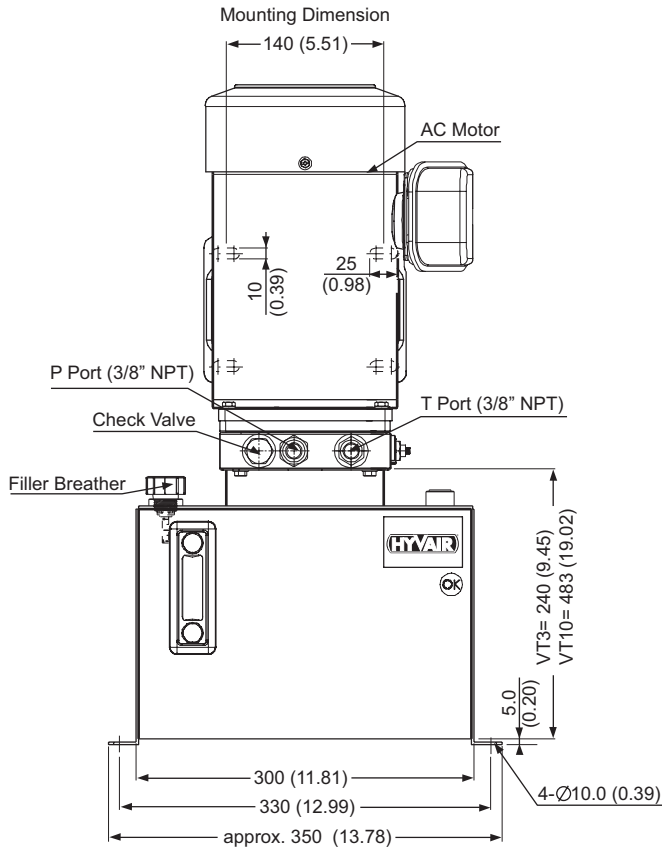


MOTOR	POWER	PHASE	VOLTAGE	HERTZ	"L" DIM
.5HP1	.5HP	1	110/220	60	253 (9.96")
1HP1	1HP	1	110/220	60	311 (12.24")
1HP3	1HP	3	220/440	60	284.8 (11.21")
2HP1	2HP	1	110/220	60	327 (12.87")
2HP3	2HP	3	220/440	60	311 (12.24")
3HP3	3HP	3	220/440	60	327 (12.87")

All motors are rated at 1725 RPM

Dimensional Data

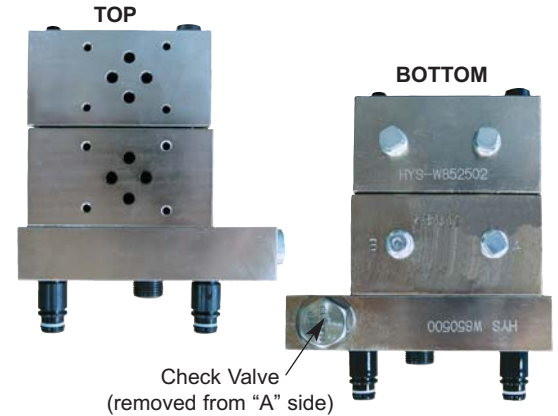
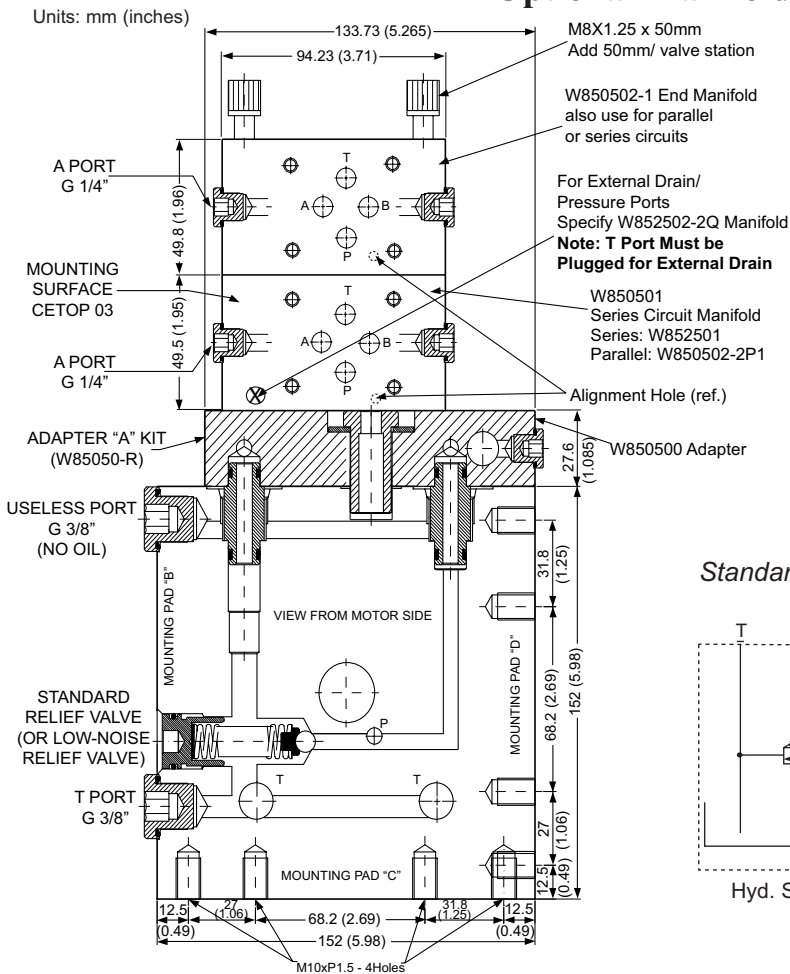
Units: mm (inches)



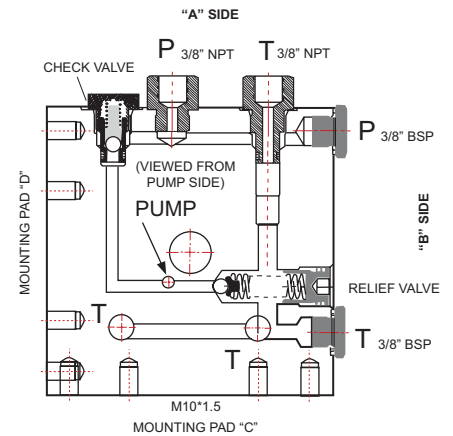
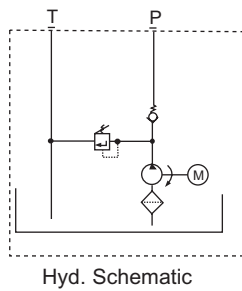
MOTOR	POWER	PHASE	VOLTAGE	HERTZ	"L" DIM
.5HP1	.5HP	1	110/220	60	253 (9.96")
1HP1	1HP	1	110/220	60	311 (12.24")
1HP3	1HP	3	220/440	60	284.8 (11.21")
2HP1	2HP	1	110/220	60	327 (12.87")
2HP3	2HP	3	220/440	60	311 (12.24")
3HP3	3HP	3	220/440	60	327 (12.87")

All motors are rated at 1725 RPM

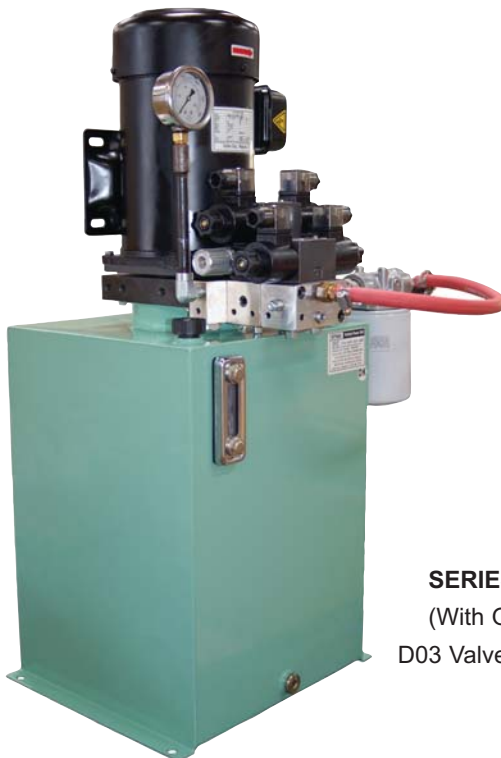
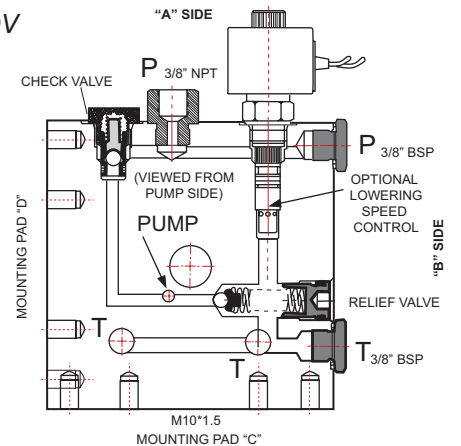
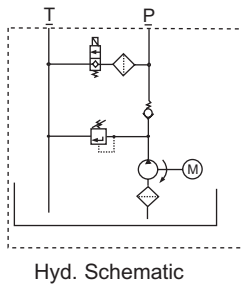
Optional Manifolds/ Adapter



Standard Configuration



With Lowering Valve- DV



SERIES VT10- AC MOTOR
(With Optional Return Filter,
D03 Valves, Adapter & Manifolds)