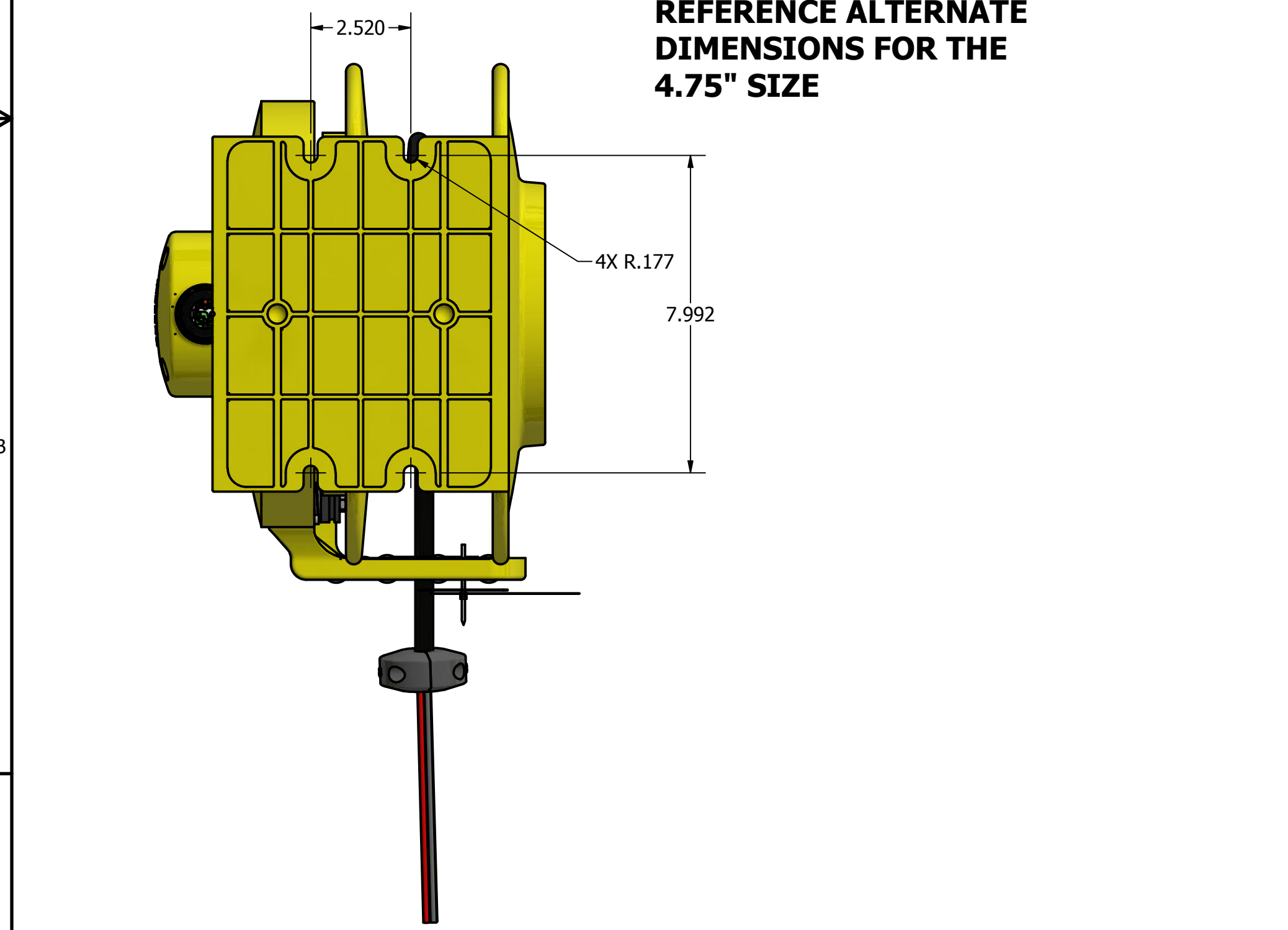


5FT. LONG BLACK INPUT CORD SEE TABLE FOR CORD SIZE AND TYPE PER CATALOG NUMBER



BLACK CORD, SEE TABLE FOR CORD'S TYPE AND LENGTH PER CATALOG NUMBER.

LIST OF PARTS			REVISION HISTORY			
DESCRIPTION	MATERIAL	FINISH	REV	DESCRIPTION	DATE	APPROVED
SPOOL WITH RATCHET SPOOL	ALUMINUM	POWDER COATING	A	RELEASED NO-ERN ISSUED	05/21/20	SRK
JUNCTION BOX COVER	ALUMINUM	POWDER COATING				
SPRING HOUSING COVER	STEEL	ZINC PLATED				
VERTICAL FRAME	ALUMINUM	POWDER COATING				
SPRING MOTOR	SPRING STEEL	N/A				
GUIDE ARM	ALUMINUM	POWDER COATING				
GUIDE FRAME	THERMOPLASTIC	N/A				
HARDWARE	STEEL	ZINC PLATED				
MAIN SHAFT	STEEL	ZINC PLATED				
CORD	COPPER	N/A				
BALL STOP	THERMOPLASTIC	N/A				
INTERNAL TERMINALS	COPPER ALLOY	N/A				
FITTINGS	ALUMINUM	N/A				

TABULATION CHART-MODEL NUMBERS													
TAB	MODEL NO.	DESCRIPTION	UL ENCLOSURE RATING	AMPS	VOLTS	CORD LGTH	CORD SIZE	CORD TYPE	REEL SIZE	REEL COLOR	INPUT	OUTPUT	REEL WEIGHT (LESS END EFFECTOR)
01	ACA16325-HL	ACA16325-HL,25FT,16/3,HAND LAMP YL	UL TYPE 1	10	125V	25	16/3	SJO	3	YELLOW	HBL5266C	GR617117	21.2 LBS.
02	ACA16335-HL	ACA16335-HL,35FT,16/3,HAND LAMP YL	UL TYPE 1	10	125V	35	16/3	SJO	3	YELLOW	HBL5266C	GR617117	22.0 LBS
03	ACA16345-HL	ACA16345-HL,45FT,16/3,HAND LAMP YL	UL TYPE 1	10	125V	45	16/3	SJO	3	YELLOW	HBL5266C	GR617117	22.9 LBS
04	ACA16325-FL	ACA16325-FL,25FT,16/3,FLUORESENT LAMP YL	UL TYPE 1	10	120V	25	16/3	SJO	3	YELLOW	HBL5266C	GR617165	21.2 LBS.
05	ACA16335-FL	ACA16335-FL,35FT,16/3,FLUORESENT LAMP YL	UL TYPE 1	10	120V	35	16/3	SJO	3	YELLOW	HBL5266C	GR617165	22.0 LBS.
06	ACA16345-FL	ACA16345-FL,45FT,16/3,FLUORESENT LAMP YL	UL TYPE 1	10	120V	45	16/3	SJO	3	YELLOW	HBL5266C	GR617165	22.9 LBS.
07	ACA16325-LED	ACA16325-LED,25FT,16/3,LED LAMP YL	UL TYPE 1	10	120V	25	16/3	SJO	3	YELLOW	HBL5266C	GR05857501	21.2 LBS.
08	ACA16335-LED	ACA16335-LED,35FT,16/3,LED LAMP YL	UL TYPE 1	10	120V	35	16/3	SJO	3	YELLOW	HBL5266C	GR05857501	22.0 LBS.
09	ACA16345-LED	ACA16345-LED,45FT,16/3,LED LAMP YL	UL TYPE 1	10	120V	45	16/3	SJO	3	YELLOW	HBL5266C	GR05857501	22.9 LBS.
10	ACA16325-SR15	ACA16325-SR15,25FT,16/3,15AMP RECEPT YL	UL TYPE 1	10	125V	25	16/3	SJO	3	YELLOW	HBL5266C	HBL5269C	21.2 LBS.
11	ACA16335-SR15	ACA16335-SR15,35FT,16/3,15AMP RECEPT YL	UL TYPE 1	10	125V	35	16/3	SJO	3	YELLOW	HBL5266C	HBL5269C	22.0 LBS.
12	ACA16345-SR15	ACA16345-SR15,45FT,16/3,15AMP RECEPT YL	UL TYPE 1	10	125V	45	16/3	SJO	3	YELLOW	HBL5266C	HBL5269C	22.9 LBS.
13	ACA14325-SR15	ACA14325-SR15,25FT,14/3,15AMP RECEPT YL	UL TYPE 1	15	125V	25	14/3	SJO	3	YELLOW	HBL5266C	HBL5269C	21.8 LBS.
14	ACA14335-SR15	ACA14335-SR15,35FT,14/3,15AMP RECEPT YL	UL TYPE 1	15	125V	35	14/3	SJO	3	YELLOW	HBL5266C	HBL5269C	22.9 LBS.
15	ACA14345-SR15	ACA14345-SR15,45FT,14/3,15AMP RECEPT YL	UL TYPE 1	15	125V	45	14/3	SJO	3	YELLOW	HBL5266C	HBL5269C	24.0 LBS.
16	ACA12325-SR20	ACA12325-SR20,25FT,12/3,20AMP RECEPT YL	UL TYPE 1	20	125V	25	12/3	SJO	3	YELLOW	HBL5366C	HBL5369C	23.4 LBS.
17	ACA12335-SR20	ACA12335-SR20,35FT,12/3,20AMP RECEPT YL	UL TYPE 1	20	125V	35	12/3	SJO	3	YELLOW	HBL5366C	HBL5369C	24.9 LBS.
18	ACA12345-SR20	ACA12345-SR20,45FT,12/3,20AMP RECEPT YL	UL TYPE 1	20	125V	45	12/3	SJO	3	YELLOW	HBL5366C	HBL5369C	26.5 LBS.
19	ACA16325-DR15	ACA16325-DR15,25FT,16/3,15AMP GFCI YL	UL TYPE 1	10	125V	25	16/3	SJO	3	YELLOW	HBL5266C	SEE CHART	21.2 LBS.
20	ACA16330-DR15	ACA16330-DR15,30FT,16/3,15AMP GFCI YL	UL TYPE 1	10	125V	30	16/3	SJO	3	YELLOW	HBL5266C	SEE CHART	21.6 LBS.
21	ACA16335-DR15	ACA16335-DR15,35FT,16/3,15AMP GFCI YL	UL TYPE 1	10	125V	35	16/3	SJO	3	YELLOW	HBL5266C	SEE CHART	22.0 LBS.
22	ACA16345-DR15	ACA16345-DR15,45FT,16/3,15AMP GFCI YL	UL TYPE 1	10	125V	45	16/3	SJO	3	YELLOW	HBL5266C	SEE CHART	22.9 LBS.
23	ACA14325-DR15	ACA14325-DR15,25FT,14/3,15AMP GFCI YL	UL TYPE 1	15	125V	25	14/3	SJO	3	YELLOW	HBL5266C	SEE CHART	21.8 LBS.
24	ACA14335-DR15	ACA14335-DR15,35FT,14/3,15AMP GFCI YL	UL TYPE 1	15	125V	35	14/3	SJO	3	YELLOW	HBL5266C	SEE CHART	22.9 LBS.
25	ACA14345-DR15	ACA14345-DR15,45FT,14/3,15AMP GFCI YL	UL TYPE 1	15	125V	45	14/3	SJO	3	YELLOW	HBL5266C	SEE CHART	24.0 LBS.
26	ACA12325-DR20	ACA12325-DR20,25FT,12/3,20AMP GFCI YL	UL TYPE 1	20	125V	25	12/3	SJO	3	YELLOW	HBL5366C	SEE CHART	23.4 LBS.
27	ACA12335-DR20	ACA12335-DR20,35FT,12/3,20AMP GFCI YL	UL TYPE 1	20	125V	35	12/3	SJO	3	YELLOW	HBL5366C	SEE CHART	24.9 LBS.
28	ACA12345-DR20	ACA12345-DR20,45FT,12/3,20AMP GFCI YL	UL TYPE 1	20	125V	45	12/3	SJO	3	YELLOW	HBL5366C	SEE CHART	26.5 LBS.
29	ACA16325-BC15	ACA16325-BC15,25FT,16/3,15AMP BLIND YL	UL TYPE 1	10	125V	25	16/3	SJO	3	YELLOW	HBL5266C	N/A	21.2 LBS.
30	ACA16335-BC15	ACA16335-BC15,35FT,16/3,15AMP BLIND YL	UL TYPE 1	10	125V	35	16/3	SJO	3	YELLOW	HBL5266C	N/A	22.0 LBS.
31	ACA16345-BC15	ACA16345-BC15,45FT,16/3,15AMP BLIND YL	UL TYPE 1	10	125V	45	16/3	SJO	3	YELLOW	HBL5266C	N/A	22.9 LBS.
32	ACA14325-BC15	ACA14325-BC15,25FT,14/3,15AMP BLIND YL	UL TYPE 1	15	125V	25	14/3	SJO	3	YELLOW	HBL5266C	N/A	21.8 LBS.
33	ACA14335-BC15	ACA14335-BC15,35FT,14/3,15AMP BLIND YL	UL TYPE 1	15	125V	35	14/3	SJO	3	YELLOW	HBL5266C	N/A	22.9 LBS.
34	ACA14345-BC15	ACA14345-BC15,45FT,14/3,15AMP BLIND YL	UL TYPE 1	15	125V	45	14/3	SJO	3	YELLOW	HBL5266C	N/A	24.0 LBS.
35	ACA12325-BC20	ACA12325-BC20,25FT,12/3,20AMP BLIND YL	UL TYPE 1	20	125V	25	12/3	SJO	3	YELLOW	HBL5366C	N/A	23.4 LBS.
36	ACA12335-BC20	ACA12335-BC20,35FT,12/3,20AMP BLIND YL	UL TYPE 1	20	125V	35	12/3	SJO	3	YELLOW	HBL5366C	N/A	24.9 LBS.
37	ACA12345-BC20	ACA12345-BC20,45FT,12/3,20AMP BLIND YL	UL TYPE 1	20	125V	45	12/3	SJO	3	YELLOW	HBL5366C	N/A	26.5 LBS.
38	ACA16425-BC	ACA16425-BC,25FT,16/4,BLIND CORD YL	UL TYPE 1	10	125V	25	16/4	SJO	3	YELLOW	N/A	N/A	21.8 LBS.
39	ACA16435-BC	ACA16435-BC,35FT,16/4,BLIND CORD YL	UL TYPE 1	10	125V	35	16/4	SJO	3	YELLOW	N/A	N/A	22.7 LBS.
40	ACA16445-BC	ACA16445-BC,45FT,16/4,BLIND CORD YL	UL TYPE 1	10	125V	45	16/4	SJO	3	YELLOW	N/A	N/A	23.6 LBS.
41	ACA14425-BC	ACA14425-BC,25FT,14/4,BLIND CORD YL	UL TYPE 1	15	125V	25	14/4	SJO	3	YELLOW	N/A	N/A	22.7 LBS.
42	ACA14435-BC	ACA14435-BC,35FT,14/4,BLIND CORD YL	UL TYPE 1	15	125V	35	14/4	SJO	3	YELLOW	N/A	N/A	24.0 LBS.
43	ACA14445-BC	ACA14445-BC,45FT,14/4,BLIND CORD YL	UL TYPE 1	15	125V	45	14/4	SJO	3	YELLOW	N/A	N/A	25.4 LBS.
44	ACA12425-BC	ACA12425-BC,25FT,12/4,BLIND CORD YL	UL TYPE 1	20	125V	25	12/4	SJO	3	YELLOW	N/A	N/A	24.5 LBS.
45	ACA12435-BC	ACA12435-BC,35FT,12/4,BLIND CORD YL	UL TYPE 1	20	125V	35	12/4	SJO	3	YELLOW	N/A	N/A	26.5 LBS.
46	ACA12445-BC	ACA12445-BC,45FT,12/4,BLIND CORD YL	UL TYPE 1	20	125V	45	12/4	SJO	4.75	YELLOW	N/A	N/A	29.8 LBS.
47	ACA10325-BC	ACA10325-BC,25FT,10/3,BLIND CORD YL	UL TYPE 1	30	125V	25	10/3	SJO	3	YELLOW	N/A	N/A	26.0 LBS.
48	ACA10335-BC	ACA10335-BC,35FT,10/3,BLIND CORD YL	UL TYPE 1	30	125V	35	10/3	SJO	4.75	YELLOW	N/A	N/A	30.0 LBS.
49	ACA10345-BC	ACA10345-BC,45FT,10/3,BLIND CORD YL	UL TYPE 1	30	125V	45	10/3	SJO	4.75	YELLOW	N/A	N/A	32.4 LBS.
50	ACA10425-BC	ACA10425-BC,25FT,10/4,BLIND CORD YL	UL TYPE 1	30	125V	25	10/4	SJO	4.75	YELLOW	N/A	N/A	29.1 LBS.
51	ACA10435-BC	ACA10435-BC,35FT,10/4,BLIND CORD YL	UL TYPE 1	30	125V	35	10/4	SJO	4.75	YELLOW	N/A	N/A	32.2 LBS.
52	ACA10440-BC	ACA10440-BC,40FT,10/4,BLIND CORD YL	UL TYPE 1	30	125V	40	10/4	SJO	4.75	YELLOW	N/A	N/A	33.7 LBS.
53	ACA12325-TL20	ACA12325-TL20,25FT,12/3,20AMP TL YL	UL TYPE 1	20	125V	25	12/3	SJO	3	YELLOW	HBL5366C	HBL2313	23.4 LBS.
54	ACA12335-TL20	ACA12335-TL20,35FT,12/3,20AMP TL YL	UL TYPE 1	20	125V	35	12/3	SJO	3	YELLOW	HBL5366C	HBL2313	24.9 LBS.
55	ACA12345-TL20	ACA12345-TL20,45FT,12/3,20AMP TL YL	UL TYPE 1	20	125V	45	12/3	SJO	3	YELLOW	HBL5366C	HBL2313	26.5 LBS.

DR15 AND DR20 PARTS LIST			
COMPONENT	DR15	DR20	
D6328404	X	X	
CR15GRYP2	X		
D6777701	X	X	
GFM20	X	X	
HBLP26FS	X	X	
30202010	X	X	
D5869502	X	X	
D5763301	X	X	
D5833801	X	X	
CR20GRYP2		X	

BASE PART NUMBER FOR REEL ASSEMBLIES LISTED IS GR064460. ADD TABULATION FOR MODELS LISTED IN THE CHART. (EXAMPLE:- GR06446001)

FOR CORD REEL ASSEMBLIES WITH ICEBERG WHITE PAINT, ADD "W" TO THE TABULATED PART NUMBER (EXAMPLE:- GR06446001W)

UNLESS OTHERWISE NOTED ALL DIMENSIONS ARE INCHES. TOLERANCES AS FOLLOWS:

DECIMAL .XX ± .01	DECIMAL .XXX ± .010	ANGLES DEG-MIN ± 1°0'	THIS DRAWING AND ALL INFORMATION HEREON IS THE PROPERTY OF GLEASON REEL AND CONFORMS TO GLEASON REEL ENGINEERING POLICY. IT MUST NOT BE COPIED, REPRODUCED, OR SUBMITTED TO OTHERS WITHOUT WRITTEN AUTHORIZATION AND ALL REPRODUCTIONS ARE SUBJECT TO RETURN ON DEMAND.
-------------------	---------------------	-----------------------	---

APPLICATION		DATE	
NEXT ASSY	SIM TO	DATE	DATE
		1/3/2019	

GLEASON REEL CORP. MAYVILLE, WISCONSIN Inventor Drawing

CORD REEL ASSY-MODEL ACA HUBBELL YELLOW PAINT APPLICATION CHART

DWG NO	REV
064460APP	A
DO NOT SCALE DRAWING!	SHEET 1 OF 1