

JOB _____ TYPE _____

NOTES _____ APPROVALS _____

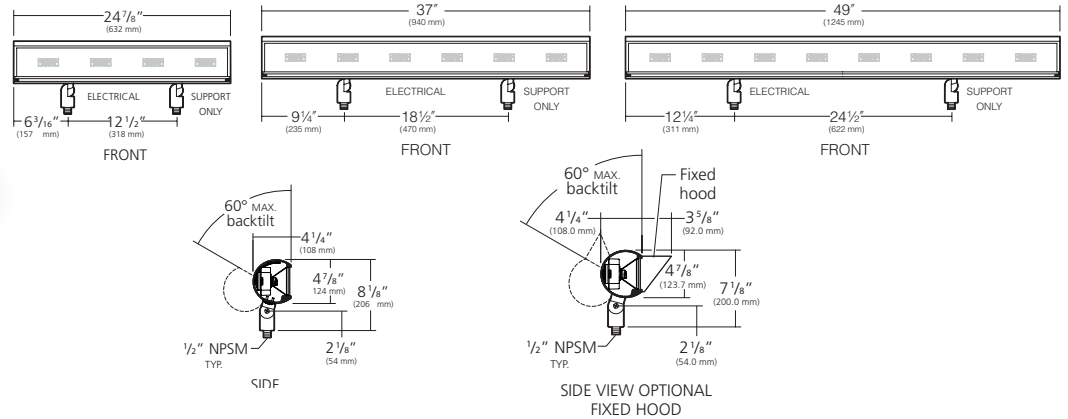
FEATURES

- Linear luminaire for site and wall wash applications
- Unique swivel mount provides superior aiming without loosening over time
- Available in three sizes, utilizing PicoPrism™ technology
- Multiple mounting configurations and optional fixed hood shields

CERTIFICATIONS



SPECIFICATIONS



ORDERING CODE

Fixture	Lamp-CCT	Fixture Finish	Fixture Options	Mounting Options
4324P70 25" PicoPrism, 700mA	16L-3KUV 37W, 16 LEDs, 2248 lumens 16L-4KUV 37W, 16 LEDs, 2306 lumens 16L-5KUV 37W, 16 LEDs, 2332 lumens	BL Black DB Dark Bronze GR Verde Green CC Custom Color ³	FH24 ¹ Optional Fixed Hood for 4324 FH36 ¹ Optional Fixed Hood for 4336 FH48 ¹ Optional Fixed Hood for 4348	EP17 Landscape Light Post Mount JB1 ² Architectural J-box J-25N Portable Spear Mount JBR-2 Brass In-grade J-box (2) 1/2" NPT in bottom JBR-3 Brass In-grade J-box (2) 3/4" NPT in bottom JBR-4 Composite in-grade J-box (2) 3/4" NPT in bottom, (4) 3/4" NPT on sides @ 90° JBR-5 Brass cover, composite in-grade J-box (2) 3/4" NPT in bottom, (4) 3/4" NPT on sides @ 90° JBR-21 Brass In-grade J-box (2) 1/2" NPT in sides, (2) 1/2" NPT in bottom JBR-24 Brass In-grade J-box (4) 1/2" NPT in sides, (2) 1/2" NPT in bottom JBR-30 Brass In-grade Staked J-box JBR-32 Brass In-grade Staked J-box with cord SM18 ² Stanchion Mount
4336P70 37" PicoPrism, 700mA	24L-3KUV 56W, 24 LEDs, 3364 lumens 24L-4KUV 56W, 24 LEDs, 3450 lumens 24L-5KUV 56W, 24 LEDs, 3489 lumens			
4348P70 49" PicoPrism, 700mA	32L-3KUV 74W, 32 LEDs, 4563 lumens 32L-4KUV 74W, 32 LEDs, 4680 lumens 32L-5KUV 74W, 32 LEDs, 4733 lumens			

1 Formed A" thick aluminum. Can be mounted along the top of fixture to shield lamp and lens from view. Mounts to pre-drilled holes in the fixture housing.
2 Specify finish, BL - Black, DB - Dark Bronze, GR - Verde Green.
3 Consult factory for custom color, marine and corrosive finish options

NOTES: Do not aim down unless protected from direct water spray. Do not exceed 60° backtilt aiming. Unwired swivel may be attached to rigid pipe of appropriate length for site soil conditions. Electronic driver operates 120 thru 277 volts (50-60 Hz). Electronic driver minimum starting temperature -40°C.

Kim Lighting reserves the right to change specifications without notice.

LUMINAIRE PERFORMANCE

4324 - 16 LED

Spectroradiometric			
CCT (K)	3000K	4000K	5000K
Color Rendering Index (CRI)	70	70	70
Power Factor	>.90	>.90	>.90

Projected Lumen Maintenance		
mA	50,000 hrs	100,000 hrs
700	96.18%	93.54%

Electrical - Drive Current @700mA		
Volts - AC	Amps - AC	System Watts
120	0.31	37
208	0.18	37
240	0.15	37
277	0.13	37

Absolute Lumens	
Kelvin Temp	Lumens
3000K	2248
4000K	2306
5000K	2332

Lumens Per Watt	
Kelvin Temp	LPW
3000K	60.8
4000K	62.3
5000K	63.0

4336 - 24 LED

Spectroradiometric			
CCT (K)	3000K	4000K	5000K
Color Rendering Index (CRI)	70	70	70
Power Factor	>.90	>.90	>.90

Projected Lumen Maintenance		
mA	50,000 hrs	100,000 hrs
700	96.42%	94.00%

Electrical - Drive Current @700mA		
Volts - AC	Amps - AC	System Watts
120	0.47	56
208	0.27	56
240	0.23	56
277	0.20	56

Absolute Lumens	
Kelvin Temp	Lumens
3000K	3364
4000K	3450
5000K	3489

Lumens Per Watt	
Kelvin Temp	LPW
3000K	60.1
4000K	61.6
5000K	62.3

4348 - 32 LED

Spectroradiometric			
CCT (K)	3000K	2000K	5000K
Color Rendering Index (CRI)	70	70	70
Power Factor	>.90	>.90	>.90

Projected Lumen Maintenance		
mA	50,000 hrs	100,000 hrs
700	95.92%	93.02%

Electrical - Drive Current @700mA		
Volts - AC	Amps - AC	System Watts
120	0.62	74
208	0.36	74
240	0.31	74
277	0.27	74

Absolute Lumens	
Kelvin Temp	Lumens
3000K	4563
4000K	4680
5000K	4733

Lumens Per Watt	
Kelvin Temp	LPW
3000K	61.7
4000K	63.2
5000K	64.0

LED performance and lumen output continues to improve at a rapid pace. Log onto www.kimlighting.com to download the most current photometric files from Kim Lighting's IES File Library. For custom optics and color temperature configurations, contact factory.

Kim Lighting reserves the right to change specifications without notice.

SPECIFICATIONS

Housing

- One-piece extruded aluminum with die-cast aluminum ends.

Swivels

- Two, die-cast aluminum, with locking teeth and 1/2" solid brass NPT mount. Swivel locked by 1/4"-20 stainless set screw. Clear anodized prior to powder coating for added corrosion resistance.

Lens

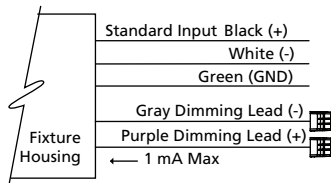
- Semi-diffused flat acrylic, fully gasketed, retained by a concealed extruded aluminum rail with recessed captive hex socket head fasteners.

Wiring

- Factory prewired with No. 18AWM rated 105°C, leads extended from swivel base.

Electronic Module

- All electrical components are UL and CSA recognized, mounted on a single plate and factory prewired. Electrical and optical modules attaches to housing with stainless steel hardware, accessible by removing the rail and lens. Driver is rated for -40°F starting and has a 0-10V dimming interface with a dimming range of 10-100%. Approved dimmers include Lutron Diva DDTV, Lutron Nova NFTV and NTFTV. Note: Not compatible with current sourcing dimmers. Controls compatible via Gray and Purple dimming leads.



Optical Module

- Each precision, replaceable PicoPrism is positioned to aim directly out the lens toward the task. The entire optical system fastens to the housing as a one-piece module.

Finish

- Fade and abrasion resistant, electrostatically applied, thermally cured, triglycidal isocyanurate (TGIC) polyester powder coat.
- Standard colors include (BL) Black, (DB) Dark Bronze, (GR) Verde Green, and (CC) Custom Color (Include RAL#).

Fixture Option

Formed 1/16" thick aluminum. Mounts to the face of the fixture to shield lens from view. Mounts to predrilled holes in the fixture housing.

Kim Lighting reserves the right to change specifications without notice.

Certifications and Listings

- UL 15981 Standard for Luminaires.
- UL 8750 Standard for Safety for Light Emitting Diode (LED) Equipment for use in Lighting Products.
- CSA C22.2#250.0 Luminaires.

Caution

- Fixtures must be grounded in accordance with national, state and/or local electrical codes, Failure to do so may result in serious personal injury.

WARRANTY:

- For full warranty see <http://www.hubbellighting.com/resources/warranty>

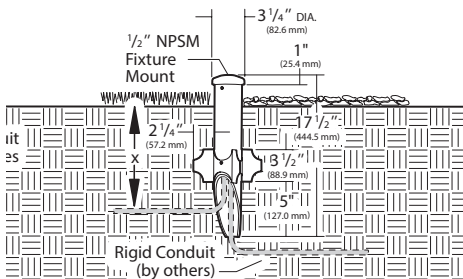
MOUNTING OPTIONS

EP17 Lighti Post Mounting.

PVC fixture molded in black with K" NPT mount is corrosion free and UV resistant. Replaces EMT, conduit connectors and weatherproof boxes. 100% shatter resistant against denting and cracking. Angled bottom to eliminate cable congestion. 17 1/2" post length

NOTE: EP17 should be used with a UL listed fixture and grounding means (i.e., third wire) suitable for use in wet locations.

"x" = required depth of conduit per local codes.



Architectural Junction Box

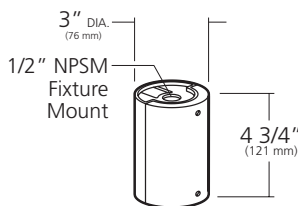
Made of Die-cast aluminum with 1/2" NPSM fixture mount. Internal set screw provided for locking position. Two 1/2" NPSM in bottom, 17 cu in. internal volume. Super TGIC powder coat paint over clear anodizing and titanated zirconium conversion coating.

NOTE: May also be used to hard mount low voltage fixtures.

Application Notes

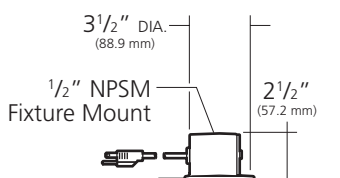
- Elevates Accent Lights above ground cover to prevent foliage from blocking the light.
- Elevates Path Lights above ground cover to achieve a greater light throw.

CAUTION: Junction box must be installed high enough to avoid contact with soil or standing water.



Portable Spear Mount

Cast iron with 1/2" NPSM fixture mount. Hot dip galvanized finish. 5.5 cu in. splice compartment. (SJTW-A) 3 wire cord and plug. 9' cord length



Brass In-grade Architectural Junction Box (two required)

Die-cast brass with K" NPSM fixture mount and die-cast cover. Internal set screw provided for locking position. 18 cu in. internal volume.

JBR-2 (2) 1/2" NPT in bottom

JBR-3 (2) 3/4" NPT in bottom

JBR-21 (2) 1/2" NPT in sides,
(2) 1/2" NPT in bottom

JBR-24 (4) 1/2" NPT in sides,
(2) 1/2" NPT in bottom

All side taps provided with plugs.

NOTE: May also be used to hard mount low voltage fixtures.

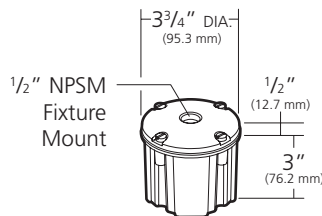
25 Year Limited Warranty:

Solid brass junction boxes are warranted for 25 years, from date of sale, against manufacturing defects and failure due to corrosion.

Application Notes

- Creates a flush-mounted appearance.
- May be cast in concrete for increased stability.

CAUTION: Fixture stem and swivel must not contact soil or standing water. Provide drainage away from junction box.



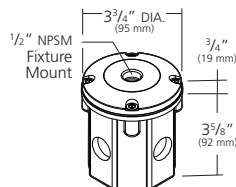
Composite In-grade Architectural Junction Box

Composite box with 1/2" NPSM fixture mount and composite cover. 19 cu in. internal volume.

JBR-4 (2) 3/4" NPT knockouts in bottom.

(4) 3/4" NPT knockouts on sides.

CAUTION: Fixture stem and swivel must not contact soil or standing water. Provide drainage away from J-Box.



Brass In-grade Staked Junction Box (two required)

JBR30

Die-cast brass with 1/2" NPSM fixture mount and die-cast cover. Internal set screw provided for locking position. 18 cu in. internal volume.

(2) 1/2" NPT in bottom with (2) 19" long brass stakes

NOTE: May also be used to hard mount low voltage fixtures.

BRASS IN-GRADE STAKED JUNCTION BOX WITH CORD

JBR32

Die-cast brass with 1/2" NPSM fixture mount and die-cast cover. Internal set screw provided for locking position. 18 cu in. internal volume.

(SJTW-A) 3 wire cord and plug.

(2) 19" long brass stakes with 9' cord

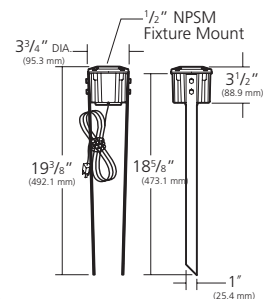
25 Year Limited Warranty:

Solid brass junction boxes are warranted for 25 years, from date of sale, against manufacturing defects and failure due to corrosion.

Application Notes

- Creates a flush-mounted appearance.
- May be cast in concrete for increased stability.

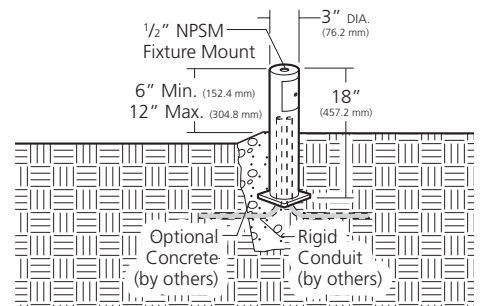
CAUTION: Fixture stem and swivel must not contact soil or standing water. Provide drainage away from junction box.



Stanchion Mount (two required)

3" O.D. by .188" wall cast aluminum with 1/2" NPSM fixture mount and hand hole with flush cover. Internal set screw fixture lock accessible through hand hole. Internal ground lug supplied with installed lead. Super TGIC powder coat paint over clear anodizing and titanated zirconium conversion coating.

NOTE: May also be used to hard mount low voltage fixtures.



Kim Lighting reserves the right to change specifications without notice.