

VIPER L OPTICS STRIKE

LARGE VIPER LUMINAIRE

Cat.#

Job

Type



Approvals

SPECIFICATIONS

Intended Use:

The Beacon Viper luminaire is available in two sizes with a wide choice of different LED wattage configurations and optical distributions designed to replace HID lighting up to 1000W MH or HPS. Luminaires are suitable for wet locations.

Construction:

- Manufactured with die cast aluminum.
- Coated with a polyester finish that meets ASTM B117 corrosion test requirements and ASTM D522 cracking and loss of adhesion test requirements.
- External hardware is corrosion resistant.
- One piece optical cartridge system consisting of an LED engine, LED lamps, optics, gasket and stainless steel bezel.
- Cartridge is held together with internal brass standoffs soldered to the board so that it can be field replaced as a one piece optical system.
- Two-piece silicone and microcellular polyurethane foam gasket ensures a weather-proof seal around each individual optic.

Electrical:

- Luminaire accepts 100V through 277V, 50 Hz to 60 Hz (UNV), 347V, or 480V input.
- Power factor is $\geq .90$ at full load.
- Dimming drivers are standard, but must contact factory to request wiring leads for purpose of external dimming controls.
- Component-to-component wiring within the luminaire may carry no more than 80% of rated load and is certified by UL for use at 600VAC at 90°C or higher.
- Plug disconnects are certified by UL for use at 600 VAC, 13A or higher. 13A rating applies to primary (AC) side only.
- Fixture electrical compartment shall contain all LED driver components and shall be provided with a push-button terminal block for AC power connections.
- Optional 7-pin ANSI C136.41-2013 twist-lock photo control receptacle available. Compatible with ANSI C136.41 external wireless control devices.
- Ambient operating temperature -40°C to 40°C
- Surge protection - 20kA.
- Lifeshield™ Circuit - protects luminaire from excessive temperature. The device shall activate at a specific, factory-preset temperature, and progressively reduce power over a finite temperature range. Operation shall be smooth and undetectable to the eye. Thermal circuit is designed to "fail on", allowing the luminaire to revert to full power in the event of an interruption of its power supply, or faulty wiring connection to the drivers. The device shall be able to co-exist with other 0-10V control devices (occupancy sensors, external dimmers, etc.).

Controls/Options:

- Available with an optional passive infrared (PIR) motion sensor capable of detecting motion 360° around the luminaire. When no motion is detected for the specified time, the motion response system reduces the wattage to factory preset level, reducing the light level accordingly. When motion is detected by the PIR sensor, the luminaire returns to full wattage and full light output. Please contact Beacon Products if project requirements vary from standard configuration.
- Available with Energeni for optional set dimming, timed dimming with simple delay, or timed dimming based on time of night (see www.beaconproducts.com/products/energeni).
- In addition, Viper can be specified with SiteSync™ wireless control system for reduction in energy and maintenance costs while optimizing light quality 24/7. For more details, see ordering information or visit: www.hubbelling.com/sitesync

Installation:

- Mounting options for horizontal arm, vertical tenon or traditional arm mounting available. Mounting hardware included.

Finish:

- IFS polyester powder-coat electrostatically applied and thermocured. IFS finish consists of a five stage pretreatment regimen with a polymer primer sealer and top coated with a thermoset super TGIC polyester powder coat finish.
- The finish meets the AAMA 2604 performance specification which includes passing a 3000 hour salt spray test for corrosion resistance and resists cracking or loss of adhesion per ASTM D522 and resists surface impacts of up to 160 inch-pounds.

Certifications/Ratings:

- DesignLights Consortium (DLC) qualified, consult DLC website for more details: <http://www.designlights.org/QPL>
- Certified to UL 1598, UL 8750, and CSA C22.2
- 3G rated for ANSI C136.31 high vibration applications with MAF mounting
- IDA approved
- This product is approved by the Florida Fish and Wildlife Conservation Commission. Separate spec available at: http://www.beaconproducts.com/products/viper_large

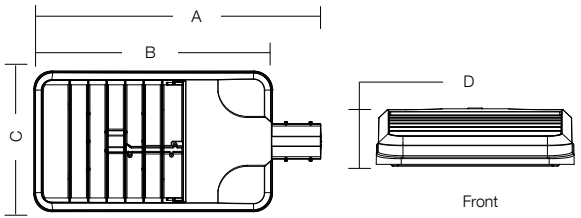
Warranty:

Five year limited warranty for more information visit: www.hubbelling.com/resources/warranty

PRODUCT IMAGE(S)

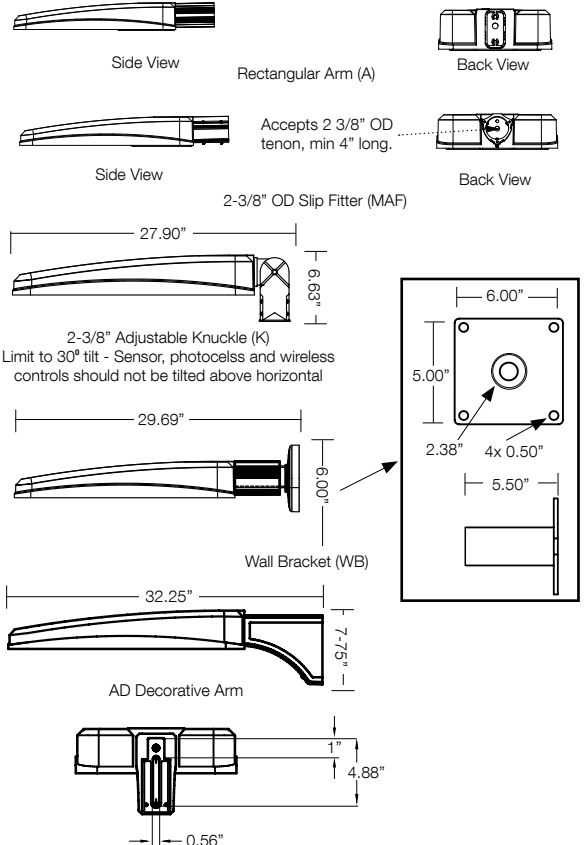


DIMENSIONS



A	B	C	D	Weight:	EPA
29.9"	24.19"	14.25"	4.13"	25.0 lbs	1.2 ft ²
(741 mm)	(614 mm)	(362 mm)	(105 mm)	(11.3 kg)	

MOUNTING OPTIONS



CERTIFICATIONS/LISTINGS



*3000K and warmer CCTs only

Beacon Products • 2041 58th Avenue Circle East Bradenton, FL 34203 • Phone: 800-345-4928

Due to our continued efforts to improve our products, product specifications are subject to change without notice.

© 2019 BEACON PRODUCTS, All Rights Reserved • For more information visit our website: www.beaconproducts.com • Printed in USA APRIL 17, 2019 2:40 PM



ORDERING INFORMATION ORDERING EXAMPLE: VPL/96L-280/4K7/4W/UNV/A/DB/7PR-TL/GENI-04/BC

VPL								
SERIES	LED ENGINE	CCT/CRI ⁷	ROTATION	VOLTAGE	COLOR	OPTIONS		
VPL Viper	64L-135 135W LED array 80L-180 180W LED array 80L-235 235W LED array 96L-220 220W LED array 96L-280 280W LED array 96L-315 315W LED array 96L-395 395W LED array	3K7 3000K, 70 CRI 4K7 4000K, 70 CRI 5K7 5000K, 70 CRI	Leave blank for no rotation L ⁵ Optic rotation left R ⁵ Optic rotation right	UNV 120-277V 120 120V 208 208V 240 240V 277 277V 347 347V 480 480V	BL Black Textured DB Dark Bronze Textured GYS Light Gray Smooth PS Platinum Silver Smooth WH White Textured CC Custom Color	F Fusing BSP Bird Spikes BC Backshield (available for FR, 2, 3, 4, 4W Optics)		

DISTRIBUTION

- FR Type 1/Front Row
- 2 Type 2
- 3 Type 3
- 4 Type 4
- 4W Type 4 Wide
- 5QM Type 5QM
- 5QN Type 5QN
- 5R Type 5R (rectangular)
- 5W Type 5W (round wide)
- TC Tennis Court

MOUNTING

- A Rectangular Arm (formerly RA) for square or round pole
- MAF Mast Arm Fitter (formerly SF2) for 2-3/8" OD horizontal arm
- K Knuckle (formerly PK2) limit to 30° tilt or 2-3/8" OD horizontal arm or vertical tenon
- WB Wall Bracket
- AD Universal Arm for square pole
- AD3 Universal Arm for 2.4"-4.1" round pole
- AD4 Universal Arm for 4.2"-5.3" round pole
- AD5 Universal Arm for 5.5"-5.9" round pole
- AD6 Universal Arm for 6.0"-6.5" round pole

CONTROL OPTIONS

- 7PR 7-Pin Receptacle only (shorting cap, photo control, or wireless control provided by others)
- 7PR-SC 7-Pin Receptacle w/Shorting Cap
- 7PR-TL 7-Pin Receptacle w/Twist Lock photo control
- SCP/_F^{1,2,6} Programmable Occupancy Sensor w/daylight control
- GENI-XX³ ENERGENI
- SWP^{1,4} SiteSync Pre-Commission
- SWPM^{1,2,4} SiteSync Pre-Commission w/ Sensor

HOUSE SIDE SHIELD ACCESSORIES

- HSS/EVP-L/90-FB/XXX 90° shield front or back
- HSS/EVP-L/90-LR/XXX 90° shield left or right
- HSS/EVP-L/270-FB/XXX 270° shield front or back
- HSS/EVP-L/270-LR/XXX 270° shield left or right
- HSS/EVP-L/360/XXX Full shield

(Replace XXX with notation for desired finish color)
(Refer to page 5 for shield images)

MOUNTING ACCESSORIES

- VPL-AD-RPA3 2.4"-4.1" Round Pole Adapter for AD arm
- VPL-AD-RPA4 4.2"-5.3" Round Pole Adapter for AD arm
- VPL-AD-RPA5 5.5"-5.9" Round Pole Adapter for AD arm
- VPL-AD-RPA6 6.0"-6.5" Round Pole Adapter for AD arm

¹ Not available with other wireless control or sensor options
² Specify mounting height; 8 = 8" or less, 40 = 9" to 40"
³ Specify routine setting code (example GENI-04). See ENERGENI brochure and instructions for setting table and options. Not available with sensor or SiteSync options.
⁴ Specify group and zone at time of order. See www.hubbellighting.com/sitesync for further details. Order at least one SiteSync interface accessory SWUSB or SWTAB. Each option contains SiteSync License, GUI, and Bridge Node
⁵ Only available with FR, 2, 3, 4, 4W and 5R distributions
⁶ Order at least one SCP-REMOT per project location to program and control the occupancy sensor
⁷ This product is approved by the Florida Fish and Wildlife Conservation Commission. Separate spec available at: http://cdn.beaconproducts.com/content/products/specs/specs_files/Viper_Large_LED_turtle_spec_sheet.pdf

PRECOMMISSIONED SITESYNC ORDERING INFORMATION: When ordering a fixture with the SiteSync lighting control option, additional information will be required to complete the order. The SiteSync Commissioning Form or alternate schedule information must be completed. This form includes Project location, Group information, and Operating schedules. For more detailed information please visit www.hubbell-automation.com/products/sitesync/ or contact Hubbell Lighting tech support at (800) 345-4928.

SiteSync fixtures with Motion control (SWPM) require the mounting height of the fixture for selection of the lens.

Examples: VP-L/80L-235/4K7/3/UNV/A/DB/SWP/ SiteSync only
 VP-L/80L-235/4K7/3/UNV/A/DB/SWPM-40F/ SiteSync with Motion Control

Accessories and Services (Ordered Separately)

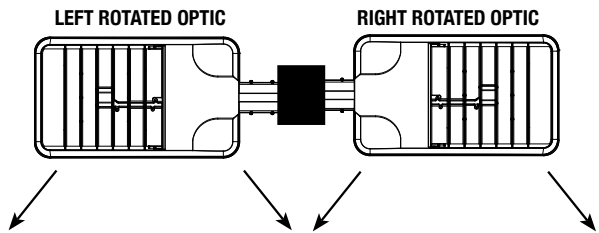
Catalog Number	Description
SCP-REMOT	Remote Control for SCP/_F option. Order at least one per project to program and control the occupancy sensor
SWUSB*	SiteSync interface software loaded on USB flash drive for use with owner supplied PC (Windows based only). Includes SiteSync license, software and USB radio bridge node
SWTAB*	Windows tablet and SiteSync interface software. Includes tablet with preloaded software, SiteSync license and USB radio bridge node.
SWBRG	SiteSync USB radio bridge node only. Order if a replacement is required or if an extra bridge node is requested.
SW7PR+	SiteSync 7 Pin on fixture module On/Off/Dim, Daylight Sensor 120-480VAC

* When ordering SiteSync at least one of these two interface options must be ordered per project.
 + Available as a SiteSync retrofit solution for fixtures with an existing 7pin receptacle.

Hubbell Control Solutions - Accessories (sold separately)

Catalog Number	Description	HCS System
NXOFM-1R1D-UNV	On-fixture Module (7-pin), On / Off / Dim, Daylight Sensor with HubbNET Radio and Bluetooth® Radio, 120-480VAC	NX Distributed Intelligence™
WIR-RME-L	On-fixture Module (7-pin or 5-pin), On / Off / Dim, Daylight Sensor with wiSCAPE Radio, 110-480VAC	wiSCAPE® Lighting Control

For additional information related to these accessories please visit www.hubbellcontrolsolutions.com. Options provided for use with integrated sensor, please view specification sheet ordering information table for details.



SiteSync 7-Pin Module



- SiteSync features in a new form
- Available as an accessory for new construction or retrofit applications (with existing 7-Pin receptacle)
- Does not interface with occupancy sensors



PERFORMANCE DATA

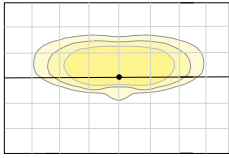
PERFORMANCE DATA				5K (5000K nominal, 70 CRI)					4K (4000K nominal, 70 CRI)					3K (3000K nominal, 70 CRI)				
# LED'S	DRIVE CURRENT (MILLIAMPS)	SYSTEM WATTS	DISTRIBUTION TYPE	LUMENS	LPW ¹	B	U	G	LUMENS	LPW ¹	B	U	G	LUMENS	LPW ¹	B	U	G
64	625 mA	135W	1A	18220	132	2	0	2	18783	137	2	0	2	16341	119	2	0	2
			2	17228	125	2	0	2	17761	129	2	0	2	15452	112	2	0	2
			3	17257	125	2	0	3	17791	129	2	0	3	15478	112	2	0	3
			4	16864	123	1	0	4	17386	126	1	0	4	15125	110	1	0	3
			4W	16648	112	2	0	4	17163	115	2	0	4	14931	100	2	0	4
			5QM	17259	125	4	0	2	17792	129	4	0	2	15479	112	4	0	2
			5QN	18023	131	4	0	0	18580	135	4	0	0	16165	117	4	0	0
			5R	17410	127	4	0	4	17948	130	4	0	4	15615	113	4	0	4
			5W	16498	120	4	0	2	17009	124	4	0	3	14797	108	4	0	2
			TC	15925	110	2	1	2	16417	113	2	1	2	14283	98	1	1	2
80	700 mA	180W	1A	23230	128	2	0	2	23948	132	2	0	2	20835	115	2	0	2
			2	21965	121	3	0	3	22645	125	3	0	3	19701	109	2	0	3
			3	22003	121	2	0	4	22683	125	3	0	4	19734	109	2	0	4
			4	21502	119	2	0	4	22167	122	2	0	4	19285	106	2	0	4
			4W	20810	112	2	0	4	21627	116	2	0	4	18664	100	2	0	4
			5QM	22005	121	4	0	2	22686	125	4	0	2	19736	109	4	0	2
			5QN	22979	127	4	0	1	23689	131	4	0	1	20610	114	4	0	0
			5R	22197	122	4	0	4	22884	126	4	0	4	19909	110	4	0	4
			5W	21035	116	5	0	3	21686	120	5	0	3	18867	104	4	0	3
			TC	19906	110	2	1	2	20522	113	2	1	2	17854	98	2	1	2
80	875 mA	235W	1A	27849	121	2	0	2	28711	125	2	0	2	24978	108	2	0	2
			2	26334	114	3	0	3	27148	118	3	0	4	23619	102	3	0	3
			3	26378	114	3	0	4	27194	118	3	0	4	23659	103	3	0	4
			4	25777	112	2	0	4	26575	115	2	0	5	23120	100	2	0	4
			4W	25109	106	2	0	5	25886	109	2	0	5	22521	95	2	0	5
			5QM	26381	114	4	0	2	27196	118	4	0	2	23661	103	4	0	2
			5QN	27548	119	5	0	1	28400	123	5	0	1	24708	107	5	0	1
			5R	26611	115	5	0	5	27434	119	5	0	5	23868	104	4	0	4
			5W	25218	109	5	0	3	25998	113	5	0	3	22619	98	5	0	3
			TC	23864	103	2	1	2	24602	107	2	1	2	21404	93	2	1	2
96	700 mA	220W	1A	27876	128	2	0	2	28738	132	2	0	2	25002	115	2	0	2
			2	26359	121	3	0	3	27174	125	3	0	4	23641	109	3	0	3
			3	26403	121	3	0	4	27220	125	3	0	4	23681	109	3	0	4
			4	25802	119	2	0	4	26600	122	2	0	5	23142	106	2	0	4
			4W	24651	113	3	0	5	25413	117	3	0	5	22109	102	2	0	4
			5QM	26406	121	4	0	2	27222	125	4	0	2	23684	109	4	0	2
			5QN	27575	127	5	0	1	28427	131	5	0	1	24732	114	5	0	1
			5R	26637	122	5	0	5	27460	126	5	0	5	23891	110	4	0	4
			5W	25242	116	5	0	3	26023	120	5	0	3	22640	104	5	0	3
			TC	23887	110	2	1	2	24626	113	2	1	2	21424	98	2	1	2
96	875 mA	280W	1A	33419	121	3	0	2	34453	125	3	0	2	29974	108	2	0	2
			2	31600	114	3	0	4	32577	118	3	0	4	28342	102	3	0	4
			3	31654	114	3	0	5	32633	118	3	0	5	28390	103	3	0	4
			4	30933	112	2	0	5	31889	115	2	0	5	27744	100	2	0	5
			4W	30131	106	3	0	5	31063	109	3	0	5	27025	95	3	0	5
			5QM	31657	114	5	0	3	32636	118	5	0	3	28393	103	4	0	2
			5QN	33058	119	5	0	1	34080	123	5	0	1	29650	101	5	0	1
			5R	31933	115	5	0	5	32921	119	5	0	5	28641	104	5	0	5
			5W	30262	109	5	0	4	31198	113	5	0	4	27142	98	5	0	3
			TC	28642	104	2	1	3	29528	107	2	1	3	25690	93	2	1	3
96	1000mA	315W ²	1A	35666	113	3	0	2	36769	117	3	0	2	31989	101	2	0	2
			2	33725	107	3	0	4	34768	110	3	0	4	30248	96	3	0	4
			3	33782	107	3	0	5	34827	110	3	0	5	30299	96	3	0	4
			4	33012	105	2	0	5	34033	108	2	0	5	29609	94	2	0	5
			4W	32158	106	3	0	5	33153	109	3	0	5	28842	95	3	0	5
			5QM	33785	107	5	0	3	34830	110	5	0	3	30302	96	5	0	2
			5QN	35280	112	5	0	1	36371	115	5	0	1	31643	100	5	0	1
			5R	34080	108	5	0	5	35134	111	5	0	5	30567	97	5	0	5
			5W	32302	102	5	0	4	33301	106	5	0	4	28972	92	5	0	4
			TC	30568	97	2	1	3	31513	100	3	1	3	27416	87	2	1	3
96	1225mA	395W ²	1A	39569	101	3	0	4	43125	110	3	0	3	37518	96	3	0	2
			2	39569	101	3	0	4	40793	104	3	0	4	35490	91	3	0	4
			3	39619	101	3	0	5	40845	104	3	0	5	35535	91	3	0	5
			4	38723	98	3	0	5	39921	101	3	0	5	34731	88	2	0	5
			4W	37720	106	3	0	5	38887	109	3	0	5	33831	95	3	0	5
			5QM	39623	101	5	0	3	40848	104	5	0	3	35538	90	5	0	3
			5QN	41394	105	5	0	1	42675	109	5	0	1	37127	95	5	0	1
			5R	39969	102	5	0	5	41205	105	5	0	5	35848	91	5	0	5
			5W	37877	97	5	0	4	39048	100	5	0	4	33986	87	5	0	4
			TC	35850	90	3	1	3	36959	93	3	1	3	32154	81	3	1	3

¹ Lumen values are from photometric tests performed in accordance with IESNA LM-79-08. Data is considered to be representative of the configurations shown. Actual performance may differ as a result of end-user environment and application.
² 315W and 395W 3000K versions are not DLC QPL listed. Reference highlighted cells in table.

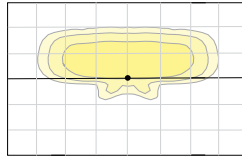


PHOTOMETRICS

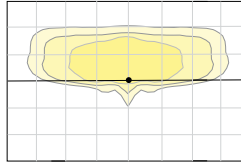
Type FR - Front Row/Auto Optic



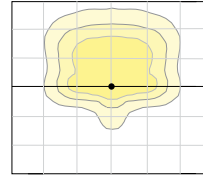
Type 2



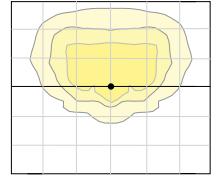
Type 3



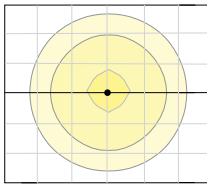
Type 4



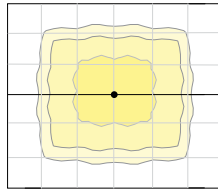
Type 4W



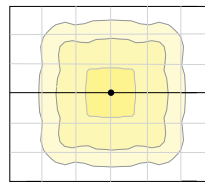
Type 5W



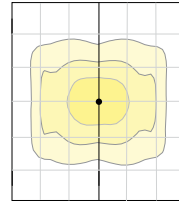
Type 5QN



Type 5QM



Type 5R



ELECTRICAL DATA

# OF LEDS	NUMBER OF DRIVERS	DRIVE CURRENT (mA)	INPUT VOLTAGE (V)	SYSTEM POWER (w)	CURRENT (Amps)
64	1	625 mA	120	135	1.4
			277		0.6
			347		0.5
			480		0.3
80	2	700 mA	120	180	1.8
			277		0.8
			347		0.6
			480		0.5
80	2	875 mA	120	235	2.4
			277		1.0
			347		0.8
			480		0.6
96	2	700 mA	120	220	2.2
			277		1.0
			347		0.8
			480		0.6
96	2	875 mA	120	280	2.8
			277		1.2
			347		1.0
			480		0.7
96	2	1000 mA	120	315	3.2
			277		1.4
			347		1.1
			480		0.8
96	2	1225 mA	120	395	4.0
			277		1.7
			347		1.4
			480		1.0

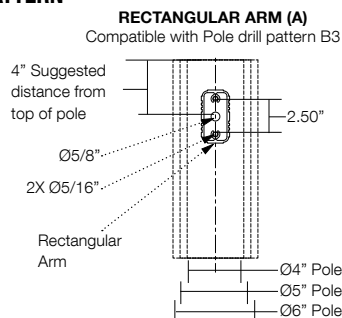
PROJECTED LUMEN MAINTENANCE

AMBIENT TEMP.	0	25,000	50,000	TM-21-11 60,000	100,000	Calculated L70 (HOURS)
25°C / 77°C	1	0.98	0.97	0.97	0.96	>377,000

¹ Projected per IESNA TM-21-11

Data references the extrapolated performance projections for the 700mA base model in a 25°C ambient, based on 10,000 hours of LED testing per IESNA LM-80-08.

DRILL PATTERN



EPA

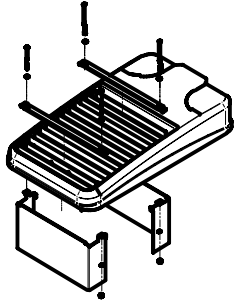
Config.	EPA	Config.	EPA
1	1.2	3 @ 120°	3.0
2 @ 90°	1.9	3 @ 90°	3.1
2 @ 180°	2.4	4 @ 90°	3.8

TENON TOP POLE BRACKET ACCESSORIES (Order Separately)

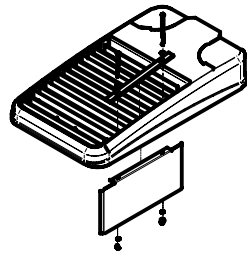
(2 3/8" OD tenon)

Catalog Number	Description
SETAVP-XX	Square tenon adapter (4 at 90°) for A - Rectangular Arm mounting option only
RETAVP-XX	Round tenon adapter (4 at 90°) for A - Rectangular Arm mounting option only
TETAVP-XX	Hexagonal tenon adapter (4 at 90°) for A - Rectangular Arm mounting option only
SETA2XX	Square tenon adapter (4 at 90°) for AD - Universal Arm mounting option only
RETA2XX	Round tenon adapter (4 at 90°) for AD3 - Universal Arm mounting option only
TETA2XX	Hexagonal tenon adapter (3 at 120°) for AD - Universal Arm mounting option only

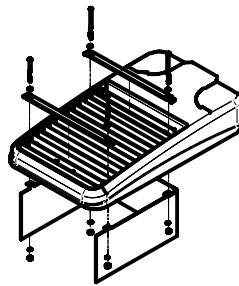
HOUSE SIDE SHIELD FIELD INSTALL ACCESSORIES



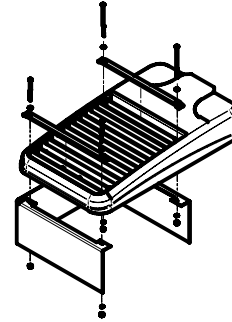
HSS/EVP-L/90-FB/XXX
90° shield front or back
(2 shields shown)



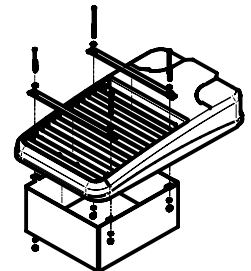
HSS/EVP-L/90-LR/XXX
90° shield left or right
(1 shield shown in left orientation)



HSS/EVP-L/270-FB/XXX
270° shield front or back
(1 shield shown in back orientation)

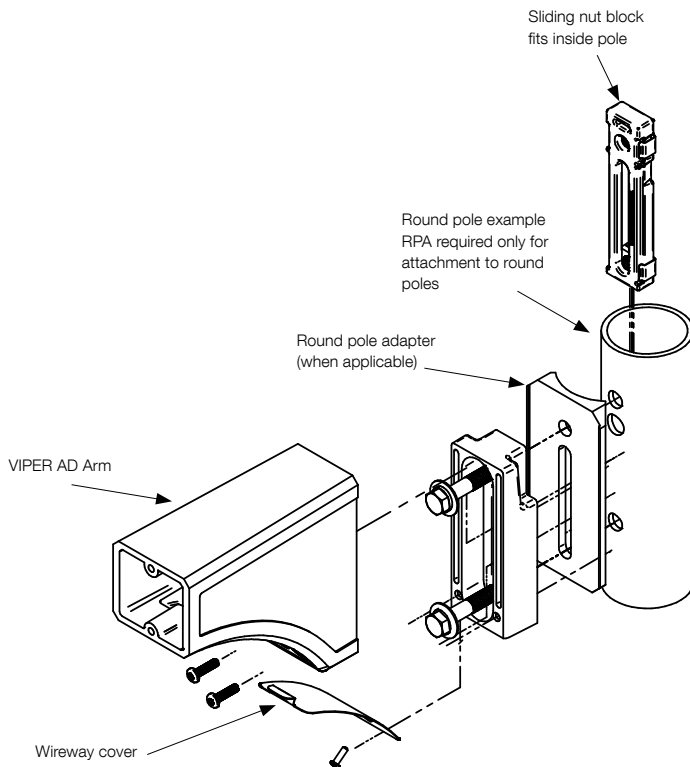


HSS/EVP-L/270-LR/XXX
270° shield left or right
(1 shield shown in right orientation)



HSS/EVP-L/360/XXX
Full shield
(1 shield shown)

AD ARM MOUNTING INSTRUCTIONS



DECORATIVE ARM (AD)

Compatible with pole drill pattern S2

