

- Third Party Verified Category 5e Component Compliant
- Precision & Reliable Tool-Less Termination
- True 1000BASE-T Application Assurance.
- Bulk Packaging Reduces Excess Waste on the Job

Features

- Paired IDC with inverse angles provide superior NEXT Properties.
- Superior Strain Relief - Locking cap ensures termination retention during installation
- Tool-Less Termination Cap allows cable to maintain optimized performance.

Ordering Information

Description	Color	UPC #	Catalog No.
Cat 5e Shielded Keystone RJ45 Jack, Tool-less Termination	Metal Zinc	662620283852	SJ5E24B

Listings

ANSI/TIA/EIA-568-C.2 category 5e component
 ISO 11801 class D compliant
 IEE 802.3 Gigabit Ethernet Transmission
 IEE 802.3at PoE+ Power over Ethernet
 ISO/IEC 11801 and EN50173 second edition requirements for transfer impedance and shield effectiveness
 Mechanical TIA-568-C.2
 UL Listed 1863

Specifications

Nose Contact	Phosphorus Bronze with precious metal plating with nickel under-plating
IDC Contact	Phosphor bronze with 100 micro-inch tin lead 60/40 plating over nickel under plating
Housing	Zinc Die-Cast
Wiring Type	T568B

Performance

Application

10/100/1000BASE-T

Electrical

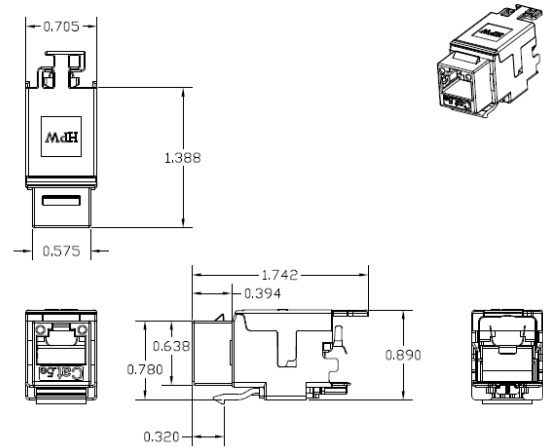
NEXT margin over TIA 568-C.2 component at 100MHz
 Center balanced to Category 5e plug specifications
 Designed and tested for 850mA of continuous current per conductor (1.7A per pair).

General Information

Cable Solid: 0.40-0.65 mm / AWG 26/1-22/1
 Cable Stranded: 0.46-0.61 mm / AWG 27/7-24/7
 Backward Compatible to lower installed Categories
 100% factory tested.

Mechanical

Contact performance confirmed over the full range of ISO/FCC compliant plug dimensions
 Nose contact mating cycles RJ45:750+
 IDC contact termination: 10X
 Keystone latching force: 25 lbs.



Accessories

Dust Cover	IDCSB
Patch Panel	PSJ24BK

Resources

Customer Drawings
 eCatalog
 Specification Text Division 17