



GENERAL INFORMATION

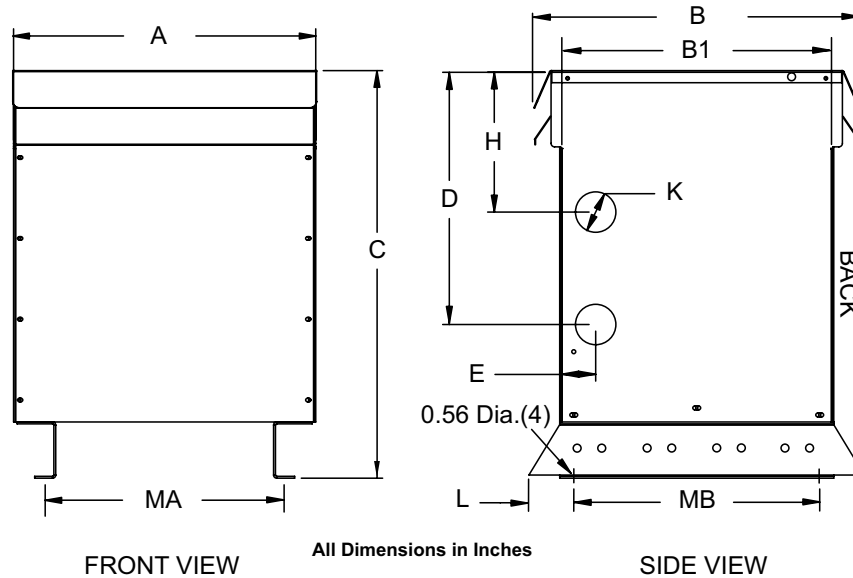
Enclosure Drawings, Connection Diagrams, Termination Details, Alpha-Numeric Part Number Index

| | |
|---|------------|
| Enclosure Dimensional Drawings | 260 |
| Conduit Size vs. Knockout Size Reference Table | 264 |
| Accessories - for General Purpose Transformers | 271 |
| Termination Details | 275 |
| Electrical Connection Diagrams | 276 |
| Alpha-Numeric Part Number Index | 291 |
| HPS Transformer Literature Request Form | 316 |

GENERAL INFORMATION

NEMA 3R ENCLOSURE DIMENSIONAL DRAWINGS

'NH' SERIES ENCLOSURES



FRONT VIEW

All Dimensions in Inches

SIDE VIEW

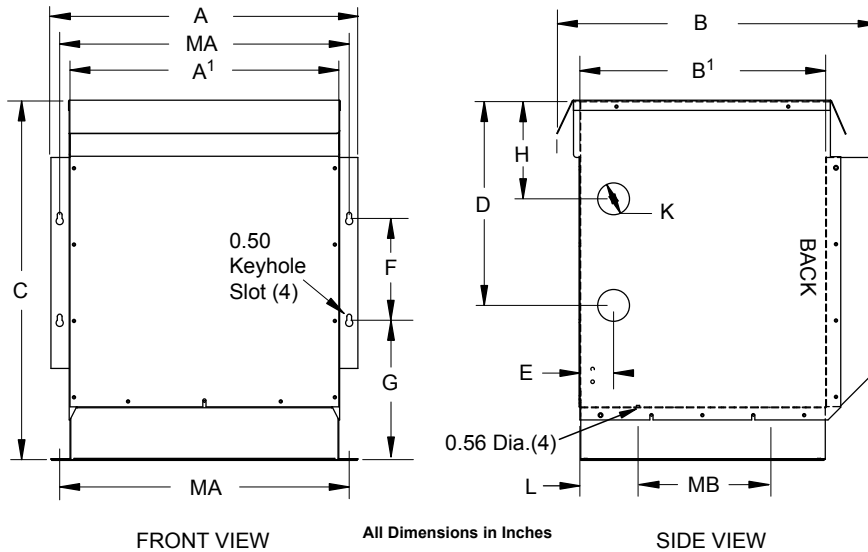
| Case Style | Dimensions in Inches | | | | | | | | | | |
|------------|----------------------|-------|----------------|-------|-------|------|-------|----------------|------|-------|-------|
| | A | B | B ¹ | C | D | E | H | K ¹ | L | MA | MB |
| NH3 | 26.00 | 25.00 | 24.00 | 38.00 | 24.00 | 2.50 | 14.00 | 2.00 X 3.00 | 2.50 | 21.50 | 19.00 |
| NH4 | 32.00 | 29.50 | 28.50 | 41.00 | 24.00 | 2.50 | 12.00 | 2.00 X 3.00 | 2.50 | 23.50 | 23.50 |

Note: Mounting hole dimension is 0.56" diameter.

OPTIONAL NEMA 4, 12 AND STAINLESS STEEL ENCLOSURES ARE AVAILABLE.

¹ Knockout (K) sizes are actual diameters of knockout, not conduit sizes. Refer to table on page 260 for conduit sizes.

SEE PAGE 266 & 267 FOR DETAILS.



FRONT VIEW

All Dimensions in Inches

SIDE VIEW

| Case Style | Dimensions in Inches | | | | | | | | | | | | | |
|------------|----------------------|----------------|-------|----------------|-------|-------|------|------|-------|------|----------------|------|-------|------|
| | A | A ¹ | B | B ¹ | C | D | E | F | G | H | K ¹ | L | MA | MB |
| NH5 | 19.40 | 16.75 | 20.20 | 15.00 | 21.50 | 12.00 | 2.00 | 7.00 | 7.81 | 6.00 | 1.38 X 1.75 | 2.80 | 18.00 | 9.00 |
| NH6 | 23.90 | 21.50 | 25.00 | 19.50 | 28.75 | 17.00 | 2.00 | 8.00 | 10.29 | 8.50 | 1.75 X 2.50 | 5.20 | 22.75 | 9.00 |

Note: Mounting hole dimension is 0.56" diameter.

OPTIONAL NEMA 4, 12 AND STAINLESS STEEL ENCLOSURES ARE AVAILABLE.

¹ Knockout (K) sizes are actual diameters of knockout, not conduit sizes. Refer to table on page 260 for conduit sizes.

SEE PAGE 266 & 267 FOR DETAILS.

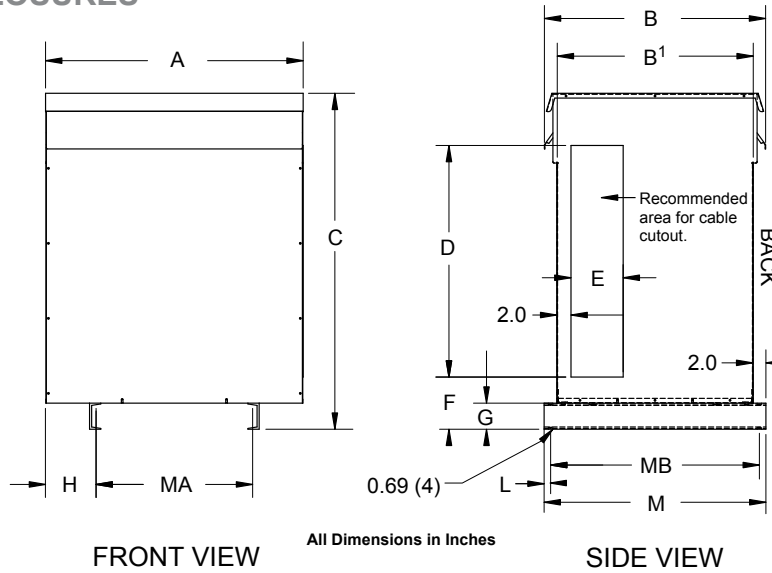
GENERAL
INFORMATION



GENERAL INFORMATION

NEMA 3R ENCLOSURE DIMENSIONAL DRAWINGS

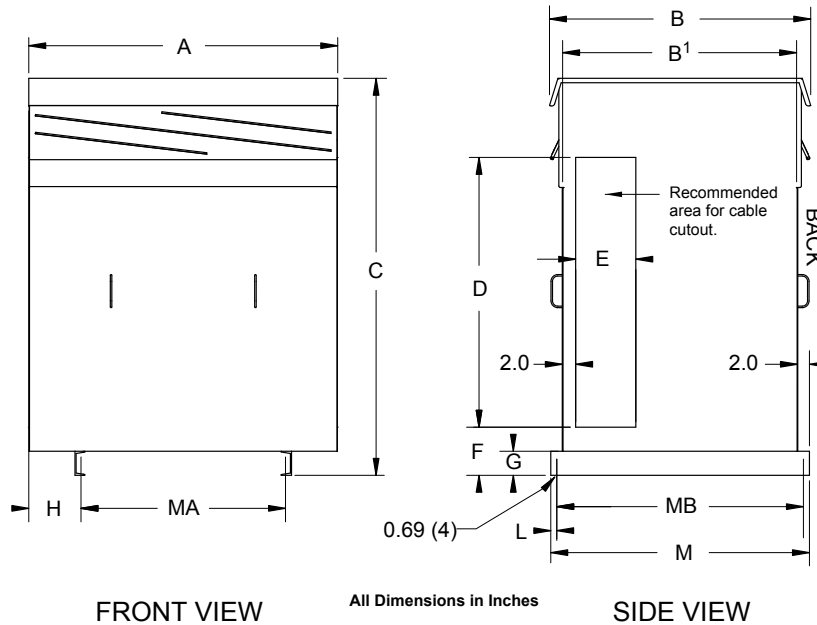
'NJ' SERIES ENCLOSURES



| Case Style | Dimensions in Inches | | | | | | | | | | | | |
|------------|----------------------|-------|-------|-------|-------|------|------|------|-------|------|-------|-------|-------|
| | A | B | B' | C | D | E | F | G | H | L | M | MA | MB |
| NJ1 | 39.50 | 34.00 | 30.00 | 51.50 | 35.50 | 6.00 | 8.00 | 4.00 | 7.75 | 1.00 | 34.00 | 24.00 | 32.00 |
| NJ2 | 48.50 | 38.40 | 34.00 | 59.00 | 40.00 | 8.00 | 8.00 | 4.00 | 10.50 | 1.00 | 38.00 | 27.50 | 36.00 |
| NJ4 | 32.00 | 32.50 | 28.50 | 50.00 | 34.00 | 8.00 | 8.00 | 4.00 | 5.00 | 1.00 | 32.50 | 22.00 | 30.50 |

Note: Mounting hole dimension is 0.69" diameter.

OPTIONAL NEMA 4, 12 AND STAINLESS STEEL ENCLOSURES ARE AVAILABLE.
SEE PAGE 266 & 267 FOR DETAILS.



| Case Style | Dimensions in Inches | | | | | | | | | | | | |
|------------|----------------------|-------|-------|-------|-------|-------|------|------|-------|------|-------|-------|-------|
| | A | B | B' | C | D | E | F | G | H | L | M | MA | MB |
| NJ3 | 51.50 | 43.40 | 39.00 | 66.00 | 47.00 | 10.00 | 8.00 | 4.00 | 8.75 | 1.00 | 43.00 | 34.00 | 41.00 |
| NJ6 | 64.00 | 44.40 | 40.00 | 71.00 | 50.00 | 11.50 | 9.00 | 5.00 | 12.00 | 1.00 | 44.00 | 40.00 | 42.00 |
| NJ7 | 64.00 | 51.40 | 47.00 | 75.00 | 54.00 | 11.50 | 9.00 | 5.00 | 12.00 | 1.00 | 51.00 | 40.00 | 49.00 |

Note: Mounting hole dimension is 0.69" diameter.

OPTIONAL NEMA 4, 12 AND STAINLESS STEEL ENCLOSURES ARE AVAILABLE.
SEE PAGE 266 & 267 FOR DETAILS.

GENERAL INFORMATION

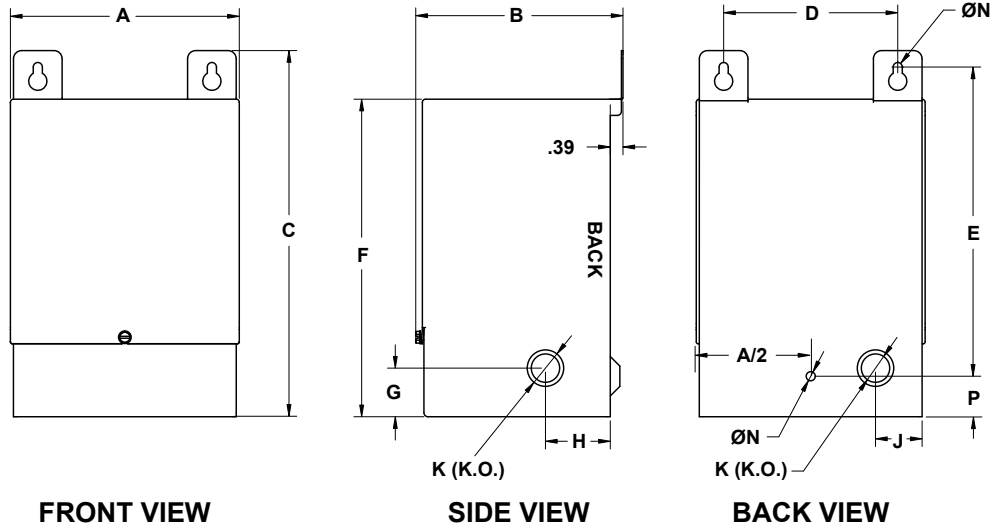


GENERAL INFORMATION

NEMA 3R ENCLOSURE DIMENSIONAL DRAWINGS

'NQ' SERIES ENCLOSURES

Figure 1

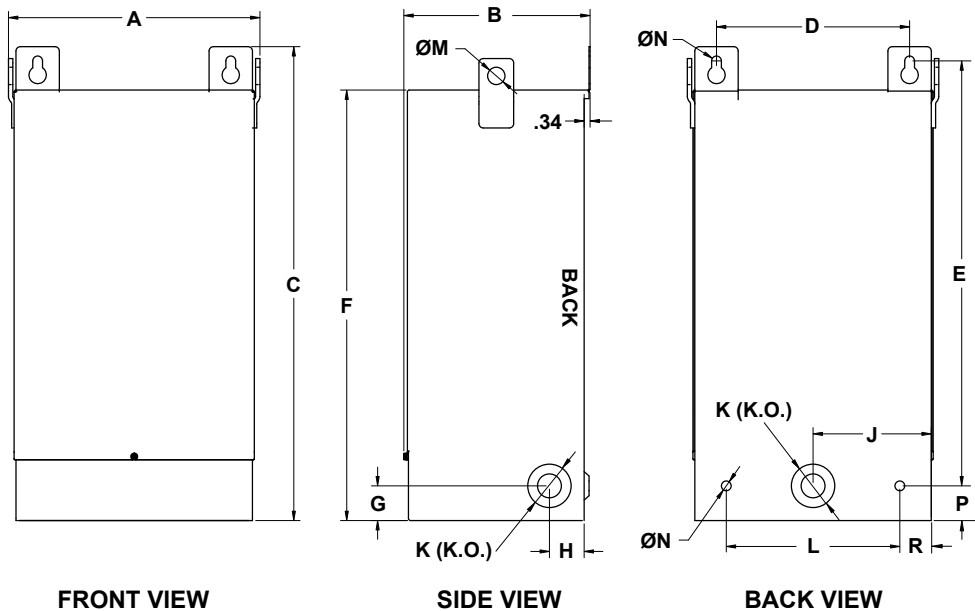


| Case Style | Fig # | Dimensions in Inches | | | | | | | | | | | | | | |
|------------|-------|----------------------|-------|-------|-------|-------|-------|-------|------|------|--------------------|-------|------|------|------|------|
| | | A | B | C | D | E | F | G | H | J | K ¹ | L | M | N | P | R |
| NQ0 | 1 | 3.75 | 5.25 | 7.25 | 2.50 | 5.63 | 6.25 | 1.50 | 2.00 | -- | 0.88 | -- | -- | 0.22 | 1.25 | -- |
| NQ1 | 1 | 4.50 | 5.75 | 7.25 | 3.13 | 5.63 | 6.25 | 1.50 | 2.00 | 0.81 | 0.88 | -- | -- | 0.22 | 1.25 | -- |
| NQ2 | 1 | 5.00 | 4.75 | 9.25 | 3.88 | 7.75 | 8.25 | 1.50 | 2.00 | 1.00 | 0.88 X 1.13 X 1.38 | -- | -- | 0.22 | 1.25 | -- |
| NQ3 | 1 | 5.88 | 5.50 | 10.50 | 4.13 | 8.25 | 9.00 | 1.50 | 2.00 | 1.25 | 0.88 X 1.13 X 1.38 | -- | -- | 0.28 | 1.25 | -- |
| NQ4 | 1 | 7.00 | 6.50 | 11.75 | 5.38 | 9.50 | 10.25 | 1.75 | 2.00 | 1.50 | 0.88 X 1.13 X 1.38 | -- | -- | 0.28 | 1.25 | -- |
| NQ5 | 2 | 10.00 | 7.75 | 17.25 | 7.38 | 15.38 | 15.25 | 2.375 | 2.00 | 4.00 | 1.13 X 1.38 | 6.00 | 0.75 | 0.44 | 1.25 | 1.68 |
| NQ6A | 2 | 12.25 | 9.25 | 17.63 | 9.38 | 14.88 | 15.56 | 2.00 | 2.00 | 5.00 | 1.38 X 2.50 | 8.00 | 0.75 | 0.44 | 2.00 | 1.68 |
| NQ6 | 2 | 12.25 | 9.25 | 20.88 | 9.38 | 18.13 | 18.88 | 2.00 | 2.00 | 5.00 | 1.38 X 2.50 | 8.00 | 0.75 | 0.44 | 2.00 | 1.68 |
| NQ7 | 2 | 14.50 | 10.75 | 21.38 | 11.63 | 18.63 | 19.38 | 2.00 | 2.00 | 6.00 | 1.38 X 2.50 | 10.00 | 0.75 | 0.44 | 2.00 | 1.81 |
| NQ8 | 2 | 14.50 | 10.75 | 27.38 | 11.13 | 24.50 | 24.88 | 2.00 | 2.00 | 6.00 | 1.38 X 2.50 | 10.00 | 0.75 | 0.56 | 2.00 | 1.81 |

¹ Knockout (K) sizes are actual diameters of knockout, not conduit sizes. Refer to table on page 260 for conduit sizes.

OPTIONAL STAINLESS STEEL ENCLOSURES ARE AVAILABLE.

Figure 2



GENERAL INFORMATION



GENERAL INFORMATION

NEMA 3R ENCLOSURE DIMENSIONAL DRAWINGS CONTINUED 'NQT & NQS' SERIES ENCLOSURES

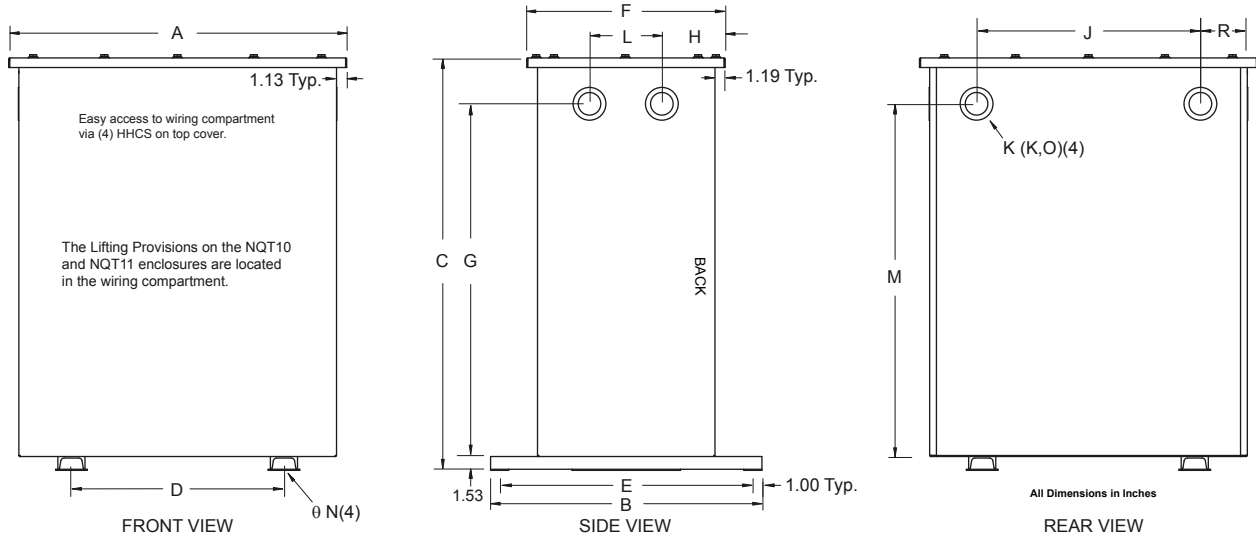
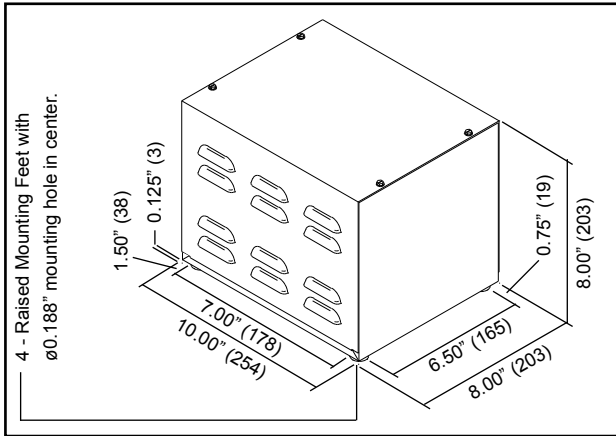


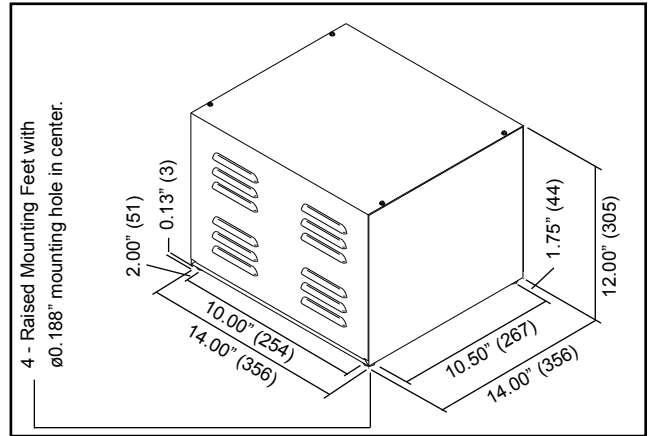
Figure 3

NEMA 2 ENCLOSURE DIMENSIONAL DRAWINGS

'N1' SERIES ENCLOSURE



'N2' SERIES ENCLOSURE



Conduit Size vs. Actual Knockout Size Reference Table

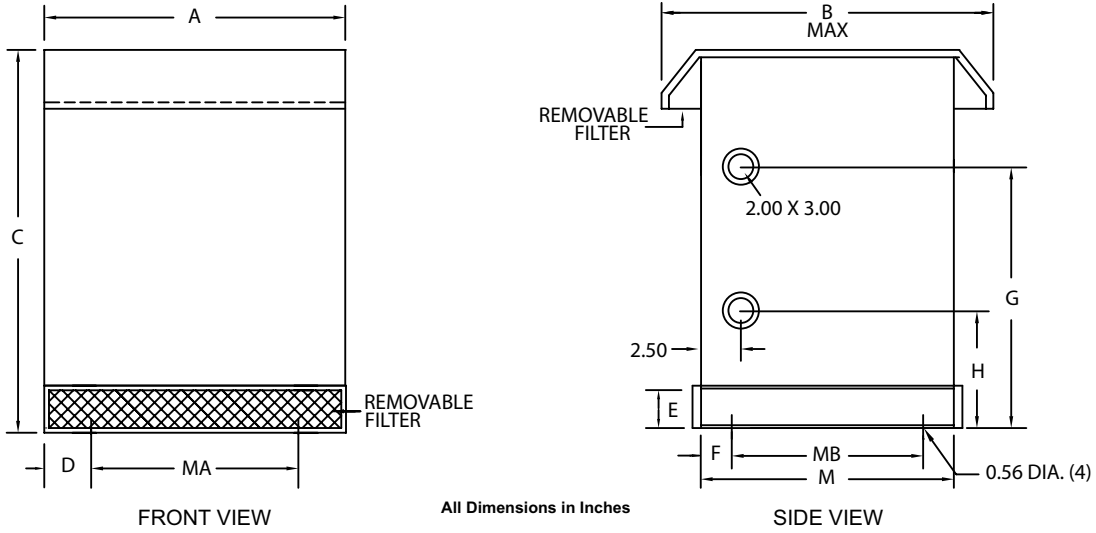
| Standard Conduit Size | Actual Knockout Diameter |
|-----------------------|--------------------------|
| 1/2" | 7/8" |
| 3/4" | 1 1/8" |
| 1" | 1 3/8" |
| 1 1/4" | 1 3/4" |
| 1 1/2" | 2" |
| 2" | 2 1/2" |
| 2 1/2" | 3" |
| 3" | 3 5/8" |
| 3 1/2" | 4 1/8" |

GENERAL
INFORMATION



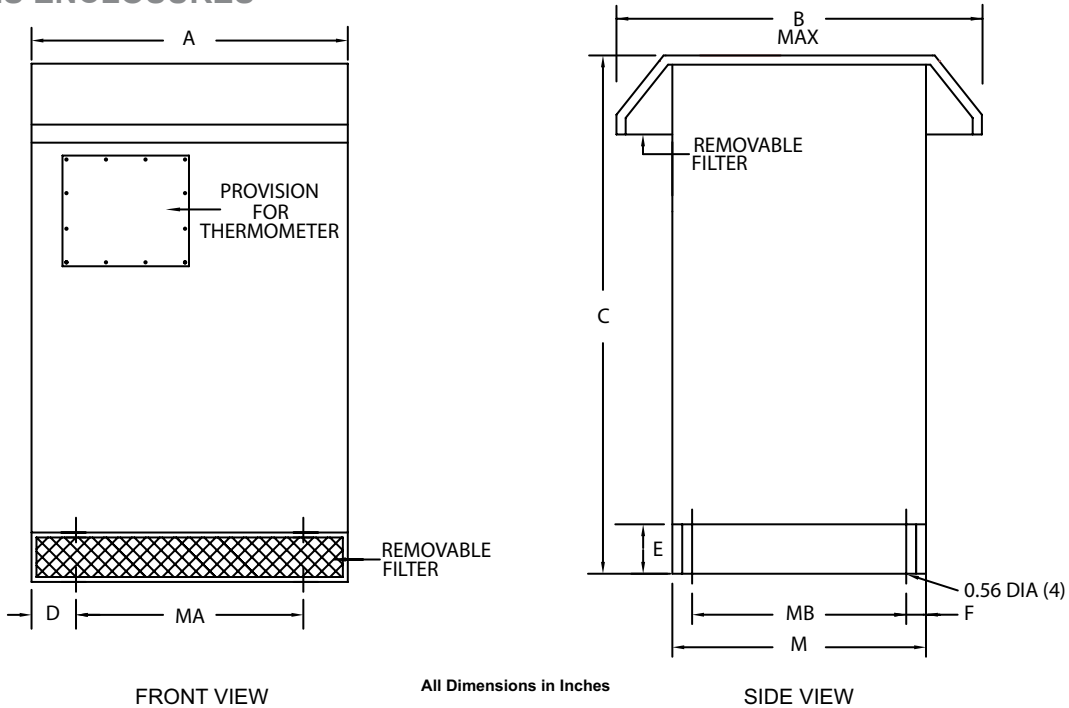
GENERAL INFORMATION

TYPE 3RE ENHANCED ENCLOSURE DIMENSIONAL DRAWINGS 'NH' SERIES ENCLOSURES



| Case Style | Dimensions in Inches | | | | | | | | | | |
|------------|----------------------|-------|-------|------|------|------|-------|-------|-------|-------|-------|
| | A | B | C | D | E | F | G | H | MA | MB | M |
| NH3-N3RE | 26.00 | 38.00 | 42.00 | 2.25 | 8.00 | 0.75 | 26.00 | 18.00 | 21.50 | 19.00 | 20.63 |
| NH4-N3RE | 32.00 | 42.00 | 45.00 | 4.25 | 8.00 | 0.75 | 29.00 | 18.00 | 23.50 | 23.50 | 25.13 |

'NJ' SERIES ENCLOSURES



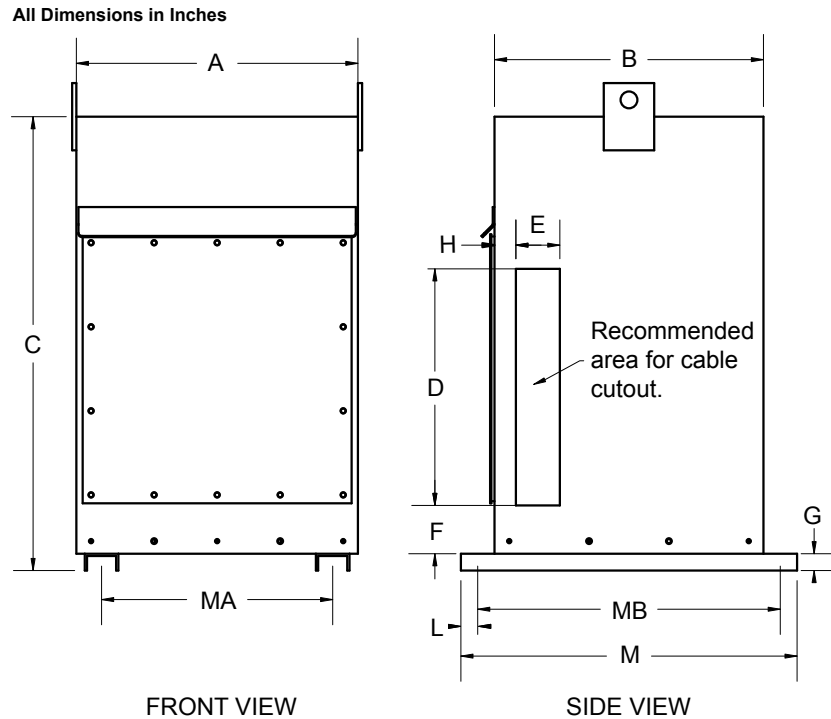
| Case Style | Dimensions in Inches | | | | | | | | | |
|------------|----------------------|-------|-------|-------|-------|------|-------|-------|-------|--|
| | A | B | C | D | E | F | MA | MB | M | |
| NJ1-N3RE | 39.50 | 55.00 | 57.50 | 7.63 | 10.00 | 1.00 | 24.00 | 32.00 | 34.00 | |
| NJ2-N3RE | 48.50 | 60.00 | 65.00 | 10.38 | 10.00 | 1.00 | 27.50 | 36.00 | 38.00 | |
| NJ3-N3RE | 51.50 | 65.00 | 72.00 | 8.52 | 10.00 | 1.00 | 34.00 | 41.00 | 43.00 | |
| NJ4-N3RE | 32.00 | 54.00 | 56.00 | 4.88 | 10.00 | 1.00 | 22.00 | 30.50 | 32.50 | |
| NJ6-N3RE | 64.00 | 70.00 | 83.00 | 12.00 | 12.00 | 1.00 | 40.00 | 42.00 | 44.00 | |
| NJ7-N3RE | 64.00 | 77.00 | 83.00 | 12.00 | 12.00 | 1.00 | 40.00 | 49.00 | 51.00 | |

GENERAL
INFORMATION



GENERAL INFORMATION

OPTIONAL NEMA 4 & 12 ENCLOSURE DIMENSIONAL DRAWINGS 'NH-N4 & NH-N12' SERIES ENCLOSURES



| Case Style | Dimensions in Inches | | | | | | | | | | | |
|-----------------|----------------------|-------|-------|-------|------|------|------|------|------|-------|-------|-------|
| | A | B | C | D | E | F | G | H | L | M | MA | MB |
| NH5-N4, NH5-N12 | 16.75 | 16.00 | 27.00 | 16.00 | 4.00 | 4.00 | 1.00 | 2.00 | 1.00 | 20.00 | 13.75 | 18.00 |
| NH6-N4, NH6-N12 | 21.50 | 21.00 | 41.00 | 24.00 | 5.00 | 4.00 | 1.00 | 2.00 | 1.00 | 25.00 | 17.00 | 23.00 |
| NH3-N4, NH3-N12 | 28.00 | 23.00 | 55.50 | 32.00 | 6.00 | 4.00 | 1.50 | 2.00 | 1.00 | 27.00 | 21.50 | 25.00 |
| NH4-N4, NH4-N12 | 34.00 | 27.00 | 61.50 | 36.00 | 7.00 | 4.00 | 1.50 | 2.00 | 1.00 | 31.00 | 23.50 | 29.00 |

Note: Mounting hole dimension is 0.69" diameter.

GENERAL
INFORMATION

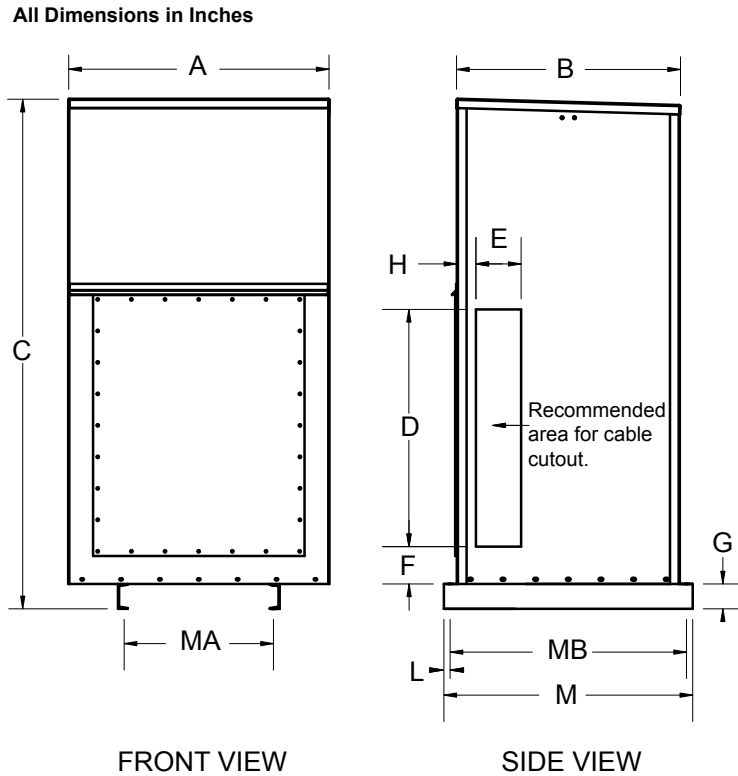
Optional NEMA 4 & 12 Stainless Steel Enclosures

Optional NEMA 4 and 12 rated stainless steel enclosures are available and are designed using either type 304 or 316 stainless steel in accordance with ANSI, NEMA, UL and ABS requirements for indoor, outdoor and marine duty applications.



GENERAL INFORMATION

OPTIONAL NEMA 4 & 12 ENCLOSURE DIMENSIONAL DRAWINGS 'NJ-N4 & NJ-N12' SERIES ENCLOSURES



| Case Style | Dimensions in Inches | | | | | | | | | | | |
|-----------------|----------------------|-------|-------|-------|------|------|------|------|------|-------|-------|-------|
| | A | B | C | D | E | F | G | H | L | M | MA | MB |
| NJ1-N4, NJ1-N12 | 42.00 | 36.00 | 82.00 | 40.00 | 8.00 | 6.00 | 4.00 | 3.00 | 1.00 | 40.00 | 24.00 | 38.00 |

Note: Mounting hole dimension is 0.69" diameter.

Optional NEMA 4 & 12 Stainless Steel Enclosures

Optional NEMA 4 and 12 rated stainless steel enclosures are available and are designed using either type 304 or 316 stainless steel in accordance with ANSI, NEMA, UL and ABS requirements for indoor, outdoor and marine duty applications.

GENERAL
INFORMATION

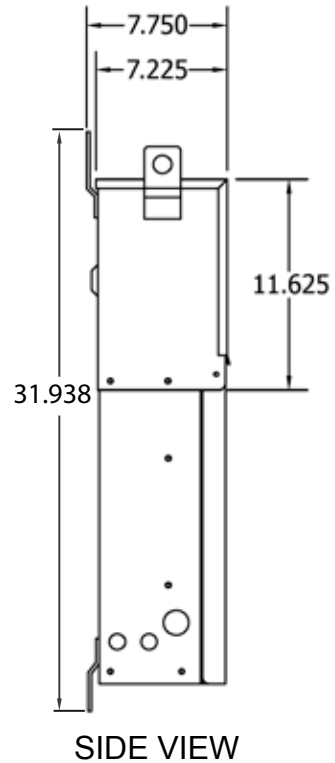
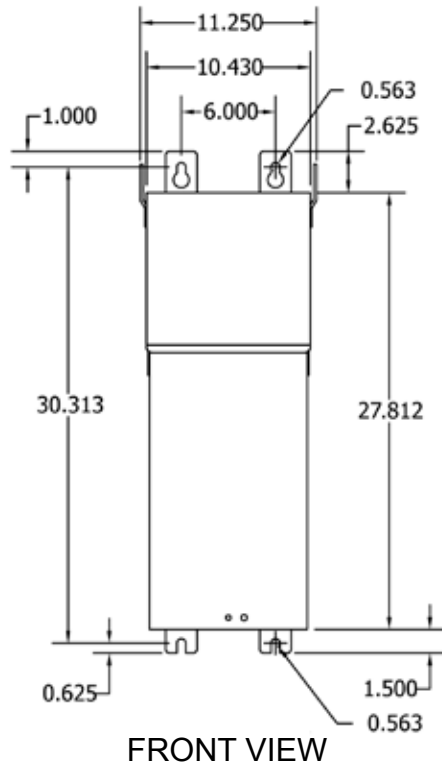


GENERAL INFORMATION

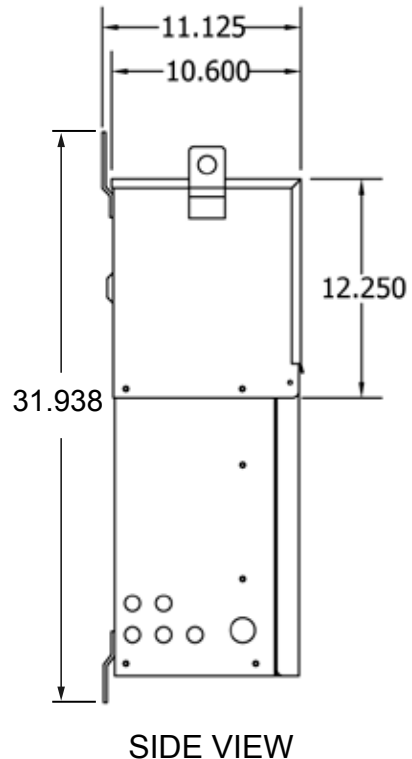
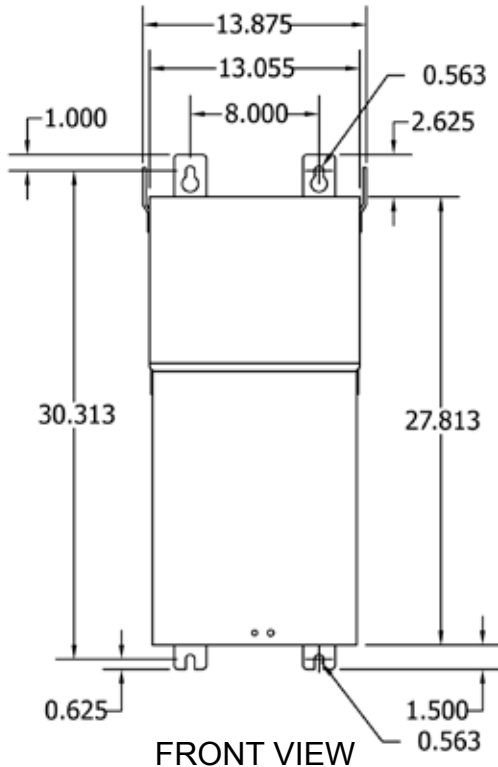
NEMA 3R ENCLOSURE DIMENSIONAL DRAWINGS

'PPE1 - PPE5' SERIES ENCLOSURES

PPE1



PPE2



GENERAL
INFORMATION

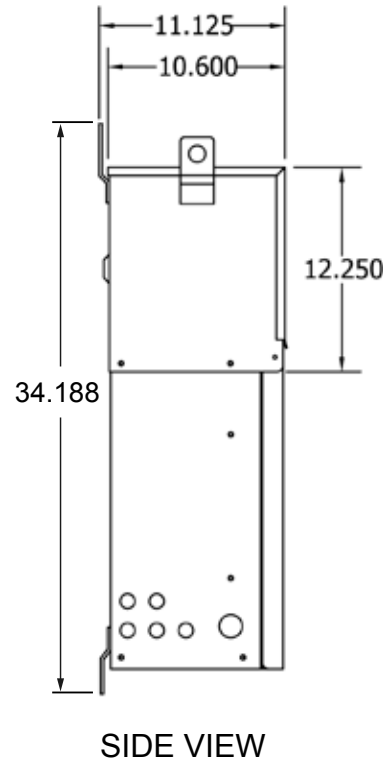
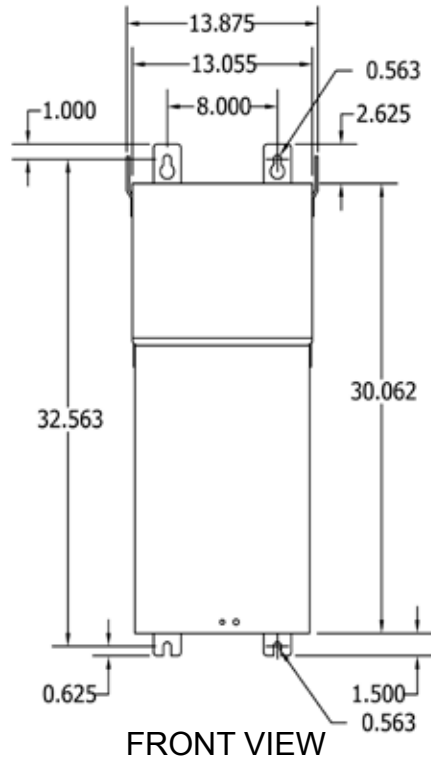


GENERAL INFORMATION

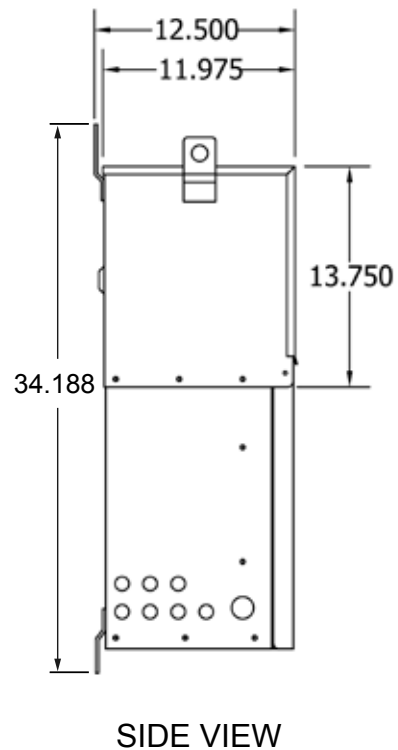
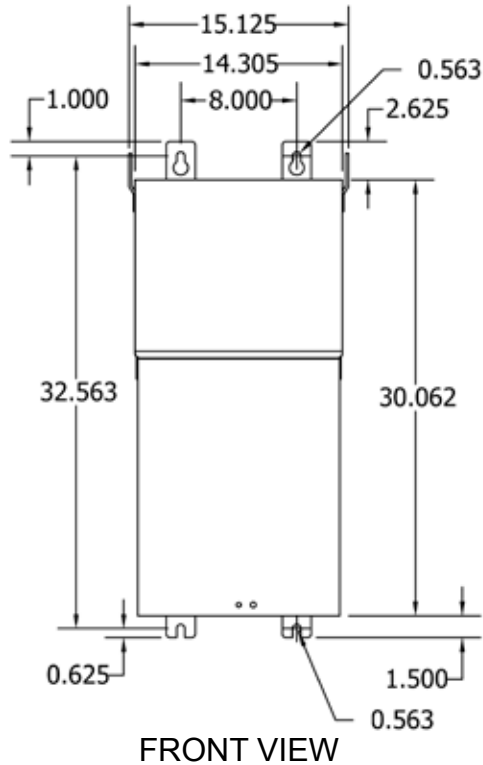
NEMA 3R ENCLOSURE DIMENSIONAL DRAWINGS

'PPE1 - PPE5' SERIES ENCLOSURES CONTINUED

PPE3



PPE4



GENERAL
INFORMATION

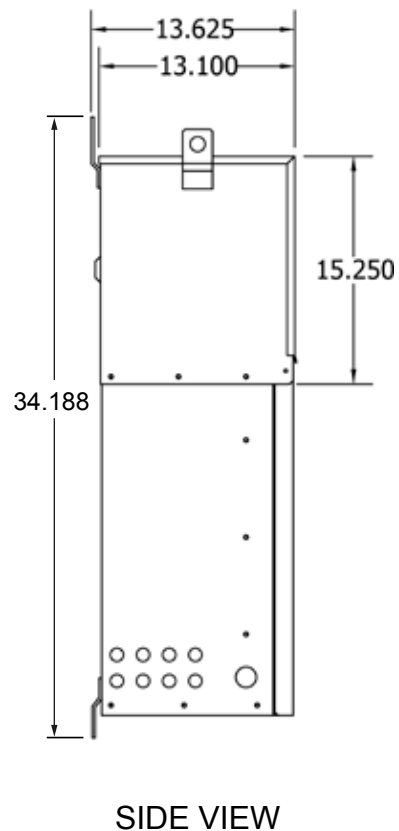
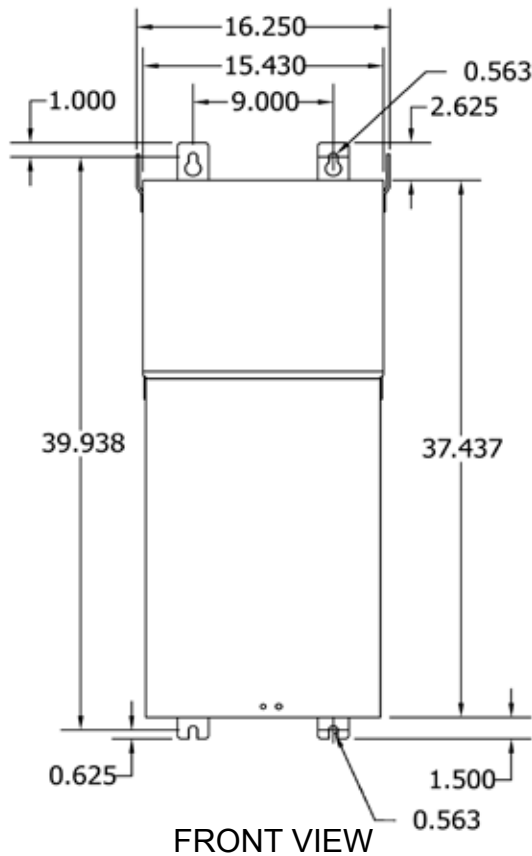


GENERAL INFORMATION

NEMA 3R ENCLOSURE DIMENSIONAL DRAWINGS

'PPE1 - PPE5' SERIES ENCLOSURES CONTINUED

PPE5



GENERAL
INFORMATION



GENERAL INFORMATION

ACCESSORIES (for transformers listed in sections 3, 4, 7 and 11)

ENCLOSURE MOUNTING KITS

If wall and/or ceiling mounting is desired for a transformer, optional mounting kits can be ordered separately. These mounting kits are NOT available for all enclosure case styles. Therefore, it is important that you confirm your enclosure case style, then use the selection table to the right to determine if A) a mounting kit is available and B) determine the correct HPS "Mounting Kit" part number that you must order. One kit is required for each transformer.

Note: Some of the mounting kits can be used for both wall and ceiling mount, while others are for wall mounting only. The table indicates which mounting methods are available for each kit. The NW2 wall/ceiling mounting kit also includes a drip plate.

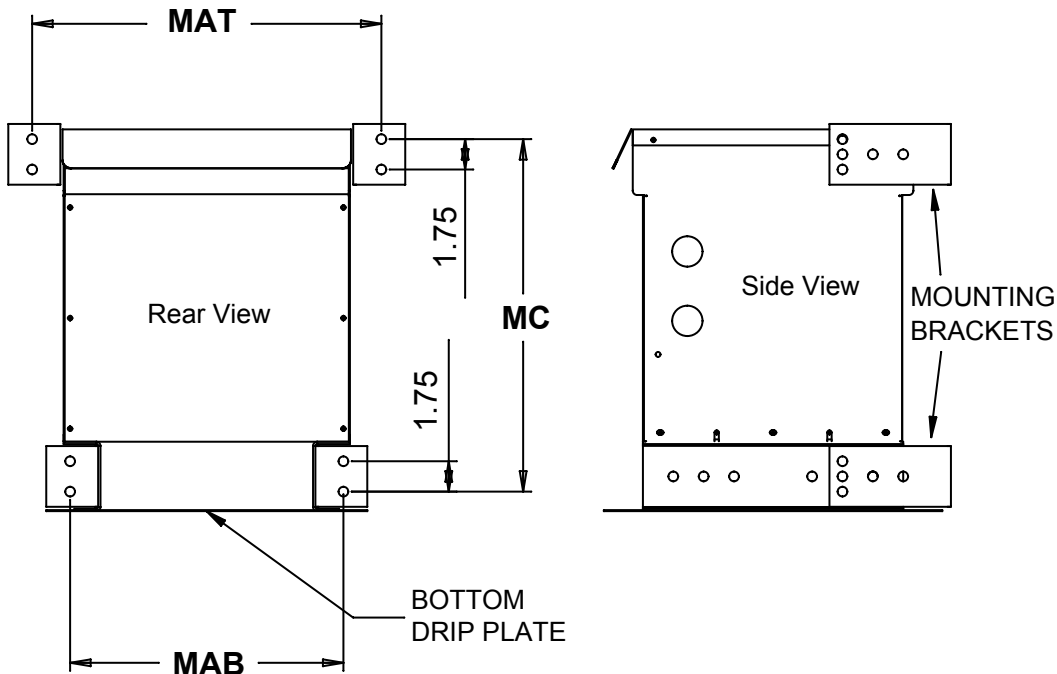
The NW2 wall/ceiling mounting kit is only designed for units up to 750 pounds (341 kg) maximum.

| Enclosure Case Style | Wall Mount Available | Ceiling Mount Available | HPS Mounting Kit P/N |
|----------------------|----------------------|-------------------------|----------------------|
| N1 | No | No | N/A |
| N2 | No | No | N/A |
| NH3 | Yes | Yes | NW2 |
| NH4 | No | No | N/A |
| NH5 | Yes | Yes | NH5DP |
| NH6 | Yes | Yes | NH6DP |
| NJ Series | No | No | N/A |

NW2 WALL/CEILING MOUNTING KITS

The following drawings detail the wall and ceiling mounting dimensions required and method by which the NW2 kits are installed on the NH3 enclosures.

NW2 WALL MOUNT - MOUNTING DIMENSIONS



| Wall Mounting Dimensions | | | | |
|--------------------------|-----------|--------|-------|-------|
| Part No. | Enclosure | MAT | MAB | MC |
| NW2 | NH3 | 29.375 | 23.50 | 36.50 |

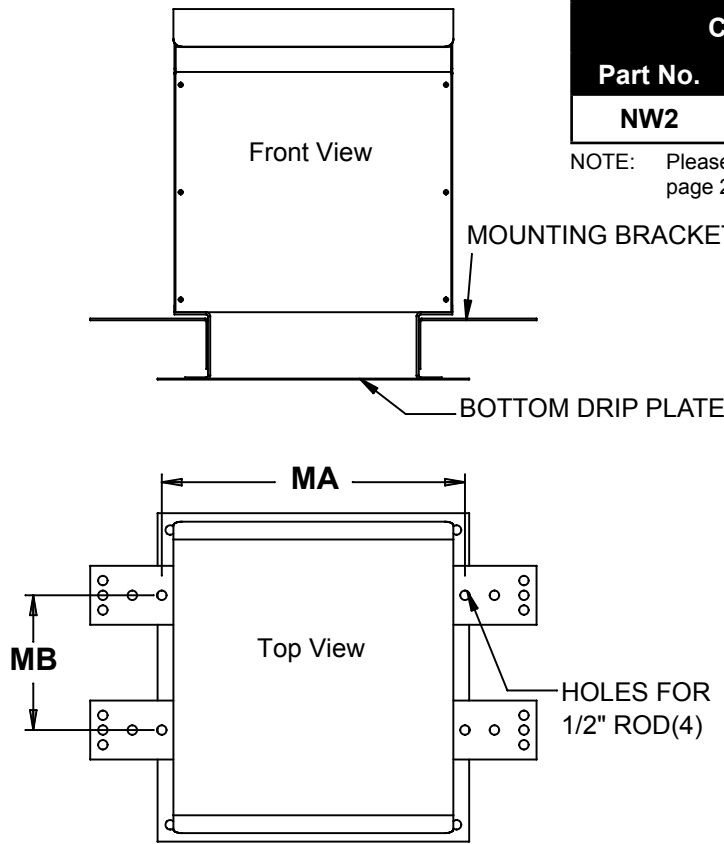
NOTE: Please refer to enclosure dimensional drawings on page 260 for more detailed dimensional information.



GENERAL INFORMATION

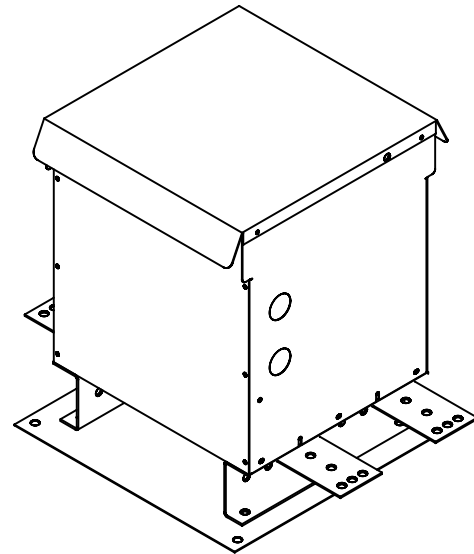
ACCESSORIES (for transformers listed in sections 3, 4, 7 and 11)

NW2 CEILING MOUNT - MOUNTING DIMENSIONS



| Ceiling Mounting Dimensions | | | |
|-----------------------------|-----------|-------|-------|
| Part No. | Enclosure | MA | MB |
| NW2 | NH3 | 26.50 | 11.75 |

NOTE: Please refer to enclosure dimensional drawings on page 260 for more detailed dimensional information.

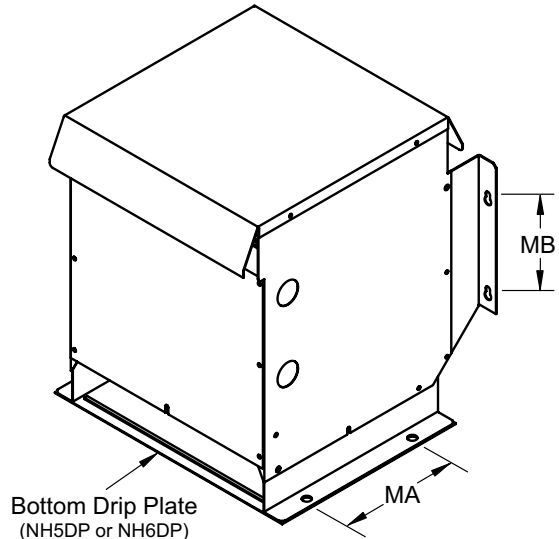


NH5DP & NH6DP WALL/CEILING MOUNTING KITS

The NH5 and NH6 enclosures are designed with integral wall mounting capabilities. However, when you wall mount them, you must also install the bottom drip plate as shown below. The “MB” dimensions listed in the table below indicate the location for the wall mounting hardware.

For ceiling mounting of the NH5 and NH6, refer to the “MA” dimensions listed in the table below and hang the enclosure using appropriate sized ceiling hanger rods. However, you must be sure to install the bottom drip plate to the bottom of the enclosure, then bring the hanger rod down through both the enclosure bottom mounting holes and through the drip plate mounting holes and install mounting hardware.

NOTE: Do not ceiling mount either the NH5 or NH6 enclosures without installing the bottom drip plate. All mounting hardware should be rated Grade 8 or higher.



| Mounting Kit P/N | Enclosure Style | MA Dimension | MB Dimension |
|------------------|-----------------|--------------|--------------|
| NH5DP | NH5 | 9.00 | 7.00 |
| NH6DP | NH6 | 9.00 | 8.00 |

NOTE: Please refer to enclosure dimensional drawings on page 260 for more detailed dimensional information.

GENERAL INFORMATION

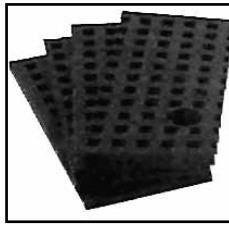
ACCESSORIES (for transformers listed in sections 3, 4, 7 and 11)

ANTI-VIBRATION PAD AND VIBRATION ISOLATOR KITS

All standard transformers come with installed internal vibration absorbing pads to minimize noise during operation. Optional external “anti-vibration” pad and “vibration isolator” (for higher noise dampening) kits can be used to reduce operating noise even further. All are resistant to industrial contaminants like oils, acids and alkalies.

ANTI-VIBRATION PAD KITS

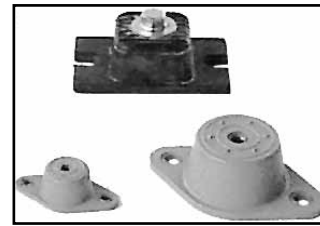
| Part No. | Case Style | Description |
|----------|------------|--|
| P1 | NH Series | Set of four (4) rubber anti-vibration pads which replace the standard steel enclosure washers. |
| P2 | NJ Series | |



All Anti-Vibration Pad kits and Vibration Isolator kits contain a set of four (4) pads or isolators. Therefore only one kit is required per transformer.

VIBRATION ISOLATOR KITS

| Part No. | Transformer Weight (Lb) | Description |
|----------|-------------------------|---|
| NMP1 | Up to 340 lbs | Set of four (4) molded neoprene and steel plate assemblies that virtually eliminate vibration noise between the transformer and the mounting surface. |
| NMP2 | 341 to 680 lbs | |
| NMP3 | 681 to 1040 lbs | |
| NMP4 | 1041 to 1740 lbs | |
| NMP5 | 1741 to 2330 lbs | |
| NMP6 | 2331 to 3450 lbs | |
| NMP7 | 3451 to 4690 lbs | |



ACCESSORIES (for transformers listed in sections 8 and 10)

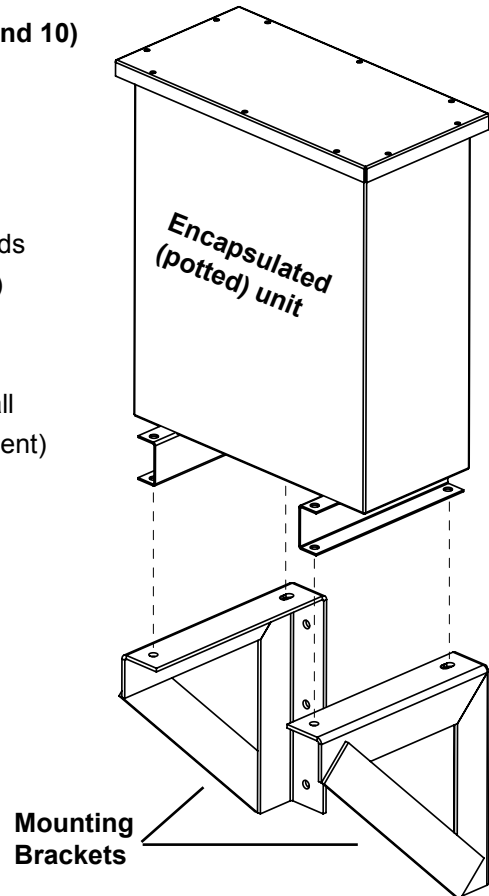
NQTW1 and NQTW2 Wall Mounting Kits

The **NQTW1** and **NQTW2** wall mounting kits are specifically designed for HPS commercial or industrial encapsulated (potted) distribution transformer units up to a maximum of 45kVA or 800 pounds (363 kg). These mounting kits are designed for encapsulated (potted) units only, no drip plate is included/required. Please contact HPS customer service if you have any questions.

Note: Always measure and secure mounting brackets to the wall surface first, then lift the transformer (using appropriate lifting equipment) onto the brackets and attach using minimum Grade 8 hardware.

| Enclosure Case Style | Mounting Type | Wall Mounting Kit Part Number |
|----------------------|---------------|-------------------------------|
| NQ0-NQ8 | Wall | Included |
| NQS10 | Wall or Floor | NQTW2 |
| NQT3-NQT6 | Wall | Included |
| NQT7-NQT8 | Wall or Floor | NQTW1 |
| NQT9A | Floor | N/A |
| NQT9* | Wall or Floor | NQTW2 |

*Applies to HPS Fortress line only.



GENERAL
INFORMATION



GENERAL INFORMATION

ACCESSORIES (for transformers listed in sections 8 and 10)

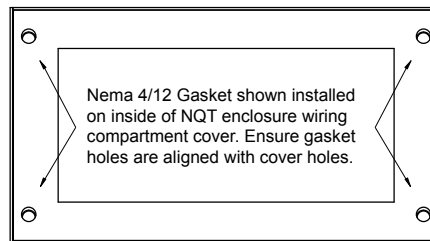
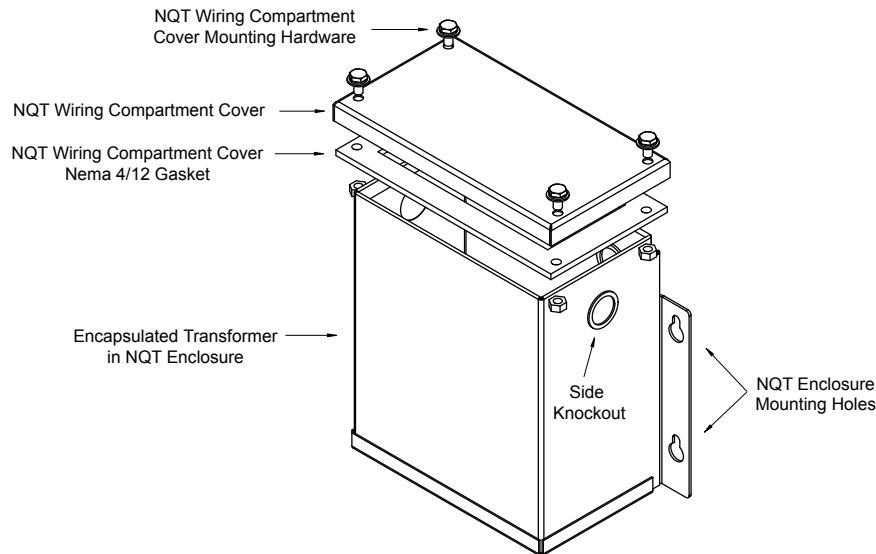
NQT ENCLOSURE SERIES NEMA 4/12 GASKET KITS

The following options and accessories offered are available on all standard and custom three phase HPS Titan® industrial encapsulated distribution transformers for harsh environments and hazardous locations (see section 8), HPS Fortress™ commercial encapsulated distribution transformers (see section 8) and encapsulated autotransformers (see section 10).

Optional NEMA 4/12 Gasket Kits

Standard NEMA 3R rated NQT enclosures can easily be converted to a NEMA 4 or 12 rating by ordering and installing the appropriate gasket kit as listed in the table below.

| Enclosure Style | Gasket Kit P/N | Enclosure Style | Gasket Kit P/N |
|-----------------|----------------|-----------------|----------------|
| NQT2 | NQT2GK | NQT8 | NQT8GK |
| NQT3 | NQT3GK | NQT9 | NQT9GK |
| NQT4 | NQT4GK | NQT9A | NQT9AGK |
| NQT5 | NQT5GK | NQT10 | NQT10GK |
| NQT6 | NQT6GK | NQT11 | NQT11GK |
| NQT7 | NQT7GK | | |



Optional Stainless Steel Enclosures

Optional NEMA 4 and 12 rated stainless steel enclosures for encapsulated transformers are identical to the standard steel enclosure designs but are designed using either type 304 or 316 stainless steel in accordance with ANSI, NEMA, UL and ABS requirements for indoor, outdoor and marine duty applications.

GENERAL INFORMATION

TERMINATION DETAILS - NEMA 3R

The following termination details are for standard 150°C temperature rise HPS Sentinel (section 7), HPS SuperSentinel (section 7) and general purpose medium voltage transformer (section 11) units only.

SINGLE PHASE, ALUMINUM AND COPPER TERMINATION - LUGS OR PADS

| kVA | VOLTAGE | | | | | | | | | | | |
|------|---------|---------|--------|--------|--------|--------|--------|--------|--------|--------|---------|---------|
| | 120 | 120/240 | 208 | 240 | 277 | 347 | 380 | 416 | 480 | 600 | 2400 | 4160 |
| 0.25 | Leads | Leads | Leads | Leads | Leads | Leads | Leads | Leads | Leads | Leads | - | - |
| 0.5 | Leads | Leads | Leads | Leads | Leads | Leads | Leads | Leads | Leads | Leads | - | - |
| 0.75 | Leads | Leads | Leads | Leads | Leads | Leads | Leads | Leads | Leads | Leads | - | - |
| 1 | Leads | Leads | Leads | Leads | Leads | Leads | Leads | Leads | Leads | Leads | - | - |
| 1.5 | Leads | Leads | Leads | Leads | Leads | Leads | Leads | Leads | Leads | Leads | - | - |
| 2 | Leads | Leads | Leads | Leads | Leads | Leads | Leads | Leads | Leads | Leads | - | - |
| 3 | Leads | Leads | Leads | Leads | Leads | Leads | Leads | Leads | Leads | Leads | - | - |
| 5 | Leads | Leads | Leads | Leads | Leads | Leads | Leads | Leads | Leads | Leads | - | - |
| 7.5 | Lugs | Lugs | Lugs | Lugs | Lugs | Lugs | Lugs | Lugs | Lugs | Lugs | - | - |
| 10 | Lugs | Lugs | Lugs | Lugs | Lugs | Lugs | Lugs | Lugs | Lugs | Lugs | - | - |
| 15 | Lugs | Lugs | Lugs | Lugs | Lugs | Lugs | Lugs | Lugs | Lugs | Lugs | Dia. 1A | Dia. 1A |
| 25 | Lugs | Lugs | Lugs | Lugs | Lugs | Lugs | Lugs | Lugs | Lugs | Lugs | Dia. 1A | Dia. 1A |
| 37.5 | Dia. 2 | Lugs | Lugs | Lugs | Lugs | Lugs | Lugs | Lugs | Lugs | Lugs | Dia. 1A | Dia. 1A |
| 50 | Dia. 2 | Lugs | Lugs | Lugs | Lugs | Lugs | Lugs | Lugs | Lugs | Lugs | Dia. 1A | Dia. 1A |
| 75 | Dia. 3 | Dia. 2 | Dia. 2 | Dia. 2 | Lugs | Lugs | Lugs | Lugs | Lugs | Lugs | Dia. 1A | Dia. 1A |
| 100 | Dia. 3 | Dia. 2 | Dia. 2 | Dia. 2 | Dia. 2 | Dia. 2 | Lugs | Lugs | Lugs | Lugs | Dia. 1A | Dia. 1A |
| 150 | Dia. 3 | Dia. 3 | Dia. 3 | Dia. 3 | Dia. 2 | Dia. 2 | Dia. 2 | Dia. 2 | Dia. 2 | Lugs | Dia. 1A | Dia. 1A |
| 167 | Dia. 3 | Dia. 3 | Dia. 3 | Dia. 3 | Dia. 3 | Dia. 2 | Dia. 2 | Dia. 2 | Dia. 2 | Dia. 2 | Dia. 1A | Dia. 1A |

THREE PHASE, ALUMINUM AND COPPER TERMINATION - LUGS OR PADS

| kVA | VOLTAGE | | | | | | | | | |
|-------|---------|---------|---------|---------|---------|---------|---------|---------|---------|---------|
| | 208 | 230 | 240 | 277 | 380 | 416 | 480 | 600 | 2400 | 4160 |
| 2 | Leads | Leads | Leads | Leads | Leads | Leads | Leads | Leads | - | - |
| 3 | Leads | Leads | Leads | Leads | Leads | Leads | Leads | Leads | - | - |
| 6 | Leads | Leads | Leads | Leads | Leads | Leads | Leads | Leads | - | - |
| 9 | Lugs | Lugs | Lugs | Lugs | Lugs | Lugs | Lugs | Lugs | - | - |
| 15 | Lugs | Lugs | Lugs | Lugs | Lugs | Lugs | Lugs | Lugs | Dia. 1A | Dia. 1A |
| 30 | Lugs | Lugs | Lugs | Lugs | Lugs | Lugs | Lugs | Lugs | Dia. 1A | Dia. 1A |
| 45 | Lugs | Lugs | Lugs | Lugs | Lugs | Lugs | Lugs | Lugs | Dia. 1A | Dia. 1A |
| 75 | Lugs | Lugs | Lugs | Lugs | Lugs | Lugs | Lugs | Lugs | Dia. 1A | Dia. 1A |
| 112.5 | Lugs** | Dia. 1B | Lugs | Lugs | Lugs | Lugs | Lugs | Lugs | Dia. 1A | Dia. 1A |
| 150 | Dia. 1B | Dia. 1B | Dia. 1B | Dia. 1B | Lugs | Lugs | Lugs | Lugs | Dia. 1A | Dia. 1A |
| 225 | Dia. 2 | Dia. 1B | Dia. 1B | Dia. 1B | Dia. 1B | Dia. 1B | Lugs | Lugs | Dia. 1A | Dia. 1A |
| 300 | Dia. 2 | Dia. 2 | Dia. 2 | Dia. 2 | Dia. 1B | Dia. 1B | Dia. 1B | Dia. 1B | Dia. 1A | Dia. 1A |
| 500 | Dia. 3 | Dia. 3 | Dia. 3 | Dia. 3 | Dia. 3 | Dia. 2 | Dia. 2 | Dia. 1B | Dia. 1A | Dia. 1A |
| 600 | Dia. 3 | Dia. 3 | Dia. 3 | Dia. 3 | Dia. 3 | Dia. 2 | Dia. 2 | Dia. 1B | Dia. 1A | Dia. 1A |
| 750 | Dia. 3 | Dia. 3 | Dia. 3 | Dia. 3 | Dia. 3 | Dia. 3 | Dia. 3 | Dia. 2 | Dia. 1B | Dia. 1A |

** Lugs only supplied standard on 600V primary to 208Y/120V secondary units. (excluding K-Factor transformers)
All other voltages supplied standard with Diagram 1B pads.

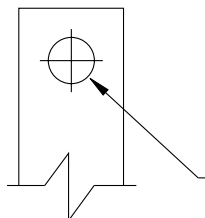


DIAGRAM 1

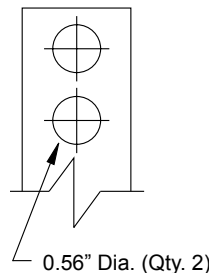


DIAGRAM 2

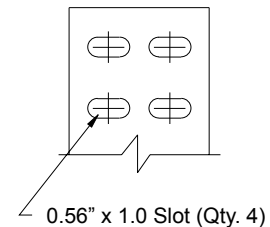


DIAGRAM 3



GENERAL INFORMATION

ELECTRICAL SCHEMATICS AND CONNECTION DIAGRAMS

SCD 4

| SCHEMATIC | CONNECTIONS | | | |
|-----------|---|-------------------|--------------------------------|--------------------------------|
| | Primary Volts | Connect lines to | Inter-connect | |
| | 208 277 347 380 416 600 2400 3300 4160 4800 6600 7200 | H1, H2 | --- | |
| | Secondary Volts | Connect lines to | Inter-connect | |
| | 240 120/240 120 | 24 12/24 12 | X1, X4 X1, X2, X4 X1, X2 | X2-X3 X2-X3 X2-X4, X1-X3 |

SCD 5

| SCHEMATIC | CONNECTIONS | | | |
|-----------|---|--------------------------------|--------------------------------|--|
| | Primary Volts | Connect lines to | Inter-connect | |
| | 120 208 240 277 380 416 480 600 114 198 228 263 361 395 456 570 108 188 216 249 347 374 432 540 | H1, H2 H1, H2 H1, H2 | 1-2 2-3 3-4 | |
| | Secondary Volts | Connect lines to | Inter-connect | |
| | 240 120/240 120 | X1, X4 X1, X2, X4 X1, X2 | X2-X3 X2-X3 X2-X4, X1-X3 | |

SCD 6

| SCHEMATIC | CONNECTIONS | | | |
|-----------|---|--|---------------------------------|--|
| | Primary Volts | Connect lines to | Inter-connect | |
| | 218 277 291 437 504 630 2520 4368 213 - 284 426 492 615 2460 4264 208 240 277 416 480 600 2400 4160 203 - 270 406 468 585 2340 4056 198 208 263 395 456 570 2280 3952 | H1, H2 H1, H2 H1, H2 H1, H2 H1, H2 | 1-2 2-3 3-4 4-5 5-6 | |
| | Secondary Volts | Connect lines to | Inter-connect | |
| | 240 120/240 120 | X1, X4 X1, X2, X4 X1, X2 | X2-X3 X2-X3 X2-X4, X1-X3 | |

SCD 7

| SCHEMATIC | CONNECTIONS | | | |
|-----------|---|--|---------------|--|
| | Primary Volts | Connect lines to | Inter-connect | |
| | 208 218 242 252 437 480 483 504 604 630 198 208 230 240 416 456 460 480 575 600 187 198 219 228 395 432 437 456 546 570 | H1, H2, H3 H1, H2, H3 H1, H2, H3 | 1 2 3 | |
| | Secondary Volts | Connect lines to | Inter-connect | |
| | 208 230 240 380 416 460 480 600 120 133 139 220 240 265 277 347 | X1, X2, X3 X1, X0 X2, X0 X3, X0 | | |

GENERAL
INFORMATION



GENERAL INFORMATION

ELECTRICAL SCHEMATICS AND CONNECTION DIAGRAMS

SCD 8

| SCHEMATIC | CONNECTIONS | | | |
|---|---|------------------|------------------|---------------|
| | Primary Volts | | Connect lines to | Inter-connect |
| | 218 242 252 437 483 504 604 630 2520 4368 | H1, H2, H3 | 1-2 | |
| | 208 230 240 416 460 480 575 600 2400 4160 | H1, H2, H3 | 2-3 | |
| 198 219 228 395 437 456 546 570 2280 3952 | H1, H2, H3 | 3-4 | | |
| Secondary Volts | | Connect lines to | | |
| 208 230 240 380 416 460 480 600 | X1, X2, X3 | | | |
| 120 133 139 220 240 265 277 347 | X1, X0 | X2, X0 | X3, X0 | |

SCD 9

| SCHEMATIC | CONNECTIONS | | | |
|---------------------------------|---------------------------------|------------------|------------------|---------------|
| | Primary Volts | | Connect lines to | Inter-connect |
| | 218 242 252 437 483 504 604 630 | H1, H2, H3 | 1 | |
| | 213 236 246 426 472 492 589 615 | H1, H2, H3 | 2 | |
| 208 230 240 416 460 480 575 600 | H1, H2, H3 | 3 | | |
| 203 224 234 406 449 468 561 585 | H1, H2, H3 | 4 | | |
| 198 219 228 395 437 456 546 570 | H1, H2, H3 | 5 | | |
| Secondary Volts | | Connect lines to | Inter-connect | |
| 208 380 416 480 600 | X1, X2, X3 | | - | |
| 120 220 240 277 347 | X1, X0 | | - | |
| | X2, X0 | | - | |
| | X3, X0 | | - | |

SCD 10

| SCHEMATIC | CONNECTIONS | | | |
|---|---|------------------|------------------|---------------|
| | Primary Volts | | Connect lines to | Inter-connect |
| | 218 242 252 437 483 504 604 630 2520 4368 | H1, H2, H3 | 1-2 | |
| | 213 236 246 426 472 492 589 615 2460 4264 | H1, H2, H3 | 2-3 | |
| 208 230 240 416 460 480 575 600 2400 4160 | H1, H2, H3 | 3-4 | | |
| 203 224 234 406 449 468 561 585 2340 4056 | H1, H2, H3 | 4-5 | | |
| 198 219 228 395 437 456 546 570 2280 3952 | H1, H2, H3 | 5-6 | | |
| Secondary Volts | | Connect lines to | Inter-connect | |
| 208 380 416 480 600 | X1, X2, X3 | | - | |
| 120 220 240 277 347 | X1, X0 | | - | |
| | X2, X0 | | - | |
| | X3, X0 | | - | |

GENERAL INFORMATION

ELECTRICAL SCHEMATICS AND CONNECTION DIAGRAMS

SCD 11

| SCHEMATIC | CONNECTIONS | | |
|-----------|-----------------|------------------|---------------------|
| | Primary Volts | Connect lines to | Inter-connect |
| | 630 | H1, H2, H3 | 1-H1, 1-H2, 1-H3 |
| | 615 | H1, H2, H3 | 2-H1, 2-H2, 2-H3 |
| | 600 | H1, H2, H3 | 3-H1, 3-H2, 3-H3 |
| | 585 | H1, H2, H3 | 4-H1, 4-H2, 4-H3 |
| | 570 | H1, H2, H3 | 5-H1, 5-H2, 5-H3 |
| | 504 | H1, H2, H3 | 6-H1, 6-H2, 6-H3 |
| | 492 | H1, H2, H3 | 7-H1, 7-H2, 7-H3 |
| | 480 | H1, H2, H3 | 8-H1, 8-H2, 8-H3 |
| | 468 | H1, H2, H3 | 9-H1, 9-H2, 9-H3 |
| | 456 | H1, H2, H3 | 10-H1, 10-H2, 10-H3 |
| | Secondary Volts | Connect lines to | Inter-connect |
| | 208 480 | X1, X2, X3 | - |
| 120 277 | X1, X0 | - | |
| | X2, X0 | - | |
| | X3, X0 | - | |

SCD 12

| SCHEMATIC | CONNECTIONS | | |
|-----------------|------------------|------------------|---------------|
| | Primary Volts | Connect lines to | Inter-connect |
| | 480 600 | H1, H2, H3 | 1-2 |
| | 456 570 | H1, H2, H3 | 2-3 |
| | 432 540 | H1, H2, H3 | 3-4 |
| Secondary Volts | Connect lines to | Inter-connect | |
| 240 | X1, X2, X3 | - | |

SCD 13

| SCHEMATIC | CONNECTIONS | | |
|-----------------|------------------|------------------|---------------|
| | Primary Volts | Connect lines to | Inter-connect |
| | 480 600 | H1, H2, H3 | 1-2 |
| | 456 570 | H1, H2, H3 | 2-3 |
| | 432 540 | H1, H2, H3 | 3-4 |
| Secondary Volts | Connect lines to | Inter-connect | |
| 240 | X1, X2, X3 | - | |
| 120 | X1, X6 | - | |
| | X3, X6 | - | |

SCD 14

| SCHEMATIC | CONNECTIONS | | |
|-----------|-------------------|------------|------------|
| | Connect to | Step Down | Step Up |
| | Lines from Supply | H1, H2, H3 | X1, X2, X3 |
| | Lines to Load | X1, X2, X3 | H1, H2, H3 |

GENERAL INFORMATION



GENERAL INFORMATION

ELECTRICAL SCHEMATICS AND CONNECTION DIAGRAMS

SCD 15

| SCHEMATIC | CONNECTIONS | | |
|-----------|-------------------|------------|------------|
| | Connect to | Step Down | Step Up |
| | Lines from Supply | H1, H2, H3 | X1, X2, X3 |
| | Lines to Load | X1, X2, X3 | H1, H2, H3 |

SCD 16

| SCHEMATIC | CONNECTIONS | | |
|-----------|-----------------|------------------|---------------|
| | Primary Volts | Connect lines to | Inter-connect |
| | 504 630 | H1, H2, H3 | 1 |
| | 492 615 | H1, H2, H3 | 2 |
| | 480 600 | H1, H2, H3 | 3 |
| | 468 585 | H1, H2, H3 | 4 |
| | 456 570 | H1, H2, H3 | 5 |
| | Secondary Volts | Connect lines to | Inter-connect |
| | 240 | X1, X2, X3 | |

SCD 17

| SCHEMATIC | CONNECTIONS | | | |
|-----------|---------------|------------------|--------------------------|---------------|
| | Primary Volts | Connect lines to | Inter-connect | |
| | 504 | H1, H4 | 1-H2, 2-H3, H2-H3 | |
| | 492 | H1, H4 | 3-H2, 2-H3, H2-H3 | |
| | 480 | H1, H4 | 3-H2, 4-H3, H2-H3 | |
| | 468 | H1, H4 | 5-H2, 4-H3, H2-H3 | |
| | 456 | H1, H4 | 5-H2, 6-H3, H2-H3 | |
| | 444 | H1, H4 | 7-H2, 6-H3, H2-H3 | |
| | 432 | H1, H4 | 7-H2, 8-H3, H2-H3 | |
| | 252 | H1, H4 | 1-H2, 2-H3, H1-H3, H2-H4 | |
| | 240 | H1, H4 | 3-H2, 4-H3, H1-H3, H2-H4 | |
| | 228 | H1, H4 | 5-H2, 6-H3, H1-H3, H2-H4 | |
| | 216 | H1, H4 | 7-H2, 8-H3, H1-H3, H2-H4 | |
| | | Secondary Volts | Connect lines to | Inter-connect |
| | | 240 | X1, X4 | X2-X3 |
| | 120 | X1, X2 | X2-X4, X1-X3 | |
| | 120/240 | X1, X2, X4 | X2-X3 | |

SCD 18

| SCHEMATIC | CONNECTIONS | | |
|-----------|-----------------------------|------------------|---------------|
| | Primary Volts | Connect lines to | Inter-connect |
| | 218 252 277 291 437 504 630 | H1, H4 | - |
| | 208 240 240 277 416 480 600 | H1, H3 | - |
| | 198 228 208 263 395 456 570 | H1, H2 | - |
| | Secondary Volts | Connect lines to | Inter-connect |
| | 240 | X1, X4 | X2-X3 |
| | 120 | X1, X2 | X2-X4, X1-X3 |
| | 120/240 | X1, X2, X4 | X2-X3 |

GENERAL INFORMATION

ELECTRICAL SCHEMATICS AND CONNECTION DIAGRAMS

SCD 19

| SCHEMATIC | | CONNECTIONS | | |
|-----------|--|---|--|--|
| | | Primary Volts | Connect lines to | Inter-connect |
| | | 218 504 630 213 492 615 208 480 600 203 468 585 198 456 570 193 444 556 188 432 542 | H1, H2, H3 H1, H2, H3 H1, H2, H3 H1, H2, H3 H1, H2, H3 H1, H2, H3 H1, H2, H3 | 1-H1, 1-H2, 1-H3 2-H1, 2-H2, 2-H3 3-H1, 3-H2, 3-H3 4-H1, 4-H2, 4-H3 5-H1, 5-H2, 5-H3 6-H1, 6-H2, 6-H3 7-H1, 7-H2, 7-H3 |
| | | Secondary Volts | Connect lines to | Inter-connect |
| | | 208 480 120 277 | X1, X2, X3 X1,X0 X2,X0 X3,X0 | - - |

SCD 20

| SCHEMATIC | | CONNECTIONS | | |
|-----------|--|---|--|---|
| | | Primary Volts | Connect lines to | Inter-connect |
| | | 218 504 630 213 492 600 208 480 570 203 468 570 198 456 504 193 444 480 188 432 456 | H1, H2, H3 H1, H2, H3 H1, H2, H3 H1, H2, H3 H1, H2, H3 H1, H2, H3 H1, H2, H3 | 1-2 2-3 3-4 4-5 5-6 6-7 7-8 |
| | | Secondary Volts | Connect lines to | Inter-connect |
| | | 208 480 120 277 | X1, X2, X3 X1,X0 X2,X0 X3,X0 | - - |

SCD 21

| SCHEMATIC | | CONNECTIONS | | |
|-----------|--|---|--|--|
| | | Primary Volts | Connect lines to | Inter-connect |
| | | 504 492 480 468 456 444 432 | H1, H2, H3 H1, H2, H3 H1, H2, H3 H1, H2, H3 H1, H2, H3 H1, H2, H3 H1, H2, H3 | 1-H1, 1-H2, 1-H3 2-H1, 2-H2, 2-H3 3-H1, 3-H2, 3-H3 4-H1, 4-H2, 4-H3 5-H1, 5-H2, 5-H3 6-H1, 6-H2, 6-H3 7-H1, 7-H2, 7-H3 |
| | | Secondary Volts | Connect lines to | Inter-connect |
| | | 240 120 | X1, X2, X3 X1, X6 X3, X6 | - - - |

SCD 22

| SCHEMATIC | | CONNECTIONS | | |
|-----------|--|---|--|---|
| | | Primary Volts | Connect lines to | Inter-connect |
| | | 504 492 480 468 456 444 432 | H1, H2, H3 H1, H2, H3 H1, H2, H3 H1, H2, H3 H1, H2, H3 H1, H2, H3 H1, H2, H3 | 1-2 2-3 3-4 4-5 5-6 6-7 7-8 |
| | | Secondary Volts | Connect lines to | Inter-connect |
| | | 240 120 | X1, X2, X3 X1, X6 X3, X6 | - - - |

GENERAL INFORMATION



GENERAL INFORMATION

ELECTRICAL SCHEMATICS AND CONNECTION DIAGRAMS

SCD 23

| SCHEMATIC | | CONNECTIONS | | | |
|-----------|------------------------|-------------|-------------------------|----------------------|----------------------|
| | Primary Volts | | Connect lines to | Inter-connect | |
| | 208 | 240 | 252 | X1, X2, X3 | 1-2 |
| | 198 | 228 | 240 | X1, X2, X3 | 2-3 |
| | 188 | 216 | 228 | X1, X2, X3 | 3-4 |
| | Secondary Volts | | Connect lines to | | |
| | 230 | 260 | 460 | 480 | H1, H2, H3 |
| | 133 | 139 | 265 | 277 | H1, H0 H2, H0 H3, H0 |

SCD 24

| SCHEMATIC | | CONNECTIONS | | |
|-----------|-------------------|------------------|----------------|--|
| | Connect to | Step Down | Step Up | |
| | Lines from Supply | H1, H2, H3 | X1, X2, X3 | |
| | Lines to Load | X1, X2, X3 | H1, H2, H3 | |

SCD 25

| SCHEMATIC | | CONNECTIONS | | | | | |
|-----------|------------------------|-------------|-------------------------|----------------------|----------------------|----------------------|-----|
| | Primary Volts | | Connect lines to | Inter-connect | | | |
| | 208 | 240 | 416 | 480 | 600 | H1, H2, H3 | 1-2 |
| | 198 | 228 | 395 | 456 | 570 | H1, H2, H3 | 2-3 |
| | 187 | 216 | 374 | 432 | 540 | H1, H2, H3 | 3-4 |
| | Secondary Volts | | Connect lines to | | Inter-connect | | |
| | 208 | 380 | 416 | 480 | 600 | X1, X2, X3 | - |
| | 120 | 220 | 240 | 277 | 347 | X1, X0 X2, X0 X3, X0 | - |

SCD 26

| SCHEMATIC | | CONNECTIONS | | | |
|-----------|------------------------|-------------|-------------------------|----------------------|----------------------|
| | Primary Volts | | Connect lines to | Inter-connect | |
| | 218 | 252 | X1, X2, X3 | 1 | |
| | 213 | 246 | X1, X2, X3 | 2 | |
| | 208 | 240 | X1, X2, X3 | 3 | |
| | 203 | 234 | X1, X2, X3 | 4 | |
| | 198 | 228 | X1, X2, X3 | 5 | |
| | Secondary Volts | | Connect lines to | | Inter-connect |
| | 460 | 480 | 600 | H1, H2, H3 | - |
| | 265 | 277 | 347 | H1, H0 H2, H0 H3, H0 | - |

SCD 27

| SCHEMATIC | | CONNECTIONS | | | |
|-----------|------------------------|-------------|-------------------------|----------------------|----------------------|
| | Primary Volts | | Connect lines to | Inter-connect | |
| | 630 | | H1, H2, H3 | 1-2 | |
| | 600 | | H1, H2, H3 | 2-3 | |
| | 570 | | H1, H2, H3 | 3-4 | |
| | Secondary Volts | | Connect lines to | | Inter-connect |
| | 240 | | X1, X2, X3 | - | |

GENERAL INFORMATION

ELECTRICAL SCHEMATICS AND CONNECTION DIAGRAMS

SCD 28

| SCHEMATIC | CONNECTIONS | | |
|-----------|-----------------|------------------|---------------|
| | Primary Volts | Connect lines to | Inter-connect |
| | 480 (60Hz) | H1, H10 | H5-H6 |
| | 440 | H1, H10 | H5-H6 |
| | 416 | H1, H9 | H4-H6 |
| | 400 | H1, H8 | H3-H6 |
| | 380 | H1, H7 | H2-H6 |
| | 240 (60 Hz) | H1, H10 | H1-H6, H5-H10 |
| | 220 | H1, H10 | H1-H6, H5-H10 |
| | 208 | H1, H9 | H1-H6, H4-H9 |
| | 200 | H1, H8 | H1-H6, H3-H8 |
| | 190 | H1, H7 | H1-H6, H2-H7 |
| | Secondary Volts | Connect lines to | Inter-connect |
| | 240 | X1, X4 | X2-X3 |
| 120/240 | X1, X2, X4 | X2-X3 | |
| 120 | X1, X4 | X2-X4, X1-X3 | |

SCD 29

| SCHEMATIC | CONNECTIONS | | | |
|-----------|-----------------|------------------|---------------|-----|
| | Primary Volts | Connect lines to | Inter-connect | |
| | 630 | 504 | H1, H2, H3 | 1-2 |
| | 615 | 492 | H1, H2, H3 | 2-3 |
| | 600 | 480 | H1, H2, H3 | 3-4 |
| | 585 | 468 | H1, H2, H3 | 4-5 |
| | 570 | 456 | H1, H2, H3 | 5-6 |
| | Secondary Volts | Connect lines to | Inter-connect | |
| 240 | X1, X2, X3 | | | |

SCD 30

| SCHEMATIC | CONNECTIONS | | |
|-----------|-----------------|------------------|--------------------------|
| | Primary Volts | Connect lines to | Inter-connect |
| | 440 | H1, H4 | 1-H2, 2-H3, H2-H3 |
| | 416 | H1, H4 | 3-H2, 4-H3, H2-H3 |
| | 400 | H1, H4 | 5-H2, 6-H3, H2-H3 |
| | 380 | H1, H4 | 7-H2, 8-H3, H2-H3 |
| | 220 | H1, H4 | 1-H2, 2-H3, H1-H3, H2-H4 |
| | 208 | H1, H4 | 3-H2, 4-H3, H1-H3, H2-H4 |
| | 200 | H1, H4 | 5-H2, 6-H3, H1-H3, H2-H4 |
| | 190 | H1, H4 | 7-H2, 8-H3, H1-H3, H2-H4 |
| | Secondary Volts | Connect lines to | Inter-connect |
| | 240 | X1, X4 | X2- X3 |
| 120 | X1, X2 | X2-X4, X1-X3 | |
| 120/240 | X1, X2, X4 | X2-X3 | |

GENERAL INFORMATION



GENERAL INFORMATION

ELECTRICAL SCHEMATICS AND CONNECTION DIAGRAMS

SCD 31

| SCHEMATIC | | CONNECTIONS | | | | |
|-----------------|-----|------------------|-----|------------------|---------------|-----|
| | | Primary Volts | | Connect lines to | Inter-connect | |
| | | 218 | 291 | 437 | 504 | 630 |
| 213 | 284 | 426 | 492 | 615 | H1, H5 | - |
| 208 | 277 | 416 | 480 | 600 | H2, H5 | - |
| 203 | 270 | 406 | 468 | 585 | H2, H4 | - |
| 198 | 263 | 395 | 456 | 570 | H3, H4 | - |
| Secondary Volts | | Connect lines to | | Inter-connect | | |
| 240 | | X1, X4 | | X2-X3 | | |
| 120/240 | | X1, X2, X4 | | X2-X3 | | |
| 120 | | X1, X2 | | X2-X4, X1-X3 | | |

SCD 32

| SCHEMATIC | | CONNECTIONS | | | | |
|-----------------|-----|------------------|-----|------------------|---------------|-----|
| | | Primary Volts | | Connect lines to | Inter-connect | |
| | | 208 | 277 | 416 | 480 | 600 |
| 198 | 263 | 395 | 456 | 570 | H1, H3 | - |
| 188 | 249 | 374 | 432 | 540 | H2, H3 | - |
| Secondary Volts | | Connect lines to | | Inter-connect | | |
| 240 | | X1, X4 | | X2-X3 | | |
| 120/240 | | X1, X2, X4 | | X2-X3 | | |
| 120 | | X1, X2 | | X2-X4, X1-X3 | | |

SCD 33

| SCHEMATIC | | CONNECTIONS | | |
|-----------------|--------|------------------|--------|---------------|
| | | Primary Volts | | Inter-connect |
| | | 380 | H1, H3 | |
| 347 | H1, H2 | | - | |
| Secondary Volts | | Connect lines to | | Inter-connect |
| 240 | | X1, X4 | | X2-X3 |
| 120/240 | | X1, X2, X4 | | X2-X3 |
| 120 | | X1, X2 | | X2-X4, X1-X3 |

SCD 34

| SCHEMATIC | | CONNECTIONS | | |
|-----------------|--------|------------------|--------------------------|---------------|
| | | Primary Volts | | Inter-connect |
| | | 480 | H1, H4 | |
| 456 | H1, H4 | | 2-H3, 3-H2, H2-H3 | |
| 432 | H1, H4 | | 3-H2, 4-H3, H2-H3 | |
| 240 | H1, H4 | | 1-H2, 2-H3, H1-H3, H2-H4 | |
| 216 | H1, H4 | | 3-H2, 4-H3, H1-H3, H2-H4 | |
| Secondary Volts | | Connect lines to | | Inter-connect |
| 240 | | X1, X4 | | X2-X3 |
| 120/240 | | X1, X2, X4 | | X2-X3 |
| 120 | | X1, X2 | | X2-X4, X1-X3 |

GENERAL INFORMATION

ELECTRICAL SCHEMATICS AND CONNECTION DIAGRAMS

SCD 35

| SCHEMATIC | CONNECTIONS | | | |
|---|-----------------|-----------------------|---------------|------------------|
| | Primary Volts | Connect lines to | Inter-connect | |
| <p>CENTURION 1 Angular Displacement 0° or -30°</p> | 218* | 504 630 | H1, H2, H3 | 1-H1, 1-H2, 1-H3 |
| | 213* | 492 615 | H1, H2, H3 | 2-H1, 2-H2, 2-H3 |
| | 208* | 480 600 | H1, H2, H3 | 3-H1, 3-H2, 3-H3 |
| | 203* | 468 585 | H1, H2, H3 | 4-H1, 4-H2, 4-H3 |
| | 198* | 456 570 | H1, H2, H3 | 5-H1, 5-H2, 5-H3 |
| | Secondary Volts | Connect lines to | Inter-connect | |
| 208 | 480 600 | X1, X2, X3 | - | |
| 120 | 277 347 | X1,X0 X2,X0 X3,X0 | - | |

* Standard 2-2.5% FCAN and 2-2.5% FCBN primary taps for 208V H2EM units only available up to 75 kVA. Please consult factory for standard taps on 208V primary units over 75 kVA.

SCD 36

| SCHEMATIC | CONNECTIONS | | | |
|---|-----------------|------------------|---------------|-----|
| | Primary Volts | Connect lines to | Inter-connect | |
| <p>CENTURION 2 Angular Displacement 0°, -30° or -15°, -45°</p> | 218* | 504 630 | H1, H2, H3 | 1-2 |
| | 213* | 492 615 | H1, H2, H3 | 2-3 |
| | 208* | 480 600 | H1, H2, H3 | 3-4 |
| | 203* | 468 585 | H1, H2, H3 | 4-5 |
| | 198* | 456 570 | H1, H2, H3 | 5-6 |
| | Secondary Volts | Connect lines to | Inter-connect | |
| 208 | 480 600 | X1, X2, X3 | - | |
| 120 | 277 347 | Y1, Y2, Y3 | - | |
| | | X1, X0/Y0 | - | |
| | | X2, X0/Y0 | - | |
| | | X3, X0/Y0 | - | |
| | | Y1, X0/Y0 | - | |
| | | Y2, X0/Y0 | - | |
| | | Y3, X0/Y0 | - | |

* Standard 2-2.5% FCAN and 2-2.5% FCBN primary taps for 208V H2EM units only available up to 75 kVA. Please consult factory for standard taps on 208V primary units over 75 kVA.

SCD 37

| SCHEMATIC | CONNECTIONS | | |
|-----------------|------------------|------------------|---------------|
| | Primary Volts | Connect lines to | Inter-connect |
| | 480 | H1, H2, H3 | 1 |
| | 456 | H1, H2, H3 | 2 |
| | 432 | H1, H2, H3 | 3 |
| Secondary Volts | Connect lines to | Inter-connect | |
| 240 | X1, X2, X3 | - | |

GENERAL INFORMATION

GENERAL INFORMATION

ELECTRICAL SCHEMATICS AND CONNECTION DIAGRAMS

SCD 38

| SCHEMATIC | CONNECTIONS | | |
|-----------|-----------------|------------------|---------------|
| | Primary Volts | Connect lines to | Inter-connect |
| | 504 | H1, H2, H3 | 1 |
| | 492 | H1, H2, H3 | 2 |
| | 480 | H1, H2, H3 | 3 |
| | 468 | H1, H2, H3 | 4 |
| | 456 | H1, H2, H3 | 5 |
| | 444 | H1, H2, H3 | 6 |
| | 432 | H1, H2, H3 | 7 |
| | Secondary Volts | Connect lines to | Inter-connect |
| | 240 | X1, X2, X3 | - |

SCD 39

| SCHEMATIC | CONNECTIONS | | |
|-----------|---------------------|------------------|------------------|
| | Primary Volts | Connect lines to | Inter-connect |
| | 218 291 437 504 630 | H1, H2 | 1 |
| | 213 284 426 492 615 | H1, H2 | 2 |
| | 208 277 416 480 600 | H1, H2 | 3 |
| | 203 270 406 468 585 | H1, H2 | 4 |
| | 198 263 395 456 570 | H1, H2 | 5 |
| | | Secondary Volts | Connect lines to |
| | 240 | X1, X4 | X2-X3 |
| | 120/240 | X1, X2, X4 | X2-X3 |
| | 120 | X1, X2 | X2-X4, X1-X3 |

SCD 40

| SCHEMATIC | CONNECTIONS | | |
|-----------|-----------------|----------------------|---------------|
| | Primary Volts | Connect lines to | Inter-connect |
| | 208 240 | X1, X2, X3 | 1 |
| | 198 228 | X1, X2, X3 | 2 |
| | 188 216 | X1, X2, X3 | 3 |
| | Secondary Volts | Connect lines to | Inter-connect |
| | 230 260 460 480 | H1, H2, H3 | |
| | 133 139 265 277 | H1, H0 H2, H0 H3, H0 | |

SCD 41

| SCHEMATIC | CONNECTIONS | | |
|-----------|-----------------|------------------|---------------|
| | Primary Volts | Connect lines to | Inter-connect |
| | 277 | H1, H5 | - |
| | 240 | H1, H4 | - |
| | 208 | H1, H3 | - |
| | 120 | H1, H2 | - |
| | Secondary Volts | Connect lines to | Inter-connect |
| | 240 | X1, X4 | X2-X3 |
| | 120/240 | X1, X2, X4 | X2-X3 |
| | 120 | X1, X2 | X2-X4, X1-X3 |

GENERAL INFORMATION

ELECTRICAL SCHEMATICS AND CONNECTION DIAGRAMS

SCD 42

| SCHEMATIC | CONNECTIONS | | |
|-----------|------------------------|-------------------------|----------------------|
| | Primary Volts | Connect lines to | Inter-connect |
| | 480 | H1, H3 | - |
| | 277 | H1, H2 | - |
| | Secondary Volts | Connect lines to | Inter-connect |
| 277 | X1, X3 | - | |
| 208 | X1, X2 | - | |

SCD 43

| SCHEMATIC | CONNECTIONS | | |
|-----------|------------------------|-------------------------|----------------------|
| | Primary Volts | Connect lines to | Inter-connect |
| | 480 | H1, H2 | 1-2 |
| | 277 | H1, H2 | 3-4 |
| | Secondary Volts | Connect lines to | Inter-connect |
| 277 | X1, X2 | X5-X6 | |
| 208 | X1, X2 | X3-X4 | |

SCD 44

| SCHEMATIC | CONNECTIONS | | |
|-----------|------------------------|-------------------------|-----------------------|
| | Primary Volts | Connect lines to | Inter-connect |
| | 380 | H1, H2 | 1-2 |
| | 347 | H1, H2 | 3-4 |
| | Secondary Volts | Connect lines to | Inter-connect |
| | 240 | X1, X4 | X2-X3 |
| | 120/240 120 | X1, X2, X4 X1, X2 | X2-X3 X2-X4, X1-X3 |

SCD 45

| SCHEMATIC | CONNECTIONS | | |
|------------------------|---------------------------------|--|-----------------------|
| | Primary Volts | Connect lines to | Inter-connect |
| | 630 615 600 585 570 | H1, H2, H3 H1, H2, H3 H1, H2, H3 H1, H2, H3 H1, H2, H3 | 1 2 3 4 5 |
| Secondary Volts | Connect lines to | Inter-connect | |
| 240 | X1, X2, X3 | - | |

GENERAL INFORMATION



GENERAL INFORMATION

ELECTRICAL SCHEMATICS AND CONNECTION DIAGRAMS

SCD 46

| SCHEMATIC | CONNECTIONS | | | |
|-----------|---------------|------------------|------------------|---------------|
| | Primary Volts | Connect lines to | Inter-connect | |
| | 480 (60Hz) | H1, H2 | 1-2 | |
| | 440 | H1, H2 | 1-2 | |
| | 416 | H1, H2 | 3-4 | |
| | 400 | H1, H2 | 5-6 | |
| | 380 | H1, H2 | 7-8 | |
| | 240 (60Hz) | H1, H2 | H1-2, H2-1 | |
| | 220 | H1, H2 | H1-2, H2-1 | |
| | 208 | H1, H2 | H1-4, H2-3 | |
| | 200 | H1, H2 | H1-6, H2-5 | |
| | 190 | H1, H2 | H1-8, H2-7 | |
| | | Secondary Volts | Connect lines to | Inter-connect |
| | | 240 | X1, X4 | X2- X3 |
| | 120 | X1, X2 | X2-X4, X1-X3 | |
| | 120/240 | X1, X2, X4 | X2-X3 | |

SCD 47

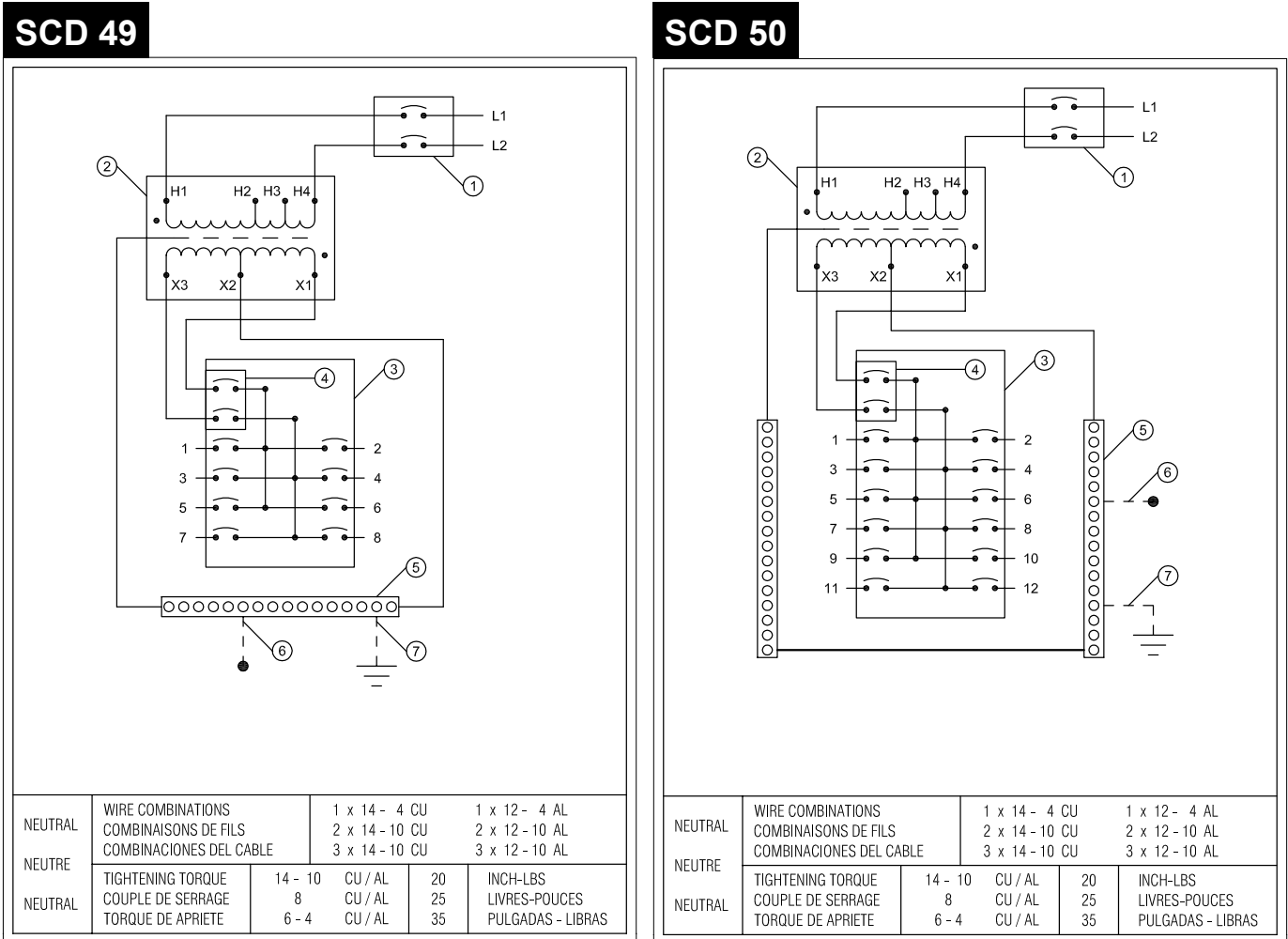
| SCHEMATIC | CONNECTIONS | | | |
|-----------|---------------|-----------------------|------------------|---------------|
| | Primary Volts | Connect lines to | Inter-connect | |
| | 630 | H1, H2, H3 | 1-H1, 1-H2, 1-H3 | |
| | 615 | H1, H2, H3 | 2-H1, 2-H2, 2-H3 | |
| | 600 | H1, H2, H3 | 3-H1, 3-H2, 3-H3 | |
| | 585 | H1, H2, H3 | 4-H1, 4-H2, 4-H3 | |
| | 570 | H1, H2, H3 | 5-H1, 5-H2, 5-H3 | |
| | 480 | H1, H2, H3 | 6-H1, 6-H2, 6-H3 | |
| | 456 | H1, H2, H3 | 7-H1, 7-H2, 7-H3 | |
| | 432 | H1, H2, H3 | 8-H1, 8-H2, 8-H3 | |
| | | Secondary Volts | Connect lines to | Inter-connect |
| | | 480 | X1, X2, X3 | - |
| | 277 | X1,X0 X2,X0 X3,X0 | - | |

SCD 48

| SCHEMATIC | CONNECTIONS | | | |
|-----------|---------------|------------------|------------------|---------------|
| | Primary Volts | Connect lines to | Inter-connect | |
| | 347 | H1, H2 | H2-3 & 4 | |
| | 380 | H1, H2 | H2-1 & 2 | |
| | | Secondary Volts | Connect lines to | Inter-connect |
| | | 240 | X1, X4 | X2-X3 |
| | | 120 | X1, X2 | X1-X3, X2-X3 |
| | | 120/240 | X1, X2, X4 | X2-X3 |

GENERAL INFORMATION

ELECTRICAL SCHEMATICS AND CONNECTION DIAGRAMS



- 1 - Main Breaker
- 2 - Transformer
- 3 - Panel Board
- 4 - Panel Board Feed Breaker
- 5 - Neutral
- 6 - Bond When Required
- 7 - Ground When Required

- The maximum continuous load current not to exceed 100% of the transformer nominal current.
- The maximum continuous load current for the branch circuits not to exceed 80% of the ratings of the circuit breakers employed in other than motor circuits.
- Maximum short-circuit capacity 10,000 amps

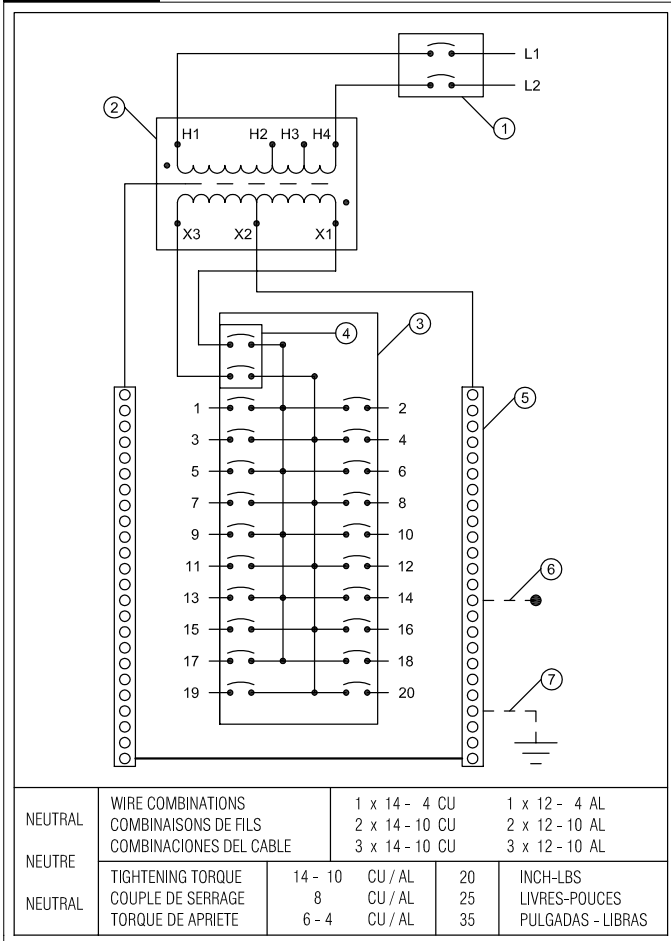
**GENERAL
INFORMATION**



GENERAL INFORMATION

ELECTRICAL SCHEMATICS AND CONNECTION DIAGRAMS

SCD 51



- 1 - Main Breaker
- 2 - Transformer
- 3 - Panel Board
- 4 - Panel Board Feed Breaker
- 5 - Neutral
- 6 - Bond When Required
- 7 - Ground When Required

- The maximum continuous load current not to exceed 100% of the transformer nominal current.
- The maximum continuous load current for the branch circuits not to exceed 80% of the ratings of the circuit breakers employed in other than motor circuits.
- Maximum short-circuit capacity 10,000 amps

GENERAL INFORMATION

ALPHA NUMERIC PART NUMBER INDEX

| Catalog Part No. | Catalog Page No. | Catalog Part No. | Catalog Page No. | Catalog Part No. | Catalog Page No. |
|------------------|------------------|------------------|------------------|------------------|------------------|
| 2909B.2 | 146 | 3009B1.5 | 147 | C1F003GES | 227 |
| 2909B.4 | 146 | 3009B10 | 147 | C1F003HRS | 228 |
| 2909B.5 | 146 | 3009B12 | 147 | C1F003JES | 229 |
| 2909B.75 | 146 | 3009B16 | 147 | C1F003LES | 228 |
| 2909B1 | 146 | 3009B2 | 147 | C1F003PES | 229 |
| 2909B1.5 | 146 | 3009B2.5 | 147 | C1F003WES | 227 |
| 2909B10 | 146 | 3009B3 | 147 | C1F003XES | 229 |
| 2909B12 | 146 | 3009B4 | 147 | C1F005CES | 228 |
| 2909B16 | 146 | 3009B5 | 147 | C1F005EES | 227 |
| 2909B2 | 146 | 3009B6 | 147 | C1F005GES | 227 |
| 2909B2.5 | 146 | 3009B8 | 147 | C1F005HRS | 228 |
| 2909B3 | 146 | 3009C.3 | 147 | C1F005JES | 229 |
| 2909B4 | 146 | 3009C.5 | 147 | C1F005LES | 228 |
| 2909B5 | 146 | 3009C.75 | 147 | C1F005PES | 229 |
| 2909B6 | 146 | 3009C1 | 147 | C1F005WES | 227 |
| 2909B8 | 146 | 3009C1.5 | 147 | C1F005XES | 229 |
| 2909C.2 | 146 | 3009C10 | 147 | C1F007CES | 228 |
| 2909C.4 | 146 | 3009C12 | 147 | C1F007EES | 227 |
| 2909C.5 | 146 | 3009C16 | 147 | C1F007GES | 227 |
| 2909C.75 | 146 | 3009C2 | 147 | C1F007HRS | 228 |
| 2909C1 | 146 | 3009C2.5 | 147 | C1F007JES | 229 |
| 2909C1.5 | 146 | 3009C3 | 147 | C1F007LES | 228 |
| 2909C10 | 146 | 3009C4 | 147 | C1F007PES | 229 |
| 2909C12 | 146 | 3009C5 | 147 | C1F007WES | 227 |
| 2909C16 | 146 | 3009C6 | 147 | C1F007XES | 229 |
| 2909C2 | 146 | 3009C8 | 147 | C1F010CES | 228 |
| 2909C2.5 | 146 | 3009D.3 | 147 | C1F010EES | 227 |
| 2909C3 | 146 | 3009D.5 | 147 | C1F010GES | 227 |
| 2909C4 | 146 | 3009D.75 | 147 | C1F010HRS | 228 |
| 2909C5 | 146 | 3009D1 | 147 | C1F010JES | 229 |
| 2909C6 | 146 | 3009D1.5 | 147 | C1F010LES | 228 |
| 2909C8 | 146 | 3009D10 | 147 | C1F010PES | 229 |
| 2909D.2 | 146 | 3009D12 | 147 | C1F010WES | 227 |
| 2909D.4 | 146 | 3009D16 | 147 | C1F010XES | 229 |
| 2909D.5 | 146 | 3009D2 | 147 | C1F015LES | 228 |
| 2909D.75 | 146 | 3009D2.5 | 147 | C1F015PES | 229 |
| 2909D1 | 146 | 3009D3 | 147 | C1F025LES | 228 |
| 2909D1.5 | 146 | 3009D4 | 147 | C1F025PES | 229 |
| 2909D10 | 146 | 3009D5 | 147 | C1F037LES | 228 |
| 2909D12 | 146 | 3009D6 | 147 | C1F037PES | 229 |
| 2909D16 | 146 | 3009D8 | 147 | C1F1C0CES | 228 |
| 2909D2 | 146 | C1F002CES | 228 | C1F1C0EES | 227 |
| 2909D2.5 | 146 | C1F002EES | 227 | C1F1C0GES | 227 |
| 2909D3 | 146 | C1F002GES | 227 | C1F1C0HRS | 228 |
| 2909D4 | 146 | C1F002HRS | 228 | C1F1C0JES | 229 |
| 2909D5 | 146 | C1F002JES | 229 | C1F1C0LES | 228 |
| 2909D6 | 146 | C1F002LES | 228 | C1F1C0PES | 229 |
| 2909D8 | 146 | C1F002PES | 229 | C1F1C0WES | 227 |
| 3009B.3 | 147 | C1F002WES | 227 | C1F1C0XES | 229 |
| 3009B.5 | 147 | C1F002XES | 229 | C1F1C5CES | 228 |
| 3009B.75 | 147 | C1F003CES | 228 | C1F1C5EES | 227 |
| 3009B1 | 147 | C1F003EES | 227 | C1F1C5GES | 227 |

GENERAL
INFORMATION



GENERAL INFORMATION

ALPHA NUMERIC PART NUMBER INDEX

| Catalog Part No. | Catalog Page No. | Catalog Part No. | Catalog Page No. | Catalog Part No. | Catalog Page No. |
|------------------|------------------|------------------|------------------|------------------|------------------|
| C1F1C5HRS | 228 | C1FC50EE | 227 | C3F015DKS | 231 |
| C1F1C5JES | 229 | C1FC50GE | 227 | C3F015KBS | 232 |
| C1F1C5LES | 228 | C1FC50HR | 228 | C3F015KDS | 232 |
| C1F1C5PES | 229 | C1FC50JE | 229 | C3F015PBS | 232 |
| C1F1C5WES | 227 | C1FC50LE | 228 | C3F015PDS | 232 |
| C1F1C5XES | 229 | C1FC50PE | 229 | C3F030BBS | 231 |
| C1FC05CE | 228 | C1FC50WE | 227 | C3F030BKS | 231 |
| C1FC05EE | 227 | C1FC50XE | 229 | C3F030DBS | 231 |
| C1FC05GE | 227 | C1FC75CES | 228 | C3F030DKS | 231 |
| C1FC05HR | 228 | C1FC75EES | 227 | C3F030KBS | 232 |
| C1FC05JE | 229 | C1FC75GES | 227 | C3F030KDS | 232 |
| C1FC05LE | 228 | C1FC75HRS | 228 | C3F030PBS | 232 |
| C1FC05PE | 229 | C1FC75JES | 229 | C3F030PDS | 232 |
| C1FC05WE | 227 | C1FC75LES | 228 | C3F045BBS | 231 |
| C1FC05XE | 229 | C1FC75PES | 229 | C3F045BKS | 231 |
| C1FC10CE | 228 | C1FC75WES | 227 | C3F045DBS | 231 |
| C1FC10EE | 227 | C1FC75XES | 229 | C3F045DKS | 231 |
| C1FC10GE | 227 | C3F002BBS | 231 | C3F045KBS | 232 |
| C1FC10HR | 228 | C3F002BKS | 231 | C3F045KDS | 232 |
| C1FC10JE | 229 | C3F002DBS | 231 | C3F045PBS | 232 |
| C1FC10LE | 228 | C3F002DKS | 231 | C3F045PDS | 232 |
| C1FC10PE | 229 | C3F002KBS | 232 | C3F075BBS | 231 |
| C1FC10WE | 227 | C3F002KDS | 232 | C3F075BKS | 231 |
| C1FC10XE | 229 | C3F002PBS | 232 | C3F075DBS | 231 |
| C1FC15CE | 228 | C3F002PDS | 232 | C3F075DKS | 231 |
| C1FC15EE | 227 | C3F003BBS | 231 | C3F075KBS | 232 |
| C1FC15GE | 227 | C3F003BKS | 231 | C3F075KDS | 232 |
| C1FC15HR | 228 | C3F003DBS | 231 | C3F075PBS | 232 |
| C1FC15JE | 229 | C3F003DKS | 231 | C3F075PDS | 232 |
| C1FC15LE | 228 | C3F003KBS | 232 | DE007BK | 133 |
| C1FC15PE | 229 | C3F003KDS | 232 | DE007BKCN | 137 |
| C1FC15WE | 227 | C3F003PBS | 232 | DE007CC | 133 |
| C1FC15XE | 229 | C3F003PDS | 232 | DE007CCCN | 138 |
| C1FC25CE | 228 | C3F006BBS | 231 | DE007JC | 134 |
| C1FC25EE | 227 | C3F006BKS | 231 | DE007JCCN | 138 |
| C1FC25GE | 227 | C3F006DBS | 231 | DE007JH | 134 |
| C1FC25HR | 228 | C3F006DKS | 231 | DE007JHCN | 139 |
| C1FC25JE | 229 | C3F006KBS | 232 | DE007JJ | 135 |
| C1FC25LE | 228 | C3F006KDS | 232 | DE007JJCN | 139 |
| C1FC25PE | 229 | C3F006PBS | 232 | DE007KD | 135 |
| C1FC25WE | 227 | C3F006PDS | 232 | DE007KDCN | 140 |
| C1FC25XE | 229 | C3F009BBS | 231 | DE007KK | 136 |
| C1FC35CE | 228 | C3F009BKS | 231 | DE007KKCN | 140 |
| C1FC35EE | 227 | C3F009DBS | 231 | DE007NJ | 136 |
| C1FC35GE | 227 | C3F009DKS | 231 | DE007NJCN | 141 |
| C1FC35HR | 228 | C3F009KBS | 232 | DE007NN | 137 |
| C1FC35JE | 229 | C3F009KDS | 232 | DE007NNCN | 141 |
| C1FC35LE | 228 | C3F009PBS | 232 | DE011BK | 133 |
| C1FC35PE | 229 | C3F009PDS | 232 | DE011BKCN | 137 |
| C1FC35WE | 227 | C3F015BBS | 231 | DE011CC | 133 |
| C1FC35XE | 229 | C3F015BKS | 231 | DE011CCCN | 138 |
| C1FC50CE | 228 | C3F015DBS | 231 | DE011JC | 134 |

GENERAL
INFORMATION



GENERAL INFORMATION

ALPHA NUMERIC PART NUMBER INDEX

| Catalog Part No. | Catalog Page No. | Catalog Part No. | Catalog Page No. | Catalog Part No. | Catalog Page No. |
|------------------|------------------|------------------|------------------|------------------|------------------|
| DE011JCCN..... | 138 | DE027CCC..... | 138 | DE051BKC..... | 137 |
| DE011JH..... | 134 | DE027JC..... | 134 | DE051CC..... | 133 |
| DE011JHCN..... | 139 | DE027JCCN..... | 138 | DE051CCC..... | 138 |
| DE011JJ..... | 135 | DE027JH..... | 134 | DE051JC..... | 134 |
| DE011JJCN..... | 139 | DE027JHCN..... | 139 | DE051JCC..... | 138 |
| DE011KD..... | 135 | DE027JJ..... | 135 | DE051JH..... | 134 |
| DE011KDCN..... | 140 | DE027JJC..... | 139 | DE051JHC..... | 139 |
| DE011KK..... | 136 | DE027JK..... | 135 | DE051JJ..... | 135 |
| DE011KKCN..... | 140 | DE027KDCN..... | 140 | DE051JJC..... | 139 |
| DE011NJ..... | 136 | DE027KK..... | 136 | DE051KD..... | 135 |
| DE011NJCN..... | 141 | DE027KKCN..... | 140 | DE051KDC..... | 140 |
| DE011NN..... | 137 | DE027KN..... | 136 | DE051KK..... | 136 |
| DE011NNCN..... | 141 | DE027NJC..... | 141 | DE051KKC..... | 140 |
| DE014BK..... | 133 | DE027NN..... | 137 | DE051NJ..... | 136 |
| DE014BKCN..... | 137 | DE027NNCN..... | 141 | DE051NJC..... | 141 |
| DE014CC..... | 133 | DE034BK..... | 133 | DE051NN..... | 137 |
| DE014CCCN..... | 138 | DE034BKC..... | 137 | DE051NNC..... | 141 |
| DE014JC..... | 134 | DE034CC..... | 133 | DE063BK..... | 133 |
| DE014JCCN..... | 138 | DE034CCC..... | 138 | DE063BKC..... | 137 |
| DE014JH..... | 134 | DE034JC..... | 134 | DE063CC..... | 133 |
| DE014JHCN..... | 139 | DE034JCC..... | 138 | DE063CCC..... | 138 |
| DE014JJ..... | 135 | DE034JH..... | 134 | DE063JC..... | 134 |
| DE014JJCN..... | 139 | DE034JHC..... | 139 | DE063JCC..... | 138 |
| DE014KD..... | 135 | DE034JJ..... | 135 | DE063JH..... | 134 |
| DE014KDCN..... | 140 | DE034JJC..... | 139 | DE063JHC..... | 139 |
| DE014KK..... | 136 | DE034KD..... | 135 | DE063JJ..... | 135 |
| DE014KKCN..... | 140 | DE034KDCN..... | 140 | DE063JJC..... | 139 |
| DE014NJ..... | 136 | DE034KK..... | 136 | DE063KD..... | 135 |
| DE014NJCN..... | 141 | DE034KKCN..... | 140 | DE063KDC..... | 140 |
| DE014NN..... | 137 | DE034KN..... | 136 | DE063KK..... | 136 |
| DE014NNCN..... | 141 | DE034NJC..... | 141 | DE063KKC..... | 140 |
| DE020BK..... | 133 | DE034NN..... | 137 | DE063NJ..... | 136 |
| DE020BKC..... | 137 | DE034NNCN..... | 141 | DE063NJC..... | 141 |
| DE020CC..... | 133 | DE040BK..... | 133 | DE063NN..... | 137 |
| DE020CCC..... | 138 | DE040BKC..... | 137 | DE063NNC..... | 141 |
| DE020JC..... | 134 | DE040CC..... | 133 | DE075BK..... | 133 |
| DE020JCCN..... | 138 | DE040CCC..... | 138 | DE075BKC..... | 137 |
| DE020JH..... | 134 | DE040JC..... | 134 | DE075CC..... | 133 |
| DE020JHCN..... | 139 | DE040JCC..... | 138 | DE075CCC..... | 138 |
| DE020JJ..... | 135 | DE040JH..... | 134 | DE075JC..... | 134 |
| DE020JJCN..... | 139 | DE040JHC..... | 139 | DE075JCC..... | 138 |
| DE020KD..... | 135 | DE040JJ..... | 135 | DE075JH..... | 134 |
| DE020KDCN..... | 140 | DE040JJC..... | 139 | DE075JHC..... | 139 |
| DE020KK..... | 136 | DE040KD..... | 135 | DE075JJ..... | 135 |
| DE020KKCN..... | 140 | DE040KDC..... | 140 | DE075JJC..... | 139 |
| DE020NJ..... | 136 | DE040KK..... | 136 | DE075KD..... | 135 |
| DE020NJCN..... | 141 | DE040KKC..... | 140 | DE075KDC..... | 140 |
| DE020NN..... | 137 | DE040KN..... | 136 | DE075KK..... | 136 |
| DE020NNCN..... | 141 | DE040NJC..... | 141 | DE075KKC..... | 140 |
| DE027BK..... | 133 | DE040NN..... | 137 | DE075NJ..... | 136 |
| DE027BKC..... | 137 | DE040NNCN..... | 141 | DE075NJC..... | 141 |
| DE027CC..... | 133 | DE051BK..... | 133 | DE075NN..... | 137 |

GENERAL
INFORMATION



GENERAL INFORMATION

ALPHA NUMERIC PART NUMBER INDEX

| Catalog Part No. | Catalog Page No. | Catalog Part No. | Catalog Page No. | Catalog Part No. | Catalog Page No. |
|------------------|------------------|------------------|------------------|------------------|------------------|
| DE075NNC | 141 | DE145NJC | 141 | DE275KKC | 140 |
| DE093BK | 133 | DE145NN | 137 | DE275NJ | 136 |
| DE093BKC | 137 | DE145NNC | 141 | DE275NJC | 141 |
| DE093CC | 133 | DE175BK | 133 | DE275NN | 137 |
| DE093CCC | 138 | DE175BKC | 137 | DE275NNC | 141 |
| DE093JC | 134 | DE175CC | 133 | DE330BK | 133 |
| DE093JCC | 138 | DE175CCC | 138 | DE330BKC | 137 |
| DE093JH | 134 | DE175JC | 134 | DE330CC | 133 |
| DE093JHC | 139 | DE175JCC | 138 | DE330CCC | 138 |
| DE093JJ | 135 | DE175JH | 134 | DE330JC | 134 |
| DE093JJC | 139 | DE175JHC | 139 | DE330JCC | 138 |
| DE093KD | 135 | DE175JJ | 135 | DE330JH | 134 |
| DE093KDC | 140 | DE175JJC | 139 | DE330JHC | 139 |
| DE093KK | 136 | DE175KD | 135 | DE330JJ | 135 |
| DE093KKC | 140 | DE175KDC | 140 | DE330JJC | 139 |
| DE093NJ | 136 | DE175KK | 136 | DE330KD | 135 |
| DE093NJC | 141 | DE175KKC | 140 | DE330KDC | 140 |
| DE093NN | 137 | DE175NJ | 136 | DE330KK | 136 |
| DE093NNC | 141 | DE175NJC | 141 | DE330KKC | 140 |
| DE118BK | 133 | DE175NN | 137 | DE330NJ | 136 |
| DE118BKC | 137 | DE175NNC | 141 | DE330NJC | 141 |
| DE118CC | 133 | DE220BK | 133 | DE330NN | 137 |
| DE118CCC | 138 | DE220BKC | 137 | DE330NNC | 141 |
| DE118JC | 134 | DE220CC | 133 | DE440BK | 133 |
| DE118JCC | 138 | DE220CCC | 138 | DE440BKC | 137 |
| DE118JH | 134 | DE220JC | 134 | DE440CC | 133 |
| DE118JHC | 139 | DE220JCC | 138 | DE440CCC | 138 |
| DE118JJ | 135 | DE220JH | 134 | DE440JC | 134 |
| DE118JJC | 139 | DE220JHC | 139 | DE440JCC | 138 |
| DE118KD | 135 | DE220JJ | 135 | DE440JH | 134 |
| DE118KDC | 140 | DE220JJC | 139 | DE440JHC | 139 |
| DE118KK | 136 | DE220KD | 135 | DE440JJ | 135 |
| DE118KKC | 140 | DE220KDC | 140 | DE440JJC | 139 |
| DE118NJ | 136 | DE220KK | 136 | DE440KD | 135 |
| DE118NJC | 141 | DE220KKC | 140 | DE440KDC | 140 |
| DE118NN | 137 | DE220NJ | 136 | DE440KK | 136 |
| DE118NNC | 141 | DE220NJC | 141 | DE440KKC | 140 |
| DE145BK | 133 | DE220NN | 137 | DE440NJ | 136 |
| DE145BKC | 137 | DE220NNC | 141 | DE440NJC | 141 |
| DE145CC | 133 | DE275BK | 133 | DE440NN | 137 |
| DE145CCC | 138 | DE275BKC | 137 | DE440NNC | 141 |
| DE145JC | 134 | DE275CC | 133 | DE550BK | 133 |
| DE145JCC | 138 | DE275CCC | 138 | DE550BKC | 137 |
| DE145JH | 134 | DE275JC | 134 | DE550CC | 133 |
| DE145JHC | 139 | DE275JCC | 138 | DE550CCC | 138 |
| DE145JJ | 135 | DE275JH | 134 | DE550JC | 134 |
| DE145JJC | 139 | DE275JHC | 139 | DE550JCC | 138 |
| DE145KD | 135 | DE275JJ | 135 | DE550JH | 134 |
| DE145KDC | 140 | DE275JJC | 139 | DE550JHC | 139 |
| DE145KK | 136 | DE275KD | 135 | DE550JJ | 135 |
| DE145KKC | 140 | DE275KDC | 140 | DE550JJC | 139 |
| DE145NJ | 136 | DE275KK | 136 | DE550KD | 135 |

GENERAL INFORMATION



GENERAL INFORMATION

ALPHA NUMERIC PART NUMBER INDEX

| Catalog Part No. | Catalog Page No. | Catalog Part No. | Catalog Page No. | Catalog Part No. | Catalog Page No. |
|------------------|------------------|------------------|------------------|------------------|------------------|
| DE550KDC | 140 | DM011JJCN | 128 | DM027JHCN | 128 |
| DE550KK | 136 | DM011KD | 124 | DM027JJ | 124 |
| DE550KKC | 140 | DM011KDCN | 129 | DM027JJCN | 128 |
| DE550NJ | 136 | DM011KK | 125 | DM027KD | 124 |
| DE550NJC | 141 | DM011KKCN | 129 | DM027KDCN | 129 |
| DE550NN | 137 | DM011NJ | 125 | DM027KK | 125 |
| DE550NNC | 141 | DM011NJCN | 130 | DM027KKCN | 129 |
| DE660BK | 133 | DM011NN | 126 | DM027NJ | 125 |
| DE660BKC | 137 | DM011NNCN | 130 | DM027NJCN | 130 |
| DE660CC | 133 | DM014BK | 122 | DM027NN | 126 |
| DE660CCC | 138 | DM014BKCN | 126 | DM027NNCN | 130 |
| DE660JC | 134 | DM014CC | 122 | DM034BK | 122 |
| DE660JCC | 138 | DM014CCCN | 127 | DM034BKC | 126 |
| DE660JH | 134 | DM014JC | 123 | DM034CC | 122 |
| DE660JHC | 139 | DM014JCCN | 127 | DM034CCC | 127 |
| DE660JJ | 135 | DM014JH | 123 | DM034JC | 123 |
| DE660JJC | 139 | DM014JHCN | 128 | DM034JCC | 127 |
| DE660KD | 135 | DM014JJ | 124 | DM034JH | 123 |
| DE660KDC | 140 | DM014JJCN | 128 | DM034JHC | 128 |
| DE660KK | 136 | DM014KD | 124 | DM034JJ | 124 |
| DE660KKC | 140 | DM014KDCN | 129 | DM034JJC | 128 |
| DE660NJ | 136 | DM014KK | 125 | DM034KD | 124 |
| DE660NJC | 141 | DM014KKCN | 129 | DM034KDCN | 129 |
| DE660NN | 137 | DM014NJ | 125 | DM034KK | 125 |
| DE660NNC | 141 | DM014NJCN | 130 | DM034KKCN | 129 |
| DM007BK | 122 | DM014NN | 126 | DM034NJ | 125 |
| DM007BKCN | 126 | DM014NNCN | 130 | DM034NJCN | 130 |
| DM007CC | 122 | DM020BK | 122 | DM034NN | 126 |
| DM007CCCN | 127 | DM020BKC | 126 | DM034NNCN | 130 |
| DM007JC | 123 | DM020CC | 122 | DM040BK | 122 |
| DM007JCCN | 127 | DM020CCC | 127 | DM040BKC | 126 |
| DM007JH | 123 | DM020JC | 123 | DM040CC | 122 |
| DM007JHCN | 128 | DM020JCCN | 127 | DM040CCC | 127 |
| DM007JJ | 124 | DM020JH | 123 | DM040JC | 123 |
| DM007JJCN | 128 | DM020JHCN | 128 | DM040JCC | 127 |
| DM007KD | 124 | DM020JJ | 124 | DM040JH | 123 |
| DM007KDCN | 129 | DM020JJCN | 128 | DM040JHC | 128 |
| DM007KK | 125 | DM020KD | 124 | DM040JJ | 124 |
| DM007KKCN | 129 | DM020KDCN | 129 | DM040JJC | 128 |
| DM007NJ | 125 | DM020KK | 125 | DM040KD | 124 |
| DM007NJCN | 130 | DM020KKCN | 129 | DM040KDC | 129 |
| DM007NN | 126 | DM020NJ | 125 | DM040KK | 125 |
| DM007NNCN | 130 | DM020NJCN | 130 | DM040KKC | 129 |
| DM011BK | 122 | DM020NN | 126 | DM040NJ | 125 |
| DM011BKCN | 126 | DM020NNCN | 130 | DM040NJCN | 130 |
| DM011CC | 122 | DM027BK | 122 | DM040NN | 126 |
| DM011CCCN | 127 | DM027BKC | 126 | DM040NNCN | 130 |
| DM011JC | 123 | DM027CC | 122 | DM051BK | 122 |
| DM011JCCN | 127 | DM027CCC | 127 | DM051BKC | 126 |
| DM011JH | 123 | DM027JC | 123 | DM051CC | 122 |
| DM011JHCN | 128 | DM027JCCN | 127 | DM051CCC | 127 |
| DM011JJ | 124 | DM027JH | 123 | DM051JC | 123 |

GENERAL
INFORMATION



GENERAL INFORMATION

ALPHA NUMERIC PART NUMBER INDEX

| Catalog Part No. | Catalog Page No. | Catalog Part No. | Catalog Page No. | Catalog Part No. | Catalog Page No. |
|------------------|------------------|------------------|------------------|------------------|------------------|
| DM051JCC | 127 | DM093CCC | 127 | DM175BKC | 126 |
| DM051JH | 123 | DM093JC | 123 | DM175CC | 122 |
| DM051JHC | 128 | DM093JCC | 127 | DM175CCC | 127 |
| DM051JJ | 124 | DM093JH | 123 | DM175JC | 123 |
| DM051JJC | 128 | DM093JHC | 128 | DM175JCC | 127 |
| DM051KD | 124 | DM093JJ | 124 | DM175JH | 123 |
| DM051KDC | 129 | DM093JJC | 128 | DM175JHC | 128 |
| DM051KK | 125 | DM093KD | 124 | DM175JJ | 124 |
| DM051KKC | 129 | DM093KDC | 129 | DM175JJC | 128 |
| DM051NJ | 125 | DM093KK | 125 | DM175KD | 124 |
| DM051NJC | 130 | DM093KKC | 129 | DM175KDC | 129 |
| DM051NN | 126 | DM093NJ | 125 | DM175KK | 125 |
| DM051NNC | 130 | DM093NJC | 130 | DM175KKC | 129 |
| DM063BK | 122 | DM093NN | 126 | DM175NJ | 125 |
| DM063BKC | 126 | DM093NNC | 130 | DM175NJC | 130 |
| DM063CC | 122 | DM118BK | 122 | DM175NN | 126 |
| DM063CCC | 127 | DM118BKC | 126 | DM175NNC | 130 |
| DM063JC | 123 | DM118CC | 122 | DM220BK | 122 |
| DM063JCC | 127 | DM118CCC | 127 | DM220BKC | 126 |
| DM063JH | 123 | DM118JC | 123 | DM220CC | 122 |
| DM063JHC | 128 | DM118JCC | 127 | DM220CCC | 127 |
| DM063JJ | 124 | DM118JH | 123 | DM220JC | 123 |
| DM063JJC | 128 | DM118JHC | 128 | DM220JCC | 127 |
| DM063KD | 124 | DM118JJ | 124 | DM220JH | 123 |
| DM063KDC | 129 | DM118JJC | 128 | DM220JHC | 128 |
| DM063KK | 125 | DM118KD | 124 | DM220JJ | 124 |
| DM063KKC | 129 | DM118KDC | 129 | DM220JJC | 128 |
| DM063NJ | 125 | DM118KK | 125 | DM220KD | 124 |
| DM063NJC | 130 | DM118KKC | 129 | DM220KDC | 129 |
| DM063NN | 126 | DM118NJ | 125 | DM220KK | 125 |
| DM063NNC | 130 | DM118NJC | 130 | DM220KKC | 129 |
| DM075BK | 122 | DM118NN | 126 | DM220NJ | 125 |
| DM075BKC | 126 | DM118NNC | 130 | DM220NJC | 130 |
| DM075CC | 122 | DM145BK | 122 | DM220NN | 126 |
| DM075CCC | 127 | DM145BKC | 126 | DM220NNC | 130 |
| DM075JC | 123 | DM145CC | 122 | DM275BK | 122 |
| DM075JCC | 127 | DM145CCC | 127 | DM275BKC | 126 |
| DM075JH | 123 | DM145JC | 123 | DM275CC | 122 |
| DM075JHC | 128 | DM145JCC | 127 | DM275CCC | 127 |
| DM075JJ | 124 | DM145JH | 123 | DM275JC | 123 |
| DM075JJC | 128 | DM145JHC | 128 | DM275JCC | 127 |
| DM075KD | 124 | DM145JJ | 124 | DM275JH | 123 |
| DM075KDC | 129 | DM145JJC | 128 | DM275JHC | 128 |
| DM075KK | 125 | DM145KD | 124 | DM275JJ | 124 |
| DM075KKC | 129 | DM145KDC | 129 | DM275JJC | 128 |
| DM075NJ | 125 | DM145KK | 125 | DM275KD | 124 |
| DM075NJC | 130 | DM145KKC | 129 | DM275KDC | 129 |
| DM075NN | 126 | DM145NJ | 125 | DM275KK | 125 |
| DM075NNC | 130 | DM145NJC | 130 | DM275KKC | 129 |
| DM093BK | 122 | DM145NN | 126 | DM275NJ | 125 |
| DM093BKC | 126 | DM145NNC | 130 | DM275NJC | 130 |
| DM093CC | 122 | DM175BK | 122 | DM275NN | 126 |

GENERAL
INFORMATION



GENERAL INFORMATION

ALPHA NUMERIC PART NUMBER INDEX

| Catalog Part No. | Catalog Page No. | Catalog Part No. | Catalog Page No. | Catalog Part No. | Catalog Page No. |
|------------------|------------------|------------------|------------------|------------------|------------------|
| DM275NNC..... | 130 | DM550NJC..... | 130 | FS150MQMJ..... | 57 |
| DM330BK..... | 122 | DM550NN..... | 126 | FS150NJ..... | 59 |
| DM330BKC..... | 126 | DM550NNC..... | 130 | FS150PR..... | 59 |
| DM330CC..... | 122 | DM660BK..... | 122 | FS150QR..... | 57 |
| DM330CCC..... | 127 | DM660BKC..... | 126 | FS150SP..... | 60 |
| DM330JC..... | 123 | DM660CC..... | 122 | FS150SR..... | 60 |
| DM330JCC..... | 127 | DM660CCC..... | 127 | FS2000ACP..... | 56 |
| DM330JH..... | 123 | DM660JC..... | 123 | FS2000MQMJ..... | 57 |
| DM330JHC..... | 128 | DM660JCC..... | 127 | FS250ACP..... | 56 |
| DM330JJ..... | 124 | DM660JH..... | 123 | FS250AR..... | 56 |
| DM330JJC..... | 128 | DM660JHC..... | 128 | FS250KHP..... | 58 |
| DM330KD..... | 124 | DM660JJ..... | 124 | FS250KHR..... | 58 |
| DM330KDC..... | 129 | DM660JJC..... | 128 | FS250MQMJ..... | 57 |
| DM330KK..... | 125 | DM660KD..... | 124 | FS250NJ..... | 59 |
| DM330KKC..... | 129 | DM660KDC..... | 129 | FS250PR..... | 59 |
| DM330NJ..... | 125 | DM660KK..... | 125 | FS250QR..... | 57 |
| DM330NJC..... | 130 | DM660KKC..... | 129 | FS250SP..... | 60 |
| DM330NN..... | 126 | DM660NJ..... | 125 | FS250SR..... | 60 |
| DM330NNC..... | 130 | DM660NJC..... | 130 | FS3000ACP..... | 56 |
| DM440BK..... | 122 | DM660NN..... | 126 | FS3000MQMJ..... | 57 |
| DM440BKC..... | 126 | DM660NNC..... | 130 | FS350ACP..... | 56 |
| DM440CC..... | 122 | FG1..... | 45 | FS350AR..... | 56 |
| DM440CCC..... | 127 | FG2..... | 45 | FS350KHP..... | 58 |
| DM440JC..... | 123 | FG3..... | 45 | FS350KHR..... | 58 |
| DM440JCC..... | 127 | FG4..... | 45 | FS350MQMJ..... | 57 |
| DM440JH..... | 123 | FG5..... | 45 | FS350NJ..... | 59 |
| DM440JHC..... | 128 | FGF1..... | 45 | FS350PR..... | 59 |
| DM440JJ..... | 124 | FGF2..... | 45 | FS350QR..... | 57 |
| DM440JJC..... | 128 | FS1000ACP..... | 56 | FS350SP..... | 60 |
| DM440KD..... | 124 | FS1000KHP..... | 58 | FS350SR..... | 60 |
| DM440KDC..... | 129 | FS1000MQMJ..... | 57 | FS5000ACP..... | 56 |
| DM440KK..... | 125 | FS1000NJ..... | 59 | FS5000MQMJ..... | 57 |
| DM440KKC..... | 129 | FS1000SP..... | 60 | FS500ACP..... | 56 |
| DM440NJ..... | 125 | FS100ACP..... | 56 | FS500AR..... | 56 |
| DM440NJC..... | 130 | FS100AR..... | 56 | FS500KHP..... | 58 |
| DM440NN..... | 126 | FS100KHP..... | 58 | FS500KHR..... | 58 |
| DM440NNC..... | 130 | FS100KHR..... | 58 | FS500MQMJ..... | 57 |
| DM550BK..... | 122 | FS100MQMJ..... | 57 | FS500NJ..... | 59 |
| DM550BKC..... | 126 | FS100NJ..... | 59 | FS500PR..... | 59 |
| DM550CC..... | 122 | FS100PR..... | 59 | FS500QR..... | 57 |
| DM550CCC..... | 127 | FS100QR..... | 57 | FS500SP..... | 60 |
| DM550JC..... | 123 | FS100SP..... | 60 | FS500SR..... | 60 |
| DM550JCC..... | 127 | FS100SR..... | 60 | FS50ACP..... | 56 |
| DM550JH..... | 123 | FS1500ACP..... | 56 | FS50AR..... | 56 |
| DM550JHC..... | 128 | FS1500KHP..... | 58 | FS50KHP..... | 58 |
| DM550JJ..... | 124 | FS1500MQMJ..... | 57 | FS50KHR..... | 58 |
| DM550JJC..... | 128 | FS1500NJ..... | 59 | FS50MQMJ..... | 57 |
| DM550KD..... | 124 | FS1500SP..... | 60 | FS50NJ..... | 59 |
| DM550KDC..... | 129 | FS1500ACP..... | 56 | FS50PR..... | 59 |
| DM550KK..... | 125 | FS150AR..... | 56 | FS50QR..... | 57 |
| DM550KKC..... | 129 | FS150KHP..... | 58 | FS50SP..... | 60 |
| DM550NJ..... | 125 | FS150KHR..... | 58 | FS50SR..... | 60 |

GENERAL
INFORMATION



GENERAL INFORMATION

ALPHA NUMERIC PART NUMBER INDEX

| Catalog Part No. | Catalog Page No. | Catalog Part No. | Catalog Page No. | Catalog Part No. | Catalog Page No. |
|------------------|------------------|------------------|------------------|------------------|------------------|
| FS750ACP | 56 | H1EM030PK30 | 212 | H1EM112BB30 | 211 |
| FS750KHP | 58 | H1EM030PK30S | 208 | H1EM112BB30S | 207 |
| FS750MQMJ | 57 | H1EM045BB00 | 209 | H1EM112BK00 | 209 |
| FS750NJ | 59 | H1EM045BB00S | 205 | H1EM112BK00S | 205 |
| FS750SP | 60 | H1EM045BB30 | 211 | H1EM112BK30 | 211 |
| FSFH1 | 61 | H1EM045BB30S | 207 | H1EM112BK30S | 207 |
| H1EM015BB00 | 209 | H1EM045BK00 | 209 | H1EM112KB00 | 209 |
| H1EM015BB00S | 205 | H1EM045BK00S | 205 | H1EM112KB00S | 205 |
| H1EM015BB30 | 211 | H1EM045BK30 | 211 | H1EM112KB30 | 211 |
| H1EM015BB30S | 207 | H1EM045BK30S | 207 | H1EM112KB30S | 207 |
| H1EM015BK00 | 209 | H1EM045KB00 | 209 | H1EM112KK00 | 210 |
| H1EM015BK00S | 205 | H1EM045KB00S | 205 | H1EM112KK00S | 206 |
| H1EM015BK30 | 211 | H1EM045KB30 | 211 | H1EM112KK30 | 212 |
| H1EM015BK30S | 207 | H1EM045KB30S | 207 | H1EM112KK30S | 208 |
| H1EM015KB00 | 209 | H1EM045KK00 | 210 | H1EM112PB00 | 210 |
| H1EM015KB00S | 205 | H1EM045KK00S | 206 | H1EM112PB00S | 206 |
| H1EM015KB30 | 211 | H1EM045KK30 | 212 | H1EM112PB30 | 212 |
| H1EM015KB30S | 207 | H1EM045KK30S | 208 | H1EM112PB30S | 208 |
| H1EM015KK00 | 210 | H1EM045PB00 | 210 | H1EM112PK00 | 210 |
| H1EM015KK00S | 206 | H1EM045PB00S | 206 | H1EM112PK00S | 206 |
| H1EM015KK30 | 212 | H1EM045PB30 | 212 | H1EM112PK30 | 212 |
| H1EM015KK30S | 208 | H1EM045PB30S | 208 | H1EM112PK30S | 208 |
| H1EM015PB00 | 210 | H1EM045PK00 | 210 | H1EM150BB00 | 209 |
| H1EM015PB00S | 206 | H1EM045PK00S | 206 | H1EM150BB00S | 205 |
| H1EM015PB30 | 212 | H1EM045PK30 | 212 | H1EM150BB30 | 211 |
| H1EM015PB30S | 208 | H1EM045PK30S | 208 | H1EM150BB30S | 207 |
| H1EM015PK00 | 210 | H1EM075BB00 | 209 | H1EM150BK00 | 209 |
| H1EM015PK00S | 206 | H1EM075BB00S | 205 | H1EM150BK00S | 205 |
| H1EM015PK30 | 212 | H1EM075BB30 | 211 | H1EM150BK30 | 211 |
| H1EM015PK30S | 208 | H1EM075BB30S | 207 | H1EM150BK30S | 207 |
| H1EM030BB00 | 209 | H1EM075BK00 | 209 | H1EM150KB00 | 209 |
| H1EM030BB00S | 205 | H1EM075BK00S | 205 | H1EM150KB00S | 205 |
| H1EM030BB30 | 211 | H1EM075BK30 | 211 | H1EM150KB30 | 211 |
| H1EM030BB30S | 207 | H1EM075BK30S | 207 | H1EM150KB30S | 207 |
| H1EM030BK00 | 209 | H1EM075KB00 | 209 | H1EM150KK00 | 210 |
| H1EM030BK00S | 205 | H1EM075KB00S | 205 | H1EM150KK00S | 206 |
| H1EM030BK30 | 211 | H1EM075KB30 | 211 | H1EM150KK30 | 212 |
| H1EM030BK30S | 207 | H1EM075KB30S | 207 | H1EM150KK30S | 208 |
| H1EM030KB00 | 209 | H1EM075KK00 | 210 | H1EM150PB00 | 210 |
| H1EM030KB00S | 205 | H1EM075KK00S | 206 | H1EM150PB00S | 206 |
| H1EM030KB30 | 211 | H1EM075KK30 | 212 | H1EM150PB30 | 212 |
| H1EM030KB30S | 207 | H1EM075KK30S | 208 | H1EM150PB30S | 208 |
| H1EM030KK00 | 210 | H1EM075PB00 | 210 | H1EM150PK00 | 210 |
| H1EM030KK00S | 206 | H1EM075PB00S | 206 | H1EM150PK00S | 206 |
| H1EM030KK30 | 212 | H1EM075PB30 | 212 | H1EM150PK30 | 212 |
| H1EM030KK30S | 208 | H1EM075PB30S | 208 | H1EM150PK30S | 208 |
| H1EM030PB00 | 210 | H1EM075PK00 | 210 | H1EM225BB00 | 209 |
| H1EM030PB00S | 206 | H1EM075PK00S | 206 | H1EM225BB00S | 205 |
| H1EM030PB30 | 212 | H1EM075PK30 | 212 | H1EM225BB30 | 211 |
| H1EM030PB30S | 208 | H1EM075PK30S | 208 | H1EM225BB30S | 207 |
| H1EM030PK00 | 210 | H1EM112BB00 | 209 | H1EM225BK00 | 209 |
| H1EM030PK00S | 206 | H1EM112BB00S | 205 | H1EM225BK00S | 205 |

GENERAL
INFORMATION



GENERAL INFORMATION

ALPHA NUMERIC PART NUMBER INDEX

| Catalog Part No. | Catalog Page No. | Catalog Part No. | Catalog Page No. | Catalog Part No. | Catalog Page No. |
|------------------|------------------|------------------|------------------|------------------|------------------|
| H1EM225BK30 | 211 | H1EM500KB30 | 211 | MV1S025RECF | 254 |
| H1EM225BK30S | 207 | H1EM500KB30S | 207 | MV1S025RE | 253 |
| H1EM225KB00 | 209 | H1EM500KK00 | 210 | MV1S025SECF | 254 |
| H1EM225KB00S | 205 | H1EM500KK00S | 206 | MV1S025SEAF | 253 |
| H1EM225KB30 | 211 | H1EM500KK30 | 212 | MV1S037RE | 253 |
| H1EM225KB30S | 207 | H1EM500KK30S | 208 | MV1S037RECF | 254 |
| H1EM225KK00 | 210 | H1EM500PB00 | 210 | MV1S037SECF | 254 |
| H1EM225KK00S | 206 | H1EM500PB00S | 206 | MV1S037SE | 253 |
| H1EM225KK30 | 212 | H1EM500PB30 | 212 | MV1S050RE | 253 |
| H1EM225KK30S | 208 | H1EM500PB30S | 208 | MV1S050RECF | 254 |
| H1EM225PB00 | 210 | H1EM500PK00 | 210 | MV1S050SE | 253 |
| H1EM225PB00S | 206 | H1EM500PK00S | 206 | MV1S050SECF | 254 |
| H1EM225PB30 | 212 | H1EM500PK30 | 212 | MV1S075RE | 253 |
| H1EM225PB30S | 208 | H1EM500PK30S | 208 | MV1S075REC | 254 |
| H1EM225PK00 | 210 | H1EM750BB00 | 209 | MV1S075SE | 253 |
| H1EM225PK00S | 206 | H1EM750BB00S | 205 | MV1S075SEC | 254 |
| H1EM225PK30 | 212 | H1EM750BB30 | 211 | MV1S100RE | 253 |
| H1EM225PK30S | 208 | H1EM750BB30S | 207 | MV1S100REC | 254 |
| H1EM300BB00 | 209 | H1EM750BK00 | 209 | MV1S100SE | 253 |
| H1EM300BB00S | 205 | H1EM750BK00S | 205 | MV1S100SEC | 254 |
| H1EM300BB30 | 211 | H1EM750BK30 | 211 | MV1S150RE | 253 |
| H1EM300BB30S | 207 | H1EM750BK30S | 207 | MV1S150REC | 254 |
| H1EM300BK00 | 209 | H1EM750KB00 | 209 | MV1S150SE | 253 |
| H1EM300BK00S | 205 | H1EM750KB00S | 205 | MV1S150SEC | 254 |
| H1EM300BK30 | 211 | H1EM750KB30 | 211 | MV1S167RE | 253 |
| H1EM300BK30S | 207 | H1EM750KB30S | 207 | MV1S167REC | 254 |
| H1EM300KB00 | 209 | H1EM750KK00 | 210 | MV1S167SE | 253 |
| H1EM300KB00S | 205 | H1EM750KK00S | 206 | MV1S167SEC | 254 |
| H1EM300KB30 | 211 | H1EM750KK30 | 212 | MV1S250RE | 253 |
| H1EM300KB30S | 207 | H1EM750KK30S | 208 | MV1S250REC | 254 |
| H1EM300KK00 | 210 | H1EM750PB00 | 210 | MV1S250SE | 253 |
| H1EM300KK00S | 206 | H1EM750PB00S | 206 | MV1S250SEC | 254 |
| H1EM300KK30 | 212 | H1EM750PB30 | 212 | MV1S333RE | 253 |
| H1EM300KK30S | 208 | H1EM750PB30S | 208 | MV1S333REC | 254 |
| H1EM300PB00 | 210 | H1EM750PK00 | 210 | MV1S333SE | 253 |
| H1EM300PB00S | 206 | H1EM750PK00S | 206 | MV1S333SEC | 254 |
| H1EM300PB30 | 212 | H1EM750PK30 | 212 | MV3S015RBCF | 257 |
| H1EM300PB30S | 208 | H1EM750PK30S | 208 | MV3S015RB | 255 |
| H1EM300PK00 | 210 | M1PC005LESF | 244 | MV3S015RKCF | 257 |
| H1EM300PK00S | 206 | M1PC005LESF7 | 244 | MV3S015RK | 255 |
| H1EM300PK30 | 212 | M1PC007LESF | 244 | MV3S015RPCF | 257 |
| H1EM300PK30S | 208 | M1PC007LESF7 | 244 | MV3S015RP | 255 |
| H1EM500BB00 | 209 | M1PC010LESF | 244 | MV3S015SBCF | 258 |
| H1EM500BB00S | 205 | M1PC010LESF7 | 244 | MV3S015SB | 256 |
| H1EM500BB30 | 211 | M1PC015LESF | 244 | MV3S015SKCF | 258 |
| H1EM500BB30S | 207 | M1PC015LESF7 | 244 | MV3S015SK | 256 |
| H1EM500BK00 | 209 | M1PC025LESF | 244 | MV3S015SPCF | 258 |
| H1EM500BK00S | 205 | M1PC025LESF7 | 244 | MV3S015SP | 256 |
| H1EM500BK30 | 211 | MV1S015RECF | 254 | MV3S030RBCF | 257 |
| H1EM500BK30S | 207 | MV1S015REAF | 253 | MV3S030RB | 255 |
| H1EM500KB00 | 209 | MV1S015SECF | 254 | MV3S030RKCF | 257 |
| H1EM500KB00S | 205 | MV1S015SEAF | 253 | MV3S030RK | 255 |



GENERAL INFORMATION

ALPHA NUMERIC PART NUMBER INDEX

| Catalog Part No. | Catalog Page No. | Catalog Part No. | Catalog Page No. | Catalog Part No. | Catalog Page No. |
|------------------|------------------|------------------|------------------|------------------|------------------|
| MV3S030RPCF | 257 | MV3S112SKCF | 258 | MV3S300RB | 255 |
| MV3S030RP | 255 | MV3S112SKF | 256 | MV3S300RBC | 257 |
| MV3S030SBCF | 258 | MV3S112SPCF | 258 | MV3S300RK | 255 |
| MV3S030SB | 256 | MV3S112SPF | 256 | MV3S300RKC | 257 |
| MV3S030SKCF | 258 | MV3S1250RB | 255 | MV3S300RP | 255 |
| MV3S030SK | 256 | MV3S1250RBC | 257 | MV3S300RPC | 257 |
| MV3S030SPCF | 258 | MV3S1250RK | 255 | MV3S300SB | 256 |
| MV3S030SP | 256 | MV3S1250RKC | 257 | MV3S300SBC | 258 |
| MV3S045RBCF | 257 | MV3S1250RP | 255 | MV3S300SK | 256 |
| MV3S045RBAF | 255 | MV3S1250RPC | 257 | MV3S300SKC | 258 |
| MV3S045RKCF | 257 | MV3S1250SB | 256 | MV3S300SP | 256 |
| MV3S045RKAF | 255 | MV3S1250SBC | 258 | MV3S300SPC | 258 |
| MV3S045RPCF | 257 | MV3S1250SK | 256 | MV3S500RB | 255 |
| MV3S045RPAF | 255 | MV3S1250SKC | 258 | MV3S500RBC | 257 |
| MV3S045SBCF | 258 | MV3S1250SP | 256 | MV3S500RK | 255 |
| MV3S045SBAF | 256 | MV3S1250SPC | 258 | MV3S500RKC | 257 |
| MV3S045SKCF | 258 | MV3S1500RB | 255 | MV3S500RP | 255 |
| MV3S045SKAF | 256 | MV3S1500RBC | 257 | MV3S500RPC | 257 |
| MV3S045SPCF | 258 | MV3S1500RK | 255 | MV3S500SB | 256 |
| MV3S045SPAF | 256 | MV3S1500RKC | 257 | MV3S500SBC | 258 |
| MV3S075RBCF | 257 | MV3S1500RP | 255 | MV3S500SK | 256 |
| MV3S075RB | 255 | MV3S1500RPC | 257 | MV3S500SKC | 258 |
| MV3S075RKCF | 257 | MV3S1500SB | 256 | MV3S500SP | 256 |
| MV3S075RK | 255 | MV3S1500SBC | 258 | MV3S500SPC | 258 |
| MV3S075RPCF | 257 | MV3S1500SK | 256 | MV3S750RB | 255 |
| MV3S075RP | 255 | MV3S1500SKC | 258 | MV3S750RBC | 257 |
| MV3S075SBCF | 258 | MV3S1500SP | 256 | MV3S750RK | 255 |
| MV3S075SBAF | 256 | MV3S1500SPC | 258 | MV3S750RKC | 257 |
| MV3S075SKCF | 258 | MV3S150RB | 255 | MV3S750RP | 255 |
| MV3S075SKAF | 256 | MV3S150RBC | 257 | MV3S750RPC | 257 |
| MV3S075SPCF | 258 | MV3S150RK | 255 | MV3S750SB | 256 |
| MV3S075SPAF | 256 | MV3S150RKC | 257 | MV3S750SBC | 258 |
| MV3S1000RB | 255 | MV3S150RP | 255 | MV3S750SK | 256 |
| MV3S1000RBC | 257 | MV3S150RPC | 257 | MV3S750SKC | 258 |
| MV3S1000RK | 255 | MV3S150SB | 256 | MV3S750SP | 256 |
| MV3S1000RKC | 257 | MV3S150SBCF | 258 | MV3S750SPC | 258 |
| MV3S1000RP | 255 | MV3S150SK | 256 | N1 | 264 |
| MV3S1000RPC | 257 | MV3S150SKCF | 258 | N2 | 264 |
| MV3S1000SB | 256 | MV3S150SP | 256 | NH3 | 260 |
| MV3S1000SBC | 258 | MV3S150SPCF | 258 | NH3-N12 | 266 |
| MV3S1000SK | 256 | MV3S225RB | 255 | NH3-N3RE | 265 |
| MV3S1000SKC | 258 | MV3S225RBC | 257 | NH3-N4 | 266 |
| MV3S1000SP | 256 | MV3S225RK | 255 | NH4 | 260 |
| MV3S1000SPC | 258 | MV3S225RKC | 257 | NH4-N12 | 266 |
| MV3S112RB | 255 | MV3S225RP | 255 | NH4-N3RE | 265 |
| MV3S112RBCF | 257 | MV3S225RPC | 257 | NH4-N4 | 266 |
| MV3S112RK | 255 | MV3S225SB | 256 | NH5 | 260 |
| MV3S112RKCF | 257 | MV3S225SBC | 258 | NH5DP | 272 |
| MV3S112RP | 255 | MV3S225SK | 256 | NH5-N12 | 266 |
| MV3S112RPCF | 257 | MV3S225SKC | 258 | NH5-N4 | 266 |
| MV3S112SBCF | 258 | MV3S225SP | 256 | NH6 | 260 |
| MV3S112SBF | 256 | MV3S225SPC | 258 | NH6DP | 272 |

GENERAL
INFORMATION



GENERAL INFORMATION

ALPHA NUMERIC PART NUMBER INDEX

| Catalog Part No. | Catalog Page No. | Catalog Part No. | Catalog Page No. | Catalog Part No. | Catalog Page No. |
|------------------|------------------|------------------|------------------|------------------|------------------|
| NH6-N12 | 266 | NMF050BEC | 163 | NMF167HEC | 164 |
| NH6-N4 | 266 | NMF050FE | 161 | NMF167LE | 161 |
| NJ1 | 261 | NMF050FEC | 163 | NMF167LEC | 163 |
| NJ1-N12 | 267 | NMF050HE | 162 | NMF167PE | 162 |
| NJ1-N3RE | 265 | NMF050HEC | 164 | NMF167PEC | 164 |
| NJ1-N4 | 267 | NMF050LE | 161 | NMF167XE | 162 |
| NJ2 | 261 | NMF050LEC | 163 | NMF167XEC | 164 |
| NJ2-N3RE | 265 | NMF050PE | 162 | NMK015BB | 166 |
| NJ3 | 261 | NMF050PEC | 164 | NMK015BBCN | 170 |
| NJ3-N3RE | 265 | NMF050XE | 162 | NMK015BK | 166 |
| NJ4 | 261 | NMF050XEC | 164 | NMK015BKCN | 170 |
| NJ6 | 261 | NMF075BE | 161 | NMK015DB | 166 |
| NJ6-N3RE | 265 | NMF075BEC | 163 | NMK015DBCN | 170 |
| NJ7 | 261 | NMF075FE | 161 | NMK015DK | 167 |
| NJ7-N3RE | 265 | NMF075FEC | 163 | NMK015DKCN | 171 |
| NMF015BE | 161 | NMF075HE | 162 | NMK015KB | 167 |
| NMF015BEC | 163 | NMF075HEC | 164 | NMK015KBCN | 171 |
| NMF015FE | 161 | NMF075LE | 161 | NMK015KD | 167 |
| NMF015FEC | 163 | NMF075LEC | 163 | NMK015KDCN | 171 |
| NMF015HE | 162 | NMF075PE | 162 | NMK015KK | 168 |
| NMF015HEC | 164 | NMF075PEC | 164 | NMK015KKCN | 172 |
| NMF015LE | 161 | NMF075XE | 162 | NMK015PB | 168 |
| NMF015LEC | 163 | NMF075XEC | 164 | NMK015PBCN | 172 |
| NMF015PE | 162 | NMF100BE | 161 | NMK015PD | 168 |
| NMF015PEC | 164 | NMF100BEC | 163 | NMK015PDCN | 172 |
| NMF015XE | 162 | NMF100FE | 161 | NMK015PK | 169 |
| NMF015XEC | 164 | NMF100FEC | 163 | NMK015PKCN | 173 |
| NMF025BE | 161 | NMF100HE | 162 | NMK030BB | 166 |
| NMF025BEC | 163 | NMF100HEC | 164 | NMK030BBC | 170 |
| NMF025FE | 161 | NMF100LE | 161 | NMK030BK | 166 |
| NMF025FEC | 163 | NMF100LEC | 163 | NMK030BKC | 170 |
| NMF025HE | 162 | NMF100PE | 162 | NMK030DB | 166 |
| NMF025HEC | 164 | NMF100PEC | 164 | NMK030DBC | 170 |
| NMF025LE | 161 | NMF100XE | 162 | NMK030DK | 167 |
| NMF025LEC | 163 | NMF100XEC | 164 | NMK030DKC | 171 |
| NMF025PE | 162 | NMF150BE | 161 | NMK030KB | 167 |
| NMF025PEC | 164 | NMF150BEC | 163 | NMK030KBCN | 171 |
| NMF025XE | 162 | NMF150FE | 161 | NMK030KD | 167 |
| NMF025XEC | 164 | NMF150FEC | 163 | NMK030KDCN | 171 |
| NMF037BE | 161 | NMF150HE | 162 | NMK030KK | 168 |
| NMF037BEC | 163 | NMF150HEC | 164 | NMK030KKCN | 172 |
| NMF037FE | 161 | NMF150LE | 161 | NMK030PB | 168 |
| NMF037FEC | 163 | NMF150LEC | 163 | NMK030PBCN | 172 |
| NMF037HE | 162 | NMF150PE | 162 | NMK030PD | 168 |
| NMF037HEC | 164 | NMF150PEC | 164 | NMK030PDC | 172 |
| NMF037LE | 161 | NMF150XE | 162 | NMK030PK | 169 |
| NMF037LEC | 163 | NMF150XEC | 164 | NMK030PKCN | 173 |
| NMF037PE | 162 | NMF167BE | 161 | NMK045BB | 166 |
| NMF037PEC | 164 | NMF167BEC | 163 | NMK045BBC | 170 |
| NMF037XE | 162 | NMF167FE | 161 | NMK045BK | 166 |
| NMF037XEC | 164 | NMF167FEC | 163 | NMK045BKC | 170 |
| NMF050BE | 161 | NMF167HE | 162 | NMK045DB | 166 |

GENERAL
INFORMATION



GENERAL INFORMATION

ALPHA NUMERIC PART NUMBER INDEX

| Catalog Part No. | Catalog Page No. | Catalog Part No. | Catalog Page No. | Catalog Part No. | Catalog Page No. |
|------------------|------------------|------------------|------------------|------------------|------------------|
| NMK045DBC | 170 | NMK112PDC | 172 | NMK300KBC | 171 |
| NMK045DK | 167 | NMK112PK | 169 | NMK300KD | 167 |
| NMK045DKC | 171 | NMK112PKC | 173 | NMK300KDC | 171 |
| NMK045KB | 167 | NMK150BB | 166 | NMK300KK | 168 |
| NMK045KBC | 171 | NMK150BBC | 170 | NMK300KCC | 172 |
| NMK045KD | 167 | NMK150BK | 166 | NMK300PB | 168 |
| NMK045KDC | 171 | NMK150BKC | 170 | NMK300PBC | 172 |
| NMK045KK | 168 | NMK150DB | 166 | NMK300PD | 168 |
| NMK045KCC | 172 | NMK150DBC | 170 | NMK300PDC | 172 |
| NMK045PB | 168 | NMK150DK | 167 | NMK300PK | 169 |
| NMK045PBC | 172 | NMK150DKC | 171 | NMK300PKC | 173 |
| NMK045PD | 168 | NMK150KB | 167 | NMK500BB | 166 |
| NMK045PDC | 172 | NMK150KBC | 171 | NMK500BBC | 170 |
| NMK045PK | 169 | NMK150KD | 167 | NMK500BK | 166 |
| NMK045PKC | 173 | NMK150KDC | 171 | NMK500BKC | 170 |
| NMK075BB | 166 | NMK150KK | 168 | NMK500DB | 166 |
| NMK075BBC | 170 | NMK150KCC | 172 | NMK500DBC | 170 |
| NMK075BK | 166 | NMK150PB | 168 | NMK500DK | 167 |
| NMK075BKC | 170 | NMK150PBC | 172 | NMK500DKC | 171 |
| NMK075DB | 166 | NMK150PD | 168 | NMK500KB | 167 |
| NMK075DBC | 170 | NMK150PDC | 172 | NMK500KBC | 171 |
| NMK075DK | 167 | NMK150PK | 169 | NMK500KD | 167 |
| NMK075DKC | 171 | NMK150PKC | 173 | NMK500KDC | 171 |
| NMK075KB | 167 | NMK225BB | 166 | NMK500KK | 168 |
| NMK075KBC | 171 | NMK225BBC | 170 | NMK500KCC | 172 |
| NMK075KD | 167 | NMK225BK | 166 | NMK500PB | 168 |
| NMK075KDC | 171 | NMK225BKC | 170 | NMK500PBC | 172 |
| NMK075KK | 168 | NMK225DB | 166 | NMK500PD | 168 |
| NMK075KCC | 172 | NMK225DBC | 170 | NMK500PDC | 172 |
| NMK075PB | 168 | NMK225DK | 167 | NMK500PK | 169 |
| NMK075PBC | 172 | NMK225DKC | 171 | NMK500PKC | 173 |
| NMK075PD | 168 | NMK225KB | 167 | NMK750BB | 166 |
| NMK075PDC | 172 | NMK225KBC | 171 | NMK750BBC | 170 |
| NMK075PK | 169 | NMK225KD | 167 | NMK750BK | 166 |
| NMK075PKC | 173 | NMK225KDC | 171 | NMK750BKC | 170 |
| NMK112BB | 166 | NMK225KK | 168 | NMK750DB | 166 |
| NMK112BBC | 170 | NMK225KCC | 172 | NMK750DBC | 170 |
| NMK112BK | 166 | NMK225PB | 168 | NMK750DK | 167 |
| NMK112BKC | 170 | NMK225PBC | 172 | NMK750DKC | 171 |
| NMK112DB | 166 | NMK225PD | 168 | NMK750KB | 167 |
| NMK112DBC | 170 | NMK225PDC | 172 | NMK750KBC | 171 |
| NMK112DK | 167 | NMK225PK | 169 | NMK750KD | 167 |
| NMK112DKC | 171 | NMK225PKC | 173 | NMK750KDC | 171 |
| NMK112KB | 167 | NMK300BB | 166 | NMK750KK | 168 |
| NMK112KBC | 171 | NMK300BBC | 170 | NMK750KCC | 172 |
| NMK112KD | 167 | NMK300BK | 166 | NMK750PB | 168 |
| NMK112KDC | 171 | NMK300BKC | 170 | NMK750PBC | 172 |
| NMK112KK | 168 | NMK300DB | 166 | NMK750PD | 168 |
| NMK112KCC | 172 | NMK300DBC | 170 | NMK750PDC | 172 |
| NMK112PB | 168 | NMK300DK | 167 | NMK750PK | 169 |
| NMK112PBC | 172 | NMK300DKC | 171 | NMK750PKC | 173 |
| NMK112PD | 168 | NMK300KB | 167 | NMP1 | 273 |

GENERAL INFORMATION



GENERAL INFORMATION

ALPHA NUMERIC PART NUMBER INDEX

| Catalog Part No. | Catalog Page No. | Catalog Part No. | Catalog Page No. | Catalog Part No. | Catalog Page No. |
|------------------|------------------|------------------|------------------|------------------|------------------|
| NMP2 | 273 | NMT13K030PBKN | 194 | NMT20K112PBK | 195 |
| NMP3 | 273 | NMT13K030PBS | 194 | NMT20K112PBS | 195 |
| NMP4 | 273 | NMT13K045KBK | 194 | NMT20K150KBK | 195 |
| NMP5 | 273 | NMT13K045KBS | 194 | NMT20K150KBS | 195 |
| NMP6 | 273 | NMT13K045PBK | 194 | NMT20K150PBK | 195 |
| NMP7 | 273 | NMT13K045PBS | 194 | NMT20K150PBS | 195 |
| NMT04K015KBKF | 193 | NMT13K075KBK | 194 | NMT20K225KBK | 195 |
| NMT04K015KBS | 193 | NMT13K075KBS | 194 | NMT20K225KBS | 195 |
| NMT04K015PBKF | 193 | NMT13K075PBK | 194 | NMT20K225PBK | 195 |
| NMT04K015PBS | 193 | NMT13K075PBS | 194 | NMT20K225PBS | 195 |
| NMT04K030KBKN | 193 | NMT13K112KBK | 194 | NMT20K300KBK | 195 |
| NMT04K030KBS | 193 | NMT13K112KBS | 194 | NMT20K300KBS | 195 |
| NMT04K030PBKN | 193 | NMT13K112PBK | 194 | NMT20K300PBK | 195 |
| NMT04K030PBS | 193 | NMT13K112PBS | 194 | NMT20K300PBS | 195 |
| NMT04K045KBK | 193 | NMT13K150KBK | 194 | NMT20K500KBK | 195 |
| NMT04K045KBS | 193 | NMT13K150KBS | 194 | NMT20K500KBS | 195 |
| NMT04K045PBK | 193 | NMT13K150PBK | 194 | NMT20K500PBK | 195 |
| NMT04K045PBS | 193 | NMT13K150PBS | 194 | NMT20K500PBS | 195 |
| NMT04K075KBK | 193 | NMT13K225KBK | 194 | NMT20K750KBK | 195 |
| NMT04K075KBS | 193 | NMT13K225KBS | 194 | NMT20K750KBS | 195 |
| NMT04K075PBK | 193 | NMT13K225PBK | 194 | NMT20K750PBK | 195 |
| NMT04K075PBS | 193 | NMT13K225PBS | 194 | NMT20K750PBS | 195 |
| NMT04K112KBK | 193 | NMT13K300KBK | 194 | NQ0 | 262 |
| NMT04K112KBS | 193 | NMT13K300KBS | 194 | NQ1 | 262 |
| NMT04K112PBK | 193 | NMT13K300PBK | 194 | NQ2 | 262 |
| NMT04K112PBS | 193 | NMT13K300PBS | 194 | NQ3 | 262 |
| NMT04K150KBK | 193 | NMT13K500KBK | 194 | NQ4 | 262 |
| NMT04K150KBS | 193 | NMT13K500KBS | 194 | NQ5 | 262 |
| NMT04K150PBK | 193 | NMT13K500PBK | 194 | NQ6 | 262 |
| NMT04K150PBS | 193 | NMT13K500PBS | 194 | NQ6A | 262 |
| NMT04K225KBK | 193 | NMT13K750KBK | 194 | NQ7 | 262 |
| NMT04K225KBS | 193 | NMT13K750KBS | 194 | NQ8 | 262 |
| NMT04K225PBK | 193 | NMT13K750PBK | 194 | NQS10 | 263 |
| NMT04K225PBS | 193 | NMT13K750PBS | 194 | NQT10 | 263 |
| NMT04K300KBK | 193 | NMT20K015KBKF | 195 | NQT10GK | 274 |
| NMT04K300KBS | 193 | NMT20K015KBS | 195 | NQT11 | 263 |
| NMT04K300PBK | 193 | NMT20K015PBKF | 195 | NQT11GK | 274 |
| NMT04K300PBS | 193 | NMT20K015PBS | 195 | NQT2 | 263 |
| NMT04K500KBK | 193 | NMT20K030KBK | 195 | NQT2GK | 274 |
| NMT04K500KBS | 193 | NMT20K030KBS | 195 | NQT3 | 263 |
| NMT04K500PBK | 193 | NMT20K030PBKN | 195 | NQT3GK | 274 |
| NMT04K500PBS | 193 | NMT20K030PBS | 195 | NQT4 | 263 |
| NMT04K750KBK | 193 | NMT20K045KBK | 195 | NQT4GK | 274 |
| NMT04K750KBS | 193 | NMT20K045KBS | 195 | NQT5 | 263 |
| NMT04K750PBK | 193 | NMT20K045PBK | 195 | NQT5GK | 274 |
| NMT04K750PBS | 193 | NMT20K045PBS | 195 | NQT6 | 263 |
| NMT13K015KBKF | 194 | NMT20K075KBK | 195 | NQT6GK | 274 |
| NMT13K015KBS | 194 | NMT20K075KBS | 195 | NQT7 | 263 |
| NMT13K015PBKF | 194 | NMT20K075PBK | 195 | NQT7GK | 274 |
| NMT13K015PBS | 194 | NMT20K075PBS | 195 | NQT8 | 263 |
| NMT13K030KBKN | 194 | NMT20K112KBK | 195 | NQT8GK | 274 |
| NMT13K030KBS | 194 | NMT20K112KBS | 195 | NQT9 | 263 |

GENERAL
INFORMATION



GENERAL INFORMATION

ALPHA NUMERIC PART NUMBER INDEX

| Catalog Part No. | Catalog Page No. | Catalog Part No. | Catalog Page No. | Catalog Part No. | Catalog Page No. |
|------------------|------------------|------------------|------------------|------------------|------------------|
| NQT9A | 263 | P150KBKF | 239 | PH250MGJ | 43 |
| NQT9AGK | 274 | P150KDKF | 239 | PH250MLI | 42 |
| NQT9GK | 274 | P150PBKF | 239 | PH250MQMJ | 39 |
| NQTW1 | 273 | P150PDKF | 240 | PH250PG | 41 |
| NQTW2 | 273 | P150QKKF | 240 | PH250PP | 40 |
| NW2 | 271, 272 | P2 | 273 | PH250QR | 39 |
| P002KBKB | 239 | PFK1 | 44 | PH250SP | 40 |
| P002KDKB | 239 | PFK2 | 44 | PH350AJ | 38 |
| P002PBKB | 239 | PFK3 | 44 | PH350AR | 38 |
| P002PDKB | 240 | PFK4 | 44 | PH350MBMH | 41 |
| P002QKKB | 240 | PFK5 | 44 | PH350MEMX | 42 |
| P003KBKB | 239 | PFK6 | 44 | PH350MGJ | 43 |
| P003KDKB | 239 | PFK7 | 44 | PH350MLI | 42 |
| P003PBKB | 239 | PH1000AJ | 38 | PH350MQMJ | 39 |
| P003PDKB | 240 | PH1000MBMH | 41 | PH350PG | 41 |
| P003QKKB | 240 | PH1000MEMX | 42 | PH350PP | 40 |
| P006KBKF | 239 | PH1000MGJ | 43 | PH350QR | 39 |
| P006KDKF | 239 | PH1000MLI | 42 | PH350SP | 40 |
| P006PBKF | 239 | PH1000MQMJ | 39 | PH500AJ | 38 |
| P006PDKF | 240 | PH1000PG | 41 | PH500AR | 38 |
| P006QKKF | 240 | PH1000PP | 40 | PH500MBMH | 41 |
| P009KBKF | 239 | PH1000SP | 40 | PH500MEMX | 42 |
| P009KDKF | 239 | PH100AJ | 38 | PH500MGJ | 43 |
| P009PBKF | 239 | PH100AR | 38 | PH500MLI | 42 |
| P009PDKF | 240 | PH100MBMH | 41 | PH500MQMJ | 39 |
| P009QKKF | 240 | PH100MEMX | 42 | PH500PG | 41 |
| P015KBKF | 239 | PH100MGJ | 43 | PH500PP | 40 |
| P015KDKF | 239 | PH100MLI | 42 | PH500QR | 39 |
| P015PBKF | 239 | PH100MQMJ | 39 | PH500SP | 40 |
| P015PDKF | 240 | PH100PG | 41 | PH50AJ | 38 |
| P015QKKF | 240 | PH100PP | 40 | PH50AR | 38 |
| P030KBKF | 239 | PH100QR | 39 | PH50MBMH | 41 |
| P030KDKF | 239 | PH100SP | 40 | PH50MEMX | 42 |
| P030PBKF | 239 | PH1500AJ | 38 | PH50MGJ | 43 |
| P030PDKF | 240 | PH1500MBMH | 41 | PH50MLI | 42 |
| P030QKKF | 240 | PH1500MQMJ | 39 | PH50MQMJ | 39 |
| P045KBKF | 239 | PH1500PP | 40 | PH50PG | 41 |
| P045KDKF | 239 | PH150AJ | 38 | PH50PP | 40 |
| P045PBKF | 239 | PH150AR | 38 | PH50QR | 39 |
| P045PDKF | 240 | PH150MBMH | 41 | PH50SP | 40 |
| P045QKKF | 240 | PH150MEMX | 42 | PH750AJ | 38 |
| P075KBKF | 239 | PH150MGJ | 43 | PH750MBMH | 41 |
| P075KDKF | 239 | PH150MLI | 42 | PH750MEMX | 42 |
| P075PBKF | 239 | PH150MQMJ | 39 | PH750MGJ | 43 |
| P075PDKF | 240 | PH150PG | 41 | PH750MLI | 42 |
| P075QKKF | 240 | PH150PP | 40 | PH750MQMJ | 39 |
| P1 | 273 | PH150QR | 39 | PH750PG | 41 |
| P112KBKF | 239 | PH150SP | 40 | PH750PP | 40 |
| P112KDKF | 239 | PH250AJ | 38 | PH750SP | 40 |
| P112PBKF | 239 | PH250AR | 38 | PH75AJ | 38 |
| P112PDKF | 240 | PH250MBMH | 41 | PH75AR | 38 |
| P112QKKF | 240 | PH250MEMX | 42 | PH75MBMH | 41 |

GENERAL INFORMATION



GENERAL INFORMATION

ALPHA NUMERIC PART NUMBER INDEX

| Catalog Part No. | Catalog Page No. | Catalog Part No. | Catalog Page No. | Catalog Part No. | Catalog Page No. |
|------------------|------------------|------------------|------------------|------------------|------------------|
| PH75MEMX | 42 | Q015PEKF | 237 | QC35ERCB | 84,87,151 |
| PH75MGJ | 43 | Q015XEKF | 237 | QC35ESCB | 85,88,151 |
| PH75MLI | 42 | Q015YEKF | 236 | QC35PRCB | 63 |
| PH75MQMJ | 39 | Q025FEKF | 236 | QC50DTCB | 86,89,152 |
| PH75PG | 41 | Q025LEKF | 236 | QC50ERCB | 84,87,151 |
| PH75PP | 40 | Q025PEKF | 237 | QC50ESCB | 85,88,151 |
| PH75QR | 39 | Q025XEKF | 237 | QC50FECB | 236 |
| PH75SP | 40 | Q025YEKF | 236 | QC50LECB | 236 |
| PPE1 | 268 | Q037FEKF | 236 | QC50PECB | 237 |
| PPE2 | 268 | Q037LEKF | 236 | QC50PRCB | 63 |
| PPE3 | 269 | Q037PEKF | 237 | QC50XECB | 237 |
| PPE4 | 269 | Q037XEKF | 237 | QC50YECB | 236 |
| PPE5 | 270 | Q037YEKF | 236 | QC75DTCB | 86,89,152 |
| Q002DTCF | 86,89,152 | Q1C0DTCB | 86,89,152 | QC75ERCB | 84,87,151 |
| Q002ERCF | 84,87,151 | Q1C0ERCB | 84,87,151 | QC75ESCB | 85,88,151 |
| Q002ESCF | 85,88,151 | Q1C0ESCB | 85,88,151 | QC75FEKB | 236 |
| Q002FEKF | 236 | Q1C0FEKB | 236 | QC75LEKB | 236 |
| Q002LEKF | 236 | Q1C0LEKB | 236 | QC75PEKB | 237 |
| Q002PEKF | 237 | Q1C0PEKB | 237 | QC75PRCB | 63 |
| Q002PRCF | 63 | Q1C0PRCB | 63 | QC75XEKB | 237 |
| Q002XEKF | 237 | Q1C0XEKB | 237 | QC75YEKB | 236 |
| Q002YEKF | 236 | Q1C0YEKB | 236 | RC0002M12 | 116 |
| Q003DTCF | 86,89,152 | Q1C5DTCF | 86,89,152 | RC0004N65 | 116 |
| Q003ERCF | 84,87,151 | Q1C5ERCF | 84,87,151 | RC0008N30 | 116 |
| Q003ESCF | 85,88,151 | Q1C5ESCF | 85,88,151 | RC0012N25 | 116 |
| Q003FEKF | 236 | Q1C5FEKF | 236 | RC0018N15 | 116 |
| Q003LEKF | 236 | Q1C5LEKF | 236 | RC0025N12 | 116 |
| Q003PEKF | 237 | Q1C5PEKF | 237 | RC0035P80 | 116 |
| Q003PRCF | 63 | Q1C5PRCF | 63 | RC0045P70 | 116 |
| Q003XEKF | 237 | Q1C5XEKF | 237 | RC0055P50 | 116 |
| Q003YEKF | 236 | Q1C5YEKF | 236 | RC0080P40 | 116 |
| Q005DTCF | 86,89,152 | QC05DTCB | 86,89,152 | RC0110P30 | 116 |
| Q005ERCF | 84,87,151 | QC05ERCB | 84,87,151 | RC0130P20 | 116 |
| Q005ESCF | 85,88,151 | QC05ESCB | 85,88,151 | RC0160P15 | 116 |
| Q005FEKF | 236 | QC05PRCB | 63 | RC0200P11 | 116 |
| Q005LEKF | 236 | QC10DTCB | 86,89,152 | RC0250U90 | 116 |
| Q005PEKF | 237 | QC10ERCB | 84,87,151 | RC0320U75 | 116 |
| Q005PRCF | 63 | QC10ESCB | 85,88,151 | RC0400U61 | 116 |
| Q005XEKF | 237 | QC10PRCB | 63 | RC0500U50 | 116 |
| Q005YEKF | 236 | QC15DTCB | 86,89,152 | RC0600U40 | 116 |
| Q007FEKF | 236 | QC15ERCB | 84,87,151 | RM0002M12 | 108 |
| Q007LEKF | 236 | QC15ESCB | 85,88,151 | RM0002M12E | 110 |
| Q007PEKF | 237 | QC15PRCB | 63 | RM0002M20 | 108 |
| Q007XEKF | 237 | QC20DTCB | 86,89,152 | RM0002M20E | 110 |
| Q007YEKF | 236 | QC20ERCB | 84,87,151 | RM0002M32 | 108 |
| Q010FEKF | 236 | QC20ESCB | 85,88,151 | RM0002M32E | 110 |
| Q010LEKF | 236 | QC20PRCB | 63 | RM0004M12 | 108 |
| Q010PEKF | 237 | QC25DTCB | 86,89,152 | RM0004M12E | 110 |
| Q010XEKF | 237 | QC25ERCB | 84,87,151 | RM0004M22 | 108 |
| Q010YEKF | 236 | QC25ESCB | 85,88,151 | RM0004M22E | 110 |
| Q015FEKF | 236 | QC25PRCB | 63 | RM0004N30 | 108 |
| Q015LEKF | 236 | QC35DTCB | 86,89,152 | RM0004N30E | 110 |

GENERAL
INFORMATION



GENERAL INFORMATION

ALPHA NUMERIC PART NUMBER INDEX

| Catalog Part No. | Catalog Page No. | Catalog Part No. | Catalog Page No. | Catalog Part No. | Catalog Page No. |
|------------------|------------------|------------------|------------------|------------------|------------------|
| RM0004N65..... | 108 | RM0055P85..... | 108 | RM0320P16..... | 109 |
| RM0004N65E..... | 110 | RM0055P85E..... | 110 | RM0320P16E..... | 111 |
| RM0004N91..... | 108 | RM0080P20..... | 108 | RM0320U40..... | 109 |
| RM0004N91E..... | 110 | RM0080P20E..... | 110 | RM0320U40E..... | 111 |
| RM0008N15..... | 108 | RM0080P23..... | 108 | RM0320U75..... | 109 |
| RM0008N15E..... | 110 | RM0080P23E..... | 110 | RM0320U75E..... | 111 |
| RM0008N30..... | 108 | RM0080P40..... | 108 | RM0320U96..... | 109 |
| RM0008N30E..... | 110 | RM0080P40E..... | 110 | RM0320U96E..... | 111 |
| RM0008N50..... | 108 | RM0080P70..... | 108 | RM0400P11..... | 109 |
| RM0008N50E..... | 110 | RM0080P70E..... | 110 | RM0400P11E..... | 111 |
| RM0008N75..... | 108 | RM0110P15..... | 108 | RM0400P14..... | 109 |
| RM0008N75E..... | 110 | RM0110P15E..... | 110 | RM0400P14E..... | 111 |
| RM0012N13..... | 108 | RM0110P18..... | 108 | RM0400U30..... | 109 |
| RM0012N13E..... | 110 | RM0110P18E..... | 110 | RM0400U30E..... | 111 |
| RM0012N25..... | 108 | RM0110P30..... | 108 | RM0400U61..... | 109 |
| RM0012N25E..... | 110 | RM0110P30E..... | 110 | RM0400U61E..... | 111 |
| RM0012N31..... | 108 | RM0110P45..... | 108 | RM0400U82..... | 109 |
| RM0012N31E..... | 110 | RM0110P45E..... | 110 | RM0400U82E..... | 111 |
| RM0012N42..... | 108 | RM0130P10..... | 108 | RM0500U25..... | 109 |
| RM0012N42E..... | 110 | RM0130P10E..... | 110 | RM0500U25E..... | 111 |
| RM0012N51..... | 108 | RM0130P20..... | 108 | RM0500U50..... | 109 |
| RM0012N51E..... | 110 | RM0130P20E..... | 110 | RM0500U50E..... | 111 |
| RM0018N15..... | 108 | RM0130P30..... | 108 | RM0500U57..... | 109 |
| RM0018N15E..... | 110 | RM0130P30E..... | 110 | RM0500U57E..... | 111 |
| RM0018N25..... | 108 | RM0130P37..... | 108 | RM0500U85..... | 109 |
| RM0018N25E..... | 110 | RM0130P37E..... | 110 | RM0500U85E..... | 111 |
| RM0018P80..... | 108 | RM0160P15..... | 108 | RM0500U96..... | 109 |
| RM0018P80E..... | 110 | RM0160P15E..... | 110 | RM0500U96E..... | 111 |
| RM0025N12..... | 108 | RM0160P23..... | 108 | RM0600U20..... | 109 |
| RM0025N12E..... | 110 | RM0160P23E..... | 110 | RM0600U20E..... | 111 |
| RM0025N20..... | 108 | RM0160P32..... | 108 | RM0600U40..... | 109 |
| RM0025N20E..... | 110 | RM0160P32E..... | 110 | RM0600U40E..... | 111 |
| RM0025P50..... | 108 | RM0160U75..... | 108 | RM0600U65..... | 109 |
| RM0025P50E..... | 110 | RM0160U75E..... | 110 | RM0600U65E..... | 111 |
| RM0035N12..... | 108 | RM0200P11..... | 109 | RM0600U80..... | 109 |
| RM0035N12E..... | 110 | RM0200P11E..... | 111 | RM0600U80E..... | 111 |
| RM0035N17..... | 108 | RM0200P19..... | 109 | RM0700U41..... | 109 |
| RM0035N17E..... | 110 | RM0200P19E..... | 111 | RM0700U41E..... | 111 |
| RM0035P40..... | 108 | RM0200P24..... | 109 | RM0700U68..... | 109 |
| RM0035P40E..... | 110 | RM0200P24E..... | 111 | RM0700U68E..... | 111 |
| RM0035P80..... | 108 | RM0200U55..... | 109 | RM0750U15..... | 109 |
| RM0035P80E..... | 110 | RM0200U55E..... | 111 | RM0750U15E..... | 111 |
| RM0045N12..... | 108 | RM0250P15..... | 109 | RM0750U25..... | 109 |
| RM0045N12E..... | 110 | RM0250P15E..... | 111 | RM0750U25E..... | 111 |
| RM0045P30..... | 108 | RM0250P19..... | 109 | RM0750U36..... | 109 |
| RM0045P30E..... | 110 | RM0250P19E..... | 111 | RM0750U36E..... | 111 |
| RM0045P70..... | 108 | RM0250U45..... | 109 | RM0750U60..... | 109 |
| RM0045P70E..... | 110 | RM0250U45E..... | 111 | RM0750U60E..... | 111 |
| RM0055P25..... | 108 | RM0250U90..... | 109 | RM0900U13..... | 109 |
| RM0055P25E..... | 110 | RM0250U90E..... | 111 | RM0900U13E..... | 111 |
| RM0055P50..... | 108 | RM0320P13..... | 109 | RM0900U26..... | 109 |
| RM0055P50E..... | 110 | RM0320P13E..... | 111 | RM0900U26E..... | 111 |

GENERAL INFORMATION



GENERAL INFORMATION

ALPHA NUMERIC PART NUMBER INDEX

| Catalog Part No. | Catalog Page No. | Catalog Part No. | Catalog Page No. | Catalog Part No. | Catalog Page No. |
|------------------|------------------|------------------|------------------|------------------|------------------|
| RM0900U32 | 109 | S1EM030BB00 | 219 | S1EM075BK00 | 219 |
| RM0900U32E | 111 | S1EM030BB00S | 215 | S1EM075BK00S | 215 |
| RM0900U43 | 109 | S1EM030BB30 | 221 | S1EM075BK30 | 221 |
| RM0900U43E | 111 | S1EM030BB30S | 217 | S1EM075BK30S | 217 |
| RM0900U53 | 109 | S1EM030BK00 | 219 | S1EM075KB00 | 219 |
| RM0900U53E | 111 | S1EM030BK00S | 215 | S1EM075KB00S | 215 |
| RM1000U11 | 109 | S1EM030BK30 | 221 | S1EM075KB30 | 221 |
| RM1000U11E | 111 | S1EM030BK30S | 217 | S1EM075KB30S | 217 |
| RM1000U18 | 109 | S1EM030KB00 | 219 | S1EM075KK00 | 220 |
| RM1000U18E | 111 | S1EM030KB00S | 215 | S1EM075KK00S | 216 |
| RM1000U29 | 109 | S1EM030KB30 | 221 | S1EM075KK30 | 222 |
| RM1000U29E | 111 | S1EM030KB30S | 217 | S1EM075KK30S | 218 |
| RM1000U38 | 109 | S1EM030KK00 | 220 | S1EM075PB00 | 220 |
| RM1000U38E | 111 | S1EM030KK00S | 216 | S1EM075PB00S | 216 |
| RM1000U48 | 109 | S1EM030KK30 | 222 | S1EM075PB30 | 222 |
| RM1000U48E | 111 | S1EM030KK30S | 218 | S1EM075PB30S | 218 |
| RM1200U10 | 109 | S1EM030PB00 | 220 | S1EM075PK00 | 220 |
| RM1200U10E | 111 | S1EM030PB00S | 216 | S1EM075PK00S | 216 |
| RM1200U15 | 109 | S1EM030PB30 | 222 | S1EM075PK30 | 222 |
| RM1200U15E | 111 | S1EM030PB30S | 218 | S1EM075PK30S | 218 |
| RM1200U18 | 109 | S1EM030PK00 | 220 | S1EM112BB00 | 219 |
| RM1200U18E | 111 | S1EM030PK00S | 216 | S1EM112BB00S | 215 |
| RM1200U24 | 109 | S1EM030PK30 | 222 | S1EM112BB30 | 221 |
| RM1200U24E | 111 | S1EM030PK30S | 218 | S1EM112BB30S | 217 |
| RM1200U30 | 109 | S1EM045BB00 | 219 | S1EM112BK00 | 219 |
| RM1200U30E | 111 | S1EM045BB00S | 215 | S1EM112BK00S | 215 |
| RM1200U40 | 109 | S1EM045BB30 | 221 | S1EM112BK30 | 221 |
| RM1200U40E | 111 | S1EM045BB30S | 217 | S1EM112BK30S | 217 |
| S1EM015BB00 | 219 | S1EM045BK00 | 219 | S1EM112KB00 | 219 |
| S1EM015BB00S | 215 | S1EM045BK00S | 215 | S1EM112KB00S | 215 |
| S1EM015BB30 | 221 | S1EM045BK30 | 221 | S1EM112KB30 | 221 |
| S1EM015BB30S | 217 | S1EM045BK30S | 217 | S1EM112KB30S | 217 |
| S1EM015BK00 | 219 | S1EM045KB00 | 219 | S1EM112KK00 | 220 |
| S1EM015BK00S | 215 | S1EM045KB00S | 215 | S1EM112KK00S | 216 |
| S1EM015BK30 | 221 | S1EM045KB30 | 221 | S1EM112KK30 | 222 |
| S1EM015BK30S | 217 | S1EM045KB30S | 217 | S1EM112KK30S | 218 |
| S1EM015KB00 | 219 | S1EM045KK00 | 220 | S1EM112PB00 | 220 |
| S1EM015KB00S | 215 | S1EM045KK00S | 216 | S1EM112PB00S | 216 |
| S1EM015KB30 | 221 | S1EM045KK30 | 222 | S1EM112PB30 | 222 |
| S1EM015KB30S | 217 | S1EM045KK30S | 218 | S1EM112PB30S | 218 |
| S1EM015KK00 | 220 | S1EM045PB00 | 220 | S1EM112PK00 | 220 |
| S1EM015KK00S | 216 | S1EM045PB00S | 216 | S1EM112PK00S | 216 |
| S1EM015KK30 | 222 | S1EM045PB30 | 222 | S1EM112PK30 | 222 |
| S1EM015KK30S | 218 | S1EM045PB30S | 218 | S1EM112PK30S | 218 |
| S1EM015PB00 | 220 | S1EM045PK00 | 220 | S1EM150BB00 | 219 |
| S1EM015PB00S | 216 | S1EM045PK00S | 216 | S1EM150BB00S | 215 |
| S1EM015PB30 | 222 | S1EM045PK30 | 222 | S1EM150BB30 | 221 |
| S1EM015PB30S | 218 | S1EM045PK30S | 218 | S1EM150BB30S | 217 |
| S1EM015PK00 | 220 | S1EM075BB00 | 219 | S1EM150BK00 | 219 |
| S1EM015PK00S | 216 | S1EM075BB00S | 215 | S1EM150BK00S | 215 |
| S1EM015PK30 | 222 | S1EM075BB30 | 221 | S1EM150BK30 | 221 |
| S1EM015PK30S | 218 | S1EM075BB30S | 217 | S1EM150BK30S | 217 |

GENERAL
INFORMATION



GENERAL INFORMATION

ALPHA NUMERIC PART NUMBER INDEX

| Catalog Part No. | Catalog Page No. | Catalog Part No. | Catalog Page No. | Catalog Part No. | Catalog Page No. |
|------------------|------------------|------------------|------------------|------------------|------------------|
| S1EM150KB00 | 219 | S1EM300KK00 | 220 | S1EM750PB00 | 220 |
| S1EM150KB00S | 215 | S1EM300KK00S | 216 | S1EM750PB00S | 216 |
| S1EM150KB30 | 221 | S1EM300KK30 | 222 | S1EM750PB30 | 222 |
| S1EM150KB30S | 217 | S1EM300KK30S | 218 | S1EM750PB30S | 218 |
| S1EM150KK00 | 220 | S1EM300PB00 | 220 | S1EM750PK00 | 220 |
| S1EM150KK00S | 216 | S1EM300PB00S | 216 | S1EM750PK00S | 216 |
| S1EM150KK30 | 222 | S1EM300PB30 | 222 | S1EM750PK30 | 222 |
| S1EM150KK30S | 218 | S1EM300PB30S | 218 | S1EM750PK30S | 218 |
| S1EM150PB00 | 220 | S1EM300PK00 | 220 | SMF015BE | 176 |
| S1EM150PB00S | 216 | S1EM300PK00S | 216 | SMF015BEC | 178 |
| S1EM150PB30 | 222 | S1EM300PK30 | 222 | SMF015FE | 176 |
| S1EM150PB30S | 218 | S1EM300PK30S | 218 | SMF015FEC | 178 |
| S1EM150PK00 | 220 | S1EM500BB00 | 219 | SMF015HE | 177 |
| S1EM150PK00S | 216 | S1EM500BB00S | 215 | SMF015HEC | 179 |
| S1EM150PK30 | 222 | S1EM500BB30 | 221 | SMF015LE | 176 |
| S1EM150PK30S | 218 | S1EM500BB30S | 217 | SMF015LEC | 178 |
| S1EM225BB00 | 219 | S1EM500BK00 | 219 | SMF015PE | 177 |
| S1EM225BB00S | 215 | S1EM500BK00S | 215 | SMF015PEC | 179 |
| S1EM225BB30 | 221 | S1EM500BK30 | 221 | SMF015XE | 177 |
| S1EM225BB30S | 217 | S1EM500BK30S | 217 | SMF015XEC | 179 |
| S1EM225BK00 | 219 | S1EM500KB00 | 219 | SMF025BE | 176 |
| S1EM225BK00S | 215 | S1EM500KB00S | 215 | SMF025BEC | 178 |
| S1EM225BK30 | 221 | S1EM500KB30 | 221 | SMF025FE | 176 |
| S1EM225BK30S | 217 | S1EM500KB30S | 217 | SMF025FEC | 178 |
| S1EM225KB00 | 219 | S1EM500KK00 | 220 | SMF025HE | 177 |
| S1EM225KB00S | 215 | S1EM500KK00S | 216 | SMF025HEC | 179 |
| S1EM225KB30 | 221 | S1EM500KK30 | 222 | SMF025LE | 176 |
| S1EM225KB30S | 217 | S1EM500KK30S | 218 | SMF025LEC | 178 |
| S1EM225KK00 | 220 | S1EM500PB00 | 220 | SMF025PE | 177 |
| S1EM225KK00S | 216 | S1EM500PB00S | 216 | SMF025PEC | 179 |
| S1EM225KK30 | 222 | S1EM500PB30 | 222 | SMF025XE | 177 |
| S1EM225KK30S | 218 | S1EM500PB30S | 218 | SMF025XEC | 179 |
| S1EM225PB00 | 220 | S1EM500PK00 | 220 | SMF037BE | 176 |
| S1EM225PB00S | 216 | S1EM500PK00S | 216 | SMF037BEC | 178 |
| S1EM225PB30 | 222 | S1EM500PK30 | 222 | SMF037FE | 176 |
| S1EM225PB30S | 218 | S1EM500PK30S | 218 | SMF037FEC | 178 |
| S1EM225PK00 | 220 | S1EM750BB00 | 219 | SMF037HE | 177 |
| S1EM225PK00S | 216 | S1EM750BB00S | 215 | SMF037HEC | 179 |
| S1EM225PK30 | 222 | S1EM750BB30 | 221 | SMF037LE | 176 |
| S1EM225PK30S | 218 | S1EM750BB30S | 217 | SMF037LEC | 178 |
| S1EM300BB00 | 219 | S1EM750BK00 | 219 | SMF037PE | 177 |
| S1EM300BB00S | 215 | S1EM750BK00S | 215 | SMF037PEC | 179 |
| S1EM300BB30 | 221 | S1EM750BK30 | 221 | SMF037XE | 177 |
| S1EM300BB30S | 217 | S1EM750BK30S | 217 | SMF037XEC | 179 |
| S1EM300BK00 | 219 | S1EM750KB00 | 219 | SMF050BE | 176 |
| S1EM300BK00S | 215 | S1EM750KB00S | 215 | SMF050BEC | 178 |
| S1EM300BK30 | 221 | S1EM750KB30 | 221 | SMF050FE | 176 |
| S1EM300BK30S | 217 | S1EM750KB30S | 217 | SMF050FEC | 178 |
| S1EM300KB00 | 219 | S1EM750KK00 | 220 | SMF050HE | 177 |
| S1EM300KB00S | 215 | S1EM750KK00S | 216 | SMF050HEC | 179 |
| S1EM300KB30 | 221 | S1EM750KK30 | 222 | SMF050LE | 176 |
| S1EM300KB30S | 217 | S1EM750KK30S | 218 | SMF050LEC | 178 |

GENERAL INFORMATION



GENERAL INFORMATION

ALPHA NUMERIC PART NUMBER INDEX

| Catalog Part No. | Catalog Page No. | Catalog Part No. | Catalog Page No. | Catalog Part No. | Catalog Page No. |
|------------------|------------------|------------------|------------------|------------------|------------------|
| SMF050PE..... | 177 | SMK015BB..... | 181 | SMK045KK..... | 183 |
| SMF050PEC..... | 179 | SMK015BBCN..... | 185 | SMK045KKC..... | 187 |
| SMF050XE..... | 177 | SMK015BK..... | 181 | SMK045PB..... | 183 |
| SMF050XEC..... | 179 | SMK015BKCN..... | 185 | SMK045PBC..... | 187 |
| SMF075BE..... | 176 | SMK015DB..... | 181 | SMK045PD..... | 183 |
| SMF075BEC..... | 178 | SMK015DBCN..... | 185 | SMK045PDC..... | 187 |
| SMF075FE..... | 176 | SMK015DK..... | 182 | SMK045PK..... | 184 |
| SMF075FEC..... | 178 | SMK015DKCN..... | 186 | SMK045PKC..... | 188 |
| SMF075HE..... | 177 | SMK015KB..... | 182 | SMK075BB..... | 181 |
| SMF075HEC..... | 179 | SMK015KBCN..... | 186 | SMK075BBC..... | 185 |
| SMF075LE..... | 176 | SMK015KD..... | 182 | SMK075BK..... | 181 |
| SMF075LEC..... | 178 | SMK015KDCN..... | 186 | SMK075BKC..... | 185 |
| SMF075PE..... | 177 | SMK015KK..... | 183 | SMK075DB..... | 181 |
| SMF075PEC..... | 179 | SMK015KKCN..... | 187 | SMK075DBC..... | 185 |
| SMF075XE..... | 177 | SMK015PB..... | 183 | SMK075DK..... | 182 |
| SMF075XEC..... | 179 | SMK015PBCN..... | 187 | SMK075DKC..... | 186 |
| SMF100BE..... | 176 | SMK015PD..... | 183 | SMK075KB..... | 182 |
| SMF100BEC..... | 178 | SMK015PDCN..... | 187 | SMK075KBC..... | 186 |
| SMF100FE..... | 176 | SMK015PK..... | 184 | SMK075KD..... | 182 |
| SMF100FEC..... | 178 | SMK015PKCN..... | 188 | SMK075KDC..... | 186 |
| SMF100HE..... | 177 | SMK030BB..... | 181 | SMK075KK..... | 183 |
| SMF100HEC..... | 179 | SMK030BBC..... | 185 | SMK075KKC..... | 187 |
| SMF100LE..... | 176 | SMK030BK..... | 181 | SMK075PB..... | 183 |
| SMF100LEC..... | 178 | SMK030BKC..... | 185 | SMK075PBC..... | 187 |
| SMF100PE..... | 177 | SMK030DB..... | 181 | SMK075PD..... | 183 |
| SMF100PEC..... | 179 | SMK030DBC..... | 185 | SMK075PDC..... | 187 |
| SMF100XE..... | 177 | SMK030DK..... | 182 | SMK075PK..... | 184 |
| SMF100XEC..... | 179 | SMK030DKC..... | 186 | SMK075PKC..... | 188 |
| SMF150BE..... | 176 | SMK030KB..... | 182 | SMK112BB..... | 181 |
| SMF150BEC..... | 178 | SMK030KBCN..... | 186 | SMK112BBC..... | 185 |
| SMF150FE..... | 176 | SMK030KD..... | 182 | SMK112BK..... | 181 |
| SMF150FEC..... | 178 | SMK030KDCN..... | 186 | SMK112BKC..... | 185 |
| SMF150HE..... | 177 | SMK030KK..... | 183 | SMK112DB..... | 181 |
| SMF150HEC..... | 179 | SMK030KKCN..... | 187 | SMK112DBC..... | 185 |
| SMF150LE..... | 176 | SMK030PB..... | 183 | SMK112DK..... | 182 |
| SMF150LEC..... | 178 | SMK030PBCN..... | 187 | SMK112DKC..... | 186 |
| SMF150PE..... | 177 | SMK030PD..... | 183 | SMK112KB..... | 182 |
| SMF150PEC..... | 179 | SMK030PDC..... | 187 | SMK112KBC..... | 186 |
| SMF150XE..... | 177 | SMK030PK..... | 184 | SMK112KD..... | 182 |
| SMF150XEC..... | 179 | SMK030PKCN..... | 188 | SMK112KDC..... | 186 |
| SMF167BE..... | 176 | SMK045BB..... | 181 | SMK112KK..... | 183 |
| SMF167BEC..... | 178 | SMK045BBC..... | 185 | SMK112KKC..... | 187 |
| SMF167FE..... | 176 | SMK045BK..... | 181 | SMK112PB..... | 183 |
| SMF167FEC..... | 178 | SMK045BKC..... | 185 | SMK112PBC..... | 187 |
| SMF167HE..... | 177 | SMK045DB..... | 181 | SMK112PD..... | 183 |
| SMF167HEC..... | 179 | SMK045DBC..... | 185 | SMK112PDC..... | 187 |
| SMF167LE..... | 176 | SMK045DK..... | 182 | SMK112PK..... | 184 |
| SMF167LEC..... | 178 | SMK045DKC..... | 186 | SMK112PKC..... | 188 |
| SMF167PE..... | 177 | SMK045KB..... | 182 | SMK150BB..... | 181 |
| SMF167PEC..... | 179 | SMK045KBC..... | 186 | SMK150BBC..... | 185 |
| SMF167XE..... | 177 | SMK045KD..... | 182 | SMK150BK..... | 181 |
| SMF167XEC..... | 179 | SMK045KDC..... | 186 | SMK150BKC..... | 185 |

GENERAL INFORMATION



GENERAL INFORMATION

ALPHA NUMERIC PART NUMBER INDEX

| Catalog Part No. | Catalog Page No. | Catalog Part No. | Catalog Page No. | Catalog Part No. | Catalog Page No. |
|------------------|------------------|------------------|------------------|------------------|------------------|
| SMK150DB | 181 | SMK300PD | 183 | SMT13K015PBKN | 201 |
| SMK150DBC | 185 | SMK300PDC | 187 | SMT13K015PBS | 199 |
| SMK150DK | 182 | SMK300PK | 184 | SMT13K015PKKN | 201 |
| SMK150DKC | 186 | SMK300PKC | 188 | SMT13K015PKS | 199 |
| SMK150KB | 182 | SMK500BB | 181 | SMT13K030BBKN | 200 |
| SMK150KBC | 186 | SMK500BBC | 185 | SMT13K030BBS | 198 |
| SMK150KD | 182 | SMK500BK | 181 | SMT13K030BKKN | 200 |
| SMK150KDC | 186 | SMK500BKC | 185 | SMT13K030BKS | 198 |
| SMK150KK | 183 | SMK500DB | 181 | SMT13K030KBKN | 200 |
| SMK150KKC | 187 | SMK500DBC | 185 | SMT13K030KBS | 198 |
| SMK150PB | 183 | SMK500DK | 182 | SMT13K030KKN | 201 |
| SMK150PBC | 187 | SMK500DKC | 186 | SMT13K030KKS | 199 |
| SMK150PD | 183 | SMK500KB | 182 | SMT13K030PBKN | 201 |
| SMK150PDC | 187 | SMK500KBC | 186 | SMT13K030PBS | 199 |
| SMK150PK | 184 | SMK500KDC | 182 | SMT13K030PKKN | 201 |
| SMK150PKC | 188 | SMK500KDC | 186 | SMT13K030PKS | 199 |
| SMK225BB | 181 | SMK500KK | 183 | SMT13K045BBK | 200 |
| SMK225BBC | 185 | SMK500KKC | 187 | SMT13K045BBS | 198 |
| SMK225BK | 181 | SMK500PB | 183 | SMT13K045BKK | 200 |
| SMK225BKC | 185 | SMK500PBC | 187 | SMT13K045BKS | 198 |
| SMK225DB | 181 | SMK500PD | 183 | SMT13K045KBK | 200 |
| SMK225DBC | 185 | SMK500PDC | 187 | SMT13K045KBS | 198 |
| SMK225DK | 182 | SMK500PK | 184 | SMT13K045KKK | 201 |
| SMK225DKC | 186 | SMK500PKC | 188 | SMT13K045KKS | 199 |
| SMK225KB | 182 | SMK750BB | 181 | SMT13K045PBK | 201 |
| SMK225KBC | 186 | SMK750BBC | 185 | SMT13K045PBS | 199 |
| SMK225KD | 182 | SMK750BK | 181 | SMT13K045PKK | 201 |
| SMK225KDC | 186 | SMK750BKC | 185 | SMT13K045PKS | 199 |
| SMK225KK | 183 | SMK750DB | 181 | SMT13K075BBK | 200 |
| SMK225KKC | 187 | SMK750DBC | 185 | SMT13K075BBS | 198 |
| SMK225PB | 183 | SMK750DK | 182 | SMT13K075BKK | 200 |
| SMK225PBC | 187 | SMK750DKC | 186 | SMT13K075BKS | 198 |
| SMK225PD | 183 | SMK750KB | 182 | SMT13K075KBK | 200 |
| SMK225PDC | 187 | SMK750KBC | 186 | SMT13K075KBS | 198 |
| SMK225PK | 184 | SMK750KD | 182 | SMT13K075KKK | 201 |
| SMK225PKC | 188 | SMK750KDC | 186 | SMT13K075KKS | 199 |
| SMK300BB | 181 | SMK750KK | 183 | SMT13K075PBK | 201 |
| SMK300BBC | 185 | SMK750KKC | 187 | SMT13K075PBS | 199 |
| SMK300BK | 181 | SMK750PB | 183 | SMT13K075PKK | 201 |
| SMK300BKC | 185 | SMK750PBC | 187 | SMT13K075PKS | 199 |
| SMK300DB | 181 | SMK750PD | 183 | SMT13K112BBK | 200 |
| SMK300DBC | 185 | SMK750PDC | 187 | SMT13K112BBS | 198 |
| SMK300DK | 182 | SMK750PK | 184 | SMT13K112BKK | 200 |
| SMK300DKC | 186 | SMK750PKC | 188 | SMT13K112BKS | 198 |
| SMK300KB | 182 | SMT13K015BBKN | 200 | SMT13K112KBK | 200 |
| SMK300KBC | 186 | SMT13K015BBS | 198 | SMT13K112KBS | 198 |
| SMK300KD | 182 | SMT13K015BKKN | 200 | SMT13K112KKK | 201 |
| SMK300KDC | 186 | SMT13K015BKS | 198 | SMT13K112KKS | 199 |
| SMK300KK | 183 | SMT13K015KBKN | 200 | SMT13K112PBK | 201 |
| SMK300KKC | 187 | SMT13K015KBS | 198 | SMT13K112PBS | 199 |
| SMK300PB | 183 | SMT13K015KKN | 201 | SMT13K112PKK | 201 |
| SMK300PBC | 187 | SMT13K015KKS | 199 | SMT13K112PKS | 199 |

GENERAL INFORMATION

ALPHA NUMERIC PART NUMBER INDEX

| Catalog Part No. | Catalog Page No. | Catalog Part No. | Catalog Page No. | Catalog Part No. | Catalog Page No. |
|-------------------|------------------|-------------------|------------------|------------------|------------------|
| SMT13K150BBK..... | 200 | SMT13K750KBK..... | 200 | SP350ACP..... | 48 |
| SMT13K150BBS..... | 198 | SMT13K750KBS..... | 198 | SP350AR..... | 48 |
| SMT13K150BKK..... | 200 | SMT13K750KKK..... | 201 | SP350KHP..... | 50 |
| SMT13K150BKS..... | 198 | SMT13K750KKS..... | 199 | SP350KHR..... | 50 |
| SMT13K150KBK..... | 200 | SMT13K750PBK..... | 201 | SP350MQMJ..... | 49 |
| SMT13K150KBS..... | 198 | SMT13K750PBS..... | 199 | SP350NJ..... | 51 |
| SMT13K150KKK..... | 201 | SMT13K750PKK..... | 201 | SP350PR..... | 51 |
| SMT13K150KKS..... | 199 | SMT13K750PKS..... | 199 | SP350QR..... | 49 |
| SMT13K150PBK..... | 201 | SP1000ACP..... | 48 | SP350SP..... | 52 |
| SMT13K150PBS..... | 199 | SP1000KHP..... | 50 | SP350SR..... | 52 |
| SMT13K150PKK..... | 201 | SP1000MQMJ..... | 49 | SP5000ACP..... | 48 |
| SMT13K150PKS..... | 199 | SP1000NJ..... | 51 | SP5000MQMJ..... | 49 |
| SMT13K225BBK..... | 200 | SP1000SP..... | 52 | SP500ACP..... | 48 |
| SMT13K225BBS..... | 198 | SP100ACP..... | 48 | SP500AR..... | 48 |
| SMT13K225BKK..... | 200 | SP100AR..... | 48 | SP500KHP..... | 50 |
| SMT13K225BKS..... | 198 | SP100KHP..... | 50 | SP500KHR..... | 50 |
| SMT13K225KBK..... | 200 | SP100KHR..... | 50 | SP500MQMJ..... | 49 |
| SMT13K225KBS..... | 198 | SP100MQMJ..... | 49 | SP500NJ..... | 51 |
| SMT13K225KKK..... | 201 | SP100NJ..... | 51 | SP500PR..... | 51 |
| SMT13K225KKS..... | 199 | SP100PR..... | 51 | SP500QR..... | 49 |
| SMT13K225PBK..... | 201 | SP100QR..... | 49 | SP500SP..... | 52 |
| SMT13K225PBS..... | 199 | SP100SP..... | 52 | SP500SR..... | 52 |
| SMT13K225PKK..... | 201 | SP100SR..... | 52 | SP50ACP..... | 48 |
| SMT13K225PKS..... | 199 | SP1500ACP..... | 48 | SP50AR..... | 48 |
| SMT13K300BBK..... | 200 | SP1500KHP..... | 50 | SP50KHP..... | 50 |
| SMT13K300BBS..... | 198 | SP1500MQMJ..... | 49 | SP50KHR..... | 50 |
| SMT13K300BKK..... | 200 | SP1500NJ..... | 51 | SP50MQMJ..... | 49 |
| SMT13K300BKS..... | 198 | SP1500SP..... | 52 | SP50NJ..... | 51 |
| SMT13K300KBK..... | 200 | SP150ACP..... | 48 | SP50PR..... | 51 |
| SMT13K300KBS..... | 198 | SP150AR..... | 48 | SP50QR..... | 49 |
| SMT13K300KKK..... | 201 | SP150KHP..... | 50 | SP50SP..... | 52 |
| SMT13K300KKS..... | 199 | SP150KHR..... | 50 | SP50SR..... | 52 |
| SMT13K300PBK..... | 201 | SP150MQMJ..... | 49 | SP750ACP..... | 48 |
| SMT13K300PBS..... | 199 | SP150NJ..... | 51 | SP750KHP..... | 50 |
| SMT13K300PKK..... | 201 | SP150PR..... | 51 | SP750MQMJ..... | 49 |
| SMT13K300PKS..... | 199 | SP150QR..... | 49 | SP750NJ..... | 51 |
| SMT13K500BBK..... | 200 | SP150SP..... | 52 | SP750SP..... | 52 |
| SMT13K500BBS..... | 198 | SP150SR..... | 52 | SPFBK1..... | 53 |
| SMT13K500BKK..... | 200 | SP2000ACP..... | 48 | SPFG1..... | 53 |
| SMT13K500BKS..... | 198 | SP2000MQMJ..... | 49 | Y003CECB..... | 247 |
| SMT13K500KBK..... | 200 | SP250ACP..... | 48 | Y003PKCB..... | 247 |
| SMT13K500KBS..... | 198 | SP250AR..... | 48 | Y003QTCB..... | 247 |
| SMT13K500KKK..... | 201 | SP250KHP..... | 50 | Y006CECB..... | 247 |
| SMT13K500KKS..... | 199 | SP250KHR..... | 50 | Y006PKCB..... | 247 |
| SMT13K500PBK..... | 201 | SP250MQMJ..... | 49 | Y006QTCB..... | 247 |
| SMT13K500PBS..... | 199 | SP250NJ..... | 51 | Y009CECB..... | 247 |
| SMT13K500PKK..... | 201 | SP250PR..... | 51 | Y009PKCB..... | 247 |
| SMT13K500PKS..... | 199 | SP250QR..... | 49 | Y009QTCF..... | 247 |
| SMT13K750BBK..... | 200 | SP250SP..... | 52 | Y015CECB..... | 247 |
| SMT13K750BBS..... | 198 | SP250SR..... | 52 | Y015PKCB..... | 247 |
| SMT13K750BKK..... | 200 | SP3000ACP..... | 48 | Y015QTCF..... | 247 |
| SMT13K750BKS..... | 198 | SP3000MQMJ..... | 49 | Y030CECF..... | 247 |

GENERAL INFORMATION



GENERAL INFORMATION

ALPHA NUMERIC PART NUMBER INDEX

| Catalog Part No. | Catalog Page No. | Catalog Part No. | Catalog Page No. | Catalog Part No. | Catalog Page No. |
|------------------|------------------|------------------|------------------|------------------|------------------|
| Y030PKCF | 247 | | | | |
| Y030QTCN | 247 | | | | |
| Y045CECF | 247 | | | | |
| Y045PKCN | 247 | | | | |
| Y045QTC | 247 | | | | |
| Y075CECN | 247 | | | | |
| Y075PKCN | 247 | | | | |
| Y075QTC | 247 | | | | |
| Y112PKC | 247 | | | | |
| Y112QTC | 247 | | | | |
| Y150PKC | 247 | | | | |
| Y150QTC | 247 | | | | |
| Y225PKC | 247 | | | | |
| Y225QTC | 247 | | | | |
| Y300PKC | 247 | | | | |
| Y500PKC | 247 | | | | |

Page Intentionally Left Blank

GENERAL
INFORMATION



GENERAL INFORMATION

ALPHA NUMERIC PART NUMBER INDEX

| Catalog Part No. | Catalog Page No. | Catalog Part No. | Catalog Page No. | Catalog Part No. | Catalog Page No. |
|-------------------------------|------------------|------------------|------------------|------------------|------------------|
| Page Intentionally Left Blank | | | | | |

GENERAL
INFORMATION



GENERAL INFORMATION

ALPHA NUMERIC PART NUMBER INDEX

| Catalog Part No. | Catalog Page No. | Catalog Part No. | Catalog Page No. | Catalog Part No. | Catalog Page No. |
|-------------------------------|------------------|------------------|------------------|------------------|------------------|
| Page Intentionally Left Blank | | | | | |

GENERAL INFORMATION



GENERAL INFORMATION

ALPHA NUMERIC PART NUMBER INDEX

| Catalog Part No. | Catalog Page No. | Catalog Part No. | Catalog Page No. | Catalog Part No. | Catalog Page No. |
|-------------------------------|------------------|------------------|------------------|------------------|------------------|
| Page Intentionally Left Blank | | | | | |

GENERAL
INFORMATION



GENERAL INFORMATION

Yes, I am interested in receiving the following information on other HPS Products.

| Literature Name | Code | Qty |
|--|----------|-------|
| Showcase of Products Brochure | SCOPB | _____ |
| Transformer Products Catalog | HTP-12 | _____ |
| Medium Voltage Dry-Type Distribution (Power) Transformers | HPWR | _____ |
| Capabilities Brochure | HPSCB8 | _____ |
| Energy Efficient Distribution Transformer Brochure | ENEDIS | _____ |
| HPS Spartan® Industrial Open Core & Coil Control Transformer Brochure | SPACON | _____ |
| HPS Imperator® Encapsulated Machine Tool Industrial Control Transformers | ENCCON | _____ |
| HPS Fortress™ Commercial Encapsulated Brochure | FORPOT | _____ |
| HPS Titan® Series Encapsulated Distribution Transformer Brochure | TSETB8 | _____ |
| HPS PowerPlus™ Mini Power Center Brochure | PWRPLS11 | _____ |
| Installation, Operation & Maintenance Guide - For Dry-Type Transformer Which utilize a NH Series, NJ1, NJ2, NJ3 Or NJ4 Enclosure | IOMGDDI | _____ |
| Installation, Operation & Maintenance Guide - For Single Phase Encapsulated Transformers Up To 50 kVA | IOMGE1PH | _____ |
| Installation, Operation & Maintenance Guide - For Three Phase Encapsulated Transformers Up To 150 kVA | IOMGE3PH | _____ |
| Installation, Operation & Maintenance Guide - For Dry-Type Transformer Which Utilize A NJ6, NJ7 or P Series Enclosure | IOMGPOW | _____ |

The literature listed above is available either electronically as a free PDF download or paper copies. To access the free PDF versions, please go to "http://www.hammondpowersolutions.com/products/product_literature/index.php". To receive paper copies of any of the catalogs, brochures or flyers shown above, please fill in the information below, photocopy this page and fax it to the following:

FAX TO: Literature Services
 Hammond Power Solutions Inc.
 Canada: (519) 822-9688
 U.S.: (608) 356-2080

E-MAIL: catalog@hammondpowersolutions.com
Web: www.hammondpowersolutions.com

My need for Transformer Products is Immediate Future

Please send me the name of your local HPS Sales Representative

Please provide me with the name of the local Authorized HPS Distributor

Name: _____

E-Mail Address: _____

Company: _____

Address: _____

City, State: _____

Zip Code: _____

Telephone: _____

Fax: _____

Please check one:

- | | |
|---|---|
| <input type="checkbox"/> Electrical Distributor | <input type="checkbox"/> Electronic Distributor |
| <input type="checkbox"/> Contractor | <input type="checkbox"/> Panel Builder |
| <input type="checkbox"/> MRO | <input type="checkbox"/> OEM |
| <input type="checkbox"/> Consultant | <input type="checkbox"/> Engineering Firm |
| <input type="checkbox"/> Other: _____ | |

GENERAL INFORMATION

