



Westwind™ Single Handle Kitchen Faucet, Pull Down Spray, Deckplate Optional, Stainless Steel, 1.8GPM

Part #: 211805

USN #: 320467647

Features

- Metal Lever Handle
- Ceramic Cartridge
- Requires 1-Hole or 3-Hole Installation
- Quick Install Mounting Nut
- Optional Deckplate Included
- Includes Braided Supply Hose
- 26 11/16" Supply Line (from Bottom of Faucet)
- 2 3/8" Max Deck Thickness

Performance

- Max Flow Rate 1.8 gpm (6.8L/Min) At 60 psi (ASME A112.18.1 / CSA B125.1)

Compliance Certifications

- cUPC/IAPMO Listed
- ADA Compliant
- NSF 61-9 Compliant
- CA AB1953
- DOE
- CEC
- Commonwealth of Massachusetts
- NSF/ANSI/CAN 61: Q≤ 1

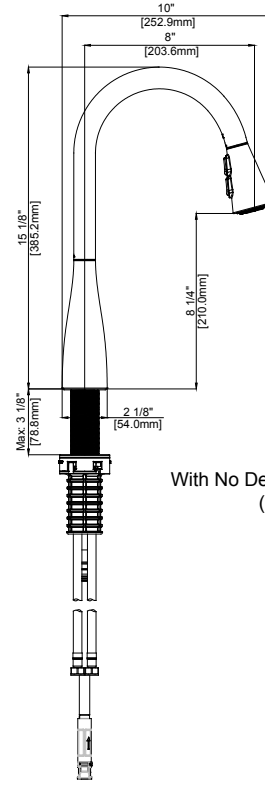
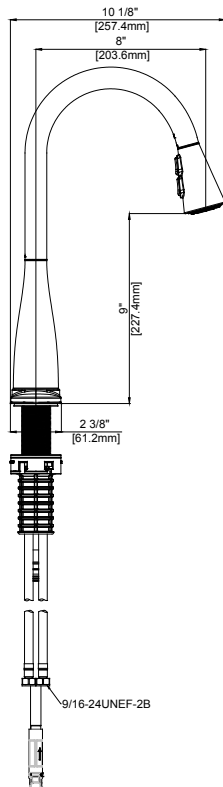
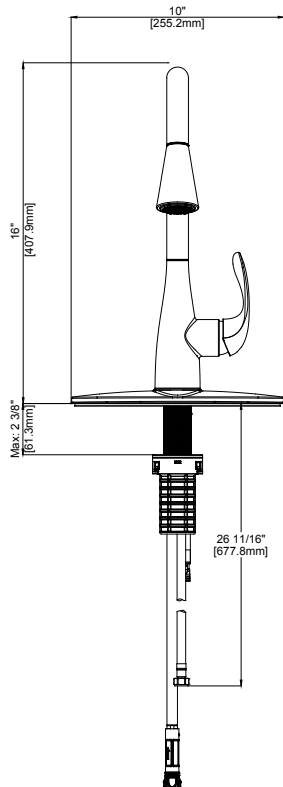
Manufacturer's Warranty

- Limited Lifetime

Similar Products

Part #: 211804
USN #: 320467652

Chrome



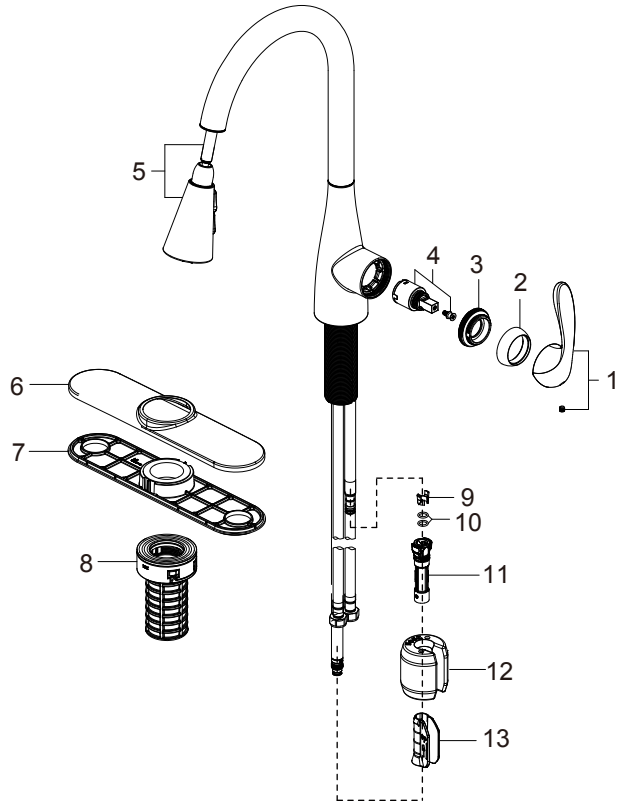
With No Deckplate Installation (optional)





Westwind™ Single Handle Kitchen Faucet, Pull Down Spray, Deckplate Optional, Stainless Steel, 1.8GPM

Replacement Parts / Repuestos



Part Pieza	Description Descripción	Part # Pieza #	USN # USN #
1	Handle Assembly / Ensamblaje de la Llave	158776	
2	Cap / Tapa	158731	
3	Bonnet Nut / Tuerca del Bonete	158751	
4	Cartridge & Screw / Cartucho y Tornillo	158734	322096662
5	Spray Head and Hose / Cabezal Rociador y Manguera	158789	322096459
6	Deckplate / Placa de la Cubierta	158788	
7	Gasket / Junta	158728	
8	Quick Install Nut / Tuerca de Instalación Rápida	158759	322096831
9	Block / Bloque	158753	322096830
10	O-Ring / Aro Tórico	158791	322096817
11	Quick Connect Assembly / Ensamblaje del Conector Rápido	158772	322096433
12	Weight / Peso	158760	
13	Weight Clip / Sujetador Con Peso	158769	