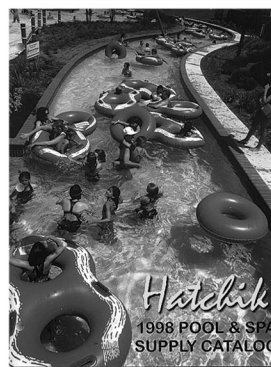
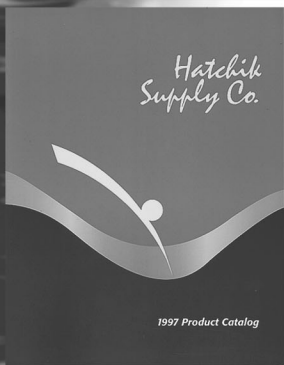
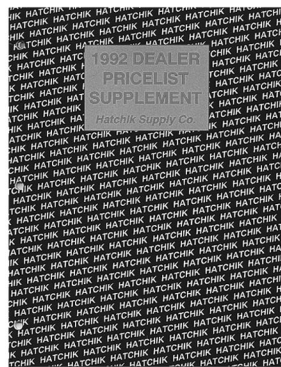
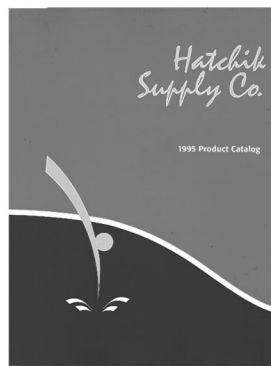
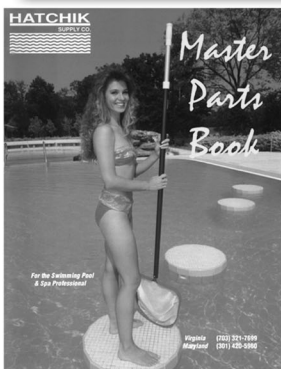
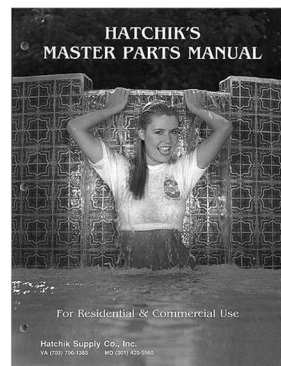
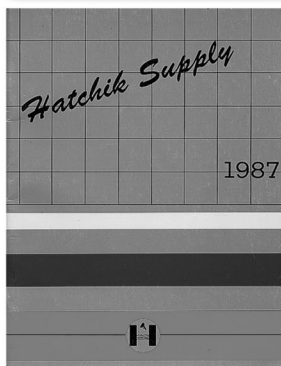
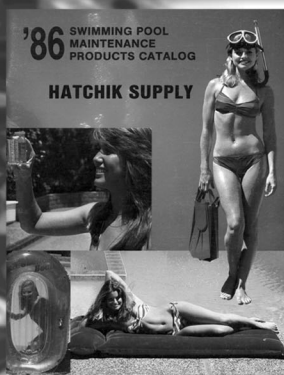
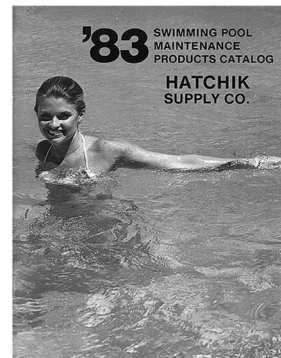
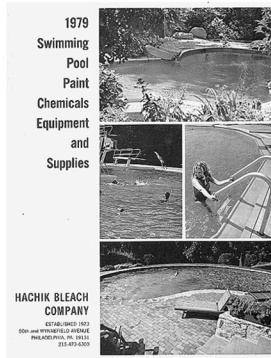
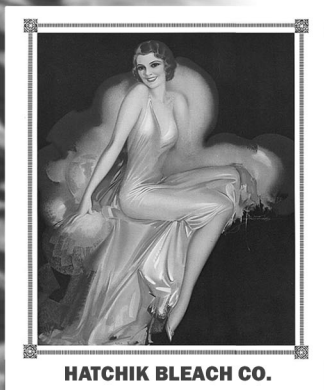


Hatchik Supply Company

Master Parts Archive

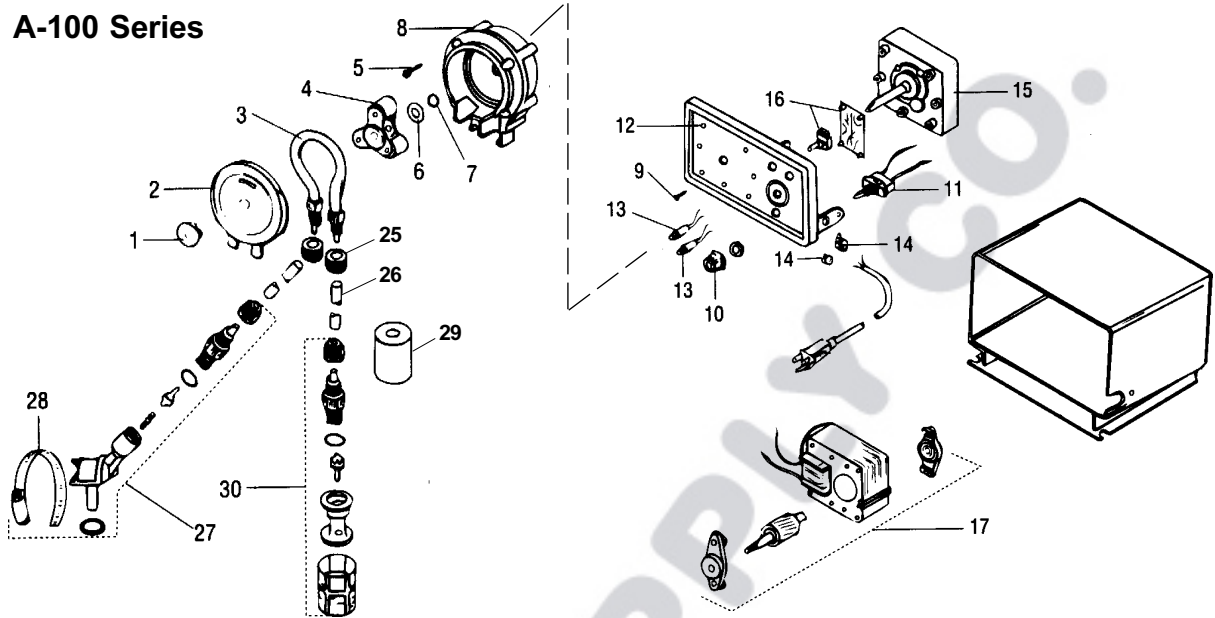


Over 70 Years!

Alden Leeds (Divert-a-Trol)	5
Bio-Lab (Hydrotech) Brominator CR8.14 thru CR8.45	6
Bio-Lab MA Chlorinator	5
Blue White FlexFlo, A-100 Series	3
Blue White High Pressure Chlorinator	4
Hayward Chlorine Feeder, CL-110 Series	7
Hayward Chlorine Feeder, CL-200 & CL-220 Series	8
Hayward Chlorine Feeder, C250CF, C500CF, C1100CF & C1800CF	7
Frog & New Water Above - Ground Cyclers (100, 130, 200, 5100 & 5200)	9
Frog & New Water Inground Cyclers (400, 430, 600, 630, 5400 & 5600)	10
King Tech Peform-Max, Models 940, 960 & 980	12
King Tech Sani-King Spa Feeder Models 740	13
King Tech Sani-King Above Ground, Models 910 & 930	11
Nature 2, "A" Unit	14
Nature 2, "M" Unit	14
Nature 2, "G" Unit	15
PPG Chlorinators, N-200	16
Pulsafeeder (Chem-Tech), 200 Series	17
Pulsafeeder (Mec-O-Matic) Dolphin Series, 10, 50 & 75	18
Pulsafeeder (Mec-O-Matic) G-D Piston Series	19
Rainbow Chlorinators, Models 300 & 320 N.S	20
Rola-Chem RC-25/50, RC-100 (New Style) & RC-500	22
Rola-Chem RC-25 (Interrupter Model)	21
Rola-Chem RC-50, RC-100 (Interrupter Models)	23
Stenner Check Valve Parts	25
Stenner Peristaltic Pumps	24
Watermatic Dichlor Feeder System (G-1000 Dispenser)	26,27
Unichlor Chlorine Generator (Antho-Pure)	28

BLUE WHITE FLEXFLO FEEDERS

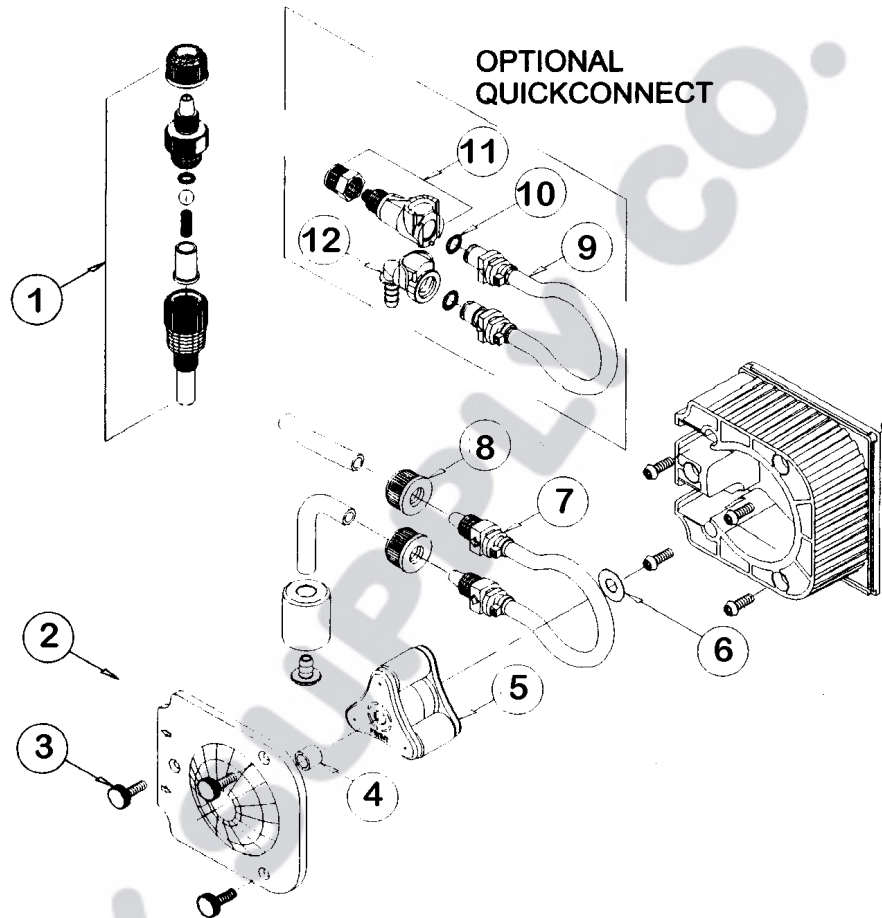
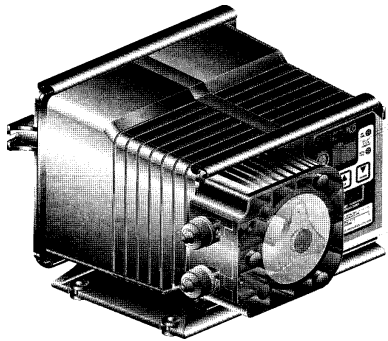
A-100 Series



KEY	MFG. NO.	DESCRIPTION	ITEM NO.
1	A-011	Retaining Knob for Pump Head Cover	C1406
2	A-001	Pump Head Cover	C1420
3	A-002-4	1/4" O.D. Pump Tube Assembly	C1401
3	A-002-6	3/8" O.D. Pump Tube Assembly	C1400
3	A-002-7	7/16" O.D. Pump Tube Assembly	C1418
3	A-002-7N	7/16" O.D. Pump Tube Assembly (Neoprene)	C1417
4	A-003	Roller Assembly for Pump Head	C1422
5	A-004	Mounting Screw 10 - 32 x 3/4" for Pump Head	C1423
6	A-031	Spacer for Pump Head	C1465
7	2-010E	Motor Shaft Seal	C1409
8	A-005	Pump Head Casing	C1424
10	A-032	Timer Control Knob	C1466
11	A-022	Power Toggle Switch	C1473
12	A-007-B	Panel Front with Gasket	C1421
13	R-212-1	Indicator Light for 115V Models	C1458
15	A-008-1	Gear Box Assembly - 14 RPM	C1427
15	A-008-2	Gear Box Assembly - 30 RPM	C1425
15	A-008-3	Gear Box Assembly - 45 RPM	C1426
16	A-023N-B	Electronic Timer Assembly - 1 Minute	C1460
25	C-330-4	Tube Nut Only for 1/4" O.D. Tubing	C1402
25	C-330-6	Tube Nut Only for 3/8" O.D. Tubing	C1408
26	C-334-4-10	Tubing 1/4" O.D. - Per Foot	C1102
26	C-334-6-10	Tubing 3/8" O.D. - Per Foot	C1104
27	TI40-4V	Threadless Injection Fitting for 1/4" O.D. Tube w/ Clamp	C1433
27	TI40-6V	Threadless Injection Fitting for 3/8" O.D. Tube w/ Clamp	C1432
---	A-014-4V	Anti-Siphon Injection Valve for 1/4" O.D. Tubing	C1405
---	A-014-6V	Anti-Siphon Injection Valve for 3/8" O.D. Tubing	C1404
---	A-014HD-4V	H.D. Anti-Siphon Injection Valve for 1/4" O.D. Tubing	C1411
---	A-014HD-6V	H.D. Anti-Siphon Injection Valve for 3/8" O.D. Tubing	C1407
28	CF-3040	S.S. Clamp - Fits 1" Through 2-1/2" Pipe	C1413
29	C-346	Ceramic Foot Valve Weight	C1470
30	C-340-4V	Combination Foot Valve/Strainer - 1/4" O.D.	C1415
30	C-340-6V	Combination Foot Valve/Strainer - 3/8" O.D.	C1450

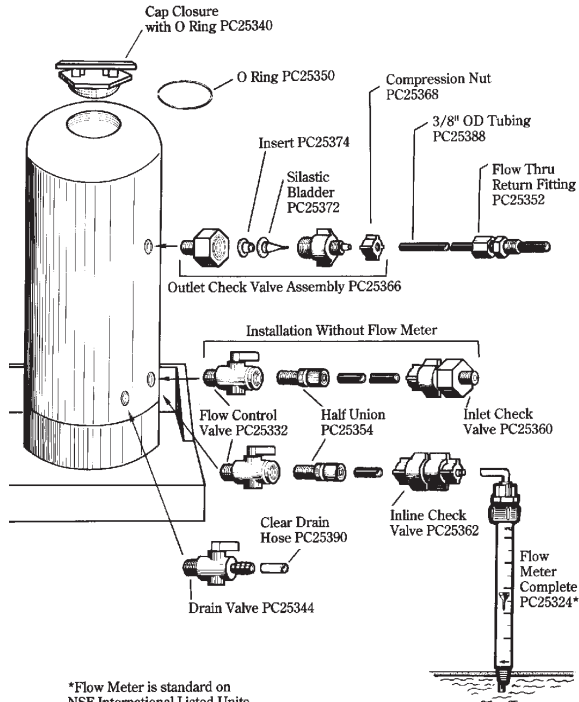
BLUE WHITE HIGH PRESSURE CHLORINATOR

Standard
A-100N Series



KEY	MFG NO.	DESCRIPTION	ITEM NO.
1	A014HD-6V	Antisiphon Valve 3/8" H.D. (Injection Fitting)	C1407
2	71000-156	Pump Head Cover with Bearing	C1451
3	90011-160	Cover Screw for Pump Head	C1454
4	76001-003	Sleeve Bearing for Pump Head	C1455
5	71000-159	Roller Assembly	C1456
6	90011-014	Spacer, Rotor	C1459
7	A-002N-4T	Pump Tube Assembly, 1/4" O.D.	C1401
7	A-002N-6T	Pump Tube Assembly, 3/8" O.D.	C1400
8	C-330-6	Tube Nut	C1408
9	A-002N-4Q	Pump Tube Assembly, 1/4" O.D. - Quick Connect	C1446
10	A-002N-6Q	Pump Tube Assembly, 3/8" O.D. - Quick Connect	C1447
11	90008-300	Quick Connect Outlet Fitting	C1471
12	90008-299	Quick Connect Inlet Fitting	C1472
---	72000-181	Accessories Kit (ASV Valve, Strainer, Ceramic, Tube Nut)	C1477
---	72000-183	Accessories Kit (ASV Valve, Strainer, Ceramic, Quick Connect)	C1479
---	90010-151	1 Minute Timer, 24V, 115V, 230V	C1482

BIO-LAB MA CHLORINATOR

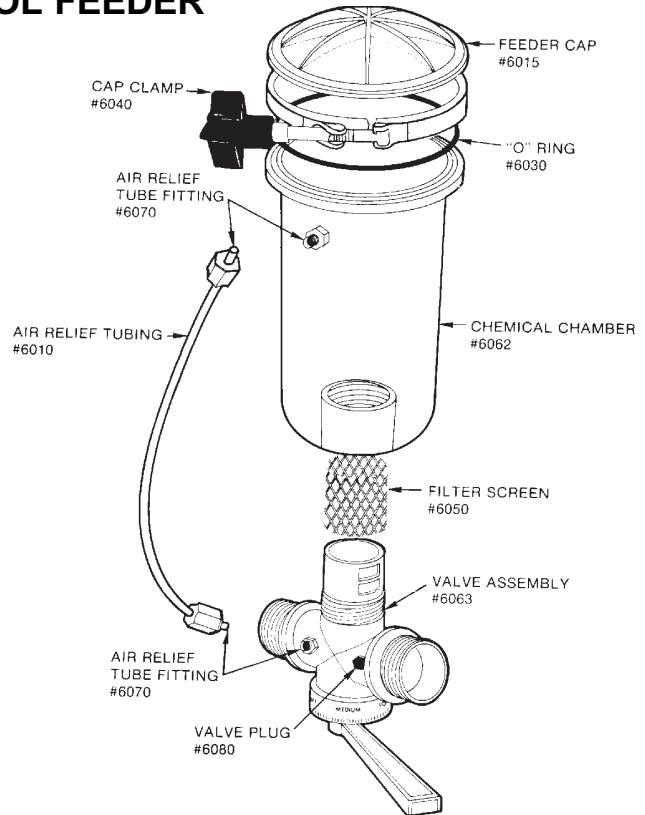


*Flow Meter is standard on NSF International Listed Units.

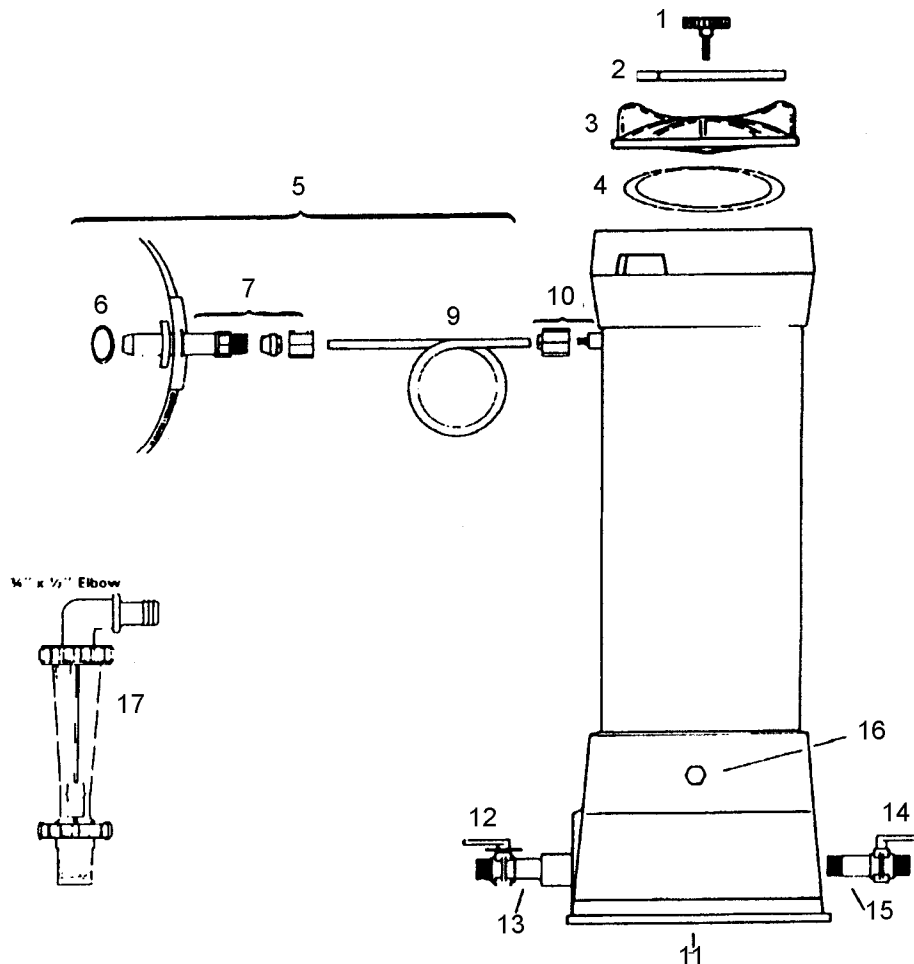
MFG NO.	DESCRIPTION	ITEM NO.
25340 000	Cap Closure with O-Ring	A7405
25350 000	O-Ring for Cap Closure	A7407
25366 000	Outlet Check Valve Assy	A7412
25374 000	Insert	A7416
25372 000	Silastic Bladder	A7415
25368 000	Compression Nut	A7413
25388 000	3/8" O.D. Tubing, 20 FT.	A7421
25352 000	Flow Thru Return Fitting	A7408
25332 000	Flow Control Valve	A7404
25354 000	Half Union	A7409
25362 000	Inline Check Valve	A7411
25344 000	Drain Valve	A7400
25390 000	Clear Drain Hose - 8'	A7422
25324 000	Flow Meter - Complete	A7401
25328 000	O-Ring Outlet Fitting	A7403
25370 000	O-Ring, Check Valve	A7414

DIVERT-A-TROL FEEDER

MFG NO.	DESCRIPTION	ITEM NO.
6015	Feeder Cap	C1206
6030	O-Ring for Cap	C1208
6040	Cap Clamp	C1210
6070	Air Relief Tube Fitting	C1218
6010	Air Relief Tubing	C1200
6062	Chemical Chamber	C1214
6050	Filter Screen	C1212
6063	Valve Assembly	C1215
6080	Valve Plug	C1220



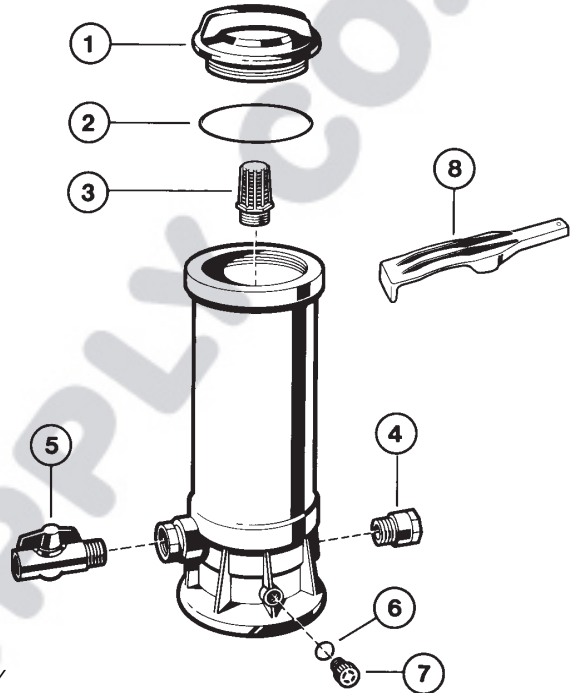
BIO-LAB (HYDROTECH) BROMINATOR
Models CR8.14 thru CR8.45



KEY	MFG NO.	DESCRIPTION	ITEM NO.
1	25481 000	Hand Knob	A6210
2	25477 000	Lid Retaining Bar	A6207
3	25476 000	Clear Lexan Lid	A6206
4	25475 000	Lid O-Ring	A6205
5	25482 000	Air Vent Line Assembly 6 Ft	A6211
6	25484 000	Buna-N-Gasket Only	A6222
7	25471 000	Air Vent Nipple & Gasket	A6201
8	25485 000	Saddle Clamp	A6223
9	25486 000	6 Ft x 1/4" Air Vent Tubing (No Fitting)	A6215
10	25470 000	Plastic Air Vent	A6200
11	25488 000	Tank Stand Skirt	A6203
12	25478 000	Calibrated Outlet Valve 3/4"	A6208
13	25473 000	3" Outlet Nipple MPT x MPT	A6204
14	25479 000	Inlet Ball Valve 3/4" FPT x MPT	A6209
15	25474 000	5" Inlet Nipple MPT x MPT	A6213
16	25483 000	Drain Plug	A6214
17	25310 000	Flowmeter (2 - 10 GPM)	A6216

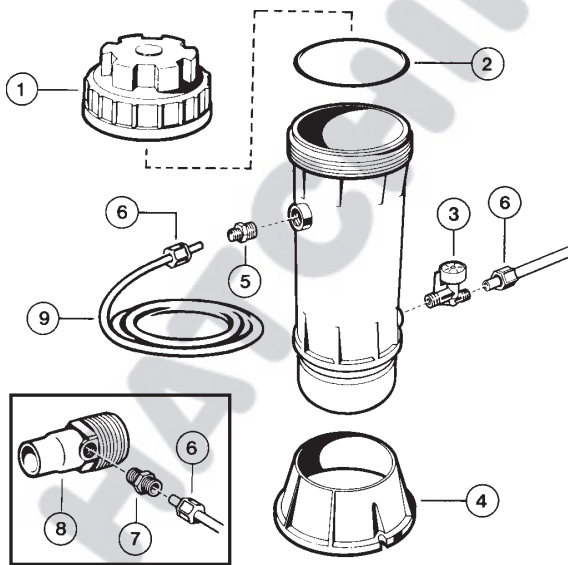
HAYWARD CHEMICAL FEEDER C250CF, C500CF, C1100CF & C1800CF Series

KEY	MFG NO.	DESCRIPTION	ITEM NO.
1	SPX3100D	Cover	H5220
2	SPX3000SV	Cover O-Ring, Viton	H5223
3	CX500J	Strainer	H5225
4	CX500CV	3/4" Check Valve	H5229
5	CX500BV	3/4" Control Valve	H5227
	CX500P	Control Valve Handle	H5233*
6	SPX0605Z2V	Drain Plug O-Ring	H5231
7	CX250Z14	1/2" Drain Plug	H5238
8	SPX3100T	Cover Removal Tool	K4427
---	CX1100BV	1-1/2" Control Valve w/ Dial Indicator	H5234
---	CX1100CV	1-1/2" Check Valve	H5235
---	CX1100P	Handle, Control Valve	H5236*



*Limited Quantity

HAYWARD CHLORINE FEEDER CL-110 Series

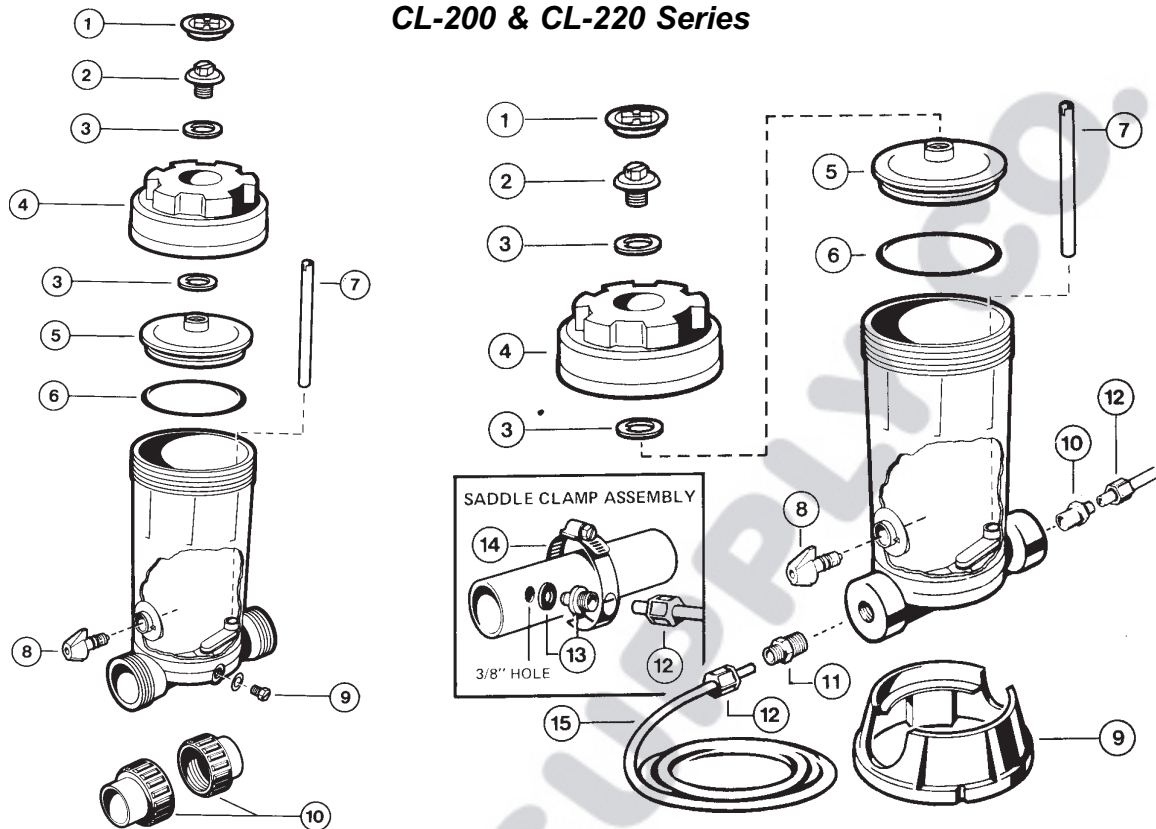


KEY	MFG NO.	DESCRIPTION	ITEM NO.
1	CLX110C	Cover	C1147
2	CLX100K	O-Ring	C1149
3	CLX110DA	Dial Control Valve	C1148
4	CLX110B	Mounting Base	C1144*
5	CLX220CV	Check Valve Assy	C1153
6	CLX220H	Compression Nuts	C1157
7	CLX220XP	Adapter Fitting	C1146
8	SPX1091Z7TC	Adapter w/ 1/4" Tap	C1168
9	CLX220J	1/4" Tubing - 8 Ft	C1158

*Limited Quantity

HAYWARD CHLORINATORS

CL-200 & CL-220 Series



CL-200 Feeder

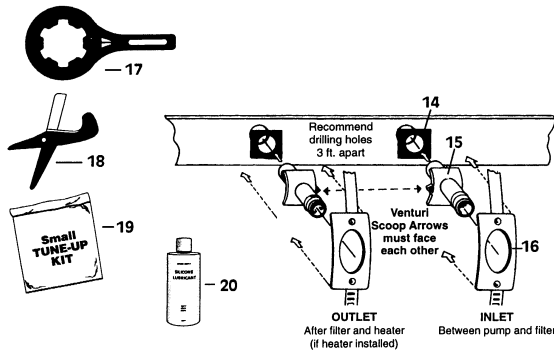
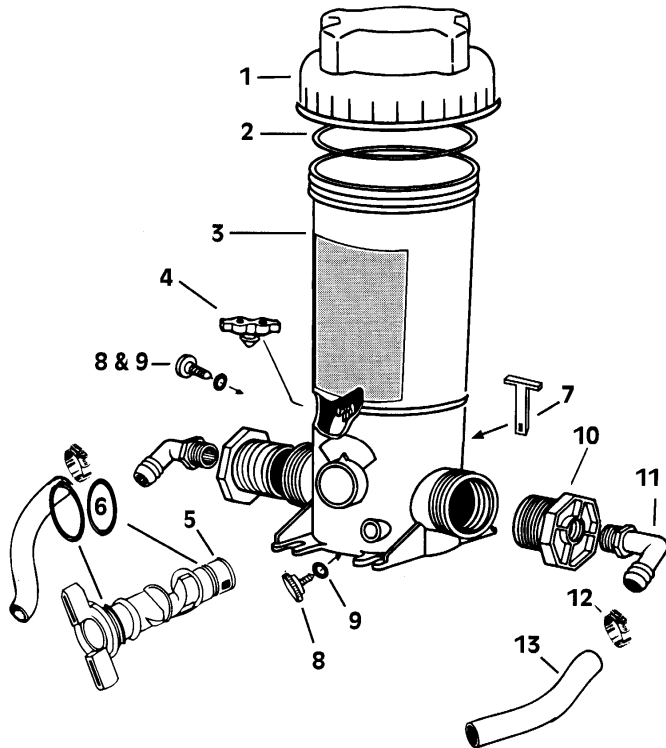
CL-220 Feeder

KEY	MFG NO.	DESCRIPTION	ITEM NO.
1	CLX200E	Logo Cap	C1162
2	CLX200GA	Cover Retaining Screw w/Washer (#3)	C1164
4	CLX200C	Cover Cap (for Bromine Add -2 to Part No.)	C1161
5	CLX200B	Cover (for Bromine Add -2 to Part No.)	C1160
6	CLX200K	O-Ring for Cover (Viton)	C1150
7	CLX200H	Feeder Tube	C1165
8	CLX200PA	Control Knob Assy w/O-Rings - Large (1989)	C1166
8	CLX200FA	Valve Handle Assy w/O-Rings - 90 deg. Turn <i>*(Not Available When Out)</i>	C1163*
9	SPX1700FGV	(CL-200 Series) Drain Plug with Gasket	K4285
10	SP1500UNPAK2	(CL-200 Series) Union Connectors 1-1/2" SKT	C1083
10	SP1500UNMPAK1	(CL-200 Series) Union Connectors 1-1/2" MPT	U7819
9	CLX220B	(CL-220 Series) Base	C1152
10	CLX220EA	(CL-220 Series) Check Valve & Inlet Ftg Assy	C1155
11	CLX220P	1/4" Adapter Fitting	C1146
12	CLX220H	(CL-220 Series) Compression Nut (4 needed)	C1157
13	CLX220G	(CL-220 Series) Saddle Fitting with Gasket	C1167
	CLX220GA	(CL-220 Series) Saddle Ftg, Clamp & Tubing	C1156
14	CLX220K	(CL-220 Series) Saddle Clamp	C1170
15	CLX220J	(CL-220 Series) Plastic Tubing - 8 Ft	C1158
---	CLX200LA	O-Rings (Viton) w/"C" Ring (Set of 3)	C1151
---	SPX1091Z7TC	Combo Adapter w/ 1/4" Tap	C1168
---	SPX1105Z4TC	Elbow Adapter w/ 1/4" Tap	C1169
---	SPX1480BTC	Union End w/ 1/4" Tap	H6721

FROG & NEW WATER ABOVE-GROUND CYCLERS

Models 100, 130, 200, 5100 & 5200

KEY	MFG. NO.	DESCRIPTION	ITEM NO.
1&2	01-22-1412	Cap w/ O-Ring	C1230
2	01-22-1920	Cap O-Ring	C1267
3	-----	Body Only	N/A
4	01-22-9480	Pressure Relief Valve	C1285
5,6&7	01-22-1440	Control Dial w/O-Ring Kit	C1257
5,6&7	01-22-1441	Control Dial w/O-Ring Kit (Frog)	C1201
6&7	01-22-1450	Control Dial O-Ring Set	C1233
7	01-22-1460	Control Dial Locking Pin	C1202
7	01-22-1461	Locking Pin (Frog)	C1203
8 & 9	01-22-9940	Knob w/ O-Ring	C1288
8 & 9	01-22-9941	Knob w/O-Ring (Frog)	C1243
10	01-22-9850	1 1/2" x 1/2" Bushing	U4114
11	01-22-7800	1/2" 90 Degree Elbow	C1298
12	01-22-7690	Small Clamps	C1299
13	01-22-7700	6' PVC Tubing	C1272
14	01-22-7850	Scoop Gasket	C1289
15	01-22-7790	Venturi Scoop	C1290
16	01-22-7910	Scoop Clamp	C1291
17	01-22-9790	Cap Wrench	C1232
18	01-22-9980	Pac Tool	C1265
19	01-22-1470	Small Tune-up Kit	C1271
20	01-22-9970	Silicone Lubricant, 3/4 oz.	C1256



FROG & NEW WATER INGROUND CYCLERS
Models 400, 430, 600, 630, 5400 & 5600

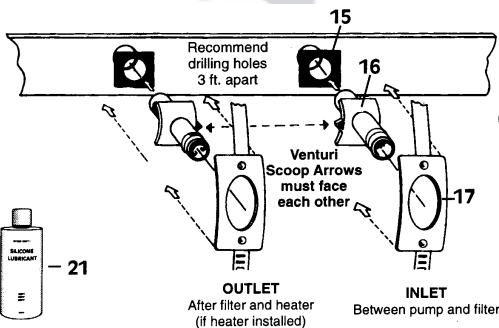
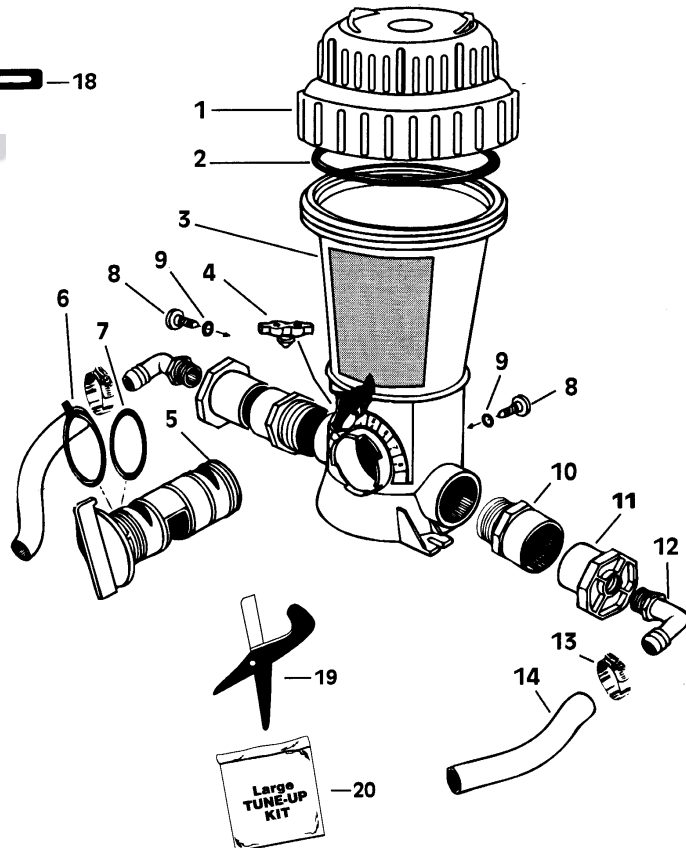
KEY	MFG.NO.	DESCRIPTION	ITEM NO.
1 & 2	01-22-9412	Cap w/O-Ring	C1234
2	01-22-9920	Cap O-Ring	C1282
3	N/A	Body	N/A
4	01-22-9480	Pressure Relief Valve	C1285
5,6&7	01-22-9440	Control Dial w/O-Ring Kit	C1286
5,6&7	01-22-9447	Control Dial w/O-Ring Kit (Frog)	C1242
6 & 7	01-22-9450	Control Dial O-Ring Set	C1287
8 & 9	01-22-9940	Knob w/O-Ring	C1288
8 & 9	01-22-9941	Knob w/O-Ring (Frog)	C1243
10	01-22-9490	2" Male Adapter	U1120
11	01-22-8620	2" x 1/2" Bushing	U4018
12	01-22-7800	1/2" 90 Degree Elbow	C1298
13	01-22-7690	Small Clamps	C1299
14	01-22-7700	6' PVC Tubing	C1272
15	01-22-7850	Scoop Gasket	C1289
16	01-22-7790	Venturi Scoop	C1290
17	01-22-7910	Scoop Clamp	C1291
18	01-22-8870	Cap Wrench	C1231
19	01-22-9980	Pac Tool	C1265
20	01-22-9950	Large Tune-up Kit	C1273
21	01-22-9970	Silicone Lubricant, 3/4 oz.	C1256

1991 & Prior Models

2	01-22-9420	Body O-Ring	C1281
8 & 9	01-22-9620	Knob w/ O-Ring	C1292

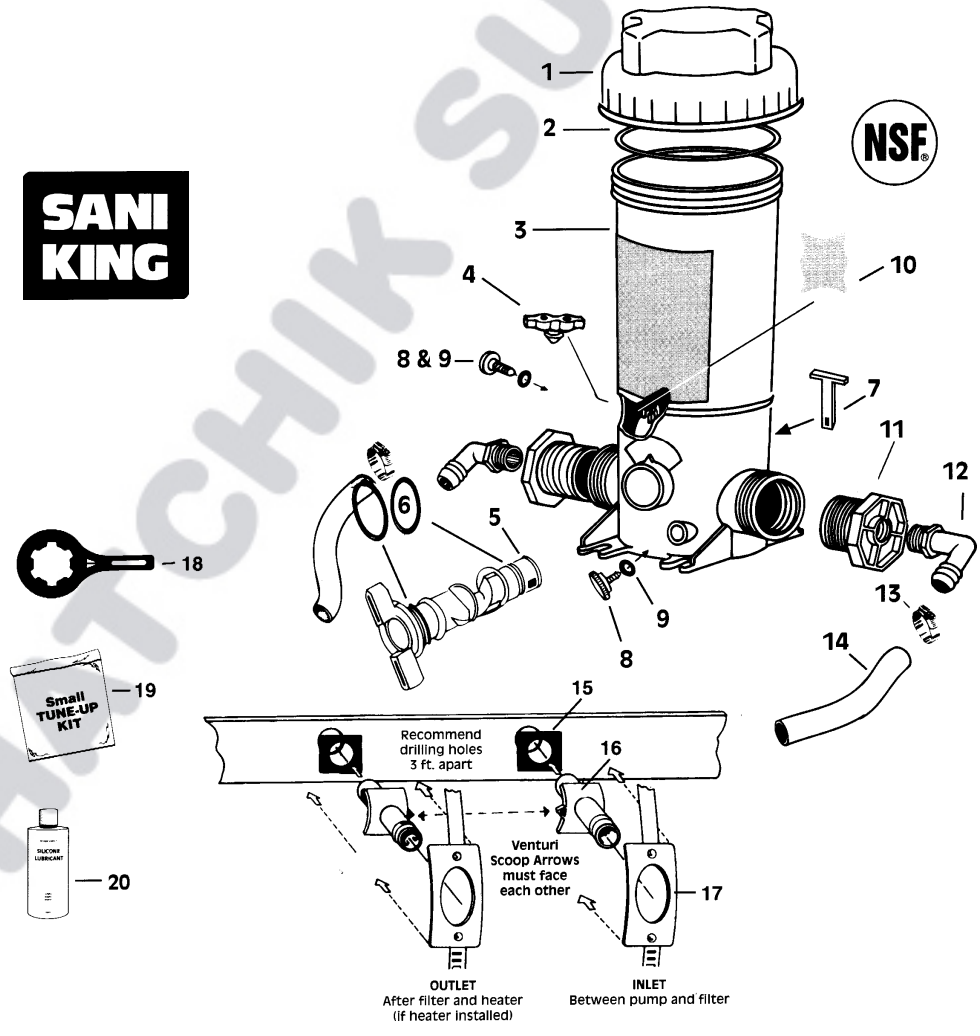
NEW WATER

FROG



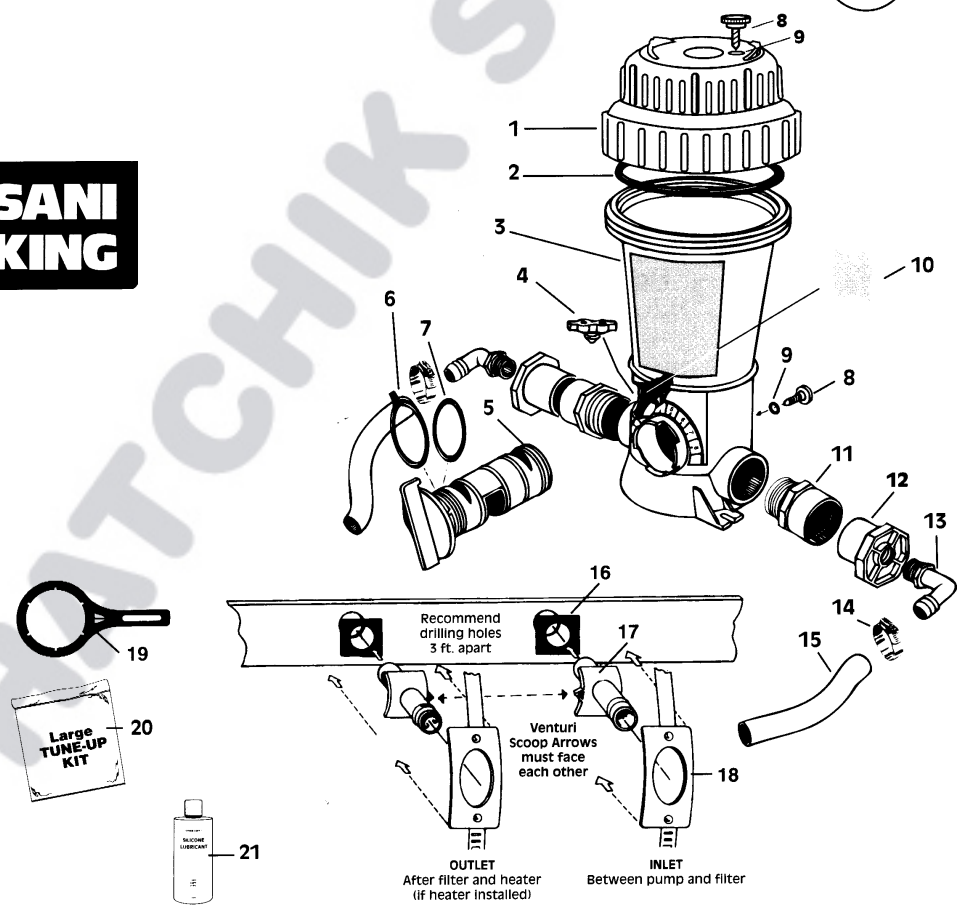
SANI KING PERFORM-MAX Above-Ground Feeders - Models 910 & 930

KEY	MFG. NO.	DESCRIPTION	ITEM NO.
1&2	01-22-1411	Cap w/O-Ring	C1201
2	01-22-1920	Cap O-Ring	C1267
3	-----	Body	N/A
4	01-22-9480	Pressure Relief Valve	C1285
5,6&7	01-22-1440	Control Dial w/O-Ring Kit	C1257
6 & 7	01-22-1450	Control Dial O-Ring Set	C1233
7	01-22-1460	Control Dial Locking Pin	C1202
8 & 9	01-22-9940	Knob w/O-Ring	C1288
10	01-22-9660	Screen	C1261
11	01-22-9850	1 1/2" x 1/2" Bushing	U4114
12	01-22-7800	1/2" 90 Degree Elbow	C1298
13	01-22-7690	Small Clamp	C1299
14	01-22-7700	6' PVC Tubing	C1272
15	01-22-7850	Scoop Gasket	C1289
16	01-22-7790	Venturi Scoop	C1290
17	01-22-7910	Scoop Clamp	C1291
18	01-22-9790	Cap Wrench	C1232
19	01-22-1470	Small Tune-up Kit	C1271
20	01-22-9970	Silicone Lubricant, 3/4 oz.	C1256



SANI KING PERFORM-MAX
Inground Feeders - Models 940, 960 & 980

KEY	MFG.NO.	DESCRIPTION	ITEM NO.
1 & 2	01-22-9411	Cap w/O-Ring	C1280
2	01-22-9920	Cap O-ring	C1282
3	-----	Body Only	N/A
4	01-22-9480	Pressure Relief Valve	C1285
5,6&7	01-22-9440	Control Dial w/O-Ring Kit	C1286
6 & 7	01-22-9450	Control Dial O-Ring Kit	C1287
8 & 9	01-22-9940	Knob w/O-Ring	C1288
10	01-22-9660	Screen	C1261
11	01-22-9590	2" Male Adapter	U1120
12	01-22-8620	2" x 1/2" Bushing	U4018
13	01-22-7800	1/2" 90 Degree Elbow	C1298
14	01-22-7690	Small Clamps	C1299
15	01-22-7700	6' PVC Tubing	C1272
16	01-22-7850	Scoop Gasket	C1289
17	01-22-7790	Venturi Scoop	C1290
18	01-22-7910	Scoop Clamp	C1291
19	01-22-8870	Cap/Control Dial Tool	C1231
-----	01-22-9820	2" MPT x 1 1/2" FPT	U4120
-----	01-22-9860	2" MPT x 1 1/2" Socket	U2315
20	01-22-9950	Large Tune-up Kit	C1273
21	01-22-9970	Silicone Lubricant, 3/4 oz.	C1256



SANI KING SPA FEEDER Model 740

Inline Model

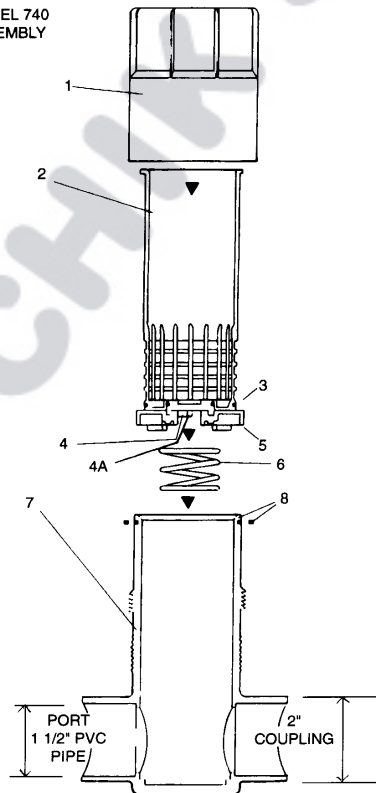
KEY	MFG.NO.	DESCRIPTION	ITEM NO.
1	01-22-7430	Cap (model 740)	C1606
2	01-22-7350	Basket Only	C1611
3	01-22-7220	Basket O-Ring	C1607
4	01-22-7470	Basket Cam	C1610
4A	01-22-7460	Cam O-Ring	C1609
5	01-22-7510	Basket Latches (2)	C1612
6	01-22-7320	Spring	C1604
7	-----	Body Only	N/A
8	01-22-7450	Teflon Glide Seal	C1608
2-5	01-22-7940	Complete Basket Assy.	C1613

Offline Kit Parts

9	01-22-9626	Air Relief Valve w/ O-Ring	C1292
10	01-22-7630	Cap w/ Air Relief	C1614
11	01-22-7680	1 1/2" x 1/2" Reducing Bushings	U4014
12	01-22-7806	1/2" 90 degree Elbow MPT x Barb	C1298
13	01-22-7696	Small Clamp	C1299
14	01-22-7700	6' PVC Tubing	C1272
15	01-22-7796	Venturi Scoop	C1290
16	01-22-7856	Scoop Gasket	C1289
17	01-22-7916	Scoop Clamp	C1291

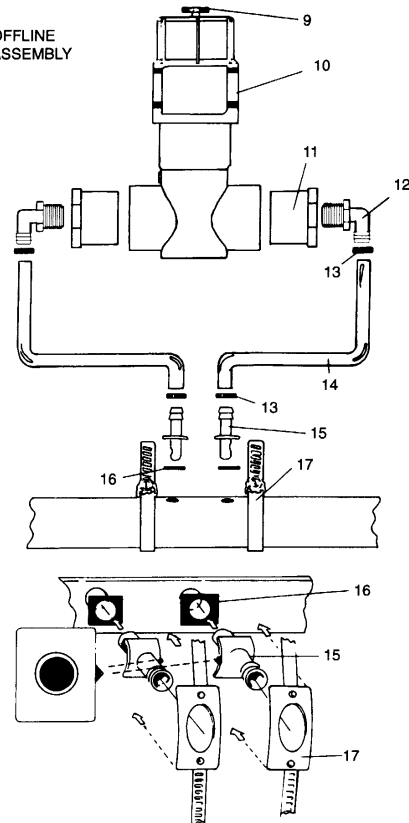


MODEL 740
ASSEMBLY



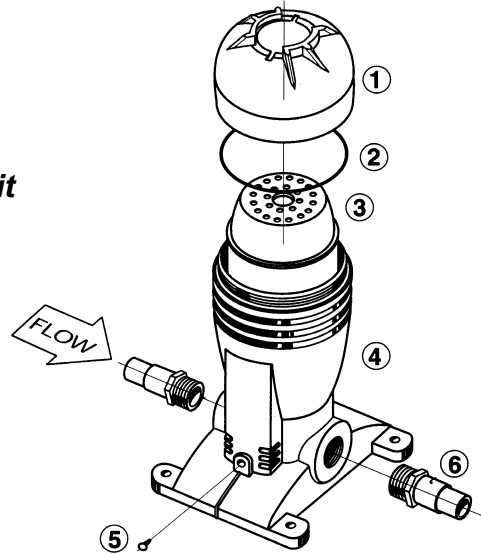
Inline Model

OFFLINE
ASSEMBLY



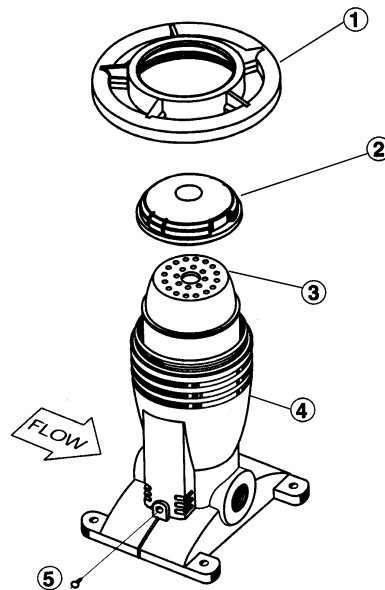
Offline Kit Parts

NATURE 2
Above Ground "A" Unit



KEY	MFG. NO.	DESCRIPTION	ITEM NO.
1	15240	Yellow Cap	A3300
2	13061	O-Ring for 1 Piece Cap	A3302
3	----	Vessel Cartridge	A3304
4	----	Vessel	A3306
5	13042	Winter Drain Plug	A3308
6	13002	Hose Adapter	A3310

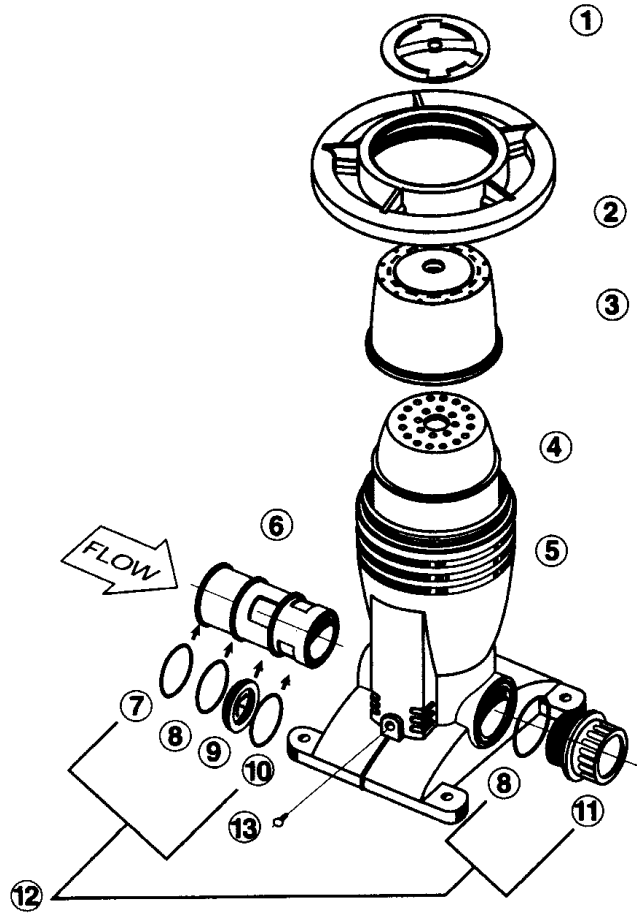
NATURE 2
Premium "M" Unit



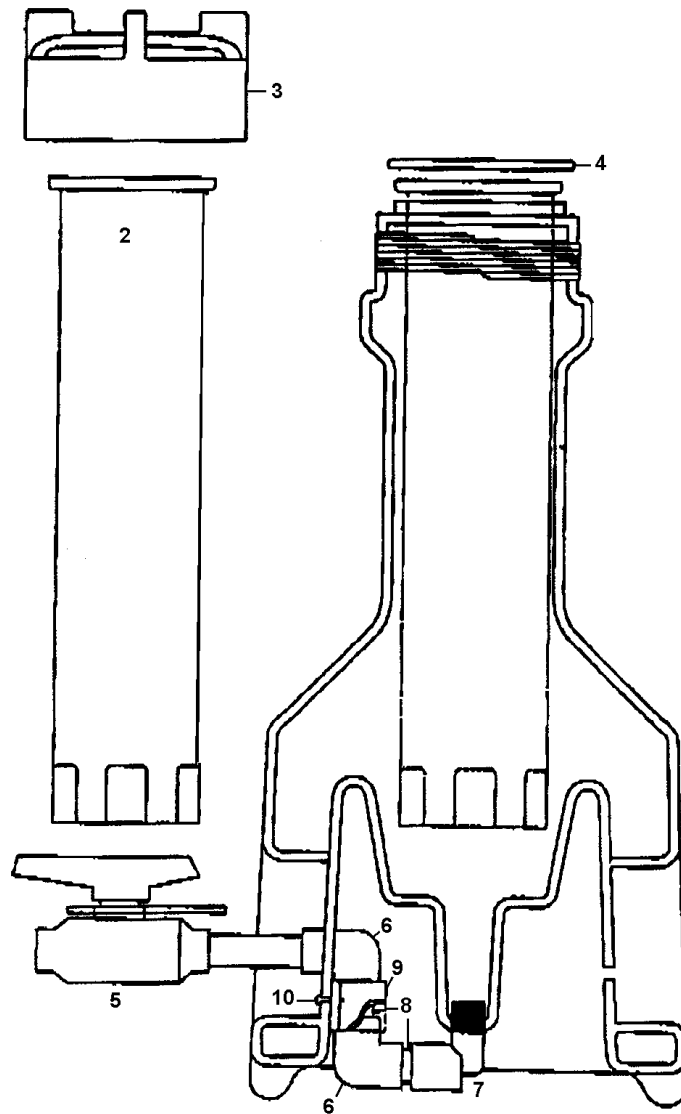
1	15725	Locking Ring Gray	A3312
1	15742	Locking Ring Beige	A3314
2	15950	Premium "M" Cap Gray	A3316
2	15995	Premium "M" Cap Beige	A3318
3	----	Vessel Cartridge	A3320
4	----	Vessel	A3322
--	13073	O-Ring for 2 Piece Locking Ring	A3324
--	13061	O-Ring for 1 Piece Cap	A3302
5	13042	Winter Drain Plug	A3308



NATURE 2 Professional "G" Unit



KEY	MFG. NO.	DESCRIPTION	ITEM NO.
1	15212	Professional G Life Indicator	A3330
2	15725	Locking Ring Gray	A3312
2	15742	Locking Ring Beige	A3314
3	15910	Professional G Cap Gray	A3336
3	15942	Professional G Cap Beige	A3338
--	13073	O-Ring for 2 Piece Locking Ring Cap	A3324
--	13061	O-Ring for 1 Piece Cap	A3302
4	----	Vessel Cartridge	A3344
5	----	Vessel	A3346
6	15003	Inlet Port	A3348
7	13087	Gasket	A3350
8	13035	Inlet / Outlet O-Ring (2 needed)	A3352
9	13050	Flow Controller	A3354
10	13075	Big Boy O-Ring	A3356
11	15013	Outlet Port	A3358
12	29130	Inlet / Outlet Port Assembly Complete	A3360
13	13042	Winter Drain Plug	A3308

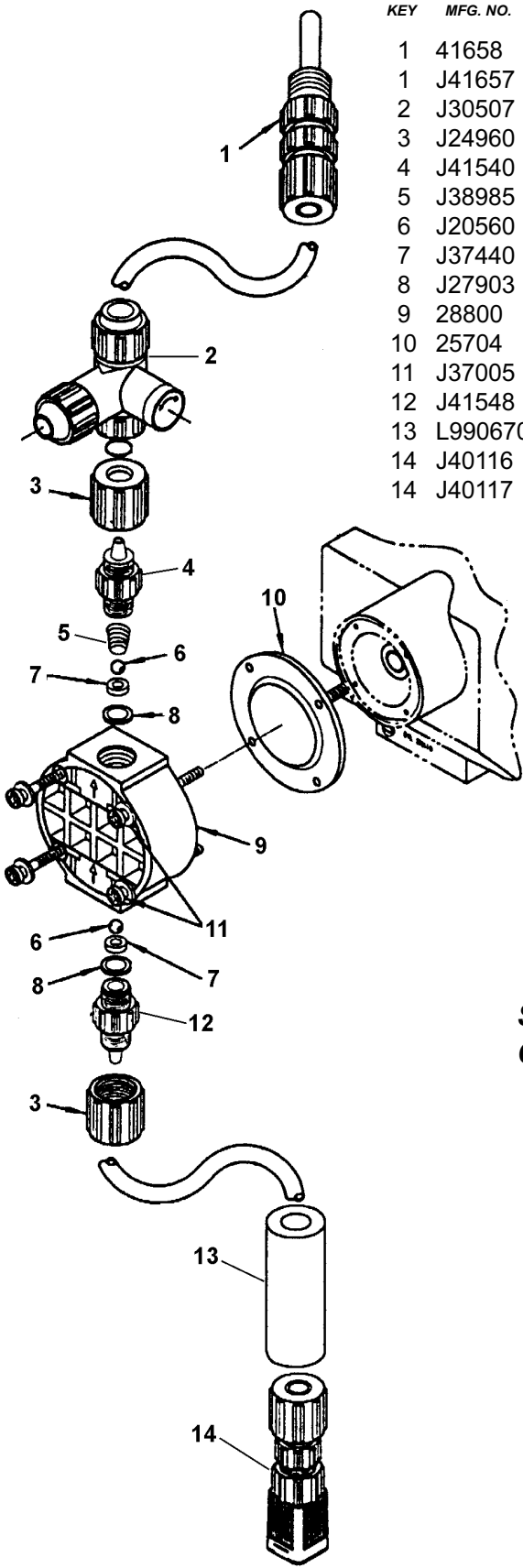


PPG CHLORINATORS

Model N-200

KEY	MFG NO.	DESCRIPTION	ITEM NO.
2	PPG-N200-13	Tablet Canister	A2348
3	PPG-N100-4-1	Cap	A2336
4	PPG-N100-6-1	O-Ring, Viton	A2337
5	PPG-N200-14-2	Control Valve & Plate - 1/2"	A2351
6	PPG-N200-14-3	PVC Elbow 1/2" S x S	U1605
7	PPG-N200-14-4	PVC Elbow 1/2" MPT x Slip	U1805
8	PPG-N200-14-5	1/2" PVC Pipe	U8003
9	PPG-N200-14-6	Pipe Support Plate	A2355
10	PPG-N200-14-7	Screws (4 needed)	A2356

PULSAFEEDER CHEM TECH FEEDERS

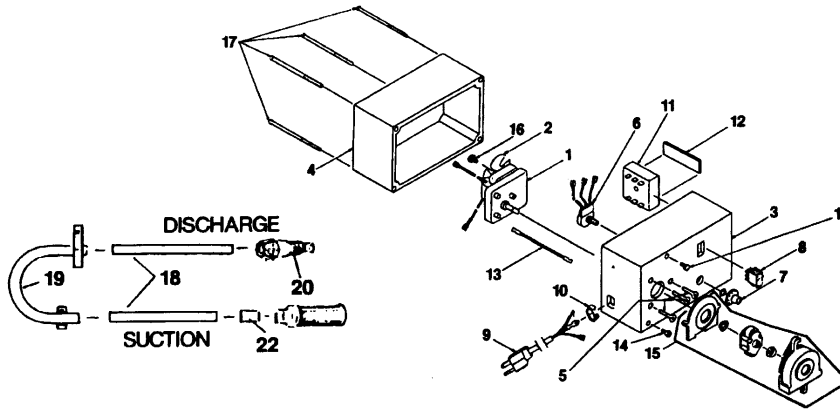


KEY	MFG. NO.	DESCRIPTION	ITEM NO.
1	41658	Injection Fttg. 1/2" PVC, Hypalon	D4255
1	J41657	Injection Fttg, 3/8" PVC, Hypalon	D4200
2	J30507	Kit, Bleed Valve PVC Hypalon 3/8"	D4204
3	J24960	Coupling Nut, 1/2" PVC	D4272
4	J41540	Body, Discharge Valve, 1/2", PVC	D4230
5	J38985	Spring, Valve, Heavy S/200	D4285
6	J20560	Ball, Valve Ceramic (2 needed)	D4278
7	J37440	Seat, Valve (Hypalon) (2 needed)	D4331
8	J27903	Gasket, TFE (2 needed)	D4254
9	28800	Head, Pump (Acrylic)	D4259
10	25704	Diaphragm Assy. (Hypalon)	D4240
11	J37005	Screw, #10-24 x 2" (4 needed)	D4315*
12	J41548	Body, Suction Valve, 1/2" PVC	D4206
13	L9906700-000	Weight, Strainer	D4208
14	J40116	Strainer Assy., Foot Valve, 3/8"	D4212
14	J40117	Strainer Assy., Foot Valve, 1/2"	D4250

**(Not Available When Out)*

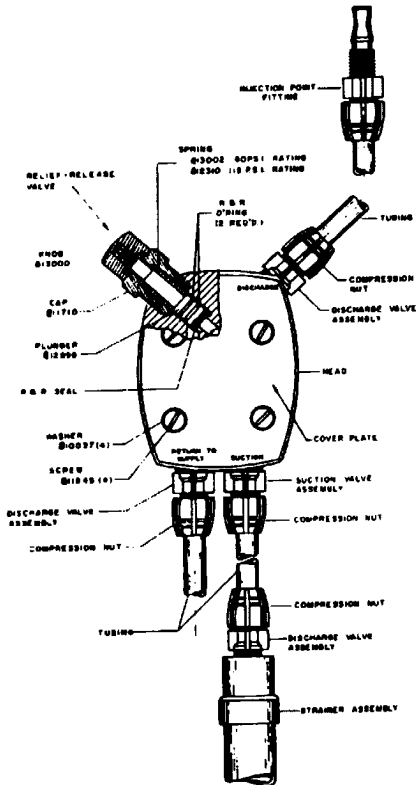
**S200 Series
Chem Tech Feeder**

PULSAFEEDER MEC-O-MAC FEEDERS
Dolphin Series - Models 10, 50 & 75



KEY	MFG. NO.	DESCRIPTION	ITEM NO.
5	817942	Screw (5 needed)	D2007
6	818180	Potentiometer Assembly	D2008
7	817635	Knob	D2009
8	817923	Power Switch	D2361
11	818183	Timer - Dolphin 10 & Dolphin 50	D2010
11	818184	Timer - Dolphin 75	D2012
15	8800651	Pump Head Assembly - Complete	D2015
18	8800431	1/4" O.D. Poly Tubing - 15 Foot	D2016
19	8800637	Pump Head Tubing Replacement Kit	D2637
20	8800647	1/4" Injection Fitting	D2019

MISC. FITTINGS & REPLACEMENT KITS

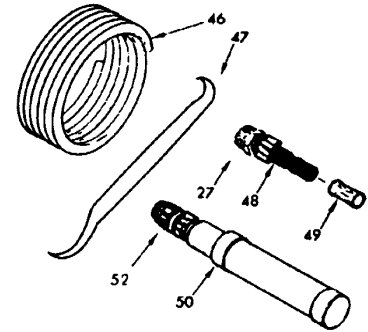


MFG. NO.	DESCRIPTION	ITEM NO.
8800416	Injection Fitting w/ Check Valve, 3/8"	D2416
8800419	Cartridge Valve Kit, 3/8" Viton	*
8800554	Kit, C.V./Suction/2 Discharge, 3/8"	D2554
814211	Compression Nut Only, 3/8"	D2211
8800525	Relief - Release Valve Kit, Viton	D2525
8800470	Diaphragm Kit, Teflon	D2470
- - - -	Strainer 3/8" w/Foot Valve	D2456
8800404	In-Line Check Valve, 3/8" Viton	D2404
8800411	Strainer Weight	*
8800452	Complete R & R Head Kit, Viton	D2452

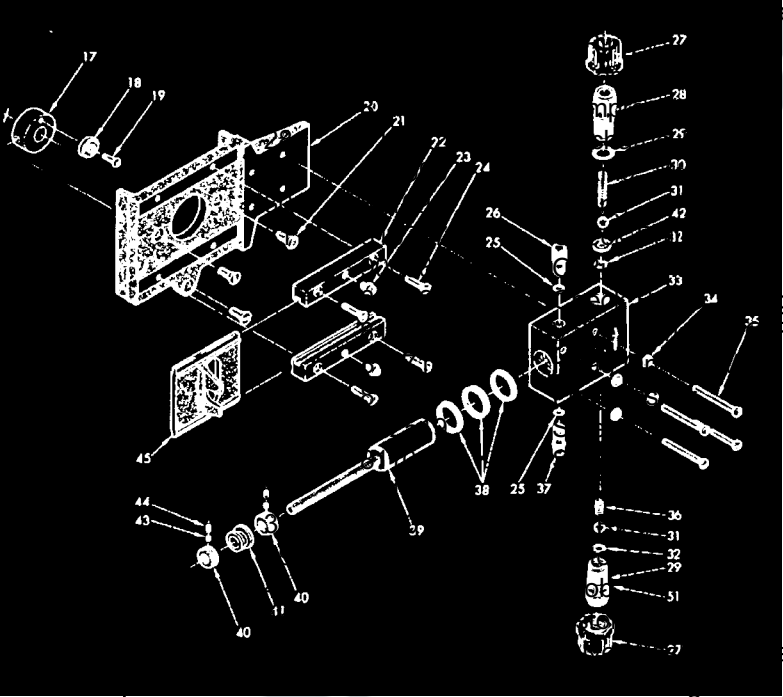
**Not Available When Out*

PULSAFEEDER MEC-O-MATIC FEEDERS

G-D Piston Series



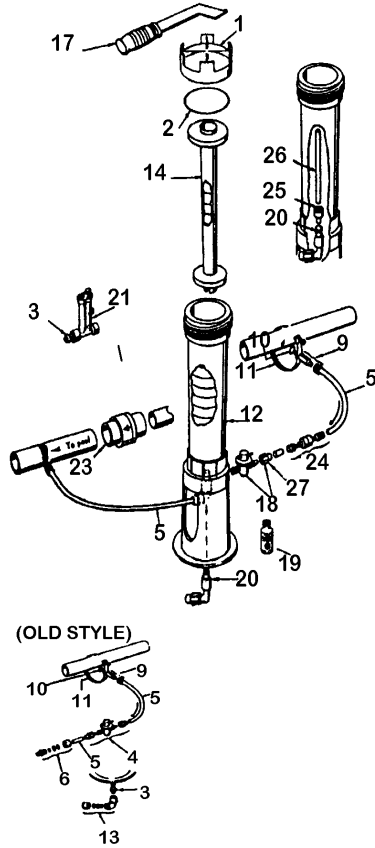
KEY	MFG. NO.	DESCRIPTION	ITEM NO.
17	812085	Cam	D1870
18	813041	Bearing	*
22	813606	Guide Rail (2 needed)	*
23	813026	Grease Fitting (2 needed)	D1957
		Oil (4 needed)	*
		(2 needed)	D2001
			D2066
		(3 needed)	*
			*
		(2 needed)	D2310
			*
		(2 needed)	*
		(2 needed)	*
		Injection Replacement Kit	D2002
		Ring Kit	D2003
		(See Kit # 8800639)	*
		(4 needed)	D1718
		(4 needed)	*
			D1749
			*
		(3 needed)	D2013
			*
		(2 needed)	*
			*
		(ainer)	D2135
		(2 needed)	*
		(2 needed)	*
44	813514	Set Screw	
45	813607	Reciprocator	D1992
47	815523	Tool for "V" Rings	D2004
48	880416	Injection Fitting w/Check Valve	D2416
50	-----	Strainer (Includes #27)	D2456
52	814211	Compression Nut	D2011
---	8800639	PVC Head & Piston Assembly - Kit (Includes #'s 25 through 44 & 51)	D2005



*Not Available When Out

RAINBOW CHLORINATORS

Model 300 (New Style)



KEY	MFG NO.	DESCRIPTION	ITEM NO.
1	R172008W	3" Threaded Cap, White	H5067
2	R172009	O-Ring, Cap	H5064
3	R172020	Check Valve (Optional)	H5072
5	R172023	3/8" O.D. Tubing, 8 Ft	H5080
9	R172032	Tube Ftg w/Compression Nut	H5075
10	R172033	Gasket	H5084
11	R172034	Saddle Clamp	H5077
12	R172035	Body Assy w/Stand (300)	H5058
14	R172037	Spa Chamber (302 Spa Feeder)	C1515
17	R172052	Cap Wrench (Optional)	C1518
18	R172060	Control Valve 1/4" NPT x Tube	H5087
19	R172036	Silicone Lubricant	C1514
20	R172061	Combo Check Valve/Elbow	H5079
21	R172080	Flow Indicator w/Check Valve	C1084
23	R172288	1-1/2" - 2" Check Valve (Optional)	C1517
24	R172323	1/4" Check Valve (Optional)	C1519
25	R172061B	Standpipe Adapter	C1513
26	R18761	6" Standpipe 3/8" O.D. x 1/4" I.D.	C1512
27	R18706	Compression Nut Only	H5054

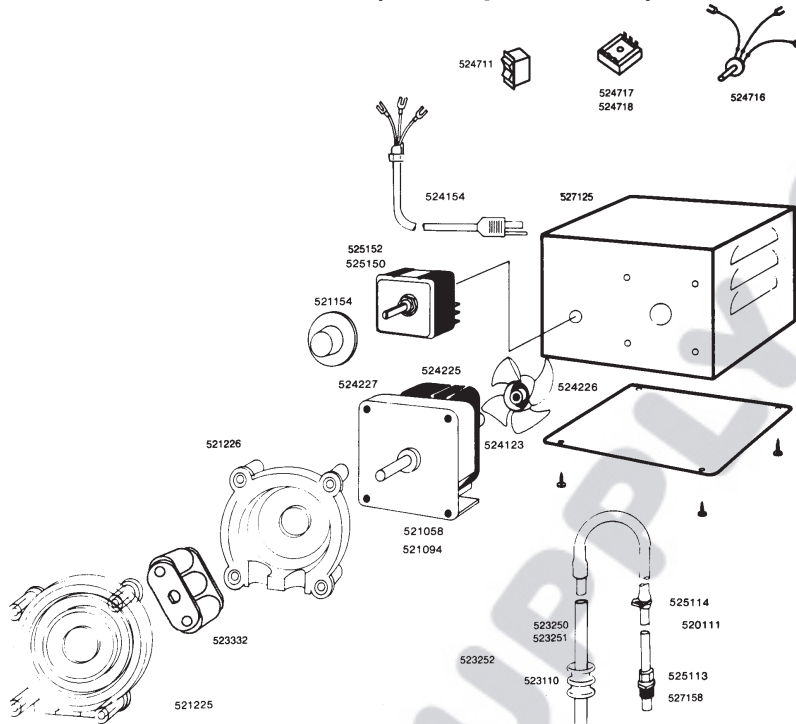
Old Style Model 300 Parts

3	R172020	Check Valve	H5072
4	R172022	Control Valve	H5069
6	R172029	Male Tube Fitting 1/4" NPT	H5073
9	R172032	Tube Fitting with Nut	H5075
10	R172033	Gasket	H5084
11	R172034	Saddle Clamp	H5077
13	R172038	90 Degree Tube Ftg 1/4" FPT	C1520

Model 320 (New Style)

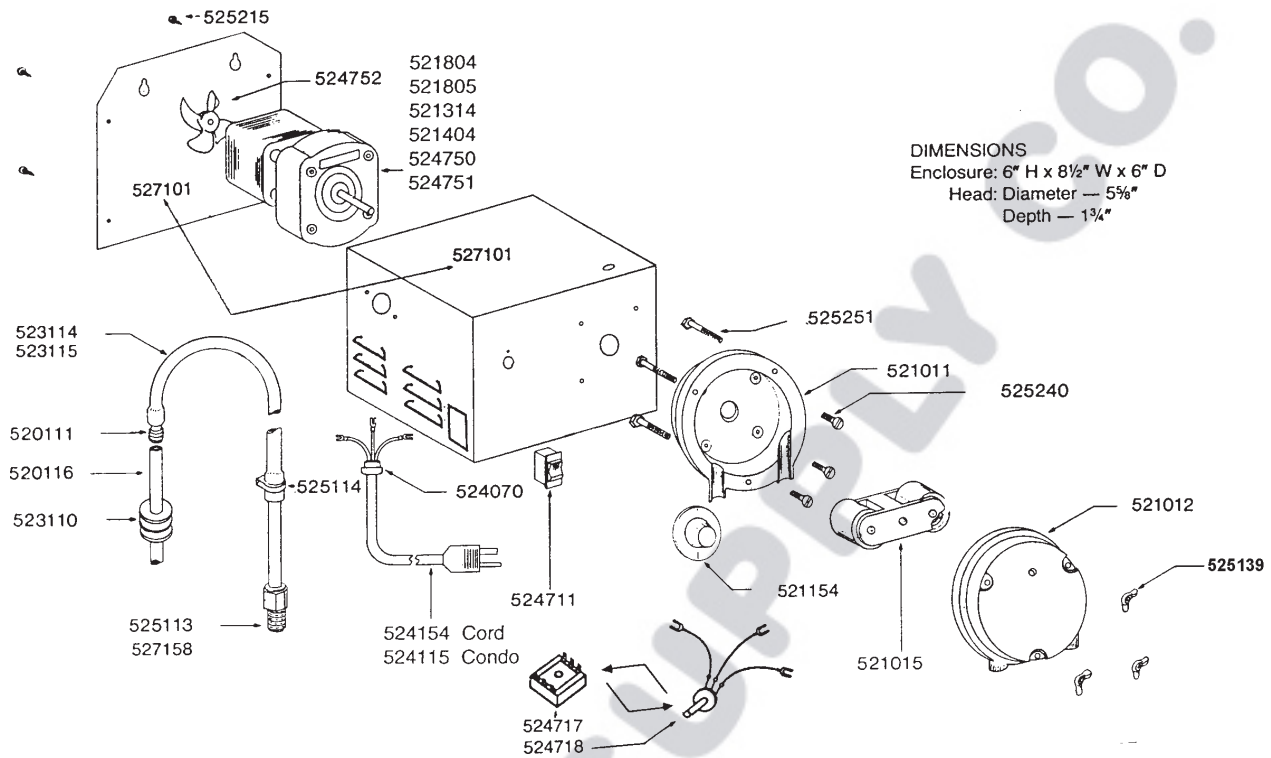
KEY	MFG NO.	DESCRIPTION	ITEM NO.
1	R172052	Cap Wrench	C1518
2	R172008W	3" Threaded Cap White	H5067
3	R172009	3" O-Ring	H5064
4	R172321	Body Only (320)	C1521
5	R01052	Lock Screw	C1522
6	R172248	Check Valve	C1539
7	R172317	Diverter Tee 1-1/2" x 2"	C1523
7	R172089	(Old Style) Bottom Tee Assy	C1524
8	R172256	1/2" x Short MPT Nipple	C1542
9	R172086	1/2" Control Valve	C1530
10	R172272	1/2"NPT x Tube 90 Deg Elbow	C1555
11	R172091	5/8" O.D. Short Feeder Tube	C1525
12	R172210	Red Bush 2" x 1-1/2" S x S	U3425
13	R172037	Spa Chamber	C1515
14	R172036	Silicone Lubricant	C1514
15	R172255	Screen	C1541
16	R172134	1/2" MPT PVC Plug	C1527
17	R172253	5/8" O.D. 18" Tube	C1540
18	R172319	Bottom O-Ring	C1529
19	R172288	1-1/2" Check Valve (Optional)	C1517
20	R172048B	Standpipe Adapter	C1531

ROLA-CHEM FEEDER RC-25 (Interrupter Model)



MFG NO.	DESCRIPTION	ITEM NO.
523101	Dry Glide Lubricant, 1 oz.	C1012
523125	Replacement Package (RC-25)	C1314
523110	Ceramic Hose Weight	C1318
520111	Hose Connectors 3/8" x 3/8"	C1300
525113	Crane Washer 7/16"	C1364
525114	Plastic Hose Clamp #32	C1365
523250	Pump Hose Assy w/Clamp 8"	C1386
523251	Premium Hose with Clamp	C1315
520116	Vinyl Tubing 7/16" x 100 Ft	C1134
523252	Complete Hose Assembly (RC-25)	C1387
524226	Fan (RC-25)	C1338
521058	Complete Motor & Gear Assembly - 120V	C1303
521225	Body - Front Half	C1316
521226	Body - Rear	C1313
523332	"H" Block	C1389
525133	Oilite Bearing	C1367
525140	Nylon Wing Nut	C1317
525150	Interrupter Switch - 120V	C1369
521154	Plastic Knob	C1377
527158	Brass Injection Fitting (Complete)	C1373
527159	Injection Fitting, Plastic	C1379
521160	Inline Check Valve Assembly	C1310
521154	Knob	C1377
Solid State Models		
524711	3-Way Switch	C1395
524716	Potentiometer (Included with Switch)	C1382
524717	Solid State Timer - 120V	C1396

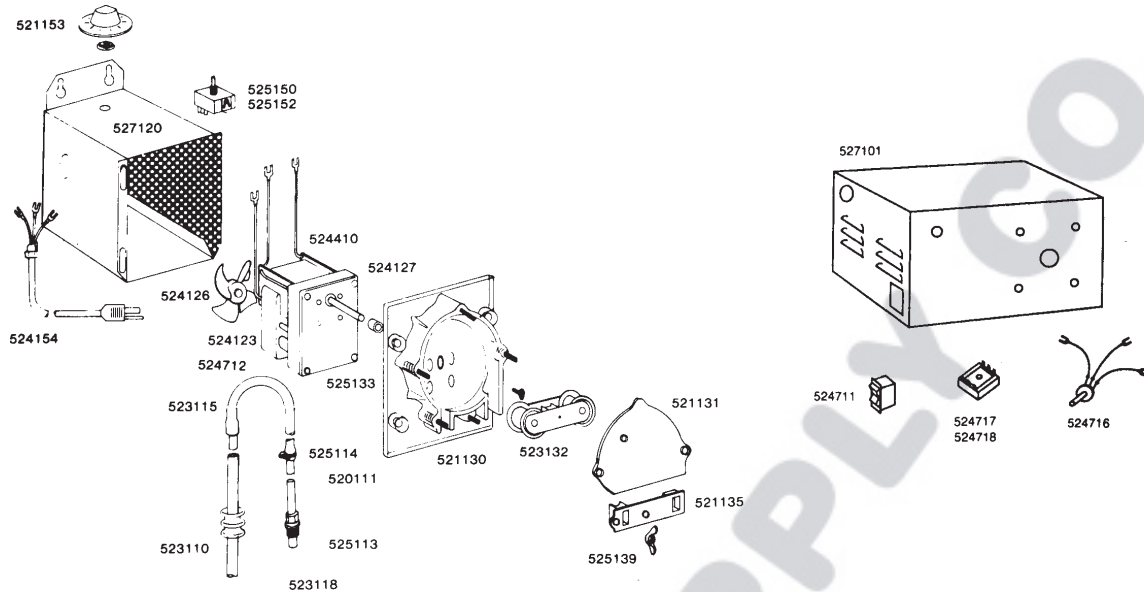
ROLA-CHEM FEEDERS RC-25/50, RC-100 (New Style) & RC-500



DIMENSIONS
Enclosure: 6" H x 8½" W x 6" D
Head: Diameter — 5½"
Depth — 1¼"

MFG NO.	DESCRIPTION	ITEM NO.
525113	Crane Washer	C1364
524752	Fan	C1361
521805	Motor & Gear Assembly (RC-25/50) - 120V	C1311
521316	Motor & Gear Assembly (RC-100) - 120V	C1312
524754	Motor & Gear Assembly (RC-500) - 120V	C1362
521011	Rear Body Half	C1374
521012	Front Body Half	C1375
525251	Hex Bolts S.S.	C1368
525114	Plastic Hose Clamp	C1365
520116	Vinyl Tubing 7/16" x 100 Ft Roll	C1134
521014	"H" Block	C1266
523115	Silicone Feed Tube with Clamp & Fitting	C1010
523114	Premium Hose with Clamp & Fitting	C1372
523118	Complete Hose Assembly	C1331
525139	Nylon Wing Nut 1/4" - 20 (3 needed)	C1376
521154	Plastic Knob	C1377
524717	Solid State Timer - 120V	C1396
524154	3-Way Switch	C1395
520111	Hose Connector 3/8" (2 needed)	C1300
523110	Ceramic Hose Weight	C1318
527158	Brass Injection Fitting (Complete)	C1373
527159	Plastic Injection Fitting (Complete)	C1379
524716	Potentiometer w/ Switch	C1382

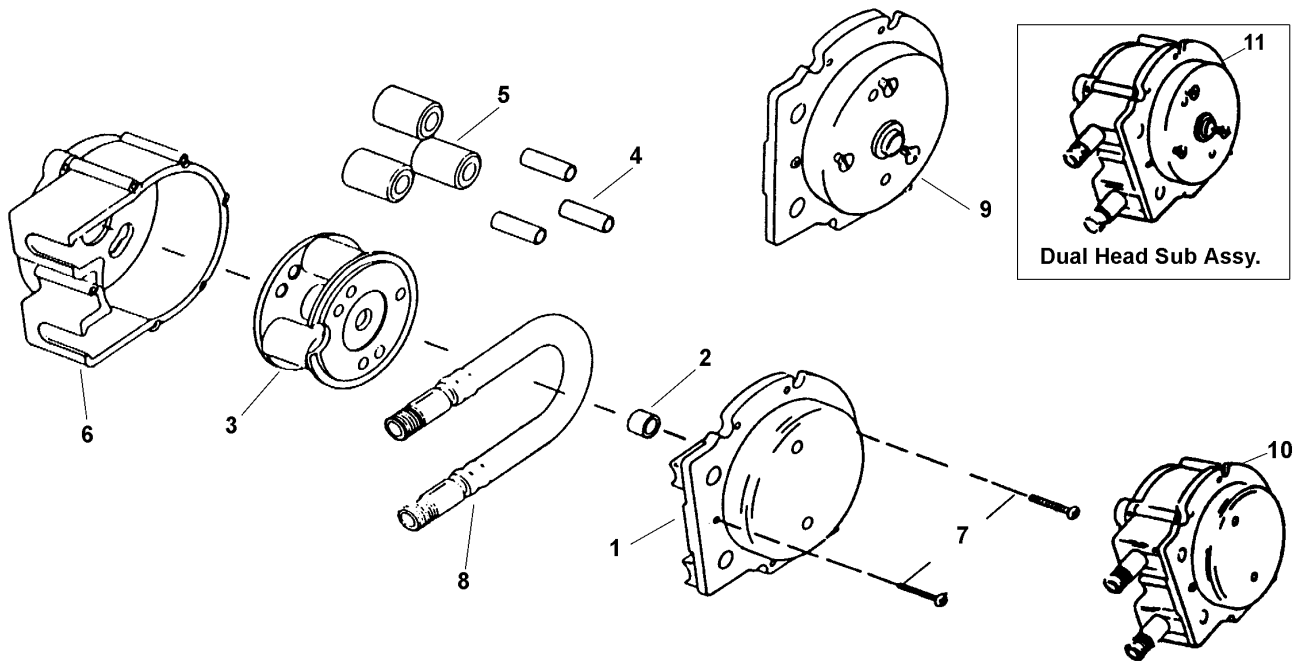
ROLA-CHEM FEEDER RC-50 & RC-100 (Interrupter Model)



MFG NO.	DESCRIPTION	ITEM NO.
523101	Dry Glide Lubricant, 1 oz.	C1012
523105	Replacement Packages (RC-50 & RC-100)	C1319
523110	Ceramic Hose Weight 7/16"	C1318
520111	Hose Connectors 3/8" x 3/8"	C1300
525113	Crane Washer	C1364
525114	Plastic Hose Clamp #32	C1365
523114	Premium Hose with Clamp	C1372
523115	Silicone Feed Tube with Clamp	C1010
520116	Vinyl Tubing 7/16" x 100 Ft	C1134
523118	Complete Hose Assembly	C1331
524129	Fan (RC-50)	C1302
524126	Fan (RC-100)	C1334
524698	Motor & Gear Assy (RC-50) - 120V	C1358
524712	Motor & Gear Assy (RC-100) - 120V	C1359
521130	Complete Body Assy with Faceplate	C1305
521135	Body Clamp	C1307
521131	Face Plate	C1306
523132	"H" Block Assembly with Rollers	C1322
525133	Oilite Bearing	C1367
525139	Nylon Wing Nut	C1376
525150	Interrupter Switch - 120V	C1369
525155	Interrupter Switch Lock Nut	C1320
521153	Plastic Control Knob	C1308
527158	Brass Injection Fitting Assembly	C1373
527159	Plastic Injection Fitting Assembly	C1379
521160	Inline Check Valve Assembly	C1310
Solid State Models		
524711	3-Way Switch	C1395
524716	Potentiometer (Included with Switch)	C1382
524717	Solid State Timer - 120V	C1396

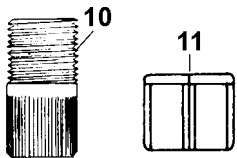
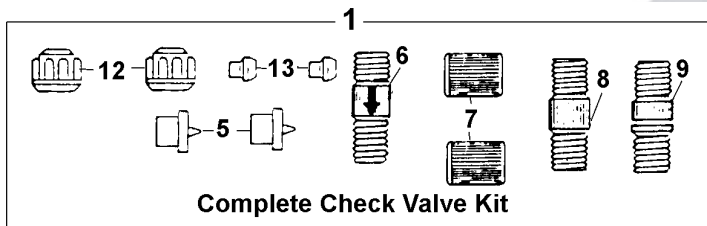
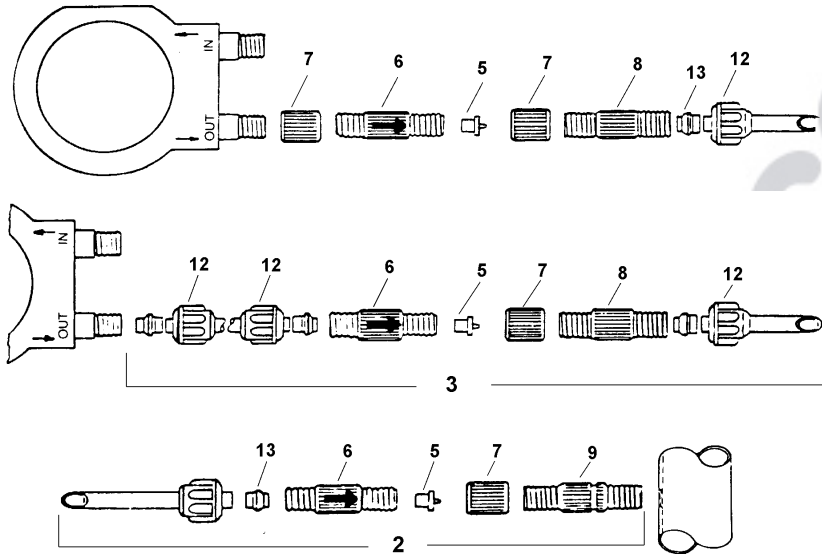
Solid State Timers & Potentiometers Must Be Purchased as a Package. Potentiometer Not Sold Separately.

STENNER PERISTALTIC PUMPS Tube Housings Parts



KEY	MFG NO.	DESCRIPTION	ITEM NO.
1	CP10000	Tube Housing Cover w/Bushing	C1956
2	CP100CB	Housing Cover Bushing Only	C1903
3	UC3ASYD	Roller Assy Complete	C1963
4	CP31RSB	Roller Shaft Bushing Only	C1907
5	CP33000	Standard Roller	C1908
6	UCCP400	Tube Housing Only	C1909
7	CPS000B	Tube Housing Cover Screw	C1910
8	UCCP201	#1 Tube Replacement Assembly W/ Ends (Pkg. of 2)	C1915
8	UCCP202	#2 Tube Replacement Assembly W/ Ends (Pkg. of 2)	C1916
8	UCCP203	#3 Tube Replacement Assembly W/ Ends (Pkg. of 2)	C1917
8	UCCP204	#4 Tube Replacement Assembly W/ Ends (Pkg. of 2)	C1918
8	UCCP205	#5 Tube Replacement Assembly W/ Ends (Pkg. of 2)	C1920
9	UCDM1A0	Adapter Tube Housing Cover	C1937
10	UCTHC1D	Tube Housing Complete #1 Assembly	C1911
10	UCTHC2D	Tube Housing Complete #2 Assembly	C1912
10	UCTHC3D	Tube Housing Complete #3 Assembly	C1913
10	UCTHC4D	Tube Housing Complete #4 Assembly	C1914
10	UCTHC5D	Tube Housing Complete #5 Assembly	C1934
11	UC1ATC1	Adapter Tube Housing Comp. #1 For Dual Head	C1941
11	UC1ATC2	Adapter Tube Housing Comp. #2 For Dual Head	C1943
11	UC1ATC3	Adapter Tube Housing Comp. #3 For Dual Head	C1945
11	UC1ATC4	Adapter Tube Housing Comp. #4 For Dual Head	C1950
11	UC1ATC5	Adapter Tube Housing Comp. #5 For Dual Head	C1951
---	UCFC5AD	Main Shaft for Series 45 & 85	C1967

STENNER CHECK VALVE PARTS



KEY	MFG NO.	DESCRIPTION	ITEM NO.
1	UCDBKIT	1/4" Check Valve Kit	C1919
1	UCD3B/8	3/8" Check Valve Kit	C1942
2	UCDBINJ	1/4" Injection Check Valve	C1921
2	UCINJ38	3/8" Injection Check Valve	C1938
3	CVDBINL	1/4" In-Line Check Valve	C1923
3	CVINL38	3/8" In-Line Check Valve	C1940
5	UCCDVBO	Check Valve Duckbill Only (Pkg. of 2)	C1926
6	CVDBCVB	Check Valve Body Only	C1929
7	CVDBCON	Check Valve Connector - Each	C1928
8	CVILFTG	Check Valve In-Line Fitting Only	C1931
9	CVIJFTG	Check Valve Injection Fitting Only	C1933
10	UCADPTR	3/8" Lead Tube Adapter	C1935
11	MANUT00	3/8" Adapter Nut	C1905
12	UCAK100	1/4" Connecting Nut (Pkg. of 10)	C1924
13	UCAK200	1/4" Ferrule (Pkg. of 10)	C1922
---	UCAK300	PVC Injection Fitting w/Ferrule & Nut	C1930

Misc. Accessories

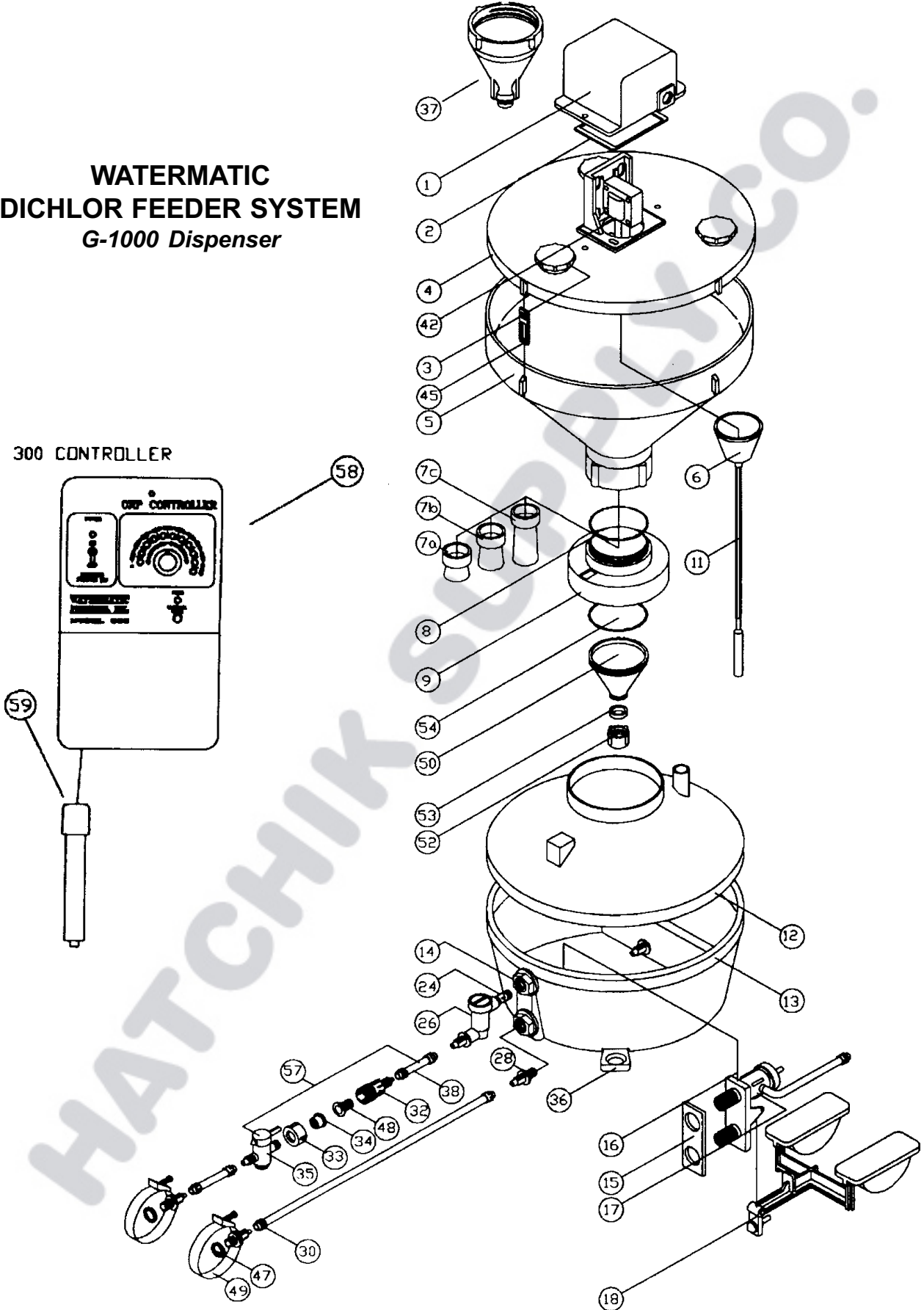
CPACKIT	1/4" Accessory Kit with # 5 Tube <i>(Includes PVC Injection Ftg, Feeder Tube, Connecting Nuts, Ferrules, 20 Ft Lead Tube & Weight)</i>	C1944
MAACK-3	3/8" Accessory Kit with # 3 Tube	C1947
MAACK-4	3/8" Accessory Kit with # 4 Tube	C1948
MAACKIT	3/8" Accessory Kit with # 5 Tube	C1932
UCMACWO	1/4" Clay Lead Tube Weight	C1949
MACW038	3/8" Clay Lead Tube Weight	C1946
MAFVSST	Foot Valve Strainer	C1952
MASST00	Suction Line Strainer	C1953

WATERMATIC DICHLOR FEEDER SYSTEM
G-1000 Dispenser

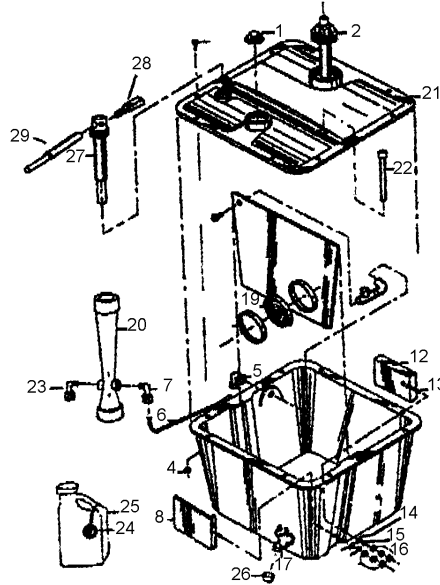
KEY	MFG.NO.	DESCRIPTION	ITEM NO.
1	1-010	Rain Cover	D7100
2	1-020	Rain Cover Gasket	D7102
3	1-051	Fill Caps (set of 3)	D7104
4	1-091	Granular Hopper Lid	D7106
5	8-170	Granular Hopper	D7108
6	4-030	Piston Boot	D7110
7a	1-170	Measuring Cone A	D7112
7b	1-171	Measuring Cone B	D7114
7c	1-172	Measuring Cone C	D7116
8	1-190	Collar Gasket	D7118
9	1-180	Measuring Cup Lid	D7120
11	1-290	Hopper Piston	D7122
12	1-310	Cross Pump Tank Lid	D7124
13	1-330	Cross Pump Tank	D7126
14	1-350	Cross Pump Bracket Nut	D7128
15	1-370	Cross Pump Bracket Gasket	D7130
16	1-390	Cross Pump Bracket	D7132
17	8-010	Diverter Valve Assembly	D7134
18	8-030	Float Arm Assembly	D7136
24	2-010	1/8" x 1/8" Nipple	D7138
26	8-050	Check Valve	D7140
28	2-090	Male Tube Adapter	D7142
30	2-110	Tube Nut	D7144
32	2-130	Strainer Body	D7146
33	2-150	Strainer Cap	D7148
34	2-160	Strainer Tube Adapter	D7150
35	8-090	On/Off Valve	D7152
36	2-231	Cross Pump Anchors (set of 3)	D7154
37	2-250	Funnel	D7156
38	2-270	3/8" Poly Tube	D7158
42a	3-150	110 Volt Piston Solenoid	D7160
42b	3-151	220 Volt Piston Solenoid	D7162
45	4-011	Lid Latch (set of 3)	D7164
47	4-190	Pipe Seal Washer	D7166
48	5-230	Strainer Screen	D7168
49	5-251	Clamp (set of 2)	D7170
50	1-200	Measuring Cup	D7172
52	1-260	Cup Guard	D7174
53	2-260	Piston Tip Seat	D7176
54	4-060	Measuring Cup O-Ring	D7178
57	8-110	On/Off Strainer Assembly	D7180
58	3-050	Controller C-300 Module	D7182
60	3-060	Controller C-310 Module	D7184
61	3-090	Controller C-500 Module	D7186
62	3-250	ORP Sensor	D7188
63	3-260	pH Sensor	D7190

**WATERMATIC
DICHLOR FEEDER SYSTEM
G-1000 Dispenser**

300 CONTROLLER



**UNICLOR
CHLORINE
GENERATOR
Antho-Pure**



KEY	MFG.NO.	DESCRIPTION	ITEM NO.
1	002-0104	Caustic Compartment Plug	V6539
2	001-0205	Salt Level Indicator	V6570
3	002-1032	Top Cap Screw, PVC	V6573
4	002-1033	Top Nut, Nylon	V6574
5	002-40-4-6-KB-0	Gas Port Fitting	V6568
6	001-1052	HDPE Tubing 1/4" x 1/8" x 9'	V6513
7	002-10-4-2-KB-0	Venturi Fitting, Kynar (gas)	V6578
8	001-1022	Cathode with Stud	V6515
9	002-1000260060PHFW	Cathode Insulator Washer	V6569
10	002-1021	Cathode Washer	V6572
11	002-1025	Cathode Nuts 12-28	V6517
12	001-1016	Anode	V6519
13	002-1019	Anode Stud 1/4-20 Titanium	V6521
14	002-1000260060PHFW	Anode Insulator Washer	V6569
15	002-1021	Anode Washer	V6572
16	002-1020	Anode Nuts 1/4-20	V6523
17	001-1038	Drain Valve Assembly	V6558
18 & 19	001-4050	Membrane Clamp Ring Kit	V6559
20	001-3401	Model 500 Venturi	V6508
21	001-1039	Top Assembly Kit	V6506
22	001-2115KIT	Vent Tube Assembly	V6525
23	002-40-4-2-P-O	Venturi Fitting, Washer	V6579
24	001-2038	Drain Valve Handwheel Assy	V6567
25	001-1412	Caustic Jug w/ Cap	V6527
26	002-04HC	Drain Valve Cap	V6529
27	001-0207	Diluter Assembly	V6531
28	001-0209	Diluter Nozzle	V6566
29	001-0211	Catcher Tube Assembly	V6533

MISCELLANEOUS POWER SUPPLY PARTS

---	002-2N682	Silicone Controlled Rectified	V6592
---	002-1060	Selector Switch	V6593
---	002-7M-5300	Transformer	V6535
---	001-20-70	DC Cable Assembly	V6537
---	002-LIT-81504.5	Circuit Breaker	V6582
---	002-EM-6596-SS	Uniclor Ammeter	V6581
---	001-1071	Safety Probe Kit	V6561

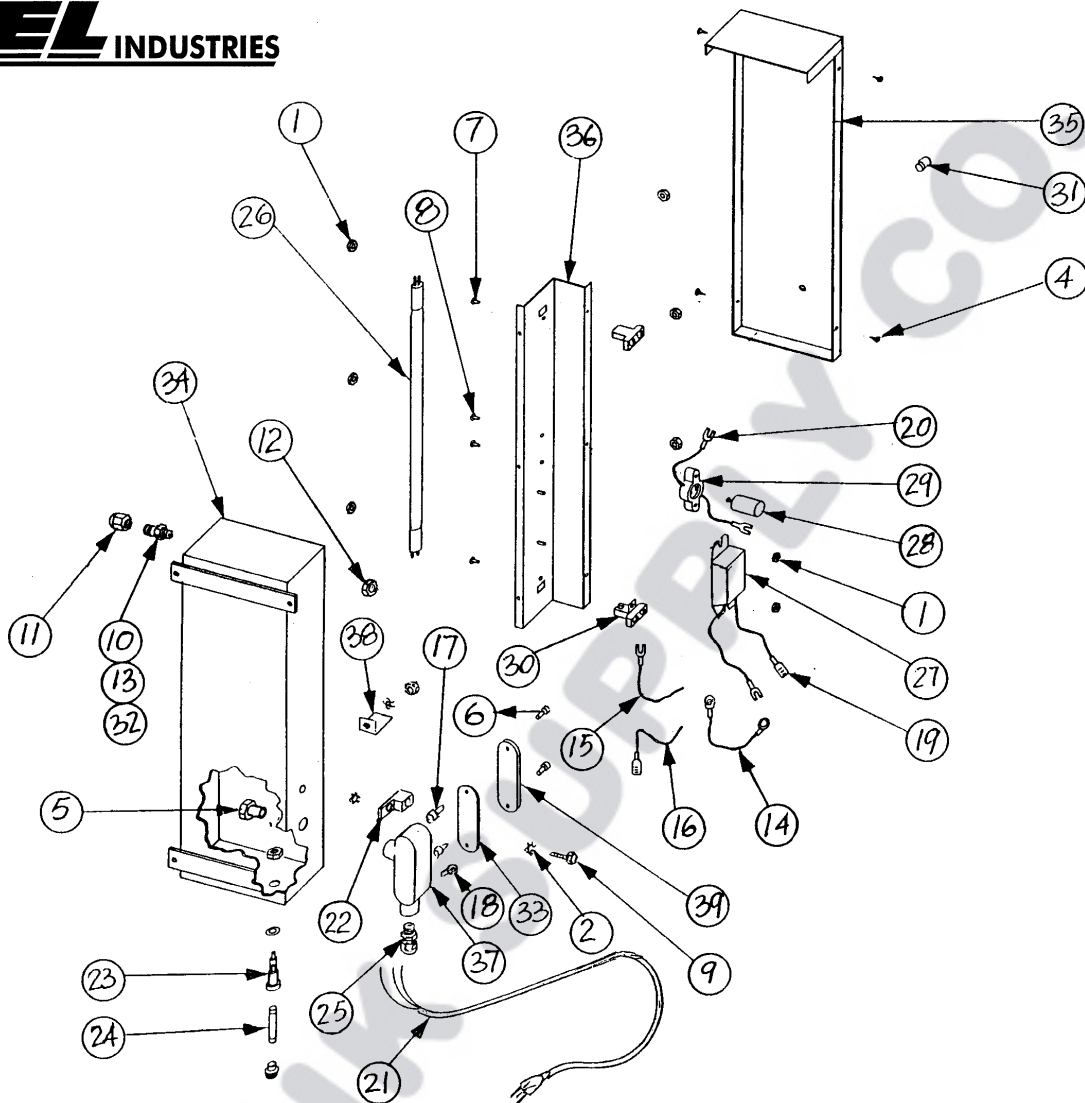
Delzone LK-2000	36
Delzone ZO-101	31
Delzone ZO-151 /153	32
Delzone ZO-910	33
Delzone ZO-912	34
Delzone ZO-940	35

HATCHIK SUPPLY CO.

Generators

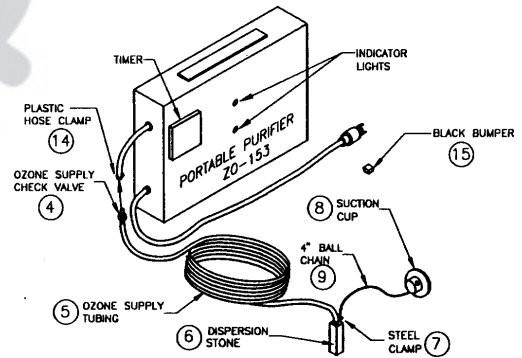
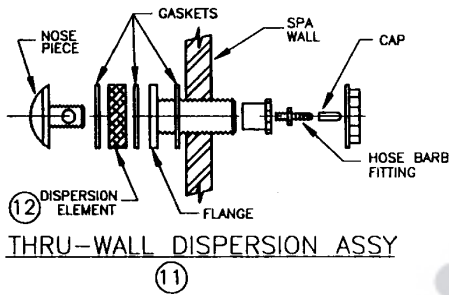
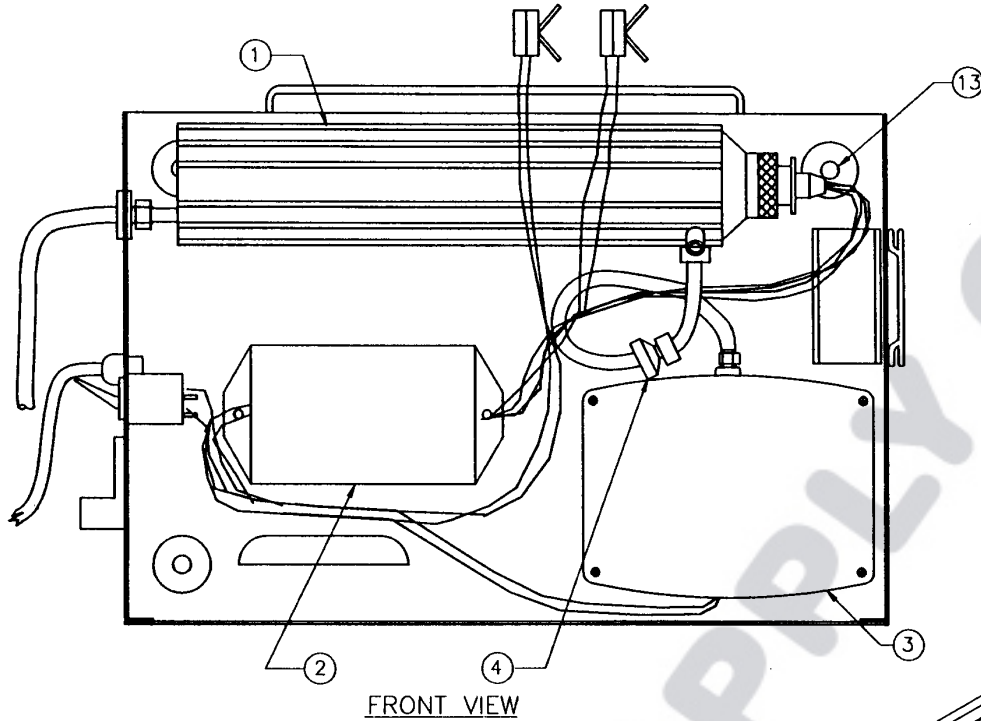
Notes

HATCHIK SUPPLY CO.



DELZONE ZO-101 Ozone Generator

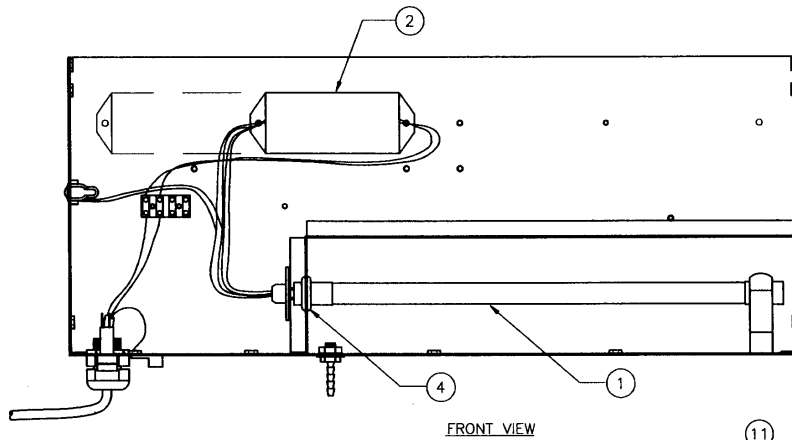
KEY	MFG.NO.	DESCRIPTION	ITEM NO.
24	5-4013	Fuse, 3 AMP	D6065
26	5-5001	Lamp	D6030
27	5-5003	Ballast	D6050
28	5-5014	Starter	D6139
29	5-5015	Starter Socket	D6141
*	7-0075	Ozone Supply Tubing	D6054
*	7-4012	Ozone Supply Check Valve	D6032
*	7-0021	Plastic Hose Clamp	D6067
*	9-0001	Saddle Clamp Assembly	D6034
*	7-0127	1/2" Hose Connector	D6069
*	9-0004	DEL Meter (Spa)	D6143
*	IU-201	DEL Rigid Injector Manifold (two speed)	D6020
*	IU-206	DEL Adj. Injector Manifold (single speed)	D6022



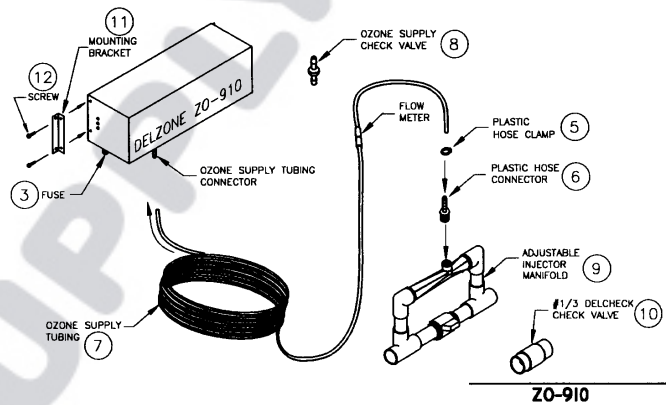
DELZONE ZO-151/153
Ozone Generator

KEY	MFG NO.	DESCRIPTION	ITEM NO.
1	9-0488	Lamp w/ Seal	D6099
2	5-0240	Ballast (120V, 60Hz)	D6052
2	5-0678	Ballast (240V, 60Hz)	D6101
3	5-0782	Compressor, Enclosed (120V, 60Hz)	D6103
3	5-0832	Compressor, Enclosed (240V, 50/60Hz)	D6107
4	7-4012	Ozone Supply Check Valve	D6032
5	7-0723	Ozone Supply Tubing, 3/16" x 5/16"	D6109
6	7-0785	Dispersion Stone	D6111
11	9-0152	Thru-Wall Dispenser Assembly	D6113
12	7-0422	Thru-Wall Dispenser Element	D6115
*	9-0050	Dispersion Assy. (dispersion stone, suction cup, and ball w/ chain)	D6117
14	7-0021	Plastic Hose Clamp	D6067



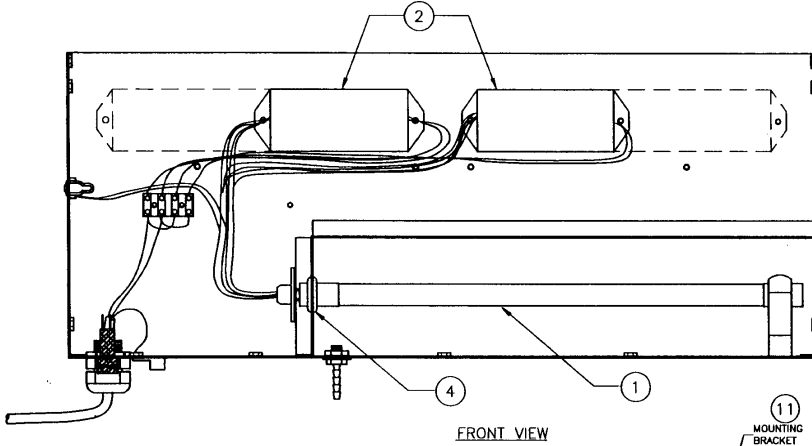


DEL INDUSTRIES

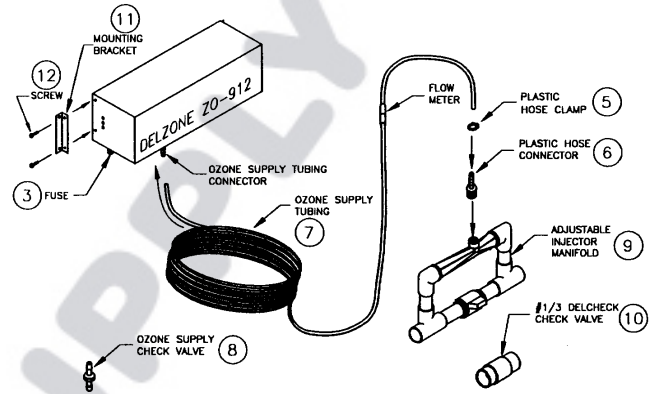


DELZONE ZO-910 Ozone Generator

KEY	MFG.NO.	DESCRIPTION	ITEM NO.
1	5-0232	Lamp (4 pin)	D6057
2	5-0218	Ballast (120V, 60 Hz)	D6059
2	5-0424	Ballast (220V, 60 Hz)	D6061
3	5-0457	Fuse, 1 AMP (120V unit)	D6063
3	5-4013	Fuse, 3 AMP (240V unit)	D6065
5	7-0021	Plastic Hose Clamp	D6067
6	7-0127	Plastic Hose Connector	D6069
7	7-0075	Ozone Supply Tubing, 1/4"ID x 3/8"ID	D6054
8	7-4012	Ozone Supply Check Valve	D6032
9	IU-206	DEL Adjustable Injector Manifold	D6022
10	CO-0101	DELCHECK, 1/3# Check Valve	D6073



DEL INDUSTRIES

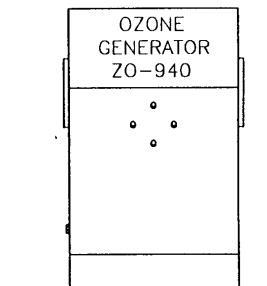
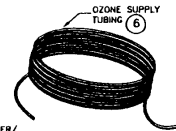
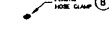
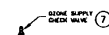
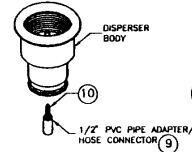
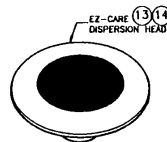
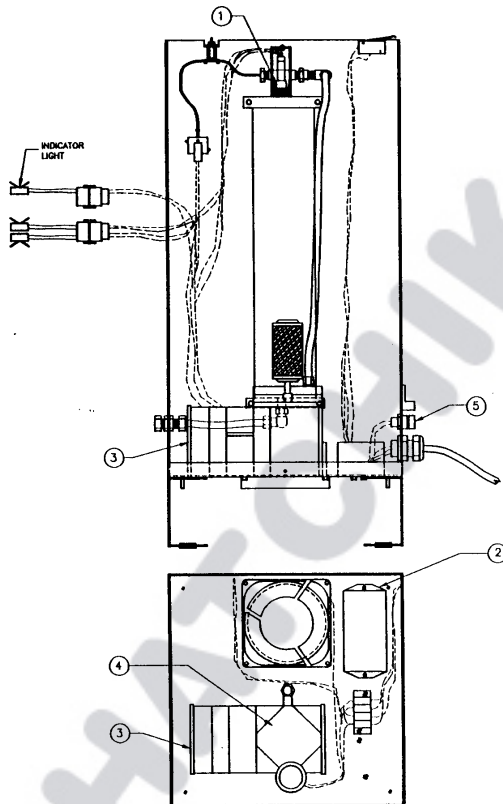


**DELZONE ZO-912
Ozone Generator**

KEY	MFG.NO.	DESCRIPTION	ITEM NO.
1	5-0231	Lamp (wire leads - old style)	D6047
1	5-0232	Lamp (4 pin - new style)	D6057
2	5-0218	Ballast (120V, 60Hz)	D6059
2	5-0424	Ballast (240V, 60Hz)	D6061
3	5-0458	Fuse, 2 AMP (120V unit)	D6075
3	5-0525	Fuse, 5 AMP (240V unit)	D6077
5	7-0021	Plastic Hose Clamp	D6067
6	7-0127	Plastic Hose Connector	D6069
7	7-0075	Ozone Supply Tubing	D6054
8	7-4012	Ozone Supply Check Valve	D6032
9	IU-206	DEL Adjustable Injector Manifold	D6022
10	CO-0101	DELCHECK, 1/3# Check Valve	D6073

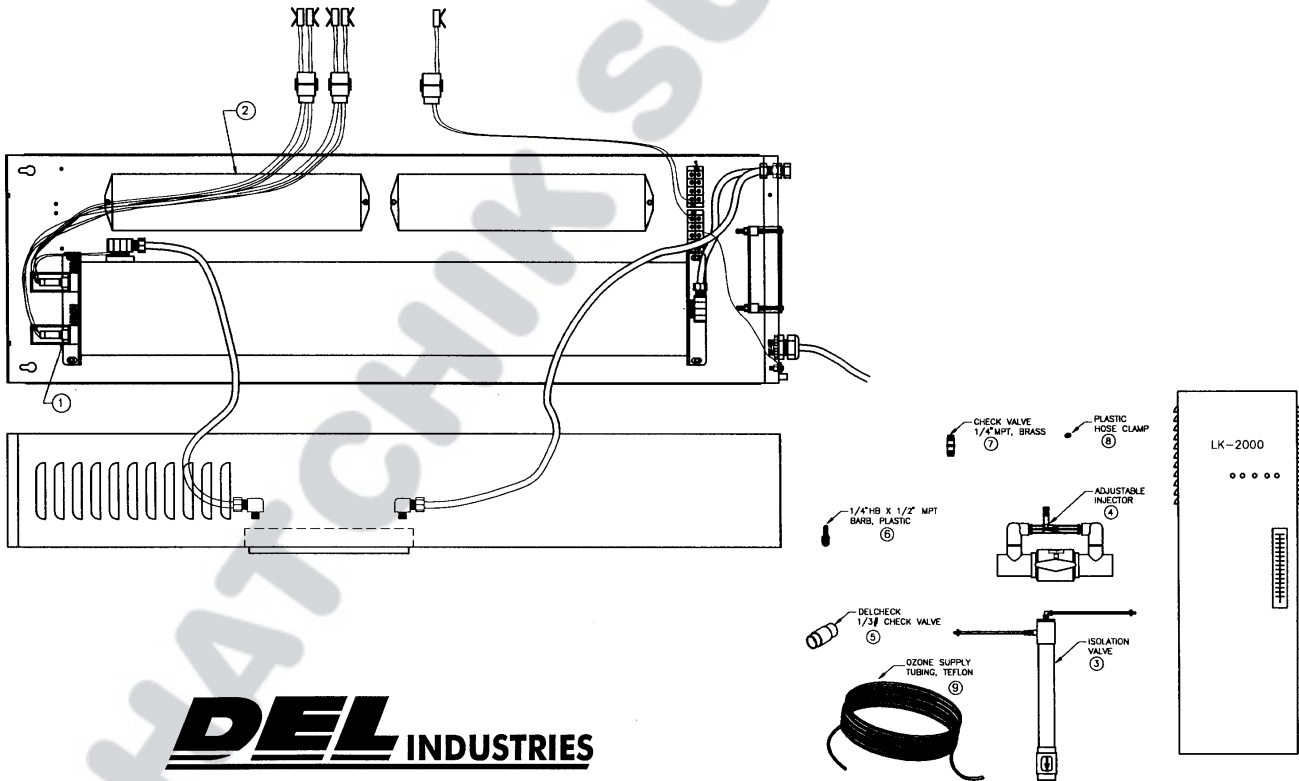
DELZONE ZO-940 Ozone Generator

KEY	MFG.NO.	DESCRIPTION	ITEM NO.
1	9-0200	Lamp	D6048
2	5-0218	Ballast (120V, 60Hz)	D6059
2	5-0424	Ballast (240V, 60Hz)	D6061
3	5-0043	Compressor (120V, 60Hz)	D6079
3	5-0070	Compressor (240V, 50/60Hz)	D6081
4	9-0073	Compressor Repair Kit (gasket, diaphragm)	D6083
5	5-4092	Fuse, 10 AMP	D6085
6	7-0075	Ozone Supply Tubing	D6054
7	7-4012	Ozone Supply Check Valve	D6032
8	7-0021	Plastic Hose Clamp	D6067
9	9-0397	Stub-Up Assembly	D6087
10	7-0127	Hose Barb (stub-up assy.)	D6069
11	9-0230	EZ-Care Dispenser Head, White	D6089
12	9-0231	EZ-Care Dispenser Head, Black	D6091
13	9-0379	Big-EZ Dispenser Head, White	D6093
14	9-0378	Big-EZ Dispenser Head, Black	D6095
15	9-0414	Dispenser Assembly, 12", Charcoal Gray	D6097



DELZONE LK-2000
Ozone Generator

KEY	MFG.NO.	DESCRIPTION	ITEM NO.
*	9-0383	Lamp Cartridge (upgrade includes new style weldment and 4 new style lamps)	D6119
1	9-0347	Lamp Only (new style)	D6121
2	5-0090	Ballast (120V, 60Hz)	D6123
2	5-0544	Ballast (240V, 60Hz)	D6125
3	9-0017	Isolation Valve	D6127
4	IU-216	Adjustable Injector, 2"	D6129
5	CO-0101	DELCHECK, 1/3# Check Valve	D6073
6	7-0127	1/4"HB x 1/2"MPT Barb, Plastic	D6069
7	8-0070	1/4"MPT Check Valve, Brass	D6131
8	7-0021	Plastic Hose Clamp	D6067
9	7-0126	1/4"ID x 3/8"OD Teflon Tubing	D6133
*	5-0140	Cooling Fan	D6135



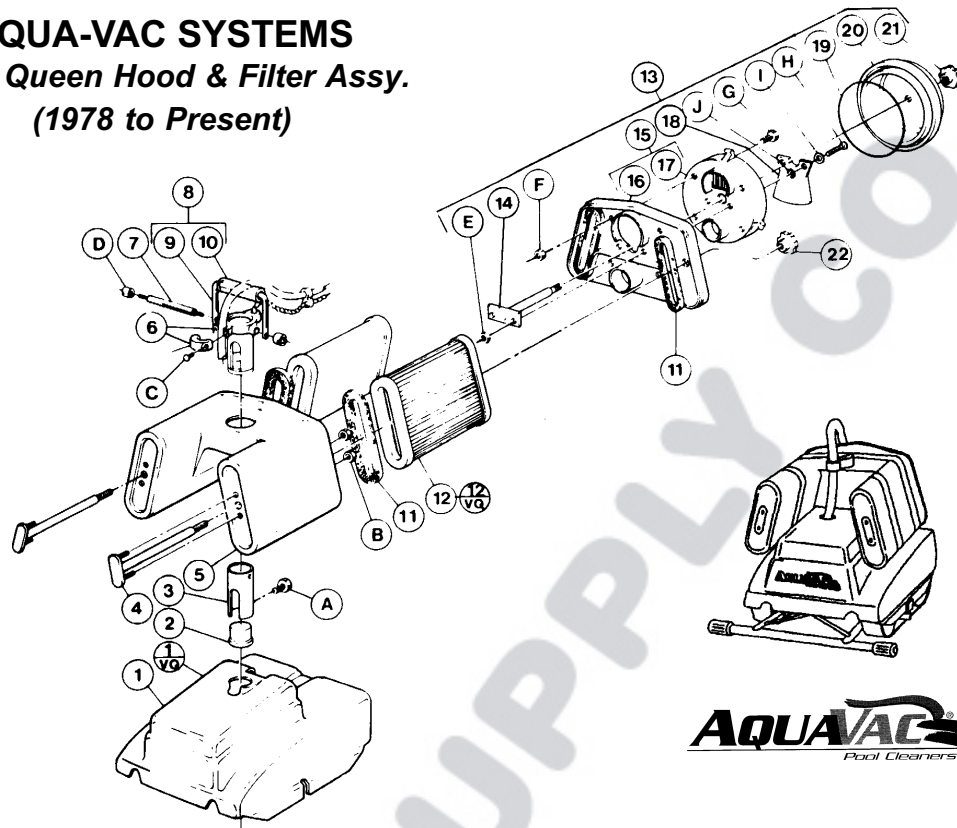
DEL INDUSTRIES

Aqua Vac 1500	41
Aqua Vac King Commander Hood & Filter Assy	40
Aqua Vac Queen Hood & Filter Assembly	39
Aqua Vac - Miscellaneous	41
Baracuda Automatic Pool Cleaner, Alpha 2 Unit	44
Baracuda Automatic Pool Cleaner, Alpha 3 Unit	45
Baracuda Automatic Pool Cleaner, Beta Unit	46
Baracuda Automatic Pool Cleaner, Mars Inground	42,43
Caretaker In-Floor Cleaning System	47
Hayward Aquabug	48,49
Hayward Aquadroid Elite	50-53
Hayward Aquadroid	52,53
Hayward Leaf Canisters W530 & W560	62
Hayward NaviGator	54,55
Hayward Pool Vac Plus	56-59
Hayward Pool Vac Plus & NaviGator Parts Kit	58,59
Hayward Pool Sweep 1	60,61
Miscellaneous Accessories for Hayward/Arneson Cleaners	62
Jandy Ray-Vac (Bagged Head Parts & Kits)	63
Jandy Ray-Vac (Bagged Hose Parts & Kits)	68
Jandy Ray-Vac Gunite Model	64-67
Jandy Ray-Vac (Leaf Master & Leaf Trap)	69
Miscellaneous Parts for Non-Jandy Leaf Baggers	69
Kreepy Krauly Accessories & Parts Kits	71
Kreepy Krauly Head & Vac Plus II	70
Letro Booster Pump (New Style)	81
Letro Booster Pump (Old Style)	80
Letro Legend	72,73
Letro Legend II	74,75
Letro Legend 3 Wheel Model	76,77

Cleaning Equipment

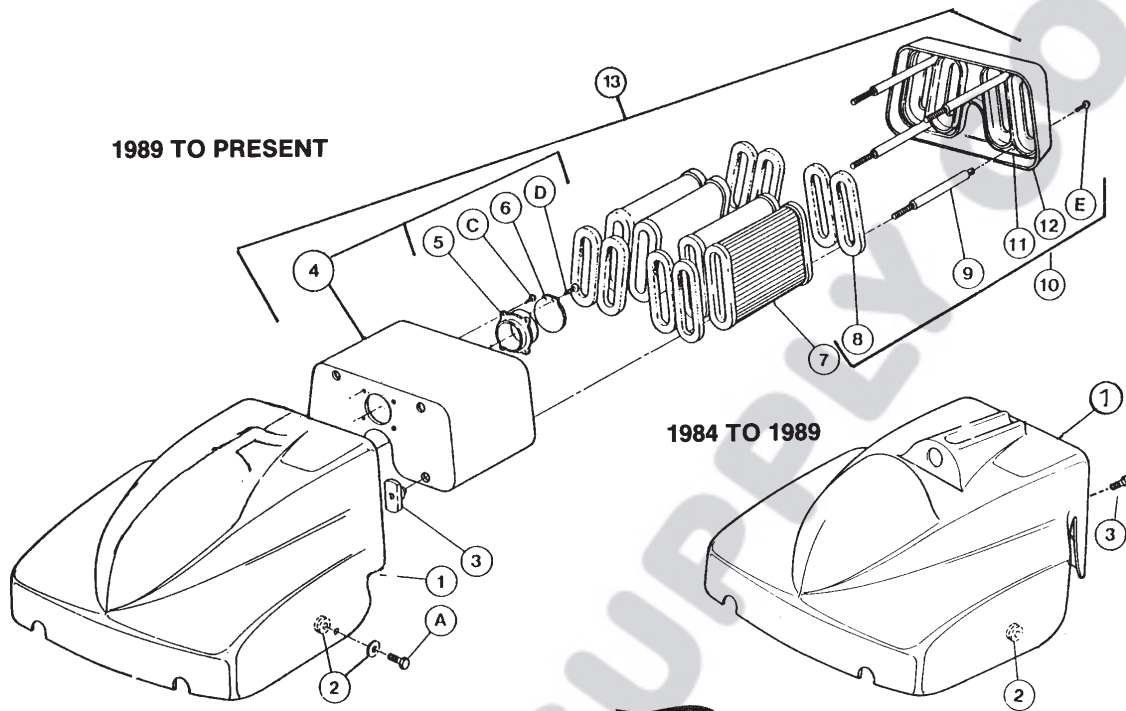
Letro Hose Replacement Parts (with Jet-Vac)	79
Letro Jet-Vac	78,79
Mars Automatic Inground Pressure	42,43
Polaris 65 Vac-Sweep	82,83
Polaris 165 Vac-Sweep	84,85
Polaris 180 Vac-Sweep	86-89
Polaris 280 Vac-Sweep	90-92
Polaris 340 Vac-Sweep	94,95
Polaris 360 Vac-Sweep	96-99
Polaris 380 Vac-Sweep	100-102
Polaris Booster Pumps	93
Polaris Misc. Parts & Accessories	103
Polaris Spa Wand	103
Pole Accessories	103
Rainbow Flexible Vacuums 252	104
Rainbow Leaf Traps, 179 & 180	105
Rainbow Pro-Vac 214R, 222 & 229	104
Rainbow 186 Leaf Trap	105
Sta-Rite Greatwhite Above Ground GW8000	106
Sta-Rite Greatwhite Above Ground GW9000	107
Sta-Rite Greatwhite In-Ground Cleaner	108

AQUA-VAC SYSTEMS Aqua Queen Hood & Filter Assy. (1978 to Present)



KEY	MFG NO.	DESCRIPTION	ITEM NO.
1	1303	Hood - Aqua Queen	E3100
1VQ	1303V	Hood - Vinyl Queen (Replaced by 1303)	N/A
2	7802B	Hat - Riser	E3374
3	7802	Adapter - Handle Riser	E3372
A	3202A-82	Bolt, Hex Head 1/4" - 20 x 5/8" S.S.	E3695
4	7808P	Tie Rod - Filter Housing (2 needed)	E3382
4	7815	Tie Rod - New Style (Late 1994 to Present)	E3399
--	7803	Tie Rod Push Clip - N.S. (Late 1994 to Present)	E3376
B	1610A	Nut, Hex 10 - 32 S.S. (4 needed)	E3166
5	7801	Body - Filter Assembly	E3370
6	7804-82	Ring, Adapter with Clamp	E3377
7	7806	Pin - Handle	E3380
D	1610B-82	Nut - Slotted S.S. (2 needed)	E3169
8	7805	Handle - Assembly (Replaced by New Style)	E3379
11	7813	Gasket Foam, 1/2" Oval (4 needed)	E3398
12	7807	Filter Cartridge (2 needed)	E3012
13	7810-93	Cover for Filter Assembly	E3103
14	7818	"T" Bolt Assembly, Limited Availability	E3404
E	420A	Nut, Hex 8 - 32 S.S. (2 needed)	E3060
15	7810B	Back Plate & Baffle (Must Buy #7810-93)	N/A
G	7811A	Bolt, Hex Hd, 8-32 x 3/8" S.S. (4 needed)	E3394
F	420A	Nut, Hex 8-32 S.S. (4 needed)	E3060
18	7812	Flap - Filter	E3396
H	7812A	Screw, Rd Hd, 8-32 x 1" S.S. (2 needed)	E3397
I	2204C	Washer, Flat #10 S.S. (2 needed)	E3618
J	1802B	Washer Flat #8 S.S. (2 needed)	E3105
19	7816	O-Ring - Seal, 6"	E3402
20	7814	Cover - Rear Debris Trap	E3400
21	7809	Knob - Debris Trap	E3384
22	7809	Knob - Filter (2 needed)	E3384

AQUA-VAC SYSTEMS
Aqua King Commander
Hood & Filter Assembly

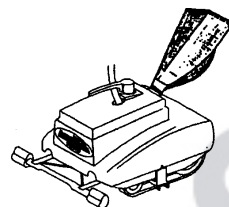


1989 to Present

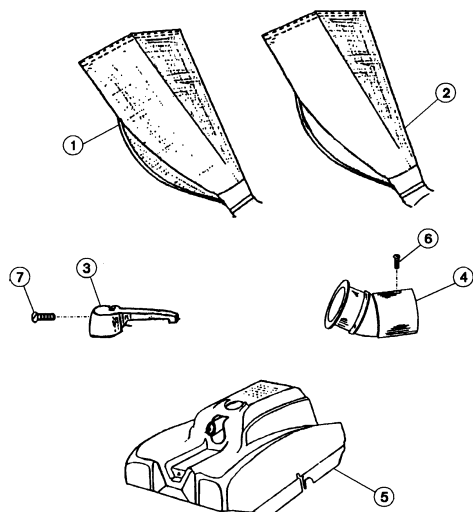
KEY	MFG NO.	DESCRIPTION	ITEM NO.
1	3310	Hood - Orange Plastic	E3135
1	3310B	Hood - Blue Plastic	E3134
2	3309	Spacer - Hood Mounting (4 needed)	E3133
A	2121B	Bolt Hex Hd 1/4"-20 x 3/4" S.S. (2 needed)	E3578
3	3405	Knob - Filter (4 needed)	E3115
4	3409	Housing - Filter Assembly	E3117
5	3401	Intake - Filter Housing	E3119
C	3402	Screw Phil. Hd #4 x 3/8" S.S. (4 needed)	E3121
6	3403	Baffle - Filter Housing	E3123
D	3402	Screw Phil. Hd #4 x 3/8" S.S. (2 needed)	E3121
7	7807	Replacement Filter Cartridge (4 needed)	E3012
8	7813	Foam Gasket 1/4" Oval (8 needed)	E3398
9	7808PC	Filter Tie Rod (4 needed)	E3383
10	3416	Back Plate Assembly	E3125
11,12	----	Back Plate (Part of 3416 #10)	N/A
13	3400	Filter Assembly - Complete	E3126

1984 to 1989

1	3310	Hood - (Replaced by New Style)	E3135
2	1605	Spacer - Hood Mounting (4 needed)	E3150
3	3413	Screw Phil. Hd #4 x 1/2"	E3139



AQUA VAC 1500

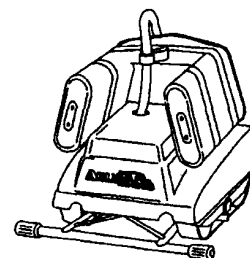


KEY	MFG NO.	DESCRIPTION	ITEM NO.
1	1507	Leaf Bag for 1500 Unit	E3141
2	1508	Sand & Silt Bag	E3531
3	1301Y	Handle	E3096
4	1506	Bag Adapter	E3143
5	1303	Hood	E3100
6	2408A	Screw 10-32x3/8 Self-Tap	E3750

MISC. AQUA VAC PARTS

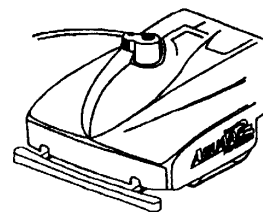
Queen / 1500 / Prince

MFG NO.	DESCRIPTION	ITEM NO.
1307V	Drive Belt (Short)	E3110
1508	Filter Bag Assembly	E3531
1600R	Drive Wheel Assembly - Right Hand	E3140
1600L	Drive Wheel Assembly - Left Hand	E3142
1701	Cable Assy (New)	E3176
1702	Front Wheel	E3178
1703	Reversing Arm Left & Right	E3182
1707	Slide for Sensor Bar	E3196
1710	Sensor Bar	E3200
7803	Tie Rod Clip	E3376

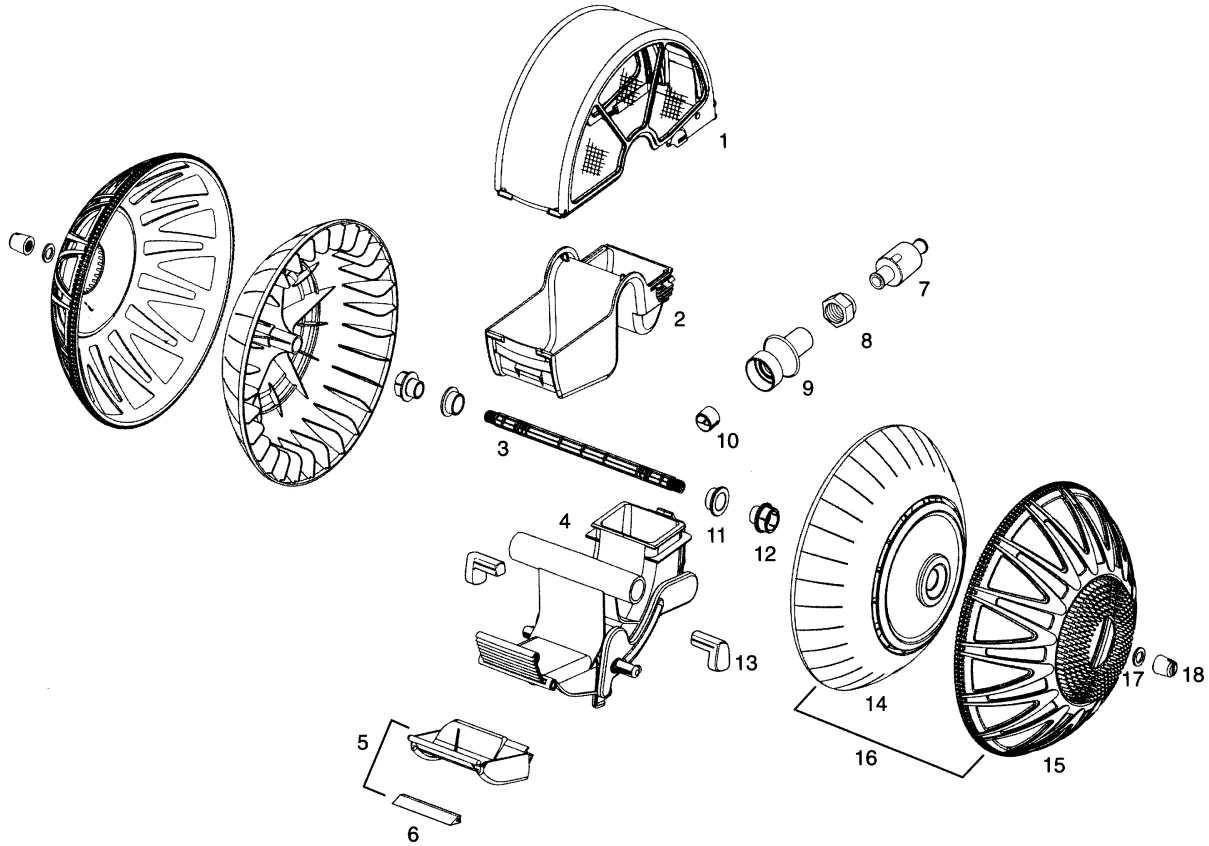


King LP / King Commander

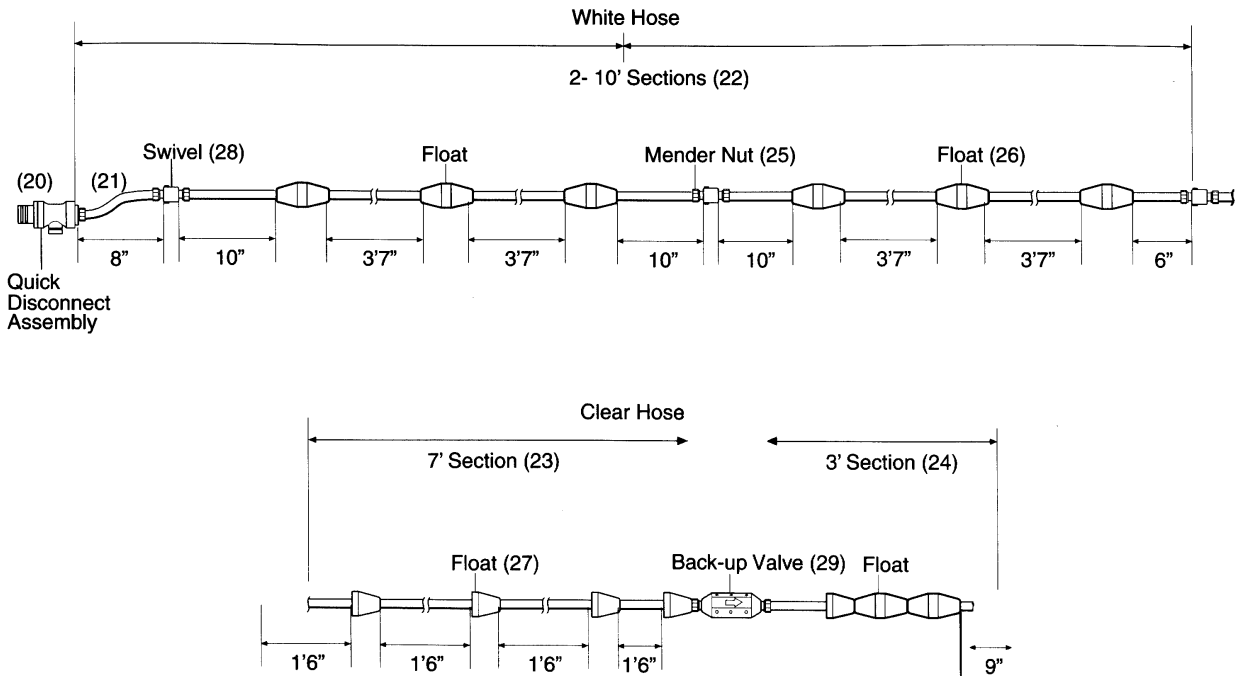
2202V	Front Wheel	E3606
2203	Reversing Arm - Left & Right	E3610
2303V	Drive Belt	E3700
2306	Idler Roller	E3710
2310	Roller - Bottom Belt Guide	E3718
2317	Roller - Side Belt Guide	E3728
2608L	Drive Wheel Assembly - Left	E3776
2608R	Drive Wheel Assembly - Right	E3778
3211	Sensor Bar Assembly	E3127
3500	Filter Bag Assembly	E3131
7809	Filter Knob	E3384



BARACUDA MARS
AUTOMATIC INGROUND PRESSURE - SIDE POOL CLEANER



Mars Supply Hose (19)



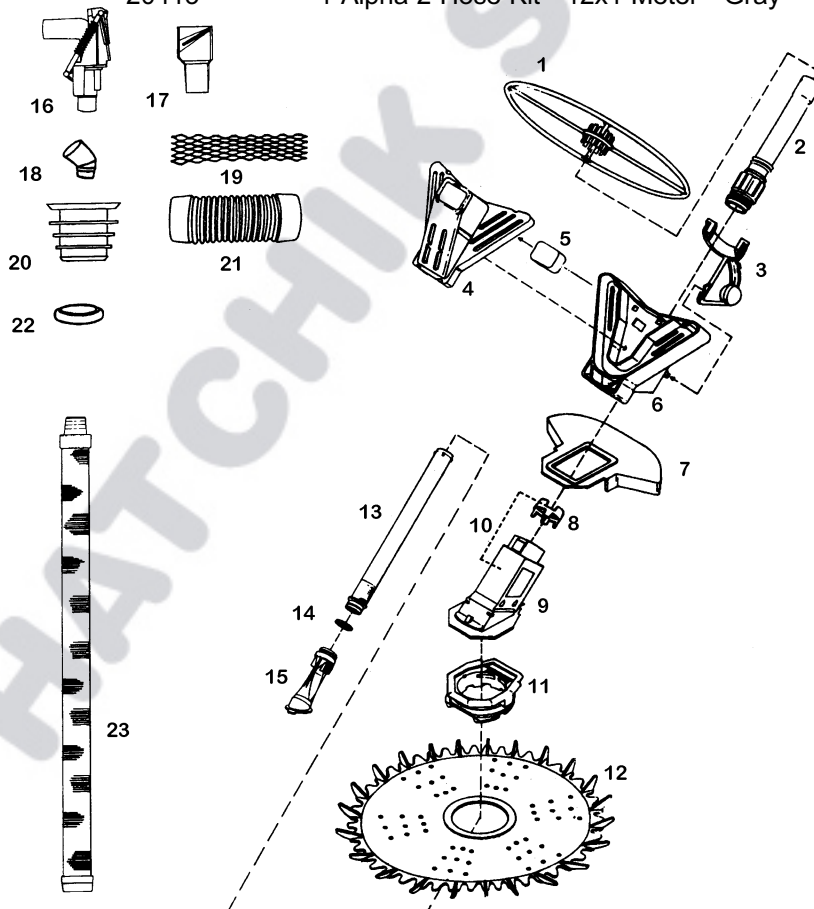
BARACUDA MARS AUTOMATIC INGROUND PRESSURE - SIDE POOL CLEANER

KEY	MFG. NO.	DESCRIPTION	ITEM NO.
1	69337	Debris Trap - Top	E6150
2	69338	Debris Trap - Bottom	E6152
3	69349	Axle	E6154
4	69550	Venturi Housing	E6156
5	69368	Debris Door w/ Wear Strip	E6158
6	69318	Wear Strip	E6160
7	36313	Hose Swivel	E6162
8	36310	Mender Nut	E6164
9	69367	Handle	E6166
10	69364	Flow Adjuster	E6168
11	69357	Axle Bushing	(2 needed) E6170
12	69358	Wheel Bushing	(2 needed) E6172
13	69370	Float	(2 needed) E6174
14	69354	Wheel	(2 needed) E6176
15	69355	Tire	(2 needed) E6178
16	69328	Wheel Assembly	(2 needed) E6180
17	69359	Washer	(2 needed) E6182
18	69356	Nut	(2 needed) E6184
19	36450	Hose Kit - 10 Feet <i>For Pools that Require Extra Hose Length</i>	E6186
20	36316	Quick Disconnect Assembly	E6188
21	36318	Hose Section 8', White	E6190
22	36405	Hose Section 10', White	(2 needed) E6192
23	36370	Hose Section 7', Clear	E6194
24	36330	Hose Section 3', Clear	E6196
25	36310	Mender Nut	(10 needed) E6164
26	36311	Hose Floats - Large	(8 needed) E6198
27	36320	Hose Floats - Small	(5 needed) E6151
28	36313	Hose Swivel	(3 needed) E6162
29	36317	Back-up Valve	E6153

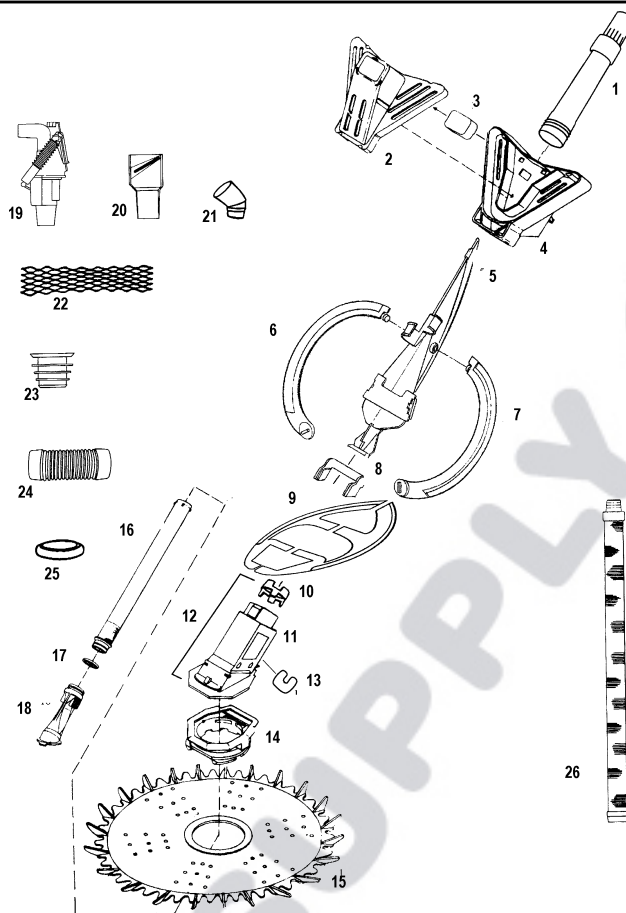


BARACUDA ALPHA 2
After 1995

KEY	MFG. NO.	DESCRIPTION	ITEM NO.
1	46055	Wheel Deflector - 12" - Turquoise	E6020
2	74050	Outer Extension Pipe w/ Handnut	E6009
3	90281	Weighted Spur Bumper - Gray	E6019
4	51687	Outer Body Top - Gray	E6011
5	80520	Float	E6031
6	54115	Outer Body Bottom - Gray	E6036
7	49855	Apron - Turquoise	E6014
8	74000	Compression Ring	E6027
9	71515	Inner Body (available on trade-in basis only)	E6016
10	61215	Inner Body & Compression Ring (available on trade-in basis only)	E6015
11	72855	Foot Pad - Turquoise	E6017
12	49655	Finned Disc - Turquoise	E6021
13	73406	Threaded Inner Extension Pipe	E6029
14	81600	Diaphragm Retaining Ring	E6050
15	81700	Diaphragm	E6062
16	60115	Flowkeeper Valve 97	E6100
17	44805	Pool Pulse	E6055
18	22425	45 Degree Elbow (2 pack)	E6054
19	33800	Hose Protector	E6033
20	53900	Inground Valve Cuff	E6088
21	33115	4 1/2" Connector - Gray	E6106
22	43315	Hose Weight - Gray	E6023
23	20415	1 Alpha 2 Hose Kit - 12x1 Meter - Gray	E6024

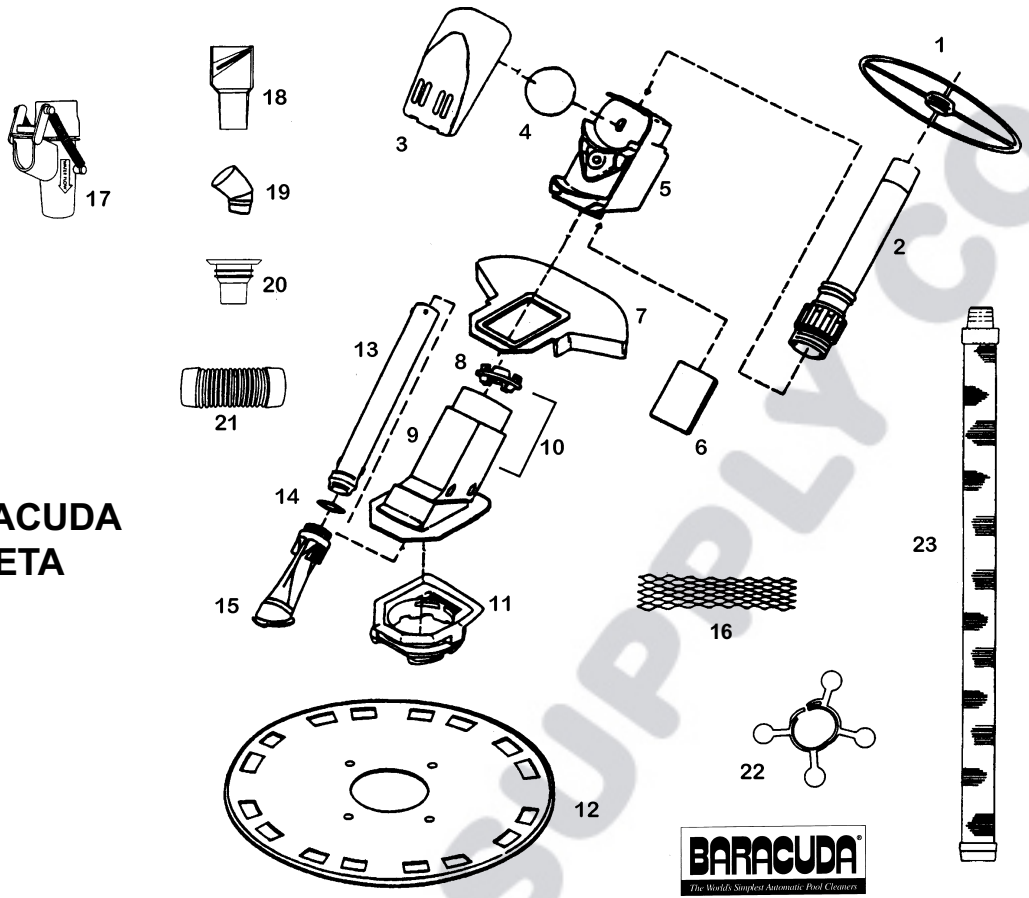


BARACUDA ALPHA 3



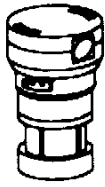
KEY	MFG NO.	DESCRIPTION	ITEM NO.
1	75050	Outer Extension Pipe with Handnut	E6108
2	52810	Outer Body Top - Metallic Blue	E6109
3	80525	Float	E6111
4	54198	Outer Body Bottom - Metallic Blue	E6113
5	70450	Bumper Fin Complete (1999)	E6114
6	48633	Side Wing #B	E6116
7	48632	Side Wing #A	E6118
8	70600	Outer Body Bracket	E6121
9	48635	Bottom Bumper	E6120
10	74000	Compression Ring	E6027
11	71425	Inner Body (Trade - in only)	E6123
12	61225	Inner Body and Compression Ring (Trade - in only)	E6127
13	48634	Belly Weight	E6128
14	72880	Foot Pad - Teal	E6129
15	46666	Finned Disc - Teal	E6021
16	73406	Threaded Inner Extension Pipe	E6133
17	81600	Diaphragm Retaining Ring	E6050
18	81700	Diaphragm	E6062
19	60115	Flowkeeper Valve	E6100
20	44805	Pool Pulse	E6055
21	22425	45 Degree Elbow (2 pack)	E6054
22	33800	Hose Protector	E6135
23	53900	Inground Valve Cuff	E6088
24	33160	1/2" Connector - Aqua	E6137
25	43260	Hose Weight, 37 G - Aqua	E6138
26	20460	Hose Kit - 12 x 1 Meter - Aqua	E6139

**BARACUDA
BETA**



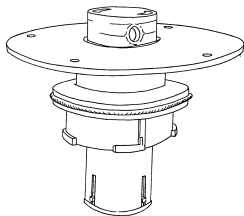
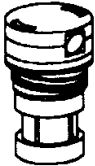
KEY	MFG. NO.	DESCRIPTION	ITEM NO.
1	46055	Wheel Deflector 12" - Turquoise	E6052
2	74055	Outer Extension Pipe w/ Handnut	E6051
3	50205	Outer Body Top - White	E6056
4	80200	Float Ball	E6057
5	53005	Outer Body Bottom - White	E6058
6	90147	Beta Weight	E6080
7	49855	Apron - Turquoise	E6059
8	74000	Compression Ring	E6027
9	71605	Inner Body (available on trade-in basis only)	E6068
10	61305	Inner Body & Compression Ring (available on trade-in basis only)	E6064
11	72955	Footpad - Turquoise	E6070
12	48140	Slotted Disc - Yellow	E6002
13	73406	Threaded Inner Extension Pipe	E6029
14	81600	Diaphragm Retaining Ring	E6050
15	81700	Diaphragm	E6062
16	33800	Hose Protector	E6094
17	44530	Flowkeeper Valve 98	E6103
18	44805	Pool Pulse	E6055
19	22425	45 Degree Elbow (2 Pack)	E6054
20	64700	Above Ground Valve Cuff	E6104
21	33205	4 1/2" Connector - White	E6105
22	24209	Hose Deflector - White (3 pack)	E6004
23	20405	1 Beta Hose Kit- 12x1 Meter - White	E6006

CARETAKER IN-FLOOR CLEANING SYSTEM



Replacement Heads

MFG NO.	DESCRIPTION	ITEM NO.
4-9-504*	Standard Pop-Up Head (Floor) Bayonet Style - Cream	Z4040
4-9-502*	Standard Pop-Up Head (Bench) Bayonet Style - Cream	Z4003
<i>*Pools built during or after 1991</i>		
4-9-402	Standard Pop-Up Head (Floor) Threaded Style - Cream	Z4000
4-9-403	Standard Pop-Up Head ((Bench) Threaded Style - Cream	Z4002



3-17-8 Head Removal Tool Z4020

4-9-2004 RetroClean Head & Face Plate for Master Pools Turbo Clean - White Z4004

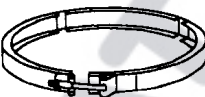
Water Valve Parts

KEY	MFG NO.	DESCRIPTION	ITEM NO.
1	1-1-218	Union Nut	Z4036
2	1-1-219	Union Adapter	Z4034
3	1-1-216	Cup Strainer	Z4010
4	1-13-3	Union O-Ring	Z4028
5	4-9-2000	Caretaker Water Valve	Z4006
6	1-13-2	Small O-Ring	Z4024
7	1-9-216	V-Clamp	Z4030
8	1-13-1	Large O-Ring	Z4026
9	1-9-215	Bottom Plate	Z4022
---	5-9-2001	Valve Rebuilding Kit	Z4008
---	5-13-1	Valve O-Ring Kit	Z4012
---	4-1-2002	2" Union Complete	Z4032



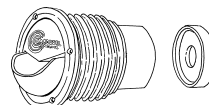
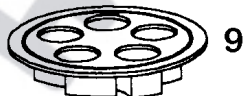
Leaf Trapper

6	5-1-101	Leaf Trapper Complete - Concrete with White Lid & Fittings	L1090
7	5-1-151	Leaf Trapper Complete - Vinyl with White Lid & Fittings	L1092
8	3-9-120	Repl. Filter Bag & Metal Ring	Z4005

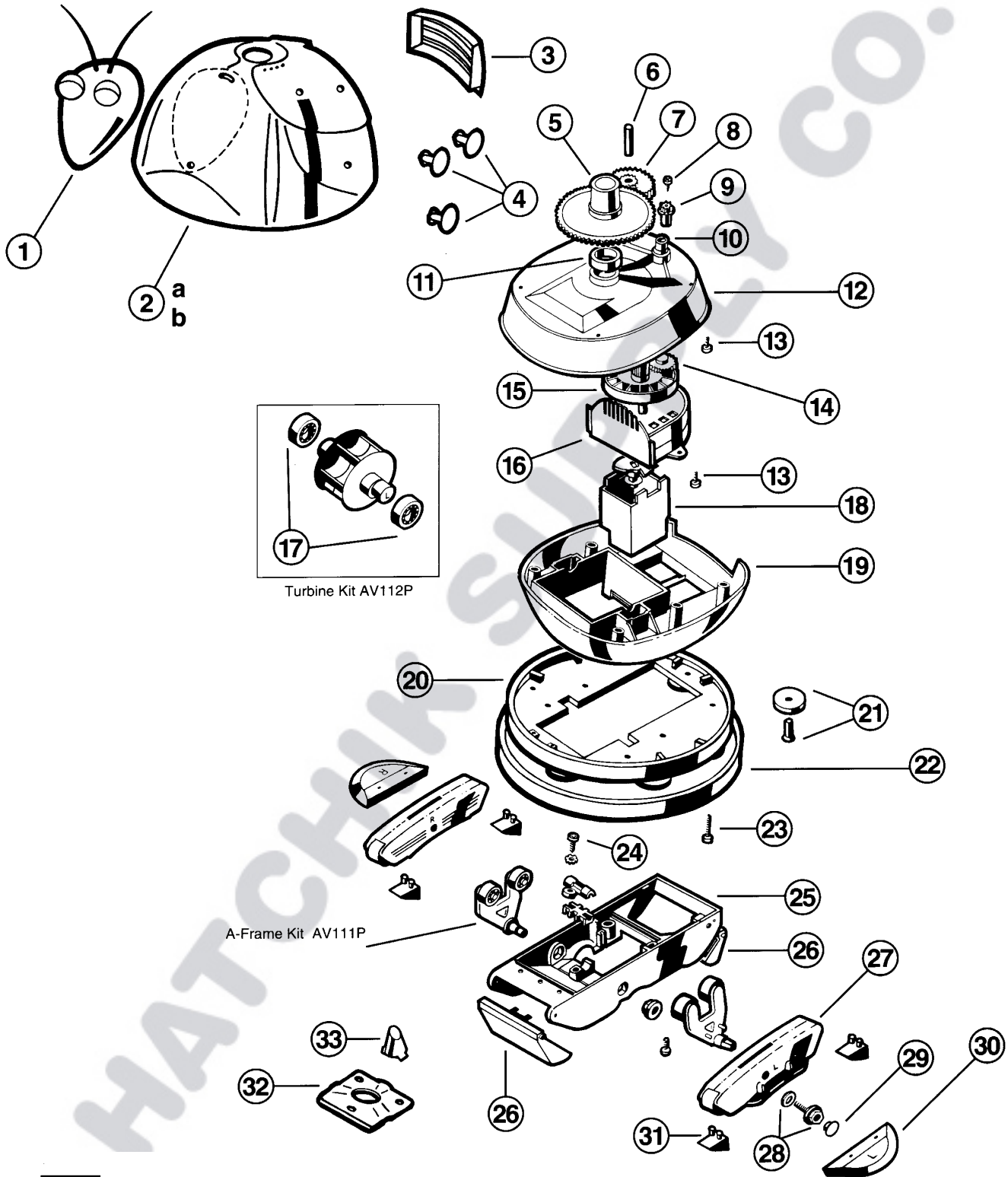


Rotating Eyeball

3-1-1 Carousel Rotating Eyeball Z4021

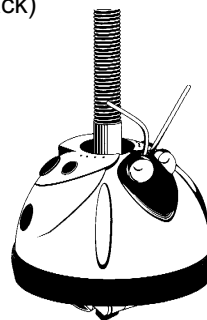


HAYWARD AQUABUG Arneson Above Ground Cleaner

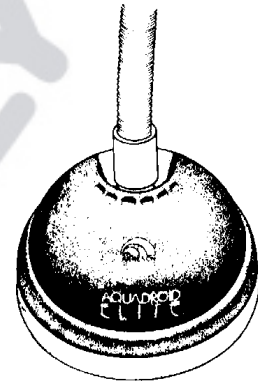
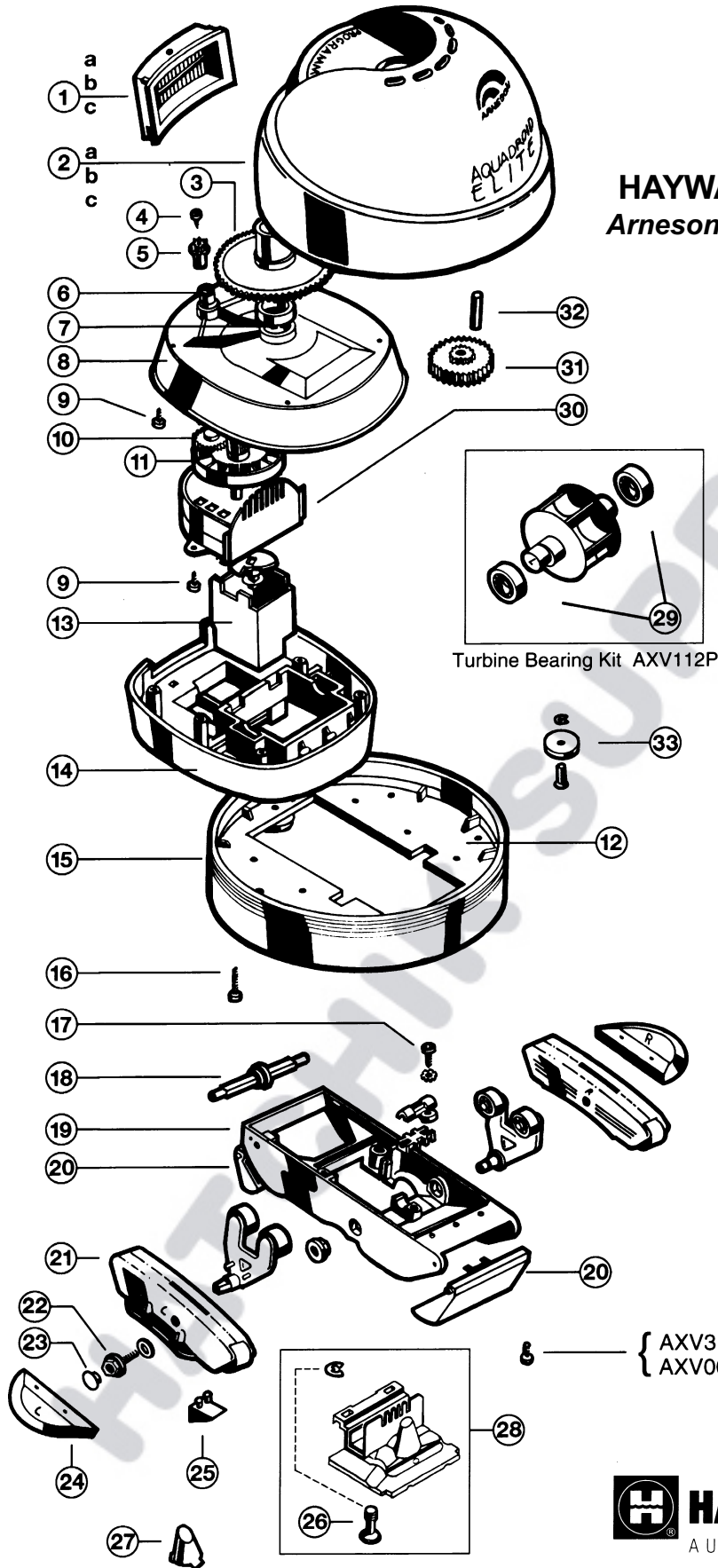


HAYWARD AQUABUG Arneson Above Ground Cleaner

KEY	MFG. NO.	DESCRIPTION	ITEM NO.
1	AXV464	Head Assembly, includes Head, Eyes & Antennae	E1V71
2a	AXV4570R	Shell, Orange	E1V457
2b	AXV457YL	Shell, Yellow	E1V457Y
3	AXV513BK	AquaBug Screen, Black	E1V513
4	AXV443	AquaBug Spots, 4 lg. & 2 sm.	E1V443
5	AXV070	Cone gear	E1V070
6	AXV309	Intermediate Gear Shaft	E1V39
7	AXV301	Intermediate Gear	E1V32
8	AXV068	Spindle Gear Screw	E1V68
9	AXV303	Spindle Gear	E1V29
10	AXV066A	Spindle Gear Bushing	E1V66
11	AXV306	Cone Gear Bushing	E1V40
12	AXV060LG	Upper Middle Body, Light Gray	E1V60
13	AXV065P	Lower/Upper Body Screw (6 pack)	E1V65
14	AXV064A	Medium Turbine Drive Gear	E1V64
15	AXV062C	Medium Turbine	E1V62
16	AXV009	Medium Turbine Case with Axle	E1V09
17	AXV055P	Turbine Bearings (2)	E1V55
---	AXV112P	Turbine Kit	E1V112P
18	AXV518P	Gear Box	E1V84
19	AXV050CLG	Lower Middle Body, Light Gray	E1V050
20	AXV525A	Base Plate Assembly	E1V79
21	AXV551P	Wheel Kit (6 wheels, axles)	E1V61
22	AXV458	AquaBug Ring	E1V458
23	AXV057P	Middle Body Screw (6 pack)	E1V57
24	AXV313	Lower Body Screw	E1V313
25	AXV030ALG	Lower Body w/Easy Opening Bottom, Light Gray	E1V03
26	AXV442	Flap Kit, Light Gray (2 flaps, front & rear)	E1V37
27	AXV417WHP	Pod Kit (includes right & left pod assemblies)	E1V17
28	AXV015P	Pod Screw Kit (2 hex head screws & 2 washers)	E1V43
29	AXV016P	Pod Plug (6 pack)	E1V44
30	AXV552LGP	Wing Kit, Light Gray	E1V53
31	AXV014SP	Slotted Santoprene Shoes (4 pack)	E1V12
32	AXV304A	Bottom Plate	E1V340
33	AXV512A	Nozzle Throat	E1V76
---	AXV111P	A-Frame Kit	E1V16



HAYWARD AQUADROID ELITE
Arneson Above Ground Pool Cleaner



Turbine Bearing Kit AXV112P

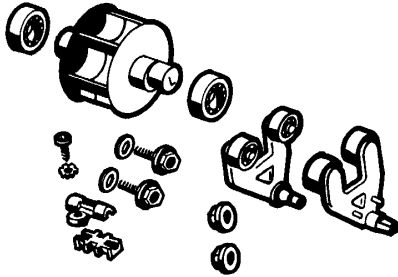
8 — { AXV313 (4) if inserts are in AXV050C
 AXV065P (4) if no inserts are in AXV050C

HAYWARD AQUADROID ELITE Arneson Above Ground Pool Cleaner

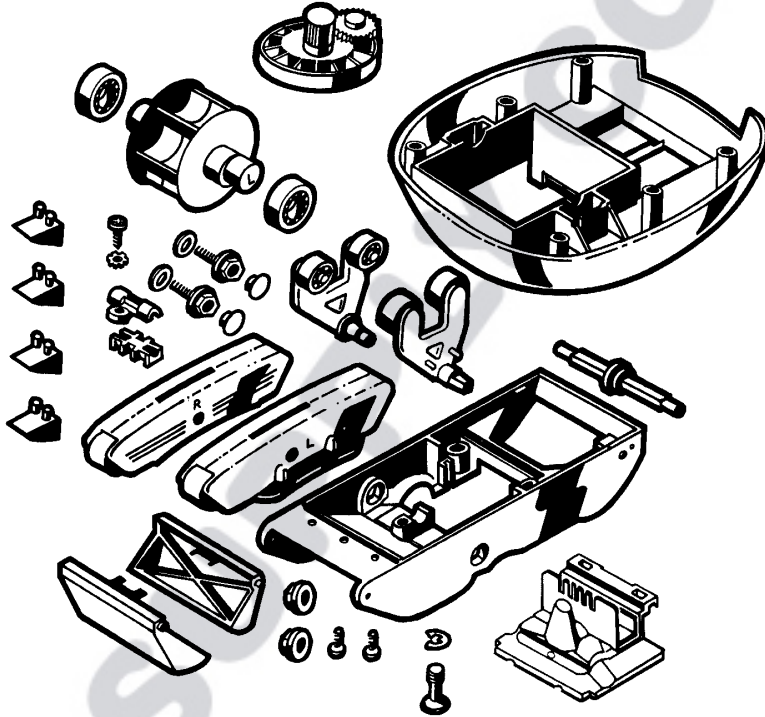
KEY	MFG. NO.	DESCRIPTION	ITEM NO.
1a	AXV513BK	Screen, Black	E1V513
1b	AXV513EB	Screen, Elite Blue	E1V77
1c	AXV513BG	Screen, Burgandy	E1V513BG
2a	AXV560BG	AquaDroid Elite Top Cover, Burgandy <i>(exchange only)</i>	E1V560BG
2b	AXV560BK	AquaDroid Elite Top Cover, Black <i>(exchange only)</i>	E1V560
2c	AXV560EB	AquaDroid Elite Top Cover, Elite Blue <i>(exchange only)</i>	E1V80
3	AXV070LG	Cone Gear, Light Gray	E1V07
4	AXV068	Spindle Gear Screw	E1V68
5	AXV303	Spindle Gear	E1V29
6	AXV066A	Spindle Gear Bushing	E1V66
7	AXV306	Cone Gear Bushing	E1V40
8	AXV060LG	Upper Middle Body, Light Gray	E1V58
9	AXV065P	Lower/Upper Body Screw (6 pack)	E1V65
10	AXV064	Medium Turbine Drive Gear	E1V64
11	AXV062C	Medium Turbine	E1V62
12	AXV525A	AquaDroid Elite Base Plate Assembly	E1V79
13	AXV518P	Gear Box	E1V84
14	AXV050CLG	Lower Middle Body, Light Gray	E1V56
15	AXV561LG	AquaDroid Elite Base Plate Ring, Light Gray	E1V81
16	AXV057P	Middle Body Screw (6 pack)	E1V57
17	AXV313	Lower Body Screw (4 pack)	E1V313
18	AXV031B	Flap Adjuster	E1V31
19	AXV230DWH	Lower Body, White	E1V230
20	AXV434WHP	Flap Kit, White (2 flaps, front & rear springs)	E1V34
21	AXV417WHP	Pod Kit, White (includes right and left pod assemblies)	E1V17
22	AXV015P	Pod Screw Kit, (2 hex head screws & 2 washers)	E1V43
23	AXV016P	Pod Plug (6 pack)	E1V44
24	AXV552LGP	Wing Kit, Light Gray	E1V53
25	AXV014FNP	Pod Shoes, Cork (4 pack)	E1V14
26	AXV314P	Captive Screw & Retaining Clip	E1V314
27	AXV512A	Nozzle Throat	E1V76
28	AXV340	Access Cover Assembly	E1V340
29	AXV055P	Turbine Bearings (2 pack)	E1V55
---	AXV112P	Turbine Bearing Kit	E1V112P
30	AXV009	Medium Turbine Case w/ Axle	E1V09
31	AXV301	Intermediate Gear	E1V32
32	AXV309	Intermediate Gear Shaft	E1V39
33	AXV551P	Wheel Kit	E1V61
---	AXV079VP	Medium Turbine/Spindle Gear Kit Vinyl <i>(medium turbine, drive gear, bushing, vinyl spindle gear, screw, medium turbine axle, intermediate gear, intermediate gear axle)</i>	E1V88

AQUADROID & AQUADROID ELITE
Parts Kits & Accessories for Above Ground Cleaners

AXV036BP A-Frame/Turbine Kit



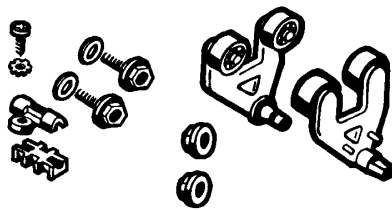
AXV222 Propulsion/Conversion Kit



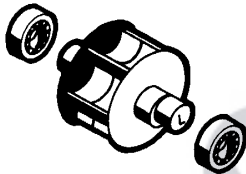
AXV055P Turbine Bearings



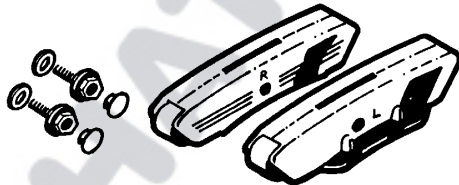
AXV111P A-Frame Kit



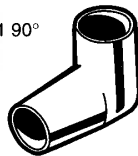
AXV112P Turbine Kit



AXV417BKP Pod Kit, Black
 AXV417WHP Pod Kit, White



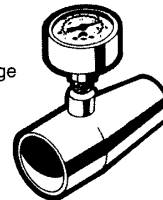
AXV151 90°
 Elbow



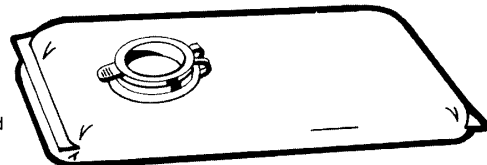
AXV093BP
 Skimmer Adapter Cone



V096P
 In-line Gauge



AXW100
 Ladder Guard



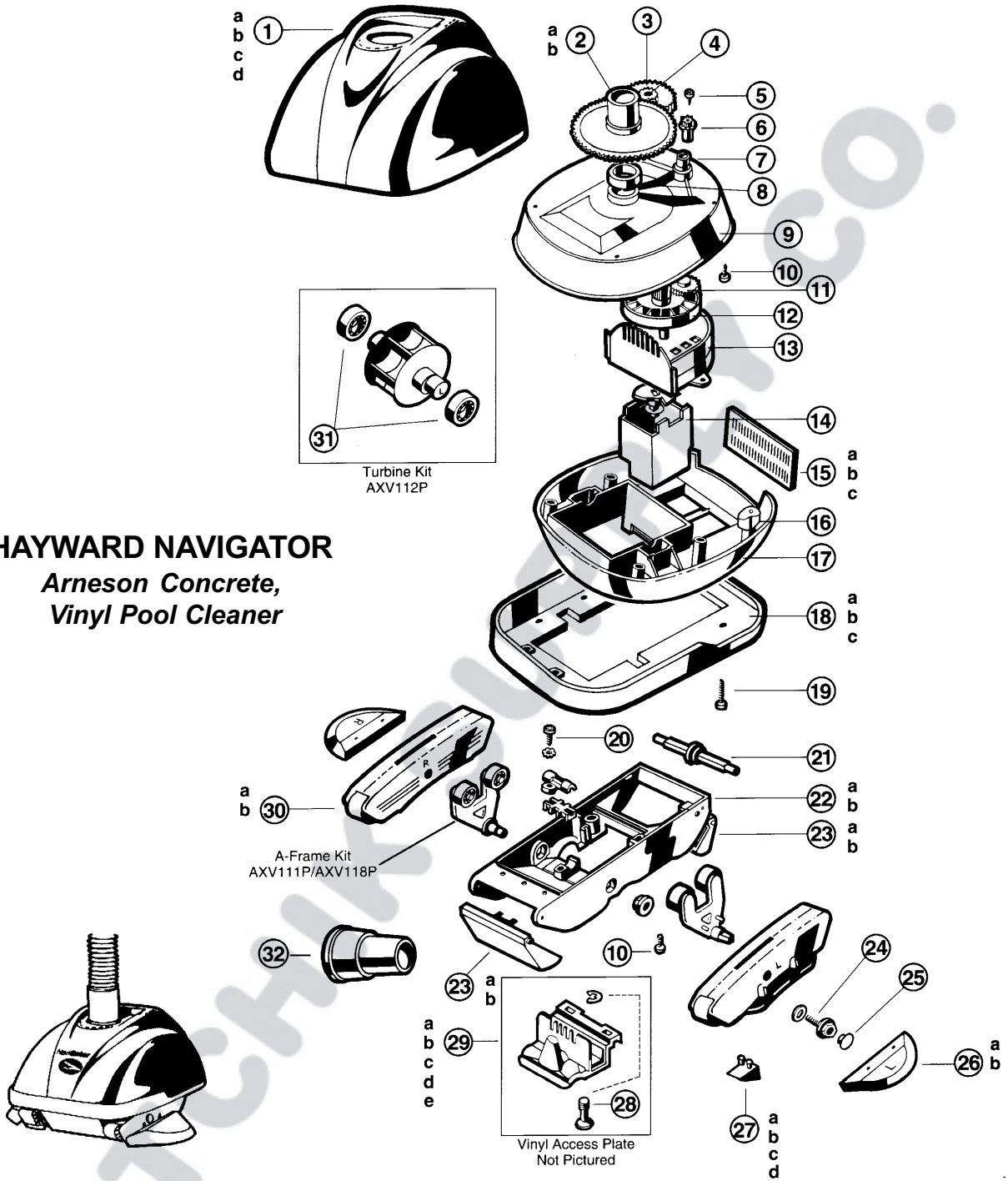
AQUADROID & AQUADROID ELITE Parts Kits & Accessories for Above Ground Cleaner

MFG NO.	DESCRIPTION	ITEM NO.
AXV014FNP	Pod Shoe Kit, Cork (4 pack)	E1V14
AXV015P	Pod Screw Kit <i>(includes 2 hex head pod screws and 2 washers)</i>	E1V43
AXV016P	Pod Plug Kit, (6 pack) <i>(2 pod plugs each of white, black and grey)</i>	E1V44
AXV417WHP	Pod Kit, white <i>(includes right and left pod assemblies)</i>	E1V17
AXV434WHP	Flap Kit, White <i>(includes front and rear flap assemblies)</i>	E1V34
AXV036BP	A-Frame/Turbine Kit <i>(includes 2 A-frames & brushings, saddle, keeper, main turbine & bearings, hex head pod screws and pod screw washers)</i>	E1V36
AXV055P	Turbine Bearing Kit (2 pack)	E1V55
AXV057P	Middle Body Screw Kit (6 pack)	E1V57
AXV065P	Upper Body Screw Kit (6 pack)	E1V65
AXV079VP	Medium Turbine/Spindle Gear Kit Vinyl <i>(medium turbine, drive gear, bushing, spindle gear, screw, medium turbine axle, intermediate gear, intermediate gear axle)</i>	E1V88
AXV111P	A-Frame Kit <i>(includes 2 A-frame and bushings, saddle, keeper, 2 hex head pod screws and 2 pod screw washers)</i>	E1V16
AXV112P	Turbine Kit <i>(includes main turbine and 2 turbine bearings)</i>	E1V112P
AXV199P	A-Frame/Bushing/Saddle Kit	E1V49
AXV507P	AquaDroid Port Hole Kit, (6 pack) light gray	E1V82
AXV508P	AquaDroid Top Shell Kit, (replacement only) <i>(includes top shell, outboard screen and 6 port holes)</i>	E1V83
AXV525	AquaDroid Base Plate Assembly <i>(includes base plate, 6 wheel assembly, 2 weights, 2 weight retaining clips, and 2 base screws)</i>	E1V525
AXV525A	AquaDroid Elite Base Plate Assembly <i>(includes base plate, 6 wheel ring assemblies, 2 weights and 2 weight retaining clips)</i>	E1V79
AXV552LGP	Wing Kit, Light Gray <i>(includes left and right wings)</i>	E1V53
AXV552WHP	Wing Kit, White <i>(includes left and right wings)</i>	E1V52
AXV093BP	Skimmer Cone	E1V93
AXV151	90 Degree Elbow	E1V151
AXW100	Ladder Guard	E1V100
V096P	In Line Vacuum Gauge	E1V96
Tune Up Kit		
W302	AquaDroid Tune-Up Kit	E1W302
Hose Packages		
V532	Leader Hose, White; 4 ft. lengths <i>(to order light gray or black, add color designation letters "LG" or "BK")</i>	E8025
V531	AquaDroid Hose Kit	E8004
V130	Standard Hose Package for In-Ground Cleaners Only <i>(includes: 1 leader hose, 9 connector hoses, 1 skimmer adapter cone)</i>	E1V130
V109	Connector Hose; 4 ft. lengths	E8026

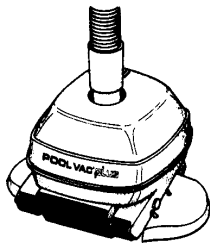
HAYWARD NAVIGATOR
Arneson Concrete, Vinyl Pool Cleaner

KEY	MFG. NO.	DESCRIPTION	ITEM NO.
1a	AXV411BK	Top Shell, Concrete, Black <i>(exchange only)</i>	E1V411
1b	AXV411LG	Top Shell, Concrete, Gray <i>(exchange only)</i>	E1V411L
1c	AXV416BK	Top Shell, Vinyl, Black <i>(exchange only)</i>	E1V416
1d	AXV416BG	Top Shell, Vinyl, Burgundy <i>(exchange only)</i>	E1V416BG
2	AXV070	Cone Gear	E1V70
3	AXV301	Intermediate Gear	E1V32
4	AXV309	Intermediate Gear Shaft	E1V39
5	AXV068	Spindle Gear Screw	E1V68
6	AXV303	Spindle Gear	E1V29
7	AXV066A	Spindle Gear Bushing	E1V66
8	AXV306	Cone Gear Bushing	E1V40
9	AXV060LG	Upper Middle Body, Light Gray	E1V60
10	AXV065P	Upper Body Screw (6 pack)	E1V65
11	AXV064A	Medium Turbine Drive Gear	E1V64
12	AXV062C	Medium Turbine	E1V62
13	AXV009	Medium Turbine Case w/Axle	E1V09
14	AXV408P	Gear Box Assembly	E1V85
15a	AXV051ABK	Rear Screen, Black	E1V051
15b	AXV051ABG	Rear Screen, Burgundy	E1V05
15c	AXV051ALG	Rear Screen, Light Gray	E1V51
16	AXV054P	Float (2 pack)	E1V54
17	AXV050CLG	Lower Middle Body, Light Gray	E1V99
18a	AXV425LGP	Bumper, Light Gray	E1V42
18b	AXV425WHP	Bumper, White	E1V425
18c	AXV425BKP	Bumper, Black	E1V25
19	AXV057P	Middle Body Screw (6 pack)	E1V57
20	AXV313	Lower Body Screw (4 pack)	E1V313
21	AXV031B	Flap Adjuster	E1V31
22a	AXV230DBK	Lower Body, Black	E1V73
22b	AXV230DWH	Lower Body, White	E1V30
23a	AXV434BKP	Flap Kit, Black <i>(2 flaps, front & rear springs)</i>	E1V35
23b	AXV434WHP	Flap Kit, White <i>(2 flaps, front & rear springs)</i>	E1V34
24	AXV015P	Pod Screw Kit <i>(2 screws & 2 washers)</i>	E1V43
25	AXV016P	Pod Plug (6 pack)	E1V44
26a	AXV415BKP	Wing Kit, Black <i>(right and left wings)</i>	E1V415
26b	AXV415WHP	Wing Kit, White <i>(right and left wings)</i>	E1V15
27a	AXV414P	Pod Shoes, Concrete (4 pack)	E1V11
27b	AXV413P	Pod Shoes, Vinyl (4 pack)	E1V18
27c	AXV014CP	Pod Shoes, Ceramic (4 pack)	E1V13
27d	AXV014SP	Pod Shoes, Slotted (4 pack)	E1V12
28	AXV314P	Captive Screw & Retaining Clip	E1V314
29a	AXV441	Access Cover Assembly for Concrete Models	E1V441
29b	AXV441BK	Access Cover Assembly for Concrete Models, Black	E1V441B
29c	AXV440	Access Cover Assembly for Vinyl Models	E1V440
29d	AXV141	Access Cover Assembly for Concrete & Desert Models	E1V19
30a	AXV417WHP	Pod Kit, White <i>(right/left pods, plugs, screws & washers)</i>	E1V17
30b	AXV417BKP	Pod Kit, Black <i>(right/left pods, plugs, screws & washers)</i>	E1V417

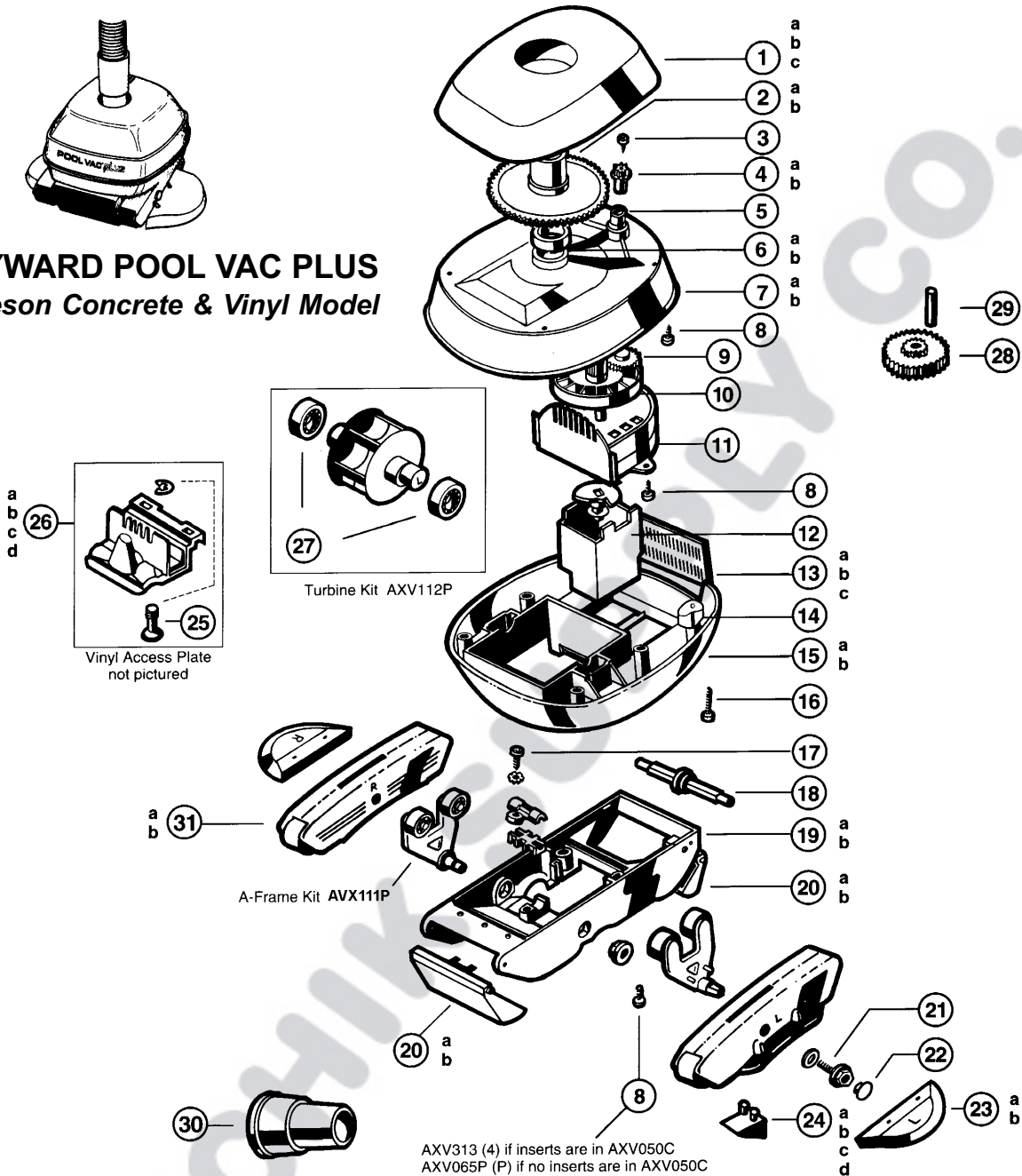
HAYWARD NAVIGATOR Arneson Concrete, Vinyl Pool Cleaner



KEY	MFG. NO.	DESCRIPTION	ITEM NO.
31	AXV055P	Turbine Bearings (2 pack)	E1V55
---	AXV112P	Turbine Kit	E1V112P
32	AXV093CP	Skimmer Adapter Cone	E1V95
---	AXV079VP	Medium Turbine/Spindle Gear Kit (medium turbine, drive gear, bushing, vinyl spindle gear, screw, medium turbine axle, intermediate gear, intermediate gear axle)	E1V88
---	AXV111P	A-Frame Kit	E1V16



HAYWARD POOL VAC PLUS
Arneson Concrete & Vinyl Model



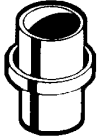
KEY	MFG NO.	DESCRIPTION	ITEM NO.
1a	AXV073BK	Top Cover for Pool Vac Plus Concrete, Black (exchange only)	E1V073B
1b	AXV073WH	Top Cover for Pool Vac Plus Concrete, White (exchange only)	E1V073
1c	AXV308BK	Top Shell for Pool Vac Plus Vinyl, Black (exchange only)	E1V308
2a	AXV070LG	Cone Gear, Light Gray	E1V07
2b	AXV070WH	Cone Gear, White	E1V70
3	AXV068	Spindle Gear Screw	E1V68
4a	AXV067	Spindle Gear (concrete)	E1V67
4b	AXV303	Spindle Gear (vinyl)	E1V29
5	AXV066A	Spindle Gear Bushing	E1V66
6a	AXV306	Cone Gear Bushing (vinyl)	E1V40
6b	AXV069	Cone Gear Bushing (concrete)	E1V69

HAYWARD POOL VAC PLUS Arneson Concrete & Vinyl Model

KEY	MFG NO.	DESCRIPTION	ITEM NO.
7a	AXV060BK	Upper Middle Body, Black	E1V060
7b	AXV060WH	Upper Middle Body, White	E1V060W
8	AXV065P	Upper Body Screw (6 pack)	E1V65
9	AXV064A	Medium Turbine Drive Gear	E1V64
10	AXV062C	Medium Turbine	E1V62
11	AXV009	Medium Turbine Case with Axle	E1V09
12	AXV408P	Gear Box Assembly	E1V85
13a	AXV051ABK	Rear Screen, Black	E1V051
13b	AXV051AWH	Rear Screen, White	E1V51W
13c	AXV051ALG	Rear Screen, Light Gray	E1V51
14	AXV054P	Float (2 pack)	E1V54
15a	AXV050CBK	Lower Middle Body, Black	E1V50B
15b	AXV050CWH	Lower Middle Body, White	E1V50W
16	AXV057P	Middle Body Screw (6 pack)	E1V57
17	AXV313	Lower Body Screw (4 pack)	E1V313
18	AXV031B	Flap Adjusters	E1V31
19a	AXV230DBK	Lower Body, Black	E1V73
19b	AXV230DWH	Lower Body, White	E1V30
20a	AXV434BKP	Flap Kit, Black (2 flaps, front & rear springs)	E1V35
20b	AXV434WHP	Flap Kit, White (2 flaps, front & rear springs)	E1V34
21	AXV015P	Pod Screw Kit (2 hex head screws & 2 washers)	E1V43
22	AXV016P	Pod Plug (6 pack)	E1V44
23a	AXV415BKP	Wing Kit, Black (right and left wings)	E1V415
23b	AXV415WHP	Wing Kit, White (right and left wings)	E1V15
24a	AXV414P	Pod Shoes, Concrete (4 pack)	E1V11
24b	AXV413P	Pod Shoes, Vinyl (4 pack)	E1V18
24c	AXV014CP	Pod Shoes, Ceramic (4 pack)	E1V13
24d	AXV014SP	Pod Shoes, Slotted (4 pack)	E1V39
25	AXV314P	Captive Screw & Retaining Clip	E1V314
26a	AXV441	Access Cover Assembly for Concrete Models	E1V441
26b	AXV440	Access Cover Assembly for Vinyl Models	E1V440
26c	AXV441BK	Access Cover Assembly for Concrete Models, Black	E1V441B
26d	AXV141	Access Cover Assembly for Concrete and Desert Models	E1V19
27	AXV055P	Turbine Bearings (2 pack)	E1V55
---	AXV112P	Turbine Kit	E1V112P
28	AXV301	Intermediate Gear, Vinyl Models Only	E1V32
29	AXV309	Intermediate Gear Shaft, Vinyl Models Only	E1V39
30	AXV093CP	Skimmer Adapter Cone	E1V95
31a	AXV417WHP	Pod Kit, White (right/left pods, plugs, screws & washers)	E1V17
31b	AXV417BKP	Pod Kit, Black (right/left pods, plugs, screws & washers)	E1V417
---	AXV079P	Medium Turbine/Spindle Gear Kit, Concrete (medium turbine, drive gear bushing, spindle gear, screw, medium turbine axle)	E1V079
---	AXV079VP	Medium Turbine/Spindle Gear Kit, Vinyl (medium turbine, drive gear bushing, spindle gear, screw, medium turbine axle, intermediate gear, intermediate gear axle)	E1V88
---	AXV096P	In-line Vacuum Gauge	E1V96
---	AXV111P	A-Frame Kit	E1V16

POOL VAC, POOL VAC PLUS & NAVIGATOR
Parts Kits for Concrete & Vinyl Models

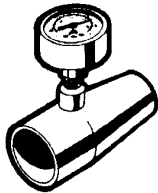
AXV092 Hose Connector



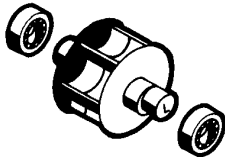
AXV098 Hose Adapter



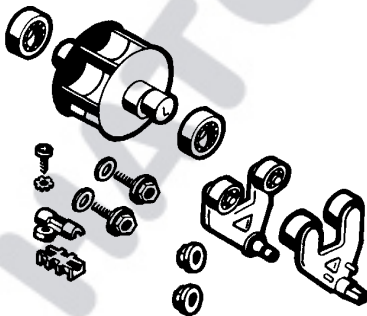
V096P In-line Gauge



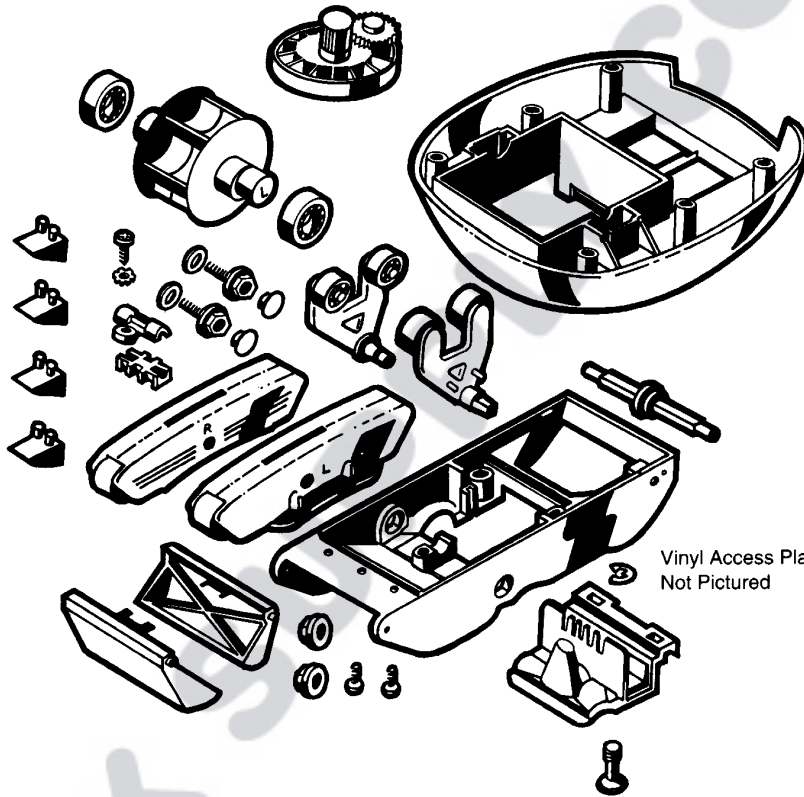
AXV112P Turbine Kit



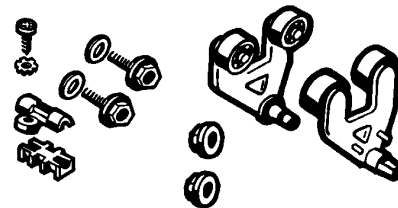
AXV036BP Concrete/Vinyl Model A-Frame/Turbine Kit



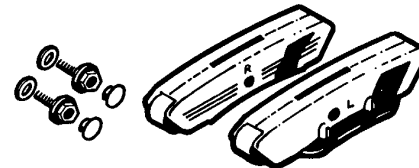
AXV422WH Vinyl Model Propulsion/Conversion Kit
 AXV424WH Concrete Model Propulsion/Conversion Kit



AXV111P Concrete/Vinyl Model A-Frame Kit



AXV417WHP, AXV417BKP Pod Kit



POOL VAC, POOL VAC PLUS & NAVIGATOR Parts Kits for Concrete & Vinyl Models

MFG NO.	DESCRIPTION	ITEM NO.
AXV036BP	Concrete/Vinyl Model A-Frame/Turbine Kit <i>(includes 2 A-frames and bushings, saddle, keeper, main turbine and 2 bearings, hex head pod screws & washers)</i>	E1V36
AXV079P	Medium Turbine/Spindle Gear Kit Concrete <i>(includes medium turbine, drive gear bushing, spindle gear, screw, medium gear axle)</i>	E1V079
AXV079VP	Medium Turbine/Spindle Gear Kit Vinyl <i>(includes medium turbine, drive gear bushing, vinyl spindle gear, screw, medium turbine axle, intermediate gear, intermediate gear axle)</i>	E1V88
AXV111P	Concrete/Vinyl Model A-Frame Kit <i>(includes 2 A-frames and bushings, saddle keeper, 2 hex head pod screws & washers)</i>	E1V16
AXV092	Hose Connector	E1V92
AXV098	Hose Adapter	E1V98
V096P	In-line Vacuum Gauge	E1V96
AXV112P	Turbine Kit <i>(includes main turbine and 2 turbine bearings)</i>	E1V112P
AXV110P	Propulsion Renewal Kit	E1V110
AXV119P	Propulsion Kit with Soft Rollers	E1V119
AXV417WHP	Pod Kit, White <i>(includes right & left pod, assemblies, pod plugs, 2 hex head pod screws & washers)</i>	E1V17
AXV417BKP	Pod Kit, Black <i>(includes right & left pod, assemblies, pod plugs, 2 hex head pod screws & washers)</i>	E1V417
AXV199P	A-Frame, Bushing, Saddle Kit	E1V49
AXV424WH	Concrete Model Propulsion/Conversion Kit <i>(includes access cover assembly, white lower body & screws, A-frames & bushings, pod shoes, saddle, keeper, washer & screw, white pods, pod screws & washers, light gray flaps & springs, flap adjuster, turbine, bearings & lower middle body. To order Black add color designation letters)</i>	E1V424
V305P	Pool Vac Plus Bumper <i>(assists in steering clear of unusual objects)</i>	E1V305

Tune Up Kits

All tune up kits include 2 wings and flaps, 4 shoes (cork or urethane), screwdriver, cleaning brush and maintenance guide.

W300	Tune Up Kit, Pool Vac <i>(old style, concrete)</i> White	E1W300
W301	Tune Up Kit, Pool Vac <i>(old style, vinyl)</i> White	E1W301
W330	Tune Up Kit Pool Vac Plus or NaviGator <i>(concrete)</i> White	E1W330
W331	Tune Up Kit, Pool Vac Plus or NaviGator <i>(vinyl)</i> White	E1W331

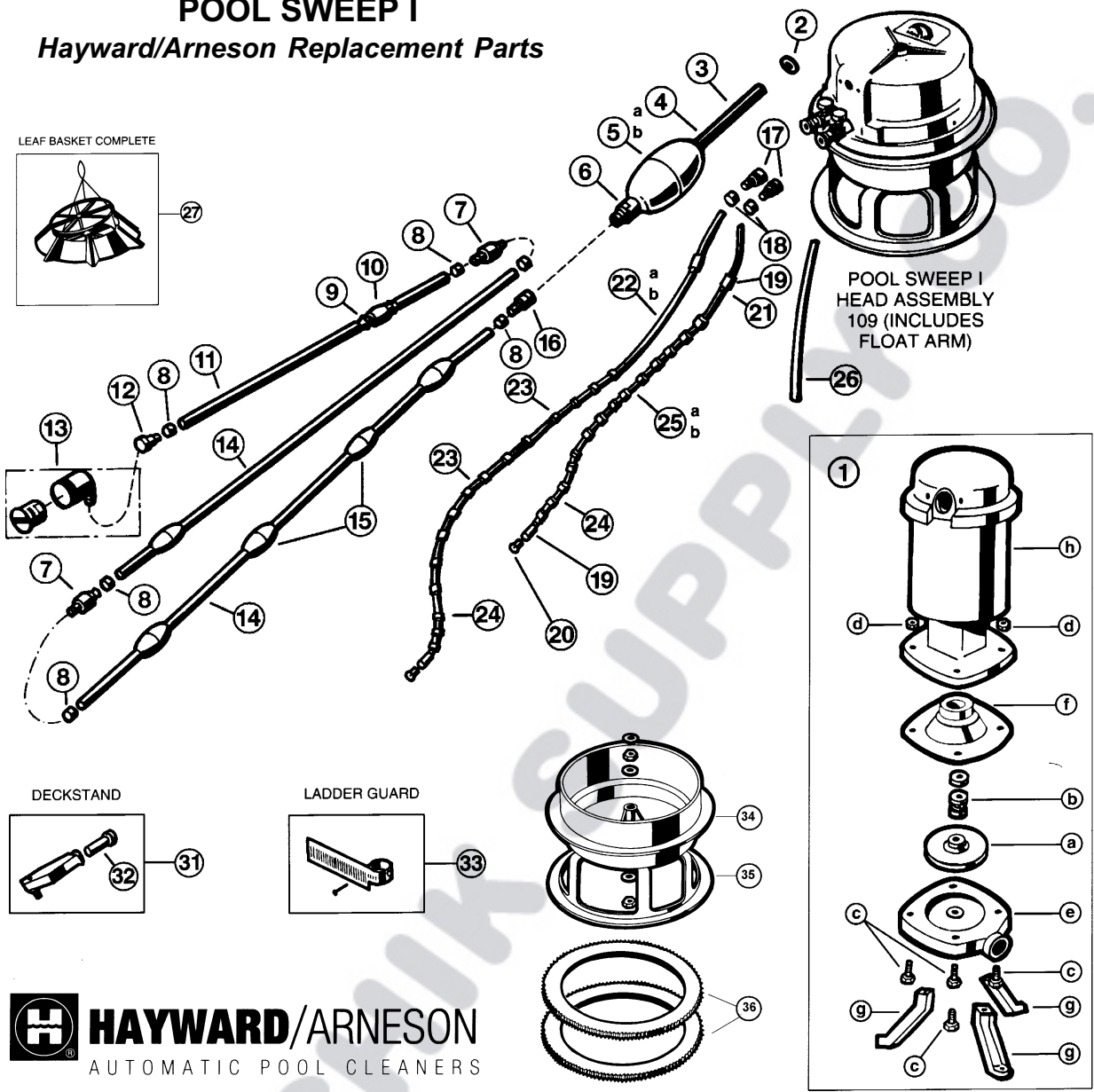
Hose Packages

Works with all Hayward/Arneson automatic cleaners

V532	Leader Hose, White; 4 ft. Lengths <i>(to order Light Gray or Black, add color designation letters)</i>	E8025
V130	Standard Hose Package for In-ground Cleaners Only. <i>(includes 1 leader hose, 9 connector hoses, 1 skimmer adapter cone)</i>	E1V130
V109	Connector Hose; 4 ft. Lengths	E8026

POOL SWEEP I

Hayward/Arneson Replacement Parts



A60 Vertical Pump Parts

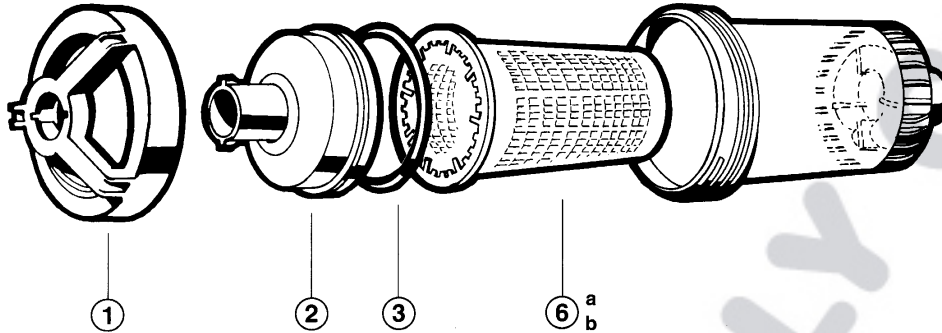
KEY	MFG. NO	DESCRIPTION	ITEM NO.
A	AXA02L	Impeller for 1/2 HP pump	E1A2L
B	AXA08B	Pump Seal, Including Ceramic Seat	K6022
C	AXA11	Pump Volute Bolt	E1A11
D	AXA12P	Pump Volute Nut (25 pack)	E1A12
E	AXA39	Pump Volute	E1A39
F	AXA40	End Bell Gasket	E1A40
G	AXA57	Leg for Vertical Pump	E1A57
H	AXA58	Vertical Motor, 1/2 HP	K5050
---	AXB03B	Hose/Pipe Adapter, Brass	E1B03
---	AXB05	Suction Hose with 2-D10 Washers	E1B05
---	AXB17B	Hose/Pipe Elbow, Brass	E1B17
---	AXB18A	Close Nipple, Brass 3/4"	E1B18
---	AXD10P	Washer for Suction Hose (25 pack)	E1D10

POOL SWEEP I Hayward/Arneson Replacement Parts

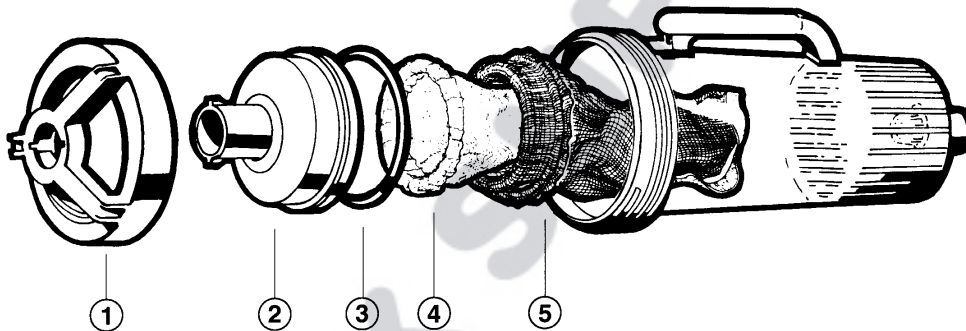
KEY	MFG NO.	DESCRIPTION	ITEM NO.
1	A60	Vertical Pump	E1000
2	AXF12	Float Arm Grommet for F22	E1F12
3	AXF22P	Pool Sweep Float Arm, 3/4" Thread	E1F22
4	AXD15P	Pool Sweep Float Retainer	E1D15
5	AXF01WHP	Oblong Float, White	E1F01
6	AXS031P	Pool Sweep Feeder Tube Connector (12 pack)	E1S31
7	AXD05	Pool Sweep Swivel (<i>See Kit #AXKT02P</i>)	E1D05*
8	AXD02P	Pool Sweep Feed Hose Mender Nut (4 pack)	E1D02
9	AXD30P	Pool Sweep Weight Retainer (25 pack)	E1D30
10	AXD27	Pool Sweep Feed Hose Weight	E1D27
11	AXD03D	Pool Sweep Clear Feed Hose, 6 ft.	E1D3D
12	AXJ28P	Quick-Disconnect for Pool Sweep Feed Hose	E1J28
14	AXD03C	Pool Sweep Feed Hose, 16 ft.	E1D3C
15	AXS038P	Pool Sweep Float Package (4-S038)	E1S38
16	AXD41	Quick-Disconnect Swivel (<i>See Kit #AXKT02P</i>)	E1D41*
17	AXJ27P	Quick-Disconnect for Sweep Hose (2 pack)	E1J27
18	AXH03P	Sweep Hose Mender Nut (2 pack)	E1H03
19	AXH09C	Hose Jet Sleeve w/ Steel Tube	E1H09
20	AXH08N	Hose Jet	E1H08
21	AXH10P	Stop Ring for Hose Weight (25 pack)	E1H10
22a	AXH05F	Floor Sweep Hose without Fittings	E1H5F
22b	AXH15	Floor Sweep Hose, Complete	E1H15
23	AXH07P	Hose Bushing without Insert (6 pack)	E1H07
24	AXH12P	Hose Bushing with Insert (6 pack)	E1H12
25a	AXH05W	Wall Sweep Hose without Fittings	E1H5W
25b	AXH16	Wall Sweep Hose, Complete	E1H16
26	AXH06	Floor Sweep Hose Extension	E1H06
27	L01A	Leaf Basket, Complete	E1L01
31	AXD28	Deckstand	E1D28
32	AXD09P	Pool Sweep Finger Screen, Old Style	E1D09
33	AXJ02	Ladder Guard	E1J02
34	AXG02A	Bottom Shell, Blue (<i>Exchange Only</i>)	E1G02
35	AXG63	Bottom Shell Extension, Old Style	E1G63
36	AXG09AWHP	Housing Package (2 pack)	E1G09
*	AXKT02P	Swivel Kit (Includes #7 & #16)	E1K02
---	AXD03A	Pool Sweep Feed Hose, 6 ft.	E1D3A
---	AXD026P	Pool Sweep Weight Cover (1 set)	E1D26
---	AXD20	Pool Sweep Feed Hose Assembly, Complete	E1D20
---	AXF08	Pool Sweep Float Arm, 1/2" Threads	E1F08
---	AXH02	Hose Mender for Sweep Hose	E1H02
---	AXK73C	Hand Rail Guard, 5'	E1K75
---	AXW10P	1-1/2" Pool Sweep Wall Fitting	E1W10
---	AXW11P	3/4" Pool Sweep Wall Fitting	E1W11

HAYWARD LEAF CANISTERS
W530 & W560 Series

W560 LEAF CANISTER Standard Capacity



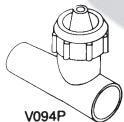
W530 LEAF CANISTER Large Capacity



KEY	MFG NO.	DESCRIPTION	ITEM NO.
---	W560	Leaf Canister - Standard Capacity	E1W560
---	W530	Leaf Canister - Large Capacity	E1W530
1	AXW532	Lock Ring for W530 & W560	E1W532
2	AVW533A	Lid with O-ring Assembly	E1W533
3	AXW542	Leaf Canister O-ring for W530 & W560	E1W542
4	AXW541P	Disposable Bag Kit for W530, 4 pack (optional)	E1W541
5	AXW538	Permanent Bag for W530	E1W538
6a	AXW431A	Leaf Basket for W430 & W560, White	E1W431A
	AXV098	Hose Adapter for V096, W530 & W560	E1V98

Misc. Accessories for Hayward/Arneson Cleaners

V094P	In-Line Flow Regulator Valve	E1V94
V096P	In-Line Vacuum Gauge	E1V96
V097P	Skimmer Vacuum Test Gauge	E1V97
SP1048AVH	Main Drain Bumper, Fits Hayward AV Drains to Keep Automatic Suction Cleaners Off Drain Cover	N1425
SP1048AVJ	Same as Above SP1048AVH, Except, Fits Jacuzzi AV Drains	N1427*



*Limited Quantity

JANDY RAY-VAC Bagged Head Parts & Kits

Top Complete
Part #3589 (White) F7145
Part #3646 (V/F) F7147

1

Door Complete
Part #3671 (White) F7303

5

Drive Wheel Kit
Part #3215 (White) F7139

11

Bottom Latch Kit
Part #3016 (White) F7313

38

Nose Caster Wheel Kit
Part #3615 (White) F7143
Part #3727 (V/F) F7151

40

Side Wheel Kit
Part #3218 (White) F7130

41

Nose Wheel Kit
Part #3613 (White) F7142
Part #3726 (V/F) F7148

42

Bumper Kit
Part #3611 (White) F7330

43

Swivel Wheel Kit
Part #3723 (White) F7350

44

Drive Wheel Clip Kit
Part #3617 (White) F7306

45

Wear Button Kit
Part #3269 (White) F7295

47

Nose Caster Wheel Bushing Kit
Part #4618 F7314

58

Transporter Jet Sleeve Kit
Part #3270 (White) F7311

46

Jandy Filter O-Ring Replacement Kit
Part# 3293 F7134

60

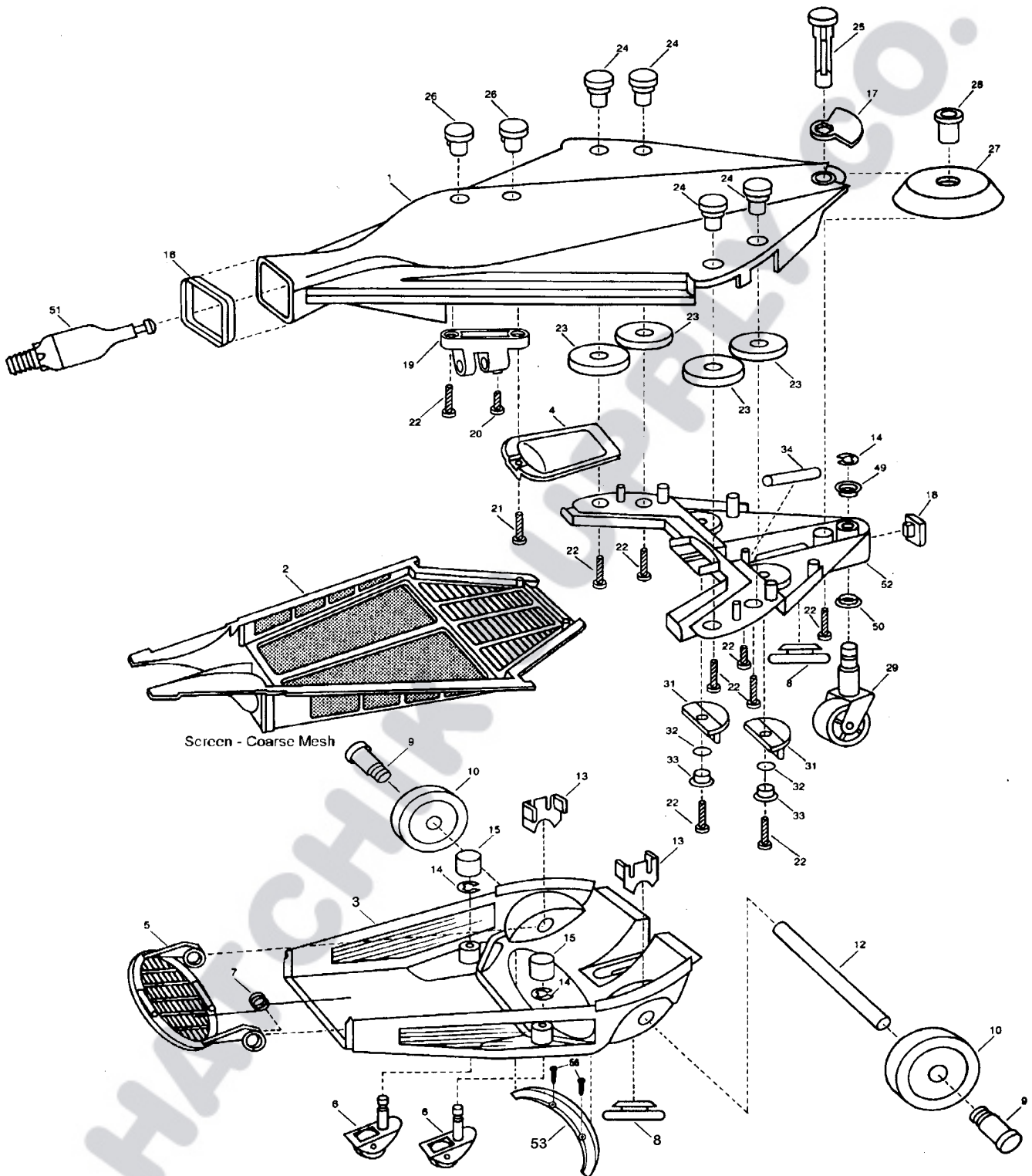
Nose Plate Kit
Part #3619 (White) F7336
Part #4136 (V/F) F7342

48

Flat Mouth Kits
Part #4632 (White) F7315

54

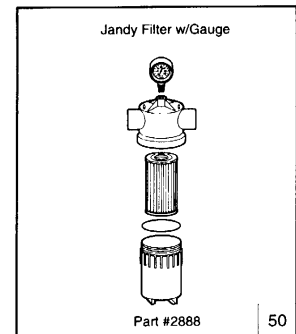
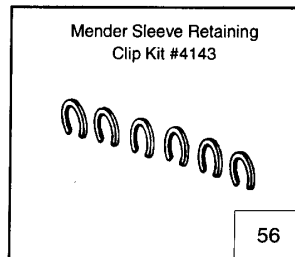
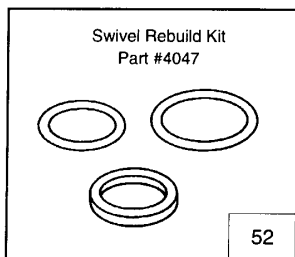
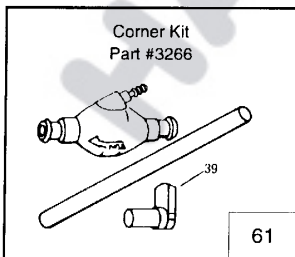
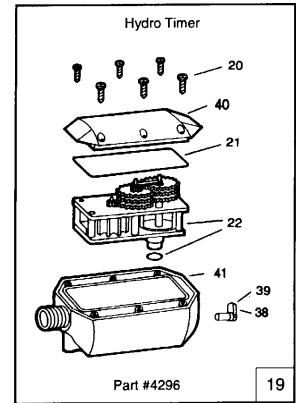
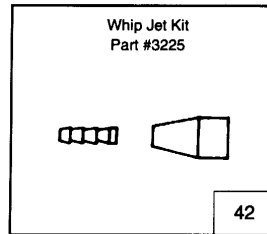
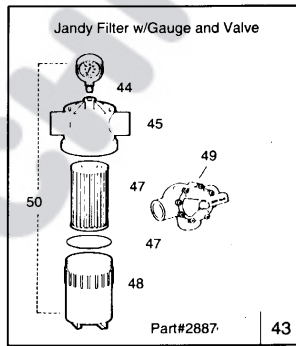
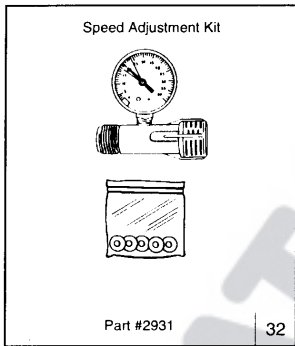
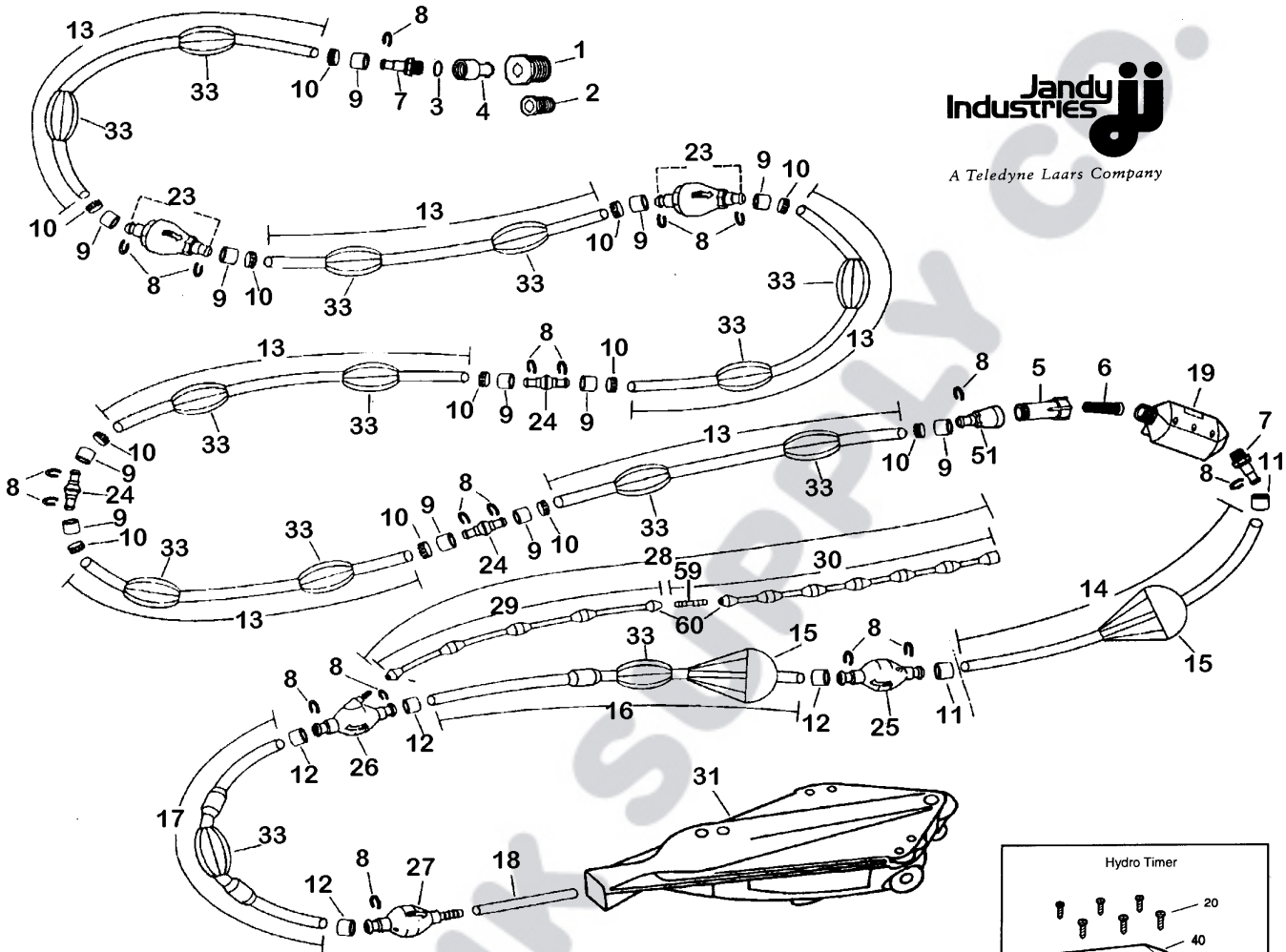
JANDY RAY-VAC Automatic Pool Vacuum (Gunite Model)



JANDY RAY-VAC Automatic Pool Vacuum (Gunite Model)

KEY	MFG NO.	KIT NO.	DESCRIPTION	ITEM NO.
1	3589	---	Ray-Vac Top - Complete (White)	F7145
2	3518	---	Screen - Complete	F7301
3	3590	---	Ray-Vac Bottom - Complete	F7325
4	2772	---	Float	F7302
5	3671	---	Ray-Vac Door - Complete	F7303
6	3555	3723	Swivel Wheel Complete*(Kit - Includes #14 & #15)	F7350 *
7	3539	---	Door Spring	F7304
8	2800	---	Wear Skid	F7260
9	2797	3215	Drive Wheel Hub *(Kit - Includes #10)	F7139 *
10	2796	3215	Drive Wheel *(Kit - Includes #9)	F7139 *
11	---	3215	Drive Wheel Kit *(Kit - Includes #9 & #10)	F7139 *
12	2798	---	Drive Wheel Shaft	F7305
13	3617	---	Drive Wheel Clip Kit	F7306
14	2746	---	E-Ring <i>(Not Sold Separately - Available Only in Kits)</i>	N/A
15	2794	3723	Wheel Housing Cover *(Kit - Includes #6 & #14)	F7350 *
16	3514	3611	Venturi Bumper *(Kit - Includes #17 & #18)	F7330 *
17	3512	3611	Nose Bumper Top *(Kit - Includes #16 & #18)	F7330 *
18	3513	3611	Nose Bumper Bottom *(Kit - Includes #16 & #18)	F7330 *
19	2776	3270	Transporter Jet Sleeve *(Kit - Includes #20 - #22 & #26)	F7307 *
20	1092	---	Screw #6 x 1/4", Triple-Dual Hold Kit, 2-Pack	F7317
21	2990	---	Screw <i>(Not Sold Separately - Available Only in Kits)</i>	N/A
22	1409	---	Screw #6 x 1/2" Type 25	F7310
23	2808	3218	Side Wheel *(Kit - Includes #22 & #24)	F7130 *
24	2809	3218	Axle for Side Wheel *(Kit - Includes #22 & #23)	F7130 *
25	2806	3613	Nose Wheel Axle *(Kit - Includes #22, #27 & #28)	F7142 *
26	2810	3270	Trans Jet Wear Button *(Kit - Includes #19 thru #22)	F7311 *
27	3521	3613	Nose Wheel *(Kit - Includes #22, #25 & #28)	F7142 *
28	2841	3613	Wheel Axle Bushing *(Kit - Includes #22, #25 & #27)	F7142 *
29	3363	3615	Nose Caster Wheel *(Kit - Includes #14, #49 & #50)	F7143 *
31	2799	3016	Bottom Latch *(Kit - Includes #22, #32 & #33)	F7313 *
32	2814	3016	Latch O-Ring *(Kit - Includes #22, #31 & #33)	F7313 *
33	2840	3016	Latch Washer *(Kit - Includes #22, #31 & #32)	F7313 *
34	3533	3619	Nose Weight *(Kit - Includes #52)	F7336 *
38	---	3016	Bottom Latch Kit *(Kit - Includes #22, #31 thru #33)	F7313 *
40	---	3615	Nose Caster Wheel Kit *(Kit - Includes #14, #29, #49 & #50)	F7143 *
41	---	3218	Side Wheel Kit *(Kit - Includes #22 thru #24)	F7130 *
42	---	3613	Nose Wheel Kit *(Kit - Includes #22, #25, #27 & #28)	F7142 *
43	---	3611	Bumper Kit *(Kit - Includes #16 thru #18)	F7330 *
44	---	3723	Swivel Wheel Kit *(Kit - Includes #6, #14 & #15)	F7350 *
45	---	3617	Drive Wheel Clip Kit *(Kit - Includes #13)	F7306 *
46	---	3270	Transporter Jet Sleeve *(Kit - #19 thru #22 & #26)	F7311 *
47	---	3269	Wear Button Kit *(Kit - #21 & #22, #24 & #25)	F7295
48	---	3619	Nose Plate Kit *(Kit - #Includes #52)	F7336 *
49	3509	---	Wheel Bushing - Top <i>(Not Sold Separately - Available in Kits)</i>	N/A
50	3510	---	Wheel Bushing - Bot <i>(Not Sold Separately - Available in Kits)</i>	N/A
51	2777	---	Transporter Jet Complete	F7251
52	4618	3619	Nose Plate Kit	F7336 *
53	4107	---	Flat Mouth (White) <i>(Not Sold Separately - Available in Kits)</i>	N/A
54	---	4632	Flat Mouth Kit *(Kit - Includes #53 & #56)	F7315
56	4301	---	Screw #4 x 5/16" Phil S.S.	F7316
58	---	4618	Nose Caster Wheel Bushing Kit *(Kit - Includes #49 & #50)	F7314 *
60	---	3293	Filter O-Ring Replacement Kit	F7134

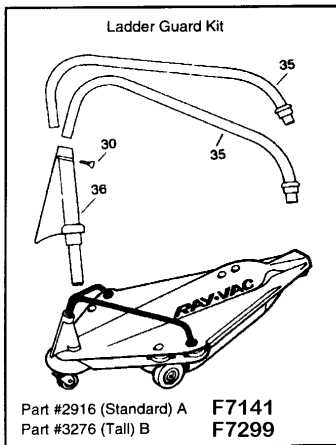
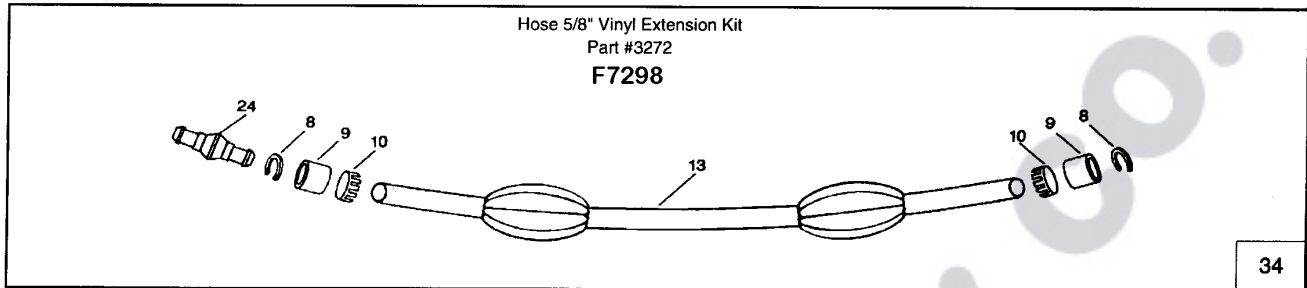
JANDY RAY-VAC
Automatic Pool Vacuum (Gunite Model)



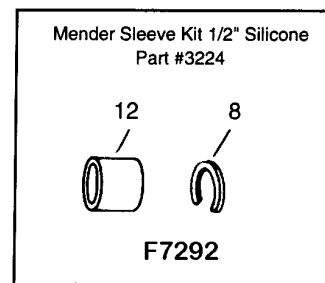
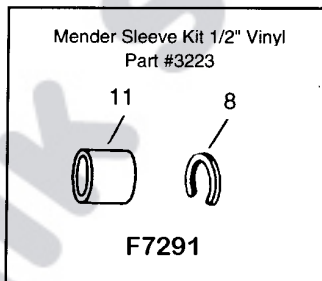
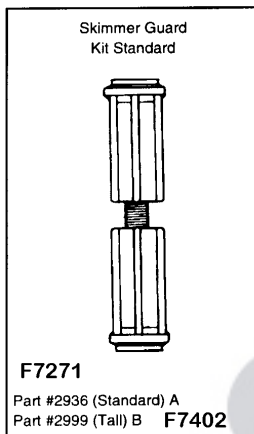
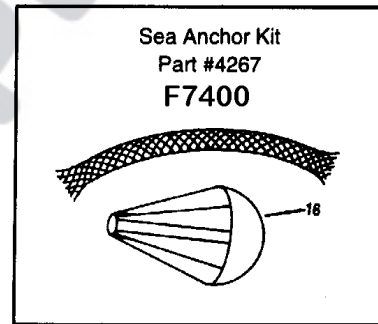
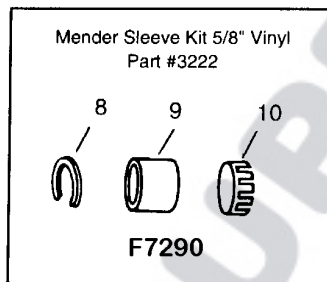
JANDY RAY-VAC Hose Parts (Gunite Model)

KEY	MFG NO.	KIT NO.	DESCRIPTION	ITEM NO.
1	3782	5532	Q.D. Wall Fitting, 1-1/2" *(Kit - Includes #2 & #4)	F7326 *
2	3783	5532	Q.D. Wall Fitting, 3/4" *(Kit - Includes #1 & #4)	F7326 *
3	1138	---	Garden Hose Washer Kit, 3-Pack	F7318
4	3784	5532	Quick Disconnect Coupler *(Kit - Includes #1 & #2)	F7326 *
5	1098	---	Filter Screen Case	F7149
6	1099	---	Filter Screen	F7150
7	2030	---	Hydro-Timer Swivel, Ball Bearing	F7221
8	1121	---	Mender Sleeve Clip <i>(Not Sold Separately - Available Only in Kits)</i>	
9	1115	3222	Mender Sleeve 5/8" - Vinyl *(Kit - Includes #8 & #10)	F7290 *
10	1116	3222	Mender Sleeve Ferrule 5/8" *(Kit - Includes #8 & #9)	F7290 *
11	1117	3223	Mender Sleeve 1/2" Vinyl *(Kit - Includes #8)	F7291 *
12	1119	3224	Mender Sleeve 1/2" Silicone *(Kit - Includes #8)	F7292 *
13	2015	---	Hose Vinyl 5/8" with 2 Floats	F7146
14	1453	---	Hose Vinyl 1/2" with Sea Anchor	F7179
15	1139	4267	Sea Anchor Kit	F7400 *
16	1814	---	Hose Silicone 1/2" x 2" w/Sea Anchor, Float & Wear Ring	F7200
17	2985	---	Hose Silicone 1/2" x 12" w/2 Wear Rings & Float	F7272
18	2818	---	Pusher Hose Silicone 3/8" ID x 12"	F7264
19	---	4296	Hydro - Timer Replacement Kit	F7401
20	1325	---	Screw #8 x 5/8", Hydro Timer, 2-Pack	V4517
21	2300	---	O-Ring	F7319
22	2822	---	Gear Assembly for Hydro Timer	F7261
23	2029	---	Line Swivel, Ball Bearing - Complete	F7220
24	1140	---	Hose Coupler	F7157
25	1141	---	Line Jet	F7320
26	1162	---	Line Whip "Y" Jet	F7321
27	1161	---	Pusher Jet	F7322
28	3154	---	Whip, 6 Foot, Blue Complete with 8 Wear Rings, Sleeve & Jet	F7285
29	3183	---	Whip, 3 Foot with 3 Wear Rings	F7323
30	1177	---	Whip, 3 Foot, Blue with Wear Rings, Jet & Sleeve	F7324
31	3587	---	Head Complete, Color: White	F7117
32	---	2931	Speed Adjustment Kit	F7270
33	1120	---	Line Float	F7329
34	---	3272	Extension Hose 5/8" w/2 Floats *(Kit - #8 - #10, #13 & #24)	F7298 *
38	2524	---	Hydro-Timer Jet .25	F7331
40	1133	---	Hydro-Timer Case - Top	F7332
41	3781	3981	Hydro-Timer Case - Bottom *(Kit - #20 - #22, & #38 - #40)	F7333 *
42	---	3225	Whip Jet Kit	F7334
43	---	2887	Jandy Filter with Valve and Gauge - Kit	F7140
44	2870	---	Pressure Gauge, 0-60 PSI, 1/8"	F7262
45	2612	---	Jandy Filter Top with Adapter	F7135
46	3391	---	Jandy Cartridge Filter Element	F7138
47	---	3293	Jandy Filter O-Ring Replacement Kit	F7134
48	3191	---	Jandy Filter Bowl with O-Ring	F7133
49	1154	---	Jandy Valve, 3-Port, 1-1/2" CPVC	V4547
50	---	2888	Energy Filter with Gauge *(Kit - Includes #44 thru #48)	F7263 *
51	3786	---	Fitting, 3/4" FGH to Vinyl Hose	F7335
52	---	4047	Swivel Rebuild Kit	F7381
53	---	4060	Quick Disconnect Kit	F7382
56	---	4143	Mender Sleeve Clip Kit (Pack of 6)	F7337
59	1178	---	Barb Joiner	F7338
60	1433	---	Sleeve for Barb Joiner	F7339
61	---	3266	Corner Kit *(Kit - Includes #18, #26, & 40)	F7294 *

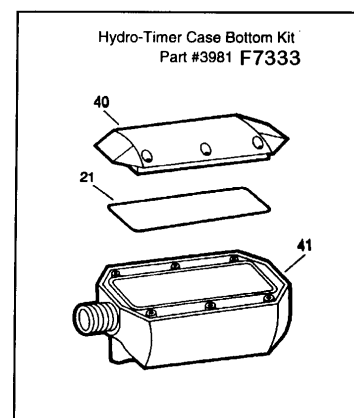
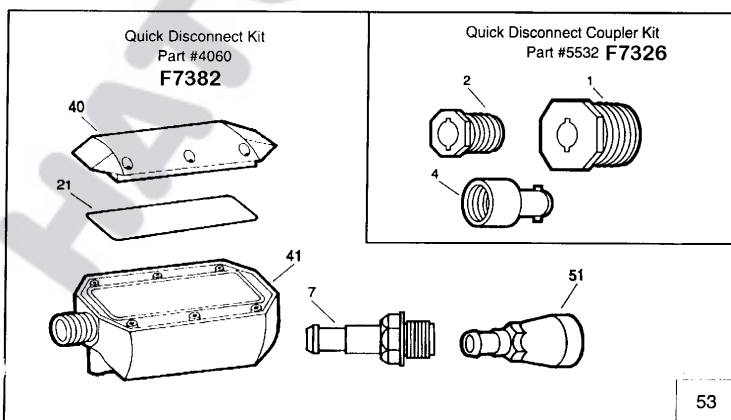
JANDY RAY-VAC
Bagged Hose Parts & Kits



- | | | |
|------|--------------------------------------|-------|
| 7072 | Back Hose Tune-Up Kit (Not Pictured) | F7404 |
| 7073 | Front Hose Tune-Up Kit w/Gear Assy | F7406 |
| 3608 | Complete Hose Replacement | F7327 |



A Teledyne Laars Company

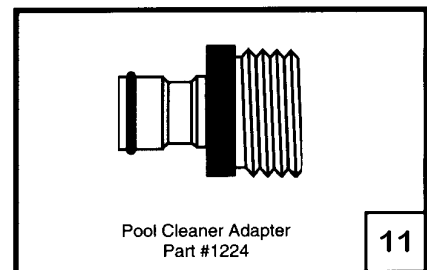
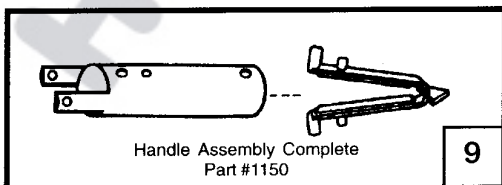
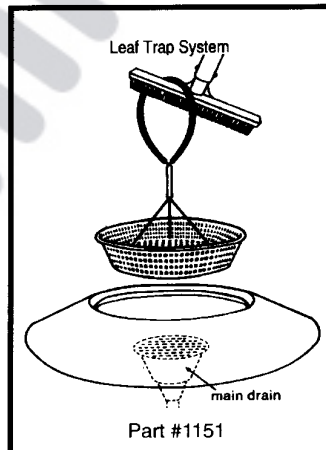
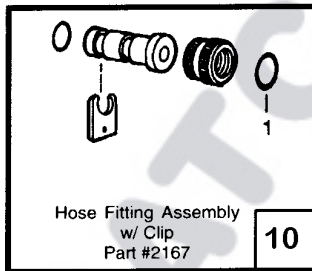
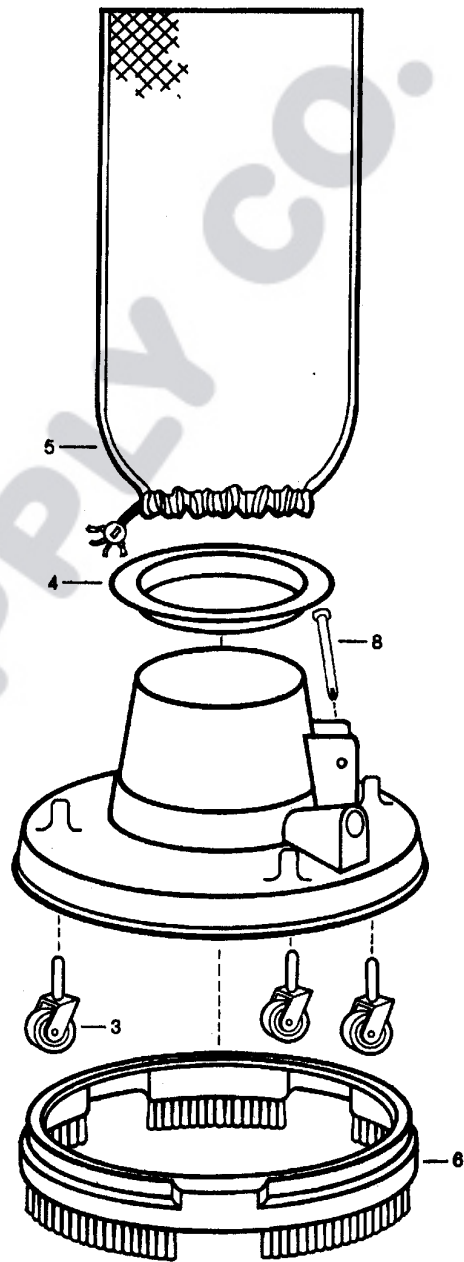


JANDY LEAF MASTER & LEAF TRAP

KEY	MFG. NO.	DESCRIPTION	ITEM NO.
1	1138	Washer Garden Hose	F2178
3	1218	Wheel Assembly Complete	F7087
4	1219	Bag Ring	F7092
5	1222	Standard Replacement Bag	F7076
5	1221	Fine Mesh Bag	F7077
6	1223	Brush Ring	F7074
8	1226	Handle Pin	F7091
9	1150	Handle Assembly Complete	F7081
10	2167	Hose Fitting Assembly w/Clip	F7089
11	1224	Pool Cleaner Adapter	F7093
---	1151	Leaf Trap System Complete	F7090

MISCELLANEOUS PARTS FOR NON-JANDY LEAF BAGGERS

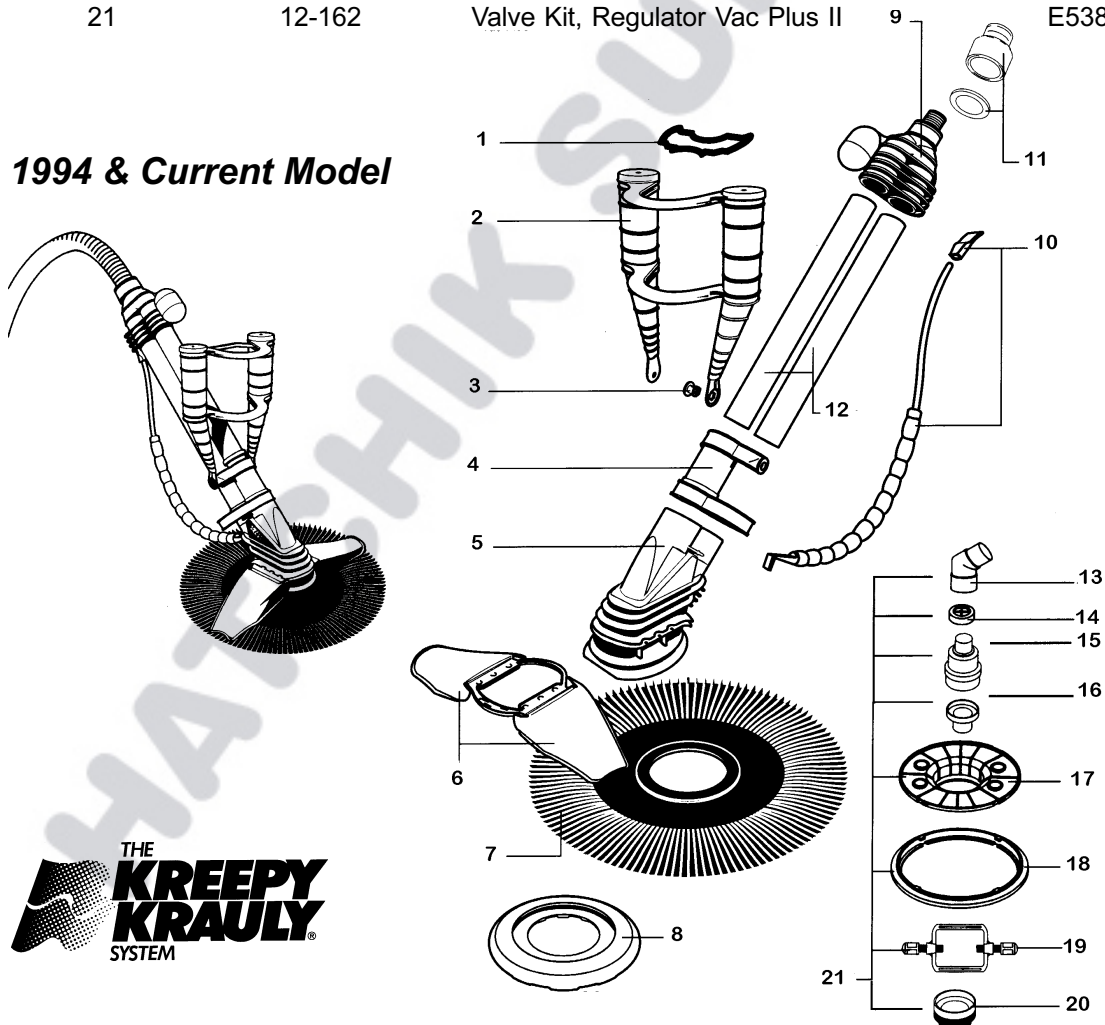
---	S-101	Standard Bag 15" x 21"	F7076
---	S-777	Fine Mesh Bag 15" x 26"	F7077
---	S-888	Deluxe Bag 15" x 30"	F7078
---	S-999	Extra Large Bag 18" x 60"	F7079
---		Leaf Bagger Quick Connector	F7080
---		Swivel Wheels & Casters (3)	F7086
---		Top Ring for Leaf Bagger	F7084
---		Standard Handle w/Spring Lock	F7082



KREEPY KRAULY HEAD & VAC PLUS II

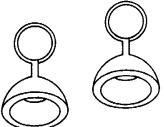
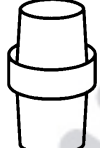


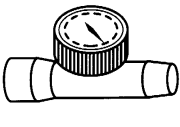
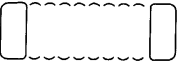


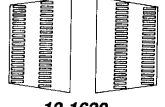




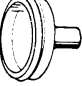



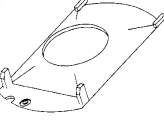
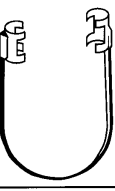

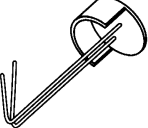
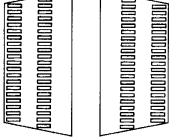

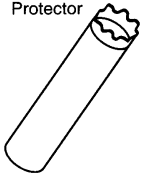
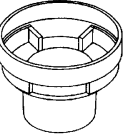
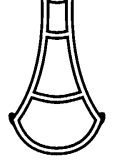
KEY	MFG. NO.	DESCRIPTION	ITEM NO.
1	12-064	Dive Float Restrictor	E5354
2	12-057	Dive Float Assembly	E5338
3	12-080	Clip Kit, Dive Float (set of 2)	E5376
4	12-058	Weight Holder	E5340
5	12-055	Main Body (Excludes Flapper) <i>*(Exchange Only)</i>	E5355*
6	12-060	Wing Set, Clip On	E5344
7	12-894	Seal, Inground	E5390
8	12-059	Foot Pad	E5342
9	12-056	Swivel Head Assembly	E5334
10	12-061	Roller Bumper Strap Kit	E5346
11	12-056C	Swivel Cone & Bearing	E5336
12	12-063	Tube, Drive Top/Bottom (set)	E5352
13	12-078	Hose Connector, 45 Degree	E5372
14	12-961	Valve Cap	E5392
15	12-062	Automatic Regulator Valve	E5350
16	12-085	In-Line Valve Cone	E5523
17	12-068	Plate, Vac Plus II 7-1/4"	E5516
18	12-077	Ring, Extension 8 1/2" Vac Plus II	E5370
19	12-076	Bar, Locking Vac Plus II	E5366
20	12-079	Threaded Compression Adaptor	E5932
21	12-162	Valve Kit, Regulator Vac Plus II	E5388

1994 & Current Model

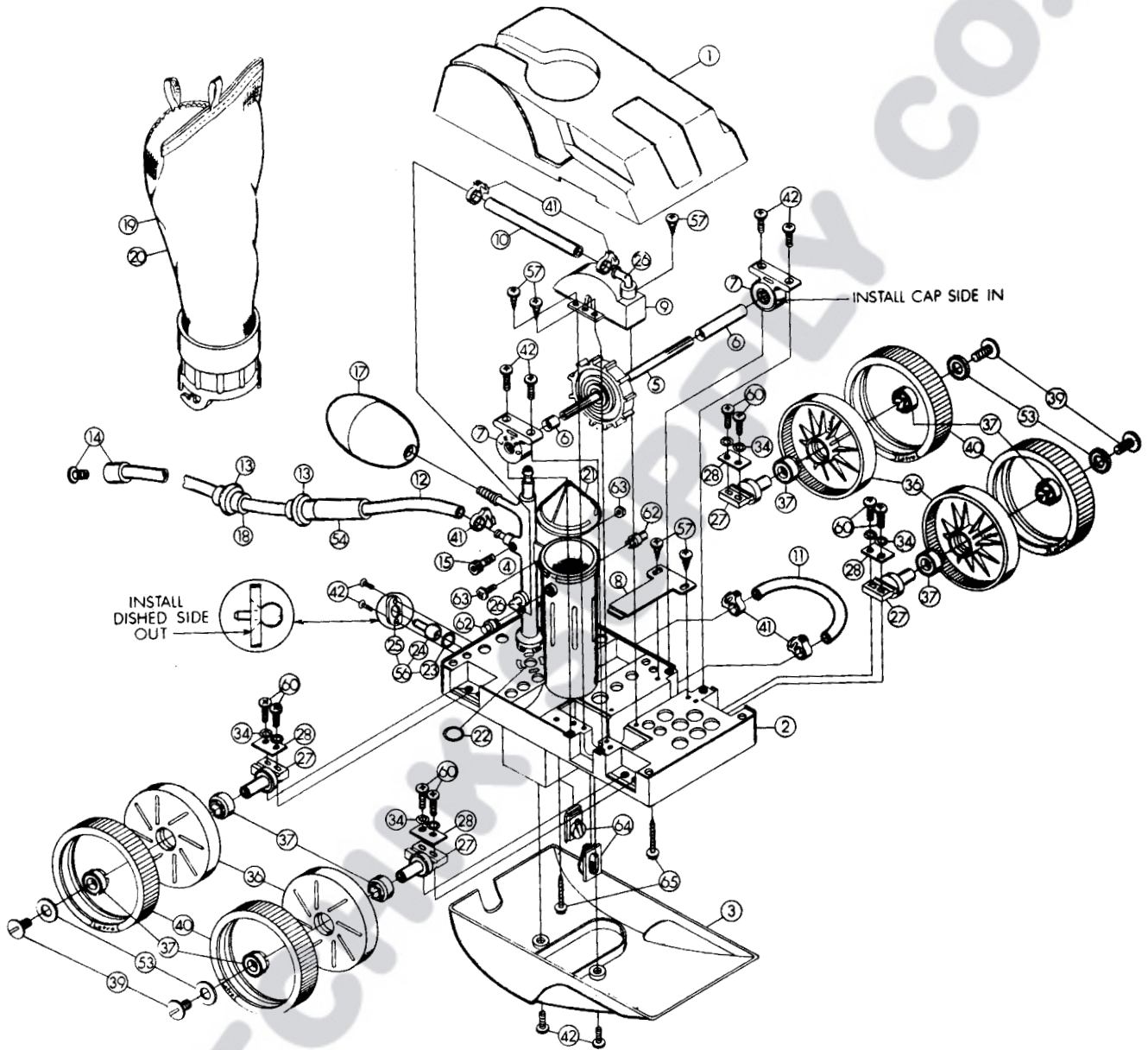


KREEPY KRAULY ACCESSORIES & PARTS KITS

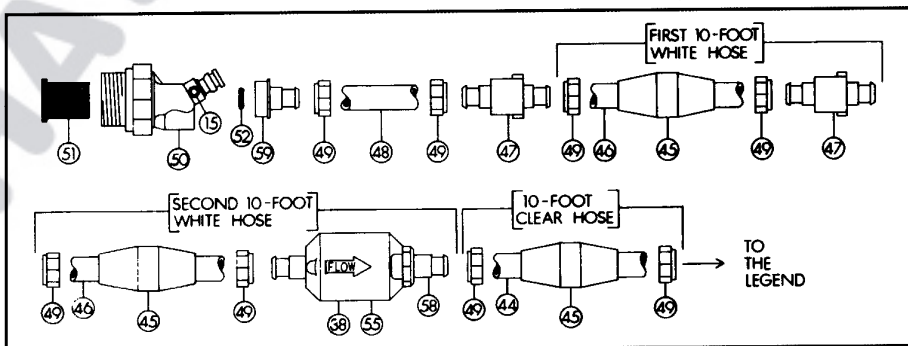
MFG. NO.	DESCRIPTION	ITEM NO.
12-092	Air Relief Valve for Vac Plus II (Set of 2)	E5384
12-1240	Connector, Hose (Also for Pre-1993 Models)	E5434
12-1110	Hose Cone, 2"	E5341
3-350	Vacuum Line Adaptor Kit - Retrofit	E5416
12-379	Speed Adjustment Vacuum Gauge	E5428
3-110	Leaf Trap, Clear w/3' Hose (#186A)	E5311
12-104	Leaf Trap Screen Bag	E5525
12-101-H	Leaf Trap Lid w/Handle	E5527
12-1680	Eyeball Diverter Kit	E5394
12-1681	Eyeball Diverter Inserts	E5529
12-1683	Eyeball Diverter Outer Ring	E5531
12-082	Baffle Plate	E5378
12-330	Guard, Ladder	E5424
12-073	Clip, Bumper End	E5364
12-1620	Wire Diverter	E5436
12-075	Strainer Guard	E5533
12-2022	Hose Float	E5535
2-1265	Hose Protector	E5365
12-094	Manual Bypass for Automatic Regulator Valve	E5386
12-065	Wall Climb Adjuster	E5537
2-1200	Complete Hose Assy. - Blue (40 Ft. total)	E5512
2-1220	Replacement 40" Blue Hose Sections (M x F) - Each	E5310
12-054	Hose Weight - Each (Not Shown)	E5330
12-061-R	Bumper Roller/Clip Kit (Not Shown)	E5348
12-090	Swivel Head Bumper (Not Shown)	E5382

<p>12-092 Air Relief Valve for VacPlus II Plate (2)</p> 	<p>12-1240 Hose Connector</p> 	<p>12-1110 2" Hose Cone</p> 	<p>3-350 Vacuum Line Adapter Kit Retrofit</p> 	<p>12-379 Speed Adjustment Gauge</p> 	<p>2-1241-B 3-1/2" Female/Female Blue Hose Connector 2-1241(White)</p>  <p>12-094 Manual Bypass for Automatic Regulator Valve</p>  <p>12-2022 Hose Float</p>  <p>12-075 Strainer Guard</p>  <p>12-1620 Wire Diverter</p>  <p>12-1683 Eyeball Diverter Ring Kit</p> 
<p>3-110 Leaf Trap with Handle (clear)</p> 	<p>12-104 Leaf Trap Screen Bag</p> 	<p>12-101-H Leaf Trap Lid w/ Handle</p> 	<p>12-1680 Eyeball Diverter</p> 	<p>12-1681 Eyeball Diverter Inserts</p> 	
<p>12-1683 Eyeball Diverter Outer Ring</p> 	<p>12-082 Baffle Plate</p> 	<p>12-330 Ladder Guard</p> 	<p>12-073 Bumper End Clip</p> 	<p>12-1620 Wire Diverter</p> 	
<p>12-075 Strainer Guard</p> 	<p>12-2022 Hose Float</p> 	<p>2-1265 Hose Protector</p> 	<p>12-094 Manual Bypass for Automatic Regulator Valve</p> 	<p>12-065 Wall Climb Adjuster</p> 	

LETRO LEGEND
Automatic Pool Cleaner

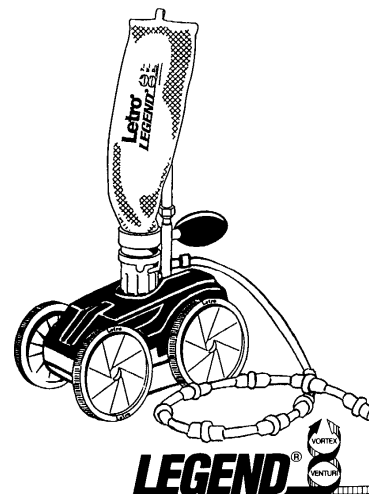


HOSE KIT - # LL209

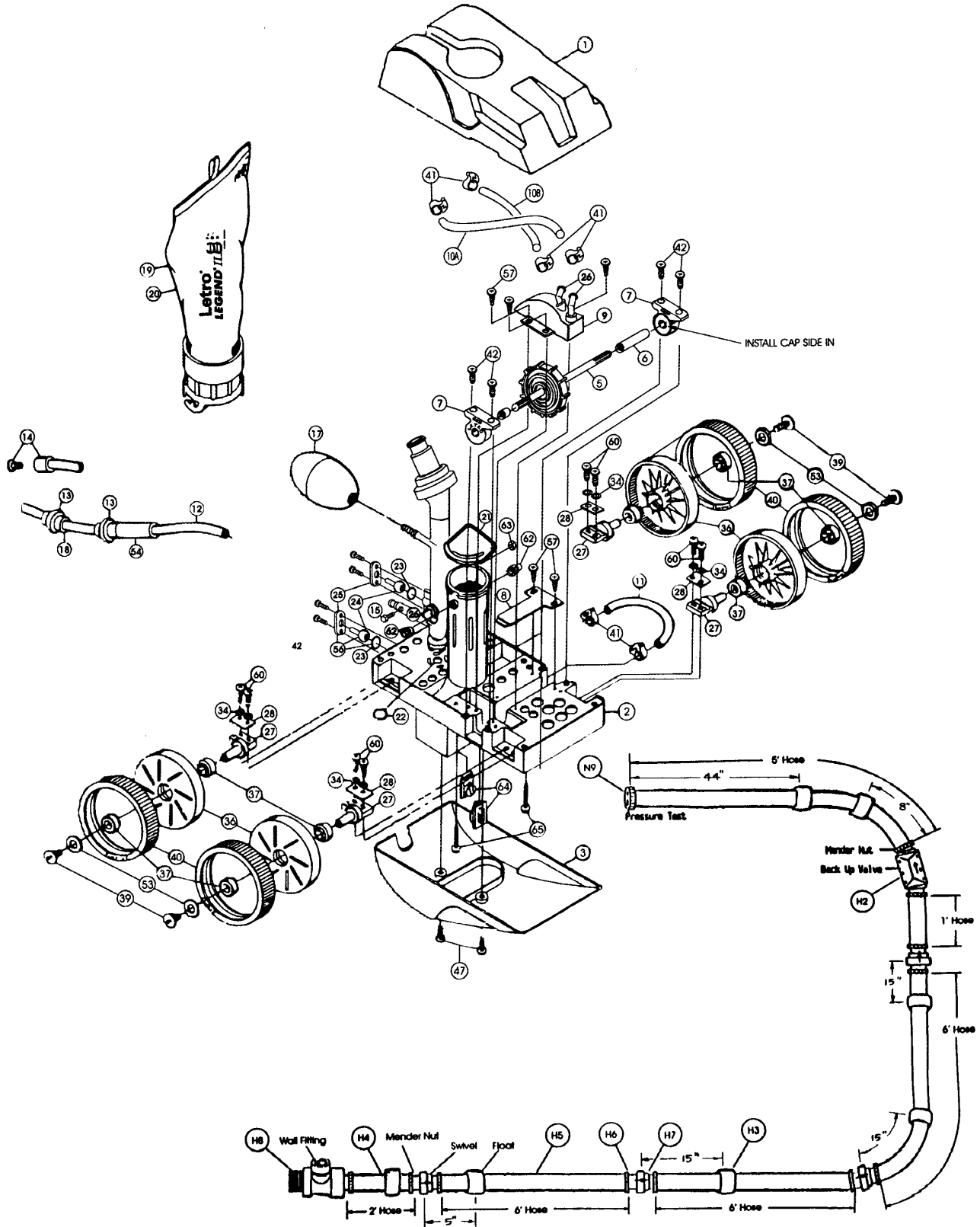


LETRO LEGEND Automatic Pool Cleaner

KEY	MFG NO.	DESCRIPTION	ITEM NO.	KEY	MFG NO.	DESCRIPTION	ITEM NO.
1	LLU5N	Top Cover	E4C05	44	LLD50	Feed Hose Clear Soft	E4D50
2	LLU145N	Main Frame	E4U145	45	LLD10	Float-Feed Hose	E4D10
3	LLU10N	Bottom Cover	E4U11	46	LLD45	Feed Hose-White	E4D45
4	LLU6	Feed Mast w/O-ring	E4U06	47	LLD20	Swivel-Feed Hose	E4D20
5	LLC86	Turbine Drive Shaft - Complete	E4C86	48	LLU1	Adapter Hose, White, 8 1/2"	E4U01
6	LLC83	Turbine Spacers	E4C83	49	LLD15P	Mendor nut plastic Feed Hose	E4D15
7	LLC80	Turbine Bearings	E4C80	50	LLJVW1A	Wall Fitting w/adj. Screw & Screen	E4183
8	LLA40	Turbine Shaft Shield	E4A40	51	LLJVW2	Screen Wall Fitting	E4185
9	LLC110	Turbine Cover w/Elbow	E4C110	52	LLF07	O-ring Wall Fitting	E4F07
10	LLC120	Hose for Turbine Cover 7 1/2"	E4C120	54	LLB2	Weight Sweep Hose	E4B02
11	LLC121	Hose for Venturi Jet	E4C121	55	LLE25	Gears for Back-up Valve	E4E25
12	LLB5	Sweep Hose Complete	E4B05	56	LLC131	Thrust Jet Repair Kit	E4C131
13	LLB10	Wear Ring-Sweep Hose	E4B10	57	LLA30	Screw for LLA40 & LLC110	E4A30
14	LLB25	Sweep Hose Jet w/ Collar	E4B25	58	LLE16	Swivel for Back-up Valve LLC40-5	E4E16
15	LLB20	Adjustment Screw- Sweep Hose	E4B20	59	LLJ28	Quick Connect- feed hose to wall ftg.	E4J28
17	LLA20N	Ballast Float	E4A20	60	LLU76	Bolt, for Axles	E4U76
18	LLH07	Hose Sleeve-Sweep Hose	E4H07	62	LLU147	Snap Fit Vac Tube Posts	E4U147
19	LLU16N	Fine Mesh Bag	E4U16	63	LLU79	Nut & Bolt (Feed Mast to Vac Tube)	E4U79
20	LLU15	Coarse Mesh Bag	E4U15	64	LLU8	Venturi Jet	E4U08
21a	LLU9	Debris Valve	E4U09	65	LLU80	Hex Screw-Top Cover to Frame	E4U80
21b	LLU90	O-ring for Vac Tube	E4U90	---	LL-209	Legend Hose Kit Complete	E4209
22	LLU7	O-ring for Feed Mast	E4U07	---	LL-206N	Legend Overhaul Kit	E4206
23	LLC140	O-ring for Thrust Jet	E4C140				
24	LLC130	Thrust Jet	E4C130				
25	LLC135	Thrust Jet Plate	E4C135				
26	LLC115	Elbow for Feed Mast or Turbine Cover	E4C115				
27	LLC65	Axle-Large Wheels	E4C65				
28	LLC70	Axle Plate for LLC65	E4C70				
34	LLC45	Lock Washer (LLC70)	E4C45				
36	LLC6	Wheel-Large No Bearings	E4C06				
37	LLC60	Bearing for Wheels	E4C60				
38	LLG405	Back-up Valve	E4G40				
39	LLC55	Wheel Screw, Plastic	E4C55				
40	LLC1	Tire for Large Wheel (4 wheel only)	E4C01				
---	C6LSA	New Tire Design to Climb Problem Areas	E4CLSA				
41	LLC125	Clamp for Sweep Hose, Turbine & Venturi Jet Hose	E4C125				
42	LLC40	Screw, Bottom Cover Turbine Bearings, Thrust Jet Plate, Swing Axle	E4C40				

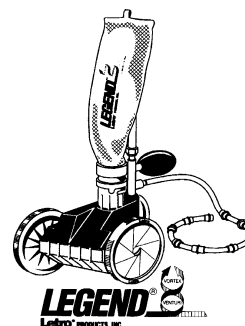


LETRO LEGEND II (No Booster Pump Required)

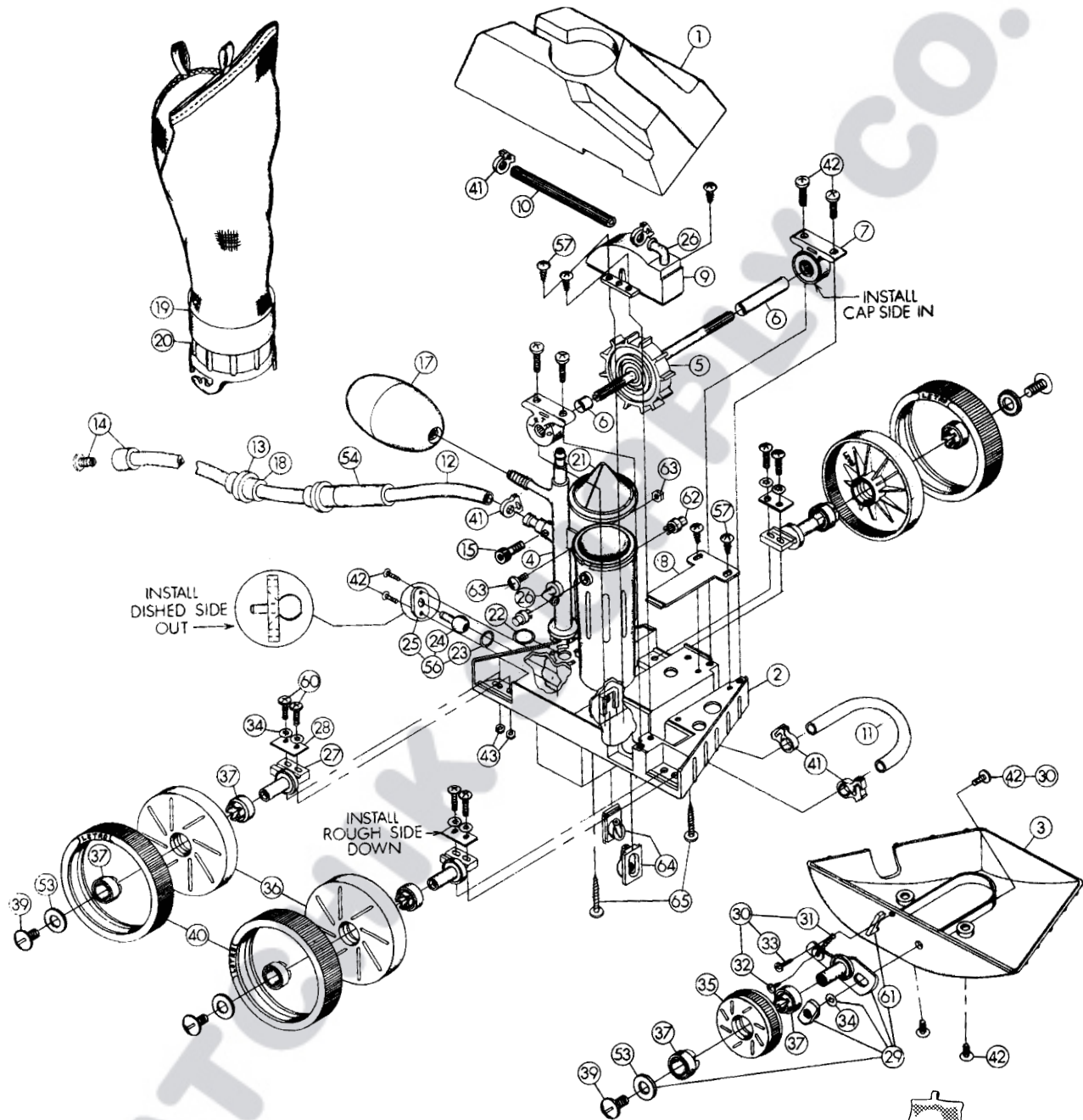


LETRO LEGEND II

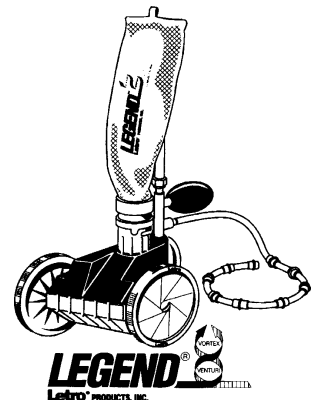
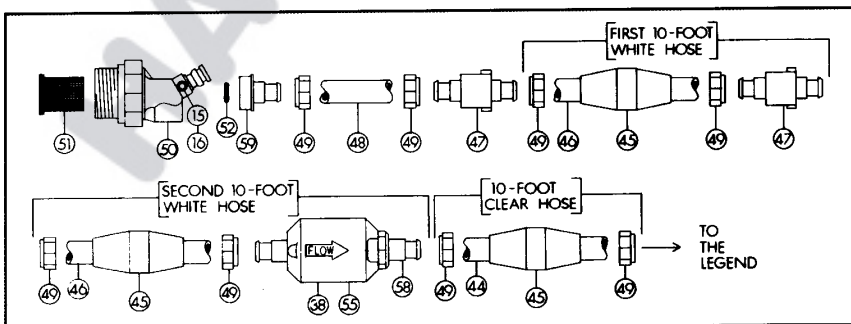
KEY	MFG. NO.	DESCRIPTION	ITEM NO.	KEY	MFG. NO.	DESCRIPTION	ITEM NO.
---	LX2000	Legend II Complete	E4195	47	LXU80	Hex Screw Cover to	
---	LX209	Legend Hose Box	E4197			Frame, 2 pack(2 needed)	E4LXU80
1	LXU5	Top Cover (white, gray, burgundy, black)	E4LXU5	53	LXC64	Wheel Washer, 5 pack (4 needed)	E4LXC64
2	LXU145N	Main Frame	E4145N	54	LXB2	Weight - Sweep Hose	E4LXB2
3	LXU10N	Bottom Cover w/ Bracket	E4XU10N	57	LXA30	Screw for 8 & 9, 5 pack (5 needed)	E4LXA30
4	LXU6	Feed Mast w/ O-Ring & Swivel	E4LXU6	60	LXU76	Bolt for Axles, 2 pack (8 needed)	E4LXU76
5	LXC86	Turbine Drive Shaft - Assd	E4LXC86	62	LXU147	Snap Fit Vac Tube Post, 2 pack	E4LXU147
6	LXC83	Turbine Spacer	E4LXC83	---	LXU77	Bolt for LXU6 Feed Mast, Vac Tube	E4LXU77
7	LXC80	Turbine Bearing(2 needed)	E4LXC80	---	LXU78	Nut for Feed Mast, Vac Tube	E4LXU78
8	LXA40	Turbine Shaft Shield	E4LXA40	63	LXU79	Nut & Bolt - Feed Mast to Vac Tube	E4LXU79
9	LXC110	Turbine Cover w/ Elbow	E4LXC110	64	LXU8	Venturi Jet, 2 pack (2 needed)	E4LXU8
10A	LXC120	Hose for LXC110- 9" long	E4LXC120	H2	LX10	Back-up Valve - Legend II	E4LX10
10B	LL120	Turbine Cover Hose 7"	E4LL120	---	LX11	Housing Body - B/U Valve	E4LX11
11	LXC121	Venturi Jet - Hose	E4LXC121	---	LX12	Housing Top Cover - B/U Valve	E4LX12
12	LXB5	Sweep Hose - Complete	E4LXB5	---	LX13	O-Ring for Housing Body #0250	E4LX13
13	LXB10	Wear Ring, 5 pack (9 needed)	E4LXB10	---	LX14	O-Ring - Gear Assy. #0251	E4LX14
14	LXB25	Sweep Hose Jet w/ Collar	E4LXB25	---	LX15	Screw for Housing Body, 6 pack	E4LX15
15	LXB20	Adjustment Screw for Sweep Hose , 2 pack	E4LXB20	---	LX16	Gear Assy. - B/U Valve	E4LX16
17	LXA20	Ballast Float	E4LXA20	H3	LXD10	Float for Legend II - Feed Line (7 needed)	E4LXD10
18	LXH07	Hose Sleeve, 4 pack (17 needed)	E4LXH07	H4	LX18	Hose - 2', 1st Section	E4LX18
19	LXU15	Coarse Mesh Bag	E4LXU15	H5	LX17	Hose - 6' (4 needed)	E4LX17
20	LXU16	Fine Mesh Bag	E4LXU16	H6	LX20	Hose Mender w/ O-Ring #0252, 2 pk (12 needed)	E4LX20
21	LXU9	Debris Valve	E4LXU9	---	LX21	O-Ring #0252 for Wall Fitting & Hose Mender	E4LX21
22	LXU7	O-Ring for Feed Mast	E4LXU7	H7	LX19	Swivel - Complete (4 needed)	E4LX19
---	LXC131	Thrust Jet Repair Kit (See 23, 24, 25)	E4LXC131	H8	LXW22	Wall Fitting - Complete	E4LXW22
23	LXC140	O-Ring for Thrust Jet (2 needed)	E4LXC140	---	LX23	Wall Fitting Quick Disconnect Adapter	E4LX23
24	LXC130	Thrust Jet (2 needed)	E4LXC130	---	LX24	Screen for Wall Fitting	E4LX24
25	LXC135	Thrust Jet Plate(2 needed)	E4LXC135	---	LX25	Pressure Relief Valve for Wall Fitting	E4LX25
26	LXC115	Elbow for Feed Mast / Turbine Cover (2 needed)	E4LXC115	H9	LX26	Pressure Tester	E4LX26
27	LXC65	Axle - Large (Rear)(4 needed)	E4LXC65	---	LXU13	Step Adapter	E4LXU13
28	LXC70	Axle Plate, 2 pack (4 needed)	E4LXC70				
34	LXC45	Lock Washer for LXC70, 5 pack (8 needed)	E4LXC45				
36	LXC6	Wheel - Large(4 needed)	E4LXC6				
37	LXC60	Ball Bearing, 2 pack (8 needed)	E4LXC60				
39	LXC55	Wheel Screw, 5 pack (4 needed)	E4LXC55				
40	LXC1	Tire for Legend II (4 needed)	E4LXC1				
---	LXC10BK	Tire for Large Wheel	E4LXC10				
41	LXC125	Hose Clamp, 2 pack (7 needed)	E4LXC125				
42,49	LXC40	Screw for Bottom Cover, Turbine, Bearings, Thrust Jet Plate, 10 pack (10 needed)	E4LXC40				



LETRO LEGEND 3 Wheel Model
Automatic Pool Cleaner



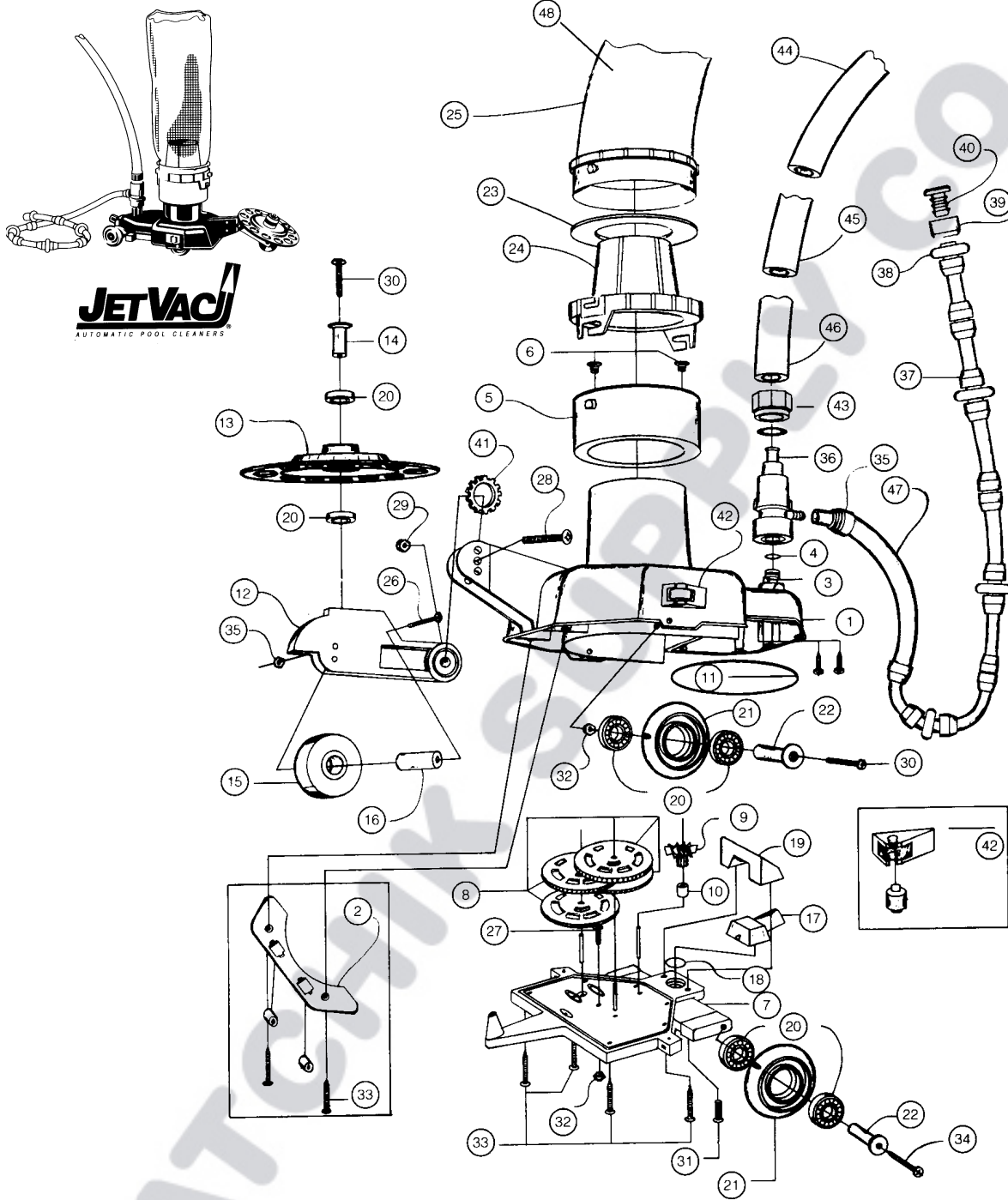
HOSE KIT - # LL209



LETRO LEGEND 3 Wheel Model Automatic Pool Cleaner

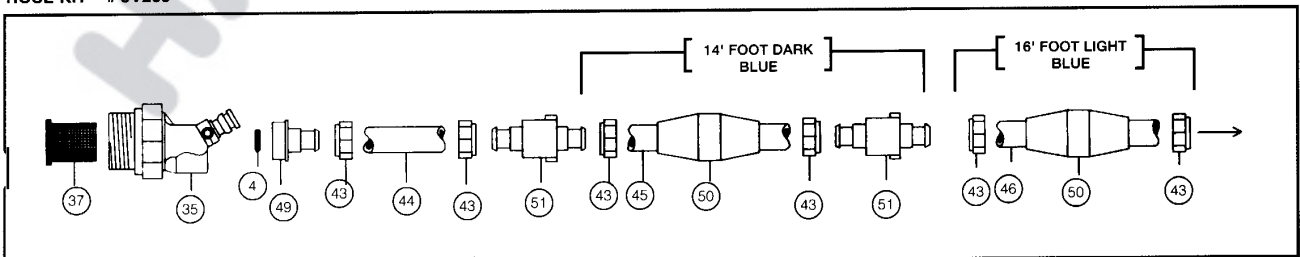
KEY	MFG NO.	DESCRIPTION	ITEM NO.	KEY	MFG NO.	DESCRIPTION	ITEM NO.
1	LLU5	Top Cover	E4U05	37	LLC60	Bearing for Wheels	E4C60
2	LLU145	Main Frame	E4N145	38	LLG405	Back-up Valve	E4G40
3	LLU10	Bottom Cover w/Bracket	E4U10	39	LLC55	Wheel Screw-Plastic	E4C55
4	LLU6	Feed Mast w/O-ring	E4U06	40	LLC10	Tire for Large Wheel	E4C10
5	LLC86	Turbine Drive Shaft Complete	E4C86	41	LLC125	Clamp for Sweep Hose, Turbine Bearings,Thrust Jet Plate, Swing Axle	E4C125
6	LLC83	Turbine Spacers	E4C83	42	LLC40	Screw for Bottom Cover, Turbine Bearings, Thrust Jet Plate, Swing Axle	E4C40
7	LLC80	Turbine Bearings	E4C80	43	LLC75	Nut, Rear Axle Only	E4C75
8	LLA40	Turbine Shaft Shield	E4A40	44	LLD50	Feed Hose-Clear, Soft-10'	E4D50
9	LLC110	Turbine Cover w/Elbow	E4C110	45	LLD10	Float-Feed Hose	E4D10
10	LLC120	Hose for Turbine Cover 7 1/2"	E4C120	46	LLD45	Feed Hose, White 10'	E4D45
11	LLC121	Hose for Venturi Jet	E4C121	47	LLD20	Swivel-Feed Hose	E4D20
12	LLB5	Sweep Hose Complete	E4B05	48	LLU1	Adapter Hose, White, 8-1/2"	E4U01
13	LLB10	Wear Ring-Sweep Hose	E4B10	49	LLD15	Mender Nut, Plastic, Feed Hose	E4D15
14	LLB25	Sweep Hose Jet w/ Collar	E4B25	50	LLJVW1A	Wall Fitting w/ Adj. Screw & Screen	E4183
15	LLB20	Adjustment Screw - Sweep Hose	E4B20	51	LLJVW2	Screen, Wall Fitting	E4185
17	LLA20	Ballast Float	E4A20	52	LLF07	O-ring, Wall Fitting	E4F07
18	LLH07	Hose Sleeve - Sweep Hose	E4H07	53	LLC64	Washer-Wheels, Plastic	E4C64
19	LLU16	Fine Mesh Bag	E4U16	54	LLB2	Weight-Sweep Hose	E4B02
20	LLU15	Coarse Mesh Bag	E4U15	55	LLE25	Gears for Back-up Valve	E4E25
21	LLU9	Debris Valve	E4U09	56	LLC131	Thrust Jet Repair Kit (includes LLC130, LLC153, LLC140)	E4C131
22	LLU7	O-ring for Feed Mast	E4U07	57	LLA30	Screw for LLA40 & LLC110	E4A30
23	LLC140	O-ring for Thrust Jet	E4C140	58	LLE16	Swivel for Back-up Valve LLC405	E4E16
24	LLC130	Thrust Jet	E4C130	59	LLJ28	Quick Connect-Feed Hose to Wall Fitting	E4J28
25	LLC135	Thrust Jet Plate	E4C135	60	LLU76	Bolt-for Axles	E4U76
26	LLC115	Elbow for Feed Mast or Turbine Cover	E4C115	61	LLC36	Snap Fit Bracket	E4C36
27	LLC65	Axle-Large Wheels	E4C65	62	LLU147	Snap Fit Vac Tube Posts	E4U147
28	LLC70	Axle Plate for LLC65	E4C70	63	LLU79	Nut & Bolt (Feed Mast to Vac Tube)	E4U79
29	LLC36	Swing Axle w/ Tee, Washer & Bracket	E4C36	64	LLU8	Venturi Jet	E4U08
30	LLC36H	Swing Axle Hardware Kit	E4C36H	65	LLU80	Hex Screw-Top Cover to Frame	E4U80
31	LLC25	Spring-Swing Axle	E4C25	---	LL205	Legend Tune up Kit (3 Wheel)	E4190
32	LLC30	Screw for Spring to Swing Axle	E4C30				
33	LLC32	Screw for Spring to Bottom Cover	E4C32				
34	LLC45	Lock Washer for LLC36, LLC70	E4C45				
35	LLC16	Wheel-Small for Swing Axle	E4C16				
36	LLC6	Wheel-Large (no bearings)	E4C06				

LETRO JETVAC



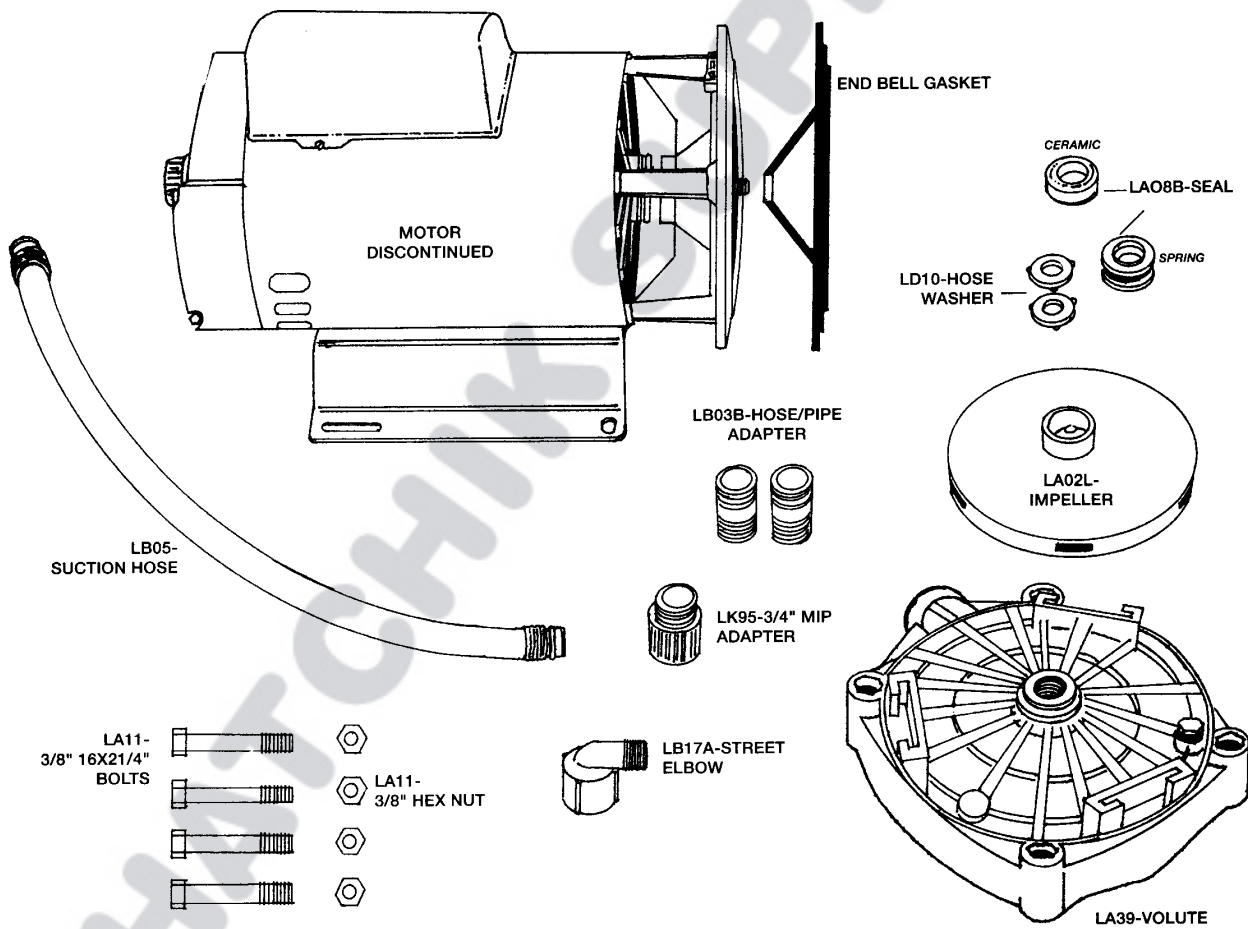
Hose Replacement Parts

HOSE KIT - # JV209



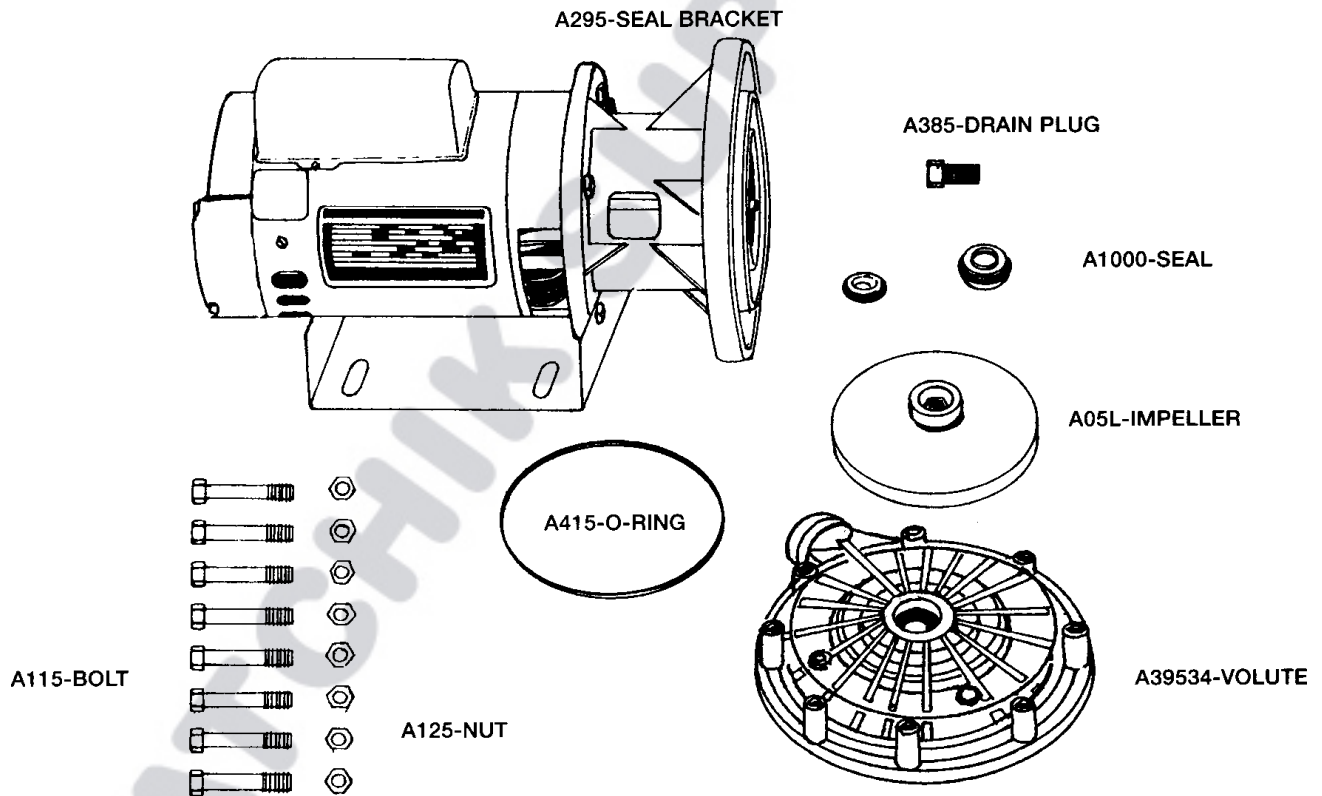
LETRO OLD STYLE BOOSTER PUMP

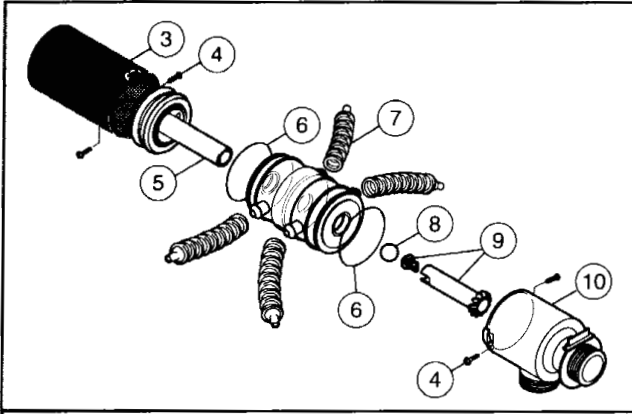
MFG NO.	DESCRIPTION	ITEM NO.
LA11	Bolt	E4A111
LA12	Nut	E4A112
LA08B	Seal & Spring	E4A08B
LA39	Volute	E4L39
LA40	End Bell Gasket	E1A40
LA02L	Impeller	E1A2L
LD10	Hose Washer	E4A10
LB03B	Hose/Pipe Adapter	E4A03B
LK95	3/4" MIP Adapter	E4A95
LB17A	Street Elbow	E4A17
LB05	Suction Hose	E4A05



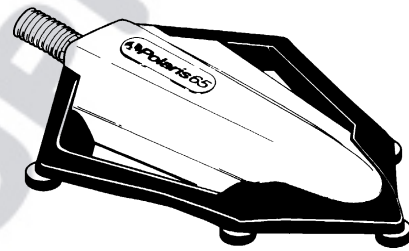
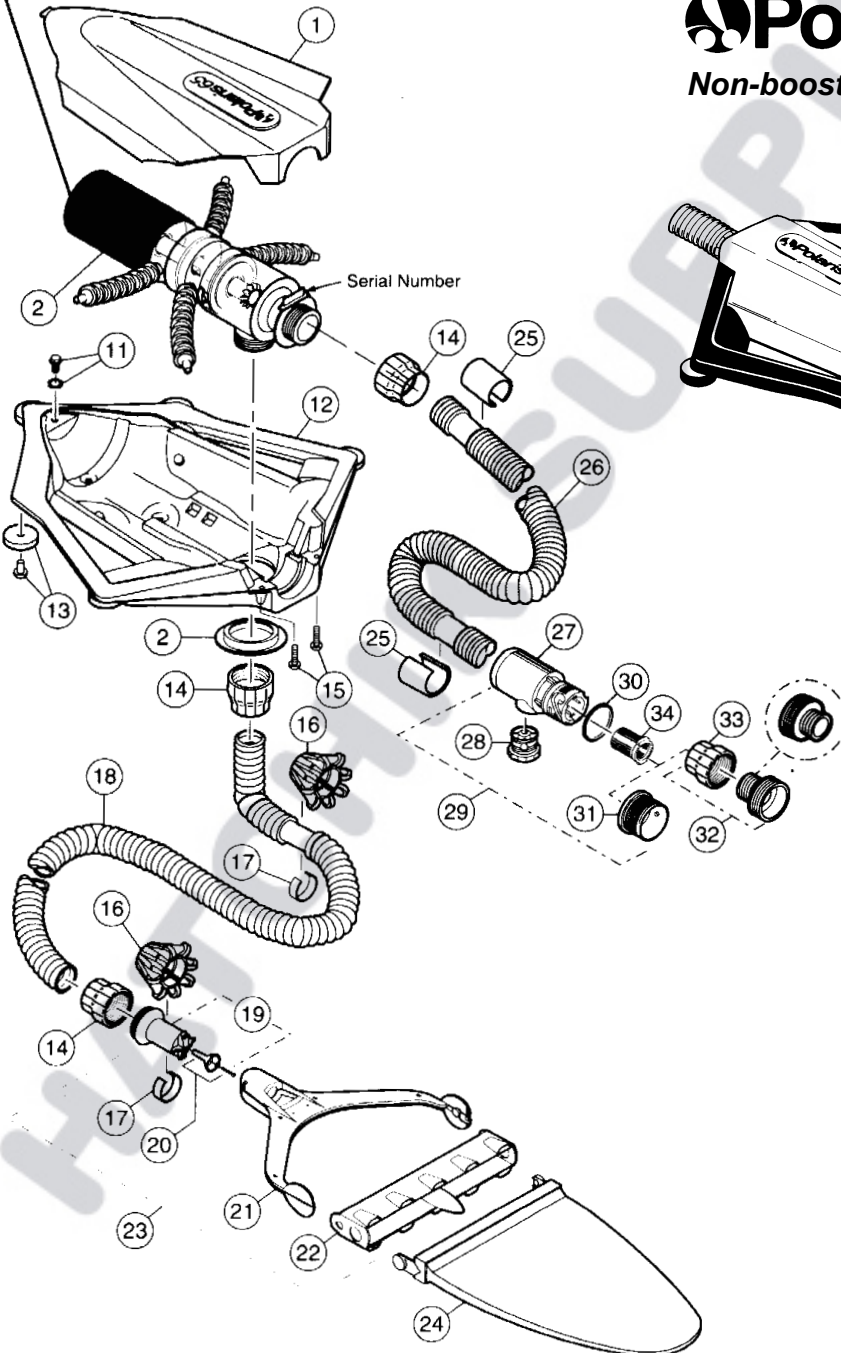
LETRO NEW BOOSTER PUMP

MFG NO.	DESCRIPTION	ITEM NO.
LA115	Bolt	E4A11
LA125	Nut	E4A12
LA1000	Seal	E4A00
LA05L	Impeller	E4A5L
LA39534	Volute	E4A39
LA295	Seal Bracket	E4A29
LA375	O-Ring for Drain Plug	E4A37
LA415	O-Ring	E4A41
B662	3/4 H.P. Motor	K5052C



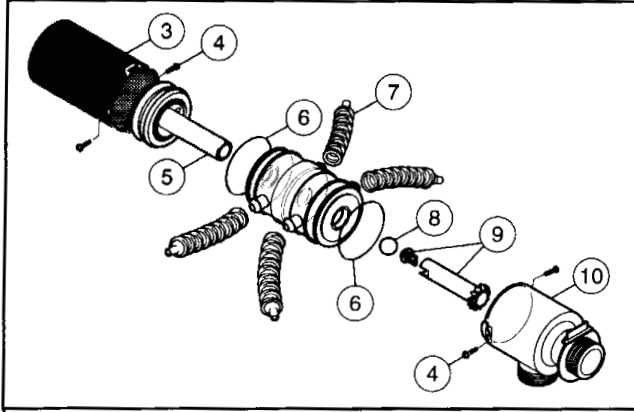


Polaris65
Non-booster Pump Cleaner



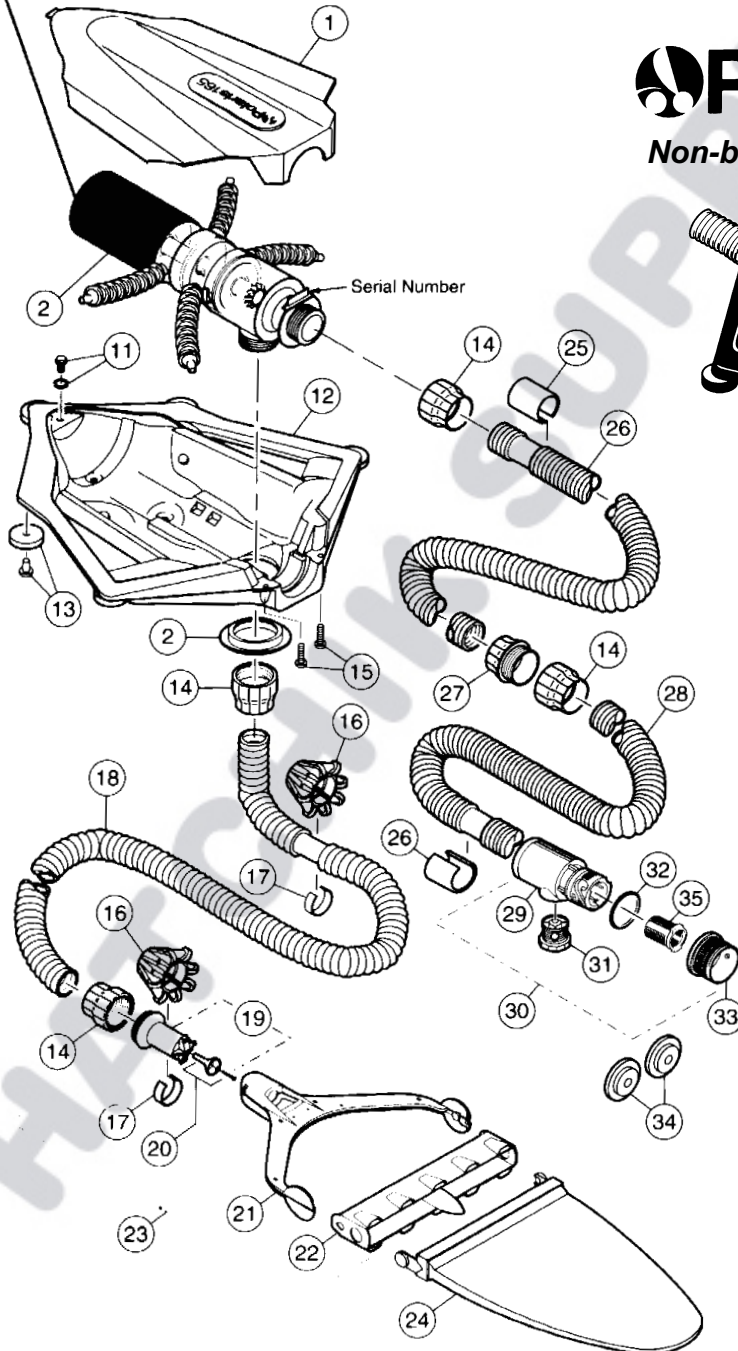
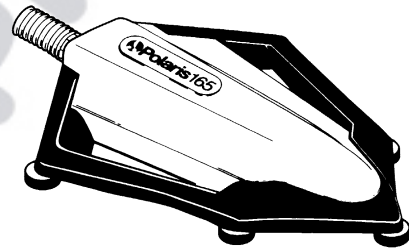
POLARIS 65 Non-booster Pump Cleaner

KEY	MFG NO.	DESCRIPTION	ITEM NO.
1	6-304-00	Surface Module Top	E2590
2	6-400-00	Mechanism	E2579
3	6-407-00	Cylinder	E2652
4	6-413-00	Screw, Mechanism, #6 x 5/16", SS	E2504
5	6-411-00	Piston Assembly	E2555
6	6-412-00	O-Ring, Chamber Assembly	E2585
7	6-410-00	Jet Nozzle Hose Assembly	E2604
8	6-403-00	Randomizer Ball	E2501
9	6-406-00	Filter Connector/Randomizer Tube Kit	E2581
10	6-408-00	Connector Chamber	E2609
11	6-507-00	Drain Plug Assembly	E2591
12	6-303-00	Body Bottom Assembly	E2569
13	6-300-00	Body Bottom Wheel Kit	E2594
14	6-104-00	Hose Connector, Female	E2596
15	6-302-00	Screw, Top, #10 x 3/4" SS, Pan Hd	E2595
16	6-107-00	Wheel Cage Assembly	E2558
17	6-110-00	Hose Weight	E2553
18	6-106-00	Sweep Hose Complete, 7 Feet	E2556
19	6-116-00	Jet Body Assembly	E2659
20	6-119-00	Jet Body Ball Kit	E2660
21	6-211-00	Jet Sweep Harness	E2661
22	6-210-00	Jet Sweep Head	E2662
23	6-212-00	Jet Sweep Assembly	E2565
24	6-206-00	Sand/Silt Bag	E2509
25	6-102-00	Float	E2593
26	6-115-00	Float Hose, 24 Feet (hose only)	E2599
27	6-502-00	Quick Disconnect, UFW	E2663
28	6-503-00	Pressure Relief Valve, Blue	E2664
29	6-508-00	UWF Connector Assembly	E2580
30	6-505-00	O-Ring, UFW/QD	E2573
31	6-500-00	Universal Wall Fitting (UFW)	E2524
32	6-510-00	UWF Adapter, 1 1/4" or 2"	E2502
33	6-512-00	UFW Adapter, 2"	E2619
34	6-504-00	Filter Screen, UWF/QD	E2578
---	6-101-00	Adapter Kit for 1 1/4" or 2" (60)	E2597
---	6-103-00	Hose Connector, Male	E2592
---	6-108-00	Jet Body Assembly (160/60)	E2554
---	6-109-00	Hanger Kit (includes 8 brackets)	E2557
---	6-111-00	Float Hose Extension Kit, 8 Feet	E2552
---	6-112-00	Sweep Hose, 10 Feet (hose only)	E2598
---	6-113-00	In-Line Pressure Tester	E2550
---	6-118-00	Jet Body Ball Kit (160/60)	E2666
---	6-204-00	Filter Bag, Snap (160/60)	E2567
---	6-205-00	Leaf Bag, Snap (160/60)	E2535
---	6-207-00	Leaf Bag	E2506
---	6-509-00	Gorilla Jet Adapter	E2623
---	6-511-00	UWF Eyeball Fitting	E2505
---	6-700-00	165/65 Conversion Kit	E2668
---	9-100-8006	Standard Eyeball Regulator Disk	E2665
---	10-102-00	UWF Removal Tool, Plastic	E2525
---	10-104-00	UWF Removal Tool, SS	E2670
---	11-203-00	Adjustable Plug, UWF	E2526



Polaris165

Non-booster Pump Cleaner



POLARIS 165 Non-booster Pump Cleaner

KEY	MFG NO.	DESCRIPTION	ITEM NO.
---	6-120-00	Polaris 165 Complete	E2050
1	6-306-00	Surface Module Top	E2651
2	6-400-00	Mechanism	E2579
3	6-407-00	Cylinder	E2652
4	6-413-00	Screw, Mechanism, #6 x 5/16" SS	E2504
5	6-411-00	Piston Assembly	E2555
6	6-412-00	O-Ring, Chamber Assembly	E2585
7	6-410-00	Jet Nozzle Hose Assembly	E2604
8	6-403-00	Randomizer Ball	E2501
9	6-406-00	Filter Connector/Randomizer Tube Kit	E2581
10	6-408-00	Connector Chamber	E2609
11	6-507-00	Drain Plug Assembly	E2591
12	6-303-00	Body Bottom Assembly	E2569
13	6-300-00	Body Bottom Wheel Kit	E2594
14	6-104-00	Hose Connector, Female	E2596
15	6-302-00	Screw, Top, # 10 x 3/4" SS, Pan Hd	E2595
16	6-107-00	Wheel Cage Assembly	E2558
17	6-110-00	Hose Weight	E2553
18	6-114-00	Sweep Hose Complete, 10 Ft.	E2658
19	6-116-00	Jet Body Assembly	E2659
20	6-119-00	Jet Body Ball Kit	E2660
21	6-211-00	Jet Sweep Harness	E2661
22	6-210-00	Jet Sweep Head	E2662
23	6-212-00	Jet Sweep Assembly	E2565
24	6-206-00	Sand/Silt Bag	E2509
25	6-102-00	Float	E2593
26	6-111-00	Float Hose Extension Kit, 8 Ft.	E2552
27	6-103-00	Hose Connector, Male	E2592
28	6-115-00	Float Hose, 24 Ft. (hose only)	E2599
29	6-502-00	Quick Disconnect, UWF	E2663
30	6-508-00	UWF Connector Assembly	E2580
31	6-503-00	Pressure Relief Valve, Blue	E2664
32	6-505-00	O-Ring, UWF/QD	E2573
33	6-500-00	Universal Wall Fitting (UWF)	E2524
34	9-100-8006	Standard Eyeball Regulator Disk	E2665
35	6-504-00	Filter Screen, UWF/QD	E2578
---	6-108-00	Jet Body Assembly (160/60)	E2554
---	6-109-00	Hanger Kit (includes 8 brackets)	E2557
---	6-112-00	Sweep Hose, 10 Ft. (hose only)	E2598
---	6-113-00	In-Line Pressure Tester	E2550
---	6-118-00	Jet Body Ball Kit (160/60)	E2666
---	6-204-00	Filter Bag, Snap (160/60)	E2567
---	6-205-00	Leaf Bag, Snap (160/60)	E2535
---	6-207-00	Leaf Bag	E2506
---	6-511-00	UWF Eyeball Fitting	E2667
---	6-700-00	165/65 Conversion Kit	E2668
---	9-100-8021	Vinyl Eyeball Kit	E2672
---	10-102-00	UWF Removal Tool, Plastic	E2525
---	10-104-00	UWF Removal Tool, Stainless Steel	E2670
---	10-107-00	Eyeball Regulator	E2671
---	11-203-00	Adjustable Plug, UWF	E2526

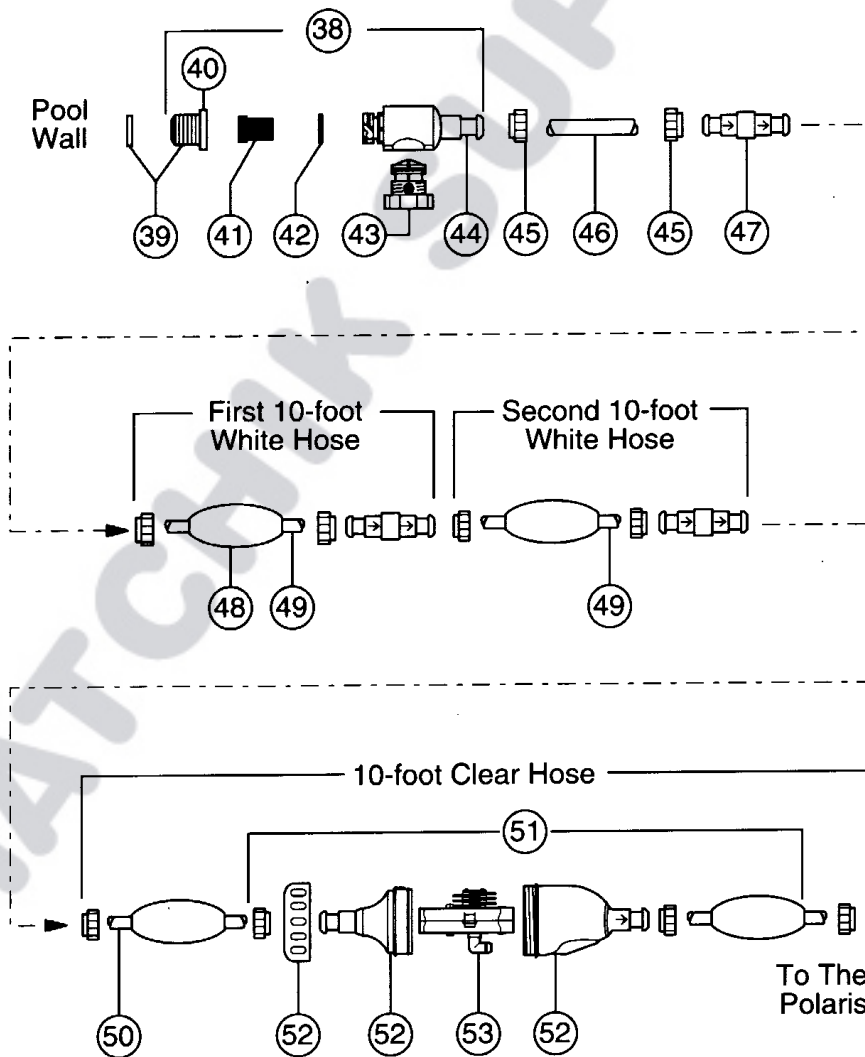
POLARIS 180 VAC-SWEEP Booster Pump Cleaner

KEY	MFG NO.	DESCRIPTION	ITEM NO.
---	F-20	Polaris 180 Head/Hose	E2001
1	C-45	Lock Washer for C-36	E2C45
2	C-16	Idler Wheel, White	E2C16
3	C-60	Ball Bearings, Wheels	E2C60
4	B-5	Sweep Hose Complete	E2B05
5	C-25	Spring for C-36	E2C25
6	C-30	Screw, 4-40 x 3/16" SS Pan Hd	E2C30
7	C-32	Screw, 6-32 x 1/2" SS Pan Hd	E2C32
8	C-36	Swing Axle Kit	E2C36
9	A-10	Bottom, White with Bracket	E2A10
10	C-55	Wheel Screw, Plastic	E2C55
11	C-40	Screw, 10-32 x 3/8" SS Pan Hd	E2C40
12	C-10	Tire, White	E2C10
13	9-100-7170	Hose Clamp	E2570
14	C-120	Hose for C-110, 7 1/2"	E2C81
15	A-5	Top, Blue	E2A05
16	B-20	Adjustment Screw, Sweep Hose	E2B20
17	C-65	Axle, Large (rear wheel only)	E2C65
18	C-70	Axle Plate for C-65/C-66	E2C70
19	C-75	Screw/Nut, 10-32 x 7/8" SS Pan Hd	E2C75
20	C-86	Drive Shaft Assembly	E2C86
21	C-6	Wheel, Large (no bearings included)	E2C06
22	C-110	Turbine Cover with Elbow	E2C97
23	C-115	Elbow for C-110 or Feed Mast	E2C98
24	A-16	Sand/Silt Bag, Reusable	E2A16
25	C-80	Ball Bearings, Turbine	E2C80
26	C-131	Thrust Jet Kit	E2C31
27	C-64	Wheel Washer, Plastic	E2C64
28	9-100-3105	Sweep Hose Scrubber	E2514
29	C-145	Frame, Exchange Only	E2C04
30	C-83	Turbine Shaft Tubes	E2C83
31	A-20	Float, Head	E2A20
32	A-30	Screw, # 10 x 1/2" SS Pan Hd, Self-tap	E2A30
33	C-66	Axle, Large (with sand/gravel guard)	E2C66
34	A-40	Turbine Shaft Shield	E2A40
35	B-25	Orifice Tip w/ Orifice Tip Guard	E2B25
36	B-15	Sweep Hose Attach Clamp	E2B15
37	B-10	Wear Rings	E2B10

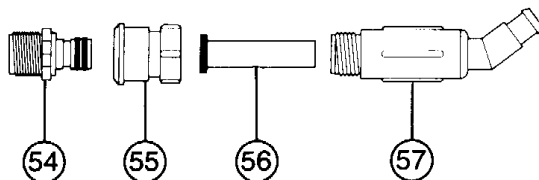
POLARIS 180 VAC-SWEEP (Cont.)

Hose Assemblies & Back-up Valve

KEY	MFG. NO.	DESCRIPTION	ITEM NO.
38	9-100-9001	UWF Connector Assy (Replaces D-27)	E2522
39	10-108-00	UWF Restrictor Kit	E2602
40	6-500-00	Universal Wall Fitting (UWF)	E2524
41	6-504-00	Filter Screen, UWF/QD	E2578
42	6-505-00	O-Ring, UWF/QD	E2573
43	9-100-9002	Pressure Relief Valve (Replaces D-28)	E2564
44	D-29	Quick Disconnect, UWF	E2D29
45	D-15	Nut, Feed Hose	E2D15
47	D-20	Swivel, Ball Bearing	E2D20
48	D-10	Float, Feed Hose	E2D10
49	D-45	Feed Hose - White, 10 Ft, Hard	E2D45
50	D-50	Feed Hose - Clear, 10 Ft., Hard	E2D50
51	G-52	Back-up Valve Kit (Replaces G-41)	E2G52
52	G-54	Case Kit for G-52	E2G54
53	G-53	Mechanism for G-52	E2G53
---	G-56	Back-up Booster Valve Seat (Increases power of G-52 Valve)	E2G56



POLARIS 180 VAC-SWEEP (Cont.) Old Style Quick Disconnect, Pre-1991



KEY	MFG. NO.	DESCRIPTION	ITEM NO.
54	D-23	Quick Disconnect Plug w/2 O-Rings	E2D23
55	D-26	Quick Disconnect, Female, Plastic	E2D26
56	D-36	Strainer, Tube Type	E2D36
57	D-31	Hose Barb/Strainer Housing, Clear Plastic	E2D31

Parts Not Shown

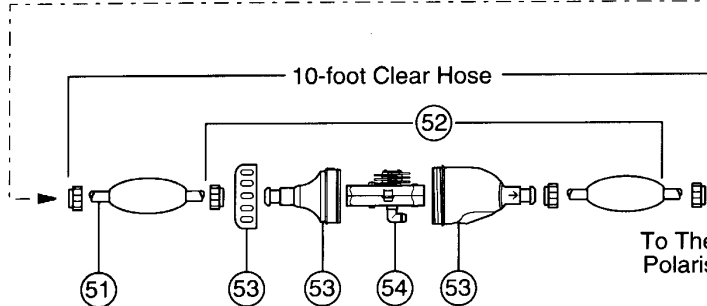
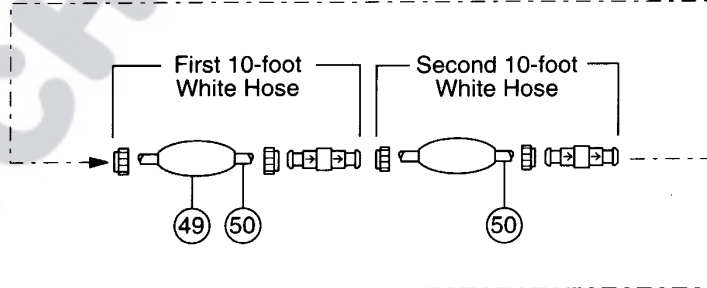
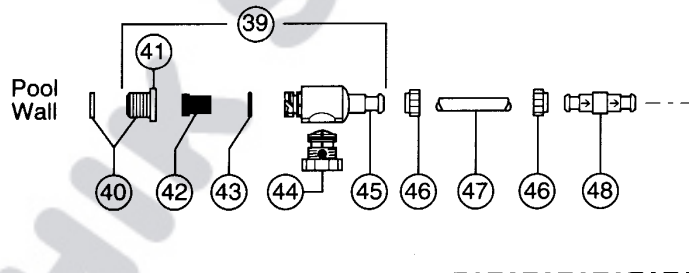
KEY	MFG. NO.	DESCRIPTION	ITEM NO.
---	A-15	Leaf Bag	E2A15
---	A-42	Sweep Hose Barb Repair Kit	E2A42
---	A-45	Float Arm Repair Kit	E2A45
---	A-47	Polaris 180 Factory Rebuild Kit	E2A47
---	A-49	Polaris 280/180 Factory Tune-up Kit	E2A49
---	B-2	Weight, Sweep Hose	E2B02
---	C-11	Tire, Black	E2C11
---	C-12	Tire, Krayton	E2C12
---	C-63	Axle, Shim	E2C63
---	C-125	Clamp for C-120, Black	E2C82
---	D-22	Quick Disconnect Plug, NHTM, w/2 O-Rings	E2D22
---	D-24	O-Ring for D-22/D-23	E2D24
---	D-32	Collar, Wall Fitting	E2D32
---	E-60	Mechanism for G-41	E2E60
---	E-65	Case Kit, Back Up Valve for G-41	E2E65
---	G-5	Feed Hose Complete, No Back-Up Valve	E2G05
---	G-9	Coupling, 1 1/2" NPTF x 3/4" NPTM	E2G09
---	G-12	Over-the-Deck Kit, UWF, 1991	E2G12
---	G-21	Ladder Guard Set, 2 Panels	E2G21
---	G-35	Pressure Tester w/o Gauge	E2G35
---	G-45	Sand/Silt Bags, Pkg. 4, Disposable	E2G45
---	G-55	Pressure Restrict, 12lb. Red & 6lb. Blue	E2G55
---	G-110	Wet Function Bench Test	E2G70
---	G-118	Over Deck Mount	E2G71
---	P-133	Softube (TM) Quick Connect	E2P133
---	P-135	Pump Hose Spool, 25 Ft., Flexible Reinforced	E2P135
---	6-550-00	UWF, Black	E2507
---	9-100-3104	Feed Hose with Floats, White	E2606
---	9-100-3108	Feed Hose with Floats, Clear	E2607
---	9-100-5117	Screw, 8-32 x 3/8" SS Pan Hd	E2543
---	9-100-9003	Street Ell	E2603
---	10-102-00	UWF Removal Tool, Plastic	E2525
---	10-104-00	UWF Removal Tool, Stainless Steel	E2670
---	11-203-00	Adjustable Plug, UWF	E2526

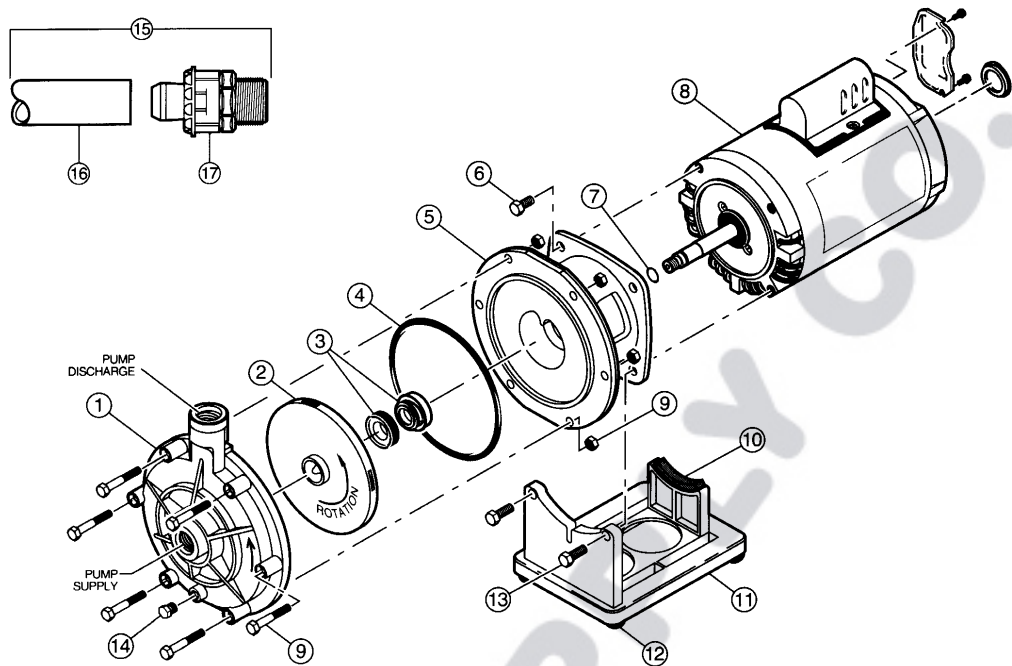
POLARIS 280 VAC-SWEEP Booster Pump Cleaner

KEY	MFG NO.	DESCRIPTION	ITEM NO.
---	F-5	Polaris 280 Head/Hose w/Pump	E2024
---	F-5	Polaris 280 Head/Hose w/o Pump	E2006
1	K-16	Sand/Silt Bag	E2K16
2	C-40	Screw, 10-32 x 3/8" SS Pan Hd	E2C40
3	K-5	Top, Blue	E2K05
4	A-20	Float, Head	E2A20
5	9-100-3105	Sweep Hose Scrubber	E2514
6	B-25	Orifice Tip w/ Orifice Tip Guard	E2B25
7	B-5	Sweep Hose Complete	E2B05
8	B-10	Wear Rings	E2B10
9	B-15	Sweep Hose Attach Clamp	E2B15
10	B-20	Adjustment Screw, Sweep Hose	E2B20
11	K-30	Feed Pipe w/ Elbow	E2K30
12	K-20	Vacuum Tube	E2K20
13	C-66	Axle, Large (with Sand/Gravel Guard)	E2C66
14	C-76	Screw, 10-32 x 7/8" SS Pan Hd	E2C76
15	C-45	Lock Washer for C-36	E2C45
16	C-70	Axle Plate for C-36	E2C70
17	C-60	Ball Bearings, Wheels	E2C60
18	C-55	Wheel Screw, Plastic	E2C55
19	C-64	Wheel Washer, Plastic	E2C64
20	C-10	Tire, White	E2C10
21	C-6	Wheel, Large (no bearings included)	E2C06
22	C-65	Axle, Large (rear wheel only)	E2C65
23	C-131	Thrust Jet Kit	E2C31
24	C-16	Idler Wheel, White	E2C16
25	C-30	Screw, 4-40 x3/16" SS Pan Hd	E2C30
26	C-32	Screw, 6-32 x 1/2" SS Pan Hd	E2C32
27	C-25	Spring for C-36	E2C25
28	C-36	Swing Axle Kit	E2C36
29	K-10	Bottom, White with Bracket	E2K10
30	K-25	Water Management System	E2K25
31	K-145	Frame, (Exchange Only)	E2K145
32	C-80	Ball Bearings, Turbine	E2C80
33	C-83	Turbine Shaft Tubes	E2C83
34	9-100-7170	Hose Clamp for WMS	E2570
35	A-40	Turbine Shaft Shield	E2A40
36	C-86	Drive Shaft Assembly	E2C86
37	C-120	Hose for C-110, 7 1/2"	E2C81
38	C-110	Turbine Cover with Elbow	E2C97

POLARIS 280 VAC-SWEEP
Hose Assemblies & Back-up Valve

KEY	MFG NO.	DESCRIPTION	ITEM NO.
39	9-100-9001	UWF Connector Assy (Replaces D-27)	E2522
40	10-108-00	UWF Restrictor Kit	E2602
41	6-500-00	Universal Wall Fitting (UWF)	E2524
42	6-504-00	Filter Screen, UWF/QD	E2578
43	6-505-00	O-ring, UWF/QD	E2573
44	9-100-9002	Pressure Relief Valve (Replaces D-28)	E2564
45	D-29	Quick Disconnect, UWF	E2D29
46	D-15	Nut, Feed Hose	E2D15
48	D-20	Swivel, Ball Bearing	E2D20
49	D-10	Float, Feed Hose	E2D10
50	D-45	Feed Hose, White, 10Ft., Hard	E2D45
51	D-50	Feed Hose, Clear, 10 Ft., Soft	E2D50
52	G-52	Back-up Valve Kit	E2G52
53	G-54	Case Kit for G-52	E2G54
54	G-53	Mechanism for G-52	E2G53
--	G-56	Back-up Booster Valve Seat (Increases power of G-52 Valve)	E2G56
--	A-49	Polaris 280/180 Tune-up Kit	E2A49
--	G-5	Feed Hose Complete, No Back-Up Valve	E2G05
--	G-21	Ladder Guard Set, 2 Panels	E2G21
--	G-45	Sand/Silt Bags, Pkg.4, Disposable	E2G45
--	G-118	Over Deck Mount	E2G71
--	K-6	Top, Black	E2K06
--	K-15	Leaf Bag	E2K15





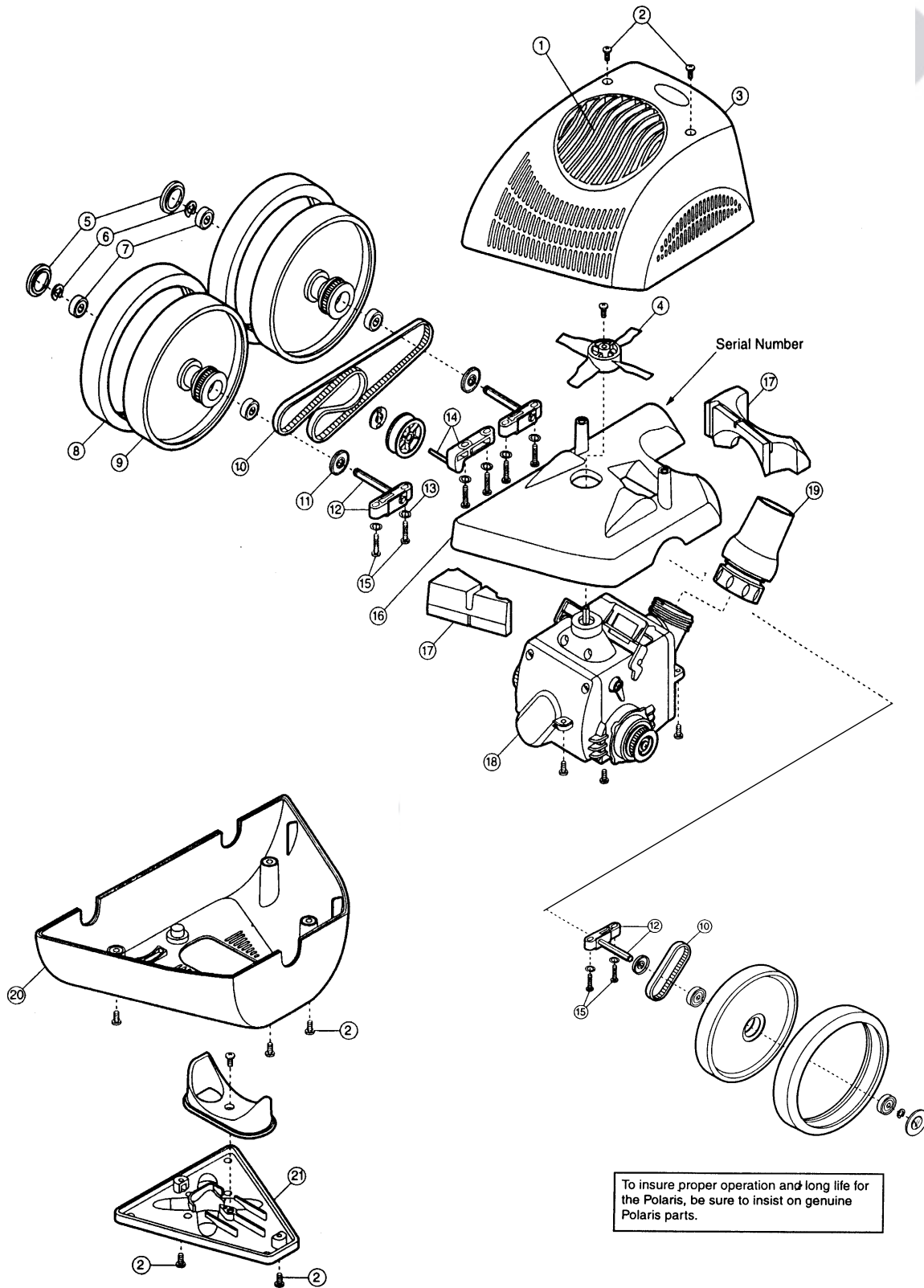
POLARIS BOOSTER PUMPS

KEY	MFG NO.	DESCRIPTION	ITEM NO.
---	PB4-60	Polaris Booster Pump	E2000
1	P-5	Volute (includes drain plug)	E2P05
2	P-15	Impeller	E2P15
3	P-55	Seal, Stainless Cup/Spring	E2P55
4	P-95	O-ring, Bracket	E2P95
5	P-10	Bracket	E2P10
6	P-35	Bolt, SS, Bracket to Motor	E2P35
7	P-40	O-ring for Shaft	E2P40
8	P-61	Motor, 3/4 HP, Threaded Shaft	E2P61
9	P-25	Bolt/Nut, S.S., for Volute to Bracket	E2P25
10	P-80	Rubber Strip, Motor/Bracket	E2P80
11	P-70	Pump Stand w/ Feet, Strip	E2P70
12	P-75	Rubber Feet	E2P75
13	P-65	Bolt, S.S., Stand to Bracket & Motor	E2P65
14	P-20	1/8" NPTM Plug, Plastic	E2P20
15	P-17	Installation Kit w/ Quick Connects	E2P17
16	P-18	Pump Hose, 3 Ft., Flex. Reinforced	E2P18
17	P-133	Softube (TM) Quick Connect	E2P133

Parts Not Shown

---	G-16	Adapter 3/4" NHTMxNPTM, Pump	E2G16
---	G-17	Nipple 3/4" NPTMxNPTM, G-12 Only	E2G17
---	G-133	Hose Barb and Clamp	E2G133
---	P-45	Shaft for Impeller	E2P45
---	P-50	Set Screw for Shaft	E2P50
---	P-53	Pressure Restrictor	E2P53
---	P-135	Pump Hose Spool, 25 Ft.	E2P135

Polaris340

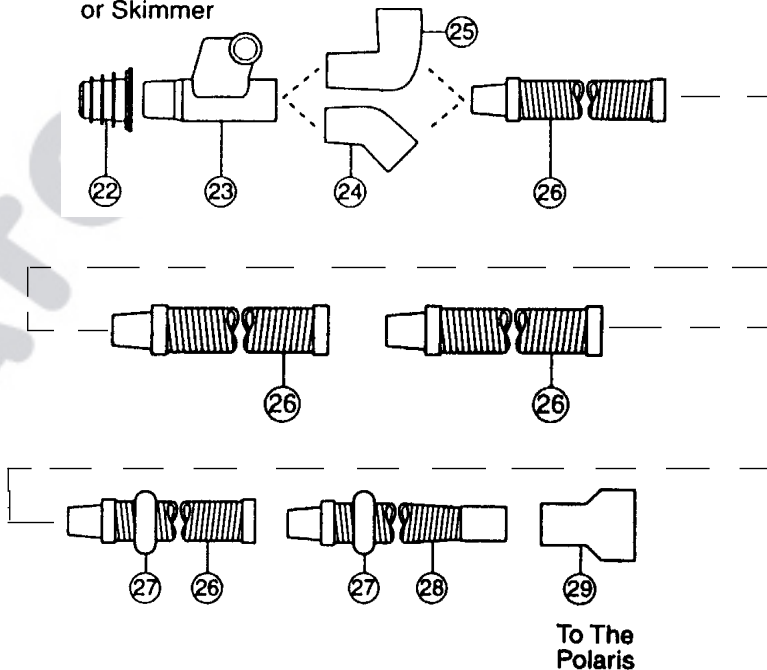


To insure proper operation and long life for the Polaris, be sure to insist on genuine Polaris parts.

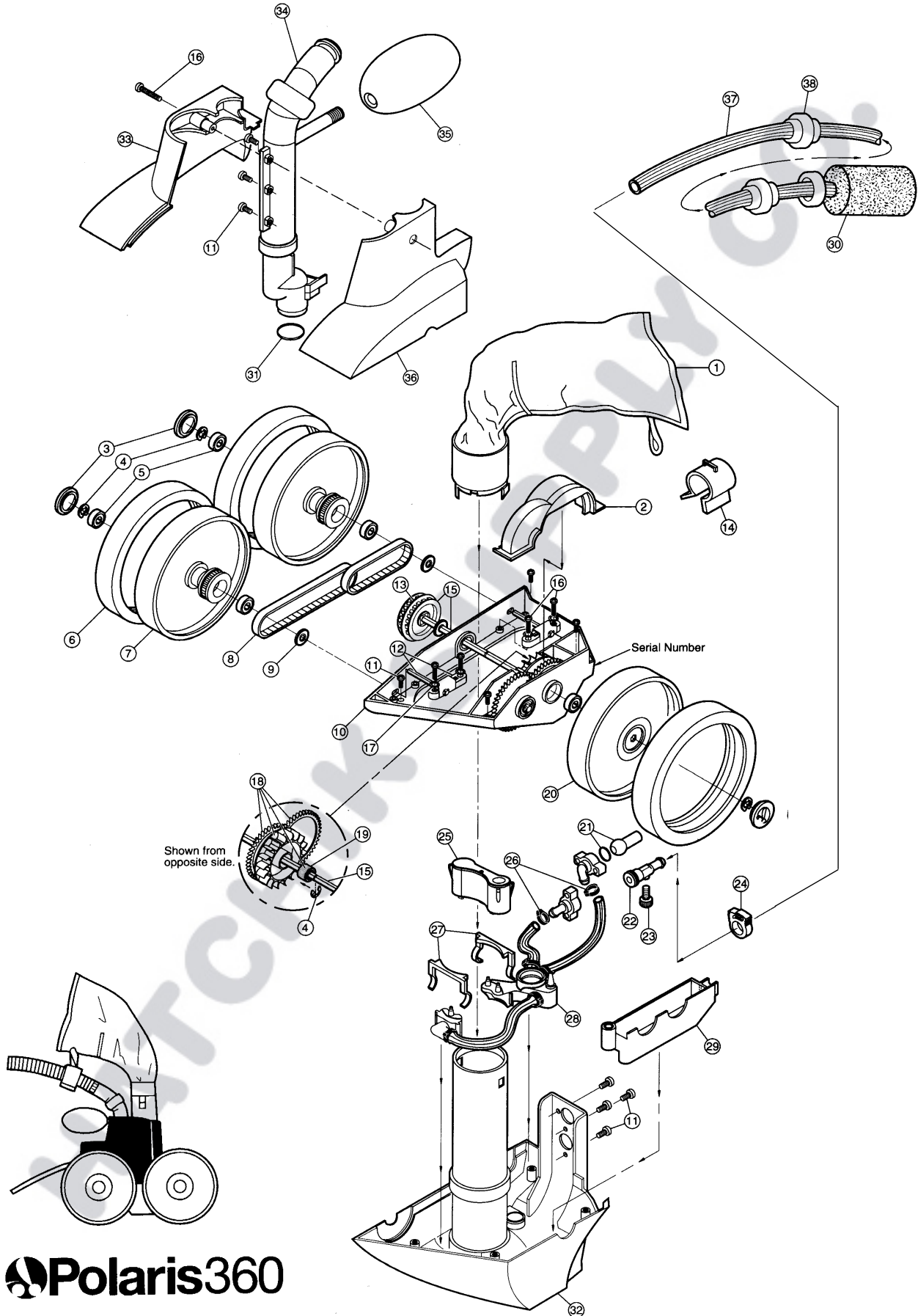
Polaris340

KEY	MFG. NO.	DESCRIPTION	ITEM NO.
1	5-2005	Propeller Grid	E2212
2	9-100-5117	Screw, 8-32 x 3/8" S.S. Pan Hd (12 needed)	E2543
3	5-2000	Top Housing Assembly	E2210
4	5-6000	Propeller	E2234
5	9-100-1114	Hub Cap (3 needed)	E2520
6	9-100-5107	E-Clip, S.S. (7 needed)	E2515
7	9-100-1108	Ball Bearing (6 needed)	E2540
8	5-4005	Tire, 340 (3 needed)	E2222
9	5-4000	Wheel Assembly (3 needed)	E2220
10	5-520	Belt Kit, Small & Large	E2230
11	9-100-7011	Shield, Bearing (3 needed)	E2541
12	5-4500	Axle Block Assembly, 340 (3 needed)	E2224
13	9-100-5130	Lock Washer, Axle Block (8 needed)	E2616
14	5-1010	Belt Tension Block	E2206
15	9-100-5115	Screw, 8-32 x 3/4" S.S. Pan Hd (8 needed)	E2538
16	5-1000	Frame, Exchange Only	
17	5-2010	Floation, Top, Front & Rear	E2214
18	5-5000	Power Module Assembly	E2226
19	5-5060	Swivel Assembly	E2228
20	5-2050	Bottom Housing, White	E2216
21	5-3000	Bottom Plate	E2218
22	5-7100	Universal Adapter	E2240
23	5-7000	Flow Regulator	E2236
24	5-7250	Elbow, 45 Degree	E2244
25	5-7200	Elbow, 90 Degree	E2242
26	5-5600	Suction Hose, Standard - Each (13 needed)	E2248
27	5-7300	Hose Weight (2 needed)	E2246
28	5-5505	Suction Hose, Leader - Each (1 needed)	E2250
29	5-7050	Flow Indicator	E2238
	5-5500	Complete Suction Hose Kit (13 Standard & 1 Leader)	E2232

Pool Wall
or Skimmer



To The
Polaris



POLARIS 360 VAC-SWEEP Non-booster Pump Cleaners

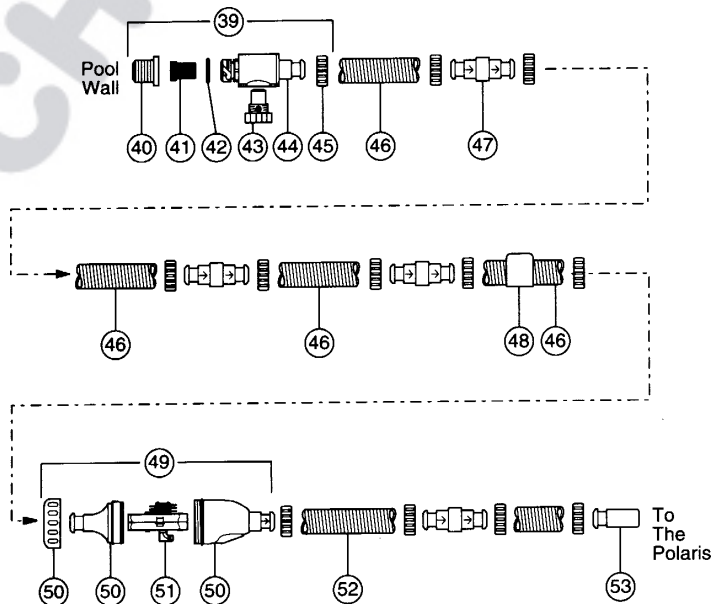
KEY	MFG NO.	DESCRIPTION	ITEM NO.
1	9-100-1014	All Purpose Bag	E2511
---	9-100-1012	Leaf Bag	E2519
---	9-100-1015	Ultra Fine Sand/Silt Bag	E2513
2	9-100-1152	Housing Turbine Upper	E2536
3	9-100-1114	Hub Cap	E2520
4	9-100-5107	E-clip, Stainless Steel	E2515
5	9-100-1108	Ball Bearing	E2540
6	C-10	Tire, White	E2C10
---	C-11	Tire, Black	E2C11
---	C-12	Tire, Krayton	E2C12
7	9-100-1008	Wheel, Double-side	E2518
8	9-100-1017	Belt Kit, Small and Large	E2527
9	9-100-7011	Shield, Bearing	E2541
10	9-100-1005	Frame, Exchange Only	E2572
11	9-100-5117	Screw, 8-32 x 3/8" SS Pan Hd	E2543
12	9-100-1139	Axle Block Assembly	E2542
13	9-100-1010	Belt Divider, Transfer Pulley	E2608
14	9-100-3135	Collar, Bag Tie	E2574
15	9-100-1007	Transfer Pulley/Drive Shaft Assy	E2517
16	9-100-5115	Screw, 8-32 x 3/4" SS Pan Hd	E2538
17	9-100-5130	Lock Washer, Axle Block	E2616
18	9-100-1132	Drive Train Gear Kit w/Bearing	E2571
19	9-100-1170	Turbine Bearing	E2545
20	9-100-1116	Wheel, Single-side	E2521
21	C-131	Thrust Jet Kit	E2C31
22	9-100-7008	Sweep Hose Barb Complete	E2548
23	B-20	Adjustment Screw, Sweep Hose	E2B20
24	B-15	Sweep Hose Attach Clamp	E2B15
25	9-100-3005	Base Weight	E2611
26	9-100-7170	Hose Clamp for WMS	E2570
27	9-100-7009	Jet Retainer	E2547
28	9-100-7014	Water Management System	E2575
29	9-100-1155	Housing, Turbine Lower	E2561
30	9-100-3105	Sweep Hose Scrubber	E2514
31	9-100-5132	O-ring, In-head Timer/Feed Pipe Assy	E2546
32	9-100-7016	Base Assy for In-line Back-up Valve, White	E2612
---	9-100-7017	Base Assy for In-line Back-up Valve, Black	E2613
33	9-100-1141	Top Cover, Double Wheel Side	E2537
---	9-100-1143	Top Cover, Double Wheel Side, Black	E2627
34	9-100-1002	Feed Pipe/Timer Blank Assembly	E2008
35	A-20	Float, Head	E2A20
36	9-100-1140	Top Cover, Single Wheel Side	E2539
---	9-100-1142	Top Cover, Single Wheel Side, Black	E2626
37	9-100-1011	Sweep Hose Complete	E2577
---	B-2	Weight Sweep Hose	E2B02

POLARIS 360 VAC-SWEEP
Hose Assemblies & Back-up Valve

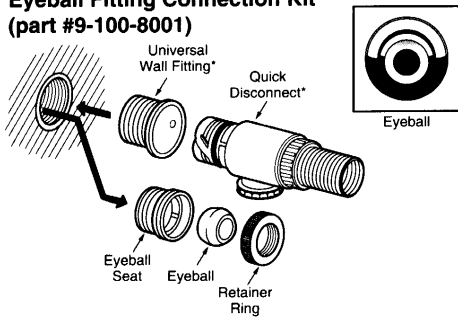
KEY	MFG NO.	DESCRIPTION	ITEM NO.
39	9-100-3008	UWF Connector Assembly	E2530
40	6-500-00	Universal Wall Fitting (UWF)	E2524
41	6-504-00	Filter Screen, UWF/QD	E2578
42	6-505-00	O-ring, UWF/QD	E2573
43	9-100-3009	Pressure Relief Valve, White	E2523
44	9-100-3006	Quick Disconnect, UWF	E2582
45	9-100-3109	Hose Nut	E2534
46	9-100-3102	Feed Hose, 6 Ft.	E2532
47	9-100-3002	Swivle, Hose	E2529
48	9-100-1206	Float, Hose	E2624
49	9-100-1200	In-line Back-up Valve	E2620
50	9-100-1202	Case Kit, In-line Back-up Valve	E2621
51	9-100-1204	Mechanism, In-line Back-up Valve	E2622
52	9-100-3103	Feed Hose, 1 Foot	E2584

Parts Not Shown

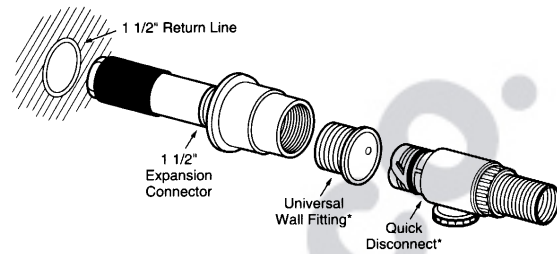
---	6-511-00	UWF Eyeball Fitting	E2505
---	6-550-00	UWF, Black	E2507
---	9-100-1003	In-head Timer Assembly	E2512
---	9-100-1009	Feed Pipe	E2576
---	9-100-3100	Feed Hose Complete - No Valve	E2531
---	9-100-3126	Hose Nut, Quick Disconnect	E2559
---	9-100-3128	Weight, Feed Hose	E2583
---	9-100-3200	In-line Back-up Valve Conversion Kit	E2615
---	9-100-5140	O-ring, Quick Disconnect	E2560
---	9-100-6400	Pressure Gauge Kit	E2618
---	9-100-7012	Base Assy, In-head Timer, White (starting w/ serial # 512220)	E2562
---	9-100-7168	Spacer, Shaft (single wheel only)	E2544
---	9-100-8021	Vinyl Eyeball Kit	E2672
---	9-100-9010	Polaris 380/360 Factory Tune-up Kit	E2601
---	10-107-00	Eyeball Regulator	E2671



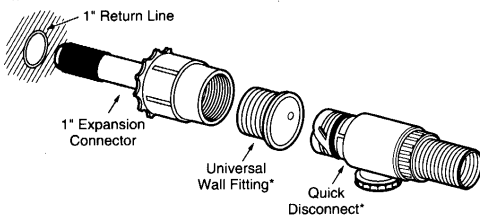
**Eyeball Fitting Connection Kit
(part #9-100-8001)**



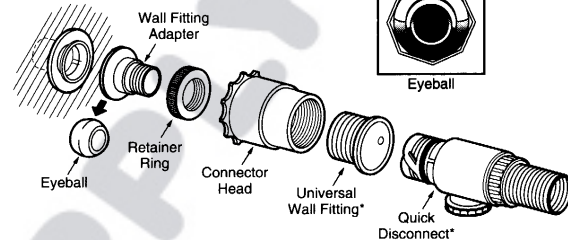
**1 1/2" Stub Pipe Connection Kit
(part #9-100-8003)**



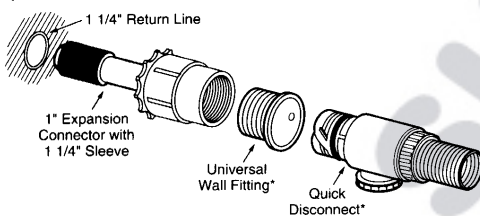
**1" Stub Pipe Connection Kit
(part #9-100-8002)**



**Eyeball Adapter Connection Kit
(part #9-100-8005)**

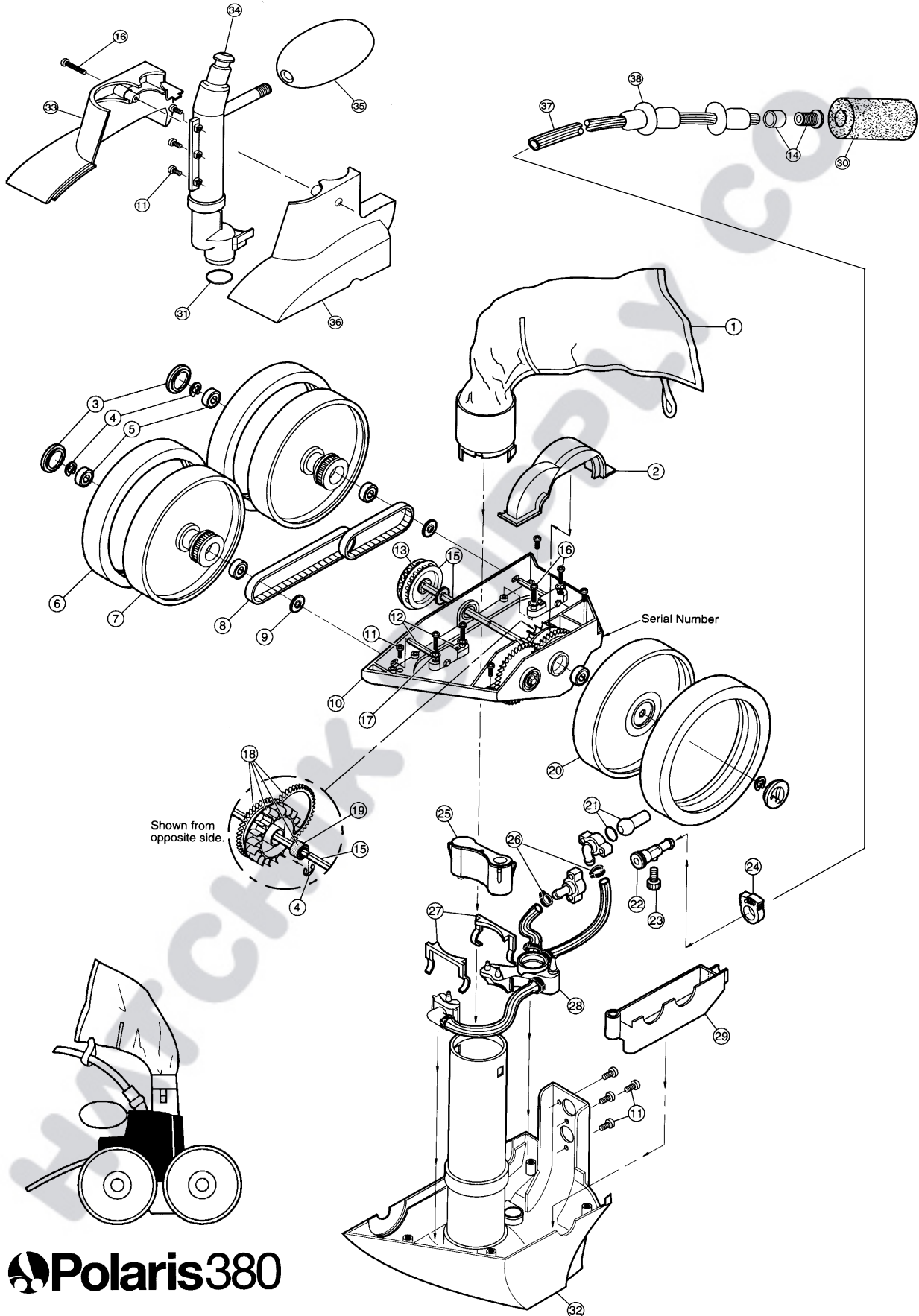


**1 1/4" Sleeve Kit (part #8-841-00)
(Use with 1" Stub Pipe Kit)**



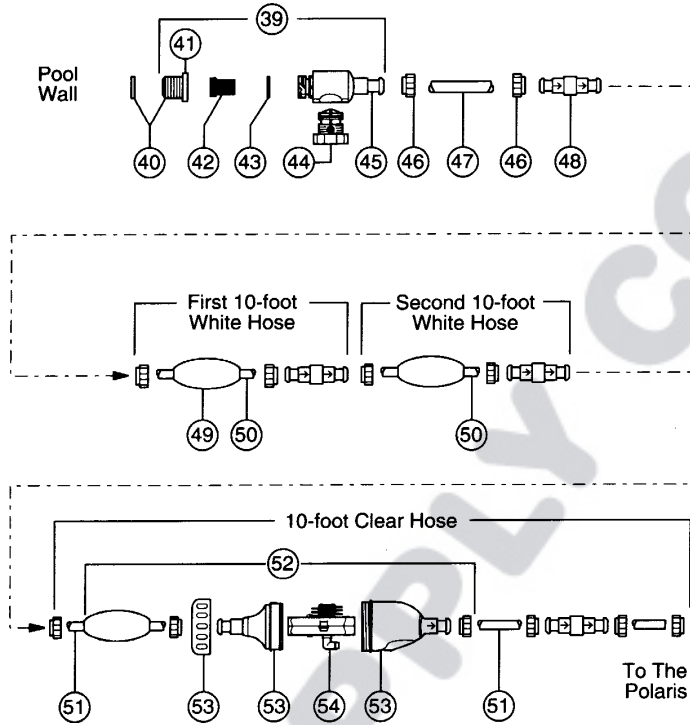
CONNECTION KITS

MFG. NO.	DESCRIPTION	ITEM NO.
8-841-00	1-1/4" Sleeve Kit	E2589
9-100-8001	Eyeball Fitting Connection Kit	E2587
9-100-8002	1" Stub Pipe Connection Kit	E2528
9-100-8003	1-1/2" Stub Pipe Connection Kit	E2533
9-100-8005	Eyeball Adapter Connection Kit	E2588
9-100-8006	Standard Eyeball Regulator Disk	E2665
9-100-8007	1" Return Line Plug	E2700
9-100-8008	1" Expansion Connector	E2701
9-100-8009	1" Expansion Connector w/Pressure Relief	E2702
9-100-8010	1-1/2" Return Line Plug	E2703
9-100-8011	1-1/2" Expansion Connector	E2704
9-100-8012	1-1/2" Expansion Connector w/Pressure Relief	E2705
9-100-8013	1-1/2" Adapter with Cap	E2706
9-100-8014	1-1/2" Pressure Relief Valve Assy	E2707
9-100-8015	Eyeball Adapter Connector w/Pressure Relief	E2708
9-100-8016	Eyeball Adapter Connector	E2709
9-100-8017	Large Eyeball Regulator Disk	E2710
9-100-8018	1" Expansion Regulator	E2711
9-100-8019	3/4" Expansion Regulator	E2712
9-100-8020	1/2" Expansion Regulator	E2713



POLARIS 380 VAC-SWEEP Booster Pump Cleaners

KEY	MFG NO.	DESCRIPTION	ITEM NO.
1	9-100-1014	All Purpose Bag	E2511
---	9-100-1012	Leaf Bag	E2519
---	9-100-1015	Ultra Fine Sand/Silt Bag	E2513
---	G-45	Sand/Silt Bag, Pkg 4 (Disposable)	E2G45
2	9-100-1152	Housing, Turbine Upper	E2536
3	9-100-1114	Hub Cap	E2520
4	9-100-5107	E-clip SS	E2515
5	9-100-1108	Ball Bearing	E2540
6	C-10	Tire, White	E2C10
---	C-11	Tire, Black	E2C11
---	C-12	Tire, Krayton	E2C12
7	9-100-1008	Wheel, Double Side	E2518
8	9-100-1017	Belt Kit, Small and Large	E2527
9	9-100-7011	Shield, Bearing	E2541
10	9-100-1005	Frame, Exchange Only	E2572
11	9-100-5117	Screw, 8-32 x 3/8" SS Pan Hd	E2543
12	9-100-1139	Axle Body Assembly	E2542
13	9-100-1010	Belt Divider, Transfer Pulley	E2608
14	B-25	Orafice Tip w/Orifice Tip Guard	E2B25
15	9-100-1007	Transfer Pulley/Drive Shaft Assy	E2517
16	9-100-5115	Screw, 8-32 x 3/4" SS Pan Hd	E2538
17	9-100-5130	Lock Washer, Axle Body	E2616
18	9-100-1132	Drive Train Gear Kit w/Turbine Bearing	E2571
19	9-100-1170	Turbine Bearing	E2545
20	9-100-1116	Wheel, Single Side	E2521
21	C-131	Thrust Jet Kit	E2C31
22	9-100-7008	Sweep Hose Barb Complete	E2548
23	B-20	Adjustment Screw, Sweep Hose	E2B20
24	B-15	Sweep Hose Attach Clamp	E2B15
25	9-100-9004	Base Weight	E2610
26	9-100-7170	Hose Clamp for WMS	E2570
27	9-100-7009	Jet Retainer	E2547
28	9-100-7010	Water Management System	E2549
29	9-100-1155	Housing, Turbine Lower	E2561
30	9-100-3105	Sweep Hose Scrubber	E2514
31	9-100-5132	O-ring, In-head Timer/Feed Pipe	E2546
32	9-100-7016	Base Assy for In-line Back-up Valve, White	E2612
33	9-100-1141	Top Cover, Double Wheel Side	E2537
---	9-100-1143	Top Cover, Double Wheel Side (Black)	E2627
34	9-100-7003	Feed Pipe/Timer Blank Assy	E2605
35	A-20	Float, Head	E2A20
36	9-100-1140	Top Cover, Single Wheel Side	E2539
---	9-100-1142	Top Cover, Single Wheel Side (Black)	E2626
37	B-5	Sweep Hose Complete	E2B05
38	B-10	Wear Rings	E2B10
---	B-2	Weight, Sweep Hose	E2B02

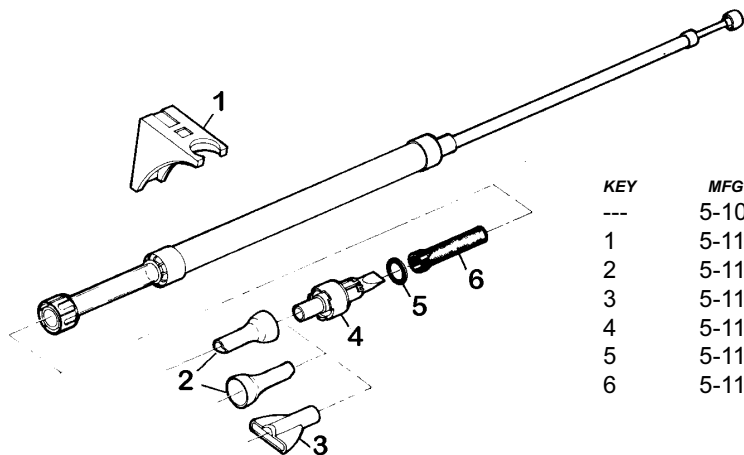


HOSE ASSEMBLIES & BACK-UP VALVE

KEY	MFG NO.	DESCRIPTION	ITEM NO.
39	9-100-9001	UWF Connector Assembly	E2522
40	10-108-00	UWF Restrictor Kit	E2602
41	6-500-00	Universal Wall Fitting (UWF) White	E2524
---	6-550-00	Universal Wall Fitting (UWF) Black	E2507
42	6-504-00	Filter Screen, UWF/QD	E2578
43	6-505-00	O-Ring, UWF/QD	E2573
44	9-100-9002	Pressure Relief Valve, Black	E2564
45	D-29	Quick Disconnect, UWF	E2D29
46	D-15	Nut, Feed Hose	E2D15
48	D-20	Swivel, Ball Bearing	E2D20
49	D-10	Float, Feed Hose	E2D10
50	D-45	Feed Hose, White, 10 Ft., Hard	E2D45
51	D-50	Feed Hose, Clear, 10 Ft., Soft	E2D50
52	G-52	Back-up Valve Kit (Replaces G-41)	E2G52
53	G-54	Case Kit for G-52	E2G54
54	G-53	Mechanism for G-52	E2G53
---	G-56	Back-up Booster Valve Seat	E2G56

Parts Not Shown

MFG NO.	DESCRIPTION	ITEM NO.	MFG NO.	DESCRIPTION	ITEM NO.
C-40	Screw, 10-32 x 3/8" S.S.	E2C40	9-100-3104	Feed Hose w/Floats (White)	E2606
E-60	Mechanism for G-41	E2E60	9-100-3108	Feed Hose w/Floats (Clear)	E2607
E-65	Case Kit for G-41 Valve	E2E65	9-100-7004	Feed Pipe	E2563
G-5	Feed Hose Complete w/UWF	E2G05	9-100-7006	In-head Timer Assembly	E2516
G-9	Wall Ftg, 1-1/2" FPT x 3/4" MPT	E2G09	9-100-7012	Base Assy, In-head timer	E2562
G-12	Over-the-Deck Kit, UWF	E2G12	9-100-7168	Spacer, Shaft (Single Wheel)	E2544
G-21	Ladder Guard Kit, 2-Panels	E2G21	9-100-9003	Street Elbow	E2603
G-118	Over Deck Mount	E2G71	9-100-9010	380/360 Factory Tune-up Kit	E2601
P-133	Softube Quick Connect	E2P133	9-100-9030	380 Factory Rebuild Kit	E2630
P-135	Pump Hose Spool, 25 Ft.	E2P135	9-100-9040	Back-up Valve Conversion Kit	E2614



KEY	MFG NO.	DESCRIPTION	ITEM NO.
---	5-100-00	Polaris SpaWand	M5395
1	5-112-00	Bracket, Wall	M5407
2	5-113-00	Nozzle, Dual Purpose	M5408
3	5-111-00	Nozzle, Wide Sweep	M5409
4	5-114-00	Assy, End Cap & Valve	M5401
5	5-115-00	Seal, End Cap	M5402
6	5-116-00	Filter Screen	M5406

MISC. PARTS & ACCESSORIES

Flexible Vac Heads

MFG NO.	DESCRIPTION	ITEM NO.
201450	4 Wheels with Axle Assembly for Flex-Vac Head	F3016
201451	4 Swivel Wheels Assembly for Flex-Vac Head	F3001
201558	4 Ball Bearing Wheel Assembly for Flex-Vac Head	F3014
201406	Steerable Attachment Only #150 for Flex-Vac Head	F3017
201506	Handle Replacement - Bolted #189 for Flex-Vac	F3018
201476	Handle Replacement - w/Clip #192 for Flex-Vac	F3019
201408	Handle Replacement - Metal #152 w/Swivel & Clip	F3015
201496	Bolt & Nut, S.S. for Handle #190 for Flex-Vac Head	F3003
---	Connection Pin for Handle - Plastic 2 1/4"	F3022
3086	Handle Connection Pin - Plastic 1 3/4"	F3023
---	S.R. Smith Wheel w/ Axle Kit (4 each)	F3036

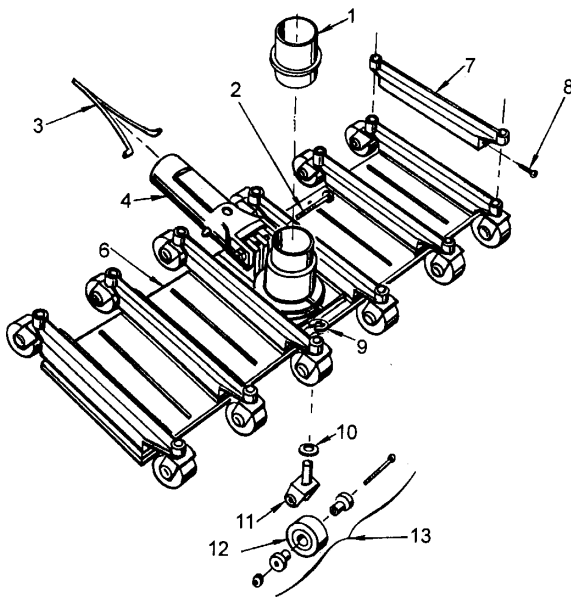
Vinyl Liner Vac Heads

SPX1068G3	Replacement Brush Kit	- Hayward SP-1068	F4031
SPX1068FA	Weight Pack (Set of 3)	- Hayward SP-1068	F4032
SPX1067QA	Handle Replacement	- Hayward SP-1068	K6207
SPX1068C	Knurled Locknut	- Hayward SP-1068	K6209
SPX1068E	Swivel Hose Connector 1-1/2"	- Hayward SP-1068	K6203
201526	Replacement Brush Kit #193R	- Rainbow	F4026
201536	Replacement Brush Kit #195R	- Rainbow	F4036

Pole Accessories & Parts

White Rubber Hand Grip for Pole	F6109	Plastic Cam Set with Sleeve #801	F6111
Wing Nut & Bolt for Pole	F6070	Metal Cam Set (Fluted Metal Poles)	F6105
Set of 3 Spring Clips for Poles #170B	F6100	Metal Cam Set (Smooth Poles) #803	F6106
Pole Adapter w/Nuts & Bolts #147S	F6055	E-Z Lock Cam (Fiberglass Poles) #807	F6107
Pole Hangers (set of 2) - Plastic	F6085	E-Z Lock Cam Set (Metal Poles) #806	F6108
Replacement Tip for Fiberglass	F6067	Pole Cap for 1-1/8" End of Pole	F6095
Brass Threaded Fitting 1-1/4" Aluminum Pole (Male)	F6060	Pole Cap for 1-1/4" End of Pole	F6090
Brass Threaded Fitting 1 1/4" Aluminum Pole (Female)	F6061	Brass Threaded Fitting for 1-1/2" Aluminum Pole (Male)	F6065
		Brass Threaded Fitting for 1-1/2" Aluminum Pole (Female)	F6066

RAINBOW FLEXIBLE VACUUMS
Model 252

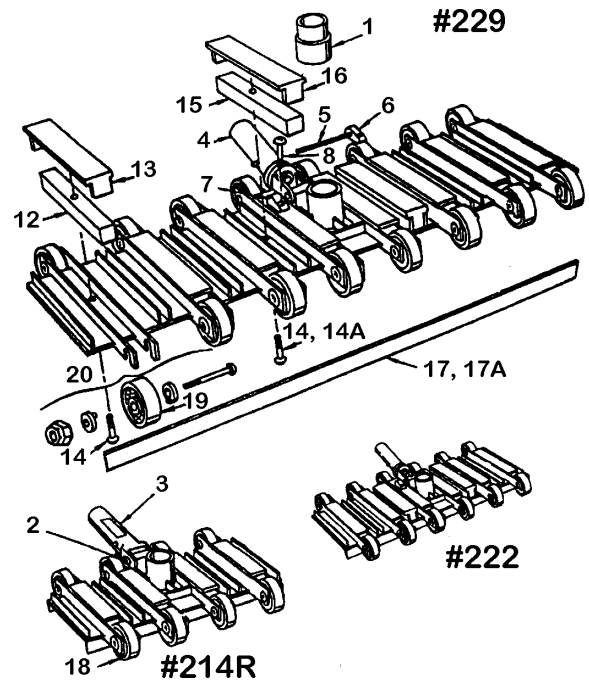


KEY	MFG. NO.	DESCRIPTION	ITEM NO.
1	201566	Hose Swivel Adapter #258	F8157
2	201496	SS Bolt and Nut for Handle	F3003
3	22001	Delrin Spring Clip #170	F3011
4	201476	Snap Adapt Handle w/ Delrin Clip #192	F3019
6	03013	Flexible Base 14" Model #252	F3100
7	03032	Caster Support #265	F3024
8	01023	Lead Retainer Screw	F3101
9	03058	SS Retainer Clip #267	F3102
10	201626	Wheel Adjustment Washers (set of 8) #266	F3103
11	03026	Swivel Caster #263	F3104
12	03021	Solid Plastic Wheel Model #252	F3105
13	201606	Axle Assembly (less wheel) #264	F3106
---	201451	#252 Wheels & Casters Kit (4 each)	F3001

#174 Wheels, #263 Casters, #264 Axle Assembly, #267 Clips. Bubble Pack Card

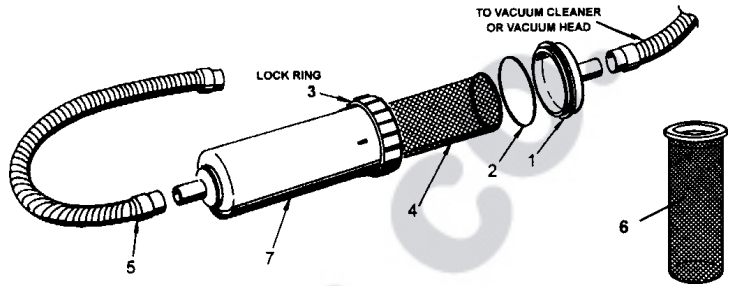
RAINBOW PRO-VAC
Models 214R, 222, 229

KEY	MFG. NO.	DESCRIPTION	ITEM NO.
1	201566	Hose Swivel Adapter #258	F8157
2	201496	SS Nut & Bolt for Handle (#214R)	F3003
3	201476	#192 Snap - Adapt Handle (#214R)	F3019
4	201408	#152 Metal Swivel Handle (#222 & #229)	F3015
5	03161	Stainless Steel Shaft (#222 & #229)	F3107
6	03087	Left Shaft Retainer	F3108
7	03088	Right Shaft Retainer	F3109
8	01023	Screw, Shaft Retainer	F3101
12	02006	Lead Only	F3111
13	03128	Lead Cover Only	F3112
14	01074	Screw, Lead Cover 5/8"	F3113
14a	01075	Screw, Lead Cover 3/4"	F3114
15	02009	Lead, Large Only	F3115
16	03160	Lead Cover, Large Only	F3116
17	201776	White Flex Strip, Long Leg 5' Bubble Pack	F3117
17a	201778	Blue Flex Strip, Long Leg 5' Bubble Pack	F3118
18	03021	#174 Solid Plastic Wheel (#214R, 222 & 252)	F3105
19	201557	#175 Ball Bearing Polyurethane Wheel	F3119
20	201456	Axle Assembly, No Wheel (#222 & #214R)	F3120
20a	201458	Axle Assembly, No Wheel (#222 & #229)	F3110



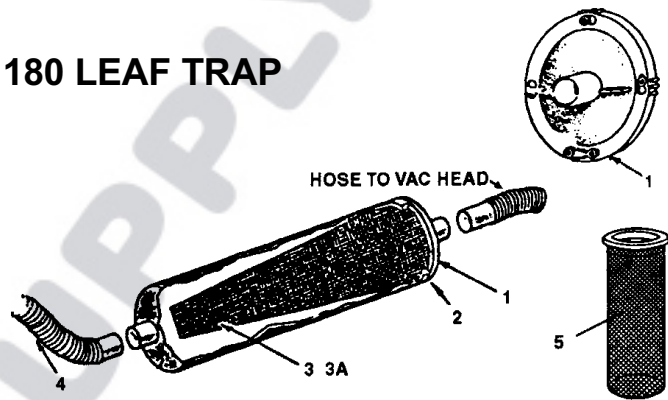
RAINBOW 179 LEAF TRAP

KEY	MFG. NO.	DESCRIPTION	ITEM NO.
1	211506	Lid	F7057
2	172223	O-Ring	H5466
3	172214	Lock Ring	H5469
4	211516	Std. Mesh Bag	F7058
4a	211536	Canvas Bag	F3121
4b	211518	Sand/Silt Bag	F3122
5	211256	3' Flex Vac Hose	F7067
6	211526	Vinyl Coated Basket	F7059
7	18628	Canister Body - Clear	F3123

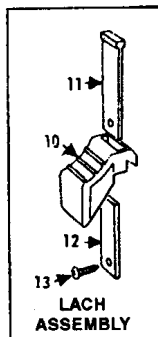
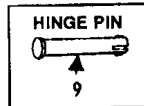
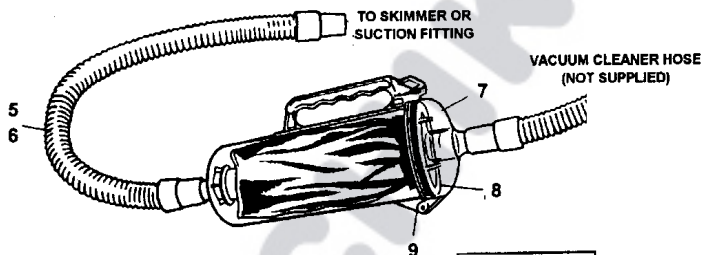


RAINBOW 180 LEAF TRAP

KEY	MFG. NO.	DESCRIPTION	ITEM NO.
1	211506	Lid	F7057
2	18608	O-Ring #183	F7066
3	211216	Std. Mesh Bag #181	F3124
3a	211226	Canvas Bag #182	F3125
3b	211230	Sand/Silt Bag	F3126
4	211256	3' Flex Vac Hose	F7067
5	211246	Vinyl Coated Basket	F7069



RAINBOW 186 LEAF TRAP



KEY	MFG. NO.	DESCRIPTION	ITEM NO.
1	211516	Std. Mesh Bag	F7058
2	211536	Canvas Bag	F3127
2a	211518	Sand/Silt Bag	F3128
3	211526	Vinyl Coated Basket	F7059
4	172653	25 sq.ft. Cartridge w/Plug	F3129
4a	172654	50 sq.ft. Cartridge w/Plug	F3130
4b	18658	Gasket for Cartridge	F3131
5	211256	3' Vac Hose	F7067
6	211260	3' of 2" Vac Hose	F3132
7	18650	Lid only 1 1/2"	F3133
7a	18651	Lid only 2"	F3134
8	172223	O Ring	H5466
9	18654	Hinge Pin	F3135
10	18648	Latch Handle	F3136
11	18655	Spring Latch	F3137
12	18656	Retainer Spring Latch	F3138
13	01045	Screw #6 x 1/2"	F3139
---	211600	Latch & O-Ring Kit	F3140
14	18680	2" Canister & Handle	F3141
14a	18682	1-1/2" Canister & Handle	F3142

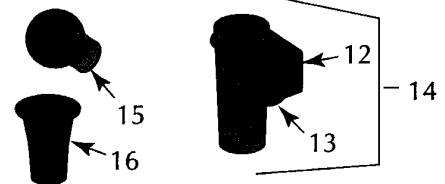
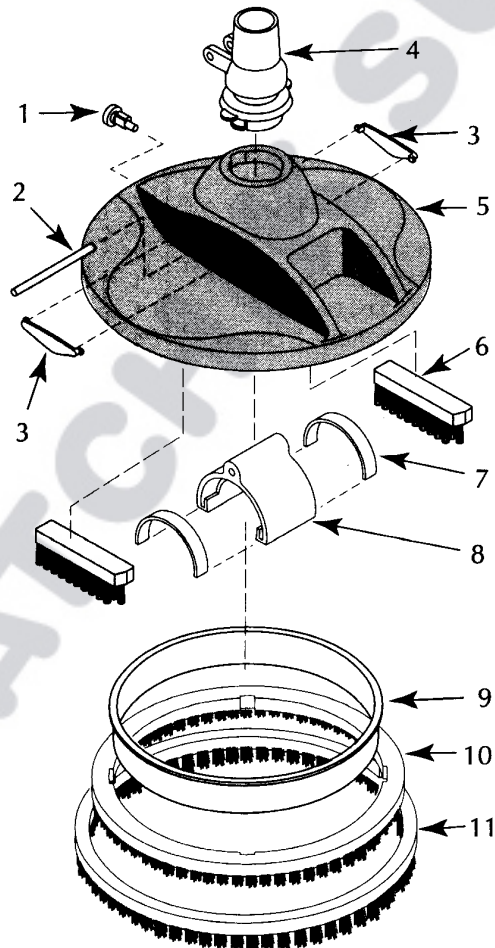
STA-RITE GREATWHITE GW8000
Automatic Pool Cleaner for Above-Ground Pools



KEY	MFG. NO.	DESCRIPTION	ITEM NO.
1	GW9012	Swivel Assembly	E5098
2	GW8000	Pool Cleaner Body (with Bristles)	E5080
3	41100-0026	Ring Adjuster	E5009
4	41100-0027	Oscillator Impact Bumper	(Pkg of 2) E5011
5	GW9004	Oscillator Seals	(Pkg of 2) E5084
6	GW9003	Oscillator Kit (Includes Seals)	E5083
7	GW9002	Axle Shaft	E5082
---	GW9014	Flow Director	E5104
---	GW9525	24' Hose	E5077
---	GW9511	8' Hose	E5074

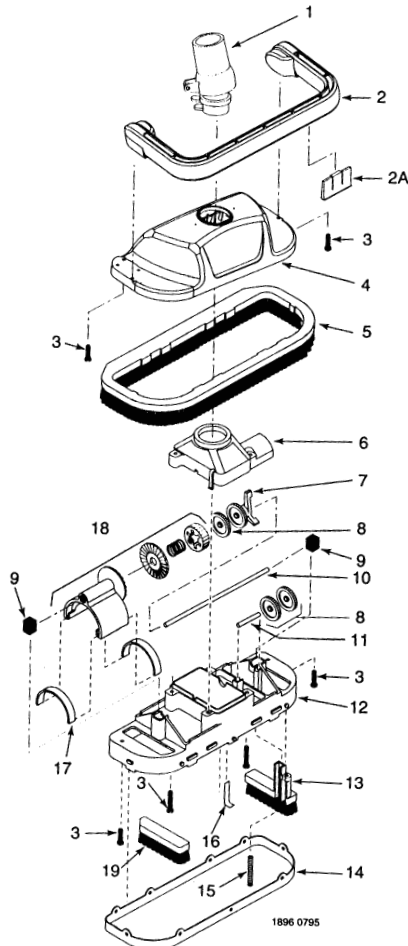
STA-RITE GREATWHITE GW9000 Automatic Pool Cleaner for Above-Ground Pools

KEY	MFG NO.	DESCRIPTION	ITEM NO.
1	GW9009	Ring Adjuster	E5089
2	GW9002	Axle Shaft	E5082
3	GW9007	Side Plates (includes right/left pair)	E5087
4	GW9012	Swivel Assembly	E5098
5	GW9001	Pool Cleaner Body	E5081
6	GW9013	Center Brushes (pkg. 2)	E5100
7	GW9004	Oscillator Seals (pkg. 2)	E5084
8	GW9003	Oscillator Kit (includes seals)	E5083
9	GW9008	Rubber Vacuum Skirt	E5088
10	GW9006	Inner Brush Ring	E5086
11	GW9005	Outer Brush Ring	E5085
12	GW9017	Vacuum Regulator Shield	E5108
13	GW9018	Vacuum Regulator Diaphragm	E5110
14	GW9016	Vacuum Regulator Assembly	E5107
15	GW9014	Flow Director	E5104
16	GW9015	Reducer Cone	E5106
---	GW9010	Replacement Hose (32')	E5078
---	GW9011	Replacement Hose (8' extension)	E5073
---	GW9020	Hose Cuff (1 1/2")	E5112
---	GW9021	Female to Female Adapter Hose	E5076
---	GW9019	Unidapt Handle	E5071



STA-RITE GREATWHITE
Automatic Pool Cleaner for In-Ground Pools

KEY	MFG NO.	DESCRIPTION	ITEM NO.
1	GW9012	Swivel Assembly	E5098
2	GW9502	Bumper	E5116
2a	GW9520	Bumper Insert Kit (set of 4)	E5138
3	GW9504	Screw Kit (4 short, 2 long)	E5G04
4	GW9501	Shroud	E5114
5	GW9505	Brush Ring Kit (includes vacuum skirt)	E5118
6	GW9506	Oscillator Chamber Cap	E5120
7	GW9507	Cam Kit (2 & 3 Leg Cams)	E5122
8	GW9509	Idler Gear Kit	E5126
9	GW9512	Block Kit (includes 2 blocks)	E5128
10	GW9513	Long Gear Shaft, SS	E5130
11	GW9514	Short Gear Shaft, SS	E5132
12	GW9529	Lower Body	E5134
13	GW9517	Lift Brush	E5136
14	GW9508	Vacuum Skirt	E5124
15	GW9522	Lift Brush Spring	E5140
16	GW9523	Ratchet Tab, SS	E5142
17	GW9004	Oscillator Seal Kit (includes 2 seals)	E5084
18	GW9503	Oscillator Assembly Kit (includes # 17) (Ratchet assy not sold seperately)	E5117
19	GW9013	Center Brush Kit (set of 2)	E5100



Parts Not Shown

GW9525	Replacement Hose (24')	E5077
GW9511	Replacement Hose (8' extension)	E5074
GW9016	Vacuum Regulator (includes spare #50 cap)	E5107
GW9015	Reducer Cone	E5106
GW9019	Unidapt Handle	E5071
GW9021	Female to Female Adapter Hose	E5076
41200-0124	Male to Male Adapter Hose	E5144
GW9018	Vacuum Regulator Cap Set (includes # 50 and # 60 Caps)	E5110


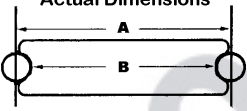



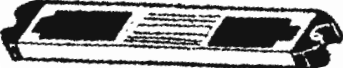
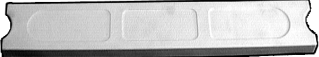

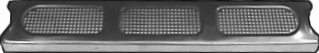





Anchor Wedges (Misc.).....	113
Anti-Wave Racing Lanes	128
Anti-Wave Storage Reel	128
Cantar Aquacover Reel Systems	127
Duraflex One & Three Meter Durafirm Dive Stands	118
Escutcheon Plates	112
Inter-Fab Duro-Beam & Mounting Kits	119
Ladder Treads (Misc.)	111
Lifeguard Chair Footboards	114
Lifeguard Chair Replacement Seats & Accessories	115
Paragon Aquatics Paraflyte Club Lifeguard Chair	115
Quaker EZ Steps	133
Quaker Steps	134
Richey Stor-Lane Reel	129
Splash & Slam Basketball Game	130,131
Splash & Slam II Basketball Game	132
S.R. Smith Board Identification Guide	120
S.R. Smith Econoline 1 Meter & Misc. Hardware	124
S.R. Smith Flyte Deck II & Misc. Hardware	122
S.R. Smith Institutional Lifeguard Stand	117
S.R. Smith Jig Identification Guide	121
S.R. Smith Lifeguard Chair, CAT-LG-100	117
S.R. Smith Portable Lifeguard Stand	116
S.R. Smith Steel Meter Dive Stand	123
S.R. Smith (Swan) Double Anchor Socket Assy	112
S.R. Smith Ultra Modern Lifeguard Stand	116
S.R. Smith Water Slide, Aquaslide 'N Dive & Misc	125,126
Stanchion Anchor Sockets	112
Triac In-Wall Steps	134
Triac Slide Hose Kits & Parts	126

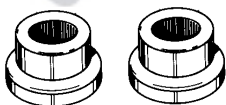
Notes

HATCHIK SUPPLY CO.

LADDER TREADS

	DESCRIPTION	Actual Dimensions	ITEM NO.
 G7055	19" Plastic Tread - Swan LTFDF-101 A = 18-1/4" B = 17-1/4"		G7055
 H1229	19" Plastic Tread - Paragon - Vertical Ladder		H1229
 H1230	19" Plastic Tread - Paragon - 15 Degree Slope A = 18-1/4" B = 17-1/8"		H1230
 Z5000	Sylvan Plastic Tread - 15 Degree Slope A = 18-1/4" B = 17-1/4"		Z5000
 H9756	20" Stainless Steel - Astral A = 19-1/2" B = 18"		H9756
 G7056	20" Plastic Tread - Swan A42073-0 H.I.P. A = 19" B = 18"		G7056
 G7046	20" Plastic Tread - Swan A42077-0 Blow Molded A = 20" B = 18"		G7046
 G7054	20" Stainless Steel Tread - Generic A = 18-1/2" B = 17-1/2"		G7054
 G7098	20" Stainless Steel Tread - Swan LTDF-103 Elite		G7098
	20" Stainless Steel Tread - Swan - 15 Degree Slope A = 19-1/4" B = 18-1/4"		G7053
 G7048	22" Plastic Tread, Black - Swimquip - 15 Degree Slope A = 22" B = 20"		G7048
 G7044	26" Plastic Tread - Paragon - Vertical Ladder		G7044
	26" Plastic Tread - Paragon - 15 Degree Slope A = 25-1/4" B = 24"		G7051

Misc. Hardware



Male Ladder Bumpers

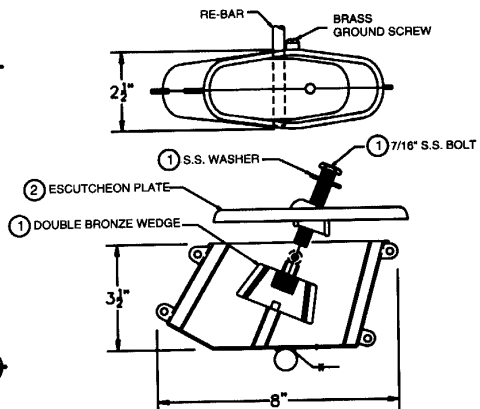
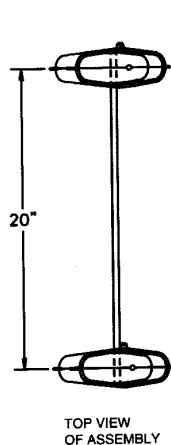
Stainless Steel Ladder Bolt w/ Nut (2-1/2") - 6 per bag G7058

Stainless Steel Ladder Bolt w/ Nut (3-1/4") - 6 per bag G7059

Bag of 2 Male Ladder Bumpers G7052

Bag of 2 Female Ladder Bumpers G7050

S.R. SMITH (SWAN)
Double Anchor Socket Assemblies



KEY	MFG. NO.	DESCRIPTION	ITEM NO.
---	34-306A	Bronze Double Anchor Socket Assembly (w/Jig)	G7077
1	S3413-1001	Wedge & Hardware for Bronze Double Anchor	G7128
2	S3413-1002	Escutcheon Plate Chrome-Brass for Bronze Double Anchor	G7139
3	8-413	Wedge & Hardware for Aluminum Double Anchor	G7129
4	8-110	Escutcheon Plate S.S. for Aluminum Double Anchor	G7132

STANCHION ANCHOR SOCKETS

S.S. Stanchion Anchor Socket with Slip Fit Cap	G7150
S.S. Stanchion Anchor Cap - Slip	G7144
Bronze Stanchion Anchor Socket with Slip Fit Cap	G7146
Bronze Stanchion Anchor Cap - Slip	G7141
Bronze Stanchion Anchor Socket with Threaded Cap	G7133
Bronze Stanchion Anchor Cap - Threaded	G7137
Key Only for Bronze Anchor Socket with Threaded Cap	G7134
Key Only for S.S. Stanchion Slip Cap	G7147

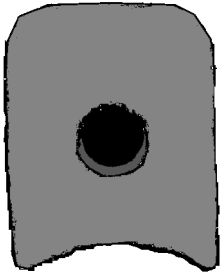


ESCUTCHEON PLATES

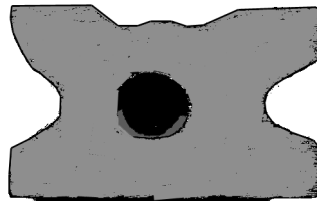


Round Stainless Steel	Escutcheon Plates - Pair	G7130
Round Chrome-Plastic	Escutcheon Plates - Pair	G7145
Round White Plastic	Escutcheon Plates - Pair	G7140
Key Shaped Chrome-Brass	Escutcheon Plates - Pair	G7125
Key Shaped Stainless Steel	Escutcheon Plates - Pair	G7131

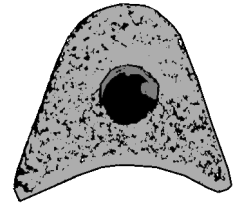
ANCHOR WEDGES
Actual Size (Bottom View)



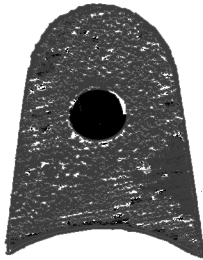
**Olympic ACM-17
Wedge Anchor
G7149**



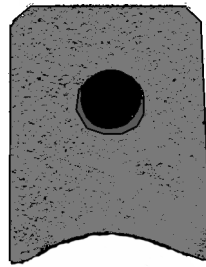
**Paragon Aquatics
(28403) Bronze
G7127**



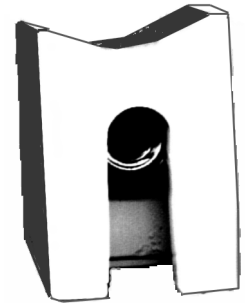
**Standard Wedge
Bronze
G7122**



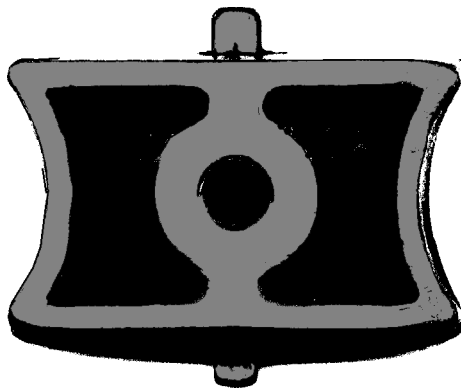
**S.R. Smith (Frost)
Bronze Wedge Assy.
G7123**



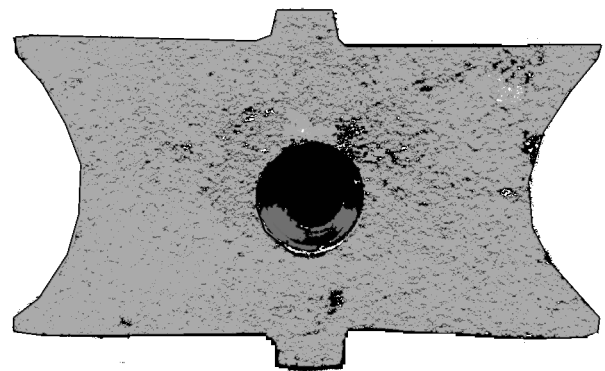
**Hayward SPX392-BA
Bronze Wedge Assy.
G7124**



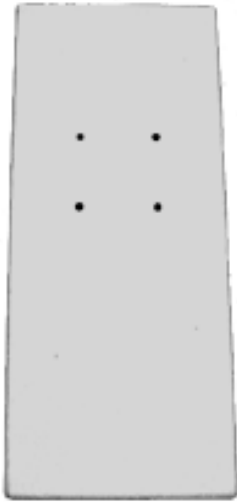
**Hayward SPX1392CA
Plastic Wedge
G7126**



**S.R. Smith (Swimquip)
Gibraltar. Double Wedge Assy.
G7128**

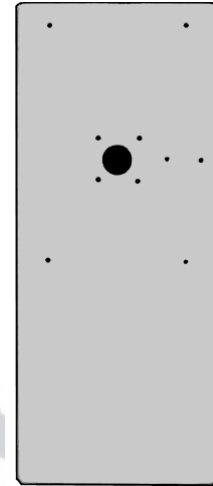


**Solid Bronze - Richardson
Double Wedge
G7101**

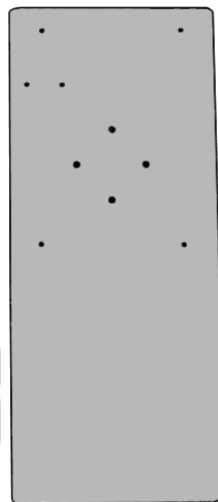


H1204 S R Smith #8-705
18 x 42"

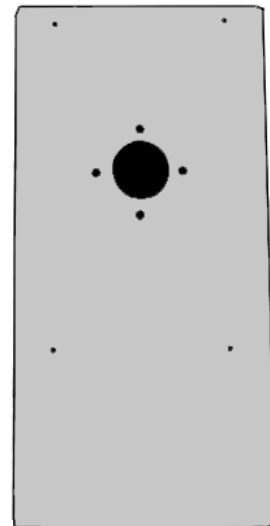
LIFEGUARD CHAIR
FOOTBOARDS



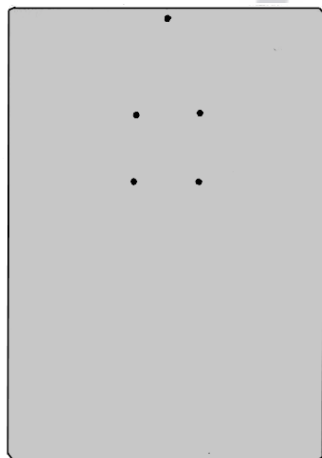
H1206 Swimquip #2823-15
18" x 42-1/2" (2-1/2" Hole)



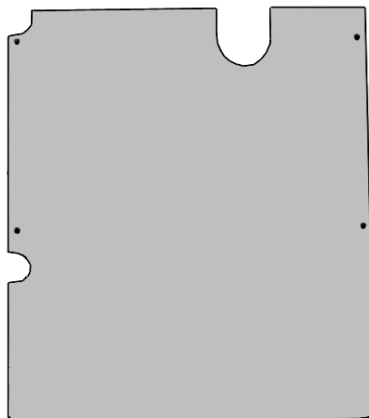
H1245 Swimquip #2800-4
18" x 42"



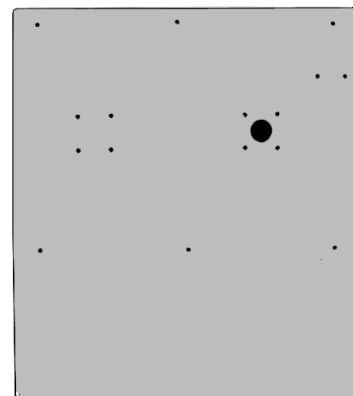
H1226 Seablue Footboard
18" x 36" (3-3/4" Hole)



H1217 S.R. Smith #8-602
29-1/2" x 42"



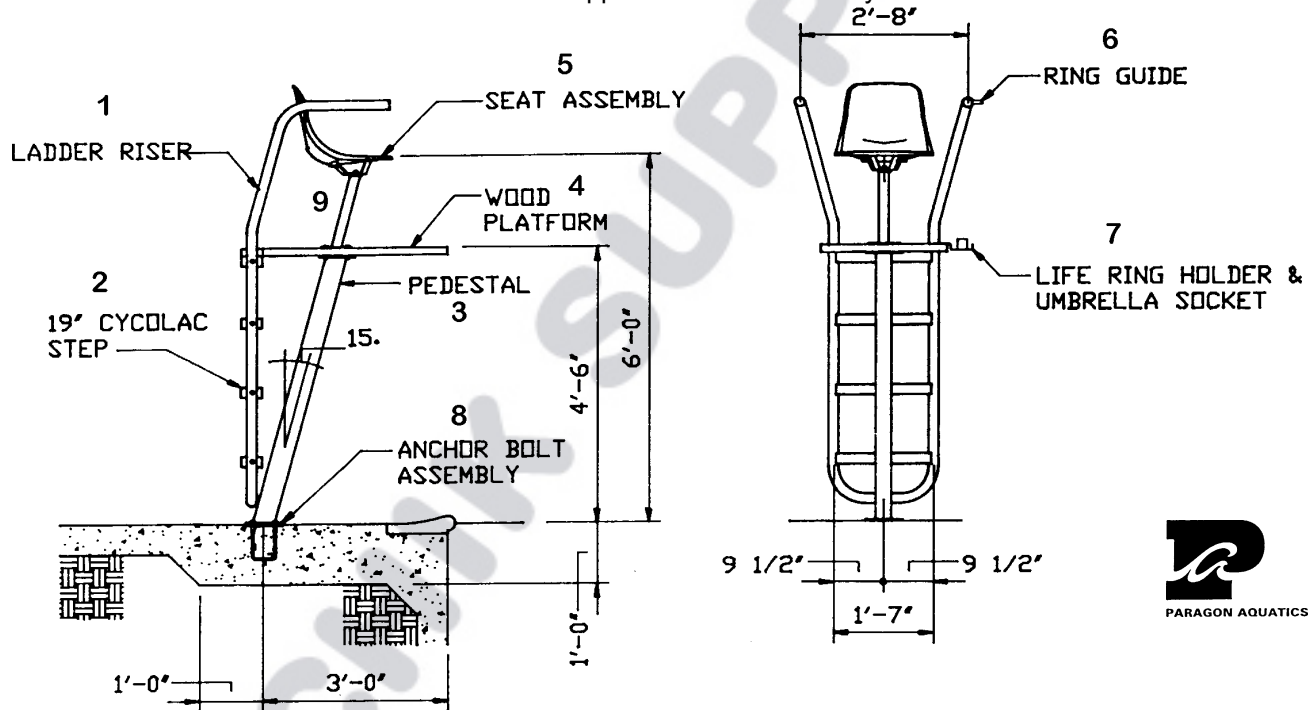
H1222 Paddock Footboard
35" x 38-1/2"



H1207 Swimquip #2825-33
42" x 38" (2-1/2" Hole)

PARAGON AQUATICS Paraflyte Club Lifeguard Chair

KEY	MFG. NO.	DESCRIPTION	ITEM NO.
1	21010	Ladder Riser Railing	H1227
2	44101	Ladder Tread 19" w/Hardware (1 w/ 2 holes on top tread)	H1229
3	21011	Pedestal	H1259
4	13402	Footboard Only (Wood) (Metal Footboard Not Available)	H1228
---	#21030	Club Footboard Conversion Kit	H1269
5	20701	Seat	H1224
6	20712	Umbrella Ring Guide	H1244
7	20717	Umbrella & Life Ring Holder	H1184
8	21005	Anchor Assembly	H1231
9	20702RVA	Seat Support & Swivel Assembly	H1223

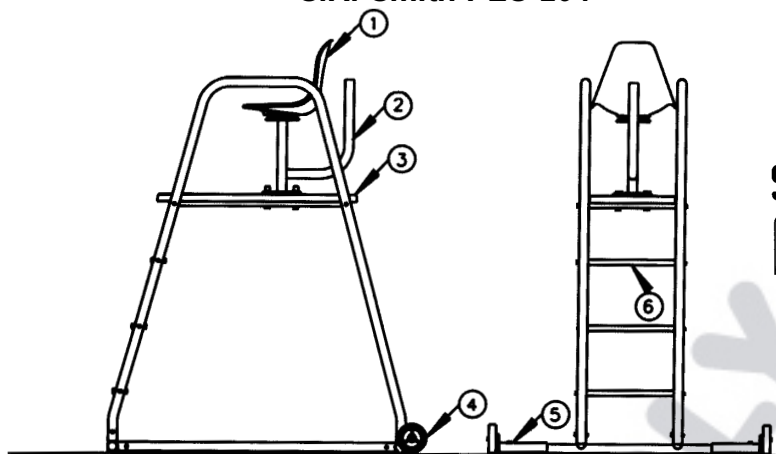


Misc. Replacement Seats & Accessories

Repl. Chair (Frost / Swan)	H1205	Repl. Seat (Seablue)	H1220
Chair w/ Swivel (Frost / Swan)	H1203	Umbrella Holder (Paragon)	H1184
Repl. Chair (Paragon)	H1224	Umbrella Ring Guide (Paragon)	H1244
Repl. Chair (Paddock)	H1251	Umbrella - Blue & White	H1195
Repl. Seat (Swan Bucket)	H1215		

PORTABLE LIFEGUARD STAND

S.R. Smith PLS-204



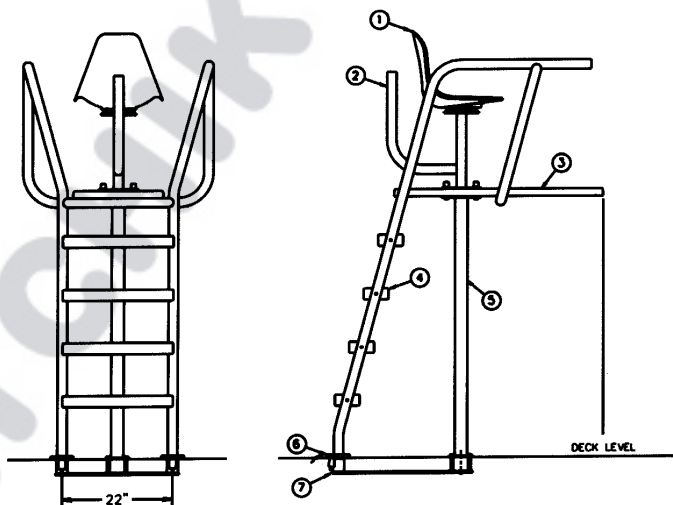
S.R. Smith Inc.



KEY	MFG. NO	DESCRIPTION	ITEM NO.
---	PLS-204	Portable Lifeguard Stand	H1193
1	13-111	Lifeguard Seat w/ Swivel	H1203
2	13-109	Swivel Stand w/ Umbrella Holder	H1209
3	8-705	Fiberglass Footboard	H1204
4	8-892	PLS-204 Wheel Only	H1600
5	FC-100C	10" Fulcrum Cover	H1602
6	LTFD-105	15 Degree Elite Tread Assy.	G7053

ULTRA MODERN LIFEGUARD STAND

S.R. Smith (Original Swimquip Design)

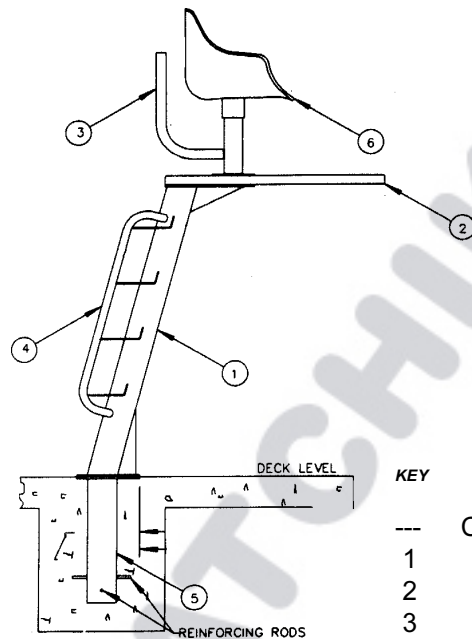
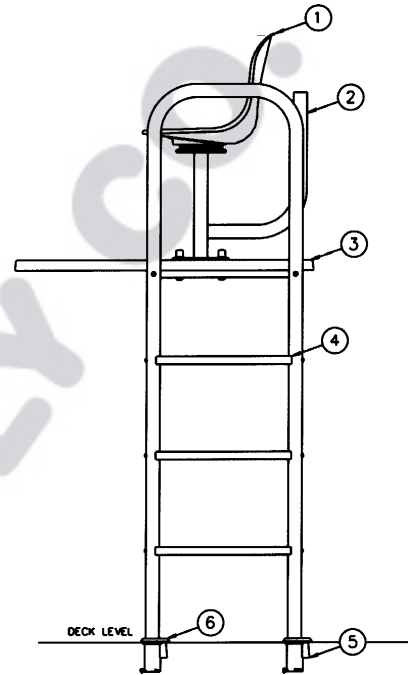


---	UMLS-101	Ultra Modern Lifeguard Stand	H1612
1	13-111	Lifeguard Seat w/ Swivel	H1203
2	13-109	Swivel Stand w/ Umbrella Holder	H1209
3	8-706	Ultra Modern Fiberglass Footboard	H1604
4	S2470-101	Ultra Modern 15 Degree Tread w/Hardware	G7048
5	13-116	Ultra Modern Lower Column Assembly	H1606
6	EP-100F	Round Escutcheon Plate (4.5")	H1608
7	S2823-17	Anchor Assembly	H1610

INSTITUTIONAL LIFEGUARD STAND S.R. Smith ILGS-204

KEY	MFG. NO.	DESCRIPTION	ITEM NO.
---	ILGS-204	Institutional Lifeguard Stand	H1190
1	13-111	Lifeguard Seat w/ Swivel	H1203
2	13-109	Swivel Stand w/ Umbrella Holder	H1209
3	8-705	Fiberglass Footboard	H1204
4	LTDF-103	Elite Tread Assembly	G7098
5	AS-100B	Anchor Socket Assembly	H1614
6	EP-100A	Escutcheon Plate	H1616

---	A40703-0	Swivel	H1208
-----	----------	--------	-------



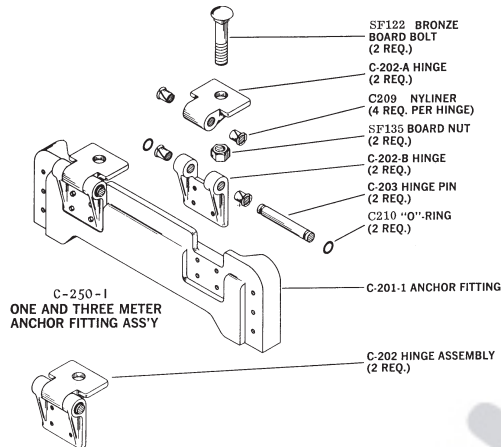
S.R. Smith Inc.



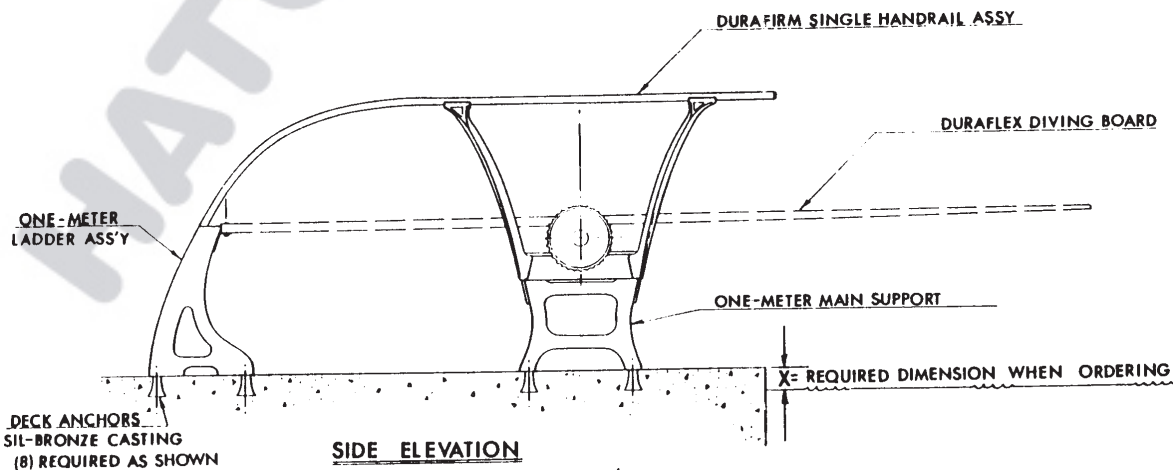
CANTILEVER LIFEGUARD STAND S.R. Smith CAT-LG-100

KEY	MFG. NO.	DESCRIPTION	ITEM NO.
---	CAT-LG-100	Cantilever Lifeguard Stand	H1180
1	----	Support Column	----
2	8-602	Fiberglass Platform	H1217
3	13-102	Chair/ Umbrella Support Assy.	H1219
4	----	Handrails	----
5	13-103	Pre-set Base	H1181
6	8-601	Fiberglass Chair	H1215

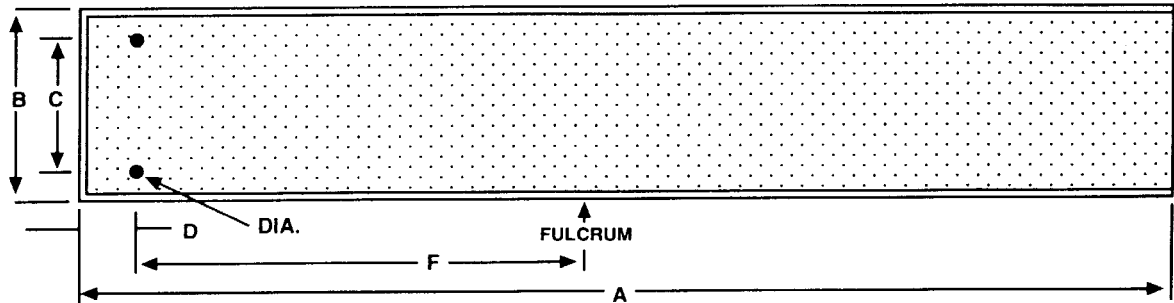
DURAFLEX INTERNATIONAL
One & Three Meter Durafirm Dive Stands



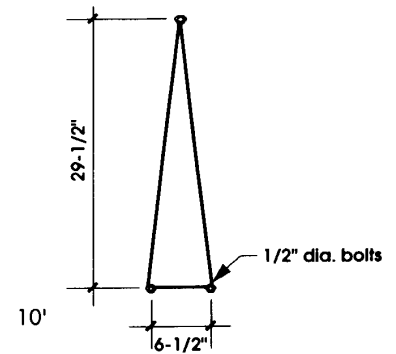
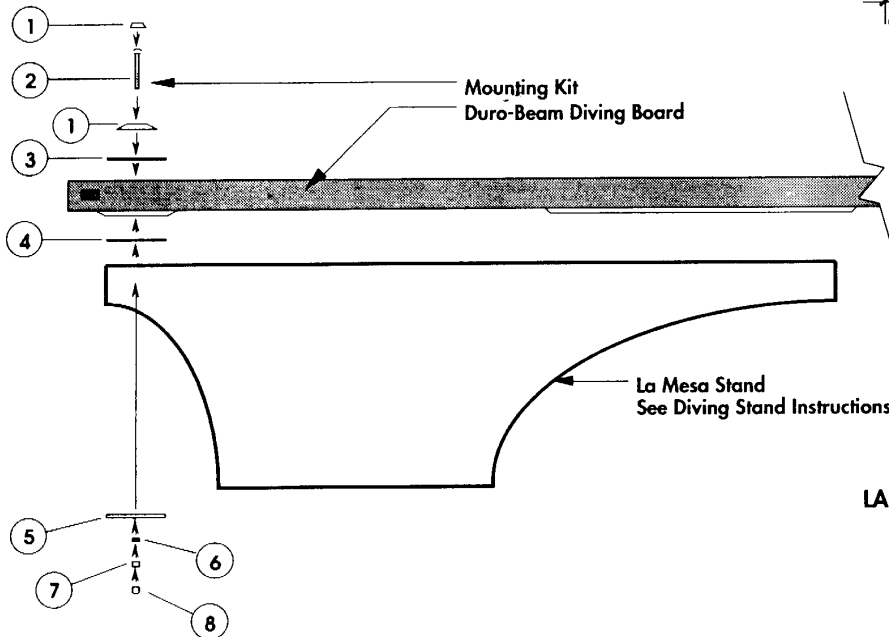
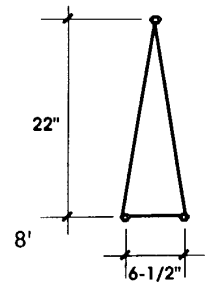
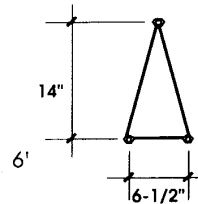
MFG NO.	DESCRIPTION	ITEM NO.
MP112	Vinyl Channel Set - 30" w/Glue (Fulcrum)	G4010
MP114	Glue Kit Only for Vinyl Fulcrums	G4011
SF122	5/8" x 3-1/2" Bronze Carriage Board Bolt w/Nut (Bolts Board to Durafirm Hinges)	G4012
SF135	5/8" Bronze Nut Only	G4013
SF141	5/8" x 5-1/2" Cad-Plated Carriage Bolt w/Nut	G4014
SF137	5/8" Brass Nut Only	G4015
PM110	Grease Gun	G4016
PM111	Grease Cartridge, Mystik JT-6 Grease, 3 oz. Tube	G4017
C207	Stainless Steel Rail Clamp Only	G4018
SF118	5/16" x 5/8" Bolt for Stainless Steel Rail Clamp	G4019
518	Slide Bearing (Fulcrum)	G4020
521	Roller Clamp (Fulcrum)	G4021
524	Roller Bearing (Fulcrum)	G4022
528	Anti-Rattle Bolt w/Nut (Fulcrum)	G4023
533	Roller Clamp Studs w/Nut (Fulcrum)	G4024
C202	Hinge Assembly w/Aluminum Bolt & Nut	G4025
C203	Hinge Pin Only (1 needed per Hinge)	G4026
C209	Nyliner (4 needed per Hinge)	G4027
C210	O-Ring For Hinge (2 needed per Hinge)	G4028



INTER-FAB DURO-BEAM A La Mesa / Los Arcos Stand



MODEL	A	B	C	D	F	DIA.	ITEM NO.
6' Duro-Beam	70.50"	17.25"	12.00"	4.00"	30.00"	19/32"	G3001
8' Duro-Beam	94.50"	17.25"	12.00"	4.00"	40.00"	19/32"	G3005
10' Duro-Beam	118.50"	17.25"	12.00"	4.00"	52.00"	19/32"	G3007



LA MESA / LOS ARCOS MOUNTING JIGS

Duro-Beam w/ La Mesa Stand Mounting Kit

Board Mounting Kit (DB-M):

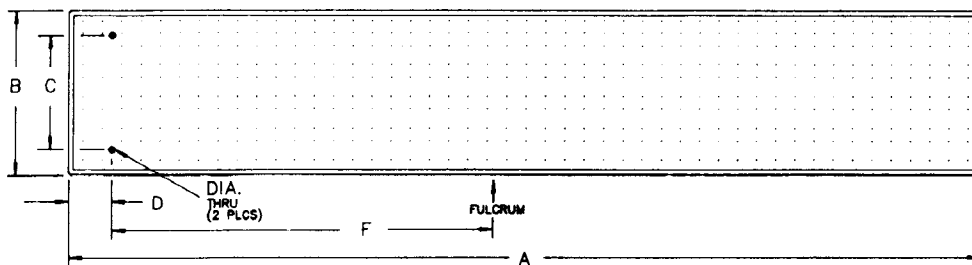
G3250

1. White Plastic Recessed Mounting Washer Assy. (2 needed)
2. 1/2" x 4-1/2" Carriage Bolt C/S Zinc Plated (2 needed)
3. 1/2" x 2" Black Rubber Mounting Washer (2 needed)
4. 1/2" x 2" Red Rubber Mounting Washer (2 needed)
5. 1/2" x 2" Flat Washer C/S Zinc Plated (2 needed)
6. 1/2" Lock Washer C/S Zinc Plated (2 needed)
7. 1/2" Hex Nut C/S Zinc Plated (2 needed)
8. 1/2" White Rubber Nut Cap (2 needed)

S.R. SMITH IDENTIFICATION GUIDE

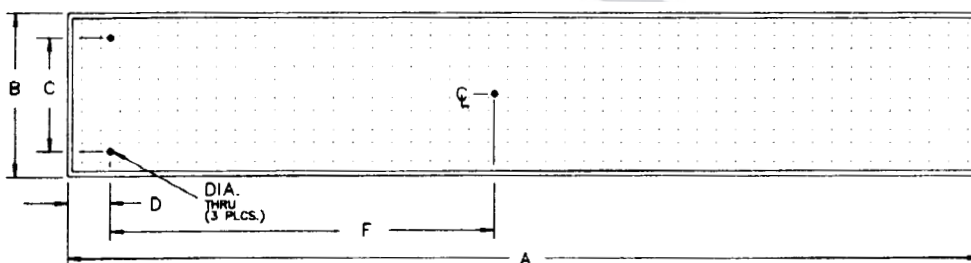
S.R. Smith Inc.

Two - Hole Diving Board Dimensions



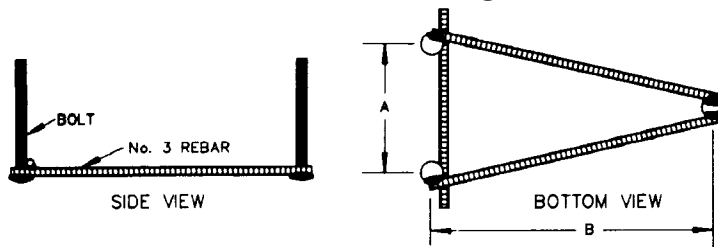
Model	A	B	C	D	F	Dia.	Item No.
Residential Pool Boards							
6' Frontier II	70.50"	17.25"	10.00"	4.00"	30.00"	19/32"	
6' Fibre-Dive & Glas-Hide	70.50"	17.25"	12.00"	4.00"	30.00"	19/32"	G3000
8' Fibre-Dive & Glas-Hide	94.50"	17.25"	12.00"	4.00"	40.00"	19/32"	G3002, G3012
10' Fibre-Dive & Glas-Hide	118.50"	17.25"	12.00"	4.00"	52.00"	19/32"	G3004, G3014
12' Fibre-Dive & Glas-Hide	142.50"	17.25"	12.00"	4.00"	62.00"	19/32"	G3006,

Three - Hole Jump Board Dimensions



Model	A	B	C	D	F	Dia.	Item No.
6' Anthony	70.50"	17.25"	12.00"	3.25"	20.50"	19/32"	G1030
6' Frontier II	70.50"	17.25"	4.50"	8.00"	30.00"	19/32"	G3008
8' Frontier II	94.50"	17.25"	4.50"	14.00"	36.00"	19/32"	G3009
8' Anthony	94.50"	17.25"	12.00"	3.25"	30.50"	19/32"	G1035

Three - Bolt Jigs

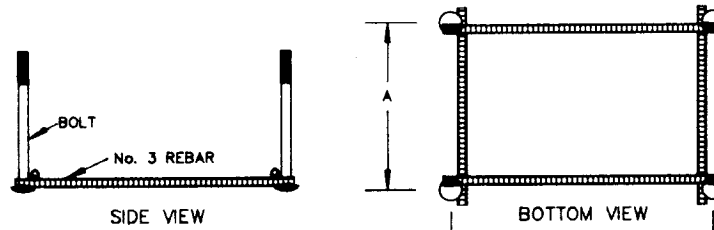


Jig Type	Part No.	A	B	Bolt	Item No.
6' Flyte-Deck	71-209-700	6.50"	14.00"	1/2" x 6" Carriage	G3086
8' Flyte-Deck	71-209-704	6.50"	22.00"	1/2" x 6" Carriage	G3088
10' Flyte-Deck	71-209-703	6.50"	31.00"	1/2" x 6" Carriage	G3091
6' & 8' Frontier II Spring	69-209-227	3.25"	6.00"	5/8" x 6" Carriage	G1068
* 4' Cobra Coil	67-521-10	18.00"	16.00"	1/2" x 6" Carriage	
* 6' Cobra Coil	67-521-10	18.00"	30.00"	1/2" x 6" Carriage	
* 8' Cobra Coil	67-521-10	18.00"	36.00"	1/2" x 6" Carriage	
* 4' Aqua Coil	02-946-11	4.50"	16.00"	1/2" x 6" Carriage	

*Obsolete Jig

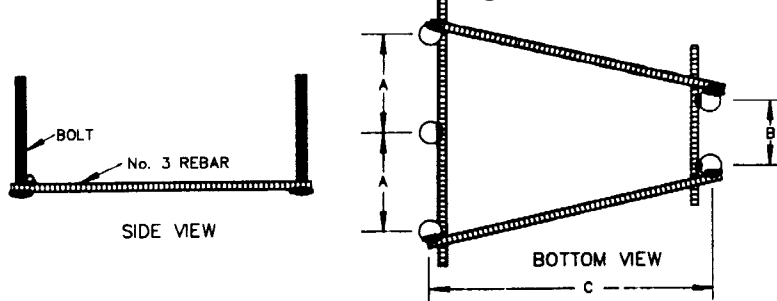
S.R. SMITH JIG IDENTIFICATION GUIDE

Four - Bolt Jigs



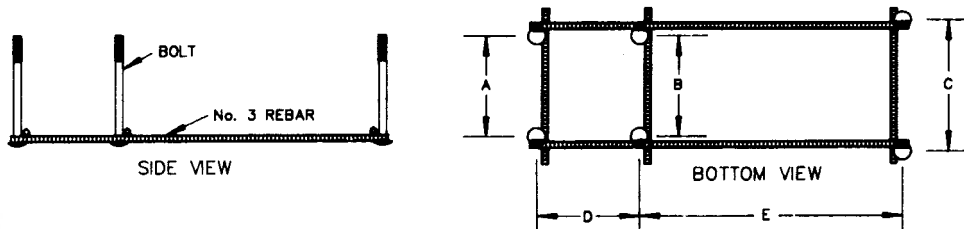
Jig Type	Part No.	A	B	Bolt
606/608 Steel	69-209-006	12.00"	12.00"	1/2" x 6" Carriage
606 - F	69-209-007	14.00"	14.00"	1/2" x 7" Carriage
* 6' & 8' Frontier II Steel Pedestal	69-209-229	6.00"	12.00"	5/8" x 6" Carriage
* 6' Frontier II Fiberglass	69-209-224	5.00"	6.00"	1/2" x 7" Carriage
* 8' Frontier II Fiberglass	69-209-225	5.00"	12.00"	1/2" x 7" Carriage
* 10' Frontier II Fiberglass	69-209-226	6.00"	26.50"	1/2" x 7" Carriage

Five - Bolt Jigs



Jig Type	Part No.	A	B	C	Bolt
6' Chevron	71-209-726	4.00"	5.00"	14.00"	1/2" x 6" Carriage
8' Chevron	71-209-728	4.00"	5.00"	22.00"	1/2" x 6" Carriage
10' Chevron	71-209-730	4.00"	5.00"	27.00"	1/2" x 6" Carriage

Six - Bolt Jigs

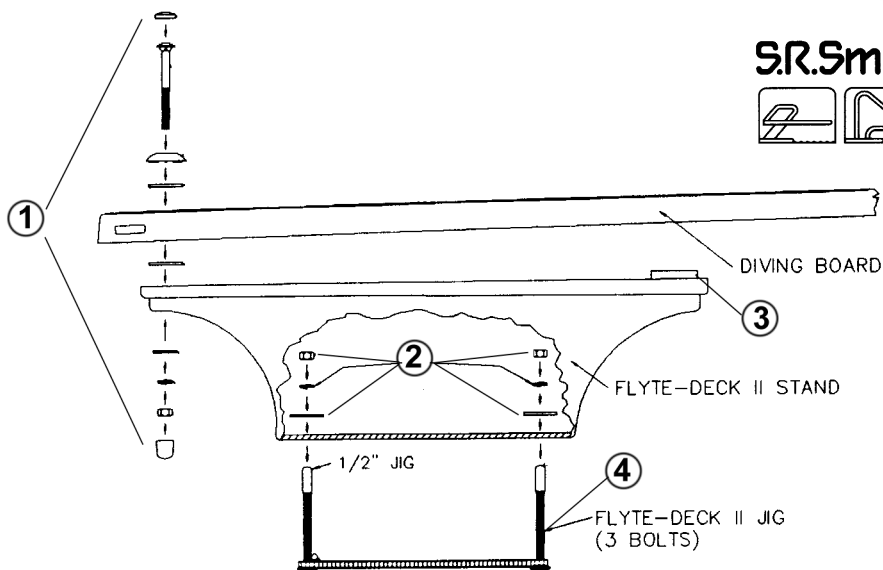


Jig Type	Part No.	A	B	C	D	E	Bolt
* 4' Baja	69-209-698	6.50"	6.50"	8.50"	6.50"	9.00"	1/2" x 6" Carriage
6' Baja	69-209-699	6.50"	6.50"	8.50"	6.50"	16.25"	1/2" x 6" Carriage
8' Baja	69-209-700	6.50"	6.50"	8.50"	6.50"	27.25"	1/2" x 6" Carriage
Steel Meter	71-209-541	4.00"	6.50"	10.00"	3.00"	17.00"	1/2" x 6" Carriage

**Obsolete Jig*

S.R. SMITH FLYTE DECK II
1/2 Meter Fiberglass Dive Stand
6 ft, 8 ft & 10ft

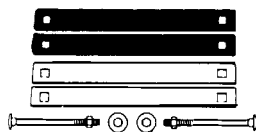
S.R. Smith Inc.



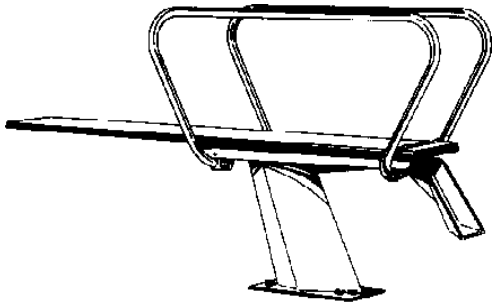
KEY	MFG. NO.	DESCRIPTION	ITEM NO.
1	67-209-911	Standard Mounting Kit for Residential Boards	G1027
2	71-209-710	Stand Bolt Kit for Flyte Deck II Stand	G3021
3	71-209-545	Fiberglass Stand Fulcrum Kit	G3028
4	71-209-700	Jig Only for 6 ft. Stand (3 Bolt)	G3086
4	71-209-704	Jig Only for 8 ft. Stand (3 Bolt)	G3088
4	71-209-703	Jig Only for 10 ft. Stand (3 Bolt)	G3091

Miscellaneous Hardware For Diving Boards & Stands

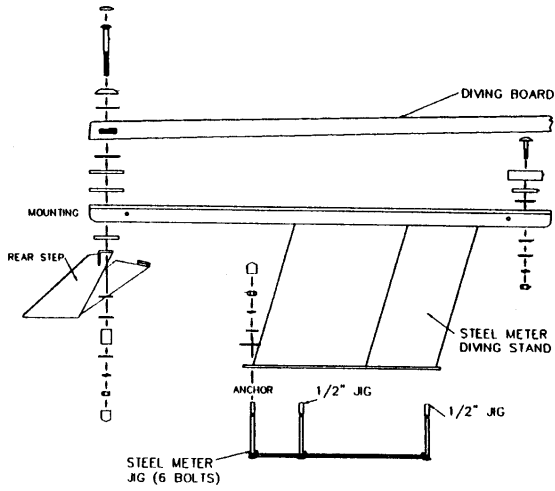
Standard Hardware for Residential Boards	G1027
Mounting Hardware for Anthony Jump Boards	G1037
4-1/2" Carriage Bolt & Nut for Diving Board (Bag of 2)	G3059
5" Carriage Bolt & Nut for Diving Board (Bag of 2)	G3058
5-1/2" Carriage Bolt & Nut for Diving Board (Bag of 2)	G3060
6" Carriage Bolt & Nut for Diving Board (Bag of 2)	G3063
Aluminum Hardware Mounting Kit - 18"	G3052
Aluminum Hardware Mounting Kit - 20"	G3051
Rubber Mounting Pad Only - 18"	G3054
Rubber Mounting Pad Only - 20"	G3053
Retrofit Jig Prong Epoxy Mounting Kit	G3107
Minor Damage Repair Kit	G3026
Swan Fulcrum Assembly (E-Cat, DLS)	G3029



S.R. SMITH STEEL METER DIVE STANDS 1/2, 3/4 & 1 Meter



STEEL METER DIVING STAND

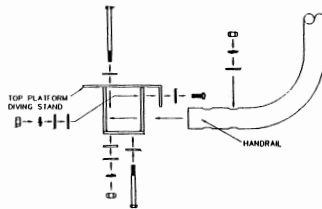


DESCRIPTION

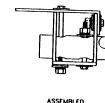
ITEM NO.

18" Aluminum Mounting Hardware Kit - Commercial	G3052
Standard Diving Board Hardware Kit - Residential	G1027
1/2 Meter Bolt Kit (71-209-542)	G3022
3/4 & 1 Meter Bolt Kit (71-209-543)	G3079
Meter Fulcrum Replacement Kit	G3024
Rear Step - Replacement	G3212
Jig Only for Steel Stands - 1/2, 3/4 & 1 (6 Bolts)	G3078

Steel Meter Diving Stand Handrails



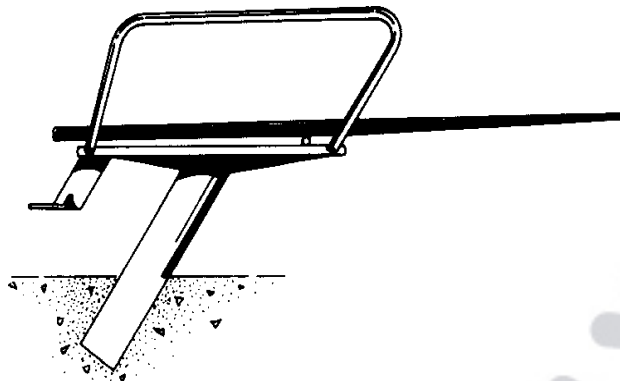
71-209-550	Handrails & Hardware - 8 ft. Board	G3408
71-209-551	Handrails & Hardware - 10 ft. Board	G3410
71-209-552	Handrails & Hardware - 12 ft. Board	G3074
71-209-561	Handrail Bolt Kit for Steel Stands	G3076



S.R. Smith Inc.



S.R. SMITH
Econoline 1 Meter Diving Stand



MFG. NO.	DESCRIPTION	ITEM NO.
E-CAT-1M-100	Econoline Diving Stand for 12' Board	G3306
E-CAT-1M-101	Econoline Diving Stand for 14' Board	G3308
25-103	Fulcrum Assembly	G3029
25-106	Handrails, 1.9" O.D. x .065"	G3031

Adjustable Fulcrum (Swimquip S2300-1)

MFG. NO.	DESCRIPTION	ITEM NO.
S2300-1	Complete (Swimquip) Adjustable Fulcrum - 24"	H1189
S2300-2	Fulcrum Roller Only for Adjustable Fulcrum	H1235
S2300-4	Aluminum Foot Wheel / Spinner Kit	H1236
S2300-11	Spur Gear Only for Adjustable Fulcrum - Bronze	H1271
S35817-110	"Sel-Lok" Pin 3/16" x 2-1/4" S.S. for Fulcrum	H1237
2310950	Fulcrum Track - Right Side (S2300-7)	H1238
2311010	Fulcrum Track - Left Side (S2300-8)	H1239*



***Not Available When Out**

Hinge Anchor Assembly S2405-61

MFG. NO.	DESCRIPTION	ITEM NO.
S2405-12	Complete (Swimquip) Hinge Anchor Assembly	H1241



Fulcrum Bumpers

18" Replacement Fulcrum Bumper - White	G3082
20" Replacement Fulcrum Bumper - White	G3084



Rail Split Tees

Stainless Steel



Brass

Split Tee Assy - Stainless Steel	H1310
Split Tee Assy - Chrome / Brass	H1311

WATER SLIDES

Frontier III Slide



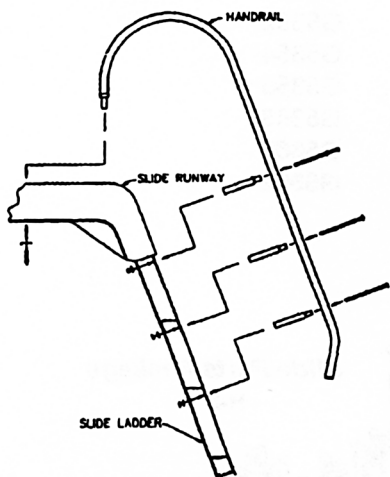
S.R. Smith Inc.



Accessories & Parts

MFG. NO.	DESCRIPTION	ITEM NO.
69-209-045	Ladder Bolt & Hose Kit	G5143
69-209-049	Top Spray Nozzle Assembly (70 Degree)	G5102
69-209-050	Tube Tee Assembly	G5144
69-209-048	Hose Kit Complete w/ Nozzle Assembly	G5145
69-209-047	Aluminum Handrail Only - Each	G5146
69-209-051	Slide Legs Complete - Frontier III	G5147
69-209-046	Slide Ladder Only - Frontier III	G5148
01-201-3	Aluminum Handrail Spacer	G5150
75-209-5877	S.S. Offset Legs for Right Curve Slide	G5101
75-209-5878	S.S. Offset Legs Kit for Left Curve Slide	G5105
67-209-930	Acrylic Slide Repair Kit - Specify Color	G5128

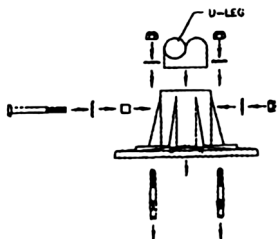
Frontier II Slide



MFG. NO.	DESCRIPTION	ITEM NO.
69-209-035	Ladder Bolt & Hose Kit	G5113
69-209-039	Top Spray Nozzle w/Tee (70 Degree)	G5102
69-209-041	Hose Kit Complete w/ Nozzle	G5110
69-209-042	Aluminum Handrail Only	G3190
69-209-043	Aluminum Legs (Set of 4)	G3192
02-907-10	Slide Ladder Only	G5141
01-201-3	Aluminum Handrail Spacer	G5150

WATER SLIDES

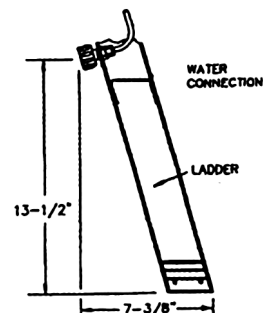
Aquaslide 'N Dive



MFG. NO.	DESCRIPTION	ITEM NO.
69-209-057	Duke Handrail - 48" Tall (each)	G5114
69-209-058	Queen Handrail - 64" Tall (each)	G5116
69-209-056	Duke Ladder Only - 77"	G5126
69-209-059	Queen Ladder Only - 90"	G5127
69-209-060	Duke Leg Set (3) - 24", 27" & 48"	G5129
69-209-061	Queen Leg Set (4) - 24", 27", 48" & 48"	G5138
	Leg - Aluminum 18"	G5117
	Leg - Aluminum 24"	G5118
	Leg - Aluminum 27"	G5120
	Leg - Aluminum 48"	G5122
	Leg - Aluminum 60"	G5121
	Leg - Aluminum 84"	G5140

Miscellaneous Accessories - All Slides

MFG. NO.	DESCRIPTION	ITEM NO.
69-209-037	Water Hose Connector	G5151
-----	Plastic Deck Flange, ABS - Each	G5132
-----	Hardware Only for Plastic Deck Flange	G5139
-----	White Aluminum Deck Flange - Each	G5133
69-209-041	Slide Replacement Parts Kit w/ 15' Tubing	G5110
69-209-040	Bottom Spray Nozzle Assembly (55 Degree)	G5107
02-601	Poly Tubing for Slide 1/4" - Per Foot	C1102
05-603	Spray Nozzle Head Only (70 Degree)	G5102
05-604	Spray Nozzle Head Only (55 Degree)	G5108

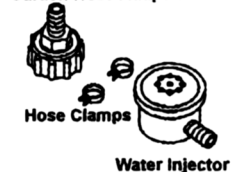


TRIAC INDUSTRIES

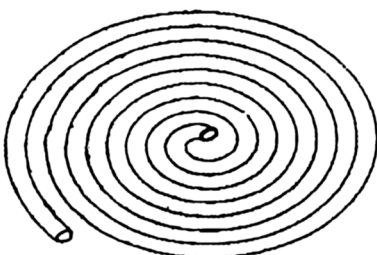
SL-KIT	Slide Hose Kit	G5350
H-S	Slide Parts Package	G5352
A-1	Deck Anchor - Each	G5354
AL-21	20-1/2" Aluminum Leg	G5356
AL-23	23-1/4" Aluminum Leg	G5358
AL-45	45-1/2" Aluminum Leg	G5360
AL-O-23	23" Offset Aluminum Leg	G5362

Slide Hose Kit

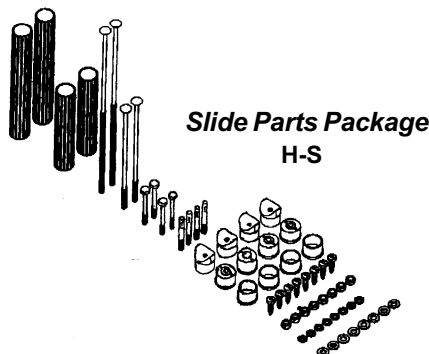
Garden Hose Adapter



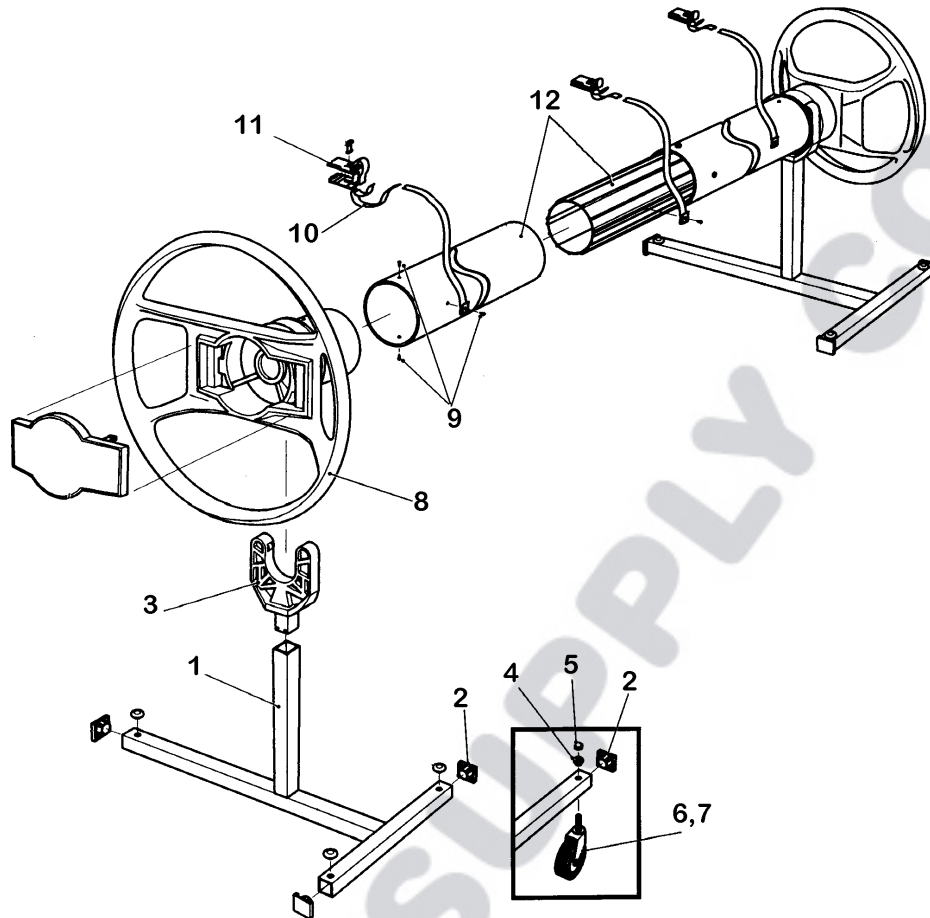
SL-KIT



Clear Hose



Slide Parts Package
H-S



CANTAR AQUACOVER

Reel System

KEY	MFG.NO.	DESCRIPTION	ITEM NO.
1	9300123	T-Base (1)	W5162
2	9300110	End Cap / Foot	W5150
3	9300117	Black Nylon Yoke	W5178
4	9300105	Shoulder Bushing	W5151
5	9300115	Nut for Caster	W5155
6	9300136	Locking Caster	W5157
7	9300137	Locking Casters (set of 6)	W5296

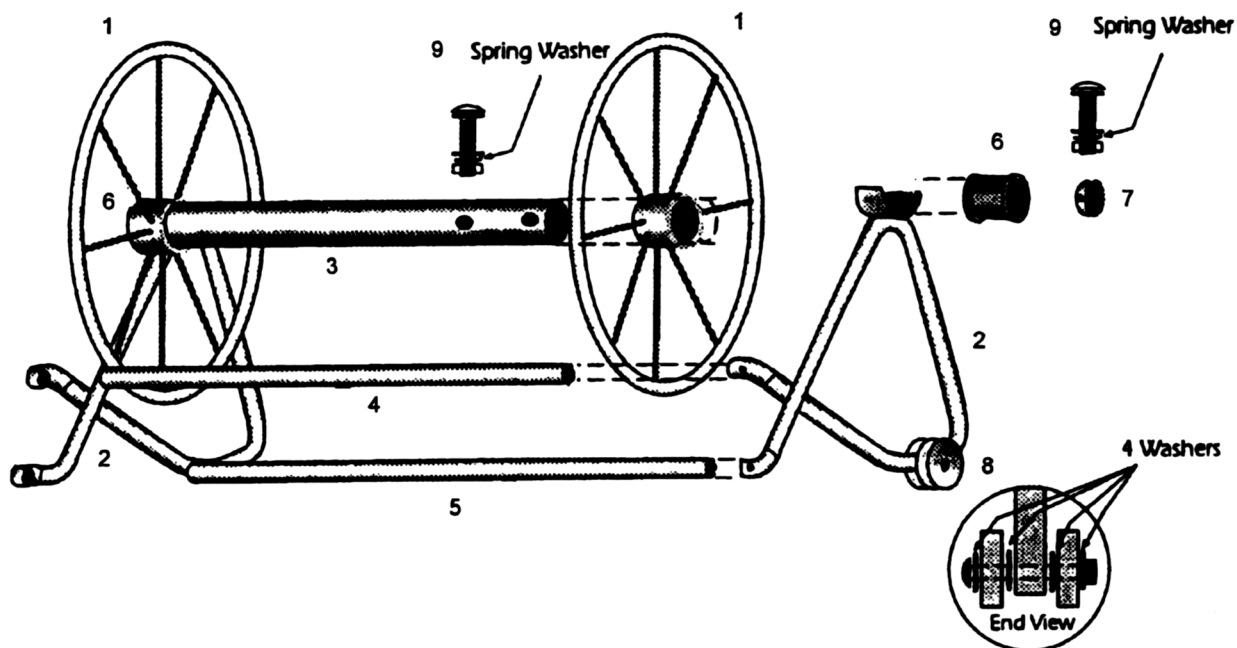
Winding Wheel and Tube End Bearing

8	9300147	Wheel Tube End Bearing (single)	W5171
9	9300148	3/8" Self Tapping Screw for Tube End	W5166

Reel Tubes, Strapping and Blanket Clamp

10	9300142	1" White Strapping / Per Foot	W5167
11	9300111	Quick-Release Blanket Clamp	W5170
12	9300144	Expandable Tube 16' - 18' Reel Size	W5174
12	9300145	Expandable Tube 20' - 22' Reel Size	W5175
12	9300146	24' - 26' Extension Kit for 20' - 22' Reel	W5176
	9300143	Base Kit (2 - Wheel Tube End Bearings, 2 Yokes & 2 Bases)	W5163

ANTI - WAVE STORAGE REEL
"Classic" Storeel



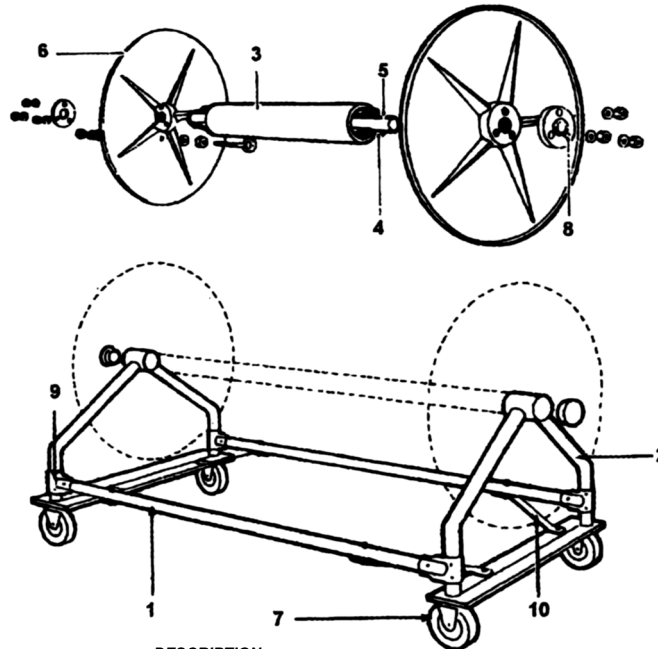
KEY	MFG. NO.	DESCRIPTION	ITEM NO.
---	630	"Classic" Aluminum Storeel	X1175
---	734	"Supreme" Blue Anodize Storeel with Vinyl Cover	X1156
---	631	Storeel Cover Only - Vinyl	X1157
1	---	Wheel Aluminum (2 needed)	X1141
2	---	Side Frame, Left or Right, Aluminum	<i>Special Order</i>
3	---	Center Tube, Aluminum	<i>Special Order</i>
4	---	Handrail, Aluminum	<i>Special Order</i>
5	---	Crossmember, Aluminum	<i>Special Order</i>
6	---	Nylatron Bearing (2 needed)	X1150
7	---	Retainer Ring, Aluminum (2 needed)	<i>Special Order</i>
8	---	Wheel, Plastic (4 needed)	X1148
9	---	1/4" x 4" Bolt (4 needed)	<i>Special Order</i>

Racing Lanes, Tension Reels & Wrenches



Wrench for Anti-Wave Racing Lane	X1185
Ratchet Tension Reel (Anti-Wave Racing Lane)	X1152
"Supertensioner" Reel (Anti-Wave Racing Lane)	X1174
S.S. Cable (Anti-Wave) - Per Foot	X1151
Disc - State Color (Anti-Wave)	X1166
Float, White - Large (Anti-Wave)	X1164
2" S.S. Extension Hook	X1154
3" S.S. Extension Hook	X1158
8" S.S. Extension Hook	X1149

RICHEY STOR-LANE REEL Competitor Swim Products

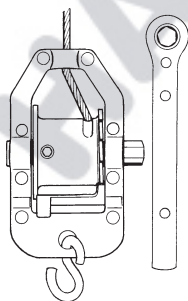


KEY	MFG. NO.	DESCRIPTION	ITEM NO.
---	200 350	Stor Lane Reel (Holds 540' of 4" Lanes)	X1400
---	200 351	Cover for Stor-Lane Reel - Blue	X1410
1	200 350001	Side Rail (2 needed)	X5000
2	200 350002	End Frame (2 needed)	X5002
3	200 350003	Reel Core	X5004
4	200 350004	Retention Rod (3 needed)	X5006
5	200 350005	Axle	X5008
6	200 350014	Reel Disk (2 needed)	X5010
7	200 350015	Swivel Caster (4 needed)	X5012
8	200 350019	Spacer Disk (3 needed)	X5014
9	200 355004	"T" Clamp (4 needed)	X5022
10	200 355005	Corner Brace (4 needed)	X5024
---	200 355001	Hardware Bag A (Carriage)	X5016
---	200 355002	Hardware Bag B (Reel)	X5018
---	200 355003	Hardware Bag C (Use w/ Bag A)	X5020

(Red, Green, Blue, Yellow & White)

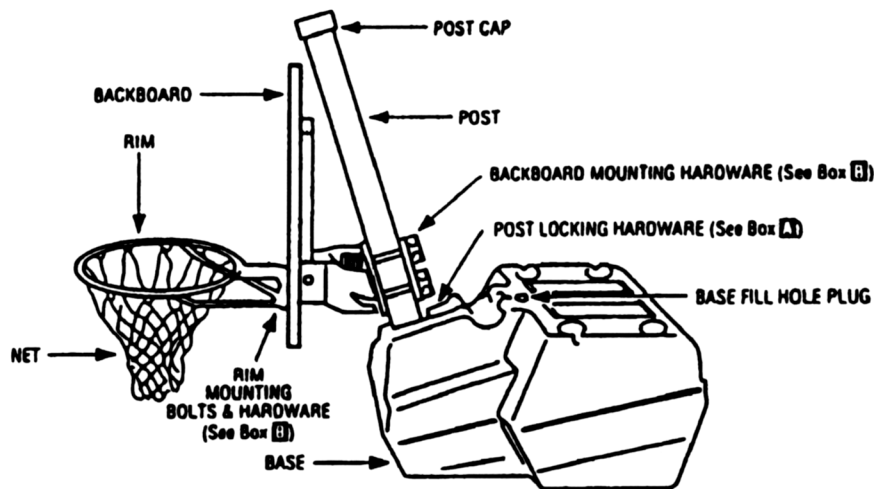


Parts



Ratchet Take-up Reel (Includes Cover & Allen Wrench)	X1168
Reel Cover (Red)	X1167
Wrench for Take-up Reel - 5/8"	X1177
S.S. Spring & Cable Lock	X1176
2" Extension Hook	X1183
3/16" S.S. Vinyl Coated S.S. Cable - Per Foot	X1169
Body Segment (approximately 4 per ft.)	X1178
End Segment (approximately 4 per ft.)	X1179
Donut Float (approximately 2 per ft.)	X1181

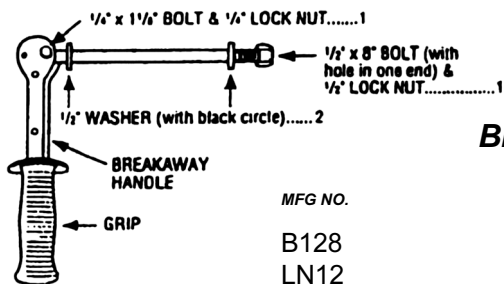
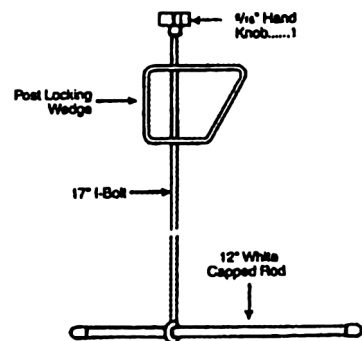
SPLASH & SLAM
Portable Basketball Stand



MFG NO.	DESCRIPTION	ITEM NO.
BB200	Backboard	Y2200
RIM124	Rim	Y2201
BBN200	Net	Y2202
LGB101	Base	Y2203
LBP131	Base Fill Hole Plug	Y2204
ALP102	Post	Y2205
PC134	Post Cap	Y2206
SP136	Siphon	Y2207
B110	Ball	Y2208

Post Locking Hardware Assembly

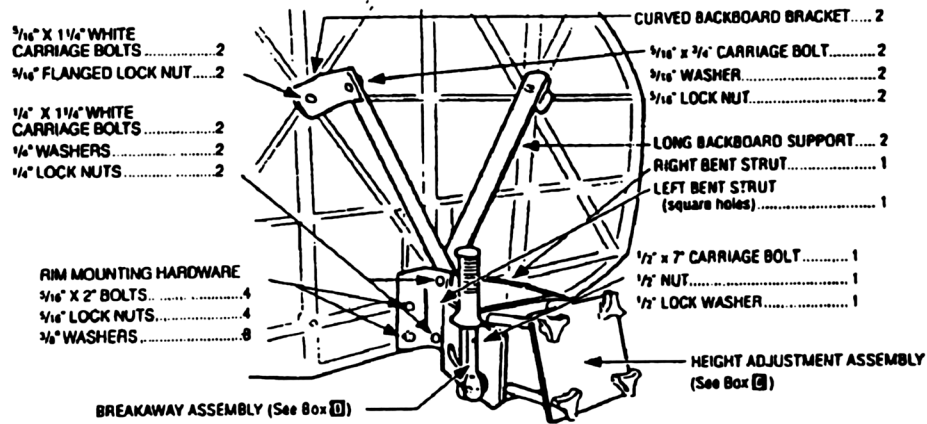
MFG NO.	DESCRIPTION	ITEM NO.
PLW105	Post Locking Wedge	Y2209
WK516	5/16" Hand Knob	Y2210
IB17	17" I-Bolt	Y2211
ROD12	12" White Capped Rod	Y2212
PL2	Complete Assembly	Y2213



Breakaway Assembly

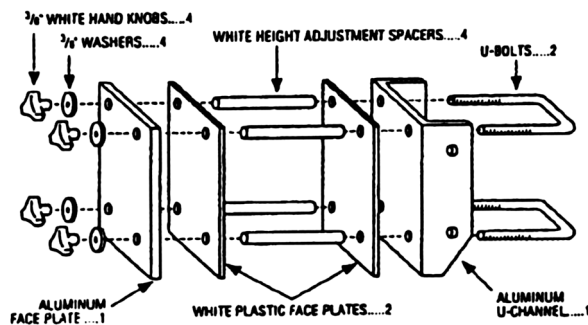
MFG NO.	DESCRIPTION	ITEM NO.
B128	1/2" x 8" Bolt w/ Hole	Y2214
LN12	1/2" Lock Nut	Y2215
W12	1/2" Washer w/ Black Circle	Y2216
B141	1/4" x 1-1/8" Bolt	Y2217
LN14	1/4" Lock Nut	Y2218
HND140	Breakaway Handle	Y2219
WHG130	White Handle Grip	Y2220
BR1	Complete Assembly	Y2221

SPLASH & SLAM BASKETBALL STAND Backboard Assembly



MFG. NO.	DESCRIPTION	ITEM NO.
SRH125	Bent Struts/Right	Y2222
SSH126	Bent Struts/Left (Square Holes)	Y2223
CBR107	Curved Backboard Bracket	Y2224
LBS106	Long Backboard Support	Y2225
W38	3/8" Washer	Y2226
CB51634	5/16" x 3/4" Carriage Bolt	Y2227
CB516114	5/16" x 1-1/4" White Carriage Bolt	Y2228
B5162	5/16" x 2" Bolt	Y2229
W516	5/16" Washer	Y2230
LN516	5/16" Lock Nut	Y2231
FLN516	5/16" Flanged Lock Nut	Y2232
CB127	1/2" x 7" Carriage Bolt	Y2233
N12	1/2" Nut	Y2234
LW12	1/2" Lock Washer	Y2235
CB14114	1/4" x 1-1/4" Carriage Bolt	Y2236
LN14	1/4" Lock Nut	Y2218
W14	1/4" Washer	Y2237

Height Adjustment Assembly



WK38	3/8" White Hand Knobs	Y2238
W38	3/8" Washer	Y2226
AFP104	Aluminum Face Plate	Y2239
FP129	White Plastic Face Plate	Y2240
SP458	White Height Adjustment Spacer	Y2241
UCH103	Aluminum U-Channel	Y2242
UB127	U-Bolt	Y2243
HA1	Complete Assembly	Y2244

SPLASH & SLAM II
Non-Adjustable Basketball Stand

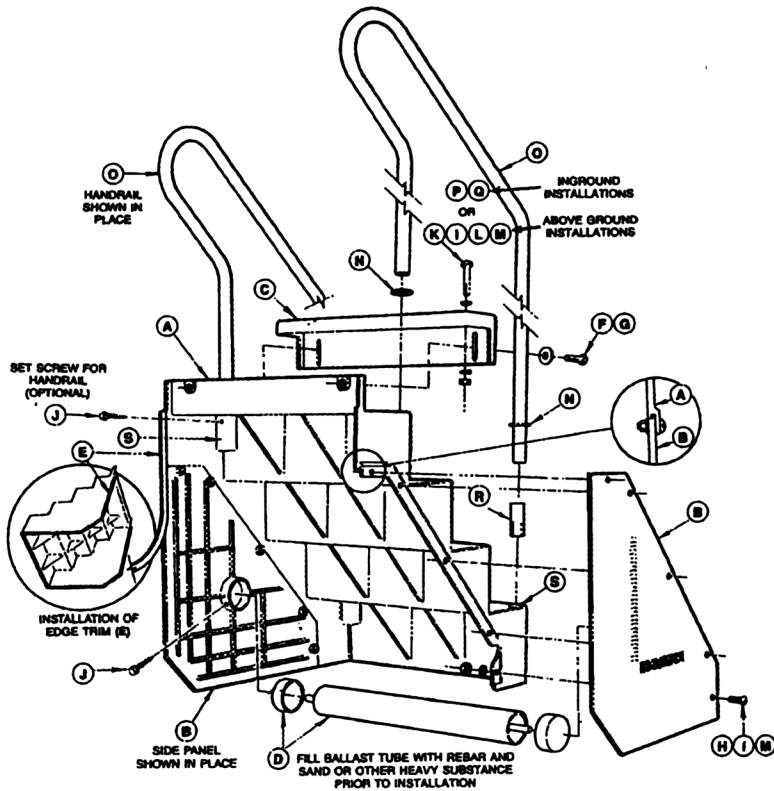


MFG. NO.	DESCRIPTION	ITEM NO.
WK516	Knob, 5/16" Open Top Hand Knob	Y2210
PLW105	Wedge, Post Locking	Y2209
ROD134	Rod, Galv. 12"	Y2246
CAP12	Cap, Vinyl 1/2" (for rod)	Y2248
LBS106	Hardware, Alum. Backboard	Y2225
CBR107	Hardware, Alum. Curved Bracket (2 needed)	Y2224
RIM124	Rim	Y2201
STRUTIILH	Slam II Left Strut	Y2250
STRUTIIRH	Slam II Right Strut	Y2252
CB125	Bolt, 1/2" - 13 x 5" S.S. (2 needed)	Y2254
IB17	Eye Bolt 5/16" x 17"	Y2211
BBN200HD	Net, Heavy Duty	Y2256
PC134	Cap, 4" x 4" White, for Post	Y2206
LBC131	Plug, Large Base Fill Hole	Y2258
CB516114	Bolt, 5/16" x 1-1/4" S.S. (2 needed)	Y2228
SP135	Pump, Siphon - Bulb Only	Y2260
SP134	Pump, Siphon - Hose Only (5 needed)	Y2262
B110	Ball, Regulation	Y2208
IN004	Needle, Inflating	Y2264
B5162	Bolt, 5/16" x 2" Hex Head (4 needed)	Y2229
W12S	Washer, Standard 1/2"	Y2266
CB14114	Bolt, 1/4" x 1-1/4" Carriage (2 needed)	Y2236
LN516	Nut, 5/16" Locknut (6 needed)	Y2231
LN14	Nut, 1/4" Locknut (2 needed)	Y2218
AN14	Nut, 1/4" Acorn (2 needed)	Y2268
FN516	Flange Nut 5/16" (2 needed)	Y2270
N12	Nut, 1/2" Hex S.S. Jam Nut (2 needed)	Y2234
FW12	Washer, Fender 2" O.D. x 17/32" I.D. x 1/16"	Y2272
W38	Washer, 3/8" (8 needed)	Y2226
W516	Washer, 5/16" S.S. (2 needed)	Y2230
W14	Washer, 1/4" S.S. (2 needed)	Y2237
BB200	Backboard (screened)	Y2200
LGB101	Base, Large	Y2203
ALP5114	Post, 4 x 4 Aluminum	Y2274
PLG141	Plug, White Styrene Disc for backboard (2 needed)	Y2276
PP235	Post, Pad Insert	Y2278
BOX001-II	Slam II Post Box	Y2280
BOX003	Backboard Box	Y2282
BOX002	Backboard Pad (4 needed)	Y2284
BOX045	Large Base Box	Y2286
BOX004	Slam Hardware Box	Y2288
HND139	Handle, 3/16" x 5/8" (3 needed)	Y2290

QUAKER EZ STEPS Inground/Above Ground

Hardware Package Includes:

- F 3/8"-16 x 1" Hex Cap Screw (Set of 2)
- G 3/8" x 1-1/2" Fender Washers (Set of 2)
- H 3/8"-16 x 1" Machine Screws (Set of 10)
- I 3/8" Flat Washers (Set of 12)
- J #10 x 1" Hex Head Screws (Set of 4)
- K 3/8"-16 x 3-1/2" Hex Head Cap Screws (2)
- L 3/8" Split Lock Washers (Set of 2)
- M 3/8"-16 Hex Nuts (Set of 12)
- P 3/8" x 3" Hex Head Lag Bolts (Set of 2)
- Q 3/8"-16 Lead Cement Anchor



INGROUND STEP UNIT

MFG. NO.	DESCRIPTION	ITEM NO.
H3-6011	Main Step Unit 42" - 45" Wall	W3132
H3-6012	Right Side Panel	W3134
H3-6013	Left Side Panel	W3136
QC-60068	Hardware Packet for Inground Unit	W3138
PK-EZ/IG	EZ Step Parts Kit: (1) Trim Edging, (2) End Caps, (1) Ballast Tube, (1) Hardware Packet & (1) Rebar	W3140

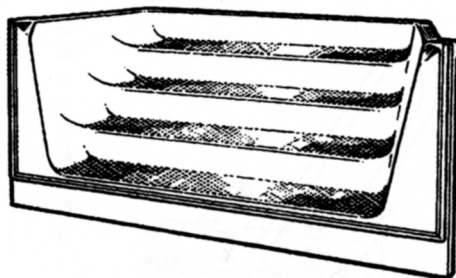
ABOVE GROUND STEP UNIT

H3-36006	Main Step Unit 48" - 51" Wall	W3142
H3-36007	Side Panels (Set of 2)	W3144
QG-60055	Hardware Packet for Above Ground Unit	W3146
PK-EZ/AG	EZ Step Parts Kit: (1) Trim Edging, (2) End Caps (1) Ballast Tube, (1) Hardware Packet & (1) Rebar	W3148

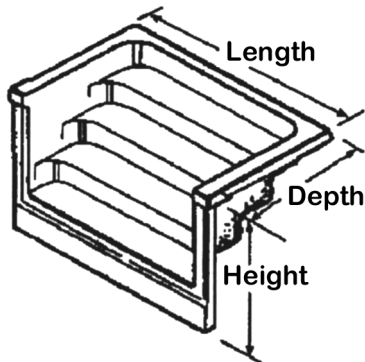
PARTS FOR BOTH INGROUND & ABOVE GROUND STEP UNITS

H3-6009	Top Adapter Step	W3150
H6-0186-01	Plastic Ballast Tube 4" O.D.	W3152
H3-6014	End Caps for Ballast Tube	W3154
QC-0254-01	Trim Edging, 16 Ft Long	W3156
QK-71	White Powder Coated Handrail	W3158
H6-0190-01	Shims, Set of 2	W3160
H3-6015	Escutcheon Plates, Set of 2	W3162

QUAKER WALK IN STEPS
4 FT, 6 FT. & 8FT.



MFG. NO.	DESCRIPTION	ITEM NO.
QG60156	Side Stair Mount (R & L) for QP0004S, QP0006SS, QP0008S, QP0008SR, QP0006IWS	W3100
QG60167	Side Stair Mount (R & L) for QP0064SC, QP0084SC	W3102
QG60160	Side Stair Mount (R & L) for QP0006SR, QP0064S, QP0084S, QP0064R, QP0064RFC	W3104
QG60122	Bottom Stair Mount for QP0004S	W3106
QP60124	Bottom Stair Mount for all 8' Stairs	W3108
QP60126	Bottom Stair Mount for all 6' Stairs	W3110
QG60102	Side Gaskets for QP0004S, QP0006SS, QP0008S, QP0008SR, QP0006IWS	W3112
QG60103	Side Gaskets for QP0006SR, QP0084S, QP0064R, QP0064RFC, QP0064S, QP0064RC	W3114
QP60166	Side Gaskets for QP0064SC, QP0084SC	W3116
QG60104	Bottom Gaskets for QP0004S	W3118
QP60107	Bottom Gaskets for all 8' Stairs	W3120
QG60106	Bottom Gaskets for all 6' Stairs	W3122
H6031301	Trim per Foot, 4' Step = 10' Trim, 6' Step = 12' Trim, 8' Step = 12' Trim	W3124
QG60011	Screws for QP0004S, 30 per Bag	W3126
QG60012	Screws for all 6' Steps, 38 per Bag	W3128
QG60013	Screws for all 8' Steps, 44 per Bag	W3130



TRIAC IN-WALL STEPS

MFG. NO.	DESCRIPTION	ITEM NO.
H-IWS	7/8" Sealing Strip Screws Package of 65	W3180
BS-KIT	Beauty Strip Kit	W3182
SS-KIT	Sealing Strip Kit	W3184
GAS-KIT	Sealing Gasket Strip Kit (1 x 14 ft.)	W3186
-----	Winterizing Step Cover (for 6' InWall Steps Only)	

Little Giant Cover & Fountain Pumps	137
Little Giant 5-MSP & 5-ASP-FS	138
Little Giant 5-APCP & 5-APCP-GFCI	139
Little Giant Sump Pumps, 6-CIM-R, 6-CIA-RFS, 6-CIM & 6-CIA	140,141
Little Giant Sump Pump 10-CIA	142,143
Monarch TSP-2RF Trash Pump	144
Monarch TSP-3RF	145
Sta-Rite PCD-10B Submersible Drainer	146
Sta-Rite Trident	146

HATCHIK SUPPLY CO.

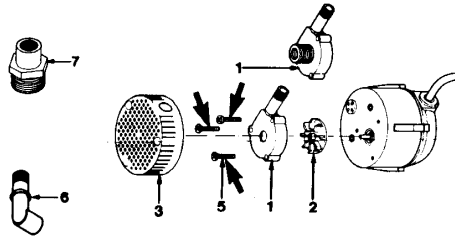
Pumps (Maintenance)

Notes

HATCHIK SUPPLY CO.

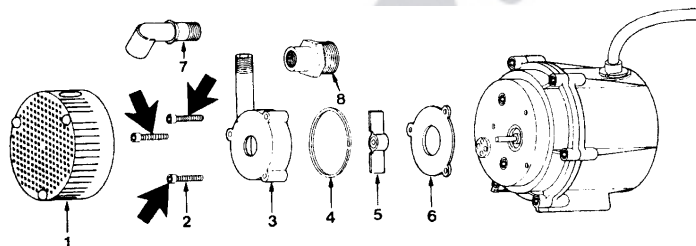
LITTLE GIANT COVER & FOUNTAIN PUMPS

Models PCPK-1 & 1-AA-18



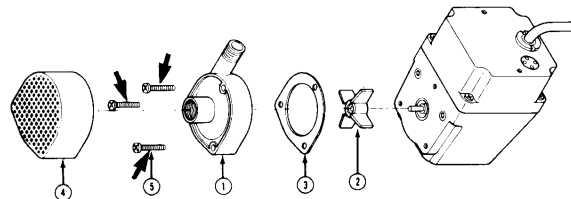
KEY	MFG NO.	DESCRIPTION	ITEM NO.
1	101350	Volute, Polypropylene	K1200
2	101441	Impeller, Press On	K1204
3	101901	Screen, Intake	K1106
5	902411	Screw, #8 - 18 x 7/8"	K1217
6	943070	Elbow	K1207
7	941013	Adaptor	K1296

Model NK-1 & NK-2



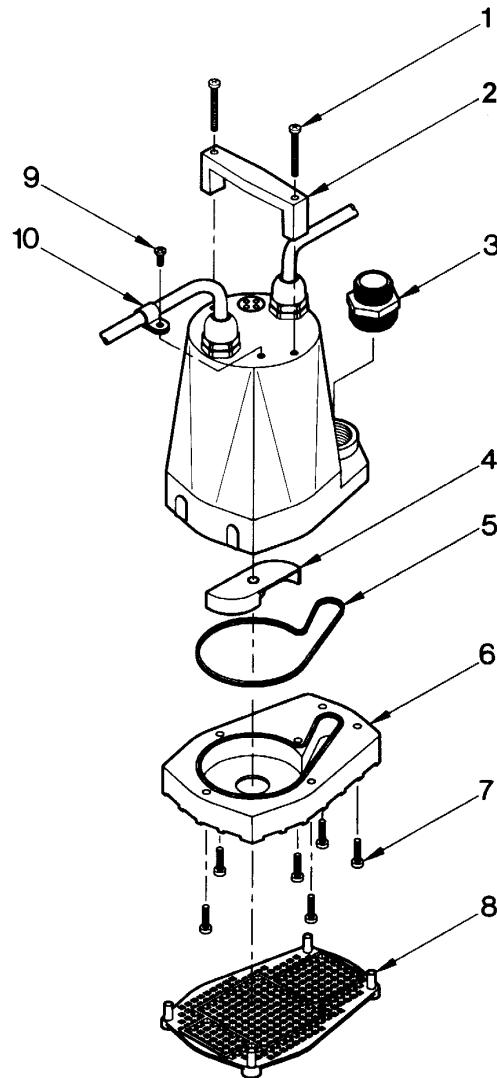
KEY	MFG NO.	DESCRIPTION	ITEM NO.
1	101376	Screen, Polyethylene	K1307
2	902417	Screw, # 8 - 18 x 1", S.S. (3 needed)	K1311
3	116375	Volute, Smooth, Nylon	K1312
4	928007	Seal Ring, Sq. Cut, Nitrile	K1104
5	116437	Impeller Assembly, Nylon	K1102
6	126377	Backplate, Nylon	K1205
7	943076	Elbow, 90 Degree, Nylon	K1206
8	941013	Adaptor, 3/4 GHT x 1/4 FNPT	K1296

Model 2E-N



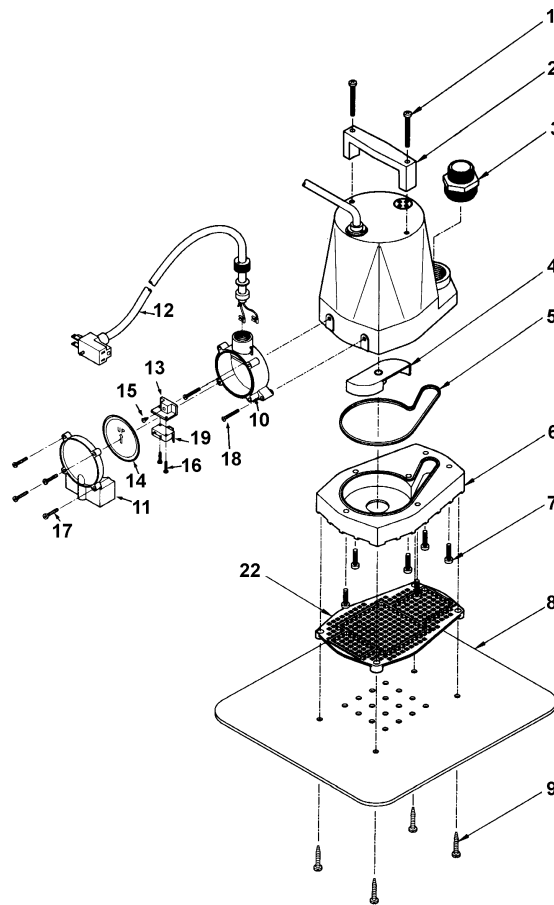
KEY	MFG NO.	DESCRIPTION	ITEM NO.
1	102333	Volute, Hooded	K1208
2	102470	Impeller, Press-On	K1210
3	102601	Gasket	K1211
4	102909	Screen, Intake	K1216
5	902413	Screw, Machine #8 - 32 x 1-1/8" (3 needed)	K1221

LITTLE GIANT MAINTENANCE PUMPS

**5-MSP & 5-ASP-FS**

KEY	MFG NO.	DESCRIPTION	ITEM NO.
1	902411	Screw, #8 - 18 x 1-7/8" (2 needed)	K1214
2	105911	Handle	K1241
3	941045	Garden Hose Adapter, 1" x 3/4" MPT x MHT	K1219
4	105310	Impeller	K1242
5	928024	Seal Ring	K1234
6	105200	Volute Base	K1236
7	902434	Screw, #8 - 32 x 3/8" (6 needed)	K1238
8	105900	Screen	K1240
---	599004	DW-5 Bottom Drain Adapter for Swimming Pool	K1260

LITTLE GIANT MAINTENANCE PUMPS



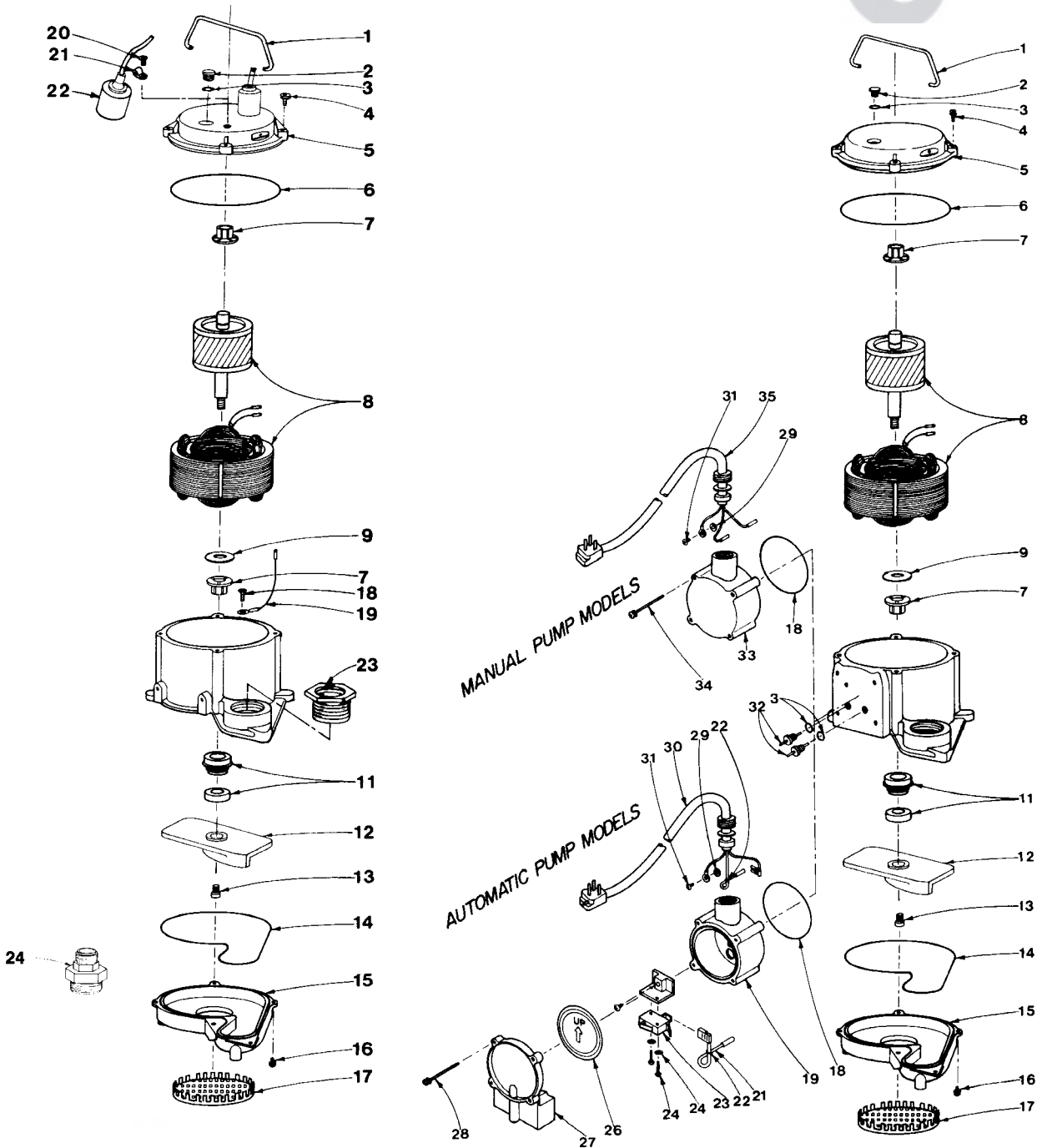
5-APCP & 5-APCP-GFCI

KEY	MFG NO.	DESCRIPTION	ITEM NO.
1	902441	Screw, #8 - 18 x 1-5/8" (2 needed)	K1214
2	105911	Handle	K1241
3	941040	Adapter (Nylon)	K1215
4	105310	Impeller (Nylon)	K1242
5	928024	Seal Ring	K1234
6	105908	Base for Volute (Nylon)	K1223
7	902434	Screw, #8 - 18 x 3/4" (4 needed)	K1238
8	105600	Stabilizer Plate (PVC)	K1224
9	909032	Screw, 1/4" - 20 x 5/8" (4 needed)	K1250
10	105902	Switch Housing	K1226
11	105903	Housing Cover for Switch	K1227
12	951056	Wiring Harness - 25 Foot Cord	K1228
13	108199	Bracket	K1229
14	108125	Diaphragm Assembly	K1266
15	902416	Screw, #8 - 18 x 3/8"	K1230
16	909034	Screw, #4 - 40 x 5/8" (2 needed)	K1283
17	902512	Screw, #10 - 16 x 3/4" (4 needed)	K1232
18	901513	Screw, #10 - 24 x 1" (2 needed)	K1233
19	950324	Switch	K1235
21	950985	Cable Tie (Heli-Tube) (5 needed)	K1237
22	105909	Screen (Nylon)	K1239
---	599019	Complete Switch Assembly	K1243

LITTLE GIANT SUMP PUMPS

6-CIM-R
6-CIA-RFS

6-CIM, 6-CIA



LITTLE GIANT SUMP PUMPS 6-CIM-R & 6-CIA-RFS

KEY	MFG NO.	DESCRIPTION	ITEM NO.
1	108101	Handle for Sump Pump	K1265
2	947003	Plug, Oil	K1298
3	924006	O-Ring, Oil Plug	K1291
4	909022	Screw & Washer #10-24 x 5/8" (4 needed)	K1255
5	106136	Cover with 10 ft Power Cord (6-CIM-R & 6-CIA-RFS)	K1322
5	106138	Cover with 25 ft Power Cord (6-CIM-R Only)	K1245
6	928002	Seal Ring for Cover	K1294
7	948010	Bearing, Slotted Sleeve (2 needed)	K1300
8	979109 / 979110	Stator & Rotor Assembly	K1247
9	108136	Spacer for Rotor	K1249
11	926024	Seal Assembly	K1258
12	106072	Impeller	K1246
13	909032	Screw, Machine, 1/4"-20 x 5/8"	K1250
14	928004	Seal Ring, Pump Base	K1220
15	108034	Base, Pump	K1218
16	909021	Screw & Washer #10-24 x 1/2" (5 needed)	K1254
17	108082	Intake Screen	K1222
18	902437	Screw, Self-Tapping, #8-32 x 1/4"	K1251
19	951990	Lead Wire Assembly	K1253
20	902514	Screw, Self-Tapping #10-16 x 1/2" (6-CIA-RFS Only)	K1319
21	927027	Clamp for Cord (6-CIA-RFS Only)	K1320
22	950214	Mercury Float Switch (6-CIA-RFS Only)	K1321
23	944031	Reducing Bushing	K1259
24	941028	Garden Hose Adapter, 3/4"	K1262

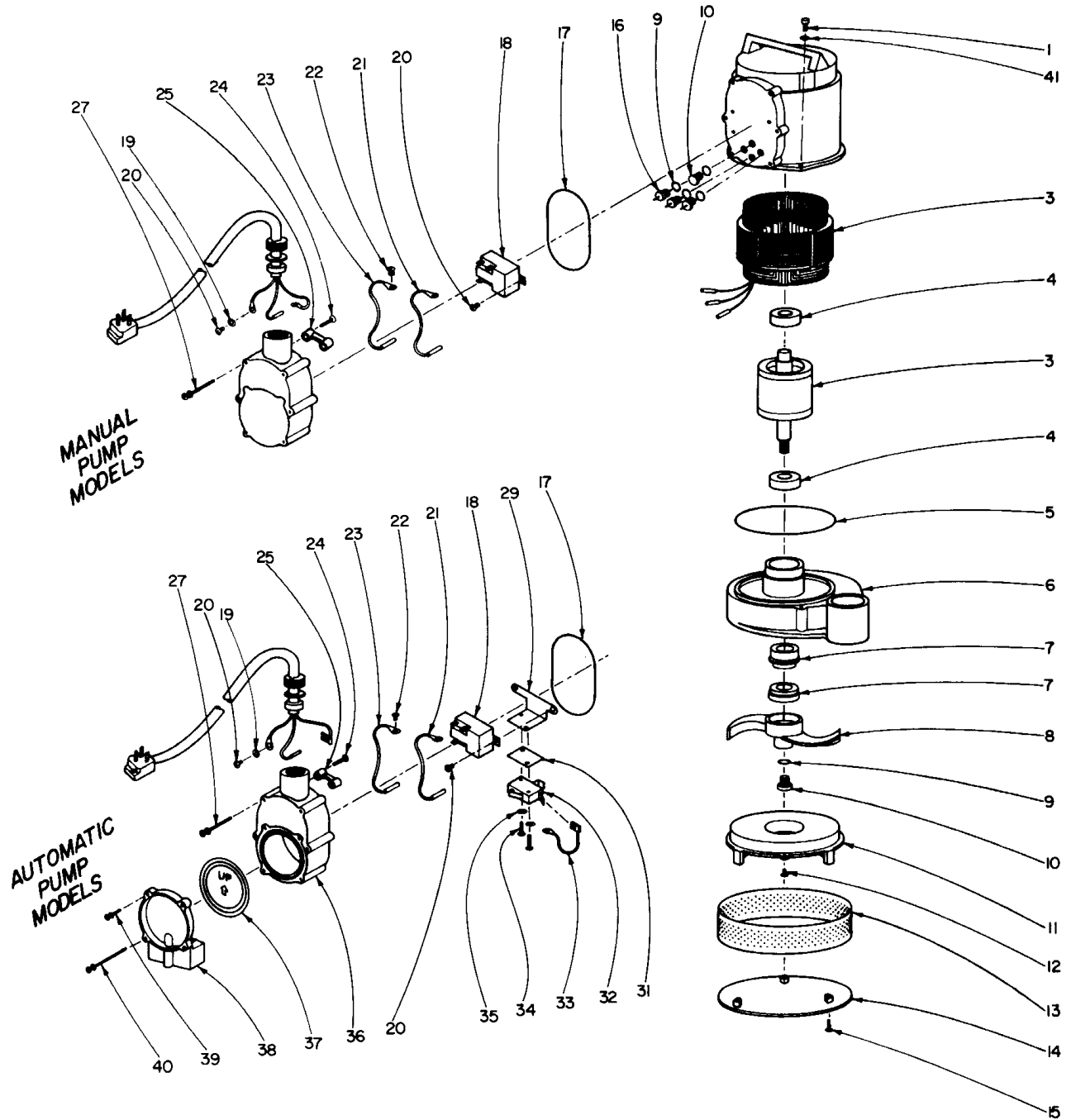
6-CIM & 6-CIA

1	108101	Handle for Pump	K1265
2	947003	Oil Plug	K1298
3	924006	O-Ring (3 needed)	K1291
4	909022	Screw & Washer #10-24 x 5/8" (4 needed)	K1255
5	106130	Cover for Motor Housing	K1267
6	928002	Seal Ring for Cover	K1294
7	948010	Bearing, Flanged Sleeve (2 needed)	K1300
8	979109 / 979106	Stator & Rotor Assembly	K1247
9	108136	Spacer for Rotor	K1269
11	926024	Seal Assembly	K1258
12	106072	Impeller	K1246
13	909032	Screw, Machine 1/4"-20 x 5/8"	K1250
14	928004	Seal Ring, Pump Base	K1220
15	108034	Pump Base (6-CIM)	K1218
15	108029	Pump Base (6-CIA)	K1252
16	909021	Screw & Washer #10-24 x 1/2" (5 needed)	K1254
17	108082	Intake Screen	K1222
18	928028	Seal Ring	K1256
19	108048	Housing for Automatic Switch (6-CIA Only)	K1231
21	951961	Lead Wire Assembly (6-CIA Only)	K1201
22	924001	O-Ring, (2 needed) (6-CIA Only)	K1202
23	950323	Minature Switch (6-CIA Only)	K1301
24	909034	Screw & Washer #4-4- x 5/8" (6-CIA Only) (2 needed)	K1283
26	108125	Actuator, Switch (6-CIA Only)	K1266
27	108055	Cover, Automatic Switch Housing (6-CIA Only)	K1263
28	909027	Screw & Washer #10-24 x 1-3/4" (6-CIA Only) (4 needed)	K1261
29	921023	Lock Washer #10	K1287
30	951547	Wiring Harness with Tube (6-CIA Only)	K1304
31	901529	Screw, Machine #10-24 x 1/4"	K1281
32	950431	Terminal, Feed Through (2 needed)	K1302
33	108065	Housing, Manual Terminal (6-CIM Only)	K1264
34	909024	Screw & Washer #10-24 x 1-3/8" (6-CIM Only) (4 needed)	K1248
35	951548	Wiring Harness Assembly - 10 ft (6-CIM Only)	K1305

LITTLE GIANT SUMP PUMP
Model 10-CIA

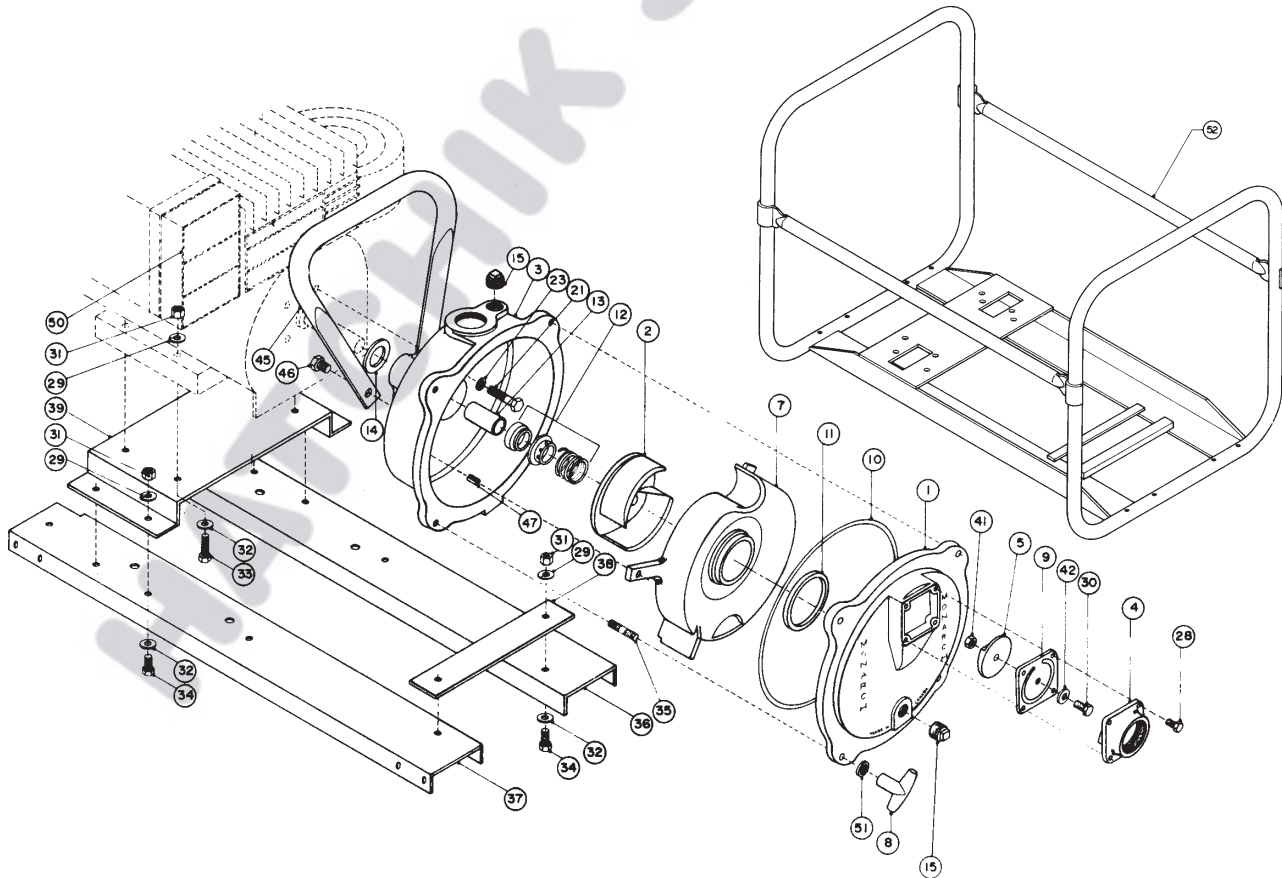
KEY	MFG NO.	DESCRIPTION		ITEM NO.
1	903710	Screw, Cap 1/4 - 20 x 5/8"	(3 needed)	K1325
3	979404	Stator Assembly		K1327
3	979401	Rotor Assembly (115V)		K1328
4	948004	Bearing, Ball	(2 needed)	K1299
5	928001	Seal Ring		K1329
6	110022	Volute		K1330
7	926034	Seal, Shaft, 2 Piece		K1331
8	112063	Impeller		K1332
9	924006	O-Ring (5 needed)		K1291
10	947003	Oil Plug	(2 needed)	K1298
11	110033	Base		K1333
12	909021	Screw / Washer # 10 - 24 1/2"	(3 needed)	K1254
13	110082	Screen, Intake		K1273
14	110092	Plate, Screen		K1274
15	909023	Screw / Washer # 10 - 24 x 1/4"	(3 needed)	K1257
16	950431	Terminal, Feed Through	(3 needed)	K1302
17	928019	Seal Ring		K1295
18	950930	Relay		K1303
19	921028	Washer, Lock # 6		K1334
20	902307	Screw, Tap # 6 - 32 x 1/4"	(3 needed)	K1335
21	951963	Lead Wire, Black 4-1/2"		K1336
22	901306	Screw, # 6 - 32 x 3/16"	(3 needed)	K1337
23	951964	Lead Wire, Red 4-1/2"		K1338
24	902409	Screw, Tap # 8 - 18 x 1/4"	(2 needed)	K1339
25	112120	Clamp, Strain Relief	(2 needed)	K1340
27	909025	Screw / Washer # 10 - 24 x 1-1/4"	(4 needed)	K1341
28	951553	Power Cord (Manual), 25 ft.		K1342
29	112122	Bracket, Relay & Switch		K1343
31	112119	Pad, Insulating		K1344
32	950323	Switch		K1301
33	951976	Lead Wire, Black 4"		K1345
34	902507	Screw, Tap # 4 - 40 x 5/8"	(2 needed)	K1346
35	921017	Washer, Lock # 4	(2 needed)	K1347
36	110053	Housing, Switch & Relay		K1272
37	108125	Diaphragm Assembly		K1266
38	108055	Cover, Switch Housing		K1263
39	909022	Screw / Washer # 10 - 24 x 5/8"	(2 needed)	K1255
40	921023	Washer # 10 - 24 x 2-1/8"	(2 needed)	K1287
41	921024	Washer Lock 1/4"	(3 needed)	K1349

LITTLE GIANT SUMP PUMP
Model 10-CIA



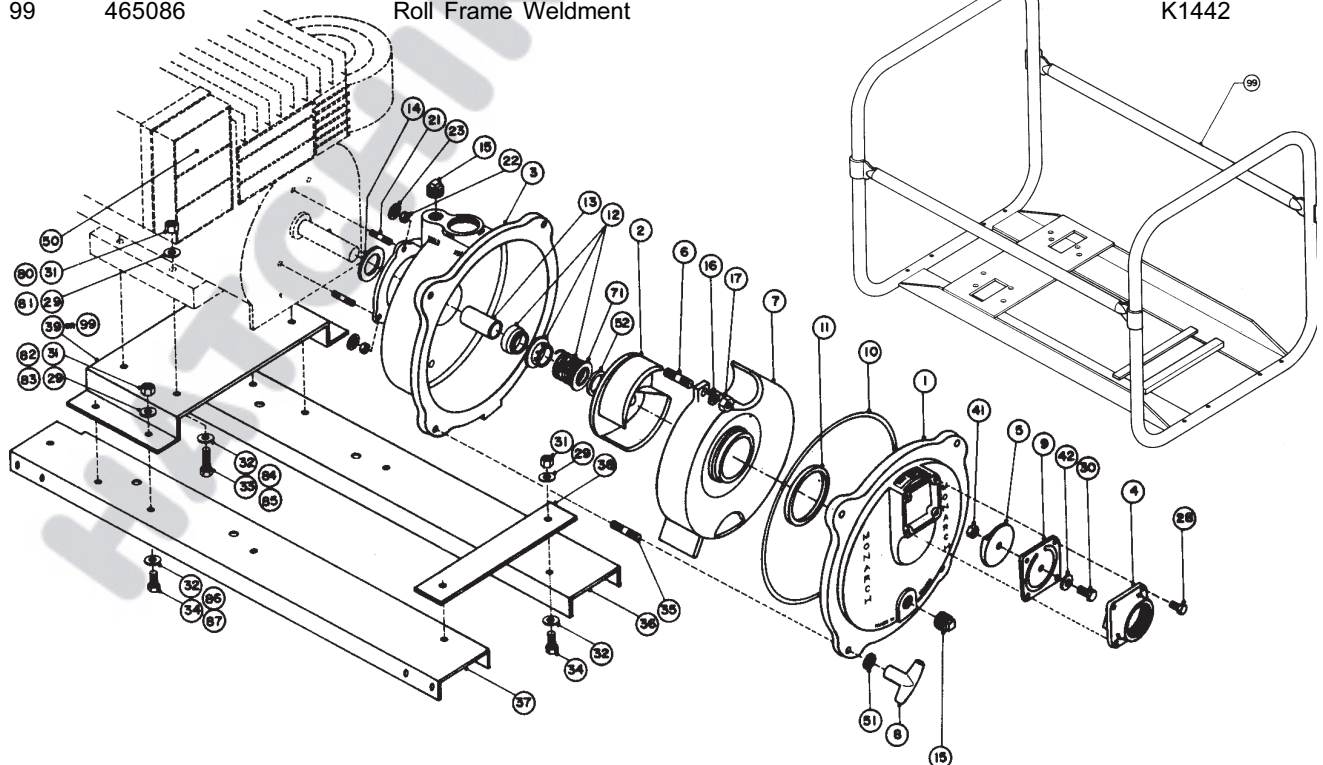
MONARCH TSP-2RF TRASH PUMP

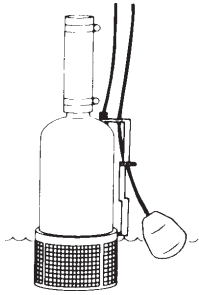
KEY	MFG NO.	DESCRIPTION	ITEM NO.
1	465031	Front Casing	K1450
2	465001	Impeller	K1451
3	465021	Rear Casing	K1452
4	414730	Check Valve Cover	K1453
5	014740	Top Weight	K1454
7	465011	Volute	K1455
8	465053	Butterfly Nut - Special (4 needed)	K1436
9	191260	Rubber Flap	K1456
10	198186	O-Ring	K1457
11	199700	Seal	K1458
12	240170	Mechanical Seal (201)	K1459
13	401650	Sleeve	K1460
14	191140	Flinger	K1461
15	185650	Pipe Plug, 3/4" NPT (2 needed)	K1416
21	225962	Bolt, 5/16" x 1-3/4" (4 needed)	K1462
23	199007	Washer Seal (4 needed)	K1463
28	120010	Bolt, 3/8" x 1" (4 needed)	K1464
29	176530	Spring Washer, 5/16" (4 needed)	K1421
30	225750	Bolt, 1/4" x 1" (4 needed)	K1465
31	128220	Nut, 5/16" (4 needed)	K1423
32	174440	Washer, 3/8" (4 needed)	K1424
33	119810	Bolt, 5/16" x 1-3/4" (4 needed)	K1425
35	165230	Stud, 1/2" x 1-1/2" (4 needed)	K1427
41	227810	Nut, 1/4" (4 needed)	K1467
42	013150	Bottom Weight	K1468
47	135471	Pin-Slotted, 1/4" x 5/8" (2 needed)	K1471
50	201913	Engine, 5 HP, Briggs & Stratton #132232	K1472
51	176690	Lock Washer, 1/2" (4 needed)	K1440
52	465086	Roll Frame	K1442



MONARCH TSP-3RF TRASH PUMP

KEY	MFG NO.	DESCRIPTION	ITEM NO.
1	465032	Front Casing, TSP-3	K1400
2	465002	Impeller	K1401
3	465093	Rear Casing - Type C	K1473
4	465042	Check Valve Cover	K1404
5	438486	Top Weight	K1405
6	172980	Stud, 3/8" x 1-1/2" for Type C Casing	K1474
7	465005	Volute Type C	K1475
8	465053	Butterfly Nut - Special	(4 needed) K1436
9	190716	Rubber Flapper	K1410
10	197989	O-Ring	K1411
11	199696	Seal	K1412
12	240080	Mechanical Seal	K1413
13	414144	Sleeve for TSP3	K1414
14	109848	Flinger	K1415
15	185650	Pipe Plug, 3/4 NPT	(2 needed) K1416
16	176500	Lock Washer, 3/8"	(2 needed) K1476
17	128630	Nut, 3/8" - Brass	(2 needed) K1477
21	164630	Stud, 3/8" x 1-1/2"	(4 needed) K1417
22	128230	Nut, 3/8"	(4 needed) K1418
23	176688	Spring Lock Washer Int. 3/8" I.D.	(4 needed) K1419
28	120000	Bolt, 3/8" x 7/8"	(4 needed) K1420
29	176530	Spring Lock Washer, 5/16"	(10 needed) K1421
30	225970	Bolt, 5/16" x 7/8"	K1422
31	128220	Nut, 5/16"	(4 needed) K1423
32	174440	Washer, 3/8" I.D.	(4 needed) K1424
33	119810	Bolt, 5/16" x 1-3/4"	(4 needed) K1425
35	165230	Stud, 1/2" x 1-1/2"	(4 needed) K1427
38	465052	Pump End Support Plate, Type C	K1479
41	227820	Nut, 5/16" Zinc Plated	K1443
42	175530	Washer, 21/64 I.D.	K1437
50	201919	Engine #195432 Briggs & Stratton	K1438
51	176690	Tooth Lock Washer Int. 1/2" I.D.	K1440
71	240071	Spring Holder MS-7	K1441
99	465086	Roll Frame Weldment	K1442

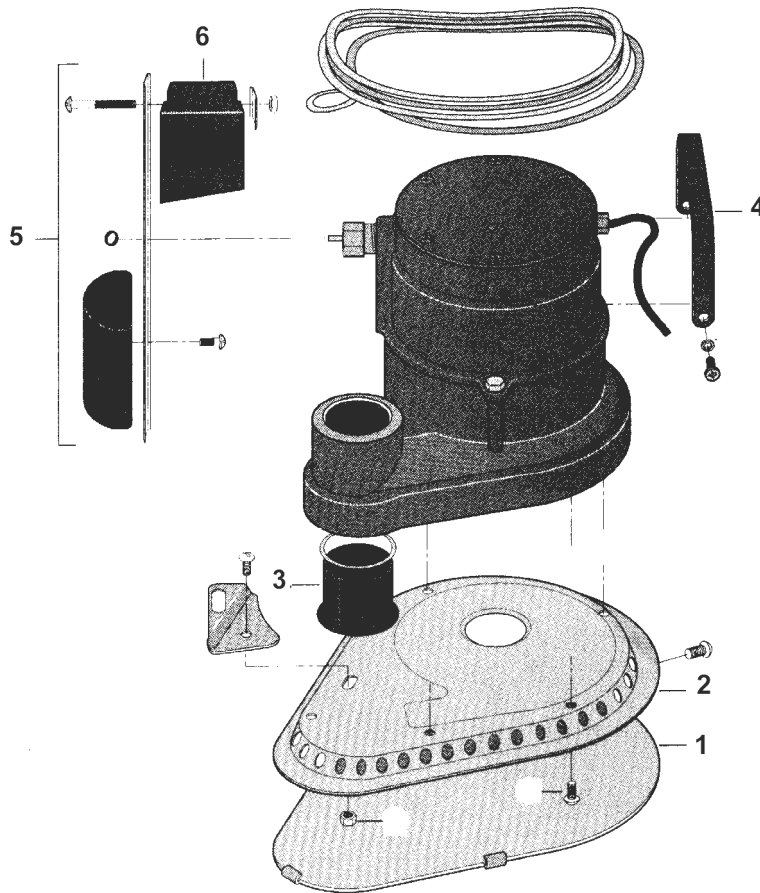




STA-RITE TRIDENT PUMP

MFG. NO.	DESCRIPTION	ITEM NO.
U74-68	Discharge Connector - 1-1/2", w/ 2 Clamps	K1313
1513002	Power Cord	K1315
PS217-64	Automatic Float Switch	K1316
12924	Screen	K1324

STA-RITE PCD-10B SUBMERSIBLE DRAINER



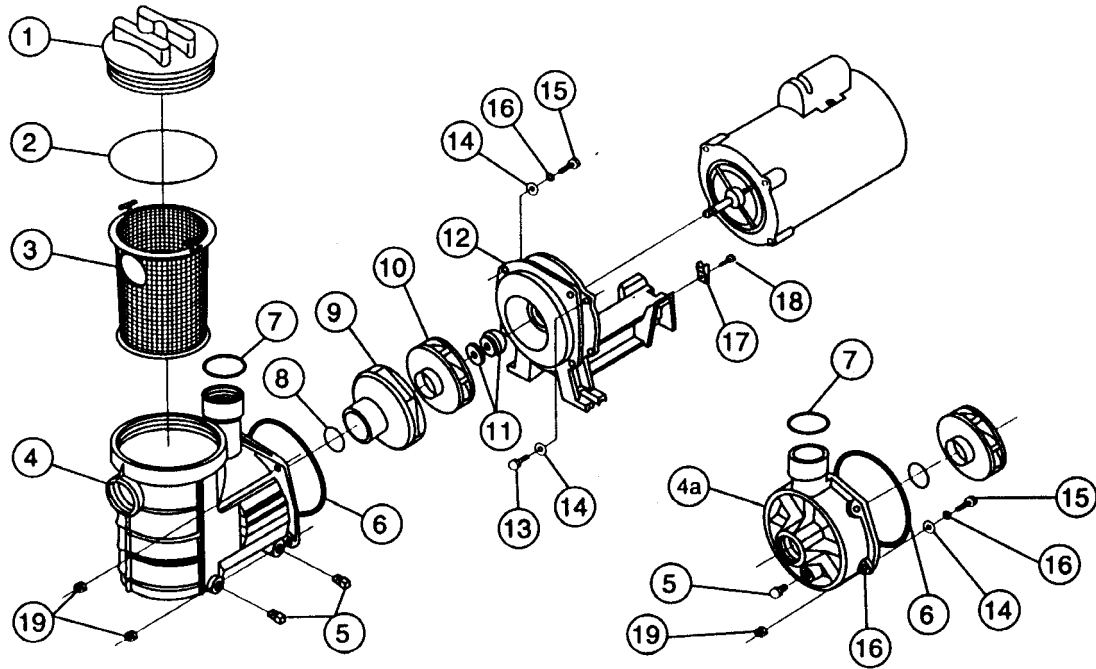
KEY	MFG. NO.	DESCRIPTION	ITEM NO.
1	PS4-11D	Base Plate Cover	K1500
2	PS4-9D	Base Plate	K1502
3	PS20-12	Check Valve	K1504
4	PS54-11	Handle	K1506
5	PS128-4	Float, Rod and Weight Assy. (Includes Float, Clip Machine Screw 8-32 x 2", Locknut, Float Rod, Weight & Screw 12 x 11/16")	K1508
6	PS28-10P	Float	K1510

American Americana Pump	154
American Products Bronze Pumps	151
American Products Eagle	149
American Products Maxim	150
American Products Ultra-Flow	152,153
Anthony Centrifugal Bronze Pumps	155
Anthony Centrifugal Pumps	156
Aqua-Flo Bronze "AC" Series	157
Aqua-Flo Flo-Master "FMCP" Series	158
Aqua-Flo Flo-Master "FMHP" Series	159
Aqua-Flo Dominator	160,161
Hayward Max-Flo SP-1800X Series	166
Hayward Max-Flo SP-2800X Series	167
Hayward Northstar Pump	172
Hayward Power-Flo II SP1700	165
Hayward Power-Flo SP1500	164
Hayward Power-Flo SP1500UN	162,163
Hayward Self-Draining Pumps	162,163
Hayward Super Pumps SP-1600X Series	168
Hayward Super Pumps SP-2600X Series	169
Hayward Super II Pumps	170,171
Jacuzzi Cygnet	173
Jacuzzi LR Series	176
Jacuzzi Magnum, Magnum Plus & Magnum Force	174,175
Marlow Argonaut	177
Marlow "3B-EC" Series	178,179
Marlow "2AF" Series	179
Marlow "L" Series	180, 181
Marlow "4SPC" Series	182,183
Marlow Mardur Series	184,185

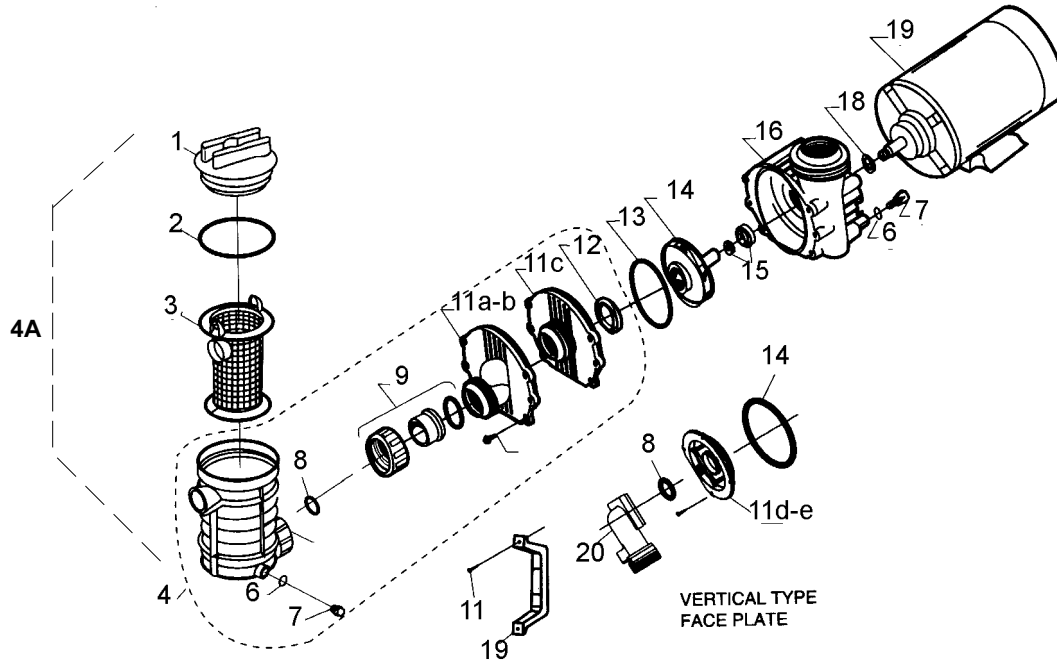
Pumps

Motor Replacements	217-219
Pac-Fab Challenger High Flow	188,189
Pac-Fab Challenger High Head	186,187
Pac-Fab Dynamo	190
Pac-Fab Hydro Pump 590 & 700 Series	191
Pac-Fab Pinnacle	192
Pac-Fab Waterfall	193
Premier Pumps	200
Pump Seals & Gaskets	220
Purex "AH" Series	194
Purex Aquatron / QuietFlo "AQ" Series	195
Purex C-Series	196
Purex "L" Series	197
Purex "R" Series	198
Purex Whipperflo "WFE" Series	199
Sta-Rite Booster Pump "PLBC"	205
Sta-Rite Bronze "CFA" & "CF6" Series	211
Sta-Rite "CSPH" & "CCSPH" Centrifugal Pumps	214,215
Sta-Rite "D" Series Centrifugal Pump	212,213
Sta-Rite "D" Series Hair & Lint Strainers	213
Sta-Rite Dura-Glas II & Max-E-Glas II	206,207
Sta-Rite Dura-Glas & Max-E-Glas	208,209
Sta-Rite Dyna-Glas & Dyna-Max	204
Sta-Rite "LT" Series	201
Sta-Rite Dura-Jet "JS" Series	202
Sta-Rite "JWPA" Series	203
Sta-Rite Plastic 5" & 6" Hair & Lint Strainers	210
Sta-Rite (Swimquip) XL-VI Series Bronze Pump	216
Sta-Rite (Swimquip) XL-VII Series Plastic Pump	216

AMERICAN PRODUCTS EAGLE PUMPS



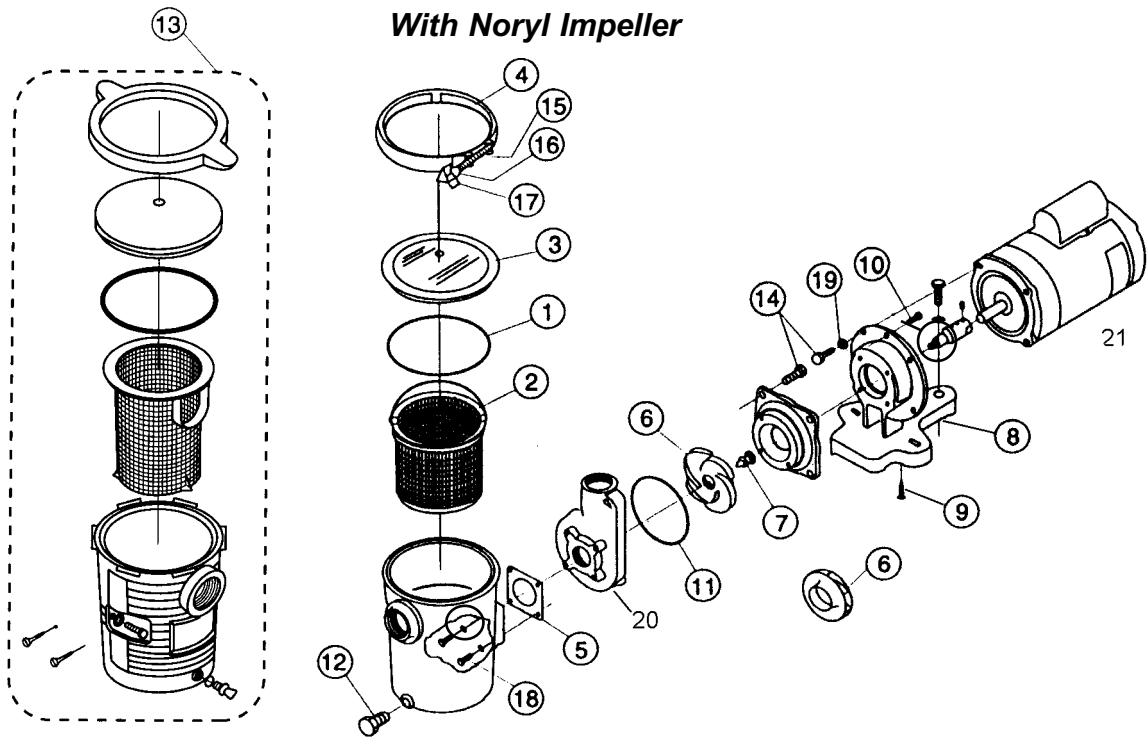
KEY	MFG NO.	DESCRIPTION	ITEM NO.
1	39200200	Lid for Trap - Eagle Pump	K3805
1	39200299	Lid, Baquacil resistant, black	K3798
2	39204100	O-Ring, Lid	K3804
3	39200100	Basket	K3803
4	39201700	Integral Pot & Volute, 2" Suction Port	K3818
4	39202100	Integral Pot & Volute, 1-1/2" Suction Port	K3802
4A	39201100	Booster Volute	K3807
5	98206400	Plug with O-Ring, 1/4"	H3621
6	39200300	O-Ring, Volute	K3806
7	39204600	S.S. Reinforcing Ring	K3836
8	39204800	Gasket	K3823
9	39204700	Diffuser	K3822
10	39200500	Impeller, 1/2 HP	K3821
10	39200600	Impeller, 3/4 HP	K3801
10	39200700	Impeller, 1 HP	K3800
10	39200800	Impeller, 1-1/2 HP	K3820
10	39200900	Impeller, 2 HP	K3819
11	071734	Mechanical Shaft Seal	K9386
11	-----	Generic Shaft Seal (#1000)	K6054
12	39201000	Seal Plate	K3824
13	070429	Bolt, Hex Head, 3/8 - 16 x 3/4"	K9387
14	072184	Flat Washer, 3/8"	K3828
15	070430	Bolt, Hex Head 3/8 - 16 x 1-1/4"	K9362
16	37413000	Nut	K3832
17	39201300	Motor Support	K3825
18	98203000	Screw, High-low, 13 - 16 x 3/4"	L4927
19	37413000	Nut, Volute to Seal Plate, 3/8 - 16	K3832
---	Go Kit 21	Aladdin Pump Repair Kit (Gaskets & Seal)	K6047



KEY	MFG NO.	DESCRIPTION	ITEM NO.
1	39101199	Lid, Clear, Baquail Resistant	K3870
1	39101000	Lid, Clear	K3724
2	39101900	O-Ring	K3871
3	39101200	Basket	K3883
4	39106800	Pot, Union Nut, Face Plate, Wear Ring Assembly	K3882
4A	39106900	Pot Assembly, Complete	K3734
---	39104800	Pot Only	K3736
6	57006500	O-Ring	H3585
7	98206400	Plug, 1/4" w/O-Ring	H3621
9	46802000	Swivel Union, Assembly	K3796
11a	39806000	Face Plate Center, Self Drain	K3884
11b	39502500	Face Plate Side, Self Drain	K3893
11c	39502400	Face Plate, Booster	K3892
11d	39105801	Face Plate, Vertical 180 Degrees	K3726
11e	39105802	Face Plate, Vertical	K3885
12	39701800	Wear Ring, 1/2 through 1-1/2 HP (after 7-93)	K3868
13	39102100	Slinger	K3887
13	39101500	O-Ring, Volute	K3877
14	39104600	Impeller 1/2 HP	K3869
14	39153100	Impeller 3/4 HP	K3873
14	39153200	Impeller 1 HP	K3874
14	39153400	Impeller 1-1/2 HP	K3875
14	39153500	Impeller 2 HP	K3876
15	071734	Seal Assembly (39701200)	K3865
16	39104900	Volute, C Series	K3810
16	39102503	Volute, S Series	K3841
17	98212200	Nut, Pot Union	K3730
18	39102100	Slinger, Washer	K3887
19	-----	Pump Motor (See Motor Replacement Pages 217-219)	----
---	39102800	O-Ring, Swivel Union	K3890
---	39104400	Insert Plate, Self Drain Pump	K3891

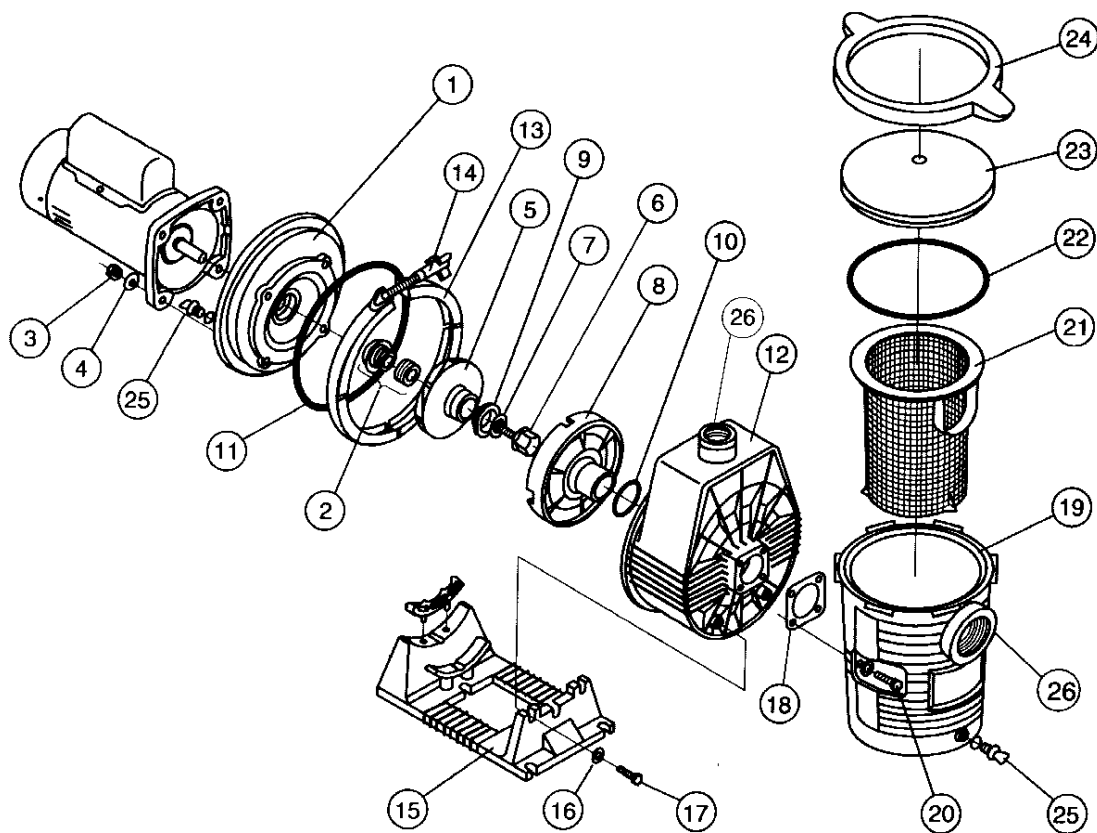
AMERICAN PRODUCTS BRONZE PUMPS

With Noryl Impeller



KEY	MFG NO.	DESCRIPTION	ITEM NO.
1	39300300	O-Ring, Lid - Bronze Pump w/Noryl Impeller	K3811
2	39300400	Basket (Before 10/1/87)	K3799
2	39303500	Basket (Current)	K3835
2	B-177	Basket, Generic	K7177
3	39301601	See-Through Lid	K3860
4	39303000	Clamp Assembly - Bronze Pump w/Noryl Impeller	K3813
5	39501200	Gasket, Pot to Volute	K3809
6	39500600	Impeller, 1/2 HP - Noryl	H3591
6	39500700	Impeller, 3/4 HP - Noryl	H3592
6	39500800	Impeller, 1 HP - Noryl	H3593
6	39500900	Impeller, 1-1/2 HP - Noryl	H3594
6	39501000	Impeller, 2 HP - Noryl	H3595
6	39700300	Impeller, 3/4 HP Bronze	K3732
7	-----	Generic Seal #201 for Noryl Impeller	K6032
7	-----	Generic Seal #1000 for Bronze Impeller	K6054
8	39701500	Base	K3797
9	98211500	Screw, 6" x 5/8", High-low, Self-tap	H3607
10	98203300	Screw, Hex Head, Slotted, 10-24 x 5/8"	H3608
11	39702800	O-Ring, Volute to Seal Plate	H3606
12	98206400	Plug 1/4" w/O-Ring	H3621
13	39203900	Pot Assy., Upgrade Kit, Noryl, 1-1/2" Threaded	H3614
13	39204300	Pot Assy., Upgrade Kit, 2"	H3615
14	98203400	Bolt, Hex 3/8-16 x 3/4"	K3827
15	98206600	T-bolt (N/A when out)	K3814
16	51008500	Washer, Flat, 1/4" S/S	K3898
17	39302700	Knob	K3816
18	98201800	Bolt, 1/4-20 x 1-3/4"	K3858
19	072184	Washer, 3/8"	K3828
20	-----	Volute, No Longer Available	K3808
21	-----	Motor (See Motor Replacement Pages 217-219)	----
---	-----	Go Kit 16, Pump Repair Kit (Gaskets & Seal)	K6033

AMERICAN PRODUCTS ULTRA-FLOW PUMPS



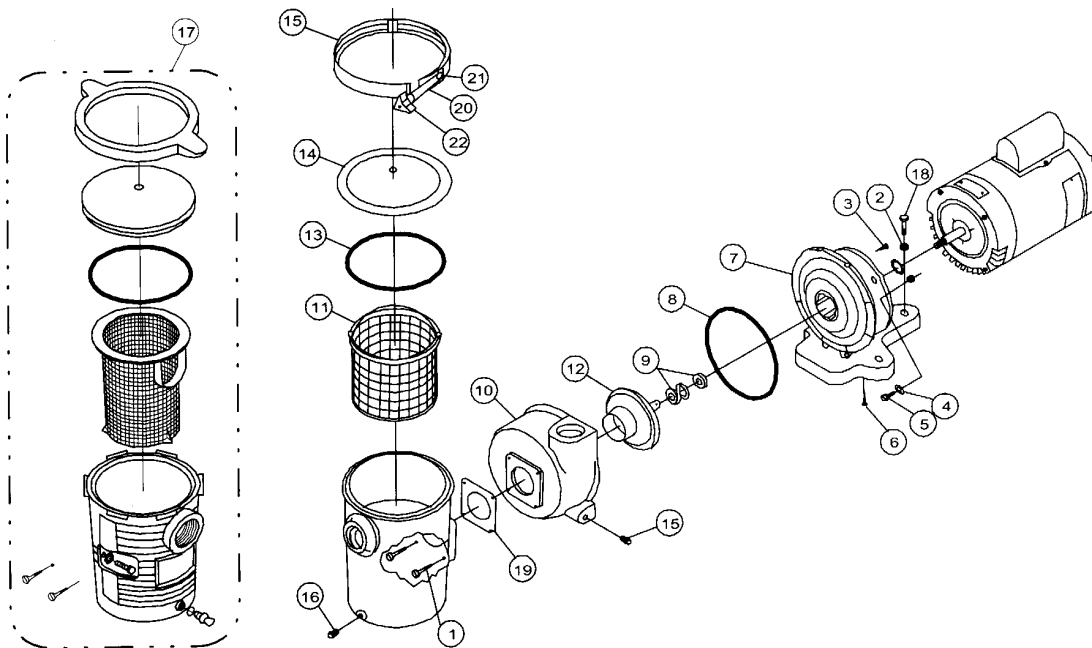
**purex
triton**
Pool and Spa Systems

KEY	MFG NO.	DESCRIPTION	ITEM NO.
1	357143	Seal Plate	K3839
1	357142	Seal Plate, Kit	K3700
2	071734	Shaft Seal	K9386
2	-----	Generic Shaft Seal #1000	K6054
3	98220500	Nut, Brass, 3/8 - 16 Hex	K3896
4	98220600	Washer, Lock, 3/8, S/S	K3828

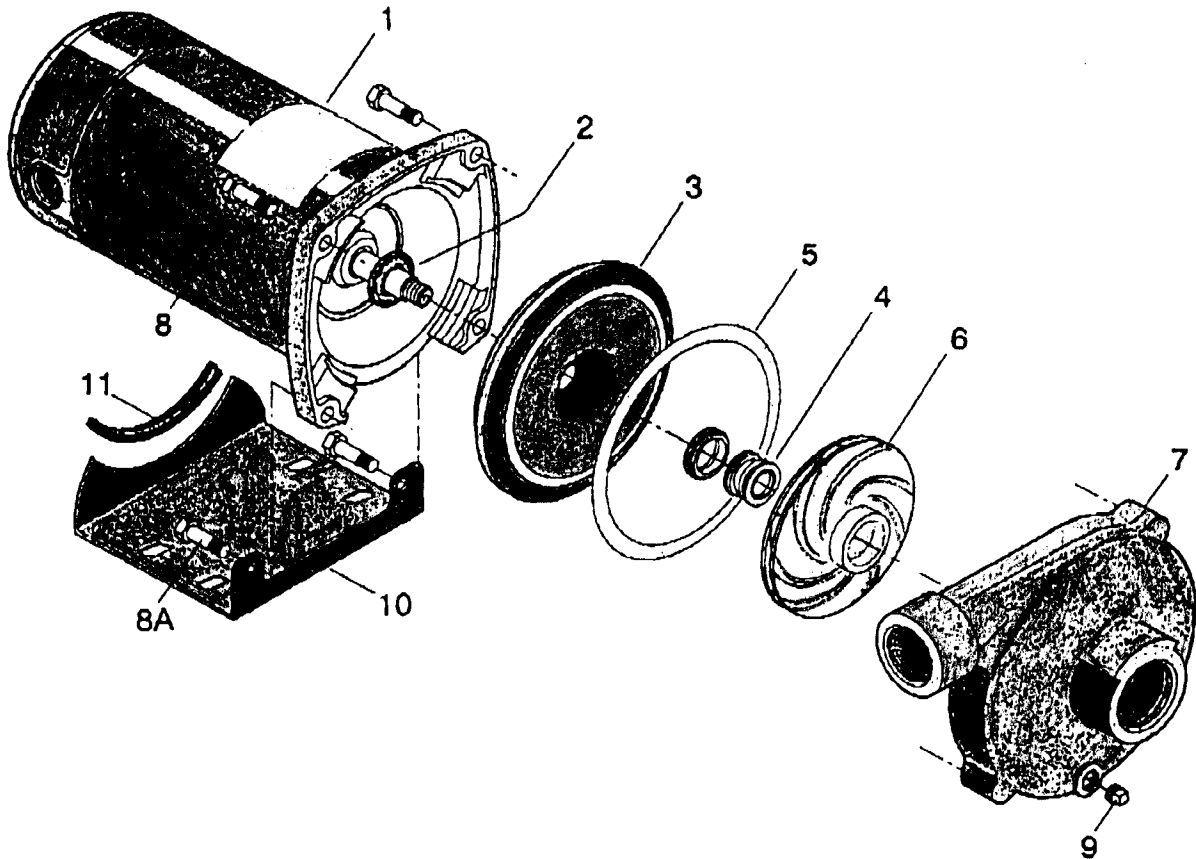
AMERICAN PRODUCTS ULTRA-FLO PUMPS

KEY	MFG.NO.	DESCRIPTION	ITEM NO.
5	39005600	1/2 HP Impeller, Full Rated	K3842
5	39005000	3/4 HP Impeller, Full Rated	K3843
5	39005100	1 HP Impeller, Full Rated	K3844
5	39005200	1-1/2 HP Impeller, Full Rated	K3845
5	39005300	2 HP Impeller, Full Rated	K3846
5	39005400	3 HP Impeller, Full Rated	K3847
6	39009900	Screw, Impeller Lock, Left Hand Threaded	K3795
8	39005500	Diffuser, 1/2 to 1-1/2 HP	K3848
8	39015500	Diffuser, 2 and 3 HP	K3714
9	39006900	Wear Ring (<i>Install Smaller Side Toward Impeller</i>)	K3849
10	39006600	Gasket, Diffuser	K3850
11	39006000	O-Ring, Volute	K3851
12	357141	Volute, 1-1/2"	K3852
12	357140	Volute, 2"	K3853
13	39006200	Clamp Assembly, Volute	K3854
14	39302700	Knob, Clamp	K3816
15	357139	Base	K3855
16	072184	Washer, Flat 3/8"	K3828
17	98219800	Bolt, 5/16-18 x 1"	K3856
18	39501200	Gasket, Pot to Volute	K3857
19	39201810	Pot, 1-1/2" Threaded, w/Wear Ring (before 11-94) (<i>Replaces#39307300</i>)	K3838
19	357138	Pot, 1-1/2" Threaded w/Wear Ring (after 11-94)	K3716
19	39202010	Pot, 2" Threaded, w/Wear Ring (before 11-94) (<i>Replaces#39007100</i>)	K3837
19	357137	Pot, 2" Threaded w/Wear Ring (after 11-94)	K3718
20	98201800	Bolt, 1/4 - 20 x 1-3/4"	K3858
21	39303500	Basket, Strainer	K3835
22	39300300	O-Ring, Lid (before 11-94)	K3811
22	39300600	O-Ring, Lid (after 11-94)	K3905
23	39301700	Lid	K3906
24	39303000	Clamp Assembly Pot (before 11-94)	K3861
24	39105000	Locking Ring, Pot Lid (after 11-94)	K3908
25	98206400	Plug 1/4" w/O-Ring	H3621
26	39007200	Ring Reinforcing, for Ports 2"	K3863
26	39204600	Ring, Reinforcing, for Ports 1-1/2"	K3836
---	98208300	Screw, HH 1/4-20 x 7/8	K3897
---	51008500	Flat Washer, 1/4"	K3898
---	39302800	Clamp Only	K3899
---	Go Kit 20	Pump Repair Kit (Gaskets & Seal)	K6009

AMERICAN AMERICANA PUMP



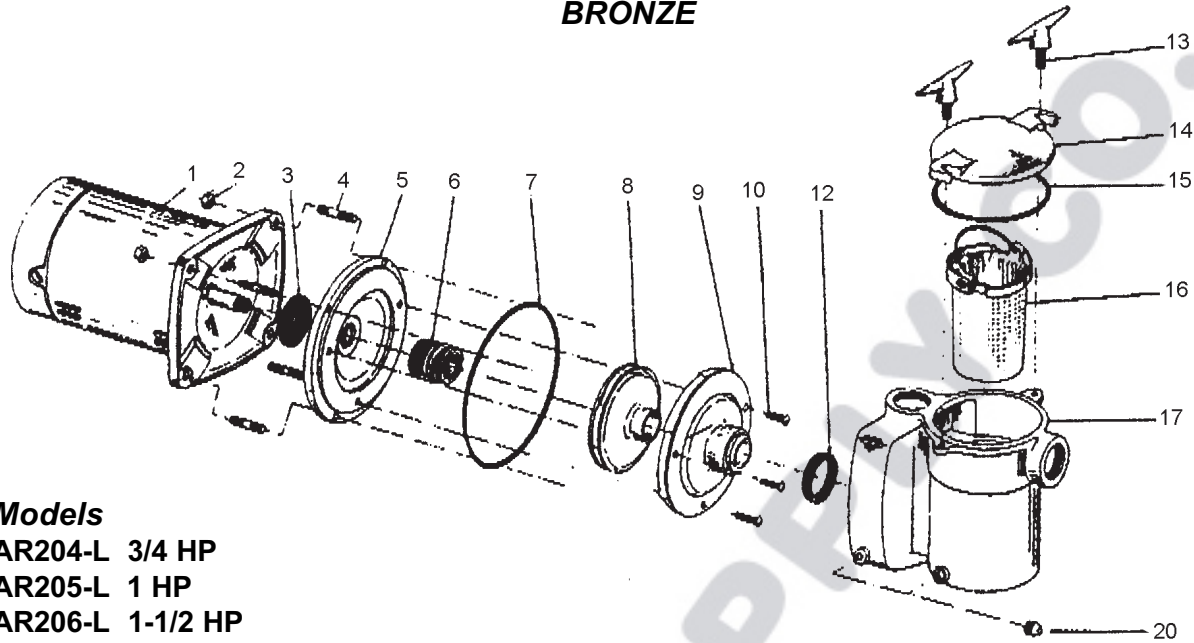
KEY	MFG. NO.	DESCRIPTION	ITEM NO.
1	98201800	Bolt, 1/4-20 x 1-3/4"	K3858
2	98201700	Nut, 1/4-20	H3526
3	98203300	Screw, Hex Head Slotted 10-20 x 5/8"	H3608
4	072184	Washer, Flat, 3/8"	K3828
5	98203400	Bolt, Hex, 3/8-16 x 3/4"	K3827
6	98211500	Screw, 6 x 5/8 High-Low, Self Tapping	H3669
7	39302500	Bracket/Base/Seal Plate Assy.	K3833
8	39501300	O-Ring, Seal Plate for Pumps	K3922
9	39500500	Mechanical Seal #201	K3894
10	39501100	Volute, Pumps	K3895
11	39300400	Basket	K3799
11	39303500	Basket	K3835
12	39500600	Impeller, 1/2 HP	H3591
12	39500700	Impeller, 3/4 HP	H3592
12	39500800	Impeller 1 HP	H3593
12	39500900	Impeller 1-1/2 HP	H3594
12	39501000	Impeller 2 HP	H3595
13	39300300	O-Ring, Lid	K3811
14	39301601	Lid, See-Through	K3860
15	39303000	Clamp Assembly	K3861
16	98206400	Plug 1/4" w/ O-Ring	H3621
17	39203900	Pot, Assy., Upgrade Kit 1-1/2"	H3614
17	39204300	Pot, Assy., Upgrade Kit 2"	H3615
18	98203600	Screw Hex Head, 1/2-20 x 1-1/2" Base	H3658
19	39501200	Gasket, Pot to Volute	K3857
20	98206600	T-Bolt for Pump Clamp (N/A when out)	K3814
21	51008500	Washer, 1/4" S/S	K3898
22	39302700	Plastic Knob	K3816
---	39900400	Fig., Suction 1-1/2" for Booster	K3864
---	98203500	Washer, 3/8 " Base	K3831
---	98203600	Bolt, Hex, 3/8-16 x 1-3/4" Base	K3827
---	37413000	Nut, Hex, 3/8-16	K3832
---	98208300	Screw, 1/4" x 5/8" S/S	K3897
---	Go Kit 16	Pump Repair Kit (Gaskets & Seal)	K6033



ANTHONY CENTRIFUGAL PUMPS

KEY	MFG. NO.	DESCRIPTION	ITEM NO.
1	-----	Motor (See Motor Replacement Pages 217-219)	----
2	C69-2	Water Slinger	K3500
3	C3-110D	Plate Seal	K3423
4	U109-93SS	Shaft Seal	K6024
5	C20-79	Gasket	K6008
6	C105-92PH	Impeller	K3350
7	C1-170D	Volute	K3290
8	U30-64ZP	Capscrews, 5/16" - 18 x 1-1/4" Lg. (2 needed)	K3291
8A	U30-62ZP	Capscrews, 5/16" - 18 x 1" Lg. (2 needed)	K3437
9	U78-57DT	Pipe Plug - 1/4" NPT	V5102
10	J204-9	Base	K3292
11	C35-5	Pad	K3556

ANTHONY CENTRIFUGAL PUMPS BRONZE

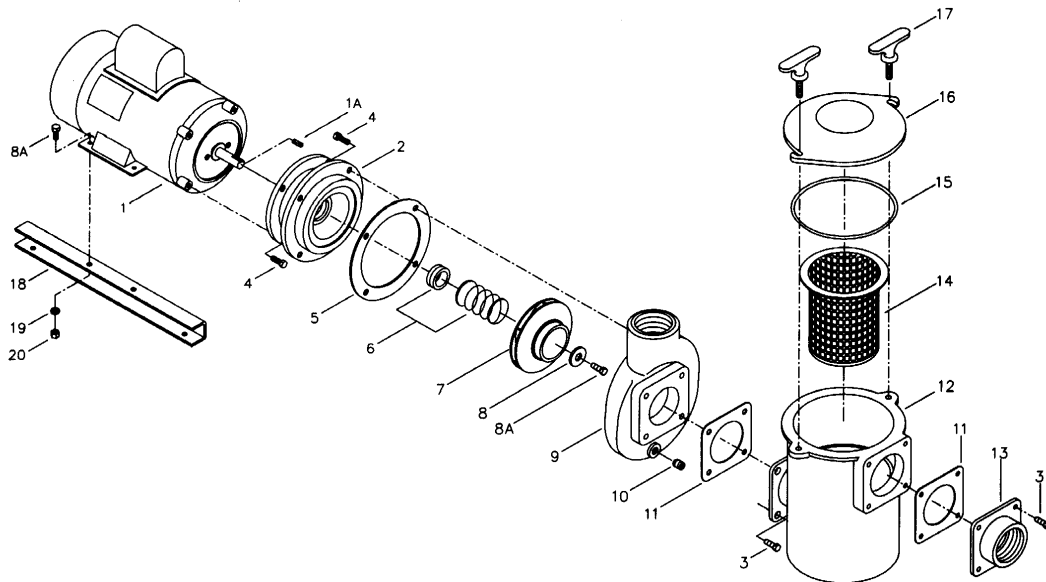


Models

AR204-L 3/4 HP
AR205-L 1 HP
AR206-L 1-1/2 HP
AR207-L 2 HP
AR208-L 2-1/2 HP

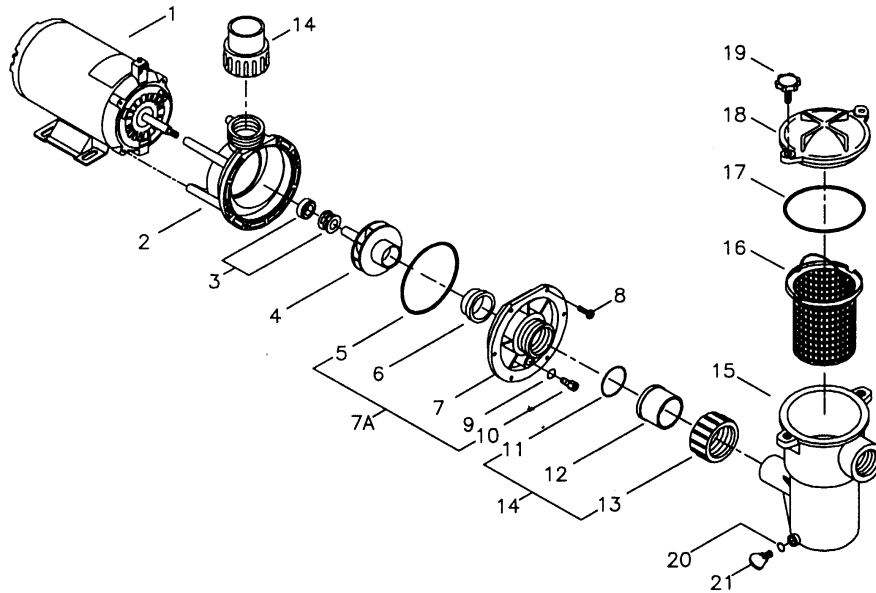
KEY	MFG NO.	DESCRIPTION	ITEM NO.
1	----	Motor, Square Flange (See Motor Replacement Pages 217-219)	----
2	U36-38SS	Nut, 3/8"-16 (4 needed)	K3336
3	C69-2	Water Slinger	K3500
4	U30-35SS	Stud, 3/8" - 16 x 1-13/16" Long (4 needed)	K3301
5	C3-121D	Seal Plate 3/4 HP (AR204-L)	K3303
5	C3-122D	Seal Plate 1 HP thru 2-1/2 HP (AR205-L thru AR208-L)	K3305
6	U109-93SS	Shaft Seal (#100)	K6024
7	U9-169	O-Ring, Seal Plate	K3307
8	C105-117PD	Impeller, 3/4 HP (AR204-L)	K3309
8	C105-138PEC	Impeller, 1 HP (AR205-L)	K3481
8	C105-137PEC	Impeller, 1-1/2 HP (AR206-L)	K3480
8	C105-137PDBA	Impeller, 2 HP (AR207-L)	K3453
8	C105-137PDA	Impeller, 2-1/2 HP (AR208-L)	K3311
---	C-30-12	Lock Screw for Impeller (2 HP & 2-1/2 HP Only)	K3314
9	L1-25P21	Diffuser, 3/4 HP (AR204-L)	K3520
9	C1-200P	Diffuser, 1 HP thru 2-1/2 HP (AR205-L thru AR208-L)	K3315
10	U30-542SS	Screw, Diffuser #8 - 32 x 7/8" Long (3 needed)	K3444
12	L21-1	Seal Ring for Diffuser, 3/4 HP (AR204-L)	K3530
12	C21-10	Seal Ring, 1 HP thru 2-1/2 HP (AR205-L thru AR208-L)	K3317
13	C154-18D	Tee Handle, Trap Cover (2 needed)	K3346
14	C3-140DA	Trap Cover	K3319
15	U9-161	O-Ring for Trap Cover	K3342
16	C108-33P	Strainer Basket - Plastic	K3435
16	B-106	Strainer Basket - Plastic, Generic	K7106
17	C76-45DD	Volute & Trap Body (No Longer Available)	K3323
20	U78-57DT	Pipe Plug, 1/4" NPT	K3325
---	C35-39	Pump Pad	K3327

AQUA-FLO BRONZE PUMPS



KEY	MFG NO.	DESCRIPTION	ITEM NO.
1	93497000	Motor, 3 HP, Single Phase - Commercial (AC)	Special Order
1	93497010	Motor, 3 HP, Three Phase - Commercial (ACT)	Special Order
1	93498000	Motor, 5 HP, Single Phase - Commercial (AC)	Special Order
1	93498010	Motor, 5 HP, Three Phase - Commercial (ACT)	Special Order
2	91140000	Bracket, 3 HP & 5 HP	K5603
3	99050050	Bolt, Hex Machine, 3/8" - 16 x 5/8"	K5578
4	99050000	Bolt, Hex Machine, 3/8" - 16 x 3/4"	K5579
5	91500000	Gasket for Volute	K5580
6	92500000	Shaft Seal	K5581
7	91690002	Impeller, 3 HP, High Head	K5582
7	91690051	Impeller, 3 HP, Medium Head	K5583
7	91690102	Impeller, 5 HP, High Head	K5584
8	99890160	Flat Washer, 5/16" x .096	K5585
8A	99050030	Bolt, Hex Machine, 5/16" - 18 x 5/8"	K5586
9	92770000	Volute	K5587
10	92290000	Pipe Plug	K5588
11	91500200	Trap Gasket, 6" and 8"	K5589
12	92620100	Trap, 6" x 2"	K5590
12	92620150	Trap, 8"	K5591
13	91450000	Suction Flange, 2-1/2"	K5592
13	91450010	Suction Flange, 3"	K5593
14	91110010	Basket for Strainer, 6"	K5594
14	B-34	Basket for Strainer, 6", Generic	K7034
14	B-131	Basket (Plastic Coated) for Strainer, 8", Generic	K7131
14	91110050	Basket (Stainless Steel) for Strainer, 8"	K5596
15	92200010	O-Ring for Trap Cover, 6"	K5597
15	92200020	O-Ring for Trap Cover, 8"	K5598
16	91230050	Trap Cover, 6"	K5599
16	91230100	Trap Cover, 8"	K5601
17	91920001	Lockhandle for Trap Cover	K5602

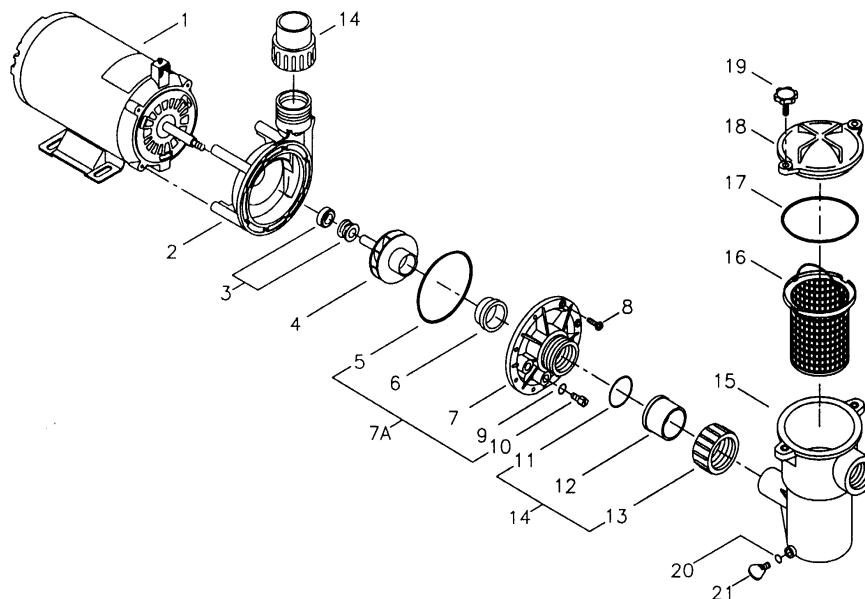
AQUA-FLO FLO-MASTER PUMPS "FMCP" Series (Center Discharge)



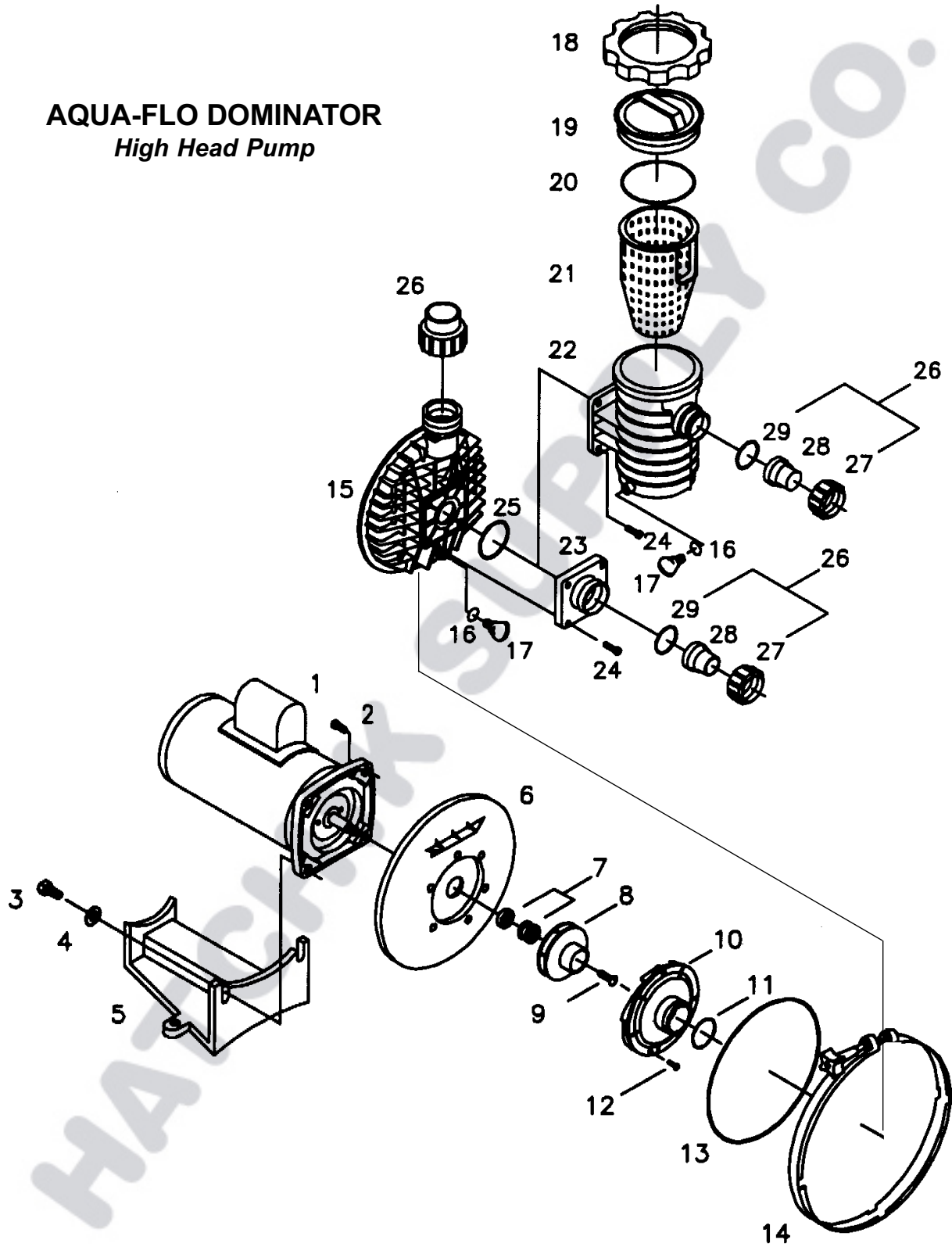
KEY	MFG NO.	DESCRIPTION	ITEM NO.
1	-----	Motor (See Motor Replacement Pages 217-219)	----
2	92770603	Volute, FMCP (Center Discharge)	K5571
3	92500150	Seal, Replacement, #200	K6030
4	91693501	Impeller, 1/2 HP	K5544
4	91693551	Impeller, 3/4 HP	K5545
4	91693601	Impeller, 1 HP	K5546
4	91693651	Impeller, 1-1/2 HP	K5547
4	91693700	Impeller, 2 HP	K5548
5	92200270	O-Ring, Volute, #251	K5577
6	92830062	Wear Ring	K5550
7	91231402	Cover, Suction	K5572
7A	56910040	Replacement Kit, Cover, Complete	K5573
8	99730050	Screw, 8/32" x 5/8"	K5553
9	92200120	O-Ring Pipe Plug, #011	K5554
10	92290010	Pipe Plug, 1/4" NPT	K5555
11	92200140	O-Ring, #226	K5556
12	91431050	Fitting, Tail Piece, 1-1/2"	K5557
13	91431000	Fitting, Union Nut, 1-1/2"	K5558
14	52201000	Fitting, Compression Complete, 1-1/2"	K5600
15	91040281	Trap Assy Complete 5" x 1-1/2" w/Split Nut	K5560
16	91110000	Basket, Strainer, 5"	K5561
17	92200000	O-Ring, Trap Cover #429	K5562
18	91230200	Cover, Trap, Lexan	K5563
19	91920011	Lockhandle	K5564
20	92200060	O-Ring, #111	K5565
21	92290020	Plug, Pipe, Wing	K5566
*	91040830	Wet End Assembly Complete - 1/2 HP	K5574
*	91040800	Wet End Assembly Complete - 3/4 HP	K5575
*	91040810	Wet End Assembly Complete - 1 HP	K5576

AQUA-FLO FLO-MASTER PUMPS "FMHP" Series (Side Discharge)

KEY	MFG NO.	DESCRIPTION	ITEM NO.
1	-----	Motor (See Motor Replacement Pages 217-219)	----
2	92770501	Volute, FMHP Series (Side Discharge)	K5540
3	92500150	Shaft Seal #200	K6030
4	91693501	Impeller, 1/2 HP	K5544
4	91693551	Impeller, 3/4 HP	K5545
4	91693601	Impeller, 1 HP	K5546
4	91693651	Impeller, 1-1/2 HP	K5547
4	91693700	Impeller, 2 HP	K5548
5	92200090	O-Ring, Volute, #158	K5549
6	92830062	Wear Ring	K5550
7	91231301	Cover, Suction	K5551
7A	56910010	Replacement Kit, Cover, Complete	K5552
8	99730050	Screw, 8/32" x 5/8"	K5553
9	92200120	O-Ring Pipe Plug, #011	K5554
10	92290010	Pipe Plug, 1/4" NPT	K5555
11	92200140	O-Ring, #226	K5556
12	91431050	Tail Piece, 1-1/2"	K5557
13	91431000	Union Nut, 1-1/2"	K5558
14	52201000	Compression Fitting Complete, 1-1/2"	K5600
15	91040281	Trap Assy Complete, 5" x 1-1/2" w/Split Nut	K5560
16	91110000	Basket, Strainer, 5"	K5561
17	92200000	O-Ring, Trap Cover #429	K5562
18	91230200	Cover, Trap, Lexan	K5563
19	91920011	Lockhandle	K5564
20	92200060	O-Ring, Drain Plug, #111	K5565
21	92290020	Plug, Pipe, Wing	K5566
---	91040680	Wet End Assembly Complete 1/2 HP	K5567
---	91040690	Wet End Assembly Complete 3/4 HP	K5568
---	91040700	Wet End Assembly Complete 1 HP	K5569
---	91040720	Wet End Assembly Complete 1-1/2 HP	K5570
---	91040730	Wet End Assembly Complete 2 HP	K5578



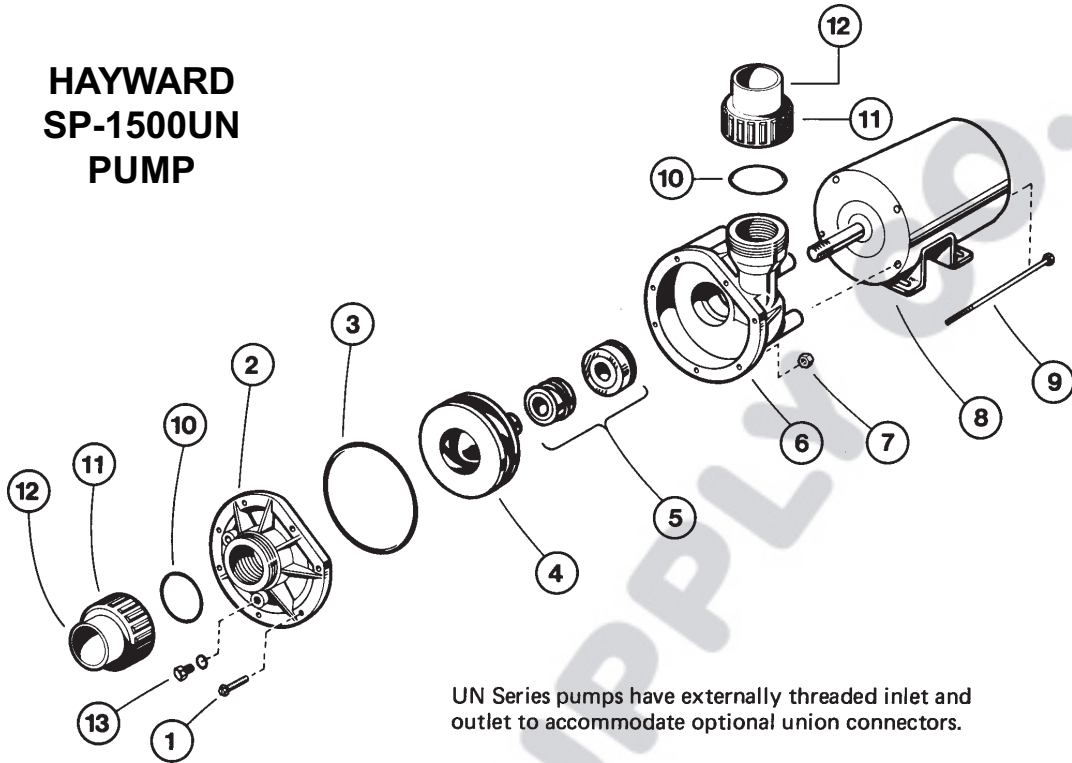
AQUA-FLO DOMINATOR
High Head Pump



AQUA-FLO DOMINATOR High Head Pump

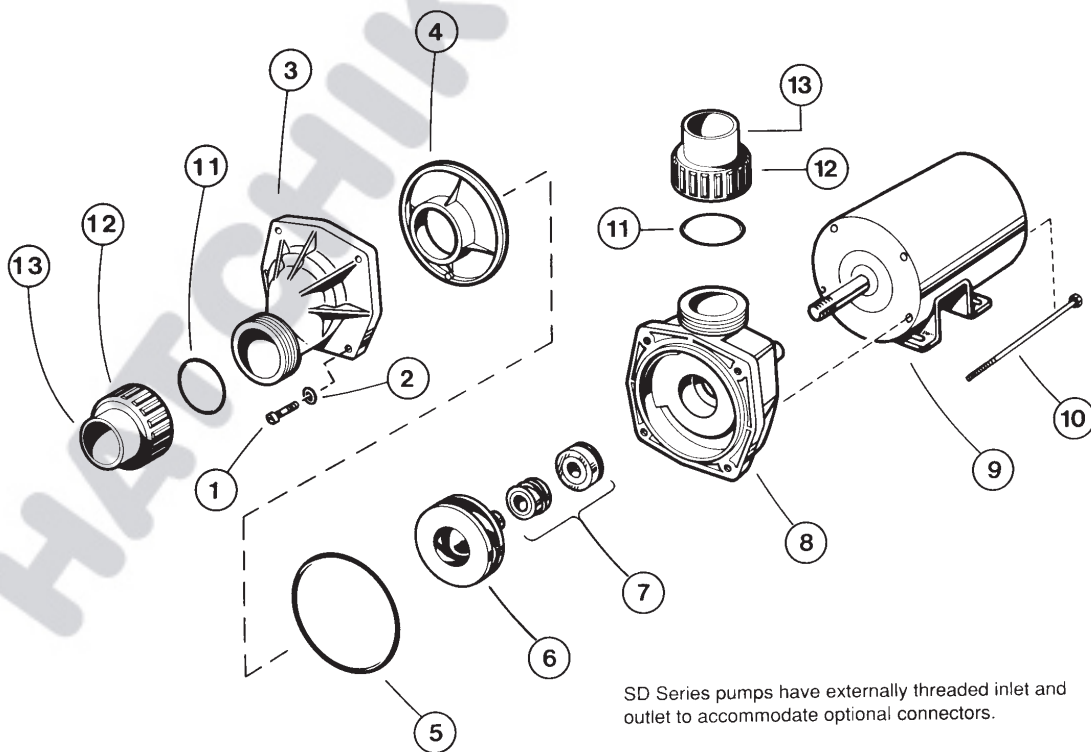
KEY	MFG.NO.	DESCRIPTION	ITEM NO.
1	-----	Motor, Square Flange (See Motor Pages 217-219)	----
2	99050250	Bolt, Hex Machine, 3/8"-16 x 1"	K5502
3	99050300	Bolt, Hex Machine, 3/8"-16 x 1-1/2"	K5503
4	99890000	Washer, Flat 3/8"	K5505
5	91100150	Base	K5506
6	92280003	Plate, Seal	K5507
7	92500150	Seal Replacement, #200 (1995 to Current)	K6030
7	92500050	Seal Replacement #1000 (Prior to 1995)	K6054
8	91692400	Impeller, 1/2HP, High Head	K5508
8	91692450	Impeller, 3/4HP, High Head	K5509
8	91692500	Impeller, 1HP, High Head	K5510
8	91692550	Impeller, 1-1/2HP, High Head	K5512
8	91692600	Impeller, 2HP, High Head	K5513
9	99730150	Screw, 1/4"-20 x 11/16" LH	K5515
10	91270002	Diffuser	K5516
11	92200140	O-Ring, Metric	K5556
12	99730060	Screw, 8/32" x 3/4" PHIL.PAN	K5517
13	92200180	O-Ring #449	K5518
14	99100020	V Clamp, "D" Series	K5519
15	91200003	Casing	K5520
16	92200060	O-Ring #111	K5565
17	92290020	Plug, Pipe, Wing	K5566
18	91920050	Lock Ring, Trap	K5521
19	91230300	Cover, Trap	K5524
20	92200190	O-Ring, Trap Lid #254	K5528
21	91110040	Basket, Strainer, 6", "D" Series	K5529
22	92620552	Trap, 6" x 2"	K5530
23	91450210	Flange, Suction 2"	K5605
24	99050000	Bolt, Hex Machine, 3/8"-16 x 3/4"	K5606
25	92200100	O-Ring, #229	K5607
26	52203000	Compression Fitting Complete, 2" x 1-1/2"	K5608
---	52202000	Compression Fitting Complete, 2" x 2"	K5609
27	91431150	Union Nut, 2"	K5610
28	91431250	Tail Piece, 2" x 1-1/2"	K5611
---	91431200	Tail Piece, 2"	K5612
29	92200210	O-Ring, #230	K5613
---	91250000	Motor Base Cushion	K5614
---	91040250	Trap Assembly Complete 6" x 2" (Includes Items #16-22 & 24)	K5615

**HAYWARD
SP-1500UN
PUMP**



UN Series pumps have externally threaded inlet and outlet to accommodate optional union connectors.

HAYWARD SP-1900SD PUMP



SD Series pumps have externally threaded inlet and outlet to accommodate optional connectors.

HAYWARD POWER-FLO PUMPS

SP1500 UN Series

KEY	MFG NO.	DESCRIPTION	ITEM NO.
1	SPX1500N2	Bolt, No. 10-24 Hex Head	K4228
2	SPX1501BT	Housing Cover with External Threads (O-Ring Style)	K4242
2	SPX1500B1T	Housing Cover with External Threads (1985 & Prior)	K4247
3	SPX1082Z5B	O-Ring for Pump Housing	L1947
4	SPX1500E	Impeller, 1/2 HP (SP-1500UN)	K4232
4	SPX1500F	Impeller, 3/4 HP (SP-1510UN)	K4236
4	SPX1500L	Impeller, 1 HP (SP-1511UN)	K4221
5	SPX1500KA	Seal Assembly	K4220
6	SPX1501AAT	Pump Housing with External Threads (O-Ring Style)	K4241
6	SPX1500AAT	Pump Housing with External Threads (1985 & Prior)	K4211
7	SPX1500Y2	Nut, No. 10-24 Hex	K4230
8	SPX1500Z1E	1/2 HP Motor (SP-1500UN)	K4244
8	SPX1510Z1E	3/4 HP Motor (CBT-2072) (SP-1510UN)	K4246
8	SPX1510Z1XE	1 HP Motor (CBT-2102) (SP-1511UN Pump)	K4254
8	SPX1510Z2E	2-Speed Motor, 3/4 HP	K4250
8	SPX1510Z2XE	2-Speed Motor, 1 HP	K4252
10	SPX1495Z1	O-Ring for Union Nut	K4209
11	SPX1500G	Union Nut	K4237
12	SPX1500JS	Union End Connector - Socket	K4239
12	SPX1500JT	Union End Connector - Threaded	K4240
13	SPX1700FG	Drain Plug with Gasket	K4284
---	SP1500UNPAK1	Flush Union Connector (One)	U7823
---	SP1500UNPAK2	Flush Union Connectors - Universal (Set of 2)	C1083
---	SP1500UNPAK2C	Flush Union Connectors - 1-1/2 S x 2" Slip (Set of 2)	K4451

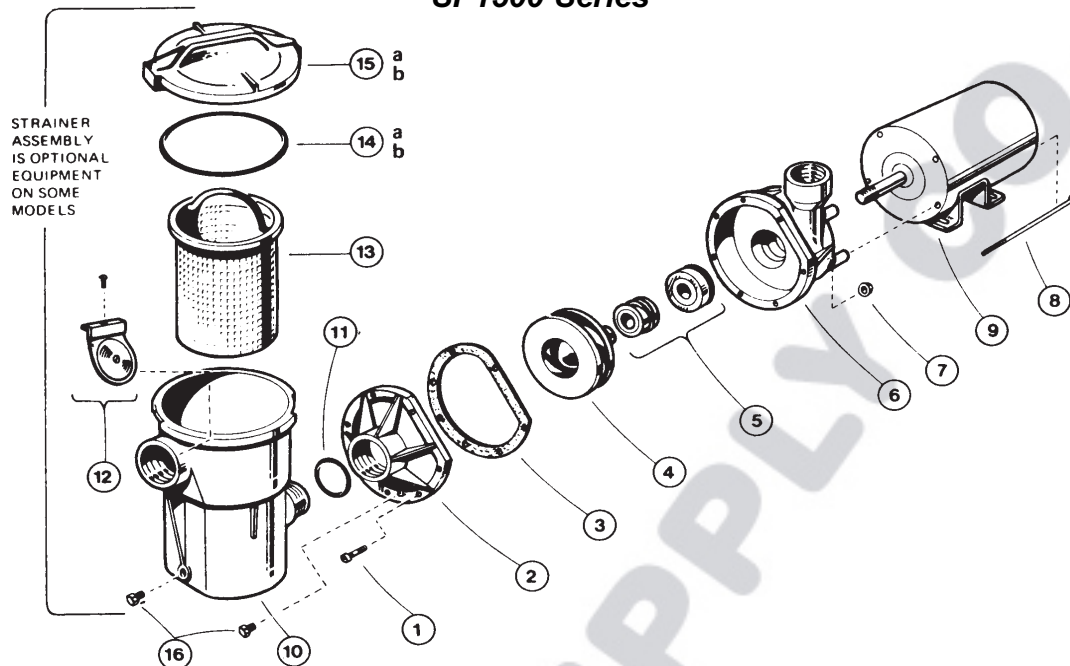
HAYWARD SELF-DRAINING PUMPS

SP1900SD Series

KEY	MFG NO.	DESCRIPTION	ITEM NO.
1	CX2500Z11	Housing Bolt	K4204
2	ECX1252	Washer	H6468
3	SPX1905BT	Housing Cover	K4205
4	SPX1905D	Housing Cover Insert	K4206
5	SPX1905E	O-Ring for Housing	K4207
6	SPX1905C	Impeller, 1/2 HP (SP-1905SD)	K4208
6	SPX1907C	Impeller, 3/4 HP (SP-1907SD)	K4213
6	SPX1910C	Impeller, 1 HP (SP-1910SD)	K4215
6	SPX1915C	Impeller, 1-1/2 HP	K4266
---	SPX1905R	Impeller Ring	K4273
7	SPX1500KA	Seal Assembly	K4220
8	SPX1905AAT	Pump Housing	K4217
---	SPX1500JS	Union End Connector-Skt.	K4239
---	SPX1500G	Union Nut	K4237
---	SPX1495Z1	O-Ring End Connector	K4209

HAYWARD POWER-FLO PUMPS

SP1500 Series

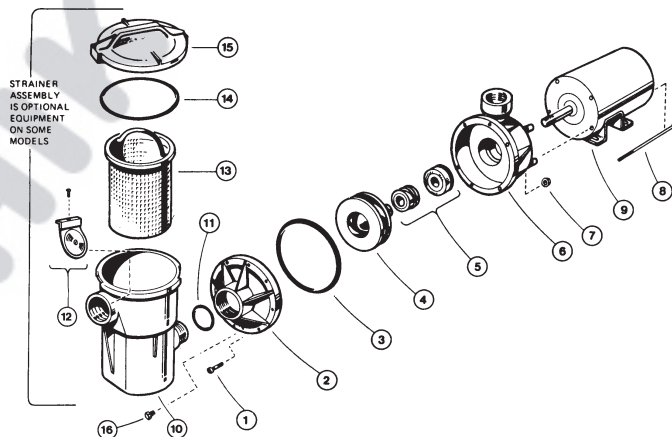


KEY	MFG NO.	DESCRIPTION	ITEM NO.
1	SPX1500N2	Bolt, No. 10-24 Hex Head	K4228
2	SPX1500B	Housing Cover - No Drain Plug	K4214
2	SPX1500B1	Housing Cover - with Integral Drain Plug	K4265
3	SPX1500H	Housing Gasket	K6012
4	SPX1500E	Impeller, 1/2 HP (SP-1500 & SP-1550 w/Strainer)	K4232
4	SPX1500F	Impeller, 3/4 HP (SP-1510 & SP-1575 w/Strainer)	K4236
5	SPX1500KA	Seal Assembly	K4220
6	SPX1500AA	Pump Housing	K4210
7	SPX1500Y2	Housing Nut, No. 10-24 Hex	K4230
8	SPX1510N6	Bolt-Motor 6-3/4" (A.O. Smith) 1/2 HP & 3/4 HP	K4263
8	SPX1510N2	Bolt-Motor 7" (Westinghouse) 1/2 HP	K4260
8	SPX1510N4	Bolt-Motor 7-1/2" (Century) 1/2 HP, (Westinghouse) 3/4 HP	K4262
8	SPX1720N1	Bolt-Motor 8-1/4" (Century) 3/4 HP	K4223
9	SPX1500Z1E	1/2 HP Motor	K4244
9	SPX1510Z1E	3/4 HP Motor (CBT-2072)	K4246
10	SPX1500CA	Strainer Housing with Basket	K4264
11	SPX1500W	O-Ring, Strainer	K4279
12	SPX1500RA	Check Valve Assembly (Optional)	K4278
13	SPX1250RA	Basket, Strainer (B-169)	K7169
13	SPX1500LX	Basket, Strainer - Large 4-1/2" x 7" (1992)	K6142
14A	SPX0710Z3	O-Ring, for Solid Cover (1978 and Prior)	K4268
14B	SPX1500P	O-Ring for Clear Lexan Cover	K4274
15A	SPX1500D2A	Clear Lexan Strainer Cover with O-Ring	K4270
16	SPX1700FG	Drain Plug with Gasket	K4284
---	SPX1500X1	Shim (for verticle discharge)	K4286
---	SPX1500AAT	Pump Housing w/ External Thread (1985 and prior)	K4211
---	SPX1501AAT	Pump Housing w/ External Thread - O-Ring Style	K4241
---	SPX1500B1T	Housing Cover w/ External Thread (1985 and prior)	K4247
---	SPX1501BT	Housing Cover w/ External Thread - O-Ring Style	K4242
---	SPX1500L	Impeller, 1 HP	K4221
---	SPX1082Z5B	O-Ring, Pump Housing	L1947
---	GO-KIT 12	Aladdin Pump Repair Kit (Contains O-Rings, Gasket & Seal)	K6005

HAYWARD POWER-FLO II PUMPS SP1700 Series

KEY	MFG NO.	DESCRIPTION	ITEM NO.
1	SPX1500N2	Bolt, No. 10-24 Hex. Head	K4228
2	SPX1705B	Housing Cover with Integral Diffuser	K4216
3	SPX1705Z1	O-Ring for Housing Cover	K4226
4	SPX1705C	Impeller, 1/2 HP (SP-1750)	K4234
4	SPX1707C	Impeller, 3/4 HP (SP-1775)	K4238
4	SPX1711C	Impeller, 1 HP (SP-1780)	K4235
---	SPX2607C	Impeller, 1 HP (P. F. III)	K4365
---	SPX2610C	Impeller, 1 - 1/2HP (P.F. III)	K4366
5	SPX1500KA	Seal Assembly	K4220
---	SPX1720KA	Seal Assembly (Power-Flo III)	K4222
6	SP1705AA	Pump Housing	K4212
7	SPX1500Y2	Nut, No. 10-24 Hex	K4230
8	SPX1720N1	Bolt-Motor 8-1/4" (A.O. Smith) 1/2 HP - 1 HP, (Century) 3/4 HP	K4223
8	SPX1720N2	Bolt-Motor 8" (Westinghouse) 3/4 HP & 1 HP	K4224
8	SPX1725N2	Bolt-Motor 8-1/2" (Century) 1 HP	K4259
9	SPX1500Z1E	Motor, 1/2 HP	K4244
9	SPX1510Z1E	3/4 HP Motor (CBT-2072)	K4246
9	SPX1510Z1XE	1 HP Motor (CBT-2102)	K4254
10	SPX1500CAP	Strainer Housing with Basket	K4264
11	SPX1500W	O-Ring for Strainer	K4279
12	SPX1500RA	Check Valve Assembly	K4278
13	SPX1250RA	Basket, Strainer	K6140
13	B-169	Generic Strainer Basket	K7169
13	SPX1500LX	Basket, Strainer - Large, 4-1/2" x 7" (1992)	K6142
14	SPX1500P	O-Ring for Clear Lexan Cover	K4274
15	SPX1500D2A	Clear Lexan Strainer Cover with O-Ring	K4270
16	SPX1700FG	Drain Plug with Gasket	K4284

SP1700UN & SP1700 SD Series



2	SPX1705BT	Housing Cover with External Threads	K4201
2	SPX1705BD	Housing Cover with Contour Inlet, Self-Draining (SD)	K4202
---	SPX1720BT	Housing Cover with External Thread (Power-Flo III)	K4218
6	SPX1705AAT	Pump Housing with External Threads	K4203
---	SPX1500JS	Union End Connector - Socket	K4239
---	SPX1500JT	Union End Connector - Threaded	K4240
---	SPX1500G	Union Nut	K4237
9	SPX1510Z2E	Motor, 3/4 HP, 2 Speed	K5055
9	SPX1510Z2XE	Motor, 1 HP, 2 Speed	K5056
---	SPX1500UNPAK 1	Flush Union Connector (One)	U7823
---	SPX1500UNPAK 2	Flush Union Connectors - Universal (Set of 2)	C1083
---	SPX1500UNPAK 2C	Flush Union Connectors 1-1/2" S x 2" Slip (Set of 2)	K4451

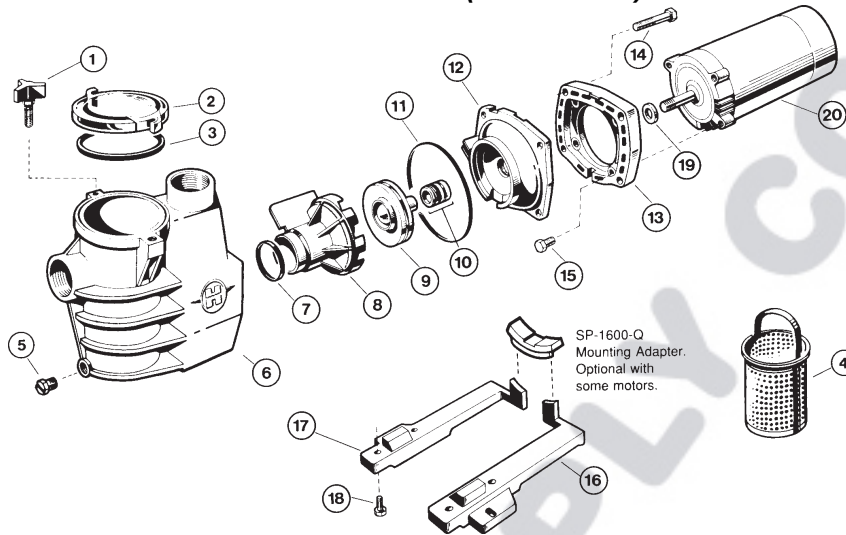
HAYWARD MAX-FLO PUMPS

SP-1800X Series (Max Rated)

KEY	MFG NO.	DESCRIPTION	ITEM NO.
1	SPX1250Z4	Hand Knob	K4382
2	SPX1250LA	Strainer Cover, Clear Lexan with Gasket	K4376
3	SPX0125T	Gasket for Strainer Cover	K4378
4	SPX1250RA	Basket (B-169)	K7169
5	SPX1600V	Drain Plug, 1/4" (1991 & Prior)	K4295
5	SPX1700FG	Drain Plug with Gasket	K4284
6	SPX2800ACC	Pump Housing/Strainer Conversion Kit (<i>Replaces SPX1800AA</i>)	K4370
7	SPX1600R	Gasket, Diffuser	K4296
8	SPX1800B	Diffuser, 1/2 HP (Medium Head)	K4402
8	SPX1805B	Diffuser, 3/4 HP (Medium Head)	K4404
8	SPX1807B	Diffuser, 1 HP (Medium Head)	K4406
8	SPX1808B	Diffuser, 1 HP (High Head)	K4408
8	SPX1810B	Diffuser, 1-1/2 HP (Medium Head)	K4410
8	SPX1808B	Diffuser, 1-1/2 HP (High Head)	K4408
8	SPX1816B	Diffuser, 2 HP (High Head)	K4414
10	SPX1600Z2	Seal Assembly	K4392
10	AS-1521	Generic Shaft Seal	K6062
11	SPX1600T	Housing Gasket	K4294
12	SPX1600E	Seal Plate (Medium Head)	K4358
12	SPX1611E	Seal Plate (High Head)	K4360
13	SPX1600F	Motor Mounting Plate	K4394
14	SPX1600Z4	Housing Cap Screw	K4396
15	SPX0125Z44	Motor Cap Screw (Set of 4)	K4398
16,17	SPX1600GJ	Mounting Feet - Long (Set Left & Right) with Adapter	K4386
---	SPX1600Q	Mounting Leg Adapter (48 Frame Motor)	K4312
18	SPX1600Z54	Mounting Foot Cap Screw (set of 4)	K4390
19	SPX0125F	Slinger	K4324
20	SPX1600Z1M	Motor, 1/2 HP Threaded Shaft (115V)	K5090
20	SP1605Z1M	Motor, 3/4 HP Threaded Shaft (115/230V)	K5091
20	SPX1607Z1M	Motor, 1 HP Threaded Shaft (115/230V)	K5092
20	SPX1610Z1M	Motor, 1-1/2 HP Threaded Shaft (115/230V)	K5093
20	SPX1615Z1M	Motor, 2 HP Threaded Shaft (115/230V)	K5094
	GO-KIT 1	Aladdin Pump Repair Kit (Gaskets & Seal)	K6001



HAYWARD MAX-FLO PUMPS
SP-2800X Series (Max Rated)



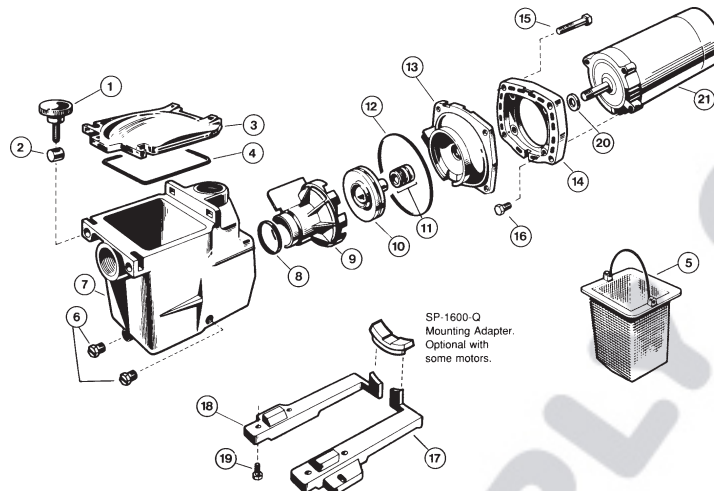
KEY	MFG NO.	DESCRIPTION	ITEM NO.
1	SPX1250Z4	Hand Knob	K4382
2	SPX1250LA	Strainer Cover, Clear Lexan with Gasket	K4376
3	SPX0125T	Gasket for Strainer Cover	K4378
4	SPX1250RA	Basket (B-169)	K7169
5	SPX1600V	Drain Plug, 1/4" (1991 & Prior)	K4295
5	SPX1700FG	Drain Plug with Gasket, 1/4"	K4284
6	SPX2800ACC	Pump Housing/Strainer Conversion Kit (Replaces SPX1800AA)	K4370
7	SPX1600R	Gasket, Diffuser	K4296
8	SPX2800B	Diffuser	K4368
9	SPX2600C	Impeller, 1/2 HP	K4361
9	SPX2605C	Impeller, 3/4 HP	K4364
9	SPX2607C	Impeller, 1 HP	K4365
9	SPX2610C	Impeller, 1-1/2 HP	K4366
9	SPX2615C	Impeller, 2 HP	K4367
10	SPX1600Z2	Seal Assembly	K4392
10	AS-1521	Generic Shaft Seal	K6062
11	SPX1600T	Housing Gasket	K4294
12	SPX2600E	Seal Plate	K4363
13	SPX1600F	Motor Mounting Plate	K4394
14	SPX1600Z4	Housing Cap Screw	K4396
15	SPX0125Z44	Motor Cap Screw (Set of 4)	K4398
16,17	SPX1600GJ	Mounting Feet - Long (Set Left & Right) with Adapter	K4386
	SPX1600Q	Mounting Leg Adapter	K4312
18	SPX1600Z54	Mounting Foot Cap Screw (Set of 4)	K4390
19	SPX0125F	Slinger	K4324
20	SPX1600Z1M	Motor, 1/2 HP Threaded Shaft (115V)	K5090
20	SPX1605Z1M	Motor, 3/4 HP Threaded Shaft (115/230V)	K5091
20	SPX1607Z1M	Motor, 1 HP Threaded Shaft (115/230V)	K5092
20	SPX1610Z1M	Motor, 1-1/2 HP Threaded Shaft (115/230V)	K5093
20	SPX1615Z1M	Motor, 2 HP Threaded Shaft (115/230V)	K5094
---	SPX1600Z16	Motor End Bell Cover - 48 Frame (A. O. Smith)	K5096
---	SPX2800TG	Pressure Test Gasket	K4355

HAYWARD SUPER PUMPS

SP-1600X Series (Max Rated)

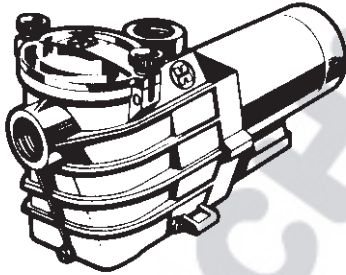
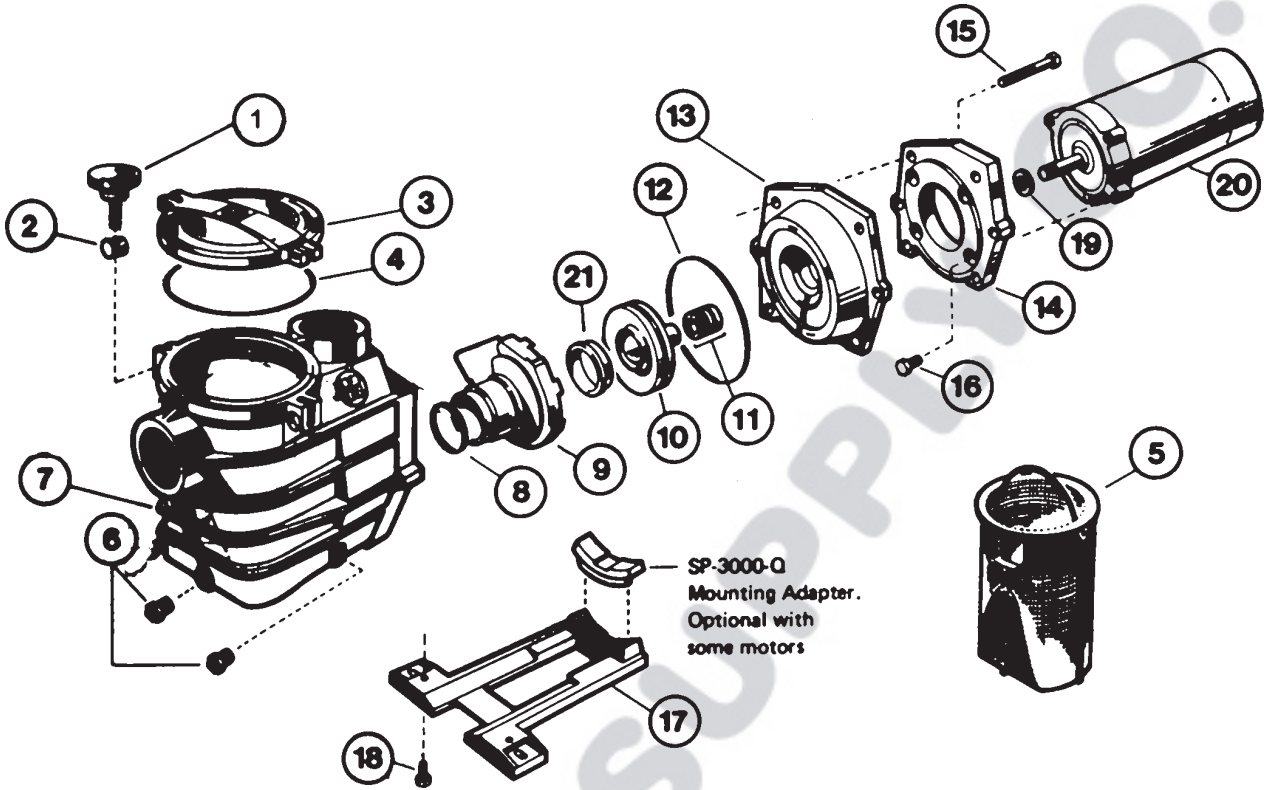
KEY	MFG NO.	DESCRIPTION	ITEM NO.
1	SPX1600P	Hand Knob	K4304
2	SPX1600N	Swivel Nut	K4302
3	SPX1600D	Strainer Cover, Clear Lexan	K4298
4	SPX1600S	Gasket for Strainer Cover	K4300
5	SPX1600M	Basket for Strainer (B-167)	K7167
6	SPX1600V	Drain Plug 1/4" (1991 & Prior)	K4295
6	SPX1700FG	Drain Plug 1/4" with Gasket	K4284
7	SPX1600AA	Pump Housing / Strainer, 1-1/2" x 1-1/2" with Drain Plugs	K4290
7	SPX1620AA	Pump Housing / Strainer, 2" x 2" with Drain Plugs	K4292
8	SPX1600R	Diffuser Gasket	K4296
9	SPX1600B	Diffuser, 1/2 HP (Medium Head)	K4326
9	SPX1605B	Diffuser, 3/4 HP (Medium Head)	K4328
9	SPX1607B	Diffuser, 1 HP (Medium Head)	K4330
9	SPX1608B	Diffuser, 1 HP (High Head)	K4332
9	SPX1610B	Diffuser, 1-1/2 HP (Medium Head)	K4334
9	SPX1608B	Diffuser, 1-1/2 HP (High Head)	K4332
9	SPX1615B	Diffuser, 2 HP & 2-1/2 HP (Medium Head)	K4338
9	SPX1616B	Diffuser, 2 HP & 2-1/2 HP (High Head)	K4340
10	SPX1621C	Impeller, 2-1/2 HP (High Head)	K4356
11	SPX1600Z2	Seal Assembly	K4392
11	AS-1521	Generic Shaft Seal	K6062
12	SPX1600T	Gasket for Housing	K4294
13	SPX1600E	Seal Plate (Medium Head)	K4358
13	SPX1611E	Seal Plate (High Head)	K4360
14	SPX1600F	Motor Mounting Plate	K4394
15	SPX1600Z4	Housing Cap Screw	K4396
16	SPX0125Z44	Motor Cap Screw (Set of 4)	K4398
17,18	SPX1600GJ	Mounting Feet - Long (Set Left & Right) w/Adapter	K4386
---	SPX1600Q	Mounting Leg Adapter (48 Frame Motors)	K4312
19	SPX1600Z54	Mounting Foot Cap Screw (Set of 4)	K4390
20	SPX0125F	Slinger	K4324
21	SPX1600Z1M	Motor, 1/2 HP - Threaded Shaft (115V)	K5090
21	SPX1605Z1M	Motor, 3/4 HP - Threaded Shaft (115/230V)	K5091
21	SPX1607Z1M	Motor, 1 HP - Threaded Shaft (115/230V)	K5092
21	SPX1610Z1M	Motor, 1-1/2 HP - Threaded Shaft (115/230V)	K5093
21	SPX1615Z1M	Motor, 2 HP - Threaded Shaft (115/230V)	K5094
21	SPX1620Z1M	Motor, 2-1/2 HP - Threaded Shaft (230V)	K5095
---	GO-KIT 3	Aladdin Pump Repair Kit (Gaskets & Seal)	K6003

HAYWARD SUPER PUMP SP-2600X Series (Max Rated)



KEY	MFG NO.	DESCRIPTION	ITEM NO.
1	SPX1600P	Hand Knob	K4304
2	SPX1600N	Swivel Nut	K4302
3	SPX1600D	Strainer Cover, Clear Lexan	K4298
4	SPX1600S	Gasket for Strainer Cover	K4300
5	SPX1600M	Basket for Strainer (B-167)	K7167
6	SPX1600V	Drain Plug, 1/4" (1991 & Prior)	K4295
6	SPX1700FG	Drain Plug with Gasket, 1/4"	K4284
7	SPX1600AA	Pump Housing/Strainer, 1-1/2" x 1-1/2" with Drain Plugs	K4290
7	SPX1620AA	Pump Housing/Strainer, 2" x 2" with Drain Plugs	K4292
8	SPX1600R	Gasket, Diffuser	K4296
9	SPX2600B	Diffuser, 1/2 HP thru 2 HP	K4362
9	SPX1616B	Diffuser, 2-1/2 HP	K4340
10	SPX2600C	Impeller, 1/2 HP	K4361
10	SPX2605C	Impeller, 3/4 HP	K4364
10	SPX2607C	Impeller, 1 HP	K4365
10	SPX2610C	Impeller, 1-1/2 HP	K4366
10	SPX2615C	Impeller, 2 HP	K4367
10	SPX1621C	Impeller, 2-1/2 HP	K4356
11	SPX1600Z2	Seal Assembly	K4392
11	AS-1521	Generic Shaft Seal	K6062
12	SPX1600T	Housing Gasket	K4294
13	SPX2600E	Seal Plate, 1/2 HP thru 2 HP	K4363
14	SPX1611E	Seal Plate, 2-1/2 HP	K4360
15	SP1600Z4	Housing Cap Screw	K4396
16	SPX0125Z44	Motor Cap Screw (Set of 4)	K4398
17,18	SPX1600GJ	Mounting Feet - Long (Set Left & Right) w/Adaptor	K4386
---	SPX1600Q	Mounting Leg Adaptor	K4312
19	SPX1600Z52	Mounting Foot Cap Screw (Set of 4)	K4390
20	SPX0125F	Slinger	K4324
21	SPX1600Z1M	Motor, 1/2 HP Threaded Shaft (115V)	K5090
21	SPX1605Z1M	Motor, 3/4 HP Threaded Shaft (115/230V)	K5091
21	SPX1607Z1M	Motor, 1 HP Threaded Shaft (115/230V)	K5092
21	SPX1610Z1M	Motor, 1-1/2 HP Threaded Shaft (115/230V)	K5093
21	SPX1615Z1M	Motor, 2 HP Threaded Shaft (115/230V)	K5094
21	SPX1620Z1M	Motor, 2-1/2 HP Threaded Shaft (230V)	K5095

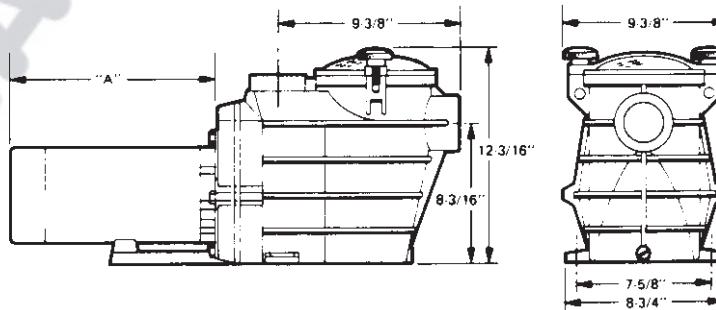
HAYWARD SUPER II PUMPS
SP-3000X Series (Max Rated)



Performance Data

Model No. Max Rated	Model No. Full Rated	Pump Output (GPM) vs. Total Resistance To Flow (Feet of Head)					
		40 ft	50 ft	60 ft	70 ft	80 ft	90 ft
SP-3005X7	—	52	43	30	13	—	—
SP-3007X10	SP-3007	78	67	56	38	—	—
SP-3010X15	SP-3010	96	87	73	60	36	—
SP-3015X20	SP-3015	118	107	94	79	60	18
SP-3020X25	SP-3020	138	125	112	96	75	43
SP-3025X30	SP-3025	161	150	137	123	106	84

Overall Dimensions

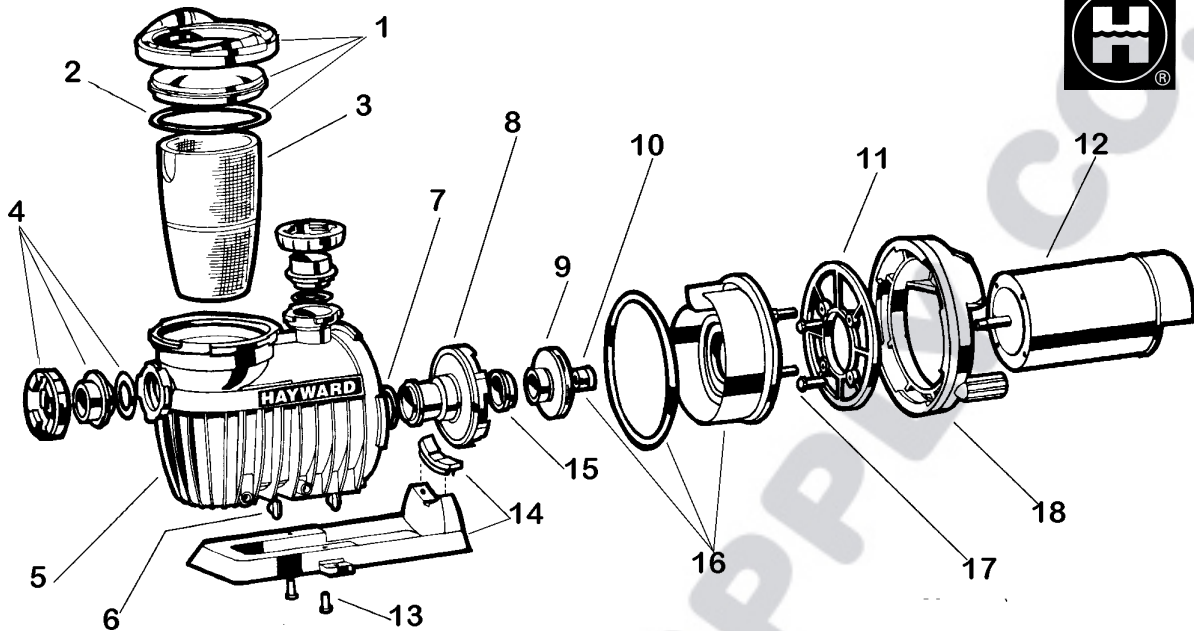


HAYWARD SUPER II PUMPS

SP-3000X Series (Max Rated)

KEY	MFG NO.	DESCRIPTION	ITEM NO.
1	SPX1600P	Hand Knob	K4304
2	SPX1600N	Swivel Nut	K4302
3	SPX3000D	Strainer Cover, Clear Lexan	K4420
4	SPX3000S	O-Ring for Strainer Cover	K4426
5	SPX3000M	Basket (B-207)	K4425
6	SPX1600V	Drain Plug, 1/4" (1991 & Prior)	K4295
6	SPX1700FG	Drain Plug with Gasket, 1/4"	K4284
7	SPX3000AA	Pump Housing/Strainer, 1-1/2" x 1-1/2" w/ Drain Plugs	K4281
7	SPX3020AA	Pump Housing/Strainer, 2" x 2" with Drain Plugs	K4429
8	SPX1600R	Diffuser Gasket	K4296
1987 & Prior			
9	SPX2600B	Diffuser, 3/4 HP thru 2 HP	K4362
9	SPX3000B	Diffuser, 2-1/2 HP & 3 HP	K4419
10	SPX2605C	Impeller, 3/4 HP	K4364
10	SPX2607C	Impeller, 1 HP	K4365
10	SPX2610C	Impeller, 1-1/2 HP	K4366
10	SPX2615C	Impeller, 2 HP	K4367
1988			
9	SPX3000BN	Diffuser, 3/4 HP thru 2 HP (1988 to Present)	K4423
9	SPX3000B	Diffuser, 2-1/2 HP & 3 HP	K4419
10	SPX3005C	Impeller, 3/4 HP	K4219
10	SPX3007C	Impeller, 1 HP	K4225
10	SPX3010C	Impeller, 1-1/2 HP	K4227
10	SPX3015C	Impeller, 2 HP	K4418
1989			
9	SPX3000BN	Diffuser, 3/4 HP thru 2 HP	K4423
9	SPX3000B	Diffuser, 2-1/2 HP & 3 HP (1989 & Prior)	K4419
10	SPX3020C	Impeller, 2-1/2 HP	K4430
10	SPX3025C	Impeller, 3 HP	K4432
1990 to Present			
9	SPX3000BN	Diffuser, for 3/4 HP thru 2 HP	K4423
9	SPX3021B	Diffuser, 2 HP thru 3 HP	K4243
10	SPX3005C	Impeller, 3/4 HP (SP-3005X7)	K4219
10	SPX3007C	Impeller, 1 HP (SP-3007X10)	K4225
10	SPX3010C	Impeller, 1-1/2 HP (SP-3010X15)	K4227
10	SPX3016C	Impeller, 2 HP (SP-3015X20)	K4248
10	SPX3021C	Impeller, 2-1/2 HP (SP-3020X25)	K4253
10	SPX3026C	Impeller, 3 HP (SP-3025X30)	K4255
11	SPX1600Z2	Seal Assembly	K4392
11	AS-1521	Generic Shaft Seal	K6062
12	SPX3000T	Housing Gasket	K4428
13	SPX3000E	Seal Plate, for SP-2600 Series Impellers	K4421
13	SPX3020E	Seal Plate, for SP-3000 Series Impellers	K4256
14	SPX3000F	Motor Mounting Plate	K4422
15	SPX1600Z4	Housing Cap Screw	K4396
16	SPX0125Z44	Motor Cap Screw (Set of 4)	K4398
17	SPX3000GA	Mounting Bracket with Adapter	K4424
18	SPX1600Z54	Mounting Foot Cap Screw (Set of 4)	K4390
19	SPX0125F	Slinger	K4324
21	SPX3005R	Impeller Ring 3/4 HP - 3 HP, SP-3000 Series Impellers	K4269
21	SPX3021R	Impeller Ring 2 HP - 3 HP for (SP-3016-C, SP-3021-C & SP3026-C)	K4271

HAYWARD NORTHSTAR PUMP
SP4000X Series (Max Rated)

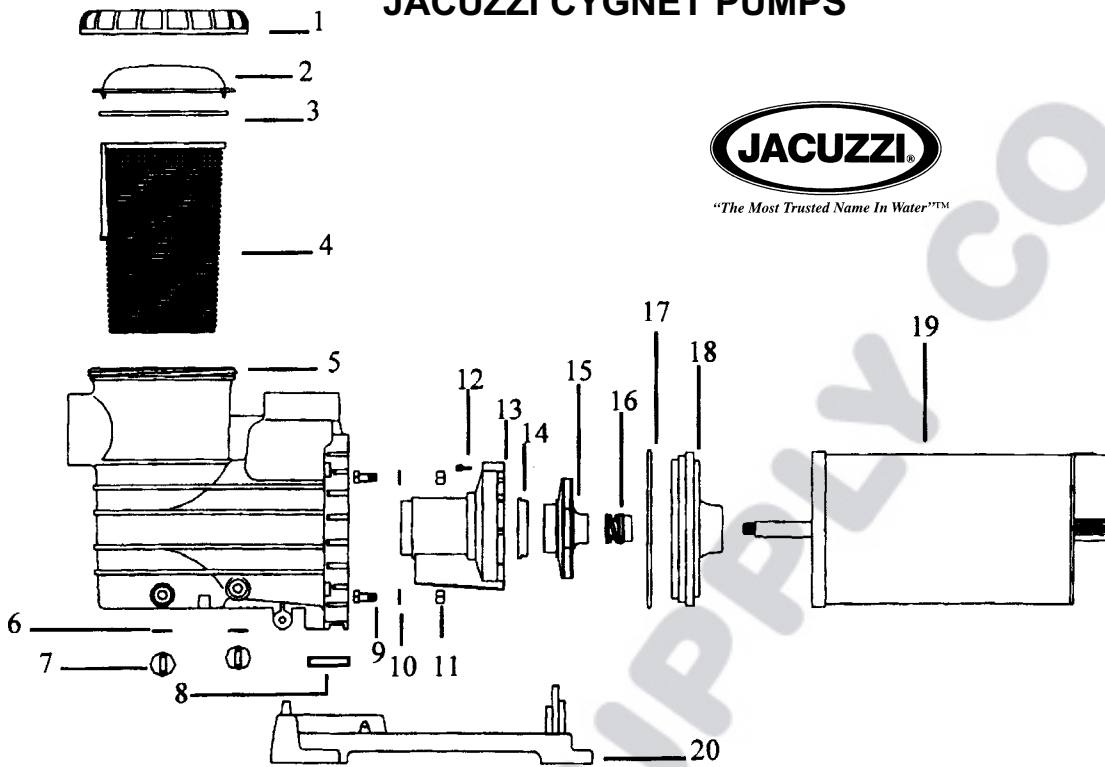


KEY	MFG.NO.	DESCRIPTION	ITEM NO.
1	SPX4000DA	Strainer Cover Kit (Strainer Cover, Lock Ring, O-Ring)	K4479
2	CX400G	Strainer Cover O-ring	K4481
3	SPX4000M	Basket	K4483
4	SPX4000UNPAK1	Union Kit	K4485
4A	SPX4000Z1	O-Ring for Union	K4466
5	SPX4020AA	Pump Housing	K4486
6	SPX4000FG	Drain Plug w/ Gasket	K4487
7	SX360Z1	Diffuser O-ring	K4488
8	SPX4000B	Diffuser	K4489
9	SPX4007C	Impeller for 1 HP (SP4007X10NS)	K4449
9	SPX4010C	Impeller for 1 1/2 HP (SP4010X15NS)	K4450
9	SPX4015C	Impeller for 2 HP (SP4015X20NS)	K4452
9	SPX4020C	Impeller for 2 1/2 HP (SP4020X25NS)	K4453
9	SPX4025C	Impeller for 3 HP (SP4025X30NS)	K4455
10	SPX1600Z2	Seal Assembly	K4392
11	SPX4000F	Motor Mounting Plate	K4456
12	SPX1607Z1MNS	Motor, 1 HP (SP4007X10NS)	K4457
12	SPX1610Z1MNS	Motor, 1 1/2 HP (SP4010X15NS)	K4458
12	SPX1615Z1MNS	Motor, 2 HP (SP4015X20NS)	K4459
12	SPX1620Z1MNS	Motor, 2 1/2 HP (SP4020X25NS)	K4460
12	SPX1625Z1MNS	Motor, 3 HP (SP4025X30NS)	K4461
13	SPX1600Z52	Mounting Foot Cap Screw	K4462
14	SPX4000GA	Mounting Base w/ Adapter	K4463
15	SPX3021R	Impeller Ring 2 & 3 HP	K4271
16	SPX4000SEALKIT	Seal Plate Kit	K4464
16A	SPX4000T	O-Ring for Seal Plate	K4467
17	SPX0125Z44	Motor Cap Screw	K4398
18	SPX4000K	Motor Lock Ring	K4465

JACUZZI CYGNET PUMPS

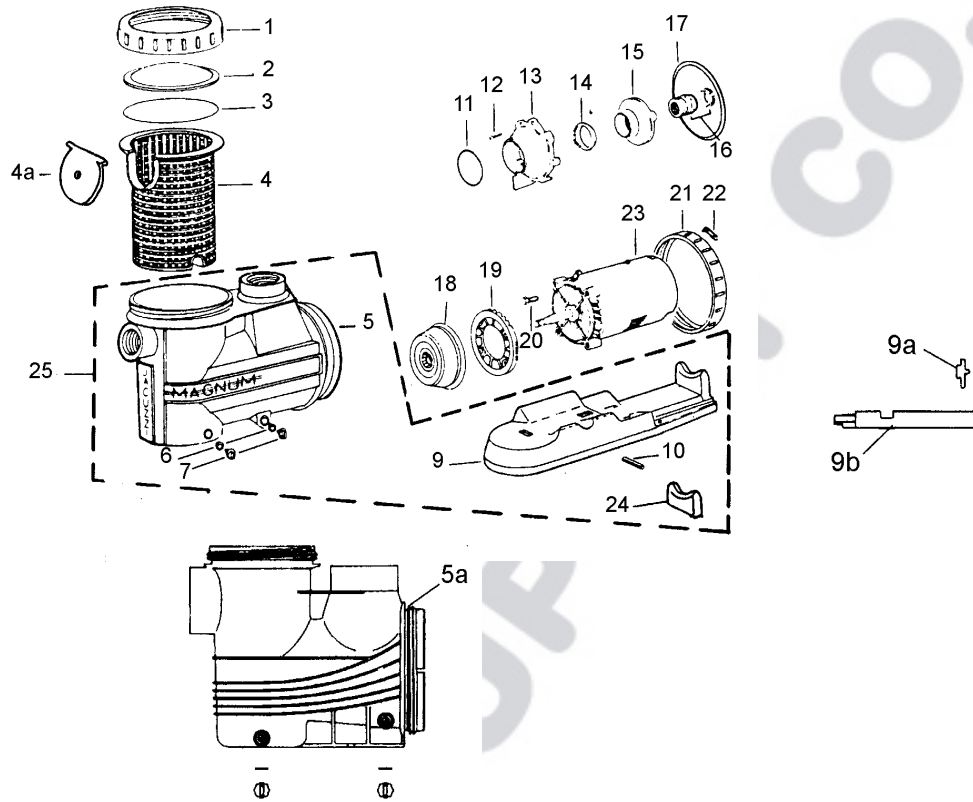


"The Most Trusted Name In Water"™



KEY	MFG.NO.	DESCRIPTION	ITEM NO.
1	42-1678-09-R	Strainer RingLok	H8160
2	39-0753-04-R	Strainer Cover	H8165
3	47-0352-41-R	Strainer O-Ring 4-7/8 ID x 3/16 THK	H8170
4	16-1052-15-R	Strainer Basket	H8172
5	16-1105-04-R	Case w/Plugs 2"	H8488
6	47-0112-00-R	Plug O-Ring (2)	H8181
7	31-1609-06-R	Plug w/O-Ring (2)	H8180
8	14-4231-07-R	Base Dowel Pin	H8259
9	14-1301-02-R	SS Bolt 3/8-16 x 2-1/2 (4)	H8508
10	14-0722-01-R	SS Lock Washer 3/8 (4)	H8509
11	14-0727-06-R	SS Nut 3/8-16 (4)	H8510
12	14-4206-08-R	Diffuser Screws 8-16 x 1-1/4" (2)	H8261
13	06-0150-07-R	Diffuser	H8511
14	10-1462-07-R	Eye Seal	H8176
15	05-3936-08-R	IMP 3/4 HP	H8512
---	05-3937-07-R	IMP 1 HP	H8513
---	05-3939-05-R	IMP 1-1/2 HP	H8514
---	05-3940-02-R	IMP 2 HP	H8515
16	10-0002-06	Mechanical Seal	H8225
17	47-0361-08-R	O-Ring 6" ID x 3/16 THK	H8516
18	11-1520-00-R	Seal Plate	H8517
19	-----	See Replacement Motors	
20	12-1135-02-R	Base Assembly	H8518

JACUZZI MAGNUM, MAGNUM PLUS & MAGNUM FORCE PUMPS



KEY	MFG.NO.	DESCRIPTION	ITEM NO.
1	42-2828-06-R	Cover Retainer	H8185
2	39-2579-02-R	Strainer Cover	H8252
3	47-0358-03-R	O-Ring, Strainer Cover (After 7/89)	K8253
3	47-0434-01	O-Ring, Strainer Cover (Before 7/89)	H8255
4	16-1086-06	Strainer Basket w/Flapper for Magnum Force	L9039
4	16-1097-04-R	Strainer Basket w/Flapper for Magnum Plus	H8253
4a	43-3036-01-R	Flapper	H8256
5	03-0856-02-R	Magnum Body Strainer 2" w/Plugs	H8257
5a	03-2009-04-R	Magnum Force Body	H8282
6	47-0112-00-R	Plug O-Ring (2 needed)	H8181
7	31-1609-06-R	Plug w/ O-Ring, 1/4"	H8180
9	12-1069-02-R	Base/Motor Support Assembly	H8258
9a	1211-2405-R	Motor Support	H8520
9b	1211-2603-R	Motor Base	H8521
10	14-4231-07-R	Dowel Pin 1/4 x 1-1/4 SS	H8522
11	47-0232-54-R	Square Ring	H8260
12	14-4206-08-R	Screw 8-16 x 1-1/4 SS (2 needed)	H8261
13	06-0157-05-R	Diffuser, 1/2 HP Full Rate & 3/4 HP Uprate	H8263
---	06-0165-05-R	Diffuser, 1-1/2 - 3 HP Full Rate & 2 HP Uprate	H8265
---	06-0167-03-R	Diffuser, 3/4 - 1 HP Full Rate, 1- 1 - 1/2 HP Uprate	H8267

JACUZZI MAGNUM, MAGNUM PLUS & MAGNUM FORCE PUMPS

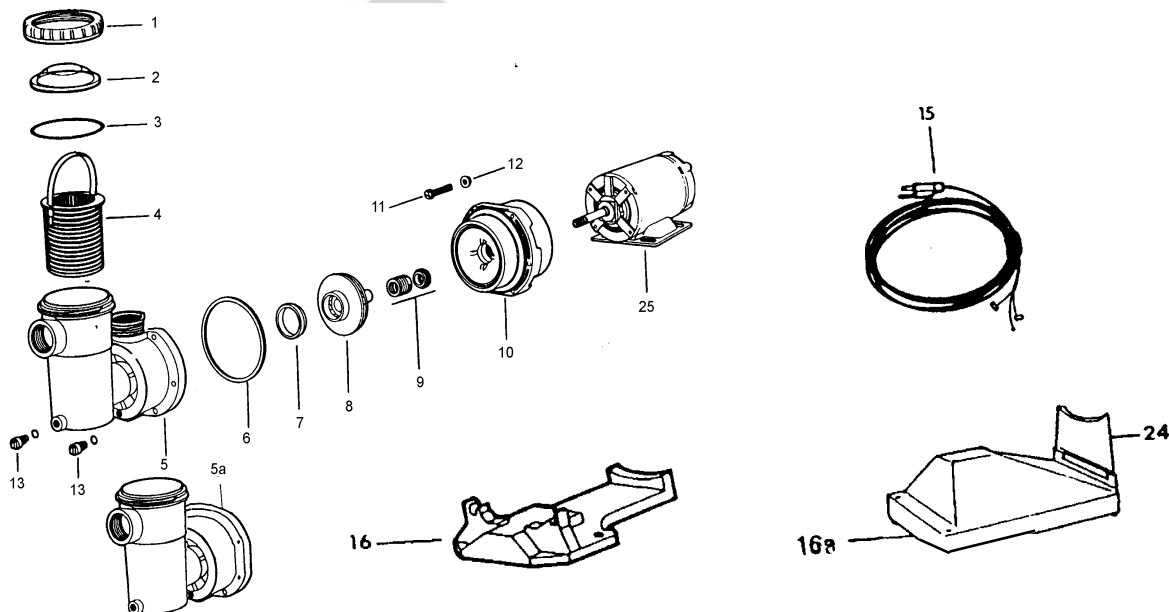
KEY	MFG.NO.	DESCRIPTION	ITEM NO.
14	10-1462-07-R	Eye Seal	H8176
15	05-3800-01-R	Impeller, 1/2 HP Full Rate & 3/4 HP Uprate	H8269
---	05-3818-01-R	2 HP Full Rate	H8276
---	05-3819-00-R	1-1/2 HP Full Rate 2 HP Uprate	H8275
---	05-3820-07-R	3 HP Full Rate	H8277
---	05-3854-06-R	1 HP Full Rate, 1-1/2 HP Uprate	H8273
---	05-3855-05-R	3/4 HP Full Rate, 1 HP Uprate	H8271
16	10-1502-09	Shaft Seal (replaces 10139004)	H8279
17	47-0364-47-R	O-Ring	H8281
18	02-1392-02-R	Seal Housing, 1-1/2 - 3 HP Full Rate, 2 HP Uprate	H8283
---	02-1366-04-R	Seal Housing, 1/2 HP Full Rate, 3/4 HP Uprate	H8523
---	02-1393-01-R	Seal Housing, 3/4 - 1 HP Full Rate, 1-1/2 HP Uprate	H8284
19	02-1368-02-R	Motor Housing Bracket	H8285
20	14-1293-24-R	Hex Capscrew 3/8-16 x 7/8 (4 needed)	H8286
21	42-2886-05-R	Pump Mounting Nut 2/88	H8287
22	42-2867-08-R	Mounting Nut Ratchet	H8288
23	-----	Motor, (See Motor Replacement Pages 217-219)	----
24	42-3555-03	Motor Support Kit GE to Century	H8289
25	24-0138-07	Case / Base Assembly	H8525
25A	42-2345-06R	Case/Base Assembly for Magnum Force	L9037

High Flow Magnum Parts

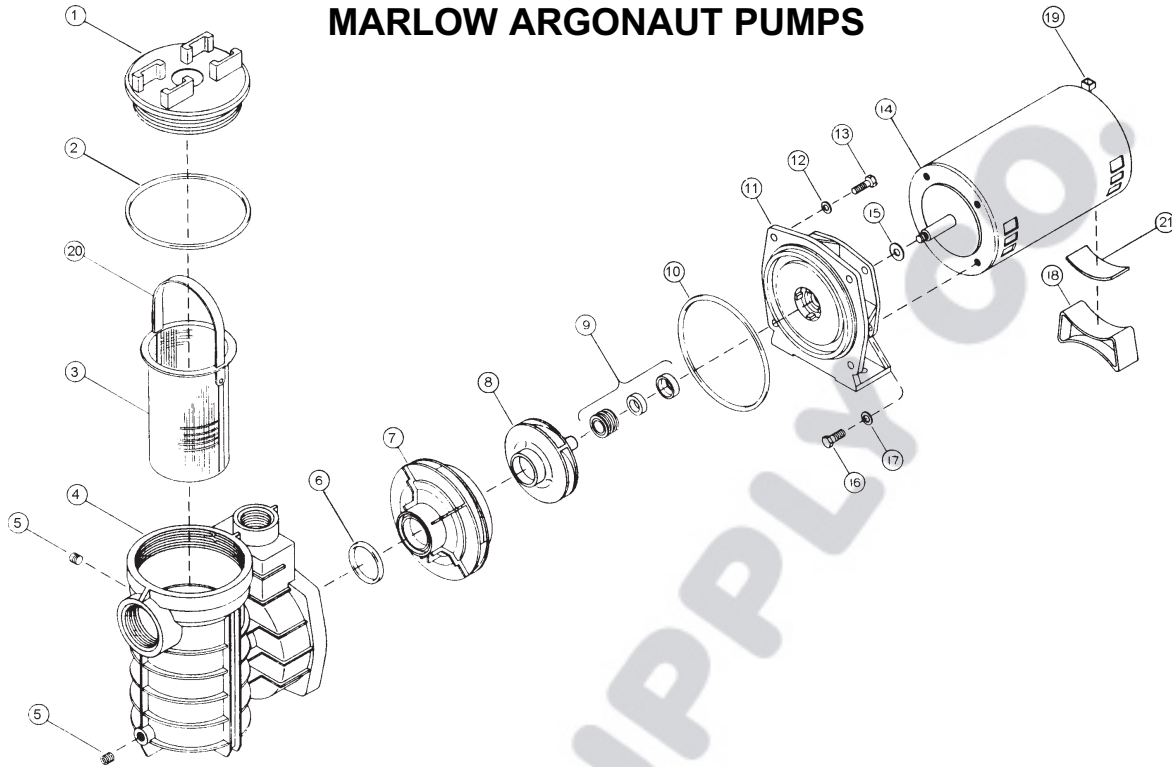
18	02-1366-04-R	Seal Housing 1/2-1 HP Full Rate & 1-1/2 HP Uprate	H8100
18	02-1367-03-R	Seal Housing 1 - 1/2 - 3 HP Full Rate & 2 HP Uprate	H8107
18	02-1609-01-R	Seal Housing 2 HP Full Rate	H8143
13	06-0157-05-R	Diffuser, 1/2 - 1 HP Full Rate & 1-1/2 HP Uprate	H8263
13	06-0163-07-R	Diffuser, 1-1/2 HP Full Rate	H8241
13	06-0164-06-R	Diffuser, 3 HP Full Rate	H8270
13	06-0166-04-R	Diffuser, 2 HP Full Rate	H8389
14	10-1462-07-R	Eye Seal, 1/2 - 1 HP Full Rate & 1-1/2 Uprate	H8176
14	10-1463-14-R	Eye Seal, 1-1/2 - 2 HP Full Rate & 2 HP Uprate	H8524
14	10-1464-13-R	Eye Seal, 3 HP Full Rate	H8526
15	05-3801-00-R	Impeller, 3/4 HP Full Rate & 1 HP Uprate	H8528
15	05-3802-09-R	Impeller, 1 HP Full Rate & 1-1/2 HP Uprate	H8529
15	05-3803-08-R	Impeller, 1-1/2 HP Full Rate & 2 HP Uprate	H8530
15	05-3804-07-R	Impeller, 2 HP Full Rate (before 10/89)	H8531
15	05-3805-06-R	Impeller, 3 HP Full Rate	H8532
15	05-3806-05-R	Impeller, 1/2 HP Uprate	H8533
15	05-3852-08-R	Impeller, 2 HP Full Rate	H8534
---	Go Kit 14	Pump Repair Kit (Gaskets & Seal)	K6067

JACUZZI LR SERIES PUMPS
LR, LR9, LRX, LRT, LR3, LR6, LR25 & LVL

KEY	MFG.NO.	DESCRIPTION	ITEM NO.
1	42-1678-09-R	Strainer Nut	H8160
2	39-0753-04-R	Strainer Cover	H8165
3	47-0352-41-R	O-Ring	H8170
4	16-0240-02-R	Strainer Basket LR	H8171
4	16-1052-15-R	LVL Strainer Basket	H8172
5	16-0307-02-R	Strainer Case Assy. w/Plugs LR	H8173
5	03-1957-24-R	Case Assy. w/1 Plug and O-Ring LVL	H8174
5a	16-0985-01-R	Strainer Case Assy. 90 Discharge	H8224
6	47-0258-53-R	Square Ring 6 x 1/8 x 1/8	H8175
7	10-1462-07-R	Seal Ring	H8176
8	05-3760-09-R	Impeller for 5LVL, LR, LRT, LRX, S7LR6, S7LR3	H8179
8	05-3759-02-R	Impeller for 7LVL, LR, LRT, LR3, S1LR6, S1LR3	H8217
8	05-3821-06-R	Impeller for 1LVL, LR, LRT, LR3, LR6, S15LR6 & LR3	H8219
8	05-3853-07-R	Impeller for 15LVL, LR, LRT, LR3, LR6 (after 10/90)	H8220
8	05-3883-01-R	Impeller for 7LRX, LR3, LR6, LR25 (before 10/90)	H8221
8	05-3884-00-R	Impeller for 1LRX, LR3, LR6, LR25 (before 10/90)	H8223
8	05-3885-09-R	Impeller for 15LRX, LR3, LR6, LR25 (before 10/90)	H8586
9	10-0002-06-R	Mechanical Seal (Replaced 10-1436-00)	H8225
10	02-1388-08-R	Bracket (Replaced 02-1271-08-R) (after 2/91)	H8226
10	02-1388-16-R	Bracket for LR25 Model only	H8227
11	14-3970-04-R	PL Hex 10-24 x 1-1/4 (6 needed)	H8229
11	14-4238-00-R	S.S. Hex Nut 10-24 x 1-1/4 (6 req'd) LRDV & LVL only	H8231
12	14-3971-03-R	PL Hex Nut (6 needed)	H8233
12	14-4239-09-R	S.S. Hex Nut LRDV & LVL only (6 needed)	H8235
13	31-1609-06-R	Plug 1/4" w/O-Ring	H8180
15	23-4857-09-R	Cord w/ Plug 6' F/LRX, LR6	H8236
15	23-4856-00-R	Cord w/Plug #12-3115V - 3'	H8335
16	12-1027-03-R	Support Base LR25 - (Limited Stock)	H8459
16a	12-1109-04-R	LVL/LTVL w/8587-4105 Motor Support	H8461
24	85-8743-00-R	LRC Motor Support	H8485
25	-----	Motor (See Motor Replacement Pages 217-219)	----



MARLOW ARGONAUT PUMPS

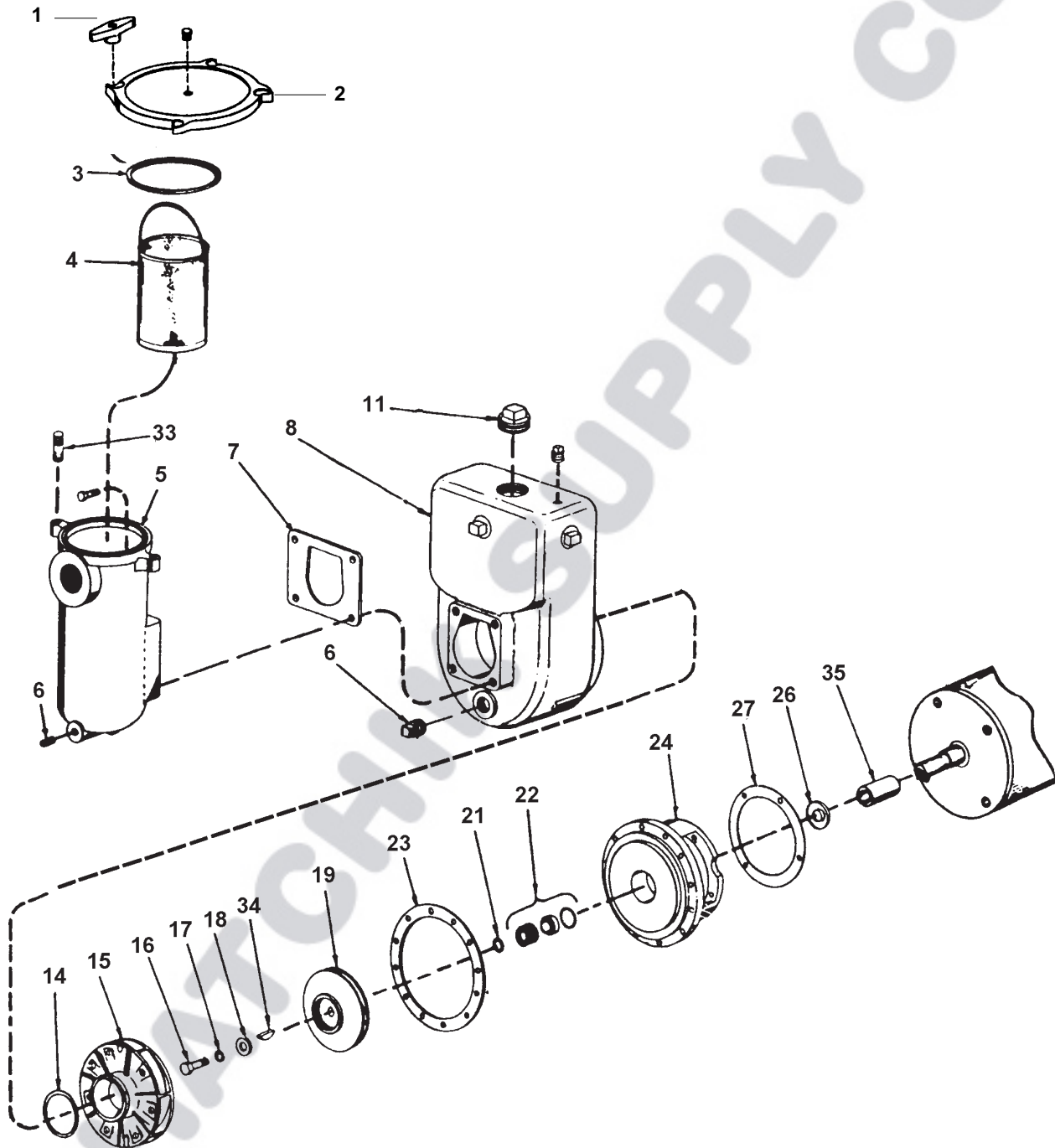


KEY	MFG NO.	DESCRIPTION	ITEM NO.
1	43808-00	Strainer Cover	K9245
2	44305-00	O-Ring for Strainer Cover	K9251
3	44382-10	Plastic Strainer Basket with Handle	K9252
4	43811-25	Strainer Housing	K9246
5	31165-00	Pipe Plug for Strainer Housing	K9101
6	27155-00	Diffuser O-Ring, 3/4 HP Up-Rate (1-1/2J50EC7)	K9214
6	43117-00	Diffuser O-Ring, All Other Models	K9238
7	43943-00	Diffuser, 3/4 HP Up-Rate (1-1/2J50EC7)	K9247
7	43944-00	Diffuser, 1 HP Up-Rate (1-1/2J75EC10)	K9248
7	43945-00	Diffuser, 1-1/2 HP Up-Rate (1-1/2J100EC15)	K9249
7	43946-00	Diffuser, 2 HP Up-Rate (1-1/2J150EC20)	K9250
7	43946-00	Diffuser, 2-1/2 HP Up-Rate (1-1/2J200EC25)	K9250
8	43772-00	Impeller, 3/4 HP Up-Rate (1-1/2J50EC7)	K9239
8	43773-00	Impeller, 1 HP Up-Rate (1-1/2J75EC10)	K9240
8	43774-00	Impeller, 1-1/2 HP Up-Rate (1-1/2J100EC15)	K9241
8	43775-00	Impeller, 2 HP Up-Rate (1-1/2J150EC20)	K9242
8	43776-00	Impeller, 2-1/2 HP Up-Rate (1-1/2J200EC25)	K9271
9	38592-00	Shaft Seal Assembly (#201)	K6032
10	44802-00	Bracket O-Ring	K9253
11	43778-00	Bracket	K9244
12	51410-00	Flat Washer, Bracket-to-Strainer	K9257
13	50683-00	Cap Screw, Bracket-to-Strainer	K9256
14	-----	Motor (See Motor Replacement Pages 217-219)	----
16	50317-00	Cap Screw, Bracket-to-Motor	K4907
17	33107-00	Flat Washer, Bracket-to-Motor	K9243
18	42127-00	Motor Support	K9185
19	38728-00	Bonding Lug	K9175

MARLOW CAST IRON PUMPS

5 HP 3B28EC-C2

7-1/2 HP 3B32EC-C2



MARLOW CAST IRON PUMPS**5 HP 3B28EC-C2****7-1/2 HP 3B32EC-C2**

KEY	MFG NO.	DESCRIPTION	ITEM NO.
1	28223-02	Hand Knob, 1/2" Cast Iron (4 needed)	K9221
1	25780-02	Hand Knob, 5/16" Cast Iron (Old Style)	K9209
2	28048-02	Cover, Strainer, Cast Iron	K9216
3	28219-00	Gasket for Strainer Cover	K9220
4	35890-00	Strainer Basket, Stainless Steel	K9227
4	B-128	Strainer Basket, Plastic Coated - Generic	K7128
5	38419-02	Strainer Body, Cast Iron (3B28EC-C2 & 3B32EC-C2)	K9235
6	16521-00	Drain Plug on Strainer Body, 1" Cast Iron	K9225
6	16455-00	Drain Plug on Strainer Body, 3/8" Brass	V5104
7	26299-00	Gasket, Strainer-to-Tank Housing	K9213
8	21176-02	Tank Housing, Cast Iron (3B28EC-C2 & 3B32EC-C2)	K9204
11	16543-00	Fill Plug	K9202
14	21571-00	Gasket, Diffuser (3B28EC-C2 & 3B32EC-C2)	K9205
15	35867-02	Diffuser, 5 HP (3B28EC-C2)	K9229
15	36478-02	Diffuser, 7-1/2 HP (3B32EC-C2)	K9230
16	50319-00	Cap Screw for 5 HP Impeller (3B28EC-C2)	K9181
16	50341-00	Cap Screw for 7-1/2 HP Impeller (3B32EC-C2)	K9255
17	25794-00	Lockwasher for Impeller Screw	K9210
18	26257-00	Washer for Impeller Screw	K9211
19	35991-02	Impeller, 5 HP (3B28EC-C2)	K9231
19	41284-02	Impeller, 7-1/2 HP (3B32EC-C2)	K9237
21	34616-00	Shim for Impeller	K9228
22	27223-00	Mechanical Shaft Seal 1-1/4" (#416A)	K6046
23	21112-00	Gasket, 8-Hole Paper, Lantern-to-Tank Housing	K9199
24	36545-02	Lantern, 5 HP (3B28EC-C2)	K9233
24	28452-02	Lantern, 7-1/2 HP (3B32EC-C2)	K9222
26	26259-00	Slinger	K9184
27	22991-00	Shim, 5 HP (3B28EC-C2)	K9183
27	28757-00	Shim, 7-1/2 HP (3B32EC-C2)	K9224
33	51653-00	Stud, 1/2" for Hand Knob (4 needed)	K9258
34	28454-00	Key for Impeller	K9223
35	36637-00	Sleeve for Motor Shaft	K9234

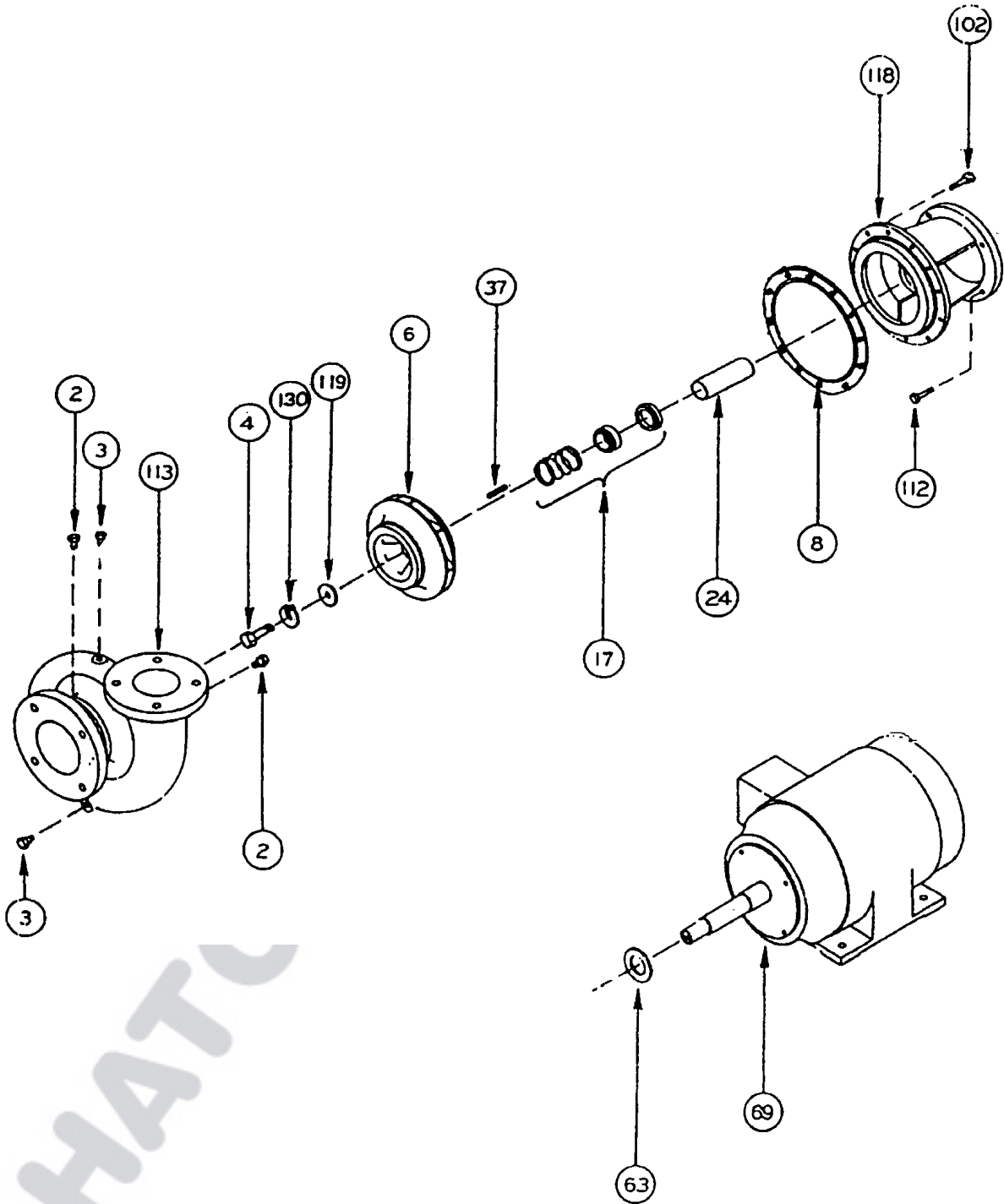
"2AF" Series, 1-1/2 thru 3 HP

KEY	MFG NO.	DESCRIPTION	ITEM NO.
1	31765-00	Hand Knob (2 needed)	K4900
2	25773-02	Cover for Strainer Body, Cast Iron	K9207
3	32540-00	Gasket for Strainer Cover	K9226
4	25774-00	Strainer Basket, Stainless Steel	K9208
4	B-125	Strainer Basket, Plastic Coated - Generic	K7125
5	32416-02	Combination Strainer Body & Tank Housing	H1155
6	16455-00	Plug, 3/8" Brass	V5104
15	32503-02	Diffuser, 1-1/2 HP (2AF18ECB)	K9261
15	30925-02	Diffuser, 2 HP (2AF1ECB)	K9262
15	32731-02	Diffuser, 3 HP (2AF10ECB)	K9263
19	25967-02	Impeller, 1-1/2 HP (2AF18ECB)	K9264
19	27297-02	Impeller, 2 HP (2AF1ECB)	K9265
19	27708-02	Impeller, 3 HP (2AF10ECB)	K9266
23	21034-00	Gasket, 8-Hole, Paper	K9200

MARLOW "L" SERIES PUMP
Models 4L1SC, 4L2SC, 4L3SC, 5L1SC & 5L2SC

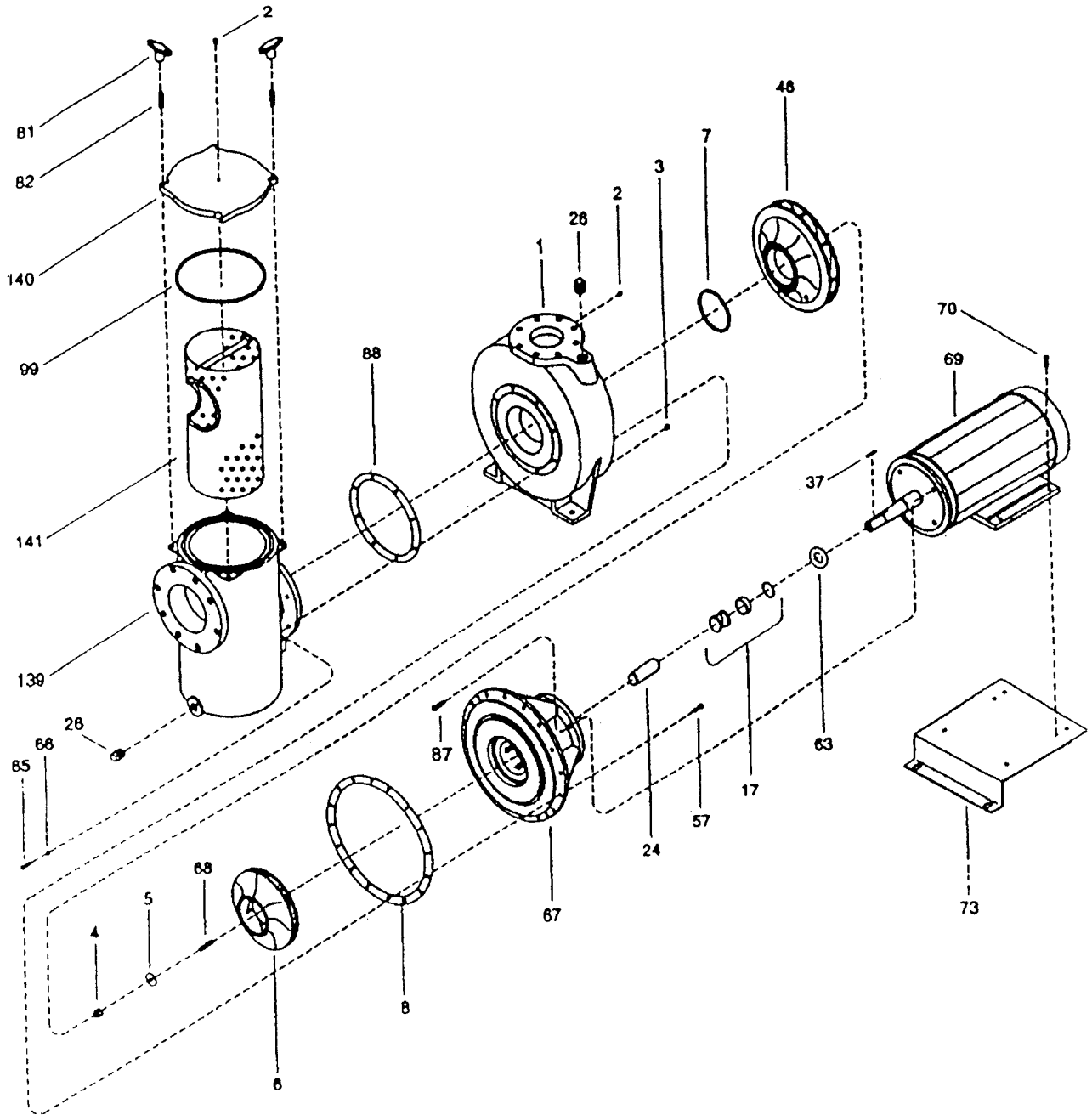
KEY	MFG NO.	DESCRIPTION	ITEM NO.
2 & 3	P39040	Pipe Plug (All Models), 2 needed	K4953
4	P52350	Impeller Cap Screw (4L1SC & 4L2SC)	K4954
4	P13800	Impeller Cap Screw (4L3SC, 5L1SC & 5L2SC)	K4955
6	P50748	Impeller, 7-9/16" Dia., 7-1/2 HP (4L1SC)	K4960
6	P50748	Impeller, 8-1/4" Dia., 10 HP, 3Ph (4L2SC)	K9259
6	P50748	Impeller, 8-1/2" Dia., 10 HP, 1 Ph (4L2SC)	K4959
6	P50755	Impeller, 9-3/8" Dia., 15 HP, 3 Ph (4L3SC)	K4961
6	P50832	Impeller, 8-5/8" Dia., 15 HP, 3 Ph (5L1SC)	K4962
6	P50832	Impeller, 9-1/8" Dia., 20 HP, 3 Ph (5L2SC)	K4963
8	P48690	Volute Gasket (All Models)	K4964
17	186862	Mechanical Shaft Seal (4L1SC & 4L2SC)	K9267
17	186543	Mechanical Shaft Seal (4L3SC, 5L1SC & 5L2SC)	K9268
24	185024	Shaft Sleeve (4L1SC & 4L2SC)	K4965
24	185021	Shaft Sleeve (4L3SC, 5L1SC & 5L2SC)	K4966
37	P49369	Impeller Key (4L1SC & 4L2SC)	K4967
37	P49372	Impeller Key (4L3SC, 5L1SC & 5L2SC)	K4968
63	P53550	Slinger (4L1SC & 4L2SC)	K4969
63	P53720	Slinger (4L3SC, 5L1SC & 5L2SC)	K4970
69	-----	Motor (See Motor Replacement Pages 217-219)	-----
102	P03470	Volute Cap Screw, 12 needed (All Models)	K4971
112	K03600	Bracket Cap Screw, 4 needed (4L1SC & 4L2SC)	K4973
112	P13780	Bracket Cap Screw, 4 needed (4L3SC, 5L1SC & 5L2SC)	K4974
113	P43366	Volute (4L1SC, 4L2SC & 4L3SC)	K4977
113	P43685	Volute (5L1SC & 5L2SC)	K4978
118	186530	Bracket (4L1SC & 4L2SC)	K4980
118	P77166	Bracket (4L3SC, 5L1SC & 4L2SC)	K4981
119	P46390	Impeller Flat Washer (4L1SC & 4L2SC)	K4982
119	P51250	Impeller Flat Washer (4L3SC, 5L1SC & 5L2SC)	K4983
130	J23874	Impeller Lock Washer (4L1SC & 4L2SC)	K4984
130	J23875	Impeller Lock Washer (4L3SC, 5L1SC & 5L2SC)	K4985

MARLOW "L" SERIES PUMP
Models 4L1SC, 4L2SC, 4L3SC, 5L1SC & 5L2SC



HATC

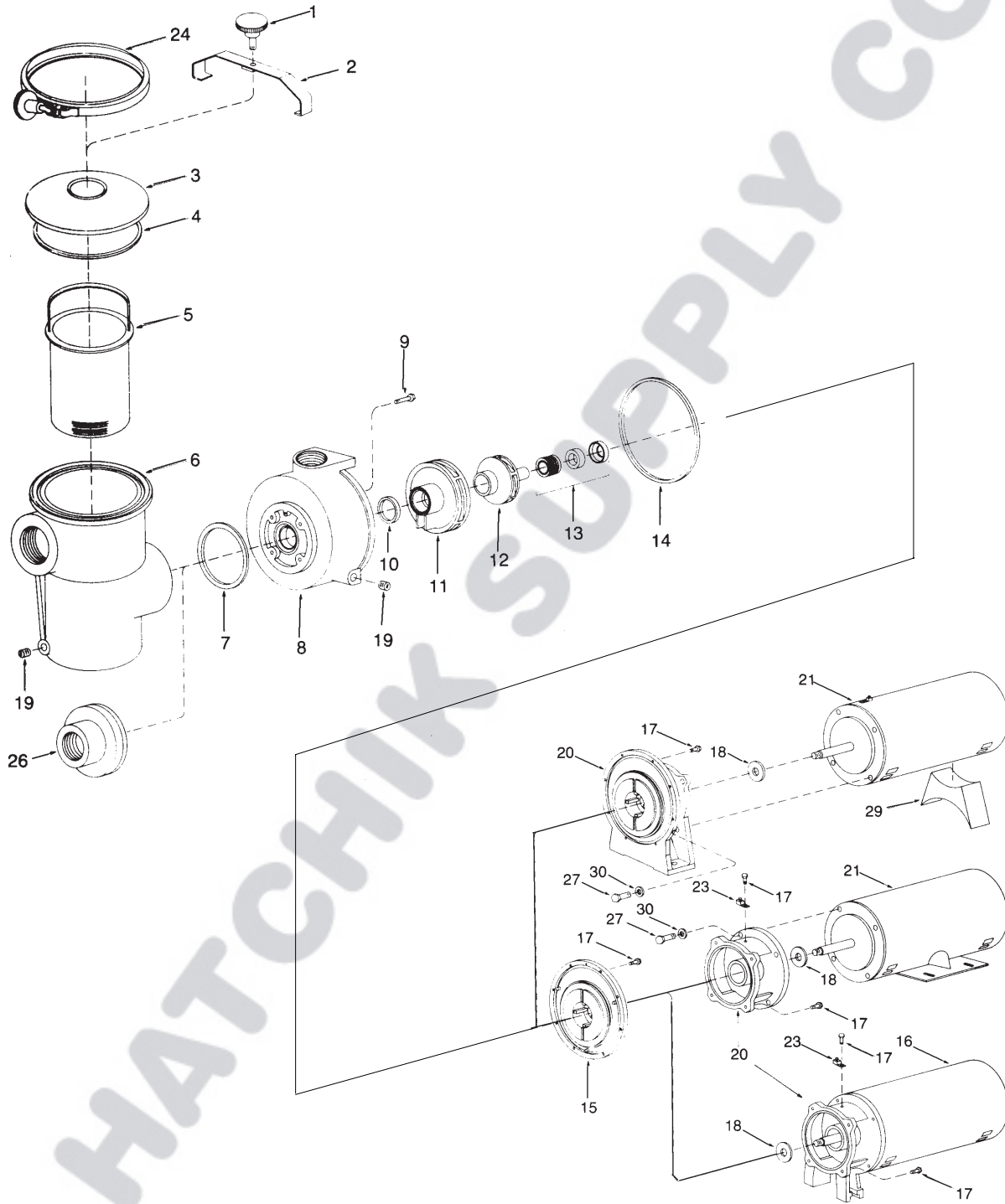
MARLOW "4SPC" SERIES PUMP
10EC, 15EC & 20EC



**MARLOW "4SPC" SERIES PUMP
10EC, 15EC & 20EC**

KEY	MFG NO.	DESCRIPTION	ITEM NO.
1	46994020000	Casing	K4910
2	CP711509002	Pipe Plug, 1/4" NPT	K4911
3	CP711509003	Pipe Plug, 3/8" NPT	K4913
4	51559000000	Locknut, Impeller	K4915
5	51556000000	Washer, Curved	K4928
6	47029060944	Impeller, Closed (4SPC10EC)	K4929
6	45462061022	Impeller, Closed (4SPC15EC)	K4930
6	45462060000	Impeller, Closed (4SPC20EC)	K4931
7	37478000000	Gasket, Die Cut, Molded	K4932
8	47040000000	Gasket, Die Cut	K4933
17	28146200000	Seal, Single Mechanical	K4934
24	36523000000	Sleeve, Shaft	K4935
26	CP711509008	Pipe Plug, 1" NPT	K4936
37	CP677103129	Key, Impeller	K4937
46	47018020000	Diffuser (4SPC10EC)	K4938
46	47225020000	Diffuser (4SPC15EC, 4SPC20EC)	K4939
57	CP611325468	Capscrew	K4940
63	26423000000	Slinger	K4941
65	CP611325468	Capscrew	K4940
66	CP655019032	Lockwasher (4SPC10EC, 4SPC20EC)	K4942
66	CP655011036	Lockwasher (4SPC15EC)	K4943
67	46993020000	Bracket / Lantern	K4944
68	51561000000	Stud	K4945
69	-----	Motor (See Motor Replacement Pages 217-219)	----
70	CP611271548	Capscrew	K4946
81	28223020000	Handknob	K9221
82	16568000000	Stud (4SPC10EC, 4SPC15EC)	K9203
82	51561000000	Stud (4SPC20EC)	K4947
87	CP611325468	Capscrew (4SPC10EC)	K4940
87	CP611271548	Capscrew 1/2 x 1-1/2 (4SPC15EC, 4SPC20EC)	K4946
88	47121000000	Gasket, Die Cut	K4948
99	CP751531449	Gasket, Molded	K4949
139	46995020000	Strainer Body	K4950
140	46997020000	Cover Strainer	K4951
141	46996000000	Strainer Basket	K4952

MARLOW MARDUR PUMPS
A-3 & B-3 Series



MARLOW MARDUR PUMPS

A-3 & B-3 Series

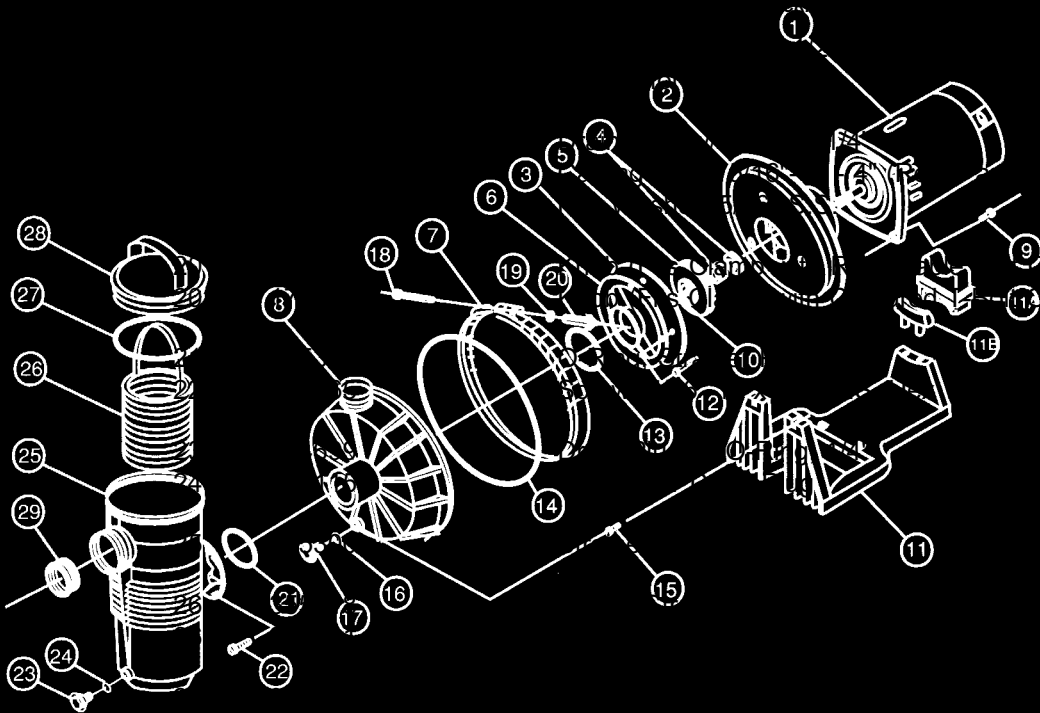
KEY	MFG NO.	DESCRIPTION	ITEM NO.
1	37430-00	Hand Knob, A-3 Series	K9100
2	35365-00	Yoke for Cover, A-3 Series	K9102
3	37202-08	Cover for Mardur Pump, A-3 Series	K9104
3	38685-00	Cover for Mardur Pump, B-3 Series (Clear)	K9106
4	37478-00	Gasket for Cover, A-3 Series	K9108
4	39404-00	Gasket for Cover, B-3 Series	K9110
5	38075-00	Basket for A-3 Strainer (Plastic)	K9195
5	B-175	Basket for A-3 Strainer (Plastic) - Generic	K7175
5	40891-00	Basket for B-3 Strainer (Plastic)	K9190
5	B-174	Basket for B-3 Strainer (Plastic) - Generic	K7174
6	42128-00	Strainer Body HP/AP, A-3 Series	K9113
6	42130-00	Strainer Body HP/AP, B-3 Series	K9115
7	37479-00	Gasket, Tank-to-Strainer Body	K9118
8	38607-12	Tank, HP/HU Series	K9124
8	38606-12	Tank, AP/AU Series	K9123
9	51372-00	Machine Screw S.S. 10-32 x 7/8" (4 needed)	K9127
10	30156-00	Gasket for Diffuser, HP/HU Series	K9129
10	25476-00	Gasket for Diffuser, AP/AU Series	K9131
11	38007-00	1/2 HP Diffuser (HP/HU20EC/ECT) A-3 & B-3	K9133
11	37852-00	3/4 HP Diffuser (HP/HU21EC/ECT) A-3 & B-3	K9135
11	37369-00	1 HP Diffuser (HP/HU22EC/ECT) A-3 & B-3	K9137
11	38564-00	1-1/2 HP Diffuser (HP/HU29EC/ECT) A-3 & B-3	K9139
11	38569-00	2 HP Diffuser (HP/HU30EC/ECT) A-3 & B-3	K9141
12	38001-00	1/2 HP Impeller (HP/HU20EC/ECT) A-3 & B-3	K9144
12	38004-00	3/4 HP Impeller (HP/HU21EC/ECT) A-3 & B-3	K9146
12	37211-00	1 HP Impeller (HP/HU22EC/ECT) A-3 & B-3	K9148
12	38562-00	1-1/2 HP Impeller (HP/HU29EC/ECT) A-3 & B-3	K9151
12	38567-00	2 HP Impeller (HP/HU30EC/ECT) A-3 & B-3	K9153
13	38592-00	Mech. Seal Assembly (#201)	K6032
14	37482-00	Gasket, Seal Plate to Tank	K9157
15	35608-00	Seal Plate, A-3 & B-3 Series	K9159
17	51373-00	Screw S.S., #10-32 x 5/8"	K9167
18	28486-00	Slinger	K9169
19	31165-00	Pipe Plug, 1/4"	V5102
20	37855-02	Lantern (HP/AP) for Complete Motor Only	K9171
20	42042-00	Bracket (HU/AU) Series, Plastic	K9173
21	----	Motor (See Motor Replacement Pages 217-219)	----
23	38728-00	Bonding Lug	K9175
24	39405-00	V-Band Clamp Assembly (Includes Hand Knob)	K9177
27	50319-00	Hex Head Screw S.S., 3/8" x 1"	K9181
29	42127-00	Motor Support, Plastic	K9185

PAC-FAB CHALLENGER PUMPS
High Head Models

KEY	MFG NO.	DESCRIPTION	ITEM NO.
1	-----	Motor, Square Flange (See Motor Pages 217-219)	-----
2	355303	Seal Plate	K4622
3	355384	Mounting Plate, 1/2 HP Full-Rate & 3/4 HP Up-Rate	K4637
3	355317	Mounting Plate, 3/4 HP - 3 HP Full & 1 HP - 2-1/2 HP U-R	K4627
4	354545	Mechanical Shaft Seal 5/8" (#200)	K6030
5	355147	Impeller, 1/2 HP Full-Rate & 3/4 HP Up-Rate	K4614
5	355187	Impeller, 3/4 HP Full-Rate & 1 HP Up-Rate	K4616
5	355369	Impeller, 1 HP Full-Rate & 1-1/2 HP Up-Rate	K4636
5	355315	Impeller, 1-1/2 HP Full-Rate & 2 HP Up-Rate	K4625
5	355604	Impeller, 2 HP Full-Rate & 2-1/2 HP Up-Rate (After 10/1/92)	K4645
5	355431	Impeller (Obsolete) <i>Used on 2 HP Full-Rate & 2-1/2 HP Up-Rate Pumps</i> <i>Built Prior to 10/1/92 - Must Replace with 35-5545 Diffuser & 35-5604 Impeller</i>	N/A
5	355544	Impeller, 3 HP Full-Rate	K4640
6	355148	Diffuser, 1/2 HP Full-Rate & 3/4 HP Up-Rate	K4615
6	355188	Diffuser, 3/4 HP - 1 HP Full-Rate & 1 HP - 1-1/2 HP Up-Rate	K4617
6	355270	Diffuser, 1-1/2 HP Full-Rate & 2 HP Up-Rate	K4618
6	355316	Diffuser (Obsolete) <i>Used on 2 HP Full-Rate & 2-1/2 Hp Up-Rate Pumps</i> <i>Built Prior to 10/1/92 - Must Replace with 35-5545 Diffuser & 35-5604 Impeller</i>	N/A
6	355545	Diffuser, 2 HP - 3 HP Full-Rate & 2-1/2 HP Up-Rate	K4641
7	355320	Band Clamp Assembly - Complete	K4644
8	355302	Front Housing	K4621
9	354290	Screw, 3/8" - 16 S.S. Hex Head	K4548
10	355389	Impeller Locking Screw	K4638
11	355305	Pump Base (See Note 4)	K4623
11A	355492	Adapter - Dual Radius Motor Support	K4553
11B	355385	Adapter - 5-5/8" Diameter Motor	K4554
12	355334	Screw, 8-32 x 1" S.S. Hex Washer Head (3 needed)	K4634
13	355331	O-Ring for Diffuser	K4632
14	355329	Front Housing O-Ring	K4630

PAC-FAB CHALLENGER PUMPS
High Head Models

UPPLY CO.



	ITEM NO.
(2 needed)	K4635 H3274
Clamp Assy)	H4312 H4207 L1553
	H5138 K4555
(4 needed)	K4631 K4543
	H4312 H3274
	K4619
Rate)	K4628 K4642
	K4633
	K4620
	K4556
	K4557
-- Go Kit 5	Pump Repair Kit (Gasket & Seal) K6021

28	355301	Lid, Strainer Pot	K4620
28	354112	Lid, Strainer Pot BQ	K4556
28	352000	Wedgit QuikLid <i>(Quick & Easy Replacement Lid - Also Fits Sta-Rite Pumps)</i>	K4557
--	Go Kit 5	Pump Repair Kit (Gasket & Seal)	K6021

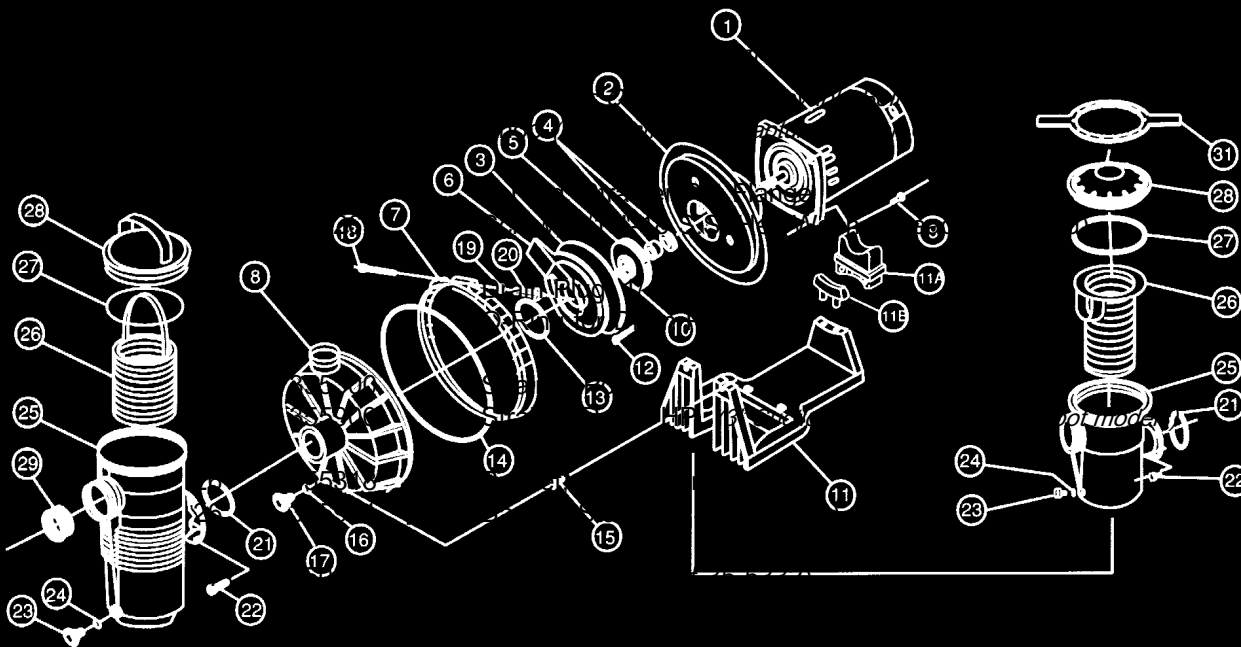
PAC-FAB CHALLENGER PUMPS

High Flow Models

KEY	MFG NO.	DESCRIPTION	ITEM NO.
1	-----	Motor, Square Flange (See Motor Replacement Pages 217-219)	-----
1	355705	5 HP Motor, Square Flange (1-Phase)	K4689
1	355704	5 HP Motor, Square Flange (3-Phase) 230/460V	K4687
2	355303	Seal Plate	K4622
2	355497	Seal Plate, 5 HP Full-Rate	K4685
3	355028	Mounting Plate, 1/2 HP, 3/4 HP Full-Rate & 3/4 HP, 1 HP Up-Rate	K4558
3	355078	Mounting Plate, 1 HP, 1-1/2 HP Full-Rate & 1-1/2 HP, 2 HP Up-Rate	K4559
3	355095	Mounting Plate, 2 HP Full-Rate & 2-1/2 HP Up-Rate	K4560
3	355495	Mounting Plate, 5 HP Full-Rate	K4686
4	354545	Shaft Seal, 5/8" Mechanical	K6030
5	355043	Impeller, 1/2 HP Full-Rate & 3/4 HP Up-Rate	K4650
5	355067	Impeller, 3/4 HP Full-Rate & 1 HP Up-Rate	K4651
5	355074	Impeller, 1 HP Full-Rate & 1-1/2 HP Up-Rate	K4652
5	355086	Impeller, 1-1/2 HP Full-Rate & 2 HP Up-Rate	K4653
5	355093	Impeller, 2 HP Full-Rate & 2-1/2 HP Up-Rate	K4561
5	355068	Impeller, 3 HP & 5 HP Full-Rate	K4683
6	355029	Diffuser, 1/2 HP, 3/4 HP Full-Rate & 3/4 HP, 1 HP Up-Rate	K4654
6	355077	Diffuser, 1 HP, 1-1/2 HP Full-Rate & 1 HP thru 2 HP Up-Rate	K4655
6	355094	Diffuser, 2 HP Full-Rate & 2-1/2 HP Up-Rate	K4562
6	355069	Diffuser, 3 HP & 5 HP Full-Rate	K4684
7	355320	Band Clamp Assembly - Complete	K4644
8	355302	Front Housing	K4621
9	354290	Hex Head Screw, 3/8" - 16 (4 needed)	K4548
10	355389	Impeller Locking Screw	K4638
11	355305	Pump Base, Includes Item #11A	K4623
11A	355492	Adaptor - Dual Radius Motor Support	K4553
11B	355385	Adaptor - 5-5/8" Diameter Motor (for Older Style Bases w/2 hole mounting)	K4539
12	355334	Screw, 8-32 Hex Washer Head (3 needed)	K4634
13	355030	O-Ring, Diffuser	K4545
14	355329	O-Ring, Front Housing	K4630
15	355335	Screw, 5/16" - 18 x 1/2" S.S. Hex Washer Head (2 needed)	K4635
16	192115	Drain Plug O-Ring	H3274
17	154699	Drain Plug, 1/2"	H4312
18	152060	Carriage Bolt, 5/16"-18 x 4" (Replacement Part for Old Style Clamp)	H4207
19	639822	Washer, 5/16" S.S.	L1553

PAC-FAB CHALLENGER PUMPS
High Flow Models

WATER SUPPLY CO.



ITEM NO.

H5138
K4555

K4631
K4543

H4312
H3274

K4619
K4682

K4628
K4681

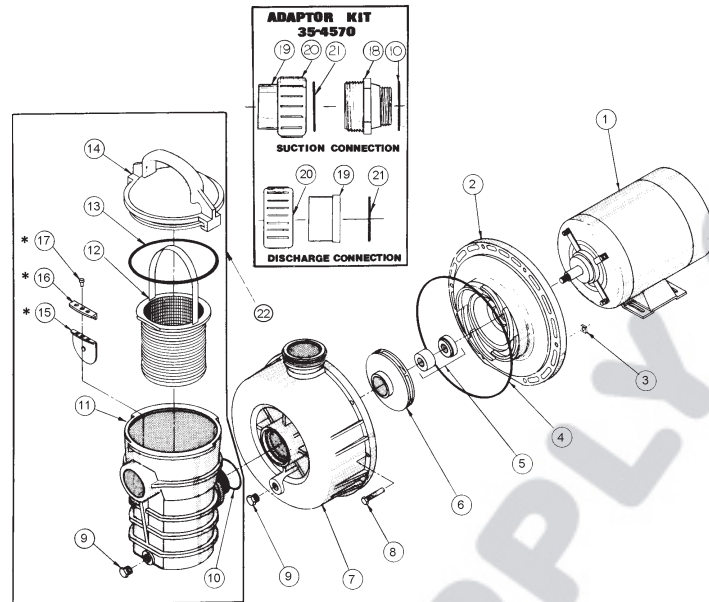
K4633
H4291

K4620
K4556
K4680

H4337
K6021

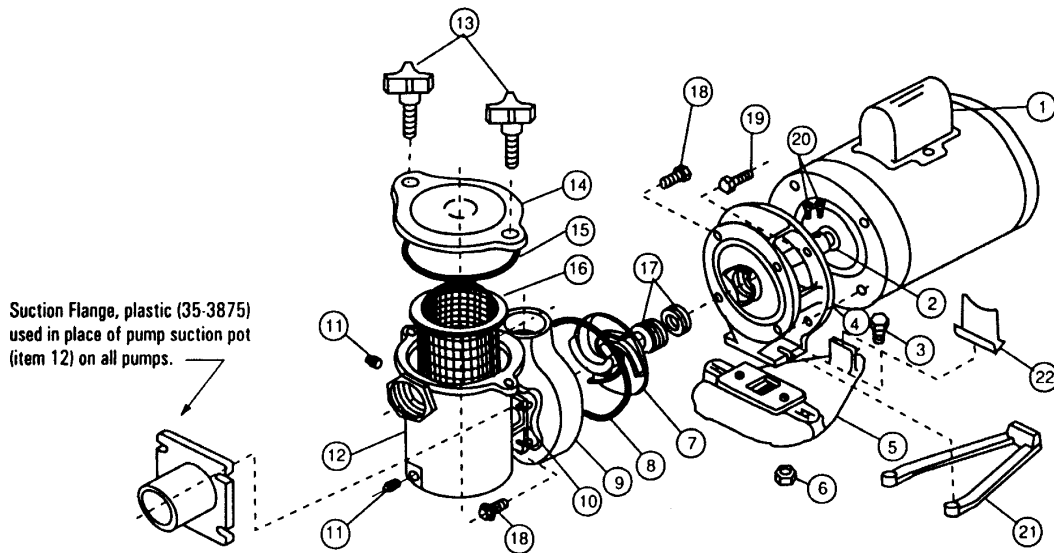
28	354112	Lid, Strainer Pot BQ
28	355902	Lid, Strainer Pot, 5 HP Full-Rate
31	154527	Wrench, 8-1/2"
---	Go Kit 5	Pump Repair Kit (Gaskets & Seal)

PAC-FAB DYNAMO PUMPS



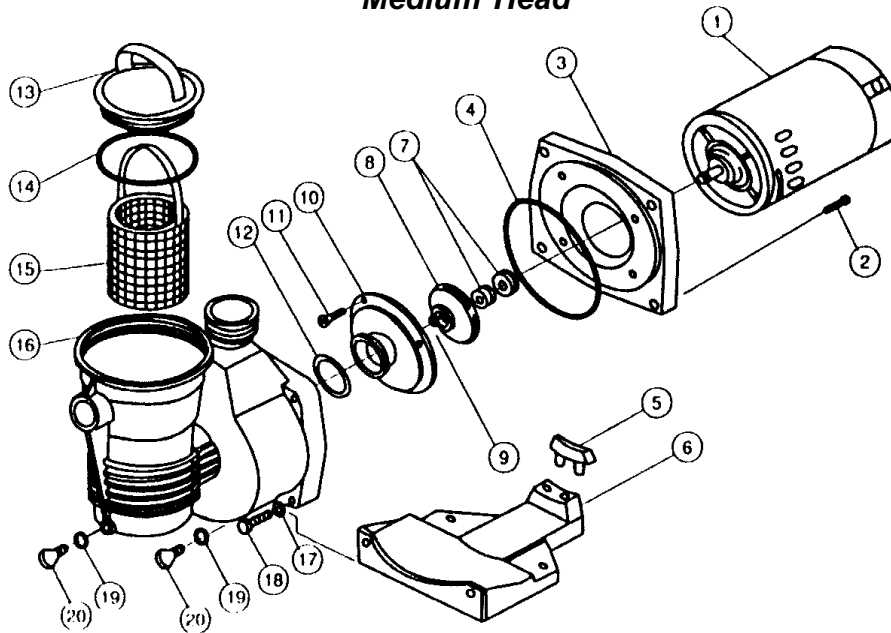
KEY	MFG NO.	DESCRIPTION	ITEM NO.
1	----	Motor (See Motor Replacement Pages 217-219)	----
2	354632	Diffuser Bracket, 3/4 HP (After 12/1/93)	K4563
2	354633	Diffuser Bracket, 1 & 1-1/2 HP (After 12/1/93)	K4564
2	354522	Diffuser Bracket, 1/2 HP (Before 12/1/93)	K4586
2	354524	Diffuser Bracket, 1 HP (Before 12/1/93)	K4588
3	354542	Nut, 10 - 24 S.S. (6 needed)	K4597
4	354634	O-Ring for Bracket Diffuser (After 12/1/93)	K4565
4	354535	O-Ring for Bracket Diffuser (Before 12/1/93)	K4593
5	354545	Shaft Seal, 5/8"	K4598
5	-----	Generic Shaft Seal, 5/8" (#200)	K6030
6	353002	Impeller, 1/2 HP	K4585
6	354552	Impeller, 3/4 HP	K4601
6	355122	Impeller, 1 HP & 1-1/2 HP	K4602
7	354630	Body Housing for Dynamo (After 12/1/93)	K4566
7	354528	Body Housing for Dynamo (Before 12/1/93)	K4589
8	354541	Screw, 10 - 24 x 1-1/2" Slotted, Hex (6 needed)	K4596
9	154481	Drain Plug, 1/4" (2 needed)	H4323
10	273062	O-Ring, Strainer Pot to Pump Housing	H3338
11	354530	Strainer Pot	K4590
12	354548	Basket with Handle - Plastic	K4600
13	354533	O-Ring for Lid	K4592
14	354531	Lid for Dynamo Strainer Pot (Replaces 35-4113)	K4591
15	354547	Check Valve (Before 11/15/88)	K4599
16	354538	Securing Bracket for Check Valve (Before 11/15/88)	K4594
17	354540	Screw 6-19 x 3/8" (Before 11/15/88)	K4595
18	354583	Adaptor, 1-1/2" Threaded	K4603
19	352207	Adaptor, 1-1/2" Quick Connect (2 needed)	K4604
20	352206	Nut, 1-1/2" Quick Connect (2 needed)	K4605
21	354571	O-Ring (2 needed)	K4606
22	354103	Complete Strainer Pot Assembly	K4607
---	155118	Electrical Cord - 25 ft	K4507
---	155234	Electrical Cord - 3 ft with Twistlock Plug	H3044
---	352245	Strain Relief Bushing for Cords	K4512

PAC-FAB HYDROPUMPS - 590 & 700 Series



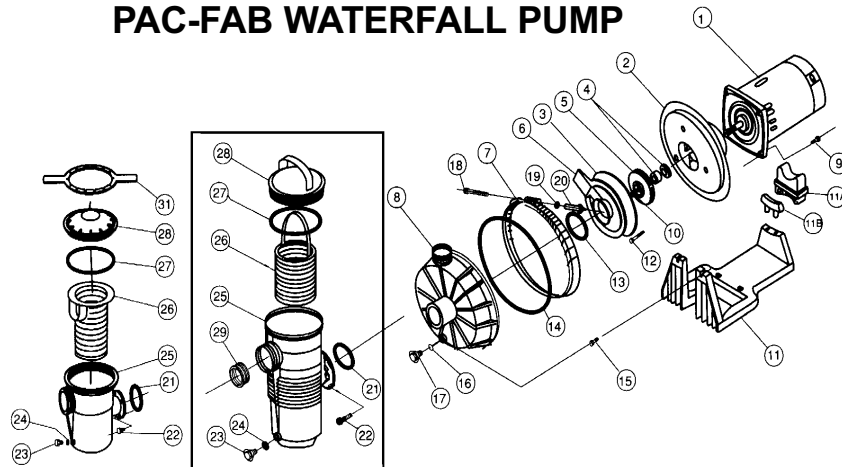
KEY	MFG NO.	DESCRIPTION	ITEM NO.
1	----	Motor, Key Shaft (See Motor Pages 217-219)	----
2	353750	Bronze Stub Shaft Extension	K4527
3	354294	Screw, 3/8" x 16 x 1-1/4" Cap (2 needed)	K4549
4	353775	Pump Bracket for Seal	K4528
5	354894	Tri-Pod Pump Base	K4551
6	154445	Nut, 3/8" - 16 Hex (2 needed)	H4322
7	353041	Impeller, 1/2 HP (Up-Rate)	K4517
7	353043	Impeller, 1/2 HP (Full-Rate) & 3/4 HP (Up-Rate)	K4518
7	353044	Impeller, 3/4 HP (Full-Rate) & 1 HP (Up-Rate)	K4519
7	353013	Impeller, 1 HP (Full-Rate) & 1-1/2 HP (Up-Rate)	K4514
7	353049	Impeller, 1-1/2 HP (Full-Rate) & 2 HP (Up-Rate)	K4520
7	353050	Impeller, 2 HP (Full-Rate) & 2-1/2 HP (Up-Rate)	K4521
7	353220	Impeller, 3 HP (Full-Rate)	K4522
8	352626	O-Ring, Volute to Seal Bracket	K4508
9	353912	Volute Housing	K4531
10	192323	O-Ring, Trap to Volute Housing	H3142
11	154480	Plug, 1/4" (2 needed)	H4243
12	354125	Plastic Strainer Pot (590 Series)	K4535
12	354127	Plastic Strainer Pot (700 Series)	K4536
13	354280	Cover Knob (2 needed)	K4547
14	353625	Clear Plastic Lid (590 Series)	K4525
14	353525	Clear Plastic Lid (700 Series)	K4523
14	354115	BQ Plastic Lid (590 Series)	K4530
14	354114	BQ Plastic Lid (700 Series)	K4533
15	352602	O-Ring for Lid (590 Series)	K4505
15	352600	O-Ring for Lid (700 Series)	K4504
16	352656	Basket with Handle - Plastic (590 Series)	K4510
16	352670	Basket with Handle - Plastic (700 Series)	K4513
17	354001	Shaft Seal, 3/4"	K4532
17	----	Generic Shaft Seal (#201)	K6032
18	354265	Screw, 5/16" - 18 Hex Washer Head (8 needed)	K4543
19	354290	Screw, 3/8" - 16 x 1" S.S., Cap (4 needed)	K4548
20	354256	Screw, 1/4" - 20 x 3/8" S.S. Set (2 needed)	K4542
21	154909	Outrigger for Motor	H4289
22	353450	Support for Motor	K4534
---	353875	Plastic Suction Flange (Used in Place of Suction Pot)	K4529
---	Go Kit 22	Pump Repair Kit (Gaskets & Seal)	K6049

PAC-FAB PINNACLE PUMPS
Medium Head



KEY	MFG NO.	DESCRIPTION	ITEM NO.
1	----	Motor, Square Flange (See Motor Pages 217-219)	----
2	354290	Hex Head Screw, 3/8-16 (before 11-94) (4 needed)	K4548
3	355612	Seal Bracket (before 11-94)	K4537
3	355666	Seal Bracket Thru-Bolt	K4524
4	355619	O-Ring for Seal Bracket	K4538
5	355385	Motor Support, 48 Frame (Required on 5-5/8" Dia. Motors)	K4539
6	355613	Pump Base	K4540
7	354545	Mechanical Seal, 5/8"	K6030
8	355043	Impeller, 1/2 HP Full-Rate & 3/4 HP Up-Rate (before 11-94)	K4650
8	355067	Impeller, 3/4 HP Full-Rate & 1 HP Up-Rate (before 11-94)	K4651
8	355074	Impeller, 1 HP Full-Rate & 1-1/2 HP Up-Rate (before 11-94)	K4652
8	355258	Impeller, 3/4 HP Up Rated	K4516
8	355263	Impeller, 1 HP Up Rated	K4501
8	355278	Impeller, 1-1/2 HP Up Rated	K4500
9	355389	Locking Screw for Impeller	K4638
10	355617	Diffuser, 1/2 HP, 3/4 Full-Rate & 3/4 & 1 Up-Rated (before 11-94)	K4541
10	355618	Diffuser, 1 HP Full-Rate & 1-1/2 HP Up-Rate (before 11-94)	K4544
10	355099	Diffuser 3/4 HP Up Rated	K4502
10	355051	Diffuser 1 HP, 1-1/2 HP, 2 HP Up Rated	K4503
11	355334	Screw, #8-32 Hex Washer Head (3 needed)	K4634
12	355030	Diffuser O-Ring	K4545
13	355301	Lid for Strainer Pot	K4620
14	350013	O-Ring for Lid (Replaces 35-5332)	K4633
15	355667	Basket, Strainer	K4678
16	355611	Pump Housing	K4546
17	072184	Washer, 3/8" S.S. (4 needed)	K3828
18	355621	Screw, 3/4" - 16 x 2-1/4" Hex Head (4 needed)	K4552
19	192115	O-Ring, Drain Plug (2 needed)	H3274
20	154699	Drain Plug w/ O-Ring (2 needed)	H4312
---	Go Kit 24	Pump Repair Kit (Gaskets & Seals)	K6053

PAC-FAB WATERFALL PUMP



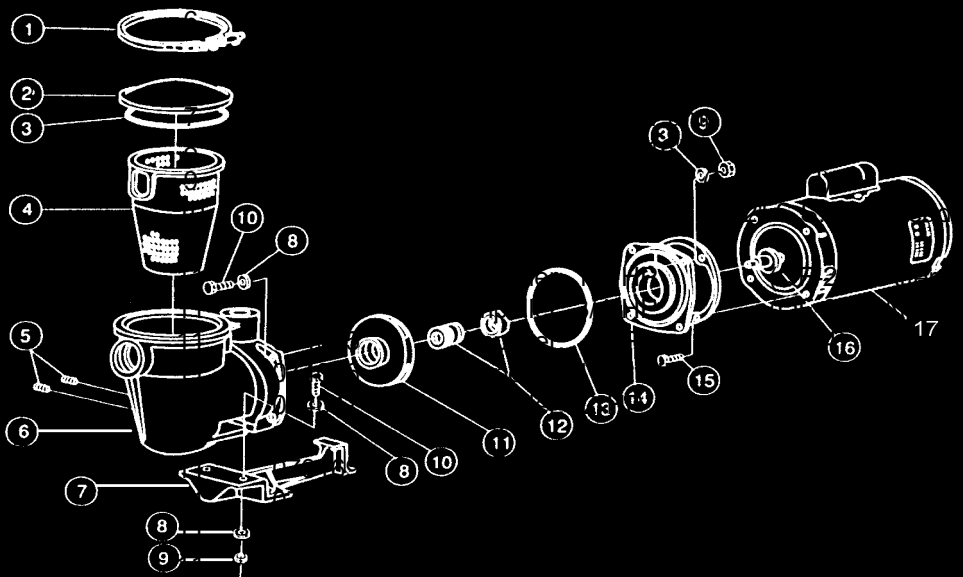
KEY	MFG. NO.	DESCRIPTION	ITEM NO.
1	-----	Motor, Square Flange (See Motor Pages 217-219)	----
2	355497	Seal Plate	K4685
3	355317	Mounting Plate , AF-75 & AFP-75	K4627
3	355495	Mounting Plate, AF-120 & 180, AFP 120, 150 & 180	K4686
4	354545	Mechanical Shaft Seal 5/8"	K6030
5	355544	Impeller, AF-75 & AFP-75	K4640
5	355068	Impeller, AF-120 & AFP-120	K4683
5	355221	Impeller, AF-180, AFP-150 & 180	K4677
6	355545	Diffuser, AF-75 & AFP-75	K4641
6	355069	Diffuser, AF-120 & AFP-120	K4684
6	355140	Diffuser, AF-180, AFP-150 & 180	K4676
7	355320	Band Clamp Assembly - Complete	K4644
8	355302	Front Housing	K4621
9	354290	Hex Head Screw, 3/8" - 16 (4 Needed)	K4548
10	355389	Impeller Locking Screw	K4638
11	355305	Pump Base, Includes Item #11A	K4623
11A	355492	Adapter - Dual Radius Motor Support	K4553
12	355334	Screw, #8-32 x 1", AF-75 & 120, AFP-75 & 120 (3 Needed)	K4634
12	355141	Screw, #8-32 x 1 1/2", AF-180, AFP-150 & 180	K4675
13	355331	Diffuser O-Ring	K4632
14	355329	Front Housing O-Ring	K4630
15	355335	Screw, 5/16" - 18 Hex Washer Head, AF Models Only	K4635
16	192115	Drain Plug O-Ring	H3274
17	154699	Drain Plug w/ O-Ring, 1/4"	H4312
20	175025	Knob (Fits clamp with captured T-Bolt Only)	K4555
21	355330	O-Ring for Strainer Pot Flange	K4631
22	354265	Screw - 4/16" - 18 Hex Washer Head (4 Needed)	K4543
23	154699	Drain Plug w/ O-Ring, 1/4"	H4312
24	192115	O-Ring for Drain Plug	H3274
25	355300	Strainer Pot, AFP-75, AFP-120 & 150	K4619
25	355900	Strainer Pot, AFP-180	K4682
26	355318	Plastic Strainer Basket	K4628
26	B-205	Generic Plastic Strainer Basket	K7205
26	355441	S.S. Strainer Basket, AFP-150	K4642
26	355901	S.S. Strainer Basket, AFP-180	K4681
27	350013	Strainer Lid O-Ring, AFP-75, AFP-120 & 150 (Replaces 35-5332)	K4633
27	152509	Strainer Lid Seal, AFP 180	H4291
28	355301	Strainer Lid, AFP-75, AFP 120 & 150	K4620
28	355902	Strainer Lid, AFP-180	K4680
31	154527	Wrench for Strainer Lid 8 1/2", AFP-180	H4337

PUREX AH SERIES PUMPS
All Bronze AH Series

KEY	MFG NO.	DESCRIPTION	ITEM NO.
1	070975	Tee-Handle (2 needed)	K9301
2	070788	Brass Cover	K9368
3	071421	O-Ring for Cover	K9305
4	072814	Basket, P-29, 6"	K9303
4	B-36	Basket, Generic	K7036
5	071551	Brass Pipe Plug, 1/4" (2 needed)	K9411
6	071681	Screw, 3/8" - 16 x 3/4" (2 needed)	K9419
7	075290	Foot Coated	K9381
8	071680	Screw, 3/8" - 16 x 5/8" Bronze HH (4 needed)	K9418
9	071031	Impeller, 1/2 HP (AH-5-2 / AHK-2)	K4200
9	071032	Impeller, 3/4 HP (AH-5-3 / AHK-3, AHL-2, AHKL-2)	K9392
9	071033	Impeller, 1 HP (AH-5-4 / AHK-4, AHL-3, AHKL-3)	K9309
9	071034	Impeller, 1-1/2 HP (AH/AM-5-6 / AHK-6, AHL-4, AHKL-4)	K9311
9	071035	Impeller, 2 HP (AH/AM-5-8 / AHK-8, AHL-6, AHKL-6)	K9315
9	071030	Impeller, 3 HP (AH-5-12 / AHK-12, AHL-8, AHKL-8)	K9317
<i>AH-1 Impeller & AHC Closed Faced Impellers are No Longer Available</i>			
10	071708	Screw, Set Self-Lock (2 needed)	K9427
12	071728	Shaft Seal (#201)	K6032
13	070894	Flange (AH-52-2 / AH-2, AHK-2)	K9319
13	070895	Flange (AH-52-3 / AH-3, AHK-3, AHL-2, AHKL-2)	K9374
13	070896	Flange (AH-52-4 / AH-4, AHK-4, AHL-3, AHKL-3)	K9321
13	070897	Flange (AH-52-6 / AH-6, AHK-6, AHL-4, AHKL-4)	K9323
13	070898	Flange (AH-52-8 / AH-8, AHK-8, AHL-6, AHKL-6)	K9325
13	070899	Flange (AH-52-10 / AH-12, AHL-8, AHKL-8)	K9327
14	071416	O-Ring	K9329
15	072187	Water Slinger	K9449
16	071760	Shim A-55, Brass	K9335
17	----	Motor, Threaded (See Motor Replacement Pages 217-219)	----
18	072154	Volute AH-2 Bronze, 2" x 1-1/2"	K9339

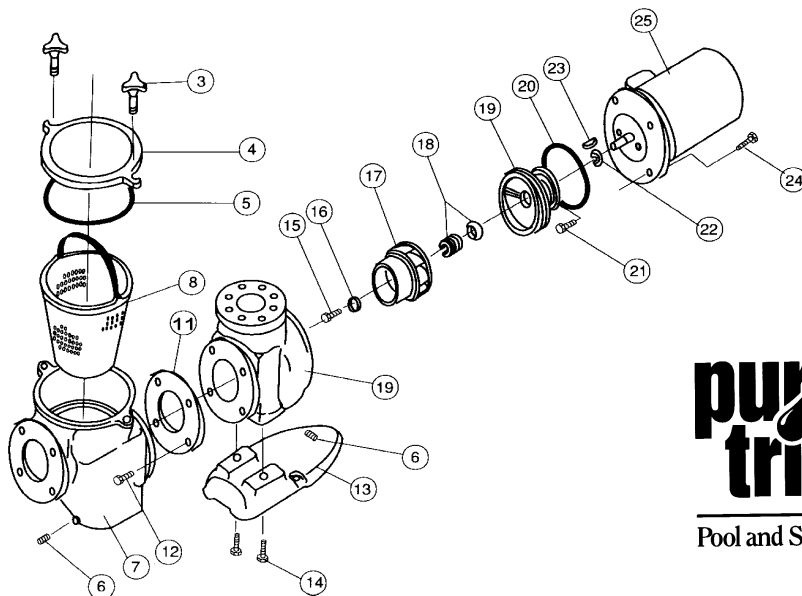
PUREX AQUATRON /QUIETFLO PUMPS
AQ Series

KEY	MFG NO.	DESCRIPTION	ITEM NO.
1	070711	Clamp Band Assembly (Replaces P06205, P06207 & P06214)	K9302
2	070795	Lexan Cover, WFE/AQ Pump	K9304
3	071422	O-Ring for WFE/AQ Cover	K9306
4	070387	Basket, Plastic	K9308
4	B-199	Basket, Generic	K7199
5	071552	Drain Plug, 1/4" npt (2 needed)	K9341



11	073173	Impeller, 2 HP (AQ-8) - Before 6/92	K9320
11	073174	Impeller, 3 HP	K9389
12	071733	Seal (#AS-1212) (Replaces P28280, P28319 & P28321)	K6066
13	071422	O-Ring	K9312
14	070336	Adapter PN/AQ	K9314
15	071681	Screw 3/8 - 16 x 7/8 Cad Plated (4 needed)	K9419
16	072187	Water Slinger	K9449
17	-----	Motor, Threaded Shaft (See Motor Replacement Pages 217-219)	-----
---	070802	Diaphragm, AQ ind size	K9372
---	070801	Diaphragm, AU ind size	K9357
---	Go Kit 33	Pump Repair Kit (Gaskets & Seal)	K6061

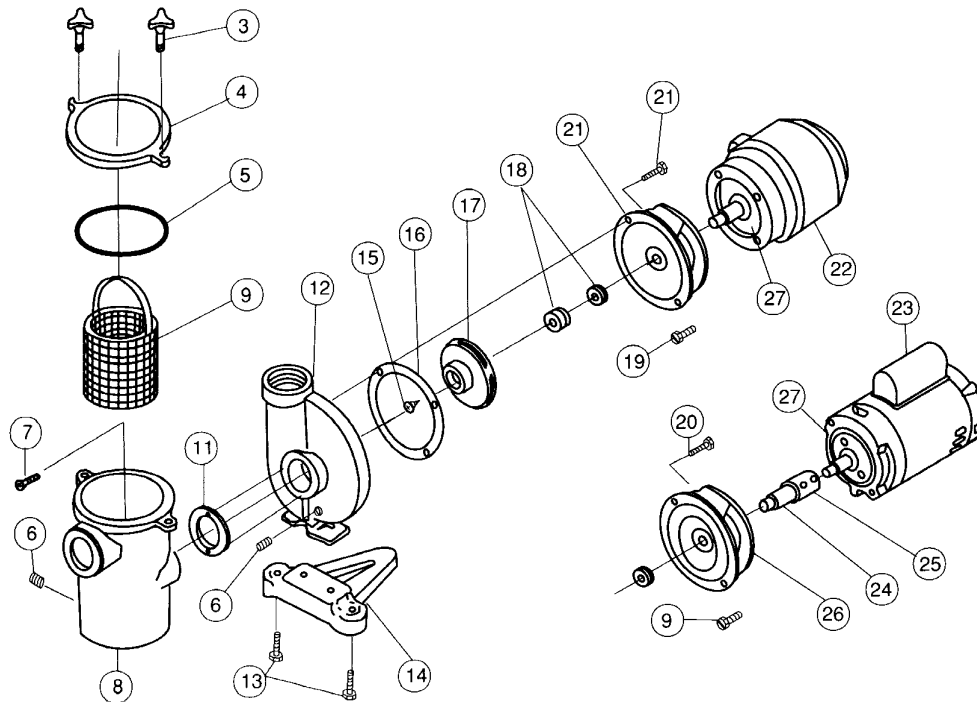
PUREX C-SERIES PUMPS



**purex
triton**
Pool and Spa Systems

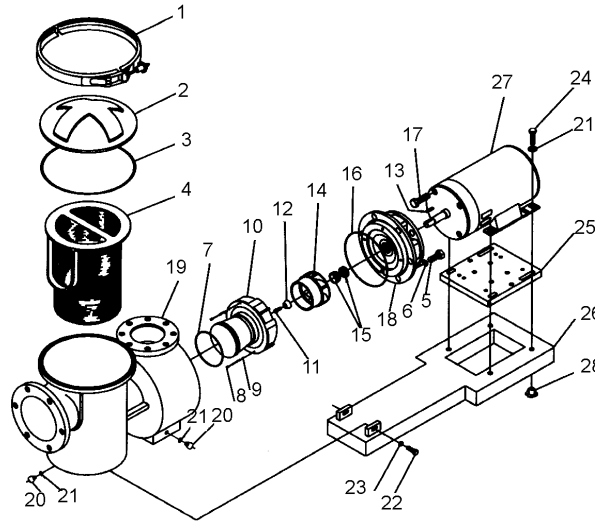
KEY	MFG NO.	DESCRIPTION	ITEM NO.
3	075280	Hand Nut Assembly	K9453
4	075275	Cover, Brass	K9369
5	071433	O-Ring for Lid	K9307
6	071551	Drain Plug, 1/4" Brass (2 needed)	K9411
7	075271	Strainer Pot, Brass	K9414
8	072795	Basket, Stainless Steel 11"	K9342
8	B-150	Basket, Plastic Coated, Generic	K7150
9	072159	Volute, Cast Iron	N/A
9	075273	Volute, Brass	K9472
11	070943	Flange Gasket, 5"	K9350
12	071683	Screw, 3/4" - 10 x 1-3/4" Hex Head Brass (4 needed)	K9421
13	075287	Foot, Brass	K9382
14	071688	Screw, 5/8" - 11 x 1" Hex Head (2 needed)	K9425
15	071037	Impeller Lock Screw	K9397
16	071048	Impeller Washer	K9401
17	073828	Impeller, 5 HP (CH-50/CHK-50) High Head, Single Phase	K9465
17	070228	Impeller, 5 HP (CM-50/CMK-50) Medium Head, Single Phase	K9473
17	073829	Impeller, 7-1/2 HP (CHK-75) High Head, Three Phase	K9470
17	070227	Impeller, 7-1/2 HP (CMK-75) Med Head, Three Phase	K9474
17	073830	Impeller, 10 HP (CHK-100) High Head, Three Phase	K9471
17	070226	Impeller, 10 HP (CMK-100) Med Head, Three Phase	K9475
17	073831	Impeller, 15 HP (CHK-150) High Head, Three Phase	K9466
17	070225	Impeller, 15 HP (CMK-150) Med Head, Three Phase	K9499
17	07-3832	Impeller, 20 HP (CHK-200) High Head, Three Phase	K9467
<i>C-Series 3 HP Impellers Are No Longer Available</i>			
18	071725	Shaft Seal (#360)	K6036
19	070906	Flange, Bronze	K9380
20	071423	O-Ring	K9406
21	071681	Screw, 3/8" - 16 x 3/4" Hex Head (2 needed)	K9419
22	072185	Water Slinger	K9447
23	071046	Impeller Key, 3/16"	K9400
24	071687	Screw, 1/2" - 13 x 1-1/4" Hex Head (4 needed)	K9448
25	071366	Motor, 5 HP, 1-Phase for "C" Series Pump	K9454
25	071364	Motor, 5 HP, 3-Phase for "C" Series Pump	K9455
25	071365	Motor, 7-1/2 HP, 3-Phase for "C" Series Pump	K9456
25	071363	Motor, 10 HP, 3-Phase for "C" Series Pump	K9457
25	071361	Motor, 15 HP, 3-Phase for "C" Series Pump	K9458
25	071362	Motor, 20 HP, 3-Phase for "C" Series Pump	K9459
---	070395	Bearing #306	K9460

PUREX L-SERIES PUMPS



KEY	MFG NO.	DESCRIPTION	ITEM NO.
3	075280	Hand Nut Assembly (2 needed)	K9453
4	070794	Cover, PJ-16 Cast Iron, Not Available When Out	K9370
4	070787	Cover, PJ-16 Bronze	K9367
5	071421	O-Ring, Trap Lid	K9305
6	071551	Pipe Plug, 1/4" Brass (2 needed)	K9411
7	071682	Screw, 3/8" - 16 x 1" Brass H H (6 needed)	K9420
8	071570	Pot, L-22 Bronze	K9413
9	072797	Basket, Stainless Steel	K9340
9	B-151	Basket, Plastic Coated, Generic	K7151
11	070940	Gasket, Trap to Volute Housing	K9384
12	072158	Volute L-2 Bronze	K9442
13	071681	Screw, 3/8" - 16 x 3/4" Hex Head (2 needed)	K9419
14	075290	Foot Coated	K9381
15	071038	Impeller Lock Screw - 3 Phase Only	K9398
16	070941	Gasket, Volute to Adapter	K9385
17	073162	3 HP Impeller, LH-5-30	K9476
17	073164	5 HP Impeller, LH-5-50	K9477
18	071728	Shaft Seal (#201)	K6032
19	071681	Screw, 3/8" - 16 x 3/4" Hex Head - Cast Iron (6 needed)	K9419
20	071680	Screw, 3/8" - 16 x 3/4" Hex Head - Brass (6 needed)	K9418
21	070323	Adaptor L-3 Bronze, 5 HP	K9355
22	071367	Motor, 5 HP, 3-Phase	K9358
22	071359	Motor, 5 HP, 1-Phase	K9359
23	071346	Motor, 3 HP, 3-Phase	K9360
23	071339	Motor, 3 HP, 1-Phase	K9361
24	071748	Shaft Extension L-6 Brass, 1-Phase	K9436
24	071749	Shaft Extension LK-6 Brass, 3-Phase	K9437
25	071689	Screw Dog Point P-113	K9417
26	070320	Adaptor, JR-3, Bronze Pump, 3 HP	K9352
27	072187	Water Slinger	K9449

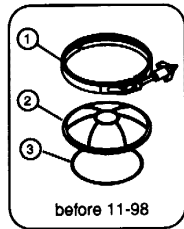
PUREX R-SERIES PUMP



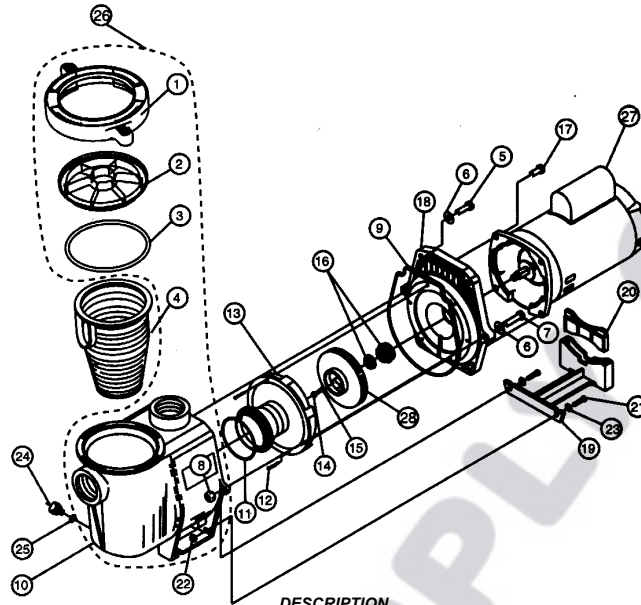
**purex
triton**

KEY	MFG NO.	DESCRIPTION	ITEM NO.
1	075845	Clamp Band Assembly	K9426
2	075851	Strainer Lid	K9428
*	347760	Lid Replacement Kit <i>(Use Lid Replacement Kit #347760)</i>	K9469
3	075847	O-Ring, Strainer Lid, Neoprene <i>(Includes Keys #1 thru 4, 16, & 19 thru 21)</i>	K9416
4	075844	S.S. Strainer Basket	K9354
5	075841	Bolt, 1/2" - 13 x 1-1/4, S.S. w/ Hex Head (6 Needed)	K9429
6	075842	Washer, 1/2" x .125, S.S. (6 Needed)	K9430
7	075848	Diffuser O-Ring, Neoprene	K9434
8	075849	Screw, #10-24 x 2-1/4", S.S. (2 Needed)	K9435
9	075850	Lockwasher, #10 w/ Extended Tooth, S.S. (2 Needed)	K9438
10	075915	Diffuser, All Models	K9440
11	071037	Lockscrew	K9397
12	071048	Washer	K9401
13	071046	Impeller Key, 3/16"	K9400
14	073828	Impeller, CHK 50 - 5 HP	K9465
14	070228	Impeller, CMK 50 - 5 HP	K9473
14	073829	Impeller, CHK 75 - 7.5 HP	K9470
14	070227	Impeller, CMK 75 - 7.5 HP	K9474
14	073830	Impeller, CHK 100 - 10 HP	K9471
14	070226	Impeller, CMK 100 - 10 HP	K9475
14	073831	Impeller, CHK 150 - 15 HP	K9466
14	070225	Impeller, CMK 150 - 15 HP	K9499
15	071725	Mechanical Shaft Seal	K9431
15	-----	Generic Shaft Seal (#360)	K6036
16	075846	Seal Plate O-Ring, Neoprene	K9416
17	075843	Bolt, 1/2 - 14 x 1", S.S. Hex Head (4 Needed)	K9441
18	075546	Seal Plate, 5 & 7.5 HP	K9450
18	075549	Seal Plate, 10 & 15 HP	K9444
19	075544	Volute <i>(Use Lid/Volute Replacement Kit #347760)</i>	K9451
20	071131	Drain Plug (2 Needed)	K9396
21	074629	Drain Plug O-Ring (2 Needed)	K9452
22	070429	Bolt, 3/8 - 16 x 7/8, S.S. Hex Head (2 Needed)	K9387
23	075855	Washer, 3/8", S.S. (2 Needed)	K9461
24	076063	Screw, 3/8 - 16 x 2-1/2 Hex Head (8 Needed for 5 & 7.5 HP)	K9462
24	076063	Screw, 3/8 - 16 x 2-1/2 Hex Head (4 Needed for 10 & 15 HP)	K9462
25	075541	Motor to Base Adapter	K9463
26	075540	Pump Stand	K9464
28	076064	Tee Nut, 3/8 - 16	K9468

PUREX WHISPERFLO PUMPS



WFE Series
High Performance
Pump

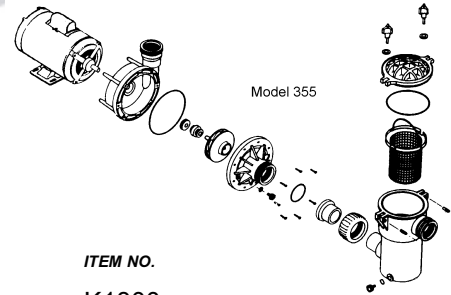
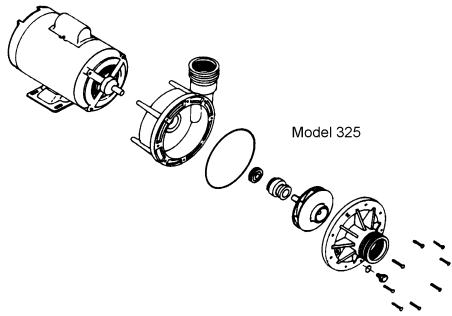
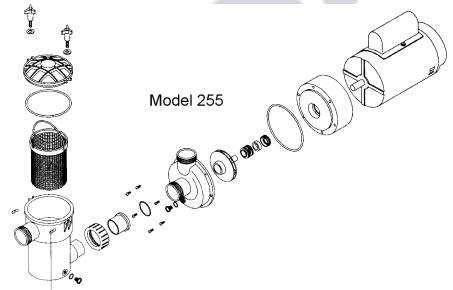


KEY	MFG NO.	DESCRIPTION	ITEM NO.
1	070711	Clamp Band Assembly WF/AQ Pump - Old Style <i>(before 11-98)</i>	K9302
1	357150	Clamp Band Assembly WF/AQ <i>(after 11-98)</i>	K9300
2	070795	Lexan Cover WFE/AQ Pump - Old Style <i>(before 11-98)</i>	K9304
2	357151	Lexan Cover AQ/WFE Pump <i>(after 11-98)</i>	K9395
3	071422	O-Ring for Cover WFE/AQ - Old Style <i>(before 11-98)</i>	K9306
3	350013	O-Ring AQ/WFE Cover <i>(after 11-98)</i>	K9422
4	070387	Basket - Plastic	K9308
5	070430	Bolt, 3/8" - 16 x 1-1/4" Hex HDSS (4 needed)	K9362
6	072184	Washer, 3/8" S.S. x 13/16" O.D. (6 needed)	K3828
7	070431	Bolt, 3/8" - 16 x 1-3/4" Hex HDSS (2 needed)	K9364
8	071403	Nut, 3/8" - 16 Hex Head (2 needed)	K9365
9	071445	O-Ring, Seal Plate <i>(Before 11-98 Requires Volute Kit #357149)</i>	K9366
9	075247	Gasket Seal Plate WFE Pump <i>(after 6-94)</i>	K9504
9	357102	Gasket Seal Plate WFE Pump <i>(after 11-98)</i>	K9432
10	350015	Volute WFE Pump & Pot <i>(Replaces 074565) (after 11-98)</i>	K9371
11	071444	O-Ring, Diffuser Assembly	K9373
12	071660	Set Screw #4-40 x 1-1/8" WF (2 needed)	K9375
13	072928	Diffuser Assembly WFE-12 (3 HP Only)	K9376
13	072927	Diffuser Assembly WFE-3 thru WFE-8 (3/4 HP thru 2-1/2 HP)	K9377
14	071652	Set Screw 1/4" 20 x 1" LH Pan	K9378
15	075713	WFE Pump Rubber Washer	K9580
16	071734	Shaft Seal with Ceramic Seat	K9386
17	070429	Bolt, 3/8" - 16 x 7/8" Hex Head (4 needed)	K9387
18	074564	Seal Plate WFE Pump <i>(after 1994)</i>	K9299
19	070927	Foot, WFE Pump	K9390
20	070929	Foot Insert for WFE Pump	K9391
21	071657	Screw, 1/4 - 20 x 1" (2 needed)	K9393
22	071406	Nut, 1/4" - 20 Hex Head S.S. (2 needed)	K9394
23	072183	Flat Washer, 1/4" x 5/8" (2 needed)	K9529
24	071131	Drain Plug Knob (2 needed)	K9396
25	074629	Gasket, Flat Washer (2 needed)	K9607
26	357149	Volute Replacement Kit <i>(after 11-98)</i>	K9371
27	---	Motor, Square Flange (See Motor Replacement Pages 217-219)	----
28	073126	Impeller, 1/2 HP (WFE-2)	K9402
28	073127	Impeller, 3/4 HP (WFE-3), (WF-3 & WF-24)	K9404
28	073128	Impeller, 1 HP (WFE-4), (WF-4 & WF-26)	K9405
28	073129	Impeller, 1-1/2 HP (WFE-6), (WF-6, WF-28, WFDS-6 & WFDS-28)	K9407
28	073130	Impeller, 2 HP (WFE-8), (WF-8, WF-30, WFDS-8 & WFDS-30)	K9409
28	073131	Impeller, 3 HP (WFE-12)	K9410
---	Go Kit 32	Pump Repair Kit (Gaskets & Seal)	K6059

PREMIER PUMPS
Models 225, 255, 325 & 355

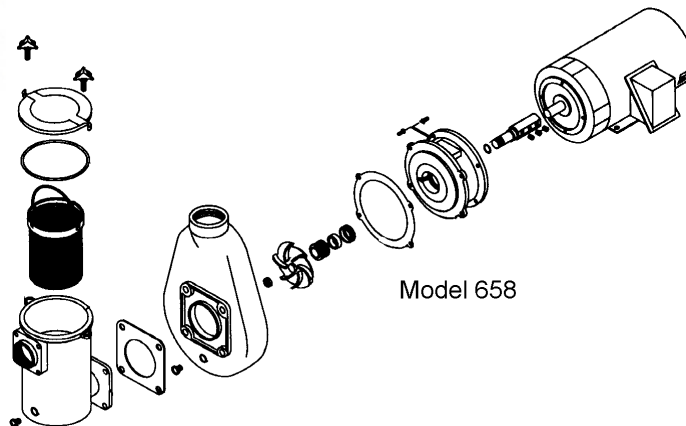
<i>DESCRIPTION</i>	<i>ITEM NO.</i>
Shaft Seal #200	K6030
1/2 HP Impeller	31-446*
3/4 HP Impeller	31-447*
1 HP Impeller	31-448*
1-1/2 HP Impeller	31-449*
Basket (255 & 355)	31-221*
Lexan Cover, 5" (255 & 355)	31-484*
Cover O-Ring (255 & 355)	31-486*
Drain Plug	33-717*
O-Ring, Drain Plug	29-113*

Limited Stock - May be a Special Order

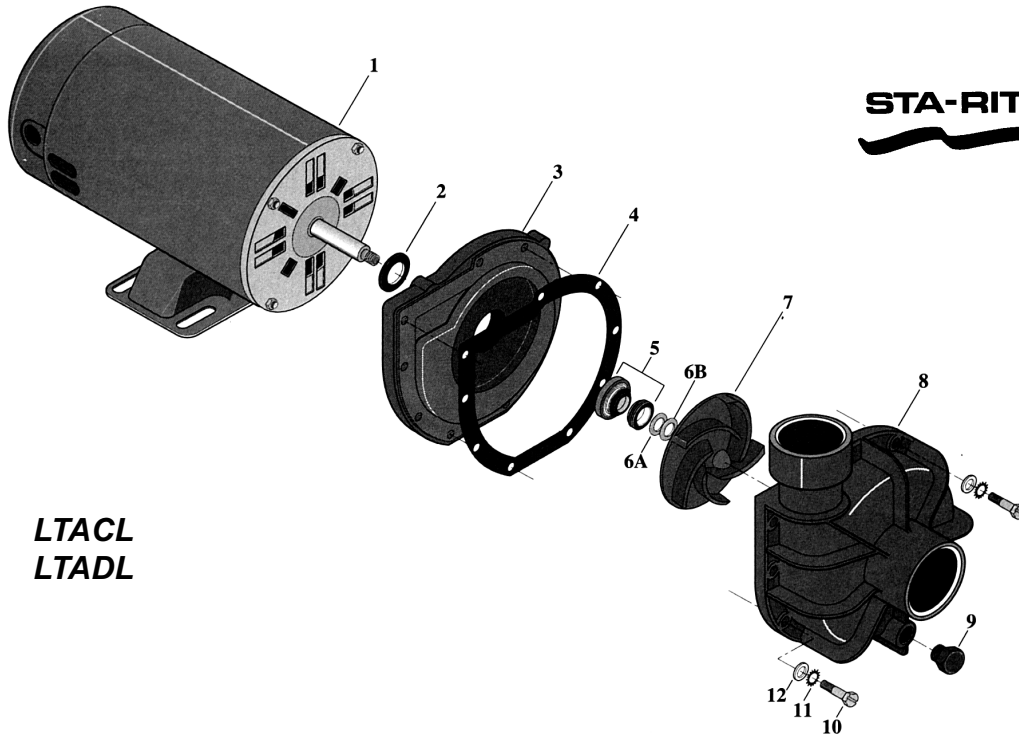


Model 658

<i>DESCRIPTION</i>	<i>MFG NO.</i>	<i>ITEM NO.</i>
3 HP Impeller	39-879	K1800
5 HP Impeller	39-880	K1802
7-1/2 HP Impeller	39-882	K1804
10 HP Impeller	31-813	K1806
Shaft Seal (#1000)	----	K6054
S.S. Basket, 8"	39-225	K1808
Brass Cover	39-490	K1810
Cover O-Ring	39-441	K1812



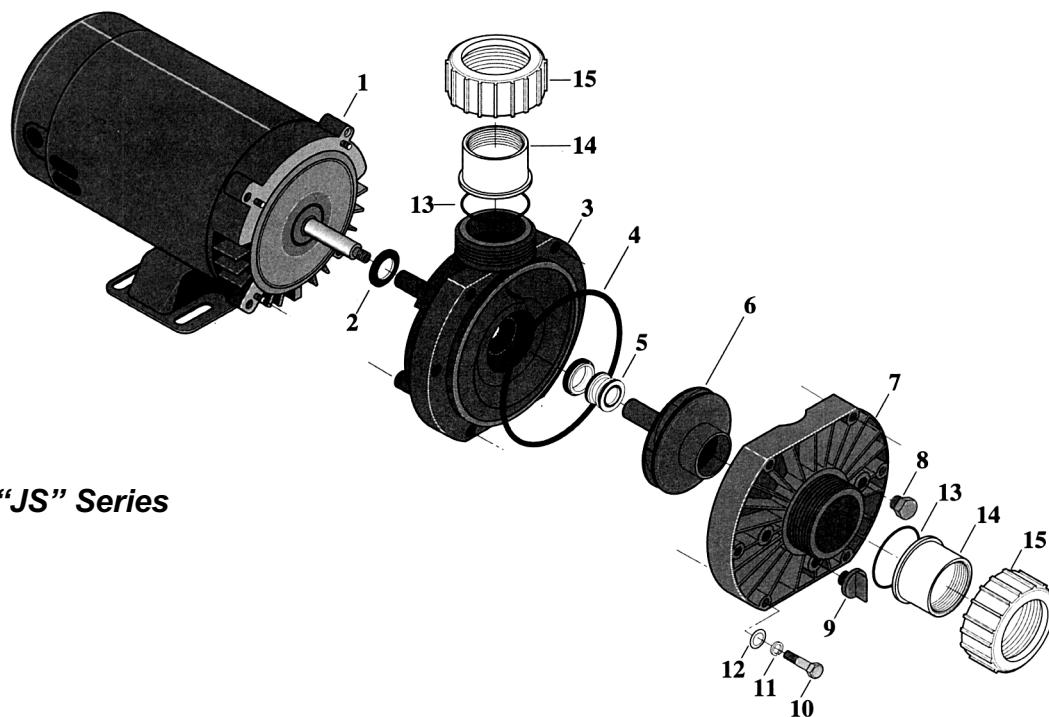
STA-RITE "LT" SERIES PUMPS



LTACL
LTADL

KEY	MFG NO.	DESCRIPTION	ITEM NO.
1	A800CL	Motor, 1/2 HP (LTACL)	K3392
1	A800DL	Motor, 3/4 HP (LTADL)	K3393
2	C69-7	Water Slinger	K3394
3	C1-84P2	Seal Plate	K3395
4	C20-31B	Gasket	K3396
5	U109-68SS	Shaft Seal #163	K3397
6A	C43-21D	Shim (.010 Thick) As Required (2 Needed)	K3398
6B	C43-22D	Shim (.029 Thick) As Required (2 Needed)	K3399
7	C5-151P	Impeller, 1/2 HP (LTACL)	K3401
7	C5-175P	Impeller, 3/4 HP (LTADL)	K3321
8	C101-247P	Volute	K3403
9	WC78-40T	Pipe Plug, 1/4" NPT	K3411
10	U30-871SS	Capscrew, 10 x 5/8" (9 needed)	K3405
11	U43-22SS	Lockwasher (9 needed)	K3407
12	U43-113SS	Washer, Flat (9 needed)	K3409

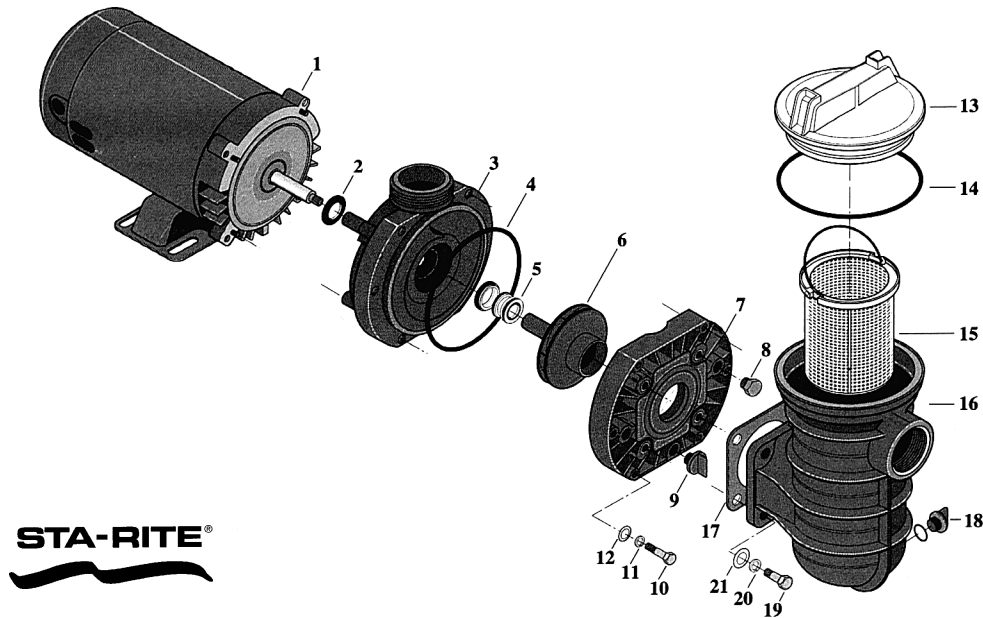
STA-RITE DURA-JET SPA PUMP



"JS" Series

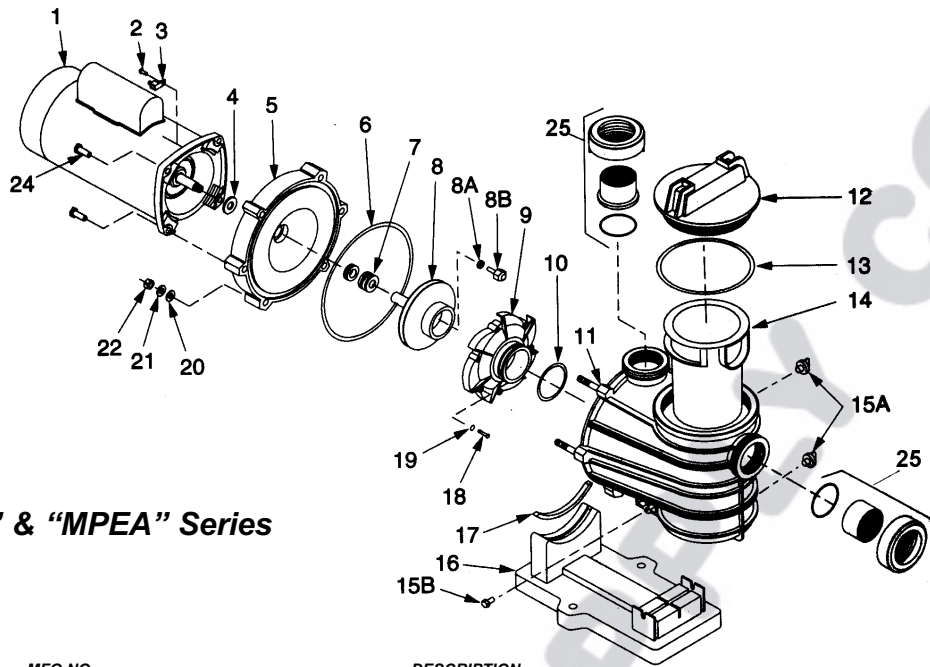
KEY	ITEM NO.	DESCRIPTION	ITEM NO.
1	-----	Motor (See Motor Replacement Pages 217-219)	----
2	C69-23	Slinger	K3534
3	C1-260P	Seal Plate	K3537
4	U9-357	O-Ring	K3548
5	U109-358SS	Seal	K3519
6	C105-228PC	Impeller, 1/2 HP (JSACL)	K3549
6	C105-228PB	Impeller, 3/4 HP (JSADL, JSAYDL, JSAEL & JSAYEL)	K3550
7	C101-262P	Front Plate	K3551
8	WC78-40T	Pipe Plug, 1/4" NPT	(2 needed) K3411
9	U178-920P	Drain Plug w/ O-Ring	K3439
10	U30-873SS	Capscrew, 1/4 - 20 x 1-3/4"	(6 needed) K3552
11	U43-10SS	Lockwasher, 1/4"	(6 needed) K3553
12	U43-117SS	Washer, 1/4" Flat	(6 needed) K3554
13	U9-226	O-Ring	(2 needed) K3426
14	U11-183P1	Union Adaptor, 1-1/2" Slip	N5306
15	U11-182P1	Union Collar, 1-1/2"	N5304

STA-RITE "JWPA" SERIES PUMP



KEY	MFG NO.	DESCRIPTION	ITEM NO.
1	-----	Motor (See Motor Replacement Pages 217-219)	----
2	C69-23	Slinger	K3534
3	17301-0150	Seal Plate	K3560
4	U9-357	O-Ring	K3548
5	U109-358SS	Seal	K3519
6	C105-228PH	Impeller, 3/4 HP	K3562
6	C105-228PG	Impeller, 1 HP	K3564
6	C105-228PG	Impeller, 1-1/2 HP	K3564
7	C101-272P	Front Plate	K3566
8	WC78-40T	Pipe Plug, 1/4" NPT (2 needed)	K3411
9	U178-920P	Drain Plug w/ O-Ring	K3439
10	U30-873SS	Capscrew, 1/4 - 20 x 1-3/4" (6 needed)	K3552
11	U43-117SS	Washer, 1/4" Flat (6 needed)	K3554
12	U43-10SS	Lockwasher, 1/4" (6 needed)	K3553
13	C3-139P1	Trap Cover	K3432
14	U9-229	Cover O-Ring	K3434
15	C108-33P	Strainer Basket	K3435
16	C153-53P1	Trap Body	K3436
17	C20-123	Gasket	K3442
18	U178-920P	Pipe Plug, 1/4" NPT w/ O-Ring	K3439
19	U30-64SS	Capscrew, 5/16 - 18 x 1-1/4" (4 needed)	K3438
20	U43-11SS	Lockwasher, 5/16" (4 needed)	K3429
21	U43-41SS	Washer, 5/16" Flat (4 needed)	K3440

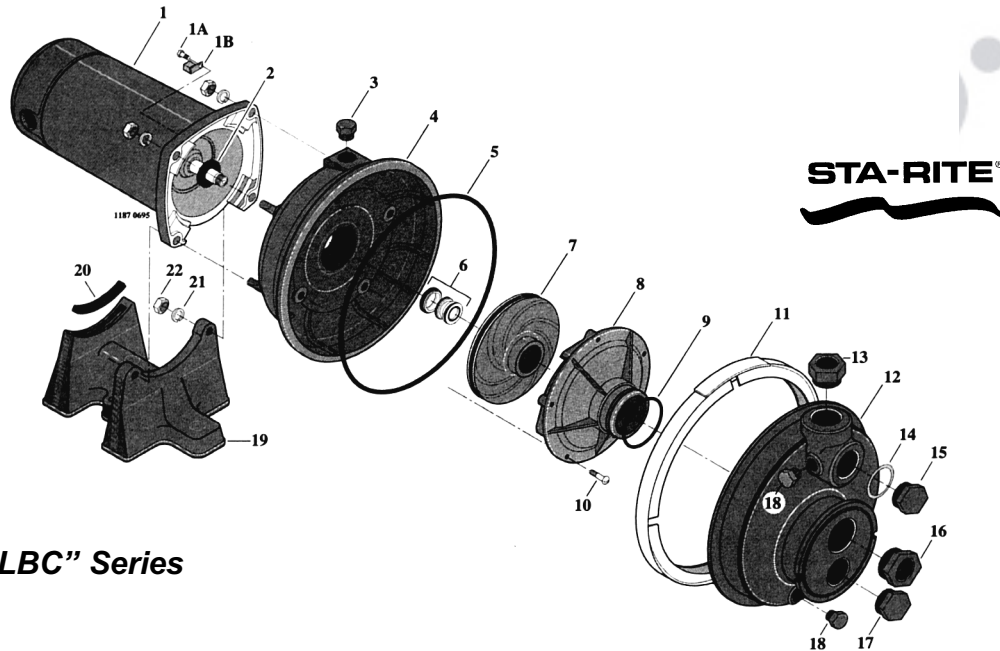
STA-RITE DYNA-GLAS & DYNA-MAX PUMPS



"MPRA" & "MPEA" Series

KEY	MFG NO.	DESCRIPTION	ITEM NO.
1	-----	Square Flanged Motor (See Motor Pages 217-219)	---
2	U30-692SS	Screw, 10 - 32 x 1/2"	K3302
3	U17-568	Bonding Lug	K3300
4	C69-2	Slinger (MPRA Series)	K3500
4	C69-24	Slinger (MPEA Series)	K3515
5	C3-184P	Seal Plate	K3517
6	U9-373	Cord Ring	K3518
7	U109-358SS	Shaft Seal	K3519
8	C105-236P	Impeller, 3/4 HP	K3521
8	C105-236PB	Impeller, 1 HP	K3522
8	C105-236PC	Impeller, 1 - 1/2 HP	K3523
8	C105-236PDA	Impeller, 2 HP	K3525
9	C1-270PB	Diffuser, 3/4 HP	K3529
9	C1-270PC	Diffuser, 1 HP	K3531
9	C1-270P	Diffuser, 1 - 1/2 HP	K3535
9	C1-270P	Diffuser, 2 HP	K3535
10	U9-374	Diffuser O-Ring	K3493
11	C76-58P	Tank and Trap Body Only	K3484
12	C3-185P	Trap Cover	K3433
13	U9-375	O-Ring for Trap Cover	K3471
14	C8-58P	Trap Basket	K3495
15A	U178-920P	Drain Plug, 1/4" w/ O-Ring (2 needed)	K3439
15B	U30-919SS	Mounting Screw, 5/16"-14x5/8" (2 needed)	K3539
16	C4-77P	Base, Plastic	K3540
17	C34-45	Motor Pad	K3541
18	U30-542SS	Capscrew, 8 - 32 x 7/8" (7 needed)	K3444
19	U43-21SS	Lock Washer #8 (7 needed)	K3446
20	U43-62SS	Flat Washer, 3/8" (6 needed)	K3543
21	U43-12SS	Lockwasher, 3/8" (6 needed)	K3545
22	U36-38SS	Nut, Hex 3/8 - 16 (6 needed)	K3336
24	U30-74SS	Capscrew, 3/8 - 16 x 1" (4 needed)	K3458
25	PKG-188	Quick Disconnect Union Half Kit - 2" Slip	K3136
25	PKG-189	Quick Disconnect Union Half Kit - 2" NPT	

STA-RITE BOOSTER PUMP



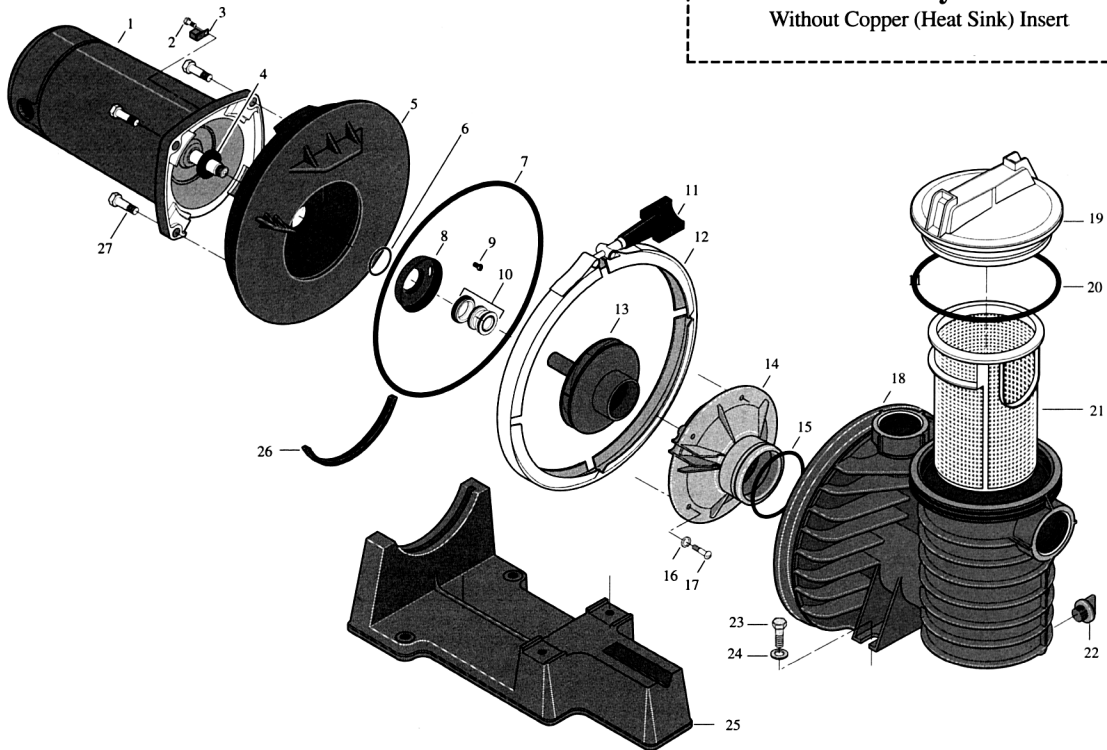
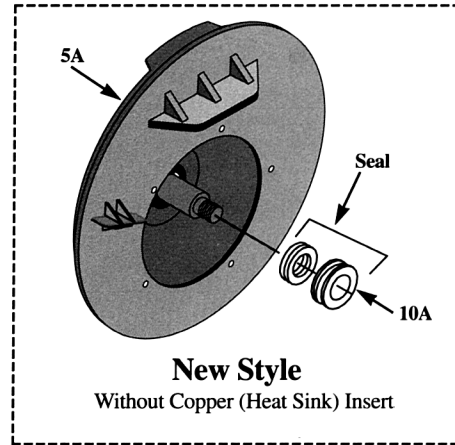
“PLBC” Series

KEY	MFG NO.	DESCRIPTION	ITEM NO.
1	A100CHL	Motor, Square Flanged, 1/2 HP - 115/230V	K5020
1A	U30-692SS	Screw, 10-32 x 1/2"	K3302
1B	U17-568	Lug, Bonding	K3300
2	C69-2	Slinger	K3500
3	WC78-39T	Pipe Plug, 1/2" NPT	K3445
4	L176-47P	Tank Body - Back Half	K3468
5	U9-389	O-Ring	K3343
6	U109-93SS	Shaft Seal (before 1995)	K6024
6	17351-0102S	Shaft Seal (after 1995)	K3400
7	J105-8PACN	Impeller	K3470
8	J1-40P	Diffuser	K3419
9	U9-199	Diffuser O-Ring	K3472
10	U30-542SS	Screw, 10-32 x 7/8" (5 needed)	K3444
11	C19-54SS	Clamp, Tank Body	K3421
12	L76-37P	Tank Body - Front Half	K3473
13	U78-118PT	Reducer Bushing, 1 x 3/4"	K3449
14	L20-40	Gasket	K3455
15	L23-4P1	Bushing	K3427
16	U78-123PT	Reducer Bushing, 1-1/4" x 3/4"	K3486
17	U78-830PT	Pipe Plug, 1" NPT	K3443
18	WC78-40T	Pipe Plug, 1/4" NPT (2 needed)	K3411
19	C4-42P	Base	K3447
20	C35-11	Motor Pad	K3454
21	U43-11SS	Lockwasher (4 needed)	K3429
22	U36-37SS	Nut, Hex 5/16" - 18 (4 needed)	K3467
---	J3-2	Insert (before 1995)	K3406
---	J104-9C	Base (before 1995)	K3413
---	C35-5	Motor Pad (before 1995)	K3556
---	WC78-41T	Pipe Plug, 1/8" NPT	K3424

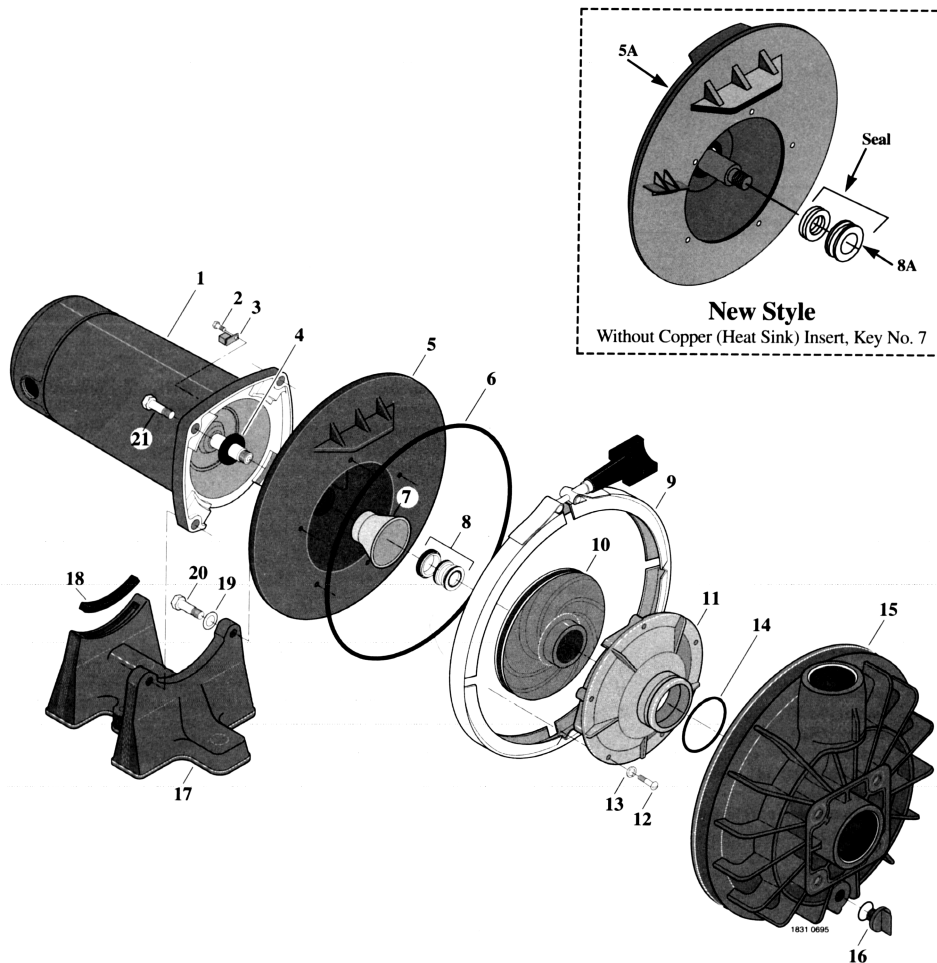
STA-RITE DURA-GLAS II & MAX-E-GLAS II PUMPS
“P4R”, “P4RA”, “P4E” & “P4EA”

KEY	MFG NO.	DESCRIPTION	ITEM NO.
1	-----	Motor, Square Flanged (See Motor Pages 217-219)	-----
2	U30-692SS	Screw, 10 - 32 x 1/2"	K3302
3	U17-568	Bonding Lug	K3300
4	C69-2	Water Slinger	K3500
5	C203-137P1	Seal Plate w/Copper Insert (Replaced by C203-194 Kit)	N/A
5A	C203-194P	Seal Plate Kit w/o Copper Insert	K3402
6	U9-376	Insert O-Ring	K3465
7	U9-228A	O-Ring	K3404
8	C3-186	Copper Insert (if required)	K3463
9	U30-401SS	Screw, 8 - 32 x 1/4" (2 needed)	K3461
10	U109-372SS	Shaft Seal for Seal Plate Design w/Copper Insert	K3457
10A	U109-358SS	Shaft Seal for Seal Plate Design w/oCopper Insert	K3519
11	WC36-22	Clamp Knob	H5308
12	C19-37A	Clamp	K3485
13	C105-238P	Impeller, 3/4 HP Full (P4E6D & P4E62D)	K3476
13	C105-238P	Impeller, 1 HP Uprated (P4EA6E & P4RA6E)	K3476
13	C105-238PB	Impeller, 1 HP Full (P4E6E, P4E62E, P4R6E)	K3477
13	C105-238PB	Impeller, 1-1/2 HP Uprated (P4EA6F, P4RA6F, P4RA6YF)	K3477
13	C105-238PDBA	Impeller, 1-1/2 HP Full (P4E6F, P4E62F, P4R6F, P4R62F3, P4R6F3)	K3478
13	C105-238PDBA	Impeller, 2 HP Uprated (P4EA6G, P4RA6G, P4RA6YG)	K3478
13	C105-238PEBA	Impeller, 2 HP Full (P4E6G, P4E62G, P4R62G3, P4R6G3)	K3482
13	C105-238PEBA	Impeller, 2-1/2 HP Uprated (P4EAA6G, P4RAA6G)	K3482
13	C105-238PLA	Impeller, 3 HP Full (P4E6H, P4E62H, P4R6H3)	K3483
14	C1-271P1	Diffuser, 3/4 HP & 1 HP Full	K3491
14	C1-271P1	Diffuser, 1 HP & 1-1/2 HP Uprated	K3491
14	C1-271P	Diffuser, 1-1/2 HP & 3 HP Full	K3492
14	C1-271P	Diffuser, 1-3/4 HP, 2 HP & 2-1/2 HP Uprated	K3492
15	U9-374	Diffuser O-Ring	K3493
16	U43-21SS	Lockwasher # 8 (5 needed)	K3446
17	U30-542SS	Diffuser Screw, 3/4 & 1 HP Full, 1 & 1-1/2 HP Uprated	K3444*
17	U30-922SS	Diffuser Screw, 1-1/2 - 3 HP Full, 2 - 2-1/2 HP Uprated	K3499*
		* 5 needed for Diffuser Screws	
18	C176-59P	Tank Body Assembly (w/ Cover, O-Ring, Basket)	K3494
19	C3-185P	Trap Cover	K3433
20	U9-375	Trap Cover O-Ring	K3471
21	C8-58P	Basket	K3495
22	U178-920P	Drain Plug 1/4" NPT w/ O-Ring	K3439
23	U30-918SS	Screw, Base	K3497
24	U43-41SS	Washer, Base	K3440
25	C104-78P	Base w/ Motor Pad	K3496
25	C4-78P	Base w/ Motor Pad (3 HP Only)	K3558
26	C35-43	Motor Pad	K3498
27	U30-74SS	Capscrew, 3/8 - 16 x 1" (4 needed)	K3458
---	37337-6080	Impeller Screw, 1-1/2 - 3 HP Full, 2 - 2-1/2 HP Uprated	K3489
---	35505-1425	Impeller Screw O-Ring	H5402

STA-RITE DURA-GLAS II & MAX-E-GLAS II PUMPS
"P4R", "P4RA", "P4E" & "P4EA"



STA-RITE DURA-GLAS & MAX-E-GLAS PUMPS "P2R", "P2RA", "PE" & "PEA"



KEY	MFG NO.	DESCRIPTION	ITEM NO.
1	-----	Motor, Square Flanged (See Motor Pages 217-219)	----
2	U30-692SS	Screw, 10 - 32 x 1/2"	K3302
3	U17-568	Bonding Lug	K3300
4	C69-2	Water Slinger	K3500
5	C203-137P1	Seal Plate w/Copper Insert (Replaced by #C203-193P Kit)	N/A
5	C203-193P	Seal Plate w/o Copper Insert (1998 - Present)	K3402
6	U9-228A	O-Ring	K3404
7	J3-2	Copper Insert (if required)	K3406
8	U109-93SS	Shaft Seal for Seal Plate w/ Copper Insert (#100)	K6024
8A	17304-0100S	Shaft Seal for Seal Plate w/out Copper Insert	K3415
9	C19-37A	Clamp	K3485
---	WC36-22	Clamp Knob	H5308
10	C105-92PR	Impeller, 1/2 HP, Up-Rated (P2RA5C)	K3408
10	C105-92PS	Impeller, 1/2 HP, Full Rated (PE5C, PE6C, PE52C, P2R5C)	K3410
10	C105-92PS	Impeller, 3/4 HP, Up-Rated (PEA5D, PEA6D, P2RA5D)	K3410
10	C105-138PEB	Impeller, 3/4 HP, Full Rated (PE5D, PE6D, PE52D, P2R5YD)	K3412

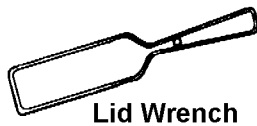
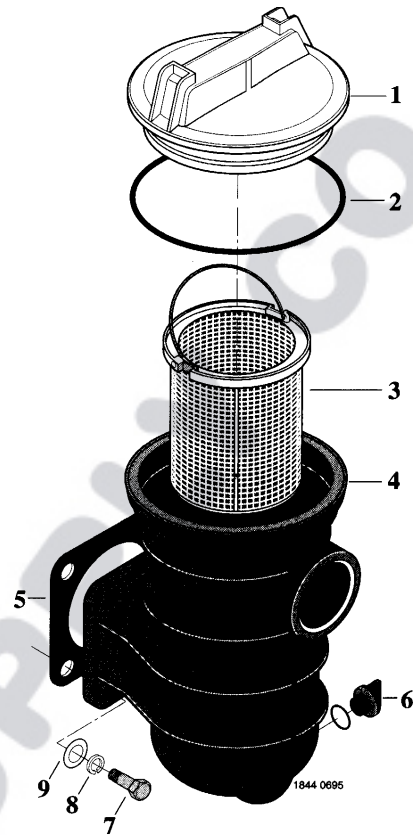
STA-RITE DURA-GLAS & MAX-E-GLAS PUMPS
“P2R”, “P2RA”, “PE” & “PEA”

KEY	MFG NO.	DESCRIPTION	ITEM NO.
10	C105-138PEB	Impeller, 1 HP, Up-Rated (P2RA5YE, PEA5E, PEA6E, P2RA5E)	K3412
10	C105-137PEB	Impeller, 1 HP, Full Rated (PE5E, PE6E, PE52E, P2R5YE, P2R5E)	K3414
10	C105-137PEB	Impeller, 1-1/2 HP, Up-Rated (PEA5F, PEA6F, P2RA5F, P2RA6F)	K3414
10	C105-137PDBA	Impeller, 1-1/2 HP, Full Rated (PE5F, PE6F, PE52F, P2R5F, P2R5YF, PWR52F3, P2R5F3)	K3453
10	C105-137PEBA	Impeller, 1-1/2 - 1/4 2-Speed Full Rated (P2R52E3, P2R5E3)	K3451
10	C105-137PEBA	Impeller, 1-1/2 - 1/4 2-Speed Up-Rated (PEA52F, P2RA5YF)	K3451
10	C105-137PDBA	Impeller, 2 HP, Up-Rated (PEA5G, PEA6G, PEA52G, P2RA5G, P2RA6G, P2RA5YG, P2RA6YG)	K3453
10	C105-137PDA	Impeller, 2 HP, Full Rated (PE5G, PE6G, PE52G, P2R52G3)	K3416
10	C105-137PDA	Impeller, 2-1/2 HP Up-Rated (PEAA5G, PEAA6G)	K3416
10	C105-137PKBA	Impeller, 3 HP (PE6H, PE62H, PE6H3)	K3417
---	C30-12	Impeller Screw (for all pumps using 3-phase motor)	K3314
11	C1-217P	Diffuser, 1/2 HP - Uprated	K3418
11	C1-216P	Diffuser, 1/2 HP - Full	K3420
11	C1-216P	Diffuser, 3/4 HP - Uprated	K3420
11	C1-200PA	Diffuser, 3/4 - 2-1/2 HP - Full	K3422
11	C1-200PA	Diffuser, 1 - 2-1/2 HP - Uprated	K3422
11	C1-259P	Diffuser, 3 HP - Full	K3555
12	U30-542SS	Screw, 8 - 32 x 7/8"	K3444
13	U43-21SS	Washer, # 8 Lock	K3446
14	U9-226	Diffuser O-Ring	K3426
15	C176-47P1	Tank Body	K3430
16	U178-920P	Drain Plug 1/4" NPT w/ O-Ring	K3439
17	C104-42P	Base w/ Motor Pad	K3448
17	C104-41P	Base w/ Motor Pad (3 HP Only)	K3450
18	C35-11	Motor Pad	K3454
19	U43-42SS	Washer, Flat	K3456
20	U30-77SS	Capscrew, 3/8 - 16 x 1-3/4" Hex Head	K3452
20	U30-778SS	Capscrew, 3/8 - 16 x 1-3/4" Soc. Head (3 HP Only)	K3557
21	U30-74SS	Capscrew, 3/8 - 16 x 1" Hex Head	K3458
21	U30-99SS	Capscrew, 3/8 - 16 x 1" Soc. Head (3 HP Only)	K3559

STA-RITE HAIR & LINT STRAINER

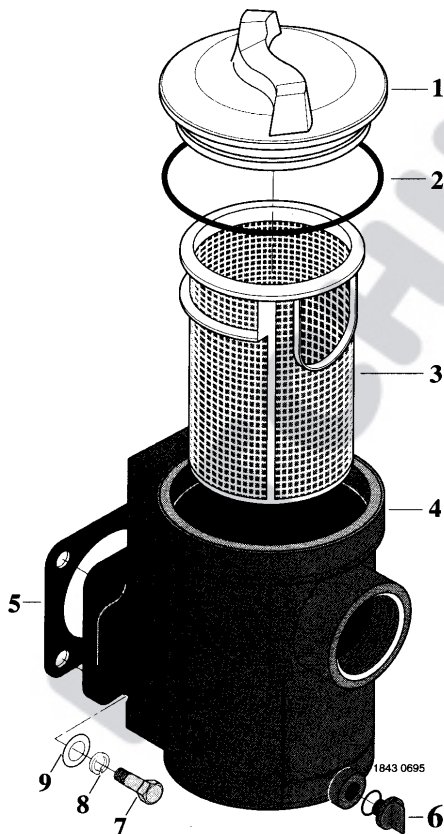
Plastic 5" Package No. 115

KEY	MFG NO.	DESCRIPTION	ITEM NO.
1	C3-139P1	Cover	K3432
1a	C3-139P3	Cover, Tinted	K3572
2	U9-229	O-Ring, Cover	K3434
3	C108-33P	Strainer Basket	K3435
4	C153-53P1	Trap Body	K3436
5	C20-123	Gasket	K3442
6	U178-920P	Pipe Plug 1/4" NPT	K3439
7	U30-64SS	Capscrew 5/16-18x1-1/4"	K3438
8	U43-11SS	Lockwasher	K3429
9	U43-41SS	Washer, Flat	K3440
---	U79-11	Lid Wrench	K3258
---	-----	Generic Hose Grip Handle V7089	



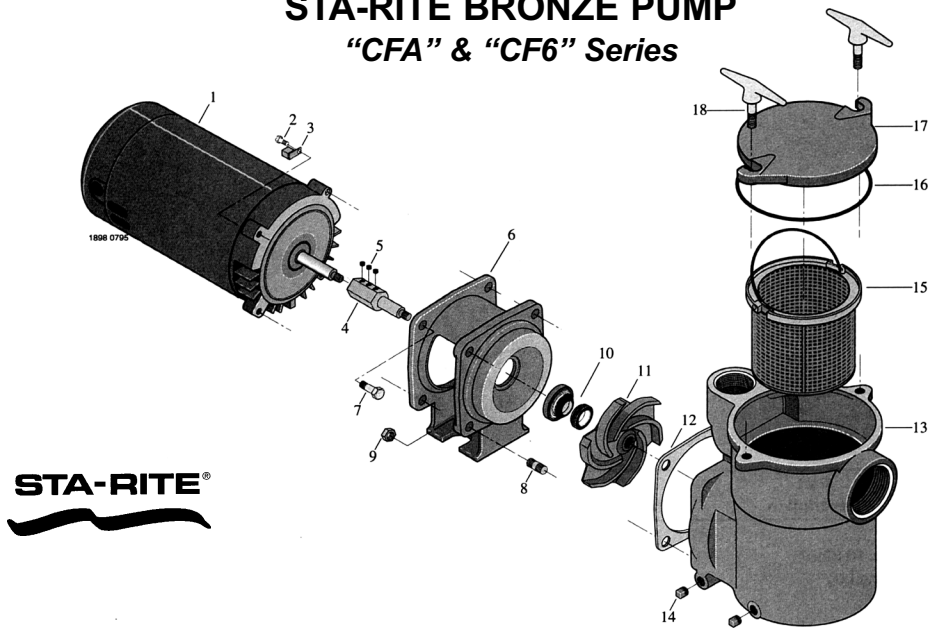
STA-RITE HAIR & LINT STRAINER

Plastic 6" Package No. 161



KEY	MFG NO.	DESCRIPTION	ITEM NO.
1	16920-0011	Lid	N5021
2	16920-0012	O-Ring	N5022
3	16920-0017	Strainer Basket	N5025
4	C153-58P	Trap & Adapter Assy.	K3469
5	C20-123	Gasket	K3442
6	U178-920P	Drain Plug, 1/4" NPT	K3439
7	U30-64SS	Capscrew, 5/16-18x1-1/4"	K3438
8	U43-11SS	Lockwasher, 5/16"	K3429
9	U43-41SS	Washer, 5/16" Flat	K3440
*	C2-82P	Adapter Bracket	K3574
*	U9-285	Adapter O-Ring	K3466

STA-RITE BRONZE PUMP "CFA" & "CF6" Series

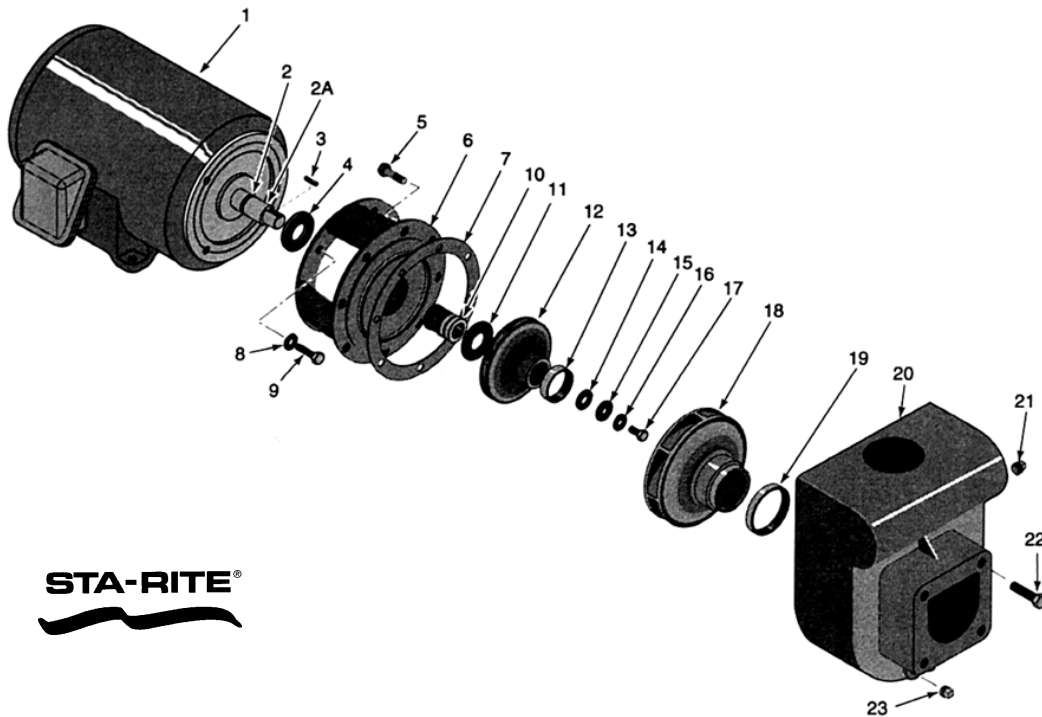


KEY	MFG NO.	DESCRIPTION	ITEM NO.
1	-----	Motor (See Motor Replacement Pages 217-219)	----
2	U30-692SS	Screw, 10-32 x 1/2"	K3302
3	U17-568	Bonding Lug	K3300
4	C110-17	Stub Shaft Assembly	K3304
5	U30-754SS	Set Screw, 1/4 - 20 x 5/16"	K3306
6	C2-57D	Adaptor	K3308
7	U30-72SS	Capscrew, 3/8 - 16 x 3/4"	K3310
8	U30-36SS	Stud, 3/8 - 16 x 1-7/16" for CF6EF-81L & CF6EG-82L	K3334
8	U30-22SS	Stud, 3/8 - 16 x 1-14/16" for CF6H-82L & CF6H3-123	K3351
8	U30-36SS	Stud 3/8" - 16 x 1-7/16" Long for CFA Series	K3334
9	U36-38SS	Nut, 3/8 - 16	K3336
10	U109-136SS	Shaft Seal #1000	K6054
11	C5-164DB	Impeller, 1/2 HP (CFAC) Up-Rated	K3312
11	C5-164D	Impeller, 3/4 HP (CFAD) Up-Rated	K3316
11	C5-166D	Impeller, 1 HP (CFAE) Up-Rated	K3318
11	C5-183D	Impeller, 1-1/2 HP (CFAF) Up-Rated	K3320
11	C5-181D	Impeller, 1-1/2 HP (CF6EF)	K3322
11	C5-181D	Impeller, 2 HP (CFAF) Up-Rated	K3322
11	C5-182D	Impeller, 2 HP (CF6EG)	K3324
11	C5-182D	Impeller, 2-1/2 HP (CFAAG) Up-Rated	K3324
11	C5-203D	Impeller, 3 HP (CF6H & CF6H3)	K3326
11A	C30-20	Screw for Impeller (CF6H3 Only)	K3503
12	C20-72	Gasket	K3328
13	C1-201DB	Volute & Trap Body, 6" (CF6)	K3332
13	C1-185D	Volute & Trap Body, 5" w/ 1-1/2" Suction (CFA)	K3330
13	C1-185DB	Volute & Trap Body, 5" w/ 2" Suction (CFA)	K3505
14	U78-57DT	Pipe Plug, 1/4" NPT	K3325
15	C108-11P	Strainer Basket, 6" (CF6)	K7107
15	C108-33P	Strainer Basket, 5" (CFA)	K7106
16	U9-46	Cord Ring for 6" Trap Cover (CF6)	K3344
16	U9-161	Cord Ring for 5" Trap Cover (CFA)	K3342
17	C3-78D ZZ	Trap Cover, 6" Bronze (CF6)	K3340
17	C3-140DC	Trap Cover, 5" Bronze (CFA)	K3338
18	C154-18D	Trap Handle	K3346
---	PP2050	Lock Handle Kit	K3254

STA-RITE CENTRIFUGAL PUMP
Self Priming - "D" Series

KEY	MFG NO.	DESCRIPTION	ITEM NO.
1	C218-177	3 HP, Single Phase, 230V (DMH-110, DHH-112)	K3329
1	C218-179	3 HP, 3 Phase, 230 / 460V (DMH3-110, DHH3-112)	K3331
1	C218-191	3 HP, Single Phase, 200V (DM2H-110, DH2H-112)	K3333
1	C218-178	3 HP, 3 Phase, 200V (DM2H3-110, DH2H3-112)	K3335
1	C218-180	5 HP, Single Phase, 230V (DMJ-111, DHJ-113)	K3337
1	C218-182	5 HP, 3 Phase, 230 / 460V (DMJ3-111, DHJ3-113)	K3187
1	C218-192	5 HP, Single Phase, 200V (DM2J-111, DH2J-113)	K3339
1	C218-181	5 HP, 3 Phase, 200V (DM2J3-111, DH2J3-113)	K3341
2	U9-265	O-Ring	K3353
2A	C23-58	Sleeve	K3349
3	U65-42A	Key, Square 3/16" x 3/16" x 7/8" long	K3354
4	C69-15	Water Slinger (DMH-110, DMJ-111 & DMJ3-111)	K3355
4	C69-16	Water Slinger (DMH3-110)	K3359
5	U30-73C	Capscrew 3/8 - 16 x 7/8" long (8-needed)	K3360
6	C2-66	Adapter	K3371
7	C20-46	Gasket, Adapter	H1126
8	U43-12C	Lockwasher 3/8" (4-needed)	K3361
9	U30-73C	Capscrew 3/8 - 16 x 7/8" long (4-needed)	K3370
10	U109-220	Shaft Seal	K6072
11	C20-101	Gasket, Seal	K3362
12	C5-246	Impeller, 3 HP Medium Head (DMH, DMH3, DM2H, DM2H3)	K3376
12	C5-248	Impeller, 3 HP High Head (DHH, DHH3, DH2H, DH2H3)	K3372
12	C5-247	Impeller, 5 HP Medium Head (DMJ, DMJ3, DM2J, DM2J3)	K3382
12	C5-249	Impeller, 5 HP High Head (DHJ, DHJ3, DH2J, DH2J3)	K3368
13	C23-14	Wear Ring (DMJ, DMJ3, DM2J, DM2J3)	H5347
13	J23-5	Wear Ring (All Other Pumps)	H5353
14	C20-100	Gasket	K3385
15	C43-45SS	Washer, Impeller	K3386
16	C43-46	Gasket	K3387
17	U30-72SS	Screw, Impeller 3/8 - 16 x 3/4"	K3310
18	C101-126	Diffuser w/ Wear Ring, 3 HP Medium Head	K3381
18	C101-126B	Diffuser w/ Wear Ring, 5 HP Medium Head	H5346
18	C101-132	Diffuser w/ Wear Ring, 3 & 5 HP High Head	K3369
19	C21-2	Diffuser Ring	H5349
20	C76-12	Pump Body, 3 HP Medium Head & 5 HP High Head	K3388
20	C76-12C	Pump Body, 5 HP Medium Head	H5356
20	C76-12B	Pump Body, 3 HP High Head	K3374
21	U78-57CT	Pipe Plug, 1/4" NPT	K3390
22	U30-60C	Capscrew 5/16 - 18 x 3/4"	K3389
23	U212-68T	Draincock, 1/4" NPT	K3391

STA-RITE CENTRIFUGAL PUMP
Self Priming - "D" Series



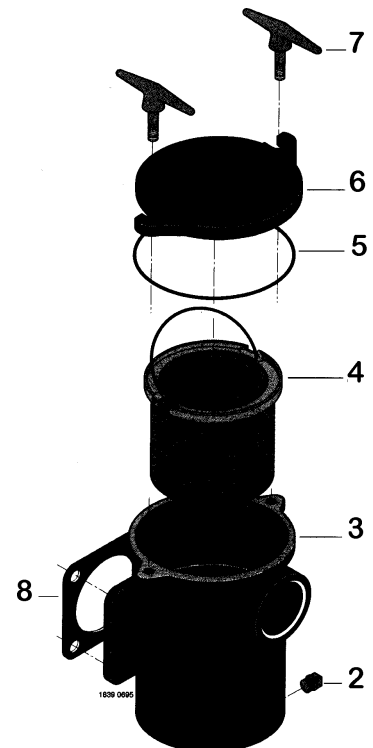
STA-RITE "D" SERIES HAIR & LINT STRAINERS
CAST IRON

6" Trap - Package No. 51

KEY	MFG NO.	DESCRIPTION	ITEM NO.
---	Pkg. 51	Trap Assembly - 2" Complete	H1140
2	U78-57DT	Pipe Plug, 1/4"	V5102
3	C53-5B	Trap Body	K3568
4	C108-11P	Basket 6" (B-34/B-107)	K7034
5	U9-46	Cord Ring	K3344
6	C3-30	Cover	K3358
7	C154-18D	Handle (2-needed)	K3346
8	C20-19	Gasket	K3509

8" Trap - Package No. 98

KEY	MFG NO.	DESCRIPTION	ITEM NO.
---	Pkg. 98	Trap Assembly - 3" Complete	H1145
2	U78-57DT	Pipe Plug, 1/4"	V5102
3	C53-21	Trap Body	K3570
4	C108-34SS	Basket, Stainless Steel	K3513
4	B-120	Basket, Plastic Coated	K7120
5	U9-171	Cord Ring	H1147
6	C3-105	Cover	H1146
7	C154-18D	Handle (2-needed)	K3346
8	C20-19	Gasket	K3509



STA-RITE CENTRIFUGAL PUMP
"CSPH" & "CCSPH" Series



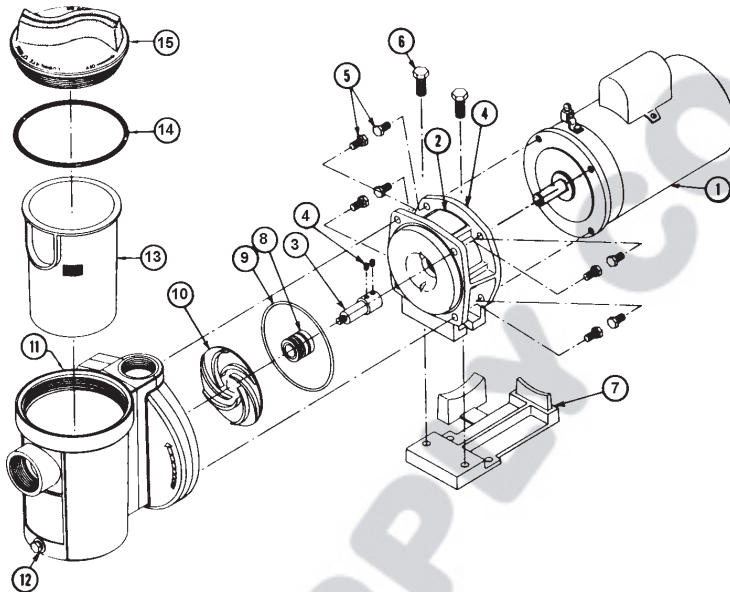
KEY	MFG NO.	DESCRIPTION	ITEM NO.
2	S23488	Nut, 1/2" (4 needed)	Special Order
3	U43-13SS	Lockwasher, 1/2" (4 needed)	Special Order
3	U43-12SS	Lockwasher, 3/8" (4 needed)	Special Order
4	L05328	Bracket, 7-1/2 HP, 230V, Single Phase (CSPH) 10 & 15 HP, 230/460V, 3-Phase (CSPH) 10 & 15 HP, 200V, 3-Phase (CSPH2)	Special Order
4	16830-2203	Bracket, 7-1/2 HP, 230V, Single Phase (CCSPH) 10, 15 & 20 HP, 230/460V, 3-Phase (CCSPH) 10 & 15 HP, 200V, 3-Phase (CCSPH2)	Special Order
4	L05329	Bracket, 7-1/2 HP, 230/460V, 3-Phase (CSPH) 7-1/2 HP, 200V, 3-Phase (CSPH2)	Special Order
4	L05779	Bracket, 20 HP, 230/460V, 3-Phase (CSPH) 20 HP, 200V, 3-Phase (CSPH2)	Special Order
4	16830-2201	Bracket, 7-1/2 HP, 230/460V, 3-Phase (CCSPH) 7-1/2 HP, 200V, 3-Phase (CCSPH2)	Special Order
4	16830-2202	Bracket, 20 HP, 230/460V, 3-Phase (CCSPH) 20 HP, 200V, 3-phase (CCSPH2)	Special Order

STA-RITE CENTRIFUGAL PUMP
"CSPH" & "CCSPH" Series

KEY	MFG NO.	DESCRIPTION	ITEM NO.
5	30747-0152	Stud, 1/2 - 13 x 1-1/2" (4 needed)	Special Order
6	S32014	Mechanical Shaft Seal, 7-1/2 HP, 230V, Single Phase (CSPH) 10 & 15 HP	K3441
6	S32015	Mechanical Shaft Seal, 20 HP, Single and Three Phase	H1400
7	S11207	Retaining Ring, 7-1/2, 10 & 15 HP	Special Order
7	S16767	Retaining Ring, 20 HP	Special Order
8	37447-0001	Shaft Sleeve, 7-1/2, 10 & 15 HP	Special Order
8	37447-0002	Shaft Sleeve, 20 HP	Special Order
9	S04757	Gasket (Volute to Bracket)	H1412
10	33455-8044	Gasket, 7-1/2, 10 & 15 HP	Special Order
10	33455-8046	Gasket, 20 HP	Special Order
11	16830-0209	Impeller, 7-1/2 HP	H1404
11	16830-0210	Impeller, 10 HP	H1406
11	16830-0211	Impeller, 15 HP	H1408
11	16830-0212	Impeller, 20 HP	H1410
12	33455-8043	Gasket, 7-1/2, 10 & 15 HP	Special Order
12	33455-8045	Gasket, 20 HP	Special Order
13	C43-46SS	Stat-O-Seal Washer, 7-1/2, 10 & 15 HP	Special Order
13	C43-46SSA	Stat-O-Seal Washer, 20 HP	Special Order
14	U78-57D	Pipe Plug 1/4" NPT	Special Order
15	33450-8042	Gasket, (Volute Discharge)	Special Order
16	33450-8041	Gasket, (Volute Suction)	Special Order
17	16830-0100	Volute for all CSPH & CSPH2	Special Order
17	16830-2102	Volute for 7-1/2 & 10 HP (CCSPH & CCSPH2)	Special Order
17	16830-2103	Volute for 15 & 20 HP (CCSPH & CCSPH2)	Special Order
18	U78-59D	Drain Plug, 1/2" NPT	Special Order
19	16830-0120	Wear Ring	H1402
20	S23619	Capscrew, 1/2 - 13 x 1" (4 needed)	Special Order
20	S23566	Capscrew, 3/8 - 16 x 1" (5 needed)	Special Order
21	38917-0203	Impeller Washer, 7-1/2, 10 & 15 HP	Special Order
21	38917-0204	Impeller Washer, 20 HP	Special Order
22A	S23619	Capscrew, 1/2 - 13 x 1" (4 needed)	Special Order
22B	S23566	Capscrew, 3/8 - 16 x 1" (5 needed)	Special Order
23	U43-13SS	Lockwasher, 1/2"	Special Order
---	35505-1425	Impeller Screw O-Ring	H5402

See Page 226 for Hair & Lint Strainer Parts

STA-RITE (SWIMQUIP) PLASTIC PUMPS

XL-VII Series
Plastic Pump

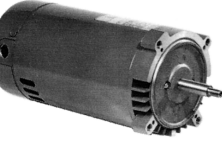
KEY	MFG NO.	DESCRIPTION	ITEM NO.	
2	16920-0013	Bracket, Motor to Volute	N5023	
3	16800-0029	Stub Shaft, Less Set Screws	N5011	
4	37186-0107	Set Screws (2-needed)	N5099	
5	U30-72SS	Screw, 3/8 - 16 x 3/4"	K3310	
6	U30-74ZP	Screw, 3/8 - 16 x 1"	K3459	
7	16920-0015	Pump Base	N5024	
8	37407-0019	Shaft Seal (#201)	K6032	
9	35505-1408	O-Ring	K4137	
10	16840-0001	Impeller, 1/2 HP	N5012	
10	16841-0001	Impeller, 3/4 HP	N5015	
10	16842-0001	Impeller, 1 HP	N5016	
10	16844-0001	Impeller, 1-1/2 HP	N5017	
10	16845-0001	Impeller, 2 HP	N5018	
10	16846-0001	Impeller, 3 HP	N5019	
11	16920-0002	Volute/Strainer, 1-1/2"	Obsolete	N/A
11	16924-0002	Volute/Strainer, 2"	Obsolete	N/A
12	16920-0021	Plug, 1/4" - Brass		V5102
13	16920-0017	Strainer Basket (B-196)		K7196
14	16920-0012	O-Ring, Lid		N5022
15	16920-0011	Trap Lid		N5021

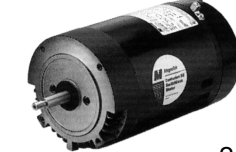
STA-RITE (SWIMQUIP) BRONZE PUMPS

XL-VI Series Pumps - Misc. Parts

MFG NO.	DESCRIPTION	ITEM NO.	
16840-181	Volute/Strainer - Brass, 1-1/2"	Obsolete	N/A
16840-182	Volute/Strainer - Brass, 2"	Obsolete	N/A
16200-3	Trap Lid Cover		N5009
35505-1338	O-Ring for Trap Lid		N5089
16100-9	Tee Handles for Trap Lid	(N/A when out)	N5008
16200-9	Basket (B-187)		K7187


THREADED SHAFT NEMA "C" MOTORS (Full Rated)

	HP	VOLTS	DESCRIPTION	MFG. NO.	ITEM NO.
A. O. SMITH  <i>Fits: Super Pump Super II, Jacuzzi Magnum, Argonaut & Baker Hydro Pumps</i>	1/2 HP	115/230V	Threaded Shaft Nema "C" Motor	ST1052	K5031
	3/4 HP	115/230V	Threaded Shaft Nema "C" Motor	ST1072	K5032
	1 HP	115/230V	Threaded Shaft Nema "C" Motor	ST1102	K5034
	1-1/2 HP	115/230V	Threaded Shaft Nema "C" Motor	ST1152	K5036
	2 HP	230V	Threaded Shaft Nema "C" Motor	ST1202	K5038
	3 HP	230V	Threaded Shaft Nema "C" Motor	ST1302	K5040
	2 HP	208-230V/460	Threaded Shaft (3-Phase) Motor	T3202	K5039
	3 HP	230/460V	Threaded Shaft (3 Phase) Motor	T3302	K5042

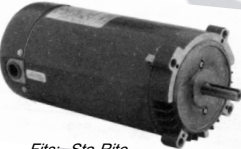
 MagneTek	1/2 HP	115/230V	Threaded Shaft Nema "C" Motor	B126	K5031C
	3/4 HP	115/230V	Threaded Shaft Nema "C" Motor	B127	K5032C
	1 HP	115/230V	Threaded Shaft Nema "C" Motor	B128	K5034C
	1-1/2 HP	115/230V	Threaded Shaft Nema "C" Motor	B129	K5036C
	2 HP	230V	Threaded Shaft Nema "C" Motor	B130	K5038C
	3 HP	230V	Threaded Shaft Nema "C" Motor	B131	K5040C
	2 HP	208-230/460V	Threaded Shaft (3-Phase) Motor	H705	K5039C
	3 HP	208-230/460V	Threaded Shaft (3-Phase) Motor	H734,H741	K5042C


TWO-SPEED THREADED SHAFT NEMA "C" MOTORS

A.O. SMITH	3/4 HP	115V	2-Speed Threaded Shaft Motor	STL1072R	K5070
	3/4 HP	230V	2-Speed Threaded Shaft Motor	STS1072R	K5071
	1 HP	230V	2-Speed Threaded Shaft Motor	STS1102R	K5072
	1-1/2 HP	230V	2-Speed Threaded Shaft Motor	STS1152R	K5073
	2 HP	230V	2-Speed Threaded Shaft Motor	STS1202R	K5033

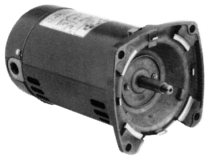
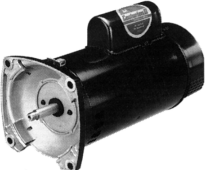
 MagneTek	3/4 HP	115V	2-Speed Threaded Shaft Motor	B973	K5070C
	1 HP	230V	2-Speed Threaded Shaft Motor	B975	K5072C
	1-1/2 HP	230V	2-Speed Threaded Shaft Motor	B977	K5073C
	2 HP	230V	2-Speed Threaded Shaft Motor	B979	K5033C

KEYED SHAFT NEMA "C" MOTORS (Full Rated)

A.O. SMITH  <i>Fits: Sta-Rite Bronze, PacFab Hydro Pump & Old Style Anthony</i>	1/2 HP	115/230V	Keyed Shaft Nema "C" Motor	SK1052	K5000
	3/4 HP	115/230V	Keyed Shaft Nema "C" Motor	SK1072	K5002
	1 HP	115/230V	Keyed Shaft Nema "C" Motor	SK1102	K5004
	1-1/2 HP	115/230V	Keyed Shaft Nema "C" Motor	SK1152	K5006
	2 HP	230V	Keyed Shaft Nema "C" Motor	SK1202	K5008
	3 HP	230V	Keyed Shaft Nema "C" Motor	SK1302	K5010
	3 HP	230/460V	Keyed Shaft (3 Phase) Motor	K3302	K5012

 MagneTek	1/2 HP	115/230V	Keyed Shaft Nema "C" Motor	B120	K5000C
	3/4 HP	115/230V	Keyed Shaft Nema "C" Motor	B121	K5002C
	1 HP	115/230V	Keyed Shaft Nema "C" Motor	B122	K5004C
	1-1/2 HP	115/230V	Keyed Shaft Nema "C" Motor	B123	K5006C
	2 HP	230V	Keyed Shaft Nema "C" Motor	B124	K5008C
	3 HP	230V	Keyed Shaft Nema "C" Motor	B125	K5010C
	3 HP	230/460V	Keyed Shaft (3-Phase) Motor	H740	K5012C

SQUARE FLANGE MOTORS (Full Rated)

	HP	VOLTS	DESCRIPTION	MFG NO.	ITEM NO.
A.O. SMITH 	1/2 HP	115/230V	Square Flange Pool Motor	SQ1052	K5020
	3/4 HP	115/230V	Square Flange Pool Motor	SQ1072	K5022
	1 HP	115/230V	Square Flange Pool Motor	SQ1102	K5024
	1-1/2 HP	230V	Square Flange Pool Motor	SQ1152	K5026
	2 HP	230V	Square Flange Pool Motor	SQ1202	K5028
	3 HP	230V	Square Flange Pool Motor	SQ1302	K5018
	2 HP	230/460V	Square Flange (3-Phase) Motor	Q3202	K5029
3 HP	230/460V	Square Flange (3-Phase) Motor	Q3302	K5037	
MagneTek 	1/2 HP	115/230V	Square Flange Pool Motor	B846	K5020C
	3/4 HP	115/230V	Square Flange Pool Motor	B847	K5022C
	1 HP	115/230V	Square Flange Pool Motor	B848	K5024C
	1-1/2 HP	230V	Square Flange Pool Motor	B849	K5026C
	2 HP	230V	Square Flange Pool Motor	B748	K5028C
	3 HP	230V	Square Flange Pool Motor	B844	K5018C
	2 HP	208-230/460V	Square Flange (3-Phase) Motor	H637	K5029C
3 HP	208-230/460V	Square Flange (3-Phase) Motor	H755	K5037C	

SQUARE FLANGE MOTORS (Up-Rated)

A.O. SMITH <i>Fits: Challenger Dura-Glas, Cygnet Pinnacle & Ultra Flo</i>	3/4 HP	115/230V	Square Flange Up-Rated Motor	USQ1072	K5019
	1 HP	115/230V	Square Flange Up-Rated Motor	USQ1102	K5021
	1-1/2 HP	230V	Square Flange Up-Rated Motor	USQ1152	K5023
	2 HP	230V	Square Flange Up-Rated Motor	USQ1202	K5025
	2-1/2 HP	230V	Square Flange Up-Rated Motor	USQ1252	K5027
MagneTek	3/4 HP	115/230V	Square Flange Up-Rated Motor	B852	K5019C
	1 HP	115/230V	Square Flange Up-Rated Motor	B853	K5021C
	1-1/2 HP	230V	Square Flange Up-Rated Motor	B854	K5023C
	2 HP	230V	Square Flange Up-Rated Motor	B855	K5025C
	2-1/2 HP	230V	Square Flange Up-Rated Motor	B856	K5027C

TWO SPEED FLANGED MOTORS


A.O. SMITH	3/4 HP	230V	2-Speed Square Flange Motor	SQS1072R	K5081
	1 HP	230V	2-Speed Square Flange Motor	SQS1102R	K5082
	1-1/2 HP	230V	2-Speed Square Flange Motor	SQS1152R	K5083
	2 HP	230V	2-Speed Square Flange Motor	UQS1202R	K5085
MagneTek	3/4 HP	230V	2-Speed Square Flange Motor	B980	K5081C
	1 HP	230V	2-Speed Square Flange Motor	B982	K5082C
	1-1/2 HP	230V	2-Speed Square Flange Motor	B983	K5083C
	2 HP	230V	2-Speed Square Flange Motor	B985	K5085C

POOL SWEEP MOTORS


3/4 HP	115/230V	Polaris Vac-Sweep Motor	P61	E2P61
3/4 HP	115/230V	Pool Sweep Motor - Vertical Mount	SPS1052	K5050
3/4 HP	115/230V	Pool Sweep Motor - Horizontal Mount	RPS1052	K5052

Total Horsepower X Service Factor of replacement motor must be equal to or greater than that of the original motor being replaced.

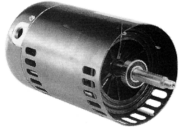
ABOVE GROUND POOL & SPA MOTORS (Full Rated)

	HP	VOLTS	DESCRIPTION	MFG NO.	ITEM NO.
	A. O. SMITH				
	1/2 HP	115V	Thru-Bolt Pump Mount Motor	CBT2052	K4272
	3/4 HP	115V	Thru-Bolt Pump Mount Motor	CBT2072	K4246
	1 HP	115V	Thru-Bolt Pump Mount Motor	CBT2102	K4254
	3/4 HP	115V	2-Speed Thru-Bolt Mount Motor	CBS2072	K5055
	1 HP	115V	2-Speed Thru-Bolt Mount Motor	CBS2102	K5056
	1-1/2 HP	115V	2-Speed Thru-Bolt Mount Motor	TBS1152	K5057
	1-1/2 HP	230V	2-Speed Thru-Bolt Mount Motor	TBS-2152H	K5058
	1 HP	115V	2-Speed Low Amp Start & Run	CBS1102	K5035


*Fits: Maxim
Dynamo, Power-Flo
& Aqua Flo Pumps*

	Magnetek				
	1/2 HP	115V	Thru-Bolt Pump Mount Motor	BN23	K4272C
	3/4 HP	115V	Thru-Bolt Pump Mount Motor	BN24	K4246C
	1 HP	115V	Thru-Bolt Pump Mount Motor	BN25	K4254C
	1-1/2 HP	115/230V	Thru-Bolt Pump Mount Motor	BN35	K4261C
	2 HP	115/230V	Thru-Bolt Pump Mount Motor	BN40	K4267C
	3/4 HP	115V	2-Speed Thru-Bolt Mount Motor	BN36	K5055C
	1 HP	115V	2-Speed Thru-Bolt Mount Motor	BN37	K5056C
	1-1/2 HP	115V	2-Speed Thru-Bolt Mount Motor	BN50	K5057C
	1-1/2 HP	230V	2-Speed Thru-bolt Mount Motor	BN34	K5058C
2 HP	230V	2-Speed Thru-Bolt Mount Motor	BN51	K5059C	
1 HP	115V	2-Speed Low Amp Start & Run	BN038	K5035C	


PARTIAL PUMP MOTORS (Full Rated)

	1/2 HP	115/230V	Partial Motor - Standard	PT1052	K5045
	3/4 HP	115/230V	Partial Motor - Standard	PT1072	K5047
	1 HP	115/230V	Partial Motor - Standard	PT1102	K5049

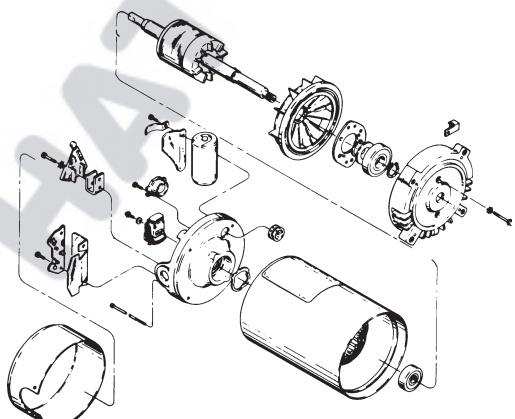
CAPACITORS

	#124 Capacitor	1/2 HP	K5200	2.90
	#161 Capacitor	3/4 HP	K5205	3.90
	#189 Capacitor	1 HP	K5210	3.60
	#243 Capacitor	1-1/2 HP	K5215	3.95
	#270 Capacitor	2 HP	K5220	3.95
	#370 (25 uf) Capacitor - Century		K5164	12.35
#370 (30 uf) Capacitor - Century		K5166	15.00	
#370 (35 uf) Capacitor - Century		K5168	17.50	
#370 (50 uf) Capacitor - Century		K5162	33.50	



MOTOR BEARINGS

	#202 Motor Bearing	K5300
	#203 Motor Bearing	K5305
	#204 Motor Bearing	K5310
	#205 Motor Bearing	K5312
	#206 Motor Bearing	K5314
	#207 Motor Bearing	K5325
	#303 Motor Bearing	K5315
	#304 Motor Bearing	K5320

MISC. MOTOR PARTS

	Terminal Board	#6100801	K5112
	Stationary Switch	#6144381-5	K5114
	Governor (All Motors)	#601079-1	K5116
	Protector for 1 HP	#61444246-009	K5118
	Protector	#611123-4	K5120
	Switch Kit	#608442-1	K5122
	A. O. Smith 2-Speed Switch	#616257-1	K5125
	Century Switch	#157681-01	K5160
	Century Stationary Switch	#SCN-486	K5136
	Franklin Stationary Switch	#SKF-6	K5132
	GE Motor Switch	#SGE858	K5126
	GE 2-Speed SWitch	#114A842AD1	K5128

PUMP SEALS

	PUMP MANUFACTURER	MFG NO.	SHAFT SIZE	SEAL NO.	ITEM NO.
	American Products Bronze Pump	395005	3/4"	201	K6032
	American Products Ultra Flo	397020	5/8"	1000	K6054
	American Products Eagle Pump	397020	5/8"	1000	K6054
	American Products Maxim Pump	397012	5/8"	1000	K6054
	Ampro Pump	504D	1/2"	163	K6028
	Aqua Flo FMHP & FMCP Pump	92500150	5/8"	200	K6030
	Arneson Pool Sweep	A-8B	5/8"	AS-1006	K6022
	Anthony AR Bronze Pump	04547	5/8"	1000	K6054
	Berkley Pump	142-MPKS	3/4"	750	K6052
	Doughboy Pump	306-1002	5/8"	1000	K6054
	Hayward Max-Flo Pump	SPX1600-Z-2	5/8"	AS-1521	K6062
	Hayward Power-Flo Series Pump	SPX1500-KA	5/8"	AS-4702	K6064
	Hayward Super & Super II Pump	SPX1600-Z-2	3/4"	AS-1521	K6062
	Homelite Trash Pump	622713-1	1-3/16"	6467	K6060
	Jacuzzi Bros. Model P, 8M & ULS	10-1203-01	3/4"	877	K6019
	Jacuzzi Bros. L Series	10-1436-00	5/8"	200	K6030
	Jandy HHP, MHP & MHPU Series	R0338200			K6058
	Lomart Pump	40-209	1/2"	163	K6028
	Marlow Cast Iron EC-B & EC-A Pumps	25353-00	5/8"	411	K6042
	Marlow Cast Iron EC 5 HP & 7-1/2 HP	27223-00	1-1/4"	416A	K6046
Marlow Mardur Pump	38592-00	3/4"	201	K6032	
	Pac-Fab Challenger Pump	35-4545	5/8"	200	K6030
	Pac-Fab Dynamo Pump	35-4545	5/8"	200	K6030
	Pac-Fab Hydro Pump	35-4001	3/4"	201	K6032
	Pac-Fab Pinnacle Pump	35-4545	5/8"	200	K6030
	Polaris Vac-Sweep Pump	P-55	5/8"	1000	K6054
	Premier Pump	P19-0 & 31-813	5/8"	1000	K6054
	Purex Aquatron Pump	71733 (P28322)	5/8"	AS-1212	K6066
	Purex AH Series Pump	71728 (P28300)	3/4"	201	K6032
	Purex C Series Pump	71725 (P28175)	1"	360	K6036
	Purex L Series Pump	71728 (P28300)	3/4"	201	K6032
Purex Whisperflo Pump	71734 (P28323)	5/8"	1000	K6054	
	Sta-Rite AJ & PLBC Booster Pumps	U109-93SS	5/8"	100	K6024
	Sta-Rite CF & CFA Series Pumps	U109-136SS	5/8"	1000	K6054
	Sta-Rite D Series Pump	U109-220	1"	381	K6072
	Sta-Rite LT Series Pump	U109-68SS	1/2"	163	K6028
	Sta-Rite PE & PEA Max-E-Glas	U109-93SS	5/8"	100	K6024
	Sta-Rite P2R & P2RA Dura-Glas (Pre 1998)	U109-93SS	5/8"	100	K6024
	Speck 4 HP Pump	2920343311	20mm	433.5	K6078
	Swimquip XL-VI & XL-VII Pumps	37407-0019	3/4"	201	K6032
Wet Institute Pump	1000	5/8"	1000	K6054	

PUMP GASKETS

K3442



Anthony Sweep Gaskets
Hayward 7-Hole Pump Gaskets
Sta-Rite 4-Hole Pump Gaskets
Sta-Rite Small 4-Hole Gasket

SPX1500-H
C20-72
C20-123

K6012



ITEM NO.
K6008
K6012
K6002
K3442

Hayward Hair & Lint Strainers, Model 310 & 310R	223
Hayward Hair & Lint Strainers, Model 315 & 315R	223
Hayward Model 320, 320R, 325 & 325R	223
Hayward Model 330 & 330R	223
Hayward Model 335	223
Hayward Model 340 & 340R	224
Hayward Model 345 & 345R	224
Marlow Strainers	225
Mer-Maid Fiberglass Strainers	224
Sta-Rite CSP	226

HATCHIK SUPPLY CO.

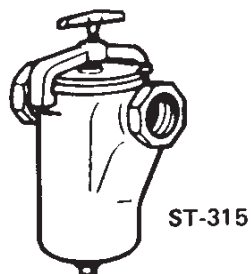
Strainers

Notes

HATCHIK SUPPLY CO.

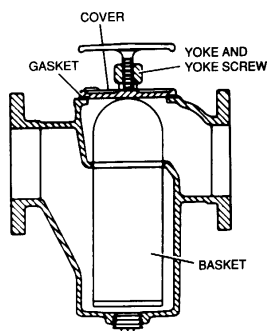
HAYWARD HAIR & LINT STRAINERS

Model No. 310 & 310R (1-1/2" FIP)



MFG NO.	DESCRIPTION	ITEM NO.
SPXST 305-B-4	Cover (1993 & Prior)	K6130
SPXST 261-A-4	Cover (Current)	K6101
SPXST 305-CA	Yoke & Yoke Screw - Set	K6134
SPXST 305-F	Gasket (1993 & Prior)	K6133
SPXST 262-Z-5B	O-Ring	K6129
SPXST 310-SHXX	Basket, Stainless Steel, 2-3/4" O.D. x 4-7/8"	K6135
B-310	Basket, Plastic Coated - Generic	K7310

Model No. 315 & 315R (2" FIP)



MFG NO.	DESCRIPTION	ITEM NO.
SPXST 315-B-4	Cover (1993 & Prior)	K6136
SPXST 264-A-4	Cover (Current)	K6103
SPXST 315-CA	Yoke & Yoke Screw -Set	K6138
SPXST 315-Z-1	Gasket (1993 & Prior)	K6139
SPXST 264-Z-5B	O-Ring	K6127
SPX1250-RA	Basket, ABS, 3-3/8" O.D. x 5"	K6140
SPXST 315-SHXX	Basket, Stainless Steel, 3-3/8" O.D. x 5"	K6141
B-315	Basket, Plastic Coated - Generic	K7315

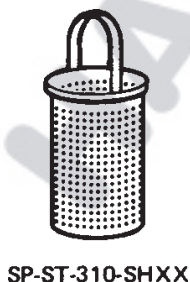
Model No. 320, 325, 320R, 325R (2-1/2" & 3" FIP)

MFG NO.	DESCRIPTION	ITEM NO.
SPXST 325-B-4	Cover (1993 & Prior)	K6143
SPXST 266-A-4	Cover (Current)	K6105
SPXST 325-CA	Yoke & Yoke Screw -Set	K6147
SPXST 325-F	Gasket (1993 & Prior)	K6146
SPXST 266-Z-5B	O-Ring	K6124
SPXST 325-SHXX	Basket, Stainless Steel, 4" O.D. x 7-5/8"	K6148
B-325	Basket, Plastic Coated - Generic	K7325

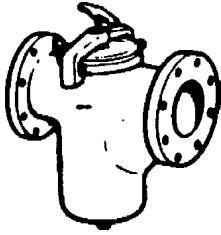
Model No. 330 & 330R (4" Flanged)

MFG NO.	DESCRIPTION	ITEM NO.
SPXST 330-B-4	Cover (1993 & Prior)	K6150
SPXST 266-A-4	Cover (Current)	K6105
SPXST 330-CA	Yoke & Yoke Screw - Set	K6152
SPXST 330-Z-1	Gasket (1993 & Prior)	K6153
SPXST 266-Z-5B	O-Ring	K6124
SPXST 330-SHXX	Basket, Stainless Steel, 4-1/2" O.D. x 8-5/8"	K6155
B-330	Basket, Plastic Coated - Generic	K7330

Model No. 335 (5" Flanged)



MFG NO.	DESCRIPTION	ITEM NO.
SPXST 335-B-4	Cover	K6157
SPXST 335-CA	Yoke & Yoke Screw - Set	K6159
SPXST 335-Z-1	Gasket	K6160
SPXST 335-SHXX	Basket, Stainless Steel, 5-1/4" O.D. x 10-1/4"	K6162
B-335	Basket, Plastic Coated - Generic	K7335



HAYWARD HAIR & LINT STRAINERS (Cont.)



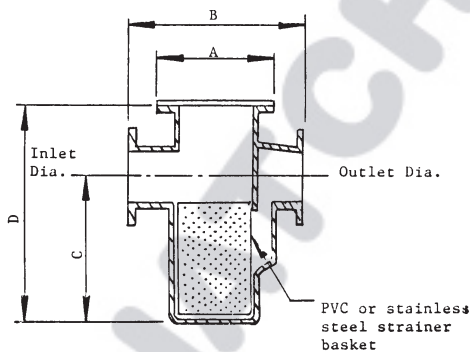
Model No. 340 & 340R (6" Flanged)

MFG NO.	DESCRIPTION	ITEM NO.
SPXST340B4	Cover (1994 and prior)	K6163
SPXST269A4	Cover	K6167
SPXST340CA	Yoke & Yoke Screw Set (1994 and prior)	K6165
SPXST305CA	Yoke and Yoke Screw Set	K6134
SPXST340Z1	Gasket (1994 and prior)	K6166
SPXST269Z5B	O-Ring	K6128
SPXST340SHXX	Basket, Stainless Steel, 6-9/32" O.D. x 11-7/8"	K6168
SPXST350SHXX	Basket, Stainless Steel, 6-31/32" O.D. x 9-1/4"	K6169

Model No. 345 & 345R (8" Flanged)

MFG NO.	DESCRIPTION	ITEM NO.
SPXST345B4	Cover (1994 and prior)	K6170
SPXST269A4	Cover	K6167
SPXST345CA	Yoke, Yoke Screw & Spider - Set (before 1994)	K6171
SPXST305CA	Yoke and Yoke Screw Set	K6134
SPXST345H	Gasket	K6172
SPXST269Z5B	O-Ring	K6128
SPXST345SHXX	Basket, Stainless Steel, 8-23/32" x 15-1/2"	K6174
SPXST355SHXX	Basket, Stainless Steel, 6-31/32" x 13-1/2"	K6173

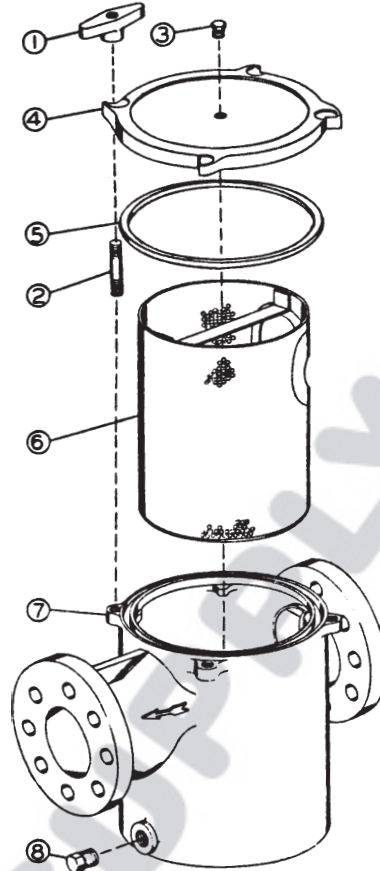
MER-MADE FIBERGLASS STRAINERS



DESCRIPTION	ITEM NO.
Basket, Stainless Steel for 4" Fiberglass Strainer	K6500
Basket, Stainless Steel for 6" Fiberglass Strainer	K6501
Basket, Stainless Steel for 8" Fiberglass Strainer	K6502
Basket, PVC for 4" Fiberglass Mer-Made Strainer	K6503
Basket, PVC for 6" Fiberglass Mer-Made Strainer	K6504
Basket, PVC for 8" Fiberglass Mer-Made Strainer	K6505
Clear Acrylic Lid for 4" Fiberglass Strainer	K6506
Clear Acrylic Lid for 6" Fiberglass Strainer	K6507
Clear Acrylic Lid for 8" Fiberglass Strainer	K6508
O-Ring for 4" Fiberglass Mer-Made Strainer	K6509
O-Ring for 6" Fiberglass Mer-Made Strainer	K6510
O-Ring for 8" Fiberglass Mer-Made Strainer	K6511
Hand Knob for Fiberglass Strainer - Each	K6512

Inlet Diameter	Outlet Diameter	A	B	C	D
4"	4"	11-1/4"	17-5/8"	14-1/2"	22"
6"	6"	11-1/4"	17-5/8"	14-1/2"	22"
8"	8"	13-1/4"	23-1/2"	17-1/2"	27"

MARLOW HAIR & LINT STRAINERS



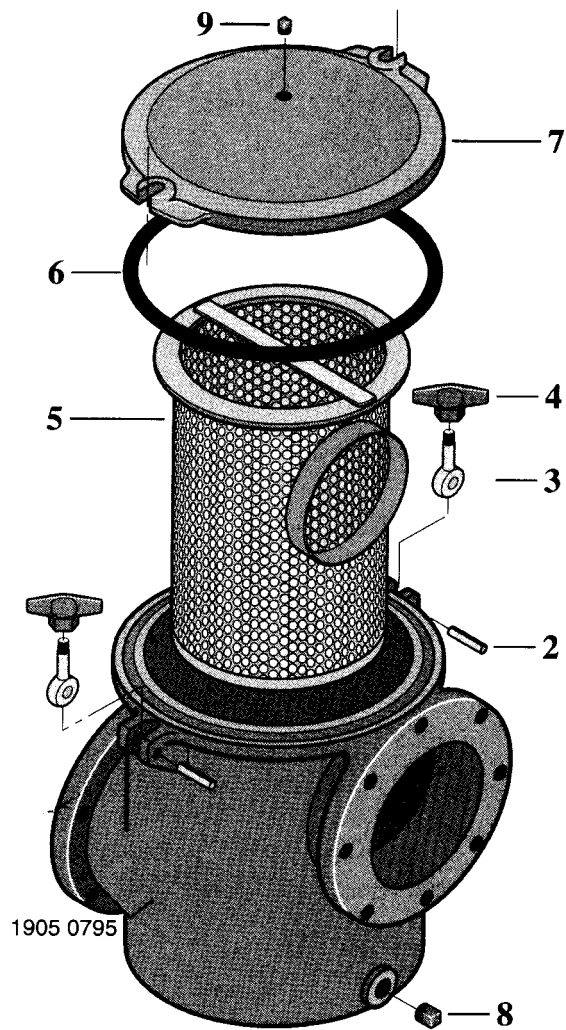
	KEY	MFG NO.	DESCRIPTION	ITEM NO.
C-10X (3" & 4")	1	28223-02	Hand Knob	K9221
	2	51653-00	Stud	K9258
	3	16433-00	Brass Plug, 1/4" NPT	V5102
	4	28048-02	Strainer Cover	K9216
	5	28219-00	Cover Gasket	K9220
	6	28049-00	Basket, Stainless Steel	K9217
	6	B-134	Basket, Plastic Coated	K7134
	8	16521-00	Pipe Plug, 1" NPT	K9225

D-10X (5")	1	28223-02	Hand Knob	K9221
	2	16568-00	Stud	K9203
	3	16433-00	Pipe Plug, 1/4" NPT	V5102
	4	28159-02	Strainer Cover	K9218
	5	24261-00	Cover Gasket	K9206
	6	28160-00	Basket, Stainless Steel	K9219
	6	B-135	Basket, Plastic Coated	K7135
	8	16521-00	Pipe Plug, 1" NPT	K9225

D-10X (6")	1	28223-02	Hand Knob	K9221
	2	16568-00	Stud	K9203
	3	16433-00	Pipe Plug, 1/4" NPT	V5102
	4	28159-02	Strainer Cover	K9218
	5	24261-00	Cover Gasket	K9206
	6	28160-00	Basket, Stainless Steel	K9219
	6	B-135	Basket, Plastic Coated	K7135
	8	16521-00	Pipe Plug, 1" NPT	K9225

**STA-RITE CSP
CAST IRON
TRAP ASSEMBLY**

6" Package No. 184



KEY	MFG. NO.	DESCRIPTION	ITEM NO.
2	35857-0031	Spring Pin (2 needed)	H1474
3	30767-0011	Toggle Bolt (2 needed)	H1476
4	35404-0319	Wing Nut (2 needed)	H1478
5	16401-0102	Strainer Basket	H1480
6	35505-0421	O-Ring	K3364
7	16401-0210	Strainer Cover	H1482
8	U78-59D	Pipe Plug, 1/2" NPT Brass	V5105
9	U78-57D	Pipe Plug, 1/4" NPT	V5102

Eureka (Swimquip) Lateral Assemblies "HRG & HRL" Series	232
Miscellaneous Commerical Filter Parts	231
Miami Tank "SFV" Series	229
Miami Tank Filter Accessories & Lateral Kits	230

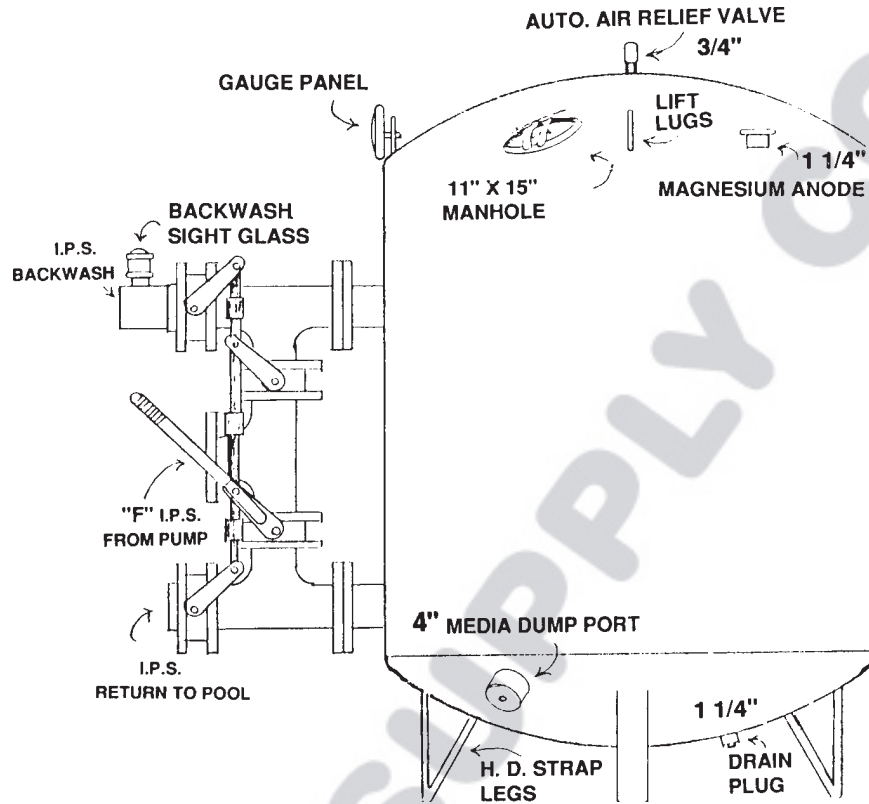
HATCHIK SUPPLY CO.

Filters (Commercial)

Notes

HATCHIK SUPPLY CO.

MIAMI TANK COMMERCIAL SAND FILTERS
 Vertical "SFV Series" Hi-Rate Sand Filters



HI-RATE FILTERS -- SFV SERIES -- SINGLE TANK SYSTEMS

PERFORMANCE SPECIFICATIONS

MODEL NO.	TANK DIA.	SQ. FT. FILTER AREA	RATE AND CAPACITY				CU. FT. 1/8"-1/4" GRAVEL	CU. FT. #20 SAND	APPROX BED DEPTH	APPROX. SHIP WT. LBS.
			15 gp	20 gm	GP 6 hrs	GP 8 hrs.				
SFV-36	36"	7.1	107		38,520	51,360	4	15	30"	550
				142	51,120	68,160				
SFV-42	42"	9.6	144		51,840	69,120	6	20	30"	800
				192	69,120	92,160				
SFV-48	48"	12.6	189		68,040	90,072	12	23	30"	1,095
				252	90,720	120,960				
SFV-54	54"	15.9	238.5		85,860	114,480	16	26	30"	1,215
				318	114,480	152,640				
SFV-60	60"	19.6	294		105,840	141,120	19	35	30"	1,529
				392	141,120	188,160				
SFV-66	66"	23.7	355.5		127,980	170,640	24	41	30"	1,919
				474	170,640	227,520				
SFV-72	72"	28.3	424.5		152,820	203,760	28	50	30"	2,218
				566	203,760	271,680				
SFV-78	78"	33.2	498		179,280	239,040	33	58	30"	2,530
				664	239,040	318,720				
SFV-84	84"	38.5	577.5		207,900	277,200	38	68	30"	3,580
				770	277,200	369,600				
SFV-90	90"	44.2	663		238,680	318,240	44	77	30"	3,887
				884	318,240	424,320				
SFV-96	96"	50.3	754.5		271,620	362,160	50	88	30"	4,337
				1,006	362,160	482,880		113	36"	4,429
SFV-102	102"	56.7	850.5		306,180	408,240	57	99	30"	5,110
				1,134	408,240	544,320		127	36"	5,405
SFV-108	108"	63.6	954		343,440	457,920	64	143	36"	5,925
				1,272	457,920	610,560				
SFV-114	114"	70.9	1036.5		382,860	510,480	72	160	36"	6,288
				1,418	510,480	680,640				
SFV-120	120"	78.5	1,117.5		423,900	565,200	79	176	36"	6,650
				1,570	565,200	753,600				

MIAMI TANK FILTER ACCESSORIES & KITS

DESCRIPTION	ITEM NO.
Influent & Effluent Gauge Panel with two 4-1/2" Gauges 0-60 psi <i>Includes All Tubing & Connectors for Hook-Up</i>	H1045
1-1/2" Brass Vertical Backwash Sight Glass	H8060
3/4" Brass Automatic Air Relief Valve	H1047
Domed Manhole Assembly with 2 Yoke Bolts, Nuts & Gasket 11" x 15"	H1048
Gasket Only 11" x 15" for Manhole Assembly	Z5016
Sacrificial Anode Replacement Rod	H1050
Emergency Pressure Relief Valve - 75 lb. psi	H1051

REPLACEMENT LATERAL KITS FOR MIAMI TANK FILTERS

DESCRIPTION	ITEM NO.
TVG-30 Replacement Lateral Kit 30" Diameter Tank	H1030
SFV-36 Replacement Lateral Kit 36" Diameter Tank	H1031
SFV-42 Replacement Lateral Kit 42" Diameter Tank	H1032
SFV-48 Replacement Lateral Kit 48" Diameter Tank	H1033
SFV-54 Replacement Lateral Kit 54" Diameter Tank	H1034
SFV-60 Replacement Lateral Kit 60" Diameter Tank	H1035
SFV-66 Replacement Lateral Kit 66" Diameter Tank	H1036
SFV-72 Replacement Lateral Kit 72" Diameter Tank	H1037
SFV-78 Replacement Lateral Kit 78" Diameter Tank	H1038
SFV-84 Replacement Lateral Kit 84" Diameter Tank	H1039
SFV-90 Replacement Lateral Kit 90" Diameter Tank	H1040
SFV-96 Replacement Lateral Kit 96" Diameter Tank	H1041
SFV-102 Replacement Lateral Kit 102" Diameter Tank	H1042
SFV-108 Replacement Lateral Kit 108" Diameter Tank	H1043
SFV-120 Replacement Lateral Kit 120" Diameter Tank	H1044

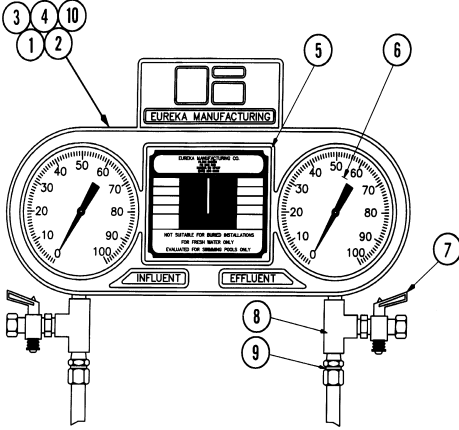
Laterals are capped 1-1/4" Sch 40 PVC Pipe with threaded mounting adapters included.

Lateral kits will include appropriate quantities of precise length laterals for SFV models.

Replacement lateral kits can be manufactured for any filter tank regardless of original equipment manufacturer.

Laterals can be furnished in different pipe diameters and are available in Sch 80 pipe.

MISC. COMMERCIAL SAND FILTER PARTS
 "HRL Series" Eureka (Swimquip) Filters

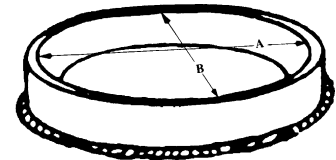


"HRL SERIES" GAUGE PANEL ASSEMBLIES

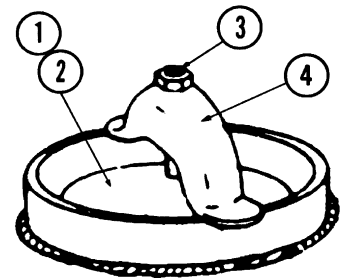
KEY	MFG NO.	DESCRIPTION	ITEM NO.
1	FE-15160-0003	Gauge Panel	H1700
2	FE-15160-0005	Support Band	H1702
3	CW-5L000-0500	Lock Washer, 1/2"	H1704
4	FE-37685-2004	Mounting Tape	H1706
5	AF-00125-0375	Pop Rivet	H1708
6	FE-33600-0043	Pressure Gauge	H1710
7	FE-31902-0301	Shut-Off Cock, Brass	H1712
8	FE-37702-0002	Brass Tee, 1/4"	H1714
9	FE-33202-0171	Tube Ftg. 1/4" IPS x 5/16"	H1716
10	BG-50510-0000	Bolt, 1/2" x 1"	H1718

"HRL SERIES" MANHOLE ASSEMBLIES

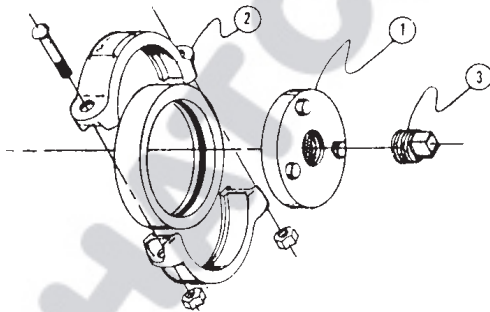
KEY	MFG NO.	DESCRIPTION	ITEM NO.
1	FE-19060-005	Manhole Cover	N5028
2	FE-19060-0009	Gasket Only 11" x 15"	Z5016
3	FE-19060-0002	Bolt & Nut	H1720
4	FE-19060-0003	Yoke Only	N5027



Dimensions:
 A: 15.25" ID max
 15.00" ID min
 B: 11.25" ID max
 11.00" ID min



11" x 15"



"HRL SERIES" DRAIN PLUG ASSEMBLIES

KEY	MFG NO.	DESCRIPTION	ITEM NO.
1	FE-24300-15	Drain Cap Assembly	N5038
2	FE-31984-0064	3" Victaulic Coupling, 3"	N5081
3	FE-36304-5006	Plug, 1" IPS	N5096

EUREKA (SWIMQUIP) COMMERCIAL SAND FILTERS
Lateral Assemblies for "HRG & HRL Series" Filters

LATERAL ASSEMBLY

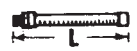


Chart I

TANK SIZE	QTY. & DASH NO.	LATERAL ASSEMBLY REQUIRED						
		A	B	C	D	E	F	G
30"	Quantity						4	2
	Dash No.						-17	-16
36"	Quantity					4	4	
	Dash No.					-18	-19	
42"	Quantity					4	4	
	Dash No.					-18	-21	
*48"	Quantity					4	4	2
	Dash No.					-18	-21	-21
**48"	Quantity					4	4	2
	Dash No.					-31	-33	-34
54"	Quantity					4	4	2
	Dash No.					-31	-34	-35
60"	Quantity					4	4	2
	Dash No.					-31	-35	-36
66"	Quantity				4	4	4	2
	Dash No.				-32	-35	-36	-36
72"	Quantity				4	4	4	2
	Dash No.				-32	-36	-37	-37
78"	Quantity				4	4	4	2
	Dash No.				-32	-36	-38	-38
84"	Quantity			4	4	4	4	2
	Dash No.			-32	-36	-38	-39	-39
90"	Quantity			4	4	4	4	2
	Dash No.			-33	-36	-38	-41	-41
96"	Quantity			4	4	4	4	2
	Dash No.			-33	-37	-41	-42	-42
102"	Quantity			4	4	4	4	2
	Dash No.			-33	-38	-42	-43	-43
108"	Quantity		4	4	4	4	4	2
	Dash No.		-33	-37	-41	-43	-44	-44
120"	Quantity	4	4	4	4	4	4	2
	Dash No.	-34	-38	-43	-44	-45	-45	-45

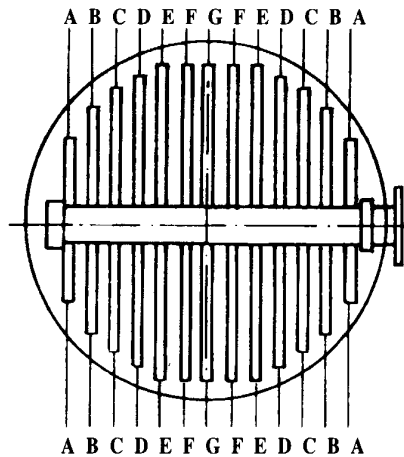
Chart II

PART NO.	"L" LENGTH	LATERAL ASSEMBLY
FE-24300-0016	12-1/4"	
FE-24300-0017	8-3/8"	N5039
FE-24300-0018	9-3/4"	N5040
FE-24300-0019	15"	N5041
FE-24300-0021	17"	N5042
FE-24300-0031	13"	N5043
FE-24300-0032	15"	N5044
FE-24300-0033	17"	N5045
FE-24300-0034	21"	N5046
FE-24300-0035	23"	N5047
FE-24300-0036	25"	N5048
FE-24300-0037	30"	N5049
FE-24300-0038	33"	N5050
FE-24300-0039	34"	N5051
FE-24300-0041	38"	N5052
FE-24300-0042	41"	N5053
FE-24300-0043	43"	N5064
FE-24300-0044	46"	N5055
FE-24300-0045	51"	N5056

Note:

To determine correct part number for ordering, refer to the proper tank size, Chart I. Read across to the desired assembly and read the dash number under quantity. Refer to Chart II for dash number located in part number column. Lengths are given for reference along with illustration.

Illustration shown is for 120" D. Smaller Diameters have fewer assemblies.



American Products Eclipse & Meteor Top Mount	235
American Products Eclipse Side Mount	236
Astral Fiberglass "FG" Series	237,238
Astral Lateral Collector Assy	239
Baker Hydro "HRV" Series (Before 1984)	240,241
Baker Hydro "HRV" Series (1984 - Present)	242,243
Hayward GM Series	244,245
Hayward Pro Series S140T & S144T	252
Hayward Pro Series S164T & S166T	253
Hayward Pro Series S180T, S210T, S220T & S244T	254
Hayward Pro Series S210S, S220S, S224S & 310S	256,257
Hayward Pro Series S310T	255
Hayward Pro Series S311SX & S311SXV	258,259
Hayward S-160T	246,247
Hayward S-200	248,249
Hayward S-240	250,251
Jacuzzi Laser	260,261
Jacuzzi Sandtrap ST27 & ST33	262,263
Pac-Fab "PF" Series	274,275
Pac-Fab Tagelus	264-267
Pac-Fab Triton II	268,269
Pac-Fab Triton C	270,271
Pac-Fab Triton C-3	272,273
Pac-Fab Sand Dollar	276,277
Pac-Fab (Purex) Tahitian	278,279
Sta-Rite Cristal-Flo	280
Sta-Rite HRPB Series	284,285
Sta-Rite (Swimquip) HRP Series	282,283
Sta-Rite (Swimquip) Pantera	281
Sta-Rite System 3	286,287
Sta-Rite Waterford	288

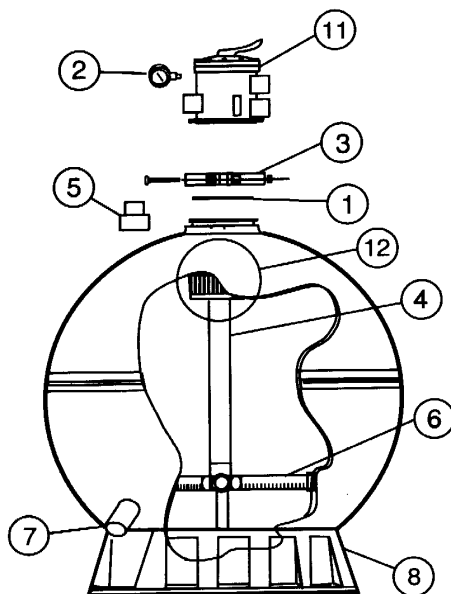
Filters (Sand)

Notes

HATCHIK SUPPLY CO.

AMERICAN PRODUCTS (PAC-FAB) ECLIPSE & METEOR FILTERS

**Top Mount
Roto-Molded Series
22", 26" & 30"**

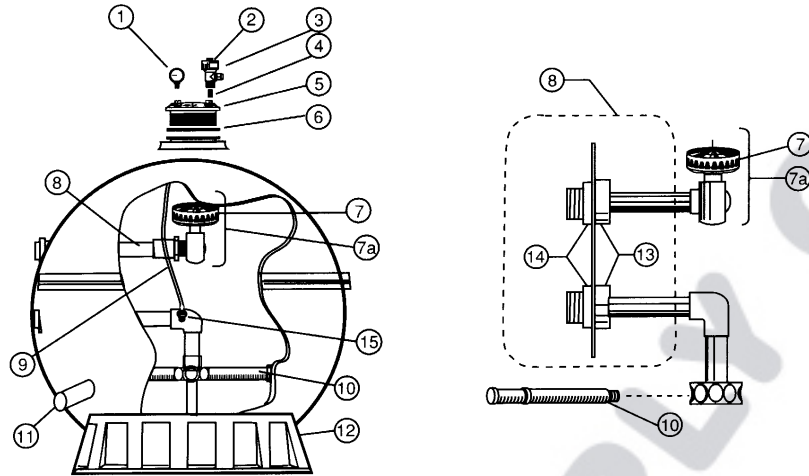


**purex
triton**

**AMERICAN
PRODUCTS**

KEY	MFG NO.	DESCRIPTION	ITEM NO.
1	52000500	O-Ring, Clamp, 26", 30"	H8803
1	51011900	O-Ring, Clamp, 22" Filters (before 1-95)	H8854
1	51021700	Gasket, Clamp, 22" Filter	H8811
2	-----	Pressure Gauge - Back Mount	H7010
3	58913000	Clamp, Multiport Valve, 22" Filter (before 1-95)	H8855
3	51020900	Clamp, Multiport Valve, 22" Filter	H8879
3	58915000	Clamp, Multiport Valve for Tank w/Brass Neck Ring	H8857
4	55027700	Standpipe Assembly, 22" Filter (old # 5502500 N/A)	H8862
4	55025200	Standpipe Assembly, 26" Filter	H8863
4	55029800	Standpipe Assembly, 30" Filter	H8864
5	51011700	Standpipe TM Valve Adapter, 1-1/2" Port, 30" Filter	H8866
5	51011400	Standpipe TM Valve Adapter, 2" Port, 30" Filter	H8867
6	55025700	Lateral, Underdrain, 22" Filter, 8 per Filter	H8868
6	55025800	Lateral, Underdrain, 26" Filter, 8 per Filter	H8828
6	55025900	Lateral, Underdrain, 30" Filter, 8 per Filter	H8827
7	55007800	Drain Assembly, Complete	H8841
7	86300300	Fitting, Drain, Sand/Water	H8842
7	51005000	O-Ring, Drain/Inspection Fittings	H8931
7	86300400	Cap, Drain	H8889
7	86300500	Gasket, Drain Cap	H8844
8	55226100	Base, 22 & 26" Filter	H8849
8	55235000	Base, 30 & 36" Filter	H8851
11	50118200	MPV, 8 Pos. 1-1/2", 22" Filter	H8050
11	50118300	MPV, 8 Pos. 1-1/2", 26 & 30" Filter	H8853
11	50123100	MPV, 2", 30" Filter	H3221
11	50118000	MPV, 8 Pos. 1-1/2", 26" Filter Upgrade (before 12-95)	H8045
11	50118400	MPV, 8 Pos. 1-1/2", 30" Filter Upgrade (before 12-95)	H8046
11	50123200	MPV, 2", 30" Filter Upgrade (before 12-95)	H8047
12	50124100	MPV Upgrade Kit, 26" Filter, No Valve (before 12-95)	H8048
12	50124000	MPV Upgrade Kit, 2", 30" Filter, No Valve (before 12-95)	H8873
12	50124400	MPV Upgrade Kit, 1-1/2", 30" Filter, No Valve (before 12-95)	H8049
---	85019100	Backwash Sight Glass, 22, 26" Filter	H3289
---	55013200	Funnel, Sand Filling, 22" Filter	H8869
---	55023200	Funnel, Sand Filling, 26", 30" Filter	H8847

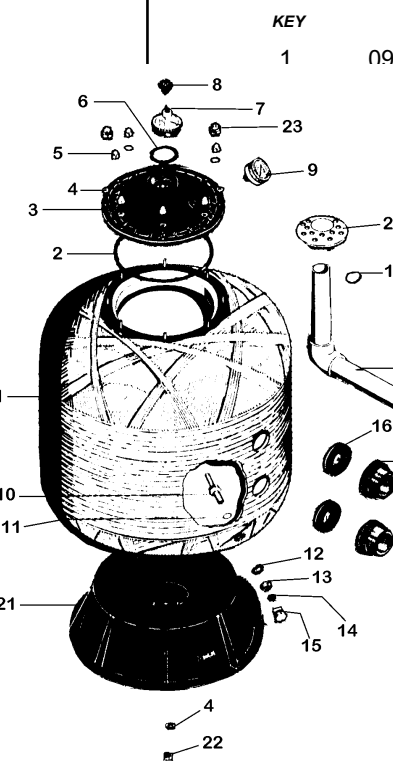
AMERICAN PRODUCTS (PAC-FAB) ECLIPSE FILTERS
Side Mount Roto-Molded Series 26", 30" & 36"



KEY	MFG NO.	DESCRIPTION	ITEM NO.
1	155050	Gauge, Pressure	H4300
2	98218900	Plug for High Flow Manual Air Relief Valve	H3569
3	98209800	High Flow Manual Air Relief Valve (old # 98209801)	H3708
4	57006800	O-Ring	H3568
5	55022000	Lid	H8802
6	52000500	O-Ring	H8803
7	154955	Diffuser	H8890
7a	55008300	Basket Assy. Overdrain, 26" Filter (before 11-98)	H8806
7a	150017	Diffuser Assy. Overdrain, 26" Filter (after 11-98)	H8891
7a	55008900	Basket Assy. Overdrain, 30" Filter (before 11-98)	H8805
7a	150018	Diffuser Assy. Overdrain, 30" Filter (after 11-98)	H8892
7a	55009100	Basket Assy. Overdrain, 36" Filter (before 11-98)	H8804
7a	150019	Diffuser Assy. Overdrain, 36" Filter (after 11-98)	H8893
8	55020000	Internal Drain Pipe Assy. 26" Filter (before 11-98)	H8809
8	150020	Internal Drain Pipe Assy. 26" Filter (after 11-98)	H8894
8	55020100	Internal Drain Pipe Assy. 30" Filter (before 11-98)	H8808
8	150021	Internal Drain Pipe Assy. 30" Filter (after 11-98)	H8895
8	55020200	Internal Drain Pipe Assy. 36" Filter (before 11-98)	H8807
8	150022	Internal Drain Pipe Assy. 36" Filter (after 11-98)	H8899
9	51999100	Kit, Service Air Tube, 3/8" O.D. (before 9-94)	H8845
9	55020300	Kit, Service Air Tube, 26" Filter (after 9-94 & before 11-98)	H8885
9	150023	Kit, Service Air Tube, 26" Filter (after 11-98 & before 11-99)	H8886
9	150037	Kit, Service Air Tube, 26" Filter (after 11-99)	H8887
9	55020800	Kit, Service Air Tube, 30" & 36" Filter (after 9-94 & before 11-98)	H8888
9	150024	Kit, Service Air Tube, 30" & 36" Filter (after 11-98 & before 11-99)	H8897
9	150038	Kit, Service Air Tube, 30" & 36" Filter (after 11-99)	H8898
10	55025800	Lateral, Underdrain, 26" Filter, (3-7/8") (8 per filter)	H8828
10	55025900	Lateral, Underdrain, 30" Filter, (7-7/8") (8 per filter)	H8827
10	55026300	Lateral, Underdrain, 36" Filter, (10") (8 per filter)	H8819
11	55007800	Drain Assembly, Complete	H8841
11	86300300	Fitting, Drain Sand/Water	H8842
11	86300400	Cap, Drain	H8889
11	86300500	Gasket, Drain Cap	H8844
12	55226100	Base, 26" Filter	H8849
12	55235000	Base, 30 & 36" Filter	H8851
13	53007011	Fitting, Bulkhead, Inner	H8829
14	53007111	Fitting, Bulkhead, Outer	H8831
---	51021500	Gasket, Bulkhead	H8835
---	52000100	O-Ring, Bulkhead	H8837
---	55023200	Funnel, Sand Filling, 26, 30 & 36" Filter	H8847
15	150036	Connector Air Relief Tube	H8896

ASTRAL FIBERGLASS SAND FILTERS

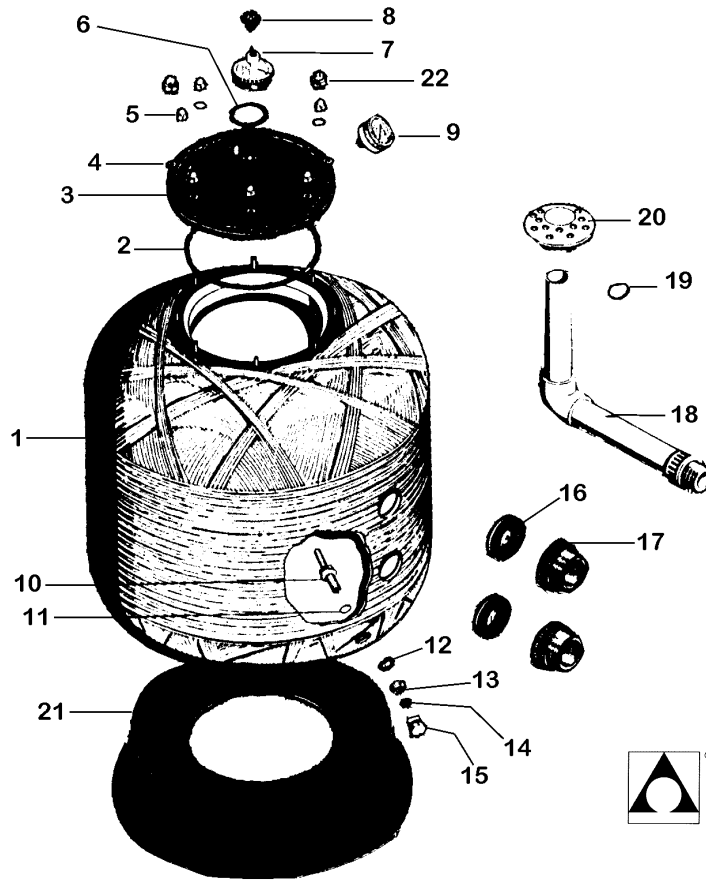
FG Series
20", 24" & 30"
Side Mount



KEY	MFG. NO.	DESCRIPTION	ITEM NO.
1	09841 R 0101	Filter Body 20"	H9602
	R 0101	Filter Body 24"	H9604
	R 0101	Filter Body 30"	H9606
	2310085	O-Ring	H9608
	R 0201	Filter Lid	H9612
	R 08000	Washer	H9614
	R 08000	Lid Nut	H9616
	R 0001	Gasket	H9618
	R 0107	Sight Glass	H9620
	R 0108	Air Relief Valve	H9622
	R 0305	Pressure Gauge	H9624
	R 0401	Drain Pipe 3/8"	H9626
	R 0402	Gasket	H9628
	R 0403	Washer	H9630
	R 17000	Lock Nut	H9632
	R 0404	Lock Nut Cap 3/8"	H9634
	60	Drain Cap 3/8"	H9636
	R 0611	Concave Gasket 1-1/2"	H9638
	R 0610	Concave Gasket 2"	H9640
	R 0211	Bulkhead Flange 1-1/2"	H9642
	R 0316	Bulkhead Flange 2"	H9644
	R 0503	Diffuser Pipe 20"	H9646
	R 0503	Diffuser Pipe 24"	H9648
	R 0503	Diffuser Pipe 30"	H9650
	R 0413	Pipe Clamp	H9652
	00645	Diffuser 1-1/2"	H9654
	0474233036	Diffuser 2"	H9656
	00541 R 0102	Filter Base 20"/24"	H9658
	00543 R 0102	Filter Base 30"	H9660
	00470 R 0121	Nut Cap	H9662
(*)	00541 R 0400	Drain Pipe Assy. 3/8"	H9664

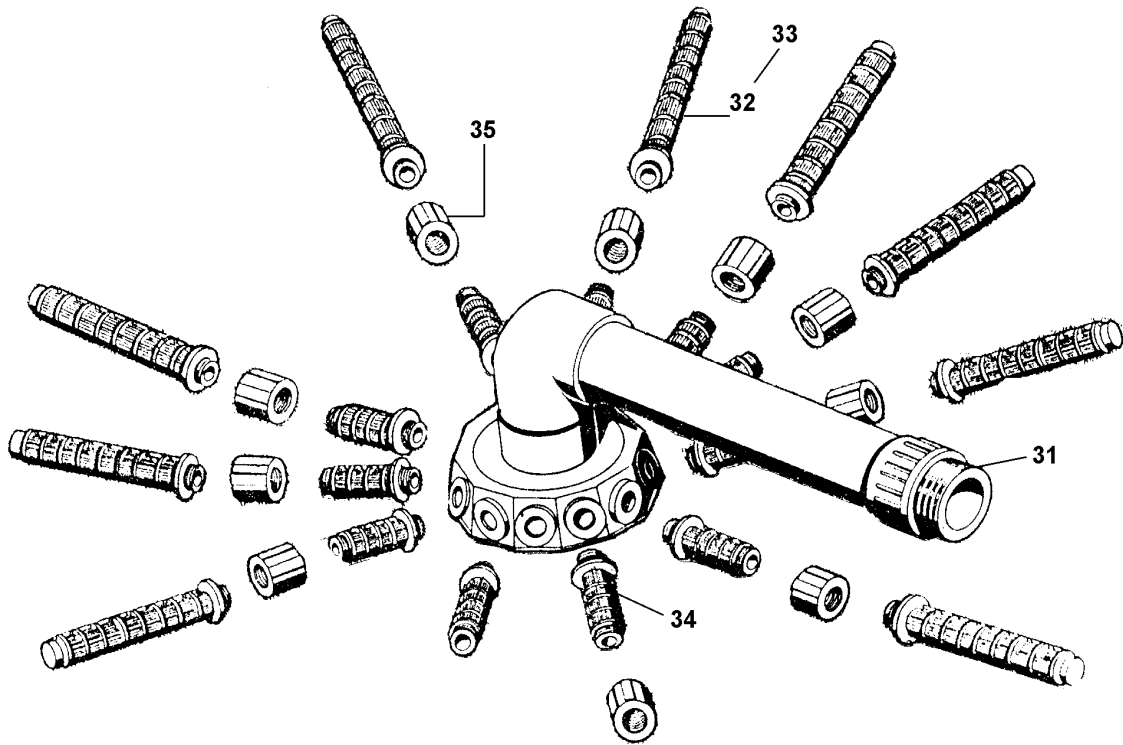
ASTRAL FIBERGLASS SAND FILTER

FG Series
36" Side Mount

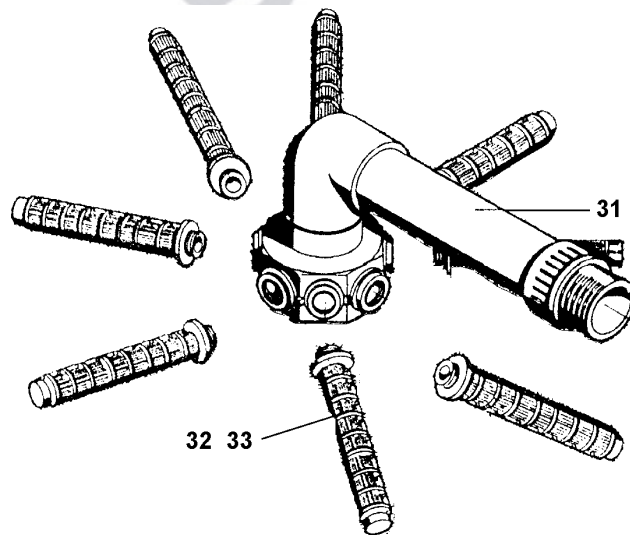


KEY	MFG. NO.	DESCRIPTION	ITEM NO.
1	09645 R 0101	Filter Body 36"	H9688
2	721 R 2310085	O-Ring	H9608
3	09841 R 0201	Filter Lid	H9612
4	70119 R 08000	Washer	H9614
5	70121 R 08000	Lid Nut	H9616
6	00612 R 0001	Gasket	H9618
7	00470 R 0107	Sight Glass	H9620
8	00470 R 0108	Air Relief Valve	H9622
9	06671 R 0401	Pressure Gauge	H9690
10	00541 R 0401	Drain Pipe 3/8"	H9626
11	00541 R 0402	Gasket	H9628
12	00541 R 0403	Washer	H9630
13	70524 R 17000	Lock Nut	H9632
14	00541 R 0404	Lock Nut Cap 3/8"	H9634
15	0599060	Drain Cap 3/8"	H9636
16	00514 R 0610	Concave Gasket 2"	H9640
17	00469 R 0316	Bulkhead Flange 2"	H9644
18	09645 R 0503	Diffuser Pipe 36"	H9692
19	00471 R 0413	Pipe Clamp	H9694
20	074233036	Diffuser 2"	H9698
21	00545 R 0114	Filter Base 36"	H9696
22	00470 R 0121	Nut Cap	H9662
---	00541 R 0400	Drain Pipe Assembly 3/8"	H9664

ASTRAL
Lateral Collector Assembly



Lateral Collector Ass:
20 - 24"



KEY	MFG. NO.	DESCRIPTION	ITEM NO.
31	00541 R 0601	Lateral Assembly 1-1/2"	H9666
31	00542 R 0601	Lateral Assembly 1-1/2" for 20-24" Filters	H9668
31	09645 R 0400	Lateral Assembly 2"	H9670
32	00627	Lateral Arm 160 mm.	H9672
33	00626	Lateral Arm 225 mm.	H9674
34	00629	Lateral Support 100 mm.	H9676
35	00630	Lateral Arm Coupling 3/4"	H9678

BAKER HYDRO HRV SERIES FILTER
Prior to 1984

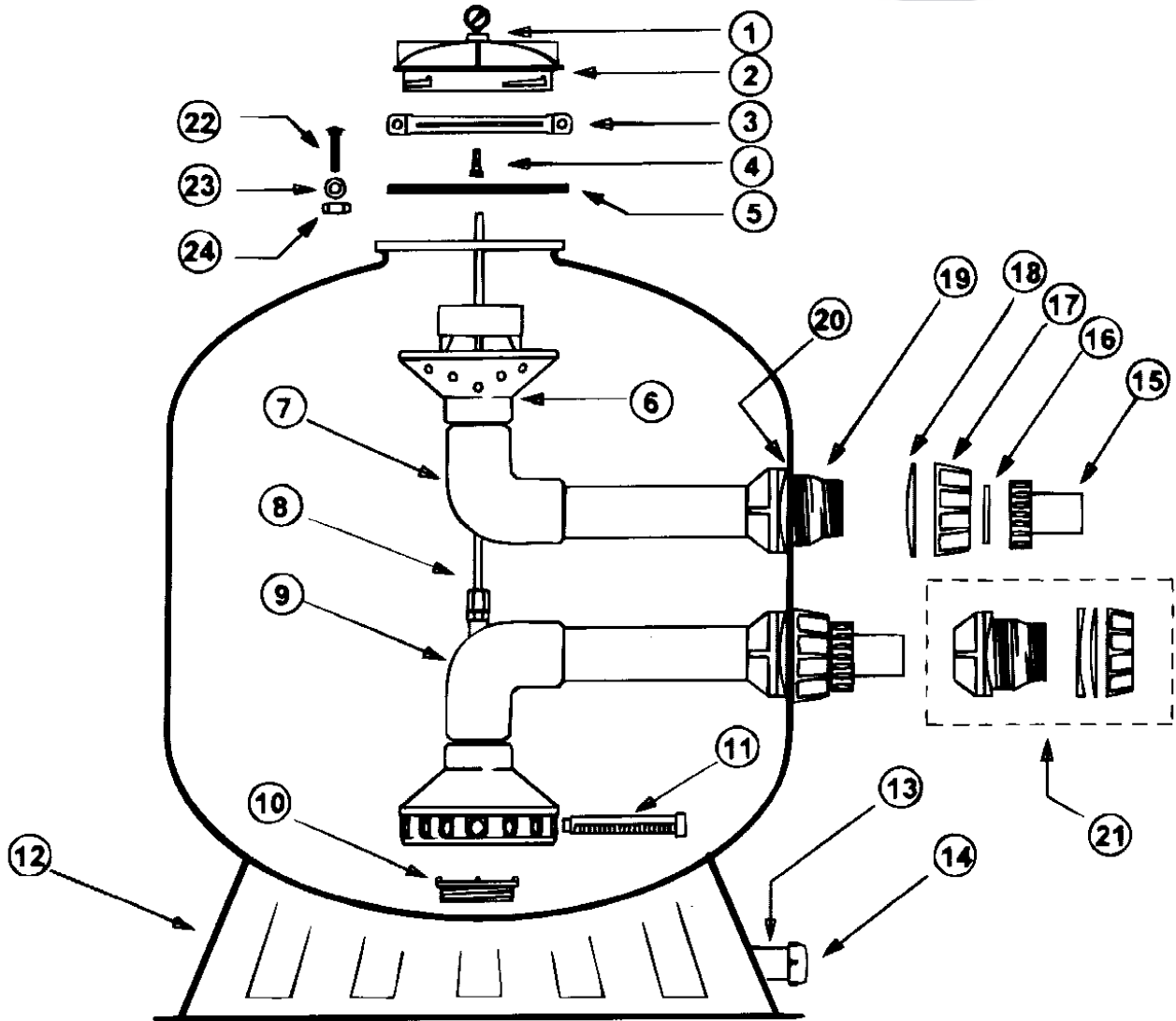
KEY	MFG NO.	DESCRIPTION	ITEM NO.
1	30B3000	Pressure Gauge, 0-50 PSI	H2932
1	-----	Generic Pressure Gauge, Bottom Mount, Plastic Case	H7000
1	-----	Generic Pressure Gauge, Bottom Mount, Metal Case	H7003
2	15B0086	Twist Lock Lid	H2868
3	15B0088	Clamp Ring Half	H2854
---	15B0097	Clamp Ring Assy., (Includes #3 & 22 - 24)	H2852
4	15B0074	Air Relief Screen	H2930
5	15B0100	Gasket, U - Cup Lid	H2862
6	15B0043	Hydrodome Distributor	H2872
7A	15B0177	Distributor Header, HRV-18	H2875
7B	15B0020	Distributor Header, HRV-24	H2876
7C	15B0024	Distributor Header, HRV-30	H2878
7D	15B0226	Distributor Header, HRV-36	H2880
8A	15B0183	Vent Tube, HRV-18	H2881
8B	15B0101	Vent Tube, HRV-24	H2904
8C	15B0102	Vent Tube, HRV-30	H2906
8D	15B0232	Vent Tube, HRV-36	H2908
9A	15B0178	Collector Assembly Less Laterals, HRV-18	H2883
9B	15B0169	Collector Assembly Less Laterals, HRV-24	H2882
9C	15B0170	Collector Assembly Less Laterals, HRV-30	H2884
9D	15B0227	Collector Assembly Less Laterals, HRV-36	H2886
11A	15B0124	Threaded Lateral, 8-1/2", HRV-30 & 36	H2896
11B	15B0125	Threaded Lateral, 5-1/2", HRV-18 & 24	H2894
12A	15Q0315	Base, HRV-18	H2899
12B	15Q0312	Base, HRV-24	H2905
12C	15Q0313	Base, HRV-30	H2907
12D	15Q0314	Base, HRV-36	H2909
13	-----	1/2" Winterdrain Assembly, HRV-18 & HRV-36	N/A
14	88B3041	Winterdrain Cap, 1/2"	H2939
15	31B0077	Union Adapter	H8822
16	00B7027	Gasket, Union Adapter	H8824
17	31B9002	Bulkhead Nut	H2934
18A	31B9033	Keywasher, HRV-18 & 24	H2925
18B	31B9034	Keywasher, HRV-30 & 36	H2927
19	31B9032	Bulkhead Fitting Only	H2938
20A	31B9035	Bulkhead Gasket, HRV-18 & 24	H2917
20B	31B9036	Bulkhead Gasket, HRV-30 & 36	H2923
21	31B9004	Bulkhead Assembly, (1981 - 1984)	H2910
22	00B1021	Bolt, 5/16" - 18 x 2-1/2", Carriage	H2858
23	00B6005	Washer, 5/16" Flat	H2860
24	00B0007	Nut, 5/16" - 18	H2856

Baker II Miscellaneous Parts

---	15B0186	Collector Assembly Only - 24"	H2890
---	15B0187	Collector Assembly Only - 30"	H2892
---	15B0176	Lateral - Snap-In 7" - 18" & 24"	H2898
---	15B0188	Lateral - Snap-In 9-5/8" - 30"	H2900

BAKER HYDRO HRV SERIES FILTER

Prior to 1984

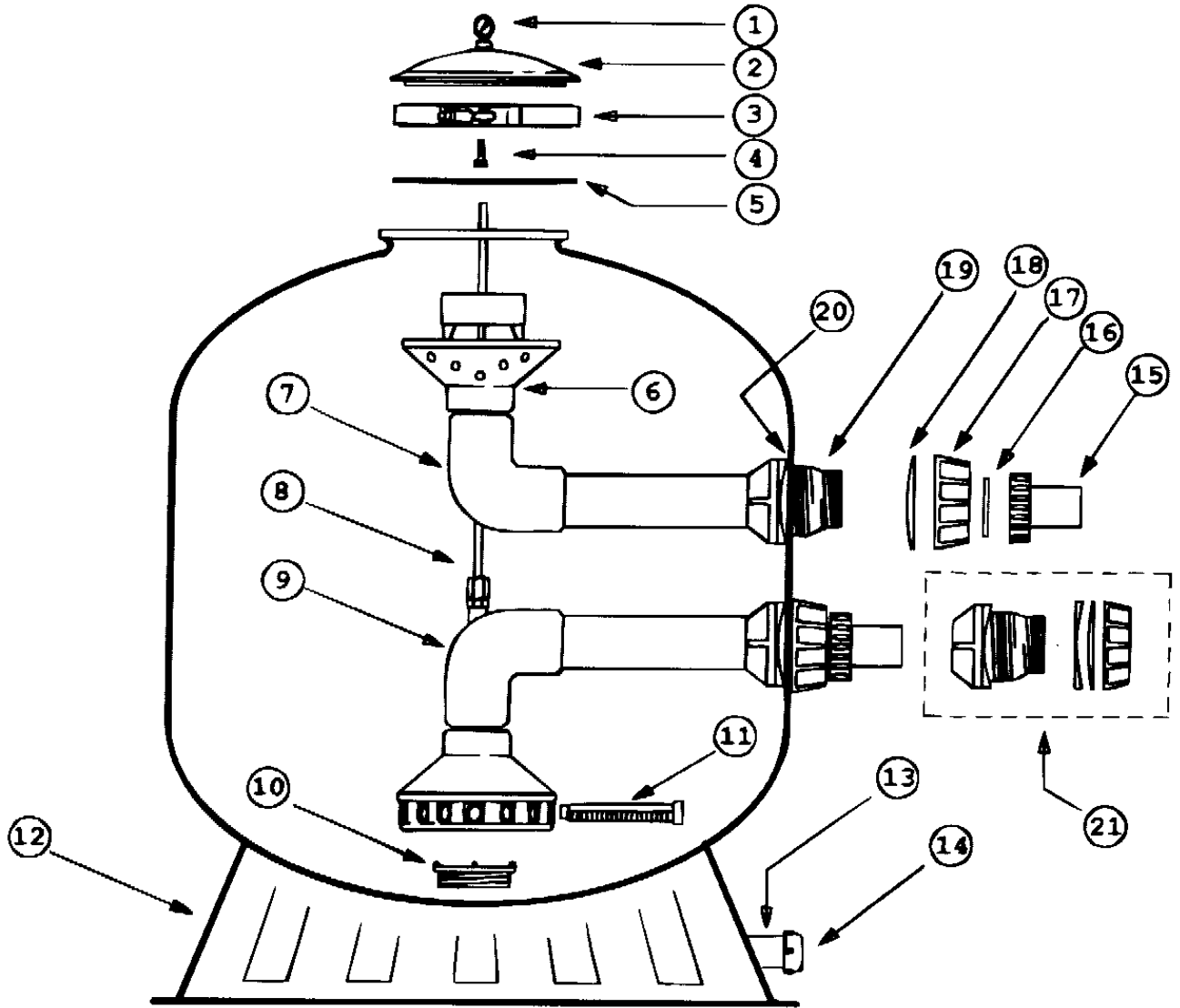


BAKER HYDRO HRV SERIES FILTER
1984 - Present

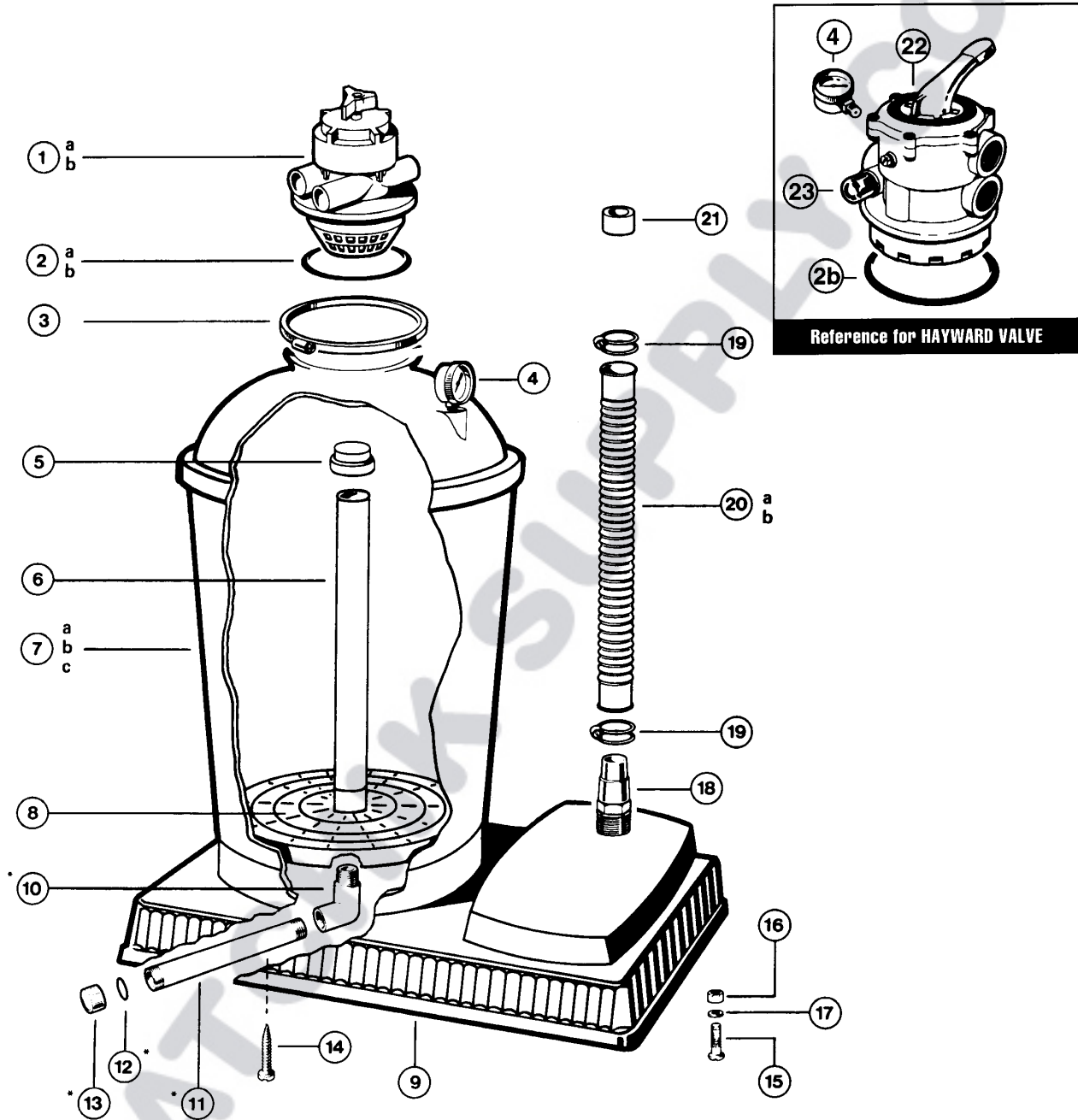
KEY	MFG NO.	DESCRIPTION	ITEM NO.
1	30B3000	Pressure Gauge, 0 - 50 PSI	H2932
1	-----	Generic Pressure Gauge, Bottom Mount, Plastic Case	H7000
1	-----	Generic Pressure Gauge, Bottom Mount, Metal Case	H7003
2	15B0299	V - Band Lid	H2842
3	00B8083	V - Band Clamp	H2901
4	15B0074	Air Relief Screen	H2930
5	00B7013	Gasket, V - Band Lid	H2866
6	15B0043	Hydrodome Distributor	H2872
7A	15B0177	Distributor Header, HRV-18	H2875
7B	15B0020	Distributor Header, HRV-24	H2876
7C	15B0024	Distributor Header, HRV-30	H2878
7D	15B0226	Distributor Header, HRV-36	H2880
8A	15B0183	Vent Tube, HRV-18	H2881
8B	15B0101	Vent Tube, HRV-24	H2904
8C	15B0102	Vent Tube, HRV-30	H2906
8D	15B0232	Vent Tube, HRV-36	H2908
9A	15B0178	Collector Assembly Less Laterals, HRV-18	H2883
9B	15B0169	Collector Assembly Less Laterals, HRV-24	H2882
9C	15B0170	Collector Assembly Less Laterals, HRV-30	H2884
9D	15B0227	Collector Assembly Less Laterals, HRV-36	H2886
10	15B0319	Winterdrain Screen	H2903
11A	15B0124	Threaded Lateral, 8.5", HRV-30 & 36	H2896
11B	15B0125	Threaded Lateral, 5.5", HRV-18 & 24	H2894
12A	15Q0315	Base, HRV-18	H2899
12B	15Q0312	Base, HRV-24	H2905
12C	15Q0313	Base, HRV-30	H2907
12D	15Q0314	Base, HRV-36	H2909
13A	16B0309	Winterdrain Assembly, HRV-18, Less Cap	H2937
13B	16B0306	Winterdrain Assembly, HRV-24, Less Cap	H2929
13C	16B0307	Winterdrain Assembly, HRV-30, Less Cap	H2931
13D	16B0308	Winterdrain Assembly, HRV-36, Less Cap	H2933
14	88B3043	Winterdrain Cap, 1"	H2913
15	31B0077	Union Adapter	H8822
16	00B7027	Gasket, Union Adapter	H8824
17	31B9002	Bulkhead Nut	H2934
18A	31B9033	Keywasher, HRV-18 & 24	H2925
18B	31B9034	Keywasher, HRV-30 & 36	H2927
19	31B9032	Bulkhead Fitting Only	H2938
20A	31B9035	Bulkhead Gasket, HRV-18 & 24	H2917
20B	31B9036	Bulkhead Gasket, HRV-30 & 36	H2923
21A	31B9030	Bulkhead Assembly, HRV-18 & 24 (Includes 17-20)	H2921
21B	31B9031	Bulkhead Assembly, HRV-30 & 36 (includes 17-20)	H2919

BAKER HYDRO HRV SERIES FILTER

1984 - Present



HAYWARD GM SERIES SAND FILTERS
 GM-140, GM-142 & GM-142-6



*Filter Systems 1970 - 1978. Models from 1979 to the present have drain integral with Filter Body, and require only a Drain Plug and O-Ring



HAYWARD GM SERIES SAND FILTERS GM140, GM142 & GM1426

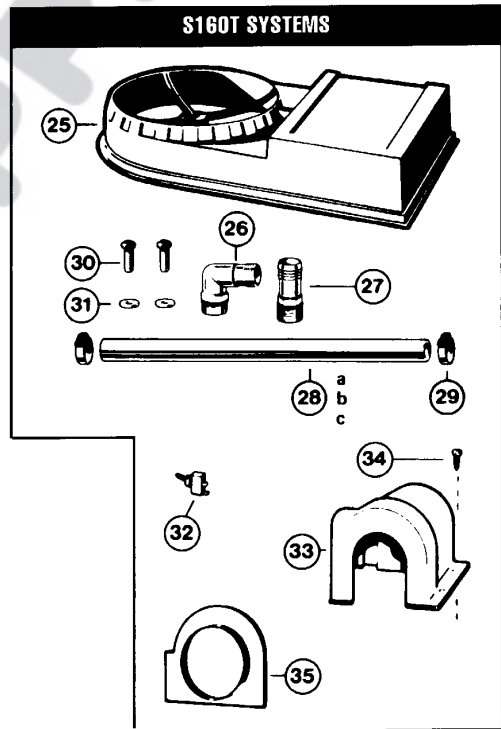
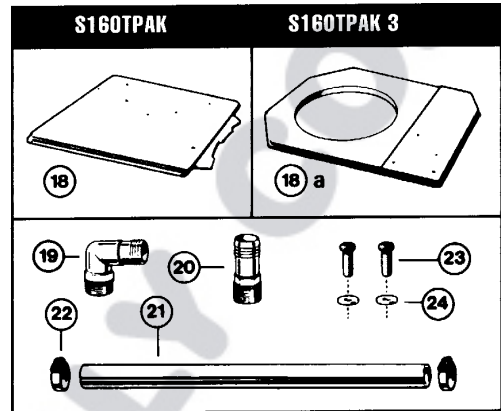
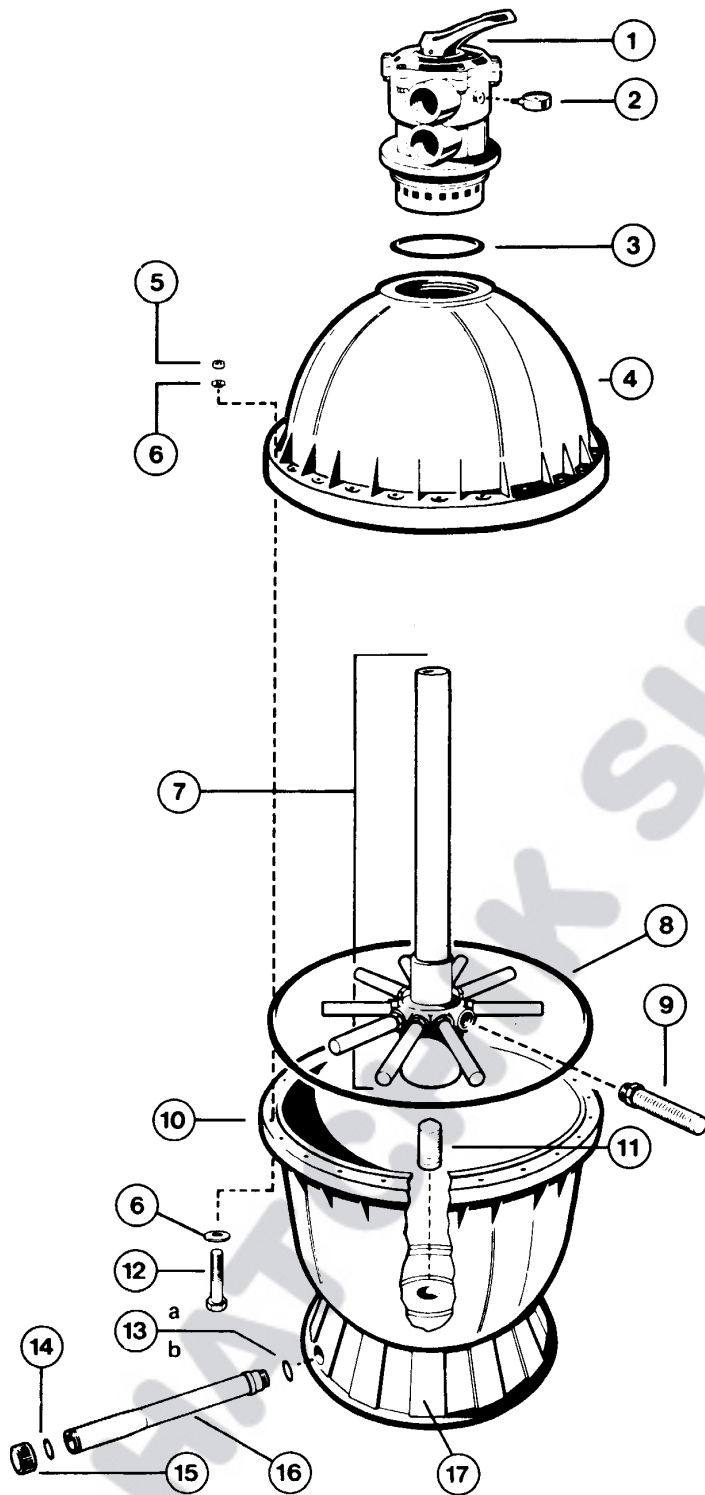
KEY	MFG NO.	DESCRIPTION	ITEM NO.
1A	GM400	4-Way Multiport Valve	H8490
2A	GMX400F	Valve to Tank O-Ring	H8409
3A	GMX400K	Flange Clamp (Valve to Tank)	H8411
4	ECX270861	Pressure Gauge	H6317
4	-----	Generic Pressure Gauge, Plastic Case, Bottom Mount	H7000
4	-----	Generic Pressure Gauge, Metal Case, Bottom Mount	H7003
5	GMX142Z1	Protector Cap	H6622
7A	GMX142AB1	Filter Tank with Underdrain, Standpipe, Plug (GM142)	H8450
7B	GMX140AB1	Filter Tank with Underdrain, Standpipe, Plug (GM140)	H6629
10	GMX142DB	Drain Elbow Assembly (1970 to 1978)	H8445
11	GMX142DA3	Drain Nipple, 1/2" x 8" (1970 to 1978)	H8444
12	GMX142DA2	Drain Cap Gasket (1970 to 1978)	H8443
13	GMX142DA1	Drain Cap, 1/2" (1970 to 1978)	H8442
---	GMX152C	Filter Base (1979 to Present)	H6631
---	GMX152Z4	Drain Plug, 3/4" (1979 to Present)	H8434
---	GMX152Z5	Drain Plug O-Ring (1979 to Present)	H8435
14	GMX142Z11	Self-Threading Screw, No. 10-15 x 3/4" (4 needed)	H6632
15	GMX142Z8	5/16" x 1" Carriage Bolt (2 needed)	H6633
16	GMX142Z9	5/16" Washer (2 needed)	H6634
17	GMX142Z10	5/16" Nut (2 needed)	H6635
18	SPX1091Z7	1-1/2" x 1-1/2" / 1-1/4" Combo Hose Adapter	F1105
19	SPX1091Z6	Hose Clamp (2 needed)	H6708
20A	GMX142Z15	Pump Connecting Hose - Ribbed, 1-1/4" x 24"	H6628
20B	GMX140Z2	Pump Connecting Hose - Ribbed, 1-1/4" x 20"	H6636
21	GMX142Z4	Hose Bushing - 1-1/2" x 1-1/4" (optional)	H8446

Parts for GMX1426 and GMX142 HV Series

1B	GM600	6-Way GM Multiport Valve	H8483
2B	GMX600F	Valve to Tank O-Ring	H8425
3B	GMX600N	Flange Clamp (Valve to Tank)	H8423
7C	GMX142ABK1	Filter Tank w/ Underdrain, Standpipe & Plug for 6-Way Valve	H8447
20C	GMX152Z15	Pump Connecting Hose - Ribbed, 1-1/2" x 27"	H6638
---	EC1161PAK	Platform Base - Low Profile	H6004
22	SP071113	Vari-Flo Control Valve Assembly	H6408
23	SPX710MA	Sight Glass for SP071113 Valve	H8082

* Standpipe and Underdrain are Part of Drain Assembly

HAYWARD S-160T SAND FILTER



Folding Umbrella Lateral Assembly

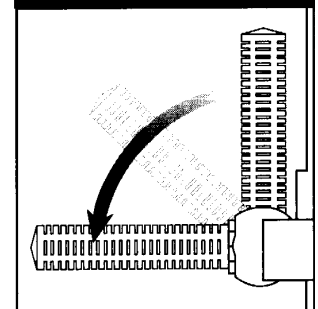


Diagram A



HAYWARD S160T SAND FILTER

KEY	MFG NO.	DESCRIPTION	ITEM NO.
1	SP07121	Vari-Flo Control Valve Assembly	H6409
2	ECX270861	Pressure Gauge	H6317
2	-----	Generic Pressure Gauge, Plastic Case, Bottom Mount	H7000
2	-----	Generic Pressure Gauge, Metal Case, Bottom Mount	H7003
3	SX200Z6	O-Ring	H6648
4	SX160B	Filter Tank Head (Top) Ivory	H6556
5	ECX176855	1/4" - 20 Hex Nut (16 needed)	H6292
6	ECX1252	1/4" x 11/16" O.D. Flat Washer (32 needed)	H6468
7	SX160QA	Folding Umbrella Lateral Assembly with Center Pipe	H6562
---	SX202P	Lateral Pivot (after 1996)	H6702
8	SX160Z1	O-Ring	H6564
9	SX200Q	Lateral (10 needed)	H6670
10	SX160AA1	Filter Tank (Bottom) w/ Drain Assembly - Less Skirt	H6568
11	SX200H	Bottom Screen	H6674
12	ECX1642215	1/4" - 20 x 1-3/4" Hex Head Bolt (16 needed)	H6310
13A	SX200Z5	Drain Pipe O-Ring, 13/16" O.D.	H6642
13B	SX200Z14	O-Ring, 1" O.D. (1980 to Present)	H6644
14	SX200Z9	Gasket	H6680
15	SX200Z8	Drain Cap	H6580
16	SX200EB	Drain Pipe Assembly - Includes Cap & Gasket	H6582
17	SX200J	Filter Support Stand (Skirt)	H6678
---	SX200Z10	Caplug (not illustrated)	H6696

S160PAK 1 and PAK 3

18	ECX1289	Standard Pump Mounting Base	H6700
18A	ECX1291	Pump and Filter Mounting Base	H6716
19	SPX1105Z4	1-1/2" Elbow Hose Adapter	H6430
20	SPX1091Z2	1-1/2" Straight Hose Adpater	H6704
21	SX201Z1	33" Long Hose	H6681
22	ECX18028	Hose Clamp (2 needed)	H6428
23	ECX1306	5/16" x 1" Mounting Screw (2 needed)	H6710
24	ECX1109	5/16" Washer (2 needed)	H6236

S160T Systems

25	SX160G	System Mounting Base	H6604
26	SPX1105Z4	1-1/2" Elbow Hose Adapter	H6430
27	SPX1091Z2	1-1/2" Staight Hose Adapter	H6704
28A	GMX225F1	25" Long Hose (1800 & UL Systems)	H8436
28B	SX160Z4	26" Long Hose (1700 Systems)	H6597
28C	SX160Z3	31" Long Hose (1500 Systems)	H6596
29	ECX18028	Hose Clamp (2 needed)	H6428
30	ECX1306	5/16" x 1" Mounting Screw (2 needed)	H6710
31	ECX1109	5/16" Washer (2 needed)	H6236
32	ECX1325	Switch Assembly	H6252
33	ECX1121	Rainshield Cover Assembly	H6246
34	SPX1411Z3	Pan Head Hilo Screw (4 needed)	H6360
35	ECX1229	Motor Air Baffle	H6250
---	ECX1227	Switch Wall (not illustrated)	H6242
---	SPX1500WA	6 ft. Cord Set - No. 16/3 AWG	H6226
---	SPX1250WA	6 ft. Cord Set - No. 14/3 AWG	K4033
---	SPX1550WA	25 ft. Cord Set - No. 14/3 AWG	H6230
---	ECX1248	Cord Strain Relief	H6232

HAYWARD S-200 SAND FILTER

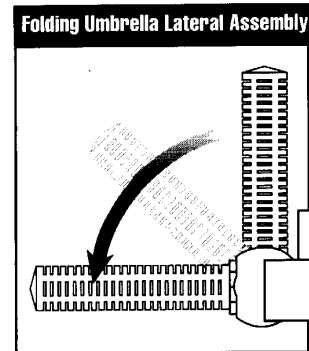
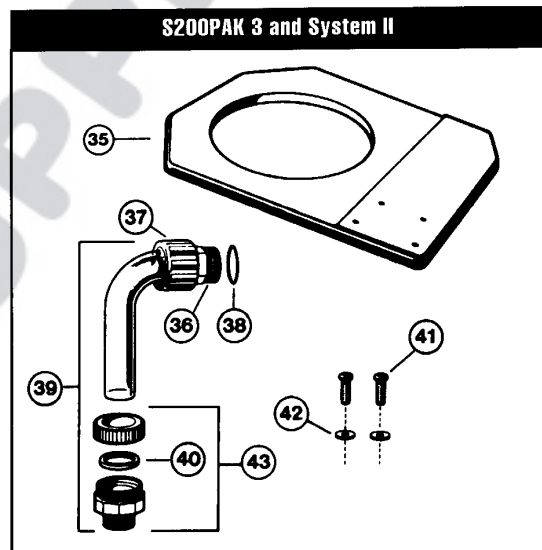
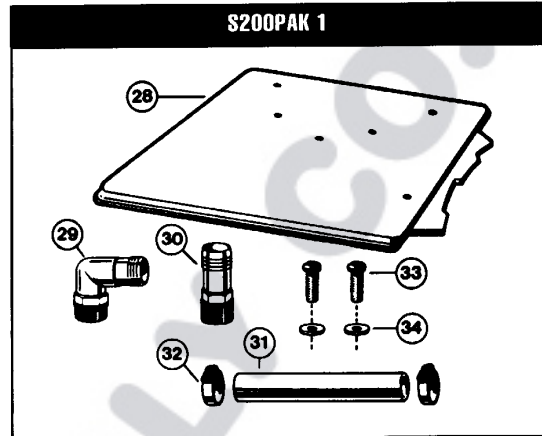
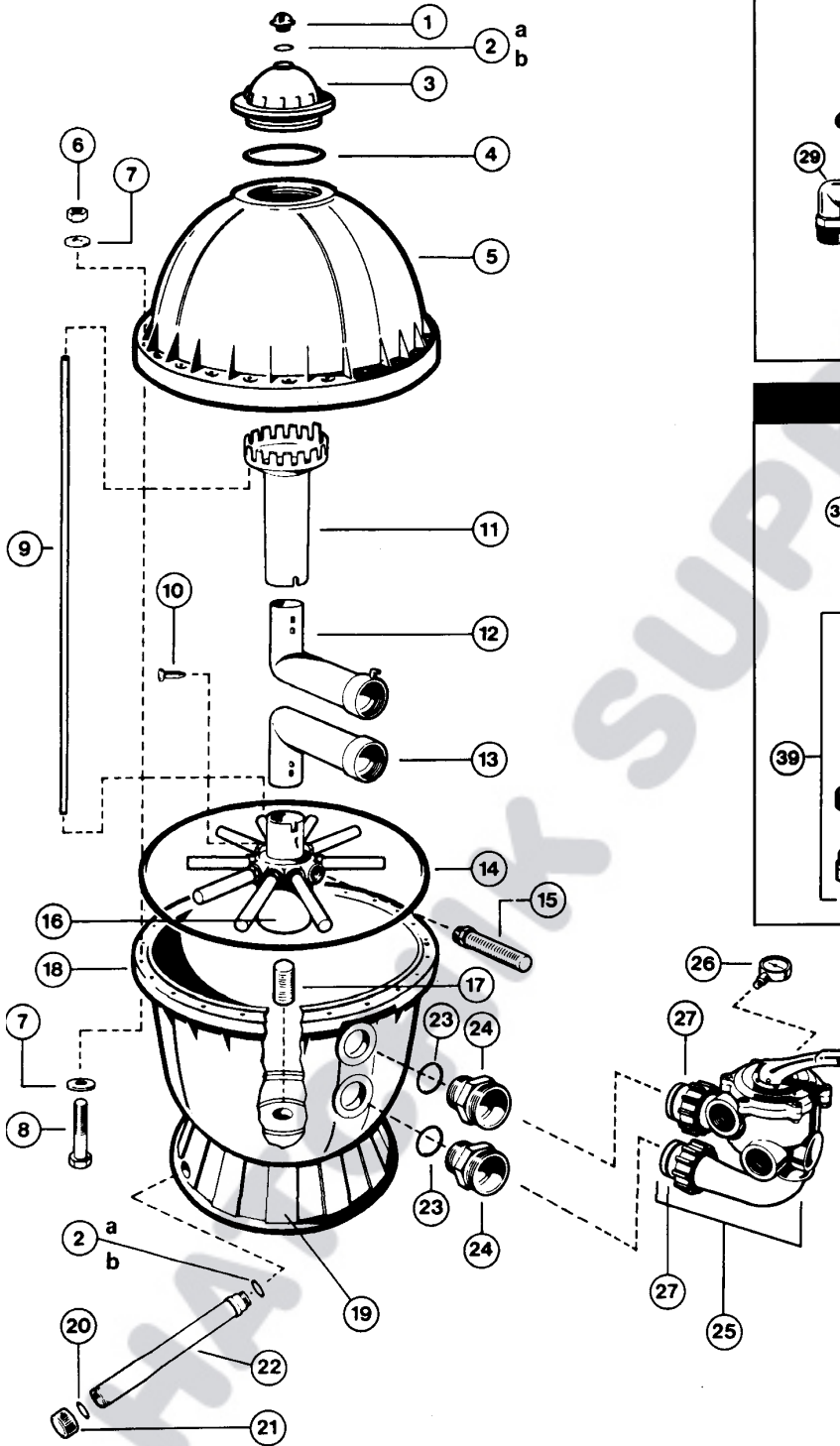


Diagram A

HAYWARD S-200 SAND FILTER

KEY	MFG NO.	DESCRIPTION	ITEM NO.
1	SX200G	Manual Air Relief Cap	H6640
2A	SX200Z5	O-Ring, 1-3/16" O.D.	H6642
2B	SX200Z14	O-Ring, 1" O.D. (1980 to Present)	H6644
3	SX200K	Access Cover	H6646
4	SX200Z6	O-Ring	H6648
5	SX200B	Filter Tank Head (Top) Ivory	H6650
6	ECX176855	1/4" - 20 Hex Nut (24 needed)	H6292
7	ECX1252	1/4" x 1-1/16" O.D. Flat Washer (48 needed)	H6468
8	ECX1642215	1/4" - 20 x 1-3/4" Hex Head Bolt (24 needed)	H6310
9	SX200Z1	Plastic Air Tube	H6658
10	SX200Z2	Air Tube Lock Screw	H6660
11	SX200L	Top Diffuser	H6662
12	SX200C	Internal Diffuser Elbow Pipe (Top)	H6664
13	SX200C1	Internal Elbow Pipe (Bottom)	H6666
14	SX200Z7	O-ring	H6668
15	SX200Q	Lateral (10 needed)	H6670
16	SX200MA	Folding Umbrella Lateral Holder Assembly	H6672
---	SX202P	Lateral Pivot (after 1996)	H6702
17	SX200H	Bottom Screen	H6674
18	SX200AA1	Filter Tank (Bottom) w/ Drain Assembly - Less Skirt	H6676
19	SX200J	Filter Support Stand (Skirt)	H6678
20	SX200Z9	Gasket	H6680
21	SX200Z8	Drain Cap	H6580
22	SX200EB	Drain Pipe Assembly - Includes Cap & Gasket	H6582
23	SX200Z3	O-Ring (2 needed)	H6686
24	SX200D	Bulkhead Fitting (2 needed)	H6688
25	SPX0710X32	Vari-Flo (Control) Valve Assembly	H6690
26	ECX270861	Pressure Gauge	H6317
26	-----	Generic Pressure Gauge, Plastic Case, Bottom Mount	H7000
26	-----	Generic Pressure Gauge, Metal Case, Bottom Mount	H7003
---	SX200Z10	Caplug No. 21A (not illustrated)	H6696
---	S200KT	Dome Wrench	H6050

SX200PAK 1

28	ECX1289	Standard Pump Mounting Base	H6700
29	SPX1105Z4	1-1/2" Elbow Hose Adapter	H6430
30	SPX1091Z2	1-1/2" Straight Hose Adapter	H6704
31	SX200Z12	1-9/16" I.D. x 8 - 1/4" Long Hose	H6697
32	ECX18028	Hose Clamp (2 needed)	H6428
33	ECX1306	5/16" x 1" Mounting Screw (2 needed)	H6710
34	ECX1109	5/16" Washer (2 needed)	H6236

SX200PAK 2, 3 and System II

35	ECX1291	Standard Pump/Filter Mounting Base	H6716
36	SPX1480A	Union Ball End	H6718
37	SPX1480C	Union Nut	H6720
38	SPX1425Z6	O-Ring	H6722
39	SPX1485B3	Union Elbow with Compression Assembly	H6724
40	SPX1485G	Compression Gasket (1987)	H6727
---	SPX1485C	Gasket - Old Style Elbow (1986)	H6726
41	ECX1275	5/16" x 1-1/4" Mounting Screw (2 needed)	H6544
42	ECX1109	5/16" Washer (2 needed)	H6236
43	SPX1485DA	Compression Fitting Assembly with Gasket	H6235

HAYWARD S-240 SAND FILTER

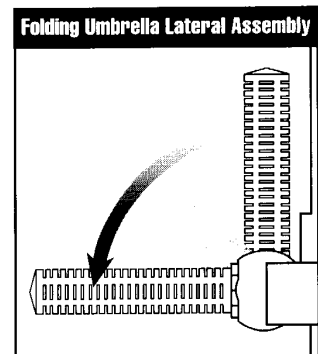
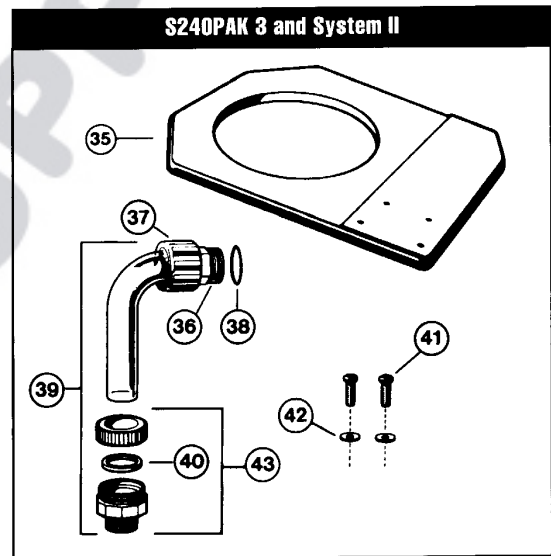
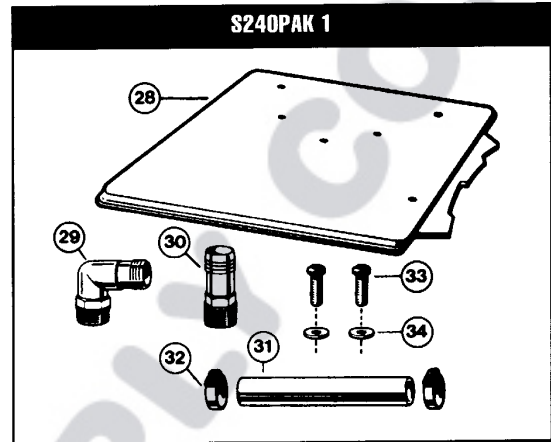
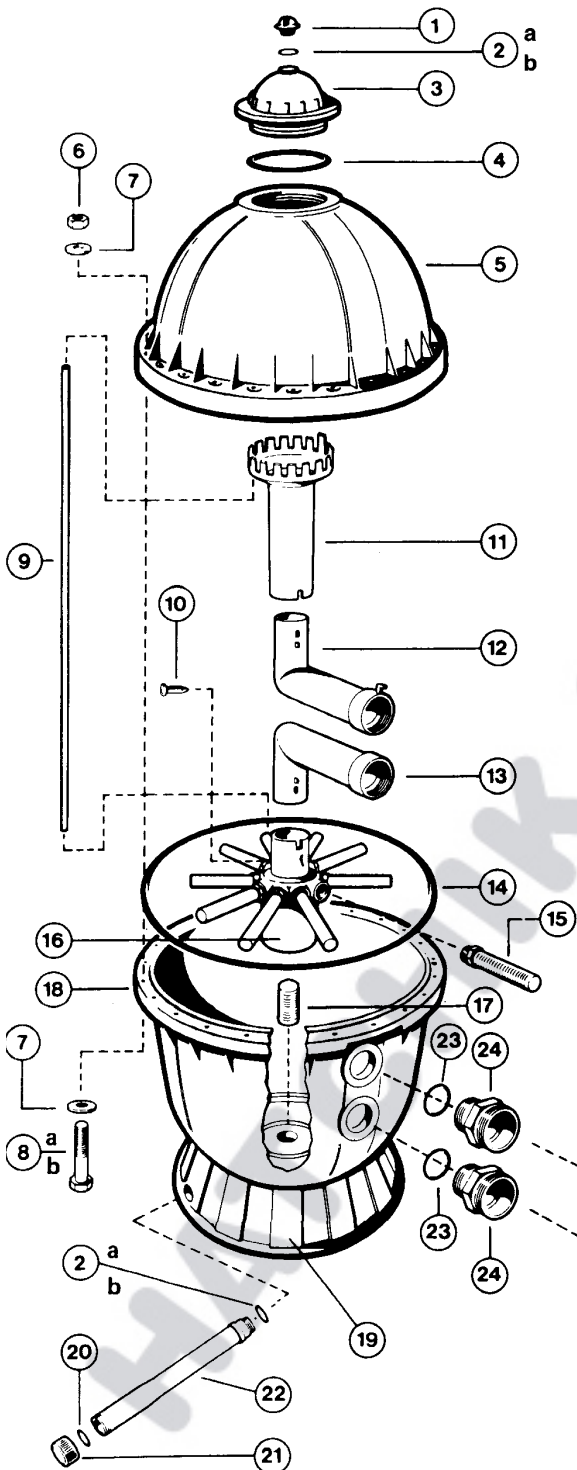


Diagram A

HAYWARD S240 SAND FILTER

KEY	MFG NO.	DESCRIPTION	ITEM NO.
1	SX200G	Manual Air Relief Cap	H6640
2A	SX200Z5	O-Ring, 1-3/16" O.D.	H6642
2B	SX200Z14	O-Ring, 1" O.D. (1980 to Present)	H6644
3	SX200K	Access Cover	H6646
4	SX200Z6	Dome O-Ring	H6648
5	SX240B	Filter Tank Head (Top)	H6750
6	ECX176855	1/4" - 20 Hex Nut (30 needed)	H6292
7	ECX1252	1/4" x 1-1/16" O.D. Flat Washer (60 needed)	H6468
8A	SX240Z3	1/4" - 20 x 2" Hex Head Bolt (30 needed)	H6756
8B	SX240Z4	1/4" - 20 x 3" Hex Head Bolt (30 needed)	H6758
9	SX240Z2	Plastic Air Tube	H6760
10	SX200Z2	Air Tube Lock Screw	H6660
11	SX200L	Top Diffuser	H6662
12	SX240C	Internal Diffuser Elbow Pipe (Top or Bottom)	H6766
13	SX240C	Internal Diffuser Elbow Pipe (Top or Bottom)	H6766
14	SX240Z1	Tank O-Ring	H6770
15	SX240D	Lateral (10 needed)	H6772
16	SX240DA	Folding Umbrellas Lateral Holder (after 1997)	H6773
17	SX200H	Bottom Screen	H6674
18	SX240AA1	Filter Tank (Bottom) w/ Drain Assembly - Less Skirt	H6778
19	SX200J	Filter Support Stand (Skirt)	H6678
20	SX200Z9	Gasket	H6680
21	SX200Z8	Drain Cap	H6580
22	SX200EB	Drain Pipe Assembly - Includes Cap & Gasket	H6582
23	SX200Z3	O-Ring (2 needed)	H6686
24	SX200D	Bulkhead Fitting (2 needed)	H6688
25A	SPX0710X32	Vari-Flo Control Valve Assembly - 1-1/2"	H6690
25B	SPX0715X32	Vari-Flo Control Valve Assembly - 2"	H6794
26	EXC270861	Pressure Gauge	H6317
26	-----	Generic Pressure Gauge, Plastic Case, Bottom Mount	H7000
26	-----	Generic Pressure Gauge, Metal Case, Bottom Mount	H7003
27	SX200Z4	O-Ring (2 needed)	H6694
---	SX200Z10	Caplug, No. 21A (not illustrated)	H6696
---	S200KT	Dome Wrench	H6050
S240PAK 1			
28	ECX1289	Standard Pump Mounting Base	H6700
29	SPX1105Z4	1-1/2" Elbow Hose Adapter	H6430
30	SPX1091Z2	1-1/2" Straight Hose Adapter	H6704
31	SX240Z12	1-9/16" I.D. x 10" Long Hose	H6812
32	ECX18028	Hose Clamp (2 needed)	H6428
33	ECX1306	5/16" x 1" Mounting Screw (2 needed)	H6710
34	ECX1109	5/16" Washer (2 needed)	H6236
S240PAK 2,3 and System II			
35	ECX1291	Standard Pump/Filter Mounting Base	H6716
36	SPX1480A	Union Ball End	H6718
37	SPX1480C	Union Nut	H6720
38	SPX1425Z6	O-Ring	H6722
39	SPX1485B6	Union Elbow with Compression Assembly	H6830
40	SPX1485G	Compression Gasket (1987)	H6727
---	SPX1485C	Gasket - Old Style Elbow (1986 and Prior)	H6726
41	ECX1275	5/16" x 1-1/4" Mounting Screw (2 needed)	H6544
42	ECX1109	5/16" Washer (2 needed)	H6236
43	SPX1485DA	Compression Fitting with Gasket	H6235

HAYWARD PRO SERIES SAND FILTERS
S140T & S144T

KEY	MFG NO.	DESCRIPTION	ITEM NO.
1A	GM400	Control Valve - 4 position (S140T)	H8490
1B	SP0704	Vari-Flo Control Valve - 4 position (S144T)	H8008
2A	GMX400F	Valve/Tank O-Ring (S140T)	H8409
2B	GMX600F	Valve/Tank O-Ring (S-144T)	H8425
3A	GMX400K	Flange Clamp - Valve to Tank (S140T)	H8411
3B	GMX600NM	Flange Clamp - Valve to Tank (S144T) - Noryl	H6613
4	ECX270861	Pressure Gauge	H6317
4	-----	Generic Pressure Gauge, Back Mount, Plastic Case	H7000
4	-----	Generic Pressure Gauge, Back Mount, Metal Case	H7003
5	SX202S	Sand Shield (1997)	H6707
6A	SX140DA	Folding Umbrella Lateral Assembly with Center Pipe (S140T)	H6623
6B	SX144DA	Folding Umbrella Lateral Assembly with Center Pipe (S144T)	H6624
7A	SX140AA1	Filter Tank with Skirt, Lateral Assembly & Drain (S140T)	H6625
7B	SX144AA1	Filter Tank with Skirt, Lateral Assembly & Drain (S144T)	H6626
---	SX202P	Lateral Pivot (after 1997)	H6702
8	SX200S	Lateral (10 needed)	H6627
9	SX180G	Gasket	H6610
10	SX180H	Drain Cap	H6611
11	SX164B	Filter Support Stand (Skirt)	H6598
12	SX164C	Pump Base	H6620
13	ECX1108	5/16" x 3/4" Mounting Screw (2 needed)	H6234
14	ECX1109	5/16" Washer (2 needed)	H6236
15A	GMX142Z15	1-1/4" Hose - Ribbed (S140T)	H6628
15B	SX144Z1	1-1/2" Hose - Ribbed (S144T)	H6552
16A	SPX1091Z7	1-1/2" / 1-1/4" Combo Hose Adapter (S140T) (2-needed)	F1105
16B	SPX1091Z4	1-1/2" Straight Hose Adapter (S144T)	F1106
17	SPX1091Z6	Hose Clamp (2 needed)	H6708

S-140T
S-144T

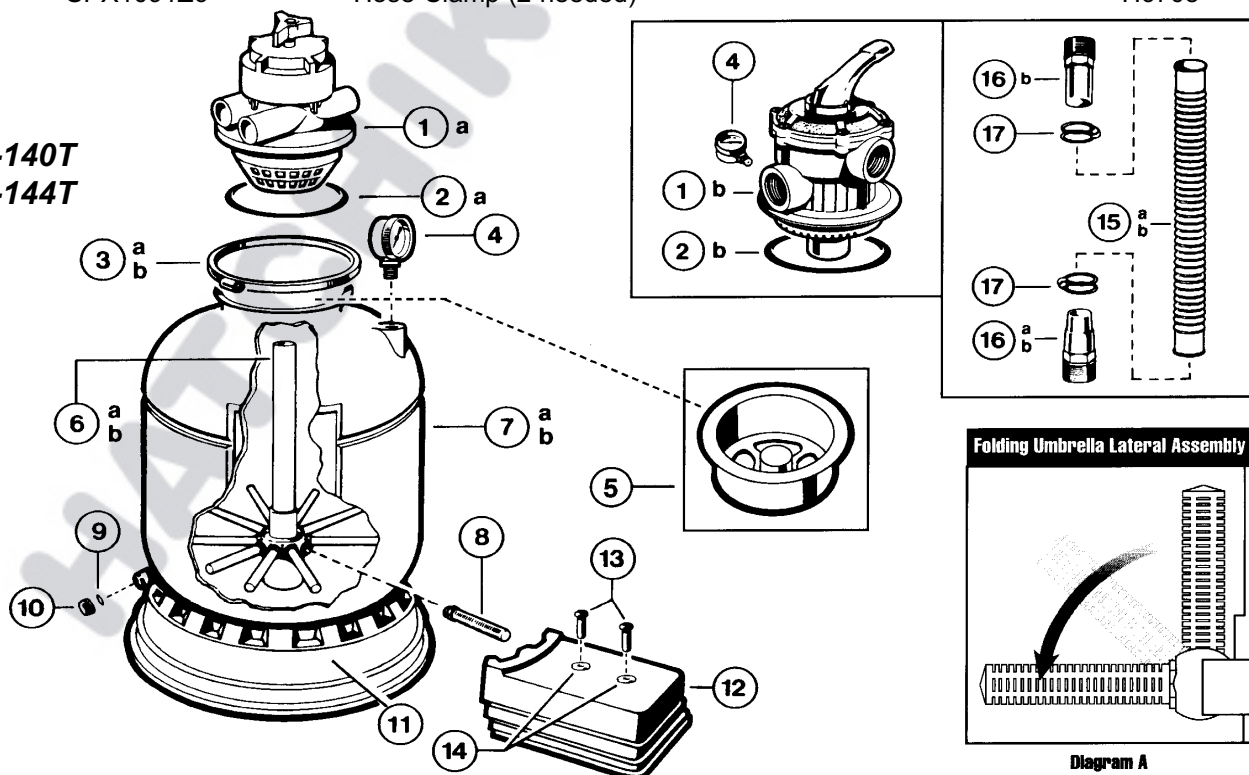
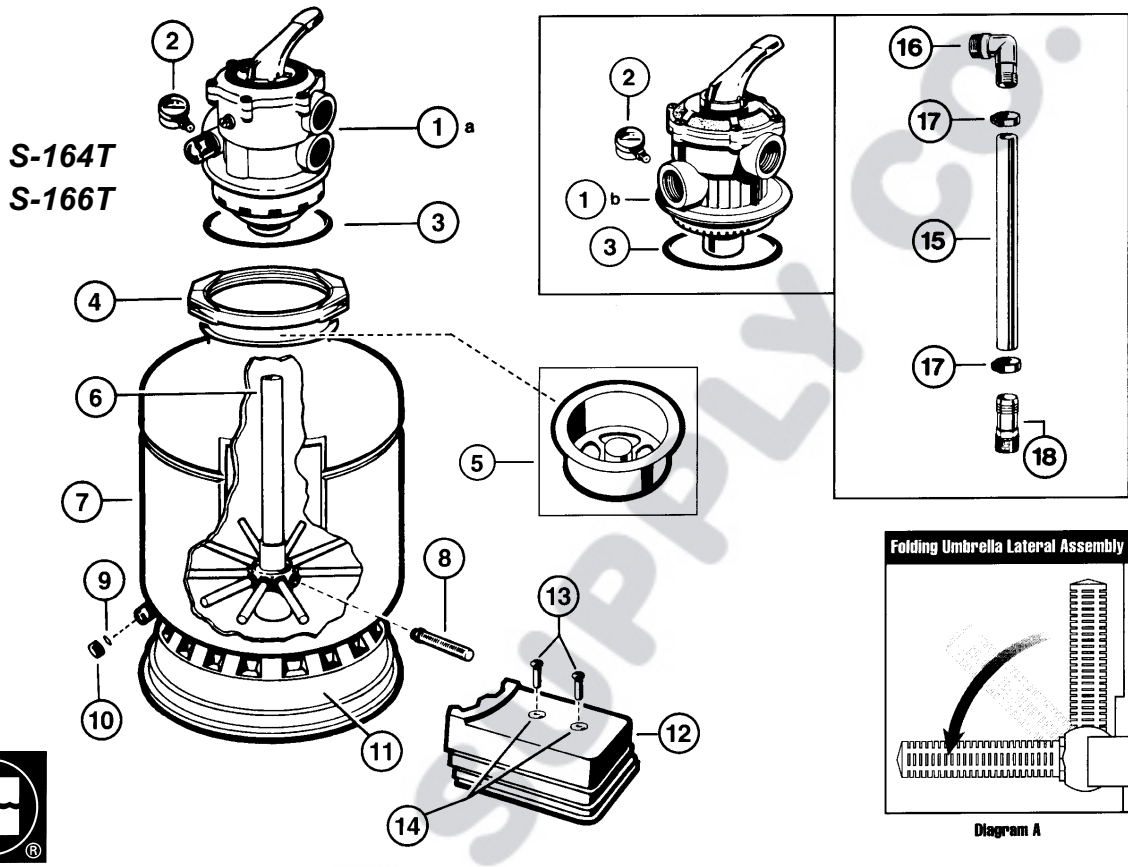


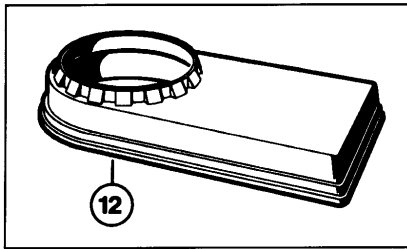
Diagram A

HAYWARD PRO SERIES SAND FILTERS



KEY	MFG NO.	DESCRIPTION	ITEM NO.
1A	SP0714T	Vari-Flo XL Control Valve - 6 Position	H8000
1B	SP0704	Vari-Flo Control Valve - 4 Position	H8008
2	ECX270861	Pressure Gauge	H6317
2	-----	Generic Pressure Gauge, Plastic Case, Back Mount	H7000
2	-----	Generic Pressure Gauge, Metal Case, Back Mount	H7003
3	GMX600F	Valve/ Tank O-Ring	H8425
4	GMX600NM	Flange Clamp (Valve-Tank) - Noryl	H6613
5	SX202S	Sand Shield (1997- Present)	H6707
6	SX164DA	Folding Umbrella Lateral Assembly with Center Pipe	H6599
---	SX202P	Lateral Pivot (after 1996)	H6702
7	SX164AA1	Filter Tank with Skirt, Drain and Lateral Assembly	H6619
8	SX200Q	Lateral (Formerly GM152Q) (10 needed)	H6670
9	SX180G	Gasket	H6610
10	SX180H	Drain Cap	H6611
11	SX164B	Filter Support Stand (Skirt)	H6598
12	SX164C	Pump Base	H6620
---	SX180K	System Base (S166T Series 1999)	H6612
13	ECX1108	5/16" x 3/4" Mounting Screw (2 needed)	H6234
14	ECX1109	5/16" Washer (2 needed)	H6236
15	SX160Z5	22" Long Hose	H6621
16	SPX1105Z4	1-1/2" Elbow Hose Adapter	H6430
17	ECX18028	Hose Clamp (2 needed)	H6428
18	SPX1091Z2	1-1/2" Straight Hose Adapter	H6704

HAYWARD PRO SERIES SAND FILTERS



S180T
S210T
S220T
S244T

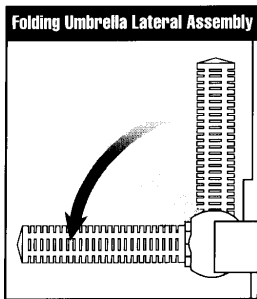
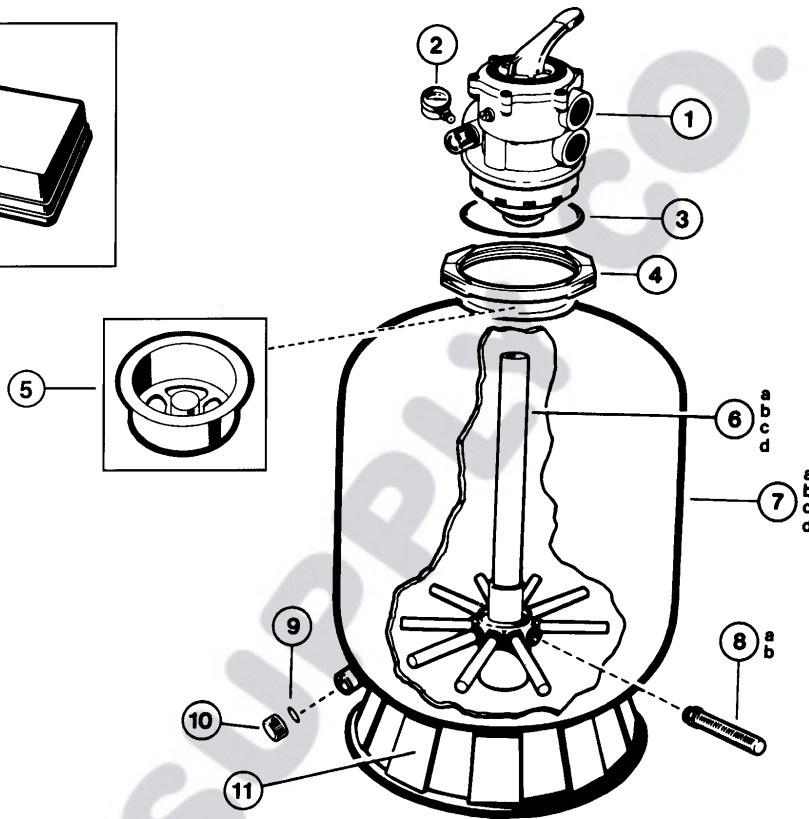


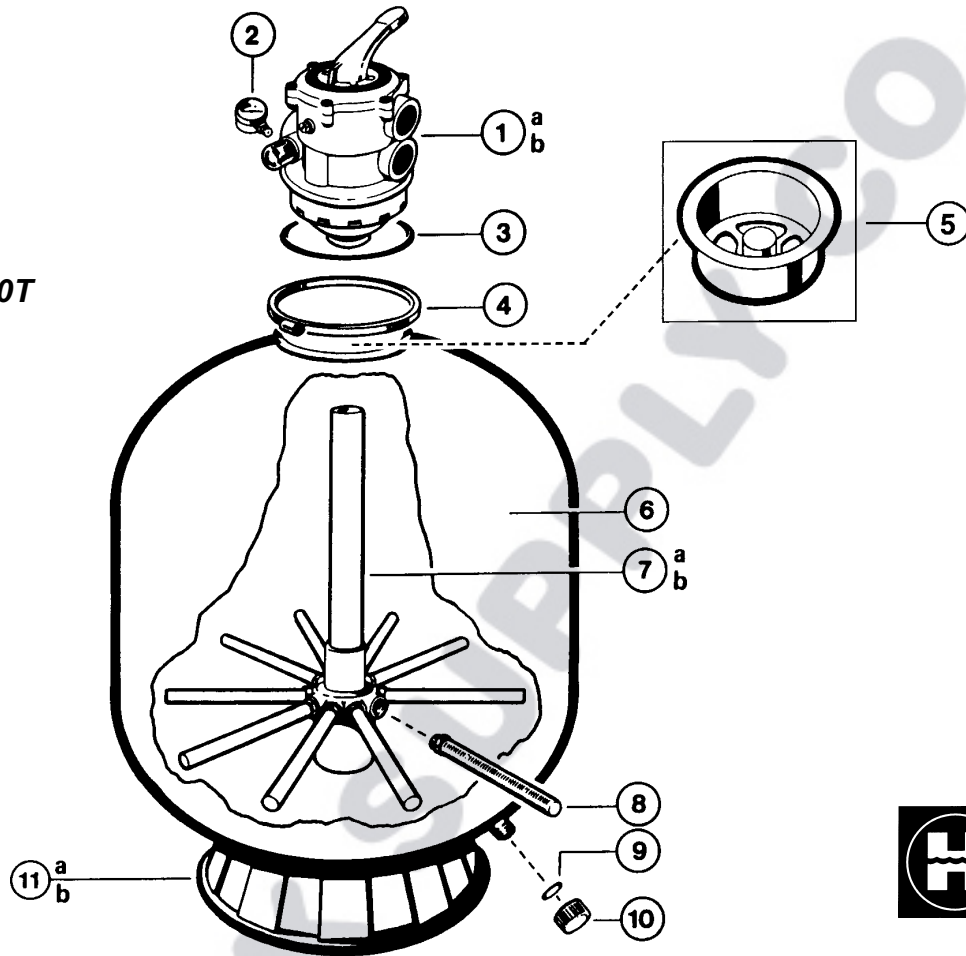
Diagram A



KEY	MFG NO.	DESCRIPTION	ITEM NO.
1	SP0714T	Vari-Flo XL Control Valve - 1-1/2"	H8000
2	ECX270861	Pressure Gauge	H6317
2	-----	Generic Pressure Gauge, Plastic Case, Back Mount	H7000
2	-----	Generic Pressure Gauge, Metal Case, Back Mount	H7003
3	GMX600F	Valve/Tank O-Ring	H8425
4	GMX600NM	Flange Clamp, Noryl	H6613
5	SX202S	Sand Shield (1997-Present)	H6707
6A	SX180DA	Folding Umbrella Lateral Assembly with Center Pipe (S180T)	H6609
6B	SX210DA	Folding Umbrella Lateral Assembly with Center Pipe (S210T)	H6614
6C	SX220DA	Folding Umbrella Lateral Assembly with Center Pipe (S220T)	H6683
6D	SX244DA	Folding Umbrella Lateral Assembly with Center Pipe (S244T)	H6780
7A	SX180AA2	Filter Tank with Skirt, Drain & Lateral Assembly (S180T)	H6615
7B	SX210AA1	Filter Tank with Skirt, Drain & Lateral Assembly (S210T)	H6616
7C	SX220AA1	Filter Tank with Skirt, Drain & Lateral Assembly (S220T)	H6617
7D	SX244AA1	Filter Tank with Skirt, Drain & Lateral Assembly (S244T)	H6618
---	SX202P	Lateral Pivot (1996-Present)	H6702
8A	SX200Q	Lateral (S180T) (10 needed)	H6670
8B	SX240D	Lateral (S210T, S220T & S244T) (10 needed)	H6772
9	SX180G	Gasket	H6610
10	SX180H	Drain Cap	H6611
11	SX200J	Filter Support Stand	H6678
12	SX180K	System Base (S180T Systems)	H6612

HAYWARD PRO SERIES SAND FILTERS

S310T



KEY	MFG NO.	DESCRIPTION	ITEM NO.
1A	SP071113*	Vari-Flo Control Valve - 1-1/2"	H6408
1B	SP071620	Vari-Flo Control Valve - 2"	V4106
2	EXC270861	Pressure Gauge	H6317
2	-----	Generic Pressure Gauge, Plastic Case, Back Mount	H7000
2	-----	Generic Pressure Gauge, Metal Case, Back Mount	H7003
3	GMX600F	Valve/Tank O-Ring	H8425
4	SX310N	Flange Clamp (Valve - Tank)	H6600
5	SX202S	Sand Shield (1997 - Present)	H6707
6	SX310AA1	Filter Tank with Skirt, Drain and Lateral Assembly	H6602
7A	SX310DA1	Lateral Assembly with Center Pipe (long pipe 1995 & prior)	H6709
7B	SX310DA	Lateral Assembly with Center Pipe (1995 - Present)	H6603
8	SX310HA	Lateral (10 needed)	H6605
---	SX202P	Lateral Pivot (after 1997)	H6702
9	SX180G	Gasket	H6610
10	SX180H	Drain Cap	H6611
11A	SX200J	Filter Support Stand (before 1991)	H6678
11B	SX310J	Filter Support Stand - Large (1992 - Present)	H6606

Parts for S300T Filament Wound (1988 & Prior)

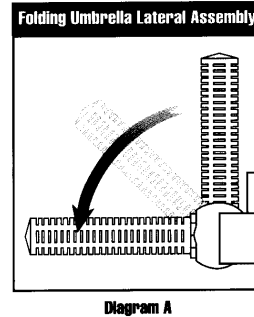
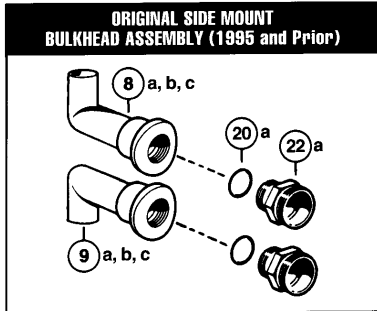
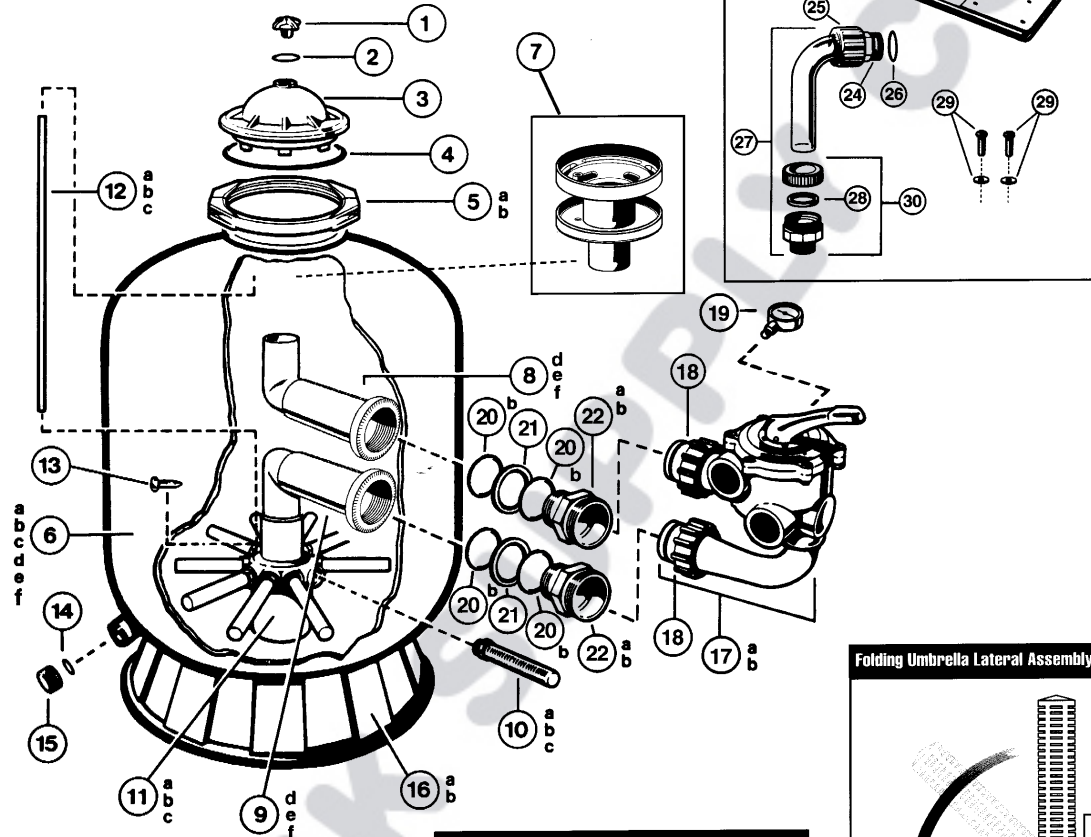
SX300E	Diffuser	H6607
SX300DA	Lateral Assembly with Pipe	H6608
SX300HA	Lateral (10 needed)	H6740

HAYWARD PRO SERIES SAND FILTERS S210S, S220S, S244S & S310S

KEY	MFG NO.	DESCRIPTION	ITEM NO.
1	SX200G	Manual Air Relief Cap	H6640
2	SX200Z5	O-Ring, 13/16" O.D.	H6642
3	SX244K	Top Closure Dome	H6639
4	GMX600F	Valve/Tank O-Ring	H8425
5A	GMX600NM	Flange Clamp (Dome - Tank) Noryl	H6613
5B	SX310N	Flange Clamp (Dome - Tank) (S310S)	H6600
6A	SX210AA2FW	Filter Tank (S210S after 1997)	H6641
6B	SX220AA2	Filter Tank (S220S)	H6736
6C	SX244AA2	Filter Tank (S244S 1996 & prior)	H6647
6D	SX244AA2FW	Filter Tank (S244S after 1996)	H6645
6E	SX310AA2	Filter Tank (S310S 1996 & prior)	H6649
6F	SX310AA2FW	Filter Tank (S310S after 1996)	H6738
7	SX244G	Top Diffuser	H6651
8A	SX210CD	Top Elbow Assembly (S210S 1995 & prior)	H6652
8B	SX244CD1	Top Elbow Assembly (S244S 1995 & prior)	H6654
8C	SX310CD1	Top Elbow Assembly (S310S 1995 & prior)	H6655
8D	SX210CD1FW	Top Elbow Assembly (S210S after 1996)	H6740
8E	SX244CD1FW	Top Elbow Assembly (S244S after 1996)	H6637
8F	SX310CD1FW	Top Elbow Assembly (S310S after 1996)	H6671
9A	SX210CD2	Bottom Elbow Assembly (S210S 1995 & prior)	H6657
9B	SX244CD2	Bottom Elbow Assembly (S244S 1995 & prior)	H6661
9C	SX310CD2	Bottom Elbow Assembly (S310S 1995 & prior)	H6663
9D	SX210CD2FW	Bottom Elbow Assembly (S210 after 1996)	H6691
9E	SX244CD2FW	Bottom Elbow Assembly (S244S after 1996)	H6692
9F	SX310CD2FW	Bottom Elbow Assembly (S310S after 1996)	H6698
10A	SX200Q	Lateral (S210S) (10 needed)	H6670
10B	SX240D	Lateral (S220S & S244S) (10 needed)	H6772
10C	SX310HA	Lateral (S310S)	H6605
11A	SX242MA1	Folding Lateral Holder Assy (S310S after 1997)	H6774
11B	SX242MA2	Folding Lateral Holder Assy (S220S, S244S after 1999)	H6742
11C	SX242MA3	Folding Lateral Holder Assy (S310S after 1999)	H6733
12A	CX3000Z2	Plastic Air Tube (S210S)	H6665
12B	CX1100Z4	Plastic Air Tube (S244S)	H5240
12C	SX200Z1	Plastic Air Tube (S310S)	H6658
13	SX200Z2	Air Tube Lock Screw	H6660
14	SX180G	Gasket	H6610
15	SX180H	Drain Cap	H6611
16A	SX200J	Filter Support Stand	H6678
16B	SX310J	Filter Support Stand, Large (S310S)	H6606
17A	SP0710X62	1-1/2" Vari-Flo Control Valve Assembly with Gauge	H8016
17B	SP0715X62	2" Vari-Flo Control Valve Assembly with Gauge	H8017
18	SX200Z4	O-Ring	H6694
19	ECX270861	Pressure Gauge	H6317
20A	SX220Z3	O-Ring (Large, 1995 & prior, 2 needed)	H6669
20B	SX360Z1	O-Ring	H6735
21	SX360E	O-Ring Spacer (after 1995)	H6703
22A	DEX360F	Bulkhead Fitting (2 needed)	H6120
22B	SX244P	Bulkhead Fitting (S210S, S244S, S310S, S311S)	H6705

HAYWARD PRO SERIES SAND FILTERS

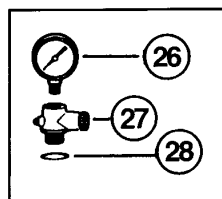
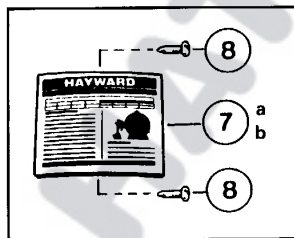
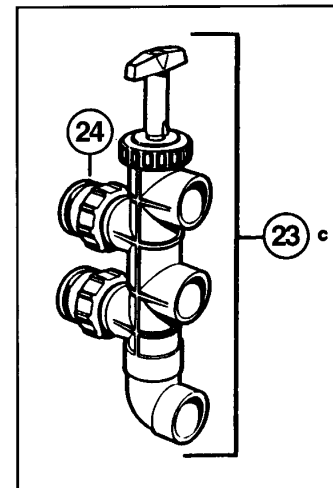
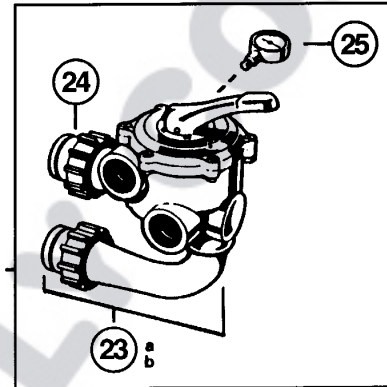
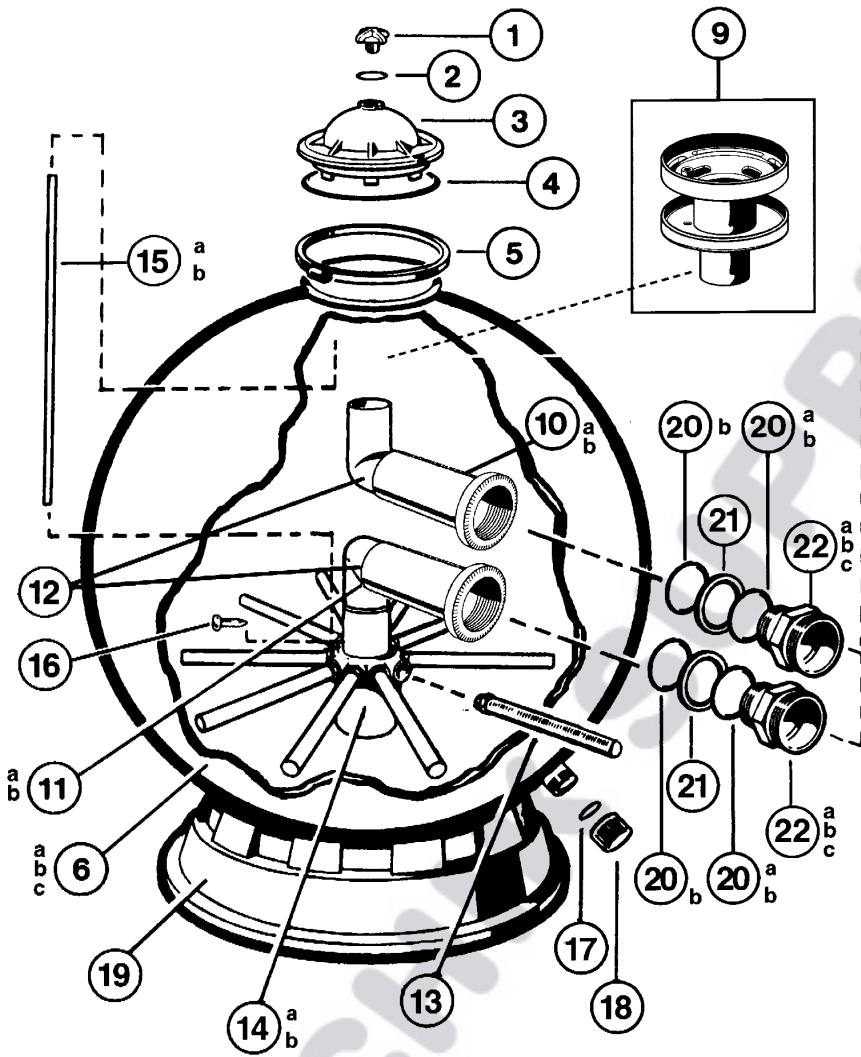
S210S, S220S,
S244S & S310S



S200PAK3 System Base

KEY	MFG NO.	DESCRIPTION	ITEM NO.
23	ECX1291	Standard Pump/Filter Mounting Base	H6716
24	SPX1480A	Union Ball End	H6718
25	SPX1480C	Union Nut	H6720
26	SPX1425Z6	O-Ring	H6722
27	SPX1485B3	Union Elbow with Compression Assembly	H6724
28	SPX1485G	Compression Gasket	H6727
29	ECX1161Z2	Mounting Screw Set w/Washers (2 needed)	H6544
30	SPX1485DA	Compression Fitting with Gasket	H6235

HAYWARD PRO SERIES PLUS SAND FILTERS
S-311SX & S-311SXV



Folding Umbrella Lateral Assembly

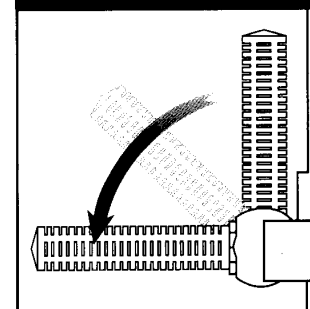


Diagram A

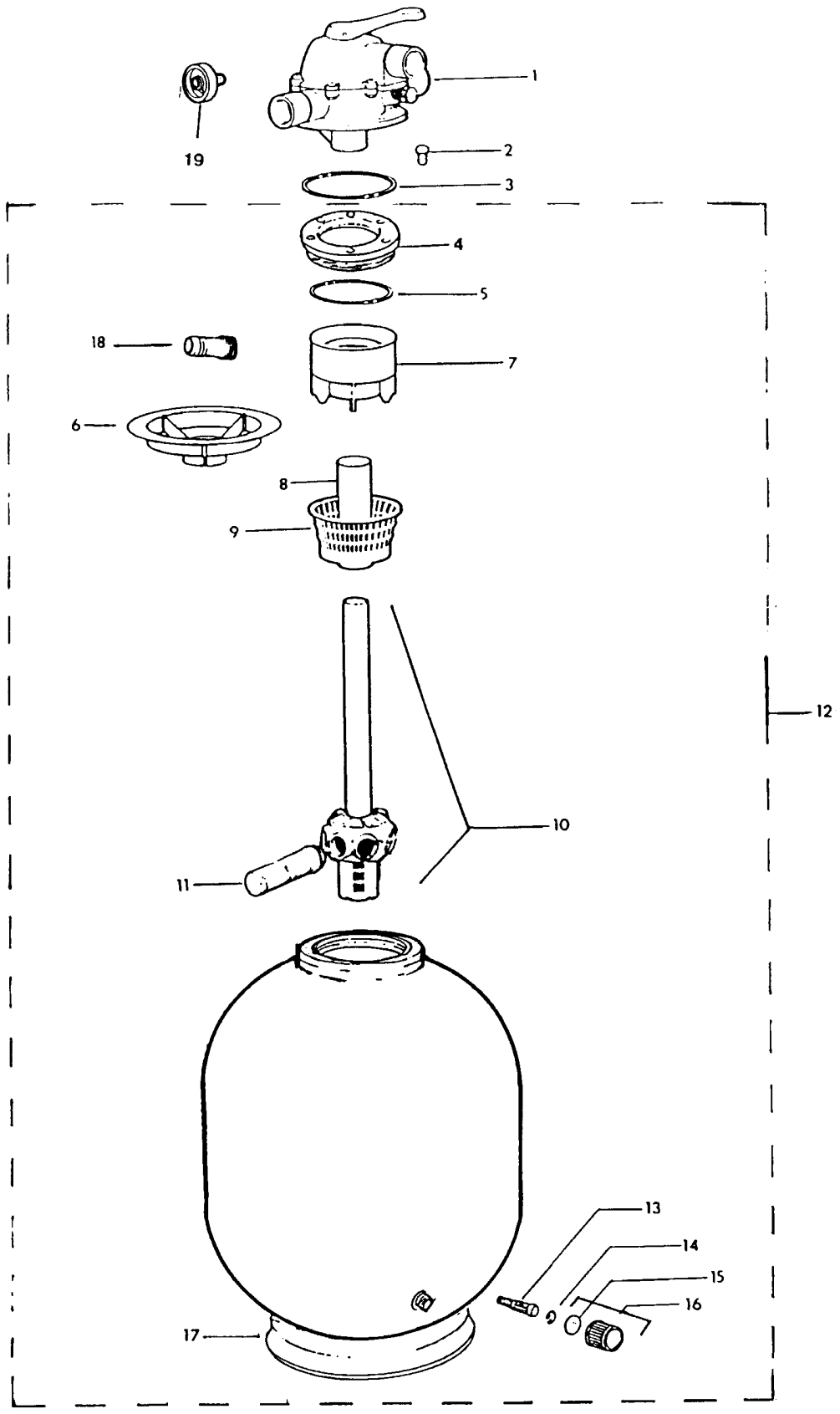
HAYWARD PRO SERIES PLUS SAND FILTERS S311SX & S311SXV

KEY	MFG NO.	DESCRIPTION	ITEM NO.
1	SX200G	Manual Air Relief Cap	H6640
2	SX200Z5	O-Ring, 13/16" O.D.	H6642
3	SX244KN	Top Closure Dome, Noryl	H6673
4	GMX600F	Valve/Tank O-Ring	H8425
5	SX310N	Flange Clamp (Valve/Tank)	H6600
6a	SX311AA2	Filter Tank (S311 1995 & prior)	H6675
6b	SX311AA2FW	Filter Tank (S311 after 1996)	H6711
6c	SX360AA2	Filter Tank (S360 1999 & prior)	H6712
6d	SX360AA2FW	Filter Tank (S360 after 1999)	H6730
7a	SX311G	Label Plate with Label (S311)	H6677
7b	SX360G	Label Plate with Label (S360)	H6713
8	SX311Z1	Label Plate Screws (2 needed)	H6679
9	SX244G	Top Diffuser	H6651
10a	SX311CD1	Top Elbow Assembly (S311 1995 & prior)	H6682
10b	SX311CD1FW	Top Elbow Assembly (S311 after 1996)	H6715
11a	SX311CD2	Bottom Elbow Assembly (S311 1995 & prior)	H6684
11b	SX311CD2FW	Bottom Elbow Assembly (S311 after 1996)	H6717
12a	SX360CD	Elbow Assy, Top & Bottom (S360 1999 & prior)	H6729
12b	SX360CDFW	Elbow Assy, Top & Bottom (S360 after 1999)	H6732
13	SX310HA	Lateral (10 needed)	H6605
14a	SX311DA	Folding Lateral Holder Assy (S311 after 1997)	H6685
14b	SX242MA3	Folding Lateral Holder Assy (S360)	H6733
15a	CX1100Z4	Plastic Air Tube (S311)	H5240
15b	SX360Z2	Air Tube (360)	H6734
16	SX200Z2	Air Tube Lock Screw	H6660
17	SX180G	Gasket	H6610
18	SX180H	Drain Cap	H6611
19	SX310J	Filter Support Stand	H6606
20a	SX220Z3	O-Ring (2 needed)	H6669
20b	SX360Z1	O-Ring (S311, S360 after 1995)	H6735
21	SX360E	O-Ring Spacer (S311, S360 after 1995)	H6703
22a	DEX360F	Bulkhead Fitting (S311 1995 & prior)	H6120
22b	SX244P	Bulkhead Fitting (S311 after 1996, S360 after 1999)	H6705
22c	SX311F	Bulkhead Fitting (S360 1999 & prior)	H6687
23A	SP0710X62	Vari-Flo Valve Assembly - 1-1/2" FIP	H8016
23B	SP0715X62	Vari-Flo Valve Assembly - 2" FIP	H8017
23C	SP0410X602S	Slide Valve Assembly - 2" SKT	H6689
24	SX200Z4	O-Ring (2 needed)	H6694
25	ECX270861	Pressure Gauge	H6317

Optional (Supplied with Model S-311SXV Slide Valve Unit Only)

26	ECX270861	Pressure Gauge	H6317
27	DEX2400S	Relief Valve/Gauge Adapter Assembly	H6075
---	DEX2400Z3A	O-Ring for Relief Valve Stem (Set of 3)	H6323
28	SX200Z5	Relief Valve Assembly O-Ring	H6642

JACUZZI LASER SAND FILTERS
160L, 190L, 225L & 250L



JACUZZI LASER SAND FILTERS 160L, 190L, 225L & 250L

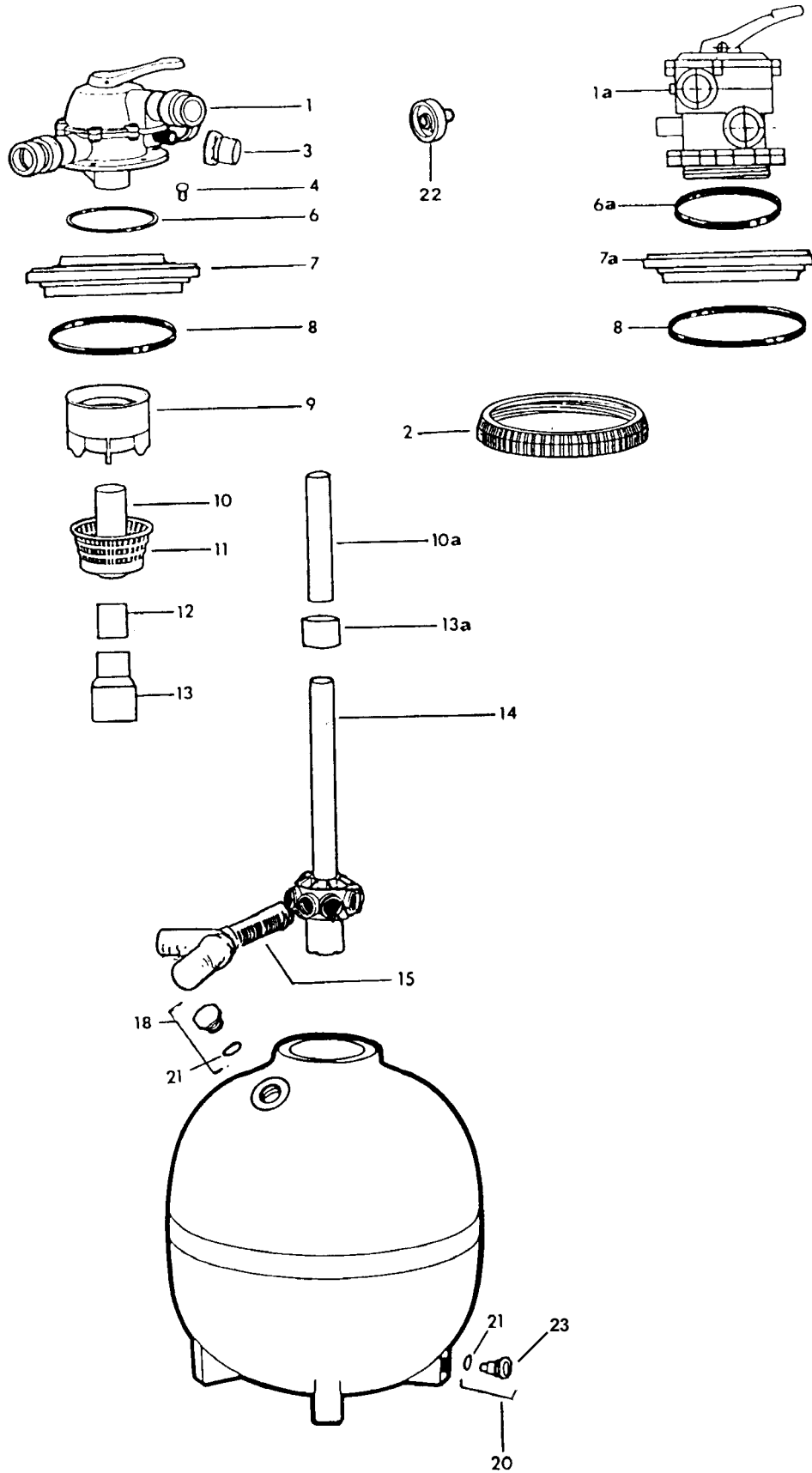
KEY	MFG NO.	DESCRIPTION	ITEM NO.
1	39-2582-07	4-Way Dial Valve DVK4 - Complete 1-1/2"	H9280
1	39-2583-06	6-Way Dial Valve DVK6 - Complete 1-1/2"	H9282
1	39-2628-03	7-Way Dial Valve	H9293
2	14-0743-06-R	Hex Capscrew 5/16" - 18 x 1" (6 needed)	H8300
3	13-0378-09-R	Gasket	H8301
4	85-8133-00-R	Laser Tank Adapter Flange	H8303
5	47-0434-01-R	O-Ring 5-5/8" x 6-1/8" x 1/4"	H8255
6	22-5522-02-R	Fill Spout 9869	H8305
7	43-0715-05-R	Diverter 011175 (After 11/1/90)	H8307
8*	31-0113-64-R004	Upper Pipe 1-1/2" x 4-1/2" PVC (L160 After 11/1/90)	H8308
9*	88-1580-01-R	Filter Basket (After 11/1/90)	H8309
10*	42-3531-02-R	Laser 160 Standpipe/Manifold Assembly	H8311
10	42-3510-07-R	Laser 190 Standpipe/Manifold Assembly (After 11/1/90)	H8313
10	42-3516-01-R	Laser 225 Standpipe/Manifold Assembly (After 11/1/90)	H8315
10	42-3518-09-R	Laser 250 Standpipe/Manifold Assembly (After 11/1/90)	H8317
11*	42-3532-01-R	Laser 160 Lateral Kit (8 each 85-5320-00)	H8319
11	42-3511-06-R	Laser 190/225 Lateral Assembly (8 each 85-5321-09)	H8321
11	42-3517-00-R	Laser 250 Lateral Assembly (8 each 85-5322-08)	H8322
12	9408-0160-R	Laser 160 Tank Assembly (Includes 13, 14, 15, 16, 4 & 5)	H8323
12	9408-0190-R	Laser 190 Tank Assembly (Includes 13, 14, 15, 16, 4 & 5)	H8326
12	94080225	Laser 225 Tank Assembly	H8327
12	9408-0250	Laser 250 Tank Assembly	H8329
13	85-8533-00-R	Drain Nozzle	H8331
14	14-4254-09-R	Drain Nozzle Retainer	H8337
15	13-1023-06-R	Drain Nozzle Gasket	H8339
16	85-8263-00-R	Drain Cap	H8108
17	85-8593-00-R	Laser 160, 190, 225, 250 Base Assembly	H8341
18	31-1650-04-R	Laser 160 Backwash Adapter	H8349
18	31-1652-02-R	Laser 190 Backwash Kit	H8350
18	31-1653-01-R	Laser 225 & 250 Backwash Kit	H8351
19	9193-4182-R	Pressure Gauge, 60 psi	H8388
19	-----	Generic Pressure Gauge	H7010

**Note: When replacement part is needed for Item #8, #9, #10 or #11 on units built prior to 11/1/90, then all four items will be needed.*

Discontinued Parts:

#8 & #9	42-1407-07-R	Basket	(11/1/90)
#10	31-0113-64-R140	Laser 190	(11/1/90)
	31-0113-64-R168	Laser 225	(11/1/90)
	31-0113-64-R028	Manifold/Pipe	(11/1/90)
	42-1598-06-R	Manifold	(11/1/90)
#11	42-1599-05-R	Laterals L190	(11/1/90)
	42-1600-02-R	Laterals L225	(11/1/90)
#5	47-0359-02-R	O-Ring	(4/29/92)

JACUZZI SANDTRAP SANDFILTERS
ST27 & ST33



JACUZZI SANDTRAP SAND FILTERS ST27 & ST33

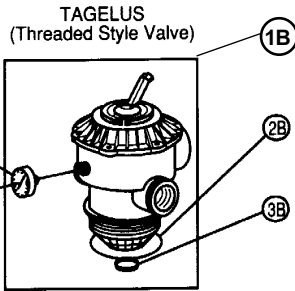
KEY	MFG NO.	DESCRIPTION	ITEM NO.
1	39-2568-05-R	Dial Valve DV-6 Position - 1-1/2" Unions	H9297
1A	39-2587-02-R	Dial Valve DV-6 Position - 2" Threaded	H9295
2	42-2850-07-R	Dial Valve Mounting Nut	H8190
3	31-0860-02	Union Adapter - 1-1/2" (3 needed)	H8369
4	14-0743-06-R	Hex Capscrew 5/16" - 18 x 1" (6 needed)	H8300
5	14-0756-00-R	Washer 11/32" x 5/8" x 1/16" (6 needed) <i>Discontinued</i>	N/A
6	47-0355-06-R	O-Ring 5-1/4" x 5-5/8" x 3/16" DV-6 - 1-1/2" Valve	H8358
6A	47-0443-00-R	O-Ring 7-1/2" x 8" x 1/4" DV-6 - 2" Valve	H8371
7	42-3507-02-R	Adapter 6-Position - 1-1/2" Valve	H8373
7A	42-2988-02-R	Adapter 6-Position - 2" Valve	H8375
8	42-2927-06-R	O-Ring	H8377
9	43-0715-05-R	Diverter	H8307
10	31-0113-64-R004	Upper Stand Pipe 1-1/2" x 4-1/2" DV-6 - 1-1/2" Valve	H8308
10A	31-0114-63-R007	Upper Stand Pipe 2" x 7.12" DV-6 - 2" Valve	H8378
11	88-1580-01-R	Basket - Used Only with DV-6 - 1-1/2" Valve	H8309
12	31-0113-64-R002	Nipple 1-1/2" x 2.75" DV-6 - 1-1/2" Valve	H8379
13	31-1654-00-R	Reducer Coupling DV-6 - 1-1/2"	H8381
13A	31-0676-06-R	Coupling DV-6 - 2"	H8382
14	42-2923-00-R	Manifold Stand Pipe Assembly ST27	H8383
	42-2924-09-R	Manifold Stand Pipe Assembly ST33	H8385
15	42-2978-04-R	Laterals with "Y" Adapter (8 needed) ST27	H8386
	42-2979-03-R	Laterals with "Y" Adapter (8 needed) ST33	H8387
18	42-2904-03-R	Inspection Plug Assembly (Effective 9/18/90) ST27 & ST33	H8363
20	42-2874-01-R	Drain Plug Assembly (Effective 6/92) ST27 & ST33	H8365
21	47-0326-02-R	Inspection and Drain O-Ring ST27 & ST33	H8364
22	9193-4158-R	Pressure Gauge	H8368
22	-----	Generic Back Mount Pressure Gauge	H7010
23	31-1649-08-R	Plug 3/4" w/47-0213-08 O-Ring	H8374

Discontinued Parts:

#10A	31-0114-63-R006	1/8/90	#19	42-2877-06-R	9/90
#15	42-2791-01-R	10/91	#20	42-2982-08-R	10/90
#18	42-2981-09-RR	9/90	#21	47-0526-00-R	9/90
			#20	42-2873-00-R	6/92

PAC FAB TAGELUS SAND FILTER

TA 30D/ TA30
 TA 35D/ TA 35
 TA 40D/ TA 40
 TA 50D/ TA 50
 TA 60D/ TA 60
 TA 100D



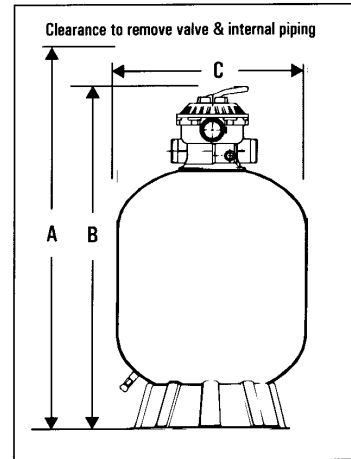
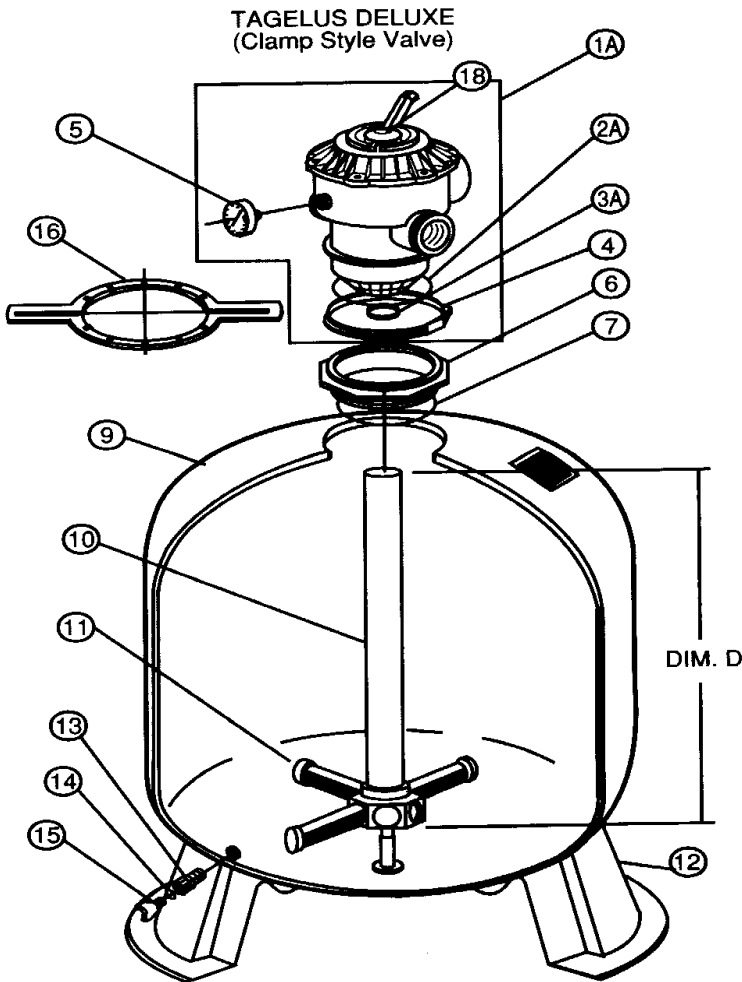
Also see valve section
for additional parts



Detail A, (after 12/1/91)
6 in. btr. Thread.



Detail B, (before 12/1/91)
6 in. "V" Thread.



DIMENSION TABLE

MODEL	A. DIM.	B DIM.	C DIM.
TA 35D	37 3/4 in.	31 1/2 in.	15 3/4 in.
TA 40D	47 in.	37 in.	18 3/4 in.
TA 50D	51 1/2 in.	38 1/2 in.	21 1/4 in.
TA 60D	57 in.	41 1/4 in.	24 in.
TA 100D	65 1/2 in.	47 1/4 in.	30 in.

KEY	MFG NO.	DESCRIPTION	ITEM NO.
1A	262506	Valve - 1-1/2" 6-Way Clamp Style (TA-30, TA35D thru TA-60D)	H4122
1A	261185	Valve - 2" 6-Way Clamp Sytle (TA-100D)	H4343
1B	261130	Valve - 1-1/2" 6-Way Buttress Threads (after 12-91) Black <i>*(See Note 5)</i>	H4121
1B	261124	Valve - 1-1/2" 6-Way "V" Type Threads (before 12-91) <i>*(See Note 6)</i>	H4120
1B	SP712-2	Valve - 1-1/2" (Hayward Brand) "V" Type Threads	H8002
2A	272541	O-Ring, Valve Body (TA-30D thru TA-60D models only)	H4344
2A	275333	O-Ring, Valve Body (TA-100D)	H4345
2B	154493	O-Ring, Valve Body (TA-30 thru TA-60 models only)	H4044

PAC-FAB TAGELUS SAND FILTERS

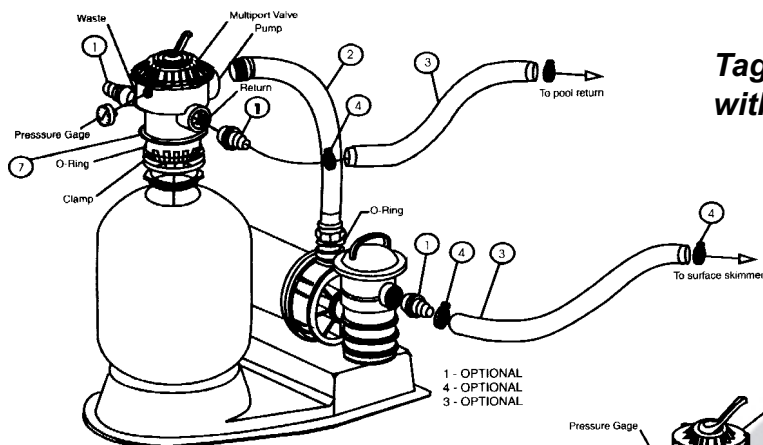
KEY	MFG NO.	DESCRIPTION	ITEM NO.
3A	355330	Standpipe O-Ring (TA-100D) <i>(See Note 1)</i>	K4631
3B	155064	Standpipe O-Ring (TA-30 thru TA-60 only) (Before 4-93 Only) <i>*(See Note 1)</i>	H4305
4	155526	Clamp, S.S., 6-1/2" (TA-30D thru TA-60D)	H4346
4	152165	Clamp, Plastic, 6-1/2" Diameter (TA-30D thru TA-60D)	H4152
4	152130	Clamp, 8.35" Diameter (TA-100D)	H4347
5	155050	Pressure Gauge, Back Mount	H4300
5	-----	Generic Pressure Gauge, Back Mount	H7010
6	154555	Adaptor 6" Buttress Threads (TA-30D thru TA-60D) (after 11-91) <i>*(See Notes 4 & 7)</i>	H4348
6	155225	Adaptor 6" "V" Type Threads (TA-30D thru TA-60D) (before 11-91) <i>*(See Notes 4 & 8)</i>	H4349
6	154521	Adaptor 8-1/2" Buttress Threads (TA-100D) <i>*(See Note 4)</i>	H4350
7	154494	O-Ring, Square (TA30D thru TA-60D)	H4047
7	355619	O-Ring Valve Adaptor (TA-100D Only)	K4538
9	153445	Tank & Foot Assy w/ Valve Adaptor (TA-35D) <i>*(See Notes 2 & 7)</i>	H4353
9	155276	Tank & Foot Assy w/ Valve Adaptor (TA-40D) <i>*(See Notes 2, 7 & 8)</i>	H4354
9	155279	Tank & Foot Assy w/ Valve Adaptor (TA-50D) <i>*(See Notes 2, 7 & 8)</i>	H4355
9	155269	Tank & Foot Assy w/ Valve Adaptor (TA-60D) <i>*(See Notes 2, 7 & 8)</i>	H4356
9	155324	Tank & Foot Assy w/ Valve Adaptor (TA-100D) <i>*(See Notes 2, 7 & 8)</i>	H4357
9	153450	Tank & Foot Assy - Buttress Thread Style (TA-35) <i>*(See Note 5)</i>	H4296
9	155342	Tank & Foot Assy - Buttress Thread Style (TA-40) <i>*(See Notes 5 & 6)</i>	H4297
9	155343	Tank & Foot Assy - Buttress Thread Style (TA-50) <i>*(See Notes 5 & 6)</i>	H4298
9	155344	Tank & Foot Assy - Buttress Thread Style (TA-60) <i>*(See Notes 5 & 6)</i>	H4299
10	155060	Piping Assy w/ Hub (TA-30 & TA-30D) 12-7/8"	H4301
10	153455	Piping Assy w/ Hub (TA-35 & TA-35D)	H4386
10	155061	Piping Assy w/ Hub (TA-40 & TA-40D) 17-3/4"	H4302
10	155062	Piping Assy w/ Hub (TA-50 & TA-50D) 19-7/8"	H4303
10	155063	Piping Assy w/ Hub (TA-60 & TA-60D) 22-5/8"	H4304
10	155340	Piping Assy w/ Hub (TA-100D) 27-1/4"	H4362
11	155007	Lateral (TA-30, TA-30D, TA-35 & TA-35D) 5-11/32" (8 req.)	H4294
11	152290	Lateral (TA-40 thru TA-60 & TA-40D thru TA-60D) 6-11/16" (8 req.)	H4062
11	152202	Lateral (TA-100D) 9-1/8" (8 req.)	H4206
12	154926	Tank Foot (TA-35 thru TA-60D & TA35D thru TA60D)	H4310
12	154596	Tank Foot (TA-100D) <i>*(See Note 3)</i>	H4309
13	154698	Drain Assembly - 3/4" (TA30) (after 1983)	H4311
13	154685	Drain Assembly - 1/2" (TA30D) (before 1983)	H4070
14	192115	O-Ring, Drain Plug 1/16" x 1/2" I.D.	H3274
15	154699	Drain Plug, 1/4" w/O-ring (after 1983)	H4312
16	154512	Wrench, 6-1/2" Across Flats (TA-30D, TA40D, TA50D & TA-60D)	H4364
16	151608	Wrench, 9" Across Flats (TA-100D)	H4365
17	154402	Foot Mounting Tape - (TA-30 thru TA-60 & TA-30D thru TA-60D)	H4318
17	154407	Foot Mounting Tape (TA100D only)	H4319

**(See Notes on Following Page)*

PAC-FAB TAGELUS SAND FILTERS**Special Notes**

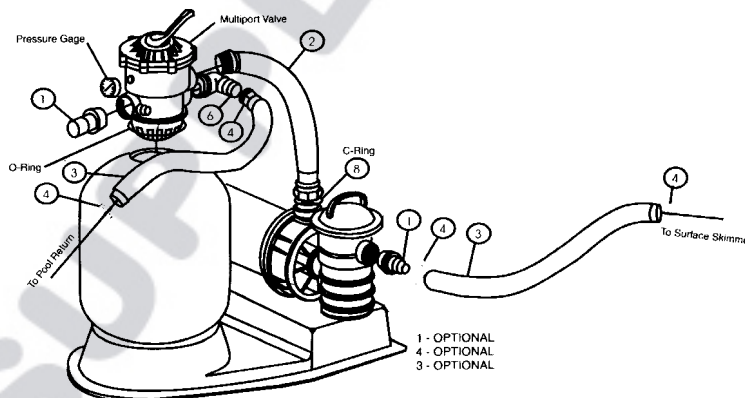
- Note 1:** Item 3A O-Ring - Standpipe is used on model TA100D Filters Only. Item 3B O-Ring - Standpipe is used on Tagelus Filter models TA30, 40, 50, 60 manufactured before April, 1993. Item 38 is not used on Tagelus Clamp Filter models TA30D, 35D, 40D, 50D, 60D or on any Tagelus models manufactured after April, 1993.
- Note 2:** Tagelus Clamp Filter models Tank & ft. assy. has valve adaptor. (Item 6) factory installed.
- Note 3:** Replacement of Tank ft. requires the use of Mounting Tape. See part number listed.
- Note 4:** Lubricate O-Ring liberally w/ Silicone lubricant and tighten to following spec: TA30D, 35D, 40D, 50D, 60D...Handtight plus 1/4 turn min. TA100D Handtight plus 3/4 turn min.
- Note 5:** Tagelus Filter Models TA30, 35, 40, 50, 60 manufactured after Nov. 1, 1991 were manufactured w/ a buttress thread top opening and utilize a buttress style valve which is black in color. A change was made to the port arrangement in April, 1993 which will require that minor changes be made to the valve plumbing connections when replacing valves on filters manufactured between Nov. '91 and Mar. '93.
DO NOT ATTEMPT TO INTERCHANGE THREAD TYPES!!
- Note 6:** Tagelus Filter models TA30, 40, 50, 60 manufactured before Nov. 1, 1991 were manufactured w/ a "V" in. thread style valve that is white or brown in color. These valves may be replaced w/ "V" in. thread style valve P/N 26-1124, see Detail B.
DO NOT ATTEMPT TO INTERCHANGE THREAD TYPES!!
- Note 7:** Tagelus Clamp Filter models TA30D, 35D, 40D, 50D, 60D manufactured after Nov. 1, 1991 were manufactured w/ a buttress thread top opening and utilize a buttress thread valve adaptor. P/N 15-4555, See detail A.
DO NOT ATTEMPT TO INTERCHANGE THREAD TYPES!!
- Note 8:** Tagelus Clamp Filter models TA30D, 40D, 50D, 60D manufactured before Nov. 1, 1991 were manufactured w/ a "V" thread top opening and utilize a "V" thread valve adaptor. P/N 15-5225, see detail B.
DO NOT ATTEMPT TO INTERCHANGE THREAD TYPES!!

PAC-FAB TAGELUS FILTER SYSTEMS



Tagelus Sand System with Clamp Style Valve

Tagelus Sand System with Threaded Valve



KEY	MFG. NO.	DESCRIPTION	ITEM NO.
1	711006	Hose Adapter, Tapered (3 needed)	H4142
2	155285	PVC Hose w/ Quick Disconnect (TA-35D)	H4102
2	155278	PVC Hose w/ Quick Disconnect (TA40D)	H3046
2	155283	PVC Hose w/ Quick Disconnect (TS50D)	H4112
3	155153	Flex Hose 1-1/2" x 6' (2 needed)	H4113
4	711004	Hose Clamp 1-1/2" Wire Type (4 needed)	H4144
5	-----	Teflon Tape	V1205
6	155223	Base - Elevated Platform	H4114
7	152165	Clamp TAD System	H4116

WITH THREADED VALVE

1	711006	Hose Adapter, Tapered (2 needed)	H4142
2	155285	PVC Hose w/ Quick Disconnect (TA-35)	H4111
2	155278	PVC Hose w/ Quick Disconnect (TA400)	H3046
2	155283	PVC Hose w/ Quick Disconnect (TS50)	H4112
3	155153	Flex Hose 1-1/2" x 6' (2 needed)	H4113
4	155155	Hose Clamp 1-1/2" Wire Type (4 needed)	H4117
5	-----	Teflon Tape	V1205
6	155135	1-1/2" Elbow Adapter	H4119
7	155223	Base - Elevated Platform	H4114
8	354571	O-Ring	K4606

PAC-FAB TRITON II SAND FILTERS
TR-40, TR-50, TR-60, TR-100 & TR-140

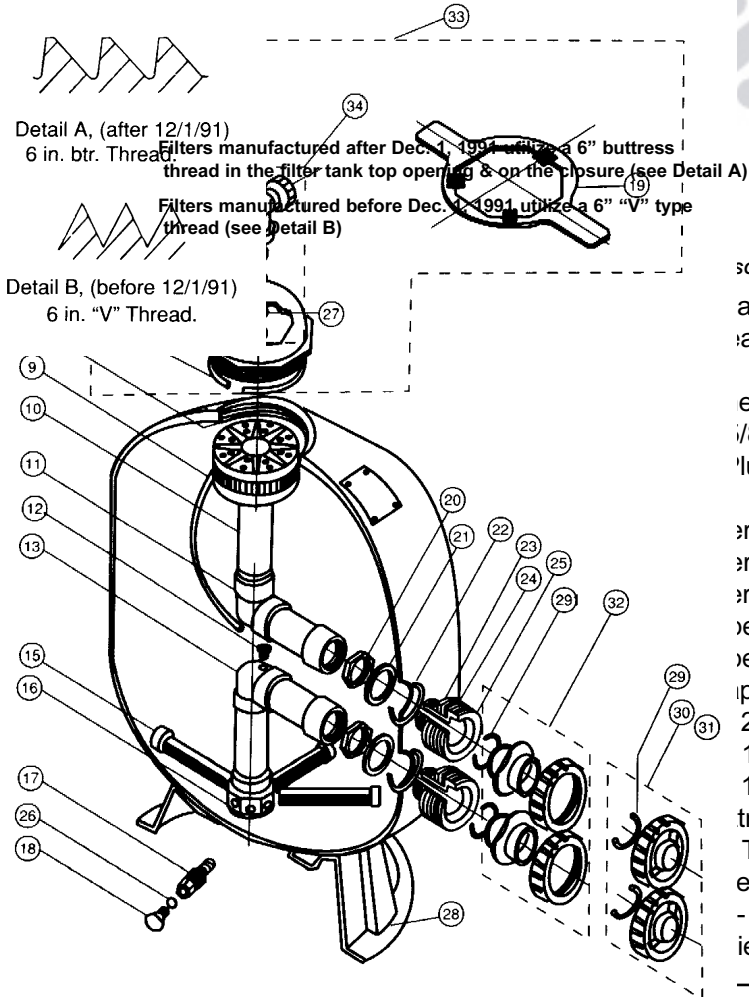
KEY	MFG NO.	DESCRIPTION	ITEM NO.
1	154689	Air Bleeder/Tee Assembly	H4314
2	154700	Adaptor - Brass Air Bleeder	H4265
3	155050	Pressure Gauge - Back Mount	H4300
4	154661	O-Ring- Air Bleeder Adaptor	H4259
5	154664	Nut, 3/8" - 16 S.S.	H4261
6	154570	Dome Closure - 6" (Buttress Thread) Black <i>(After 12/1/91)</i>	H4045
6	154559	Dome Closure - 6" ("V" Type Thread) Black <i>(Before 12/1/91)</i>	H4043
7	154493	O-Ring for 6" Closure Dome	H4044
7	154495	O-Ring for 6" Closure Dome, White	H4387
8	154578	Strainer, Air Relief <i>(Filters Before 11/1/99)</i>	H4339
8	150035	Strainer, Air Relief <i>(Filters After 11/1/99)</i>	H4306
9	154435	Air Relief Tube (TR40) <i>(Filters Before 11/1/99)</i>	H4235
9	150039	Air Relief Tube (TR40) <i>(Filters After 11/1/99)</i>	H4307
9	154436	Air Relief Tube (TR50 & TR60) <i>(Filters Before 11/1/99)</i>	H4236
9	150040	Air Relief Tube (TR50 & TR60) <i>(Filters After 11/1/99)</i>	H4317
9	154437	Air Relief Tube (TR100) <i>(Filters Before 11/1/99)</i>	H4237
9	150041	Air Relief Tube (TR100) <i>(Filters After 11/1/99)</i>	H4359
9	154438	Air Relief Tube (TR140) <i>(Filters Before 11/1/99)</i>	H4238
9	150042	Air Relief Tube (TR140) <i>(Filter After 11/1/99)</i>	H4360
10	154598	Diffuser Assembly (TR40 & TR50)	H4255
10	154599	Diffuser Assembly (TR60)	H4256
10	154462	Diffuser Assembly (TR100)	H4241
10	154906	Diffuser Assembly (TR140)	H4287
11	154803	Upper Piping Assembly (TR40)	H4281
11	156814	Upper Piping Assembly (TR50)	H4202
11	154533	Upper Piping Assembly (TR60)	H4249
11	154426	Upper Piping Assembly (TR100)	H4234
11	154500	Upper Piping Assembly (TR140)	H4247
12	154440	Connector - Air Relief Tube <i>(Filters Built Before 2/89)</i>	H4239
12	154421	Connector - Air Relief Tube <i>(After 2/89 & Before 11/99)</i>	H4208
12	150036	Connector - Air Relief Tube <i>(Filters Built After 11/1/99)</i>	H4361
13	154801	Lower Piping Assembly (TR40)	H4280
13	156816	Lower Piping Assembly (TR50)	H4278
13	154805	Lower Piping Assembly (TR60)	H4282
13	154807	Lower Piping Assembly (TR100)	H4283
13	154489	Lower Piping Assembly (TR140)	H4244
15	152290	Lateral, 6-11/16" Length (TR40, TR50 & TR60) 8 needed	H4062
15	152202	Lateral, 9-1/8" Length (TR100) - <i>(Current)</i> "	H4206
15	154543	Lateral, 6-1/2" Length (TR100) - <i>(Prior to 1985)</i> "	H4066
15	154540	Lateral, 12" Length (TR140) "	H4068
16	154763	Hub for Lateral (TR40, TR50 & TR60)	H4060
16	154453	Hub for Lateral (TR100 & TR140)	H4064
17	152220	Sand Drain 2" <i>(Current)</i>	H4335
17	154698	Spigot 3/4" - Sand Drain <i>(After 3/83 Thru 3/96)</i>	H4311
17	154685	Spigot 1/2" - Sand Drain <i>(Filters Built Before 3/83)</i>	H4070
18	154871	Cap Threaded 1-1/2" <i>(Current)</i>	H4336
18	154699	Plug for Drain 1/4" - <i>(After 3/83 Thru 3/96)</i>	H4312
18	154481	Plug for Drain 1/4" <i>(Filters Built Before 3/83)</i>	H4243
19	154512	Wrench - Closure 6"	H4046
19	154510	Wrench - Closure, Aluminum	H4213
20	154412	Locknut - 2" Internal	H4230
21	154416	Spacer - 2" Internal	H4233
22	154492	O-Ring - 2" Bulkhead	H4246

PAC-FAB TRITON II SAND FILTERS

TR-40
TR-50
TR-60
TR-100
TR-140

purex
triton

SUPPLY CO.



DESCRIPTION

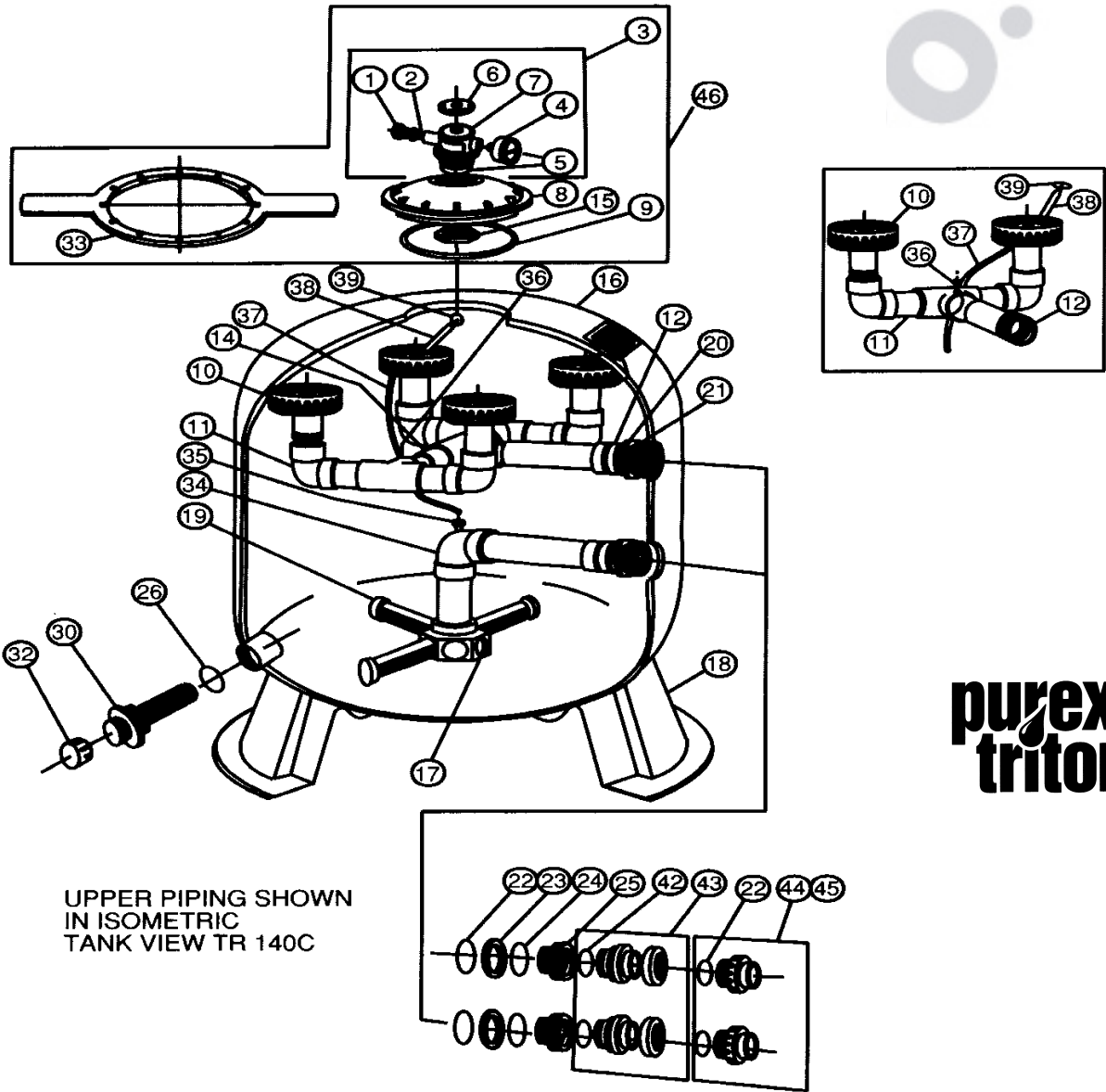
ITEM NO.

Ball Valve	H4228
Ball Valve	H4250
Ball Valve	H4226
Head Assembly - Triton	H4266
1/8" I.D.	H4246
Plug (Filters Built After 3/83)	H3274
Plug	H4269
Plug (TR-40 & TR-50) Requires Mounting Tape	H4310
Plug (TR-60)	H4214
Plug (TR-100 & TR-140)	H4309
Plug (TR-40, TR-50 & TR-60)	H4318
Plug (TR-100 & TR-140)	H4319
Washer (2 needed)	H3371
2" Threaded - Pair	H4041
1-1/2" Threaded - Pair	H4039
1-1/2" & 2" Slip - Pair	H4040
Washer (Buttress Thread) Black	H4218
Washer (Type Thread)	H4264
Head Assembly - Complete (#1, #2, #4, #5 & #27)	H4050
Plug - 2"	H4201
Ball Valve	H4221

PAC-FAB TRITON COMERCIAL FILTERS
TR-100C & TR-140C

KEY	MFG NO.	DESCRIPTION	ITEM NO.
1	273512	Air Bleeder without O-Ring	H4222
2	273513	O-Ring Air Bleeder Screw	H4223
3	273564	Manual Air Relief Body Assembly	H4242
4	155050	Pressure Gauge, Back Mount	H4300
4	-----	Generic Pressure Gauge, Back Mount	H7010
5	274494	O-Ring 3/16" x 2-5/8" I.D.	H3371
6	273501	Cap, Air Bleeder (N/A when out)	H4273
7	273564	Valve Body Machined	H4242
8	154575	Closure Dome 8-1/2" - Buttress Threads	H4277
9	152509	Square Ring 8-1/2"	H4291
10	154599	Diffuser (2 Required on TR100C)	H4256
10	154599	Diffuser (4 Required on TR140C)	H4256
11	156355	Piping Assembly - Upper TR100C (1 Required on TR100C)	H4292
11	156355	Piping Assembly - Upper TR140C (2 Required on TR140C)	H4292
12	156344	Piping Assembly - Upper Inlet (TR100C)	H4295
12	156345	Piping Assembly - Upper Inlet (TR140C)	H4320
13	273502	Spacer, Top - Black	H4321
14	156354	Piping Connecting Assembly Upper (TR140C)	H4329
15	194908	Nut - 2" Internal	H3162
16	153430	Tank & Foot Assembly (TR100C) Black 8-1/2" Buttress Thrds	H4332
16	153431	Tank & Foot Assembly (TR140C) Black 8-1/2" Buttress Thrds	H4333
17	154453	Hub for Lateral (TR100C & TR140C)	H4064
18	154596	Foot - 24" Diameter (TR100C & TR140C)	H4309
19	152202	Lateral 9-1/8" Length (TR100C) 8 needed	H4206
19	154540	Lateral 12" Length (TR140C) 8 needed	H4068
20	154412	Locknut - 2" Internal	H4230
21	154416	Spacer - 2" Internal	H4233
22	154492	O-Ring - 2" Bulkhead	H4246
23	154408	Spacer - 2" External	H4228
24	154538	Gasket - 2" Bulkhead	H4250
25	154405	Bulkhead - 2"	H4226
---	154714	Complete Bulkhead Assembly - 2"	H4266
26	154492	O-Ring 3/16" x 2-5/8" I.D.	H4246
27	192320	O-Ring, Drain Bulkhead	H3141
28	194801	Drain Bulkhead - 2-3/8" Buttress	H4334
30	152220	2" Sand Drain	H4335
31	274407	Nut, Drain Bulkhead Adapter	H3369
32	154871	Cap - Threaded 1-1/2"	H4336
33	154527	Wrench for 8-1/2" Closure Dome	H4337
34	154807	Lower Piping Assembly (TR100C)	H4283
34	154489	Lower Piping Assembly (TR140C)	H4244
35	154421	Connector for Air Relief Tube	(Filters Before 11/1/99) H4208
35	150036	Connector for Air Relief Tube	(Filters After 11/1/99) H8896
36	273071	Screw (1 Required for TR100C)	H3343
36	273071	Screw (2 Required for TR140C)	H3343

PAC-FAB TRITON COMMERCIAL FILTER TR-100C & TR-140C



UPPER PIPING SHOWN
IN ISOMETRIC
TANK VIEW TR 140C

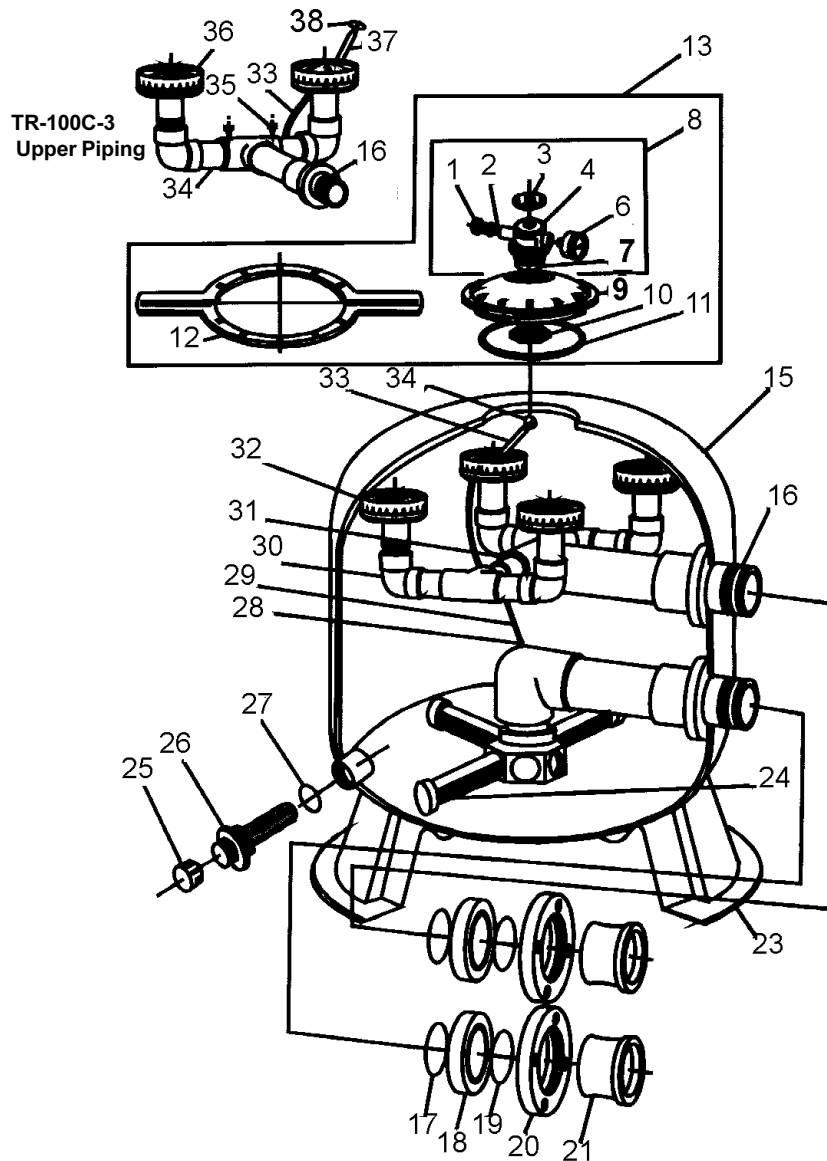


KEY	MFG NO.	DESCRIPTION	ITEM NO.
37	154437	Tube, Air Relief (TR100C) <i>(Filters Before 11/1/99)</i>	H4237
37	150041	Tube, Air Relief (TR100C) <i>(Filters After 11/1/99)</i>	H4359
37	154438	Tube, Air Relief (TR140C) <i>(Filters Before 11/1/99)</i>	H4238
37	150042	Tube, Air Relief (TR140C) <i>(Filters After 11/1/99)</i>	H4360
38	154507	Spacer, Air Vent Strainer 6-3/4"	H4338
38	154508	Spacer, Air Vent Strainer 10-5/16"	H4038
39	154578	Air Relief Strainer <i>(Filters Before 11/1/99)</i>	H4339
39	150035	Air Relief Strainer <i>(Filters After 11/1/99)</i>	H4306
42	274494	O-Ring, Valve Adapter	H3371
43	271096	Kit, Valve Adapter 1-1/2" & 2" Slip - Pair	H4040
44	271092	Kit, Valve Adapter 2" Threaded - Pair	H4041
45	271094	Kit, Valve Adapter 1-1/2" - Pair	H4039
46	154856	Closure Kit, 8-1/2" Buttress Thread - Black	H4342

PAC-FAB TRITON C-3 COMMERCIAL FILTERS
TR-100C-3 & TR-140C-3

KEY	MFG NO.	DESCRIPTION	ITEM NO.
1	273512	Air Bleeder w/ O-Ring	H4222
2	273513	O-Ring, Air Bleeder Screw	H4223
3	273501	Cap Only for Manual Air Relief Assembly	H4273
4	273564	Body Only for Manual Air Relief Assembly (Use H4242)	N/A
6	155050	Pressure Guage, Back Mounted	H4300
6	-----	Pressure Guage, Back Mounted, Generic	H7010
7	274494	O-Ring, Manual Air Relief Assy., 3/16" x 2-5/8"	H3371
8	273564	Manual Air Relief Assembly	H4242
9	154575	Filter Dome - 8-1/2"	H4277
10	154412	2" Internal Nut	H4230
11	152509	Square Ring for Filter Dome	H4291
12	154527	Closure Wrench, 8-1/2"	H4337
13	154856	Closure Kit, 8-1/2" Buttress Thread	H4342
15	153430	Tank and Foot Assembly for TR100C-3	H4004
15	153431	Tank and Foot Assembly for TR140C-3	H4007
16	154007	Upper Piping Assembly for TR100C-3	H4021
16	154008	Upper Piping Assembly for TR140C-3	H4022
17	154005	O-Ring, (2 Needed)	H4023
18	154002	3" Spacer (2 Needed)	H4024
19	154004	O-Ring, (2 Needed)	H4026
20	154003	3" Flange Ring (2 Needed)	H4027
21	154001	3" Flange Adapter (2 Needed)	H4028
22	154009	Lower Piping Assembly for TR100C-3	H4029
22	154010	Lower Piping Assembly for TR140C-3	H4033
23	154596	24" Foot for TR100C-3 & TR140C-3	H4309
24	152202	Lateral, 9" Length for TR100C-3 (8 Needed)	H4206
24	154540	Lateral, 12" Length for TR140C-3 (8 Needed)	H4068
25	154871	Threaded Cap, 1-1/2"	H4336
26	152220	Sand Drain, 2"	H4335
27	274494	O-Ring, 3/16" x 2-5/8" (2 Needed)	H3371
28	154440	Air Relief Tube Connector	H4239
29	154437	Air Relief Tube, 23" for TR100C-3	H4237
29	154438	Air Relief Tube, 27" for TR140C-3	H4238
30	154017	Diffuser Piping Assembly for TR100C-3 (2 Needed)	H4035
30	154018	Diffuser Piping Assembly for TR140C-3 (2 Needed)	H4036
31	552474	Screw, #10 - 1-1/2" Flat Philips Head (2 Needed)	L4094
32	154599	Diffuser (2 Required on TR100C-3)	H4256
32	154599	Diffuser (4 Required on TR140C-3)	H4256
33	154507	Spacer, 6-3/4" for TR100C-3	H4037
33	154508	Spacer, 10-5/16" for TR140C-3	H4038
34	154578	Air Relief Strainer	H4339

PAC-FAB TRITON C-3 COMMERCIAL FILTERS
TR-100C-3 & TR-140C-3



**purex
triton**

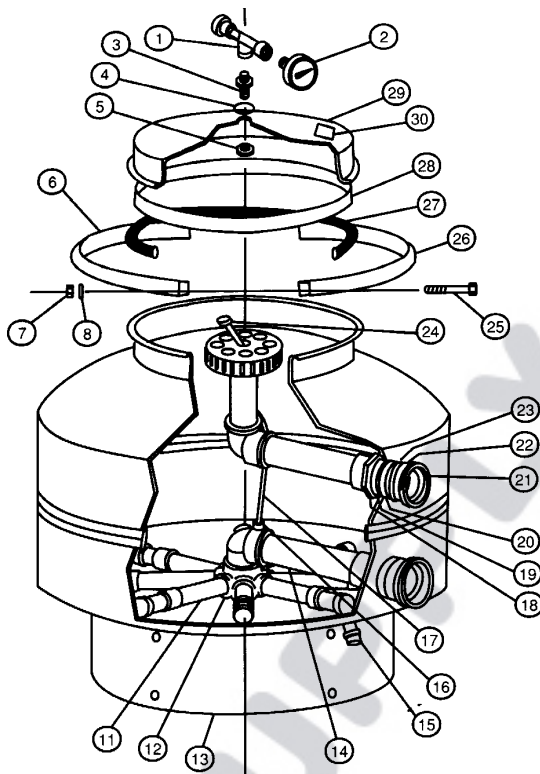
PAC-FAB TRITON C-3 COMMERCIAL FILTERS
Oval Closure Kit & Components

MFG NO.	DESCRIPTION	ITEM NO.
53003201	Pressure Gauge, 1/4"	H3500
154581	Knob for Triton C-3 Tank	H4056
154582	Spring	H4057
154579	Bridge	H4058
273512	Air Bleeder with O-Ring	H4222
154576	Oval Closure	H4055
152509	Square Ring 8-1/2" for Closure	H4291
156841	Complete C-3 Closure Kit - Oval	H4048

PAC FAB PF 35/50 S.S. SAND FILTER

KEY	MFG NO.	DESCRIPTION	ITEM NO.
1	155050	Back Mount Pressure Gauge, 1/4"	H4300
1	-----	Generic Back Mount Pressure Gauge, 1/4"	H7010
2	154689	Bleeder Valve Assembly	H4050
3	154700	Brass Air Bleeder Adapter	H4265
4	154661	O-Ring for Air Bleeder Adapter	H4259
5	154664	Nut, 3/8" - 16, S.S.	H4261
6	154578	Air Relief Strainer	H4339
7	154435	Air Relief Tube	H4235
8	152060	Bolt, 5/16" - 18 x 4" Carriage (2 Needed)	H4207
9	154764	Hub	H4276
10	154739	Upper Piping Assembly - PF35	H4267
10	154750	Upper Piping Assembly - PF50	H4271
11	154440	Air Relief Tube Connector	H4239
13	154492	O-Ring, 2" Bulkhead	H4246
14	154588	Bulkhead, 2" 90 Degree Bottom	H4254
15	154481	1/4" Drain Plug	H4323
16	154743	Lower Piping Assembly - PF35	H4268
16	154754	Lower Piping Assembly - PF50	H4272
17	154413	Internal Locknut, 1-1/2"	H4231
18	154414	Internal Spacer, 1-1/2"	H4232
19	154747	Spacer, 2.8" x 1/4"	H4270
20	152290	Lateral, 6-11/16" (8 Needed)	H4062
21	154491	O-Ring, 1-1/2" Bulkhead	H4245
22	154406	Bulkhead, 1-1/2"	H4227
23	154907	Spacer, 1-1/2" Bulkhead	H4288
24	154539	Gasket, 1-1/2" Bulkhead	H4251
25	154410	External Spacer, 1-1/2"	H4229
26	154574	Diffuser Assembly	H4252
27	639822	Washer, 5/16" S.S. (2 Needed)	L1553
28	195199	Nut, 5/16" Brass Hex (2 Needed)	H3196
29	152128	Retainer - 18" Dia. - PF35	H4212
29	152043	Retainer - 22" Dia. - PF50	H4204
30	181011	Spring Clamp Assembly - PF35	H4210
30	181035	Spring Clamp Assembly - PF50	H4205
31	152127	O-Ring, Belly Band, 18" - PF35	H4211
31	152038	O-Ring, Belly Band, 22" - PF50	H4203
32	181015	Top w/ Spring Clamp Assy & Air Relief - PF35	H4274
32	181035	Top w/ Spring Clamp Assy & Air Relief - PF50	H4275
---	151601	Bulkhead Wrench, 1-1/2"	H4200

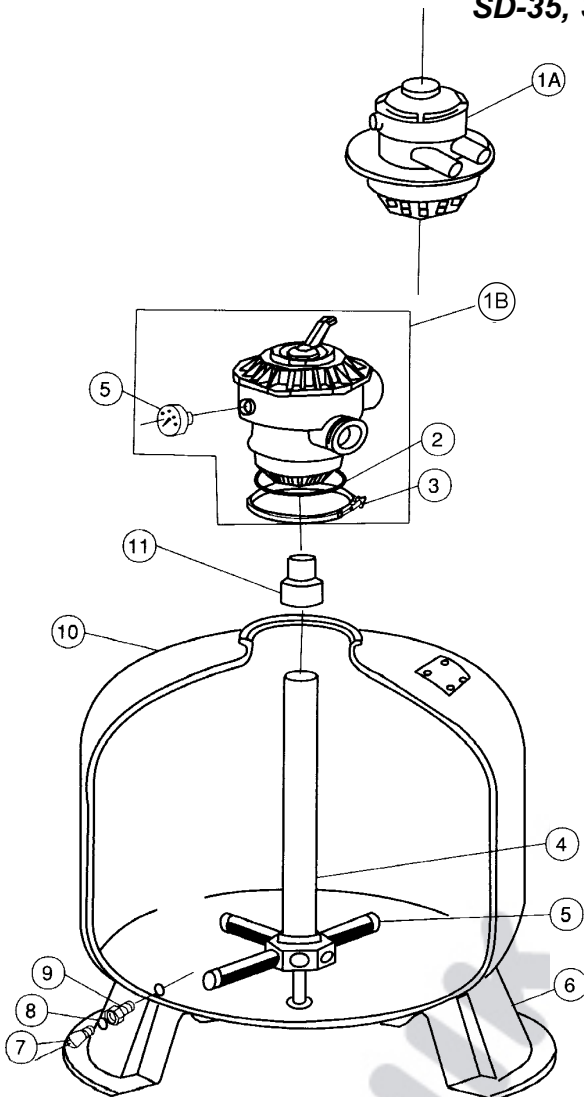
PAC FAB PF 100 S.S. SAND FILTER



**purex
triton**

KEY	MFG NO.	DESCRIPTION	ITEM NO.
1	154689	Bleeder Valve Assembly	H4050
2	155050	Back Mount Pressure Gauge, 1/4"	H4300
2	-----	Generic Back Mount Pressure Gauge, 1/4"	H7010
3	154700	Brass Air Bleeder Adapter	H4265
4	154661	O-Ring, Air Bleeder Adapter	H4259
5	154664	Nut, 3/8" - 16" S.S.	H4261
6	152236	Complete Band Assembly	H4217
7	195199	Nut, 5/16" - 18" Brass Hex (2 Needed)	H3196
8	639822	Washer, 5/16" S.S. (2 Needed)	L1553
9	154462	Diffuser Assembly	H4241
10	154426	Upper Piping Assembly	H4234
11	154540	Lateral, 12" (8 Needed)	H4068
12	154454	Hub	H4388
13	152253	Tank & Foot Assembly	H4220
14	154809	Lower Piping Assembly	H4284
15	192113	Drain Cap, 1/2"	H4288
16	154440	Air Relief Tube Connector (Filters Built Before 2/89)	H4239
16	154421	Vent Tube Retainer (Filters Built After 2/89)	H4208
17	154437	Air Relief Tube	H4237
18	154412	Locknut, Internal 2" (2 Needed)	H4230
19	154416	Spacer, Internal 2" (2 Needed)	H4233
20	154492	O-Ring, Internal 2" (2 Needed)	H4246
21	154405	Bulkhead, 2" (2 Needed)	H4226
22	154538	Gasket, 2" Bulkhead (2 Needed)	H4250
23	154408	Spacer, 2" External (2 Needed)	H4228
24	154578	Air Relief Strainer	H4339
25	152060	Carriage Bolt, 5/16" - 18 x 4" (2 Needed)	H4207
27	152235	O-Ring, 16" Dia.	H4216
28	152234	O-Ring Retainer, 16" S.S.	H4215
29	154778	Cover - Filter Top (Replacement)	H4290

PAC-FAB SAND DOLLAR FILTER
SD-35, SD-40 & SD-60



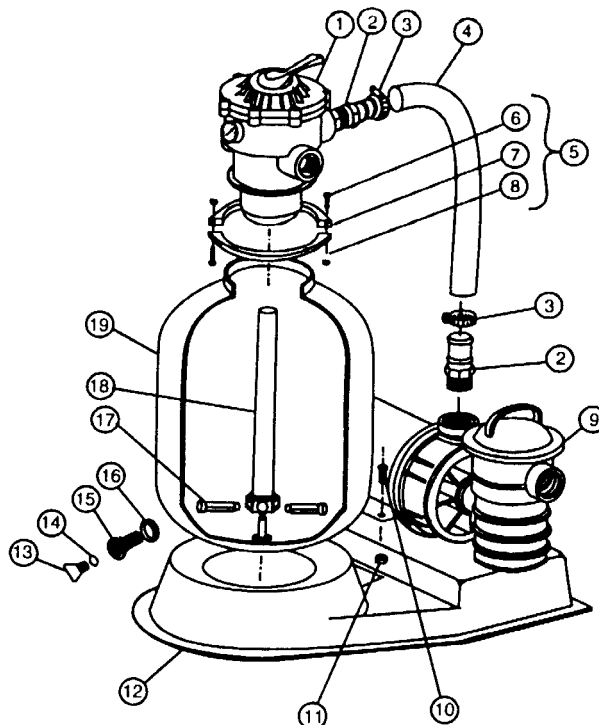
DIMENSION TABLE

MODEL	A. DIM.	B DIM.	C DIM.
SD 35	36 ¾ in.	31 ½ in.	15 ¾ in.
SD 40	46 in.	37 in.	18 ¾ in.
SD 60	50 ½ in.	38 ½ in.	21 ¾ in.

KEY	MFG NO.	DESCRIPTION	ITEM NO.
1A	-----	Valve 1-1/4" (Not Available - Replace with 26-2506)	N/A
1B	262506	Valve 1-1/2" 6-Way (Includes #2 & #3)	H4122
2	272541	O-Ring for Valve Body (Old # 27-2708)	H4344
3	155526	Clamp (Included in Item 1)	H4346
4	155504	Piping Assembly (SD-35) 15"	H4366
4	155062	Piping Assembly (SD-40) 22-5/8"	H4303
4	155532	Piping Assembly (SD-60) 25-1/4"	H4367
5	155007	Lateral 5-11/32" (SD-35)	H4294
5	152290	Lateral 6-11/16" (SD-40 & SD-60)	H4062
6	154520	Foot (SD-40 & SD-60) <i>(Not Required on SD-35)</i>	H4368
7	154699	Drain Plug, 1/4" , w/O-ring	H4312
8	192115	O-Ring for Drain Plug	H3274
9	154698	Spigot for Sand Drain, 3/4"	H4311
9	154710	Spigot for Sand Drain, 1"	H4170
10	155556	Filter Tank (SD-35) Almond	H4369
10	155558	Filter Tank (SD-40) Almond	H4370
10	155560	Filter Tank (SD-60) Almond	H4371
11	155530	Valve Adapter (SD-35) 1-1/2" <i>(Required Only on SD-35)</i>	H4372

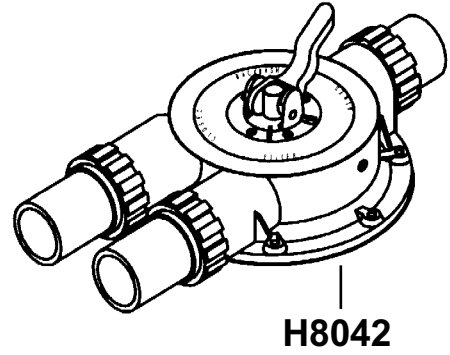
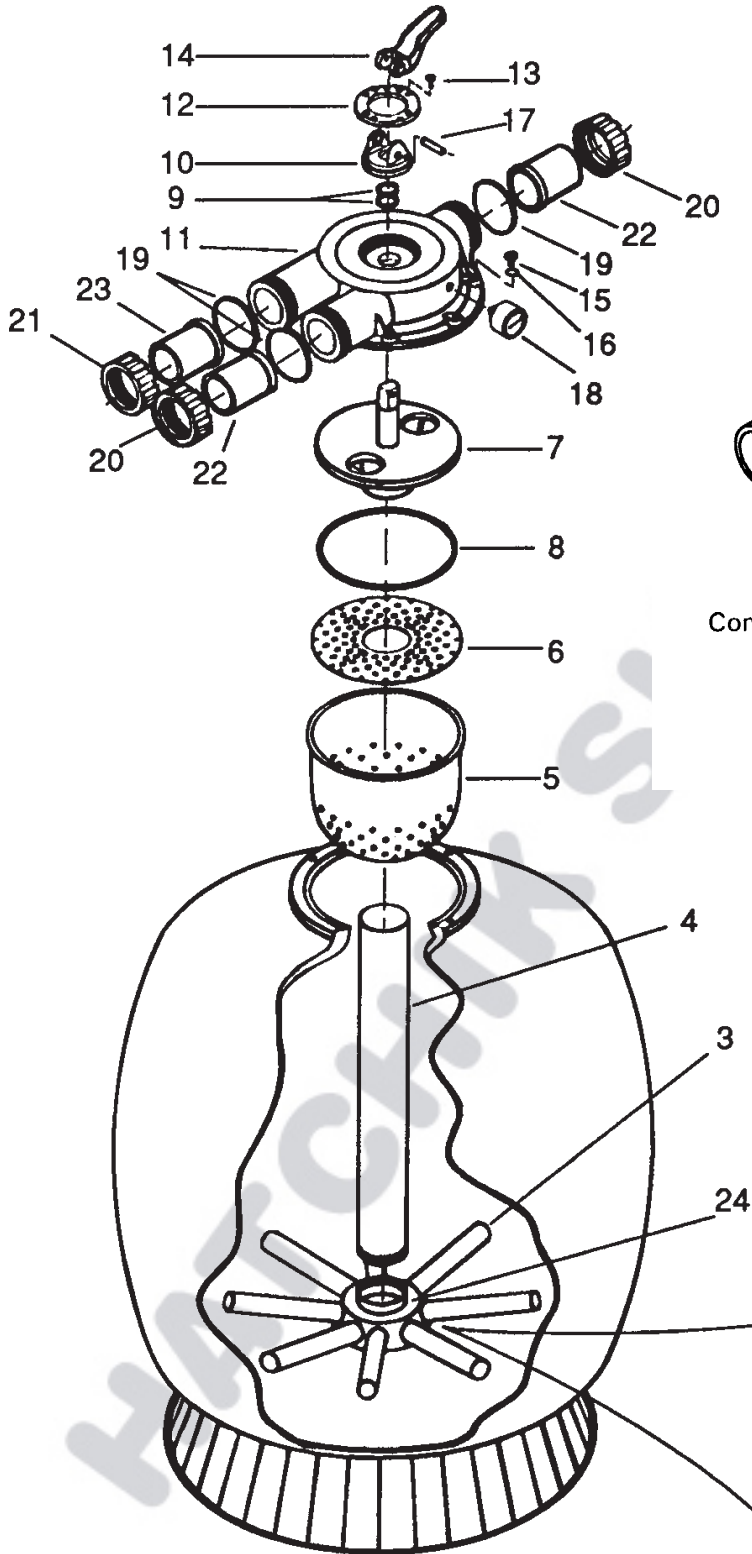
PAC-FAB SAND DOLLAR FILTER SYSTEMS

**purex
triton**



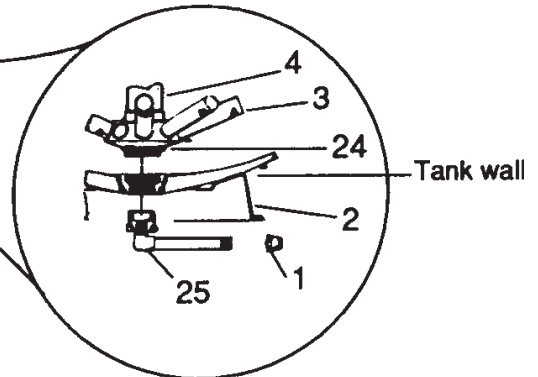
KEY	MFG. NO.	DESCRIPTION	ITEM NO.
1	272586	Valve 1-1/2 Hi-Flow (no sightglass)	H4140
2	711006	Adapter, 1-1/2" Hose, 1-1/4" Flex Hose (2 needed)	H4142
3	711004	Clamp Hose (2 needed)	H4144
4	154893	Hose 18-3/4" Clear/Grey Spiral	H4146
4	154894	Hose 24-1/2" Clear/Grey Spiral	H4148
4	154895	Hose 28-3/4" Clear/Grey Spiral	H4150
5	152165	Clamp Assy., A.G. System	H4152
6	152168	Screw #M6 x 1 Pan Hd Phillips S.S. (2 needed)	H3368
7	152166	Half-Clamp (2 needed)	H4154
8	152167	Nut #M6 S.S. (2 needed)	H4156
9	351376	Pump, 3/4 HP Sand Dollar w/ 6ft. Cord	H4158
9	351377	Pump, 1 HP Sand Dollar w/ 6ft. Cord	H4160
9	351378	Pump, 1-1/2 HP Sand Dollar w/ 6ft. Cord	H4162
10	354637	Screw, 5/16" - 18 (2 needed)	H4164
11	155109	Nut, T4 Prong 5/16" - 18 (2 needed)	H4166
12	152901	Base, A.G. Systems w/ T-nuts	H4168
13	154699	Plug-Drain 1/4" NPT wing	H4312
14	192115	O-ring Drain Plug (1/16" x 1/2" I.D.)	H3274
15	154710	Drain, Sand 1"	H4170
16	154713	Gasket, Sand Drain	H4172
17	155007	Lateral - SD 35 (8 needed)	H4294
17	152290	Lateral - SD 40 & 60 (8 needed)	H4062
18	155504	Assy., SD 35 Internal Piping	H4174
18	155062	Assy., SD 40 Internal Piping	H4303
18	155532	Assy., SD 60 Internal Piping	H4176
19	710015	Tank w/ Stabilizer - SD 35 Almond	H4178
19	710016	Tank w/ Stabilizer - SD 40 Almond	H4180
19	710017	Tank w/ Stabilizer - SD 60 Almond	H4182
20	152928	Manual Operation	H4184

PAC-FAB (PUREX) TAHITIAN SAND FILTER
 HR-21, HR-25 & HR-31



Complete Tahitian Valve Assy. #10095

**purex
triton**

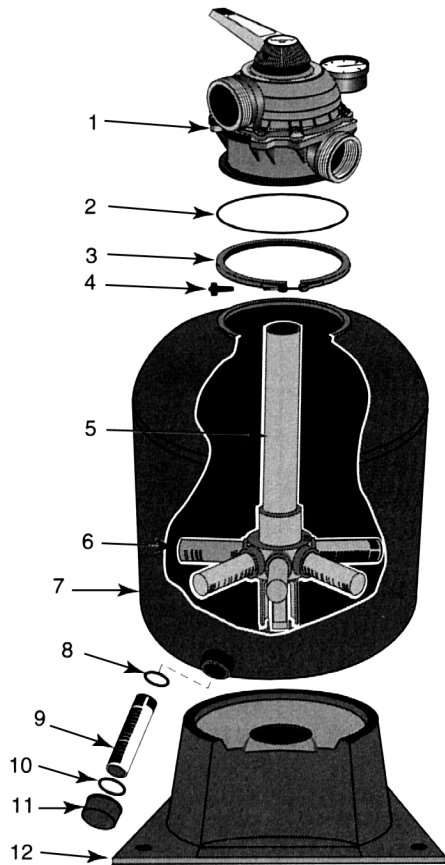


PAC-FAB (PUREX) TAHITIAN SAND FILTER
HR-21, HR-25 & HR-31

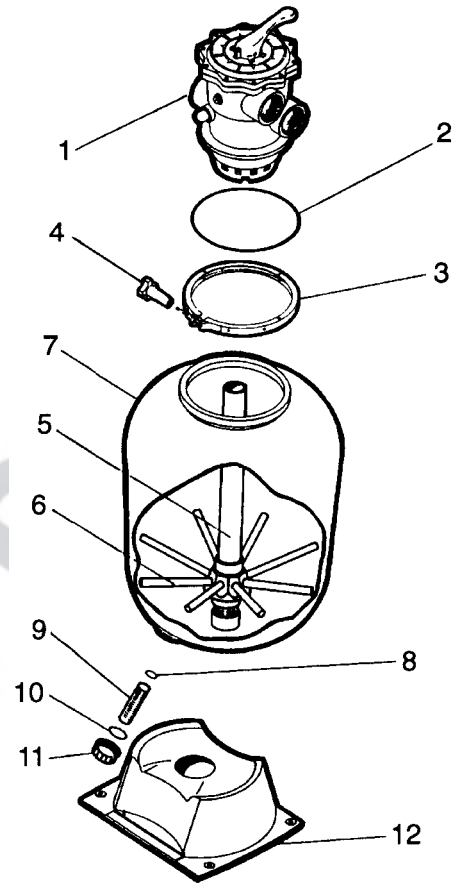
KEY	MFG NO.	DESCRIPTION	ITEM NO.
1	070206	Drain Cap, 1" NPT Top Mount	H2913
2	070131	Tank Base HR-24 & HR-25	H2935
2	070132	Tank Base HR-31	H2936
3	070111	Lateral - Threaded HR-21 & HR-25, 5-1/2" (After 6/93)	H2894
3	070110	Lateral - Threaded HR-31, 8-1/2" (After 6/93)	H2896
3	071243	Lateral - Snap-In HR-21 & HR-25, 7" (1980 to 6/93) (8 req.)	K9539
3	070120	Lateral - Snap-In HR-31, 8-1/2" (1980 to 6/93) (8 req.)	H2900
3	071244	Lateral HR-21 & HR-25 thd 5-1/2" (Thru 1980) (8 req.)	K9545
3	071245	Lateral HR-31 thd 9-9/16" (Thru 1980) (8 req.)	K9546
Lateral Kits for Tahitian			
<i>Includes: 8 Laterals (#3) and 1 Hub (#24)</i>			
---	074458	HR-21 Threaded Lateral & Hub Kit for Tahitian	K9547
---	074457	HR-25 & HR-31 Threaded Lateral & Hub Kit Tahitian	K9548
4	070673	Center Tube (HR-21) 18-5/16"	K9508
4	070676	Center Tube (HR-25) 21-5/8"	K9509
4	070677	Center Tube (HR-31) 24-5/8"	K9510
5	070806	Distributor Tahitian	K9511
6	070807	Diffuser - Tahitian	K9512
7	071647	Rotor with Cover Plate	K9526
8	071448	O-Ring, Body #2-268	K9523
9	071434	O-Ring, Rotor Shaft #2-213 (2 needed)	K9521
10	070973	Handle Holder	K9517
11	072139	Valve Body with Gasket	K9528
12	071540	Indicator Plate	K9525
13	072542	Screw 8 x 1/2" Self-Tapping S.S. (5 needed)	K9608
14	070972	Handle	K9516
15	071653	Screw 1/4 - 20 x 1" (9 needed)	K9527
16	072183	Washer Flat 1/4 x 5/8"	K9529
17	071521	Pin 1/4 x 1-3/8 S.S.	K9524
18	070957	Gauge - Dual Face - 1/8" Back Mount	K9515
19	071426	O-Ring 2-228 Collar (3 needed)	K9520
20	070343	Adaptor Nut, Colored (2 needed)	K9502
21	070344	Adaptor Nut, Clear	K9503
22	070340	Adaptor, Colored (2 needed)	K9501
23	070339	Adaptor, Clear	K9500
24	074960	Threaded Hub (After 6/93) <i>Use w/70110 & 70111 Laterals</i>	K9549
24	070117	Hub B-11 (Prior to 6/93) <i>- Use w/70120 & 71243 Laterals</i>	H2915
*	10095	Top Mount Valve Assy - Complete w/Adapter	H8042

STA-RITE CRISTAL-FLO SAND FILTER

Models
T-170BP-
T-200BP-
T-240BP-



Model
T-300BP



KEY	MFG NO.	DESCRIPTION	ITEM NO.
1	WC112-148	Multiport Valve, Top Mount (T-170BP, T-200BP & T240BP)	H5315
1	14971-TM-22-L	Multiport Valve, Top Mount (T-300BP-2)	N5344
2	U9-369	O-Ring, Valve Flange	N5079
3	WC19-87A	V-Clamp	N5077
4	WC36-22	Clamp Nut	H5308
5	WC137-516P	Collector Hub Assembly (T-170BP)	N5109
5	WC137-517P	Collector Hub Assembly (T-200BP)	N5110
5	WC137-519P	Collector Hub Assembly (T-240BP)	N5341
5	24200-0110	Collector Hub Assembly (T-300BP-2)	N5342
6	24600-0003	Lateral - All (8 needed)	N5057
7	24201-0100	Filter Tank - 17" (T170BP)	N5107
7	24203-0100	Filter Tank - 20" (T-200BP)	N5108
7	24204-0100	Filter Tank - 24" (T-240BP)	N5339
7	24200-1000	Filter Tank - 30" (T-300BP-2)	N5340
8	U9-370	O-Ring, Lateral	N5083
9	24201-0058	Drain Lateral	N5057
10	U9-371	O-Ring, Drain Cap	N5091
11	14965-0025	Drain Cap	N5112
12	23910-0005B	Pedestal (T-170BP & T-200BP)	N5130
12	23900-0105B	Pedestal (T-240BP)	N5124
12	23900-0205	Pedestal (T-300BP-2)	H8589
---	C198-5	Union Coupling Package	N5345

STA-RITE (SWIMQUIP) PANTERA SAND FILTERS

KEY	MFG NO.	DESCRIPTION	ITEM NO.
1	-----	Tank Assembly - <i>No Longer Available</i>	N/A
2	24201-0036	Collection Hub Assembly - 18" (T-HRP35)	N5126
2	24203-0025	Collection Hub Assembly - 20" (T-HRP45)	N5127
2	24204-0015	Collection Hub Assembly - 24" (T-HRP60)	N5128
2	24205-0025	Collection Hub Assembly - 30" (T-HRP90)	N5129
3	23910-0005	Base (T-HRP35 & T-HRP45)	N5130
3	23900-0105	Base (T-HRP60 & T-HRP90)	N5124
4	37685-0006	Tape	N5123
5	WC198-92	Drain Plug Assembly	N5132
7	24700-0003	Lateral, T-HRP35 (8 needed)	N5155
7	24700-0075	Lateral, T-HRP45 & T-HRP60 (8 needed)	N5059
7	24300-0018	Lateral, T-HRP90 (6 needed)	N5040
10	14962-0105	Multiport Valve - Complete	N5133
11	14962-0021	Square Ring	N5004
12	38906-3192	Flat 3/8" Washer (8 needed)	N5105
13	U30-74SS	3/8 - 16 x 1" Long Hex Head Bolt (8 needed)	K3458

Models

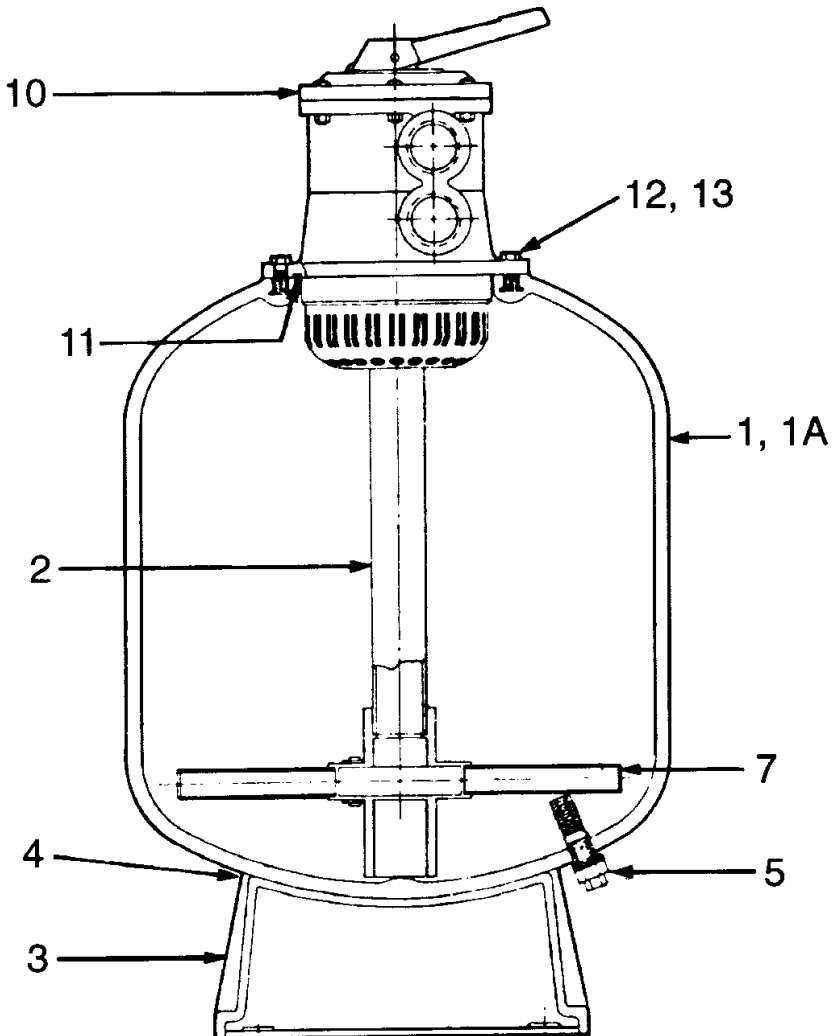
T-HRP35

T-HRP45

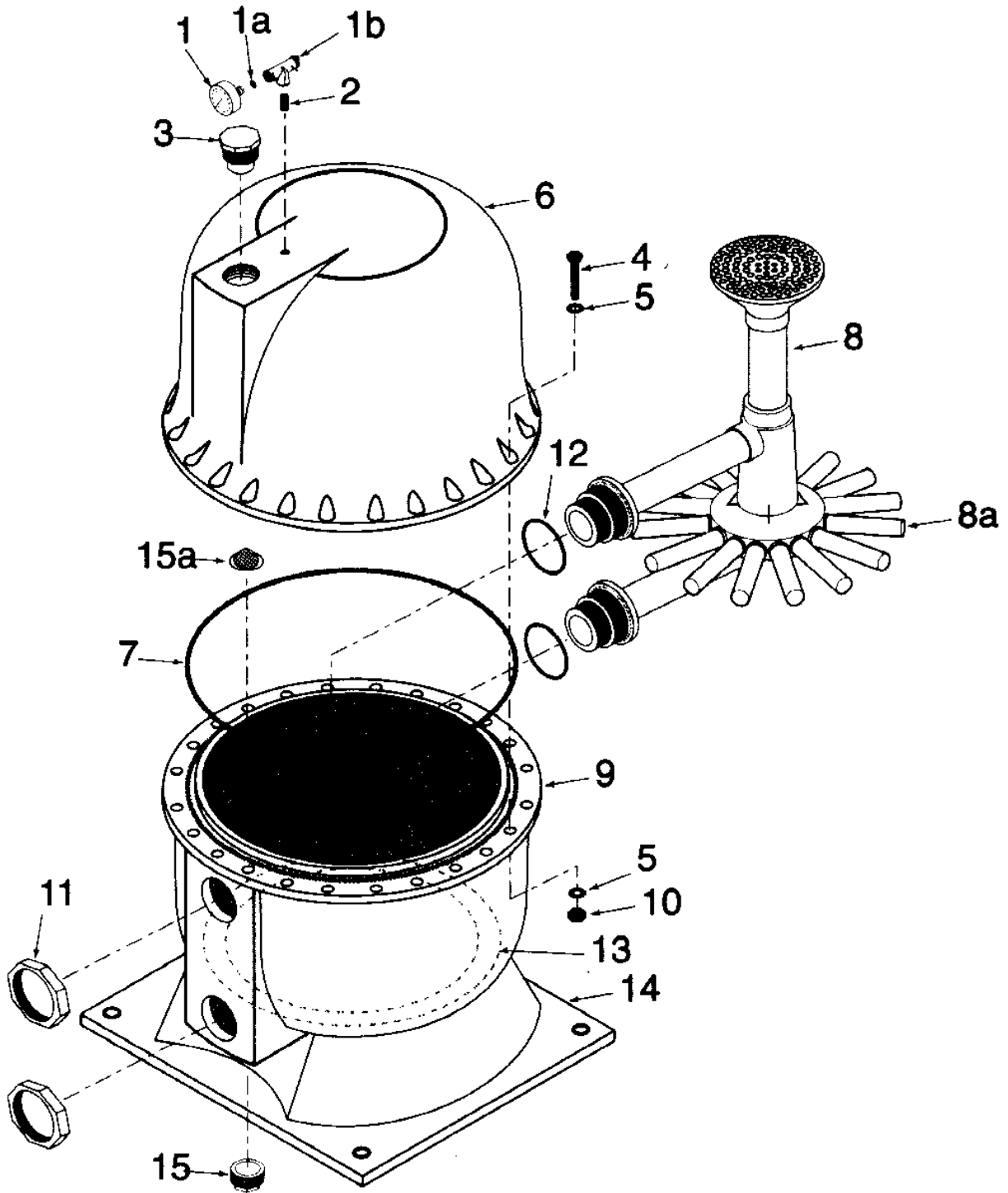
T-HRP60

T-HRP90

STA-RITE®



STA-RITE (SWIMQUIP) HRP SAND FILTERS
Models HRP20, HRP24 & HRP30



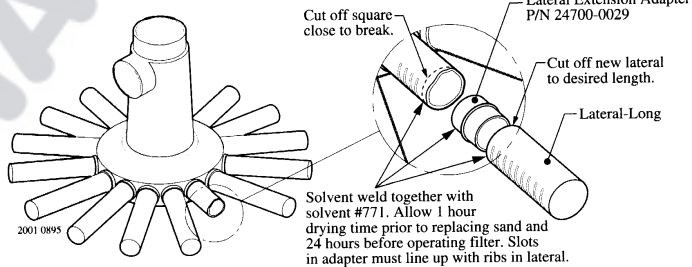
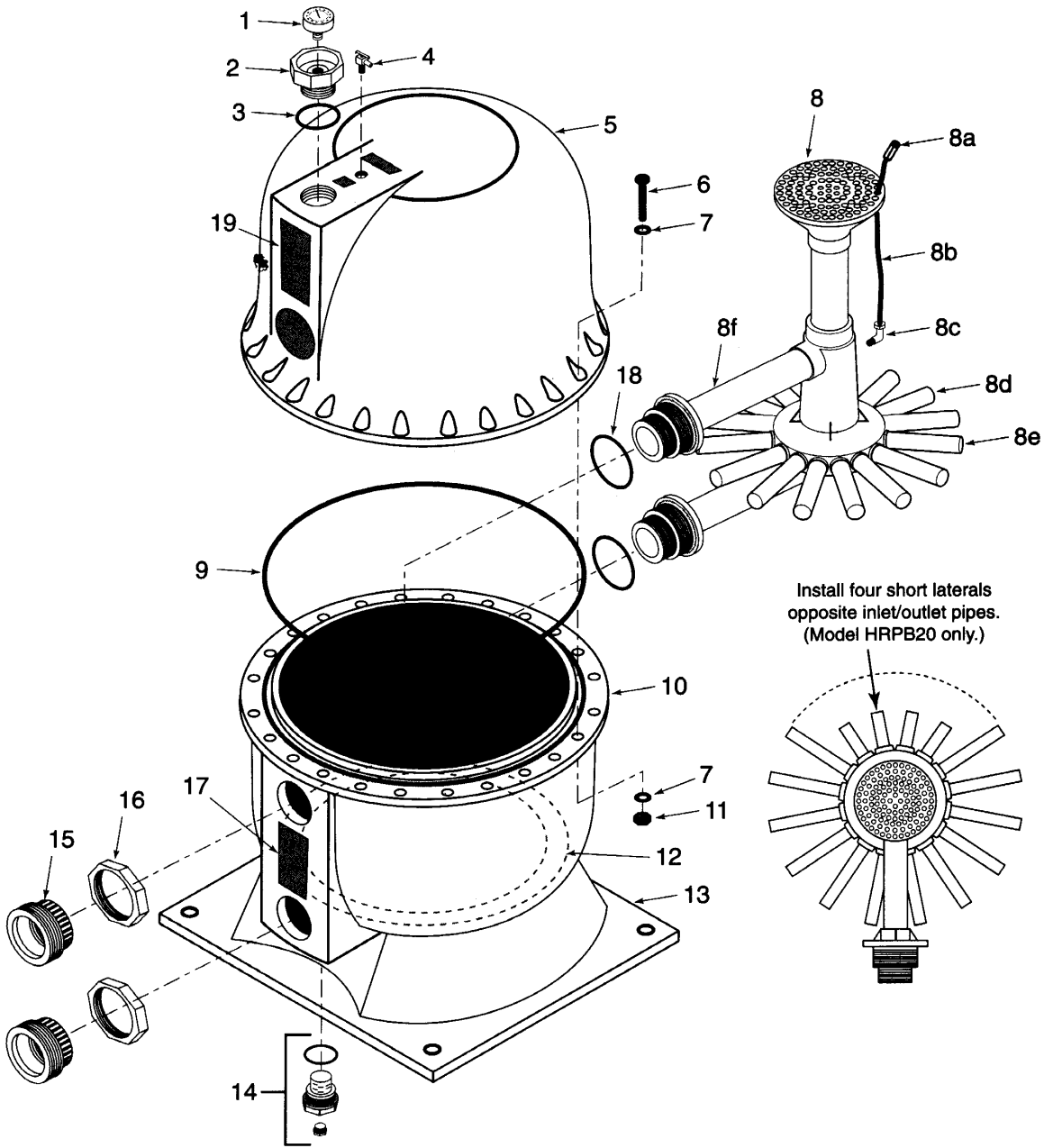
STA-RITE (SWIMQUIP) HRP SAND FILTERS

Models HRP20, HRP24 & HRP30

KEY	MFG NO.	DESCRIPTION	ITEM NO.
1	U239-30	Pressure Gauge	H5322
1A	WC8-72D	Screen	H5330
1B	WC212-120P	Air Release Valve	H5321
2	U37-16P	Nipple	H5339
3	WC137-471	Plug	N5114
4	U30-78C	Bolt, Hex Head 3/8 - 16 x 2" (HRP20) <i>24 needed</i>	N5115
4	30726-4260	Bolt, Hex Head 1/2 - 13 x 2-1/4" (HRP24) <i>24 needed</i>	N5080
4	U30-91C	Bolt, Hex Head 1/2 - 13 x 2-1/2" (HRP30) <i>32 needed</i>	K3365
5	U43-62ZP	Washer, Flat 3/8" (HRP20) <i>48 needed</i>	N5119
5	U43-129ZP	Washer, Flat 1/2" (HRP24) <i>48 needed</i>	N5116
5	U43-129ZP	Washer, Flat 1/2" (HRP30) <i>64 needed</i>	N5116
6	24750-0038B	Upper Shell (HRP20, 24, 30)	N/A
7	24750-0005	O-Ring, Body (HRP20)	N5061
7	24751-0005	O-Ring, Body (HRP24)	N5063
7	24752-0005	O-Ring, Body (HRP30)	N5065
8	24750-0520	Internal Assembly - Complete (HRP20)	N5118
8	24751-0106	Internal Assembly - Complete (HRP24)	N5062
8	24752-0530	Internal Assembly - Complete (HRP30)	N5068
8A	24600-0003	Lateral - Only (HRP20) <i>16 needed</i>	N5057
8A	24700-0075	Lateral - Only (HRP24 & HRP30) <i>16 needed</i>	N5059
9	24750-0039B	Lower Shell (All Models)	N/A
10	U36-38C	Nut, Hex Head 3/8 - 16 (HRP20) <i>24 needed</i>	K3336
10	U36-39C	Nut, Hex Head 1/2 - 13 (HRP24) <i>24 needed</i>	K3366
10	U36-39C	Nut, Hex Head 1/2 - 13 (HRP30) <i>32 needed</i>	K3366
11	24752-0049	Fitting Nut, 2"	N5067
12	35515-1296	O-Ring	N5092
13	37685-0006A	Tape	N5123
14	23900-0105	Base	N5124
15	24700-0413	Plug	N5060
15A	23900-0046	Screen for Plug	N5125



STA-RITE HRPB SAND FILTER
 Models HRPB20, HRPB24 & HRPB30



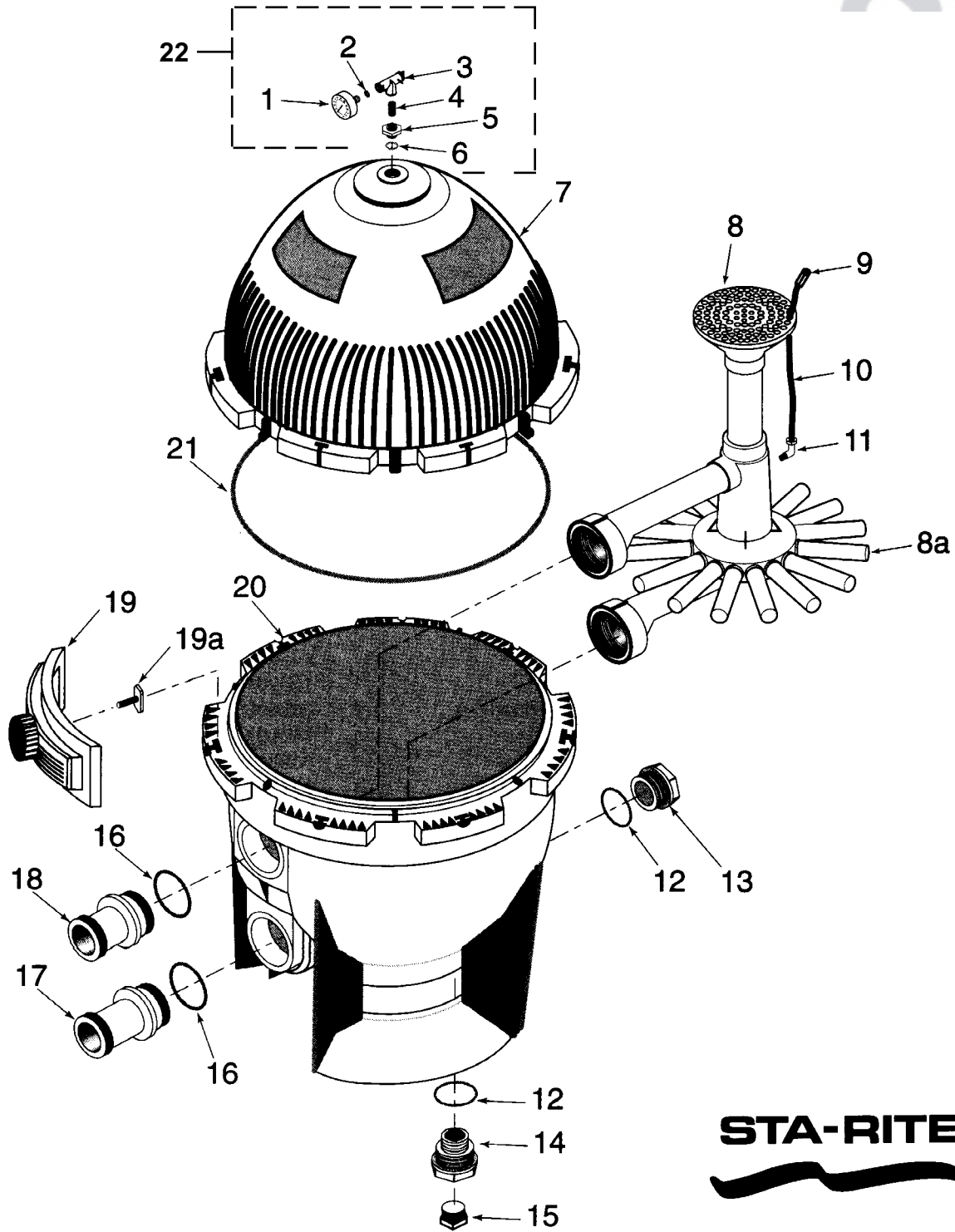
2001 0895

STA-RITE HRPB SAND FILTER

Models HRPB20, HRPB24 & HRPB30

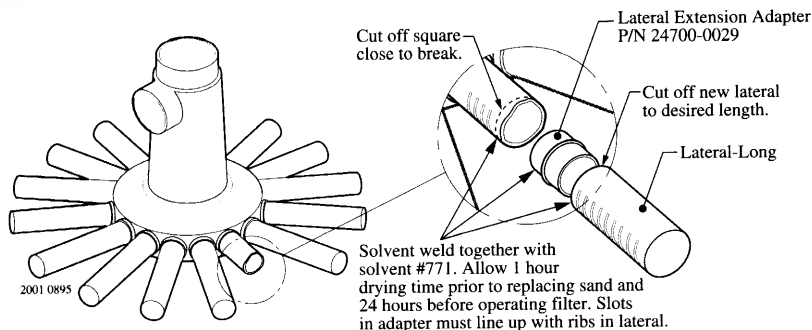
KEY	MFG NO.	DESCRIPTION	ITEM NO.
1	33600-0023T	Pressure Gauge	N5082
1	-----	Generic Pressure Gauge, Back Mount	H7010
2	24750-0065	Fill Cap Assembly	H5614
3	35505-1317	O-Ring	H8588
4	U212-252D	Air Release Valve	H5542
5	24754-9004S	Upper Shell (HRPB20)	H5616
5	24755-9005S	Upper Shell (HRPB24)	H5618
5	24756-9006S	Upper Shell (HRPB30)	H5620
6	U30-884ZP	Bolt, 3/8 - 16 x 2-1/4" (24 needed)	H5622
6	U30-91C	Bolt, 1/2 - 13 x 2-1/2" (24 needed)	K3365
6	U30-901ZP	Bolt, 1/2 - 13 x 2-3/4 (32 needed)	H5624
7	U43-62ZP	Washer, Flat 3/8" (48 needed)	N5119
7	U43-129ZP	Washer, Flat 1/2" (48 needed)	N5116
7	U43-129ZP	Washer, Flat 1/2" (64 needed)	N5116
8	24750-0520A	Internal Assembly Kit (HRPB20)	N5118
8	24751-0110S	Internal Assembly Kit (HRPB24)	H5626
8	24752-0110S	Internal Assembly Kit (HRPB30)	H5628
8A	WC8-126	Air Bleed Filter	N5140
8B	WC37-384P	Tube	H5630
8C	WC78-84P	Compression Elbow	H5612
8D	24735-0011	Lateral - Short (4 needed) (HRPB20)	H5632
8E	24600-0003	Lateral - Long (12 needed) (HRPB20)	N5057
8E	24700-0075	Lateral - Long (16 needed) (HRPB24 & HRPB30)	N5059
---	24700-0029	Lateral Extension Adapter	N5058
8F	WC178-93P	Tank Fitting Assembly (HRPB20)	H5636
8F	24751-0010	Tank Fitting Assembly (HRPB24 & HRPB30)	H5638
9	24750-0006	O-Ring (HRPB20)	H5640
9	24751-0006	O-Ring (HRPB24)	H5642
9	24752-0006	O-Ring (HRPB30)	H5644
10	WC31-252P	Lower Shell (HRPB20)	H5646
10	WC31-250P	Lower Shell (HRPB24)	H5648
10	WC31-254P	Lower Shell (HRPB30)	H5650
11	U36-38C	Nut, 3/8 - 16 (24 needed) (HRPB20)	N5121
11	U36-39C	Nut, 1/2 - 13 (24 needed) (HRPB24)	K3366
11	U36-39C	Nut, 1/2 - 13 (32 needed) (HRPB30)	K3366
12	37685-0006A	Tape (2 needed)	N5123
13	23900-0105	Base (HRPB20)	N5124
13	23900-0005	Base (HRPB24 & HRPB30)	H5652
14	24700-0413	Plug w/ O-Ring	N5060
15	U11-198P	Union Adaptor (2 needed)	H5654
16	24752-0049	Fitting Nut, 2" (2 needed)	N5067
18	35515-1296	Quad Ring (2 needed)	N5092

STA-RITE SYSTEM:3 SAND FILTERS
Models S7S50 & S8S70



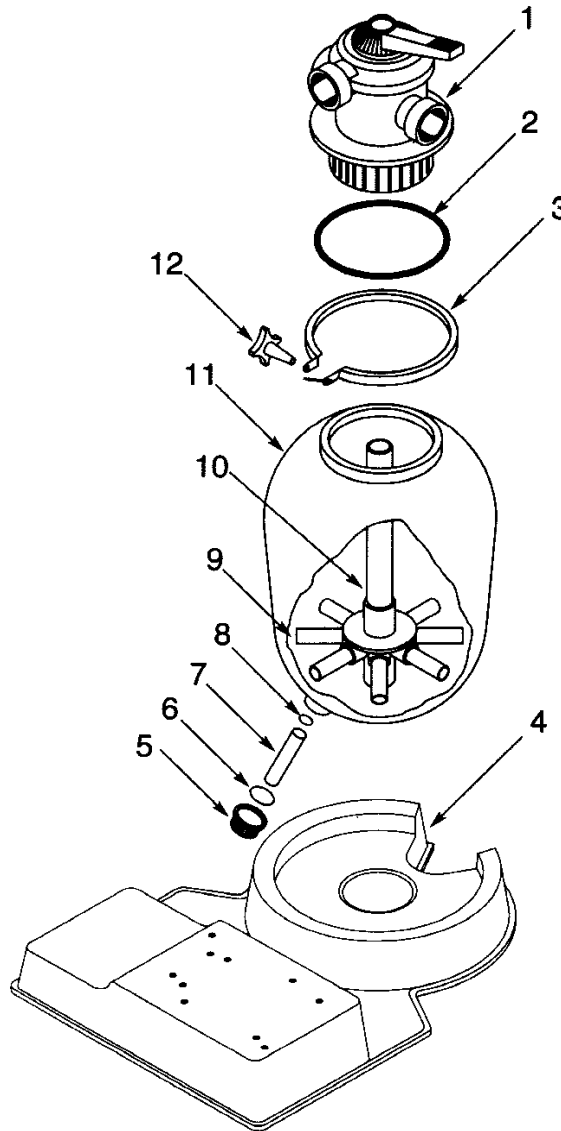
STA-RITE SYSTEM:3 SAND FILTERS Models S7S50 & S8S70

KEY	MFG NO.	DESCRIPTION	ITEM NO.
1	33600-0023T	Pressure Gauge, 2"	N5082
1	-----	Generic Pressure Gauge, Back Mount	H7010
2	WC8-72D	Screen Filter	H5330
3	WC212-120P	Air Release Valve Assembly	H5321
4	35202-0959	Nipple	H5517
5	24900-0504	Adapter Bushing	H5514
6	35505-1423	O-Ring, Air Release Valve	H5600
7	24851-9000	Tank - Upper Half Kit (S7S50) <i>Includes Decals & Labels</i>	H5602
7	24851-9001	Tank - Upper Half Kit (S8S70) <i>Includes Decals & Labels</i>	H5604
8	24900-0100S	Collector - Manifold Assembly	H5606
8	24901-0100S	Collector - Manifold Assembly	H5608
8A	24900-0002	Lateral (S7S50) (16 needed)	H5363
8A	24901-0003	Lateral (S8S70) (16 needed)	H5364
---	24700-0029	Lateral Extension Adapter	N5058
9	WC8-126	Air Bleed Filter	N5140
10	WC37-386P	Vent Tube	H5610
11	WC78-84P	Elbow - Male Parflex	H5612
12	35505-1424	O-Ring (2 needed)	H5516
13	24900-0503	Plug (Sand Removal)	H5382
14	24900-0505	Drain Fitting	H5515
15	11201-0005B	1-1/2" NPT Plug	U3715
16	35505-1425	O-Ring (2 needed)	H5402
17	24900-0500	Tank Fitting	H5388
18	24900-0501	Tank Fitting	H5511
19	24850-0200	Clamp Assembly (S7S50) (7 needed)	H5369
19	24850-0200	Clamp Assembly (S8S70) (8 needed)	H5369
19A	24850-0010	Clamp Bolt (S7S50) (7 needed)	H5372
19A	24850-0010	Clamp Bolt (S8S70) (8 needed)	H5372
20	24850-0102S	Tank - Lower Half (S7S50)	H5373
20	24851-0103S	Tank - Lower Half (S8S70)	H5376
21	24850-0008	Cord Ring (S7S50)	H5367
21	24850-0009	Cord Ring (S8S70)	H5368
22	24850-0105	Valve & Guide Assembly (Includes #1 thru 6)	



STA-RITE WATERFORD SAND FILTER

Mod
JSAL
JSAL
JSAL
JSAL



KEY	MFG NO.	DESCRIPTION	ITEM NO.
1	WC112-148	Multi-Port Valve	H5315
2	U9-369	O-Ring, Tank Flange	N5079
3	WC19-87	V-Clamp	N5077
4	24201-0055P	Pedestal Platform	H5658
5	14965-0025	Drain Cap	N5112
6	U9-371	O-Ring, Drain Cap	N5091
7	24600-0003	Drain Lateral Tube	N5057
8	U9-370	O-Ring, Lateral Tube	N5083
9	24600-0003	Lateral Tube (8 needed)	N5057
10	WC137-516P	Collector Hub Assembly (JSAL17D & E)	N5109
10	WC137-517P	Collector Hub Assembly (JSAL20D & E)	N5110
11	24200-1000B	Tank Assembly	H5656
12	WC36-22	Clamp Nut	H5308

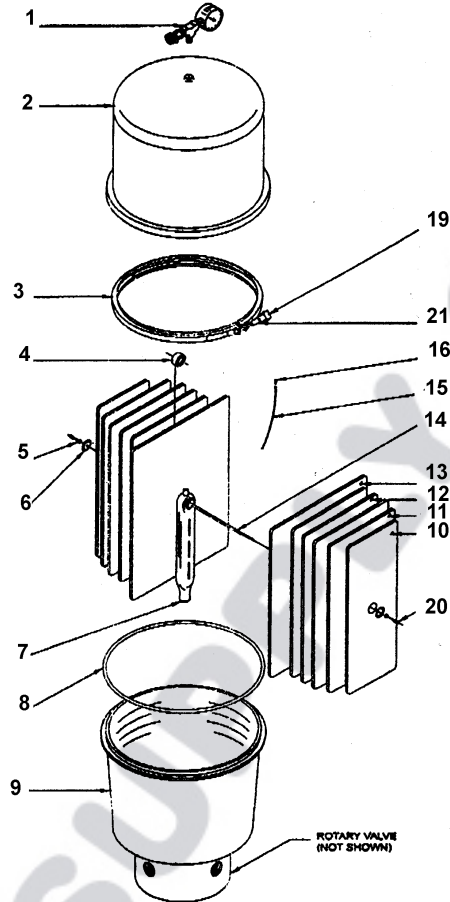
American Products CM Series - Composite	294,295
American Products Titan Series - S.S.....	296,297
Anthony Apollo VA38 & VA52	292,293
Anthony Flowmaster 4000 & 5000 Series	291
D.E. Replacement Grids	333
Hayward Micro-Clear Series	304,305
Hayward Perflex EC50A & EC50AC	298,299
Hayward Perflex EC-60 Series II	300,301
Hayward Perflex EC-65 & EC-75	302,303
Hayward Regenx.....	306,307
Hayward Separaton Tank.....	347
Jacuzzi Avalanche	308,309
Jacuzzi Earthworks EW Series	312,313
Jacuzzi Landslide LS Series	310,311
Jacuzzi Separation Tank.....	334
Pac-Fab FNS - Fiberglass	322-324
Pac-Fab FNS Plus Series	318,319
Pac-Fab Nautilus NS Series - S.S.	314,315
Pac-Fab Nautilus NSP Series - S.S.	316,317
Pac-Fab Star, ST-35, ST-50 & ST-80	326,327
Pac-Fab Separation Tanks	335,336
Pac-Fab Titan RPM Series	320,321
Pac-Fab Warrior	325
Sta-Rite (Swimquip) DEP Series & Filter Elements (Vertical)	328,329
Sta-Rite System: 3 Filters & Element Assy	330-332

Notes

HATCHIK SUPPLY CO.

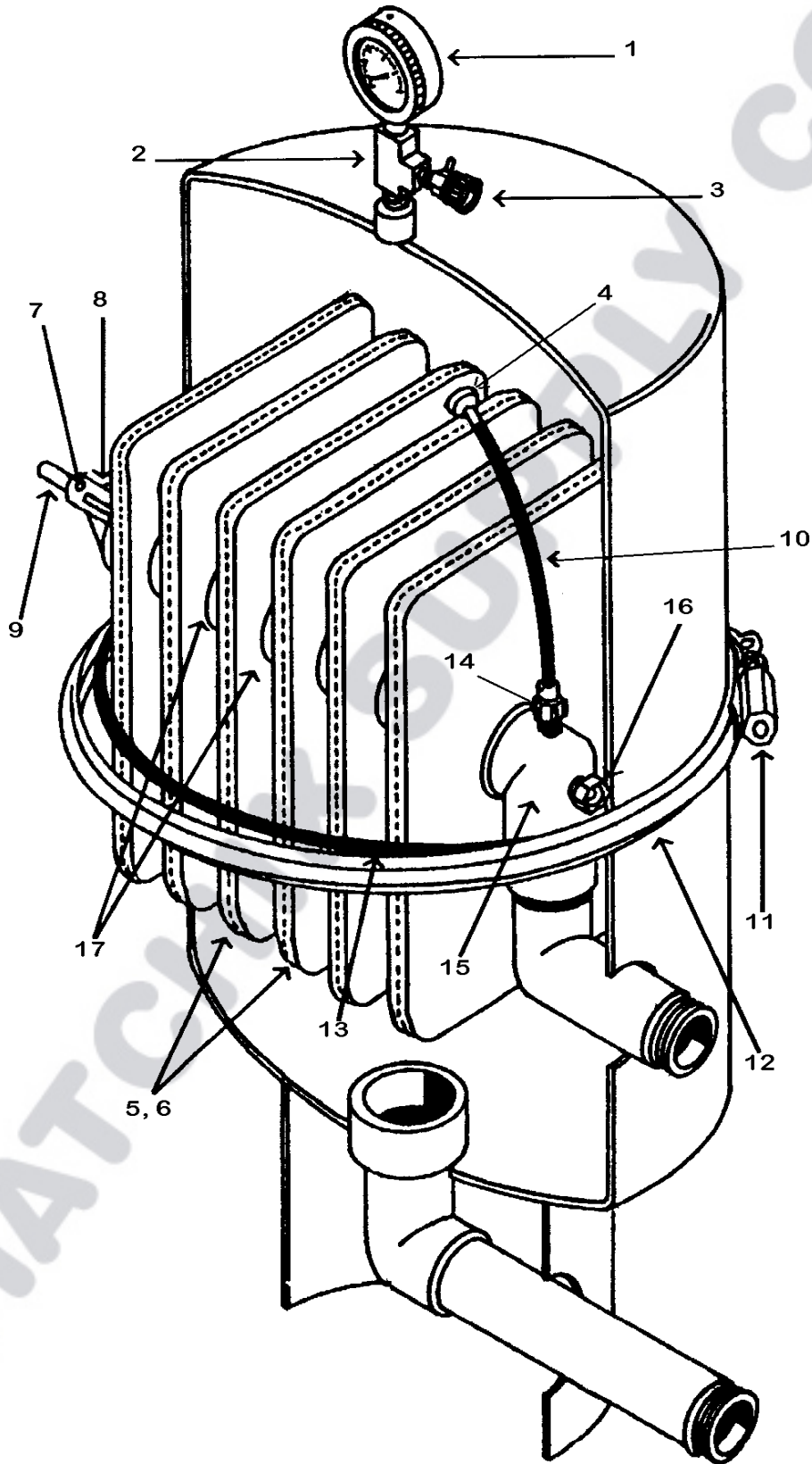
ANTHONY FLOWMASTER

4000 & 5000 Series



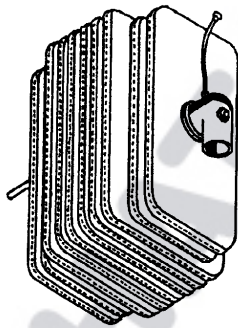
KEY	MFG. NO.	DESCRIPTION	ITEM NO.
1	-----	Gauge Assembly	H7800
1	70956	Gauge 1/4", 60 lbs.	H7000
1	71982	Tee 1/4" Brass	V5210
1	75207	Valve Air Release, 1/4"	V4652
1	71389	Nipple Brass, 1/4"	V5202
2	25031	Lid (4000 Series)	H7802
2	25030	Lid (5000 Series)	H7804
3	72895	Clamp Ring Assembly (4000 Series)	H7806
3	25027	Clamp Ring Assembly (5000 Series)	H7808
4	25102	Spacer, 1" for Grid (4000 Series)	6 Needed H7810
4	25029	Spacer, 3/4" for Grid (5000 Series)	10 Needed H7812
5	25028	Nut, 1/2" - 20 UNF S.S.	2 Needed H7814
6	25016	End Cap	2 Needed H7816
7	076176 (V34-107)	Center Pipe	H7818
8	71442	O-Ring, Tank (4000 Series)	K9337
8	71439	O-Ring, Tank (5000 Series)	K9336
9	73893	Tank Bottom (4000 Series)	H7820
9	25032	Tank Bottom (5000 Series)	H7822
10	25050	Grid 9" x 24" (5000 Series)	2 Needed H7824
11	25052	Grid 12" x 24" (5000 Series)	2 Needed H3101
12	25051	Grid 13.5 x 24" (4000 & 5000 Series)	6 Needed H3099
13	25053	Grid 17.5 x 24" (4000 & 5000 Series)	2 Needed H3100
14	25003	Center Rod	H7826
15	72104	Tube 1/4" Polyethylene	H7828
16	73691	Screen Cap Vent Tube	H7830
19	71136	Knob (4000 Series)	K9334
----	70428	T-Bolt 1/4" x 3.5" long (4000 Series)	H7832
19	25021	Knob Plastic (5000 Series)	H7834
20	25026	Nut Extension Center Rod	H7836
21	25049	Knob Extension	H7838

ANTHONY APOLLO D.E. FILTER
Models VA-38, VA-52 (1-1/2") & VA-52 (2")



ANTHONY APPOLLO FILTER
Models VA-38, VA-52 (1-1/2") & VA-52 (2")

KEY	MFG. NO.	DESCRIPTION	ITEM NO.
1	-----	Pressure Gauge	H7000
2	-----	Brass Threaded Tee, 1/4"	V5210
3	V34-155	Bleeder Valve, 1/4"	V4652
4	-----	Air Relief Strainer, 1/4"	H4052
5	V34-129	Large Grid 17-1/2" x 24"	H3100
6	V34-128	Small Grid 13-1/2" x 24"	H3099
7	V34-123	End Bell Set Screw S.S.	Z7002
8	V34-122	End Bell w/ Set Screw	Z7001
9a	V34-125	Filter Shaft 17-1/4"	Z7003
9b	V34-126	Filter Shaft 19-3/4"	Z7004
10	-----	Tubing 1/4" O.D x 14"	C1102
11	V34-151	Tank Clamp Nut N/S "Brass"	Z7009
12a	V34-132	18" Tank Clamp	Z7007
12b	V34-133	20" Tank Clamp	Z7008
13a	V34-154	18" Tank O-Ring	H3063
13b	V34-139	20" Tank O-Ring	H3064
14	-----	Poly Fitting, 1/4"	C1090
15a	V34-130	1-1/2" Collection Elbow	Z7005
15b	V34-131	2" Collection Elbow	Z7006
16	V34-121	Insert Nut, Brass	Z7000
17	V34-149	Spacers (1" Wide)	Z7024
17	V34-150	Spacers (1-1/2" Wide)	Z7027



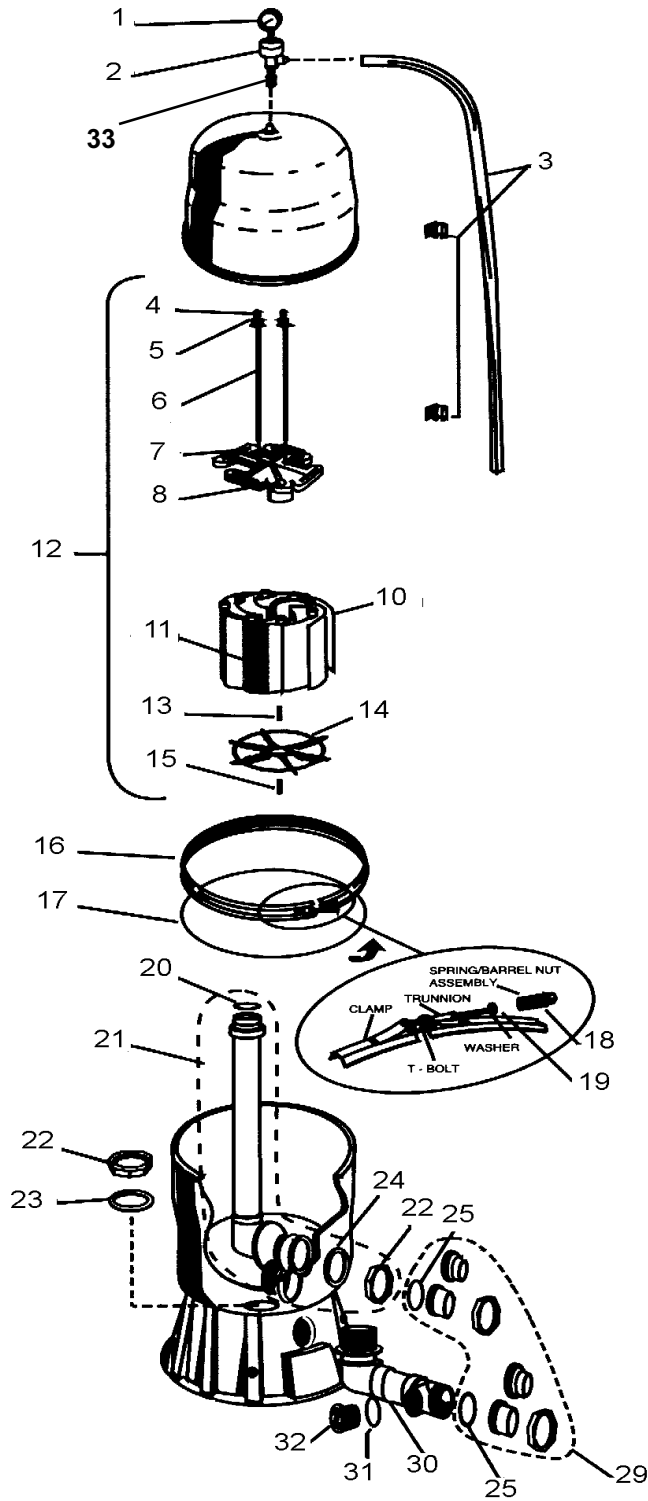
Complete Grid Assemblies

VA38-1.5	Complete Grid Assy. 38 sq. ft. 1-1/2"	Z7028
VA52-1.5	Complete Grid Assy. 52 sq. ft. 1-1/2"	Z7026
VA52-2	Complete Grid Assy. 52 sq. ft. 2"	Z7025

AMERICAN TITAN CM FILTER
Composite Material Filter

KEY	MFG NO.	DESCRIPTION	ITEM NO.
1	53003201	Pressure Gauge 1/4"	H3500
1	-----	Generic Pressure Gauge, Plastic Case	H7000
1	-----	Generic Pressure Gauge, 1/4" Metal Case	H7003
2	98209804	High Flow Manual Air Relief Valve (old # 98209801)	H3561
2	98209800	Air Relief Valve (Filters after 1993)	H3708
3	98201200	Hose And Retainer Clips for Air Relief Valve	H3565
4	59000700	Grid Stand-off Gray, 48, 60sq. ft. Filter (2 needed)	H3540
4	57014800	Grid Stand-off White, 24, 36 sq. ft. Filter (2 needed)	H3630
5	58001100	Nut, Knurled Brass	H3712
6	59000800	Tie Rod, 24 sq. ft. Filter	H3528
6	59001500	Tie Rod, 36 sq. ft. Filter	H3529
6	59002100	Tie Rod, 48 sq. ft. Filter	H3530
6	59002700	Tie Rod, 60 sq. ft. Filter	H3531
7	59000400	Manifold, Top	H3533
8	59011100	Internal Air Bleed Assembly	H3671
10	59001100	Grid, Large 12", 24 sq. ft. Filter	H3534*
10	59001800	Grid, Large 18", 36 sq. ft. Filter	H3535*
10	59002400	Grid, Large 24", 48 sq. ft. Filter	H3536*
10	59003000	Grid, Large 30", 60 sq. ft. Filter	H3537*
11	59001000	Grid, Small 12", 24 sq. ft. Filter	H3541*
11	59001700	Grid, Small 18", 36 sq. ft. Filter	H3542*
11	59002300	Grid, Small 24", 48 sq. ft. Filter	H3543*
11	59002900	Grid, Small 30", 60 sq. ft. Filter	H3544*
* See Product Catalog for Universal Replacement Grids			
12	59001200	Complete Grid Assy., for 24 sq. ft. Filter	H3570
12	59001900	Complete Grid Assy., for 36 sq. ft. Filter	H3571
12	59002500	Complete Grid Assy., for 48 sq. ft. Filter	H3572
12	59003100	Complete Grid Assy., for 60 sq. ft. Filter	H3573
13	98211400	Nut, 1/4-20, Plated Brass	H8916
14	59000500	Spider, Grid Locator	H3539
15	58001000	Nut, Lock, Hex, Nylon	H3635
16	53007301	Clamp, Tension Control Kit	H3661
17	59021000	O-Ring	H3623
18	53108900	Spring/Barrel Nut Assembly	H3501
19	53006300	Washer, .325 I.D. for Filter Clamp	H3657
20	59000600	O-Ring for Outlet Pipe	H3651
21	56628411	Assy., Standpipe, Outlet, 24 sq. ft. Filter	H3509
21	56628611	Assy., Standpipe, Outlet, 36 sq. ft. Filter	H3510
21	56628811	Assy., Standpipe, Outlet, 48 sq. ft. Filter	H3625
21	56629611	Assy., Standpipe, Outlet, 60 sq. ft. Filter	H3626
22	87201811	Locknut	H3518
23	51013700	Gasket, Bulkhead, Inlet	H3516
24	51013600	Gasket, Bulkhead, Standpipe	H3515
25	39102900	O-Ring, Bulkhead	K3872
29	98960311	Bulkhead Union (set)	H3564
30	56627511	Assy., Pipe, Inlet	H3627
31	85005700	O-Ring for Drain Plug	H3632
32	86201711	Plug, 1-1/2" Drain, w/O-Ring	H3631
33	59020900	Brass Nipple	H3709

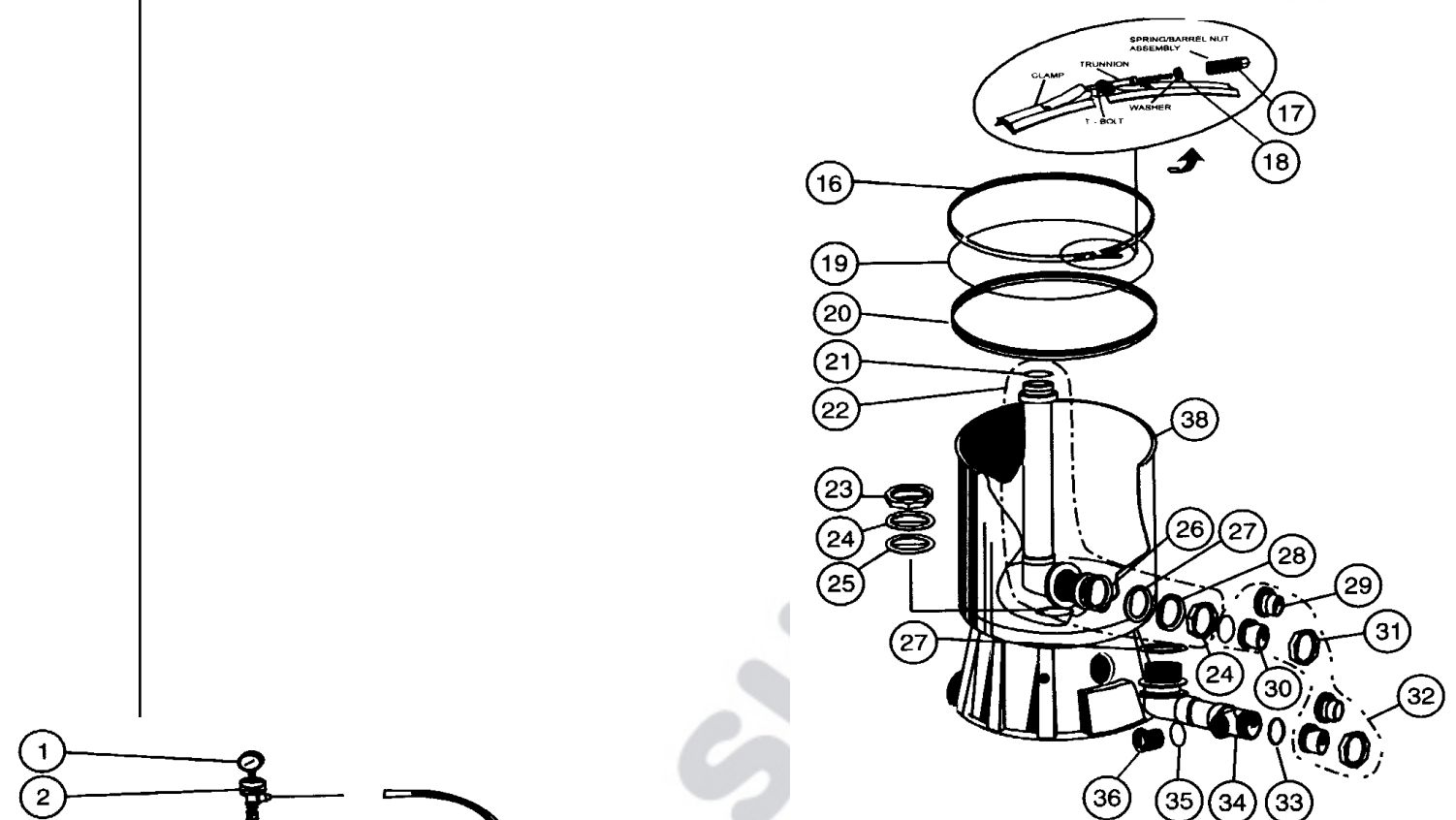
AMERICAN TITAN CM FILTER
Composite Material Filter



AMERICAN PRODUCTS TITAN D.E. FILTER
Stainless Steel

KEY	MFG NO.	DESCRIPTION	ITEM NO.
1	-----	Bottom Mount Pressure Guage, Plastic Case, 1/4"	H7000
1	-----	Bottom Mount Pressure Guage, Metal Case, 1/4"	H7003
2	98209804	High Flow Manual Air Relief Valve (Upgrade kit for filters before 1993)	H3561
2	98209800	High Flow Manual Air Relief Valve	H3708
3	98201200	Hose and Retainer Clips for Air Relief Valve	H3565
4	57014800	Grid Stand-Off (White) for 24 Sq. Ft. (2 Needed)	H3630
4	55021500	Grid Stand-Off (Black) 36 sq ft thru 72 sq ft Filter (2Needed)	H3638
5	58001100	Nut, knurled brass	H3712
6	59000800	Tie Rod, 16" for 24 sq. ft. Filter (2 Needed)	H3528
6	59001500	Tie Rod, 22" for 36 sq. ft. Filter (2 Needed)	H3529
6	59002100	Tie Rod, 28" for 48 sq. ft. Filter (2 Needed)	H3530
6	59002700	Tie Rod, 34" for 60 sq. ft. Filter (2 Needed)	H3531
6	59003300	Tie Rod, 40" for 72 sq. ft. Filter (2 Needed)	H3532
7	59000400	Top Manifold	H3533
8	59011100	Internal Air Bleed Assembly	H3671
10	59001100	Large 12" Grid Only (24 sq ft Res. & 20 sq ft Com.)	H3534*
10	59001800	Large 18" Grid Only (36 sq ft Res. & 30 sq ft Com.)	H3535*
10	59002400	Large 24" Grid Only (48 sq ft Res. & 40 sq ft Com.)	H3536*
10	59003000	Large 30" Grid Only (60 sq ft Res. & 50 sq ft Com.)	H3537*
10	59003600	Large 36" Grid Only (72 sq ft Res. & 60 sq ft Com.)	H3538*
11	59001000	Small 12" Grid Only (24 sq ft Res. & 20 sq ft Com.)	H3541*
11	59001700	Small 18" Grid Only (36 sq ft Res. & 30 sq ft Com.)	H3542*
11	59002300	Small 24" Grid Only (48 sq ft Res. & 40 sq ft Com.)	H3543*
11	59002900	Small 30" Grid Only (60 sq ft Res. & 50 sq ft Com.)	H3544*
11	59003500	Small 36" Grid Only (72 sq ft Res. & 60 sq ft Com.)	H3545*
		<i>* See Product Catalog for Universal Replacement Grids</i>	
12	59001200	Complete Grid Assembly (24 sq ft Res. & 20 sq ft Com.)	H3570
12	59001900	Complete Grid Assembly (36 sq ft Res. & 30 sq ft Com.)	H3571
12	59002500	Complete Grid Assembly (48 sq ft Res. & 40 sq ft Com.)	H3572
12	59003100	Complete Grid Assembly (60 sq ft Res. & 50 sq ft Com.)	H3573
12	59003700	Complete Grid Assembly (72 sq ft Res. & 60 sq ft Com.)	H3675
13	98211400	Nut, 1/4" - 20, plated brass	H8916
14	59000500	Spider Bottom	H3539
15	58001000	Nut, lock, hex, nylon	H3635
16	98201300	Clamp, Tension Control, Stainless Steel (Filters built before 11/94)	H3505
16	98219500	Clamp, Tension Control, Stainless Steel (Filters built after 11/94)	H3502
17	53108900	Spring/Barrel Nut Assembly	H3501
18	53006300	Washer, .325 i.d. for S.S. Filter Clamp	H3657
19	53002800	Tank O-Ring (Filters built before 11/94)	H3506
19	53008800	Tank O-Ring (Filters built after 11/94)	H3656
20	53004900	Back-Up Ring, 1-1/2", 24 Sq Ft Filter (Filters built before 11/94)	H3650
20	53002900	Back-Up Ring, 1-1/2", 36 thru 72 Sq Ft Filter (Filters built before 11/94)	H3507
20	53104900	Back-Up Ring, 2", 24 Sq Ft Filter (Filters built after 11/94)	H3662
20	53102900	Back-Up Ring, 2", 36 thru 72 Sq Ft Filter (Filters built after 11/94)	H3663
21	59000600	O-Ring for outlet pipe	H3651
22	59013311	Outlet Standpipe Assembly, 24 sq. ft. Filter	H3509
22	59013411	Outlet Standpipe Assembly, 36 sq. ft. Filter	H3510
22	59013511	Outlet Standpipe Assembly, 48 sq. ft. Filter	H3511
22	59013611	Outlet Standpipe Assembly, 60 sq. ft. Filter	H3512
22	59013711	Outlet Standpipe Assembly, 72 sq. ft. Filter	H3513
23	87201811	Locknut	H3518
24	55004811	Bulkhead Washer	H3677

AMERICAN PRODUCTS TITAN D.E. FILTER
Stainless Steel



DESCRIPTION

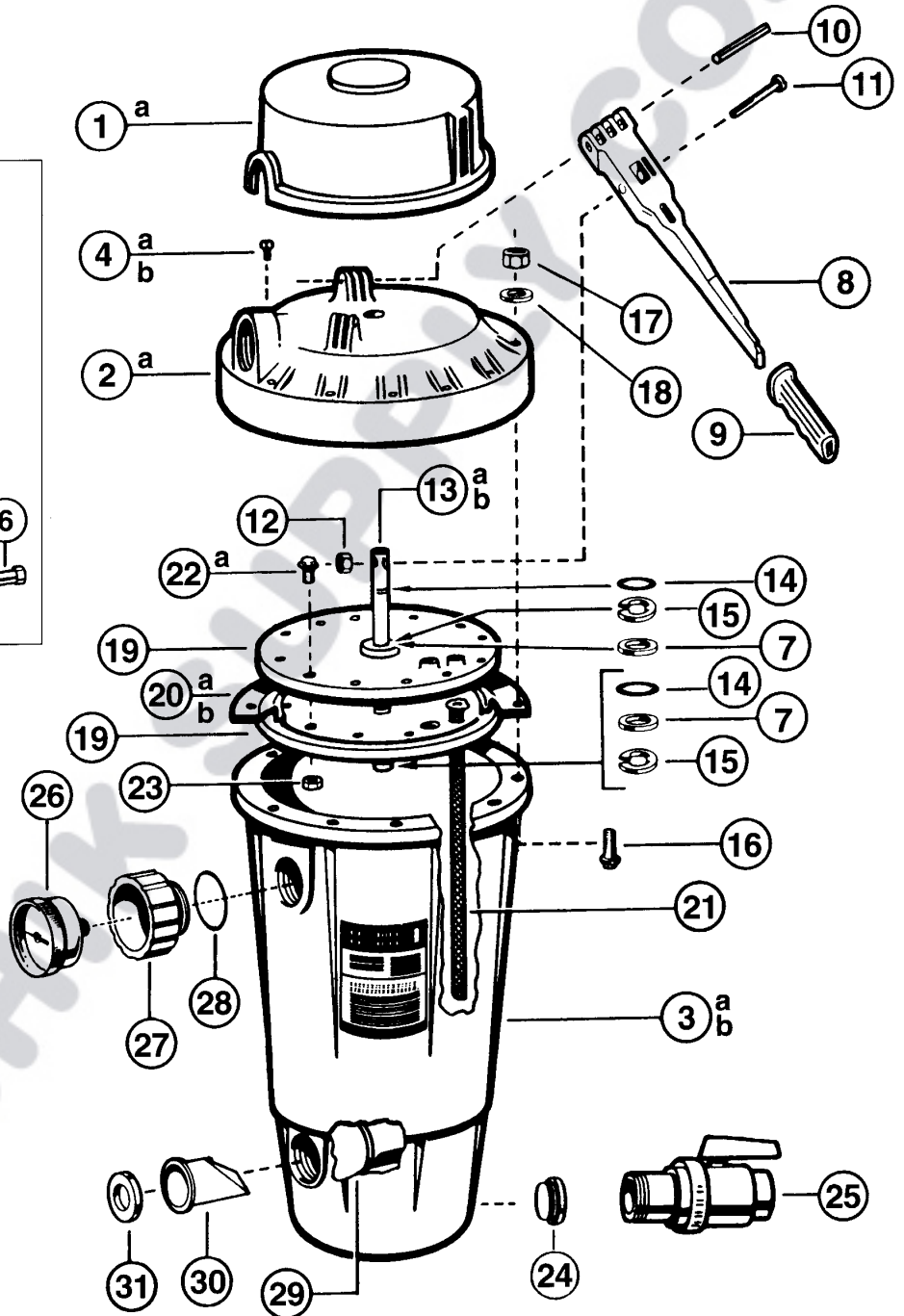
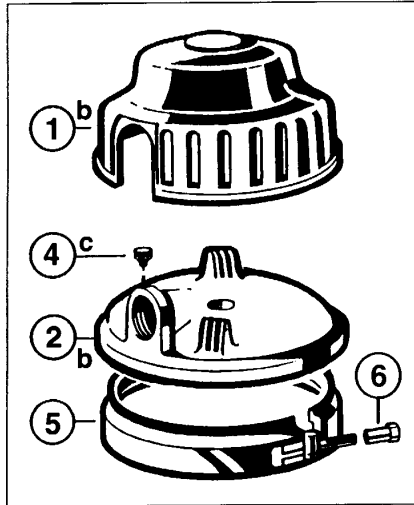
ITEM NO

ad		H3652
ad - Inside		H3515
ad - Outside		H3516
e		H3517
e, 1-1/2"		H3548
1/2" Slip and 2" Male		H3550
		H3549
(Set)	(Filters built before 1/90)	H3616
(Set)	(Filters built after 1/90)	H3564
built before 1/90)		H3547
built after 1/90)		K3872
nably		H3520
ng		H3632
g w/ O-Ring		H3631
ft. Filter	(Filters built before 1/90)	H3503
, 60, 72 sq. ft. Filter	(Filters built before 1/90)	H3641
nit, 24 Sq. Ft. Filter - Residential		H3642
nit, 36 Sq. Ft. Filter - Residential		H3643
nit, 48 Sq. Ft. Filter - Residential		H3644
nit, 60 Sq. Ft. Filter - Residential		H3645
nit, 72 Sq. Ft. Filter - Residential		H3609

HAYWARD PERFLEX D.E. FILTERS EC50A & EC50AC

KEY	MFG NO.	DESCRIPTION	ITEM NO.
1a	ECX11156	Bump Mechanism Cover	H6142
1b	ECX500D	Bump Mechanism Cover - EC50AC	H6142
2a	ECX10334P	Filter Head with Vent Valve	H6144
2b	ECX5000BP	Filter Head with Vent Valve - EC50AC	H6153
3a	ECX11344	Filter Body with Flow Diffuser - Ivory	H6148
3b	ECX5000AP	Filter Body with Flow Diffuser - EC50AC	H6155
4a	ECX1715A	Vent Valve (1978 and prior)	H6282
4b	ECX1321A	Vent Valve (Threaded) with O-Ring	H6152
4c	ECX1322A	Vent Valve with O-Ring - EC50AC	H5203
5	ECX5000C	Clamp Assembly with Springs - EC50AC	H6156
6	DEX360JN	Nickel Plated Sleeve Nut, 5/16" - EC50AC	H6179
7	ECX1011	Thrust Washer	H6394
---	ECX1007	Bump Handle - Metal - EC50A Only	N/A
---	ECX2706A	Bump Handle Grip - Vinyl (metal handle) - EC50A Only	H6306
8	ECX1040	Bump Handle Assembly - Noryl	H6205
9	ECX1037B	Bump Handle Grip - Noryl	H6291
10	ECX100Z9	Pivot Pin, (long)	H6327
11	ECX4236	Shoulder Screw	H6328
12	ECX4249	Locknut	H6321
13a	ECX1009	Bump Shaft, 1/2"	H6162
13b	ECX5000F	Bump Shaft, 1/2" - EC50AC	H6160
14	ECX9611246	O-Ring	H6390
15	ECX1014	Retainer	H6166
16	ECX10271	Filter Head Screw - EC50A Only	H6168
17	ECX176855	Filter Head Nut - EC50A Only	H6292
18	ECX1077	Washer - EC50A Only	H6172
19	ECX1004	Tube Sheet, (top or bottom)	H6174
20a	ECX1003	Diaphragm Gasket	H6176
20b	ECX5000G	Diaphragm Gasket - EC50AC	H6181
21	ECX1032	Flex Tube Assembly (72 needed)	H6180
22	SPX1500N1	Tube Sheet Screw (12 needed)	H6384
22A	ECX164115	No. 10 Flat Washer (12 needed)	H6272
23	SPX1500Y1	Tube Sheet Nut (12 needed)	H6404
24	SP1022C	Plug with Gasket	V5018
25	SP0723	Ball-Type Drain Valve with Nipple	V4118
26	ECX27091	Pressure Gauge - Back Mount	H6194
27	ECX12866	Gauge / Inspection Port Adaptor	H6196
28	ECX1287	O-Ring for Gauge Adaptor	H6198
29	ECX1256	Flow Diffuser with Check Valve	H6200
30	ECX4077B1	Check Valve	H6326
31	ECX1055	Flow Controller	H6206
---	ECX1036	Flex-Tube Nest - EC50A (Includes 7,13a-15, 19, 20a-23)	H6210
---	ECX1037	Flex-Tube Nest - EC50A (includes 7,13b-15,19,20b-23)	H6191

HAYWARD PERFLEX D.E. FILTERS
EC50A & EC50AC



HAYWARD PERFLEX D.E. FILTERS

EC60 Series II

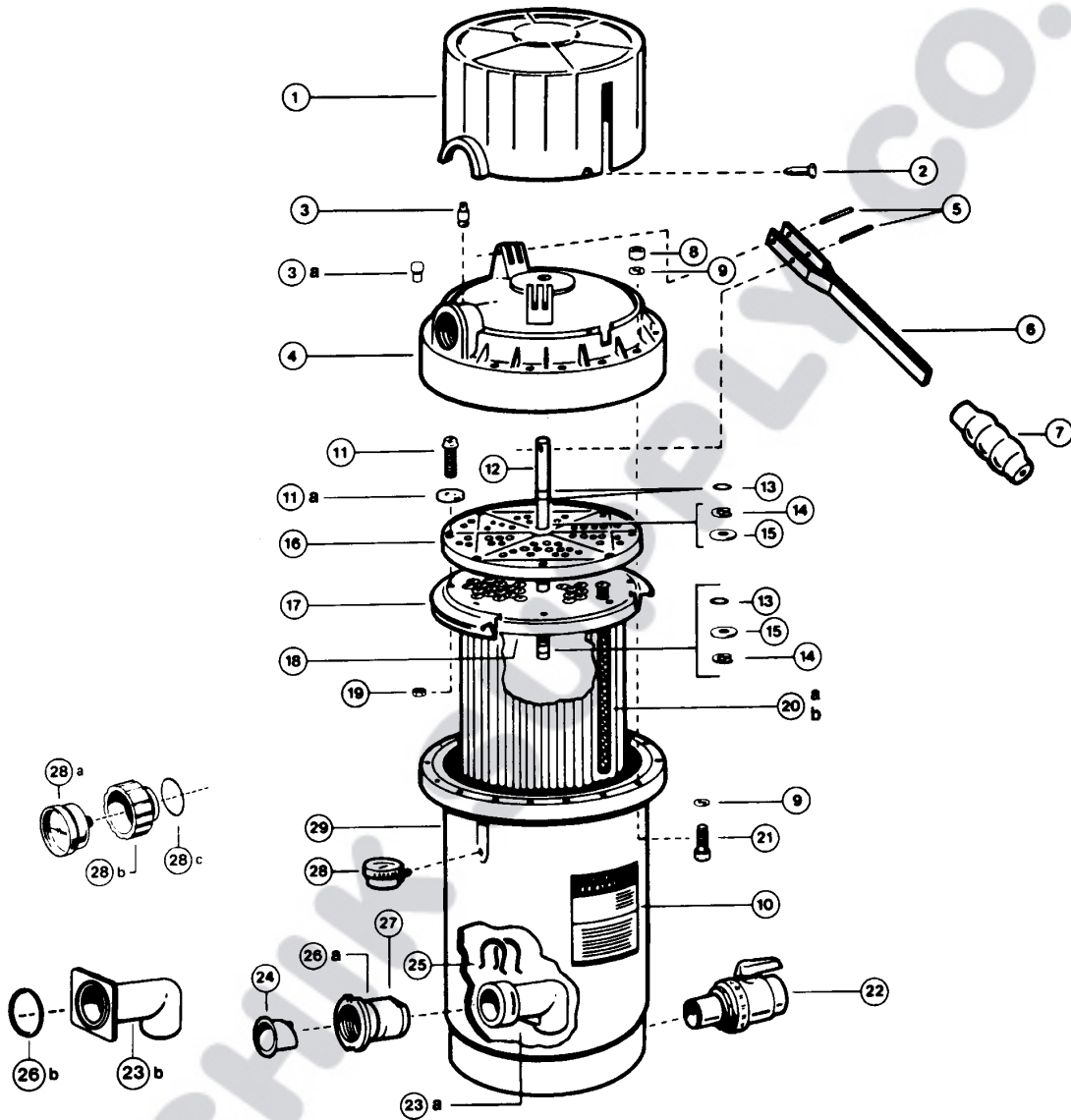
KEY	MFG NO.	DESCRIPTION	ITEM NO.
1	SPX1411Z3	Pan Head Hilo Screw (3 needed)	H6360
2	ECX40867D	Bump Mechanism Cover	H6284
3	ECX1715A	Vent Valve	H6282
4	ECX1243	Filter Head, 1/2" Diameter Shaft Hole	H6283
5	ECX312725	Pushwasher Fastener	H6288
6	ECX103755	3/16" x 1-3/8" Round Head Rivet	H6290
7	ECX1013	Pivot Pin	H6372
8	ECX1242	Bump Handle	H6374
9	ECX2706A	Bump Handle Grip	H6306
10	ECX176855	1/4" - 20 Hex Nut (18 needed)	H6292
11	ECX164115	1/4" Flat Washer (36 needed)	H6380
12	ECX3051D	Tube Sheet Support (Discontinued)	H6382
13	SPX1500N1	Tube Sheet Screw (16 needed)	H6384
13a	ECX1641125	No. 10 Flat Washers	H6272
14	ECX1110	Bump Shaft	H6388
15	ECX9611246	O-Ring for Bump Shaft (2 needed)	H6390
16	ECX1014	Retainer (2 needed)	H6166
17	ECX1011	Thrust Washer (2 needed)	H6394
18	ECX1031	Flex - Tube Assembly (120 needed)	H6396
19	EXC1104	Tube Sheet (Top)	H6484
20	ECX2641D1	Diaphragm Gasket	H6400
21	ECX1103	Tube Sheet (Bottom)	H6402
22	SPX1500Y1	Tube Sheet Nut (16 needed)	H6404
23	ECX25943D	Filter Body (Discontinued)	H6406
24	ECX1642215	1/4" - 20 x 1-3/4" Hex Head Bolt (18 needed)	H6310
25	SP0723	Ball Type Drain Valve	H6410
26	ECX27081	Pressure Gauge	H6316
27	ECX4247	Elbow Assembly, Includes EC-4077-B-1 Check Valve	H6318
28	ECX4077B1	Check Valve	H6326
29	ECX4201C	Inlet Fitting	H6322
30	SP-1425Z6	O-Ring	H6722
31	ECX4212A	Retainer	H6320
32	ECX42182A	Decal - Operation (Discontinued)	H6346
33	ECX27071	1-9/16" I.D. Clear Hose	H6426
34	ECX18028	Hose Clamp (2 needed)	H6428
35	SPX1105Z4	1-1/2" Hose-Elbow Adapter (2 needed)	H6430
36	ECX12643	3/8" - 16 x 1" Hex Head Self-Tapping Bolt (Discontinued)	H6432
37	ECX16415H	3/8" Flat Washer (6 needed)	H6434
38	ECX30442D	Pump Mounting Base	H6436
39	SPXST506Z4	3/8" - 16 x 1-1/4" Hex Head Bolt (2 needed)	H6438
40	SPXST285Z2	3/8" - 16 Hex Nut (2 needed)	H6440
---	ECX1233	Flex - Tube Nest Assembly (Includes: #13 thru #22)	H6397
Misc. EC60 Filter Parts (Prior to 1975) - Limited Stock			
---	ECX2641D	Diaphragm Gasket	H6262
---	ECX2670BA	Bump Shaft Assembly Stainless Steel - 3/4"	H6296
---	ECX163965	Bump Shaft Retainer	H6298
---	ECX2899A	Bump Shaft O-Ring (2 needed)	H6300
---	ECX2718B	Flex - Tube Assembly (120 needed)	H6308
---	ECX103755	3/16" x 1-3/8" Round Head Rivet (3 needed)	H6290
---	ECX2596C	Tube Sheet	N/A

HAYWARD PERFLEX D.E. FILTERS

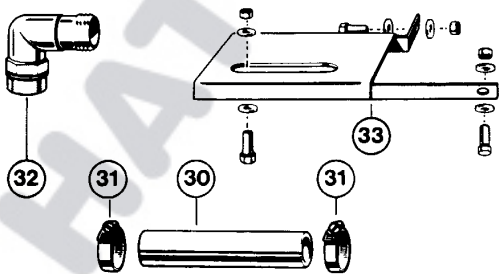
EC65 & EC75

KEY	MFG NO.	DESCRIPTION	ITEM NO.
1	ECX11206	Bump Mechanism Cover	H6450
2	ECX1019	Cover Screw (2 needed)	H6452
3	ECX1715A	Vent Valve - 1978 and Prior	H6282
3A	ECX1321A	Vent Valve (Threaded) with O-Ring	H6152
4	ECX11194AT	Filter Head with New Vent Valve, Ivory	H6458
5	ECX1013	Pivot Pin (2 needed)	H6372
6	ECX1040	Bump Handle Assy. (Noryl) Includes Pin, Shoulder, Screw, Nut	H6205
7	ECX2706A	Handle Grip for Metal Handle	H6306
---	ECX1007	Bump Handle - Metal	N/A
---	ECX1037B	Bump Handle Grip - Noryl	H6291
8	ECX176855	1/4" - 20 Hex Head Nut (15 needed)	H6292
9	ECX1252	1/4" x 11/16" O.D. Flat Washer (30 needed)	H6468
10	ECX1230	Decal, Operation	H6251
11	SPX1500N1	Tube Sheet Screw (16 needed)	H6384
11A	ECX1641125	No. 10 Flat Washer (16 needed)	H6272
12	ECX1110	Bump Shaft	H6388
13	ECX9611246	O-ring, Bump Shaft (3 needed)	H6390
14	ECX1014	Retainer (2 needed)	H6166
15	ECX1011	Thrust Washer (2 needed)	H6394
16	ECX1104	Tube Sheet (Top)	H6484
17	ECX1105	Diaphragm Gasket	H6486
18	ECX1103	Tube Sheet (Bottom)	H6402
19	SPX1500Y1	Tube Sheet Nut (16 needed)	H6404
20A	ECX1031	Flex - Tube Assembly - 13-3/8" Long (EC-65)(120 needed)	H6396
20B	ECX1032	Flex - Tube Assembly - 16-1/4" Long (EC-75)(120 needed)	H6180
21	ECX1642215	1/4" - 20 x 1-3/4" Hex Head Bolt (15 needed)	H6310
22	SP-723	Ball Type Drain Valve	H6410
23A	ECX4200C	Elbow (1989 - Prior)	H6500
23B	ECX4220A	Elbow Assembly with Check Valve	H6501
24	ECX4077B1	Check Valve	H6326
25	ECX4212A	Retainer (1989 - Prior) (2 needed)	H6320
26A	SPX1425Z6	O-Ring (1989 - Prior)	H6722
26B	SPX1500W	O-Ring (1990)	K4279
27	ECX4201CA	Inlet Fitting with ECX4077-B-1 Check Valve (1989 - Prior)	H6508
28	ECX27081	Pressure Gauge	H6316
28A	ECX27091	Pressure Gauge, Back Mount	H6194
28B	ECX12866	Gauge, Port Adaptor	H6196
28C	ECX1287	Adaptor O-Ring	H6198
29	ECX11184AT	Filter Body with New Elbow Assembly	H6512
---	ECX1251	Flex - Tube Nest (EC-65) Includes Items #11 thru #20	H6514
---	ECX125175	Flex - Tube Nest (EC-75) Includes Items #11 thru #20	H6516
Series EC65 - Standard			
30	ECX27071	1-9/16" I.D. Clear Hose	H6426
31	ECX18028	Hose Clamp (2 needed)	H6428
32	SPX1105Z4	1-1/2" Elbow Hose Adaptor (2 needed)	H6430
33	ECX30442D	Pump Mounting Base	H6436
Series EC65 System III			
34	SPX1485C	Gasket	H6726
35	SPX1485B	Pump Discharge Elbow	H6534
36	SPX1425Z6	O-Ring	H6722
37	SPX1485A	Union Ball End	H6538
38	SPX1480C	Union Nut	H6720
39	ECX1263	Base	H6542
40	ECX1275	Pump Mounting Screw, 1-1/4" (2 needed)	H6544
41	ECX1109	Mounting Screw Washer (2 needed)	H6236
42	SPX1600Z54	Anchor Screw (Package of 4)	K4390

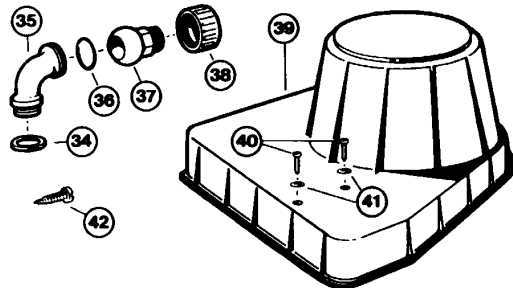
HAYWARD PERFLEX D.E. FILTERS
EC65 & EC75



SERIES EC65 - STANDARD



SERIES EC65 SYSTEM III

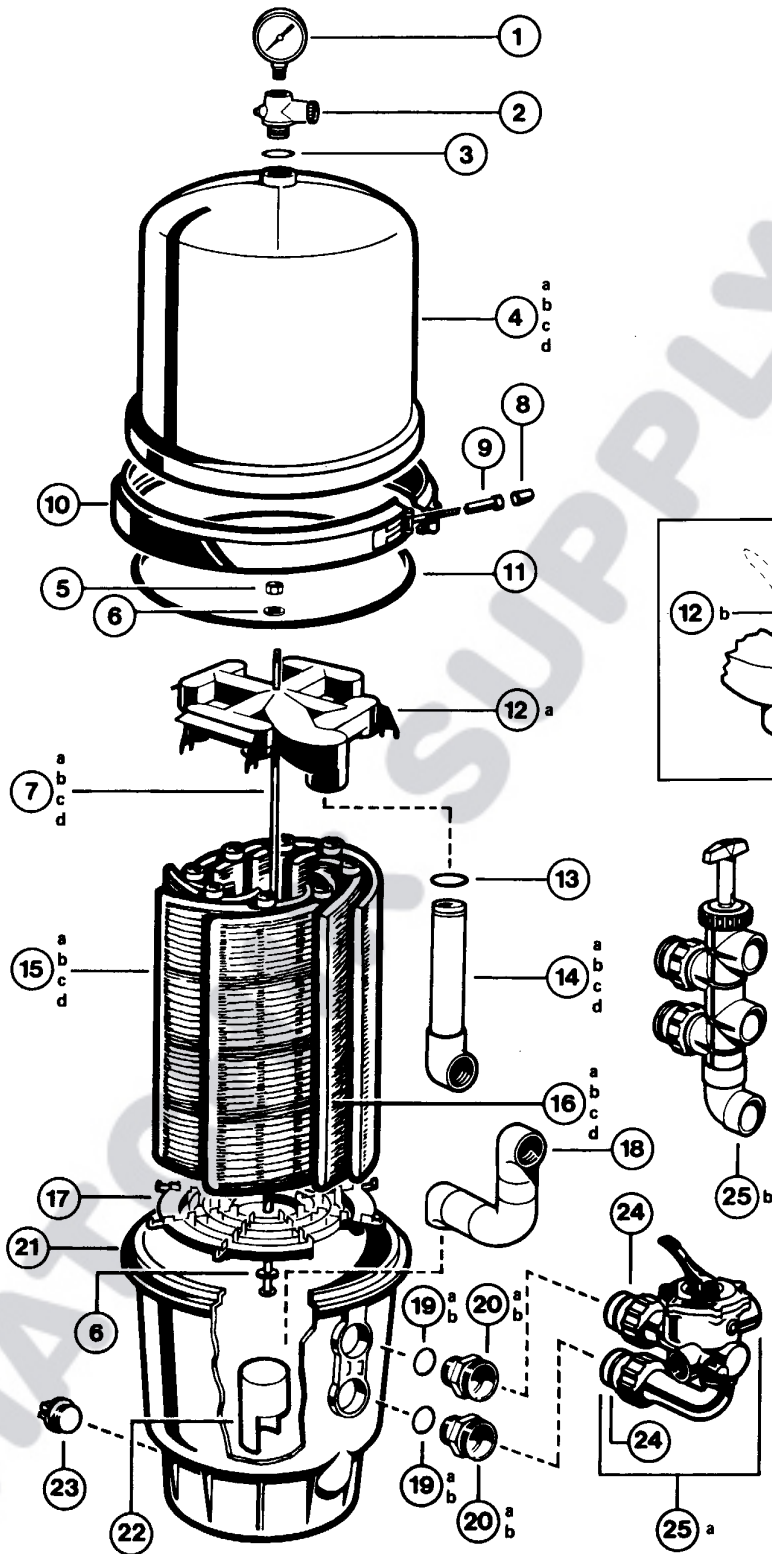


HAYWARD MICRO-CLEAR D.E. FILTERS

DE-2400, DE-3600, DE-4800 & DE-6000

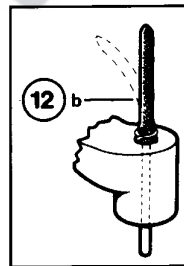
KEY	MFG NO.	DESCRIPTION	ITEM NO.
1	ECX270861	Pressure Gauge	H6317
2	DEX2400S	Relief Valve / Gauge Adaptor Assembly	H6075
---	DEX2400Z3A	O-Ring for Relief Valve Stem (Set of 3)	H6323
3	SX200Z5	Relief Valve Assembly O-Ring	H6642
4A	DEX2400BT	Filter Head, Ivory (DE-2400)	H6643
4B	DEX3600BT	Filter Head, Ivory (DE-3600)	H6053
4C	DEX4800BT	Filter Head, Ivory (DE-4800)	H6054
4D	DEX6000BT	Filter Head, Ivory (DE-6000)	H6113
5	ECX176865	Retainer Nut, 5/16" - 18	H6293
6	ECX1109	Washer, 5/16"	H6236
7A	DEX2400R	Retainer Rod (DE-2400)	H6237
7B	DEX3600R	Retainer Rod (DE-3600)	H6239
7C	DEX4800R	Retainer Rod (DE-4800)	H6057
7D	DEX6000R	Retainer Rod (DE-6000)	H6058
8	DEX2400J1	Protector Cap (2 needed)	H6090
9	DEX2400JN	Brass Sleeve Nut, 5/16" - 24 (2 needed)	H6159
10	DEX2400J	Clamp Assembly with Spring Assemblies	H6109
11	DEX2400K	Filter Tank O-Ring	H6093
12A	DEX2400C	Top Collector Manifold with Automatic Air Relief	H6059
12B	DEX2400CR	Automatic Air Relief Assembly	H6121
13	DEX2400Z5	Outlet Elbow O-Ring	H6094
14A	DEX2400EAB	Outlet Elbow (DE-2400)	H6393
14B	DEX3600EAB	Outlet Elbow (DE-3600)	H6395
14C	DEX4800EAB	Outlet Elbow (DE-4800)	H6097
14D	DEX6000EAB	Outlet Elbow (DE-6000)	H6098
15A	DEX2400DA	12" Filter Grid Element Only - Full (DE-2400)	H6099
15B	DEX3600DA	18" Filter Grid Element Only - Full (DE-3600)	H6100
15C	DEX4800DA	24" Filter Grid Element Only - Full (DE-4800)	H6101
15D	DEX6000DA	30" Filter Grid Element Only - Full (DE-6000)	H6102
16A	DEX2400DS	12" Filter Grid Element Only - Short (DE-2400)	H6103
16B	DEX3600DS	18" Filter Grid Element Only - Short (DE-3600)	H6104
16C	DEX4800DS	24" Filter Grid Element Only - Short (DE-4800)	H6105
16D	DEX6000DS	30" Filter Grid Element Only - Short (DE-6000)	H6106
17	DEX2400H	Filter Element Locator - Bottom	H6107
18	DEX2400GAB	Inlet Elbow Assembly	H6108
19A	SX200Z3	O-Ring (1995 and prior)	H6686
19B	SX360Z1	O-Ring (1996- present)	H6735
20A	DEX360F	Bulkhead Fitting (Noryl)	H6120
20B	DEX360FB	Buttress Thread Bulkhead Fitting (1997-present)	H6195
21	DEX2400A1T	Filter Body, Ivory (All Models)	H6089
22A	DEX2400T	Element Spacer (DE-2400 Only)	H6175
23	SP-1022C	1-1/2" Drain Plug with O-Ring	V5018
24	SX200Z4	O-Ring	H6694
25A	SP0710XR50	Vari-Flo Valve Assembly - 1-1/2" NPT	H6070
---	SP0715XR50	Vari-Flo Valve Assembly - 2" NPT	H6071
---	SP0740DE	Selecta-Flo Valve Assembly - 2" Socket	V4127
25B	SP0410X502S	Slide Valve Assembly - 2" Socket	H6073
---	DEX2400DC	Complete Set Filter Element Cluster Assembly (DE-2400)	H6114
---	DEX3600DC	Complete Set Filter Element Cluster Assembly (DE-3600)	H6111
---	DEX4800DC	Complete Set Filter Element Cluster Assembly (DE-4800)	H6112
---	DEX6000DC	Complete Set Filter Element Cluster Assembly (DE-6000)	H6138
26	DEX2400JKIT	Clamp Spring Assembly Replacement Kit (2 Assemblies)	H6161

HAYWARD MICRO-CLEAR D.E. FILTERS
 DE-2400, DE-3600, DE-4800 & DE-6000
 (Duralon & PermaglassXL)

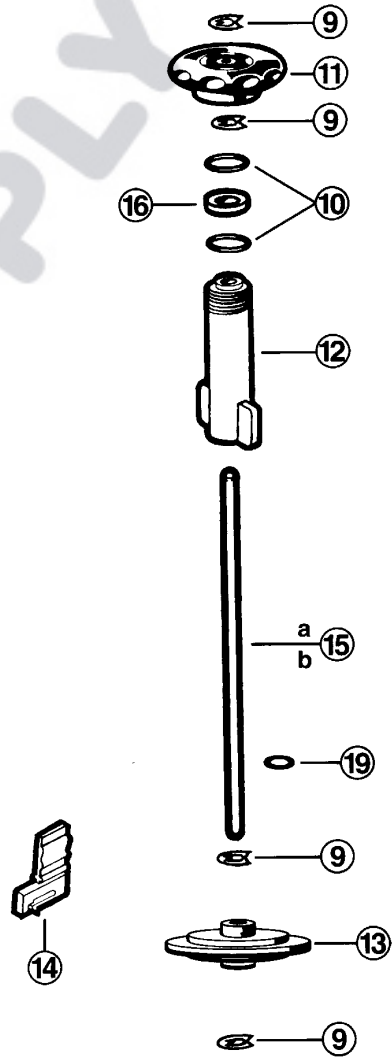
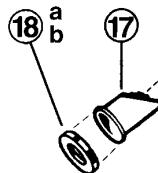
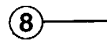
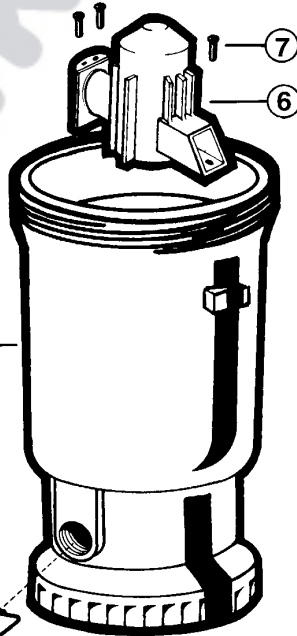
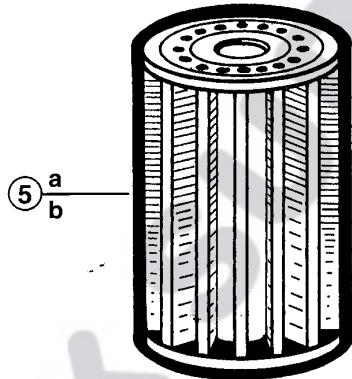
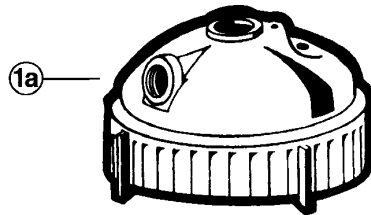
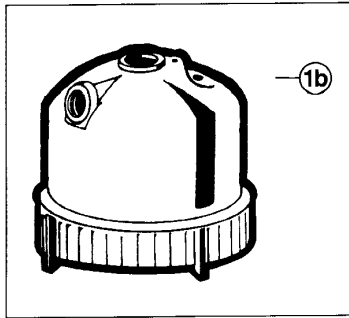


Clamp Spring Assembly

The sleeve nut assembly, which includes a spring, two washers (small and large hole) and a sleeve nut, provides a visual means of ensuring that the clamp is tight.



HAYWARD REGENX
Models RG450, RG700 & SC700



HAYWARD REGENX
Models RG450, RG700 & SC700

KEY	MFG. NO.	DESCRIPTION	ITEM NO.
1a	RGX45BC	Filter Head w/ Locking Ring (RG450)	H6840
1b	RGX70BC	Filter Head w/ Locking Ring (RG700, SC700)	H6842
2	ECX27091	Pressure Gauge	H6194
3	ECX1322A	Air Relief	H5204
4	RGX45G	Filter Head O-Ring	H6844
5a	RGX55GE	Grid Element (RG450)	H6846
5b	RGX70GE	Grid Element (RG700, SC700)	H6848
6	RGX45D	Diffuser	H6850
7	RGX45Z1	Diffuser Screws (3 needed)	H6852
8	RGX45AA	Filter Body	H6854
9	RGX45R1	Retainer Ring (4 needed)	H6858
10	SPX1082Z410	Piston O-Ring (2 needed)	H6860
11	RGX45K	Piston Knob	H6862
12	RGX45J	Seal Locator	H6864
13	RGX55PA	Piston Mechanism	H6866
14	CX400D	Locking Ring Latch	H6868
15a	RGX45R	Piston Rod (RG450)	H6870
15b	RGX70R	Piston Rod (RG700)	H6872
16	RGX45F	Polyethelene Washer	H6874
17	ECX4077B1	Check Valve	H6326
18a	ECX1055	Flow Controller (RG450, RG550)	H6878
18b	ECX1056	Flow Controller (RG700, SC700)	H6880
19	SPX3000Z26	Washer	K4433

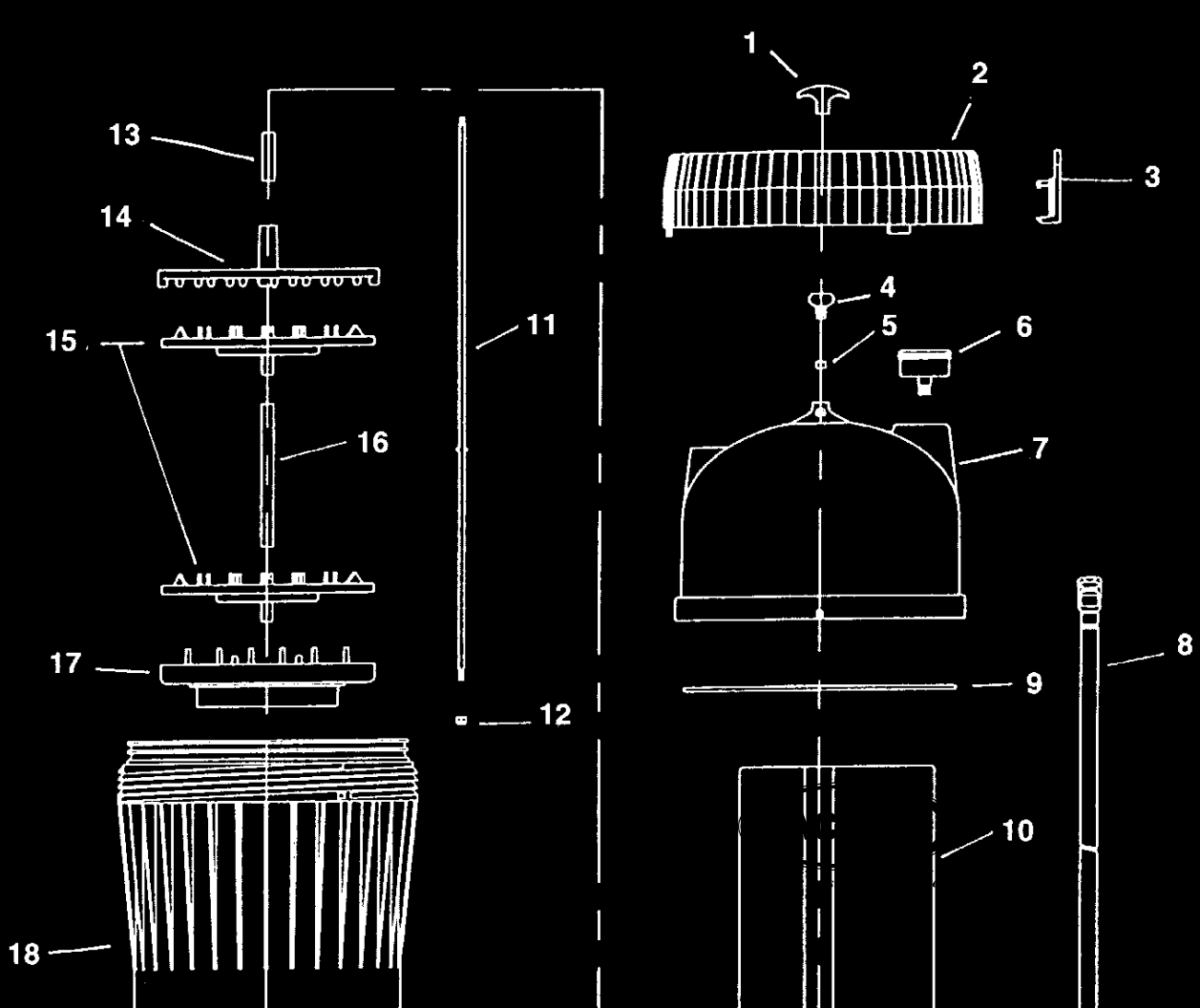


JACUZZI AVALANCHE D.E. FILTER
AV40, AV60, AV80, AV100

KEY	MFG NO.	DESCRIPTION	ITEM NO.
1	42-3614-02-R	Handle	H8407
2	42-3671-02-R	Ring-Lok	H8535
3	42-3677-06-R	Cover Latch	H8536
4	14-4282-05-R	Air Bleed Knob w/ O-Ring	H8401
5	43-3098-06-R	O-Ring for Air Bleed Knob	H8576
6	9193-4182-R	Pressure Gauge	H8577
6	-----	Generic Pressure Gauge, Back Mount	H7010
7	42-2852-05-R	Cover AV40	H8195
7	42-2998-00-R	Cover AV60	H8196
7	42-3610-00-R	Cover AV80	H8578
7	42-3611-01-R	Cover AV100	H8579
8	23-4836-05-R	Lifting Strap AV40	H8580
8	23-4835-06-R	Lifting Strap AV60	H8919
8	23-4834-07-R	Lifting Strap AV80	H8468
8	23-4953-02-R	Lifting Strap AV100	H8921
9	47-0380-47-R	O-Ring	H8197
10	42-3570-04-R	Grid for AV40 7" W x 12" L (2 needed)	H8477
10	42-3569-07-R	Grid for AV40 8-1/2" W x 12" L (4 needed)	H8476
10	42-2125-14-R	Grid for AV60 7" W x 18" L (2 needed)	H8126
10	42-2123-16-R	Grid for AV60 8-1/2" W x 18" L (4 needed)	H8125
10	42-2952-04-R	Grid for AV80 7" W x 24" L (2 needed)	H8129
10	42-2951-05-R	Grid for AV80 8-1/2" W x 24" L (4 needed)	H8128
10	42-2955-01-R	Grid for AV100 7" W x 30" L (2 needed)	H8132
10	42-2954-02-R	Grid for AV100 8-1/2" W x 30" L (4 needed)	H8131
11	14-4387-09-R	Wiper Tie Rod AV40	H8922
11	14-4388-08-R	Wiper Tie Rod AV60	H8923
11	14-4389-07-R	Wiper Tie Rod AV80	H8924
11	14-4390-04-R	Wiper Tie Rod AV100	H8928
12	14-4314-07-R	Nut	H8474
13	31-1737-07-R	Top Extension AV40	H8938
13	31-1732-06-R	Top Extension AV60	H8940
13	31-1733-05-R	Top Extension AV80	H8957
14	42-3544-07-R	Support Plate	H8429
15	42-3559-09-R	Wiper Plate	H8469
16	31-1687-08-R	Spacer AV40	H8470
16	31-1689-09-R	Spacer AV60 & AV100 (2 needed for AV100)	H8472
16	31-1688-00-R	Spacer AV80 (LS70)	H8473
17	42-3546-05-R	Manifold	H8475
18	42-3673-00-R	Filter Body 2" NPT Connections	H8542
18	42-3662-00-R	Filter Body 1-1/2" NPT Connections	H8958
19	13-0011-02-R	Plug Gasket 2"	H8543
19	13-0013-00-R	Plug Gasket 1-1/2"	H8959
20	43-3092-02-R	Plug 2" w/ Gasket	H8544
20	43-3091-03-R	Plug 1-1/2" w/ Gasket	H8960

JACUZZI AVALANCHE D.E. FILTER
AV40, AV60, AV80 & AV100

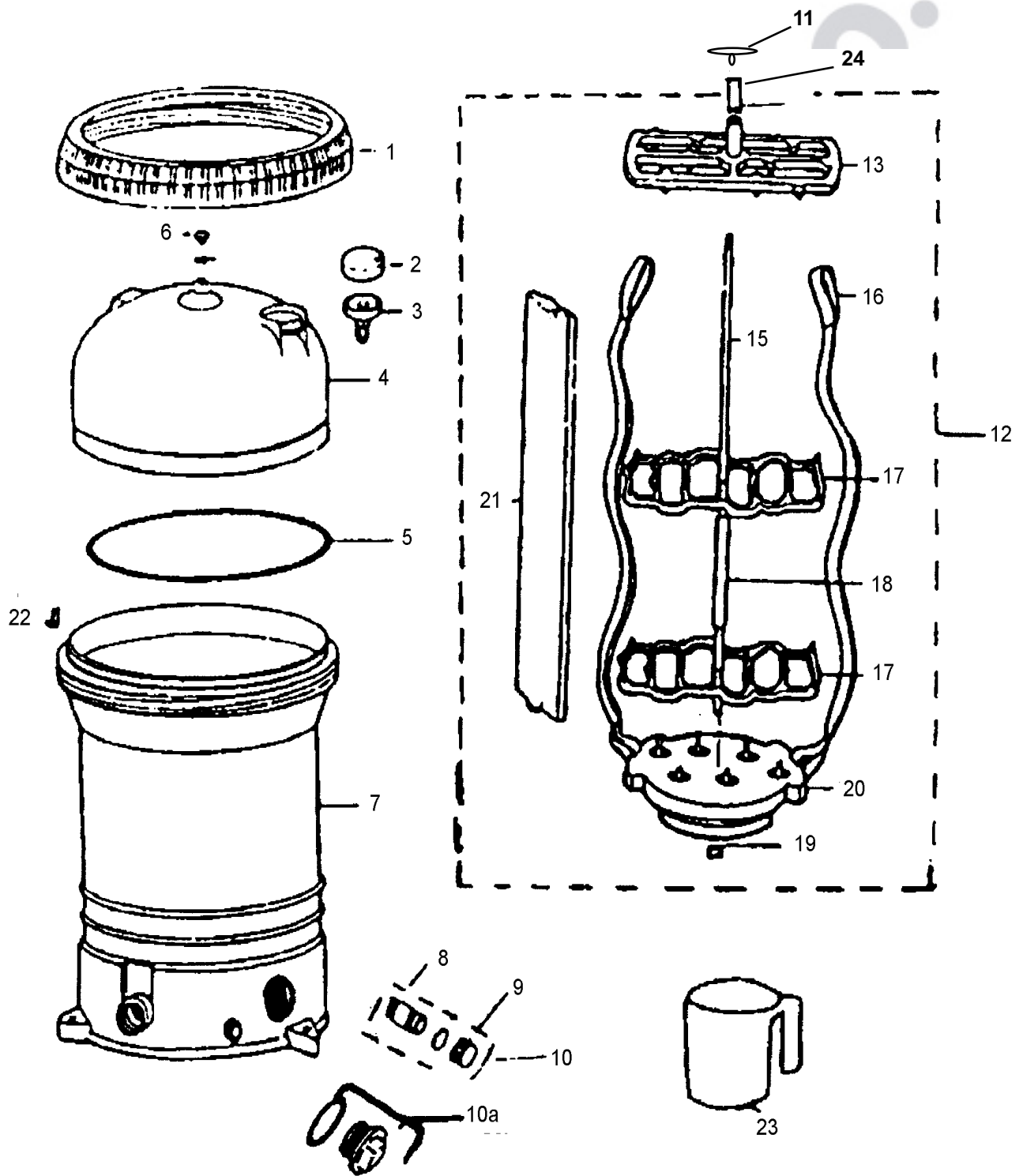
SUPPLY CO.



JACUZZI LANDSLIDE D.E. FILTERS
LS40, LS55 & LS70

KEY	MFG NO.	DESCRIPTION	ITEM NO.
1	42-2850-07-R	LS Ring Lock Nut	H8190
2	42-2253-18-R	Lens Cover for Pressure Gauge	H8191
3	9193-4182-R	Pressure Gauge, Back Mount	H8388
3	-----	Generic Pressure Gauge, Back Mount	H7010
4	42-2998-00-R	Lid Cover (LS70 & LS40)	H8196
4	42-2852-05-R	Lid Cover (LS55)	H8195
5	47-0380-47-R	O-Ring for Cover	H8197
6	14-4282-05-R	Air Bleed Knob with O-Ring	H8401
7	42-3579-05-R	Body Only - 2" (LS55 & LS70)	H8403
7	42-3578-06-R	Body Only - 2" (LS40)	H8405
8	31-0636-05-R	Drain Nipple	N/A
9	85-8263-00-R	Drain Cap with Gasket	H8108
10	3106-0636-05-RKIT	Drain Assy (Includes # 8 & 9)	H8581
10A	43-3092-02-R	2" Plug w/ O-Ring	H8582
10A	43-3091-03-R	1-1/2" Plug w/ 2 O-Rings	H8584
11	42-3614-02-R	LS Handle	H8407
11A	42-0000-18-R	1/4" - 20 LS Handle (Used Prior to 7/19/93)	H8413
12	42-3562-06-R	Grid Cassett (LS40)	H8415
12	42-3567-09-R	Grid Cassett (LS55)	H8417
12	42-3558-00-R	Grid Cassett (LS70)	H8421
13	42-3544-07-R	Upper Support Plate (All Models)	H8429
15	14-4286-01-R	Wiper Tie Rod (LS40)	H8433
15	14-4285-02-R	Wiper Tie Rod (LS55)	H8464
15	14-4283-04-R	Wiper Tie Rod (LS70)	H8465
16	23-4836-05-R	Lifting Strap (LS40) (Set of 2 each)	H8466
16	23-4835-06-R	Lifting Strap (LS50) (Set of 2 each)	H8467
16	23-4834-07-R	Lifting Strap (LS70) (Set of 2 each)	H8468
17	42-3559-09-R	LS Wiper (2 each per unit)	H8469
18	31-1687-08-R	Spacer 3-1/4" Bottom (LS40)	H8470
18	31-1689-09-R	Spacer 6-1/4" (LS55)	H8472
18	31-1388-00-R	Spacer 9-1/4" (LS70)	H8473
19	14-4314-07-R	Nut, 1/4" - 20	H8474
20	42-3546-05-R	LS Manifold	H8475
21	42-3569-07-R	Grid (LS40) 8-1/2" x 12" (4 per unit)	H8476
21	42-3570-04-R	Grid (LS40) 7" x 12" (2 per unit)	H8477
21	42-2123-16-R	Grid (LS55) 8-1/2" x 18" (4 per unit)	H8125
21	42-2125-14-R	Grid (LS55) 7" x 18" (2 per unit)	H8126
21	42-2951-05-R	Grid (LS70) 8-1/2" x 24" (4 per unit)	H8128
21	42-2952-04-R	Grid (LS70) 7" x 24" (2 per unit)	H8129
24	42-3601-07-R-R010	Locking Tab (1 = package set of 10)	H8109
23	42-3541-00	DE Scoop	H8482
24	31-1695-01-R	LS40 Spacer 2-15/16" Top	H8487
24	31-1694-02-R	LS55 Spacer 1-15/32" Top	H8489

JACUZZI LANDSLIDE D.E. FILTERS
LS40, LS55 & LS70

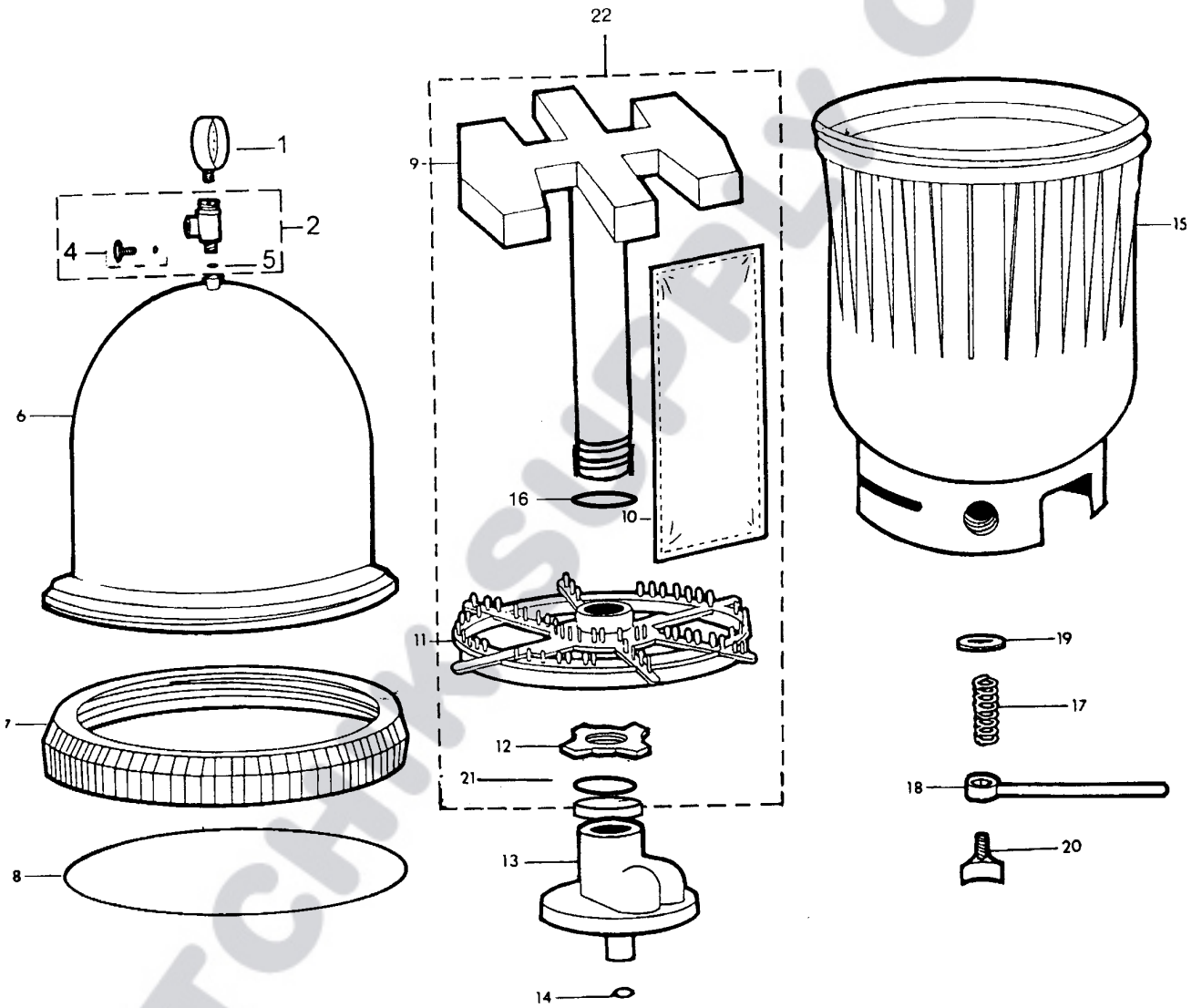


"The Most Trusted Name In Water"™

JACUZZI EARTHWORKS D.E. FILTERS
EW 75, EW 100, EW 125 & EW 150

KEY	MFG NO.	DESCRIPTION	ITEM NO.
1	9193-4158-R	Pressure Gauge, 0-60 psi	H8368
1	-----	Generic Pressure Gauge, Bottom Mount, Plastic	H7000
1	-----	Generic Pressure Gauge, Bottom Mount, Metal	H7003
2	42-2972-00-R	Air Bleeder Tee Assy, 1/4" - PVC (Includes: 4 & 5)	H8111
4	39-2547-01-R	Air Bleeder Valve Knob	H8193
5	47-0112-00-R	O-Ring, 1/2" x 11/16" x 3/32"	H8181
6	42-2930-01-R	Filter Top 40 sq ft (EW 75)	H8112
6	42-2931-00-R	Filter Top 50 sq ft (EW 100)	H8113
6	42-2932-09-R	Filter Top 60 sq ft (EW 125)	H8114
6	42-2933-08-R	Filter Top 70 sq ft (EW 150)	H8116
7	42-2935-06-R	Nut, Earthworks Filter - Aluminum	H8117
8	47-0569-99-R	Tank O-Ring, Earthworks Filter - 20"	H8118
9	42-3524-01-R	Manifold Assembly with #16 O-Ring (EW 75)	H8119
9	42-3525-00-R	Manifold Assembly with #16 O-Ring (EW 100)	H8121
9	42-3526-09-R	Manifold Assembly with #16 O-Ring (EW 125)	H8122
9	42-3527-08-R	Manifold Assembly with #16 O-Ring (EW 150)	H8123
10	42-2121-18-R	(EW 75) Element 10" x 18" (4 per unit)	H8124
	42-2123-16-R	(EW 75) Element 8-1/2" x 18" (8 per unit)	H8125
	42-2125-14-R	(EW 75) Element 7" x 18" (6 per unit)	H8126
10	42-2950-06-R	(EW 100) Element 10" x 24" (4 per unit)	H8127
	42-2951-05-R	(EW 100) Element 8-1/2" x 24" (8 per unit)	H8128
	42-2952-04-R	(EW 100) Element 7" x 24" (6 per unit)	H8129
10	42-2953-03-R	(EW 125) Element 10" x 30" (4 per unit)	H8130
	42-2954-02-R	(EW 125) Element 8-1/2" x 30" (8 per unit)	H8131
	42-2955-01-R	(EW 125) Element 7" x 30" (6 per unit)	H8132
10	42-2956-00-R	(EW 150) Element 10" x 36" (4 per unit)	H8133
	42-2957-09-R	(EW 150) Element 8-1/2" x 36" (8 per unit)	H8134
	42-2958-08-R	(EW 150) Element 7" x 36" (6 per unit)	H8135
11	85-5400-03-R	Element Support Plate - ABS	H8136
12	14-4248-08-R	Retainer Ring for Earthworks Filter	H8137
13	42-2937-04-R	Dial Valve Assembly for Earthworks Filter	H8139
14	47-0212-66-R	O-Ring	H8149
15	42-2934-07-R	Filter Bottom	H9220
16	14-0139-09-R	O-Ring	H8101
17	16-1091-00-R	Compression Spring, Stainless Steel	H8151
18	22-5574-09-R	DV Handle - Aluminum / Bronze	H8152
19	14-1984-02-R	Washer 1-1/32" x 1-1/2" x .045	H8153
20	14-4262-09-R	DV Thumb Screw for Earthworks Filter	H8154
21	14-4308-05-R	Foam Washer (Discontinued 9/98)	H8155
22	42-3584-08	(EW 75) Manifold Grid Assembly (Items 9 thru 12)	H8156
22	42-3585-07	(EW 100) Manifold Grid Assembly (Items 9 thru 12)	H8157
22	42-3586-06	(EW 125) Manifold Grid Assembly (Items 9 thru 12)	H8158
22	42-3587-05	(EW 150) Manifold Grid Assembly (Items 9 thru 12)	H8159

JACUZZI EARTHWORKS D.E. FILTERS
EW 75, EW 100, EW 125 & EW 150

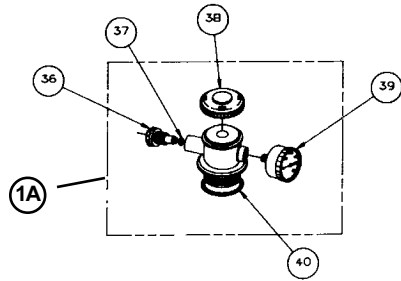
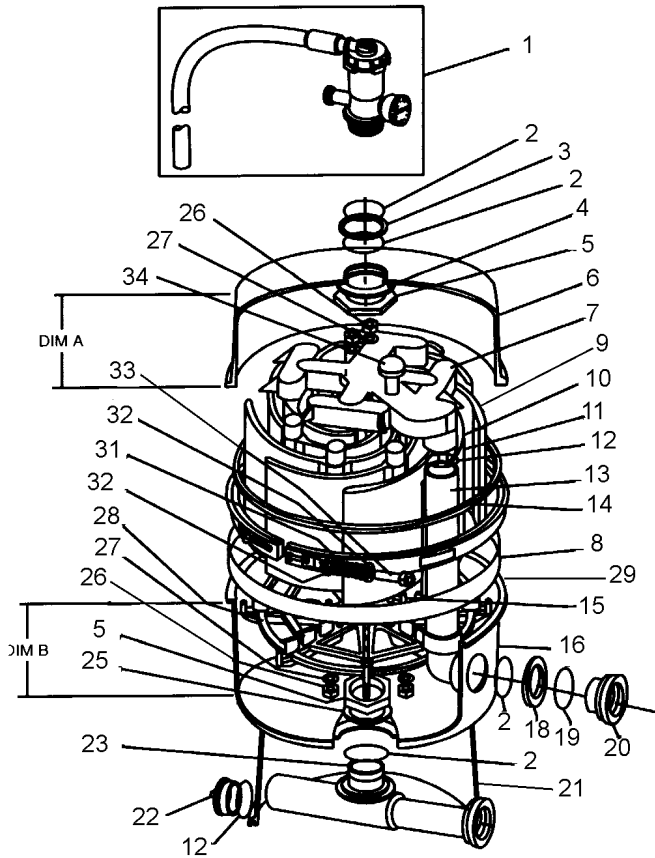


"The Most Trusted Name In Water"™

PAC-FAB NAUTILUS D.E. FILTER
NS Series - Stainless Steel Tank

KEY	MFG NO.	DESCRIPTION	ITEM NO.
1	273550	Air Relief Assembly, Automatic	H4316
1A	261003	Manual Air Relief Assembly	H4316
2	274494	O-Ring - 2" Bulkhead (4 needed)	H3371
3	273502	Black Top - Spacer	H4321
4	273505	Spacer	H4419
5	154412	Bulkhead Nut (2 needed)	H4230
6	188527*	Top Shell Retrofit Kit (NS/NSP-24) (Replaces #192276)	H4379
6	188528*	Top Shell Retrofit Kit (NS/NSP-36) (Replaces #192277)	H4380
6	188529*	Top Shell Retrofit Kit (NS/NSP-48) (Replaces #192278)	H4381
6	188530*	Top Shell Retrofit Kit (NS/NSP-60) (Replaces #152255)	H4383
6	188531*	Top Shell Retrofit Kit (NS/NSP-72) (Replaces #192190)	H4384
7	192193	Upper Manifold Assembly	H3134
8	152128	Retainer, S.S. - 18" Diameter	H4212
9	59001000	Partial Grid, 24 Sq. Ft., 12" (Generic H4405)	H3541
9	59001700	Partial Grid, 36 Sq. Ft., 18" (Generic H4406)	H3542
9	59002300	Partial Grid, 48 Sq. Ft., 24" (Generic H4407)	H3543
9	59002900	Partial Grid, 60 Sq. Ft., 30" (Generic H4408)	H3544
9	59003500	Partial Grid, 72 Sq. Ft., 36" (Generic H4409)	H3545
10	59001100	Full Grid, 24 Sq. Ft., 12" (Generic H4400)	H3534
10	59001800	Full Grid, 36 Sq. Ft., 18" (Generic H4401)	H3535
10	59002400	Full Grid, 48 Sq. Ft., 24" (Generic H4402)	H3536
10	59003000	Full Grid, 60 Sq. Ft., 30" (Generic H4403)	H3537
10	59003600	Full Grid, 72 Sq. Ft., 36" (Generic H4404)	H3538
11	192324	Grid Assembly - Complete, 24 Sq. Ft. (Filters After 12/91)	H3143
11	192325	Grid Assembly - Complete, 36 Sq. Ft. (Filters After 12/91)	H3144
11	192326	Grid Assembly - Complete, 48 Sq. Ft. (Filters After 12/91)	H3145
11	192327	Grid Assembly - Complete, 60 Sq. Ft. (Filters After 12/91)	H3146
11	195060	Grid Assembly - Complete, 72 Sq. Ft. (Filters After 12/91)	H3175
12	192323	O-Ring, Piping Assembly	H3142
13	194981	Upper Piping Assembly, 24 Sq. Ft.	H3163
13	194982	Upper Piping Assembly, 36 Sq. Ft.	H3164
13	194983	Upper Piping Assembly, 48 Sq. Ft.	H3165
13	194984	Upper Piping Assembly, 60 Sq. Ft.	H3166
13	194985	Upper Piping Assembly, 72 Sq. Ft.	H3170
14	152127	Tank O-Ring, 18" Dia.	H4211
15	192182	Rod - 5/16" x 15-1/2" - 24 Sq. Ft. (2 Needed)	H3126
15	192183	Rod - 5/16" x 21-1/2" - 36 Sq. Ft. (2 Needed)	H3127
15	192184	Rod - 5/16" x 27-1/2" - 48 Sq. Ft. (2 Needed)	H3128
15	192185	Rod - 5/16" x 33-1/2" - 60 Sq. Ft. (2 Needed)	H3129
15	195002	Rod - 5/16" x 39-1/2" - 72 Sq. Ft. (2 Needed)	H3172
16	194903	Bottom Shell w/ Piping and Foot - 24 Sq. Ft. (NS Only)	H4391
16	194904	Bottom Shell w/ Piping and Foot - 36 Sq. Ft. (NS Only)	H4392
16	194905	Bottom Shell w/ Piping and Foot - 48 Sq. Ft. (NS Only)	H4393
16	194912	Bottom Shell w/ Piping and Foot - 60 Sq. Ft. (after 12/91)* (NS Only)	H4394
16	194907	Bottom Shell w/ Piping and Foot - 60 Sq. Ft. (NS Only)	H4395
18	194893	Spacer - 2" External	H3160

PAC-FAB NAUTILUS D.E. FILTER
NS Series - Stainless Steel Tank



Product Change History

* Filters manufactured before December 16, 1991 utilize a different tank top and bottom that is not interchangeable w/ current units. The correct replacement Part Numbers for filters manufactured before December 16, 1991 are:

p/n	Description	Dimensions
19-2791	Tank top w/ air relief	A = 17-3/8 in.
19-2258	Tank btm.	B = 18 in.
19-4906	Tank btm., ft. & piping	B = 18 in.

** Filters manufactured before April 1, 1992 contain a different clamp band assy. Replacement clamp band components are no longer available for these units, Replace old obsolete non-spring design clamp band w/ new spring design clamp band if any components are damaged. Do not attempt to interchange components between the different clamp band designs.

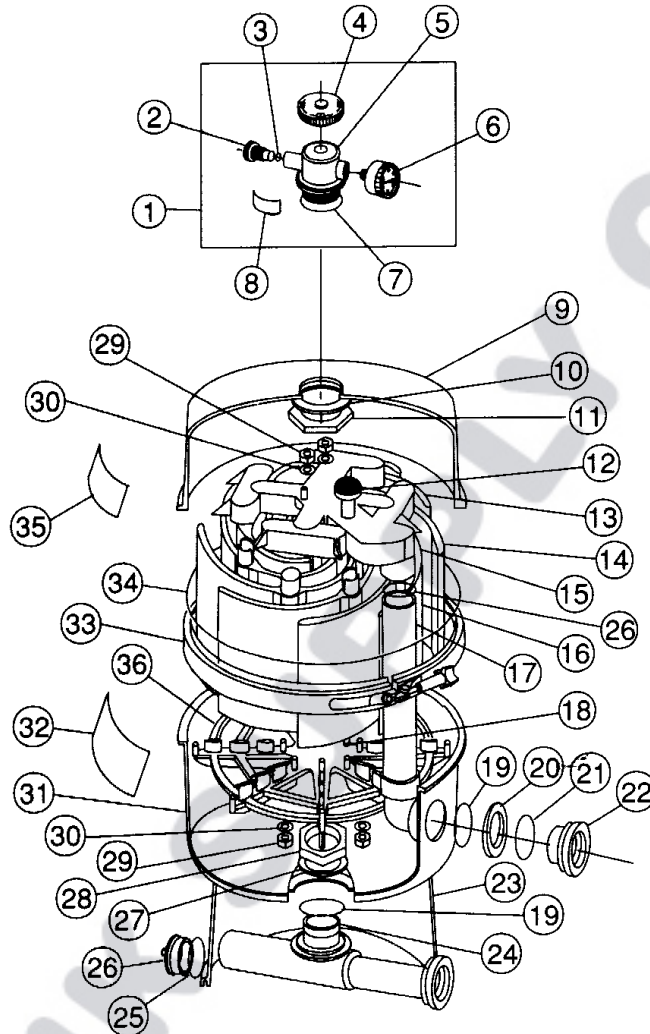
KEY	MFG NO.	DESCRIPTION	ITEM NO.
19	192320	O-Ring - Bulkhead	H3141
20	194801	Bulkhead - 2"	H4334
21	154722	Foot	H4059
22	195829	Plug - 2" Drain	H4398
23	194913	Lower Piping Assembly w/ Drain	H3187
25	154747	Spacer 2.8" Dia. x 1/4" PVC	H4270
26	192013	Nut, S.S. - 5/16" - 16	(4 Needed) H3102
27	639822	Washer, S.S. - 5/16"	(4 Needed) L1553
28	192194	Grid Retainer	H3135
29	181011**	Band Assembly - Complete	(before 4/92) H4210
30	194990	Washer for Band Clamp	(2 Needed) H4414
31	194988	Spring for Band Clamp	(2 Needed) H4415
32	194991	Washer	(2 Needed) H4416
33	194989	Nut, Machined	(2 Needed) H4417
34	172855	Strainer - Air Vent (after 12/91)	H4054
36	273512	Bleeder Screw	H4222
37	273513	O-Ring Bleeder	H4223
38	273501	Cap, <i>Obsolete</i>	H4273
39	155050	Pressure Gauge - Back Mount, 1/4"	H4300
39	-----	Generic Pressure Gauge - Back Mount, 1/4"	H7010
40	274494	O-Ring	H3371
---	197082	Wrench Bulkhead - Bottom 2" (old #15-1603)	H4308

PAC-FAB NAUTILUS PLUS D.E. FILTER
NSP Series Stainless Steel Tank

KEY	MFG NO.	DESCRIPTION	ITEM NO.
1	273550	Air Relief Assembly, Automatic	H4316
2	273506	Bleeder	H4373
3	273513	O-Ring for Bleeder	H4223
4	273501	Cap, Obsolete	H4273
5	273550	Valve Body - Machined	H4316
6	155050	Pressure Gauge	H4300
6	-----	Generic Pressure Gauge - Back Mount 1/4"	H7010
7	154492	O-Ring	H4246
8	272546	Warning Label	----
9	191808	Tank Shell - Top (NSP-24)	H3103
9	191821	Tank Shell - Top (NSP-36 thru NSP-72)	H3104
10	273505	Spacer	H4419
11	154412	Bulkhead Nut (Replaces #194908)	H4230
12	172855	Strainer - Air Vent	H4054
13	192193	Upper Manifold Assembly	H3134
14	59001000	Partial Grid, 24 Sq. Ft., 12" (NSP-24) (Generic H4405)	H3541
14	59001700	Partial Grid, 36 Sq. Ft., 18" (NSP-36) (Generic H4406)	H3542
14	59002300	Partial Grid, 48 Sq. Ft., 24" (NSP-48) (Generic H4407)	H3543
14	59002900	Partial Grid, 60 Sq. Ft., 30" (NSP-60) (Generic H4408)	H3544
14	59003500	Partial Grid, 72 Sq. Ft., 36" (NSP-72) (Generic H4409)	H3545
15	59001100	Full Grid, 24 Sq. Ft., 12" (NSP-24) (Generic H4400)	H3534
15	59001800	Full Grid, 36 Sq. Ft., 18" (NSP-36) (Generic H4401)	H3535
15	59002400	Full Grid, 48 Sq. Ft., 24" (NSP-48) (Generic H4402)	H3536
15	59003000	Full Grid, 60 Sq. Ft., 30" (NSP-60) (Generic H4403)	H3537
15	59003600	Full Grid, 72 Sq. Ft., 36" (NSP-72) (Generic H4404)	H3538
16	192324	Grid Assembly - Complete, 24 Sq. Ft. (NSP-24)	H3143
16	192325	Grid Assembly - Complete, 36 Sq. Ft. (NSP-36)	H3144
16	192326	Grid Assembly - Complete, 48 Sq. Ft. (NSP-48)	H3145
16	192327	Grid Assembly - Complete, 60 Sq. Ft. (NSP-60)	H3146
16	195060	Grid Assembly - Complete, 72 Sq. Ft. (NSP-72)	H3175
17	194981	Upper Piping Assembly, 24 Sq. Ft.	H3163
17	194982	Upper Piping Assembly, 36 Sq. Ft.	H3164
17	194983	Upper Piping Assembly, 48 Sq. Ft.	H3165
17	194984	Upper Piping Assembly, 60 Sq. Ft.	H3166
17	194985	Upper Piping Assembly, 72 Sq. Ft.	H3170
18	192182	Rod - 5/16" x 15-1/2" - 24 Sq. Ft. (2 Needed)	H3126
18	192183	Rod - 5/16" x 21-1/2" - 36 Sq. Ft. (2 Needed)	H3127
18	192184	Rod - 5/16" x 27-1/2" - 48 Sq. Ft. (2 Needed)	H3128
18	192185	Rod - 5/16" x 33-1/2" - 60 Sq. Ft. (2 Needed)	H3129
18	195002	Rod - 5/16" x 39-1/2" - 72 Sq. Ft. (2 Needed)	H3172
19	154492	O-Ring 2" for Bulkhead (2 Needed)	H4246
20	194893	Spacer - 2" External	H3160
21	192320	O-Ring - Bulkhead	H3141
22	194801	Bulkhead - 2" with Groove	H4334

PAC-FAB NAUTILUS PLUS D.E. FILTER

NSP Series
Stainless Steel Tank



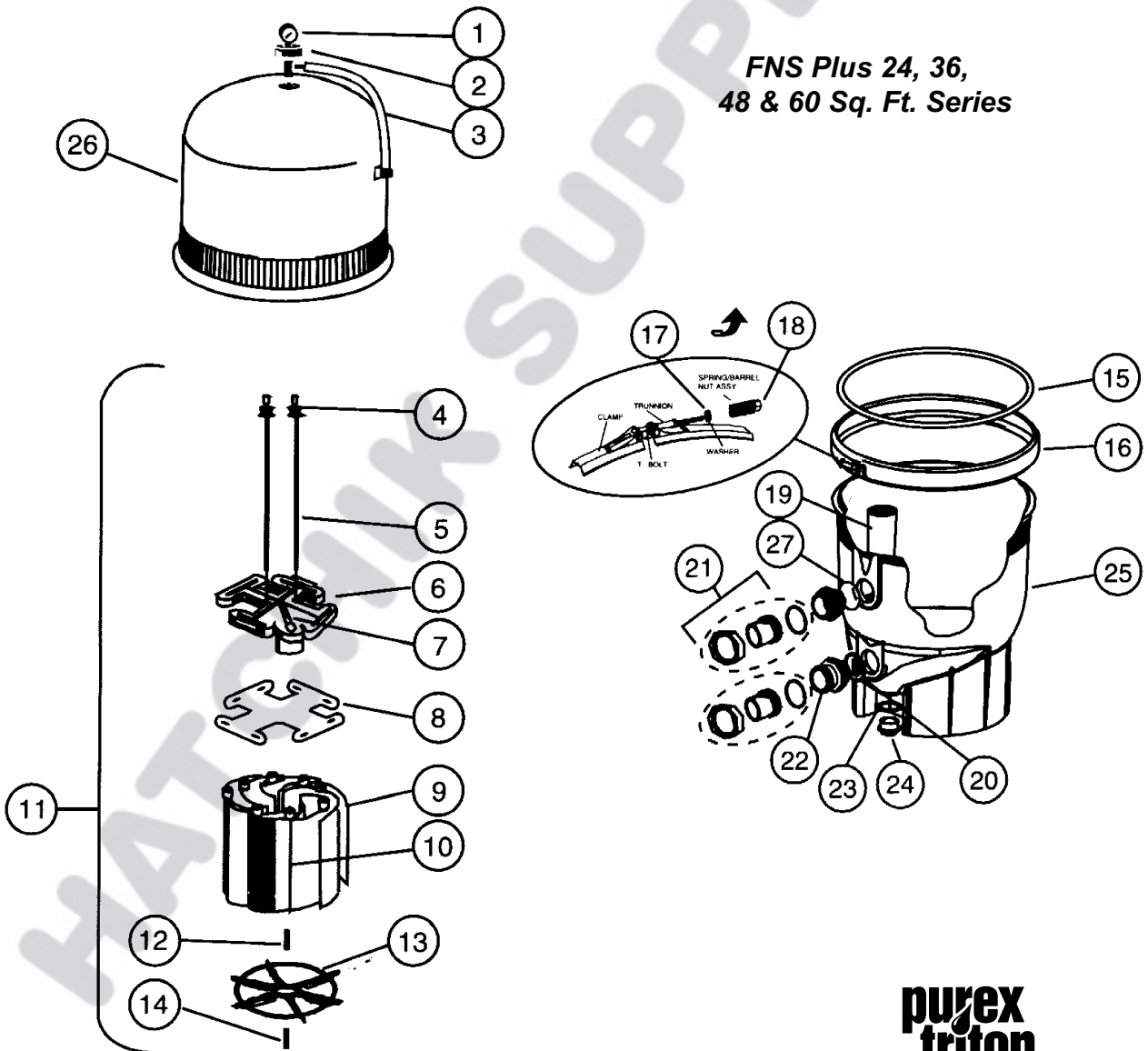
KEY	MFG NO.	DESCRIPTION	ITEM NO.
23	154722	Foot	H4059
24	194913	Lower Piping Assembly w/ Drain	H3187
25	192323	O-Ring	H3142
26	195829	Plug 2" Drain	H4398
27	154747	Spacer 2.8" Dia. x 1/4" PVC	H4270
28	154412	Nut 2" Bulkhead (Replaces #194908)	H4230
29	192013	Nut, S.S. - 5/16" - 16 (4 Needed)	H3102
30	639822	Washer, S.S. - 5/16" (4 Needed)	L1553
31	191809	Bottom Assembly with Piping (NSP-24 & NSP-36)	H3110
31	191811	Bottom Assembly with Piping (NSP-48)	H3111
31	191812	Bottom Assembly with Piping (NSP-60)	H3112
31	191813	Bottom Assembly with Piping (NSP-72)	H3113
32	191828	Label NSP Tank	----
33	191805	Clamp Ring Assembly (Includes Knob, T-Bolt & O-Ring)	H3108
	076033	Knob	H3114
	070428	T-Bolt	H3115
34	071442	O-Ring	H3105
35	152292	Label - Warning Pictorial	----
36	192194	Retainer/Baffle Grid	H3135

PAC-FAB FNS PLUS FILTERS
Reinforced Polypropylene Material Tank

KEY	MFG NO.	DESCRIPTION	ITEM NO.
1	53003201	Pressure Gauge	H3500
1	-----	Generic Pressure Gauge	H7003
1	-----	Generic Pressure Gauge	H7010
2	98209800	Air Relief Valve Assembly - Manual	H3708
3	98201200	Hose and Retainer Clip for Air Relief Valve <i>(N/A when out)</i>	H3565
4	58001100	Nut, Knurled Brass	H3712
5	59000800	Tie Rod, 24 sq. ft. Filter	H3528
5	59001500	Tie Rod, 36 sq. ft. Filter	H3529
5	59002100	Tie Rod, 48 sq. ft. Filter	H3530
5	59002700	Tie Rod, 60 sq. ft. Filter	H3531
6	59023700	Manifold, Top w/ Air Bleed	H3695
7	59023600	Internal Air Bleed Assembly	H3696
8	98725800	Template, Filter	H3555
9	59001100	Grid, Large 12", 24 sq. ft. Filter <i>(Generic H4400)</i>	H3534
9	59001800	Grid, Large 18", 36 sq. ft. Filter <i>(Generic H4401)</i>	H3535
9	59002400	Grid, Large 24", 48 sq. ft. Filter <i>(Generic H4402)</i>	H3536
9	59003000	Grid, Large 30", 60 sq. ft. Filter <i>(Generic H4403)</i>	H3537
10	59001000	Grid, Small 12", 24 sq. ft. Filter <i>(Generic H4405)</i>	H3541
10	59001700	Grid, Small 18", 36 sq. ft. Filter <i>(Generic H4406)</i>	H3542
10	59002300	Grid, Small 24", 48 sq. ft. Filter <i>(Generic H4407)</i>	H3543
10	59002900	Grid, Small 30", 60 sq. ft. Filter <i>(Generic H4408)</i>	H3544
11	59023800	Complete Grid Assembly for 24 sq. ft. Filter	H3700
11	59023500	Complete Grid Assembly for 36 sq. ft. Filter	H3701
11	59023400	Complete Grid Assembly for 48 sq. ft. Filter	H3702
11	59023300	Complete Grid Assembly for 60 sq. ft. Filter	H3703
12	98211400	Nut, 1/4-20, Plated Brass	H8916
13	59000500	Spider, Grid Locator	H3539
14	58001000	Nut, Lock, Hex, Nylon	H3635
15	39010200	O-Ring, RPM Tank Clamp	H3590
16	190034	Clamp, Kit	H3589
17	53006300	Washer, .325 I.D. for Filter Clamp	H3657
18	53108900	Spring/Barrel Nut Assembly	H3501
19	190034	Assy., Standpipe, Outlet, 24 sq. ft. Filter	H3720
19	190035	Assy., Standpipe, Outlet, 36 sq. ft. Filter	H3721
19	190036	Assy., Standpipe, Outlet, 48 sq. ft. Filter	H3722
19	190037	Assy., Standpipe, Outlet, 60 sq. ft. Filter	H3723
20	86006900	O-Ring, Bulkhead	H3637
21	271096	Bulkhead Union (set)	H4040
22	190043	Assembly, Pipe, Inlet	H3558
23	51005000	O-Ring for Drain Plug	H8931
24	86202000	Plug, 1-1/2" Drain, w/O-Ring	H3711

PAC-FAB FNS PLUS FILTERS
Reinforced polypropylene Material Tank

KEY	MFG NO.	DESCRIPTION	ITEM NO.
25	170015	Tank Bottom, Assy., 24 sq. ft. Filter	H3730
25	170016	Tank Bottom, Assy., 36 sq. ft. Filter	H3731
25	170017	Tank Bottom, Assy., 48 sq. ft. Filter	H3732
25	170018	Tank Bottom, Assy., 60 sq. ft. Filter	H3733
26	170019	Tank Lid, 24 sq. ft. Filter	H3734
26	170020	Tank Lid, 36 sq. ft. Filter	H3735
26	170021	Tank Lid, 48 sq. ft. Filter	H3736
26	170022	Tank Lid, 60 sq. ft. Filter	H3737

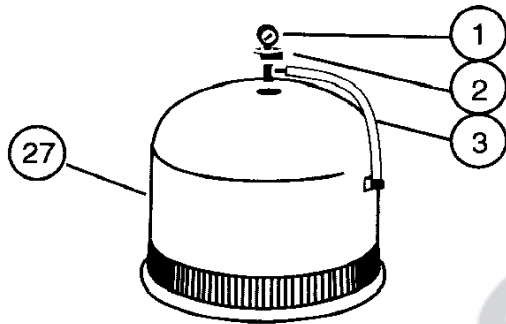


PAC-FAB TITAN RPM FILTERS
Reinforced Polypropylene Material Tank

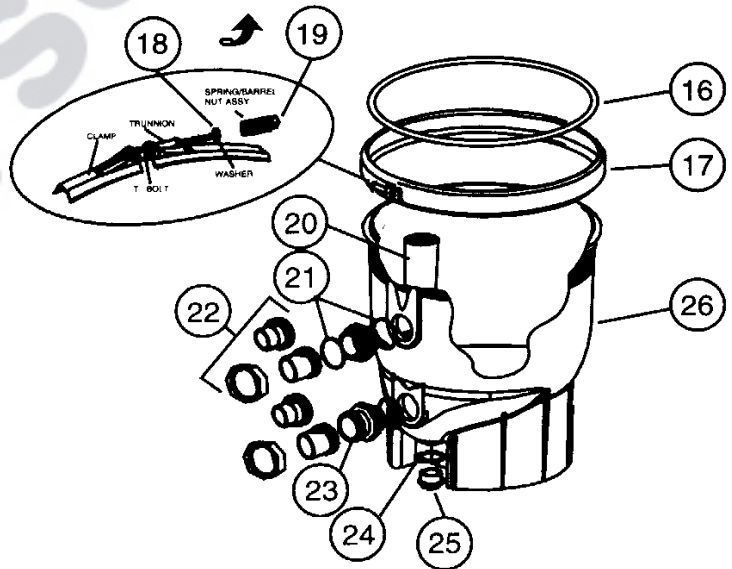
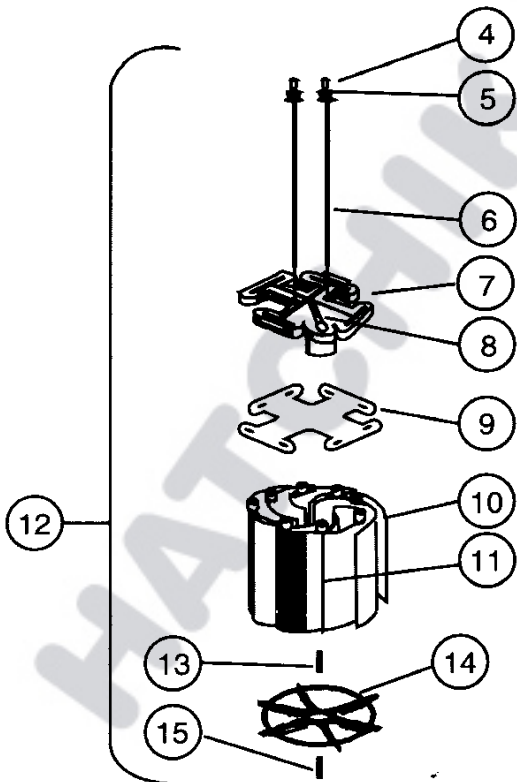
KEY	MFG NO.	DESCRIPTION	ITEM NO.
1	53003201	Pressure Gauge	H3500
1	-----	Generic Pressure Gauge	H7003
1	-----	Generic Pressure Gauge	H7010
2	98209800	Air Relief Valve Assembly - Manual	H3708
3	98201200	Hose and Retainer Clip for Air Relief Valve <i>(N/A when out)</i>	H3565
4	57014900	Hold Downs	H3698
5	58001100	Nut, Knurled Brass	H3712
6	59000800	Tie Rod, 24 sq. ft. Filter	H3528
6	59001500	Tie Rod, 36 sq. ft. Filter	H3529
6	59002100	Tie Rod, 48 sq. ft. Filter	H3530
6	59002700	Tie Rod, 60 sq. ft. Filter	H3531
7	59023700	Manifold, Top w/ Air Bleed	H3695
8	59023600	Internal Air Bleed Assembly	H3696
9	98725800	Template	H3555
10	59001100	Grid, Large 12", 24 sq. ft. Filter <i>(Generic H4400)</i>	H3534*
10	59001800	Grid, Large 18", 36 sq. ft. Filter <i>(Generic H4401)</i>	H3535*
10	59002400	Grid, Large 24", 48 sq. ft. Filter <i>(Generic H4402)</i>	H3536*
10	59003000	Grid, Large 30", 60 sq. ft. Filter <i>(Generic H4403)</i>	H3537*
11	59001000	Grid, Small 12", 24 sq. ft. Filter <i>(Generic H4405)</i>	H3541*
11	59001700	Grid, Small 18", 36 sq. ft. Filter <i>(Generic H4406)</i>	H3542*
11	59002300	Grid, Small 24", 48 sq. ft. Filter <i>(Generic H4407)</i>	H3543*
11	59002900	Grid, Small 30", 60 sq. ft. Filter <i>(Generic H4408)</i>	H3544*
12	59023800	Complete Grid Assembly for 24 sq. ft. Filter	H3700
12	59023500	Complete Grid Assembly for 36 sq. ft. Filter	H3701
12	59023400	Complete Grid Assembly for 48 sq. ft. Filter	H3702
12	59023300	Complete Grid Assembly for 60 sq. ft. Filter	H3703
13	98211400	Nut, 1/4-20, Plated Brass	H8916
14	59000500	Spider, Grid Locator	H3539
15	58001000	Nut, Lock, Hex, Nylon	H3635
16	39010200	O-Ring, RPM Tank Clamp	H3590
17	98222000	Clamp, Kit, V-Clamp	H3697
18	53006300	Washer, .325 I.D. for Filter Clamp	H3657
19	53108900	Spring/Barrel Nut Assembly	H3501
20	56620400	Assy., Standpipe, Outlet, 24 sq. ft. Filter	H3724
20	56620300	Assy., Standpipe, Outlet, 36 sq. ft. Filter	H3725
20	56620200	Assy., Standpipe, Outlet, 48 sq. ft. Filter	H3726
20	56620100	Assy., Standpipe, Outlet, 60 sq. ft. Filter	H3727
21	86006900	O-Ring, Bulkhead	H3637
22	98960311	Bulkhead Union (set)	H3564
23	59019100	Assembly, Pipe, Inlet	H3710
24	51005000	O-Ring for Drain Plug	H8931
25	86202000	Plug, 1-1/2" Drain, w/O-Ring	H3711

PAC-FAB TITAN RPM FILTERS
Reinforced polypropylene Material Tank

KEY	MFG NO.	DESCRIPTION	ITEM NO.
26	59021900	Tank Bottom, 24 sq. ft. Filter (RPM Only)	H3738
26	59026300	Tank Bottom, 36 sq. ft. Filter (RPM Only)	H3739
26	59026400	Tank Bottom, 48 sq. ft. Filter (RPM Only)	H3740
26	59026500	Tank Bottom, 60 sq. ft. Filter (RPM Only)	H3741
27	59052700	Tank Lid, 24 sq. ft. Filter (RPM Only)	H3742
27	59055300	Tank Lid, 36 sq. ft. Filter (RPM Only)	H3743
27	59055400	Tank Lid, 48 sq. ft. Filter (RPM Only)	H3744
27	59055500	Tank Lid, 60 sq. ft. Filter (RPM Only)	H3745



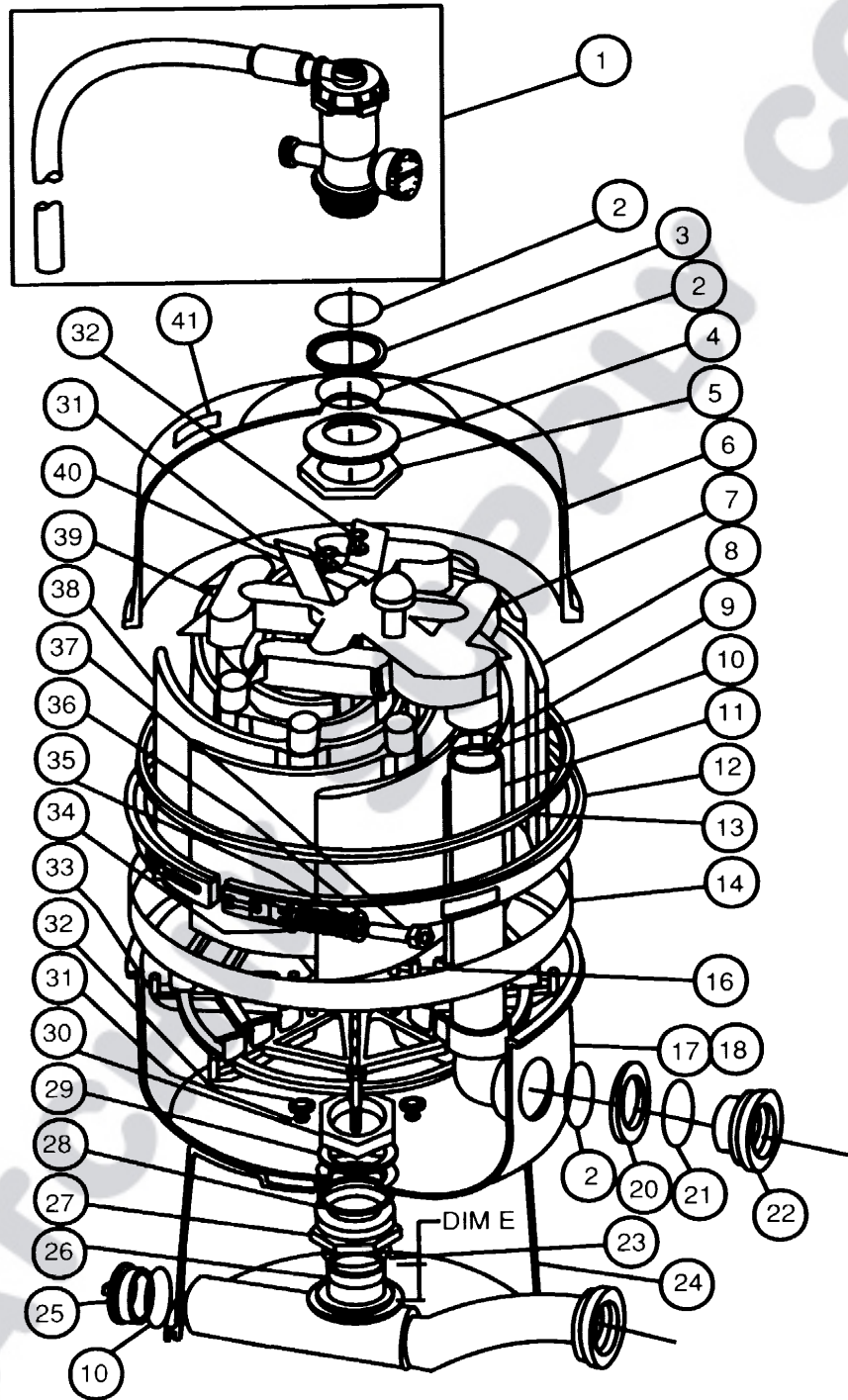
Titan RPM 24, 36, 48 & 60 Sq. Ft. Series



**purex
triton**

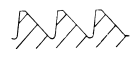



PAC-FAB NAUTILUS FNS D.E. FILTERS
Fiberglass Filter Tank



FNS-24
FNS-36
FNS-48
FNS-60



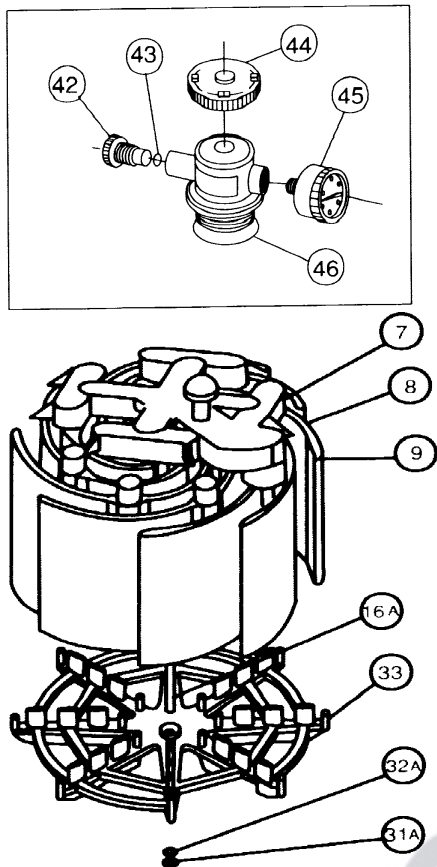
 Detail A, (after 12/1/91)
 6 in. br. Thread.

 Detail B, (before 12/1/91)
 6 in. "V" Thread.

PAC-FAB NAUTILUS FNS D.E. FILTER
FNS-24, FNS-36, FNS-48 & FNS-60 Fiberglass Tank

KEY	MFG NO.	DESCRIPTION	ITEM NO.
1	261003	Automatic Air Relief Assembly <i>(No longer available)</i>	H4316
1	273550	Manual Air Relief	H4316
2	154492	O-Ring for 2" Bulkhead <i>(3 needed)</i>	H4246
3	273502	Spacer - Top Black	H4321
4	273505	Spacer	H4419
5	154412	Bulkhead Nut	H4230
6	195950	** Tan Tank Top with Air Relief Valve (FNS-24 & FNS-36)	H4451
6	195951	** Tan Tank Top with Air Relief Valve (FNS-48)	H4452
6	195952	** Tan Tank Top with Air Relief Valve (FNS-60)	H4453
6	195947	** Black Tank Top with Air Relief Valve (FNS-24 & FNS-36)	H4454
6	195948	** Black Tank Top with Air Relief Valve (FNS-48)	H4455
6	195949	** Black Tank Top with Air Relief Valve (FNS-60)	H4456
6	195941	** Black Tank Top with 2-3/8" Hole (FNS-24 & FNS-36)	H4457
6	195942	** Black Tank Top with 2-3/8" Hole (FNS-48)	H4458
6	195943	** Black Tank Top with 2-3/8" Hole (FNS-60)	H4459
7	192173	Manifold Grid (with Extension)	H4431
8	59001100	Full Element Grid - 12" (FNS-24) <i>(7 needed)</i>	H3130
8	59001800	Full Element Grid - 18" (FNS-36) <i>(7 needed)</i>	H3131
8	59002400	Full Element Grid - 24" (FNS-48) <i>(7 needed)</i>	H3132
8	59003000	Full Element Grid - 30" (FNS-60) <i>(7 needed)</i>	H3133
9	59001000	Partial Element Grid - 12" (FNS-24) <i>(1 needed)</i>	H3147
9	59001700	Partial Element Grid - 18" (FNS-36) <i>(1 needed)</i>	H3148
9	59002300	Partial Element Grid - 24" (FNS-48) <i>(1 needed)</i>	H3149
9	59002900	Partial Element Grid - 30" (FNS-60) <i>(1 needed)</i>	H3150
10	192323	O-Ring for Upper Piping Assembly	H3142
11	195213	Upper Piping Assembly (FNS-24)	H4432
11	195214	Upper Piping Assembly (FNS-36)	H4433
11	195215	Upper Piping Assembly (FNS-48)	H4434
11	195216	Upper Piping Assembly (FNS-60)	H4435
12	195351	+ Band Assembly - Complete	H4471
13	195008	Tank O-Ring	H3189
14	195337	*** Retainer - Tank Seal 15/16" Tall	H4460
16	192182	Rod, 5/16" x 15-1/2" Manifold Retainer (FNS-24) <i>(2 needed)</i>	H3126
16	192183	Rod, 5/16" x 21-1/2" Manifold Retainer (FNS-36) <i>(2 needed)</i>	H3127
16	192184	Rod, 5/16" x 27-1/2" Manifold Retainer (FNS-48) <i>(2 needed)</i>	H3128
16	192185	Rod, 5/16" x 33-1/2" Manifold Retainer (FNS-60) <i>(2 needed)</i>	H3129
16A	192140	Rod, 5/16" x 13" Long (FNS-24)	H4461
16A	192141	Rod, 5/16" x 19" Long (FNS-36)	H4462
17	195934	Black Tank Bottom with Buttress Thread (FNS-24)	H4437
17	195935	Black Tank Bottom with Buttress Thread (FNS-36 thru FNS-60)	H4438
17	195930	Tan Tank Bottom with Buttress Thread (FNS-24)	H4439
17	195931	Tan Tank Bottom with Buttress Thread (FNS-36 thru FNS-60)	H4440
18	195400	% Black Tank Bottom, Foot & Piping (FNS-24)	H4463
18	195401	% Black Tank Bottom, Foot & Piping (FNS-36)	H4464
18	195402	% Black Tank Bottom, Foot & Piping (FNS-48)	H4465
18	195403	% Black Tank Bottom, Foot & Piping (FNS-60)	H4466
20	194893	Spacer - 2" External	H3160
21	192320	O-Ring, Bulkhead	H3141
22	194801	Bulkhead Fitting - 2" with Groove	H4334
23	274494	O-Ring for Valve Adaptor	H3371
24	195153	Foot	H4443
25	195829	Plug, 2" NPSM	H4398
26	195308	@ Lower Pipe Assembly <i>(Dimension E = 1-5/8")</i>	H4446
27	195221	# !! Adaptor 6" FNS Buttress Thread <i>(Use w/19-5308)</i>	H4448
28	274494	O-Ring Adaptor, 6" FNS	H3371
29	195004	Washer, Polyethylene	H3198

(Continued on Next Page)



ALTERNATE GRID ASSEMBLY USING SINGLE ROD - FN534.36

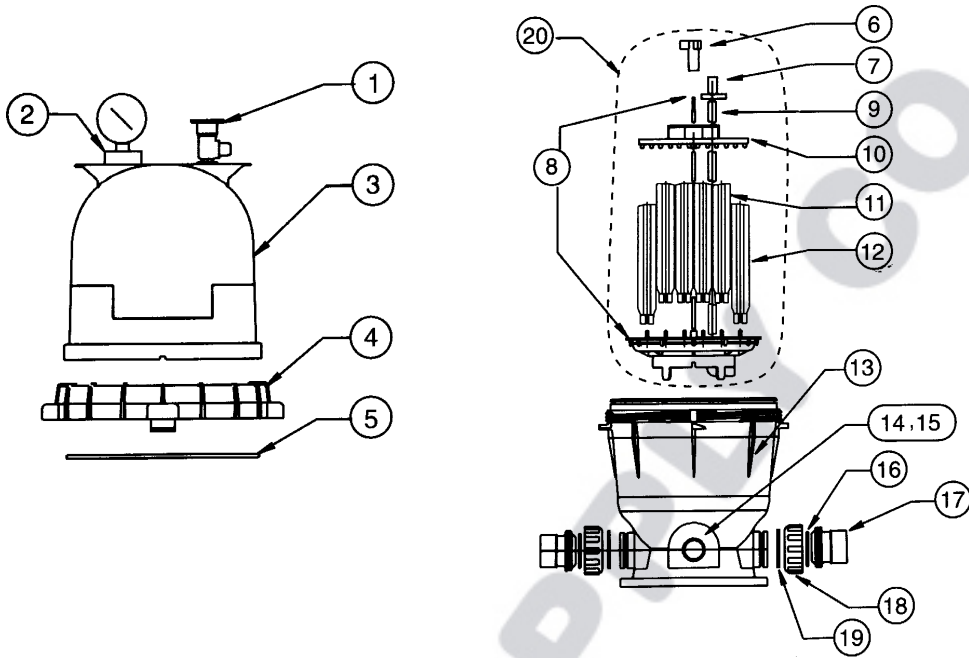
PRODUCT CHANGE HISTORY

- + Filters manufactured before July 1, 1993 contain a bracket support (item 40) which prevented the grid assy. from being lifted off the standpipe under certain operating conditions. Current models have increased engagement between the manifold and the standpipe so that item 40 is no longer required.
- + Filters manufactured before March 1, 1993 contain a different clamp band assy. (item 12). The correct P/N for these units is 19-5038. Filters manufactured before Sept. 1, 1992 contain a different (Non-spring design). Clamp components such as nuts, washers or bolts are no longer available for these non-spring design clamps. Do not attempt to interchange components between spring design and non-spring design clamps.
- *** Filters manufactured before March 1, 1993 contain a different retainer (item 14) which is 5/8 in. tall. For replacement, order P/N 19-5073.
- ** Filters manufactured before March 1, 1993 contain a different tank top assy. which is no longer available. Replacement of tank top assy. may be accomplished by ordering the following current production items: Tank top assy. (item 6), retainer (item 14) and band assy. (item 12).
- @ Filters manufactured before Oct. 1, 1992 utilize a different lower piping assy. P/N 19-5107. Lower piping P/N 19-5107 fits 6 in. adaptors P/N 19-5219 and P/N 19-5225 only. Dimension "E" for P/N 19-5107 is 2 1/2 in.
- * Filtered manufactured between Nov. 1, 1991 and Oct. 1, 1992 utilize a different 6 in. btm. adaptor P/N 19-5225. Adaptor P/N 19-5225 fits lower piping P/N 19-5107 only. Adaptor P/N 19-5225 may be placed with current design closure only if current lower piping P/N 19-5308 is used.
- !! Filters manufactured before Nov. 1, 1991 utilize a different 6 in. btm. adaptor P/N 19-5219. This item has a different thread design and will not interchange with adaptor P/N 19-5221 or P/N 19-5225. Adaptor P/N 19-5219 fits lower piping P/N 19-5107 only.
- # Filters manufactured between Nov. 1, 1991 and Oct. 1, 1992 utilize a different 6 in. btm. adaptor P/N 19-5225. Adaptor P/N 19-5225 fits lower piping P/N 19-5107 only. Adaptor P/N 19-5225 may be replaced with current design closure only if current low piping P/N 19-5308 is used.
- % Filters manufactured before Nov. 1, 1991 utilize a different tank btm. with "V" thread btm. opening which is no longer available. These btm.s may be replaced with item 18 tank btm. with foot and lower piping.

PAC-FAB NAUTILUS FNS D.E. FILTERS (Cont.)
Models FNS-24, FNS-36, FNS-48 & FNS-60 Fiberglass Tank

KEY	MFG NO.	DESCRIPTION	ITEM NO.
30	154412	Locknut, 2" Internal	H4230
31	192013	Nut, 5/16" - 16, S.S. (4 needed)	H3102
31A	192013	Nut, 5/16" - 16, S.S. (1 needed)	H3102
32	174955	Lock Washer, 5/16", S.S. (4 needed)	H4450
32A	174955	Lock Washer, 5/16", S.S. (1 needed)	H4450
33	192194	Retainer Grid - Bottom	H3135
34	195610	+ Washer, Small ID	H4551
35	195612	+ Spring	H4552
36	195611	+ Washer, Large ID	H4553
37	194997	+ Nut, Machined	H4554
38	195182	Complete Grid Assembly (FNS-24) Items #7 - 9, 16, 31 - 33 & 39	H4555
38	195183	Complete Grid Assembly (FNS-36) " " " "	H4556
38	195086	Complete Grid Assembly (FNS-48) " " " "	H4557
38	195070	Complete Grid Assembly (FNS-60) " " " "	H3282
39	172855	Air Vent Strainer - 3/4" (Filters Built After 12/1/91)	H4054
40	174755	++ Bracket Support	H4559
42	273512	Bleeder Screw	H4222
43	273513	O-Ring for Bleeder	H4223
44	273501	Cap, Bleeder Assembly, Obsolete	H4273
45	155050	Pressure Gauge - Back Mount	H4300
45	-----	Generic Pressure Gauge - Back Mount	H7010
46	154492	O-Ring, Bleeder Assembly	H4246
---	197082	Bulkhead Wrench, Bottom - 2" (old #15-1603)	H4308

PAC-FAB WARRIOR FILTER



KEY	MFG NO.	DESCRIPTION	ITEM NO.
1	98209800	High Flow Manual Air Relief Valve (old # 98209801)	
2	53003201	Gauge, Pressure	H3500
3	59053200	Lid, 44, 88 GPM Filter (Black)	H3400
3	59025600	Lid, 66 GPM Filter (Black)	H3401
4	59052900	Locking Ring Assembly	H3402
5	87300400	Body, O-Ring	H3403
6	39302700	Tie Rod Knob	K3816
7	59016200	Air Bleed Sock Kit	H3404
8	59022500	Tie Rod/ Manifold Assembly, 44 GPM Filter	H3410
8	59022501	Tie Rod/ Manifold Assembly, 66 GPM Filter	H3412
8	59022502	Tie Rod/ Manifold Assembly, 88 GPM Filter	H3413
9	59011200	Air Bleed Tube, 44 GPM Filter	H3414
9	59011300	Air Bleed Tube, 66 GPM Filter	H3420
9	59011400	Air Bleed Tube, 88 GPM Filter	H3421
10	59023000	Top Grid Support	H3422
11	59009600	Large Grid, 44 GPM Filter	H3423
11	59009700	Large Grid, 66 GPM Filter	H3424
11	59009800	Large Grid, 88 GPM Filter	H3425
12	59005200	Small Grid, 44 GPM Filter	H3426
12	59005300	Small Grid, 66 GPM Filter	H3427
12	59005400	Small Grid, 88 GPM Filter	H3428
13	59056000	Bottom, 44 GPM Filters	H3429
13	59055700	Bottom, 66 & 88 GPM Filters	H3430
14	51516200	Drain Cap (Filters before 11/98)	H3431
14	86202000	Plug 1-1/2" w/ O-Ring (Filters after 11/98)	H3469
15	86300500	Drain Cap Gasket (Filters before 11/98)	H8844
15	51005000	O-Ring, Drain Cap (Filters after 11/98)	H8931
16	39102800	Union O-Ring	K3890
17	79304600	Body, Swivel	H3433
18	98212200	Union Nut	H3435
19	39104500	Union Nut "C" Clip	H3432
20	59005800	Grid Pack Assembly, 44 GPM	H3436
20	59005900	Grid Pack Assembly, 66 GPM	H3437
20	59006000	Grid Pack Assembly, 88 GPM	H3438

PAC-FAB STAR D.E. FILTERS
ST-35, ST-50 & ST-80

KEY	MFG NO.	DESCRIPTION	ITEM NO.
1	552472	Screw, Flathead #12 x 1"	H3253
2	191472	Knob, Engagement Shaft	H3254
3	272515	Air Bleeder with O-Ring	H3255
4	191475	Adaptor for Tank Top	H3256
5	155050	Pressure Gauge - Back Mount	H4300
5	-----	Pressure Gauge - Back Mount, Generic	H7010
6	155064	O-Ring, 1-7/8" x 2—1/8" x 1/8"	H4305
7	191954	Tan Tank Top, w/Knob (ST-35)	H3290
7	191501	Tan Tank Top, w/Knob (ST-40 & ST-50)	H3292
7	750012	Black Tank Top, w/Knob (ST-35)	H3293
7	191500	Black Tank Top, w/Knob (ST-40 & ST-50)	H3294
7	191509	Black Tank Top, w/Knob (ST-80)	H3679
8	191478	Nut, Buttress Threads, 1-7/8"	H3257

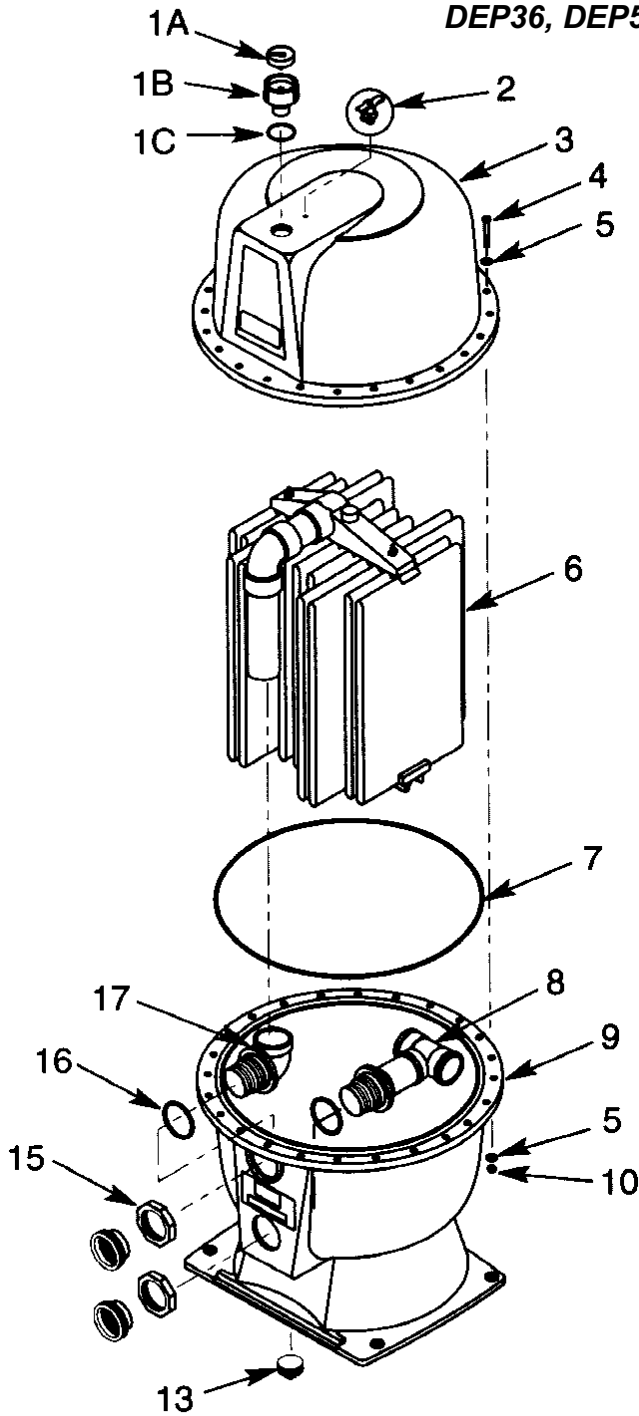
PAC-FAB STAR D.E. FILTERS
ST-35, ST-50 & ST-80

KEY	MFG NO.	DESCRIPTION	ITEM NO.
9	191479	O-Ring, 7/8" x 1-1/8" x 1/8"	H3261
10	191955	Engagement Shaft (ST-35)	H3295
10	191480	Engagement Shaft (ST-40 & ST-50)	H3262
11	191950	Manifold Assembly	H3263
12	174704	Tank O-Ring	H5101
13	191321	Grid (ST-35) 4 needed	H3272
13	191322	Grid (ST-40 & ST-50) 4 needed	H3273
13	191510	Grid (ST-80)	H3681
14	191467	Retainer for Grids - Bottom	H3264
15	191422	Tan Tank Bottom (ST-40 & ST-50)	H5145
15	191503	Tan Tank Bottom (ST-35)	H3296
15	191504	Black Tank Bottom (ST-35)	H3297
15	750009	Black Tank Bottom (ST-40 & ST-50)	H5148
15	191511	Black Tank Bottom (ST-80)	H3683
16	191942	Center Pipe w/ Diffuser & O-Ring (ST-35)	H3298
16	191483	Center Pipe w/ Diffuser & O-Ring (ST-40 & ST-50)	H3265
16	191512	Center Pipe w/ Diffuser & O-Ring (ST-80)	H3685
17	191474	O-Ring, 1-3/4" x 2" x 1/8" 2 needed	H3266
18	191424	O-Ring, 3-1/2" x 3-7/8" x 3/16"	H3267
19	191423	Foot - Tank	H5142
20	191437	Check Valve Assembly	H3268
21	272408	Nut, Hex 1/4" - 20 Serrated S.S. 4 needed	H3277
22	191948	Rod, 1/4" x 15" S.S. (ST-35) 2 needed	H3299
22	191430	Rod, 1/4" x 21-1/2" S.S. (ST-40 & ST-50) 2 needed	H3278
22	191513	Rod, 1/4" x 28" (ST-80)	H3687
24	152060	Bolt, 5/16" - 18 x 4-1/4" Carriage	H4207
25	072173	Flat Washer, 5/16" S.S. (Replaces #63-9822)	L1553
26	174882	Knob for Band Assembly	H5138
27	191330	Lock Washer, 1/4" S.S. 2 needed	H3279
28	552417	Plug, 1-1/2" with O-Ring	H5149
29	191469	Bottom Piping Assembly with Check Valve	H5103
30	174880	Band Assembly - Complete (Items #23 thru #26 & #34)	H4315
31	191953	Grid Assembly - Complete (ST-35)	H5108*
31	191486	Grid Assembly - Complete (ST-40 & ST-50)	H3276*
31	191519	Grid Assembly - Complete (ST-80)	H3689
32	191606	Tubing - 1/4"	H3281
33	191329	Air Relief Strainer	H4052
34	175020	Retaining Ring Carriage Bolt	H3283
---	191495	Wrench - Star Center Piping	H5114
---	750016	Piping Assy., Star Systems (incl. piping, parts & o-rings)	H3043

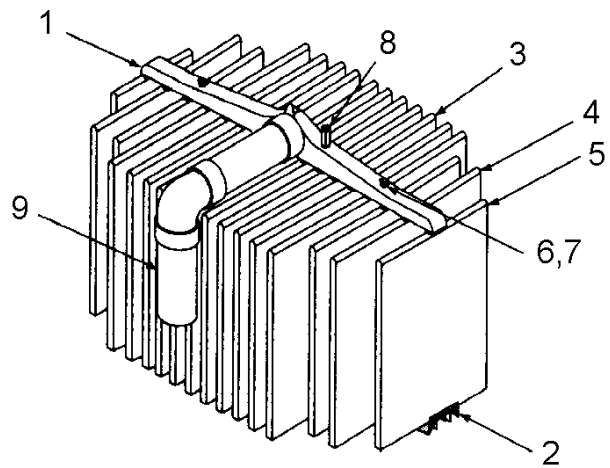
* Grid Assembly - Complete, Consists of Items #11, #13, #14, #21, #22 & #27

STA-RITE VERTICAL FILTER

DEP36, DEP51 & DEP83



D.E.P. Filter Elements



KEY	MFG NO.	DESCRIPTION	ITEM NO.
1	33600-0023T	Pressure Gauge	N5082
1	-----	Generic Pressure Gauge, Back Mount	H7010
1B	24762-0066	Fill Cap Assembly	H8590
1C	35505-1317	O-Ring	H8588
2	U212-252D	Air Release Valve	H5542
3	24750-0038B	Upper Tank Half (DEP36)	N/A
3	24751-0038B	Upper Tank Half (DEP51)	N/A
3	24752-0038B	Upper Tank Half (DEP83)	N/A

**STA-RITE (SWIMQUIP) VERTICAL FILTER
DEP36, DEP51 & DEP83**

KEY	MFG NO.	DESCRIPTION			ITEM NO.
4	U30-78C	Bolt, 3/8 - 16 x 2"	(DEP36)	(24 needed)	N5115
4	30726-4260	Bolt, 1/2 - 13 x 2-1/4"	(DEP51)	(24 needed)	N5080
4	U30-91C	Bolt, 1/2 - 13 x 2-1/2"	(DEP83)	(32 needed)	K3365
5	U43-62ZP	Washer, Flat 3/8"	(DEP36)	(48 needed)	N5119
5	U43-129ZP	Washer, Flat 1/2"	(DEP51)	(48 needed)	N5116
5	U43-129ZP	Washer, Flat 1/2"	(DEP83)	(64 needed)	N5116
6	24760-0436	Filter Element Assy.	(DEP36)		N5072
6	24762-0451	Filter Element Assy.	(DEP51)		H5151
6	24762-0483	Filter Element Assy.	(DEP83)		H5152
7	24750-0005	O-Ring	(DEP36)		N5061
7	24751-0005	O-Ring	(DEP51)		N5063
7	24752-0005	O-Ring	(DEP83)		N5065
8	24760-0037	Inlet Baffle	(DEP36)		N5135
8	24761-0037	Inlet Baffle	(DEP51)		
8	24762-0037	Inlet Baffle	(DEP83)		
9	24750-0039B	Tank Shell, Lower			N/A
10	U36-38ZP	Nut, 3/8 - 16	(DEP36)	(24 needed)	N5121
10	U36-39ZP	Nut, 1/2 - 13	(DEP51)	(24 needed)	N5122
10	U36-39ZP	Nut, 1/2 - 13	(DEP83)	(32 needed)	N5122
13	24700-0413	Plug			N5060
15	24752-0049	Fitting Nut, 2"		(2 needed)	N5067
16	35515-1296	O-Ring		(2 needed)	N5092
17	24760-0005	Outlet Elbow			N5138

STA-RITE D.E.P. ELEMENT ASSEMBLIES

1	24760-0257	Collection Manifold Assembly	(DEP36)		N5071
1	23901-0059	Collection Manifold Assembly	(DEP51)		N5139
1	24762-0257	Collection Manifold Assembly	(DEP83)		N5143
2	23900-0019	Element Grid Support	(DEP36)		N5030
2	23901-0019	Element Grid Support	(DEP51)		H8596
2	23902-0019	Element Grid Support	(DEP83)		H8598

DEP36

3	23900-0032	Covered Element Assembly	11" x 18"	(7 Needed)	N5032
4	23900-0033	Covered Element Assembly	16" x 18"	(4 Needed)	N5033

DEP51

3	23900-0032	Covered Element Assembly	11" x 18"	(2 Needed)	N5032
4	23900-0033	Covered Element Assembly	16-1/2" x 18"	(11 Needed)	N5033

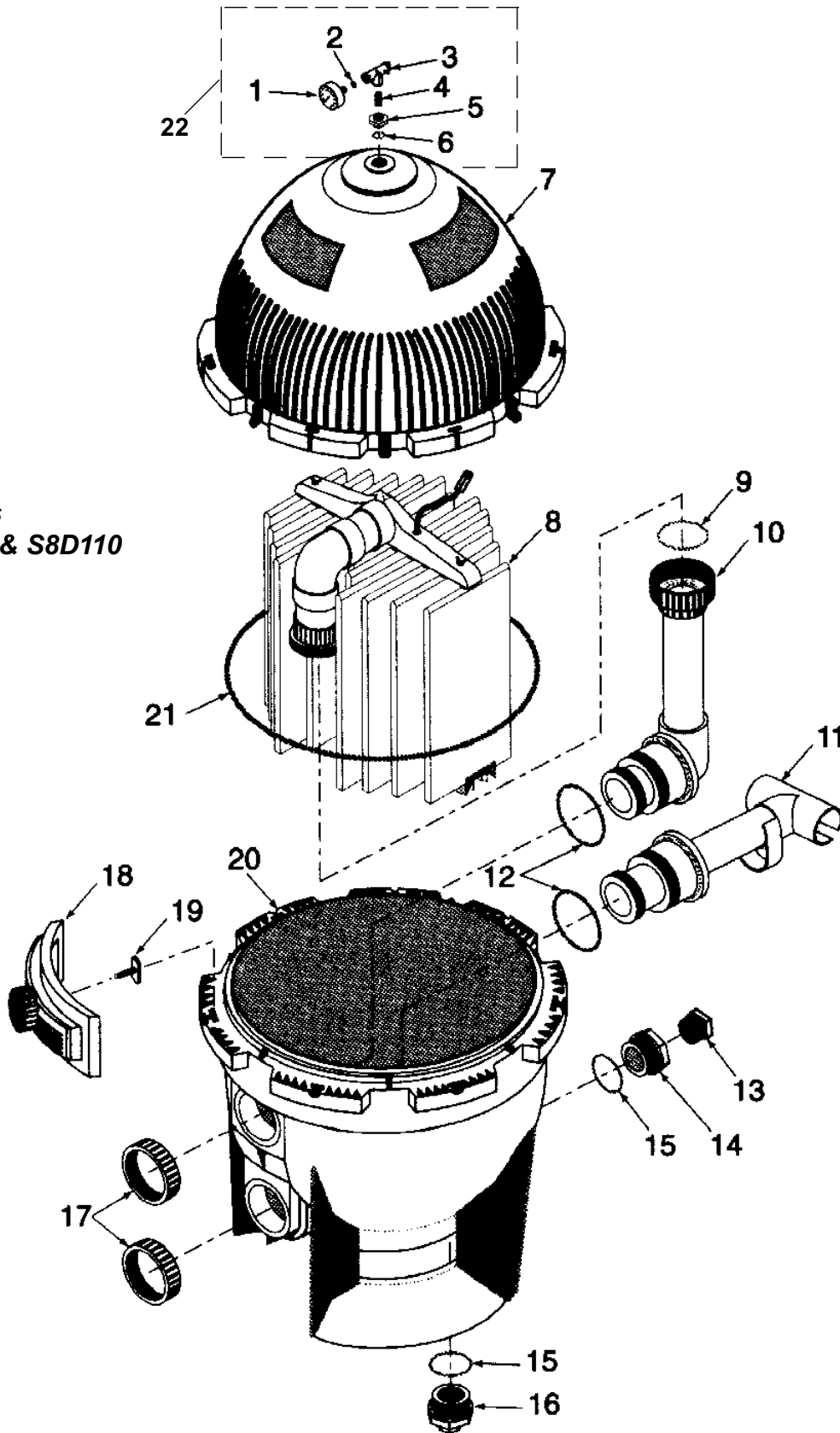
DEP83

3	23900-0032	Covered Element Assembly	11" x 18"	(2 Needed)	N5032
4	23900-0033	Covered Element Assembly	16-1/2" x 18"	(4 Needed)	N5033
5	23900-0034	Covered Element Assembly	22" x 18"	(11 Needed)	N5034

6	23900-0039	Rod			N5035
7	35402-0074	Wing Nut			N5358
8	WC8-126	Air Bleed Filter			N5140
9	35265-4338	Pipe Nipple			N5141

STA-RITE SYSTEM:3 FILTER

Models
S7D75 & S8D110



STA-RITE SYSTEM:3 FILTER
Models S7D75 & S8D110

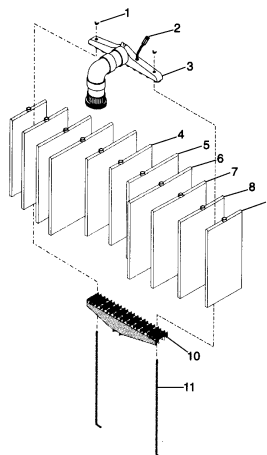
KEY	MFG NO.	DESCRIPTION	ITEM NO.
1	33600-0023T	2" Pressure Gauge	N5082
1	-----	Generic Pressure Gauge, Back Mount	H7010
2	WC8-72D	Screen Filter	H5330
3	WC212-120P	Air Release Valve	H5321
4	35202-0959	Nipple	H5339
5	24900-0504	Adapter Bushing	H5514
6	35505-1423	O-Ring	H5359
7	24851-9000	Upper Tank Shell Kit (S7D75)	H5360
7	24851-9001	Upper Tank Shell Kit (S8D110)	H5361
* 8	23900-1220S	Filter Assembly (S7D75)	H8592
* 8	23900-1221S	Filter Assembly (S8D110)	H8594

**See Following Page for Individual Filter Element Parts*

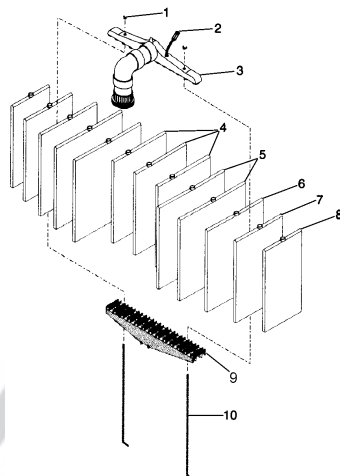
9	U9-362	O-Ring	H5392
10	23911-0102	Outlet Assembly	H5393
11	23911-0100	Inlet Assembly (S7D75)	H5394
11	23911-0101	Inlet Assembly (S8D110)	H5395
12	35505-1425	O-Ring (2 needed)	H5402
13	36305-4008	Plug, 1-1/2" NPT	H5396
14	24900-0509	Adapter Fitting	H5397
15	35505-1424	O-Ring (2 needed)	H5377
16	24900-0503	Drain Plug	H5382
17	24752-0050	Bulkhead Retaining Nut (2 needed)	H5398
18	24850-0200	Clamp Assembly (7 Clamps & Bolts) (S7D75)	H5369
18	24850-0200	Clamp Assembly (8 Clamps & Bolts) (S8D110)	H5369
19	24850-0010	Clamp Bolt (7 needed) (S7D75)	H5372
19	24850-0010	Clamp Bolt (8 needed) (S8D110)	H5372
20	24850-0102S	Lower Tank Shell (S7D75)	H5373
20	24851-0103S	Lower Tank Shell (S8D110)	H5376
21	24850-0008	Cord Ring (S7D75)	H5570
21	24850-0009	Cord Ring (S8D110)	H5572
22	24850-0105	Valve & Gauge Assembly	H5556



STA-RITE FILTER ELEMENT ASSEMBLIES

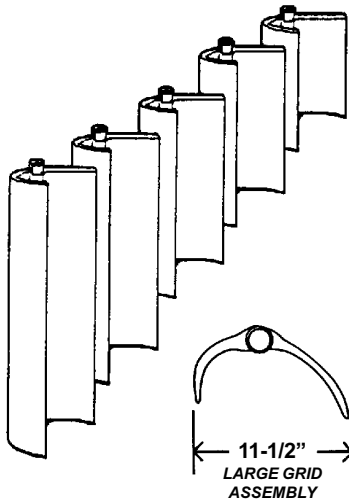
**Filter Element Assembly
for S7D75**

KEY	MFG NO.	DESCRIPTION	ITEM NO.
1	35402-0074	Wing Nut (2 needed)	N5358
2	24800-0120	Air Bleed Assembly	N5357
3	24800-0100	Manifold	N5351
4	23900-1171	Covered Element 12 - 7/16"	N5356
5	23900-1170	Covered Element 13 - 13/16" (2 needed)	N5355
6	23900-0033	Covered Element 16 - 1/2" (2 needed)	N5033
7	23900-1174	Covered Element 15 - 3/16" (2 needed)	N5354
8	23900-1175	Covered Element 12 - 7/16" (2 needed)	N5353
9	23900-1173	Covered Element 9 - 11/16" (2 needed)	N5352
10	23900-0350	Element Grid Support	N5359
11	23900-0039	Rod (2 needed)	N5035

**Filter Element Assembly
for S8D110**

KEY	MFG NO.	DESCRIPTION	ITEM NO.
1	35402-0074	Wing Nut (2 needed)	N5358
2	24800-0120	Air Bleed Assembly	N5357
3	24801-0101	Manifold	N5350
4	23900-1172	Covered Element 16 - 1/2" (3 needed)	N5360
5	23900-0144	Covered Element 19 - 5/16" (4 needed)	N5026
6	23900-0033	Covered Element 16 - 1/2" (2 needed)	N5033
7	23900-1174	Covered Element 15 - 3/16" (2 needed)	N5354
8	23900-0032	Covered Element 11" (2 needed)	N5032
9	23901-0350	Element Grid Support	N5361
10	23900-0039	Rod (2 needed)	N5035

VERTICAL D.E. ELEMENTS

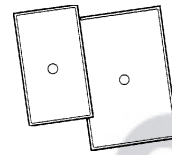


Anthony D.E. Grids

Apollo Grid - Small - 13"
 Apollo Grid - Large - 17"

Flowmaster 5000 Grid 9" x 24"
 Flowmaster 5000 Grid 12" x 24"

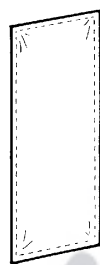
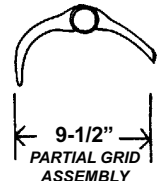
Complete Grid Assy 38 Sq Ft. 1-1/2"
 Complete Grid Assy 52 Sq. Ft. 1-1/2"
 Complete Grid Assy 52 Sq. Ft. 2"



ITEM NO.
 H3099
 H3100
 H3088
 H3101
 Z7028
 Z7026
 Z7025

FILTER SIZE	Purex	ELEMENT SIZE	ITEM NO.
24 Sq. Ft.	07-4922 (S09300)	12" Full	H3680
36 Sq. Ft.	07-4923 (S08700)	18" Full	H3682
48 Sq. Ft.	07-4924 (S08800)	24" Full	H3684
60 Sq. Ft.	07-4925 (S08500)	30" Full	H3686
72 Sq. Ft.	07-4926 (S08600)	36" Full	H3688

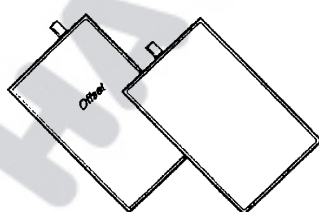
FILTER SIZE	American	Hayward	Pac-Fab	Sta-Rite	ELEMENT SIZE	ITEM NO.
24 Sq. Ft.	590011	DEX2400DA	19-2186	WC108-2A	12" Large	H4400
36 Sq. Ft.	590018	DEX3600DA	19-2187	WC108-3A	18" Large	H4401
48 Sq. Ft.	590024	DEX4800DA	19-2188	WC108-4A	24" Large	H4402
60 Sq. Ft.	590030	DEX6000DA	19-2189	WC108-5A	30" Large	H4403
72 Sq. Ft.	590036	DEX7200DA	19-5058	WC108-6A	36" Large	H4404
24 Sq. Ft.	590010	DEX2400DS	19-2328		12" Partial	H4405
36 Sq. Ft.	590017	DEX3600DS	19-2330		18" Partial	H4406
48 Sq. Ft.	590023	DEX4800DS	19-2332		24" Partial	H4407
60 Sq. Ft.	590029	DEX6000DS	19-2334		30" Partial	H4408
72 Sq. Ft.	590035	DEX7200DS	19-5059		36" Partial	H4409



Jacuzzi

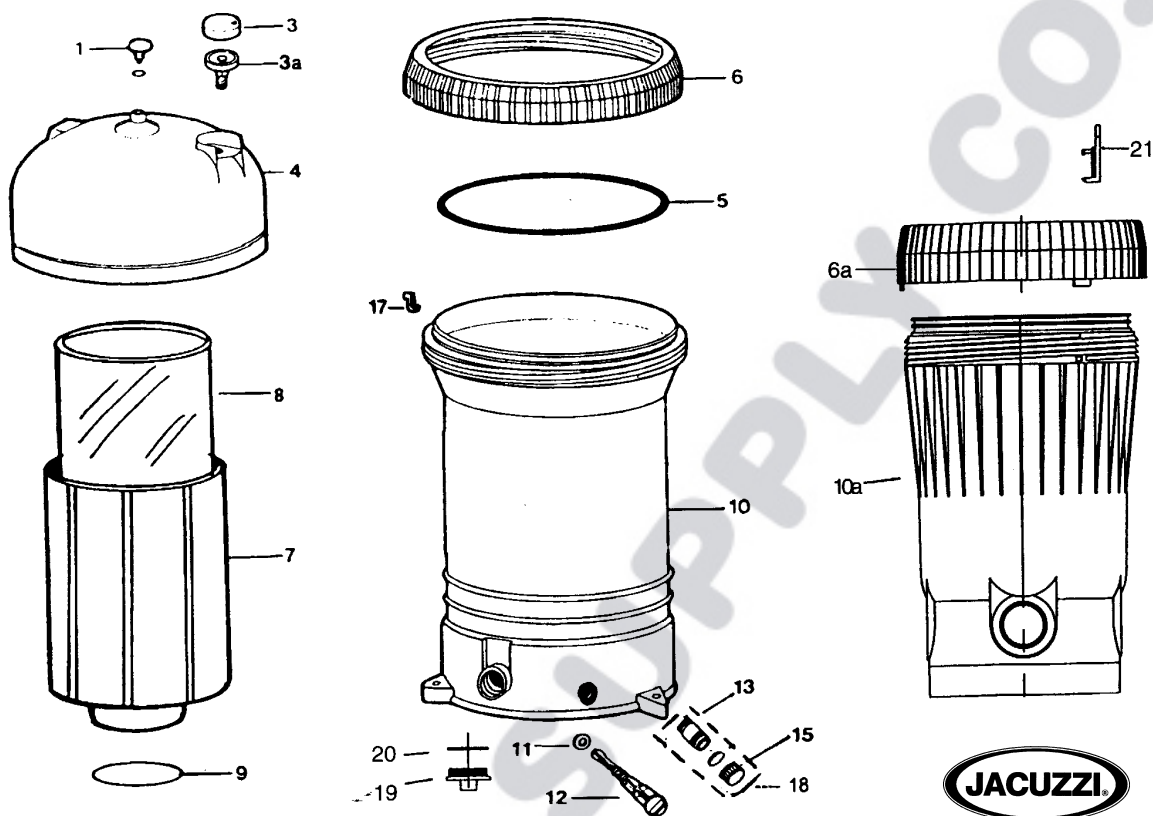
		ELEMENT SIZE	ITEM NO.
EW75	42-2121-18-R	10" x 18"	H8124
EW75	42-2123-16-R	8-1/2" x 18"	H8125
EW75	42-2125-14-R	7" x 18"	H8126
EW100	42-2950-06-R	10" x 24"	H8127
EW100	42-2951-05-R	8-1/2" x 24"	H8128
EW100	42-2952-04-R	7" x 24"	H8129
EW75	42-3524-01-R	Manifold Assy.	H8119

Swimquip



		ELEMENT SIZE	ITEM NO.
Swimquip	23900-31	5" x 18"	N5031
Swimquip	23900-141	8-5/16" x 18"	N5073
Swimquip	23900-32	11" x 18"	N5032
Swimquip(Offset)	23900-48	11" x 18"	N5070
Swimquip	23900-52	13-3/4" x 18"	N5069
Swimquip	23900-33	16-1/2" x 18"	N5033
Swimquip (Offset)	23900-142	17-3/4" x 18"	N5010
Swimquip	23900-144	19-1/4" x 18"	N5026
Swimquip (Offset)	23900-145	19-1/4" x 18"	N5037
Swimquip	23900-143	20-3/4" x 18"	N5036
Swimquip	23900-34	22" x 18"	N5034

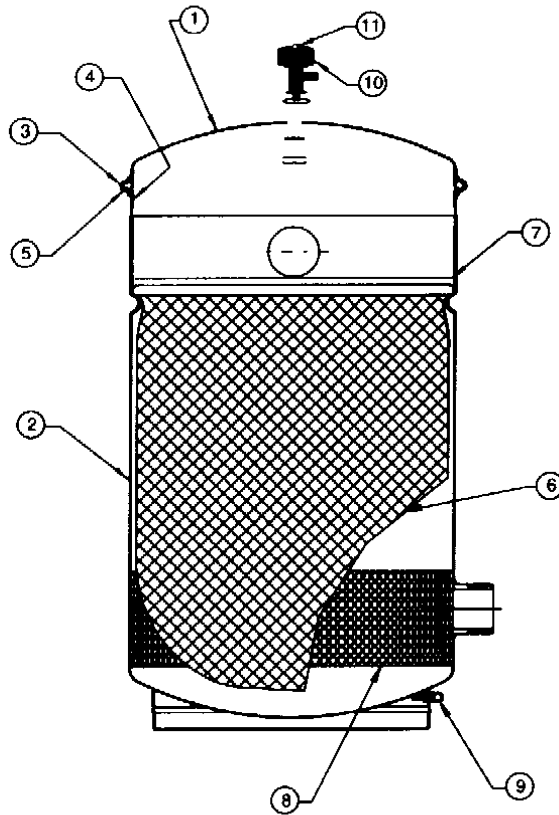
JACUZZI D.E. SEPARATION TANK



"The Most Trusted Name In Water"™

KEY	MFG. NO.	DESCRIPTION	ITEM NO.
1	39-2547-01-R	Air Bleed Valve Knob w/ 47010608 O-Ring	H8193
3	42-2253-18	Lens (on units prior to 12/94 still avail.)	H8191
3a	9193-4182-R	Pressure Gauge	H8101
4	42-2998-00-R	Cover	H8196
5	47-0380-47-R	Cover O-Ring 11-1/2 x 3/16	H8197
6	42-2850-07-R	Ring Lock Nut w/Tabs 12/42	H8190
6A	42-3671-02-R	AV Lok Nut	H8535
7	42-3513-04-R	EW Support Tube	H8102
8	42-3515-02-R	EW Separation Bag	H8103
9	47-0257-05-R	Support O-Ring	H8104
10	42-3603-05-R	Body 100sq. ft. (includes 5, 13, 15)	H8105
10A	42-3673-00-R	AV Body w/ #19 & #20	H8542
11	47-0112-00-R	O-Ring (on units prior to 6/93)	H8181
12	42-2254-09-R	Drain Plug (on units prior to 6/93)	H8200
13	31-0636-05-R	Drain Nipple 2 x 2-1/2	H8106
15	85-8263-00-R	Drain Cap w/13102306 Gasket	H8108
17	42-3601-07-R	Locking Tab	H8109
18	31-0636-05-R	Drain Assembly (includes #13, 15)	H8500
19	43-3092-02-R	2" Plug w/47-0228-68	H8572
---	43-3091-03-R	1-1/2" Plug w/47-0328-000	H8573
20	47-0228-01-R	O-Ring 2-1/4" x 2-1/2"	H8202
21	42-3677-06-R	Cover Latch	H8536

**PAC-FAB (AMERICAN PRODUCTS)
SEPARATION TANK**



KEY	MFG NO.	DESCRIPTION	ITEM NO.
1	51027000	Top Tank, w/ High Flow Manual Air Relief Valve	H3466
3	51015100	Tank Clamp Assembly	H3557
4	57003400	Backup Ring	H3553
5	57003200	O-Ring, Neoprene	H3554
6	51015300	Tank Bag	H3556
7	51015400	Hold Down	H3566
8	51015200	Spacer	H3567
10	-----	1/4" Pet Cock Assembly <i>(Filters Manufactured Before 9/96)</i>	V7079
10	98209800	High Flow Manual Air Relief Valve Kit <i>(Filters Built After 9/96)</i>	H3561
11	98218900	Plug, 1/4"	V5002



PAC-FAB SEPARATION TANKS

No. 40

No. 60

No. 80

purex
triton

KEY	MFG NO.	DESCRIPTION	ITEM NO.
1	154662	Bleeder Valve	H4260
2	313203	Top Head Assembly	H3405
3	313196	Band Assembly - Complete	H3406
4	313225	Tank O-ring	H3411
5	312997	Tank Assembly - No. 80 with 2" Threads	H3415
5	312996	Tank Assembly - No. 60 with 2" Threads	H3416
5	312995	Tank Assembly - No. 60 with 1-1/2" Threads	H3417
5	312994	Tank Assembly - No. 40 with 1-1/2" Threads	H3418
6	313200	Replacement Bag Assembly - No. 40 (7-1/2" Length)	H3407
6	313201	Replacement Bag Assembly - No. 60 (13" Length)	H3408
6	313202	Replacement Bag Assembly - No. 80 (19" Length)	H3409
7	174882	Knob for Clamp Assembly	H5138
8	639822	Washer, 5/16" - 18 x 4" S.S. Flat	L1553
9	152060	Carriage Bolt, 5/16" - 18 x 4"	H4207

American Products Commander	339
Harmsco, BF55SC, BF105SC & BF155SC	340
Hayward Micro Star Clear, C120, C200 & C225	341
Hayward ASL	342,343
Hayward Star Clear, C250, C500, C750 & C1000	344,345
Hayward Star Clear II, C800, C1100 & C1500	346,347
Hayward Star Clear Plus, C751, C900, C1200 & C1750	348,349
Hayward Super Star Clear	350,351
Jacuzzi CFR Series	352,353
Jacuzzi Sherlock	352
Jacuzzi TRI-C.L.O.P.S.	354
Pac-Fab Clean & Clear/Predator	355
Pac-Fab Clean & Clear Plus	356,357
Pac-Fab FMY Series	358,359
Pac-Fab Mytilus B Series	360,361
Purex CF Series	362
Rainbow In-Line, RDC Series	363
Rainbow In-Line, RTL/RCF Series	364
Replacement Cartridges (Pools)	370,371
Replacement Cartridges (Spas)	372,373
Sta-Rite Posi-Flo Series	367
Sta-Rite Posi-Flo II, PTM50, PTM70 & PTM100	368
Sta-Rite Posi-Flo II, PTM135	369
Sta-Rite System: 3 "P" Series	366
Sta-Rite System: 3 "S" Series	365

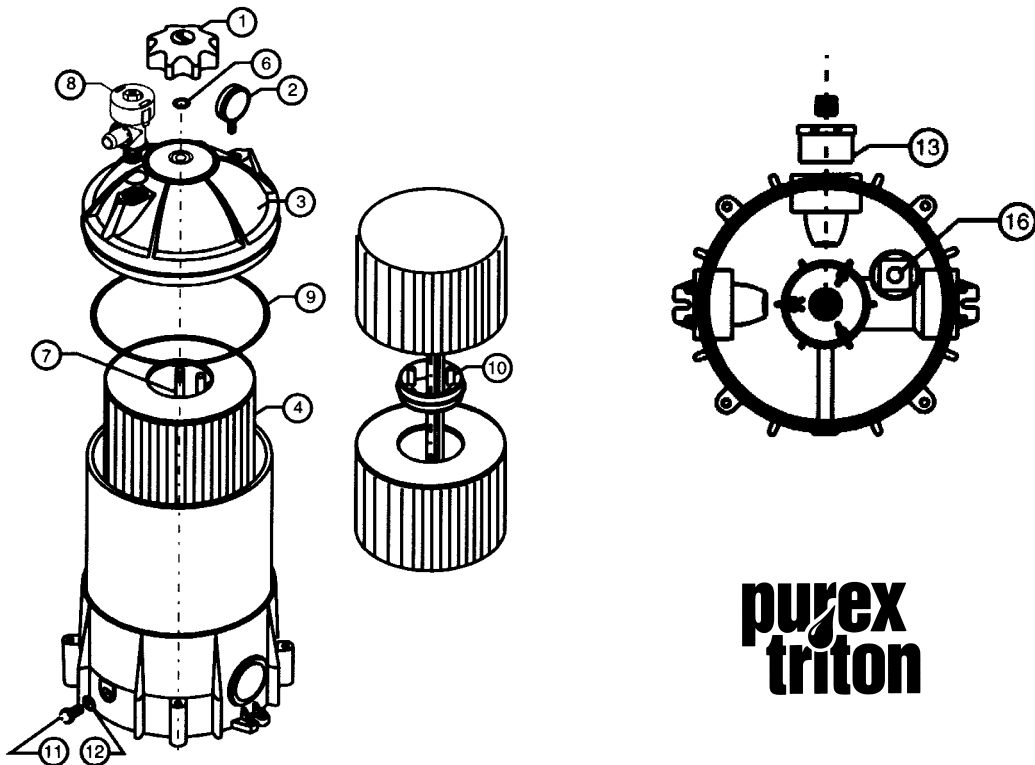
Filters (Cartridge)

Notes

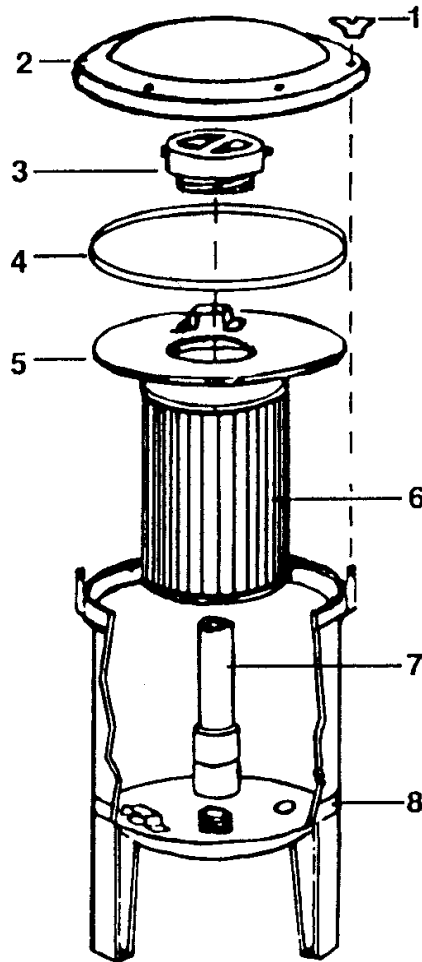
HATCHIK SUPPLY CO.

AMERICAN PRODUCTS CARTRIDGE FILTER COMMANDER

KEY	MFG NO.	DESCRIPTION	ITEM NO.
1	57006900	Knob, Plastic Cartridge Filter Top	H3600
2	-----	Generic Pressure Gauge	H7000
2	-----	Generic Pressure Gauge	H7003
3	57005600	Top (Replaces #57005900)	H3602
4	57005700	Replacement Cartridge 25 sq. ft. Filter	H5251
4	57014200	Replacement Cartridge 35 sq. ft. Filter	H5256
4	57005800	Replacement Cartridge 50 sq. ft. Filter	H5252
4	57014300	Replacement Cartridge 75 sq. ft. Filter	H5254
4	57014400	Replacement Cartridge 100 sq. ft. Filter	H5257
6	57006700	O-Ring	H3601
7	57006100	Rod, S.S. Threaded, 25 & 35 sq. ft.	H3578
7	57006200	Rod, S.S. Threaded, 50 & 75 sq. ft.	H3579
7	57007700	Rod, S.S. Threaded, 100 sq. ft.	H3580
7	57008600	Rod, S.S. Threaded, 150 sq. ft.	H3581
8	98209804	High Flow Manual Air Relief Valve Upgrade Kit	H3561
9	57007300	O-Ring	H3603
10	57008300	Adapter ABS, 150 sq. ft. Filter	H3582
11	57007100	Plug, Drain	H3584
12	57006500	O-Ring for Drain Plug	H3585
13	57012900	Reducer Plug 1-1/2" Slip 1/2"	H3588
13	57013000	Reducer Plug 1-1/2" Threaded 1/2"	H3640
16	57010600	Plug, Bypass	H3577



HARMSCO SINGLE CARTRIDGE FILTER

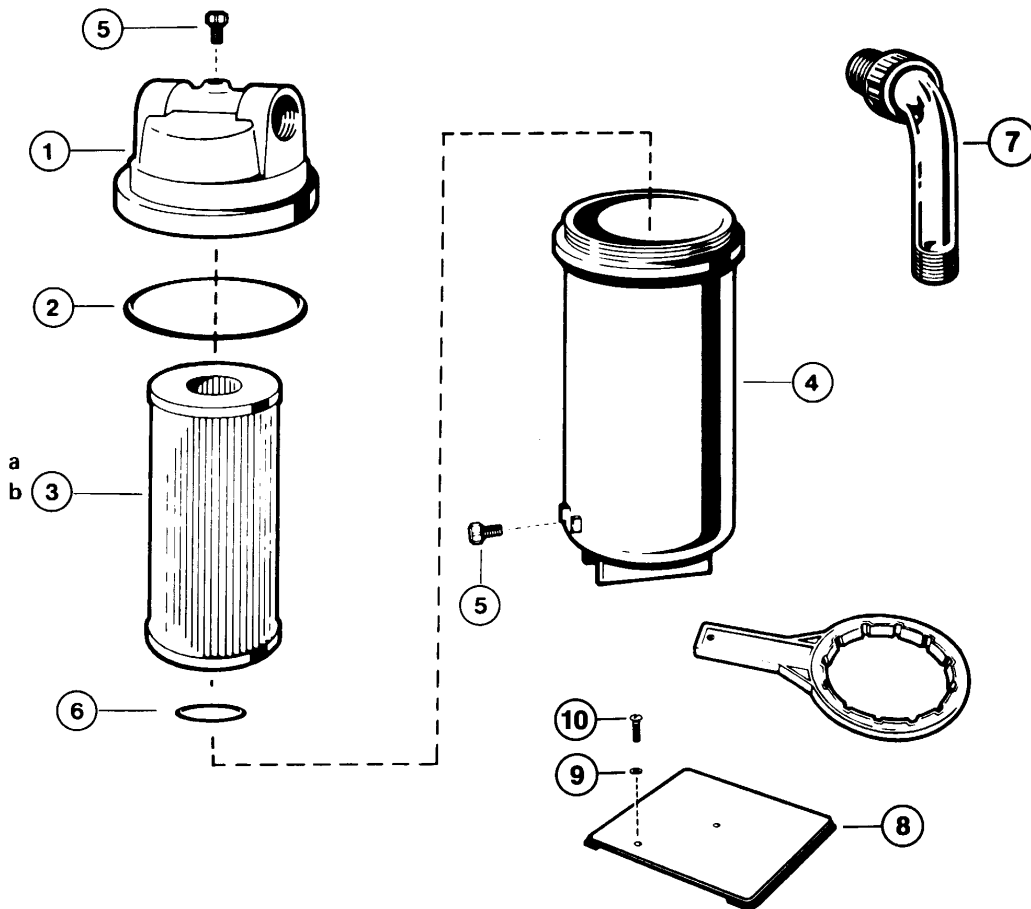


Models
BF55SC
BF105SC
BF155SC



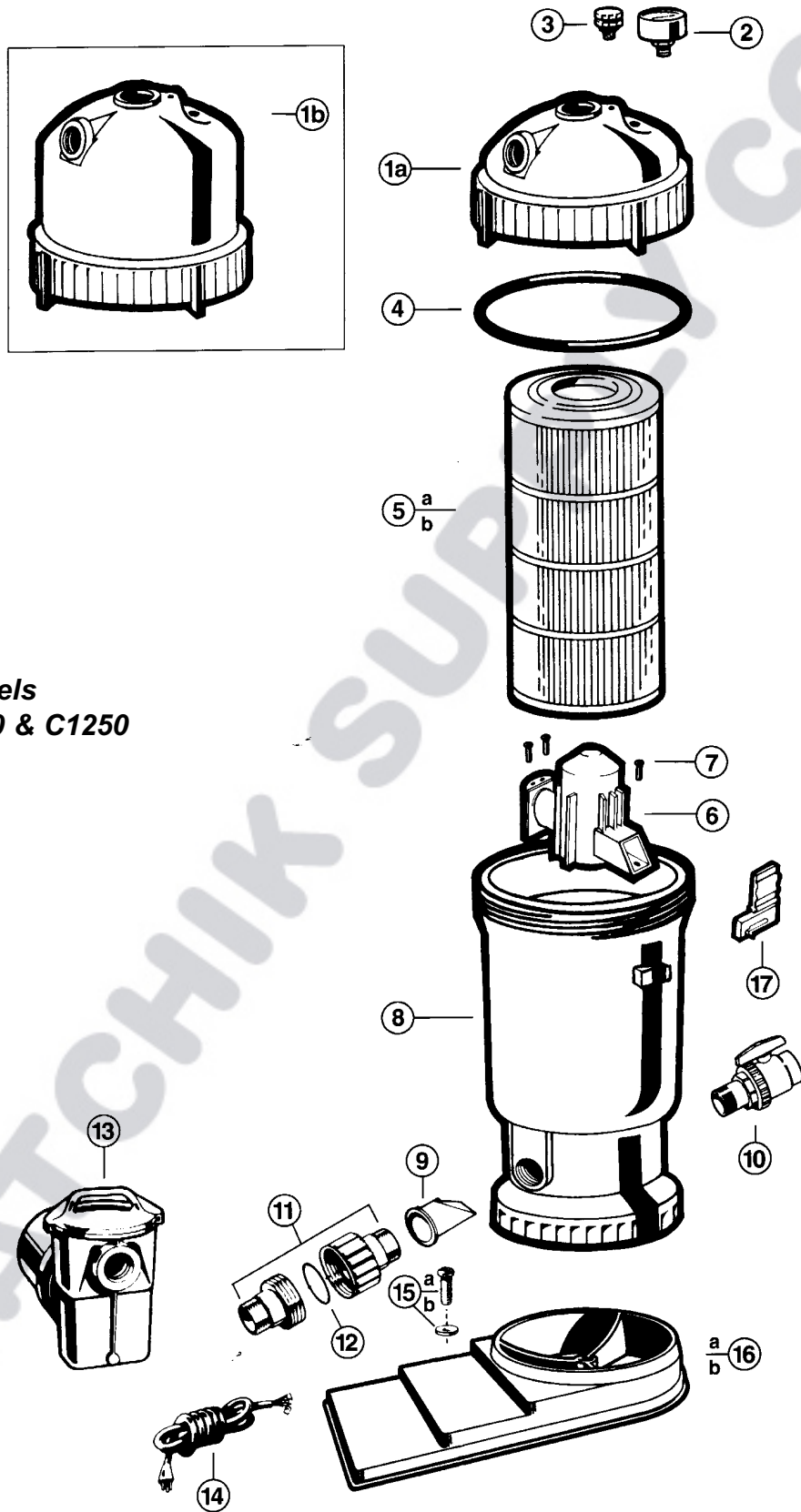
KEY	MFG. NO.	DESCRIPTION	ITEM NO.
1	202	Brass Wing Nut	(6 needed) H3095
2	530	Lid	H2630
3	905	Cartridge Retainer Nut	H2632
4	550	Rim Gasket	H2634
5	903	Top Plate	H2636
6	ST55	Cartridge (BF55SC)	H2638
6	ST105	Cartridge (BF105SC)	H5009
6	ST155	Cartridge (BF155SC)	H5049
7	562	Standpipe (BF55SC)	H2640
7	563	Standpipe (BF105SC)	H2642
7	564	Standpipe (BF155SC)	H2644
8	948	Tank (BF55SC)	H2646
8	960	Tank (BF105SC)	H2648
8	1440	Tank (BF155SC)	H2650

HAYWARD MICRO STAR-CLEAR CARTRIDGE FILTERS C120, C200, C225



KEY	MFG NO.	DESCRIPTION	ITEM NO.
1	CX120AA	Filter Head with Vent Valve - 1-1/2"	H5280
2	CX120D	O-Ring	H5282
3A	CX200RE	Cartridge Element - 20 sq. ft.	H5011
3B	CX225RE	Cartridge Element - 25 sq. ft.	H5014
4	CX120B	Filter Body Housing	H5284
5	ECX1321A	Air Relief Valve with O-Ring (2-needed)	H6152
---	CX250Z15	By-Pass Plug (Internal)	H5244
6	SPX1485C	Gasket	H6726
7	SPX1485BPAK	Threaded Elbow Union Assembly	H5004
8	ECX12891	Base	H5006
---	S200KT	Wrench Tool for Body Housing (Optional)	H6050
9	ECX1108A	Mounting Screw w/ Washer	H6234

HAYWARD ASL SERIES



Models
C850 & C1250

HAYWARD ASL SERIES (C850, C1250)

KEY	MFG. NO.	DESCRIPTION	ITEM NO.
1a	SCX45BC	Lid w/ Locking Ring (C850)	H6882
1b	SCX70BC	Lid w/ Locking Ring (C1250)	H6884
2	ECX27091	Pressure Gauge	H6194
3	ECX1322A	Air Relief	H5203
4	RGX45G	Filter Head O-Ring	H6844
5a	CX850RE	Cartridge Element (C850)	H6888
5b	CX1250RE	Cartridge Element (C1250)	H6890
6	RGX45D	Diffuser	H6850
7	RGX45Z1	Diffuser Screws (3 needed)	H6852
8	RGX45AA	Filter Body	H6854
9	ECX4077B1	Check Valve	H6326
---	ECX1005A	Snap Ring for Check Valve	H6876
10	SP0723	Ball Valve	V4118
11	SP1480	1-1/2" Male Union	U6514
12	SPX1425Z6	O-Ring	H6722
14	SPX1250WA	6 ft. Cord Set (4 needed)	K4033
15a	ECX1108A	Pump Mounting Screw w/ Washer (4 needed)	H6234
15b	ECX1161Z2	Pump Mounting Screw w/ Washer (4 needed)	H6701
16a	EC1169PAK	Three Tier Platform Base	H6902
16b	EC1161PAK	Platform Base	H6004
17	CX400D	Locking Ring Latch	H6868



HAYWARD STAR-CLEAR CARTRIDGE FILTERS C250, C500, C750 & C1000

KEY	MFG NO.	DESCRIPTION	ITEM NO.
1	CX250G	Locking Knob	H5200
2	CX250Z7	O-Ring	H5202
3	ECX1321A	Air Relief Valve with O-Ring	H6152
3A	SPX1082Z410	Relief Valve Only - Pkg of 10	L1943
4	CX250C	Filter Head (Dome) with Air Relief Valve	H5206
5	CX250F	Filter Head Gasket	H5208
6A	CX250Z2	Tie Rod (C250) 18-3/4" (1981 & Prior)	N/A
6A	CX250Z2S	Tie Rod (C250) 18-9/32"	H5211
6B	CX500Z2	Tie Rod (C500) 28-5/8" (1981 & Prior)	N/A
6B	CX500Z2S	Tie Rod (C500) 28-3/32"	H5213
6C	CX750Z2	Tie Rod (C750) 38-1/2" (1981 & Prior)	N/A
6C	CX750Z2S	Tie Rod (C750) 38-1/16"	H5029
7A	CX250RE	Cartridge Element (C250)	H5017
7B	CX500RE	Cartridge Element (C500)	H5018
7C	CX750RE	Cartridge Element (C750)	H5019
8A	CX250AA1	Filter Tank Body with Tie Rod Assembly (C250)	H5224
8B	CX500AA1	Filter Tank Body with Tie Rod Assembly (C500)	H5226
8C	CX750AA1	Filter Tank Body with Tie Rod Assembly (C750)	H5228
9	CX250Z3	Nut, 7/16" - 14 (1981 & Prior)	H5230
10	CX250Z16	Seal Washer (1981 & Prior)	H5232
11A	ECX27081	Pressure Gauge (1991 & Prior)	H6316
11B	ECX27091	Pressure Gauge, Back Mount	H6194
12A	ECX1321A	Drain Plug with O-Ring (1979)	H6152
12B	CX250Z14	1/2" Drain Plug	H5238
---	SPX605Z2	Drain Plug O-Ring	H8250
13	ECX4077B1	Check Valve (Optional)	H6326

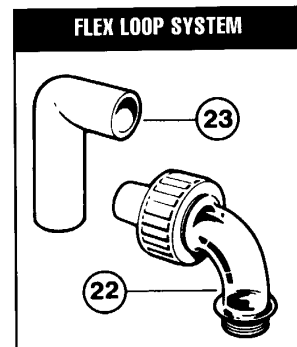
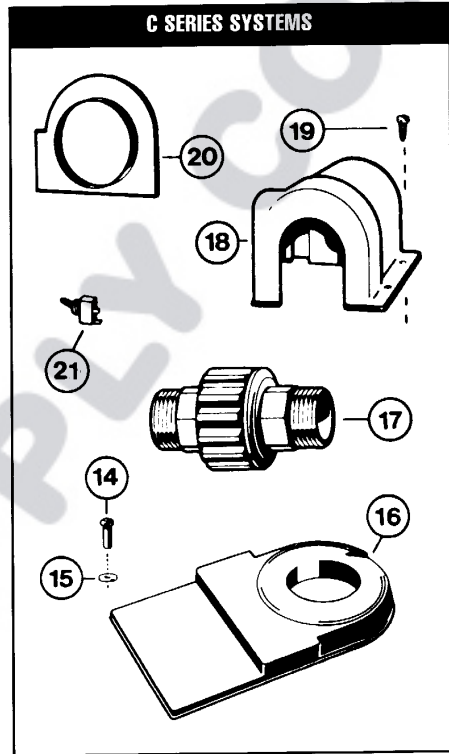
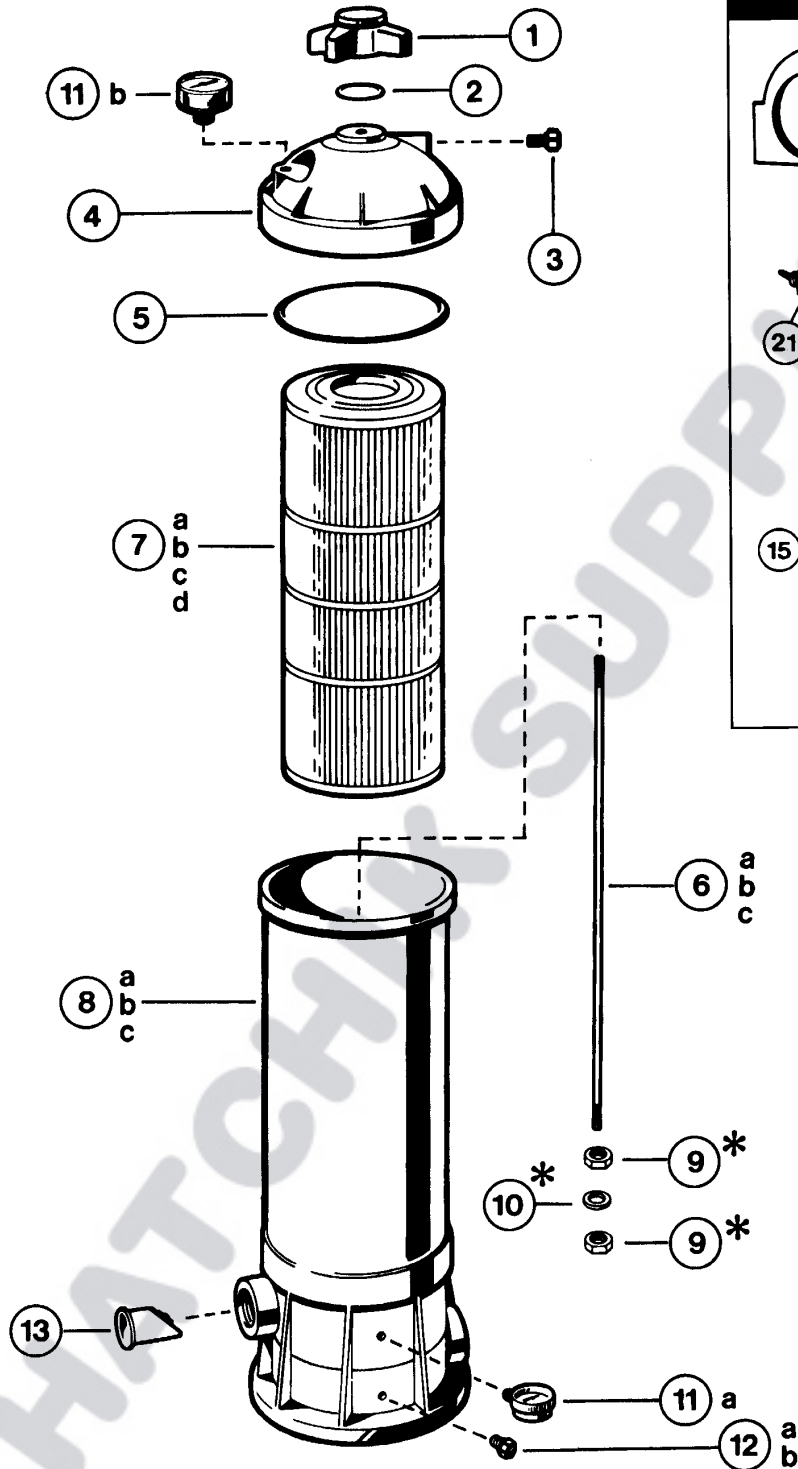
C-Series Systems

---	SPX1500WA	Cord Set 6 ft. - No. 16/3 AWG	H6226
---	SPX1250WA	Cord Set 6 ft. - No. 14/3 AWG	K4033
---	SPX1550WA	Cord Set 25 ft. - No. 14/3 AWG	H6230
---	ECX1248	Cord Strain Relief	H6232
14	ECX1108	5/16" x 3/4" Mounting Screw	H6234
15	ECX1109	Washer	H6236
16	EC1161PAK	Platform Base with Screws - Low Profile	H6004
17	SP1480	1-1/2" Male Union	U6514
18	ECX1121	Rainshield Cover Assembly	H6246
19	SPX1411Z3	Pan Head Hilo Screw (4-needed)	H6360
20	ECX1229	Motor Air Baffle	H6250
21	ECX1325	Switch Assembly	H6252

Modular Flex Loop Systems

22	SPX14853	Sweep Elbow Union Assembly	H6256
23	ECX1326A	Flex Loop Elbow	H6254

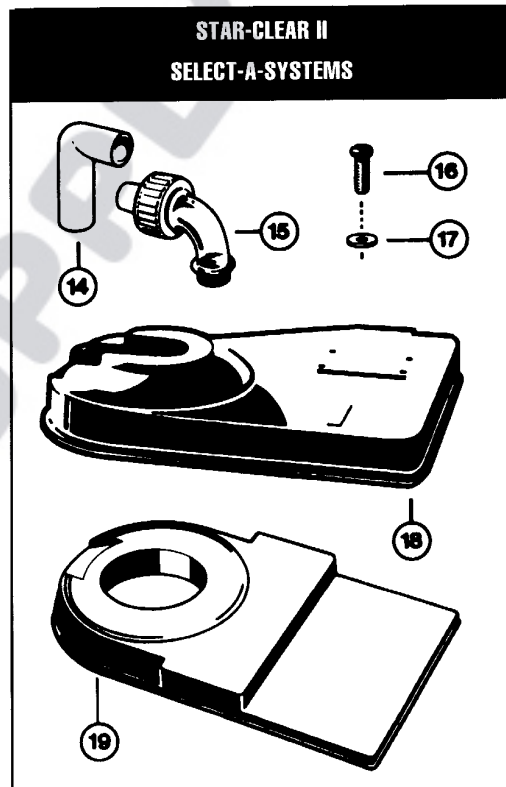
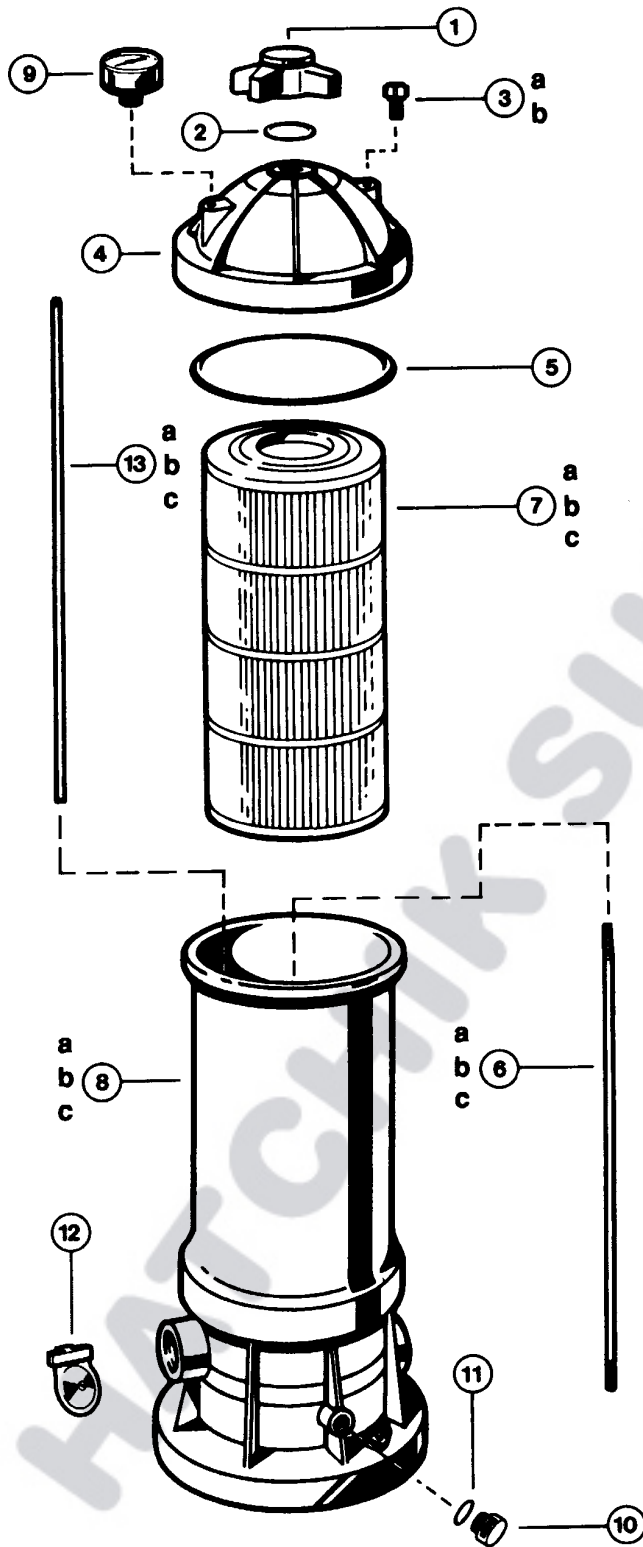
HAYWARD STAR-CLEAR CARTRIDGE FILTERS C250, C500, C750 & C1000



*NOTE: Parts apply to 1981 and prior models - Not required for later units.



HAYWARD STAR-CLEAR II CARTRIDGE FILTERS
C800, C1100 & C1500



HAYWARD STAR-CLEAR II CARTRIDGE FILTERS C800, C1100 & C1500

KEY	MFG NO.	DESCRIPTION	ITEM NO.
1	CX800G	Locking Knob	H5201
2	CX250Z7	O-Ring	H5202
3A	ECX1321A	Air Relief Valve with O-Ring (1988 & Prior)	H6152
3B	ECX1322A	Air Relief with Large O-Ring (1989)	H5203
4	CX800C	Filter Head (Cover) with Air Relief Valve	H5204
5	CX800F	O-Ring for Filter Head	H5218
6A	CX800Z2	Tie Rod (C-800)	H5205
6B	CX1100Z2	Tie Rod (C-1100)	H5207
6C	CX1500Z2	Tie Rod (C-1500)	H5209
7A	CX800RE	Cartridge Element (C-800)	H5210
7B	CX1100RE	Cartridge Element (C-1100)	H5190
7C	CX800RE	Cartridge Element (C-1500) <i>2-needed with Joiner</i>	H5210
---	CX1500C	Joiner (Joins 2 C-800-RE Cartridges in C-1500 Filter)	H5215
8A	CX800AA	Filter Tank Body - 1-1/2" (C-800)	H5217
8B	CX1100AA	Filter Tank Body - 1-1/2" (C-1100)	H5281
8C	CX1500AA	Filter Tank Body - 1-1/2" (C-1500)	H5219
9	ECX27091	Pressure Gauge	H6194
10	CX250Z14	1/2" Drain Plug	H5238
11	SPX605Z2	Drain Plug O-Ring	H5221
12	CX800HA	Check Valve Assembly (Optional)	H5237
13A	CX800Z4	Auto Air Relief Tube (C-800)	H5239
13B	CX1100Z4	Auto Air Relief Tube (C-1100)	H5240
13C	CX1500Z4	Auto Air Relief Tube (C-1500)	H5241

Modular Selecta-Systems

14	ECX1326A	Flex Loop Elbow	H6254
15	SPX14853	Sweep Elbow Union Assembly	H6256
16	ECX1108A	5/16" x 3/4" Mounting Screw w/ #17 Washer	H6234
18	ECX1231	Platform Base - High	H6240
19	EC1161PAK	Platform Base with Screws - Low Profile	H6004



D.E. SEPARATION TANK

CX1100DB

D.E. Collector Bag Assembly

H5243

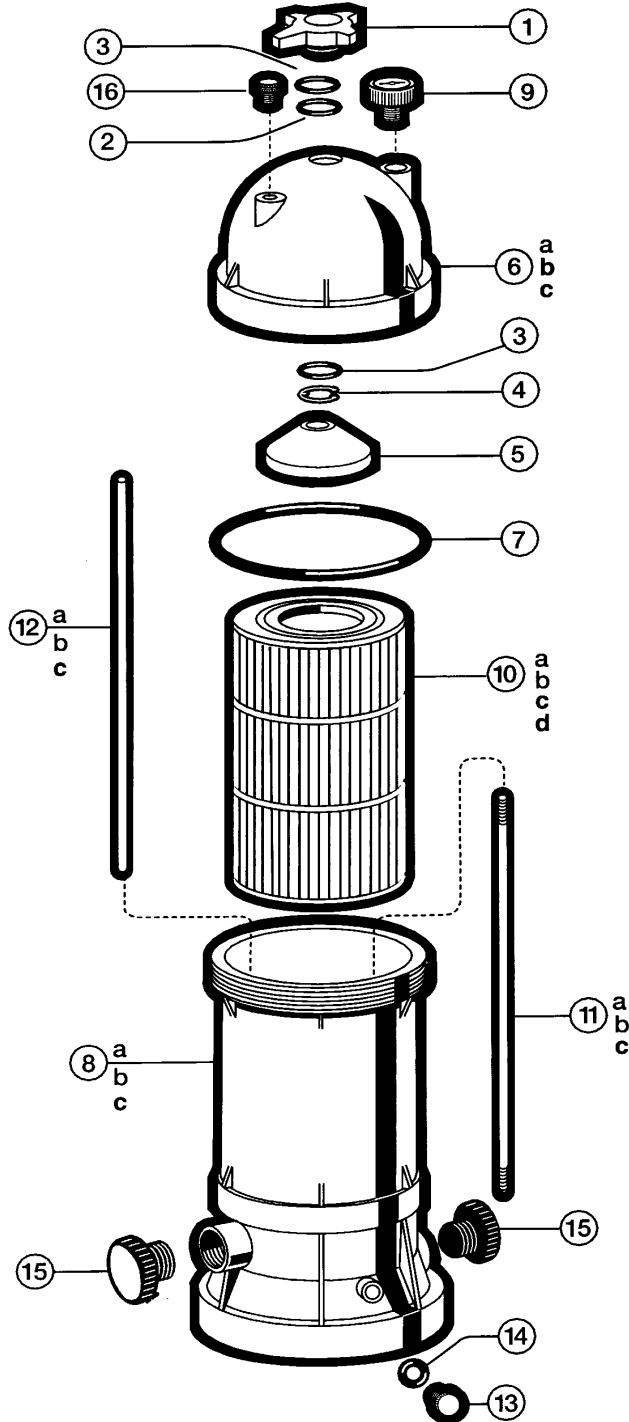
All Parts the same as C-1100 Except Bag Assembly Above

HAYWARD STAR CLEAR PLUS
C751, C900, C1200 & C1750

KEY	MFG. NO.	DESCRIPTION	ITEM NO.
1	CX900G	Locking Knob (C751, C900, C1200 Series)	H6900
1	CX1750G	Locking Knob (C1750)	H6901
2	CX900H	O-Ring	H6904
3	CX900W	Washer	H6906
4	CX900J	E-Ring	H6908
5	CX900D	Guide Cone	H6910
6a	CX900B	Filter Head w/ Directional Vent Valve (C751, C900)	H6912
6b	CX1200B	Filter Head w/ Directional Vent Valve (C1200)	H6914
6c	CX1750B	Filter Head w/ Directional Vent Valve (C1750)	H6916
7	CX900F	Filter Head O-Ring	H6918
8a	CX900AA	Filter Body - 1-1/2" FIP (C751, C900)	H6920
---	CX900AA2	Filter Body - 2" FIP (C7512, C9002, C9002S)	H6922
8b	CX1200AA	Filter Body - 1-1/2" FIP (C1200)	H6924
---	CX1200AA2	Filter Body - 2" FIP (C12002, C12002S)	H6926
8c	CX1750AA2	Filter Body - 2" FIP (C17502, C17502S)	H6928
9	ECX27091	Pressure Gauge	H6194
10a	CX760RE	Cartridge Element (C751)	H6930
10b	CX900RE	Cartridge Element (C900)	H6932
10c	CX1200RE	Cartridge Element (C1200)	H6934
10d	CX1750RE	Cartridge Element (C1750)	H6936
11a	CX800Z2	Tie Rod (C900)	H5205
11b	CX1100Z2	Tie Rod (C1200)	H5207
11c	CX1750Z2	Tie Rod (C1750)	H6938
12a	CX800Z4	Auto Air Relief Tube (C900)	H5205
12b	CX1100Z4	Auto Air Relief Tube (C1200)	H5240
12c	CX1750Z4	Auto Air Relief Tube (C1750)	H6940
13	CX250Z14	1/2" Drain Plug	H5238
14	SPX0605Z2	Drain Plug O-Ring	H5221
15	CX900K	2" PVC Socket Connector (Set of 2)	H6942
16	ECX1322A	Directional Vent Valve w/ O-Ring	H5203

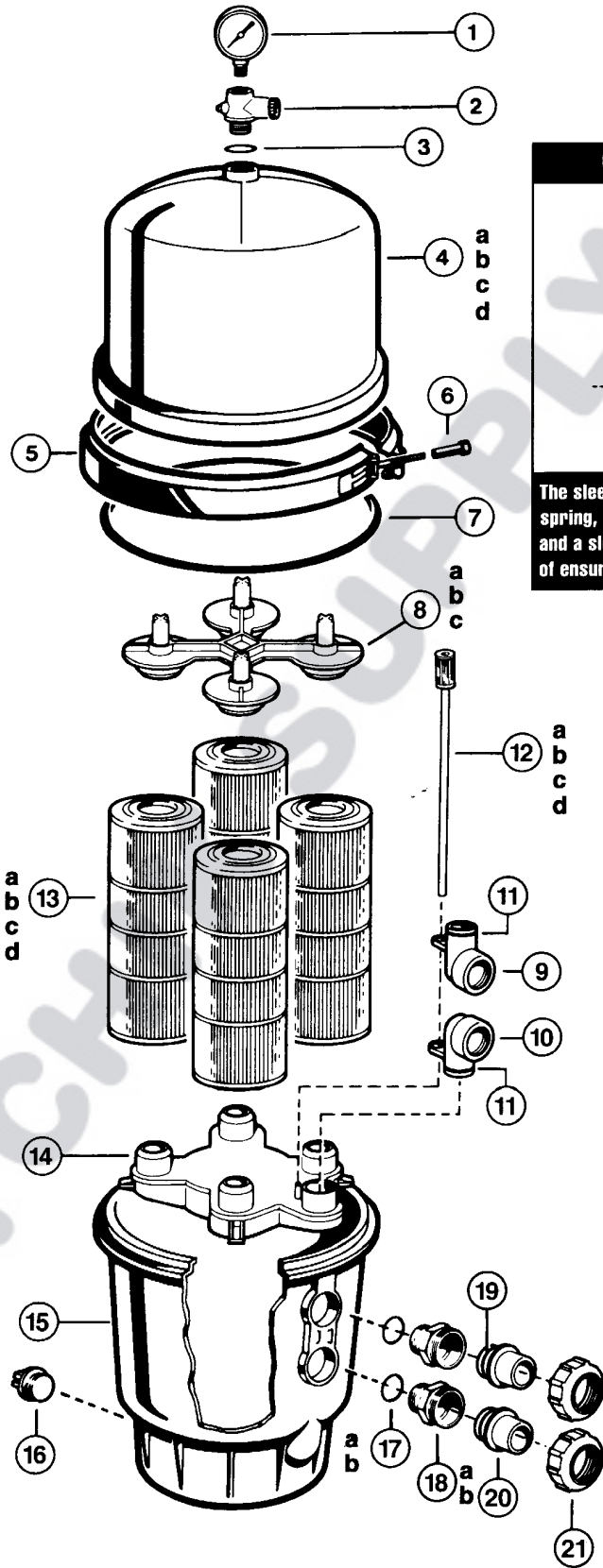
HAYWARD STAR CLEAR PLUS

Models
C751,
C900,
C1200,
& C1750



HAYWARD SUPER STAR - CLEAR
(DURALON & PERMAGLASS XL)

C2000, C3000,
C4000 & C5000



CLAMP SPRING ASSEMBLY

The sleeve nut assembly, which includes a spring, two washers (small and large hole) and a sleeve nut, provides a visual means of ensuring that the clamp is tight.

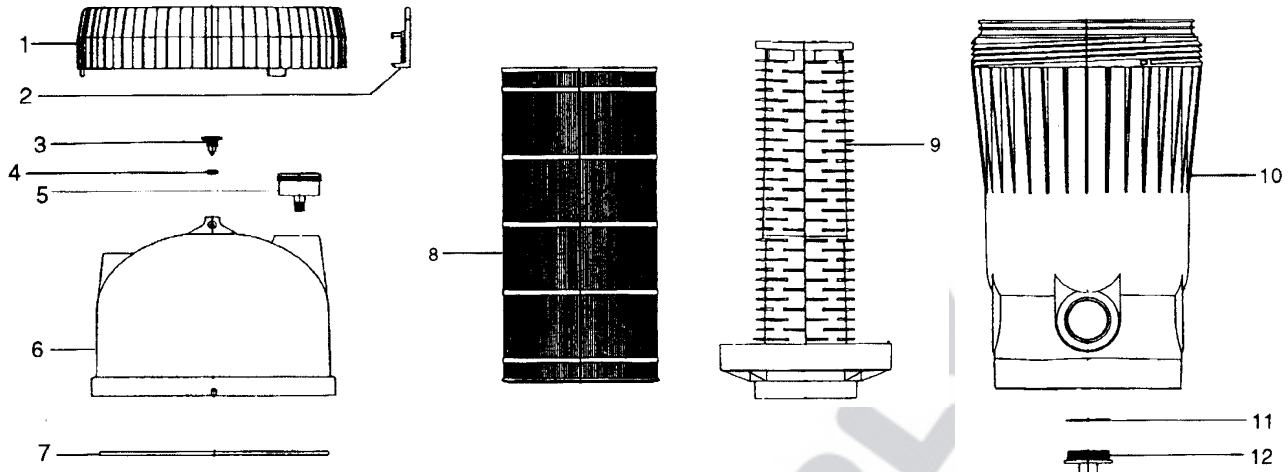


HAYWARD SUPER STAR - CLEAR (DURALON & PERMAGLASS XL)

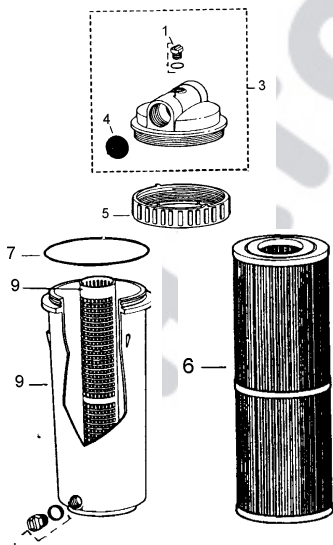
KEY	MFG. NO.	DESCRIPTION	ITEM NO.
1	EXC270861	Pressue Gauge	H6317
2	DEX2400S	Relief Valve / Gauge Adapter Assy.	H6075
---	DEX2400Z3A	O-Ring for Relief Valve Stem (3 needed)	H6323
3	SX200Z5	Relief Valve Assy. O-Ring	H6642
4a	DEX2400BT	Filter Head (C2000)	H6643
4b	DEX3600BT	Filter Head (C3000)	H6053
4c	DEX4800BT	Filter Head (C4000)	H6054
4d	DEX6000BT	Filter Head (C5000)	H6113
5	DEX2400J	Clamp Assembly	H6109
6	DEX2400JN	Brass Sleeve Nut (2 needed)	H6159
7	DEX2400K	Filter Tank D-Ring	H6093
8a	CX2000DA	Top Closure Plate (C2000)	H6950
8b	CX3000DA	Top Closure Plate (C3000/C4000)	H6952
8c	CX5000DA	Top Closure Plate (C5000)	H6954
9	CX3000F1B*	Buttress Thread Inlet Elbow Assy. w/ O-Ring & Bulkhead Fitting (1997 -)	H6956
10	CX3000FB*	Buttress Thread Outlet Elbow Assy. w/ O-Ring & Bulkhead Fitting (1997 -)	H6958
11	DEX360M	O-Ring	H6134
12a	CX800Z4	Air Relief Tube w/ Air Tube Screen (C2000)	H5239
12b	CX3000Z3	Air Relief Tube w/ Air Tube Screen (C3000)	H6960
12c	CX4000Z3	Air Relief Tube w/ Air Tube Screen (C4000)	H6962
12d	CX5000Z3	Air Relief Tube w/ Air Tube Screen (C5000)	H6964
13a	CX470XRE	Cartridge Element (C2000) (4 needed)	H6966
13b	CX570XRE	Cartridge Element (C3000) (4 needed)	H6968
13c	CX870XRE	Cartridge Element (C4000) (4 needed)	H5025
13d	CX1260XRE	Cartridge Element (C5000) (4 needed)	H6970
14	CX3000C	Bottom Collector Manifold	H6972
15	DEX2400A1	Filter Body	H6089
16	SP1022C	1-1/2" Drain Plug w/ O-Ring	V5018
17a	SX200Z3	O-Ring (1995 and Prior) (2 needed)	H6686
17b	SX360Z1	O-Ring (After 1996) (2 needed)	K4488
18a	DEX360F	Bulkhead Fitting (2 needed)	H6120
18b	DEX360FB	Buttress Thread Bulkhead Fitting (1997 -) (2 needed)	H6195
19	SX200Z4	O-Ring (2 needed)	H6694
20	SX240F	1-1/2" SKT x 2" Slip Connector (2 needed)	H6974
21	SX200R	Locknut (2 needed)	H6699
22	DEX2400JKIT	Clamp Spring Assy. Replacement Kit (2 Assy's)	H6161

* For 1997 and prior Filters, when elbow replacement is required, use complete kit called out in 10 & 11

JACUZZI SHERLOK ELEMENT FILTER
SHER80 & 120



KEY	MFG.NO.	DESCRIPTION	ITEM NO.
1	42-3671-02-R	Nut	H8535
2	42-3677-06-R	Cover Latch	H8536
3	39-2547-01-R	Air Bleed Valve Knob w/O-Ring	H8193
4	47-0106-08-R	O-Ring 3/16 x 3/8 x 3/32	H8194
5	9193-4182-R	Pressure Gauge 0-60 PSI 1/4"	H8388
6	42-2852-05-R	Cover - 80 Sq. Ft.	H8195
6	42-2998-00-R	Cover - 120 Sq. Ft.	H8196
7	47-0380-47-R	O-Ring 11-1/2 x 11-7/8 x 3/16	H8197
8	42-3674-09-R	Element Assembly - 80 Sq. Ft.	H8538
8	42-3675-08-R	Element Assembly - 120 Sq. Ft.	H8539
9	42-2946-03-R	Dirt Catcher - 80 Sq. Ft.	H8540
9	42-2947-02-R	Dirt Catcher - 120 Sq. Ft.	H8541
10	42-3673-00-R	Filter Body 2"	H8542
11	13-0011-02-R	Plug Gasket	H8543
12	43-3092-02-R	Plug 2" w/ Gasket	H8544

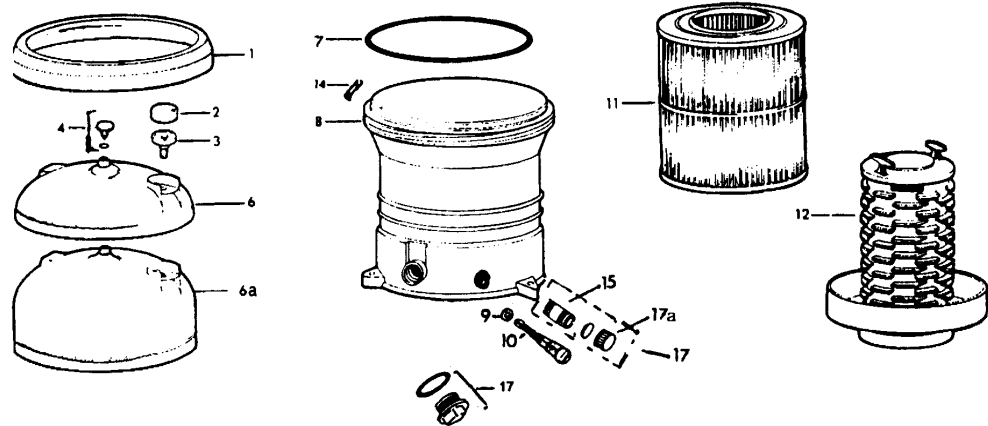


JACUZZI CFR25 & CFT25 FILTERS

KEY	ITEM NO.	DESCRIPTION	ITEM NO.
1	31-1609-06-R	Plug 1/4" w/ O-Ring	H8180
3	42-2757-19-R	Cover, Threaded	H8182
3	42-2756-20-R	Cover for Systems w/Reverse Valve	H8962
3	42-2758-18-R	Cover, Slip	H8183
4	16-0282-01-R	By-Pass Valve	H8184
5	42-2828-06-R	Nut	H8185
6	42-2891-08-R	Element 7/88	H8186
7	47-0360-09-R	O-Ring	H8187
8	42-2761-05-R	Column Pipe	H8188
9	42-2783-09-R	Body	H8189

JACUZZI CARTRIDGE FILTERS

Models
CFR 50
CFR 75
CFR 100
CFR 150

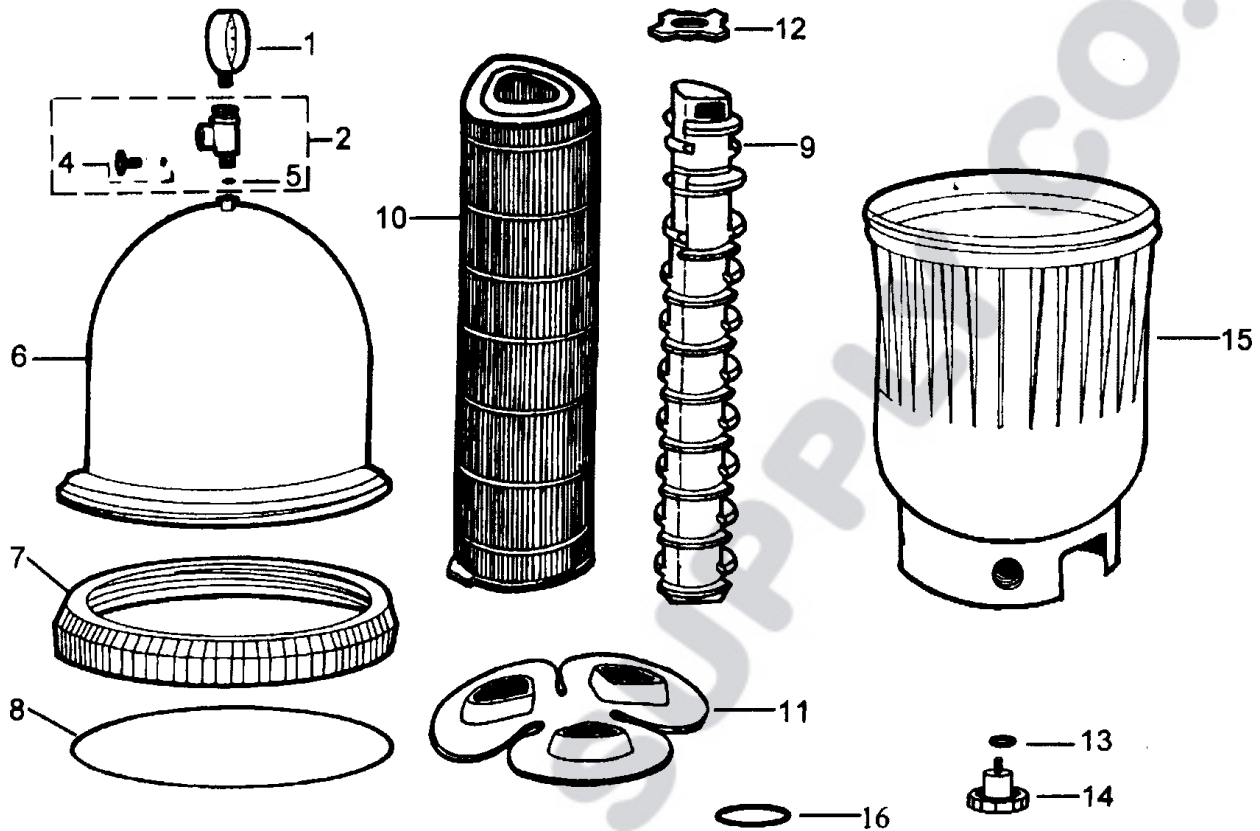


KEY	MFG NO.	DESCRIPTION	ITEM NO.
1	42-2850-07-R	Nut Eff. 1992 with Tabs	H8190
2	42-2253-18-R	Lens for Pressure Gauge (before 94)	H8191
3	9193-4182-R	Pressure Gauge	H8388
4	39-2547-01-R	Air Bleeder Valve	H8193
6	42-2852-05-R	Cover (CFR 50 & CFR 100)	H8195
6A	42-2998-00-R	Cover (CFR 75 & CFR 150)	H8196
7	47-0380-47-R	O-Ring	H8197
8	42-2893-06-R	Filter Body, 50 sq. ft. & 75 sq. ft. with 2" Connection	H8198
8	42-3623-01-R	Filter Body, 50 sq. ft. & 75 sq. ft. with 1-1/2" Connection	H8961
8	42-2894-05-R	Filter Body, 100 sq. ft. & 150 sq. ft. with 2" Connection	H8199
8	42-3624-00-R	Filter Body, 100 sq. ft. & 150 sq. ft. with 1-1/2" Connection	H8353
9	47-0112-00-R	O-Ring (Used on Units Produced Prior to 2/1/93)	H8181
10	42-2254-09-R	Drain Plug (Discontinued 2/93)	H8200
11	42-2940-09-R	Replacement Element, 50 sq. ft. (12/89)	H8201
11	42-2941-08-R	Replacement Element, 100 sq. ft. (12/89)	H8215
11	42-3509-00-R	Replacement Element (CFR 75)	H8203
11	42-3508-01-R	Replacement Element (CFR 150)	H8204
12	42-2942-07-R	Dirt Catcher, 50 sq. ft. (12/89)	H8205
12	42-2995-03-R	Dirt Catcher, 75 sq. ft.	H8209
12	42-2943-06-R	Dirt Catcher, 100 sq. ft. (12/89)	H8207
12	42-2993-05-R	Dirt Catcher, 150 sq. ft.	H8210
14	42-3601-07-R10	CFR Locking Tab (1 = 10 per pack)	H8109
15	31-0636-05-R	Drain Nipple 1" x 2-1/2"	H8106
17	31063605RKIT	Drain Assembly (Includes #15 & #17A)	H8500
17	43-3092-02-R	2" Plug w/ O-Ring	H8544
17	43-3091-03-R	1-1/2" Plug w/ O-Ring	H8573
17A	85-8263-00-R	Drain Cap with Gasket (From 2/1/93 to 1/3/96)	H8108
18	47-0258-53-R	Square Ring	H8175

-Discontinued Parts-

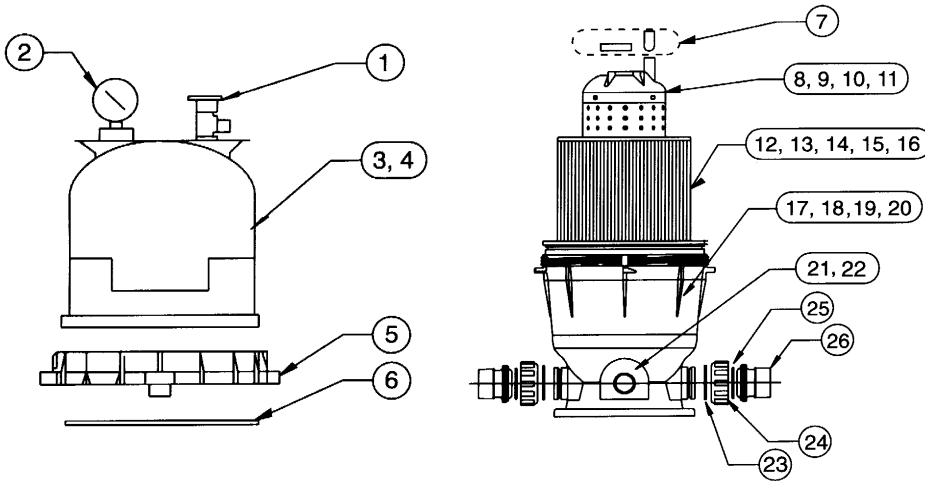
#5	47-008-07	1/88	#11	42-2370-08	(100 sq ft)	#12	42-2826-08-R	12/89
#8	42-2859-08	3/90 (59 sq ft)	#11	42-2888-03-R	12/89	#12	42-2258-05-R	12/89
#8	42-2864-01	1/90 (100 sq ft)	#11	42-2887-03-R	12/89	#12	42-2846-04-R	12/89
#11	42-3589-01	(50 sq ft)	#12	42-2249-07-R	12/89			

JACUZZI TRI-C.L.O.P.S. ELEMENT FILTER
TC-300, TC450 & TC-600

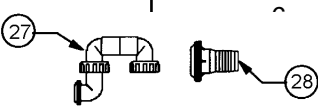


KEY	MFG.NO.	DESCRIPTION	ITEM NO.
1	9193-4158-R	Pressure Gauge O-60#	H8368
2	42-2972-00-R	Tee Air Bleed 1/4" - PVC (includes # 4, # 5)	H8111
4	39-2547-01-R	Air Bleed Valve Knob	H8193
5	47-0112-00-R	O-Ring 1/2" x 11/16 x 3/32 B-N	H8181
6	42-2930-01-R	Top for TC-300	H8112
6	42-2931-00-R	Top for TC-450	H8113
6	42-2932-09-R	Top for TC-600	H8114
7	42-2935-06-R	Aluminum Filter Nut	H8117
8	47-0569-99-R	Tank O-Ring - 20"	H8118
9	42-3637-05-R	Standpipe Support Assy. for TC-300	H8545
9	42-3640-00-R	Standpipe Support Assy. for TC-450	H8546
9	42-3643-07-R	Standpipe Support Assy. for TC-600	H8547
10	42-3640-10-R	Replacement Element for TC300 (3 needed)	H9420
10	42-3640-15-R	Replacement Element for TC450 (3 needed)	H9422
10	42-3640-20-R	Replacement Element for TC600 (3 needed)	H9424
11	42-3652-05-R	Element Manifold	H8548
12	14-4248-08-R	Retainer Ring	H8549
13	47-0212-66-R	O-Ring .986 x 1.276 x .145	H8149
14	42-3653-04-R	Manifold Ret Knob w/ Washer	H8574
15	42-2934-07-R	Filter Bottom	H9220
16	47-0228-68-R	O-Ring 2-1/4 x 2-1/2 x 1/8	H8354

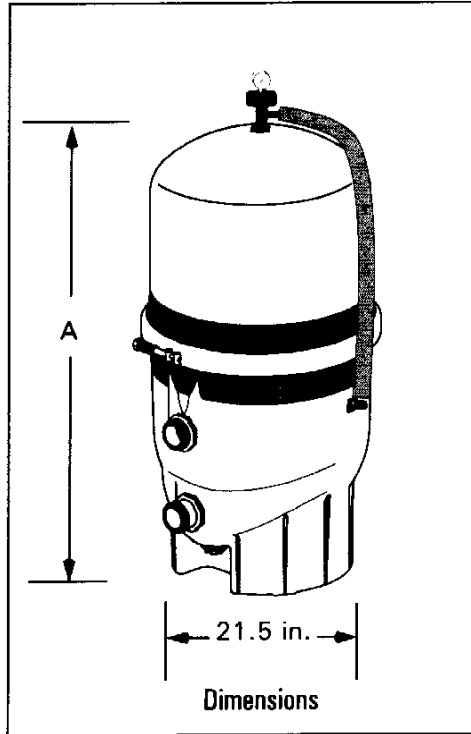
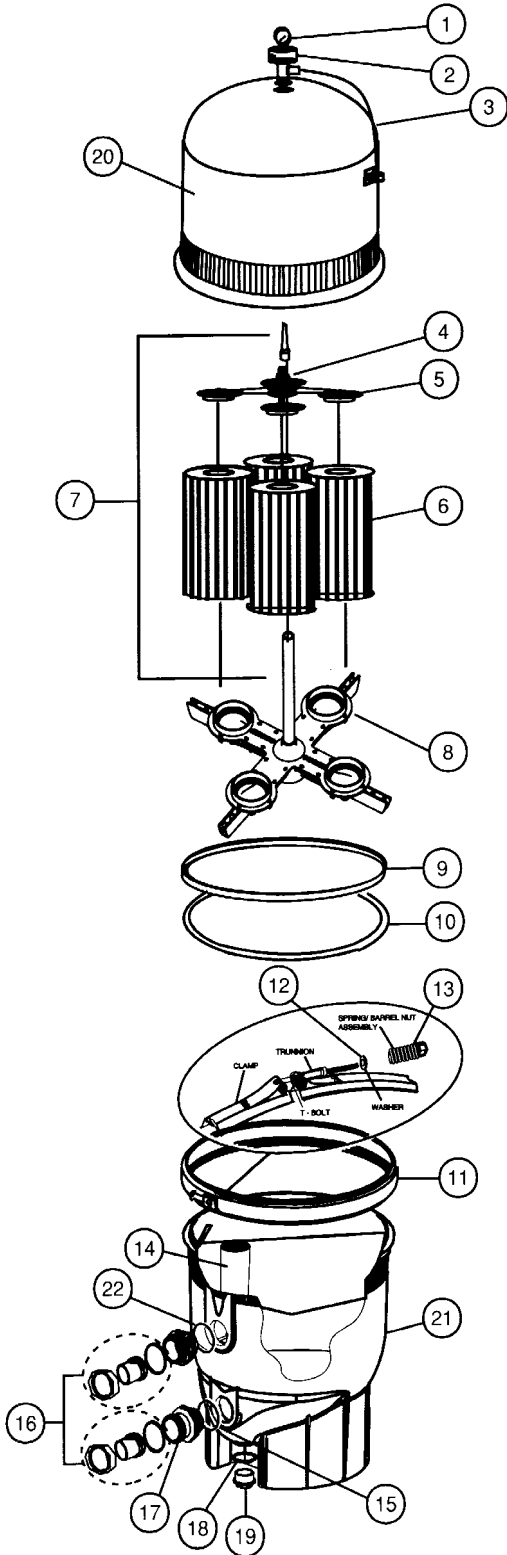
PAC-FAB CLEAN & CLEAR / PREDATOR FILTERS



KEY	MFG NO.	DESCRIPTION	ITEM NO.
1	98209800	High Flow Manual Air Relief Valve	H3561
2	53003201	Pressure Gauge, Bottom Mount	H3500
2	-----	Generic Pressure Gauge, Bottom Mount, Plastic	H7000
2	-----	Generic Pressure Gauge, Bottom Mount, Metal	H7003
3	178553	Lid, 50, 100 sq. ft. Filters - Almond <i>(after 11/98)</i>	H3480
3	59053000	Lid, 50, 100 sq. ft. Filters - Black <i>(before 11/98)</i>	H3482
4	178561	Lid, 75, 150, 200 sq. ft. Filters <i>(after 11/98)</i>	H3481
4	59053100	Lid, 75, 150, 200 sq. ft. Filters <i>(before 11/98)</i>	H3483
5	59052900	Locking Ring Assembly	H3484
~	87300400	Body O-Ring	H3485
	59016200	Air Bleed Sock Kit	H3486
	59053500	Center Core 50 sq. ft. Filter	H3487
y	59053600	Center Core 75 sq. ft. Filter	H3488
10	59053700	Center Core 100 sq. ft. Filter	H3489
11	59053800	Center Core 150, 200 sq. ft. Filter	H3490
12	59054000	Cartridge Element 50 sq. ft. Filter	H3491
13	59054100	Cartridge Element 75 sq. ft. Filter	H3492
14	59054200	Cartridge Element 100 sq. ft. Filter	H3493
15	59054300	Cartridge Element 150 sq. ft. Filter	H3494
16	59054400	Cartridge Element 200 sq. ft. Filter	H3495
17	178562	Bottom 50 sq. ft. Filter - Almond <i>(after 11/98)</i>	H3496
17	59055600	Bottom 50 sq. ft. Filter - Black <i>(before 11/98)</i>	H3668
18	178554	Bottom 75 sq. ft. Filter - Almond <i>(after 11/98)</i>	H3497
18	59056000	Bottom 75 sq. ft. Filter - Black <i>(before 11/98)</i>	H3752
19	178563	Bottom 100 sq. ft. Filter - Almond <i>(after 11/98)</i>	H3498
19	59055700	Bottom 100 sq. ft. Filter - Black <i>(before 11/98)</i>	H3753
20	178560	Bottom 150, 200 sq. ft. Filter - Almond <i>(after 11/98)</i>	H3499
20	59055200	Bottom 150, 200 sq. ft. Filter - Black <i>(before 11/98)</i>	H3704
21	51516200	Drain Cap Assembly <i>(before 11/98)</i>	H3431
21	86202000	Plug 1-1/2" w/ O-ring <i>(after 11/98)</i>	H3469
22	86300500	Drain Cap Gasket <i>(before 11/98)</i>	H8844
22	51005000	O-Ring for Drain Cap <i>(after 11/98)</i>	H8931
23	39104500	Union Nut "C" Clip	H3432
24	98212200	Union Nut	H3435
25	39102800	Union O-Ring	K3890
26	79304600	Body, Swivel	H3433
27	59019900	Pump Connector <i>(before 6/96)</i>	H3705
27	59018700	Pump Connector <i>(after 6/96)</i>	H3706
28	39105600	Outlet Connector <i>(before 3/98)</i>	H3707



PAC-FAB CLEAN & CLEAR PLUS FILTER
Fiberglass Reinforced Polypropylene Tank



240, 320, 420 & 520 Sq. Ft.
Series Filter

Flow Rate

Product #	Sq. Ft.	Dim. A	Flow					
			GPM ¹	GPM ²	GPH ¹	GPH ²	6 Hour ²	8 Hour ²
16-0310	240	37	120	90	7,200	5,400	32,400	43,200
16-0340	320	43	180	135	10,800	8,100	48,000	64,800
16-0301	420	49	250	183.5	15,000	11,250	67,500	90,000
16-0332	520	56	250	183.5	15,000	11,250	67,500	90,000

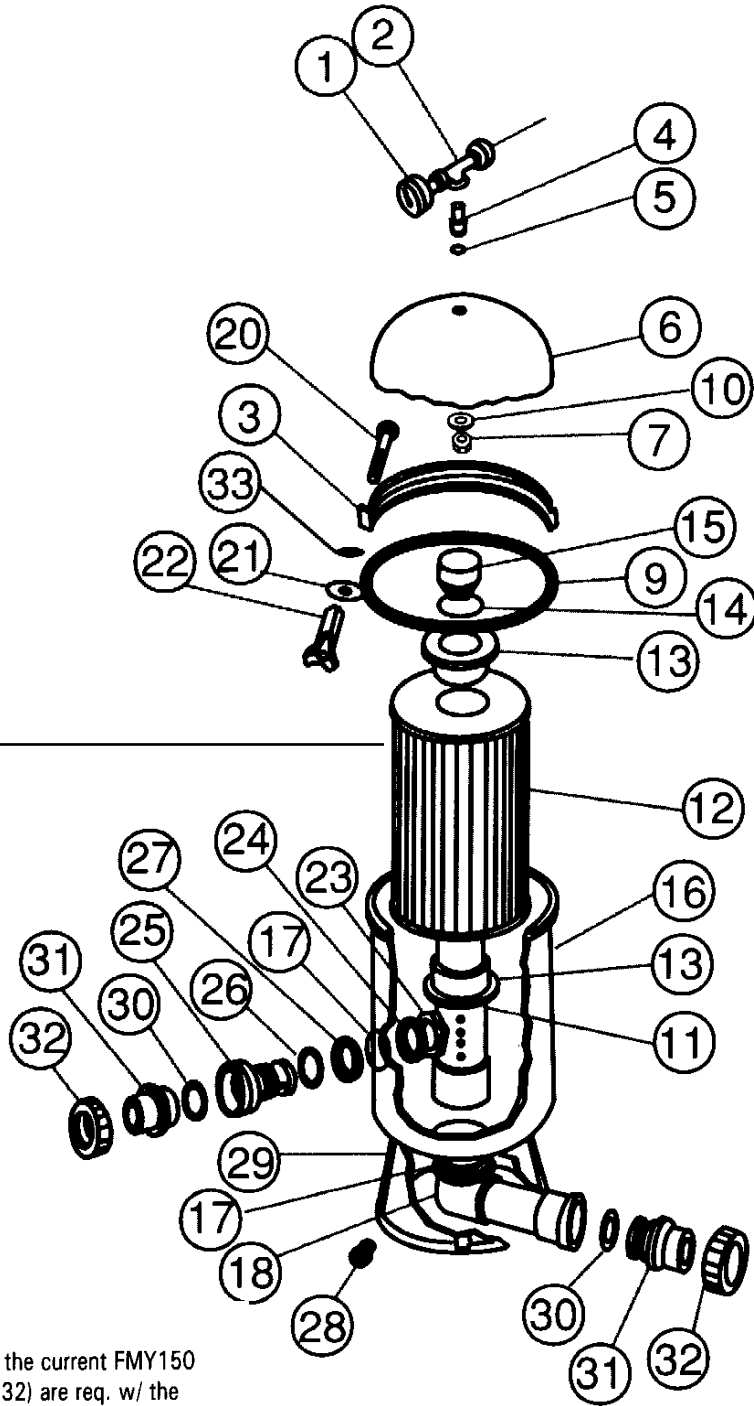
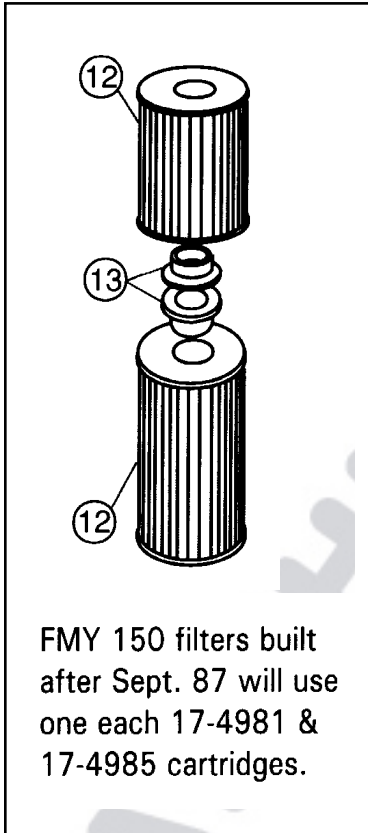
1. One GPM per sq. ft. is the cartridge rate, recommended flow rate is .5 GPM per sq. ft.
2. Commercial rate is .375 GPM per sq. ft. of filter area. Actual system flow will depend on plumbing size and other system components.

PAC-FAB CLEAN & CLEAR PLUS FILTER Fiberglass Reinforced Polypropylene Tank

KEY	MFG NO.	DESCRIPTION	ITEM NO.
1	53003201	Pressure Gauge 1/4", Bottom Mount	H3500
1	-----	Generic Pressure Gauge, Plastic	H7000
1	-----	Generic Pressure Gauge, Metal	H7003
2	98209800	High Flow Manual Air Relief Valve	H3708
3	98201200	Hose & Retainer Clips for Air Relief Valve	H3565
4	56636900	Spring, Compression <i>(before 11/98)</i>	H3439
4	178616	Spring, Compression <i>(after 11/98)</i>	H3479
5	59071000	Manifold, Top Assembly <i>(before 11/98)</i>	H3440
5	170026	Manifold, Top Assy., 240 sq. ft. <i>(after 11/98)</i>	H3441
5	170027	Manifold, Top Assy., 320 & 520 sq. ft. <i>(after 11/98)</i>	H3442
6	178569	Cartridge Element, 240 sq. ft. <i>(4 needed)</i>	H3443
6	178580	Cartridge Element, 320 sq. ft. <i>(4 needed)</i>	H3444
6	56628300	Cartridge Element, 360 sq. ft. <i>(4 needed)</i>	H3445
6	178538	Cartridge Element, 420 sq. ft. <i>(4 req.) (before 11/98)</i>	H3446
6	178584	Cartridge, 420 sq. ft., <i>(4 needed) (after 11/98)</i>	H3447
6	56627900	Cartridge, 520 sq. ft. <i>(4 needed) (before 11/98)</i>	H3448
6	178585	Cartridge, 520 sq. ft. <i>(4 needed) (after 11/98)</i>	H3449
7	170030	Air Bleed Tube Assy., 240 sq. ft. <i>(before 11/98)</i>	H3451
7	55028500	Air Bleed Tube Assy, 360, 420 sq. ft. <i>(before 11/98)</i>	H3453
7	170029	Air Bleed Tube Assy., 320 sq. ft. <i>(after 11/98)</i>	H3455
7	170028	Air Bleed Tube Assy., 420 sq. ft. <i>(after 11/98)</i>	H3457
7	55028400	Air Bleed Tube Assy., 500 sq. ft. <i>(before 11/98)</i>	H3458
7	178583	Air Bleed Tube Assy., 520 sq. ft. <i>(after 11/98)</i>	H3459
8	56626800	Manifold, Bottom <i>(before 11/98)</i>	H3460
8	170031	Manifold, Bottom <i>(after 11/98)</i>	H3461
9	57000300	Gasket, Bottom Manifold <i>(before 11/98)</i>	H3462
10	39010200	O-Ring, Clamp	H3590
11	178565	Clamp Kit, Tension Control	H3463
12	53006300	Washer, .325 I.D. for Filter Clamp	H3657
13	53108900	Spring/Barrel Nut Assembly	H3501
14	55035000	Baffle, Bulkhead Assembly <i>(before 11/98)</i>	H3464
14	190039	Baffle, Bulkhead Assembly <i>(after 11/98)</i>	H3465
15	86006900	O-Ring, Bulkhead, Lower	H3637
16	98960311	Bulkhead Union (set) <i>(before 11/98)</i>	H3564
16	271096	Bulkhead Union, 1-1/2" x 2" (set) <i>(after 11/98)</i>	H4040
17	59019200	Pipe Assembly, Outlet <i>(before 11/98)</i>	H3467
17	170025	Pipe Assembly, Outlet <i>(after 11/98)</i>	H3468
18	86300500	Drain Cap Gasket <i>(before 11/98)</i>	H8844
18	51005000	O-Ring for Drain Plug <i>(after 11/98)</i>	H8931
19	51516200	Drain Cap <i>(before 11/98)</i>	H3431
19	86202000	Plug, 1-1/2" Drain with O-Ring <i>(after 11/98)</i>	H3469
20	170023	Tank, Lid Assembly, 240 sq. ft.	H3470
20	170024	Tank, Lid Assembly, 320 sq. ft.	H3471
20	178552	Tank, Lid Assembly, 360 sq. ft.	H3472
20	178551	Tank, Lid Assembly, 420 sq. ft. <i>(before 11/98)</i>	H3473
20	178581	Tank, Lid Assembly, 420 sq. ft. <i>(after 11/98)</i>	H3474
20	178550	Tank, Lid Assembly, 500 sq. ft. <i>(before 11/98)</i>	H3475
20	178582	Tank, Lid Assembly, 520 sq. ft. <i>(after 11/98)</i>	H3476
21	178559	Tank, Bottom Assembly <i>(before 11/98)</i>	H3477
21	178578	Tank, Bottom Assembly <i>(after 11/98)</i>	H3478
22	192320	O-Ring, Bulkhead, Upper <i>(after 11/98)</i>	H3141
22	86006900	O-Ring, Bulkhead, Upper <i>(before 11/98)</i>	H3637

PAC-FAB FMY CARTRIDGE FILTERS

FMY-50
 FMY-80
 FMY-100
 FMY-150



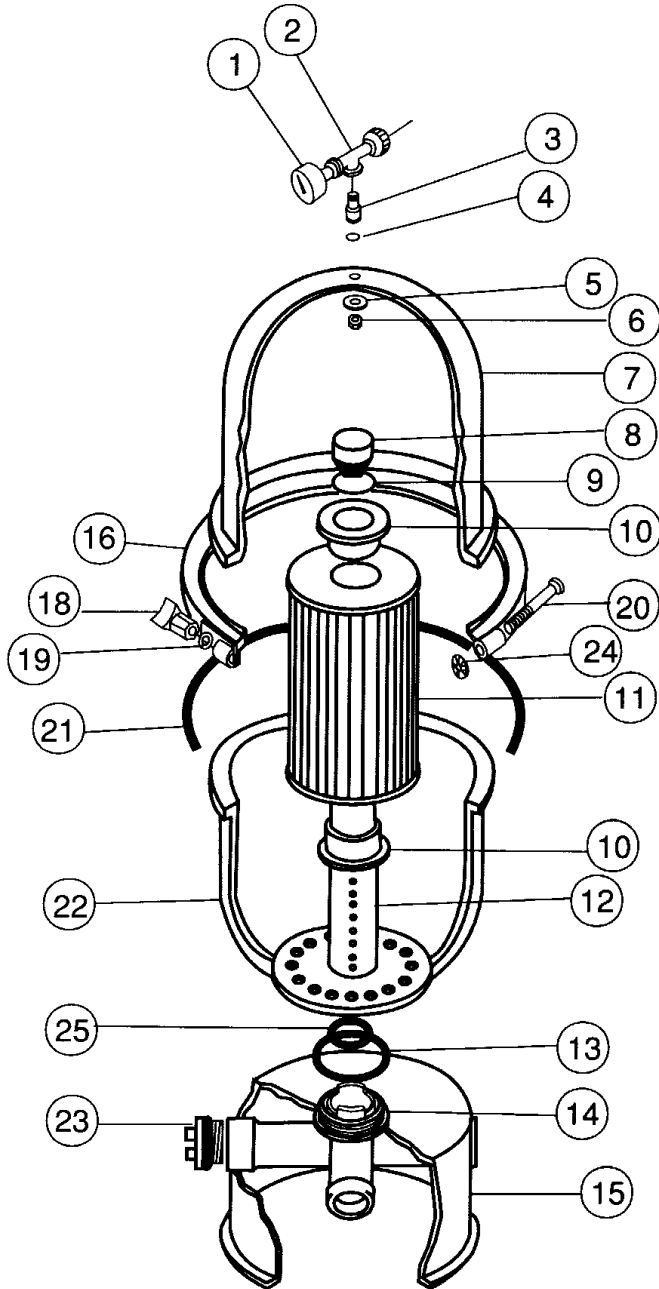
To update the FMY150 single element filter to the current FMY150 two element filter, two additional adpt. (17-4932) are req. w/ the two cartridges; one 17-4981 (50 GPM Cartridge) and one 17-4985 (100 GPM Cartridge).

PAC-FAB FMY CARTRIDGE FILTERS

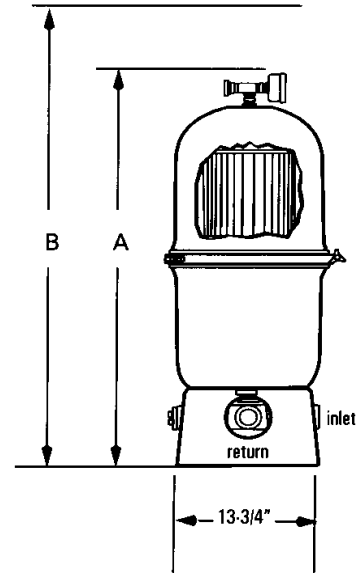
FMY-50, FMY-80, FMY-100 & FMY-150

KEY	MFG NO.	DESCRIPTION	ITEM NO.
1	155050	Pressure Gauge, Back Mount	H4300
1	-----	Generic Pressure Gauge, Back Mount	H7010
2	154689	Air Bleeder/Tee Assembly	H4050
3	174954	Band Assembly - Complete	H5153
4	154700	Brass Adaptor, Air Bleeder	H4265
5	154661	O-Ring, Adaptor	H4259
6	175054	Tank Top with Flange	H3109
7	154664	Nut, 3/8" - 16 S.S.	H4261
9	174704	Tank O-Ring, 12-1/32" Diameter	H5101
10	154418	Washer, 3/8" S.S.	H4269
11	174939	Piping Assembly, Center (FMY 80 & FMY 100)	H5161
11	174956	Piping Assembly, Center (FMY 150)	H5162
12	174985	Replacement Cartridge, 100 sq. ft.	H5157
12	174984	Replacement Cartridge, 80 sq. ft.	H5156
12	174981	Replacement Cartridge, 50 sq. ft.	H5423
13	174932	Adaptor, Cartridge (2 needed)	H3140
		<i>(2 needed, All Models except FMY150, 4-needed)</i>	
14	195004	Washer, Polyethylene	H3198
15	274411	Cap & Strainer Assembly	H3370
16	175285	Tank & Flange Assembly (FMY 80 & FMY 100)	H3153
16	175287	Tank & Flange Assembly (FMY 150)	H3154
17	154492	O-Ring, 2" Bulkhead	H4246
18	174787	Lower Piping Assembly	H5171
20	152060	Bolt, 5/16" - 18 x 4" Carriage	H4207
21	639822	Washer, 5/16" S.S.	L1553
22	174882	Knob, Band Assembly	H5138
23	154412	Locknut, 2" Internal	H4230
24	174757	Spacer, 2" Internal	H5105
25	174937	Diffuser Assembly - Bulkhead	H5164
26	154538	Gasket, Bulkhead Diffuser Assembly	H4250
27	174756	Spacer, 2" External	H5104
28	154634	Plug 3/8" Drain (Before 9/90)	H4257
28	154635	Plug, 3/4" NPT Drain (After 9/90)	H5167
		<i>(Tanks built prior 1990 use 3/8" Plug #15-4634)</i>	
29	172850	Foot	H3375
30	274494	O-Ring, Bulkhead Adaptor	H3371
31	274404	Adaptor, 1-1/2" x 2" Slip Comb Valve	H3374
31	274557	Adaptor, 2" NPT	H3373
32	274407	Nut, Bulkhead Adaptor	H3369
---	151603	Wrench - 2" Bulkhead	H4308
33	175020	Retaining Ring, Carriage Bolt	H3283

PAC-FAB MYTILUS B CARTRIDGE FILTERS
MY60B, MY80B & MY100B



B = Clearance req. to remove filter cartridge



DIMENSIONAL TABLE

Model	Dim. A	Dim. B
MY 60B	28 in.	35 in.
MY 80B	35-5/8 in.	51 in.
MY 100B	35-5/8 in.	51 in.
MY 140B	42½ in.	62 in.

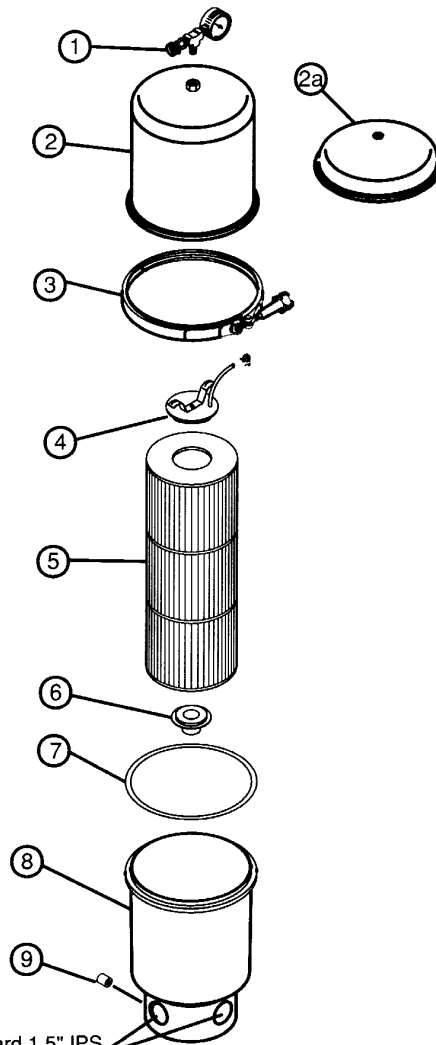
PAC-FAB MYTILUS B CARTRIDGE FILTERS MY60B, MY80B & MY100B

KEY	MFG NO.	DESCRIPTION	ITEM NO.
1	155050	Pressure Gauge, Back Mount	H4300
1	-----	Pressure Gauge, Back Mount, Generic	H7010
2	154689	Air Bleeder/Tee Assembly	H4050
3	154700	Brass Adapter for Air Bleeder	H4265
4	154661	O-Ring for Air Bleeder Adapter	H4259
5	154418	Washer, 3/8" S.S.	H4269
6	154664	Nut, 3/8" S.S.	H4261
7	174839	Tank Top S Tan (MY 60)	H5131
7	173130	Tank Top S Tan (MY 80 & MY 100)	H5132
7	770000	Tank Top, Black (MY 60B)	H5133
7	173132	Tank Top, Black (MY 80B & MY100B)	H5134
8	274411	Cap & Strainer Assembly	H3370
9	195004	Washer, Polyethylene	H3198
10	174932	Adaptor, Cartridge	H3140
11	174983	Replacement Cartridge, 60 GPM (MY 60)	H5155
11	174984	Replacement Cartridge, 80 GPM (MY 80)	H5156
11	174985	Replacement Cartridge, 100 GPM (MY 100)	H5157
12	175028	Piping Assembly - Center (MY 60B)	H5136
12	175029	Piping Assembly - Center (MY 80B & MY 100B)	H5139
13	191424	O-Ring, Bottom Piping	H5140
14	191468	Piping, Bottom	H5141
15	191423	Foot, Tank	H5142
16	174880	Band Assembly - Complete (<i>Items: 17, 18, 19 & 20</i>)	H4315
18	174882	Knob, Band Assembly	H5138
19	072173	Washer, 5/16" S.S. Flat (old # 63-9822)	L1553
20	152060	Carriage Bolt 5/16" - 18 x 4"	H4207
21	174704	Tank O-Ring, 12-1/32" Diameter	H5101
22	191422	Bottom - Tank (ST40/MYB)	H5145
22	173131	Bottom - Tank (MY 60B Tan)	H5146
22	193133	Bottom - Tank (MY 60B Black)	H5147
22	750009	Bottom - Tank (MY 80B & MY 100B Black)	H5148
23	552417	Plug with O-Ring	H5149
24	175020	Retaining Ring	H3283
25	191474	O-Ring 1-3/4" x 2 x 1/8"	H3266

PUREX CARTRIDGE FILTERS

KEY	MFG NO.	DESCRIPTION	ITEM NO.
1	073026	Accessory Bag - Includes:Gauge,Tee,Air Relief	K9532
---	155050	Generic Pressure Gauge, 1/4" - 60 lbs	H4300
---	071982	Brass Tee, 1/4"	V5210
---	075207	Valve Air Release 1/4"	K9498
---	071390	Plastic Nipple, 1/4"	K9606
2a	073673	Lid with Ferrule 708 (CF-25 & CF-40)	K9533
2	073120	Lid with Ferrule 716 (CF-50 & CF-80)	K9534
3	072897	Clamp Ring 700 Knob Style <i>(Replaces S03350 & S03750)</i>	K9531
4	073658	Hold Down Assembly <i>(Includes Vent Tube & Cap)</i>	K9530
5	070658	Cartridge (CF-40) 11-1/8" <i>(Replaces P05239)</i>	K9535
5	070657	Cartridge (CF-60) 19-1/8"	K9536
5	070656	Cartridge (CF-80) 19-11/16" <i>(Replaces P05238)</i>	K9506
6	070324	Adapter Bottom	K9537
7	071441	O-Ring (CF-25 thru CF-80 & 700 Series)	K9522
8	073435	Tank (700 & CF-25 thru CF-80) <i>(Replaces P30502)</i>	K9538
9	070561	Cap, 1/4" (CF-50 thru 700)	K9541
---	071398	Nipple 1/4" x 3" PVC	K9540

Models
CF-40
CF-60
CF-80



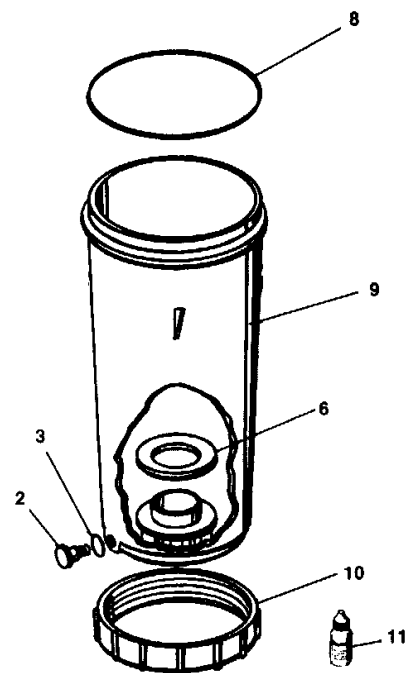
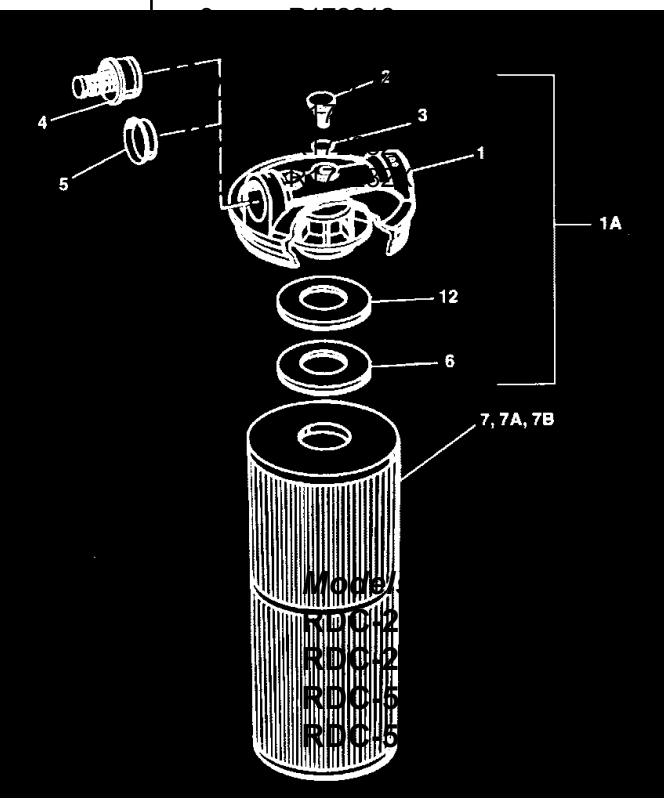
Standard 1.5" IPS socket inlet / outlet connections. Use ABS to PVC glue.



RAINBOW IN-LINE CARTRIDGE FILTERS

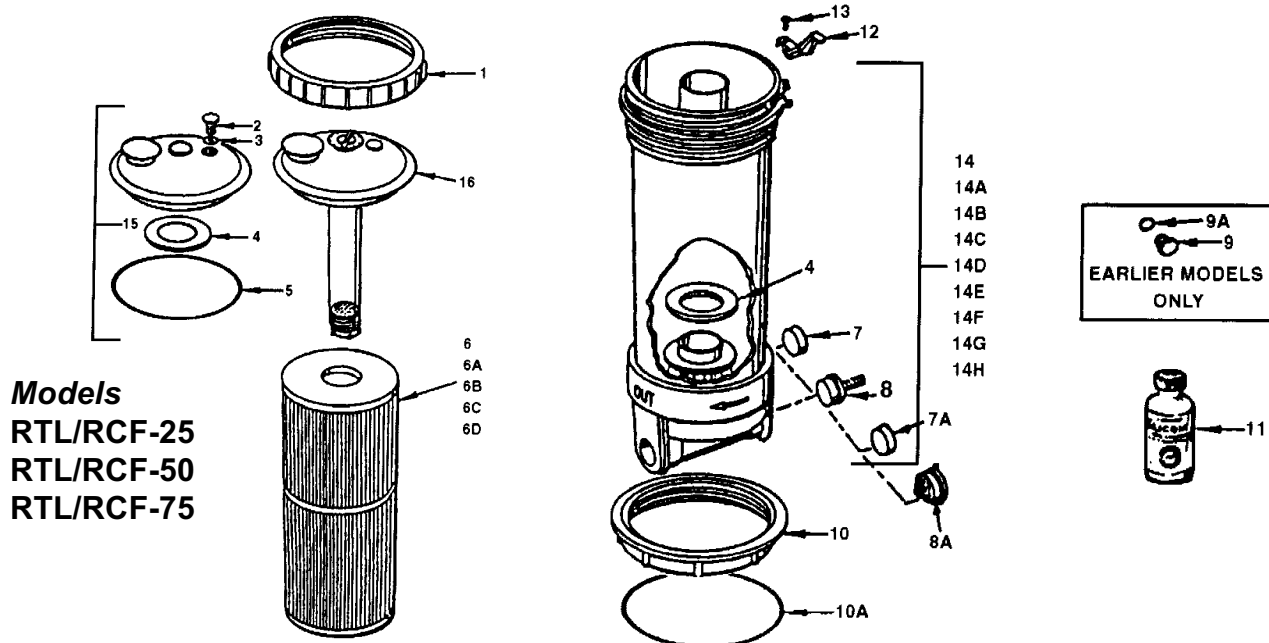
Dynamic Series I

KEY	MFG NO.	DESCRIPTION	ITEM NO.
1	R172213	Manifold Only (1-1/2" FPT)	H5450
1	R172213S	Manifold Only (1-1/2" Socket)	H5088
1	R172213XT	Manifold Only, Black (1-1/2" FPT)	H5451
1	R172213X	Manifold Only, Black (1-1/2" Socket)	H5452
<i>(Complete Manifolds Include #'s 1,2,3,4,6 & 12)</i>			
1A	R172213C	Complete Manifold (1-1/2" FPT)	H5453
1A	R172213SC	Complete Manifold (1-1/2" Socket)	H5454
1A	R172213PT	Complete Manifold, Black (1-1/2" FPT)	H5455
1A	R172213P	Complete Manifold, Black (1-1/2" Socket)	H5456
2	R172224	Drain & Vent Valve	H5457
2	R172224X	Drain & Vent Valve, Black	H5458
3	R172221	O-Ring for Drain & Vent Valve	H5459
4	R172226	By-Pass Assembly	H5460
4	R172226X	By-pass Assembly, Black	H5461
5	R172225	Plug to Disable By-Pass	H5462
5	R172225X	Plug to Disable By-Pass, Black	H5463
6	R172222	Cartridge Gasket	H5464
7	R173428	25 sq. ft. Cartridge, 6 oz.	H5465
7A	R173429	Cartridge, 3 oz. 13-1/4", 25 sq. ft.	H5059
7B	R173434	Cartridge, 3 oz. 13-1/4", 50 sq. ft.	H5413
8	R172223	O-Ring for Cartridge Housing	H5466
		Cartridge Housing	H5467
		Cartridge Housing, Black	H5468
		Lock Ring	H5469
		Silicone Lubricant (Optional)	C1514
		Support Ring Gasket	H5470
		Support Ring Gasket, Black	H5471



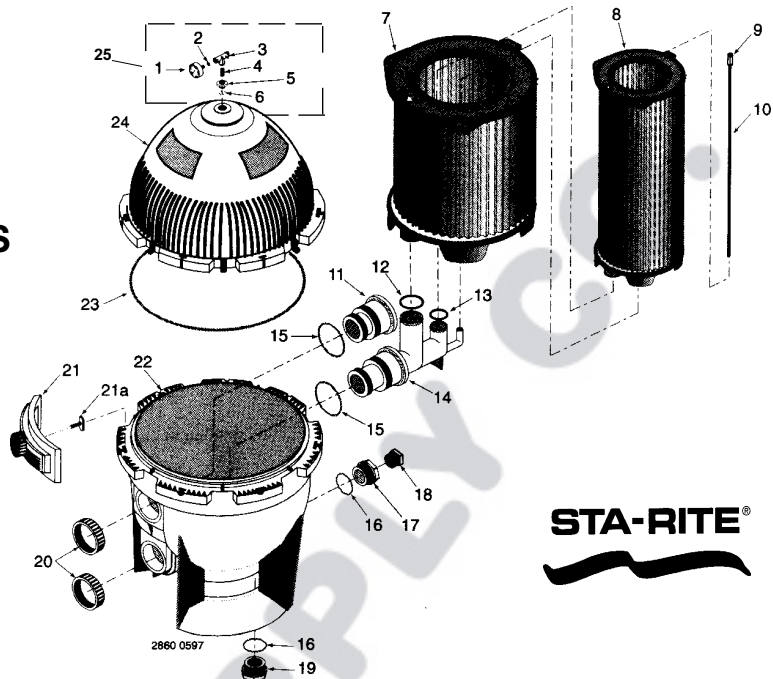
RAINBOW IN-LINE CARTRIDGE FILTER
Dynamic II & III

KEY	MFG. NO.	DESCRIPTION	ITEM NO.
1	R172214	Lock Ring	H5469
2	R172224X	Air Vent Valve	H5457
3	R172221	O-Ring for Air Vent Valve	H5459
4	R172222	Gasket, Cartridge (2 needed)	H5464
5	R172223	O-Ring Lid to Housing	H5466
6	R173428	25 sq. ft. Cartridge 6 oz.	H5465
6a	R173429	25 sq. ft. Cartridge 3 oz.	H5059
6b	R173434	50 sq. ft. Cartridge	H5413
6c	R173435	75 sq. ft. Cartridge	H5473
7	R172225X	1-1/2" Plug to Disable By-pass	H5463
7a	R172679	2" Plug to Disable By-pass	H5474
8	R172226X	1-1/2" By-pass Assembly	H5460
8a	R172684	2" By-pass Assembly	H5475
9	R172392	1/4" Access Plug (earlier models) (2 needed)	H5476
9a	R172393	Access Plug O-Ring (earlier models) (2 needed)	H5477
10	R172370	Bottom Locking Flange	H5478
10a	R170070	O-Ring, Locking Flange (optional)	H5479
11	R172036	Silicone Lubricant (optional)	C1514
12	R172374	Lock Spring	H5489
13	R172375	Lock Screw	H5490
14	R172386	RTL/RCF-25 Housing Assembly 1-1/2" Slip	H5491
14a	R172387	RTL/RCF-25 Housing Assembly 1-1/2" FPT	H5493
14b	R172388	RTL/RCF-50 Housing Assembly 1-1/2" Slip	H5495
14c	R172389	RTL/RCF-50 Housing Assembly 1-1/2" FPT	H5496
14d	R172390B	RTLB-25 Cartridge Housing Assembly	H5497
14e	R172421	RTL/RCF-25 Housing Assembly 2" Slip	H5498
14f	R172428	RTL/RCF-50 Housing Assembly 2" Slip	H5499
14g	R172638	RTL/RCF-75 Housing Assembly 2" Slip	H5501
15	R172385	Complete Lid Assembly	C1052
16	R172540	Chlorine/Bromine Dispenser Complete-RCF	H5098



STA-RITE SYSTEM:3 MODULAR MEDIA FILTERS

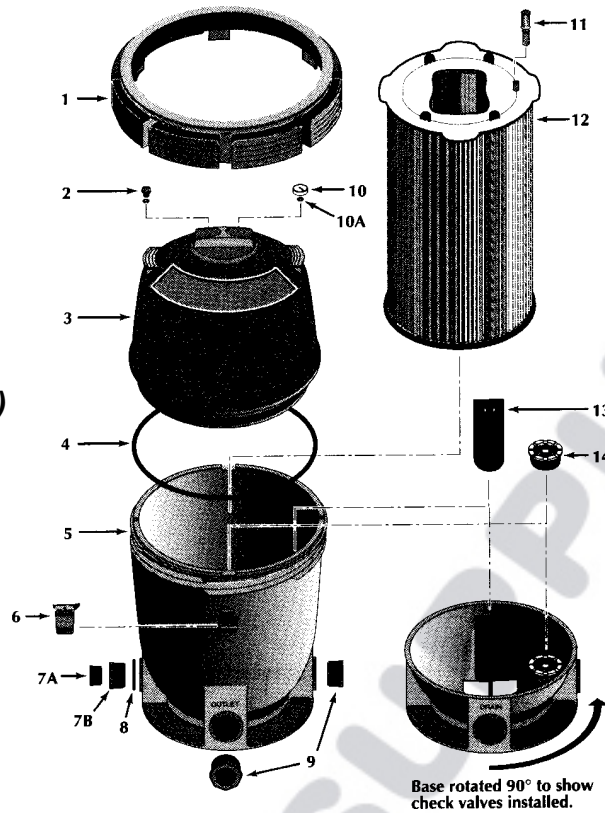
*Models S7M120 (21")
& S8M150 (25")*



KEY	MFG NO.	DESCRIPTION	ITEM NO.
1	33600-0023T	2" Pressure Gauge	N5082
2	WC8-72D	Screen Filter	H5330
3	WC212-120P	Air Release Valve	H5321
4	35202-0959	Nipple	H5339
5	24900-0504	Adaptor Bushing	H5514
6	35505-1423	O-Ring	H5359
7a	25022-0201S	Large Cartridge (S7M120)	N5172
7b	25022-023S	Large Cartridge (S8M150)	N5170
8a	25021-0200S	Small Cartridge (S7M120)	N5173
8b	25021-0202S	Small Cartridge (S8M150)	N5171
9	25021-0004	Air Bleed Filter	H5594
10	25021-0003	Air Bleed Tube	H5546
11	25021-0101	Baffle and Bulkhead Fitting	H5548
12	35505-1428	O-Ring	H5550
13	35505-1429	O-Ring	H5552
14	25021-0100	Elbow and Bulkhead Assembly	H5554
15	35505-1425	O-Ring	H5402
16	35505-1424	O-Ring	H5516
17	24900-0509	Adaptor Fitting	H5397
18	11201-0005B	1 1/2" NPT Plug	H5396
19	24900-0503	Drain Plug	H5382
20	24752-0050	Bulkhead Retaining Nut	H5398
21a	24850-0200	Clamp Assembly	H5369
21b	24850-0010	Clamp Bolt	H5372
22a	24850-0102S	Lower Tank Half (S7M120)	H5373
22b	24851-0103S	Lower Tank Half (S8M150)	H5376
23a	24850-0008	Cord Ring (S7M120)	H5570
23b	24850-0009	Cord Ring (S8M150)	H5572
24a	24851-9000	Upper Tank Half Kit (S7M120)	H5360
24b	24851-9001	Upper Tank Half Kit (S8M150)	H5361
25	24850-0105	Valve & Gauge Assembly	H5556
*	24850-0006	Clamp Retaining Ring	H5578
*	U11-196P	Adaptor Union 2" Slip	H5580
*	U11-200P	Union Collar 2"	N5307
*	U9-362	O-Ring	H5392

STA-RITE SYSTEM:3 MODULAR MEDIA & DE FILTERS

Models
PLM100,
PLM150
& PLD50 (DE)



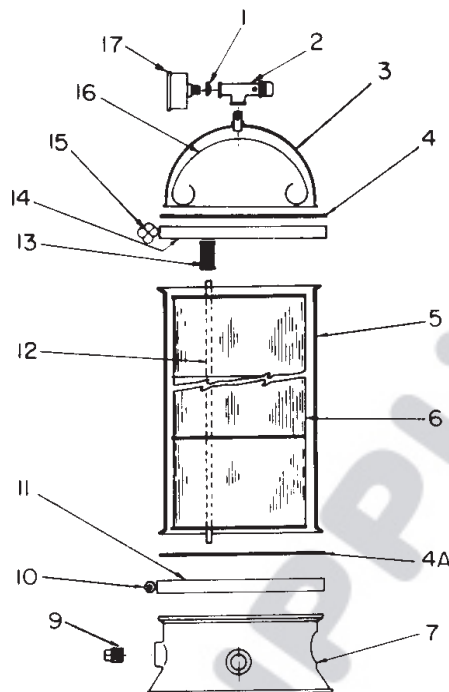
Base rotated 90° to show
 check valves installed.

STA-RITE®

KEY	MFG NO.	DESCRIPTION	ITEM NO.
1	27001-0050B	Posi-Lok Ring	H5500
2	25010-0200	Air Release Valve Assy.	H5502
3	27001-0020S	Tank Shell Upper Half	H5504
4	27001-0061S	Cord-Ring	H5506
4	27001-0060S	Cord Ring (before 1997)	K3488
5	27001-0009S	Tank Shell Lower Half	H5510
6	27001-0051	Safety Latch for Ring	H5512
7a	11201-0005B	1-1/2" NPT Plug	U3715
7b	24900-0509	Adaptor Fitting	H5514
8	35505-1424	O-Ring	H5516
9	U78-820P	2"x1-1/2" Pipe Reducer	U4120
10	15060-0000T	Pressure Gauge	H7010
10a	WC8-72D	Pressure Gauge Screen	H5330
11	24800-0121	Air Bleed Assy. (PLM100 + PLM150)	H5520
11	24800-0122	Air Bleed Assy. (PLD50)	H5522
12	27002-0100S	Filter Module (PLM100)	H5524
12	27002-0150S	Filter Module (PLM150)	H5526
12	27002-0030S	Filter Module (PLD50)	H5528
13	27001-0011	Flapper Valve (PLD50 only)	H5530
14	27001-0130S	Spring Check Valve	H5532
*	27001-0140	Accessory Package	H5534
*	U97-58	Teflon Tape	V1205
*	34725-0013	O-Ring Grease	H5540

STA-RITE POSI-FLO CARTIDGE FILTERS

Models
35TXR
T50TXR
T70TXR
T100TXR

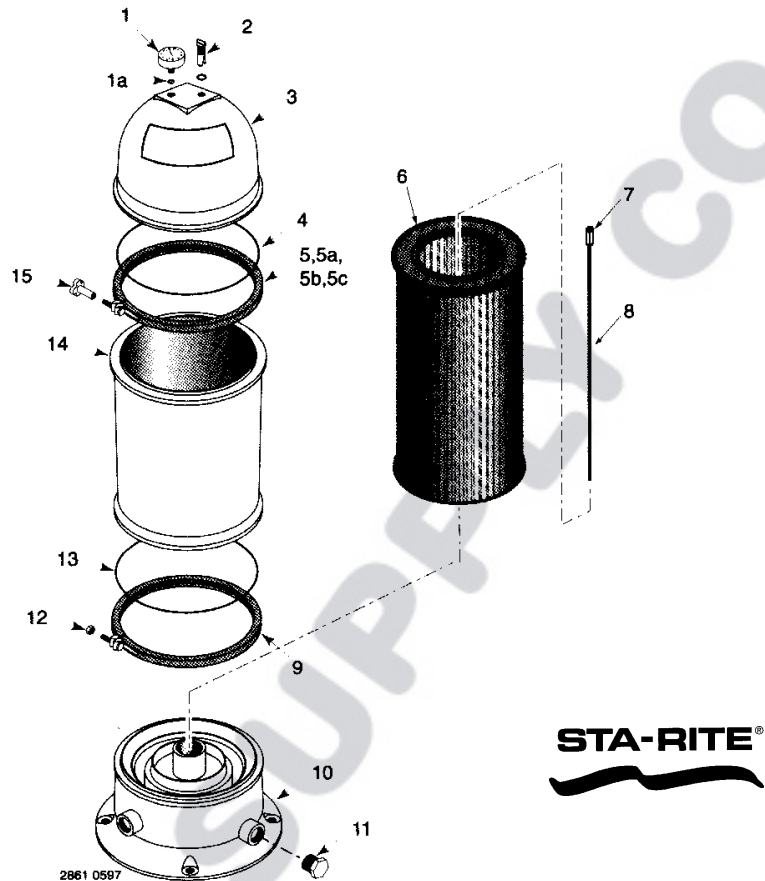


KEY	MFG NO.	DESCRIPTION	ITEM NO.
1	WC8-72D	Screen for Bleeder Valve	H5330
2	WC212-120P	Air Release Valve	H5321
3	WC131-203	Tank Head *	N/A
4	U9-301	O-Ring (Gray) <i>For Top Clamp Only</i>	H5332
4A	WC9-3	O-Ring (Black) <i>For Bottom Clamp Only</i>	H5300
5	WC131-200S	Tank Shell (T-50TXR) *	N/A
5	WC131-201S	Tank Shell (T-70TXR) *	N/A
5	WC131-202S	Tank Shell (T-100TXR) *	N/A
6	WC108-55S2X	Replacement Cartridge (35TXR)	H5033
6	WC108-56S2X	Replacement Cartridge (T-50TXR)	H5032
6	WC108-57S2X	Replacement Cartridge (T-70TXR)	H5035
6	WC108-58S2X	Replacement Cartridge (T-100TXR)	H5038
7	WC104-78PB	Filter Base w/ Pipe Plugs	H5306
9	WC78-38T	Pipe Plug 3/4"	H5323
10	WC36-1	Nut Clamp	H5312
11	WC19-43	Bottom Clamp without Nut	H5304
12	WC37-308	Air Bleed Tube (35TXR)	H5336
12	WC37-309	Air Bleed Tube (T-50TXR)	H5327
12	WC37-310	Air Bleed Tube (T-70TXR)	H5328
12	WC37-311	Air Bleed Tube (T-100TXR)	H5329
13	WC8-35	Filter, Air Bleed Tube	H5310
14	WC19-64	Top Clamp without Nut	H5338
15	WC36-22	Nut, Clamp	H5308
16	WC19-44	Strap	H5302
17	33600-0023T	Pressure Guage, Back Mount	H7010

* No Longer Available - See Posi-Flo II Cartridge Filter for Replacement Parts & Service Kits

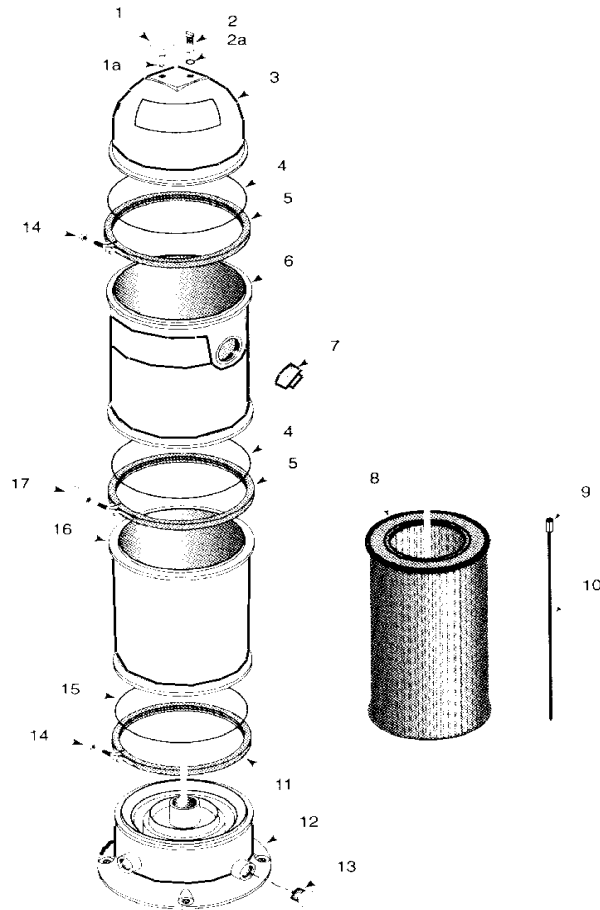
STA-RITE POSI-FLO II CARTRIDGE FILTERS

**Models
PTM50,
PTM70
& PTM100**



KEY	MFG. NO	DESCRIPTION	ITEM NO.
1	15060-0000T	Pressure Gauge	H5021
1a	WC8-72D	Screen	H5330
2	25010-0200	Air Release Valve w/ O-Ring	H5502
3	25010-9201	Lid Assy. (PTM50, PTM70)	H5303
3	25010-9202	Lid Assy. (PTM100)	H5305
4	31935-0001	O-Ring	H5309
5	25010-9101	Clamp	H5340
5a	WC27-19	Clamp Hazard Decal	H5301
5b	WC27-23	Air Release Warning Decal	H5307
5c	WC27-46	Decal : "Top Clamp"	H5314
6	WC108-56S2X	Filter Element (PTM50)	H5032
6	WC108-57S2X	Filter Element (PTM70)	H5030
6	WC108-58S2X	Filter Element (PTM100)	H5029
7	WC8-35	Filter - Air Bleed Tube	H5310
8	25010-0007	Air Bleed Tube (PTM50,PTM70)	H5326
9	25010-9100	Clamp	H5324
10	WC104-78P	Base w/ Pipe Plugs	H5306
11	WC78-38T	Pipe Plug	H5323
12	WC36-1	Nut-Clamp	H5312
13	WC9-3	O-Ring	H5300
14	25010-0001	Tank Body	H5311
15	WC36-22	Clamp Knob	H5308

STA-RITE POSI-FLO II PTM135



KEY	MFG. NO.	DESCRIPTION	ITEM NO.
1	15060-0000T	Pressure Gauge	H5021
1A	WC8-72D	Screen	H5330
2	25010-0200	Air Release Valve w/ O-Ring	H5502
2A	U9-359	O-Ring	H5358
3	25010-9201	Lid Assembly	H5303
4	31935-0001	O-Ring	H5309
5	25010-9101	Clamp	H5340
6	25005-0001	Upper Tank Body	H5385
7	36305-5030T	Plug	H5401
8	WC108-70S2X	Filter Element	H5507
9	WC8-35	Filter, Air Bleed Tube (Black)	H5310
10	25010-0010	Air Bleed Tube	H5508
11	25010-9100	Clamp	H5324
12	WC104-78P	Base w/ Pipe Plugs	H5306
13	WC78-38T	Pipe Plug	H5323
14	WC36-1	Nut - Clamp	H5312
15	WC9-3	O-Ring	H5300
16	25010-0001	Lower Tank Body	H5311
17	WC36-22	Clamp Knob	H5308
---	U9-359	O-Ring	H5358

MISC. REPLACEMENT CARTRIDGES

Swimming Pools

MFG NO.	DESCRIPTION	OUTSIDE DIAMETER	OVERALL LENGTH	INSIDE DIAMETER	UNICEL NO.	ITEM NO.
American Products						
570102	Commander II (In-Line) 20 sq. ft.	4-11/16"	11-7/8"	2-1/16"	C-4620	H5255
570105	Commander II (In-Line) 25 sq. ft.	4-11/16"	11-7/8"	2-1/16"	C-4327	H5250
570057	Commander 25 sq. ft.	7"	9-13/16"	3"	C-7625	H5251
570142	Commander 35 sq. ft.	7"	9-13/16"	3"	C-7435	H5256
570058	Commander 50 sq. ft.	7"	19-5/8"	3"	C-7650	H5252
570143	Commander 75 sq. ft.	7"	19-5/8"	3"	C-7453	H5254
570074	Commander 75 sq. ft.	7"	29-3/8"	3"	C-7675	H5253
570144	Commander 100 sq. ft.	7"	29-3/8"	3"	C-7499	H5257
Baker Hydro						
17-B2054	Hydro-Mite 25 sq. ft.	7"	9-13/16"	—	C-7604	H5261
17-B2055	Hydro-Mite 50 sq. ft.	7"	19-5/8"	—	C-7605	H5262
17-B2056	Hydro-Mite 75 sq. ft.	7"	29-3/8"	—	C-7606	H5263
Coleco						
F-120	(No Core) 5 sq. ft.	4-1/4"	8"	1-15/16"	C-4606	H5165
SLM DR-7	(With Core) 5 sq. ft.	4-1/4"	8"	1-15/16"	C-4607	H5270
F-108, F110, CR-8	(No Core) 5 sq. ft.	4-3/4"	8"	1-1/8" & 2-3/8"	C-4608	H5166
F-108, F110, CR-8	(With Core) 5 sq. ft.	4-3/4"	8"	1-1/8" & 2-3/8"	C-4609	H5271
F-112, F-350, CR-11	(With Core) 8 sq. ft.	4-3/4"	11"	1-1/8" & 2-3/8"	C-4611	H5272
F-750, F-850, DR-16	(With Core) 12 sq. ft.	4-3/4"	16"	1-1/8" & 2-3/8"	C-4616	H5273
F-225, F-335, DR-18	(With Core) 13 sq. ft.	4-3/4"	18"	1-1/8" & 2-3/8"	C-4618	H5274
F-355, F-455, DR-17	(With Core) 23 sq. ft.	6-1/2"	17"	3"	C-6617	H5275
F-380, F-480, DR-22	(With Core) 30 sq. ft.	6-1/2"	22"	3"	C-6622	H5276
Doughboy						
3122-1003 (Original)	60 sq. ft.	6-15/16"	22-3/8"	Closed & 2-1/16"	C-6659	H5268
Hayward Pool Products						
C-200RE	MicroStar (In-Line) 20 sq. ft.	4-5/8"	11-7/8"	2-1/16"	C-4320	H5011
C-225RE	MicroStar (In-Line) 25 sq. ft.	4-5/8"	11-7/8"	2-1/16"	C-4325	H5014
C-250RE	Star-Clear 25 sq. ft.	7"	9-13/16"	3"	C-7626	H5017
C-500RE	Star-Clear 50 sq. ft.	7"	19-5/8"	3" w/Gskt	C-7656	H5018
C-750RE	Star-Clear 75 sq. ft.	7"	29-3/8"	3" w/Gskt	C-7676	H5019
C-800RE	Star-Clear II 75 sq. ft.	8-1/2"	17-1/2"	4-1/16" w/Gskt	C-8600	H5022
C-1100RE	Star-Clear II 100 sq. ft.	8-1/2"	23-3/8"	4-1/16" w/Gskt	C-8610	H5023
Harmsco						
PH 6	Harmsco 6 sq. ft.	2-3/4"	9-3/4"	1-1/16"	T-380	H5074
PH 50	Tropic Flo 50 sq. ft.	9-5/8"	7-7/8"	2-5/8" & 3-1/2"		
ST-55	TF 50 & BF-55SC	7-3/4"	9-5/8"	2-5/8" & 3-1/2"		
ST-105	TF 100 & BF-105SC	7-3/4"	19-1/2"			H5009
ST-155	TF 150 & BF-155SC	7-3/4"	29-1/16"			H5049
TFC75	TF 75	7-3/4"	15-3/16"			H5050
HC/40TC	Hurricane 40	7-3/4"	9-5/8"			H5051
HC/90TC	Hurricane 90	7-3/4"	19-1/2"			H5052
HC/170TC	Hurricane 170	7-3/4"	30-3/4"			H5053
Jacuzzi Brothers						
42-2891-08-R	Jacuzzi CFR-25 (In-Line) 25 sq. ft.	5"	13-5/16"	2-3/8"	C-5625	H5096
42-2940-09-R	Jacuzzi CFR-50 50 sq. ft.	9-15/16"	10"	5-3/4"	C-9650	H5097
42-3509-00-R	Jacuzzi CFR-75 75 sq. ft.	9-15/16"	14-1/4"	5-3/4"	C-9475	H5191
42-2941-08-R	Jacuzzi CFR-100 100 sq. ft.	9-15/16"	19-7/8"	5-3/4"	C-9699	H5094
42-3508-01-R	Jacuzzi CFR-150 150 sq. ft.	9-15/16"	24"	5-3/4"	C-9478	H5193
23-2377-04	Crystal Flow CF-25 25 sq. ft.	6-7/8"	11-7/8"	3-1/2"	C-6625	H5090
23-2214-01	Crystal Flow CF-40 40 sq. ft.	6-15/16"	19-3/8"	3-1/2"	C-6640	H5092
23-2297-01	Crystal Flow CF-60 60 sq. ft.	6-15/16"	29-3/8"	3-1/2"	C-6660	H5093
Lomart						
60-4314	Lomart (With Core) 13 sq. ft.	4-3/4"	18"	1-1/8" & 2-3/8"	C-4618	H5274
60-4316	Lomart (With Core) 16 sq. ft.	4-3/4"	18"	1-1/8" & 2-3/8"	C-4601	H5099

MISC. REPLACEMENT CARTRIDGES Swimming Pools

MFG NO.	DESCRIPTION	OUTSIDE DIAMETER	OVERALL LENGTH	INSIDE DIAMETER	UNICEL NO.	ITEM NO.
Martec Pacific						
SC-2200, SC-3500	Martec 32 sq. ft.	4-15/16"	11-7/8"	2-1/8"	C-4332	H5409
CL-2200, CL-2800	Martec 28 sq. ft.	4-15/16"	14-7/8"	2-1/8"	C-4301	H5408
CL-2807, CL-2810	Martec 50 sq. ft.	4-15/16"	14-7/8"	2-1/8"	C-4305	H5410
Muskin						
A3808, A3818	Muskin (PMS-8) 6 sq. ft.	4-1/2"	8"	2-3/16"	C-4605	H5370
A3810, FE-90	Muskin (PMS-10) 10 sq. ft.	6-1/4"	8"	2-5/8"	C-6610	H5371
A3816, FE-30	Muskin (PMS-16) 16 sq. ft.	6-1/4"	8"	2-5/8"	C-6616	H5420
A3821, FD-20	Muskin (PMS-20) 20 sq. ft.	6-1/4"	8"	2-5/8"	C-6620	H5421
Pac-Fab						
17-4865	Mytilus MY-90/140 6 sq. ft.	2-3/4"	9-3/4"	1-1/16"	T-380	H5074
17-4821	Mytilus MY-30 23 sq. ft.	5-5/16"	13-9/16"	2"	C-5623	H5120
17-4983	Mytilus FMY-60 60 sq. ft.	7-7/8"	14"	3-1/16"	C-7660	H5155
17-4984	Mytilus FMY-80 80 sq. ft.	7-7/8"	22-1/8"	3-1/16"	C-7680	H5156
17-4981	Mytilus FMY-50 50 sq. ft.	7-7/8"	11-1/8"	3-1/16"	C-7678	H5423
17-4985	Mytilus FMY-100 100 sq. ft.	7-7/8"	22-1/8"	3-1/16"	C-7699	H5157
Premier Springwater						
27-078	Hercules II 25 sq. ft.	7"	9-13/16"	3"	C-7625	H5251
27-079	Hercules II 50 sq. ft.	7"	19-5/8"	3"	C-7650	H5252
27-080	Hercules II 75 sq. ft.	7"	19-5/8"	3"	C-7453	H5254
Purex Pool Products						
P-05239	Purex CF-25 25 sq. ft.	7"	11-1/8"	2-15/16"	C-7610	H5192
P-05237	Purex CF-33 / 66 / 100 33 sq. ft.	7"	14"	2-15/16"	C-7633	H5081
70658	Purex CF-40 40 sq. ft.	7"	11-1/8"	2-15/16"	C-7440	H5117
70654	Purex CF-50 / 150 50 sq. ft.	7"	19-5/8"	2-15/16"	C-7651	H5082
70657	Purex CF-60 60 sq. ft.	7"	19-5/8"	2-15/16"	C-7460	H5118
70656	Purex CF-80 80 sq. ft.	7"	19-5/8"	2-15/16"	C-7480	H5122
Rainbow Plastics						
17-2048	Lifeguard CL-9X 6 sq. ft.	2-3/4"	9-3/4"	1-1/16"	T-380	H5074
17-2056	Lifeguard 12.5 12 sq. ft.	2-7/8"	14-11/16"	1-1/16"	C-2912	H5063
17-2021	Lifeguard CL-19 8 sq. ft.	2-7/8"	19-1/2"	1-1/16"	C-2608	H5062
17-2010	Lifeguard CL-29 12 sq. ft.	2-7/8"	29-1/4"	1-1/16"	C-2613	H5060
17-2046	Lifeguard CL-29X 18 sq. ft.	2-7/8"	29-1/4"	1-1/16"	C-2618	H5061
17-2325	Dynamic (In-Line) RDC-25	4-15/16"	13-5/16"	2-1/8"	C-4625	H5059
17-2380	Lifeguard Top Load 50 Sq. Ft.	4-15/16"	13-5/16"	2-1/8"	C-4950	H5413
Sta-Rite						
	Sta-Rite TX-15	4-1/2"	9-3/4"	1-1/16"	C-4610	H5124
WC108-55S2X	Sta-Rite TX-35 35 sq. ft.	8-11/16"	9-3/4"	4-3/16"	SC3-SR35	H5033
WC108-56S2X	Sta-Rite TX-50 50 sq. ft.	8-11/16"	13-5/16"	4-3/16"	SC3-SR50	H5032
WC108-57S2X	Sta-Rite TX-70 70 sq. ft.	8-11/16"	18-3/16"	4-3/16"	SC3-SR70	H5035
WC108-58S2X	Sta-Rite TX-100 100 sq. ft.	8-11/16"	25-11/16"	4-3/16"	SC3-SR100	H5038
WC108-59S2X	Sta-Rite TX-135 135 sq. ft.	8-11/16"	34-1/4"	4-3/16"	SC3-SR137	H5039
Sta-Rite (Swimquip)						
24101-19	Swimquip 6 sq. ft.	2-3/4"	9-3/4"	1-1/16"	T-380	H5074
24240-0016	Swimquip RCP25 25 sq. ft.	7"	9-13/16"	3"	C-7625	H5251
24241-0016	Swimquip FCP-50 50 sq. ft.	7"	19-3/8"	3"	C-7652	H5126
Sylvan						
	Sylvan 12 sq. ft.	3-1/4"	14-11/16"	1-1/16"	C-3612	Z5050
Wet Institute						
	Modufilter M-66, M-165, M-330 6 sq. ft.	2-7/8"	14-11/16"	1-1/16"	C-2607	H5383
	Modufilter M-180 60 sq. ft.	7-7/8"	14"	3-1/16"	C-7660	H5155
	Modufilter M-330 105 sq. ft.	7-7/8"	22-1/8"	3-1/16"	C-7699	H5157

MISC. REPLACEMENT CARTRIDGES

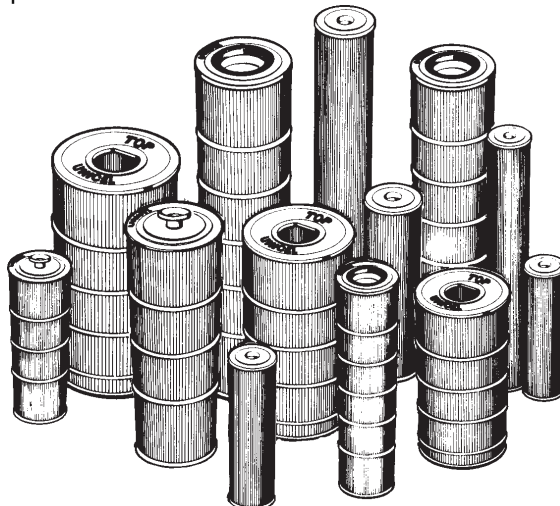
Spas

MANUFACTURER		DESCRIPTION	UNICEL NO.	ITEM NO.	
Alcove Spas	8 sq. ft.	3-1/4" x 9-3/4"	C-3608	H5298	
	25 sq. ft.	9-3/4" with 1-1/2" Male Thread	4CH-24	H5258	
Baja Spas	50 sq. ft.	4-15/16" x 13-3/16"	C-4950	H5413	
	100 sq. ft.	4-15/16" x 26-11/16"	C-4999	H5048	
Cal Spas	100 sq. ft.	4-15/16" x 23-5/8"	C-4995	H5299	
	50 sq. ft.	4-15/16" x 13-5/16"	C-4950	H5413	
	50 sq. ft.	4-15/16" x 14-7/8"	C-4305	H5410	
Caldera Spas	50 sq. ft.	7" x 10-3/4"	C-7451	H5399	
	75 sq. ft.	7" x 14-3/4"	C-7479	H5005	
Dimension One Spas	25 sq. ft.	11-7/8" with 1-1/2" Male Thread	4CH-30	H5265	
	25 sq. ft.	11-7/8" Ozone Cartridge	C-5402	H5031	
	40 sq. ft.	17" Ozone Cartridge	C-5404	H5485	
	50 sq. ft.	14-3/4" with 1-1/2" Male Thread	4CH-50	H5036	
	65 sq. ft.	19-5/8" with 1-1/2" Male Thread	4CH-65	H5037	
Fort Wayne Spas	20 sq. ft.	6-3/4" with 1-1/2" Male Thread	4CH-20	H5199	
	45 sq. ft.	12-1/4" with 1-1/2" Male Thread	6CH-45	H5041	
Gerico Spas	45 sq. ft.	6-15/16" x 17-5/8"	C-6645	H5095	
Hawkeye Spas	50 sq. ft.	4-15/16" x 13-5/16"	C-4950	H5413	
Hot Spring Spas	Watkins Mfg.	30 sq. ft.	5-1/8" x 10-1/4"	C-5431	H5297
		33 sq. ft.	6 x 9	C-6433	H5295
		35 sq. ft.	16" with 1-1/2" Male Thread	4CH-35	H5294
		45 sq. ft.	6-3/8" x 11-7/8"	C-6600	H5425
	Hot Springs Spas (After 1990)	30 sq. ft.	5-1/8" x 10-1/4"	C-5431	H5297
	Hot Spot	25 sq. ft.	4-15/16" x 13-5/16"	C-4326	H5277
	Tiger River	65 sq. ft.	8-1/2" x 10-1/2"	C-8465	H5426
	Heldor Spas	25 sq. ft.	4-15/16" x 13-5/16"	C-4625	H5059
50 sq. ft.		4-15/16" x 13-5/16"	C-4950	H5413	
Hydro Spa	25 sq. ft.	9-3/4" with 1-1/2" Male Thread	4CH-24	H5258	
Jacuzzi Whirlpool	Cambio	12 sq. ft.	2-7/8" x 19-1/2"	C-2612	H5043
	Quanta	30 sq. ft.	6-7/8" x 14-7/8"	C-6300	H5089
	Avanza, Celeste, Meridian, Sienna & Virage	25 sq. ft.	5-3/4" x 11-7/8"	C-5624	H5091
	Caressa (pre-1986), Espree & Espree II	25 sq. ft.	5" x 13-5/16"	C-5625	H5096
	Aero, Caressa, Corsica, Lazer II, Meridian II, Polara, Quantum, Razza, Tirage, Vectra Vectra II, Venterra & 380	25 sq. ft.	5-11/16" x 10-3/8"	C-5601	H5417

MISC. REPLACEMENT CARTRIDGES

Spas

MANUFACTURER		DESCRIPTION	UNICEL NO.	ITEM NO.
Nemco	25 sq. ft.	9-3/4" with 1-1/2" Male Thread	4CH-24	H5258
	50 sq. ft.	14-3/4" with 1-1/2" Male Thread	4CH-50	H5036
	25 sq. ft.	4-5/8" x 11-5/8"	C-4403	H5374
	30 sq. ft.	4-15/16" x 10-3/8"	C-4429	H5415
	50 sq. ft.	5-7/8" x 15-5/8"	C-5405	H5416
PDC Spas	50 sq. ft.	4-15/16" x 13-5/16"	C-4950	H5413
Pacific Marquis	25 sq. ft.	5-3/16" x 11-7/8" (old)	C-5626	H5380
	40 sq. ft.	5-3/16" x 19-5/8" (old)	C-5637	H5418
	25 sq. ft.	Closed Top x 11-7/8" (New)	C-5423	H5045
	40 sq. ft.	Closed Top x 19-5/8" (New)	C-5434	H5047
Rainbow Plastics				
Dynamic Series 1 (In-Line)	25 sq. ft.	4-15/16" x 13-5/16"	C-4625	H5059
Dynamic Series 1,2, & 3 (In-Line / Top Load)	37 sq. ft.	4-15/16" x 13-5/16"	C-4637	H5194
Saratoga Spas	20 sq. ft.	6-3/4" with 1-1/2" Male Thread	4CH-20	H5199
	25 sq. ft.	9-3/4" with 1-1/2" Male Thread	4CH-24	H5258
Softub	20 sq. ft.	6-3/4" with 1-1/2" Male Thread	4CH-20	H5199
	25 sq. ft.	6" x 5-1/2" with 1-1/2" Male Thread	6CH-25	H5259
Sundance Spas	30 sq. ft.	11-7/8" with 1-1/2" Male Thread	4CH-30	H5265
	40 sq. ft.	4-5/8" x 16-3/4"	C-4440	H5266
	65 sq. ft.	8" or 7-1/2" x 14-3/4" (Bot. 2-1/16" I.D.)	C-7465	H5422
	65 sq. ft.	8" or 7-1/2" x 14-3/4" (Bot. 2-5/8" I.D.)	C-7466	H5267
Vita Spa	50 sq. ft.	7" x 19-5/8"	C-7650	H5252
	35 sq. ft.	9-3/4" with 1-1/2" Male Thread	6CH-35	H5269
Watkins Manufacturing				
Hot Springs Spas (All Models Starting 1991)	25 sq. ft.	4-15/16" x 13-5/16"	C-4326	H5277
	35 sq. ft.	16" with 1-1/2" Male Thread	4CH-35	H5294
	33 sq. ft.	6" x 9"	C-6433	H5295
	30 sq. ft.	6" x 10-1/2"	C-6430	H5496
	65 sq. ft.	8-1/2" x 10-1/2"	C-8465	H5426
	45 sq. ft.	6-3/8" x 11-7/8"	C-6600	H5425
	30 sq. ft.	5-1/8" x 10-1/4"	C-5431	H5297



Coates In-Line Spa Heater 6ILC & 6IL	379
Coates In-Line Spa Heater 6ILS	378
Coates Spa Heater Models E5.5 & E11	378
Coates Spa Heater Models "SHA", "SHB" & "ST"	377
Coates Models CE, CPH & PHS	380,381
Hayward Comfortzone C-Spa XI	384
Hayward Comfortzone PSE Series	382,383
Purex Islander	385
Raypak ELS, ELC & ELA	386

HATCHIK SUPPLY CO.

Heaters (Electric)

Notes

HATCHIK SUPPLY CO.

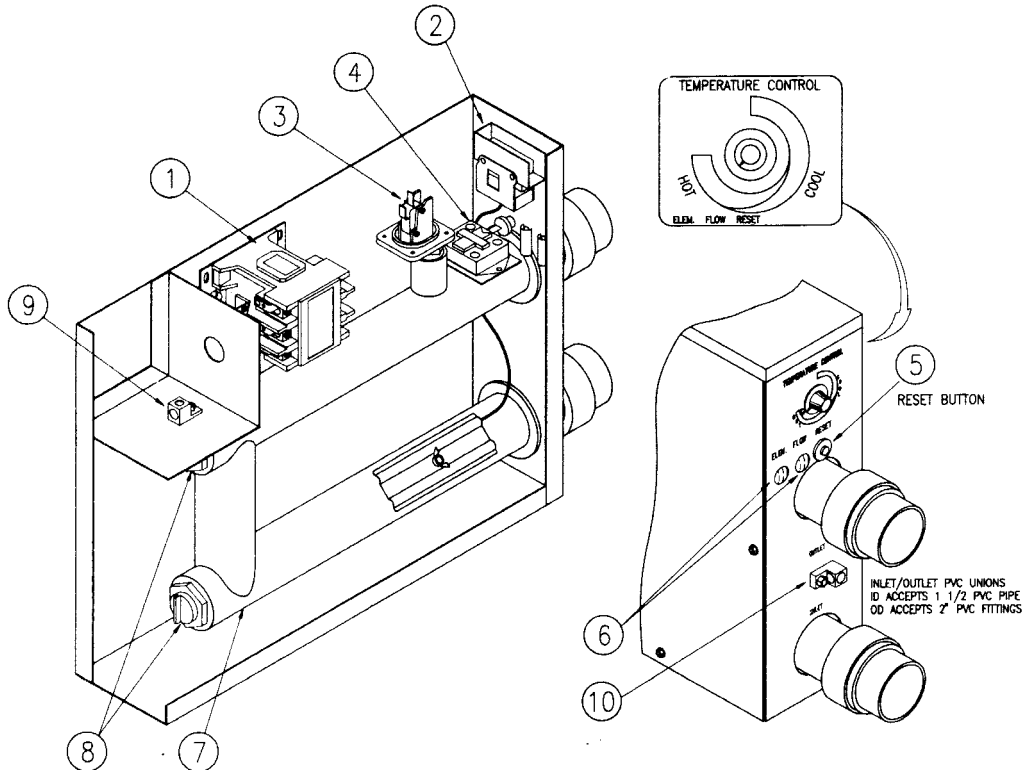
Notes

HATCHIK SUPPLY CO.

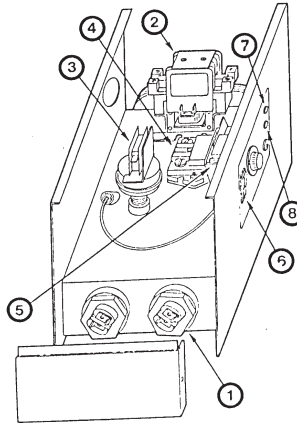
COATES SPA HEATER 5.5 & 11 KW

KEY	MFG NO.	DESCRIPTION	MODEL	ITEM NO.
1	21000650	Contactora, 2 Pole, 35 Amp, 240V 5.5 KW	(ST)	J1717
1	21000100	Contactora, 2 Pole, 50 Amp, 220V	(All Models)	J1700
2	22002001	Temperature Control, Single Stage	(SHB & ST) S/N: 16140-Current	J1702
3	23000102	Flow Switch	(SHB & ST)	J1710
4	22003800	High Limit - Manual Reset	(All Models)	J1712
5	50004505	Reset Button Assembly - Short	(SHB & ST) S/N: 6001-Current	J1714
6	29034620	Pilot Light, 250V, amber 5/16"	(SHB & ST) S/N: TB91000-Current	J1711
6	29034610	Pilot Light, 250V, amber 1/2"	(SHA & SHB) S/N: 9653-TB91000	J1716
7	62002603	Vessel Assembly, Bronze	(SHB)	J1718
7	62002605	Vessel Assembly, S.S.	(All Models)	J1729
8	20005061	Element, 5.5 KW, 240V w/Gasket	(All Models)	J1720
---	22007210	Pressure Switch, Tri Delta	(SHA & ST) S/N: 13700-18599	J1706
---	22003251	Dry Well, 4-1/2" long	(SHB)	J1728
---	22003250	Dry Well, 8" long	(SHA) S/N: 16140-20999	J1726
---	32705010	Union Assembly, PVC, 1-1/2" - 2"	(ST)	J1730

**Models
SHA
SHB
& ST**

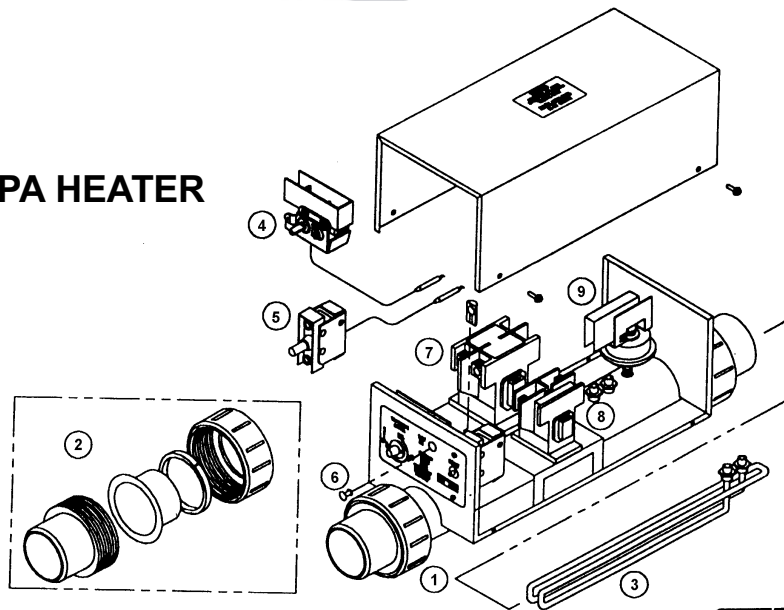


COATES SPA HEATER
Model E5.5 & E11



KEY	MFG. NO.	DESCRIPTION	ITEM NO.
1	20005061	Element, 5.5 KW, 240V Threaded w/Gasket	J1720
2	21000640	Contactora, 50 Amp, 2 Pole (E5.5, E11)	J1721
3	22007210	Pressure Switch, Tri Delta 1-5 psi	J1706
4	22003800	High Temperature Limit	J1712
5	23003815	Temperature Control	J1707
6	23001521	"On/Off" Switch, Red, 250V	J1723
7	29034620	Pilot Light ("Element On") 250V, Amper 5/16"	J1711
8	29034620	Pilot Light ("Press. Switch On") 250V, Amper 5/16"	J1711

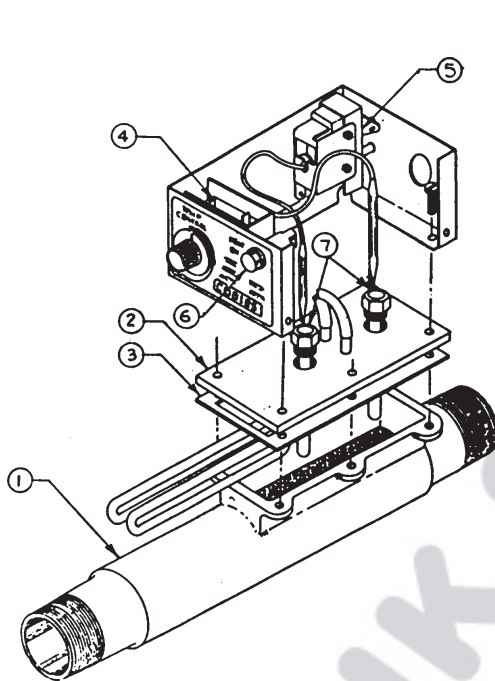
COATES IN-LINE SPA HEATER
Model 6ILS



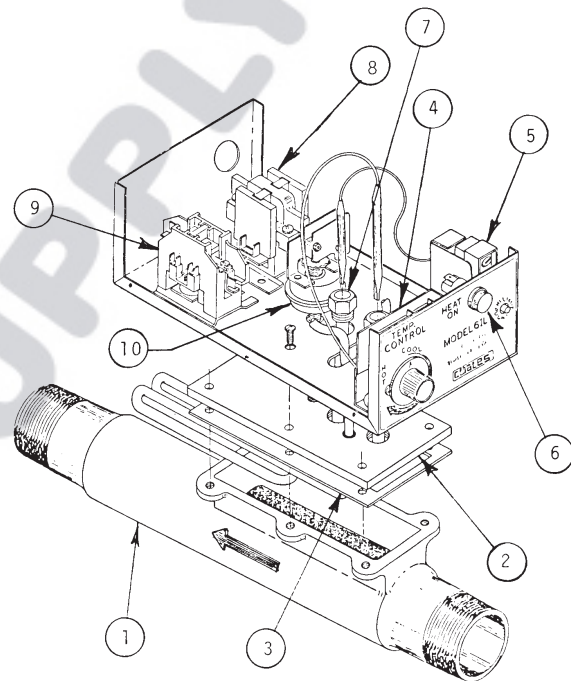
KEY	MFG. NO.	DESCRIPTION	ITEM NO.
2	32705020	PVC Union Assy. w/ Tail, Nut, Retainer & Gasket (2 needed)	J1727
3	20005155	Heating Element, 5.5 KW, 240 V	J1733
4	22002001	Temperature Control	J1702
5	22003820	High Temperature Limit Control	J1709
6	29034620	Pilot Light	J1711
7	21000650	Contactora, 2 Pole, 35 amp, 240 V Coil	J1717
8	21000660	Contactora, 1 Pole, 30 amp, 240 V Coil	J1719
9	22007210	Pressure Switch	J1706

COATES IN-LINE SPA HEATER Model 6ILC

KEY	MFG NO.	DESCRIPTION	ITEM NO.
1	62002604	Bronze Vessel Assembly for In-Line Heater	J1701
2	20005070	Element, 1.44 / 5.75 KW, 120/240V w/Gasket	J1703
3	44000125	Gasket for In-line Heater	J1705
4	22003815	Temperature Control (Sunne TD103-127)	J1707
5	22003820	High Limit Switch (Sunne LA107-027)	J1709
6	29034620	Pilot Light, 250V, Amber 5/16" (S/N: CK91024-Current)	J1711
6	29034610	Pilot Light, 250V, Amber 1/2"	J1716
7	22003253	Dry Well, 3-1/4" long	J1715



Model 6ILC



Model 6IL

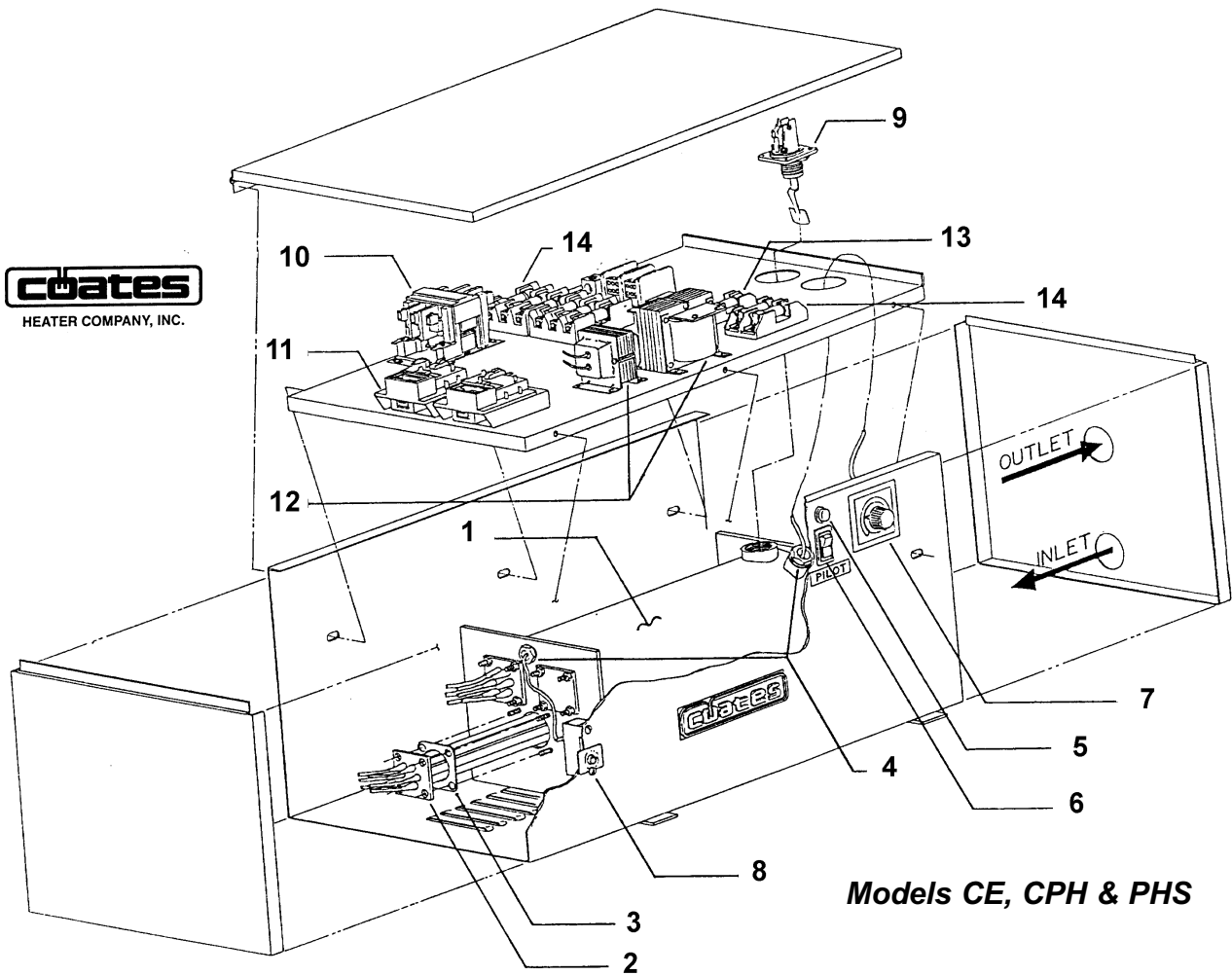
COATES IN-LINE SPA HEATER Model 6IL

KEY	MFG NO.	DESCRIPTION	ITEM NO.
1	62002604	Bronze Vessel Assembly for In-Line Heater	J1701
2	20005071	Flanged Element 5.75 KW, 240V w/Gasket	J1713
3	44000125	Gasket, In-Line Element	J1705
4	22003815	Temperature Control (Sunne TD103-127)	J1707
5	22003820	High Limit Switch (Sunne LA107-027)	J1709
6	29034620	Pilot Light, 250V, Amber 5/16" (S/N: AE91060-Current)	J1711
6	29034610	Pilot Light, 250V, Amber 1/2"	J1716
7	22003253	Dry Well, 3-1/4" long	J1715
8	21000650	Contactor, 2 Pole, 35 Amp, 240V Coil	J1717
9	21000660	Contactor, 1-Pole, 30 Amp, 240V Coil	J1719
10	22007210	Pressure Switch, (Tri Delta 1-5 psi)	J1706

COATES ELECTRIC SWIMMING POOL HEATERS

Models CE, CPH & PHS

KEY	MFG. NO.	DESCRIPTION	MODEL NO.	ITEM NO.
1	62006007	Vessel, Pool Heater, SS for PHS-4, 4 Element	(CPH, PHS)	J3212
1	62006020	Vessel, Pool Heater, SS for CPH Heater	(CPH, PHS)	J3210
1	62006050	Vessel, SS for CE Heater	(CE)	J3103
2	20006003	Heating Element w/Gasket 4-Bolt 12KW, 208V	(CPH, PHS)	J3230
2	20006004	Heating Element w/Gasket 4-Bolt 15KW, 208V	(CPH, PHS)	J3231
2	20006005	Heating Element w/Gasket 4-Bolt 18KW, 208V	(CPH, PHS)	J3232
2	20006009	Heating Element w/Gasket 4-Bolt 12KW, 240V	(CPH, PHS)	J3236
2	20006010	Heating Element w/Gasket 4-Bolt 15KW, 240V	(CPH, PHS)	J3237
2	20006011	Heating Element w/Gasket 4-Bolt 18KW, 240V	(CPH, PHS)	J3238
2	20006015	Heating Element w/Gasket 4-Bolt 12KW, 480V	(CPH, PHS)	J3242
2	20006016	Heating Element w/Gasket 4-Bolt 15KW, 480V	(CPH, PHS)	J3243
2	20006017	Heating Element w/Gasket 4-Bolt 18KW, 480V	(CPH, PHS)	J3244
2	20006029	Heating Element 4-Bolt 9KW, 208V	(CPH, PHS, CE)	J3247
2	20006039	Heating Element 4-Bolt 9KW, 240V	(CPH, PHS, CE)	J3249
2	20006049	Heating Element 4-Bolt 9KW, 480V	(CPH, PHS, CE)	J3251
2	20006036	Heating Element 4-Bolt 6KW, 208V	(CE)	J3253
2	20006046	Heating Element 4-Bolt 6KW, 240V	(CE)	J3255
2	20006056	Heating Element 4-Bolt 6KW, 480V	(CE)	J3257
3	44000250	Element Gasket, 4 Bolt, Rubber	(CPH, PHS, CE)	J3123
4	22003250	Well for 22002001 Temp. Control - 8" Long	(CPH, PHS)	J1726
4	22003251	Well for 22003820 Hi-Temp. Limit - 4-1/2" Long	(CPH, PHS)	J1728
5	29034610	Pilot Light, Amber, 250V, 1/2"	(CPH, PHS)	J1716
5	29034620	Pilot Light, Amber, 250V, with wire leads 5/16"	(CPH, PHS)	J1711
5	29034648	Pilot Light, Amber, 480V with Wire Leads 5/16"	(CPH, PHS, CE)	J3131
6	23001520	Pilot Switch, Rocker, Lighted, 120V	(CPH, PHS)	J3204
6	23001521	Pilot Switch, Rocker, Lighted, 250V	(CE)	J1723
7	22002001	Temperature Control, w/o Collar (for J1726)	(CPH, PHS, CE)	J1702
8	22003820	Hi-temperature Limit, Sunne	(CPH, PHS, CE)	J1709
9	23000102	Flow Switch, Harwil (built in to heater)	(CPH, PHS, CE)	J1710
10	21000900	Contactora, 3 Pole, 50 amp, 110V Coil	(CPH, PHS)	J3228
10	21001000	Contactora, 3 Pole, 50 amp, 208/240V Coil	(CE)	J3100
11	21005501	Sequencer, 1 Stage	(CPH, PHS)	J3200
11	21005502	Sequencer, 2 Stage	(CPH, PHS)	J3201
11	21005509	Sequencer, 3 Stage	(CPH, PHS)	J3202
12	22010702	Transformer 480/240/208V-120V, 50VA, w/Fuse	(CPH, PHS)	J3205
12	22010752	Transformer 480/240/208V-120V, 75VA, w/Fuse	(CPH, PHS)	J3207
12	22010802	Transformer 480/240/208V-120V, 100VA, w/Fuse	(CPH, PHS)	J3208
12	22010902	Transformer 480/240/208V-120V, 150VA, w/Fuse	(CPH, PHS)	J3209
12	22012200	Transformer 480V-240V, 50VA	(CE)	J3211



Models CE, CPH & PHS

COATES ELECTRIC SWIMMING POOL HEATERS

KEY	MFG. NO.	DESCRIPTION	MODEL NO.	ITEM NO.
13	29015000	Fuse 1 amp, 600V KTK-R1	(CPH, PHS)	J3213
13	29015050	Fuse 5 amp, 250V FNM-5 (Replaces KTK-5)	(CPH, PHS)	J3214
13	29015052	Fuse 2 amp, 250V, FNM-2	(CPH, PHS, CE)	J3216
13	29017004	Fuse 60amp, 600V, JKS-60, JCL-60 or A4J60	(CPH, PHS)	J3217
13	29018910	Fuse 60amp, 480V, SC-60, SLC-60	(CPH, PHS, CE)	J3218
13	29018930	Fuse 30amp, 480V, SC-30, SLC-30	(CE)	J3219
13	29019525	Fuse 2 amp, 480V, SC-2, SLC-2	(CPH, PHS, CE)	J3220
13	29019540	Fuse 1 amp, 250V, FRN-R1, ECN-R1 or TR1R	(CPH, PHS)	J3221
14	29010101	Fuse Holder, 2 Pole, 30A, 600V Uses J3213 Fuse	(CPH, PHS)	J3222
14	29010105	Fuse Holder, 2 Pole, 30A, 480V Uses J3220 Fuse	(CPH, PHS)	J3223
14	29010130	Fuse Holder, 3 Pole, 30A, 480V SC Type	(CE)	J3224
14	29010150	Fuse Holder, 3 Pole, 60A, 480V Uses J3218 Fuse	(CPH, PHS, CE)	J3225
14	29010335	Fuse Holder, 3 Pole, 60A, 600V Uses J3217 Fuse	(CPH, PHS)	J3226
14	29010670	Fuse Holder, 1 Pole, 30A, 600V	(CPH, PHS, CE)	J3227

**HAYWARD COMFORTZONE
PSE HEATERS
Models 12 - 54 KW**

KEY	MFG NO.	DESCRIPTION	ITEM NO.
3	CZXJFP6901	Fuse Panel, 12-15-18 KW	J2743
3	CZXJFP6900	Fuse Panel, 24-36 KW (45-54 KW 480V Only)	J2744
3	CZXJFP6902	Fuse Panel, 45-54 KW (208/240V Only)	J2745
5	CZXGKT9219	Inlet/Outlet Gasket, 12-15-18-24-36 KW	J2746
5	CZXGKT9220	Inlet/Outlet Gasket 45-54 KW	J2747
6	CZXGSC9314	Gasket Securing Clamp 45-54 KW	J2748
6	CZXGSC9312	Gasket Securing Clamp 12-15-18-24-30-36 KW	J2749
7	CZXGLK9217	Grommet Quick Lock Kit	J2750
8	CZXJKD7006	Access Door Hi-Limit Reset	J2751
9	CZXLBL7257	Thermostat Label	J2614
10	CZXLIT3613	Indicator Light 240 Volt	J2613
10	CZXLIT3612	Indicator Light 120 Volt	J2425

HAYWARD COMFORTZONE PSE HEATERS

Models 12 - 54 KW

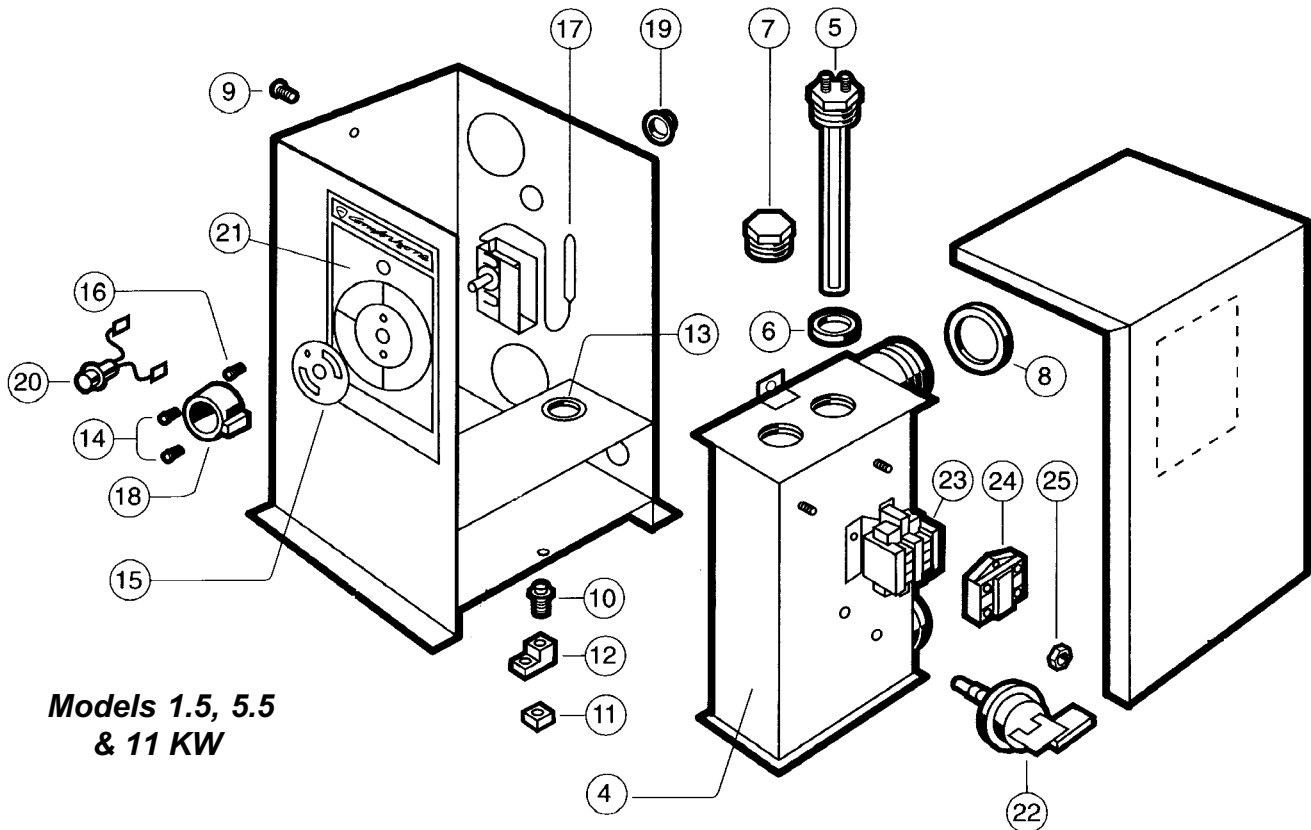
KEY	MFG NO.	DESCRIPTION	ITEM NO.
11	CZXTDL0102	Thermostat Dial Lock	J2535
12	CZXTSK2003	Thermostat Knob	J2508
13	CZXCDF3200	Conduit Fitting 1-1/2"	N/A
14	CZXSCR2102	Dial Lock Screw	J2611
15	CZXSCR3003	Thermostat Mounting Screw	J2610
16	CZXTST3006	Thermostat Mears Electric	J2417
17	CZXCON3644	Contactora 208/240 Volt Coil	J2432+
18	CZXTBK3601	Terminal Block 12-15-18 KW	J2754+
18	CZXTBK2602	Terminal Block 24-30 KW	N/A
18	CZXTBK2603	Terminal Block 36 KW	N/A
18	CZXTBK3635	Terminal Block 45-54 KW	N/A
19	CZXFUS3605	Fuse J2N 40 Amp 208/240 Volt, 12 KW thru 54 KW	J2758
19	CZXFUS3606	Fuse J2N 60 Amp 208/240V, 24-30 KW	J2759
19	CZXFUS3619	Fuse J2S 40 Amp 480V Only, 24-30-36 KW	J2760+
19	CZXFUS3607	Fuse J2S 60 Amp 480V Only, 24-30-36 KW	J2437+
20	CZXFUB3625	Fuse Block, All 208/240 Volt Heaters	J2761+
20	CZXFUB3626	Fuse Block, 24-36-45-54 KW, 480V Only	J2762+
21	CZXHYB1702	Heyco Bushing	N/A
22	CZXGRL2701	Ground Lug, 12-115-18-24-30-36 KW	N/A
22	CZXGRL2702	Ground Lug, 45-54 KW	N/A
23	CZXSCR5402	Ground Lug Bolt	N/A
24	CZXNUT5403	Ground Lug Nut	N/A
25	CZXTST3100	Thermodisc Thermostat Hi-Limit	J2766
26	CZXTSB4603	Thermodisc Bracket Hi-Limit	J2767+
27	CZXNUT6404	Hi-Limit Bracket Mounting Nut, H - L & Nut	J2616+
28	-----	Coupling PVC 1-1/2"	U2915
28	-----	Coupling PVC 2"	U2920
30	CZXELE7640	Heating Element w/Gasket 4000 Watt 208 Volt	J2450
30	CZXELE7642	Heating Element w/Gasket 4000 Watt 240 Volt	J2451
30	CZXELE7643	Heating Element w/Gasket 4000 Watt 480 Volt	J2452
30	CZXELE7644	Heating Element w/Gasket 5000 Watt 208 Volt	J2453+
30	CZXELE7645	Heating Element w/Gasket 5000 Watt 240 Volt	J2419
30	CZXELE7646	Heating Element w/Gasket 5000 Watt 480 Volt	J2454
30	CZXELE7650	Heating Element w/Gasket 6000 Watt 208 Volt	J2418
30	CZXELE7648	Heating Element w/Gasket 6000 Watt 240 Volt	J2455
30	CZXELE7649	Heating Element w/Gasket 6000 Watt 480 Volt	J2456
31	CZXGKT7627	Gasket Element	J2602
32	CZXTNK6612	Tank Stainless 12-15-18 KW	N/A
32	CZXTNK6611	Tank Stainless 24-30-36 KW	N/A
32	CZXTNK6608	Tank Stainless 45-54 KW	J2774+
33	CZXPRS1105	Pressure Switch, All PSE Series	J2416
35	CZXTRF3609	Transformer 480V Heaters Only	J2426
36	CZXFUB3629	Fuse Block 480V Heaters Only	J2775+
37	CZXFUS3617	Fuse J2S 20 Amp 480V Only	J2438+

+ Limited Quantities

HAYWARD COMFORTZONE C-SPA XI HEATERS

KEY	MFG NO.	DESCRIPTION	ITEM NO.
4	CZXTNK6607	Tank	J2600
5	CZXELE7641	Heating Element 1500 Watt 120 Volt	J2601+
5	CZXELE7623	Heating Element 5500 Watt 240 Volt	J2414
6	CZXGKT7627	Gasket for Element	J2602
7	CZXELP7622	Element Hole Plug with Gasket	J2603+
8	CZXGKT9216	Inlet Outlet Gasket	J2604+
9	CZXSCR6101	Tek Screw	N/A
10	CZXBLT5411	Ground Lug Bolt	N/A
11	CZXNUT5403	Ground Lug Nut	N/A
12	CZXGRL2900	Ground Lug	J2608+
13	CZXHYB1702	Heyco Bushing	N/A
14	CZXSCR3003	Thermostat Screw	J2610
15	CZXTDL0102	Thermostat Dial Lock	J2535
16	CZXSCR2102	Dial Lock Screw	J2611
17	CZXTST3006	Thermostat	J2417
18	CZXTSK2003	Knob for Thermostat	J2508
19	CZXGRM9209	Grommet, High Limit	J2612+
20	CZXLIT3613	Indicator Light 240V	J2613
20	CZXLIT3612	Indicator Light 120V	J2425+
21	CZXLBL7257	Thermostat Label with Logo	J2614
22	CZXPRS1105	Pressure Switch	J2416
23	CZXCON3645	Contactors	J2413
24	CZXHLC3105	High Limit	J2615
25	CZXNUT6404	High Limit and Contactor Nut	J2616+

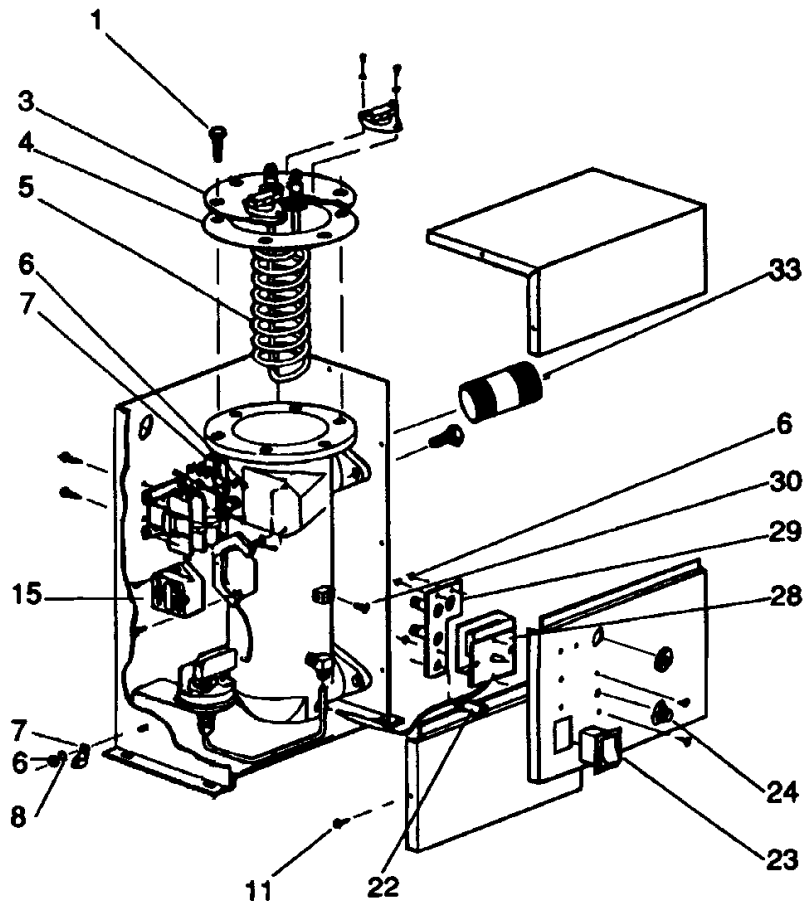
+ Limited Quantities



Models 1.5, 5.5 & 11 KW

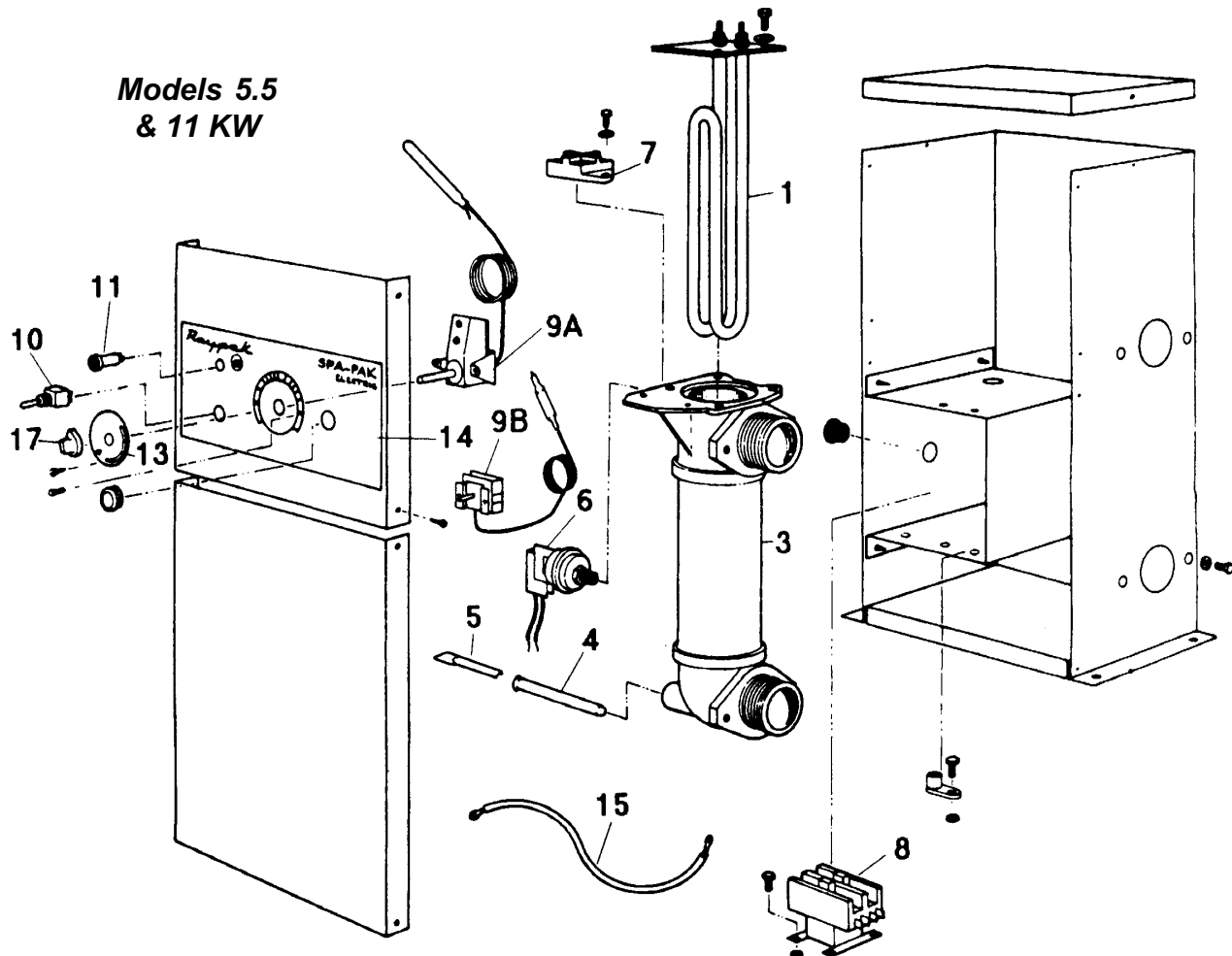
PUREX ISLANDER ELECTRIC HEATER

KEY	MFG NO.	DESCRIPTION	ITEM NO.
1	71685	Screw 5/16"-18 x 3/4" Hex Head (6 needed)	J4069
3	70793	Cover Assembly with Label - Replaces P07985	J4032
4	70935	Gasket Cover	J4035
5	72947	Element Assy 6 KW	J1015
5	72948	Element Assy 11.5 KW	J1016
6	71414	Nut 8-32 S.S.	J4055
7	70968	Ground Lug	J4106
12	70730	Contactors 240v Spa E-6/11	K9324
15	72029	Thermostat Hi-Limit 165 degree	J4118
17	71957	Pressure Switch TDI	J4104
22	71278	Light Indicator (4 needed)	J4048
23	71952	Rocker Switch	J4074
24	70754	Control Knob	J4023
28	72026	Thermostat - Variable	K9328
29	70485	Mounting Bracket, Light	J4001
30	71706	Screw 10-24 x 1/2"	J4070
33	71392	Nipple S.S. 1-1/2" x 3" (2 needed)	J4110



RAYPAK ELECTRIC HEATERS

KEY	MFG NO.	DESCRIPTION	ITEM NO.
1	001801F	Heating Element 5.5 KW (550/551/552)	J1504
1	001802F	Heating Element 11 KW (1100/1101/1102)	J1505
2	800164	Gasket Only for Element	J1552
3	001805F	Element Tube Assembly 5.5 KW (552)	J1507
3	001808F	Element Tube Assembly 11 KW (1102)	J1509
4	004087F	Sensor Well (552-2/1102-2)	J1574
5	300203	Well Retaining Clip for Temperature Sensor	J1577
6	062237B	Pressure Switch	J1535
7	001811F	High Limit Switch (551/552 & 1101/1102)	J1512
8	001813F	Contactors 240V (ELS/ELC/ELA)	J1514
9A	600827B	Thermostat Control, Honeywell (<i>Cannot Substitute for Sunne Thermostat</i>)	J1555
9B	600959	Thermostat Control, Sunne (<i>Cannot Substitute for Honeywell Thermostat</i>)	J1667
10	650595	Toggle Switch	J1548
11	001812F	Indicator Light (ELS/ELC/ELA)	J1513
12	800201	Knob for Thermostat	J1553
13	305138	Knob Stop	J1579
14	900615	Dial Plate	J1668
15	001090F	Wire Kit - Complete (ELS/ELC/ELA)	J1501



Hayward Comfortzone CPS/CPSE, 520-1820	393-396
Hayward Comfortzone CZ, 150-400	397-400
Hayward Comfortzone Heatmaster	401-404
Hayward Comfortzone PSG-II, 110-355	389-392
Hayward H-Series	405-409
Purex (Pac-Fab) Minimax 100	410,411
Purex (Pac-Fab) Minimax 1991-1997	416-419
Purex (Pac-Fab) Minimax Plus	412-415
Raypak Common Parts	436,437
Raypak Heat Pump	438,439
Raypak RP2100, Metal Headers	428-431
Raypak RP2100, Capron Headers	432-435
Raypak Versa 55B	420,421
Raypak Versa 155B	422-424
Raypak Versa 185B-405B	425-427
Sta-Rite Natural Max-E-Therm	440-443
Teledyne Laars Common Parts	444,445
Teledyne Laars EPG, EPM Series 1	446-449
Teledyne Laars ESG Series 2	450-453
Teledyne Laars ESC Series 2	454-457
Teledyne Laars HI-E2	469-472
Teledyne Laars Lite	458-463
Teledyne Laars LX, 250 & 400	464-468

Heaters (Gas)

Notes

HATCHIK SUPPLY CO.

HAYWARD COMFORTZONE PSG-II 110-355 HEATERS

KEY	MFG NO.	DESCRIPTION	ITEM NO.
5	CZXFCA3330	Flue Collector Assembly (110)	N/A
5	CZXFCA3331	Flue Collector Assembly (150)	N/A
5	CZXFCA3332	Flue Collector Assembly (180)	N/A
5	CZXFCA3333	Flue Collector Assembly (215)	N/A
5	CZXFCA3334	Flue Collector Assembly (255)	N/A
5	CZXFCA3335	Flue Collector Assembly (355)	N/A
6	CZXINS0001	Kaowool Insulation 100"	J2478
7	CHXPLG1930	3/4" Brass Drain Plug	J2479
8	CZXBLT6603	Header Bolts (6 pcs)	J2480
9	CZXDRV6802	Drain Valve 3/4"	J2481
7-9-10	CZXBKT7051	Rear Bucket Assembly (Excluding Gasket)	N/A
11	CZXGKT7401	Bucket Gasket, Set of 2	J2401
12	CZXBFL3007	"V" Baffles 110 (6 pcs)	J2483+
12	CZXBFL3008	"V" Baffles 150 (6 pcs)	J2484+
12	CZXBFL3009	"V" Baffles 180 (6 pcs)	J2485+
12	CZXBFL3010	"V" Baffles 215 (6 pcs)	J2486+
12	CZXBFL3011	"V" Baffles 255 (6 pcs)	J2487+
12	CZXBFL3012	"V" Baffles 355 (6 pcs)	J2488+
13	CZXHEX7106	Heat Exchanger Only (110)	J2489
13	CZXHEX7107	Heat Exchanger Only (150)	J2490
13	CZXHEX7108	Heat Exchanger Only (180)	J2439
13	CZXHEX7109	Heat Exchanger Only (215)	J2440
13	CZXHEX7110	Heat Exchanger Only (255)	J2441
13	CZXHEX7111	Heat Exchanger Only (355)	J2427
14	CZXBYP6812	One Piece By-Pass	J2491+
15	CHXPSA1930	Pressure Switch Adaptor	J2492
16	CHXTBW1930	Thermostat Bulb Well	J2493
17	CZXGKT7406	Flange Compression Gasket, Set of 2	J2407
19	CZXBKT7003	Flanges, Set of 2	J2421+
19	CZXBLT6604	Flange Bolts (4 pcs)	J2495
20	CZXBKT7048	Front Bucket Only	J2784+
21	CZXHLI9402	Immersion Hi-Limit (Single Unit)	J2402
14-22	CZXBKT7050	Front Bucket Assembly	J2785+
22	CZXWIR6605	Hi-Limit Jumper Wire	J2786
23	CZXWIR6606	Hi-Limit Lead Wire	J2787+
7-22	CZXHEX7112	Heat Exchanger Assembly - Complete (110)	N/A
7-22	CZXHEX7113	Heat Exchanger Assembly - Complete (150)	N/A
7-22	CZXHEX7114	Heat Exchanger Assembly - Complete (180)	N/A
7-22	CZXHEX7115	Heat Exchanger Assembly - Complete (215)	N/A
7-22	CZXHEX7116	Heat Exchanger Assembly - Complete (255)	N/A
7-22	CZXHEX7117	Heat Exchanger Assembly - Complete (355)	N/A
24	CZXJKT5201	Upper Front Access Cover (All Models)	N/A
25	CZXJKT4901	Lower Front Access Cover (All Models)	N/A
26	CZXINS0019	Insulation Blanket	J2515+
31	CZXTDL0102	Thermostat Dial Lock	J2535
32	CZXCPA2808	Control Panel Assembly	J2534+

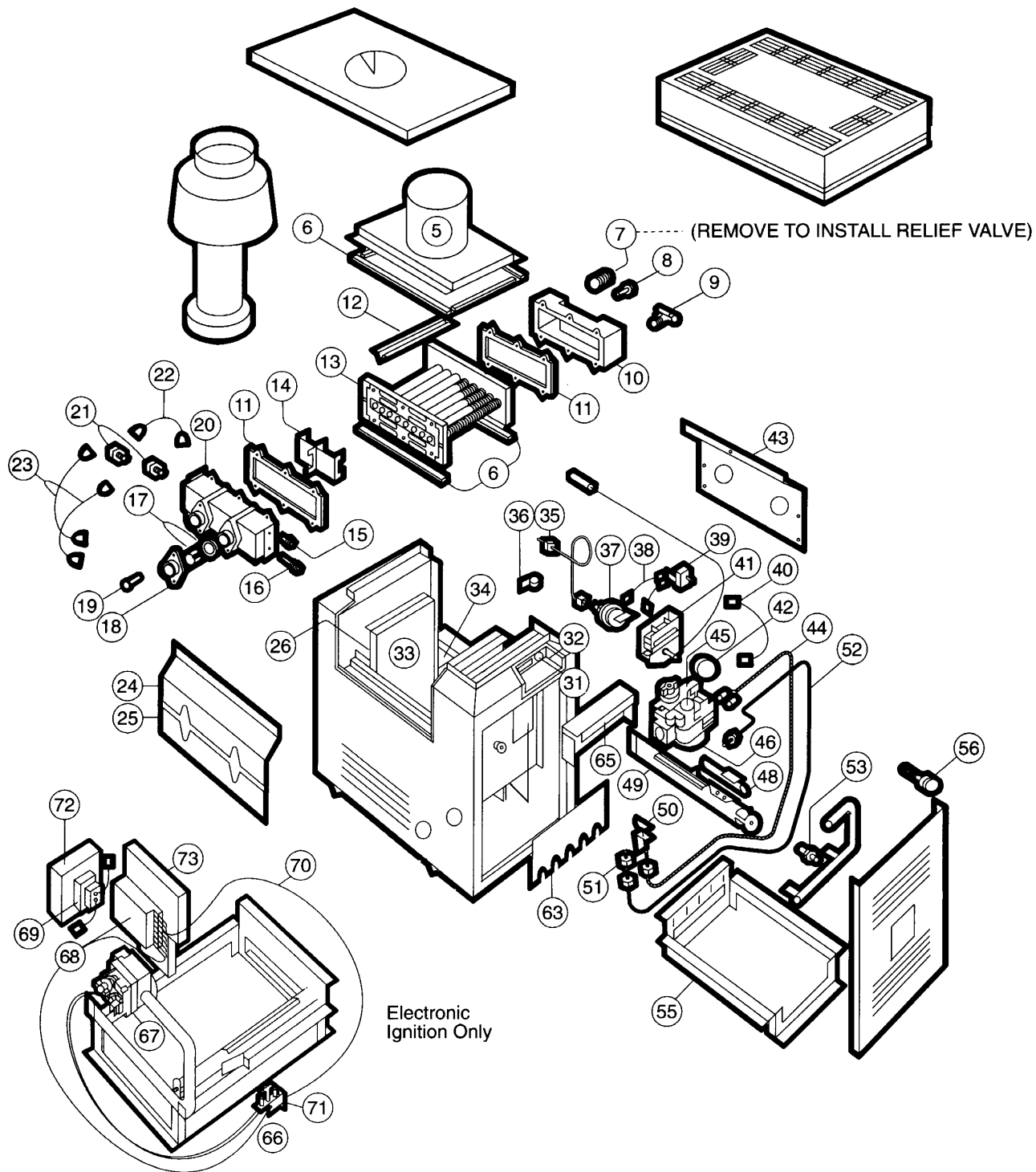
+ Limited Quantities

HAYWARD COMFORTZONE PSG-II 110-355 HEATERS

KEY	MFG NO.	DESCRIPTION	ITEM NO.
33	CZXINS0005	FireTile Front/Rear (110) Each	J2516+
33	CZXINS0006	FireTile Front/Rear (150) Each	J2517+
33	CZXINS0007	FireTile Front/Rear (180) Each	J2518+
33	CZXINS0008	FireTile Front/Rear (215) Each	J2519+
33	CZXINS0009	FireTile Front/Rear (255) Each	J2524
33	CZXINS0010	FireTile Front/Rear (355) Each	J2525
34	CZXINS0011	FireTile Side - Common	J2526
35	CHXPST1200	Pressure Switch Tube with Fittings	J2420
36	CZXPSC1930	Pressure Switch Tube Clamp (Old # CZXPSC6402)	J2509
37	CHXPRS1931	Pressure Switch	J2403
38	CZXWIR6502	"On/Off" Switch Wires	J2796+
39	CZXTSW1904	"On/Off" Switch	J2411
40	CZXWIR6500	Control Wire	J2797
41	CZXTST1907	Thermostat	J2404
42	CZXTSK2003	Thermostat Knob	J2508
43	CZXJKT5101	Rear Access Cover	N/A
44	CHXGEN1930	Pilot Generator	J2400
46	CHXVAL1931	Gas Valve - MV, Natural Gas (110 thru 355)	J2405
46	CHXVAL1932	Gas Valve - MV, Propane (110 thru 355)	J2406
48	CZXEZL2303	E-Z Lite Tube	J2412+
49	CZXBNR2314	Main Burner with Bracket	J2429
49A	CZXBNR2315	Main Burner	J2566
50	CZXPBR0806	Pilot Burner, Natural Gas (Honeywell)	J2422+
50	CZXPBR0807	Pilot Burner, Propane (Honeywell)	J2423+
51	CZXORF0508	Pilot Orifice, Natural Gas (Honeywell)	J2443+
51	CZXORF0509	Pilot Orifice, Propane (Honeywell)	J2444+
52	CZXPTB0900	Pilot Tube with Fittings	J2445
53	CZXORF0611	Main Burner Orifice, Propane	J2799
55	CZXBNR4020	Burner Tray Frame Only (110) (Old # CZXBNR3906)	J2800+
55	CZXBNR4021	Burner Tray Frame Only (150) (Old # CZXBNR3907)	J2801+
55	CZXBNR4022	Burner Tray Frame Only (180) (Old # CZXBNR3908)	J2802+
55	CZXBNR4023	Burner Tray Frame Only (215) (Old # CZXBNR3909)	J2803+
55	CZXBNR4024	Burner Tray Frame Only (255) (Old # CZXBNR3910)	J2804+
55	CZXBNR4025	Burner Tray Frame Only (355) (Old # CZXBNR3911)	J2465+
44-55	CZXBDA3310	Burner Drawer Assy - Complete (110) Natural Gas	N/A
44-55	CZXBDA3317	Burner Drawer Assy - Complete (110) Propane	N/A
44-55	CZXBDA3311	Burner Drawer Assy - Complete (150) Natural Gas	N/A
44-55	CZXBDA3318	Burner Drawer Assy - Complete (150) Propane	N/A

+ Limited Quantities

HAYWARD COMFORTZONE PSG-II 110-355 HEATERS



HAYWARD COMFORTZONE PSG-II 110-355 HEATERS

KEY	MFG NO.	DESCRIPTION	ITEM NO.
44-55	CZXBDA3312	Burner Drawer Assy - Complete (180) Natural Gas	N/A
44-55	CZXBDA4134	Burner Drawer Assy - Complete (180) Propane	J2522+
44-55	CZXBDA3313	Burner Drawer Assy - Complete (215) Natural Gas	N/A
44-55	CZXBDA3320	Burner Drawer Assy - Complete (215) Propane	N/A
44-55	CZXBDA4130	Burner Drawer Assy - Complete (255) Natural Gas	J2813+
44-55	CZXBDA3321	Burner Drawer Assy - Complete (255) Propane	N/A
44-55	CZXBDA3315	Burner Drawer Assy - Complete (355) Natural Gas	N/A
44-55	CZXBDA3322	Burner Drawer Assy - Complete (355) Propane	N/A
56	CHXDSW1930	Knurled Head Door Screw	J2576
63	CZXFLG0906	Flame Guard (110)	N/A
63	CZXFLG0905	Flame Guard (150)	N/A
63	CZXFLG0904	Flame Guard (180)	N/A
63	CZXFLG0903	Flame Guard (215)	N/A
63	CZXFLG0902	Flame Guard (255)	N/A
63	CZXFLG0901	Flame Guard (355)	N/A
65	CZXJCB0706	Control Box Cover (110 - 180)	N/A
65	CZXJCB0707	Control Box Cover (215 - 355)	N/A
66	CZXPBR0816	Pilot Burner Natural IID (Electronic)	J2428
66	CZXPBR0713	Pilot Burner Propane IID (Electronic)	J2578
67	CHXVAL1933	Gas Valve IID, Natural Gas (Electronic)	J2448
67	CHXVAL1934	Gas Valve IID, Propane (Electronic)	J2449
68	CHXMOD1931	Ignition Module	J2442
68	CHXMOD1932	Ignition Module RS (Propane Only)	J2722
69	CZXTRF4002	Transformer	J2523
70	CZXWIR6506	Sensor Wire	J2818
71	CZXFLS0823	Flame Sensor	J2436
72	CZXJBX3205	Junction Box Assembly	J2577
73	CZXMMB4604	Module Mounting Bracket	J2819
---	CZXBDA3956	IID Burner Drawer Assembly (110)	N/A
---	CZXBDA3957	IID Burner Drawer Assembly (150)	N/A
---	CZXBDA3958	IID Burner Drawer Assembly (180)	N/A
---	CZXBDA3959	IID Burner Drawer Assembly (215)	N/A
---	CZXBDA3960	IID Burner Drawer Assembly (255)	N/A
---	CZXBDA3961	IID Burner Drawer Assembly (355)	N/A
---	CZXCNK5922	Conversion Kit - Propane to Natural Gas	J2430+
---	CZXCNK5923	Conversion Kit - Natural Gas to Propane	J2431+
---	CHXRLV1930	Relief Valve	J2424
---	CZXPNY1930	Touch-Up Paint, Pewter Grey	J2826+
---	CZXTPG2912	Touch-Up Paint, Charcoal Grey	J2827+
---	CZXDTK1907	Dual Thermostat Kit	J2433+

+ Limited Quantities

HAYWARD COMFORTZONE CPS/CPSE 520-1820 HEATERS

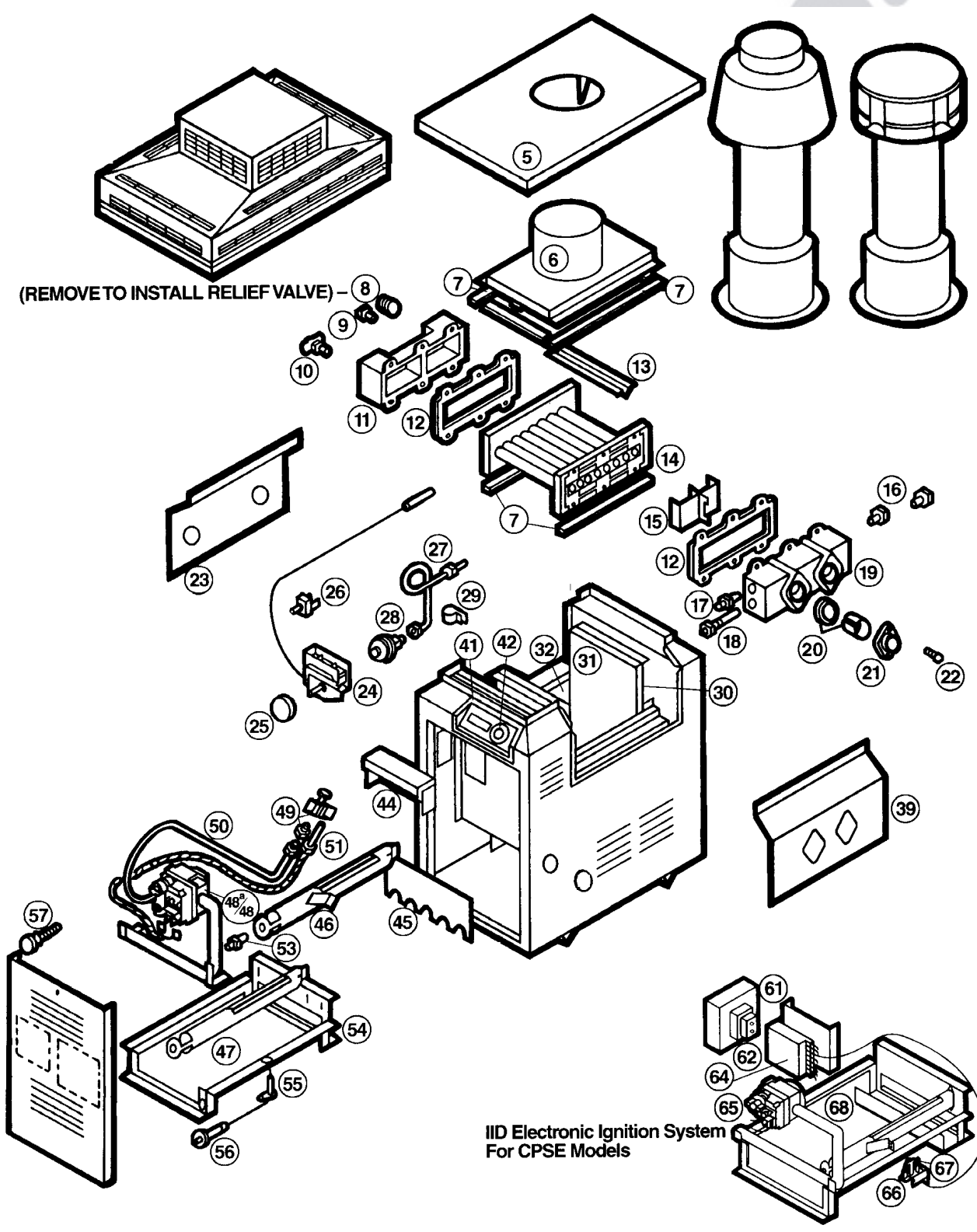
KEY	MFG NO.	DESCRIPTION	ITEM NO.
5	CZXJKT1029	Jacket Top Assembly (520)	N/A
5	CZXJKT1030	Jacket Top Assembly (720)	N/A
5	CZXJKT1031	Jacket Top Assembly (920)	N/A
5	CZXJKT1032	Jacket Top Assembly (1120)	N/A
5	CZXJKT1033	Jacket Top Assembly (1320)	N/A
5	CZXJKT1034	Jacket Top Assembly (1820)	N/A
6	CZXFCA3372	Flue Collector Assembly (520)	N/A
6	CZXFCA3373	Flue Collector Assembly (720)	N/A
6	CZXFCA3374	Flue Collector Assembly (920)	N/A
6	CZXFCA3375	Flue Collector Assembly (1120)	N/A
6	CZXFCA3376	Flue Collector Assembly (1320)	N/A
6	CZXFCA3377	Flue Collector Assembly (1820)	N/A
7	CZXINS0001	Inswool Insulation - 100"	J2478
8	CZXPLG1930	3/4" Drain Plug	J2479
9	CZXBLT6603	Header Bolts (6 pcs)	J2480
10	CZXDRV6802	3/4" Drain Valve	J2481
8,10-11	CZXBKT7069	Rear Bucket Assembly without Gasket	J2482+
12	CZXGKT7401	Bucket Gasket (Set of 2)	J2401
13	CZXBFL3007	"V" Baffles (520)	J2483+
13	CZXBFL3008	"V" Baffles (720)	J2484+
13	CZXBFL3009	"V" Baffles (920)	J2485+
13	CZXBFL3010	"V" Baffles (1120)	J2486+
13	CZXBFL3011	"V" Baffles (1320)	J2487+
13	CZXBFL3012	"V" Baffles (1820)	J2488+
14	CZXHEX7106	Heat Exchanger Only (520)	J2489
14	CZXHEX7107	Heat Exchanger Only (720)	J2490
14	CZXHEX7108	Heat Exchanger Only (920)	J2439
14	CZXHEX7109	Heat Exchanger Only (1120)	J2440
14	CZXHEX7110	Heat Exchanger Only (1320)	J2441
14	CZXHEX7111	Heat Exchanger Only (1820)	J2427
15	CZXBYP6812	One Piece By-Pass	J2491+
16	CZXHLI9402	Immersion Hi-Limit (Single Unit)	J2402
17	CZXPSA1930	Pressure Switch Adaptor	J2492
18	CZXTBW1930	Thermostat Bulb Well	J2493
19	CZXBKT7027	Front Bucket Only	J2494
20	CZXGKT7406	Flange Compression Gasket (2)	J2407
21	CZXBKT7003	Flange (Set of 2)	J2421+
22	CZXBLT6604	Flange Bolts (4 pcs)	J2495
8-22	CZXHEX7150	Heat Exchanger Assembly (520)	J2496+
8-22	CZXHEX7151	Heat Exchanger Assembly (720)	J2497+
8-22	CZXHEX7152	Heat Exchanger Assembly (920)	J2498+
8-22	CZXHEX7153	Heat Exchanger Assembly (1120)	J2499+
8-22	CZXHEX7154	Heat Exchanger Assembly (1320)	J2505+
8-22	CZXHEX7155	Heat Exchanger Assembly (1820)	J2506+

+ Limited Quantities

HAYWARD COMFORTZONE CPS/CPSE 520-1820 HEATERS

KEY	MFG NO.	DESCRIPTION	ITEM NO.
23	CZXJKT5201	Left Access Cover	N/A
24	CZXTST1907	Thermostat without Knob	J2404
25	CZXTSK2003	Thermostat Knob	J2508
26	CZXTSW1904	"On-Off" Switch	J2411
27	CZXPST1200	Pressure Switch Tube	J2420
28	CHXPRS1930	Pressure Switch	J2403
29	CZXPSC6402	Pressure Switch Clamp	J2509
30	CZXINS0019	Insulation Blanket	J2515
31	CZXINS0005	FireTile Front/Rear (520) each	J2516
31	CZXINS0006	FireTile Front/Rear (720) each	J2517
31	CZXINS0007	FireTile Front/Rear (920) each	J2518
31	CZXINS0008	FireTile Front/Rear (1120) each	J2519
31	CZXINS0009	FireTile Front/Rear (1320) each	J2524
31	CZXINS0010	FireTile Front/Rear (1820) each	J2525
32	CZXINS0011	FireTile Side (520 thru 1820) each	J2526
38	CZXBFL3804	Wind Baffle	J2527
39	CZXJKT5201	Right Access Cover	N/A
41	CZXCPA2808	Control Panel Assembly	J2534
42	CZXTDL0102	Thermostat Lock Dial	J2535
44	CZXJCB0706	Control Box Cover (520 thru 920)	N/A
44	CZXJCB0707	Control Box Cover (1120 thru 1820)	N/A
45	CZXFLG0906	Flame Guard (520)	N/A
45	CZXFLG0905	Flame Guard (720)	N/A
45	CZXFLG0904	Flame Guard (920)	N/A
45	CZXFLG0903	Flame Guard (1120)	N/A
45	CZXFLG0902	Flame Guard (1320)	N/A
45	CZXFLG0901	Flame Guard (1820)	N/A
46-56	CZXBDA4126	Burner Drawer Assy Complete, Natural Gas (520)	J2554
46-56	CZXBDA4127	Burner Drawer Assy Complete, Natural Gas (720)	J2555
46-56	CZXBDA4128	Burner Drawer Assy Complete, Natural Gas (920)	J2556
46-56	CZXBDA4129	Burner Drawer Assy Complete, Natural Gas (1120)	J2557
46-56	CZXBDA4130	Burner Drawer Assy Complete, Natural Gas (1320)	J2558
46-56	CZXBDA4131	Burner Drawer Assy Complete, Natural Gas (1820)	J2559
46-56	CZXBDA4132	Burner Drawer Assy Complete, Propane (520)	J2560
46-56	CZXBDA4133	Burner Drawer Assy Complete, Propane (720)	J2561
46-56	CZXBDA4134	Burner Drawer Assy Complete, Propane (920)	J2562
46-56	CZXBDA4135	Burner Drawer Assy Complete, Propane (1120)	J2563
46-56	CZXBDA4136	Burner Drawer Assy Complete, Propane (1320)	J2564
46-56	CZXBDA4137	Burner Drawer Assy Complete, Propane (1820)	J2565
46	CZXBNR2314	Main Burner with Pilot Bracket	J2429
46	CZXBNR2315	Main Burner	J2566
47	CZXVAL1931	Gas Valve, Natural Gas	J2405
48	CZXVAL1932	Gas Valve, Propane	J2406

HAYWARD COMFORTZONE CPS/CPSE 520-1820 HEATERS



HAYWARD COMFORTZONE CPS/CPSE 520-1820 HEATERS

KEY	MFG NO.	DESCRIPTION	ITEM NO.
49	CZXPBR0806	Pilot with Orifice, Natural Gas	J2422
49	CZXPBR0807	Pilot with Orifice, Propane	J2423
50	CZXPTB0900	Pilot Tube with Fittings	J2445
51	CZXGEN1930	Pilot Generators	J2400
53	CZXORF0605	Main Burner Orifice, Natural Gas	J2567
53	CZXORF0606	Main Burner Orifice, Propane	J2568
54	CZXBNR4020	Burner Tray Frame (520)	J2569
54	CZXBNR4021	Burner Tray Frame (720)	J2570
54	CZXBNR4022	Burner Tray Frame (920)	J2571
54	CZXBNR4023	Burner Tray Frame (1120)	J2572
54	CZXBNR4024	Burner Tray Frame (1320)	J2573
54	CZXBNR4025	Burner Tray Frame (1820)	J2574
55	CZXETD0834	Electrode with Wire	J2435
56	CHXMSI1930	Manual Spark Ignition - Clicklite	J2575
57	CHXDSW1930	Knurled head Door Screw	J2576
61	CZXJBX3205	Junction Box Assembly (CPSE)	J2577
62	CZXTRF4013	Dual Voltage Transformer (CPSE)	J2447
64	CZXMOD1931	Ignition Module, Natural Gas (CPSE)	J2442
65	CHXVAL1933	IID Gas Valve, Natural Gas (CPSE)	J2448
65	CHXVAL1934	IID Gas Valve, Propane (CPSE)	J2449
66	CZXPBR0816	IID Pilot Assembly, Natural Gas (CPSE)	J2428
66	CZXPBR0713	IID Pilot Assembly, Propane (CPSE)	J2578
67	CZXFLS0823	Flame Sensor (CPSE)	J2436
68	CZXBNR3994	IID Burner Tray Frame Only (CPSE 520)	J2579
68	CZXBNR3995	IID Burner Tray Frame Only (CPSE 720)	J2580
68	CZXBNR3996	IID Burner Tray Frame Only (CPSE 920)	J2581
68	CZXBNR3997	IID Burner Tray Frame Only (CPSE 1120)	J2582
68	CZXBNR3998	IID Burner Tray Frame Only (CPSE 1320)	J2583
68	CZXBNR3999	IID Burner Tray Frame Only (CPSE 1820)	J2584
68	CZXBDA4138	IID Burner Tray Assy Complete, Natural Gas (CPSE 520)	N/A
68	CZXBDA4139	IID Burner Tray Assy Complete, Natural Gas (CPSE 720)	N/A
68	CZXBDA4140	IID Burner Tray Assy Complete, Natural Gas (CPSE 920)	J2587+
68	CZXBDA4141	IID Burner Tray Assy Complete, Natural Gas (CPSE 1120)	J2588+
68	CZXBDA4142	IID Burner Tray Assy Complete, Natural Gas (CPSE 1320)	N/A
68	CZXBDA4143	IID Burner Tray Assy Complete, Natural Gas (CPSE 1820)	J2590+
68	CZXBDA4144	IID Burner Tray Assy Complete, Propane (CPSE 520)	N/A
68	CZXBDA4145	IID Burner Tray Assy Complete, Propane (CPSE 720)	J2592+
68	CZXBDA4146	IID Burner Tray Assy Complete, Propane (CPSE 920)	J2593+
68	CZXBDA4147	IID Burner Tray Assy Complete, Propane (CPSE 1120)	N/A
68	CZXBDA4148	IID Burner Tray Assy Complete, Propane (CPSE 1320)	J2595+
68	CZXBDA4149	IID Burner Tray Assy Complete, Propane (CPSE 1820)	J2596+
---	CZXWHA6002	Wire Harness Kit Electronic (CPSE)	J2598
---	CZXTSW1906	3-Way Toggle Switch	J2446
---	CZXRLV1930	Pressure Relief Valve	J2424

+ Limited Quantities

HAYWARD COMFORTZONE CZ 150-400 HEATERS

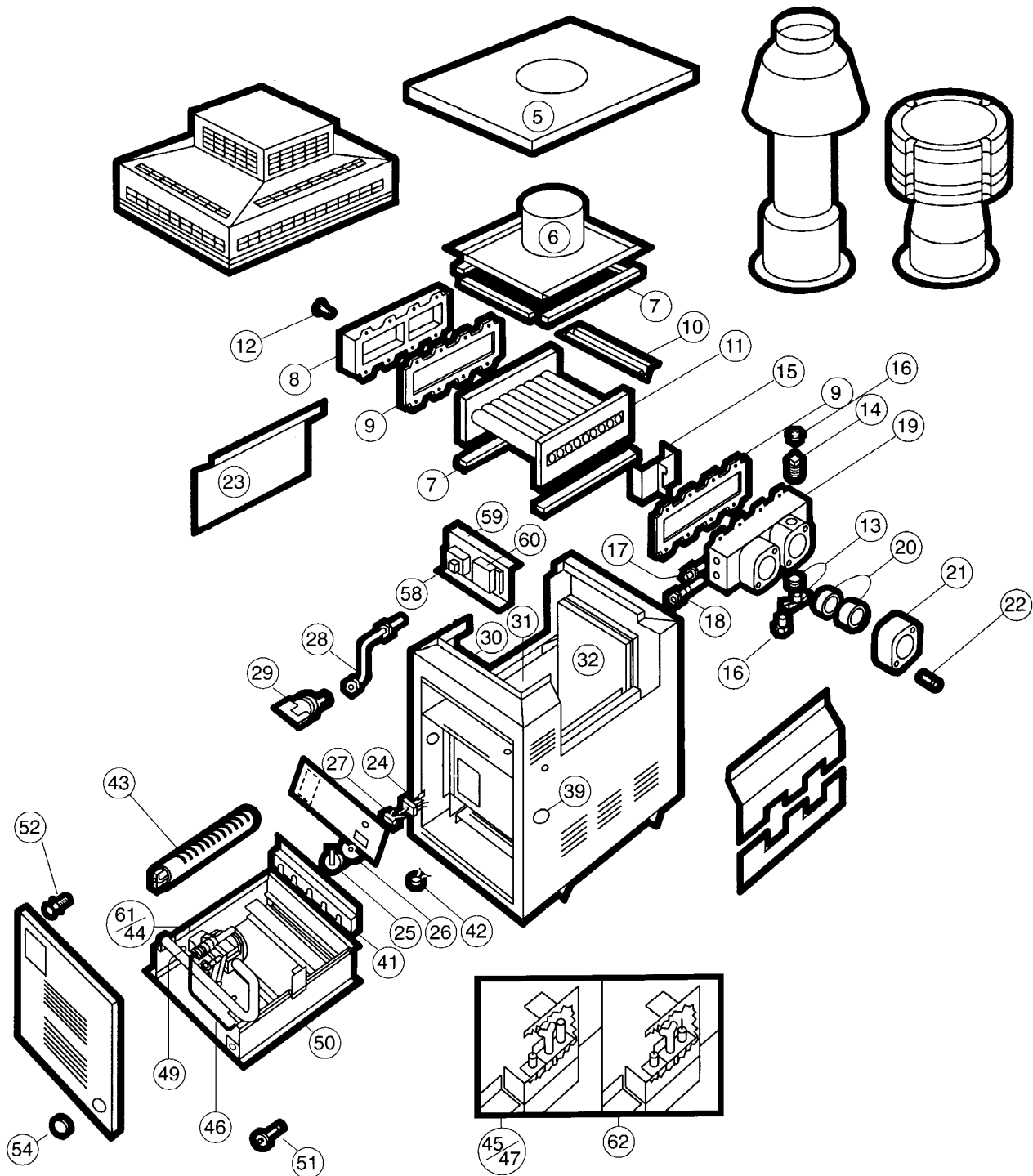
KEY	MFG NO.	DESCRIPTION	ITEM NO.
5	CZXJKT1150	Jacket Top Assembly (150)	J2618
5	CZXJKT1200	Jacket Top Assembly (200)	J2619
5	CZXJKT1250	Jacket Top Assembly (250)	J2620
5	CZXJKT1300	Jacket Top Assembly (300)	J2621
5	CZXJKT1400	Jacket Top Assembly (400)	J2622
6	CHXFCA1150	Flue Collector Assembly (150)	J2623
6	CHXFCA1200	Flue Collector Assembly (200)	J2624
6	CHXFCA1250	Flue Collector Assembly (250)	J2625
6	CHXFCA1300	Flue Collector Assembly (300)	J2626
6	CHXFCA1400	Flue Collector Assembly (400)	J2627
7	CHXINF1930	Flue Sealing Material	J2628
8	CZXRHD1930	Rear Header Assembly without Gasket	J2629
9	CHXGKT1930	Header Gasket (Set of 2)	J2630
10	CZXBFL1150	"V" Baffles (150)	J2631
10	CZXBFL1200	"V" Baffles (200)	J2632
10	CZXBFL1250	"V" Baffles (250)	J2633
10	CZXBFL1300	"V" Baffles (300)	J2634
10	CZXBFL1400	"V" Baffles (400)	J2635
11	CHXHEX1150	Heat Exchanger Only (150)	J2636
11	CHXHEX1200	Heat Exchanger Only (200)	J2637
11	CHXHEX1250	Heat Exchanger Only (250)	J2638
11	CHXHEX1300	Heat Exchanger Only (300)	J2639
11	CHXHEX1400	Heat Exchanger Only (400)	J2640
12	CHXBLT1938	Header Bolts (8 pcs)	J2641
13	CZXPLG1930	3/4" Drain Plug	J2479
14	CZXDRV1930	3/4" Drain Valve	J2642
15	CZXBYP1930	One Piece By-Pass (150 - 400)	J2647
16	CZXHLI1930	Immersion Hi-Limit (Single Unit)	J2648
17	CZXPSA1930	Pressure Switch Adapter	J2492
18	CZXTBW1930	Thermostat Bulb Well	J2493
19	CZXFBA1930	Front Header Only	J2649
13-22	CZXBKT1930	Front Header Assembly	J2650
20	CZXFCG1930	Flange Compression Gasket (2)	J2651
21	CZXFLG1930	Flange (Set of 2)	J2652
22	CZXBLT1934	Flange Bolts (4 Pcs.)	J2653
8-22	CZXHXA1150	Heat Exchanger Assembly (150)	J2654+
8-22	CZXHXA1200	Heat Exchanger Assembly (200)	J2655+
8-22	CZXHXA1250	Heat Exchanger Assembly (250)	J2656+
8-22	CZXHXA1300	Heat Exchanger Assembly (300)	J2657+
8-22	CZXHXA1400	Heat Exchanger Assembly (400)	J2658+
23	CZXLAC1930	Left Access Cover	J2659
24	CHXTST1930	Thermostat without Knob	J2457
25	CZXTSK1930	Thermostat Knob	J2458
26	CZXTDL1930	Thermostat Lock Dial	J2662

+ Limited Quantities

HAYWARD COMFORTZONE CZ 150-400 HEATERS

KEY	MFG NO.	DESCRIPTION	ITEM NO.
27	CZXTSW1930	"On/Off" Switch	J2663
28	CZXPST1930	Pressure Switch Tube	J2664
29	CZXPRS1930	Pressure Switch	J2665
30	CZXFTF1150	FireTile Front (150)	J2667
30	CZXFTF1200	FireTile Front (200)	J2668
30	CZXFTF1250	FireTile Front (250)	J2669
30	CZXFTF1300	FireTile Front (300)	J2670
30	CZXFTF1400	FireTile Front (400)	J2671
31	CZXFTS1930	FireTile Side - All	J2672
32	CZXFTB1150	FireTile Back (150)	J2673
32	CZXFTB1200	FireTile Back (200)	J2674
32	CZXFTB1250	FireTile Back (250)	J2675
32	CZXFTB1300	FireTile Back (300)	J2676
32	CZXFTB1400	FireTile Back (400)	J2677
38	CZXRAC1930	Right Access Cover (2 pcs.)	J2678
39	CZXGLC1930	Hole Cover	J2679
40	CZXCPA1150	Control Panel Assembly (150)	J2680
40	CZXCPA1200	Control Panel Assembly (200)	J2681
40	CZXCPA1250	Control Panel Assembly (250)	J2682
40	CZXCPA1300	Control Panel Assembly (300)	J2683
40	CZXCPA1400	Control Panel Assembly (400)	J2684
41	CHXFLG1150	Flame Guard (150)	J2685
41	CHXFLG1200	Flame Guard (200)	J2686
41	CHXFLG1250	Flame Guard (250)	J2687
41	CHXFLG1300	Flame Guard (300)	J2688
41	CHXFLG1400	Flame Guard (400)	J2689
42	CHXTLS1930	Temperature Limiter Switch	J2690
43	CHXBNR1930	Main Burner	J2691
44	CHXVAL1931	Gas Valve, Natural Gas, MV (150 thru 300)	J2405
44	CHXVAL1935	Gas Valve, Natural Gas, MV (400)	J2693
44	CHXVAL1932	Gas Valve, Propane (All Models)	J2406
45	CHXPBR1931	Pilot with Orifice, Natural Gas, Millivolt	J2695
45	CHXPBR1932	Pilot with Orifice, Propane, Millivolt	J2696
46	CHXPTB1930	Pilot Tube with Fittings	J2697
47	CHXGEN1930	Pilot Generator	J2400
49	CHXBON1930	Main Burner Orifice, Natural Gas	J2699
49	CHXBOP1930	Main Burner Orifice, Propane	J2700
50	CHXBTF1150	Burner Tray Frame (150)	J2701
50	CHXBTF1200	Burner Tray Frame (200)	J2702
50	CHXBTF1250	Burner Tray Frame (250)	J2703
50	CHXBTF1300	Burner Tray Frame (300)	J2704
50	CHXBTF1400	Burner Tray Frame (400)	J2705

HAYWARD COMFORTZONE CZ 150-400 HEATERS



HAYWARD COMFORTZONE CZ 150-400 HEATERS

KEY	MFG NO.	DESCRIPTION	ITEM NO.
43-51	CZXBDA1151	Burner Drawer Assembly Complete, Natural Gas (150)	J2706
43-51	CZXBDA1201	Burner Drawer Assembly Complete, Natural Gas (200)	J2707
43-51	CZXBDA1251	Burner Drawer Assembly Complete, Natural Gas (250)	J2708
43-51	CZXBDA1301	Burner Drawer Assembly Complete, Natural Gas (300)	J2709
43-51	CZXBDA1401	Burner Drawer Assembly Complete, Natural Gas (400)	J2710
43-51	CZXBDA1152	Burner Drawer Assembly Complete, Propane (150)	J2711
43-51	CZXBDA1202	Burner Drawer Assembly Complete, Propane (200)	J2712
43-51	CZXBDA1252	Burner Drawer Assembly Complete, Propane (250)	J2713
43-51	CZXBDA1302	Burner Drawer Assembly Complete, Propane (300)	J2714
43-51	CZXBDA1402	Burner Drawer Assembly Complete, Propane (400)	J2715
52	CHXDSW1930	Knurled Head Door Screw	J2716
54	CHXCVP1930	Clearview Pilot Port	J2718
58	CHXTRF1930	Dual Voltage Transformer (Electronic)	J2719
59	CZXMMB1930	Module Mounting Bracket (Electronic)	J2720
60	CHXMOD1931	Ignition Module, Natural Gas (Electronic)	J2442
60	CHXMOD1932	Ignition Module, Propane (Electronic)	J2722
61	CHXVAL1933	IID Gas Valve, Natural Gas (150 thru 250)	J2448
61	CHXVAL1936	IID Gas Valve, Natural Gas (300 & 400)	J2724
61	CHXVAL1934	IID Gas Valve, Propane (150 thru 400)	J2449
62	CHXPBR1933	IID Pilot Assembly, Natural Gas (Electronic)	J2726
62	CHXPBR1934	IID Pilot Assembly, Propane (Electronic)	J2727
---	CHXBDA1153	IID Burner Drawer Assembly (Electronic) Natural Gas (150)	J2728
---	CHXBDA1203	IID Burner Drawer Assembly (Electronic) Natural Gas (200)	J2729
---	CHXBDA1253	IID Burner Drawer Assembly (Electronic) Natural Gas (250)	J2730
---	CHXBDA1303	IID Burner Drawer Assembly (Electronic) Natural Gas (300)	J2731
---	CHXBDA1403	IID Burner Drawer Assembly (Electronic) Natural Gas (400)	J2732
---	CHXBDA1154	IID Burner Drawer Assembly (Electronic) Propane (150)	J2733
---	CHXBDA1204	IID Burner Drawer Assembly (Electronic) Propane (200)	J2734
---	CHXBDA1254	IID Burner Drawer Assembly (Electronic) Propane (250)	J2735
---	CHXBDA1304	IID Burner Drawer Assembly (Electronic) Propane (300)	J2736
---	CHXBDA1404	IID Burner Drawer Assembly (Electronic) Propane (400)	J2737
---	CHXRLV1930	Pressure Relief Valve	J2424
---	CZXWHA1930	Wire Harness Kit	J2717
---	CZXDTK1150	Dual Thermostat Kit (150)	J2738
---	CZXDTK1200	Dual Thermostat Kit (200)	J2739
---	CZXDTK1250	Dual Thermostat Kit (250)	J2740
---	CZXDTK1300	Dual Thermostat Kit (300)	J2741
---	CZXDTK1400	Dual Thermostat Kit (400)	J2742



HAYWARD COMFORTZONE HEATMASTER HEATERS

HM2 Models 150 - 400

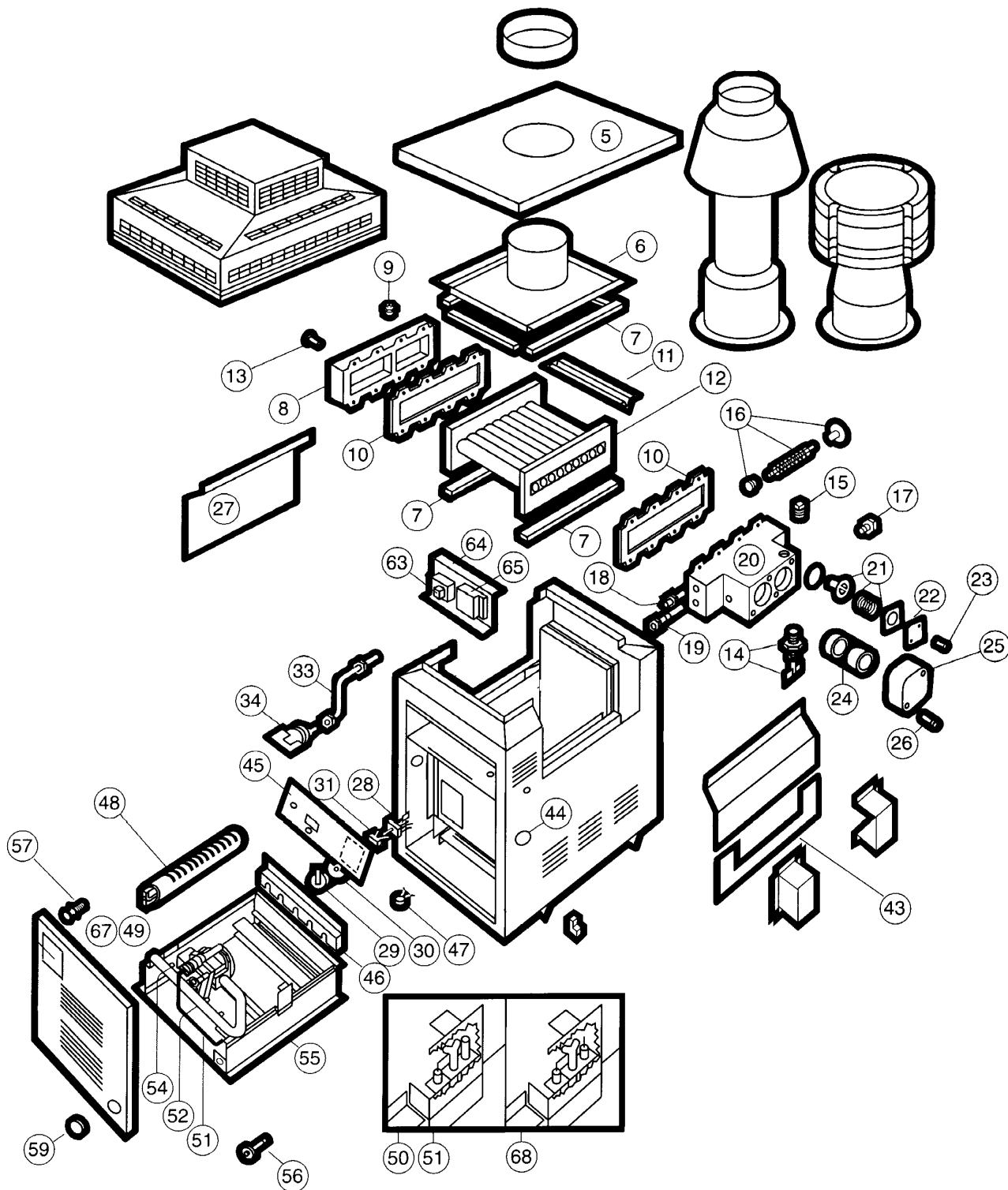
KEY	MFG NO.	DESCRIPTION	ITEM NO.
5	HMXJKT2150	Jacket Top Assembly (150)	J3506
5	HMXJKT2200	Jacket Top Assembly (200)	J3508
5	HMXJKT2250	Jacket Top Assembly (250)	J3512
5	HMXJKT2300	Jacket Top Assembly (300)	J3514
5	HMXJKT2350	Jacket Top Assembly (350)	J3516
5	HMXJKT2400	Jacket Top Assembly (400)	J3518
6	CHXFCA1150	Flue Collector Assembly (150)	J2623
6	CHXFCA1200	Flue Collector Assembly (200)	J2624
6	CHXFCA1250	Flue Collector Assembly (250)	J2625
6	CHXFCA1300	Flue Collector Assembly (300)	J2626
6	CHXFCA1350	Flue Collector Assembly (350)	J3520
6	CHXFCA1400	Flue Collector Assembly (400)	J2627
7	CHXINF1930	Flue Sealing Material	J2628
8	HMXRHD2930	Rear Header	J3522
8	HMXRHD2931	Rear Header (Bronze)	J3524
8,9	HMXRHA2930	Rear Header Assembly w/out Gasket	J3526
8,9	HMXRHA2931	Rear Header Assembly w/out Gasket (Bronze)	J3528
9	HMXHLI2932	Imer. Hi-Limit Rear Header 160 Degree	J3511
10	CHXGKT1930	Header Gasket (Set of 2)	J2630
11	CHXBFL1150	V - Baffles (150)	J2631
11	CHXBFL1200	V - Baffles (200)	J2632
11	CHXBFL1250	V - Baffles (250)	J2633
11	CHXBFL1300	V - Baffles (300)	J2634
11	CHXBFL1350	V - Baffles (350)	J3532
11	CHXBFL1400	V - Baffles (400)	J2635
12	CHXHEX1150	Heat Exchanger Only (150)	J2636
12	CHXHEX1200	Heat Exchanger Only (200)	J2637
12	CHXHEX1250	Heat Exchanger Only (250)	J2638
12	CHXHEX1300	Heat Exchanger Only (300)	J2639
12	CHXHEX1350	Heat Exchanger Only (350)	J3534
12	CHXHEX1400	Heat Exchanger Only (400)	J2640
13	CHXBLT1938	Header Bolts (8 needed)	J2641
14	CHXDRV1930	Drain Valve	J2642
15	CHXPLG1930	3/4" Drain Plug	J2479
16	HMXBYP2930	By-Pass Assembly	J3536
17	HMXHLI2931	Imer. Hi-Limit Front Header 135 Degrees	J3510
18	CHXPSA1930	Pressure Switch Adaptor	J3538
19	CHXTBW1930	Thermostat Bulb Well	J2493
20	HMXFHD2930	Front Header Only	J3540
20	HMXFHD2931	Front Header Only (Bronze)	J3542
21	HMXFCT2930	Flow Control Thermostat Assembly	J3544
22	HMXCPL2930	Cover Plate	J3546
22	HMXCPL2931	Cover Plate (Bronze)	J3548
23	HMXCPB2930	Cover Plate Bolts (2 needed)	J3550
24	HMXGKT2930	Flange Compression Gasket (Set of 2)	J3552
25	HMXFLG2930	Flange (Set of 2)	J3554
26	CHXBLT1934	Flange Bolts (Set of 4)	J2653

HAYWARD COMFORTZONE HEATMASTER HEATERS

HM2 Models 150 - 400

KEY	MFG NO.	DESCRIPTION	ITEM NO.
14-26	HMXFHA2930	Front Header Assembly	J3556
14-26	HMXFHA2931	Front Header Assembly (Bronze)	J3558
8-26	HMXHXA2150	Heat Exchanger Assembly (150)	J3560
8-26	HMXHXA2200	Heat Exchanger Assembly (200)	J3562
8-26	HMXHXA2250	Heat Exchanger Assembly (250)	J3564
8-26	HMXHXA2300	Heat Exchanger Assembly (300)	J3566
8-26	HMXHXA2350	Heat Exchanger Assembly (350)	J3568
8-26	HMXHXA2400	Heat Exchanger Assembly (400)	J3570
8-26	HMXHXA2151	Heat Exchanger Assembly, Bronze (150)	N/A
8-26	HMXHXA2201	Heat Exchanger Assembly, Bronze (200)	N/A
8-26	HMXHXA2251	Heat Exchanger Assembly, Bronze (250)	N/A
8-26	HMXHXA2302	Heat Exchanger Assembly, Bronze (300)	N/A
8-26	HMXHXA2352	Heat Exchanger Assembly, Bronze (350)	N/A
8-26	HMXHXA2402	Heat Exchanger Assembly, Bronze (400)	N/A
27	HMXLAC2930	Left Access Cover	J3584
28	CHXTST1930	Thermostat w/out Knob	J2457
29	CHXTSK1930	Thermostat Knob	J2458
30	CHXTDL1930	Thermostat Lock Dial	J2662
31	CHXTSW1930	"On / Off" Switch	J2663
32	CHXLED1930	LED Indicator Light (Not Shown)	J3586
33	CHXPST1930	Pressure Switch Tube	J2664
34	CHXPRS1930	Pressure Switch	J2665
43	HMXRAC2930	Right Access Cover	J3588
44	CHXGLC1930	Hole Cover	J2679
45	HMXCPA2150	Control Panel Assembly (150)	J3590
45	HMXCPA2200	Control Panel Assembly (200)	J3592
45	HMXCPA2250	Control Panel Assembly (250)	J3594
45	HMXCPA2300	Control Panel Assembly (300)	J3596
45	HMXCPA2350	Control Panel Assembly (350)	J3598
45	HMXCPA2400	Control Panel Assembly (400)	J3600
---	CHXRLV1930	Relief Valve	J2424
46	CHXFLG1150	Flame Guard (150)	J2685
46	CHXFLG1200	Flame Guard (200)	J2686
46	CHXFLG1250	Flame Guard (250)	J2687
46	CHXFLG1300	Flame Guard (300)	J2688
46	CHXFLG1350	Flame Guard (350)	J3602
46	CHXFLG1400	Flame Guard (400)	J2689
47	CHXTLS1930	Temperature Limiter Switch	J2690
48	CHXBNR1930	Main Burner	J2691
49	CHXVAL1931	Gas Valve - Natural (150 - 350)	J2405
49	CHXVAL1935	Gas Valve - Natural (350 & 400)	J2693
49	CHXVAL1932	Gas Valve - Propane (All Models)	J2406
50	CHXPBR1931	Pilot w/ Orifice - Natural	J2695
50	CHXPBR1932	Pilot w/ Orifice - Propane	J2696
51	CHXPTB1930	Pilot Tube w/ Fittings	J2697
52	CHXGEN1930	Pilot Generator	J2400
54	CHXBON1930	Main Burner Orifice - Natural	J2699
54	CHXBOP1930	Main Burner Orifice - Propane	J2700

HAYWARD COMFORTZONE HEATMASTER HEATERS HM2 Models 150 - 400



HAYWARD COMFORTZONE HEATMASTER HEATERS

HM2 Models 150 - 400

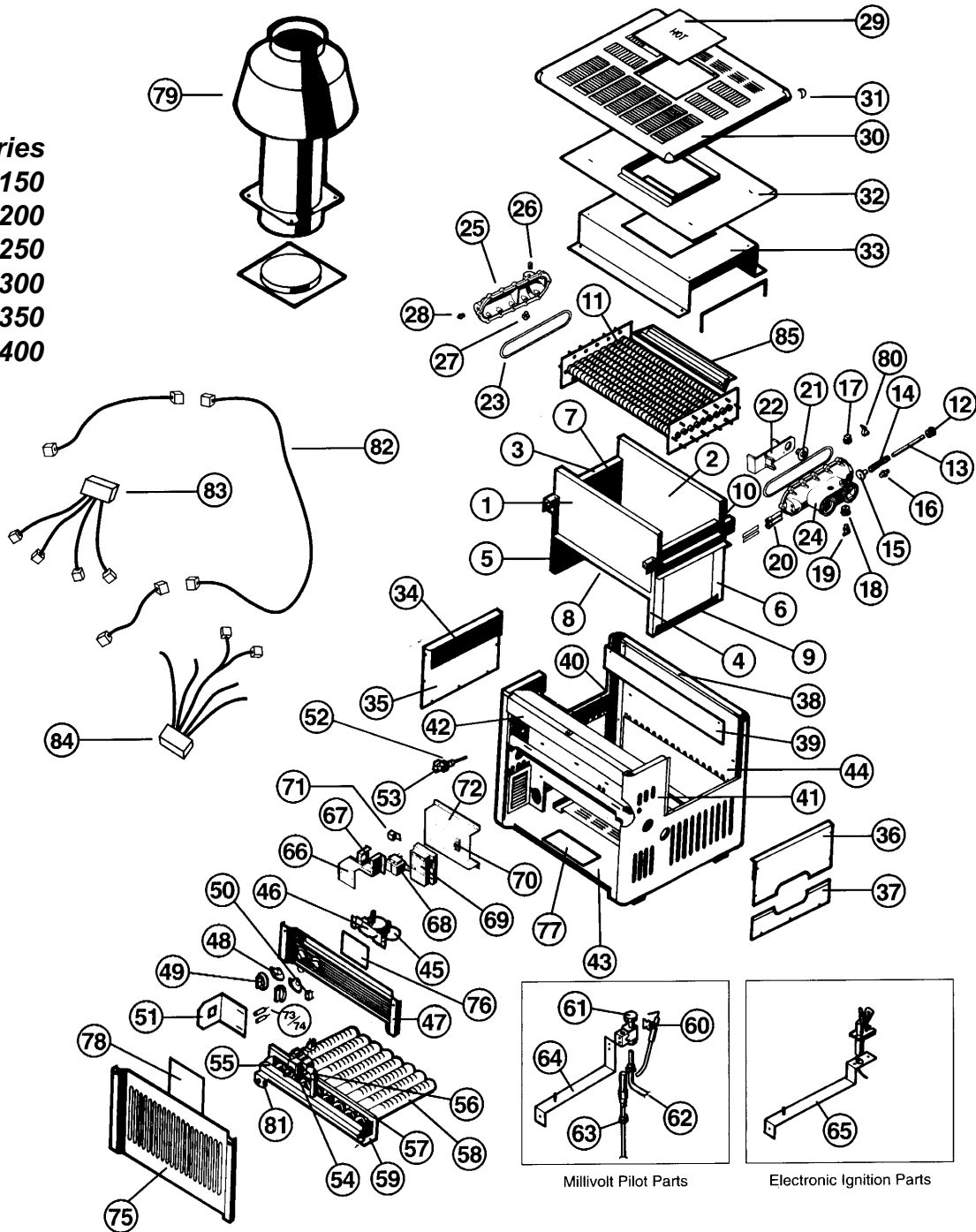
KEY	MFG NO.	DESCRIPTION	ITEM NO.
55	CHXBTF1150	Burner Tray Frame (150)	J2701
55	CHXBTF1200	Burner Tray Frame (200)	J2702
55	CHXBTF1250	Burner Tray Frame (250)	J2703
55	CHXBTF1300	Burner Tray Frame (300)	J2704
55	CHXBTF1350	Burner Tray Frame (350)	J3604
55	CHXBTF1400	Burner Tray Frame (400)	J2705
56	CHXMSI1930	Manual Spark Ignition Clicklite	J2575
48-56	CHXBDA1151	Burner Drawer Assembly - Natural (150)	J2706
48-56	CHXBDA1201	Burner Drawer Assembly - Natural (200)	J2707
48-56	CHXBDA1251	Burner Drawer Assembly - Natural (250)	J2708
48-56	CHXBDA1301	Burner Drawer Assembly - Natural (300)	J2709
48-56	CHXBDA1351	Burner Drawer Assembly - Natural (350)	J3606
48-56	CHXBDA1401	Burner Drawer Assembly - Natural (400)	J2710
48-56	CHXBDA1152	Burner Drawer Assembly - Propane (150)	J2711
48-56	CHXBDA1202	Burner Drawer Assembly - Propane (200)	J2712
48-56	CHXBDA1252	Burner Drawer Assembly - Propane (250)	J2713
48-56	CHXBDA1302	Burner Drawer Assembly - Propane (300)	J2714
48-56	CHXBDA1352	Burner Drawer Assembly - Propane (350)	J3608
48-56	CHXBDA1402	Burner Drawer Assembly - Propane (400)	J2715
57	CHXDSW1930	Knurled Head Door Screw	J2716
59	CHXCVP1930	Clearview Pilot Port	J2718
63	CHXTRF1930	Dual Voltage Transformer	J2719
64	CHXMMB1930	Module Mounting Bracket	J2720
65	CHXMOD1931	Ignition Module - Natural	J2442
65	CHXMOD1932	Ignition Module - Propane	J2722
67	CHXVAL1933	IID Gas Valve - Natural (150 - 250)	J2448
67	CHXVAL1936	IID Gas Valve - Natural (300 - 400)	J2724
67	CHXVAL1934	IID Gas Valve - Propane (All Models)	J2449
---	CHXPBR1933	IID Pilot Assembly - Natural	J2726
68	CHXPBR1934	IID Pilot Assembly - Propane	J2727
---	CHXBDA1153	IID Burner Assembly - Natural (150)	J2728
---	CHXBDA1203	IID Burner Assembly - Natural (200)	J2729
---	CHXBDA1253	IID Burner Assembly - Natural (250)	J2730
---	CHXBDA1303	IID Burner Assembly - Natural (300)	J2731
---	CHXBDA1353	IID Burner Assembly - Natural (350)	J3610
---	CHXBDA1403	IID Burner Assembly - Natural (400)	J2732
---	CHXBDA1154	IID Burner Assembly - Propane (150)	J2733
---	CHXBDA1204	IID Burner Assembly - Propane (200)	J2734
---	CHXBDA1254	IID Burner Assembly - Propane (250)	J2735
---	CHXBDA1304	IID Burner Assembly - Propane (300)	J2736
---	CHXBDA1354	IID Burner Assembly - Propane (350)	J3612
---	CHXBDA1404	IID Burner Assembly - Propane (400)	J2737
---	HMXDTK2150	Dual Thermostat Kit (150)	J3614
---	HMXDTK2200	Dual Thermostat Kit (200)	J3616
---	HMXDTK2250	Dual Thermostat Kit (250)	J3618
---	HMXDTK2300	Dual Thermostat Kit (300)	J3620
---	HMXDTK2350	Dual Thermostat Kit (350)	J3622
---	HMXDTK2400	Dual Thermostat Kit (400)	J3624
---	CHXTSW1931	3 - Way Toggle Switch	J3626

HAYWARD H - SERIES HEATERS

KEY	MFG. NO.	DESCRIPTION	ITEM NO.
1	HAXFTF1150	Front HeatLock - 150	J3630
1	HAXFTF1200	Front HeatLock - 200	J3632
1	HAXFTF1250	Front HeatLock - 250	J3634
1	HAXFTF1300	Front HeatLock - 300	J3636
1	HAXFTF1350	Front HeatLock - 350	J3638
1	HAXFTF1400	Front HeatLock - 400	J3640
2	HAXFTB1150	Rear HeatLock - 150	J3642
2	HAXFTB1200	Rear HeatLock - 200	J3644
2	HAXFTB1250	Rear HeatLock - 250	J3646
2	HAXFTB1300	Rear HeatLock - 300	J3648
2	HAXFTB1350	Rear HeatLock - 350	J3650
2	HAXFTB1400	Rear HeatLock - 400	J3652
3	HAXFTS1930	Side HeatLock - All	J3654
4	HAXRFA1930	Combustion Chamber Angle, Rt. Front - All	J3656
5	HAXLFA1930	Combustion Chamber Angle, Lt. Front - All	J3658
6	HAXRRA1930	Combustion Chamber Angle, Rt. Rear - All	J3660
7	HAXLRA1930	Combustion Chamber Angle, Lt. Rear - All	J3662
8	HAXFRC1150	Channel F/R 150	J3664
8	HAXFRC1200	Channel F/R 200	J3666
8	HAXFRC1250	Channel F/R 250	J3668
8	HAXFRC1300	Channel F/R 300	J3670
8	HAXFRC1350	Channel F/R 350	J3672
8	HAXFRC1400	Channel F/R 400	J3674
9	HAXLSC1930	Lower Side Channel (2 pieces) - All	J3676
10	HAXSHS1930	Side Heat Exchanger Support (2 pieces) - All	J3678
11	HAXHEX1150	Heat Exchanger Only - 150	J3680
11	HAXHEX1200	Heat Exchanger Only - 200	J3682
11	HAXHEX1250	Heat Exchanger Only - 250	J3684
11	HAXHEX1300	Heat Exchanger Only - 300	J3686
11	HAXHEX1350	Heat Exchanger Only - 350	J3688
11	HAXHEX1400	Heat Exchanger Only - 400	J3690
12	HAXADP1930	Brass Adapter	J3692
13	HAXSFT1930	Brass Shaft	J3694
14	HAXVSG1930	Valve Spring	J3696
15	HAXBPV1930	By-Pass Valve	J3698
16	HMXHLI2931	Hi-Limit	J3510
17	CHXPLG1930	3/4" NPT Brass Plug	J3700
18	CHXBSH1930	1/4" - 3/4" Brass Bushing	J3702
19	CHXDRV1930	Drain Valve	J3704
20	CHXTBW1930	Bulb Well	J2493
21	HAXFCT1930	Flow Control Thermostat	J3706
22	HAXBPI1930	By-Pass Valve Insert	J3708
23	HAXHOR1930	Header O-Ring	J3710
24	HAXFHD1930	Front Header - Only	J3712
25	HAXRHD1930	Rear Header - Only	J3714
26	HAXPLG1930	1/4" NPT Brass Plug	J3716
27	HMXHLI2932	Immersion Hi-Limit Rear Header 160 Degrees	J3511
28	CHXPSA1930	Pressure Switch Adapter	J3718
29	HAXDHO1930	DHO Insert	J3720

HAYWARD H - SERIES HEATERS

Series
 H150
 H200
 H250
 H300
 H350
 H400



KEY	MFG. NO.	DESCRIPTION	ITEM NO.
30	HAXJKT1150	Jacket Top - 150	J3722
30	HAXJKT1200	Jacket Top - 200	J3724
30	HAXJKT1250	Jacket Top - 250	J3726
30	HAXJKT1300	Jacket Top - 300	J3728
30	HAXJKT1350	Jacket Top - 350	J3730
30	HAXJKT1400	Jacket Top - 400	J3732
31	HAXCIA1930	Corner Insert Assembly	J3734

HAYWARD H - SERIES HEATERS

KEY	MFG. NO.	DESCRIPTION	ITEM NO.
32	HAXRGA1150	Rain Guard Assembly - 150	J3736
32	HAXRGA1200	Rain Guard Assembly - 200	J3738
32	HAXRGA1250	Rain Guard Assembly - 250	J3740
32	HAXRGA1300	Rain Guard Assembly - 300	J3742
32	HAXRGA1350	Rain Guard Assembly - 350	J3744
32	HAXRGA1400	Rain Guard Assembly - 400	J3746
33	HAXFCA1150	Flue Collector Assembly - 150	J3748
33	HAXFCA1200	Flue Collector Assembly - 200	J3750
33	HAXFCA1250	Flue Collector Assembly - 250	J3752
33	HAXFCA1300	Flue Collector Assembly - 300	J3754
33	HAXFCA1350	Flue Collector Assembly - 350	J3756
33	HAXFCA1400	Flue Collector Assembly - 400	J3758
34	HAXHSS1930	Side Heat Shield	J3760
35	HAXLAC1930	Left Access Cover	J3762
36	HAXURA1930	Upper Right Access Cover	J3764
37	HAXLRA1931	Lower Right Access Cover	J3766
38	HAXDTF1930	Dart Type Fastener	J3768
39	HAXRHS1150	Rear Heat Shield - 150	J3770
39	HAXRHS1200	Rear Heat Shield - 200	J3772
39	HAXRHS1250	Rear Heat Shield - 250	J3774
39	HAXRHS1300	Rear Heat Shield - 300	J3776
39	HAXRHS1350	Rear Heat Shield - 350	J3778
39	HAXRHS1400	Rear Heat Shield - 400	J3780
40	HAXLSJ1930	Left Side Jacket Assembly	J3782
41	HAXRSJ1930	Right Side Jacket Assembly	J3784
42	HAXIPA1150	Intermediate Panel Assembly - 150	J3786
42	HAXIPA1200	Intermediate Panel Assembly - 200	J3788
42	HAXIPA1250	Intermediate Panel Assembly - 250	J3790
42	HAXIPA1300	Intermediate Panel Assembly - 300	J3792
42	HAXIPA1350	Intermediate Panel Assembly - 350	J3794
42	HAXIPA1400	Intermediate Panel Assembly - 400	J3796
43	HAXJBA1150	Jacket Bottom Assembly - 150	J3798
43	HAXJBA1200	Jacket Bottom Assembly - 200	J3800
43	HAXJBA1250	Jacket Bottom Assembly - 250	J3802
43	HAXJBA1300	Jacket Bottom Assembly - 300	J3804
43	HAXJBA1350	Jacket Bottom Assembly - 350	J3806
43	HAXJBA1400	Jacket Bottom Assembly - 400	J3808
44	HAXRJA1150	Rear Jacket Assembly - 150	J3810
44	HAXRJA1200	Rear Jacket Assembly - 200	J3812
44	HAXRJA1250	Rear Jacket Assembly - 250	J3814
44	HAXRJA1300	Rear Jacket Assembly - 300	J3816
44	HAXRJA1350	Rear Jacket Assembly - 350	J3818
44	HAXRJA1400	Rear Jacket Assembly - 400	J3820
45	CHXTST1930	Thermostat	J2457
46	HAXTMB1933	Thermostat Mounting Bracket	J3822
47	HAXCPA1150	Control Panel Assembly - 150 MV	J3824
47	HAXCPA1200	Control Panel Assembly - 200 MV	J3826
47	HAXCPA1250	Control Panel Assembly - 250 MV	J3828
47	HAXCPA1300	Control Panel Assembly - 300 MV	J3830
47	HAXCPA1350	Control Panel Assembly - 350 MV	J3832
47	HAXCPA1400	Control Panel Assembly - 400 MV	J3834

HAYWARD H - SERIES HEATERS

KEY	MFG. NO.	DESCRIPTION	ITEM NO.
47	HAXCPA1151	Control Panel Assembly - 150 DS	J3836
47	HAXCPA1201	Control Panel Assembly - 200 DS	J3838
47	HAXCPA1251	Control Panel Assembly - 250 DS	J3840
47	HAXCPA1301	Control Panel Assembly - 300 DS	J3842
47	HAXCPA1351	Control Panel Assembly - 350 DS	J3844
47	HAXCPA1401	Control Panel Assembly - 400 DS	J3846
48	CHXTDL1930	Thermostat Lock Dial	J3848
49	CHXTSK1930	Thermostat Knob	J2458
50	CHXTSW1930	System Switch	J2462
51	HAXGVB0001	Gas Valve Bracket (150 - 400 NA, DS, LP)	J3850
51	HAXGVB0002	Gas Valve Bracket (150 - 400 MV, 150 - 400 LP MV)	J3852
52	CHXPST1930	Pressure Switch Tube	J3854
53	CHXPRS1931	Pressure Switch	J3856
54	HAXGSV0001	Gas Valve 150 - 400 NA MV	J3500
54	HAXGSV0003	Gas Valve 150 - 400 LP MV	J3502
54	HAXGSV0004	Gas Valve 150 - 400 LP DS	J3503
54	HAXGSV0005	Gas Valve 150 - 400 NA DS	J3504
55	HAXMAN1150	Gas Manifold - 150	J3858
55	HAXMAN1200	Gas Manifold - 200	J3860
55	HAXMAN1250	Gas Manifold - 250	J3862
55	HAXMAN1300	Gas Manifold - 300	J3864
55	HAXMAN1350	Gas Manifold - 350	J3866
55	HAXMAN1400	Gas Manifold - 400	J3868
56	HAXELL1930	3/4" Street Ell	J3870
57	HAXBON1930	Burner Orifice NA	J3872
57	HAXBON1931	Burner Orifice NA HA	J3874
57	HAXBOP1930	Burner Orifice LP	J3876
57	HAXBOP1931	Burner Orifice LP HA	J3878
58	HAXBRN1930	Burner Tube	J3880
59	HAXBMB1150	Burner Mounting Bracket - 150	J3882
59	HAXBMB1200	Burner Mounting Bracket - 200	J3884
59	HAXBMB1250	Burner Mounting Bracket - 250	J3886
59	HAXBMB1300	Burner Mounting Bracket - 300	J3888
59	HAXBMB1350	Burner Mounting Bracket - 350	J3890
59	HAXBMB1400	Burner Mounting Bracket - 400	J3892
60	HAXPZE1930	Piezo Electrode	J3894
61	HAXPLT1931	Pilot - NA, MV	J3896
62	HAXPLT1150	Pilot Tube - 150	J3898
62	HAXPLT1200	Pilot Tube - 200	J3900
62	HAXPLT1250	Pilot Tube - 250	J3631
62	HAXPLT1300	Pilot Tube - 300	J3633
62	HAXPLT1350	Pilot Tube - 350	J3635
62	HAXPLT1400	Pilot Tube - 400	J3637
63	CHXGEN1930	Pilot Generator	J2400
64	HAXPBA1930	Pilot Bracket Assembly	J3639
65	HAXIGN1930	Ignitor Bracket Assembly	J3641
66	HAXJBC1930	Junction Box Cover	J3643
67	HAXJCB1930	Junction Box	J3645
68	CHXTRF1930	Transformer	J2719
69	HAXMOD1930	Control Module	J3530

HAYWARD H - SERIES HEATERS

KEY	MFG. NO.	DESCRIPTION	ITEM NO.
70	HAXTMB1931	2 - Pole Terminal Block	J3647
70	HAXTMB1933	4 - Pole Terminal Block	J3649
71	CHXGRL1930	TA-2 Ground Block	J3651
72	HAXMMB1933	Module Mounting Bracket	J3653
73	HAXLDG1933	Green LED	J3655
74	HAXLDY1933	Yellow LED	J3657
75	HAXFAD1150	Front Access Door Assembly - 150	J3659
75	HAXFAD1200	Front Access Door Assembly - 200	J3661
75	HAXFAD1250	Front Access Door Assembly - 250	J3663
75	HAXFAD1300	Front Access Door Assembly - 300	J3665
75	HAXFAD1350	Front Access Door Assembly - 350	J3667
75	HAXFAD1400	Front Access Door Assembly - 400	J3669
76	HAXWDL1931	Wiring Diagram MV	----
76	HAXWDL1933	Wiring Diagram DS	----
77	HAXDAP1930	Data Plate	----
78	HAXLIS1930	Lighting Instructions	----
78	HAXOPR1930	Operating Instructions - MV	----
78	HAXOPR1933	Operating Instructions - DS	----
79	DHI150	Indoor Draffthood - 150	J2853
79	DHI200	Indoor Draffthood - 200	J2854
79	DHI250	Indoor Draffthood - 250	J2855
79	DHI300	Indoor Draffthood - 300	J2856
79	DHI350	Indoor Draffthood - 350	J3671
79	DHI400	Indoor Draffthood - 400	J2859
79	HWS150	High Wind Stack - 150	J2863
79	HWS200	High Wind Stack - 200	J2864
79	HWS250	High Wind Stack - 250	J2865
79	HWS300	High Wind Stack - 300	J2866
79	HWS350	High Wind Stack - 350	J3673
79	HWS400	High Wind Stack - 400	J2869
80	CHXRLV1930	Relief Valve	J2424
81	CHXMSI1930	Ignitor	J2575
82	HAXWHA0003	Wire Harness, Rear - Electronic	J3675
82	HAXWHA0002	Wire Harness, Rear - MV	J3677
83	HAXWHA0005	Wire Harness, Main - Electronic	J3679
83	HAXWHA0001	Wire Harness, Main - MV	J3681
84	HAXWHA0004	Wire Harness, Control Panel	J3683
85	HAXBFL1150	V-Baffle - 150	J3685
85	HAXBFL1200	V-Baffle - 200	J3687
85	HAXBFL1250	V-Baffle - 250	J3689
85	HAXBFL1300	V-Baffle - 300	J3691
85	HAXBFL1350	V-Baffle - 350	J3693
85	HAXBFL1400	V-Baffle - 400	J3695

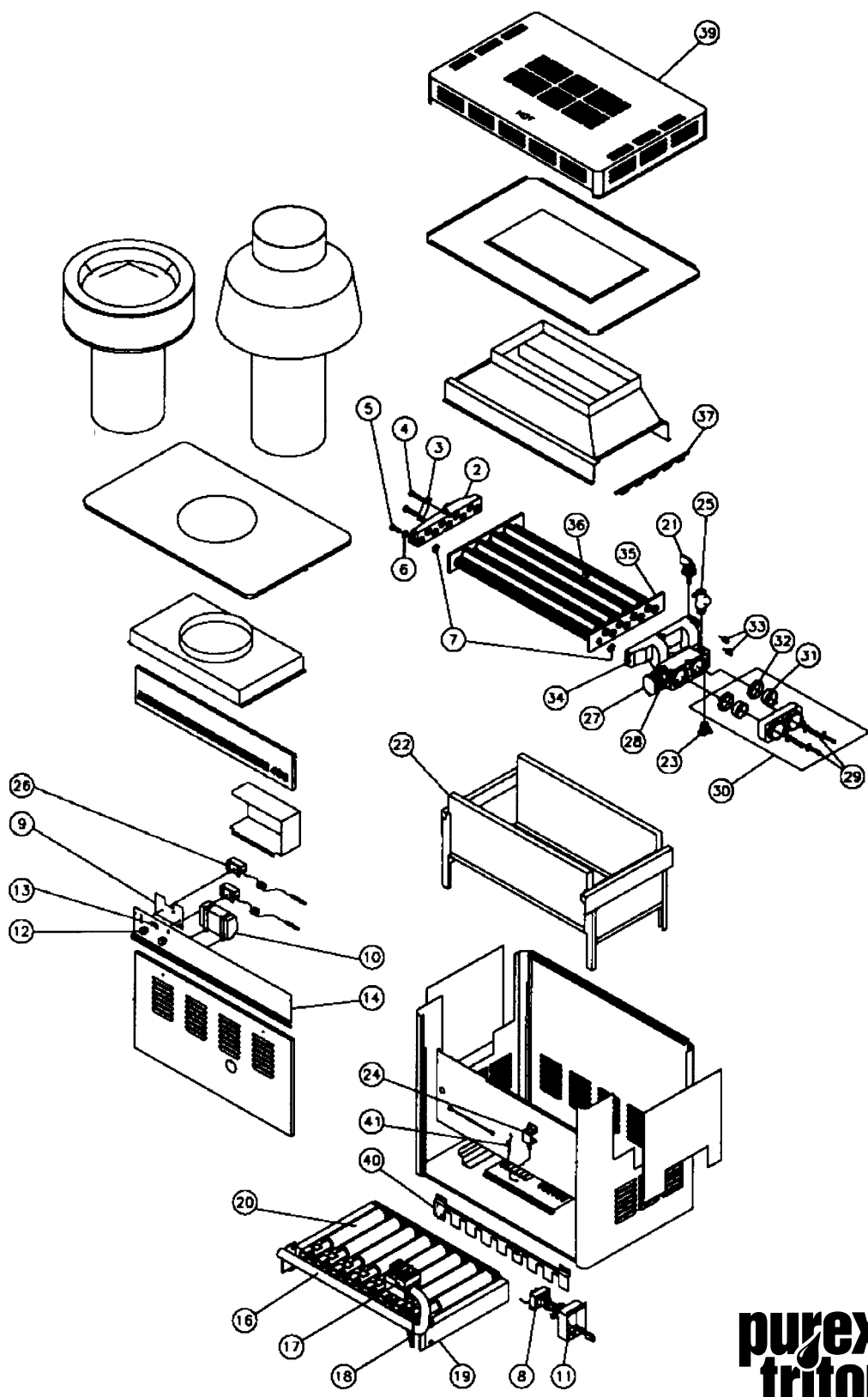
PUREX (PAC-FAB) MINIMAX 100 HEATER

KEY	MFG NO.	DESCRIPTION	ITEM NO.
6	471096	Return Header	J4401
7	471200	Bolt 3/8 x 16 UNC x 3/4	(4 needed) J4403
8	470742	Rubber Seal Tube	(10 needed) J4405
9	471093	Heat Exchanger Less Heads	J4407
10	471094	Main Header (Inlet/Outlet)	J4409
12	471058	Ignitor Electrode Bracket	J4411
13	471122	Burner Natural Gas	J4413
13	471136	Burner Propane	J4415
14	471090	Ignitor Electrode	J4417
15	471088	Gas Valve - Natural Gas, DSI	J4419
15	471089	Gas Valve - Propane, DSI	J4421
15	471192	Gas Valve - Natural Gas, Millivolt	J4423
15	072125	Gas Valve - Propane, Millivolt	J4425
16	072022	Thermostat	J4446
17	471128	On/Off Switch SPST	J4427
18	471070	Heat Shield Burner Tray	J4429
19	471078	Control Panel Assembly	J4431
21	471159	Control Bracket	J4433
22	471091	Ignition Control, DSI	J4435
23	471360	Transformer <i>(Replaces #074033)</i>	J4313
26	471169	Burner Tray Back Support	J4437
27	471166	Burner Tray Side Support	(2 needed) J4439
28	471164	Heat Exchanger Support Brackets	(2 needed) J4441
29	071017	Hi-Limit Safety Switch	(2 needed) J4443
30	471095	Flow Valve Assembly	J4445
31	471097	Pressure Switch	J4447
32	471064	Baffle Hold Down Bracket	J4449
33	471065	Flue Baffle	(4 needed) J4451
---	072169	Washer 3/8 I.D.	(4 needed) J4453
---	075173	Thermal Cutoff Switch	K9603
---	471239	Pilot Natural Gas Millivolt	J4455
---	471238	Pilot Propane Millivolt	J4457
---	071515	Thermopile Generator	J4422
---	471215	Quick - Flange Kit for 2" Slip Connection	J4459
---	471083	Quick - Flange II Kit for 1-1/2" Threaded Connection	J4461
---	471201	Kit Wiring MMX, 100 Millivolt	J4463
---	471202	Kit Wiring MMX, 100 DSI	J4465
---	470184	Knob	J4470
---	470414	Knob Stopper	J4391
---	075459	Presslite Piezo Ignitor Assembly, Millivolt	J4444
---	072136	Valve Drain, 1/4" NPT	J4467
---	471092	Hi - Tension Ignition Cable	J4469
---	070544	Rubber Bushing, 2" I.D.	(2 needed) K9584
---	4-1221	Pilot Bracket, Millivolt	J4471

PUREX (PAC-FAB) MINIMAX PLUS HEATER

Models

- 150
- 200
- 250
- 300
- 350
- 400



PUREX (PAC-FAB) MINIMAX PLUS HEATER

Models 150 Thru 400

KEY	MFG NO.	DESCRIPTION	ITEM NO.
2	070994	Return Header	K9574
3	074216	Bracket Washer (2 needed)	J4464
4	073739	Bolt 3/8" x 2 (4 needed)	K9575
5	070416	Bolt 3/8" 16 x 1-1/2" (4 needed)	J4450
6	072180	Washer 3/8" ID, 1" OD (4 needed)	K9577
7	070951	Tube Seal Gasket (18 needed)	K9578
8	471360	Transformer w/ Circuit Breaker - Dual Voltage (Replaces #07-4033)	J4313
9	470179	Thermostat Circuit Board - IID	J4466
10	073584	Ignition Module Natural Gas	K9593
10	073585	Ignition Module Propane Gas	K9594
11	470122	Junction Box	J4468
12	470184	Thermostat Knob (2 needed)	J4470
13	470186	Switch Rocker (Double Pole & Throw)	J4472
14	470295	Control Panel Assy, Complete - Natural IID (150)	J4474
14	470296	Control Panel Assy, Complete - Natural IID (200)	J4476
14	470297	Control Panel Assy, Complete - Natural IID (250)	J4478
14	470298	Control Panel Assy, Complete - Natural IID (300)	J4480
14	470299	Control Panel Assy, Complete - Natural IID (350)	J4482
14	470187	Control Panel Assy, Complete - Natural IID (400)	J4484
14	470987	Control Panel Assy, Complete - Propane IID (150)	J4486
14	470988	Control Panel Assy, Complete - Propane IID (200)	J4488
14	470989	Control Panel Assy, Complete - Propane IID (250)	J4490
14	470990	Control Panel Assy, Complete - Propane IID (300)	J4492
14	470991	Control Panel Assy, Complete - Propane IID (350)	J4494
14	470992	Control Panel Assy, Complete - Propane IID (400)	J4496
14	471020	Control Panel Assy, Complete - Millivolt (150)	J4498
14	471021	Control Panel Assy, Complete - Millivolt (200)	J4331
14	471022	Control Panel Assy, Complete - Millivolt (250)	J4333
14	471023	Control Panel Assy, Complete - Millivolt (300)	J4335
14	471024	Control Panel Assy, Complete - Millivolt (350)	J4337
14	471025	Control Panel Assy, Complete - Millivolt (400)	J4339
16	070256	Manifold Burner (150)	K9553
16	075525	Manifold Burner (200)	J4342
16	070257	Manifold Burner (250)	K9554
16	075526	Manifold Burner (300)	J4344
16	075527	Manifold Burner (350)	J4346
16	070258	Manifold Burner (400)	K9555
17	073998	Gas Valve, Natural - IID	K9611
17	073999	Gas Valve, Propane - IID	K9612
17	075457	Gas Valve, Natural - MV	J4348
17	075458	Gas Valve, Propane - MV	J4350
18	075191	Pilot Tube - IID (150 / 200)	K9558
18	075192	Pilot Tube - IID (250 / 300)	K9619
18	075193	Pilot Tube - IID (350 / 400)	K9620
18	075471	Pilot Tube - MV (150 / 200)	J4341
18	076085	Pilot Tube - MV (250 / 300)	J4366
18	076086	Pilot Tube - MV (350 / 400)	J4368

PUREX (PAC-FAB) MINIMAX PLUS HEATER

Models 150 Thru 400

KEY	MFG NO.	DESCRIPTION	ITEM NO.
19	073752	Burner Tray Assy., Complete - Natural IID (150)	K9559
19	075499	Burner Tray Assy., Complete - Natural IID (200)	J4370
19	073751	Burner Tray Assy., Complete - Natural IID (250)	K9560
19	075500	Burner Tray Assy., Complete - Natural IID (300)	J4372
19	075501	Burner Tray Assy., Complete - Natural IID (350)	J4374
19	073750	Burner Tray Assy., Complete - Natural IID (400)	K9561
19	073906	Burner Tray Assy., Complete - Propane IID (150)	K9562
19	075508	Burner Tray Assy., Complete - Propane IID (200)	J4376
19	073905	Burner Tray Assy., Complete - Propane IID (250)	K9563
19	075509	Burner Tray Assy., Complete - Propane IID (300)	J4378
19	075510	Burner Tray Assy., Complete - Propane IID (350)	J4380
19	073904	Burner Tray Assy., Complete - Propane IID (400)	K9564
19	075493	Burner Tray Assy., Complete - Natural MV (150)	J4382
19	075496	Burner Tray Assy., Complete - Natural MV (200)	J4384
19	075494	Burner Tray Assy., Complete - Natural MV (250)	J4386
19	075497	Burner Tray Assy., Complete - Natural MV (300)	J4388
19	075498	Burner Tray Assy., Complete - Natural MV (350)	J4390
19	075495	Burner Tray Assy., Complete - Natural MV (400)	J4392
19	075502	Burner Tray Assy., Complete - Propane MV (150)	J4394
19	075505	Burner Tray Assy., Complete - Propane MV (200)	J4396
19	075503	Burner Tray Assy., Complete - Propane MV (250)	J4398
19	075506	Burner Tray Assy., Complete - Propane MV (300)	J4406
19	075507	Burner Tray Assy., Complete - Propane MV (350)	J4408
19	075504	Burner Tray Assy., Complete - Propane MV (400)	J4412
20	070230	Burner, 150 (2 needed)	K9565
20	070230	Burner, 200 (3 needed)	K9565
20	070230	Burner, 250 (4 needed)	K9565
20	070230	Burner, 300 (5 needed)	K9565
20	070230	Burner, 350 (6 needed)	K9565
20	070230	Burner, 400 (7 needed)	K9565
20A	470550	Burner w/ Pilot Bracket	J4343
21	470190	Pressure Switch	J4345
22	073858	Combustion Chamber Assy., Complete (150)	K9550
22	075586	Combustion Chamber Assy., Complete (200)	J4336
22	073857	Combustion Chamber Assy., Complete (250)	K9551
22	075587	Combustion Chamber Assy., Complete (300)	J4338
22	075588	Combustion Chamber Assy., Complete (350)	J4340
22	073856	Combustion Chamber Assy., Complete (400)	K9552
23	072134	Drain Valve, 3/4"	J4304
24	075459	Presslite Ignitor Assy.	J4444
25	-----	Valve Relief 3/4", 75 PSI	J2128
26	072022	Thermostat Millivolt	J4446
27	471424	Flow Valve Assy., Complete (Replaces 073841)	K9579
28	074015	Flow Valve Gasket (4 needed)	J4302
29	075492	Bolt 3/8" - 16 x 2-1/2 (2 needed)	J4347
30	075284	Quick Flange Kit	J4452
31	071895	Sleeve In/Out 2" (2 needed)	K9583
32	070544	Bushing In/Out 2" Rubber (2 needed)	K9584
32	070299	Bushing 2" to 1-1/2" Rubber (2 needed)	K9585
33	071017	Safety Shut Off (2 needed)	J4349

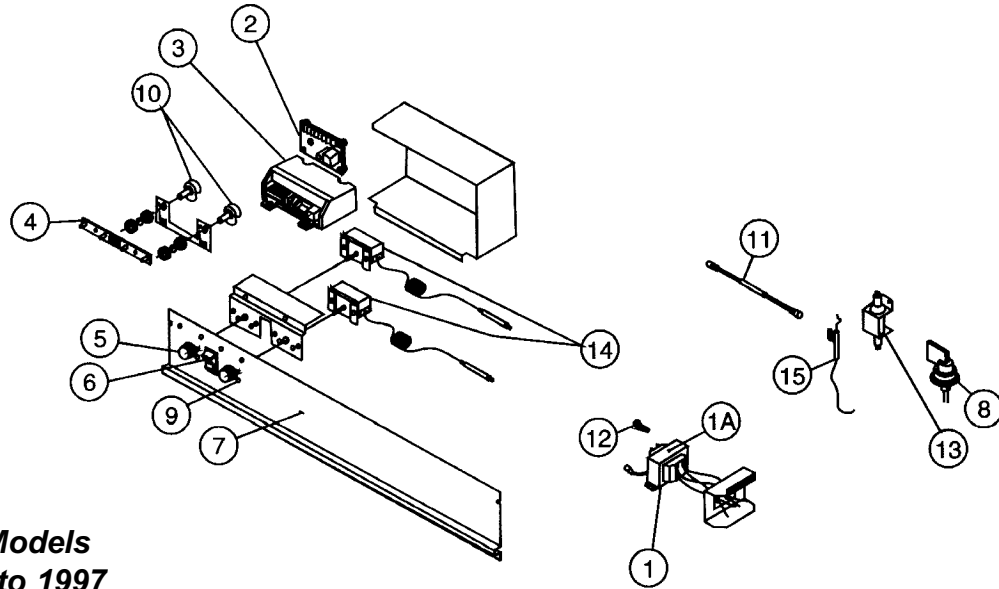
PUREX (PAC-FAB) MINIMAX PLUS HEATER

Models 150 Thru 400

KEY	MFG NO.	DESCRIPTION	ITEM NO.
34	070985	Main Header (In/Out)	K9587
35	074452	Heat Exchanger Without Heads (150)	K9588
35	075628	Heat Exchanger Without Heads (200)	J4456
35	074451	Heat Exchanger Without Heads (250)	K9589
35	075629	Heat Exchanger Without Heads (300)	J4458
35	075630	Heat Exchanger Without Heads (350)	J4460
35	074074	Heat Exchanger Without Heads (400)	K9590
36	070277	Baffle (150) (8 needed)	J4351
36	075559	Baffle (200) (8 needed)	J4353
36	070276	Baffle (250) (8 needed)	J4355
36	075560	Baffle (300) (8 needed)	J4357
36	075561	Baffle (350) (16 needed)	J4359
36	070278	Baffle (400) (16 needed)	J4361
37	073810	Baffle, Hold Down (2 Baffles for 400 Model)	J4365
39	470471	Outdoor Top Assy. (150)	J4363
39	470472	Outdoor Top Assy. (200)	J4367
39	470473	Outdoor Top Assy. (250)	J4369
39	470474	Outdoor Top Assy. (300)	J4371
39	470475	Outdoor Top Assy. (350)	J4373
39	470476	Outdoor Top Assy. (400)	J4375
40	075783	Lightback Shield (150) (2 needed)	J4377
40	075784	Lightback Shield (200) (2 needed)	J4379
40	075785	Lightback Shield (250) (2 needed)	J4381
40	075786	Lightback Shield (300) (2 needed)	J4383
40	075787	Lightback Shield (350) (2 needed)	J4385
40	075788	Lightback Shield (400) (2 needed)	J4387
41	075461	Ignitor, Electrode, Millivolt	J4448
---	470965	Wire Kit, Harness (Gas Valve) IID	J4389
---	073732	Wire Kit, Harness (Control Box) IID (150, 250, 300, 350, 400)	K9601
---	470414	Therm Knob Stopper (2 needed)	J4391
---	470178	Power Element (Flow Valve)	J4393
---	471204	Pilot, Natural, IID w/High Tension Wire (Replaces 07-1511)	K9568
---	471205	Pilot, Propane, IID w/High Tension Wire (Replaces 07-1510)	K9569
---	471292	Pilot, Natural, Millivolt	J4395
---	471291	Pilot, Propane, Millivolt	J4397
---	071515	Pilot, Generator	J4422
---	075173	Thermal Cut Off	K9603
---	470180	Thermostat, Probe, Complete	J4399
---	074202	Indicator Board LED Lightstrip	J4320
---	070273	Potentiometer (TSTAT) IID (2 needed)	J4322
---	073727	Orifice Main Burner, Natural	K9570*
---	073728	Orifice Main Burner, Propane	K9571*

*(150 - 3 needed, 200 - 4 needed, 250 - 5 needed, 300 - 6 needed, 350 - 7 needed, 400 - 8 needed)

PUREX (PAC-FAB) MINIMAX HEATER- Control Panel



**Previous Models
from 1991 to 1997**

KEY	ITEM NO.	DESCRIPTION	ITEM NO.
1	471360	Transformer - Dual Volt - (Replaces 07-4033)	J4313
1A	076153	Circuit Breaker 1.4 Amp	J4424
2	070272	Board Thermostat Electronic	J4318
---	070271	Thermostat Elect Assy - (Includes: 2, 10 & Thermister)	K9592
3	073584	Module - Natural Gas, IID Only	K9593
3	073585	Module - Propane Gas, IID Only	K9594
4	074202	Light Indicator Board MiniMax, IID Only	J4320
5	071134	Thermostat Knob (2 needed)	K9595
6	071949	Rocker Switch DPDT - 6 amp	K9596
7	073855	Control Panel Assembly - 150 IID	K9597
7	075592	Control Panel Assembly - 200 IID	J4426
7	073854	Control Panel Assembly - 250 IID	K9598
7	075593	Control Panel Assembly - 300 IID	J4428
7	075594	Control Panel Assembly - 350 IID	J4430
7	073853	Control Panel Assembly - 400 IID	K9599
7	075465	Control Panel Assembly - 150 MV	J4432
7	075589	Control Panel Assembly - 200 MV	J4434
7	075486	Control Panel Assembly - 250 MV	J4436
7	075590	Control Panel Assembly - 300 MV	J4438
7	075591	Control Panel Assembly - 350 MV	J4440
7	075487	Control Panel Assembly - 400 MV	J4442
8	071580	Barksdale Pressure Switch	K9326
9	071940	Thermostat Knob Stopper (2 needed)	K9600
10	070273	Potentiometer Therm Elect, IID (2 needed)	J4322
11	075173	Thermal Cutoff MiniMax	K9603
12	074571	Mounting Screw for Transformer	J4324
13	075459	Ignitor, MV Models Only	J4444
14	471177	Thermostat Replacement Kit	K9591
15	075461	Presslite Matches Assembly, MV	J4448
---	073852	Control Box Assembly - Natural	J4326
---	073993	Control Box Assembly - Propane	J4315

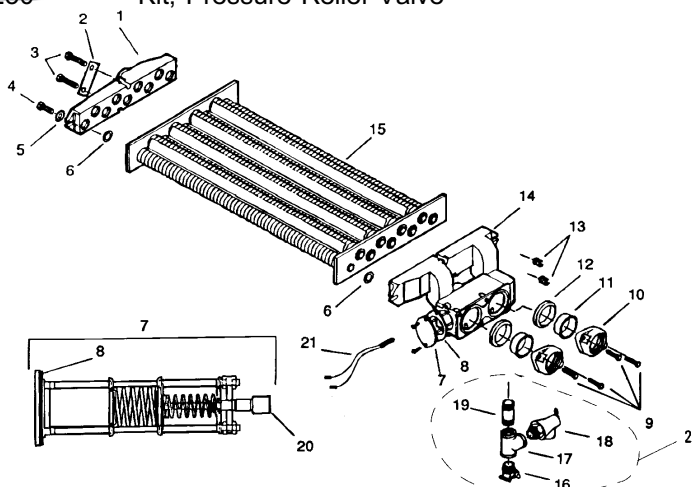
PUREX (PAC-FAB) MINIMAX HEATER - Wire Harness

	MFG NO.	DESCRIPTION	ITEM NO.
---	073732	Control Box Wire Harness	K9601
---	072193	Gas Valve Wire Harness	K9604
---	471204	Pilot w/ Hi Tension Wire - Natural <i>(Replaces 07-0293)</i>	K9568
---	471205	Pilot w/ Hi Tension Wire - Propane <i>(Replaces 07-0293)</i>	K9569

PUREX (PAC-FAB) MINIMAX HEATER - Heat Exchanger

KEY	MFG NO.	DESCRIPTION	ITEM NO.
1	070994	Return Header	K9574
2	072180	Bracket Washer (2 needed)	K9577
3	073739	Bolt 3/8 x 16 x 2 plt Mx (4 needed)	K9575
4	070416	Bolt HH 3/8 x 16 x 1.50" stl (4 needed)	J4450
5	072180	Washer 3/8" ID 1" OD (4 needed)	K9577
6	070951	Tube Seal Gasket (18 needed)	K9578
7	471424	Flow Valve Assembly <i>(Replaces #07-3841)</i>	K9579
8	074015	Flow Valve Gasket	J4302
9	075492	Bolt 3/8 - 16 x 1.25" Pltd (4 needed)	K9581
10	070903	Flange In/Out 2" Brass (Before 1994)	K9582
10	075284	Quick Flange Kit (Not Shown)	J4452
		<i>(Includes Flange, Bolts, Bushings & Sleeves)</i>	
---	075283	Flange Only	J4454
11	070544	Bushing In/Out 2" Lexan (2 needed)	K9584
12	071895	Sleeve Rubber In/Out (2 needed)	K9583
	070229	Sleeve Rubber 2" to 1-1/2" (2 needed)	K9585
13	071017	Hi-Limit 135/120 (2 needed)	K9586
14	070985	Main Header In/Out	K9587
15	074452	Heat Exchanger Only (150) - Less Headers	K9588
15	075628	Heat Exchanger Only (200) - Less Headers	J4456
15	074451	Heat Exchanger Only (250) - Less Headers	K9589
15	075629	Heat Exchanger Only (300) - Less Headers	J4458
15	075630	Heat Exchanger Only (350) - Less Headers	J4460
15	074074	Heat Exchanger Only (400) - Less Headers	K9590
16	072134	Boiler Drain Valve - 3/4"	J4304
17	071983	Brass Tee 3/4"	J4306
18	-----	Relief Valve - 3/4", 75 PSI	J2128
19	071388	Brass Nipple 3/4" x 2-1/2"	J4310
20	073656	Power Element	J4312
21	460250	Kit, Pressure Relief Valve	J4462

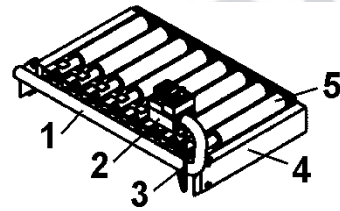
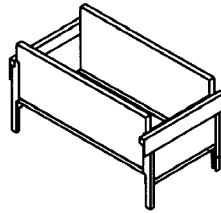
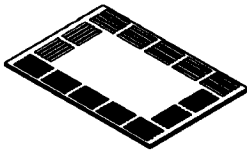
**Previous Models
from 1991 to 1997**



purex
triton

PUREX (PAC-FAB) MINIMAX HEATER

Combustion Chamber & Burner Tray



**Previous Models
from 1991 to 1997**

KEY	MFG. NO.	DESCRIPTION	ITEM NO.
---	073782	Top Vent MiniMax 150	K9621
---	075673	Top Vent MiniMax 200	J4330
---	073781	Top Vent MiniMax 250	K9622
---	075674	Top Vent MiniMax 300	J4332
---	075675	Top Vent MiniMax 350	J4334
---	073780	Top Vent MiniMax 400	K9623
---	073858	Combustion Chamber Assembly 150	K9550
---	075586	Combustion Chamber Assembly 200	J4336
---	073857	Combustion Chamber Assembly 250	K9551
---	075587	Combustion Chamber Assembly 300	J4338
---	075588	Combustion Chamber Assembly 350	J4340
---	073856	Combustion Chamber Assembly 400	K9552
1	070256	Manifold Burner MiniMax 150	K9553
1	075525	Manifold Burner MiniMax 200	J4342
1	070257	Manifold Burner MiniMax 250	K9554
1	075526	Manifold Burner MiniMax 300	J4344
1	075527	Manifold Burner MiniMax 350	J4346
1	070258	Manifold Burner MiniMax 400	K9555
2	073998	Gas Valve Natural 150-400 IID (<i>Replaces 73730-K9556</i>)	K9611
2	073999	Gas Valve Propane 150-400 IID (<i>Replaces 73729-K9557</i>)	K9612
2	075457	Gas Valve Natural 150-400 MV	J4348
2	075458	Gas Valve Propane 150-400 MV	J4350
2	075175	Gas Valve Replacement Kit 150 Natural	K9613
2	075197	Gas Valve Replacement Kit 250 Natural	K9614
2	075198	Gas Valve Replacement Kit 400 Natural	K9615
2	075176	Gas Valve Replacement Kit 150 Propane	K9616
2	075195	Gas Valve Replacement Kit 250 Propane	K9617
2	075196	Gas Valve Replacement Kit 400 Propane	K9618
2	076124	Gas Valve Replacement Kit 150/200 Natural MV	J4352
2	076126	Gas Valve Replacement Kit 250/300 Natural MV	J4354
2	076128	Gas Valve Replacement Kit 350/400 Natural MV	J4356
2	076125	Gas Valve Replacement Kit 150/200 Propane MV	J4358
2	076127	Gas Valve Replacement Kit 250/300 Propane MV	J4360
2	076129	Gas Valve Replacement Kit 350/400 Propane MV	J4362
3	076084	Pilot Tube 150/200 MV	J4364
3	076085	Pilot Tube 250/300 MV	J4366
3	076086	Pilot Tube 350/400 MV	J4368

PUREX (PAC-FAB) MINIMAX HEATER
Combustion Chamber & Burner Tray

KEY	MFG. NO.	DESCRIPTION	ITEM NO.
3	075191	Pilot Tube, Bent 150/200 MiniMax - IID	K9558
3	075192	Pilot Tube, Bent 250/300 MiniMax - IID	K9619
3	075193	Pilot Tube, Bent 350/400 MiniMax - IID	K9620
4	073752	Burner Tray w/Gas Valve & Pilot Assy 150 Natural IID	K9559
4	075499	Burner Tray w/Gas Valve & Pilot Assy 200 Natural IID	J4370
4	073751	Burner Tray w/Gas Valve & Pilot Assy 250 Natural IID	K9560
4	075500	Burner Tray w/Gas Valve & Pilot Assy 300 Natural IID	J4372
4	075501	Burner Tray w/Gas Valve & Pilot Assy 350 Natural IID	J4374
4	073750	Burner Tray w/Gas Valve & Pilot Assy 400 Natural IID	K9561
4	073906	Burner Tray w/Gas Valve & Pilot Assy 150 Propane IID	K9562
4	075508	Burner Tray w/Gas Valve & Pilot Assy 200 Propane IID	J4376
4	073905	Burner Tray w/Gas Valve & Pilot Assy 250 Propane IID	K9563
4	075509	Burner Tray w/Gas Valve & Pilot Assy 300 Propane IID	J4378
4	075510	Burner Tray w/Gas Valve & Pilot Assy 350 Propane IID	J4380
4	073904	Burner Tray w/Gas Valve & Pilot Assy 400 Propane IID	K9564
4	075493	Burner Tray Assy w/Gas Valve & Pilot Assy 150 Natural MV	J4382
4	075496	Burner Tray Assy w/Gas Valve & Pilot Assy 200 Natural MV	J4384
4	075494	Burner Tray Assy w/Gas Valve & Pilot Assy 250 Natural MV	J4386
4	075497	Burner Tray Assy w/Gas Valve & Pilot Assy 300 Natural MV	J4388
4	075498	Burner Tray Assy w/Gas Valve & Pilot Assy 350 Natural MV	J4390
4	075495	Burner Tray Assy w/Gas Valve & Pilot Assy 400 Natural MV	J4392
4	075502	Burner Tray Assy w/Gas Valve & Pilot Assy 150 Propane MV	J4394
4	075505	Burner Tray Assy w/Gas Valve & Pilot Assy 200 Propane MV	J4396
4	075503	Burner Tray Assy w/Gas Valve & Pilot Assy 250 Propane MV	J4398
4	075506	Burner Tray Assy w/Gas Valve & Pilot Assy 300 Propane MV	J4406
4	075507	Burner Tray Assy w/Gas Valve & Pilot Assy 350 Propane MV	J4408
4	075504	Burner Tray Assy w/Gas Valve & Pilot Assy 400 Propane MV	J4412
5	070230	Burner 50K BTU MiniMax 150 (3 needed)	K9565
5	070230	Burner 50K BTU MiniMax 200 (4 needed)	K9565
5	070230	Burner 50K BTU MiniMax 250 (5 needed)	K9565
5	070230	Burner 50K BTU MiniMax 300 (6 needed)	K9565
5	070230	Burner 50K BTU MiniMax 350 (7 needed)	K9565
5	070230	Burner 50K BTU MiniMax 400 (8 needed)	K9565
---	075127	Pilot Orifice MiniMax Propane	J4414
---	075126	Pilot Orifice MiniMax Natural	J4416
---	075460	Pilot Assy Natural MV	J4418
---	075463	Pilot Assy Propane MV	J4420
---	071515	Pilot Generator w/Cap MV	J4422
---	471204	Pilot Assy IID Q345A1008 Natural (Replaces 07-1515)	K9568
---	471205	Pilot Assy IID Q345 Propane (Replaces 07-1510)	K9569
---	073727	Orifice # 30 Main Burner Natural	K9570
---	073728	Orifice # 45 Main Burner Propane	K9571

Previous Models from 1991 to 1997

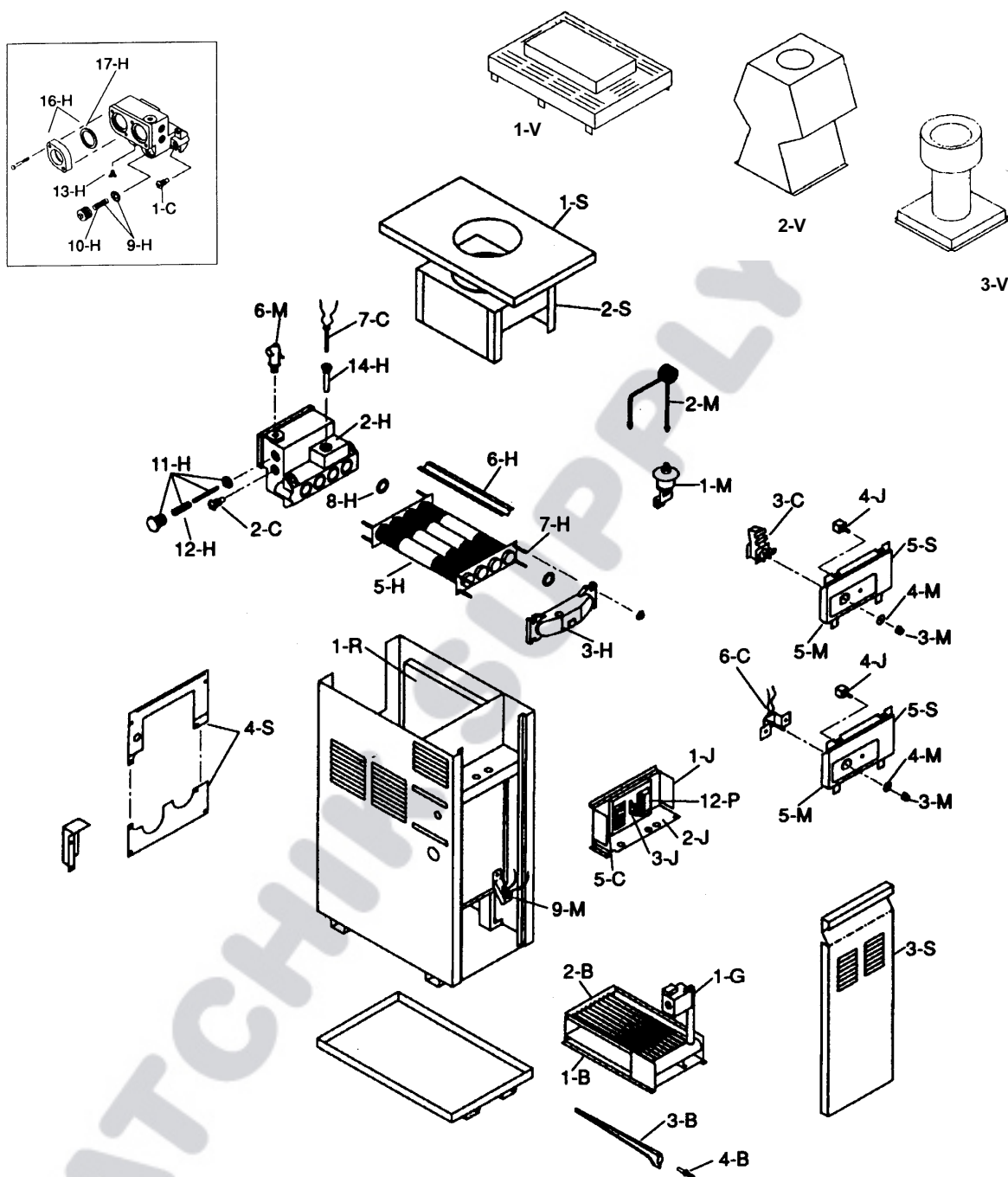
RAYPAK VERSA MODEL 55B HEATER

KEY	MFG NO.	DESCRIPTION	ITEM NO.
1B	004688F	Burner Tray with Burners	J1612
2B	301210	Burner	J1529
3B	350081	Burner Orifice, #52 Natural Gas	J1617
3B	350086	Burner Orifice, #62 Propane	J1618
1C	600889B	High Limit (135 deg)	J1543
2C	600890B	High Limit (140 deg)	J1544
3C	003346F	Thermostat Control, MV (Mechanical)	J1525
4C	005086B	PC Board	J5132
5C	005089B	PC Board	J5126
6C	005087B	Potentiometer	J5128
7C	005088B	Temperature Sensor	J5130
8C	005391F	Thermostat Control, MV (Solid State)	J1930
9C	005389F	Thermostat Control, IID (Solid State)	J1994
1G	003898F	Combination Valve, Natural Gas, MV	J1538
1G	003899F	Combination Valve, Propane, MV	J1539
1G	003900F	Combination Valve, Natural Gas, IID (Electronic)	J1569
1G	004306F	Combination Valve, Propane, IID (Electronic)	J1570
1H	004694F	Heat Exchanger Assembly (Complete)	J1620
2H	004695F	Header/Tube Kit	J1621
3H	004715F	Baffle Kit	J1622
4H	600885	Unitherm Governor	J1542
5H	400734	Cap, Unitherm Governor	J1533
6H	850247	Spring, Unitherm Governor	J1554
7H	500719	Drain Valve 1/8"	J1584
8H	350336	Sensor Well 1/2" x 3-5/16"	J1532
9H	300203	Bulb Retainer Clip	J1577
10H	800276	Gasket, Unitherm Governor	J1623
11H	002432F	Inlet/Outlet Flange, 1-1/2"	J1518
12H	800013B	Flange Gasket	J1550
13H	306079	Bypass Baffle	J5134
1M	062237B	Pressure Switch	J1535
2M	003543F	Pressure Switch Tube Assembly	J1624
3M	800201	Thermostat Knob	J1553
4M	305138	Knob Stop	J1579
5M	900741	Dial Plate MV	J1588
5M	900742	Dial Plate IID	J1589
6M	006736F	Transformer (IID Unit) (Old # 005345F)	J1993
7M	650595	Toggle Switch	J1548
8M	004010F	Wire Harness MV	J1625
8M	004011F	Wire Harness IID (Electronic)	J1626
9M	005899F	Thermal Fuse	J1692
1P	600525B	Pilot, Natural Gas MV	J1536
1P	600575B	Pilot, Propane MV	J1537
3P	002003F	Pilot, Natural Gas IID (Electronic)	J1590
3P	002003F	Pilot, Propane IID (Electronic) (old # 002064F)	J1590
5P	003901F	Pilot Orifice, Natural Gas MV	J1628
5P	003902F	Pilot Orifice, Propane MV	J1571
7P	003903F	Pilot Orifice, Natural Gas (Electronic)	J1572
7P	004308F	Pilot Orifice, Propane (Electronic)	J1576
9P	600019B	Pilot Generator MV	J1534
11P	004817B	Ignition Control, Natural Gas IID (Electronic)	J1585
11P	004818B	Ignition Control, Propane IID (Electronic)	J1587
12P	004716F	Pilot Mounting Bracket MV	J1629
13P	004717F	Pilot Mounting Bracket IID (Electronic)	J1560
14P	004078F	Pilot Tube, 3/4" Alum	J1573
15P	002654B	High Tension Wire IID (Electronic)	J1591

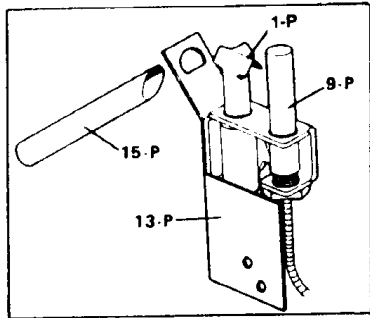
RAYPAK VERSA MODEL 155B HEATERS

KEY	MFG NO.	DESCRIPTION	ITEM NO.
1B	001989F	Burner Tray with Burners	J1515
1B	001990F	Burner Tray without Burners	J1592
2B	001991F	Burner Hold Down Kit	J1593
3B	301210	Burner	J1529
4B	350079	Burner Orifice Natural Gas #50	J1541
4B	350083	Burner Orifice Propane #57	J1531
1C	600892B	High Limit 135 deg	J1545
2C	600893B	High Limit 140 deg	J1546
3C	600827B	Thermostat Control, MV	J1555
4C	005389F	Thermostat Control, IID	J1994
5C	005086B	PC Board	J5132
6C	005087B	Potentiometer	J5128
7C	005088B	Temperature Sensor	J5130
1G	003898F	Combination Valve, Natural Gas MV	J1538
1G	003899F	Combination Valve, Propane MV	J1539
1G	003900F	Combination Valve, Natural Gas IID (Electronic)	J1569
1G	004306F	Combination Valve, Propane IID (Electronic)	J1570
1H	004962F	Heat Exchanger Assembly - Complete (Cast Iron Headers)	J5102
1H	004886F	Heat Exchanger Assembly - Complete (Bronze Headers)	J5100
2H	004963F	Inlet/Outlet Header (Cast Iron)	J5106
2H	004887F	Inlet/Outlet Header (Bronze)	J5104
3H	004964F	Return Header (Cast Iron)	J5110
3H	004888F	Return Header (Bronze)	J5108
4H	004896F	Tube Bundle	J5112
5H	001999F	Heat Exchanger Tube	J5114
6H	001622F	Baffle Kit	J5116
7H	004889F	Bolt Kit	J5118
8H	800086B	Header Gasket	J5120
9H	062234B	Unitherm Governor	J1671
10H	850254	U.G. Retainer Spring	J1635
11H	062235B	Bypass Valve	J1636
12H	850252	Bypass Spring	J1637
13H	500719	Drain Valve	J1687
14H	003765F	Sensor Well	J1645
15H	300203	Well Retaining Clip	J1577
16H	003766F	Inlet & Outlet Flange	J1640
17H	062236B	Flange Gasket, 1-1/2" Connections	J1675
17H	800080B	Flange Gasket, 2" Connections	J1641
1J	003790F	Control Box IID without Thermostat, Natural Gas (Electronic)	J1599
1J	004309F	Control Box IID without Thermostat, Propane (Electronic)	J1563
2J	004817B	Ignition Control IID, Natural Gas (Electronic)	J1585
2J	004818B	Ignition Control IID, Propane (Electronic)	J1587
3J	006736F	Transformer 120/240/24V	J1993
4J	650761	Toggle Switch	J1562
1M	062237B	Pressure Switch	J1535
2M	003271F	Pressure Switch Tube Assembly	J1556
3M	800201	Thermostat Knob	J1553
4M	305138	Knob Stop	J1579
5M	900748	Dial Plate Std. (Cast Iron)	J1564
5M	900741	Dial Plate Std. (Bronze)	J1588
5M	900749	Dial Plate IID (Cast Iron)	J1676
5M	900742	Dial Plate IID (Bronze)	J1589

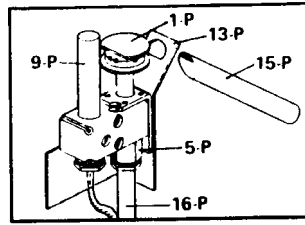
RAYPAK VERSA MODEL 155B HEATERS



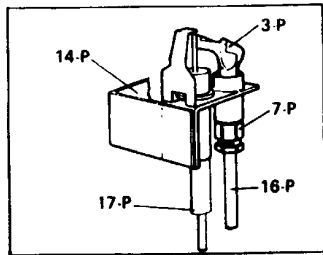
KEY	MFG NO.	DESCRIPTION	ITEM NO.
6M	----	Pressure Relief Valve 75 PSI	J2128
7M	053868F	Delimiting Kit	J5122
8M	004012F	Wire Harness Kit Std	J1604
8M	004013F	Wire Harness Kit IID (Electronic)	J1605
9M	005899F	Thermal Fuse (Old # 650914)	J1692
1V	003710	Stackless Top (Outdoor)	J1228
2V	003723	Drafthood (Indoor)	J1232
3V	004301	Outdoor Stack w/Adapter (Outdoor)	J1952



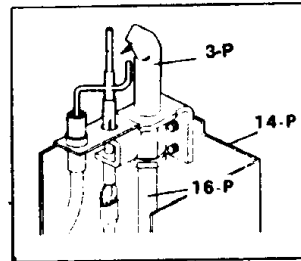
ROBERTSHAW MV



HONEYWELL MV



HONEYWELL IID



ROBERTSHAW IID

RAYPAK VERSA MODEL 155B HEATERS
Pilot Components

KEY	MFG NO.	DESCRIPTION	ITEM NO.
1P	600525B	Pilot Natural, MV	J1536
1P	600575B	Pilot Propane, MV	J1537
3P	002003F	Pilot Natural, IID	J1590
3P	002003F	Pilot Propane, IID (Old # 002064F)	J1590
5P	003901F	Pilot Orifice Natural, MV	J1628
5P	003902F	Pilot Orifice Propane, MV	J1571
7P	003903F	Pilot Orifice Natural, IID	J1572
7P	004308F	Pilot Orifice Propane, IID	J1576
9P	600019B	Pilot Generator, MV	J1534
12P	004817B	Ignition Control Natural, IID	J1585
12P	004818B	Ignition Control Propane, IID	J1587
13P	303730	Pilot Mounting Bracket, MV	J1606
14P	304670	Pilot Mounting Bracket, IID	J1607
15P	052797	Lighter Tube (MV Units Only)	J1608
16P	004078F	Pilot Tube	J1573
17P	002654B	Hi Tension Wire, IID	J1591

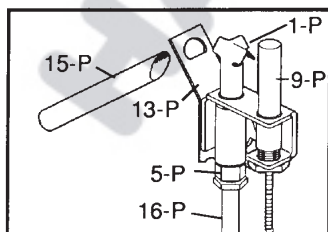
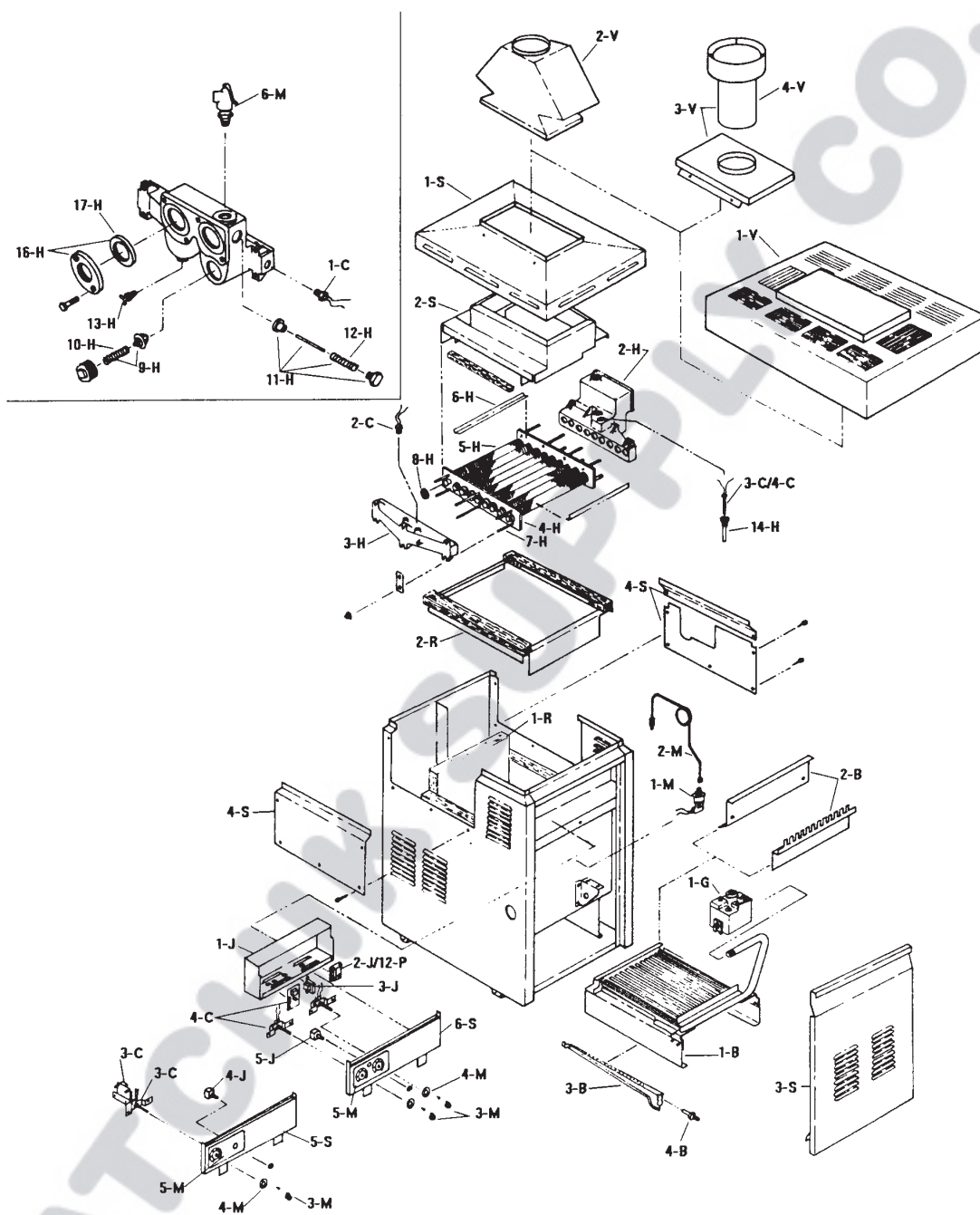
RAYPAK VERSA MODEL 185B - 405B HEATERS

KEY	MFG NO.	DESCRIPTION	ITEM NO.
1B	004386F	Burner Tray with Burners (185B) - No Valve	J1565
1B	004387F	Burner Tray with Burners (265B) - No Valve	J1566
1B	004388F	Burner Tray with Burners (335B) - No Valve	J1567
1B	004389F	Burner Tray with Burners (405B) - No Valve	J1568
1B	004390F	Burner Tray without Burners (185B) - No Valve	J1575
1B	004391F	Burner Tray without Burners (265B) - No Valve	J1580
1B	004392F	Burner Tray without Burners (335B) - No Valve	J1581
1B	004393F	Burner Tray without Burners (405B) - No Valve	J1582
2B	004394F	Burner Spacer, Hold-Down Kit (185B)	J1596
2B	004395F	Burner Spacer, Hold-Down Kit (265B)	J1611
2B	004396F	Burner Spacer, Hold-Down Kit (335B)	J1651
2B	004397F	Burner Spacer, Hold-Down Kit (405B)	J1652
3B	301210	Burner Only	J1529
4B	350079	Orifice for Burner, Natural Gas #50	J1541
4B	350083	Orifice for Burner, Propane #57	J1531
1C	600892B	High Limit 135 degree	J1545
2C	600893B	High Limit 140 degree	J1546
3C	005391F	Thermostat Control MV Units (Old # 004414F)	J1930
4C	005390F	Thermostat Control IID Units (Electronic) (Old # 004405F)	J1499
5C	600827B	Thermostat Control MV Units (Mechanical)	J1555
1G	003898F	Combination Valve, Natural Gas, MV Units	J1538
1G	003899F	Combination Valve, Propane, MV Units	J1539
1G	003900F	Combination Valve, Natural Gas, IID (Electronic)	J1569
1G	004306F	Combination Valve, Propane, IID (Electronic)	J1570
1H	003752F	Heat Exchanger Assembly - Complete with Cast Iron Headers (185B)	J1653
1H	003753F	Heat Exchanger Assembly - Complete with Cast Iron Headers (265B)	J1633
1H	003754F	Heat Exchanger Assembly - Complete with Cast Iron Headers (335B)	J1634
1H	003755F	Heat Exchanger Assembly - Complete with Cast Iron Headers (405B)	J1654
1H	004052F	Heat Exchanger Assembly - Complete with Bronze Headers (185B)	J1655
1H	003756F	Heat Exchanger Assembly - Complete with Bronze Headers (265B)	J1656
1H	003757F	Heat Exchanger Assembly - Complete with Bronze Headers (335B)	J1658
1H	003758F	Heat Exchanger Assembly - Complete with Bronze Headers (405B)	J1660
2H	003759F	Inlet/Outlet Header, Cast Iron	J1639
2H	003760F	Inlet/Outlet Header, Bronze	J1661
3H	002450F	Return Header, Cast Iron	J1659
3H	002451F	Return Header, Bronze	J1662
4H	004671F	Heat Exchanger Only (185B)	J1663
4H	004672F	Heat Exchanger Only (265B)	J1642
4H	004673F	Heat Exchanger Only (335B)	J1664
4H	004674F	Heat Exchanger Only (405B)	J1644
6H	001299F	Baffle Kit (185B)	J1665
6H	001300F	Baffle Kit (265B)	J1666
6H	001301F	Baffle Kit (335B)	J1630
6H	001302F	Baffle Kit (405B)	J1631
7H	001303F	Bolt Kit	J1632
8H	800014B	Header Gasket Set	J1670
9H	062234B	Unitherm Governor	J1671
10H	850254	Retainer Spring, Unitherm Governor	J1635
11H	062235B	Bypass Valve	J1636
12H	850252	Bypass Spring (185B)	J1637
12H	850253	Bypass Spring (185B - 405B)	J1638
13H	500719	Drain Valve 1/8"	J1584
14H	003765F	Sensor Well	J1645
15H	300203	Well Retaining Clip	J1577
16H	003766F	Inlet & Outlet Flange	J1640
17H	062236B	Flange Gasket 1-1/2" Connections	J1675
17H	800080B	Flange Gasket 2" Connections	J1641

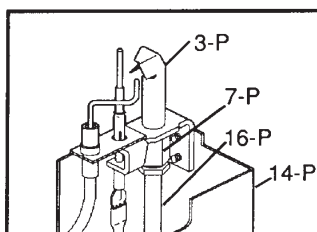
RAYPAK VERSA MODEL 185B - 405B HEATERS

KEY	MFG NO.	DESCRIPTION	ITEM NO.
1J	003767F	Control Box IID without Thermostat, Natural Gas (Electronic)	J1643
1J	004307F	Control Box IID without Thermostat, Propane (Electronic)	J1647
2J	004817B	Ignition Control IID, Natural Gas (Electronic)	J1585
2J	004818B	Ignition Control IID, Propane (Electronic)	J1587
3J	006736F	Transformer 120/240/24V	J1993
4J	650761	Toggle Switch, MV Units	J1562
5J	650760	Toggle Switch, IID Units (Electronic)	J1561
1M	062237B	Pressure Switch	J1535
2M	003272F	Pressure Switch Tube Assembly	J1678
3M	800201	Thermostat Knob	J1553
4M	305138	Knobstop	J1579
5M	900748	Dial Plate MV Pilot, Cast Iron	J1564
5M	900741	Dial Plate MV Pilot, Bronze	J1588
5M	900750	Dial Plate IID Pilot, Cast Iron (Electronic)	J1649
5M	900743	Dial Plate IID Pilot, Bronze (Electronic)	J1650
6M	500648	Pressure Relief Valve, 3/4", 125 PSI	J1602
8M	004415F	Wire Harness STD	J1527
8M	004008F	Wire Harness IID (Electronic)	J1669
1P	600525B	Pilot, Natural Gas, MV	J1536
1P	600575B	Pilot, Propane, MV	J1537
3P	002003F	Pilot, Natural Gas, IID (Electronic)	J1590
3P	002003F	Pilot, Propane, IID (Electronic)	J1590
5P	003901F	Pilot Orifice, Natural Gas, MV	J1628
5P	003902F	Pilot Orifice, Propane, MV	J1571
7P	003903F	Pilot Orifice, Natural Gas, IID (Electronic)	J1572
7P	004308F	Pilot Orifice, Propane, IID (Electronic)	J1576
9P	600019B	Pilot Generator, MV	J1534
12P	004817B	Ignition Control, Natural Gas, IID	J1585
12P	004818B	Ignition Control, Propane, IID	J1587
13P	306693	Pilot Mounting Bracket, MV	J1673
14P	306692	Pilot Mounting Bracket, IID (Electronic)	J1595
15P	062996	Lighter Tube (MV Units Only)	J1674
16P	004078F	Pilot Tube	J1573
17P	002654B	Hi Tension Wire IID (Electronic)	J1591
18P	306674	Pilot Shield	J1677
1V	003711	Stackless Top, Outdoor (185B)	J1430
1V	003712	Stackless Top, Outdoor (265B)	J1432
1V	003713	Stackless Top, Outdoor (335B)	J1434
1V	003714	Stackless Top, Outdoor (405B)	J1436
2V	003724	Drafthood, Indoor (185B)	J1440
2V	003725	Drafthood, Indoor (265B)	J1442
2V	003726	Drafthood, Indoor (335B)	J1444
2V	003727	Drafthood, Indoor (405B)	J1446
3V	004302	Outdoor Stack with Adapter, Outdoor (185B)	J1910
3V	004303	Outdoor Stack with Adapter, Outdoor (265B)	J1911
3V	004304	Outdoor Stack with Adapter, Outdoor (335B)	J1912
3V	004305	Outdoor Stack with Adapter, Outdoor (405B)	J1913
4V	951019	Outdoor Stack (185B)	J1914
4V	951020	Outdoor Stack (265B)	J1915
4V	951021	Outdoor Stack (335B)	J1916
4V	951022	Outdoor Stack (405B)	J1917
	004690B	Gas Conversion Kit, Natural to Propane, MV (185B & 265B)	J1482
	004692B	Gas Conversion Kit, Natural to Propane, MV (335B & 405B)	J1578
	004691F	Gas Conversion Kit, Propane to Natural, MV (185B & 265B)	J1483
	004693F	Gas Conversion Kit, Propane to Natural, MV (335B to 405B)	J1484
	004404F	Thermostat Conversion, Single Stat to Dual Stat, MV	J1920

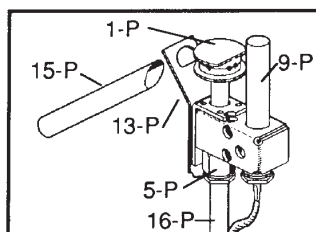
RAYPAK VERSA MODEL 185B-405B HEATERS



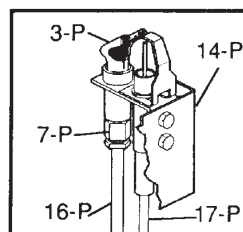
Robertshaw MV



Robertshaw IID



Honeywell MV



Honeywell IID

RAYPAK RP 2100 HEATERS
Models C-R185 to C-R405 Metal Headers

KEY	MFG NO.	DESCRIPTION	ITEM NO.
1B	005213F	Burner Tray with Burners (185)	J1901
1B	005214F	Burner Tray with Burners (265)	J1902
1B	005215F	Burner Tray with Burners (335)	J1903
1B	005216F	Burner Tray with Burners (405)	J1904
1B	005217F	Burner Tray without Burners (185)	J1905
1B	005218F	Burner Tray without Burners (265)	J1906
1B	005219F	Burner Tray without Burners (335)	J1907
1B	005220F	Burner Tray without Burners (405)	J1908
1B	005221F	Burner Tray with Gas Valve - Natural, MV (185)	J1909
1B	005222F	Burner Tray with Gas Valve - Natural, MV (265)	J1921
1B	005223F	Burner Tray with Gas Valve - Natural, MV (335)	J1922
1B	005224F	Burner Tray with Gas Valve - Natural, MV (405)	J1923
1B	005225F	Burner Tray with Gas Valve - Propane, MV (185)	J1924
1B	005226F	Burner Tray with Gas Valve - Propane, MV (265)	J1925
1B	005227F	Burner Tray with Gas Valve - Propane, MV (335)	J1926
1B	005228F	Burner Tray with Gas Valve - Propane, MV (405)	J1927
1B	005229F	Burner Tray with Gas Valve - Natural, Electronic (185)	J1928
1B	005230F	Burner Tray with Gas Valve - Natural, Electronic (265)	J1929
1B	005231F	Burner Tray with Gas Valve - Natural, Electronic (335)	J1931
1B	005232F	Burner Tray with Gas Valve - Natural, Electronic (405)	J1932
1B	005233F	Burner Tray with Gas Valve - Propane, Electronic (185)	J1933
1B	005234F	Burner Tray with Gas Valve - Propane, Electronic (265)	J1934
1B	005235F	Burner Tray with Gas Valve - Propane, Electronic (335)	J1935
1B	005236F	Burner Tray with Gas Valve - Propane, Electronic (405)	J1936
2B	005237F	Burner Spacer/Hold Down Kit (185)	J1937
2B	005238F	Burner Spacer/Hold Down Kit (265)	J1938
2B	005239F	Burner Spacer/Hold Down Kit (335)	J1939
2B	005240F	Burner Spacer/Hold Down Kit (405)	J1940
3B	301210	Burner (185 / 13, 265 / 19, 335 / 24 & 405 / 29)	J1529
4B	350080	Burner Orifice - Natural Gas	J1530
4B	350083	Burner Orifice - Propane Gas	J1531
5B	005265F	Burner Tray without Manifold & without Burners (185)	J1941
5B	005266F	Burner Tray without Manifold & without Burners (265)	J1942
5B	005267F	Burner Tray without Manifold & without Burners (335)	J1943
5B	005268F	Burner Tray without Manifold & without Burners (405)	J1944
1C	600892B	AGS 135 degrees (Auto Gas Shutoff)	J1545
2C	600893B	High Limit 140 degrees	J1546
3C	005241F	P.C. Control Board, Electronic IID Units	J1945
4C	600827B	Thermostat Control, Millivolt Units	J1555
5C	005299B	Temperature Sensor, Electronic IID Units	J1946
1G	003898F	Combination Gas Valve - Natural, Millivolt	J1538
1G	003899F	Combination Gas Valve - Propane, Millivolt	J1539
1G	003900F	Combination Gas Valve - Natural, Electronic IID	J1569
1G	004306F	Combination Gas Valve - Propane, Electronic IID	J1570
1H	005244F	Heat Exchanger Assy. - Complete (185) w/Cast Iron Headers	J1950
1H	005245F	Heat Exchanger Assy. - Complete (265) w/Cast Iron Headers	J1951
1H	005246F	Heat Exchanger Assy. - Complete (335) w/Cast Iron Headers	J1953
1H	005247F	Heat Exchanger Assy. - Complete (405) w/Cast Iron Headers	J1954
1H	005248F	Heat Exchanger Assy. - Complete (185) w/Bronze Headers	J1955
1H	005249F	Heat Exchanger Assy. - Complete (265) w/Bronze Headers	J1956
1H	005250F	Heat Exchanger Assy. - Complete (335) w/Bronze Headers	J1957
1H	005251F	Heat Exchanger Assy. - Complete (405) w/Bronze Headers	J1958

RAYPAK RP 2100 HEATERS
Models C-R185 to C-R405 Metal Headers

KEY	MFG NO.	DESCRIPTION	ITEM NO.
2H	003759F	Inlet & Outlet Header - Cast Iron	J1639
2H	003760F	Inlet & Outlet Header - Bronze	J1661
3H	002450F	Return Header - Cast Iron	J1659
3H	002451F	Return Header - Bronze	J1662
4H	005252F	Heat Exchanger Tube Bundle Assembly (185)	J1679
4H	005253F	Heat Exchanger Tube Bundle Assembly (265)	J1680
4H	005254F	Heat Exchanger Tube Bundle Assembly (335)	J1681
4H	005255F	Heat Exchanger Tube Bundle Assembly (405)	J1682
6H	005260F	Baffle Kit for (185) - Qty 8	J1683
6H	005261F	Baffle Kit for (265) - Qty 8	J1684
6H	005262F	Baffle Kit for (335) - Qty 8	J1685
6H	005263F	Baffle Kit for (405) - Qty 8	J1686
7H	001303F	Header Bolt Kit	J1632
8H	800014B	Header Gasket(Pkg of 9)	J1670
9H	062234B	Unitherm Governor	J1671
10H	850254	Retainer Spring, Uniterm Governor	J1635
11H	062235B	Bypass Valve	J1636
12H	850252	Bypass Spring	J1637
13H	500719	Drain Valve	J1584
14H	003765F	Sensor Well	J1645
15H	300203	Retaining Clip for Sensor Well	J1577
16H	003766F	Inlet & Outlet Flange	J1640
17H	062236B	Flange Gasket , 1-1/2" Connections	J1675
17H	800080B	Flange Gasket , 2" Connections	J1641
18H	005264F	Rear Drain Plug & Cover	J1688
1J	004817B	Ignition Control, Electronic IID - Natural Gas	J1585
1J	004818B	Ignition Control, Electronic IID - Propane Gas	J1587
2J	006736F	Transformer, 120/240/24 Volt (Old #005345F/#650531)	J1993
3J	650902	Rocker Switch, Millivolt Units	J1689
4J	650903	Rocker Switch, Electronic IID Units	J1690
1M	062237B	Pressure Switch	J1535
2M	003272F	Pressure Switch Tube Assembly	J1678
3M	800303	Thermostat Knob (1)	J1691
4M	305138	Knobstop (1)	J1579
5M	005899F	Fusible Link (Old # 650914)	J1692
6M	500648	Pressure Relief Valve, PRV-125 (Optional)	J1602
8M	005269F	Wire Harness, Millivolt Unit	J1693
8M	005270F	Wire Harness, Electronic IID Unit	J1694
9M	005271F	LED's (2 Green & 2 Red)	J1695
10M	005291F	Control Panel, Millivolt Unit	J1696
11M	005292F	Control Panel, Electronic IID Unit	J1697
12M	800307	Thermostat Shaft, Millivolt Unit	J1698
13M	800304	Thermostat Shaft, Electronic IID Unit	J1699
1P	600525B	Pilot, Natural, Millivolt Unit	J1536
1P	600575B	Pilot, Propane, Millivolt Unit	J1537
3P	002003F	Pilot, Natural, Electronic IID Unit (Natural & Propane)	J1590
5P	003901F	Pilot Orifice, Natural, Millivolt Unit	J1628
5P	003902F	Pilot Orifice, Propane, Millivolt Unit	J1571
7P	003903F	Pilot Orifice, Natural, Electronic IID Unit	J1572
7P	004308F	Pilot Orifice, Propane, Electronic IID Unit	J1576
9P	600019B	Pilot Generator, Millivolt	J1534

RAYPAK RP 2100 HEATERS

Models C-R185 to C-R405 Metal Headers

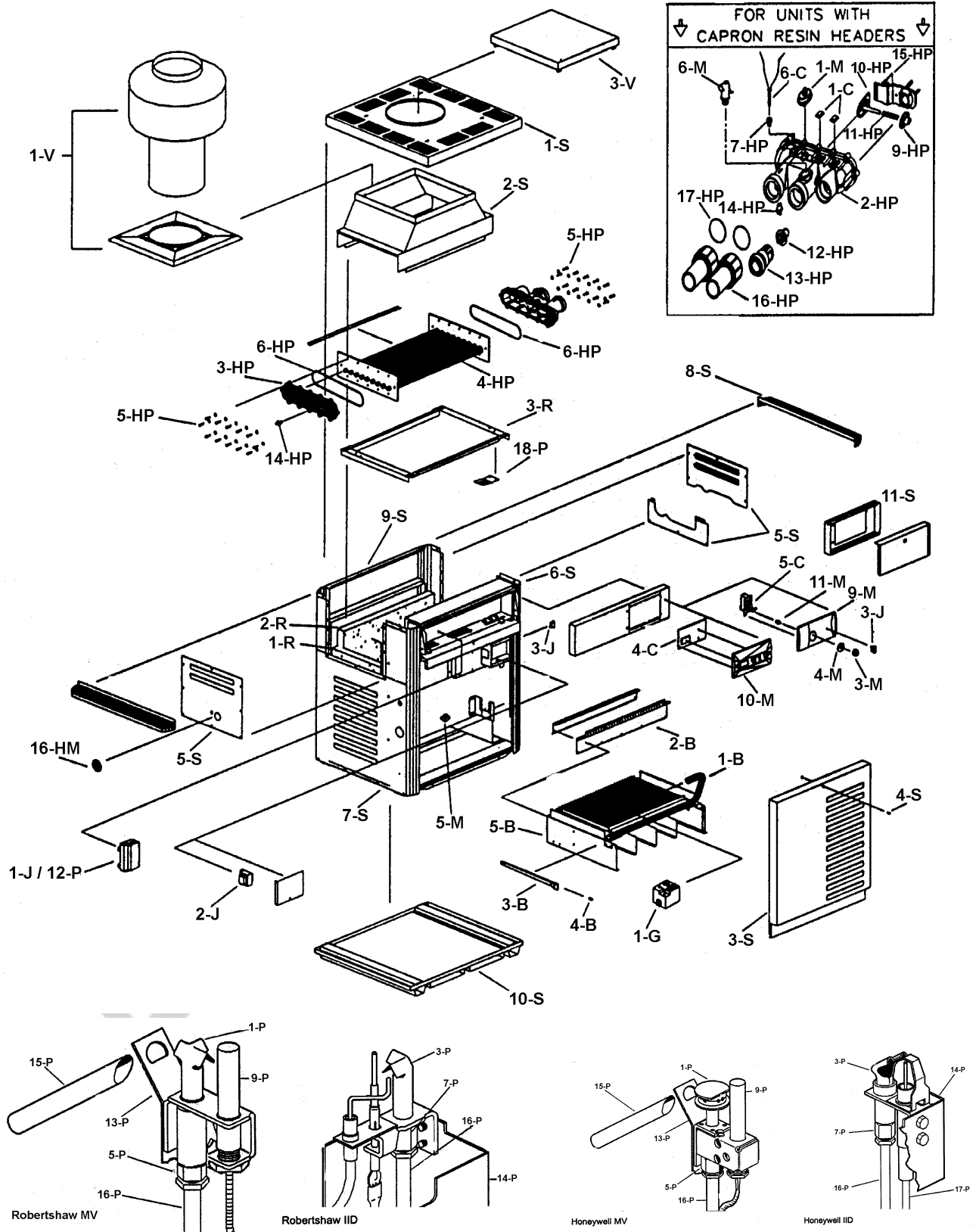
KEY	MFG NO.	DESCRIPTION	ITEM NO.
12P	004817B	Ignition Control, Electronic IID, Natural	J1585
12P	004818B	Ignition Control, Electronic IID, Propane	J1587
13P	306693	Pilot Mounting Bracket, Millivolt Unit	J1673
14P	306692	Pilot Mounting Bracket, Electronic IID Unit	J1595
15P	062996	Lighter Tube (MV Units Only)	J1674
16P	400607	Pilot Tube	J1959
17P	002654B	Hi Tension Wire, Electronic IID Unit	J1591
18P	307223	Pilot Shield	J1960
1R	005282F	Refractory Tile, Common, Left & Right	J1961
2R	005283F	Refractory Tile, Front & Rear (185)	J1962
2R	005284F	Refractory Tile, Front & Rear (265)	J1963
2R	005285F	Refractory Tile, Front & Rear (335)	J1964
2R	005286F	Refractory Tile, Front & Rear (405)	J1965
3R	005287F	Retainer Kit for Refractory Tile (185)	J1966
3R	005288F	Retainer Kit for Refractory Tile (265)	J1967
3R	005289F	Retainer Kit for Refractory Tile (335)	J1968
3R	005290F	Retainer Kit for Refractory Tile (405)	J1969
1V	006696	Indoor Stack Kit <i>(Includes inner adapter panel)</i> (185)	J1441
1V	006697	Indoor Stack Kit <i>(Includes inner adapter panel)</i> (265)	J1443
1V	006698	Indoor Stack Kit <i>(Includes inner adapter panel)</i> (335)	J1445
1V	006699	Indoor Stack Kit <i>(Includes inner adapter panel)</i> (405)	J1447
3V	065310	"Pagoda" Top (185)	J1978
3V	065312	"Pagoda" Top (265)	J1979
3V	065312	"Pagoda" Top (335)	J1980
3V	065311	"Pagoda" Top (405)	J1981
1S	005303F	Jacket Top (Louvered) (185)	J1982
1S	005304F	Jacket Top (Louvered) (265)	J1983
1S	005305F	Jacket Top (Louvered) (335)	J1984
1S	005306F	Jacket Top (Louvered) (405)	J1985
2S	005307F	Flue Collector (185)	J1986
2S	005308F	Flue Collector (265)	J1987
2S	005309F	Flue Collector (335)	J1988
2S	005310F	Flue Collector (405)	J1989
11S	005198	Poolstat Cover/Lock	J1990
12S	005394F	Up Front Control Panel	J1995
	004690B	Conversion Kit - Natural to Propane (185) Millivolt Pilot	J1482
	004690B	Conversion Kit - Natural to Propane (265) Millivolt Pilot	J1482
	004692F	Conversion Kit - Natural to Propane (335) Millivolt Pilot	J1578
	004692F	Conversion Kit - Natural to Propane (405) Millivolt Pilot	J1578
	004691F	Conversion Kit - Propane to Natural (185) Millivolt Pilot	J1483
	004691F	Conversion Kit - Propane to Natural (265) Millivolt Pilot	J1483
	004693F	Conversion Kit - Propane to Natural (335) Millivolt Pilot	J1484
	004693F	Conversion Kit - Propane to Natural (405) Millivolt Pilot	J1484

Gas conversions are to be done only by a qualified agency.

RAYPAK RP2100
P-R185A to P-R405A Capron Headers

KEY	MFG. NO.	DESCRIPTION		ITEM NO.
1-B	005213F	Burner Tray w/ Burners	(185)	J5218
1-B	005214F	Burner Tray w/ Burners	(265)	J5220
1-B	005215F	Burner Tray w/ Burners	(335)	J5222
1-B	005216F	Burner Tray w/ Burners	(405)	J5224
---	005217F	Burner Tray w/o Burners	(185)	J5226
---	005218F	Burner Tray w/o Burners	(265)	J5228
---	005219F	Burner Tray w/o Burners	(335)	J5230
---	005220F	Burner Tray w/o Burners	(405)	J5232
2-B	005237F	Burner Spacer/ Hold Down Kit	(185)	J5234
2-B	005238F	Burner Spacer/ Hold Down Kit	(265)	J5236
2-B	005239F	Burner Spacer/ Hold Down Kit	(335)	J5238
2-B	005240F	Burner Spacer/ Hold Down Kit	(405)	J5240
3-B	301210	Burner		J1529*
4-B	350080	Burner Orifice Nat.		J1530*
4-B	350083	Burner Orifice Pro.		J1531*
*(13 needed for 185, 19 needed for 265, 24 needed for 335, 29 needed for 405)				
5-B	005265F	Burner Tray w/o Manifold or Burners	(185)	J5242
5-B	005266F	Burner Tray w/o Manifold or Burners	(265)	J5244
5-B	005267F	Burner Tray w/o Manifold or Burners	(335)	J5246
5-B	005268F	Burner Tray w/o Manifold or Burners	(405)	J5248
1-C	006725F	Thermostat Auto Reset 135 Degrees Surface Mount		J5190
4-C	006700F	P.C. Board Control IID		J5210
5-C	600827B	Thermostat Control MV, Mechanical		J1555
6-C	006701F	Thermostat Sensor IID		J5212
1-G	003898F	Combination Valve, MV - Nat.		J1538
---	003899F	Combination Valve, MV - Pro.		J1539
---	003900F	Combination Valve, IID - Nat.		J1569
---	004306F	Combination Valve, IID - Pro.		J1570
1-HP	006702F	Heat Exchanger Assembly, Complete	(185)	J5250
1-HP	006703F	Heat Exchanger Assembly, Complete	(265)	J5252
1-HP	006704F	Heat Exchanger Assembly, Complete	(335)	J5254
1-HP	006705F	Heat Exchanger Assembly, Complete	(405)	J5256
2-HP	006706F	Inlet / Outlet Header <i>(Includes O-Ring Gasket)</i>		J5196
3-HP	006707F	Return Header <i>(Includes O-Ring Gasket)</i>		J5198
4-HP	006708F	Tube Bundle	(185)	J5258
4-HP	006709F	Tube Bundle	(265)	J5260
4-HP	006710F	Tube Bundle	(335)	J5262
4-HP	006711F	Tube Bundle	(405)	J5264
5-HP	006712F	Bolt Kit		J5206
6-HP	006713F	O-Ring Gasket (2 needed)		J5202

RAYPAK RP2100 P-R185A to P-R405A Capron Headers



RAYPAK RP2100
P-R185A to P-R405A Capron Headers

KEY	MFG. NO.	DESCRIPTION	ITEM NO.
7-HP	006714F	Sensor Adapter Digital, Electronic (Jaco Fitting)	J5216
----	006805F	Sensor Well Millivolt	J5192
8-HP	006715F	Bypass Kit	J5266
9-HP	006716F	Bypass Valve	J5268
10-HP	006717F	Bypass Dam / Shaft	J5270
11-HP	006750F	Bypass Spring	(185) J5272
11-HP	006718F	Bypass Spring	(265-405) J5274
12-HP	006719F	Unitherm Governor	J5194
13-HP	006720F	Unitherm Governor Plug	J5276
14-HP	006721F	Drain Plug	J5200
15-HP	006722F	Inlet / Outlet Header Dam	J5278
16-HP	006723F	2" PVC Connector & Nut (2 needed)	J5280
17-HP	006724F	O-Ring (2 needed)	J5204
1-J	004817B	Ignition Control, IID - Nat.	J1585
1-J	004818B	Ignition Control, IID - Pro.	J1587
2-J	006736F	Transformer 120/240/24V	J5214
3-J	650902	Rocker Switch (Millivolt Only)	J1689
1-M	006737F	Pressure Switch	J5188
3-M	800303	Thermostat Knob	J1691
4-M	305138	Knobstop	J1579
5-M	005899F	Thermal Fuse	J1692
8-M	005269F	Wire / Harness, Millivolt	J1693
8-M	006738F	Wire / Harness, IID	J5284
9-M	005291F	Control Panel, MV	J1696
10-M	006739F	Control Panel, IID (Includes Switch Decal)	J5286
11-M	800307	Thermostat Shaft, MV	J1698
1-P	600525B	Pilot, Nat. - MV	J1536
1-P	600575B	Pilot, Pro. - MV	J1537
3-P	002003F	Pilot, Nat. - IID	J1590
3-P	002003F	Pilot, Pro. - IID (Old # 002064F)	J1590
5-P	003901F	Pilot Orifice, Nat. - MV	J1628
5-P	003902F	Pilot Orifice, Pro. - MV	J1571
7-P	003903F	Pilot Orifice, Nat. - IID	J1572
7-P	004308F	Pilot Orifice, Pro. - IID	J1576
9-P	600019B	Pilot Generator, MV	J1534
12-P	004817B	Ignition Control, Nat. - IID	J1585
12-P	004818B	Ignition Control, Pro. - IID	J1587
13-P	306693	Pilot MTG Bracket, MV	J1673
14-P	306692	Pilot MTG Bracket, IID	J1595
15-P	062996	Lighter Tube (MV Only)	J1674
16-P	004078F	Pilot Tube	J1573
17-P	002654B	Hi Tension Wire, IID	J1591
18-P	307223	Pilot Shield	J5290

RAPAK RP2100
P-R185A to P-R405A Capron Headers

KEY	MFG. NO.	DESCRIPTION	ITEM NO.
1-R	005282F	Refractory Common (Left & Right)	J1961
2-R	005283F	Refractory Uncommon (Front & Rear)	J1962
2-R	005284F	Refractory Uncommon (Front & Rear)	J1963
2-R	005285F	Refractory Uncommon (Front & Rear)	J1964
2-R	005286F	Refractory Uncommon (Front & Rear)	J5292
3-R	005287F	Refractory Retainer Kit (185)	J5294
3-R	005288F	Refractory Retainer Kit (265)	J5296
3-R	005289F	Refractory Retainer Kit (335)	J5298
3-R	005290F	Refractory Retainer Kit (405)	J5300
1-S	005303F	Jacket Top (Louvered) (185)	J1982
1-S	005304F	Jacket Top (Louvered) (265)	J1983
1-S	005305F	Jacket Top (Louvered) (335)	J1984
1-S	005306F	Jacket Top (Louvered) (405)	J1985
2-S	006740F	Flue Collector (185)	J5302
2-S	006741F	Flue Collector (265)	J5304
2-S	006742F	Flue Collector (335)	J5306
2-S	006743F	Flue Collector (405)	J5308
3-S	005315F	Door Assembly (185)	J5310
3-S	005316F	Door Assembly (265)	J5312
3-S	005317F	Door Assembly (335)	J5314
3-S	005318F	Door Assembly (405)	J5316
4-S	006744F	Screw & Retainer	J5318
5-S	006745F	Access Panel Set (3 pieces)	J5320
6-S	005300F	Side Panel Right	J5322
7-S	005301F	Side Panel Left	J5324
8-S	005302F	Side Panel Cap	J5326
9-S	005278F	Rear Panel Kit (185)	J5328
9-S	005279F	Rear Panel Kit (265)	J5330
9-S	005280F	Rear Panel Kit (335)	J5332
9-S	005281F	Rear Panel Kit (405)	J5334
10-S	005182	Sub-Base for Combustible Flooring (185)	J5336
10-S	005183	Sub-Base for Combustible Flooring (265)	J5338
10-S	005184	Sub-Base for Combustible Flooring (335)	J5340
10-S	005185	Sub-Base for Combustible Flooring (405)	J5342
11-S	005198	Poolstat Cover / Lock	J1990
12-S	005294F	High Limit Cover	J5344
1-V	006696	Indoor Stack (Includes inner adapter panel) (185)	J1441
1-V	006697	Indoor Stack (Includes inner adapter panel) (265)	J1443
1-V	006698	Indoor Stack (Includes inner adapter panel) (335)	J1445
1-V	006699	Indoor Stack (Includes inner adapter panel) (405)	J1447
3-V	065310	"Pagoda" Top (185)	J1978
3-V	065312	"Pagoda" Top (265)	J1980
3-V	065336	"Pagoda" Top (335)	J5346
3-V	065311	"Pagoda" Top (405)	J1981

RAYPAK COMMON PARTS

Millivolt 185 - 405

DESCRIPTION	VERSA	RP2100	RP2100 (CAPRON HEADERS)	ITEM NO.
Pilot Gen. Cartridge	600019B	600019B	600019B	J1534
Pilot Burner Assy. (NAT)	600525B	600525B	600525B	J1536
Pilot Burner Assy. (LP)	600575B	600575B	600575B	J1537
Gas Valve (NAT)	003898F	003898F	003898F	J1538
Gas Valve (LP)	003899F	003899F	003899F	J1539
Thermostat (Mech.)	600827B	600827B	600827B	J1555
Thermostat (Solid State)	004414F	-----	-----	J5186
Toggle Switch	650761	-----	-----	J1562
Rocker Switch	-----	650902	650902	J1689
Temp. Control Knob	800201	-----	-----	J1553
Temp. Control Knob	-----	800303	800303	J1691
Pressure Switch	062237B	062237B	-----	J1535
Pressure Switch	-----	-----	006737F	J5188
Pressure Switch Tube Assy.	003272F	003272F	-----	J1678
Hi-Limit Switch 135 Degrees	600892B	600892B	-----	J1545
Hi-Limit Switch 140 Degrees	600893B	600893B	-----	J1546
Hi-Limit Reset 135 (Surface Mount)	-----	-----	006725F	J5190
Fusible Link	-----	005899F	005899F	J1692
Sensor Well	003765F	003765F	-----	J1645
Sensor Well	-----	-----	006805F	J5192
Unitherm Governor	062234B	062234B	-----	J1671
Unitherm Governor	-----	-----	006719F	J5194
Drain Valve 1/8"	500719	500719	-----	J1584
Rear Drain Plug w/Cover	-----	005264F	-----	J1688
Drain Plug (Front or Rear)	-----	-----	006721F	J5200
Inlet/Outlet Header (CI)	003759F	003759F	-----	J1639
Return Header (CI)	002450F	002450F	-----	J1659
Inlet/Outlet Header (Capron)	-----	-----	006706F	J5196
Return Header (Capron)	-----	-----	006707F	J5198
Header Gasket (Set of 9)	800014B	800014B	-----	J1670
Header Gasket O-Ring (2)	-----	-----	006713F	J5202
Flange Gasket 1-1/2"	0622236B	0622236B	-----	J1675
Flange Gasket 2"	800080B	800080B	-----	J1641
Flange O-Ring (2)	-----	-----	006724F	J5204
Header Bolt Kit	-----	-----	006712F	J5206
Gas Conversion Kit 185-265 (NAT to LP)	004690B	004690B	004690B	J1482*
Gas Conversion Kit 185-265 (LP to NAT)	005319F	005319F	005319F	J1991*
Gas Conversion Kit 335-405 (NAT to LP)	004692B	004692B	004692B	J1578*
Gas Conversion Kit 335-405 (LP to NAT)	005320F	005320F	005320F	J1992*

*NOTE 1: Millivolt Only. To be done by qualified agency.

RAYPAK COMMON PARTS

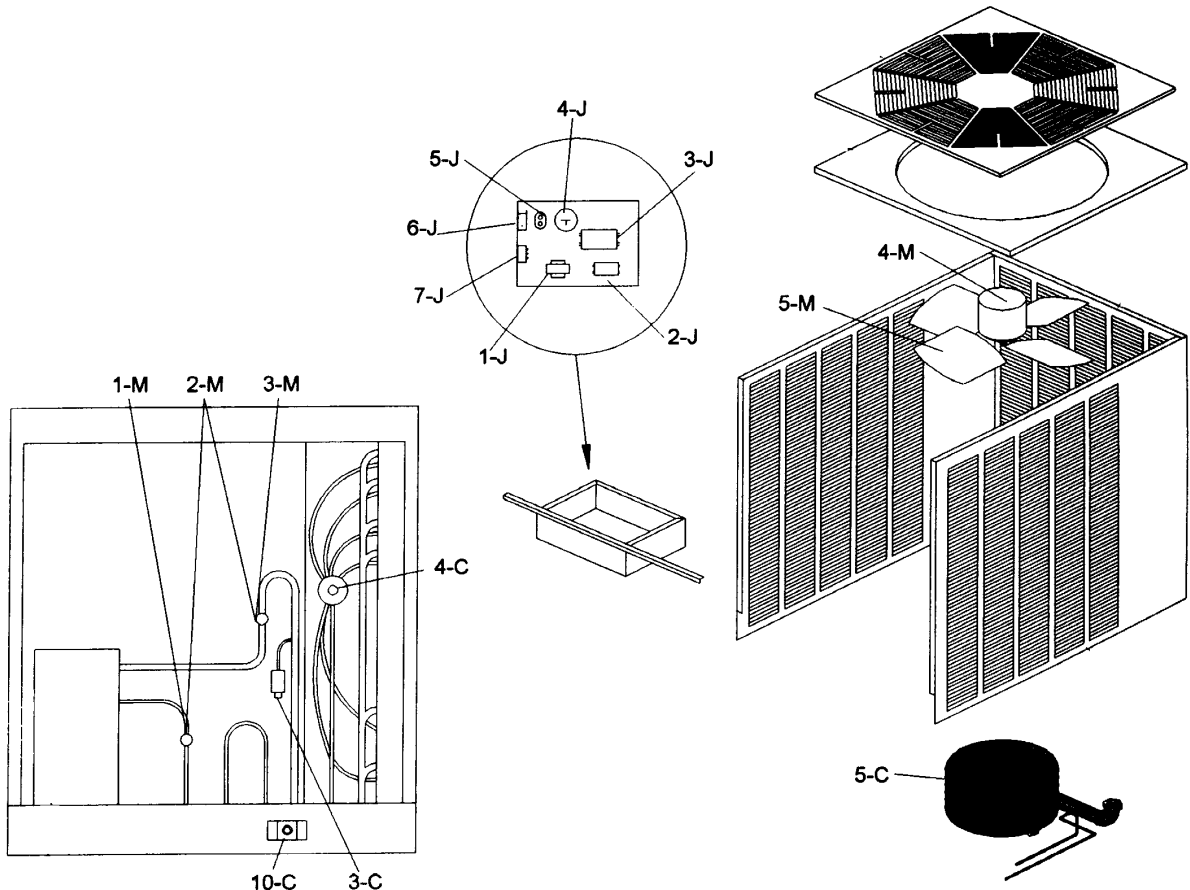
Electronic Ignition 185-405

DESCRIPTION	VERSA	RP2100	RP2100 (CAPRON HEADERS)	ITEM NO.
Pilot Burner Assy. (NAT)	002003F	002003F	002003F	J1590
Pilot Burner Assy. (LP)	002003F	002003F	002003F	J1590
Gas Valve (NAT)	003900F	003900F	003900F	J1569
Gas Valve (LP)	004306F	004306F	004306F	J1570
Thermostat Dual (Solid State)	005390F	-----	-----	J1499
Control Panel w/Decal	-----	-----	006739F	J5208
P.C. Board Control	-----	005241F	-----	J1945
P.C. Board Control	-----	-----	006700F	J5210
Temperature Sensor	-----	005299B	-----	J1946
Temperature Sensor	-----	-----	006701F	J5212
Transformer 120/240/24V	006736F	006736F	-----	J1993
Transformer 120/240/24V	-----	-----	006736F	J5214
Ignition Control (NAT)	004817B	004817B	004817B	J1585
Ignition Control (LP)	004818B	004818B	004818B	J1587
Hi Tension Wire	002654B	002654B	002654B	J1591
Pilot Tube	004078F	004078F	004078F	J1573
Sensor Well	003765F	003765F	-----	J1645
Sensor Well (Jaco Fitting)	-----	-----	006714F	J5216
Toggle Switch 3-Way	650760	-----	-----	J1561
Rocker Switch 3-Way	-----	650903	-----	J1690
Temp. Control Knob	800201	-----	-----	J1553
Temp. Control Knob	-----	800303	-----	J1691
Pressure Switch	062237B	062237B	-----	J1535
Pressure Switch	-----	-----	006737F	J5188
Pressure Switch Tube Assy.	003272F	003272F	-----	J1678
Hi-Limit Switch 135 Degrees	600892B	600892B	-----	J1545
Hi-Limit Switch 140 Degrees	600893B	600893B	-----	J1546
Hi-Limit Reset 135 (Surface Mount)	-----	-----	006725F	J5190
Fusible Link	-----	005899F	005899F	J1692
Unitherm Governor	062234B	062234B	-----	J1671
Unitherm Governor	-----	-----	006719F	J5194
Drain Valve 1/8"	500719	500719	-----	J1584
Rear Drain Plug w/ Cover	-----	005264F	-----	J1688
Drain Plug (Front or Rear)	-----	-----	006721F	J5200
Inlet/Outlet Header (CI)	003759F	003759F	-----	J1639
Return Header (CI)	002450F	002450F	-----	J1659
Inlet/Outlet Header (Capron)	-----	-----	006706F	J5196
Return Header (Capron)	-----	-----	006707F	J5198
Header Gasket (Set of 9)	800014B	800014B	-----	J1670
Header Gasket O-Ring (2)	-----	-----	006713F	J5202
Flange Gasket 1-1/2"	062236B	062236B	-----	J1675
Flange Gasket 2"	800080B	800080B	-----	J1641
Flange O-Ring (2)	-----	-----	006712F	J5206

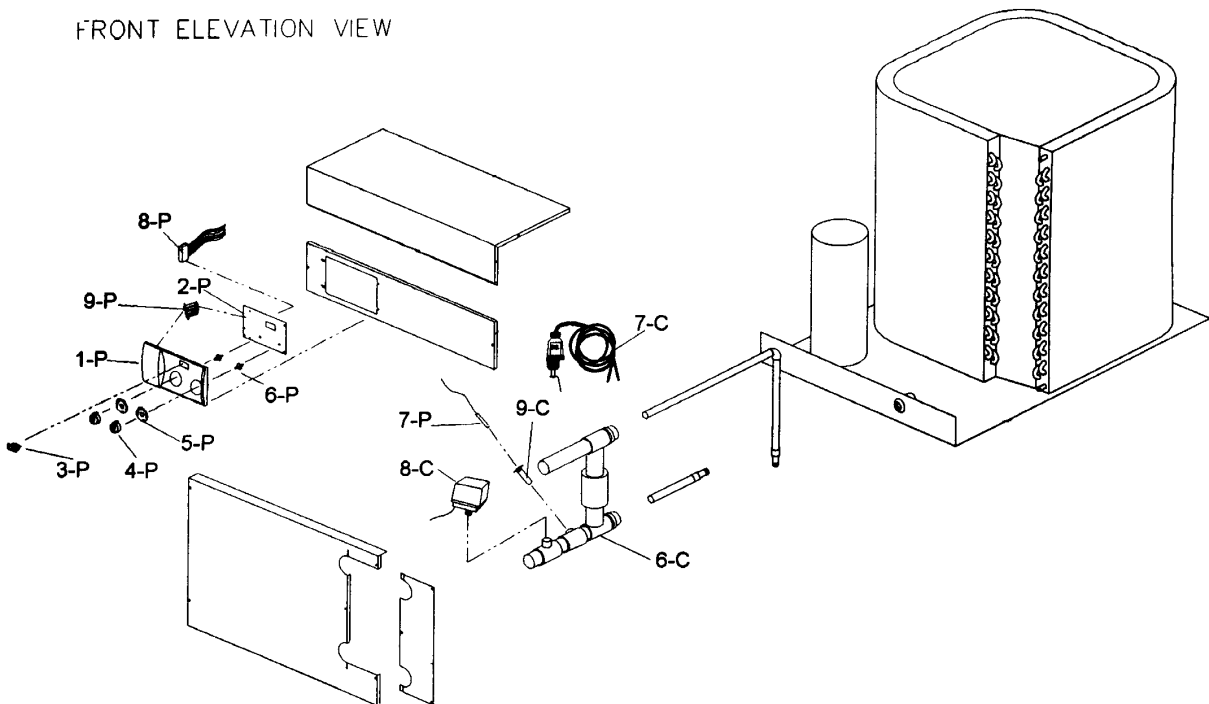
RAYPAK HEAT PUMP

KEY	MFG NO.	DESCRIPTION	ITEM NO.
3C	005661F	Low Pressure Control	J5138
4C	005672F	Expansion Valve Assembly	J5140
5C	005663F	Water Coil	J5142
6C	005664F	Check Valve - Bypass / Plumbing Assembly	J5144
8C	006045F	Pressure Switch	J5148
9C	006053F	Well Assembly	J5146
10C	006197F	High Pressure Control	J5150
1J	005666F	Control Transformer	J5152
2J	005667F	Pump Contactor	J5154
3J	005668F	Compressor Contactor, 1 Phase	J5156
4J	005671F	Compressor Capacitor, 1 Phase	J5158
5J	005695F	Fan Motor Capacitor 10 / 370	J5160
6J	005674F	Thermostat (Ambient Stat)	J5162
7J	005675F	Timer (Relay)	J5164
1M	005676F	Schrader Valve Core & Cap	J5166
2M	005677F	Schrader Valve	J5168
3M	005678F	Schrader Valve Cap Only	J5170
4M	005679F	Fan Motor 1/3 HP 208-230, 1 Spd	J5172
5M	005680F	Fan Blade	J5174
6M	750128	Paint (Rheem Green)	J5176
1P	800323	Control Panel Bezel	J5178
2P	005681F	Control Circuit Board	J5180
3P	650903	On - Off Switch	J1690
4P	800303	Knob	J1691
5P	305138	Knobstop	J1579
6P	800304	Thermostat Shaft	J1699
7P	005299B	Temperature Sensor	J1946
8P	005682F	14 Pin Plug / Harness	J5182
9P	800302	Lens Extension	J5184

RAYPAK HEAT PUMP

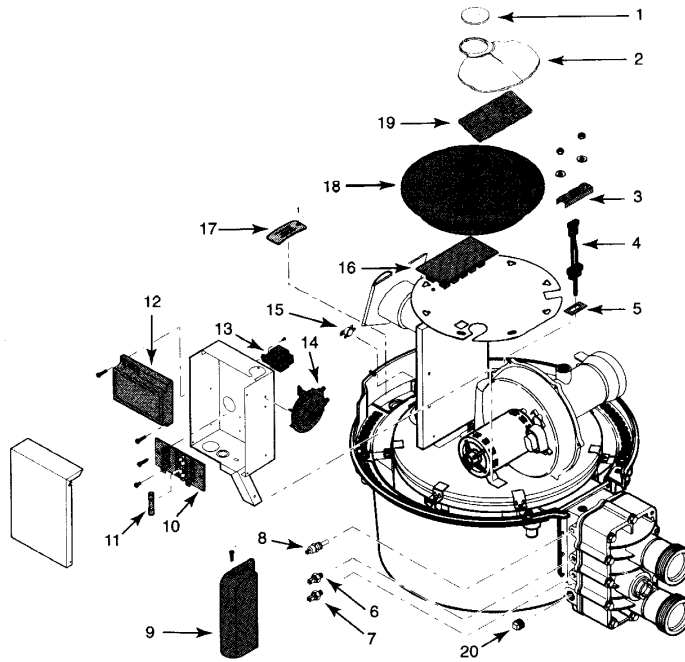


FRONT ELEVATION VIEW



STA-RITE MAX-E-THERM HEATERS

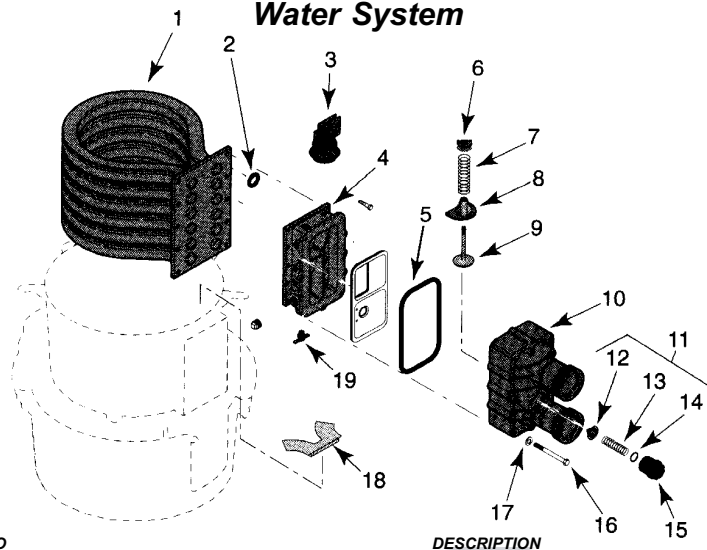
Electrical System



KEY	MFG. NO.	DESCRIPTION	ITEM NO.
---	77707-0009	Display Cover Retainer Cap Kit	J7100
1	42001-0009	Display Cover Retainer Cap	J7102
2	42001-0008S	Heater Display Cover	J7106
3	42001-0030S	Ignitor Bracket	J7108
---	77707-0054	Ignitor / Ignitor Gasket Kit	J7110
5	42001-0066S	Ignitor Gasket	J7114
6	42001-0064S	Automatic Gas Shutoff Switch (AGS)	J7116
7	42001-0063S	High Limit Switch	J7118
8	42001-0053S	Thermistor	J7120
9	42001-0007S	Manifold Switch Cover	J7122
10	42001-0056S	Terminal Strip	J7124
11	32850-0099	Fuse, 1-1/4 Amp	J7126
12	42001-0052S	Ignition Control Module	J7128
13	42001-0057S	Transformer	J7130
14	42001-0061S	Air Flow Switch	J7132
15	42001-0062S	Stack Flue Switch Kit	J7134
16	42001-0096S	Control Board Kit	J7136
---	37337-0089	#6 - 19 x 5/16" Phil Pan (4 needed)	J7138
---	42001-0058S	Heater Wiring Harness	J7140
---	77707-0022	Junction Box Cover Kit w/ Junction Box Cover	J7142
17	42001-0022	Junction Box Cover	J7144
---	77707-0004	Control Box Enclosure / Membrane Panel Kit	J7148
18	42001-0004	Control Board Enclosure	J7150
20	U78-60ZPS	3/4" Square Head Pipe Plug	J7156

STA-RITE MAX-E-THERM HEATERS

Water System



KEY	MFG. NO	DESCRIPTION	ITEM NO.
---	77707-0232	Tube Sheet Coil Assy. Kit (SR200NA - SRC200LP)	J7256
---	77707-0233	Tube Sheet Coil Assy. Kit (SR333NA - SRC333LP)	J7258
---	77707-0234	Tube Sheet Coil Assy. Kit (SR400NA - SRC400LP)	J7260
2	77707-0117	Coil / Tubesheet Sealing O-Ring Kit (6 needed) (SR200NA - SRC200LP)	J7262
2	77707-0118	Coil / Tubesheet Sealing O-Ring Kit (10 needed) (SR333NA - SRC333LP)	J7264
2	77707-0119	Coil / Tubesheet Sealing O-Ring Kit (12 needed) (SR400NA - SRC400LP)	J7266
3	42001-0060S	Water Pressure Switch	J7268
4	42001-0117S	Manifold Adapter Kit (SR200NA - SRC200LP)	J7270
4	42001-0188S	Manifold Adapter Kit (SR333NA - SRC333LP)	J7272
4	42001-0119S	Manifold Adapter Kit (SR400NA - SRC400LP)	J7274
5	35505-7432S	Manifold O-Ring	J7276
---	77707-0001	Manifold Bypass Valve Kit	J7278
6	42001-0088	Bypass Spring Retainer	J7280
7	37607-0012	Bypass Poppet Spring	J7282
8	42001-0011	Manifold Separator Plate	J7284
9	42001-0014	Bypass Valve Poppet	J7286
10	42001-0208S	Manifold Assembly (SR200NA - SRC200LP)	J7288
10	42001-0207S	Manifold Assembly (SR333NA / LP - SRC400NA / LP)	J7290
11	77707-0010	Thermal Regulator Kit	J7292
12	38000-0007S	Thermal Regulator	J7294
16	77707-0006	5/16 - 18 x 3-1/4" Hex Capscrew Kit (12 needed)	J7296
17	U43-41SS	5/16" Flat Washer (12 needed)	K3440
19	U212-68T	Drain Cock	J7298
---	33457-1051S	Upper Enclosure Gasket	J7300
---	U43-23SS	1/4" Lock Washer (4 needed)	J7302
---	37027-0003	1/4 - 20 x 1" Phillips Pan Head Screw (4 needed)	J7304
---	U30-742SS	#10 Hi - Lo Screw	J7306
---	U30-785SS	#10 Hi - Lo Hex Head Screw (3 needed)	J7308
---	U36-36SS	1/4 - 20" Hex Nut (4 needed)	J7310
---	77707-0007	Upper Enclosure Fastener Kit	J7240
---	U11-196P	Adapter Union, 2" Slip (2 needed)	J7312
---	U11-200P	Union Collar, 2" (2 needed)	N5307
---	U9-362	O-Ring, Union (2 needed)	H5392
---	38674-0719	Pressure Relief Valve (CGA Models)	J7314

STA-RITE MAX-E-THERM HEATERS
Burner System

HATCHIK SUPPLY CO.

STA-RITE MAX-E-THERM HEATERS

Burner System

KEY	MFG. NO.	DESCRIPTION	ITEM NO.
1	42001-0051S	Combination Gas Control Valve Kit	J7158
2	38404-4097S	3/4" Union (2 needed)	J7160
---	77707-0331	Gas Orifice Kit - NG (SR200NA - SRC200LP)	J7162
---	77707-0321	Gas Orifice Kit - NG (SR333NA - SRC333LP)	J7164
---	77707-0311	Gas Orifice Kit - NG (SR400NA - SRC400LP)	J7166
4	U9-370	Gas Orifice O-Ring	J7174
---	77707-0361	Gas Orifice Kit - LPG (SR200NA - SRC200LP)	J7176
---	77707-0351	Gas Orifice Kit - LPG (SR333NA - SRC333LP)	J7178
---	77707-0341	Gas Orifice Kit - LPG (SR400NA - SRC400LP)	J7180
---	77707-1361	Conversion Kit, NG to LPG (SR200NA - SRC200LP)	J7188
---	77707-1351	Conversion Kit, NG to LPG (SR333NA - SRC333LP)	J7190
---	77707-1341	Conversion Kit, NG to LPG (SR400NA - SRC400LP)	J7192
---	77707-1331	Conversion Kit, LPG to NG (SR200NA - SRC200LP)	J7194
---	77707-1321	Conversion Kit, LPG to NG (SR333NA - SRC333LP)	J7146
---	77707-1311	Conversion Kit, LPG to NG (SR400NA - SRC400LP)	J7196
5	31786-4019S	Gas Piping Clamp Kit	J7168
6	42001-0206S	Air Blower Kit	J7170
7	77707-0091	Endcap / Air Orifice, Inlet Mixing Tube (SR200NA - SRC200LP)	J7172
7	77707-0092	Endcap / Air Orifice, Inlet Mixing Tube (SR333NA - SRC333LP)	J7198
7	77707-0093	Endcap / Air Orifice, Inlet Mixing Tube (SR400NA - SRC400LP)	J7200
8	42001-0094S	Endcap Mixing Tube Grill	J7202
---	77707-0011	Blower / Adapter Plate Gasket Kit	J7204
10	42001-0067	Blower / Adapter Plate	J7206
---	77707-0202	Flameholder Kit (SR200NA - SRC200LP)	J7210
---	77707-0203	Flameholder Kit (SR333NA - SRC333LP)	J7212
---	77707-0204	Flameholder Kit (SR400NA - SRC400LP)	J7214
13	42001-0065	Flameholder / Combustion Chamber Gasket	J7216
14	42001-0075	Flameholder Insulation Cap	J7218
---	42001-0031	Condensate Evaporator	J7220
15	77707-0002	Upper RH Heater Enclosure Kit	J7222
16	42001-0001S	Lower Enclosure	J7224
17	77707-3200N	Upper LH Heater Enclosure Kit, NG (SR200NA - SRC200LP)	J7226
17	77707-3333N	Upper LH Heater Enclosure Kit, NG (SR333NA - SRC333LP)	J7228
17	77707-3400N	Upper LH Heater Enclosure Kit, NG (SR400NA - SRC400LP)	J7230
17	77707-3200L	Upper LH Heater Enclosure Kit, LPG (SR200NA - SRC200LP)	J7232
17	77707-3333L	Upper LH Heater Enclosure Kit, LPG (SR333NA - SRC333LP)	J7234
17	77707-3400L	Upper LH Heater Enclosure Kit, LPG (SR400NA - SRC400LP)	J7236
18	37336-4096	Self-tap Screw, Heater Enclosure (After 2/98)	J7238
18	77707-0007	Upper Enclosure Fastener Kit (Before 3/98)	J7240
19	U43-62SS	3/8" Flat Washer (4 needed)	J7242
20	U43-12SS	3/8" Lock Washer (4 needed)	J7244
21	U36-38SS	3/8" Hex Nut (4 needed)	J7246
---	77707-0008	Insulation Kit	J7248
---	42001-0074S	Lower Enclosure Insulation	J7250
26	42002-0005S	Vent Cover (Replaces Vent & Elbow Used 4/97 - 5/98)	J7252
27	42001-0295	Exhaust Vent Assy. (Replaces Vent & Elbow Used 4/97 - 5/98)	J7254

TELEDYNE LAARS COMMON PARTS

Millivolt 125 - 400

DESCRIPTION	EG	EPG	ESG	LLG	ITEM NO.
Pilot Gen. Cartridge	Note 1	W0036901	W0036901	W0036901	J2257
Pilot Burner/Gen. Assy. (NAT)	R0027500	R0027500	-----	-----	J2056
Pilot Burner/Gen. Assy. (NAT)	-----	-----	R0096700	R0096700	J2993
Pilot Burner/Gen. Assy. (LP)	R0027600	R0027600	-----	-----	J2058
Pilot Burner/Gen. Assy. (LP)	-----	-----	R0096600	R0096600	J2994
Gas Valve (NAT) (Note 2)	R0027700	-----	-----	-----	J2262
Gas Valve (NAT)	-----	R0027300	-----	-----	J2258
Gas Valve (NAT)	-----	-----	R0096400	R0096400	J2992
Gas Valve (LP) (Note 2)	R0027800	-----	-----	-----	J2263
Gas Valve (LP)	-----	R0027400	-----	-----	J2259
Gas Valve (LP)	-----	-----	R0096900	R0096900	J2991
Temp. Control Assy. (Solid State)	R0058200	R0058200	R0058200	R0058200	J2094
Temp. Control Assy. (Mech)	R0318800	R0318800	-----	-----	J2071
Temp. Control Assy. (EPM)	Note 3	Note 3	Note 3	Note 3	J2298
Toggle Switch	R0094100	R0094100	-----	-----	J2108
Rocker Switch	-----	-----	R0099800	R0099800	J2956
Temp. Control Knob	R0010700	R0010700	R0010700	R0010700	J2092
Pressure Switch 2 PSI (Stand.)	R0013200	R0013200	R0013200	R0013200	J2106
Pressure Switch 1 PSI	R0011300	R0011300	R0011300	R0011300	J2105
Pressure Switch 1 - 10 PSI	R0015500	R0015500	R0015500	R0015500	J2241
Siphon Loop	R0057800	R0057800	R0057800	R0057800	J2127
Hi-Limit Switch 135 Degrees	R0022700	R0022700	R0022700	R0022700	J2080
Hi-Limit Switch 150 Degrees	R0023000	R0023000	R0023000	R0023000	J2082
Fusible Link	R0012200	R0012200	R0012200	R0012200	J2131
Hi-Limit Switch Redundant	-----	R0012800	R0012800	-----	J2244
Hi-Limit Switch Fusible Type	-----	-----	R0313900*	R0313900	J2886
			*Note 4		
Inlet/Outlet Header 1-1/2"	R0058400	R0058400	-----	-----	J2109
Inlet/Outlet Header 2"	-----	R0056400	R0056400	R0056400	J2266
Rear Header	R0058300	R0058300	R0058300	R0058300	J2117
Header Gasket (Set of 18)	R0050800	R0050800	R0050800	R0050800	J2120
Flange Gasket 1-1/2" (Set of 2)	S0053100	S0053100	-----	-----	J2122
Flange Gasket 2"	-----	S0078000	S0078000	S0078000	J2322
Flange Gasket Sleeve 2"	-----	S0078200	S0078200	S0078200	J2326
Flange Gasket 1-1/2" x 2"	-----	S0078100	S0078100	S0078100	J2920
Flange Gskt & Sleeve Kit (2)	R0054800	R0054800	R0054800	R0054800	J2151
By-Pass Disc	R0011500	R0011500	R0011500	R0011500	J2183
Pressure Relief Valve 75 PSI	R0040400	R0040400	R0040400	R0040400	J2128
Burner Tray Shelf (125)	R0317001	R0317001	R0317001	R0317001	J2129
Burner Tray Shelf (175)	R0317002	R0317002	R0317002	R0317002	J2132
Burner Tray Shelf (250)	R0317003	R0317003	R0317003	R0317003	J2134
Burner Tray Shelf (325)	R0317004	R0317004	R0317004	R0317004	J2136
Burner Tray Shelf (400)	R0317005	R0317005	R0317005	R0317005	J2138
Burner, Main w/Pilot Bracket	10457200	10457200	-----	-----	J2213
Burner, Main w/Pilot Bracket	-----	-----	10457500	10457500	J2913

NOTE 1: G.C. type generator not available, use R275 (NAT) or R276 (LP) Pilot Burner/Gen Assy.

NOTE 2: G.C. type not available, use R277 (NAT) or R278 (LP) retro kit includes all fittings.

NOTE 3: Uses R0011800 Temperature Sensor Item No. J2096.

NOTE 4: Fusible type used on heaters with serial #'s "G" and later.

TELEDYNE LAARS COMMON PARTS

Electronic Ignition 125 - 400

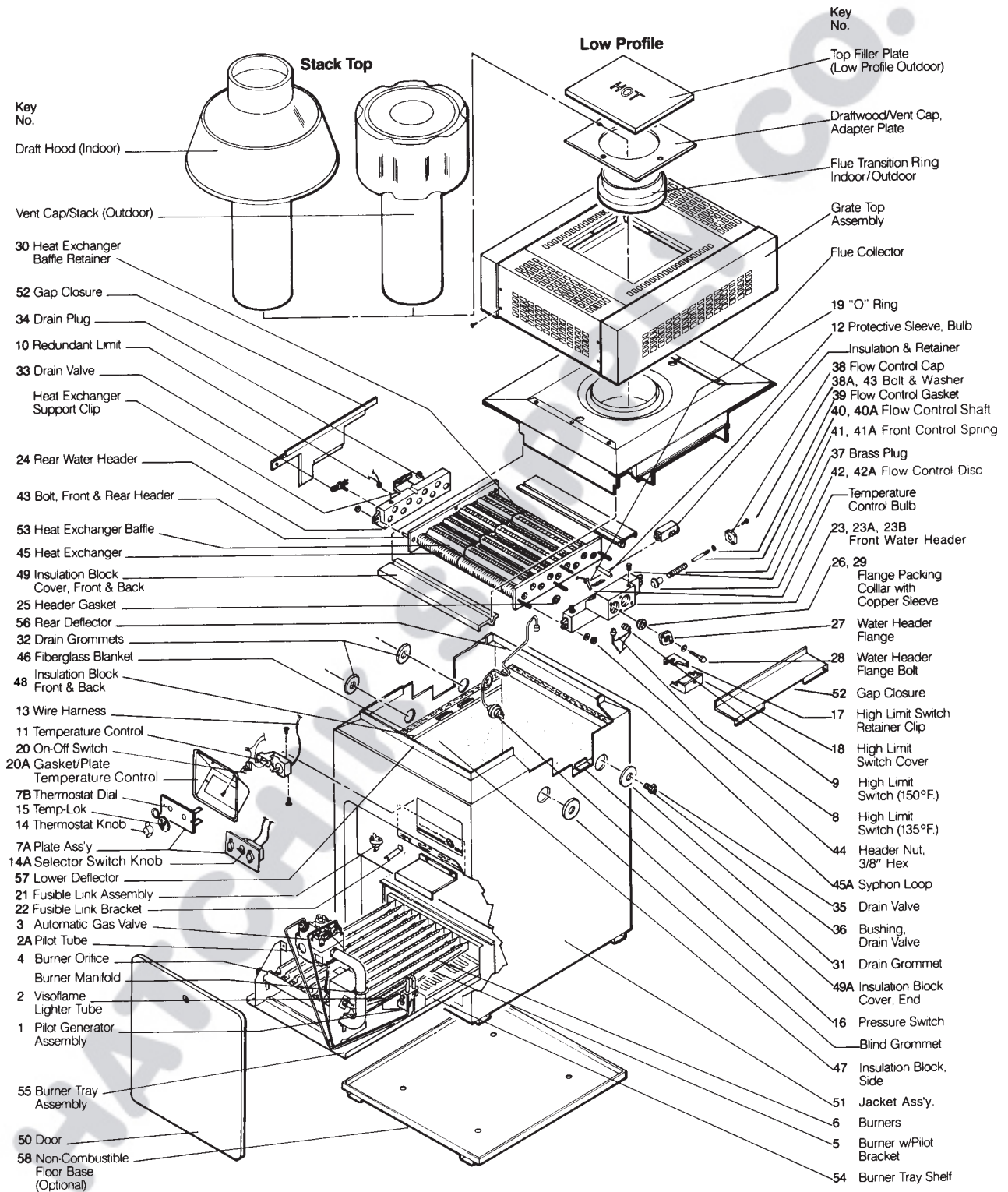
DESCRIPTION	ES & EC	EPS & EPC	ESC	LLD	ITEM NO.
Pilot Burner/Electrode (NAT)	R0061600	R0061600	R0061600	-----	J2995
Pilot Burner (LP)	W0038300	W0038300	-----	-----	J2996
Pilot Burner (LP)	-----	-----	R0095800	-----	J2963
Flame Sensor (LP)	W0037500	W0037500	-----	-----	J2997
Hot Surface Ignitor	-----	-----	-----	R0317200	J2883
Pilot Tubing	R0037000	R0037000	R0037000	-----	J2248
Ceramic Insulator Assy.	R0011600	R0011600	R0011600	-----	J2089
Gas Valve (NAT) 125-175	R0039200	R0039200	R0039200	-----	J2123
Gas Valve (NAT) 250-400	R0099400	R0038400	R0099400	-----	J2068
Gas Valve (NAT)	-----	-----	-----	R0317100	J2880
Gas Valve (LP)	-----	R0028200	-----	-----	J2069
Gas Valve (LP)	-----	-----	R0095900	-----	J2965
Gas Valve (LP)	-----	-----	-----	R0319600	J2882
Temp Control Assy. (Dual)	R0011700	R0011700	R0011700	R0011700	J2211
Toggle Switch	R0094100	R0094100	-----	-----	J2108
Temp Control Knob	R0010700	R0010700	R0010700	R0010700	J2092
Pressure Switch 2 PSI (<i>Stand</i>)	R0013200	R0013200	R0013200	R0013200	J2106
Pressure Switch 1 PSI	R0011300	R0011300	R0011300	R0011300	J2105
Pressure Switch 1 - 10 PSI	R0015500	R0015500	R0015500	R0015500	J2241
Siphon Loop	R0057800	R0057800	R0057800	R0057800	J2127
Hi-Limit Switch 135 Degrees	R0022700	R0022700	R0022700	R0022700	J2080
Hi-Limit Switch 150 Degrees	R0023000	R0023000	R0023000	R0023000	J2082
Fusible Link	R0012200	R0012200	R0012200	R0012200	J2131
Ignition Control (NAT)	R0011900	R0011900	R0011900	-----	J2137
Ignition Control (NAT & LP)	-----	-----	-----	R00317500	J2885
Ignition Control (LP)	-----	E0112300	-----	-----	J2145
Ignition Control (LP)	-----	-----	R0097100	-----	J2147
Fuse Packet 1.5 AMP	R0012300	R0012300	R0012300	R0012300	J2141
Transformer (115V-220V/24V)	R0061100	R0061100	R0061100	R0061100	J2088
Inlet/Outlet Header 1-1/2"	R0058400	R0058400	-----	-----	J2109
Inlet/Outlet Header 2"	-----	R0056400	R0056400	R0056400	J2266
Rear Header	R0058300	R0058300	R0058300	R0058300	J2117
Header Gasket (Set of 18)	R0050800	R0050800	R0050800	R0050800	J2120
Flange Gasket 1-1/2" (Set of 2)	S0053100	S0053100	-----	-----	J2122
Flange Gasket 2"	-----	S0078000	S0078000	S0078000	J2322
Flange Gasket Sleeve 2"	-----	S0078200	S0078200	S0078200	J2326
Flange Gasket 1-1/2" x 2"	-----	S0078100	S0078100	S0078100	J2920
Flange Gskt & Sleeve (2)	R0054800	R0054800	R0054800	R0054800	J2151
By-Pass Disc	R0011500	R0011500	R0011500	R0011500	J2183
Pressure Relief Valve 75 PSI	R0040400	R0040400	R0040400	R0040400	J2128
Burner Tray Shelf (125)	R0317001	R0317001	R0317001	R0317001	J2129
Burner Tray Shelf (175)	R0317002	R0317002	R0317002	R0317002	J2132
Burner Tray Shelf (250)	R0317003	R0317003	R0317003	R0317003	J2134
Burner Tray Shelf (325)	R0317004	R0317004	R0317004	R0317004	J2136
Burner Tray Shelf (400)	R0317005	R0317005	R0317005	R0317005	J2138
Burner, Main w/Pilot Bracket	10457500	10457500	10457500	-----	J2913

TELEDYNE LAARS EPG, EPM SERIES ONE HEATERS

KEY	MFG NO.	DESCRIPTION	ITEM NO.
1A	W0036901	Pilot Generator Only, R/S TP-75, 32"	J2257
1A	W0012500	Pilot Generator Only, G/C (For heaters w/G/C Pilot Burner/Generator Assy)	J2257
1B	R0027500	Pilot Burner/Generator Assy., R/S Nat. - Universal	J2056
1B	R0027600	Pilot Burner/Generator Assy., R/S Pro. - Universal	J2058
2	W0018800	Lighter Tube Orifice, Natural	J2060
2	W0018900	Lighter Tube Orifice, Propane	J2062
2	W0016200	Visoflame Lighter Tube	J2135
---	10369600	Visoflame Tubing	J2285
2A	R0037000	Pilot Tubing	J2248
3	R0027300	Gas Valve, R/S 7000 Natural (For Heaters w/ Serial #8744591 & Above)	J2258
3	R0027400	Gas Valve, R/S 7000 Propane (For Heaters w/ Serial #8744310 & Above)	J2259
3A	R0027700	Gas Valve Replacement Kit - Nat (G/C to R/S) (Serial #8744590 & Below)	J2262
3A	R0027800	Gas Valve Replacement Kit - Pro (G/C to R/S) (Serial #8744309 & Below)	J2263
4	L0032200	Orifice, Natural Gas	J2076
4	L0032900	Orifice, Propane Gas	J2078
5	10457200	Burner, Main w/ Pilot Bracket	J2213
6	L0052300	Burner, Main	J2289
7	10580500	Plate Assembly	J2296
7A	10456300	Thermostat Mounting Plate, Mechanical Type	J6610
7B	H0105300	Thermostat Dial	J2297
8	R0022700	Hi-Limit Switch, 135 Degree	J2080
9	R0023000	Hi-Limit Switch, 150 Degree	J2082
10	R0012800	Redundant Hi-Limit Switch, 275 Degree (105235)	J2244
11	R0318800	(EPG) Temperature Control, Mechanical	J2071
11	R0058200	(EPG) Temperature Control, 70-110 Degree (E-00971) Solid State	J2094
11	R0015600	(EPM) Temperature Control Assy. Elec/MV (E-01104)	J2298
11A	R0011800	(EPM) Temperature Sensor Assembly	J2096
12	10444900	Protector Sleeve, Bulb	J2251
13	10457800	Wire Harness (EPG)	J2025
13	10580600	Wire Harness (EPM)	J2299
14	E0094500	Knob, Pointer	J2092
15	10456700	Stop Plate, Temp-Lok	J2311
16	R0013200	Pressure Switch, 2 PSI, Standard (104088-02)	J2106
16	R0011300	Pressure Switch, 1 PSI, Consult Factory (104088-01)	J2105
16	R0013000	Pressure Switch, 3 PSI, Consult Factory (104088-03)	J2312
17	10418400	Hi-Limit Switch Retainer Clip	J2313
---	S0098900	Hi-Limit Switch Retainer	J2314
18	10418300	Cover, Hi-Limit Switches	J2315
19	E0116400	O-Ring (Temperature Control Bulb)	J2184
20	R0099800	Rocker Switch	J2956
20	R0094100	On/Off Toggle Switch (E-00770)	J2108
20A	S0070000	Gasket, Temperature Control	J2316

*Parts Not Available When Out

TELEDYNE LAARS EPG, EPM SERIES ONE HEATERS (1990-1992)



TELEDYNE LAARS EPG, EPM SERIES ONE HEATERS

KEY	MFG NO.	DESCRIPTION	ITEM NO.
21	R0012200	Fusible Link Assy. (E-00994)	J2131
22	10479900	Fusible Link, Bracket	J2317
23	R0058400	In/Out Header, 1-1/2" Cast Iron (Casting S-00686)	J2109
23A	R0054700	In/Out Header, 1-1/2" Bronze (S-00760)	J2318
23B	R0056400	In/Out Header, 2" Cast Iron	J2266
23B	R0016800	Inlet/Outlet Header, 2" Bronze (S-00797)	J2319
24	R0058300	Return Header (Casting S-00688)	J2117
24A	R0054600	Return Header Bronze (S-00759)	J2320
25	R0050800	Header Gasket (S-00708) (Set of 18)	J2120
26	R0021100	Packing Collar & Gasket for Flange, 1-1/2" (Set of 2)	J2122
26A	S0078000	Flange Gasket, 2"	J2322
27	R0031900	Flange Kit, 1-1/2" (Set of 2)	J2124
27A	R0055000	Flange Kit, 2" (Set of 2)	J2268
28	F0031700	Flange Bolts, 2" Long	J2192
29A	S0078200	Sleeve (2") Adapter	J2326
30	S0083900	Clip for Tube Baffles	J2327
31	S0098800	Grommet for Drain Plug (7/8" Hole)	J2328
33	P0058700	Drain Cock, Return Header	V4651
34	P0026800	Drain Plug, Return Header	V5102
35	P0058700	Drain Cock, In/Out Header	V4651
36	P0018500	Brass Reducer Bushing, 1/2" x 1/4", MPT x FPT	V5212
37	P0027000	Brass Pipe Plug 3/4", In/Out Header	V5107
38	10452201	Flow Control Cap (Casting S00691)	J2031
38A	F0031700	Bolt 3/8-16 x 1" Hex Head (2 needed)	J2192
39	R0011400	Flow Control Gasket	J2247
40	S0079800	Flow Control Shaft	J2201
41A	S0079900	Flow Control Valve Spring, Purple (125)	J2271
41	S0061400	Flow Control Valve Spring, White (175)	J2161
41	S0061300	Flow Control Valve Spring, Red (250)	J2160
41	S0061200	Flow Control Valve Spring, Blue (325)	J2159
41	S0070100	Flow Control Valve Spring, Black (400)	J2155
42	R0011500	Flow Control Disc	J2183
42A	S0079500	Flow Control Disc F/2" Header Only (Use J2183 when out)	J2267
43	F0029600	Header Bolt, 2-1/2", Rd Hd Sq Neck	J2190
43	F0028300	Header Bolt, 2-1/2", (Front) Rd Hd Sq Neck	J2190
43	F0031800	Header Bolt, 2-1/2", Csk, Sq Neck	J2190
43	F0011100	Washer for Header Bolt	J2275
44	F0003100	Nut for Header	J2276

TELEDYNE LAARS EPG, EPM SERIES ONE HEATERS

KEY	MFG NO.	DESCRIPTION		ITEM NO.
45	R0018101	Heat Exchanger Tube Assy - 10451801	(125)	J2030
45	R0018102	Heat Exchanger Tube Assy - 10451802	(175)	J2032
45	R0018103	Heat Exchanger Tube Assy - 10451803	(250)	J2034
45	R0018104	Heat Exchanger Tube Assy - 10451804	(325)	J2036
45	R0018105	Heat Exchanger Tube Assy - 10451805	(400)	J2038
45A	10545200	Syphon Loop Tube for Pressure Switch		J2127
46	T0002000	Insulation, Fiberglass Blanket for Sides		J2041
47	T0021400	Insulation, Block, Sides, 22-3/8" x 16-1/2"	(All)	J2047
48	T0021501	Insulation, Block, Front, 9-1/8" x 18-9/16"	(125)	J2065
48	T0021502	Insulation, Block, Front, 12-1/8" x 18-9/16"	(175)	J2051
48	T0021503	Insulation, Block, Front, 16-5/8" x 18-9/16"	(250)	J2045
48	T0021504	Insulation, Block, Front, 20-7/8" x 18-9/16"	(325)	J2055
48	T0021505	Insulation, Block, Front, 25-1/8" x 18-9/16"	(400)	J2057
48	T0021601	Insulation, Block, Rear, 9-1/8" x 22-13/16"	(125)	J2043
48	T0021602	Insulation, Block, Rear, 12-1/8" x 22-13/16"	(175)	J2059
48	T0021603	Insulation, Block, Rear, 16-5/8" x 22-13/16"	(250)	J2049
48	T0021604	Insulation, Block, Rear, 20-7/8" x 22-13/16"	(325)	J2053
48	T0021605	Insulation, Block, Rear, 25-7/8" x 22-13/16"	(400)	J2061
---	R0325301	Replacement Firebrick Kit - Complete	(125)	J6121
---	R0325302	Replacement Firebrick Kit - Complete	(175)	J6123
---	R0325303	Replacement Firebrick Kit - Complete	(250)	J6125
---	R0325304	Replacement Firebrick Kit - Complete	(325)	J6127
---	R0325305	Replacement Firebrick Kit - Complete	(400)	J6129
53	10697401	Baffle for Heat Exchanger, 9-1/16" (<i>8 Needed</i>)	(125)	J2939
53	10697402	Baffle for Heat Exchanger, 12-1/16" (<i>8 Needed</i>)	(175)	J2278
53	10697403	Baffle for Heat Exchanger, 16-9/16" (<i>8 Needed</i>)	(250)	J2279
53	10697404	Baffle for Heat Exchanger, 10-7/16" (<i>8 Needed</i>)	(325)	J2281
53	10697405	Baffle for Heat Exchanger, 12-15/16" (<i>8 Needed</i>)	(400)	J2282
55	10578001	Burner Tray Assembly - Natural	(125)	J2300
55	10578002	Burner Tray Assembly - Natural	(175)	J2301
55	10578003	Burner Tray Assembly - Natural	(250)	J2302
55	10578004	Burner Tray Assembly - Natural	(325)	J2303
55	10578005	Burner Tray Assembly - Natural	(400)	J2304
55	10578101	Burner Tray Assembly - Propane	(125)	J2305
55	10578102	Burner Tray Assembly - Propane	(175)	J2306
55	10578103	Burner Tray Assembly - Propane	(250)	J2307
55	10578104	Burner Tray Assembly - Propane	(325)	J2308
55	10578105	Burner Tray Assembly - Propane	(400)	J2309
---	R0040400	Pressure Relief Valve, 3/4", 75 PSI (A-00633)		J2128

TELEDYNE LAARS ESG SERIES 2 HEATERS

Pilot Gas System

KEY	MFG. NO.	DESCRIPTION	ITEM NO.
1	R0099100	Pilot, Main Burner Assembly, Natural	J2904
1	R0099200	Pilot, Main Burner Assembly, LPG	J2905
2	R0096700	Pilot Burner, Natural	J2993
2	R0096600	Pilot Burner, LPG	J2994
3	W0036901	Pilot Generator	J2257
6	F0031300	Pilot Bracket Screw	J2910
7	R0099300	Ceramic Insulator Assembly	J2912
8	10457500	Burner, Main w/ Pilot Bracket	J2913
9	R0037000	Pilot Tubing	J2248
10	R0096800	Piezo Lighter Assembly	J2390
12	R0098900	High Voltage Lead Assembly	J2914

Main Gas Assembly

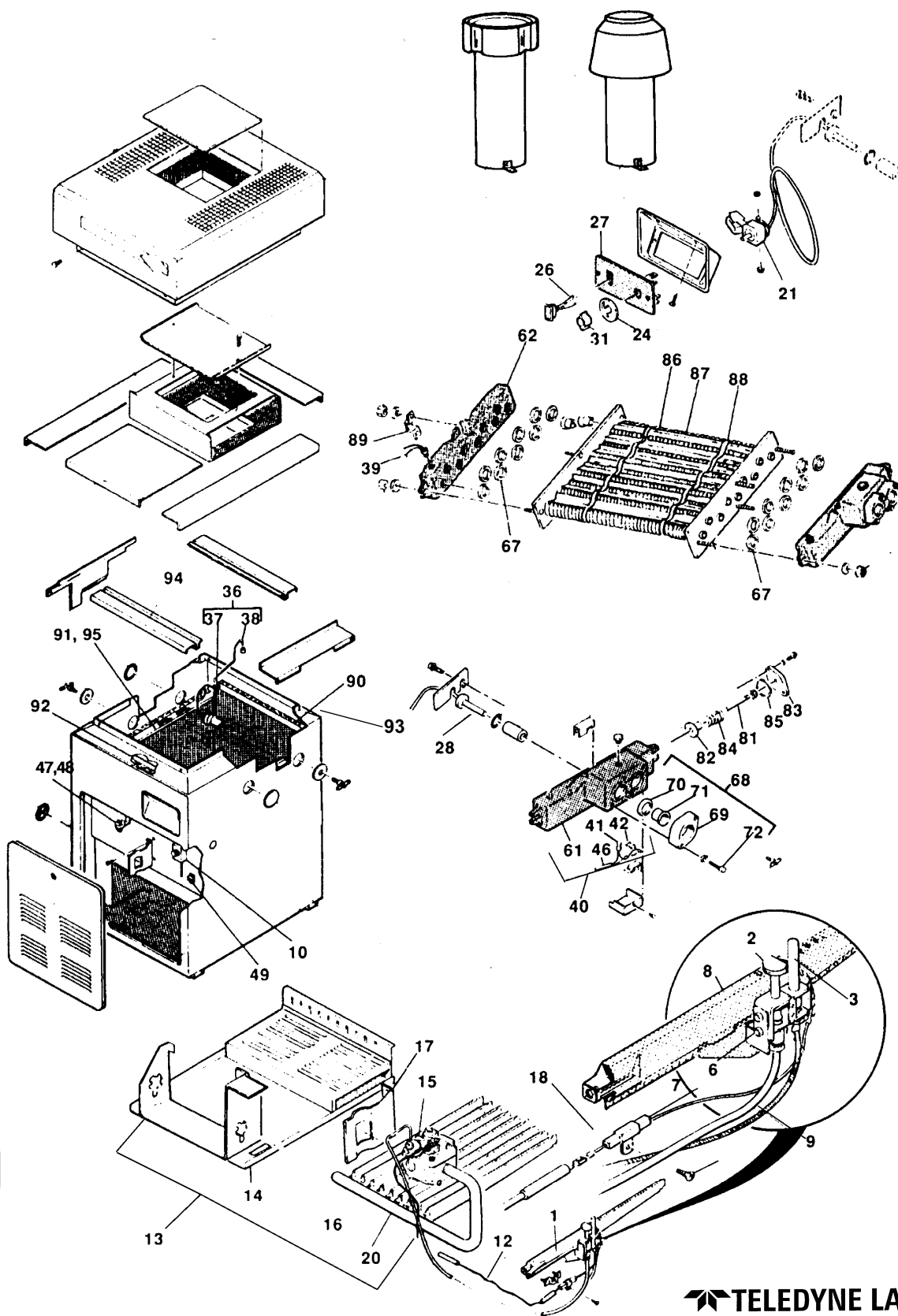
13	R0098601	Burner Tray Assembly, Natural (125)	J1037
13	R0098602	Burner Tray Assembly, Natural (175)	J1039
13	R0098603	Burner Tray Assembly, Natural (250)	J1040
13	R0098604	Burner Tray Assembly, Natural (325)	J1041
13	R0098605	Burner Tray Assembly, Natural (400)	J1042
13	R0098701	Burner Tray Assembly, Propane (125)	J1043
13	R0098702	Burner Tray Assembly, Propane (175)	J1044
13	R0098703	Burner Tray Assembly, Propane (250)	J1045
13	R0098704	Burner Tray Assembly, Propane (325)	J1046
13	R0098705	Burner Tray Assembly, Propane (400)	J1047
14	R0317001	Burner Tray Weldment (125)	J2129
14	R0317002	Burner Tray Weldment (175)	J2132
14	R0317003	Burner Tray Weldment (250)	J2134
14	R0317004	Burner Tray Weldment (325)	J2136
14	R0317005	Burner Tray Weldment (400)	J2138
15	R0096400	Gas Valve, Natural	J2992
15	R0096900	Gas Valve, LPG	J2991
16	L0032200	Gas Orifice, Natural	J2076
16	L0032900	Gas Orifice, LPG	J2078
17	10577200	Anti - Rotation Bracket	J6106
18	10419200	Mounting Bracket for Ceramic Insulator	J2903
19	L0052300	Burner, Main	J2289

Electrical System

21	R0318800	Temperature Control Assembly (Mechanical)	J2071
21	R0058200	Temperature Control Assembly (Solid State)	J2094*
22	R0058000	Wire Harness (Not Shown)	J6130
24	10456700	"Temp-Lok" Stop Plate	J6132
26	R0099800	On - Off Switch	J2956

* To Convert Solid State Thermostat (R0058200) to Mechanical Thermostat (R0318800), the Following Parts are needed: (J6610) Mounting Plate, (J2297) Temperature Control Label, (J2108) Toggle Switch & (J2071) Mechanical Thermostat

TELEDYNE LAARS ESG SERIES 2 HEATERS (1993-1996)



TELEDYNE LAARS ESG SERIES 2 HEATERS (1993 - 1996)

Electrical System (Cont.)

KEY	MFG. NO.	DESCRIPTION	ITEM NO.
27	H0105300	Temperature Control Label	J2297
28	R0011800	Temperature Sensor	J2096
31	R0010700	Thermostat Knob, Black	J2092
36	R0097600	Pressure Switch & Siphon Loop Assembly	J2973
37	R0013200	Pressure Switch, 2 PSI	J2106
37	R0011300	Pressure Switch, 1 PSI	J2105
37	R0015500	Pressure Switch, 1 - 10 PSI	J2241
38	R0057800	Siphon Loop Assembly	J2127
39	R0012800	High - Limit Switch, Redundant 275 Degrees F	J2244
39A	R0313900	Redundant High Limit (Fusible) <i>(Installed in Flue Collector)</i>	J2886*
39B	R0337400	Redundant High Limit Replacement Kit <i>(Use if Nuisance Tripping Occurs)</i>	J6608*
40	R0023200	High - Limit Switch Assembly	J6110
41	R0022700	High - Limit Switch, 135 Degrees F	J2080
42	R0023000	High - Limit Switch, 150 Degrees F	J2082
46	10419300	High - Limit Switch Wire Harness	J2950
47	R0012200	Fusible Link Assembly	J2131
48	10479900	Fusible Link Bracket	J2317
49	R0097800	Terminal Block	J6138

Water System

61	R0056400	Inlet / Outlet Header, 2"	J2266
62	R0058300	Return Header	J2117
67	R0050800	Header Gasket Assembly	(Set of 18) J2120
68	R0055000	Flange & Gasket Assembly - Kit	(Set of 2) J2268
69	10573500	Flange, 2"	J2324
70	S0078000	Flange Gasket, 2"	J2322
71	S0078200	Flange Sleeve, 2"	J2326
72	F0031700	Flange Bolt	J2192
73	S0078100	Flange Gasket, 1-1/2 - 2"	(Not Shown) J2920
81	S0074300	By - Pass Valve Rod	J6140
82	R0011500	By - Pass Valve Disc	J2183
83	10452200	By - Pass Valve Control Cap	J2031
84	S0079900	By - Pass Valve Spring, Purple	(125) J2271
84	S0061400	By - Pass Valve Spring, White	(175) J2161
84	S0061300	By - Pass Valve Spring, Red	(250) J2160
84	S0061200	By - Pass Valve Spring, Blue	(325) J2159
84	S0070100	By - Pass Valve Spring, Black	(400) J2155
85	R0011400	By - Pass Valve Gasket	J2247

* For Models with Serial Numbers "G" and Later
+ Front / Rear Tile for Models with Serial Numbers "G" and Later

TELEDYNE LAARS ESG SERIES 2 HEATERS (1993 - 1996)

Water System (Cont.)

KEY	MFG. NO.	DESCRIPTION		ITEM NO.
86	R0018101	Heat Exchanger Assembly	(125)	J2030
86	R0018102	Heat Exchanger Assembly	(175)	J2032
86	R0018103	Heat Exchanger Assembly	(250)	J2034
86	R0018104	Heat Exchanger Assembly	(325)	J2036
86	R0018105	Heat Exchanger Assembly	(400)	J2038
87	10697401	Baffle for Heat Exchanger <i>(8 needed)</i>	(125)	J2939
87	10697402	Baffle for Heat Exchanger <i>(8 needed)</i>	(175)	J2278
87	10697403	Baffle for Heat Exchanger <i>(8 needed)</i>	(250)	J2279
87	10697404	Baffle for Heat Exchanger <i>(8 needed)</i>	(325)	J2281
87	10697405	Baffle for Heat Exchanger <i>(8 needed)</i>	(400)	J2282
88	S0083900	Baffle Retainer		J2327
89	10457000	Heat Exchanger Support Clip		J6142

Firebox Components

90	T0002000	Insulation, Fiberglass <i>(Sold by Foot)</i>		J2041
90	T0027100	Insulation, Fiberglass <i>(Sold by Foot)</i>		J6118*
91	T0021400	Side Tile, 22-3/8" x 16-1/2"		J2047
91	T0026500	Side Tile		J6120*
92	T0021501	Front Tile, 18-5/8" x 9-1/8"	(125)	J2065+
92	T0021502	Front Tile, 18-5/8" x 12-1/8"	(175)	J2051+
92	T0021503	Front Tile, 18-5/8" x 16-1/8"	(250)	J2045+
92	T0021504	Front Tile, 18-5/8" x 20-7/8"	(325)	J2055+
92	T0021505	Front Tile, 18-5/8" x 25-7/8"	(400)	J2057+
93	T0021601	Rear Tile, 22-15/16" x 9-1/8"	(125)	J2043
93	T0021602	Rear Tile, 22-15/16" x 12-1/8"	(175)	J2059
93	T0021603	Rear Tile, 22-15/16" x 16-5/8"	(250)	J2049
93	T0021604	Rear Tile, 22-15/16" x 20-7/8"	(325)	J2053
93	T0021605	Rear Tile, 22-15/16" x 25-7/8"	(400)	J2061
---	R0325301	Repl. Firebrick Kit - "F" Serial Number	(125)	J6121
---	R0325302	Repl. Firebrick Kit - "F" Serial Number	(175)	J6123
---	R0325303	Repl. Firebrick Kit - "F" Serial Number	(250)	J6125
---	R0325304	Repl. Firebrick Kit - "F" Serial Number	(325)	J6127
---	R0325305	Repl. Firebrick Kit - "F" Serial Number	(400)	J6129
95	10167300	Side Tile Cover		J6144

* For Models with Serial Numbers "G" and Later

+ Front / Rear Tile for Models with Serial Numbers "G" and Later

TELEDYNE LAARS ESC SERIES 2 HEATERS

Pilot Gas System

KEY	MFG. NO.	DESCRIPTION	ITEM NO.
1	R0096000	Pilot, Main Burner Assembly, Natural	J2962
1	R0096500	Pilot, Main Burner Assembly, LPG	J2961
2	R0061600	Pilot Burner, Natural	J2995
2	R0095800	Pilot Burner, LPG	J2963
4	R0011600	Ceramic Insulator Assembly	J2089
5	10457500	Burner, Main w/ Pilot Bracket	J2913
6	R0099000	High Voltage Lead Assembly	J6100
7	R0037000	Pilot Tubing	J2248

Main Gas Assembly

8	R0098801	Burner Tray, Natural (125)	J2980
8	R0098802	Burner Tray, Natural (175)	J2981
8	R0098803	Burner Tray, Natural (250)	J2982
8	R0098804	Burner Tray, Natural (325)	J2983
8	R0098805	Burner Tray, Natural (400)	J2984
8	R0097201	Burner Tray, Propane (125)	J2985
8	R0097202	Burner Tray, Propane (175)	J2986
8	R0097203	Burner Tray, Propane (250)	J2987
8	R0097204	Burner Tray, Propane (325)	J2988
8	R0097205	Burner Tray, Propane (400)	J2989
9	R0317001	Burner Tray, Shelf Only (125)	J2129
9	R0317002	Burner Tray, Shelf Only (175)	J2132
9	R0317003	Burner Tray, Shelf Only (250)	J2134
9	R0317004	Burner Tray, Shelf Only (325)	J2136
9	R0317005	Burner Tray, Shelf Only (400)	J2138
10	R0039200	Gas Valve, Natural (125-175)	J2123
10	R0099400	Gas Valve, Natural (250-400)	J2068
10	R0095900	Gas Valve, LPG	J2965
10A	L0032200	Gas Orifice, Natural	J2076
10A	L0032900	Gas Orifice, LPG	J2078
11	10577200	Anti-Rotation Bracket	J6106
12	10419200	Mounting Bracket Assembly	J2903
13	L0052300	Burner, Main	J2289

Electrical System

15	R0011700	Temperature Control Assembly	J2211
16	R0011800	Temperature Sensor	J2096
17	R0099900	Knob, Single Bar	J6108
18	R0010700	Thermostat Knob, Black	J2092
19	10583100	"Temp-Lok" Stop Plate	J2958

TELEDYNE LAARS ESC SERIES 2 HEATERS

Electrical System (Cont.)

KEY	MFG. NO.	DESCRIPTION	ITEM NO.
21	10457800	Wire Harness Assembly	J2025
22	10447300	Retainer Bracket for Temperature Sensor	J2948
25	R0097600	Pressure Switch & Siphon Loop Assembly	J2973
26	R0013200	Pressure Switch, 2 PSI	J2106
26	R0011300	Pressure Switch, 1 PSI	J2105
26	R0015500	Pressure Switch, 1 - 10 PSI	J2241
27	R0057800	Siphon Loop Assembly	J2127
28	R0023200	High - Limit Switch Assembly	J6110
29	R0022700	High - Limit Switch, 135 Degrees F	J2080
30	R0023000	High - Limit Switch, 150 Degrees F	J2082
31	R0012800	Redundant High - Limit, 275 Degrees F	J2244
34	10419300	High - Limit Switch Wire Harness	J2950
35	R0012200	Fusible Link Assembly	J2131
36	10479900	Fusible Link Bracket	J2317
37	R0097800	Terminal Block	J2975
38	10457900	Ignition Control Assembly, Natural <i>(Includes Transformer)</i>	J2971
38	R0097900	Ignition Control Assembly, LPG <i>(Includes Transformer)</i>	J2972
39	R0011900	Ignition Control, Natural	J2137
39	R0097100	Ignition Control, LPG	J2147
41	R0061100	Transformer (115V - 220V / 24V)	J2088
42	10451200	Ignition Control Panel Bracket	J2967
43	10480000	In - Line Fuse Assembly	J2968
43A	R0012000	Fuse 3 Amp (5 Pack)	J6606

Water System

54	R0056400	Inlet / Outlet Header, 2"	J2266
55	R0058300	Return Header	J2117
60	R0050800	Header Gasket Assembly (Set of 18)	J2120
61	R0055000	Flange & Gasket Assembly - Kit (Set of 2)	J2268
62	10573500	Flange, 2"	J2324
63	S0078000	Flange Gasket, 2"	J2322
64	S0078200	Flange Sleeve, 2"	J2326
65	F0031700	Flange Bolt	J2192
66	S0078100	Flange Gasket, 1-1/2" x 2" - each <i>(Not Shown)</i>	J2920
73	S0074300	By - Pass Valve Rod	J6140
74	R0011500	By - Pass Valve Disc	J2183
75	10452200	By - Pass Valve Cap	J2031
76	S0079900	By - Pass Valve Spring, Purple (125)	J2271
76	S0061400	By - Pass Valve Spring, White (175)	J2161

TELEDYNE LAARS ESC SERIES 2 HEATERS

Water System (Cont.)

KEY	MFG. NO.	DESCRIPTION		ITEM NO.
76	S0061300	By - Pass Valve Spring, Red	(250)	J2160
76	S0061200	By - Pass Valve Spring, Blue	(325)	J2159
76	S0070100	By - Pass Valve Spring, Black	(400)	J2155
77	R0011400	By - Pass Valve Gasket		J2247
78	R0018101	Heat Exchanger Assembly	(125)	J2030
78	R0018102	Heat Exchanger Assembly	(175)	J2032
78	R0018103	Heat Exchanger Assembly	(250)	J2034
78	R0018104	Heat Exchanger Assembly	(325)	J2036
78	R0018105	Heat Exchanger Assembly	(400)	J2038
79	10697401	Baffle for Heat Exchanger	(125)	J2939
79	10697402	Baffle for Heat Exchanger	(175)	J2278
79	10697403	Baffle for Heat Exchanger	(250)	J2279
79	10697404	Baffle for Heat Exchanger	(325)	J2281
79	10697405	Baffle for Heat Exchanger	(400)	J2282
80	S0083900	Baffle Retainer		J2327

Firebox Components

82	T0002000	Insulation, Fiberglass	(Sold by Foot)	J2041
82	T0027100	Insulation, Fiberglass		J6118*
83	T0021400	Side Tile, 22-3/8 x 16-1/2"		J2047
83	T0026500	Side Tile		J6120*
84	T0021501	Front Tile, 18-5/8" x 9-1/8"	(125)	J2065+
84	T0021502	Front Tile, 18-5/8" x 12-1/8"	(175)	J2051+
84	T0021503	Front Tile, 18-5/8" x 16-1/8"	(250)	J2045+
84	T0021504	Front Tile, 18-5/8" x 20-7/8"	(325)	J2055+
84	T0021505	Front Tile, 18-5/8" x 25-7/8"	(400)	J2057+
85	T0021601	Rear Tile, 22-15/16" x 9-1/8"	(125)	J2043
85	T0021602	Rear Tile, 22-15/16" x 12-1/8"	(175)	J2059
85	T0021603	Rear Tile, 22-15/16" x 16-5/8"	(250)	J2049
85	T0021604	Rear Tile, 22-15/16" x 20-7/8"	(325)	J2053
85	T0021605	Rear Tile, 22-15/16" x 25-7/8"	(400)	J2061
---	R0325301	Repl. Firebrick Kit - "F" Serial Number	(125)	J6121
---	R0325302	Repl. Firebrick Kit - "F" Serial Number	(175)	J6123
---	R0325303	Repl. Firebrick Kit - "F" Serial Number	(250)	J6125
---	R0325304	Repl. Firebrick Kit - "F" Serial Number	(325)	J6127
---	R0325305	Repl. Firebrick Kit - "F" Serial Number	(400)	J6129

* For Models with Serial Numbers "G" and Later

+ Front / Rear Tile for Models with Serial Numbers "G" and Later

TELEDYNE LAARS LITE GAS HEATERS

Pilot Gas System - LLG

KEY	MFG. NO	DESCRIPTION	ITEM NO.
1	R0099200	Pilot, Main Burner Assembly, LPG	J2905
1	R0099100	Pilot, Main Burner Assembly, NAT	J2904
2	R0096700	Pilot Burner, NAT	J2993
2	R0096600	Pilot Burner, LPG	J2994
3	W0036901	Pilot Generator	J2257
4	R0011600	Ceramic Insulator Assembly	J2089
5	10457500	Burner, Main w/Pilot Bracket	J2913
6	R0099000	High Voltage Lead Assembly	J6100
7	R0037000	Pilot Tubing	J2248
8	R0096800	Piezo Lighter Assembly	J2390
9	R0097000	Piezo Lighter Knob	J2391

Main Gas Assembly - LLG (Millivolt)

11	R0098601	Burner Tray Assembly, NAT - 125	J1037
11	R0098602	Burner Tray Assembly, NAT - 175	J1039
11	R0098603	Burner Tray Assembly, NAT - 250	J1040
11	R0098604	Burner Tray Assembly, NAT - 325	J1041
11	R0098605	Burner Tray Assembly, NAT - 400	J1042
11	R0098701	Burner Tray Assembly, LPG - 125	J1043
11	R0098702	Burner Tray Assembly, LPG - 175	J1044
11	R0098703	Burner Tray Assembly, LPG - 250	J1045
11	R0098704	Burner Tray Assembly, LPG - 325	J1046
11	R0098705	Burner Tray Assembly, LPG - 400	J1047
13	R0096400	Gas Valve, NAT - LLG	J2992
13	R0096900	Gas Valve, LPG - LLG	J2991

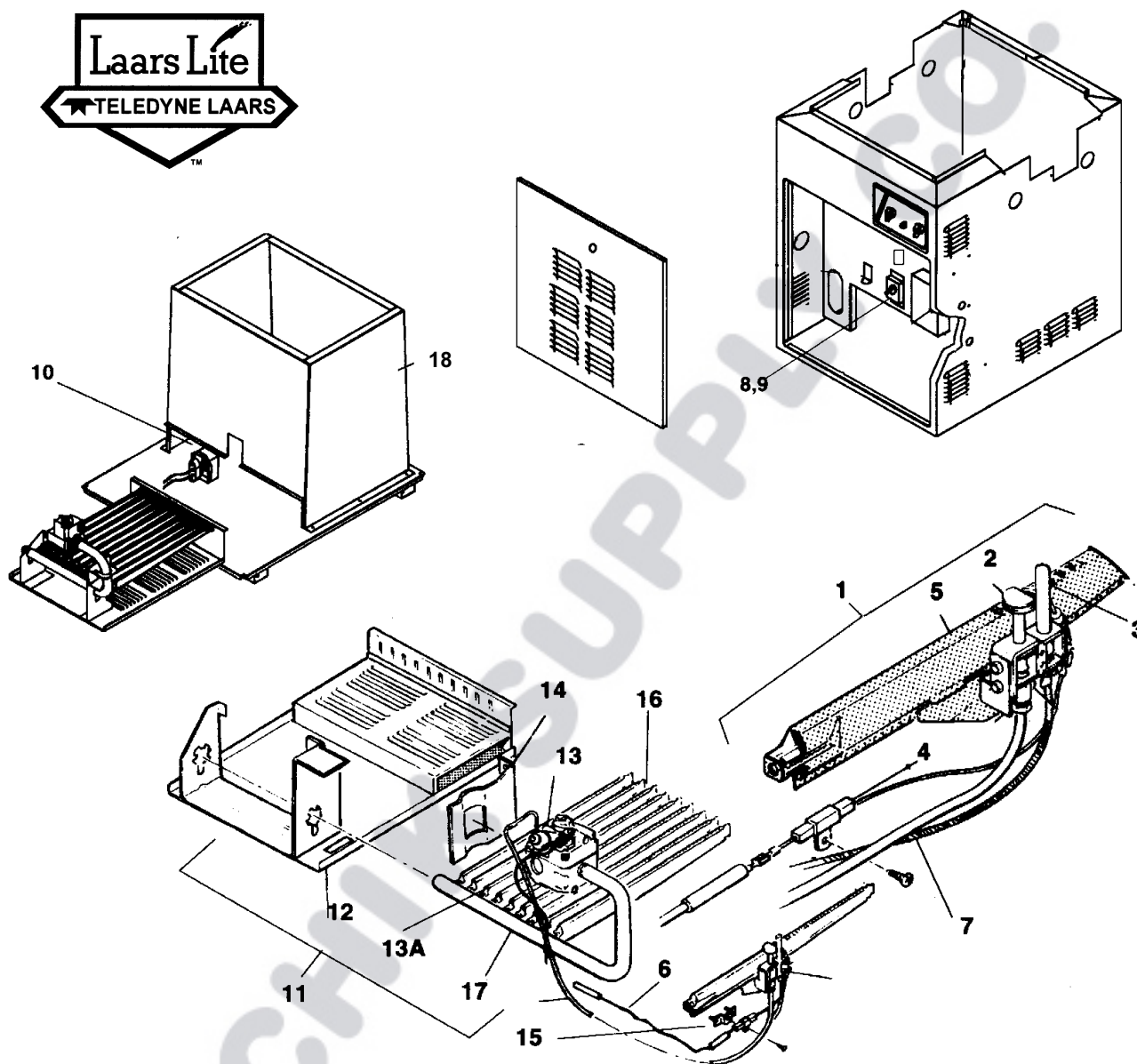
Main Gas Assembly - LLD (Electronic)

10	R0317200	Ignitor - LLD	J2883
---	R00334300	Flame Rectification Upgrade Kit	J2363
11	R0316901	Burner Tray Assembly, NAT - 125	J6620
11	R0316902	Burner Tray Assembly, NAT - 175	J6622
11	R0316903	Burner Tray Assembly, NAT - 250	J6624
11	R0316904	Burner Tray Assembly, NAT - 325	J6626
11	R0316905	Burner Tray Assembly, NAT - 400	J6628
11	R0319501	Burner Tray Assembly, LPG - 125	J6630
11	R0319502	Burner Tray Assembly, LPG - 175	J6632
11	R0319503	Burner Tray Assembly, LPG - 250	J6634
11	R0319504	Burner Tray Assembly, LPG - 325	J6636
11	R0319505	Burner Tray Assembly, LPG - 400	J6638
13	R0317100	Gas Valve, NAT - LLD	J2880
13	R0319600	Gas Valve, LPG - LLD	J2882

Main Gas Assembly - MISC.

12	R0317001	Burner Tray, Shelf Only - 125	J2129
12	R0317002	Burner Tray, Shelf Only - 175	J2132
12	R0317003	Burner Tray, Shelf Only - 250	J2134
12	R0317004	Burner Tray, Shelf Only - 325	J2136
12	R0317005	Burner Tray, Shelf Only - 400	J2138

TELEDYNE LAARS LITE GAS HEATERS (1997 - Present)



Main Gas Assembly - MISC. (Cont.)

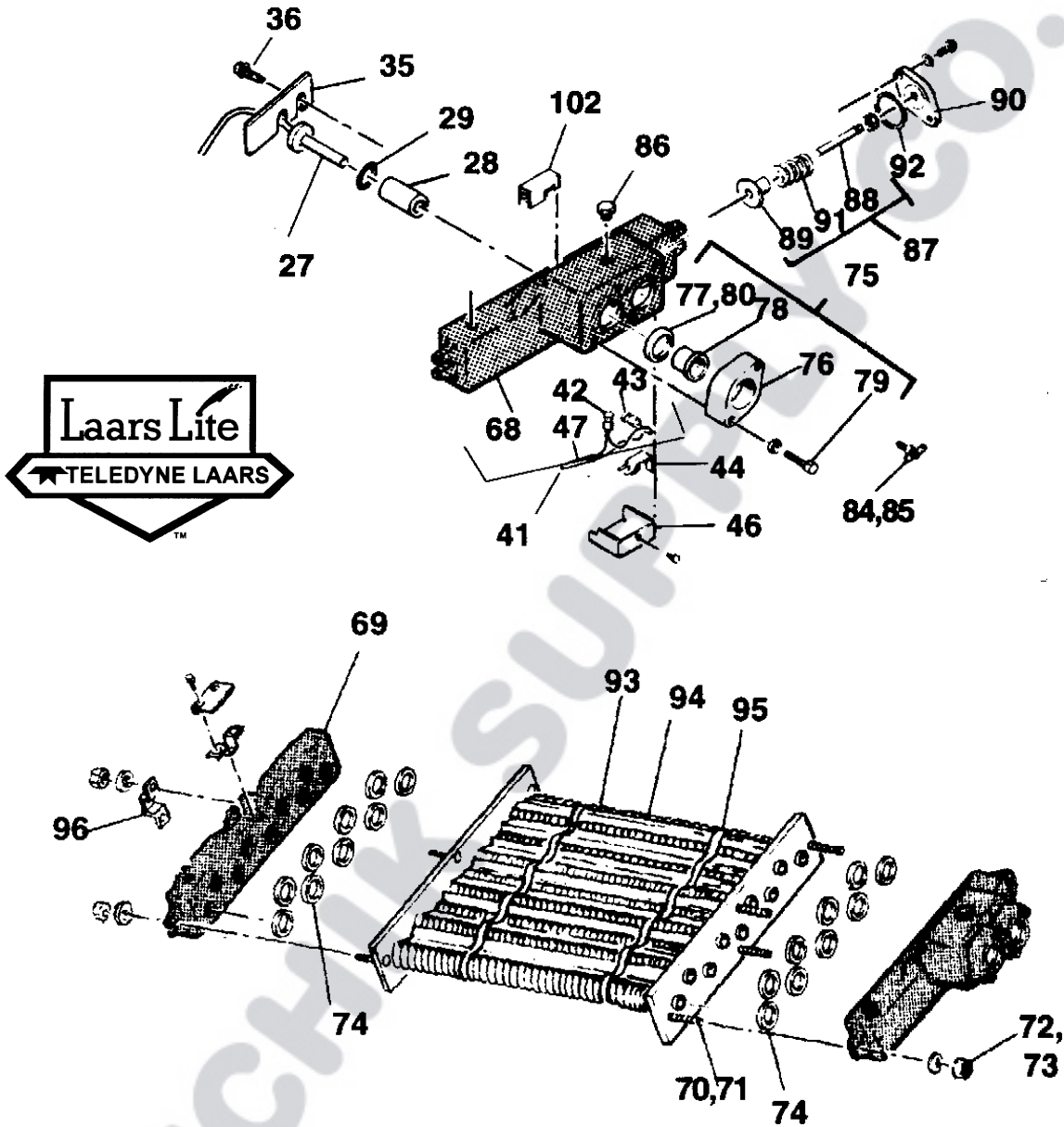
KEY	MFG. NO	DESCRIPTION	ITEM NO.
13a	L0032200	Gas Orifice, NAT	J2076
13a	L0032900	Gas Orifice, LPG	J2078
14	10577200	Anti-Rotation Bracket	J6639
15	10419200	Mounting Bracket Assembly	J2903
16	L0052300	Burner, Main	J2289
18	R0316701	Complete Chamber Assembly	(125) J6640
18	R0316702	Complete Chamber Assembly	(175) J6642
18	R0316703	Complete Chamber Assembly	(250) J6644
18	R0316704	Complete Chamber Assembly	(325) J6646
18	R0316705	Complete Chamber Assembly	(400) J6648

TELEDYNE LAARS LITE GAS HEATERS

Water Systems

KEY	MFG. NO.	DESCRIPTION	ITEM NO.
27	R0011800	Temperature Sensor	J2096
28	10444900	Protector Sleeve Bulb	J2251
29	E0116400	O-Ring, Temperature Control Bulb	J2184
35	10447300	Retainer Bracket	J2948
36	F0009100	Retainer Bracket Screw	J6444
---	R0313900	Redundant High - Limit - LLG (Not Shown)	J2886
41	R0023200	High - Limit Switch Assembly	J6110
42	R0022700	High - Limit Switch, 135* F	J2080
43	R0023000	High - Limit Switch, 150* F	J2082
44	10418400	High - Limit Switch Retainer Clip	J6682
---	S0098900	High - Limit Switch Retainer Boot	J6684
46	10418300	High - Limit Switch Cover	J6686
47	10419300	High - Limit Switch Wire Harness	J2950
68	R0056400	Inlet/Outlet Header, 2" (Cast Iron)	J2266
68	R0016800	Inlet/Outlet Header, 2" (Bronze)	J2319
69	R0058300	Return Header (Cast Iron)	J2117
69	R0054600	Return Header (Bronze)	J6690
70	R0057000	Header Bolt Assembly	J6692
71	F0046100	Bolt, 2-1/2" for Headers	J6694
72	F0011100	Washer for Headers	J2275
73	F0003100	Nut for Headers	J6696
74	R0050800	Header Gasket Assembly (Set of 18)	J2120
75	R0055000	Flange & Gasket Assembly (Set of 2)	J2268
76	10573500	Flange, 2"	J2324
77	S0078000	Flange Gasket, 2"	J2322
78	S0078200	Flange Sleeve, 2"	J2326
79	F0031700	Flange Bolt	J2192
80	S0078100	Flange Gasket, 1-1/2" - 2"	J2920
84	P0026800	Drain Plug	V4651
85	P0018500	Drain Plug Bushing	V5212
86	P0027000	Brass Plug, 3/4"	V5107
87	R0054900	By-Pass Assembly	J6698
88	S0074300	By-Pass Valve Rod	J6140
89	R0011500	By-Pass Valve Disc	J2183
90	10452200	By-Pass Valve Control Cap	J2031
91	S0079900	By-Pass Valve Spring, Purple (125)	J2271
91	S0061400	By-Pass Valve Spring, White (175)	J2161
91	S0061300	By-Pass Valve Spring, Red (250)	J2160
91	S0061200	By-Pass Valve Spring, Blue (325)	J2159
91	S0070100	By-Pass Valve Spring, Black (400)	J2155
92	R0011400	By-Pass Valve Gasket	J2247
93	R0018101	Heat Exchanger Assembly (125)	J2030
93	R0018102	Heat Exchanger Assembly (175)	J2032
93	R0018103	Heat Exchanger Assembly (250)	J2034
93	R0018104	Heat Exchanger Assembly (325)	J2036
93	R0018105	Heat Exchanger Assembly (400)	J2038

TELEDYNE LAARS LITE GAS HEATERS
(1997 - Present)



Water Systems (Cont.)

KEY	MFG NO.	DESCRIPTION	ITEM NO.
94	10697401	Baffle for Heat Exchanger (125)	J2939
94	10697402	Baffle for Heat Exchanger (175)	J2278
94	10697403	Baffle for Heat Exchanger (250)	J2279
94	10697404	Baffle for Heat Exchanger (325)	J2281
94	10697405	Baffle for Heat Exchanger (400)	J2282
95	S0083900	Retainer for Baffle	J2327
96	10457000	Support for Heat Exchanger	J6142
102	10462200	Insulation Retainer	J6650

TELEDYNE LAARS LITE GAS HEATERS
Electrical Systems

LLG (Millivolt)

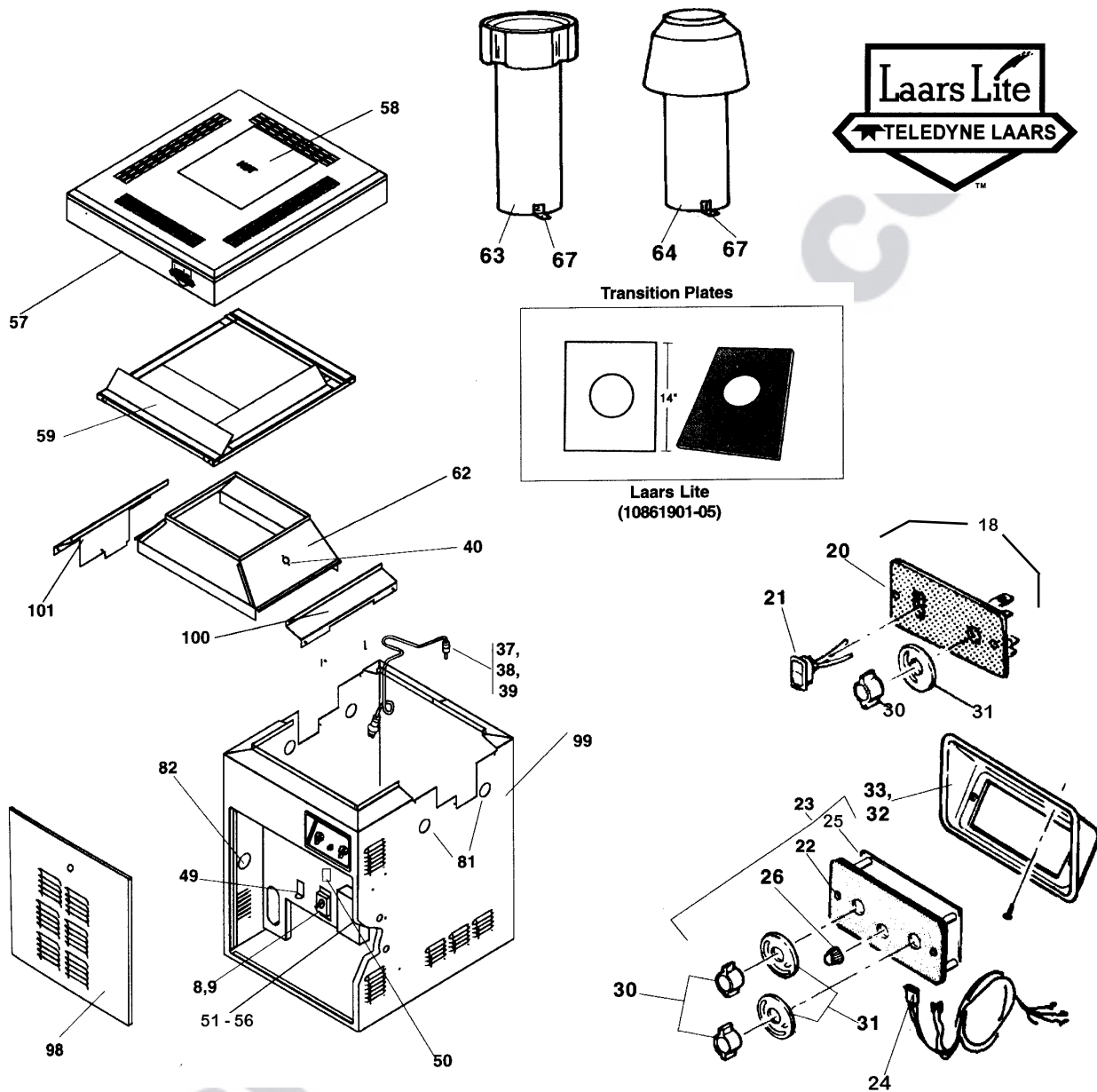
KEY	MFG. NO.	DESCRIPTION	ITEM NO.
18	R0058200	Temperature Control Assembly - LLG	J2094
19	R0058000	Wire Harness (not shown)	J6670
20	10456300	Plate Assembly	J6610
21	R0099800	On-Off Switch	J2956

LLD (Electronic)

22	H0105300	Temperature Control Label	J2297
23	R0011700	Temperature Control Assembly - LLD	J2211
24	10457800	Wire Harness Assembly	J2025
25	10594600	Plate Assembly	J6672
26	R0099900	Knob, Single Bar	J6108

Misc. Components

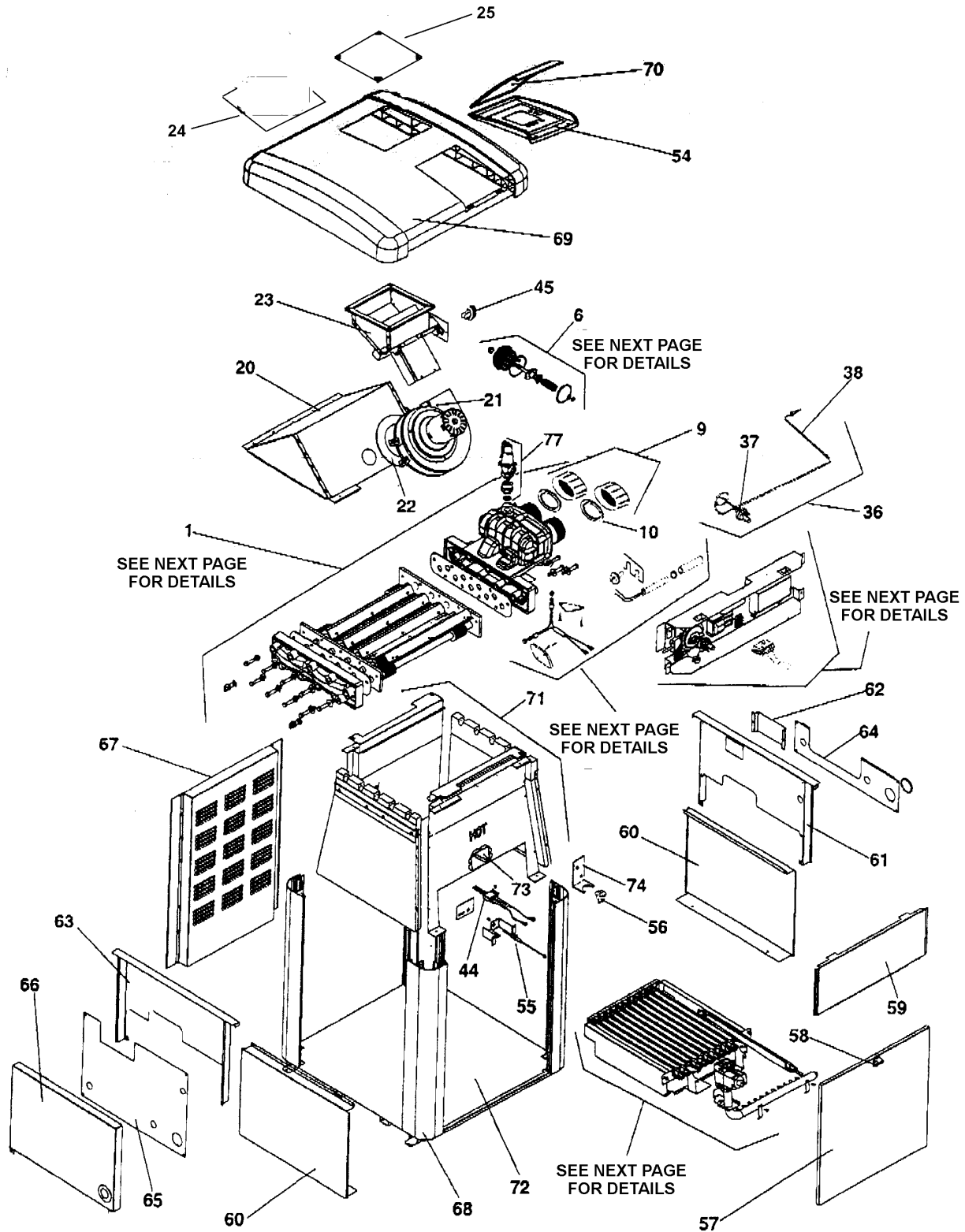
30	R0010700	Thermostat Knob, Black	J2092
31	10583100	"Temp-Lok" Stop Plate	J2958
32	S0070000	Temperature Control Gasket	J6674
33	S0069800	Bezel	J6676
34	F0033300	Stop Plate Screw	J6678
37	R0097600	Pressure Switch & Siphon Loop Assembly	J2973
38	R0013200	Pressure Switch, 2 PSI	J2106
38	R0011300	Pressure Switch, 1 PSI	J2105
38	R0015500	Pressure Switch, 1-10 PSI	J2241
39	R0057800	Siphon Loop Assembly	J2127
40	R0313900	Redundant High-Limit - LLG	J2886
---	R0337400	Redundant High Limit Replacement Kit <i>(Use if Nuisance Tripping Occurs)</i>	J6608
48	R0012200	Fusible Link Assembly	J2131
49	10479900	Bracket for Fusible Link	J2317
50	R0097800	Terminal Block	J2975
51	R0317500	Ignition Control Assembly - LLD	J2885
52	R0325200	Ignition Control - LLD	J2884
53	R0059800	Harness Assembly	J6680
54	R0061100	Transformer (115V - 220 & 24V)	J2088
55	10451200	Ignition Control Panel	J2967
56	10480000	In-Line Fuse Assembly	J2968
56	R0012000	Fuse 3 Amp (5 Pack)	J6606
63	10561501	Outdoor Vent Cap (125)	J1081
63	10561502	Outdoor Vent Cap (175)	J1083
63	10561503	Outdoor Vent Cap (250)	J1085
63	10561504	Outdoor Vent Cap (325)	J1087
63	10561505	Outdoor Vent Cap (400)	J1089
64	10561401	Indoor Drafthood (125)	J1120
64	10561402	Indoor Drafthood (175)	J1122
64	10561403	Indoor Drafthood (250)	J1124
64	10561404	Indoor Drafthood (325)	J1126
64	10561405	Indoor Drafthood (400)	J1128



TELEDYNE LAARS LITE GAS HEATERS

KEY	MFG. NO.	DESCRIPTION	ITEM NO.
81	R0316300	Grommet for Drain Plug	J6652
82	S0071100	Grommet, Slitted	J6654
83	S0098700	Hole Plug	J6656
---	10861901	Flue Transition Plate (125)	J6660
---	10861902	Flue Transition Plate (175)	J6662
---	10861903	Flue Transition Plate (250)	J6664
---	10861904	Flue Transition Plate (325)	J6666
---	10861905	Flue Transition Plate (400)	J6668
---	R0040400	Pressure Relief Valve, 3/4" (75 psi)	J2128
---	X0021100	Touch-Up Spray Paint, Light Beige	J6310

TELEDYNE LAARS LX GAS HEATERS
250 & 400



TELEDYNE LAARS LX GAS HEATERS

Water Systems

KEY	MFG. NO.	DESCRIPTION		ITEM NO.
1	R0326303	Complete Heat Exchanger, Copper	(250)	J6350
1	R0326305	Complete Heat Exchanger, Copper	(400)	J6352
2	R0326603	Tube Assy., w/ Hardware & Gaskets	(250)	J6354
2	R0326605	Tube Assy., w/ Hardware & Gaskets	(400)	J6356
3	R0334403	Heat Exchanger Baffles (Set of 10)	(250)	J6358
3	R0334405	Heat Exchanger Baffles (Set of 10)	(400)	J6360
4	R0326900	Front Header, w/ Hardware & Gaskets		J6362
5	R0327000	Rear Header, w/ Hardware & Gaskets		J6364
6	R0327100	Bypass Asy., w/ Hardware & Gaskets		J6366
7	R0336700	Gasket, Bypass Assembly		J6368
8	R0327200	Spring, Bypass		J6370
9	R0327300	Coupling Nut Kit, w/ Compression Ring & Gasket (Set of 2)		J6372
10	R0327400	Compression Ring w/ Gasket, I/O Header (Set of 2)		J6374
11	R0327500	Gasket, Header (Front or Rear)		J6376
12	R0335900	Header Drain Plug w/ Gasket (Set of 3)		J6378
13	R0327600	Heat Exchanger Hardware Kit & Gaskets		J6380

Gas Components

14	R0327703	Burner Tray Weldment	(250)	J6388
14	R0327705	Burner Tray Weldment	(400)	J6390
15	L0052300	Burners		J2289
16	R0327803	Manifold, Gas	(250)	J6392
16	R0327805	Manifold, Gas	(400)	J6394
17	R0327900	Nat. Orifice, 0-3K Ft. (Set of 20)		J6396
17	R0328000	Nat. Orifice, 3-6K Ft. (Set of 20)		J6398
17	R0328100	Nat. Orifice, 6-9K Ft. (Set of 20)		J6400
17	R0328200	LP Orifice, 0-5K Ft. (Set of 20)		J6402
17	R0328300	LP Orifice, 5-10K Ft. (Set of 20)		J6404
18	R0331800	Anti-Rotation Bracket		J6406
19	R0336800	Gas Valve Nat. w/ Street Elbow		J6408
19	R336900	Gas Valve LP w/ Street Elbow		J6410

Exhaust System

20	R0331703	Flue Collector	(250)	J6418
20	R0331705	Flue Collector	(400)	J6420
21	R0329800	Blower Assembly		J6422
22	R0329900	Gasket w/ Blower Mounting Hardware		J6424
23	R0331500	Flue Vent		J6426
24	R0331403	Indoor Vent Collar	(250)	J6428
24	R0331405	Indoor Vent Collar	(400)	J6430
25	R0328500	Outdoor Grill		J6432
26	R0331600	Vent Hardware Kit		J6434

TELEDYNE LAARS LX GAS HEATERS
250 & 400

HATCHIK SUPPLY CO.

TELEDYNE LAARS LX GAS HEATERS 250 & 400

Electrical Systems

KEY	MFG. NO.	DESCRIPTION	ITEM NO.
27	R0328700	Transformer	J6440
28	R0337100	Fuse Assembly, In-Line	J6442
29	R0302000	Blower Pressure Switch	J6300
30	R0011800	Temperature Sensor	J2096
31	E0116400	Gasket, Temperature Sensor	J2184
32	10444900	Plastic Sleeve, Temperature Sensor	J2251
33	10447300	Retainer Bracket, Temperature Sensor	J2948
34	F0009100	Screw, Retainer Bracket	J6444
35	R0328800	Ignition Control	J6446
36	R0334500	Pressure Switch Assembly	J6448
37	R0013200	Pressure Switch, 2 PSI	J2106
38	R0334600	Siphon Loop	J6450
39	R0023200	High Limit Set	J6110
40	R0022700	High Limit 135 Degrees	J2080
41	R0023000	High Limit 150 Degrees	J2082
42	R0334700	Harness, High Limit Switch	J6452
43	R0336500	Retainer Plates, High Limit (Set of 2)	J6454
44	R0337000	Hot Surface Ignitor	J6456
45	R0329400	Exhaust Temperature High Limit Switch	J6458
46	R0329500	Wire Harness Complete	J6460
47	R0330900	Wire Harness, Power Transformer	J6462
48	R0331000	Wire Harness, Ignition Control	J6464
49	R0331100	Wire Harness, Gas Valve	J6466
50	R0331200	Wire Harness, Safety Loop	J6468
51	R0336200	Wire Harness, 120 V Power Plug	J6470
51	R0336300	Wire Harness, 240 V Power Plug	J6472
52	R0336400	Wire Harness, 15 Pin Connector	J6474
53	R0097800	Terminal Block for Fireman's Switch	J6138
54	R0329600	Temperature Control w/ Bezel	J6476
55	R0334800	Flame Sense Rod	J6478
56	R0012200	Fusible Link	J2131

Jacket Assembly

57	R0330003	Door w/ Latch	(250)	J6484
57	R0330005	Door w/ Latch	(400)	J6486
58	R0334900	Door Latch Assembly w/ Handle		J6488
59	R0335103	Cover Panel, Raceway	(250)	J6490
59	R0335105	Cover Panel, Raceway	(400)	J6492
60	R0330100	Panel, Lower Side (Fits Right or Left)		J6494
61	R0330200	Panel, Upper Right Side		J6496

TELEDYNE LAARS LX GAS HEATERS
250 & 400

Jacket Assembly (Cont.)

KEY	MFG. NO.	DESCRIPTION	ITEM NO.
62	R0336600	Cover Panel, Exhaust Switch	J6498
63	R0335200	Panel, Upper Left Side	J6500
64	R0335300	Cover Plate, I/O Header Side	J6502
65	R0335400	Cover Plate, Return Header Side	J6504
66	R0335500	Cover Panel, Left Side	J6506
67	R0330303	Rear Panel (250)	J6508
67	R0330305	Rear Panel (400)	J6510
68	R0330400	Corner Posts	J6512
69	R0330503	Top Assembly (250)	J6514
69	R0330505	Top Assembly (400)	J6516
70	R0330600	Cover, Temperature Control	J6518
71	R0330703	Combustion Chamber Assembly (250)	J6520
71	R0330705	Combustion Chamber Assembly (400)	J6522
72	R0335603	Base Panel (250)	J6524
72	R0335605	Base Panel (400)	J6526
73	R0335700	Igniter Box Assembly	J6528
74	R0337200	Bracket, Fusible Link	J6530

Misc. Optional Components

74	R0330803	Non Combustable Base (250)	J6532
74	R0330805	Non Combustable Base (400)	J6534
75	R0335800	Touch-up Paint	J6536
76	R0336000	Temperature Rise Measurement Kit	J6538
77	R0336100	Pressure Relief Valve	J6540

TELEDYNE LAARS HI - E2 HEATERS

Water System

KEY	MFG. NO.	DESCRIPTION		ITEM NO.
---	R0308000	Combustion Air Filter		J6148
13	R0303803	Heat Exchanger Assembly, Complete	(220)	J6150
13	R0303805	Heat Exchanger Assembly, Complete	(350)	J6152
14	R0304103	Heat Exchanger Tube Assembly	(220)	J6154
14	R0304105	Heat Exchanger Tube Assembly	(350)	J6156
15	R0303900	Inlet / Outlet Header		J6158
16	R0304000	Return Header		J6160
17	R0304300	Gasket, Header		J6162
18	R0304400	By-Pass Valve Assembly		J6164
19	10557400	Flow Control Cap		J6166
20	R0011400	By-Pass Valve Gasket		J2247
21	R0304500	By-Pass Valve Spring		J6168
22	R0304900	By-Pass Valve Rod		J6170
23	R0011500	By-Pass Valve Disc		J2183
24	R0055000	Flange & Gasket Assembly, 2" (Set of 2)		J2268
25	10573500	Flange 2"		J2324
26	S0078000	Flange Gasket, 2"		J2322
27	S0078200	Flange Sleeve, 2"		J2326
28	F0031700	Flange Bolt		J2192
29	S0078100	Flange Gasket 1-1/2" - 2"		J2920
30	R0040400	Pressure Relief Valve, 75 PSI		J2128
---	R0319103	Heat Exchanger Hardware Kit	(220)	J6172*
---	R0319105	Heat Exchanger Hardware Kit	(350)	J6174*
---	R0319300	Inlet / Outlet Header Hardware Kit		J6176*
---	R0319200	Return Header Hardware Kit		J6178*

Combustion System Assembly

31	R0200100	Gas Valve		J6180
32	R0309900	Anti-Rotation Bracket (Not Shown)		J6182
33	R0320000	Orifice Holder		J6184
34	R0309303	Gas Orifice, NAT	(220)	J6186
34	R0309305	Gas Orifice, NAT	(350)	J6188
34	R0309403	Gas Orifice, LPG	(220)	J6190
34	R0309405	Gas Orifice, LPG	(350)	J6192
35	R0306400	Combustion Air Filter Assembly		J6194
36	R0308000	Combustion Air Filter		J6196
37	R0320303	Venturi Inlet	(220)	J6198
37	R0320305	Venturi Inlet	(350)	J6200
38	R0320400	Venturi O-Ring		J6202
39	R0320500	Venturi Plenum		J6204
40	R0320600	Venturi / Tailpipe Gasket		J6206

TELEDYNE LAARS HI - E2 HEATERS

Combustion System Assembly

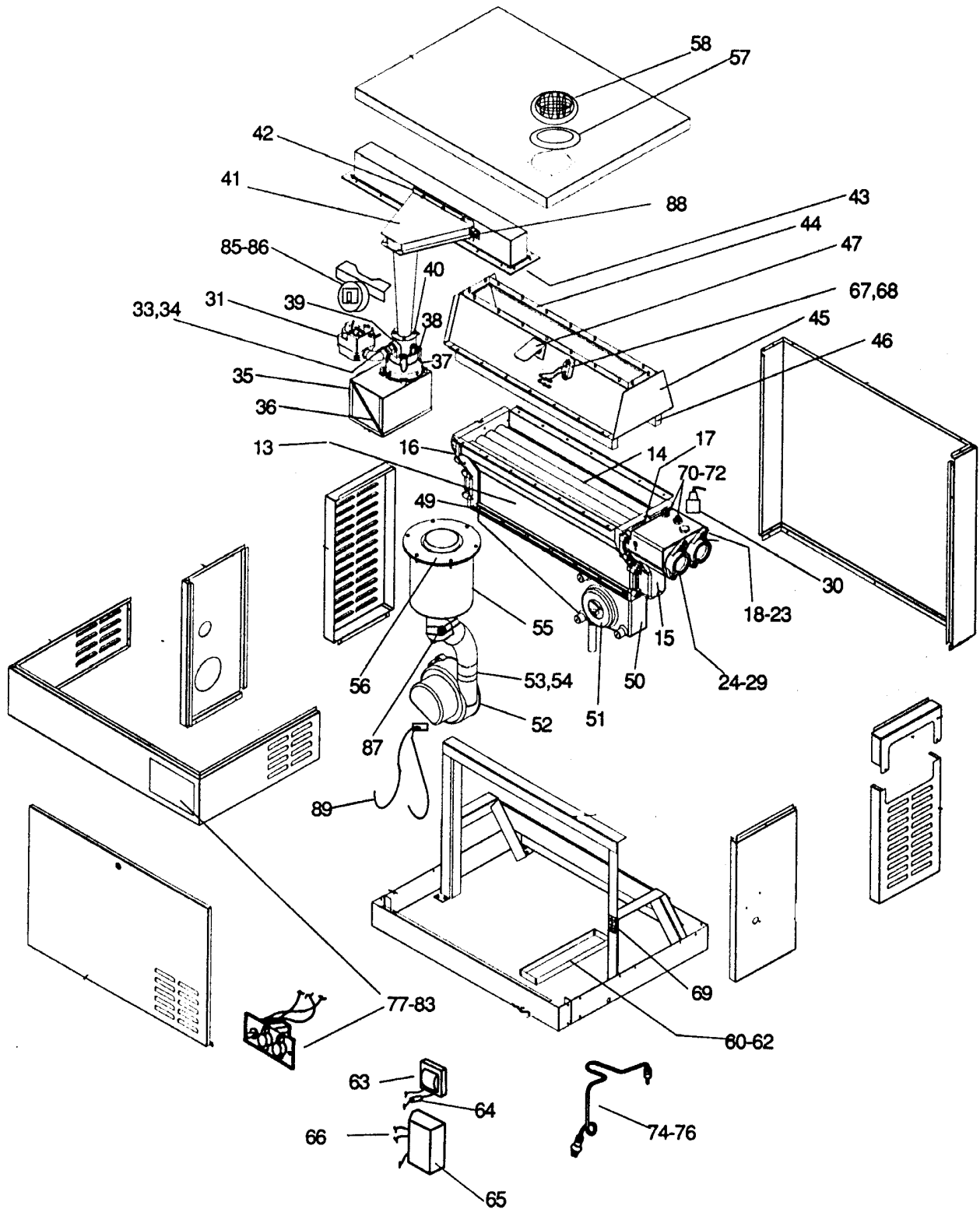
KEY	MFG. NO.	DESCRIPTION	ITEM NO
41	R0307300	Mixing Chamber / Tailpipe Assembly	J6208
42	R0320800	Mixing Chamber / Burner Gasket	J6210
43	R0305903	Burner Assembly (220)	J6212
43	R0305905	Burner Assembly (350)	J6114
44	R0305803	Burner / Combustion Chamber Gasket (220)	J6116
44	R0305805	Burner / Combustion Chamber Gasket (350)	J6214
45	R0305103	Combustion Chamber Assembly (220)	J6216
45	R0305105	Combustion Chamber Assembly (350)	J6218
46	R0305303	Refractory Tile Set (220)	J6220
46	R0305305	Refractory Tile Set (350)	J6222
47	R0305400	Sight Glass Assembly	J6224
48	R0213103	Combustion Chamber Strip Set (220)	J6226
48	R0213105	Combustion Chamber Strip Set (350)	J6228
49	R0305703	Combustion Chamber / Collector Gasket (220)	J6230
49	R0305705	Combustion Chamber / Collector Gasket (350)	J6232
---	R0322200	Venturi Hardware Kit	J6234*
---	R0322100	Mixing Chamber Hardware Kit	J6236*
---	R0319403	Burner Hardware Kit (220)	J6238*
---	R0319405	Burner Hardware Kit (350)	J6240*

Exhaust Assembly

50	R0303203	Collector (220)	J6242
50	R0303205	Collector (350)	J6244
51	R0308700	Blower / Collector Gasket	J6246
52	R0308200	Combustion Blower	J6248
53	R0308600	Blower / Vent Duct Sleeve	J6250
54	R0308800	Blower / Vent Duct Clamp	J6252
55	R0303100	Vent Duct Assembly	J6254
56	R0309100	Vent Duct / Heater Top Gasket or Heater Top / Indoor Collar Gasket	J6256
57	R0309500	Heater Top / Outdoor Exhaust Grille Gasket	J6258
58	R0308400	Outdoor Exhaust Grille	J6260
59	R0307900	Indoor Vent Collar	J6262
60	R0303300	Condensate Trap Assembly	J6264
61	R0306200	Limestone Gravel	J6146
62	R0213300	Condensate Trap Cover	J6268

*(NOTE 1) All hardware sets contain all pieces necessary for assembly, including gaskets. Not shown. Gaskets & hardware are included in all kits that involve the removal of a gasket as part of the procedure to replace a part.

TELEDYNE LAARS HI - E2 HEATERS



TELEDYNE LAARS HI - E2 HEATERS

Electrical Components & Controls

KEY	MFG. NO.	DESCRIPTION	ITEM NO
63	R0061100	Transformer	J2088
64	R0325600	In-Line Fuse Holder Assembly	J6270
65	R0202900	Ignition Control	J6272
66	R0302700	Wire Harness, Ignition Control	J6274
67	R0016400	Igniter Assembly	J6276
68	R0205300	Igniter Gasket	J6278
69	R0301900	Terminal Block	J6280
70	R0322700	High Limit Switch Set	J6282
71	R0302400	High Limit Switch, 135 Degrees	J6284
72	R0302300	High Limit Switch, 150 Degrees	J6286
73	R0322600	High Limit Switch Wire Harness	J6288
74	R0322900	Pressure Switch & Siphon Loop Assembly	J6290
75	R0013200	Pressure Switch, 2 PSI	J2106
76	R0307800	Pressure Switch Siphon Loop	J6292
77	R0011700	Temperature Control Assembly, Electronic	J2211
78	R0011800	Temperature Sensor	J2096
79	E0116400	Temperature Sensor Gasket	J2184
80	10444900	Temperature Sensor Plastic Sleeve	J2251
81	R0010700	Temperature Control Knob	J2092
82	R0099900	Pool / Spa Selector Knob	J6108
83	10583100	"Temp-Lok" Disc	J6296
84	10716701	Temperature Sensor Retainer Clip	J6298
85	R0302000	Differential Pressure Switch	J6300
86	R0302200	Differential Pressure Switch Bracket	J6302
87	R0309000	Exhaust Vent Limit Switch	J6304
88	R0319700	Burner High Limit Switch	J6306
89	R0308100	Combustion Blower Wire Harness	J6308

Optional Components

---	X0021100	Touch Up Spray Paint	J6310
---	R0322800	High Temperature Silicone Sealant	J6312

Teledyne Laars XL-2 & XL-3 Series 475-478

HATCHIK SUPPLY CO.

Heaters (Oil)

Notes

HATCHIK SUPPLY CO.

TELEDYNE LAARS OIL FIRED HEATERS***XL-2 Model DP & XL-3 Series*****Fuel Systems**

KEY	MFG. NO.	DESCRIPTION		ITEM NO.
1	L0038700	Oil Burner Assembly	XL-2 (250)	J2093
1	L0038900	Oil Burner Assembly	XL-2 (350)	J2097
1	L0060000	Oil Burner Assembly	XL-3 (2000)	J6612
1	L0060100	Oil Burner Assembly	XL-3 (3000)	J6614
2	P0065100	Oil Filter (Not Shown)		J2168
3	P0065500	Oil Filter Cartridge (Not Shown)		J1073
4	10430402	3/8" Oil Line, Pump to Filter		J2549

Electrical System

5	R0318800	Thermostat		J2071
6	R0010700	Thermostat Knob		J2092
7	H0048400	Thermostat Dial		J1182
8	10388300	Thermostat Cover		J1180
9	10368000	Thermostat Back		J1181
10	10362000	Thermostat Base Plate		J1183
11	R0045400	Pressure Switch, 1 - 10 PSI		J6590
12	10403400	Siphon Loop Cover		J6592
13	R0057800	Siphon Loop Assembly		J2127
14	R0023200	High-Limit Switch Assembly		J6110
15	R0022700	High-Limit Switch, 135 Degrees		J2080
16	R0012700	High-Limit Switch, 150 Degrees		J2107
17	R0057500	High-Limit Switch Harness (115V)		J1184
18	R0057700	High-Limit Switch Harness		J1197
19	10401100	High-Limit Switch Cover		J1195
20	E0078300	Switch Cover		J2154
21	E0078200	ON/OFF Switch		J2146
22	R0057600	Oil Burner Harness		J2397
23	P0059800	Connector Elbow 90 Degrees		J2395

Water Systems

24	10403601	Heat Exchanger Assy., Complete	XL-2 (250)	J6594
24	10403602	Heat Exchanger Assy., Complete	XL-2 (350)	J6596
24	10927101	Heat Exchanger Assy., Complete	XL-3 (2000)	J6616
24	10927102	Heat Exchanger Assy., Complete	XL-3 (3000)	J6618
25	10403501	Heat Exchanger	XL-2 (250)	J2039
25	10403502	Heat Exchanger	XL-2 (350)	J2181
25	10927001	Heat Exchanger	XL-3 (2000)	J6619
25	10927002	Heat Exchanger	XL-3 (3000)	J6621
26	10403700	Inlet/Outlet Header		J2179
27	10403900	End Cap (1/2" Tap)		J2180
28	10406100	End Cap (No Tap)		J2178
29	10403800	End Cap (1/4" Tap)		J2182

TELEDYNE LAARS OIL FIRED HEATER

XL-2 Model DP & XL-3 Series

Water Systems (Cont.)

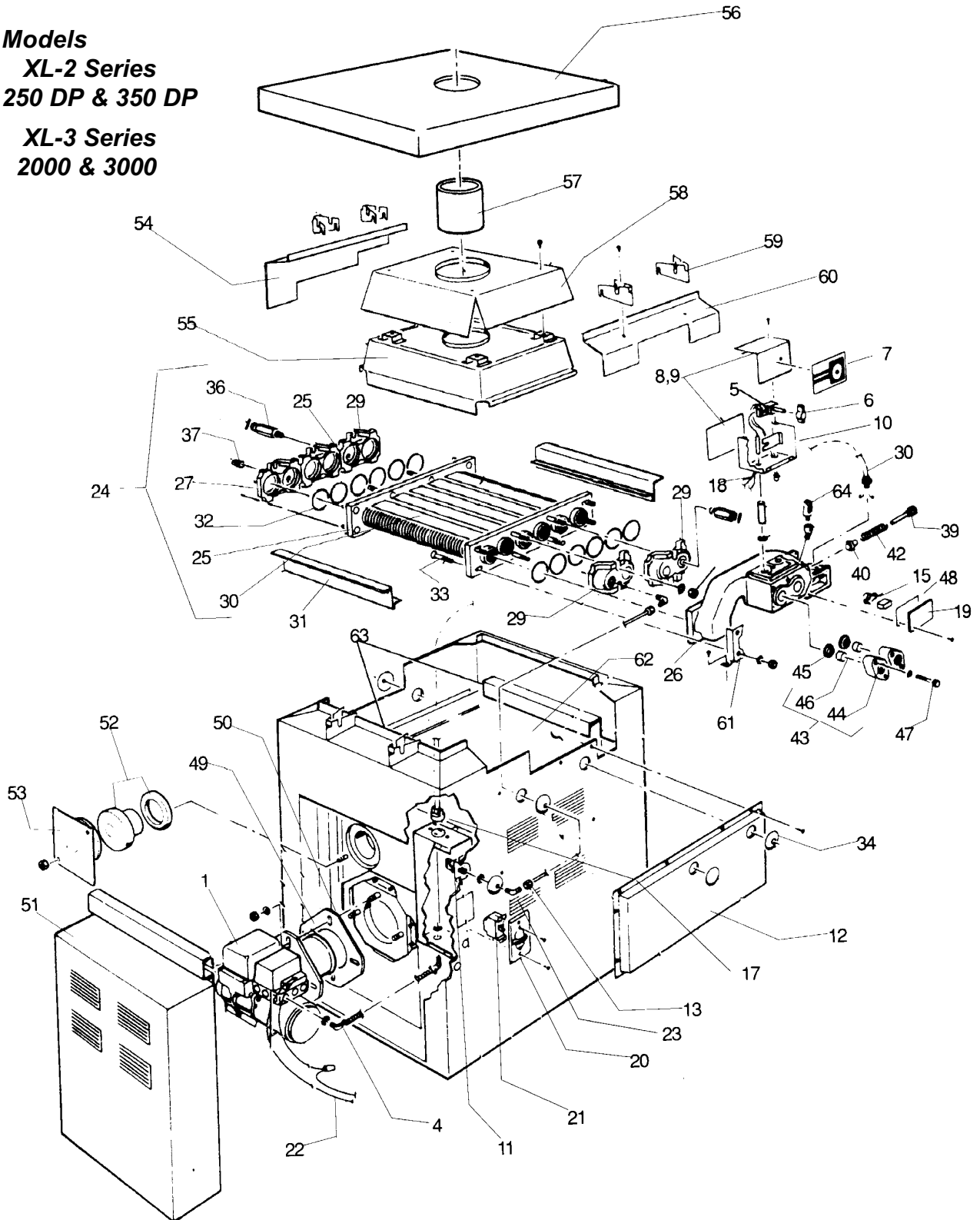
KEY	MFG. NO.	DESCRIPTION	ITEM NO.
30	10387804	Tee Baffle (5 needed)	XL-2 (250) J6598
30	10387805	Tee Baffle (5 needed)	XL-2 (350) J6600
30	10926901	Tee Baffle (5 needed)	XL-3 (2000) J6623
30	10926902	Tee Baffle (5 needed)	XL-3 (3000) J6625
31	10387702	End Baffle (2 needed)	(250 & 2000) J1121
31	10387703	End Baffle (2 needed)	(350 & 3000) J1123
32	S0063400	Tube Gaskets (12 needed)	J2140
34	S0098800	Grommet (2 needed)	J2328
35	P0027000	3/4" Brass Plug	J6602
36	P0059900	Drain Valve Extension	J1092
37	P0026800	1/4" Drain Plug (3 needed)	V5102
38	R0020600	By-Pass Assembly	J2130
39	S0074300	By-Pass Valve Rod	J6140
40	S0074200	By-Pass Valve Disc	J2142
41	S0008700	By-Pass Valve Rod Retainer	J6604
42	S0061100	By-Pass Valve Spring	XL-2 (250) J2158
42	S0061000	By-Pass Valve Spring	XL-2 (350) J2156
42	S0061300	By-Pass Valve Spring	XL-3 (2000) J2160
42	S0061300	By-Pass Valve Spring	XL-3 (3000) J2160
43	R0031900	Flange & Gasket Assembly, 1-1/2" (Set of 2)	J2124
44	10309200	1-1/2" Flange	J2323
45	S0053100	1-1/2" Flange Gasket	J2321
46	S0028000	1-1/2" Flange Sleeve	J2325
47	F0031700	Flange Bolt	J2192
48	S0065300	Gasket	J2144

Fire Box & Jacket Components

49	N0006600	Burner Tube Gasket	J1137
50	10392000	Burner Support Bracket	J1139
51	10412203	Burner Compartment Door	(250 & 2000) J1141
51	10412204	Burner Compartment Door	(350 & 3000) J1142
52	T0020700	Fire Box Plug	J1140
53	10425800	Fire Box Cover Plate	J6542
54	10401000	Gap Spacer (Return)	J1075
55	10406301	Flue Collector Assembly	J1077
55	10406302	Flue Collector Assembly	J1079
56	10405001	Flue Top Assembly	(250 & 2000) J6627
56	10405002	Flue Top Assembly	(350 & 3000) J1155
57	10390000	Inner Stack	J1157
58	10404501	Flue Collector Shield	(250 & 2000) J1163
58	10405002	Flue Collector Shield	(350 & 3000) J1165

TELEDYNE LAARS OIL FIRED HEATERS

Models
XL-2 Series
250 DP & 350 DP
XL-3 Series
2000 & 3000



TELEDYNE LAARS OIL FIRED HEATERS

XL-2 Model DP & XL-3 Series

Fire Box & Jacket Components (Cont.)

KEY	MFG. NO.	DESCRIPTION	ITEM NO.
59	10319300	Vent Blade (10 needed)	J1158
60	10400900	Gap Spacer (In/Out)	J1177
61	10401200	Hold Down Clip	J6544
62	T0020500	Fire Box (250 & 2000)	J1098
62	T0020600	Fire Box (350 & 3000)	J1093
63	10400801	Fire Box Cover (2 needed) (250 & 2000)	J2398
63	10400802	Fire Box Cover (2 needed) (350 & 3000)	J2399

Oil Burner Parts & Components (Not Shown)

---	F0004300	Air Tube Screw	J6546
---	F0031300	Pilot Bracket Screw	J2910
---	N0000200	End Air Shutter	J6548
---	N0000300	Bulk Air Band	J6550
---	N0000800	Air Tube Gasket	J6552
---	N0001000	Motor, 1/7 H.P., 3450 RPM	J2170
---	N0001400	Blower Wheel 4-1/4" x 3-7/16"	J6554
---	N0001500	Flexible Coupling	J6556
---	R0140100	Fuel Unit, Two Stage	J6558
---	N0002000	Pump Outlet Fitting	J6560
---	N0002200	Connector Tube Assembly	J6562
---	R0140200	Ignition Transformer	J6564
---	N0002600	Contact Spring Terminals	J6566
---	N0002800	Nozzle, Monarch 1.75	J6568
---	N0002900	Air Tube Combination	J6570
---	N0003100	Nozzle Line Electrode Assembly	J6572
---	N0003500	Electrode Clamp	J6574
---	N0004000	Electrode Rod & Tip	J6576
---	N0004500	Burner Head & Screws	J6578
---	N0004700	Burner Head XL-2 (250, 350) & XL-3 (2000)	J6580
---	N0007700	Burner Head XL-3 (3000)	J6629
---	N0006500	Delavan Nozzle, 1.75 XL-2 (250)	J2152
---	N0005800	Delavan Nozzle, 2.50 XL-2 (350)	J2150
---	N0007600	Delavan Nozzle, 1.65 XL-3 (2000)	J6631
---	N0007500	Delavan Nozzle, 2.25 XL-3 (3000)	J6633
---	R0140300	Primary Control	J6582
---	N0006100	Honeywell Cad Cell, Flame Detector	J2148
---	N0007000	By-Pass Plug	J6584
---	N0007100	By-Pass Plug	J6586
---	P0026100	1/8" Burner Head Plug	J6588
---	P0026800	1/4" Burner Head Plug	V5102

Optional Equipment

64	R0040400	Pressure Relief Valve, 3/4" NPT, 75 PSI	J2128
---	D0014900	Chimney Cap - 9"	J1097

American Products AutoFill, Drains & Unions	481
Anthony / Alloy Brass	482
Aqua Flo Union	482
Frost Co	482
Hayward Inlet Fittings & Unions	483
Hayward Main Drains, Round & Square	484
Jacuzzi "MD" Series Main Drains	482
Letro Automatic Filler	485
Miscellaneous Union O-Rings	484
Pac-Fab Main Drains, Round & Square	486
Sta-Rite (Swimquip) Main Drains	486
Sylvan 6" Grates	486

HATCHIK SUPPLY CO.

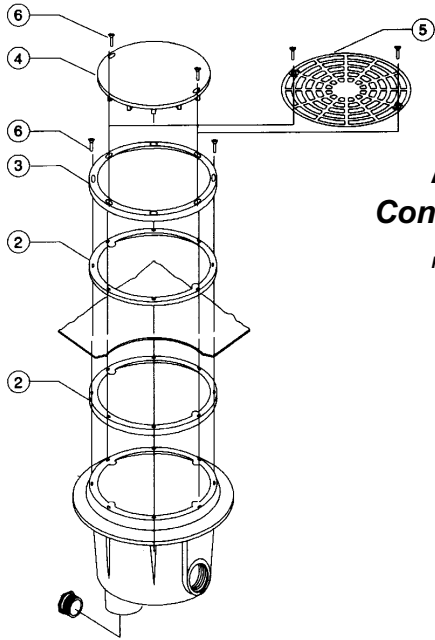
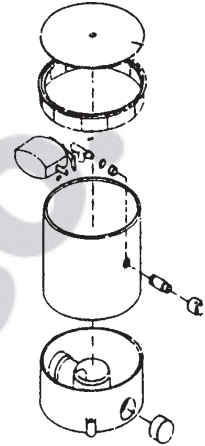
Pool Fittings & Main Drains

Notes

HATCHIK SUPPLY CO.

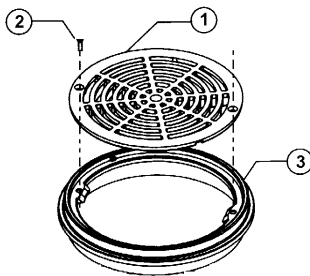
AMERICAN PRODUCTS AUTOFILL

MFG NO.	DESCRIPTION	ITEM NO.
850005	Auto Fill Lid Only	L1001
85007400	Auto Fill Lid Only (Lock Down Type)	L1006
850006	Auto Fill Deck Ring 9"	L2004
481110	Auto Fill Float Assembly - Complete	L1014



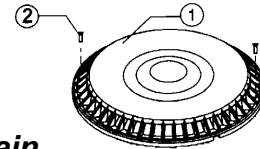
AMERICAN PRODUCTS Concrete & Vinyl Pool Main Drains

KEY	MFG NO.	DESCRIPTION	ITEM NO.
2	87102000	Sealing Gasket (For Liner Pools)	L2040
3	87101900	Vinyl/Fiberglass Sealing Ring	L2042
4	87103400	Anti-Vortex Plate w/ Screws	L2039
5	87103300	Grate, White w/ Screws	L2035
6	98202900	Screw, Seal 13-16 x 1", High-Low, Grate	L4929
6	98207200	Screw, Seal 13-16 x 1-1/4", Anti-Vortex	L4928

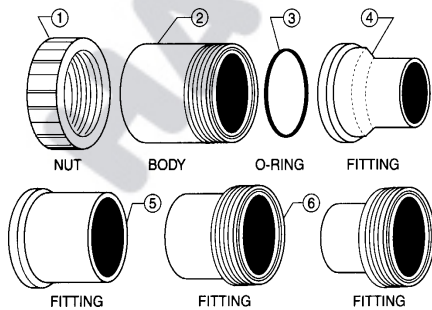


Deep 8 Main Drain

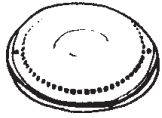
KEY	MFG NO.	DESCRIPTION	ITEM NO.
1	86105400	Anti-Vortex Cover, w/Screws	L2044
1	86105600	White Grate Cover, w/Screws	L2046
2	98213700	8 - 32 x 1/2" S.S.	L2048
3	86105700	Ring Only, 8", White	L2050



AMERICAN PRODUCTS UNIONS

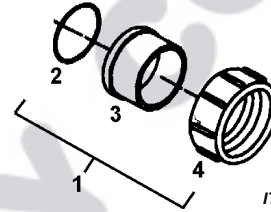


KEY	MFG NO.	DESCRIPTION	ITEM NO.
1	51013011	Union Nut Only - Black	H3549
2	87201911	Fitting, 2" Slip - ABS	H3587
3	51013500	O-Ring	H3547
4	87202411	Body Male, 1-1/2" - ABS	H3552
5	87202211	Body, 1-1/2" Slip x 2" Male ABS	H3550
6	87202011	Fitting, Female 1-1/2" Slip x 2" Male	H3519
7	87202111	Fitting, Male 1-1/2" ABS	H3610



ANTHONY/ALLOY BRASS

MFG NO.	DESCRIPTION	ITEM NO.
ABF-51	Main Drain Grate 7-3/4" - White	N1112
	Main Drain Grate 7-3/4" - Black	N1148
ABF-64-W	Anti-Vortex Plate - White	N1113



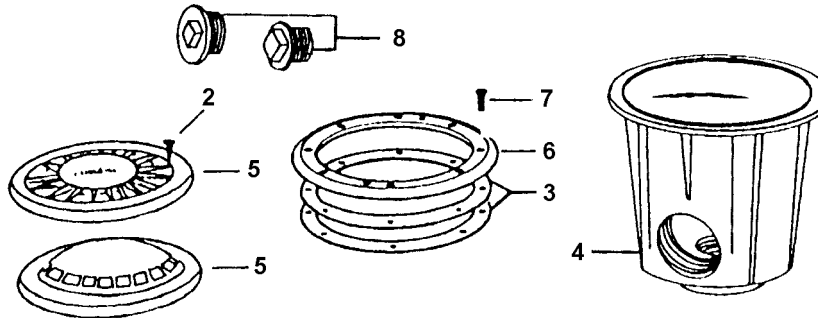
AQUA FLO UNION

KEY	MFG NO.	DESCRIPTION	ITEM NO.
1	52201000	1-1/2" Complete Aqua Flo Union - Each	K5600
2	92200140	O-Ring for 1-1/2" Union	K5556
3	91431050	Tail Piece Adapter for 1-1/2 Union - Slip	K5557
4	91431000	Nut for 1-1/2" Union	K5558

FROST CO.



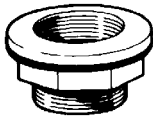
MFG NO.	DESCRIPTION	ITEM NO.
A-41470-0	S.S. Cover Plates & Screws for 1-1/2" FIP	N1051
A-41473-0	Brass Cover Plates <i>(Limited Quantity)</i>	N1053
2410921	1-1/2" Chrome/Brass Vacuum Plug Only	N1077
2403180	2" Chrome/Brass Vacuum Plug Only	N1052



JACUZZI MD SERIES MAIN DRAINS

KEY	MFG. NO.	DESCRIPTION	ITEM NO.
2	14-4337-00-R000	Pan Hd. 12-11 x 1 (2 needed)	L1017
3	13-1207-04-R000	Gasket, Vinyl Liner	L1018
4	-----	Body	----
5	85-8993-00-RWHT	Grate Cover	L1032
5	43-1024-09-RWHT	Anti-Vortex Cover	N1087
6	43-1025-08-RWHT	Retaining Ring	L1034
7	14-4326-03-R000	12-11 x 1 Counter Sink (8 needed)	L1036
8	43-3092-02-R000	2" Plug w/ Gasket	H8582
8	43-3091-03-R000	1-1/2" Plug w/ Gasket	H8584

HAYWARD SP1023 & SP1025

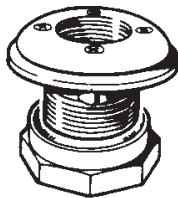


SP1023

MFG NO.	DESCRIPTION	ITEM NO.
SPX1023B	Locknut, 2" (SP-1023)	N1473
SPX1023Z3	Fiber Washer (SP-1023)	L4402
SPX0023Z12	Gasket (Set of 2)	L4404
SPX0023Z2	Gasket, Double Sided	L4406*
SPX1025Z12	Gasket (Set of 2) (SP-1025)	N1478
SPX1025Z3	Fiber Washer (SP-1025)	N1479
SPX1407D1	Cycolac Locknut, 2-1/2" (SP-1025)	L4415

* Limited Quantity

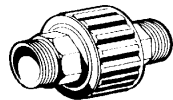
HAYWARD SP1411 & SP1408



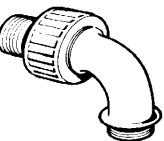
SP1408

MFG NO.	DESCRIPTION	ITEM NO.
SPX1411B	Face Plate (SP1411)	L4414
SPX1408B	Face Plate - White (SP1408)	L4416
SPX1408BBLK	Face Plate - Black (SP1408)	L4412
SPX1411Z12	Gasket (Set of 2) (SP1411)	L4418
SPX1408C	Gasket	L4420
SPX1411Z1A	Face Plate Screw Set	L4422
SPX1407D	Locknut Spacer, 2-1/2" (SP1408)	N1486
SPX1039Z1A	Face Plate Screw Set (SP1408)	N1412

HAYWARD SP1423, SP1424 & SP1425



SP1480

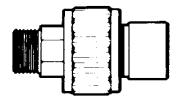


SP1485



SP1425

MFG NO.	DESCRIPTION	ITEM NO.
SPX1425C	Face Plate Grate (SP1423 & SP1424)	N1414
SPX1425DA	Spinner Valve Assy (SP1424 & SP1425)	N1416
SPX1425B	Top Diffuser Plate (SP1425)	N1418
SPX1425Z32	Face Plate Screw - Set of 2	N1420
SPX1425Z6	O-Ring Only (SP1425)	H6722



SP1484

HAYWARD UNIONS

MFG NO.	DESCRIPTION	ITEM NO.
SPX1480C	Union Nut (SP-1480, SP-1484, SP-1485)	H6720
SPX1425Z6	Union O-Ring (SP-1480, SP-1484, SP-1485)	H6722
SPX1485C	Union Gskt (SP-1480, SP-1484, SP-1485)	H6726
SPX1068C	Union Nut (SP-1491, SP-1492, SP-1493)	K6209
SPX1491B	Union O-Ring (SP-1491, SP-1492, SP-1493)	U6523
SPX1495C	Union Nut - 1-1/2" (SP-1495)	U6524
SPX1495Z1	Union O-Ring (SP-1495)	K4209
SPX200Z3	Union O-Ring	H6686

HAYWARD MAIN DRAINS (Round)

MFG NO.	DESCRIPTION	ITEM NO.
SPX1048C	6-1/2" Grate - White (SP1048, SP1051)	N1100
SPX1053B	7-1/4" Grate - White (SP1051, SP1030)	N1105
SPX1411Z5A	Grate Securing Screws - Set of 2 (SP1048)	N1419
SPX1425Z32	Grate Securing Screws - Set of 2 (SP1035AV)	N1420
SPX1048E	Anti-Vortex Grate - White (All A.V. Drains)	N1456
SPX1048E BLK	Anti-Vortex Grate - Black (All A.V. Drains)	N1410
SPX1030Z1A	A.V. Grate Screw Set (SP1051AV, 1154AV)	N1459
SPX1030Z2A	A.V. Grate Screw Set (SP1048AV)	N1460
SPX1039Z1D	A.V. Grate Screw Set (SP1030AV)	N1413
SPX1153B	Adjusting Collar (SP1153AV)	N1098
SPX1048B	Frame, 7-7/8" O.D. (SP1048)	N1450
SPX1048D	Gasket (SP1048)	N1452
SPX1039Z18	Frame Screw Set (SP1048)	N1454
SPX1058D	Gasket (SP1058, SP1059)	N1457
SPX1053Z1	2" Plastic Pipe Plug	L1944
SPX1407D1	Locknut (SP1035AV)	N1486



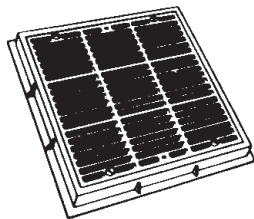
SP1048



SP1051AV

HAYWARD MAIN DRAINS (Square)

MFG NO.	DESCRIPTION	ITEM NO.
SPX1031B	9" x 9" Plastic Grate (1" Thick)	N1176
SPX1031A	9" x 9" Plastic Frame	N1178
SPX1032B	12" x 12" Plastic Grate (1" Thick)	N1130
SPX1032A	12" x 12" Plastic Frame	N1132
SPX1033B	18" x 18" Plastic Grate (1975 & Prior) Use 4 - N1176 9" x 9" grates (1976 & Later)	N/A
SPX1033A	18" x 18" Plastic Frame	N1186
SPX1031Z1	Nylon Screw (SP1031, SP1032 & SP1033)	N1188
SPX32B	12" x 12" Chrome Grate 12" x 12" Chrome Frame & Grate	N1134* N1135
SP1019BA	Gutter Grate w/Screws (SP1019)	N1184



SP-1031



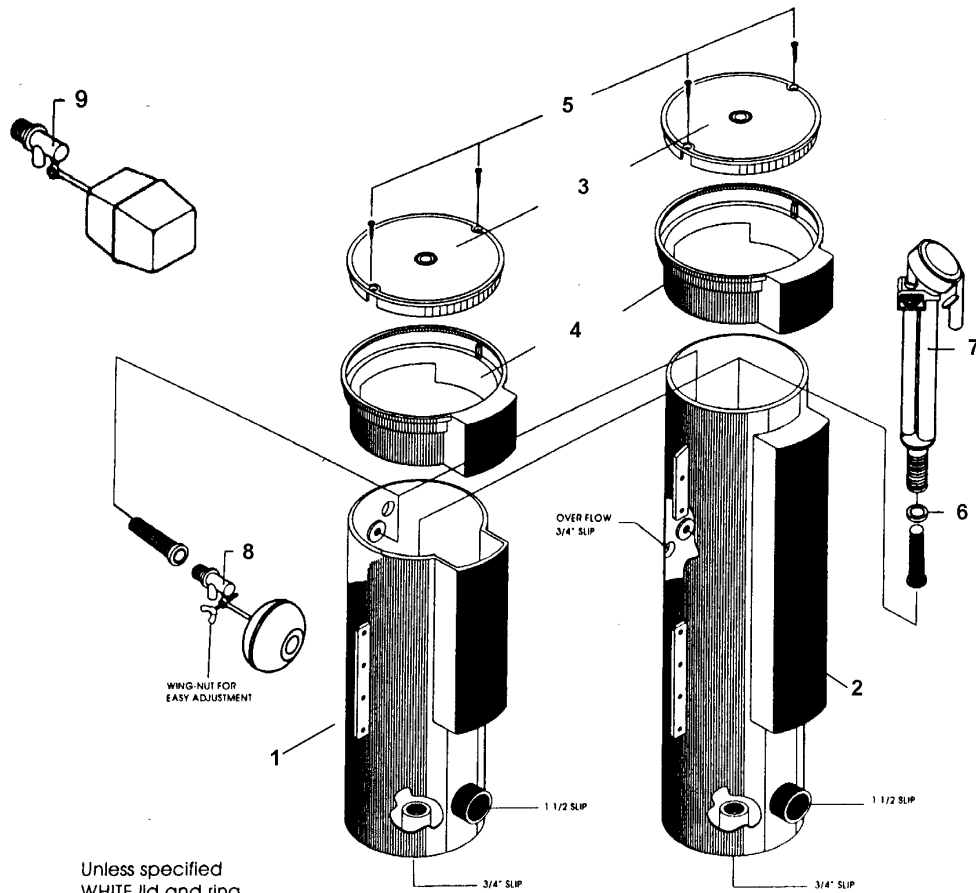
SP-1019

* Limited Quantity

MISC. UNION O-RINGS

	DESCRIPTION	ITEM NO.
Lasco	Lasco 1-1/2" Union O-Ring	U7801
	Lasco 2" Union O-Ring	U7802
Spears	Spears 1-1/2" Union O-Ring	U7803
	Spears 2" Union O-Ring	U7804

LETRO AUTOMATIC FILLER

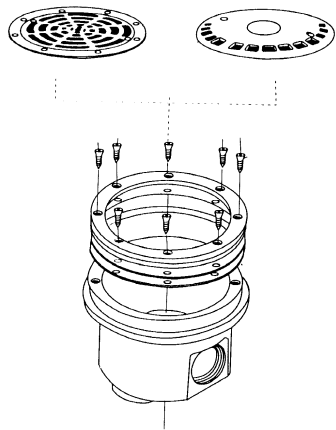


Unless specified
WHITE lid and ring
will be provided
as standard color.

KEY	MFG NO.	DESCRIPTION	ITEM NO.
1	T40B	Automatic Water Leveler (Brass Valve)	L5926
1	T40D	Automatic Water Leveler (Delta Valve)	L4950
2	T40FNW	Neg. Edge Auto-Fill (White)	L4951
3	T10W	Leveler Lid (White)	L5900
3	T10B	Leveler Lid (Buff)	L5902
3	T10G	Leveler Lid (Gray)	L5904
4	T16W	Leveler Top Ring (White)	L5906
4	T16B	Leveler Top Ring (Buff)	L5908
4	T16G	Leveler Top Ring (Gray)	L5910
5	T23	S.S. Screws for Leveler Lid	L5912
6	T24	Restrictor Washer w/ Debris Screen	L5914
7	T25	Delta Valve (Plastic)	L5916
8	T26	Brass Valve	L5918
9	T27	Replacement Brass Valve for MP	L5920
10	T34	Debris Screen	L5924
---	T30	Leveler Body	L5922

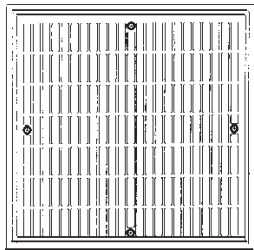
PAC-FAB MAIN DRAINS

Round Frames



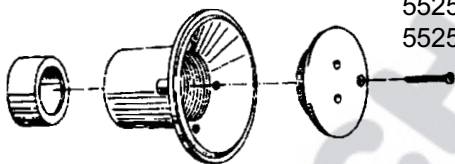
MFG. NO.	DESCRIPTION	ITEM NO.
552502	6-1/2" Flat Grate, White	N1107
552512	6-1/2" Flat Grate, Black	N1093
552503	7-1/8" Flat Grate, White	N1110
552513	7-1/8" Flat Grate, Black	N1144
552510	7-5/16" Flat Grate, Black	N1108
552467	7-3/4" Domed Anti-Vortex Grate, White	N1151
552479	7-3/4" Domed Anti-Vortex Grate, Black	N1152
552504	7-3/4" Flat Anti-Vortex Grate, White	N1149
552532	Screw, Flathead 10 x 3/4" (2 needed)	N1118
552472	Screw, 12 x 1", Flat Phillips, Vinyl (8 needed)	H3253
552474	Screw, Flathead 10 x 1-1/2", A.V. (2 needed)	L4094
552473	Screw, 10 x 3/4", Flat Phillips, Reg. Covers	L4093
552466	Frame for Vinyl Drains	N1157
552471	Gasket for Vinyl Drains	N1158

Square Frames

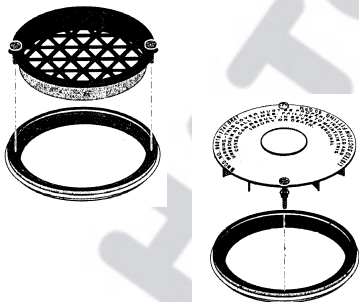


542019	9" X 9" Frame & Grate, White	N1170
542095	9" x 9" Frame & Grate, Black	N5150
542020	12" x 12" Frame & Grate, White	N1128
542021	12" x 12" Frame & Grate, Black	N5152
542085	12" x 12" Frame & Anti-Vortex Plate, White	N1124
542029	18" x 18" Frame & Grate, White	N1126
552501	9" x 9" Grate, White (3/4" Thick)	N1177
552577	9" x 9" Grate, Black	N1163*
552506	12" x 12" Grate, White (3/4" Thick)	N1129
552516	12" x 12" Grate, Black (3/4" Thick)	N1164
552508	12" x 12" Anti-Vortex Plate, White	N1127
552579	12" x 12" Anti-Vortex Plate, Black	N1168

* Limited Quantity



STA-RITE (SWIMQUIP)



08417-0005E	Floor Return Cover, White	N1116
08417-0005BE	Floor Return Cover, Gray	N1169
-----	Floor Return Cover, Black	N1170
37207-0430	Locking Screw for Return Cover	N1119
08417-0007	Reducer Bushing 2" x 1-1/2"	N1171
07017-0751	Frame & Grate w/ Screws, White	N1115
07017-0741	Anti-Vortex Frame & Grate, White	N1086
07017-1751	Frame & Grate w/ Screws, Gray	N1172
07017-1741	Anti-Vortex Frame & Grate, Gray	N1114

SYLVAN

Josam Plug, 1-1/2" Flush	Z5036	6" Plastic Grate, White	Z5034
Wrench for Josam Plug	Z5037	6" Anti-Vortex Grate, White	Z5035
		Screw for AV Grate	Z5039

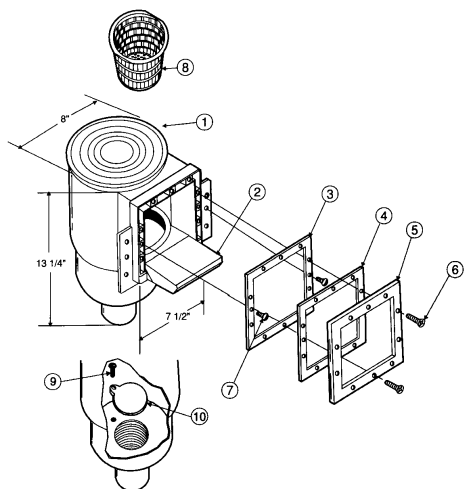
American FAS 100 & Admiral Skimmers	489
Baker Hydro Skimmer	490
Hayward SP-1070	490
Hayward SP-1075, 1077, 1090, 1092, 1096, 1097 &1098	491
Hayward SP-1082, 1084, 1085 & 1089	492
Hayward SP-1094, 1094SPA, 1094H & 1095OM	493
Jacuzzi Deckmate (Concrete)	493
Jacuzzi Deckmate (Vinyl/Fiberglass) & PMT	494
Jacuzzi "SV" Series	493
Lily Pad Skimmer	496
Pac-Fab 1021 Skim-Clean	494
Pac-Fab Bermuda Series	495
Sta-Rite (Old Swimquip) U-3 Skimmer	496
Sylvan Skimmer	496
Weirs	496

Skimmers

Notes

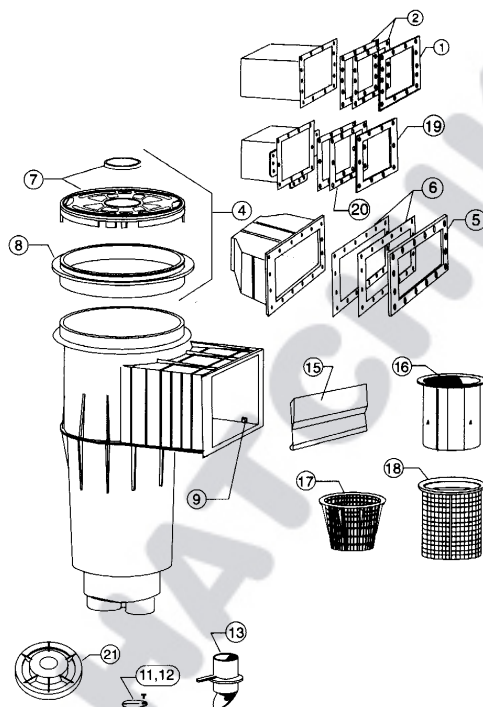
HATCHIK SUPPLY CO.

AMERICAN FAS 100 SKIMMER



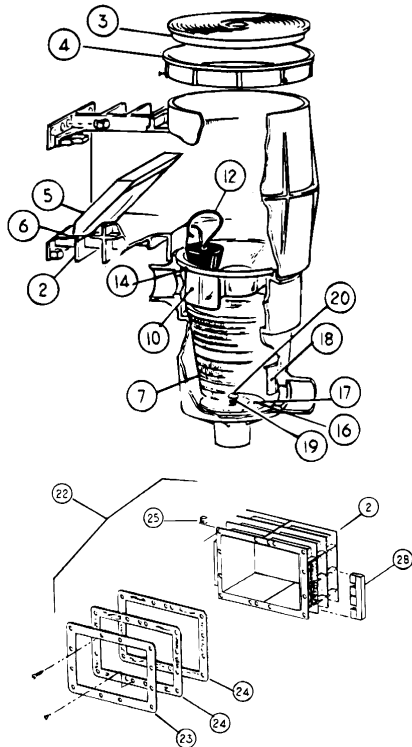
KEY	MFG NO.	DESCRIPTION	ITEM NO.
1	85004700	Skimmer Lid	L4933
2	85003200	Flap Weir	L4932
3	85003300	Gasket, Sealing Rear (Thick)	L4939
4	85003400	Gasket, Sealing Front	L4931
5	85004000	Cycolac Sealing Frame	L4930
6	98207200	Screw, Sealing 13-16 x 1-1/4" High - Low, XL	L4928
6	98202900	Screw, S.S. Sealing Phil. 13-16 x 1" High - Low FH	L4929
7	98203000	Screw, S.S. Retainer Slot 13-16 x 3/4" High - Low PH	L4927
8	85003900	Skimmer Basket	L4941
8	B-172	Generic Basket	K7172
9	98204400	Screw, S.S. 10-24 x 1/2" PH for Trimmer Plate	O5005
10	85009600	Trimmer Plate	L5001
---	85002800	Plate, Vacuum Adapter	L4934
---	85002900	Elbow, Vacuum Adapter Plate	L4937
---	85003000	Hose Adapter, 1-1/2" MIPT x 1-1/4"	L4938
---	85009700	Screw Kit, Standard	L4925
---	85009800	Screw Kit, Ex. Long Screws	L5002
---	85017600	Pivot Tab, for Flap Weir	L5004

AMERICAN ADMIRAL SKIMMER



1	85004200	Frame, Sealing liner, Std. Hole	L2024
2	85001600	Gasket Set, Liner, Std. Hole Pattern (81111700 Back Gasket, 81111800 Front Gasket)	L4935
4	85000400	Lid/ Ring Seat Complete	L2003
5	85007600	Frame, Sealing Liner, Wide Throat	L2000
6	85007700	Gasket, Sealing Liner, Wide Throat 2	L2001
7	85007400	Skimmer Lid (Before '96)	L1001
7	85007400	Lock Down Style Skimmer Lid	L1006
8	85000600	Ring Seat Only, 9" Diameter	L2004
11	85002400	Trimmer Valve Plate, Residential	L2015
12	98204400	Screw for Trimmer Plate, 10-24 x 1/2"	O5005
13	85002600	Vari-flo Control Insert, Thermoplastic	L1004
15	85001500	Weir, Flap Molded	L2009
16	85001200	Floating Weir, Circular (S-20)	K7038
16	B-38	Generic Floating Weir	K8038
17	85014500	Basket, Tapered (S-20)	L4945
17	B-37	Generic Basket	K7037
18	85000100	Basket	L4942
18	B-200	Generic Basket	K7200
19	85000300	Frame, Liner, Amer. 10 Hole Pattern	L2002
20	79200700	Gasket Set, Amer. 10 Hole Pattern	O1306
21	85015200	Equalizer Assembly	L2036
---	85000700	Square Ring Seat 10-1/2" x 10-1/2"	L2005
---	98202900	Screw, Sealing (After 2-1-76)	L4929
---	98207200	Screw, Sealing (After 2-1-76)	L4928
---	98203000	Screw (After 2-1-76)	L4927
---	85008500	Screw Kit, Amer. 10 Hole Pattern	L2026
---	85008700	Screw Kit, Std. 12 Hole Pattern	L2028
---	85015100	O-Ring, Skimmer Bottom	L4946
---	57008200	O-Ring, Equalizer	L2037
---	85016600	Rubber Stopper, Flap Weir	L2030
---	85014200	Trimmer, Equalizer	L2038

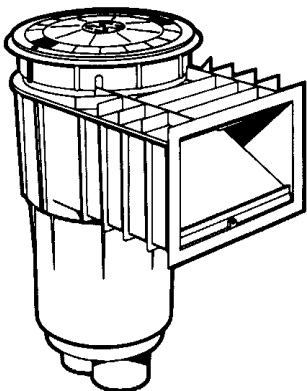
BAKER HYDRO SKIMMER



KEY	ITEM NO.	DESCRIPTION	ITEM NO.
2	51B1004	Throat Extension	L1202
3	51B1017	Skimmer Lid	L1011
4	51B1016	Grout Ring	L1204
5	51B1055	Weir Assembly w/ Rod	L1013
5	-----	Generic Weir Assy., w/ Rod	L1155
6	51B1058	Weir Rod Only	L1206
7	51B1026	Skimmer Basket w/ Handle	L1212
7	B-136	Generic Skimmer Basket	K7136
10	51B1024	Skimmer Control Plate Assy.	L1012
12	51B1018	Stopper Plug w/ Cord	L1214
14	00B7000	Control Plate Gasket	L1218
16	51B2006	Commercial Kit	L1222
17	51B2002	Equalizer Valve Disc	L1224
18	51B2001	Trimmer Valve	L1226
19	51B2004	Commercial Kit Spring	L1228
20	00B1008	Screw, 8-32 x 1-1/4"	L1230
22	51B1019	Pre-Fab Kit	L1234
23	51B1025	Face Ring	L1236
24	51B1047	Face Ring Gasket	L1238
25	51B1020	Pre-Fab Screw Inserts	L1240

HAYWARD SKIMMER

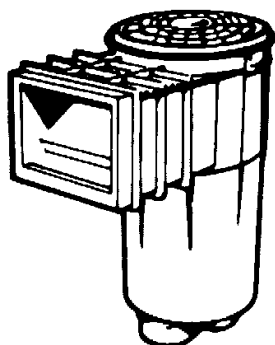
SP-1070



MFG NO.	DESCRIPTION	ITEM NO.
SPX1070Z3	Cover Retaining Screw	L1401
SPX1070C	Cover, White	L1416
SPX1070C10	Cover, Tan	L1405
SPX1070B	Adjusting Collar, White	L1415
SPX1070B10	Adjusting Collar, Tan	L1406
SP1070P	Extension Collar	L1049
ECX1019	Screw for Adjusting Collar	H6452
SPX1070K	8-3/8" Weir Assembly - Hayward	L1421
-----	8-3/8" Weir - Generic	L1150
SPX1070E	Basket - Hayward	L1418
B-9	Basket - Generic	K7009
SPX1082H1B	Flo-Control Slide Plate w/Screw	L1921
SPX1070Z6	Retaining Screw	L1403*
SP1070FV	Float Valve Assembly	L1426
SPX1070Z2	O-Ring for Float Valve	L1402*
SPX1070FA	Flo-Control Timmer Plate w/Screw	L1419
SP11063	Skim Vac, 1-1/2" Straight	L1942

* Limited Quantity

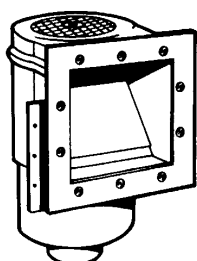
HAYWARD SKIMMERS SP-1075, 1075 & 1077



MFG NO.	DESCRIPTION	ITEM NO.
SPX1075C1	Cover, White	L1951
SPX1084Z9	Cover Screw	L1308
SPX1075B	Adjusting Collar	L1952
SPX1082K	Weir, 7-13/16" - Hayward	L1932
----	Weir, 7-5/8" - Generic	L1140
SPX1082CA	Basket, 6-1/2" O.D. x 5" - Hayward	L1949
B-152	Basket, 6-1/2" O.D. x 5" - Generic	K7152
SPX1075E	Basket Support Ring	L1914
SPX1075F	Flo-Control Slide Plate w/Screw	L1915
SPX1075L	Multi-Flow Valve Control (SP-1075-T)	L1376

Liner Parts

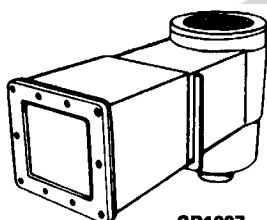
SPX1084L	Face Plate	L4910
SPX1085B	Face Plate (SP1077)	L4912
SPX1084B	Gasket (SP1076)	L4911
SPX1085D	Gasket (SP1077)	L4913
SPX1084Z4A	Face Plate Screw Set (SP1076)	L4264
SPX1084Z4AM	Face Plate Screw Set 1-1/4" Long	L1346
SPX1085Z1A	Face Plate Screw Set (SP1077)	L1448
SPX1085Z1AM	Face Plate Screw Set 1-1/4" Long Self - Tapping	L1450



SP-1090 & SP-1092

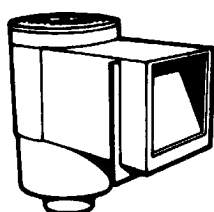
MFG NO.	DESCRIPTION	ITEM NO.
SPX1096CA	Basket, 5-1/8" x 3" - Hayward	L4924
B-168	Basket - Generic	K7168
SPX1096B	Cover	L4917
SPX1096A2	Basket Support Ring	L4274
SPX1096K	5-7/8" Weir - Hayward	L4916
----	5-7/8" Weir - Generic	L1130
SPX1090D	Face Plate	L4914
SPX1090E	Gasket, Face Plate	L4915
SPX1090F	Spacer	L4212*
SPX1090GA	Throttle Plate with Screw	L4217
SPX1090Z1A	Face Plate Screw - Set	L4218
SPX1030Z1C	Face Plate Screw - Set (1-1/4")	N1461
SPX1090AA	Body w/ Basket Ring	L4208
SPX1092AA	Body w/ Basket Ring & Access Plug	L4224
SPX1092C	Access Plug	L4220

*Limited Quantity



SP1097

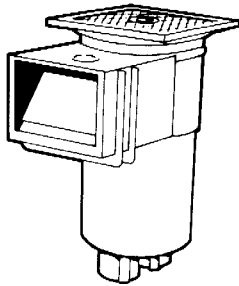
SP-1096, SP-1097 & SP-1098



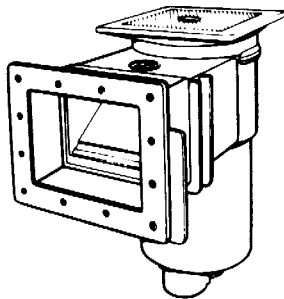
SP1096

MFG NO.	DESCRIPTION	ITEM NO.
SPX1096B	Cover	L4917
SPX1096AX	Adjusting Collar	L4970
SPX1096CA	Basket, 5-1/8" O.D. x 3" - Hayward	L4924
B-168	Basket, 5-1/8" O.D. x 3" - Generic	K7168
SPX1096A2	Basket Support Ring	L4274
SPX1096K	Weir, 5-7/8" - Hayward	L4916
----	Weir, 5-7/8" - Generic	L1130
SPX1097D	Face Plate (SP-1097 & SP-1089)	L4278
SPX0097E	Gasket (SP-1097 & SP-1098)	L4280
SPX1090Z1A	Face Plate Screw Set	L4218

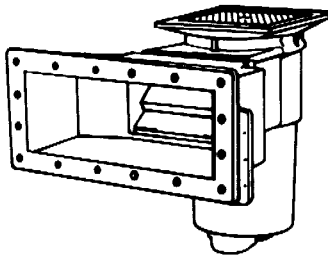
HAYWARD SKIMMERS
SP-1082, SP-1084 & SP-1085



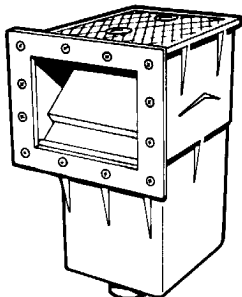
SP1082



SP1084
SP1086



SP10851



MFG NO.	DESCRIPTION	ITEM NO.
SPX1082E	Cover, Square	L1930
SPX1082Z1	Cover Screw (Square Cover)	L1931
SPX1082F	Adjusting Collar (Square Cover)	L1404
SPX1084R	Cover, Round	L1934
SPX1084P	Adjusting Collar (Round Lid)	L1410
SPX1084P1	Extension Collar	L1939
SPX1082CA	Basket, 6-1/2" O.D. x 5" - Hayward	L1949
B-152	Basket, 6-1/2" O.D. x 5" - Generic	K7152
SPX1082D	Basket Support Ring	L1414
SPX1082K	Weir, 7-7/8" - Hayward	L1932
----	Weir, 7-5/8" - Generic	L1140
SPX1082H1A	Slide Plate with Screw	L1920
SPX1082Z3	Vacuum Hose Adapter	L1933
SPX1053Z1	2" Pipe Plug	L1944
SPX1082Z2	2" x 1-1/2" Reducing Bushing	L1945

Liner Skimmer Parts

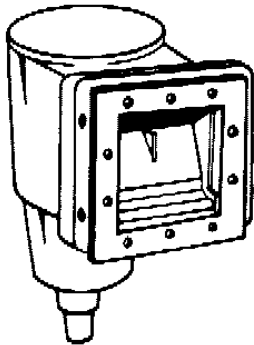
SPX1084L	Face Plate (SP-1084)	L4910
SPX1084B	Gasket (SP-1084)	L4911
SPX1084C	Spacer (SP-1084)	L1438
SPX1084Z1A	Face Plate Screw Set (SP-1084)	L4940
SPX1084Z4A	Self-Tapping Screw Set (SP-1084)	L4264
SPX1084Z4AM	Screw Set, 1-1/4" Long (SP-1084)	L1346
SPX1085B	Face Plate (SP-1085)	L4912
SPX1085D	Gasket (SP-1085)	L4913
SPX1085Z1A	Face Plate Screw Set (SP-1085)	L1448
SPX1085Z1AM	Screw Set, 1-1/4" Long (SP-1085)	L1450
SP1078	Equalizer Valve	L1937
SP1082GV	Skimmer-to-Drain Diverter Valve	L1938
SP1084F	Face Plate Cover, Snap On (SP-1084)	L1954
SP1085F	Face Plate Cover, Snap On (SP-1085)	L1940
SP1107	Skim-Vac, 1-1/2" Straight, No Gasket	L1935
SP1106	Skim-Vac, 1-1/2" Straight, w/Gasket	L1936

SP-1089

SPX1088B	Cover	L1449
SPX1088GA	Basket Assembly	L4254
SPX1089K	Weir	L4256
SPX1088DA	Flo-Control Plate w/ Screw	L4258*
SPX1084L	Face Plate	L4910
SPX1084B	Gasket	L4911
SPX1084Z4A	Face Plate Screw Set	L4264
SPX1088R	Body Only	L4266

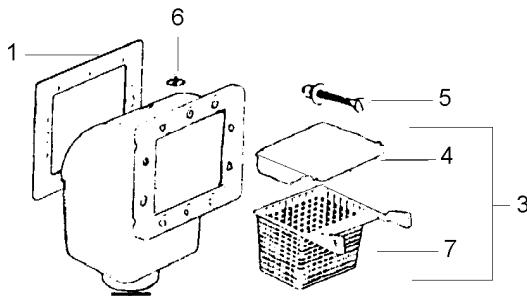
*Limited Quantity

HAYWARD SKIMMER SP-1094, 1094SPA, 1094H, 10950M

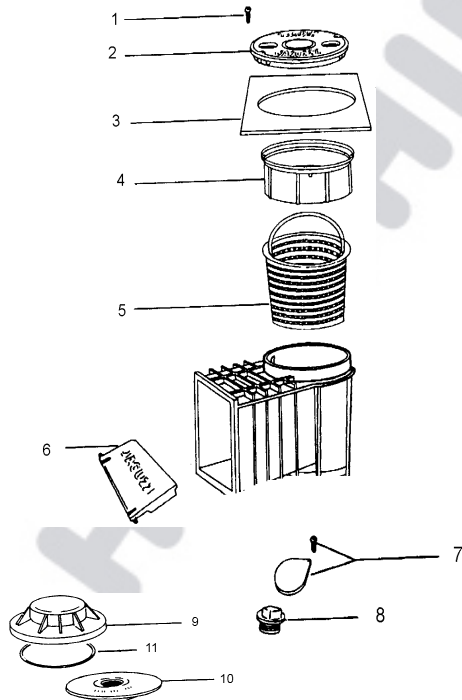


MFG NO.	DESCRIPTION	ITEM NO.
SPX1094FA	Basket - 4-3/4" O.D. x 3"	L4228
SPX1094C	Cover	L4227
SPX1094K	Weir	L4232
SPX1094B	Face Plate	L4234
SPX1094G	Gasket (SPX1090E for SP10940M)	L4240
SPX1090E	Gasket	L4915
SPX1030Z1C	Face Plate Screw Set 1-1/4"	N1461
SPX1094R	Face Plate Cover - Snap On	L4233
SPX190Z1A	Face Plate Screw Set	L4218

JACUZZI SKIMMER SV Series



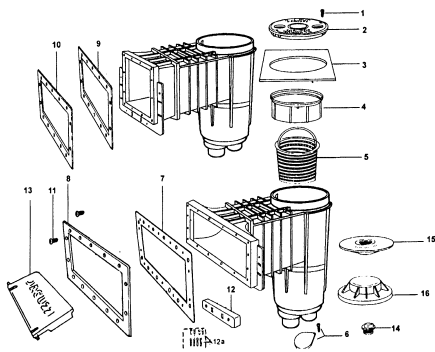
KEY	MFG NO.	DESCRIPTION	ITEM NO.
1	13-0462-06-R	Gasket	M1078
3	43-0785-00-R	Basket/ Float Assy	M1080
4	43-0677-01-R	Float/White	M1081
5	14-3936-07-R	Fastener Kit	M1000
6	23-4726-08-R	Umbrella (after 6/87)	M1002
7	43-0676-02	SV Basket	M1004
7	B-202	Generic Basket	K7202



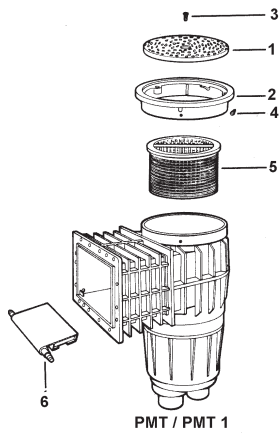
JACUZZI DECKMATE SKIMMER Concrete Model

KEY	MFG NO.	DESCRIPTION	ITEM NO.
1	14-4328-01-R	Oval Hd. 8-32 Screw (2 req.)	L1015
2	43-3051-01-RWHT	Cover	L1097
3	43-3057-05-RWHT	Square Deck Ring	L9020
4	43-3055-07-RWHT	Grouting Ring	L9005
5	16-1099-02-R	Basket Assy. w/ Handle	L1099
6	43-3056-06-R	Weir Float	L9015
7	43-3063-07-R	Trim Plate w/ Screw	L1016
8	43-3092-02-R	2" Plug w/ Gasket	H8572
9	9411-0038	Float Valve Assembly	L9025
10	9411-0020	Vacuum Plate	L1478
11	47-0262-08-R	O-Ring 7 x 7-1/4 x 1/8	L1021
---	43-3091-03-R	1-1/2" Plug w/ Gasket	H8573

JACUZZI DECKMATE SKIMMER
Vinyl / Fiberglass Model



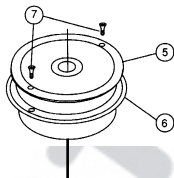
KEY	MFG NO.	DESCRIPTION	ITEM NO.
1	14-4328-01-R	Oval Hd. 8-32 x1" Screw (2 needed)	L1015
2	43-3051-01-RWHT	Skimmer Lid	L1097
3	43-3057-05-WHT	Square Deck Ring	L9020
4	43-3055-07-RWHT	Grouting Ring	L9005
5	16-1099-02-R	Basket Assy. w/ Handle	L1099
3	43-3063-07-R	Trim Plate w/ Screw	L1016
7	13-0010-03-R000	Gasket, Widemouth Throat	L9045
3	43-3061-09-RWHT	Face Plate, Widemouth Throat	L9035
3	13-0007-08-R	Gasket for Standard Throat (2 needed)	L9040
0	43-3059-03-RWHT	Face Plate, Standard Throat	L9030
11	14-4326-03-R	Screw #13-1 x 1" SS	L9041
12	43-3088-08-RWHT	Flange Spacer Kit	L9042
12A	14-4342-03-R	Fastener Kit for #12 Spacers	L9043
13	43-3056-06-R000	Weir Float	L9015
14	43-3092-02-R000	2" Plug w/ Gasket	L1017
14	43-3091-03-R000	1 - 1/2" Plug w/ Gasket	L1018
15	9411-0020	Vacuum Plate Assembly	L1478
16	9411-0038	Float Valve Assembly	L9025
16A	47-0262-08-R	Float Valve O-Ring	L1021



JACUZZI PMT

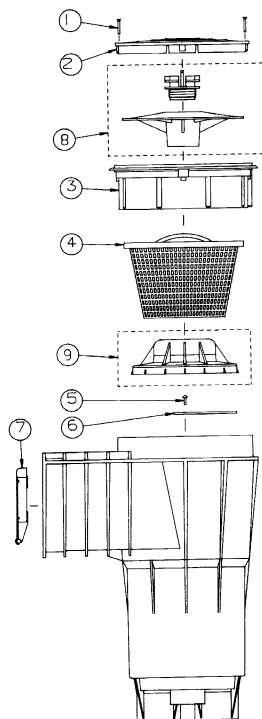
KEY	MFG NO.	DESCRIPTION	ITEM NO.
1	84-1401-02-R	Skimmer Lid, PMT	L1068
2	43-0508-06-R	Mounting Ring, PMT	L1027
5	43-0507-07-R	Basket - Jacuzzi	L1028
5	B-183	Basket - Generic	K7183
6	43-0510-02-R	Weir, 8-1/8" - Jacuzzi	L1029
6	----	Weir, 8-1/8" - Generic	L1145

PAC-FAB 1021 SKIM-CLEAN



KEY	MFG NO.	DESCRIPTION	ITEM NO.
1	513036	Basket, Residential	L1535
1	513151	Basket, Commercial	L1538*
1	B-43	Basket - Generic	K7043
1	B-43C	Basket, Commercial - Generic	K743C
2	513027	7-1/4" Weir Assy	L1523
2	----	7-1/4" Weir Assy - Generic	L1135
4	513029	Equalizer, Commercial	L1527
5	513030	Skimmer Lid	L1051
6	513031	Grout Ring	L1507
7	512149	Screw, Lid 6-32 x 7/16" S.S.	L1531
8	192106	Nut 1/4" x 20 S.S.	L1532
10	512154	Screw, Equalizer Flap	L1533*
11	512150	Washer 9/16" Brass	L1534

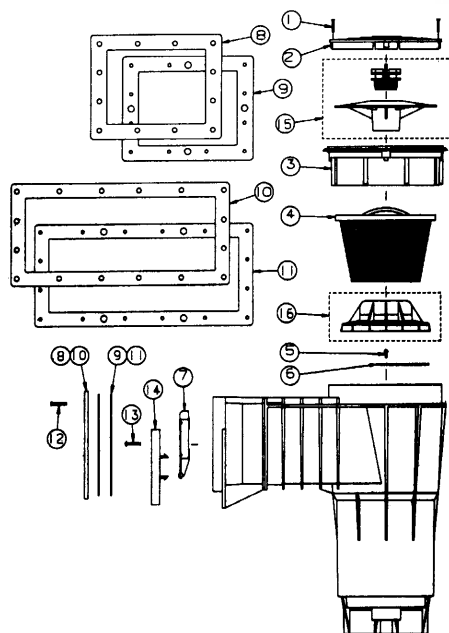
* Limited Quantities



PAC-FAB BERMUDA

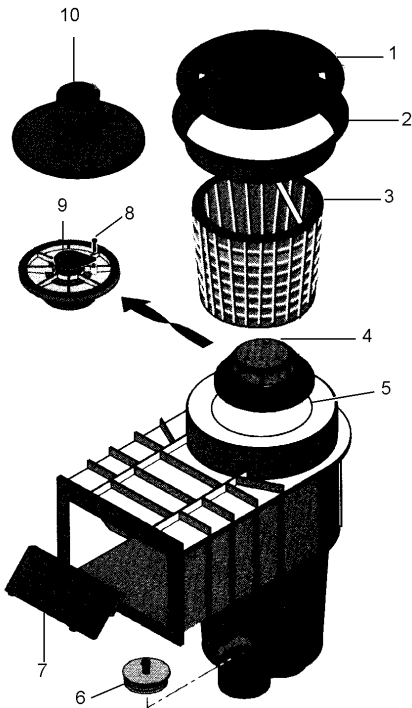
KEY	MFG NO.	DESCRIPTION	ITEM NO.
1	516242	Lid Screw, 8-32 x 1"	L1500
2	516215	Deck Lid, White	L1519
2	516216	Deck Lid, Tan	L1501
2	516306	Deck Lid, Black	L1502
3	516253	Grout Ring (Gunite) White	L1517
3	516258	Grout Ring (Gunite) Tan	L1503
3	516329	Grout Ring (Gunite) Black	L1504
4	516112	Basket - Pac-Fab	L1518
4	B-9	Generic Basket	K7009
5	516243	Screw, Trimmer Plate, 1/2"	L1505
6	516228	Timmer Plate	L1506
7	516252	Weir Assembly	L1053
7	-----	Generic Weir Assembly	L1150
7	516315	Weir Assembly, Black	L1508
8	506161	Vacuum Plate Assembly	L1509
9	506160	Float Valve Assembly	L1530
-	506162	Equalizer Valve Assembly	L1510

PAC FAB VINYL LINER BERMUDA



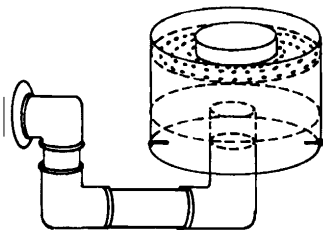
KEY	MFG NO.	DESCRIPTION	ITEM NO.
1	516242	Screw, #8-32 x 1" SS (2 req.)	L1500
2	516215	Deck Lid, White	L1519
2	516216	Deck Lid, Tan	L1501
2	516306	Deck Lid, Black	L1502
3	516259	Deck Collar, Vinyl, White	L1511
3	516260	Deck Collar, Vinyl, Tan	L1512
3	516307	Deck Collar, Vinyl, Black	L1513
4	516112	Basket	L1518
4	B-9	Generic Basket	K7009
5	516243	Screw, #8 x 1/2" SS	L1505
6	516228	Trimmer Plate	L1506
7	516252	Weir Assembly	L1053
7	-----	Generic Weir Assembly	L1150
7	516315	Weir Assembly, Black	L1508
8	552518	Face Plate, Standard Throat	L1540
8	552528	Face Plate, Std. Throat, Black	L1514
9	552566	Gasket, Std. Throat (2 req.)	L1515
10	516229	Face Plate, Widemouth Throat	L1516
10	516319	F. Plt., Widemth. Throat, Black	L1520
11	516231	Gasket, Widemth Throat (2 req.)	L1521
12	516239	Face Plate Screw, Standard	L1522
12	516239	Face Plate Screw, Widemouth	L1522
12	516245	Face Plate Screw, Std., (after 2/93)	L1539
12	516345	Face Plate Screw, Widemouth	L1539
13	516240	Flange Spacer Screw 12-8x5/8"	L1524
13	516241	Flange Spacer Srw. 12-8x1-1/4"	L1525
14	516237	Flange Spacer (3 req.)	L1526
15	506161	Vacuum Plate Assembly	L1509
16	506160	Float Valve Assembly	L1530

STA-RITE U-3 SKIMMER
(Old Swimquip)



KEY	MFG NO.	DESCRIPTION	ITEM NO.
1	08650-0058	Grate Only, White	L1061
1	08650-0158	Grate Only, Tan	L1083
---	08650-0069	Lid Screw	L1085
2	08650-0025	Frame Only, White	L1082
2	08650-0125	Frame Only, Tan	L1084
3	08650-0007	Basket and Handle	L1081
3	B-9	Generic Basket	K7009
---	08650-0067	Basket Handle Only	L1074
4	08650-0079	Float Assembly w/ O-Ring	L1063
5	35505-1273	Float O-Ring Only	L1087
6	08655-0017	Check Valve	L1086
7	08650-0022	Hinged Weir Assembly	L1062
7	-----	Generic Weir, 8-3/8"	L1150
8	37207-0027	Screw, # 8 x 1/2"	L1089
9	08650-0048	Trimmer Plate	L1088
10	08650-0042	Vacuum Plate	L1064
---	08650-0159	Frame and Grate Kit, Tan	L1077
---	08650-0169	Frame and Grate Kit, White	L1093

LILY PAD SKIMMER



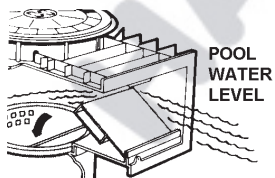
41221	Chrome Arm, Adjustable	L1072*
B-104	Lily Pad Float	K7104
B-104P	8" Lily Pad Disc Only	L1071

* Limited Quantities

SYLVAN SKIMMER

Skimmer Lid w/ Cap, 8-3/4"	Z5020	Weir, 7-5/8", Generic	L1140
"Lock-Down" Skimmer Lid	Z5022	1" x 12" Skimmer Pipe	Z5026
Skimmer Basket	K7133		

REPLACEMENT WEIRS



6" Weir	L1100	5-7/8" Weir	Hayward 1090	L1130
7" Weir	L1105	7-1/4" Weir	Anthony/Pac-Fab	L1135
8" Weir	L1110	7-5/8" Weir	Sylvan/Hayward	L1140
9" Weir	L1115	8-1/8" Weir	Jacuzzi	L1145
10" Weir	L1120	8-3/8" Weir	Swimquip/Hayward	L1150
12" Weir	L1125	9-3/8" Weir	Baker Hydro	L1155

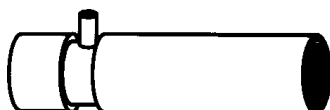
Adapter Bushings & Spa Union Parts	506
Air Buttons, Len Gordon, Tridelta & Herga	511
Air Switches, Len Gordon, Press: Air: Trol & Tridelta	510
American Products Venturi Nozzles	499
Anzen Air Blower Motors	512
Brett Aqualine HT-1 Assembly	503
Contactors, Furnas & Potter & Brumfield	509
Flow Switches	508
Hayward Jet-Air Fittings	499
Heater Element Assemblies	503-505
Hydro Air Pool & Spa Fittings	500-502
Jacuzzi Spa Fitting C, P & W Series	502
Len Gordon Relays & Terminal Strips	509
Ozone Fittings (Misc.)	512
Pressure Switches, Tridelta, Hobbs & Len Gordon	508
Thermostats, High Limits, Thermodisc, Thermowells & GFCI's	507
Time Clock Parts	512,513

Spa Fittings & Misc. Components

HATCHIK SUPPLY CO.

Notes

HATCHIK SUPPLY CO.



P/N 46540000

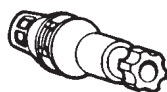
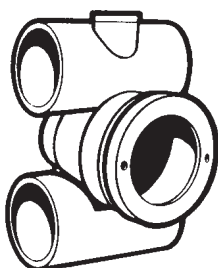


P/N 46543100

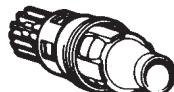
AMERICAN PRODUCTS

MFG NO.	DESCRIPTION	ITEM NO.
46540000	Venturi Jet with 5/16" Nozzle	N1062
46543000	Mixing Nozzle, 5/16" (fits N1062 Jet)	M1521
46543100	Mixing Nozzle, 1/2"	N1031

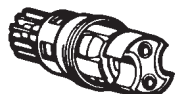
HAYWARD JET-AIR III SERIES SP1434, SP1436 & SP1437



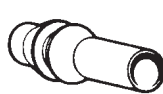
SP-1434-PAKB



SP-1435-PAKB



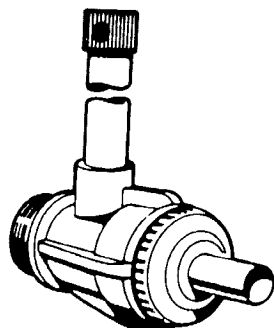
SP-1436-PAKB



SP-1437-PAKB

MFG NO.	DESCRIPTION	ITEM NO.
SP1434PAKA	Jet Air III Body Assy. 1-1/2" x 1-1/2"	N1063
SPX1434E	Bulkhead Fitting	N1442
SPX1434L	Gasket	N1444
SPX1434BA	Vari-Flo Ball Jet/Nozzle - Adjustable	N1440
SPX1434D	Lockring for Ball Assembly	N1441
SPX1434F	Nozzle Retaining Clip	N1443
SPX1434JA	Seal Rings & O-Ring Kit	N1445
SPX720PE2	Seal Ring (Set of 2)	V4159
SPX1434J	O-Ring for Vari-Flo Nozzle	N1196
SPX1434ES	Escutcheon, Stainless Steel	N1401
SPX1436DA	Pulse-Flo Assembly	N1403
SPX1435D	Comfort-Flo Nozzle	N1405
SPX1435BA	Jet Receiver Only	N1407
SPX1437C	Whirlpool Nozzle (SP1437)	N1409
SPX1437B	Nozzle Insert (SP1437)	N1411
SP1434T	Combo Tool for Bulkhead & Nozzle	N1068
SP1434PAKB	Vari-Flo Nozzle Assy - Adjustable	N1061
SP1435PAKB	Comfort-Flo Nozzle Assy - Turbo	N1191
SP1436PAKB	Pulse-Flo Nozzle Assy - Rotating	N1059
SP1437PAKB	Whirl-Flo Nozzle Assy - Whirlpool	N1194

HAYWARD JET-AIR FITTINGS SP1430, SP1431 & SP1432



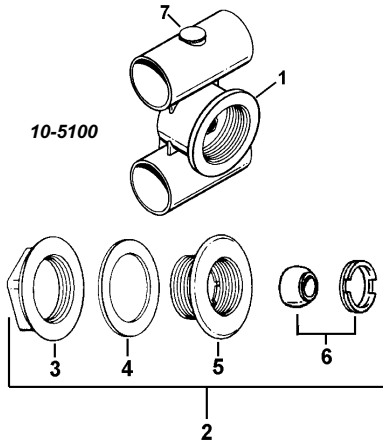
SP14311, 2

MFG. NO	DESCRIPTION	ITEM NO.
SPX1430B	Small Nozzle (SP1430)	N1453
SPX1430C	Large Nozzle (SP1431)	N1451*
SPX14311S	1/2" x 18" Air Supply Tube	N1464
SPX14312S	1/2" x 24" Air Supply Tube	N1465
SPX1430Z1	Air Tube Adjustment Cap	N1458
SPX0502D	Air Tube Bushing	O1409
SPX1430B1	SPA Insert Bushing	N1462

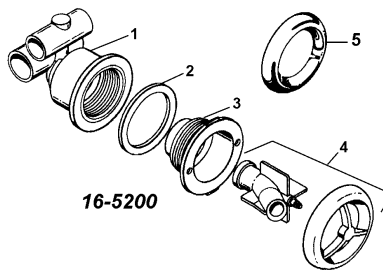
*Limited Quantity

HYDRO AIR POOL/SPA FITTINGS

Hydro Jet - 10-5100

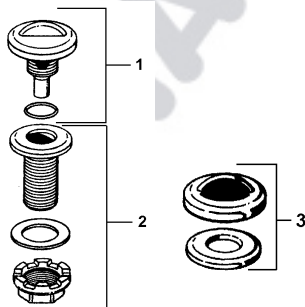


KEY	MFG NO.	DESCRIPTION	ITEM NO.
1	10-4100	1-1/2" x 1-1/2" Stacked Jet Body	M5060
2	10-3100	Standard Wall Fitting Assy, White	M5020
2	10-3100	Standard Wall Fitting Assy, Brown	M5021
2	10-3100	Standard Wall Fitting Assy, Beige	M5022
2	10-3100	Standard Wall Fitting Assy, Blue	M5023
2	10-3100	Standard Wall Fitting Assy, Black	M5024
2A	10-3300	Extended Wall Fitting, White	M5040
2A	10-3300	Extended Wall Fitting, Brown	M5041
2A	10-3300	Extended Wall Fitting, Beige	M5042
2A	10-3300	Extended Wall Fitting, Black	M5043
3	10-3807	1-1/2" Nut, White	M5320
4	10-3804	Gasket	M5340
5	10-3801	Standard Wall Fitting Only, White	M5330
5	10-3803	Extended Wall Fitting Only, White	M5200
5	10-3803	Extended Wall Fitting Only, Brown	M5201
5	10-3803	Extended Wall Fitting Only, Beige	M5202
5	10-3803	Extended Wall Fitting Only, Blue	M5203
5	10-3803	Extended Wall Fitting Only, Black	M5216
6	10-3808	Eyeball & Retaining Ring, White	M5000
6	10-3808	Eyeball & Retaining Ring, Brown	M5001
6	10-3808	Eyeball & Retaining Ring, Beige	M5002
6	10-3808	Eyeball & Retaining Ring, Blue	M5003
6	10-3808	Eyeball & Retaining Ring, Black	M5025
7	10-4105	Cap Plug	M5237



Micro'ssage Stacked Jet Assembly - 16-5200

KEY	MFG NO.	DESCRIPTION	ITEM NO.
1	16-4200	1" x 1" Jet Body for Spas	M5032
1	16-4250	1" 1-1/2" Jet Body for Spas	M5033
2	10-5847	Gasket	M5225
3	16-5215	Fitting w/ Bearing for Spas	M5034
4	16-5230	Grill & Nozzle Flow Path Assy.	M5035
5	16-5255M	Metal Escutcheon	M5031



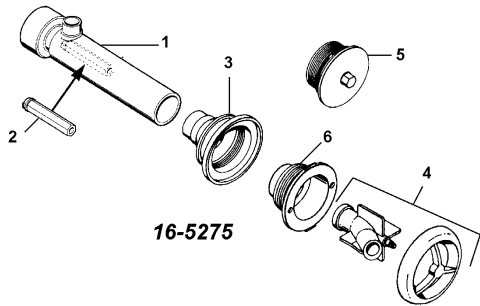
1" Air Control Assembly - 10-2100

KEY	MFG NO.	DESCRIPTION	ITEM NO.
1	10-2108	Air Stem w/ O-Ring	M5009
2	10-2107	1" Body w/ Gasket & Nut	M5090
3	10-2155M	1" Metal Escutcheon	M5012
	10-3706	1" Nut Only	M5011
	10-3705	1" Gasket Only	M5006

10-2100

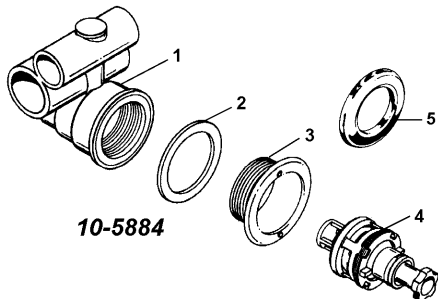
HYDRO AIR POOL/SPA FITTINGS

Gunite Micro'ssage - 16-5275



KEY	MFG NO.	DESCRIPTION	ITEM NO.
1	10-4320	Gunite Venturi Tee	M5036
2	10-4401T	Gunite Twist Lock Nozzle	M5037
3	10-4332	Niche Adaptor	M5039
4	16-5230	Grill / Flow Path Assembly	M5035
5	10-4333	Test Plug for Niche Adaptor	M5044
6	16-5215	Fitting w/ Bearing	M5034

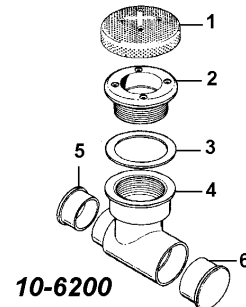
AF Mark II Stacked Jet Assembly - 10-5884



KEY	MFG NO.	DESCRIPTION	ITEM NO.
1	10-4531	1" x 1" Jet Body Only	M5224
1	10-4541	1-1/2" x 1" Stacked Jet Body	M5223
2	10-5847	Gasket Only	M5225
3	10-5843	Wall Fitting - White	M5226
4	10-FS35A	Caged Eyeball Assembly	M5228
5	10-5845M	Metal Escutcheon	M5174

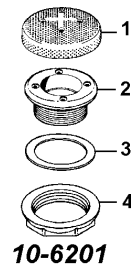
Main Drain Assembly - 10-6200

KEY	MFG NO.	DESCRIPTION	ITEM NO.
1	10-6011	Anti-Vortex Cover w/ Screws	M5210
2	10-6015S	Fitting w/ Inserts	M5205
3	10-6003	Gasket for Main Drain	M5213
4	10-6004	1-1/2" x 2" Slip Tee Nut Fitting	M5220
5	10-1015	1-1/2" Slip Plug	M5280
6	10-1002	2" Slip Plug	M5207

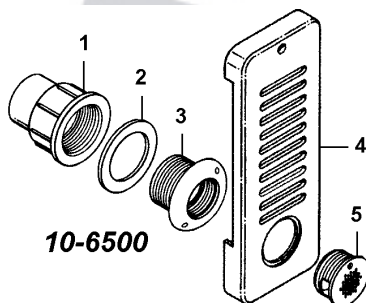


Main Drain / Lock Nut - 10-6201

KEY	MFG NO.	DESCRIPTION	ITEM NO.
1	10-6011	Anti-Vortex Cover	M5210
2	10-6015S	Fitting w/ Inserts	M5205
3	10-6003	Main Drain / Lock Nut	M5213
4	10-6010	Main Drain Nut	M5214



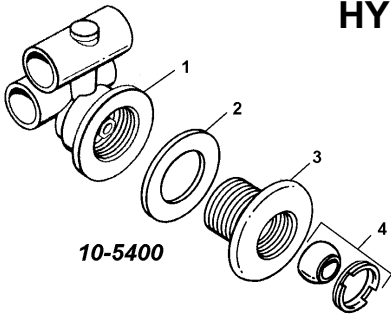
Skimmer - 10-6500



KEY	MFG NO.	DESCRIPTION	ITEM NO.
1	10-6104	1-1/2" Straight PVC Nut	M5361
1	10-6103	1-1/2" 90 Degree PVC Nut	M5240
2	10-3804	Gasket Only	M5340
3	10-3801	Standard Wall Fitting Only	M5330
3	10-3803	Extended Wall Fitting Only	M5200
4	10-6520	Skimmer Face Plate Only	M5217
5	10-6521	Grate for Skimmer Only	M5218

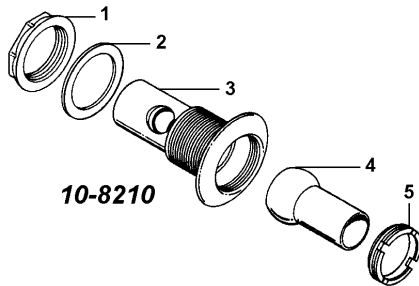
HYDRO AIR POOL / SPA FITTINGS

Micro Jet Assembly - 10-5400



KEY	MFG NO.	DESCRIPTION	ITEM NO.
1	10-4200	1" x 1" Body w/Long Nozzle	M5032
2	10-3705	Gasket	M5006
3	10-3701	1-1/4" Fitting, Thread. Length	M5204
4	10-3710	Micro Eyeball & Retaining Ring	M5206

Swim Jet Assembly (3-7/8" Eyeball) - 10-8210

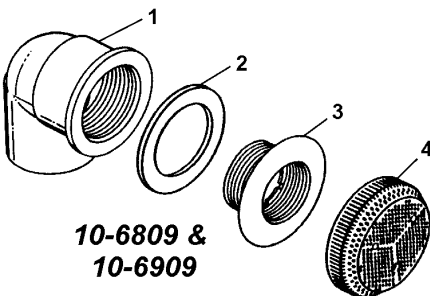


KEY	MFG NO.	DESCRIPTION	ITEM NO.
1	10-6010	Nut	M5214
2	10-6003	Gasket	M5213
3	10-8211	Jet Body	M5231
4	10-8216S	3-7/8" Eyeball	M5208
5	10-8217	Eyeball Retaining Ring	M5209

Slimline Safety Suction Fitting - 10-6900 & 10-6909

KEY	MFG NO.	DESCRIPTION	ITEM NO.
1	10-6104	1-1/2" Straight Nut	M5361
1	10-6103	1-1/2" 90 Degree Nut	M5240
2	10-3804	Wall Fitting Gasket	M5340
3	10-6908	Suction Fitting Only	M5231
3	10-6903	Extended Fitting Only	M5232
4	10-6906	Suction Cover Only	M5233
4	10-6906M	Metal Suction Cover	M5234

High Volume Safety Suction Fitting - 10-6800 & 10-6809

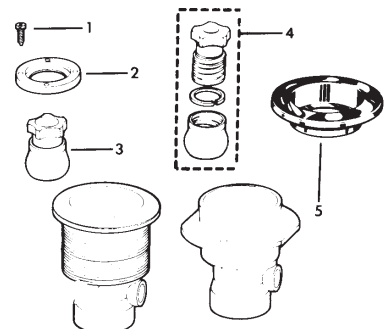


KEY	MFG NO.	DESCRIPTION	ITEM NO.
1	10-6104	1-1/2" Straight Nut	M5361
1	10-6103	1-1/2" 90 Degree Nut (Not Shown)	M5240
2	10-3804	Wall Fitting Gasket	M5340
3	10-3801	Standard Wall Fitting	M5330
3	10-3803	Extended Wall Fitting - White	M5200
3	10-3803	Extended Wall Fitting - Brown	M5201
3	10-3803	Extended Wall Fitting - Beige	M5202
3	10-3803	Extended Wall Fitting - Blue	M5203
4	10-6806	Suction Cover Only	M5235
4	10-6806M	Metal Suction Cover	M5236

JACUZZI SPA FITTING

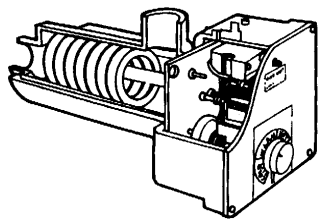
C, P & W Series Hydrotherapy Fittings

KEY	MFG NO.	DESCRIPTION	ITEM NO.
1	14-0607-27-R	Screw, 8-16 x 3/4" S.S.	M1071
2	43-0592-11-R	Flange, Ball Fitting	M1072
3	43-0650-02-R	Nozzle C, P & W 25E	M1073
3	43-0595-00-R	Nozzle C, P & W 30E	N/A
4	43-0647-08-R	Flow Control P & W 20E	M1075

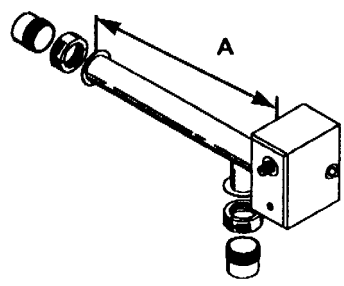
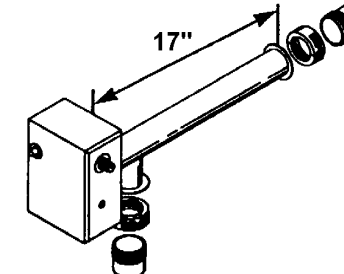


BRETT AQUALINE HT-1 ASSEMBLY

MFG NO.	DESCRIPTION	ITEM NO.
22-1BAQ-000-111	HT-1 Complete O.E.M. Heater Assy. 1.5 KW/120V or 6 KW/240V w/ Pressure Switch, Thermostat, Capillary type High Limit Switch in High Temperature ABS Housing	M7100
12-0001	6 KW Replacement Element (Brett)	M7101
15-0001B	ABS Heater Housing Only, No Fittings & Not Drilled	M7002

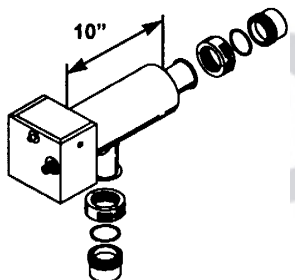


STANDARD HEATER ASSEMBLIES

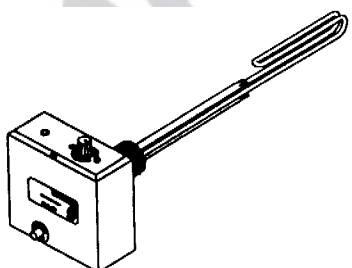
	40-5100-00	1.5KW w/ Thermostat & High Limit (A = 13")	J1250
	40-5300-00	6 KW w/ Thermostat & High Limit (A = 17")	J1252
	40-6300-00	6 KW w/ Thermostat, High Limit & Contactor, 17"	J1253
	40-7300-00	6 KW w/ Thermostat, High Limit & Pressure Switch, 17"	J1257

**All Units Have Heat Indicator Lights*

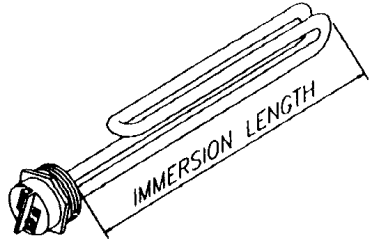
DELUXE HEATER ASSEMBLY

	45-8300	6 KW w/ Thermostat, High Limit, Pressure Switch & Contactor	J1291
---	---------	--	-------

THREADED HEATER ASSEMBLY

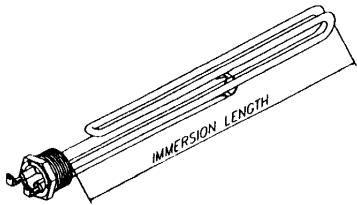
	45-1019	6 KW - 12" 120/240 V w/ 1-1/4" Threads Includes Thermostat & High Limit	J1299
---	---------	--	-------

HEATER ELEMENTS WITH 1" THREADS



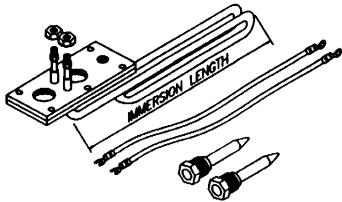
MFG. NO.	DESCRIPTION	ITEM NO.
41-1002	1500W, 120V Heater Element, 7" Long with 1" Threads - No Wells (Includes Gasket)	M5258
41-1011	6000W, 240V Heater Element, 15-3/4" Long with 1" Threads - No Wells (Includes Gasket)	J1258
41-1012	6000W, 240V Heater Element, 9-1/2" Long with 1" Threads - No Wells (Includes Gasket)	M5259
41-1003	1500W, 120V Heater Element, 9" Long with 1" Threads - 2 Wells (5/16")	J1264
41-1013	6000W, 240V Heater Element, 12" Long with 1" Threads - 2 Wells (5/16")	J1263

HEATER ELEMENTS WITH 1-1/4" THREADS



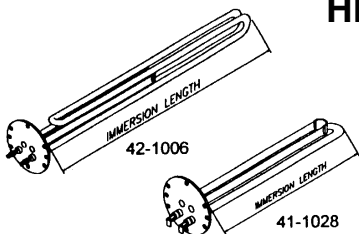
41-1004	1500W, 120V Heater Element, 9" Long with 1-1/4" Threads - 2 Wells (5/16")	M5264
41-1015	6000W, 240V Heater Element, 12" Long with 1-1/4" Threads - 2 Wells (5/16")	M5265

HEATER ELEMENTS WITH 2-1/2" x 5" PLATES



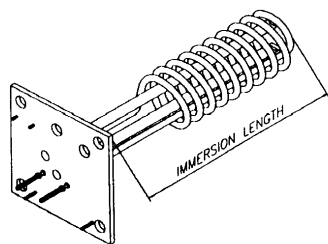
20005071	6000W, 240V Heater Element, 9-5/8" Long with 2-1/2" x 5" Plate (Thermowells not Included)	J1713
----------	---	-------

HEATER ELEMENTS WITH 2-3/4" PLATES



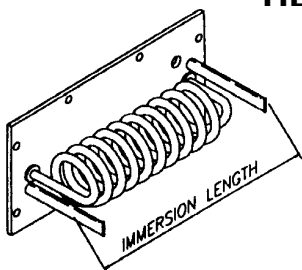
42-1006	6000W, 240V Heater Element, 15-1/2" Long with 2-3/4" Plate - 2 Wells (5/16")	M5266
41-1028	1500W, 120V Heater Element, 8" Long with 2-3/4" Plate - 2 Wells (5/16")	J1283

HEATER ELEMENTS WITH 5" x 5" PLATES

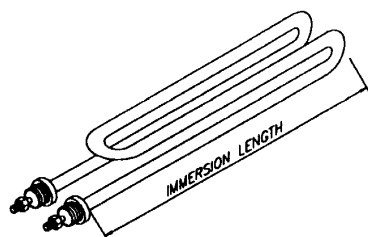


MFG. NO.	DESCRIPTION	ITEM NO.
42-1008	6000W, 240V Heater Element, 8" Long with 5" x 5" Plate - 2 Wells (5/16") Includes O-Ring (Brett Aqualine & Others)	M5261
20-3212	Gasket Kit w/ O-Ring for M5261	J1824

HEATER ELEMENT WITH 5" x 9" PLATES

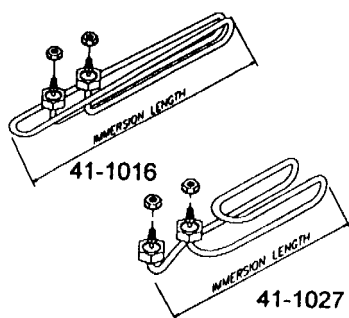


42-1009	6000W, 240V Heater Element, 6" Long with 5" x 9" Plate - 2 Wells (5/16")	M5262
---------	--	-------



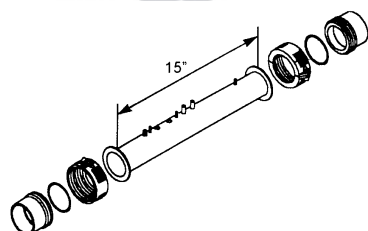
HEATER ELEMENT - HAIRPIN BULKHEAD

41-1006	5500W, 240V Hairpin Bulkhead, 9" Long	J1814
---------	---------------------------------------	-------



HEATER ELEMENTS - FLO-THRU

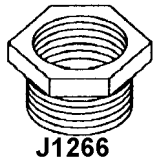
41-1016	5500W, 240V Flo-Thru Heater Element, 11-1/4" Long	M5263
41-1027	1500W, 120V Flo-Thru Heater Element, 5-1/2" Long	J1815



HEATER HOUSING - FLO-THRU

48-2100	Flo-Thru S.S. Heater Housing (10" Long Internal Thermowells)	M5271
---------	--	-------

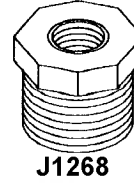
ADAPTER BUSHINGS FOR HEATER ELEMENTS



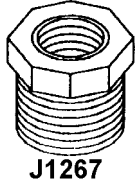
MFG. NO. 20-3022 DESCRIPTION 1" x 1-1/4" Adapter Bushing (Brass)

ITEM NO. J1266

20-3024 2" x 1" Adapter Bushing (PVC)



J1268 J1268



20-3023 1" x 1-1/2" Adapter Bushing (PVC)

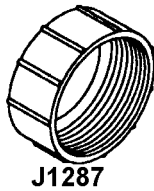
J1267

20-3020 1" Screw Plug Adapter

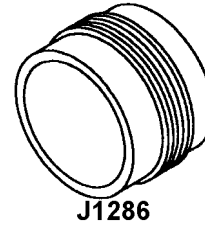


J1265

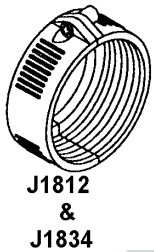
SPA UNION PARTS



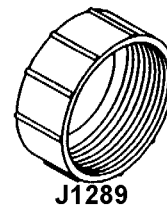
20-1000 1-1/2" Compression Nut J1287



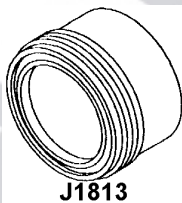
20-1001 1-1/2" x 1-1/2" Female Slip w/ O-Ring J1286



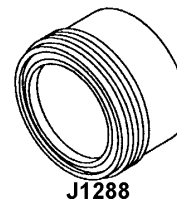
20-1010 1-1/2" Slip Compression Nut J1812
20-1021 2" Split Compression Nut J1834



20-1020 2" Compression Nut J1289



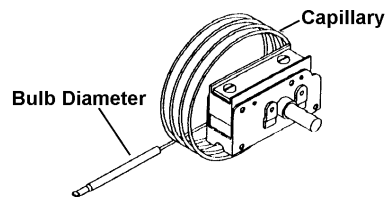
20-1011 1-1/2" Split Nut Tail Piece w/ O-Ring J1813



20-1030 2" Tail Piece w/ O-Ring J1286

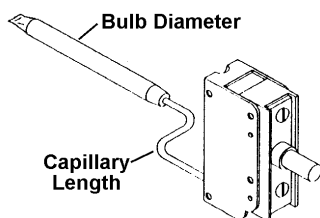
20-1014 O-Ring Only for 1-1/2" Tail Piece J1285

THERMOSTATS



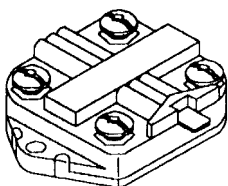
MFG. NO.	DESCRIPTION	ITEM NO.
275-3123-00	Thermostat 12" Capillary, 1/4" Bulb	M5274
275-3124-00	Thermostat 36" Capillary, 1/4" Bulb	M5275
275-3123-01	Thermostat 12" Capillary, 5/16" Bulb	M5276
275-3127-01	Thermostat 36" Capillary, 5/16" Bulb	M5277
275-3183-00	Thermostat 48" Capillary, 5/16" Bulb	M5296
275-2720-00	Thermostat 60" Capillary, 1/4" Bulb	J1277

HIGH LIMITS



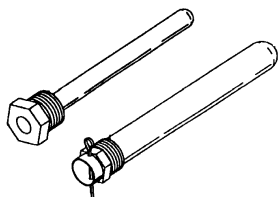
275-2662-00	High Limit 12" Capillary, 1/4" Bulb	M5278
275-3148-00	High Limit 18" Capillary, 5/16" Bulb	M5279
275-2663-00	High Limit 36" Capillary, 1/4" Bulb	M5281
275-2951	High Limit 6" Capillary, 5/16" Bulb	M5282
34-0199	High Limit 12" Capillary, 1/4" Bulb	M5283

THERMODISC



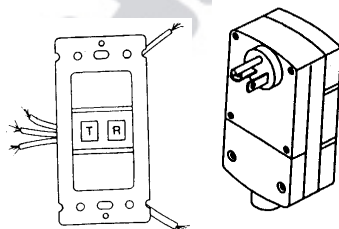
HL9845	Surface Mount High Limit Thermodisc	J1278
--------	-------------------------------------	-------

THERMOWELLS



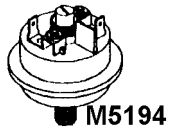
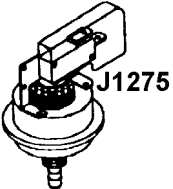
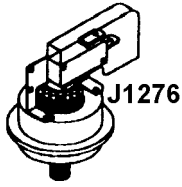
AM-3518	Plastic Thermowell, 4" Long, 1/8"	M5187
56-1003	S.S. Thermowell, 6" Long, 5/16"	J1274
ST-262N	Nickel Plated Copper Thermowell, 6" Long, 1/2"	M1911

GROUND FAULT CURRENT INTERRUPTER

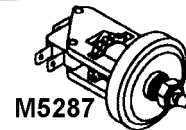
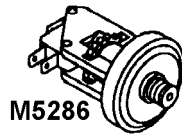


30-1020	Leviton GFCI 15 AMP Cord End	M2226
440100-0	Len Gordon GFCI 20 AMP Indoor Panel Mount	M2225

PRESSURE SWITCHES

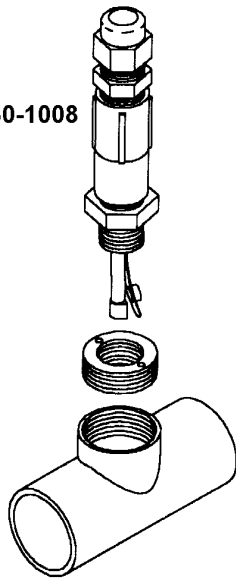


MFG. NO.	DESCRIPTION	ITEM NO.
3029	Pressure Switch (Tridelta) SPST 25A, 1/8" NPT	J1276
3028	Pressure Switch (Tridelta) SPST 25A, Barbed	J1275
3902	Pressure Switch (Tridelta) SPST Universal, 1/8" NPT (1-5 PSI) <i>Includes Barb Fitting & 1/4" & 3/16" Compression Fitting Adapters</i>	M5194
M-3218	Pressure Switch (Hobbs) SPST (1.5 PSI), 1/8" NPT <i>(Replaced by M5194)</i>	M5550* * Limited Quantity
800120-3	Pressure Switch (Len Gordon) SPDT, 20A, 1/8" NPT	M5286
800120-0	Pressure Switch (Len Gordon) SPDT, 20A, 1/8" NPT <i>Includes Barb Fitting & 1/4" & 3/16" Compression Fitting Adapters</i>	M5552
800125-3	Pressure Switch (Len Gordon) SPDT, 20A Barbed	M5287
800140-0	Pressure Switch (Len Gordon) 1-5 PSI, 1A 24/240V, 1/8"NPT	J1251



FLOW SWITCHES

60-1008

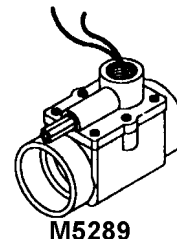
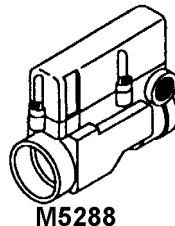
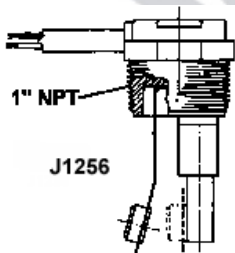


60-1008	Universal Flow Switch Kit Replaces 5 Commonly Used Switches	M5554
---------	--	-------

Flow Switch To Be Replaced:

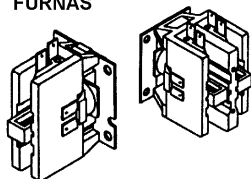
Flow Switch Kit Parts		Harwil Q12DS	Harwil Q8DSA	Harwil Q9DSP	Aqualarm 208-PVC-NOS	Aqualarm 208-PVC-NOT
Part No.	Description					
60-1008	Flow Switch	X	X	X	X	X
60-1009	Adapter 1-1/2" x 1/2"			X		X
60-1010	Adapter 1" x 1/2"		X			
60-1011	Tee 1-1/2" Slip x 1/2" FPT				X	
60-1012	Tee 1-1/2" FPT					X

Q-10DS	Flow Switch (Harwil) 15W, 120/240V, 1" NPT	J1256
M25	Flow Switch (Grid Control) 25A, 1-1/2" SKT	M5288
M2	Flow Switch (Grid Control), 1-1/2" SKT	M5289



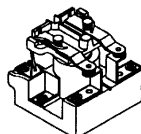
CONTACTORS

FURNAS



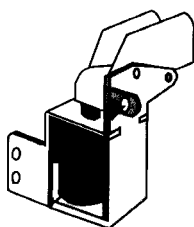
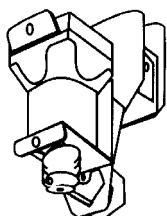
MFG. NO.	DESCRIPTION	ITEM NO.
35-1035	Contactora (Furnas) Single Pole, 30A, 120V Coil	M5293
35-1036	Contactora (Furnas) Single Pole, 30A, 240V Coil	J1273
35-1004	Contactora (Furnas) Dual Pole, 30A, 120V Coil	M5292

POTTER & BRUMFIELD



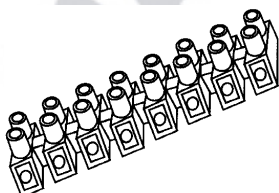
PRD7AG0-120	Contactora (Potter & Brumfield) 30A, 120V Coil	M5290
PRD7AG0-240	Contactora (Potter & Brumfield) 30A, 240V Coil	M5291

RELAYS - LEN GORDON



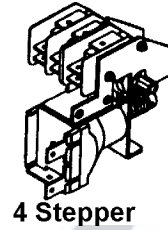
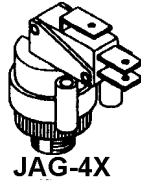
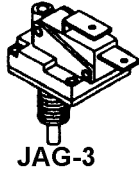
MFG NO.	DESCRIPTION	ITEM NO.
410120-0	Relay, SPDT, S87R, 120V (AS-TCTD, AS-TD Combo 95)	M2205
410121-0	Relay, DPDT, S87R, 120V (FC-3)	M2206
410122-0	Relay, SPDT, S90R, 120V (AS-TC94, FF-1094, FF-1094TC, FF-1094LTC)	M2207
410123-0	Relay, DPDT, S90R, 120V (FF-1094, FC-5SS AS-Multi-Combo, FF-1094TC, FF-1094LTC)	M2208
410124-0	Relay, S90R, 4PDT, 120V	M2209
410125-0	Relay, S90R, 3PDT, 120V	M2210
410126-0	Relay, PRD, 120V	M2211
410241-0	Relay, S87R, DPDT, 240V	M2213
410242-0	Relay, S90R, SPDT, 240V	M2214
410243-0	Relay, S90R, DPDT, 240V (AS-2-95)	M2215

TERMINAL STRIPS - LEN GORDON



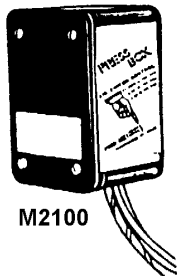
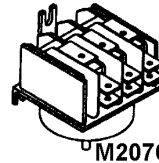
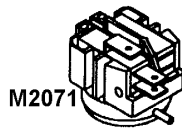
MFG NO.	DESCRIPTION	ITEM NO.
320019-0	12 Position Term Strip, E-6, Female	M2200
320020-0	12 Position Term Strip, E-10	M2201

AIR SWITCHES - LEN GORDON



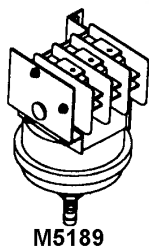
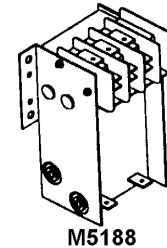
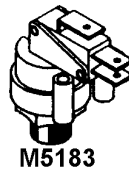
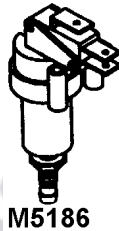
MFG. NO.	DESCRIPTION	ITEM NO.
860010-0	JAG-3 Momentary Contact, 3 AMP, SPST	M2051
860016-0	JAG-4X Maintained Contact, 20 AMP, SPDT	M2053
875302-1	4 Stepper, 120V, 4S-3B-120 (FF-32)	M2240
875307-1	4 Stepper, 120V, 4S-3G-120 (FF1000)	M2241
875307-2	4 Stepper, 240V, 4S-3G-240 (FF2000, 6K & FF1000F)	M2242

AIR SWITCHES - PRESS: AIR: TROL



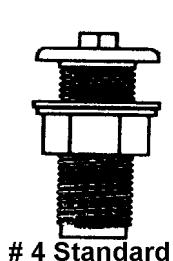
ARA111A	SPDT Latching, 20 AMP	M2071
ARA211A	DPDT Latching, 20 AMP <i>(Replaces Herga 6861A & 6862A)</i>	M2075
MCG311A	4 Function, Center Spout Green Cam <i>(Herga 6806-0004)</i>	M2076
PBCMTB311A	Press Box 4 Function Air Control System Blue Cam, Wired <i>(Air Button not Included)</i>	M2100

AIR SWITCHES - TRIDELTA

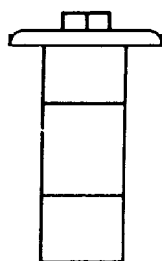


TBS-3212	DPDT Latching, 25 AMP (Replaces TBS-212)	M5186
TBS-301	SPDT Latching, 25 AMP	M5183
TBS-312	SPNO Momentary, 3 AMP	M5184
TBS-917	DPDT Latching, 20 AMP (Replaces TBS-213)	M5185
SAS-101	4 Function Air Switch (Replaces SAS-105)	M5189
CSC-1131	4 Function Sequence Switch, 120V	M5188

AIR BUTTONS - LEN GORDON

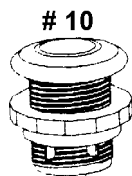


4 Standard

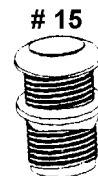


4 Gunite

MFG. NO.	DESCRIPTION	ITEM NO.
950401-000	# 4 "Lite Touch" Button for Standard Finish - White	M2010
950404-000	# 4 "Lite Touch" Button for Standard Finish - Brown <i>(Requires 1-1/4" Mounting Hole)</i>	M2023
950410-000	# 4 "Lit Touch" Button for Gunite - White <i>(Requires 1-1/4" Mounting Hole)</i>	M2011
951001-000	# 10 "Power Touch" Button Smooth - White <i>(Requires 1-3/4" Mounting Hole)</i> <i>*Also Available with "Scalloped" Edge through Special Order</i>	M2008
951501-000	# 15 "Classic Touch" Button Complete - White	M2009
951590-000	# 15 "Classic Touch" Button Body Only-For All Colors	M2025
951601-000	Standard Finish Trim Kit for # 15 Button - White <i>(Requires 1-3/8" Mounting Hole)</i> <i>*26 Additional Colors for #15 Button Available through Special Order Only</i>	M2026*

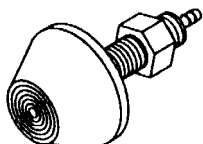


10



15

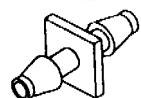
AIR BUTTONS - MISCELLANEOUS



MPT-3190	Air Button (Tridelta) - Brown <i>(Requires 7/8" Mounting Hole)</i>	M2084
----------	---	-------



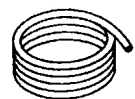
6439	Panel Mount Air Button (Herga) - White <i>(No Mounting Hole Required)</i>	M2085
------	--	-------



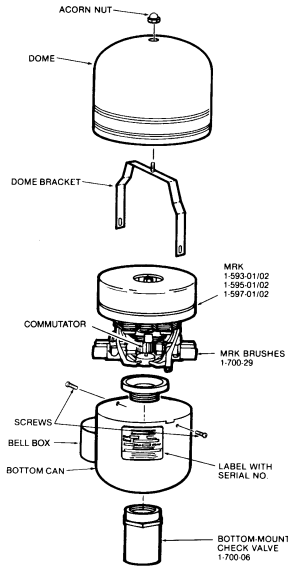
990310-000	Air Tubing Coupler for 1/8" I.D. Vinyl Tubing	M2014
------------	---	-------



990300-000	Air Tubing Tee for 1/8" I.D. Vinyl Tubing	M2015
------------	---	-------



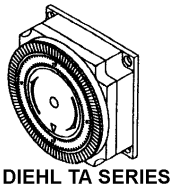
991020-000	Air Tubing, 1/8" I.D. - 20 Ft. Roll	M2016
------------	-------------------------------------	-------



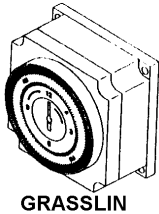
AIR BLOWER MOTORS

MFG. NO.	DESCRIPTION	ITEM NO.
1-595-01	Anzen Blower Motor 1 HP, 120 Volt	M1009
1-595-02	Anzen Blower Motor 1 HP, 240 Volt	M1180
1-593-01	Anzen Blower Motor 1-1/2 HP, 120 Volt	M1027
1-593-02	Anzen Blower Motor 1-1/2 HP, 240 Volt	M1182
1-597-01	Anzen Blower Motor 2 HP, 120 Volt	M1029
1-597-02	Anzen Blower Motor 2 HP, 240 Volt	M1184
1-700-29	Anzen Motor Brush Kit	M1171
1-700-20	Anzen Belt for Commercial Blower	M1168

TIME CLOCKS - MISC.

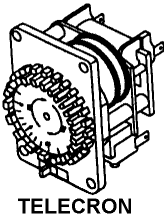


TA4065	24 Hour Time Clock - (Diehlta), 240V	M5299
TA4066	7 Day Time Clock - (Diehlta), 240V	M5298
TA4071	24 Hour Time Clock - (Diehlta), 120V	M5297
TA4073	7 Day Time Clock - (Diehlta), 120V	M5295
FM-1	24 Hour Time Clock - (Grasslin), 120V	M5294

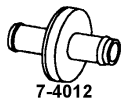


TIME CLOCKS - LEN GORDON

430060-0	24 Hour Time Clock - (Telecron), 120V <i>(Fits Len Gordon AS-TC Combo; Twin Air TC; FF1000TC; FF-1000LTC & RA-3B - Altco Controls)</i>	M2220
990210-000	24 Hour Time Clock Kit - (Telecron), 120V <i>(Fits Len Gordon, FF-30 & FF-32 Series Controls)</i>	M2245
990220-000	24 Hour Time Clock - (Telecron), 120V <i>(Fits Len Gordon AS-Series, Twin Air Series, & All FF-1000S with Time Clock)</i>	M2246
990400-000	Time Clock Square Latch Set - Pack of 10 <i>(Fits all New Style LTC Cans)</i>	M2247
990200-000	Len Gordon Time Clock Tripper Set - Pack of 10	M2013



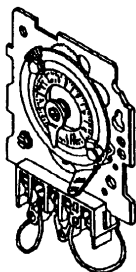
OZONE FITTINGS



CO-0101	Check Valve 1-1/2" / 2", 3lb. Positive Seal	D6073
7-4012	1/4" Barbed Check Valve	D6032

INTERMATIC TIMER PARTS

Mechanisms



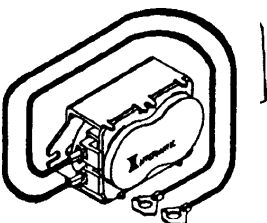
MFG. NO.	DESCRIPTION	ITEM NO.
T101M	120V Mechanism	O4160
T101M201	120V Mechanism w/ Fireman Switch	O4170
T104M	240V Mechanism	O4165
T104M201	240V Mechanism w/ Fireman Switch	O4175

Time Clock Trippers

156T1978A	Time Clock Trippers	O4155
-----------	---------------------	-------

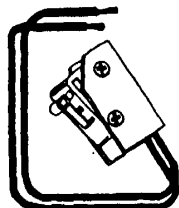
Time Clock Motor

WG1570-10D	120V Motor Only For T101 & T101P Time Clock	O4172
WG430-10D	120V Motor Only For T101P201 Time Clock	O4179
WG1573-10D	240V Motor Only For T104, T104P & T32404R Time Clock	O4174
WG433-10D	240V Motor Only For T104P201 Time Clock	O4177



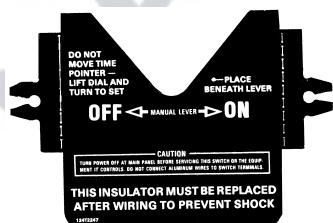
Fireman Switch

156T4042A	Fireman Switch (Heater Delay)	O4178
-----------	-------------------------------	-------



Insulators

124T1952	Insulator for New Style T100 Series Time Switches	O4183
124T2247	Insulator for Old Style T100 Series Time Switches	O4184



O4184 - Old Style

Notes

HATCHIK SUPPLY CO.

American Products Amerilite/Amerquartz Lights & Niches	517
American Products Aqua-Lumin I & II Lights	519
American Products Aqua-Luminator, Fun-Lite & Luxury Light.....	520
American Products Spa Brite / Aqua-Light Lights & Niches	518
Hayward Astrolite II & Various Niches	522
Hayward Starlite, Duralite & Astrolite Series	521
Pac-Fab Hatteras Pool & Spa Lights	523
Pac-Fab Spectrum Amerlite (SAm)	524
Paragon Aquatics Slimlite	525
Purex Pool Star Light & Sunlite Small Niche	525
Replacement Bulbs for Underwater Lights	530
Sta-Rite (Old Swimquip) Incandescent Pool Light	526
Sta-Rite (Old Swimquip) Light Niche	526
Sta-Rite Sunlite & Sunstar Pool Lights	528
Sta-Rite Sun saver, SunBrite, Sunglow, Sunlite & SunBurst Niches	529
Sta-Rite Sun saver & Sunglow Pool Lights	527

Underwater Lights

HATCHIK SUPPLY CO.

Notes

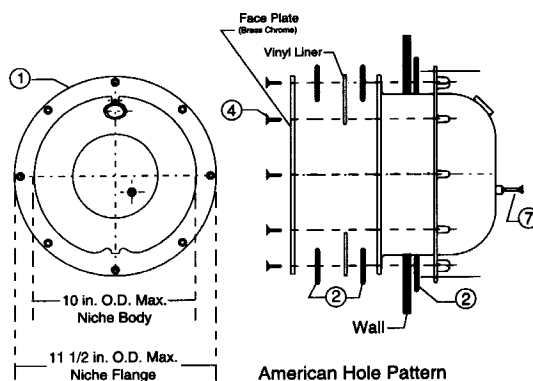
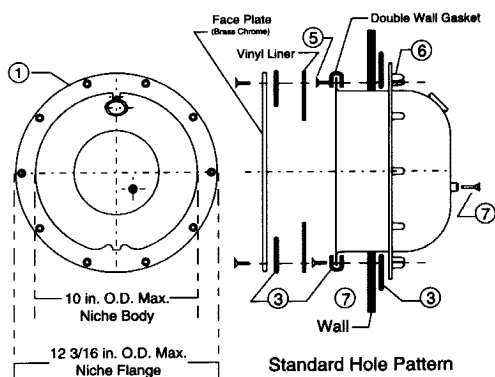
HATCHIK SUPPLY CO.

AMERICAN PRODUCTS - AMERLITE / AMERQUARTZ

KEY	MFG NO.	DESCRIPTION	ITEM NO.
1	79100500	Face Ring, Chrome-Brass UL	O1300
2	79105100	Clip, Brass Retainer, Chrome Face Ring (AL)	O5046
3	98204400	Screw, S.S. 10-24 x 1/2" for Clip (AL)	O5005
4	79212100	Face Ring, Lg. Plastic Face Ring, S.S., White	O5000
4	79212165	Face Ring, Lg. Plastic Face Ring, S.S., Gray	O5001
4	79212111	Face Ring, Lg. Plastic Face Ring, S.S., Black	O5002
5	79104800	Pilot Screw w/Captive Gum Washer	O5006
6	79110600	Face Ring Assembly, S.S.	O5060
7	79110400	Wire, Unitension	O5009
8	79112000	Bolt	O5013
9	51008500	Washer	K3898
10	98216100	Nut, Brass	O5011
11	79111000	Unitension Wire Clamp Assembly	O5061
12	79100100	Lens, Clear 8-3/8" Diameter, Tempered	O4050
12	79100200	Lens, Medium Blue 8-3/8" Dia. Heat Resistant	O4055
13	79101600	Gasket for 8-3/8" Lens	O4082
13	-----	Generic Gasket for 8-3/8" Lens	O4075
14	79101900	300 Watt, 12 Volt, Medium Base	O4025
14	79102100	500 Watt, 120 Volt, Medium Base	O4010
15	79131000	300Watt, 120 Volt, Double-ended T3 Bulb	O5094
15	79131100	500 Watt, 120 Volt, Double-ended T3 Bulb	O5095
15	79131400	50 Watt, 12 Volt, 2 Pin T3 GY 6.35 Bulb	O5096
15	79131200	100 Watt, 12 Volt, 2 Pin T3 GY 6.35 Bulb	O5097
---	78900800	Kwik-change Lens Cover, Blue	O4093
---	78900900	Kwik-change Lens Cover, Red	O4094

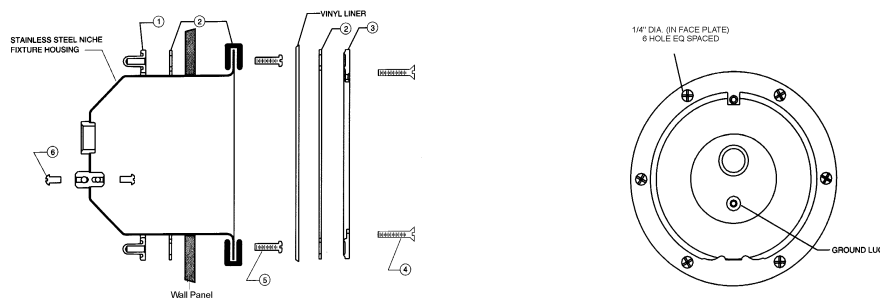
AMERICAN PRODUCTS AMERLITE / AMERQUARTZ NICHE

1	79200100	Sealing Ring, Chrome (Amer Hole Pattern)	O5050
1	79200200	Sealing Ring, Chrome (Std Hole Pattern)	O1305
2	79200300	Gaskets (2) for Ring (Amer Hole Pattern)	O5018
3	79200400	Gaskets (3) for Ring (Std Hole Pattern)	O1306
<i>(2) 79202300 Gaskets & (1) 79202400 Gasket</i>			
4	98202600	Sealing Screw 1/4"-20 x 1" Flat Head	L2019
4	98202700	Sealing Screw 1/4"-20 x 1-1/4" Flat Head	L2020
5	98204200	Retainer Screw 12-24 x 3/4"	O5031
6	63-4595	Backup Ring (Std Hole Pattern)	O1388
7	98204400	Grounding Screw, 10-24 x 1/2"	O5005
---	79205100	Screw Kit, Niche (Amer Hole Pattern)	O5022
---	79205200	Screw Kit, Niche, Ex. Long (Amer Hole Pattern)	O5023
---	79205400	Screw Kit, Niche, w/o Double Wall Gasket (10 Hole Pattern)	O5032



AMERICAN PRODUCTS SPA BRITE/ AQUA-LIGHT

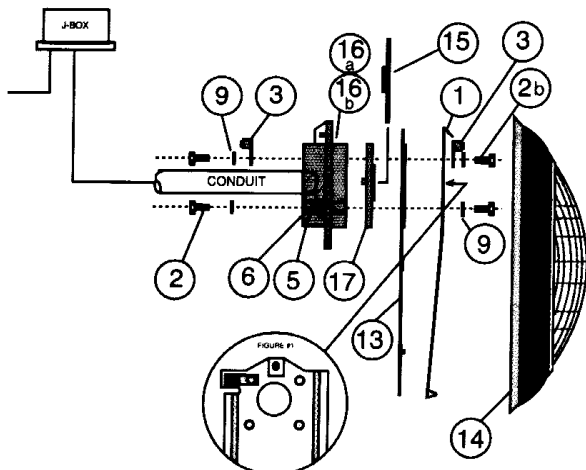
KEY	MFG NO.	DESCRIPTION	ITEM NO.
1	79107800	Lens (Clear) 4" Diameter	O4088
2	79108000	100 Watt, 120 Volt Bulb, Medium Base (Spa Brite)	O4002
2	79108100	100 Watt, 12 Volt Bulb, Medium Base (Spa Brite)	O4020
2	79102900	100 Watt Halogen Quartz (after 1-98) (Aqua-Light)	O4001
2	79113800	250 Watt Halogen Quartz (after 1-98) (Aqua-Light)	O5069
2	79112500	100 Watt, 120 Volt, Bayonet (after 5/91) (Aqua-Light)	O5065
2	79112700	250 Watt, 120 Volt, Bayonet (after 5/91) (Aqua-Light)	O5066
3	79108400	Face Ring, Chrome/Brass	O5003
4	79108500	Gasket for 4" Lens	O5004
4	79108600	Gasket, Silicone 100 Watt, 250 Watt	O4049
5	98208600	Screw 10-24 x 3/8" S.S. (6 needed)	O5033
6	79104800	Pilot Screw with Captive Gum Washer	O5006
7	79108900	Kwik-Change Color Lens (Red)	O4092
7	79109000	Kwik-Change Color Lens (Blue)	O4091
8	79111600	Face Ring Assembly S.S.	O5062
9	79210500	Wire Spring Clamp	O4051
10	79210400	1/4 - 20 1-5/8" Bolt	O4052
11	79210400	Unitension Wire Assy. S.S. w/ Welded Nut	O4053
---	79112100	Bolt (before 12/94)	O5034
---	98216100	Nut, Brass (before 12/94)	O5011
---	51008500	Washer (before 12/94)	K3898



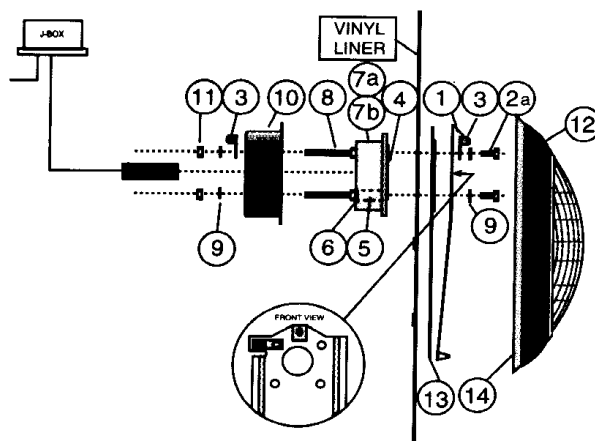
AMERICAN PRODUCTS SPA BRITE/ AQUA-LIGHT NICHES

KEY	MFG NO.	DESCRIPTION	ITEM NO.
1	79205600	Back-Up Ring for Spa Brite Niche	O5035
2	79204603	Gasket for Spa Brite Niche (3 needed)	O5026
2	79207900	Gasket Set, Sm. Niche, w/Double Wall Gasket	O4048
3	79206000	Sealing Ring for Spa Brite Niche	O5027
4	98213500	Sealing Screw 10-24 x 1-1/8"	O5028
--	79205500	Screw Kit (782434 & 782436)	O5030
5	98204200	Retainer Screw 12-24 x 3/4"	O5031
6	98204400	Grounding Screw 10-24 x 1/2"	O5005
--	79203200	Mounting Ring, Brass, for Concrete	O5029

AMERICAN PRODUCTS AQUA-LUMIN & AQUA-LUMIN II LIGHTS Concrete & Vinyl Liner Models

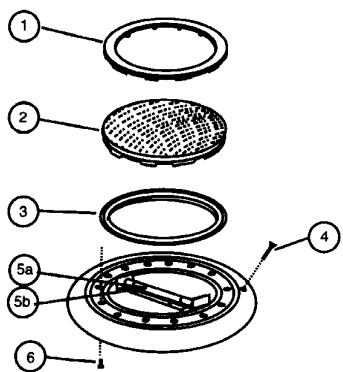


Concrete Installation



Vinyl Installation

KEY	MFG NO.	DESCRIPTION	ITEM NO.
1	78875100	Wall Mounting Bracket	O5054
2a	98210800	Screw, Slotted Hex, 1/4-20, S.S.	O5052
2b	98105500	Bracket Mounting Bolt (6 needed)	O4047
3	98210500	Lug, Grounding / Bonding Lug Assembly	O5047
4	87206300	Gasket, Sealing	O5079
5	98218100	Standoff, Brass 1/4-20	O5051
6	46815500	O-Ring	O4046
7a	78872000	Mounting Hub, 3/4", Concrete	O5077
7b	78872100	Mounting Hub, 1", Concrete	O5078
8	98216900	Stud, 1/4-20 x 2.250 Long	O5036
9	98216800	Washer, Lock, 1/4, 18-8 S.S.	O5049
10	78872500	Bracket Cup	O5076
11	98201700	Nut, Hex 1/4-20, 18-8 S.S.	H3526
12	78889900	Pilot Screw, 10-24 x .375	O5058
13	78872400	Mounting Spacer (before 8/94)	O4037
13	78872600	Mounting Spacer (after 8/94)	O4038
14	78882100	Housing Spacer	O4039
15	45360000	Gunitite Shield	O4041
16a	47660002	Mounting Hub 3/4", Vinyl	O4042
16b	47660003	Mounting Hub 1", Vinyl	O4043
17	87450000	Hub Spacer	O4044

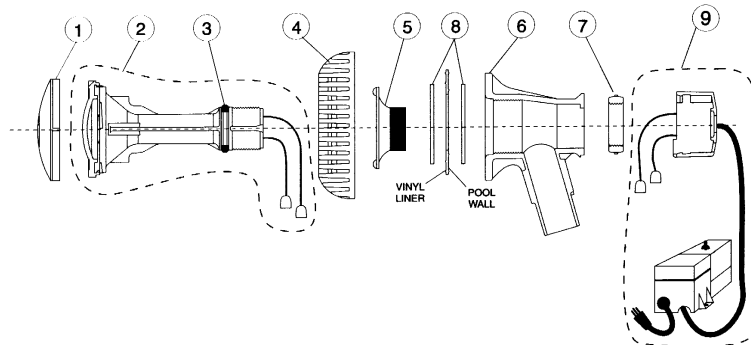


Light Assembly

Light Assembly Parts

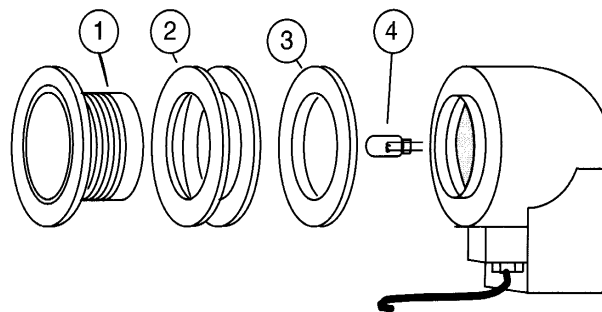
KEY	MFG NO.	DESCRIPTION	ITEM NO.
1	78880400	Face Ring, White	O5056
2	78880300	Lens	O5053
3	78880200	Lens Seal	O5057
5a	78880800	Halogen Lamp, 12 Volt, 150 Watt	O5059
5b	78881100	Halogen Lamp, 120 Volt, 250 Watt	O1201
6	78881400	Sealing Screws (10 needed)	O5068
---	98211400	Nut, 1/4-20 Brass Plated Knurl	H8916
---	85016600	Weir Stop	L2030
---	78883700	AquaLumin II Colored Lens Kit (Set of 4)	O1117

AMERICAN AQUA-LUMINATOR



KEY	MFG NO.	DESCRIPTION	ITEM NO.
1	79123401	Lens Cover, Blue	O5080
1	49300000	Lens Covers "Luxury", Red	O5082
2	69100000	Bulb Assembly	O1157
3	79116900	O-Ring	O5083
4	79102800	Flow Director	O5084
5	79118300	Wall Flange, Threaded	O5085
6	79126900	Fitting Body	O5086
7	79116600	Nut	O5087
8	79116800	Gasket (2 needed)	O5090
9	83000000	Trans. / J-box Assy. w/ Snap on Cord Cap	O5089

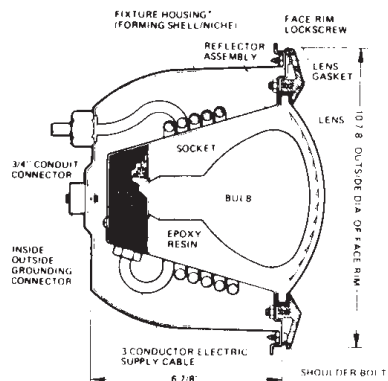
AMERICAN FUN-LITE / LUXURY LIGHT



KEY	MFG NO.	DESCRIPTION	ITEM NO.
1	79114200	Lens Body Fun-Lite, (Moon Glow, Mood Lite)	O5071
2	79114300	Gasket Fun-Lite, (Moon Glow, Mood Lite)	O5072
3	79114400	Nut Fun-Lite, (Moon Glow, Mood Lite)	O5073
4	79114800	Bulb, 50 W, (Fun-Lite, Mood-Lite)	O5067
--	46135200	Gasket, Luxury Light	M1505
--	79122700	Adapter Nut, Luxury Light	O5070
--	79118400	Kwik-Change Lens, Blue	O5074
--	79118500	Kwik-Change Lens, Red	O5075
--	49300000	Kwik-Change Lens Cover, Red (Luxury Light)	O5082
--	79123401	Kwik-Change Lens Cover, Blue (Luxury Light)	O5080
--	79120100	Transformer, (Moon Glow, Luxury Light)	O1132

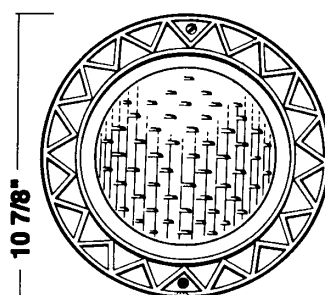
HAYWARD STARLITE SERIES

SPO540, 541, 542 & 543

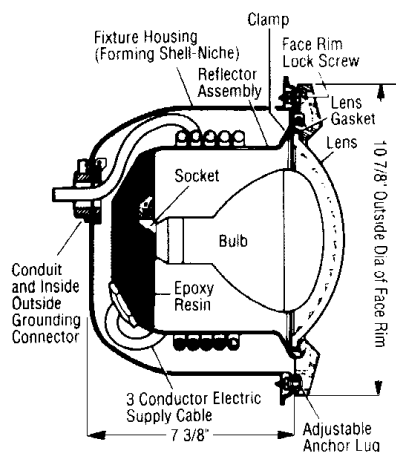


SP-540, 541, 542, 543

MFG NO.	DESCRIPTION	ITEM NO.
SPX540A	Molded Face Rim with Studs	O1428
SPX540Z1	Lens (Clear) 7-9/16" Diameter	O4040
SPX540Z2	Lens Gasket, Special Hi-Temp	O4070
SPX540Z16A	Face Rim Lockscrew w/Fastener	O1434
SPX555Z2	Lower Mounting Screw	O1436
SPX555Z3	Set Screw for Ground Connector	O1438*
SPX540Z4A	Hex Nut w/Washer for Face Rim	O1441
SPX1392G10	Washer (Pkg. of 10)	O4022
SPX541Z1	300 Watt, 12 Volt Bulb	O4025
SPX504Z7	500 Watt, 120 Volt Bulb	O4010



Starlite Faceplate



HAYWARD DURALITE SERIES

SPO-560 & 570

SPX570A	Molded Face Rim w/Flange (Smooth)	O1419
SPX560A	Molded Face Rim w/Flange (Pattern)	O1420*
SPX560B	Clamp Assy w/Screw, Nut & Washer	O1421*
SPX560EA	Clamp Screw with Nut & Washer	O1422

* Limited Quantity

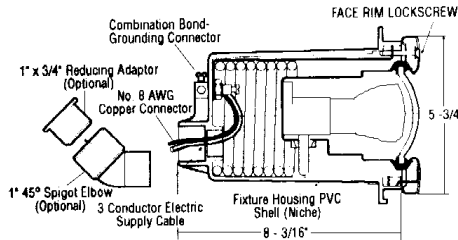
HAYWARD ASTROLITE SERIES

SP-580 & SP-580S

MFG NO.	DESCRIPTION	ITEM NO.
SPX0580A	Molded Face Ring	O1408
SPX0580AS	Stainless Steel Face Rim	O1412
SPX0580Z2	Lens Gasket	O1413
SPX0580B	Assembly Clamp w/ Screw, Nut and Washer	O1423
SPX0580Z3	Face Rim Lockscrew with Fastener (SP580S)	O1424
SPX0580Z1	Face Rim Lockscrew with Fastener (SP580)	O1425

* All other parts same as Duralite Series

**HAYWARD ASTROLITE II SERIES
SP-590S & SP-590HS**



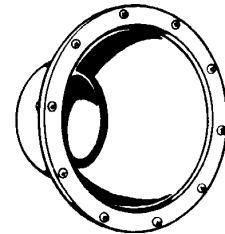
SP0590 SERIES

MFG. NO	DESCRIPTION	ITEM NO.
SPX0590A	Stainless Steel Face Rim	O1426
SPX0590Z1	Lens	O1431
SPX0590G	Lens Gasket	O1432
SPX0590BA	Assembly Clamp w/ Screw & Nut	O1433*
SPX0590Z2A	Face Rim Lockscrew w/ Fastener	O1437
SPX0590H	Bulb, Halogen - 12V, 75W	O1471
SPX0591H	Bulb, Halogen - 120V, 100W	O1487
SPX0592H	Bulb, Halogen - 120V, 250W	O1493
SPX0590K	Replacement Lens Cover Kit	O1489
SPX0550Z4	Bulb, Incandescent - 12V, 100W	O1439

HAYWARD NICHES

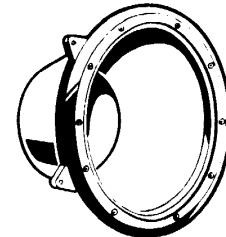
SP-506 & SP-506UV Assemblies

MFG NO.	DESCRIPTION	ITEM NO.
SPX506S	Stainless Steel Shell	O1460*
SPX506A	Front Frame, Chrome Plated Brass	O1461
SPX506D	Gasket	O1462
SPX506W	Back Retaining Rim (SP-506)	O1463*
SPX506Z1A	Screw Set	O1464



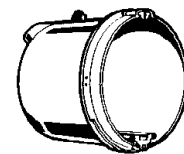
SP-507 Assembly

MFG NO.	DESCRIPTION	ITEM NO.
SPX507SA	Stainless Steel Shell	O1465*
SPX507A1	Front Frame, ABS (White)	O1467
SPX506D	Gasket	O1462
SPX507D	Back Retaining Rim	O1468
SPX507Z1A	Screw Set, Self-Tapping (SP-507)	O1469
SPX507Z1AL	Screw Set, Self-Tapping, 1-1/2"	O1499

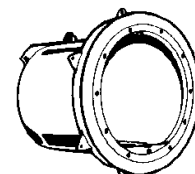


SP-600 & 607

MFG NO.	DESCRIPTION	ITEM NO.
SPX0600G	Grounding Bracket - Top (600 & 607)	O4023
SPX0555Z2	Bottom Mounting Screw (600 & 607)	O1436
SPX0600GA	Bottom Mounting Bracket w/ Screws	O4024
SPX0600BC	Elbow and Bushing Set (607)	O4026
SPX0607Z1A	Set Screw, 1-1/2" Self-Tapping (607)	O4027
SPX0507A1	Front Frame, ABS, White (607)	O1466
SPX0506D	Gasket (607)	O1462
SPX0507D	Back Retaining Rim	O1468



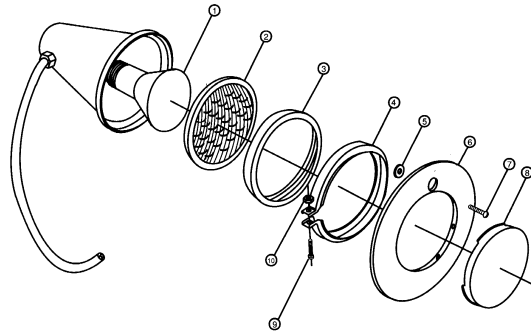
SP-600



SP-607

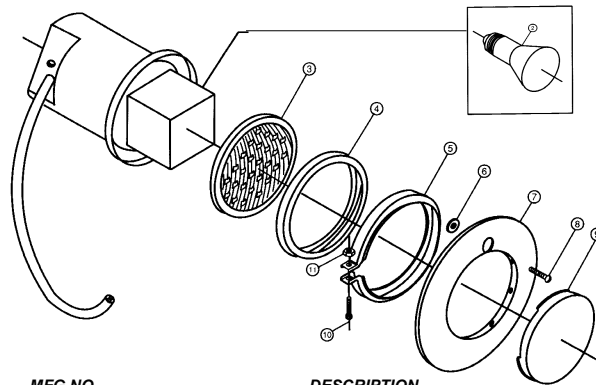
* Limited Quantity

PAC-FAB HATTERAS POOL LIGHT



KEY	MFG NO.	DESCRIPTION	ITEM NO.
1	614505	300 Watt, 12 Volt Bulb, Medium Base	O4025
1	614502	300 Watt, 120 Volt Bulb, Medium Base	O4004
1	614503	500 Watt, 120 Volt Bulb, Medium Base	O4010
2	614514	Lens (Blue) 7-9/16" (Replaces 07-1253)	O4045
2	614515	Lens (Clear) 7-9/16" (Replaces 07-1252)	O4040
3	614516	Lens Gasket	O1365
3	-----	Generic Gasket, 7-9/16"	O4070
4	614600	Clamp Assembly - S.S. Face Ring	O1382
4	611012	Clamp Assembly - Plastic Face Ring	O1383
5	614562	Neoprene Washer	O1384
6	614601	Face Ring - Stainless Steel	O1385
6	634585	Face Ring - Plastic	O1386
7	619313	Screw for Face Ring, 10-24 x 2"	O1387
8	614512	Lens Cover Kit (2-Blue & 2-Red)	O4085
9	619314	Clamp Band Screw 10-24 x 2"	O1389
10	619315	Hex Nut 10-24 S.S.	O1390

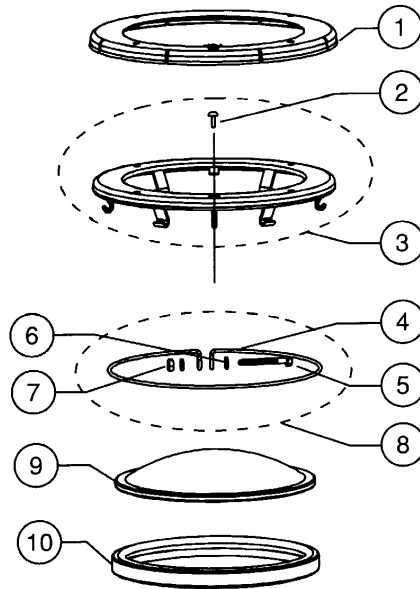
PAC-FAB HATTERAS SPA LIGHT



KEY	MFG NO.	DESCRIPTION	ITEM NO.
2	650020	100 Watt, 12 Volt Bulb, Med Base	O4020
2	650010	100 Watt, 120 Volt Bulb, Med Base	O4002
3	650004	Lens (Clear)	O4006
4	650003	Gasket for Lens	O4007
5	651011	Clamp Assembly	O4008
6	614562	Neoprene Washer	O4009
7	650000	Face Ring	O4011
8	639325	Screw 10-24 x 1"	O4013
9	651025	Lens Cover (Blue)	O4014
9	651026	Lens Cover (Red)	O4016
10	651007	Screw 8-32 x 1"	O4018
11	619312	Square Nut 8-32	O4019

**purex
triton**

PAC-FAB SPECTRUM AMERLITE (SAm)

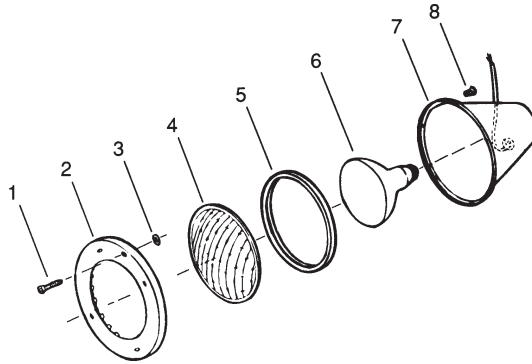


PacFab

KEY	MFG.NO.	DESCRIPTION	ITEM NO.
1	79213100	Face Ring, Large Plastic (White)	O5200
1	79213165	Face Ring, Large Plastic (Gray)	O5202
1	79213111	Face Ring, Large Plastic (Black)	O5204
2	79104800	Pilot Screw, with Captive Gum Washer	O5006
3	79110600	Face Ring Assy. S.S.	O5060
4	79110400	Wire, Uni-Tension	O5206
5	79112000	Bolt	O5208
6	51008500	Washer	K3898
7	98216100	Nut, Brass	O5210
8	79111000	Uni-Tension Wire Clamp Assy.	O5061
9	79100100	Lens, SAm, 8-3/8" Diam. Tempered	O5212
10	79101600	Gasket, 8-3/8" Lens	O4082
11	79112400	Bulb, 75 Watt, EYC, MR-16	O5214

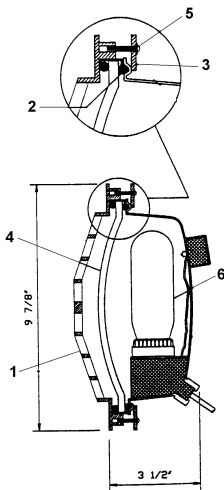
* 120V and 12V SAm's use the same bulb

PUREX POOL STAR LIGHT



KEY	MFG NO.	DESCRIPTION	ITEM NO.
1	98210100	Niche Screw, Phillips - S.S. Face Ring <i>(Replaces 71713)</i>	O1328
1	071692	Niche Screw, Socket - Brass Face Ring	O5012
2	072953	Face Ring - Stainless Steel	O1329
2	070886	Face Ring - Brass Face Ring	N/A
3	070855	E-Ring for Niche Screw	O1327
4	614515	Glass Lens (Clear) 7-9/16" <i>(Replaces 071252)</i>	O4040
4	614514	Glass Lens (Blue) 7-9/16" <i>(Replaces 071253)</i>	O4045
5	070945	Gasket for 7-9/16" Lens	O4070
6	614505	300 Watt, 12 Volt Bulb, Med Base <i>(Replaces 070523)</i>	O4025
6	614503	500 Watt, 120 Volt Bulb, Med Base <i>(Replaces 070525)</i>	O4010
8	071675	Sealing Screw 1/4"-20 x .375" Phillips	O1326*

* Limited Quantity



PARAGON AQUATICS SLIMLITE

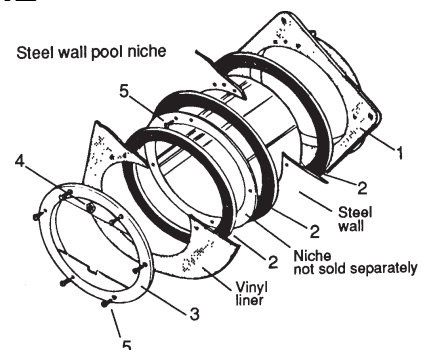
KEY	MFG NO.	DESCRIPTION	ITEM NO.
1	56924	Face Ring (Rock Guard)	O5015
2	5922	Gasket	O4075
3	56925	Clamp Ring	O4089
4	56801	Lens	O4050
5	55234	Face Screw (8 needed)	O4096
6	5914	Slim Bulb 250 Watt, 120 Volt	O4000
---	90228	Niche Screw	O5017

PUREX SUNLITE SMALL NICHE

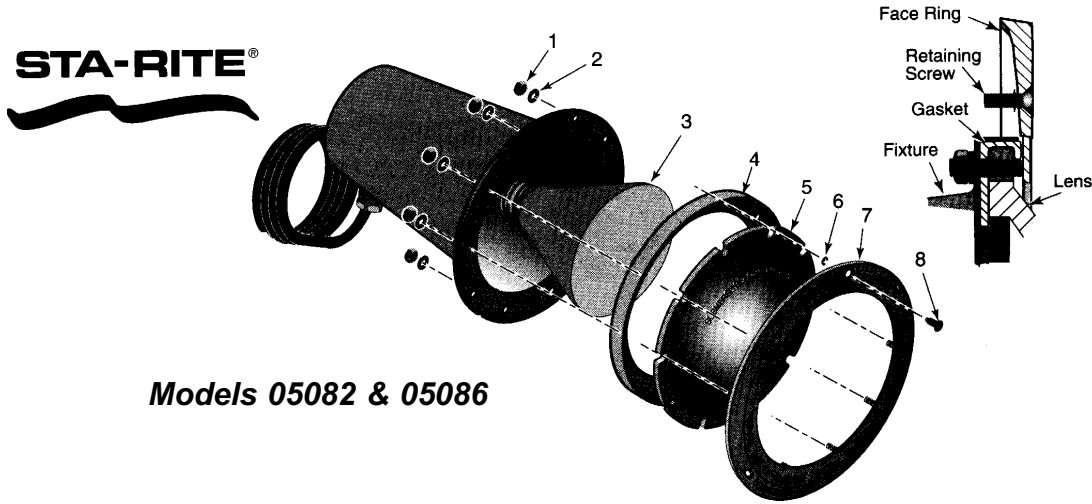
(Limited Stock)

KEY	MFG NO.	DESCRIPTION	ITEM NO.
1	071628	Back-Up Ring	O1314
2	070947	Neoprene Gasket	O1315*
3	071629	Niche Face Ring	N/A
4	071410	2-Piece Nut Thread	O1317
5	071665	Screw Kit S.S. (8)	O1318

* Limited Quantity



STA-RITE INCANDESCENT POOL LIGHT
Old Swimquip Light

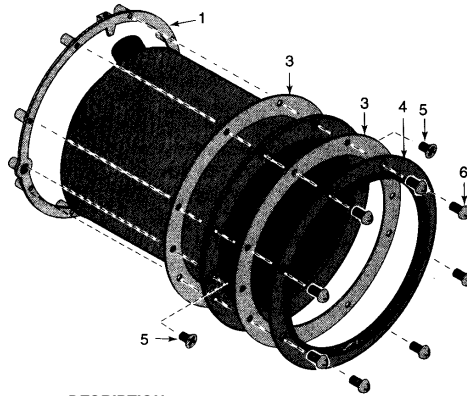


Models 05082 & 05086

KEY	MFG.NO.	DESCRIPTION	ITEM NO.
1	U36-106SS	10-32 Lock Nut	O5038
2	38917-0206	#10 Lockwasher	O5116
3	34600-0005	Replacement Bulb - 12V, 100W	O4020
3	34600-0004	Replacement Bulb - 12V, 300W	O4025
3	34600-0003	Replacement Bulb - 120V, 500W	O4010
4	05057-0118	Lens Gasket	O4080
5	05055-0003	Clear Lens	O4060
6	33103-0006	E-Ring	O5040
7	WC203-52SS	Face Ring	O1350
8	37337-0079	Retaining Screw	O5010

STA-RITE LIGHT NICHE
Old Swimquip for Vinyl Pools

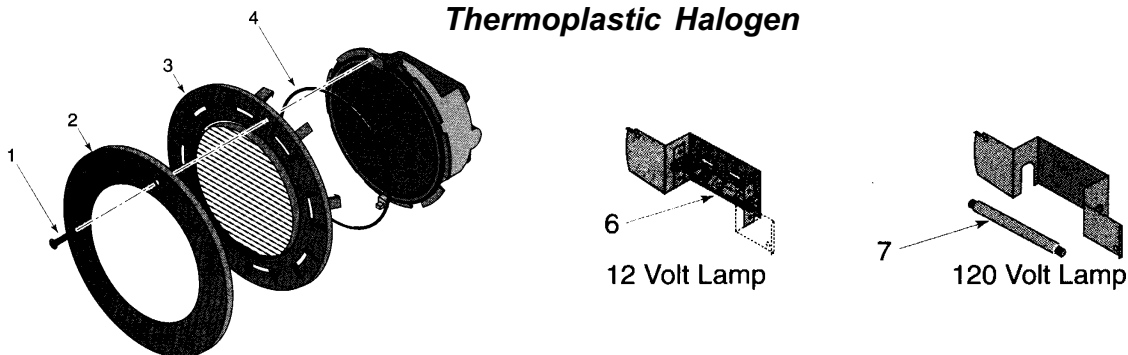
Model 05068



KEY	MFG.NO.	DESCRIPTION	ITEM NO.
1	05057-0343	Back up Ring	O5102
3	05057-0667	Rubber Gasket	O5100
4	WC3-53SS	Niche Face Ring	O5104
5	37057-0209	1/4-20 x 5/8" SS, FH Screw	O5106
5	37057-0712	1/4-20 x 1" SS, FH Screw	O5110
6	37067-0712	1/4-20 x 1" SS, RH Screw	O5108
6	37067-0714	1/4-20 x 1-1/4 SS, RH Screw	O5112
*	37157-0152	1/4-28 x 1/4" Set Screw	O5114

STA-RITE SUNSAVER POOL LIGHT

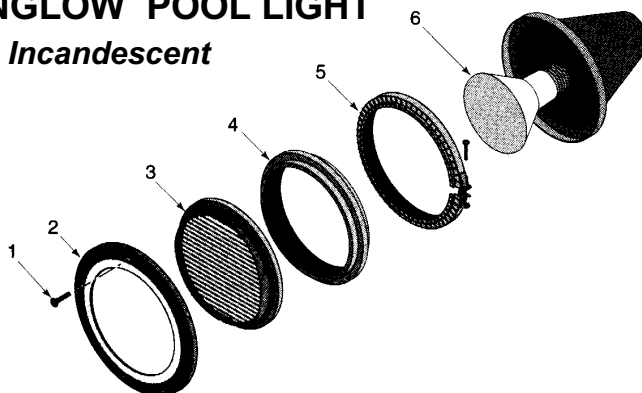
Thermoplastic Halogen



KEY	MFG.NO.	DESCRIPTION	ITEM NO.
1	05101-0004	Leader Screw	O1387
2	05101-0001	Bezel Trim, White	O5124
3	05101-0101	Face Ring w/Lens	O5126
--	05101-0102	Face Ring w/Lens S.S. BezelTrim	O5128
4	05101-0002	O-Ring Seal	O1340
4	05101-4590	O-Ring Seal (Pre-1999)	O1363
6	34600-0016	Replacement Bulb, 50W, 12V, Halogen	O5130
6	34600-0017	Replacement Bulb, 100W, 12V, Halogen	O1342
7	34600-0018	Replacement Bulb, 300W, 120V, Halogen	O5134
7	34600-0019	Replacement Bulb, 500W, 120V, Halogen	O1344
*	34627-6005	Large Popover-Blue	O5136
*	34627-6007	Large Popover-Red	O5138
*	05101-0005	Rubber Retainer for Leader Screw	O5140

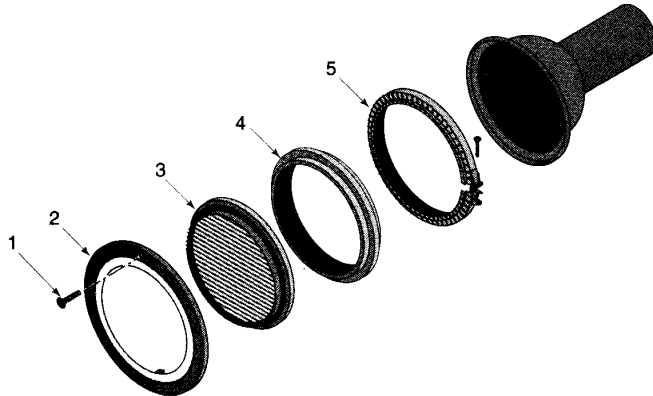
STA-RITE SUNGLOW POOL LIGHT

S.S. - Incandescent



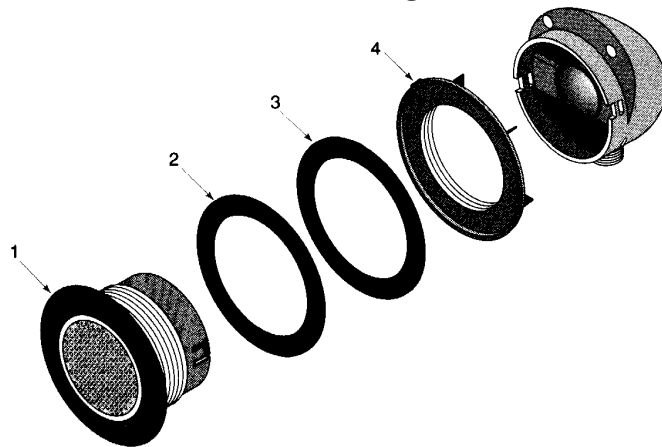
KEY	MFG.NO.	DESCRIPTION	ITEM NO.
1	05101-0004	Leader Screw	O1387
2	05501-0002	Face Ring, S.S.	O1385
3	34620-0003	Lens, Clear	O1750
4	05501-0001	Lens Gasket	O1751
4	-----	Generic Lens Gasket	O4075
5	05501-0003	Clamp Assembly	O1382
6	34600-0004	Replacement Bulb, 300W, 12V	O4025
6	34600-0022	Replacement Bulb, 300W, 120V	O4004
6	34600-0003	Replacement Bulb, 500W, 120V	O4010
*	34627-6005	Large Popover - Blue	O5136
*	34627-6007	Large Popover - Red	O5138
*	05601-0101	Replacement Screw Kit	O5146
*	05101-0005	Rubber Retainer for Leader Screw	O5140

STA-RITE SUNLITE
S.S. Halogen Small Light



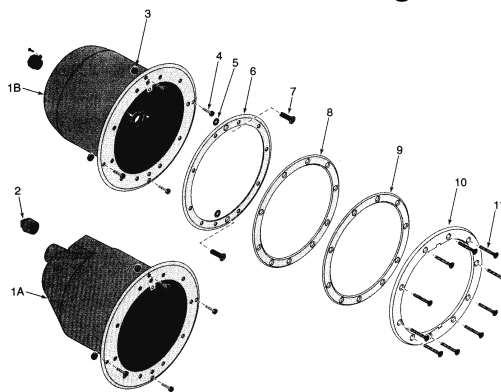
KEY	MFG.NO.	DESCRIPTION	ITEM NO.
1	05101-0004	Leader Screw	O1387
2	05601-0001	Face Ring Assy., S.S.	O1312
3	34620-0002	Lens, Clear	O1248
4	05601-0005	Lens Gasket	O1246
5	05601-0006	Clamp Assembly	O1310
*	34600-0011	Replacement Bulb, 100W, 120V, Halogen	O1319
*	34600-0014	Replacement Bulb, 250W, 130V, Halogen	O5148
*	34600-0009	Replacement Bulb, 75W, 12V, Halogen	O1238
*	34600-0012	Replacement Bulb, 100W, 120V, Halogen, Bayonet	O1320
*	34600-0015	Replacement Bulb, 250W, 120V, Halogen, Bayonet	O1240
*	34627-6008	Small Popover - Blue	O1234
*	34627-6009	Small Popover - Red	O1230
*	05601-0101	Replacement Screw Kit	O5146
*	05101-0005	Rubber Retainer for Leader Screw	O5140

STA-RITE SUNSTAR POOL LIGHT
Above-Ground Halogen



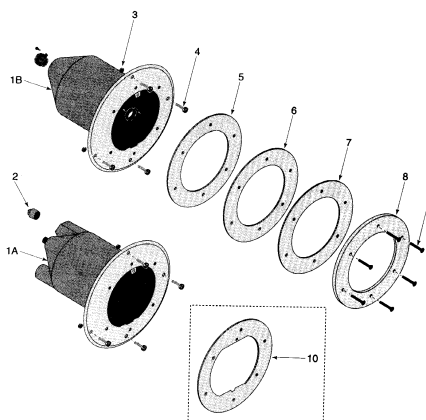
KEY	MFG.NO.	DESCRIPTION	ITEM NO.
1	05103-0103	Lens Housing	O1391
2	05103-0101	Gasket	O1393
3	05103-0101	Gasket	O1393
4	05103-0001	Large Hex Nut	O1395
*	34600-0008	Replacement Bulb, 60W, 12V, Halogen	O1243
*	05103-0102	Colored Gel Kit	O1394

STA-RITE LARGE LIGHT NICHE For Sun saver, SunBrite & Sunglow Series




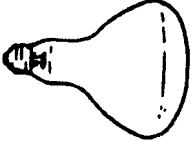

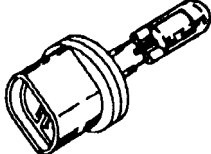






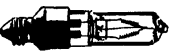
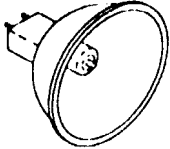
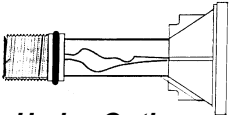
KEY	MFG. NO.	DESCRIPTION	ITEM NO.
2	36305-4031	PVC Plug, 1" Male	O5101
3	35407-0031	Hex Nut, 10 - 24 Stainless Steel (4 needed)	O5103
4	37057-0612	Screw, 10 - 24 x 1" S.S. Flat Pan Head (4 needed)	O5105
5	38907-0020	Washer, Flat # 10 Stainless Steel (2 needed)	O5107
6	05101-0008	Liner Gasket	O5109
7	37337-0099	Screw 10-24 x 7/8" S.S. Phillips Pan Head (2 needed)	O5111
8	05161-0004	Channel Gasket	O5113
9	05161-0006	Liner Gasket, ABS	O5115
10	05161-0001	Integral Gasket for Stainless Steel	O5117
10	05161-0002	Trim Ring, S.S. with Gasket	O5119
10	05161-0103	Trim Ring, White	O1348
11	37057-0615	Screw, 10-24 x 1-1/2" S.S. Flat Pan Head (10 needed)	O5121

STA-RITE SMALL LIGHT NICHE For Sunlite & SunBurst Series



KEY	MFG. NO.	DESCRIPTION	ITEM NO.
2	36305-4031	PVC Plug, 1" Male	O5101
3	35407-0031	Hex Nut, 10-24, Stainless Steel (4 needed)	O5103
4	37057-0612	Screw, 10-24 x 1" S.S. Flat Pan Head (4 needed)	O5105
5	05166-0001	Liner Gasket	O5123
6	05166-0001	Liner Gasket	O5123
7	05166-0002	Integral Gasket for S.S. Trim Ring	O5125
8	05166-0004	Trim Ring, S.S. with Gasket	O5127
8	05166-0003	Trim Ring, White	O5129
9	37057-0615	Screw, 10-24 x 1-1/2" S.S. Flat Pan Head (6 needed)	O5121
10	05166-0007	Trim Ring for Vinyl Liner Niche	O5131

REPLACEMENT BULBS FOR UNDERWATER LIGHTS

 <p>Wedge</p> <p>12V (GE-912)</p> <p>J1821</p>	 <p>Flood</p> <p>12V - 100W (Flood) O4020 12V - 300W (Flood) O4025 120V - 100W (Flood) O4002 120V - 300W (Flood) O4004 120V - 500W (Flood) O4010 120V - 500W (Mogul) O4015</p>
 <p>Prong</p> <p>12V - 60W (Sunstar) O1243 12V - 50W (Funlight) O5067</p>	 <p>Plug Mount</p> <p>12V - 25W (Sunglo) O1242</p>
 <p>Prong</p> <p>12V - 50W (Sunbrite / Sunsaver) O4031 12V - 100W (Sunbrite / Sunburst) O1342</p>	 <p>Slim</p> <p>120V - 250W (Slim Bulb Paragon) O4000</p>
 <p>Halogen</p> <p>12V - 150W O5059 (Am. Products, Aqua Lum.) 120V - 250W O1201 (Am. Products, Aqua Lum.) 120V - 300W O4032 (Sunbrite, Sunsaver) 120V - 500W O1344 (Sta-Rite Sunsaver)</p>	 <p>Ball Type</p> <p>120V - 400W O4005 (Ball Type)</p>
 <p>Push/Twist</p> <p>120V - 100W O1320 (Sunlite, Sta-Rite #34600-0012) 120V - 100W O5065 (Am. Products After 1991) 120V - 250W O5066 (Am. Products After 1991) 120V - 250W O1240 (Sunlite, Sta-Rite # 34600-0015)</p>	 <p>Sealed Beam</p> <p>12V - 300W O4035 120V - 300W O4003</p>
 <p>Minicam Screw in</p> <p>12V - 100W O1239 (Hydrel) 120V - 100W O1319 (Sunlite, Sta-Rite# 34600-0011) 120V - 250W O5069 (Am. Products) 120V - 250W O1241 (Sunlite)</p>	 <p>Quartz Multi-Reflector</p> <p>12V - 75W O1238 (Sunlite) 12V - 75W O1321 (Sunlite) Fiberstars HI-111 O1323 Fiberstars HI-110 O1261 Pac-Fab (SAm) O5214 Xanadu XPL-4 O5081 (W/O Transformer)</p>
	 <p>Hydro-Optic</p> <p>Am. Products O1157 (Aqualuminators G91000)</p>

American Push-Pull & Old Style Top Mount	536
American Side Mount Multiports	534
American Top Mount Multiports	535
Anthony Push-Pull	536
Baker Hydro Verti-Lever	537
Hayward Dial-A-Flo & Ball Valves	541
Hayward Flange Mount Valves	539
Hayward Flo-Selector, Vari-Flo XL & Slide Valves	540
Hayward Vari-Flo Valves	538,539
Jacuzzi Dial Valves	542,543
Jandy Valves	544,545
Miscellaneous Ball Valve & Wafer Valve Handles	554
Miscellaneous Complete Multiport & Push-Pull Valves	533
Pac-Fab Full-Flow Valve	547
Pac-Fab Hi-Flow Valves	550
Pac-Fab Multiport Valves	548-549
Pac-Fab Slide Valves	546
Sta-Rite Slide Valves	551
Sta-Rite (Swimquip) Top Mount Valves	552
Sta-Rite Top Mount Valves	553

Valves

HATCHIK SUPPLY CO.

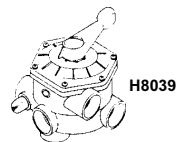
Notes

HATCHIK SUPPLY CO.

AMERICAN PRODUCTS VALVES



- 1-1/2" Multiport Valve - Slip Ports
- 1-1/2" Multiport Valve - Threaded Ports
- 2" Multiport Valve - Threaded Ports

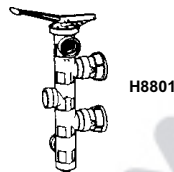


- 1-1/2" Multiport Valve (8-Position) - Threaded - 26" & 30" Filters
- 2" Push-Pull Valve ABS

- ITEM NO.
- H8039
 - H8040
 - H3242
 - H8853
 - H3208

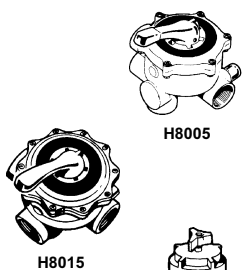
BAKER-HYDRO VALVE

- Baker-Hydro 2" Push-Pull Valve



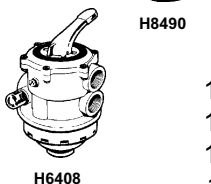
- H8801

HAYWARD VALVES



- 1-1/2" Flo-Master Multiport Valve
- 1-1/2" Multiport Valve - SP710X3
- 1-1/2" Multiport Valve - SP710XALL
- 1-1/2" Multiport Valve - Threaded - SP7122 (Pac-Fab)
- 1-1/2" Pro Series Multiport Valve Assy. w/ Elbows - SP710X62
- 2" Pro Series Multiport Valve Assy. w/ Elbows - SP715X62
- 1-1/2" Valve Assy for S-200 Sand Filter - SP710X32

- H8035
- H8005
- H8010
- H8002
- H8016
- H8017
- H6690



- 2" Multiport Valve - SP7153
- 2" Multiport Valve - SP715XALL
- 4-Way Vari-Flo Multiport Valve - SP704
- 4-Way Multiport Valve - GM400
- 1-1/2" Flange Mount Vari-Flo XL Valve - SP0714T
- 1-1/2" Flange Mount Vari-Flo Valve w/ Built in Diffuser - SP71113
- 1-1/2" Thread Mount Var-Flo Valve w/ Built in Diffuser - SP7121
- 1-1/2" Flange Valve w/ Diffuser - SP71120

- H8015
- H8020
- H8008
- H8490
- H8000
- H6408
- H6409
- H8025



PAC-FAB VALVES



- 1-1/2" Tagelus Valve (V-type Threads) Before 1991
- 1-1/2" Tagelus Valve (Buttress Threads) After 1991
- 1-1/2" Tagelus Valve (Clamp Type) for Deluxe Filters
- 1-1/2" Multiport Valve Kit
- 2" Multiport Valve Kit
- 2" Push-Pull Valve Kit
- 2" Side Mount Full Flow Valve - for Sand
- 2" Side Mount Full Flow Valve - for D.E.

- H4120
- H4121
- H4122
- H4020
- H4025
- H4030
- H4031
- H3047



PARAPORT VALVE

- Paraport 1-1/2" Valve



- H8030

PUREX VALVE

- Purex 1-1/2" Tahitian Valve Assy. w/ Adapters

- H8042

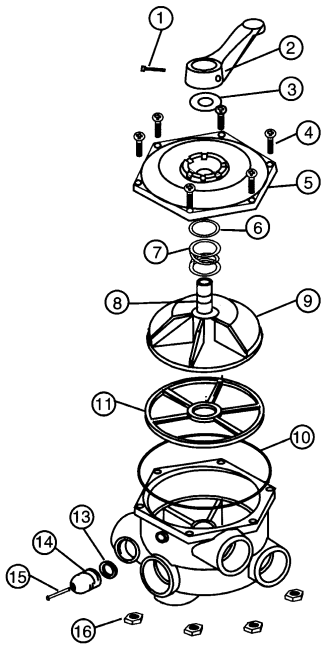
SWIMQUIP VALVES

- 2" Push-Pull Valve w/ Union - WC212-134P
- 2" Push-Pull Valve ABS (No Unions) - 149936-0000
- 2" Multiport Valve w/ Hose Connect - WC212-150PA
- 1-1/2" Multiport Valve w/ Unions - WC212-143P



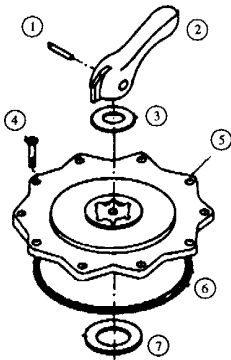
- H5174
- H5168
- H5178
- H5184

AMERICAN 1-1/2" SIDE MOUNT
50150111- Slip, 50160111- Threaded

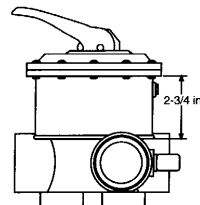
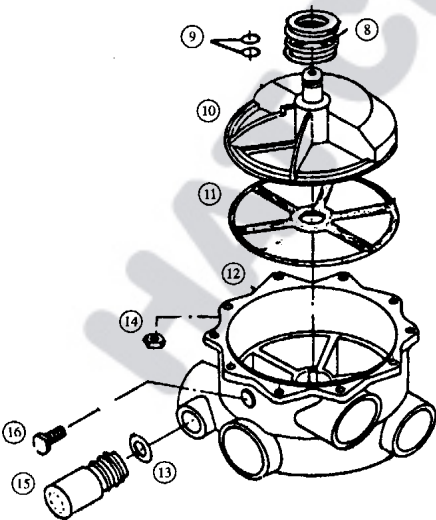


KEY	MFG NO.	DESCRIPTION	ITEM NO.
1	98201900	Screw, Handle 10-24 x 1-1/4"	H8902
2	51002700	Handle	H8901
3	51008800	Washer	H8900
4	98209000	Screw, 1/4-20 x 1-1/2" (6 req.)	H8903
5	51000511	Lid w/ Label 1-1/2" (after 2/75)	H8904
6	51021600	Thrust Washer	H8956
7	51000700	Spring	H8905
8	51001200	O-Ring, Shaft (2 req.)	H8908
9	51001100	Rotor	H8906
10	51001000	Quad Ring, Lid	H8909
11	51008400	Spider Gasket	H8912
13	51001800	Gasket, Sight Glass Sets	H8913
14	51001600	Sight Glass	H8914
15	98205000	Screw, Sight Glass 8-32 x 1-3/4"	H8915
16	98211400	Nut, 1/4 - 20 (6 req.)	H8916
---	51000111	Top Assy. w/Lid, Handle, Rotor, 1-1/2"	H8917
---	51001300	Back-up Ring Split, Teflon	H8907

AMERICAN 2" SIDE MOUNT MULTIPORT
"M" Series



KEY	ITEM NO.	DESCRIPTION	ITEM NO.
1	51018000	Pin, Handle	H8942
2	51016500	Handle	H8941
3	51019500	Washer, Poly, Lid	H9491
4	51017800	Screw, 6mm x 30mm (10 req.)	H8944
5	51016611	Lid, w/ Label	H8977
6	51016700	O-ring, Lid	H8978
7	271160	Washer, Spring	H3347
8	51002500	Spring	H9480
9	51017700	O-Ring, Shaft (2 req.)	H8949
10	51016800	Rotor	H9492
11	51017000	Spider Gasket, Diameter 7-1/4"	H8979
13	51017300	Gasket, Sight Glass	H8953
14	51017600	Nut, 6mm (10 req.)	H8952
15	51017400	Sight Glass	H8954
16	51017500	Plug, w/o O-Ring	H8955
---	50152511	Lid and Rotor Multiport	H8980

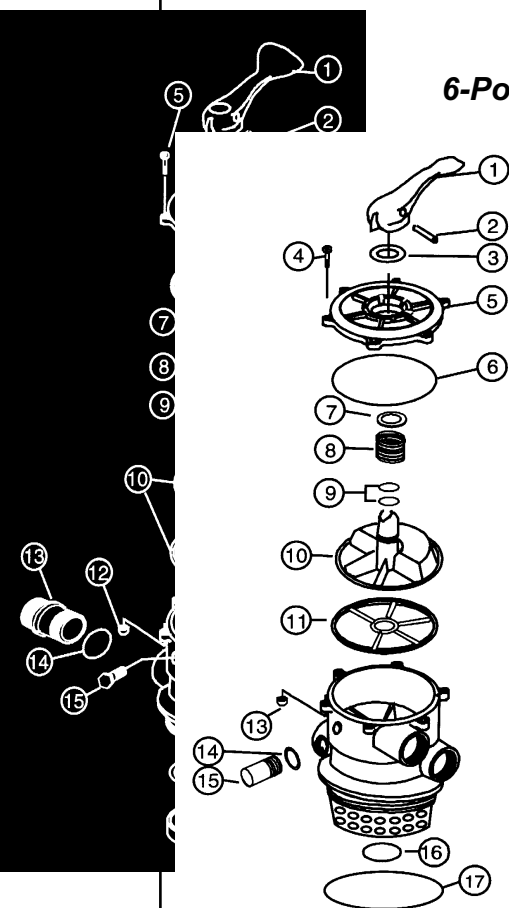


AMERICAN TOP MOUNT MULTIPORT 5 & 8 Position, Clamp-on Style

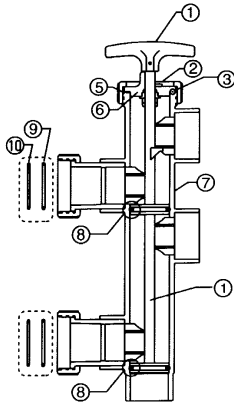
KEY	MFG NO.	DESCRIPTION	ITEM NO.
1	50130500	Handle, 5-Position	H9440
1	50131100	Handle, 8-Position	H9442
2	50151400	Pin, Handle	H9444
3	51025700	Washer, Poly	H9446
4	50133100	Lid Assy., 8-Position, w/ Label	H9448
4	50133000	Lid Assy., 5-Position, w/ Label	H9450
5	98209000	Screw 14-20 x 1-1/2" (6 needed)	H8903
6	50151700	O-Ring, Lid	H9452
7	51021600	Washer, Thrust	H9454
8	51000700	Spring	H8905
9	50151900	O-Ring, Rotor (2 needed)	H9456
10	271104	Spider Gasket Only, 5-3/8" (Old #50141700)	H3344
10	50131400	Rotor, Spider Gasket Assy.	H9458
12	98211400	Nut, 1/4" - 20 (6 needed)	H8916
13	85019000	Sight Glass, 18, 20" Sand Filter	H9460
13	85019100	Sight Glass, 22, 26" Sand Filter	H9462
14	50152300	O-Ring, Backwash Sight Glass	H9464
15	98206400	Plug, 1/4" NPT w/ O-Ring	H3621
16	51021700	Gasket, 18, 20, 22" Sand Filter	H8811
16	39300600	O-Ring, 26, 30" Sand Filter	K3905
17	51030000	Diffuser, 18, 20, 22" Sand Filters	H9466

AMERICAN TOP MOUNT MULTIPORT 6-Position for 30" Eclipse 1-1/2" & 2", Clamp-on Style

KEY	MFG NO.	DESCRIPTION	ITEM NO.
1	51000600	Handle	H9470
2	51000800	Pin, Handle	H9471
3	51001400	Washer, Poly	H9472
4	51001500	Bolt, Lid, 6req. for 1-1/2", 10 req. for 2"	H9473
5	51001700	Lid, 1-1/2" Valve, w/ Label	H9474
5	51002100	Lid, 2" Valve, w/ Label	H9475
6	51002200	O-Ring Lid, 1-1/2" Valve	H9477
6	51002300	O-Ring Lid, 2" Valve	H9478
7	51002400	Washer, Spring	H9479
8	51002500	Spring	H9480
9	51002600	O-Ring, Rotor (2 needed)	H9481
10	51002800	Rotor 1-1/2"	H9482
10	51002900	Rotor 2"	H9483
11	271104	Gasket, Spider, 1-1/2" Valve	H3344
11	271148	Gasket, Spider, 2" Valve (Old # 51003700)	H3360
13	51004500	Lid Nut for 1-1/2" (6 Needed)	H9487
13	51004500	Lid Nut for 2" (10 Needed)	H9487
14	51005400	Gasket, Sight Glass	H9488
15	51005500	Sight Glass	H9489
16	51005800	O-Ring, Standpipe 1-1/2" Valve	H8933
17	51011900	O-Ring, 22" Filter (before 1/95)	H8854
17	51021700	Gasket, 22" Filter (after 1/95)	H8811
17	39300600	O-Ring, 26 & 30" Filter	K3905
---	50124100	26" Eclipse Valve Upgrade Kit	H9490
---	50124000	30" Eclipse Valve Upgrade Kit	H8873



AMERICAN ABS 2" PUSH-PULL VALVE

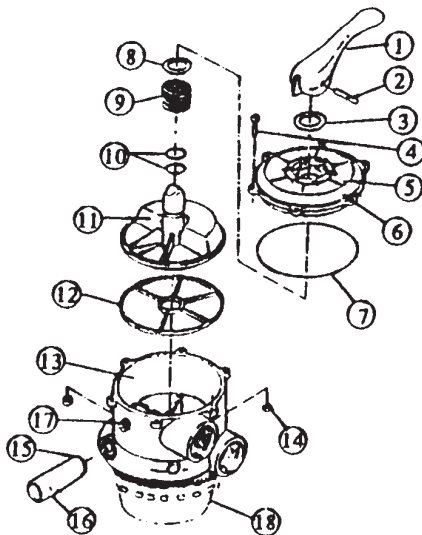


Both items 9 and 10 are included for multiple applications. Choose appropriate set for your application, but not both

KEY	MFG NO.	DESCRIPTION	ITEM NO.
1	51013811	Complete Valve Stem w/ Handle	H8929
1	51014311	Complete Valve Stem w/ Handle, Brass	H8930
2	51013011	Nut	H3549
3	51013500	O-Ring, Nut	H3547
5	51003100	O-Ring, Cap	H8925
6	51012911	Cap	H8939
7	51014011	Body, w/ Bulkhead Fittings	H8935
8	51005000	O-Ring, Valve Stem, 2" (2 needed)	H8931
9	39102900	O-Ring, Bulkhead (Before 1/90)	K3872
10	51013500	O-Ring, Bulkhead (After 1/90)	H3547

AMERICAN 1-1/2" TOP MOUNT VALVE (Old Style)

50140300 - Threaded



KEY	MFG NO.	DESCRIPTION	ITEM NO.
1	51016500	Valve Handle	H8941
2	51018000	Pin, Multiport Valve	H8942
3	51017900	Washer	H8943
4	51017800	Screw, 6 Required	H8944
6	50142300	Lid for Multiport Valve	H8945
7	50141500	O-Ring, Top Cover	H8946
8	51017200	Washer	H8947
9	51002500	Spring (Old #51017100)	H8948
10	51017700	O-Ring for Rotor, 2 Required	H8949
11	50142200	Rotor Only	H8950
12	271104	Spider Gasket, 5-3/8" Dia. (Old # 50141700)	H8951
14	51017600	Nut, Top Cover, 6 Required	H8952
15	51017300	Gasket, Sight Glass	H8953
16	51017400	Sight Glass	H8954
17	51017500	Plug, Body	H8955

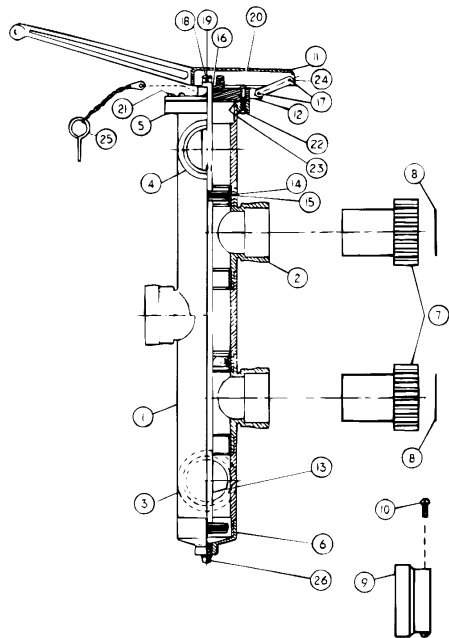
ANTHONY PUSH - PULL VALVE PARTS

KEY	MFG. NO.	DESCRIPTION	ITEM NO.
1	V34-127	Piston Handle w/ Set Screw	Z7020
2	V34-135	Set Screw for B-W Handle	Z7021
3	U30-694SS	Cap Screw 1/4" - 20 x 1/2"	K3547
4	V34-021	Spring Pin, S.S.	Z7017
5a	V34-152	1-1/2" Piston Cap, Brass	Z7011
5b	V34-153	2" Piston Cap, Brass	Z7015
6a	V34-115	1-1/2" Piston O-Ring Set	Z7018
6b	V34-120	2" Piston O-Ring Set	Z7019
7a	V34-140	1-1/2" Piston & Shaft (Long)	Z7013

American Type

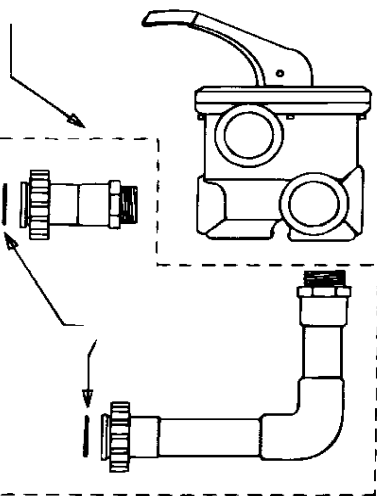
7b	V34-015	1-1/2" Piston & Shaft	Z7010
7c	V34-020	2" Piston & Shaft	Z7014
---	V34-016	1-1/2" Piston & Shaft, Complete	Z7012
---	V34-022	2" Piston & Shaft, Complete	Z7016

BAKER HYDRO VERTI-LEVER VALVE



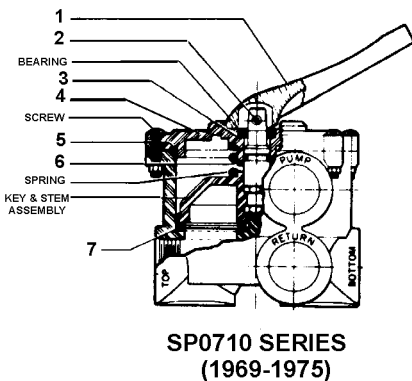
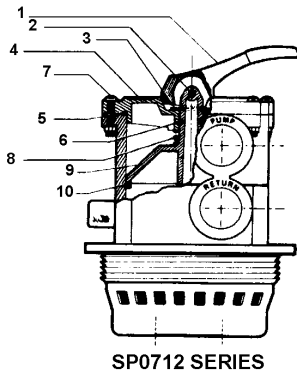
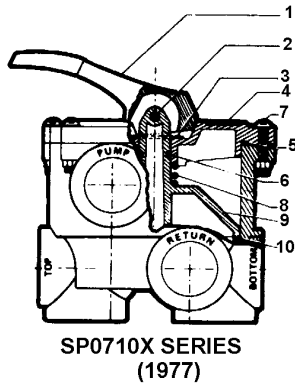
KEY	MFG NO.	DESCRIPTION	ITEM NO.
1	31B0080	Housing Kit (Items #2 thru #4)	H8810
2	31B0008	Body Module	H8812
3	31B0022	Body Module Bottom w/Cap	H8814
4	31B0020	Body Module Top w/Ring	H8816
5	31B0003	Adaptor Ring Only	H8880
6	31B0004	Valve Bottom Cap	H8820
7	31B0077	Union Adaptor - Less O-Ring	H8822
8	00B7027	Union Adapter Gasket	H8824
9	31B9009	Coupling with Screw	H8826
10	00B1001	Screw, 10 - 32 x 1/2"	H8881
11	31B0009	Handle Valve	H8830
12	31B0002	Index Valve Plate	H8832
13	31B0005	Piston & Shaft Assy - L/O-Ring	H8834
14	31B0024	O-Ring Kit (Items #15 thru #17)	H8836
15	00B7014	O-Ring Valve Piston	H8838
16	31B0035	O-Ring Index Plate	H8840
17	00B8003	Rivet, 1/8" x 11/16"	H8882
18	00B8004	Rivet 1/8" x 1"	H8846
19	00B8005	Push Nut 1/8"	H8848
20	00B1006	Screw, 10 - 32 x 1-1/4"	H8850
21	00B1005	Screw, 10 - 32 x 1"	H8883
22	00B0003	Nut, 10 - 32	H8884
23	31B0015	Gasket for Index Plate	H8856
24	31B0010	Linkage Bar Valve	H8858
25	31B0012	Lock Pin & Chain Assembly	H8860

BAKER HYDRO HRV MULTIPOINT VALVE



KEY	MFG NO.	DESCRIPTION	ITEM NO.
1A	31B0075	Side Mount Valve Piping Only, 1-1/2"	H8821
1B	31B0076	Side Mount Valve Piping Only, 2"	H8823
2	00B7027	Union Adaptor Gasket	H8824

HAYWARD VARI-FLO VALVES
SP0710, SP0710X, SP0711 & SP0712



KEY	MFG NO.	DESCRIPTION	ITEM NO.
1	SPX0710XF	Handle (SP0710X & 0712 Only)	H8306
2	SPX0710XZ7	Handle Pin (SP0710X & 0712 Only)	H8222
3	SPX0710Z16	Non-Metallic Bearing	H8310
4	SPX0710XB	Cover, White (SP0710X & 0712 Only)	H8312
5	SPX0710XZ3	Cover O-Ring (SP0710X & 0712 Only)	K4268
6	SPX0735GA	O-Ring/Teflon Shaft Seal	V4155
7	SPX0710Z1A	Cover Screw w/Nut (set of 6)	H8320
8	SPX0603S	Spring	H8228
9	SPX0710XC	Key / Stem Assy. - Noryl	H8330
10	SPX0710XD	Valve Seat Gasket, 5 Spoke	H8328
---	SPX0710Z62	Spring Washers (set of 2)	H8324
---	SPX0710K	1/4" Plastic Pipe Plug	K4282
---	SPX0710XBA	Key, Cover & Handle Assy - White	H8332
---	SPX0710XBA17	Key, Cover & Handle Assy - Black	H8334
---	SPX0710MA	Threaded Sight Glass w/ Gasket	H8082
---	SPX0710R	Gasket for Threaded Sight Glass	H8333
---	SPX0710XA3A	Valve Body w/ Gasket & Sight Glass	H8338
---	SPX0711AA	"GM" Flange Mount Style Valve Body	H8340
---	SPX0710X32AA	Valve Body w/ Gasket & Sight Glass w/ Pipes & Locknut (S200, S240 Only)	H8342
---	SPX0712AA	Top Mount Threaded Valve Body w/ Gasket Sight Glass & Diffuser	H8344
---	SPX07122AA	Top Mounted Threaded Valve Body w/ Gasket Sight Glass & Diffuser	H8343
---	SPX0710Z9	3M Adhesive, 5 oz. Tube for Valve	H8346

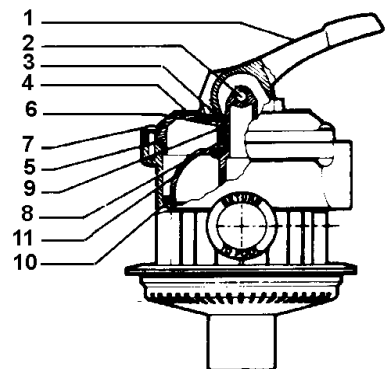
Parts below are for SP0710 & 0711 Series (1969-1975) These parts are not interchangeable w/ current models.

1	SPX0710F	Handle, Metallic	H8348
2	SPX0710Z7	Handle Pin	H8325
3	SPX0710Z8	Wave Washer	H8345
4	SPX710XBA	Cover	H8332
5	SPX0710Z3	Cover O-Ring	H8356
6	SPX0603Z2A	O-Ring / Teflon Shaft Seal	H8232
7	SPX0710D	Valve Seat Gasket, 6 Spoke	H8362

HAYWARD SP-704 VARI-FLO VALVE 1-1/2"

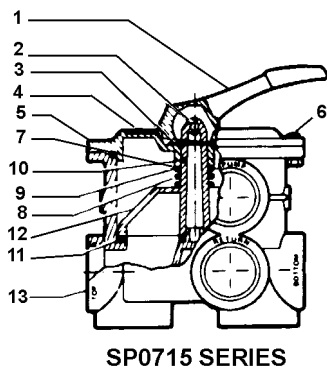
4-Position

KEY	MFG NO.	DESCRIPTION	ITEM NO.
1	SPX710XF	Handle, 4-Position Valve	H8306
2	SPX710X7	Pin for Handle	H8222
3	SPX710Z16	Non-Metallic Bearing	H8310
4	SPX704B2	Cover, Black	H8399
5	SPX704F	Cover O-Ring	O1501
6	SPX704HA	O-Ring & Teflon Shaft Seal	H8397
7	SPX704Z1A	Cover Screw (Set of 6)	H8395
8	SPX603S	Spring	H8228
9	SPX710Z62	Spring Washers (Set of 2)	H8324
10	SPX704D	Valve Key Gasket	H8492
11	SPX704CA	Key & Gasket Assembly	H8493
---	SPX704BA	Key, Cover, Gasket & Handle Assy	O1498
---	SPX704AA	Valve Body with Diffuser	H8494



HAYWARD SP-715 VARI-FLO VALVES 2"

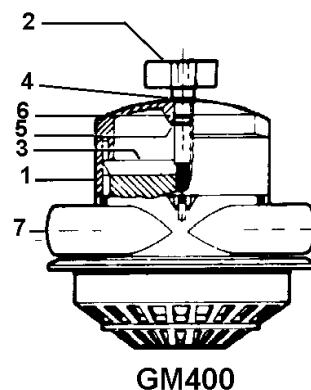
KEY	MFG NO.	DESCRIPTION	ITEM NO.
1	SPX710FL	Handle, Large	H8391
1	SPX715F	Handle, Standard - Cyclocac	H8366
2	SPX710XZ7	Pin Only for Handle	H8222
3	SPX710Z16	Non-Metallic Bearing (<i>Old SPX710Z14</i>)	H8310
5	SPX715B	Cover, White	H8372
6	SPX710Z1A	Cover Screw w/Nut (Set of 6)	H8320
7	SPX715Z1	Cover O-Ring	H8380
8	SPX603S	Spring	H8228
9	SPX710Z62	Spring Washer (Set of 2) (<i>Old SPX715Z2A</i>)	H8324
10	SPX735GA	O-Ring & Teflon Shaft Seal	V4155
---	SPX715BA	Key, Cover & Handle Assy - White	H8394
---	SPX715BA3	Key, Cover & Handle Assy - Black	H8496
11	SPX715D	Valve Seat Spoke Gasket	H8390
12	SPX715C	Key/Stem Assembly - Noryl	H8392
---	SPX710K	1/4" Plastic Pipe Plug	K4282
---	SPX710MA	Threaded Glass Bottle w/Gasket	H8082
13	SPX715ALLAA	Valve Body w/Gasket - Style "All"	H8396
13	SPX715XR50AA	Valve Body - D.E. Filters, Reversed	H8499
---	SPX710R	Gasket for Threaded Sight Glass	H8333



HAYWARD GM400 FLANGE MOUNT VALVE

4-Way

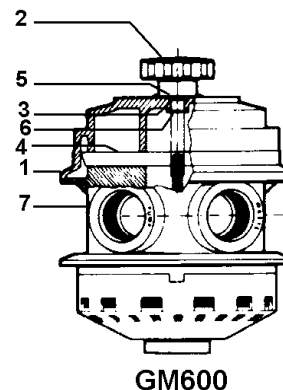
KEY	MFG NO.	DESCRIPTION	ITEM NO.
1	GMX400BA	Cover Assembly w/ Knob	H8400
2	GMX400CA	Knob w/ Stem	H8402
3	GMX400G	Valve Seat Gasket	H8404
4	GMX400D	Fiber Bearing Washer	H8406
5	GMX400E	Stem Lock Ring	H8408
6	SPX0072Z4	Stem O-Ring	H8410
7	GMX400AA	Body Assembly w/ Diffuser	H8412



HAYWARD GM600 FLANGE MOUNT VALVE

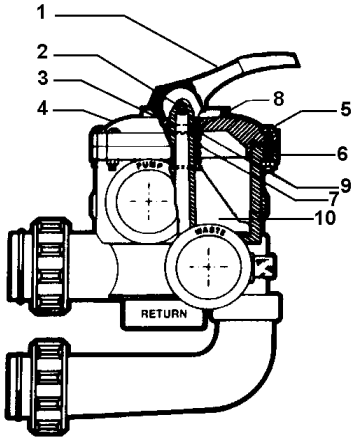
6-Way

KEY	MFG NO.	DESCRIPTION	ITEM NO.
1	GMX600BA13	Cover Assy w/ Knob, Brown	H8416
2	GMX600CA	Knob w/ Stem	N/A
3	GMX600P	Stem O-Ring	N/A
4	GMX600G	Valve Seat Gasket	H8422*
5	GMX600D	Teflon Bearing washer	N/A
6	GMX600E	Tru-Arc Snap-Ring	H8426
7	GMX600AA13	Body Assy w/ Diffuser, Brown	H8430



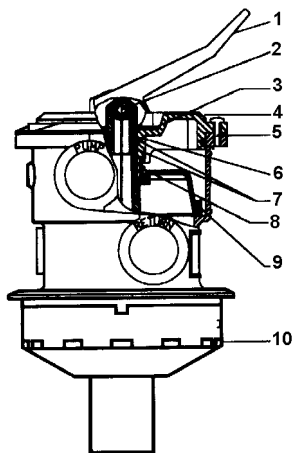
* Limited Quantity

HAYWARD 2" FLO-SELECTOR VALVE
SP0740DE



SP0740DE

KEY	MFG NO.	DESCRIPTION	ITEM NO.
1	SPX0710FL	Handle, Large	H7900
2	SPX0710XZ7	Handle Pin	H8222
3	SPX0710Z16	Non-Metallic Bearing	H8310
4	SPX0740B	Cover	H7902
5	SPX0710Z1A	Cover Screw w/ Nut (Set of 6)	H8320
6	SPX0715Z1	Cover O-Ring	H8380
7	SPX0603S	Spring	H8228
8	SPX0704HA	O-Ring / Teflon Shaft Seal	H8397
9	SPX0710Z62	Spring Washers (Set of 2)	H8324
10	SPX0740C	Key / Stem Assembly	H8504
---	SPX0740D	Valve Stem Gasket	H8503
---	SPX0740BA	Key, Cover, Handle Assy.	H7904

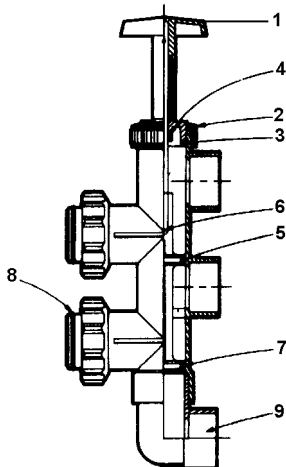


SP0714T SERIES

HAYWARD VARI-FLO XL VALVE
SP0714T

KEY	MFG NO.	DESCRIPTION	ITEM NO.
1	SPX0710XF	Handle	H8306
2	SPX0710XZ7	Handle Pin	H8222
3	SPX0710Z16	Non-Metallic Bearing	H8310
4	SPX0714BA	Key, Cover & Handle Assy.	H7906
5	SPX0714Z1	Cover Screw (Set of 6)	H7908
6	SPX0714L	Cover O-Ring	H7910
7	SPX0735GA	O-Ring Shaft Seal Assy.	V4155
8	SPX0710Z62	Spring Washers (Set of 2)	H8324
9	SPX0714CA	Key / Seal Assembly	H7912
10	SPX0714D	Diffuser	H7914

HAYWARD SLIDE VALVE
SP0410X

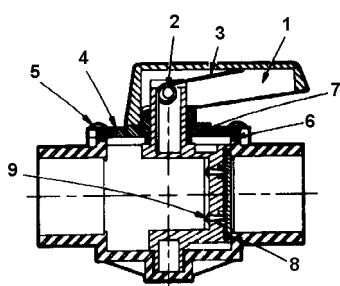


SP0410X SERIES

KEY	MFG NO.	DESCRIPTION	ITEM NO.
1	SPX410BA	Handle & Piston Assembly	H6129
2	SPX722D	Bonnet Nut	V4194
3	SPX722G	O-Ring for Bonnet	V4192
4	ECX9611246	Shaft O-Ring	H6390
5	SPX410Z2	Large Piston O-Ring	V4112
6	SPX410K	Drive Pin	H6130
7	SPX410Z1	Small Piston O-Ring	V4110
8	SX200Z4	Connector O-Ring to Bulkhead	H6694
9	SPX410F	Bottom Elbow, 2" Socket	H7916

HAYWARD DIAL-A-FLO 3-WAY VALVE

SP0733

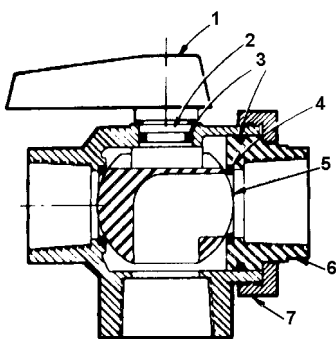


SP0733S SERIES

KEY	MFG NO.	DESCRIPTION	ITEM NO.
1	SPX0733D	Handle	V4142
2	SPX0733H	Handle Pin	V4144
3	SPX0733J	Handle Spring	V4145
4	SPX0733B	Cover w/ Label	V4140
5	SPX0733Z3A	Cover Screw (Set of 8)	V4147
6	SPX0733Z2A	O-Ring, Cover, Washer & Spacer	V4148
7	SPX0733Z1A	O-Ring, Key w/ Washer	V4146
8	SPX0733E	Seal	V4143
9	ECX1019	Retainer Screw	H6452
---	SPX0733CA	Key & Seal Assy, w/ O-Ring	V4149
---	SPX0733BA	Key, Seal, Cover & Handle Assy	V4141

HAYWARD BALL VALVES

SP0720, SP0730 & SP0735



SP0735 SERIES

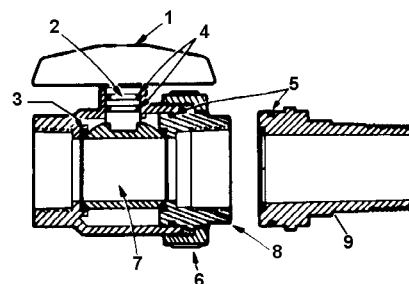
KEY	MFG NO.	DESCRIPTION	ITEM NO.
1	SPX735D	Handle	V4150
2	SPX735F	Stem	V4152
3	SPX735G	O-Ring for Stem	V4154
4	SPX735H	O-Ring for End Connector	V4156
4	SPX735E	Assembly Nut	V4158
5	SPX720P2	Teflon Ball Seal - Set (SP-720, 730)	V4160
5	SPX735P2	Teflon Ball Seal - Set (SP-735)	V4162
5	SPX720B	End Connector - Thrd (SP-720, 730)	V4164
6	SPX720BS	End Connector -Socket(SP-720, 730)	V4166
6	SPX735B	End Connector - Thrd (SP-735)	V4168
6	SPX735BS	End Connector - Socket (SP-735)	V4170*
6	SPX720C	Ball (SP-720)	V4172
7	SPX730C	Ball (SP-730)	V4174*
---	SPX735C	Ball (SP-735)	V4176

* Limited Quantity

HAYWARD 1-1/2" TRIMLINE BALL VALVE

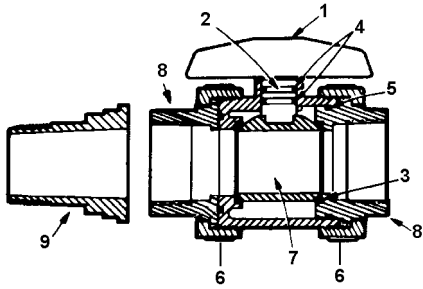
SP0722 & SP0723 & UN

KEY	MFG NO.	DESCRIPTION	ITEM NO.
1	SPX722F	Handle, Ball Valve	V4180
2	SPX722B7	Stem, Ball Valve	V4184
3	SPX0720P2	Teflon Ball Seal, Set of 2 (before '76)	V4160
3	SPX722P2	Teflon Ball Seal, Set of 2	V4188
4	SPX722H	O-Ring for Ball Valve Stem	V4190
5	SPX722G	O-Ring for End Connector	V4192
6	SPX722D	Assembly Nut	V4194
7	SPX722C7	Ball Only	V4198
8	SPX722ET7	End Connector, Threaded, FIP	V4201
8	SPX722ES7	End Connector, Socket	V4199
8	SPX723ET7	End Connector, Threaded, MIP	V4186
9	SPX722UT	Union End Connector - FIP (UN)	V4185
9	SPX722US	Union End Connector - Skt (UN)	V4183
9	SPX723UT	Union End Connector - MIP (UN)	V4187*
--	SPX1495Z1	O-Ring, Flush Union End (UN)	K4209



SP0722 & SP0723 SERIES

**HAYWARD 2" TRIMLINE BALL VALVE
SP0724**

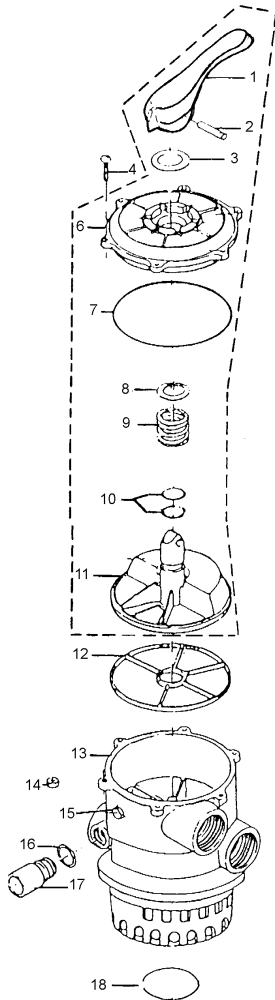


SP0724 SERIES

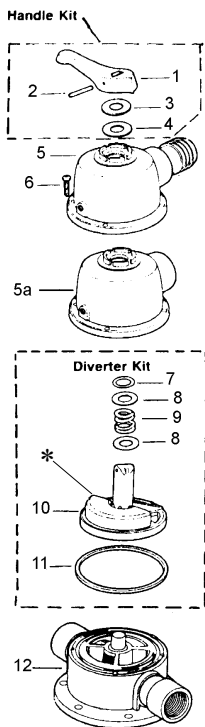
KEY	MFG NO.	DESCRIPTION	ITEM NO.
1	SPX0724J	Handle	V4250
2	SPX0724B	Stem	V4252*
3	SPX0724H2	Teflon Ball Seal (Set of 2)	V4254
4	SPX0735G	O-Ring, Stem (2 needed)	V4154
5	SPX0724G	O-Ring, End Connector	V4258
6	SPX0724D	Assembly Nut	V4260*
7	SPX0724C	Ball (SP724)	V4263*
8	SPX724ET	End Connector - FIP (SP724)	H7918
9	SPX0724ES	End Connector - SKT. (SP724)	H7920*

*Limited Quantity

**JACUZZI 2" DIAL VALVE
39-2586-03**



KEY	MFG NO.	DESCRIPTION	ITEM NO.
---	39-2617-06-R	2" Handle cover Assy. (Includes #1-3, 6-11)	H8983
1	39-2611-02-R	Handle	H8965
2	14-4263-08-R	Pin S.S.	H8963
3	14-4264-07-R	Washer NYL	H8964
4	14-4265-06-R	Screw S.S. (6 needed)	H8966
6	39-2612-01-R	Cover O-Ring ABS	H8967
7	47-0364-47-R	Cover O-Ring 6-3/4" x 7-1/8" x 3/16"	H8281
8	14-4266-05-R	Washer NYL	H8968
9	16-1092-09-R	Spring S.S.	H8969
10	47-0212-09-R	O-Ring NIRL 7/8 x 1-1/8 x 1/8	H8970
11	16-1093-08-R	Valve Head Noryl	H8971
12	13-1074-04-R	Star Gasket Kraton	H8972
13	39-2613-00-R	2" Dial Valve Housing	H8973
14	14-4267-04-R	Nut S.S.	H8974
15	14-4268-03-R	Plug Screw ABS	H8975
16	13-1075-03-R	Gasket NIRL	H8976
17	23-4823-00-R	Waste Indicator Poly	H8981
18	47-0229-00-R	O-Ring NIRtil 2-3/8 x 2- 5/8 x 1/8	H8982



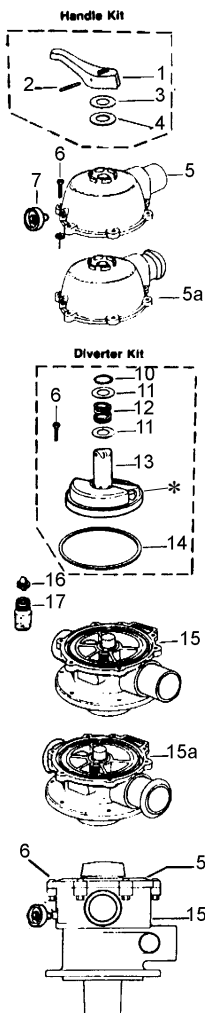
JACUZZI DV-4 DIAL VALVE

For 15MFM Tank Only

KEY	MFG NO.	DESCRIPTION	ITEM NO.
---	39-2517-07-RKIT	DV4, DV6 Handle Repair Kit (#'s 1-4)	H8984
---	39-2520-02-RKIT	DV4 Diverter Repair Kit (#'s 6-11)	H8985
---	39-2620-01-RKIT	DV4 Cover Repair Kit (#'s 1-11)	H8986
1	39-2517-07-RBLK	Handle	H8553
2	14-3852-07-R	Pin	H8554
3	14-3834-00-R	Washer S.S. 1-3/4" x 1-5/8" x 1-1/32"	H8555
4	14-3851-08-R	Shim 1-1/32" x 1-1/2" x 1/64" S.S.	H8987
5	39-1621-02	Cover (for 39-2545-03 Assy.)	H8988
5A	39-2550-05	Cover (for 39-2549-09 & 39-2582-07)	H8989
6	14-4354-01-R	PI Ph 12-11 x 1 (4 needed)	H8990
7	47-0214-07-R	O-Ring 1" x 1-1/2" x 1/8"	H8562
8	14-3833-01-R	Washer (3 needed)	H8563
9	16-0262-05-R	Spring	H8564
10	39-2520-02-R	Diverter	H8991
11	47-0248-56-R	Square Ring 4-3/4" x 5" x 1/8"	H8992
12	39-0696-38-R	Body	H8993

* Gasket is molded into diverter body. Must replace diverter.

JACUZZI DVK-6 & DVK-7 DIAL VALVES

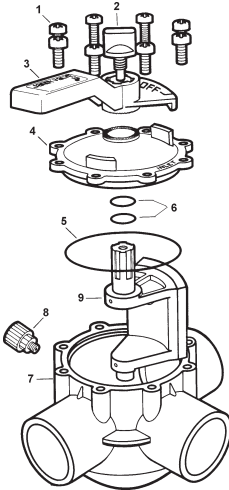


KEY	MFG NO.	DESCRIPTION	ITEM NO.
-	39-2517-07-RKIT	Handle Repair Kit (#1 thru #4)	H8550
-	39-2515-09-RKIT	Diverter Kit (#6, #10 thru #14)	H8551
-	39-2622-09-RKIT	DV-6 Cover Kit (#1 thru #14)	H8552
-	39-2626-05-RKIT	DV-7 Cover Kit (#1 thru #14)	H8537
1	39-2517-07-RBLK	Handle Only, Black	H8553
2	14-3852-07-R	Pin for Handle	H8554
3	14-3834-00-R	Washer Only	H8555
4	14-3833-01-R	Shim (2 needed)	H8556
5	39-2516-08-RBLK	Cover, Black MFM	H8557
5A	39-2571-00-R	Cover, RMST DV Union 15VK	H8558
5B	39-2626-05-R	Cover DVK-7	H8571
6	14-4287-00-R	Screw, 1/4"-20 x 1" (7 needed)	H8559
6	14-3948-02-R	Screw for DVK-7 (6 needed)	H8583
7	9193-4182-R	Pressure Gauge 0-60#	H8388
7	-----	Generic Gauge, Back Mount	H7010
9	14-0725-08-R	Hex Nut, 1/4"-20 (7 needed)	H8561
10	47-0214-07	O-Ring	H8562
11	14-3833-01-R	Washer (2 needed)	H8563
12	16-0262-05-R	Spring	H8564
13	39-2515-09-R	Diverter	H8565*
14	47-0258-53-R	Cover O-Ring	H8566
14	47-0255-07-R	O-Ring DVK-7	H8585
15	39-2581-08-R	DV Body MFM	H8567
15A	39-2572-09-R	Body RMST - DV Union	H8568
15B	39-2627-04-R	Body DVK-7	H8587
16	13-0382-03-R	Deflector	H8569
17	23-2577-02-R	Sight Glass	H8570

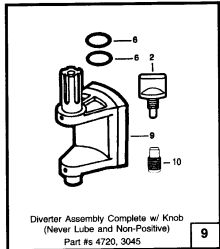
* Gasket is molded into diverter body. Must Replace Diverter.

JANDY VALVES

2-Port & 3-Port CPVC Models



KEY	MFG NO.	DESCRIPTION	ITEM NO.
1	1298	Housing Screw #14 x 3/4"	V4553
2	3042	Knob (ABS)	V4573
3	1301	Handle	V4555
4	1303	Cover (3-Port Valve)	V4556
4	1304	Cover (2-Port Valve)	V4563
5	1132	O-Ring, Cover	V4550
6	1307	O-Ring, Stem	V4551
7	1312	Housing, 1-1/2" - 2", 3 Port	V4561
7	1313	Housing, 1-1/2" - 2", 2 Port	V4564
8	2133	Grease Cup	V4569
9	4720	Diverter Kit, NeverLube (Positive)	V4590
9	3045	Diverter Kit, w/Knob (Non-Positive)	V4501
10	5009	Pipe Plug	V4500



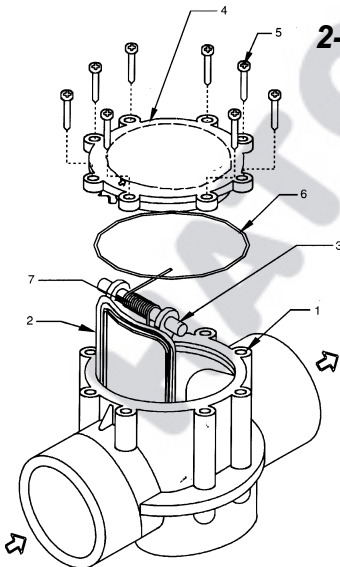
JANDY NEVERLUBE VALVES

2-Port & 3-Port NeverLube Models

KEY	MFG NO.	DESCRIPTION	ITEM NO.
1	1298	Housing Screw, #14 x 3/4"	V4553
2	4603	Knob - ABS (Black)	V4502
3	4733	Valve Handle NeverLube	V4503
4	4734	Cover (2-Port Valve) (Black)	V4504
4	4606	Cover (3-Port Valve) (Black)	V4505
5	1132	O-Ring, Cover	V4550
6	1307	O-Ring, Stem	V4551
8	4720	Diverter Kit, NeverLube (Positive)	V4590

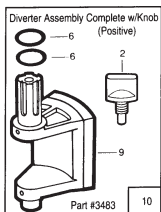
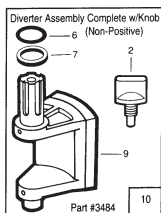
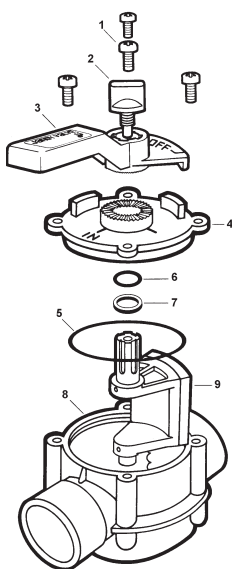
JANDY CHECK VALVE

2-Port & 3-Port Models (Straight & 90 Degree)



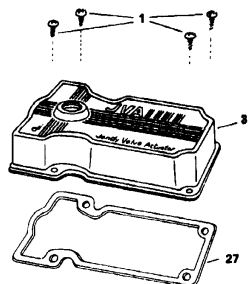
KEY	MFG NO.	DESCRIPTION	ITEM NO.
1	4727	Housing 1-1/2" & 2" (2 Port) Black	V4670
1	4729	Housing 2" & 2-1/2" (3 Port) Black	V4671
1	4368	Housing 90 Degree 1-1/2" & 2" Black	V4672
1	4370	Housing 90 Degree 2" & 2-1/2" Black	V4673
2	7451	Flapper Assembly	V4674
3	7304	Check Valve Pin	V4675
4	7236	Check Valve Cover	V4676
5	1298	Housing Screw, #14 x 3/4"	V4553
6	1132	O-Ring for Valve Cover	V4550
7	7302	Check Valve Spring	V4677
8	7056	Cover w/Flapper Assy. (Includes: Flapper Assy, Pin, Spring & O-Ring)	V4678

JANDY SPACE SAVER VALVES 2-Port & 3-Port Space Saver Models

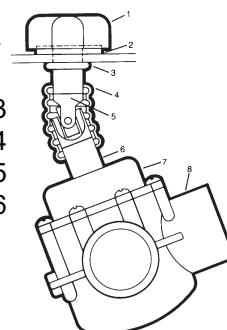


KEY	MFG NO.	DESCRIPTION	ITEM NO.
1	1298	Housing Screw #14 x 3/4"	V4553
2	3042	Knob (ABS)	V4573
3	3500	Handle for Space Saver	V4506
4	3417	Cover (2-Port Valve)	V4507
4	3490	Cover (3-Port Valve)	V4508
5	6749	O-Ring, Cover	V4509
6	1307	O-Ring, Stem	V4551
7	3457	Seal Ring, Valve Diverter	V4510
9	3483	Diverter Kit - Complete (Positive)	V4511
9	3484	Diverter Kit - Complete (Non-Positive)	V4512

JANDY SPA VALVE EXTENSION KIT

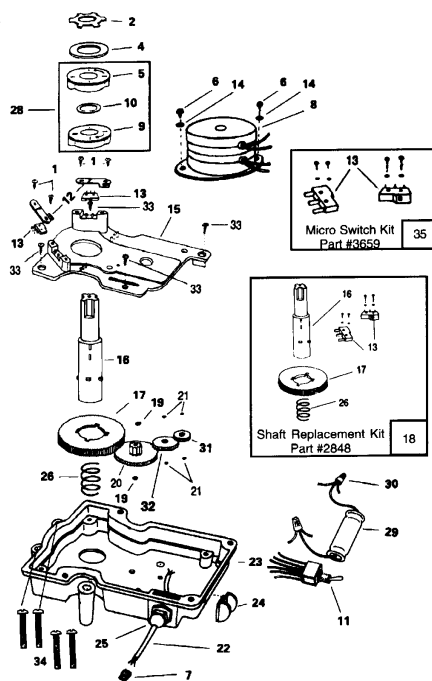


KEY	MFG NO.	DESCRIPTION	ITEM NO.
1	----	Spa Knob Kit*	----
2,3	3287	Seal Ring Kit	V4513
4,5	3259	U - Joint Complete	V4514
6	2894	Knob Extension Shaft 30"	V4515
7	3318	Valve Cap Kit	V4516



*Various Styles & Colors Available

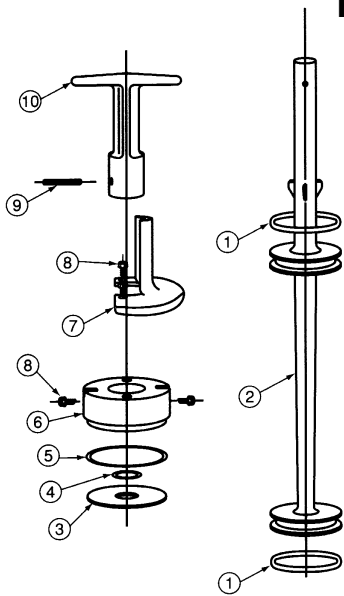
JANDY VALVE ACTUATOR JVA 2440 24V



KEY	MFG NO.	DESCRIPTION	ITEM NO.
1	1325	Cover Screw #8 X 5/8"	V4517
2	3352	Lock Nut, 1/2"	V4518
3	4068	Housing Top w/Seal Ring	V4519
4	3379	Cam Washer	V4520
7	2711	Connector (3-Pin)	V4521
8	2598	Motor Only 24 Volt	V4600
11	4433	Toggle Switch Complete	V4522
15	3934	Center Plate w/Pins	V4523
18	2848	Shaft Replacement Kit	V4603
20	2633	Large Pinion Gear	V4601
23	3935	Housing Bottom w/Seal	V4524
28	3553	Cam Kit	V4604
29	2577	Capacitor 24 Volt	V4525
31	4387	Motor Gear	V4526
---	4388	Primary Gear	V4527
34	4725	Screw #14 x 2" Phil PN S.S.	V4528
35	3659	Micro Switch Kit	V4529

PAC-FAB PLASTIC SLIDE VALVE 2"

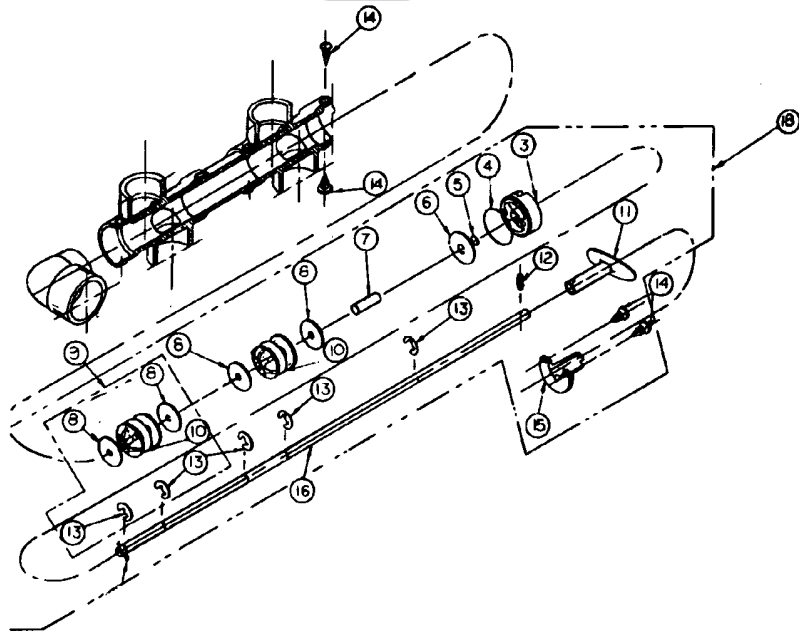
New Style 26-1165 (1994)



KEY	MFG NO.	DESCRIPTION	ITEM NO.
1	273090	O-Ring, 1-1/2" x 3/16" Dia.	H3332
2	273106	Piston Shaft	H3330
3	273102	Washer, 5/8" x 2-5/32" x 1/8"	H3329
4	272406	O-Ring, 9/16" x 3/32"	H3328
5	273062	O-Ring, 2-1/8" x 1/8" Dia.	H3338
6	273077	Plug, 5/8" x 2-3/8"	H3367
7	273064	Position Bracket	H3340
8	273071	Screw, S.S.	H3343
9	273063	Pin, 1/8" x 1-1/8" Long S.S.	H3339
10	273089	Handle for Plastic Shaft, 5/8"	H3326
---	273241	Piston Rod Assembly	H3366

PAC-FAB PLASTIC SLIDE VALVE 2"

Old Style 25-1165 (Prior to 1994)



KEY	MFG NO.	DESCRIPTION	ITEM NO.
3	273053	Plug, 2" PVC Piston	H3321*
4	273062	O-Ring for Cap	H3338
5	273060	O-Ring for Shaft	H3336
6	273070	Washer, 3/8" Diameter	H3342*
8	273061	Washer, 3/8" S.S. (4 needed)	H3337*
9	273028	Piston Half Replacement Kit	H3325*
10	273059	Piston O-Ring (2 needed)	H3335
11	273089	Tee Handle (Replaces 27-3065)	H3326
12	273063	Pin, 1/8" x 1-1/8" S.S. Locking	H3339
13	273057	Retainer Clip (5 needed)	H3333*
14	273071	Screw S.S. (4 needed)	H3343
15	273064	Position Bracket	H3340
16	273235	Shaft, 3/8"-14 x 1/4"	H3367*
18	273241	Piston Rod Assembly	H3366

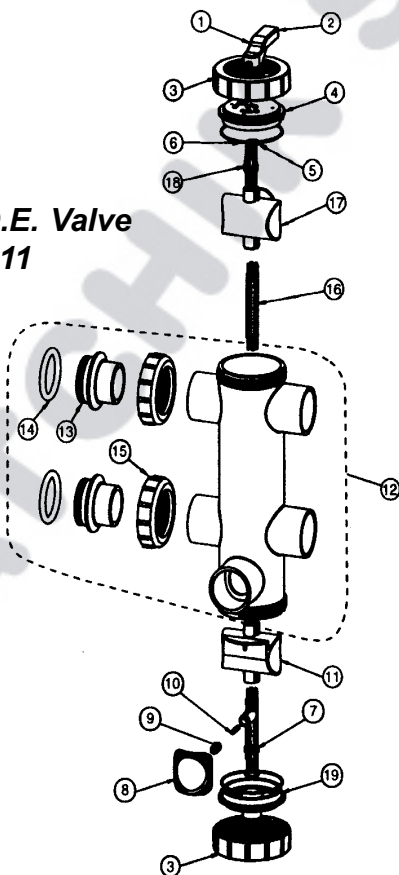
* Limited Quantity

PAC-FAB FULL-FLOW VALVE

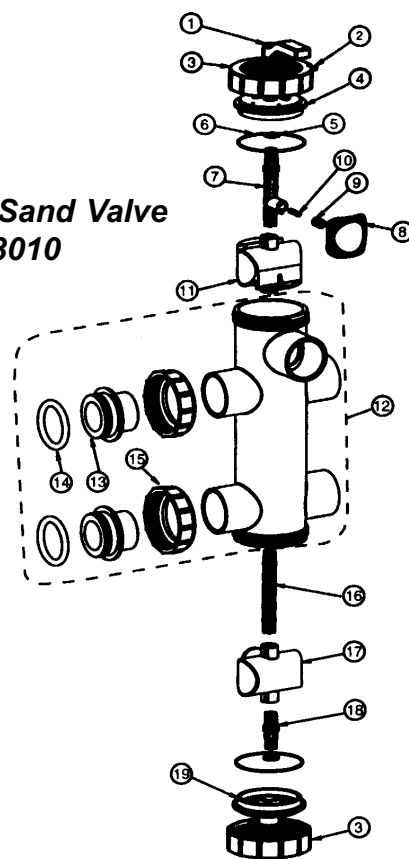
KEY	MFG NO.	DESCRIPTION	ITEM NO.
1	278006	Handle	H9400
2	275000	Screw	H9402
3	278020	Cap - Nut, 2 req.	H9404
4	278021	Cap Insert - Top	H9406
5	192039	O-Ring, Bunan, 2 req.	H9408
6	275300	O-Ring, Bunan 70, 2 req.	H9410
7	278004	Stem - Waste Seal	H9412*
8	278019	Seal - Waste	H9414
9	271065	Spring, .42 o.d	H9416
10	270006	Spring, .24 o.d.	H9434
11	278002	Port - Diverter	H9418*
12	270007	Body - 7-1/2" Centerline (Sand)	H9436
12	270008	Body - 7-1/2" Centerline (D.E.)	H9438
13	274430	Adapter - Bulkhead, 2 Required	H9430
14	274494	O-Ring - Bulkhead, 2 Required	H3371
15	274440	Nut, Adapter, 2 Required	H9432
16	278003	Shaft - 7.5" Valve	H9423*
17	278018	Port - Block	H9425*
18	278007	Stem	H9426*
19	278022	Cap Insert - Bottom	H9428
---	270011	Shaft Assembly - (Consists of: Items 18, 17, 16, 11, 10, 9 and two 5's)	H9435

* Items Not Sold Separately

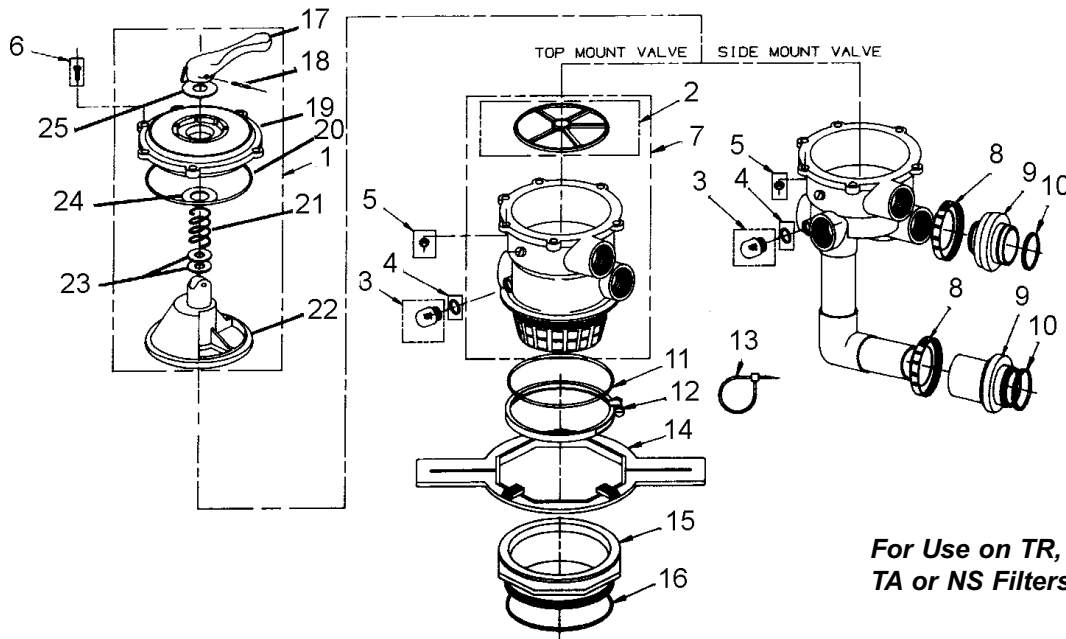
**Full-Flow D.E. Valve
263011**



**Full-Flow Sand Valve
263010**



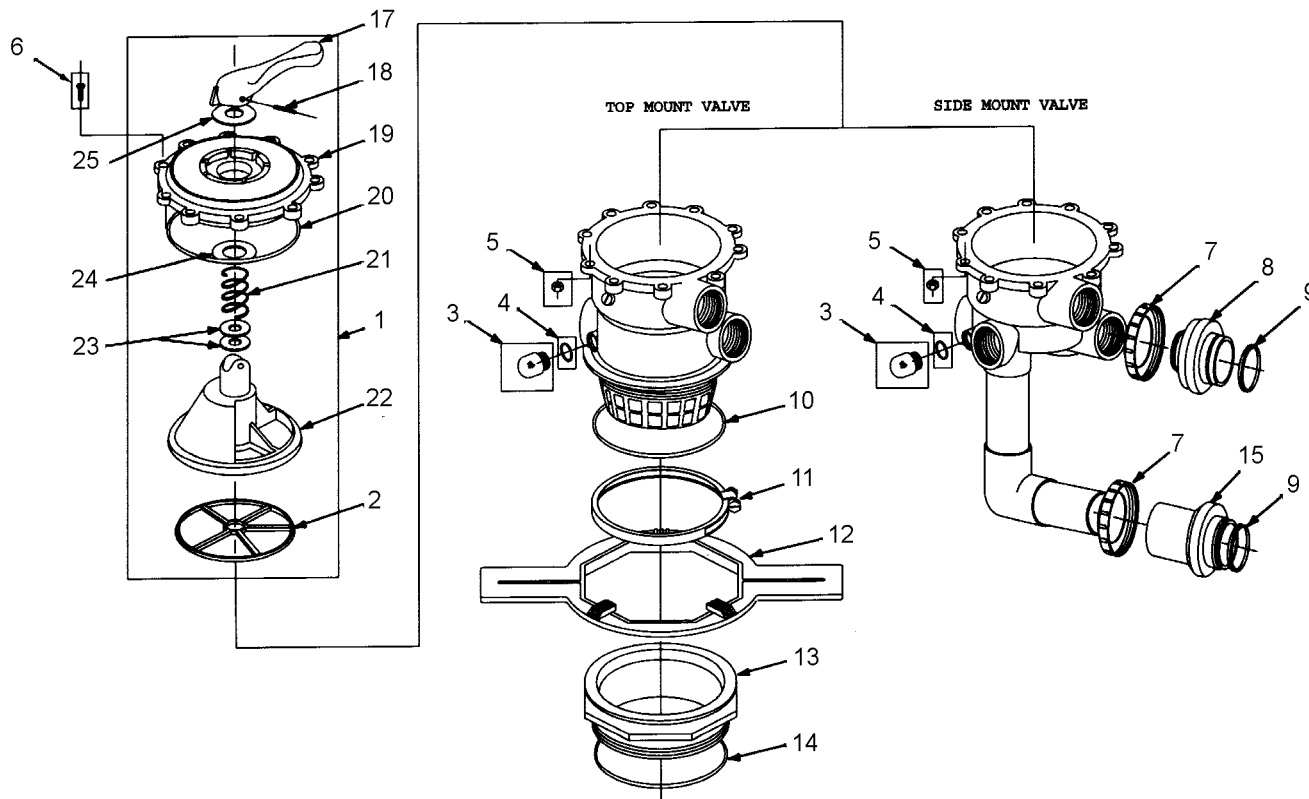
PAC-FAB (PRAHER) MULTIPOINT VALVES 1-1/2"
Top Mount & Side Mount



**For Use on TR,
 TA or NS Filters**

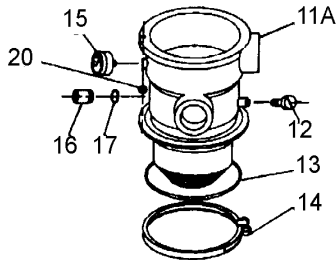
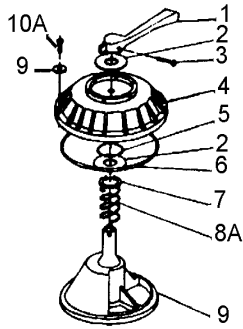
KEY	MFG NO.	DESCRIPTION	ITEM NO.
1	271102	Top Valve Assembly, 1-1/2"	H3345
2	271104	Gasket for Diverter (Replaces #50141700)	H3344
3	272550	Sight Glass w/ Vacuum Protection (Old # 27-1107)	K3618
4	271106	Gasket for Sight Glass	H3364
5	271139	Nut, M6 Stainless Steel	H3365
6	152168	Screw, M6 x 1 (Replaces #27-1138)	H3368
7	271145	Body, Replacement w/Diffuser	H3376
8	274407	Nut, Bulkhead Adaptor	H3369
9	274404	Adaptor, Valve (2 needed)	H3374
9	274651	Adaptor, Valve	H3375
10	274494	O-Ring, Adaptor	H3371
11	272708	O-Ring, Valve Adaptor	H3301
12	155526	Clamp - Metal Screw Type	H4346
12	152162	Clamp - Plastic Snap Type	H3377
13	152163	Securing Tie	H3378
14	154513	Wrench, Flanged Valve Adaptor	H4364
15	155225	Adaptor, Flanged - Standard Thread	H4349
15	154555	Adaptor, Flanged - Buttress Thread	H4348
16	154493	O-Ring, Flanged Valve Adaptor	H4044
---	154966	90 Degree 1-1/2" Thd Barbed Ftg	H3385
---	711004	Worm Clamp, 1-1/2" Hose	H3384
17	271156	Handle	H3358
18	271164	Pin for Handle	H3357
19	271158	Valve Top - White	H3383
19	271165	Valve Top - Black	H3382
20	271103	O-Ring for Valve Top	H3381
21	271161	Valve Spring	H3351
22	271163	Valve Diffuser	H3380
23	271162	O-Ring, Stem	H3348
24	271160	Washer, Valve Spring	H3347
25	271157	Washer, Handle	H3346

PAC-FAB (PRAHER) MULTIPOINT VALVES 2" Top Mount & Side Mount

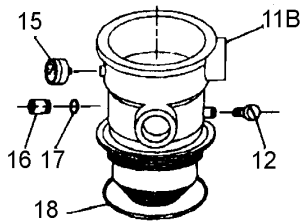


KEY	MFG NO.	DESCRIPTION	ITEM NO.
1	271152	Top Valve Assembly 2"	H3359
2	271148	Gasket, Diverter	H3360
3	272550	Sight Glass w/ Vacuum Protection (Old # 27-1107)	K3618
4	271106	Gasket, Sight Glass	H3364
5	271139	Nut, M6 Stainless Steel	H3365
6	152168	Screw, M6 x 1 (Old # 27-1138)	H3368
7	274407	Nut, Bulkhead Adaptor	H3369
8	274556	Adaptor, Valve, Threaded	H3372
9	274494	O-Ring for Adaptor	H3371
10	275333	O-Ring, Valve	H4345
11	152130	Band Assembly - Valve	H4347
12	151608	Wrench for Adaptor Flange	H4365
13	154514	Adaptor - Flange Buttress Thread	H4350
14	152501	O-Ring for Adaptor	H4351
15	274404	Adaptor - Valve, Slip	H3374
17	271156	Handle	H3358
18	271164	Pin for Handle	H3357
19	271166	Valve Top - White	H3356
19	271169	Valve Top - Black	H3355
20	271151	O-Ring, Valve Top	H3354
21	271161	Valve Spring	H3351
22	271168	Valve Diffuser	H3350
23	271162	O-Ring, Stem	H3348
24	271160	Washer, Valve Spring	H3347
25	271157	Washer, Handle	H3346

PAC-FAB HI-FLOW VALVES 1-1/2"
4-Way & 6-Way (Tagelus Filters)



6" BUTTRESS STYLE VALVE

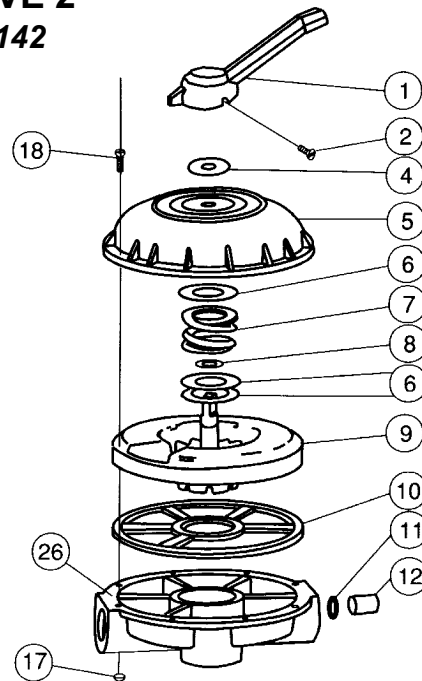


CLAMP STYLE VALVE

KEY	MFG NO.	DESCRIPTION	ITEM NO.
---	272531	Complete Top Half Assembly	K3619
1	272520	Handle	K3601
2	272505	Plastic Washer (2 needed)	K3602
3	272405	Screw, Handle	K3603
4	272527	Valve Top Only, Black	K3604
5	272511	O-Ring for Diverter Shaft	K3605
6	354053	O-Ring, Valve Top	K3606
7	272401	Washer, S.S. (before 5/1/92)	K3607
8	272400	Spring, 1-13/16" (before 5/1/92)	K3608
8A	272535	Spring, 1-3/8" (after 5/1/92)	K3609
9	272512	Diverter with Gasket	K3610
10	634598	Screw (6 needed)	K3611
10A	354541	Screw Hex Pan Head (6 req.)(after 4/94)	K4596
11A	272530	Valve Body w/Diffuser - Clamp Style	K3612
11B	272538	Valve Body w/Diffuser - Threaded	K3613
12	273512	Air Bleeder Screw with O-Ring	H4222
12	272515	Air Bleeder, Clamp Valves (before 3/93)	H3255
13	272541	O-Ring 3/16" x 4-5/8" ID	K3616
14	155526	Clamp, 6-1/2"	H4346
15	155050	Pressure Gauge - Back Mount	H7010
16	272550	Sight Glass with Vacuum Protector	K3618
17	271106	Gasket for Sight Glass	H3364
18	154493	O-Ring, Valve Body	H4044
19	272555	Washer - 9/16 S.S. (6 req.)(after 4/94)	H3691
20	272554	Nut Serrated Flg S.S. (6 req.)(after 4/94)	H3693

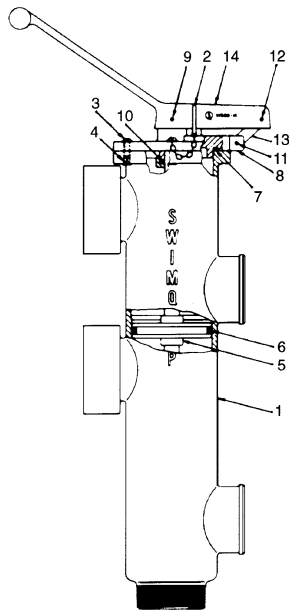
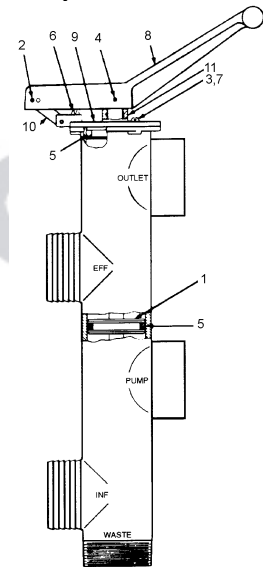
PAC-FAB HI-FLOW VALVE 2"
26-1049, 26-1050 & 26-1142

KEY	MFG NO.	DESCRIPTION	ITEM NO.
1	272520	Handle	K3620
2	272405	Screw, Handle	K3603
4	272402	Washer, Plastic	K3621
5	272412	Valve Top	K3622
6	272401	Washer, 1/32"	K3607
7	272400	Compression Spring	K3608
8	272406	Diverter O-Ring	H3328
9	272413	Diverter	K3623
10	272409	Seal for Diverter	K3624
11	272427	Gasket (Prior to 1/1/89)	K3625
12	154566	Sight Glass	K3626
17	272408	Hex Nut, 1/4"-20	H3277
18	272403	Screw, 1/4"-20	K3627
---	274407	Nut, Bulkhead Adaptor (2 needed)	H3369
---	274404	Adaptor, Bulkhead	H3374
---	274494	O-Ring, Bulkhead Adaptor (2 needed)	H3371
---	272422	Valve Top Assy (#1 thru #9)	K3628



STA-RITE BRONZE SLIDE VALVE (Old Swimquip - 14821-00000, 1-1/2" & 14826-0000, 2")

KEY	MFG NO.	DESCRIPTION	ITEM NO.
1	14819-0011	Piston Assy. w/ O-Rings, 1-1/2"	H8142
1	14823-0011	Piston Assy. w/ O-Rings, 2"	H8146
2	35817-0056	Spring Pin (2 needed)	N5093
3	37062-0130	Screw (2 needed)	N5097
4	35817-0061	Spring Pin	H8148
5	35505-1401	O-Ring, 1-1/2"	N5090
5	35505-1313	O-Ring, 2"	N5088
6	37602-0134	Screw	N5098
7	WC30-84	Lock Pin Assembly	H8145
8	14821-0005	Level Handle	H8138
9	14821-0007	Index Plate, 1-1/2"	H7922
9	14823-0016	Index Plate, 2"	H8147
10	14821-0008	Linkage (2 needed)	H8141
11	35505-1116	O-Ring	N5085
---	14821-0067	Handle Replacement, Kit 1-1/2"	H8140
---	14824-0067	Handle Replacement, Kit 2"	H8144

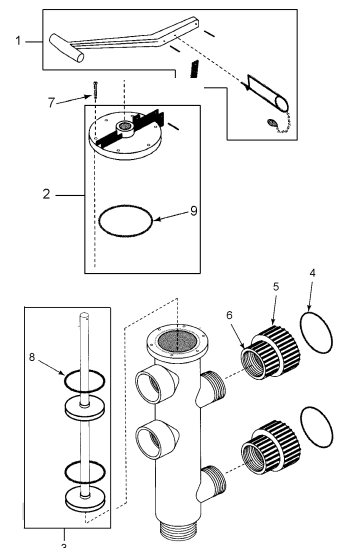


STA-RITE PLASTIC SLIDE VALVE - 2" (Old Swimquip - 14936-0000)

KEY	MFG NO.	DESCRIPTION	ITEM NO.
1	14930-0003	Body Assembly - Black	N5311
2	WC30-84	Lock Pin Assembly	H8145
3	37107-0085	Machine Screw (6 needed)	N5312
4	34302-0518	Brass Insert (6 needed)	N5313
5,6	14930-0033	Piston Assy Kit w/O-Rings	N5314
6	35505-1318	Piston O-Ring	N5315
7	35505-1246	Index Plate O-Ring	N5316
7-10	14930-0032	Index Plate & Pin Kit	N5317
10	35505-1116	Stem O-Ring	N5085
11-14	14930-0031	Lever Handle & Linkage Kit	N5318
14	14930-0014	Handle Only	N5319

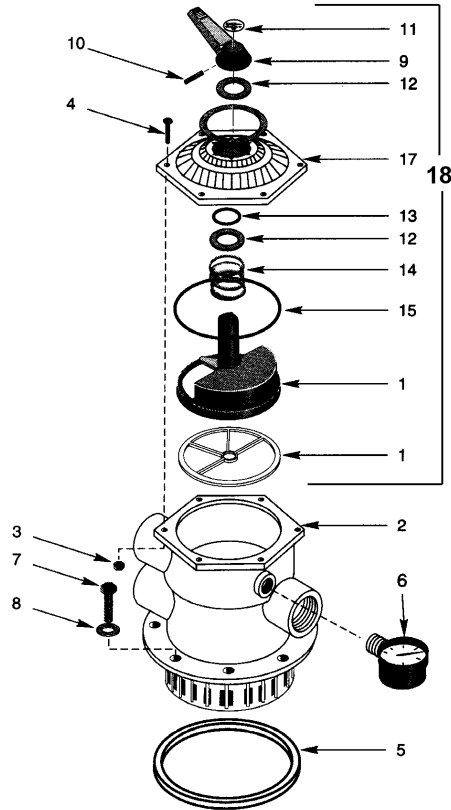
STA-RITE PLASTIC SLIDE VALVE WC212-134P

KEY	MFG NO.	DESCRIPTION	ITEM NO.
1	14930-0031	Handle Kit	N5318
2	14930-0032	Index Plate Kit	N5317
3	14930-0033	Piston Assembly Kit	N5314
4	U9-362	O-Ring (2 needed)	H5392
5	U11-200P	Union Collar (2 needed)	N5307
6	U11-199P	Union Adaptor Assy. (2 needed)	N5321
7	37107-0085	Screw (6 needed)	N5312
8	35505-1318	Piston O-Ring	N5315
9	35505-1246	Index Plate O-Ring	N5316
---	35505-1116	Shaft O-Ring	N5085
---	WC30-84	Lock Pin Assembly	H8145



STA-RITE / SWIMQUIP TOP MOUNT VALVE 1-1/2"

Model 14962-0105



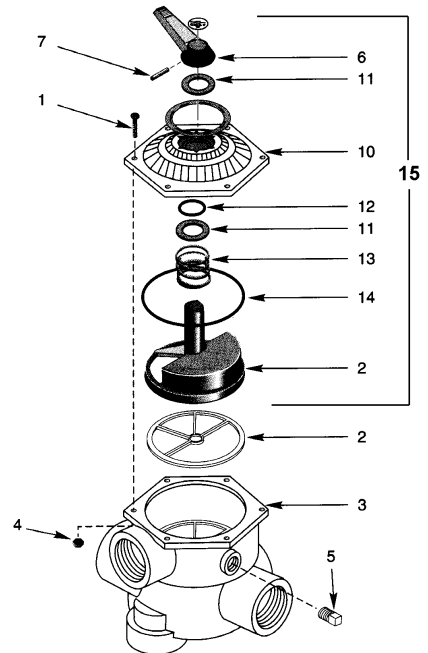
KEY	MFG NO.	DESCRIPTION	ITEM NO.
1	14962-0017	Plug with Gasket	N5002
2	14962-0037S	Body Assembly	N5104
3	35407-4297	Hex Nut, 1/4"-20 S.S.	N5084
4	37337-3056	Screw, 1/4"-20 x 1-1/4"	N5100
5	14962-0021	Square Ring	N5004
6	-----	Generic Press. Gauge, Plastic	H7000
6	-----	Generic Press. Gauge, Metal	H7003
7	U30-74SS	Hex Bolt 3/8"-16 x 1"	K3458
8	38907-3192	Flat Washer 3/8"	N5105
9-11	14962-0029	Handle & Pin Kit	N5005
10	35857-0021	Dowel Pin Only 5/16" x 2-1/2"	N5094
12-15	14962-0035	Spring & Washer Kit	N5054
15	35505-1272	Cover O-Ring Only	N5087
17	14962-0041	Cover & Label Kit	N5003
18	77704-0102	Plug & Cover Assy.	N5009

STA-RITE / SWIMQUIP SIDE MOUNT VALVE - 1-1/2"

WC212-143P (Union Connection)

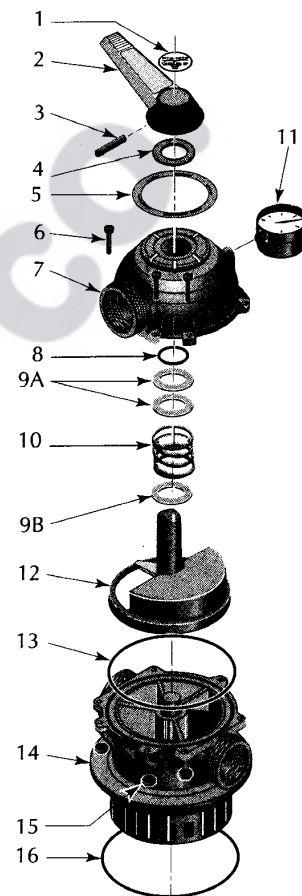
14965-0014 (Hose Connection)

KEY	MFG NO.	DESCRIPTION	ITEM NO.
1	37337-3056	Screw, 1/4 - 20 x 1-1/4" S.S.	N5100
2	14962-0017	Plug and Gasket	N5002
3	14963-0007	Body Assembly	N5006
4	35407-4297	Hex Nut, 1/4 - 20 S.S. (6 needed)	N5084
5	WC78-40T	Plug, 1/4"	K3411
6	14962-0123	Handle	N5005
7	35857-0021	Dowel Pin, 5/16 x 2-1/2" S.S.	N5094
---	14962-0029	Handle Kit (Key 6, 7 & Label)	N5005
10	14962-0041	Lid & Label	N5003
11	14962-0005	Washer (2 needed)	N5000
12	35505-1228	O-Ring	N5086
13	14962-0011	Spring	N5001
14	35505-1272	O-Ring	N5087
15	77704-0103	Plug & Cover Assy.	N5013

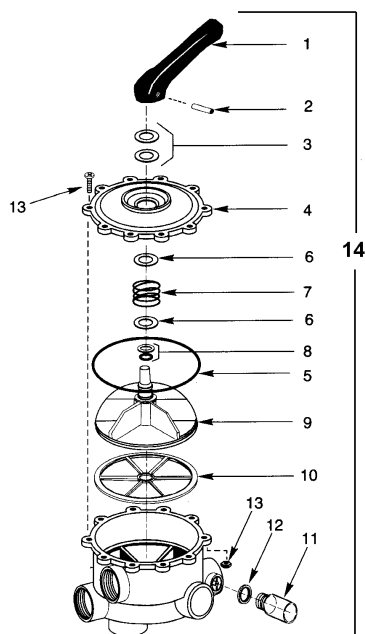


STA-RITE TOP MOUNT VALVE 1-1/2" Model WC112-148

KEY	MFG NO.	DESCRIPTION	ITEM NO.
---	77704-0104	Plug & Cover Assembly	N5029
2	14962-0032	Handle	N5322
3	35857-0021	Dowel Pin	N5094
4	14965-0007	Washer	N5323
6	37337-3056	Screw (7 needed)	N5100
7	14965-0011	Valve Cover	N5326
8	35505-1228	O-Ring	N5086
9A	14965-0007	Washer (2 needed)	N5323
9B	14965-0007	Washer (1 needed)	N5323
10	14965-0006	Spring	N5324
11	33600-0023T	Pressure Gauge	N5082
12	14965-0028	Plug & Gasket Assy	N5325
13	35505-1275	Cover O-Ring	N5327
15	35407-0071	Nut (7 needed)	N5328
16	U9-369	O-Ring, Tank Flange	N5079
---	WC119-87	Clamp Assembly	N5329

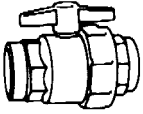
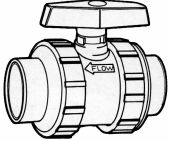
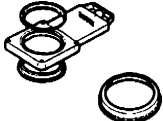


STA-RITE SIDE MOUNT VALVE - 2" WC212-150P (Union Connection) WC212-150PA (Hose Connection)

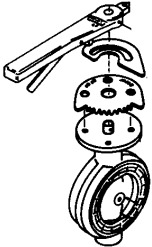
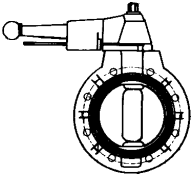
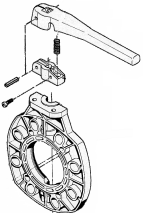
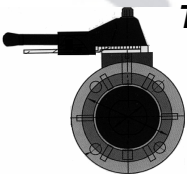


KEY	MFG NO.	DESCRIPTION	ITEM NO.
1	WC54-15	Handle	H5403
2	WC30-58	Pin	H5404
3	WC23-10	Bearings & Washer	H5434
4	WC3-40S	Valve Cover	H5435
5	U9-243	Cover O-Ring	H5436
6	WC23-9	Spring Bearing w/ Washer (2 needed)	H5437
7	WC24-4	Spring	H5438
8	U9-244	O-Ring and Teflon Seal	H5439
9	WC62-2	Key and Stem Assembly	H5440
10	WC20-22	Gasket	H5441
11	WC170-4	Sight Glass w/ O-Ring	H5442
12	WC9-2	O-Ring	H5443
13	WC30-55	Screw and Nut (10 needed)	H5444
14	WC154-15	Cover and Handle Assy. (Key 1 - 14)	H5445
---	U9-362	Union O-Ring (2 needed)	H5392

MISC. BALL VALVE HANDLES & PARTS

	DESCRIPTION	ITEM NO.
	1-1/2" Plastic Replacement Handle for Flo Control Ball Valve	V4119
	2" Plastic Replacement Handle for Flo Control Ball Valve	V4122
King Bros. Industries (KBI)		
	3/4" Plastic Replacement Handle for PVC True Union KBI Valve	V4325
	1" Plastic Replacement Handle for PVC True Union KBI Valve	V4326
	1-1/2" Plastic Replacement Handle for PVC True Union KBI Valve	V4327
	2" Plastic Replacement Handle for PVC True Union KBI Valve	V4328
	2-1/2" Plastic Replacement Handle for PVC True Union KBI Valve	V4329
	3" Plastic Replacement Handle for PVC True Union KBI Valve	V4330
Valterra		
	1-1/2" Valterra Replacement Seal (Gasket)	V4365
	1-1/2" Union Nut for Valterra Valves	V4371

MISC. WAFER VALVE HANDLES

American Granby (Harvard)		
	3" Metal Replacement Handle for Harvard Metal Wafer Valve	V1431
	4" Metal Replacement Handle for Harvard Metal Wafer Valve	V1441
	5" Metal Replacement Handle for Harvard Metal Wafer Valve	V1451
	6" Metal Replacement Handle for Harvard Metal Wafer Valve	V1461
	8" Metal Replacement Handle for Harvard Metal Wafer Valve	V1481
Asahi		
	2" Plastic Replacement Handle for PVC Wafer Valve	V1423
	2-1/2" Plastic Replacement Handle for PVC Wafer Valve	V1428
	3" Plastic Replacement Handle for PVC Wafer Valve	V1433
	4" Plastic Replacement Handle for PVC Wafer Valve	V1443
	5" Plastic Replacement Handle for PVC Wafer Valve	V1453
	6" Plastic Replacement Handle for PVC Wafer Valve	V1463
	8" Plastic Replacement Handle for PVC Wafer Valve	V1483
Astral		
	2-1/2" Metal Replacement Handle for PVC Wafer Valve	V6009
	3" Metal Replacement Handle for PVC Wafer Valve	V6010
	4" Metal Replacement Handle for PVC Wafer Valve	V6012
	6" Metal Replacement Handle for PVC Wafer Valve	V6014
	8" Metal Replacement Handle for PVC Wafer Valve	V6016
TVI		
	3" Plastic Replacement Handle for PVC Wafer Valve	V6003
	4" Plastic Replacement Handle for PVC Wafer Valve	V6004
	6" Plastic Replacement Handle for PVC Wafer Valve	V6006
	8" Plastic Replacement Handle for PVC Wafer Valve	V6008

All Replacement Baskets 557-578

HATCHIK SUPPLY CO.

Baskets

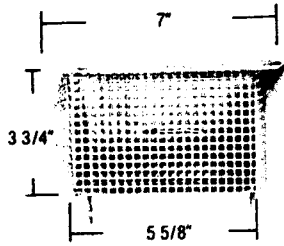
Notes

HATCHIK SUPPLY CO.

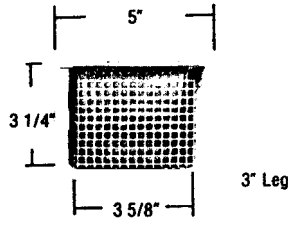
ALADDIN REPLACEMENT BASKETS

B-1	K7001	B-57	K7057	B-112	K7112	B-169	K7169
B-2	K7002	B-58	K7058	B-113	K7113	B-170	K7170
B-3	K7003	B-59	K7059	B-114	K7114	B-171	K7171
B-4	K7004	B-60	K7060	B-115	K7115	B-172	K7172
B-5	K7005	B-61	K7061	B-116	K7116	B-173	K7173
B-6	K7006	B-62	K7062	B-117	K7117	B-174	K7174
B-7	K7007	B-63	K7063	B-118	K7118	B-175	K7175
B-8	K7008	B-64	K7064	B-119	K7119	B-176	K7176
B-9	K7009	B-65	K7065	B-120	K7120	B-177	K7177
B-10	K7010	B-66	K7066	B-121	K7121	B-178	K7178
B-11	K7011	B-67	K7067	B-122	K7122	B-179	K7179
B-12	K7012	B-68	K7068	B-123	K7123	B-180	K7180
B-13	K7013	B-69	K7069	B-124	K7124	B-181	K7181
B-14	K7014	B-70	K7070	B-125	K7125	B-182	K7182
B-15	K7015	B-71	K7071	B-126	K7126	B-183	K7183
B-16	K7016	B-72	K7072	B-127	K7127	B-184	K7184
B-17	K7017	B-73	K7073	B-128	K7128	B-185	K7185
B-18	K7018	B-74	K7074	B-129	K7129	B-186	K7186
B-19	K7019	B-75	K7075	B-130	K7130	B-187	K7187
B-20	K7020	B-76	K7076	B-131	K7131	B-188	K7188
B-21	K7021	B-77	K7077	B-132	K7132	B-189	K7189
B-22	K7022	B-78	K7078	B-133	K7133	B-190	K7190
B-23	K7023	B-79	K7079	B-134	K7134	B-191	K7191
B-24	K7024	B-80	K7080	B-135	K7135	B-192	K7192
B-25	K7025	B-81	K7081	B-136	K7136	B-193	K7193
B-26	K7026	B-82	K7082	B-137	K7137	B-194	K7194
B-27	K7027	B-83	K7083	B-138	K7138	B-195	K7195
B-28	K7028	B-84	K7084	B-139	K7139	B-196	K7196
B-29	K7029	B-85	K7085	B-140	K7140	B-197	K7197
B-30	K7030	B-86	K7086	B-141	K7141	B-198	K7198
B-31	K7031	B-87	K7087	B-142	K7142	B-199	K7199
B-32	K7032	B-88	K7088	B-143	K7143	B-200	K7200
B-33	K7033	B-89	K7089	B-144	K7144	B-201	K7201
B-34	K7034	B-90	K7090	B-145	K7145	B-202	K7202
B-35	K7035	B-91	K7091	B-146	K7146	B-203	K7203
B-36	K7036	B-92	K7092	B-147	K7147	B-204	K7204
B-37	K7037	B-93	K7093	B-148	K7148	B-205	K7025
B-38	K8038	B-94	K7094	B-149	K7149	B-206	K7206
B-39	K7039	B-95	K7095	B-150	K7150	B-207	K4425
B-40	K7040	B-96	K7096	B-151	K7151	B-208	K7208
B-41	K7041	B-97	K7097	B-152	K7152	---	---
B-42	K7042	B-98	K7098	B-153	K7153	B-310	K7310
B-43	K7043	B-99	K7099	B-154	K7154	B-315	K7315
B-43C	K743C	B-99C	K799C	B-155	K7155	B-325	K7325
B-44	K7044	B-100	N/A	B-156	K7156	B-330	K7330
B-45	K7045	B-101	K7101	B-157	K7157	B-335	K7335
B-46	K7046	B-102	K7102	B-158	K7158	B-340	K7340
B-47	K7047	B-103	K7103	B-159	K7159	B-345	K7345
B-48	K7048	B-104	K7104	B-160	K7160	---	---
B-49	K7049	B-104P	L1071	B-161	K7161	B-822	K7822
B-50	K7050	B-105	K7105	B-162	K7162	B-823	K7823
B-51	K7051	B-106	K7106	B-163	K7163	B-824	K7824
B-52	K7052	B-107	K7107	B-164	K7164	B-825	K7825
B-53	K7053	B-108	K7108	B-165	K7165	B-826	K7826
B-54	K7054	B-109	K7109	B-166	K7166	B-828	K7828
B-55	K7055	B-110	K7110	B-167	K7167	B-830	K7830
B-56	K7056	B-111	K7111	B-168	K7168	B-832	K7832

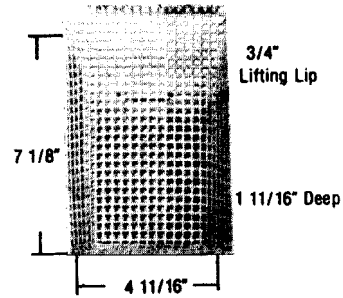
Most Common Aladdin Skimmer Baskets are Yellow & Pump Baskets are Blue in Color



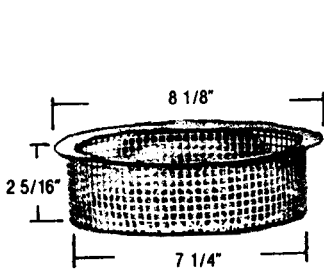
B-1 (K7001)
 Anthony Pool 7x7" Skimmer
 (Plastic Coated)
 Leg to Clear Vacuum Fitting
 See B-39 for Plastic



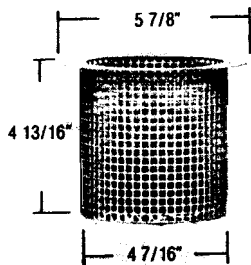
B-2 (K7002)
 Anthony Pool 5x5 Skimmer
 (Plastic Coated)



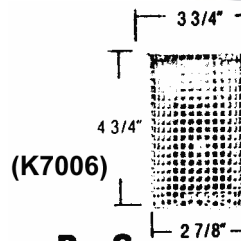
B-3 (K7003)
 Jacuzzi No. 16-0343-08
 (Plastic Coated)



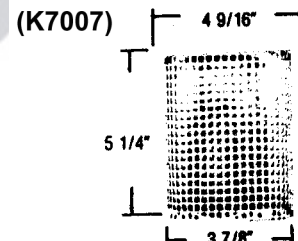
B-4 (K7004)
 Landon New Type Skimmer
 (Plastic Coated)



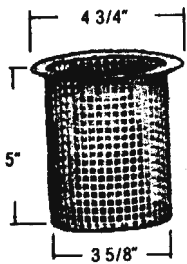
B-5 (K7005)
 Hydro Pump No. 214
 Eastside 6"
 Sta-Rite 6"
 Swimquip 16400 A
 (Plastic Coated)



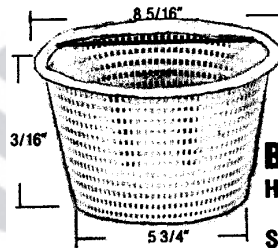
B-6 (K7006)
 Hydro Pump No. 414
 Eastside 4"
 Sta-Rite 4"
 Swimquip 1602-1
 (Plastic Coated)



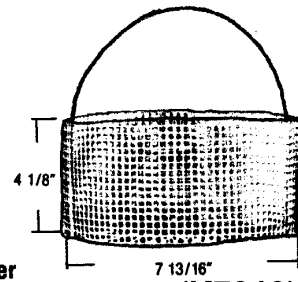
B-7 (K7007)
 (Plastic Coated)
 International PP 8102-15
 Early Style Pac. Pumping
 SD 10106
 Berkeley Pump S-7297
 1 1/2" (A x B)



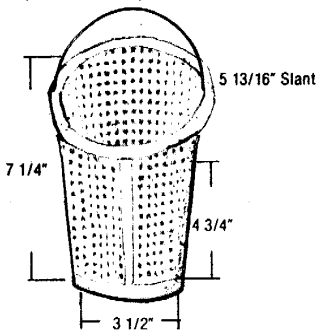
B-8 (K7008)
 Harmon Pump HL-7-5" latex
 (Plastic Coated)



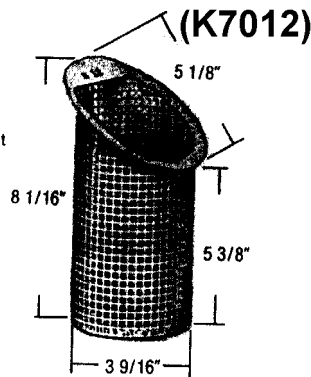
B-9 (K7009)
 Hayward SP1070E
 Skim Master
 Swimquip U-3 Strainer
 No. 08650-0007
 Swimrite No. 70-828-915
 (Plastic)
 Features Porcelain Weight



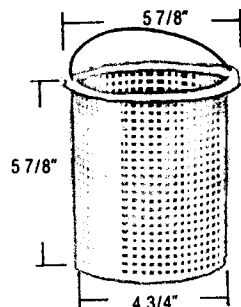
B-10 (K7010)
 Landon 2701-3
 Over Flow -OLD
 (Plastic Coated)



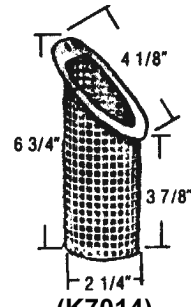
B-11 (K7011)
 Swimquip P-61 Pump
 (Plastic)
 See B-162 for Metal



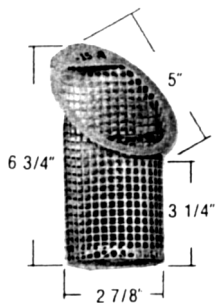
B-12 (K7012)
 (Plastic Coated)
 Luitweiler 2" Std.
 Landon 1721-2 (2")
 *For the same basket with Locating
 Hole in Bottom, See B-51



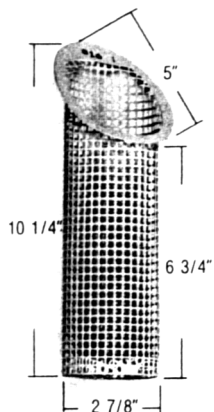
B-13 (K7013)
 ALADDIN No-Niche Skimmer
 (Plastic)



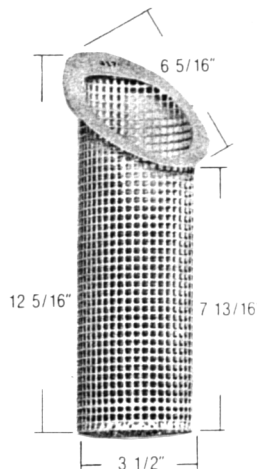
B-14 (K7014)
 Paddock 1 1/2"
 (Plastic Coated)



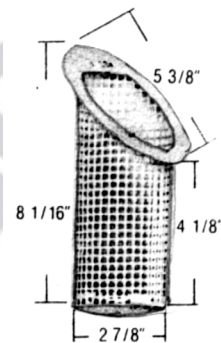
B-15 (K7015)
 Jacuzzi 16-344
 (4" Slant) Moresta 1 1/2"
 Paddock 2"
 (Plastic Coated)



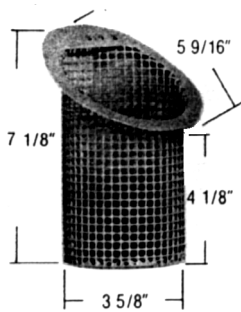
B-16 (K7016)
 Paddock 3"
 (Plastic Coated)



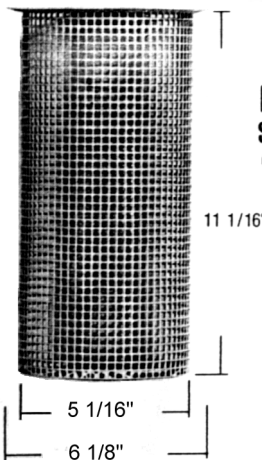
B-17 (K7017)
 Paddock 4"
 (Plastic Coated)



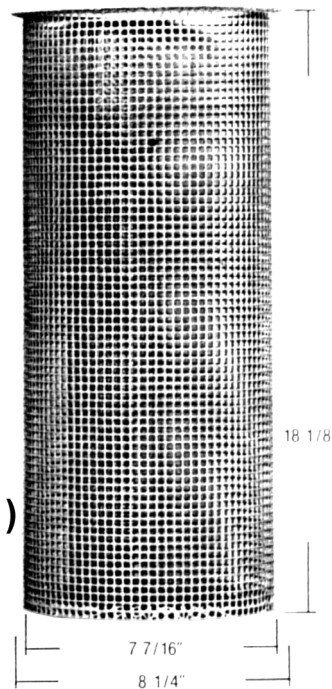
B-18 (K7018)
 Swimquip 13020A
 (Plastic Coated)



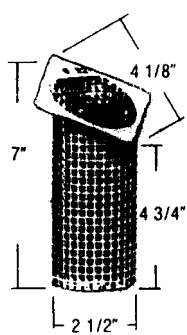
B-19 (K7019)
 Swimquip 13300A
 (Plastic Coated)



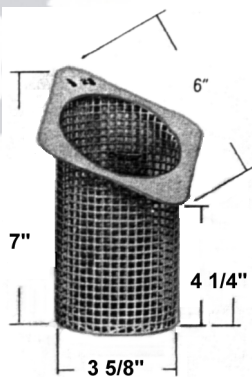
B-20
 Swimquip 1602-1
 (Plastic Coated)
 (K7020)



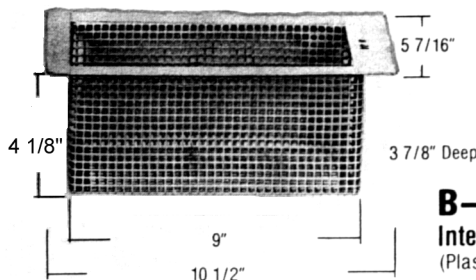
B-21 (K7021)
 Swimquip 13560-3
 (Plastic Coated)



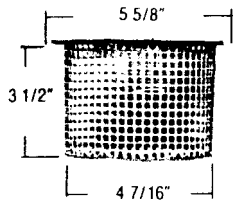
B-22 (K7022)
 Hydro Pump 508
 4" Sq. Top
 Swimquip No. 16400-2
 (Plastic Coated)



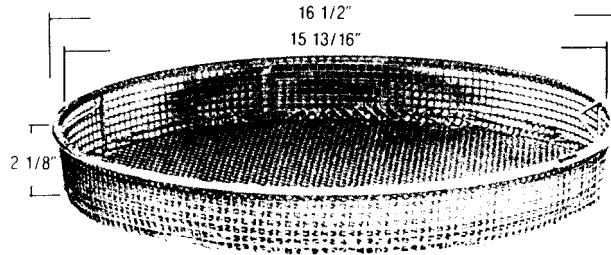
B-23 (K7023)
 Hydro Pump 517
 6" Sq. Top
 (Plastic Coated)



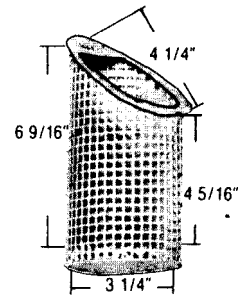
B-24 (K7024)
 International 8492-40
 (Plastic Coated)



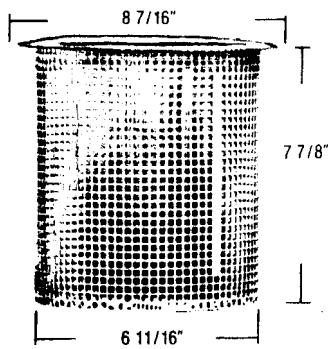
B-25 (K7025)
International 2442-40
(Plastic Coated)



B-26 (K7026)
International 1511-7 16 1/2" Skimmer
(Plastic Coated)

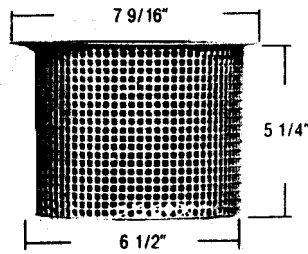


B-27 (K7027)
Luitweiler 1 1/2" (New)
(Plastic Coated)

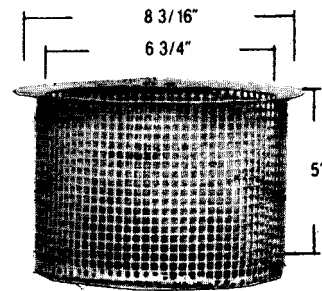


B-28 (K7028)
American Concrete Skimmer
(Plastic Coated)

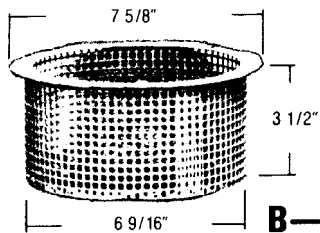
*See B-37 for Plastic Basket



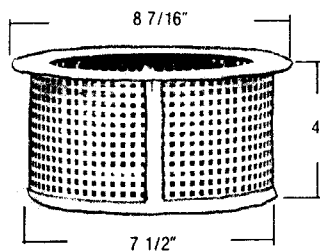
B-29 (K7029)
Nor-Cal 7 5/8" Skimmer
(Plastic Coated)



B-30 (K7030)
Nor-Cal Eagle Skimmer
(Plastic Coated)



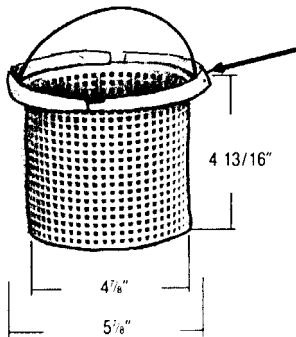
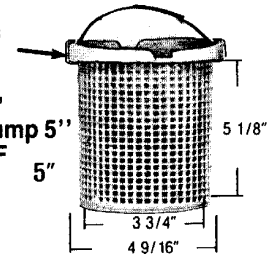
B-31 (K7031)
Nor-Cal ME-2
(Plastic Coated)



B-32 (K7032)
American Stubby & Swimrite
#850002 - American S-10 Skimmer
(Plastic)

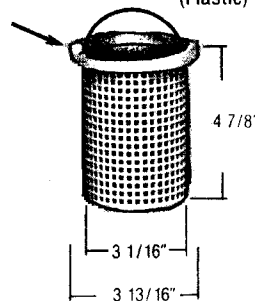
Lock Top replaces Flat Top baskets

B-33 (K7033)
Sta-Rite 5" Premier Pump 5" #475-P3-SF Universal Aqua-Flo Marine Swimrite Berkeley Old Style H & F
(Plastic) See B-106 for small holes

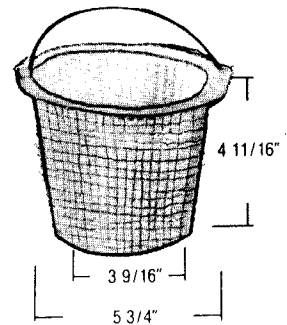


B-34 (K7034)
Aqua Flo Sta-Rite 6" Premier 6" & Commercial P-5
(Plastic)

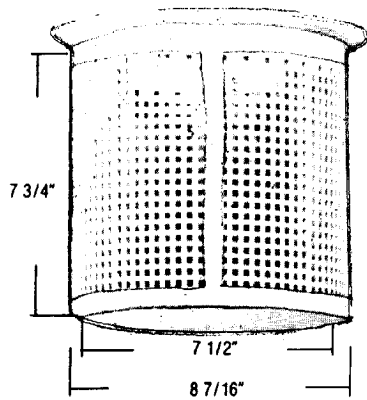
Lock Top replaces Flat Top baskets



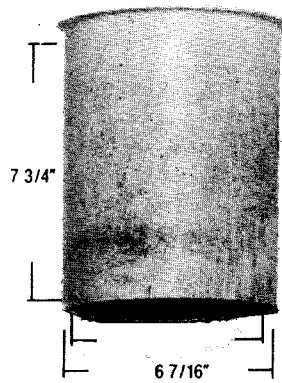
B-35 (K7035)
Sta-Rite 4" Premier 4" #104 P-1
(Plastic)



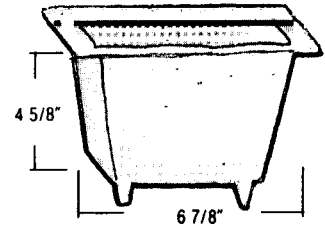
B-36 (K7036)
Aqua Flo Purex/Eastside 6" Tapered
(Plastic)



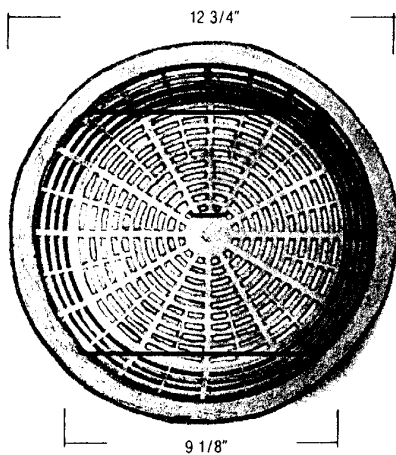
B-37 (K7037)
American Concrete Skimmer
 #850001 - S-10 Skimmer Basket
 (Plastic) *See B-28 for Plastic Coated



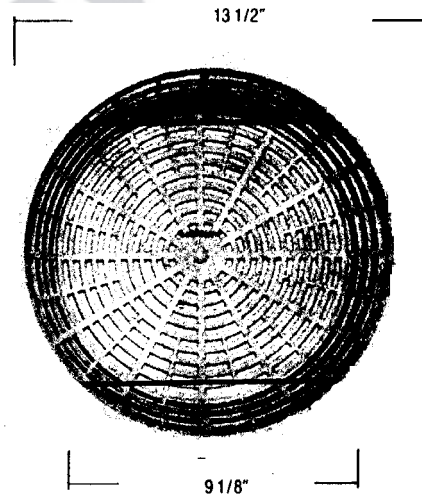
B-38 (K8038)
American Concrete Float
 #850012 - S-10 Skimmer
 (Plastic)



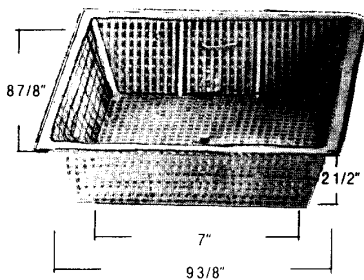
B-39 (K7039)
Anthony Pool 7X7 Skimmer
 (Plastic)
 See B-1 for Metal



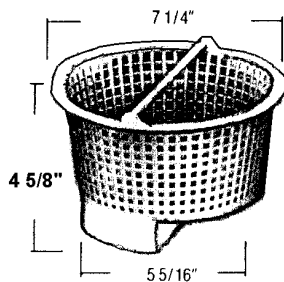
B-40 (K7040)
Landon Skimmer
 (Plastic)



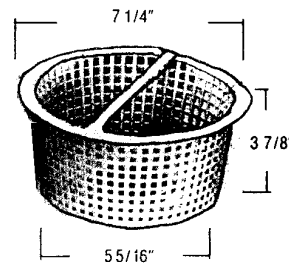
B-41 (K7041)
Paddock Skimmer
 (Plastic)



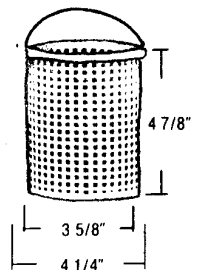
B-42 (K7042)
Fiesta Skimmer Basket
 (Plastic)
 See B-71 for Steel Basket Plastic Coated



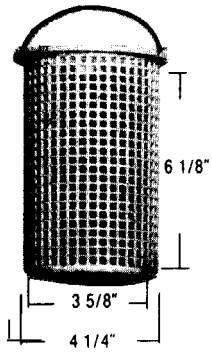
B-43 (K7043)
Pacific Fab. Skimmer Basket #51-3036
 (Plastic)



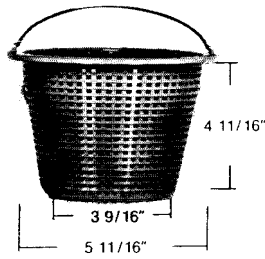
B-43C
Commercial
 (PAC FAB #51-3151)
(K743C)



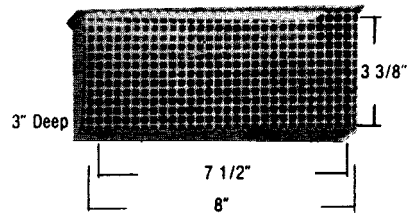
B-44 (K7044)
Hydro Pump 708-2.
 Model No. 560 (Plastic)
 See B-187 Black Swimquip



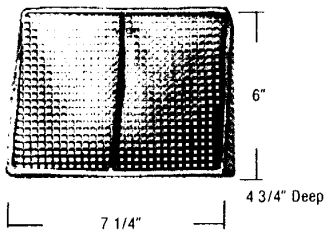
B-45 (K7045)
 Hydro Pump 708-1
 Model No. 700P2L
 (Plastic)
 See B-188 Black Swimquip



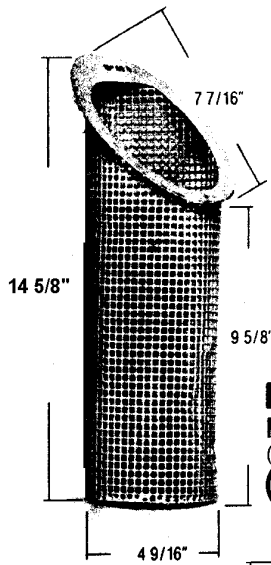
B-46 (K7046)
 Monarch Pump P-4M
 (Plastic)



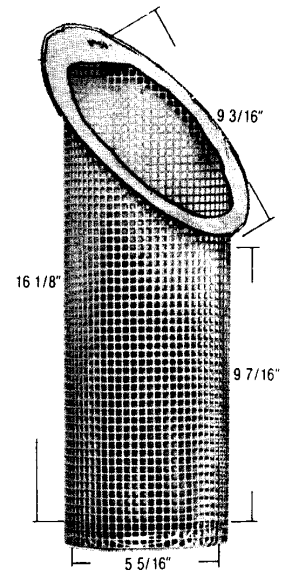
B-47 Swimquip 8695 (K7047)
 (Plastic Coated)



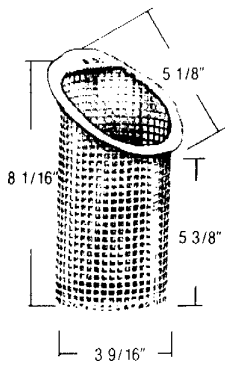
B-48 (K7048)
 Paddock Conv. AB0961 Skimmer
 (Plastic Coated)



B-49
 Paddock 5"
 (Plastic Coated)
 (K7049)



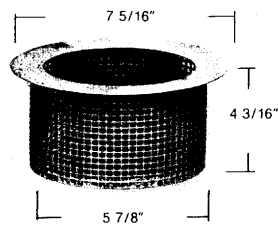
B-50 (K7050)
 Paddock Filcore 6"
 (Plastic Coated)



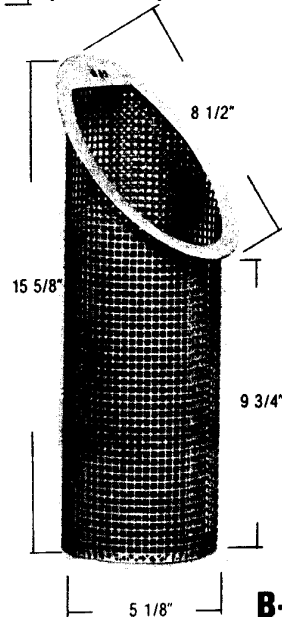
B-51
 Besler 2"
 (Plastic Coated)

Note: Has Locating Hole in Bottom

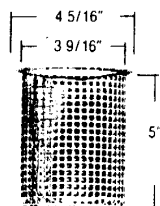
(K7051)



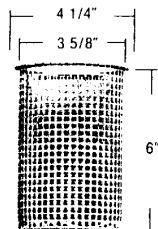
B-52 (K7052)
 Aqua Quip Skimmer
 (Plastic Coated)



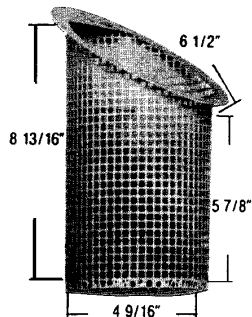
B-53 (K7053)
 Hydro Pump 1014 Commercial
 (Plastic Coated)



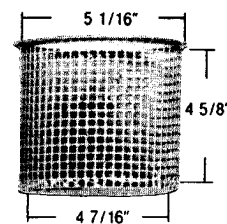
B-54 (K7054)
Hydro Pump 708-2 Model 560
(Plastic Coated)



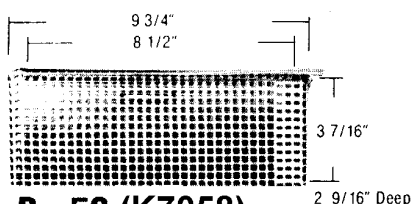
B-55 (K7055)
Hydro Pump 708-1 Model 700
(Plastic Coated)



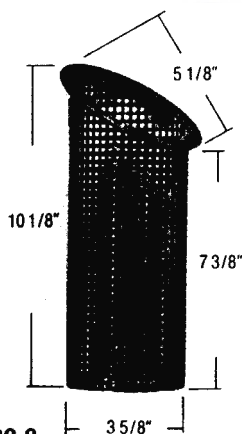
B-56 (K7056)
Pac. Pumping SD 6738
Jacuzzi 16-345
(Plastic Coated)



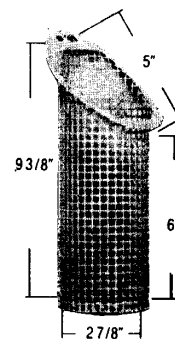
B-57 (K7057)
Jacuzzi 16-354
Jacuzzi 16-0470-03
(Plastic Coated)



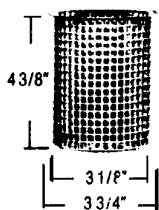
B-58 (K7058)
Jacuzzi 16-0363-03
Jacuzzi No. 160455-02
(Rectangular Skimmer)
(Plastic Coated)



(K7060)
B-60
Landon 1732-2
(3" Brass)
(Plastic Coated)

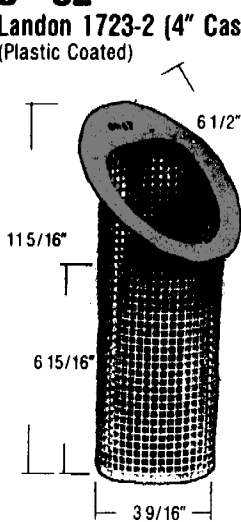


B-61 (K7061)
Landon 1722-2
(3" Cast Iron)
(Plastic Coated)

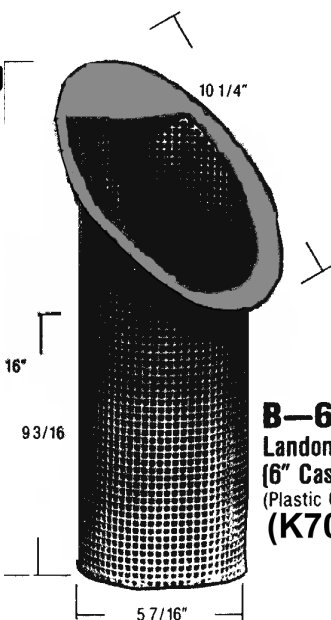


(K7059)
B-59
Jacuzzi 16-444
Jacuzzi No. 16-0471-28 Gyromat
(Plastic Coated)

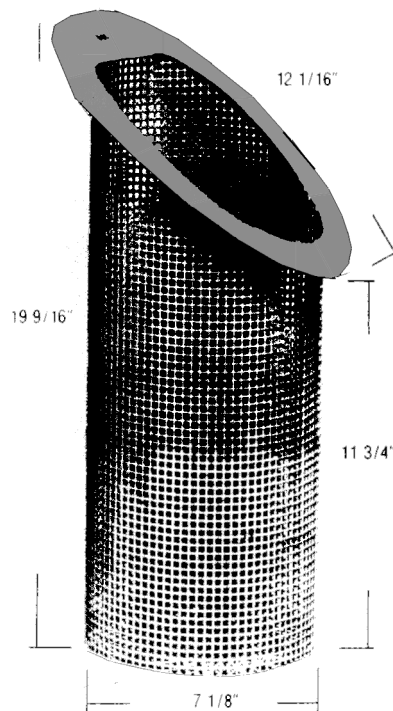
B-62
Landon 1723-2 (4" Cast Iron)
(Plastic Coated)



(K7062)

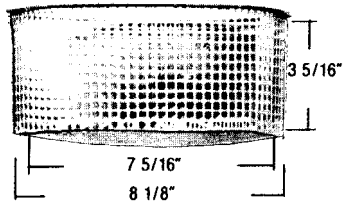


B-63
Landon 1724
(6" Cast Iron)
(Plastic Coated)
(K7063)

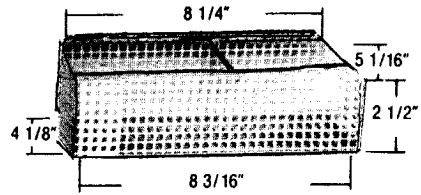


(K7064)

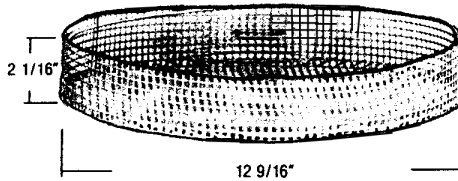
B-64
Landon 1725-2
(8" Cast Iron)
Paddock 8"
(Plastic Coated)



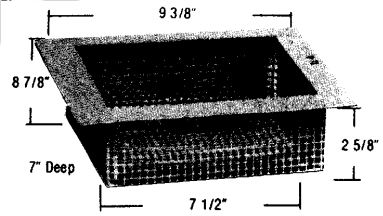
B-65 (K7065)
Landon 2711-7 Over Flow - New
(Plastic Coated)



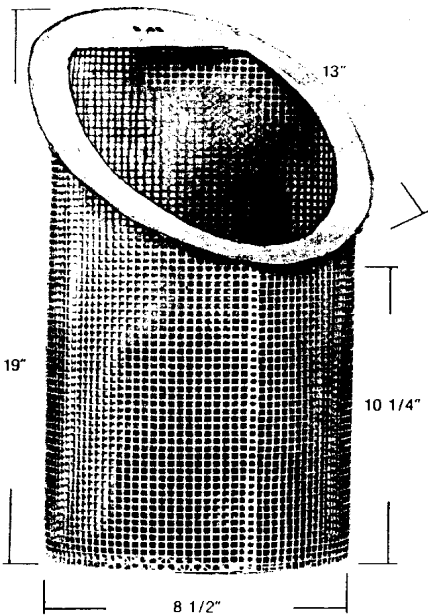
B-67 (K7067)
Landon 2721-3
Rectangular Over Flow
(Plastic Coated)



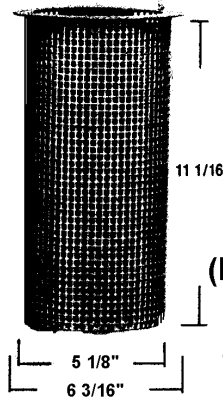
B-66 (K7066)
Landon 201 A-9 Skim Filter
(Plastic Coated)



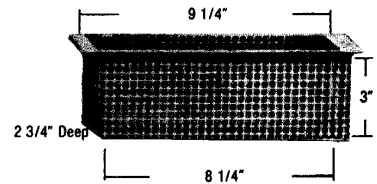
B-71 (K7071)
Fiesta 9x9 Skimmer Basket
(Plastic Coated)
See B-42 for Plastic



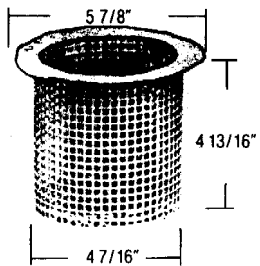
B-68 (K7068)
Paddock 8" Commercial
(Plastic Coated)



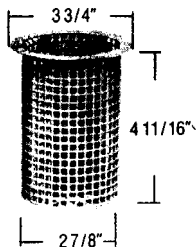
(K7070)
B-70
Swimquip 13400
(Plastic Coated)



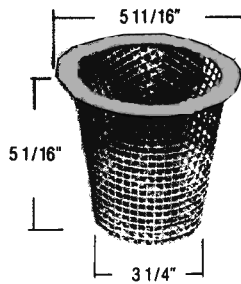
B-72
Paddock 18-4256
(Plastic Coated)
(K7072)



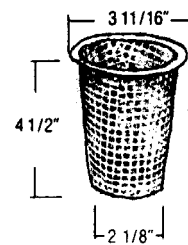
B-73 (K7073)
Pac. Pumping SD 7394 6"
(Plastic Coated)



B-74 (K7074)
Pac. Pumping SD8409 4"
(Plastic Coated)

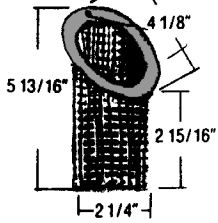


B-75 (K7075)
Eastside 6" Tapered
(Plastic Coated)

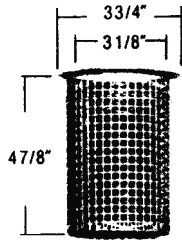


B-76 (K7076)
Jacuzzi 16-0471-28
Eastside 4" Tapered
(Plastic Coated)

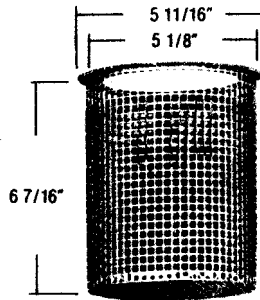
(K7077)



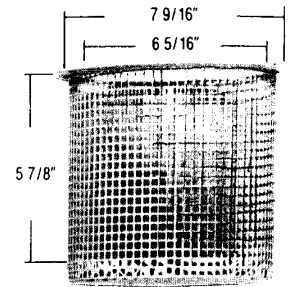
B-77
Paddock 1 1/4"
(Plastic Coated)



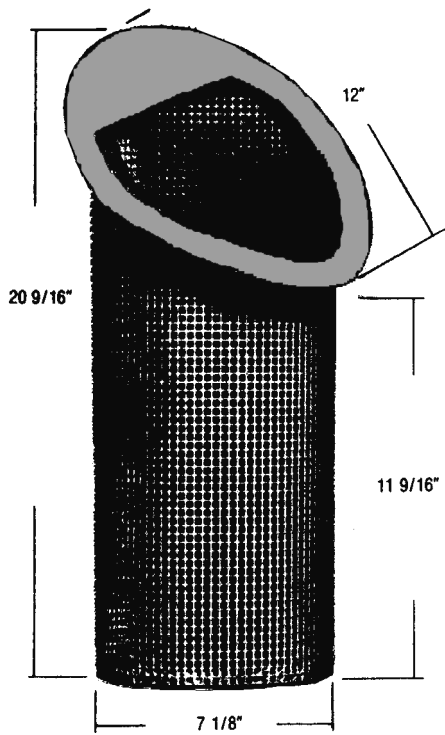
B-78 (K7078)
Marlow "H" Line
(Plastic Coated)



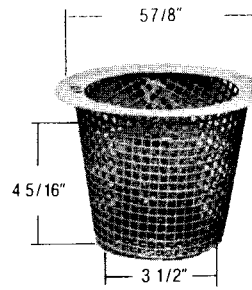
B-79 (K7079)
Marlow "K" & "L" Line
(Plastic Coated)



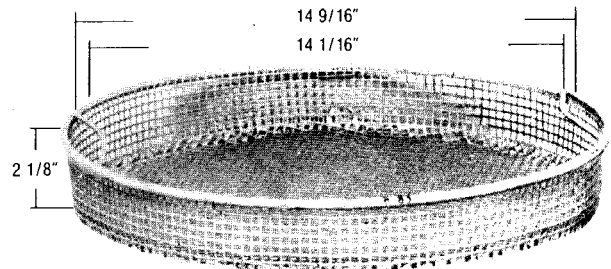
B-80 (K7080)
Amer. S.P. Ind. Skimmer
(Plastic Coated)



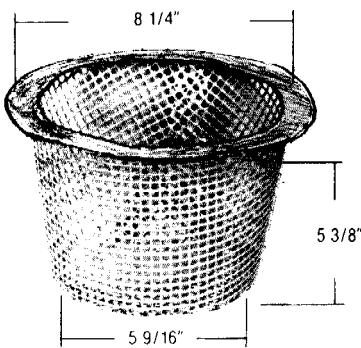
B-81
Paddock 8"
(Plastic Coated)
(K7081)



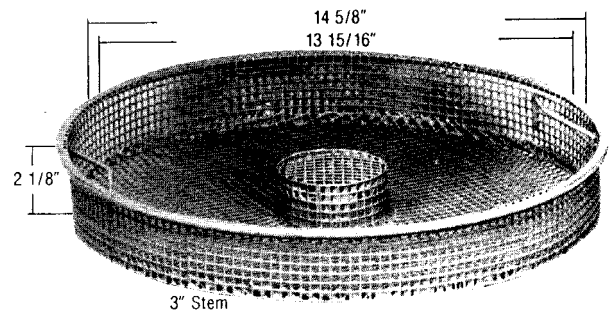
B-82 (K7082)
Monarch 6" (Tapered)
(Plastic Coated)



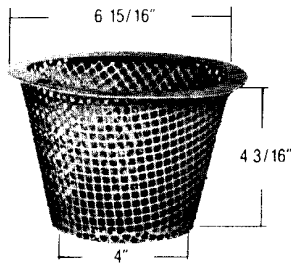
B-83 (K7083)
Swimquip Skimmer Strainer
(Plastic Coated)



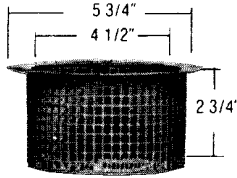
B-84 (K7084)
Swimquip 8650
Swim Rite No. 70-828-915
(Plastic Coated)



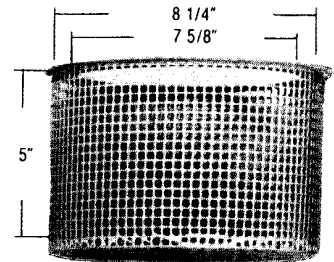
B-85 (K7085)
Marine Skimmer
(Plastic Coated)



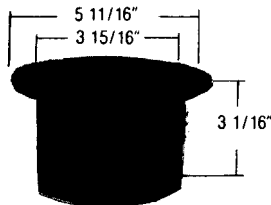
B-86 (K7086)
Pool Water Skimmer
(Plastic Coated) (Tapered)



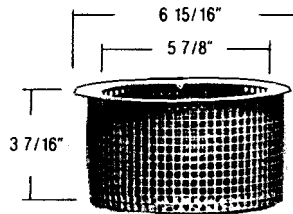
B-87 (K7087)
Aqua Quip Skimmer
(Plastic Coated)



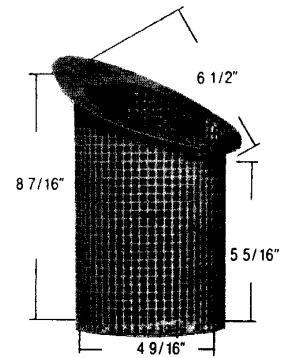
B-88
Modern Heat and Power Skimmer
(Plastic Coated)
(K7088)



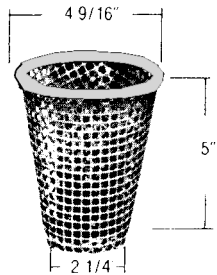
B-89 (K7089)
Jacuzzi No. 16-0347-04
(Plastic Coated)



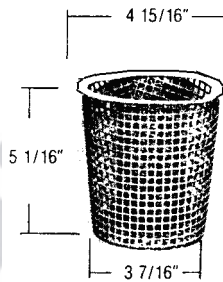
B-90 (K7090)
Swimquip 8698 13402-3
(Plastic Coated)



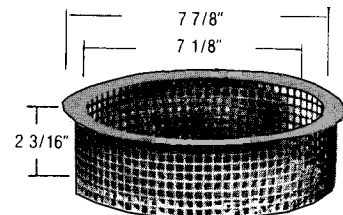
B-91 (K7091)
Pacific S.D. 6738
(Plastic Coated)



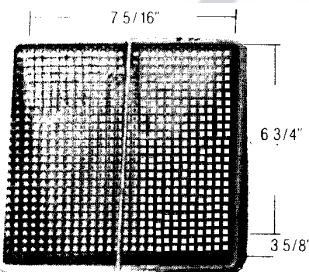
B-92 (K7092)
Jacuzzi 16-0471 (Tapered)
International Early or Late Style
(Plastic Coated)



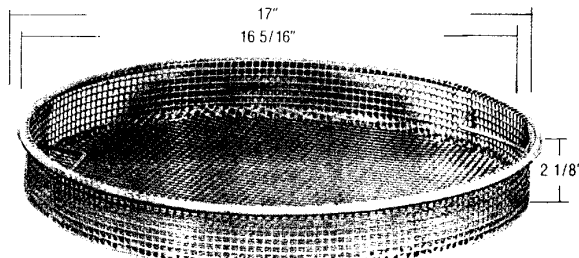
B-93 (K7093)
Jacuzzi No. 16-0947-08
Swim Rite
Marine
(Plastic Coated)



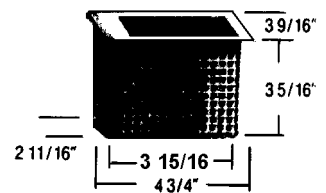
B-94 (K7094)
Demott Skimmer (Swimrite)
Swim Rite No. 70-000-100
(Plastic Coated)



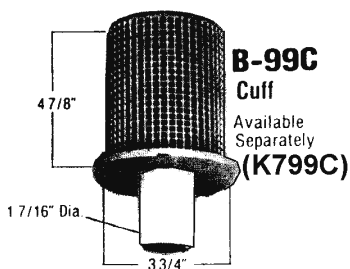
B-95 (K7095)
Paddock Conv. Skim A.B. 1460
(Plastic Coated)



B-96 (K7096)
National Pool Skimmer
(Plastic Coated)

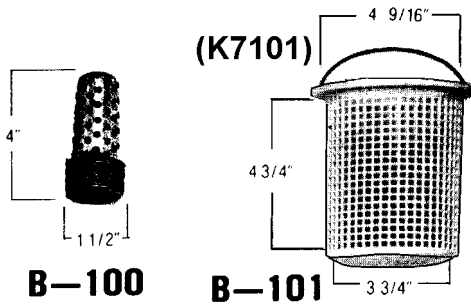


B-97 (K7097)
Crestline Pump Basket
(Plastic Coated)



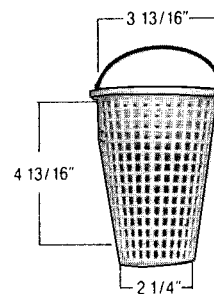
B-99C
Cuff
Available Separately
(K799C)

B-99 (K7099)
Inverted Skimmer Basket
(Plastic)

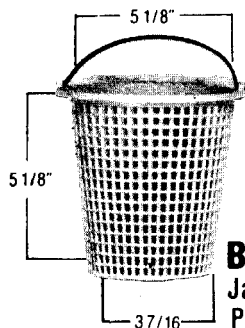


B-100
Discontinued
See B108
N/A

B-101
H & F (Sta-Rite) Harmon
International Swimrite
Non-Locking PAC RP2 Model 59C
(Plastic)

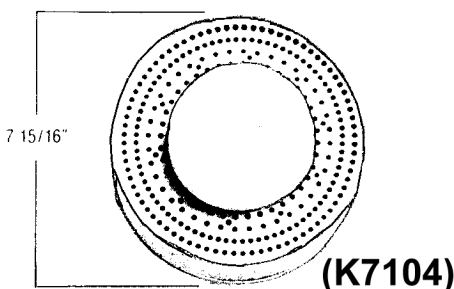


B-102 (K7102)
Eastside 4" Tapered
Jacuzzi
No. 16-0471-28 P-22
(Plastic)

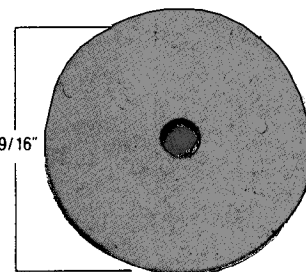


(K7103)

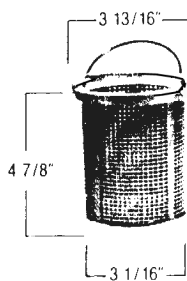
B-103
Jacuzzi 16-0470
P-21 (Tapered)
(Plastic)



B-104 Aladdin Wizard
(interchangeable with existing Lilly
Pad skimmer installations) (Cyclac)

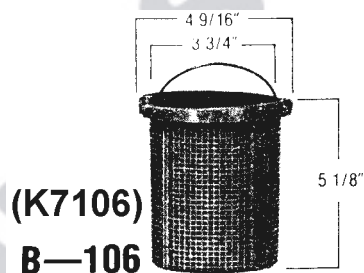


B-104P (K1071)
Aladdin Plate Only
For The Wizard
1" F.P.T. in Center Hole
(Cyclac)



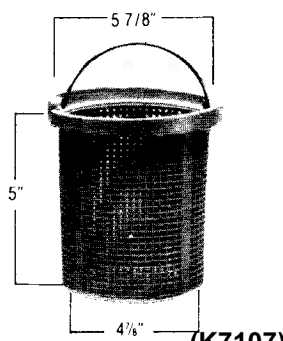
New
Smaller
Holes
Lock Top replaces
Flat Top baskets
(K7105)

B-105
Sta-Rite 4"
Same as B-35 (Plastic)



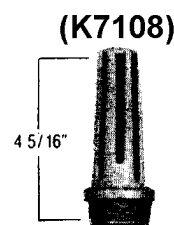
(K7106)

B-106
American Products #390006
Sta-Rite (5") Small Holes 1/16"
Dura-Glass Pump Basket
Maxi-Glass
See B-33 for 1/8" Holes



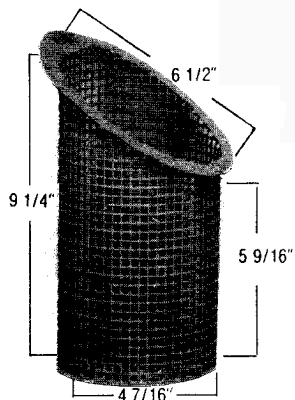
(K7107)

New Smaller Holes
B-107

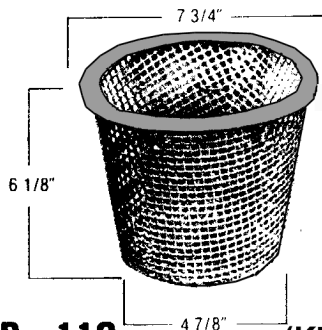


(K7108)

1 1/2" Male Standard
Pipe Thread
B-108
Skimmer Stem
(Plastic)

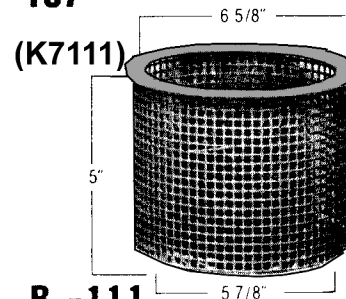


B-109 (K7109)
Jacuzzi No. 39-0226-03
(Plastic Coated)



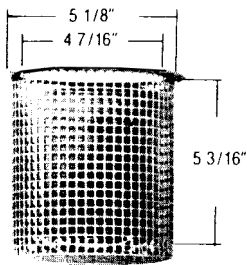
(K7110)

B-110
Baker Hydro Skimmer No. 51-B-1026
(Plastic Coated) See B-136 for plastic basket

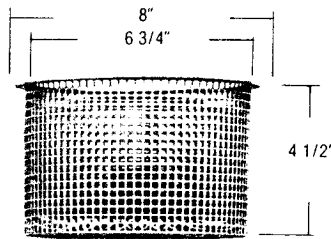


(K7111)

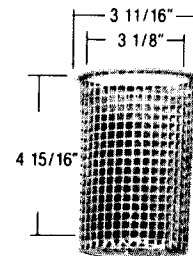
B-111
Swimrite SR Series No. 60-828-095
For 7" S.S. Trap. Also
Marine Pump
(Plastic Coated)



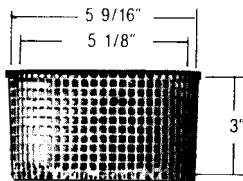
B-112 (K7112)
Jacuzzi No. 16-0064-06 & 16-0947-08
(Plastic Coated)



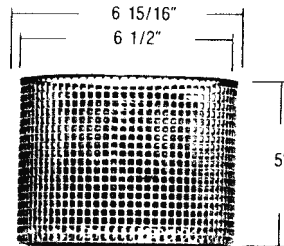
B-113 (K7113)
Jacuzzi No. 43-0507-07
(Plastic Coated) Same as B-183 Plastic



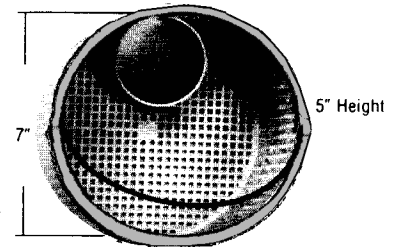
B-114 (K7114)
Hayward No. SP-1250R
(Plastic Coated)



B-115 (K7115)
Hayward No. SP-1096C
(Plastic Coated)
See B-168 for Plastic

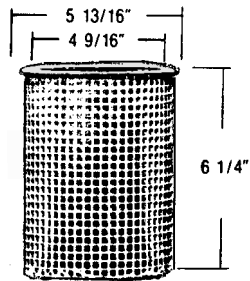


B-116 (K7116)
Hayward No. SP-1082-C
(Plastic Coated) Same as B-152 Plastic

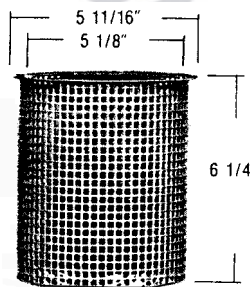


Now with
New Handle
(not shown)

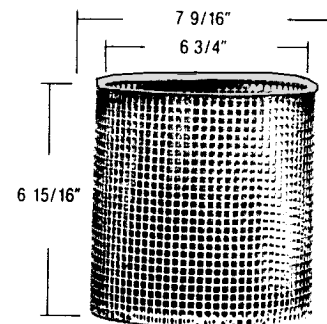
B-117 (K7117)
Hayward No. SP-1080-E
(Plastic)



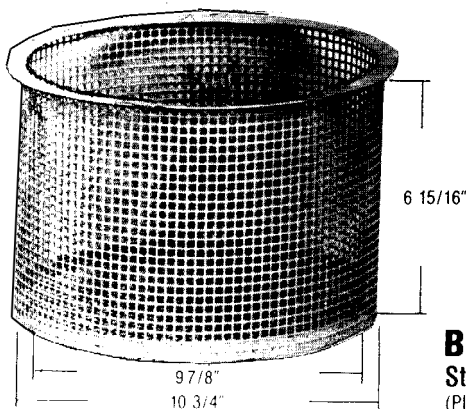
B-118 (K7118)
Hayward No. SP-145-RA
Swimquip No. 16550-7
(Plastic Coated)



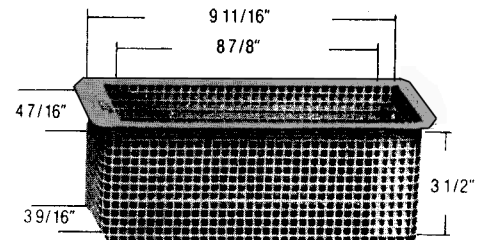
B-119 (K7119)
Hayward No. SP-125-RLX
(Plastic Coated)



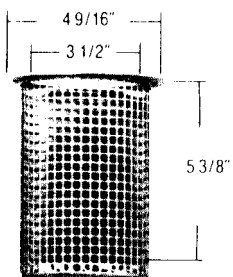
B-120 (K7120)
Sta-Rite No. C-108-34SS-8"
(Plastic Coated)



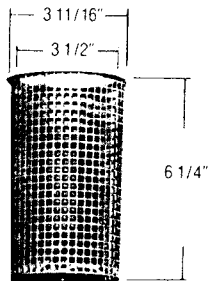
B-121 (K7121)
Sta-Rite No. C-108-25SS-11"
(Plastic Coated)



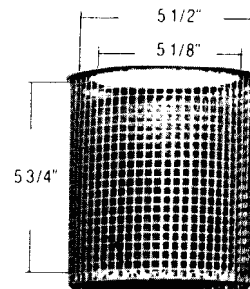
B-122 (K7122)
Jacuzzi No. 160455-02
(Plastic Coated)



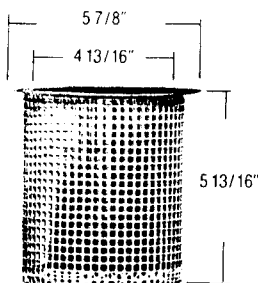
B-123 (K7123)
Marlow A-3 Series No. 38075-00
(Plastic Coated)



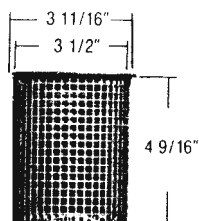
B-124 (K7124)
Marlow No. 25771-00
(Plastic Coated)



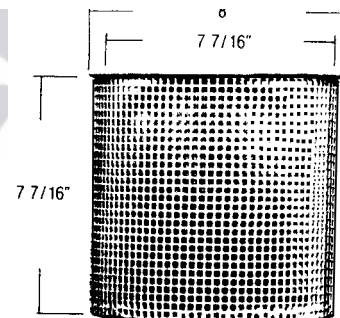
B-125 (K7125)
Marlow No. 25774-00
(Plastic Coated)



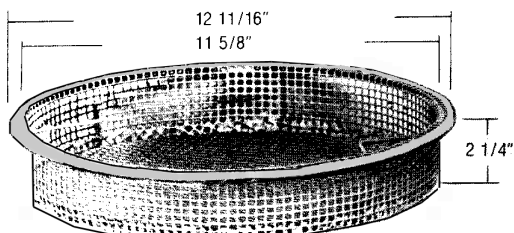
B-126 (K7126)
Marlow No. 39323-00
(Plastic Coated)



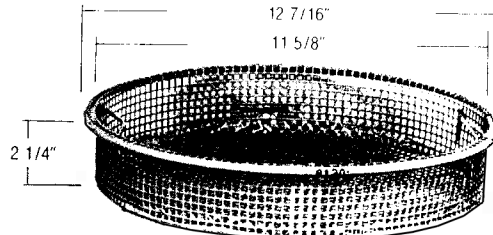
B-127 (K7127)
Marlow A-2 Series No. 31660-00
(Plastic Coated)



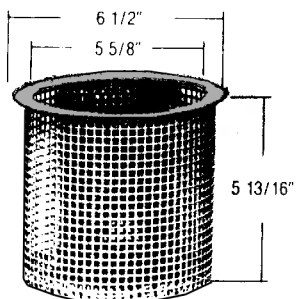
B-128 (K7128)
Marlow No. 35890-00
(Plastic Coated)



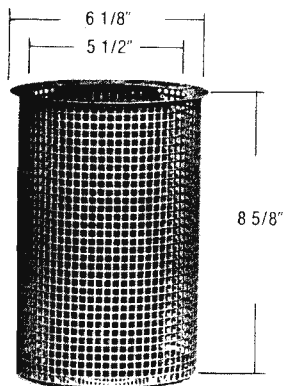
B-129 (K7129)
Landon Skim Filter Basket 12 11/16" Dia.
(Plastic Coated)



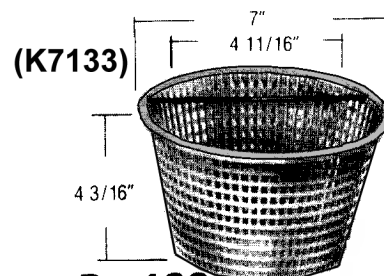
B-130 (K7130)
Paddock Skim Filter Basket 12 3/8" Dia.
(Plastic Coated)



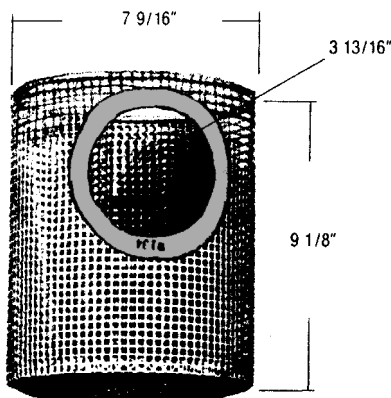
B-131 (K7131)
Premier Pump 3 to 5 H.P.
No. 39-225-8" (Plastic Coated)



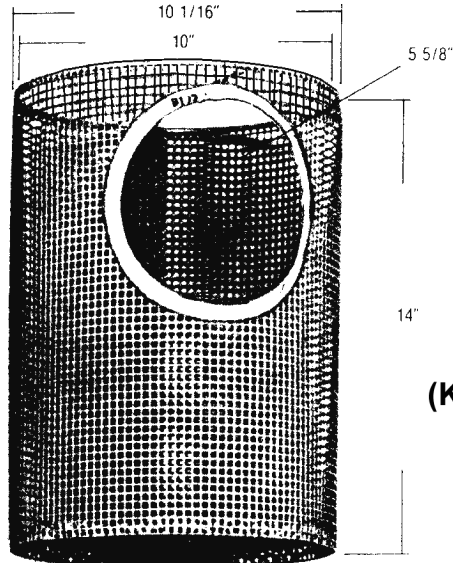
B-132 (K7132)
PacFab 3 H.P. to 5 H.P. No. 35-3314
(Plastic Coated)



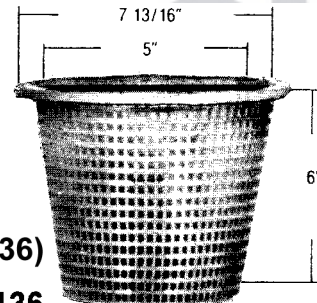
B-133 (K7133)
Sylvan Skimmer Basket
No. 59200107



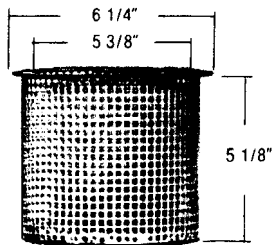
B-134 (K7134)
Marlow No. 28049-00
 (Plastic Coated)



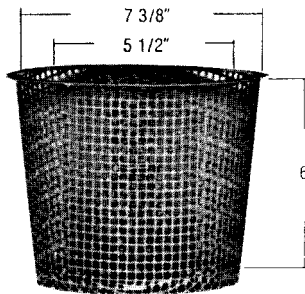
B-135 (K7135)
Marlow No. 28160-00
 (Plastic Coated)



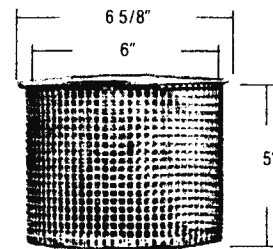
(K7136)
B-136
Baker Hydro No. 51-B-1026
 See B-110 for Metal-Plastic Coated Basket
 (Plastic)



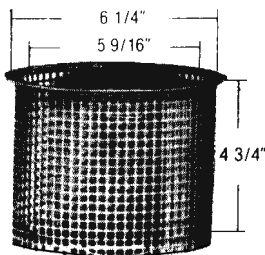
B-137 (K7137)
Marine No. 7650-4
 (Plastic Coated)
 See B-171 for Plastic



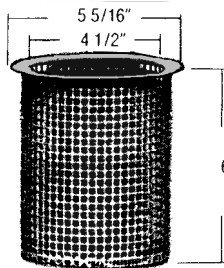
B-138 (K7138)
Marine No. 7111-0
 (Plastic Coated)



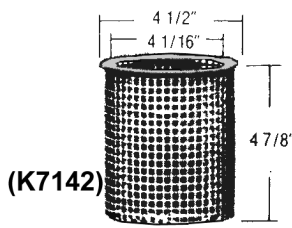
B-139 (K7139)
Marine No. MSS-095
Swimrite No. 60-828-095
 (Plastic Coated)



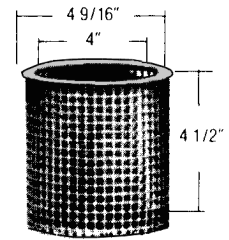
B-140 (K7140)
Swimrite Premier
 (Plastic Coated)



B-141 (K7141)
Pac-Fab. No. 35-3308
 (Plastic Coated)

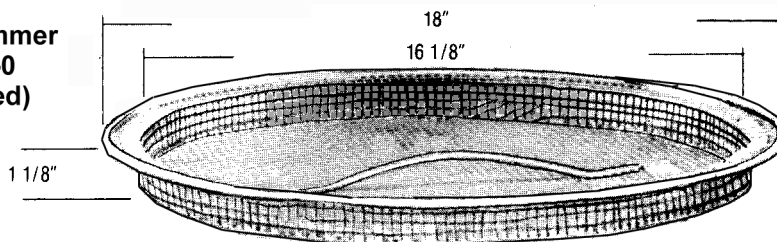


(K7142)
B-142 (Plastic Coated)
Pac-Fab. No. 35-3-2861
Strainer for 590-460-700

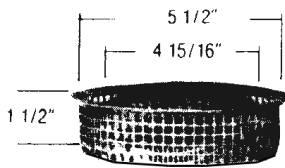


B-143 (K7143)
Swimrite No. 60-828-094
 (Plastic Coated)

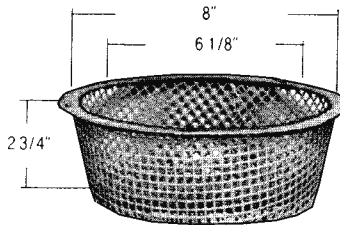
Marine 18" Skimmer
No. 99-0298-0
 (Plastic Coated)



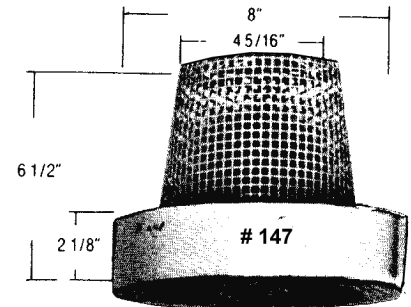
B-144
(K7144)



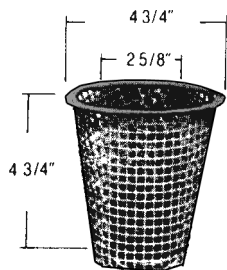
B-145 (K7145)
Esther Williams Skim Basket
 (Plastic Coated)



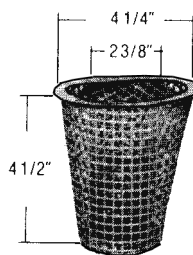
B-146 (K7146)
Pool Quip Skim Basket No. 1400-5
 (Plastic Coated)



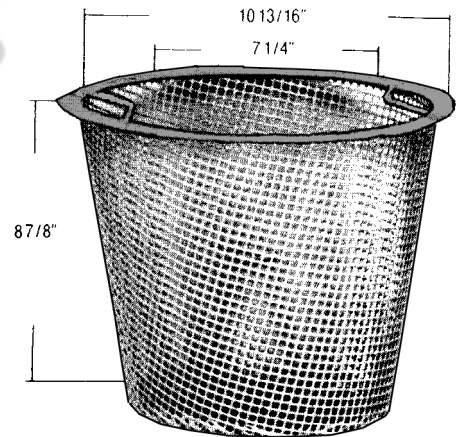
B-147 (K7147)
National U-12 Skimmer Basket
 (Plastic Coated)



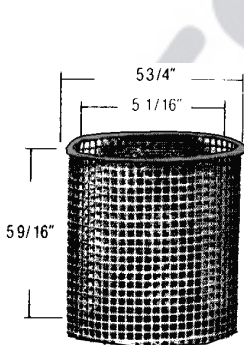
B-148 (K7148)
International Old Style
No. 10951-15
 (Plastic Coated)



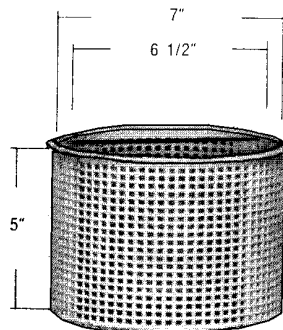
B-149 (K7149)
Purex PA-29 No. PO 1931
 (Plastic Coated)



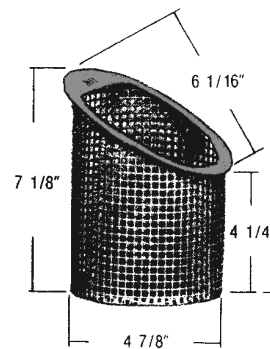
B-150 (K7150)
Purex C-29 11 in. No. SO 1200
Purex 'C' Series
 (Plastic Coated)



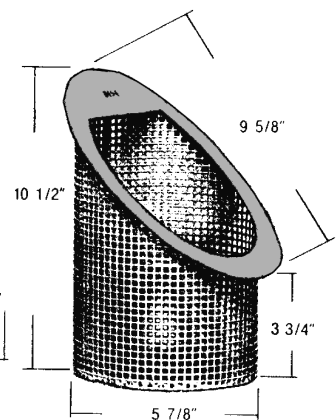
B-151 (K7151)
Purex L29 No. SO-1400 and
AB-29 No. SO-1100
 (Plastic Coated)



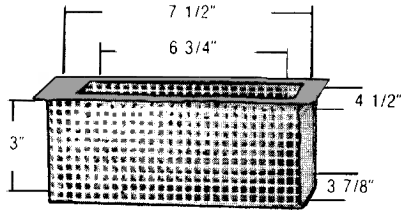
B-152 (K7152)
Hayward Skimmer SP-1082
 (Plastic) Same as B-116 Metal



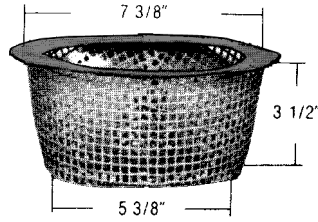
(K7153)
B-153
 (Plastic Coated)



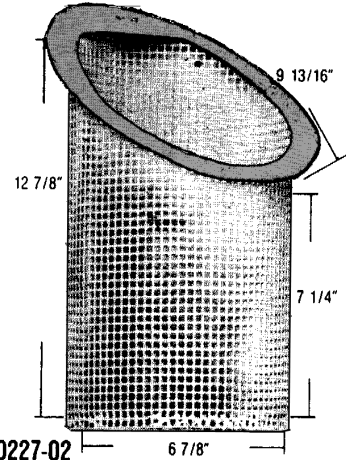
(K7154)
B-154
 (Plastic Coated)



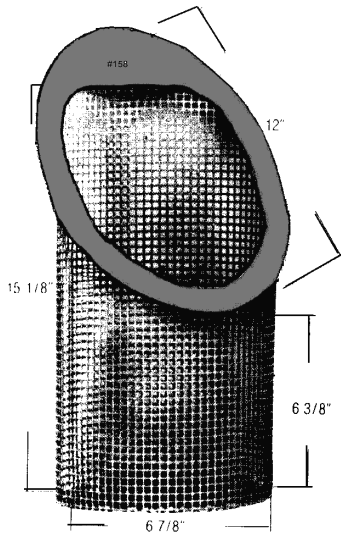
B-155 (K7155)
(Plastic Coated)



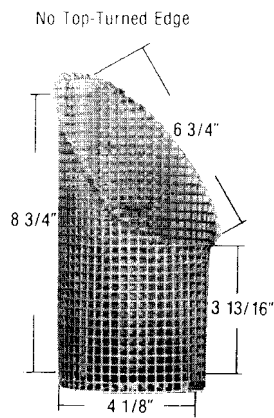
B-156 (K7156)
Pacific Fab Commercial
See B-43C
(Plastic Coated)



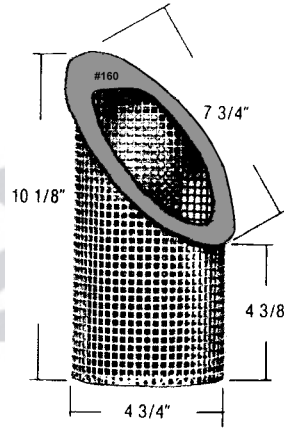
(K7157)
B-157
Jacuzzi 39-0227-02
Models 55-56-505-506
(Plastic Coated)



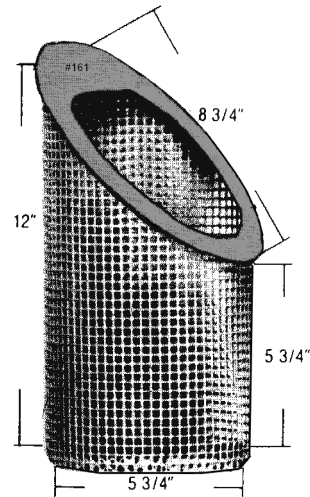
(K7158)
B-158
(Plastic Coated)



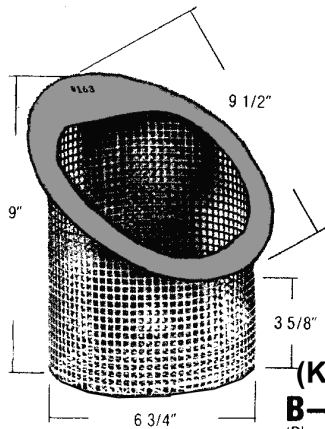
(K7159)
B-159
Mueller 4"
(Plastic Coated)



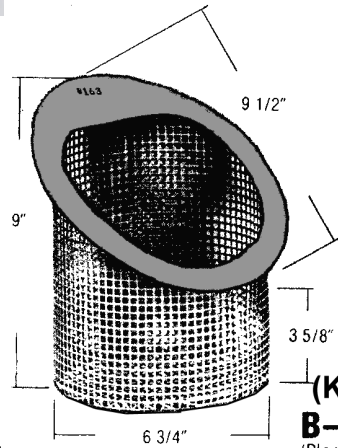
B-160
5" Mueller
(Plastic Coated)
(K7160)



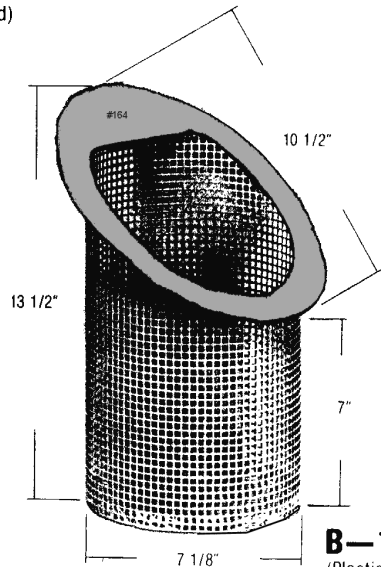
(K7161) **B-161**
6" Mueller



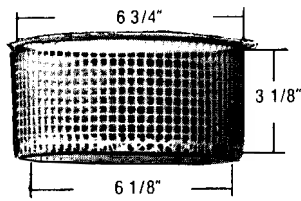
(K7163)
B-163
(Plastic Coated)



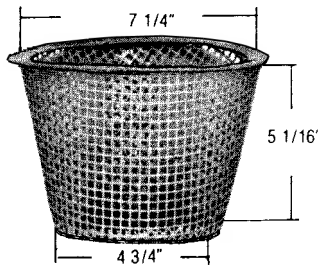
(K7163)
B-163
(Plastic Coated)



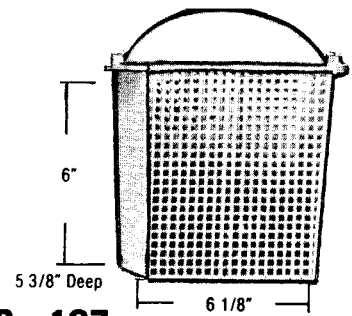
(K7164) **B-164**
(Plastic Coated)



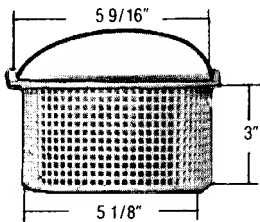
B-165 (K7165)
 American Sanitary No. 40587
 (Plastic Coated)



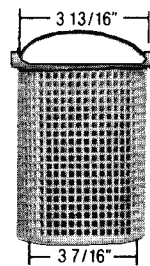
B-166 (K7166)
 Paragon Skimmer B24904
 (Plastic Coated)



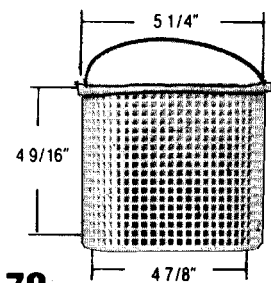
B-167
 Hayward SP1600M Super Pump
 (Plastic) **(K7167)**



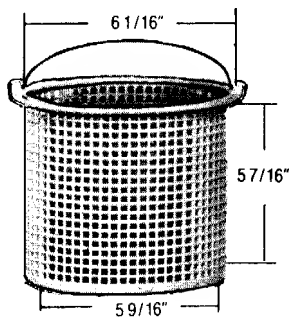
B-168 (K7168)
 Hayward SP1096C Skimmer
 (Plastic)
 See B-115 for Metal



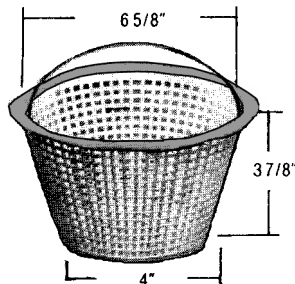
B-169 (K7169)
 Hayward SP1250R Pump Basket
 Same as B-315 Metal
 (Plastic)



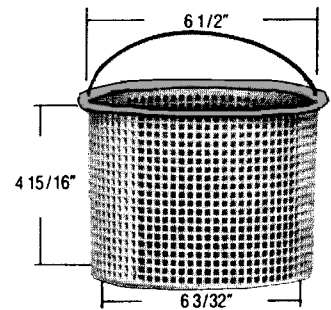
B-170
 Pac Fab 790 Pump Basket 35-3312
 P-24
 (Plastic) **(K7170)**



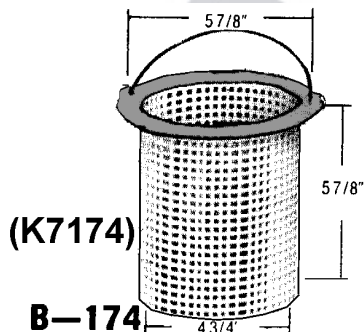
B-171 (K7171)
 Marine 7650-4
 (Plastic)
 See B-137 for Metal



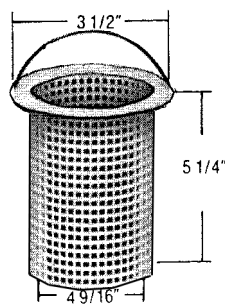
B-172 (K7172)
 American Products Skimmer 850039
 (Plastic)



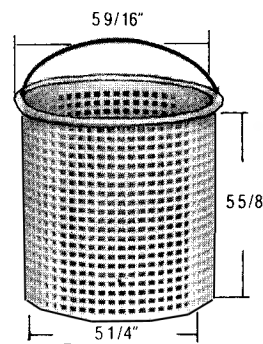
B-173 (K7173)
 Swimrite 7" 60828095
 (Plastic)



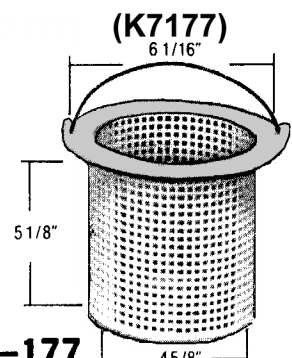
(K7174)
B-174
 Marlow Noryl 40584
 (Plastic)



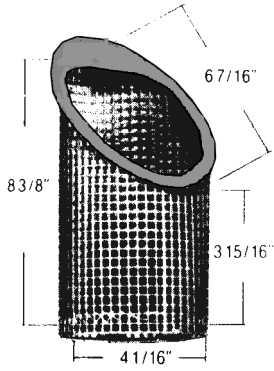
B-175 (K7175)
 Marlow 38075
 (Plastic)



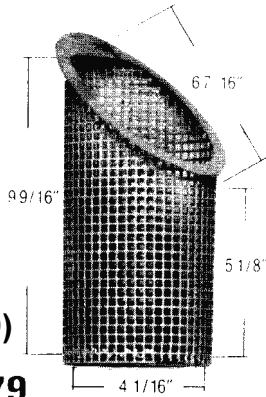
B-176 (K7176)
 Marlow 25774-00
 (Plastic)



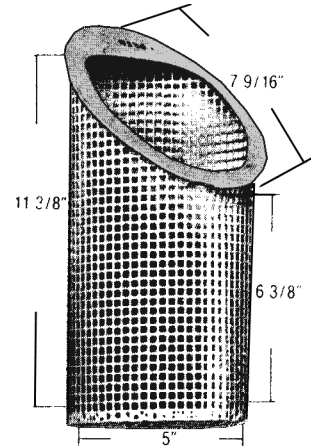
(K7177)
B-177
 American Products 393004
 Noryl Basket (Plastic)



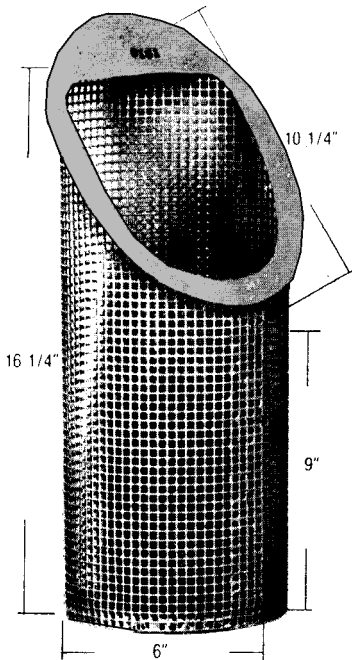
B-178 (K7178)
Swimquip 13382-3
for 2 1/2" I.P.S. Screwed
(Plastic Coated)



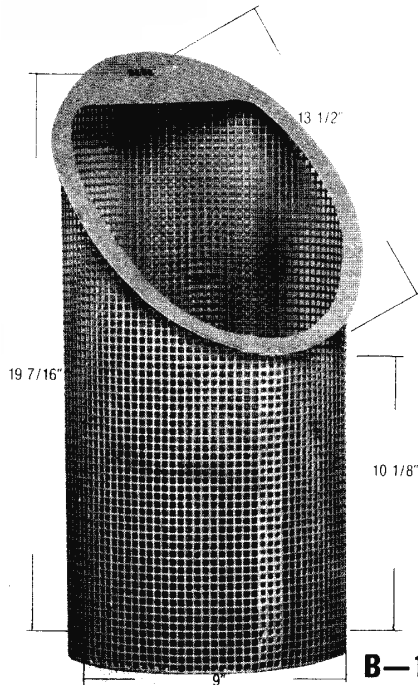
(K7179)
B-179
Swimquip 13402-3
for 3" I.P.S. Flanged
(Plastic Coated)



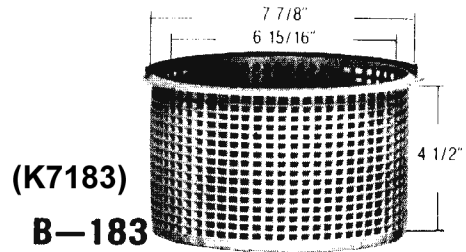
B-180 (K7180)
Swimquip 13442-3
for 4" I.P.S. Flanged
(Plastic Coated)



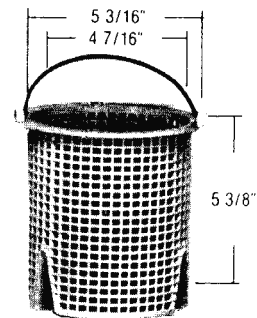
B-181 (Plastic Coated)
Swimquip 13562-3
(K7181)
for 6" I.P.S. Flanged



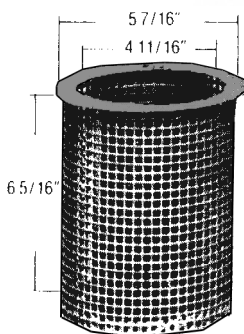
(K7182)
B-182
Swimquip 13582-3
for 8" I.P.S. Flanged
(Plastic Coated)



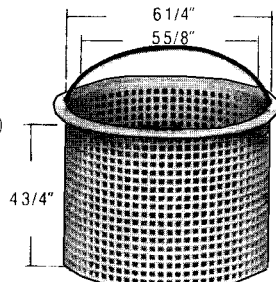
(K7183)
B-183
Jacuzzi 43-0507-07 Skimmer Basket
(Plastic) Same as B-113 Metal



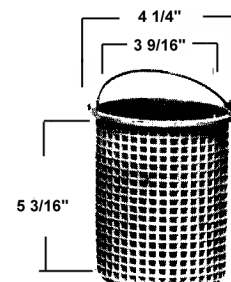
B-184 (K7184)
Jacuzzi 16-0964-06
Skimmer Basket
(replaced 16-0947-08)
(Plastic)



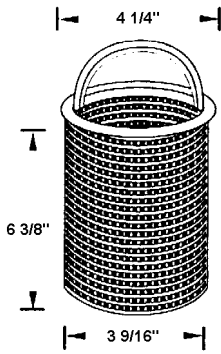
B-185 (Plastic Coated)
Hydro #700 Series
Pump 35-2670
See B-13 for Plastic
(K7185)



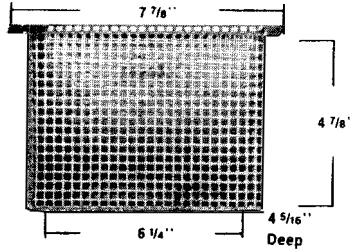
B-186 (Plastic) **(K7186)**
Wet Institute Pump Basket



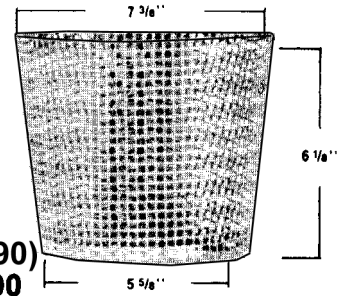
B-187 Plastic **(K7187)**
Swimquip 16200-9 XL6 Short



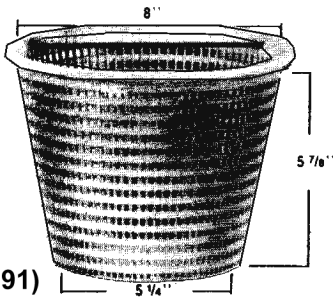
B-188 (K7188)
Swimquip 16200-7
XL6 (long)
(Plastic)



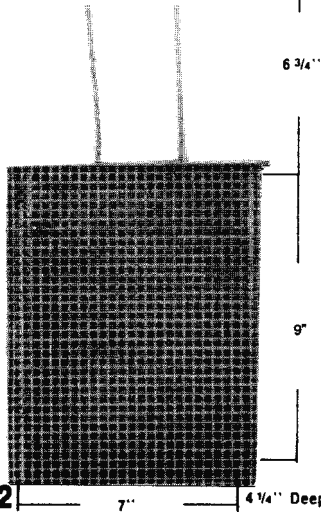
B-189 (K7189)
Clayton-Lambert
Skimmer Basket
(Plastic Coated)
6" Deep on lip



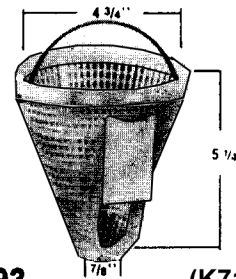
(K7190) B-190
Marine Skimmer Basket #850106
(Plastic Coated)



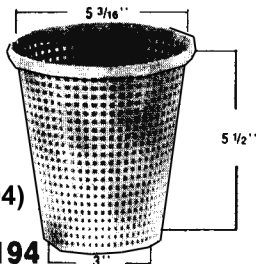
(K7191) B-191 B-191-M
(Plastic) (Metal)
Buster Crabbe AquaGenie
Skimmer Basket with Handle



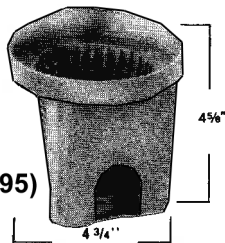
(K7192) B-192
American Concrete Deck Filter
Special Basket (Plastic Coated)



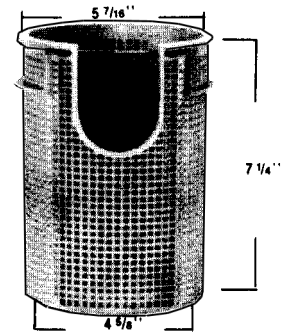
B-193 (K7193)
Lomart NO. 46-018 Strainer Bskt.
(Plastic)



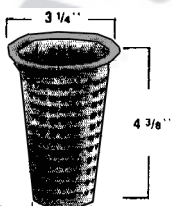
(K7194) B-194
Lomart No. 46-036
Strainer Bskt.
(Plastic)



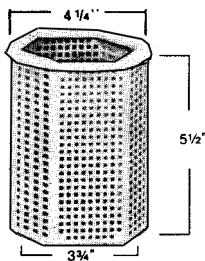
(K7195) B-195 (Plastic)
Lomart 43-044
Strainer Bskt.



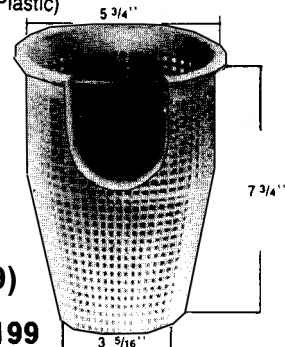
(K7196) B-196
Swimquip No. 16920-0017
for XL-VII (Plastic)



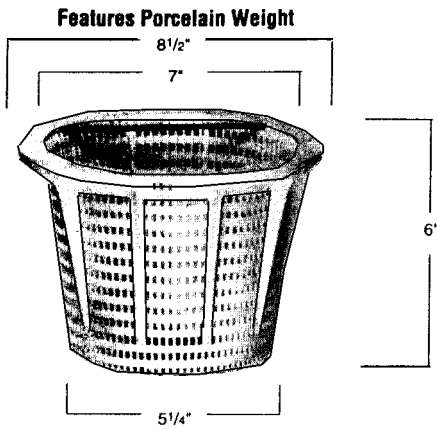
B-197 (K7197)
Lomart Skimmer #95-006
Basket Model #4010
(Plastic)



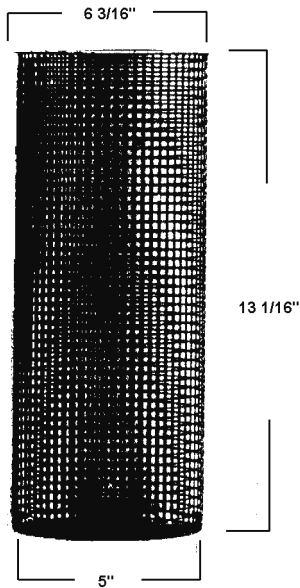
B-198 (K7198)
Doughboy Skimmer
#1119-1000
Sta-Rite LT & LH
Series Pump Basket
#C8-57P (Plastic)



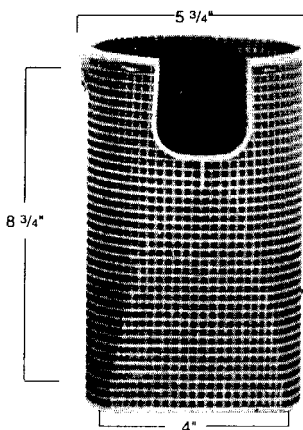
(K7199) B-199
Aqua Flo Dominator Pump Basket
Purex Pump # P-01325
Aquatron (Plastic)



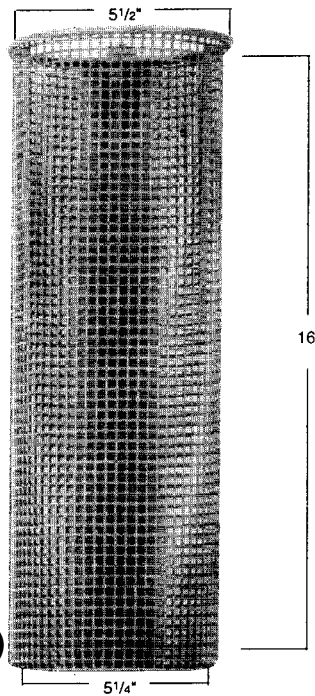
B-200 (K7200)
American S-20
(Plastic)



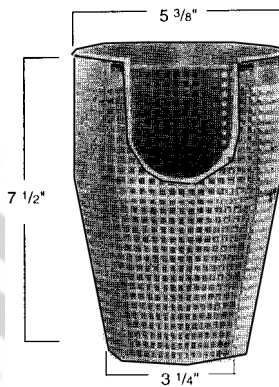
B-204 (K7204)
Rainbow #179
In Line Leaf Trap



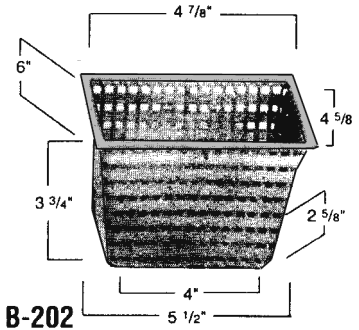
(K7207)
B-207
Hayward #SP3000M
Super Pump II



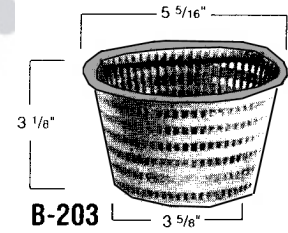
(K7201)
B-201
Rainbow - Leaf Trap No. 184
(Heavy Duty Metal Basket)



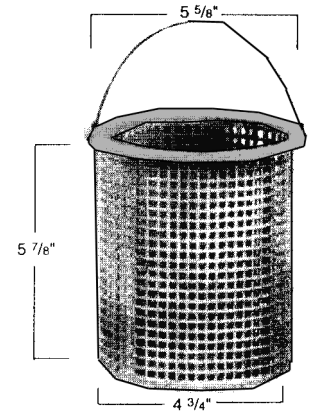
B-205 (K7025)
Pac Fab #35-5387
Challenger Basket



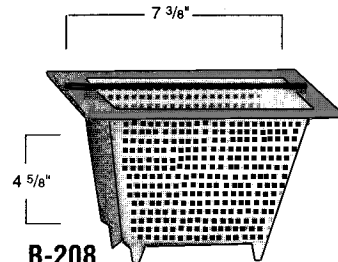
B-202
Jacuzzi 43-0676-02
SV Skimmer
(Plastic) **(K7202)**



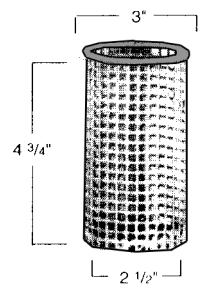
B-203
Hayward SP-1094-FA
(Plastic) **(K7203)**



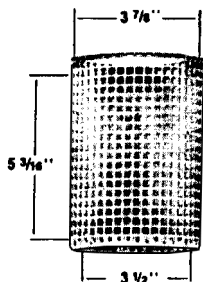
B-206 (K7206)
Pac Fab #35-2670
See B-185 Metal



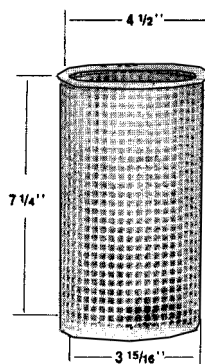
B-208
Swim quip Sentinel Skimmer #8660-2
(Plastic) **(K7208)**



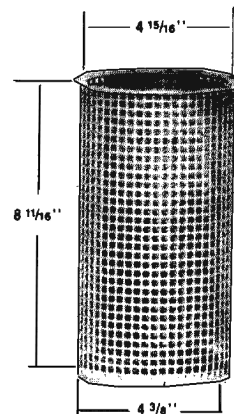
B-310
Hayward #310
(Plastic Coated)
(K7310)



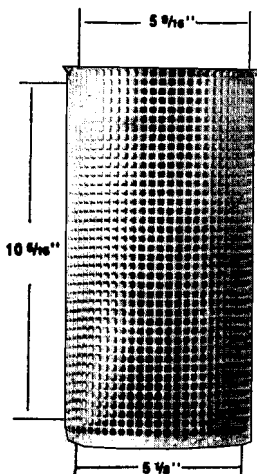
B-315 (K7315)
Hayward No. 315
 Same as B-169 Plastic
 (Plastic Coated)



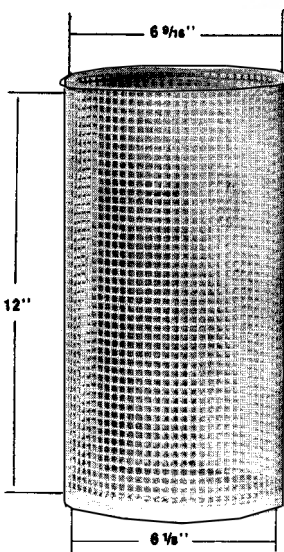
B-325 (K7325)
Hayward No. 325
 (Plastic Coated)



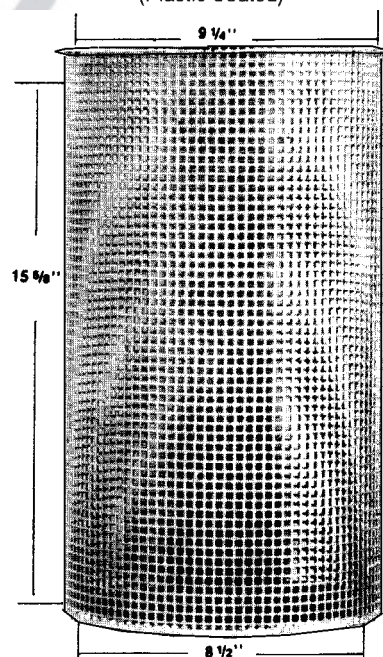
B-330 (K7330)
Hayward No. 330
 (Plastic Coated)



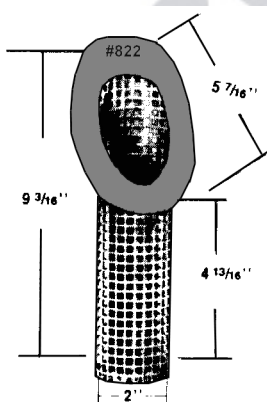
B-335 (K7335)
Hayward No. 335
 (Plastic Coated)



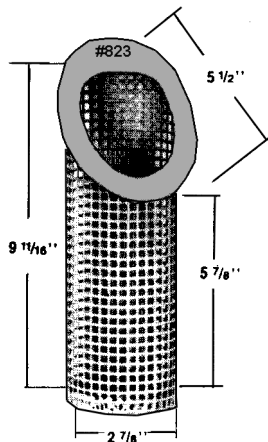
B-340 (K7340)
Hayward No. 340
 (Plastic Coated)



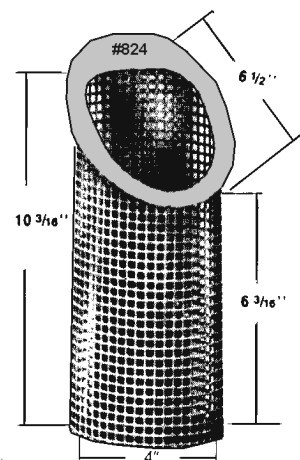
B-345 (K7345)
 (Plastic Coated)



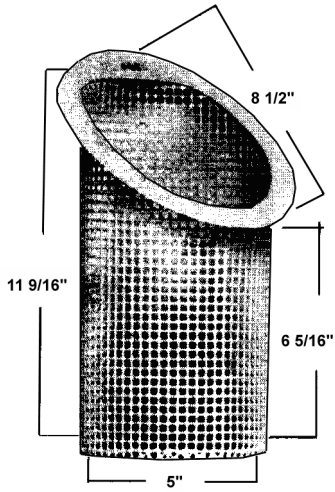
B-822 (K7822)
National
1 1/2" & 2" No. 53822
 (Plastic Coated)



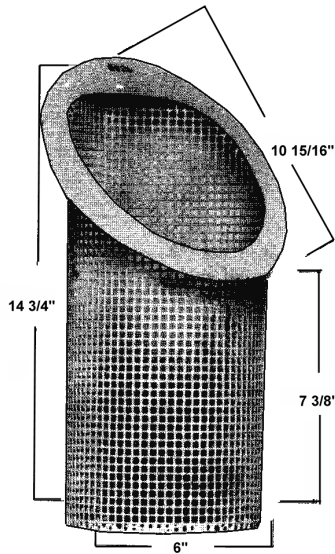
B-823 (K7823)
National 3" No. 53823
 (Plastic Coated)



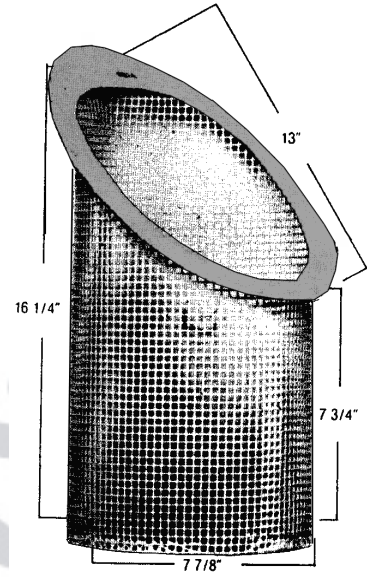
B-824 (K7824)
National 4" No. 53824
 (Plastic Coated)



B—825 (K7825)
National 5" No. 53825
(Plastic Coated)

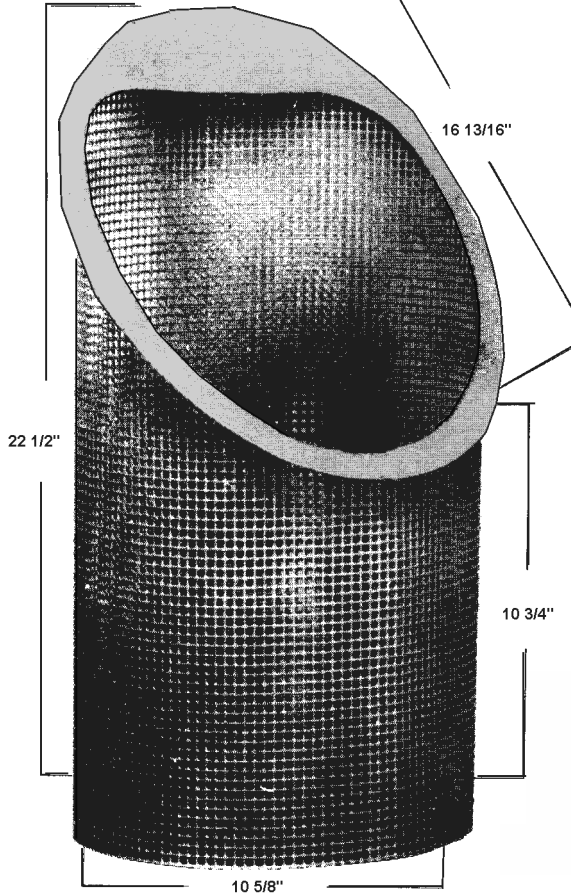


B—826 (K7826)
National 6" No. 53826
(Plastic Coated)

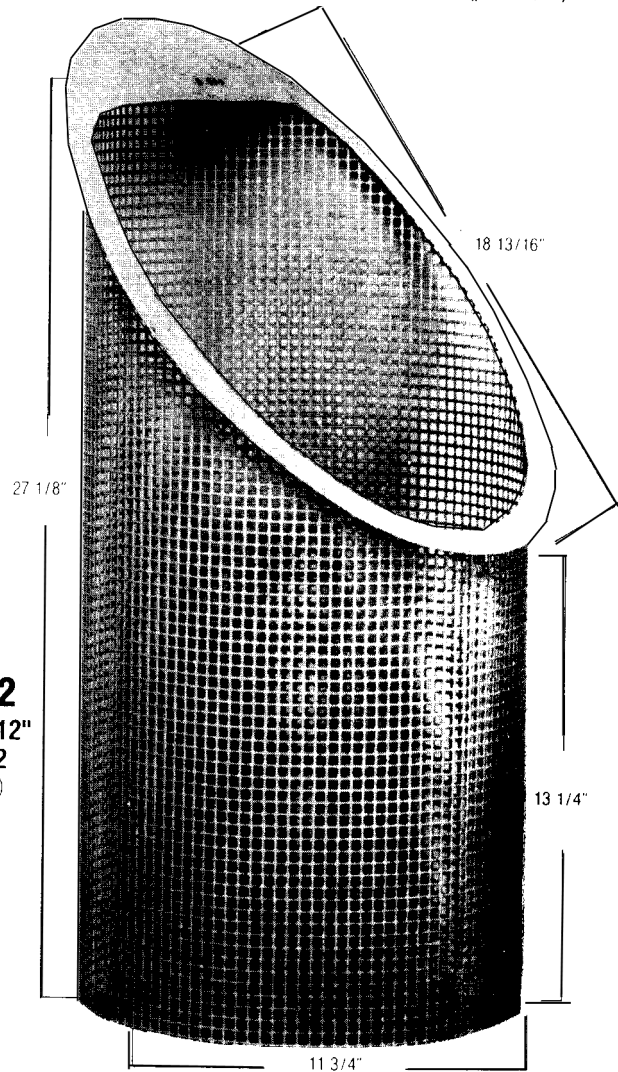


(K7828) B—828
National 8" No. 53828
(Plastic Coated)

B—830 (K7830)
National 10" No. 53830



(Plastic Coated)



(K7832) B—832
National 12" No. 53832
(Plastic Coated)