

Hatchik Supply Co.

A large, curved swimming pool with clear blue water. In the foreground, a hot tub with bubbling water is visible. A potted plant with bright yellow flowers sits on the stone-patterned pool deck. The background shows a concrete pool wall and a clear sky.

5260 Port Royal Road
Springfield, Virginia 22151
(703) 321-7699
Fax: (703) 321-8478

4050 Penn-Belt Place
Forestville, Maryland 20747
(301) 420-5960
Fax: (301) 420-1141

Toll Free Fax 800-321-8479

**ORDER ONLINE AT
www.HatchikSupply.com**

WE DELIVER



BUILT STRONG. BUILT JANDY. BUILT FOR 2021.

Voice Control for Your Pool.

All AquaLink® pool automation systems now work with Apple's Siri and Amazon's Alexa home automation to control your pool and spa.



Introducing Rails and Ladders.

Engineered from the ground up with sturdy, high-quality stainless-steel construction.

Heat When You Want. Save When You Don't.

Save up to an additional \$350 per year in electrical costs with JXi VersaFlo Integrated Bypass technology.*



Engineered From the Ground Up For Commercial Pools.

The Jandy® lineup of commercial polymer pumps is proven to perform even under the most extreme conditions.

[LEARN MORE AT JANDY.COM](http://JANDY.COM)

*Savings based on testing a 28,000 gallon pool with 2 turnovers per day at an average power of 0.21 \$/kWh; using a Jandy ePump, Jandy CV Filter and JXi Heater without VersaFlo, compared to the same system setup with a JXi Heater with VersaFlo. Tested in accordance with the applicable requirements of Department of Energy 10 CFR 429 and 431. VersaFlo not available on ASME Certified models.
©2020 Zodiac Pool Systems LLC. All rights reserved. ZODIAC® is a registered trademark of Zodiac International, S.A.S.U., used under license. Apple® is not a participant or sponsor of this promotion. Apple and the Apple logo are trademarks of Apple Inc., registered in the U.S. and other countries. Amazon and Alexa are trademarks of Amazon.com, Inc. or its affiliates. All other trademarks are the property of their respective owners.

A

Above Ground Systems.....	217
Acid Drum Spigot.....	2
Acid Drum Wrench	2
Acid, Muriatic.....	2
Acid Sprayer.....	2
Acryl 60.....	193
Air Blowers	141
Air Pillows	225
Aladdin Go Kits.....	109
Algae-Gon Remover.....	51
Anchor Flanges	62
Anchor Sockets	61
Anchor-Tite	193
Anchor Wedges.....	61
Anthony Dive Boards.....	68
Antifreeze	220
Anti-Scald Valves.....	178
Anti-Wave Racing Lanes	63
Apron (Chemical Apron).....	188
Aquabrome	1
Aquador Face Plates.....	227
Aqua Link Controls	138-140
Aqualuster Paint	189
Aqua Smart Cyclor Pacs	9
Ascorbic Acid.....	16
Astral Chemical Feeders	26
Astral Valves.....	176
Auto Fill.....	147
Automatic Cleaners	
Letro	228
Polaris	36-40
Polaris Generic.....	38
Polaris Common Parts	37
Automatic Cleaner Parts.....	229

B

Backboards (Spine Board)	215
Backer Rod.....	146
Backstroke Flag.....	62
Ball Valves	178
Basketball Games	66
Bearings, Motor	117
Bermuda Skimmers (Pentair) ...	156
Bilge Pumps	55
Black Algae Scraper	51
Bloodspill Kit.....	215
Blow Outs.....	225
Blue White Feeders.....	24
Bonding Grid/ Mat.....	204
Boots	188
Boss Silicone	194
Brass Fittings.....	173
Brass Hose Coupling.....	56
Bromine	1
Bronze Ball & Gate Valve	177

Brushes

Acid	53
Algae	53
Floor	53
Scrub.....	52
Wall	52
Wall Whale	52
Bulk Chemicals.....	1-2
Bushings Reducer	166
Butterfly Valves.....	176
Butyl Tape.....	136

C**Calcium**

Antifreeze	220
Chloride.....	1
Hardness.....	2
Hypochlorite	1

Canter

Liners	218
Safety Covers.....	222
Cantilever Deck Forms.....	203
Capacitors	117
Caretaker Parts	148

Cartridge Filter Parts..... 247

Cartridges, Replacement.....	92-97
CAT Controllers	22
Caulk	95-196
Caulking Gun.....	196
Cement.....	190
Cement, PVC.....	175
Ceramic, Pool Tile	205-209
CGM Products	192
Channel Grates & Drains.....	202
Check Valves.....	182

Chemicals..... 1-18

All Chlor.....	1
Bulk	1-2
Chemical Scoops.....	187

Chlorinators 23-28

Blue White	24
Hayward	23
Rola Chem	26
Stenner.....	27
Flanges	23

Chlorine Generators

Goldline / Hayward.....	21
Jandy.....	21
Pentair.....	21
Chlorine, Liquid.....	1
Chlorine, Products	1, 4
Classic Winter Cover.....	223-224
Clean & Clear A/G System	217
Cleaner, PVC.....	175
Cleaner Parts	229
Clean Out Plugs	173

Clean Out Plug Wrench.....	184
Clocks, Outdoor.....	35
Clocks, Timer.....	35
Collector Tubes.....	150
Commerical Equipment	
Diving Boards and Stands.....	71
Pumps	75-78
Coping Stone.....	210
Copper Fittings	173
Cover Pumps.....	54
Cyanuric Acid.....	2

D**D.E. Filters**

Separation Tanks.....	84
D.E. Replacement Grids.....	86
D.E. Scoops.....	187
Deck Anchor Flanges	62
Deck Drains	201-202
Deck Forms	203
Digi-Flow Flowmeter.....	100
Discharge Hose.....	56
Disposable Aprons.....	69

Diverter Valves

Jandy.....	181
Hayward	181
Pentair	181
Praher	181
Dive Stands	67
Diving Boards	67-68
Diving Board Resurfacing Kit.....	68
Double Union Valves	177
Drill Bits	183
DuraFlex Diving Boards.....	70
Dust Masks.....	188
Dye Test Syringes.....	186
Dye, Uranine.....	186

E

Earth Science	18
Electrical Accessories.....	171
Emergency Blanket	215
Emergency Equipment	215
Enzymes.....	16
E.Q. Motors	118
Escutcheon Plates.....	62
Expansion Joint & Base.....	201
Expansion Repair Coupling.....	160
Extrication Collars.....	215
Eyeball Fittings	144-145
Eyeball Removal Tool	144
Eyeball Seat Wrench	144
Eyewash	215

- F**
- Figure Four Handrails..... 60
 Fill Spouts..... 147
 Filter Media..... 3
Filters
 Cartridge..... 89
 D.E..... 84-85
 Sand..... 80-83
 Filter Pads..... 98
 First Aid Kits..... 215
 Flange Bolts..... 176
 Flange Gaskets..... 176
 Flanges, PVC..... 176
 Flange Bolt Chart..... 176
 Floats, Pool..... 213
 Floats, Rope..... 213
 Floor Returns..... 147
 Flowmeters..... 100
 Foam Expansion Joint..... 196
 Footboards..... 73
 Frog Mineral Products..... 9
 Fulcrum Bumpers..... 68
- G**
- Garden Hose..... 57
 Garden Hose Valve..... 57
 Gizzmos..... 225
 GLB Chemicals..... 11-12
 Gloves..... 188
 Glue, PVC..... 175
 Goggles, Safety..... 188
 GO-KITS..... 109-110
 Grab Rails..... 60
 Guard Chairs..... 73
 Guard Chair Umbrella..... 83
 Gutter Drains..... 147
- H**
- Hack Saws..... 185
 Hair & Lint Strainers..... 79
 Handicap Lifts..... 74
 Handrails..... 59
 Hand Skimmers..... 48
 Head Immobilizers..... 215
Heaters
 Coates..... 126
 Electric..... 126
 Jandy..... 120-121
 Pentair..... 124
 Raypak..... 122-123
 Sta-Rite..... 125
 Heat Pumps..... 126
 Hydrostatic Relief Valve..... 150
 Hydrostatic Valve Wrench..... 150
- I**
- Inlet / Outlet Fittings..... 146
 Insert Poly Fittings..... 172
- J**
- Jack's Magic..... 15
 Junction Boxes..... 136
- K**
- King Technology Chemicals..... 9
- L**
- Labels, Plumbing..... 187
 Ladders, In Ground..... 58
 Ladders, Sockets & Wedges..... 61
 Ladder, Bolts..... 61
 Ladder, Bumpers..... 61
 Ladder, Treads..... 61
 Ladder Tread, Sylvan..... 61
 Leaf Baggers..... 49
 Leaf Rakes & Skimmers..... 48-49
 Leaf Traps..... 47
 Leak Detectors..... 186
 Light Adaptor Rings..... 134
 Light Bulbs..... 135
 Light Lenses..... 134
 Light Wedges..... 134
 Liner Hanger..... 218
 Liner Lock..... 218
 Liners..... 219
 Liner Vacuums..... 218
 Little Giant Pumps..... 54
- M**
- Main Drains..... 149**
 Hayward..... 149
 Pentair..... 150
 Aquastar 32" Channel..... 150
 Aquastar..... 151-152
 Waterway..... 153
 Colormatch..... 153
 Paramount..... 153
 M.D. Frames and Grates..... 149
 Main Drain Screws..... 149
 Mendoza Guard Chair..... 69
 Message Tile..... 209
 Mineral Purifiers..... 8-10
 Mini Jets..... 211
 Mission Couplings..... 179
 Motor Repair Parts..... 117-118
 Motors, Replacement..... 111-116
 Multicoat Scratch Coat..... 192
 Multiport Valves..... 88
- N**
- Natural Chemistry..... 13-14
 Nature 2 Products..... 7-8
 NDS Drain..... 202
 Number Tile..... 208-209
- P**
- Paramount Water Valve..... 148
 Pace Clocks..... 64
 Paint..... 189
 Paint Equipment..... 190
 Permatex Products..... 199
 Pipe, PVC..... 159
 Pipe, Flex..... 159
 Plaster..... 190
 Plugs..... 173
 Pole Accessories..... 51
 Poles..... 50
 Pool Patch..... 193
 Pool Perfect..... 14
 Pool Putty..... 197-198
 Portable Lifeguard Chairs..... 69
 Portable Vacuum Systems..... 41
 Power Vac Cleaner..... 41
 PPG Products..... 19-20
 Pressure Gauges..... 99
 Pumice Stones..... 51
 Pump Seals & Gaskets..... 119
Pumps, Filter
 Hayward..... 101-103
 Jandy..... 104
 Pentair..... 105-107
 Sta-Rite(Pentair)..... 108
 Push Pull Valves..... 88
- PVC**
- Cement..... 175
 Fittings..... 160-174
 Fitting Extenders..... 179
 Pipe..... 159
 Pipe Cutters..... 183
 Repair Couplings..... 217
 Saws..... 183
 Saddle Tee Clamps..... 166
 Wire Saw..... 183
- Q**
- Quaker Drain & Joint..... 201-202
 Quick Coupling - Garden Hose... 57
 Quick Disconnect Fittings..... 56

R

Racing Lanes.....	63-64
Rainsuits.....	188
Rabbit.....	183
Ramuc Paint.....	189
Ramuc Clean and Prep.....	189
Recessed Steps.....	60
Rector Seal.....	199
Rescue Can.....	214
Rescue Pole.....	214
Rescue Tubes.....	214
Resuscitation Mask.....	215
Ring Buoy.....	214
RO Kits.....	98
Rope.....	213
Rope Anchors.....	148
Rope Eyes.....	148
Rope Floats.....	213
Rope Hooks.....	148
Rope Kits.....	213
Rust Stone.....	51

S

Saddle Clamps.....	99
Safe-T-Pool Steps.....	58
Safety Covers.....	221
Safety Cover Anchors.....	222
Safety Goggles.....	188
Salt.....	2
Sand & Gravel.....	3
Sand Vac.....	187
Scotch Tread.....	192
Sea-Klear.....	16
Sealants.....	173
Sheer Descent.....	211
Shower Valves.....	178
Sight Glasses.....	99
Signs, Pool.....	212
Silicone Caulk.....	194

Skimmers

American.....	154
Aquastar.....	154
Hayward.....	155
Pentair.....	156
Sta-Rite.....	156
Skimmer Baskets.....	158
Skimmers, Concrete.....	156
Skimmer Lids.....	158
Skimmers, Vinyl.....	156-157
Skimmer Weirs.....	158
Skim Vacs.....	157
Soda Ash.....	2
Sodium Bicarb.....	2
Sodium Bisulfate.....	2

Sodium Bromide.....	2
Sodium Thiosulfate.....	2

SPA

Accessories.....	143
Blowers.....	141
Covers, Deluxe.....	142
Fittings.....	143
Rail.....	142
Skimmers.....	157
Spa Wand.....	142
Spanner Wrench.....	184
Spine Boards.....	215
Spine Board Straps.....	215
Splash Chemicals.....	6
Spray Adhesives.....	199
Stain Master.....	50
Stanchions.....	62
Sta-Rite by Pentair	
Skimmers.....	156
Skimmer Lids.....	158
Starting Platforms.....	65
Stegmeier Deck Forms.....	203
Stop Leak.....	142
Strap Wrench.....	184
Sump Pumps.....	54-55
Syphon Drum Pumps.....	187

T**Tape**

Duct.....	186
Electrical.....	186
Masking.....	186
Test Kits & Reagents.....	30,33
Test Plugs.....	180
Test Strips.....	34
Test Tablets.....	33
Thermometer, Pool & Spa.....	35
Thermometer, Outdoor.....	35
Threaded Plugs.....	173
Throttling Plugs.....	147
Tile.....	205-209
Tile Grout.....	192
Tile & Plaster Repair.....	192
Timer Clocks.....	137
Tools.....	184-185
Transformers.....	136
Trowels.....	186
Tub of Gold.....	142
Tubing Cutter.....	183
Tubing, Poly & Vinyl.....	29

U

U-FrameDive Stands.....	68
Ultra-Safe Acid.....	3
Umbrella.....	214
Underwater Lighting	
Hayward.....	128-129
Jandy.....	133
Pentair / Sta-Rite.....	130-131
Savi-Melody.....	132
Unions, Valves.....	177
United Chemicals.....	17
Uranine.....	186

V

Vac Heads, Commercial.....	44
Vac Heads, Residential.....	45-46
Vac Head Parts.....	47
Vac Hose.....	42
Vac Hose Accessories.....	43
Vac Hose Reel.....	43
Vacuum Gauges.....	99
Valves	
Jandy Valve.....	181
Vats, Chlorine.....	28
Vermiculite.....	218

W

Wall Adhesive.....	218
Wall Foam.....	218
Water Basketball.....	66
Waterfalls.....	211
Waterplug.....	193
Water Tubes.....	225
Water Volleyball.....	66
WD-40.....	199
Whistles & Lanyards.....	214
White Cement.....	190
Winter Plugs.....	226
Winter Products.....	220
Winter Covers.....	223-224
Wood Poles.....	190

Hatchik Supply Co.

5260 Port Royal Road
Springfield, VA 22151

(703) 321-7699 Phone

(703) 321-8478 Fax

(800) 321-8479 Fax Toll Free



Bromine (Tablets)

A disinfectant that destroys & Inhibits bacterial & algae growth. Oxidizes organic & nitrogenous waste. A granular non-stabilized chlorine

	PACKING	ITEM NO.
AllChlor	25 Lb. Pail	A4870
AllChlor	50 Lb. Pail	A4872
Clearon 1" Brominating Tabs	25 Lb. Pail	A5870
Clearon 1" Brominating Tabs	50 Lb. Pail	A5872



A4870

Calcium Hypochlorite (Granular)

A granular non-stabilized chlorine product that destroys bacteria, algae & fungi. Contains 73% available chlorine & is commonly used for Super shocking.

Super Zappit 73% Calcium Hypochlorite	24 x 1 Lb. Pail	A2309
Zappit	25 Lb. Pail	A2300
Zappit	50 Lb. Pail	A2310
Zappit	100 Lb. Pail	A2112
AllChlor 68% Calcium Hypochlorite	100 Lb. Pail	A2312
AllChlor	75 x 1 Lb. Bags	A4607
Ultima TKO 73% Cal Hypo	80 Lb. Pail	A5115



A2309

Calcium Hypochlorite (Tablets)

Accu-Tab* Blue SI Tablets w/ Scale Inhibitor <i>(*For use w/PPG-Feeders Only)</i>	25 Lb. Pail	A5110
PPG - 3" Large Tablets	60 Lb. Pail	A2325
CCH ENDURANCE CAL HYPO TAB	25 Lb. Pail	A5114
GLB Calcium Hypochlorite Chlorinating Capsules	35 Lb. Pail	A5113

Chlorine (Liquid)

Sodium Hypochlorite Is an economic liquid sanitizer, averaging 12.5% strength, pH 13.0



4 x1 Gallon Bottles	A6000
<small>Price Includes \$10 Deposit Charge</small>	
5 Gallon Container	A6005
5 Gal. Carboy Wrench	V7074



A2325

Chlorine (Granular)

Stabilized & typically 56% available chlorine. Its increased rate of dissolution and relatively neutral pH is favored by many pool operators.

AllChlor	25 Lb. Pail	A4203
AllChlor	50 Lb. Pail	A4204
Stabilized Granular Chlorine	25 Lb. Pail	A5203
Stabilized Granular Chlorine	50 Lb. Pail	A5204



A4204

Chlorine (Sticks) - 1/2 Lb.

Stabilized & protected from sunlight Contains 89% available chlorine & fits many types of feeders

AllChlor	25 Lb. Pail	A4214
AllChlor	50 Lb. Pail	A4216
Stabilized Chlorine Sticks	25 Lb. Pail	A5214
Stabilized Chlorine Sticks	50 Lb. Pail	A5216



A4224

Chlorine (Tablets) - Small 1"

Slow dissolving small 1" tablets typically 89% available chlorine. Ideal for floaters & automatic or erosion type feeders.

AllChlor	25 Lb. Pail	A4224
AllChlor	50 Lb. Pail	A4226
Stabilized Chlorine 1" Tabs	25 Lb. Pail	A5224
Stabilized Chlorine 1" Tabs	50 Lb. Pail	A5226

Chlorine (Tablets) - Large 3"

Large 3" tablets typically 89% available chlorine. Slow dissolving & Ideal for floaters, erosion feeders, or skimmer.

AllChlor	25 Lb. Pail	A4264
AllChlor	50 Lb. Pail	A4267
Stabilized Chlorine 3" Tabs	25 Lb. Pail	A5264
Stabilized Chlorine 3" Tabs	50 Lb. Pail	A5267









A5314

Non Chlorine Shock - Monopersulfate Compounds

Non-chlorine oxygen-based shock compatible w/chlorine & bromine. Doesn't raise chlorine levels & allows swimming in 15 min.

AllChlor Sh02X	25 Lb. Pail	A5314
AllChlor Sh02X	50 Lb. Pail	A5316
GLB Oxy-Brite	50 Lb. Pail	A5007

	PACKING	ITEM NO.	
Acid (Muriatic) - Lowers pH			
Lowers pH & alkalinity of water and is used for cleaning & etching walls prior to painting			
	4 x 1 Gallon Bottles (Pallet -48 Cases)	A6020	
	5 Gallon Container	A6025	
	Price Includes \$10 Deposit Charge		
	15 Gallon Container	A6029	
	Price Includes \$45 Deposit Charge		
	4 x 1 Gallon Bottles	A6014	
Ultra-Safe (For Pool Cleaning)		V7068	
Acid Sprayer		V7059	
Acid Drum Spigot		V7055	
Siphon Drum Pump		V7073	
Acid Drum Wrench			
	V7073		
Alum - Floccing Agent			
Aluminum Sulfate is a good filter coagulant that gathers smaller particles together to be filtered out			
Ground	50 Lb. Bag	A6071	
			A6123
Calcium Chloride - Raises Calcium Hardness			
Used to raise the calcium content of swimming pool water			
AllChlor	25 Lb. Pail	A4853	
	50 Lb. Bag	A6087	
(40 Bags Pallet)			
Cyanuric Acid - Conditioner & Stabilizer			
Used to protect outdoor pools & spas from chlorine loss due to sunlight degradation			
Granular	55 Lb. Drum	A6123	
Powder	55 Lb. Drum	A6130	
Salt - Evaporated			
Used in chlorine generation & water softening			
Aqua Salt	40 Lb. Bag	D5501	
Granular	40 Lb. Bag	D5502	
(63 Bags Pallet)			
Soda Ash - pH Rise			
Powder used to raise the pH of water			
	50 Lb. Bag	A6105	
	25 Lb. Bag	A4704	
(40 Bags Pallet)			A6105
Sodium Bicarbonate - Total Alkalinity			
1-1/2 lbs. raises alkalinity 10ppm per 10,000 gallons			
	50 Lb. Bag	A6115	
	25 Lb. Pail	A4612	
(40 Bags Pallet)			
Sodium Bisulfate - pH Reducer (Dry Acid)			
2-1/2 lbs. lowers alkalinity 10ppm per 10,000 gallons			
	50 Lb. Bag	A6096	
	25 Lb. Pail	A4732	
Sodium Bromide			
Banks bromine salts			
	25 Kg. Bag	A6060	
Sodium Thiosulfate - Chlorine Reducer			
1 oz. neutralizes 1 ppm chlorine/bromine per 10,000 gallons			
	50 Lb. Bag	A6098	
Bio Max Dechlorination Tablet			
	48 Lb. Pail	A6099	
Hazardous Chemical Sign		X4027	

FILTER MEDIA

	PACKING	ITEM NO.
D.E. Filter Powder- Diatomaceous Earth 1Lb. used per 8 sq. ft. of filter area.		
	10 Lb. Bag	A6051
	25 Lb. Bag	A6045
	50 Lb. Bag	A6040
	24 Lb. Box (4 x 6 Lb.)	A6054
Price Break at 30 and 60 Boxes		
D.E. / Filter Media Scoops		
Plastic Chemical EZ D.E Scoop	Each	A6048
CMP (Orange) D.E. Scoop	Each	A6049
1 Lb. Hayward D.E. Scoop	Each	H6139
3 Qt Flat Scoop	Each	V7057
Purifiber • Filter Media Environmentally Acceptable Powder (D.E. Replacement)		
	24 x 15 Oz. Bag	A6767+
	15 x 22 Oz. Bag	A6769+
Aquaperl • Filter Media Environmentally Acceptable Powder (D.E. Replacement)		
	1.7 Cu. Ft. Bag	A6056
Sand & Gravel • For sand filters, 1 cubic foot= Lb. bag		
Sand, 45-55 mm	50 Lb. Bag	H8110
Brightline Glass Filter Media	40 Lb. Bag	H8100
MEDIA Gravel, 1/4-1/8"	50 Lb. Bag	H8089
Zeobrite Extreme • Filter Media	50 Lb. Bag	A6076



V6051



V6048



H8110



V1119



A6014



S1087



S1092



S4078

CLEANING PRODUCTS

Magic • Concentrated all purpose cleaner	4 lb. Bottle	V1119
Wipe Out • Excellent vinyl & tile cleaner - removes grime from many surfaces	12-1 Qt. Bottles	A5285
Ultra-Safe Acid • For cleaning	4-1 Gal. Bottles	A6014

METAL CLEANERS & PROTECTORS EXCELLENT FOR STAINLESS STEEL GUTTER SYSTEMS

The Stuff • For cleaning & removing stains from ladders, rails & other stainless steel products	6-1 Lb. Bottle	S1087
	40 Lb. Pail	S1088
Autosol Metal Polish Paste	3.5 Oz. Tube	S1079
	35 Oz. Can	S1078
Sheila Shine • For cleaning & coating	1 Gal. Can	S1092

HAND CLEANERS

“Fast Orange” • Hand cleaner for servicemen contains pumice	15 Oz.	S4078
	Gallon Bottle	S4079
Cupran • Hand cleaner	4.5 Lb. Jar	S4118
Scrubs-In-A-Bucket • Hand Cleaner towels -Natural citrus scent with pumice	100 ml.	V1120

Solid Sticks*(89% Available Chlorine - Stabilized)*

	PACKING	ITEM NO.
8 Oz. Solid Sticks - 5 Lb.	8 x 5 Lb. Bottles	A4210
8 Oz. Solid Sticks -10 Lb.	4 x 10 Lb. Pails	A4212
8 Oz. Solid Sticks -25 Lb.	25 Lb. Pail	A4214
8 Oz. Solid Sticks -50 Lb.	50 Lb. Pail	A4216



A4214

Small 1" Chlorinating Tablets*(89% Available Chlorine - Stabilized)*

1" Tablet Feeder Cartridge -4 Lb.	6x 4 Lb. Cart	A4218
1" Slow Dissolve 1/2 Oz. Tabs - 5 Lb.	8 x 5 Lb. Bottles	A4220
1" Slow Dissolve 1/2 Oz. Tabs - 10 Lb.	10 x 3 Lb. Pail	A4222
1" Slow Dissolve 1/2 Oz. Tabs - 25 Lb.	25 Lb. Pail	A4224
1" Slow Dissolve 1/2 Oz. Tabs -50 Lb.	50 Lb. Pail	A4226



A4220

Large 3" Chlorinating Tablets*(89% Available Chlorine - Stabilized)*

3" Slow Dissolve 7 Oz. Tab -5.25 Lb.	8 x 5 Lb. Bottles	A4260
3" Slow Dissolve 8 Oz. Tab -10 Lb.	3 x 10 Lb. Pails	A4880
3" Slow Dissolve 7 Oz. Tab-13.125 Lb.	2 x 13.125 Lb. Pails	A4262
3" Slow Dissolve 7 Oz. Tab -25 Lb.	25 Lb. Pail	A4264
3" Slow Dissolve 7 Oz. Tab -50 Lb.	50 Lb. Pail	A4267



A4267

Stabilized Chlorinating Granules*(56% Available Chlorine)*

Granular Dichlor - 2 Lb. (Nu-Clo)	18 x 2 Lb. Bottles	A4205
Granular Dichlor - 5 Lb.	8 x 5 Lb. Bottles	A4201
Granular Dichlor - 10 Lb.	3 x 10 Lb. Pails	A4202
Granular Dichlor - 25 Lb.	25 Lb. Pail	A4203
Granular Dichlor- 50 Lb.	50 Lb. Pail	A4204



A4204

Oxidizers (shock treatments)**Peroxide Shock***(Dichloro Formula)*

Dura Shock -1 Lb. Bag	4 x 1 Gal. Bottles	A4603
Dura Shock -1 Lb. Bag	12 x 1 Lb. Bag (Box)	A4000
	75 x 1 Lb. Bag (Box)	A4001

(35% Granular Dichloro)

Dura Chlor -25 Lb.	25 Lb. Pail	A4020
Dura Chlor -50 Lb.	50 Lb. Pail	A4021

(Calcium Hypochlorite)

Cal Hypo Shock -1 Lb. Bag	12 x 1 Lb. Bag (Box)	A4605
Cal Hypo Shock -1 Lb. Bag	75 x 1 Lb. Bag (Drum)	A4607
Cal Hypo Shock -1 Lb. Bag	300 x 1 Lb. Bag (Drum)	A4615

(Lithium Hypochlorite)

Lithium Hypo Shock -1 Lb. Bag	12 x 1 Lb. Bag (Box)	A4004
Lithium Hypo Shock -2 Lb. Bottle	16 x 2 Lb. Bottles	A4006
Lithium Hypo Shock -25 Lb. Pail	25 Lb. Pail	A5310



A4615 A4001

Chlorine Free Shock -1 Lb. Bag	12 x 1 Lb. Bag (Box)	A4604
Chlorine Free Shock -4 Lb. Bottle	8 x 4 Lb. Bottles	A5312
Chlorine Free Shock -25 Lb. Pail	25 Lb. Pail	A5314
Chlorine Free Shock -50 Lb. Pail	50 Lb. Pail	A5316



A5316

Brominating Tablets

	<i>PACKING</i>	<i>ITEM NO.</i>
Bromine Mini Tablets - 1.5 Lb.	16 x 1.5 Lb. Pails	A5304
Bromine Mini Tablets - 3.5 Lb.	8 x 3.5 Lb. Pails	A4868
Bromine Mini Tablets - 25 Lb.	25 Lb. Pail	A4870
Bromine Mini Tablets - 50 Lb.	50 Lb. Pail	A4872



A4872

Balancers

(Sodium Bicarb)

Total Alkalinity - 4 Lb.	8 x 4 Lb. Bottles	A4608
Total Alkalinity - 10 Lb.	3 x 10 Lb. Pails	A4610
Total Alkalinity - 25 Lb.	25 Lb. Pail	A4612

(Soda Ash)

pH Increaser - 3 Lb.	12 x 3 Lb. Bottles	A4700
pH Increaser - 6 Lb.	6 x 6 Lb. Bottles	A4702
pH Increaser - 10 Lb.	3 x 10 Lb. Pails	A4703
pH Increaser - 25 Lb.	25 Lb. Pail	A4704

(Sodium Bisulfate)

pH Decreaser - 3 Lb.	18 x 3 Lb. Bottles	A4725
pH Decreaser - 6 Lb.	8 x 6 Lb. Bottles	A4730
pH Decreaser - 25 Lb.	25 Lb. Pail	A4732

(Flake)

Calcium Hardness - 10 Lb.	3 x 10 Lb. Pails	A4850
Calcium Hardness - 25 Lb.	25 Lb. Pail	A4853

(Water Conditioner/Stabilizer)

Conditioner - 1 Lb.	12 x 1 Lb. Bag (Box)	A4303
Conditioner - 4 Lb.	8 x 4 Lb. Bottles	A4304
Conditioner - 25 Lb.	25 Lb. Pail	A4305



A4612



A4853

Ancillary Chemicals

Dechlor -3 Lb. (Kills Chlorine)	12 x 3 Lb. Bottles	A4620
Sparkle Conquest - Quart (Conc. Sequestrant)	12 x Qt. Bottles	A4302
Stain & Scale Control -Quart	12 x Qt. Bottles	A4501
Clarifier-Quart (2 Oz. per 5,000 Gal.)	12 x Qt. Bottles	A4401
Super Clarifier - Quart (1 Oz. per 5,000 Gal.)	12 x Qt. Bottles	A4851
Flock (Alum)	8 x 5 Lb. Bottles	A4316
Maxi Flock (Liquid)	12 x Qt. Bottles	A4314
Anti Phos	12 x Qt. Bottles	A4858
Filter Cleaner	18 x 2.5 Lb. Bottles	A4312



A4302

Algaecides

(Quaternary Compound)

10% Algaecide - Quart	18 x Qt. Bottles	A4852
50% Algaecide - Quart	12 x Qt. Bottles	A4860

(Polymer- No Foam)

30% Algaecide - Quart	18 x Qt. Bottles	A4855
60% Algaecide - Quart	12 x Qt. Bottles	A4856
60% Algaecide - Gallon	6 x Gal. Bottles	A4857
	12 x Qt. Bottles	A4854

(Copper Complex - Chelated)

7% Algaecide - Quart		
----------------------	--	--

(.8% Colloidal Silver)

Poly Cide 50 Algaecide & Killer	18 x Qt. Bottles	A4600
---------------------------------	------------------	-------



A4501



A4856

Splash Balancing Chemicals (Calcium Hardness, pH, Total Alkalinity and Conditioner) in 'Easy to Use' re-sealable bags

<i>PACKING</i>		<i>ITEM NO.</i>
Splash Calcium Chloride Flake (77%)		
4 Lb. Bag	8 per case	A6140
8 Lb. Bag	4 per case	A6141



A6140

Splash pH Plus (Soda Ash)		
2 Lb. Bag	12 per case	A6145
5 Lb. Bag	8 per case	A6146
10 Lb. Bag	4 per case	A6147



A6146

Splash pH Minus (Sodium Bisulfate)		
2 Lb. Bag	12 per case	A6160
5 Lb. Bag	8 per case	A6161
10 Lb. Bag	4 per case	A6162



A6161

Splash Total Alkalinity Powder (Sodium Bicarbonate)		
5 Lb. Bag	8 per case	A6155
10 Lb. Bag	4 per case	A6156



A6155

Splash Conditioner (Cyanuric Acid)		
2 Lb.	12 per case	A6150
5 Lb.	8 per case	A6151
8 Lb.	4 per case	A6153



A6150

Nature² Mineral Sanitizers

Nature²@ Fusion Inground

Fusion Inground is a robust and convenient chlorine and mineral sanitizing system. This easy-to-use solution integrates a trichlor tablet feeder and Nature² minerals into one convenient delivery system. Easy to install and use.

- Holds up to eight 3" trichlor tabs
- Utilizes standard 2" x 2½" universal unions
- Engineered to commercial standards
- For inground pools up to 45,000 gallons

ITEM NO.
A3231



A3231

Fusion Replacement Cartridges (also fit Duo-Clear units)

Duo Clear 25 (W28000)	Up to 25,000 Gallons	A3215
Duo Clear 35 (W28001)	Up to 30,000 Gallons	A3216
Duo Clear 45 (W28002)	Up to 45,000 Gallons	A3217



A3215

Nature²@ Fusion Soft

Get the total mineral solution with Nature² Fusion Soft, a robust saltwater chlorinator that combines the proven benefits of Nature² for the ultimate swimming experience. Nature² is the perfect supplement for salt systems. It helps maintain pH levels for the best water quality, while reducing wear and tear on the salt cell.

- Dependable, proven AquaPure® cell technology
- Easy access to cell and mineral cartridge
- Engineered to commercial standards
- For inground pools up to 40,000 gallons
- Power pack and cell kit sold separately

Fusion Control Panel	D4226
Nature ² Fusion Soft Cell Kit 700	A3327
Nature ² Fusion Soft Cell Kit 1400	A3328



A3328

Professional G

Nature² ® sanitizer vessel for inground pools.

- Superior water quality with lower chlorine requirements
- Controlled Release Technology (CRT) ensures optimal mineral levels with no staining
- Eco-friendly system reduces potential for red eyes, skin irritations, and unpleasant odors

A3230



A3230b

Professional G Replacement Cartridges

G25 Replacement Cartridge	Up to 25,000 Gallons	4 Per Case	A3235
G35 Replacement Cartridge	Up to 35,000 Gallons	4 Per Case	A3240
G45 Replacement Cartridge	Up to 45,000 Gallons	4 Per Case	A3245

Nature² Express

Nature² Express is a simple mineral dispensing system for inground or aboveground pools that automatically releases the right amount of Nature² minerals for a cleaner, clearer swimming experience. The system includes the vessel and mineral cartridge.

- Installs easily on existing pools with no extra parts or system upgrades
- Effective mineral sanitation at reduced chlorine levels
- Controlled Release Technology (CRT) ensures optimal mineral levels with no staining
- Eco-friendly system reduces the potential for common discomforts, and unpleasant odors

Nature ² Express Above Ground (Special Order Only)	A3256
Nature ² Express In Ground	A3258



A3258

Nature² Express Replacement Cartridges

A3257

Nature² Mineral Sanitizers

REPLACEMENT CARTRIDGES

M25 Premium In-Ground Replacement Cartridge

PACKING
4/CaseITEM NO.
A3220

A32888

CARTRIDGE FILTER PURIFIERS

CF CF for Cartridge Filters

6/Case

A3251

Purifying System for Cartridge Filters

Fits most Cartridge Filter Systems
6/Case

A3288

SPA PURIFIER UNITS

SPA12

Nature 2 Spa 12/Case

A3250

Up to 1,000 Gallons

SPA36

Nature 2 Spa 36 Pack

A3255

Up to 1,000 Gallons



A3255

Fusion Feeder Parts

Fusion Large Collar

R0502300

A3320

Fusion Small Collar

R0502400

A3321

Fusion O-Ring Kit

R0502500

A3315

Fusion Collar O-Ring

R0586400

A3325

Fusion Tri-Lobe O-Ring

R0586300

A3323

Fusion Tab Feeder Assembly

R0502600

A3319

Fusion Tab Feeder O-Ring

R0586200

A3322

Fusion Tab Feeder Handle

R0502700

A3326

Fusion Tail Piece Kit

R0452100

A3316



A3316

NATURE 2 VESSEL (FEEDER) PARTS

O- Ring for 1 Piece Cap

A3302

O - Ring for 2 Piece Cap

A3324

Life Indicator for Professional "G" Unit

A3330

Inlet Port for Professional "G" Unit

A3348

Gasket for Professional "G" Unit

A3350

Inlet/Outlet O - Ring (2 Needed for Professional "G" Unit)

A3352

Flow Controller for Professional "G" Unit

A3354

Outlet Port for Professional "G" Unit

A3358

Inlet/Outlet Port Assembly Complete Professional "G" Unit

A3360



A3348

NEW NATURE² OXYGEN INFUSED AROMAS FOR SPAS

Pack of Four 2 lb Bottles (Non-Chlorine Shock)

Island Pleasures

A3270

Simple Rituals

A3271

Quiet Escape

A3272

Divine Secrets

A3273

Variety Pack

A3274



3274



3270



3271



3272



3273

King Technology

	PACKING	ITEM NO.	
ABOVE GROUND CYCLER			
Model #120 In-Line Feeder for Above Ground Pools 1-1/2" Up to 18,000 Gallons		C1297	
New Water Cyclor Pak 105C-3 for Above Ground Pools	#01-03-1413	C1240	
IN- GROUND CYCLER			
Model #400 In-Line Feeder - 2" for Pools up to 40,000 Gallons.	NSF Listed	C1294	
Model #430 Off Line Feeder for Pools up to 25,000 Gallons		C1268	
New Water Cyclor Pak 407C3 for InGround 3 x 6.16Lb./Cs.	#01-03-4613	C1241	
COMMON PARTS & ACCESSORIES			
Cap with O-Ring for ALL Above Ground Models	#01-22-1418	C1214	
Cap/Control Dial Wrench (Large)	#01-22-8870	C1231	
Cap/Control Dial Wrench (Small)	#01-22-9790	C1232	
Control Dial / O-Ring Set for 100/130/5100	#01-22-1456	C1233	
Replacement Cap w/ O-Ring	#01-22-9417	C1234	
Knob with O-Ring for Frog Cyclor 5100/5400/5430	#01-22-9946	C1243	
Silicone Lubricant - 3/4 Oz.	#01-22-9970	C1256	
Control Dial with O-Ring Kit for 100 Cyclor	#01-22-1446	C1257	
O-Ring for Cap	#01-22-1926	C1267	
Universal Tune up Kit for Above Ground Feeders	#01-22-1470	C1271	
6' PVC Tubing	#01-22-7700	C1272	
Universal Tune Up Kit for In-Ground Cyclor	#01-22-9950	C1273	
O-Ring for Cap	#01-22-9926	C1282	
Pressure Relief Valve	#01-22-9486	C1285	
Control Dial without O-Ring for Cyclor 400/430/600/630	#01-22-9446	C1286	
Control Dial O-Ring Set for In Ground Feeders	#01-22-9456	C1287	
Knob with O-Ring for Cyclor 400/430 Feeders	#01-22-9946	C1288	
Mini Mizer Algae Preventative One dose Prevents Algae Growth for 3 Months Handles up to 20,000 Gallons - Qt. Bottle	12/Cs.	C1246	



C1241



C1231



C1288

AQUA SMART CYCLER PACS for Above Ground Pools

Algae / Shock Kit #01-11-7300 Contains 32 Oz. - 90 Day Prevent Algaecide & 2 - 2 lb. Btl. Non-chlorine Shock & Clarifier		C1224	
Aqua Smart Mineral Reservoir	#01-13-5712	C1244	
Chlorine Bac Pac 2.5 Lb. - Fits inside Mineral Reservoir	12/Cs.	C1250	
Aqua Smart 4.16lb Chlorine Pak	3/Cs.	C1251	

FROG MINERAL SYSTEMS

Frog Above Ground Package

Includes #6100 Frog Cyclor and Frog Mineral Reservoir in One Package
Up to 25,000 Gallons

Model # 5100 In-Line Frog Cyclor Only

ITEM NO.
C1226



C1216

C1227

Frog In-Ground Package

Includes #5400 Frog Cycler and Frog Mineral Reservoir in One Package
Up to 40,000 Gallons

ITEM NO.
C1227

Frog In-Ground (Off-Line) Package

Includes #5430 Cycler and Frog Mineral Reservoir in One Package.
For Off-Line Installation Only
Up to 40,000 Gallons

C1228

Model #5430 Off-Line Frog Cycler Only
Model #5450 XL - Pro

C1221
C1238



C1238

FROG RESERVOIRS

Above Ground Mineral Reservoir

(Fits #5100 Series Frog Cycler)
Pre-Filled canister with minerals for 6 months of continuous water purification.

C1219

In-Ground Mineral Reservoir

(Fits #5400 Series Frog Cycler)
Pre-Filled canister with minerals for 6 months of continuous water purification.

C1229

Frog Bac Pac

(Fits #5100 & #5400 Series Frog Cyclers)
Pre-Filled with 2.4375 Lbs. of Trichlor

(12/Case)

C1225

Frog Bam

(For use in either Pool Frog Cycler & Reservoir #5100 or #6100)
Unique mineral formula for preventing algae.
Guarantees 90 days of algae free water

(12/Case)

C1245



C1219



C1225

SPA PRODUCTS

PACKING

Spa Frog Floating System
(Includes Mineral & Bromine)

(12/Case)

C1220

Spa Frog Mineral Cartridge

(12/Case)

C1218

Spa Frog Bromine Cartridge

(12/Case)

C1217

SPA MINERAL PURIFIER

Spa Frog

(Fits Most Cartridge Filters)
Lasts 4 Months, Works with Bromine or Chlorine

(2 x 12 packs/Case)

C1222

Spa Mineral Purifier

1 x 12

C1236



C1218



C1222



C1236

GLB Specialty Pool Chemicals

Algae Control

		PACKING	ITEM NO.
Algimycin "3000"	Multi-Purpose Algaecide	12 x 1 Qt. Bottles	A5058
Algimycin "2000"	Multi-Purpose Algaecide	12 x 1 Qt. Bottles	A5056
Algimycin "2000"		4 x 1 Gal. Bottles	A5057
Algimycin "600"	Triple-Action 60% Algaecide	12 x 1 Qt. Bottles	A5053
Algimycin Yellow	Eliminates Yellow Slime	12 x 2 Lb. Bottles	A5012+
Algae-X	Non-Foaming 30% Polymer Algaecide	12 x 1 Qt. Bottles	A5003
Strike Out	Copper Based Mustard Algae Control	12 x 1 Qt. Bottles	A5004
Ultima	All in One Algaecide & Shock	6 x 3 Lb. Bottles	A5000
Ultima	Enzyme Clarifier	6 x 1/2 Gal. Bottles	A5001+



A5058

Water Clarifiers

Clear Blue	Highly Concentrated Clarifier	12 x 1 Qt. Bottles	A5026
Clear Blue		4 x 1 Gal. Bottles	A5054
Party Blue	Blue Pool Water Dye	12 x 8 Oz. Bottles	A5027
Natural Clear	Natural Enzyme Action Clarifier	12 x 1 Qt. Bottles	A5021+
Natural Clear		4 x 1 Gal. Bottles	A5095+
Drop N' Vac	Non-Alum Flocc	12 x 1 Qt. Bottles	A5049



A5003

Pool Opening Kit & Water Treatment

Calcium Hypochlorite Chlorinating Capsules		35 Lb. Pail	A5113
X-Change	Converts Biquanide Pools	12 x 1 Qt. Bottles	A5036+
GLB Pool Start Up Kit		2 X 1 Kit	A5087+



A5026

Stain Prevention & Mineral Control

Sequa Sol	Inorganic Sequestering Formula - Liquid	12 Qt. Bottles	A5015
Super Sequa Sol	Concentrated Stain Prevention - Gran.	12 x 2 Lb. Bottles	A5016
Super Sequa Sol		2 x 20 Lb. Bottles	A5017
Stain Magnet	Eliminates Metallic Stains	12 x 2.5 Lb. Bottles	A5097
Stain Magnet System		6 Sys./Case	A5099+



A5027

Filter & Surface Cleaner

Filter Cleanse	Removes Grease, Oils & Scale	12 x 2 Lb. Bottles	A5020
Filter Cleanse	Removes Grease, Oils & Scale	2 x 20 Lb. Pails	A5030
Filter Rinse	Cartridge Cleaner	12 x 1 Qt. Bottles	A5088
Cover Care	Cover Cleaner, Deodorizer	12 x 1 Qt. Bottles	A5086
Bug Out	Removes Insects from Water	12 x 1 Qt. Bottles	A5084+

+ Limited Stock



A5016



A5020



A5088



A5097

GLB RENDEZVOUS SPA PRODUCTS

Sanitizers

	PACKING	ITEM NO.
Chlorine Concentrated Granular	12 x 2 Lb. Bottles	A5035L
Leisure Time Enhance	12 x 2.2 Lb. Bottles	A5024L
Leisure Time Spa 56 Chlorine	12 x 1 QT. Bottles	A5040
Leisure Time Renew	6 x 5 Lb.	A5034L
Leisure Time Renew	6 x 5 Lb. Bottles	A5050L
Activate <i>Shocks & Releases Bromide from Enhance</i>	12 x 2 Lb. Bottles	A5048
Renew Granular	12 x 2.2 Lb.	A5048L
Broma-Start <i>For Initial Bromide Reserve</i>	12 x 2 Oz. Pks	A5031
Leisure Time Sodium Bromide	6/2 Oz.	A5031L
Leisure Time Spa Care Kit Bromine	6 Kits/Case	A5041L
Spa Care Kit <i>(Bromine) Includes Video</i>	4 Kits/Case	A5041
Spa Care Kit <i>(Chlorine)</i>	4 Kits/Case	A5046
Leisure Time Start-Up Kit	6 Kits/Case	A5046L



A5041



A5031

Water Treatment

Leisure Time Bright & Clear	12 x 1 Qt. Bottles	A5078L
Spa Clarifier	12 x 1 Qt. Bottles	A5078
Foam Out <i>Prevents & Eliminates Foam</i>	12 x 1 Qt. Bottles	A5070
Leisure Time Foam Out	12 x 1 Pt. Bottles	A5070L
Leisure Time Foam Down	12 x 1 Qt. Bottles	A5076L
Foam Out	12 x 1 Qt. Bottles	A5976
Foam Out	4 x 1 Gal. Bottles	A5077
Spa Increase <i>Raises pH & Alkalinity Easily - Liquid</i>	12 x 1 Pt. Bottles	A5043
Liquid Calcium Hardness Up <i>Protects Equipment</i>	12 x 1 Qt. Bottles	A5051L
Natural Clear <i>Enzyme Action Scum Remover</i>	12 x 1 Pt. Bottles	A5037
Alkalinity Up <i>Raises Water Alkalinity</i>	12 x 1 Lb. Bottles	A5066
Leisure Time Alkalinity Up	12 x 2 Lb. Bottles	A5066L
Leisure Time Granular pH Up	12 x 2 Lb. Bottles	A5063L
Leisure Time Granular pH Down	12 x 2.5 Lb.	A5064L



A5078

Surface & Equipment Maintenance

Protect Plus <i>Protects Against Stains, Scale & Rust</i>	12 x 1 Pt. Bottles	A5061
Leisure Time Metal Gone/Defender	6 x 2 x 1 Pt.	A5061L
Protect Plus	12 x 1 Qt. Bottles	A5060
Leisure Time Defender	12 x 1 Qt.	A5060L
GLB Rendezvous Spa Decrease	12 x 1 Pt.	A5044
Leisure Time Filter Cleaner	12 x 1 Pt.	A5028L



A5077



A5060



A5043



A5061









A5066



NATURAL CHEMISTRY

PRO SERIES® – Commercial Specialty Chemicals

	<i>PACKING</i>	<i>ITEM NO.</i>	
Prozymes® Pool	4 x 1 Gal. Bottles	A6560	
	5 Gal.	A6561	
Pro Blend Enzyme & Phosphate Removal	1 Gal. Bottles	A6564	
Pro Blend Enzyme & Phosphate Removal	5 Gal. Pail	A6565	
Natural Chemistry Pro Liquid Cover	1 Gal. Bottles	A6566	
Pipe Purge™	4 x 1 Gal.	A6524	
<ul style="list-style-type: none"> • Cleans pool and spa plumbing of built up non-living organic waste using SMARTZyme™ technology • Removes the cause of many pool and spa water quality issues • Cleans where you can't! • Quickly and effectively purges the pool system of pre-existing non-living organic buildup • Works great as a regenerative filter cleaner • Cleans the septumes, tanks, & other internal components of oils, grease and other non-living organic buildup 			
Stainfree™ Extra Strength			
Natural Metal Stain Remover	12 x 1.75 Lb.	A6548	
<ul style="list-style-type: none"> • 100% ascorbic acid-premium stain fighter • Safely removes metal stains from pool liners and finishes • Quickly removes stubborn stains • Compatible with all sanitizing systems 			
CYA Removal Kit 2 Part		A6512	
Algae Break 90®	12 x 1 Qt.	A6544	
<ul style="list-style-type: none"> • Use against blue-green, black & mustard algae • Single treatment lasts 3 months • Non-staining formula 			
PHOSfree Commercial	4 x 3 Liter	A6558	
<i>Commercial Strength Phosphate Remover</i>			
PHOSFree			
<i>Eliminates phosphates from pools</i>			
	6 x 2 Liter Bottles	A6515	
	4 x 3 Liter Bottles	A6516	
PHOSFloc	6 x 4 Lb. Bottles	A6534	
<i>Bulk phosphate remover</i>			
Pool Perfect Concentrate			
<i>Weekly dose prevents scum & waterline ring</i>			
	12 x 1 Liter Bottles	A6521	
	6 x 2 Liter Bottles	A6522	
	4 x 3 Liter Bottles	A6502	
Coral Seas Yellow Out	24 x 28 Oz.	A6568	
Coral Seas Yellow Out	12 x 2 Lb.	A6569	
Coral Seas Yellow Out	8 x 4 Lb.	A6570	
Coral Seas Yellow Out	20 Lb.	A6571	

A6560

A6524

A6548

A6544

A6521

Pool Perfect Concentrate + PHOSFree	12 x 1 Liter Bottles 6 x 2 Liter Bottles 4 x 3 Liter Bottles	A6519 A6525 A6518
Pool Perfect Total <i>PHOSFree plus Clarifier</i>	6 x 2 Liter Bottles	A6503
Pool Magic + PHOSFree <i>Closing dose to assure no algae</i>	12 x 1 Liter Bottles	A6520
Pool Magic Spring & Fall <i>For spring start-up. Eliminates winter waterline ring. Preserves pool liner & finish. Reduces staining</i>	12 x 1 Liter Bottles	A6505
Pool First Aid <i>Gets rid of scum build-up, waterline ring, cloudy water,-clogged filters & chemical odors w/no scrubbing</i>	6 x 2 Liter Bottles	A6500
Metal Free <i>Deactivates, iron, copper & other trace metals without adding phosphates</i>	12 x 1 Liter Bottles	A6529
Clear & Perfect <i>All surface grease, grime & dirt remover</i>	12 x 22 Oz. Bottles	A6509
Scale Free	6 x 1 2 Liter Bottles	A6543
Stain Free	12 x 1.75 Lbs.	A6546
Clear <i>4 in 1 Clarifier</i>	12 x 1 Qt. Bottles	A6545
Perfectly Clear <i>Ultimate 6 in 1 Clarifier</i>	12 x 1 Qt. Bottles	A6538+
Ultima Phos-Fight Plus	12 x 1 Qt. Bottles	A5105
Ultima Nano-Phos-Tablet	(5ea/Tube)	A5106



A6519



A6520



A6500

SPA PRODUCTS

Spa Perfect <i>Helps prevent scum & waterline buildup. Ends soaking & scrubbing of cartridge filters</i>	12 x 1 Pt. Bottles 12 x 1 Liter Bottles 6 x 2 Liter. Bottles	A6506 A6507 A6513
Spa Purge <i>Removes organic wastes from the plumbing</i>	12 x 1L.	A6523
One Step Bromine <i>Concentrate</i>	2 x 12 Lb.	A6510



A6523

SALT WATER KITS

Salt Water Start-Up Kit <i>Multi-mineral mix for chlorine generators. Treats 6,000 gal.</i>	4/Cs 8 x 1Lb. Bag	A6526
Salt Water Monthly Kit <i>Establishes and maintains mineral/salt levels required for proper generator performance. Treats 20,000 gal.</i>	4/Cs 8 x 1Lb. Bag	A6528
Liquid Salt Water Magic <i>Removes Phosphates and Organics</i>	1L/33.9 Oz.	A6531



A6531



JACK'S MAGIC PREVENTION

The Blue Stuff (Copper Problems) <i>Super strength sequestering agent. Helps remove stains & scale in older pools.</i>	12 x 1 Qt. Bottles	A6710
The Pink Stuff (Metal Problems) <i>Recommended start-up product for stain & scale prevention. Controls plaster dust.</i>	12 x 1 Qt. Bottles	A6700
The Ionizer Stuff (Aids Ionization Systems) <i>Designed to prevent staining w/copper sanitation systems. Helps keep water soft & crystal clear.</i>	12 x 1 Qt. Bottles	A6720
The Purple Stuff (For Salt-Water Pools) <i>Recommended for pools in which traditional sequestering agents don't work due to high salt levels.</i>	12 x 1 Qt. Bottles	A6730
The Vinyl Liner Blue Stuff <i>Helps prevent metal stains (including copper) and scaling in new vinyl pools.</i>	12 x 1 Qt. Bottles	A6712
The Magenta Stuff <i>The Magenta Stuff is the most advanced start up and stain-fighting product available for a beautiful stain-free pool. The Magenta Stuff is 50% Stronger than other leading products; 1 quart treats 15,000 gallons.</i>	12 x 1 Qt. Bottles	A6728
The Sapphire Stuff <i>Produces super clear water fast through a highly effective "4 x 1" action. The rich sapphire blue formulation combines a powerful clarifier, sequesterant, chelating agent and flocculent in one convenient product. The Sapphire Stuff helps prevent scaling, staining, scum line buildup and foaming in swimming pools and spas.</i>	12 x 1 Qt. Bottles	A6705



A6710



A6730



A6705

MAINTENANCE

Surface Magic	12 x 2 Oz.	A6745
The All Fixed Up Stuff (Weekly Maint.) <i>An extra strength clarifier to make pool water sparkle. Enhances chlorine's ability to prevent algae growth.</i>	12 x 1 Qt. Bottles	A6770
The Clean Stuff (Clean Water Solution) <i>Enzyme pool water cleaner. Helps prevent & remove buildup caused by lotions & oils.</i>	12 x 1 Qt. Bottles	A6722
The Yellow Stuff (All-Purpose Algaecide) <i>Quickly eliminates algae breakouts. Safe to swim 2 hours after treatment.</i>	12 x 2 Lb. Bottles	A6766



A6770

REMOVAL

The Step Stuff (Yellow-Brown Stains) <i>Removes yellow-brown stains from vinyl liner pool steps.</i>	12 x 8 Oz. Bottles	A6760
Stain Solution # 1 (Iron, Cobalt & Etching) <i>Removes iron, cobalt and spot etching stains from all types of pool surfaces without draining pool.</i>	12 x 2 Lb. Bottles	A6732
Stain Solution # 2 (Copper & Scale) <i>Removes copper stains and scale from all types of pool surfaces without draining the pool.</i>	4 x 5 Lb. Bottles 4 x 10 Lb. Pail	A6738 A6740
Power Blue Scall Off	1 x 12 Quarts	A6724
Power Blue Cartridge & De Filter Cleaner	32 Oz.	A6725
O2 Safe Shock (Non-Chlorine Shock) <i>Helps remove gray/black copper stains.</i>	4 x 5 Lb. Bottles	A6726
After Shock (Chlorine Reducer) <i>Used in stain removal system</i>	(24-1 Lb. Bags)	A6716




A6760






A6750

TESTING

Topical Test Kit (Stain Identification) Designed to take all the guesswork out of removing swimming pool stains.	Each	A6750	
Sequest Test Kit Measures working sequestering agents	Each	A6752	
Sequest #1 Tablet	(Pack of 100)	A6753	
Sequest #2 Reagent	(Each)	A6754	

SEA-KLEAR

SEA-KLEAR Phos-Klear 4000	12 x 1 Quarts	ITEM NO. A7146	
SEA-KLEAR 4-In-1 Clarifier for Pools Made from crab shells (Cobalt Blue). Natural Clarifier - Attracts organic debris with chitosan & carries it to the filter. Also traps stain-causing heavy metals & helps improve filter efficiency.	12 x 1 Qt. Bottles 24 x 4 Oz. Bottles	A7136 A7139	
SEA-KLEAR 90 Day Algaecide Non-foaming, organo-copper formula for all strains of algae.	12 x 1 Qt. Bottles	A7133	
SEA-KLEAR Bromine Spa Care Kit (Clearance Items!) Bromine based spa starter kit for easy care of spas.	1 x 6 1 x 6	A7740 A7741	
SEA-KLEAR Particle Removal System Kit #11300011 # 1130002	2 x 1 Quart Sets 2 x 1 Gallon Sets	A7131 A7134	
SEA-KLEAR Filter Cleaner	12x1 Quarts	A7143	
SEA-KLEAR Metal Klear	12x1 Quarts	A7144	
SEA-KLEAR Natural Stain Remover	12x2 Lb.	A7145	

A7146

A7136

A7133


A6651

AURACO

POOL WINTER GUARD AND SPRING STARTER PHOSPHATE CONTROL	6 x 1 Qt. Bottles	A6651	
<i>Helps keep waterlines and organic substances from forming. Reduces organic stains and odors. Makes spring clean-up easy, reducing foreign substances which normally form in pool water over the winter months. Spring water lines just wipe off and no green water. Eliminates phosphates. Dissolves the oily surface of algae to help chlorine attack and eliminate algae. Protects water during summer season.</i>			

A3905

JONAS

Keetrol Plus <i>Liquid stain prevention</i>	12 x 1 Qt. Bottles	A3905	
Ascorb-X ascorbic acid <i>Granular product removes stains from bottom of pools. Safe to use for concrete & vinyl pools.</i>	12 x 2 Lb. Bottles	A3910	
Saltique Restore <i>Helps prevent build-up of Scale, Oil, and Mineral Deposits that tend to lessen the life of the salt generator cell.</i>	12x1Qt.	A7750	

A3910

JONAS WINTER ITEMS

On Guard 7500 Gallon Kit	6 x 1 Boxes	A3931
On Guard 15000 Gallon Kit	6 x 1 Boxes	A3933
On Guard 30000 Gallon Kit	2 x 1 Boxes	A3936
On Guard 30000 Gallon Mesh Kit	2 x 1 Boxes	A3940
Winterizing Algaecide	6 x 1 Gallon	AA1576
On Guard Foam Floating Collar		A3938



A3144

UNITED CHEMICALS

	PACKAGING	ITEM NO.
Easy Acid <i>Lowers total alkalinity & pH</i>	45 x 1 Lb. Bags	A3144
Easy pH <i>Raises pH strongly & alkalinity weakly</i>	40-6 Oz. Bags	A3142
No Drain Acid Wash - 20,000 Gal. Kit <i>Removes stains on any pool surface</i>		A3152
No More Problems <i>Prevents start or return of algae slim & mold</i>	12 x 1 Quarts	A3128
Pool Stain Treat <i>Removes stains caused by metals</i>	48 x 4 Oz. Bags 12 x 2 Lb. Bottles	A3132 A3134
Black Treat <i>Controls black algae</i>	12 x 3 Lb. Bottles	A3116
Green Treat <i>Controls green algae</i>	12 x 2 Lb. Bottles	A3118
Pink Treat <i>Controls red & pin algae</i>	12 x 2 Lb. Bottles	A3120
Yellow Treat <i>Yellow & mustard algae killer</i>	12 x 2 Lb. Bottles	A3114
Cobalt Cure <i>Removes brown, gray & blue stains on fiberglass</i>	12 x 1 Quarts	A3138
Winter Treat	12 x 1 Quarts	A3939
Winter Closing Kit <i>Winter Treat & #2 Stain Treat</i>	6 x 1 Boxes	A3158
Swamp Treat	12 x 1 Lb. Bottles	A3154
No Mor Muriatic-Acid	12 x 2.5 Lb. Bottles	A3156



A3128



A3132



A3118



A3120



A3154



A3156



A3116



A3114

Earth Science Labs

Algeshield	12 X 1 Qt. Bottles	A3000
Enzypure	12 X 1 Qt. Bottles	A3002
Metal Shield	12 X 1 Qt. Bottles	A3004

Easy Care

New Pool Startup Treatment	1/2 Gal. Bottles	A3420
Beautec Salt Cell Protector & New Pool Startup	1/2 Gal. Bottles	A3425
Scaletec Plus Calcium Pool Descaler, Iron & Scum Remover & Preventative	1/2 Gal. Bottles	A3430
Algatec Super Algaecide-Clarifier	12 x 1 Qt. Bottles	A3434
Algatec Super Algaecide-Clarifier	1/2 Gal. Bottles	A3435
Pooltec Multi-Task Poolwater Treatment	12 x 1 Qt. Bottles	A343
Pooltec Multi-Task Poolwater Treatment	1/2 Gal. Bottles	A3440



A3000

Culator Metal Eliminator

Stain Preventer 1.0	(1 Bag Each) 6 To A Box	A3170
Spring Opener Stain Preventer 1.5		A3172
Ultra Powerpak W/Gator Egg 4.0 Stain Preventer		A3174
Gator Protective Egg Only		A3178



A3002



A3420



A3425



A3004



A3430



A3434



A3178

ACCU-TAB - Tablet Chlorination System

A chlorinating system designed to provide accurate, consistent & controlled delivery of calcium hypochlorite tablets for a wide range of pool, spa & related applications. No need for expensive equipment or bulky drums.



- * *NSF Approved*
- * *Alternative to Chlorine Bleach*
- * *Less Maintenance than Bleach*
- * *Accurate Chlorine Delivery*
- * *Large Delivery Capacity*
- * *No Moving Parts*
- * *Safer than Chlorine Gas*
- * *No Cyanuric Acid Buildup*



Model 3012

	ITEM NO.	
Model 3012 Chlorinator (Clear See-Thru Shell)	A2324	
	For Pools Up to 75,000 Gallons Tablet Capacity - 12 lbs.	
Model 3075 Chlorinator	A2326*	
	For Pools Up to 300,000 Gallons Tablet Capacity - 75 lbs.	
Model 3150 Chlorinator	A2328*	
	For Pools Up to 1 Million Gallons Tablet Capacity - 150 lbs.	

(Non-Refundable Net Deposit)

POWERPAC AT - Chlorination Units

New Accu-Tab sanitizing system that incorporates PPG chlorinator w/1 HP pump & 22 gallon balance tank for below grade & above grade filter rooms. Preplumbed & prewired for easy installation & reliable chlorine delivery. Easily adapts to chlorine controllers. - UL Listed



A2330

Model 3012 PowerPac AT	A2333*
	For Pools up to 75,000 Gallons
Model 3070 PowerPac AT	A2331*
	For Pools up to 300,000 Gallons
Model 3070 PowerPac AT w/Webtrol Pump	A2334*
Model 3140 PowerPac AT	A2330*
	For Pools Up to 1 Million Gallons
Model 3140 PowerPac w/Webtrol Pump	A2332*
Model 3500 PowerBase For High Head Webtrol Pump	A2338*

CHLORINATING TABLETS

Accu-Tab Blue SI Tablets - 55 Lb. Pail A2325
w/Scale Inhibitor (tablet contains 70%)

MODEL 3012 PPG FEEDER PARTS



A2320

PPG 3008 & 3012 Chlorinator lid o-ring	A2359
PPG 3008 & 3012 Chlorinator lid & o-ring	A2360
PPG 3075 Chlorinator lid & o-ring	A2361
PPG 3150 Chlorinator lid & o-ring	A2362
PPG 3075 Chlorinator lid o-ring	A2363
PPG 3150 Chlorinator lid o-ring	A2364
PPG Tablet Canister	A2348
PPG Tablet Canister	A2349
Cap O-ring for N-1001 & N-200	A2337
PPG 1" Kerrick Float Valve	A2321
Adjustable Strap Wrench	A7228
PPG High Limit Switch #M8710	A2320

*Non Stock Item

SOLENOID VALVES AND RELATED PARTS

				ITEM NO.
Zodiac 1"	Solenoid Valve Brass 24V Brass Coil w/Flow Control			A2290
Zodiac 1"	Solenoid Valve Plastic 24V Brass w/Flow Control			A2291
	Coil 24V - D300B2			A2296
	Coil 110/120V - D100P3			A2298
1/8"	CO2 Solenoid Valve - 71215SN1MNOOM0D100P3	110V		A2308
1/4"	CO2 Solenoid Valve - 71215SN1MNOON0D100P3	110V		A2303
3/4"	Solenoid Valve - 7221GBN51N00N0D100P3	24V		A2299
3/4"	Solenoid Valve - 7221GBN51N00N0D1D2P3	110V		A2301
1"	Solenoid Valve - 7221 GBN64N00N0D100P3	110V		A2302
1-1/2"	Parker Solenoid Valve - PASV150B	110V		A2306
3/4"	Valve Rebuild Kit - 7KG03			A2304
1"	Valve Rebuild Kit - 7KG05			A2305
1-1/2"	Parker Rebuild Kit - 7KG08			A2307



A2301

STRAINERS

1/4" x 1/4"	SMS #7083490 In Line Strainer			D7196
	SMS #5580280 Buna Gasket Fits D7196			D7196G
1" x 1"	SMS #7083390 In-Line Strainer			D7198
1/2" x 1/2"	SMS #7080690 In-Line Strainer			D7194
3/4" x 3/4"	SMS #7082890 In-Line Strainer			D7195
1" x 1"	SMS #7083390 In-Line Strainer			D7198
1-1/2"	SMS #573690 Strainer N-1/5-80-B			D7197
	SMS #5580370 Buna Gasket Fits D7197			D7197G
1/4"	SMS #5580330 Inside Strainer Screen			D7199
3/4"	SMS #5730330 Inside Strainer Screen			D7200
1"	SMS #5580420 Inside Strainer Screen			D7201
1-1/2"	SMS #5730070 Inside Strainer Screen			D7202
	SMS #5580220 Clear Plastic Dome for 3/4" Strainer			D7203
	SMS #5580070 Buna Gasket Fits D7203			D7203G
	SMS #5580220 Clear Plastic Dome for 1" Strainer			D7204



D7198



D7204

MAZZEI INJECTORS

MAZZEI #05844 Venturi Injector 3/4"	A2370
MAZZEI #CR-2 Rebuild Kit	A2374



A2370

HAYWARD CONTROLS

PL-PLUS AQUA PLUS CONTROL W/CHLOR. FOR 40K GAL.	D3001
AQR940 AQUA RITE CHLOR 40K CONTROL W/T-CELL-940, FLOW SWITCH	D3066
AQR9 AQUA RITE CHLOR. 25K CONTROL W/T-CELL-9, FLOW SWITCH	D3067
AQR925 AQUA RITE CHLOR 25K CONTROL W/TCELL925, FLOW SWITCH	D3068
AQR3 AQUA RITE CHLOR. 15K HAYWARD AQR3 AQUA RITE CHLOR. 15K CONTROL W/T-CELL-3, FLOW SWITCH	D3069
HAYWARD HCSC60 SALINE GENERATOR COMMERCIAL	D3070
HAYWARD 6.0 SALINE GENERATOR J-BOX	D3072
GVA-24 VALVE ACTUATOR 24 VOLT	D3030
GLX-CELL-UNION UNION, NUT & TAILPIECE 2"	D3031
AQL2-BASE-RF WIRELESS BASE	D3024
P-KIT FLOW SWITCH & UNIONS FOR T-CELL	D3037
GLX-FLO FLOW SWITCH W/2" TEE AND 15' CABLE	D3045
GLX-FLO-RP-25 FLOW SWITCH 25' CABLE (NO TEE)	D3048
GLX-PC-12-KIT TEMP SENSOR KIT W/15' LEADS & HOSE CLAMPS	D3052
GLX-PCB-MAIN AQUA LOGIC MAIN PRINTED CIRCUIT BOARD	D3053
GLX-PCB-RITE AQUA RITE MAIN PRINTED CIRCUIT BOARD	D3054
GLX-PCB-DSP AQUA RITE PRINTED CIRCUIT BOARD DISPLAY	D3055
GLX-PCB-PRO PRO LOGIC MAIN PRINTED CIRCUIT BOARD.....	D3056

PENTAIR INTELLICHLOR

IC60 CELL (UP TO 60,000) GALLONS	D3017
INTELLICHLOR IC20 CELL (UP TO 20,000) GALLONS	D3018
INTELLICHLOR IC40 CELL (UP TO 40,000) GALLONS	D3020
ACID CLEANING KIT	D3019
INTELLICHLOR POWER CENTER FOR SALT CHLORINATOR	D3021
INTELLICHLOR PASS-THROUGH CELL (WINTER/START UP)	D3022
INTELLICHLOR UNION REPLACEMENT (2-PER SET} D3023.....	D3023

JANDY

PLC1400 PURELINK CELL 40K GAL KIT 14 BLADE	V5815
6614AP-L NEXT GENERATION AQUAPURE USER INTERFACE PURELINK SUB PANEL POWER CENTER.....	V5811

CHLORINE GENERATOR SUPPLIES & ACCESSORIES

POOL TOOL ANTI-ELECTROLYSIS 1-1/2" IN-LINE ZINC ANODE	V7189
POOL TOOL ANODE REPL KIT IN-LINE ANTI-ELECTROLYSIS ZINC ANODE	V7190
SACRIFICIAL ANODE FOR LIGHT/NICHE W/ BONDING SCREW	V7192
SACRIFICIAL ANODE SKIMMER WEIGHT	V7193
SACRIFICIAL ANODE - LADDER (PAIR)	V7194
SACRIFICIAL ANODE IN-LINE 1-1/2" NIPPLE W/BONDING SCREW	V7195
SACRIFICIAL ANODE IN-LINE 2"	V7196
SACRIFICIAL ANODE IN-LINE TEE 2"or 1-1/2	V7197
POOL TOOL ANTI-ELECTROLYSIS ZINC ANODE	V7198
POOL TOOL ANTI-ELECTROLYSIS 2" NEW INSTALL IN-LINE ZINC ANODE	V7199
POOL TOOL #104-A ANTI-ELECTROLYSIS BASKET WEIGHT	V7213
POOL TOOL ANTI-ELECTROLYSIS 2" IN-LINE ZINC ANODE.....	V7216

SALT FOR CHLORINE GENERATORS

Used In chlorine generation & water softening

Granular 40 Lb. Bag	D5502
Aqua Salt 40 Lb. Bag	D5501

CAT CONTROLLERS

- * **Digital Design Technology**
- * **Compatible w/ Existing Chemical Feeders**
- * **Waterproof Touch-Screen Front Panel**
- * **Simple Installation & Operation**
- * **Visual & Audible Safeguard Alarms**
- * **5 Year Warranty on Controller**



		ITEM NO.
CAT2000	-pH/ORP Controller Complete w/ Sensors <i>Microprocessor-based automated controller</i>	V4620
CAT Pro-Pack	-Pre-assembled Automation System <i>Cat 2000 controller & AC075 flowcell w/rotary flow sensor on 24" pvc backboard</i>	V4633
CAT 4000	-Wireless Controller.....	V4624
CAT 4000	-cell w/cell transceiver-package w/machined flowcell & RFS	V4677
CAT RA015	-Remote Antenna 15' Cable and Mounting Bracket.....	V4644



V4628 Flow Cell w/Rotary Sensor



V4626 Flow Sensor

Flow Cell w/ Rotary Flow Sensor	V4628
<i>Machined acrylic flow cell kit w/ pre-installed rotary flow sensor</i>	
1.07/4" Ball Valve MxF	A2329
<i>For CAT flowcell</i>	
3 Year pH/ORP Probe Set	V4668
<i>#PRO30/PRO35</i>	
In-Line pH Sensor	V4629
<i>Heavy duty 1/2" NPT (2 year warranty)</i>	
In-Line ORP Sensor	V4630
<i>Heavy duty 1/2" NPT (2 year warranty)</i>	
IN-LINE pH SENSOR H.D.	V4660
<i>1/2" NPT W/10' WIRE</i>	
IN-LINE ORP SENSOR H.D.	V4662
<i>1/2" NPT W/10' WIRE</i>	
24 Volt Solenoid Valve (Brass)	V4625
<i>For use w/ erosion or PPG feeders, 3/4"</i>	
Flow Sensor (Pressure)	V4626
<i>Disables feeding during low-flow conditions</i>	
Flow Sensor (Rotary)	V4664
<i>Disables feeding during low-flow conditions</i>	
Locking Enclosure Option	V4627
<i>Recessed enclosure with 2 keys</i>	

CAT BLUE ROTOR & CERAMIC PIN FOR FLOW SENSOR **V4665**

STANDARD CO2 SYSTEM

Ideal for Small to Medium Pools & Spas. Adjustable Output control.

AC004 **V4632**

HIGH OUTPUT CO2 SYSTEM

Ideal for Medium to Large Pools. Adjustable Output Control.

AC005 **V4642**



Standard CO2

HAYWARD CHLORINATORS & BROMINATORS

Smaller Capacity Feeders

Hayward CL110ABG Off-Line Chlorinator 4.2 Lb. Capacity (for Above Ground Pools)	ITEM NO. C1061
Hayward CL110 Off-Line Chlorinator 4.2 Lb. Capacity	C1088
Hayward CL100 In-line 1-1/2" Chlorinator 4.2 Lb. Capacity	C1058
Hayward CL220ABG Off-Line Chlorinator 9 Lb. Capacity	C1057
Hayward CL220 Off-Line Chlorinator 9 Lb. Capacity	C1081
Hayward CL200 In-Line 1-1/2" Chlorinator w/ base 9 Lb. Capacity	C1079
Hayward CL200-2S In-Line 2" Chlorinator 9 Lb. Capacity	C1059
Hayward CL220 BR Off-Line Brominator 9 Lb. Capacity	C1062



C1088



C1081

CHLORINE & BROMINE TABLET DISPENSERS



C1082



C1070

Rainbow Chlorine Dispenser #330 C1082

Chlorine Dispenser - Small (Pool Master) C1070

Chlorine Dispenser - Large (Pool Master) C1071



B2030

CMP Spa Dispenser Bottom Load Blue C1064

Derby Duck - Spa and Small Pool (Bromine Dispenser) B2030



C1063

Spa Chlorine/Bromine Dispenser #335 C1063



C1072

Blue Devil Tall Chlorine Dispenser C1072

Foam Collar for 4 Lb. Cartridge A3938



**BLUE WHITE PERISTALTIC INJECTOR PUMPS
FLEXFLO A-100N SERIES
HIGH PRESSURE CHLORINATORS**

Equipped with solid state percentage timer with dial type feed adjustment. Operates under Higher Pressure up to 100 PSI. Self-priming, even against line pressure. Offers fast, convenient tube changes with no valves or seals. Long Tube Life.

GALLONS PER DAY	MODEL NO.	DESCRIPTION	ITEM NO.
4.9	A1N10A-4T	Blue-White High Pressure Chlorinator	C1022
6.8	A1N00A-6T	Blue-White High Pressure Chlorinator	C1021
9.5	A-1N30A-4T	Blue-White High Pressure Chlorinator	C1018
16.0	A1N10A-6T	Blue-White High Pressure Chlorinator	C1023
24.0	A1N20A-6T	Blue-White High Pressure Chlorinator	C1025
30.1	A1N30A-6T	Blue-White High Pressure Chlorinator	C1027
52.5	A1N10A-7T	Blue-White High Pressure Chlorinator	C1029
76.1	A1N20A-7T	Blue-White High Pressure Chlorinator	C1031
95.1	A1N30A-7T	Blue-White High Pressure Chlorinator	C1033

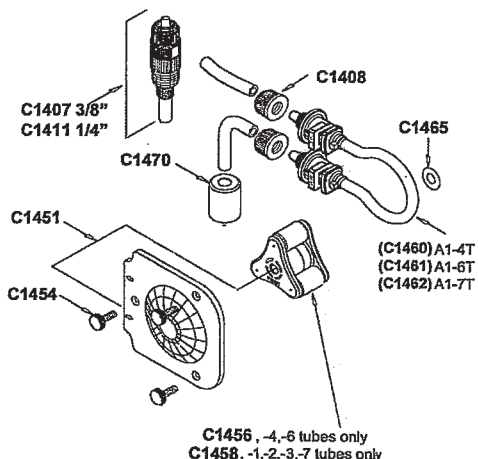
72000-550

Pump Tubes for A-100N Series

A1-4T	1/4 Pump Tube Assembly	C1401
A1-6T	3/8 Pump Tube Assembly	C1461
A1-7T	7/17 Pump Tube Assembly	C1462
	Retro Fit Kit Pump Head Cover w/Spacer Pad	C1464

Parts & Accessories for B/W Chlorinators

A-002-4 Pump Tubing Assembly	1/4"	C1401	
A-002-6 Pump Tubing Assembly	3/8"	C1400	
A-002-7 Pump Tubing Assembly	7/16"	C1418	
A-002-6N	Neoprene Tubing Assembly	3/8"	C1410
A-002-7N	Neoprene Tubing Assembly	7/16"	C1417
A-014HD-4A	Anti-Syphon 1/4" Injection Check Valve (Heavy Duty)	C1411	
A-014HD-6A	Anti-Syphon 3/8" Injection Check Valve (Heavy Duty)	C1407	
Threadless Injector Fitting	1-1/4" - 2" x 3/8"	C1432	
Threadless Injector Fitting	1-1/4" - 2" x 1/4"	C1433	
Threadless Injector Fitting	2-1/2" x 3/8"	C1434	
Threadless Injector Fitting	3" x 3/8"	C1436	
Threadless Injector Fitting	4" x 3/8"	C1438	
Threadless Injector Fitting	6" x 3/8"	C1440	
Threadless Injector Fitting	8" x 3/8"	C1442	
C-340N-6V	Foot Valve/Strainer for 3/8" Tubing	C1450	
C-346	Ceramic Weight	C1470	
Retro-Fit Kit to use old pump tubes with the new pump head		C1463	



Roller Assembly for 4T and 6T Tubes	C1456
Roller Assembly for 7T Tube	C1458



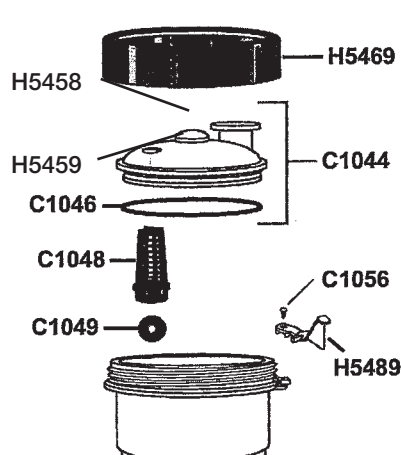
C1018



C1461

HIGH CAPACITY CHLORINE AND BROMINE FEEDERS

	ITEM NO.
Rainbow/Pentair Auto Chlorinator # 300-29X Holds 29 large or 237 small tabs <i>Treats from 80,000 up to 322,000 gallons</i>	C1040
Rainbow/Pentair Feeder Installation Kit for # 300-29X High Capacity Feeder	C1055
Rainbow/Pentair Auto Chlorinator # HC-3315 For 1" hard plumbing installations. <i>Holds 15 lbs. of tabs. Treats up to 20,200 gallons w/Bromine and up to 97,600 gallons with Trichlor.</i>	C1041
Rainbow/Pentair Auto Chlorinator # HC-3330 For 1" hard plumbing installations. <i>Holds 30 lbs. of tabs. Treats up to 40,000 gallons w/Bromine and up to 160,000 gallons with Trichlor.</i>	C1042
Rainbow/Pentair Auto Chlorinator # HC-3340 For 1" hard plumbing installations. <i>Holds 40 lbs. of tabs. Treats up to 61,000 gallons w/Bromine and up to 332,000 gallons with Trichlor.</i>	C1043
Rainbow/Pentair R172082 Flow Indicator	C1039
Rainbow/Pentair RDF3607 Flow Meter .50-51gph - 1" Threaded	H7049
Rainbow/Pentair R172214 Lock ring for cartridge filters	H5469
Rainbow/Pentair R172385D Lid w/O-Ring for high capacity auto feeders.	C1044
Rainbow/Pentair R172240 Lid O-Ring (only) for high capacity auto feeders.	C1046
Rainbow/Pentair R175251 Screen for high capacity auto feeders.	C1048
Rainbow/Pentair R172435 Ball check for high capacity auto feeders.	C1049
Rainbow/Pentair R172375 Lock Screw	C1056
Rainbow/Pentair R172374 Lock Spring	H5489



ROLA-CHEM CHLORINATORS

Pro-Series with Plastic Construction
One Year Limited Warranty



GALLONS PER DAY	MODEL NO.	DESCRIPTION	ITEM NO.
9.6	RC-25/50	Rola-Chem Chlorinator	C1001
40.0	RC-103 SC	Rola-Chem Chlorinator	C1000
80.0	RC-503 SC	Rola-Chem Chlorinator	C1007

Parts for Rola-Chem Chlorinators

Silicone Feed Tube R-115S	(523115)	C1010
Plastic Injection Fitting Assembly	(527159)	C1379
E-Z Glide Silicone Lubricant	(523102)	C1011
Hose Weight	(523110)	C1318
Brass Injector	(527158)	C1373
Rola-Chem Complete Hose Assembly	(523118)	C1331



ASTRAL FEEDER

Astral In-Line Auto Feeder	C1045
Astral Off-Line Table/Stick Chemical Feeder	C1047

CUSTOM MOLDED

CMP Chlorinator Off-Line W/ Clear-Lid Powerclean Ultra	C1620
CMP Chlorinator In-Line W/ Clear-Lid Powerclean Ultra	C1622
CMP Chlorinator In-Line W/Base 50k Clear-Lid Powerclean Ultra	C1624
CMP Chlorinator Mini Power Clean For 5 To 20,000 Gallon	C1626

RAINBOW CHLORINATOR



Rainbow Spa Feeder #302	C1080
Rainbow Auto Chlorinator #300 Off-Line	C1085
<i>Holds 11 Large or 98 Small Tablets -- NSF Listed</i>	
Rainbow Auto Chlorinator #320 In-Line	C1086
<i>Holds 11 Large or 98 Small Tablets - NSF Listed</i>	
Rainbow Installation Kit for #300 & #320 Inline Chlorinators	C1054



STENNER CHLORINATORS



Peristaltic Chemical Feeders

A high quality, rugged chemical feeder highly resistant to the most corrosive chemicals. Stenner chlorinators are self-priming & feature mechanical control with peristaltic action for precise outputs. For ease of maintenance or replacement, all major feeder components can be easily disassembled without using tools.

Fixed Feed Rate

GALLONS PER DAY			
22*	Stenner Model 45M3	(#3 Tube Size) with 1/4" Accessories	C1385

Adjustable Feed Rate Controls

2.5 to 50*	45M5	(#5 Tube Size) with 1/4" Accessories	C1383
2.5 to 50*	45M5	(#5 Tube Size) with 3/8" Accessories	C1900
4.3 to 85*	85M5	(#5 Tube Size) with 1/4" Accessories	C1384
4.3 to 85*	85M5	(#5 Tube Size) with 3/8" Accessories	C1902
5.0 to 100	100DM5 Double Head	(#5 Tube Size) with 3/8" Accessories	C1904
8.5 to 170	170DM5 Double Head	(#5 Tube Size) with 3/8" Accessories	C1906

*Feeder output may be reduced by replacing pump tube with smaller size

Tube Assemblies For Stenner Feeders



#1 Replacement Tube Assembly with Ends	(Pkg. of 2)	UCCP201	C1915
#2 Replacement Tube Assembly with Ends	(Pkg. of 2)	UCCP202	C1916
#3 Replacement Tube Assembly with Ends	(Pkg. of 2)	UCCP203	C1917
#4 Replacement Tube Assembly with Ends	(Pkg. of 2)	UCCP204	C1918
#5 Replacement Tube Assembly with Ends	(Pkg. of 2)	UCCP205	C1920
Injector 1/4"	(Pkg. of 1)	UCDBINJ	C1921
Injection FTG	(Pkg. of 1)	UCAK300	C1930
1/4" FERRULE	(Pkg. of 10)	UCAK200	C1922
CONNECTING NUT	(Pkg. of 10)	UCAK100	C1924
CHECK VALVE DUCKBILL ONLY	(Pkg. of 2)	UCCVDBO	C1926
ACCESSORY KIT 3/8" WITH #5 TUBE		MAACK-5	C1932
COMPLETE TUBE HOUSING #5	(Pkg. of 1)	QP255-1	C1934
3/8" LEAD TUBE ADAPTER W/ NUT	(Pkg. of 2)	UCADPTR	C1935
ADAPTER TUBE HOUSING COVER		QP10A-1	C1937
ACCESSORY KIT 1/4" WITH #5 TUBE		CPACK-5	C1944
CLAY WGT W/ADAPTER & NUT 3/8"	(Pkg. of 1)	UCMAC38	C1946
ACCESSORY KIT 3/8" W/ #3 TUBE		MAACK-3	C1947
1/4" CLAY LEAD TUBE WEIGHT W/FERRULE & NUT		UCMACWO	C1949
ADAPTER TUBE HOUSING COMPLETE 45-5	(Pkg. of 1)	QPA255-1-1	C1951
SUCTION LINE FOOT-STRAINER FOR 3/8" TUBING W/WEIGHT		ST138	C1952
SUCTION LINE FOOT-STRAINER FOR 1/4" TUBING W/WEIGHT		ST114	C1954
QUICKPRO TUBE HOUSING W/LATCHES (NEW STYLE)		QP400-1	C1961
ROLLER ASSY COMPLETE (OLD STYLE)	(Pkg. of 1)	UC3ASYD	C1963
QUICKPRO ROLLER ASSEMBLY (NEW STYLE)		QP500-1	C1964
MAINSHAFT	(Pkg. of 1)	UCFC5AD	C1967
INDEX PLATE	(Pkg. of 1)	UCFC5ID	C1969
VARIABLE CAM	(Pkg. of 5)	MCFC5H0	C1977
INJECTION CHECK VALVE 1/4"	(Pkg. of 5)	MCDBINJ	C1979

PULSAFEEDER / CHEM TECH FEEDERS

Series 100 & 200

A Reliable and Durable, H. D. Diaphragm Feed Pump with a Fully Adjustable Feed Rate Control.
Provides Excellent efficiency under Strenuous Conditions.
Built for Long Life.



D4210

GALLONS PER DAY	DESCRIPTION	ITEM NO.
7	Model 007 Chem-Tech Feeder Uses 1/2" OD Tubing	100 psi D4202+
30	Model 030 Chem-Tech Feeder Uses 1/2" OD Tubing	100 psi D4218+
60	Model 260 Chem-Tech Feeder Uses 1/2" OD Tubing	125 psi D4210

+Limited Stock

Parts for Chem Tech Feeders



D4255

Complete Head Assy. (Series 100/200)	28903 (A51P)	D4245
KOP Kit: Includes All Wet End Parts		D4350
Acrylic Head Only	J28800 (242P)	D4259
Valve Housing	41540 (244P)	D4230
Injector Fitting w/ Check Valve Assy.	J41658 (A52P)	D4255
Anti-Siphon Valve Assy.	41624	D4260
Diaphragm, Hypalon	25704 (228P)	D4240
Foot Valve and Strainer Assy.	J40117 (A50P)	D4250
Coupling Nut	J24960 (240P)	D4272
Chlorinator Oil for Misc. Chemical Feeders - Quart		D1050

STORAGE VATS AND CONTAINMENT VESSELS

50 Gallon Storage Vat with Lid	D1058
Lid Only for 50 Gallon Vat	D1059
50 Gallon Vat Only	D1060
150 Gallon Storage Vat with Lid	D1061
Lid Only for 150 Gallon Vat	D1062
150 Gallon Vat Only	D1063
50 Gallon Containment Tank/Vessel	D1065



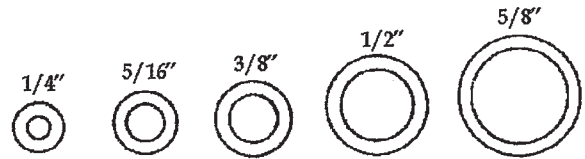
D1060



D1059



D1065



POLYETHYLENE TUBING

			ITEM NO.
1/4"	OD	Poly Tubing x 100' Coil	C1110
		Cut per Ft.	C1102
5/16"	OD	Poly Tubing x 100' Coil	C1117
		Cut per Ft.	C1109
3/8"	OD	Poly Tubing x 100' Coil	C1112
		Cut per Ft.	C1104
3/8"	OD	Poly Tubing x 100' Coil	C1113
		Color:Black Cut per Ft.	C1105
1/2"	OD	Poly Tubing x 100' Coil	C1114
		Cut per Ft.	C1106
5/8"	OD	Poly Tubing x 100' Coil	C1116
		Cut per Ft.	C1108

CLEAR VINYL TUBING

1/4"	OD	Clear Vinyl Tubing x 100' Coil	C1118
		Cut per Ft.	C1119
5/16"	OD	Clear Vinyl Tubing x 100' Coil	C1130
		Cut per Ft.	C1120
3/8"	OD	Clear Vinyl Tubing x 100' Coil	C1132
		Cut per Ft.	C1122
7/16"	OD	Clear Vinyl Tubing x 100' Coil	C1134
		Cut per Ft.	C1124
1/2"	OD	Clear Vinyl Tubing x 100' Coil	C1136
		Cut per Ft.	C1126
5/8"	OD	Clear Vinyl Tubing x 100' Coil	C1138
		Cut per Ft.	C1128

MISC. FITTINGS FOR POLY AND VINYL TUBING

Compression Male Adapter

1/4" MPT x Tubing	C1090
3/8" MPT x Tubing	C1095
1/2" MPT x Tubing	C1100
1/4" MPT x 1/2" Tube Coupling	C2001
1/8" MPT x 3/8" Tube Coupling	C2002
1/4" MPT x 3/8" Comp MA	C2003
1/4" MPT x 1/4" Comp 90 Deg El	C2004
1/4" MPT x 3/8" Comp 90 Deg El	C2005



Seal x Thread

1/4" MPT x 3/8" Seal 90 Deg El	C2013
1/4" MPT x 3/8" Seal MA	C2014



C2013

Ins x Ins

1/4" x 3/8" ID Tee	C2015
3/8" ID Coupling	C2016

Valves

1/4" MPT x 3/8" Seal 90 Deg	C2020
1/4" FPT x 3/8" Seal Straight	C2021
1/8" MPT x 1/8" FPT Straight	C2022
1/4" MPT x 1/4" FPT	C2023
1/4" FPT x 1/4" FPT	C2024
1/4" FPT x 1/4" FPT Ball Valve	C2329



C2020

Seal x Seal

3/8" x 3/8" 90 Deg Elbow (Kynar)	C2006
3/8" x 3/8" x 3/8" Tee (Kynar)	C2007
3/8" x 3/8" x 1/4" Tee	C2008



3/8" 90 Deg w/ 1/4" Swivel	C2009
3/8" Tee w/ 1/4" Swivel	C2010
3/8" Coupling	C2011
3/8" Thru Wall Coupler	C2012

FOR CAT FLOW CELL
Tubing Cutter



V7013

2000 SERIES TEST KITS

Complete Pool/Spa Service

K-2005 High	A complete DPD test kit designed for service people, commercial pool operators & health officials interested in economy & portability. Tests for: chlorine (0.5 - 5 ppm) Bromine (1.0 - 10 ppm) pH (7.0 - 8.0 ppm) acid/base demand, hardness, alkalinity & cyanuric acid. Uses 3/4 Oz. reagents.	B1085
K-2005-C	Same as above except with 2 Oz. Reagents.	B1081
K-2006	The same complete DPD test kit as the K-2005, but uses titration tests to eliminate color-matching problems. (1 drop = 0.2 or 0.5 ppm) Free & Combined Chlorine	B1089
K-2006-C	Same as above except with 2 Oz. Reagents	B1078
K-2015 High	A "Test 4" series DPD test kit for: Free and Total Chlorine (0.5 - 5 ppm), Bromine (1.0 - 10 ppm), pH (7.0 - 8.0 ppm) Acid / Base Demand and Total Alkalinity.	B1082
K-2000 High	A basic starter kit that tests for: chlorine (0.5 - 5 ppm) bromine (1.0 - 10 ppm) pH (7.0 - 8.0 ppm) acid/base demand. Uses 3/4 Oz. reagents.	B1080
K-2100 Low	A basic starter kit that tests for: chlorine (.25 - 2.5 ppm) bromine (.5 - 5 ppm) ph (7.0 - 8.0 ppm) acid/base demand. Uses 3/4 Oz. reagents.	B1090
K-1766	Salt Water - Tests for the Chloride Ion in the low range One drop = 200 ppm	B1096
K-1771	Salt Water - Tests for the Chloride Ion in the high range One Drop = 200 or 800 ppm	B1097



B1085



B1089











B1082



B1090



B1096

		SIZE	REAGENT NO.	ITEM NO.
 B1171	#1 DPD Reagent Solution	3/4 Oz.	(22 ml) R-0001-A	B1171
	#2 DPD Reagent	2 Oz.	(60 ml) R-0001-C	B1139
 B1174	#3 DPD Reagent	3/4 Oz.	(22 ml) R-0002-A	B1172
	#4 pH Indicator Solution (Phenol Red)	2 Oz.	(60ml) R-0002-C	B1141
 B1177	#5 Acid Demand Reagent (ADR)	3/4 Oz.	(22 ml) R-0003-A	B1173
	#6 Base Demand Reagent (BDR)	2 Oz.	(60 ml) R-0003-C	B1143
	#7 Thiosulfate Solution N/10	3/4 Oz.	(22ml) R-0004-A	B1174
 B1181	#8 Total Alkalinity Indicator	2 Oz.	(60ml) R-0004-C	B1133
	#9 Sulfuric Acid .12N	16 Oz.	(480 ml) R-0004-E	B1135
 B1181	#10 Calcium Buffer	3/4 Oz.	(22ml) R-0005-A	B1175
	#11 Calcium Indicator Solution	2 Oz.	(60ml) R-0005-C	B1212
 B1183	#12 Hardness Reagent	3/4 Oz.	(22ml) R-0006-A	B1176
	#13 Cyanuric Acid Reagent	2 Oz.	(60ml) R-0006-C	B1169
		3/4 Oz.	(22ml) R-0007-A	B1177
		2 Oz.	(60ml) R-0007-C	B1195
		3/4 Oz.	(22ml) R-0008-A	B1178
		2 Oz.	(60ml) R-0008-C	B1203
		3/4 Oz.	(22ml) R-0009-A	B1179
		2 Oz.	(60ml) R-0009-C	B1204
		3/4 Oz.	(22ml) R-0010-A	B1180
		2 Oz.	(60ml) R-0010-C	B1250
		16 Oz.	(480ml) R-0010-E	B1205
		3/4 Oz.	(22ml) R-0011-A	B1181
		2 Oz.	(60ml) R-0011-C	B1190
		10 Gram Powder	R-0011-P-I	B1196
		3/4 Oz.	(22ml) R-0012-A	B1182
		2 Oz.	(60ml) R-0012-C	B1251
		2 Oz.	(22ml) R-0013-C	B1183
		16 Oz.	(480ml) R-0013-E	B1238
		1 Gal. Bottle	R-0013-G	B1207
	Salt Chromite Indicator for K-1766 (Chromite Indicator)	3/4 Oz.	R-0630	B1245
	Salt Chromite Indicator for K-1766 (Silver Nitrate Reagent)	3/4 Oz.	R-0718	B1246
 B1134	Phenol Red pH Indicator	3/4 Oz.	(22ml) R-1003J-A	B1134
		2 Oz.	(60ml) R-1003J-C	B1131
		16 Oz.	(473ml) R-1003J-E	B1136
 B1261	Phenol Red (Residential Series) OTO Orthotolidine	3/4 Oz.	(22ml) R-0014-A	B1168
		3/4 Oz.	(22ml) R-0600-A	B1132
		16 Oz.	(473ml) R-0600-E	B1137
	Acid Demand	2 Oz.	(60ml) R-0853-C	B1257
	Base Demand	2 Oz.	(60ml) R-0862-C	B1259
	DPD Powder	10 Gram Bottle	R-0870-I	B1261
	DPD Powder	.25 Lb. Bottle	R-0870-J	B1260
	Total Hardness	3/4 Oz.	(22ml) R-854-A	B1262
	FAS-DPD (Chlorine) Titrating Reagent	3/4 Oz.	(22ml) R-0871-A	B1273
	FAS-DPD (Chlorine) Titrating Reagent	2 Oz.	(60ml) R-0871-C	B1268
	FAS-DPD (Chlorine) Titrating Reagent	16 Oz.	R-0871-E	B1274
	FAS-DPD (Bromine) Titrating Reagent	2 Oz.	(60ml) R-0872-C	B1191
	Reagent Pack, Deox Reagent (monopersulfate)	3/4 Oz.	(22ml) K-2041	B1266
	Reagent Pack, Deox Reagent (monopersulfate)	2 Oz.	(60ml) K-2042	B1267
	TDS Resin		R-809-II	B1269



B1098



B1045

SPECIALTY TEST KITS

Taylor K-1738 Copper Test Kit (0.2 - 3.0 ppm)		B1098
Taylor K-1716 Iron Test Kit (0 - 2.0 ppm)		B1095
Taylor K-1518 Chlorine & Monopersulfate		B1071
Tests for Chlorine (free, combined & total) plus test to distinguish monopersulfate shock.		
Rainbow #79 Cyanuric Acid Test Kit	8 Oz.	B1045
Case of 6		
Rainbow #1200 Water Hardness Test Kit		B1006
Rainbow #1300 Alkalinity Test Kit		B1060

COMPONENTS FOR TAYLOR TEST KITS



B1210



B1142



B1430



B1711



B1750



B1709

Replacement Block - (2000 Series) Chlorine/Bromine (High)	#9056	B1210
Replacement Block - (2000 Series) Chlorine/Bromine (Low)	#9057	B1211
Replacement Cap - (2000 Series) Large Cell	#3012	B1247
Replacement Cap - (2000 Series) Small Cell	#3013	B1248
Replacement Slide - Chlorine DPD (1.0 - 10 ppm)	#9083	B1263
Replacement Slide - Bromine DPD (2.0 - 10 ppm)	#9236	B1264
Cap 2000 Comparator 2 in 1 Large And Small	#3030	B1244
Lucite Cell	#4024	B1142
Lucite Cell For 1744TK	#4025	B1140
5 ml Pipette	#4028	B1144
Poly Bottle .75oz	#2146	B1215
Test Cell CYA View, (20 - 80 ppm) 2000 Series	#9193	B1184
Watergram	#6026	B1265
Booklet, Pool & Spa Water Chemistry	#2004B	B1218
15 ml. Bottle for CYA Dispenser	#9194	B1249
Sample Tube	#9198	B1233

TDS METER

TDS Meter - Myron L	(0 - 5,000 ppm)	B1430
Compact instrument quickly determines parts per million (ppm) of Total Dissolved Solids of almost any solution.		

Calibration Solution for TDS Meter HI-7032P (30 ml)	B1434
--	-------

LaMotte Pool Manger Test Kit

Pool Manager Tablet Test Kit (3363NJ/PM-3NJ)	B1711
Lamotte 3021-H-6 Pro Phosphate Test Strip (50/Btl)	B1729
Lamotte 3029-12 Insta-Test 4 Free Chlor(Brom), Alk,pH,Hardness	B1719
Lamotte 1749-Kit Salt/TDS/Temp Tracer Tester W/Case	B1782
Lamotte 1749 Salt/TDS/Temp Tracer Pocket Tester	B1709
Lamotte 5 & 10 ML Octa-Slide Test Tube And Cap	B1750



B1006

RESIDENTIAL TEST KITS



B1000

Rainbow R151076 Duo Test Kit
Tests for chlorine & pH
Poolmaster #22244 Dual Test Kit

12/Cs. B1000
Each B1004



B1010

Poolmaster #22260 Basic Four Test Kit
Tests for Cl, pH, alkalinity & acid demand
Rainbow #HR78 All-In-One Test Kit
Tests for Cl, pH, alkalinity & acid demand
Rainbow #78 DPD Tablet Test Kit
Tests free, total, combined Cl, pH, acid demand & TA.

12/Cs. B1009
12/Cs. B1010
12/Cs. B1017



B1066

Rainbow #756 DPD Bromine Test Kit
Tests for bromine & pH (OTO & pH solutions)
Taylor #0140 Trouble Shooter Test Kit
Tests for chlorine, bromine, alkalinity & pH w/acid demand

24/Cs. B1034
12/Cs. B1069



B1063

Taylor K-1001-12 Duo Basic Cl/pH DPD High-Range Kit
Taylor K-1000-12 Duo Basic Cl/pH (OT) High-Range Kit
Taylor K-1302 sureTRACK-4 Way Test Strips
50 count BOX (CL/BR/PH/TA)
Taylor K-1305-25 sureTRACK-4 Way Test Strips
10 count Foil Pack (CL/BR/PH/TA)
Taylor K-1312-6 sureTRACK-6 Way Test Strips
50 count (CL/BR/PH/TA/CY/TH)
Taylor K-1315-25 sureTRACK-6 Way Test Strips
10 count Foil Pack (CL/BR/PH/TA/CY/TH)

12/Cs. B1066
12/Cs. B1067
6/Cs. B1061
25/Cs. B1062*
6/Cs. B1063
25/Cs. B1064*

* Clearance Item

TEST KIT REPLACEMENT SOLUTIONS



B1105

	Size	Poolmaster	Rainbow
Card of 5 Bottle Solutions	1 Oz.	B1105	B1104
#1 OTO	1 Oz.	B1220	B1110
#2 pH Solution	1 Oz.	B1222	B1112
#3 Acid Demand	1 Oz.	B1224	B1114
#4 Alkalinity	1/2 Oz.	B1228	B1118
#5 Neutralize	1/2 Oz.	B1226	B1116
Phenol Red	3/4 Oz.		B1103
OTO & Phenol Red - Carded	3/4 Oz. 24/Cs.		B1106
OTO & Phenol Red - Carded	1 Oz. 12/Cs.	B1102	
Cyanuric Acid Reagent	8 Oz.		B1146



B1103

DPD TEST TABLETS



B1124

DPD #1	Bag of 100	B1124
DPD #3	Bag of 100	B1125
Phenol Red	Bag of 100	B1126

Test Strips for Pool, Spa, or Pond

AquaChek Red 4 in 1 Test Total Bromine, pH, Alkalinity, Hardness	(50 Strips/Bottle)	12 Btl./Case	B1402
AquaChek Pro 1-Dip Test for Free Chlorine, Total Chlorine, Total Alkalinity pH & Total Bromine	(100 Strips/Bottle)	12 Btl./Case	B1415
AquaChek Yellow 4 in 1 Test 1-Dip Test for Free Chlorine, Total Alkalinity, pH, & Cyanuric Acid	(50 Strips/Bottle)	12 Btl./Case	B1400
AquaChek Select 5 in 1 Test 1-Dip Test for Total Chlorine, Free Chlorine, Total Hardness pH Balance & Total Alkalinity	(50 Strips/Bottle)	6 Btl./Case	B1401
AquaChek Select Refill Kit Includes Color Chart & Test Log	(50 Strips/Bottle)	6 Btl./Case	B1403
AquaChek Silver 7 in 1 Test 1-Dip Test for Total Chlorine, Free Chlorine, Total Hardness, pH Balance, Total Alkalinity, Cyanuric Acid & Total Bromine	(100 Strips/Bottle)	6 Btl./Case	B1404
AquaChek Monopersulfate Tests for Potassium Monopersulfate, pH & Total Alkalinity	(50 Strips/Bottle)	12 Btl./Case	B1413
AquaChek Blue 3 in 1 Test Tests for Biguanide, pH Balance, Total Alkalinity	(25 Strips/Bottle)	12 Btl./Case	B1409
AquaChek White Salt Test Tests for Salt (Sodium Chloride & Sodium Bromide)	(10 Strips/Bottle)	12 Btl./Case	B1411
AquaChek Pink Nitrate Test 1-Dip Test for Nitrate	(25 Strips/Bottle)	6 Btl./Case	B1406
AquaChek Copper Test 1-Dip Test for Total Copper Levels	(25 Strips/Bottle)	6 Btl./Case	B1417
AquaChek Iron Test Tests for Total Iron Levels	(25 Strips/Bottle)	6 Btl./Case	B1418
AquaChek Pond Test Tests for pH, Buffering Capacity, Nitrite & Nitrate	(25 Strips/ Bottle)	6 Btl./Case	B1414
AquaChek Pond Test Tests for Total Ammonia Levels	(25 Strips/Bottle)	6 Btl./Case	B1416
AquaChek Pro II Test Strips	(25 strips bottle)	12 Btl./Case	B1407
LaMotte Insta-Test® Strips (2998) Salt Water Test High Range	(10 Strips/Bottle)	12 Btl./Case	B1734
LaMotte Insta-Test® Strips (3021) Low Range Phosphate Test Multi-Lingual	(25 Strips/Bottle)	6 Btl./Case	B1733
LaMotte Insta-TEST® 6 Plus Blister Carded FCI/TCI/Br/Alk/Cya/pH/Tot.Hardness	(50 Strips/Bottle)	12 Btl./Case	B1727
AquaChek® Commercial DPD Pro Test Kit 7 Key Parameters			B1470
AquaChek® DPD Pro 3-Way Test Strip Refill Total/Free Chlor, Brom, pH			B1472
Aquachek® DPD Pro 4-Way Test Strip Refill Hardness, Cya, Total Alk			B1474



B1404



B1409



B1413



B1416



B1727

THERMOMETERS

		PACKAGING	ITEM NO.
Chrome/Brass Thermometer	25288	12/Case	B1288
Chrome Thermometer	25288	12/Case	Y3273
Clear-View Chrome	25290	12/Case	B1278
Deluxe w/Water Pocket	25287	12/Case	B1287
Jumbo Jim Thermometer	AQ2024	12/Case	B1291
Jumbo Black Thermometer	25292	12/Case	B1292
Plastic Tube Thermometer	25285	12/Case	B1285
Plastic Tube Thermometer	25385	12/Case	B1280
		Various Colors	
Floating Thermometer	25295	12/Case	B1295
Thermometer CMP Deluxe Floating (Clamshell)		12/Case	B1298
Chrome Thermometer (Swimline)	9205	12/Case	Y3273
Floating Thermometer (SwimLine)	9210	12/Case	Y3274
Floating Premier Digital Thermometer	2530	12/Case	B1294
Basic Animal Floating Thermometer	9210	12/Case	B1296
Basic Floating Thermometer	18307	12/Case	B1297
Floating Animal Heads	25296	12/Case	B1293
		Alligator, Turtle & Duck	
Round Floating Thermometer	WP-144	12/Case	B1301
		Whale, Turtle, Duck & Boat	
ThermoDuck Thermometer	7000	12/Case	B2025
		Great American Duck	
Standard Economy	25286	12/Case	B1286
Skimmer Lid w/3" Thermometer - White		12/Case	B1305
		<i>Fits Swimquip & Jacuzzi Skimmers - Tan</i>	12/Case B1310
Skimmer Lid w/ 3" Thermometer - L3			B1315
		<i>Fits Hayward Square Lid Skimmers</i>	
Skimmer lid w/ 3" ThermometerL4			B1320
		<i>Fits American Products Skimmers</i>	
		Replacement SKR Thermometer, Tube & Bushing	
B1325			
	Replacement SKR Thermometer Only		B1324
In-Line Thermometer (3" Long w/1/2" MPT Well)			M5390
	Replacement Nylon Well for Thermometer		B1326
Pocket Thermometer	(Laars R0336000)		J2286
		w/ Pete's Plug & 1/2" Bushing	
ACU-RITE 12.5 INDOOR/OUTDOOR THERMOMETER (white)			B1271
ACU-RITE 12.5" INDOOR/OUTDOOR CLOCK (white)			Y3061
POOLMASTER #52600 12" ABS OUTDOOR (white)			Y3064
POOLMASTER #52602 SILVER FINISH CLOCK/THERMOMETER/HYGROMETER			Y3065




Polaris AUTOMATIC POOL CLEANERS

Complete
Parts
Breakdown
on pages
230-240



380 VAC-SWEEP

Polaris 380 Cleaner

Latest and most advanced automatic pool cleaner.

Works for all pools. Booster pump required.

380 Vac-Sweep Head & Hose Box Only

(Use either Booster Pump E2000 or E2004.)

ITEM NO.

E2002



360 VAC-SWEEP

Polaris 360 Cleaner

Includes head, hose & adjustable flow control kit.

No booster pump required.

360 Vac-Sweep Complete

E2500



280 VAC-SWEEP

Polaris 280 Cleaner

Original design with new technical improvements

Booster pump required.

280 Vac-Sweep Head & Hose Box Only

(Use either Booster Pump E2000 or E2009.)

E2006



180 VAC-SWEEP

Polaris 180 Cleaner

Original design. Booster pump required.

180 Vac-Sweep Head & Hose Box Only

(Use either Booster Pump E2000 or E2009.)

E2001



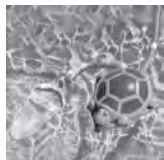
165 VAC-SWEEP

Polaris 165 Cleaner

*For all in-ground vinyl pools. Ideal for older pools
w/ lower output filtration pumps. Powered by return line.*

165 Vac-Sweep Complete

E2050



SUPERTURTLE

Polaris Super Turtle

For all vinyl or fiberglass pools. Vacuums & sweeps.

Polaris Super Turtle Cleaner

E2051



65 VAC-SWEEP

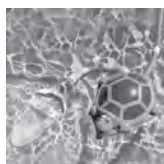
Polaris 65 Cleaner

For above-ground pools. Installs in minutes.

Works by return line pressure.

65 Above Ground Cleaner

E2060



TURBOTURTLE

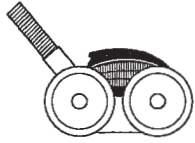
Polaris Turbo Turtle

For all above ground pools.

"Turbo Turtle" Above Ground Cleaner

E2061

Polaris AUTOMATIC POOL CLEANERS



340 VAC-SWEEP

Polaris ATV Suction Powered Cleaner

Connects to skimmer or dedicated suction line

No booster pump required

340 Polaris Cleaner Complete

E2040



140 SUCTION CLEANER

Polaris 140 Suction Powered Cleaner

Suction Cleaner for all in-ground pools

No booster pump required

140 Polaris Cleaner Complete

E2055

ACCESSORIES

Polaris Booster Pump PB4

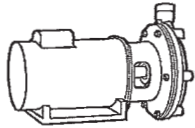
3/4 HP Pump drives Polaris 180, 280 & 380 Cleaner

E2000

Polaris Halcyon Booster Pump w/ Quiet Motor

3/4 HP Pump drives Polaris 180, 280 & 380 Cleaner

E2009



PB4 BOOSTER PUMP

Polaris UniCover - White

Main drain cover for suction side cleaners

#5820

E2070

Polaris UniCover - Gray

Main drain cover for suction side cleaners

#5825

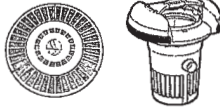
E2069

Polaris LCS Leaf Canister & Skimmer

Collects debris from pool surface & captures it from cleaner

#5810

E2072

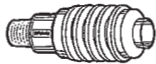


Polaris Revolve-it

Prevents cleaner hose from kinking

#5800

E2074



Complete
Parts
Breakdown
on pages
241-242

MOST COMMONLY USED POLARIS PARTS

PART NO.	DESCRIPTION
G-52	Backup Valve Kit (Replaces G-41) Bag,
A-16	All-Purpose for 180
K-16	Bag, All-Purpose for 280
9-100-1014	Bag, All-Purpose for 360/380
9-100-1015	Bag, Sand/Silt for 360/380
C-60	Ball Bearings, Wheel
9-100-1108	Ball Bearings, Wheel
9-100-1017	Belt Kit - Small & Large
A-47	Factory Rebuild Kit
A-49	Factory Tune-Up Kit
9-100-9010	Factory Tune-Up Kit
D-15	Feed Hose Nut
D-20	Feed Hose Swivel w/ Ball Bearing
D-10	Float for Feed Hose
A-20	Float for Head
D-31	Hose Barb/Strainer Housing
B-05	Sweep Hose Complete
9-100-3105	Sweep Tail Scrubber
C-10	Tire - Large, White
6-500-00	UWF Universal Wall Fitting (all pressure
9-100-9001	side) UWF Connector Assy for 180/280/380
G-9	Wall Fitting 3/4" MPT X 1-1/2" FPT
C-6	Wheel, Large
C-16	Wheel, Small
9-100-1008	Wheel - Double Sided
9-100-1116	Wheel - Single Sided
9-100-1021	Bag, All-Purpose for 380 Zipped
K-13	Bag, All-Purpose for 280 Zipped

180	280	360	380		
*	*		*	E2G52	E2G52G
*				E2A16	E2A16G
	*			E2K16	
		*	*	E2511	E2511G
		*	*	E2513	
*	*			E2C60	E2C60G
		*	*	E2540	
		*	*	E2527	E2527G
*				E2A47	
*	*			E2A49	
		*	*	E2601	
*	*		*	E2D15	E2D15G
*	*		*	E2D20	E2D20G
*	*		*	E2D10	E2D10G
*	*	*	*	E2A20	E2A20G
*				E2D31	
*	*		*	E2B05	E2B05G
*	*	*	*	E2514	E2514G
*	*			E2C10	E2C10G
*		*	*	E2524	E2524G
*	*		*	E2522	E2522G
*	*		*	E2G09	
*	*			E2C06	E2C06G
*	*			E2C16	E2C16G
		*	*	E2518	E2518G
		*	*	E2521	E2521G
			*	E2512	
	*			E2K13	E2K13G

POLARIS GENERIC PARTS

A-16 ALL-PURPOSE BAG/180 FOR POLARIS 180
 A-20 FLOAT FOR HEAD SUBST E3A20
 A-21 BLACK HEAD FLOAT
 POLARIS B5 SWEEP HOSE COMP
 POLARIS B-10 WEAR RING (SOLD EACH)
 POLARIS B-15 SWEEP HS CLMP ATTACHMENT CLAMP, WHITE
 C-6 LARGE WHEEL POLARIS NO BEARINGS INCLUDE
 #C-10 MAXTRAX TIRE POLARIS (380/360/280/180)
 POLARIS C-16 SMALL WHEEL WHITE
 POLARIS C-17 SMALL WHEEL COLOR: BLACK
 #C-55 PLASTIC WHEEL SCREW POLARIS (280/180)
 #C-60 WHEEL BEARING BALL BEARINGS 280/180 SUBST E3C60
 #C-60 WHEEL BEARING 8 PACK BALL BEARINGS 280/180 SUB E3C60
 C-64 WHEEL WASHER 2-EACH POLARIS (280/180)
 C-65 LARGE AXLE FOR REAR WHEEL ONLY
 POLARIS C-66 AXLE LARGE
 D-10 FLOAT FOR FEED HOSE (POLARIS)
 D-10 FLOAT-FEED HOSE 4 PAK (POLARIS)
 D-11 BLACK FLOAT FOR FEED HOSE
 POLARIS D-15 FEED HOSE NUT (380/280/180) EACH
 D-16 BLACK NUT FOR FEED HOSE (1-EACH)
 D20 SWIVEL (POLARIS) W/BALL BEARING
 D20 SWIVEL 4 PAK (POLARIS) W/BALL BEARING
 D-29 QUICK DISCONNECT WHT UWF
 D-30 BLACK QUICK DISCONNECT,UWF (380/280)
 POLARIS G-52 BACK UP VALVE KIT (REPLACES G-41)
 K13 ALL PURPOSE BAG/280 FOR POLARIS 280 (VELCRO)
 9-100-9005 UWF CONNECTOR ASSB (380/280) BLACK
 9-100-1014 ALL PURPOSE BAG FOR POLARIS 380/360
 9-100-3105 SWEEP TAIL SCRUBBER POLARIS 380/360/180- EACH
 9-100-3105 SWEEP TAIL 5 PK SCRUBBER POLARIS (5 PACK)
 9-100-1008 DOUBLE SIDE WHEEL FOR POLARIS 380/360
 9-100-1116 SINGLE SIDE WHEEL FOR POLARIS 380/360
 9-100-9001- UWF CONNECTOR ASSB (380/280/180)
 6-500-00 UNIVERSAL WALL FTG FOR POLARIS 380/180/360
 POLARIS 9-100-1017 BELT KIT SMALL AND LARGE FOR 380/360
 9-100-3008 UWF CONNECTOR ASSEMBLY FOR POLARIS 360
 9-100-9002 PRESSURE RELIEF VALVE, BLACK
 6-504-00 FILTER SCREEN UWF
 POLARIS 9-100-1200 IN-LINE BACK-UP VALVE FOR 360

E2A16G
 E2A20G
 E2A21G
 E2B05G
 E2B10G
 E2B15G
 E2C06G
 E2C10G
 E2C16G
 E2C17G
 E2C55G
 E2C60G
 E2C60G8
 E2C64G
 E2C65G
 E2C66G
 E2D10G
 E2D10G4
 E2D11G
 E2D15G
 E2D16G
 E2D20G
 E2D20G4
 E2D29G
 E2D30G
 E2G52G
 E2K13G
 E2462G
 E2511G
 E2514G
 E2514G5
 E2518G
 E2521G
 E2522G
 E2524G
 E2527G
 E2530G
 E2564G
 E2578G
 E2620G



E2A16G



E2B15G



E2D20G4



E2K13G



E2530



E2524



E2518



E2C66G



E2D10G4

Complete Parts Breakdown
on pages 243-254

POLARIS TR35P POOL CLEANER

HEAD & HOSE BOX ONLY/ NO PUMP E2005
(use E2000 or E2009 booster pump)

POLARIS TR28P POOL CLEANER HEAD & HOSE E2028
BOX ONLY/ NO PUMP
(use E2000 or E2009 booster pump)

POLARIS TR36P POOL CLEANER ONLY E2503
(no booster pump required)

POLARIS 3900 SPORT -POOL CLEANER HEAD & HOSE E2010
BOX ONLY/ NO PUMP
(use E2000 or E2009 booster pump)

POLARIS 9450 ROBOTIC CLEANER 4WD E2019
W/60' CABLE & CADDY

POLARIS 9550 SPORT ROBOTIC CLEANER W/REMOTE 4WD E2021
W/70' CABLE & CADDY

POLARIS 8050 SPORT ROBOTIC CLEANER E2026
W/50' CABLE

POLARIS 9650iQ SPORT ROBOTIC CLEANER E2027
W/70' CABLE.

POLARIS F4TR QUATTRO SPORT CLEANER E2029
requires booster pump



E2010



E2005



E2019

POLARIS BOOSTER PUMPS AND MOTORS

POLARIS VAC SWEEP PUMP ONLY PB-4 E2000
POLARIS PB4SQ BOOSTER PUMP FOR PRESSURE SIDE CLEANER E2009
POLARIS P-61 MOTOR, 3/4 HP THREADED SHAFT E2P61
3/4 HP REPLACEMENT FOR P-61 THREADED SHAFT E2P61C
3/4 HP REPLACEMENT FOR P-61 THREADED SHAFT E2P61U



E2000



E2029



E2009



For Dark Bottom Pools



Polaris 380 "Black Max" Cleaner

For in-ground pools. Works with booster pump

380 Black Max Head & Hose Box Only E2003

(Use either Booster Pump E2000 or E2004)



Polaris 360 "Black Max" Cleaner

No booster pump required

360 Black Vac-Sweep Complete E2030

Polaris ATV "Black Max" Cleaner

Suction side cleaner. No booster pump required

340 Black Max Suction Side Cleaner E2042+



Polaris 280 "Black Max" Cleaner

For in-ground pools. Works with a booster pump

280 Black Max Cleaner Head & Hose Box Only E2007

(Use either Booster Pump E2000 or E2009)



280 Factory Rebuild Kit E2K48

280/180 Factory Rebuild Kit E2K49

COMMON BLACK POLARIS PARTS

(See Appendix 293 For Interchangeable Parts)

- G-62 Backup Valve Kit, Black
- G-67 Backup Valve Collar, Black
- 9-100-1016 Bag, All-Purpose, Black
- K-17 Bag, All-Purpose, Black
- 9-100-7017 Base Assy. for In-Line Back-up Valve, Black
- 9-100-3010 Connector Assembly, Black
- G-6 Feed Hose - Complete w/UWF, Black
- D-47 Feed Hose, 10 Ft., Hard, Black
- K-31 Feed Pipe with Elbow, Black
- D-11 Float for Feed Hose, Black
- A-21 Float for Head, Black
- 9-100-1115 Hub Cap, Black
- D-16 Nut, Feed Hose, Black
- D-30 Quick Disconnect, UWF, Black
- B-06 Sweep Hose Complete, Black
- B-16 Sweep Hose Attach Clamp, Black
- D-21 Swivel w/Ball Bearing for Feed Hose, Black
- 9-100-3003 Swivel Hose for 360, Black
- C-11 Tire - MaxTrax, Black
- K-6 Top, Black
- 9-100-1142 Top Cover, Single Wheel Side, Black
- 9-100-1143 Top Cover, Double Wheel Side, Black
- 6-550-00 Universal Wall Fitting, Black
- G-9 Universal Wall Fitting, Black
- 9-100-9005 Universal Wall Fitting Connector Assy, Black
- K-21 Vacuum Tube, Black
- 9-100-1004 Wheel - Double Sided, Black
- 9-100-1117 Wheel - Single Sided, Black

	280	340	360	380	
*				*	E2G62
*			*	*	E2G67
			*	*	E2450
*					E2K17
			*	*	E2613
			*		E2D08
*				*	E2G06
*				*	E2D47
*					E2K31
*				*	E2D11
*			*	*	E2A21
		*	*	*	E2456
*				*	E2D16
*				*	E2D30
*				*	E2B06
*			*	*	E2B16
*				*	E2D21
			*		E2D09
*			*	*	E2C11
*					E2K06+
			*	*	E2626+
			*	*	E2627+
*			*	*	E2507
*			*	*	E2G09
*				*	E2462
*					E2K21
			*	*	E2454
			*	*	E2458

+Limited Stock



ELECTRIC VACUUM PUMP

1 HP Pump & 2-wheeled cart
 Each unit comes equipped with GFCI protected 50' electrical cord.
 Features 1-112° suction & discharge
 wet end & comes with barbed hose fittings.

Need 3 Day Notice
K3179H

Portable 1HP Pump
 Electric Powered with stainless steel cart
K3179S



PORTABLE FILTER SYSTEM

'The Scamp' portable filter system comes mounted on a stainless steel cart equipped with 1 HP self-priming pump & 75 sq. ft. see-thru cartridge filter. Unit is rated at 50 psi & fitted with 15 amp GFCI for safety.

***Non-Stock Item**
K3185H

Harmsco BKP Portable Filters Available in Eight Models. Ask for Information and Prices



Pump Cart

Portable Pump Cart #71 0	ITEM NO. K1080
Portable Pump Cart #7105 (Stainless Steel)	K1081
Tiered Pump Cart #716 (S.S.- Used In Scamp System)	K1082

POWER VAC - 12 Volt Marine Battery Operated

A portable self-contained vacuum designed to clean fountains or average 15' x 30' pool in less than 10 minutes. Weighing only 16 lbs. can be carried by hand or on service cart (sold separately). 12 Volt battery & charger not included.

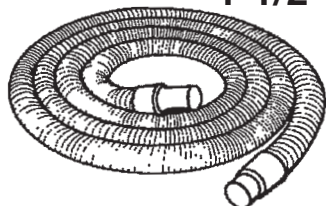


K3191

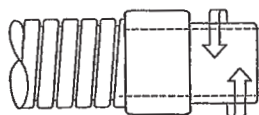
Power Vac PV2100 Cleaner w/45' cord	K3190
Power Vac PV2200 Cleaner w/45' cord	K3191
Power Vac PV25 00 Fountain Vac	K3193
Heavy Duty Small Bag #022	K3194
Super Fine Mesh Bag #019	K3195
Female Plug #10-D	K3198
Male Plug #011-D	K3199
Safety Lid #018	K3200
Propeller# 030-D-2100	K3201
Nut and Pin for Propeller# 029-D	K3202
Chrome Handle # 009-D	K3203
Gray Caster Wheels(set of 4)	K3204
Portable Battery Carrying Case w/Built In Fuse	K3206
Replacement Motor 35# Thrust For PV2100 #006-D-2100	K3207
Replacement Cord140' For PV2100	K3208
Safety Lid For PV2200 & PV 3000 #017-D	K3210
Nylon Bracket For Handle #015-A-D	K3213

1-1/2" DELUXE VAC HOSE - with Swivel Cuff*Residential Grade -Not for use in service or commercial application***Good**

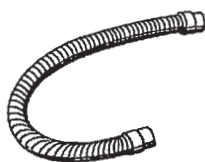
	ITEM NO.
1-1/2" X 25' Deluxe Vac Hose	F1014
1-1/2" x30' Deluxe Vac Hose	F1021
1-1/2" x35' Deluxe Vac Hose	F1027
1-1/2"x40' Deluxe Vac Hose	F1032
1-1/2" x45' Deluxe Vac Hose	F1036
1-1/2" x50' Deluxe Vac Hose	F1041

1-1/2" PREMIUM VAC HOSE -with Swivel Cuff*Maximum UV & abrasion resistance***Better**

1-1/2" x 25' Premium Vac Hose	F1150
1-1/2" x 30' Premium Vac Hose	F1151
1-1/2" x 35' Premium Vac Hose	F1152
1-1/2"x40' Premium Vac Hose	F1153
1-1/2" x 45' Premium Vac Hose	F1154
1-1/2" x 50' Premium Vac Hose	F1155

HEAVY DUTY VAC HOSE -with Swivel Cuff*Ultimate hose for the pool service professional***Best**

1-1 /2" x 25' Heavy Duty Vac Hose 1-1/2"	F1015
x 30' Heavy Duty Vac Hose 1-1 /2" x 35'	F1020
Heavy Duty Vac Hose 1-1 /2" x 40' Heavy	F1025
Duty Vac Hose 1-1/2" x45' Heavy Duty	F1030
Vac Hose 1-1 /2" x 50' Heavy Duty Vac	F1035
Hose 1-1/2" x 75' Heavy Duty Vac Hose 2"	F1040
x 50' Heavy Duty Vac Hose	F1094
	F1159

1-1/4" VAC HOSE & FILTER CONNECTORS*Classic (Blow Molded) & Deluxe Grade*

1-1/4" x 3' Classic Vac Hose H.D. (Silver)	F1003
1-1/4" x 61 Classic Vac Hose H.D. (Silver)	F1004
1-1/4" x 252' Classic Vac Hose	F1010
Cuffed Every 3'	
1-1/4" x 3' Deluxe Vac Hose (Black)	F1016
1-1/4" x 6' Deluxe Vac Hose (Black)	F1017
1-1/4" x 21' Deluxe Vac Hose	F1002
1-1/4" x 24' Deluxe Vac Hose	F1001
1-1 /4" x 30' Deluxe Vac Hose	F1005
1-1/4" x 36' Deluxe Vac Hose	F1008

1-1/2" SWIMMING POOL FILTER CONNECTORS*Classic (Blow Molded) & Deluxe Grade*

1-1/2" x 3' Classic Vac Hose H.D. (Silver)	F1048
1-1 /2" x 61 Classic Vac Hose H .D. (Silver)	F1050
1-1/2" x 150' Classic Vac Hose	F1046
Cuffed Every 3'	
1-1/2" x 3' Deluxe Vac Hose (Black)	F1018
1-1/2" x 6' Deluxe Vac Hose (Black)	F1019
1-1/2" x 12' Deluxe Filter Connector Hose	F1009



IMAGE COURTESY OF FEHERGUARD PRODUCTS LTD

VAC HOSE REEL

Lightweight & portable polyethylene hose storage reel.

Helps keep hose cleaner & free from tangles

Holds up to 50' of 1-1/2" Vacuum Hose

Vacuum Hose Reel - Portable

ITEM NO.
W5420

VAC HOSE REEL - *Stainless Steel*

High quality hose reel ideal for storing unsightly & cumbersome pool vacuum hose. Its unique solid stainless steel construction ensures

many years of trouble free use with minimal maintenance. Each

reel holds up to 100' of 2" diameter hose. Units are portable

& designed to fit through a standard door.



F1196

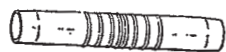


F1125

Stainless Steel Hose Reel	F1196*
Hose Hugger For Pool & Vacuum Hose 3" x 27" w/Display	F1125
Hose Hugger for Pool & Vacuum Hose 3" x 27" wo/Display	F1126
Hose Hugger for Pool & Vacuum Hose 3" x 34" wo/Display	F1127

UNIVERSAL POOL CLEANER HOSE

Universal Auto Pool Cleaner Hose 1-1/2"x4 ft. White	F1160
Universal Auto Pool Cleaner Hose 1-1/2"x4 ft. Aqua	F1162
Universal Auto Pool Cleaner Hose 1-1/2"x4 ft Gray	F1164
Universal Auto Pool Cleaner Hose 1-1/2"x4 ft Silver	F1166



F1100



F1110



F1105



F1114



F1116



F1118

Vac Hose Accessories

1-1/4" Hose Joiner	F1100	
1-1/2" MPT x 1-1/2"/1-1/4" Smooth Hose Adapter	F1105	F1105G
1-1/2" MPT x 1-1/2" Smooth Hose Adapter	F1106	F1106G
1-1/2" MPT x 1-1/4" Smooth Hose Adapter	F1103	
1-1/2" MPT Check Valve Combo Adapter SP1091CV	F1107	
1-1/2" Elbow MPT x 1-1/4" Smooth Hose Adapter	F1108	
1-1/2" Elbow MPT x 1-1/2" Smooth Hose Adapter	F1110	
1-1/2" Barbed Hose Elbow SPX1105Z4	H6430	
1-1/4" Repair Cuff for Vac Hose	F1115	
1-1/2" Repair Cuff for Vac Hose	F1116	
2" Repair Cuff for Vac Hose	F1121	
1-1/2" Swivel Repair Cuff	F1123	
2" Repair Cuff for Vac Hose	F1124	
1-1/4" Repair Coupling for Vac Hose	F1122	
1-1/2" Repair Coupling for Vac Hose	F1114	
2" Repair Coupling for Vac Hose	F1120	
Hose Hanger - (Pair with Screws)	F1118	
Pole Hanger--(Pair)	F1119	
Pole & Hose Hanger - Pair (Aluminum)	F6086	
Aluminum Hanger for Hose or Pole (Pair)	Y3058	
Hayward SPX10B2Z3 Vac Hose Adapter 2" MPT x 1-1/2" SMO	L1933	



ASTRAL COMMERCIAL

Blue Devil Pro Series 19" Flex Vac
With 1-1/2" & 2" port and swivel metal handle

F4033

RAINBOW COMMERCIAL

ABS & polyethylene with lead weights fully enclosed. Adjustable polyurethane wheels swivel in any direction. Includes 1-1/2" flex hose swivel connection to prevent twisting.

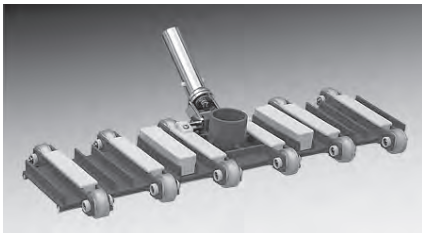


19" Commercial Flex-Vac 250 with Swivel Wheels 4/Case F3045
19" Plastic Head with Clip & 12 Wheels
Fits both 1-1/2" & 2" Hose



RAINBOW PRO VAC SERIES

Created by & for professional servicemen, the Pro Vac cleans a pool bottom faster - even with low flow suction. Features unique suction chamber which concentrates vacuum velocity equally from both ends as well as front to back. Strategically weighted with adjustable wheels. All components are replaceable.
1-1/2" & 2" vac hose connection



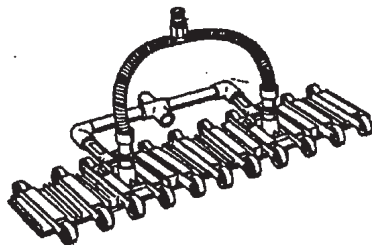
14" Pro Vac Residential Flex-Vac Head #214R F3046
with 8 Solid Molded Wheels
& Plastic Snap-Adapt Handle

AQUASTAR 14" Vac MULTI-DIRECTIONAL F3050

22" Pro Vac Commercial Flex-Vac Head #222 F3047
with 12 Ball Bearing Wheels
& Metal Swivel Adapt Handle

AQUASTAR 22" Vac MULTI-DIRECTIONAL F3051

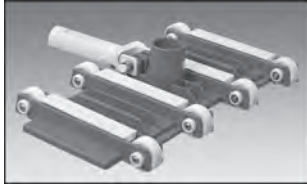
29" Pro Vac Commercial Flex-Vac Head #229 F3048
with 16 Ball Bearing Wheels
& Metal Swivel Adapt Handle



41" Super Pro Vac #241 F3049
For increased speed in cleaning large
commercial pools - 22 Ball Bearing Wheels

FLEX VAC HEADS

For Concrete Pools



F3009

Aquality/Sta-Rite 14" Flexmaster 3028
*Flexible 5 lb. Vac w/Pool Saver Side Runners.
 Adjustable Wheel Slots.*

PACKING	ITEM NO.
6/Case	F3009



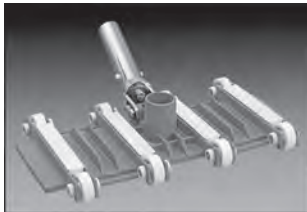
F3005

JANDY FLEXIBLE VAC HEAD 14" PVH14
JANDY FLEXIBLE VAC HEAD 19" PVH19

	F3040
	F3042

Astral 14" Flexible Vac Head -1-1/2"
*Made of Injected Molded Polyethylene
 with Rubber Tires for Better Traction.*

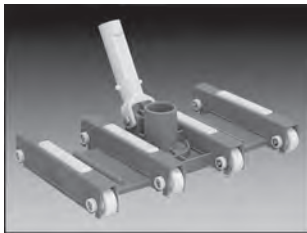
6/Case	F4072
--------	-------



F3006

Flex Vac Head 201 with Solid Wheels
*Replaces American Flex-A-Vac.
 Economy Design w/Adjustable Wheels.*

6/Case	F3006
--------	-------



F3002

Flex Vac Head 188 with Solid Wheels
*12" Plastic Head w/Clip & 8 Wheels.
 Lead Weights in Polyethylene Housing*

6/Case	F3002
--------	-------



F3010

Flex-Vac Head 188 with Ball Bearing Wheels
*12" Plastic Head w/Metal Swivel
 Handle & Ball Bearing Wheels*

6/Case	F3008
--------	-------



F3010

Economy Flex II Vac Head 14"
*14" Plastic Head w/ABS Handle,
 All Plastic Axles & Handle Pin.*

12/Case	F3010
---------	-------

CMP 14" FLEXIBLE VAC HEAD W/METAL HANDLE BLUE	F3044
--	-------

Poolmaster Basic 14" FlexVac	6/Case	F3039
-------------------------------------	--------	-------

VAC HEADS

For VINYL POOL LINERS



F4055



F4028



F4029



F4045

Pentair Vac Head R201392

Opaque Triangular Body & VinylGard Bumper. Wt. 3 Lbs

Astral Clear View Vac Head

Strong Polycarbonate See-Through Housing & Polypropylene Brushes.

Vac Head (HP-500-type)

13" Head with Stabilizer Spring Fits 1-1/4" & 1-1/2" Hose Wt. 3lbs.

Basic Vinyl Vac Head

Economy Vac Head 191

Hayward Power Vac SP-10B

Hayward Power Vac SP-1068DL

Triangular Super Vac Deluxe

Hayward Power Vac SP-1068

Triangular Vac Head w/3 Brushes. Swivel Hose Connections Included

- Replacement Handle
- Replacement Brush Kit
- Weight Pak (3 Weights)

Poolmaster Triangular Vac Head (Clam Pak)

Full View ABS Model w/Channel Brushes. Fits 1-1/4" & 1-1/2"Hoses. Wt. 4 Lbs.

Triangular Vac Head

See thru - Weighted loose pack

Triangular Vac Head

12" Head Fits 1-1/4" & 1-1/2" Hose

Replacement Brush Kit195R

Pentair Oval Vac Head #193

ABS Model w/Protective Vinyl Bumper Fits 1-1/4" & 1-1/2" Hose. Wt. 3 Lbs.

Replacement Brush Kit193R

CMP DELUXE WEIGHT LINER VACUUM HEAD WITH BUMPER 11" BLUE

PACKING
6/Case ITEM NO.
F4055

12/Case F4070

12/Case F4015

F4038

24/Case F4000

75/Case F4028

10/Case F4029

10/Case F4030

sp1067-QA K6207

spx1068G3 F4031

sp1068FA F4032

6/Case F4045

12/Case F4046

12/Case F4035

Replacement Brush Kit195R F4036

12/Case F4025

Replacement Brush Kit193R F4026

F4016



F4032

ALL PURPOSE VAC HEADS

	PACKING	ITEM NO.
Poolmaster Black Magic Jet Vac Head With Bag <i>7" Head with Brushes</i> <i>Used with Garden Hose</i>	6/Case	F3032
Poolmaster Black Magic Jet Vac Head <i>for Pool, Spa or Pond</i>	12/Case	F3030
Rainbow "Basic" Uni-Vac Jet Vac	4/Case	F3205+
Repl. Bag for Poolmaster Black Magic Vac (All Purpose)		F3033
Repl. Bag for Poolmaster Jet Vac (Fits VJ12)		F3031
Repl. Bag for Rainbow 208 Mini Vac (Silt Sock)		F3034



REPLACEMENT PARTS FOR VAC HEADS



		ITEM NO.
Rainbow Caster Support	R03032	F3024
Rainbow Axle Assembly (No Wheel)	R201606	F3106
Rainbow Hose Swivel Adapter	R201566	F3020
4 Wheels with Axle Assembly	R201450	F3016
4 Wheel Replacement Kit	R201500	F3029
4 Ball Bearing Wheel Assembly	R201558	F3014
Blue Devil 9701C Vac Wheel Assembly	B9701C	F7088
	(Set of 4)	
Steerable Attachment Only	R201406	F3017+
Handle Replacement - w/Clip	R201476	F3019
Handle Replacement - Metal w/Swivel	R201408	F3015
Bolt & Nut, S.S. for Handle	R201496	F3003
Handle Connecting Pin - Plastic 2-1/4"	R03101	F3022
Handle Connecting Pin - Plastic 1-3/4"	R03086	F3023
S.R. Smith Wheel w/ Axle Kit	(4 Each)	F3036+
Pole-Spring Clip-Set/3	#170	F6100
BLUE DEVIL FLEX VAC 4 WHEELS W/AXLE ASSY #B5969C		F3021








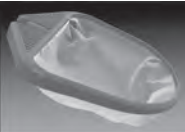




LEAF TRAPS

Hayward Standard Capacity Leaf Trap	#W560	E1W560
Hayward Large Capacity Leaf Trap	#W530	E1W530
Leaf Trap with Snap Open Lid & Mesh Bag 1-1/2"	#186A	F7056
<i>Clear Housing - Let's you see the debris</i>		
Leaf Trap with Snap Open Lid and Mesh Bag 2"	#186B	F7064
Pentair Standard Mesh Bag (180 Leaf Trap)		F3124
Rainbow Sand/Silt Bag	R211518	F3128
Screen Bag (179 Leaf Trap)		F7058
Vinyl Coated Basket (179 & 186 Leaf Trap)		F7059
Clear Lid (179 Leaf Trap)		F7057
O-Ring for Lid (179 & 186 Leaf Trap)		H5466
3' Vac Hose (179 & 180 HD Leaf Trap)		F7067
O-Ring for Lid (180 HD Leaf Trap)		F7066
Replacement Lid (180 HD Leaf Trap)		F7068
Vinyl Coated Basket (Blue) (180 HD Leaf Trap)		F7069



HAND SKIMMERS

		PACKING	ITEM NO.
	Blue Devil Hand Skimmer w/ Clip #LS-3N1 <i>With rock scoop</i>	12/Case	F7015
F7015			
	Nyon Commercial H.D. Skimmer 14" x 15" <i>With dacron mesh & clip</i>	24/Case	F7047
F7047			
	Poolmaster Poly Leaf Skimmer #18200 <i>Molded one piece frame</i>	12/Case	F7006
F7006			
	Poolmaster Pro Leaf Skimmer #18200 <i>Molded one piece frame</i>	12/Case	F7020
F7019			
	Rainbow Hand Skimmer w/Clip #124S <i>Polypropylene construction w/ polyester screen</i>	12/Case	F7019
F7019			
	Rainbow Hand Deep Net Skimmer #118 <i>With reinforced aluminum</i>	12/Case	F7005+
F7005			
	Rainbow Hand Skimmer ABS #119 <i>With reinforced aluminum</i>	12/Case	F7037
F7002			
	Hand Skimmer - Aluminum #126 <i>Molded screen snaps into aluminum frame</i>	12/Case	F7002
F7025			
	Hand Skimmer - Replacement Screen <i>Replaces Obsolete Numbers: #126RFM & #121222</i>		F7025
F7025			
	Skimlite Leaf Skimmer - w/8" Pocket #R8C <i>Plastic Frame - bolts into pole - does not include bolts</i>	12/Case	F7030
F7010			
	*Hand Skimmer w/ 4' Pole #404H	12/Case	F7010
F7010			
	*Hand Skimmer w/ 5' Pole	24/Case	F3223
F7010			
	*Hand Skimmer w/ 4 to 8' TelePole	12/Case	F7040
F7010			
	CMP Leaf Skimmer Plastic with Magnet Nylon Net Blue		F7073
F7073			
	CMP Leaf Skimmer Plastic with Magnet Nylon Net Blue		F7004
F7073			

+Limited Stock

LEAF RAKES

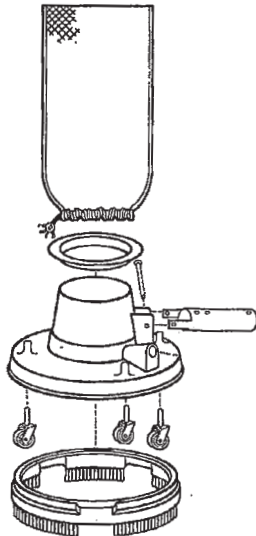
ITEM NO.



LEAF RAKE JANDY ALUMINUM FRAME PLR16			F7053
Basic Leaf Rake	#18215	2/Case	F7054
20" Leaf Rake	#122	12/Case	F7050
20" Econo Leaf Rake	#123	12/Case	F7055
Pro Leaf Rake	#117	12/Case	F7048
Repl. Frame & Net	#117R	12/Case	F7049
Premier Leaf Rake	#21196	12/Case	F7060
20" Std. Leaf Rake Plastic	#125005B	12/Case	F7061
H. D. Leaf Rake	30" x 8"	12/Case	F7062
CMP PRO SERIES DEEP LEAF RAKE SOLID TUBE FRAME BLACK/GOLD			F7041
GATOR RAG BAG LEAF RAKE 24x24 W/ WEAR PANEL STANDARD MESH			F7042
PELICAN PRO RAG BAG LEAF RAKE 16x20 #PPRB			F7043
GATOR LEAF CHASER LEAF RAKE 24x24 #GTL			F7045
16" Pocket	20" x 10"	12/Case	F7052+
Red Baron Leaf Chaser	20" x 20"	Each	F7044
Red Baron Rag Bag	20" x 20"	Each	F7046
Red Baron Replacement Rag Bag			F7039

LEAF BAGGERS

Works with garden hose or automatic cleaner to remove debris by venturi action



Jandy Leaf Bagger w/Wheels for Concrete Pools Jandy			F7072
Leaf Bagger w/Brushes for Liner Pools			F7071
Standard Leaf Bagger w/Wheels for Concrete Pools			F7070
#S-101 Standard Bag	15" x 21"		F7076
#S-777 Fine Mesh Bag	15" x 26"		F7077
#S-999 Extra Large Bag			F7079
Leaf Bagger Quick Connector			F7080
Swivel Wheel Bracket, Wheel & Pin (3)			F7086
Top Ring for Leaf Bagger			F7084
Jandy Hose Fitting with Clip	#2167		F7089
Jandy Handle Assy with Clip	#1150		F7081
Jandy Wheel Assy	#1218		F7087
Jandy Repl. Brush Ring	#1223		F7074+
Jandy Handle Lock Pin	#1226		F7091
Jandy Bag Ring for Leaf Master	#1219		F7092

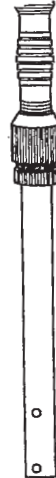
+LIMITED STOCK



LEAF TRAP REPLACEMENT BASKET CMP FITS 186A & 186B	F7063
LEAF TRAP REPLACEMENT BASKET VALPAK	F7065
CMP LEAF EATER W/BAG BLUE/WHITE	F7075
CMP LEAF EATER REPLACEMENT BAG	F7085

ALUMINUM BOLTED POLES*A lightweight durable non-telescopic aluminum pole. 1-1/4" O.D*

			ITEM NO.
12'	Straight Bolted Pole	12/Case	F6000
12'	Skimlite Bolted Pole Heavy Duty	12/Case	F6001
16'	Straight Bolted Pole	12/Case	F6005
16'	Skimlite Bolted Pole Heavy Duty	12/Case	F6006
4' to 8'	Telescopic-Pole-External Locking Cam	12/Case	F6008
6' to 11"	Telescopic Pole-External Locking Cam	12/Case	F6010
6' to 12'	Telescopic Pole-External Locking Cam	12/Case	F6012
8' to 15'	Telescopic Pole-External Locking Cam	12/Case	F6015
8' to 15'	Skimlite Telescopic Pole	12/Case	F6016
8' to 16'	Skimlite Telescopic Pole Heavy Duty	12/Case	F6018
8' to 16'	Jandy Telescopic Pole	12/Case	F6025
4' to 8'	Telescopic Pole - Eliptilok	12/Case	F6009
6' to 11'	Telescopic Pole - Eliptilok	12/Case	F6011
8' to 15'	Telescopic Pole - Eliptilok	12/Case	F6013
8' to 16'	Dual Lock Telescopic Pole 2pc	12/Case	F6026
8' to 18'	Dual Lock Telescopic Pole 3pc	12/Case	F6030
8' to 24'	Dual Lock Telescopic Pole 3pc	12/Case	F6032
12' to 24'	Telescopic Pole -Twist Lock	12/Case	F6034
16' to 32'	Telescopic Pole -Ext.Nylon Locking Cam	12/Case	F6027
6' to 17'	UPS-able 3 Pc Telescopic Outside Cam		F6028
8' to 23'	UPS-able Extra Heavy Duty 3 PC Telescopic Outside Cam		F6029
6' to 12'	Skimlite Snap Button Lock		F6007
8' to 16'	Skimlite Snap Button Lock		F6017
6' to 17'	Skimlite Snap Button Lock Triple		F6019
8' to 23'	Skimlite Snap Button Lock Triple		F6020

**FIBERGLASS POLES**

12'	Commercial Telescopic Pole	F6036
8' to 16'	Telescopic Pole-E-Z Lock Fitting	F6042
12' to 24'	Commercial Telescopic Pole	F6035

**STAIN MASTER**

*Allows underwater application of muriatic acid only where it's needed.
Easily removes rust scale & other stains without removing water from the pool*

Jandy Stain Master	#1148	F7100
PURITY UAW UNDERWATER WASH KIT PURITY OUT		F7105
SPOT UNDERWATER ACID WASH		F7106





A6101



F6130



V7340



F6120



F5719



F6085



F6100



F6055



F6063



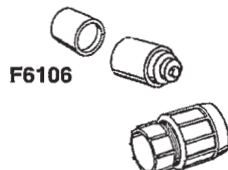
F6109



F6067



F6090



F6106

F6108

POLES ACCESSORIES & PARTS

Algae-Gon Remover

Holds 3" chlorine tablet for black algae spots

ITEM NO.
F6130

Black Algae Scraper

Removes black algae from plaster walls. Snaps onto pole

V7340

Pumice Stone for Telescopic Pole



Rust Stone

Stone abrasive for stains. Fits on pole end.

#146S F6120

Magnet Sander

F6115+

Pole Hangers - Set of Two

(Plastic) Rainbow

F6085

Pole Hangers - Set of Two

(Aluminum) Rainbow

F6086

Pole Hangers - Set of Two

(Aluminum)

F1119

Combo Pole & Hose Hanger

(Plastic)

F6087

Wing Nut & Bolt for Pole

(Bag of 6)

F6070

Spring Clips for Poles

(Set of 3)

#170B

F6100

Pole-Quik Snap Butterfly Clips CMP CLIP-SET/3 CMP Pole Adapter

Snap adaptor & bolted end connector allows quick change (Set of 3)

F6101

F6055

Adapter to Course Thread for Tele Pole

F5097+

Pole adapter Sleeve

Attaches two 8 Ft. fiberglass sections together. Includes nuts & bolts.

F6063

Conversion Adapter - Female Threads for 1-1/4" Pole

F6064

Replacement Tip for Fiberglass Pole

F6067

Female Brass Threaded Fitting for 1-1/4" Alum Pole

F6061

Male Brass Threaded Fitting for 1-1/4" Alum Pole

F6060

Male Brass Threaded Fitting for 1-1/2" Alum Pole

F6065

Female Brass Threaded Fitting for 1-1/2" Alum Pole

F6066

Replacement Pole Caps, 1-1/8" #1125

F6095

Replacement Pole Caps, 1-1/4" #900

F6090

Vinyl Hand Grip - White

F6109

Metal Cam Set - Smooth Metal Poles

#803

F6106

E-Z Lock Plastic Cam Set - for Metal Poles

#806

F6108

E-Z Lock Plastic Cam Set - Fiberglass Poles

#807







F6107

Plastic Cam Set - for Smooth Poles



F6111+

+Limited Stock

POOL WALL BRUSHES

	PACKAGING	ITEM NO.	
Spa Brush - Soft Bristles	12/Case	F5078	
17 1/2" Basic Pool Brush With Aluminum Bracket	12/Case	F5006	
18" All Plastic Wall Brush with Clip Economy all plastic brush designed for long life	12/Case	F5005	
18" All Plastic Wall Brush with Clip WB350 One piece molded white body with 5 rows poly bristles	12/Case	F5008	
18" Wall Brush with Alum. Bracket & Clip Deluxe strong brush with multiple rows of poly bristles	12/Case	F5015	
Replacement Brush for Alum. Bracket Brush	12/Case	F5016+	
18" Combo Wall Brush with Alum. Back Blended S.S. & blue nylon bristles (Not for vinyl liners)	12/Case	F5017	
18" Goldline Wall Brush Blended nylon bristles	12/Case	F5002+	
18" Pro Combination Wall Brush Contains both stainless steel & synthetic bristles	12/Case	F5096	
24" Giant Wall Brush - Straight Back Stiff & aggressive w/black nylon bristles	12/Case	F5020	
24" Commercial Wall Brush - Curved Ends Alum. bracket w/blue nylon bristles & white back	12/Case	F5021	
27" Giant Wall Brush - Curved Ends Filled with 5 rows of white nylon bristles	12/Case	F5024	
36" Olympic Size Wall Brush Filled with 5 rows 1-1/2" trim white nylon bristles	12/Case	F5025	
Comer Brush with Synthetic Bristle	12/Case	F5038	
Wall Whale 18" with PVC Bristles	12/Case	F5061	
with PVC & Wire Bristles	12/Case	F5062	
CMP 18" WALL BRUSH POLY BRISTLE ALL PLASTIC CURVED		F5004	
BRUSH 18" JANDY ALUMINUM BACK PBR18		F5014	
BRUSH-18" METAL BACK BLENDED CMP STAINLESS STEEL/NYLON		F5018	
BRUSH 24" JANDY ALUMINUM BACK PBR24		F5019	

SCRUBBERS

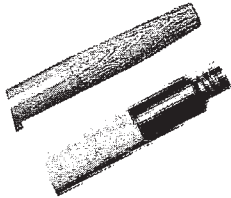
Tile Scrubber with 48" Handle Light Duty 3-1/2" x 6" Scrub Pad on one side - Medium duty on other with sponge center	12/Case	F5065+	
Tile Swivel Scrub Brush - Threaded Universal Swivel Handle w/ Removable Pad Nylon Scouring Pads 6" x 9"	12/Case 60/Case	F5052 F5053+ F5055+	
Multipurpose Brush #650 Surface scrubber with 3 interchangeable pads	12/Case	F5066	
Replacement Scrubber Pads (Set of 3) Mini Scrub Brush #652		F5067+ X1162	
		Iron shaped multipurpose brush with poly bristles +Limited Stock	



ACID BRUSHES

Unaffected by acid or harsh chemicals

	PACKAGING	ITEM NO.
10" Wood Acid Brush with Plastic Bristles <i>Use with Tapered Pole</i>	12/Case	F5070
Dual Surface Acid Brush - Threaded	12/Case	F5075



WOOD POLE HANDLES

60" Wood Handle with Tapered End - Thick	24/Case	F5080
60" Wood Handle with Threaded End	12/Case	R1055
60" Wood Handle with Plastic Threaded Tip	24/Case	F5081
60" Wood Handle with Metal Tip	12/Case	R1060



S.S. ALGAE BRUSHES

Small Algae Brush w/S.S. Bristles (Al. Backed)	12/Case	F5031
Small Algae Brush w/ Stainless Steel Bristles	12/Case	F5030
10" Algae Brush with Stainless Steel Bristles	12/Case	F5032
10" Algae Brush with S.S. Bristles (Al. Backed)	12/Case	F5033
18" Algae Brush with Stainless Steel Bristles	12/Case	F5035
Corner Brush w/ Stainless Steel Bristles and Clip	12/Case	F5037
BRUSH-10" ALGAE S.S. BRISTLES CMP ALUMINUM HANDLE		F5034



FLOOR BRUSHES

16" Street Broom (Use with Tapered Handle)	F5095
18" Heavy Duty Floor Brush - Threaded	F5085
24" Heavy Duty Floor Brush - Threaded	F5090
58" Corn Broom	F5046
BROOM-STREET 16" PALMYRA W/HANDLE	F5086
DUST PAN/METAL HOPPER W/ HANDLE	F5082
BROOM PLASTIC ANGLE	F5083



FLOOR SQUEEGIES

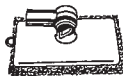
18" Floor Squeegee #6118	F5041
24" Floor Squeegee #6124 <i>Use with 60" Tapered Wood Pole (F5080)</i>	F5043
24" Curved Squeegee	F5044
36" Curved Squeegee	F5045



ADJUST-A-BRUSH



or use on pool, spa, boat, home or automobile. Handle made of premium drawn aluminum tubing with non-slip hand grips. Telescopic handle optional for those hard to reach areas.



48" Handle, Knuckle & Medium Pad	F6800+
36" to 72" Telescopic Handle, Knuckle & Medium Pad	F6805+
Replacement Scrub Pad - Coarse	F6815+

+Limited Stock

Little Giant

"Your Solution Innovator"

WATER WIZARD MAINTENANCE PUMPS

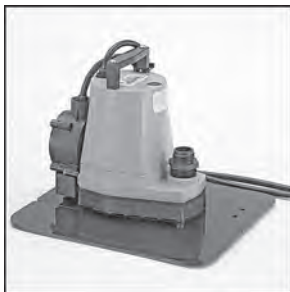
*Dependable & Long Running. Pumps down to 1/8".
Aluminum housing, 1/6 HP, 1" discharge. Includes garden
hose adapter & removable inlet screen for easy cleaning.*



	ITEM NO.
5-MSP Manual Water Wizard Maintenance Pump 1200GPH at 1" with 25" Cord	K1004
5-MSP Manual Water Wizard Maintenance Pump 1200GPH at 1" with 18" Cord	K1009
Low Level Remote Switch RS-5LL	K1007
Drain Wizard Adapter Kit	K1260+



Little Giant Sump Pump 20FT. 10EC-CIA-SFS #510854	K1014
Little Giant 6-CIMR 1/3 HP Manual Switch 46 GPM @ 5' 1-1/2" Discharge	K1010
Little Giant 6-CIA-RFS 1/3 HP Automatic 46 GPM @ 5' 1-1/2" Discharge	K1015
Little Giant 10-CIA 1/2 HP Automatic 70 GPM @ 5' 1-1/2" Discharge	K1220
Sump Pump Switch Repair Kit SPRK-1	K1021

LITTLE GIANT POOL COVER PUMPS

PCPK-N Cover Pump 325 GPH @ 1'	K1000
<i>A ready-to-use kit that contains - pump w/18 ft. cord, garden hose adaptor for 1/4" outlet & 25 ft. of 1/2" tubing.</i>	6/Case 24/Case
1AA-18 Cover Pump 170 GPH @ 1'	K1002
PCPK-1 Cover Pump 205 GPH @ 1'	K1003
Multi-Purpose 550 GPH @ 1'	K1005
5-APCP Automatic Water Wizard <i>Maintenance Pump with Stabilization Plate</i> 1200GPH @ 1'	K1011
APCP Cover Pump 1700GPH @ 1'	K1001

**MISC. SMALL SUBMERSIBLES**

For Waterfalls, Gardening, Fountains & Recirculation

Little Giant Pump 2E-N w/ 6' Cord	300 GPH	K1006
Little Giant Pump 2E-38N-WG w/ 15' Cord	300 GPH	K1028
Little Giant Pump P-AAA-WG w/ 15' Cord	120 GPH	K1008
Little Giant Water Garden Starter Kit #SK-WG-2		K1012

SUPERIOR SUMP PUMPS

	ITEM NO.
SUPERIOR SUMP PUMP 1/2HP MANUAL 25' CORD W/OUT FLOAT SWITCH	K1040
SUPERIOR SUMP PUMP 1/3HP W/FLOAT-SWITCH 25' CORD	K1042
SUPERIOR AUTOMATIC COVER PUMP 2100 2100 GPH	K1044

INDUSTRIAL STRENGTH

NEW TRASH PUMP!!



KOSHIN SUBMERSIBLE PUMP

PKS-55011 HD Electric Submersible Trash Pump (2") <i>110V, 7amp, 75 GPM@ 5' w/ 18' Cord</i>	K1084
FS-1 0 Float Switch w/1 0' Cord for Sump Pumps	K1083
FS-20 Float Switch w/20' Cord for Sump Pumps	K1087
Gasoline Powered Trash Pump KTH-B0X <i>3" Trash Pump with 8 HP Honda Motor, 354 GPM</i>	K1085
CASING FOR PKS - 65011 SUBMERSIBLE	K1088
FRONT BRACKET FOR PKS-65011 SUBMERSIBLE	K1089
CASING GASKET FOR PKS-65011 SUBMER	K1090
BOTTOM PLATE FOR PKS-65011 SUBMERSIBLE	K1091
IMPELLER FOR PKS-65011 SUBMERSIBLE	K1092

COVER CARE PUMPS

Magnetically-driven & clog resistant, accommodates 3/4" garden hose.



Pool Cover Pump w/ 25' Cord	300 GPH	K1022
Pool Cover Pump w/ 25' Cord	350 GPH	K1013
Pool Cover Pump w/ 25' Cord	500 GPH	K1018
Foam Prefilter for Models 350-500 Cover Care Pumps		K1113
Foam Prefilter for Model 1200 Cover Care Pumps		K1114
COVER-CARE MAIN DRAIN UTILITY PUMP-25'CORD		K1030
COVER-CARE PUMP FLOAT-SWITCH-30' CORD		K1031

BILGE PUMPS



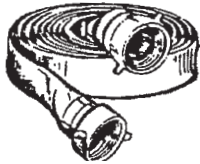
Small Plastic Hand-Powered Bilge Pump -24" Long	K1016
Large Plastic Hand- Powered Bilge Pump - 36" Long	K1017
Replacement Hose w/End Caps - 1-1/4" x 24" Long	K1550
Replacement Hose w/End Caps - 1-1/4" x 36" Long	K1555

DISCHARGE HOSE - Regular



			ITEM NO.
1-1/2" X 50'	Regular Discharge Hose	F2000	
1-1/2" X 200'	Regular Discharge Hose	F2005	
2"x50'	Regular Discharge Hose	F2009	
2" X 200'	Regular Discharge Hose	F2010	

DISCHARGE HOSE - Heavy Duty



1- 1/2" x 300'	Heavy Duty Discharge Hose	F2025
2" X 300'	Heavy Duty Discharge Hose	F2030
3" X 300'	Heavy Duty Discharge Hose	F2035



Above Hose No Couplings - Cut Sizes Available - Call for Price

Nylon Reinforce Vinyl

HOSE ACCESSORIES

Brass Couplings

1-1 /2"		F2070
2"		F2071
3"		F2072

Washers

1-1 /2"		F2075
2"		F2076
3"		F2077

Plastic Male Adapters

1-1 /2"		F2061
2"		F2062
3"		F2063

Metal Hose Strainers

1-1 /2"		F2085
2"		F2086
3"		F2087

Spanner Wrench

1-1 /2"		F2080
2"		F2081
3"		F2082

Insert Couplings

1-1 /2"		U5015
2"		U5020
3"		U5025

PLASTIC QUICK DISCONNECT COUPLINGS

(A) Male x FPT

1-1 /2"		F2103
2"		F2108
3"		F2116

(D) Female x MPT

1-1 /2"		F2102
2"		F2107
3"		F2114

(C) Female x Insert

1-1 /2"		F2100
2"		F2105
3"		F2110

(D) Female x FPT

1-1 /2"		F2111
2"		F2113
3"		F2117

(E) Male x Insert

1-1 /2"		F2101
2"		F2106
3"		F2112

Q.D. Hose Washers

1-1 /2"		F2073
2"		F2074
3"		F2078

(F) Male x MPT

1-1 /2"		F2095
2"		F2096
3"		F2118

Handles

1-1 /2"	Handle	F2104
2"	Handle	F2109
3"	Handle	F2119

HOSE CLAMPS - Stainless Steel (sold in boxes of 10)

CLAMP NO.	Micro	Micro	#6	#12	#16	#20	#24	#28	#32	#36	#52	#80	#104
PIPE SIZE	3/8"	1/2"	3/8"	3/4"	1"	1-1/4"	1-1/2"	1-1/2"	2"	2"	2"	5-1/2"	6"
ITEM NO.	F1207	F1208	F1206	F1212	F1216	F1220	F1224	F1228	F1232	F1236	F1252	F1280	F1297

COUPLED PVC SUCTION HOSE

Suction Hose 1 1 /2" x 20 Ft. w/brass coupling	F2040
Suction Hose 2" x 20 Ft. w/brass coupling	F2045
Suction Hose 3" x 20 Ft. w/brass coupling	F2055

POOL SURFACE CLEANERS

Pumice Stone

Tile & concrete cleaner

		ITEM NO.
Pool Block - Pumice Stone	6" x 1-3/4"	A6102
Pool Block - Pumice Stone	6" x 3"	A6104
Pool Block - Scouring Stick	4 oz.	A6103
Pumice Stone for Tele-Pole	6 oz.	A6101



GARDEN HOSE

3/4" x 50' Garden Hose with Brass Couplings	F2130
3/4" x 100' Garden Hose with Brass Couplings	F2140
3/4" x 250' Garden Hose Only (400# Test)	F2145



Garden Hose Accessories

3/4" Female Hose Coupling Plastic	1F	F2150
3/4" Male Hose Coupling Plastic	1M	F2152
3/4" Hose Mender	1HM	F2153
3/4" Quick Coupling Set Brass9QC	9QC	F2154
3/4" H.D. Brass Coupling Set		F2164
3/4" H.D. Brass Coupling Set LD		F2166
3/4" Nylon Shut Off Valve	7V	F2156
3/4" Garden Hose Nozzle Plastic	474	F2158
3/4" Hose Nozzle Heavy Duty	571	F2159
3/4" Garden Hose Nozzle - Metal	573	F2172
3/4" Fire Dept Type Wash Down Nozzle		V7061
1-1/2" Fire Dept Type Wash Down Nozzle		V7063
3/4" Water Jet Nozzle		F2180
3/4" PVC Swivel Adapter w/Washer MPT x FHT		F2170
3/4" PVC Swivel Adapter w/Washer FPT x FHT		F2171
Garden Hose Hanger Aluminum		F2160
3/4" Y Connector with Dual Valves		F2161
3 Hose Washers with Screen	2FW	F2162
3/4" Garden Hose Cap Plastic		F2176
Box of 10 Garden Hose Washers		F2178
Water Timer - Measures in Gallons	#9200	F2182
Quick Coupler Set w/Shut Off Valve		F2155
Plastic Quick Coupler Set 3/4" MGHT/FGHT		F2157
Fire Nozzle Brass 1-1/2"		F7060



LADDERS - Residential

Standard grade ladder made of 1.90" O.D. x .049" wall stainless steel.

ITEM NO.

2-Tread Straight Ladder with Black Plastic Treads	G7000
3-Tread Straight Ladder with Black Plastic Treads	G7005
4-Tread Straight Ladder with Black Plastic Treads	G7010
3-Tread Safron PVC Ladder	G9005
2-Tread Straight Ladder with Stainless Steel Treads	G7015
3-Tread Straight Ladder with Stainless Steel Treads	G7020
4-Tread Straight Ladder with Stainless Steel Treads	G7025

**LADDER - Deluxe**

Recommended for light commercial & residential pools. Electro Polished ladders are made of 1.7 O.D. x .049" wall with rail end flared to 1.90" O.D. S.S. to fit in existing anchor sockets. Positive size smaller diameter grips are a safety feature for children, elderly, and disabled individuals.

3-Tread Deluxe Ladder with S.S. Treads	H9526
3-Tread Deluxe Ladder with Plastic Treads	H9720

**LADDERS - Commercial Heavy Duty & Cross-Braced**

Both ladder types are recommended for heavy duty commercial use at public & institutional pools. All ladders are made of 1.90" O.D. x .065" wall stainless Steel & come with ladder bumpers to prevent damage to the pool wall. Ladders with cross braces offer extra rigidity & strength.



Heavy Duty Ladder



2-Tread Heavy Duty Ladder -24" Width	G7016
3-Tread Heavy Duty Ladder -24" Width	G7021
4-Tread Heavy Duty Ladder -24" Width	G7027
2-Tread Heavy Duty Ladder-24" w/ Cross Brace	G7017
3-Tread Heavy Duty Ladder-24" w/ Cross Brace	G7023
4-Tread Heavy Duty Ladder-24" w/ Cross Brace	G7026
3-Tread Safron Heavy Duty Ladder -24" w/ Cross Brace	G9023
4-Tread Safron Heavy Duty PVC -24" w/ Cross Brace	G9026



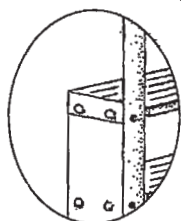
Heavy Duty Ladder with Cross Brace

SAFE-T-POOL STEPS

Tread is 8" Wide, over twice as wide as conventional treads. Helps keep kids safe!

Kit includes ladder steps, two side skirts, rubber bumpers & bolt kit

Safe-T-Kit (2-Step) - Residential Kit	G7009
Safe-T-Kit (3-Step) - Residential Kit	G7007
Safe-T-Kit (3 Step) - Commercial Kit	G7013
Safe-T-Kit (4 Step) - Commercial Kit	G7018

**SAFE-T-POOL STEPS**

Safron High Impact Vinyl Ladders are reinforced internally with fully encapsulated steel for a tough, beautiful looking product that will enhance your pool for many years while requiring virtually no maintenance.

No Grounding and/or Bonding Necessary.

Available in many colors!

Some in stock- Listed throughout the rail goods section with similar S.S. products.

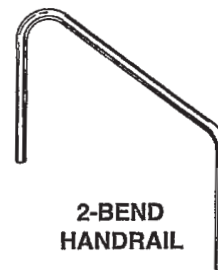
Special order - Please Call

STANDARD HANDRAILS

Allows safe entry & exit from the pool

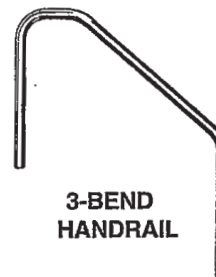
All Astral Rails are Electro Polished

	<u>(.49 Thickness)</u>	<u>(.065 Thickness)</u>
2-Bend Rail		
48" Hand Rail 2-Bend	G7075	G7084
48" Astral Hand Rail	G8075	
	G9075	
60" Hand Rail 2-Bend	G7080	
60" Astral Hand Rail	G8080	
60" Safron Rail White	G9080	
72" Hand Rail 2-Bend	G7085	
72" Astral Hand Rail	G8085	



2-BEND
HANDRAIL

	<u>(.49 Thickness)</u>	<u>(.065 Thickness)</u>
3-Bend Rail		
48" Hand Rail 3-Bend	G7076	G7066
60" Hand Rail 3-Bend	G7081	G7097
60" Safron (White)	G9081	
66" Astral (3 Bend) Rail	G8082	
72" Hand Rail 3-Bend	G7083	G7091
72" Astral 3-Bend	G8083	
72" Safron (White)	G9083	
84" Hand Rail 3-Bend	G7071	G7087
96" Hand Rail 3-Bend	G7088*	G7089

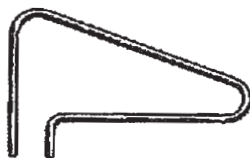


3-BEND
HANDRAIL

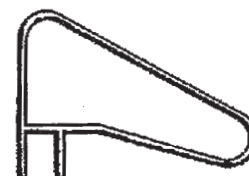
*Non-stock Item

DECK MOUNTED STAIR RAILS

Horizontal
Center Grab Rail - 5111 (.049")
G7392
Center Grab Rail - 5111 (.065")
G7394 (Commercial)
Safron Fig. 4 Grab Rail (White) - 48"
G9063



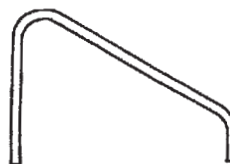
Sloping - Welded
Center Grab Rail- 5411
(.049")
G7092



Horizontal - Flat Top
Center Grab Rail - 48" (.049")
G7090
Center Grab Rail - 48" (.065")
G7390*



Deck Level - Pair
3011 Rails G7073
3611 Rails G7072
4211 Rails G7095



*Non-stock Item

ASTRAL STAIR RAILS w/ Flared Ends

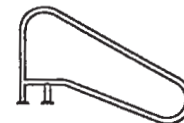
Electro-polished 1.7" O.D. S.S. rails with flared ends to 1.9" O.D. to allow replacement of existing rail.
Smaller diameter frame allows easier & safer grip for small or wet hands, providing extra safety.



Figure 4 Rail
G8090



Hand Deck Rail 36" (Set of 2)
G8072 (G8073* 30")



Cross Braced Stair Rail
G8092

*Non-stock Item

SPA RAIL

Rail supplied with 4 • x 1 o • Plate drill for 3/8" Bolts and has a welded bottom



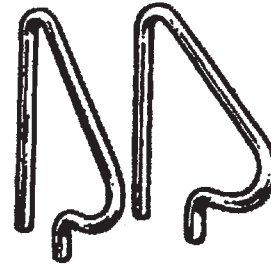
Spa Rail (1-5/811 O.D. x .04911 Wall) - Bolts Not Included

G7069

PAIR FIGURE 4 HANDRAILS*Made of 1.90" O.D. x .049" or .065" wall. S.S. mirror finish*

ITEM NO.

Pair of Fig. 4 Handrails (.049 Wall) 26"	G7063
Pair of Astral 1.7 Fig. 4 Grab Rails	G8063
Pair of Fig. 4 Handrails (.065 Wall) 30"	G7093



Pair of Fig. 4 Handrails

Powder Coated Color Rails

Pair of Fig. 4 Handrails (Copper Vein Color) Includes Escutcheons	G7078*
--	--------

*Textured white, earth tone, patina & black
Also available by special order*

SAFTRON P-330 Fig. 4 White Vinyl Grab Rail w/White Escutcheons	G9065
---	-------

**PAIR OF GRAB RAILS With Brass Anchors**

Residential Ring Rails - Pair (1-5/8" O.D. x .049")	G7068
Commercial Ring Rails - Pair (1.625" O.D. x .065")	G7086B
Residential Ring Rails Only (No Anchors)	G7062
Double Anchor Assy Only - Bronze for Grab Rails	G7077
SAFTRON P-329 PVC - White Vinyl Ring Rail	G9067



G7068

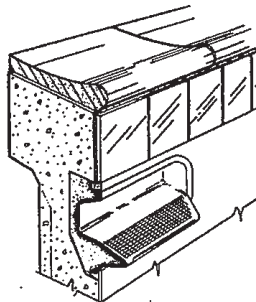


G7077

RECESSED STEPS

S.R. Smith Recessed Plastic Step - Each - Baja	(White)	G7041
S.R. Smith Baja Recessed Steps - Each	(Black)	G7042
Am Products Recessed Plastic Steps 16-1/2" - Set of 3	(White)	G7064
Am Products Recessed Plastic Steps 16-1/2" - Set of 3	(Blue)	G7065
Waterways Recessed Steps 15" Wide - Set of 3	(White)	G7067
Waterways Recessed Steps 15" Wide - Set of 3	(Blue)	G7066
Waterways Recessed Steps 15" Wide - Set of 3	(Dark Grey)	N5146*
Waterways Recessed Steps 15" Wide - Set of 3	(Light Grey)	N5145*
Waterways Recessed Steps 15" Wide - Set of 3	(Black)	G7057*

*Non-stock Item



LADDER TREADS



	ITEM NO.
19" Plastic Tread - Swan LTFDF-101	G7055
19" Plastic Tread - Paragon-Vertical Ladder	H1229
19" Plastic Tread - Paragon -15 Degree Slope	H1230
Sylvan Plastic Tread - 15 Degree Slope	Z5000
20" Plastic Tread - Swan A42073 -0 H.1.P.	G7056
20" Plastic Tread - Swan A42077-0 Blow Molded	G7046
20" Stainless Steel Tread - Astral Deluxe 1.9 Ladder	H9756
20" Stainless Steel Tread - Astral Deluxe 1.7 Ladder	H9757
Ladder Tread - Plastic - Non-slip surface	G7047
20" Stainless Steel Tread - Swan LTFDF-103 Elite	G7098
20" Stainless Steel Tread - Swan -15 Degree Slope	G7053
22" Plastic Tread, White - Swimquip - 15 Degree Slope	G7045
26" Plastic Tread - Paragon- 15 Vertical Ladder	G7044
26" Plastic Tread - Paragon- 15 Degree Slope	G7051
ASTRAL BOLT KIT FOR LADDER TREAD	G7037
Stainless Steel Ladder Bolt w/Nut (2-1/2") - 6/ Bag	G7058
Stainless Steel Ladder Bolt w/Nut (3-1/4") - 6/ Bag	G7059
Inter-Fab S.S. Ladder Bolt Kit w/Nut & Washer - 6/Bag	G6999
Hex Nut Only, S.S. 5/16" for Ladder Bolt	G7049
Bag of 2 Male Ladder Bumpers	G7052G
Black Non--Skid Pad for Non-Skid Tread	H1247
Female Ladder Bumper	G7050

ANCHOR SOCKETS

	ITEM NO.
Anchor Socket 1.9 O.D. - Brass	G7115
Anchor Socket 1.625 O.D. - Brass	G7109
Anchor Socket 1.9 O. D. - Aluminum	G7100
Anchor Socket 1.9 O.D. - Astral - Fiberglass	H9525
Plastic Anchor Socket -1.9 OD -Perma Cast	G7511P
Saftron Anchor Socket - Plastic	G7101
Hinged Ladder Anchors - Pair (A-41 657)	G7108
Hinged Ladder Anchors Perma Cast- Pair (JH-0019)	G7112
2 Aluminum Sockets Mounted on Steel Channel 20"	G7120
2 Aluminum Sockets Mounted on Steel Channel 20"	G7117
2 Brass Sockets Mounted on Steel Channel 20"	G7121
2 Brass Sockets Mounted on Steel Channel 8"	G7119
2 Plastic Sockets On 20" Channel on Steel	G7121P
2 Plastic Sockets On 8" Channel on Steel	G7119P
Wedge, Screw & Washer - Standard	G7122
Wedge, Screw & Washer - Hayward Brass SP-392-BA	G7124
Wedge, Screw & Washer - Hayward Plastic SP-1392-CA	G7126
Cycolac Wedge Assy. Plastic	G7122P
Wedge Assy. - KDI Paragon Brass	G7127
Wedge Assy. - Frost Bronze	G7123
Double Wedge - Swan Gibraltar w/ Bolt & Bar	G7129
Double Wedge - Swan Gibraltar Retro	G7139B
Deck Anchor Repair Plate - S3413-1001	G7107





G7125

G7131



G7162

G7145



G7132



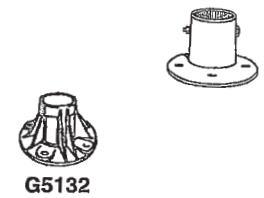
G7139A

ESCUTCHEON PLATES

		ITEM NO.
Escutcheon Plates - Key Shaped Chrome-Brass	(Bag of 2)	G7125
Escutcheon Plates - Key Shaped Stainless Steel	(Bag of 2)	G7131
Escutcheon Plates - Round Stainless Steel	(Bag of 2)	G7130
Escutcheon Plates - Round White Plastic	(Bag of 2)	G7140
Escutcheon Plate - Hayward SP1041	(Each)	G7142
Escutcheon Plates - Round Chrome-Plastic	(Bag of 2)	G7145
Escutcheon Plate - Snap-Tite (2 Pc) Chrome-Plastic	(Each)	G7160
Escutcheon Plate - Snap-Tite (2 Pc) White Plastic	(Each)	G7162
Escutcheon Plate - Double Anchor S.S. (Swan)	(Each)	G7132+
SR Smith 8-420 Double Escutcheon Retro Kit# G7139	(Each)	G7139A
SR Smith 8-415A Gibraltar Wedge Retro Kit# G7139	(Each)	G7139B

+ Limited Stock

DECK ANCHOR FLANGES



G5132

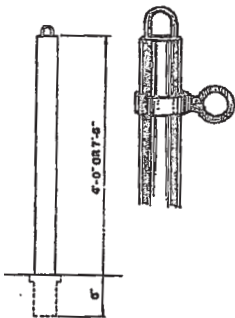


G5130

Plastic Deck Flange for 1.5" O. D. Rail (3-Hole)	(Bag of 2)	G5135
White Aluminum Deck Flange for 1.5" O.D. Rail (3-Hole)		G5131
Plastic Deck Flange for 1.90" O.D. Rail (4-Hole)		G5132
Plastic Deck Flange for 1.90" O.D. Rail w/Hardware (4-Hole)		G5134
Interfab S.S. Deck Anchor Flanges		G7103
Hardware Only for Plastic Deck (4-Hole) Flange		G5139
White Aluminum Deck Flange 1.90" O.D. Rail (4-Hole)		G5133
White Aluminum Deck Flange 1.90" O.D. Rail (Center Hole)		G5130
White Aluminum Deck Flange 1.625" O.D. Rail (Center Hole)		G5137
Interfab #H-107 Deck Anchor Flange for slide		G7103

STANCHIONS

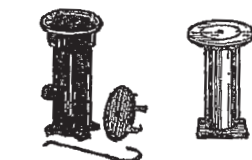
*For supporting backstroke lines, finish lines & recall line.
Made of S.S. tube capped at one end w/closure plate & U-hook.*



Stanchion Post - Short Recall (False Start) (4' - 6")	G7152
Stanchion Post - Backstroke (8')	G7154
Sliding Collar with Eyebolt for Stanchion Post	G7156

STANCHION ANCHOR SOCKETS

For stanchions & water polo goals.



S.S Stanchion Anchor Socket with Slip Fit Cap	G7150
Bronze Stanchion Anchor Socket with Threaded Cap	G7133
Bronze Stanchion Anchor Socket with Slip Fit Cap	G7146
S.S. Slip Cap Cover Only for S.S. Stanchion Anchor	G7144
Bronze Slip Cap Cover Only for Stanchion Anchor	G7141
Bronze Threaded Cap Cover for Bronze Stanchion Anchor	G7137
Bronze Stanchion Anchor with Slip-Fit Cover	G7151
Bronze Stanchion Anchor with Slip-Fit Cover	G7153G
Stainless Steel Anchor with Slip-Fit Cover	G7155



BACK STROKE FLAGS

Economy Back Stroke Flags Blue & White (12" x 18") Pennants - 100' Line	G7138
--	-------

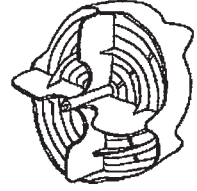


anti* wave

RACING LANES

"ForeRunner"

New state-of-the art 4.75" racing lanes with Hydrodynamic Propulsion. Undulating shape of outer rim causes wave to be deflected downward, leaving no wake on either side. Uses 20 strand S.S. cable with 2,000 Lb. test. All lanes are fitted with Supertensioner reel.



4.75" RACING LANES

20 Yard	(60 Ft.) Anti-Wave ForeRunner Racing Lane -Assembled	X1159*
25 Yard	(75 Ft.) Anti-Wave ForeRunner Racing Lane -Assembled	X1160*
20 Meter	(82 Ft.) Anti-Wave ForeRunner Racing Lane -Assembled	X1165*
50 Meter	(165 Ft.) Anti-Wave ForeRunner Racing Lane -Assembled	X1170*
25 Yard	(75 Ft.) Anti-Wave Mini Racing Lane -Unassembled	X1171*
25 Meter	(82 Ft.) Anti-Wave Mini Racing Lane -Unassembled	X1172*
50 Meter	(125 Ft.) Anti Wave Mini Racing Lane -Unassembled	X1173*

ITEM NO.

* Prices are NET

F.O.B. Sayer, TX.

Standard Disc Colors: Red, Blue, White, Green, Yellow, Black, Orange, Teal & Light Gray Float Colors: Red, Blue, White, Green & Yellow
Supertensioner Colors: Red, Blue, White, Green, Yellow & Black
Please Specify Color Requirements with Order

ANTI-WAVE LANE STOREELS

"Ultimate" Maxi Size Storeel X1155*
Made from 1 - 1/4 Powder Coated Aluminum and Stainless Steel. Holds up to 8-75 Foot 'Forerunner' Lanes or 5-75 Foot 'Maximum' Lanes.

Cover for Ultimate Reel X1180*
Mesh Cover for Ultimate Reel X1153*
Storeel Cover Only -Vinyl X1157*
(For "Classic" Reel)



TENSION REELS & WRENCHES

"Supertensioner" Reel X1174
Ratchet Tension Reel (Obsolete) X1152+
Wrench X1185+



Supertensioner Reel

+ Limited Stock

RACING LANE PARTS & COMPONENTS

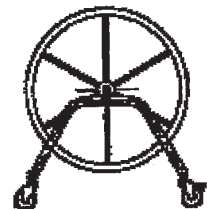
S.S. Cable (Anti-Wave) -Per Foot X1151*
2" S.S. Extension Hook X1154
Disc -State Color (Anti-Wave)
3" S.S. Extension Hook X1158
Float, White -Large (Anti-Wave)
8" S.S. Extension Hook X1149*



STAINLESS STEEL STORAGE REEL

Constructed of electropolished stainless steel, roller is easily portable and features a towing handle. Roller can accommodate up to 500 feet of racing lanes. Holds 6 x 25 yard/meter or 3 x 50 yard/meter lanes.

Stainless Steel Storage Reel -Astral X1184



* Non-Stock Item

COMPETITOR RACING EQUIPMENT

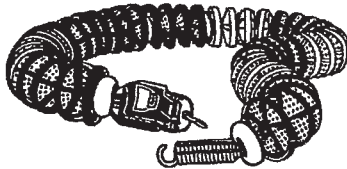


* Prices are NET
F.O.B. Medina, OH

RACING LANES (4" Diameter)

Competitor Racing Lanes consists of a series of 4" polyethylene disks and donuts assembled on vinyl coated, stainless steel cable.

STANDARD COLORS: White, Red, Yellow, Blue & Green



	ITEM NO.
60' Racing Lane -Fully Assembled	X1143*
75' Racing Lane -Fully Assembled	X1144*
25 Meter Racing Lane -Fully Assembled	X1145*
50 Meter Racing Lane -Fully Assembled	X1146*
Special Order Lane Per Foot & Hardware (1 lb. per ft)	X1147*



STORAGE REEL

Holds up to 540 Ft. of 4" Diameter Racing Lanes.
Framework constructed of electroplated aluminum which supports thermo-formed plastic reel assembly

Star-Lane Reel	X1140*
Reel Cover -Vinyl	X1410*

PARTS



Ratchet Take-Up Reel (Includes Cover)	X1168
Reel Cover (Red)	X1167
Wrench for Take-Up Reel -5/8" -12 Point	X1177
S.S. Spring & Cable Lock	X1176
2" Extension Hook	X1183
S.S. Cable Lock	X5001
3/16" S.S. Vinyl Coated S.S. Cable, per ft	X1169
Body Segment (approx 4 per ft)	X1178*
End Segment (approx 4 per ft)	X1179*

PACE CLOCKS



31" Pace Clock -Wall Mount -Battery Model	X1450*
31" Pace Clock -Wall Mount -Electric Model	X1452*
31" Pace Clock -Portable with Stand -Battery Model	X1454*
31" Pace Clock -Portable with Stand -Electric Model	X1456*
15" Red Pace Clock -Battery Model	X1458*
15" White Pace Clock -Battery Model	X1460*

* Non-Stock Item



Paragon Competitor Model

Dual legs give greater stability. Uses Competitor Anchor System Only. Anchor assembly is included (Price Includes Anchor)

Competitor Start Platform
G8015*

Competitor Anchor 23103 Only
G7136*



Paragon Track Start Model

Features 24" by 32" top now used by many competitive swimmers. Anchor assembly is included (Side Mount Model Shown)

Track Start Competitor
G8023*

Anchor Model 23103 Only
G7136*



Paragon Standard Model

Fits most pools except those with unusual features. Top platform can be set level or tilted towards pool. Anchor assembly is included

Standard "Quickset" Platform
G8020*

Quickset Anchor 23301 Only
G7135*

S.R. Smith Inc.



SR Smith Legacy Starting Platform

Legacy starting platforms constructed of high strength electropolished S.S. with fiberglass slip resistant top. Will fit most existing single post anchors. Special ordered to fit almost any height variable.

Legacy Platform w/Anchor
G8002*

Legacy Platform w/out Anchor
G8004*

Anchor Only for Legacy Platform
G8008*

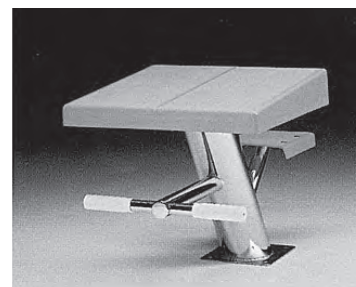


SR Smith Legacy II Starting Platform

Constructed of 1.90" diameter S. S. tubing with large fiberglass top surface. Will fit most existing dual post anchor systems. Available with or without anchors & available in almost any deck & water height variable.

Legacy II Starting Platform
G8006*

ASTRAL



Astral Standard & Deluxe Model Platform

New Tube design offers best design features at competitive prices. Constructed of electropolished stainless steel with 24" x 24" fiberglass top. Platform is easily installed or removed from anchor.

Std. Platform 18" Height G8030*
Deluxe Platform 18" Height G8010*
Deluxe Platform 24" Height G8000
Florida Style 24" Height G8040*



WARNING!

Starting Platforms are to be used by trained competitive swimmers only. Shallow racing dives only should be executed.

(*Non-Stock Item) Impact with the pool bottom can cause serious injury. Please refer to F.O.B. Mfg. Plant applicable codes and regulations for your specific installation.

PORTABLE POOL BASKETBALL



ITEM NO.

Dunn-Rite Splash & Slam 8100 Y2182

State-of-the art pool basketball set. Fiberglass backboard has 2' of overhang. The vinyl coated, steel rim easily adjusts anywhere from 2' to 6' above water level. Includes super tough polyethylene base that weighs 500 lbs. when filled with water.

Features unique hinged breakaway system to protect players & the unit during rough play



- | | |
|------------------------|-------|
| Replacement Basketball | Y2208 |
| Replacement Net | Y2202 |
| Backboard Only | Y2200 |
| Rim Only | Y2203 |



Optional H.D. Slam Combo C204

Kit converts above Splash & Slam unit into a regulation water volleyball set. Includes (1) matching 500 lb. base, 32' net with extension rope to accommodate a 70 ft pool

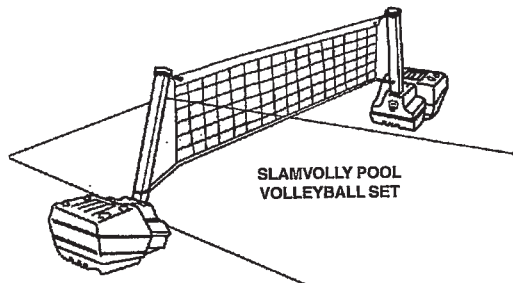
SlamVolly Portable Pool Volleyball Set SLV200

Commercial size pool volleyball set includes (2) heavy duty aluminum posts, 32' net with 40' extension rope and hot colored ball. Molded polyethylene bases weigh 500 lbs. each when filled with water. Easy to assemble.

ITEM NO.

Y2186*
(add freight)

Y2188*
(add freight)



SLAMVOLLY POOL VOLLEYBALL SET

* Non-Stock Item



SWIM N' DUNK
Basketball Game

Designed for in-ground pools in water depths not to exceed 42". Constructed of 1.90 S.S. uprights w/acrylic backboard & basketball. Bronze anchors required (Order Separately!).

Swim N' Dunk Basketball Game G6001

S.R. Smith Inc.

SWIM N' SPIKE
Volleyball Game

Standard game designed for pools between 15' to 20' wide. Includes two 1.90 S.S. posts w/ removable eyebolts to anchor the net. Includes competitive water volleyball. Bronze Anchors required (Order Separately!).

Swim N' Spike Volleyball Game G6005



* Non-Stock Item

S.R. Smith Inc.



Reinforced fiberglass construction w/acrylic outside surface. Includes Jig.



A quality board for home pools. Features two tapered wood runners laminated to an acrylic skin.

FLYTE-DECK II FIBERGLASS STAND

- Stand-Flyte-Deck II for 8' Board Color: Gray Granite 1/2 Meter Flyte-Deck II Stand for 6' Board
- 1/2 Meter Flyte-Deck II Stand for 8' Board
- 1/2 Meter Flyte-Deck II Stand for 10' Board
- Complete Spring Assy #606 for 6' Board tor G3065 Base
- Complete Spring Assy #608 for 8' Board tor G3065 Base
- Steel Jump Stand W/ Jig (Spring not Inc.)
- Jig only for 6' Flyte Deck Stand
- Jig only for 8' Flyte Deck Stand
- Jig only for 10' Flyte Deck Stand

- ITEM NO.
- G3087G
 - G3085
 - G3087
 - G3090
 - G3067
 - G3068
 - G3065
 - G3086
 - G3088
 - G3091

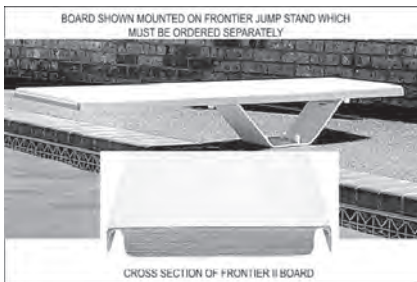
FIBRE-DIVE BOARD

- | | | |
|-----------------------------|----------|--------|
| 6' (AB-6) Diving Board | 18" Wide | G1000 |
| Fiber Dive 8ft Grey Granite | | G3002G |
| 6' Fibre LJIvmg Board - | 18" Wide | G3000 |
| 8' Fibre Diving Board - | 18" Wide | G3002 |
| 10 Fibre Diving Board - | 18" Wide | G3004 |

6', 8' & 10' Fibre-Dive boards with designer colors are now available by special order. F.O.B. Mfg. Plant.

FRONTIER II & III

Frontier II boards intended for light to moderate duty use on residential pools. Frontier III designed for moderate to heavy duty use on residential pools.



- | | |
|--|-------|
| 6' (3-Hole) Frontier II Spring Board | G3008 |
| 8' (3-Hole) Frontier II Spring Board | G3009 |
| 6,8' (3-Hole) Frontier II Jig | G1068 |
| 6' Frontier II Spring Only w/ 3 Hole Jig | G3220 |
| 8' (3-Hole) Frontier II Spring w/ Jig | G3225 |
| 6' (2-Hole) Frontier III Spring Board | G1033 |
| 8' (2-Hole) Frontier III Spring Board | G1038 |



GLASS-HIDE

An all-purpose board made for diving pleasure with an attractive appearance. Fiberglass covering with solid laminated wood core. Designed for use in all climates - on private pools.



- | | | |
|----------------------------|----------|-------|
| 6' Glas-Hide Diving Board | 18" Wide | G3010 |
| 8' Glas-Hide Diving Board | 18" Wide | G3012 |
| 10' Glas-Hide Diving Board | 18" Wide | G3014 |

COMMERCIAL

Heavily reinforced with fiberglass encasing the laminated wood core, plus additional fiberglass reinforcing at the fulcrum area. (Ideal for hotels, motels & public pools)



- | | | |
|-------------------------------|----------|-------|
| 10' Commercial Diving Board - | 18" Wide | G3018 |
| 12' Commercial Diving Board - | 18" Wide | G3015 |
| 14' Commercial Diving Board - | 18" Wide | G3020 |
| 16' Commercial Diving Board - | 18" Wide | G3025 |

ALUMINUM

Recommended for commercial pools. Exceptional durability & outstanding action. Proven "I" beam extrusions are epoxy glued with welded end construction. Safe non-slip surface



- | | | |
|-----------------------------|-----------------------|-------|
| 10' Aluminum Diving Board - | resists wear 18" Wide | G3035 |
| 12' Aluminum Diving Board - | 18" Wide | G3040 |
| 14' Aluminum Diving Board - | 20" Wide | G3045 |
| 16' Aluminum Diving Board - | 20" Wide | G3050 |



INTER-FAB

LA MESA-DIVE BOARD

			ITEM NO.
1/2 Meter La Mesa Dive Stand for	6' Board	(White)	G3083
1/2 Meter La Mesa Dive Stand for	8' Board	(White)	G3089
1/2 Meter La Mesa Dive Stand for	10' Board	(White)	G3092
1/2 Meter La Mesa Dive Stand for	6' Board	(Tan)	G3083T
1/2 Meter La Mesa Dive Stand for	8' Board	(Tan)	G3085T
1/2 Meter La Mesa Dive Stand for	8' Board	(Black)	G3089B*
La Mesa Dive Mounting Jig for	6' Board		G3111
La Mesa Dive Mounting Jig for	8' Board		G3112
La Mesa Dive Mounting Jig for	10' Board		G3114

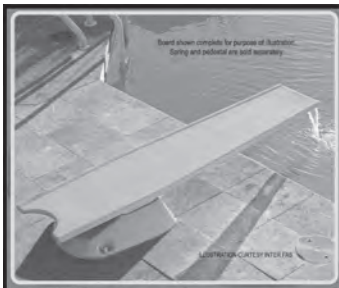
DURO-BEAM DIVE BOARDS



Two laminated beams running the length of the board encased in fiberglass with acrylic skin

Duro-Beam Diving Board	6' Board	(White)	G3001
Duro-Beam Diving Board	8' Board	(White)	G3005
Duro-Beam Diving Board	8' Board	(Black)	G3005B*
Duro-Beam Diving Board	10' Board	(White)	G3007
Duro-Beam Diving Board	6' Board	(Tan)	G3001T
Duro-Beam Diving Board	8' Board	(Tan)	G3005
Duro-Beam Board Mounting Kit			G3250

* Non-Stock Item



T7

7' T7 Diving Board	(Gray)	G3003
T7 Springs w/ Spring to base S.S Mounting Hardware		G3036
T7 Base & Jig w/ Jig to base S.S Mounting Hardware		G3037
T7 Edgewater Waterfall Assembly		G3038
T7 Edgewater Waterfall Assembly w/ LED Lighting System		G3039
T7 Edgewater Waterfall Assembly w/ Fiber Optic Lighting		G3041

All Diving Board Prices Include Hardware

ANTHONY BOARDS



6' 3-Hole Special Anthony Board	G1030
8' 3-Hole Special Anthony Board	G1035
Hardware Only for Anthony Board	G1037

SR SMITH 606/608 Steel Jump Stand w/Jig (Spring not included) G3065

U-FRAME DIVE STANDS



18" Diving Board Stand-Box of 2 Rails	G3075
24" Diving Board Stand-Box of 2 Rails	G3080
24" Heavy Duty Board Stand - Box of 2 Rails	G3081

FULCRUM BUMPERS



20" Replacement Fulcrum Bumper-White for U-Frame	G3084
--	-------

DIVING BOARD RESURFACING KITS & SAFETY WALK

Epoxy kit for creating a non-skid surface on diving board



	White	G1090
	Blue Ice	G1091
	AquaMist	G1092
Scotch Tread Cut to Size		G3110
Safety Walk 60' Roll/ 18" Wide		G3115
SR Smith Black Nonskid Pad for Ladder Tread		H1247



HARDWARE FOR DIVING BOARDS

Standard Hardware for Residential Boards

- 4-1/2" Bolt & Nut for Diving Board
- 5" Bolt & Nut for Diving Board
- 5-1/2" Bolt & Nut for Diving Board
- 6" Bolt & Nut for Diving Board

- (Bag of 2)
- (Bag of 2)
- (Bag of 2)
- (Bag of 2)



- 1/2"-13 Nut-Hex Head
- 1/2" Washer - Flat
- 1/2" x 5" Carriage Bolt



- Bolt Kit for Flyte Deck II Dive Stand
- Aluminum Hardware Mounting Kit - 18"
- Aluminum Hardware Mounting Kit - 20"

#71-209-710

- Rubber Mounting Pad Only - 18"
- Rubber Mounting Pad Only - 20"



- Jig Prong Epoxy Repair Kit - Interfab (4 ea. 1/2" Bolts)
- Jig Prong Epoxy Repair Kit - Interfab (3 ea. 5/8" Bolts)

ITEM NO.

- G1027
- G3059
- G3058
- G3060
- G3063
- G3055
- G3057
- G3064
- G3021
- G3052
- G3051
- G3054
- G3053
- G3107
- G3108



IMAGE COURTESY SPECTRUM POOL PRODUCTS

SPECTRUM MENDOTA GUARD CHAIR

- Spectrum Mendota Guard Chair 36"
- Spectrum Mendota Guard Chair 48"
- Spectrum Mendota Guard Chair 60"

- H1168
- H1169
- H1186



IMAGE COURTESY OF SPECTRUM POOL PRODUCTS

DURAFIRM DIVE STANDS

Durafirm dive stands are the result of design engineering focused on stability, low noise level, safety and ease of installation on new or existing decks. All structural members are heavy aluminum castings. Durafirm fulcrum & anchor units were chosen for all Olympics since Mexico 1968, including Atlanta.

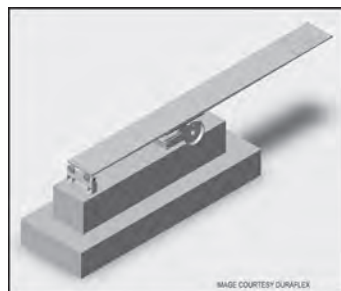
Prices are Net -Add Freight from Sparks, Nevada



		ITEM NO.
One Meter Durafirm Dive Stand	#70-231-403	G3094*
<i>with Single Rail on One Side</i>		
One Meter Durafirm Dive Stand	#70-231-402	G3095*
<i>with Single Rails on Both Sides</i>		
One Meter Durafirm Dive Stand	#70-231-400	G3096*
<i>with Double Rails on Both Sides</i>		
Three Meter Durafirm Dive Stand	#70-231-300	G3097*
<i>with Double Rails on Both Sides</i>		
Set of Bronze Anchors (8) for New Deck	#70-231-900	G7102*

**DURAFIRM SHORT STANDS**

Designed for mounting on a concrete, steel or other field-fabricated diving platform. Short Stands have fulcrum units identical to the One & Three Meter Stands & similar guard rails & anchoring units.



Short Stand without Guard Rails	#70-231-524	G4150*
Short Stand with Double Rails on Both Sides	#70-231-520	G4165*

DURAFLEX DIVING BOARDS

14' Duraflex Diving Board	G4000*
16' Duraflex Diving Board	G4002*
16' Duraflex Diving Board (Stocked)	G4003
16' Maxiflex B Diving Board	G4006*

* Non-Stock Item

MISC. DIVE STAND PARTS

30" Vinyl Channel Set w/Cement Glue Kit	MP-112	G4010
Only for Vinyl Channel Sets	MP-114	G4011
Hinge Assembly w/Nuts & Bolts	C-202	G4025
S.S. Board Bolt 5/8" x 3-1/2" & Nut	SF-122	G4012
Brass Nut Only 5/8"	SF-137	G4015
5/8" x 5-1/2" Cad-Plated Carriage Bolt & Nut	SF-141	G4014
Durafirm Grease Gun	PM-110	G4016
Durafirm Mystik Grease - 3 oz. Tube	PM-111	G4017
Rail Clamp only	C-207	G4018
Bolt For S.S. Clamp 5/16" x 5/8"	SF-118	G4019
Slide Bar	518	G4020

Many more Duraflex parts are available call us to check for parts!



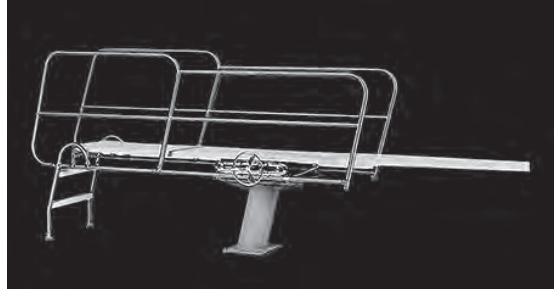
PARAGON DIVE STANDS

ONE METER TOPFLYTE

Suitable for competition & larger commercial pools. Available w/flanged or plain pedestals & equipped w/geared adjustable fulcrum & rear swivel.

One Meter Topflyte Dive Stand
(with Plain Pedestal)

ITEM NO.
H1152*



ONE METER SPORTFLYTE

An economy model designed for wood diving boards & recreational pools only. (Not suitable for competition). Fulcrum is adjustable (but not geared). Flanged or plain pedestal available.

One Meter Sportflyte Stand - 14' Board H1196*
One Meter Sportflyte Stand - 16' Board H1199*



(*Non-Stock Item)
F.O.B. Mfg. Plant

S.R. SMITH CO. DIVE STANDS

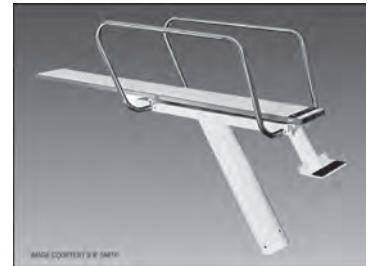
S.R. Smith Inc.

ECONOLINE 1 METER STAND

Fabricated entirely of steel. Primed & ready for paint, for 12' or 14' board.

One Meter Econoline Stand for 12' Board E-CAT-1M-100
One Meter Econoline Stand for 14' Board E-CAT-1M-101
Handrails for Econoline Diving Stand 25-106 w/Mounting
Kit Fulcrum Bar Assembly w/Bumper (E-Cat & DLS)

ITEM NO.
G3306*
G3308
G3031
G3029



DECK LEVEL STAND - 1/2 & 2/3 METER

All welded construction for 8' to 12' dive board.

1/2 Meter Deck Level Dive Stand (DLS-100)

for 8' or 10' Dive Board

2/3 Meter Deck Level Dive Stand (DLS-101)

for 10' or 12' Dive Board

Hand Rails for DLS-100 Deck Level Dive Stand (25-104)

Hand Rails for DLS-101 Deck Level Dive Stand (25-106)

G3032
G3033*
G3034
G3031



STEEL METER DIVING STAND

Three deluxe models completely pre-finished with baked-on white enamel paint. Jig mounted & pre-drilled for handrails.

1/2 Meter Steel Dive Stand for 8' Board
1/2 Meter Steel Dive Stand for 10' Board
3/4 Meter Steel Dive Stand for 10' Board
3/4 Meter Steel Dive Stand for 12' Board
1 Meter Steel Dive Stand for 10' Board
1 Meter Steel Dive Stand for 12' Board

S.S. Handrail for 8' Board

S.S. Handrail for 10' Board

S.S. Handrail for 12' Board

Jig Only for All Steel Meter Stands

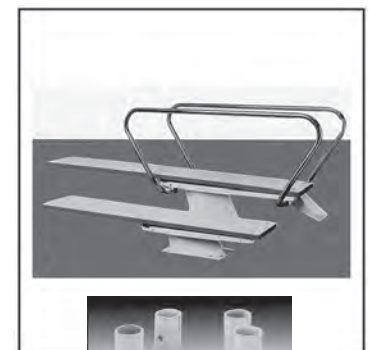
Black Rubber Fulcrum Kit for All Steel Meter Stands

Bolt Kit for 3/4 & 1 Meter Dive Stands

SR Smith Hardware Kit for Handrail

71-209-550 w/Hardware
71-209-551 w/Hardware
71-209-552 w/Hardware

G3208
G3210
G3310
G3071
G3069
G3073
G3408
G3410
G3074
G3078
G3024
G3079
G3076



S.R. Smith Inc.

INSTITUTIONAL LIFEGUARD STAND

Includes fiberglass seat w/stainless steel seat swivel support & umbrella holder. Designed to simplify installation. Order anchor sockets & escutcheons separately.

ITEM NO.

S.R. Smith Institutional Lifeguard Stand ILGC-205 H1190
w/4 stainless steel legs

Replacement Seat Only H1205
Replacement Seat w/Swivel H1203
Swivel Only for Seat Bottom H1208
Chair w/Umbrella Support Stand (13-109) H1209

10" Fulcrum Cover H1602
Footboard for ILGC-205 Stand H1204



IMAGE COURTESY SR SMITH



H1208

INTERFAB LIFEGUARD STAND W/4 LEGS

Interfab Lifeguard Stand w/4 Stainless Steel Legs
& powder coated rails

H1191*



SWAN CANTILEVER LIFEGUARD STAND

Supported by column slanted 15 degrees toward the pool. Footboard & chair are bolted to the support column. All Steel parts furnished w/one coat of primer.

Swan Cantilever Lifeguard Stand CAT-LG-100
Footboard for Lifeguard Stand 8-602 H1217
Replacement Fiberglass Chair Only (New Style) H1216
Chair/Umbrella Support Assy (Old Style) H1219+
*Replacement Chair w/Swivel (New Style) H1215
*15" Seat Support/Umbrella Holder (New Style) H1213

**Both needed to replace existing chairs*

**Non-Stock Item
-Limited Stock*



PARAGON PARAFLYTE CLUB

A single anchor at base supports the entire chair. The vertical access ladder requires less deck space & does not need separate anchors. Improved design.

Paraflyte Club Lifeguard Stand w/S.S. Pedestal 21001 H1198
Replacement Seat Only H1224
Swivel Chair Seat Support H1223
Anchor Assembly for Chair H1231
Footboard for Lifeguard Stand H1228
Umbrella Holder H1184
Umbrella Guide Ring H1244



H1223



OSHA STYLE LIFEGUARD CHAIR

Guard rails are 42" above the platform & extend to the front of the platforms. Furnished w/all anchors & escutcheon plates. Complies w/OSHA regulations

Paraflyte OSHA Lifeguard chair - 20004 H1192*

** Non-Stock Item
NET PRICE
- Add Freight*





ASTRAL PORTABLE LIFEGUARD CHAIR

Chairframe is constructed from 1.7" diameter electropolished S.S. Steps & platform are injection molded plastic. Seat is form fitting & swivel mounted. S.S. life hook & umbrella support are provided.

Astral Portable Lifeguard Chair

ITEM NO.

H1182



PARAGON PORTABLE LIFEGUARD CHAIR

Weighing a mere 70 Lbs., this chair can be easily lifted by one person. Sloping front ladder allows easy access to molded contour seat. Angled legs give extra stability. Seat is six feet above deck (4-step unit). Not suitable for diving.

2-Step Paragon Portable Lifeguard Chair

G8056

3-Step Paragon Portable Lifeguard Chair

G8057*

4-Step Paragon Portable Lifeguard Chair

G8058*

Optional Portable Wheel Kit #20407

H1177

for new chairs or retrofitting old ones



Wheels for Move-able Guard Chair #20720

H1240

S.R. Smith Inc.

PORTABLE LIFEGUARD CHAIR

Designed to increase durability, improve aesthetics & reduce potential for damage during shipping. Includes fiberglass seat with new S.S. seat support & umbrella holder. 150 Lbs.

Portable Lifeguard Chair- PLS-204

H1193

Wheel for PLS-204 Chair

H1600

S R Smith F-100C 10" Fulcrum Cover

H1602



OBSERVATION PLATFORM

Ideal for use at kiddie pools & lazy rivers where high visibility is not required. Chair swivels 360 degree for full range of visibility & turning. Is open to exit from either side.

Short Chair Lookout Platform

G8050

(Seat is 34" above deck)

Mid Chair Lookout Platform

G8052

(Seat is 58" above deck)



REPLACEMENT SEATS & FOOTBOARDS

Repl. Chair (Frost/Swan)

H1205

Swivel for Chair (Frost/Swan)

H1208

Repl. Chair Only (Paragon)

H1224

Repl. Chair Only (Paddock)

H1251

Adapter for Chair (Paddock)

H1255

Life Guard Arm Chair

H1216

(Seat is 58" above deck)

Footboard (SR Smith 8-705)

H1204

Footboard (SR Smith 8-720)

H1201

Astral Portable Lifeguard Chair

G7036

15 Degree Ladder Tread

Footboard (Swimquip2823-15)

H1206

Footboard (Swimquip2800-4)

H1245

Footboard (Swimquip2825-33)

H1207

Footboard (Seablue)

H1226

Footboard (Paddock Large)

H1222

Footboard (Paragon Wood)

H1228

Footboard (Swan 8-602)

H1217

Hook for Ring Buoy (Swan)

H1202

Umbrella Holder (Paragon)

H1184

Umbrella Ring Guide (Paragon)

H1244

Umbrella Blue & White Split Tee

H1195

Split Tee

H1310

Astral Footboard For Portable Lifeguard Chair

H1212

Astral Guard Stand Chair Kit

H1214

Umbrella Red/White

H1197

Umbrella Navy/White

H1187





AQUA-CREEK Pro-Pool Lift

ADA compliant battery powered lift provides handicap access for aquatic therapy and water recreation. Features compact design, rechargeable 24 volt battery with charger, stainless steel construction, UV resistant powder coat finish, and submersible controller. Lift rated for 400 lbs and may be used with a permanent anchor or optional portable kit allowing flexible placement. Chair arms and footrest flip up to minimize footprint for storage.

Pro-Pool Lift H1260



SPECTRUM MOTION TREK 350 SWIM LIFT

SPECTRUM SWIM LIFT 350 WITH ANCHOR H1386

LIFT DELUXE UPGRADE-KIT FOR MOTION H1383

LIFT PARTS

SR SMITH CHARGER FOR LIFT H1519
 OPERATOR BATTERY ADA LIFT H1523
 SR SMITH BATTERY FOR ADA LIFT H1523
 AQUA CREEK BATTERY FOR ALL LIFTS H1347



AQUA TREK RAMP

A removable ramp that allows people of all ages access to pool.

Made of non-corrosive metal skeleton encased in PVC, the AQ-9000 is both lightweight & durable. It is rated for 600 lbs. & features 30" treads that are able to accommodate wheelchairs. Ramp is built on wheels & easily removable. Price includes shipping.

AquaTrek Ramp H1315*



SR Smith Inc.



SR SMITH HANDY LIFT

A manual handicap access system designed for commercial or residential pool facilities. Features heavy duty stainless steel design w/full 360 degree rotation, 62" lifting/lowering range with

a 400 Lb. rated load. Comes complete with seat assembly & anchor system. 3-Year Warranty.

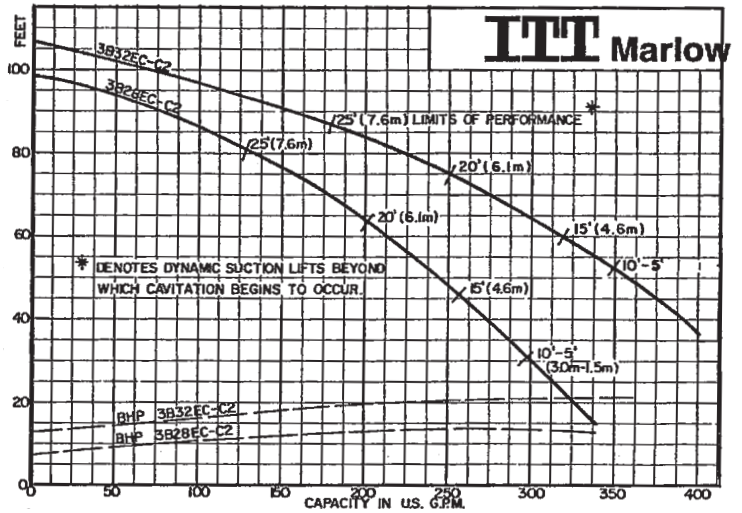
Handy Lift Access System H1250
 Complete w/Anchor

*Non-Stock Item

ITT MARLOW "3B" SERIES Self-Priming Centrifugal Pump



IMAGE COURTESY MARLOW



Rugged cast iron pool pump with large 7-1/2" diameter stainless steel strainer basket. The 3B series features a back pull-out design for simplified maintenance. The pump assembly can be removed without disturbing the suction and discharge piping.

HP	MODEL NO.	SUCTION SIZE	DISCHARGE SIZE	TRAP SIZE	VOLTAGE	PHASE	ITEM NO.
5 HP	3B28EC-C2	4"	3"	8"	230V	1 Phase	H1141E
5 HP	3B28EC-C2	4"	3"	8"	208-230/460V	3 Phase	H1142E
7.5 HP	3B28EC-C2	4"	3"	8"	230V	1 Phase	H1143E
7.5 HP	3B28EC-C2	4"	3"	8"	208-230/460V	3 Phase	H1144E

REPLACEMENT PARTS FOR "3B" SERIES

Strainer Cover, Cast Iron	K9216	Threaded Stub for Knob, 1/2"	K9258
Gasket for Strainer Cover	K9220M	S.S. Strainer Basket	K9227
Hand Knob for Lid, 1/2"	K9221	Plastic Coated Basket	K7128

REPLACEMENT PARTS FOR "2AF" SERIES

Strainer Cover Lid, Cast Iron	K9207	S.S. Strainer Basket	K9208
Gasket for Strainer Cover	K9226	Plastic Coated Basket	K7125
Plastic Hand Knob for Lid	K4900	8-Hole Paper Gasket	K9200

ITT MARLOW "4 SPC" SERIES PUMPS Self-Priming Centrifugal Pump

A Cast iron self-priming centrifugal pump with bronze impeller for commercial pools. Features extra large integral pump strainer (over 1100 cubic inches of volume). Maximum pumping capacity 800 gpm.

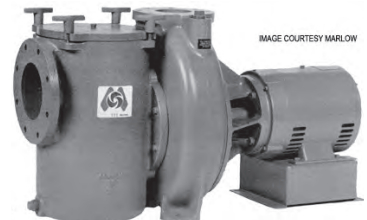


IMAGE COURTESY MARLOW

HP	MODEL NO.	SUCTION/DISCHARGE	VOLTAGE	PHASE	ITEM NO.
10 HP	(4SPC10EC) Pump	6"X4"	230V Only	1 Phase	H1115*E
10 HP	(4SPC10EC) Pump	6"X4"	208-230V/440V	3 Phase	H1116*E
15 HP	(4SPC15EC) Pump	6"X4"	208-230V/440V	3 Phase	H1117*E
20 HP	(4SPC20EC) Pump	6"X4"	208-230V/440V	3 Phase	H1118*E

* Non-Stock Item

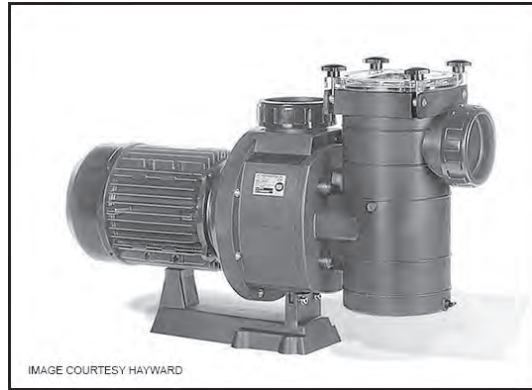


IMAGE COURTESY HAYWARD

HAYWARD COMMERCIAL PUMPS

HP	MODEL NO.	VOLTAGE	PHASE	ITEM NO.
5.5 HP	HCP40553	230/460V	3PH	H1061
7.5 HP	HCP40753	230/460V	3PH	H1063
10 HP	HCP401003	230/460V	3PH	H1065
12.5 HP	HCP401253	230/460V	3PH	H1067
Replacement	HCXP3000M			H1068
Strainer Basket	HCXP6002A			H1069

ITT MARLOW "L" SERIES PUMP

TOTAL HEAD
IN FEET

Stock Line Centrifugal Pump
with Bronze Impeller

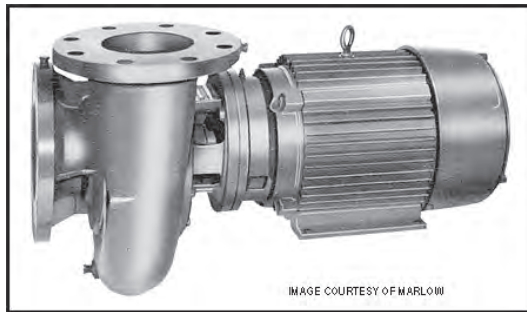
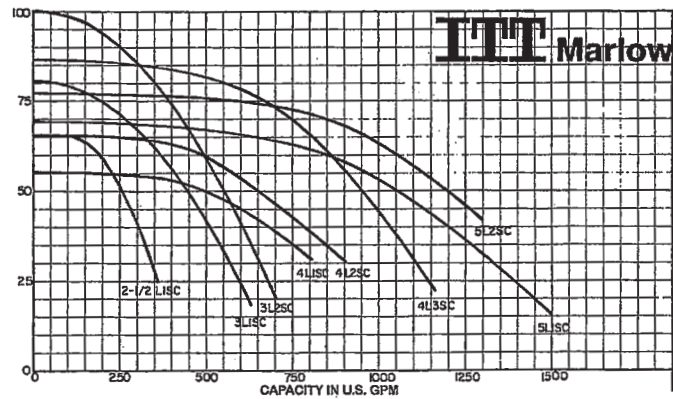


IMAGE COURTESY OF MARLOW



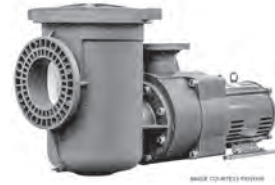
Rugged cast iron closed coupled centrifugal pump. Stock Line series pumps come equipped with an enclosed bronze impeller and feature a back pull-out design for simplified maintenance. The pump assembly can be removed without disturbing suction and discharge piping.

HP	MODEL NO.	SUCTION/DISCHARGE	VOLTAGE	PHASE	ITEM NO.
5 HP	(2.5 LSC) "L" Pump 3" x 2.5"	1750 RPM	208/230V/460V	3 Phase	H1128E
7.5 HP	(3 L1SC) "L" Pump 4" x 3"	1750 RPM	208-230/460V	3 Phase	H1132E
7.5 HP	(4 L1SC) "L" Pump 5" x 4"	1750 RPM	230/460V	3 Phase	H1133E
10 HP	(3 L2SC) "L" Pump 4" x 3"	1750 RPM	208-230/460V	3 Phase	H1129E
10 HP	(4 L2SC) "L" Pump 5" x 4"	1750 RPM	230/460V	1 Phase	H1114E
10 HP	(4 L2SC) "L" Pump 5" x 4"	1750 RPM	208-230/460V	3 Phase	H1134E
15 HP	(4 L3SC) "L" Pump 5" x 4"	1750 RPM	230/460V	3 Phase	H1136E
15 HP	(5 L1SC) "L" Pump 6" x 5"	1750 RPM	230/460V	3 Phase	H1137E
20 HP	(5 L2SC) "L" Pump 6" x 5"	1750 RPM	230/460V	3 Phase	H1119E

PENTAIR "EQ" SERIES PLASTIC PUMPS

with Strainer

Complete
Parts
Breakdown
pages
303-305



HP	MODEL NO.	SUCTION/DISCHARGE	VOLTAGE	PHASE	ITEM NO.
5 HP	EQ 500	6"X4"	230V	1 Phase	H1070
5 HP	EQK 500	6"X4"	208-230/460V	3 Phase	H1071
7.5 HP	EQ7 50	6"X4"	230V	1 Phase	H1072
7.5 HP	EQK 750	6"X4"	208-230/460V	3 Phase	H1073
10 HP	EQK 1000	6"X4"	208-230/460V	3 Phase	H1074
15 HP	EQK 1500	6"X4"	208-230/460V	3 PH	H1082
10 HP	EQ 1000	6"X4"	230V	1PH	H1083
5HP	EQKT 500	6"X4"	208-230/460V	3 PH	H1051
7.5 HP	EQKT 750	6"X4"	208-230/460V	3 PH	H1052
10 HP	EQKT 1000	6"X4"	208-230/460V	3 PH	H1053
15 HP	EQKT 1500	6"X4"	208-230/460V	3 PH	H1055

EQKT PUMPS NO STRAINER

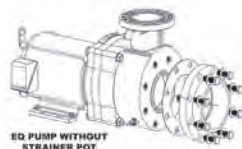
5HP	EQKT 500	TEFC	208-230/460V	3 PH	H1056
7.5 HP	EQKT 750	TEFC	208-230/460V	3 PH	H1057
10 HP	EQKT 1000	TEFC	208-230/460V	3 PH	H1058
15 HP	EQKT 1500	TEFC	208-230/460V	3 PH	H1059

EQ PUMPS NO STRAINER

5HP	EQ 500		230V	1 PH	H1075
7.5 HP	EQ750		230V	1 PH	H1077
10 HP	EQ 1000		230V	1 PH	H1079

EQK PUMPS NO STRAINER

5HP	EQK 500		208-230/460V	3 PH	H1076
7.5 HP	EQK 750		208-230/460V	3 PH	H1078
10 HP	EQK 1000		208-230/460V	3 PH	H1080
15 HP	EQK 1500		208-230/460V	3 PH	H1081



EQ SERIES MOTORS

5 HP			230V	1 PH	K4735U
5 HP			208-230/460V	3 PH	K4736U
7.5 HP			230V	1 PH	K4737U
7.5 HP			208-230/460V	3 PH	K4738U
10 HP			208-230/460V	3 PH	K4739U
15 HP			208-230/460V	3 PH	K4740U
5HP		TEFC	208-230/460V	3 PH	K4744U
7.5 HP		TEFC	208-230/460V	3 PH	K4745U
10 HP		TEFC	208-230/460V	3 PH	K4746U
15 HP		TEFC	208-230/460V	3 PH	K4747U

Hair and Lint Strainer Complete with Lid, Gasket and Basket 6" x 4"#340013
Strainer Basket Only #357184

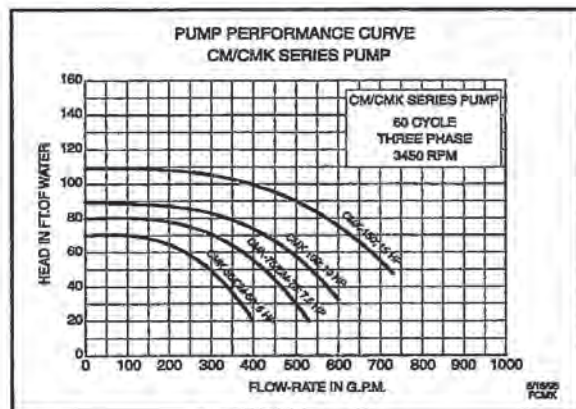
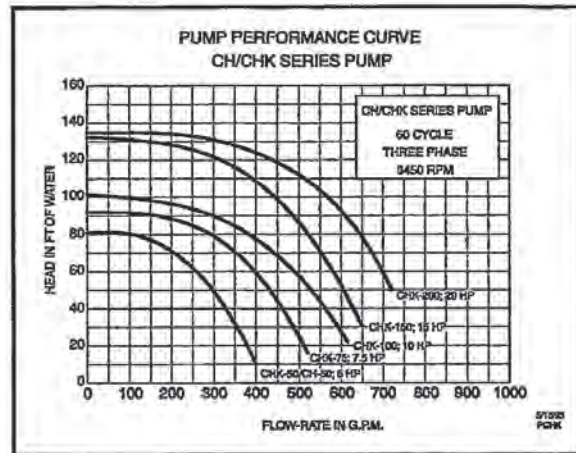
K3735
K3733



“C” SERIES

Bronze Commercial Pump

Designed for commercial & other large swimming pools, fountains or water where high flow rates & continuous operation are desired. All bronze construction for strength & durability w/large stainless steel basket. Closed impeller for longer motor bearing life.



MEDIUM HEAD

HP	MODEL NO.	IMPELLER	SUCTION/DISCHARGE	VOLTAGE	PHASE	ITEM NO.
5 HP	CM- 50 Pump	Bronze	6"X4"	230V Only	1 Phase	H1091
7.5 HP	CM- 75 Pump	Bronze	6"X4"	230V Only	1 Phase	H1092
7.5 HP	CM- 75 Pump	Bronze	6"X4"	208V Only	1 Phase	H1093
5 HP	CMK- 50 Pump	Bronze	6"X4"	208/220V/440V	3 Phase	H1090
7.5 HP	CMK-75 Pump	Bronze	6"X4"	208/220V/440V	3 Phase	H1095
10 HP	CMK-100 Pump	Bronze	6"X4"	208/220V/440V	3 Phase	H1100
15 HP	CMK-150 Pump	Bronze	6"X4"	208/220V/440V	3 Phase	H1105

HIGH HEAD

5 HP	CH- 50 Pump	Bronze	6"X4"	230V Only	1 Phase	H1088*
5 HP	CHK- 50 Pump	Bronze	6"X4"	208/220V/440V	3 Phase	H1089*
7.5 HP	CHK- 75 Pump	Bronze	6"X4"	208/220V/440V	3 Phase	H1094*
10 HP	CHK-100 Pump	Bronze	6"X4"	208/220V/440V	3 Phase	H1101*
15 HP	CHK-150 Pump	Bronze	6"X4"	208/220V/440V	3 Phase	H1106*
20 HP	CHK- 200 Pump	Bronze	6"X4"	208/220V/440V	3 Phase	H1107*

C-SERIES REPLACEMENT MOTORS

5 HP	Purex/Triton C-Series	71366	230V	1 Phase	K9454 C
5 HP	Purex/Triton C-Series	71364	208/220V/440V	3 Phase	K9455 C
7.5 HP	Purex/Triton C-Series	71365	208/220V/440V	3 Phase	K9456 C
10 HP	Purex/Triton C-Series	71363	208/220V/440V	3 Phase	K9457 C
15 HP	Purex/Triton C-Series	71361S	220/440V	3 Phase	K9458 C

* Non-Stock Item
FOB Mtg. Plant



FIBERGLASS STRAINERS

For Marlow Replacement - "M" Series

Fiberglass reinforced plastic construction.

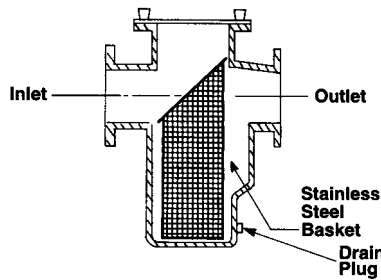
Features quick opening latches, see through lid with flanged connections.

- 3" x 3" Fiberglass Hair & Lint Strainer - Marlow Style K6212
- 4" x 4" Fiberglass Hair & Lint Strainer - Marlow Style K6214
- 5" x 5" Fiberglass Hair & Lint Strainer - Marlow Style K6216
- 6" x 5" Fiberglass Hair & Lint Strainer - Marlow Style K6217
- 6" x 6" Fiberglass Hair & Lint Strainer - Marlow Style K6218
- 8" x 8" Fiberglass Hair & Lint Strainer - Marlow Style K6220

FIBERGLASS STRAINERS

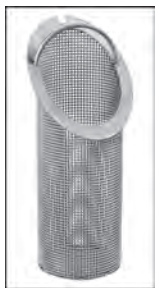
For Hayward Replacement - "FO" Series

- 4" Fiberglass Hair & Lint Strainer w/ S.S. Basket K6121
- 5" Fiberglass Hair & Lint Strainer w/ S.S. Basket K6122
- 6" Fiberglass Hair & Lint Strainer w/ S.S. Basket K6123



Will not Corrode or Rust - Includes Transparent Lid

Replacement Parts for Mer-Made Fiberglass Hayward Replacement Strainers



	4"		6"		8"	
SS Basket	K6500	K6500G	K6501	K6501G	K6502	K6502G
Lid	K6506		K6507		K6508	
Lid O Ring	K6509		K6510		K6511	
Lid Hand Knob	K6512					



Replacement Parts for All Strainers

	3" - 4"		5" - 8"	
SS Basket	K6520	K6520G	K6522	K6522G
Lid	K6528		K6530	
Lid O Ring	K6524		K6526	





TRITON II SAND FILTERS

Original Design

Original design, one-piece fiberglass reinforced tank with UV resistant surface finish. Full 10 Year Warranty

TR-40	18"	Triton II Filter(No Valve)	H4000
TR-50	21"	Triton II Filter(No Valve)	H4002
TR-60	24"	Triton II Filter(No Valve)	H4005
TR-100	30"	Triton II Filter(No Valve)	H4010
TR-140	36"	Triton II Filter(No Valve)	H4015



Pentair
Pool Products™

ITEM NO.

Parts Breakdown
pages 278-279

TRITON C - COMMERCIAL RATED

Features multiple diverters for increased filtration rates in commercial applications up to 20 GPM/Sq. Ft. Full 2" Drain - 8" opening for easy access to sand bed.

TR-100C	30" Triton Filter(No Valve)	H4011
TR-140C	36" Triton Filter(No Valve)	H4016



Parts Breakdown pages 282-283

TRITON C-3 W/ 3" FLANGE CONNECTIONS

TR-100C-3	30" Triton Filter(No Valve)	H4012
TR-140C-3	36" Triton Filter(No Valve)	H4018

MODEL NO.	TANK DIA.	TURNOVER (8HRS) CAPACITY (GAL.)	FLOW RATE GPM RES.	PUBLIC	ALL SAND (LBS)	SAND & GRAVEL (LBS)	(LBS)
Triton II TR-40	19"	18,240	38	38	175	125	50
Triton II m-50	21"	23,520	49	49	225	175	50
Triton II TR-60	24"	30,240	63	63	325	275	50
Triton II TR-100	30"	47,040	98	74	600	450	150
Triton II TR-140	36"	67,680	141	106	925	650	275
Triton C TR-100C	30"	47,040	98	98	600	450	150
Triton C TR-140C	36"	67,680	141	141	925	650	275
Triton C-3 TR-140C-3	36"	67,680	141	141	925	650	275



H4025



H4030



H4031

Backwash Valve Kits

- 1-1/2" Multiport Valve Kit
- 2" Multiport Valve Kit
- 2" Push-Pull Valve Kit
- 2" Side Mount Full Flow Valve
- 2" Multiport Hi Flow Valve

ITEM NO.

- H4020
- H4025
- H4030
- H4031
- H4034

Accessories

- 1-1/2" & 2" Slip Valve Kit
- Aluminum Closure Wrench
- IDS Heavy Duty Alum. Wrench TR100/140 Dome
- Val-Pak Bulkhead Wrench 2" Triton
- Val-Pak Brass Manual Air Relief Assembly Heavy Duty

ITEM NO.

- H4040
- H4213G
- V7575
- V7576
- V7580



H4040



H4213



Parts Breakdown
pages 275-277

TAGELUS DELUXE SAND FILTERS

with Top Mounted Multiport Valve

One piece fiberglass reinforced tank with unequaled strength & durability. Tagelus Deluxe Filters feature a clamp type top-mounted multiport valve & have a full 10 year tank warranty



				ITEM NO.
SD-35	16"	Sand dollar filter	1-1/2" multiport valve	H4101
SD-40	19"	Sand dollar filter	1-1/2" multiport valve	H4106
TA-40D	19"	Deluxe Sand Filter	1-1/2" Valve	H4105
TA-50D	21"	Deluxe Sand Filter	1-1/2" Valve	H4110
TA-60D	24"	Deluxe Sand Filter	1-1/2" Valve	H4115
SD-80	26"	Sand dollar filter	2" multiport valve	H4117
TA-100D	30"	Deluxe Sand Filter	2" Valve	H4118
SD-60	36"	Sand dollar filter	1-1/2" multiport valve	H4107
SD-80	26"	Sand dollar filter	1-1/2" multiport valve	H4108

1-1/2" Tagelus Valve - Clamp Style (Deluxe)	H4122
1-1/2" Tagelus Valve - V Threads (Old Style)	H4120
1-1/2" Tagelus Valve - Buttruss Threads (After 1991)	H4121

MODEL NO.	DIAMETER	GPM	TURNOVER (8 HOURS) CAPACITY (GALS.)	SAND REQUIRED
SD-35	16"	35	16,800	100 lb.
TA-40D	19"	40	19,200	175 lb.
TA-50D	21"	50	24,000	225 lb.
TA-60D	24"	60	28,800	325 lb.
SD-80	26"	75	36,000	350 lb.
TA-100D	30"	100	48,000	600 lb.

Save 15 to 20% on Praher Brand Valve Kits! Just place a "P" after the item # on most multiport valves.

COMMON PARTS FOR TRITON & TAGELUS FILTERS



Dome 611 for Triton II Filters (V-Threads) Pre-1992	H4043
Dome 6" for Triton II Filters (Buttruss Threads)	H4045
Dome 8-1/2" Triton Commercial Filters (TR100C/140C)	H4277



O-Ring for Triton II Dome - White	H4047
O-Ring for Triton Dome & Tagelus Valve (TA30 thru TA60)	H4044
O-Ring for Tagelus Deluxe Valve (TA30D thru TA60D)	H4344
Square Ring for Triton 8-1/2" Dome (TR100C/TR140C)	H4291



Wrench for 6" Dome Plastic	H4046
Wrench for 8-1/2" Dome Plastic	H4337



Pressure Gauge - Back Mount	H7010
Bleeder Valve Assy Complete (Triton & Triton II)	H4050



Bleeder Valve Assy - Manual (TR100C/TR140C)	H4242
---	-------



Drain Assembly 3/4" (1983-1996 Triton)	H4311
Drain Assembly 1/2" - (Pre-1983)	H4070
1/4" Plug for Drain Assembly	H4312



Lateral 5-11/32" for Tagelus Filter (TA30/35 & TA30D/35D)	H4294
Lateral 6-11/16" for Tagelus/Triton Filter (TR40/50/60, TA40/50/60)	H4062
Lateral 9-1/8" for Tagelus/Triton Filter (TR100 after '85, TR100C, TA 100D)	H4206
Lateral 12" for Triton Commercial Filter (TR140, TR140C & TR140C3)	H4068

HAYWARD PRO SERIES

Side-Mount Sand Filters

Molded of durable, corrosion-proof polymeric material, Pro Series filters are suitable for all types & sizes of in-ground pools & commercial spas.



Model Number	Effective Filtration Area	Design Flow Rate*	Turn (In Gallons)	
			8 Hours	10 Hours
S-210S	2.20 ft ²	44 GPM	21,120	26,400
S-244S	3.14 ft ²	62 GPM	29,760	37,200
S-310S	4.91 ft ²	98 GPM	47,040	58,800

*Based on 20 GPM/ft.² (maximum allowable NSF rating)



- S210S Hayward 20" Polymeric Sand Filter **H6083**
W/ 1-1/2" Multiport Valve
- S244S Hayward 24" Polymeric Sand Filter **H6068**
W/ 1-1/2" Multiport Valve
- S310S Hayward 30" Polymeric Sand Filter **H6067**
No Valve
1-1/2" Vari-Flo 6-Way Valve **H8016**
2" Vari-Flo 6-Way Valve **H8017**

ITEM NO.

Parts Breakdown pages 272-274

Save 15 to 20% on Praher Brand Valve Kits! Just place a "P" after the item # on most multiport valves.

HAYWARD PRO SERIES PLUS

Side-Mount Sand Filters



Model Number	Effective Filtration Area	Design Flow Rate*	Turn (In Gallons)	
			8 Hours	10 Hours
S-311SXV	4.95 ft ²	99 GPM	47,520	59,400
S-360SX	6.68 ft ²	133 GPM	63,840	79,600

- 1-1/2" Vari-Flo 6-Way Valve **H8016**
- 2" Vari-Flo 6-Way Valve **H8017**
- Plumbing Adapter **H6122**

Save 15 to 20% on Praher Brand Valve Kits! Just place a "P" after the item # on most multiport valves.

HAYWARD PRO SERIES

Top-Mount Sand Filters



Model Number	Effective Filtration Area	Design Flow Rate*	Turn (In Gallons)	
			8 Hours	10 Hours
S-220T	2.20 ft ²	52 GPM	24,960	31,200
S-244T	3.14 ft ²	62 GPM	29,760	37,200
S-310T	4.91 ft ²	98 GPM	47,040	58,800

- S180T 18" Polymeric Sand Filter w/1-1/2" Valve **H6033**
- S210T 20" Polymeric Sand Filter w/1-1/2" Valve **H6066**
- S220T 22" Polymeric Sand Filter w/1-1/2" Valve **H6034**
- S244T 24" Polymeric Sand Filter w/1-1/2" Valve **H6036**
- S270T 27" Polymeric Sand Filter w/1-1/2" Valve **H6038**
- S310T2 30" Polymeric Sand Filter w/1-1/2" Valve **H6022**
- 1-1/2" Vari-Flo XL Valve - Top Mount SP0714T **H8000**
- 2" Vari-Flo Valve -Top Mount SP071621 **V4106**
- O-Ring Kit For All of the Above - RO321 **H2532**
- GMX600F Valve O-Ring Kit 152/225,S180/210/220/244T **H8425**
- S244T2 24' Polymeric Sand Filter w/ 2" Valve **H6035**
- S270T2 27' Polymeric Sand Filter w/ 2" Valve **H6037**

Save 15 to 20% on Praher Brand Valve Kits! Just place a "P" after the item # on most multiport valves.



- Hayward HCF230 30" Commercial Sand Filter H4075
Fiberglass 2" Pipe Connections
- Hayward HCF234 34" Commercial Sand Filter H4077
Fiberglass 2" Pipe Connections
- Hayward HCF236 36" Commercial Sand Filter H4080
Fiberglass 2" Pipe Connections
- Hayward HCF363 36" Commercial Sand Filter H4081
Fiberglass 3" Flanged Connections

- Hayward 2" Multi Valve Kit Commercial Sand H4085
- Hayward 3" Multi Valve Kit Commercial Sand H4090



Sand Filters

HAYWARD CYCOLAC SAND FILTERS

Made of corrosion proof ABS all-weather performance

- | | | |
|----------|----------------------------------|-------------------|
| S200 | 20" Cylolac Sand Filter w/ Valve | ITEM NO.
H6030 |
| S200KT | Dome Wrench Tool | H6050 |
| SP715X32 | Valve Assembly | H6794 |

(See Page 217 for Above Ground Pump & Filter Systems)

JANDY SAND FILTERS



- | | | | | |
|----------|-----------------|--------|-------------------------------|-------|
| JS60-SM | Sand Filter | 24" | Side Mount | H4175 |
| JS100-SM | Sand Filter | 30" | Side Mount | H4177 |
| SFTM22 | Sand Filter | 22" | w/ 1-1/2" Top Mount Multiport | H4180 |
| SFTM24 | Sand Filter | 24" | w/ 2" Top Mount Multiport | H4182 |
| | Multiport Valve | 1-1/2" | for Top Mount 22" Filter | H4181 |
| | Multiport Valve | 2" | for Top Mount 24" Filter | H4183 |

- Jandy DEV48 D.E Filter w/o Valve H2020
- Jandy DEV60 D.E Filter w/o Valve H2022

- Jandy BWVL-NVL Backwash Valve for Dev Filter H2302
- Jandy BWVL-SLD Slide Valve for Dev Filter H2304
- Jandy BWVL-MPV Mount Valve for Dev Filter H2306

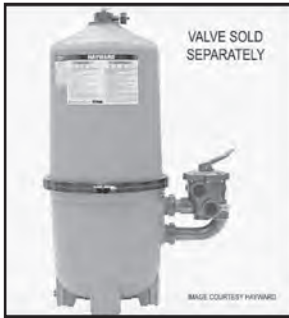
- Jandy R0501300 Grid Assy Dev 48 & Del48 H2150
- Jandy R0501400 Grid Assy Dev 60 & Del60 H2151





**HAYWARD PRO-GRID
VERTICAL GRID D.E. FILTER**

Constructed in high-strength PermaGlass XL with 2 full-flow internal piping & plumbing. Meets demands of toughest applications & environmental conditions, including in-floor cleaning systems.



VALVE SOLD SEPARATELY

Performance Data - Filter

Model Number	Effective Filtration Area	Design Flow Rate*	Turn (In Gallons)	
			8 Hours	10 Hours
DE2420	24 ft ²	48 GPM	23,040	28,800
DE3620	36 ft ²	72 GPM	34,560	43,200
DE4820	48 ft ²	96 GPM	46,080	57,600
DE6020	60 ft ²	120 GPM	57,600	72,000
DE7220	72 ft ²	144 GPM	69,120	86,400

Complete Parts Breakdown on Pages 265-266



VALVE SOLD SEPARATELY



24 Sq. Ft.	Pro-Grid DE2420 Filter Only	No Valve	H5990
36 Sq. Ft.	Pro-Grid DE3620 Filter Only	No Valve	H5992
48 Sq. Ft.	Pro-Grid DE4820 Filter Only	No Valve	H5994
60 Sq. Ft.	Pro-Grid DE6020 Filter Only	No Valve	H5996
72 Sq. Ft.	Pro-Grid DE7220 Filter Only	No Valve	H5998

ITEM NO.



VALVE ASSEMBLIES

1-1/2"	NPT Vari Flo Valve Assembly	(SP-710XR50)	H6070
2"	NPT Vari Flo Valve Assembly	(SP-715XR50)	H6071
2"	Skt. Slide Valve Assembly	(SP-41 0X502S)	H6073



Grid Assemblies for Pro-Grid & Micro-Clear Filters

36 Sq. Ft.	Complete Grid Assembly - Replacement	DEX3600DC	H6111
48 Sq. Ft.	Complete Grid Assembly - Replacement	DEX4800DC	H6112
60 Sq. Ft.	Complete Grid Assembly - Replacement	DEX6000DC	H6138
	Complete Grid Assembly	DEX2420DC	H6136
	Complete Grid Assembly	DEX7200DC	H6137



D.E. SEPARATION TANK

Injection-molded of Permaglass XL for all-weather performance

80 Sq. Ft.	Corrosion Proof	C9002SEP	H6077
------------	-----------------	----------	-------

Ideal for Water Conservation & Savings During Backwashing

FNS PLUS D.E. FILTERS
Reinforced Polypropylene Tank



A fiberglass reinforced polypropylene of advanced chemical resistant materials for superior strength & reliability. The top manifold design features the Service-Ease grid pack for convenient one-at-a-time grid servicing. Utilizes valves with 7-1/2" centerline bulkhead spacing. Almond Coloring.



Model Number	Sq. Ft.	Design Flow Rate*				D.E. Precoat Required	Tank Height
		GPM	GPH	6 Hours	8 Hours		
FNSP24	24"	48	2,880	17,280	23,040	2.4 lbs.	37"
FNSP36	36"	72	4,320	25,920	34,560	3.6 lbs.	43"
FNSP48	48"	96	5,760	34,560	46,080	4.8 lbs.	49"
FNSP60	60"	120	7,200	43,200	57,600	6 lbs.	55"

Complete Parts Breakdown on Pages 269-270

* Flow rate is based on 2.0 GPM per sq. ft. of filter area. Actual system flow will depend on plumbing size and other system components.

- FNS Plus 24 Sq. Ft. D.E. Filter (No Valve) ITEM NO. H3226
- FNS Plus 36 Sq. Ft. D.E. Filter (No Valve) H3233
- FNS Plus 48 Sq. Ft. D.E. Filter (No Valve) H3235
- FNS Plus 60 Sq. Ft. D.E. Filter (No Valve) H3237

- FNS Plus 24 Sq. Ft. Complete Grid Assembly H3700 H3700G
- FNS Plus 36 Sq. Ft. Complete Grid Assembly H3701 H3701G
- FNS Plus 48 Sq. Ft. Complete Grid Assembly H3702 H3702G
- FNS Plus 60 Sq. Ft. Complete Grid Assembly H3703 H3703G

QUAD DE FILTERS

CARTRIDGE STYLE

- PENTAIR QUAD D.E. 60 FILTER H3245
- PENTAIR QUAD D.E. 80 FILTER H3246
- PENTAIR QUAD D.E. 100 FILTER H3247

PENTAIR D.E. VALVES FOR FNS & FNS PLUS & NSP

For Pentair D.E. Filters with 7-1/2" Centerline Bulkhead Spacing



H4030

H3048

- 2" Push-Pull Valve Kit for Pentair Filters H4030
 - 1-1/2" Multiport Valve Kit for Pentair D.E. Filters H3040
 - 2" Multiport Valve Kit for Pentair D.E. Filters H3045
 - 2" Pac Fab 26-1142 Hi-Flow Valve & Plumbing Kit H3048
- Save 15 to 20% on Praher Brand Valve Kits! Just place a "P" after the Item # on most valves.*

Replacement D.E. Grids

Jacuzzi Rectangular Grids



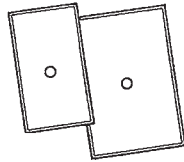
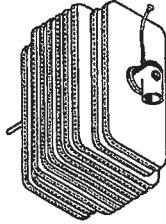
		ELEMENT SIZE	ITEM NO.
EW75	42-2121-18-R	10" x 18"	H8124
EW75	42-2123-16-R	8-1/2" x 18"	H8125
EW75	42-2125-14-R	7" x 18"	H8126
EW100	42-2950-06-R	10" x 24"	
EW100	42-2951-05-R	8-1/2" x 24"	H8128
EW100	42-2952-04-R	7" x 24"	H8129
EW125	42-2953-03-R	8-1/2" x 30"	H8130
EW125	42-2954-02-R	7" x 30"	
EW125	42-2955-01-R	7" x 30"	H8132
EW150	42-2956-00-R	10" x 36"	H8133
EW150	42-2957-09-R	8-1/2" x 36"	H8134
EW150	42-2958-08-R	7" x 36"	H8135
EW75	42-2970-01-R	36 Assembly	H8162
EW100	42-2970-10-R	48 Assembly	H8164
EW125	42-2970-11-R	60 Assembly	H8166
EW150	42-2970-12-R	72 Assembly	H8168

Jacuzzi	42297001R	Standpipe EW 36 Assembly	(EW 75)	H8162
Jacuzzi	42297010R	Standpipe EW 48 Assembly	(EW 100)	H8164
Jacuzzi	42297011R	Standpipe EW 60 Assembly	(EW 125)	H8166
Jacuzzi	42297012R	Standpipe EW 72 Assembly	(EW 150)	H8168

Sta-Rite (Swimquip) Rectangular Grids

Swimquip	23900-0031	5" x 18"	N5031
Swimquip	23900-0141	8-5/16" x 18"	N5073
Swimquip	23900-1173	9-11/16" x 18"	N5352
Swimquip	23900-0032	11" x 18"	N5032
Swimquip (Offset)	23900-0048	11" x 18"	N5070
Swimquip	23900-0052	13-3/4" x 18"	N5069
Swimquip	23900-0033	16-1/2" x 18"	N5033
Swimquip (Offset)	23900-0142	17-3/4" x 18"	N5010
Swimquip	23900-0144	19-1/4" x 18"	N5026
Swimquip (Offset)	23900-0145	19-1/4" x 18"	N5037
Swimquip	23900-0143	20-3/4" x 18"	N5036
Swimquip	23900-0034	22" x 18"	N5034



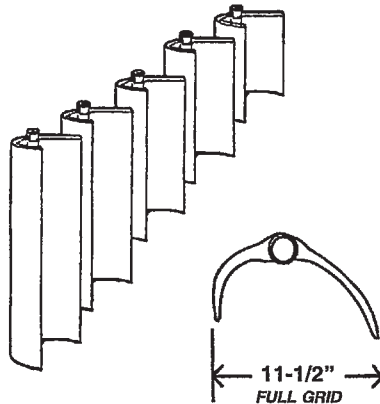


RECTANGULAR D.E. GRIDS

Anthony Apollo/Flowmaster

Apollo Grid - Small - 13-1/2" x 24"	ITEM NO.	H3099
Apollo Grid - Large - 17-1/2" x 24"		H3100
Complete Grid Assy 38 Sq Ft. 1-1/2"		Z7028
Complete Grid Assy 52 Sq. Ft. 1-1/2"		Z7026
Complete Grid Assy 52 Sq. Ft. 2"		Z7025

(For complete list & breakdowns of Anthony Apollo & Flowmaster filters - See pages 291-293 of Parts Catalog)



VERTICAL GRIDS - FULL

FILTER SIZE	<i>Purex</i>	ELEMENT SIZE	ITEM NO.
24 Sq. Ft.	07-4922 (S09300)	12" Full	H3680
36 Sq. Ft.	07-4923 (S08700)	18" Full	H3682
48 Sq. Ft.	07-4924 (S08800)	24" Full	H3684
60 Sq. Ft.	07-4925 (S08500)	30" Full	H3686
72 Sq. Ft.	07-4926 (S08600)	36" Full	H3688

VERTICAL GRIDS - FULL

FILTER SIZE	<i>American</i>	<i>Hayward</i>	<i>Pac-Fab</i>	<i>Jandy</i>	ELEMENT SIZE	ITEM NO.
24 Sq. Ft.	590011	DEX2400DA	19-2186		12" Large	H4400
36 Sq. Ft.	590018	DEX3600DA	19-2187		18" Large	H4401
48 Sq. Ft.	590024	DEX4800DA	19-2188	RO555000	24" Large	H4402
60 Sq. Ft.	590030	DEX6000DA	19-2189	RO359100	30" Large	H4403
72 Sq. Ft.	590036	DEX7200DA	19-5058		36" Large	H4404

VERTICAL GRIDS - PARTIAL

FILTER SIZE	<i>American</i>	<i>Hayward</i>	<i>Pac-Fab</i>	<i>Jandy</i>	ELEMENT SIZE	ITEM NO.
24 Sq. Ft.	590010	DEX2400DS	19-2328		12" Partial	H4405
36 Sq. Ft.	590017	DEX3600DS	19-2330		18" Partial	H4406
48 Sq. Ft.	590023	DEX4800DS	19-2332		24" Partial	H4407
60 Sq. Ft.	590029	DEX6000DS	19-2334	RO554900	30" Partial	H4408
72 Sq. Ft.	590035	DEX7200DS	19-5059	RO359200	36" Partial	H4409

REPLACEMENT D.E. GRIDS BY THE SET

(Complete Set per Box)

24 Sq. Ft.	(12") Complete Set (7 Full & 1 Partial) for American/Hayward/PacFab	H3094
36 Sq. Ft.	(18") Complete Set (7 Full & 1 Partial) for American/Hayward/PacFab	H3095
48 Sq. Ft.	(24") Complete Set (7 Full & 1 Partial) for American/Hayward/PacFab	H3096
60 Sq. Ft.	(30") Complete Set (7 Full & 1 Partial) for American/Hayward/PacFab	H3097
72 Sq. Ft.	(36") Complete Set (7 Full & 1 Partial) for American/Hayward/PacFab	H3098
Pac Fab #195060	Complete Grid Assembly for NS72/NSP72	H3175 H3175G

Save 15 to 20%
on Praher Brand
Multiport Valve Kits!
Just place a "P"
after the item # on
most valves.



H3242



H3241



H8853



H3208



Z7038

New



H8015



H8490



H8000



H6071



H6071



V4127

AMERICAN PRODUCTS VALVES

			ITEM NO.
1-12"	Multiport Valve (8-Pos) - Threaded <i>22" Top Mount Eclipse/Meteor</i>	50118200	H8852
1-12"	Multiport Valve (8-Pos) - Threaded <i>26" & 30" Top Mount Eclipse/Meteor</i>	50118300	H8853
2"	Multiport Valve (8-Pos) - Threaded <i>30" Top Mount Eclipse Filter</i>	50123100	H3221
1-12"	Multiport Valve Kit - Threaded Ports <i>w/Elbows for Side Mount Eclipse 8" Centerline</i>	50181211	H3241
2"	Multiport Valve Kit - Threaded Ports <i>w/Elbows for Side Mount Eclipse 8" Centerline</i>	50181311	H3242
2"	Push-Pull Valve ABS/Brass Piston <i>(8" Centerline)</i>	50290211	H3208
2"	Push-Pull Valve ABS w/Modified Pac-Fab Ftg. <i>(7-1/2" Centerline)</i>		H3209
1-12"	Multiport Valve Kit for DE Filters <i>(8" Centerline)</i>	50181212	H3238
2"	Multiport Valve Kit for DE Filters <i>(8" Centerline)</i>	50181312	H3239

ANTHONY SELECTOR VALVE

2"	Anthony Selector Valve - Threaded <i>Complete Assy = Brass</i>	V34-168	Z7038
----	---	---------	-------

HAYWARD VALVE - REPLACEMENT

1-12"	Multiport Valve -All Ports Open	SP710XALL	H8010
1-12"	Multiport Valve - Threaded <i>for Pac-Fab Sand Filters</i>	SP7122	H8002
1-12"	Multiport Valve Assy. w/Elbows <i>for Pac-Fab Sand Filters</i>	SP710X62	H8016
2"	Multiport Valve Assy. w/Elbows <i>for Pac-Fab Sand Filters</i>	SP715X62	H8017
1-12"	Multiport Valve Assy. <i>S-200 & 240 Sand Filter</i>	SPX0710X32	H6690
2"	Multiport Valve Assy. <i>S-240 Sand Filter</i>	SP715X32	H6794
2"	Multiport Valve - Side Mount	SP715XALL	H8020
1-12"	Multiport 4-Way Valve	GM400	H8490
2"	Flange Mount Vari-Flo XL Valve	SP714T	H8000
1-12"	Thread Mount Vari-Flo Valve <i>S-160T Style</i>	SP7121	H6409
1-12"	Multiport Valve Assy. w/Elbows - DE <i>(Micro-Clear & Pro-Grid Filters)</i>	SP710XR50	H6070
2"	Multiport Valve Assy. w/Elbows - DE <i>(Micro-Clear & Pro-Grid Filters)</i>	SP715XR50	H6071
2"	Selecta-Valve Assy. 4-Way <i>(Micro-Clear & Pro-Grid Filters)</i>	SP740DE	V4127

HAYWARD® STAR-CLEAR PLUS CARTRIDGE FILTERS

Constructed of New high-strength PermaGlass XL Material



			ITEM NO.
C751	Star-Clear Plus 75 Sq. Ft. Filter	1-1/2" FIP	H4970
C7512	Star-Clear Plus 75 Sq. Ft. Filter	2" FIP	H4972
C900	Star-Clear Plus 90 Sq. Ft. Filter	1-1/2" FIP	H4974
C9002	Star-Clear Plus 90 Sq. Ft. Filter	2" FIP	H4976
C1200	Star-Clear Plus 120 Sq. Ft. Filter	1-1/2" FIP	H4980
C12002S	Star-Clear Plus 120 Sq. Ft. Filter	2" SLIP	H4984
C17502	Star-Clear Plus 175 Sq. Ft. Filter	2" FIP	H4986
CX900K	PVC Socket Connector Set of 2	2" SLIP	H6942



Performance Data - Residential

Model Number	Effective Filtration Area	Design Flow Rate*	Turn (In Gallons)	
			8 Hours	10 Hours
C751	75 ft ²	75 GPM	36,000	45,200
C900	90 ft ²	90 GPM	43,200	54,600
C1200	120 ft ²	120 GPM	57,600	72,000
C17502	175 ft ²	120 GPM	57,600	72,000

*One Gallon per Sq. Ft. Shown (Residential)
For Public Design Flow Rate - Base on .375 GPM/Sq.Ft.

HAYWARD STAR-CLEAR FILTERS

Star-Clear Filters

C250 Star-Clear 25 Sq. Ft. Cartridge Filter	1-1/2" FIP	H5010
C500 Star-Clear 50 Sq. Ft. Cartridge Filter	1-1/2" FIP	H5012
R222 Star-Clear O-Ring Kit	RO-KIT 222	H2506



Micro Star-Clear In-Line Filters

C225 Micro Star-Clear 25 Sq. Ft. In-Line Filter	1-1/2" FIP	H5003
--	------------	-------



Micro Star-Clear System

C2251540LSS Micro Star-Clear Filter System <i>Includes: C-225 Cartridge Filter (25 Sq. Ft.) Power-Flo Pump, Base, Hoses & 6' Cord</i>		H6004
--	--	-------

JANDY CL CV SERIES CARTRIDGE FILTER



JANDY CV340	cartridge filter - 340 sq. ft	H2013
JANDY CV460	cartridge filter - 460 sq. ft	H2015
JANDY CV580	cartridge filter - 460 sq. ft	H2017
JANDY CL580	cartridge filter - 460 sq. ft	H2016
JANDY CL460	cartridge filter - 460 sq. ft	H2014
JANDY CL/CV340	replacement cartridge (need 4)	H2094
JANDY CL/CV460	replacement cartridge (need 4)	H2096
JANDY CL/CV580	replacement cartridge (need 4)	H2098

Complete
Parts
Breakdown
on Pages
257-258

HAYWARD®



C5025



SwimClear™

Large Capacity Cartridge Filters

PermaGlass XL filter tanks utilizing a cluster of four reusable cartridge elements. Heavy duty dirt holding capacity for extra long filter cycles, up to an entire season without cleaning.

- Hayward **C2025** SwimClear Cartridge Filter
- Hayward **C3025** SwimClear Cartridge Filter
- Hayward **C4025** SwimClear Cartridge Filter
- Hayward **C5025** SwimClear Cartridge Filter

- ITEM NO.
- H4991
 - H4993
 - H4995
 - H4997

Complete Parts Breakdown on Page 256

Performance Data – Residential/Public

Model Number	Effective Filtration Area	Design Flow Rate*†	Turnover (In Gallons)*	
			8 Hours	10 Hours
C2025	225 ft. ²	84 GPM	108,000	135,000
C3025	325 ft. ²	122 GPM	156,000	195,000
C4025	425 ft. ²	150 GPM	204,000	255,000
C5025	525 ft. ²	150 GPM	252,000	315,000



SWIMCLEAR REPLACEMENT CARTRIDGES

(4 Required)

- CX480XRE** For C2020/C2025 H5829
- CX580XRE** For C3020/C3025 H5831
- CX880XRE** For C4020/C4025 H5833
- CX875RE** For C4520 H5827
- CX1280XRE** For C5020/C5025 H5030
- CX1380RE** For C5520 H5835

*Non-Stock Item - Add Freight

HAYWARD SWIMPURE

Mineral Purifying System for Hayward Star-Clear & SwimClear Cartridge Filters

A system designed to transform Hayward cartridge filters into pool water purifiers as well. Using Nature 2 science, Swimpure fits into the filter element and releases minerals into pool water making it clean and healthy. For in-ground pools up to 35,000 gallons.

- Lasts 6 full months
- Reduces chlorine usage up to 80%
- Installs easily in seconds
- Safe, natural & efficient



Debris in unfiltered pool water is trapped by Hayward cartridge filter element. Filtered water then passes through the SwimPure Natural Pool Purifying Delivery System - and re-enters the pool not only filtered - but purified as well.

MODEL NUMBER	SQ. FT.	FILTER SERIES	ITEM NO.
N2C900	90	C900/C751 (C800)	A3280+
N2C1200	120	C1200, C1750, C3000 C4000, C5000	A3282
N2C1750	175	C1750	A3284+
N2C2000	200	C2020	A3286+
N2C3000	300	C3020, C2000-5000	A3288
N2CW35		CART FLTR (REPL N2C900-1750)	A3290

+Limited Stock



Complete Parts Breakdown on Pages 260-261

CLEAN & CLEAR PLUS CARTRIDGE FILTERS

Fiberglass Reinforced Polypropylene Tank



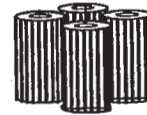
A corrosion resistant injection molded filter tank with strength & reliability. Uses four easy to clean polyester cartridges. 10-year warranty



	ITEM NO.
Clean & Clear Plus 240 Sq. Ft. Cartridge Filter	H3450
Clean & Clear Plus 320 Sq. Ft. Cartridge Filter	H3452
Clean & Clear Plus 420 Sq. Ft. Cartridge Filter	H3454
Clean & Clear Plus 520 Sq. Ft. Cartridge Filter	H3456

Replacement Cartridges

Cartridge Element, 240 Sq. Ft.	(4-Required)	H3443
Cartridge Element, 320 Sq. Ft.	(4-Required)	H3444
Cartridge Element, 420 Sq. Ft.	(4-Required)	H3447
Cartridge Element, 520 Sq. Ft.	(4-Required)	H3449

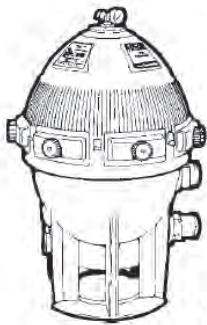


STA-RITE®

MODULAR MEDIA FILTER

SYSTEM:3™ FILTRATION

Ultra capacity filtration is achieved w/perfectly balanced flow and an integral manifold design. Dirt loading capacities in excess of 50 times more than sand filters in equivalent sized tanks. Design allows for rinse-in-place operation. No need for backwash valve or backwashing.



Replacement Modules

InnerReplacement Module for S7M120 (100 Sq. Ft.)	N5173
OuterReplacement Module for S7M120 (200 Sq. Ft.)	N5172
InnerReplacement Module for S8M150 (191 Sq. Ft.)	N5171
OuterReplacement Module for S8M150 (259 Sq. Ft.)	N5170
InnerReplacement Module for S8M500 (209 Sq. Ft.)	N5174
OuterReplacement Module for S8M500 (291 Sq. Ft.)	N5175



MODEL NO.	MAX. GPM	POOL SIZE FILTER AREA	8 HOUR RATE	CONNECTION
S7M120	100	300 Sq. Ft.	36,000-48,000 Gals.	2"
S8M150	125	450 Sq. Ft.	45,000-60,000 Gals.	2"

SWIMMING POOLS

		SQ. FT.	OUTSIDE DIAMETER	OVERALL LENGTH	INSIDE DIAMETER	PLEATCO NO.	DEALER UNICEL NO.	ITEM NO.
Advantage Electric								
ELE-50		50 Sq. Ft.	4-15/16"	17-3/8"	2-1/8"		C-4349	H5805
American Products (Pentair)								
566274	Quantum 175	43.7 Sq. Ft.	7"	11-13/16"	3"	PCM 44	C-7437	H5810
566278	Quantum 350	75 Sq. Ft.	7"	16-1/2"	3"	PCM 88	C-7474	H5279
566279	Quantum 520	125 Sq. Ft.	7"	26"	3"	PCM 125	C-7498	H3448
59054200	Predator	100 Sq. Ft.	10-1/16"	23-5/8"		59054200	C-9410	H3493
570057	Commander	25 Sq. Ft.	7"	9-13/16"	3"	PCM 25	C-7625	H5251
570142	Commander	35 Sq. Ft.	7"	9-13/16"	3"	PCM 35	C-7435	H5256
570058	Commander	50 Sq. Ft.	7"	19-5/8"	3"	PCM 50	C-7650	H5252
570143	Commander	75 Sq. Ft.	7"	19-5/8"	3"	PCM 75SV	C-7453	H5254
570074	Commander	75 Sq. Ft.	7"	29-3/8"	3"	PCM 75	C-7675	H5253
570144	Commander	100 Sq. Ft.	7"	29-3/8"	3"	PCM100SV	C-7499	H5257
570105	Commander II (In-Line)	25 Sq. Ft.	4-11/16"	11-7/8"	2-1/16"	PA 225	C-4327	H5250
Baker Hydro								
17B1165	Ultra-Mite	50 Sq. Ft.	7"	14-3/4"		PBHUM50	C-7405	H5846
17B1163	Hydro-Mite	12.5 Sq. Ft.	7"	5"		PBH 12.5	C-7603	H5260
17B2054	Hydro-Mite	25 Sq. Ft.	7"	9-13/16"		PBH 25	C-7604	H5261
17B2055	Hydro-Mite	50 Sq. Ft.	7"	19-5/8"		PBH 50	C-7605	H5262
17B2056	Hydro-Mite	75 Sq. Ft.	7"	29-3/8"		PBH 75	C-7606	H5263
17B2071	Hydro-Mite	100 Sq. Ft.	7"	39-3/8"		PBH 100	C-7607	H5264
Coleco								
F-120	(No Core)	5 Sq. Ft.	4-1/4"	8"	1-15/16"	----	C-4606	H5165
SLM DR-7	(With Core)	5 Sq. Ft.	4-1/4"	8"	1-15/16"	PC7-120	C-4607	H5270
F-108,F110,CR-8	(With Core)	5 Sq. Ft.	4-3/4"	8"	1-1/8" & 2-3/8"	PC 8	C-4609	H5271
F-112,F-350,CR-11	(With Core)	8 Sq. Ft.	4-3/4"	11"	1-1/8" & 2-3/8"	PC 11	C-4611	H5272
F-750,F-850,DR-16	(With Core)	13 Sq. Ft.	4-3/4"	16"	1-1/8" & 2-3/8"	PC 16	C-4616	H5273
F-225,F-335,DR-18	(With Core)	13 Sq. Ft.	4-3/4"	18"	1-1/8" & 2-3/8"	PC 18	C-4618	H5274
F-355,F-455,DR-17	(With Core)	23 Sq. Ft.	6-1/2"	17"	3"	PC 17	C-6617	H5275
F-380,F-480,DR-22	(With Core)	30 Sq. Ft.	6-1/2"	22"	3"	PC 22	C-6622	H5276
Doughboy								
3122-1003	(Original)	60 Sq. Ft.	6-15/16"	22-3/8" Closed & 2-1/16"		PD 60	C-6659	H5268
Harmsco								
PH 6	Harmsco	6 Sq. Ft.	2-3/4"	9-3/4"	1-1/16"	PH 6	T-380	H5074
								Case of 100
ST-55	TF 50 & BF-55SC		7-3/4"	9-5/8"	2-5/8" & 3-1/2"	PH 50/55		H2620*
ST-105	TF 100 & BF-105SC		7-3/4"	19-1/2"		PH 100/105		H5009
ST-155	TF 150 & BF-155SC		7-3/4"	29-1/16"		PH 150/155		H5049
TFC75	TF 75		7-3/4"	15-3/16"		PH 75		H5050*
HC/40TC	Hurricane 40		7-3/4"	9-5/8"				H5051
HC/90TC	Hurricane 90		7-3/4"	19-1/2"				H5052
HC/170TC	Hurricane 170		7-3/4"	30-3/4"				H5053
Hayward Pool Products								
C-200RE	MicroStar (In-Line)	20 Sq. Ft.	4-5/8"	11-7/8"	2-1/16"	PA 20	C-4320	H5011
C-225RE	MicroStar (In-Line)	25 Sq. Ft.	4-5/8"	11-7/8"	2-1/16"	PA 225	C-4325	H5014
C-250RE	Star-Clear	25 Sq. Ft.	7"	9-13/16"	3"	PA 25	C-7626	H5017
C-500RE	Star-Clear	50 Sq. Ft.	7"	19-5/8"	3" w/Gskt	PA 50	C-7656	H5018
C-750RE	Star-Clear	75 Sq. Ft.	7"	29-3/8"	3" w/Gskt	PA 75	C-7676	H5019
C-800RE	Star-Clear II	75 Sq. Ft.	8-1/2"	17-1/2"	4-1/16" w/Gskt	PA 80	C-8600	H5022
C-1100RE	Star-Clear II	100 Sq. Ft.	8-1/2"	23-3/8"	4-1/16" w/Gskt	PA 100	C-8610	H5023
CX470XRE	Super S. C. 2000/2020	50 Sq. Ft.	7"	14-3/16"	3" w/Gskt	----	C-7447	H5015
CX570XRE	Super S. C. 3000/3020	75 Sq. Ft.	7"	19-5/8"	3" w/Gskt	PA 75SV	C-7477	H5020
CX870XRE	Super S. C. 4000/4020	100 Sq. Ft.	7"	25-1/2"	3" w/Gskt	PA 100N	C-7487	H5025
CX1260RE	Super S. C. 5000/5020	125 Sq. Ft.	7"	32-1/16"	3" w/Gskt	----	C-7495	H5026
Easy Clear C400		40 Sq. Ft.	7"	14 1/8"		PA40/CX410RE	C-7442	H5027
Easy Clear C550		55 Sq. Ft.	7"	19 5/8"		PA55/CX550RE	C-7455	H5028
Swim Clear C5025 (need 4)		131 Sq. Ft.	7"	32 13/16"		CX1280XRE	C-7494	H5030
CX400RE	SF400 Skim Filter	40 Sq. Ft.	8-1/2"	10-3/4"	4-1/16"	PA40SF	C-8340	H5216
REPL.CARTRIDGE C-5374		65 Sq. Ft.	Fits Rec Warehouse				C-5374	H5278
CX760RE	Star-Clear Plus	75 Sq. Ft.	8-15/16"	17-3/8"	4" w/Gskt	PA76	C-8411	H5819
CX900RE	Star-Clear Plus	90 Sq. Ft.	8-15/16"	17-3/8"	4" w/Gskt	----	C-8409	H5820
CX1200RE	Star-Clear Plus	120 Sq. Ft.	8-15/16"	23-3/8"	4" w/Gskt	----	C-8412	H5822
CX1750RE	Star-Clear Plus	175 Sq. Ft.	8-15/16"	28-3/16"	4" w/Gskt	PA 175	C-8417	H5824



*Non-Stock Item

SWIMMING POOLS (CONT.)



		SQ. FT.	OUTSIDE DIAMETER	OVERALL LENGTH	INSIDE DIAMETER	PLEATCO NO.	DEALER UNICEL NO.	ITEM NO.
Hayward Products (Cont.)								
CX850RE	ASL Full-Flo	85 Sq. Ft.	9-1/4"	14-3/16"	3"	PA 85	C-9485	H5826
CX1250RE	ASL Full-Flo	120 Sq. Ft.	9-1/4"	19-5/8"	3"	PA 125	C-9499	H5828
CX480XRE	Swim Clear	200 Sq. Ft.	7"	14-3/16"		C7458/C2020/C2025		H5829
CX580XRE	Swim Clear	325 Sq. Ft.	7"	19-5/8"		C7483/C3020/C3025		H5831
CX1380RE	Swim Clear	400 Sq. Ft.	7"	25-1/2"		C7433C4020/C4025		H5833
CX875REM	Swim Clear-Microban					C4020/C4025		H5837
CX481XRE	Swim Clear	56 sq. Ft.	7"	17-3/8"	3"	C-7456		H5823
Jacuzzi								
42-2891-08-R	CFR-25	25 Sq. Ft.	5"	13-5/16"	2-3/8"	PJ25IN	C-5625	H5096
42-3534-09	CFR-50	50 Sq. Ft.	9-15/16"	10"	5-3/4"	PJ 50	C-9650	H5097
42-3535-08	CFR-75	75 Sq. Ft.	9-15/16"	14-1/4"	5-3/4"	PJ 75	C-9475	H5191
42-3536-07	CFR-100	100 Sq. Ft.	9-15/16"	19-7/8"	5-3/4"	PJ 100	C-9699	H5094
42-3537-06	CFR-150	150 Sq. Ft.	9-15/16"	24"	5-3/4"	PJ 150	C-9478	H5193
42-3540-01	CFR-200	200 Sq. Ft.	9-15/16"	24"	5-3/4"	PJ 200	C-9420	H5484
42-3674-09-R	Sherlock 80	80 Sq. Ft.	10"	14-9/16"	6"	PJ 80	C-9480	H5832
42-3674-09-R	Sherlock 120	120 Sq. Ft.	10"	20-1/16"	6"	PJ 120	C-9481	H5834
42-3675-07-R	Sherlock 160	160 Sq. Ft.	10"	24-5/16"	6"	PJ 160	C-9482	H5836
42-3668-08-R	Sherlock 200	200 Sq. Ft.	10"	29-13/16"	6"	PJ 200S	C-9483	H5838
23-2377-04	CF-25	25 Sq. Ft.	6-7/8"	11-7/8"	3-1/2"	PJ 25	C-6625	H5090
23-2214-01	CF-40	40 Sq. Ft.	6-15/16"	19-3/8"	3-1/2"	PJ 40	C-6640	H5092
23-2297-01	CF-60	60 Sq. Ft.	6-15/16"	29-3/8"	3-1/2"	PJ 60	C-6660	H5093
Jandy								
R0341900		200 Sq. Ft.	12-1/16"	17"	----	----	C-9498	H2080
Jandy CL340		55 Sq. Ft.	7"	27"			C-7459	H2094
Jandy CL460		115 Sq. Ft.	7"	27"	N/A		C-7468	H2096
Jandy CL580 (need 4)		145 Sq. Ft.	7"	33"	N/A		C-7482	H2098
Lomart								
60-4314	(With Core)	13 Sq. Ft.	4-3/4"	18"	1-1/8" & 2-3/8"	PC 18	C-4618	H5274
60-4318	(With Core)	16 Sq. Ft.	4-3/4"	18"	1-1/8" & 2-3/8"	PL 18	C-4601	H5099
Martec Pacific								
SC-2200, SC-3500	Martec	32 Sq. Ft.	4-15/16"	11-7/8"	2-1/8"	PMT 25	C-4332	H5409
CL-2200, CL-2800	Martec	28 Sq. Ft.	4-15/16"	14-7/8"	2-1/8"	PMT 27.5	C-4301	H5408
CL-2807, CL-2810	Martec	50 Sq. Ft.	4-15/16"	14-7/8"	2-1/8"	PMT 50	C-4305	H5410
Muskin								
Muskin	(PMS-8) No Core		4-5/16"	8"	2-3/16"	PMS 8N/C	C-4602	H5482
A3808, A3818	(PMS-8)	6 Sq. Ft.	4-1/2"	8"	2-3/16"	PMS 8	C-4605	H5370
A3810, FE-90	(PMS-10)	10 Sq. Ft.	6-1/4"	8"	2-5/8"	PMS 10	C-6610	H5371
A3816, FE-30	(PMS-16)	16 Sq. Ft.	6-1/4"	8"	2-5/8"	PMS 16	C-6616	H5420
A3821, FD-20	(PMS-20)	20 Sq. Ft.	6-1/4"	8"	2-5/8"	PMS 20	C-6620	H5421
Pac-Fab (Pentair)								
17-4865	Mytilus MY-90/140	6 Sq. Ft.	2-3/4"	9-3/4"	1-1/16"	PH 6	T-380	H5074
17-4821	Mytilus MY-30	23 Sq. Ft.	5-5/16"	13-9/16"	2"	PFAB 30	C-5623	H5120
17-4983	Mytilus FMY-60	60 Sq. Ft.	7-7/8"	14"	3-1/16"	PFAB 60	C-7660	H5155
17-4984	Mytilus FMY-80	80 Sq. Ft.	7-7/8"	22-1/8"	3-1/16"	PFAB 80	C-7680	H5156
17-4981	Mytilus FMY-50	50 Sq. Ft.	7-7/8"	11-1/8"	3-1/16"	PFAB 50	C-7678	H5423
17-4985	Mytilus FMY-100	100 Sq. Ft.	7-7/8"	22-1/8"	3-1/16"	PFAB 100	C-7699	H5157
17-4980	Mytilus FMY-150	150 Sq. Ft.	7-7/8"	33-3/8"	3-1/16"	----	C-7679	H5424
17-8569	Clean & Clear (240)	60 Sq. Ft.	7"	14-1/8"	3"	PCC 60	C-7469	H3443
17-8580	Clean & Clear (320)	80 Sq. Ft.	7"	20"	3"	PCC 80	C-7470	H3444
17-8584	Clean & Clear (420)	105 Sq. Ft.	7"	26-1/16"	3"	PCC 105	C-7471	H3447
17-8585	Clean & Clear (520)	125 Sq. Ft.	7"	32-1/16"	3"	PCC 130	C-7472	H3449
Pleatco								
	Skim Filter	15 Sq. Ft.	4-5/8"	6-3/4"	1-9/10"	PVT 25	C-4303	H5840
	Skim Filter	50 Sq. Ft.	7"	14-3/4"	1-9/10"	PVT 50	C-7449	H5848
Premier Springwater								
27-077	Hercules	25 Sq. Ft.	5-3/16"	11-7/8"	1-1/16" / 1-5/8"	PPM 25	C-5622	H5378
27-078	Hercules II	25 Sq. Ft.	7"	9-13/16"	3"	PCM 25	C-7625	H5251
27-079	Hercules II	50 Sq. Ft.	7"	19-5/8"	3"	PCM 50	C-7650	H5252
27-080	Hercules II	75 Sq. Ft.	7"	19-5/8"	3"	PCM 75SV	C-7453	H5254

SWIMMING POOLS (CONT.)

		OUTSIDE SQ. FT.	OVERALL DIAMETER	INSIDE LENGTH	DIAMETER	DEALER PLEATCO NO.	UNICEL NO.	ITEM NO.
Purex (Pentair)								
R173308	Purex CF-25	25 Sq. Ft.	7"	11-1/8"	2-15/16"	PPF 25	C-7610	H5192
R173309	Purex CF-33	(3 for CF-100)	7"	14"	2-15/16"	PPF 33	C-7633	H5081
R173311	Purex CF-50 / 150	50 Sq. Ft.	7"	19-5/8"	2-15/16"	PPF 50	C-7651	H5082
R173312	Purex CF-60	60 Sq. Ft.	7"	19-5/8"	2-15/16"	PPF 60	C-7460	H5118
R173313	Purex CF-80	80 Sq. Ft.	7"	19-5/8"	2-15/16"	PPF 80	C-7480	H5122
Rainbow Plastics (Pentair)								
R173220	Lifeguard CL-9X	6 Sq. Ft.	2-3/4"	9-3/4"	1-1/16"	PH 6	T-380	H5074
	American/Pac-Fab/Rainbow	6 Sq. Ft.	2-7/8"	9-3/4"	N/A		C-2606	H5419
17-2056	Lifeguard CL-12.5	12 Sq. Ft.	2-7/8"	14-11/16"	1-1/16"	----	C-2912	H5063
R173200	Lifeguard CL-19X	12 Sq. Ft.	2-7/8"	19-1/2"	1-1/16"	PRB 12	C-2612	H5043
R173327	Lifeguard CL-29	12 Sq. Ft.	2-7/8"	29-1/4"	1-1/16"	PRB 12L	C-2613	H5060
R173328	Lifeguard CL-29X	18 Sq. Ft.	2-7/8"	29-1/4"	1-1/16"	PRB 18	C-2618	H5061
	Rainbow 12.5 filter	13 Sq. Ft.	2-7/8"	14 11/16"	N/A		C-2912	H5063
R173324	Chloro (Conway)	8.5 Sq. Ft.	2-7/8"	17-1/16"	2-1/8"	----	C-2303	H5150
R173425	High Flow (Conway)	14.5 Sq. Ft.	2-7/8"	17-1/16"	1-1/16"	----	C-2302	H5387
R173428	RDC25 (In-Line)	25 Sq. Ft.	4-15/16"	13-5/16"	2-1/8"	PRB 25IN	C-4625	H5059
R173430	RDC/RTL25	37 Sq. Ft.	4-15/16"	13-5/16"	2-1/8"	PRB 37IN	C-4637	H5194
R173434	Lifeguard Top Load	50 Sq. Ft.	4-15/16"	13-5/16"	2-1/8"	PRB 50IN	C-4950	H5413
R173436	RTL-100	100 Sq. Ft.	4-15/16"	26-11/16"	2-1/8"	PRB 100	C-4999	H5048
R173432	DSF-35 (Set of 2)	17.5 Sq. Ft.	4-15/16"	4-5/8"	2-1/8"	PRB37IN	C-4401	H5411
R173433	DSF-50 (Set of 2)	50 Sq. Ft.	4-15/16"	6-5/8"	2-1/8"	PRB 25SF	C-4405	H5412
R173431	DFM-35	35 Sq. Ft.	4-15/16"	9-1/4"	2-1/8"	PRB 35IN3	C-4335	H5481
Recreation Warehouse (Leisure Bay Mfg.)								
111793		37 Sq. Ft.	4-15/16"	13-5/16"	2-1/8"	PRB 37IN	C-4637	H5194
111794		65 Sq. Ft.	7-1/2"	14-13/16"	2-15/16"	PLB 65	C-7415	H5391
111791		100 Sq. Ft.	7-1/2"	20-13/16"	2-15/16"	PLB 100	C-7418	H5390
111792		150 Sq. Ft.	7-1/2"	28-15/16"	2-15/16"	PLB 150	C-7414	H5389
SeasonMaster								
	Model 121	50 Sq. Ft.	5-7/8"	12-3/4"	Top Closed	PLW 50	C-5350	H5487
Sta-Rite								
	Sta-Rite TX-15	15 Sq. Ft.	4-1/2"	9-3/4"	1-1/16"	PSR 15	C-4610	H5124
	WC108-55S2X TX-35	35 Sq. Ft.	8-11/16"	9-3/4"	4-3/16"	PSR 35	SC3-SR35	H5033
	WC108-56S2X TX-50	50 Sq. Ft.	8-11/16"	13-5/16"	4-3/16"	PSR 50	SC3-SR50	H5032
	WC108-57S2X TX-70	70 Sq. Ft.	8-11/16"	18-3/16"	4-3/16"	PSR 70	SC3-SR70	H5035
	WC108-58S2X TX-100	100 Sq. Ft.	8-11/16"	25-11/16"	4-3/16"	PSR 100	SC3-SR100	H5038
	WC108-59S2X TX-135	135 Sq. Ft.	8-11/16"	34-1/4"	4-3/16"	PSR 135	SC3-SR135	H5039
	PTM-135	137 Sq. Ft.	8-11/16"	31-1/4"	N/A		UHD-SR137	H5034
Swimquip (Sta-Rite)								
	24101-19	6 Sq. Ft.	2-3/4"	9-3/4"	1-1/16"	PH 6	T-380	H5074
	24240-0016 RCP25	25 Sq. Ft.	7"	9-13/16"	3"	PCM 25	C-7625	H5251
	24241-0016 FCP-50	50 Sq. Ft.	7"	19-3/8"	3"	PPC 50	C-7652	H5126
Sylvan								
	Sylvan	12 Sq. Ft.	3-1/4"	14-11/16"	1-1/16"	PS 12	C-3612	Z5050
Waterway Plastics								
	817-0010	10 Sq. Ft.	4-1/4"	4"	1-15/16"	PWW 10	C-4310	H5246
	817-2500	25 Sq. Ft.	4-15/16"	13-5/16"	2-1/8"	PRB 25IN3	C-4326	H5277
	817-3510 (set of 2 w/Handle)	35 Sq. Ft.	4-15/16"	4-5/8"	2-1/8"	PRB 17.5SF	C-4401	H5411
	817-0040	40 Sq. Ft.	4-15/16"	11-1/4"	2-1/8"	PWW 40	C-4339	H5830
	817-5010	50 Sq. Ft.	4-15/16"	6-5/8"	2-1/8"	PRB25SF	C-4405	H5412
	817-5000	50 Sq. Ft.	4-15/16"	13-5/16"	2-1/8"	PRB50IN	C-4950	H5413
	817-1000	95 Sq. Ft.	4-15/16"	23-5/8"	2-1/8"	PCAL 100	C-4995	H5299
Wet Institute								
	Modufilter M-66, 165, 330	6 Sq. Ft.	2-7/8"	14-11/16"	1-1/16"	PW 15W/C	C-2607	H5383
	Modufilter M-180	60 Sq. Ft.	7-7/8"	14"	3-1/16"	PFAB 60	C-7660	H5155
	Modufilter M-330	105 Sq. Ft.	7-7/8"	22-1/8"	3-1/16"	PFAB 100	C-7699	H5157



SPAS

	SQ. FT.	DESCRIPTION	PLEATCO NO.	UNICEL NO.	ITEM NO.
Alcove Spas					
	8 Sq. Ft.	3-1/4" x 9-3/4"	PS 9	C-3608	H5298
	19 Sq. Ft.	8" w/ 1-1/2" MPT	----	4CH-21	H5801
Artesian Spas (Majestic Ind.)					
	25 Sq. Ft.	7" w/ 1-1/2" MPT	PTL25WSV	6CH-26	H5247
Aqua Spa					
	20 Sq. Ft.	Cone Handle, Bot 1-7/8" I.D.	PAQ25IN	C-4402	H5414
Baja Spas					
	50 Sq. Ft.	4-15/16" x 13-3/16"	PRB 50IN	C-4950	H5413
	100 Sq. Ft.	4-15/16" x 26"-11/16"	PRB 100	C-4999	H5048
Cal Spas					
	50 Sq. Ft.	4-15/16" x 13-5/16"	PRB 50IN	C-4950	H5413
	50 Sq. Ft.	4-15/16" x 14-7/8"	PMT 50	C-4305	H5410
	100 Sq. Ft.	4-15/16" x 23-5/8"	PCAL 100	C-4995	H5299
Caldera Spas					
	50 Sq. Ft.	7" x 10-3/4"	PCD50	C-7451	H5399
	75 Sq. Ft.	7" x 14-3/4"	PCD 75	C-7479	H5005
Coleman Spas (Calif. Cooperage)					
	40 Sq. Ft.	4-15/16" x 11-1/4" (2-1/8" I.D.)	PWW 40	C-4339	H5830
	32 Sq. Ft.	8" w/ 1-1/2" MPT	PCS 32	7CH-32	H5386
	40 Sq. Ft.	9-3/4" w/ 1-1/2" MPT	PCS 40	7CH-40	H5488
	50 Sq. Ft.	7" x 14-3/4" w/1-1/2" MPT	PCS 50	7CH-50	H5850
	50 Sq. Ft.	14-3/4" w/ 2" MPT	PCS 50-2	7CH-502	H5384
	75 Sq. Ft.	13" w/ 2" Male Slip	PCS 75N	C-8475	H5433
Dimension One Spas					
	25 Sq. Ft.	5-1/2" x 11-7/8" Ozone	PDO 25	C-5402	H5031
	30 Sq. Ft.	11-7/8" w/ 1-1/2" Male Thread	PTL 20	4CH-30	H5265
	40 Sq. Ft.	5-1/2" x 17" Ozone	PDO 40	C-5404	H5485
	40 Sq. Ft.	4-5/8" x 15" w/SAE	----	4CH-940	H5448
	50 Sq. Ft.	14-3/4" w/ 1-1/2" Male Thread	PTL 50	4CH-50	H5036
	65 Sq. Ft.	19-5/8" w/ 1-1/2" Male Thread	PTL 65H	4CH-65	H5037
	75 Sq. Ft.	7" x 10-1/2" w/ SAE	----	7CH-975	H5800
	75 Sq. Ft.	14-3/4" w/ 2" MPT	PTL 75XW-2	7CH-752	H5486
Diamond Back					
	35 Sq. Ft.	6" x 9-7/8"	PTL35W	6CH-35	H5269
Discovery Spa					
	30 Sq. Ft.	14-15/16" x 10-3/8"	----	C-4431	H5483
Fort Wayne Spas (Master Spas)					
	20 Sq. Ft.	6-3/4" w/ 1-1/2" Male Thread	PHC 25	4CH-20	H5199
	45 Sq. Ft.	12-1/4" w/ 1-1/2" Male Thread	PTL 45W	6CH-45	H5041
Fountain Valley Spas					
	45 Sq. Ft.	6-7/8" x 13-3/4" (2" I.D.)	PFV 40	C-6445	H5842
Gerico Spas					
	45 Sq. Ft.	6-15/16" x 17-5/8"	PG 45	C-6645	H5095
Hawkeye Spas					
	50 Sq. Ft.	4-15/16" x 13-5/16"	PRB 50IN	C-4950	H5413
Heldor Spas					
	25 Sq. Ft.	4-15/16" x 13-5/16"	PRB 25IN	C-4625	H5059
	50 Sq. Ft.	4-15/16" x 13-5/16"	PRB 50IN	C-4950	H5413





SPAS (CONT.)

	SQ. FT.	DESCRIPTION	PLEATCO NO.	UNICEL NO.	ITEM NO.
Hot Springs Spas					
<i>(Watkins Mfg.)</i>					
	30 Sq. Ft.	5-1/8" x 10-1/4"	----	C-5431	H5297
	33 Sq. Ft.	6" x 9"	PWK 35	C-6433	H5295
	35 Sq. Ft.	16" with 1-1/2" Male Thread	PTL 35	4CH-35	H5294
	45 Sq. Ft.	6-3/8" x 11-7/8"	PWK25/40	C-6600	H5425
(After1990)	30 Sq. Ft.	5-1/8" x 10-1/4"	PWK 30	C-6430	H5296
Hot Spot	25 Sq. Ft.	4-15/16" x 13-5/16"	PRB 25IN3	C-4326	H5277
Tiger River	65 Sq. Ft.	8-1/2" x 10-1/2"	PWK 45N	C-8465	H5426
Hydro Spa					
	25 Sq. Ft.	9-3/4" with 1-1/2" Male Thread	PTL 20HS	4CH-24	H5258
Jacuzzi Whirlpool					
Cambio	12 Sq. Ft.	2-7/8" x 19-1/2"	PRB 12	C-2612	H5043
Quanta	30 Sq. Ft.	6-7/8" x 14-7/8"	PJW 30	C-6300	H5089
Avanza, Celeste, Meridian	25 Sq. Ft.	5-3/4" x 11-7/8"	PJW 25	C-5624	H5091
Sienna & Virage					
Caressa, Espree I & II	25 Sq. Ft.	5" x 13-5/16"	PJ25IN	C-5625	H5096
Aero, Caressa, Corsica,	25 Sq. Ft.	5-11/16" x 10-3/8"	PJW 23	C-5601	H5417
Lazer II, Meridian II, Polara,	50 Sq. Ft.	5-11/16" x 10-3/8"	PJW 50	C-5300	H5407
Quantum, Razza, Tirage, Vectra, Vectra II, Venterra & 380					
Jetta Spas					
	60 Sq. Ft.	6" x 16-1/4" w/1-1/2" MPT	----	C6H-60	H5248
La Spas					
	50 Sq. Ft.	6" x 9" w/ MPT	PTL47W	6CH-47	H5432
Lifestyle Spas					
	30 Sq. Ft.	4-15/16" x 10-3/8" (T-closed, B- 2-1/8" I.D.)		C-4431	H5483
Marlin Spas					
	27 Sq. Ft.	5-3/16" x 14-3/4" (1-1/16"/1-5/8")	----	C-5627	H5406
Marquis					
	25 Sq. Ft.	5-3/16" x 11-7/8" (1-1/16"/1-5/8")	----	C-5622	H5378
	25 Sq. Ft.	5-3/16" x 11-7/8" (1-1/16"/1-5/8")	PPM 25	C-5626	H5380
	40 Sq. Ft.	5-3/16" x 19-5/8" (old)	----	C-5636	H5379
	40 Sq. Ft.	5-3/16" x 19-5/8" (old)	PPM 40	C-5637	H5418
	35 Sq. Ft.	5-3/16" x 11-7/8" (T-closed/1-5/8")	----	C-5423	H5045
	50 Sq. Ft.	5-3/16" x 14-1/8" (T-closed/1-5/8")	----	C-5346	H5852
	60 Sq. Ft.	5-3/16" x 19-5/8" (T-closed/1-5/8")	PPM60	C-5434	H5047
	50 Sq. Ft.	5-3/16" x 12-1/2"	N/A	5CH-502	H5397
Martec					
	27.5 Sq. Ft.	4-15/16" x 14-7/8"	PMT27.5	C-4301	H5408
	32 Sq. Ft.	4-15/16" x 11-7/8"	PMT25	C-4332	H5409
	50 Sq. Ft.	4-15/16" x 14-7/8"	PMT50	C-4305	H5410
Master Spas					
	20 Sq. Ft.	6-3/4" x 4-5/8" with 1-1/2" MPT	PHC25	4CH-20	H5199
Nemco					
	25 Sq. Ft.	9-3/4" with 1-1/2" Male Thread	PTL20HS	4CH-24	H5258
	50 Sq. Ft.	14-3/4" with 1-1/2" Male Thread	PTL 50	4CH-50	H5036
	25 Sq. Ft.	4-5/8" x 11-5/8"	PCP 20	C-4403	H5374
	30 Sq. Ft.	4-15/16" x 10-3/8"	DSF 25-50	C-4429	H5415
	50 Sq. Ft.	5-7/8" x 15-5/8"	PCP 50	C-5405	H5416
	25 Sq. Ft.	7" x 9-13/16"	----	C-7624	H5375
PDC Spas					
	50 Sq. Ft.	4-15/16" x 13-5/16"	PRB 50IN	C-4950	H5413
Pageant Spas					
	19 Sq. Ft.	4-5/8" x 8" with 1-1/2" MPT	----	4CH-21	H5801
	60 Sq. Ft.	16-1/8" (B-1-7/8" I.D w Slots)	PSI65	C-6602	H5844





SPAS (CONT.)

	SQ. FT.	DESCRIPTION	PLEATCO NO.	UNICEL NO.	ITEM NO.
Pelican Rec	8 Sq. Ft.	5" x 8" (2-1/4" I.D.)	PPM25	C-5301	H5293
Rainbow Plastics					
Dynamic Series 1 (In-Line)	25 Sq. Ft.	4-15/16" x 13-5/16"	PRB 25IN	C-4625	H5059
Dynamic Series 1, 2 & 3 (In-Line / Top Load)	37 Sq. Ft.	4-15/16" x 13-5/16"	PRB 37IN	C-4637	H5194
Rec. Warehouse (Leisure Bay)					
	25 Sq. Ft.	4-15/16" x 13-5/16" (2-1/8" I.D.)	PRB25IN3	C-4326	H5277
	65 Sq. Ft.	7-1/2" x 14-13/16" (2-1/8" I.D.)	PLB 65	C-7415	H5391
	100 Sq. Ft.	7-1/2" x 20-13/16" (2-15/16" I.D.)	PLB 100	C-7418	H5390
	150 Sq. Ft.	7-1/2" x 28-15/16" (2-15/16" I.D.)	PLB 150	C-7414	H5389
Romanesque	27 Sq. Ft.	5-3/16" x 14-3/4"	PPM 30	C-5627	H5406
Santana (Conger Bros.)					
	25 Sq. Ft.	4-15/16" x 9-13/16" (2-1/8" I.D.)	PPI25	C-4328	H5431
	30 Sq. Ft.	4-15/16" x 11-7/8" (2-1/8" I.D.)	----	C-4430	H5430
	45 Sq. Ft.	4-15/16" x 14-7/8" (Closed)	----	C-4345	H5427
	45 Sq. Ft.	4-15/16" x 14-7/8" (2-1/8")	PMT 45	C-4347	H5429
	45 Sq. Ft.	4-15/16" x 17-3/4" (Closed)	PSI45	C-4346	H5428
Sonfarrel					
	27.5 Sq. Ft.	4-15/16" x 14-7/8"	PMT 27.5	C-4301	H5408
	32 Sq. Ft.	4-15/16" x 11-7/8"	PMT 25	C-4332	H5409
	50 Sq. Ft.	4-15/16" x 14-7/8"	PMT 50	C-4305	H5410
Sonoma Spas					
	25 Sq. Ft.	5-1/2" x 11-7/8" Ozone	PDO 25	C-5402	H5031
	40 Sq. Ft.	5-1/2" x 17" Ozone	PDO 40	C-5404	H5485
Saratoga Spas					
	19 Sq. Ft.	4-5/8" x 8" with 1-1/2" MPT	----	4CH-21	H5801
	20 Sq. Ft.	6-3/4" x 4-5/8" with 1-1/2" MPT	PHC 25	4CH-20	H5199
	25 Sq. Ft.	9-3/4" x 4-5/8" with 1-1/2" MPT	PTL 20HS	4CH-24	H5258
	40 Sq. Ft.		PSG40N-MB		H5861
Softub					
	20 Sq. Ft.	6-3/4" x 4-5/8" with 1-1/2" MPT	PHC 25	4CH-20	H5199
	25 Sq. Ft.	6" x 5-1/2" with 1-1/2" MPT	PTL 20WSV	6CH-25	H5259
Sundance Spas					
	30 Sq. Ft.	11-7/8" with 1-1/2" Male Tread	PTL 20	4CH-30	H5265
	40 Sq. Ft.	4-5/8" x 16-3/4"	PSD 40	C-4440	H5266
	65 Sq. Ft.	8" or 7-1/2" x 14-3/4" (Bot. 2-1/16" I.D.)	PSD 65	C-7465	H5422
	65 Sq. Ft.	8" or 7-1/2" x 14-3/4" (Bot. 2-5/8" I.D.)	PSD 65-2	C-7466	H5267
6540-486	35 Sq. Ft.	16" x 4-5/8"	PTL35	4CH-35	H5294
6540-497	50 Sq. Ft.	14-7/8" X 4-15/16"	PMT50	C-4305	H5410
6540-471	50 Sq. Ft.	13-5/16" x 4-15/16"	PRB 50 IN	C-4950	H5413
6540-483	75 Sq. Ft.	17-3/4" x 7-1/2"	N/A	C-7370	H5119
6540-482	125 Sq. Ft.	18-1/8" x 8-1/2"	PSD85-2002	C-8380	H5446
6540-488	125 Sq. Ft.	19" x 8-1/2"	N/A	C-8326	H5860
6540-501	80 Sq. Ft.	14" x 8-1/2"	PSD85-2002	C8370	H5128
6540-490	125 Sq. Ft.	8-7/8" x 18"	N/A	C8325	H5127
Vita Spa					
	15 Sq. Ft.	4-5/8" x 6-3/4" (1-1/16" I.D.)	PVT 25	C-4303	H5840
	19 Sq. Ft.	4-5/8" x 8" with 1-1/2" MPT	----	4CH-21	H5801
	20 Sq. Ft.	6-3/4" x 4-5/8" with 1-1/2" MPT	PHC 25	4CH-20	H5199
	50 Sq. Ft.	7" x 14-3/4" (1-9/10")	PVT 50	C-7449	H5848
	50 Sq. Ft.	7" x 19-5/8"	PCM 50	C-7650	H5252
	35 Sq. Ft.	9-3/4" with 1-1/2" Male Thread	PTL 35W	6CH-35	H5269
Waterworks	27 Sq. Ft.	5-3/16" x 14-3/4" (1-1/16"/1-5/8")	----	C-5627	H5406

ALADDIN FILTER O-RING KITS

Cartridge Filters

		ITEM NO.
RO KIT 202	American Quantum	H2501
RO KIT 222	Hayward Star Clear Cartridge Filter (25, 50 & 75 Sq Ft.)	H2506
RO KIT 231	Jacuzzi CFR Series Cartridge Filter (50, 75, 100, 150 & 200 Sq. Ft.)	H2510
RO KIT 233	Jacuzzi Tri-Clops Cartridge Filter (75 & 150 Sq. Ft.)	H2512



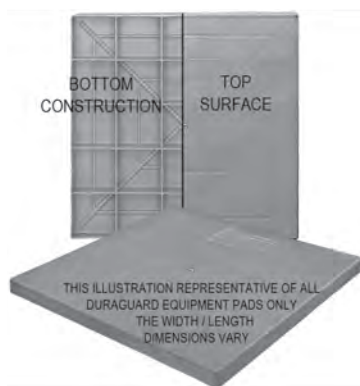
Sand Filters

RO KIT 320	Hayward GM Series Sand Filters (GM140, 142, 142-6, 152 & 152HV)	H2531
RO KIT 321	Hayward Pro Series Sand Filters (S164T, S166T, S140T, S220T, S244T, S144T, S310T, S180T, S210T, S311X, S311SXV, S360SX S210S, S220S, S244S & S310S)	H2532
RO KIT 322	Hayward S160T Sand Filter	H2534
RO KIT 323	Hayward S200 Sand Filter	H2535
RO KIT 324	Hayward S240 Sand Filter	H2536
RO KIT 360	PacFab, Purex/Triton Tahitian Sand Filter	H2539
RO KIT 364	PacFab, Purex/Triton Tagelus Sand Filter (TA30D, TA35D, TA40D, TA50D, TA60D, TA 100D, TA30, TA35, TA40, TA50 & TA60)	H2543

D.E Filters

RO KIT 499	American Titan S.S. D.E. Filter	H2550
RO KIT 420	Hayward Perflex D.E. Filter (EC65 & EC75) & Earthworks D.E.	H2551
RO KIT 421	Hayward Micro Clear S.S. D.E. Filter	H2552
RO KIT 422	Hayward Perflex D.E. Filter (EC40 & EC50)	H2553
RO KIT 423	Hayward Micro Clear, Vertical Grid, Duralon & Permaglass XL Filter	H2554
RO KIT 430	Jacuzzi Landslide DE Filter & Separation Tank	H2555
RO KIT 460	PacFab, Star Fiberglass D.E. Filter	H2556
RO KIT 475	Sta-Rite Verticle Sand & D.E. Filter (DES51, DES60 & HRS24-01)	H2564

Filter Bases



Concrete Filter/Heater Base	24" X 36" X 2"	H8087
Concrete Filter/Heater Pad	24" X 30" X 2"	H8084
DuraGrid Pool Pad - Lightweight*	24" X 36" X 2"	H8090
DuraGrid Pool Pad - Lightweight*	30" X 36" X 2"	H8092
DuraGrid Pool Pad - Lightweight*	30" X 30" X 2"	H8095
DuraGrid Pool Pad - Lightweight*	36" X 48" X 2"	H8096
DuraGrid Pool Pad - Lightweight*	36" X 36" X 2"	H8094
Ultralite Filter/Equipment Pad* (Not for use with heaters)	24" X 36" X 2"	H8085+

Black Plastic

Can be used with heaters

Black Filter Pad	36" X 48" X 3"	H8081
Black Filter Pad	30" X 30" X 3"	H8083
Black Filter Pad	36" X 36" X 3"	H8088



PRESSURE GAUGES

		ITEM NO.
2"	Pressure Gauge (0 - 60 psi) 1/8" Bottom Connection - Metal Case	H7005
2"	Pressure Gauge (0 - 60 psi) 1/4" Bottom Connection - Plastic Case	H7000
2"	Pressure Gauge (0 - 60 psi) 1/4" Bottom Connection - Metal Case	H7003
2"	Pressure Gauge (0 - 60 psi) 1/4" Back Connection - Plastic Case	H7010
2"	Combination Pressure / Vac Gauge Back Connection 0-50 pressure - 0-30 Vac 1/4"	H7022
4-1/2"	Pressure Gauge (0 - 60 psi) 1/4" Bottom Connection - Metal Case	H7015
	Pressure Gauge (0 - 35 psi) 1/4" Bottom Connection w/ Air relief valve (Rainbow R172013)	H7020
2"	Pressure Gauge (0 - 35 psi) w/ Air Relief Valve - FPT	H7021+
	Pressure Gauge & Adapter- Fits All Valves#125	V5310
4-1/2"	Pressure Gauge "no lead" 1/4" bottom connection-metal case	H7016



VACUUM GAUGES

2"	Vacuum Gauge (0 - 30) 1/4" Bottom Connection - Metal Case	H7025
4-1/2"	Vacuum Gauge (0 - 30) 1/4" Bottom Connection- Metal Case	H7026



SIGHT GLASSES

1-1/2"	Brass Sight Glass Complete - Vertical	H8060
1-1/2"	Plastic Sight Glass Complete - Vertical	H8065
1-1/2"	In-Line Cylolac Sight Glass (S x S)1072S	H8062G
2"	In-Line Cylolac Sight Glass (S x S) 1074S	H8066G
	Sight Glass Bottle with O-Ring SP-710-MA	H8082
1-1/2"	Sight Glass Repair Kit w/Screw	H8078



SADDLE CLAMPS WITH TAP

Pipe Size	Material		FPT Tap	
1-1/4"	Bronze Saddle Tee Clamp	x	3/4"	H7085
1-1/2"	Bronze Saddle Tee Clamp	x	3/4"	H7090
2"	Bronze Saddle Tee Clamp	x	3/4"	H7095
Pipe Size	Material		FPT Tap	
2"	PVC Saddle Tee Clamp	x	1-1/2"	U2950
2-1/2"	PVC Saddle Tee Clamp	x	3/4"	U2951
2-1/2"	PVC Saddle Tee Clamp	x	2"	U2955
3"	PVC Saddle Tee Clamp	x	3/4"	U2956
3"	PVC Saddle Tee Clamp	x	2"	U2960
4"	PVC Saddle Tee Clamp	x	3/4"	U2961
4"	PVC Saddle Tee Clamp	x	2"	U2965
6"	PVC Saddle Tee Clamp	x	3/4"	U2966
6"	PVC Saddle Tee Clamp	x	2"	U2970
8"	PVC Saddle Tee Clamp	x	1-1/2"	U2967
10"	PVC Saddle Tee Clamp	x	4"	U27104



BLUE WHITE FLOW METERS

F-300 Series Top Mount for PVC Pipe

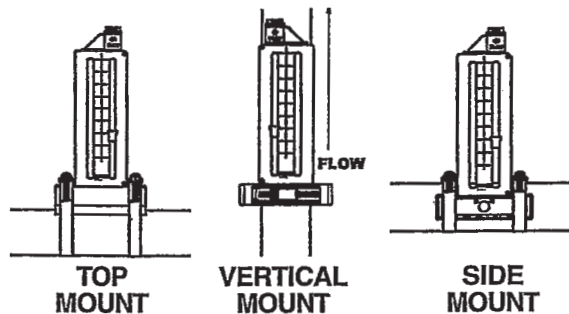


PIPE SIZE		GPM	ITEM NO.
1"	Blue White Flow Meter	5-32.5	H7024
1-1/2"	Blue White Flow Meter	10-70	H7031
2"	Blue White Flow Meter	20-120	H7036
2-1/2"	Blue White Flow Meter	60-240	H7041
3"	Blue White Flow Meter	45-240	H7046
4"	Blue White Flow Meter	125-500	H7051
6"	Blue White Flow Meter	250-1050	H7056
8"	Blue White Flow Meter	500-1900	H7061



Flowvis Flow Meter 1-1/2"	10-90	H7121
Flowvis Flow Meter 2" & 2-1/2"	10-110	H7122
Flowvis Flow Meter 2" & 2-1/2" with Safety Flapper	10-110	H7123
Flowvis Flow Meter 3" Includes 3" tee	90-220	H7124
Flowvis Flow Meter 4" Includes 4" tee	160-300	H7125
Flowvis Jandy Retro Kit 1-1/2"	10-90	H7126
Flowvis Hayward Retro Kit 1-1/2"	10-90	H7127
Flowvis Jandy Retro Kit 2" & 2.5"	10-110	H7128
Flowvis Hayward Retro 2" & 2.5"	10-110	H7129

**ROLA-CHEM®
FLOW METERS**



		GPM	ITEM NO.	ITEM NO.	ITEM NO.
1-1/2"	Rola-Chem Flow Meter	20-100	H7030	H7032	H7033
2"	Rola-Chem Flow Meter	40-140	H7035	H7037	H7038
2-1/2"	Rola-Chem Flow Meter	60-240	H7040	H7042	H7043
3"	Rola-Chem Flow Meter	100-320	H7045	H7047	H7048
4"	Rola-Chem Flow Meter	150-550	H7050	H7052	H7053
6"	Rola-Chem Flow Meter	300-950	H7055	H7057	H7058
8"	Rola-Chem Flow Meter	600-1800	H7060	H7062	H7063

DIGI-FLO ELECTRONIC FLOWMETER

Accurate, digital meter that is battery powered

- * Saddle mounts on existing pvc pipe
- * Easy to read .35", 6-digit LCD display
- * Factory calibrated, nothing to program
- * Weather resistant ABS enclosure



**BLUE-WHITE®
INDUSTRIES**

MODEL NO.	PIPE SIZE	FLOW RANGE GPM	ITEM NO.
RB-150S4-GPM1	1-1/2"	15 - 150	H7110
RB-200S4-GPM1	2"	30 - 300	H7112
RB-300S4-GPM1	3"	60 - 600	H7113*
RB-400S4-GPM1	4"	100 - 1000	H7114*
RB-600S4-GPM1	6"	250 - 2500	H7116
RB-800S4-GPM1	8"	400 - 4000	H7118*

**Non-Stock Item*



HAYWARD SUPER PUMP 700

700 - Super Pump 1 HP SP2670007X10 115/230V
 700 - Super Pump 1-1/2 HP SP2670010X15 115/230V
 Variable Speed 1.5 TOTAL-HP 230V
 Variable Speed 115V .85 TOTAL-HP SP26115VSP 115V

K3990
 K3992
 K4028
 K4030



Complete
 Parts
 Breakdown
 on Pages
 287-288

Model No. Max Rated	Pump Output (GPM) vs. Total Resistance To Flow (Feet of Head)					
	20 ft	30 ft	40 ft	50 ft	60 ft.	70 ft
SP2600X5	55	45	29	—	—	—
SP2605X7	67	58	47	31	—	—
SP2607X10	85	76	65	50	27	—
SP2610X15	97	90	80	67	50	10
SP2615X20	116	111	99	85	70	51
SP2621X25	109	109	104	95	84	69

SUPER PUMPS

				SUCTION SIZE	TRAP SIZE	
1/2	HP	Super Pump	SP2600X5	1 1/2"	5"	K4000
3/4	HP	Super Pump	SP2605X7	1 1/2"	5"	K4002
1	HP	Super Pump	SP2607X10	1 1/2"	5"	K4004
1 1/2	HP	Super Pump	SP2610X15	1 1/2"	5"	K4006
2	HP	Super Pump	SP2615X20	2"	5"	K4008
2 1/2	HP	Super Pump	SP2621X25	2"	5"	K4009

2-Speed Pumps

1	HP	Super Pump (2-Speed)	SP2607X102S	1-1/2"	5"	K3998
1-1/2	HP	Super Pump (2-Speed)	SP2610X152S	1-1/2"	5"	K4001
2	HP	Super Pump (2-Speed)	SP2615X202S	2"	5"	K3999

SUPER II PUMPS

1	HP	Super Pump II	SP3007X10AZ	1 1/2"	5"	K4005
1 1/2	HP	Super Pump II	SP3010X15AZ	1 1/2"	5"	K4007
2	HP	Super Pump II	SP3015X20AZ	2"	5"	k4011
2 1/2	HP	Super Pump II	SP3020X25AZ	2"	5"	K4013
3	HP	Super Pump II	SP3025X30AZ	2"	5"	K4010
3	HP	Super Pump II (3-Phase)	SP303063AZ*	2"	5"	K4018

(*Old Part Number SP3025X303)





HAYWARD®



K4020

Model Number	Pump Output (GPM) vs. Total Resistance To Flow (Feet of Head)				
	10 ft	20 ft	30 ft	40 ft	50 ft
SP1575LX	80	76	64	44	—
SP1580	86	86	75	58	27
SP1580X15	91	91	80	62	32

POWER-FLO LX SERIES PUMPS

- 40 GPM Power-Flo Pump w/ 6' Cord
- 1 HP Power-Flo LX Pump w/ 6' Cord
Horizontal Discharge
- 1½ HP Power-Flo LX Pump w/ 6' Cord

	SUCTION SIZE	TRAP SIZE	ITEM NO.
SP1540C	1½"	—	K4040
SP1580	1½"	4"	K4032
SP1580X15	1½"	4"	K4038 <i>+Limited Stock</i>



POWER-FLO II SERIES PUMPS

- ½ HP Power-Flo II Self-Priming
- ¾ HP Power-Flo II Self-Priming
- 1 HP Power-Flo II Self-Priming

Model Number	Pump Output (GPM) vs. Total Resistance To Flow (Feet of Head)				
	10 ft	20 ft	30 ft	40 ft	50 ft
SP1750	55	45	33	15	—
SP1775	65	57	45	30	8
SP1780	78	69	56	40	15
SP1780X15	80	71	59	42	17

SP1750	1½"	4"	K4015
SP1775	1½"	4"	K4024
SP1780	1½"	4"	K4026

ACCESSORIES

Power-Flo Plus Timer
Union Connectors
Cord Set #14 w/ 6'



S1500T	K4046
SP1500UNPAK2	C1083
SPX1250WA	K4033

1½" Economy ABS Power-Flo Strainer Assy (Trap, Basket, Lid & O-Ring) K6125



MAXI-FLO II

- MAX-FLO XL Pump ¾ HP w/ unions #SP2305X7 K4035
- MAX-FLO XL Pump 1-1/2HP w/ unions #SP2310X15 K4038

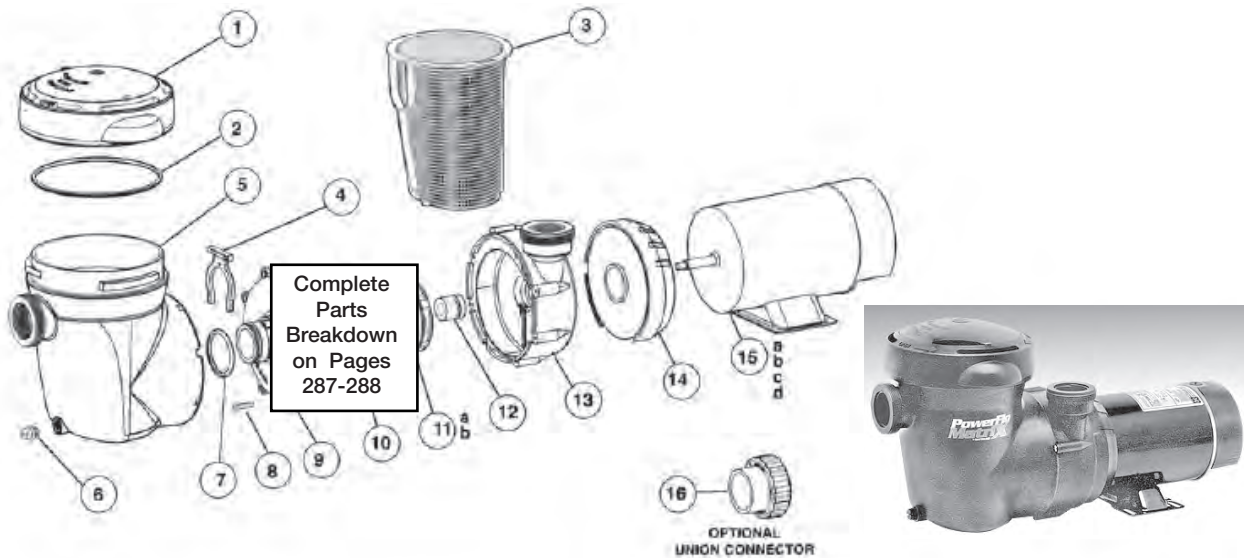
HAYWARD POWER-FLO MATRIX PUMPS

Matrix Pumps with 6' Cord

					ITEM NO.
3/4	HP	Matrix Pump	SP1591	1-1/2"	K3978
1	HP	Matrix Pump	SP1592	1-1/2"	K3979
1	HP	Matrix Pump (Side Discharge)	SP1592TL	1-1/2"	K3976
1-1/2	HP	Matrix Pump	SP1593	1-1/2"	K3980

Matrix Pumps with Timer and Cord

3/4	HP	Matrix Pump	SP1591FT	1-1/2"	K3981
1	HP	Matrix Pump	SP1592FT	1-1/2"	K3982
1-1/2	HP	Matrix Pump	SP1593FT	1-1/2"	K3983
1	HP	Matrix Pump	SP15922S	1-1/2"	K3984



MATRIX PUMP PARTS

Above-ground industry's largest strainer basket; on/off switch; switches from vertical to side discharge with push of a button.

REF NO.	PART NO.	DESCRIPTION	ITEM NO.
1	SPX5500D	Strainer Cover w/Lock Ring & 'O'-Ring	K4272
2	SPX5500H	Strainer Cover 'O' Ring	K4275
3	SPX5500F	Strainer Basket	K6141
4	SPX5500G	Strainer Retainer/ C' Clip	K4276
5	SPX5500C	Strainer Housing	K4265
6	SPX1700FG	Drain Plug w/Gasket	K4284
7	SPX5500K	Strainer 'O' Ring	K4277
8	SPX0714Z48	Screw, #14 x 1/4" Type B Pan Head (8)	K4224
9	SPX5500B	Pump Cover	K4223
10	SPX0710XZ5	Housing 'O' Ring	K4207
11a	SPX1500F	3/4 HP Impeller Assembly	K4236
11b	SPX1500L	1 HP Impeller Assembly	K4221
12	SPX1250XZ2C	Shaft Seal Assembly	K6038
13	SPX5500A	Pump Housing	K4206
14	SPX5500E	Shroud Assembly	K4205
15a	SPX1510Z1E	3/4 HP Motor w/Switch	K5055
15b	SPX1510Z1XE	1 HP Motor w/Switch	K5056
15c	SPX1515Z1E	1 1/2 HP Motor w/Switch	K5053
16	SP1500UNPAK2	Union Connector Assembly	C1083



Parts
Breakdown
on Pages
290-293



FLO-PRO (FHPM)

FHPM.75 FLO-PRO PUMP 3/4HP 115/230V UP-RATED W/2" UNIONS	ITEM NO. K2400
FHPM1.0 FLO-PRO PUMP 1-HP 115/230V UP-RATED W/2" UNIONS	K2402
FHPM1.5 FLO-PRO PUMP 1-1/2HP 115/230V UP-RATED W/2" UNIONS	K2404
FHPM2.0 FLO-PRO PUMP 2-HP 115/230V UP-RATED W/2" UNIONS	K2406
FHPM2.5 FLO-PRO PUMP 2.5 HP 230V UP-RATED W/2" UNIONS	K2408
FHPM1.0-2 FLO-PRO 1-HP 2-SPEED 115/230V 2-SPEED W/2" UNIONS	K2411
FHPM1.5-2 FLO-PRO 1.5HP 2-SPEED 115/230V 2-SPEED W/2" UNIONS	K2413
FHPM2.0-2 FLO-PRO 2 HP 2-SPEED 115/230V 2-SPEED W/2" UNIONS	K2415



PLUS HP (PHPF)

PLUSHP 1 HP PUMP PHPF1.0 HIGH HEAD 115/230V FULL RATED	K2433
PLUSHP 1-1/2 HP PUMP PHPF1.5 HIGH HEAD 115/230V FULL RATED	K2434
PLUSHP 2 HP PUMP PHPF2 HIGH HEAD 230V FULL RATED	K2435

VARIABLE SPEED

VSFHP165AUT FLO-PRO VARIABLE SPEED W/O JEP-CONTROLLER 1 HP	K2491
VSSHP220AUT ePUMP VARIABLE SPEED PUMP 1-1/2 HP 230V	K2492
VSFHP270AUT FLO-PRO VARIABLE SPEED PUMP 2 HP W/O JEP CONTROLLER	K2493
VSSHP270AUT ePUMP VARIABLE SPEED PUMP 2 HP 230V	K2494
JEP-R ePUMP CONTROLLER FOR ePUMP USED W/O RS-PDA OR ONETOUCH	K2495
VSFHP270JEP FLO-PRO VARIABLE SPEED PUMP 2 HP W/JEP-R CONTROLLER	K2496
VSFHP165JEP FLO-PRO VARIABLE SPEED PUMP W/JEP-R CONTROLLER 1 HP	K2497
JANDY VSFHP085AUT FLO-PRO VARIABLE SPEED PUMP .85HP W/O JEP CONTROL	K2500
VSFHP085JEP FLO-PRO VARIABLE SPEED PUMP .85HP W/ JEP CONTROLLER	K2502
VSFHP185DV2A FLO-PRO VARIABLE SPEED PUMP 1.85HP W/O JEP CONTROL	K2504
VSFHP270DV2A FLO-PRO VARIABLE SPEED PUMP 2.7HP W/O JEP CONTROL	K2506
VSPHP270DV2A PLUSHP VARIABLE SPEED PUMP 2.7HP W/O JEP CONTROLLER	K2508

STEALTH

SHPM1.0 1 HP STEALTH PUMP 115/230V UP-RATED	K2474
SHPM1.5 1-1/2HP STEALTH PUMP 115/230V UP-RATED	K2476
SHPM2.0 2 HP STEALTH PUMP 230V ONLY UP-RATED	K2478





Complete
Parts
Breakdown
on Pages
299-300



Not All Pumps Stocked

WHISPERFLO

High Performance Pump

Ideal for all clearing systems, filters and spas. Features new cam & ramp lid design with energy efficient motor.
Self-priming - 3 year warranty.

Full Rated - Energy Efficient Motor

					ITEM NO.
1/2	HP	WhisperFlo Pump - Full Rated - EE.	115/208-230V	WFE-2	K4159
3/4	HP	WhisperFlo Pump - Full Rated - EE.	115/208-230V	WFE-3	K4160
1	HP	WhisperFlo Pump - Full Rated - EE.	115/208-230V	WFE-4	K4162
1 1/2	HP	WhisperFlo Pump - Full Rated - EE.	208-230V	WFE-6	K4164
2	HP	WhisperFlo Pump - Full Rated - E.E.	208-230V	WFE-8	K4166
3	HP	WhisperFlo Pump - Full Rated - EE.	230V	WFE-12	K4168
1	HP	WhisperFlo Pump (3-Phase)	208-230/460V	WFK-4	K4180
1 1/2	HP	WhisperFlo Pump (3-Phase)	408-230/460V	WFK-6	K4181
2	HP	WhisperFlo Pump (3-Phase)	208-230/460V	WFK-8	K4182
3	HP	WhisperFlo Pump (3-Phase)	208-230/460V	WFK-12	K4183

Full Rated - 2 Speed Motor

1	HP	WhisperFlo Pump - 2-Speed	230V	WFDS-4	K4185
1 1/2	HP	WhisperFlo Pump - 2-Speed	230V	WFDS-6	K4186
2	HP	WhisperFlo Pump - 2-Speed	230V	WFDS-8	K4187

Up-Rated - Energy Efficient Motor

1	HP	WhisperFlo Pump, Up-Rated - E.E.	115/208-230V	WFE-24	K4170
1 1/2	HP	WhisperFlo Pump, Up-Rated - E.E.	115/208-230V	WFE-26	K4172
2	HP	WhisperFlo Pump, Up-Rated - E.E.	208/230V	WFE-28	K4174
2 1/2	HP	WhisperFlo Pump, Up-Rated - E.E.	208/230V	WFE-30	K4176

Up-Rated - Standard Motor

3/4	HP	WhisperFlo Pump, Up-Rated - Standard	115/230V	WF-23	K4161*
1	HP	WhisperFlo Pump, Up-Rated - Standard	115/230V	WF-24	K4163*
1 1/2	HP	WhisperFlo Pump, Up-Rated - Standard	115/230V	WF-26	K4165
2	HP	WhisperFlo Pump, Up-Rated - Standard	115/230V	WF-28	K4167
2 1/2	HP	WhisperFlo Pump, Up-Rated - Standard	230V	WF-30	K4169

XFE

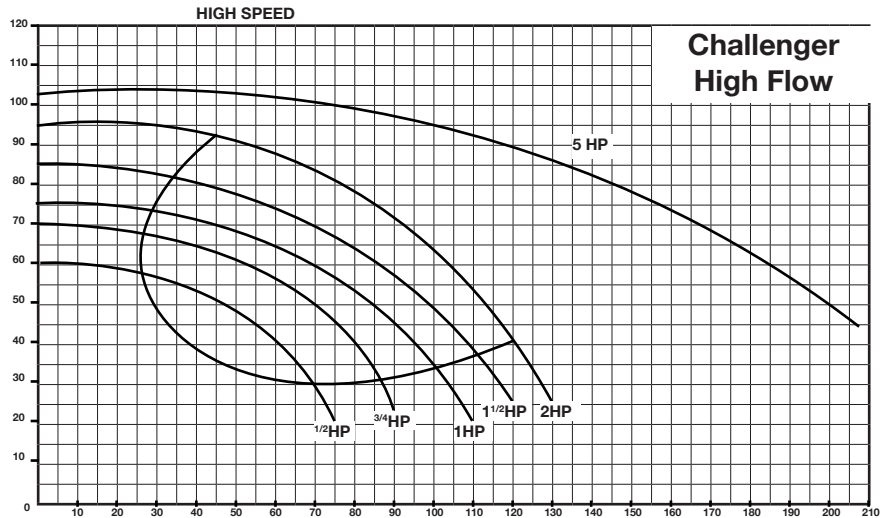
WhisperFlo XFE-8, 2HP 1 PH E.E. (1 Phase) Full Rated 022009	K4171
WhisperFlo XFK-8, 2HP 3 PH (3 Phase) Full Rated 022017	K4173
WhisperFlo XFK-12, 3HP 3 PH (3 Phase) Full Rated 022018	K4715
WhisperFlo XF Pump, 3HP 1 PH E.E. Full Rated XFE-12 #022010	K4177
WhisperFlo XFK-20, 5HP 3 PH E.E. (3 Phase) Full Rated 022019	K4178
WhisperFlo XF Pump, 5HP 1 PH E.E. Full Rated XFE-20 #022011	K4179



CHALLENGER PUMPS

Fiberglass reinforced pump with closed impeller, single speed & two-speed. Standard 2" suction & discharge ports

Complete Parts Breakdown on Pages 294-297



Up-Rated Motors

				VOLTAGE	TRAP SIZE	ITEM NO.
1/2	HP	Challenger Pump	High Pressure	115/230V		K4055
3/4	HP	Challenger Pump	High Flow High Pressure	115/230V 115/230V	6"	K4066 K4057
1	HP	Challenger Pump	High Flow High Pressure	115/230V 115/230V	6"	K4067 K4058
1 1/2	HP	Challenger Pump	High Flow High Pressure	115/230V 115/230V	6"	K4068 K4059
2	HP	Challenger Pump	High Flow High Pressure	230V 115/230V	6"	K4069 K4060
2 1/2	HP	Challenger Pump	High Flow	230V	6"	K4071

Full-Rated Motors

1/2	HP	Challenger Pump	High Flow	115/230V	6"	K4056
1/2	HP	Challenger Pump <i>with Energy Efficient Motor</i>	High Pressure	115/208/230V	6"	K4119
3/4	HP	Challenger Pump	High Flow	115/230V	6"	K4115
1	HP	Challenger Pump	High Pressure	115/230V	6"	K4084
1	HP	Challenger Pump <i>with Energy Efficient Motor</i>	High Flow	115/208/230V	6"	K4116
1 1/2	HP	Challenger Pump <i>with Energy Efficient Motor</i>	High Flow	208/230V	6"	K4117
1 1/2	HP	Challenger Pump	High Pressure	115/230V	6"	K4086
2	HP	Challenger Pump	High Pressure	230V	6"	K4088
2	HP	Challenger Pump <i>with Energy Efficient Motor</i>	High Flow	208/230V	6"	K4118
3	HP	Challenger Pump	High Pressure	208/230V	6"	K4061



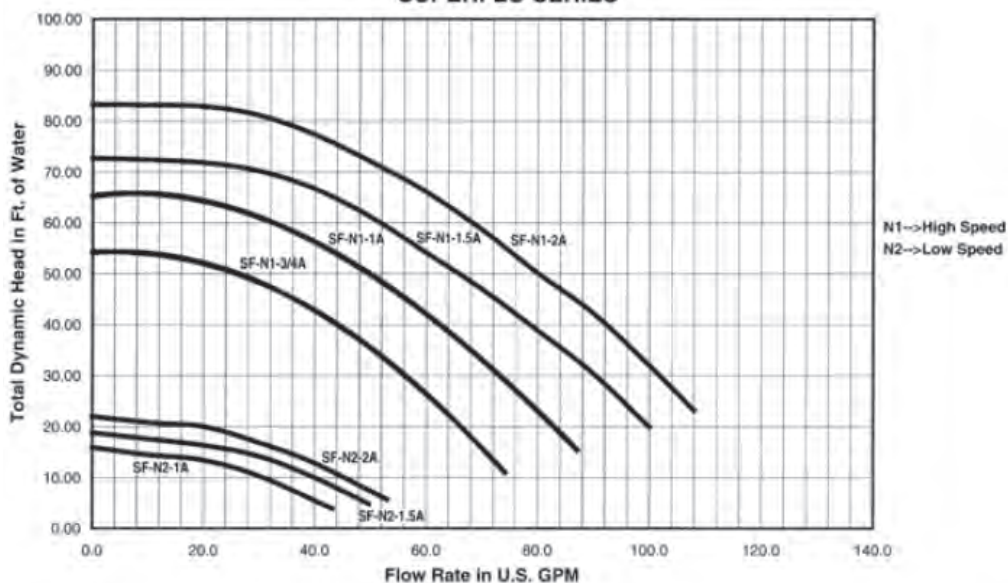
SUPERFLO ENERGY EFFICIENT

The SuperFlo pumps are specifically designed to be the best choice for a variety of in ground pools. The SuperFlo features thick walled body parts, a heavy duty 56 square flange motor, and highly engineered hydraulics. SuperFlo's silent running capability and small footprint allow it to easily drop into a compact equipment pad.

Pentair Water Pool and Spa, Inc.
Pump Performance Curve
SUPERFLO SERIES



IMAGE COURTESY PENTAIR



SUPERFLO PUMP 1.5 VARIABLE SPEED 110/208-230V #342002	K4130
SUPERFLO PUMP 1/2 HP E.E. W/ADPT SF-N1-1/2FE #348021	K4131
SUPERFLO PUMP 3/4 HP E.E. W/ADPT SF-N1-3/4FE #348022	K4132
SUPERFLO PUMP 1 HP E.E. W/ADPT SF-N1-1AE #348023	K4133
SUPERFLO PMP 1-1/2 HP E.E. W/ADPT SF-N1-1-1/2AE #348024	K4134
SUPERFLO PMP 2 HP E.E. W/ADPT SF-N1-2AE #348025	K4135
SUPERFLO PMP 2-1/2 HP E.E. W/ADPT SF-N1-2-1/2AE #348026	K4136



IMAGE COURTESY PENTAIR

DYNAMO II (115V)

DYNAMO II 3/4 HP PUMP 115V ONLY #340103	K4090
DYNAMO 1 HP PUMP W/3' CORD/ON,OFF SWITCH #340197	K4091
DYNAMO II 1 HP PUMP 115V ONLY #340104	K4092
DYNAMO 1-1/2 HP PUMP 115/230V #340106	K4094
DYNAMO II 1 HP 2-SPEED PUMP 115V #340204	K4096

DURA-GLAS SERIES
High Head Pool / Spa Pump

Original high performance pump known for it's flow rate, rapid priming & easy serviceability.



2-Speed Pool/Spa Pump (230V)

1 1/5	HP	Dura-Glas HL (2-Speed) Pump	P2RA5YEL 1 1/2"
2 1/3	HP	Dura-Glas HL (2-Speed) Pump	P2RA5YEL 1 1/2"

Sta-Rite Dura Glas Pump Lid Wrench U79-11

Complete
 Parts
 Breakdown
 on Pages
 301-302

ITEM NO.
 K3258

MAX-E-PRO XF

MAX-E-PRO XF 3 HP XPE-121 PHASE FULL RATE W/UNIONS 023010	K3031
MAX-E-PRO XF 3 HP XPJ-12 3 PHASE FULL RATE W/UNIONS 023018	K3032
MAX-E-PRO XF 5 HP XPE-20 1 PHASE FULL RATE W/UNIONS 023011	K3033
MAX-E-PRO XF 5 HP XPJ-20 3 PHASE FULL RATE W/UNIONS 023019	K3034
MAX-E-PRO XF RISER BASE FOR RETRO TO CHALLENGER PUMP	K3035



MAX-E-PRO SERIES

(E.E. stands for Energy Efficient - Saves on Electric Bills!)



FULL RATED

HP	MAX-E-PRO E.E. 230V	P6E6F-207L	K3006+
HP	MAX-E-PRO E.E. 230V	P6E6G-208L	K3008+

UP RATED

1	HP	MAX-E-PRO E.E. 115/230V	P6EA6E-205L	K3012
1 1/2	HP	MAX-E-PRO E.E. 115/230V	P6EA6F-206L	K3014
2	HP	MAX-E-PRO E.E. 230V	P6EA6G-207L	K3016
2 1/2	HP	MAX-E-PRO E.E. 230V	P6EAAG-208L	K3018

2"THRD.FPT UNION CONN.KIT FOR MAX-E-PRO#PKG-189 K3139



+ Limited Stock



ALADDIN GO KITS Carded Pump & Valve Repair Parts

		ITEM NO.	
GO KIT	1	Hayward Max-Flo Series SP-1800 - SP-2800	K6001
GO KIT	2	Hayward Super II Pump Series SP-3000 & SP-3000X	K6013
GO KIT	3	Hayward Super Pump Series SP-1600, SP-2600 & SP-2600X	K6003
GO KIT	4	Pac-Fab 2" Slide Valve Rebuild Kit	K6015
GO KIT	5	Pac-Fab Challenger Pump Rebuild Kit	K6021
GO KIT	6	Sta-Rite P2RA Duraglas/Maxiglas Pump Kit	K6007
GO KIT	7	Anthony 2" Plastic Slide Valve (Fits Part#17810-17770)	K6023
GO KIT	8	Anthony 2" Brass Slide Valve Rebuild Kit	K6025
GO KIT	9	Anthony 1-1/2" Brass Slide Valve Rebuild Kit	K6027
GO KIT	10	Universal 5-Spoke Multiport Rebuild Kit SP-71 OX & SP-712 (After 1976)	K6029
GO KIT	11	Universal 6-Spoke Multiport Rebuild Kit SP-710 & SP-711 (1969-75)	K6031
GO KIT	12	Hayward Power-Flo SP-1500 & Turbo-Flo 2000-2100 Series	K6005
GO KIT	13	Hayward Power-Flo SP-1700 Series	K6073
GO KIT	14	Jacuzzi Magnum Pump	K6067
GO KIT	16	American Products Americana & Bronze Pump w/Noryl Impeller	K6033
GO KIT	17	American Products Universal Slide Valve Kit 1-1/2" & 2" Bronze & ABS	K6035
GO KIT	18	American Products Multiport Valve Kit Before 1976	K6039
GO KIT	19	American Products Multiport Valve Kit After 1976	K6043
GO KIT	20	American Products Ultra Flow & Bronze Pump w/Bronze Impeller	K6009
GO KIT	21	American Products Eagle Pump Series	K6047
GO KIT	22	Pac-Fab Hydropump Series	K6049
GO KIT	23	Pac-Fab Universal Slide Valve Kit	K6051
GO KIT	24	Pac-Fab Pinnacle Pump Series	K6053
GO KIT	25	Sta-Rite PE & P2RA & AJ Pumps	K6055
GO KIT	26	Sta-Rite CF, CFA & CF6 Pumps	K6057
GO KIT	31	Purex C-Series Commercial Pump	K6069
GO KIT	32	Purex WhisperFlo Pump Series	K6059
GO KIT	33	Purex Aquatron Pump Series	K6061
GO KIT	37	Anthony Universal Slide Valve Kit 1-1/2" & 2" Bronze & ABS	K6068
GO KIT	38	Sta-Rite P4E & P4EA Series Maxiglas II & Duraglas II	K6063
GO KIT	39	Hayward SP-715 Multiport Valve	K6065
GO KIT	54	Sta-Rite P2R & P2RA Duraglas & Maxiglas 1998 to Present	K6076
Pro Box	1	O-Ring Kit - Aladdin	S4140
Pro Box	3	Seal Kit - Aladdin	K6090
Pro Box	3	Aladdin Box "A"	K6080
Pro Box	3	Aladdin Box "B"	K6081
Pro Box	3	Aladdin Box "C"	K6082
Pro Box	3	Aladdin Box "1"	K6083
Pro Box	3	Aladdin Box "2"	K6084
Pro Box	3	Aladdin Box "3"	K6085
Pro Box	3	Aladdin Box "4"	K6086
Pro Box	3	Aladdin Box "5"	K6087



ALADDIN GO KITS

			ITEM NO.
GO KIT	27	UNI SLIDE VALVE STA-RITE/SWIMQUIP/PUREX/BAKER/	K6227
GO KIT	34	AQUA FLO MASTER FMHP/FMCP/FMVP/TUBMASTER TMCP/TMF	K6234
GO KIT	35	AQUA FLO A SERIES 5"	K6235
GO KIT	36	AQUAFLO DOMINATOR HIGH & MEDIUM HEAD & C SERIES	K6236
GO KIT	42	HAYWARD SP410X SLIDE VALVE	K6242
GO KIT	46	PUREX DYNAMO/DYNAMITE/DYNATRON SALT/OZONE	K6246
GO KIT	47	STA-RITE DYNA-GLAS DYNA-GLAS & J SERIES	K6247
GO KIT	55	HAYWARD CL200 CLORINATOR (VITON O-RING KIT)	K6255
GO KIT	56	HAYWARD C250F,C500F,C1100CF-1800CF CHEMICAL FEED	K6256
GO KIT	66	HAYWARD NORTHSTAR PUMP 4000 SERIES PRIOR TO 2003	K6266
GO KIT	69	PAC FAB MULTI-PORT VALVE 1-1/2"	K6269
GO KIT	70	PAC FAB 2" MULTI-PORT VALVE	K6020
GO KIT	71	FOR POLARIS PUMP	K6074
GO KIT	72	JANDY NEVERLUBE VALVE 2 & 3 PORT	K6272
GO KIT	74	HAYWARD MATRIX	K6274
GO KIT	74	HAYWARD MATRIX	K6275
GO KIT	76	JANDY HHP & HHPU PUMP	K6276
GO KIT	73	FOR CHALLENGER / PINNACLE HI FLOW PUMPS	K6077
GO KIT	78	PENTAIR SUPER FLO	K6278
GO KIT	79	STA-RITE MAXE-PRO MAX-E-PRO	K6279
GO KIT	82	JANDY STEAL TH SHPF/SHPM	K6282



SALT/OZONE GO KITS

GO KIT	1V	HAYWARD MAX FLO PUMP SALT/OZONE	K6401
GO KIT	2V	HAYWARD SUPER II PUMP 3000-3000X SALT/OZONE	K6402
GO KIT	3V	HAYWARD SUPER PUMP 1600/2600/2600X SALT	K6403
GO KIT	2V	HAYWARD SUPER II PUMP 3000-3000X SALT/OZONE	K6405
GO KIT	6V	STA-RITE DURAGLAS/MAXIGLAS SALT/OZONE	K6406
GO KIT	13V	HAYWARD SP1700 POWER-FLO SERIES SALT/OZONE	K6413
GO KIT	14V	JACUZZI MAGNUM PUMP SALT/OZONE	K6414
GO KIT	16V	AMERICAN & BRONZE W/NORYL IMPELLER SALT/OZONE	K6416
GO KIT	20V	AMERICAN ULTRA FLOW.BRONZE PUMPS SALT/OZONE	K6420
GO KIT	21V	AMERICAN EAGLE SALT/OZONE	K6421
GO KIT	22V	HYDROPUMP PAC-FAB	K6422
GO KIT	24V	PAC FAB PINNACLE SALT/OZONE	K6424
GO KIT	25V	STA-RITE P2RA PE, PEA, P2R, AJ SERIES SALT/OZONE	K6425
GO KIT	26V	STA-RITE CF,CFA & CF6 SERIES SALT/OZONE	K6426
GO KIT	32V	PUREX WHISPERFLO SALT/OZONE	K6432
GO KIT	31V	PUREX "C VITON SERIES COMMERCIAL PUMP	K6431
GO KIT	82V	JANDY STEALTH V VITON SHPF/SHPM	K6282



MOTOR COMPARISON

Compare our standard motors with the E-Plus Energy Efficient "1081" pumps that we stock. Your initial cost is slightly higher but they will end up costing less with reduced energy costs in less than a single season!

A.O. Smith Full Rated Replacement Motor Comparison Sheet - C-face, Threaded Shaft Motors.

Fits Super Pump, Super II, Jacuzzi, Magnum, Argonaut & Baker Hydro Pumps.

Standard Motors vs. E-Plus Energy Efficient "1081" pumps - Under the Efficiency Column we are comparing the standard pump to the more efficient E-Plus pump. The percent shows how much more efficient the E-Plus is than the standard model. Remember, a more efficient pump means lower energy costs:

HP	Volts	Max Amps	Service Factor	Mfg. #	Efficiency	Item#
1/2	115 / 230	11.0 / 5.5	1.6	ST1052	Standard	K5031
1/2	115/208-230	7.4 / 4.0-3.7	1.6	B657	38% More Eff.	K5031E
3/4	115 / 230	15.0 / 7.5	1.5	ST1072	Standard	K5032
3/4	115/208-230	10.0 / 5.4-5.0	1.5	B638	34% More Eff.	K5032E
1	115 / 230	18.6 / 9.3	1.5	ST1102	Standard	K5034
1	115/208-230	11.8 / 6.4 - 5.9	1.4	B654	37% More Eff.	K5034E
1 1/2	115 / 230	19.4 / 9.7	1.3	ST1152	Standard	K5036
1 1/2	115/208-230	15.6 / 8.7 - 7.8	1.3	B796	20% More Eff.	K5036E
2	230	11.2	1.3	ST1202	Standard	K5038
2	208-230	10.4 - 9.6	1.2	B809	15% More Eff.	K5038E
3	230	14.4	1.15	ST1302	Standard	K5040
3	208-230	15.0 / 13.6	1.15	B818	8% More Eff.	K5040E

A.O. Smith Up-Rated Replacement motor comparison sheet - Square Flange Motors

Standard Motors vs. E-Plus Energy Efficient "1081". Fits: Challenger, Dura-Glas, Cygnet, Pinnacle & Ultra Flo.

HP	Volts	Max Amps	Service Factor	Mfg. #	Efficiency	Item#
3/4	115 / 230	14.8 / 7.4	1.27	USQ1072	Standard	K5019
3/4	115/208-230	8.8 / 4.5 - 4.4	1.25	B862SE	40% More Eff.	K5019E
1	115 / 230	14.8 / 7.4	1.25	USQ1102	Standard	K5021
1	115/208-230	11.2 / 6.0 - 5.6	1.25	B863SE	25% More Eff.	K5021E
1 1/2	115 / 230	19.2 / 9.6	1.10	USQ1152	Standard	K5023
1 1/2	115/208-230	14.8 / 7.8 - 7.4	1.10	B864SE	33% More Eff.	K5023E
2	115 / 230	10.4	1.10	USA1202	Standard	K5025
2	208 - 230	9.6 - 8.8	1.10	B865SE	12% More Eff.	K5025E
2 1/2	230	11.2	1.0	USQ1252	Standard	K5027
2 1/2	208 - 230	11.0 - 10.0	1.04	B866SE	12% More Eff.	K5027E

THREADED SHAFT NEMA "C" MOTORS (Full Rated)

A. O. SMITH



*Fits: Super Pump
Super II, J-Series,
Magnum, Argonaut &
Baker Hydro Pumps*

Magnetek



						ITEM NO.
1/2	HP	115/230V	Threaded Shaft Nema "C" Motor	ST1052	K5031	
3/4	HP	115/230V	Threaded Shaft Nema "C" Motor	ST1072	K5032CU	
1	HP	115/230V	Threaded Shaft Nema "C" Motor	ST1102	K5034CU	
1 1/2	HP	115/230V	Threaded Shaft Nema "C" Motor	ST1152	K5036CU	
2	HP	230V	Threaded Shaft Nema "C" Motor	ST1202	K5038CU	
3	HP	230V	Threaded Shaft Nema "C" Motor	ST1302	K5040	
2	HP	208-230V/460	Threaded Shaft (3-Phase) Motor	T3202	K5039	
3	HP	230/460V	Threaded Shaft (3-Phase) Motor	T3302	K5042	
3/4	HP	115/208-230V	Full Rate Energy EFF	B638	K5032E	
1	HP	208-230V/115	Full Rate Energy	B654	K5034E	
1 1/2	HP	208-230V/115	Full Rate Energy	B796	K5036E	
2	HP	208-230V	Full Rate Energy	B809	K5038E	
3	HP	115/230V	Energy EFF	B818	K5040E	
1/2	HP	115/230V	Threaded Shaft Nema "C" Motor	B126	K5031C	
3/4	HP	115/230V	Threaded Shaft Nema "C" Motor	B127	K5032C	
1	HP	115/230V	Threaded Shaft Nema "C" Motor	B128	K5034C	
1 1/2	HP	115/230V	Threaded Shaft Nema "C" Motor	B129	K5036C	
2	HP	230V	Threaded Shaft Nema "C" Motor	B130	K5038C	
3	HP	230V	Threaded Shaft Nema "C" Motor	B131	K5040C	
4	HP	208-230V	1 PH	B116	K5041C	

THREADED SHAFT NEMA "C" MOTORS (Up Rated)



3/4	HP	A.O Smith - Up Rated	UST1072	K5044
3/4	HP	Up Rated A.O Smith - E.E	UCT1072	K5044E
3/4	HP	Pro Grade A.O Smith - Up Rated	HST080	K5044P
3/4	HP	US Motor - THP-.95 (Up Rated)	AST095	K5044U
1	HP	A.O Smith - Up Rated	UST1102	K5045
1	HP	Up Rated A.O Smith - E.E	UCT1102	K5045E
1	HP	Pro Grade A.O Smith - Up Rated	HST110	K5045P
1	HP	US Motor - (Up Rated)	EUST1102	K5045U
1 1/2	HP	A.O Smith - Up Rated	UST1152	K5046
1 1/2	HP	Up Rated A.O Smith - E.E	UCT1152	K5046E
1 1/2	HP	Pro Grade A.O Smith - Up Rated	HST150	K5046P
1 1/2	HP	US Motor - THP-1.65 (Up Rated)	AST165	K5046U
2	HP	A.O Smith - Up Rated	UST1202	K5047
2	HP	Pro Grade A.O Smith - Up Rated	HST225	K5047P
2	HP	US Motor - THP-2.25 (Up Rated)	AST225	K5047U
2 1/2	HP	A.O Smith - Up Rated	UST1252	K5048
2 1/2	HP	Pro Grade A.O Smith - Up Rated	HST275	K5048P
2 1/2	HP	US Motor - THP-2.25 (Up Rated)	AST275	K5048U

TWO-SPEED THREADED SHAFT NEMA "C" MOTORS

ITEM NO.



1	HP	230V	2-Speed Threaded Shaft Motor	STS1102R	K5072
1½	HP	230V	2-Speed Threaded Shaft Motor	STS1152R	K5073
2	HP	230V Only	2-Speed Threaded Shaft	ASB2979	K5033CU
¾	HP	115V	2-Speed Threaded Shaft Motor	B973	K5070C
1	HP	230V	2-Speed Threaded Shaft Motor	B975	K5072C
1½	HP	230V	2-Speed Threaded Shaft Motor	B977	K5073C
2	HP	230V	2-Speed Threaded Shaft Motor	B979	K5033C

A.O. SMITH

KEYED SHAFT NEMA "C" MOTORS (Full Rated)



Fits: Sta-Rite
Bronze, PacFab
Hydro Pump &
Old Style Anthony

½	HP	115/230V	Keyed Shaft Nema "C" Motor	SK1052	K5000
¾	HP	115/230V	Keyed Shaft Nema "C" Motor	SK1072	K5002
1	HP	115/230V	Keyed Shaft Nema "C" Motor	SK1102	K5004
1½	HP	115/230V	Keyed Shaft Nema "C" Motor	SK1152	K5006
2	HP	230V	Keyed Shaft Nema "C" Motor	SK1202	K5008
3	HP	230V	Keyed Shaft Nema "C" Motor	SK1302	K5010
2	HP	208-220/440V	Keyed Shaft (3 Phase) Motor	K3202	K5009
3	HP	208-220/440V	Keyed Shaft (3 Phase) Motor	K3302	K5012

M Magnetek



½	HP	115/230V	Keyed Shaft Nema "C" Motor	B120	K5000C
¾	HP	115/230V	Keyed Shaft Nema "C" Motor	B121	K5002C
1	HP	115/230V	Keyed Shaft Nema "C" Motor	B122	K5004C
1½	HP	115/230V	Keyed Shaft Nema "C" Motor	B123	K5006C
2	HP	230V	Keyed Shaft Nema "C" Motor	B124	K5008C
3	HP	208-230/460V	Keyed Shaft (3 Phase) Motor	H740	K5012C
¾	HP	115V	2-Speed Keyed Shaft Motor	B972	K5060C
1	HP	230V	2-Speed Keyed Shaft Motor	B974	K5062C
1½	HP	230V	2-Speed Keyed Shaft Motor	B976	K5063C

FLANGED TEFC MOTORS

PENTAIR MOTOR 1HP 3PH TEFC FLANGED SQUARE FLANGED BLACK #354806S	K4661
PENTAIR MOTOR 1.SHP 3PH TEFC FLGE SQUARE FLANGED BLACK #354808S	K4663
PENTAIR MOTOR 2HP 3PH TEFC FLANGED SQUARE FLANGED ALMOND #354809S	K4664
PENTAIR MOTOR 2HP 3PH TEFC FLANGED SQUARE FLANGED BLACK #354810S	K4665
MOTOR - FLANGED ¾HP 1PH TEFC FULL-RATE 115/208-230V ETE661	K4667
MOTOR - FLANGED 1-HP 1PH TEFC FULL-RATE 115/208-230V ETE841	K4668
MOTOR - FLANGED 1-1/2HP 1PH TEFC FULL-RATE 115/208-230V ETE842	K4669
MOTOR - FLANGED 2HP 1PH TEFC FULL-RATE 208-230V ETE843	K4670
MOTOR -THREADED ¾HP 1PHTEFC FULL-RATE 115/208-230V ETE638	K4672
MOTOR - THREADED 1HP 1PH TEFC FULL-RATE 115/208-230V ETE654	K4673
MOTOR - THREADED 1-1/2HP 1PH TEFC FULL-RATE 115/208-230V ETE796	K4674
MOTOR -THREADED 2HP 1PH TEFC FULL-RATE 208-230V ETE809	K4675
PENTAIR 354814S MOTOR-SQ FL TEFC 5 HP 3 PHASE 208/230/460V BLACK	K4690
PENTAIR 354813S MOTOR-SQ FL TEFC 5 HP 3 PHASE 208/230/460V ALMOND	K4691
PENTAIR 354811S MOTOR-SQ FL TEFC 3 HP 3 PHASE WHISPERFLO XF ALMOND	K4692



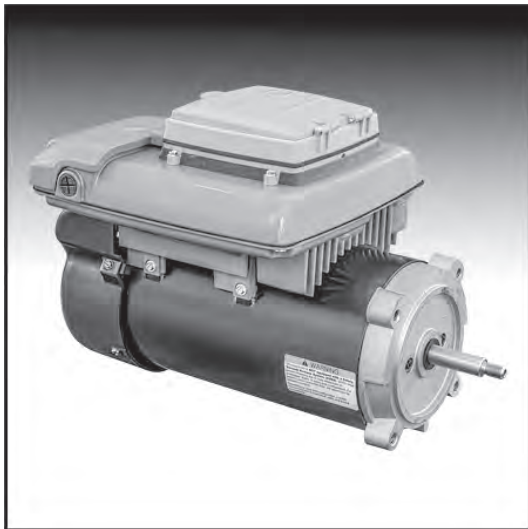
VARIABLE SPEED MOTORS

VLINK WIRELESS INTERFACE FOR VARIABLE-SPEED PUMP
US MOTOR REMOTE CONTROL-VARIABLE-SPEED MOTOR

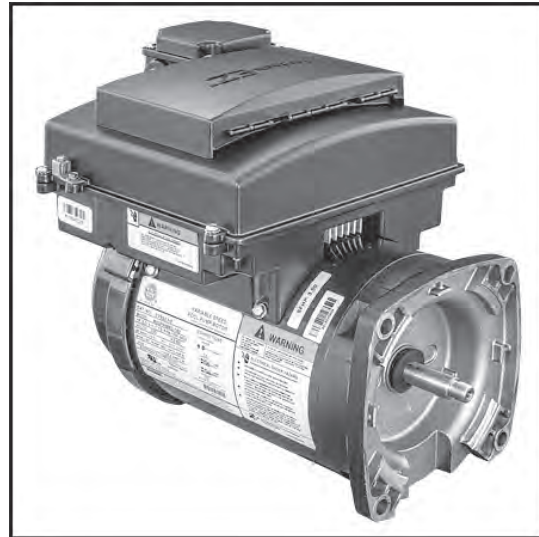
ITEM NO.
K5068
K5068U

REGAL BELOIT

Thru Bolt V-Green 0.85THP 48Y Frame Variable-Speed 115V	K5069
Threaded V-Green 0.85THP 56J Frame Variable-Speed 115V C-Face	K5074
Threaded V-Green 1.65THP 56J Frame Variable-Speed 208 / 230V C-Face	K5075
Threaded V-Green 2.70THP 56J Frame Variable-Speed 230V C-Face	K5076
Flanged V-Green 0.85THP 48Y Frame Variable-Speed 115V	K5077
Flanged V-Green 1.65THP 48Y Frame Variable-Speed 208 / 230V	K5078
Flanged V-Green 2.70THP 48Y Frame Variable-Speed 230V	K5079
Flanged V-Green 1.65THP 48Y Frame Variable-Speed 208 / 230V Almond	K5080



K5076



K5079U

NIDEC MOTOR

THREADED 2.25 HP 56J Frame Variable Speed w/timer, Freeze Protector 230V	K5073U
THREADED 1.25 HP 56J Frame Variable Speed w/timer, Freeze Protector 230V	K5074U
THREADED 1.65 HP 56J Frame Variable Speed w/timer, Freeze Protector 230V	K5075U
THREADED 2.70 HP 56J Frame Variable Speed w/timer, Freeze Protector 230V	K5076U
FLANGED 1.25 HP 42V Frame Variable Speed w/timer, Freeze Protector 115/230V	K5077U
FLANGED 1.65 HP 48V Frame Variable Speed w/timer, Freeze Protector 115/230V	K5078U
FLANGED 2.70 HP 48V Frame Variable Speed w/timer, Freeze Protector 230V	K5079U
FLANGED 2.25 HP 48V Frame Variable Speed w/timer, Freeze Protector 230V	K5081U

SQUARE FLANGE MOTORS (Full Rated)

SIZE	HP	VOLT	DESCRIPTION	MFG. NO.	ITEM NO.
1/2	HP	3PH	Full-Rated Motor - Flanged	EH491	K5014CU
1/2	HP	115/230V	Square Flange Pool Motor	SQ1052	K5020 K5020CU
3/4	HP	115/230V	Square Flange Pool Motor	SQ1072	K5022 K5022CU
1	HP	115/230V	Square Flange Pool Motor	SQ1102	K5024 K5024CU
1 1/2	HP	230V	Square Flange Pool Motor	SQ1152	K5026 K5026CU
2	HP	230V	Square Flange Pool Motor	SQ1202	K5028 K5028CU
3	HP	230V	Square Flange Pool Motor	SQ1302	K5018
2	HP	230/460V	Square Flange (3-Phase) Motor	Q3202	K5029 K5029CU
3	HP	230/460V	Square Flange (3-Phase) Motor	Q3302	K5037 K5037CU
3/4	HP	3	Square Flange Full-Rated Motor	H492	K5015C
1	HP	3	Square Flange Full-Rated Motor	H635	K5016C
1 1/2	HP	3	Square Flange Full-Rated Motor	H636	K5017C
1 1/2	HP	115/230V	Square Flange Pool Motor	B846	K5020C
3/4	HP	115/230V	Square Flange Pool Motor	B847	K5022C
1	HP	115/230V	Square Flange Pool Motor	B848	K5024C
1 1/2	HP	230V	Square Flange Pool Motor	B849	K5026C
2	HP	230V	Square Flange Pool Motor	B748	K5028C
3	HP	230V	Square Flange Pool Motor E.E	B844	K5018C
5	HP	208-230/460V	Square Flange Pool Motor	35-5705	K4689
2	HP	230/460V	Square Flange (3-Phase) Motor	H637	K5029C
3	HP		Square Flange (3-Phase) Motor	H755	K5037C
5	HP		Square Flange (3-Phase) Motor	35-5704	K4687
3	HP		Square Flange (3-Phase) Motor	H994	K4688

SQUARE FLANGE MOTORS (Up-Rated)

SIZE	HP	VOLT	DESCRIPTION	MFG. NO.	ITEM NO.
3/4	HP	115/230V	Square Flange Up-Rated Motor	USQ1072	K5019
1	HP	115/230V	Square Flange Up-Rated Motor	USQ1102	K5021CU K5021U
1 1/2	HP	230V	Square Flange Up-Rated Motor	USQ1152	K5023CU
2	HP	230V	Square Flange Up-Rated Motor	USQ1202	K5025U K5025P
2 1/2	HP	230V	Square Flange Up-Rated Motor	USQ1252	K5027P K5027U
1	HP	208-230V/115	Square Flange Up-Rated Motor	B863SE	K5021E
1 1/2	HP	208-230V/115	Square Flange Up-Rated Motor	B864SE	K5023E
2	HP	115/230V	Square Flange Up-Rated Motor	B2859	K5030C
3/4	HP	115/230V	Square Flange Up-Rated Motor	B852	K5019C
1	HP	115/230V	Square Flange Up-Rated Motor	B853	K5021C
1 1/2	HP	230V	Square Flange Up-Rated Motor	B854	K5023C
2	HP	230V	Square Flange Up-Rated Motor	B855	K5025C
2 1/2	HP	230V	Square Flange Up-Rated Motor	B840	K5027C

TWO SPEED FLANGED MOTORS

SIZE	HP	VOLT	DESCRIPTION	MFG. NO.	ITEM NO.
1	HP	230V	2-Speed Square Flange Motor	SQS1102R	K5082
1 1/2	HP	230V	2-Speed Square Flange Motor	SQS1152R	K5083
2	HP	230V	2-Speed Square Flange Motor	UQS1202R	K5085
2	HP	230V	2-Speed Square Flange Motor	UQS1202R	K5084
3/4	HP	230V	2-Speed Square Flange Motor	B980	K5080C
2	HP	230V	2-Speed Square Flange Motor	B985	K5084C
1	HP	230V	2-Speed Square Flange Motor	B982	K5082C
1 1/2	HP	230V	2-Speed Square Flange Motor	B983	K5083C
2	HP	230V	2-Speed Square Flange Motor	B984	K5085C

Total Horsepower X Service Factor of replacement motor must be equal to or greater than that of the original motor being replaced.



Fits: Maxim
Dynamo, Power-Flo
& Aqua Flo Pumps

ABOVE GROUND POOL & SPA MOTORS (Full Rated)

SIZE	HP	VOLT	DESCRIPTION	MFG. NO.	ITEM NO.	
1/2	HP	115V	Thru-Bolt Pump Mount Motor	BN23SS	K4272C	K4272CU
3/4	HP	115V	Thru-Bolt Pump Mount Motor	BN24SS	K4246C	K4246CU
1	HP	115V	Thru-Bolt Pump Mount Motor	BN25SS	K4254C	K4254CU
1 1/2	HP	115/230V	Thru-Bolt Pump Mount Motor	BN35SS	K4261C	K4261CU
2	HP	115/230V	Thru-Bolt Pump Mount Motor	BN40SS	K4267C	

2-SPEED POOL & SPA MOTORS



3/4	HP	115V	2-Speed Thru-Bolt Mount Motor	BN36	K5055C	
1	HP	115V	2-Speed Thru-Bolt Mount Motor	BN37	K5056C	
1 1/2	HP	115V	2-Speed Thru-Bolt Mount Motor	BN50	K5057C	K5057CU
1 1/2	HP	230V	2-Speed Thru-Bolt Mount Motor	BN34	K5058C	K5058CU
2	HP	230V	2-Speed Thru-Bolt Mount Motor	BN51	K5059C	K5059CU
2 1/2	HP	230V	2-Speed Thru-Bolt Mount Motor	SDS1252	K5061	
3	HP	230V	2-Speed Thru-Bolt Mount Motor	ASB505	K5066U	
4	HP	230V	2-Speed Thru-Bolt Mount Motor	SDS1302	K5065	
4	HP	230V	1-Speed Thru-Bolt Mount Motor	B237	K5067	K5067U
1	HP	115V	2-Speed Thru-Bolt Mount Motor	BN37V1	K5056C	
1	HP	115V	2-Speed Thru-Bolt Mount Motor	EZBN37	K5056CU	

HAYWARD NORTHSTAR

SIZE	HP	DESCRIPTION	MFG. NO.	ITEM NO.	
1 1/2	HP	Motor	USN-1152	K5087C	K5087CU
2	HP	Motor	USN-1202	K5088C	K5088CU
2 1/2	HP	Motor	USN-1252	K5089C	K5089CU
3	HP	Motor	USN-1302	K5090C	
1 1/2	HP	2-Speed A.O Smith SPX161OZ2MNS Up-Rate		K5091C	
2	HP	2-Speed A.O Smith SPX161OZ2MNS Up-Rate		K5092C	
2 1/2	HP	2-Speed A.O Smith SPX161OZ2MNS Up-Rate		K5093C	
1	HP	Motor	USN-1102	K5086C	K5086CU

POOL SWEEP MOTORS

SIZE	HP	VOLT	DESCRIPTION	MFG. NO.	ITEM NO.
3/4	HP	115/230V	Polaris Vac-Sweep Motor (Polaris)	P-61	E2P61
3/4	HP		Threaded Shaft Replacement for Polaris	P-61	E2P61C
3/4	HP		Threaded Shaft Replacement for Polaris	P-61	E2P61U
3/4	HP		Halcyon with Seal Plate - Polaris Motor	P-64	E2P64
3/4	HP	115/230V	Pool Sweep Motor - Horizontal Mount	RPS1052	K5052C

Total Horsepower X Service Factor of replacement motor must-be equal to or greater than that of the original motor being replaced.

CAPACITORS

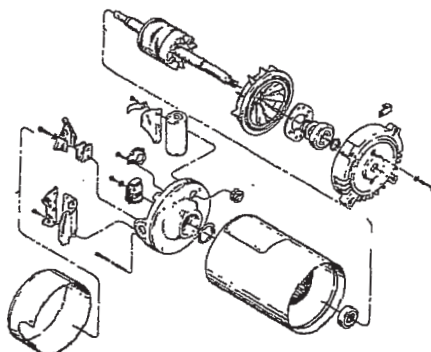
	ITEM NO.
#370V (15uf) Capacitor	K5161
#370V (20uf) Capacitor	K5163
#370 (25 uf) Capacitor	K5164
#370 (30 uf) Capacitor	K5166
#370 (35 uf) Capacitor	K5168
#370 (50 uf) Capacitor	K5162
#25-30uf Capacitor	115V K5192
#30-36uf Capacitor	115V K5193
#36-43uf Capacitor	115V K5194
#64-77uf Capacitor	115V K5196
#72-88uf Capacitor	115V K5197
#88-108uf Capacitor	115V K5198
#108-130uf Capacitor	115V K5199
#36-43 Capacitor	K5201
#64-77 Capacitor	K5202
#124 Capacitor	K5200
#161 Capacitor	K5205
#189 Capacitor	K5210
#216 Capacitor	K5212
#243 Capacitor	K5215
#270 Capacitor	K5220
#145-174uf Capacitor	115V K5204
#340-408uf Capacitor	115V K5222
#400-480uf Capacitor	115V K5224

MOTOR BEARINGS

	ITEM NO.
#202 Motor Bearing	K5300
#203 Motor Bearing	K5305
#204 Motor Bearing	K5310
#205 Motor Bearing	K5312
#206 Motor Bearing	K5314
#207 Motor Bearing	K5325
#303 Motor Bearing	K5315
#304 Motor Bearing	K5320
MotorCover(Blue)	K5138
MotorCover(Brown)	K5139
Electric Motor Cleaner	K5142
Electrical Tape-Roll	K5140

MISC. MOTOR PARTS

	ITEM NO.
A.O. Smith Toggle Switch for Matrix Motor	K5110
Terminal Board	#6100801 K5112
Governor (All Motors)	#601079-1 K5116
Protector for 1 HP	#614246-009 K5118
Protector	#611123-4 K5120
Switch Kit	#608442-1 K5122
A.O. Smith 2-SpeedSwitch	#618732 K5125
Century Switch	#157681-01 K5160
Century Stationary Switch	#SCN-486 K5136
Franklin Stationary Switch	#SKF-6 K5132
GE 2-Speed Switch	#114AB42AD1 K5128
2-Speed Toggle Switch Kit High-Off-Low	#18313301 K5111
U.S.Sealube Pump Seal Lube Pillow-Pak	H8070
U.S.Sealube Pump Seal Lube 10ml.	H8071
U.S.Sealube Pump Seal Lube 4oz.	H8072

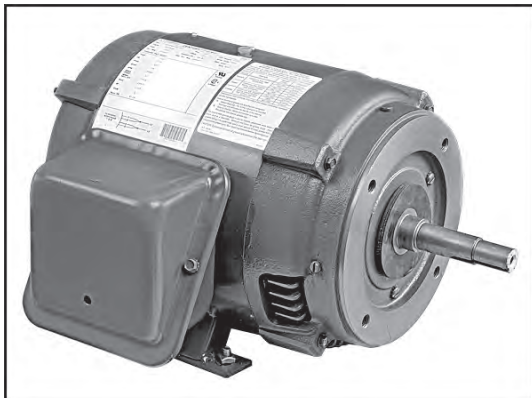


COMMERCIAL PUMP MOTORS

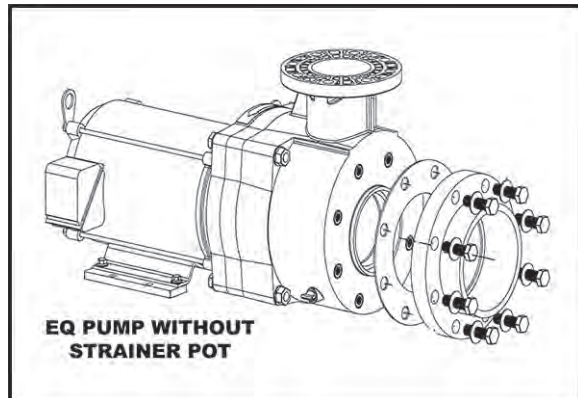
PHASE	HP	VOLT	MFG. NO.	ITEM NO.
1	5	230	P231 3B-EC2	K9478
1	7½	230	P318 3B32EC-C2-1	K9479
3	5	208-230/460V	E296 3B-EC-C2	K9481
3	7½	200/208 · CM-50	W285	K9482
1	5	230	P317	K9483
1	5	230V · C-Series	V214	H9454C
3	5	220/440V · C-Series	R237	H9455C
3	7½	220/440V · C-Series	R232	H9456C
3	10	220/440V · C-Series	R338	H9457C
3	15	220/440V · C-Series	R339	H9458C

PENTAIR EQ MOTORS

EQKT500 5HP/3PH TEFC PMP 208-230/460V W/6"X4" PLASTIC STRAINER POT	H1051
EQKT750 7.5HP/3PH TEFC PMP 208-230/460V W/6"X4" PLAST STRN POT	H1052
EQKT1000 10HP/3PH TEFC PMP 208-230/460V W/6"X4" PLAST STRN POT	H1053
EQKT1500 15HP/3PH TEFC PMP 208-230/460V W/6"X4" PLAST STRN POT	H1055
EQKT500 5HP/3PH TEFC PMP 208-230/460V WITHOUT STRAINER	H1056
EQKT750 7.5HP/3PH TEFC PMP 208-230/460V WITHOUT STRAINER	H1057
EQKT1000 10HP/3PH TEFC PMP 208-230/460V WITHOUT STRIANER	H1058
EQKT1500 15HP/3PH TEFC PMP 208-230/460V WITHOUT STRIANER	H1059
5HP/1PH 230 VOLT PLAST PUMP WITHOUT STRAINER	H1075
5HP/3PH EQK-500 PLAST PUMP 208/230/460 WITHOUT STRAINER	H1076
7.5HP/1PH EQ-750 PLASTIC PUMP 230V WITHOUT STRAINER	H1077
7.5HP/3PH EQK-750 PLASTIC PUMP 208/230/460 WITHOUT STRAINER	H1078
10HP/1PH EQ-1000 PLASTIC PUMP 230V WITHOUT STRAINER	H1079
10HP/3PH EQK-1000 PLASTIC PUMP 208/230/460 WITHOUT STRAINER	H1080
15HP/3PH EQK-1500 PLASTIC PUMP 208/230/460 WITHOUT STRAINER	H1081
15HP/3PH EQK-1500 PLASTIC PUMP 208/230/460 WITH STRAINER	H1082
10HP/1PH EQ-1000 PLASTIC PUMP 230V WITH STRAINER	H1083



K9479



H1075

PUMP SEALS

PUMP MANUFACTURER	MFG. NO.	SHAFT SIZE	SEAL NO.	ITEM NO.		
Aladdin "P.R.O 3" Contains 20 Complete Seal Assemblies		--	--	K6090		
American Products Bronze Pump	395005	3/4"	201	K6032	K6032S	K6032V
American Products Ultra Flo	397020	5/8"	1000	K6054	K6054S	K6054V
American Products Eagle Pump	397020	5/8"	1000	K6054	K6054S	K6054V
American Products Maxim Pump	397012	5/8"	1000	K6054	K6054S	K6054V
Sta-Rite Pump Shaft Seal Tool #U807-11 B	--	--	--	K3240		
Ampro Pump	504D	1/2"	163	K6028		K6028V
Aqua Flo FMHP & FMCP Pump	92500150	5/8"	200	K6030	K6030S	K6030V
Aqua Flo "AC" Series Pump	PS-309	--	--	K6101		K6101V
Arneson Pool Sweep	A-8B	5/8"	AS-1006	K6022		
Anthony AR Bronze Pump	04547	5/8"	1000	K6054	K6054S	K6054V
Berkley Pump	142-MPKS	3/4"	750	K6052		
Doughboy Pump	306-1002	5/8"	1000	K6054	K6054S	K6054V
Hayward Northstar	PS-3890	--	--	K6102	K6102S	
Hayward Max-Flo Pump	SPX1600-Z-2	5/8"	AS-1521	K6062		
Hayward Power-Flo Series Pump	SPX1500-KA	5/8"	AS-4702	K6064		
Hayward Power-Flo Seal Housing & O-Ring	SPX1500-KA	5/8"	AS-4702SH	K6064SH		
Hayward Power-Flo Series Pump - Kit	SPX1500-KA	5/8"	AS-4702K	K6075		
Hayward Super & Super II Pump	SPX1600-Z-2	3/4"	AS-1521	K6062		
Homelite Trash Pump	622713-1	1-3/16"	6467	K6060		
Jacuzzi Bros. Model P, 8M & ULS	10-1203-01	3/4"	877	K6019		
Jacuzzi Bros. L Series	10-1436-00	5/8"	200	K6030	K6030S	K6030V
Jandy MHP, MHPU, HHP, HHPU, JHP, JHPU	#601	--	--	K6100	K6100S	K6100V
Jandy Pumps & Booster	AS-3890	--	--	K6103	K6103S	
Jandy HHP, MHP & MHPU Series	R0338200	--	--	K6058		
Lomart Pump	40-209	1/2"	163	K6028		
Marlow Cast Iron EC-B & EC-A Pumps	25353-00	5/8"	411	K6042		
Marlow Cast Iron EC 5 HP & 7-1/2 HP	27223-00	1-1/4"	416A	K6046	K6046S	
Marlow Mardur Pump	38592-00	3/4"	201	K6032	K6032S	K6032V
Pac-Fab Challenger Pump	35-4545	5/8"	200	K6030	K6030S	K6030V
Pac-Fab Dynamo Pump	35-4545	5/8"	200	K6030	K6030S	K6030V
Pac-Fab Hydro Pump	35-4001	3/4"	201	K6032	K6032S	K6032V
Pac-Fab Pinnacle Pump	35-4545	5/8"	200	K6030	K6030S	K6030V
Polaris Vac-Sweep Pump	P-55	5/8"	1000	K6054	K6054S	K6054V
Premier Pump	P19-0 & 31-813	5/8"	1000	K6054	K6054S	K6054V
Purex Aquatron Pump	PS3864	--	--		K6048S	K6048V
Purex Aquatron Pump	71733 (P28322)	5/8"	AS-1212	K6066		
Purex AH Series Pump	71728 (P28300)	3/4"	201	K6032	K6032S	K6032V
Purex C Series Pump	71725 (P28175)	1"	360	K6036	K6036S	K6036V
Purex L Series Pump	71728 (P28300)	3/4"	201	K6032	K6032S	K6032V
Purex Whisperflo Pump	71734 (P28323)	5/8"	1000	K6054	K6054S	K6054V
Sta-Rite 3 & 5 HP D Series Pumps	U109-0-47	1"	380	K6040		
Sta-Rite 3 & 5 HP D Series	--	1-1/4"	381	K6041		K6041V
Sta-Rite AJ & PLBC Booster Pumps	U109-93SS	5/8"	100	K6024	K6024S	K6024V
Sta-Rite CF & CFA Series Pumps	U109-136SS	5/8"	1000	K6054	K6054S	K6054V
Sta-Rite Dura+Max Glass II w/ Copper Insert	U109-372SS	5/8"	--	K3457		
Sta-Rite D Series Pump	U109-433	1-1/4"	381	K6072		
Sta-Rite LT Series Pump	U109-68SS	1/2"	163	K6028		K6028V
Sta-Rite PE & PEA Max-E-Glas	U109-93SS	5/8"	100	K6024	K6024S	K6024V
Sta-Rite P2R & P2RA Dura-Glas (Pre 1998)	U109-93SS	5/8"	100	K6024	K6024S	K6024V
Speck 4 HP Pump	2920343311	20mm	433.5	K6078		
Speck Pump	VGM-2920	--	--			K6079V
Swimquip XL-VI & XL-VII Pumps	37407-0019	3/4"	201	K6032	K6032S	K6032V
Wet Institute Pump	1000	5/8"	1000	K6054	K6054S	K6054V

JANDY PRO SERIES JXi HEATERS

	ITEM NO.
Jandy Pro Series JXi200N Heater Natural	J1340
Jandy Pro Series JXi200P Heater Propane	J1341
Jandy Pro Series JXi260N Heater Natural	J1342
Jandy Pro Series JXi260P Heater Propane	J1343
Jandy Pro Series JXi400N Heater Natural	J1346
Jandy Pro Series JXi400P Heater Propane	J1347
Jandy Pro Series JXi400NN Heater Natural w/Cupro Nickel Exchanger	J1349
Jandy Pro Series JXi400NK Heater Natural w/Versaflo Bypass	J1351

Hi-E2™**GAS HEATER**

- High Performance 95% Efficient
- ASME Certification for Commercial Use
- Dual Electronic Thermostats
- Forced Air Combustion
- Revolutionary Burner Design
- New V12 Heat Exchanger Design
- 5-Year Limited Warranty



Hi-E2 - Natural EHE350-NC	J6008
Hi-E2 - Propane EHE350-PC	J6010
LAARS Hi-E2 Heater - Natural Cupro-Nickel Exchanger EHE350-NS ASME	J6009
LAARS HI-E2 Heater- Propane Cupro-Nickel Exchanger EHE350-PS ASME	J6011

RAYPAK DIGITAL ELECTRONIC SERIES

Digital Control with LCD Display Includes Capron Resin Headers.
High efficiency with guaranteed high wind reliability.



Optional Cupro-Nickel Heat Exchangers are Essential for Salt Water Pools

Copper Heat Exchange

Natural

Propane

MODEL	BTU	ITEM NO.
P-R106A	106	J1450
P-R156A	156	J1458
P-R206A	206	J1470
P-R266A	266	J1472
P-R336A	336	J1474
P-R406A	406	J1476
P-R156A	156	J1459
P-R206A	206	J1471
P-R266A	266	J1473
P-R336A	336	J1475
P-R406A	406	J1477

Cupro-Nickel Heat Exchange

MODEL	BTU	ITEM NO.	ASME
P-R206A-EN-X	206	J1430	J1486
P-R266A-EN-X	266	J1431	J1488
P-R336A-EN-X	336	J1432	J1495
P-R406A-EN-X	406	J1433	J1497
P-R206A-EP-X	206	J1434	J1487
P-R266A-EP-X	266	J1435	J1489
P-R336A-EP-X	336	J1436	J1496
P-R406A-EP-X	406	J1437	J1498



Tops for Indoor Installation

R206	(6")	J1441	R106	J1454
R266	(7")	J1443	R156	J1462
R336	(8")	J1445		
R406	(9")	J1447	J1449	(green)

MOST COMMON RAYPAK DIGITAL ELECTRONIC SERIES

	Mfg No.	206A	266A	336A	406A	Item No.
Burner Orifice Natural	350079F	*	*	*	*	J1541
Burner Orifice Propane	350083F	*	*	*	*	J1531
Temperature Sensor IID Units	009577F	*	*	*	*	J5213
Heat Exchanger Assembly Copper	010043F	*				J2344
Heat Exchanger Assembly Copper	010044F		*			J2345
Heat Exchanger Assembly Copper	010045F			*		J2346
Heat Exchanger Assembly Copper	010046F				*	J2347
Heat Exchanger Assembly Cupro Nickel	010356F	*				J2348
Heat Exchanger Assembly Cupro Nickel	010357F		*			J2349
Heat Exchanger Assembly Cupro Nickel	010358F			*		J2350
Heat Exchanger Assembly Cupro Nickel	010359F				*	J2351
Tube Bundle Copper	010059F	*				J2352
Tube Bundle Copper	010060F		*			J2353
Tube Bundle Copper	010061F			*		J2354
Tube Bundle Copper	010062F				*	J2355
Tube Bundle Cupro Nickel	010364F	*				J2356
Tube Bundle Cupro Nickel	010365F		*			J2357
Tube Bundle Cupro Nickel	010366F			*		J2358
Tube Bundle Cupro Nickel	010367F				*	J2359
PRV 125 PSI	008091F	*				J1602
PRV 125 PSI	011912F		*	*	*	J2360

MOST COMMON RAYPAK PARTS

DESCRIPTION	MFG NO.	VERSA M.V.	VERSA IID	RP2100 M.V.	RP21100 IID	ITEM NO.
Flange Gasket - 1-1/2" (Set of 2)	062236B	*	*	*	*	J1675
Flange Gasket - 2" (Each)	800080B	*	*	*	*	J1641
Gas Valve - Natural - M.V.	003898F	*		*		J1538
Gas Valve - Propane - M.V.	003899F	*		*		J1539
Gas Valve - Natural - IID	003900F		*		*	J1569
Gas Valve - Propane - IID	004306F		*		*	J1570
Header Gasket (9/Pack)	800014B	*	*	*	*	J1670
Hi-Limit 135 Degree	600892B	*	*	*	*	J1545
Hi-Limit 140 Degree	600893B	*	*	*	*	J1546
Hi Tension Wire	002654B		*		*	J1591
Ignition Control - Natural	004817B		*		*	J1585
Ignition Control - Propane	004818B		*		*	J1587
Pilot Assembly - Natural - M.V.	600525B	*		*		J1536
Pilot Assembly - Propane - M.V.	600575B	*		*		J1537
Pilot Assembly - Natural - IID	002003F		*		*	J1590
Pilot Generator	600019B	*	*			J1534
Pressure Switch	062237B	*	*	*	*	J1535
Return Header - Cast Iron	002450F	*	*	*	*	J1659
Thermostat - IID	005390F		*			J1499
Thermostat - P.C. Board	005241F				*	J1945
Thermostat - Mechanical	600827B	*		*		J1555
Transformer (Old #005345F / #650531)	006736F		*		*	J5214
Touch Pad Only	009184F		*		*	J5211
Controller PCBoard Kit	010253F		*		*	J1947
Inlet / Outlet Capron Header	006706F			*	*	J5196
Return for Capron Header	006707F			*	*	J5198
Capron Header Gasket (2 O-Rings)	006713F			*	*	J5202
Capron Drain Plug (2)	006721F			*	*	J5200
Capron Unitherm Goo	006719F			*	*	J5194
Capron Flange O-Ring (2)	006724F			*	*	J5204
Capron High Limit Reset	006725F			*	*	J5790
Capron Pressure Switch	006737F			*	*	J5188
Capron Temp. Sensor	006701F			*	*	J5212
Power Vent	009832					J5020
Power Vent	009833					J5022



New

Pentair Master Temp Electronic Ignition Low NOx Emission

- Heats up fast so no long waits before enjoying your pool or spa
- Best-in-class energy efficiency
- Manual gas shut-off when service is required
- Eco-friendly MasterTemp is certified for low NOx emission and outperforms industry standards
- Rotating digital display allows for easy viewing
- Tough, rustproof exterior handles the heat and weathers the elements

BTU	NATURAL GAS ITEM NO.	PROPANE ITEM NO.
200	J7602	J7612
250	J7604	J7614
300	J7606	J7616
400	J7608	J7618
200	ASME	J7642
250	ASME	J7644
400	ASME	J7646
400	ASME HD	J7648

PENTAIR COMMERCIAL

Pentair ETi 400 Nat. Hi Efficiency A.S.M.E. w/Titanium Heat Exchanger
ETi 400 Direct Air Intake Kit (for indoor installation)

J7650
J7652

MOST COMMON MINIMAX HEATER PARTS

DESCRIPTION	MFG. NO.	ITEM NO.
Accessory Bag Kit for NT	47-1731	J4524
Bulkhead Adapter Nut for NT	27-4440	J4526
Bulkhead Adapter for NT	47-1441	J4528
Gas Valve - Natural - IID	07-3998	K9611
Gas Valve - Propane - IID		
Tube Seal Gasket - Each - (18 Required)	07-0951	K9578
Ignition Control Module - Natural	07-3584	K9593
Ignition Control Module - Propane	07-3585	K9594
Pilot Assembly - Natural - IID	47-1204	K9568
Pilot Assembly - Propane - IID	47-1205	K9569
Pressure Relief Valve - 3/4"	07-2138	J4308
Pressure Switch - Barksdale	07-1580	K9326
Return Header	07-0994	K9574
Thermal Cut-off	07-5173	K9603
Thermostat Assembly - IID	07-0271	K9592
Transformer (Dual Volt)	471360	J4313



MAX-E-THERM™

STA-RITE MAX-E-THERM HEATERS

For indoor or outdoor installations on residential or commercial pools & spas. Features include a LED temperature readout with dual temperature controls, temperature safety lockout, & 6-position control panel. PMG burner technology requires no outdoor draft hood.



Gas Conversion Kits Available

Natural Gas Heaters

200 BTU Max-E-Therm Heater
333 BTU Max-E-Therm Heater
400 BTU Max-E-Therm Heater

ITEM NO.	
J7000	J7001 HD
J7004	
J7008	J7009 HD

Propane Heaters

200 BTU Max-E-Therm Heater
333 BTU Max-E-Therm Heater
400 BTU Max-E-Therm Heater

J7010
J7014
J7018

MOST COMMON STA-RITE & PENTAIR MASTERTEMP HEATER PARTS

Display Cover	42001-0008S	J7106
Control Board Encloser Kit 5 Button	77707-0013	J7145
Air Blower Kit Models 333 Natural	77707-0252	J7249
Air Blower Kit Models 400 Natural	77707-0253	J7250
Manifold Bypass Kit	77707-0001	J7278
Manifold Body w/o-rings	77707-0206	J7287
Natural Orifice/175 Kit	460794	J7620
Natural Orifice/200 Kit	77707-0431	J7622
Natural Orifice/250 Kit	460739	J7624
Natural Orifice/300 Kit	460753	J7626
Natural Orifice/400 Kit	77707-0411	J7628
Propane Orifice/175 Kit	460795	J7630
Propane Orifice/200 Kit	77707-0461	J7632
Propane Orifice/250 Kit	460740	J7634
Propane Orifice/300 Kit	460754	J7636
Propane Orifice/400 Kit	77707-0441	J7638
Appliance Adapter-S.S.	77707-0087	J7316
Combo Gas Valve-400 (Natural)	42001-0051S	J7158
Conversion Kit-400 (LP to Natural)	77707-1311	J7196
Ignition Control Module (all heaters)	42001-0052S	J7128
Ignitor Gasket Kit (all heaters)	77707-0054	J7110
Manifold O-Ring (LP)	35505-7432S	J7276
Orifice Kit-400 L (P)	77707-0311	J7166
Pressure Switch (LP)	42001-0060S	J7268
Stack Flue Sensor Kit	42002-0024S	J7141
Thermal Regulator Kit	77707-0010	J7292
Thermistor (all heaters)	42001-0053S	J7120
Transformer (all heaters)	42001-0057S	J7130



J1207

COATES ELECTRIC SPA HEATERS

Compact electric spa heater with built-in flow switch which prevents operation when there is no water flow. Stainless steel tank optimizes heat transfer by directing the water flow over incoloy elements efficiently. Includes 1-1/2" x 2" union connections for PVC pipe

				ITEM NO.
1.44	KW	Coates Electric Heater	Model 1.5 ILS	J1202
5.5	KW	Coates Electric Heater	Model 12406 SHB	J1200
11	KW	Coates Electric Heater	Model 12411 ST	J1205
11	KW	Reconditioned	Model 12411	J1205R
5.75	KW	Coates Electric Heater - 240V	Model 6ILS	J1207



RAYPAK ELECTRIC SPA HEATERS



Raypak Electric Heater	5.5 KW	J1400
Raypak Electric Heater	11 KW	J1405
Raypak E3T Heater Electric	5.5 KW 3-Series Titanium 240v 1 Phase	J1401
Raypak E3T Heater Electric	11 KW 3-Series Titanium 240v 1 Phase	J1406
Raypak E3T Heater Electric	18 KW 3-Series Titanium 240v 1 Phase	J1407
Raypak E3T Heater Electric	27 KW 3-Series Titanium 240v 1 Phase	J1408

RAYPAK HEAT PUMPS

Raypak R5450ti-E Heat Pump	220v 1PH / Titanium / Digital Control	J5062
Raypak R6450ti-E Heat Pump	220v 1PH / Titanium / Digital Control	J5064
Raypak R8450ti-E Heat Pump	220v 1PH / Titanium / Digital Control	J5066
Raypak R6450ti-E-HC Heat Pump	220v 1PH / Titanium / Digital Control	J5068
Raypak R8450ti-E-HC Heat Pump	220v 1PH / Titanium / Digital Control	J5070



AMERLITE POOL LIGHTS - Incandescent w/ S.S. Face Ring

120 Volt

	ITEM NO.
Amerlite 500 Watt 120 Volt Pool Light w/15' Cord	O1100
Amerlite 500 Watt 120 Volt Pool Light w/50' Cord	O1110
Amerlite 500 Watt 120 Volt Pool Light w/100' Cord	O1115
Amerlite 500 Watt 120 Volt Pool Light w/150' Cord	O1118
Amerlite 300 Watt 120 Volt Pool Light w/100' Cord	O1109

12 Volt

Amerlite 300 Watt 12 Volt Pool Light w/15' Cord	O1120
Amerlite 300 Watt 12 Volt Pool Light w/50' Cord	O1128
Amerlite 300 Watt 12 Volt Pool Light w/100' Cord	O1122



New

POOL NICHES

American S.S. Niche w/1" Hub for Concrete Pool	O1130
American S.S. Niche w/1" Hub for Liner Pool	O1135
American Plastic QuickNiche w/1" Hub for Concrete Pool	O1133
American Plastic QuickNiche w/1" Hub for Liner Pools	O1137

SPA BRITE SPA LIGHTS - Incandescent w/ S.S. Face Ring

120 Volt

Spa Brite Spa Light 100 Watt 120 Volt w/30' Cord	O1136
Spa Brite Spa Light 100 Watt 120 Volt w/50' Cord	O1142
Spa Brite Spa Light 100 Watt 120 Volt w/100' Cord	O1146

12 Volt

100 Watt 12 Volt Spa Light w/15' Cord - S.S. Ring	O1143
100 Watt 12 Volt Spa Light w/50' Cord - S.S. Ring	O1144
100 Watt 12 Volt Spa Light w/100' Cord - S.S. Ring	O1139



AQUALIGHT SPA LIGHTS - Halogen Quartz Lighting with S.S. Face Ring

120 Volt

Aqua-Light Spa Light 100 Watt 120 Volt w/50' Cord	O1138
---	-------

SPA NICHES

American S.S. Niche w/1" Top Hub for Concrete Spa	O1151
American S.S. Niche w/1" Rear Hub for Concrete Spa	O1670
Pentair S.S. Niche w/1" Rear Hub for Concrete Spa	O1880
American S.S. Niche w/1" Hub for Liner Spa	O1155
American Plastic Niche w/1" Hub for Concrete Spa	O1152
American Spa Brite/Aqua Light Lens Cover Set - 5 pcs.	O4083





HAYWARD POOL LIGHTS

AstroLite Series w/ Thermoplastic Face Rim

ITEM NO.

120 Volt

Hayward #583 AstroLite 500 Watt 120 Volt w/30' Cord	O1087
Hayward #583 AstroLite 500 Watt 120 Volt w/50' Cord	O1088
Hayward #583 AstroLite 500 Watt 120 Volt w/100' Cord	O1089
Hayward #572 DuraLite 300 Watt 120 Volt w/50' Cord	O1068+
Hayward #573 DuraLite 500 Watt 120 Volt w/50' Cord	O1043+
Hayward #573 DuraLite 500 Watt 120 Volt w/100' Cord	O1044+



12 Volt

Hayward #581 AstroLite 300 Watt 12 Volt w/30' Cord	O1056
Hayward #581 AstroLite 300 Watt 12 Volt w/50' Cord	O1057
Hayward #581 AstroLite 300 Watt 12 Volt w/100' Cord	O1058



AstroLite Series w/ Stainless Steel Face Rim

120 Volt

Hayward #583 AstroLite 500 Watt 120 Volt w/50' Cord	O3010
Hayward #583 AstroLite 500 Watt 120 Volt w/100' Cord	O3020
Hayward #582 AstroLite 300 Watt 120 Volt w/100' Cord	O3038



HAYWARD POOL NICHE

Hayward #600 PVC DuraNiche for Concrete Pools	O1023
Hayward #607 PVC DuraNiche for Vinyl Liner Pools	O1025
Hayward Lfguy1000 Shallow Nichepool-Gunite 1"-3/4" Plastic	O1035

HAYWARD SPA LIGHTS

AstroLite II Series w/ Stainless Steel Face Rim

120 Volt

Hayward #591 AstroLite II Spa Light 100 Watt 120 Volt w/50' Cord	O3054
Hayward #591 AstroLite II Spa Light 100 Watt 120 Volt w/100' Cord	O3058



HAYWARD SPA NICHE

Hayward DuraNiche Fixture Housing for Spas 1" or 3/4" SKT	O1040
---	-------



HAYWARD COLOR LOGIC LIGHTS

Lights feature 12 preset programs - 5 fixed colors and 7 color changing shows!

Hayward Color Logic Lights fit Paragon Niches



Note: Niche for Color Logic Pool Light is O1023, Niche Color Logic Spa Light is O1040

	ITEM NO.
Hayward ColorLogic LED Light 120V - with 30' cord	O3015 (S.S. Rim)
	O3027 (Plas. Rim)
Hayward ColorLogic LED Light 120V - with 50' cord	O3016 (S.S. Rim)
	O3028 (Plas. Rim)
Hayward ColorLogic LED Light 120V - with 100' cord	O3012 (S.S. Rim)
	O3029 (Plas. Rim)
Hayward ColorLogic LED Light 120V - with 150' cord & S.S. Rim	O3017
Hayward ColorLogic LED Light 12v 50' Cord Plastic Rim	O3005
Hayward ColorLogic LED Light 12v 100' Cord Plastic Rim	O3006
Hayward ColorLogic LED Light 12V -with 100' cord & S.S. Rim	O3014
Hayward ColorLogic LED Spa 12v 50' Cord Plastic Rim	O3008
Hayward ColorLogic LED Spa -12v 100' Cord Plastic Rim	O3009
Hayward ColorLogic LED Spa Light 120V - with 50' cord & plastic Rim	O3022
Hayward ColorLogic LED Spa Light 120V -with 100' cord & plastic Rim	O3023
Hayward ColorLogic LED Spa 120v 100' Cord S S Rim	O3029

STA-RITE SUNLITE POOL LIGHTS



120 Volt

Sunlite 250 Watt 120 Volt Pool Light w/30' Cord	O1212
Sunlite 250 Watt 120 Volt Pool Light w/50' Cord	O1214
Sunlite 250 Watt 120 Volt Pool Light w/100' Cord ,	O1215

12 Volt

Sunlite 75 Watt. 12 Volt Pool Light w/15 Ft Cord	(05601-0497)	O1216
Sunlite 75 Watt 12 Volt Pool Light w/30' Cord		O1218
Sunlite 75 Watt 12 Volt Pool Light w/50' Cord		O1220
Sunlite 75 Watt 12 Volt Pool Light w/100' Cord		O1221

Accessories:



Jandy Bulb Kit 25 W G-4		
Capsule 12V (2 bulb kit)	R0400300	O4000
110 Volt Color Splash multi-Color (LED) Inground Pool		O4009
12 Volt Color Splash multi-Color (LED) Inground Pool		O4015
110 Volt Color Splash multi-Color (LED) Inground Spa		O4017
12 Volt Color Splash multi-Color (LED) Inground Spa		O4021
120 Volt White LED Replacement Bulb/Pool Light		O4022
12 Volt White LED Replacement Bulb/Pool Light		O4023
120 Volt White LED Replacement Bulb Spa Light		O4030

INTELLIBRITE COLOR POOL LIGHT LED

Intellibrite Color Light 120v/30' Cord	#601000	O1701
Intellibrite Color Light 120v/50' Cord	#601001	O1703
Intellibrite Color Light 120v/100' Cord	#601002	O1705
Intellibrite Color Light 120v/150' Cord	#601003	O1707
Intellibrite Color Light 120v/250' Cord	#601004	O1709
Intellibrite Color Light 12v/30' Cord	#601010	O1711
Intellibrite Color Light 12v/50' Cord	#601011	O1713
Intellibrite Color Light 12v/100' Cord	#601012	O1715
Intellibrite Color Light 12v/150' Cord	#601013	O1717

**INTELLIBRITE COLOR SPA LIGHT LED**

Intellibrite Color Light 120v/30' Cord 5g (Spa)	#640120	O1719
Intellibrite Color Light 120v/50' Cord 5g (Spa)	#640121	O1721
Intellibrite Color Light 120v/100' Cord 5g (Spa)	#640122	O1722
Intellibrite Color Light 120v/150' Cord 5g (Spa)	#640123	O1723
Intellibrite Color Light 120v/250' Cord 5g (Spa)	#640124	O1724
Intellibrite Color Light 12v/30' Cord 5g (Spa)	#640130	O1725
Intellibrite Color Light 12v/50' Cord 5g (Spa)	#640131	O1726
Intellibrite Color Light 12v/100' Cord 5g (Spa)	#640132	O1727
Intellibrite Color Light 12v/150' Cord 5g (Spa)	#640133	O1728

**INTELLIBRITE WHITE POOL LIGHT LED****300 Watt**

Intellibrite White Light 120v/30' 5g	#601100	O1729
Intellibrite White Light 120v/50' 5g	#601101	O1730
Intellibrite White Light 120v/100' 5g	#601102	O1731
Intellibrite White Light 120v/150' 5g	#601103	O1733
Intellibrite White Light 120v/250' 5g	#601104	O1734

**500 Watt**

Intellibrite White Light 12v/30' 5g	#601105	O1735
Intellibrite White Light 12v/50' 5g	#601106	O1736
Intellibrite White Light 12v/100' 5g	#601107	O1737
Intellibrite White Light 12v/150' 5g	#601108	O1738
Intellibrite White Light 120v/30' 5g	#601300	O1739
Intellibrite White Light 120v/50' 5g	#601300	O1741
Intellibrite White Light 120v/100' 5g	#601302	O1742
Intellibrite White Light 120v/150' 5g	#601303	O1743
Intellibrite White Light 120v/250' 5g	#601304	O1746



INTELLIBRITE WHITE SPA LIGHTS LED

500 Watt

Intellibrite White Light 12v/30' 5g	#601305	O1747
Intellibrite White Light 12v/50' 5g	#601306	O1748
Intellibrite White Light 12v/100' 5g	#601307	O1749

100 Watt

Intellibrite White Light 12v/30' 5g	#640150	O1760
Intellibrite White Light 12v/50' 5g	#640151	O1761
Intellibrite White Light 12v/100' 5g	#640083	O1762
Intellibrite White Light 12v/150' 5g	#640153	O1763

120 Volt

Intellibrite White Light 120v/30' 5g	#640140	O1755
Intellibrite White Light 120v/50' 5g	#640141	O1756
Intellibritewhite Light 120v/100' 5g	#640078	O1757
Intellibrite Controller For Color Lights	#600054	O1811

PENTAIR GLOBRITE

Pentair Globrite Color LED w/30' Cord 12v 23W	#602053	O1831
Pentair Globrite Color LED w/50' Cord 12v 23W	#602054	O1832
Pentair Globrite Color LED w/100' Cord 12v 23W	#602055	O1833
Pentair Globrite Color LED w/150' Cord 12v 23W	#602056	O1834
Pentair Globrite White LED w/100' Cord 12v 15W	#602104	O1837
Pentair Globrite Niche For Gunite	#620040	O1839
Pentair Globrite Niche For Vinyl w/White, Blue, Grey Rings		O1890

AQUA-LUMIN II NICHELESS LIGHT FOR POOLS & SPAS

120 Volt

Nicheless Light 250 Watt 120 Volt w/50' Cord	O1203
Nicheless Light 250 Watt 120 Volt w/100' Cord	O1205

12 Volt

Nicheless Light 150 Watt 12 Volt w/50' Cord	O1113
---	-------

Mounting Brackets & Accessories

Mounting Bracket for Vinyl Pools w/1" Hub	O1208
AquaLumin to AquaLumin II Retrofit Kit	O1207



SAVI - MELODY

RGBW "P" Light 50' 12v 14W (14 Modes)	O1577
"P" Light 100' 12v 14W (14 Modes)	O1578
RGBW "P" Light 150' 12v 14W (14 Modes)	O1579
Nexus "P" Light Cart. 12v 14W Cartridge KVI - SOL IT	O1580
Nexus Pool Light 12v w/100' Cord LED 4 Color Nicheless	O1581
Nexus Pool Light 12v w/150' Cord LED 4 Color Nicheless	O1582



O1577



O1580



O1581

SAVI SOL "P" LIGHT

"P" Light W/100' Cord 12v 28W 100' Cord LED Multi Color	O1594
"P" Light W/150' Cord 12v 28W 150' Cord LED Multi Color	O1595
"P" Light Cartridges 12v 28W LED Multi Color	O1596
Nexus Key-Captured Threaded Style Lights 13.6151	O1591



O1594



O1591

JANDY POOL LIGHT WHITE 120V

White LED Pool 120v 50' 65W Light w/S.S. Face Ring	O2540
White LED Pool 120v 100' 65W Light w/S.S. Face Ring	O2541
White LED Pool 120v 150' 65W Light w/S.S. Face Ring	O2542
White LED Pool 120v 250' 65W Light w/S.S. Face Ring	O2543
Warm White LED Pool 120v 150' 65W Light w/S.S. Face Ring	O2544
White LED Pool 120v 50' 42W Light w/S.S. Face Ring	O2545
White LED Pool 120v 100' 42W Light w/S.S. Face Ring	O2546
White LED Pool 120v 150' 42W Light w/S.S. Face Ring	O2547
Warm White LED Pool 120v 150' 42W Light w/S.S. Face Ring	O2548
White LED Spa 120v 50' 18W Light w/S.S. Face Ring	O2553



JANDY POOL LIGHT WHITE 12V

- White LED Pool 12v 50' 65W Light w/S.S. Face Ring O2549
- White LED Pool 12v 100' 65W Light w/S.S. Face Ring O2550
- White LED Pool 12v 150' 65W Light w/S.S. Face Ring O2551
- Warm White LED Pool 12v 150' 65W Light w/S.S. Face Ring O2552
- White LED Spa 120v 50' 18W Light w/S.S. Face Ring O2553

JANDY SPA LIGHT WHITE 120V

- White LED Spa 120v 100' 18W Light w/S.S. Face Ring O2554
- White LED Spa 120v 150' 18W Light w/S.S. Face Ring O2555
- White LED Spa 120v 250' 18W Light w/S.S. Face Ring O2556
- Warm White LED Spa 120v 150' 18W Light w/S.S. Face Ring O2557



12V

- White LED Spa 12v 50' 18W Light w/S.S. Face Ring O2558
- White LED Spa 12v 100' 18W Light w/S.S. Face Ring O2559
- White LED Spa 12v 150' 18W Light w/S.S. Face Ring O2560
- Warm White LED Spa 12v 150' 18W Light w/S.S. Face Ring O2561





SWIMQUIP POOL LIGHTS

120 Volt

Swimquip 500 Watt 120 Volt Pool Light w/25' Cord	O1085
Swimquip 500 Watt 120 Volt Pool Light w/50' Cord	O1090
Swimquip 500 Watt 120 Volt Pool Light w/100' Cord	O1091

12 Volt

Swimquip 300 Watt 12 Volt Pool Light w/25' Cord	O1097
Swimquip 300 Watt 12 Volt Pool Light w/50' Cord	O1099
Swimquip 300 Watt 12 Volt Pool Light w/100' Cord	O1096+
Colored Lens Kit for Swimquip Lights (Box of 3)	O4095

LIGHT ADAPTOR RINGS



Universal Light Ring Adapter - Used with Swimquip Lights	O4195
500 Light Ring- Used with Purex Lights	O4100
500B Light Ring- Used with Hayward Lights	O4101
500C Light Ring- Used with American Products Lights	O4102
500P Light Ring- Plastic Universal Ring for All Lights	O4103
Adapter Light Ring Screws (Set of 3)	O4107
Cmp Light Adaptor Ring 25549-500 Fits American And Hayward	O4109
Mac Manufacturing #01 Light Ring Pentair, Hayward (New), Starite Niche	O4110
Mac Manufacturing #02 Light Ring Fits Anthony Or Purex S.S. Niche	O4111
Mac Manufacturing #08 Light Ring To Repair Swimquip Niche	O4112
Mac Manufacturing #21 Light Ring Full Size Light To Swimquip Niche	O4113
Mac Manufacturing #05 Light Ring Fits Pentair/Starite SS Spa Niche	O4114

LIGHT WEDGE

Hayward Lpxadapt1 Light Clip	O4104
Pool Light Security Clip #132-A	O4105
Light Wedge - Holds Light In Niche	O4106
Floflight Fits Return Fitting 8 LED 1-1/2" MPT	O1000

COLORED SNAP-ON LENSES



Light Lenses-Purex Snap-On 7-9/16" Red	O4086
Light Lenses-Purex Snap-On 7-9/16" Dark Blue	O4086
Box of 4 Lenses 8-3/8"	O4090
Box of 4 Lenses - AquaLumin	O1117
Snap-on Lens 4" (Red)	O4092
Snap-on Lens 4" (Blue)	O4091
Pentair Luxury Lens - American (Blue)	O5080
Pentair Luxury Lens - American (Red)	O5082
Snap-on Lens 8-3/8" (Red)	O4094
Snap-on Lens 8-3/8" (Blue)	O4093
Snap-On Lens Sunlite (Red)	O1230
Snap-On Lens Sunlite (Blue)	O1234
Sta-Rite Colored Lens Cvr Lg (Red)	O4098
Parts Express GE912 Pack/2	J1821





**FLOOD
(A)**



**SLIM
(C)**



**HALO-
GEN
(F)**



**PUSH/
TWIST (E)**



**BALL TYPE
(B)**

120 VOLT BULBS

	BULB TYPE	ITEM NO.
60 Watt Medium Base Halogen	(A)	O5037
100 Watt American Spa Bulb	(A)	O5039
100 Watt Sunlite Halogen	(F)	O1319
100 Watt Sunlite Bulb	(E)	O1320
250 Watt AquaLumin Nichless	(H)	O1199
250 Watt AquaLumin Halogen	(H)	O1201
250 Watt Sunlite - Push/ Twist	(E)	O1240
250 Watt Aqua-Light - Bayonet	(E)	O5066
250 Watt Aqua-Light - Screw-In	(F)	O5069
250 Watt Sunlite Bulb - Screw-In	(F)	O1241
300 Watt Sealed Beam	(D)	O4003
300 Watt Medium Base Flood	(A)	O4004
300 Watt Sunbrite/Sunsaver	(H)	O5134
400 Watt Medium Base Ball	(B)	O4005
500 Watt Medium Base Flood	(A)	O4010
500 Watt Sta-Rite Halogen	(H)	O1344
500 Watt Screw In	(F)	O1237

12 VOLT BULBS

25 Watt Jandy Bulb	(G)	O4000
50 Watt Funlite Halogen Bulb	(G)	O5067
60 Watt Sunstar Bulb	(G)	O1243
100 Watt 12V 2 Pin T3 GY 6.35		O5097
75 Watt Sunlite Bulb	(I)	O1238
75 Watt (SAm) Bulb 12V/120V Lights	(I)	O5075
35 Watt Sam Light MR16	(I)	O5215
100 Watt Sunbrite/Sunsaver	(G)	O1342
100 Watt Medium Base Flood	(A)	O4020
35 Watt Sal Light MR11	(I)	O5225
100 Watt Med. Base - Am Prod	(A)	O5048
50 Watt 12V 50W w/Lens Fits Amer Illum.		O4037
150 Watt AquaLumin Bulb	(H)	O5059
300 Watt Sealed Beam	(D)	O4035
300 Watt Medium Base Flood	(A)	O4025



**SEALED
BEAM (D)**



**2-Prong
(G)**



**QUARTZ
(H)**



**HALOGEN
(I)**

LIGHT LENSES

		ITEM NO.
4" Lens Clear	- American Spa	O4088
7-9/16" Lens Clear	- Purex/Hayward	O4040
8-3/8" Lens Clear	- American	O4050
8-3/8" Lens Blue	- American	O4055
Notched Lens Clear	- Swimquip	O4060
Lens Clear	- Aqua-Lumin	O5053
Light Lens Clear	- S.R. Sunlite	O1248
Pentair Sam Light 619385		O5213

LIGHT GASKETS

4" Gasket	- American Spa	O5004	O4069
7-9/16" Gasket	- Purex/Hayward	O4070	
8-3/8" Lens Gasket	- American	O4075	O4082
Notched Lens Gasket	- Swimquip	O4080	O4079
Light Lens Gasket	- S.R. Sunlite	O1246	
Sunbrite/Sunglow Clamp Gasket		O1752	
J&J Lens Gasket Silicone Spa Light			
	- Pentair Spa Brite	O4084	
J&J Lens Gasket Silicone 8-3/8"			
	- Fits Amerlite	O4076	

TRANSFORMERS



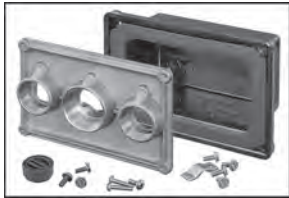
Intermatic 100 Watt 12 Volt Transformer
Intermatic 300 Watt 12 Volt Transformer

ITEM NO.
O1161
O1160

ELECTRICAL ACCESSORIES

Junction Boxes

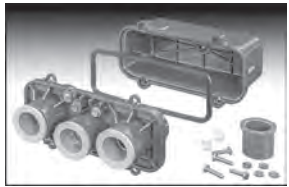
Pentair U.L. Lexan Junction Box w/ Brass Base 3/4" x 1" x 3/4" Taps O1165
Hayward SP-681 U.L. Lexan Junction Box 1" x 1" x 1" Taps O1166
Hayward Transformer Pentair J-Box Conv Kit Pentair O1150
PJB2175 Intermatic Junction Box - 2 Light Capacity O1206
PJB4175 Intermatic Junction Box for Multiple Fixtures O1167
Intermatic PJBX52100 Combo J-Box O1168
Intermatic Bracket-Combo Mounting Bracket O1159



O1165

Flush Mount Junction Boxes

U.L. Chrome Deck Box w/ three 1" Taps (41192-2) O1171
U.L. Chrome Deck Box 3/4" x 3/4" x 1" Taps (41192-1) O1172
Chrome Cover for U.L. Deck Box (40166-0) O1173



O1166

Conduit Sealing Compound (Sealer for leaking light conduit)

Leakmaster (Butyl Tape) "Light Conduit Sealer" - 15' Roll O1197

Potting Compound

Kit Sealing S.S. Niches S4098
Aqua Bond AB-1000 Potting Compound 50 ml S4099
Aqua Bond DM-50 Dispensing Gun for 50ml Cartridge (S4099) S4100

Cord Stopper (Eliminates water leaks at pool light niche)

Niche Cord Stopper 3/4" O1195
Niche Cord Stopper 1" O1196
Cord Stopper 3/4 Split 12v 1 Hole O1250
Cord Stopper 1" Split 12v 1 Hole O1251
Cord Stopper 1" Split 2 Hole O1252



PVC CONDUIT & FITTINGS

1/2" Kaf-Flex Liquid Tight Straight Connector O1162
1/2" Kaf Flex Liquid Tight 90 Degree Connector O1163
3/4" Liquid Tight Straight Connector O1174
3/4" 90 Degree Connector O1176
1/2" x 100' Flexible Conduit O1177
3/4" x 100' Flexible Conduit O1178
1" x 50' Flexible Conduit O1179
1" x 10' PVC Conduit O1180
1/2" x 6' Kaf-Flex Conduit w/Wire & Fittings assembled GF-023 O1170
1/2" x 4' Kaf-Flex Conduit w/Wire & Fittings assembled GF-022 O1194
1/2" UL Male Adapter Sch. 40 Slip x MPT O1181
1/2" UL Coupling Sch. 40 Slip x Slip O1182
1" x 1/2" UL Reducer Bushing Sch. 40 Slip x Slip O1183
1" x 3/4" UL Reducer Bushing Sch. 40 Slip x Slip O1184
3/4" Sweep Elbow 90 Degree O1185
3/4" Sweep Elbow 45 Degree O1186
3/4" Terminal Adapter S x MP O1187
3/4" U.L. Coupling O1188
1" Sweep Elbow 90 Degree O1190
1" Sweep Elbow 45 Degree O1191
1" Terminal Adapter S x MPT O1192
1" U.L. Coupling O1193





INTERMATIC TIMERS

Heavy duty mechanical time switches designed for commercial & residential applications.
Provides up to 12 "On/Off" operations each day with minimum On/Off times of 1 hour.



24 Hour Dial Time Switches

125 Volt Timer - Indoor	SPST (Metal Box)	T101	O4115
125 Volt Timer - Outdoor	SPST (Plastic Box)	T101P	O4120
125 Volt Timer - Outdoor	SPST (w/Heater Delay)	T101P201	O4125
250 Volt Timer - Indoor	DPST (Metal Box)	T104	O4130
250 Volt Timer - Outdoor	DPST (Plastic Box)	T104P	O4135
250 Volt Timer - Outdoor	DSST (w/Heater Delay)	T104P201	O4140
Dual Outdoor Timer	(T104M201 & T104M)	T12404R	O4180
Pair of Dogs for Timer		156T1978A	O4155
Intermatic Trippers (2 pair)			O4156
Digital 3 Circuit Control		PE153	O4116
Digital 3 Circuit Control		PE153P	O4118
Multipurpose Digital Mechanism 120V or 208-240V		P1353ME	O4157



Installs in any existing intermatic panel or enclosure.
Controls variety of different applications - up to 20 amps

125 Volt Mechanism Only	SPST	T101M	O4160
125 Volt Mechanism Only	DPST	T103M	O4164
250 Volt Mechanism Only	DPST	T104M	O4165
250 Volt Mechanism Only w/Heater Delay		T104M201	O4175
208/277 Volt Timer - Outdoor - 2 speed		T106R	O4150
Motor Only 115 V		WG1570	O4172
Motor Only 208-277 V		WG1573	O4174
Heater Delay Kit		T201HD	O4178

Swimming Pool Control Center - 100 Amp

An all-in-one electrical control center which can be custom wired for a wide variety of requirements & eliminate the need for additional junction boxes & service panels.



240 Volt Electric Control Box with 2 Time Clocks	T32404R	O1200
100 Amps, Space for 8 Breakers		
120 Volt & 240 Volt Electric Control Box w 2 time Clocks	T30401R	O1202
Intermatic Auto Off Timer 15 Min. 20 Amp 120v SPST		O4185
Intermatic PS3000 Surge Protection		O4123
Siemens QF215 Circuit Breaker GFCI 2 Pole 15 amp		O4198
Siemens QF220 Circuit Breaker GFCI 2 Pole 20 amp		O4199

AQUALINK CONTROL & ACCESSORIES

Intermatic PE24RSVA Valve Actuator Ready Set 24 Vac Motorized		V5709
Intermatic PE24VA Valve Actuator 24 Vac Motorized (No Valve)		V5710
Jandy #8026 Outdoor Enclosure For RS 1 Touch		V5849
Jandy #5400 Decal Set For 4-Function Spa Side Remote		V5858
Jandy #7620 Generic Serial Adaptor		V5868
Jandy Aqualink RS All Button P6 Pool Only Indoor Controller-Wired		V5869
Jandy Aqualink RS All Button PS4 Pool & Spa Indoor Controller-Wired		V5871
Jandy Aqualink RS All Button P4 Pool Only Indoor Controller-Wired		V5873
Jandy Aqualink RS All Button 2/6 Dual Equipment Controller - Wired		V5874
Jandy Aqualink RS Touchlink Wire-L Wireless (Control & Transceiver)		V5875
Jandy Aqualink RS Touchlink Wired Flush Mount Control (TCHLNK-WF)		V5877
Jandy i-Aqualink RS Upgrade Kit w/ PCB IQ900-RS		V5882
Jandy i-Aqualink RS Upgrade Kit 2.0 w/ PCB IQ20-RS		V5890
Jandy i-Aqualink IQ20-A 2.0 Network Interface Module		V5892
Jandy #4757 3 Hp Relay Module w/Harness For Aqualink / Ji		V5910
PCB Rev A Repair Kit RS Primary Power Center For Rev K w/O PPD		V5931
Jandy R0468501 Upgrade Kit For RS8 Pool & Spa Combo R0468501 Replaces 6729		V5932
Jandy #R0467100 RS Wire Harness Service Controller Repl. Kit		V5936
Jandy EOS/SOL Conversion Kit To iAqualink Rs Pool And Spa 8		V5990
Jandy R0687300 PDA/Aqua Palm Hand-Held Remote 18 Channel		V5829
Jandy R0686300 PDA/Aqua Palm J-Box Assembly R Kit (18 channel RF)		V5831
Pentair 520272 Intellitouch Temp-Sensor #520272		V4815
Pentair 521109 Intellicom 2 Rated 9-30v DC With 4 Inputs		V4816

JANDY WIRELESS AQUALINK CONTROL SYSTEMS

(PDA's Require Power Center)



PDA-P4	Pool or Spa Only	V5801
PDA-P8	Pool or Spa Only Aqualink RS	V5803
PDA-PS4	Pool & Spa Combo Aqualink RS	V5807
One Touch RS4	Pool & Spa Combo Aqualink RS	V5808
PDA-PS8	Pool & Spa Combo Aqualink RS	V5809
AQPLM	Aqua Palm Wireless Add On Remote	V5817

AquaSwitch Pool & Spa Combo	#7300	V5840
<i>Includes Standard Power Center w/2 JVA's</i>		
Wireless RS8 Kit	#8225RLY	V5800
Jandy Purelink Sub Panel		V5811
<i>Includes Power Center 14 Blade</i>		
Jady Purelink Cell Kit		V5815
<i>Includes 14 Blade w/ 16' Cables 2" Unions, Sensor Tee & Sensor</i>		
PDA-PS6 "Wireless" Aqualink RS Pool & Spa Combo Control System		V5814



Wireless V5800



OneTouch Control Panel
4-1/2" x 4-1/2"

Not all Items Stocked

AQUALINK RS POOL & SPA DIGITAL CONTROLS

Digital controls for pool, spa, yard lights & other special effects such as waterfalls, fountains & fiber optic lighting. Completely programmable with the touch of a button. Telelink phone remote & other options available.



All Button Control Panel
8" x 5"

Pool & Spa Combination Sub Assemblies

For use with pool & spa combinations sharing one set of equipment (1 pump, 1 filter, 1 heater & 2 three-port valves that switch between pool & spa)

	MFG	ITEM NO.
RS 4 (OneTouch) Pool & Spa Control Center Sub Assy	#7955	V5808
RS 4 (All Button) Pool & Spa Control Center Sub Assy	#6685	V4617
<i>Controls: Up to 4 Auxiliaries, Pool & Spa Thermostats</i>		
<i>Requires: 1 Power Center</i>		
Pool & Spa IQ904-PS Automation Bundle		V5888
RS-PS4 Control Pool & Spa Combo (Pmp, Htr + 4 Aux)		V5960
RS 6 (All Button) Pool & Spa Control Center Sub Assy	#6686	V4612
<i>Controls: Up to 6 Auxiliaries, Pool & Spa Thermostats</i>		
<i>Requires: 1 Power Center</i>		
RS-PS6 Control Pool & Spa Combo (Pmp, Htr + 6 Aux)		V5962
RS 8 (OneTouch) Pool & Spa Control Center Sub Assy	#7957	V5804
RS 8 (All Button) Pool & Spa Control Center Sub Assy	#6687	V4618
<i>Controls: Up to 8 Auxiliaries, Pool & Spa Thermostats</i>		
<i>Requires: 1 Power Center</i>		
RS-PS8 Control Pool & Spa Combo (Pmp, Htr + 8 Aux)		V5964
RS-PS12 Control Pool & Spa Combo (Pmp, Htr +12 Aux)		V5966
RS-PS16 Control Pool & Spa Combo (Pmp, Htr +16 Aux)		V5968
PDA-PS6 "Wireless" AquaLink RS Pool & Spa Combo Ctr System		V5814

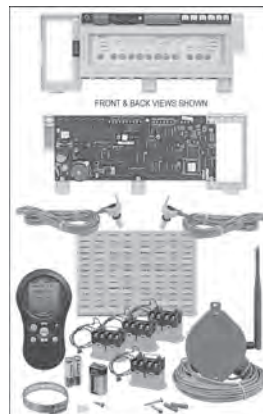


AQUALINK RS CONTROLS & ACCESSORIES

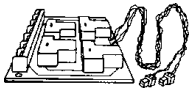
Pool Only / Spa Only Controls

For use with pool only or spa only system (1 body of water) using one set of equipment

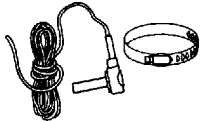
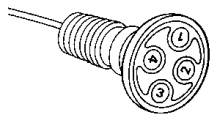
	MFG	ITEM NO.
RS 4 (All Button) Pool Only / Spa Only Control Center Sub Assy	#6688	V4617SP
PDA-P8 "Wireless" RS Pool Or Spa Only Control System		V5803
One Touch RS6 Spa "Or" Pool Only Control w/Relay		V5826
IQ904-P Automation Bundle Pool Only		V5886
RS-P4 Control Pool Or Spa Pump/Heater + 4 Aux.		V5974
RS-P6 Control Pool Or Spa Pump/Heater + 6 Aux.		V5976
RS-P8 Control Pool Or Spa Pump/Heater + 8 Aux.		V5978
RS-P16 Control Pool Or Spa Pump/Heater + 16 Aux.		V5980



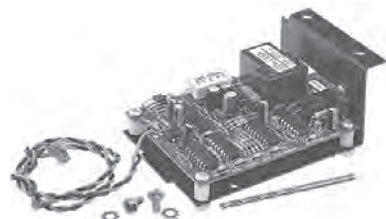
Parts & Accessories



Relay Module #3652

Temperature
Sensor Kit4-Function
Remote SwitchFlush Mount
Mud Box #7940

Relay (3 HP) with Harness for "RS"	#R0658100	V4616
Relay Kit (2-Speed Motor) with Bracket	#6796	V4615
Relay Kit (Light Dimming)	#6587	V4619
Relay Module PCB Complete (JI Series)	#3652	V4583
Auxiliary/JVA Relay Complete (All Systems)	#5254	V4610
Actuator JV A2440	#4424	V4578
Dual Spa Side Switch Kit for Aqualink/RS	#6588	V5865
Temperature Sensor Kit 15' (Water, Air, Solar)	#7790	V4645
Temperature Sensor Kit 50' (Water, Air, Solar)	#7786	V4646
Temperature Sensor Kit 125' (Water, Air, Solar)	#7791	V4648
4-Conductor Cable for RS Controls - Per Foot	#4278	V4640
9-Pair Cable - Per Foot	#1899	V4586
Surge Protection Kit, Std (1 High & 2 Low Volt)	#6908	V4647
Surge Protection Kit (for RS12, 16/2/10, 2/14)	#7627	V4655
Freeze Sensor Kit	#7026	
24Hour Time Clock for Aqualink RS	#7152	V5847
7 Day Time Clock Kit	#4635	V4636
24 Hour Time Clock Kit	#4634	V4637
Conversion Kit (Ji8000/AquaLink to RS 8)	#7092	V4643
Decal Set for Aqualink RS Auxiliary Equipment	#6781	V5856
4-Function Remote Switch w/ 100' Cable - White	#3971/7441	V4584
4-Function Remote Switch w/ 150' Cable - White	#4137/7443	V4585
4-Function Remote Switch w/ 100' Cable - Gray	#8049	V4581
4-Function Remote Switch w/ 150' Cable - Gray	#8050	V4582
4-Function Remote Switch w/ 200' Cable - Gray	#8051	V4635
4-Function Remote Switch w/ 50' Cable - Gray	#8050	V4587
Spa Link RS 8-Function Spa ,Side Remote w/ 150' Cord	#7227	V5843
Spa Link RS 8-Function Spa Side Remote w/ 200' Cord	#7489	V5844
Spa Link RS Flush Mount Mud Box	#7940	V5848
Transformer (Power Center) 120V, 24V	#6612	V5935
Multiplex PCB Kit	#6584	V5940
RS8 (Pool & Spa Combo) Indoor Control Panel	#6886	V5860
RS8 (Pool Only or Spa Only) Indoor Control Panel	#6887	V5832
RS12 (Pool & Spa Combo) Indoor Control Panel	#7346	V5859
One Touch Indoor Control Panel	#7953	V5810
20' Cable-Kit (JVA) For JVA Valve Actuator W/3-Pin	R0411800	V4579
Terminal Bar 10 Pin Connector For AquaLink RS	#6610	V4680
Terminal Bar 4 Pin Connector For AquaLink RS	#6609	V4682
Aquapalm Wireless Add On Remote Comes	#AQWHR18	V5817



JANDY AIR BLOWERS

Bottom Mounted Blowers



PSB110 Air Blower 1hp 120v

PSB210 Air Blower 1hp 240v

PSB115 Air Blower 1.5hp 120v

PSB215 Air Blower 1.5hp 240v

PSB120 Air Blower 2 hp 120v

PSB220 Air Blower 2 hp 240v

Silencer Blower 1.0 hp 120v 5.5 amps w/Check Valve w/O Switch

Silencer Blower 1.5 hp 120v 7.3 amps w/Check Valve w/O Switch

Silencer Blower 2.0 hp 120v 9.0 amps w/Check Valve w/O Switch

Silencer Blower 1.0 hp 240v 2.6 amps w/Check Valve w/O Switch

Silencer Blower 1.5 hp 240v 3.8 amps w/Check Valve w/O Switch

Silencer Blower 2.0 hp 240v 4.6 amps w/Check Valve w/O Switch

Silencer Blower 2.5 hp 120v 12.7 amps w/Check Valve w/O Switch

Silencer Blower 2.5 hp 240v 6.6amps w/Check Valve w/O Switch

Check Valve For Air Blower 2" OD x 1-1/2" Slip

M1001

M1002

M1003

M1004

M1005

M1006

M2028

M2029

M2030

M2031

M2032

M2033

M2034

M2035

M1044



COMMERCIAL SPA BLOWERS

Rugged, direct-drive (no belts) blowers rated for continuous use in hotels, motels & health clubs. Each model features premium efficient motors w/long life bearings.



1 HP Commercial Spa Blower 240v (DR404AQ58M)

M2018D

1-1/2 HP Commercial Spa Blower 240v (DR454V58)

M2024D

2 HP Commercial Spa Blower 240v (DR505AW58M)

M2019D

3 HP 1 Phase Com.Spa Blower 115/230v (DR555K58)

M2022*

**FREIGHT CHARGES ARE NOT INCLUDED - F.O.B. Factory*

Other Sizes & Voltages Available

Duralast

SPA WANDS



- Polaris Spa Wand (Blue Consumer Model)
- Polaris Spa Wand (Blue Consumer Model)
- Polaris Spa Wand PRO (Yellow Professional Model)
- Polaris Spa Wand PRO XL (Extended Professional Length)
- Polaris Filter Screen Replacement
- Spa & Pool Vacuum by Game (Spa Wand Style)
- Rola-Chem Spa Vac- Clear Model

- ITEM NO.
M5394
M5395
M5398+
M5410
M5406
B2011+
M5460

+Limited Stock

SPA RAILS



Spa Rail - S.S. **G7069**
 w/Welded Bottom Plate

STOP LEAK & TUB OF GOLD

- Fix-A-Leak - 32 Oz. Bottle **M5379**
- Stop Leak - 32 Oz. Bottle **M5380**
- Tub of Gold- 5 Lbs. **M5385**

SPA PADS

50" x 50" x 3" **H8098**
 Sized For Up To 8' Spas

DELUXE SPA COVERS

Made with high density 2 Lb. foam in 2-panel bi-fold or 4-panel quad fold construction. Standard covers have 4" to 2" tapered slope thickness with a 2-1/2" flap. Comes with 2 carrying handles and 4" locks.

Standard Colors: Almond, Black, Brown, Burgundy, Charcoal, Med & Lt. Grey, Navy & Sky Blue, Tan & Teal & Forest Green














- *Deluxe Spa Cover - Bi-Fold (96" or Less)**
- *Deluxe Spa Cover - Quad-Fold (Over 96")**

**AVAILABLE BY SPECIAL ORDER ONLY.
 FREIGHT CHARGES ARE NOT INCLUDED - F.O.B. PLANT (Deposit Required)
 (Allow approximately 2 week lead time for delivery)*






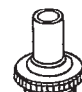


SPA FITTINGS

ITEM NO.


		Aquastar Aquathunder Jet Fit/Flange White ATF101		M5047
		Aquastar Aquathunder Jet Body Water & Air White ATH101		M5048
M5080		Aquastar Gunite Jet Jet Body 2"-Water 1-1/2" Air ATG101		M5050
		Aquastar Wave-Jet Barrel-w/Rubber Over-Mold White ATB0301A-7		M5055
		Aquastar Wave-Jet Barrel White ATB101		M5057
	M5316	Air Control Assembly - 1" White	2100	M5080
		Air Control Assembly - 1/2" White	2200	M5100
		Air Control Slimline Silent - 1"	2310	M5316
		Standard Wall Fitting w/Eyeball - Black	3100	M5024
		Standard Wall Fitting Only - White	3801	M5330
		Extended Wall Fitting Assy w/Eyeball - White	3300	M5040
	M5020	Extended Wall Fitting Only - White	3803	M5200
		Gasket for Wall Fitting - Small	3804	M5340
		Gasket for Wall Fitting - Large	5847	M5225
		Hydro Jet 1-1/2" Sockets	4100	M5060
M5060		Hydro Air 1-1/2" Slip w/Slip Return 10-4100S Color: White		M5061
		Poly Gunite Jet Niche - White	5030	M5710
		Poly Gunite Jet Niche - Black	5031	M5712
		Poly Gunite Jet Straight Body 2-1/2"	3830	M6000
		Gunite Extension	4100	M5070
M3510		Gunite Extension Nozzle 1/2" Orifice	4401	M5072
		Gunite Micro'ssage - White	5275	M5310
		Micro'ssage 1" x 1" - White	5200	M5312
		Safety Suction Fitting Assy - Brown	6800	M5111
M5140		Wrench for Inlet Fitting - Metal	7831M	M5300
		Wrench for Slimline Hi-Flow	7825	M5301
		Hayward Jet Air III Body Assembly	1434	N1063
		Hayward Bulkhead Fitting		N1442
		Jet Air III Nozzle Assy - Vari Flo (<i>Adjustable & Directional</i>)		N1061
		Jet Air III Nozzle Assy - Pulse-Flo (<i>Pulsation & Rotational</i>)		N1059
		Jet Air III Nozzle Assy - Whirl-Flo (<i>Powerful 10-30 GPM</i>)		N1194
		Tool for Bulkhead & Nozzle	1434T	N1068
M5063		Jacuzzi Hydrotherapy Fitting w/ Eyeball Assy	C20E	N1065
	M5110	Waterway 210-6060 Poly Jet Internal Smooth Face/Pulsator		M1610
		Waterway "New Style" Poly Jet Adjustable Scalloped (Black)		M1618
		Waterway Poly Jet International Wrench		M1670
	M5105	Waterway "New Style" Poly Gunite Jet Assy 1 1/2" air 2" water		M5701
		Waterway 425-5037 Gray Poly Gunite Jet Niche		M5711
		Waterway 640-3570V Suction FTG 2" High-Flo VGB Approved White		M5715
M5301				
				
				
N1065				
	N1063			

EYEBALL FITTINGS


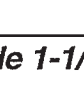
1-1/2" MPT Threaded

		ITEM NO.
1-1/2" MPT Eyeball Fitting w/ 3/8" Opening		N1008
1-1/2" MPT Eyeball Fitting w/ 1/2" Opening		N1010
1-1/2" MPT Eyeball Fitting w/ 3/4" Opening		N1011
1-1/2" MPT Eyeball Fitting w/ 1" Opening		N1012
1-1/2" MPT Eyeball Fitting w/ Slotted Opening		N1009 N1009G
1-1/2" MPT Eyeball Fitting w/ Rubber Nozzle		N1027






1-1/2" MPT Extended Flange

1-1/2" MPT Extended Flange Eyeball Fitting w/ 3/4" Opening		N1001
--	---	-------


Insider w/ Extended Flange

1-1/2" Insider Eyeball Fitting w/ 3/4" Opening & Extended Flange		N1003
1-1/2" Insider Eyeball Fitting w/ 1" Opening & Extended Flange		N1004

Insider - Fits Inside 1-1/2" Pipe

1-1/2" Insider Eyeball Fitting w/ 3/4" Opening <i>Hayward</i>		N1020
1-1/2" Insider Eyeball Fitting w/ 1" Opening <i>Hayward</i>		N1023
1-1/2" Insider Eyeball Fitting w/ 3/4" Opening <i>American</i> Fits American Products 7" Venturi Jet (N1062)		N1025
1-1/2" Insider Eyeball Fitting w/ 1/2", 3/4", 1" Hole & Test Plug <i>Pentair</i>		N1021
1-1/2" Insider Eyeball Fitting w/ Lock Ridge Aquadapter		N1203



Eyeball Removal Tools

Hayward Eyeball Removal Tool SP1419T		N1073 N1073G
Eyeball Seat Wrench		N1193
Pentair 542001 Eyeball for 1" Pipe Slip w/ 3/8" & 3/4" Disc (Black)		N1240
Pentair 542000 Eyeball for 1" Pipe Slip w/ 3/8" & 3/4" Disc (White)		N1239



Black Threaded Eyeball Fittings

	ITEM NO.
Black Eyeball Waterway Fitting 400-1411DB 1-1/2" w/ 3/4" opening	N1071
Black Eyeball Waterway Fitting 400-1411EB 1-1/2" w/ 1" opening	N1096
Black Threaded Eyeball Fitting 1-1/2" MPT w/ 1/2" Opening #540015	N1028
Black Threaded Eyeball Fitting 1-1/2" MPT w/ 3/4" Opening #540022	N1016
Eyeball Fitting 1-1/2" MPT Black w/1" opening	N1017
Black Threaded Eyeball Fitting 1-1/2" MPT w/ Slotted Opening #54001	N1014

Black Insider - Fits Inside 1-1/2" Pipe

Black Insider Eyeball Fitting w/ 3/4" Opening		N1022
Black Insider Eyeball Fitting w/ Lock Ridge Aquadapter		N1204
Black Waterway Insert Eyeball 400-1421E w/ 1" opening		N1192



Dk Gray /Gray Insider- Fits Inside 1-1/2" Pipe

Gray Insider Eyeball Fitting w/ 3/4" Opening #400-1427D		N1041
Gray Insider Eyeball Fitting w/ 1" Opening #400-1427E		N1044
Dark Gray Waterway Insert Eyeball 400-1429E-DK w/ 1" opening		N1199

Gray Threaded Eyeball Fitting

Dark Gray Waterway Eyeball 400-1419D-DKG 1-1/2" w/ 3/4" opening	N1072
Dark Gray Waterway Eyeball 400-1419E-DK 1-1/2" w/ 1" opening	N1088
Dark Gray Waterway Eyeball 400-1417EB 1-1/2" w/ 1" opening	N1168
Light Gray Waterway Eyeball 400-1417D 3/4" opening	N1235

Swimquip Eyeball Fittings

White Swimquip Eyeball Ball/Face Plate Kit		N1048
White Swimquip Eyeball Inlet Fitting		N5147
Gray Swimquip Eyeball Inlet Fitting		N5149

AUSSIE INSIDER EYEBALL

Insider Eyeball 1.5" White w/ 3/4" Eyeball Opening	N1245
Insider Eyeball 1.5" Black w/ 3/4" Eyeball Opening	N1246
Insider Eyeball 1.5" Dark Gray w/ 3/4" Eyeball Opening	N1247
Insider Eyeball 1.5" Light Gray w/ 3/4" Eyeball Opening	N1248
Insider Eyeball 2" White w/ 1-1/4" & Reducers/Slot Eyeball	N1250
Insider Eyeball 2" Black w/ 1-1/4" & Reducers/Slot Eyeball	N1251
Insider Eyeball 2" Gray w/ 1-1/4" & Reducers/Slot Eyeball	N1252

INFUSION

1.5" Threaded White Venturi Inlet Fitting (VRFTHWH)	N1315
1.5" Threaded Black Venturi Inlet Fitting (VRFTHBK)	N1316
1.5" Threaded Dk Gray Venturi Inlet Fitting (VRFTHDG)	N1317
1.5" Threaded Lt Gray Venturi Inlet Fitting (VRFTHLG)	N1318
1.5" Thread W/Ftg White Venturi Inlet Fitting (VRFTHFWH)	N1320
1.5" Self Aligning White Venturi Inlet Ftg Slip (VRFSASWH)	N1325
1.5" Standard Slip White Venturi Inlet Ftg Slip (VRFSISWH)	N1340
1.5" Standard Slip Black Venturi Inlet Ftg Slip (VRFSISBK)	N1341
1.5" Standard Slip Dk Gray Venturi Inlet Ftg Slip (VRFSISDG)	N1342
1.5" Standard Slip Lt Gray Venturi Inlet Ftg Slip (VRFSISLG)	N1343



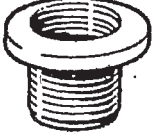
N11248



N1317



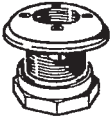
INLET / VACUUM FITTINGS

For Concrete Pools


SP1022 Threaded Inlet 1½" FIP x 2" MIP		ITEM NO. N1000
SP1022S Slip Inlet 1½"SKT x 2" MIP		N1000G
54-2405 Slip Inlet 1½" SKT x 2" MIP		N1005
SP1022INS Insert Inlet 1½" FIP x 1-1/2" Slip stub end		N1024
SP1023S Slip Fitting 1½" w/ Locknut and Gasket		N1007
Hayward SP1022S2 Inlet Ftg 2" SKT 2" Socket		L4078
Black Vacuum Wall Fittings		
SP1022BLK 1½" FIP x 2" MIP		N1002
SP1022SBLK 1½" SKT x 2" MIP		V5028
215-9151B 1½" FIP x 2" MIP		N1147
Chrome-Brass Vacuum Fitting 1½" FIP x 2" MIP w/ Plug		N1036
1½" Chrome Vac Plug Only		N1075
Arneson Vac Lock Safety Wall Fitting W400 (White)		N1077
Arneson Vac Lock Safety Wall Fitting W400 (Black)		E1W400
Eric W400 Vac Lock Safety Wall Fitting White		E1W401
Eric Vac Lock Safety 2" Wall Fitting White		E1W400G

INLET / OUTLET FITTINGS

For Vinyl Pools


SP1023 Inlet/Outlet Fitting w/ Locknut & Gasket		L4075
862004 Inlet/Outlet Fitting w/ Locknut & Gasket		L4075G
SP1025 Inlet/Outlet Fitting w/ Locknut & Gasket (Long)		N1038
SP1408 Inlet/Outlet Fitting w/ Locknut/Spacer		L4080
Face Plate		L4070
Gasket		L4416G
Screw Set (Set of 6)		L4416
SP1411 Fitting & Faceplate w/ Gaskets & Screws		L4420
		L4422
		L4072

FLOOR INLETS

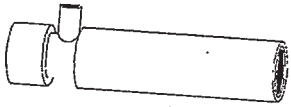
Chrome Floor Inlet Fitting 1½" w/Adjustable Top A41014-0		N1042
Adjustable Top Plate Kit for Chrome Floor Inlet Fitting		G7106

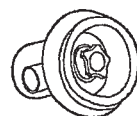
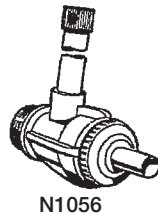
WALL INLETS

For Concrete Pools

SP1424S Wall Inlet - Adjustable 1½"SKT x 2" MIP		ITEM NO. N1045
CMP Flush Mount Return Fitting White 25555-000-000		N1194
SP1424 Wall Inlet - Adjustable 1½" FIP x 2" MIP		N1046
Diffuser Plate		N1418
Face Plate Grate		N1414
Grate Screws (Set/2)		N1420
Spinner Valve Assy.		N1416
Swimquip Variable Wall Inlets (White)		
 1½" Complete-Slip 08429-0000		N5144
 1¼" Complete-Slip 08428-0000		N1018
Swimquip Variable Wall Inlet - (Gray) 1½" Complete 08429-0100		N5148
S.S. Adjustable Return Plates 1½" Inlet Fitting 41470		N1051
SP1026 Safety Grate Insert		N1035
		
Waterway Return Wall Fitting 1½" FPT x 1½" insider (Gray)		N1230
Waterway Return Fitting 1½" FPT x 2" Insider (Gray)		N1231
Waterway Return Fitting 1½" FPT x 2" Insider (Dark Gray)		N1233

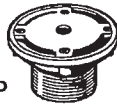
HYDROTHERAPY UNITS

Hydrotherapy Unit-PVC-w/7 Extension 1-1/2" Slip		N1062	N1062G
Pentair #46543000 5/16" Nozzle For 7 "Venturi Fitting		M1521	
Hayward SP1430 Hydrotherapy Fitting 1-1/2" FIP		N1055	
Hayward SP1430S Hydrotherapy Fitting 1-1/2" Slip		N1064	
Jacuzzi Hydrotherapy Ftg C20E For Concrete Pool		N1065	
Waterway Spa Rotating Therapy Massage Jet 1/2" Mpt		N1166	

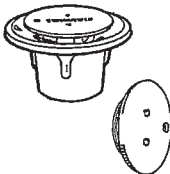


FLOOR RETURNS

For Concrete Pools



SP-1425S 1-1/2" SKT x 2" MIP Adjustable Floor Inlet Fitting	N1050G N1050
SP-1425 1-1/2" FIP x 2" MIP Adjustable Floor Inlet Fitting	N1049
Swimquip Complete Floor Return 08417-0000 w/Adjustable Top	N1117G N1117
Cover Only Swimquip Return 08417-0005E	N1116 N1116G
Swimquip Floor Return - Black 08417-0200 w/ Adjustable Top Cover Only Black 08417-0005CE	N1174 N1233
Swimquip Floor Return - Gray 08417-0100 w/ Adjustable Top Cover Only Gray 08417-0005BE	N1197 N1169



AQUASTAR FLOOR RETURNS

White w/Waterstop 4"	N1750
Black w/Waterstop 4"	N1751
Dark Gray w/Waterstop 4"	N1752
Light Gray w/Waterstop 4"	N1753
Return Plate White 4"	N1755
Return Plate Black 4"	N1756
Return Plate Dark Gray 4"	N1757
Return Plate Light Gray 4"	N1758

FLOOR INLET EXTENDER

Floor Inlet Extender Kit Sta-Rite Threaded (1 Ea, FIE-2, FIC-1, Screws)	N1350
Floor Inlet Extender Sta-Rite Threaded FIE-2	N1352
Floor Inlet Extender Kit Sta-Rite Pressure (1 Ea, FIE-1, FIC-1, Screws)	N1355
Floor Inlet Extender Sta-Rite Pressure FIE-1	N1357
Floor Inlet Extender Kit Hayward-Starite Glue (1 Ea, FIE-3, FIC-1, Screws)	N1360
Floor Inlet Extender Hay To Sta-Rite Glued FIE-3	N1362
Floor Inlet Extender Kit Hayward Plate (1ea, FIE-4, FIC-2, Screws)	N1365
Floor Inlet Extender Hayward FIE-4	N1367
Floor Inlet Extender Kit Hayward Grate (1ea, FIE-4, FIC-3, Screws)	N1370

SPRAY INLETS

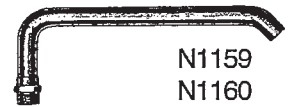


Deck or Wall Spray Inlet --1" FPT <i>Sprays Water at 45 Degree Angle</i>	N4742
Waterway Air Inject Cap	N1039
Aerator Nozzle #86201500 Used as return spray nozzle	N1040
Hayward Nozzle - Large SPX1430C	N1451
Pentair Venture Jet 1/2" Nozzle 46540100	M1522



FILL SPOUTS

3/4" Fill Spout - MPT	N1159
1" Fill Spout - MPT	N1160
1-1/2" Fill Spout - MPT	N1165




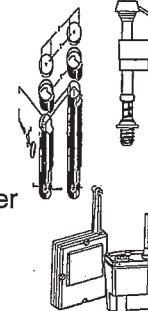
THROTTLING PLUGS

1-1/2" , Throttling Plug w/ Washer	N1140
Washer Only for Throttling Plug	N1141




AUTOFILLS

Letro Water Leveler Automatic Control w/ Fluidmaster Valve	L4950
Pool Sentry  Water Level Control	L4960
PoolMiser Complete Water Leveler	L4965
SmartMiser Wireless Controlled Water Leveling Device	L4966
Levolor K1100 Electronic Water Leveler 120/220v w/100' w/1" Valve	L4955
Levolor II Electronic Water Leveler 220v w/200' Wire	L4954
CMP Aqua Level, Auto Water Leveler White-	L4968



GUTTER DRAINS

	GutterDrain-White SP1019	N1137	N1137G
	Grate Only -White Gutter Drain	N1184	
	Gutter Drain - Black 54-2097	N5153	








CUP ANCHORS

	ITEM NO.
Round Cup Anchor 41132 Chrome/Brass w/Cross Bar	N1185
Cup Anchor 41141 Chrome/Brass w/Adjustable Eyebolt	N1195
Plastic Cup Anchor w/S.S. Bar SP-1040	N1180 N1180G
Plastic Cup Anchor - Black	w/SS Bar N1181
Plastic Cup Anchor - Dark Grey	w/SS Bar K3533
Plastic Cup Anchor - Lite Grey	w/Plastic Bar N1202
Rope Anchor - Lite Grey	w/SS Bar N1207
Plastic Cup Anchor - Dark Grey	w/Plastic Bar N1206

EYEBOLTS

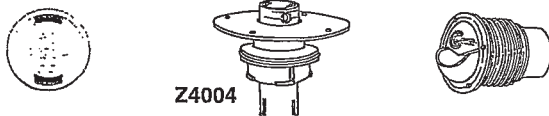
	ITEM NO.
S.S. Eyebolt Only 1/2"	N1205
Flush Lane Anchor w/ Adjustable Eyebolt	N1200
Rope Eye with Lag	N1210
Arrow Rope Eye Holder	N1190
Flush Rope Anchor Bronze (Chrome Plate Brass Eye-Bolt)	N1218
Rope Anchor Strap HPRS	L4130

ROPE ANCHORS FOR LINER POOLS

	Oval Rope Eyes Curved w/Screws	(2/Bag)	L4110
	Oval Rope Eyes Flat w/Backup Plate	(2/Bag)	L4120
	Rope Eye Oval Flat w/Screws	(2/Bag)	L4115
	Eye Bolt w/ Removable Eye for Vinyl	(2/Bag)	L4125
	Eye Bolt Assy - ABS for Vinyl	(2/Box)	L4126
	Eye Bolt Assy - ABS w/Locknut SP0404	(Each)	N1032
	Eye Bolt w/ Washer		N1208

CARETAKER PARTS

Wingmaster Caretaker Wrench	V7236
Replacement Cleaning Heads	
Pop-Up Head - Threaded (Floor)	Z4000
Pop-Up Head - Bayonet (Floor)	Z4040
Retro Cleaning Head & Face Plate	Z4004
Head Removal Tool	Z4020
Clear Bench Nozzle	Z4043



Water Valve & Parts

Replacement Valve	Z4006
Complete Water Valve	Z4007
Valve Rebuilding Kit	Z4008
Cup Strainer	Z4010
Valve O-Ring Kit	Z4012
Bottom Plate	Z4022
V-Clamp with Nut	Z4030
2" Union - Complete	Z4032
Union Adapter	Z4034
Union Nut	Z4036
O-Ring for Union	Z4028
Pressure Relief Valve	Z4017
Pressure Guage 1-3-1	Z4038

SYLVAN POOL ACCESSORIES

Skimmer Basket	K7133
Skimmer Lid w/Cap 8-3/4"	Z5020
Skimmer Lid-Lock Down Type	Z5022
Plastic Ladder Tread 15 Degree	Z5000
Escutcheon Plate-Plastic	Z5001
Plastic Rope Hook Only (Each)	Z5018
Sylvan Rope Kit 22 Ft w/3 Floats	X1086
Josam Plug 1-1/2"- Plastic	Z5036
Josam Plug "T" Wrench- Plastic	Z5037
Replacement Cartridge 14-3/4"	Z5050

PARAMOUNT WATER VALVE

6-Port Module	Z5045
Base O-Ring	Z5046
Band Clamp w/Knob & Nut	Z5047
Clamp Knob	Z5048
Clamp Nut	Z5049
Knob & Pause Assembly	Z5053
4-Port Module	Z5054
Valve Top Black w/Gauge	Z5055
Valve Base Black 6 Port	Z5056
Water Valve Complete	Z5060

MAIN DRAIN-HAYWARD

WG1048AVPAK2 MAIN DRAIN ANTI-VORTEX FOR LINER POOLS 1-1/2" (SET OF 2)	L4098
WG1049AVPAK2 MAIN DRAIN ANTI-VORTEX FOR LINER POOLS 2" (SET OF 2)	L4099
WG1030AVPAK2 FRAME AND GRATE ANTI-VORTEX (SET OF 2) COLOR:WHITE	N1500
WG1030AVBLKPAK2 FRAME AND GRATE ANTI-VORTEX (SET OF 2) COLOR: BLACK	N1501
WG1030AVGRPAK2 FRAME AND GRATE ANTI-VORTEX (SET OF 2) COLOR: GRAY	N1502
WG1153AVPAK2 MAIN DRAIN CYC.ANTI-VORTEX 1-1/2" (SET OF 2)	N1511
WG1154AVPAK2 MAIN DRAIN -CYC.ANTI-VORTEX 2" (SET OF 2)	N1512
WG1052AVPAK2 MAIN DRAIN CYC.ANTI-VORTEX 2" SIDE 1-1/2" BOTTOM (SET OF 2)	N1516
WG1054AVPAK2 MAIN DRAIN CYC.ANTI-VORTEX 2" SIDE 2" BOTTOM (SET OF 2)	N1518

DRAIN-COVERS

WGX1048E A.V. GRATE COLOR: WHITE FLOORS ONLY	N1503
WGX1048EBLK A.V. GRATE COLOR: BLACK	N1504
WGX1048EGR A.V. GRATE COLOR: GRAY	N1505
WG1048EWBLK WALL SUCTION COVER COLOR: BLACK	N1521
WGX1048EDGR SUCTION COVER COLOR: DARK GRAY	N1522
WGX1031BHF2 9 x 9 GRATE (VGB) WITH INNER FRAME (WHITE)	N1533
WGX1032BHF2 12 X 12 GRATE (VGB) WITH INNER FRAME (WHITE)	N1535
WGX1033BHF2 18 X 18 GRATE (VGB) WITH INNER FRAME (WHITE)	N1537
WGX1033BLV2 18 X 18 GRATE (VGB) WITH INNER FRAME (WHITE)	N1538



FRAME & COLLARS

WGX1048B FRAME 7-7/8 COLOR:WHITE	N1506
WGX1048BBBLK FRAME 7-7/8 COLOR:BLACK	N1507
WGX1048BGR FRAME 7-7/8 COLOR: GRAY	N1508
WG1051X ADJUSTABLE COLLAR FOR PLASTER CONCRETE	N1519
WGX1153B EXTENSION COLLAR FOR MAIN DRAIN	N1527



SCREWS

WGX1030Z1AM LONG SCREW SET FOR SUMPS WITH INSERTS	N1513
WGX1030Z2AM SCREW SET FOR SUMPS WITH INSERTS (SET OF 2)	N1514
WGX1030Z3 S.S. SCREW FOR MAIN DRAIN (SET OF 4)	N1188
SPX1039Z1A SCREW SET FOR AV MAIN DRAIN GRATE	N1413
SPX1425Z32 GRATE SCREW (SET OF 2)	N1420
SPX1030Z2A SCREW SET ANTI- VORTEX PLATE (SP1048/49)	N1460
SPX1039Z18 FRAME SCREW SET OF 8 (SP1048/9)	N1454



L4098



N1500

N1516



SOLE DRAIN SHOW

PENTAIR STAR GUARD

8" Star Guard Md White w/ F & G 2" Side-1.5 Bottom (2-Pack)	N1576
8" Star Guard Md Dk Gray w/ F&G 2" Side-1.5 Bottom	N1578
8" Star Guard Md Lite Gray w/ F&G 2" Side-1.5 Bottom (2-Pak)	N1579
8" Star Guard Md Black F & G 2" Side-1.5 Bottom (2-Pack)	N1580
8" Star Guard Frame & Grate White	N1570
8" Star Guard Frame & Grate Dk Gray	N1572
8" Star Guard Frame & Grate Lite Gray	N1573
8" Star Guard Frame & Grate Black	N1574

**COLLECTOR TUBE**

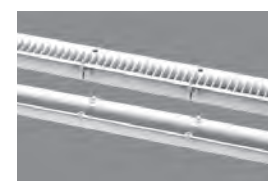
Hayward SP1055PAK2 Collector Tube	N1120
Aquastar Hydrostat Valve w/Collector Tube	N1699

**HYDROSTATIC RELIEF VALVE**

Hayward SP1056 Relief Valve - 1-1/2"	N1150	N1150G
Astral Hydrostatic Relief Valve 1-1/2" ABS	N1150A	
SR Smith A41452-0 Relief Valve - Brass - 1-1/2"	N1155	
Aquastar Hydrostat 1-1/2" & 2" White	N1634	
Hayward SP1056-T Tool For SP1056	N1156	
Aqua Wrench #HY1995 Hydro-Static Valve Removal Tool	V7304	

**AQUASTAR 32" CHANNEL DRAIN**

Vinyl W/VGB Flat Grate 316 GPM White	N1639
White W/VGB Flat Grate 3 Port 316 GPM	N1640
Black W/VGB Flat Grate 3 Port 316 GPM	N1642
Lt Gray W/VGB Flat Grate 3 Port 316 GPM	N1644
Propeller Drain White W/VGB Flat Pinhole Grate	N1694
W/VGB Flat Grate w/Frame White	N1637
W/VGB Flat Grate w/Frame Dark Gray	N1638
Flat Grate Only w/Screws White	N1641
Flat Grate Only w/Screws Black	N1643
Flat Grate Only w/Screws Lite Gray	N1645
Flat Grate Only w/Screws Dark Gray	N1649
Debris Catcher Grate/And Frame Channel Drain White	N1647
Aquastar Screw Set For 32" Grate 10 x 3/4" Flat Head 316SS (Qty 8)	N1693



Quality Always Matters

Safety, Dependability, and Innovation in Pool Technology

- VGB Drains • Retrofit Drains
- Spa Jets and Fittings
- Skimmers • Ozonators
- Chlorinators • Pool Cleaners
- Cleaner Parts • Mosaics



Quality is not an act. It is a habit.

AquaStar's products are *designed, manufactured, and assembled in the USA*, ensuring that only the highest quality merchandise reaches the consumer. AquaStar is dedicated to providing customers with *dependable, long-lasting, American-made* products that have the *best look, feel, and performance*.



CALL OR VISIT OUR WEBSITE FOR ADDITIONAL INFORMATION
(877) 768-2717 www.aquastarpoolproducts.com

U.S. Patent # D700299, 9540837, 9869103, D701293, 20140157510, 10479135 and other U.S. and Foreign Patents Pending

ECM MADE EASY™



CENTURY® MOTORS MAKES RETROFITTING SINGLE SPEED PUMPS EASY WITH VGREEN® MOTORS!

- Universal replacements
- Simple drop-in-installation
- Easy to access terminal connections
- Easy to access intuitive user interface
- Easy shaft access

www.regalbeloit.com
Creating a better tomorrow™ ...

WE BUILD BETTER.

Hayward is committed to crafting superior products that never ask you to compromise value for performance. And with our trade-exclusive Expert Line products, Totally Hayward® rewards and more, choosing Hayward means you're building better for your business, too.

Get started at hayward.com/expert



UNIVERSAL HC SERIES
HEATER



TRISTAR® VS 900



OmniPL™



AQUARITE® S3



HYDRAPURE™ UV & OZONE AOP
SANITIZATION SYSTEM



AQUAVAC® 250^U



COLORLOGIC® 120V
REPLACEMENT BULB

EXPERT LINE®



NOT SOLD
ONLINE



3+ YEAR PARTS &
LABOR WARRANTIES*



HAYWARD®

We Build Better.™

*When sold by a Totally Hayward® Partner. Exclusions, other terms and conditions may apply — visit hayward.com/expert for details.

Hayward, Hayward & Design, the H logo, AquaRite, AquaVac, ColorLogic, Expert Line, Totally Hayward and TriStar are registered trademarks and We Build Better is a trademark of Hayward Industries, Inc. HydraPure is a trademark of GSG Holdings, Inc. ("GSG"). All other trademarks not owned by Hayward or GSG are the property of their respective owners. Hayward and GSG are not in any way affiliated with or endorsed by those third parties.

© 2021 Hayward Industries, Inc.



WHISPERFLOXF® VS 5HP
COMMERCIAL VARIABLE
SPEED POOL PUMP

MAX-E-PROXF® VS 5HP
COMMERCIAL VARIABLE
SPEED POOL PUMP

VARIABLE SPEEDS. CONSISTENT SAVINGS.

ENERGY-EFFICIENT 5HP COMMERCIAL PUMPS

WhisperFloXF VS and Sta-Rite® Max-E-ProXF VS variable speed pumps:

- Operate at the lowest speed necessary, dramatically reducing electricity use.
- Are ideal for large or feature-rich residential pools.
- Two-year warranties.

Visit pentair.com/xfvs today to learn more.



TRADEGRADE



WEF 5.0 THP 5.0

PENTAIR.COM
800.831.7133



**PROFESSIONAL
POOL & SPA PRODUCTS**

Turning your *ideas* into reality!



Safety Covers



Vinyl Liners



Spa Covers

Safety Fence

Above Ground
Drop-in Steps

www.merlinindustries.com

**Pools make people happy,
Merlin makes pools happy!**



*Thank you
For all your business
over the many years.*

*Sincerely,
Berge Hatchik.*

Made in the USA

Unicel

Unicel is the worry free choice for your pool and spa filter elements, with our finely crafted products and world class service.

www.unicelfilters.com
 @unicelfilters

A more **complete** view of professional pool care...



SPEAKING OF MORE...

In addition to our new Pro Series App, we have also launched a new website:

proseriespool.com

This website is dedicated to pool professionals and Pro Series products. It has great features like live chat and the ability to schedule online trainings.

Check it out today!




There is more to pool care than sanitizers and balancers.

Natural Chemistry's Pro Series products allow pros to offer a more custom approach to water care.

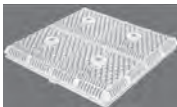
PRO SERIES [®] *by Natural Chemistry*

Thank you
to our Vendors
for your support.

AQUASTAR MAIN DRAIN SUMPS W/GRATE

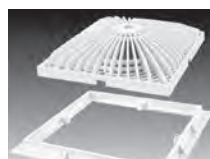
9"x9" WAVE GRATE/SUMP BUCKET 2" DUAL PORT		WAV9WR101B	N1711
9"x9" WAVE GRATE & SUMP BUCKET 4" SOCKET		WAV9WR101D	N1712
9"x9" MOFLOW GRATE/SUMP BUCKET 4" SOCKET		9MF101D	N1709
9"x9" MOFLOW GRATE/SUMP BUCKET DUAL PORT		9MF101B	N1713
12"x12" WAVE GRATE & SUMP BUCKET 4" SOCKET		WAV12WR101D	N1716
12"x12" MOFLOW GRATE & SUMP-DUAL PORT		12MF101B	N1717
12"x12" WAVE GRATE & SUMP BUCKET 6" SOCKET		WAV12WR101F	N1719
12"x12" MOFLOW GRATE & 4" SOCKET		12MF101D	N1721
12"x12" MOFLOW GRATE & 6" SOCKET		12MF101F	N1722
12" WAVE GRATE W/COLLAR, SCREWS W/"DEEP" SUMP (VGB)WHITE DUAL PORT 2-1/2" SPIGOT x 2" SOCKET		WAV12WR101B	N1696
16"x16" GRATE & SUMP BUCKET DUAL PORT		1216101B	N1715
8" ROUND ANTI-ENTRAP MAIN-DRAIN WHITE		A8RSBAC101	N1875
8" STAR MAIN DRAIN BLACK LOW PROFILE GRATE		A8RSBAC102	N1876
8" STAR MAIN DRAIN DARK GRAY LOW PROFILE GRATE		A8RSBAC105	N1877
8" STAR MAIN DRAIN LITE GRAY LOW PROFILE GRATE		A8RSBAC103	N1878
8" ROUND MAIN DRAIN WHITE LOW PROFILE GRATE		LP8SBACWR101	N1890
8" ROUND MAIN DRAIN BLACK LOW PROFILE GRATE		LP8SBACWR102	N1891
8" ROUND MAIN DRAIN DARK GRAY LOW PROFILE GRATE		LP8SBACWR105	N1892

AQUASTAR FRAME & GRATE

9" x 9" HI FLO MAIN DRAIN 3/4 OR 1"		914101	N1656
9" x9" WAVE		WAV9WR101	N1680
9" x 9" MOFLOW 3/4" FRAME		9MF101	N1610
9" x 9" STAR GRATE 4-SET		P18NF101	N1689
8" LP COVER/FRAME-WHITE VGB		LP8AVWR101	N1620
8" LP COVER/FRAME-BLACK VGB		LP8AVWR102	N1621
8" LP COVER/FRAME-DARK GRAY VGB		LP8AVWR105	N1623
8" SUPER HIGH FLOW WHITE		A8R101	N1895
8" SUPER HIGH FLOW BLACK		A8R102	N1896
8" SUPERHIGH FLOW DARK GRAY		A8R105	N1897
12" x 12" 3/4" MOFLOW FRAME		12MF101	N1600
12" x 12" HI FLO 3/4" OR 1" THICK WHITE		1216101	N1652
12" x 12" "WAVE"		WAV12WR101	N1670
18" x 18" W/4 MOFLOW GRATES VGB		18MF101	N1683
18" x 18" VGB		P18101	N1688
18" x18" WAVE VGB		WAV18WR101	N1690
24" x 24" FLAT SQUARE WHITE		24101	N1650
SCREW SET WAVE/STAR GRATE (QTY 4)		SCW1008	N1691
SCREW SET HI-FLOW GRATE		SCW1023	N1692

AQUASTAR GRATES

9 x 9 STAR GRATE 4-SET		P18NF101	N1689
9" x 9" MOFLOW 1"		R9MF101	N1611
12" x 12" MOFLOW 1"		R12MF101	N1601
12" x 12" GRATE SET OF 4		24NF101	N1655
12" RETRO SUB FRAME FOR 1" FRAME 12" HI FLO MAIN DRAIN GRATE		R1216FR101	N1653



AQUASTAR 4" SUCTION COVER AND FITTINGS

4" SUCTION COVER WHITE	4HP101	N1835
4" SUCTION COVER BLACK	4HP102	N1836
4" SUCTION COVER DARK GRAY	4HP105	N1837
4" SUCTION COVER LITE GRAY	4HP103	N1838
4" SUMPLESS BULKHEAD FTG 1-1/2 MPT WHITE	415T101	N1840
4" SUMPLESS BULKHEAD FTG 1-1/2 MPT BLACK	415T102	N1841
4" SUMPLESS BULKHEAD FTG 1-1/2 MPT DARK GRAY	415T105	N1842
4" SUMPLESS BULKHEAD FTG 1-1/2 MPT LIGHT GRAY	415T103	N1843
4" SUMPLESS BULKHEAD FTG 2" MPTx1-1/2" WHITE	420T15S101	N1845
4" SUMPLESS BULKHEAD FTG 2" MPTx1-1/2" BLACK	420T15S102	N1846
4" SUMPLESS BULKHEAD FTG 2" MPTx1-1/2" DARK GRAY	420T15S105	N1847
4" SUMPLESS BULKHEAD FTG 2" MPTx1-1/2" LIGHT GRAY	420T15S103	N1848
4" SUMPLESS BULKHEAD FTG 2" SLIP-INSIDE WHITE	420SI101	N1850
4" SUMPLESS BULKHEAD FTG 1-1/2" SLIP-INSIDE WHITE	415SI101	N1855
4" SUMPLESS RETRO BULKHEAD FTG 1-1/2" MPT WHITE	R415T101	N1860

AQUASTAR 6" SUCTION COVER AND FITTINGS

6" SUCTION COVER (HYDRO AIR) VGB REPLACEMENT WHITE	6HPHA10	N1805
6" SUMPLESS BULKHEAD FTG 1-1/2 MIP THREADED WHITE	615T101	N1810
6" SUMPLESS BULKHEAD FTG 1-1/2 MIP THREADED BLACK	615T102	N1811
6" SUMPLESS BULKHEAD FTG 1-1/2 MIP THREADED DARK GRAY	615T105	N1812
6" SUMPLESS BULKHEAD FTG 1-1/2 MIP THREADED LIGHT GRAY	615T103	N1813
6" SUMPLESS BULKHEAD FTG 2" INSIDER (VGB) WHITE	620SI101	N1815
6" SUMPLESS BULKHEAD FTG 2" INSIDER (VGB) BLACK	620SI102	N1816
6" SUMP PLESS BULKHEAD FTG 2" INSIDER (VGB) DARK GRAY	620SI105	N1817
6" SUMPLESS BULKHEAD FTG 2" THD/1-1/2 SLIP WHITE	620T15S101	N1820
6" SUMPLESS BULKHEAD FTG 2" THD/1-1/2 SLIP BLACK	620T15S102	N1821
6" SUMPLESS BULKHEAD FTG 2" THD/1-1/2 SLIP DARK GRAY	620T15S102	N1822
6" SUMPLESS BULKHEAD FTG 2" THD/1-1/2 SLIP LIGHT GRAY	620T15S103	N1823
6" SUMPLESS BULKHEAD FTG 2-1/2" THD/2" SLIP WHITE	625T20S101	N1825

AQUASTAR 10" SUCTION COVER

10" SUCTION COVER WHITE W/UNI ADAPTER RING AND MUD FRAME	A10RCFR101	N1885
10" SUCTION COVER BLACK W/UNI ADAPTER RING AND MUD FRAME	A10RCFR102	N1886
10" SUCTION COVER DARK GRAY W/UNI ADAPTER RING AND MUD FRAME	A10RCFR105	N1887

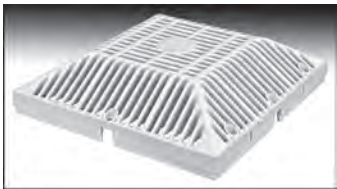




N1792

WATER STOP

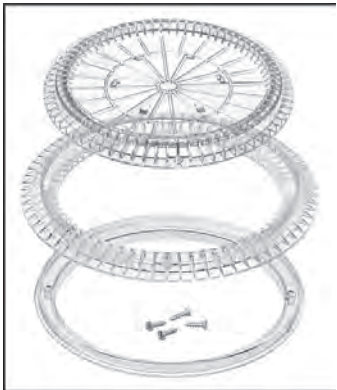
WATERSTOP PIPE SLEEVE 1"	N1791
WATERSTOP PIPE SLEEVE 1-1/2"	N1792
WATERSTOP PIPE SLEEVE 2"	N1793
WATERSTOP PIPE SLEEVE 2-1/2"	N1794
WATERSTOP PIPE SLEEVE 3"	N1795



N1910

WATERWAY FRAME & GRATE

12 X 12 VGB GRATE WHITE	645-4720V	N1900
12 X 12 VGB GRATE BLACK	640-4741V	N1902
12 X 12 VGB GRATE DARK GRAY	640-4749-DKGV	N1904
12 X 12 VGB FRAME & GRATE WHITE	640-4720V	N1905
9 X 9 VGB GRATE WHITE	645-4790V	N1910
9 X 9 VGB FRAME & GRATE WHITE	640-4790V	N1915
VGB GRATE SCREWS EACH FOR SQUARE GRATES	819-1031	N1916



N1925

COLOR MATCH MAIN DRAIN COVERS

COVER CLEAR FOR PEBBLE TOP W/FRAME 8"	N1925
COVER BLACK FOR PEBBLE TOP W/FRAME 8"	N1927
COVER DARK GRAY FOR PEBBLE TOP W/FRAME 8"	N1929
COVER CLEAR FOR PEBBLE TOP W/FRAME 10"	N1931
COVER BLACK FOR PEBBLE TOP W/FRAME 10"	N1933
COVER DARK GRAY FOR PEBBLE TOP W/FRAME 10"	N1935



Z5042

PARAMOUNT DX COVER

PARAMOUNT SDX2 RETRO COLOR: WHITE	Z5038
PARAMOUNT SDX2 RETRO COLOR: GRAY	Z5040
PARAMOUNT SDX2 RETRO COLOR: BLACK	Z5041
PARAMOUNT SDX2 RETRO COLOR: LIGHT GRAY	Z5042
PARAMOUNT MDX-R3 COVER WHITE VGB: WHITE	Z5044
PARAMOUNT SDX RETRO TORX WRENCH	Z5051
PARAMOUNT SDX RETRO SCREW (12 PAK)	Z5052

MAIN DRAIN SCREWS

AMERICAN #R172474 SCREW 13-16 X 1-1/4	L4928
AMERICAN 982029 SEALING SCREW 13-16 X 1" HIGH-LOW	L4929
HAYWARD WGX1030Z3 S.S. SCREW (SET OF 4)	N1188
HAYWARD SPX1039Z1A SCREW SET	N1413
HAYWARD SPX1039Z18 FRAME SCREW SET OF 8 (SP1048/9)	N1454



N1413



L1007



L2009



L7200



L7037



L1004

AMERICAN PRODUCTS S-20

		ITEM NO.	
American Products S-15 w/ Circular Weir	1-1/2" FIP	L1000	
American Products S-20 Twin Port Skimmer	1-1/2" FIP	L1007	
American Products S-20 Twin Port Skimmer	2" FIP	L1008	
Lock Down Skimmer Lid	85007400	L1006	L1006G
Skimmer Lid (Generic)		L1001	L1001G
American Vac Plate for Skimmer	850019	L1002	
Lid w/Ring Seat 9" - Complete (White)	85000400	L2003	
Grout Ring Seat for Lid	85000600	L2004	
Extension Collar for Ring Seat	85002300	L1005	
American Skimmer Lid w/Grout Ring (Beige)	85018000	L4943	
Tapered Basket for S-20 Skimmer	B-200	K7200	
Tapered Basket for American V38-125 (Super HD Basket)		K9982	
Flap Weir 8" (Straight)	85001500	L2009	L2009G
Circular Basket for S-15 Skimmer		K7037	
Floating Weir for S-15 Skimmer		K7038	
Diverter Vari-Flow, Plastic for Skimmer		L1004	L1004G
Equalizer Spring Valve 2" (for NSF Listing)	87204600	N1530	
Float Valve Assembly for S-20	85015200	L2036	
Trimmer Valve Plate	85002400	L2015	

AQUASTAR SKIMMERS



L1550

SKIMMER W/WATER BOND/WATERSTOP WHITE	SKR15101	L1547
SKIMMER W/WATERSTOP WHITE	SKR101	L1550
SKIMMER W/WATERSTOP BLACK	SKR102	L1551
SKIMMER W/WATERSTOP DARK GRAY	SKR105	L1552
SKIMMER W/WATERSTOP LIGHT GRAY	SKR103	L1554

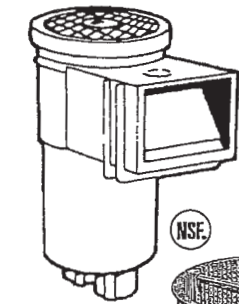
AQUASTAR SKIMMER PARTS



L1549

SKIMMER WEIR FOR SKR101 SKIMMER WHITE	SKWD101	L1548
SKIMMER WEIR CLIPS 2-SET	SK902	L1549
SKIMMER BASKET SKR101	SK6	L1581
GROUT RING FOR SKR101 SKIMMER WHITE	SK5101	L1582
SKIMMER LID FOR SKR101 SKIMMER WHITE	RT101	L1583
LID & GROUT RING FOR SKR101 SKIMMER WHITE	SKRT101	L1584
EXTENSION COLLAR FOR SKR101 SKIMMER WHITE 3"	SEC101	L1585
SKIMMER VAC PLATE FOR SKR101 SKIMMER	SK43101	L1586
FLOAT VALVE ASSEMBLY FOR SKR101 SKIMMER	SKFL101	L1587

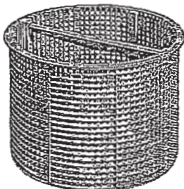
HAYWARD SP-1082 SERIES



Hayward SP10821 Skimmer with Square Lid	1-1/2" FIP	L1040
Hayward SP1082 Skimmer with Square Lid	2" FIP	L1042
Hayward SP10821R Skimmer with Round Lid	1-1/2" FIP	L1041
Hayward SP1082RC Skimmer with Round Lid	2" FIP	L1928



L1937



K7152



L1948



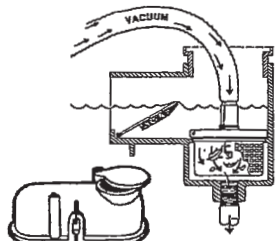
K7168

Square Lid for Hayward Skimmer	SP1082E	L1930	L1930G
Adjusting Collar for Square Lid	SP1082F	L1404	
Hayward New Style Ext. Collar For SP1082	SPX1082F	L1400	
Round Lid for Hayward Skimmer	SP1084R	L1934	
Adjusting Collar for Round Skimmer Lid	SP1084P	L1410	
Extension Collar for Hayward Skimmer	SP1084P1	L1939	
Basket for Hayward Skimmer	SP1082CA	K1949	K9977
Basket for Hayward Skimmer (Aladdin)	B-152	K7152	
Q-Products EZ Out Skimmer Basket		L6000	
Weir 7-13/16" for Hayward Skimmer	SP1082K	L1932	
Equalizer Valve (for NSF Listing)	SP1078	L1937	
Float Valve Assembly (for NSF Listing)	SP1082FV	L1948	
Kit w/Float Valve & Equalizer (NSF Listing)	SP108FVEKIT	L1927	
Skimpro Tower Vented Basket		L4302	
Basket for U-3, Sta-Rite, Hayward (Super HD Basket)		L9984	

HAYWARD SP1096 SKIMMER

Hayward SP1096 Small Economy Wall Skimmer	1-1/2"	L1045
Basket Assembly	SPX1096CA	L4924
Basket (Generic)	B-168	K7168

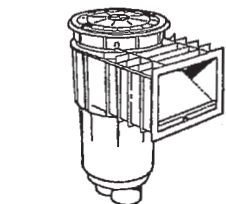
ACCESSORIES FOR HAYWARD SKIMMERS



L1938

Rainbow Vac Mate	R211100	L1055
Skim-Vac (1-1/4"/1-1/2" Elbow) 1089	SP11071	L1941
Skim-Vac (1-1/2" Straight) 1082, 1075	SP1107	L1935
Skim-Vac (1-1/2" Straight) Deluxe	SP1106	L1936
Skim-Vac (1-1/2" Straight) 1070	SP11063	L1942
Vac Hose Adapter 2" MPT x 1-1/2" Smooth	SP1082Z3	L1933
Skimmer Diverter Valve/Hayward	SP1082GV	L1938
Slide Plate with Screw	SP1082H1A	L1920
Square Lid & Collar Tan	25538-909-000	L1926
Square Lid & Collar Gray	25538-901-000	L1929

HAYWARD SP-1070 SERIES



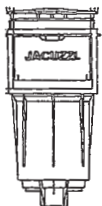
Hayward SP1070 Wall Skimmer	1-1/2" FIP	L1060
Hayward SP10712 Skimmer w/Overflow Port	2" FIP	L1023
Hayward SP10712S Skimmer w/Overflow Port	2" Slip	L1024

Lid for 1070	SP1070C	L1416	L1416G
Grout Ring	SP1070B	L1415	
Extension Collar	SP1070P	L1049	

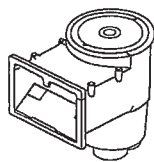
Basket for 1070	SP1070E	L1418
Weir	SP1070K	L1421
Float Valve Assy	SP1070FV	L1426
Slide Plate w/Screw	SP1082H1A	L1920
Weir	SPX1071K	L1423

JACUZZI DECKMATE SKIMMER

Jacuzzi Deckmate Skimmer

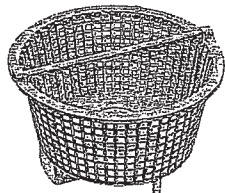


Lid for Skimmer	43-3051-01-R	L1097
Basket Only	16-1099-02-R	L1099
Vac Adapter Plate	9411-0020	L1478



PENTAIR FIBERGLASS SKIMMER

Pentair Fiberglass 1021 Wall Skimmer		L1050
Lid for 1021 Wall Skimmer		L1051
Basket for 1021 Skimmer	Generic	K7043
Basket for 1021 Skimmer	51-3036	L1535
Basket (Commercial)		K743C
Weir for 1021		L1523



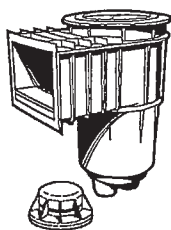
K7043

PENTAIR BERMUDA SKIMMER

Lid for Bermuda	(White)	L1519
Lid for Bermuda	(Black)	L1502
Lid for Bermuda	(Tan)	L1501
Grout Ring	(White)	L1517
Grout Ring	(Black)	L1504
Grout Ring	(Tan)	L1503

Pentair Bermuda Skimmer	2" Slip	L1052
Pentair Bermuda Skimmer	2" FIP	L1545
Pentair Bermuda Skimmer (White)	2" Slip	L1546
Pentair Bermuda Skimmer (Black)	2" Slip	L1536

Basket for Bermuda Skimmer		L1518
Weir for Bermuda	(White)	L1053
Weir for Bermuda	(Black)	L1508
Vac-Plate for Bermuda Skimmer		L1509
Float Valve Assy		L1530
Equalizer Valve Assy		L1510



STA-RITE U-3 SWIMQUIP SKIMMERS

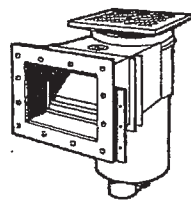
Skimmer Lid	(White)	L1061
Grout Ring	(White)	L1082
Extension Collar	(White)	L1080
Skimmer Lid	(Gray)	L1078
Skimmer Lid	(Tan)	L1083
Lid & Grout Ring	(Tan)	L1077
Lid & Grout Ring	(Grey)	L1079
Lid & Grout Ring	(White)	L1093

Sta-Rite U-3 Skimmer	2" Slip NSF	08650-1404	L1054
Sta-Rite U-3 Skimmer	2" Threaded NSF	08650-1403	L1057
Sta-Rite U-3 Skimmer	2" Slip	08650-4404	L1067
Sta-Rite U-3 Skimmer	2" Threaded	08650-4403	L1065
Sta-Rite U-3 Skimmer	2" Threaded (Tan)	08650-5403	L1076
Sta-Rite U-3 Skimmer	2" Threaded (Gray)	08650-6403	L1058

LONG DIVERTER FOR U-3		L1066
Basket for U-3 (Generic)		K7009
Basket for U-3 (Sta-Rite)		L1081
Weir for U-3 Skimmer w/ Hinge		L1062
Float Valve Assembly		L1063
Vac Plate for U-3 Skimmer		L1064
Spring Valve 2"		L1086

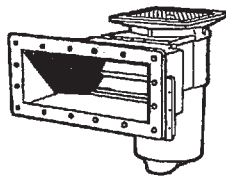
Skimmers for Vinyl Liner Pools

HAYWARD WALL SKIMMERS FOR LINER POOLS



SP-1084-1

		ITEM NO.	
Hayward 10841 Liner Skimmer w/Square Lid 1-1/2" Threaded		L4000	
Hayward 10841OM Liner Skimmer w/Square Lid 1-1/2" Threaded		L4001	
12-Hole Face Plate for Hayward Skimmer	SP1084L	L4910	L4910G
12-Hole Gasket for Face Plate	SP1084B	L4911	
Snap-On Face Plate Cover - White	SP1084F	L1954	L1954G
Face Plate Screw Set	SP1084Z1A	L4940	
Face Plate Screw Set - Self Tapping	SP1084Z4A	L4264	
Face Plate Screw Set - Self Tapping - 1-1/4"	SP1084Z4AM	L1346	



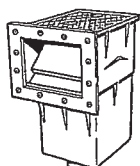
SP-1085-1-OM



- Hayward 10852 Wide Mouth Skimmer 9-1/4" Throat (1-1/4" Long Screws) L4010
- Hayward 10852OM Wide Mouth Skimmer 9-1/4" Throat L4012
- Hayward 10851OM Wide Mouth Skimmer 12-1/4" Throat L4009

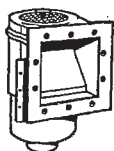
- 16-Hole Face Plate for Hayward Skimmer SP1085B L4912 L4912G
- 16-Hole Gasket for Face Plate SP1085D L4913
- Snap-On Face Plate Cover - White SP1085F L1955
- Face Plate Screw Set - Self Tapping SP1085Z1A L1448
- Face Plate Screw Set - Self Tapping - 1-1/4" SP1085Z1AM L1450

HAYWARD ABOVE GROUND SKIMMERS



SP-1089

- Hayward 1089 Liner Pool Skimmer - 1-1/2" Threaded L4020
- Hayward 1097 Liner Pool Skimmer w/ 12-1/2" Throat L4050
- Hayward 1091LX L4042
- Hayward SP1090WM Wide Mouth Skimmer L4043
- Hayward SPX1091C Skimmer Basket For SP1091LX L4802



SP-1090

- 10-Hole Face Plate for Hayward 1090 Skimmer SP1090D L4914
- 10-Hole Gasket for Face Plate for 1090 Skimmer SP1090E L4915
- Face Plate Screw Set - 1-1/4" Long SP1030Z1C N1461
- Weir for Hayward Skimmer SP1096K L4916
- Weir for Hayward Skimmer SPX1090WMW L4904
- Basket for Hayward: 1090, 1096, 1097, 1098 B-168 K7168
- Lid for Hayward Skimmer SP1096B L4917
- SPX1091 L4905

SKIM VACS & ACCESSORIES



SP-11041

- Skim Vac w/ 1-1/4" / 1-1/2" Elbow (1090, 1091, 1092) SP11041 L4918 L4918G
- Skim Vac w/ 1-1/4" / 1-1/2" Combo Adapter SP11054 L4919 L4919G
- Skim Vac w/ 1-1/4" Elbow (1090,1091,1092) SP11052 L4920
- Skim Vac w/ 1-1/2" Straight Barb (1090,1096,1098) SP11051 L4923
- Skim Vac w/ 1-1/4" / 1-1/2" Elbow (1094) SP1094D L4226
- Skim Vac Deluxe SP1106 L1936
- Hayward Multi Flo Valve Kit 1075-LWS L1953
- Basket Buddies (5 pack) L1956
- Basket Buddies (3 pack) L1957
- Rainbow (Pentair) Vac Mate R211100 L1055
- Hayward Face Plate Cover SPX1099C L4049
- Hayward Face Plate Cover Snap On SPX1094R L4233

SPA SKIMMERS

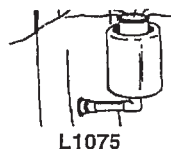


L4061

- SV Jacuzzi Spa Skimmer - Front Access M1069
- SV Jacuzzi Skimmer Basket - #B-202 43-0676-02 K7202
- Dress Up Front Plate - White For SV Skimmer M1056
- Hayward Spa Skimmer- Front Access SP1099S L4052
- Basket for SP1099S L4051
- Waterway Front Access Skimmer w/Trim Plate L4061

- Lily Pad Float 8" Complete with Disc L1070
- 8" Disc Only for Lily Pad L1071

- No Niche #750 Skimmer - 1" FPT L1075
- No Niche #750B Skimmer - 1" FPT (Black) L1075B



L1075

SKIMMER BASKETS - Replacement



B-9



B-43



B-37



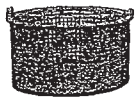
B-38



B-72



B-152



B-168



B-200

SKIMMER DESCRIPTION	BASKET NO.	ITEM NO.	HD. ITEM NO.	OEM ITEM NO
American S-15 Skimmer	B-37	K7037	K9988	L4942
American S-15 Circular Weir	B-38	K7038	K9987	K8038
American S-20 Skimmer	B-200	K7200	K9982	L4945 L4944
American FAS100	B-172	K7172		L4941
Astral Skimmer Basket	4402010504			L1200
Baker Hydro Skimmer	B-136	K7136		L1212
Clayton-Lambert	B-189	K7189		
Hayward 1090 Series Skimmers	B-168	K7168		L4924
Hayward 1082,1084 & 1085 Series	B-152	K7152	K9984	L1949
Hayward 1075 Skimmer	B-152	K7152	K9984	
Hayward 1070 Skimmer	B-9	K7009	K9984	L1418
Jacuzzi - PMT	B-183	K7183		
Jacuzzi Deckmate				L1099
Pentair Bermuda Skimmer	B-9	K7009	K9984	L1518
Pentair 1021 Skimmer	B-43	K7043		L1535
Pentair Commercial	B-43C	K743C		
Paddock	B-72	K7072		
Swimquip U-3	B-9	K7009	K9984	L1081
Sylvan	B-133	K7133		
Olympic				L4171



BASKET BUDDIES

Regular - Fits Most Baskets	(5 Pack)	L1956
Jumbo - Fits Most Baskets	(3 Pack)	L1957
Skimpro Tower Vented Basket for Hayward 1080		L4302
CMP SKimmer Socks Standard	(5 Pack)	L1958
CMP Skimmer Socks Large	(5 Pack)	L1959
Confer Skimit		L1010

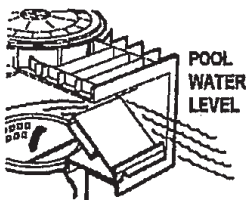
SKIMMER LIDS - Replacement

SKIMMER DESCRIPTION

American Products S-15 / S-20	L1001
American Products FAS100	L4933
Baker Hydro Skimmer 9-7/8"	L1011
Hayward 1084 Round Lid	L1934
Hayward 1082 Square Lid	L1930
Hayward 1070 Skimmer	L1416
Hayward 1075 Skimmer	L1951
Hayward 1096 Skimmer	L4917

SKIMMER DESCRIPTION

Jacuzzi PMT	L1068
Jacuzzi Deckmate	L1097
Pac-Fab/Pentair 1021 Series	L1051
Pac-Fab/Pentair Bermuda	L1519
Swimquip/Sta-Rite U-3	L1061
Swimquip/Sta-Rite U-3 Grey	L1078
Sylvan w/Threaded Cap	Z5020
Sylvan Lock-down type	Z5022



+Limited Stock

REPLACEMENT WEIRS

Lots of 6 Weirs (One Size) 10% Discount

6" Weir	L1100	L1011		
7" Weir	L1105	L1106		
8" Weir	L1110	L1111	7-1/4" Weir (Anthony/Pac-Fab)	L1135 L1136
9" Weir	L1115	L1116	7-5/8" Weir (Hayward/Sylvan)	L1140 L1141
10" Weir	L1120	L1121	8-1/8" Weir (Jacuzzi)	L1145 L1146
12" Weir	L1125+	L1126	8-3/8" Weir (Swimquip/Hayward)	L1150 L1151
			9-3/8" Weir (Baker Hydro)	L1155 L1156

MISC. SKIMMER PARTS

Am Prod 12-Hole Face Plate	L2024	Hayward 1075 Grout Collar	L1952
Am Prod 12-Hole Gasket Set	L4935	CMP Basket w/ Flowskim Handle B-152	
Am Prod 12-Hole Screw Set	L2026	Heavy Duty (SP1082 Skimmer)	K9969
Baker Hydro Control Plate	L1012	CMP Basket w/ Flowskim Handle B-9	
Baker Hydro Skimmer Weir	L1013	Heavy Duty (U-3 & SP1070 Skimmer)	K9970
Astral Weir	L1201	CMP Flowskim Basket	K9971

PVC PIPE

Size	Schedule 40	Schedule 80	CPVC
	Item #	Item #	Item #
1/2" X 20'	U8005	U7605	—
3/4" X 20'	U8007	U7607	U7507
1" X 20'	U8010	U7610	—
1-1/4" X 20'	U8012	—	—
1-1/2" X 20'	U8015	U7615	U7515
2" X 20'	U8020	U7620	U7520
2-1/2" X 20'	U8025	U7625	—
3" X 20'	U8030	U7630	U7521
4" X 20'	U8040	U7640	—
5" X 20'	U8050	—	—
6" X 20'	U8060	U7660	—
8" X 20'	U8080	U7680	—
10" X 20'	U80100	—	—
1-1/2" X 20' (BELL END)	U8015B	—	—
2" X 20' (BELL END)	U8020B	—	—
2-1/2" X 20' (BELL END)	U8025B	—	—



FLEX PIPE

Size	White	Black	Conduit
	Item #	Item #	Item #
1/2" X 100'	U8605	—	O1177
3/4" X 100'	U8607	—	—
1" X 10'	—	—	O1180
1" X 50'	U8609	—	—
1" X 100'	U8610	—	—
1-1/2" X 50'	U8615	U8638	—
1-1/4" X 50'	U8619	—	—
2" X 50'	U8620	U8640	—
2-1/2" X 50'	U8626	—	—
3" X 50'	U8630	—	—





Slip x Slip

Size	Type	Schedule 40	Pack	Schedule 80	Pack	CPVC	Pack
1/2"	S X S	U1005	100	U7005	25		
3/4"	S X S	U1007	50	U7007	25		
1"	S X S	U1010	50	U7010	25		
1-1/4"	S X S	U1012	25				
1-1/2"	S X S	U1015	25	U7015	10	U7525	10
2"	S X S	U1020	25	U7020	10	U7529	10
2-1/2"	S X S	U1025	10	U7025	5	U7543	5
3"	S X S	U1030	10	U7030	5	U7549	
4"	S X S	U1040	5	U7040	5		
5"	S X S	U1050	4	U7050	5		
6"	S X S	U1060	5	U7060	5		
8"	S X S	U1080	4	U7080	4		
10"	S X S	U10100	1				
12"	S X S	U10120	1				
Female Threaded							
1/4"	FPT X FPT			U7101	25		
1/2"	FPT X FPT	U2905	100	U8102	25		
3/4"	FPT X FPT	U2900					
1"	FPT X FPT	U2901					
1-1/2"	FPT X FPT			U2915	10		
2"	FPT X FPT	U2904		U2920	10		
2-1/2"	FPT X FPT			U8125	5		
Deep Socket							
1-1/2"	S X S	U1016					
2"	S X S	U1021					
2-1/2"	S X S	U1026					



FTP x FTP



Deep Socket

REDUCING COUPLING			
1" X 3/4"	S X S	U1011	50
2 X 1-1/2"	S X S	U1022	10
3" X 4"	S X S	U1042	4
4" X 6"	S X S	U1062	4
4" X 8"	S X S	U1084	4
EXPANSION COUPLING			
1"	S X S	V4382	6
1-1/2"	S X S	V4384	4
2"	S X S	V4386	2
2-1/2"	S X S	V4388	6
3"	S X S	V4389	3
4"	S X S	V4390	3



Reducing Coupling



Expansion Coupling

Male Adapters



Male Adapter

Size	Type	Schedule 40	Pack	Schedule 80	Pack	CPVC	Pack
1/2"	M X S	U1105	100	U7205	25		
3/4"	M X S	U1107	50	U7207	25	U7518	25
1"	M X S	U1110	50	U7210	25		
1-1/4"	M X S	U1112	25				
1-1/2"	M X S	U1115	25	U7215	10	U7526	10
2"	M X S	U1120	25	U7220	10	U7532	10
2-1/2"	M X S	U1125	10	U7225	5	U7544	5
3"	M X S	U1130	10	U7230	5		
4"	M X S	U1140	5	U7240	5		
5"	M X S	U1150	5				
6"	M X S	U1160	4	U7260	1		
8"	M X S	U1180	4				

Male Reduction Adapters

1" X 3/4"	S X M	U2207	50
1-1/4" X 1"	S X M	U2210	25
1-1/2" X 1"	S X M	U2211	25
1-1/2" X 1-1/4"	S X M	U2212	25
2" X 1-1/2"	S X M	U2215	10
Male Thread x Slip			
1" X 3/4"	M X S	U2307	50
1-1/4" X 1"	M X S	U2310	25
1-1/2" X 1"	M X S	U2311	1
1-1/2" X 1-1/4"	M X S	U2312	25
2" X 1-1/2"	M X S	U2315	10
1/2" X 3/4"	M X F	U2357	1



U2211 S X M



U2311 M X S



U2357 M X F

Male Slip x Insert Adapters

1"	INS X MS	U7908	50
1-1/2"	INS X MS	U7913	25



U7913

Female Adapters



Female Adapter

1/2"	S X F	U1205	100	U7305	25		
3/4"	S X F	U1207	50	U7307	25		
1"	S X F	U1210	50	U7310	25		
1-1/4"	S X F	U1212	25	U7312	10	U7519	
1-1/2"	S X F	U1215	25	U7315	10	U7527	10
2"	S X F	U1220	25	U7320	10	U7531	10
2-1/2"	S X F	U1225	10	U7325	5	U7546	5
3"	S X F	U1230	10	U7330	5		
4"	S X F	U1240	5	U7340	5		
5"	S X F	U1250	5				
6"	S X F	U1260	4	U7360	1		
8"	S X F	U1280	4				

Schedule 80 Reinforced Female Adapters



3/4"	F X S	U7308	25
1"	F X S	U7311	25
1-1/2"	F X S	U7316	10
2"	F X S	U7321	10

Schedule 40 Spigot Female Adapters



1-1/2"	SPIGOT X F	U1415	50
2"	SPIGOT X F	U1420	50
3"	SPIGOT X F	U1430	25
6"	SPIGOT X F	U1460	10

Female Reduction Adapters



1/2" X 3/4"	S X F	U2906	1
1" X 3/4"	S X F	U2907	50
3/4" X 1"	S X F	U2908	1

Insert x Slip Adapters



1" X 1"	IN X S	U7910	25
1-1/2" X 1-1/2"	IN X S	U7915	25
2"	IN X S	U7920	25

90° Elbows



90° Slip x Slip

Slip X Slip							
Size	Type	Schedule 40	Pack	Schedule 80	Pack	CPVC	Pack
1/2"	S X S	U1605	50	U6805	25		
3/4"	S X S	U1607	50	U6807	25	U7517	25
1"	S X S	U1610	50	U6810	25		
1-1/4"	S X S	U1612	25				
1-1/2"	S X S	U1615	25	U6815	10	U7535	10
2"	S X S	U1620	25	U6820	10	U7530	10
2-1/2"	S X S	U1625	10	U6825	5	U7545	5
3"	S X S	U1630	10	U6830	5	U7548	
4"	S X S	U1640	5	U6840	5		
5"	S X S	U1650	5	U6850	4		
6"	S X S	U1660	4	U6860	4		
8"	S X S	U1680	3	U6880	2		
10"	S X S	U16100	1	U6881	1		
12"	S X S	U16120	1				



U1606
REDUCING
90°
Elbow

3/4" X 1/2"	S X S	U1606	50	"Slip x Slip Reducing 90° Elbows
2" X 1-1/2"	S X S	U1621	25	



Slip x FPT

Slip x Female Thread							
1/2"	S X FPT	U1905	50				
3/4"	S X FPT	U1907	50	U8207	25		
1"	S X FPT	U1910	50	U8210	25		
1-1/4"	S X FPT	U1912	25				
1-1/2"	S X FPT	U1915	25	U8217			
2"	S X FPT	U1920	10				
2-1/2"	S X FPT	U1925	10				
3"	S X FPT			U8230	5		



FPT x FPT

Female Thread							
Size	Type	Schedule 40	Pack	Schedule 80	Pack	CPVC	Pack
1/4"	FPT X FPT			U7103	25		
1/2"	FPT X FPT	U2105	50	U6405	25		
3/4"	FPT X FPT	U2115	50	U6407	10		
1-1/2"	FPT X FPT	U2117	25	U6415	10		
2"	FPT X FPT	U2120	10	U6420	5		
3"	FPT X FPT			U6430	5		
Male Slip							
1-1/2"	MS X MS	U1617	25				



Male Slip

Sweep Slip 90° Elbows (Schedule 40)			
1-1/2"	S X S	U1615S	50
1-1/2"	S X S	U1620S	50
2-1/2"	S X S	U1625S	30
3"	S X S	U1630S	20

Street Sweep 90° Elbow (Sched 40)			
1-1/2"	S X MS	U1715S	50
2"	S X MS	U1720S	50
2-1/2"	S X MS	U1725S	30
3"	S X MS	U1730S	20



Sweep 90°

90° Street Elbows

1/2"	S X MS	U1705	50		
3/4"	S X MS	U1707	50		
1"	S X MS	U1710	50		
1-1/4"	S X MS	U1712	25		
1-1/2"	S X MS	U1715	25	U6816	10
2"	S X MS	U1720	10	U6821	10
2-1/2"	S X MS	U1725	10		
3"	S X MS	U1730	10	U6831	5
4"	S X MS	U1740	6	U6841	4
6"	S X MS	U1760	2	U6861	1



U1720S
Slip x Male Slip
Sweep



Street 90°
Slip x Male Slip

Slip x Male Thread					
1/2"	S X M	U1805	50		
3/4"	S X M	U1807	50		
1"	S X M	U1810	50		
1-1/4"	S X M	U1812	25		
1-1/2"	S X M	U1815	25		
2"	S X M	U1820	10		



Slip x Male Thread

Female Thread x Male Thread					
1/2"	F X M	U2005	50		
3/4"	F X M	U2007	50		
1-1/2"	F X M	U2015	25		
2"	F X M	U2020	10		



Female Thread
x Male Thread

Female Thread x Female Thread					
1"	F X F	U2116	50		



U2116
Female Thread
x Female Thread

45 Elbow Slip x Slip



U1305

Female Thread



U6315

45 Street Elbow



U1311

22.5 Elbow



U1616

Slip Cross



U3905

45° ELBOWS

Slip x Slip

Size	Type	Schedule 40	Pack	Schedule 80	Pack	CPVC	Pack
1/2"	S x S	U1305	50				
3/4"	S x S	U1307	50	U6907	25		
1"	S x S	U1310	50	U6910	25		
1-1/4"	S x S	U1312	25				
1-1/2"	S x S	U1315	25	U6915	10	U1316	25
2"	S x S	U1320	25	U6920	10	U1321	25
2-1/2"	S x S	U1325	10	U6925	5	U7547	5
3"	S x S	U1330	10	U6930	5	U7550	
4"	S x S	U1340	5	U6940	5		
5"	S x S	U1350	5				
6"	S x S	U1360	4	U6960	4		
8"	S x S	U1380	4	U6980	2		
12"	S x S	U13120	1				

Female Thread x Female Thread

1-1/2"	F x F			U6315	10		
--------	-------	--	--	-------	----	--	--

45° STREET ELBOW

Size	Type	Schedule 40	Pack
1"	S x MS	U1311	50
1-1/2"	S x MS	U1317	25
2"	S x MS	U1322	25
2-1/2"	S x MS	U1327	10
3"	S x MS	U1332	10
4"	S x MS	U1342	5

22.5° ELBOW

Size	Type	Schedule 40	Pack
1-1/2"	S x S	U1616	20
2"	S x S	U1622	10
2-1/2"	S x S	U1626	10
3"	S x S	U1631	5
4"	S x S	U1641	4
6"	S x S	U1661	3

SLIP CROSS

Size	Type	Schedule 40	Pack	Schedule 80
1/2"	S x S x S x S	U3905	50	
3/4"	S x S x S x S	U3907	50	
1"	S x S x S x S	U3910	50	
1-1/4"	S x S x S x S	U3912	25	
1-1/2"	S x S x S x S	U3915	25	U8515
2"	S x S x S x S	U3920	10	U8520
2-1/2"	S x S x S x S	U3925	8	U8525
3"	S x S x S x S	U3930	10	U8530
4"	S x S x S x S	U3940	5	U8540

TEES

Slip x Slip x Slip



45 Elbow Slip x 3

U7105

Size	Type	Schedule 40	Pack	Schedule 80	Pack	CPVC	Pack
1/2"	S x S x S	U2505	50	U7105	25		
3/4"	S x S x S	U2507	50	U7107	25		
1"	S x S x S	U2510	50	U7110	25		
1-1/4"	S x S x S	U2512	25				
1-1/2"	S x S x S	U2515	25	U7115	10	U7528	10
2"	S x S x S	U2520	25	U7120	10	U7533	10
2-1/2"	S x S x S	U2525	10	U7125	5	U7542	5
3"	S x S x S	U2530	10	U7130	5		
4"	S x S x S	U2540	5	U7140	5		
5"	S x S x S	U2550	4				
6"	S x S x S	U2560	4	U7160	4		
8"	S x S x S	U2580	2	U7180	2		
10"	S x S x S	U25100	1				
12"	S x S x S	U25120	25				

Slip x Slip x Female Thread



Slip x Slip x FT

U2705

Size	Type	Schedule 40	Pack	Schedule 80	Pack	CPVC	Pack
1/2"	S x S x F	U2705	50				
3/4"	S x S x F	U2707	50				
1"	S x S x F	U2710	50				
1-1/4"	S x S x F	U2712	25				
1-1/2"	S x S x F	U2715	25				
2"	S x S x F	U2720	10				

Female Thread x 3



U4705

Female Thread x Female Thread x Female Thread

Size	Type	Schedule 40	Pack	Schedule 80	Pack	CPVC	Pack
1/4"	F x F x F			U7102	25		
1/2"	F x F x F	U7405	50				
1-1/2"	F x F x F	U2815	25	U8418	10		
3"	F x F x F			U8430	5		

REDUCING TEES

Slip x Slip x Slip

Reducing Tees
Slip x Slip x Slip



U2615

Size	Type	Schedule 40	Pack	Schedule 80	Pack	CPVC	Pack
1-1/2" x 1-1/2" x 1/2"	S x S x S	U2615	25				
1-1/2" x 1-1/2" x 3/4"	S x S x S	U2617	25				
1-1/2" x 1-1/2" x 1"	S x S x S	U2619	25	U7116	10		
1-1/2" x 1-1/2" x 1-1/4"	S x S x S	U2618	25				
1-1/2" x 1-1/2" x 2"	S x S x S	U2420	25				
2" x 2" x 3/4"	S x S x S	U2620	10				
2" x 2" x 1"	S x S x S	U2621	10	U7121	10		
2" x 2" x 1-1/2"	S x S x S	U2622	10	U7131	10		
2" x 2" x 1-1/4"	S x S x S	U2623	10				

Reducing Tees Continued on the next page

REDUCING TEES (Continued)

Slip x Slip x Slip

Reducing Tee
Slip x Slip x Slip



U2628

Size	Type	Schedule 40	Pack	Schedule 80	Pack	CPVC	Pack
2-1/2" x 2-1/2" x 1-1/2"	S x S x S	U2628	10	U7133	5		
2-1/2" x 2-1/2" x 2"	S x S x S	U2629	10				
3" x 3" x 1"	S x S x S	U2630	10				
3" x 3" x 1-1/2"	S x S x S	U2631	10				
3" x 3" x 2"	S x S x S	U2632	10	U7132	5		
4" x 4" x 1-1/2"	S x S x S	U2641	5				
4" x 4" x 2"	S x S x S	U2642	5	U7142	5		
4" x 4" x 3"	S x S x S	U2643	5				
5" x 5" x 2"	S x S x S	U2650	5				
6" x 6" x 2"	S x S x S	U2662	5				
6" x 6" x 3"	S x S x S	U2663	5	U7163	5		
6" x 6" x 4"	S x S x S	U2664	5	U7164	5		
8" x 8" x 3"	S x S x S			U7184	1		
8" x 8" x 4"	S x S x S	U2684	2				
8" x 8" x 6"	S x S x S	U2686	2	U7186	2		

Slip x Slip x
Female Thread



U2733

Slip x Slip x Female Threaded

Size	Type	Schedule 40	Pack	Schedule 80	Pack	CPVC	Pack
1-1/2" x 1-1/2" x 1/2"	S x S x F	U2733	25				
1-1/2" x 1-1/2" x 3/4"	S x S x F	U2734	25				
2" x 2" x 1/2"	S x S x F	U2735	10				
2" x 2" x 3/4"	S x S x F	U2736	10				
4" x 4" x 1-1/2"	S x S x F	U2740	5				

Saddle Tee



U2967

SADDLE TEES

Size	Type	Schedule 40	Pack
8" x 1-1/2"	S x S	U2967	5
3" x 2"	S x S	U2753	10
4" x 2"	S x S	U2754	10
5" x 2"	S x S	U2758	6
6" x 2"	S x S	U2760	5
8" x 2"	S x S	U2780	5
10" x 4"	S x S	U27104	1
2" x 1/2"	S x S x F	U2950	5
2-1/2" x 2"	S x S x F	U2955	5
3" x 3/4"	S x S x F	U2956	5
3" x 2"	S x S x F	U2960	5
4" x 3/4"	S x S x F	U2961	5
4" x 2"	S x S x F	U2965	5
6" x 2"	S x S x F	U2970	5

WYE FITTINGS

Size	Type	Schedule 40	Pack
1/2"	S x S x S	U3205	25
3/4"	S x S x S	U3207	20
1"	S x S x S	U3210	20
1-1/2"	S x S x S	U3215	20
2"	S x S x S	U3220	10
2-1/2"	S x S x S	U3225	4
3"	S x S x S	U3230	5
4"	S x S x S	U3240	4
6"	S x S x S	U3260	3
8"	S x S x S	U3280	1

WTE Fitting



U3210

REDUCER BUSHINGS

Slip x Slip

Reducer Bushing
Slip x Slip



U3402

Size	Type	Schedule 40	Pack	Schedule 80	Pack	CPVC	Pack
1/2" x 3/8"	S x S	U3402	100				
3/4" x 1/2"	S x S	U3405	100				
1" x 1/2"	S x S	U3407	100	U7408	25		
1" x 3/4"	S x S	U3410	100	U7411	25		
1-1/4" x 1/2"	S x S	U3412	25				
1-1/4" x 3/4"	S x S	U3413	25				
1-1/4" x 1"	S x S	U3414	25				
1-1/2" x 1/2"	S x S	U3415	25				
1-1/2" x 3/4"	S x S	U3417	25				
1-1/2" x 1"	S x S	U3418	25	U7415	10		
1-1/2" x 1-1/4"	S x S	U3419	25				
2" x 1"	S x S	U3420	10	U7421	10		
2" x 1/2"	S x S	U3421	10	U7426	10		
2" x 1-1/4"	S x S	U3422	10				
2" x 3/4"	S x S	U3423	10	U7419	10		
2" x 1-1/2"	S x S	U3425	25	U7425	10	U7534	10
2-1/2" x 1"	S x S	U3426	10				
2-1/2" x 1-1/2"	S x S	U3427	10				
2-1/2" x 2"	S x S	U3429	10	U7428	10		
3" x 1-1/2"	S x S	U3430	10				
3" x 1"	S x S	U3431	10	U7431	5		
3" x 2"	S x S	U3432	10	U7432	5		
3" x 2-1/2"	S x S	U3435	10	U7435	5		
4" x 2"	S x S	U3442	5	U7442	5		
4" x 3"	S x S	U3443	5	U7443	5		
4" x 2-1/2"	S x S	U3445	5				
5" x 2"	S x S	U3452	5				
5" x 3"	S x S	U3453	5				
5" x 4"	S x S	U3454	4	U7454	1		
6" x 2"	S x S	U3462	5	U7462	5		
6" x 3"	S x S	U3463	5	U7463	5		
6" x 4"	S x S	U3464	5	U7464	5		
6" x 5"	S x S	U3465	5				
8" x 4"	S x S	U3484	5				
8" x 6"	S x S	U3486	5	U7486	5		

Reducer Bushings Continued on the next page

REDUCER BUSHINGS (Continued)

Size	Type	Schedule 40	Pack	Schedule 80	Pack	CPVC	Pack
10" x 6"	S x S	U3490	2				
10" x 8"	S x S	U3492	4				
12" x 8"	S x S	U3494	2	U7490	2		
12" x 10"	S x S	U3496	2				

Slip x Female Thread

Size	Type	Schedule 40	Pack	Schedule 80	Pack	CPVC	Pack
1-1/4" X 1/2"	S x F	U4001	25				
1/2" X 1/8"	S x F	U4003	100				
1/2" X 1/4"	S x F	U4005	100				
3/4" X 3/8"	S x F	U4006	10				
3/4" X 1/4"	S x F	U4007	50	U7407	1		
1/2" X 3/8"	S x F	U4008	100				
3/4" X 1/2"	S x F	U4009	100				
1" X 1/2"	S x F	U4010	100	U7408	25		
1" X 3/4"	S x F	U4011	100	U7412	25		
1-1/4" X 3/4"	S x F	U4012	25				
1-1/4" X 1"	S x F	U4013	25				
1-1/2" X 1/2"	S x F	U4014	25				
1-1/2" X 3/4"	S x F	U4015	25	U7410	10	U7540	10
1-1/2" X 1"	S x F	U4017	25			U7537	10
2" X 1/2"	S x F	U4018	10	U7426	10		
1-1/2" X 1-1/4"	S x F	U4019	25				
2" X 1-1/2"	S x F	U4020	10				
2" X 3/4"	S x F	U4021	10	U7427	10		
2" X 1"	S x F	U4022	10	U7429	10		
2" X 1-1/4"	S x F	U4023	10				
2" X 1-1/2"	S x F	U4000	25	U7420	10		
2-1/2" X 1-1/2"	S x F	U4024	10				
2-1/2" X 2"	S x F	U4025	10				
3" X 1-1/2"	S x F			U7513	1		
3" X 2"	S x F	U4029	10				
3" X 2-1/2"	S x F	U4030	10				
4" X 1-1/2"	S x F	U4039	10				
4" X 2"	S x F	U4040	5				
4" X 3"	S x F	U4042	5				
5" X 4"	S x F	U4050	5				
6" X 4"	S x F	U4060	5				

Reducer Bushing
Slip x Female Thread

U3402

Reducer Bushings Continued on the next page

REDUCER BUSHINGS (Continued)

Male Thread x Female Thread

Reducer Bushing
Male x Female Thread



U4101

Size	Type	Schedule 40	Pack	Schedule 80	Pack	CPVC	Pack
1/4" X 1/8"	M x F	U4101	10				
3/8" X 1/4"	M x F	U4103	50				
1/2" X 1/8"	M x F	U4104	10				
1/2" X 1/4"	M x F	U4105	50				
1" X 1/2"	M x F	U4106	50				
3/4" X 3/8"	M x F	U4107	50				
1/2" X 3/8"	M x F	U4108	50				
3/4" X 1/4"	M x F	U4109	50				
3/4" X 1/2"	M x F	U4110	50				
1" X 3/4"	M x F	U4111	50				
1-1/4" X 3/4"	M x F	U4112	25				
1-1/4" X 1"	M x F	U4113	25				
1-1/2" X 1/2"	M x F	U4114	25				
1-1/2" X 3/4"	M x F	U4115	25				
1-1/2" X 1"	M x F	U4117	25				
1-1/2" X 1-1/4"	M x F	U4119	25				
2" X 1-1/2"	M x F	U4120	10				
2" X 1"	M x F	U4121	10				
2" X 1-1/4"	M x F	U4122	10	U7422	10		
2-1/2" X 2"	M x F	U4125	10				
3" X 2"	M x F	U4130	5				
3" X 2-1/2"	M x F	U4131	10				

Standard Nipple



U3107

Close Nipple



U3114

NIPPLES

Size	Type	Schedule 40	Pack	Schedule 80	Pack	CPVC	Pack
1/8" x 3"	M x M			U3102	25		
1/8" x 3"	M x M			U3107	25		
1/4" x 1-1/2"	M x M			U3109	25		
1/4" x CLOSE	M x M			U3110	25		
1/4" x 3"	M x M			U3111	25		
1/4" x 6"	M x M			U3112	25		
3/8" x CLOSE	M x M			U3113	25		
1/2" x CLOSE	M x M			U3114	50		
1/2" x 3"	M x M			U3115	50		
1/2" x 6"	M x M			U3116	50		
3/4" x 3"	M x M			U3117	50		

Nipples Continued on the next page

NIPPLES (Continued)



U3118



U3149

Size	Type	Schedule 40	Pack	Schedule 80	Pack	CPVC	Pack
3/4" x CLOSE	M x M			U3118	50		
3/4" x 6"	M x M			U3119	50	U7560	25
1" x CLOSE	M x M			U3120	50		
1" x 3"	M x M			U3121	50		
1" x 6"	M x M			U3123	50		
1-1/4" x 3"	M x M			U3125	25		
1-1/4" x 6"	M x M			U3127	25		
1-1/2" x CLOSE	M x M			U3129	25		
1-1/2" x 3"	M x M			U3131	25		
1-1/2" x 6"	M x M			U3133	25	U7565	25
1-1/2" x 12"	M x M			U3135	25	U7566	25
2" x CLOSE	M x M			U3136	10		
2" x 3"	M x M			U3137	10		
2 x 6"	M x M			U3139	10	U7538	10
2" x 12"	M x M			U3141	15	U7539	15
2-1/2" x 6"	M x M			U3143	5		
2-1/2" x 12"	M x M			U3145	10		
3" x 3"	M x M			U3146	5		
3" x 6"	M x M			U3147	5		
3" x 12"	M x M			U3149	5		
4" x CLOSE	M x M			U3150	5		
4" x 6"	M x M			U3151	5		
4" x 12"	M x M			U3153	5		

Slip Caps



U3005

Threaded Caps



U3305

SLIP CAPS

Size	Type	Schedule 40	Pack	Schedule 80	Pack
1/2"	S	U3005	100		
3/4"	S	U3007	100	U8307	25
1"	S	U3010	50		
1-1/4"	S	U3012	25		
1-1/2"	S	U3015	25		
2"	S	U3020	25		
2-1/2"	S	U3025	10		
3"	S	U3030	10		
4"	S	U3040	5	U8340	5
5"	S	U3050	5		
6"	S	U3060	5		
8"	S	U3061	4		

THREADED CAPS

Size	Type	Schedule 40	Pack	Schedule 80	Pack
3/8"	F	U3303	25	U3303	25
1/2"	F	U3305	100		
3/4"	F	U3307	100		
1"	F	U3310	50		
1-1/4"	F	U3312	25		
1-1/2"	F	U3315	25		
2"	F	U3320	10	U8320	10
2-1/2"	F	U3325	10		
3"	F	U3330	10		
4"	F	U3340	5		
6"	F	U3360	6		

Slip Plugs



U3605

Threaded Plugs



U3725

SLIP PLUGS

Size	Type	Item No.	Pack
1/2"	S	U3605	50
3/4"	S	U3607	50
1"	S	U3610	50
1-1/4"	S	U3612	25
1-1/2"	S	U3615	25
2"	S	U3620	10
2-1/2"	S	U3625	10
3"	S	U3630	10
4"	S	U3640	5

THREADED PLUGS

Size	Type	Item No.	Pack
1/2"	M	U3705	50
3/4"	M	U3707	50
1"	M	U3710	50
1-1/4"	M	U3712	25
1-1/2"	M	U3715	25
2"	M	U3720	10
2-1/2"	M	U3725	10
3"	M	U3730	10
4"	M	U3740	5

RISER EXTENSION

Size	Type	Item No.	Pack
3/4"	M x F	U1108	50

Riser Extension



U1108

UL FITTINGS

UL Coupling

Size	Type	Item No.	Pack
1/2"	S x S	O1182	1
3/4"	S x S	O1188	200
1"	S x S	O1193	300

UL Male Adapter

Size	Type	Item No.	Pack
1/2"	S x M	O1181	1
3/4"	S x M	O1187	100
1"	S x M	O1192	500

UL Reducer Bushing

Size	Type	Item No.	Pack
1 x 1/2"	S x S	O1183	1
1 x 3/4"	S x S	O1184	1

UL Sweep Elbow - 45°

Size	Type	Item No.	Pack
3/4"	S x S	O1186	100
1"	S x S	O1191	250

UL Sweep Elbow - 90°

Size	Type	Item No.	Pack
3/4"	S x S	O1185	100
1"	S x S	O1190	250

LIQUID TIGHT FITTINGS

Connector 90° - Liquid Tight

Size	Type	Item No.	Pack
1/2"	M x Slip	O1163	100
3/4"	M x Slip	O1176	1

Connector Straight - Liquid Tight

Size	Type	Item No.	Pack
1/2"	M x Slip	O1162	500
3/4"	M x Slip	O1174	1

UL Fitting



O1184

Liquid Tight



O1176

INSERT FITTINGS

Coupling

Size	Type	Item No.	Cs. Qty
1/2"	INS x INS	U5005	50
3/4"	INS x INS	U5007	50
1"	INS x INS	U5010	40
1-1/4"	INS x INS	U5012	20
1-1/2"	INS x INS	U5015	25
2"	INS x INS	U5020	10
3"	INS x INS	U5025	10

Coupling



U5012

Male Adp. Comb.



U5520

Elbow 90



U5210

Male Adp. Red Comb.



U5610

Elbow 90 Comb.



U5312

Reducer Tee Comb.



U6210

Reducing Coupling



U5120

Tee



U6009

Female Adapter Comb.



U5720

Tee Comb.



U6311

Male Adapter Combination

Size	Type	Item No.	Cs. Qty
1/2"	INS x M	U5505	50
3/4"	INS x M	U5507	50
1"	INS x M	U5510	40
1-1/4"	INS x M	U5512	20
1-1/2"	INS x M	U5515	20
2"	INS x M	U5520	10
3"	INS x M	U5530	10

Male Adapter Reducer Combination

Size	Type	Item No.	Cs. Qty
1-1/4" x 1-1/2"	M x INS	U5610	10
1-1/2" x 1"	M x INS	U5614	25
1-1/2" x 1-1/4"	M x INS	U5615	20
2" x 1-1/2"	M x INS	U5620	10
1-1/2" x 2-1/2"	M x INS	U5622	10

Reducer Tee Combination

Size	Type	Item No.	Cs. Qty
1-1/4"x1-1/4"x1/2"	INS x INS x F	U6204	10
1-1/2"x1-1/2"x3/4"	INS x INS x F	U6207	5
1-1/2"x1-1/2"x1"	M x INS x F	U6210	5

Reducing Coupling

Size	Type	Item No.	Cs. Qty
1-1/2" x 1-1/4"	INS x INS	U5115	10
2" x 1-1/2"	INS x INS	U5120	10

Tee

Size	Type	Item No.	Cs. Qty
1/2"	INS x INS x INS	U6008	40
3/4"	INS x INS x INS	U6009	25
1"	INS x INS x INS	U6010	20
1-1/4"	INS x INS x INS	U6012	10
1-1/2"	INS x INS x INS	U6015	10
2"	INS x INS x INS	U6020	10

Tee Combination

Size	Type	Item No.	Cs. Qty
1-1/2"x1-1/2"x1-1/2"	INS x INS x M	U6310	5
1-1/2"x1-1/2"x1-1/2"	INS x INS x F	U6311	5

Elbow 90°

Size	Type	Item No.	Cs. Qty
1/2"	INS x INS	U5206	50
3/4"	INS x INS	U5207	50
1"	INS x INS	U5210	25
1-1/4"	INS x INS	U5212	10
1-1/2"	INS x INS	U5215	10
2"	INS x INS	U5220	10

Elbow 90° Combination

Size	Type	Item No.	Cs. Qty
1/2"	INS x M	U5306	25
3/4"	INS x M	U5307	25
1"	INS x M	U5310	10
1-1/4"	INS x M	U5312	10
1-1/2"	INS x M	U5315	10
2"	INS x M	U5320	10
1/2"	INS x F	U5405	50
3/4"	INS x F	U5407	25
1"	INS x F	U5410	25
1-1/2"	INS x F	U5415	10
2"	INS x F	U5420	5

Female Adapter Combination

Size	Type	Item No.	Cs. Qty
1/2"	F x INS	U5708	50
3/4"	F x INS	U5709	30
1"	F x INS	U5710	50
1-1/4"	F x INS	U5712	25
1-1/2"	F x INS	U5715	15
2"	F x INS	U5720	10

Sealants	
Teflon Tape - Large Roll 1/2" x 520"	V1205
Hercules "Grip" 1/2 Pint All Purpose Threaded/Gasket Sealant	S4087
Permatex Teflon 4 oz. Can Threaded Sealant	S4109

PVC Threaded Plugs



V5010

Clean Out Plugs



V5020

Flush Plugs



V5017

Raised Plugs



V5018

PVC Threaded Plugs	
1/4"	V5002
3/8"	V5004
1/2"	V5005
3/4"	V5007
1"	V5010

Clean Out Plugs	
1-1/4"	V5012
1-1/2"	V5015
2"	V5020
3"	V5030
4"	V5040
6"	V5060
8"	V5080

Flush Plugs	
1-1/2" White - No O-Ring	V5016
1-1/2" with O-Ring	V5017
1-1/2" - SP1022B w/Gasket	V5027
1-1/2" Black w/Gasket	V5019
1-1/2" Dark Gray w/Gasket	V5026
2" White - No O-Ring	V5021

Raised Plugs	
1-1/2" w/ O-Ring	V5018
1-1/2" SP1022C w/O-Ring	V5029

Street Tee			
1/4"	M x F x F	V5211	

Threaded 90°			
1/4"	F x F	V5209	

Threaded Cap			
1/8"	F	V5220	
1/4"	F	V5222	

Threaded Tee			
1/4"	F x F x FPT	V5210	

Bleeder Pet Cocks			
1/8" Brass	M x F	V7076	
1/4" Brass	M x F	V7078	
1/4" Plastic	M x F	V7079	

Coupling			
1/4"	F x F	V5335	

Brass Swivel			
3/4"	HOSE x M	V5207	

Bleeder Valve			
1/8" Brass	M	V4650	
1/4" Brass	M	V4651	
1/4" Plastic	M	V4652	

Bleeder Valve



V4651

Brass Plugs		
1/8"	M x SQHD	V5101
1/4"	M x SQHD	V5102
3/8"	M x SQHD	V5104
1/2"	M x SQHD	V5105
3/4"	M x SQHD	V5107
1"	M x SQHD	V5108

Nipple		
1/8" x CLOSE	M x M	V5200
1/8" x 1-1/2"	M x M	V5201
1/4" x CLOSE	M x M	V5202
1/4" x 1-1/2"	M x M	V5203
3/8" x CLOSE	M x M	V5204
1/4" x 3"	M x M	V5206

Reducer Bushing		
1/2" X 1/4"	M x F	V5212
1/2" X 1/8"	M x F	V5213
1/2" X 3/8"	M x F	V5214
1/4" X 1/8"	M x F	V5215
3/4" X 1/2"	M x F	V5216
3/4" X 3/8"	M x F	V5217
3/4" X 1/4"	M x F	V5219

Saddle Tee Clamp	
1-1/2" with 3/4" TAP	H7090
2" with 3/4" TAP	H7095

COPPER FITTINGS

Coupling		
1"	S x S	V2010
1-1/2"	S x S	V2015
2"	S x S	V2020

Elbow - 90°		
1"	F x S	V2110
1-1/2"	F x S	V2115
2"	F x S	V2120

Reducer Bushings		
1-1/2" x 1-1/4"	S x S	V2026
2 x 2-1/2"	S x S	V2025

Female Adapter		
1"	F x S	V1910
1-1/2"	F x S	V1915
2"	F x S	V1920

Male Adapter		
1-1/2"	M x FLO LOCK	U1181
2"	M x FLO LOCK	U1182
1"	M x S	V1810
1-1/2"	M x S	V1815
2"	M x S	V1820

Tees		
1"	S x S x S	
1-1/2"	S x S x S	
2"	S x S x S	

Elbow - 45°		
1"	S x S	
1-1/2"	S x S	
2"	S x S	

Schedule 40 Unions					
Size		Lasco	Spears	Praher	HydroAir
	Type	Item#	Item#	Item#	Item#
1/2"	S X S	U6600	U6625		
3/4"	S X S	U6602	U6627		
3/4"	F X F	U6603			
1"	S X S	U6604	U6629		
1"	F X F	U6605			
1-1/4"	S X S	U6606	U6631		
1-1/2"	S X S			U6608	U6512
1-1/2"	F X F	U6612			
1-1/2"	M X S			U6516	
2"	S X S			U6610	U6513
2"	F X F	U6614			
2"	M X S			U6517	
2-1/2"	S X S		U6618	U6519	
3"	S X S		U6620		
4"	S X S		U6622		

Schedule 80 Unions			
Size		Lasco	Spears
	Type	Item#	Item#
1/2"	S X S	U7706	
3/4"	S X S	U7707	U7708
3/4"	F X F	U7806	
1"	S X S	U7710	U7711
1-1/2"	S X S	U7715	U7716
1-1/2"	F X F	U7815	
2"	S X S	U7720	U7721
2"	F X F	U7820	U7821
2-1/2"	S X S		U7725
3"	S X S		U7731
4"	S X S		U7740

CPVC Unions			
Size	Type	CMP	Lasco
3/4"	M X S	U7570	
1-1/2" Long	M X S	U7572	
1-1/2" Short	M X S	U7573	
1-1/2"	S X S		U6715
1-1/2"	F X F		U6717
2" Long	M X S	U7577	
2" Short	M X S	U7576	
2" Sweep	M X S	U7580	
2"	S X S		U6720
2"	F X F		U6722
1-1/2" X 2"	M X S	U7574	
2" X 3"	M X S	U7578	

Union HI - Temp			
Size	Type		
3/4"	M X S		U7581
1	M X S		U7582
1-1/2"	M X S		U7583
1-1/2" x 2"	M X S		U7584
2"	M X S		U7585
1-1/2" X 2"	M X S	SHORT	U7586

HAYWARD ABS UNIONS			
Size	Type	Item#	Item#
1-1/2"	SOCKET	SP14952S	U7822
1-1/2"	SOCKET	Generic	U7822G
2"	SOCKET	SP14982S	U7828
ABS - UNIONS			
1-1/2"		SP1493	U5550
1-1/2"	M X M	SP1480	U6514
1-1/2"	M X S	SP1484	U6515
1-1/2"	M X S	Generic	U6515G
1-1/2"	MS X MS	SP1481	U6518
1-1/2"	F X F	SP14952	U7816
ABS - UNION CHECK VALVE			
1-1/2"	S X S	SP14461S	V1760
ABS - UNION CONNECTOR PACKS			
1-1/2"		SP1500UNM	U7819
2"		SP1500UNM PAK1	U7823
2"		SP1500UN- PAK2	C1083
ABS UNION ELBOW			
1-1/2"		MIP ENDS - 10" LONG	U6521
CPVC MPT X F-SLIP 2" SWIVEL UNION			U7590

Union Adapter	
1-1/2" (3 Required)	H8369
1-1/2"	N5306
Union Collar	
1-1/2"	N5304



H8369



N5306

Union O-Rings		
3/4"	NEW STYLE	U7799
1"	NEW STYLE	U7800
2"	OLD STYLE	U7802
1-1/2"	NEW STYLE	U7805
2"	NEW STYLE	U7807

PVC CEMENT		
<i>Medium Body</i>		
PVC Cement - 1/4 Pint	24	V1000
PVC Cement - 1/2 Pint	24	V1001
PVC Cement - Pint	24	V1002
PVC Cement - Quart	24	V1003
PVC Cement - Gallon	6	V1005
<i>Heavy Duty</i>		
H.D. Grey PVC Cement - Quart	12	V1004
H.D. Clear PVC Cement - Quart	12	V1008
<i>ABS & All Purpose</i>		
ABS Cement - 1/2 Pint	24	V1007
All Purpose PVC Cement - Pint	24	V1006
Multipurpose PVC Cement - Pint	24	V1012
PVC to Flex Pipe Cement - Quart	12	V1027
<i>Cold Weather</i>		
Polar-Weld PVC Cement - Quart	12	V1022
<i>Blue PVC Cement wet weather application</i>		
Blue PVC Cement - Pint"	24	V1026
Blue PVC Cement - Quart"	12	V1017
Blue PVC Cement - Gallon"	6	V1122



N5304



V1003



V1008



V1027



V1022



V1020

PVC CLEANER

PVC Cleaner - 1/4 Pint	24	V1109
PVC Cleaner - 1/2 Pint	24	V1108
PVC Cleaner - Pint	24	V1110
PVC Cleaner - Quar	12	V1111
PVC Cleaner - Gallon	6	V1112

PVC PRIMER

Purple Primer - Pint	24	V1115
Purple Primer - Quart	12	V1118
Clear Primer - Quart	12	V1114
Pool-Tite Primer - Quart	12	V1020
Pool-Tite Primer - Gallon	6	V1124

RECTOR SEAL

Rector Seal #5 Thread Sealant - Pint	24	V1054
Rector Seal #5 Thread Sealant - Quart	12	V1056
Rector Seal T 2 Plus - Pint	24	V1050
Rector Seal T 2 Plus - Quart	12	V1052
Rector Seal "Better Bubble" - 8 Oz. Leak Locator		V7072

Accessories

Empty Quart Can - New	V1060
Dauber - Replacement	V1065
Dauber - for "CanMate"	V1067
Cement Caddy (Holds 2 Qt. Cans)	V1070

Flanges		
3/4"	V1207	20
1-1/2"	V1215	20
2"	V1220	10
3"	V1230	5
4"	V1240	5
5"	V1250	5
6"	V1260	5
8"	V1280	5
10"	V1281	2
12"	V1282	1

Asahi PVC Wafer Valves	
2"	V1400
2-1/2"	V1402
3"	V1404
4"	V1406
6"	V1410
8"	V1412

Astral PVC Butterfly Valves	
2-1/2"	V1552
3"	V1554
4"	V1556
6"	V1560
8"	V1562
10"	V1564

TVI PVC Wafer Valves	
2"	V1501
2-1/2"	V1502
3"	V1503
4"	V1504
5"	V1504
6"	V1506
8"	V1508
10"	V1510

Flange Gaskets			
1-1/2"	Flange Gasket	3-7/8" Dia.	V1315
2"	Flange Gasket	5-3/4" Dia.	V1320
2-1/2"	Flange Gasket	6" Dia.	V1325
3"	Flange Gasket	6" Dia.	V1330
3"	1/4" Thick Gasket		V1331
4"	Flange Gasket	7-1/2" Dia.	V1340
4"	1/4" Thick Gasket		V1341
5"	Flange Gasket	8-1/2" Dia.	V1350
5"	1/4" Thick Gasket		V1351
6"	Flange Gasket	9-1/2" Dia.	V1360
6"	1/4" Thick Gasket		V1361
8"	Flange Gasket	11-3/4" Dia.	V1380
8"	1/4" Thick Gasket		V1381
10"	Flange Gasket		V1385
12"	Flange Gasket		V1390



V1402 Asahi PVC Wafer Valve



V1552 Astral Butterfly Valve



V1501 TVI Wafer Valve

FLANGE BOLTS & NUTS - Galvanized		
Flange Bolt	5/8" x 3"	V2630
Flange Bolt	5/8" x 3-1/2"	V2635
Flange Bolt	5/8" x 4-1/2"	V2645
Flange Bolt	5/8" x 5"	V2650
Flange Bolt	5/8" x 5-1/2"	V2655
Flange Bolt	5/8" x 6"	V2657
Flange Bolt	5/8" x 7"	V2660
Flat Washer	5/8"	V2680
Nut	5/8"	V2670
Flange Bolt	3/4" x 3"	V2730
Flange Bolt	3/4" x 3-1/2"	V2735
Flange Bolt	3/4" x 5"	V2750
Flange Bolt	3/4" x 5-1/2"	V2755
Flange Bolt	3/4" x 6"	V2760
Flange Bolt	3/4" x 7"	V2736
Flange Bolt	3/4"- 10 x 9"	V2739
Flat Washer	3/4"	V2682
Nut	3/4"	V2672

Flange Bolt Chart				
1-1/2" Flange	Flange to Flange	3" Bolt	V2630	4 ea.
	Flange to Valve	5" Bolt	V2650	4 ea.
2" Flange	Flange to Flange	3" Bolt	V2630	4 ea.
	Flange to Valve	5" Bolt	V2650	4 ea.
2-1/2" Flange	Flange to Flange	3" Bolt	V2630	4 ea.
	Flange to Valve	5" Bolt	V2650	4 ea.
3" Flange	Flange to Flange	3" Bolt	V2630	4 ea.
	Flange to Valve	5" Bolt	V2650	4 ea.
4" Flange	Flange to Flange	3-1/2" Bolt	V2635	8 ea.
	Flange to Valve	6" Bolt	V2657	8 ea.
5" Flange	Flange to Flange	3-1/2" Bolt	V2635	8 ea.
	Flange to Valve	6" Bolt	V2657	8 ea.
6" Flange	Flange to Flange	3-1/2" Bolt	V2735	8 ea.
	Flange to Valve	7" Bolt	V2736	8 ea.
8" Flange	Flange to Flange	5" Bolt	V2750	8 ea.
	Flange to Valve	7" Bolt	V2736	8 ea.

Fiber Tuff Flange

Flange Spigot 3"	V1232
Flange Spigot 4"	V1242
Flange Spigot 6"	U1560
Flange Spigot 8"	V1284

FLANGE BOLTS & NUTS - Stainless Steel		
S.S. Flange Bolt	5/8" x 3"	V2631
S.S. Flange Bolt	5/8" x 3-1/2"	V2636
S.S. Flange Bolt	5/8" x 5"	V2651
S.S. Flange Bolt	5/8" x 5-1/2"	V2656
S.S. Flange Bolt	5/8" x 6"	V2658
S.S. Flange Bolt	5/8" x 7"	V2659
S.S. Flat Washer	5/8"	V2681
S.S. Nut	5/8"	V2671
S.S. Flange Bolt	3/4" x 3"	V2731
S.S. Flange Bolt	3/4" x 3-1/2"	V2737
S.S. Flange Bolt	3/4" x 5"	V2751
S.S. Flange Bolt	3/4" x 5-1/2"	V2756
S.S. Flange Bolt	3/4" x 6"	V2761
S.S. Flange Bolt	3/4" x 7"	V2762
S.S. Flange Bolt	3/4" - 10 x 8"	V2763
S.S. Flat Washer	3/4"	V2683
S.S. Nut	3/4"	V2673

PLASTIC WAFER VALVE - HAYWARD		
3"	V2830	1
4"	V2840	1
6"	V2860	1
8"	V2880	1



BUTTERFLY VALVE EPDM SEALS		
2"	EPDM SEAL	V2802
3"	EPDM SEAL	V2803
4"	EPDM SEAL	V2804
6"	EPDM SEAL	V2806
8"	EPDM SEAL	V2808

DOUBLE UNION BALL			
TRUE UNION - NDS			
Size	Type	Item#	Case Qty
1-1/2"	SLIP X F	V4355	4
2"	S X F	V4352	4
BALL VALVE - TRUE UNION - ASTRAL			
1-1/2"	S X S	V4058	10
2"	S X S	V4060	9
2-1/2"	S X S	V4062	4
3"	S X S	V4064	2
4"	S X S	V4066	1
BALL VALVE - TRUE UNION - PRAHER			
1/2"	S X S	V4073	50
3/4"	S X S	V4075	50
1"	S X S	V4077	40
3/4"	F X F	V4078	10
1"	F X F	V4079	10
1-1/2"	S X S	V4080	20
2"	S X S	V4082	10
2-1/2"	S X S	V4084	4
3"	S X S	V4086	1

Single Union (Single Entry) Ball Valves				
SPEARS				
Size	Jandy	Type	Item#	Cs Qty
1/2"	V4200	S	V4005	10
3/4"	V4202	S	V4007	10
1"	V4204	S	V4010	10
1-1/4"	V4206	S	V4012	6
1-1/2"		S	V4015	5
1-1/2"	V4208	F x S	V4016	5
2"	V4212	S	V4020	5
2-1/2"	V4214			
3"		S	V4031	1



COLONIAL			
1-1/2"	S X S	V4915C	25
NDS			
1-1/2"	S X S	V3115	12
PRAHER			
1-1/2"	S X S	V4915	25
2"	S X S	V4920	17

BALL VALVE - BRASS			
1/4"	THREADED	V4301	24
1/2"	THREADED	V4302	1
1-1/2"	SWEAT	V4304	1
1-1/2"	THREADED	V4305	5
3/4"	THREADED	V4306	8
1"	THREADED	V4308	12
2"	THREADED	V4310	4



BRONZE GATE VALVE		
1/2"	TxT	V1605
3/4"	TxT	V1607
1"	TxT	V1610
1-1/2"	TxT	V1615
2"	TxT	V1620
2-1/2"	TxT	V1625
3"	TxT	V1630
4"	TxT	V1640
1"	C x C	V1510

Hose Bibs—MPT	
1/2" Brass	F2173
3/4" Brass	F2174
3/4" Plastic	F2151





SLICE VALVE - VALTERRA		
1-1/2"	S X S	V4360G
1-1/2"	"MPT X FPT Black"	V4361
2"	S X S	V4362G
3"	S X S	V4367
4"	S X S	V4368






Shower Valves	
ANTI-SCALD SHOWER VALVE	V1530
BRASS PULL CHAIN SHOWER VALVE	V1535



Lo-Torque PVC Ball Valves			
1/2" Lo-Torque Ball Valve	S x S	V4343	
3/4" Lo-Torque Ball Valve	S x S	V4344	
1" Lo-Torque Ball Valve	S x S	V4345	
1-1/2" Lo-Torque Ball Valve	S x S	V4347	
2" Lo-Torque Ball Valve	S x S	V4348	
3/4" Lo-Torque Ball Valve	T x T	V4336	

Compact PVC Utility Valves (Light Duty)			
1/2"	Compact Utility Ball Valve	V4138	
3/4"	Compact Utility Ball Valve	V4130	
1"	Compact Utility Ball Valve	V4132	
1-1/4"	Compact Utility Ball Valve	V4134	
1-1/2"	Compact Utility Ball Valve	V4136	
2"	Compact Utility Ball Valve	V4139	

Non-Union Ball Valves					
1/2"	Harvard PVC Ball Valve	S x S	V6600		
3/4"	Harvard PVC Ball Valve	S x S	V6602		
1"	Harvard PVC Ball Valve	S x S	V6604		
1-1/4"	Harvard PVC Ball Valve	S x S	V6606		
1-1/2"	Harvard PVC Ball Valve	S x S	V6608		
2"	Harvard PVC Ball Valve	S x S	V6610		
3/4"	Jandy Non-Union Ball Valve		V4207		
1"	Jandy Non-Union Ball Valve		V4210		
1-1/2"	Jandy Non-Union Ball Valve		V4215		
2"	Jandy Non-Union Ball Valve		V4220		

Hayward Ball Valves					
	1-1/2"	Hayward PVC Ball Valve	SP0722S	S x S	V4111
	2"	Hayward ABS Ball Valve	SP0724S	S x S	V4103
	1-1/2"	Hayward Diverter Valve (Perflex)	SP0727		V4114
	1-1/2"	Hayward ABS Ball Valve	SP0723	MPT x FPT	V4118
	1-1/2"	Hayward ABS Ball Valve	SP0723S	MPT x Slip	V4117
	1-1/2"	Hayward ABS Trimline Ball Valve	SP0722	FPT	V4128
	1-1/2"	Hayward ABS Ball Valve	SP0729	MPT x M Insert	V4532
	1-1/2"	Deluxe 4-Way Ball Valve	SP0735S	S x S x S	V4125
	1-1/2"	Dial-A-Flo 3-Way Valve	SP0733SM	SKT w/Male Nipple	V4126

PVC Pipe Extenders	
Size	Item#
1/2"	U8692
3/4"	U8693
1"	U8694
1-1/4"	U8699
1-1/2"	U8695
2"	U8696
2-1/2"	U8700
3"	U8697
4"	U8698



PVC Pipe Couplers	
Size	Item#
1"	U8723
1-1/2"	U8725
2"	U8727
3"	U8690
4"	U8689



Snap On Seals	
Size	Item#
3/4"	U8682
1"	U8683
1-1/2"	U8686
2"	U8687
2-1/2"	U8688



Compression Couplings		
Size	Type	Item#
1/2"	S X S	U4205
1"	S X S	U4210
1-1/4"	COMP X COMP	U4212
1-1/2"	COMP X COMP	U4215
2"	S X S	U4220
2-1/2"	S X S	U4225
3"	S X S	U4230
4"	S X S	U4240
6"	S X S	U4245



Fitting Extenders	
Fits Inside the Fitting	
Size	Item#
3/4"	U8707
1"	U8710
1-1/2"	U8715
2"	U8720
Fits Outside the Fitting	
1-1/2" X 1-1/2"	U8730
2"	U8732
2" x Socket	U8733
2-1/2"	U8734



Compression Union Adapters		
Size	Type	Item#
1-1/2"	COMP X S	U4250
2"	COMP X S	U4252



Kwik Repair Couplings		
Size	Type	Item#
1-1/2" X 1-1/2"	S X S	U4270
2" X 2"	S X S	U4272
1" X 1"	S X S	U4273
3" X 3"	S X S	U4274
2-1/2" X 2-1/2"	S X S	U4275
Kwik Repair Tees		
1-1/2" X 1-1/2" X 1-1/2"	S X S X S	U4277
2" X 2" X 2"	S X S X S	U4278



Mission Couplings for PVC

Size	Item#
3/4"	F1309
1"	F1310
1-1/4"	F1300
1-1/2"	F1301
2"	F1302
3"	F1304
4"	F1308



Quik-Fix Pipe Extenders		
Size	Type	Item#
1-1/2"	S X S	U4216
2"	S X S	U4221
2-1/2"	S X S	U4226
3"	S X S	U4231
4"	S X S	U4241

Waterstop Sleeves	
Size	Item#
1"	N1791
1-1/2"	N1792
2"	N1793
2-1/2"	N1794
3"	N1795



To Protect installation of pipes in Gunite

CLOSED TEST PLUGS		
3/4"	for 3/4" Pipe	V5648
15/16"	for 1" Pipe & 3/4" Fitting	V5650
1-1/4"	for Pipe & 1" Fitting	V5652
1-3/8"	for 1-1/2" MTA/Copper Pipe	V5654
1-1/2"	for 1-1/2" Pipe	V5653
1-5/8"	for 1-1/2" Threads	V5655
1-3/4"	for 1-1/2" Socket	V5651
1-7/8"	for 2" Pipe	V5656
2-1/8"	for 2" Fitting	V5657
2-1/4"	for 2" Socket & 2-1/2" Pipe	V5658
2-1/2"	for 2-1/2" Pipe & Threads	V5659
2-3/4"	for 2-1/2" Socket	V5660
3"	for 3" Pipe & Threads	V5665
3-1/4"	for 3" Socket	V5666
3-1/2"	for 4" Pipe	V5670
4"	for 4" Fitting	V5671



Closed Test Plug
V5656



Open Test Plug
V5620

OPEN TEST PLUGS		
A 1/8" pipe thread & 3/8" hose barb on top allow the introduction of air through 1/4" hole for testing.		
1"	Open Test Plug	V5610
1-1/4"	Open Test Plug	V5612
	<i>Fits Pipe</i>	
1-3/8"	Open Test Plug	V5613
	<i>For Male Adapter</i>	
1-1/2"	Open Test Plug	V5615
1-5/8"	Open Test Plug	V5616
1-7/8"	Open Test Plug	V5620
2-1/8"	Open Test Plug	V5621
2-1/2"	Open Test Plug	V5625
2-3/4"	Open Test Plug	V5630
3"	Open Test Plug	V5635
3-1/2"	Open Test Plug	V5640
4"	Open Test Plug	V5641

Pressure Gauge & Adapter Fits All Valves V5310

Plastic Closed	
1-1/2"	V5416
2"	V5421
3"	V5431
4"	V5441
6"	V5460
8"	V5480
Red Closed	
1-1/4"	V5410
1-1/2"	V5415
2"	V5420
3"	V5430
4"	V5440



V5421



V5502

Tire Valve – Attaches to Open Test Plugs

1/8" FPT x AIR V5645



RUBBER TEST PLUGS	
Rubber Inflatable Test Plug 1-1/2"	V5500
Rubber Inflatable Test Plug 2"	V5502
Rubber Inflatable Test Plug 2.5"	V5500
Rubber Inflatable Test Plug 3"	V5504
Rubber Inflatable Test Plug 4"	V5506
Rubber Inflatable Test Plug 6"	V5508
Rubber Inflatable Test Plug 8"	V5509
Test Pump with Gauge	V5510
Extension Hose - 2'	V5512
Extension Hose - 3'	V5514
Extension Hose - 20'	V5516

Pressure Test Rigs	
Air Pressure Test Manifold with Gauge Attaches to Air Chuck	V5228
Water Pressure Test Manifold with Gauge Attaches to Garden Hose	V5230



V5306



EXPAND & PURGE WINTER PLUGS		
#7 Winter Plug w/ Purge	1-1/4"	V5300
#8 Winter Plug w/ Purge	1-3/8"	V5302
#9 Winter Plug w/ Purge	1-1/2"	V5304
#10 Winter Plug w/ Purge	2"	V5306
#11 Winter Plug w/ Purge	2"	V5308



JANDY VALVES DIVERTER VALVES

NeverLube Jandy Valve



1-1/2" & 2"	2-Way NeverLube Jandy Valve	V4594
2" & 2-1/2"	2-Way NeverLube Jandy Valve	V4592
1-1/2" & 2"	3-Way NeverLube Jandy Valve	V4542
2" & 2-1/2"	3-Way NeverLube Jandy Valve	V4591
	Never Lube Diverter Replacement Kit	V4590

Standard Jandy Valve



1-1/2" & 2"	2-Way Positive Seal Jandy Valve	V4548
2" & 2-1/2"	2-Way Positive Seal Jandy Valve	V4543
1-1/2" & 2"	3-Way Positive Seal Jandy Valve	V4547
2" & 2-1/2"	3-Way Positive Seal Jandy Valve	V4544
	Lube Kit for Positive Seal Valves	H8053

Space Saver Valve

1-1/2" & 2"	Jandy 3-Port Space Saver Valve	F7137
-------------	--------------------------------	-------



Actuator Motor

Actuator Only 24 Volt	JVA 2440	V4578
Micro Switch	JVA 3659	V4529
Pentair #263043 Valve Actuator 90		V4576



HAYWARD PSV DIVERTER VALVES

1-1/2" & 2"	2-Way Hayward PSV2S Valve	V4230
2" & 2-1/2"	2-Way Hayward PSV2S2 Valve	V4232
1-1/2" & 2"	3-Way Hayward PSV3S Valve	V4234
2" & 2-1/2"	3-Way Hayward PSV3S2 Valve	V4236

PENTAIR VALVES



"New" Compool Never Lube Valve

1-1/2" & 2"	2-Way Compool Never Lube Valve (Schd 40)	V3166
2" & 2-1/2"	2-Way Compool Never Lube Valve (Schd 40)	V3156
1-1/2" & 2"	3-Way Compool Never Lube Valve (Schd 40)	V3164
2" & 2-1/2"	3-Way Compool Never Lube Valve (Schd 40)	V3154
	Actuator Motor for Compool Valve	V4731

PRAHER DIVERTER VALVES



1-1/2"	2-Port Perma Seal Valve	V4934
2"	2-Port Perma Seal Valve	V4942
1-1/2"	3-Port Perma Seal Valve	V4935
2"	3-Port Perma Seal Valve	V4940
1-1/2"	3-Port Perma Seal Valve - Unionized	V4925
2"	3-Port Perma Seal Valve - Unionized	V4930
3"	3-Port Perma Seal Valve - Unionized	V4950

CUSTOM MOLDING CHECK VALVES

Spring Check Valve 1" Clear S x S Double Union	V4410
Spring Check Valve 2" Socket or 2-1/1" Spigot	V4455
Spring Check Valve 1-1/2" Socket or 2" Spigot (CR)	V4460
Spring Check Valve 2" Socket or 2-1/2" Spigot (CR)	V4465



JANDY - CPVC CHECK VALVES

1-1/2" & 2"	Jandy Check Valve, High Flow, w/ Clear Top	V4557
2" & 2-1/2"	Jandy Check Valve, High Flow, w/ Clear Top	V4558
1-1/2" & 2"	Jandy 90 Degree Swing Check Valve	V4554
2" & 2-1/2"	Jandy 90 Degree Swing Check Valve	V4559
2-1/2" x 3"	Jandy Check Valve, High Flow, w/ Clear Top	V4560

PVC SWING CHECK VALVES



1/2"	PVC Swing Check Valve	S x S	V4374
3/4"	PVC Swing Check Valve	S x S	V4376
1"	PVC Swing Check Valve	S x S	V4378
	Tru Union Swing Check 1" Clear	S x S	V
1-1/2"	PVC Swing Check Valve	S x S	V3055
1-1/2"	KBI Spring Check Valve Clear w/Unions		V4373
2"	PVC Swing Check Valve	S x S	V3060
3"	PVC Swing Check Valve	S x S	V3065
4"	PVC Swing Check Valve	S x S	V3070
1-1/2"	PVC Swing Check Valve Compression		V1765
2"	PVC Swing Check Valve Compression		V1766
2"	PVC Swing Check Valve Clear	S x S	V3061
3"	PVC Swing Check Valve Clear w/ Unions		V3066
4"	PVC Swing Check Valve Clear w/ Unions		V3071

PVC SPRING CHECK VALVES



1-1/2"	PVC Spring-Loaded Check Valve	S x S	1/2 Lb.	V3010
1-1/2"	PVC Spring-Loaded Check Valve	T x T	1/2 Lb.	V3015
2"	PVC Spring-Loaded Check Valve	S x S	1/2 Lb.	V3020
1-1/2"	PVC Spring-Loaded Check Valve	S x S	2 Lb.	V3000
1-1/2"	PVC Spring-Loaded Check Valve	T x T	2 Lb.	V3005+
2"	PVC Spring-Loaded Check Valve	S x S	2 Lb.	V3022
	2" In-Line PVC Spring-Loaded Check Valve	S x S	1/2 Lb.	V4370+
	2" In-Line PVC Spring-Loaded Bypass Valve	S x S	5 Lb.	V4372



BRONZE CHECK VALVES

1"	Bronze Check Valve	T x T	V1714
1-1/2"	Bronze Check Valve	T x T	V1715
2"	Bronze Check Valve	T x T	V1720
1-1/2"	Bronze Check Valve	C x C	V1745
2"	Bronze Check Valve	C x C	V1750

PRAHER CHECK VALVES

DOUBLE UNION W/ 2 LB TEFLON
COATED SPRING

1-1/2"	Check Valve	V4948
2"	Check Valve	V4945



*Non-Stock Items
+Limited Stock



LENOX SAWS & BLADES

No Return Policy on All Tools
ITEM NO.

Pipe Saws

- Lenox 12" PVC/ABS Plastic Pipe Saw
- Lenox 18" PVC/ABS Plastic Pipe Saw



- V7036
- V7037

Replacement Blades

- Lenox 12" Replacement Pipe Saw Blade
- Lenox 18" Replacement Pipe Saw Blade

- V7038
- V7039

Reciprocating Blades



- | | | | |
|--------------------------------|---------------------|--------|-------|
| Lenox Reciprocating Blade | (6" x 3/4" x .050) | 10T | V7360 |
| Lenox Reciprocating Blade | (6" x 3/4" x .050) | 14T | V7362 |
| Lenox Reciprocating Blade | (6" x 3/4" x .050) | 24T | V7364 |
| Lenox Reciprocating Blade | (9" x 1" x .042) | 24T | V7356 |
| Lenox Gold Reciprocating Blade | (9" x 7/8" x .062) | 24T | V7358 |
| Lenox Reciprocating Blade | (12" x 3/4" x .050) | 10/14T | V7366 |
| Lenox Reciprocating Blade | (12" x 3/4" x .050) | 6T | V7368 |



Flush Cut Blade Adaptor

- Lenox Flush Cutting Blade Adaptor V7043



Tri-Fold Saw

- Lenox 3-Position Tri Fold Saw V7041

RAMBIT



- | | | |
|--------|--------------------|-------|
| 1/2" | Ram Bit - Complete | V7405 |
| 3/4" | Ram Bit - Complete | V7407 |
| 1" | Ram Bit - Complete | V7410 |
| 1-1/2" | Ram Bit - Complete | V7415 |
| | Replacement Blade | V7416 |
| 2" | Ram Bit - Complete | V7420 |
| | Replacement Blade | V7421 |
| 3" | Ram Bit - Complete | V7430 |
| 4" | Ram Bit - Complete | V7440 |

INSIDE PIPE CUTTERS

- | | | |
|------------------------|-------------------|-------|
| Inside Pipe Cutter | 1-1/4" to 2" pipe | V7320 |
| Inside Pipe Cutters | | V7335 |
| Blade Only | 1-1/2" to 2" | V7336 |
| Blade Only | 3" to 6" | V7337 |
| Blade Only | 1/2" | V7323 |
| Blade Only | 3/4" | V7322 |
| Blade Only | 1" | V7321 |
| Blade Only | 2" | V7324 |
| Pipe Cutter - L Spring | | V7029 |

PVC WIRE SAWS

- Wire Saw V7208
- Heavy Duty Wire Saw V7209
- Quick Saw Replacement Cable V7211



PVC PIPE CUTTER

- PVC Pipe Cutter Up to 2" V7017
- PVC Pipe Cutter Up to 1-1/4" V7019
- Replacement Blades V7018



HACK SAW

- Hack Saw - MZ208 V7235
- Replacement Blade #110 V7241



TUBING CUTTER

- Up to 2" V7013



UTILITY KNIFE

- With Retractable Blade V7246
- 16 Piece Universal Repl. Blades V7245



NUT DRIVERS

- Nut Driver Set 7 piece 3/16" - 1/2" V7760
- 3/16" Hollow Shaft V7761
- 1/4" Hollow Shaft V7762
- 5/16" Hollow Shaft V7763
- 11/32" Hollow Shaft V7764
- 3/8" Hollow Shaft V7765
- 7/16" Hollow Shaft V7766
- 1/2" Hollow Shaft V7767



DRILL BITS

Spline Shank Quad Style

- Drill Bit 3/4" x 13" V7106
- Drill Bit 3/4" x 18" V7102
- Drill Bit 3/4" x 21" V7108
- Drill Bit 3/4" x 23" V7104
- Drill Bit 7/8" x 13" V7110
- Drill Bit 3/4" x 30" V7105
- Drill Bit 1" x 23-1/2" V7111
- Drill Bit 1" x 23-1/2" SDSMAX V7112



New

SCREWDRIVER

	ITEM NO.
4-In-One Screwdriver	V7030
6-In-One Screwdriver	V7031
Screwholding Flathead Screwdriver	V7032
Screwholding Phillips Screwdriver	V7033

PLIERS

10" Channel Lock Pliers (2" Cap)	V7212
16" Channel Lock Pliers (4-1/4" Cap)	V7214
12" Channel Lock Pliers (GripLock)	V7222
10" Water Pump Pliers	V7215
12" Water Pump Pliers	V7220
7" Locking Pliers (Vise-gip)	V7729
8" Channel Lock Groove Joint Pliers	V7730
9" Side Cutting Pliers	V7217
8" Longnose Pliers	V7218



RAIL PULLER


Lift Rail Out of Socket	V7210
-------------------------	-------

CLEAN-OUT PLUG REMOVER

Clean-Out Plug Remover	V7090
Steel wrench - 30" long	
Hydrostatic Valve Wrench	V7305
<i>Use w/V7090 to Remove Hayward SP1056</i>	



LID REMOVING TOOLS

	Dura-Grip Wrench	N1198
	<i>Multipurpose Lid Opening Tool. Fits Hayward, Pac-Fab, Sta-Rite & More</i>	
	Hayward SP-3100-T	K4427
	Sta-Rite Lid Wrench	V7089
	Dura Glas Pump Lid Wrench	K3258

EYEBALL SEAT REMOVER



ADJUSTABLE STRAP WRENCH



HEATER ELEMENT WRENCH



SPANNER WRENCH for Flo Control Fittings



1-1/2"	Flo Spanner Wrench	U4255
2"	Flo Spanner Wrench	U4260

PIPE TAPS



		ITEM NO.
1/8"	Pipe Tap	V7370
5/16"	Pipe Tap	V7240
1/4"	Pipe Tap	V7372
3/8"	Pipe Tap	V7373
1/2"	Pipe Tap	V7374
3/4"	Pipe Tap	V7376
1"	Pipe Tap	V7378
1/4"	Drill Tap/Combo	V7385

WINGMASTER PLUS

All-in-one tool for pool technicians

Wingmaster Plus Tool	V7224
Wingmaster Plus Service Kit	V7225
Wingmaster Anchor Shell	V7223
Wingmaster Plus Wood Anchor	V7227
Wingmaster Wing Bar	V7231
Wingmaster Plus Radius Template	V7237
Wingmaster Pipe Deburr Tool	V7238
Wingmaster "JS" Hardened Tool	V7242
Wingmaster "CN" Castle Nut	V7243
Wingmaster "MHK" Hand Knob	V7244
Extractor Kit	
Wingmaster OTRB1.5" Rep Blade	V7248
Wingmaster OTRB 2" Rep Blade	V7249



AQUA WRENCHES

EyeBall Seat Removal Tool	V7300
Polaris/Letro UWF Removal Tool	V7302
Hydro Static Valve Removal Tool	V7304



ACID DRUM WRENCH



V7073
V7070

CARBOY CAP WRENCH

V7074

ALLEN WRENCH

1/8" Tee Handle	V7080
-----------------	-------



IMPELLER WRENCHES

Open Impeller Wrench	V7205
Closed Impeller Wrench	V7206



IMPELLER WEDGE

Impeller Wedge	V7204
<i>Designed especially for spa booster pumps</i>	

SHAFT SEAL TOOL

Sta-Rite Shaft Seal Tool	K3240
Pool Tool #100 Shaft Puller	V7203

MAIN DRAIN MAT

V7202

DIVERSITECH MULTIMETER DIGITAL UL-LISTED	V7014
DIVERSITECH UV POCKET LIGHT WITH ROTATING MAGNETIC CLIP	V7016
AMERICAN GRANBY #413-8 STOP KEY 8'	V7100
AMERICAN GRANBY #HK400 FOUR WAY KEY	V7101
PRO PLUS WIRE STRIPPERS 10-18AWG	V7219
50' X 0.175 FIBERGLASS FISHTAPE	V7221
BASIC ELECTRICAL TESTING 3PC. KIT	V7229
5 PIECE COMBO WRENCH SET-STANDARD 3/8", 7/16", 1/2", 9/16", 5/8"	V7727
5 PIECE COMBO WRENCH SET- METRIC 8mm, 10mm, 12mm, 14mm, 17mm	V7728
6-IN-ONE SCREW DRIVER GENERIC	V7732
15-IN-ONE RATCHETING SCREW DRIVER	V7733
DETAIL BRUSH 3pcs. BRASS, STEEL & NYLON W/PLASTIC HANDLE	V7735
WIRE BRUSH STAINLESS STEEL	V7736
TAPE MEASURE 33' X 1-1/4" WIDE EXTRA HEAVY DUTY RUBBER CASE	V7737
JUMPER CABLE 12' / 10 GAUGE	V7740
EXTENSION CORD HEAVY DUTY 50' 12/3	V7745
EXTENSION CORD HEAVY DUTY 50' 12/3 LIGHTED END	V7746
CLEANING CLOTHS 3 PACK 100% COTTON 14" X 17" TERRY CLOTH	V7750
CLEANING RAGS RED SHOP TOWEL 10pk 10 PACK 12" X 14" 100% COTTON	V7751
IDS EXTERNAL BULKHEAD WRENCH FITS-TRITON FILTER	V7550
IDS INTERNAL BULKHEAD NUT WRENCH FITS-TRITON FILTER	V7555
IDS UNI-THERM PLUG WRENCH FOR MASTERTEMP/MAXE-THERM/RAYPAK CAPR.	V7560
VAL-PAK WRENCH FOR POLARIS WALL- FITTING/EYEBALL #V50-008	V7577
VAL-PAK WRENCH PUMP LID REMOVAL FOR DURA-GLAS/MAX-E-GLAS #V26-007	V7578
VAL-PAK WATER PRESSURE GUN GREEN-ALGAE CLEANING TOOL #V50-004	V7579
VAL-PAK BRASS MANUAL AIR RELIEF ASSEMBLY HEAVY DUTY #V20-230	V7580
VAL-PAK BRASS BULKHEAD ASSEMBLY 2" HEAVY DUTY FITS PENTAIR #V38-060	V7582
FLAT BUNGEE STRAPS SET CONTAINS: 2 PC X 12" AND 1 PC OF EACH: 15",25",35",45"	EE1060
STRETCH CORD ASST. 25 PK CONTAINS: 4 PC-36" 6 PC-24" 6 PC-18" 9 PC-12"	EE1061

ANODES

CMP SACRIFICAIL ANODE 2" IN-LINE W/4' COPPER GROUND WIRE	V7178
POOL TOOL ANODE 2" W/SPIGOT ADAPT. ZINC ANODE FITS 2" FITTING	V7179
POOL TOOL ANTI-ELECTROLYSIS 1-1/2" IN-LINE ZINC ANODE	V7189
POOL TOOL ANODE REPL KIT IN-LINE ANTI-ELECTROLYSIS ZINC ANODE	V7190
SACRIFICIAL ANODE FOR LIGHT/NICHE W/ BONDING SCREW TN-LT	V7192
SACRIFICIAL ANODE SKIMMER WEIGHT TN-SK	V7193
SACRIFICIAL ANODE - LADDER (PAIR) PROTECTS LADDER TN-LD	V7194
SACRIFICIAL ANODE IN-LINE 2" TN-IL-20	V7196
SACRIFICIAL ANODE IN-LINE TEE 2"or 1-1/2 TN-IL	V7197
POOL TOOL ANTI-ELECTROLYSIS ZINC ANODE	V7198
POOL TOOL ANTI-ELECTROLYSIS 2" NEW INSTALL IN-LINE ZINC ANODE	V7199
POOL TOOL #104-A ANTI-ELECTROLYSIS BASKET WEIGHT	V7213

TROWELS & FLOATS

No Return Policy on All Tools

Pool Trowels
with California Handles



Margin Trowel
Grout & Tile Floats
Hardwood Handle & Metal Back



		ITEM NO.
3" x 10"	Stainless Steel Pool Trowel	V7000
3-1/2" x 12"	Stainless Steel Pool Trowel	V7001
4" x 14"	Stainless Steel Pool Trowel	V7002
4" x 16"	Stainless Steel Pool Trowel	V7003
5" x 18"	Stainless Steel Pool Trowel	V7004
3" x 10"	Blue Steel Pool Trowel	V7008
4" x 10"	Blue Steel Pool Trowel	V7009
5" x 18"	Blue Steel Pool Trowel	V7010
4" x 16"	Blue Steel Trowel	V7020
2" x 5"	Margin Trowel	V7005
9-1/2" x 4" x 5/8"	Fine Rubber Float	V7006
	Grout Clean-up Scrubber	V7290

LEAK DETECTION



Dye Tester Syringe

Tester Syringe with - Dark Blue Color	V4912
Anderson 8oz Dye Refill Blue	V4911
Tester Syringe with Fluorescent Color	V4914
Anderson 8oz Refill - Florescent Color	V4913

Uranine Dye

Water Circulation & Leak Test	1 Lb. Jar	V4902
-------------------------------	-----------	-------

Leak Detector #151

Red Dye	V4905
Replacement Solution for Leak Detector	V4910

Rectorseal "Better Bubble"

Gas Line Leak Detector	V7072
------------------------	-------

Geophone

Leak Finding Stethoscope w/Case	V7082
---------------------------------	-------

Electronic Geophone XLT-17

V7083*

**Special Order Item*



ELECTRICAL TAPE

Roll Black Electrical Tape	K5140
----------------------------	-------

DUCT TAPE

Roll Duct Tape	R1085
2" x 60 Yd	24/Case



MASKING TAPE

Roll Masking Tape	R1090
2" x 60 Yd	24/Case



CORD & HOSE HOLDERS

Velcro Strap	F1125
<i>For Carrying Electrical Cord or Vac Hose</i>	
Hose Hugger for Pool & Vacuum	F1126
Power Cord Holder - Up to 200'	O1198



HOSE & CORD REEL

Hose & Cord Reel	F1145
------------------	-------



PIPE HANGER

3/4" x 10"	V7280
------------	-------



ACID DRUM SYPHON PUMP

Acid Drum Syphon Pump
Acid Drum Spigot



ITEM NO.
V7055
V7059

AIR COUPLER

1/4" Brass Air Coupler
Male End Only for Coupler

V5336
V5337

CLEANING WAND

Master Blaster Filter Cleaning Wand
Jet Action Cleaning Wand
Attaches to garden hose to clean grids & cartridges



H6026
H6027

DRAIN KING

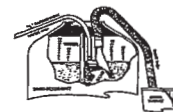
Drain King
for unclogging pipes

V7075

SAND-VAC

*Empties a sand filter in 10 minutes
Both quick & easy. Pays for itself in
labor savings. Fits most brand filters*

H4095



MANOMETER

Dwyer 15" Hydroguage
For testing gas pressure

V7015

O-RING KITS

Aladdin P.R.O. Box 1



S4140

*Box of 36 small O-rings & gaskets w/over
300 applications along w/lube & switches*



Box of 380 O-Rings S4135
Pro Box 1 O-Ring Kit S4140
O-Ring Making Kit S4130

PLASTIC SCOOPS



CMP D.E. Scoop Orange A6049
E-Z Chemical Scoop A6048
D.E. Scoop Hayward H6139
Flat Edge 3 Qt. Scoop V7057

SUCTION MAT

Main Drain Suction Mat V7202

▶▶	SOLAR	FILTER	SPA	SUCTION	PUMP	P O O L F I L L
▶▶	SOLAR	BACKWASH	SPA	RETURN	PUMP	
▶▶	HEATER	FILTER	SPA	PUMP	PUMP	
▶▶	HEAT	BACKWASH	POOL	PUMP	AIR	
▶▶	INTAKE	SKIMMER	POOL	PUMP	TO	
▶▶	FLOOR	SKIMMER	POOL	RETURN	FROM	
▶▶	FLOOR	RETURN	POOL	SUCTION	POOL	
▶▶	CLEANER	RETURN	SPA	BYPASS	SPA	
▶▶	CLEANER	SUCTION	SPA	JETS	SPA	
▶▶	SYSTEM	SUCTION	SLIDE	SPA		
1	2	WATER	FALL	WATER	FEATURE	
					MAIN DRAIN	

PLUMBING LABELS

Easy Identification for your Pool or Spa Plumbing

Complete Set of Plumbing H7146
Layout Labels - Peel & Stick

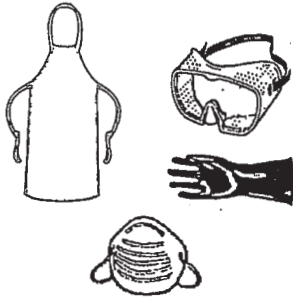
Individual Equipment Labels Each
Large 2" x 3" Size

MAIN DRAIN



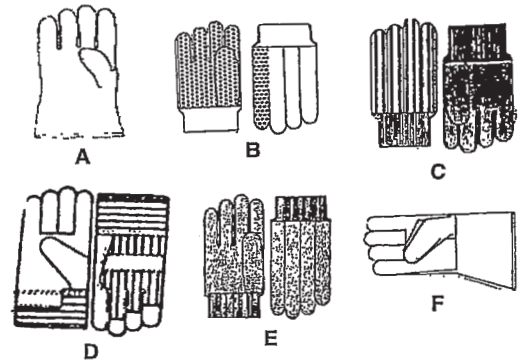
SKIMMER

*Available: "Pool Cleaner", "Backwash", "Main Drain",
"Skimmer", "Vacuum", "Spa" & "Return"*



Chemical Apron	for Handling Hazardous Materials <i>Polyethylene Coated</i>	V7049
Chemical Apron	Neoprene	V7053
Safety Goggles	Clear Safety Goggles <i>Edge Seal Fits with or without Glasses</i>	V7052
Rubber Gloves	for Handling Hazardous Material	V7051
Dust Masks	Disposable Dust Mask (50/Box) NonToxic Dust Mask	V7048 V7058
	3M #8576 Particulate Respirator with Acid Gas Relief	V7050

	ITEM NO.	
A Disposable Latex Gloves (100/Box)	V7086	
B Black Plastic Dot Canvas Gloves	V7088	
C Jersey Work Gloves	V7091	
Lined Jersey Work Gloves	V7094	
Jersey Work Glove/ Red Lined	V7094	
D Light Duty Leather Gloves	V7092	
E H.D. Leather Palm Gloves	V7093	
F H.D. Welder's Gloves	V7095	
Vinyl Palm (Cotton Back) Gloves	Red V7097	Blue V7098
Vinyl Palm Gloves -Blue H. Duty	V7099	
26" Stay Dry Gloves	Large V7045	XL V7046



Knee Pads	Deluxe Knee Pads	V7012
------------------	------------------	-------

Rainsuits



Rainsuit - PVC	2-Piece	Small	V7160
Rainsuit - PVC	2-Piece	Medium	V7162
Rainsuit - PVC	2-Piece	Large	V7164
Rainsuit - PVC	2-Piece	X-Large	V7166
Rainsuit - PVC	2-Piece	XX-Large	V7168
Vinyl Rainsuit 2-Piece		Small	V7140+
Vinyl Rainsuit 3-Piece (Detachable Hood)		Medium	V7141+

+Limited Stock

Hip Boots

Rubber 3/4 Hip Boots	Size 8	V7130+
Rubber 3/4 Hip Boots	Size 9	V7131+
Rubber 3/4 Hip Boots	Size 11	V7133+
Rubber 3/4 Hip Boots	Size 12	V7134+
Rubber 3/4 Hip Boots	Size 13	V7135+


+Limited Stock

Slush Boots

Slush Boot	Size 9	V7188
Slush Boot	Size 10	V7182
Slush Boot	Size 11	V7180
Slush Boot	Size 12	V7184
Slush Boot	Size 13	V7186
Slush Boot	Size 14	V7187



Knee Boots

Size 7	w/White Soles		V7119W
Size 8	w/Black Soles		V7120
Size 8	w/ White Soles		V7120W
Size 9	w/Black Soles		V7121
Size 9	w/ White Soles		V7121W
Size 10	w/Black Soles		V7122
Size 10	w/ White Soles		V7122W
Size 11	w/Black Soles		V7123
Size 11	w/ White Soles		V7123W
Size 12	w/Black Soles		V7124
Size 12	w/ White Soles		V7124W
Size 13	w/Black Soles		V7125
Size 13	w/White Soles		V7125W

Latex Gloves

Disposable Latex Gloves (100/Box) Large	V7086
Disposable Latex Gloves (100/Box) X Large	V7087

ZERON EPOXY PAINT



A one coat epoxy which should last at least 8 years. High solids epoxy covers stains and seals hairline cracks. Smooth surface.

Coverage 125 - 150 Sq. Ft.

HYDROLON WATER BASE ACRYLIC



Acrylic enamel for use on bare concrete or plaster and old rubber base finish. Can be applied to damp surfaces. Two coats required.

Coverage 250 - 300 Sq. Ft.

POXOPRIME II EPOXY PRIMER



For application over unpainted concrete or plaster. Seals surfaces & reduces downtime. Compatible with wet surfaces.

Coverage 200 - 250 Sq. Ft.

WATER-BASED TYPE DS



Dampset can be applied over most pool surfaces. Excellent for pools where downtime is critical. Can be applied to damp surface.

Coverage 350 Sq. Ft.

EPOXY TYPE EP HI BUILD



An epoxy paint designed to provide longest lasting finish of any pool paint. Compatible with other epoxies.

Coverage 125 Sq. Ft.

AQUALUSTER



Topcoats and upgrades existing chlorinated and synthetic rubber systems, water based acrylic paints, and bare concrete or plaster.

Coverage 450 Sq. Ft. on recoats!

Zeron Epoxy Paint

White Zeron	1 Gal. Pail	390	Q1070
White Zeron	4 Gal. Pail	390	Q1081
Bikini Blue	1 Gal. Pail	392	Q1072
Bikini Blue	4 Gal. Pail	392	Q1084
Black	1 Gal. Pail	399	Q1073
Blue Mist	1 Gal. Pail	395	Q1071
Blue Mist	4 Gal. Pail	395	Q1082
Blue Ice	4 Gal. Pail	391	Q1083
Blue Ice	1 Gal. Pail	391	Q1080

Hydrolon Water Base Acrylic

White Hydrolon	1 Gal. Pail	710	Q5010+
Bikini Blue Hydrolon	1 Gal. Pail	713	Q5030+
Black Hydrolon	1 Gal. Pail	717	Q5040+

Poxoprime II Primer

Poxoprime II	1 Gal. Pail	214	Q5001
--------------	-------------	-----	-------

Gunzite Epoxy Primer

Gunzite Epoxy Primer	1 Gal. Pail	216	Q7010
----------------------	-------------	-----	-------

Biturez

Biturez Black Epoxy	1 Gal. Can	965	Q7000
---------------------	------------	-----	-------

Olympic PRIMERS

Undercoat for rough plaster or concrete	1 Gal. Pail	216	Q7010
---	-------------	-----	-------

SOLVENTS

Solvent for Rubber Base	1 Gal. Can	1108	Q6000
Solvent for Epoxy Paint	1 Gal. Can	1109	Q6010
Olympic Prep Magic	1 Gal. ONE STEP CLEAN & ETCH		Q2000

Ramuc Pool Paint

Type DS (Dampset) Water-Base Paint

White	Dampset	1 Gal. Pail	P6011
White	Dampset	5 Gal. Pail	P6511
Dawn Blue	Dampset	1 Gal. Pail	P6028
Dawn Blue	Dampset	5 Gal. Pail	P6528
Black	Dampset	1 Gal. Pail	P6021
Royal Blue	Dampset	1 Gal. Pail	P6029

Type EP Epoxy Paint

White	Type EP	1 Gal. Pail	P3011
Dawn Blue	Type EP	1 Gal. Pail	P3028
Royal Blue	Type EP	1 Gal. Pail	P3029
Black	Type EP	1 Gal. Pail	P3021

Type EP HI BUILD Epoxy Paint

<i>*1-Gallon Kit Makes 2 Gallons</i>		<i>*5-Gallon Kit Makes 10 Gallons</i>	
White	Hi Build	1 Gal. Kit*	P3311
Dawn Blue	Hi Build	1 Gal. Kit*	P3328

AQUALUSTER: ACRYLIC PAINT

Self Priming Topcoat for Virtually All Types of Coatings and Damp Surfaces

Brilliant White	#3011	1 Gal. Pail	P6030
Black	#321	1 Gal. Pail	P6032
Dawn Blue	#328	1 Gal. Pail	P6033
Royal Blue	#329	1 Gal. Pail	P6034
Brilliant White	#3011	5 Gal. Pail	P6529
Dawn Blue	#328	5 Gal. Pail	P6530

ROLLER COVERS

9" Regular Roller Cover 3/4" Nap	ITEM NO. R1015
9" Regular Roller Cover 1/2" Nap	R1016

NON-SKID ADDITIVE

Non-Skid Additive 1Lb. Can	P8620
RAMUC SKID-TEX Non-Skid Additive	P8715
Cotton Canvas Drop Cloth 9' x 12'	R1088
Lamp Black #56434971 Gallon	S4254

WOOD HANDLES

60" Threaded Wood Handle	R1055
60" Threaded Wood Handle w/ Nylon Tip	F5081
60" Threaded Wood Handle w/ Metal Tip	R1060

*Non-Stock Item

SILVER DUCT TAPE

Silver Duct Tape
2" x 60 Yard Roll



ITEM NO.
R1085
Case of 24

MASKING TAPE

Masking Tape
2" x 60 Yard Roll



R1090
Case of 24



CLEAN & PREP SOLUTION

Clean and Prep Solution is used to clean and degrease while simultaneously dissolving mineral deposits, increasing porosity for good adhesion on surfaces prior to painting.

Ramuc Clean & Prep Solution P1517

Pool Plaster & Cement

WHITE POOL PLASTER

High Performance Pool Plaster 80 Lb. Bag
Cement & marble dust pre-mix 10 Bag Lots
Just add water. 42 Bag Lots

ITEM NO.
S4214



MARBLE DUST

Custom ground marble aggregate for hard smooth pool finish that does not require paint, resists staining & is easy to keep clean.

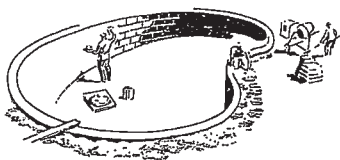
Pool Mix 100 Lb. Bag T8000
Simply mix with white portland cement & water to the right plasticity for plaster. Skid of 30

U.S. Marble 50 Lb. Bag T8005
Skid of 60

White Cemenet 94 Lb. Bag T8020



POOL MIX



SGM- Diamond Brite Exposed Aggregate Pool Finish

Super Blue-	80 Lb. Bag	T8100
Cool Blue-	80 Lb. Bag	T8110
Blue- Quartz	80 Lb. Bag	T8120
Aqua- Quartz	80 Lb. Bag	T8122*
Midnight Blue-	80 Lb. Bag	T8130
Tahoe Blue-	80 Lb. Bag	T8132
Onyx-	80 Lb. Bag	T8138
French Gray-	80 Lb. Bag	T8140
Blue	80 Lb. Bag	T8145

Products Available Through Special Order

CUSTOM BLENDED PLASTER COLORS
Highland Quartz Colors

Mix Ratio For Each Batch: 1 ZipLock Bag to 4 Bags of Cement.
 Sold in 1 Batch ZipLock Bags. 16 or 30 Batches per Box. 18 Boxes Per Pallet

Highland QuartzColors - Quartz Blue	<i>(30 Batches Per Box)</i>	S4218
Highland QuartzColors - Medium Gray	<i>(30 Batches Per Box)</i>	S4219
Highland QuartzColors - Sand Stone	<i>(30 Batches Per Box)</i>	S4220
Highland Colors - Tahoe Blue	<i>(16 Batches Per Box)</i>	S4221
Highland Colors - Caribbean Blue	<i>(30 Batches Per Box)</i>	S4222
Highland Colors - Aqua	<i>(30 Batches Per Box)</i>	S4223
Highland Colors - Black	<i>(16 Batches Per Box)</i>	S4224

Highland Specialites, Inc.
 Dose pack pool plaster colors

Highest quality Automotive grade blues not watered down printers ink.

No more estimated measuring on the job site.

Consistent color in every batch on every job ?

PRICELESS.

Half -batch packaging

Buy only what you need

No loss of preblends that sit unused.

Dose packs = No Waste

www.Plastercolor.com (215)723-6172

Associate Member
**National Plasterers
 COUNCIL**

Thoro Lamp Black - Quartz
Black Color Additive

ITEM NO.
S4253

Multicoat Mulasticoat

Latex based elastomeric waterproofing membrane, can be used to seal and waterproof Ponds, Planters, Foundations, Rock Features, Roofs, etc.

Coverage for two coats is 40-50 Square Ft. per Gallon

1 Gallon Pail	T8034
5 Gallon Pail	T8033



MULTICOAT Scratch Kote Coverage: 180 - 200 Sq. Ft. <i>Used to prep pool wall before plastering. Forms hard, rough textured base coat for solid white coat bond.</i>	65 Lb Bag Skid of 40	T8030
--	-------------------------	-------

SGM Bond Kote
Used to prep pool walls prior to plastering

SGM • Bond Kote Liquid Resin <i>*Use One 5 Gal. Pl. For 2 Bags Of Powder*</i>	5 Gallon	T8141
SGM • Bond Kote Powder <i>*Use Two Bags of Powder per 5 Gal. TB141 Liquid Resin</i>	85 Lb Bag	T8143

TILE & PLASTER REPAIR



Tile Grout & Plaster Repair <i>Waterproof, fast setting white cement compound for repairing tile & plaster</i>	5 Lb. Pail	S4215
--	------------	-------

CONCRETE REPAIR



Concrete Repair <i>Fast setting cement compound for all masonry repairs</i>	5 Lb. Pail	S4217
---	------------	-------



THORO SYSTEM PRODUCTS



Acryl 60

Liquid bonding agent
Improves adhesion
& mechanical properties of cement

PACKING
4 Gal./Case
5 Gal. Pail

ITEM NO.
S4227
S4235



Thoroseal

Waterproofs, seals
& protects concrete finish.

White
Gray

50 Lb Bag
50 Lb Bag

S4233*
S4232*



EMACO GP Same as Thorite

spalled concrete. Molds to Shape

60 Lb Pail

S4250



Waterplug

Seals wall-to-floor joints.
Stops running water instantly

4 x 10 Lb/Case
50 Lb Pail

S4240
S4242

CGM CONCRETE PRODUCTS

Anchor-Tite

For posts & bolts

PACKING
4 x 10 Lb/Case
50 Lb Pail

ITEM NO.
S4045
S4047



Perma-Cement

Rapid setting, durable
cement. Just add water

12 x 3 Lb./Case
4 x 10 Lb./Case
50 Lb. Pail

S4025
S4030
S4035

Perma-Weld

Perma-Weld

Bonds new concrete to old

4 Gal./Case

S4050



Pool Patch

Pool Patch

White patching cement

12 x 3 Lb./Case
4 x 10 Lb./Case

S4264
S4266



Tile Grout

Tile Grout

Will cover 12 Sq. Ft. per Lb.

6 x 5 Lb./Case

S4060

Wet Plug

Hydraulic cement plugs leaks
Aqua Plug FG-NOV

8 x 5 Lb./Case
4 x 10 Lb./Case
50 Lb. Pail

S4041
S4042
S4044

AQUABOND

	ITEM NO.
AB-1000 Potting Compound 50ML	S4099
DM-50 Dispensing Gun for 50 ML Cartridge	S4100
SM-5416 Static Mixer Tips	S4101
Underwater Magic Sealant White 290ml (9.81oz) Tube	S4280
Underwater Magic Mosaic White 2.1oz. Tube	S4286

BOSS SILICONE ADHESIVE & SEALANT

Silicone Adhesive #801 - Neutral Cure	10:3 Oz. Tube	Clear	12/Cs.	S1106
<i>One-part, low odor, non-corrosive, oxime cure adhesive & sealant. Provides excellent adhesion to ceramic tile, spa jets, skimmers, lighting fixtures, plumbing & fiber optic lighting</i>		White	12/Cs.	S1107
Ceramic Tile Grout #804	10:3 Oz. Tube	White	12/Cs.	S1108
Scrubber for cleaning off excess grout				V7290
Sponges				V7292

NOVAGARD RTV SILICONES

Tile Adhesive "Fast Tack" RTV 700	10.3 Oz. Tube	White	24/Cs.	S1068
<i>Adhesive to masonry, rovel, acrylic, fiberglass, ABS, PVC, wood & ceramic</i>				
Tile Grout "Slow Tack" RTV 700	10.3 Oz. Tube	White	24/Cs.	S1069
<i>A slow tack, E-Z Odor, grout, adhesive & sealant</i>				
General Purpose Silicone RTV 700	10.3 Oz. Tube	Clear	24/Cs.	O1266
<i>For sealing jets, skimmers, light fixtures, fiber optic lighting & plumbing</i>				

SILICONE SEALANT

Silicone Sealant	10.3 Oz. Cartridge	Clear	12/Cs.	S1011
		White	12/Cs.	S1013
Silicone Sealant	3 Oz. Tube	Clear	12/Cs.	S1009

VULKEM SEALANTS

For swimming pool decks. Extraordinary adhesion, cohesion, abrasion & tear resistance. Vulkem 45 is suitable for continuous water immersion. One-Part Polyurethane Sealant.

DEPTH OF JOINT	WIDTH OF JOINT						
	1/4"	3/8"	1/2"	5/8"	3/4"	7/8"	1"
1/4"	1	2	2	3	3	4	4
3/8"	2	2	3	4	5	5	6
1/2"	2	3	4	5	6	7	8

APPROXIMATE NUMBER OF CARTRIDGES PER 25 FEET OF JOINT

	ITEM NO.
#45 SSL QT. White Semi Self Leveling	S1015
#45 SSL QT. Grey Semi Self Leveling	S1016
#45 SSL QT. Buff Semi Self Leveling	S1017

Vulkem #116 is a one-part moisture curing, gun grade polyurethane sealant. Offers durable, flexible performance in moving joints. Is suitable for continuous water immersion. High performance elastomer.



Vulkem#116 Gun Grade	11 Oz. Cartridge	White	30/Cs.	S1007
		Grey	30/Cs.	S1008
		Buff	30/Cs.	S1028
		Limestone	30/Cs.	S1010

One-part, low modulus, gun-grade sealant offering excellent performance in moving joints, smooth finish.

SONNEBORN SEALANTS

Moisture-curing high performance polyurethane sealant. For use on concrete & expansion wall joints. Bonds without primer. Excellent flexibility.



Sonneborn NP-1	20 Oz. "Chub"	Alum Grey	20/Cs.	S3000
		Tan	20/Cs.	S3001
		White	20/Cs.	S3002
		Limestone	20/Cs.	S3003
		Stone	20/Cs.	S3004
		Off White	20/Cs.	S3005
		Redwood	20/Cs.	S3006
	Black	20/Cs.	S3007	
Sonneborn NP-1	10.3 Oz. Tube	Alum Grey	30/Cs.	S3010
		Tan	30/Cs.	S3011
		White	30/Cs.	S3012
		Limestone	30/Cs.	S3013
SL-1 Self Level Limestone Quart Tubes				S3016
733 Primer for NP-1 Pint Can				S3020

CHEMICAL LINK

				ITEM NO.
Chem. Link	20 Oz. Sausage	Alum Grey	12 per case	S3050
Chem. Link	20 Oz. Sausage	Tan	12 per case	S3051
Chem. Link	20 Oz. Sausage	White	12 per case	S3052
Chem. Link	20 Oz. Sausage	Limestone	12 per case	S3053
Chem. Link	20 Oz. Sausage	Stone	12 per case	S3054
Chem. Link	10.3 Oz. Cart.	Alum Grey	24 per case	S3060
Chem. Link	10.1 Oz. Cart.	Tan	24 per case	S3061
Chem. Link	10.1 Oz. Cart.	White	24 per case	S3062
Chem. Link	10.1 Oz. Cart.	Limestone	24 per case	S3063
Chem. Link	10.1 Oz. Cart.	Stone	24 per case	S3064
Chem. Link M-1 Marine <i>Structural Adhesive/Sealant</i>	10.1 Oz. Cart.	White		S3090
Chem. Link M-1	5 Oz. Squeeze Tube	White		S3091
Chem. Link Wall Secure	10.1 Oz. Cart.	Tan		S3095

CAULKING GUNS



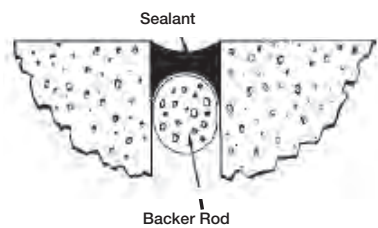
S1023



S1024

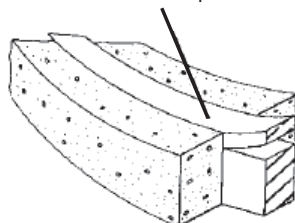
Small Caulking Gun for 11 oz Cartridge	S1023
Large Caulking Gun for Quart Cartridge	S1024
Sausage Caulking Gun for 20 oz Chub	S1061
Nylon Front Cap for Sausage Caulking Gun	S1066
Replacement Plastic Tip for Sausage Caulking Gun	S1067
Blue Pusher Disc for Sausage Caulking Gun	

BACKER ROD



5/8"	Round Foam	.5 Roll	1550 Ft. Roll	S1033
			775 Ft. Roll	S1033
3/4"	Round Foam		1100 Ft. Roll	S1036
1"	Round Foam		600 Ft. Roll	S1045
7/8"	Sof Rod Foam		850 Ft. Roll	S1039
1-1/8"	Sof Rod Foam		500 Ft. Roll	S1042

Remove Tear-off Top



FOAM EXPANSION JOINT

3/8" x 3" Wide Foam	50 Ft. Roll	S1050
3/8" x 4" Wide Foam	50 Ft. Roll	S1055
3/8" x 3" Wide Foam w/ 1/2" Removable Strip	50 Ft. Roll	S1058
3/8" x 4" Wide Foam w/ 1/2" Removable Strip	50 Ft. Roll	S1060

POOL PUTTY & PASTE

			ITEM NO.
Epoxy Bond 2-Part Pool Putty		White	5/Box S4021
Epoxy Bond 2-Part Pool Putty		Black	5/Box S4026
Epoxy Bond Pool Paste	16 Oz.		S4024
A & B Epoxy Putty 2 Part 16 Oz.	16 Oz.	White	S4000
A & B Epoxy Putty 2 Part 16 Oz.	16 Oz.	Black	S4001
LeakMaster Pool Repair Putty- Regular Tube		Each	S4016
LeakMaster Pool Repair Putty - Quick Set		Each	S4014
Permatex Pool Epoxy Stick	4 Oz. Tube	Each	S4072

VINYL PATCH KITS

Peel & Stick Vinyl Patches 1" Pack of 30			S1071
Peel & Stick Vinyl Patches 1-1/2" Pack of 20			S1072
Peel & Stick Vinyl Patches 2" Pack of 12			S1073
Peel & Stick Vinyl Patch Assorted Pack of 4-2", 7- 1-1/2", & 10-1"			S1074
Peel & Stick Vinyl Patch Roll 7" x 24" Roll			S1076
"Wet" Vinyl Patch Kit	2 Oz. Box	24/Box	S1080
Vinyl Adhesive for "Wet" Patch Kit	4 Oz. Can	12/Box	S1090
Vinyl Adhesive for "Wet" Patch Kit	Pint Can	6/Box	S1095
Quick Patch Pool Patch		24/Box	S1100

LEAKMASTER RUBBER SEALER

Permanent all-purpose sealant. Can be applied underwater.

Flexible Rubber Sealer-Blue	4 Oz. Tube	24/Case	S4010
Flexible Rubber Sealer- White	4 Oz. Tube	24/Case	S4012
Stop AQ Inert Visco-Elastic Sealing Compound	.31 Liter Tube	24/Case	S1014

SCHMEAR

"Schmear" Compound for Field Repair <i>(Requires MEK)</i>	White	V1009
	Black	V1010



S4021



S1080



S4010

REPAIR ANYTHING PRODUCT

Mr. Sticky Epoxy Glue

This product is truly amazing and it really works. Regardless of who you are (builder, retailer, mechanic, homeowner, etc.) you should have a tube of this for any type of repair on any type of surface - underwater, wet, dry or cold. Extremely flexible bonds to material by molecular interaction - most glues bond mechanically (on the surface).



- 30 Gram Syringe
- 50 ml Syringe
- Caulking Gun Adapter
- Special Dispensing Gun
- 3/16 Mixing Tip for Special Dispenser

- | | |
|-------|----------------|
| White | ITEM NO. S4305 |
| White | S4310 |
| | S4316 |
| | S4318 |
| | S4314 |

Do it Wet !

Properties

Flexible, Shock Absorbing Bond

Flexibility (stretch%)
Shock Dampening
Flexible Bonds



Flexibility is required for bonds to withstand thermal or mechanical shocks.

Underwater Bonding

Tackiness Underwater
Curing Underwater
Adhering Underwater
PVC Pipe Fittings



Mr. Sticky's® cures and sticks underwater.

PVC Bonding

Shear (PVC bond)
180° Peel (PVC bond)
PVC bond



Forget threading, Mr. Sticky's® even glues PVC fittings to metal pipe !



*Repair Sportsman's items In The Field such as:
Waders, Campers, Decoys, Tackle, Bows, Rifles & Boats!*

Mr. Sticky's will

Mr. Sticky's® is a registered trademark of MSI, Fair Oaks, California

Do it Cold !

Mr. Sticky's® Underwater Glue

Typical Epoxy Glue, Paste or Putty

Excellent (30%)	Poor/Brittle (1-4%)
Excellent	Poor/Brittle
Excellent	Poor/Brittle

Mr. Sticky's® resists bending, shock and vibration failures because it is a flexible bond, not brittle like typical epoxies. It is even recommended to fix inflatable boats and toys!

Very Tacky	Limited to None
Yes	Varies
Yes	Limited/Mechanical Bond

Tested to 1400 psi

Mr. Sticky's® molecular interaction force displaces water then bonds to material. Some epoxies cure underwater, but most only bond mechanically by surrounding object and then hardening.

1800 psi - Strong	Limited - Weak
40 lbs./in	Poor (< 5 lb.)
Very Good	Limited

Mr. Sticky's® bonds PVC to a wide variety of materials. (PVC cement is a solvent and melts PVC together.)

Direct-Bond PVC Fittings to Copper, Galvanized, Black or Old-Rusty Pipe! Forget Threading Pipe Forever!

Results of independent testing:

Results for 1/2" PVC couplings glued, cured for 24 hours and quick burst tested per ASTM standard D 1599-88 for short term hydraulic failure were in excess of 1900 psi. Although the body of the fitting shattered at these pressures, it should be noted that there appeared to be no separation of the glued joint. Similar results were achieved in tests glued and cured entirely underwater. 1-1/4" fittings were routinely tested in excess of 1300 psi again with no separation of the glued joint.

Glue and Hold !



H8058



V7065



S4080



H8059



S4092



V1205



S4091

LUBRICANTS

Magic Lube - A teflon based, multipurpose sealant/lubricant used on motors, o-rings, gaskets, bearings, water filters & more.

			ITEM NO.
Magic Lube	Teflon Base	1 Oz. Tube	H8055
Magic Lube	Teflon Base	5 Oz. Tube	H8057

Magic Lube II - A silicone based lubricant for use under most adverse conditions. Ideal for valves & other special applications.

Magic Lube II	Silicone Base	1 Oz. Tube	H8051
Magic Lube II	Silicone Base	5 Oz. Tube	H8053

Magic Lube Green with Kevlar 640		3 Oz.	H8054
Aqua- Lube		8 Oz. Tube	H8058
Jack's Lube		1 Oz. Tube	S4125
Super Lube		3 Oz. Tube	H8061
Super Lube		400 Gm. Can	H8059
Water Lube		1.75 Oz. Tube	H8056
WD-40		11 Oz. Can	V7065

* Non Stocked Item

PERMATEX PRODUCTS

Form A-Gasket #2		11 Oz. Tube	S4080
Form A-Gasket#3D		1 Pint	S4085
Hercules Megaloc Thread Sealant		1 Pint	S4088
Form-A-Gasket Superflex RTV		300 ML	S4091
Ultra Blue Silicone Sealant		3.35 Oz.	S4073
Ultra Copper High Temp Silicone		3 Oz.	S4076
High Tack Super Adhesive #99MA			S4095
Teflon Thread Sealant		4 Oz. Can	S4109
Pipe Joint Compound 51 D		1 Pint	S4092

+ Limited Stocked

SPRAY ADHESIVES

Gladon Blue Foam Bond Wall Spray Adhesive		24 Oz. Can	S4096
---	--	------------	-------

SEALANTS

Teflon Tape - Large Roll		1/2" x 520"	V1205
Hercules "Grrip"		1/2 Pint	S4087

All Purpose Threaded/Gasket Sealant

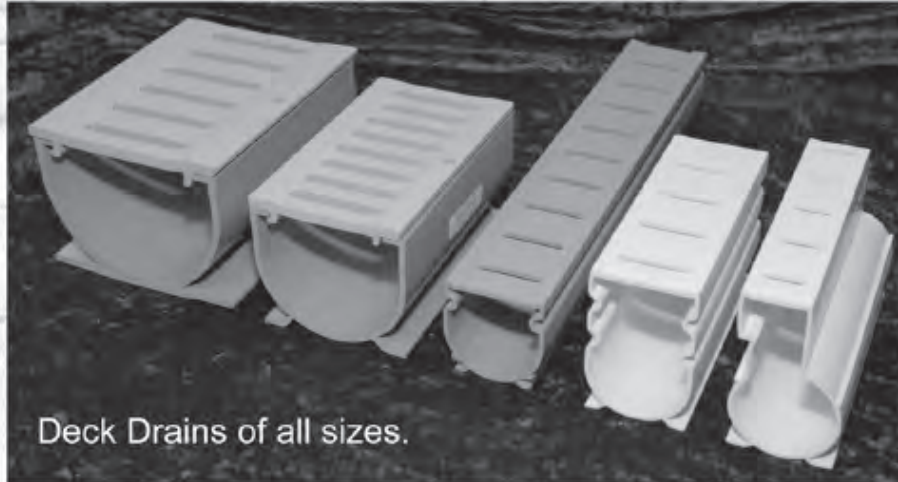
RECTOR SEAL SEALANTS

Rector Seal #5	Thread Sealant	1 Pint	V1054
Rector Seal #5	Thread Sealant	1 Quart	V1056
Rector Seal T 2 Plus		1 Pint	V1050
Rector Seal T 2 Plus		1 Quart	V1052

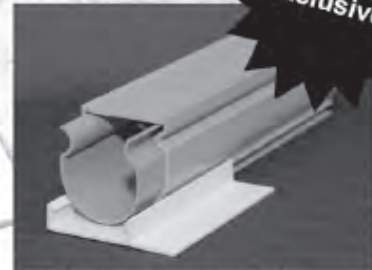
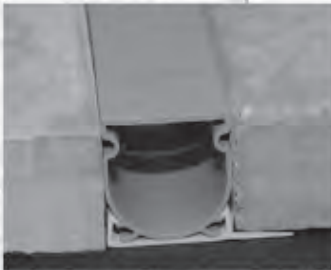


QUAKER PLASTIC PRODUCTS

AN EMPLOYEE OWNED COMPANY



Deck Drains of all sizes.



Exclusive!

2" Paver drain, made specifically for pavers. Ready to install.

Deck Drains of all sizes

Fittings of all sizes

Control Joints

Coping Forms

Discharge Hose



If It's Quaker - It's Made in America
Quality Products for Over 30 Years
www.quakerplastic.com



QUAKER 1-1/2" DECK DRAIN SYSTEM



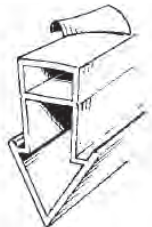
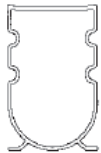
			ITEM NO. TAN	ITEM NO. GRAY	ITEM NO. WHITE
Quaker Deck Drain	1-1/2" x 8'	9 per Case	T1561	T1564	T1560

Fittings for Quaker Deck Drain

			TAN	GRAY	WHITE
90 Degree Inside Elbow for Quaker Deck Drain			T1713	T1712	T1710
90 Degree Outside Elbow for Quaker Deck Drain			T1718	T1717	T1715
45 Degree Inside Elbow for Quaker Deck Drain			T1703	T1702	T1700
45 Degree Outside Elbow for Quaker Deck Drain			T1708	T1707	T1705
Quaker Universal Tee			T1723	T1721	T1720
Quaker Universal Cross			T1728	T1726	T1725
Bottom Drain Out for Deck Drain			T1731	T1732	T1730
Top End Cap for Deck Drain					T1739
Nipple for Deck Drain					T1741

QUAKER 2" SQUARE DRAIN SYSTEM

Adaptable to standard 1-1/2" fittings - Greater water volume - Easy upright installation



			ITEM NO.	PAVER DRAIN
Quaker Square Drain System - White	2" x 10'	8 per Case	T1570	T1565
Quaker Square Drain System - Tan	2" x 10'	8 per Case	T1571	T1566
Quaker Square Drain System - Gray	2" x 10'	8 per Case	T1572	T1567
45 Degree Elbow for 2" Quaker Square Drain			White T2000	T2050
45 Degree Elbow for 2" Quaker Square Drain			Tan T2001	T2051
45 Degree Elbow for 2" Quaker Square Drain			Gray T2002	T2052
90 Degree Elbow for 2" Quaker Square Drain			White T2005	T2055
90 Degree Elbow for 2" Quaker Square Drain			Tan T2006	T2056
90 Degree Elbow for 2" Quaker Square Drain			Gray T2007	T2057
Side Adapter for 2" Quaker Square Drain			White T2010	
Side Adapter for 2" Quaker Square Drain			Tan T2011	
Side Adapter for 2" Quaker Square Drain			Gray T2012	
Bottom Drain Out for 2" Quaker Square Drain			White T2015	T2060
Bottom Drain Out for 2" Quaker Square Drain			Tan T2016	T2061
Bottom Drain Out for 2" Quaker Square Drain			Gray T2017	T2062
Tee for 2" Quaker Square Drain			White T2020	T2045
Tee for 2" Quaker Square Drain			Tan T2021	T2046
Tee for 2" Quaker Square Drain			Gray T2022	T2047
Cross for 2" Quaker Square Drain			White T2025	
End Cap for 2" Quaker Square Drain		3-1/8"	T2030	
End Cap for 2" Quaker Square Drain		1"	T2032	
Replacement Cap			White	T1575
Replacement Cap			Tan	T1576
Replacement Cap			Gray	T1577

QUAKER EXPANSION JOINT



			TAN	GRAY	WHITE
Quaker Expansion Joint	5/8" x 12' Taped	20 per Case	T1581	T1590	T1582
Fittings for Expansion Joint:					
45 Degree			T1753	T1752	T1750
90 Degree			T1758	T1757	T1755
Tee			T1763		T1760
4" Connector Pin					T1780

QUAKER EXPANSION BASE

Quaker Deck Drain - White	5/8" x 12'	16 per Case			T1592
---------------------------	------------	-------------	--	--	-------

REPLACEMENT CAP FOR DECK DRAIN

Quaker 4' Replacement Cap for Competitor's Deck Drain <i>For repair of commonly used drain systems. Simply saw out damaged area and Insert new top</i>	24 per Case Each	White	T1580
	24 per Case Each	Tan	T1587

ITEM NO.



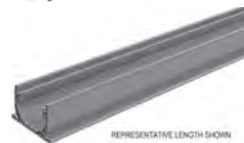
REPLACEMENT CAP FOR CONTROL JOINT

Replacement Cap for Competitor's Control Joint <i>Simply saw cut length of Joint to be repaired. Silicone the top & press on replacement cap</i>	12' Piece Each	White	T1585
--	----------------	-------	-------



NDS SPEE-D CHANNEL 4" WIDE DRAIN

NDS Spee-D Channel Drain - 10' Section	12' Piece		T1900
NDS Spee-D Channel Drain - 4' Section (UPS'able)			T1901
NDS Channel Grate - 2' Pc.		Gray	T1902
NDS Channel Grate - 2' Pc.		Sand	T1904
NDS Channel Grate - 2' Pc.		Black	T1906
NDS Channel Grate - 2' Pc.		White	T1903
NDS Channel Grate - 2' Pc.		Red Brick	T1905
NDS Channel Grate - 2' Pc.		Green	T1907
NDS Channel Grate - 2' Pc.			T1909
Screws Only for Channel Grate, S.S. Type "A" F.H. #8 x 1"			
NDS Channel Coupling		Gray Only	T1926
NDS End Cap		Gray Only	T1924
NDS End Outlet - 2" Schd 40 Spigot Adapter		Gray Only	T1908
NDS Bottom Outlet with Strainer for 3" or 4" Drain Fitting			T1910
NDS 6" Installation Stake			T1911



Fabricated Fittings for Channel Drain

NDS Fabricated Tee & Grate - 7" Long		Gray	T1912
NDS Fabricated Tee & Grate - 7" Long		Sand	T1914
NDS Fabricated Tee & Grate - 7" Long		Black	T1916
NDS Fabricated 90 Degree Elbow & Grate - 7" Long		Gray	T1918
NDS Fabricated 45 Degree Elbow & Grate		Gray	T1928



NDS DECK DRAIN & CONTROL JOINT

Mini Channel Drain 6' Pc.		Gray	T1970
Mini Channel Grate 3' Pc.		Gray	T1974
Mini Channel Grate 3' Pc.		White	T1975
Mini Channel Grate 3' Pc.		Black	T1978
Mini Channel Grate 3' Pc.		Sand	T1980
Mini Channel 2" Sch. 40 Spigot End Outlet		Gray	T1984
Mini Channel 3" End Cap		Gray	T1987
Mini Channel Drain 3" Coupling		Gray	T1988
Mini Channel 3" 90 Degree Elbow		Gray	T1989
Mini Channel 3" 90 Degree Elbow		White	T1993
Mini Channel 3" 90 Degree Elbow		Sand	T1990
Mini Channel 3" 45 Degree Elbow		Gray	T1991
Mini Channel 3" Tee		Sand	T1992
#529 S.S. Screw for Mini Channel Drain			T1994
3' Channel w/ 2" Sch. 40 Bottom Outlet for Mini Drain			T1996



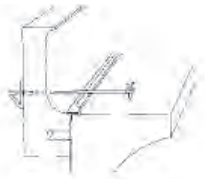
ROUND DECK DRAINS & ADAPTERS

3" Round Drain Grate		N1139
4" Round Drain Grate		N1138
3" Coupling DWV x PVC		
4" Coupling DWV x PVC		N1136



STEGMEIER CANTILEVER DECK FORMS

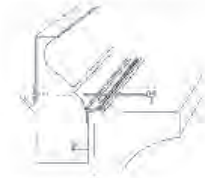
ITEM NO.



REGULAR FORM FOR GUNITE POOLS

Deck Forms - (Capstone) for Gunite Pool with Tile Strip & Tie Wire 14- 8'/ Case T1548

Deck Forms - (Regular) for Gunite Pool with Tile Strip & Tie Wire 14- 8'/ Case T1550*



COMMERCIAL FORM FOR PUBLIC POOLS

Deck Forms -for Automatic Pool Covers 1-3/4" Ext. Strips (13-8'/Case) T1598

Deck Forms - (Fiber Optic) Perimeter Lighting Complete w/ Receiver - Gunite 14- 8'/ Case T1510

Deck Forms - (Regular) for Vinyl Liner Pools Clip Loc 14- 8'/ Case T1549

Preformed Corners

Preformed Corners for Deck Forms - (Available In Regular or Capstone)

12" Radius Inside	(4/Case)	T1501*
6" Radius Inside	(4/Case)	T1502+
6" Radius Outside	(4/Case)	T1503+



CAPSTONE FORM FOR FIBER-OPTIC

Nose Caps

Nose Caps for Regular Deck Forms (Quaker)	(100/Case)	T1770
Nose Caps for Regular Deck Forms (Stegmeier)	(100/Case)	T1544
Nose Caps for Capstone Deck Forms (Stegmeier)	(100/Case)	T1545
Nose Caps for Capstone Deck Forms (Stegmeier)	(100/Case)	T1546
Nose Caps for Regular Deck Forms (Quaker)	(100/Case)	T1771
Nose Caps for Regular Deck Forms (Quaker)	(100/Case)	T1772
Nose Caps for Capstone Forms (Quaker)	(100/Case)	T1774
Nose Caps for Capstone Forms (Quaker)	(100/Case)	T1776
Nose Caps for Capstone Forms (Quaker)	(100/Case)	T1775
Nose Caps for Capstone Forms (Quaker)	(100/Case)	T1793



REGULAR

CAPSTONE

SLIP-N-JOIN LUMBER



T1519

Slip-N-Join Lumber w/Couplings for Outside Concrete Deck Forming (12- 12'/Case) T1518

Slip-N-Join Couplers (12/Case) T1519

FRONTIER DECK DRAIN



T1504

Frontier Deck Drain w/ Removable Top	White	(80'/Case)	T1516
Frontier Deck Drain w/ Removable Top	Tan	(80'/Case)	T1523
Frontier Deck Drain w/ Removable Top	Gray	(80'/Case)	T1521
Top Cap Only for Frontier Deck Drain	White		T1504
Top Cap Only for Frontier Deck Drain	Tan		T1505
Top Cap Only for Frontier Deck Drain	Gray		T1506
90 Degree Fitting	White		T1800
90 Degree Fitting (Stegmeier)	Gray		T1801
90 Degree Fitting	Tan		T1802
Side Adapter (Stegmeier)			T1870
End Adapter (Stegmeier)			T1872



T1516

EQUIPOTENTIAL BONDING GRID SYSTEM



Bonding Grid Meets NECE 680.26 (C)

NEC 680.26 (C) requires that all parts specified in 680.26(B) shall be covered or bare, not smaller than 8 AWG or rigid metal conduit of brass or other identified corrosion-resistant metal conduit. Connection shall be made by exothermic welding or by listed pressure connectors suitable for the purpose and are of stainless steel, brass, copper, or copper alloy.

Used underneath the paved surface 3' out from the edge of the pool

EquiBond Grid comes in two sizes: 2' x 100' roll (T1650), and 3' x 100' roll (T1645). All made from welded #8 solid copper, with 12" spacing on grid. Each roll comes with the accessory kit above, and can be installed by one person. When using a 12" beam on pool edge, the 2' wide roll provides a total of 3' from edge of pool. When less than a 12" beam is used, the 3' wide roll is required.

2' x 100' Roll and Accessory Kit
 3' x 100' Roll and Accessory. Kit

ITEM NO.
 T1640
 T1645



T1610

Accessories Include

- | | |
|--|-------|
| JRD Rebar Clamps
<i>(Each clamp is UL listed for 2 #8 Bond wires works on 3/8" to 1" rebar)</i> | T1610 |
| Split Bolt #4 Copper Bonding wire connector | T1611 |
| Split Bolt #8 Copper Bonding wire connector | T1612 |
| Bare #8 Bonding Wire 500' roll | T1614 |
| #8 Green Coated 500' wire for bonding light niches | T1616 |

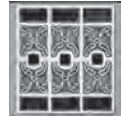


T1611

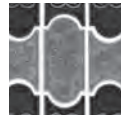
SHEET TILE- FROST FREE for Pools & Spas



AKRON SERIES



AQUATIC SERIES



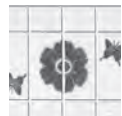
BUE SERIES



NEW DOLPHIN



FRC SERIES



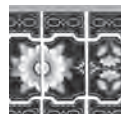
JENNA SERIES



NEW FLORAL



SHELL SERIES



FLORAL SERIES



SUNBURST

Product	Description	Color	Sheets	Linear Ft.	Sq. Ft.	Item No.
	LISTELLO L-240-S					T4287
	LUCIANA - LC-4141					T4288
	LUCIANA LC-2440-S					T4289
	LUCIANA LC-240					T4290
	LISTELLO SERIES L-354S					T4611
	LISTELLO STONE SERIES LS-379					T4613
BUE-240	Botanical Series	Cobalt Blue	20	40	21.40	T4605
BUE-22	Botanical Series	Marble Royal Blue	20	40	21.40	T4601
BUE-44	Botanical Series	Lake Blue	20	40	21.40	T4603
BUE-40	Botanical Series	Caribbean Blue	20	40	21.40	T4606
BUE-37	Botanical Series	Teal Green	20	40	21.40	T4610
DA-190	Diamond Series	Blueberry	20	43	21.60	T4660
DA-378SK	Diamond Stone	Ocean w/Soap	20	43	21.60	T4662
DP-60	Dolphin Series	Blueberry	25	58	28.75	T4038
L-435	Listello Series	Pacific Blue				T4609
DPQ-30	Aqua Series	Terra Blue	20	43	21.60	T4089
DEB-90	Debutante Series		20	40	21	T4831
STB-807	Sunburst	Terra Blue	20	40	19.60	T4020
STB-808	Sunburst	Cobalt Blue	20	40	19.60	T4025
SKN-10	Rosetta		20	40	21	T4080
RM-103	Random		20	40	21	T4081
RM-102	Random		20	40	21	T4082
WS-252	Waterside Series	Lake Blue	20	40	21	T4607
WS-105	Waterside Series	Royal Blue	20	40	21	T4608
WS-2440S	Waterside Series	Terra Blue	20	40	21	T4713

SAFETY EDGE

BLACK 5-3/4" X 2-1/4" X 1" (1/4" THICK)	T4635
BLUE 5-3/4" X 2-1/4" X 1" (1/4" THICK)	T4636

6" X 6" TILE - FROST PROOF*Ask for Special Prices on Skid Quantities on all 6 x 6 Tiles***6" x 6" Solid Accent Colors**

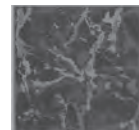
		Pcs	Liner	Sq. Ft.	Solid Color
J-61	LIGHT BLUE 6" X 6"	70	35	17.5 SQ. FT.	T4800
J-46	NAVY BLUE 6" X 6"	70	35	17.5 SQ. FT.	T4802
J-67	MATTE BLACK 6" X 6"	70	35	17.5 SQ. FT.	T4806
J-65	GLOSS BLACK 6" X 6"	70	35	17.5 SQ. FT.	T4810
	GEMCOBALT BLUE 6" X 6"	38	19	9.5 SQ. FT.	T4814
	GEMCOBALT BLUE BULL NOSE				T4815
	GEM POOL BLUE 6" X 6"	39	19.5	14 SQ. FT.	T4816
	GEM-MERCEDES	44	22		T4818
PSR-1000	POOL STAR 6" X 6"	60	30	15 SQ. FT.	T4820
PSR-2000	DAY BLUE	60			T4821
PSR-3000	POOL STAR 6" X 6"	60	30	15 SQ. FT.	T4822
PSR-4000	POOL STAR 6" X 6"	60	30	15 SQ. FT.	T4823
	GEM-MERCEDES SBN	38	19		T4824
	GEM-NAVYLUE 6" X 6"	44	22		T4825
	GEM-NAVYBLUE SBN	38	19		T4862

6" x 6" Design Tiles

DAY BLUE



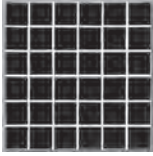
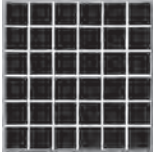
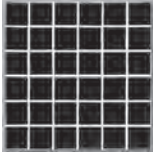
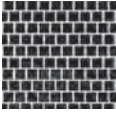
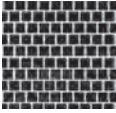
ROPE SERIES



SEVEN SEAS

MAS SKNF 610		60		T4079
IRIDIUM SERIES #CER IRI BLU 6		48		T4085
ISO SAR 6				T4091
ISO ELB 6				T4092
RP-2	ROPE SERIES		LIGHT BLUE	T4056
SS-32	SEVEN SEAS		MED. BLUE	T4380
SS-95	SEVEN SEAS		PACIFIC BLUE	T4382
SS-41	SEVEN SEAS		LAKE BLUE	T4381
AZ-606	AZTEC SERIES		COBALT	T4361

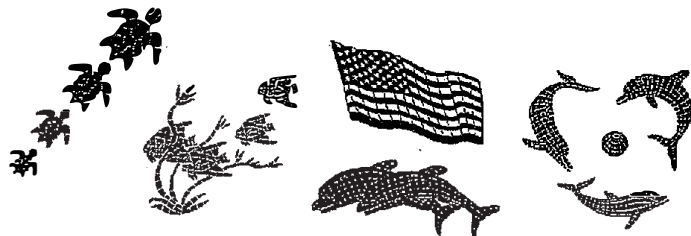
2" X 2" & 3" X 3" SQUARE TILE- FROST PROOF

Product	Description	Color	Sheets	Linear Ft.	Sq. Ft.	Item No.
AMT-1760	2" x 2" Classic Grid	Glossy Grey	25	52	26	T4283+
HM-209	2" x 2" Classic Grid	Black	20	44	21.6	T4040
MAS	2" x 2" 	Black Unglazed				T4631
LJ071	2" x 2" 	Black Unglazed	25	50	25	T4630
SQ-2	2" x 2" 	Black	25			T4041
HM-208	2" x 2" Classic Grid	White	20	40	21.76	T4244+
A-13	2" x 2"	White Unglazed				T4044
HM-206	2" x 2" Harmony	Blue - Cobalt	20	44	21.76	T4032
HM-213	2" x 2" Harmony	Blue - Cobalt	20	44	21.76	T4035
HM-109	1" X 1" Harmony 	Black				T4726
	2" x 2" 	Unglazed Cobalt				T4051
HM-308	3" x 3" Harmony					T4075
HM-306	3" x 3" Harmony	Cobalt Blue	20	42	21	T4071
HM-310	3" x 3" Harmony	Blue - Royal	20	44	21.76	T4073
HS-344	3" x 3" Harmony	Lake Blue	20	42	21	T4366
HS-341	3" x 3" Harmony	Pacific Blue	20	42	21	T4368
RE-343	3" x 3" Reflection	Atlantic Green	20	44	21.76	T4302
RE-344	3" x 3" Reflection	Pacific Blue	20	44	21.76	T4304
M350	3" x 3" Marine Field	Cobalt Blue	20	40	20	T4370
DR350	3" x 3" Dakota	Blueberry	20	42	21	T4715
DK355	3" x 3" Dakota	Wheat	20	42	21	T4372
DK356	3" x 3" Dakota	Rushmore Blue	20	42	21	T4717
DSF-50	3" x 3" Discovery Series	Cobalt Blue	20	42	21	T4345

+Limited Stock

CUSTOM MOSAICS

Quality handcrafted ceramic mosaic tile designs to add life & character to any pool or spa.



Contact our office for a complete line of superior quality mosaics or even have your own design created.



CERAMIC DEPTH MARKERS

6" x 6" Smooth Tile



White Tile with Black Numbers

1/2	1	2	3	4	5	6	7	8	9	10	11	12	13	0
T4123	T4111	T4112	T4113	T4114	T4115	T4116	T4117	T4118	T4119	T4120	T4121	T4122	T4124	T4110

Blue Tile with Black Numbers (While Stock Lasts)

1/2	1	2	3	4	5	6	7	8	9	10	11	12	13
T4130	T4131	T4132	T4133	T4134	T4135	T4136	T4137	T4138	T4139	T4140	T4141	T4142	T4143

(1 Digits)

Green Tile with Black Numbers (While Stock Lasts)

1/2	1	2	3	4	5	6	7	8	9	10	11	12	13
T4150	T4151	T4152	T4153	T4154	T4155	T4156	T4157	T4158	T4159	T4160	T4161	T4162	T4169

(2 Digits)

White Tile with Black Numbers (Inches)

0	1	2	3	4	5	6	7	8	9	11
T4189	T4190	T4191	T4192	T4193	T4194	T4195	T4196	T4197	T4198	T4199

White Tile with Black Numbers (Meters)

0.9	0	1	2	3	4	5	6	7	8	9
T4509	T4510	T4511	T4512	T4513	T4514	T4515	T4516	T4517	T4518	T4519

White Tile with Black Numbers (FT)

1/2	1	2	3	4	5	6	7	8	9	10	11
T4200	T4201	T4202	T4203	T4204	T4205	T4206	T4207	T4208	T4209	T4210	T4211

CERAMIC DEPTH MARKERS

6" x 6" Non-Skid Tile

White Non-Skid Tile with Black Numbers

1/2	1	2	3	4	5	6	7	8	9	10	11	12	13	0
T4170	T4171	T4172	T4173	T4174	T4175	T4176	T4177	T4178	T4179	T4180	T4181	T4182	T4183	T4168

White Non-Skid Tile with Black Numbers (Inches)

0	1	2	3	4	5	6	7	8	9	11
T4640	T4641	T4642	T4643	T4644	T4645	T4646	T4647	T4648	T4649	T4650

White Non-Skid Tile with Black Numbers (Meters)

0.9	0	1	2	3	4	5	6	7	8	9
T4539	T4590	T4591	T4592	T4593	T4594	T4595	T4596	T4597	T4598	T4520

White Non Skid Tile with Black Numbers (FT)

1/2	1	2	3	4	5	6	7	8	9	10	11
T4570	T4571	T4572	T4573	T4574	T4575	T4576	T4577	T4578	T4579	T4580	T4581

6" x 6" WHITE TILE OFFSET 1	T4212	T4582
6" x 6" WHITE TILE 3.	T4503	
6" x 6" WHITE TILE "M"	T4599	
"NO DIVING" TILE SET (4)	T4261	T4266



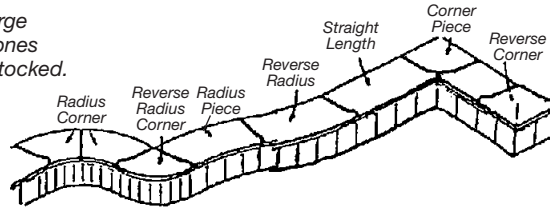
CERAMIC MESSAGE TILES

6" x 6"

	ITEM NO. SMOOTH	ITEM NO. NON-SKID
6" x 6" WHITE TILE "NO DIVING" SYMBOL	T4262	T4500
6" x 6" WHITE TILE "NO RUNNING" SYMBOL (NON-SKID)		T4263
6" x 6" WHITE TILE "FT"	T4125	T4184
6" x 6" WHITE TILE "IN"	T4127	T4585
6" x 6" WHITE TILE "M" (SMOOTH) "1."	T4501	T4521
6" x 6" WHITE TILE "M" (SMOOTH) "2."	T4502	
6" x 6" WHITE TILE "M" (SMOOTH) "0."	T4505	
6" x 6" WHITE TILE "M" (SMOOTH)	T4260	
6" x 6" WHITE TILE "NO DIVING" Message	T4264	T4186
6" x 6" WHITE TILE "FEET DEEP" Message (Non-Skid or Smooth)	T4128	T4126
6" x 6" WHITE TILE "NO RUNNING" Message (Non-Skid)		T4265



Advance notice is needed for large & diverse radius orders. Other stones not listed may be available but not stocked.



Coloring Available in 11 Colors
2 Week Notice (Required)
60% Upcharge

12" PLAIN SURFACE SMOOTH

Generic (Plain) Coping Stones

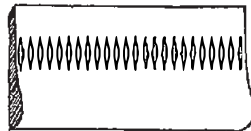


Plain Surface
2-3/4" x 1-1/4" Thick

		<u>Item No.</u>
Straight	Coping Stone	T1110G
1' Radius	Coping Stone	T1111G
2' Radius	Coping Stone	T1118G
3' Radius	Coping Stone	T1112G
6' Radius	Coping Stone	T1117G
Inside Corner	Coping Stone	T1113G
Reverse Corner	Coping Stone	T1114G
1' Reverse Radius	Coping Stone	T1115G
3' Reverse Radius	Coping Stone	T1116G
Straight Coping Stone	w/1 6 x 6 Cut-out	T1168G
Straight Coping Stone	w/2 6 x 6 Cut-outs	T1169G
Straight Coping Stone	w/3 6 x 6 Cut-outs	T1170G

12" SINGLE DIAMOND

Generic (Thin) Coping Stones

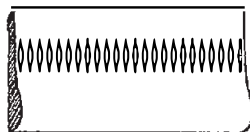


Single Diamond
2" X 1" Thick

		<u>Item No.</u>
Straight	Coping Stone	T1100G
1' Radius	Coping Stone	T1101G
2' Radius	Coping Stone	T1107G
3' Radius	Coping Stone	T1102G
12' Radius	Coping Stone	T1130G
Inside Corner	Coping Stone	T1103G
Reverse Corner	Coping Stone	T1104G
1' Reverse Radius	Coping Stone	T1105G
3' Reverse Radius	Coping Stone	T1106G
Straight w/1 6x6 cutout	Coping Stone	T1161G
Straight w/2 6x6 cutout	Coping Stone	T1163G
Straight w/3 6x6 cutout	Coping Stone	T1165G

12" SINGLE DIAMOND

Generic (Thick) Coping Stones



Single Diamond
2-3/4" X 1-1/4" Thick

		<u>Item No. Extended</u>
Straight	Coping Stone	T1120G - T1200
1' Radius	Coping Stone	T1121G
2' Radius	Coping Stone	T1128G
3' Radius	Coping Stone	T1122G
DQ #4	Coping Stone	T1133G
8' Radius	Coping Stone	T1132G
12' Radius	Coping Stone	T1127G
Inside Corner	Coping Stone	T1123G - T1223
Reverse Corner	Coping Stone	T1124G - T1224
1' Reverse Radius	Coping Stone	T1125G
Reverse Radius	Coping Stone	T1129G
3' Reverse Radius	Coping Stone	T1126G
Straight w/1 6x6 cutout	Coping Stone	T1160G
Straight w/2 6x6 cutout	Coping Stone	T1162G - T1262
Straight w/3 6x6 cutout	Coping Stone	T1164G - T1264
Right Side Zero Beach Entry		T1172G
Left Side Beach Entry		T1174G



SHEER DESCENT WATERFALL

Sheer Descent waterfalls produce a clear arc of water, projecting away from the pool wall. The flow can be adjusted to create a range of effects from an almost silent, glass like sheet.



All Sizes
Not in Stock



*Special Order Item
Add Freight

6" Extended Lip (Back Feed)

6" extended lip waterfalls produce the same effect as the standard 1" lip, but allows for installation of brick or stone on the face of the raised beam.

18"	Waterfall - Soft White Lip	K1618R
2 Foot	Waterfall - Soft White Lip	K1619B
3 Foot	Waterfall - Soft White Lip	K1621R
4 Foot	Waterfall - Soft White Lip	K1622R
6-Foot	Waterfall - Soft White Lip	K1632*



6" Extended Lip (Bottom Feed)

18"	Waterfall - Soft White Lip	K1618
2 Foot	Waterfall - 6" Extended Lip	K1619
3 Foot	Waterfall - Soft White Lip	K1621
4 Foot	Waterfall - Soft White Lip	K1622

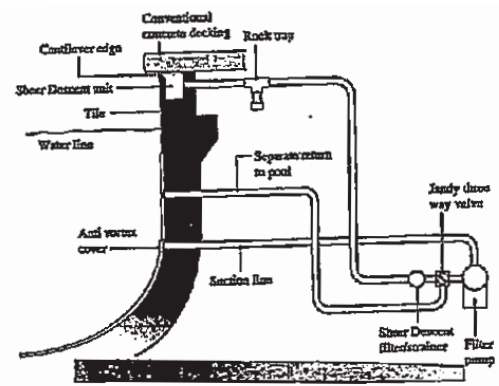
Deck Jets

Can be mounted in the deck or pool wall



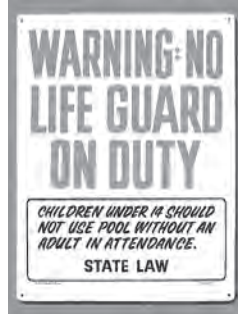
Polaris Mini Jets

Polaris #MJ10 Mini Jet Conversion Kit <i>With White Cover Plate, Screws, Comet nozzle</i>	K1665
Polaris MiniJet w/ Comet Nozzle 3/8" FFMJ	K1660
Polaris OA89012 Comet Nozzle 3-6T for Mini Jet	K1659
Polaris MJ6300 Mini Jet Cover Plate w/Screws (White)	K1666
Waterpik Deck Jets #JDJ2004 (Set of 4)	L1663
Pentair Deck Jet Assemble #580000	K1664
Jandy R0560400 Deck Jet Nozzles (Set of 4)	K1667 K1667G
CMP Deck Jet Nozzle Dual Generic	K1670G
CMP Deck Jet Nozzle Non Adjustable Generic	K1671G
CMP Deck Jet Nozzle Adj. Wrench	K1668





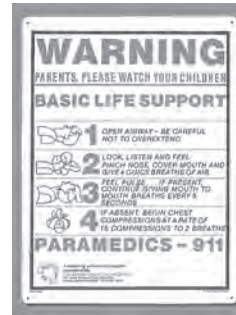
X4026 18" X 24"



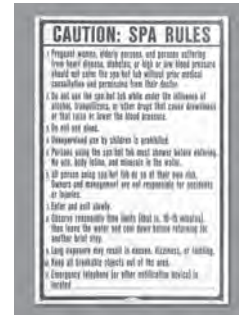
X4028 18" X 24"



X4046 18" X 24"



X4015 18" X 24"



X4035 18" X 24"



X4032 18" X 12"



X4024 18" X 12"



X4050 12" X 18"



X4022 18" X 12"



X4068 12" X 9"



X4025 12" X 18"



X4020 18" X 12"



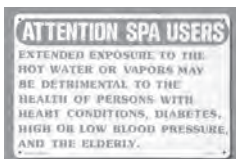
X4016 18" X 12"



X4040 18" X 12"



X4027



X4029 18" X 12"

POOL RULES & SIGNS

	Item No.
Commercial Pool Rules	40322 X4026
Caution Spa Users	40360 X4055
Public Pool Regulations	40368 X4046
No Lifeguard on Duty	40323 X4028
Pool Rules - Above Ground	41370 X4050
Pool Closed	40333 X4032
Swim at Your Own Risk	40318 X4022
Attn: Spa Users	40365 X4029
Basic Life Support	40367 X4015
Saving a Life	40366 X4044
Water Conditions	R234500 X4068
Shallow Water - No Diving	40341 X4016
No Diving Allowed	40342 X4040
Caution No Diving	40344 X4025
Caution Diving Dangerous	40347 X4021
Above Ground No Diving	40346 X4017
No Running	40312 X4012
Keep Gate Closed	40316 X4020
No Food or Beverage	40369 X4048
No Glassware 6"x12"	41332 X4064
Shower Before Entering Pool	40320 X4024
Toilet Sign	41327 X4054
Who Peed in the Pool	41330 X4056
Urine Detector	41350 X4058
Welcome to Our "OOL"	41352 X4060
No Skinny Dipping #1	41353 X4061
No Skinny Dipping #2	41356 X4062
God Bless Our Pool	41340 X4038
Chemical Sign	B8772 X4027
Boys Sign	40314 X4018
Girls Sign	40315 X4019
Reserved For Tenants	40319 X4023
Not Responsible	41359 X4042
"911 EMERGENCY"	40331 X4014
WARNING NO LIFE GUARD ON DUTY	40325 X4031
"POOL CAPACITY"	40361 X4033
"SPA RULES" 24"x36"	R234200 X4035
"POOL RULES" 24"x36"	R234100 X4036
"NO LIFEGUARD" IN SPANISH	40381 X4037
"POOL RULES" IN SPANISH	40384 X4039
"GOD BLESS OUR SPA"	41343 X4041

ROPE - Blue & White

Braided Polyethylene Rope

Poly Rope - 1/4" x 1000'		X1000
	Cut Per Foot	X1001
Poly Rope - 3/8" x 600'		X1005
	Cut Per Foot	X1006
Poly Rope - 1/2" x 600'		X1010
	Cut Per Foot	X1011
Poly Rope - 3/4" x 300'		X1015
	Cut Per Foot	X1016



HANDI-LOCK FLOATS

3" x 5" Blue & White -	Lock Type Float for 3/8" Rope	(50/Case)		X1115
3" x 5" Red & White -	Lock Type Float for 3/8" Rope	(50/Case)		X1114
3" x 5" Blue & White -	Lock Type Float for 1/2" Rope	(50/Case)		X1116
5" x 9" Blue & White -	Lock Type Float for 1/2" Rope	(25/Case)		X1119
5" x 9" Blue & White -	Lock Type Float for 3/4" Rope	(25/Case)		X1120
5" x 9" Red & White -	Lock Type Float for 3/4" Rope	(25/Case)		X1121

POLY ROPE FLOATS

3" x 5" Blue & White	Poly Float for 1/2" Rope	(100/Case)		X1095
3" x 5" Red & White	Poly Float for 1/2" Rope	(100/Case)		X1096
3" x 5" White Only	Poly Float for 1/2" Rope	(100/Case)		X1097
5" x 9" Blue & White	Poly Float for 3/4" Rope	(24/Case)		X1100
5" x 9" Red & White	Poly Float for 3/4" Rope	(36/Case)		X1101
5" x 9" White Only	Poly Float for 3/4" Rope	(36/Case)		X1102

SAFETY FLOAT LINES



16' Safety Float Line w/ 5 Floats & 2 Hooks	X1075
18' Safety Float Line w/ 5 Floats & 2 Hooks	X1076
18' Safety Float Line w/ 7 Floats & 2 Hooks	X1080
20' Safety Float Line w/ 9 Floats & 1 Hook	Y1023
22' Safety Float Line w/ 7 Floats & 2 Hooks	X1085
Sylvan Rope Kit- 20' with 3 Floats & 2 Sylvan Hooks	X1086

ROPE HOOKS

Large 1/2" Chrome Rope Hooks (2/Bag)	X1020
Large Chrome Rope Hooks (2/Bag)	X1022
for 3/8" & 1/2" Rope CLEAT TYPE	
Large Chrome Rope Hooks (2/Bag)	X1021
for 3/4" Rope CLEAT TYPE	
Large Chrome Rope Hooks (2/Bag)	X1028
for 3/4" Rope CLEAT TYPE	
Large Plastic Rope Hooks (Each)	X1027
for 3/4" Rope	



HOOK EYES

Small Hook Eye	X1030
for 3/8" & 1/2" Rope	
Large Hook Eye	X1035
for 3/4" Rope	
3/8" Clamp for Hook Eye - Chrome (2/Bag)	X1046
1/2" Clamp for Hook Eye - Chrome (2/Bag)	X1048
3/4" Clamp for Hook Eye - Chrome (2/Bag)	X1050



RESCUE TUBES

Water Park Tube with Large Shoulder Strap

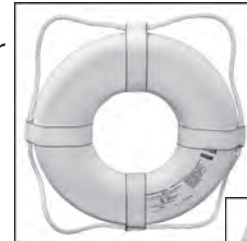
- Rescue Tube - 50" X1132
- Rescue Tube - 40" X1131



RING BUOYS

Solid, closed-cell plastic construction throughout with weather resistant surface. Soft & resilient, yet almost indestructible.

- 19" Life Ring Buoy - USCG approved X4004
- 24" Life Ring Buoy - USCG approved X4005
- 30" Life Ring Buoy - USCG approved X4006
- 20" Life Ring (Non-USCG approved type) X4002



60" Lifeline with Ball X4008

60' Bag HL Throw Bag X4011+
Cordura Nylon Bag. Ready to Use - Easily Thrown

**Help Line
Throw Bag**

RESCUE CAN

- Rescue Can X1136
- Storage Rack X1137



RESCUE POLES

- 12' Rescue Pole F6000
- 16' Rescue Pole F6005
- Replacement Cap for Pole F6090



DIVING BRICK
"Official" Diving Brick - Rubber X4094

LIFE GUARD PATCH
Embroidered Life Guard Patch Loose Y3073



WHISTLES & LANYARDS

Classic Plastic Fox 40 Whistle

Y3076



Pealess whistle that cannot be overblown. The harder you blow, the louder the sound. Assorted Colors: Blue, Orange, Yellow, Green, Pink, Purple, Red, Teal, Black & White

Acme Metal Whistle 60 1/2 Thunderer



Nickle plated brass whistle made in England. Used by professional referees throughout the world.

Y3077

Aristo Whistle & Lanyards



- Metal Whistle 1-7/8" Long Y3074 Dz
- Lanyards - Misc. Colors Y3091 Dz

UMBRELLA

Umbrella for Guard Chair

- H1195
- H1197



LIFE HOOKS

- Life Hook #9 Clip On X1134
- Life Hook #153 Bolt On X1133





- Compatible w/Head Immobilizers
- Concave design
- 16 Hand Holds
- Complete w/Straps & Buckles
- Seamless Construction
- Custom Lettering Available
- 8 Child Strapping Locations
- Tapered for Confined Areas
- End Hand Holds for Safe Lift

DELUXE SPINE BOARDS

Yellow BAK-PAK Deluxe Spine Board ITEM NO. X1198

STRAPS FOR SPINE BOARDS

Heavy Duty Straps for Spine Board - Each X1193
 2" x 6'-6" Nylon Web with Delron Buckle

Velcro Strapping for Spine Board - Set of 3 X1196

Deluxe Spider Strap for Spine Board X1192

Bak-Pak Backboard Strap Kit X1199

HEAD IMMOBILIZERS



Head Immobilizer - X1194

Use w/Spine Board for Complete Head Immobilization. Fits Small Children to Adults. Coated Foam

FIRST AID KITS



Commercial First Aid Kit ITEM NO. X1140

Travel First Aid Kit X1135

EMERGENCY BLANKET

Bright yellow, waterproof, insulated, hygienic & disposable

Emergency Foil Blanket X1212

RESUSCITATION MASK

Prevents Direct Mouth-to-Mouth Contact

Pocket Mask X1186

"Ambu SPUR" Resuscitator Mask X1191



EXTRICATION COLLARS

ITEM NO.

A one-piece, rigid extrication collar designed for patient safety. Injection molded w/velcro fasteners. Foam lining for comfort.



Small X1187

Medium X1188

Large X1189

BLOODSPILL KIT

For safe & easy pick-up of body-fluid spills. Contains a scooper, a solidifier & sanitizer that congeals body fluid, a germicidal disposable cloth, a skin wipe that kills germs, a biohazard disposable waste bag & disposable latex gloves

Bloodspill Kit X1142

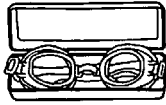
EYE AND SKIN WASH STATION KIT

Includes 2 16 oz. Bottles

Eye Wash Station X1138

16 oz. Refill Bottles X1139

GOGGLES



Y3369



Y3106

		ITEM NO.
Swimline "Buccaneer" - Kids	9306	Y3000
Swimline "Rio" - Kids w/Case	9309	Y3208
Swimline "St Lucia" - Youth/Adult	9318	Y3205
Swimline Crayfish Snorkel	9501	Y3228
PoolMaster Pro Sport	94560	Y3097
PoolMaster Pizazz II	94850	Y1011
PoolMaster Fog Free Silicone w/ Case	94750	Y3369
PoolMaster C2 Deluxe Water Sport	94900	Y3109
PoolMaster V-5 View w/ Case	94980	Y3106
Goggle Replacement Straps (3/Pack)	99053	Y3358

MASKS



Y3642



Y3211

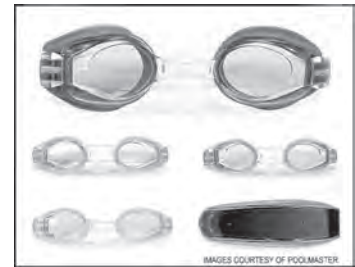


Y2160



Y3144

Swimline "Newport" Mask - Youth	9456	Y3210
Swimline "Waikiki" Mask - Youth	9458	Y3011
Swimline "Manta Ray" Tri-View Mask	9474	Y3211
Swimline "Extreme" Tri-View Mask	9475	Y3643
PoolMaster "Mini Aviator" Child's Mask	90100	Y2160
PoolMaster "Majestic" Radial Deluxe Sport	90250	Y3124
PoolMaster "Magellan" Tri-View - Sport Mask	90270	Y3120
PoolMaster "Reef Diver" Scuba Sport Mask	90312	Y3140
PoolMaster "Mondeo" Pro Series Scuba Mask	90515	Y3142
PoolMaster "Zeus" Pro Series Scuba Mask	90540	Y3144



SWIM TEACHER

#58 Swim Teacher

ITEM NO.
X1125





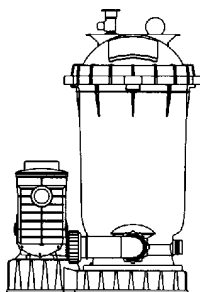
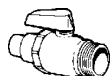
HAYWARD ABOVE GROUND SAND FILTERS & SYSTEMS



S144T1540S



S180T



	Pro Series Top-Mount	ITEM NO.
S144	14" 40 GPM Filter Only w/ 4 Position Valve	H6040
S144T1540S	14" Polymeric Filter & Pump System <i>Includes: 14" Filter w/ 4 Position Valve, Power-Flo 40 GPM Pump, Base & Hose Pack</i>	H6163
S166T92S	16" Polymeric Filter & Pump System <i>Includes: 16" Filter w/ 6 Position Valve, 1 HP Matrix Pump, Base & Hose Pack</i>	H6088
Hayward S210T93STL	Sand Filter System <i>w/1.5 HP Pump & Top Mount Valve</i>	H6087
S166T	16" Polymeric Filter Only w/ 1-1/2" Valve	H6039
S180T92S	18" Polymeric Filter & Pump System <i>Includes: 18" Filter w/ 6 Position Valve, 1 HP Matrix Pump, Base & Hose Pack</i>	H6086
S180T	18" Polymeric Filter Only w/ 1-1/2" Valve	H6033
SP-729	Econoline Ball Valve <i>1-1/2 MPT x 1-1/2 / 1-1/4 Hose Connection Ideal for Above Ground Systems</i>	V4532
Pentair SD40	w/1 HP Pump System <i>1 HP Dynamo 3' Cord & Base - 6' Hose Kit</i>	H4103
Pentair SD60	w/1.5 HP Pump System <i>1.5 HP Dynamo 3' Cord & Base - 6' Hose Kit</i>	H4104

CLEAN & CLEAR CARTRIDGE SYSTEM

High quality filtration unit with thermoplastic chemical resistant tank. Equipped w/ easy spin-on unions for plumbing hook-ups.

Clean & Clear 100 Sq. Ft. Cellular Media Filter H3313

Clean & Clear 150 Sq. Ft. Cellular Media Filter H3317



LINER VAC
Cyclone Vacuum/Blower 3HP - 120V
W5262

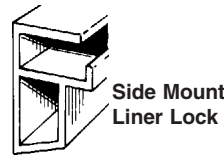


LINER BEAD LOCK
120' Kit 3" x 4" x 4' Each T1578

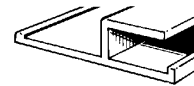


LINER LOCK

Side Mount Liner Lock 8' Pc. T1746

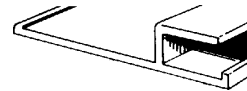


Narrow Top Mount Liner Lock 1-1/2" - 8' Pc. T1747



Narrow - Top Mount
Liner Lock

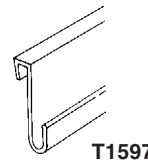
Wide Top Mount Liner Lock 2-1/2" - 8' Pc. T1748



Wide - Top Mount
Liner Lock

**LINER
HANGER**

Liner Hanger 57" - Each



T1597
(Case of 56)



W3030
Wall Foam

WALL FOAM

1/8" x 42" 125' Wall Foam W3030
1/4" x 42" 125' Wall Foam Backing W3031

WALL ADHESIVE

Wall Spray Adhesive 24 Oz. Can



S4097
(Case of 12)



POOL BASE

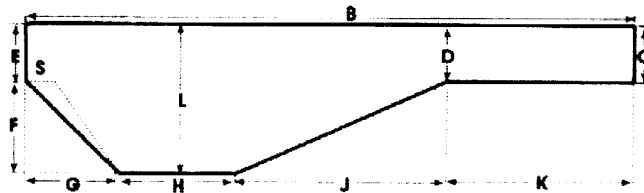
Premix Cement & Pool Base Mixture 2 Cu. Ft. Bag W5252
Vermiculite A-Tops Skimm Coat W5253

We want your replacement liner orders!

We are your one stop shop for the replacement liners you do!

- * Stocking most replacement faceplates & gaskets for skimmers, inlets & drains!
- * Benefit from the volume discounts we receive by grouping your orders!
- * Stocking replacement coping & bead receivers in PVC & aluminum!
- * Benefit from freight discounts we receive when we ship multiple liners!
- * Stocking the tools you need to get the job done! (trowels, vacs, bead lock & more)
- * Benefit from the knowledge of a staff which has installed hundreds of vinyl liners!

Fax us pool dimensions & we'll be happy to supply you with an exact price
from the manufacturer of your choice!





ON-GUARD WINTERIZING KITS

	ITEM NO.
7,500 Gallon Kit - 6/Cs. Contains: 1-3/4 lbs. Floating Winterizing Tablets 1 Pint Stain & Scale & 1 Qt. Winterizing Algaecide	A3931
15,000 Gallon Kit - 6/Cs. Contains: 1-3/4 lbs Floating Winterizing Tablets 1 Pint Stain & Scale & 1/2 Gal. Winterizing Algaecide	A3933
30,000 Gallon Kit - 2/Cs. Contains: 3-3/4 lbs. Floating Winterizing Tablets 1 Qt. Stain & Scale & 1 Gal. Winterizing Algaecide	A3936
30,000 Gallon Kit for Mesh Cover Pools - 2/Cs. Contains: 1 Quart Stain & Scale 1 Qt. Phosphate Remover & 1 Gal. Winterizing Algaecide	A3940

Misc. Winterizing Components

Foam Floater Collar for On Guard Winterizers	100/Cs.	A3938
Blue Devil Tall Chlorinator - holds 4lbs of tabs		C1072
IPS Enzymes Winterizer w/PhosControl - 1 liter / 34,000Gal.	6/Cs.	A6651

ANTIFREEZE & ALGAECIDES

	QTY PER CASE	ITEM NO.
Antifreeze - Propylene Glycol /Blue (6 x 1 Gal.)		A9503
Antifreeze - Gallons Propylene Alcohol Base <i>Good to -50 Degrees (Pink Liquid) (6 x 1 Gal.)</i>		A9502
All Chlor Winter Stain Preventer (18/Case)		A4878
All Chlor Stain Preventer (12/Case)		A4501
Jonas 10% Poly Winterizing Algaecide - Gallons 1 Gallon Treats 30,000 Gallons of Water	6/Cs.	AA1576
All Chlor 60% Poly Algaecide - Quarts	18/Cs.	A4856
All Chlor 60% Poly Algaecide - Gallons	6/Cs.	A4857
All Chlor 50% Quaternary Algaecide - Quarts	18/Cs.	A4860
All Chlor 1" Stabilized Chlorine Tablets - 50# Pail		A4226
All Chlor 3" Stabilized Chlorine Tablets - 50# Pail		A4267
All Chlor Stabilized Feeder Tabs - 6x4LB. Cartridge		A4218

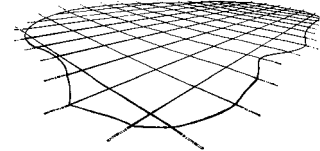


SAFETY COVERS

Now offering Solid and Safety Covers from Two Manufacturers:

Cantar

- Secur-A-Pool® Safety Cover Systems
- Secur&Clean® Solid Safety Cover Systems
- PROMesh™ Mesh Safety Cover Systems
- HyPerLite™ Solid Safety Cover Systems



Purchasing through distribution offers many advantages:
Tracking & Projected Arrival Dates, Quotes Called in within 24-48 hours,
Lower Freight Rates, & Competitive Pricing.

Contact Us Regarding Pricing, Discounts, etc. On Special Items or Sizes.



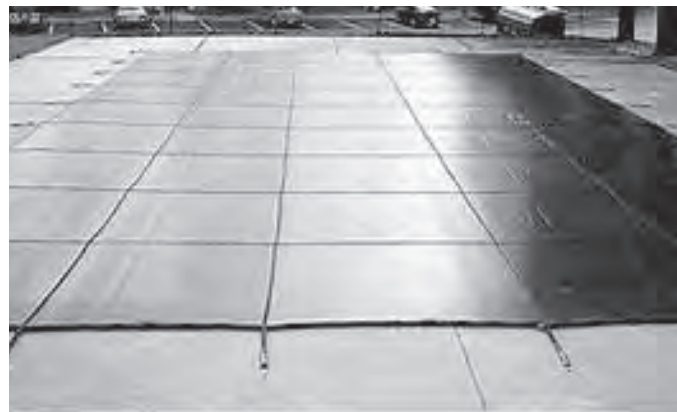
LATHAM SAFETY COVER SYSTEMS

- Meyco Safety Cover Systems
- Merlin Safety Cover Systems
- Latham Safety Cover Systems

Safety Covers - Square - Custom Shaped
All Sizes
Seasonal and Retractable



MEYCO SAFETY COVER SYSTEMS



MERLIN SAFETY COVER SYSTEMS



CANTAR SAFETY COVER ACCESSORIES

DESCRIPTION	ITEM NO.
Stainless Steel Spring	CB1900
Stainless Steel Spring - Short	CB1901
Stainless Steel Spring - Commercial Grade	CB1905
Spring Protector - Vinyl	CB1924
Brass Anchors	CB1902
Brass Anchor Removal Tool	CB1903
Brass Anchor Collar	CB1916
Stainless Steel Buckles	CB1904
Aluminum Stakes	CB1906
Steel Installation Rods	CB1908
Anchor Key	CB1910
Storage Bag	CB1912
Wood Deck Anchors	CB1914
Stainless Steel Eye Bolt	CB1918
D-Rings	CB1920
Lawn Tubes	CB1922
Secur A Pool 9100010 Tamping Pin	CB1915
Secur A Cover Brass Anchor Collar	CB1916
Secur A Cover D-Rings (Each)	CB1920
Secur A Cover Lawn Tubes 18"	CB1922
Secur A Cover Paver Tubes 9"	CB1923
Secur A Pool Spring Protector 8"	CB1924
Secur A Pool Patch Kit Gray Mesh	CB1925
Secur A Pool Patch Kit Green Mesh	CB1926



LOOP-LOC SAFETY COVER ACCESSORIES

Installation Rod	BD3000
18" Anchor Key	BD3010
S.S. Spring w/out Slip Cover	BD3020
18" Aluminum Stake	BD3025
Brass Anchor	BD3030
15" Long Anchor in Pipe	BD3027
Brass Masonry Collar	BD3032
Cable Wall Anchor 6" Long	BD3042
Wall Anchor Extra Long	BD3043



MEYCO SAFETY COVER ACCESSORIES

Brass Pop-Up Type Anchor - Spring Loaded	CM1900
Brass Screw Type Anchor - Threaded	CM1902
Brass Wood Deck Anchor w/ Screws	CM1904
Pipe Anchor Assembly	CM1906
Stainless Steel Buckles	CM1914
16" Lawn Spike	CM1908
Meyco Mesh Patch Kit (Green) 3-PK	CM1910
Meyco Mesh Patch Kit (Blue)	CM1911
Meyco Mesh Patch Kit (Black)	CM1912
Meyco Mesh Patch Kit (Gray)	CM1913



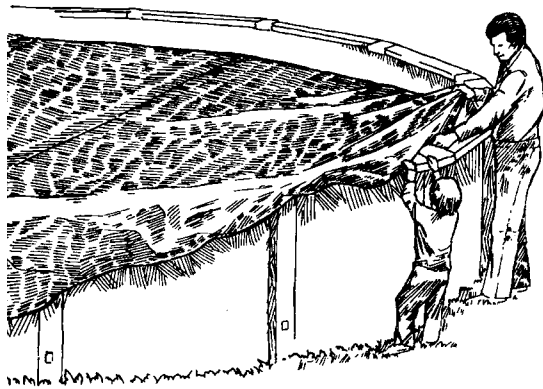


Cantor
 A Q U A C O V E R®
WINTER COVER

“CLASSIC”

Custom Shapes and Sizes Available
On a Special Quote Basis!

Backed by a Strong 7 Year Warranty



“ESTATE”

Custom Shapes and Sizes Available
On a Special Quote Basis!

Backed by a Strong 10 Year Warranty

AQUACOVER Blue/Black

POOL SIZE	COVER SIZE	ITEM NO.
12'	15'	CA0012
15'	18'	CA0015
18'	21'	CA0018
21'	24'	CA0021
24'	27'	CA0024
27'/28'	31'	CA0027
12' x 18' OV	15' x 21'	CA1218
12' x 24' OV	15' x 27'	CA1224
15' x 24' OV	18' x 27'	CA1524
15' x 27' OV	18' x 31'	CA1527
16' x 25' OV	19' x 28'	CA1625
15' x 30' OV	18' x 33'	CA1530
16' x 32' OV	19' x 35'	CA1632
18' x 34' OV	21' x 37'	CA1834

AQUACOVER Green/Black

POOL SIZE	COVER SIZE	ITEM NO.
12'	15'	CB0012
15'	18'	CB0015
18'	21'	CB0018
21'	24'	CB0021
24'	27'	CB0024
27'/28'	31'	CB0028
12' x 24' OV	15' x 27'	CB1224
15' x 27' OV	18' x 30'	CB1527
15' x 30' OV	18' x 33'	CB1530
16' x 25' OV	19' x 28'	CB1625
16' x 32' OV	19' x 35'	CB1632
18' x 34' OV	21' x 37'	CB1834



Cantar
A Q U A C O V E R®
WINTER COVER

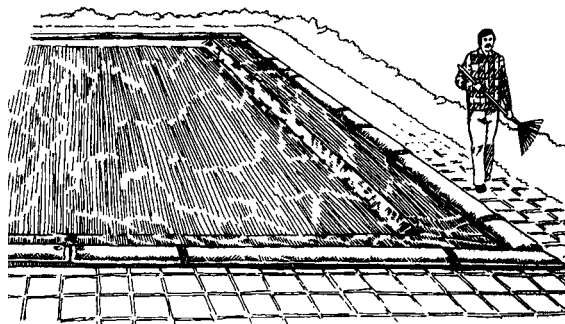
“CLASSIC”

Custom Rectangles - L's & Lazy L's
Based on Cover Size
1 - 400 Sq. Ft. - .35
400 + Sq. Ft. - .32

Custom Shapes - Ovals & Kidneys
Based on Cover Size
1 - 400 Sq. Ft. - .47
400 + Sq. Ft. - .44

Classic Step Section \$30.00

Backed by a Strong 7 Year Warranty



“ESTATE”

Custom Rectangles - L's & Lazy L's
Based on Cover Size
1 - 400 Sq. Ft. - .40
400 + Sq. Ft. - .37

Custom Shapes - Ovals & Kidneys
Based on Cover Size
1 - 400 Sq. Ft. - .55
400 + Sq. Ft. - .51

Estate Step Section \$38.00

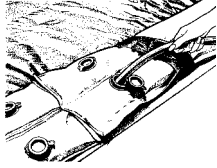
Backed by a Strong 10 Year Warranty

AQUACOVER Blue/Black

POOL SIZE	COVER SIZE	ITEM NO.
16 x 32	21' x 37'	BA2137
16 x 36	21' x 41'	BA2141
16 x 40	21' x 45"	BA2145
18 x 36	23' x 41'	BA2341
18 x 40	23 x 45'	BA2345
20 x 40	25' x 45'	BA2545
20 x 44	25' x 49'	BA2549
24 x 40	29' x 45'	BA2945
24 x 44	29' x 49'	BA2949
25 x 50	30' x 55'	BA3055
30 x 50	35' x 55'	BA3555

AQUACOVER Green/Black

POOL SIZE	COVER SIZE	ITEM NO.
16 x 32	21' x 37'	BB2137
16 x 36	21' x 41'	BB2141
16 x 40	21' x 45'	BB2145
18 x 36	23' x 41'	BB2341
18 x 40	23' x 45'	BB2345
20 x 40	25' x 45'	BB2545
20 x 44	25' x 49'	BB2549
24 x 40	29' x 45'	BB2945
24 x 44	29' x 49'	BB2949
25 x 50	30' x 55'	BB3055
30 x 50	35' x 55'	BB3555



WATER TUBES



16 Mil (Single Chamber) Water Tube

	CASE QTY.	ITEM NO.
4 Ft. Single Water Tube - Blue	N/A	DA1023
8 Ft. Single Water Tube - Blue	25/Cs.	DA1025
10 Ft. Single Water Tube - Blue	25/Cs.	DA1030
8 Ft. Single Water Tube - Black	25/Cs.	DA1026
10 Ft. Single Water Tube - Black	25/Cs.	DA1031

16 Mil (Double Chamber) Water Tube

8 Ft. Double Water Tube - Blue	25/Cs.	DA1000
10 Ft. Double Water Tube - Blue	20/Cs.	DA1010
8 Ft. Double Water Tube - Black	25/Cs.	DA1005
10 Ft. Double Water Tube - Black	20/Cs.	DA1011

20 Mil (Single Chamber) Water Tube

8 Ft. Single Water Tube - Blue	25/Cs.	DA1035
10 Ft. Single Water Tube - Blue	20/Cs.	DA1040

20 Mil (Double Chamber) Water Tube

8 Ft. Double Water Tube - Blue	20/Cs.	DA1015
10 Ft. Double Water Tube - Blue	15/Cs.	DA1020
10 Ft. Double Water tube - Black	15/Cs.	DA1021

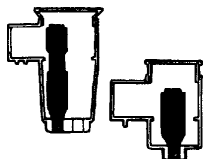
AIR PILLOWS



4 Ft. x 4 Ft. Air Pillow	15/Cs.	EE1030
4 Ft. x 8 Ft. Air Pillow	8/Cs.	EE1035
4 Ft. x 15 Ft. Air Pillow	4/Cs.	EE1040

GIZZMOS

Protects skimmers from the expansion of winter freeze up. Screws in place



Regular 1-1/2"	24/Cs.	EE1070
Super New 1 1/2"- 2"	24/Cs.	EE1074

BLOW OUTS

Also protects skimmer by absorbing ice expansion Fits 1-1/2" & 2" skimmers - 16" Long

Suction Line Blowout Extension	12/Cs.	EE1080
Gizzmo Ultra Blowout Extension	24/Cs.	EE1075

**WINTERIZING PLUGS WITH PLASTIC WING NUT**

SIZE	FOR	ITEM NO.	SIZE	FOR	ITEM NO.
#00	1/2" P	FF1000	#08	1-1/2" P	FF1008
#01	1/2" P	FF1001	#09	1-1/2" P & 1-1/4" F	FF1009
#02	3/4" T	FF1002	#09-3/4	Deep for 1-1/2"	FF1009D
#03	3/4" P	FF1003	#09-3/4	Shallow for 1-1/2"	FF1009S
#04	3/4" & 1" P	FF1004	#10	1-1/2" F	FF1010
#05	1" T	FF1005	#11	2" P	FF1011
#06	1" P	FF1006	#12	2" F	FF1012
#07	1-1/4" P	FF1007	#13	2-1/2" P	FF1013

**WINTERIZING PLUGS WITH BRASS WING NUTS**

SIZE	FOR	ITEM NO.	SIZE	FOR	ITEM NO.
#06	1" P	FF1106	#9	1 1/2" P	FF1109
#07	1-1/4" P	FF1107	#11	2" P	FF1111
#08	1-1/2" P	FF1108	#12	w/Large Wing Nut	FF3012

COLORED WINTERIZING PLUGS

SIZE	COLOR	ITEM NO.	SIZE	COLOR	ITEM NO.
#04	Pink	FF5004	#08	Green	FF5008
#05	Red	FF5005	#09	Blue	FF5009
#07	Yellow	FF5007			

EXTENDED PLUGS WITH LONG BOLT & SPACER

SIZE	FOR	ITEM NO.	SIZE	FOR	ITEM NO.
#03	3/4" P	FF1030	#07	1-1/4" P	FF1070
#04	3/4" & 1" P	FF1040	#08	1-1/2" P	FF1080
#05	1" T	FF1050	#09	1-1/2" P & 1-1/4" F	FF1090
#06	1" P	FF1060	#10	1-1/2" F	FF1095
#06	1" P (1/2 Ext)	FF1065	#12	2" P	FF1097

P = PIPE T = TUBE F = FITTING

DOUBLE PLUGS

SIZE	LENGTH	DESCRIPTION	ITEM NO.
#7 - #10	8" Rod	Universal SINGLE Plug	FF1018
#8 - #8	8" Rod	Sylvan Double Plug	FF2088
#9 - #7	8" Rod	Sylvan Double Plug	FF2097
#9 - #8	8" Rod	Sylvan Double Plug	FF2098
#9 - #8	8" Rod, 1-1/4" Spacing	Anthony Double Plug	FF2100
#9 - #8	10" Rod	Anthony Double Plug	FF2198
#9 - #9	8" Rod	Anthony Double Plug	FF2099

**PURGE PLUGS**

SIZE	FOR	DESCRIPTION	ITEM NO.
#03	1-1/2" MPT	Plug-N-Purge	V5312
#07	1-1/4" Pipe	Expand-N-Purge	V5300
#08	1-1/2" Pipe	Expand-N-Purge	V5302
#09	1-1/2" Pipe & 1-1/4" Fitting	Expand-N-Purge	V5304
#10	1-1/2" Fitting	Expand-N-Purge	V5306
#11	2" Pipe	Expand-N-Purge	V5308

Winter Duck Plug WDP150 1-1/2 MPT for 1-1/2" Threaded Fittings

FF2001

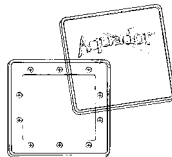


WEATHER-OUT HEATER COVERS

Weather-Out	WOHP Heat Pump Cover <i>(One Size Fits All)</i>	EE1087
Weather-Out	WOHTR Heater Cover <i>(One Size Fits All)</i>	EE1086

WEATHER-OUT DIVING BOARD COVERS

MFG. NO.	DIVING BOARD SIZE	ITEM NO.
WO6DIVE	6' Diving Board	EE1083
WO8DIVE	8' Diving Board	EE1084
WO10DIVE	10' Diving Board	EE1085



AQUADOR FACEPLATES WITH COVER

DESCRIPTION	FOR SKIMMER	ITEM NO.
Aquador 1090 Series	Hayward 1090, 1091, 1091EA, 1092, 1094, 1095ES, Olympic, American & Season Master	L4041
Aquador 1020 Series	Doughboy Skimmers	L4053
Aquador 1084 Series	Hayward Skimmers	L4054
Aquador 1085	Hayward 1085IBW Wide Mouth	L4056
Aquador 71090	Repl. Lid for Hayward 1090	L4045
Aquador 71085	Repl. Lid for Hayward 1085 Wide Mouth	L4057

MISC. EQUIPMENT



EE3034



V7224



EE1090

Cap Plug for 2" Pipe	EE2010
Cable & Winch	EE3034
Nu-Calgon "Pump Protector"	EE20000
H.D. Repair Tape	W5159
Easy Grip Knob	FF2000
Mouse Buster Liquid	EE1092
Mouse Buster Powder	EE1094
Wingmaster Plus Tool	V7224
Wingmaster Plus Service Kit	V7225
Wingmaster Anchor Shell Extractor Kit	V7223

Anderson Fitting Saver Frankenplug 4" Repair System w/Extension V4266

Anderson Fitting Saver Frankenplug 14" Repair System w/Extension V4268

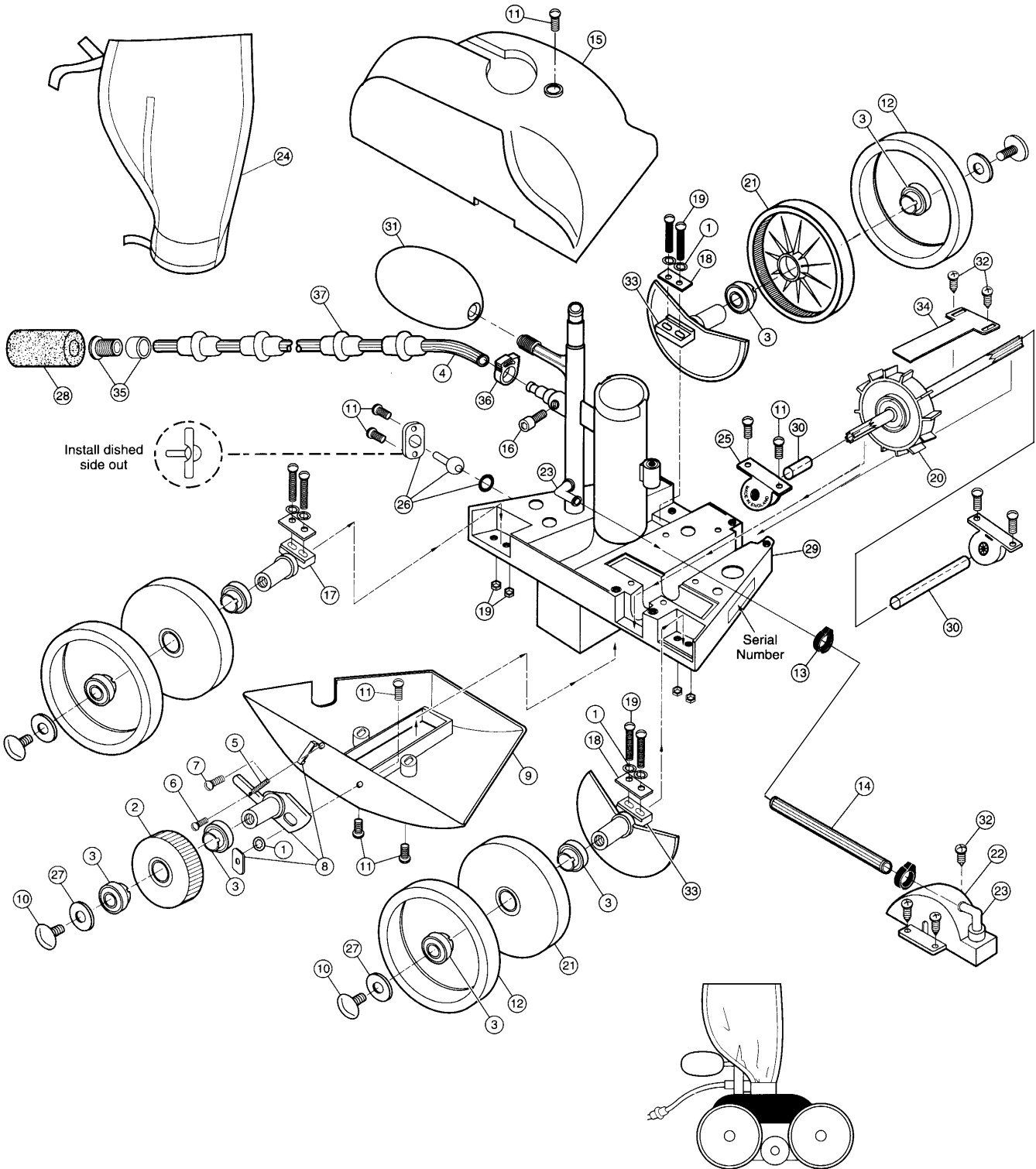
Letro and Polaris Common Parts

We offer these cleaner parts from both Letro (Pentair) and Polaris. You should use the chart below as a cross reference and a price comparison.

	Mfg. No.	Pentair Item No.	Polaris Item No.
Letro screw self tap #10 x 1/2" SS Pan Head (Bag of 5)	A30	E3A30	E2A30
Letro spring swing axle (Bag of 2)	C25	E3C25	E2C25
Letro screw 6-32 x 1/2" SS Pan Head (Bag of 5)	C32	E3C32	E2C32
Letro lock washer RO C36 (Bag of 5)	C45	E3C45	E2C45
Letro wheel washer (Bag of 2)	C64	E3C64	E2C64
Letro axle LG wheel	C66	E3C66	E2C66
Letro cover turbine	C97	E3C97	E2C97
Letro elbow for turbine cover or feed mast tube (2)	C98	E3C98	E2C98
Letro quick disconnect plug NPTM, plastic	C23	E3D23	E2D23
Letro quick disconnect female plastic	D26	E3D26	E2D26
Letro coupling 1-1/2" NPTFx 3/4" NPTM	G9	E3G09	E2G09
Letro disposable silt bag (4 pack)	G45	E3G45	E2G45
Letro volute	P5	E3P05	E2P05
Letro drive train gear kit	9-100-1132	E2571L	E2571
Letro axle block kit, front & rear	9-100-1139	E2542L	E2542
Letro turbine bearing	9-100-1103	E2628L	E2628
Letro feed pipe w/out timer	9-100-7003	E2605L	E2605
Letro impeller 3/4 HP	P15	E3P15	E2P15
Letro plug 1/8" NPTM	P20	E3P20	E2P20
Letro adjustment screw sweep hose	B20	E3B20	E2B20
Letro nut/bolt SS for volute to bracket (bag of 2)	P25	E3P25	E2P25
Pentair bag conversion kit w/bag, for polaris 380/360	9-100-1014	E2511L	E2511
Letro Leaf Bag	9-100-1012	E2519L	E2519
Pentair bag conversion kit w/bag, for polaris 280/180	K16	E3K16	E2K16
Letro belt kit small & large	9-100-1017	E2527	E2527
Letro E-clip SS (bag of 2)	9-100-5107	E2515L	E2515
Letro hub-cap	9-100-1114	E2520L	E2520
Letro collar bag tie	9-100-3135	E2574L	E2574L
Letro hose nut (bag of 2)	9-100-3109	E2534L	E2534
Letro feed hose 1 ft.	9-100-3103	E2584L	E2584
Letro sweep hose scrubber	9-100-3105	E2514L	E2514
Letro wheel bearing (bag of 2)	9-100-1108	E2540L	E2540
Letro wheel double side	9-100-1008	E2518L	E2518
Letro wheel single side	9-100-1116	E2521L	E2521
Letro leaf bag	K15	E3K15	E2K15
Letro bolt & nut 10-32 x 7/8" SS pan head (bag of 2)	C75	E3C75	E2C75
Letro sweep hose jet with collar	B25	E3B25	E2B25
Letro tune up kit	L205P	L205P	E2945
Letro quick disconnect hose kit	P17	E3P17	E2P17

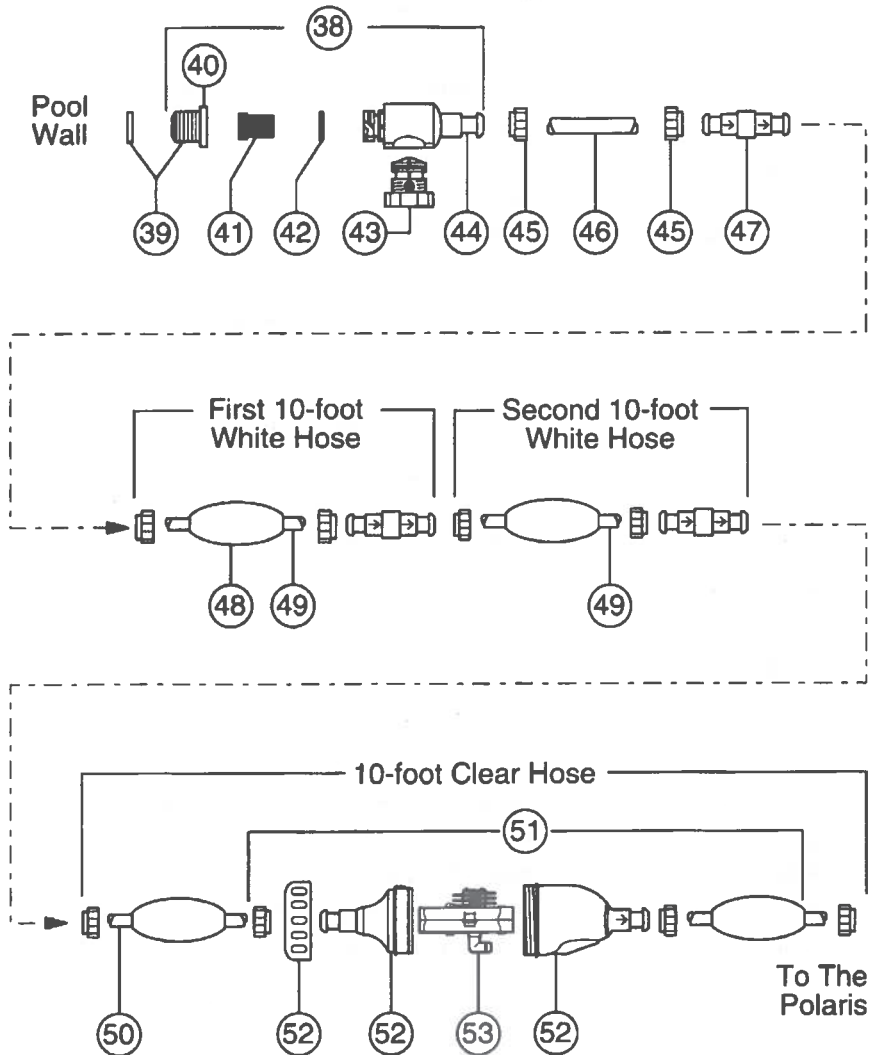
Polaris 180 Vac-Sweep	232-233
Polaris 280 Vac-Sweep	234-235
Polaris 360 Vac-Sweep	236-238
Polaris 380 Vac-Sweep	239-240
Polaris Booster Pumps	241-242
Polaris TR35P Vac-Sweep	243-244
Polaris TR36P Vac-Sweep	245-246
Polaris TR28P Vac-Sweep	247-248
Polaris 3900 Sport	249-250
Polaris 9300X1 Sport.....	251-254

Polaris 180
Booster Pump Cleaner

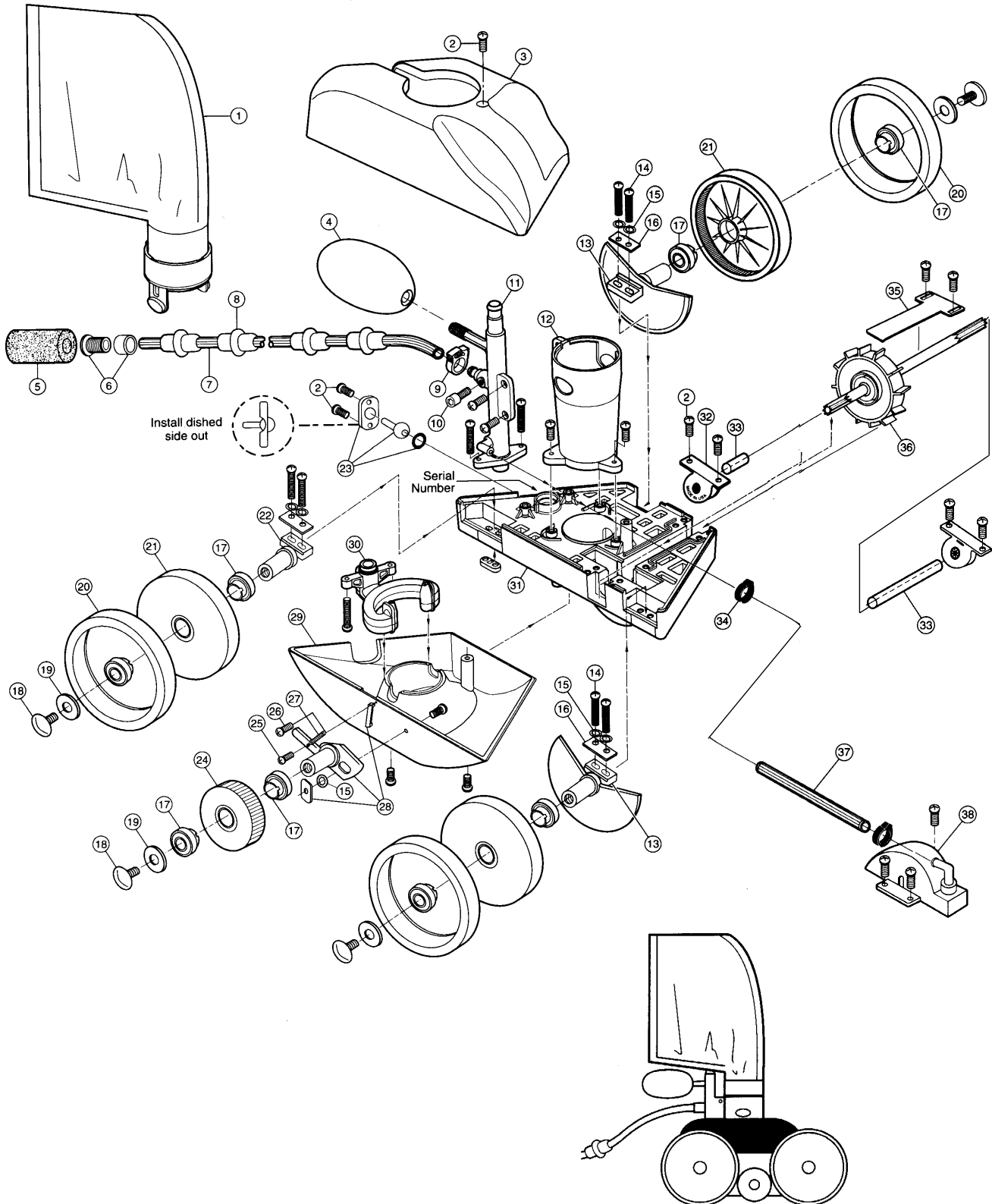


POLARIS 180 VAC-SWEEP (Cont.) Hose Assemblies & Back-Up Valve

KEY	MFG. NO	DESCRIPTION	ITEM NO.
38	9-100-9001	UWF Connector Assy (Replaces D-27)	E2522
39	10-108-00	UWF Restrictor Kit	E2602
40	6-500-00	Universal Wall Fitting Kit	E2524
41	6-504-00	Filter Screen, UWF/QD	E2578
42	6-505-00	O-Ring, UWF/QD	E2573
43	9-100-9002	Pressure Relief Valve (Replaces D-28)	E2564
44	D-29	Quick Disconnect, UWF	E2D29
45	D-15	Nut, Feed Hose	E2D15
47	D-20	Swivel, Ball Bearing	E2D20
48	D-10	Float, Feed Hose	E2D10
49	D-45	Feed Hose - White, 10 Ft., Hard	E2D45
50	D-50	Feed Hose - Clear, 10 Ft., Hard	E2D50
51	G-52	Back-Up Valve Kit (Replaces G-41)	E2G52
52	G-54	Case Kit for G-52	E2G54
53	G-53	Mechanism for G-52	E2G53
—	G-56	Back-up Booster Valve Seat (Increases Power of G-52 Valve)	E2G56

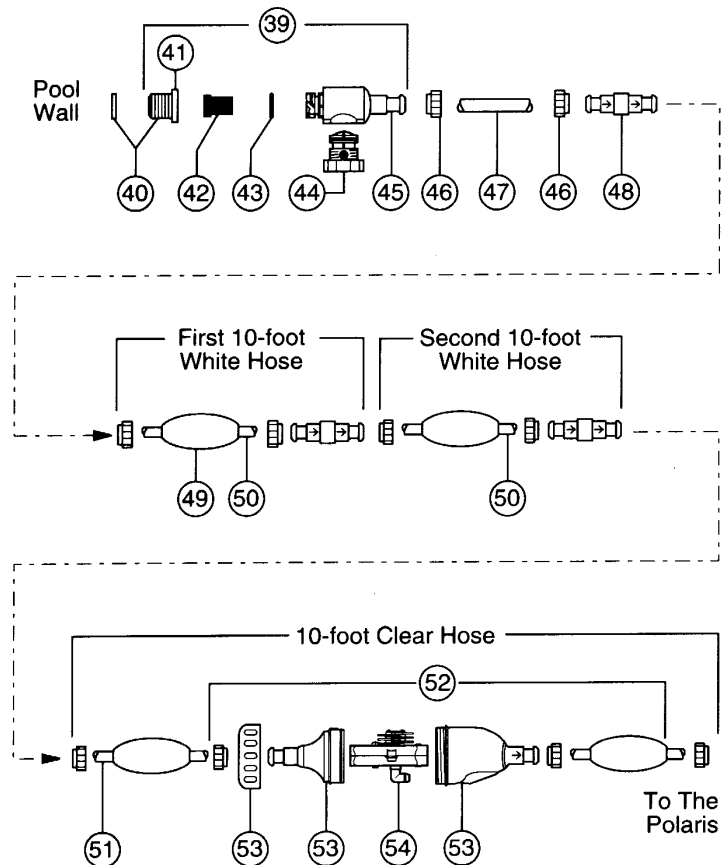


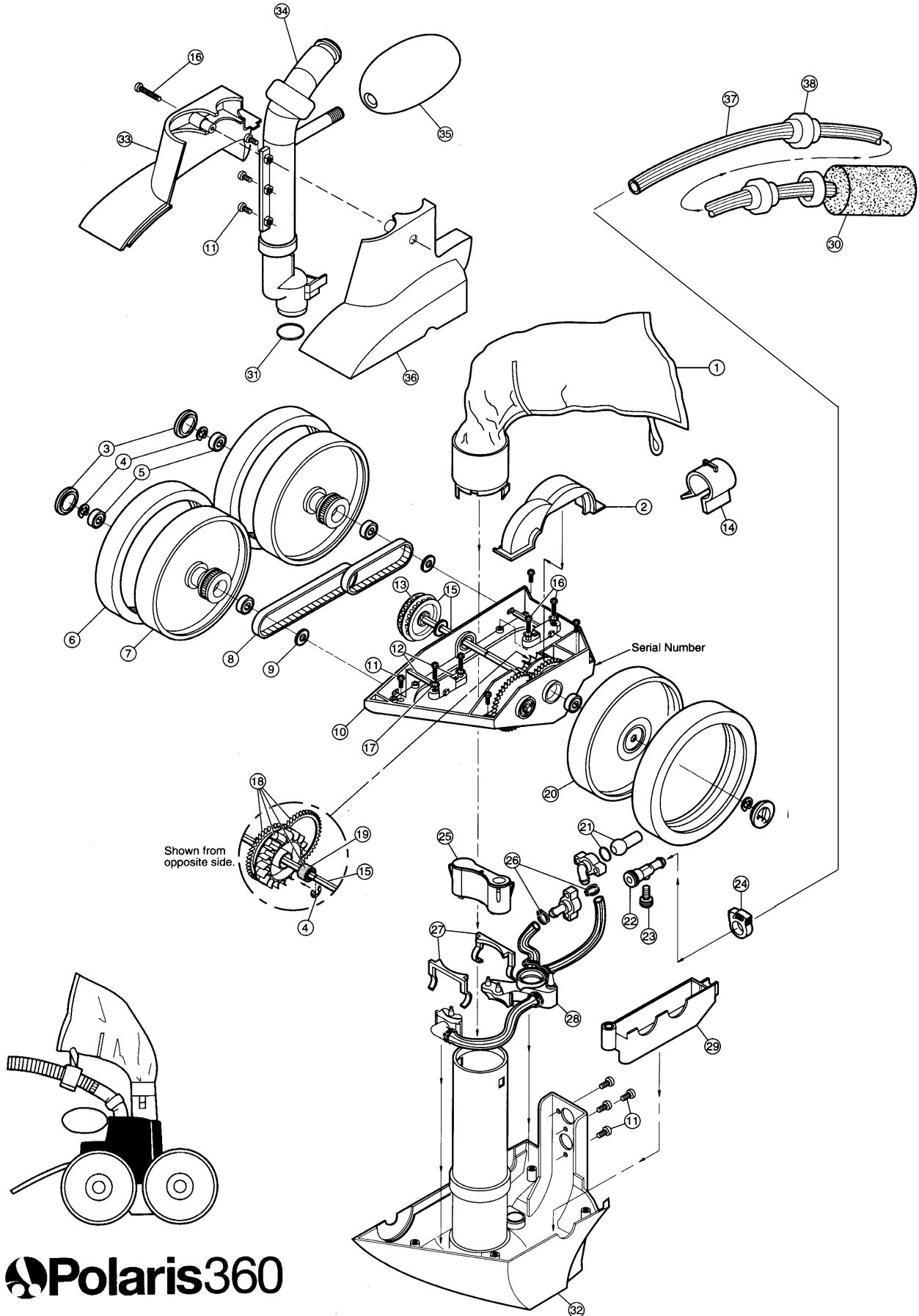
Polaris280
Booster Pump Cleaner



POLARIS 280 VAC-SWEEP Hose Assemblies & Back-Up Valve

KEY	MFG. NO	DESCRIPTION	ITEM NO.
39	9-100-9001	UWF Connector Assy (Replaces D-27)	E2522
40	10-108-00	UWF Restrictor Kit	E2602
41	6-500-00	Universal Wall Fitting (UWF)	E2524
42	6-504-00	Filter Screen, UWF/QD	E2578
43	6-505-00	O-ring, UWF/QD	E2573
44	9-100-9002	Pressure Relief Valve (Replaces D-28)	E2564
45	D-29	Quick Disconnect, UWF	E2D29
46	D-15	Nut, Feed Hose	E2D15
48	D-20	Swivel, Ball Bearing	E2D20
49	D-10	Float, Feed Hose	E2D10
50	D-45	Feed Hose, White, 10Ft., Hard	E2D45
51	D-50	Feed Hose, Clear, 10Ft., Soft	E2D50
52	G-52	Back-Up Valve Kit	E2G52
53	G-54	Case Kit for G-52	E2G54
54	G-53	Mechanism for G-52	E2G53
--	G-56	Back-Up Booster Valve Seat (Increases power of G-52 Valve)	E2G56
--	A-49	Polaris 280/180 Tune-up Kit	E2A49
--	G-5	Feed Hose Complete, No Back-Up Valve	E2G05
--	G-21	Ladder Guard Set, 2 Panels	E2G21
--	G-45	Sand/Silt Bags, Pkg. 4, Disposable	E2G45
--	G-118	Over Deck Mount	E2G71
--	K-6	Top, Black	E2K06
--	K-15	Leaf Bag	E2K15

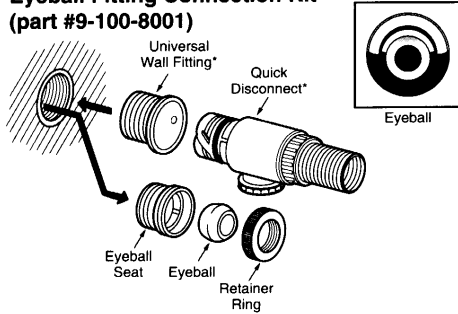
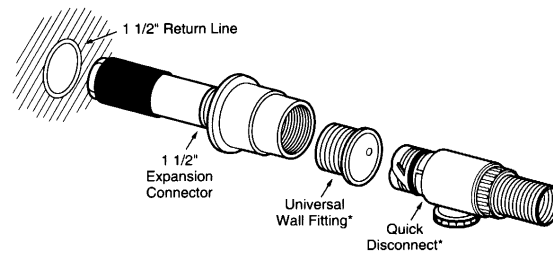
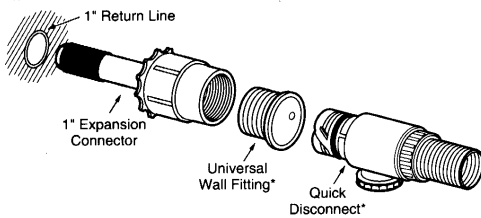
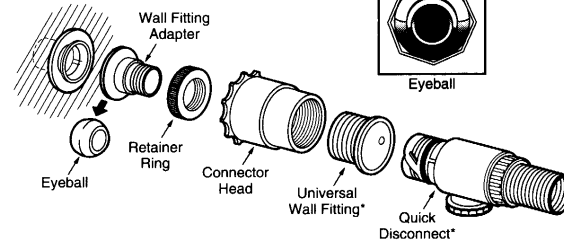
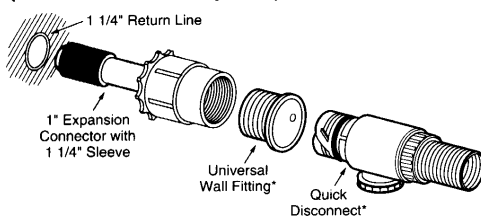




POLARIS 360 VAC-SWEEP

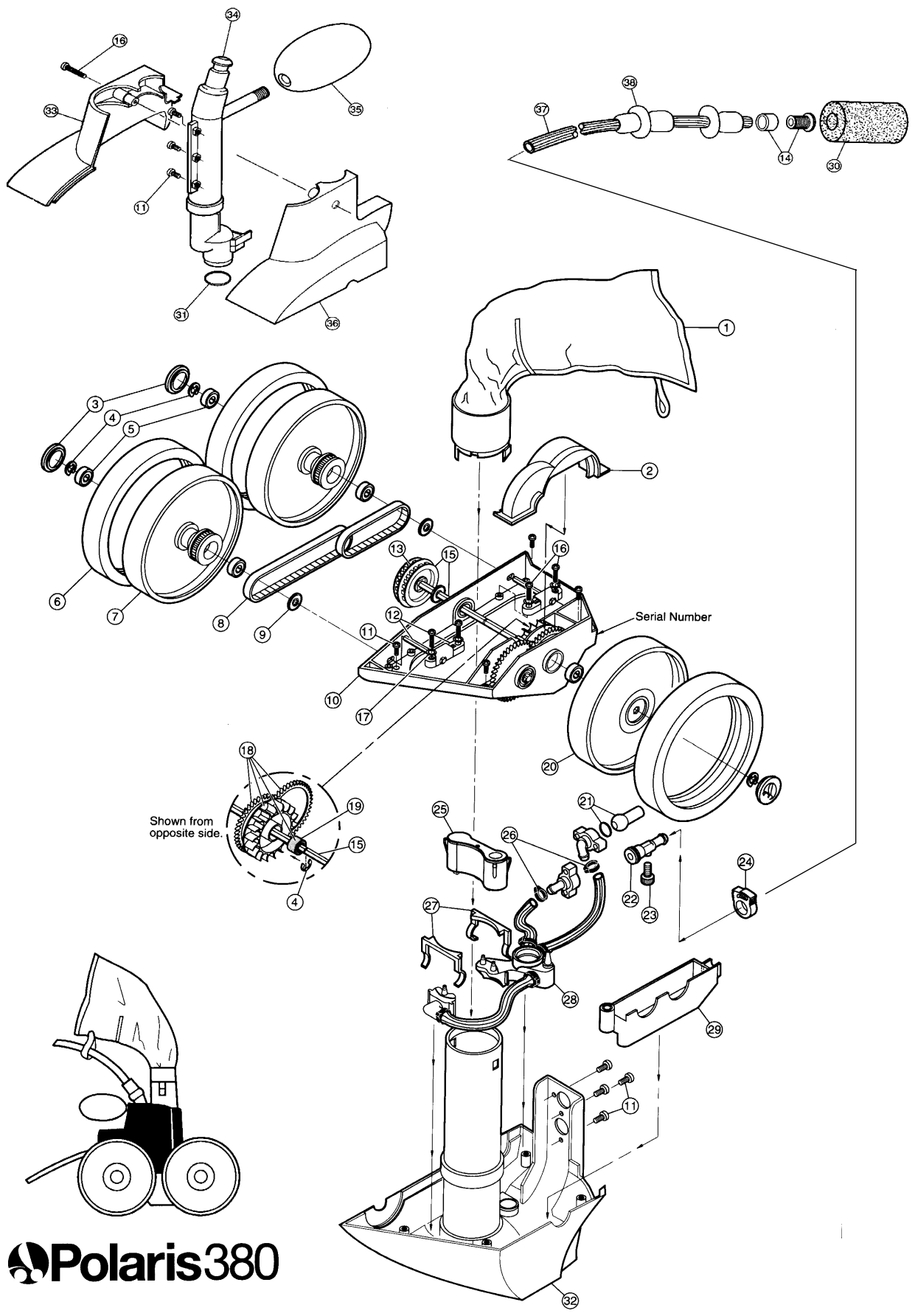
Non-booster Pump Cleaners

KEY	MFG. NO	DESCRIPTION	ITEM NO.
1	9-100-1014	All Purpose Bag	E2511
--	9-100-1012	Leaf Bag	E2519
--	9-100-1015	Ultra Fine Sand/Silt Bag	E2513
2	9-100-1152	Housing Turbine Upper	E2536
3	9-100-1114	Hub Cap	E2520
4	9-100-5107	E-clip, Stainless Steel	E2515
5	9-100-1108	Ball Bearing	E2540
6	C-10	Tire, White	E2C10
--	C-11	Tire, Black	E2C11
--	C-12	Tire, Krayton	E2C12
7	9-100-1008	Wheel, Double-side	E2518
8	9-100-1017	Belt Kit, Small and Large	E2527
9	9-100-7011	Shield, Bearing	E2541
10	9-100-1005	Frame, Exchange Only	E2572
11	9-100-5117	Screw, 8-32 x 3/8" SS Pan Head	E2543
12	9-100-1139	Axle Block Assembly	E2542
13	9-100-1010	Belt Divider, Transfer Pulley	E2608
14	9-100-3135	Collar, Bag Tie	E2574
15	9-100-1007	Transfer Pulley/Drive Shaft Assy	E2517
16	9-100-5115	Screw, 8-32 x 3/4" SS Pan Head	E2538
17	9-100-5130	Lock Washer, Axle Block	E2616
18	9-100-1132	Drive Train Gear Kit w/Bearing	E2571
19	9-100-1170	Turbine Bearing	E2545
20	9-100-1116	Wheel, Single-side	E2521
21	C-131	Thrust Jet Kit	E2C31
22	9-100-7008	Sweep Hose Barb Complete	E2548
23	B-20	Adjustment Screw, Sweep Hose	E2B20
24	B-15	Sweep Hose Attach Clamp	E2B15
25	9-100-3005	Base Weight	E2611
26	9-100-7170	Hose Clamp for WMS	E2570
27	9-100-7009	Jet Retainer	E2547
28	9-100-7014	Water Management System	E2575
29	9-100-1155	Housing, Turbine Lower	E2561
30	9-100-3105	Sweep Hose Scrubber	E2514
31	9-100-5132	O-ring, In-Head Timer/Feed Pipe Assy	E2546
32	9-100-7016	Base Assy for In-line Back-Up Valve, White	E2612
--	9-100-7017	Base Assy for In-line Back-Up Valve, Black	E2613
33	9-100-1141	Top Cover, Double Wheel Side	E2537
--	9-100-1143	Top Cover, Double Wheel Side, Black	E2627
34	9-100-1002	Feed Pipe/Timer Blank Assembly	E2008
35	A-20	Float, Head	E2A20
36	9-100-1140	Top Cover, Single Wheel Side	E2539
--	9-100-1142	Top Cover, Single Wheel Side, Black	E2626
37	9-100-1011	Sweep Hose Complete	E2577
--	B-2	Weight Sweep Hose	E2B02

**Eyeball Fitting Connection Kit
(part #9-100-8001)**

**1 1/2" Stub Pipe Connection Kit
(part #9-100-8003)**

**1" Stub Pipe Connection Kit
(part #9-100-8002)**

**Eyeball Adapter Connection Kit
(part #9-100-8005)**

**1 1/4" Sleeve Kit (part #8-841-00)
(Use with 1" Stub Pipe Kit)**


CONNECTION KITS

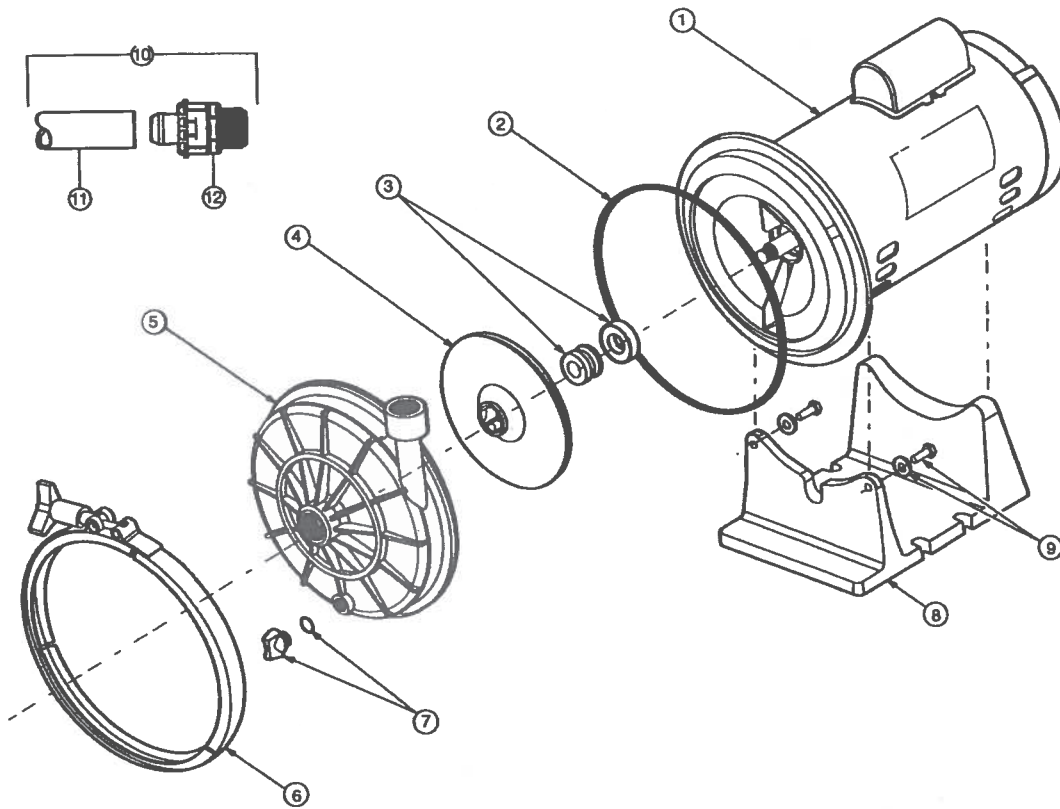
MFG. NO	DESCRIPTION	ITEM NO.
8-841-00	1-1/4" Sleeve Kit	E2589
9-100-8001	Eyeball Fitting Connection Kit	E2587
9-100-8002	1" Stub Pipe Connection Kit	E2528
9-100-8003	1-1/2" Stub Pipe Connection Kit	E2533
9-100-8005	Eyeball Adapter Connection Kit	E2588
9-100-8006	Standard Eyeball Regulator Disk	E2665
9-100-8007	1" Return Line Plug	E2700
9-100-8008	1" Expansion Connector	E2701
9-100-8009	1" Expansion Connector w/Pressure Relief	E2702
9-100-8010	1-1/2" Return Line Plug	E2703
9-100-8011	1-1/2" Expansion Connector	E2704
9-100-8012	1-1/2" Expansion Connector w/Pressure Relief	E2705
9-100-8013	1-1/2" Adapter with Cap	E2706
9-100-8014	1-1/2" Pressure Relief Valve Assy	E2707
9-100-8015	Eyeball Adapter Connector w/Pressure Relief	E2708
9-100-8016	Eyeball Adapter Connector	E2709
9-100-8017	Large Eyeball Regulator Disk	E2710
9-100-8018	1" Expansion Regulator	E2711
9-100-8019	3/4" Expansion Regulator	E2712
9-100-8020	1/2" Expansion Regulator	E2713



POLARIS 380 VAC-SWEEP Booster Pump Cleaners

KEY	MFG. NO	DESCRIPTION	ITEM NO.
1	9-100-1014	All Purpose Bag	E2511
—	9-100-1012	Leaf Bag	E2519
—	9-100-1015	Ultra Fine Sand/Silt Bag	E2513
—	G-45	Sand/Silt Bag, Pkg 4 (Disposable)	E2G45
2	9-100-1152	Housing, Turbine Upper	E2536
3	9-100-1114	Hub Cap	E2520
4	9-100-5107	E-Clip SS	E2515
5	9-100-1108	Ball Bearing	E2540
6	C-10	Tire, White	E2C10
—	C-11	Tire, Black	E2C11
—	C-12	Tire, Krayton	E2C12
7	9-100-1008	Wheel, Double Side	E2518
8	9-100-1017	Belt Kit, Small and Large	E2527
9	9-100-7011	Shield, Bearing	E2541
10	9-100-1005	Frame, Exchange Only	E2572
11	9-100-5117	Screw, 8-32 x 3/8" SS Pan HD	E2543
12	9-100-1139	Axle Body Assembly	E2542
13	9-100-1010	Belt Divider, Transfer Pulley	E2608
14	B-25	Orifice Tip w/Orifice Tip Guard	E2B25
15	9-100-1007	Transfer Pulley / Drive Shaft Assy	E2517
16	9-100-5115	Screw, 8-32 x 3/4" SS Pan HD	E2538
17	9-100-5130	Lock Washer, Axle Body	E2616
18	9-100-1132	Drive Train Gear Kit w/ Turbine Bearing	E2571
19	9-100-1170	Turbine Bearing	E2545
20	9-100-1116	Wheel, Single Side	E2521
21	C-131	Thrust Jet Kit	E2C31
22	9-100-7008	Sweep Hose Barb Complete	E2548
23	B-20	Adjustment Screw, Sweep Hose	E2B20
24	B-15	Sweep Hose Attach Clamp	E2B15
25	9-100-9004	Base Weight	E2610
26	9-100-7170	Hose Clamp for WMS	E2570
27	9-100-7009	Jet Retainer	E2547
28	9-100-7010	Water Management System	E2549
29	9-100-1155	Housing , Turbine Lower	E2561
30	9-100-3105	Sweep Hose Scrubber	E2514
31	9-100-5132	O-ring, In-Head Turner/Feed Pipe	E2546
32	9-100-7016	Base Assy for In-Line Back up Valve. (White)	E2612
33	9-100-1141	Top Cover, Double Wheel Side	E2537
—	9-100-1143	Top Cover, Double Wheel Side (Black)	E2627
34	9-100-7003	Feed Pipe / Timer Blank Assy	E2605
35	A-20	Float, Head	E2A20
36	9-100-1140	Top Cover, Single Wheel Side	E2539
—	9-100-1142	Top Cover, Single Wheel Side (Black)	E2626
37	B-5	Sweep Hose Complete	E2B05
38	B-10	Wear Rings	E2B10
—	B-2	Weight. Sweep Hose	E2B02

Polaris Booster Pump - PB4-60Q Halcyon

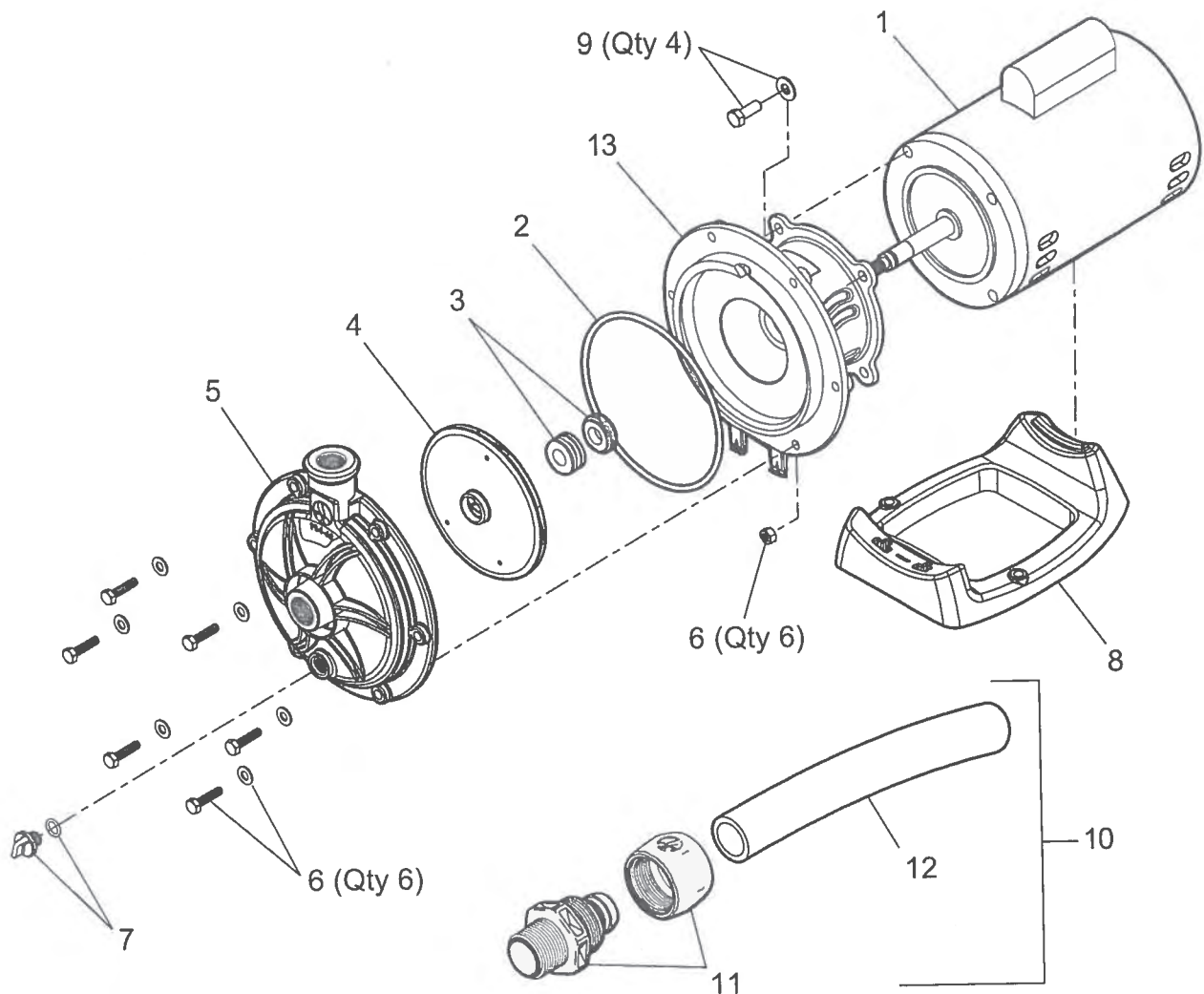


-	PB4-60Q	Complete Halcyon Booster Pump	E2004
1	P64	3/4 HP Motor - Seal Plate Assembly	*
2	P85	O-Ring, Seal Plate	E2P85
3	P84	Seal, Ceramic / Spring	E2P84
4	P16	Impeller	E2P16
5	P82	Volute Includes Drain Plug w/O-Ring	E2P82
6	P87	Band Clamp	E2P87
7	P88	1/2" - 20 UNF Drain Plug w/O-Ring	E2P88
8	P86	Pump Stand	E2P86
9	P91	1/4 - 20 x 3/4" Bolt w/Washer	*
10	P17	Softube Hose, 6' Flexible Reinforced	E2P17
11	P19	Pump Hose, 6' Flexible Reinforced	E2P19
12	P133	Softube Quick Connect	E2P133

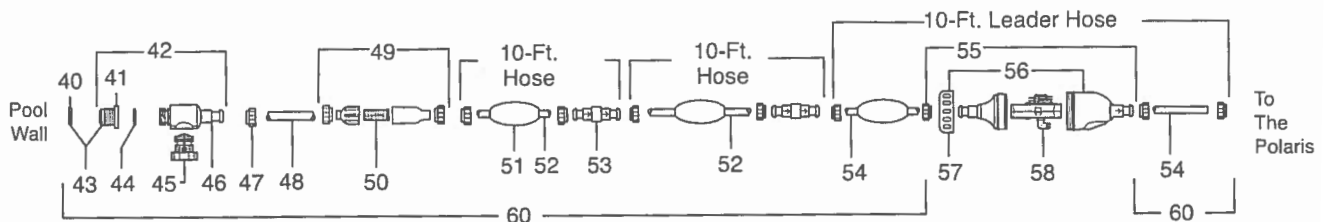
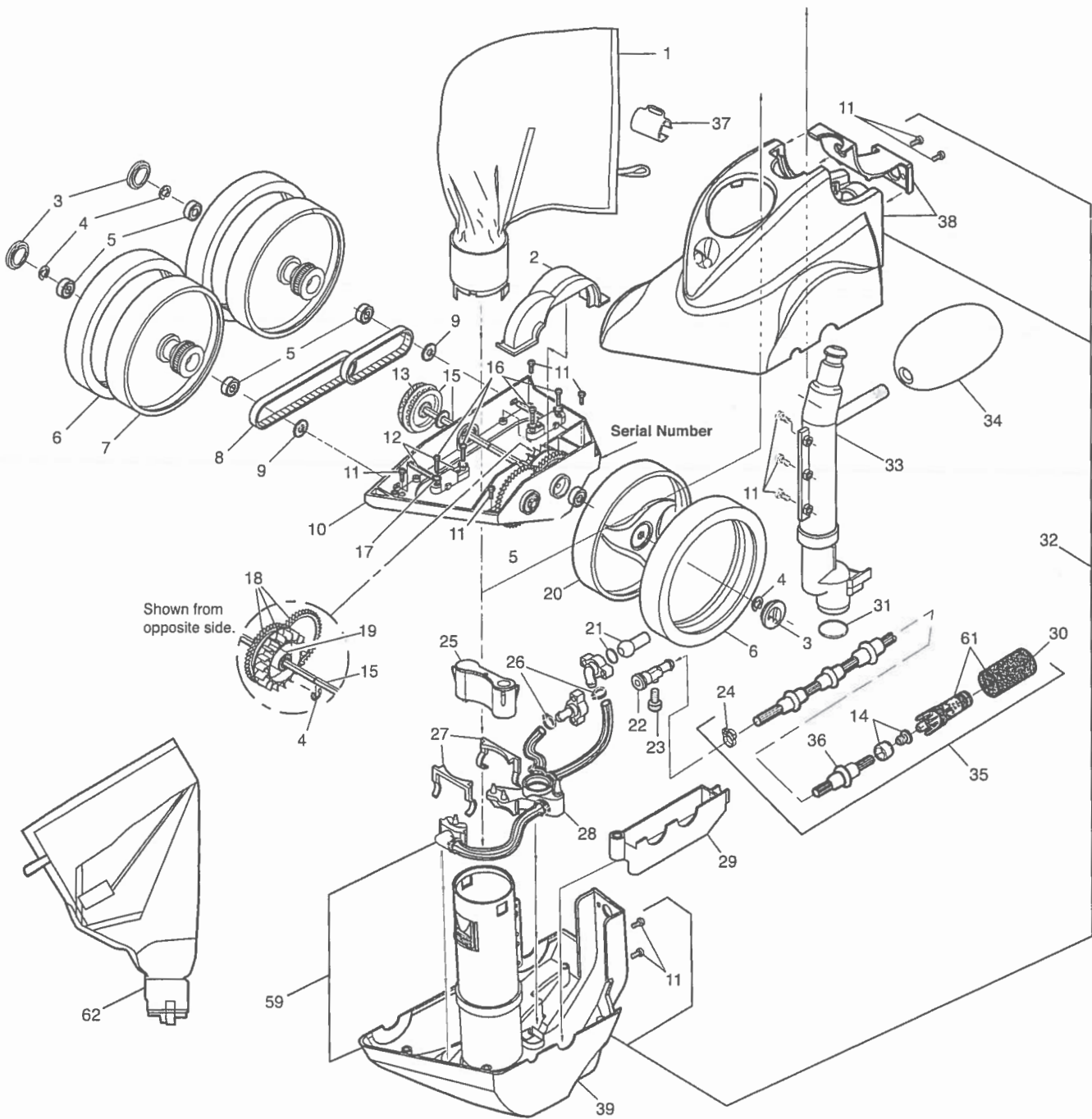
Polaris® Booster Pump with 60 Hz Motor (Mfg. 2011-Present)

Part # PB4-60 For PB4-60's with serial numbers after PB120111001 or beginning with AVEH050100

Key		Qty.	Part No.	
No.	Description			
1	Motor, 3/4 HP, Threaded Shaft 60 Hz	1	P61	E2P61
2	O-Ring, Backplate, PB4-60	1	R0536600	E2099
3	Seal, Ceramic and Spring	1	R0445500	K2615
4	Impeller, PB4-60	1	R0536400	E2098
5	Volute, PB4-60 (Includes Drain Ring with O-ring)	1	R0536300	E2097
6	Bolts w/ Washers and Nuts	6	R0536900	E2096
7	Drain Plug w/ O-Ring, Common	1	R0537000	E2095
8	Base, Booster, PB4-60	1	R0537100	E2094
9	Bolts and Washers, Stainless, Motor PB4-60	4	R0536800	E2093
10	Quick Connect Install Kit	1	R0617100	E2P17
11	Quick Connect Fittings	4	R0621000	E2P133
12	Pump Hose 6 ft. Reinforced	1	P19	E2P19
13	Backplate, PB4-60	1	R0536700	E2092



Polaris TR35P
Part# WE000003



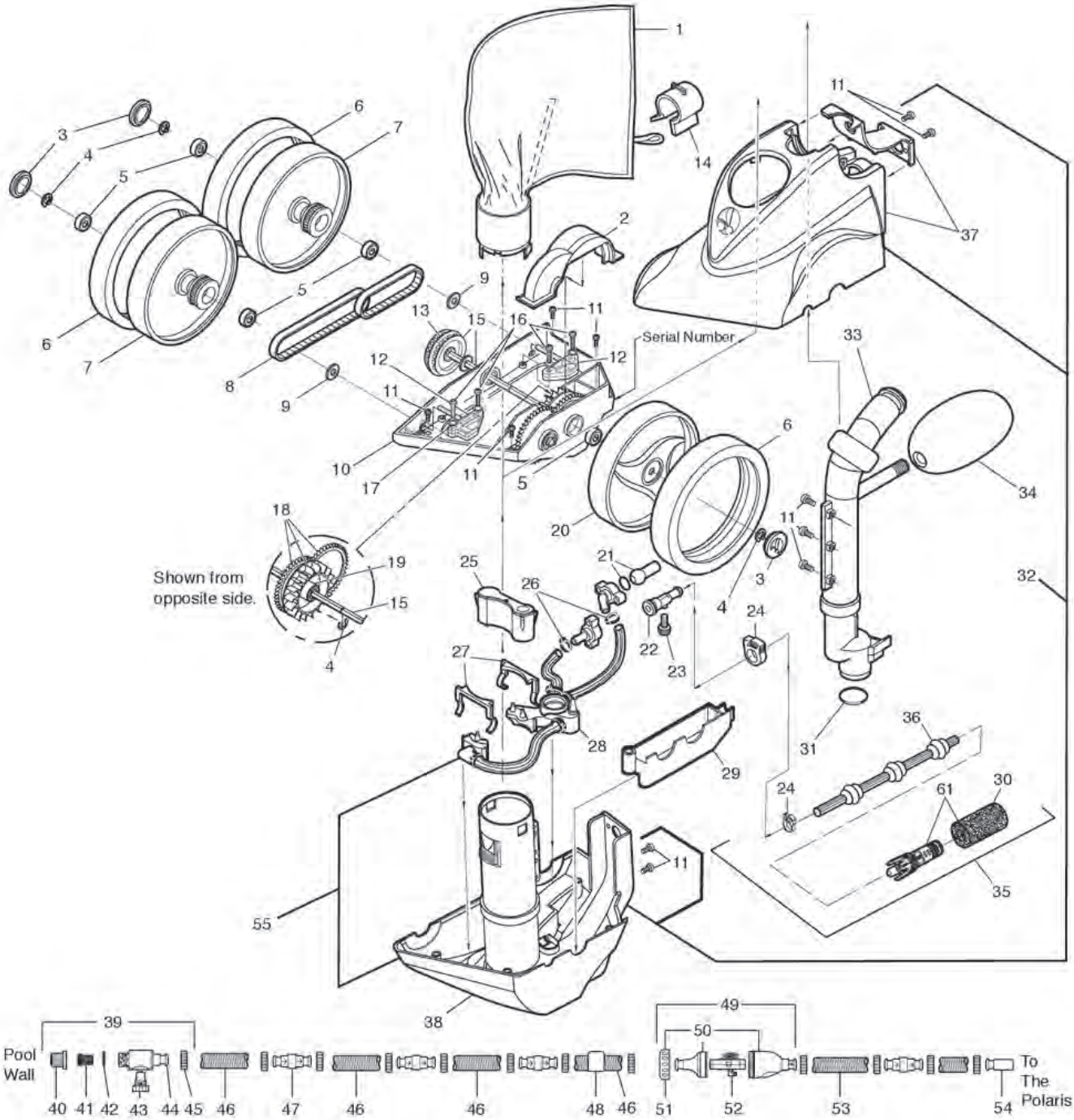
Part# WE000003 Hatchik Part# E2005

Key No.	Part No.	Description	Pieces in Model	Pieces Per Part No.	Hatchik Part No.
1	9-100-1022	Zippered All Purpose Bag, BLK	1	1	E2510
2	9-100-1152	Housing, Turbine Upper	1	1	E2526
3	R0615600	Hub Cap, Silver	3	1	E2135
4	9-100-5107	E-Clip, Stainless Steel	10	1	E2515
5	9-100-1108	Ball Bearing	8	1	E2540
6	C11	Tire, Max Trax®, Black	3	1	E2C11
7	R0615700	Wheel, Double-Side, Silver	2	1	E2136
8	9-100-1017	Belt Kit, Small & Large	1	1	E2527
9	9-100-7011	Shield, Bearing	3	1	E2541
10	9-100-1005	Frame (Warranty Only)	1	1	
11	9-100-5125	Screw, 8-32 x 1/2" SS Pan Head	11	1	E2545
12	9-100-1139	Axle Block Kit, (Front & Rear)	1	1	E2542
13	9-100-1010	Belt Divider, Transfer Pulley	1	1	E2608
14	B25	Office Tip w/ Tip Guard	1	1	E2B25
15	9-100-1007	Trans Pulley/Drive Shaft Assembly	1	1	E2517
16	9-100-5115	Screw, 8-32 x 3/4" SS	4	1	E2538
17	9-100-5130	Lock Washer, Axle Block	4	1	E2616
18	9-100-1132	Drive Train Gear Kit w/ Turbine Bearing	1	1	E2571
19	9-100-1103	Turbine Wheel w/ Bearing	1	1	E2628
20	R0615800	Wheel, Single-Sided, Silver	1	1	E2137
21	C131	Thrust Jet Kit	1	1	E2C131
22	9-100-7008	Sweep Hose Barb, Complete	1	1	E2548
23.	B20	Adjustment Screw, Sweep Hose	1	1	E2B20
24.	B16	Sweep Hose Attachment Clamp, Black	1	1	E2B16
25	9-100-9004	Base Weight	1	1	E2610
26	9-100-7170	Hose Clamp for WMS	6	1	E2570
27	9-100-7009	Jet Retainer	2	1	E2547
28	9-100-7010	Water Management System (WMS)	1	1	E2549
29	9-100-1155	Housing, Turbine Lower	1	1	E2561
30	9-100-3105	Sweep Hose Scrubber	1	1	E2514
30	R0522400	Sweep Hose Scrubber, 3/pk	1	3	#
31	9-100-5132	O-ring, Feed Pipe Assembly	1	1	E2546
32	R0615900	Top and Base Assembly	1	1	#

Key No.	Part No.	Description	Pieces in Model	Pieces Per Part No.	Hatchik Part No.
33	9-100-7007	Feed Pipe/Timer Blank Assembly, Black	1	1	E2139
34	A21	Float, Head, Black	1	1	E2A21
35	39-500	Sweep Hose Complete	1	1	E2123
36	39-021	Sweep Hose Wear Ring, Blue	8	1	E2122
37	9-100-1019	Bag Clip, Black	1	1	E2452
38	9-100-1240	Top Housing	1	1	E2681
39	R0616000	Base Assembly, Silver	1	KIT	E2138
40	10-112-00	UWF® Restrictor Discs, Red and Blue	2	1	E2124
41	6-550-00	Universal Wall Fitting (UWF), Black	1	1	E2507
42	9-100-9005	UWF Connector Assembly, BLK	1	1	E2462
43	10-108-00	UWF Restrictor Kit	1	1	E2602
44	6-505-00	O-ring UWF/QD, Black	1	1	E2573
45	9-100-9006	Pressure Relief Valve, Black	1	1	E2133
46	D30	Quick Disconnect, UWF, Black	1	1	E2D30
47	D16	Nut, Feed Hose, Black	10	1	E2D16
48	D44	Adapter Hose, 8 1/2"	1	1	E2D44
49	48-085	In-Line Filter Assembly, Black	1	1	E2D37
50	48-222	Screen, In-Line Filter	1	1	E2D34
51	D11	Float, Feed Hose, Black	9	1	E2D11
52	D47	Feed Hose, 10', Black	2	1	E2D47
53	D21	Swivel, Ball Bearing, Black	2	1	E2D21
54	D52	Leader House, 10', Black	1	1	E2D52
55	G62	Back-up Valve Kit, Black	1	1	E2G62
56	G64	Case Kit for G62, Black	1	1	E2G64
57	G67	Collar, Back-up Valve, Black	1	1	E2G67
58	G53	Mechanism for Back-Up Valve	1	1	E2G53
59	R0619900	Water Management Base Assembly Complete, Silver	1	1	#
60	G6	Feed Hose Complete w/ UWF, No Back Up Valve, or In-Line Filter, Black	1	1	E2G06
61	TSP10P	TailSweep PRO® Bulk Box	1	18	E2127
61	TSP10S	TailSweep PRO® Strip Clip	1	12	E2126
62	9-100-1012	Velcro Leaf Bag	1	1	E2519

Polaris TR36P

Part# FITR



Polaris TR36P

Part# FITR

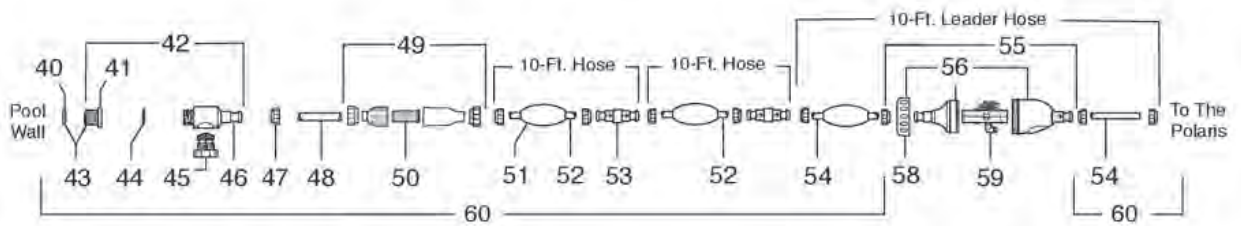
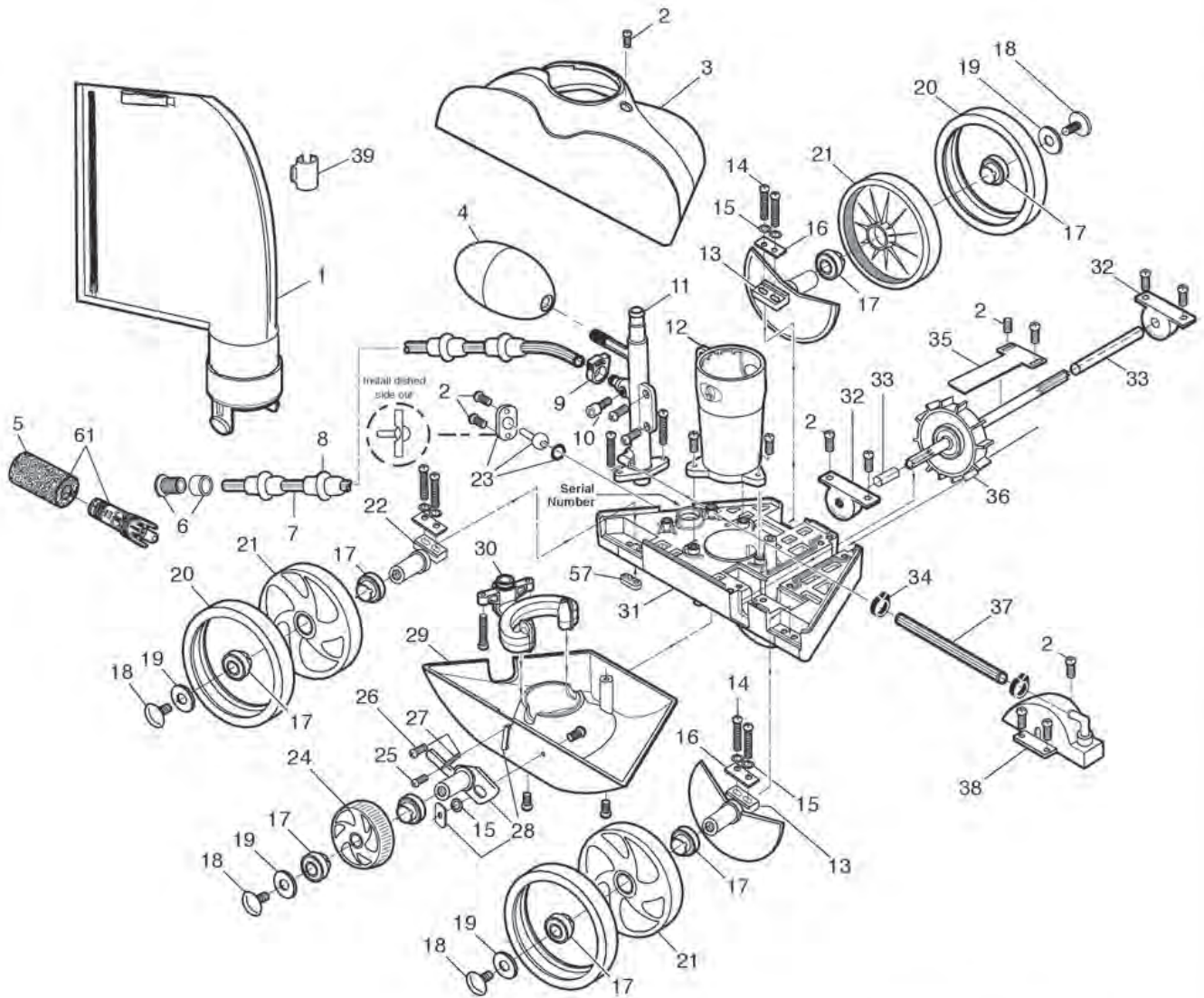
Key No.	Part No.	Description	Pieces	
			in Model	per Part No.
1	9-100-1022*	Zippered All-Purpose Bag	2	1
2	9-100-1152	Housing, Turbine Upper	1	1
3	R0615600*	Hub Cap, Silver	3	1
4	9-100-5107*	E-Clip, Stainless Steel	10	1
5	9-100-1108*	Ball Bearing	8	1
6	C11*	Tire, Max Trax*, Black	3	1
7	R0615700*	Wheel, Double-Side, Silver	2	1
8	9-100-1017*	Belt Kit, Small and Large	1	1
9	9-100-7011	Shield, Bearing	3	1
10	9-100-1005	Frame (Warranty Only)	1	1
i1	9-100-5125	Screw, 8-32 x 1/2" SS	11	1
12	9-100-1139	Axle Block Kit (Front and Rear)	1	1
13	9-100-1010	Belt Divider, Transfer Pulley	1	1
14	9-100-3136	Bag Clip, Black	1	1
15	9-100-1007*	Trans Pulley/Drive Shaft Assembly	1	1
16	9-100-5115	Screw, 8-32 x 3/4" SS	4	1
17	9-100-5130	Lock Washer, Axle Block	4	1
18	9-100-1132	Drive Train Gear Kit w/ Turbine Bearing	1	1
19	9-100-1103	Turbine Wheel w/ Bearing	1	1
20	R0615800*	Wheel, Single-Sided, Silver	1	1
21	C131	Thrust Jet Kit	1	1
22	R0893000	Sweep Hose Barb Complete, Black	1	1
23	B20	Adjustment Screw, Sweep Hose	1	1
24	B16*	Sweep Hose Attachment Clamp, Black	1	1
25	9-100-3005	Base Weight	1	1
26	9-100-7170	Hose Clamp for WMS	6	6
27	9-100-7009	Jet Retainer	2	1
28	9-100-7014	Water Management System (WMS)	1	1
29	9-100-1155	Housing, Turbine Lower	1	1
30	9-100-3105*	Sweep Hose Scrubber	1	1
30	R0522400*	Sweep Hose Scrubber, 3/PK	1	3
31	9-100-5132	O-Ring, Feed Pipe Assembly	1	1
32	R0615900	Top and Base Assembly	1	1
33	9-100-1001	Feed Pipe/Timer Blank Assembly, Black	1	1
34	A21*	Float, Head, Black	1	1
35	9-100-1020*	Sweep Hose Complete (No TailSweep PRO*), Black	1	1
36	39-021*	Sweep Hose Wear Ring, Blue, 8/PK	7	8
37	9-100-1240	Top Housing	1	1
38	R0616000	Base Assembly, Silver	1	1
39	9-100-3010*	UWF* Connector Assembly, Black	1	1
40	6-550-00*	Universal Wall Fitting (UWF), Black	1	1
41	6-504-00*	Filter Screen, UWF/QD	1	1

Key No.	Part No.	Description	Pieces	
			in Model	per Part No.
42	6-505-00	O-Ring, UWF/QD	1	1
43	9-100-3011	Pressure Relief Valve, Black	1	1
44	9-100-3007	Quick Disconnect, UWF, Black	1	1
45	9-100-3112*	Hose Nut, Black	12	1
46	9-100-3110*	Feed Hose, 6', Black	4	1
47	9-100-3003*	Swivel, Hose, Black	4	1
48	9-100-1207*	Float, Feed Hose, Black	3	1
49	9-100-1201*	In-Line Backup Valve, Black	1	1
50	9-100-1203	Case Kit, Backup Valve, Black	1	1
51	667	Collar, Backup Valve, Black	1	1
52	9-100-1204	Mechanism, Backup Valve	1	1
53	9-100-3111	Feed Hose, 1', Black	1	1
54	9-100-6000	Pressure Tester	1	1
55	R0732900	Water Management Base Assembly Complete, Silver	1	1
61	TSPIOP	TailSweep PRO*, Bulk Box	1	18
61	TSPIOS	TailSweep PRO, Strip Clip	1	12
N/S	9-100-3101	Feed Hose Complete w/ UWF, No Backup Valve, Black	1	1

*Suggested stocking part N/S-Not shown

Polaris TR28P

Part# F5TR



Polaris TR28P

Part# F5TR

Key No.	Part No.	Description	Pieces	
			Pieces in Model	per Part No.
1	K13*	All Purpose Zippered Bag	1	1
2	C40	Screw, 10-32 x 3/8" SS Pan	20	10
3	K5	Top	1	1
4	A20	Float, Head	1	1
5	9-100-3105*	Sweep Hose Scrubber	1	1
5	R0522400	Sweep Hose Scrubber, 3/PK	1	3
6	B25	Orifice Tip w/ Tip Guard	1	1
7	B5	Sweep Hose Complete	1	1
8	B10*	Wear Rings	8	1
9	B15	Sweep Hose Attach Clamp	1	1
10	B20	Adjust. Screw, Sweep Hose	1	1
11	K30	Feed Pipe w/ Elbow	1	1
12	K20	Vacuum Tube	1	1
13	C66	Axle, Large (w/ Sand/Gravel Guard)	2	1
14	C76	Screw, 10-32 x 7/8" SS Pan (2/Pk)	10	2
15	C45	Lock Washer for C36	7	1
16	C70	Axle Plate for C65/C66	3	1
17	C60*	Ball Bearings, Wheels	8	1
18	C55	Wheel Screw, Plastic	4	1
19	C64	Wheel Washer, Plastic	4	1
20	C10*	Tire, Max Trax*	3	1
21	C6	Wheel, Large (No Bearings Incl.)	3	1
22	C65	Axle, Large (Rear Wheel Only)	1	1
23	C131	Thrust Jet Kit	1	1
24	C16	Idler Wheel, Small	1	1
25	C30	Screw, 4-40 x 3/16" SS Pan	1	1
26	C32	Screw, 6-32 x 1/2" SS Pan Head, 5/PK	1	5
27	C25	Spring for C36	1	1
28	C36	Swing Axle Kit	1	1
29	K10	Base w/ Bracket	1	1
30	K25	Water Management System	1	1
31	K145	Frame (Warranty Only)	1	1
32	C80*	Ball Bearings, Turbine	2	1
33	C83	Turbine Shaft Tubes	1	1
34	9-100-7170	Hose Clamp for WMS	2	6
35	A40	Turbine Shaft Shield	1	KIT
36	C86	Drive Shaft Assembly	1	1
37	C120	Hose for C110, 7-1/2"	1	1
38	C110	Turbine Cover w/ Elbow	1	1
39	9-100-1018	Bag Clip	1	1
40	10-112-00	Restrictor Disks, Red and Blue	2	1
41	6-500-00	Universal Wall Fitting (UWF)*	1	1
42	9-100-9001	UWF Connector Assembly	1	1
43	10-108-00	UWF Restrictor Kit	1	1

Key No.	Part No.	Description	Pieces	
			Pieces in Model	per Part No.
44	6-505-00	O-Ring, UWF/OD	1	1
45	9-100-9002	Pressure Relief Valve	1	1
46	D29	Quick Disconnect, UWF	1	1
47	D15	Nut, Feed Hose	10	1
48	D44	Adapter Hose, 8-1/2"	1	1
49	48-080	In-Line Filter Assembly	1	1
50	48-222	Screen, In-Line Filter	1	1
51	D10	Float, Feed Hose	9	1
52	D45	Feed Hose, 10'	2	1
53	D20*	Swivel, Ball Bearing	2	1
54	D50	Feed Hose, Leader, 10'	1	1
55	G52	Backup Valve Kit	1	1
56	G54	Case Kit for G52	1	1
57	R0706000	Wheel Block w/ Inserts	1	1
58	G57	Collar, Backup Valve	1	1
59	G53	Mechanism for Backup Valve	1	1
60	G5	Polaris Feed Hose Complete w/ UWF*, No Backup Valve, No In-line Filter	1	1
61	TSP10P	TailSweep PRO*, Bulk Box	1	18
61	TSP10S	TailSweep Pro, Strip Clip	1	12

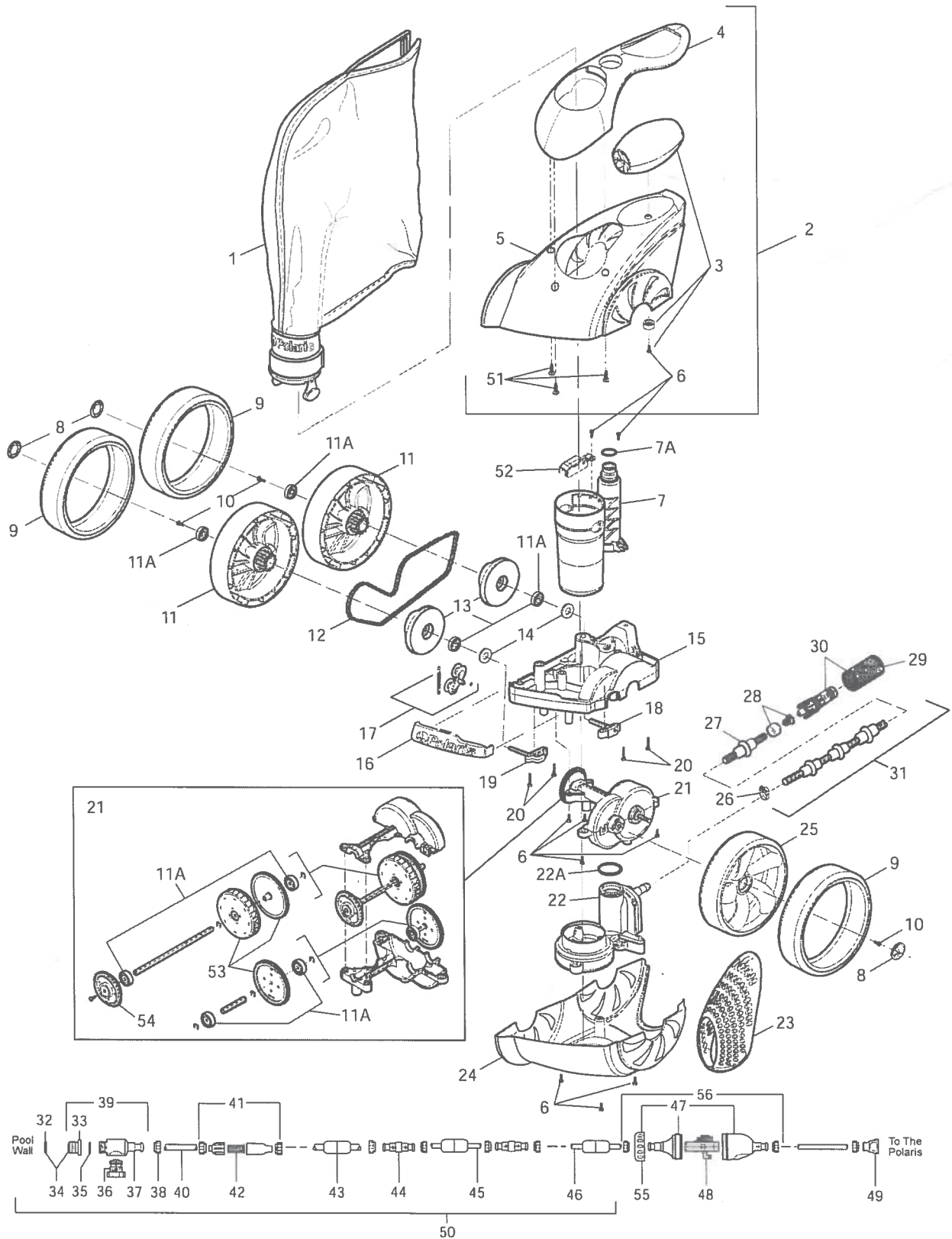
*Suggested stocking part



Enroll in one of our Fluidra® Incentive programs and enjoy benefits such as extended warranties and access to bulk part discounts. Trust in the quality of genuine parts and Fluidra will provide you with the tools to help grow your business.

Contact your local Fluidra representative today for details.

Polaris 3900 Sport
Part # F6



**Polaris 3900 Sport
Part # F6**

Key No.	Description	Pieces per Model	Pieces in Part No.	Order	
1	3900 Sport SuperBag	39	1	1	39-310* E2100
2	Top Housing Assembly	3	1	1	39-003 E2101
3	Float, Head Kit	4	1	KIT	R0538000 E2128
4	Canopy	4	1	1	R0537900 E2140
5	Housing Top	0	1	1	R0538100 —
6	Screw, 10-32 x 3/8" SS Pan Head	3	17	10	C40 E2C40
7	Vacuum Tube/Feedpipe Assembly O-Ring	0	1	KIT	39-006 —
7A	O-Ring, Feed Hose Connector	6	1	1	48-141 E2129
8	Hubcap	0	3	1	39-008 E2103
9	Wide Trax® Tire, Black	13	3	1	48-232* E2104
10	Wheel Lock Screw	4	3	1	48-036 E2105
11	Double-Side Wheel	7	2	1	39-410 E2106
11A	Ball Bearing	123	8	1	9-100-1108 E2540
12	Chain	2	1	1	39-126* E2107
13	Wheel Sprocket Assembly w/ Bearing	4	2	1	39-420 E2108
14	Wheel Spacer	5	2	1	39-602 E2109
15	Frame (Warranty Only)	0	1	1	39-100 —
16	Bumper	5	1	1	39-111 E2111
17	Chain Tensioner Kit	5	1	KIT	39-120 E2112
18	Rear Axle Block Assembly	3	1	KIT	39-430 E2113
19	Front Axle Block Assembly	5	1	1	39-440 E2114
20	Screw, 10-32 x 7/8" SS Pan Head w/ Star Washer	5	4	1	48-045 E2115
21	Gearbox Assembly	5	1	1	39-200 E2116
22	WMS Assembly w/ O-Ring	3	1	1	39-300 E2117
22A	O-Ring WMS Upper to Vactube Interface	11	1	1	R0544000 E2142
23	Rear Housing	2	1	1	39-005 E2118
24	Bottom Housing	3	1	1	39-004 E2119
25	Single-Side Wheel	7	1	1	30-401 E2120
26	Sweep Hose Attach Clamp, Black	18	1	1	B16 E2816
27	Sweep Hose Wear Ring, Blue, 8/PK	5	8	8	39-021* E2122
28	Orifice Tip w/ Orifice Tip Guard	13	1	1	B25 E2B25
29	Sweep Hose Scrubber	324	1	1	9-100-3105* E2514
29	Sweep Hose Scrubber, 3/PK	0	1	3	R0522400 —
30	TailSweep PRO® Bulk Box	6	1	18	TSP10P E2126
30	TailSweep PRO, Strip Clip	5	1	12	TSP10S E2126
31	Sweep Hose Complete	14	1	1	39-500* E2123
32	UMF® Restrictor Disks, Red & Blue	10	2	KIT	10--112-00 E2124
33	Universal Wall Itting (UW), Black	11	1	1	6-500-00 E2507

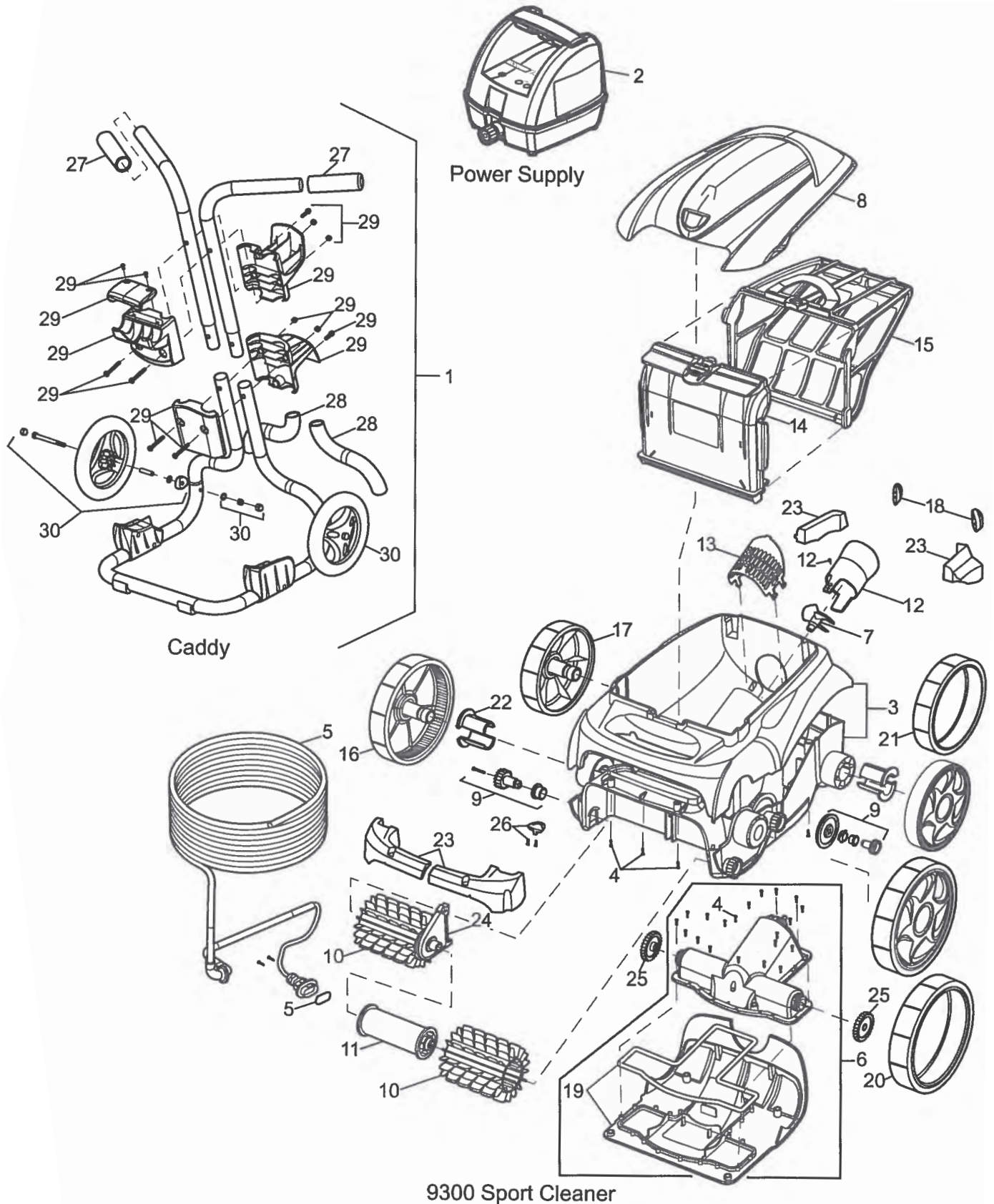
Key No.	Description	Pieces per Model	Pieces in Part No.	Order	
34	UMF Restrictor Kit	3	1	KIT	10-108-00 E2602
35	O-Ring, UWF	33	1	1	6-505-00 E2573
36	Pressure Relief Valve, Blk	2	1	1	9-100-9006 E2133
37	Quick Disconnect, UWF, Blk	4	1	KIT	D30 E2D30
38	Nut, Feed Hose, Black	29	10	1	D16 E2D16
39	UWF Connector Assy, Blk	13	1	KIT	9-100-9005 E2462
40	Adaptor Hose, 8-1/2", Black		1	1	R0616100 0
41	In-line Filter Assy, Black	2	1	1	48-085 E2D37
42	Screen, In-line Filter	61	1	1	48-222 E2D34
43	Float, Feed Hose, Black	7	7	1	D11 E2D11
44	Swivel Ball Bearing, Black	21	3	1	D21 E2D21
45	Feed Hose, 10' Black	3	2	1	D47 E2D47
46	Leader Hose, 10' Black	4	1	1	D52 E2D52
47	Back-up Valve Kit, Black	10	1	KIT	G62 E2G62
48	Mechanism for Backup Valve	5	1	1	G53 E2G53
49	Feed Hose Connector Assembly, Black	5	1	1	48-240 E2132
49	Feed Hose Connector Assembly, White	5	1	1	48-140 E2125
50	Feed Hose Assy Complete w/ UWF, No Backup Valve, No In-line Filter, Black	21	1	KIT	G6 E2G06
51	Screw, Self-Tapping, Canopy	4	3	3	R0538200 E2143
52	Chain Guard	4	1	1	R0537800 E2130
53	Turbine Gear Assembly	6	3	1	R0547400 E2131
54	Drive Sprocket Assembly	2	2	1	R0547500 E2144
55	Collar, Back-up Valve, Black	7	1	1	G67 E2G67
56	Case Kit for G62, Black	15	1	KIT	G64 E2G64

*Suggested stocking item

**Polaris 3900 Sport Tune-Up Kit:
Part #R0543200 E2408**

No.	Part No.	Qty		No.	Part No.	Qty			
7	39-006	2	1	E2102	7	39-006	2	1	E2102
7A	48-131	6	1	E2129	16	39-111	5	1	E2111
6	C40	3	1	E2C40	10	48-036	4	1	E3105
12	39-126	2	1	E2107					
13	39-420	4	1	E2108					
17	39-120	5	1	E2112					
18	39-430	3	1	E2113					
19	39-440	5	1	E2114					
21	39-200	5	1	E2116					
24	39-004	3	1	E2117					
25	39-401	7	1	E2120					
20	48-045	5	1	E2115					
52	R0537800	4	1	E2130					
14	39-602	5	1	E2109					





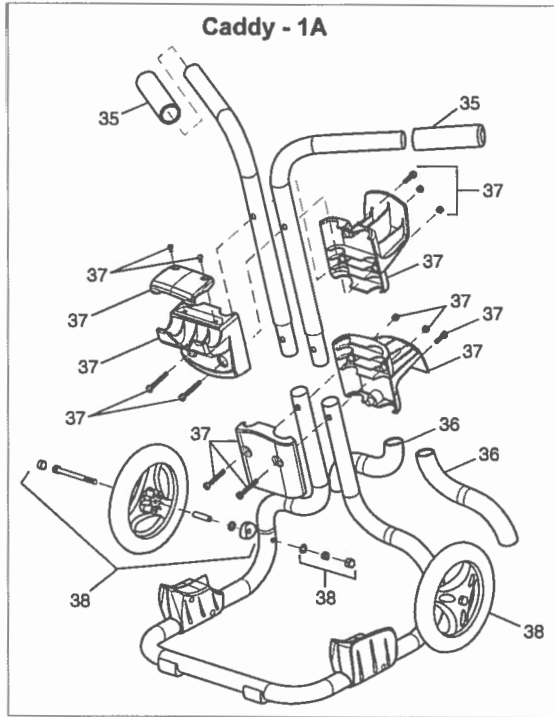
9300 Sport Cleaner

and Replacement Parts List

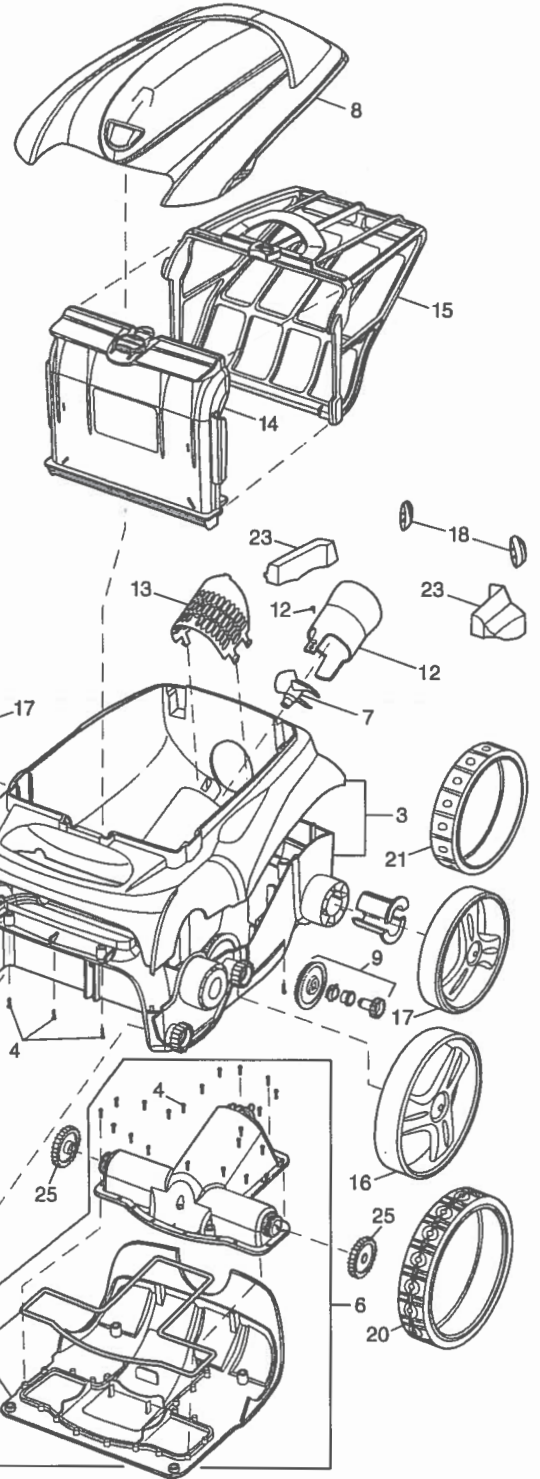
Key No.	Description	Qty.	Order Part No.	Hatchik Part No.
1.	Caddy	1	R0516200	E2013
2.	Power Supply, Complete	1	R0516500	E2011
3.	Main Housing (Top & Bottom)	1	R0516600	E2151
4.	Motor Block Screw Kit	22	R0516700	E2152
5.	Cable (Floating)	1	R0516800	E2153
6.	Motor Block	1	R0516900	E2156
7.	Propeller	1	R0517000	E2158
8.	Complete Cover	1	R0517100	E2159
9.	Transmission Gear/Bushing(2Sets)	1	R0517200	E2160
10.	Brush Kit (Set of 2)	1	R0517300	E2161
11.	Roller Kit (Set of 2)	1	R0517400	E2163
12.	Flow Outlet	1	R0517500	E2164
13.	Flow Outlet Screen	1	R0517600	E2165
14.	Filter Canister Support	1	R0517700	E2166
15.	Filter Canister	1	R0517800	E2150
16.	Front Wheel w/ Tire	1	R0517900	*
17.	Rear Wheel w/ Tire	1	R0518000	*
18.	Bumper w/Roller Kit (Set of 2)	1	R0518100	*
19.	Motor Housing Cover Kit(w/O-ring)	1	R0518200	*
20.	Front Tire	1	R0518300	*
21.	Rear Tire	1	R0518300	*
22.	Wheel Bushing(1 Set per Wheel)	1	R0518400	*
23.	Float Kit (Set of 4)	1	R0518500	E2172
24.	Brush Separator	1	R0518600	E2173
25.	Drive Gear Kit	1	R0518700	E2174
26.	Ramp Kit	1	R0518800	E2175
27.	Caddy Handle Grin Kit	1	R0519000	E2176
28.	Caddy Shoulder Grip Kit	1	R0507300	*
29.	Power Supply Mounting Brkt. Kit	1	R0507400	*
30.	Wheel Kit, Caddy	1	R0507500	*



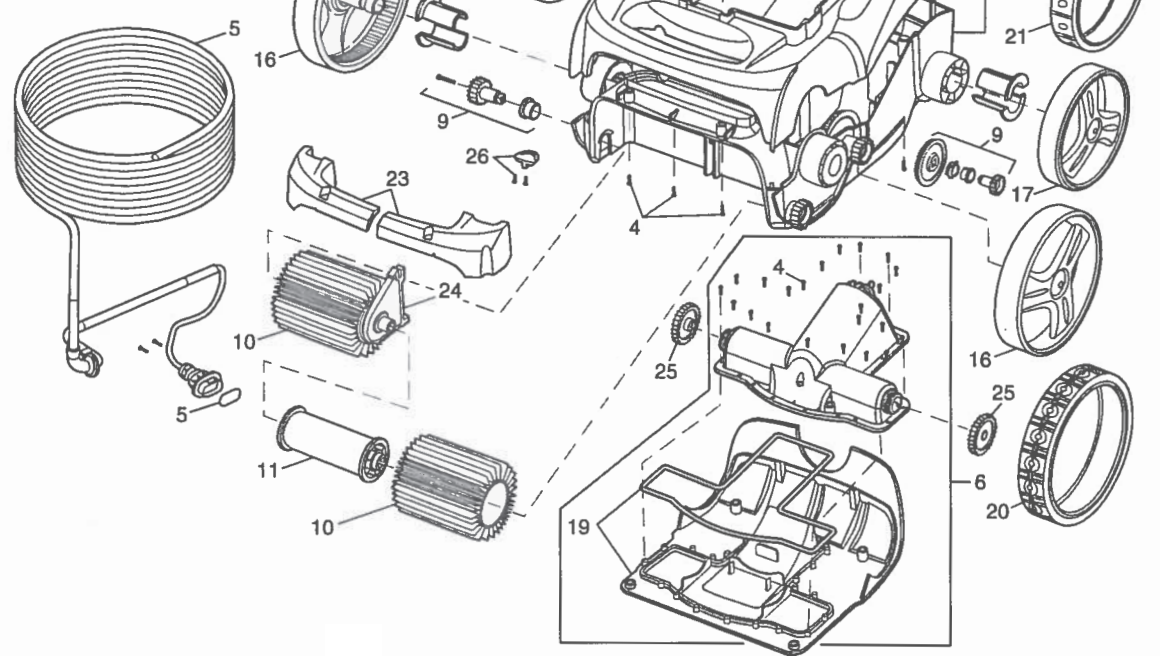
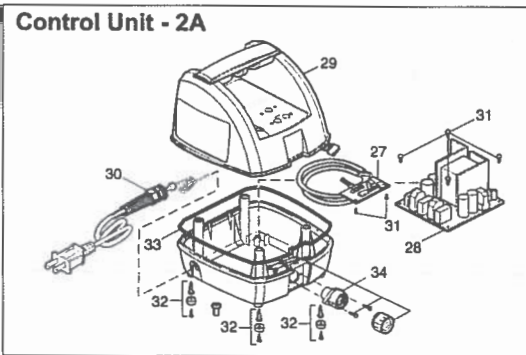
All trademarks used herein are the property of their respective companies.



Cleaner

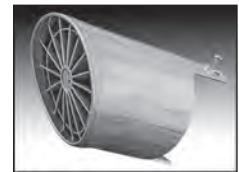


Control Unit - 2A



and Replacement Parts List

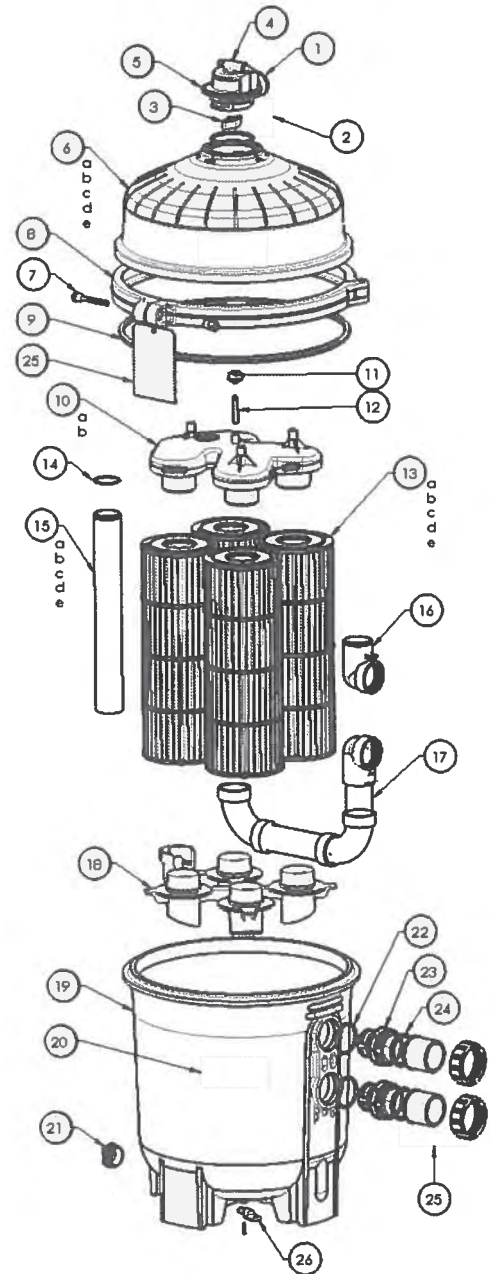
Key No.	Description	Qty.	Order	Hatchik Part No.
CLEANER				
1A	Caddy	1	R0516200	E2013
2A	Power Supply, Complete	1	R0528600	E2015
3	Main Housing (Top & Bottom)	1	R0516600	E2151
4	Motor Block Screw Kit	22	R0516700	E2152
5	Cable (Floating)	1	R0528800	E2154
6	Motor Block	1	R0517100	E2157
7	Propeller	1	R0517000	E2158
8	Complete Cover	1	R0517100	E2159
9	Transmission Gear/Bushing(2Sets)	1	R0517200	E2160
10	Brush Kit (Set of 2)	1	R0528900	E2162
11	Roller Kit (Set of 2)	1	R0517400	E2163
12	Flow Outlet	1	R0517500	E2164
13	Flow Outlet Screen	1	R0517600	E2165
14	Filter Canister Support	1	R0517700	E2166
15	Filter Canister	1	R0517800	E2150
16	Front Wheel w/ Tire	1	R0529000	E2167
17	Rear Wheel w/ Tire	1	R0529100	E2168
18	Roller Kit (Set of 2)	1	R0518100	E2169
19	Motor Housing Cover Kit(w/O-ring)	1	R0529200	
20	Front Tire	1	R0529300	E2170
21	Rear Tire	1	R0529400	E2171
22	Wheel Bushing(1 Set per Wheel)	1	R0518500	E2172
23	Float Kit	1	R0518600	E2173
24	Brush Separator	1	R0518700	E2174
25	Drive Gear Kit	1	R0518800	E2175
26	Ramp Kit	1	R0519000	E2176
CONTROL UNIT				
27	Keyboard PCB Kit	1	R0528400	SPO
28	Control Unit PCB Kit	1	R0506600	SPO
29	Top Housing	1	R0528500	
30	Control Unit Cord Kit	1	R0506800	SPO
31	PCB Screw Kit	6	R0507000	SPO
32	Control Unit Housing Screw	8	R0507100	SPO
33	Control Unit Gasket	1	R0507200	SPO
34	Power Cord Kit	1	R0506800	SPO
CADDY				
35	Caddy Handle Grip Kit	1	R0519000	SPO
36	Caddy Shoulder Grip Kit	1	R0516100	SPO
37	Control Unit Mounting Bracket Kit	1	R0518900	SPO
38	Wheel Kit, Caddy	1	R0507500	SPO
REMOTE CONTROL				
39	Remote Control Kit	1	R0529600	SPO



Hayward Swim Clear	256
Jandy CL Series.....	257
Jandy CV Series.....	258
Pentair (Pac-Fab) Clean & Clear/Predator	259
Pac-Fab Clean & Clear Plus	260-261

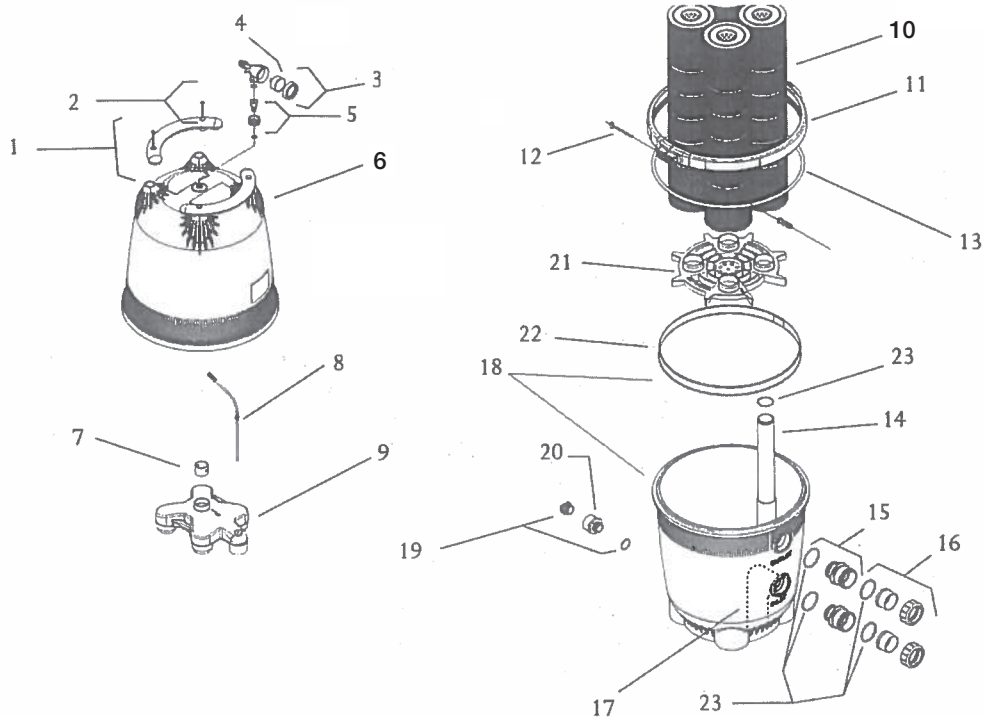


Item	Part No.	Description	
1	ECX2712B1	Pressure Gauge	
2	DEX2420Z8A	O-ring Kit (Set of 2)	H6141
3	CCX1000N	Air Relief Valve Nut	H5667
4	CCX1000V	Manual Air Relief Valve w/ O-Ring	H5668
5	DEX2420MAR2	Manual Air Relief Assembly	H6092
6a	DEX2420BTC	Upper Filter Body C2030	
6b	DEX3620BTC	Upper Filter Body C3030	
6c	DEX4820BTC	Upper Filter Body C4030	
6d	DEX6020BTC	Upper Filter Body C5030	
6e	DEX7220BTC	Upper Filter Body C7030	
7	DEX2421J2	Clamp Bolt & Nut	H6177
8	DEX2421JKIT	Clamp System Including: Clamp, Clamp Nut and Bolt, Hang Tag, Metal Reinforced Seal, and Labels	H6171
9	DEX2422Z2	Metal Reinforced Seal	H6164
10a	CX3030C	Top Manifold for C2030, C3030 and C4030	H6168
10b	CX5030C	Top Manifold for C5030, and C7030	H6179
11	CX3000J1	Air Relief Filter	H6182
12	CX2030Z3	Air Relief Tube	H6183
13a	CX481XRE	Cartridge Element C2030 1 of 4 Required	H5823
13b	CX481XREPAK4 CX580XRE	Cartridge 4 Pack C2030 Cartridge Element C3030 1 of 4 Required	H5831
13c	CX580XREPAK4 CX880XRE	Cartridge 4 Pack C3030 Cartridge Element C4030 1 of 4 Required	H5833
13d	CX880XREPAK4 CX1280XRE	Cartridge 4 Pack C4030 Cartridge Element C5030 1 of 4 Required	H5030
13e	CX1280XREPAK4 CX591XRE	Cartridge 4 Pack C5030 Cartridge Element C7030 1 of 8 Required	
	CX591XREPAK4 CX7020M	Cartridge 4 Pack C7030 1 of 2 required Mid plate Connector C7000 series only	
14	DEX2400Z5	O-Ring	H6094
15a	CX3031F6	Outlet Pipe C2030	H6095
15b	CX3031F7	Outlet Pipe C3030	H6096
15c	CX3031F8	Outlet Pipe C4030	H6097
15d	CX3031F9	Outlet Pipe C5030	H6099
15e	CX3031F10	Outlet Pipe C7030	H6100
16	CX3030F	Inlet Elbow	H6101
17	CX3030H	Assy, Swim Clear Piping	
18	CX3030D	Bottom Seal Plate	H6184
19	DEX2420ATC	Lower Filter Body	
20	DEX2420LA6PAK	Label Pack: Includes all Warning and Operation Label's Hang Tag, Wire Tie and Owner's Manual	
21	SP1022CBLK	1 1/2" Drain Plug w/ O-Ring	V5025
22	SX220Z2	O-ring	H6981
23	CX3035F	Bulkhead Fitting	H6980
24	SPX3200UG	Union Gasket (T-seal)	K6301
25	SPX3200UNKIT	Union Connection Kit (includes Nut, Connector, Gasket)	K6300
26	DEX2420DCKIT	Strap kit (Optional)	



USE ONLY HAYWARD GENUINE REPLACEMENT PARTS

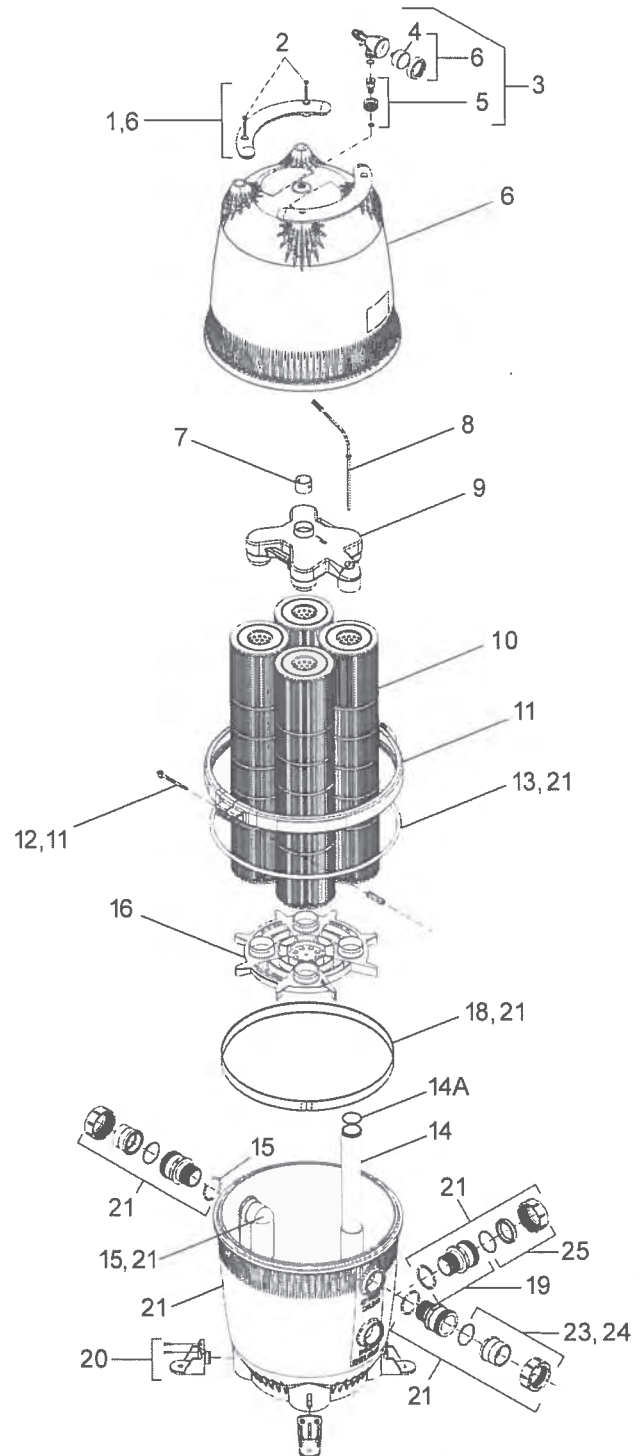
JANDY CL SERIES



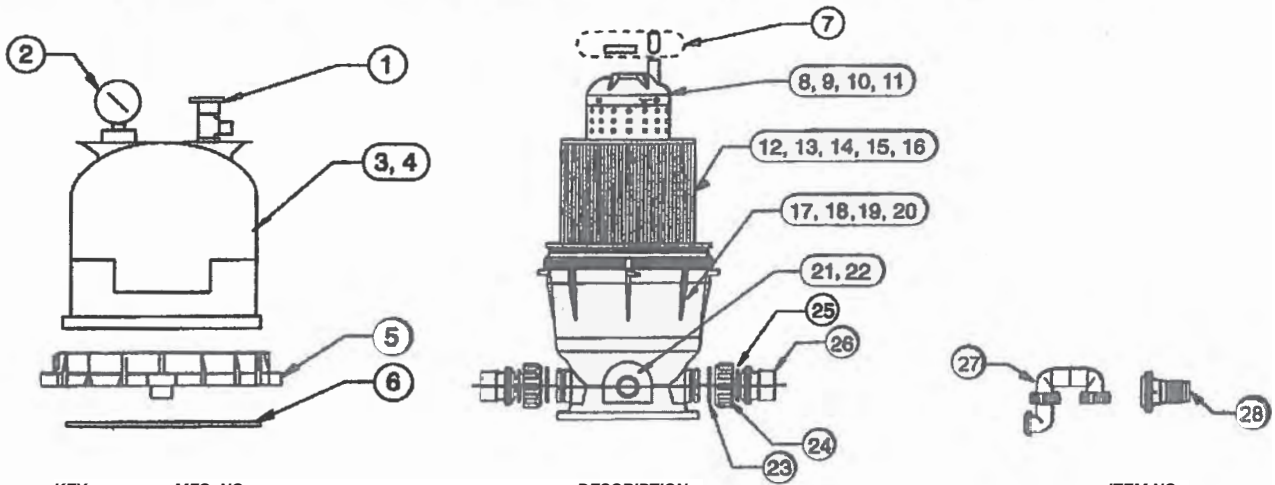
1	R0357100	Handle Assembly w/hardware (set of 2)	H2100
2	R0359900	Handle Hardware (set of 4)	H2101
3	R0357200	Gauge / Air Release Assembly	K2550
4	R0359600	Pressure Gauge	H2105
5	R0552000	Tank Adapter w / O-ring	H2104
6	R0357300	Tank Top CL580	
	R0554700	Tank Top CL340 & CL460	
7	R0357700	Top Spacer	H2160
8	R0358700	Breather Tube Assembly	H2109
9	R0357600	Manifold Assembly	H2162
10	R0357900	CL580 Filter Cartridge, 145 sq. ft. (4 Req'd)	H2098
	R0554600	CL460 Filter Cartridge, 115 sq. ft. (4 Req'd)	H2096
	R0554500	CL340 Filter Cartridge, 85 sq. ft. (4 Req'd)	H2094
11	R0357400	Tank Clamp Ring w/Knob Assembly	H2113
12	R0357500	Clamp Ring Knob Assembly w/Threaded Rod and Retainer	H2114
13	R0357800	Tank O-ring	H2116
14	R0358100	CL580 Outlet Tube/Elbow Assembly w/ O-rings	
	R0358200	CL460 & CL340 Outlet Tube/Elbow Assembly w/ O-rings	
15	R0358200	Bulkhead Assembly w/ O-ring	H2122
16	R0328300	Coupling Nuts w/ Flange & O-ring (set of 2)	
17	R0358400	Inlet Elbow w/ O-ring	H2166
18	R0358600	Tank Bottom w/ Retaining Ring and Drain Plug	
19	R0358800	Drain Plug w/ O-ring	H2130
20	R0395500	Large Tank Drain Adapter w/ O-ring	H2458
21	R0358500	Filter Cartridge Support	H2164
22	R0405200	Large Tank Retaining Ring	H2145
23	R0442500	"O"-ring kit, Outlet Tube, Bulkhead Assy	H2146
	R0358000	Large Tank O-ring Replacement Kit (not shown)	H2147
	H0238700	Installation/Operation Manual (not shown)	
	R0443700	Gauge Adapter Kit (not shown) (1 brass pump adapter and 1 thermoplastic filter adapter)	

CV Series Cartridge Filter
Part # CV340, CV460, CV580

Item	Part No.	Description		
1	R0357100	Handle Assembly w/ hardware, 2/PK	2	H2100
2	R0359900	Handle Hardware, 4/PK	2	H2101
3	R0357200	Gauge/Air Release Assembly	16	K2550
4	R0359600	Jandy® Logo Gauge	2	H2105
5	R0552000	Tank Adapter w/ O-Ring - Union	2	H2104
6	R0357300	Tank Top, 580 sq. ft.		
6	R0554700	Tank Top, 340 & 460 sq. ft.		
7	R0357700	Top Spacer		
8	R0358700	Breather Tube Assembly	33	H2109
9	R0357600	Manifold Assembly	2	H2162
10	R0357900	Filter Cartridge, 145 sq. ft., (4 required) 580 sq. ft.	9	H2098
10	R0554600	Filter Cartridge, 115 sq. ft. (4 required) 460 sq. ft.	4	H2096
10	R0554500	Filter Cartridge, 85 sq. ft. (4 required) 340 sq. ft.	4	H2084
11	R0357400	Tank Clamp Ring w/ Rod Assembly	2	H2113
12	R0357500	Threaded Rod and Retainer	5	H2114
13	R0357800	Tank O-Ring	25	H2116
14	R0555100	Outlet Tube/Elbow Assembly w/ O-Rings 340, 460 and 580 sq. ft.		H2167
14A	R0792000	Outlet Tube O-Ring, Filter		
15	R0358400	Inlet Elbow w/ O-Ring	1	H2166
16	R0358500	Filter Cartridge Support	3	H2164
N/S	R0358000	Complete O-Ring Kit (Excludes tank O-Ring R0357800)	6	H2147
18	R0405200	Ring, Retaining	2	H2145
19	R0465600	Bulkhead Assembly w/ O-Ring, CV Filter	3	H2120
20	R0465500	Anchor Bracket, 4/PK		
21	R0465400	Tank Bottom Assembly, CV Filter		
23	R0461800	Universal Half Union, 3/PK and Drain Plug Assembly		
24	R0522900	Universal Half Union, 1/PK	5	J6745
25	R0523000	Drain Cap Assembly	6	H2121
N/S	SEFL1002	Sweep Elbow		
N/S	R0395500	Filter Tank Drain Adapter, CL/DEL Series		H2458

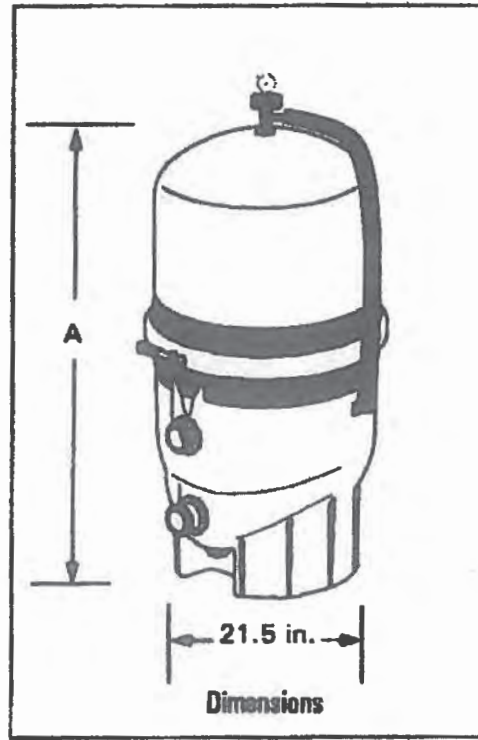
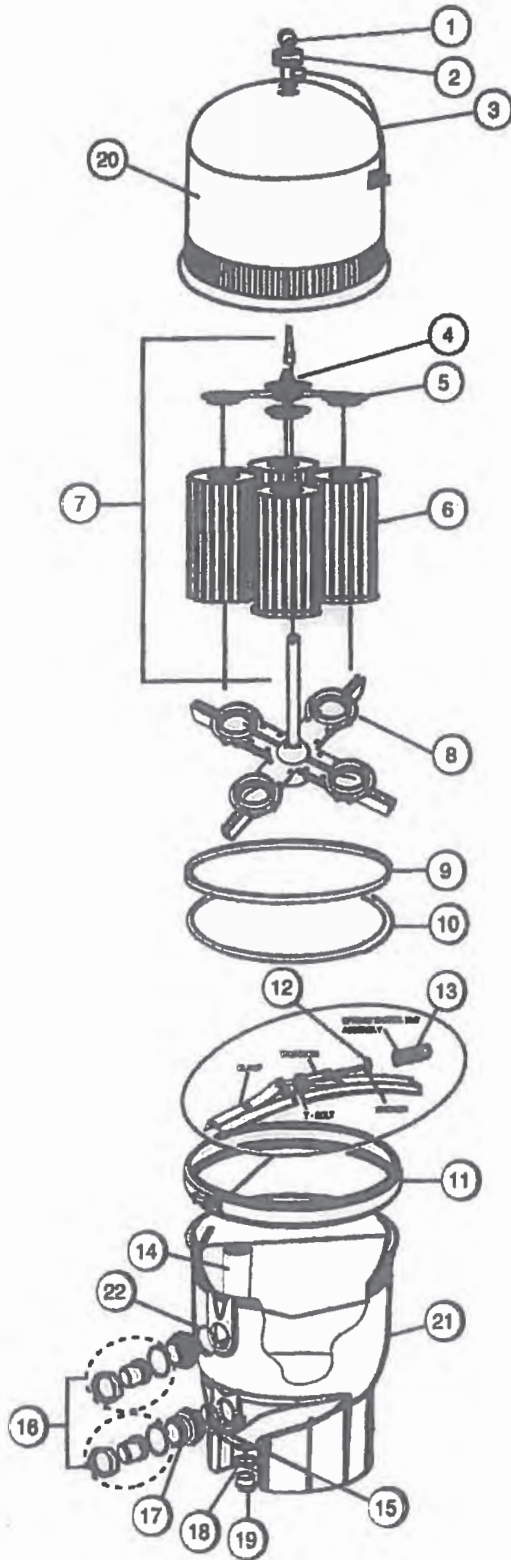


PENTAIR (PAC-FAB) CLEAN & CLEAR / PREDATOR FILTERS



KEY	MFG. NO.	DESCRIPTION	ITEM NO.
1	98209800	High Flow Manual Air Relief Valve	H3561
2	53003201	Pressure Gauge, Bottom Mount	H3500
2	-----	Generic Pressure Gauge, Bottom Mount, Plastic	H7000
2	-----	Generic Pressure Gauge, Bottom Mount, Metal	H7003
3	178553	Lid, 50, 100 sq. ft. Filters - Almond	(after 11/98) H3480
3	59053000	Lid, 50, 100 sq. ft. Filters - Black	(before 11/98) H3482
4	178561	Lid, 75, 150, 200 sq. ft. Filters	(after 11/98) H3481
4	59053100	Lid, 75, 150, 200 sq. ft. Filters	(before 11/98) H3483
5	59052900	Locking Ring Assembly	H3484
6	87300400	Body O-Ring	H3485
7	59016200	Air Bleed Sock Kit	H3486
8	59053500	Center Core 50 sq. ft. Filter	H3487
9	59053600	Center Core 75 sq. ft. Filter	H3488
10	59053700	Center Core 100 sq. ft. Filter	H3489
11	59053800	Center Core 150, 200 sq. ft. Filter	H3490
12	59054000	Cartridge Element 50 sq. ft. Filter	H3491
13	59054100	Cartridge Element 75 sq. ft. Filter	H3492
14	59054200	Cartridge Element 100 sq. ft. Filter	H3493
15	59054300	Cartridge Element 150 sq. ft. Filter	H3494
16	59054400	Cartridge Element 200 sq. ft. Filter	H3495
17	178562	Bottom 50 sq. ft. Filter - Almond	(after 11/98) H3496
17	59055600	Bottom 50 sq. ft. Filter - Black	(before 11/98) H3668
18	178554	Bottom 75 sq. ft. Filter - Almond	(after 11/98) H3497
18	59056000	Bottom 75 sq. ft. Filter - Black	(before 11/98) H3752
19	178563	Bottom 100 sq. ft. Filter - Almond	(after 11/98) H3498
19	59055700	Bottom 100 sq. ft. Filter - Black	(before 11/98) H3753
20	178560	Bottom 150, 200 sq. ft. Filter - Almond	(after 11/98) H3499
20	59055200	Bottom 150, 200 sq. ft. Filter - Black	(before 11/98) H3704
21	51516200	Drain Cap Assembly	(before 11/98) H3431
21	86202000	Plug 1-1/2" w/ O-ring	(after 11/98) H3469
22	86300500	Drain Cap Gasket	(before 11/98) H8844
22	51005000	O-Ring for Drain Cap	(after 11/98) H8931
23	39104500	Union Nut "C" Clip	H3432
24	98212200	Union Nut	H3435
25	39102800	Union O-Ring	K3890
26	79304600	Body, Swivel	H3433
27	59019900	Pump Connector	(before 6/96) H3705
27	59018700	Pump Connector	(after 6/96) H3706
28	39105600	Outlet Connector	(before 3/98) H3707

PENTAIR (PAC-FAB) CLEAN & CLEAR PLUS FILTER
Fiberglass Reinforced Polypropylene Tank



240, 320, 420 & 520 Sq. Ft.
Series Filter

Flow Rate

Product #	Sq. Ft.	Dim. A	Flow					
			GPM ¹	GPM ²	GPH ¹	GPH ²	6 Hour ²	8 Hour ²
16-0310	240	37	120	90	7,200	5,400	32,400	43,200
16-0340	320	43	180	135	10,800	8,100	48,000	64,800
16-0301	420	49	250	183.5	15,000	11,250	67,500	90,000
16-0332	520	58	250	183.5	15,000	11,250	67,500	90,000

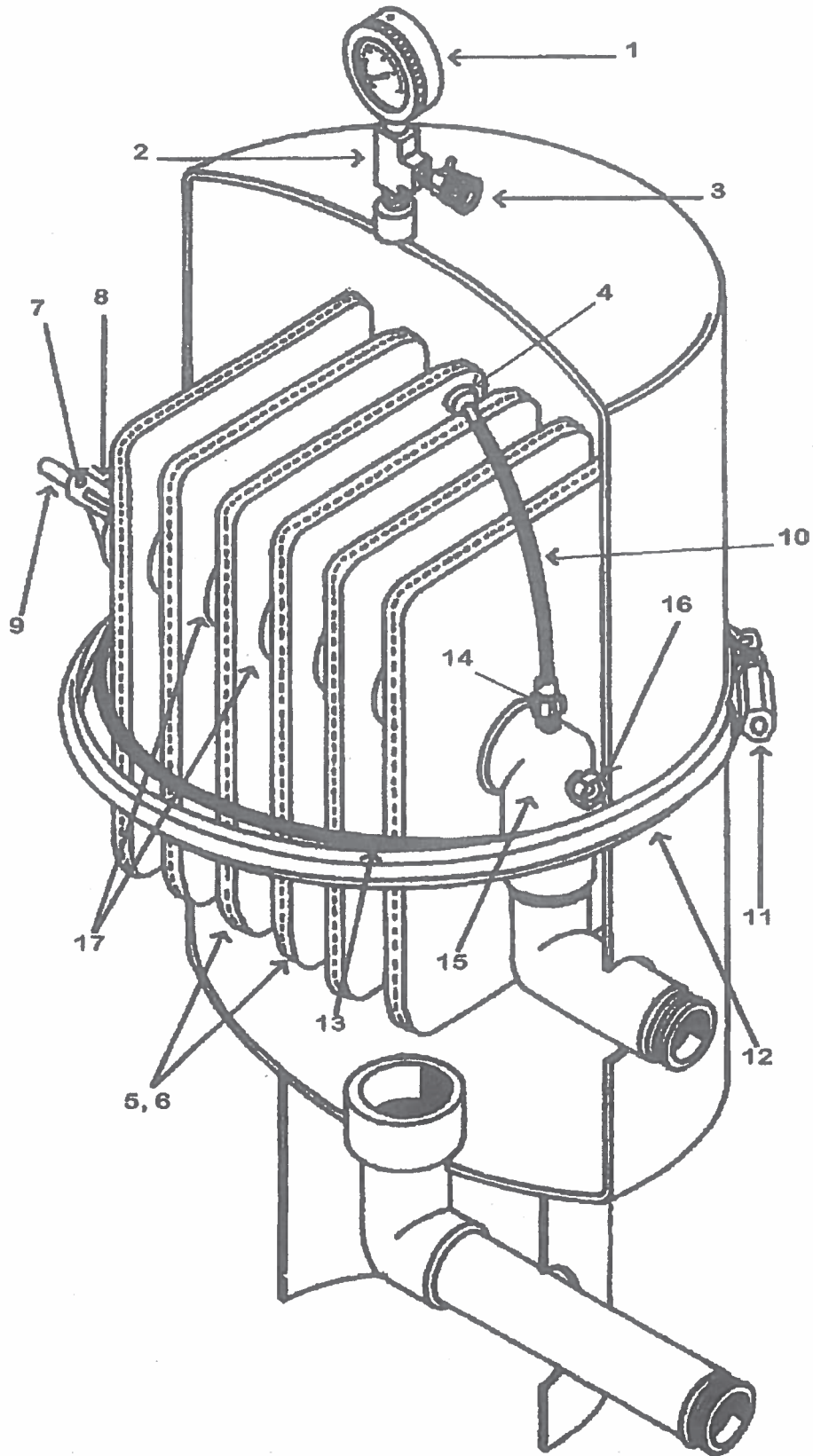
1. One GPM per sq. ft. is the cartridge rate, recommended flow rate is .5 GPM per sq. ft.
2. Commercial rate is .375 GPM per sq. ft. of filter area. Actual system flow will depend on plumbing size and other system components.

PENTAIR (PAC-FAB) CLEAN & CLEAR PLUS FILTER Fiberglass Reinforced Polypropylene Tank

KEY	MFG NO.	DESCRIPTION	ITEM NO.
1	53003201	Pressure Gauge 1/4", Bottom Mount	H3500
1	-----	Generic Pressure Gauge, Plastic	H7000
1	-----	Generic Pressure Gauge, Metal	H7003
2	98209800	High Flow Manual Air Relief Valve	H3708
3	98201200	Hose & Retainer Clips for Air Relief Valve	H3565
4	56636900	Spring, Compression <i>(before 11/98)</i>	H3439
4	178616	Spring, Compression <i>(after 11/98)</i>	H3479
5	59071000	Manifold, Top Assembly <i>(before 11/98)</i>	H3440
5	170026	Manifold, Top Assy., 240 sq. ft. <i>(after 11/98)</i>	H3441
5	170027	Manifold, Top Assy., 320 & 520 sq. ft. <i>(after 11/98)</i>	H3442
6	178569	Cartridge Element, 240 sq. ft. <i>(4 needed)</i>	H3443
6	178580	Cartridge Element, 320 sq. ft. <i>(4 needed)</i>	H3444
6	56628300	Cartridge Element, 360 sq. ft. <i>(4 needed)</i>	H3445
6	178538	Cartridge Element, 420 sq. ft. <i>(4 req.) (before 11/98)</i>	H3446
6	178584	Cartridge, 420 sq. ft., <i>(4 needed) (after 11/98)</i>	H3447
6	56627900	Cartridge, 520 sq. ft. <i>(4 needed) (before 11/98)</i>	H3448
6	178585	Cartridge, 520 sq. ft. <i>(4 needed) (after 11/98)</i>	H3449
7	170030	Air Bleed Tube Assy., 240 sq. ft. <i>(before 11/98)</i>	H3451
7	55028500	Air Bleed Tube Assy, 360, 420 sq. ft. <i>(before 11/98)</i>	H3453
7	170029	Air Bleed Tube Assy., 320 sq. ft. <i>(after 11/98)</i>	H3455
7	170028	Air Bleed Tube Assy., 420 sq. ft. <i>(after 11/98)</i>	H3457
7	55028400	Air Bleed Tube Assy., 500 sq. ft. <i>(before 11/98)</i>	H3458
7	178583	Air Bleed Tube Assy., 520 sq. ft. <i>(after 11/98)</i>	H3459
8	56626800	Manifold, Bottom <i>(before 11/98)</i>	H3460
8	170031	Manifold, Bottom <i>(after 11/98)</i>	H3461
9	57000300	Gasket, Bottom Manifold <i>(before 11/98)</i>	H3462
10	39010200	O-Ring, Clamp	H3590
11	178565	Clamp Kit, Tension Control	H3463
12	53006300	Washer, .325 I.D. for Filter Clamp	H3657
13	53108900	Spring/Barrel Nut Assembly	H3501
14	55035000	Baffle, Bulkhead Assembly <i>(before 11/98)</i>	H3464
14	190039	Baffle, Bulkhead Assembly <i>(after 11/98)</i>	H3465
15	86006900	O-Ring, Bulkhead, Lower	H3637
16	98960311	Bulkhead Union (set) <i>(before 11/98)</i>	H3564
16	271096	Bulkhead Union, 1-1/2" x 2" (set) <i>(after 11/98)</i>	H4040
17	59019200	Pipe Assembly, Outlet <i>(before 11/98)</i>	H3467
17	170025	Pipe Assembly, Outlet <i>(after 11/98)</i>	H3468
18	86300500	Drain Cap Gasket <i>(before 11/98)</i>	H8844
18	51005000	O-Ring for Drain Plug <i>(after 11/98)</i>	H8931
19	51516200	Drain Cap <i>(before 11/98)</i>	H3431
19	86202000	Plug, 1-1/2" Drain with O-Ring <i>(after 11/98)</i>	H3469
20	170023	Tank, Lid Assembly, 240 sq. ft.	H3470
20	170024	Tank, Lid Assembly, 320 sq. ft.	H3471
20	178552	Tank, Lid Assembly, 360 sq. ft.	H3472
20	178551	Tank, Lid Assembly, 420 sq. ft. <i>(before 11/98)</i>	H3473
20	178581	Tank, Lid Assembly, 420 sq. ft. <i>(after 11/98)</i>	H3474
20	178550	Tank, Lid Assembly, 500 sq. ft. <i>(before 11/98)</i>	H3475
20	178582	Tank, Lid Assembly, 520 sq. ft. <i>(after 11/98)</i>	H3476
21	178559	Tank, Bottom Assembly <i>(before 11/98)</i>	H3477
21	178578	Tank, Bottom Assembly <i>(after 11/98)</i>	H3478
22	192320	O-Ring, Bulkhead, Upper <i>(after 11/98)</i>	H3141
22	86006900	O-Ring, Bulkhead, Upper <i>(before 11/98)</i>	H3637

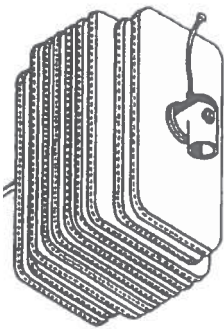
Anthony Apollo VA38 & VA52	263-264
Hayward Pro Grid	265-266
Jandy DEL	267
Jandy DEV	268
Pentair (Pac-Fab) FNS Plus Series	269-270

ANTHONY APOLLO D.E. FILTER
Models VA-38, VA-52 (1-1/2") & VA-52 (2")



ANTHONY APPOLLO FILTER
Models VA-38, VA-52 (1-1/2") & VA-52 (2")

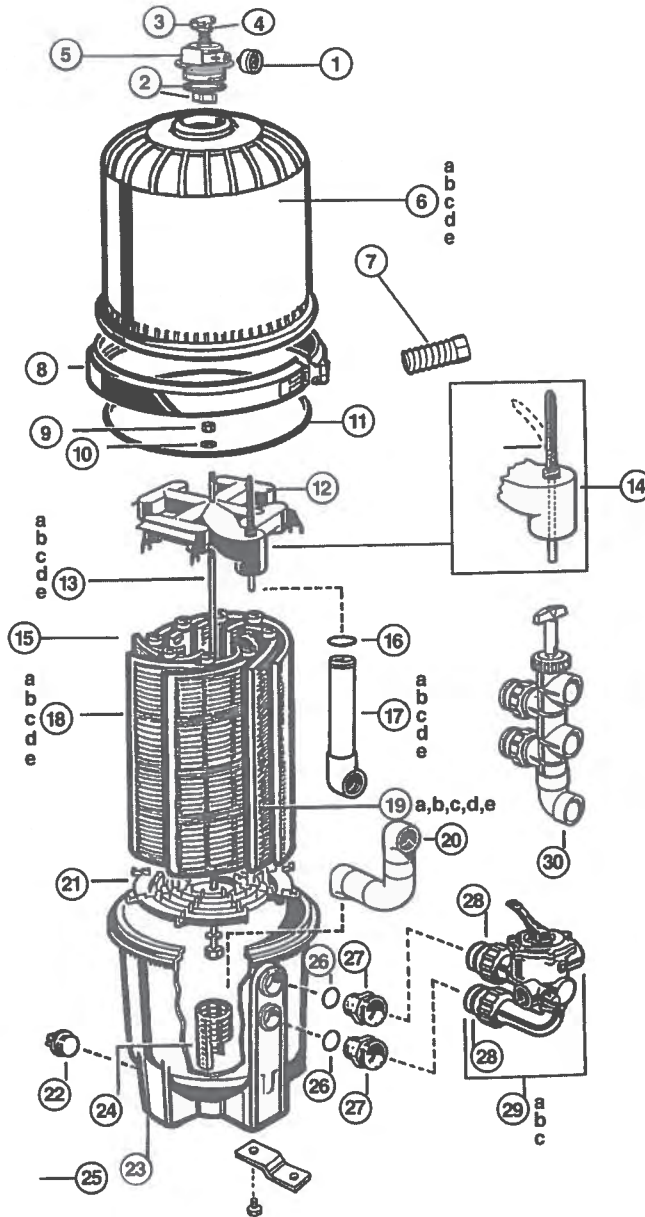
KEY	MFG. NO.	DESCRIPTION	ITEM NO.
1	-----	Pressure Gauge	H7000
2	-----	Brass Threaded Tee, 1/4"	V5210
3	V34-155	Bleeder Valve, 1/4"	V4652
4	-----	Air Relief Strainer, 1/4"	H4052
5	V34-129	Large Grid 17-1/2" x 24"	H3100
6	V34-128	Small Grid 13-1/2" x 24"	H3099
7	V34-123	End Bell Set Screw S.S.	Z7002
8	V34-122	End Bell w/ Set Screw	Z7001
9a	V34-125	Filter Shaft 17-1/4"	Z7003
9b	V34-126	Filter Shaft 19-3/4"	Z7004
10	-----	Tubing 1/4" O.D x 14"	C1102
11	V34-151	Tank Clamp Nut N/S "Brass"	Z7009
12a	V34-132	18" Tank Clamp	Z7007
12b	V34-133	20" Tank Clamp	Z7008
13a	V34-154	18" Tank O-Ring	H3063
13b	V34-139	20" Tank O-Ring	H3064
14	-----	Poly Fitting, 1/4"	C1090
15a	V34-130	1-1/2" Collection Elbow	Z7005
15b	V34-131	2" Collection Elbow	Z7006
16	V34-121	Insert Nut, Brass	Z7000
17	V34-149	Spacers (1" Wide)	Z7024
17	V34-150	Spacers (1-1/2" Wide)	Z7027



Complete Grid Assemblies

VA38-1.5	Complete Grid Assy. 38 sq. ft. 1-1/2"	Z7028
VA52-1.5	Complete Grid Assy. 52 sq. ft. 1-1/2"	Z7026
VA52-2	Complete Grid Assy. 52 sq. ft. 2"	Z7025

Hayward Pro-Grid DE Filter Parts



- | | | |
|----|--------------|---|
| 1 | ECX2712B1 | Pressure Gauge |
| 2 | DEX2420Z8A | O-Ring Kit (set of 2) |
| 3 | CCX1000N | Manual Air Relief Valve Nut |
| 4 | CCX1000V | Manual Air Relief Valve |
| 5 | DEX2420MAR | Manual Air Relief Assembly |
| 6a | DEX2420BT | Filter Head |
| 6b | DEX3620BT | Filter Head |
| 6c | DEX4820BT | Filter Head |
| 6d | DEX6020BT | Filter Head |
| 6e | DEX7220BT | Filter Head |
| 7 | DEX2420J1KIT | Clamp Spring Assembly Replacement Kit
(washer w/small hole, spring, washer w/
large hole, brass sleeve nut) |

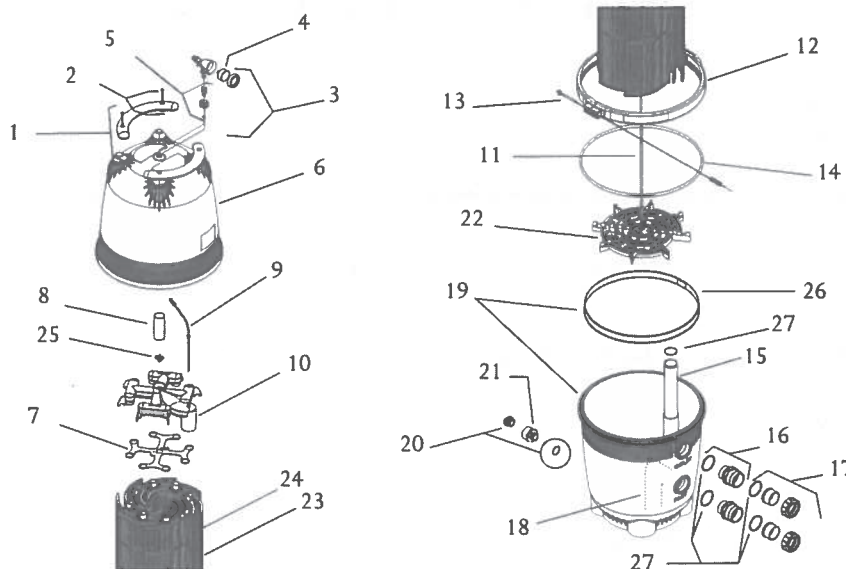
H6092

Hayward Pro-Grid DE Filter Parts Cont'd.

8	DEX2420J1	Clamp Assembly w/ Spring Assembly	
9	ECX176865	Retainer Nut, 5/16" - 18	H6293
10	ECX1108A	Washer, 5/16"	
11	DEX2400K	Filter Tank O-Ring	H6093
12	DEX2400C	Top Collector Manifold w/ Flex Air Relief Assembly	H6059
13a	DEX2400R	Retaining Rod	
13b	DEX3600R	Retaining Rod	H6239
13c	DEX4800	Retaining Rod	H6057
13d	DEX6000R	Retaining Rod	
13e	DEX7200R	Retaining Rod	
14	DEX2400CR	Flex Air Relief Assembly	H6121
15a	DEX2420DC	Filter Element Cluster Assembly elements, collector, locator, etc.	
15b	DEX3600DC	Filter Element Cluster Assembly	H6111
15c	DEX4800DC	Filter Element Cluster Assembly	H6112
15d	DEX6000DC	Filter Element Cluster Assembly	H6138
15e	DEX7200DC	Filter Element Cluster Assembly	
16	DEX2400Z5	Outlet Elbow O-Ring	H6094
17a	DEX2420EA	Outlet Elbow Assembly w/ O-Ring	
17b	DEX3620EA	Outlet Elbow Assembly w/ O-Ring	
17c	DEX4820EA	Outlet Elbow Assembly w/ O-Ring	
17d	DEX6020EA	Outlet Elbow Assembly w/ O-Ring	
17e	DEX7220EA	Outlet Elbow Assembly w/ O-Ring	
18a	DEX2400DA	Filter Element	H4400
18b	DEX3600DA	Filter Element	H4401
18c	DEX4800DA	Filter Element	H4402
18d	DEX6000DA	Filter Element	H4403
18e	DEX7200DA	Filter Element	H4404
19a	DEX2400DS	Filter Element, Short	H4405
19b	DEX3600DS	Filter Element, Short	H4406
19c	DEX4800DS	Filter Element, Short	H4407
19d	DEX6000DS	Filter Element, Short	H4408
19e	DEX7200DS	Filter Element, Short	H4409
20	DEX2420GA	Inlet Elbow	
21	DEX2400H	Filter Element Locator	H6107
22	SP1022C	Drain Plug 1 1/2" , w/ O-Ring	V5029
3	DEX2420AT	Filter Body - Taupe	*
24	DEX2420T	Element Spacer (DE2420 ONLY)	*
25	DEX2420DCKIT	Strap Kit	
26	SX200Z4	Bulkhead O-Ring	H6694
27	DEX2420F	Bulkhead O-Ring	H6985
28	SX200Z4	O-Ring	H6694
29a	SP0740DE	Selecta-Flo Valve Assembly - 2" SKT	V4127
29b	SP0710XR50	Vari-Flo Valve Assembly - 1 1/2" NPT	H6070
29c	SP0715XR50	Vari-Flo Valve Assembly - 2" NPT	H6071
30	SP0410X502S	Slide Valve Assembly - 2" SKT	H6073

* Non-Stocked Item

Jandy DEL Series

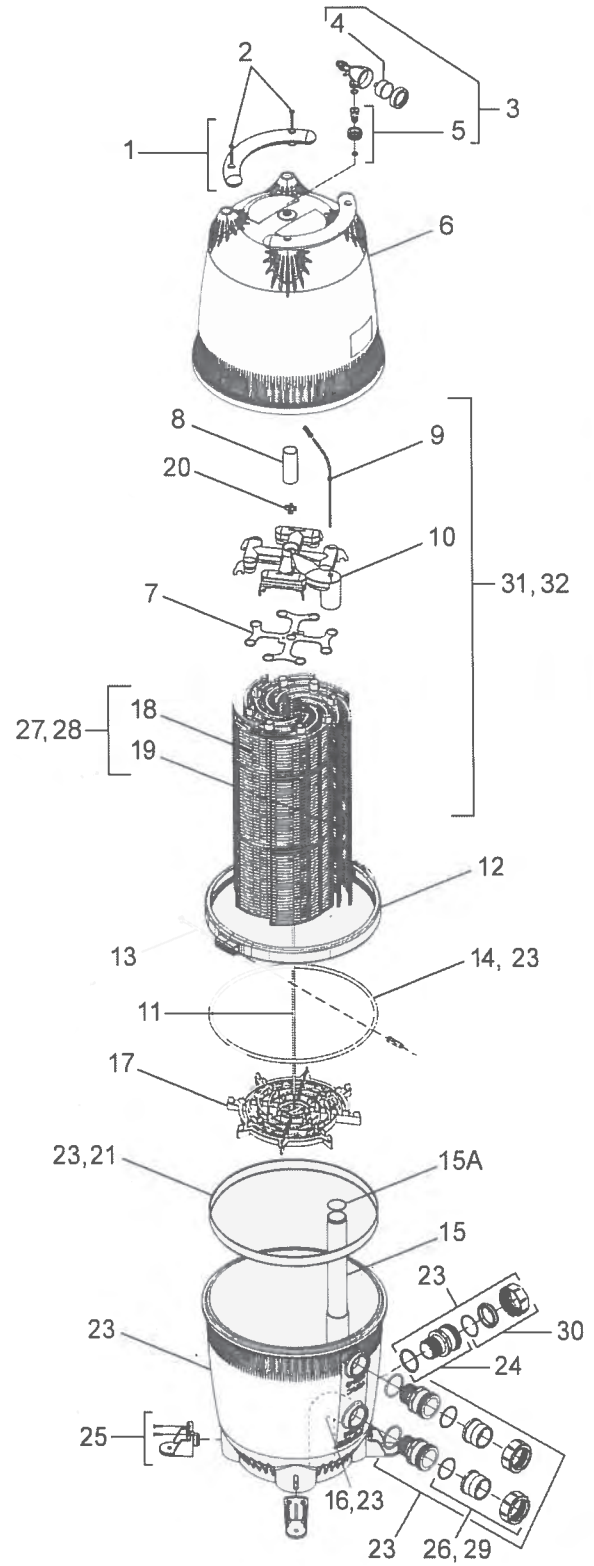


1	R0357100	Handle Assembly w/Hardware (set of 2)	H2100
2	R0359900	Handle Hardware (set of 4)	H2101
3	R0357200	Gauge / Air Release Assembly	K2550
4	R0359600	Pressure Gauge	H2105
5	R0552000	Tank Adapter w/O-ring	H2104
6	R0357300	Tank Top, DEL60	
	R0554700	Tank Top, DEL48	
7	R0359700	Top Spacer for DE Grids	H2134
8	R0405100	Top Spacer Collar	H2135
9	R0358700	Breather Tube Assembly	H2109
10	R0359000	DE Manifold Assembly	H2136
11	R0359300	Tie Rod w/ Knob & Lock Nuts, DEL60	H2138
	R0554800	Tie Rod w/ Knob & Lock Nuts, DEL48	H2140
12	R0357400	Tank Clamp Ring w/ Knob Assembly	H2113
13	R0357500	Clamp Ring Knob Assembly w/ Threaded Rod and Retainer	H2114
14	R0357800	Tank O-ring	H2116
15	R0358100	Outlet Tube / Elbow Assembly w/ O-rings, DEL60	
	R0555100	Outlet Tube / Elbow Assembly w/ O-rings, DEL48	H2167
16	R0358200	Bulkhead Assembly w/ O-ring	H2122
17	R0328300	Coupling Nuts w/ Flange and O-ring (set of 2)	J6372
18	R0358400	Inlet Elbow w/ O-ring	H2166
19	R0358600	Tank Bottom w/ Retaining Ring and Drain Plug	
20	R0358800	Drain Plug w/ O-ring	H2130
21	R0395500	Large Tank Drain Adapter w/ O-ring	H2458
22	R0359500	DE Grid Support	H2142
23	R0359100	DE Single Grid, Full Size, DEL60 (7 req'd)	H4403
	R0555000	DE Single Grid, Full Size, DEL48 (7 req'd)	H4402
	R0359200	DE Single Grid, Short Span, DEL60 (1 req'd)	H4408
	R0554900	DE Single Grid, Short Span, DEL48 (1 req'd)	H4407
25	R0359400	Tie Rod Knob	H2144
26	R0405200	Large Tank Retaining Ring	H2145
27	R0442500	"O" ring Kit, outlet tube, bulkhead assembly	
	R0358000	Large Tank O-ring Replacement Kit (not shown)	H2147
	H0238800	Installation / Operation Manual	
	R0442600	Complete Set of Filter Grids for DEL 60 (7 full-size, 1 short span)	H3097
	R0442700	Complete Set of Filter Grids for DEL 48 (7 full-size, 1 short span)	H3096
	R0443700	Gauge Adapter Kit (not shown) (1 brass pump adapter, and 1 thermoplastic filter adapter)	

DEV Series D.E. Filter (Supersedes Jandy® DEL Series)

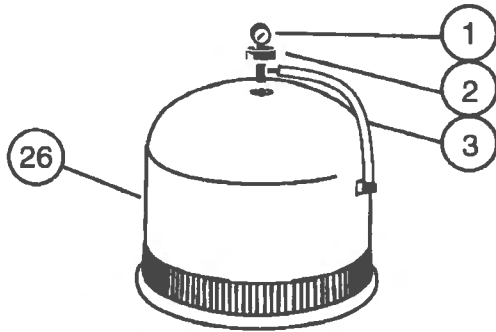
Part# DEV48, DEV60

Key No.	Part No.	Description	
1	R0237100	Handle Assembly w/ Hardware2/PK	H2100
2	R0359900	Handle Hardware, 4/PK	H2101
3	R0357200	Gauge/Air Release Assembly	K2550
4	R0359600	Pressure Gauge	H2105
5	R0552000	Tank Adapter w/ O-Ring	H2104
6	R0357300	Tank Lid DEV60	
6	R0554700	Tank Lid DEV48	
7	R0359700	Top Spacer for DE Grids	H2134
8	R0405100	Spacer, DEV48/60, Large Filter	H2135
9	R0358700	Breather Tube Assembly	H2109
10	R0359000	Manifold Assembly	H2136
11	R0359300	Tie Rod w/ Knob and Lock Nuts, DEV 60	H2138
11	R0554800	Tie Rod w/ Knob and Lock Nuts, DEV 48	H2140
12	R0357400	Tank Clamp Ring w/ Knob Assembly	H2113
13	R0357500	Clamp Ring Assembly w/ Threaded Rod and Retainer	H2114
14	R0357800	Tank O-Ring	H2118
15	R0555100	Outlet Tube/Elbow Assembly w/O-Rings	H2167
15A	R0792000	Outlet Tube O-Ring, Filter	H2168
16	R0358400	Inlet Elbow w/ O-Ring	H2166
17	R0359500	DE Grid Support	H2142
18	R0359100	DE Grid, Full Size, DEV 60 (7 required)	H4403
18	R0555000	DE Grid, Full Size, DEV 48 (7 required)	H4402
19	R0359200	DE Grid, Short Span, DEV60, 1/PK	H4408
19	R0554900	DE Grid, Short Span, DEV48, 1/PK	H4407
20	R0359400	Tie Rod Knob	H2144
21	R0405200	Ring, Retaining	H2145
N/S	R0358000	Complete O-Ring Kit (Excludes Tank O-Ring R0357800)	H2147
23	R0466500	Bottom Assembly, Universal Unions	
24	R0465600	Bulkhead Assembly w/ O-Ring (Prior to 2007 Part# R0358200)	H.37.81 H2120
25	R0465500	Anchor Bracket Kit, 4/PK	
26	R0461800	Universal Half Unions, 2/PK and Drain Plug Assembly	
27	R0442600	Complete set of DEV 60 Filter Grids (7 full-size, 1 short span)	
28	R0442700	Complete set of DEV 48 Filter Grids (7 full-size, 1 short span)	H309268
29	R0522900	Universal Half Union, 1/PK	
30	R0523000	Drain Cap Assembly	H2121
31	R0501300	Complete Grid Assembly DEV/DEL 48 (Includes parts 7, 8, 9, 10, 11, 17, 18, 19, and 20)	H2150
32	R0501400	Complete Grid Assembly DEV/DEL 60 (Includes parts 7, 8, 9, 10, 11, 17, 18, 19, and 20)	H2151

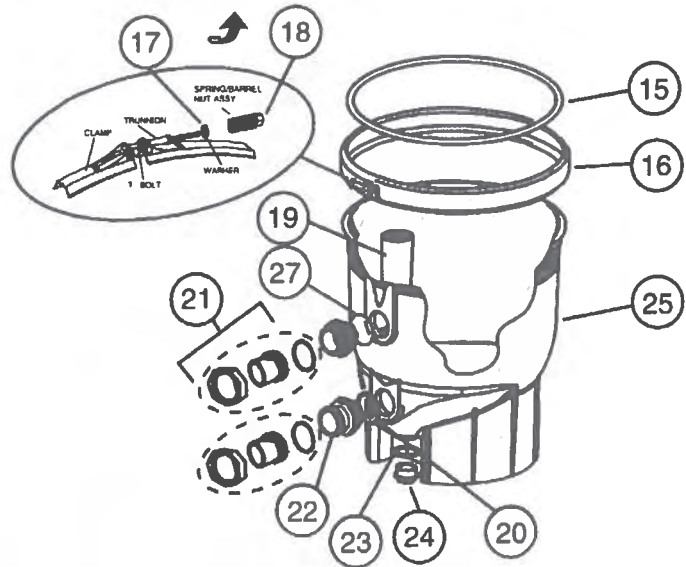
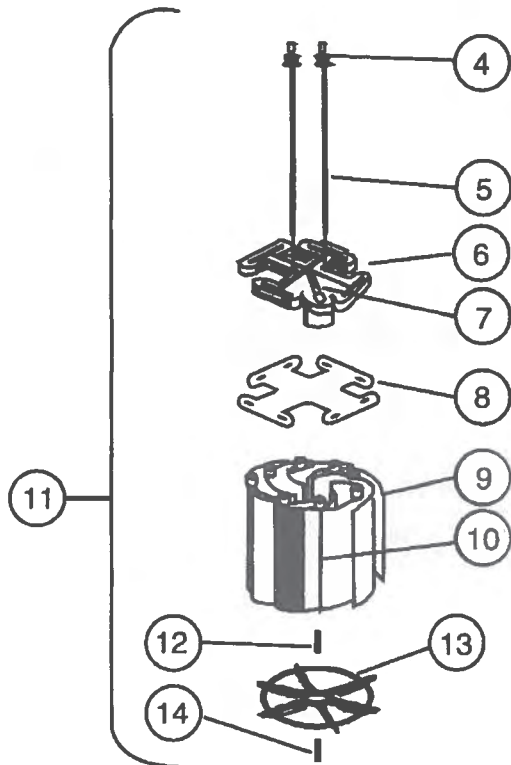


PENTAIR (PAC-FAB) FNS PLUS FILTERS
Reinforced polypropylene Material Tank

KEY	MFG NO.	DESCRIPTION	ITEM NO.
25	170015	Tank Bottom, Assy., 24 sq. ft. Filter	H3730
25	170016	Tank Bottom, Assy., 36 sq. ft. Filter	H3731
25	170017	Tank Bottom, Assy., 48 sq. ft. Filter	H3732
25	170018	Tank Bottom, Assy., 60 sq. ft. Filter	H3733
26	170019	Tank Lid, 24 sq. ft. Filter	H3734
26	170020	Tank Lid, 36 sq. ft. Filter	H3735
26	170021	Tank Lid, 48 sq. ft. Filter	H3736
26	170022	Tank Lid, 60 sq. ft. Filter	H3737



**FNS Plus 24, 36,
48 & 60 Sq. Ft. Series**



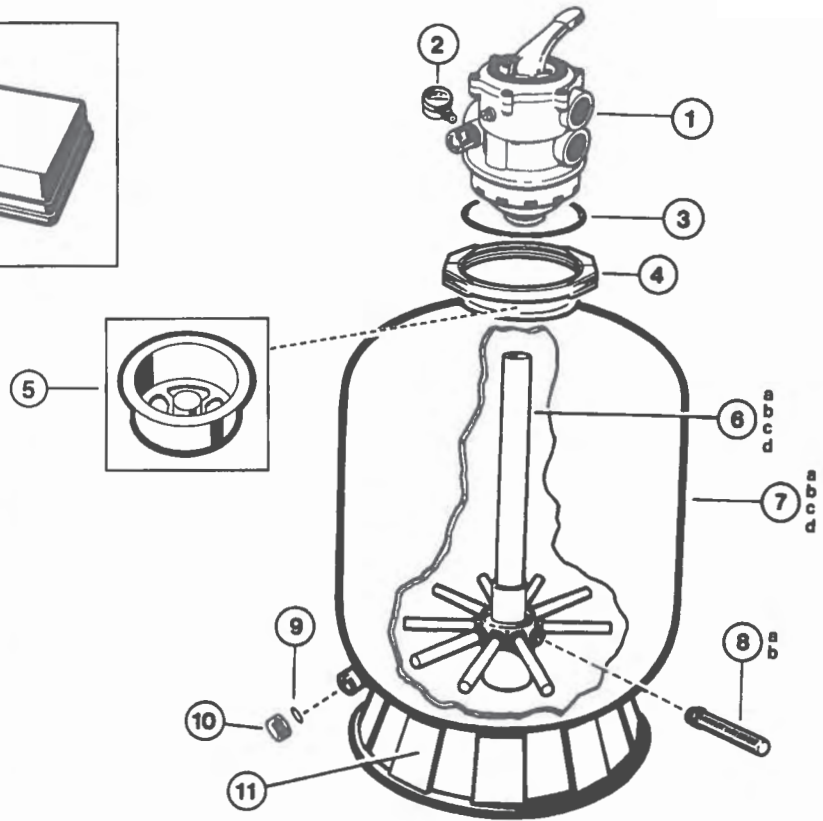
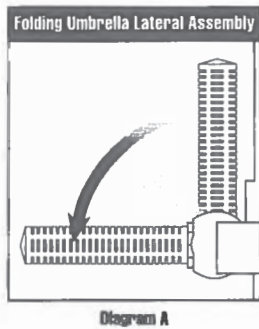
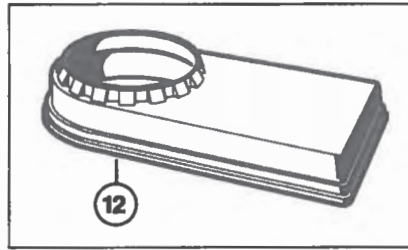
PENTAIR (PAC-FAB) FNS PLUS FILTERS
Reinforced Polypropylene Material Tank

KEY	MFG NO.	DESCRIPTION	ITEM NO.
1	53003201	Pressure Gauge	H3500
1	-----	Generic Pressure Gauge	H7003
1	-----	Generic Pressure Gauge	H7010
2	98209800	Air Relief Valve Assembly - Manual	H3708
3	98201200	Hose and Retainer Clip for Air Relief Valve (N/A when out)	H3565
4	58001100	Nut, Knurled Brass	H3712
5	59000800	Tie Rod, 24 sq. ft. Filter	H3528
5	59001500	Tie Rod, 36 sq. ft. Filter	H3529
5	59002100	Tie Rod, 48 sq. ft. Filter	H3530
5	59002700	Tie Rod, 60 sq. ft. Filter	H3531
6	59023700	Manifold, Top w/ Air Bleed	H3695
7	59023600	Internal Air Bleed Assembly	H3696
8	98725800	Template, Filter	H3555
9	59001100	Grid, Large 12", 24 sq. ft. Filter	(Generic H4400) H3534
9	59001800	Grid, Large 18", 36 sq. ft. Filter	(Generic H4401) H3535
9	59002400	Grid, Large 24", 48 sq. ft. Filter	(Generic H4402) H3536
9	59003000	Grid, Large 30", 60 sq. ft. Filter	(Generic H4403) H3537
10	59001000	Grid, Small 12", 24 sq. ft. Filter	(Generic H4405) H3541
10	59001700	Grid, Small 18", 36 sq. ft. Filter	(Generic H4406) H3542
10	59002300	Grid, Small 24", 48 sq. ft. Filter	(Generic H4407) H3543
10	59002900	Grid, Small 30", 60 sq. ft. Filter	(Generic H4408) H3544
11	59023800	Complete Grid Assembly for 24 sq. ft. Filter	H3700
11	59023500	Complete Grid Assembly for 36 sq. ft. Filter	H3701
11	59023400	Complete Grid Assembly for 48 sq. ft. Filter	H3702
11	59023300	Complete Grid Assembly for 60 sq. ft. Filter	H3703
12	98211400	Nut, 1/4-20, Plated Brass	H8916
13	59000500	Spider, Grid Locator	H3539
14	58001000	Nut, Lock, Hex, Nylon	H3635
15	39010200	O-Ring, RPM Tank Clamp	H3590
16	190034	Clamp, Kit	H3589
17	53006300	Washer, .325 I.D. for Filter Clamp	H3657
18	53108900	Spring/Barrel Nut Assembly	H3501
19	190034	Assy., Standpipe, Outlet, 24 sq. ft. Filter	H3720
19	190035	Assy., Standpipe, Outlet, 36 sq. ft. Filter	H3721
19	190036	Assy., Standpipe, Outlet, 48 sq. ft. Filter	H3722
19	190037	Assy., Standpipe, Outlet, 60 sq. ft. Filter	H3723
20	86006900	O-Ring, Bulkhead	H3637
21	271096	Bulkhead Union (set)	H4040
22	190043	Assembly, Pipe, Inlet	H3558
23	51005000	O-Ring for Drain Plug	H8931
24	86202000	Plug, 1-1/2" Drain, w/O-Ring	H3711

Hayward Pro Series S180T, S210T, S220T & S244T.....	272
Hayward Pro Series S210S, S220S, S224S, & 310S.....	273-274
Pac-Fab Tagelus	275-277
Pac-Fab Triton II	278-279
Pac-Fab Triton C.....	280-281
Pac-Fab Triton C-3	282-283

HAYWARD PRO SERIES SAND FILTERS

S180T
S210T
S220T
S244T

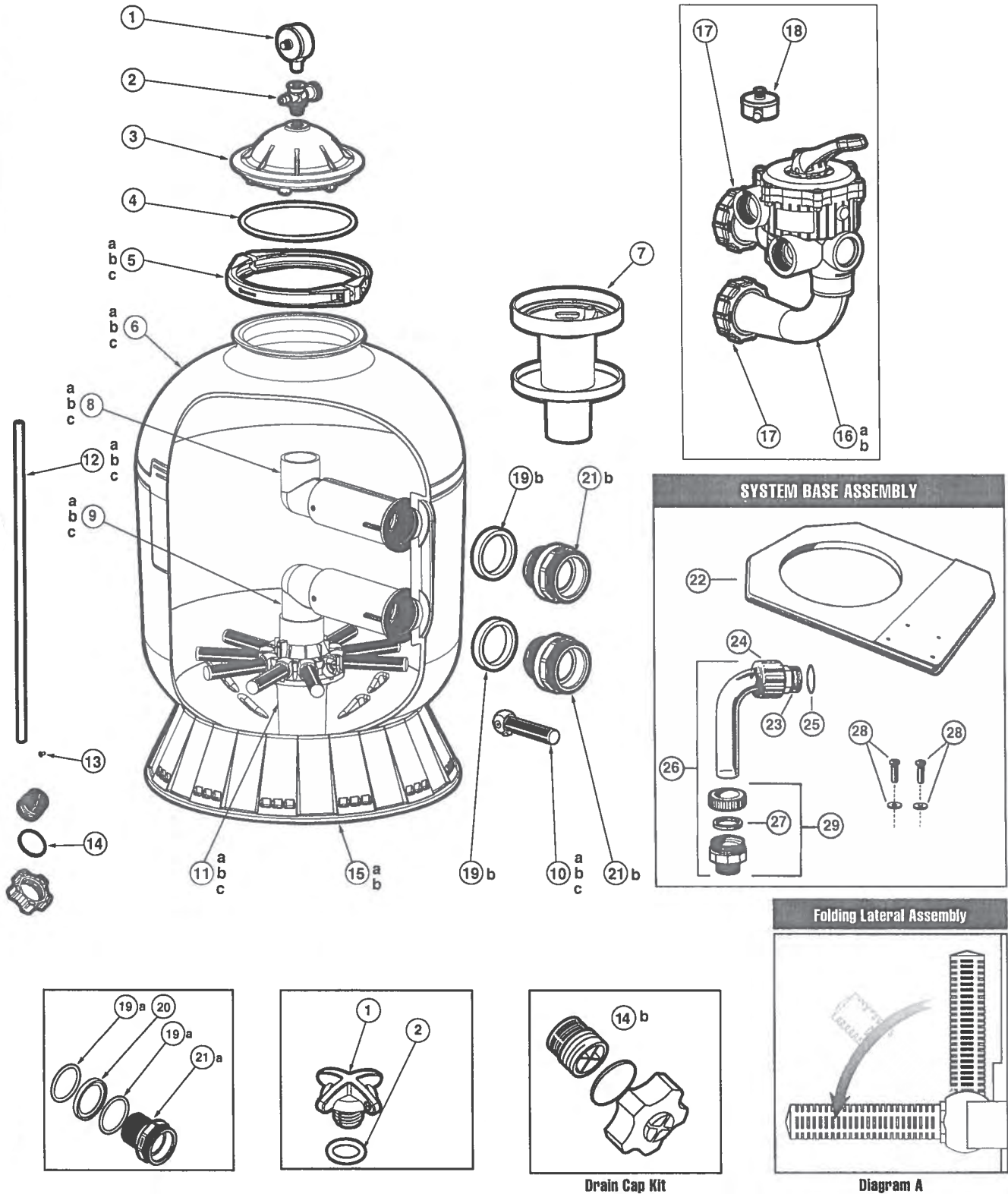


KEY	MFG NO.	DESCRIPTION	ITEM NO.
1	SP0714T	Vari-Flo XL Control Valve - 1-1/2"	H8000
2	ECX270861	Pressure Gauge	H6317
2	-----	Generic Pressure Gauge, Plastic Case, Back Mount	H7000
2	-----	Generic Pressure Gauge, Metal Case, Back Mount	H7003
3	GMX600F	Valve/Tank O-Ring	H8425
4	GMX600NM	Flange Clamp, Noryl	H6613
5	SX202S	Sand Shield (1997-Present)	H6707*
6A	SX180DA	Folding Umbrella Lateral Assembly with Center Pipe (S180T)	H6609
6B	SX210DA	Folding Umbrella Lateral Assembly with Center Pipe (S210T)	H6614
6C	SX220DA	Folding Umbrella Lateral Assembly with Center Pipe (S220T)	H6683
6D	SX244DA	Folding Umbrella Lateral Assembly with Center Pipe (S244T)	H6780
7A	SX180AA2	Filter Tank with Skirt, Drain & Lateral Assembly (S180T)	H6615*
7B	SX210AA1	Filter Tank with Skirt, Drain & Lateral Assembly (S210T)	H6616*
7C	SX220AA1	Filter Tank with Skirt, Drain & Lateral Assembly (S220T)	H6617*
7D	SX244AA1	Filter Tank with Skirt, Drain & Lateral Assembly (S244T)	H6618*
—	SX202P	Lateral Pivot (1996-Present)	H6702*
8A	SX200Q	Lateral (S180T) (10 needed)	H6670
8B	SX240D	Lateral (S210T, S220T & S244T) (10 needed)	H6772
9	SX180G	Gasket	H6610
10	SX180H	Drain Cap	H6611
11	SX200J	Filter Support Stand	H6678
12	SX180K	System Base (S180T Systems)	H6612*

ProSeries™

S210S, 244S, 310S SAND FILTER SERIES REPLACEMENT PARTS

Parts Diagram



Parts Listing

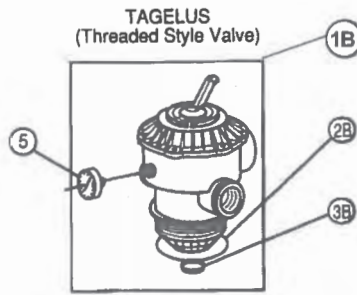
Ref. No.	Part No.	Description	Ctn Qty.	No. Req'd
1	SX200G	Manual Air Relief H6640	10	1
2	SX200Z5	O-Ring H6642	50	1
3	SX244K	Top Closure Dome H6639	5	1
4	GMX600F	Tank O-Ring H8425	100	1
5a	GMX600NM	Flange Clamp (S210S, S244S) H6613	20	1
5b	SX310N	Flange Clamp (S310S) H6600	5	1
6a	SX210AA2FW	S210S Filter Tank with Drain Cap and Base	1	1
6b	SX244AA2FW	S244S Filter Tank with Drain Cap and Base	1	1
6c	SX310AA2FW	S310S Filter Tank with Drain Cap and Base	1	1
7	SX244G	Top Diffuser Assembly H6651	5	1
8a	SX210CD1W	Top Elbow Assembly, S210S H6679	1	1
8b	Sx244CD1FW	Top Elbow Assembly, S244S H6679	2	1
8c	SX310CD2FW	Top Elbow Assembly, S310S	2	1
9a	SX210CD2FW	Bottom Elbow Assembly, S210S	5	1
9b	SX244CD2FW	Bottom Elbow Assembly, S244S	2	1
9c	SX310CDFW	Bottom Elbow Assembly, S310S	2	1
10a	SX200QNPAK10	S210S Pivot/Ball Lateral (Set of 10) H6671	10	1
10b	SX240DNPAK10	S244S Pivot/Ball Lateral (Set of 10) H6773	10	1
10c	SX310HNPAK10	S310S Pivot/Ball Lateral (Set of 10) H6606	10	1
11a	SX242MA	Folding Umbrella Lateral Holder Assembly (S210S, 1997-) See Diagram A	1	1
11b	SX242MA1	Folding Umbrella Lateral Holder Assembly (S244S, 1999-) See Diagram A	1	1
11c	SX242MA2	Folding Umbrella Lateral Holder Assembly (S310S, 1999-) See Diagram A	1	1
12a	CX3000Z2	Plastic Air Tube (S210S) —	50	1
12b	CX1100Z4	Plastic Air Tube (S244S) —	10	1
12c	SX200Z1	Plastic Air Tube (S310S) —H6658	1	1
13	SX200Z2	Air Tube Lock Screw	10	1
14a	SX180HG	Drain Cap Kit (2005 and Prior) H6611	25	1
—	SX200H	Bottom Drain Screen (2005 and Prior) H6674	10	1
14b	SX180LA	Drain Cap Kit (See Diagram) H6615	25	1
15a	SX200J	Filter Support Stand (S210S, S244S) H6678	1	1
15b	SX310J	Filter Support Stand (S310S)	1	1
16a	SP0710X62	Vari-Flo Valve Assembly — 1 ½" FIP H8016	1	1
16b	SP0715X62	Vari-Flo Valve Assembly — 2" FIP H8017	1	1
17	SX200Z4PAK2	Valve/Union O-Ring (Set of 2) H6694	25	1
18	ECX270861	Pressure Gauge H6317	50	1
19a	SX360Z1	O-Ring H6669	25	4
19b	SX244Z1	Square Seal —	1	2
20	SX360E	O-Ring Spacer (after 1995) H67033	10	2
21a	SX244P	Bulkhead Fitting (after 1996) - Replaced by SX244PK H6705	10	2
21b	SX244PK	Bulkhead Fitting with Seal H6705	10	2

S200PAK3 System Base

22	ECX1291	Standard Pump/Filter Mounting Base —	2	1
23	SPX1480A	Union Ball End H6718	10	1
24	SPX1480C	Union Nut H6720	10	1
25	SPX1425Z6	O-Ring H6722	25	1
26	SPX1485B3	Union Elbow with Compression Assembly H6724	10	1
27	SPX1485G	Compression Gasket H6727	1	1
28	ECX1161Z2	Mounting Screw Set with Washers —	10	2
29	SPX1485DA	Compression Fitting with Gasket —	25	1

PENTAIR (PAC-FAB) TAGELUS SAND FILTER

TA 30D/ TA30
 TA 35D/ TA 35
 TA 40D/ TA 40
 TA 50D/ TA 50
 TA 60D/ TA 60
 TA 100D



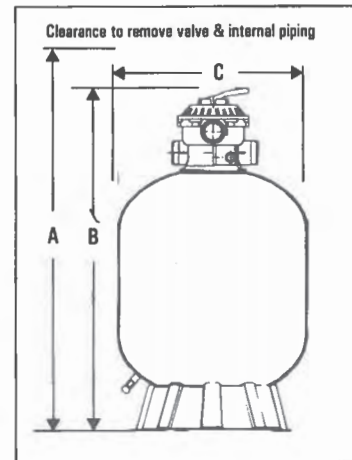
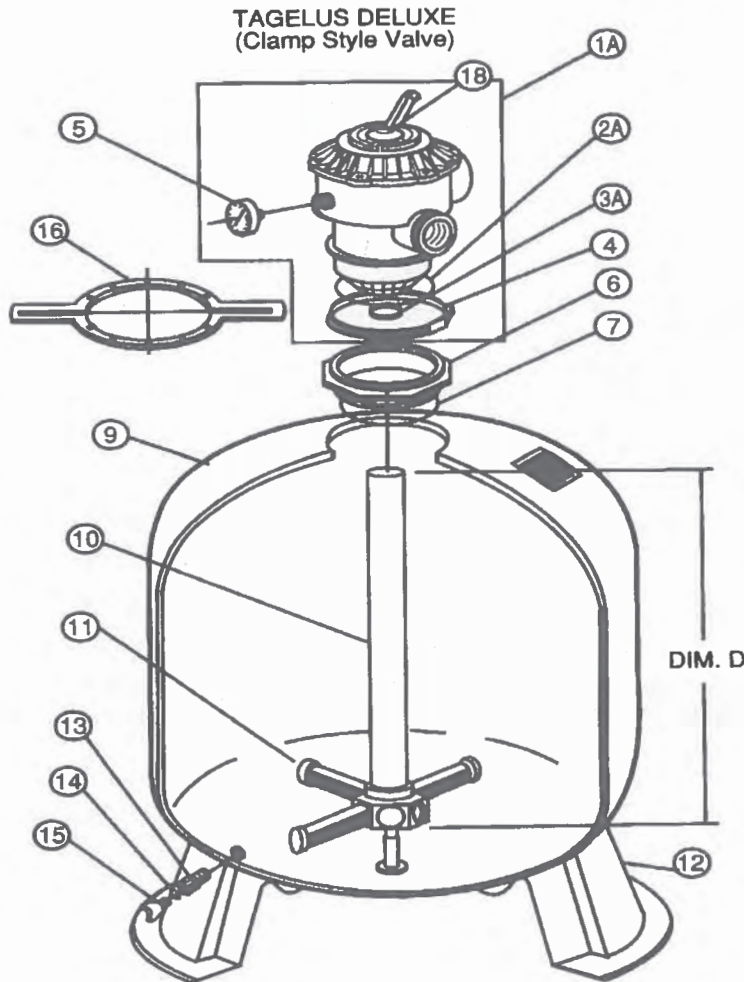
Also see valve section
for additional parts



Detail A, (after 12/1/91)
6 in. btr. Thread.



Detail B, (before 12/1/91)
6 in. "V" Thread.



DIMENSION TABLE

MODEL	A. DIM.	B. DIM.	C. DIM.
TA 35D	37 ¾ in.	31 ½ in.	15 ¾ in.
TA 40D	47 in.	37 in.	18 ¾ in.
TA 50D	51 ½ in.	38 ½ in.	21 ¼ in.
TA 60D	57 in.	41 ¼ in.	24 in.
TA 100D	65 ½ in.	41 ¼ in.	30 in.

KEY	MFG NO.	DESCRIPTION	ITEM NO.
1A	262506	Valve - 1-1/2" 6-Way Clamp Style (TA-30, TA35D thru TA-60D)	H4122
1A	261185	Valve - 2" 6-Way Clamp Sytle (TA-100D)	H4343
1B	261130	Valve - 1-1/2" 6-Way Buttress Threads (after 12-91) Black *(See Note 5)	H4121
1B	261124	Valve - 1-1/2" 6-Way "V" Type Threads (before 12-91) *(See Note 6)	H4120
1B	SP712-2	Valve - 1-1/2" (Hayward Brand) "V" Type Threads	H8002
2A	272541	O-Ring, Valve Body (TA-30D thru TA-60D models only)	H4344
2A	275333	O-Ring, Valve Body (TA-100D)	H4345
2B	154493	O-Ring, Valve Body (TA-30 thru TA-60 models only)	H4044

PENTAIR (PAC-FAB) TAGELUS SAND FILTERS

KEY	MFG NO.	DESCRIPTION	ITEM NO.
3A	355330	Standpipe O-Ring (TA-100D) (See Note 1)	K4631
3B	155064	Standpipe O-Ring (TA-30 thru TA-60 only) (Before 4-93 Only) *(See Note 1)	H4305
4	152165	Clamp, Plastic, 6-1/2" Diameter (TA-30D thru TA-60D)	H4116
5	-----	Generic Pressure Gauge, Back Mount	H7010
6	154555	Adaptor 6" Buttress Threads (TA-30D thru TA-60D) (after 11-91) *(See Notes 4 & 7)	H4348
6	154555	Adaptor 6" "V" Type Threads (TA-30D thru TA-60D) (before 11-91) *(See Notes 4 & 8)	H4349
7	154494	O-Ring, Square (TA30D thru TA-60D)	H4047
7	355619	O-Ring Valve Adaptor (TA-100D Only)	K4538
9	153445	Tank & Foot Assy w/ Valve Adaptor (TA-35D) *(See Notes 2 & 7)	OBS
9	155276	Tank & Foot Assy w/ Valve Adaptor (TA-40D) *(See Notes 2, 7 & 8)	H4354*
9	155279	Tank & Foot Assy w/ Valve Adaptor (TA-50D) *(See Notes 2, 7 & 8)	H4355*
9	155269	Tank & Foot Assy w/ Valve Adaptor (TA-60D) *(See Notes 2, 7 & 8)	H4356*
9	155324	Tank & Foot Assy w/ Valve Adaptor (TA-100D) *(See Notes 2, 7 & 8)	H4357*
9	153450	Tank & Foot Assy - Buttress Thread Style (TA-35) *(See Note 5)	OBS
9	155342	Tank & Foot Assy - Buttress Thread Style (TA-40) *(See Notes 5 & 6)	H4297*
9	155343	Tank & Foot Assy - Buttress Thread Style (TA-50) *(See Notes 5 & 6)	H4298*
9	155344	Tank & Foot Assy - Buttress Thread Style (TA-60) *(See Notes 5 & 6)	OBS
10	155060	Piping Assy w/ Hub (TA-30 & TA-30D) 12-7/8"	H4301
10	153455	Piping Assy w/ Hub (TA-35 & TA-35D)	H4386
10	155061	Piping Assy w/ Hub (TA-40 & TA-40D) 17-3/4"	H4302
10	155062	Piping Assy w/ Hub (TA-50 & TA-50D) 19-7/8"	H4303
10	155063	Piping Assy w/ Hub (TA-60 & TA-60D) 22-5/8"	H4304
10	155340	Piping Assy w/ Hub (TA-100D) 27-1/4"	H4362*
11	155007	Lateral (TA-30, TA-30D, TA-35 & TA-35D) 5-11/32" (8 req.)	H4294
11	152290	Lateral (TA-40 thru TA-60 & TA-40D thru TA-60D) 6-11/16" (8 req.)	H4062
11	152202	Lateral (TA-100D) 9-1/8" (8 req.)	H4206
12	154926	Tank Foot (TA-35 thru TA-60D & TA35D thru TA60D)	H4310*
12	154596	Tank Foot (TA-100D) *(See Note 3)	H4309*
13	154698	Drain Assembly - 3/4" (TA30) (after 1983)	H4311
13	154685	Drain Assembly - 1/2" (TA30D) (before 1983)	H4070
14	192115	O-Ring, Drain Plug 1/16" x 1/2" I.D.	H3274
15	154699	Drain Plug, 1/4" w/O-ring (after 1983)	H4312
16	154512	Wrench, 6-1/2" Across Flats (TA-30D, TA40D, TA50D & TA-60D)	H4046
16	151608	Wrench, 9" Across Flats (TA-100D)	H4365*
17	154402	Foot Mounting Tape - (TA-30 thru TA-60 & TA-30D thru TA-60D)	H4318
17	154407	Foot Mounting Tape (TA100D only)	H4319*

*(See Notes on Following Page)

PENTAIR (PAC-FAB) TAGELUS SAND FILTERS**Special Notes**

- Note 1:** Item 3A O-Ring - Standpipe is used on model TA100D Filters Only. Item 3B O-Ring - Standpipe is used on Tagelus Filter models TA30, 40, 50, 60 manufactured before April, 1993. Item 38 is not used on Tagelus Clamp Filter models TA30D, 35D, 40D, 50D, 60D or on any Tagelus models manufactured after April, 1993.
- Note 2:** Tagelus Clamp Filter models Tank & ft. assy. has valve adaptor. (Item 6) factory installed.
- Note 3:** Replacement of Tank ft. requires the use of Mounting Tape. See part number listed.
- Note 4:** Lubricate O-Ring liberally w/ Silicone lubricant and tighten to following spec: TA30D, 35D, 40D, 50D, 60D...Handtight plus 1/4 turn min. TA100D Handtight plus 3/4 turn min.
- Note 5:** Tagelus Filter Models TA30, 35, 40, 50, 60 manufactured after Nov. 1, 1991 were manufactured w/ a buttress thread top opening and utilize a buttress style valve which is black in color. A change was made to the port arrangement in April, 1993 which will require that minor changes be made to the valve plumbing connections when replacing valves on filters manufactured between Nov. '91 and Mar. '93.
DO NOT ATTEMPT TO INTERCHANGE THREAD TYPES!!
- Note 6:** Tagelus Filter models TA30, 40, 50, 60 manufactured before Nov. 1, 1991 were manufactured w/ a "V" in. thread style valve that is white or brown in color. These valves may be replaced w/ "V" in. thread style valve P/N 26-1124, see Detail B.
DO NOT ATTEMPT TO INTERCHANGE THREAD TYPES!!
- Note 7:** Tagelus Clamp Filter models TA30D, 35D, 40D, 50D, 60D manufactured after Nov. 1, 1991 were manufactured w/ a buttress thread top opening and utilize a buttress thread valve adaptor. P/N 15-4555, See detail A.
DO NOT ATTEMPT TO INTERCHANGE THREAD TYPES!!
- Note 8:** Tagelus Clamp Filter models TA30D, 40D, 50D, 60D manufactured before Nov. 1, 1991 were manufactured w/ a "V" thread top opening and utilize a "V" thread valve adaptor. P/N 15-5225, see detail B.
DO NOT ATTEMPT TO INTERCHANGE THREAD TYPES!!

PENTAIR (PAC-FAB) TRITON II SAND FILTERS

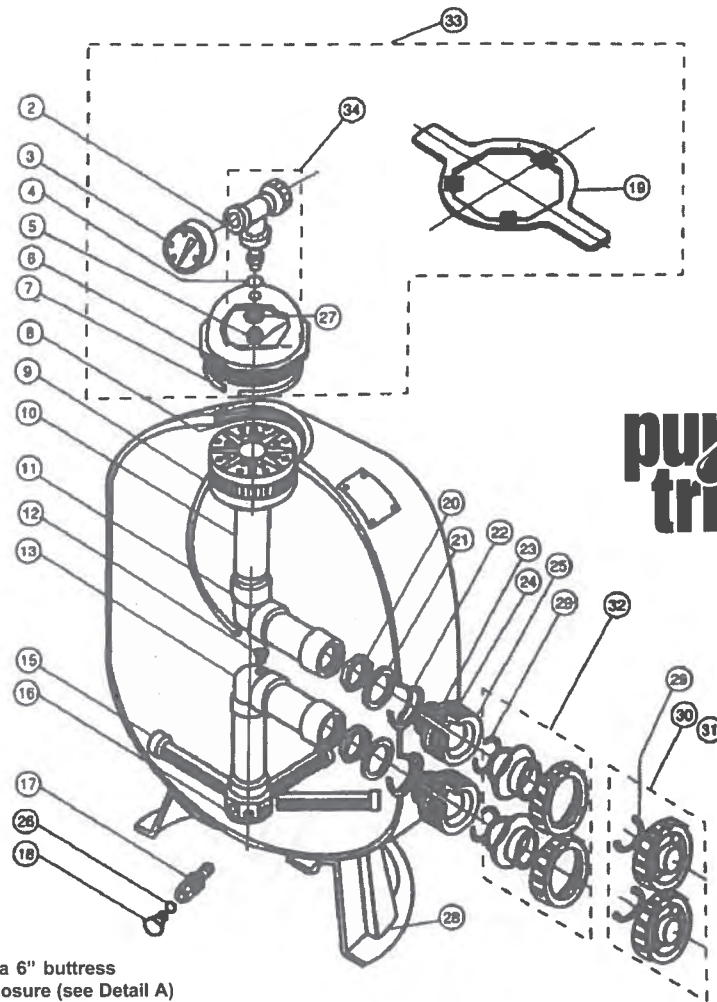
TR-40
TR-50
TR-60
TR-100
TR-140



Detail A, (after 12/1/91)
6 in. btr. Thread.



Detail B, (before 12/1/91)
6 in. "V" Thread.



purex
triton

Filters manufactured after Dec. 1, 1991 utilize a 6" buttress thread in the filter tank top opening & on the closure (see Detail A)

Filters manufactured before Dec. 1, 1991 utilize a 6" "V" type thread (see Detail B)

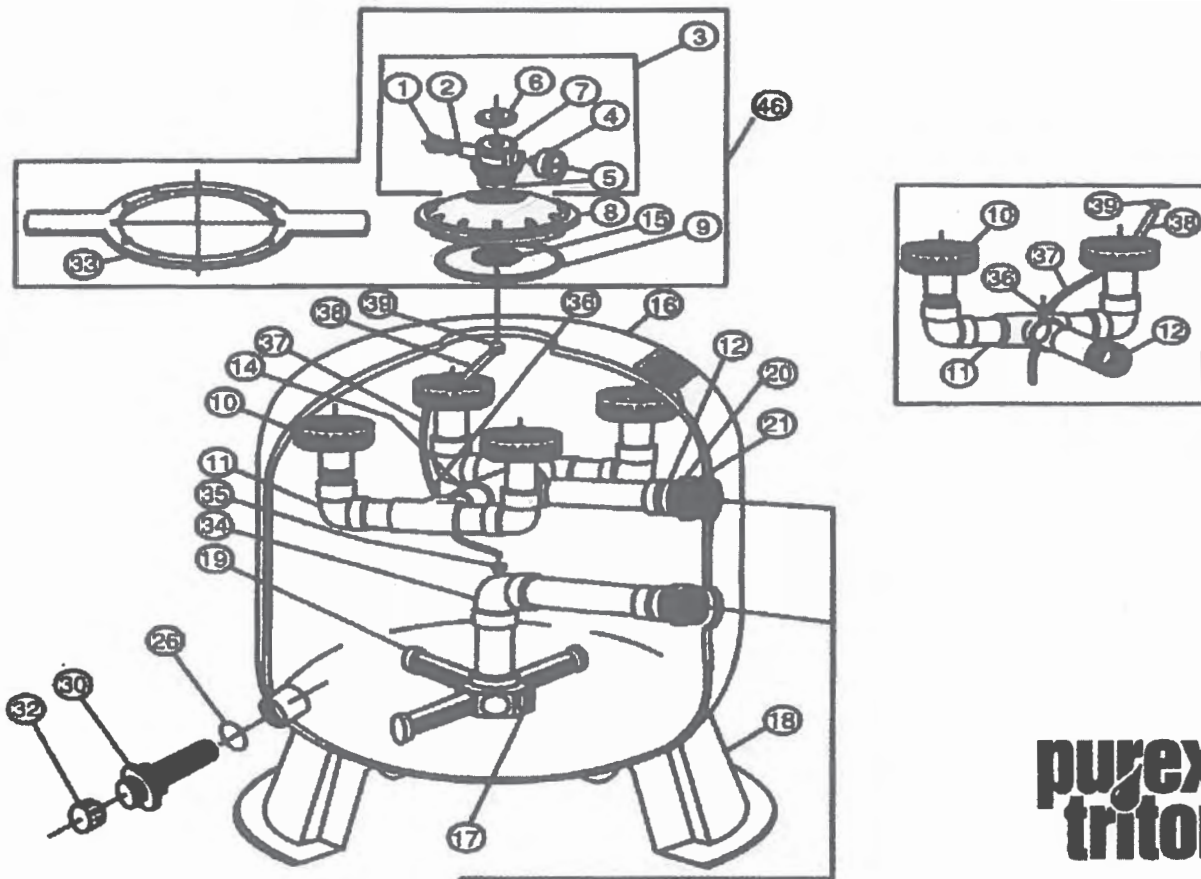
KEY	MFG NO.	DESCRIPTION	ITEM NO.
23	154408	Spacer - 2" External	H4228
24	154538	Gasket - 2" Bulkhead	H4250
25	154405	Bulkhead - 2"	H4226
—	154714	Complete 2" Bulkhead Assembly - Triton	H4266
26	154492	O-Ring 3/16" x 2-5/8" I.D.	H4246
26	192115	O-Ring for Drain Plug (Filters Built After 3/83)	H3274
27	154418	Washer 3/8" S.S.	H4269
28	154926	Foot - 16" Diameter (TR-40 & TR-50) Requires Mounting Tape	H4310*
28	154520	Foot - 19" Diameter (TR-60)	H4214*
28	154596	Foot - 24" Diameter (TR-100 & TR-140)	H4309*
—	154402	Foot Mounting Tape (TR-40, TR-50 & TR-60)	H4318
—	154407	Foot Mounting Tape (TR-100 & TR-140)	H4319*
29	274494	O-Ring, Valve Adapter (2 needed)	H3371
30	271092	Kit, Valve Adaptor 2" Threaded - Pair	H4041
31	271094	Kit, Valve Adaptor 1-1/2" Threaded - Pair	H4039*
32	271096	Kit, Valve Adapter 1-1/2" & 2" Slip - Pair	H4040
33	154641	Closure Kit 6" (Buttress Thread) Black	H4218
33	154697	Closure Kit 6" ("V" Type Thread)	H4264
34	154687	Bleeder Valve Assembly - Complete (#1, #2, #4, #5 & #27)	H4050
—	151602	Bulkhead Wrench - 2"	H4201
—	272044	Clear Vacuum Relief Valve	H4221

PENTAIR (PAC-FAB) TRITON II SAND FILTERS

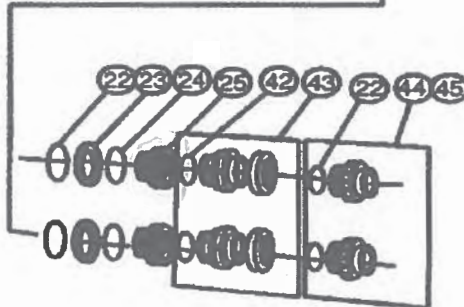
TR-40, TR-50, TR-60, TR-100 & TR-140

KEY	MFG NO.	DESCRIPTION	ITEM NO.
1	154689	Air Bleeder/Tee Assembly	H4314*
2	154700	Adaptor - Brass Air Bleeder	H4265
3	155050	Pressure Gauge - Back Mount	H7010
4	154661	O-Ring- Air Bleeder Adaptor	H4259
5	154664	Nut, 3/8" - 16 S.S.	H4261
6	154570	Dome Closure - 6" (Buttress Thread) Black (After 12/1/91)	H4045
6	154559	Dome Closure - 6" ("V" Type Thread) Black (Before 12/1/91)	H4043
7	154493	O-Ring for 6" Closure Dome	H4044
7	154495	O-Ring for 6" Closure Dome, White	OBS
8	154578	Strainer, Air Relief (Filters Before 11/1/99)	H4339
8	150035	Strainer, Air Relief (Filters After 11/1/99)	H4059
9	154435	Air Relief Tube (TR40) (Filters Before 11/1/99)	H4235
9	150039	Air Relief Tube (TR40) (Filters After 11/1/99)	H4307*
9	154436	Air Relief Tube (TR50 & TR60) (Filters Before 11/1/99)	H4236
9	150040	Air Relief Tube (TR50 & TR60) (Filters After 11/1/99)	H4317*
9	154437	Air Relief Tube (TR100) (Filters Before 11/1/99)	H4237
9	150041	Air Relief Tube (TR100) (Filters After 11/1/99)	H4359
9	154438	Air Relief Tube (TR140) (Filters Before 11/1/99)	H4238
9	150042	Air Relief Tube (TR140) (Filter After 11/1/99)	H4360*
10	154598	Diffuser Assembly (TR40 & TR50)	H4255
10	154599	Diffuser Assembly (TR60)	H4256
10	154462	Diffuser Assembly (TR100)	H4241
10	154906	Diffuser Assembly (TR140)	H4287
11	154803	Upper Piping Assembly (TR40)	H4281
11	156814	Upper Piping Assembly (TR50)	H4202*
11	154533	Upper Piping Assembly (TR60)	H4249
11	154426	Upper Piping Assembly (TR100)	H4234
11	154500	Upper Piping Assembly (TR140)	H4247
12	154440	Connector - Air Relief Tube (Filters Built Before 2/89)	H4239
12	154421	Connector - Air Relief Tube (After 2/89 & Before 11/99)	H4208*
12	150036	Connector - Air Relief Tube (Filters Built After 11/1/99)	H4361
13	154801	Lower Piping Assembly (TR40)	H4280
13	156816	Lower Piping Assembly (TR50)	H4278*
13	154805	Lower Piping Assembly (TR60)	H4282
13	154807	Lower Piping Assembly (TR100)	H4283
13	154489	Lower Piping Assembly (TR140)	H4244
15	152290	Lateral, 6-11/16" Length (TR40, TR50 & TR60) 8 needed	H4062
15	152202	Lateral, 9-1/8" Length (TR100) - (Current) "	H4206
15	159560	Lateral, 6-1/2" Length (TR100) - (Prior to 1985) "	H4066
15	154540	Lateral, 12" Length (TR140) "	H4068
16	154763	Hub for Lateral (TR40, TR50 & TR60)	H4060
16	154453	Hub for Lateral (TR100 & TR140)	H4064
17	152220	Sand Drain 2" (Current)	H4335
17	154698	Spigot 3/4" - Sand Drain (After 3/83 Thru 3/96)	H4311
17	154685	Spigot 1/2" - Sand Drain (Filters Built Before 3/83)	H4070
18	154871	Cap Threaded 1-1/2" (Current)	H4336*
18	154699	Plug for Drain 1/4" - (After 3/83 Thru 3/96)	H4312
18	154481	Plug for Drain 1/4" (Filters Built Before 3/83)	H4243
19	154512	Wrench - Closure 6"	H4046
19	154510	Wrench - Closure, Aluminum	H4213
20	154412	Locknut - 2" Internal	H4230
21	154416	Spacer - 2" Internal	H4233
22	154492	O-Ring - 2" Bulkhead	H4246

PENTAIR (PAC-FAB) TRITON COMMERCIAL FILTER
TR-100C & TR-140C



UPPER PIPING SHOWN
IN ISOMETRIC
TANK VIEW TR 140C



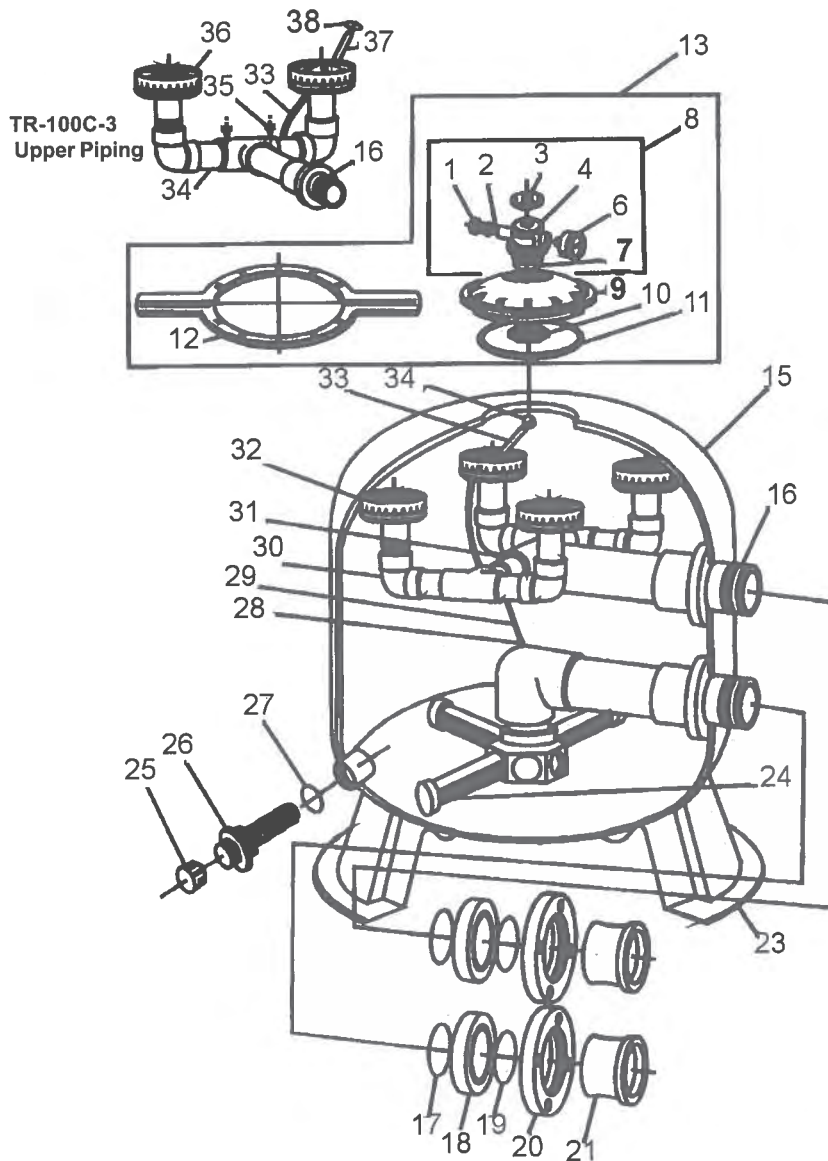
purex
triton

KEY	MFG NO.	DESCRIPTION	ITEM NO.
37	154437	Tube, Air Relief (TR100C) <i>(Filters Before 11/1/99)</i>	H4237
37	150041	Tube, Air Relief (TR100C) <i>(Filters After 11/1/99)</i>	H4359
37	154438	Tube, Air Relief (TR140C) <i>(Filters Before 11/1/99)</i>	H4238
37	150042	Tube, Air Relief (TR140C) <i>(Filters After 11/1/99)</i>	H4360*
38	154507	Spacer, Air Vent Strainer 6-3/4"	H4338*
38	154508	Spacer, Air Vent Strainer 10-5/16"	H4038*
39	154578	Air Relief Strainer <i>(Filters Before 11/1/99)</i>	H4339
39	150035	Air Relief Strainer <i>(Filters After 11/1/99)</i>	H4059
42	274494	O-Ring, Valve Adapter	H3371
43	271096	Kit, Valve Adapter 1-1/2" & 2" Slip - Pair	H4040
44	271092	Kit, Valve Adapter 2" Threaded - Pair	H4041
45	271094	Kit, Valve Adapter 1-1/2" - Pair	H4039*
46	154856	Closure Kit, 8-1/2" Buttress Thread - Black	H4342

PENTAIR (PAC-FAB) TRITON COMERCIAL FILTERS TR-100C & TR-140C

KEY	MFG NO.	DESCRIPTION	ITEM NO.
1	273512	Air Bleeder without O-Ring	H4222
2	273513	O-Ring Air Bleeder Screw	H4223
3	273564	Manual Air Relief Body Assembly	H4242
4	155050	Pressure Gauge, Back Mount	OBS
4	-----	Generic Pressure Gauge, Back Mount	H7010
5	274494	O-Ring 3/16" x 2-5/8" I.D.	H3371
6	273501	Cap, Air Bleeder (N/A when out)	H4273*
7	273564	Valve Body Machined	H4242
8	154575	Closure Dome 8-1/2" - Buttress Threads	H4277
9	152509	Square Ring 8-1/2"	H4291
10	154599	Diffuser (2 Required on TR100C)	H4256
10	154599	Diffuser (4 Required on TR140C)	H4256
11	156355	Piping Assembly - Upper TR100C (1 Required on TR100C)	H4292
11	156355	Piping Assembly - Upper TR140C (2 Required on TR140C)	H4292
12	156344	Piping Assembly - Upper Inlet (TR100C)	H4295
12	156345	Piping Assembly - Upper Inlet (TR140C)	OBS
13	273502	Spacer, Top - Black	H4321
14	156354	Piping Connecting Assembly Upper (TR140C)	H4329*
15	194908	Nut - 2" Internal	H3162*
16	153430	Tank & Foot Assembly (TR100C) Black 8-1/2" Buttress Thrds	H4332*
16	153431	Tank & Foot Assembly (TR140C) Black 8-1/2" Buttress Thrds	H4333*
17	154453	Hub for Lateral (TR100C & TR140C)	H4064
18	154596	Foot - 24" Diameter (TR100C & TR140C)	H4309*
19	152202	Lateral 9-1/8" Length (TR100C) 8 needed	H4206
19	154540	Lateral 12" Length (TR140C) 8 needed	H4068
20	154412	Locknut - 2" Internal	H4230
21	154416	Spacer - 2" Internal	H4233
22	154492	O-Ring - 2" Bulkhead	H4246
23	154408	Spacer - 2" External	H4228
24	154538	Gasket - 2" Bulkhead	H4250
25	154405	Bulkhead - 2"	H4226
—	154714	Complete Bulkhead Assembly - 2"	H4266
26	154492	O-Ring 3/16" x 2-5/8" I.D.	H4246
27	192320	O-Ring, Drain Bulkhead	H3141
28	194801	Drain Bulkhead - 2-3/8" Buttress	H4334
30	152220	2" Sand Drain	H4335
31	274407	Nut, Drain Bulkhead Adapter	H3369
32	154871	Cap - Threaded 1-1/2"	H4336*
33	154527	Wrench for 8-1/2" Closure Dome	H4337
34	154807	Lower Piping Assembly (TR100C)	H4283
34	154489	Lower Piping Assembly (TR140C)	H4244
35	154421	Connector for Air Relief Tube (Filters Before 11/1/99)	H4208*
35	150036	Connector for Air Relief Tube (Filters After 11/1/99)	H8896*
36	273071	Screw (1 Required for TR100C) (2 Required for TR140C)	H3343

PENTAIR (PAC-FAB) TRITON C-3 COMMERCIAL FILTERS
TR-100C-3 & TR-140C-3



PENTAIR (PAC-FAB) TRITON C-3 COMMERCIAL FILTERS
Oval Closure Kit & Components

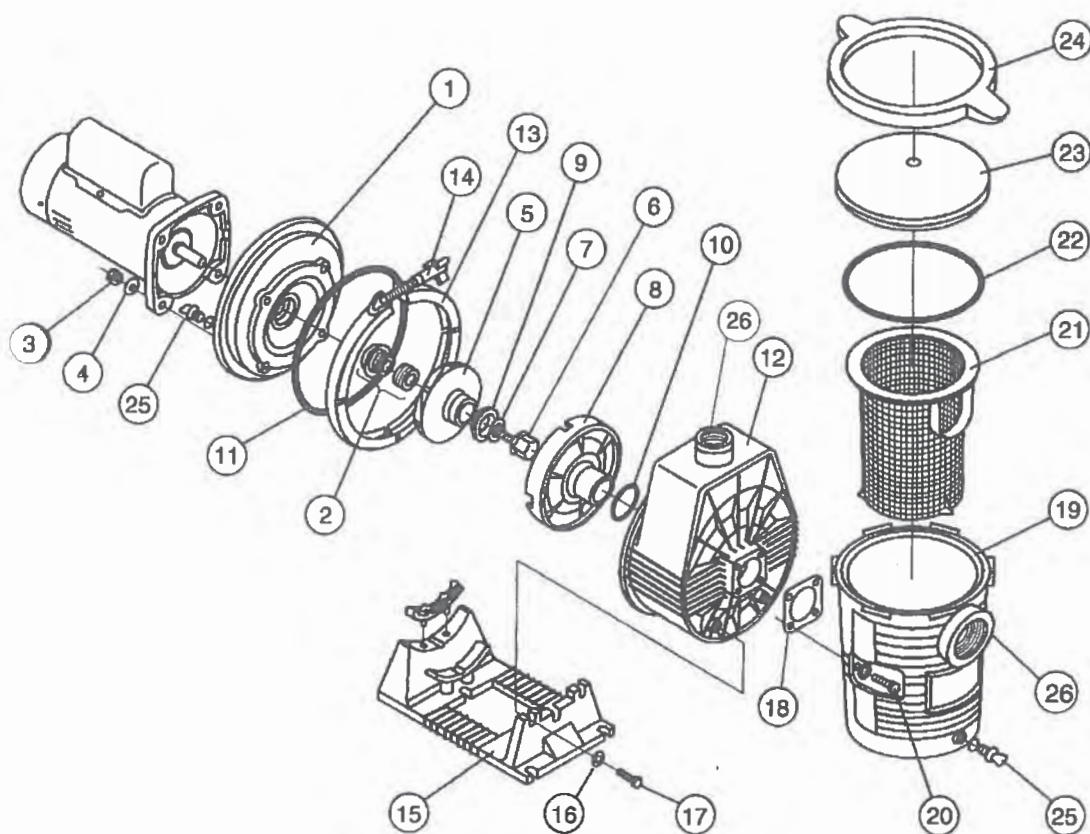
MFG NO.	DESCRIPTION	ITEM NO.
53003201	Pressure Gauge, 1/4"	H7000
154581	Knob for Triton C-3 Tank	H4056
154582	Spring	H4057*
154579	Bridge	H4058*
273512	Air Bleeder with O-Ring	H4222
154576	Oval Closure	H4055
152509	Square Ring 8-1/2" for Closure	H4291
156841	Complete C-3 Closure Kit - Oval	H4048

PENTAIR (PAC-FAB) TRITON C-3 COMMERCIAL FILTERS TR-100C-3 & TR-140C-3

KEY	MFG NO.	DESCRIPTION	ITEM NO.
1	273512	Air Bleeder w/ O-Ring	H4222
2	273513	O-Ring, Air Bleeder Screw	H4223
3	273501	Cap Only for Manual Air Relief Assembly	H4273*
4	273564	Body Only for Manual Air Relief Assembly	H4242
6	155050	Pressure Guage, Back Mounted	OBS
6	-----	Pressure Guage, Back Mounted, Generic	H7010
7	274494	O-Ring, Manual Air Relief Assy., 3/16" x 2-5/8"	H3371
8	273564	Manual Air Relief Assembly	H4242
9	154575	Filter Dome - 8-1/2"	H4277
10	154412	2" Internal Nut	H4230
11	152509	Square Ring for Filter Dome	H4291
12	154527	Closure Wrench, 8-1/2"	H4337
13	154856	Closure Kit, 8-1/2" Buttress Thread	H4342
15	153430	Tank and Foot Assembly for TR100C-3	H4004*
15	153431	Tank and Foot Assembly for TR140C-3	H4007*
16	154007	Upper Piping Assembly for TR100C-3	H4021
16	154008	Upper Piping Assembly for TR140C-3	H4022
17	154005	O-Ring, (2 Needed)	H4023
18	154002	3" Spacer (2 Needed)	H4024
19	154004	O-Ring, (2 Needed)	H4026
20	154003	3" Flange Ring (2 Needed)	H4027
21	154001	3" Flange Adapter (2 Needed)	H4028
22	154009	Lower Piping Assembly for TR100C-3	H4029
22	154010	Lower Piping Assembly for TR140C-3	H4033*
23	154596	24" Foot for TR100C-3 & TR140C-3	H4309*
24	152202	Lateral, 9" Length for TR100C-3 (8 Needed)	H4206
24	154540	Lateral, 12" Length for TR140C-3 (8 Needed)	H4068
25	154871	Threaded Cap, 1-1/2"	H4336*
26	152220	Sand Drain, 2"	H4335
27	274494	O-Ring, 3/16" x 2-5/8" (2 Needed)	H3371
28	154440	Air Relief Tube Connector	H4239
29	154437	Air Relief Tube, 23" for TR100C-3	H4237
29	154438	Air Relief Tube, 27" for TR140C-3	H4238
30	154017	Diffuser Piping Assembly for TR100C-3 (2 Needed)	OBS
30	154018	Diffuser Piping Assembly for TR140C-3 (2 Needed)	H4036*
31	552474	Screw, #10 - 1-1/2" Flat Phillips Head (2 Needed)	OBS
32	154599	Diffuser (2 Required on TR100C-3)	H4256
32	154599	Diffuser (4 Required on TR140C-3)	H4256
33	154507	Spacer, 6-3/4" for TR100C-3	H4037*
33	154508	Spacer, 10-5/16" for TR140C-3	H4038*
34	154578	Air Relief Strainer	H4339

American Products Ultra-Flow.....	285-286
Hayward Super Pumps SP-1600X Series	287
Hayward Super Pumps SP-2600X Series	288
Hayward Northstar SP-4000X Series.....	289
Jandy Stealth	290-291
Jandy Stealth SHPF / SHPM.....	292-293
Pentair Challenger High Flow.....	294-295
Pentair Challenger High Head.....	296-297
Pentair IntellifloXF	298
Purex / Pentair Whisperflo “WFE” Series.....	299-300
Sta-Rite Pentair Dura-Glas & Max-E-Glas	301-302
Pentair EQ Commercial Plastic Pumps.....	303-305

AMERICAN PRODUCTS ULTRA-FLOW PUMPS



**purex
triton**
Pool and Spa Systems

KEY	MFG NO.	DESCRIPTION	ITEM NO.
1	357143	Seal Plate	K3839
1	357142	Seal Plate, Kit	K3700
2	071734	Shaft Seal	K9386
2	-----	Generic Shaft Seal #1000	K6054
3	98220500	Nut, Brass, 3/8 - 16 Hex	K3896
4	98220600	Washer, Lock, 3/8, S/S	K3828

AMERICAN PRODUCTS ULTRA-FLO PUMPS

KEY	MFG.NO.	DESCRIPTION	ITEM NO.
5	39005600	1/2 HP Impeller, Full Rated	K3842
5	39005000	3/4 HP Impeller, Full Rated	K3843
5	39005100	1 HP Impeller, Full Rated	K3844
5	39005200	1-1/2 HP Impeller, Full Rated	K3845
5	39005300	2 HP Impeller, Full Rated	K3846
5	39005400	3 HP Impeller, Full Rated	K3847
6	39009900	Screw, Impeller Lock, Left Hand Threaded	K3795
8	39005500	Diffuser, 1/2 to 1-1/2 HP	K3848
8	39015500	Diffuser, 2 and 3 HP	K3714
9	39006900	Wear Ring <i>(Install Smaller Side Toward Impeller)</i>	K3849
10	39006600	Gasket, Diffuser	K3850
11	39006000	O-Ring, Volute	K3851
12	357141	Volute, 1-1/2"	K3852
12	357140	Volute, 2"	K3853
13	39006200	Clamp Assembly, Volute	K3854
14	39302700	Knob, Clamp	K3816
15	357139	Base	K3855
16	072184	Washer, Flat 3/8"	K3828
17	98219800	Bolt, 5/16-18 x 1"	K3856
18	39501200	Gasket, Pot to Volute	K3857
19	39201810	Pot, 1-1/2" Threaded, w/Wear Ring (before 11-94) <i>(Replaces# 39307300)</i>	K3838
19	357138	Pot, 1-1/2" Threaded w/Wear Ring (after 11-94)	K3716*
19	39202010	Pot, 2" Threaded, w/Wear Ring (before 11-94) <i>(Replaces # 39007100)</i>	K3837
19	357137	Pot, 2" Threaded w/Wear Ring (after 11-94)	K3718
20	98201800	Bolt, 1/4 - 20 x 1-3/4"	K3858
21	39303500	Basket, Strainer	K3835
22	39300300	O-Ring, Lid (before 11-94)	K3811
22	39300600	O-Ring, Lid (after 11-94)	K3905
23	39301700	Lid	K3906
24	39303000	Clamp Assembly Pot (before 11-94)	K3861
24	39105000	Locking Ring, Pot Lid (after 11-94)	K3908
25	98206400	Plug 1/4" w/O-Ring	H3621
26	39007200	Ring Reinforcing, for Ports 2"	K3863*
26	39204600	Ring, Reinforcing, for Ports 1-1/2"	K3836
--	98208300	Screw, HH 1/4-20 x 7/8	K3897
--	51008500	Flat Washer, 1/4"	K3898
--	39302800	Clamp Only	K3899*
--	Go Kit 20	Pump Repair Kit (Gaskets & Seal)	K6009

*Non-Stock Item

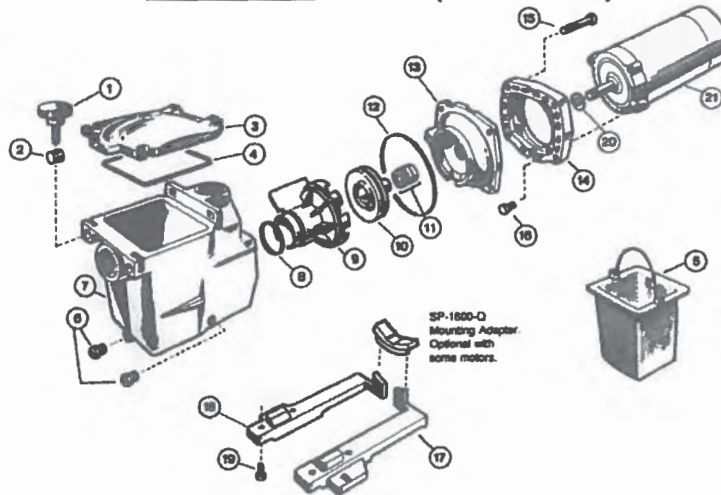
HAYWARD SUPER PUMPS

SP-1600X Series (Max Rated)

KEY	MFG NO.	DESCRIPTION	ITEM NO.
1	SPX1600P	Hand Knob with Swivel Nut	K4306
2	SPX1600N	Swivel Nut	K4302
3	SPX1600D	Strainer Cover, Clear Lexan	K4298
4	SPX1600S	Gasket for Strainer Cover	K4300
5	SPX1600M	Basket for Strainer (B-167)	K7167
6	SPX1600V	Drain Plug 1/4" (1991 & Prior)	K4295
6	SPX1700FG	Drain Plug 1/4" with Gasket	K4284
7	SPX1600AA	Pump Housing / Strainer, 1-1/2" x 1-1/2" with Drain Plugs	K4290
7	SPX1620AA	Pump Housing / Strainer, 2" x 2" with Drain Plugs	K4292
8	SPX1600R	Diffuser Gasket	K4296
9	SPX1600B	Diffuser, 1/2 HP (Medium Head)	K4326
9	SPX1605B	Diffuser, 3/4 HP (Medium Head)	K4328
9	SPX1607B	Diffuser, 1 HP (Medium Head)	K4330
9	SPX1608B	Diffuser, 1 HP (High Head)	K4332
9	SPX1610B	Diffuser, 1-1/2 HP (Medium Head)	K4334
9	SPX1608B	Diffuser, 1-1/2 HP (High Head)	K4332
9	SPX1615B	Diffuser, 2 HP & 2-1/2 HP (Medium Head)	K4338
9	SPX1616B	Diffuser, 2 HP & 2-1/2 HP (High Head)	K4340
10	SPX1621C	Impeller, 2-1/2 HP (High Head)	K4356
11	SPX1600Z2	Seal Assembly	K4392
11	AS-1521	Generic Shaft Seal	K6062
12	SPX1600T	Gasket for Housing	K4294
13	SPX1600E	Seal Plate (Medium Head)	K4358
13	SPX1611E	Seal Plate (High Head)	K4360
14	SPX1600F	Motor Mounting Plate	K4394
15	SPX1600Z4	Housing Cap Screw	K4396
16	SPX0125Z44	Motor Cap Screw (Set of 4)	K4398
17,18	SPX1600GJ	Mounting Feet - Long (Set Left & Right) w/Adapter	K4386
—	SPX1600Q	Mounting Leg Adapter (48 Frame Motors)	K4312
19	SPX1600Z54	Mounting Foot Cap Screw (Set of 4)	K4390
20	SPX0125F	Slinger	K4324
21	SPX1600Z1M	Motor, 1/2 HP - Threaded Shaft (115V)	K5090*
21	SPX1605Z1M	Motor, 3/4 HP - Threaded Shaft (115/230V)	K5091*
21	SPX1607Z1M	Motor, 1 HP - Threaded Shaft (115/230V)	K5092*
21	SPX1610Z1M	Motor, 1-1/2 HP - Threaded Shaft (115/230V)	K5093*
21	SPX1615Z1M	Motor, 2 HP - Threaded Shaft (115/230V)	K5094*
21	SPX1620Z1M	Motor, 2-1/2 HP - Threaded Shaft (230V)	K5095*
—	GO-KIT 3	Aladdin Pump Repair Kit (Gaskets & Seal)	K6003

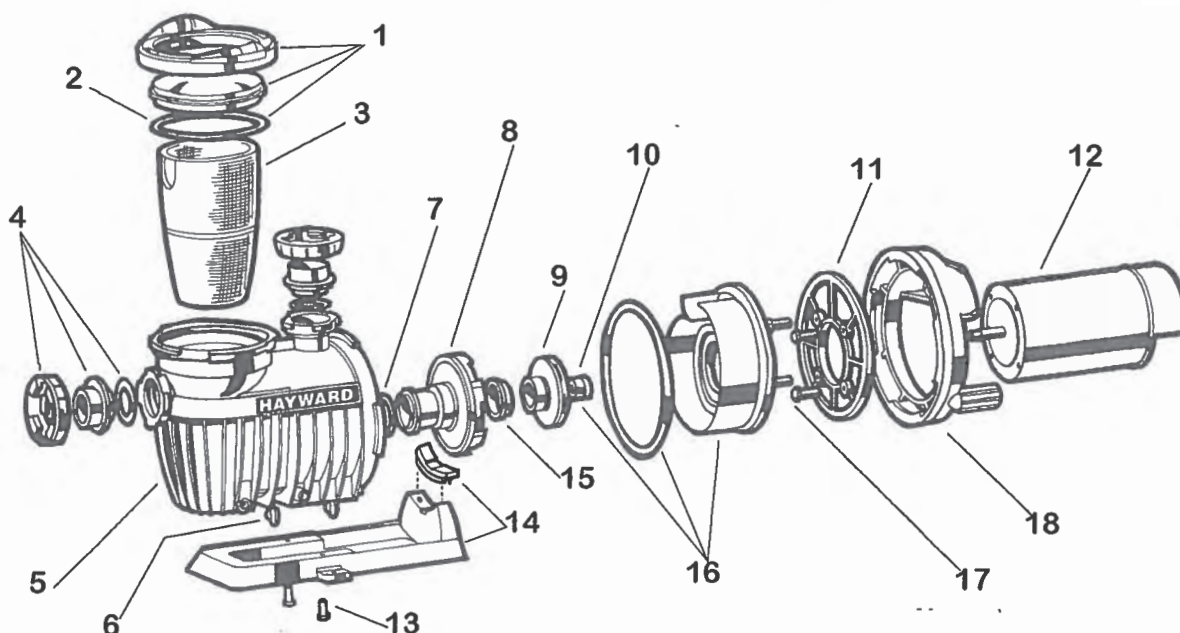
*Non-Stock Item

HAYWARD SUPER PUMP SP-2600X Series (Max Rated)



KEY	MFG NO.	DESCRIPTION	ITEM NO.
1	SPX1600P	Hand Knob with Swivel Nut	K4306
2	SPX1600N	Swivel Nut	K4302
3	SPX1600D	Strainer Cover, Clear Lexan	K4298
4	SPX1600S	Gasket for Strainer Cover	K4300
5	SPX1600M	Basket for Strainer (B-167)	K7167
6	SPX1600V	Drain Plug, 1/4" (1991 & Prior)	K4295
6	SPX1700FG	Drain Plug with Gasket, 1/4"	K4284
7	SPX1600AA	Pump Housing/Strainer, 1-1/2" x 1-1/2" with Drain Plugs	K4290
7	SPX1620AA	Pump Housing/Strainer, 2" x 2" with Drain Plugs	K4292
8	SPX1600R	Gasket, Diffuser	K4296
9	SPX2600B	Diffuser, 1/2 HP thru 2 HP	K4362
9	SPX1616B	Diffuser, 2-1/2 HP	K4340
10	SPX2600C	Impeller, 1/2 HP	K4361
10	SPX2605C	Impeller, 3/4 HP	K4364
10	SPX2607C	Impeller, 1 HP	K4365
10	SPX2610C	Impeller, 1-1/2 HP	K4366
10	SPX2615C	Impeller, 2 HP	K4367
10	SPX1621C	Impeller, 2-1/2 HP	K4356
11	SPX1600Z2	Seal Assembly	K4392
11	AS-1521	Generic Shaft Seal	K6062
12	SPX1600T	Housing Gasket	K4294
13	SPX2600E	Seal Plate, 1/2 HP thru 2 HP	K4363
14	SPX1611E	Seal Plate, 2-1/2 HP	K4360
15	SP1600Z4	Housing Cap Screw	K4396
16	SPX0125Z44	Motor Cap Screw (Set of 4)	K4398
17,18	SPX1600GJ	Mounting Feet - Long (Set Left & Right) w/Adaptor	K4386
—	SPX1600Q	Mounting Leg Adapter	K4312
19	SPX1600Z52	Mounting Foot Cap Screw (Set of 4)	K4390
20	SPX0125F	Slinger	K4324
21	SPX1600Z1M	Motor, 1/2 HP Threaded Shaft (115V)	K5090
21	SPX1605Z1M	Motor, 3/4 HP Threaded Shaft (115/230V)	K5091
21	SPX1607Z1M	Motor, 1 HP Threaded Shaft (115/230V)	K5092
21	SPX1610Z1M	Motor, 1-1/2 HP Threaded Shaft (115/230V)	K5093
21	SPX1615Z1M	Motor, 2 HP Threaded Shaft (115/230V)	K5094
21	SPX1620Z1M	Motor, 2-1/2 HP Threaded Shaft (230V)	K5095

HAYWARD NORTHSTAR PUMP SP4000X Series (Max Rated)



KEY	MFG.NO.	DESCRIPTION	ITEM NO.
1	SPX4000DA	Strainer Cover Kit (Strainer Cover, Lock Ring, O-Ring)	K4479
2	CX400G	Strainer Cover O-ring	K4481
3	SPX4000M	Basket	K4483
4	SPX4000UNPAK1	Union Kit	K4485
4A	SPX4000Z1	O-Ring for Union	K4466
5	SPX4020AA	Pump Housing	K4486
6	SPX4000FG	Drain Plug w/ Gasket	K4487
7	SX360Z1	Diffuser O-ring	K4488
8	SPX4000B	Diffuser	K4489
9	SPX4007C	Impeller for 1 HP (SP4007X10NS)	K4449
9	SPX4010C	Impeller for 1 1/2 HP (SP4010X15NS)	K4450
9	SPX4015C	Impeller for 2 HP (SP4015X20NS)	K4452
9	SPX4020C	Impeller for 2 1/2 HP (SP4020X25NS)	K4453
9	SPX4025C	Impeller for 3 HP (SP4025X30NS)	K4455
10	SPX1600Z2	Seal Assembly	K4392
11	SPX4000F	Motor Mounting Plate	K4456
12	SPX1607Z1MNS	Motor, 1 HP (SP4007X10NS)	K4457
12	SPX1610Z1MNS	Motor, 1 1/2 HP (SP4010X15NS)	K4458
12	SPX1615Z1MNS	Motor, 2 HP (SP4015X20NS)	K4459
12	SPX1620Z1MNS	Motor, 2 1/2 HP (SP4020X25NS)	K4460
12	SPX1625Z1MNS	Motor, 3 HP (SP4025X30NS)	K4461
13	SPX1600Z52	Mounting Foot Cap Screw	K4390
14	SPX4000GA	Mounting Base w/ Adapter	K4463*
15	SPX3021R	Impeller Ring 2 & 3 HP	K4271
16	SPX4000SEALKIT	Seal Plate Kit	K4464*
16A	SPX4000T	O-Ring for Seal Plate	K4467
17	SPX0125Z44	Motor Cap Screw	K4398
18	SPX4000K	Motor Lock Ring	K4465

*Non-Stock Item

Installation and Operational Manual

7.2 Exploded View

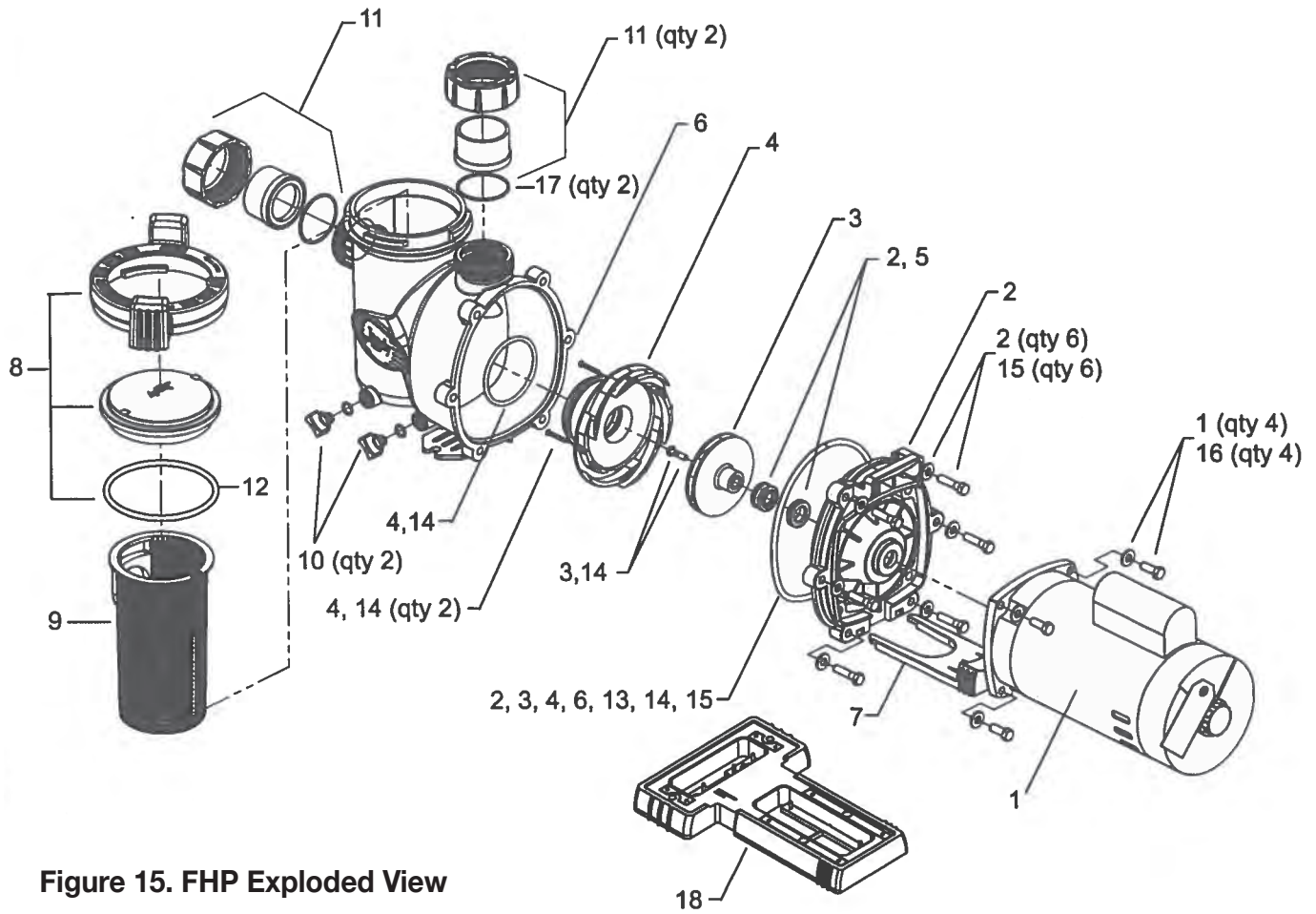


Figure 15. FHP Exploded View

Installation and Operational Manual



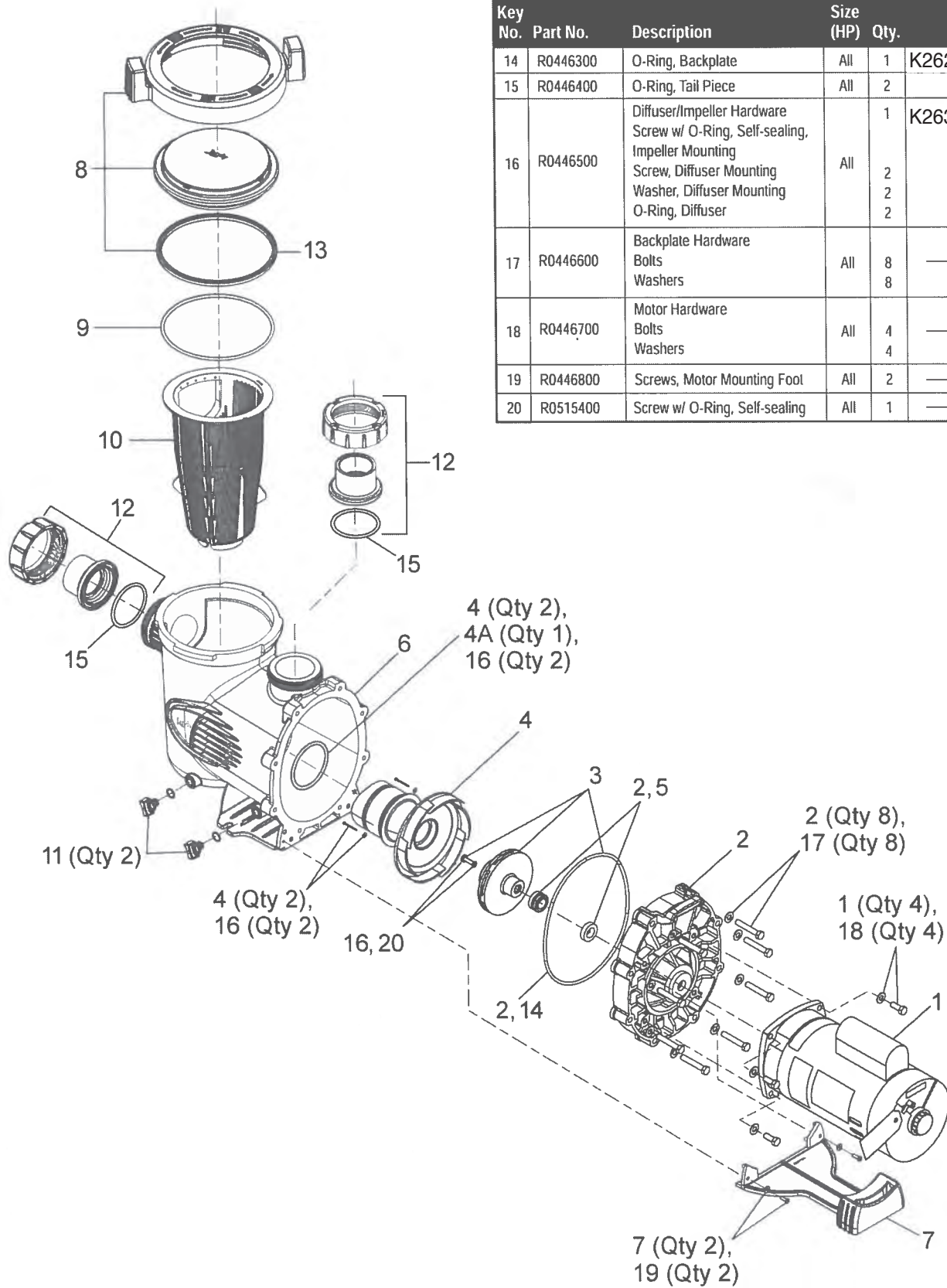
Section 7. Product Specifications and Technical Data

7.1 Replacement Parts List

To order or purchase parts for Jandy pumps, contact your nearest Jandy dealer. If the Jandy dealer cannot supply you with what you need, contact Jandy customer service at 1.800.822.7933, or send an e-mail message to info@jandy.com.

Key No.	Description	Model No. (HP)	Order Part No.
1	Single-speed Motor & Hardware, FHP	0.75	R0479310 SPO
1	Single-speed Motor & Hardware, FHP	1.0	R0479311 SPO
1	Single-speed Motor & Hardware, FHP	1.5	R0479312 SPO
1	Single-speed Motor & Hardware, FHP	2.0	R0479313 SPO
1	Single-speed Motor & Hardware, FHP	2.5	R0479314 SPO
1	2-Speed Motor & Hardware, FHP	1.0	R0479306 SPO
1	2-Speed Motor & Hardware, FHP	2.0	R0479307 SPO
1	2-Speed Motor & Hardware, FHP	2.5	R0479308 SPO
2	Backplate, FHP (Backplate w/Hardware, Backplate O-ring & Mechanical Seal)	All	R0479500 K2634
3	Impeller, FHP (Impeller, Screw w/O-ring & Backplate O-ring)	0.75	R0479601 K2635
3	Impeller, FHP (Impeller, Screw w/O-ring & Backplate O-ring)	1.0, 1.0-2	R0479602 K2636
3	Impeller, FHP (Impeller, Screw w/O-ring & Backplate O-ring)	1.5, 1.5-2	R0479603 K2637
3	Impeller, FHP (Impeller, Screw w/O-ring & Backplate O-ring)	2.0, 2.0-2	R0479604 K2638
3	Impeller, FHP (Impeller, Screw w/O-ring & Backplate O-ring)	2.5	R0479605 K2639
4	Diffuser, FHP (Diffuser w/O-ring, Hardware & Backplate O-ring)	0.75, 1.0, 1.0-2	R0479702 K2640
4	Diffuser, FHP (Diffuser w/O-ring, Hardware & Backplate O-ring)	1.5, 1.5-2, 2.0, 2.0-2, 2.5	R0479701 K2641
5	Mechanical Seal, Carbon and Ceramic (1 Set)	All	R0479400 K2632
6	Pump Body, FHP (Body and Backplate O-ring)	All	R0479800 K2642
7	Motor Mounting Foot, FHP	All	R0479900 K2643
8	Lid w/Locking Ring, FHP (Lid w/Locking Ring & Lid O-ring)	All	R0480000 K2644
9	Pump Debris Filter Basket, FHP	All	R0480100 K2645
10	Drain Plug w/ O-ring (Set of 2)	All	R0446000 K2614
11	Tail Piece, O-ring & Union Nut (Set of 2)	All	R0327301 H2311
12	Lid O-ring, FHP	All	R0480200 K2646
13	Backplate O-ring, FHP	All	R0480300 K2647
14	Diffuser/Impeller Hardware (Diffuser O-ring, Screws (2), Screw w/O-ring & Backplate O-ring)	All	R0480400
15	Backplate Hardware, FHP (Backplate Hardware & Backplate O-ring)	All	R0480500 SPO
16	Motor Hardware Kit	All	R0446700 SPO
17	Tailpiece O-ring (Set of 2)	All	R0337600 H2309
18	Pump Base Kit	All	R0486700 SPO

Stealth™ Series Pump (Mfg. 2008–Present)
 SHPF/SHPM



Key No.	Part No.	Description	Size (HP)	Qty.	
14	R0446300	O-Ring, Backplate	All	1	K2628
15	R0446400	O-Ring, Tail Piece	All	2	
16	R0446500	Diffuser/Impeller Hardware Screw w/ O-Ring, Self-sealing, Impeller Mounting Screw, Diffuser Mounting Washer, Diffuser Mounting O-Ring, Diffuser	All	1 2 2 2	K2630
17	R0446600	Backplate Hardware Bolts Washers	All	8 8	—
18	R0446700	Motor Hardware Bolts Washers	All	4 4	—
19	R0446800	Screws, Motor Mounting Foot	All	2	—
20	R0515400	Screw w/ O-Ring, Self-sealing	All	1	—

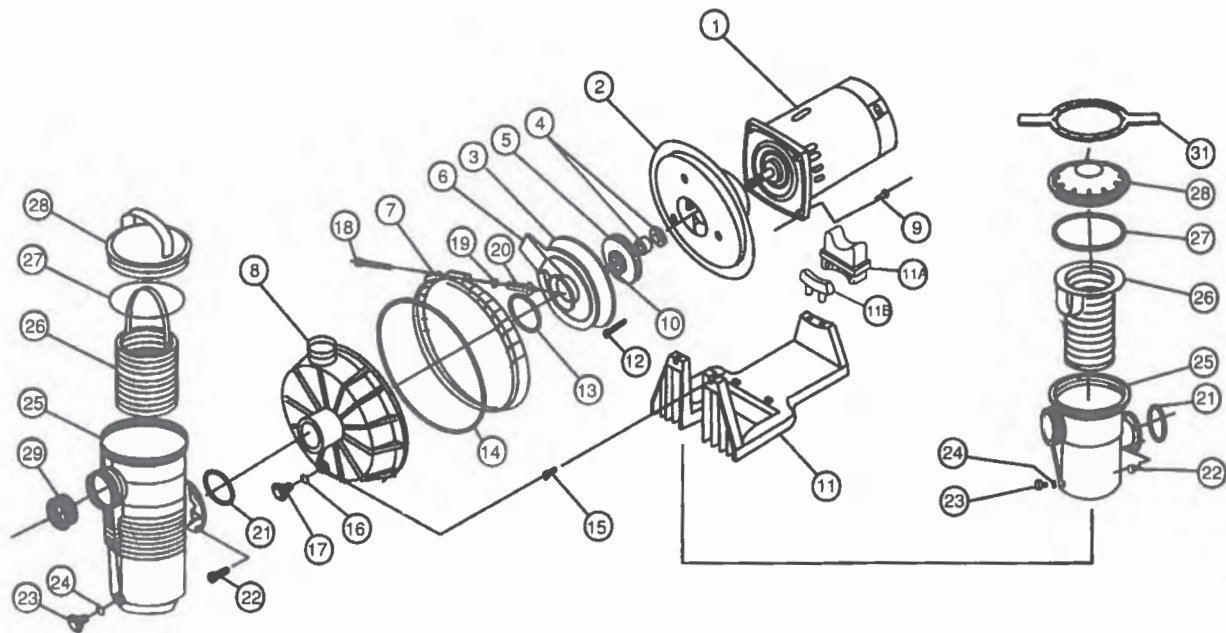
Stealth™ (SHPF/SHPM) Series Pump SHPF/SHPM

Key No.	Part No.	Description	Size (HP)	Qty.	
1	R0445114	Motor, single-speed SHPF	.5	1	
1	R0445101	Motor, single-speed SHPF	.75	1	
1	R0445102	Motor, single-speed SHPF	1.0	1	
1	R0445103	Motor, single-speed SHPF	1.5	1	
1	R0445104	Motor, single-speed SHPF	2.0	1	
1	R0445105	Motor, single-speed SHPF	3.0	1	
1	R0490200	Motor, single-speed SHPF	5.0	1	
1	R0479301	Motor, single speed SHPM	.75	1	
1	R0479302	Motor, single-speed SHPM	1.0	1	
1	R0479303	Motor, single-speed SHPM	1.5	1	
1	R0479304	Motor, single-speed SHPM	2.0	1	
1	R0479305	Motor, single-speed SHPM	2.5	1	
1	R0479307	Motor, 2-speed SHPM	1.5	1	
1	R0479308	Motor, 2-speed SHPM	2.0	1	
1	R0479309	Motor, 2-speed SHPM	2.5	1	
1	R0479101	Motor, single-speed, SHPF, 3 Phase	1.0	1	
1	R0479102	Motor, single-speed, SHPF, 3 Phase	1.5	1	
1	R0479103	Motor, single-speed, SHPF, 3 Phase	2.0	1	
1	R0479104	Motor, single-speed, SHPF, 3 Phase	3.0	1	
1	R0445113	Motor, 2-speed, SHPF	1.0	1	
1	R0445106	Motor, 2-speed, SHPF	1.5	1	
1	R0445107	Motor, 2-speed, SHPF	2.0	1	
2	R0445200	Backplate, SHPF/SHPM Mechanical Seal, Carbon Mechanical Seal, Ceramic O-Ring Bolts Washers	5 - 3.0	1 1 1 8 8	K2616
2	R0445201	Backplate, SHPF/SHPM Mechanical Seal, Carbon Mechanical Seal, Ceramic O-Ring Bolts Washers	5.0	1 1 1 8 8	
3	R0807204	Impeller w/Screw, Backplate O-Ring, SHPF	.50	1	K2650
3	R0807203	Impeller w/Screw, Backplate O-Ring, SHPF	.75	1	K2651
3	R0807202	Impeller w/Screw, Backplate O-Ring, SHPF	1.0	1	K2652
3	R0807201	Impeller w/Screw, Backplate O-Ring, SHPF	1.5	1	K2653
3	R0807200	Impeller w/Screw, Backplate O-Ring, SHPF	2.0	1	K2654
3	R0807205	Impeller w/Screw, Backplate O-Ring, SHPF	3.0	1	K2655
3	R0807207	Impeller w/Screw, Backplate O-Ring, SHPF	5.0	1	

Key No.	Part No.	Description	Size (HP)	Qty.	
3	R0807204	Impeller w/Screw, Backplate O-Ring, SHPM	.75	1	K2650
3	R0807203	Impeller w/Screw, Backplate O-Ring, SHPM	1.0	1	K2651
3	R0807202	Impeller w/Screw, Backplate O-Ring, SHPM	1.5	1	K2652
3	R0807201	Impeller w/Screw, Backplate O-Ring, SHPM	2.0	1	K2653
3	R0807200	Impeller w/Screw, Backplate O-Ring, SHPM	2.5	1	K2654
3	R0807202	Impeller w/Screw, Backplate O-Ring, 2-speed, SHPF	1.0	1	K2652
3	R0807201	Impeller w/Screw, Backplate O-Ring, 2-speed, SHPF	1.5	1	K2653
3	R0807200	Impeller w/Screw, Backplate O-Ring, 2-speed, SHPF	2.0	1	K2654
3	R0807202	Impeller w/Screw, Backplate O-Ring, 2-speed, SHPM	1.5	1	K2652
3	R0807201	Impeller w/Screw, Backplate O-Ring, 2-speed, SHPM	2.0	1	K2653
3	R0807200	Impeller w/Screw, Backplate O-Ring, 2-speed, SHPM	2.5	1	K2654
4	R0445400	Diffuser Screw Washer O-Ring	5 - 3.0	1 2 2 2	K2622
4	R0445401	Diffuser Screw Washer O-Ring	5.0	1 2 2 2	
4A	R0622000	Diffuser O-Ring	All	1	
5	R0479400	Mechanical Shaft Seal, New Style, Carbon and Ceramic (Serial # P08FF0001 and later)	All	1 1	K2632
5	R0445500	Mechanical Shaft Seal, Old Style, Carbon and Ceramic	All	1 1	K2615
6	R0445601	Body, Pump, SHPF/SHPM	All	1	K2623
7	R0445700	Motor Mounting Foot Assembly, SHPF/SHPM Screws	All	1 2	
8	R0445800	Locking Ring Lid Seal	All	1 1 1	K2624
9	R0479000	Blue Pressure Test O-Ring	All	1	
10	R0445900	Filter Basket	All	1	K2625
11	R0446000	Plug, Drain O-Ring	All	2 2	K2614
12	R0446101	Tail Piece (2" x 2 1/2") Union Nut O-Ring	.50 .75 2.5	2 2 2	K2610
12	R0446102	Tail Piece (2 1/2" x 3") Union Nut O-Ring	3.0 5.0	2 2 2	K2626
13	R0446200	Seal, Lid, and O-Ring, (Lid O-Ring not Shown)	All	1	K2627

PENTAIR (PAC-FAB) CHALLENGER PUMPS

High Flow Models



KEY	MFG NO.	DESCRIPTION	ITEM NO.
20	174882	Knob (Fits Clamp with Removable Bolt Only)	H5138
20	175025	Knob (Fits Clamp with Captured T-Bolt Only)	K4555
21	355330	O-Ring, Strainer Pot Flange	K4631
22	354265	Screw, 5/16"-18 S.S. Hex Washer Head (4 needed)	K4543
23	154699	Drain Plug, 1/4"	H4312
24	192115	O-Ring for Drain Plug	H3274
25	355300	Strainer Pot	K4619
25	355900	Strainer Pot, 5 HP (3" Suction for all large strainer pot models)	K4682
26	355318	Basket, Plastic Strainer	K4628
26	355901	Basket, Stainless Steel (5 HP)	K4681
27	350013	Lid O-Ring (Old # 35-5332)	K4633
27	152509	Square Ring - 8-1/2"	H4291
28	355301	Lid, Strainer Pot	K4620
28	354112	Lid, Strainer Pot BQ	K4556
28	355902	Lid, Strainer Pot, 5 HP Full-Rate	K4680
31	154527	Wrench, 8-1/2"	H4337
—	Go Kit 5	Pump Repair Kit (Gaskets & Seal)	K6021

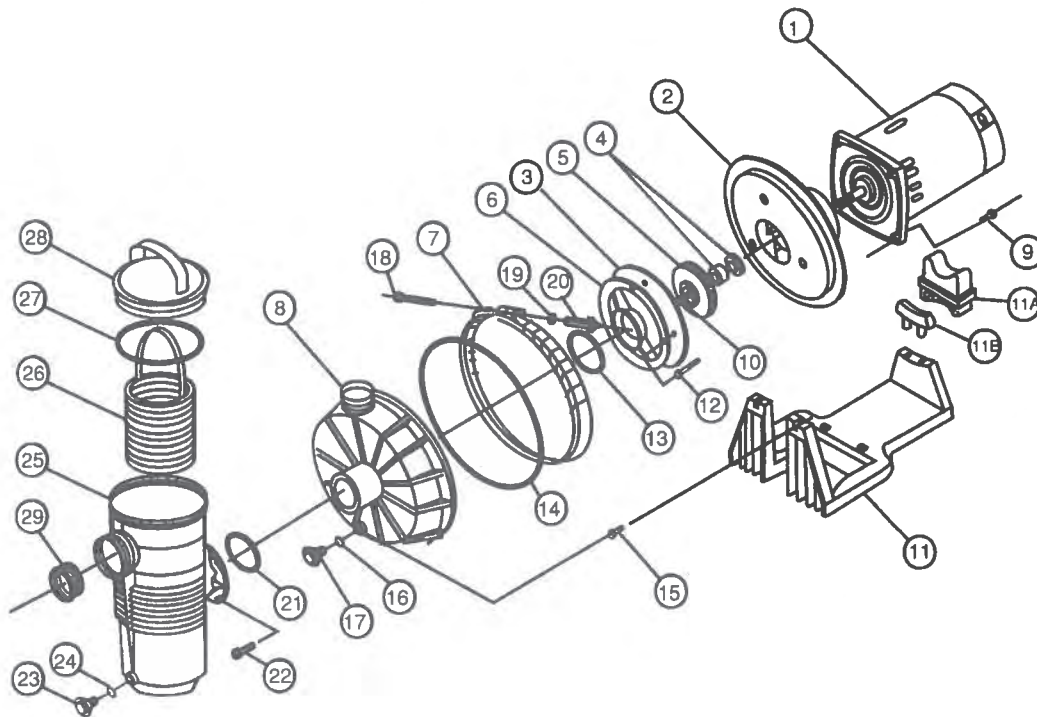
PENTAIR (PAC-FAB) CHALLENGER PUMPS

High Flow Models

KEY	MFG NO.	DESCRIPTION	ITEM NO.
1	-----	Motor, Square Flange (See Motor Replacement Pages 217-219)	-----
1	355705	5 HP Motor, Square Flange (1-Phase)	K4689
1	355704	5 HP Motor, Square Flange (3-Phase) 230/460V	K4687
2	355303	Seal Plate	K4622
2	355497	Seal Plate, 5 HP Full-Rate	K4685
3	355028	Mounting Plate, 1/2 HP, 3/4 HP Full-Rate & 3/4 HP, 1 HP Up-Rate	K4558
3	355078	Mounting Plate, 1 HP, 1-1/2 HP Full-Rate & 1-1/2 HP, 2 HP Up-Rate	K4559
3	355095	Mounting Plate, 2 HP Full-Rate & 2-1/2 HP Up-Rate	K4560
3	355495	Mounting Plate, 5 HP Full-Rate	K4686
4	354545	Shaft Seal, 5/8" Mechanical	K6030
5	355043	Impeller, 1/2 HP Full-Rate & 3/4 HP Up-Rate	K4650
5	355067	Impeller, 3/4 HP Full-Rate & 1 HP Up-Rate	K4651
5	355074	Impeller, 1 HP Full-Rate & 1-1/2 HP Up-Rate	K4652
5	355086	Impeller, 1-1/2 HP Full-Rate & 2 HP Up-Rate	K4653
5	355093	Impeller, 2 HP Full-Rate & 2-1/2 HP Up-Rate	K4561
5	355068	Impeller, 3 HP & 5 HP Full-Rate	K4683
6	355029	Diffuser, 1/2 HP, 3/4 HP Full-Rate & 3/4 HP, 1 HP Up-Rate	K4654
6	355077	Diffuser, 1 HP, 1-1/2 HP Full-Rate & 1 HP thru 2 HP Up-Rate	K4655
6	355094	Diffuser, 2 HP Full-Rate & 2-1/2 HP Up-Rate	K4562
6	355069	Diffuser, 3 HP & 5 HP Full-Rate	K4684
7	355320	Band Clamp Assembly - Complete	K4644
8	355302	Front Housing	K4621
9	354290	Hex Head Screw, 3/8" - 16 (4 needed)	K4548
10	355389	Impeller Locking Screw	K4638
11	355305	Pump Base, Includes Item #11A	K4623
11A	355492	Adaptor - Dual Radius Motor Support	K4553*
11B	355385	Adaptor - 5-5/8" Diameter Motor (for Older Style Bases w/2 hole mounting)	K4539*
12	355334	Screw, 8-32 Hex Washer Head (3 needed)	K4634
13	355030	O-Ring, Diffuser	K4545
14	355329	O-Ring, Front Housing	K4630
15	355335	Screw, 5/16" - 18 x 1/2" S.S. Hex Washer Head (2 needed)	K4635
16	192115	Drain Plug O-Ring	H3274
17	154699	Drain Plug, 1/2"	H4312
18	152060	Carriage Bolt, 5/16"-18 x 4" (Replacement Part for Old Style Clamp)	H4207
19	639822	Washer, 5/16" S.S.	L1553

PENTAIR (PAC-FAB) CHALLENGER PUMPS

High Head Models



KEY	MFG NO.	DESCRIPTION	ITEM NO.
15	355335	Screw, 5/16" - 18 x 1/2" S.S.Hex Washer Head (2 needed)	K4635
16	192115	O-Ring for Drain Plug	H3274
17	154699	Drain Plug w/ O-Ring, 1/4"	H4312
18	152060	Carriage Bolt, 5/16"-18 - 4" (Repl Part for O.S. Clamp Assy)	H4207
19	639822	Flat Washer, 5/16" S.S.	L1553
20	174882	Knob (Fits Clamp with Removable Bolt Only)	H5138
20	175025	Knob (Fits Clamp with Captured T-Bolt Only)	K4555
21	355330	O-Ring, Strainer Pot Flange	K4631
22	354265	Screw, 5/16"-18 x 3/4" S.S. Hex Washer Head (4 needed)	K4543
23	154699	Drain Plug w/ O-Ring, 1/4"	H4312
24	192115	O-Ring for Drain Plug	H3274
25	355300	Strainer Pot	K4619
26	355318	Plastic Strainer Basket (All Except 3 HP Full-Rate)	K4628
26	355441	S.S. Strainer Basket (3 HP Full-Rate Only)	K4642
27	350013	Lid O-Ring (Old # 35-5332)	K4633
28	355301	Lid, Strainer Pot	K4620
28	354112	Lid, Strainer Pot BQ	K4556
28	352000	Wedgit QuikLid (Quick & Easy Replacement Lid - Also Fits Sta-Rite Pumps)	K4557*
-	Go Kit 5	Pump Repair Kit (Gasket & Seal)	K6021

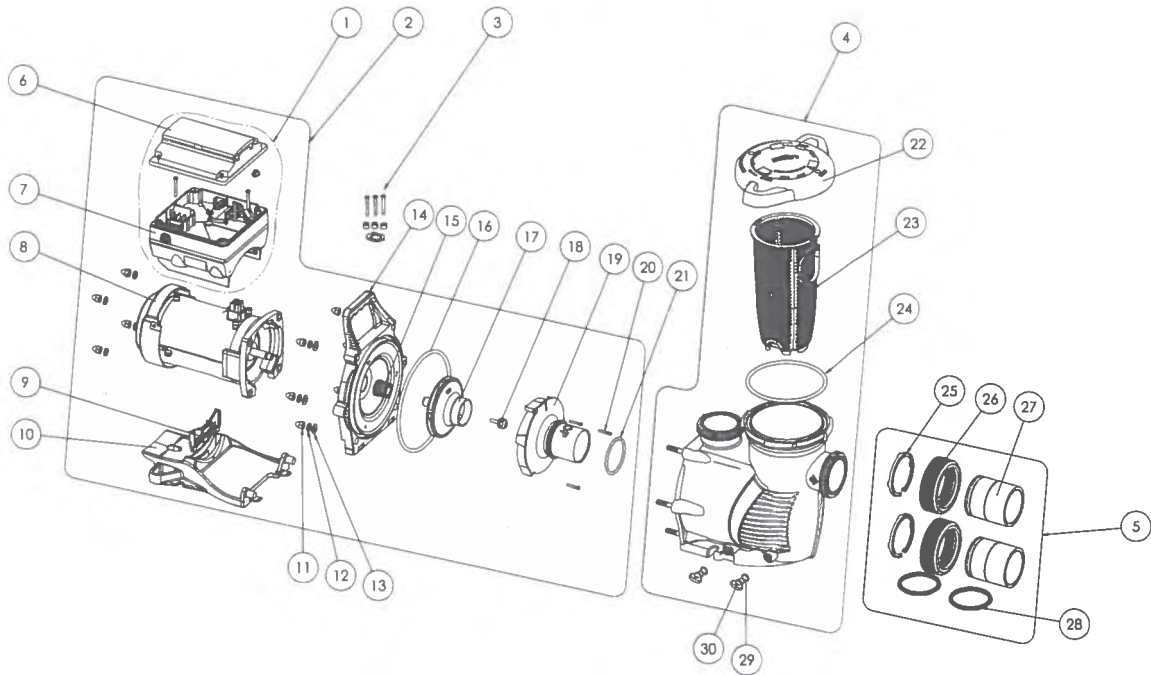
*Non-Stock Item

PENTAIR (PAC-FAB) CHALLENGER PUMPS
High Head Models

KEY	MFG NO.	DESCRIPTION	ITEM NO.
1	-----	Motor, Square Flange (See Motor Pages 217-219)	-----
2	355303	Seal Plate	K4622
3	355384	Mounting Plate, 1/2 HP Full-Rate & 3/4 HP Up-Rate	K4637
3	355317	Mounting Plate, 3/4 HP - 3 HP Full & 1 HP - 2-1/2 HP U-R	K4627
4	354545	Mechanical Shaft Seal 5/8" (#200)	K6030
5	355147	Impeller, 1/2 HP Full-Rate & 3/4 HP Up-Rate	K4614
5	355187	Impeller, 3/4 HP Full-Rate & 1 HP Up-Rate	K4616
5	355369	Impeller, 1 HP Full-Rate & 1-1/2 HP Up-Rate	K4636
5	355315	Impeller, 1-1/2 HP Full-Rate & 2 HP Up-Rate	K4625
5	355604	Impeller, 2 HP Full-Rate & 2-1/2 HP Up-Rate (After 10/1/92)	K4645
5	355431	Impeller (Obsolete) <i>Used on 2 HP Full-Rate & 2-1/2 HP Up-Rate Pumps</i> <i>Built Prior to 10/1/92 - Must Replace with 35-5545 Diffuser & 35-5604 Impeller</i>	N/A
5	355544	Impeller, 3 HP Full-Rate	K4640
6	355148	Diffuser, 1/2 HP Full-Rate & 3/4 HP Up-Rate	K4615
6	355188	Diffuser, 3/4 HP - 1 HP Full-Rate & 1 HP - 1-1/2 HP Up-Rate	K4617
6	355270	Diffuser, 1-1/2 HP Full-Rate & 2 HP Up-Rate	K4618
6	355316	Diffuser (Obsolete) <i>Used on 2 HP Full-Rate & 2-1/2 HP Up-Rate Pumps</i> <i>Built Prior to 10/1/92 - Must Replace with 35-5545 Diffuser & 35-5604 Impeller</i>	N/A
6	355545	Diffuser, 2 HP - 3 HP Full-Rate & 2-1/2 HP Up-Rate	K4641
7	355320	Band Clamp Assembly - Complete	K4644
8	355302	Front Housing	K4621
9	354290	Screw, 3/8" - 16 S.S. Hex Head	K4548
10	355389	Impeller Locking Screw	K4638
11	355305	Pump Base (See Note 4)	K4623
11A	355492	Adapter - Dual Radius Motor Support	K4553*
11B	355385	Adapter - 5-5/8" Diameter Motor	K4554*
12	355334	Screw, 8-32 x 1" S.S. Hex Washer Head (3 needed)	K4634
13	355331	O-Ring for Diffuser	K4632
14	355329	Front Housing O-Ring	K4630

*Non-Stock Item

REPLACEMENT PARTS



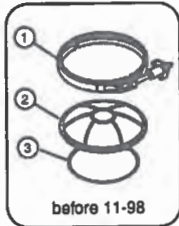
Item	Part No.	Description	
INTELLIFLO PUMP			
* 1	357521Z	Drive Kit (VSF model)	
* 1	356879Z	Drive Kit (VS model)	
* 2	400655Z	Power End Kit (VS model)	
* 3	355885	Drive Hardware Kit	
4	400000	Wet End Assembly	K4750
5	410020	Union Kit w/o Tap	K4751
* 6	357527Z	Keypad Assembly Kit	
* 7	356896Z	Drive (VSF model)	
* 7	356878Z	Drive (VS model)	
* 8	350305S	Motor	
9	070929	Motor Support Insert	K9391
10	400004Z	Motor Base	K4767
11	071413	Acorn Nut (Qty. 10)	K4766
12	U43-12SS	Lock Washer (Qty. 10)	K4765
13	072184	Flat Washer (Qty. 6)	K3828
14	400002	Seal Plate	K4764
15	17351-0101S	Mechanical Seal	K3519
16	351446	Seal Plate O-Ring	K4768
			K4761 2HP
17	400015	Impeller	K4762 3HP
			K4763 5HP
18	37337-6060	Impeller Screw Set	K3489
19	400010	Diffuser	K4759 3HP
			K4760 5HP
20	353323	Diffuser Screw	K4758

Item	Part No.	Description	
21	350336	Diffuser O-Ring	K4757
22	400006	Lid/Locking Ring Assembly	K4752
23	400007Z	Strainer Basket	K4753
24	36505-1440	Lid/Locking Ring O-Ring	K3575
25	410001	2.5" C-Clip Locking Ring (Qty. 2)	K4754
26	411000	2.5" Union Nut (Qty. 2)	K4756
27	410002	2.5" Union Adapter w/o Tap (Qty. 2)	K4755
28	410016Z	2.5: Diamond Seal Kit (Qty. 2)	K4749
29	192115	Drain Plug O-Ring (Qty. 2)	H3274
30	071131	Drain Plug (Qty. 2)	K9396

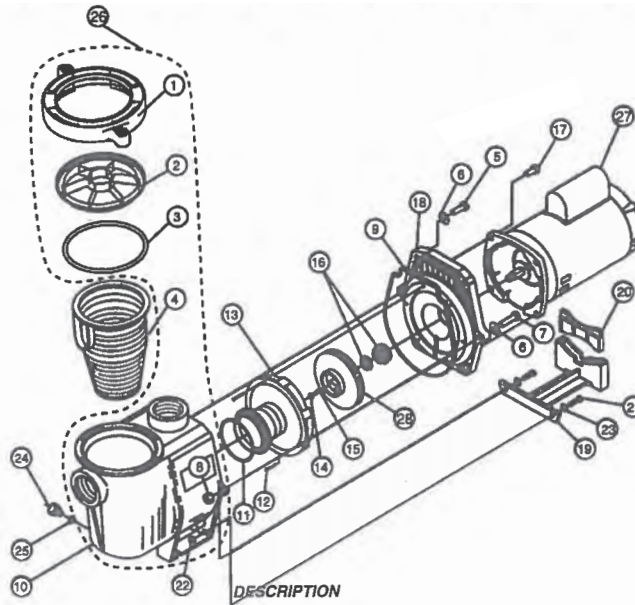
NOT SHOWN			
*	356904Z	Keypad Relocation Kit	78.19 93.95
*	400031Z	Seal Plate w/Mech Seal	211.82 254.52
*	350122	50 FL Communication Cable	178.19 214.11
*	352401	Motor Fan Kit	182.84 219.70

* Special Order

PENTAIR / PUREX WHISPERFLO PUMPS



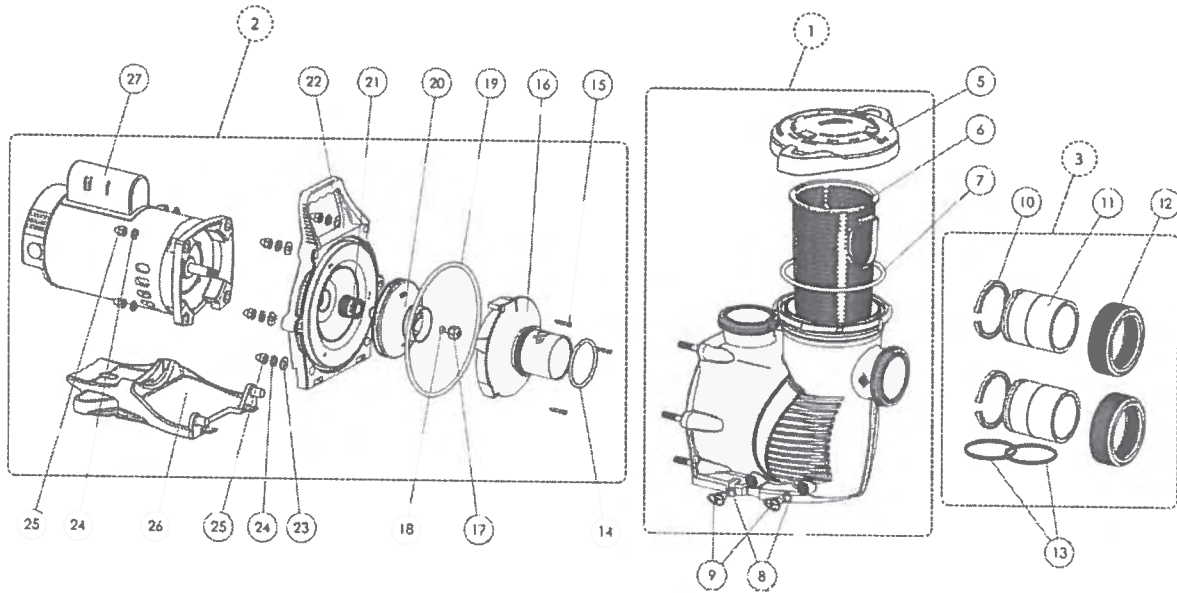
**WFE Series
High Performance
Pump**



KEY	MFG NO.	DESCRIPTION	ITEM NO.
1	070711	Clamp Band Assembly WF/AQ Pump - Old Style	(before 11-98) K9302
1	357150	Clamp Band Assembly WF/AQ	(after 11-98) K9300
2	070795	Lexan Cover WFE/AQ Pump - Old Style	(before 11-98) K9304
2	357151	Lexan Cover AQ/WFE Pump	(after 11-98) K9395
3	071422	O-Ring for Cover WFE/AQ - Old Style	(before 11-98) K9306
3	350013	O-Ring AQ/WFE Cover	(after 11-98) K9422
4	070387	Basket - Plastic	K9308
5	070430	Bolt, 3/8" - 16 x 1-1/4" Hex HDSS	(4 needed) K9362
6	072184	Washer, 3/8" S.S. x 13/16" O.D.	(6 needed) K3828
7	070431	Bolt, 3/8" - 16 x 1-3/4" Hex HDSS	(2 needed) K9364*
8	071403	Nut, 3/8" - 16 Hex Head	(2 needed) K9365*
9	071445	O-Ring, Seal Plate	(Before 11-98 Requires Volute Kit #357149) K9366
9	075247	Gasket Seal Plate WFE Pump	(after 6-94) K9504*
9	357102	Gasket Seal Plate WFE Pump	(after 11-98) K9432
10	350015	Volute WFE Pump & Pot	(Replaces 074565) (after 11-98) K9371
11	071444	O-Ring, Diffuser Assembly	K9373
12	071660	Set Screw #4-40 x 1-1/8" WF	(2 needed) K9375
13	072928	Diffuser Assembly WFE-12	(3 HP Only) K9376
13	072927	Diffuser Assembly WFE-3 thru WFE-8	(3/4 HP thru 2-1/2 HP) K9377
14	071652	Set Screw 1/4" 20 x 1" LH Pan	K9378*
15	075713	WFE Pump Rubber Washer	K9580
16	071734	Shaft Seal with Ceramic Seat	K9386
17	070429	Bolt, 3/8" - 16 x 7/8" Hex Head	(4 needed) K9387*
18	074564	Seal Plate WFE Pump	(after 1994) K9299
19	070927	Foot, WFE Pump	K9390
20	070929	Foot Insert for WFE Pump	K9391
21	071657	Screw, 1/4 - 20 x 1"	(2 needed) K9393*
22	071406	Nut, 1/4" - 20 Hex Head S.S.	(2 needed) K9394*
23	072183	Flat Washer, 1/4" x 5/8"	(2 needed) K9529
24	071131	Drain Plug Knob	(2 needed) K9396
25	074629	Gasket, Flat Washer	(2 needed) K9607
26	357149	Volute Replacement Kit	(after 11-98) K9371
27	---	Motor, Square Flange (See Motor Replacement Pages 217-219)	----
28	073126	Impeller, 1/2 HP (WFE-2)	K9402
28	073127	Impeller, 3/4 HP (WFE-3), (WF-3 & WF-24)	K9404
28	073128	Impeller, 1 HP (WFE-4), (WF-4 & WF-26)	K9405
28	073129	Impeller, 1-1/2 HP (WFE-6), (WF-6, WF-28, WFDS-6 & WFDS-28)	K9407
28	073130	Impeller, 2 HP (WFE-8), (WF-8, WF-30, WFDS-8 & WFDS-30)	K9409
28	073131	Impeller, 3 HP (WFE-12)	K9410
---	Go Kit 32	Pump Repair Kit (Gaskets & Seal)	K6059

*Non-Stock Item

REPLACEMENT PARTS



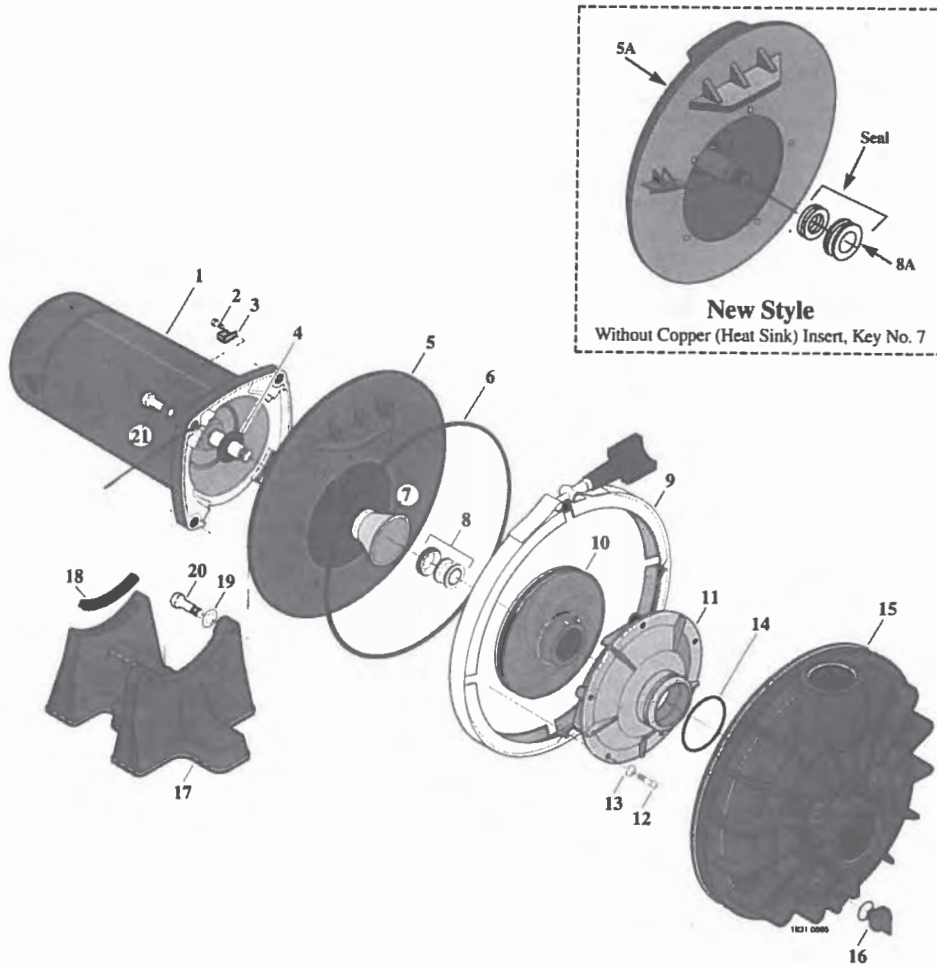
Item	Part No.	Description	
WHISPERFLO XF PUMP			
* 1	400000	Wet End Assembly	K4750
* 2		Power End Assembly	
4	410020	Union Kit Without Tap	K4751
* 5	400006	Lid/Locking Ring Assembly	K4752
6	400007Z	XF Series Replacement Basket	K4753
7	35505-1440	Lid/Locking Ring O-Ring	K3575
8	192115	Drain Plug O-Ring	H3274
9	071131	Drain Plug	K9396
10	410001	2.5 in. C-Clip Locking Ring	K4754
11	410002	2.5 in. Union Adapter without Tap	K4755
12	411000	2.5 in Union Nut	K4756
13	410016Z	2.5 in. Seal Kit - (includes two)	K4749
14	350336	Diffuser O-Ring	K4757
15	353323	Diffuser Screw	K4758
16		Diffuser 3HP	K4759
		5HP	K4760
17	37337-6060	Impeller Reverse Screw	K3489
18	33455-1047	Impeller Reverse Screw O-Ring	K4769

Item	Part No.	Description	
19	351446	Seal Plate O-Ring	K4768M
		2HP	K4761
20		Impeller Assembly	3HP K4762
		5HP	K4763
21	17351-0101S	Mechanical Seal Assembly	K3519
22	400002	Seal Plate	K4764
23	072184	Flat Washer	K3828
24	U43-1235	Split Lock Washer	K4765
25	071413	Acorn Nut	K4766
26	400004Z	Motor Base	K4767

NOT SHOWN			
*	400030Z	Hardware and O-Rings Kit	
*	400031Z	Seal Plate Kit w/Mechanical Seal	
	400012	Riser Plate XF to Challenger	K3035
*	400013Z	Motor End Cap and Screw	
*	357923Z	Fan Guard Kit TEFC/Super-Duty	

* Special Order

PENTAIR / STA-RITE DURA-GLAS & MAX-E-GLAS PUMPS
“P2R”, “P2RA”, “PE” & “PEA”



KEY	MFG NO.	DESCRIPTION	ITEM NO.
1	-----	Motor, Square Flanged (See Motor Pages 217-219)	----
2	U30-692SS	Screw, 10 - 32 x 1/2"	
3	U17-568	Bonding Lug	K3300*
4	C69-2	Water Slinger	K3500
5	C203-137P1	Seal Plate w/Copper Insert (Replaced by #C203-193P Kit)	N/A
5	C203-193P	Seal Plate w/o Copper Insert (1998 - Present)	K3402
6	U9-228A	O-Ring	K3404
7	J3-2	Copper Insert (if required)	K3406
8	U109-93SS	Shaft Seal for Seal Plate w/ Copper Insert (#100)	K6024
8A	17304-0100S	Shaft Seal for Seal Plate w/out Copper Insert	K3415
9	C19-37A	Clamp	K3485
—	WC36-22	Clamp Knob	H5308
10	C105-92PR	Impeller, 1/2 HP, Up-Rated (P2RA5C)	K3408
10	C105-92PS	Impeller, 1/2 HP, Full Rated (PE5C, PE6C, PE52C, P2R5C)	K3410
10	C105-92PS	Impeller, 3/4 HP, Up-Rated (PEA5D, PEA6D, P2RA5D)	K3410
10	C105-138PEB	Impeller, 3/4 HP, Full Rated (PE5D, PE6D, PE52D, P2R5YD)	K3412

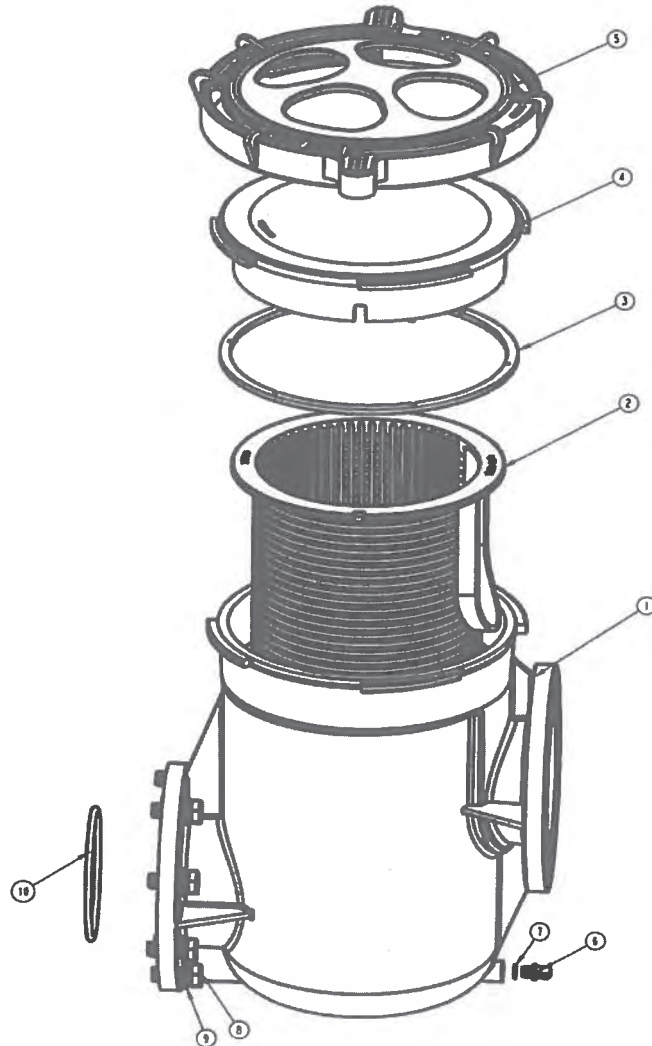
*Non-Stock Item

STA-RITE DURA-GLAS & MAX-E-GLAS PUMPS
"P2R", "P2RA", "PE" & "PEA"

KEY	MFG NO.	DESCRIPTION	ITEM NO.
10	C105-138PEB	Impeller, 1 HP, Up-Rated (P2RA5YE, PEA5E, PEA6E, P2RA5E)	K3412
10	C105-137PEB	Impeller, 1 HP, Full Rated (PE5E, PE6E, PE52E, P2R5YE, P2R5E)	K3414
10	C105-137PEB	Impeller, 1-1/2 HP, Up-Rated (PEA5F, PEA6F, P2RA5F, P2RA6F)	K3414
10	C105-137PDBA	Impeller, 1-1/2 HP, Full Rated (PE5F, PE6F, PE52F, P2R5F, P2R5YF, PWR52F3, P2R5F3)	K3453
10	C105-137PEBA	Impeller, 1-1/2 - 1/4 2-Speed Full Rated (P2R52E3, P2R5E3)	K3451
10	C105-137PEBA	Impeller, 1-1/2 - 1/4 2-Speed Up-Rated (PEA52F, P2RA5YF)	K3451
10	C105-137PDBA	Impeller, 2 HP, Up-Rated (PEA5G, PEA6G, PEA52G, P2RA5G, P2RA6G, P2RA5YG, P2RA6YG)	K3453
10	C105-137PDA	Impeller, 2 HP, Full Rated (PE5G, PE6G, PE52G, P2R52G3)	K3416
10	C105-137PDA	Impeller, 2-1/2 HP Up-Rated (PEAA5G, PEAA6G)	K3416
10	C105-137PKBA	Impeller, 3 HP (PE6H, PE62H, PE6H3)	K3417
—	C30-12	Impeller Screw (for all pumps using 3-phase motor)	K3314
11	C1-217P	Diffuser, 1/2 HP - Up-rated	K3418
11	C1-216P	Diffuser, 1/2 HP - Full	K3420
11	C1-216P	Diffuser, 3/4 HP - Up-rated	K3420
11	C1-200PA	Diffuser, 3/4 - 2-1/2 HP - Full	K3422
11	C1-200PA	Diffuser, 1 - 2-1/2 HP - Up-rated	K3422
11	C1-259P	Diffuser, 3 HP - Full	K3555*
12	U30-542SS	Screw, 8 - 32 x 7/8"	K3444
13	U43-21SS	Washer, # 8 Lock	K3446
14	U9-226	Diffuser O-Ring	K3426
15	C176-47P1	Tank Body	K3430
16	U178-920P	Drain Plug 1/4" NPT w/ O-Ring	K3439
17	C104-42P	Base w/ Motor Pad	K3448
17	C104-41P	Base w/ Motor Pad (3 HP Only)	K3450*
18	C35-11	Motor Pad	K3454
19	U43-42SS	Washer, Flat	K3456
20	U30-77SS	Capscrew, 3/8 - 16 x 1-3/4" Hex Head	K3452
20	U30-778SS	Capscrew, 3/8 - 16 x 1-3/4" Soc. Head (3 HP Only)	K3557*
21	U30-74SS	Capscrew, 3/8 - 16 x 1" Hex Head	K3458
21	U30-99SS	Capscrew, 3/8 - 16 x 1" Soc. Head (3 HP Only)	K3559*

*Non-Stock Item

PENTAIR EQ SERIES COMMERCIAL PLASTIC PUMPS HAIR AND LINT STRAINER REPLACEMENT PARTS

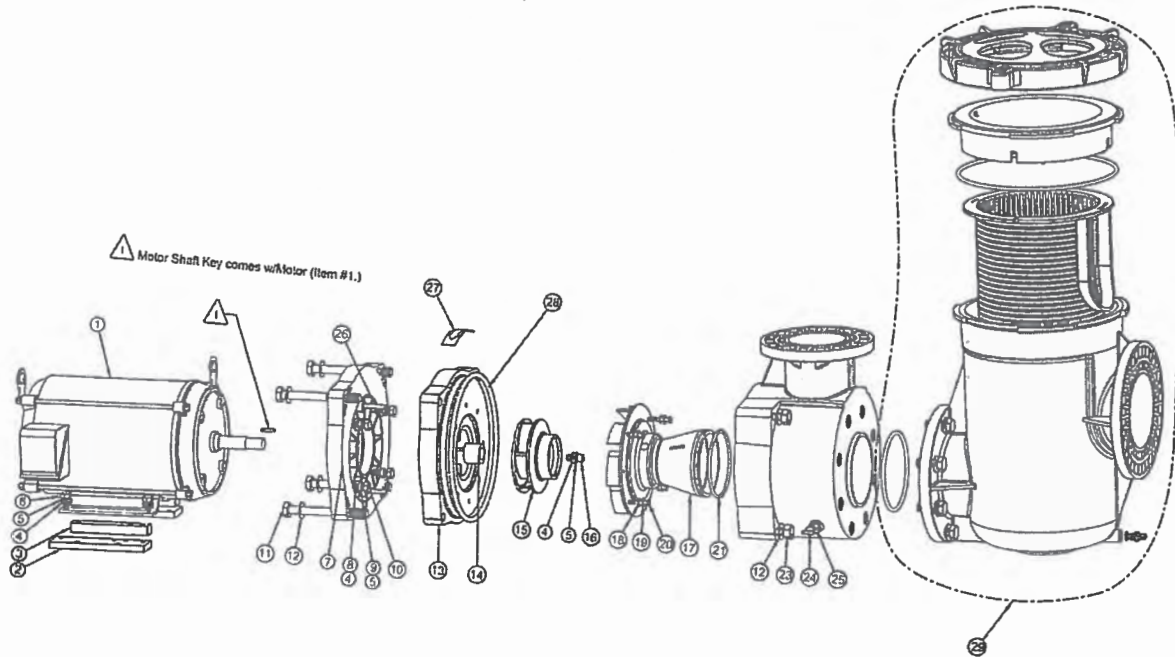


KEY	MFG NO.	DESCRIPTION	ITEM NO.
1	340013	Pot EQ Strainer	K3735
2	357184	Basket EQ Strainer	K3733
3	350166	Gasket, EQ lid	K4731
4	356750	Lid EQ clear	K4732
5	350171	Clamp Cam & Ramp EQ	K4733
6	154699	Plug wire 0.25 in. drain LGR	H4312
7	192115	O-ring drain plug	H3274
8	356788	Screw, 5/8 in., 11 x 1-3/4 in. hx hd cap 18-8 SS (qty. 8)	K4729
9	356789	Washer, flat 11/16 in. ID x 1-5/16 in. OD 0.078 thk 300 SS (qty. 8)	K4710
10	350013	O-ring pot flange	K4734
	350087	Pressure relief valve, 1/4 in. flange (not shown)	K4742

Note: If you are replacing an orange lid _ring, please order a 350171 Locking ring/O-ring Kit

*Non-Stock Item

PENTAIR EQ SERIES COMMERCIAL PLASTIC PUMPS
REPLACEMENT PARTS



KEY	MFG NO.	DESCRIPTION	Item No.
1	357071	Motor 15 HP 3 Phase - EQ1500 - 60 Hz	*
1	357070	Motor 10 HP 3 Phase - EQ1000 - 60 Hz	*
1	357069	Motor 7½ HP 3 Phase - EQ750 - 60 Hz	*
1	357066	Motor 7½ HP 1 Phase - EQ750 - 60 Hz	*
1	357068	Motor 5 HP 3 Phase - EQ500 - 60 Hz	*
1	357065	Motor 5 HP 1 Phase - EQ500 - 60 Hz	*
1	357067	Motor 3 HP 3 Phase - EQW300 - 60 Hz	*
1	357064	Motor 3 HP 1 Phase - EQW300 - 60 Hz	*
1	350158	Motor 5 HP 3 Phase - EQW500 - 60 Hz	*
1	350159	Motor 5 HP 1 Phase - EQW500 - 60 Hz	*
1	350112	Motor Expin PF 10 HP 3 Phase - EQK1000 - 50 Hz	*
1	350113	Motor Expin PF 7½ HP 3 Phase - EQK1000 - 50 Hz	*
1	350153	Motor 10 HP 3 Phase - EQK1000 - 50 Hz	*
1	350154	Motor 7½ HP 3 Phase - EQK750 - 50 Hz	*
1	350155	Motor 5 HP 3 Phase - EQK500 - 50 Hz	*
1	350156	Motor 3 HP 3 Phase - EQK300 - 50 Hz	*
2	356713	Support - Motor {qty. 2}	K4700
3	356712	Support Adapter - Motor - EQW300, EQ500, EQ750 ...3PH {qty.2}	K4701
4	072184	Washer, Flat 3/8" ID x 7/8" OD .05 Thk 18-8 s/s {qty. 5 ¹ & qty. 9}	K3828
5	98220600	Washer Split Lock 3/8" 1-8 s/s {qty. 5 ¹ & qty. 9}	K4702

*Non-Stock Item

**PENTAIR EQ SERIES COMMERCIAL PLASTIC PUMPS
REPLACEMENT PARTS**

KEY	MFG NO.	DESCRIPTION	Item No.
6	A135	Screw 3/8" - 16x3/4 Hx Hd Cap 18-8 s/s (EQ750...1PH, EQ1000, EQ1500) {qty. 4}	K4703
6	350073	Screw 3/8" - 16 x 1 1/2 Hx Hd Cap 18-8 s/s (EQ300, EQ500, EQ750...3PH0) {qty. 4}	K4704
7	356790	Adapter - Motor - EQ Series	K4705
8	075842	Washer, Flat 1/2" ID x 1 1/4" OD .125 Thk 300 s/s {qty. 4}	K4706
9	350063	Washer Split Lock 1/2" 18-8 s/s {qty. 4}	K4707
10	354290	Screw 3/8" - 16 x 1" Hx Hd Cap 18-8 s/s (EQ300, EQ500, EQ750...3PH) {qty. 4}	K4548
10	075843	Screw 1/2" - 13 x 1 1/4" Hx Hd Cap 18-8 s/s (EQ750, 1PH, EQ1000, EQ1500) {qty. 4}	K4708
11	356710	Screw 5/8" x 11 x 6 1/2" Hx Hd Cap 18-8 s/s {qty. 4}	K4709
12	356789	Washer, Flat 11/16" ID x 1 - 5/16" OD .078 Thk 300 s/s {qty. 8}	K4710
13	356795	Seal Plate - EQ Series	K4711
14	071725	Seal Set	K9431
15	350030	Impeller Assy. - EQ500	K4712
15	350029	Impeller Assy. - EQ750	K4713
15	350028	Impeller Assy. - EQ1000	K4714
15	350027	Impeller Assy. - EQW300, EQ1500	K4715
15	350070	Impeller Assy. - EQW500	K4716
16	071037	Screw 3/8"-16 x 1" Sckt. Hd Cap 18-8 s/s	K9397
17	350032	Diffuser - EQ500	K4717
17	350033	Diffuser - EQ750, EQ1000	K4718
17	356735	Diffuser - EQW300, EQ1500	K4719
17	357273	Diffuser - EQW500	k4720
18	51008500	Washer, Flat 1/4" 300 s/s {qty. 4}	K3898
19	072172	Washer, Split Lock 1/4" 18-8 s/s {qty. 4}	K4721
20	350035	Screw 1/4"-20 x 1 1/2" Hx Hd Cap 18-8 s/s (EQ500, EQ750, EQ1000) {qty. 4}	K4722
20	356797	Screw 1/4"-20 x 1 3/4" Hx Hd Cap 18-8 s/s (EQW300, EQ1500) {qty. 4}	K4723
21	350037	O-ring Diffuser 3/16" x 4-7/8	K4724
22	356755	Housing - EQ Series	K4725
23	356776	Nut 5/8" - 11 Hx Brass {qty. 5}	K4726
24	154699	Drain Plug	H4312B
25	192115	O-ring Drain Plug	H3274
26	350060	Pin Dowel 5/16" x 1 1/4" 18-8 s/s {qty. 2}	K4727
27	350072	Label, Directional Arrow	*
28	356780	O-ring Seal Plate 3/8" x 11" dia.	K4728
29	340013	Strainer Pot, Complete EQ 6" x 6"	K3735

*Non-Stock Item

THE LATEST IN RAYPAK INNOVATION!



Compact design



CROSS
WIND™



Precision heating with Crosswind inverter technology

- Automatically adjusts and controls your pool temperature
- Whisper quiet operation and energy efficiency

ProTek Shield protects and shields your heater

- Engineered to take the brunt of the corrosion that naturally occurs over time
- Easy to replace, saving you time and money

Raypak®
A Rheem® Company

Learn more at Raypak.com