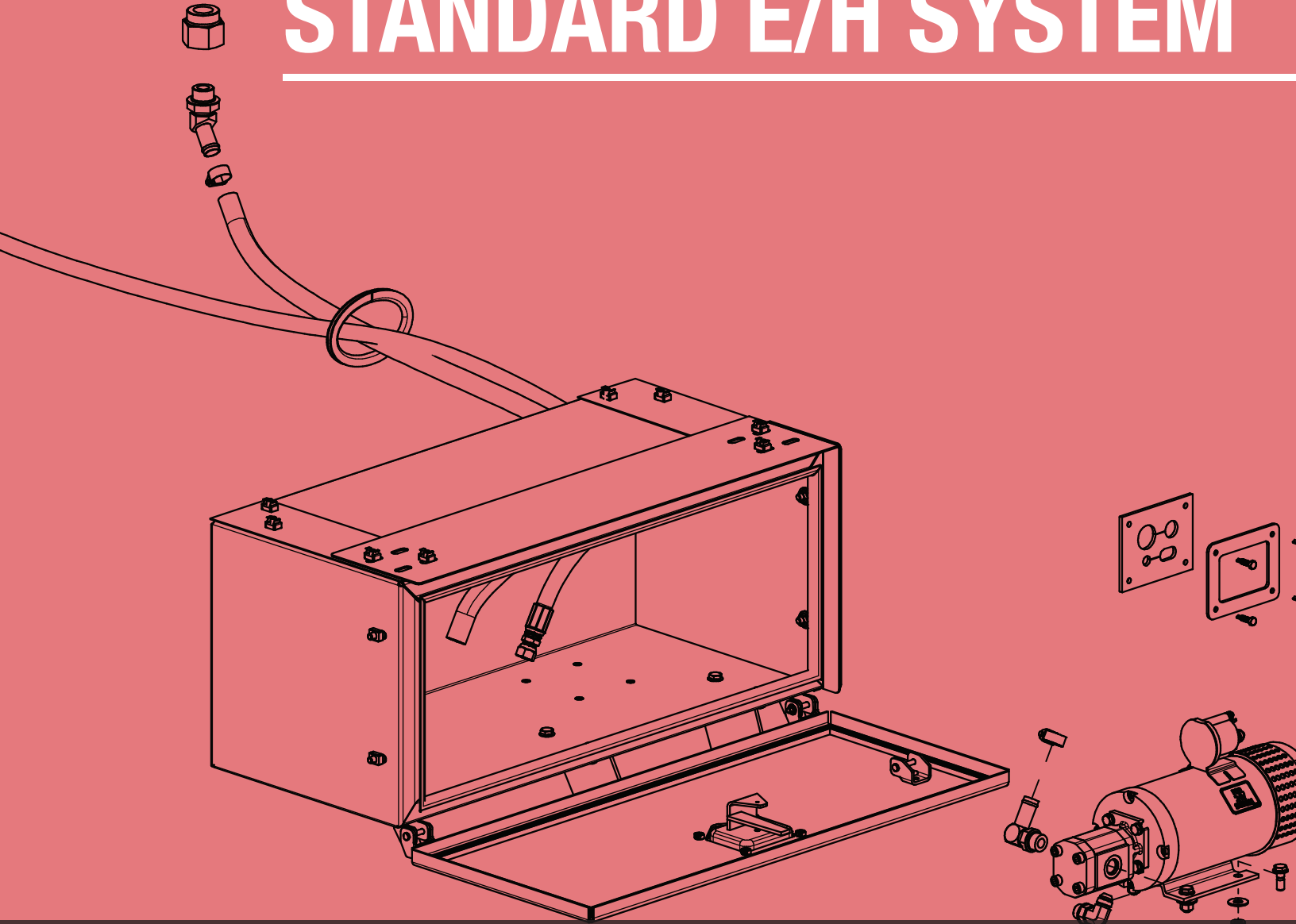


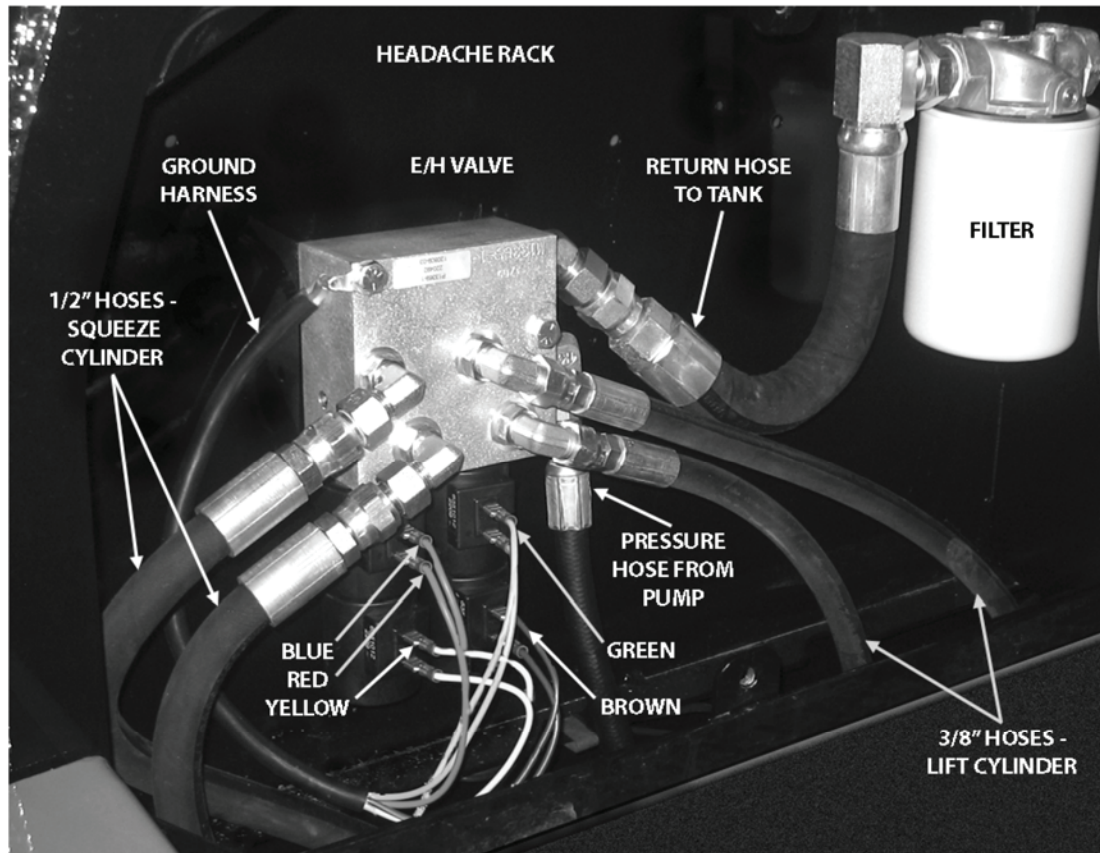
# STANDARD E/H SYSTEM



**DewEze**<sup>®</sup>  
HYDRAULICS

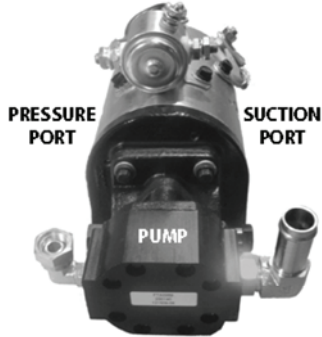
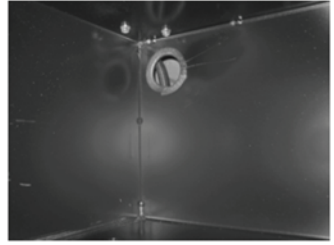
# Standard E/H Power Kit

## E / H KIT INSTALLATION INSTRUCTIONS

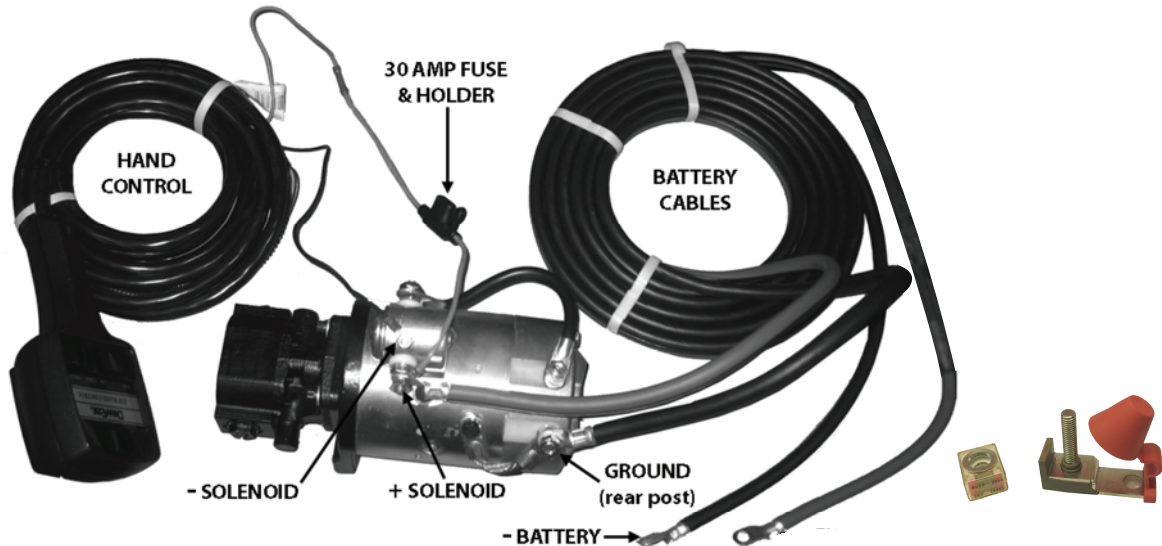
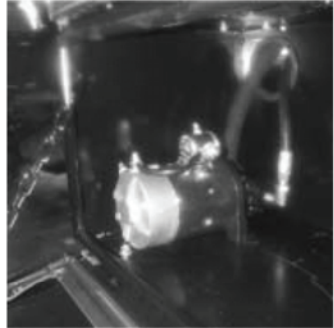


- 1) Attach adapters to E/H valve and install inside cavity on headache rack.
- 2) Attach return hose to valve and filter housing. Attach pressure hose from pump.
- 3) Attach blue and yellow wires from hand control to valve cartridge that controls squeeze cylinder as indicated.
- 4) Attach green and brown wires from hand control to valve cartridge that controls lift cylinder as indicated.
- 5) Attach ground harness to valve coils with similar color wires (yellow, brown and green). Blue and red wires are on same coil.
- 6) Attach 1/2" hoses from squeeze cylinder to side of valve controlled by blue and yellow wires. If hand control does not respond as desired, pioneer couples on rear of bed may be reversed or blue and yellow wires may be reversed.
- 7) Attach 3/8" hoses from lift cylinder side of valve controlled by green and brown wires. If hand control does not respond as desired, green and brown wires may be reversed.

- 8) Use diagram to locate holes in driver's side toolbox.
- 9) Drill 2.5" hole with hole saw and use molding to protect hoses from rough edges.
- 10) Drill 3/8" holes for pump as indicated and bolt pump to inside of toolbox.



- 11) Attach suction hose and pressure hose to pump with adapters provided.
- 12) Attach suction hose to bottom of reservoir as indicated in diagram.
- 13) Attach black wire from hand control to negative terminal on solenoid.



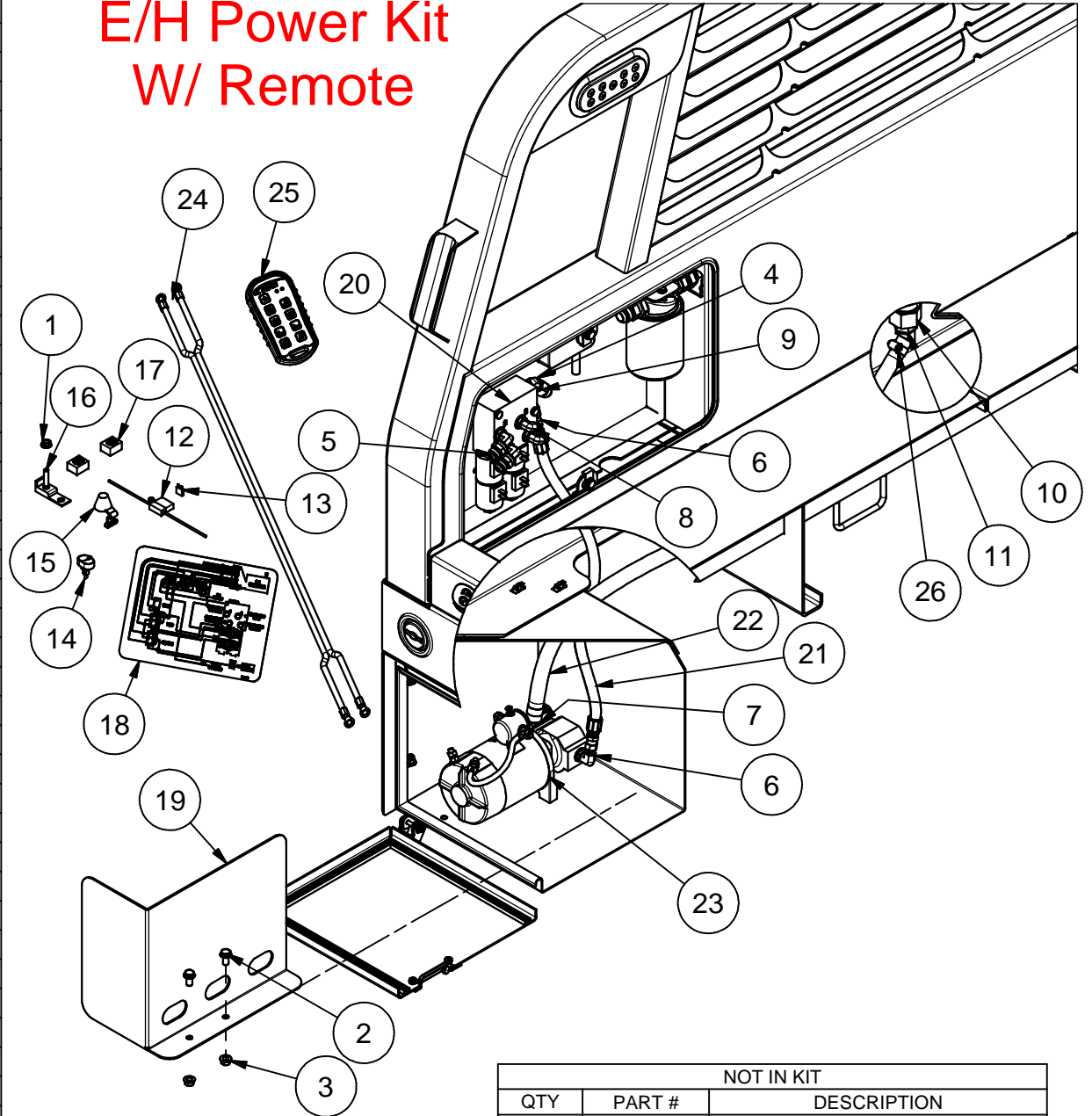
- 14a) Attach 30-amp fuse holder to positive terminal on solenoid and then to red wire from hand control.
- 14b) Attach 30-amp fuse holder to positive terminal on battery, run wire thru switch on dash. Then to red wire on valve harness for wireless remote.
- 15) Run battery cables through hold in toolbox and attach to E/H motor as indicated (black cable to rear post).
- 16) Run battery cables along frame rail and attach black cable to negative terminal on battery.
- 17) Attach 200-amp fuse holder to positive battery terminal.
- 18) Insert 200-amp fuse.
- 19) Attach red cable from E/H on top of "ice cube" fuse. Install rubber cap.



Kit E/H Power, W/Remote Part# 205053

ITEM	QTY	PART #	DESCRIPTION
1	1	110141	NUT, M8 X 1.25 WIZFLANGE
2	4	110437	BOLT, 3/8-16 X 0.75, WIZ FLANGE
3	2	110645	NUT, 3/8-16 WIZ FLANGE
4	1	120087	ADAPTER, 6MB-8MJ45
5	2	120142	ADAPTER, 8MJ-6FJ
6	2	120149	ADAPTER, 6MB-6FPX90
7	1	120187	ADAPTER, 12BH-8MB90
8	4	120222	ADAPTER, 6MJ-6MB90
9	1	120457	ADAPTER, 8FJ-10MJ
10	1	120544	ADAPTER, 20MB-12FOR
11	1	120545	ADAPTER, 12BH-12MB 45°
12	1	132001	FUSE HOLDER, ATC, 14 GA., MINI
13	1	132002	FUSE, MINI 30 AMP
14	1	132044	Switch, Spst, Rocker Led
15	1	132092	FUSE COVER, BUSS CFCOVER-1R
16	1	132093	FUSE HOLDER, BUSS CFBAR1-M8XSP
17	2	132094	FUSE 200 AMP, BUSS MRBF-200
18	1	202047	DECAL, E/H WIRING DIAGRAM, KAR-TECH
19	1	211353	E/H SHIELD
20	1	220492	VALVE, E/H FLATBED
21	1	220508	HOSE, .375 X 50.44, 6MP - 6MP
22	1	220603	HOSE, SUCTION, .75 X 54
23	1	230140	E/H MOTOR PUMP/UNIT
	1	210884	MOTOR
	1	220651	PUMP
	1	222006	SEAL KIT, PUMP
	1	232089	SOLENOID, 3 POLE, HEAVY DUTY
24	1	230155	BATTERY CABLE, 2GA TWIN LEAD, 186"
25	1	233003	Transmitter & Receiver, Kar-Tech
26	2	520099	CLAMP, HOSE #12 .75"
			NOT SHOWN
3	1	110119	NUT, 10-24 LOCK
3	1	110264	BOLT, 10-24 X .5 STAINLESS, PHILLIPS
2	1	110396	BOLT, 5/16-18 X 2.5
2	1	110608	NUT, 5/16-18
2	1	110674	WASHER, 5/16" LOCK
2	1	110753	PLUG, 1/2" BUTTON PLASTIC
2	1	132035	SWITCH BOOT
1	1	202003	DECAL, SWITCH IDENTIFICATION
1	1	211387	EDGE MOLDING, REAR PLATE
2	1	232086	SWITCH, DPDT, M, 6 PIN, PUSH ON
1	1	232090	HARNESS, E/H WIRELESS, KAR-TECH

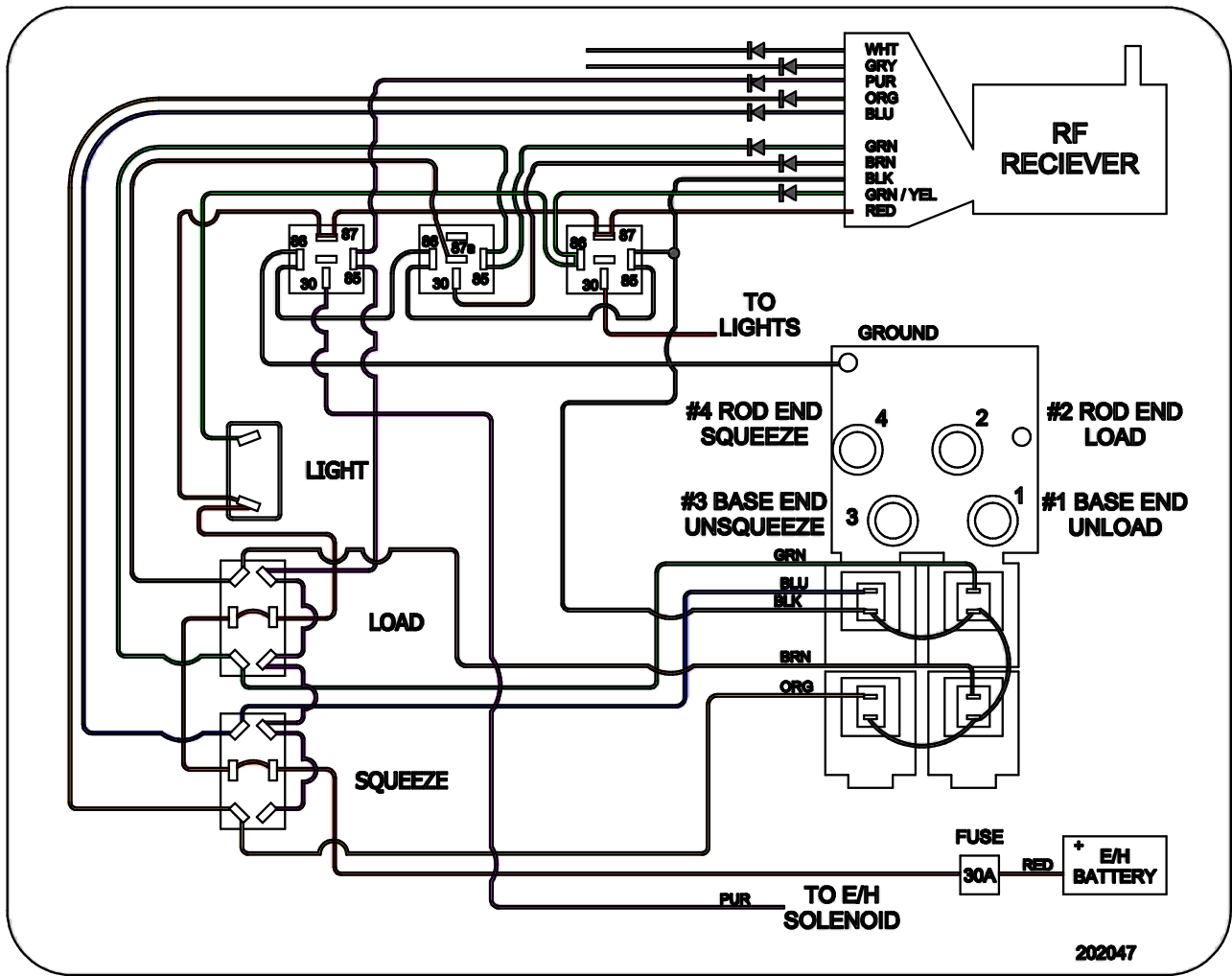
# Standard E/H Power Kit W/ Remote



NOT IN KIT		
QTY	PART #	DESCRIPTION
1	220723	HOSE, VALVE TO FILTER
1	720041	FILTER HEAD
1	720043	FILTER (WIX 51551)

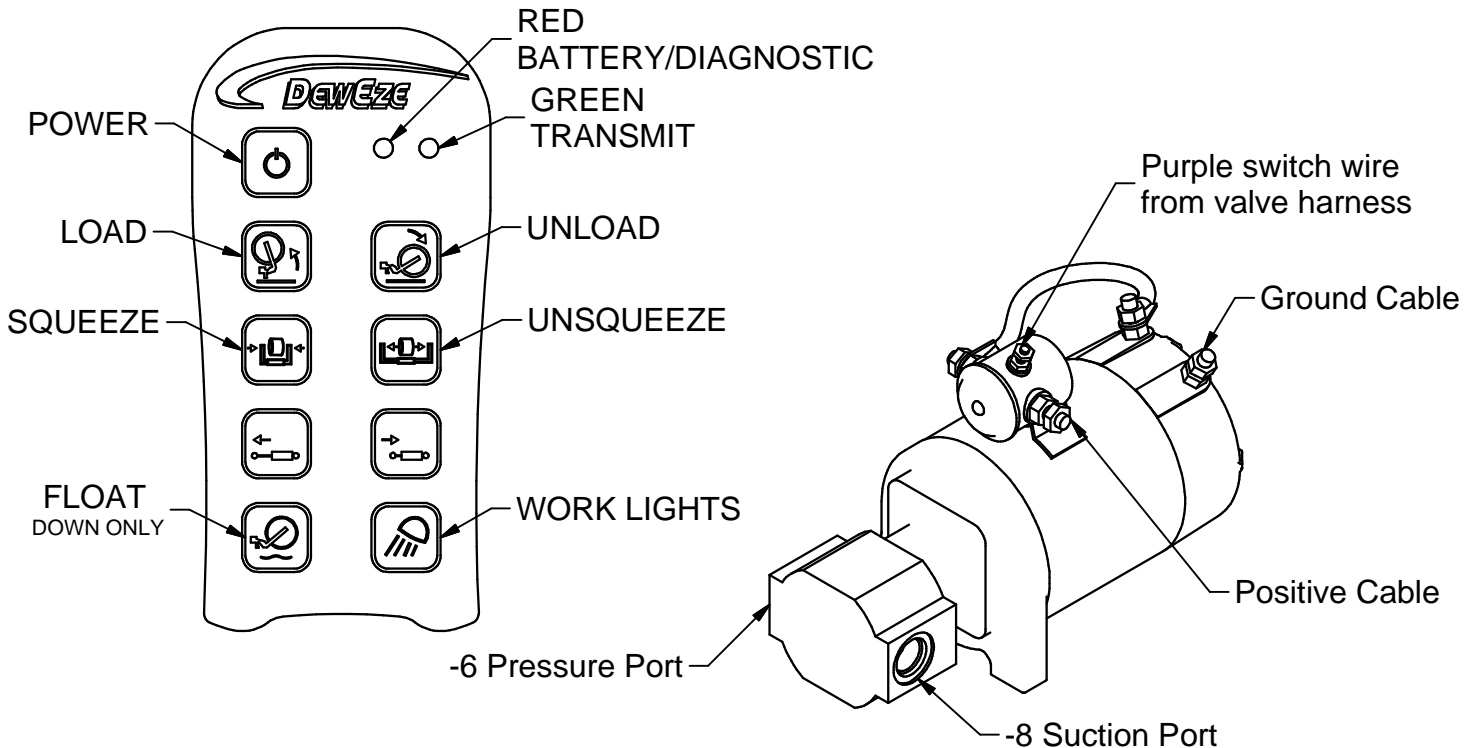


# E/H Wiring, Kar-Tech Remote



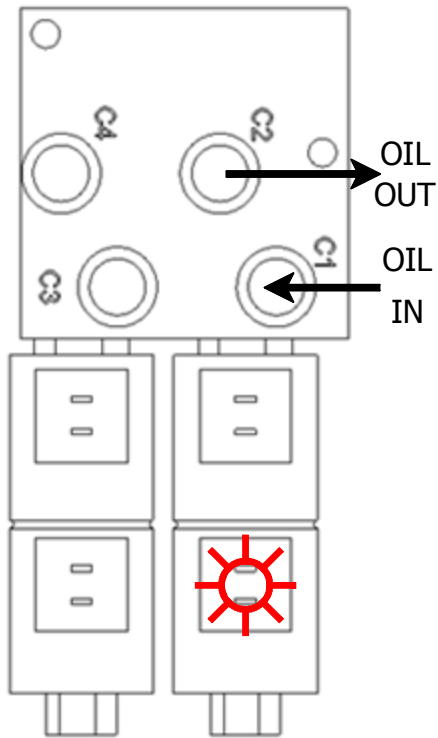
Decal Part# 202047

Harness Part# 232090

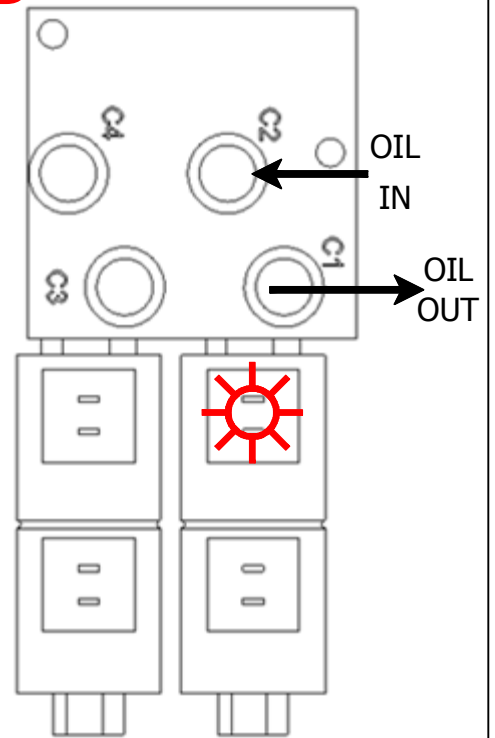


 SOLENOID FIRES

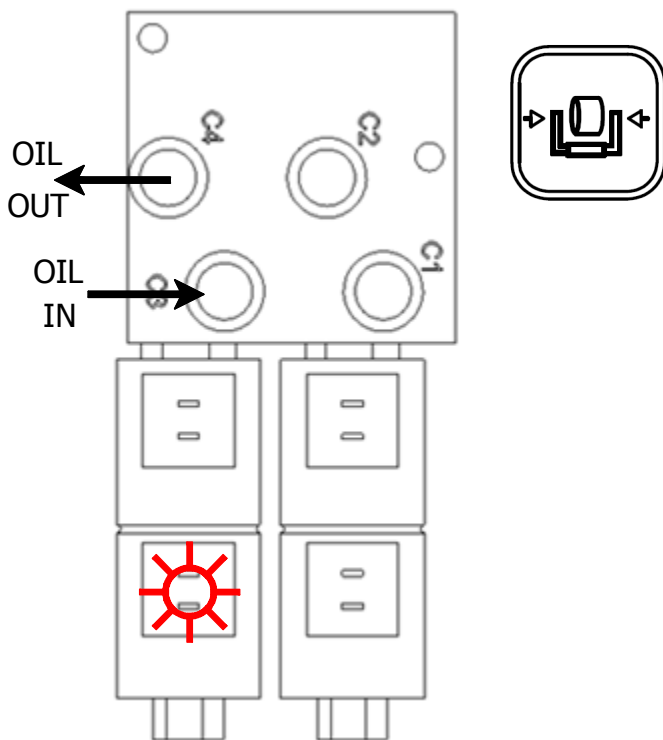
**LOAD**



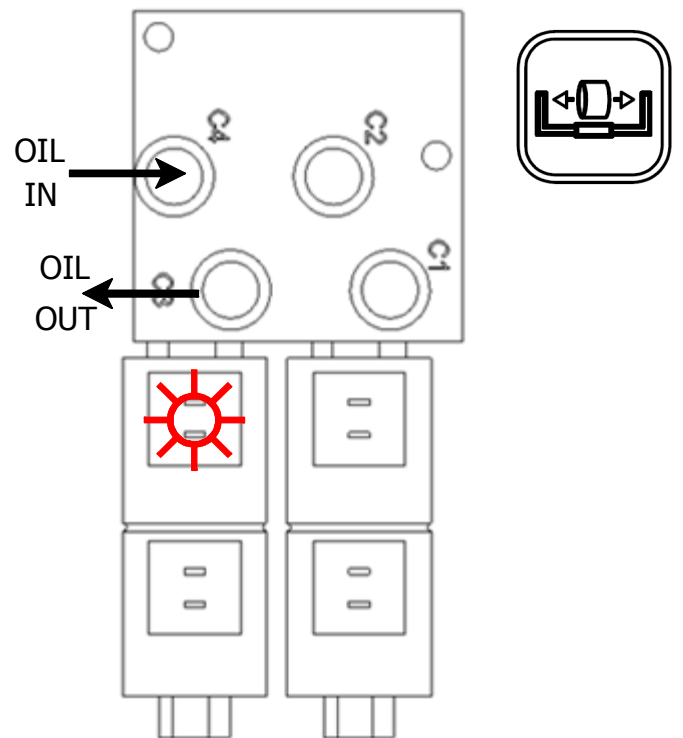
**UNLOAD**



**SQUEEZE**



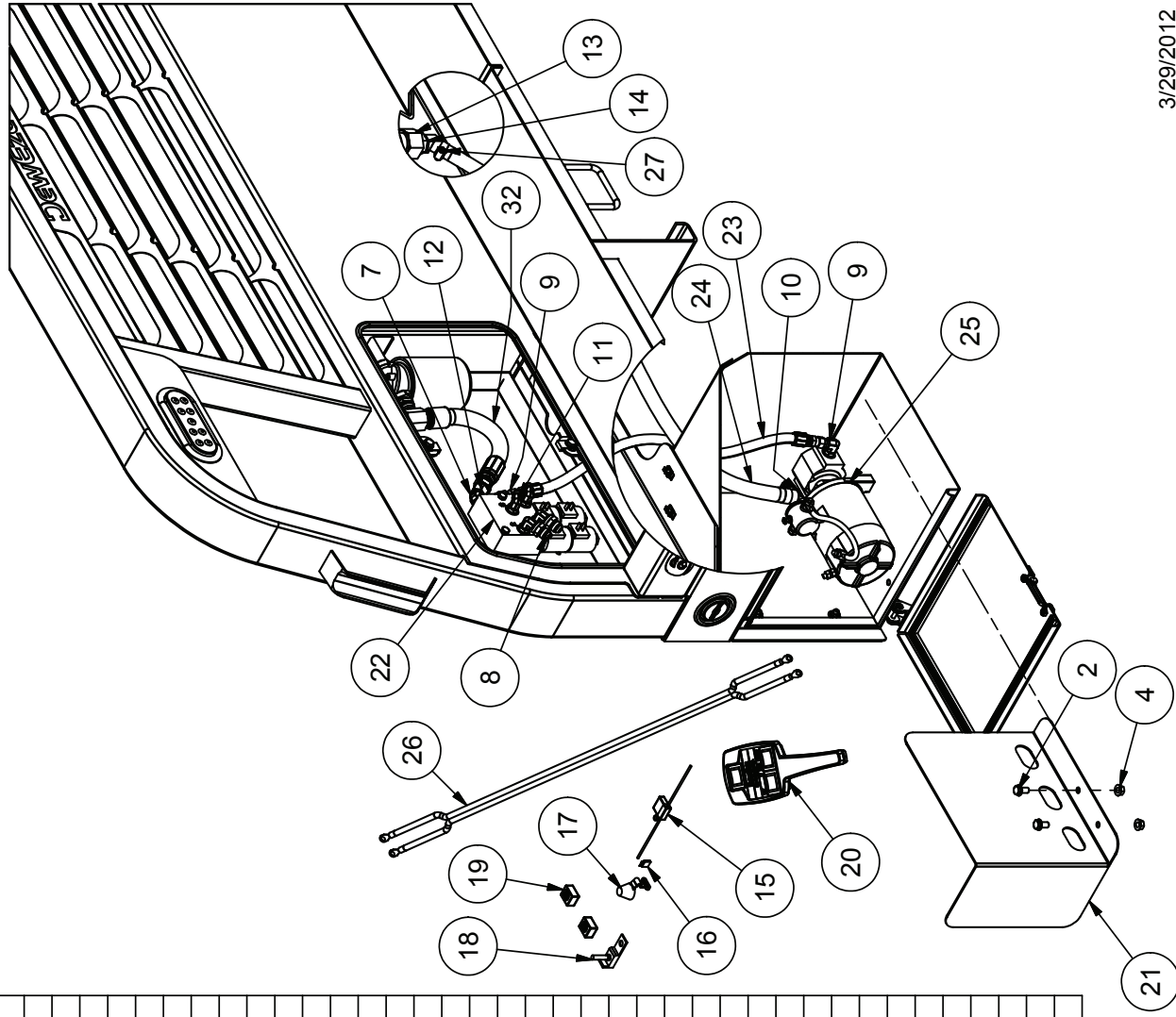
**UNSQUEEZE**



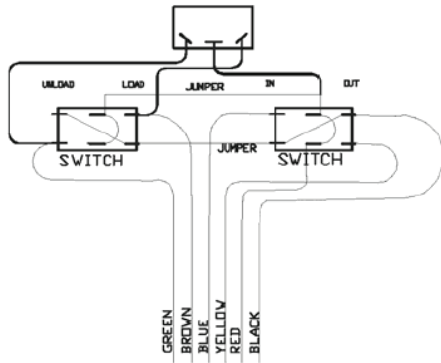
# Kit E/H Power, Part# 215005

## E/H Power Kit

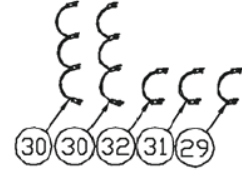
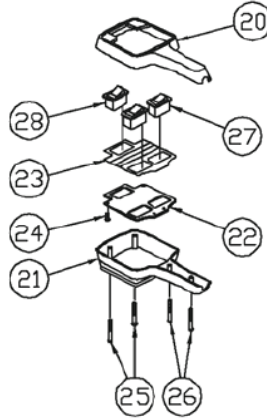
ITEM	QTY	PART #	DESCRIPTION
1	2	110396	BOLT, 5/16-18 X 2.5
2	4	110437	BOLT, 3/8-16 X 0.75, WIZ FLANGE
3	2	110608	NUT, 5/16-18
4	2	110645	NUT, 3/8-16 WIZ FLANGE
5	2	110674	WASHER, 5/16" LOCK
6	4	110753	PLUG, 1/2" BUTTON PLASTIC
7	1	120087	ADAPTER, 6MB-8MJ45
8	2	120142	ADAPTER, 8MJ-6FJ
9	2	120149	ADAPTER, 6MB-6FPX90
10	1	120187	ADAPTER, 12BH-8MB90
11	4	120222	ADAPTER, 6MJ-6MB90
12	1	120457	ADAPTER, 8FJ-10MJ
13	1	120544	ADAPTER, 20MB-12FOR
14	1	120545	ADAPTER, 12BH-12MB 45°
15	1	132001	FUSE HOLDER, ATC, 14 GA., MINI
16	1	132002	FUSE, MINI 30 AMP
17	1	132092	FUSE COVER, BUSS CFCOVER-IR
18	1	132093	FUSE HOLDER, BUSS CFBAR1-M8XSP
19	2	132094	FUSE 200 AMP, BUSS MRBF-200
20	1	150027	HAND CONTROL & CABLE ASSY E/H FLATBED
21	1	211353	E/H SHIELD
22	1	220492	VALVE, E/H FLATBED
23	1	220508	HOSE, .375 X 50.44, 6MP - 6MP
24	1	220603	HOSE, SUCTION, .75 X 54
25	1	230140	E/H MOTOR PUMP/UNIT
	1	210884	MOTOR
	1	220651	PUMP
	1	222006	SEAL KIT, PUMP
	1	232089	SOLENOID, 3 POLE, HEAVY DUTY
26	1	230155	BATTERY CABLE, 2GA TWIN LEAD, 186"
27	2	520099	CLAMP, HOSE #12 .75"
			NOT SHOWN
28	1	211387	EDGE MOLDING, REAR PLATE
29	1	230119	CABLE, SOLENOID GROUND
30	1	730008	TERMINAL, BUTT CONNECTOR, 14-16
31	1	730013	TERMINAL, RING, 5/16", 14-16
			NOT IN KIT
32	1	220691	RESERVOIR RETURN
	1	720041	FILTER HEAD
	1	720043	FILTER (WIX 51551)



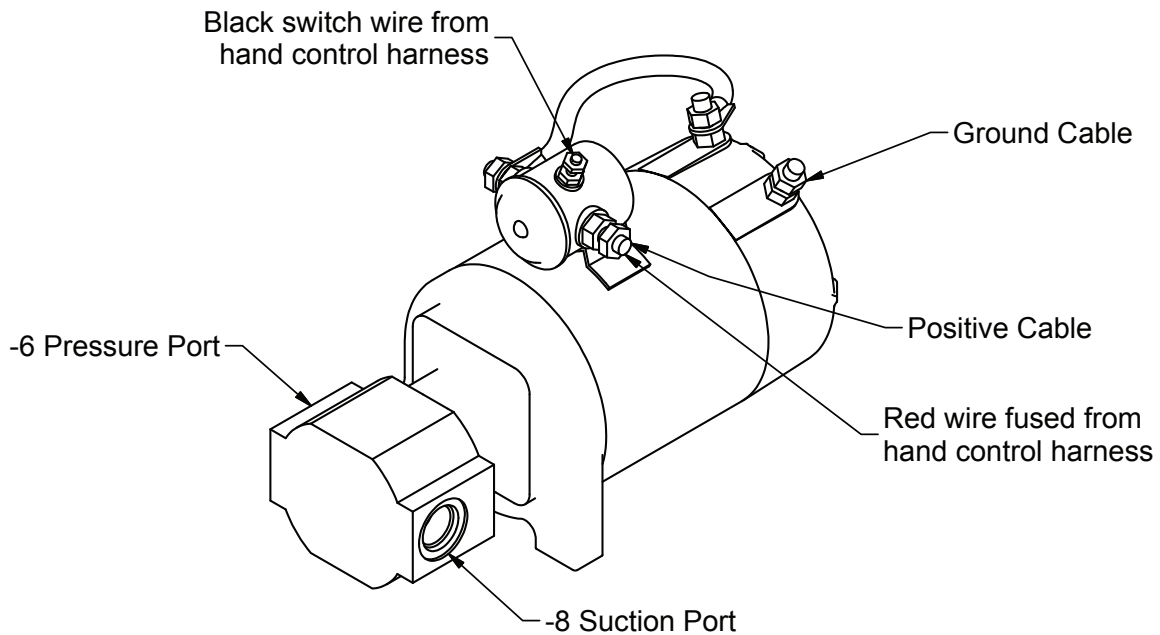
# E/H Power Kit



WIRING DIAGRAM  
SWITCHES SHOWN FROM BOTTOM



20	150001	TOP HOUSING (1)
21	150003	BOTTOM HOUSING (1)
22	150002	SWITCH PLATE (1)
23	150004	DECAL (1)
24	150013	SCREW (4)
25	150015	SCREW (2)
26	150014	SCREW (2)
27	130029	SWITCH DPDT (2)
28	130002	MOMENTARY SWITCH (1)
29	150029	JUMPER WIRE/HOT (1)
30	150030	JUMPER WIRE/HOT (2)
31	150031	JUMPER WIRE/GRN. (1)
32	150032	JUMPER WIRE/BRN. (1)





# DEWEZE E/H KIT - 30" TOOLBOX MODIFICATION

