

**mazda**

**808/818 (75-78)**

**BODY-2** GR. 69-73.09 FEB.'79  
**INDEX** PART NO. RSTL-04 (FINAL)

**4/4**

PART NO. \*

HOW TO USE

 **HADI-MAZDA**  
*Club*

Group No.	Description	Location	Group No.	Description	Location
50	Bumper & Grille	3-C1 ~ 3-E1	66 89	Lamps (Rear) (Wagon)	3-G13 ~ 3-I13
52	Bonnet & Trunk Lid	3-F1 ~ 3-H1	66 67	Electric Equipment (Body)	3-C14 ~ 3-J14
51 ~ 70	Body Panels (Front)	3-I1 ~ 3-J1	66 87	Windshield Wiper	3-K14 ~ 3-M14
53 ~ 54	Body Panels (Side, Coupe)	3-C2 ~ 3-E2	66 87	Screen Washer	3-N14
53 ~ 54	Body Panels (Side, Sedan)	3-F2 ~ 3-H2	66	Auto Radio & Stereo	3-C15 ~ 3-E15
53 ~ 54	Body Panels (Side, Wagon)	3-I2 ~ 3-K2	68	Crush Pad, Glove Pocket & Console	4-C1 ~ 4-J1
56	Body Panels (Floor)	3-C3 ~ 3-F3	98	Service Tools	4-K1 ~ 4-L1
56	Body Panels (Floor, Attachment)	3-G3	09	Attachment	4-C2 ~ 4-G2
55 60	Dashboard	3-C4 ~ 3-H4	69	Top Ceiling & Trim (Sedan & Coupe)	4-H2 ~ 4-J2
55 75	Meter	3-I4 ~ 3-M4	69	Top Ceiling & Trim (Wagon)	4-C3 ~ 4-E3
57	Seat (Sedan & Coupe) (With Head Restraint)	3-C5 ~ 3-H5	69	Floor Mat & Trim	4-F3 ~ 4-J3
57	Seat (Sedan) (Without Head Restraint)	3-I5 ~ 3-K5	70 71	Ventilator	4-O4 ~ 4-D4
57	Seat (Wagon) (With Head Restraint)	3-C6 ~ 3-G6	70 71	Window Glass & Moulding (Sedan & Coupe)	4-E4 ~ 4-L4
57	Seat (Wagon) (Without Head Restraint)	3-H6 ~ 3-K6	72 73	Window Glass & Moulding (Wagon)	4-C5 ~ 4-G5
58 59	Front Side Door (Body & Glass)	3-C7 ~ 3-H7	72 73	Rear Side Window (Coupe)	4-C6 ~ 4-G6
58 59	Front Side Door (Lock)	3-I7 ~ 3-L7	72 73	Rear Side Door (Glass & Body)	4-H6 ~ 4-M6
61	Car Heater	3-C8 ~ 3-F8	72 73	Rear Side Door (Lock)	4-C7 ~ 4-E7
61 76	Heater Unit & Blower	3-G8 ~ 3-I8	09	Key Set	4-F7 ~ 4-H7
61 ~ 79	Car Cooler (1300 cc)	3-C9 ~ 3-I9			
61 ~ 79	Car Cooler (1600 cc)	3-C10 ~ 3-H10			
61	Engine Fast Idling Kit (1600 cc) (With Heater)	3-I10 ~ 3-J10			
61 76	Cooler Unit	3-K10 ~ 3-L10			
61 76	Compressor (Car Cooler)	3-C11 ~ 3-E11			
62 63	Back Door (Wagon)	3-F11 ~ 3-I11			
66 89	Lamps (Front)	3-C12 ~ 3-E12			
66 89	Lamps (Rear) (Sedan & Coupe)	3-F12 ~ 3-H12			
	(For U.K. Used up to 76/7)				
66 89	Lamps (Rear) (Sedan & Coupe)	3-C13 ~ 3-F13			
	(For Australia (1600 cc) Used up to 77/1)				
	(For U.K. Used From 76/8)				
	(For Australia (1600 cc) Used From 77/2)				

Mazda 808/818 R.H.D. ('75 ~ '78) Final

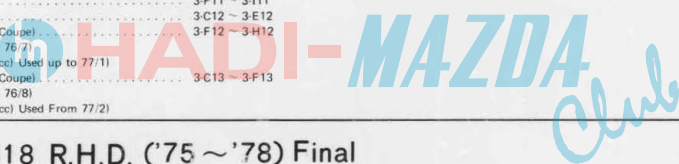
© 1979 Toyo Kogyo Co., Ltd.  
February 1979 (Final Edition)

68	Crush Pad, Glove Pocket & Console	4-C1 ~ 4-J1
68	Service Tools	4-K1 ~ 4-L1

TEXT-FRAME



Group No.	Description	Location	Group No.	Description	Location
50	Bumper & Grille	3-C1 ~ 3-E1	66 89	Lamps (Rear) (Wagon)	3-G13 ~ 3-I13
52	Bonnet & Trunk Lid	3-F1 ~ 3-H1	66 67	Electric Equipment (Body)	3-C14 ~ 3-J14
51 ~ 70	Body Panels (Front)	3-I1 ~ 3-J1	66 87	Windshield Wiper	3-K14 ~ 3-M14
53 ~ 54	Body Panels (Side, Coupe)	3-C2 ~ 3-E2	66 87	Screen Washer	3-N14
53 ~ 54	Body Panels (Side, Sedan)	3-F2 ~ 3-H2	66	Auto Radio & Stereo	3-C15 ~ 3-E15
53 ~ 54	Body Panels (Side, Wagon)	3-I2 ~ 3-K2	66	Crush Pad, Glove Pocket & Console	4-C1 ~ 4-J1
56	Body Panels (Floor)	3-C3 ~ 3-F3	66	Service Tools	4-K1 ~ 4-L1
56	Body Panels (Floor, Attachment)	3-G3	69	Attachment	4-C2 ~ 4-G2
55 60	Dashboard	3-C4 ~ 3-H4	69	Top Ceiling & Trim (Sedan & Coupe)	4-H2 ~ 4-J2
55 75	Meter	3-I4 ~ 3-M4	69	Top Ceiling & Trim (Wagon)	4-C3 ~ 4-E3
57	Seat (Sedan & Coupe) (With Head Restraint)	3-C5 ~ 3-H5	69	Floor Mat & Trim	4-F3 ~ 4-J3
57	Seat (Sedan) (Without Head Restraint)	3-I5 ~ 3-K5	70 71	Ventilator	4-C4 ~ 4-D4
57	Seat (Wagon) (With Head Restraint)	3-C6 ~ 3-G6	70 71	Window Glass & Moulding (Sedan & Coupe)	4-E4 ~ 4-L4
57	Seat (Wagon) (Without Head Restraint)	3-H6 ~ 3-K6	70 71	Window Glass & Moulding (Wagon)	4-C5 ~ 4-G5
58 59	Front Side Door (Body & Glass)	3-C7 ~ 3-F7	72 73	Rear Side Window (Coupe)	4-C6 ~ 4-G6
58 59	Front Side Door (Lock)	3-I7 ~ 3-L7	72 73	Rear Side Door (Glass & Body)	4-H6 ~ 4-M6
61	Car Heater	3-C8 ~ 3-F8	72 73	Rear Side Door (Lock)	4-C7 ~ 4-E7
61 76	Heater Unit & Blower	3-G8 ~ 3-I8	09	Key Set	4-F7 ~ 4-H7
61 ~ 79	Car Cooler (1300 cc)	3-C9 ~ 3-I9			
61 ~ 79	Car Cooler (1600 cc)	3-C10 ~ 3-H10			
61	Engine Fast Idling Kit (1600 cc) (With Heater)	3-I10 ~ 3-J10			
61 76	Cooler Unit	3-K10 ~ 3-L10			
61 76 77	Compressor (Car Cooler)	3-C11 ~ 3-E11			
62 63	Back Door (Wagon)	3-F11 ~ 3-I11			
66 89	Lamps (Front)	3-C12 ~ 3-E12			
66 89	Lamps (Rear) (Sedan & Coupe)	3-F12 ~ 3-H12			
	(For U.K. Used up to 76/7)				
	(For Australia (1600 cc) Used up to 77/1)				
66 89	Lamps (Rear) (Sedan & Coupe)	3-C13 ~ 3-F13			
	(For U.K. Used From 76/8)				
	(For Australia (1600 cc) Used From 77/2)				



Mazda 808/818 R.H.D. ('75 ~ '78) Final

© 1979 Toyo Kogyo Co., Ltd.  
February 1979 (Final Edition)

- 69 Attachment ..... 4-C2 ~ 4-G2
- 69 Top Ceiling & Trim (Sedan & Coupe) ..... 4-H2 ~ 4-J2

TEXT-FRAME



Group No.	Description	Location	Group No.	Description	Location
50	Bumper & Grille	3-C1 ~ 3-E1	66 89	Lamps (Rear) (Wagon)	3-G13 ~ 3-I13
52	Bonnet & Trunk Lid	3-F1 ~ 3-H1	66 67	Electric Equipment (Body)	3-C14 ~ 3-J14
51 ~ 70	Body Panels (Front)	3-I1 ~ 3-J1	66 87	Windshield Wiper	3-K14 ~ 3-M14
53 ~ 54	Body Panels (Side, Coupe)	3-C2 ~ 3-E2	66 87	Screen Washer	3-N14
53 ~ 54	Body Panels (Side, Sedan)	3-F2 ~ 3-H2	66	Auto Radio & Stereo	3-C15 ~ 3-E15
53 ~ 54	Body Panels (Side, Wagon)	3-I2 ~ 3-K2	68	Crush Pad, Glove Pocket & Console	4-C1 ~ 4-J1
56	Body Panels (Floor)	3-C3 ~ 3-F3	68	Service Tools	4-K1 ~ 4-L1
56	Body Panels (Floor, Attachment)	3-G3	89	Attachment	4-C2 ~ 4-G2
55, 60	Dashboard	3-C4 ~ 3-H4	69	Top Ceiling & Trim (Sedan & Coupe)	4-H2 ~ 4-J2
55, 75	Meter	3-I4 ~ 3-M4	69	Top Ceiling & Trim (Wagon)	4-C3 ~ 4-E3
57	Seat (Sedan & Coupe) (With Head Restraint)	3-C5 ~ 3-H5	69	Floor Mat & Trim	4-F3 ~ 4-J3
57	Seat (Sedan) (Without Head Restraint)	3-I5 ~ 3-K5	70, 71	Ventilator	4-C4 ~ 4-D4
57	Seat (Wagon) (With Head Restraint)	3-C6 ~ 3-G6	70, 71	Window Glass & Moulding (Sedan & Coupe)	4-C5 ~ 4-G5
57	Seat (Wagon) (Without Head Restraint)	3-H6 ~ 3-K6	72, 73	Rear Side Window (Couple)	4-C6 ~ 4-G6
58, 59	Front Side Door (Body & Glass)	3-C7 ~ 3-H7	72, 73	Rear Side Door (Glass & Body)	4-H6 ~ 4-M6
58, 59	Front Side Door (Lock)	3-I7 ~ 3-L7	72, 73	Rear Side Door (Lock)	4-C7 ~ 4-F7
61	Car Heater	3-C8 ~ 3-F8	09	Key Set	4-F7 ~ 4-H7
61, 76	Heater Unit & Blower	3-G8 ~ 3-I8			
61 ~ 79	Car Cooler (1300 cc)	3-C9 ~ 3-I9			
61 ~ 79	Car Cooler (1600 cc)	3-C10 ~ 3-H10			
61	Engine Fast Idling Kit (1600 cc) (With Heater)	3-I10 ~ 3-J10			
61, 76	Coc-er Unit	3-K10 ~ 3-L10			
61, 76	Compressor (Car Cooler)	3-C11 ~ 3-E11			
62, 63	Back Door (Wagon)	3-F11 ~ 3-I11			
66, 89	Lamps (Front)	3-C12 ~ 3-E12			
66, 89	Lamps (Rear) (Sedan & Coupe)	3-F12 ~ 3-H12			
	(For U.K. Used up to 76/7)				
	(For Australia (1600 cc) Used up to 77/1)				
66, 89	Lamps (Rear) (Sedan & Coupe)	3-C13 ~ 3-F13			
	(For U.K. Used From 76/8)				
	(For Australia (1600 cc) Used From 77/2)				

PHADI-MAZDA

Club

Mazda 808/818 R.H.D. ('75 ~ '78) Final

© 1979 Toyo Kogyo Co., Ltd.  
February 1979 (Final Edition)

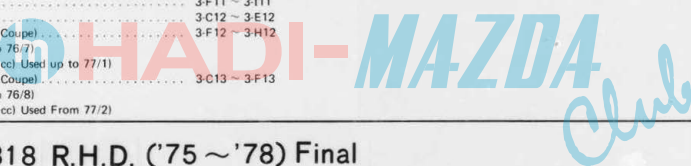
69	Top Ceiling & Trim (Wagon)	4-C3 ~ 4-E3
69	Floor Mat & Trim	4-F3 ~ 4-J3

TEXT-FRAME





Group No.	Description	Location	Group No.	Description	Location
50	Bumper & Grille	3-C1 ~ 3-E1	66 89	Lamps (Rear) (Wagon)	3-G13 ~ 3-I13
52	Bonnet & Trunk Lid	3-F1 ~ 3-H1	66 67	Electric Equipment (Body)	3-C14 ~ 3-J14
51 ~ 70	Body Panels (Front)	3-I1 ~ 3-J1	66 87	Windshield Wiper	3-K14 ~ 3-M14
53 ~ 54	Body Panels (Side, Coupe)	3-C2 ~ 3-E2	66 87	Screen Washer	3-N14
53 ~ 54	Body Panels (Side, Sedan)	3-F2 ~ 3-H2	66	Auto Radio & Stereo	3-C15 ~ 3-E15
53 ~ 54	Body Panels (Side, Wagon)	3-I2 ~ 3-K2	68	Crush Pad, Glove Pocket & Console	4-C1 ~ 4-J1
56	Body Panels (Floor)	3-C3 ~ 3-F3	68	Service Tools	4-K1 ~ 4-L1
56	Body Panels (Floor, Attachment)	3-G3	69	Attachment	4-C2 ~ 4-G2
55 60	Dashboard	3-C4 ~ 3-H4	69	Top Ceiling & Trim (Sedan & Coupe)	4-W2 ~ 4-J2
55 75	Meter	3-I4 ~ 3-M4	69	Floor Mat & Trim	4-F3 ~ 4-J3
57	Seat (Sedan & Coupe) (With Head Restraint)	3-C5 ~ 3-H5	70 71	Ventilator	4-C4 ~ 4-D4
57	Seat (Sedan) (Without Head Restraint)	3-I5 ~ 3-K5	70 71	Window Glass & Moulding (Sedan & Coupe)	4-E4 ~ 4-L4
57	Seat (Wagon) (With Head Restraint)	3-C6 ~ 3-G6	70 71	Window Glass & Moulding (Wagon)	4-C5 ~ 4-G5
57	Seat (Wagon) (Without Head Restraint)	3-H6 ~ 3-K6	72 73	Rear Side Window (Coupe)	4-C6 ~ 4-G6
58 59	Front Side Door (Body & Glass)	3-C7 ~ 3-H7	72 73	Rear Side Door (Glass & Body)	4-H6 ~ 4-M6
58 59	Front Side Door (Lock)	3-I7 ~ 3-L7	72 73	Rear Side Door (Lock)	4-C7 ~ 4-E7
61	Car Heater	3-C8 ~ 3-F8	09	Key Set	4-F7 ~ 4-H7
61 76	Heater Unit & Blower	3-G8 ~ 3-I8			
61 ~ 79	Car Cooler (1300 cc)	3-C9 ~ 3-I9			
61 ~ 79	Car Cooler (1600 cc)	3-C10 ~ 3-H10			
61	Engine Fast Idling Kit (1600 cc) (With Heater)	3-I10 ~ 3-J10			
61 76	Cooler Unit	3-K10 ~ 3-L10			
61 76	Compressor (Car Cooler)	3-C11 ~ 3-E11			
62 63	Back Door (Wagon)	3-F11 ~ 3-I11			
66 89	Lamps (Front)	3-C12 ~ 3-E12			
66 89	Lamps (Rear) (Sedan & Coupe)	3-F12 ~ 3-H12			
	(For U.K. Used up to 76/7)				
	(For Australia (1600 cc) Used up to 77/1)				
66 89	Lamps (Rear) (Sedan & Coupe)	3-C13 ~ 3-F13			
	(For U.K. Used From 76/8)				
	(For Australia (1600 cc) Used From 77/2)				



Mazda 808/818 R.H.D. ('75 ~ '78) Final

© 1979 Toyo Kogyo Co., Ltd.  
February 1979 (Final Edition)

70 71	Ventilator	4-C4 ~ 4-D4
70 71	Window Glass & Moulding (Sedan & Coupe)	4-E4 ~ 4-L4

TEXT-FRAME



Group No.	Description	Location	Group No.	Description	Location
50	Bumper & Grille	3-C1 ~ 3-E1	66 89	Lamps (Rear) (Wagon)	3-G13 ~ 3-I13
52	Bonnet & Trunk Lid	3-F1 ~ 3-H1	66 67	Electric Equipment (Body)	3-C14 ~ 3-J14
51 ~ 70	Body Panels (Front)	3-I1 ~ 3-J1	66 87	Windshield Wiper	3-K14 ~ 3-M14
53 ~ 54	Body Panels (Side, Coupe)	3-C2 ~ 3-E2	66 87	Screen Washer	3-N14
53 ~ 54	Body Panels (Side, Sedan)	3-F2 ~ 3-H2	66	Auto Radio & Stereo	3-C15 ~ 3-E15
53 ~ 54	Body Panels (Side, Wagon)	3-I2 ~ 3-K2	68	Crush Pad, Glove Pocket & Console	4-C1 ~ 4-J1
56	Body Panels (Floor)	3-C3 ~ 3-F3	68	Service Tools	4-K1 ~ 4-L1
56	Body Panels (Floor Attachment)	3-G3	69	Attachment	4-C2 ~ 4-G2
55 60	Dashboard	3-C4 ~ 3-H4	69	Top Ceiling & Trim (Sedan & Coupe)	4-H2 ~ 4-J2
55 75	Meter	3-I4 ~ 3-M4	69	Top Ceiling & Trim (Wagon)	4-C3 ~ 4-E3
57	Seat (Sedan & Coupe) (With Head Restraint)	3-C5 ~ 3-H5	70 71	Floor Mat & Trim	4-F3 ~ 4-J3
57	Seat (Sedan) (Without Head Restraint)	3-I5 ~ 3-K5	70 71	Ventilator	4-C4 ~ 4-D4
57	Seat (Wagon) (With Head Restraint)	3-C6 ~ 3-G6	70 71	Window Glass & Moulding (Sedan & Coupe)	4-E4 ~ 4-L4
57	Seat (Wagon) (Without Head Restraint)	3-H6 ~ 3-K6	70 71	Window Glass & Moulding (Wagon)	4-C5 ~ 4-G5
58 59	Front Side Door (Body & Glass)	3-C7 ~ 3-H7	72 73	Rear Side Window (Coupe)	4-C6 ~ 4-G6
58 59	Front Side Door (Lock)	3-I7 ~ 3-L7	72 73	Rear Side Door (Glass & Body)	4-H6 ~ 4-M6
61	Car Heater	3-C8 ~ 3-F8	72 73	Rear Side Door (Lock)	4-C7 ~ 4-E7
61 76	Heater Unit & Blower	3-G8 ~ 3-I8	09	Key Set	4-F7 ~ 4-H7
61 ~ 79	Car Cooler (1300 cc)	3-C9 ~ 3-I9			
61 ~ 79	Car Cooler (1600 cc)	3-C10 ~ 3-H10			
61	Engine Fast Idling Kit (1600 cc) (With Heater)	3-I10 ~ 3-J10			
61 76	Cooler Unit	3-K10 ~ 3-L10			
61 76	Compressor (Car Cooler)	3-C11 ~ 3-E11			
62 63	Back Door (Wagon)	3-F11 ~ 3-I11			
66 89	Lamps (Front)	3-C12 ~ 3-E12			
66 89	Lamps (Rear) (Sedan & Coupe)	3-F12 ~ 3-H12			
	(For U.K. Used up to 76/7)				
	(For Australia (1600 cc) Used up to 77/1)				
66 89	Lamps (Rear) (Sedan & Coupe)	3-C13 ~ 3-F13			
	(For U.K. Used From 76/8)				
	(For Australia (1600 cc) Used From 77/2)				

Mazda 808/818 R.H.D. ('75 ~ '78) Final

© 1979 Toyo Kogyo Co., Ltd.  
February 1979 (Final Edition)

70 . 71 Window Glass &amp; Moulding (Wagon) . . . . . 4-C5 ~ 4-G5

TEXT-FRAME



Group No.	Description	Location	Group No.	Description	Location
50	Bumper & Grille	3C1 ~ 3E1	66. 89	Lamps (Rear) (Wagon)	3G13 ~ 3I13
52	Bonnet & Trunk Lid	3F1 ~ 3H1	66. 67	Electric Equipment (Body)	3C14 ~ 3J14
51 ~ 70	Body Panels (Front)	3I1 ~ 3J1	66. 87	Windshield Wiper	3K14 ~ 3M14
53 ~ 54	Body Panels (Side, Coupe)	3C2 ~ 3E2	66. 87	Screen Washer	3N14
53 ~ 54	Body Panels (Side, Sedan)	3F2 ~ 3H2	66	Auto Radio & Stereo	3C15 ~ 3E15
53 ~ 54	Body Panels (Side, Wagon)	3I2 ~ 3K2	68	Crush Pad, Glove Pocket & Console	4C1 ~ 4J1
56	Body Panels (Floor)	3C3 ~ 3F3	68	Service Tools	4K1 ~ 4L1
56	Body Panels (Floor, Attachment)	3G3	69	Attachment	4C2 ~ 4G2
55. 60	Dashboard	3C4 ~ 3H4	69	Top Ceiling & Trim (Sedan & Coupe)	4H2 ~ 4J2
55. 75	Meter	3I4 ~ 3M4	69	Top Ceiling & Trim (Wagon)	4C3 ~ 4E3
57	Seat (Sedan & Coupe) (With Head Restraint)	3C5 ~ 3H5	69	Floor Mat & Trim	4F3 ~ 4J3
57	Seat (Sedan) (Without Head Restraint)	3I5 ~ 3K5	70. 71	Ventilator	4C4 ~ 4D4
57	Seat (Wagon) (With Head Restraint)	3C6 ~ 3G6	70. 71	Window Glass & Moulding (Sedan & Coupe)	4E4 ~ 4L4
57	Seat (Wagon) (Without Head Restraint)	3H6 ~ 3K6	70. 71	Window Glass & Moulding (Wagon)	4C5 ~ 4G5
58. 59	Front Side Door (Body & Glass)	3C7 ~ 3H7	72. 73	Rear Side Window (Coupe)	4C6 ~ 4G6
58. 59	Front Side Door (Lock)	3I7 ~ 3L7	72. 73	Rear Side Door (Glass & Body)	4H6 ~ 4M6
61	Car Heater	3C8 ~ 3F8	72. 73	Rear Side Door (Lock)	4C7 ~ 4E7
61. 76	Heater Unit & Blower	3G8 ~ 3I8	09	Key Set	4F7 ~ 4H7
61 ~ 79	Car Cooler (1300 cc)	3C9 ~ 3I9			
61 ~ 79	Car Cooler (1600 cc)	3C10 ~ 3H10			
61	Engine Fast Idling Kit (1600 cc) (With Heater)	3I10 ~ 3J10			
61. 76	Cooler Unit	3K10 ~ 3L10			
61. 76	Compressor (Car Cooler)	3C11 ~ 3E11			
62. 63	Back Door (Wagon)	3F11 ~ 3I11			
66. 89	Lamps (Front)	3C12 ~ 3E12			
66. 89	Lamps (Rear) (Sedan & Coupe)	3F12 ~ 3H12			
	(For U.K. Used up to 76/7)				
	(For Australia (1600 cc) Used up to 77/1)				
66. 89	Lamps (Rear) (Sedan & Coupe)	3C13 ~ 3F13			
	(For U.K. Used From 76/8)				
	(For Australia (1600 cc) Used From 77/2)				

Mazda 808/818 R.H.D. ('75 ~ '78) Final

© 1979 Toyo Kogyo Co., Ltd.  
February 1979 (Final Edition)

72. 73      Rear Side Window (Coupe) ..... 4-C6 ~ 4-G6  
 72. 73      Rear Side Door (Glass & Body) ..... 4-H6 ~ 4-M6

TEXT-FRAME



Group No.	Description	Location	Group No.	Description	Location
50	Bumper & Grille	3-C1 ~ 3-E1	66 89	Lamps (Rear) (Wagon)	3-G13 ~ 3-I13
52	Bonnet & Trunk Lid	3-F1 ~ 3-H1	66 67	Electric Equipment (Body)	3-C14 ~ 3-J14
51 ~ 70	Body Panels (Front)	3-I1 ~ 3-J1	66 87	Windshield Wiper	3-K14 ~ 3-M14
53 ~ 54	Body Panels (Side, Coupe)	3-C2 ~ 3-E2	66 87	Screen Washer	3-N14
53 ~ 54	Body Panels (Side, Sedan)	3-F2 ~ 3-H2	66	Auto Radio & Stereo	3-C15 ~ 3-E15
53 ~ 54	Body Panels (Side, Wagon)	3-I2 ~ 3-K2	68	Crush Pad, Glove Pocket & Console	4-C1 ~ 4-J1
56	Body Panels (Floor)	3-C3 ~ 3-F3	68	Service Tools	4-K1 ~ 4-L1
56	Body Panels (Floor, Attachment)	3-G3	69	Attachment	4-C2 ~ 4-G2
55 60	Dashboard	3-C4 ~ 3-H4	69	Top Ceiling & Trim (Sedan & Coupe)	4-H2 ~ 4-J2
55 75	Meter	3-I4 ~ 3-M4	69	Top Ceiling & Trim (Wagon)	4-C3 ~ 4-E3
57	Seat (Sedan & Coupe) (With Head Restraint)	3-C5 ~ 3-H5	69	Floor Mat & Trim	4-F3 ~ 4-J3
57	Seat (Sedan) (Without Head Restraint)	3-I5 ~ 3-K5	70 71	Ventilator	4-C4 ~ 4-D4
57	Seat (Wagon) (With Head Restraint)	3-C6 ~ 3-G6	70 71	Window Glass & Moulding (Sedan & Coupe)	4-E4 ~ 4-L4
57	Seat (Wagon) (Without Head Restraint)	3-H6 ~ 3-K6	70 71	Window Glass & Moulding (Wagon)	4-C5 ~ 4-G5
58 59	Rear Side Door (Body & Glass)	3-C7 ~ 3-H7	72 73	Rear Side Window (Coupe)	4-C6 ~ 4-G6
58 59	Front Side Door (Lock)	3-I7 ~ 3-L7	72 73	Rear Side Door (Glass & Body)	4-H6 ~ 4-M6
61	Car Heater	3-C8 ~ 3-F8	72 73	Rear Side Door (Lock)	4-C7 ~ 4-E7
61 76	Heater Unit & Blower	3-G8 ~ 3-I8	09	Key Set	4-F7 ~ 4-H7
61 ~ 79	Car Cooler (1300 cc)	3-C9 ~ 3-I9			
61 ~ 79	Car Cooler (1600 cc)	3-C10 ~ 3-H10			
61	Engine Fast Idling Kit (1600 cc) (With Heater)	3-I10 ~ 3-J10			
61 76	Cooler Unit	3-K10 ~ 3-L10			
61 76	Compressor (Car Cooler)	3-C11 ~ 3-E11			
62 63	Back Door (Wagon)	3-F11 ~ 3-I11			
66 89	Lamps (Front)	3-C12 ~ 3-E12			
66 89	Lamps (Rear) (Sedan & Coupe)	3-F12 ~ 3-H12			
	(For U.K. Used up to 76/7)				
	(For Australia (1600 cc) Used up to 77/1)				
66 89	Lamps (Rear) (Sedan & Coupe)	3-C13 ~ 3-F13			
	(For U.K. Used From 76/8)				
	(For Australia (1600 cc) Used From 77/2)				

Mazda 808/818 R.H.D. ('75 ~ '78) Final

© 1979 Toyo Kogyo Co., Ltd.  
February 1979 (Final Edition)

72 73	Rear Side Door (Lock)	4-C7 ~ 4-E7
09	Key Set	4-F7 ~ 4-H7

TEXT-FRAME





PARTS NUMBER	PARTS COMP. LIST		FIG. NO.	FICHE INDEX	PARTS NUMBER	PARTS COMP. LIST		FIG. NO.	FICHE INDEX
	PAGE	PAGE				PAGE	PAGE		
0397 19 340	126-	6	007	1-C15	0338 19 443	125	009	1-J14	
0378 19 344	112		007	1-F13	0338 19 443	126-	19 009	1-M15	
0338 19 360	116		001	1-C14	1675 19 444A	125	004	1-J14	
0338 19 360	126-	10	001	1-F15	1675 19 444A	126-	19 004	1-M15	
0338 19 360A	116		001	1-C14	0338 19 446	125	003	1-J14	
0338 19 360A	126-	10	001	1-F15	0338 19 446	126-	19 003	1-M15	
0338 19 361	112		009	1-F13	0338 19 449	125	010	1-J14	
0338 19 361	126-	6	009	1-C15	0338 19 449	126-	19 010	1-M15	
0338 19 363	112		010	1-F13	0338 19 450A	125	011	1-J14	
0338 19 363	126-	6	010	1-C15	0338 19 450A	126-	19 011	1-M15	
0338 19 381A	126-	6	011	1-C15	0338 19 460	116	002	1-C14	
0378 19 381	112		011	1-F13	0338 19 460	126-	10 002	1-F15	
0338 19 384	112		012	1-F13	3959 19 460	116	002	1-C14	
0338 19 384	126-	6	012	1-C15	3959 19 460	126	002	1-K14	
0338 19 385A	126-	6	013	1-C15	0338 19 470	116	003	1-C14	
0378 19 385	112		013	1-F13	0338 19 470	126-	10 003	1-F15	
0338 19 386A	112		014	1-F13	3959 19 470	116	003	1-C14	
0338 19 386A	126-	6	014	1-C15	3959 19 470	126	003	1-K14	
0338 19 388A	112		015	1-F13	0338 19 475	116	004	1-C14	
0338 19 388A	126-	6	015	1-C15	0338 19 475	117	017	1-D14	
0338 19 389	112		016	1-F13	0338 19 475	126-	10 004	1-F15	
0338 19 389	126-	6	016	1-C15	0338 19 475	126-	11 016	1-G15	
0338 19 391B	126-	6	017	1-C15	0338 19 476	116	005	1-C14	
0378 19 391	112		017	1-F13	0338 19 476	117	018	1-D14	
0378 19 391A	112		017	1-F13	0338 19 476	126-	10 005	1-F15	
0338 19 393	112		018	1-F13	0338 19 476	126-	11 017	1-G15	
0338 19 393	126-	6	018	1-C15	0338 19 480	116	006	1-C14	
0842 19 394	112		018	1-F13	0338 19 480	117	019	1-D14	
0338 19 395	112		019	1-F13	0338 19 480	126-	10 006	1-F15	
0338 19 395	126-	7	019	1-D15	0338 19 480	126-	11 018	1-G15	
0338 19 397	113		020	1-G13	0338 19 486	116	008	1-C14	
0338 19 397	122		021	1-H14	0338 19 486	117	021	1-D14	
0338 19 397	126-	16	021	1-K15	0338 19 486	126-	10 007	1-F15	
0338 19 398	113		020	1-G13	0338 19 486	126-	11 019	1-G15	
0338 19 398	126-	7	020	1-D15	0338 19 487	116	009	1-C14	
0338 19 431	125		001	1-J14	0338 19 487	117	022	1-D14	
0338 19 431	126-	19	001	1-M15	0338 19 487	126-	10 008	1-F15	
0338 19 432	125		002	1-J14	0338 19 487	126-	11 020	1-G15	
0338 19 432	126-	19	002	1-M15	0338 19 488	116	010	1-C14	
0338 19 433	125		007	1-J14	0338 19 488	117	023	1-D14	
0338 19 433	126-	19	007	1-M15	0338 19 488	126-	10 009	1-F15	
0338 19 433A	125		007	1-J14	0338 19 488	126-	11 021	1-G15	
0338 19 433A	126-	19	007	1-M15	0338 19 493	116	007	1-C14	
0338 19 440	125		008	1-J14	0338 19 493	117	020	1-D14	
0338 19 440	126-	19	008	1-M15	0338 19 498	116	011	1-C14	

PARTS NUMBER	PARTS COMP. LIST PAGE	FIG. NO.	FICHE INDEX	PARTS NUMBER	PARTS COMP. LIST PAGE	FIG. NO.	FICHE INDEX
1889 28 012	147	001	2-F5	0866 28 350	148	017	2-G5
3728 28 012	143	001	2-C5	0866 28 353B	145	020	2-E5
0370 28 013A	143	001	2-C5	0866 28 591	145	022	2-E5
0376 28 013A	143	001	2-C5	0866 28 774	145	023	2-E5
0866 28 013A	143	001	2-C5	0223 28 775	148	011	2-G5
1137 28 013	147	001	2-F5	0259 28 778	148	012	2-G5
1889 28 013	147	001	2-F5	0329 32 013A	151	025	2-D6
0370 28 014A	143	001	2-C5	0866 32 014	151	026	2-D6
0376 28 014A	143	001	2-C5	8028 32 014	150	009	2-C6
0866 28 014A	143	001	2-C5	0329 32 015	151	027	2-D6
1137 28 014	147	001	2-F5	8028 32 015	150	010	2-C6
1889 28 014	147	001	2-F5	0329 32 016	152	028	2-E6
0866 28 019	143	001	2-C5	0866 32 018	152	032	2-E6
0866 28 019	143	001	2-C5	1003 32 018	151	020	2-D6
1137 28 019	147	001	2-F5	0866 32 019	152	029	2-E6
1889 28 019	147	001	2-F5	8028 32 020	150	011	2-C6
0259 28 110	147	003	2-F5	8028 32 029	150	012	2-C6
1881 28 110	144	002	2-D5	0370 32 030A	150	003	2-C6
0866 28 140B	144	006	2-D5	0866 32 031	152	030	2-E6
0899 28 140	148	019	2-G5	0866 32 033	152	031	2-E6
0866 28 143	144	007	2-D5	0370 32 037	150	004	2-C6
0379 28 150A	148	015	2-G5	8028 32 037	150	013	2-C6
1529 28 150	148	015	2-G5	0370 32 039	151	021	2-D6
0866 28 151	144	008	2-D5	0866 32 049	152	033	2-E6
0652 28 161	144	009	2-D5	0820 32 058A	152	036	2-E6
1529 28 161	148	006	2-G5	0208 32 059	152	037	2-E6
0899 28 170A	148	015	2-G5	0259 32 071	152	041	2-E6
1529 28 170	148	015	2-G5	1524 32 080A	152	040	2-E6
0585 28 180A	148	013	2-G5	0370 32 090	150	003	2-C6
0866 28 180A	144	011	2-D5	0866 32 100A	152	042	2-E6
0259 28 182	144	013	2-D5	0582 32 110	152		2-E6
1889 28 182	148	009	2-G5	8038 32 110	152		2-E6
0866 28 183A	144	014	2-D5	0305 32 119	154	054	2-G6
1529 28 183	148	008	2-G5	0305 32 119	158	017	2-J6
1529 28 183A	148	008	2-G5	1097 32 129	153	052	2-F6
0820 28 185	144	015	2-D5	0370 32 130A	152	038	2-E6
0585 28 190A	148	013	2-G5	8038 32 141	153	043	2-F6
0585 28 320	148	007	2-G5	0259 32 154	153	044	2-F6
0299 28 320	148	007	2-G5	0259 32 155	153	044	2-F6
0866 28 322	145	016	2-E5	0259 32 156	153	044	2-F6
0483 28 333	147	002	2-F5	0259 32 157	153	044	2-F6
0866 28 333C	145	017	2-E5	0259 32 160	153	045	2-F6
0443 28 343	148	020	2-G5	0259 32 163	153	046	2-F6
0866 28 343B	145	018	2-E5	0180 32 165A	153	047	2-F6
0866 28 350	145	019	2-E5	0180 32 171A	153	048	2-F6

PARTS NUMBER	PARTS COMP. LIST PAGE	FIG. NO.	FICHE INDEX	PARTS NUMBER	PARTS COMP. LIST PAGE	FIG. NO.	FICHE INDEX
0585 57 015	263	034	3-J6	0368 57 150C	255	002	3-C6
0585 57 015B	258	032	3-F6	0370 57 150B	244	002	3-C5
0585 57 015B	263	034	3-J6	0370 57 150B	255	002	3-C6
1508 57 015	258	033	3-F6	1518 57 150	251	002	3-I5
1508 57 015	263	035	3-J6	1518 57 150	261	002	3-H6
1508 57 015B	258	033	3-F6	1554 57 150B	244	002	3-C5
1508 57 015B	263	035	3-J6	0263 57 190	252	019	3-J5
1508 57 016	258	034	3-F6	0263 57 190	262	019	3-I6
1508 57 016	263	036	3-J6	0370 57 200A	247	024	3-F5
3462 57 016	258	034	3-F6	0370 57 200A	252	025	3-J5
3642 57 016	263	036	3-J6	0375 57 200	247	024	3-F5
0585 57 017	258	035	3-F6	0376 57 200	247	024	3-F5
0585 57 017	263	037	3-J6	0370 57 250	248	026	3-G5
3462 57 017	258	035	3-F6	0370 57 250	252	027	3-J5
3642 57 017	263	037	3-J6	0866 57 250	248	026	3-G5
0585 57 018	258	036	3-F6	1516 57 400A	257	023	3-E6
0585 57 018	263	038	3-J6	1516 57 400A	262	025	3-I6
1508 57 018	258	037	3-F6	1516 57 450A	257	025	3-E6
1508 57 018	263	039	3-J6	1516 57 450A	262	027	3-I6
0585 57 019	258	038	3-F6	1516 57 450B	257	025	3-E6
0585 57 019	263	040	3-J6	1513 57 550	244	002	3-C5
0710 57 022	258	039	3-F6	8037 57 610 00	249	078	3-H5
0710 57 022	263	041	3-J6	8037 57 610 00	259	078	3-G6
0710 57 023	258	040	3-F6	8041 57 610 00	249	078	3-H5
0710 57 023	263	042	3-J6	1517 57 700	244	001	3-C5
3629 57 080A	258	029	3-F6	1517 57 700	255	001	3-C6
3629 57 080A	263	031	3-J6	1519 57 700	244	001	3-C5
0368 57 100C	244	001	3-C5	1531 57 700	244	001	3-C5
0368 57 100C	255	001	3-C6	1531 57 700	255	001	3-C6
0370 57 100B	244	001	3-C5	3503 57 700	244	001	3-C5
0370 57 100B	255	001	3-C6	1517 57 750	244	002	3-C5
1513 57 100A	244	001	3-C5	1517 57 750	255	002	3-C6
1518 57 100	251	001	3-I5	3501 57 750	244	002	3-C5
1518 57 100	261	001	3-H6	3501 57 750	255	002	3-C6
1554 57 100A	244	001	3-C5	3503 57 750	244	002	3-C5
0257 57 109	252	022	3-J5	3501 57 800	247	024	3-F5
0257 57 109	262	022	3-I6	3503 57 800	247	024	3-F5
2155 57 109	247	020	3-F5	3518 57 800A	257	023	3-E6
2155 57 109	252	020	3-J5	3501 57 850	248	026	3-G5
2155 57 109	257	019	3-E6	3518 57 850A	257	025	3-E6
2155 57 109	262	020	3-I6	3518 57 850B	257	025	3-E6
0111 57 111	208	016	3-D1	1513 57 900A00	248	030	3-G5
0263 57 140	252	018	3-J5	1513 57 900B00	248	030	3-G5
0263 57 140	262	018	3-I6	1513 57 900C00	248	030	3-G5
0368 57 150C	244	002	3-C5	1750 57 900A00	248	030	3-G5

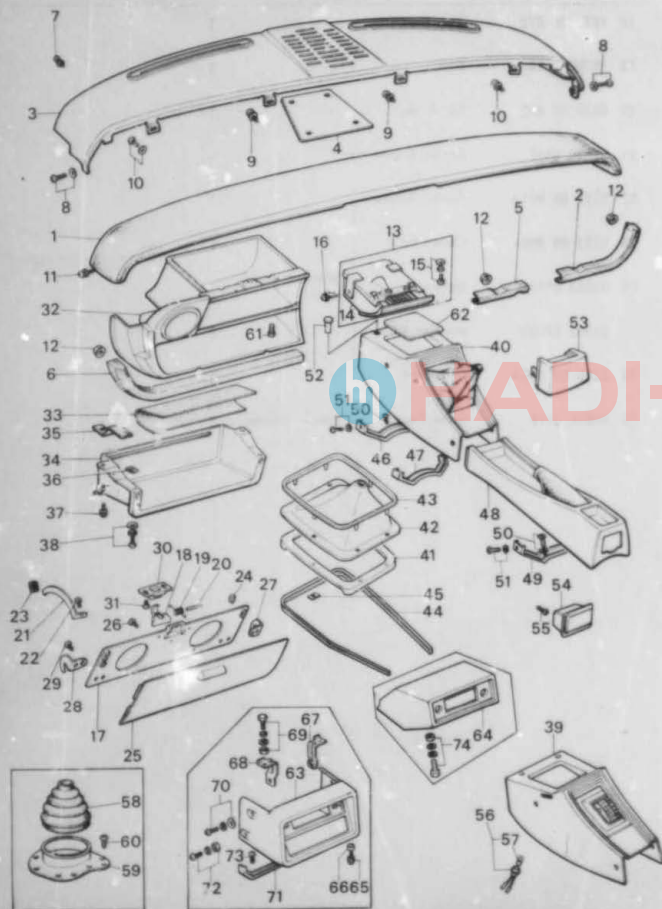
PARTS NUMBER	PARTS COMP. LIST PAGE	FIG. NO.	FICHE INDEX	PARTS NUMBER	PARTS COMP. LIST PAGE	FIG. NO.	FICHE INDEX
8056 69 660	363	001	4-F3	1513 69 870B00	357		4-J2
8056 69 660	363	001	4-F3	1514 69 870B00	357	019	4-J2
8056 69 660A	363	001	4-F3	1524 69 870C00	356	019	4-12
8056 69 660A	363	001	4-F3	1524 69 870C00	356	019	4-12
8056 69 660B	363	001	4-F3	0866 69 885	176	052	2-E9
8056 69 660B	363	001	4-F3	0866 69 885	177-	3 011	2-H9
8056 69 660C	363	001	4-F3	0866 69 885	356	018	4-12
8056 69 660C	363	001	4-F3	0376 69 941 00	352	015	4-E2
0518 69 670	347	002	4-K1	1510 70 050	221-	1 034	3-H2
1525 69 683	365-	2 020	4-J3	1514 70 050	218-	1 032	3-E2
8043 69 683	365-	1 020	4-13	1524 70 050	221-	1 034	3-H2
1525 69 684	365-	1 019	4-13	1524 70 050A	221-	1 034	3-H2
8043 69 684	365-	1 019	4-13	1524 70 050A	221-	1 034	3-H2
1525 69 685	365-	1 019	4-13	1524 70 050A	221-	1 034	3-H2
8043 69 687	365-	2 022	4-J3	1527 70 050	218-	1 032	3-E2
8043 69 687A	365-	2 022	4-J3	1527 70 050A	218-	1 032	3-E2
8043 69 687B	365-	2 022	4-J3	1527 70 050A	218-	1 032	3-E2
8043 69 687C	365-	2 022	4-J3	8038 70 120	215	023	3-J1
8043 69 688	365-	2 021	4-J3	8038 70 120A	215	023	3-J1
8043 69 688A	365-	2 021	4-J3	8038 70 160A	215	024	3-J1
8043 69 689	365-	2 023	4-J3	8038 70 210	375-	1 051	4-K4
8043 69 689A	365-	2 023	4-J3	8038 70 210	380-	1 051	4-G5
3719 69 692	365-	2 025	4-J3	8038 70 220	375-	052	4-K4
3723 69 692	365-	2 024	4-J3	8038 70 220	380-	052	4-G5
0899 69 696A	365-	2 026	4-J3	0317 70 269	341	024	4-E1
0899 69 696A	365-	2 026	4-J3	0317 70 307	367	002	4-C4
0899 69 696B	365-	2 026	4-J3	0866 70 310B	367	001	4-C4
0899 69 710A	360	018	4-D3	0866 70 313	367	003	4-C4
0899 69 711B	360	016	4-D3	0866 71 320	367	004	4-C4
0899 69 712B	360	017	4-D3	0866 70 330A	367	005	4-C4
0899 69 715A	360	020	4-D3	0866 70 341A	367	006	4-C4
0899 69 717A	360	021	4-D3	0866 70 342	367	007	4-C4
0899 69 718A	360	022	4-D3	0866 70 343	367	009	4-C4
0899 69 721B	360	023	4-D3	0866 70 351	368	018	4-D4
0899 69 723B	360	024	4-D3	0866 70 351A	368	018	4-D4
0899 69 724B	360	025	4-D3	0866 70 352	368	019	4-D4
0899 69 730A	360	019	4-D3	0866 70 360C	367	015	4-C4
0866 69 811 00	342	034	4-F1	0866 70 365	367	012	4-C4
0866 69 821A	342	035	4-F1	0866 70 366	367	013	4-C4
0376 69 870B00	357	019	4-J2	0866 70 367	367	014	4-C4
0866 69 870C00	356	019	4-12	0370 70 371	368	021	4-D4
0870 69 870B00	357	019	4-J2	0866 70 371	368	021	4-D4
1510 69 870B00	356	019	4-12	0866 70 395	367	016	4-C4
1511 69 870B00	356	019	4-12	0866 70 401A	352	017	4-E2
1513 69 870A00	357	019	4-J2	0866 70 412	234	014	3-D4



NUMBER	PARTS COMP. LIST PAGE	FIG. NO.	FICHE INDEX	PARTS NUMBER	PARTS COMP. LIST PAGE	FIG. NO.	FICHE INDEX
70 6440	177-	5 043	2-J9	9954 10 2211	126-	8 040	1-E15
4 30 6140	055	021	1-D7	9954 30 550	016	022	1-D2
4 80 6150	055	020	1-D7	9954 30 5501	017		1-E2
4 90 6150	055	021	1-D7	9956 21 000	035-	2 004	1-F4
4 70 6150	055	021	1-D7	9956 21 000	198	002	2-F11
9934 80 6190	055	021	1-D7	9956 21 000	199-	3 002	2-I11
9934 80 8180	058	017	1-F7	9956 21 200	198	003	2-F11
9934 80 8180	059-	2 016	1-H7	9956 21 200	199-	5 029	2-K11
9934 80 8400	058	009	1-F7	9956 21 200	199-	5 029	2-K11
9934 80 8410	058	009	1-F7	9956 40 800	005	009	1-F1
9934 80 8410	059-	2 008	1-H7	9956 40 800	035-	4 044	1-H4
9934 80 8435	054	012	1-C7	9956 40 800	038-	2 003	1-K4
9934 80 8640	059	018	1-G7	9956 40 800	038-	2 004	1-K4
9934 80 8640	059-	2 017	1-H7	9956 41 000	038-	2 007	1-K4
9935 10 600	109	024	1-D13	9956 41 000	038-	3 021	1-L4
9938 10 600	126-	3 023	1-M14	9956 41 000	081-	1 032	1-I9
9938 11 000	110	038	1-E13	9956 41 000	109	025	1-D13
9938 11 000	126-	4 035	1-N14	9956 41 000	126-	3 024	1-M14
9938 11 400	061	016	1-C8	9956 41 000	185	002	2-D10
9938 10 8410	059-	6 020	1-K7	9956 41 000	256	047	3-F9
9950 22 000	153	050	2-F6	9956 41 000	296	003	3-I10
9950 24 000	080	009	1-G9	9956 41 200	020	014	1-G2
9950 31 000	011	012	1-K1	9956 41 400	011	025	1-K1
9950 33 000	011	013	1-K1	9956 41 400	017		1-E2
9950 33 000	035-	2 002	1-F4	9956 41 400	019	002	1-F2
9950 34 000	011	014	1-K1	9956 41 400	110	039	1-E13
9951 00 800	005	009	1-F1	9956 41 400	126-	4 036	1-N14
9951 00 800	038-	2 004	1-K4	9956 41 600	035-	4 031	1-H4
9951 11 000	038-	2 007	1-K4	9956 41 800	062	017	1-D8
9951 11 200	011	022	1-K1	9956 41 800	278	029	3-E8
9951 11 200	020	014	1-G2	9956 41 800	278	030	3-E8
9951 11 400	011	025	1-K1	9956 42 000	007	042	1-H1
9951 11 400	019	002	1-F2	9956 42 000	038-	2 010	1-K4
9951 11 800	278	030	3-E8	9956 42 000	071	005	1-J8
9951 12 000	007	042	1-H1	9956 42 000	278	027	3-E8
9951 12 000	038-	2 010	1-K4	9957 32 500	086-	1 035	1-G10
9954 10 0901	017		1-E2	9957 32 500	123	034	1-I14
9954 10 0901	031-	1 039	1-M3	9957 32 500	126-	17 034	1-L15
9954 10 1601	114	034	1-H13	9957 32 800	083	002	1-C10
9954 10 1601	126-	8 034	1-E15	9957 33 000	083	002	1-C10
9954 10 1801	017		1-E2	9957 43 500	067	009	1-G8
9954 10 1801	064	010	1-E8	9957 44 200	071	009	1-J8
9954 10 2101	081	020	1-H9	9957 50 300	183	009	2-C10
9954 10 2101	114	040	1-H13	9957 50 400	320	022	3-H13
9954 10 2211	081	020	1-H9	9957 50 500	202	010	2-D12

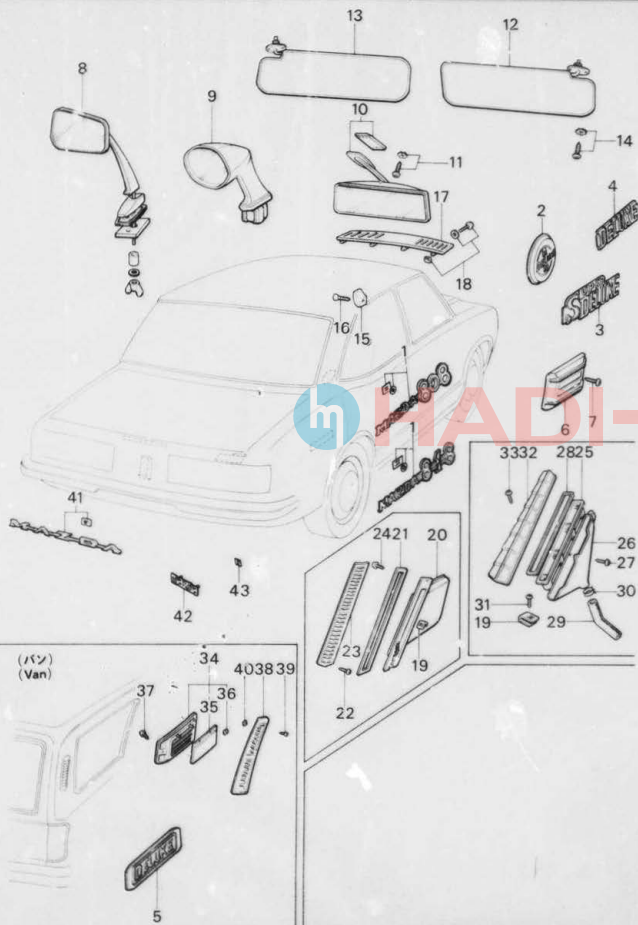
PARTS NUMBER	PARTS COMP. LIST PAGE	FIG. NO.	FICHE INDEX	PARTS NUMBER	PARTS COMP. LIST PAGE	FIG. NO.	FICHE INDEX
9997 10 600	310	043	3-I11	9997 10 800	190	024	2-H10
9997 10 600	319	009	3-G13	9997 10 800	191	049	2-I10
9997 10 600	323	012	3-C14	9997 10 800	195	008	2-D11
9997 10 600	324	024	3-D14	9997 10 800	196	017	2-E11
9997 10 600	326	036	3-F14	9997 10 800	202	012	2-D12
9997 10 600	326	037	3-F14	9997 10 800	205	028	2-D13
9997 10 600	328-	1 066	3-I14	9997 10 800	246	010	3-E5
9997 10 600	333	015	3-N14	9997 10 800	251	010	3-I5
9997 10 600	342	037	4-F1	9997 10 800	256	010	3-D6
9997 10 600	345	069	4-I1	9997 10 800	261	010	3-H6
9997 10 600	383	016	4-D6	9997 10 800	272	023	3-J7
9997 10 600	385	043	4-F6	9997 10 800	285	041	3-E9
9997 10 600	389	011	4-I6	9997 10 800	287	067	3-G9
9997 10 601	088	002	1-H10	9997 10 800	287	068	3-G9
9997 10 800	012	040	1-L1	9997 10 800	287	069	3-G9
9997 10 800	020	019	1-G2	9997 10 800	287	070	3-G9
9997 10 800	031	034	1-L3	9997 10 800	288	079	3-H9
9997 10 800	031	036	1-L3	9997 10 800	288	086	3-H9
9997 10 800	035-	2 006	1-F4	9997 10 800	289	088	3-I9
9997 10 800	035-	2 007	1-F4	9997 10 800	291	010	3-C10
9997 10 800	035-	4 042	1-H4	9997 10 800	291	012	3-C10
9997 10 800	038-	3 014	1-L4	9997 10 800	291	013	3-C10
9997 10 800	040	009	1-C5	9997 10 800	295	054	3-G10
9997 10 800	052	044	1-K6	9997 10 800	296	070	3-H10
9997 10 800	052-	4 041	1-N6	9997 10 800	296	072	3-H10
9997 10 800	067	012	1-G8	9997 10 800	325	025	3-E14
9997 10 800	071	014	1-J8	9997 10 800	394	022	4-D7
9997 10 800	072		1-K8	9997 11 000	075	005	1-C9
9997 10 800	076	011	1-D9	9997 11 000	077	017	1-E9
9997 10 800	076	012	1-D9	9997 11 000	077	018	1-E9
9997 10 800	080	011	1-G9	9997 11 000	077	019	1-E9
9997 10 800	102	022	1-E12	9997 11 000	077	021	1-E9
9997 10 800	102-	1 026	1-F12	9997 11 000	102	024	1-E12
9997 10 800	128-	2 005	2-E1	9997 11 000	102	025	1-E12
9997 10 800	131-	1 015	2-E2	9997 11 000	109	020	1-D13
9997 10 800	131-	1 015	2-E2	9997 11 000	139	009	2-D4
9997 10 800	133	012	2-F2	9997 11 000	144	010	2-D5
9997 10 800	136-	10 034	2-I3	9997 11 000	144	012	2-D5
9997 10 800	144	003	2-D5	9997 11 000	147	004	2-F5
9997 10 800	144	004	2-D5	9997 11 000	148	016	2-G5
9997 10 800	147	005	2-F5	9997 11 000	154	055	2-G6
9997 10 800	148	014	2-G5	9997 11 000	158	018	2-J6
9997 10 800	153	049	2-F6	9997 11 000	160	012	2-C7
9997 10 800	169	015	2-D8	9997 11 000	160	014	2-C7
9997 10 800	172	019	2-F8	9997 11 000	162	027	2-E7

 HADI-MAZDA  
*Club*

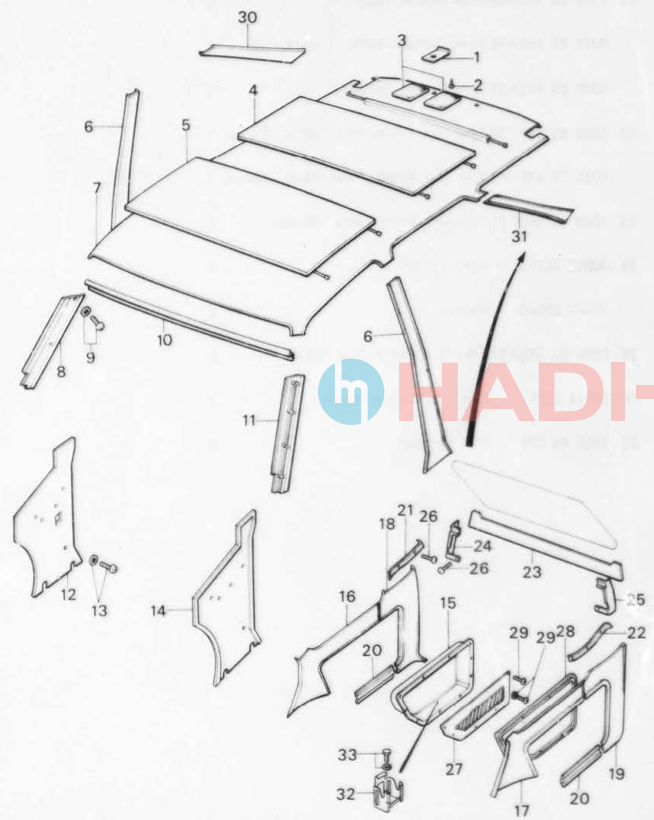


No.	Part Number	Description	Qty	Remarks
1	0665 68 020C00	Pad, Crush (BLK)	1	
	0865 68 020C09	Pad, Crush (BLK)	1	75/9 ~ X
	0866 68 020C20	Pad, Crush (BRN)	1	
	0866 68 020C30	Pad, Crush (GRY)	1	76/8 ~ Added Anew
2	0625 68 040C00	Pad (R), Lower (BLK)	1	
	0865 68 040C09	Pad (R), Lower (BLK)	1	75/9 ~ X Order by 0865 68 040D 09
	0866 68 040C20	Pad (R), Lower (BRN)	1	Order by 0866 68 040D 20
	0866 68 040C30	Pad (R), Lower (GRY)	1	76/8 ~ Added Anew
	0866 68 040D30	Pad (R), Lower (GRY)	1	77/5 ~ Δ
3	0866 68 090B00	Garnish (BLK)	1	
4	0866 68 095	Cover, Cloth	1	
5	0369 68 060B00	Pad, No. 2 (R), Lower (BLK)	1	
	0369 68 060B09	Pad, No. 2 (R), Lower (BLK)	1	75/9 ~ X
	0371 68 060B20	Pad, No. 2 (R), Lower (BRN)	1	
	0371 68 060B30	Pad, No. 2 (R), Lower (GRY)	1	76/8 ~ Added Anew
6	0370 68 140B00	Pad (L), Lower (BLK)	1	
	0370 68 140B09	Pad (L), Lower (BLK)	1	75/9 ~ X
	0372 68 140B20	Pad (L), Lower (BRN)	1	
	0372 68 140B30	Pad (L), Lower (GRY)	1	76/8 ~ Added Anew
7	99833 0516B	Screw	2	
	99952 0500B	Washer, Plain	2	

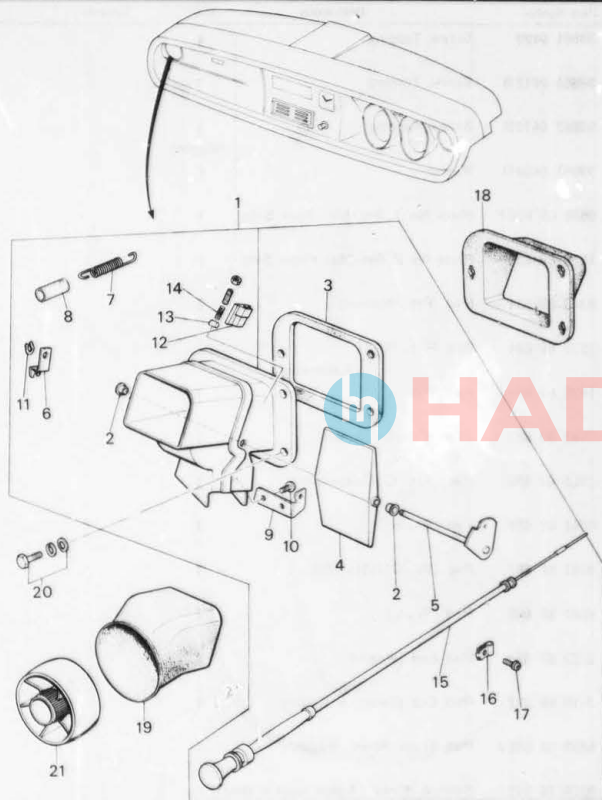




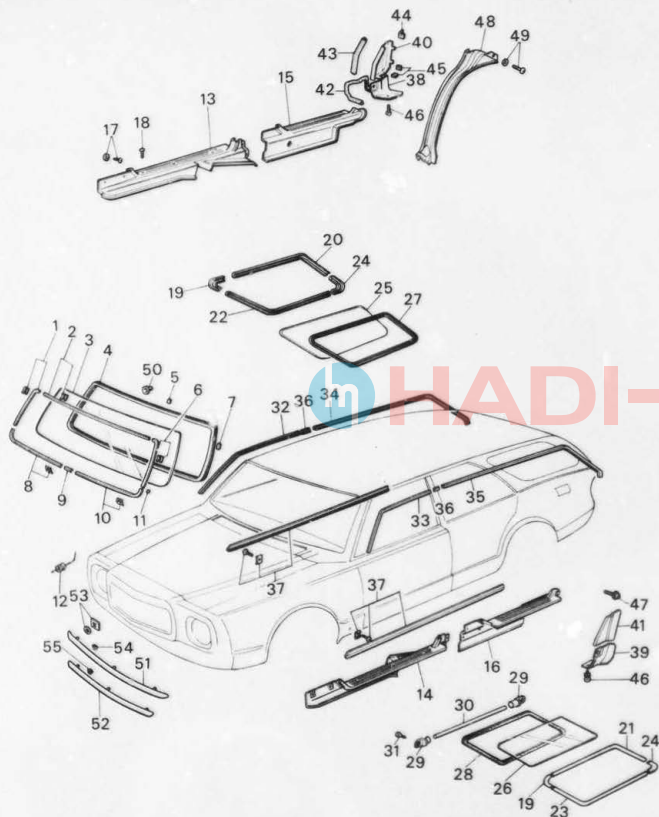
No.	Part Number	Description	Qty	Remarks
1	4524 69 053	Name, MAZDA808	2	
	1531 69 053	Name, MAZDA808	2	Selective use From Car No. 1
	1525 69 053	Name, MAZDA818	2	
	1532 69 053	Name, MAZDA818	2	From Car No. 1
	99579 3000	Nut, Speed-Name	8	
	0730 69 057A	Gasket	6	
2	0368 69 055A	Ornament, DELUXE (1511, 1518, 2652, 3474)	2	
	1511 69 055	Ornament, DELUXE (1511, 1518, 2652, 3474)	2	77/9 ~ Δ
•	0368 69 055A	Ornament, DELUXE (1511, 1518, 2652, 3474)	2	77/10 ~ ○
3	1562 69 055A00	Ornament, Super DX. (AMB)	2	
	1562 69 055A02	Ornament, Super DX. (BLU)	2	(1514, 1520, 8834)
4	0374 69 055A	Ornament, DX. (1513, 3475)	2	
5	0583 69 055	Ornament, DX. (1516, 1522)	2	
6	0862 69 061	Base, Ornament (R)	1	
	0862 69 065	Base, Ornament (L)	1	(Coupe)
7	99863 0414	Screw, Tapping-Base	4	
8	0866 69 110A	Mirror (R), Rear View	1	
	0866 69 130A	Mirror (L), Rear View	1	(1518, 1522, 3474)
	1511 69 110B	Mirror (R), Rear View (1510 ~ 1516) (1600 cc Australia)	1	
9	1057 69 110	Mirror (R), Rear View	1	
	1057 69 130	Mirror (L), Rear View	1	(1520, 3475)
10	0310 69 170	Mirror, Interior	1	
	0407 69 170	Mirror, Interior	1	75/11 ~ X
	0310 69 170	Mirror, Interior	1	76/3 ~ Δ
	3954 69 220	Mirror, Interior (British)	1	77/10 ~ X
11	99831 0516	Screw, Interior Mirror	2	
	99952 0500	Washer, Plain	2	



No.	Part Number	Description	Q'ty	Remarks
1	0585 69 341B00	Plate, Fixing-Rear (BLK)	2	
2	99862 0512C	Screw, Tapping-Rear Fixing Plate	2	
	99967 0500A	Washer	2	
3	0419 68 021	Cushion, Wire	2	
4	0585 69 311A	Lining, Head	2	
5	0866 69 311A	Lining, Head	1	
6	0866 69 461B36	Trim, Center (BRN) (BLK)	2	
	0866 69 461B37	Trim, Center (BLK) (BRN)	2	
	0866 69 461B38	Trim, Center (BEIG)	2	
7	0585 69 290-31	Ceiling Top (BEIG)	1	
8	0866 69 411-00	Trim (R), Front Pillar (BLK)	1	
9	99862 0412B	Screw, Tapping-Trim	4	
10	0866 69 321	Plate, Fixing-Front	1	
11	0866 69 431-00	Trim (L), Front Pillar (BLK)	1	
12	0866 69 360C01	Trim (R), Front Side (BLK)	1	
	0866 69 360D02	Trim (R), Front Side (BLK)	1	76/6 ~ X
	0866 69 360E02	Trim (R), Front Side (BLK)	1	78/1 ~ X
13	99862 0512B	Screw, Tapping-Trim	4	
	99967 0500B	Washer	4	
14	0866 69 380D01	Trim (L), Front Side (BLK)	1	
	0459 69 380 02	Trim (L), Front Side (BLK)	1	76/6 ~ X
15	1529 70 920A01	Pocket, Side (BLK)	1	
	1529 70 920A15	Pocket, Side (BRN) (BEIG)	1	



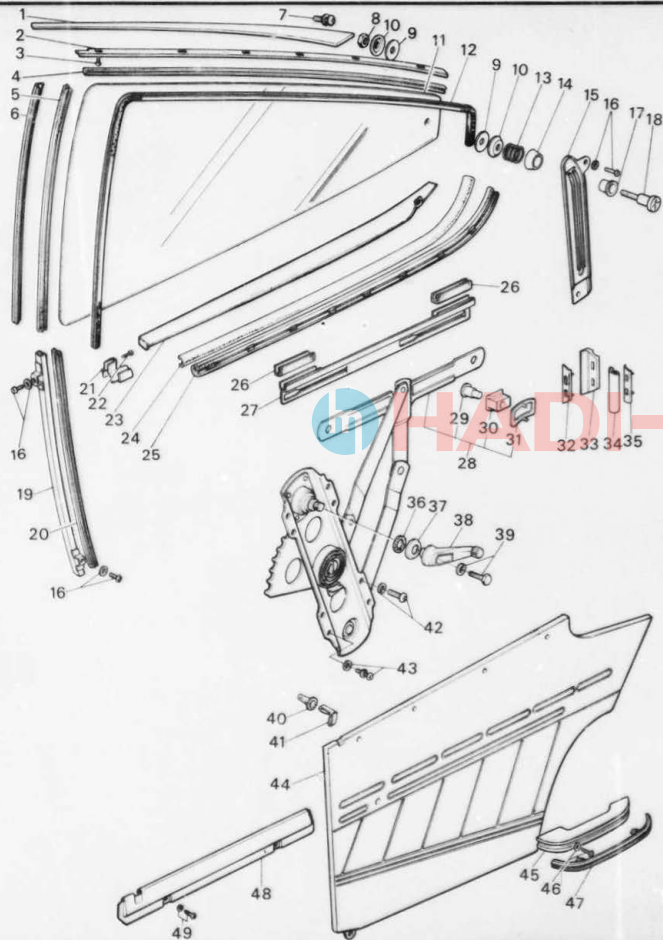
No.	Part Number	Description	Q'ty	Remarks
1	0866 70 310B	Ventilator (R)	1	
	0866 71 310B	Ventilator (L)	1	
2	0317 70 307	Bush	4	
3	0866 70 313	Gasket	2	
4	0866 70 320	Flap	2	
5	0866 70 330A	Lever	2	
6	0866 70 341A	Lever	2	
7	0866 70 342	Spring	2	
8	99335 0800B	Pipe	2	
9	0866 70 343	Bracket (R)	1	
	0866 71 343	Bracket (L)	1	
10	99864 0410	Screw, Tapping	4	
11	99576 0400	Ring, Snap	2	
12	0866 70 365	Holder, Spring	2	
13	0866 70 366	Roller	2	
14	0866 70 367	Spring	2	
15	0866 70 360C	Wire, Ventilator Control	2	
16	0866 70 395	Clamp, Wire	2	
17	99833 0410	Screw, Clamp	2	
	99971 0400	Washer, Spring	2	



No.	Part Number	Description	Q'ty	Remarks
1	0866 99 743A	Mould Set (R), Front	1	
2	0866 99 741	Mould Set, Front-Upper	1	
3	0368 70 441	Glass, Front Window (Transparent)	1	
	0370 70 441	Glass, Front Window (Blue Pane)	1	
	1531 70 441	Glass, Front Window (Transparent H.P.R.)	1	
	1540 70 441	Glass, Front Window	1	
	1540 70 441A	Glass, Front Window (Blue Pane H.P.R.)	1	76/9 ~ Δ
	1540 70 441B	Glass, Front Window (Blue Pane H.P.R.)	1	77/9 ~ Δ
4	1011 63 902	Dam, Front Window Glass	1	Order by 1243 63 902
	8052 63 902	Dam, Front Window Glass	1	77/3 ~ Δ
5	0839 70 449	Spacer "C"	2	
6	0866 99 744	Mould Set (L), Front	1	
7	0305 70 448A	Spacer "B"	2	
8	0866 99 742	Mould Set (R), Front-Lower	1	
9	0866 70 454	Joint, Front Mould	1	Order by 0866 70 540
	0866 70 454A	Joint, Front Mould	1	75/11 ~ Δ
9-1	1011 50 506A	Clip-Moulding	19	
10	0866 99 745	Mould Set (L), Front-Lower	1	
11	0305 70 447B	Spacer "A"	3	
12	0259 52 301	Grommet	1	
13	0866 70 801B-00	Plate (R), Scarf-Front (BLK)	1	

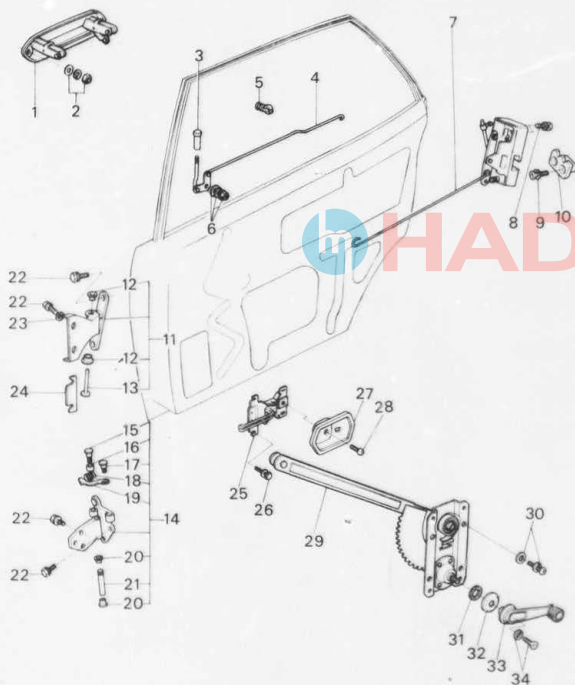


## REAR SIDE WINDOW (COUPE)



## REAR SIDE WINDOW (COUPE)

No.	Part Number	Description	Q'ty	Remarks
1	0376 72 855	Mould (R), Quarter Line	1	
	0376 73 855	Mould (L), Quarter Line	1	
2	0376 72 771	Retainer (R)	1	
	0376 73 771	Retainer (L)	1	
3	99864 0408	Screw, Weatherstrip	8	
4	0376 72 761	Weatherstrip	1	
	0376 73 761	Weatherstrip	1	
5	0376 72 605	Channel, Glass Run	2	
6	0376 72 851B00	Garnish (R) (BLK)	1	
	0376 73 851B00	Garnish (L) (BLK)	1	
7	99865 0410	Screw Set, Quarter Line Mould	2	
	99952 0412	Washer, Plain	2	
8	99906 0500	Nut	2	
9	0839 70 525	Washer	4	
10	0839 70 526	Seat	4	
11	0376 72 501 A	Glass (R), Window	1	
	0376 72 501B	Glass (R), Window	1	(Blue Pane) 76/9 ~ Δ
	0376 72 501C	Glass (R), Window	1	77/9 ~ Δ
	0376 73 501A	Glass (L), Window	1	
	0376 73 501B	Glass (L), Window	1	76/9 ~ Δ
	0376 73 501C	Glass (L), Window	1	77/9 ~ Δ
	0374 72 501 A	Glass (R), Window	1	(Transparent)
	0374 73 501 A	Glass (L), Window	1	
12	0376 72 755A00	Welt, Seaming (BLK)	2	



No.	Part Number	Description	Q'ty	Remarks
1	0866 72 410 A	Handle (R), Outer Side	1	
•	0866 72 410 B	Handle (R), Outer Side	1	78/4 ~ Δ
	0866 73 410 A	Handle (L), Outer Side	1	
•	0866 73 410 B	Handle (L), Outer Side	1	78/4 ~ ○
2	99906 0500	Nut, Outer Side Handle	4	
	99951 0618	Washer, Plain	4	
	99971 0500	Washer, Spring	4	
3	0259 58 691	Knob	2	
4	1524 72 330 B	Rod (R)	1	
	0866 72 330 B	Rod (R)	1	From Car No. 1
	1524 73 330 B	Rod (L)	1	
	0866 73 330 B	Rod (L)	1	From Car No. 1
5	0305 58 309	Holder, Rod	4	
6	99940 0600	Nut, Flange-Door Lock	2	
7	0866 72 310 G	Lock (R), Door	1	
	0866 72 310 H	Lock (R), Door	1	76/1 ~ X
	0866 73 310 G	Lock (L), Door	1	
	0866 73 310 H	Lock (L), Door	1	76/1 ~ X
8	99832 0630	Screw, Door	1	
	99974 0600	Washer, Toothed	1	
	99975 0600	Washer	1	
9	1540 58 370	Screw, Rack	4	
10	0866 58 361 C	Rack (R)	1	
	0866 59 361 C	Rack (L)	1	
11	0866 72 210 B	Hinge "A" (R)	1	
	1004 72 210	Hinge "A" (R)	1	76/2 ~ ○

PARTS NUMBER	PARTS COMP. LIST PAGE	FIG. NO.	FICHE INDEX	PARTS NUMBER	PARTS COMP. LIST PAGE	FIG. NO.	FICHE INDEX
1510 09 010	397	027	4-F7	8072 10 155	029	019	1-J3
1510 09 010	397	027	4-F7	0221 10 161	006	019	1-G1
1510 09 010A	397		4-F7	0221 10 161	016		1-D2
1511 09 010D	397	027	4-F7	0221 10 171	006	020	1-G1
1511 09 010D	397	027	4-F7	0221 10 181	006	021	1-G1
1511 09 010D	397	027	4-F7	0221 10 181	017		1-E2
1511 09 010E	397	027	4-F7	0324 10 191	002	002	1-C1
1511 09 010E	397	027	4-F7	0324 10 210B	003	014	1-D1
1511 09 010E	397	027	4-F7	0370 10 220	003	013	1-D1
1513 09 010	397	027	4-F7	0370 10 220A	003	013	1-D1
1515 09 010	397	027	4-F7	0370 10 220B	003	013	1-D1
1515 09 010A	397	027	4-F7	0453 10 220A	006	023	1-G1
1516 09 010D	397	027	4-F7	0453 10 220B	006	023	1-G1
1516 09 010D	397	027	4-F7	0459 10 220	006	023	1-G1
1516 09 010D	397	027	4-F7	0305 10 222C	006	024	1-G1
1516 09 010	397	027	4-F7	0305 10 223	006	026	1-G1
1516 09 010E	397	027	4-F7	0324 10 223	003	017	1-D1
1516 09 010E	397	027	4-F7	0324 10 224	003	018	1-D1
8038 09 010B	397	027	4-F7	0453 10 225	006	027	1-G1
8038 09 010B	397	027	4-F7	0305 10 229	006	028	1-G1
8043 09 010	398	027	4-G7	0324 10 229A	003	015	1-D1
8060 09 010B	397	027	4-F7	0324 10 229A	013	1	1-N1
8060 09 010B	398	027	4-G7	0107 10 231	015	001	1-C2
1879 10 100	002	001	1-C1	0221 10 231	007	035	1-H1
1879 10 100A	002	001	1-C1	0221 10 231	017		1-E2
1942 10 100	005	001	1-F1	0324 10 231	003	022	1-D1
1942 10 100A	005	001	1-F1	0324 10 231	013	1	1-N1
1942 10 100C	005	001	1-F1	0221 10 235A	007	036	1-H1
3956 10 100	002	001	1-C1	0221 10 235A	017		1-E2
3956 10 100A	002	001	1-C1	0324 10 235	003	023	1-D1
0221 10 106	002	007	1-C1	0324 10 235	013	1	1-N1
0221 10 106	005	002	1-F1	0324 10 237	003	024	1-D1
0221 10 108	005	003	1-F1	0305 10 242B	006	029	1-G1
0221 10 108	015	004	1-C2	0305 10 245B	006	030	1-G1
0290 10 109A	005	004	1-F1	0459 10 246	006	031	1-G1
0118 10 112	005	005	1-F1	0324 10 250	003	020	1-D1
0221 10 122	005	006	1-F1	0324 10 250	007	037	1-H1
0221 10 135	005	013	1-F1	0453 10 250	003	020	1-D1
0324 10 135	002	009	1-C1	0453 10 250	007	037	1-H1
0305 10 150	005	016	1-F1	0324 10 252	003	021	1-D1
0305 10 150A	005	016	1-F1	0324 10 252	007	038	1-H1
0305 10 155	028	001	1-I3	0222 10 271A	007	039	1-H1
0324 10 155	002	008	1-C1	0222 10 271A	007	039	1-H1
8072 10 155	002	008	1-C1	0222 10 271D	007	039	1-H1
8072 10 155	028	001	1-I3	0222 10 271D	016		1-D2

PARTS NUMBER		PARTS COMP. LIST PAGE	FIG. NO.	FICHE INDEX	PARTS NUMBER		PARTS COMP. LIST PAGE	FIG. NO.	FICHE INDEX
0338 19 498		117	024	1-D14	0338 19 511		117	028	1-D14
0338 19 498		126- 10	010	1-F15	0338 19 511	126- 11	026	1-G15	
0338 19 498		126- 11	022	1-G15	0338 19 515	126- 11	027	1-G15	
0338 19 499		116	012	1-C14	0378 19 515	17	029	1-D14	
0338 19 499		117	025	1-D14	0338 19 530	17	030	1-D14	
0338 19 499		126- 10	011	1-F15	0338 19 530	126- 12	028	1-H15	
0338 19 499		126- 11	023	1-G15	0338 19 531	117	031	1-D14	
0338 19 500		116	013	1-C14	0338 19 531	126- 12	029	1-H15	
0338 19 500		117	026	1-D14	0338 19 533	117	032	1-D14	
0338 19 500		126- 10	012	1-F15	0338 19 533	126- 12	030	1-H15	
0338 19 500		126- 11	024	1-G15	0338 19 534	117	033	1-D14	
0338 19 500A		116	013	1-C14	0338 19 534	126- 12	031	1-H15	
0338 19 500A		117	026	1-D14	0338 19 540	118	034	1-E14	
0338 19 500A		126	012	1-K14	0338 19 540	126- 12	032	1-H15	
0338 19 500A		126	024	1-K14	0338 19 550	118	035	1-E14	
0338 19 503		116	014	1-C14	0338 19 550	126- 12	033	1-H15	
0338 19 503		126- 10	013	1-F15	0338 19 560	118	036	1-E14	
1758 19 503		116	014	1-C14	0338 19 560	126- 12	034	1-H15	
1758 19 503		126- 10	013	1-F15	0338 19 565	118	037	1-E14	
0338 19 504		116	014	1-C14	0338 19 565	126- 12	035	1-H15	
0338 19 504		126- 10	013	1-F15	0338 19 566	118	038	1-E14	
1758 19 504		116	014	1-C14	0338 19 566	126- 12	036	1-H15	
1758 19 504		126- 10	013	1-F15	0338 19 567	118	039	1-E14	
0338 19 505		116	014	1-C14	0338 19 567	126- 12	037	1-H15	
0338 19 505		126- 10	013	1-F15	0338 19 570	118	040	1-E14	
1758 19 505		116	014	1-C14	0338 19 570	126- 12	038	1-H15	
1758 19 505		126- 10	013	1-F15	0338 19 580	121	001	1-G14	
0338 19 506		116	014	1-C14	0338 19 580	126- 15	001	1-J15	
0338 19 506		126- 11	013	1-G15	0338 19 581	121	002	1-G14	
1758 19 506		116	014	1-C14	0338 19 581	126- 15	002	1-J15	
1758 19 506		126- 11	013	1-G15	0338 19 590	121	003	1-G14	
0338 19 507		116	014	1-C14	0338 19 590	126- 15	003	1-J15	
0338 19 507		126- 11	013	1-G15	0338 19 591	121	004	1-G14	
1758 19 507		116	014	1-C14	0338 19 591	126- 15	004	1-J15	
1758 19 507		126- 11	013	1-G15	0338 19 593	121	005	1-G14	
0338 19 508		116	014	1-C14	0338 19 593	126- 15	005	1-J15	
0338 19 508		126- 11	013	1-G15	0338 19 594	121	006	1-G14	
1758 19 508		116	014	1-C14	0338 19 594	126- 15	006	1-J15	
1758 19 508		126- 11	013	1-G15	0338 19 595	121	007	1-G14	
0338 19 509		117	015	1-D14	0338 19 595	126- 15	007	1-J15	
0338 19 509		117	027	1-D14	0338 19 596	12	008	1-G14	
0338 19 509		126- 11	014	1-G15	0338 19 596	126- 15	008	1-J15	
0338 19 509		126- 11	025	1-G15	0338 19 598	118	041	1-E14	
0338 19 510		126- 11	015	1-G15	0338 19 598	126- 12	039	1-H15	
0378 19 510		117	016	1-D14	0338 19 601	121	009	1-G14	



PARTS NUMBER	PARTS COMP. LIST PAGE	FIG. NO.	FICHE INDEX	PARTS NUMBER	PARTS COMP. LIST PAGE	FIG. NO.	FICHE INDEX
0180 32 172A	153	048	2-F6	0221 33 035	160	009	2-C7
0180 32 173A	153	048	2-F6	0662 33 042	160	001	2-C7
0180 32 174A	153	048	2-F6	1011 33 043	160	002	2-C7
0259 32 182	152	039	2-E6	0259 33 047	160	003	2-C7
0208 32 188	155	067	2-H6	0317 33 049	160	004	2-C7
8038 32 220	154	056	2-G6	0662 33 049	160	004	2-C7
8038 32 261	157	001	2-I6	0398 33 065	160	006	2-C7
0200 32 273	166	029	2-I7	0259 33 071	160	007	2-C7
8545 32 278	154	057	2-G6	0317 33 075	160	008	2-C7
8545 32 278	154	057	2-G6	0820 33 091B	160	010	2-C7
0866 32 279	157	010	2-I6	0259 33 165	136-	1	038 2-J2
3527 32 279	154	057	2-G6	0259 33 165	162	028	2-F7
3527 32 279	157	004	2-I6	1029 33 165	136-	1	038 2-J2
8531 32 279	157	010	2-I6	1029 33 165	136-	5	034 2-E3
1273 32 301	165	025	2-H7	1029 33 165	162	028	2-E7
1273 32 301B	165	025	2-H7	8532 33 165	136	034	2-I2
1273 32 301C	165	025	2-H7	8532 33 165	136-	1	038 2-J2
8649 32 301A	165	025	2-H7	0866 33 251A	160	011	2-C7
1273 32 311	166	025	2-I7	0866 33 260A	160	013	2-C7
1273 32 311B	166	025	2-I7	0866 33 270A	160	013	2-C7
1273 32 311C	166	025	2-I7	0710 33 268	135	028	2-H2
8649 32 311A	166	025	2-I7	0187 33 391A	133	008	2-F2
0866 32 320B	157	009	2-I6	0613 33 681	134	017	2-G2
0866 32 329A	157	011	2-I6	0613 33 681	134	017	2-G2
0866 32 329B	157	011	2-I6	0613 33 681	134	017	2-G2
0866 32 330B	157	012	2-I6	0613 33 681	134	017	2-G2
0866 32 341	157	013	2-I6	0259 33 691	134	018	2-G2
0305 32 365	157	006	2-I6	0259 33 691	136-	3	014 2-C3
0866 32 411	154	050	2-G6	0259 33 691	136-	7	015 2-F3
8038 32 411	154	060	2-G6	0259 33 691	185	012	2-D10
0370 32 412	154	061	2-G6	0259 33 693	134	019	2-G2
0866 32 420	154	064	2-G6	0259 33 693	136-	3	015 2-C3
2244 32 423	154	062	2-G6	0259 33 693	136-	7	016 2-F3
0866 32 425	154	063	2-G6	0259 33 693	185	011	2-D10
0483 32 800	150	001	2-C6	0820 33 693	162	025	2-E7
3608 32 800A	151	017	2-D6	0221 33 698	160	012	2-C7
8028 32 800	150	008	2-C6	0376 33 980	160	015	2-C7
8649 32 800	151	017	2-D6	0376 33 980	160	015	2-C7
0483 32 811	150	002	2-C6	0376 33 980	161	015	2-D7
8028 32 811	150	014	2-C6	0870 33 980C	160	015	2-C7
8033 32 811	151	018	2-D6	0870 33 980C	161	015	2-D7
8531 32 811	151	018	2-D6	1919 33 980	161	015	2-D7
0370 32 980	151	019	2-D6	3710 33 980	161	015	2-D7
0866 32 980	151	024	2-D6	0376 33 990	161	015	2-D7
8028 32 980	151	019	2-D6	0376 33 990	161	015	2-D7



PARTS COMP. LIST PAGE		FIG. NO.	FICHE INDEX	PARTS COMP. LIST PAGE		FIG. NO.	FICHE INDEX
1750 57 900B00	248	030	3-G5	0223 58 304A	384	030	4-E6
0305 57 909	249	035	3-H5	0259 58 305B	273	035	3-K7
0305 57 909	253	034	3-K5	0259 58 305B	384	036	4-E6
0305 57 909	259	044	3-G6	0305 58 309	271	005	3-I7
0305 57 909	264	046	3-K6	0305 58 309	393	005	4-C7
0305 57 920B	248	031	3-G5	0376 58 310H	271	008	3-I7
0305 57 920B00	253	032	3-K5	0376 58 310I	271	008	3-I7
0305 57 920B00	258	042	3-F6	0866 58 310H	271	008	3-I7
0305 57 920B00	264	044	3-K6	0866 58 310I	271	008	3-I7
1513 57 920A00	248	030	3-G5	0223 58 311	273	034	3-K7
1513 57 920B00	248	030	3-G5	0223 58 311	384	031	4-E6
1513 57 920C00	248	030	3-G5	0866 58 313	310	040	3-I11
1510 57 940A00	249	033	3-H5	0398 58 319A	274	041	3-L7
1510 57 940B00	249	033	3-H5	0398 58 319A	395	035	4-E7
1515 57 940 00	259		3-G6	0866 58 321B	273	027	3-K7
0376 58 010E	266	003	3-C7	0866 58 321B	394	025	4-D7
0866 58 010F	266	003	3-C7	0376 58 330C	271	004	3-I7
1510 58 010	266	003	3-C7	0376 58 330D	271	004	3-I7
1511 58 010D	266	003	3-C7	0866 58 330C	271	004	3-I7
1511 58 010D	266	003	3-C7	0866 58 330D	271	004	3-I7
1514 58 010	266	003	3-C7	0866 58 361C	272	011	3-J7
1554 58 010C	266	003	3-C7	0866 58 361C	393	010	4-C7
1554 58 010C	266	003	3-C7	0223 58 370D	273	037	3-K7
0866 58 020A	267	003	3-D7	0223 58 370D	384	038	4-E6
1511 58 020	267	003	3-D7	0223 58 370D	395	033	4-E7
1514 58 020	267	003	3-D7	1540 58 370	272	010	3-J7
1554 58 020A	267	003	3-D7	1540 58 370	393	009	4-C7
0866 58 201	273	024	3-K7	0223 58 375A00	273	036	3-K7
0866 58 210	272	012	3-J7	0223 58 375A00	384	037	4-E6
1011 58 231	273	025	3-K7	0223 58 375A00	395	032	4-E7
0866 58 240D	272	015	3-J7	0866 58 410B	271	001	3-I7
0866 58 281C	272	018	3-J7	0111 58 443	320	021	3-H13
0866 58 281C	394	016	4-D7	0305 58 492A	398	007	4-G7
0866 58 282B	272	016	3-J7	0368 58 501A	267	005	3-D7
0866 58 282B	394	015	4-D7	0374 58 501B	268	005	3-E7
0866 58 291B	272	020	3-J7	0376 58 501A	268	005	3-E7
0866 58 291B	394	019	4-D7	0376 58 501B	268	005	3-E7
0866 58 292B	272	019	3-J7	0376 58 501C	268	005	3-E7
0866 58 293	272	017	3-J7	0866 58 501A	267	005	3-D7
0866 58 293	394	017	4-D7	0866 58 501B	267	005	3-D7
0223 58 303A	273	032	3-K7	0866 58 501C	267	005	3-D7
0223 58 303A	384	029	4-E6	0305 58 505	269	012	3-F7
0866 58 303B00	273	029	3-K7	0824 58 546A	310	039	3-I11
0866 58 303B00	395	027	4-E7	1011 58 552	395	031	4-E7
0223 58 304A	273	033	3-K7	0866 58 560	273	031	3-K7

PARTS NUMBER	PARTS COMP. LIST PAGE		FIG. NO.	FICHE INDEX	PARTS NUMBER	PARTS COMP. LIST PAGE		FIG. NO.	FICHE INDEX
0866 70 412	353		019	4-F2	0375 70 471A	372		013	4-G4
0585 70 420A	353-	1	034	4-G2	0375 70 471B	372		013	4-G4
0866 70 420	353		020	4-F2	0375 70 471C	372		013	4-G4
8038 70 420	353		020	4-F2	0376 70 471A	372		013	4-G4
0376 70 421	353		025	4-F2	0376 70 471B	372		013	4-G4
0376 70 422	353		026	4-F2	0376 70 471C	372		013	4-G4
0535 70 423A	353-	1	035	4-G2	1510 70 471	371		013	4-F4
0376 70 426	353		028	4-F2	1511 70 471	371		013	4-F4
0866 70 426	353		021	4-F2	1514 70 471	372		013	4-G4
8038 70 426	353		021	4-F2	1523 70 471A	371		013	4-F4
0376 70 427	353		029	4-F2	1524 70 471A	371		013	4-F4
0376 70 428	353		030	4-F2	1534 70 471A	371		013	4-F4
0370 70 431F	353		023	4-F2	1534 70 471B	371		013	4-F4
0376 70 431A00	353		032	4-F2	1534 70 471C	371		013	4-F4
0376 70 431A02	353		032	4-F2	1535 70 471B	372		013	4-G4
0585 70 431	353-	1	038	4-G2	1535 70 471C	372		013	4-G4
0866 70 431E	353		023	4-F2	1554 70 471	372		013	4-G4
0368 70 441	370		007	4-E4	1562 70 471A	372		013	4-G4
0368 70 441	377		003	4-C5	1893 70 471	371		013	4-F4
0370 70 441	370		007	4-E4	1895 70 471	372		013	4-G4
0370 70 441	377		003	4-C5	0866 70 473	371		012	4-F4
0376 70 441	370		007	4-E4	0376 70 484A	372		014	4-G4
1531 70 441	370		007	4-E4	0866 70 484A	372		014	4-G4
1531 70 441	377		003	4-C5	0585 70 521C	379		027	4-E5
1540 70 441	370		007	4-E4	0839 70 521	383		018	4-D6
1540 70 441	377		003	4-C5	0839 70 522	383		017	4-D6
1540 70 441A	370		007	4-E4	0839 70 523A	383		014	4-D6
1540 70 441A	377		003	4-C5	0839 70 524	383		013	4-D6
1540 70 441B	370		007	4-E4	0839 70 525	382		009	4-C6
1540 70 441B	377		003	4-C5	0839 70 526	382		010	4-C6
1542 70 441	370		007	4-E4	0585 70 531A	378		020	4-D5
1542 70 441A	371		007	4-F4	0585 70 532A	378		022	4-D5
1542 70 441B	371		007	4-F4	0585 70 533A	378		019	4-D5
1568 70 441	371		007	4-F4	0585 70 534A	378		024	4-D5
0305 70 443B	371		009	4-F4	1529 70 551A	378		025	4-D5
0305 70 447B	371		010	4-F4	1544 70 551A	378		025	4-D5
0305 70 447B	377		011	4-C5	1544 70 551B	378		025	4-D5
0305 70 448A	371		010	4-F4	1544 70 551C	378		025	4-D5
0305 70 448A	377		007	4-C5	0652 70 691B	379		030	4-E5
0839 70 449	371		010	4-F4	0585 70 694A	379		029	4-E5
0839 70 449	377		005	4-C5	0585 70 710A	348		019	4-L1
0866 70 454	370		006	4-E4	0585 70 720A	348		015	4-L1
0866 70 454	377		009	4-C5	0585 70 730	348		016	4-L1
0866 70 454A	377		009	4-C5	0585 70 733A	348		017	4-L1
0374 70 471A	372		013	4-G4	0376 70 801B00	374		032	4-I4

PARTS NUMBER	PARTS COMP. LIST PAGE	FIG. NO.	FICHE INDEX	PARTS NUMBER	PARTS COMP. LIST PAGE	FIG. NO.	FICHE INDEX
9757 50 600	135	025	2-H2	9962 11 6113	136-	8	029 2-G3
9957 50 600	136-	3 010	2-C3	9962 11 6113	162		029 2-E7
9957 50 600	136-	7 010	2-F3	9962 13 1550	162		029 2-E7
9957 50 600	183	004	2-C10	9962 13 1553	135		029 2-H2
9957 50 600	191	047	2-I10	9962 13 1553	136-	8	029 2-G3
9957 50 600	205-	1 034	2-E13	9962 14 1550	162		029 2-E7
9957 60 400	281-	1 032	3-I8	9962 14 1553	135		029 2-H2
9957 60 400	367	011	4-C4	9962 22 6113	135		029 2-H2
9957 60 500	298	014	3-I10	9962 22 6113	136-	8	029 2-G3
9957 60 500	348	020	4-L1	9962 22 6113	162		029 2-E7
9957 60 600	183	016	2-C10	9962 24 6113	135		029 2-H2
9957 60 600	188	006	2-F10	9962 24 6113	136-	4	029 2-D3
9957 92 000	353-	1 036	4-G2	9962 24 6113	162		029 2-E7
9957 93 000	343	045	4-G1	9962 34 6118	162		029 2-E7
9957 93 000	350	001	4-C2	9962 34 6113	135		029 2-H2
9957 93 000	353-	1 043	4-G2	9962 34 6113	136-	8	029 2-G3
9957 94 000	150	007	2-C6	9962 35 6113	135		029 2-H2
9957 94 000	307	010	3-F11	9962 35 6113	136-	4	029 2-D3
9957 94 000	375-	2 053	4-L4	9962 35 6113	136-	8	029 2-G3
9957 94 000	380-	1 053	4-G5	9962 35 6113	162		029 2-E7
9958 61 0207	081	021	1-H9	9963 01 1553	136-	9	029 2-H3
9958 61 0207	114	041	1-H13	9963 01 6113	135		029 2-H2
9958 61 0207	126-	8 041	1-E15	9963 01 6113	136-	4	030 2-D3
9960 60 3020	291	005	3-C10	9963 01 6113	136-	9	029 2-H3
9960 62 2020	024	017	1-E3	9963 01 6113	162	1	029 2-F7
9960 63 3060	083	003	1-C10	9963 60 4113	162-	1	029 2-F7
9960 63 3560	083	003	1-C10	9963 60 4130	135		029 2-H2
9960 66 3040	086	026	1-F10	9963 60 4130	136-	4	031 2-D3
9960 66 3060	085	018	1-E10	9963 60 4130	136-	9	029 2-H3
9960 69 2020	067	008	1-G8	9965 24 453000	136		029 2-I2
9960 69 3020	071	010	1-J8	9965 24 453000	136-	9	029 2-H3
9961 11 500	086	023	1-F10	9965 24 453000	162-	1	029 2-F7
9961 11 500	123	035	1-I14	9965 25 4530	162-	1	029 2-F7
9961 11 500	126-	17 035	1-L15	9965 25 453000	136-	9	029 2-H3
9961 11 500	134	020	2-G2	9965 26 4530	136-	4	032 2-D3
9961 11 500	136-	3 016	2-C3	9965 26 453006	136-	9	029 2-H3
9961 11 500	136-	8 017	2-G3	9965 26 453008	136		029 2-I2
9961 11 500	185	013	2-D10	9965 26 453008	162-	1	029 2-F7
9961 11 750	112	003	1-F13	9965 27 4530	136-	4	032 2-D3
9961 11 750	126-	6 003	1-C15	9965 27 453006	136		029 2-I2
9961 12 000	112	008	1-F13	9965 27 453006	136-	9	029 2-H3
9961 12 000	126-	6 008	1-C15	9965 27 453006	162-	1	029 2-F7
9961 12 750	125	012	1-J14	9965 27 453008	162-	1	029 2-F7
9961 12 750	126-	19 012	1-M15	9965 53 0010	136		030 2-I2
9962 11 6113	135	029	2-H2	9965 53 0010	136-	5	033 2-E3

PARTS NUMBER	PARTS COMP. LIST PAGE	FIG. NO.	FICHE INDEX	PARTS NUMBER	PARTS COMP. LIST PAGE	FIG. NO.	FICHE INDEX
9997 11 000	164	016	2-G7				
9997 11 000	166- 1	036	2-J7				
9997 11 000	169	012	2-D8				
9997 11 000	169	013	2-D8				
9997 11 000	169	014	2-D8				
9997 11 000	190	022	2-H10				
9997 11 000	205	024	2-D13				
9997 11 000	287	064	3-G9				
9997 11 000	287	073	3-G9				
9997 11 000	291	009	3-C10				
9997 11 000	292	014	3-D10				
9997 11 200	166	033	2-I7				
9997 11 200	166	034	2-I7				
9997 11 400	125	006	1-J14				
9997 11 400	126- 19	006	1-M15				
9997 11 800	154	059	2-G6				
9997 11 800	172	021	2-F8				
9997 20 800	136- 3	009	2-C3				
9997 20 800	136- 7	009	2-F3				
9997 20 800	188	005	2-F10				
9997 20 800	205- 1	031	2-E13				
9997 21 400	205	024	2-D13				
9997 40 600	059- 3	032	1-I7				
9997 40 600	059- 6	029	1-K7				
9997 40 600	271	009	3-I7				
9997 40 600	393	008	4-C7				
9997 50 500	352	014	4-E2				
9997 50 600	271	009	3-I7				
9997 50 600	393	008	4-C7				
9997 91 000	061	009	1-C8				
9997 91 200	064	015	1-E8				
9997 93 000	030	029	1-K3				

MAZDA  
Club

 HADI-MAZDA  
*Club*



# Parts Catalog

RSTL-04

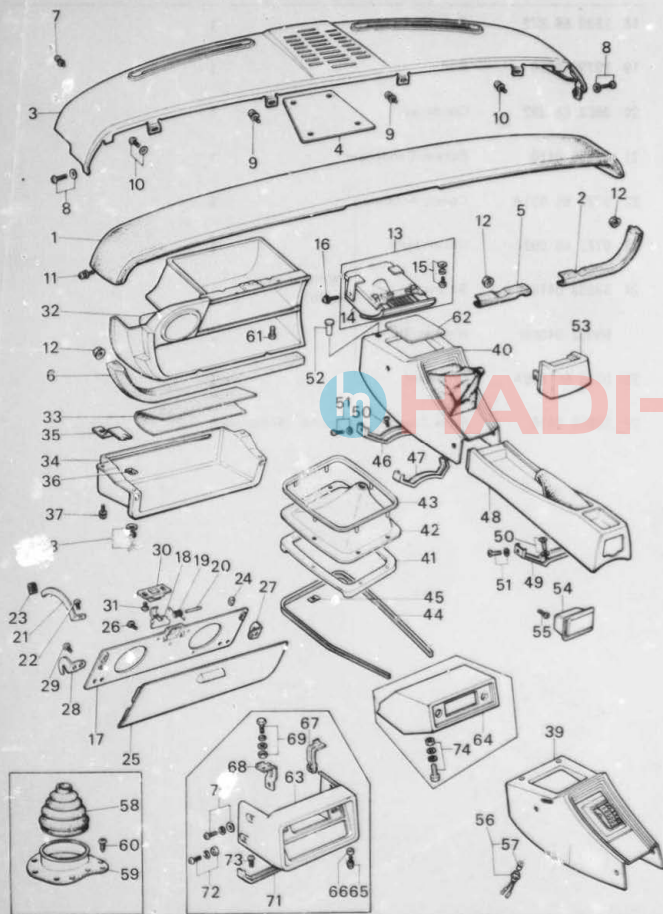
## Mazda 808 (818) R.H.D '75~'78

 *Club*

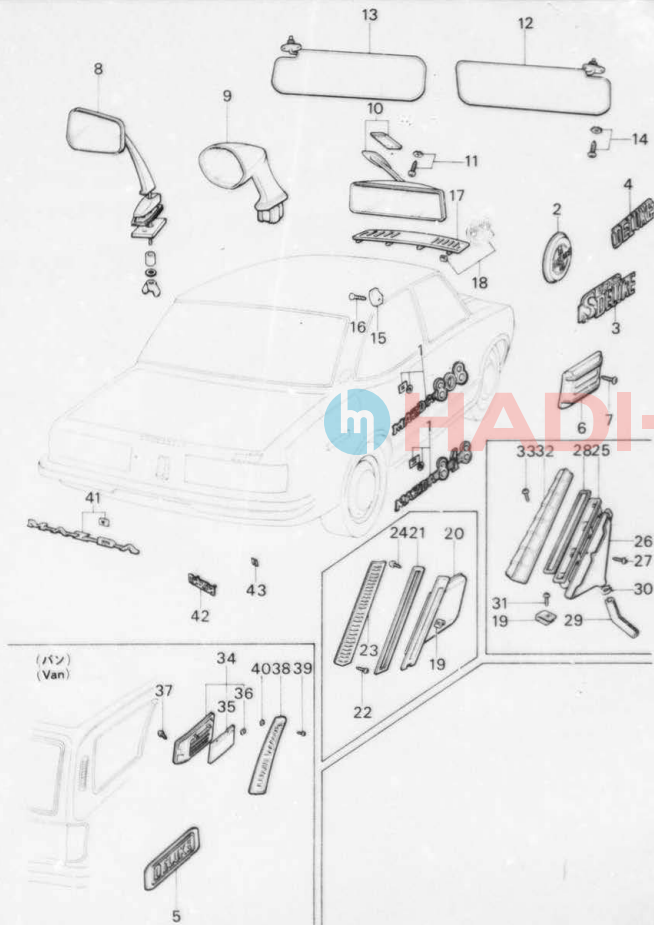


**Toyo Kogyo Co., Ltd.**

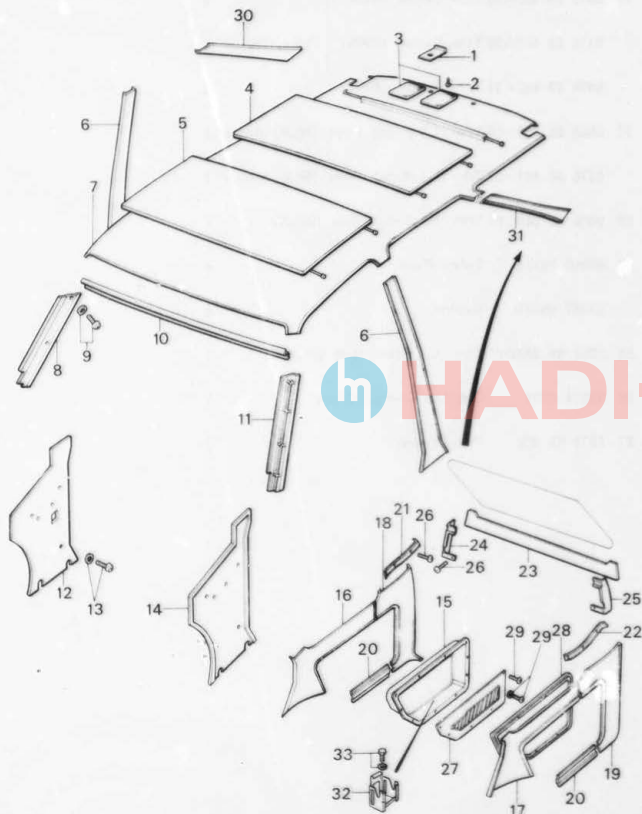
© 1979 Toyo Kogyo Co., Ltd.  
February 1979 (Final Edition)



No.	Part Number	Description	Qty	Remarks
	99971 0500	Washer, Spring	2	
8	99836 0516B	Screw	2	
	99967 0500B	Washer	2	
9	90830 0512B	Screw	2	
10	99833 0512	Screw, Crush Pad & Garnish	2	
	99865 0512	Screw, Tapping	2	
	99952 0500	Washer, Plain	2	
	99971 0500	Washer, Spring	2	
11	90830 0512B	Screw	2	
12	99940 0501	Nut, Pad Lower	6	
13	0370 68 180B00	Tray, Ash-Fror . (BLK)	1	
	0372 68 180A20	Tray, Ash-Front (BRN)	1	Selective use 1
	0372 68 180A30	Tray, Ash-Front (GRY)	1	76/8 ~ Added Anew
14	0370 64 630-00	Case, Inner (BLK)	1	Order by 0370 64 630
	0372 64 630 20	Case, Inner (BRN)	1	Selective use 1
	0372 64 630-30	Case, inner (GRY)	1	76/10 ~ Added Anew
15	99833 0512	Screw	2	
	99952 0500	Washer, Plain	2	
	99971 0500	Washer, Spring	2	



No.	Part Number	Description	Q'ty	Remarks
12	0866 69 210-00	Sun Visor (R) (BLK)	1	
	0866 69 210-25	Sun Visor (R) (BRN)	1	(Except Australia)
	<del>0866 69 210-31</del>	<del>Sun Visor (R) (GRY)</del>	<del>1</del>	1520, 1522, 3474, 3475
	0866 69 210-31	Sun Visor (R) (BEIG)	1	From Car No. 1
	1511 69 210-00	Sun Visor (R) (BLK)	1	
	1511 69 210-25	Sun Visor (R) (BRN)	1	(1300 cc Australia)
	<del>1511 69 210-31</del>	<del>Sun Visor (R) (GRY)</del>	<del>1</del>	
	1511 69 210 31	Sun Visor (R) (BEIG)	1	From Car No. 1
	1727 69 270-31	Sun Visor (R) (BEIG)	1	
	1727 69 270A-31	Sun Visor (R) (BEIG)	1	77/5 ~ Δ
	1727 69 270-09	Sun Visor (R) (BLK)	1	
	1727 69 270A-09	Sun Visor (R) (BLK)	1	77/5 ~ Δ
	1727 69 270-25	Sun Visor (R) (BRN)	1	(1600 cc Australia)
	1727 69 270A-25	Sun Visor (R) (BRN)	1	77/5 ~ Δ
	1727 69 270-32	Sun Visor (R) (GRY)	1	
	1727 69 270A-32	Sun Visor (R) (GRY)	1	77/5 ~ Δ
13	0866 69 240-00	Sun Visor (L) (BLK)	1	
	0866 69 240A00	Sun Visor (L) (BLK)	1	(Except Australia)
	0866 69 240-25	Sun Visor (L) (BRN)	1	77/9 ~ Δ
	<del>0866 69 240-31</del>	<del>Sun Visor (L) (GRY)</del>	<del>1</del>	1520, 1522, 3474, 3475
	0866 69 240A 31	Sun Visor (L) (BEIG)	1	From Car No. 1



No.	Part Number	Description	Q'ty	Remarks
	1529 70 920A 16	Pocket, Side (BEIG) (BRN)	1	

When ordering the following TRIMS  
add a colour code listed below after parts number instead of ©.

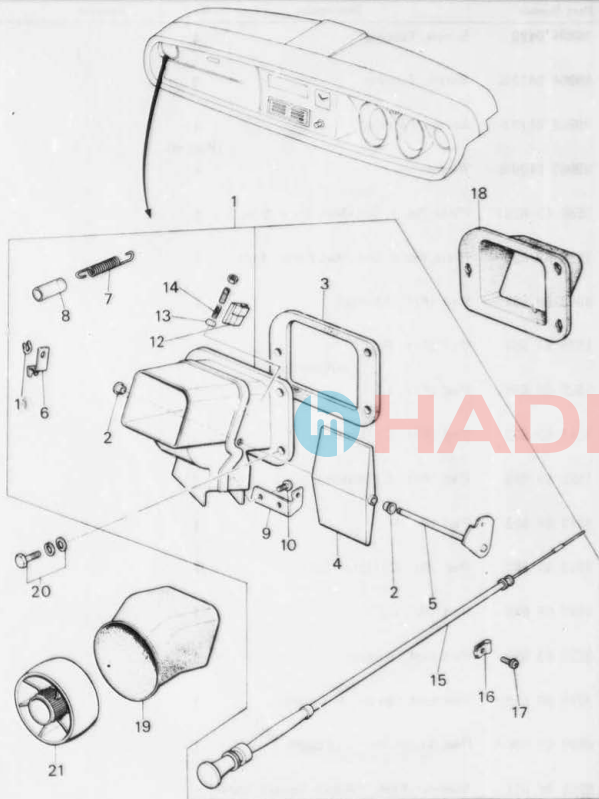
(BRN)	(BLK)	(BEIG)	(GRY)	Changed Date
-35	-37	-38		
-35	-37	-38	-36	76/10~

16	0899 69 711B C	Trim No. 1 (R), Rear Side	1	
17	0899 69 712B C	Trim No. 1 (L), Rear Side	1	
18	0899 69 710A C	Trim No. 2 (R), Rear Side	1	
19	0899 69 730A C	Trim No. 2 (L), Rear Side	1	
20	0899 69 715A C	Trim, Rear Side Lower	2	
21	0899 69 717A	Garnish (R), Rear Side Trim	1	
22	0899 69 718A	Garnish (L), Rear Side Trim	1	
23	0899 69 721B C	Trim, Back Door-Upper	1	
24	0899 69 723B	Garnish (R), Back Door Trim	1	
25	0899 69 724B	Garnish (L), Back Door Trim	1	
26	99864 0410 C	Screw, Tapping-Garnish	6	

When ordering the following POCKET COVER  
add a colour code listed below after parts number instead of ©.

(BLK)	(BEIG)	(BRN)	(GRY)	Changed Date
-01	-15	-16		
-01	-15	-16	-36	76/10~

**70 71** VENTILATOR



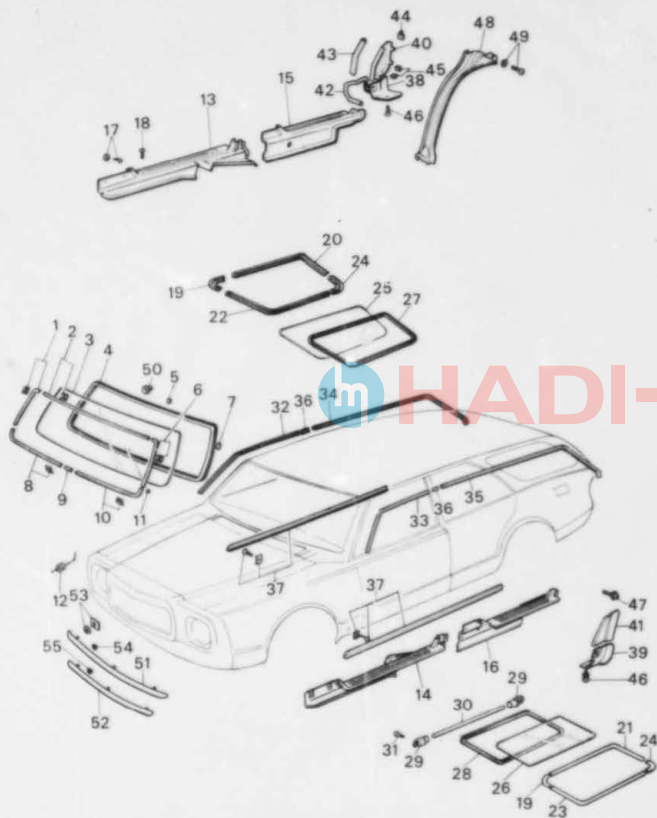
**70 71** VENTILATOR

No.	Part Number	Description	Q'ty	Remarks
18	0866 70 351	Gasket (R)	1	
	0866 70 351A	Gasket (R)	1	77/2~0
	0866 71 351	Gasket (L)	1	
	0866 71 351A	Gasket (L)	1	77/2~0
19	0866 70 352	Duct (R), Ventilator	1	
	0866 71 352	Duct (L), Ventilator	1	
20	90786 0620	Bolt, Ventilator	6	
21	0370 70 371	Louver (1514,1520 Excluded)	2	Order by 0370 70 371 00
	0866 70 371	Louver (1514,1520)	2	



70 71

## WINDOW GLASS &amp; MOULDING (WAGON)



- 376 -

4-D5

70 71

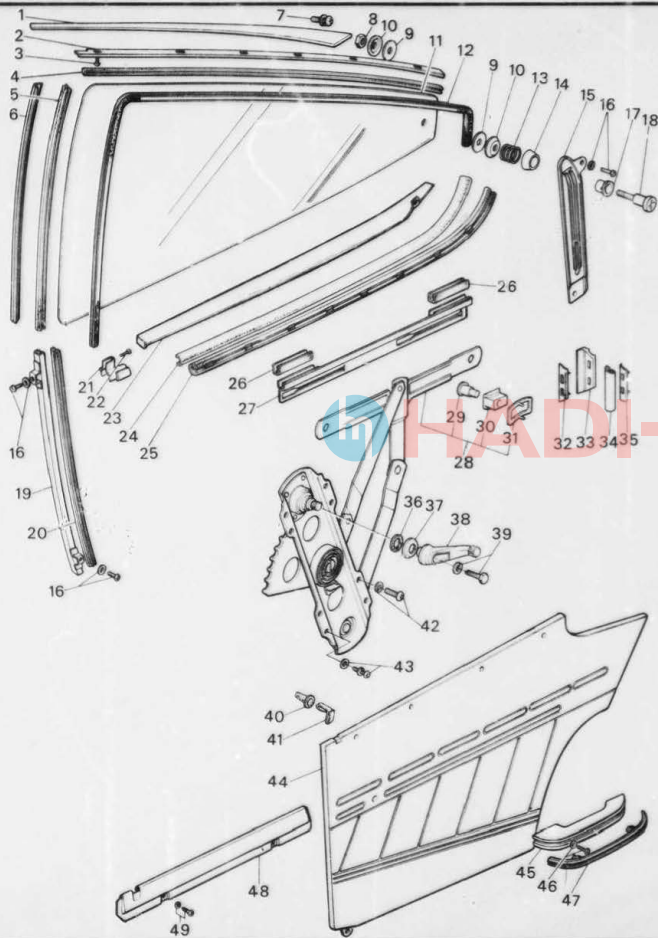
## WINDOW GLASS &amp; MOULDING (WAGON)

No.	Part Number	Description	Q'ty	Remarks
14	0866 71 801B-00	Plate (L), Scarf-Front (BLK)	1	
15	0866 70 802C-00	Plate (R), Scarf-Rear (BLK)	1	
16	0866 71 802C-00	Plate (L), Scarf-Rear (BLK)	1	
17	99864 0416B	Screw, Scarf Plate	2	
	99865 0416B	Screw, Scarf Plate	12	
	99952 0516B	Washer, Plain	2	
18	99862 0425B	Screw, Scarf Plate	10	
19	0585 70 533A	Joint (Fr.), Side	2	
20	0585 70 531A	Mould (R), Side-Upper	1	
21	0585 71 531A	Mould (L), Side-Upper	1	
22	0585 70 532A	Mould (R), Side-Lower	1	
23	0585 71 532A	Mould (L), Side-Lower	1	
24	0585 70 534A	Joint (Rr.), Side	2	
25	1529 70 551A	Glass (R), Rear Side (Transparent)	1	
	1544 70 551A	Glass (R), Rear Side (Blue Pane)	1	
	1544 70 551B	Glass (R), Rear Side (Blue Pane)	1	76/9 ~ Δ
	1544 70 551C	Glass (R), Rear Side (Blue Pane)	1	77/9 ~ Δ
26	1529 71 551A	Glass (L), Rear Side (Transparent)	1	
	1544 71 551A	Glass (L), Rear Side (Blue Pane)	1	
	1544 71 551B	Glass (L), Rear Side (Blue Pane)	1	76/9 ~ Δ

- 378 -

72 73

## REAR SIDE WINDOW (COUPE)



-381-

4-D6

72 73

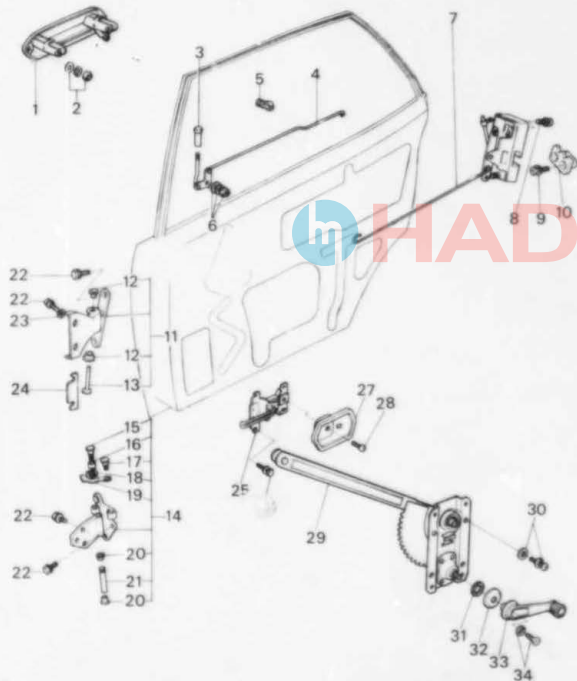
## REAR SIDE WINDOW (COUPE)

No.	Part Number	Description	Qty	Remarks
13	0839 70 524	Spring	2	
14	0839 70 523A	Seat, Spring	2	
15	0376 72 603	Guide "B" (R), Glass	1	
	0376 73 603	Guide "B" (L), Glass	1	
16	99806 0612	Bolt, Glass Guide	8	
	99951 0618	Washer, Plain	8	
	99971 0600	Washer, Spring	8	
17	0839 70 522	Roller	2	
18	0839 70 521	Pin	2	
19	0376 72 602	Guide "A" (R), Glass	1	
	0376 73 602	Guide "A" (L), Glass	1	
20	0376 72 606	Channel "B", Glass Run	2	
21	0376 72 881	Cover (R) (BLK)	1	
	0376 73 881	Cover (L) (BLK)	1	
22	99864 0410B	Screw, Cover	2	
23	0376 72 880	Mould (R), Beltline	1	
	0376 72 880A	Mould (R), Beltline	1	76/7 ~ Δ
	0376 73 880	Mould (L), Beltline	1	
	0376 73 880A	Mould (L), Beltline	1	76/7 ~ Δ
24	0376 72 781 C	Weatherstrip, Outer "A"	2	
25	0376 72 790	Weatherstrip, Inner "A" (R)	1	
	0376 73 790	Weatherstrip, Inner "A" (L)	1	

-383-

72 73 REAR SIDE DOOR (LOCK)

72 73 REAR SIDE DOOR (LOCK)



No.	Part Number	Description	Q'ty	Remarks
	0866 73 210B	Hinge "A" (L)	1	
	1004 73 210	Hinge "A" (L)	1	76/2 ~ O
12	0223 58 721	Bush	4	
13	0866 72 212A	Pin, Hinge	2	
14	0866 72 240C	Hinge "B" (R)	1	
	0866 73 240C	Hinge "B" (L)	1	
15	0866 58 282B	Pin "A"	2	
16	0866 58 281C	Roller	2	
17	0866 58 293	Pin "J"	2	
18	0866 72 292A	Spring, Check	2	
19	0866 58 291B	Lever, Check	2	
20	0223 58 721	Bush	4	
21	0187 58 731	Pin, Hinge	2	
22	99783 0830	Bolt, Hinge	20	
	99971 0800	Washer, Spring	20	
23	99951 0822	Washer, Plain-Hinge "A"	4	
24	0866 72 201	Shim, Hinge "A"-Selective use	-	
25	0866 58 321B	Handle, Inner	2	
26	99796 0508	Bolt Set, Inner Handle	6	

PARTS NUMBER	PARTS COMP. LIST PAGE	FIG. NO.	FICHE INDEX	PARTS NUMBER	PARTS COMP. LIST PAGE	FIG. NO.	FICHE INDEX
0222 10 271E	016		1-D2	0221 10 385	017		1-E2
0324 10 271C	002	010	1-C1	0249 10 385	011	021	1-K1
0324 10 271C	013-	1	1-N1	0249 10 385	013-	1	1-N1
8034 10 271A	002	010	1-C1	0305 10 400B	019	001	1-F2
8034 10 271A	013		1-M1	0305 10 400C	019	001	1-F2
8034 10 271A	013-	1	1-N1	0370 10 400B	011	024	1-K1
8034 10 271B	002	010	1-C1	0370 10 400C	011	024	1-K1
8034 10 271B	013		1-M1	0221 10 431	017		1-E2
8034 10 271B	013-	1	1-N1	0221 10 431	019	005	1-F2
0305 10 3001	015	003	1-C2	0324 10 431	012	026	1-L1
0370 10 300E	010	001	1-J1	0324 10 431	013-	1	1-N1
0370 10 300F	010	001	1-J1	1391 10 431	013		1-M1
0494 10 300	015	003	1-C2	1391 10 431	013-	1	1-N1
0494 10 300A	015	003	1-C2	0118 10 432	017		1-E2
2873 10 300	010	001	1-J1	0118 10 432	064	001	1-E8
3953 10 300	010	001	1-J1	0370 10 434	012	027	1-L1
0222 10 304	015	005	1-C2	0370 10 435	012	028	1-L1
0324 10 304C	010	002	1-J1	0370 10 436	012	029	1-L1
3953 10 304	010	002	1-J1	0370 10 437	012	030	1-L1
0324 10 305	010	003	1-J1	0305 10 450	016	020	1-D2
0221 10 306	015	006	1-C2	0305 10 450A	016	020	1-D2
0221 10 308	015	007	1-C2	0324 10 450	011	023	1-K1
0221 10 309	010	004	1-J1	0221 10 471A	016	021	1-D2
0221 10 309	015	008	1-C2	0222 10 500G	019	006	1-F2
1757 10 309	010	004	1-J1	0222 10 500H	019	006	1-F2
1757 10 309	015	008	1-C2	0370 10 500B	012	032	1-L1
0221 10 313	015	010	1-C2	0370 10 500C	012	032	1-L1
0222 10 316	015	011	1-C2	0221 10 502A	019	007	1-F2
0324 10 319	J10	005	1-J1	0222 10 503B	019	008	1-F2
0118 10 320	010	006	1-J1	0187 10 507B	012	033	1-L1
0118 10 320	015	012	1-C2	0187 10 507B	013-	1	1-N1
0488 10 321	010	006	1-J1	0222 10 511	016		1-D2
0488 10 321	015	012	1-C2	0222 10 511	020	015	1-G2
0324 10 325A	010	007	1-J1	0290 10 511	016		1-D2
0324 10 325B	010	007	1-J1	0290 10 511	020	015	1-G2
2228 10 325	015	013	1-C2	0324 10 511	012	036	1-L1
0221 10 327	011	019	1-K1	0324 10 511	013		1-M1
0221 10 327	015	016	1-C2	0222 10 512	016		1-D2
0221 .J 352	015	017	1-C2	0222 10 512	020	016	1-G2
0290 10 353	015	018	1-C2	0290 10 512	016		1-D2
0290 10 353	024	020	1-E3	0290 10 512	020	016	1-G2
0290 10 353	108	006	1-C13	0324 10 512	012	037	1-L1
0324 10 382	011	018	1-K1	0324 10 512	013		1-M1
0324 10 383	011	018	1-K1	0324 10 512	013-	1	1-N1
0221 10 385	016	019	1-D2	0221 10 521A	020	017	1-G2



PARTS NUMBER	PARTS COMP. LIST PAGE	FIG. NO.	FICHE INDEX	PARTS NUMBER	PARTS COMP. LIST PAGE	FIG. NO.	FICHE INDEX	
0338 19 601	126-	15	009	1-J15	0338 19 621	118	042	1-E14
0338 19 603	121		010	1-G14	0338 19 621	126- 12	040	1-H15
0338 19 603	126-	15	010	1-J15	0338 19 622	118	043	1-E14
0338 19 604	121		011	1-G14	0338 19 622	122	019	1-H14
0338 19 604	126-	15	011	1-J15	0338 19 622	126- 12	041	1-H15
0338 19 605	121		012	1-G14	0338 19 622	126- 16	019	1-K15
0338 19 605	126-	15	012	1-J15	0338 19 623	118	044	1-E14
0338 19 606	121		013	1-G14	0338 19 623	126- 12	042	1-H15
0338 19 606	126-	15	013	1-J15	0338 19 624	119	049	1-F14
0338 19 607	121		014	1-G14	0338 19 624	126- 13	047	1-I15
0338 19 607	126-	15	014	1-J15	0338 19 631	118	045	1-E14
0338 19 608	121		015	1-G14	0338 19 631	126- 12	043	1-H15
0338 19 608	126-	15	015	1-J15	0338 19 632	118	045	1-E14
0338 19 609	121		016	1-G14	0338 19 632	126- 12	043	1-H15
0338 19 609	126-	15	016	1-J15	0338 19 633	118	045	1-E14
0338 19 610	121		017	1-G14	0338 19 633	126- 12	043	1-H15
0338 19 610	121		017	1-G14	0338 19 634	118	045	1-E14
0338 19 610	126-	15	017	1-J15	0338 19 634	126- 13	043	1-I15
0338 19 610A	121		017	1-G14	0338 19 635	118	045	1-E14
0338 19 610A	126-	15	017	1-J15	0338 19 635	126- 13	043	1-I15
0338 19 613A	126-	16	018	1-K15	0338 19 636	118	045	1-E14
0378 19 613	121		018	1-G14	0338 19 636	126- 13	043	1-I15
0378 19 613	126-	16	018	1-K15	0338 19 638	118	046	1-E14
0338 19 614A	122		018	1-H14	0338 19 638	126- 13	044	1-I15
0338 19 614A	126-	16	018	1-K15	0338 19 639	119	047	1-F14
0378 19 614	122		018	1-H14	0338 19 639	126- 13	045	1-I15
0378 19 614	126-	16	018	1-K15	0338 19 641	119	048	1-F14
0338 19 615A	122		018	1-H14	0338 19 641	126- 13	046	1-I15
0338 19 615A	126-	16	018	1-K15	0338 19 642	119	048	1-F14
0378 19 615	122		018	1-H14	0338 19 642	126- 13	046	1-I15
0378 19 615	126-	16	018	1-K15	0338 19 643	119	048	1-F14
0338 19 616A	122		018	1-H14	0338 19 643	126- 13	046	1-I15
0338 19 616A	126-	16	018	1-K15	0338 19 644	119	048	1-F14
0378 19 616	122		018	1-H14	0338 19 644	126- 13	046	1-I15
0378 19 616	126-	16	018	1-K15	0338 19 645	119	048	1-F14
0338 19 617A	122		018	1-H14	0338 19 645	126- 13	046	1-I15
0338 19 617A	126-	16	018	1-K15	0338 19 646	119	048	1-F14
0378 19 617	122		018	1-H14	0338 19 646	126- 13	046	1-I15
0378 19 617	126-	16	018	1-K15	0338 19 647	119	048	1-F14
0338 19 618A	122		018	1-H14	0338 19 647	126- 13	046	1-I15
0338 19 618A	126-	16	018	1-K15	0378 19 650	122	020	1-H14
0378 19 618	122		018	1-H14	0378 19 650	126- 16	020	1-K15
0378 19 618	126-	16	018	1-K15	0338 19 651	122	022	1-H14
0338 19 619	123		036	1-I14	0338 19 651	126- 16	022	1-K15
0338 19 619	126-	17	036	1-L15	0338 19 655	122	023	1-H14

PARTS NUMBER	PARTS COMP. LIST PAGE	FIG. NO.	FICHE INDEX	PARTS NUMBER	PARTS COMP. LIST PAGE	FIG. NO.	FICHE INDEX
0376 33 990	161	015	2-D7	1540 34 800D	165	021	2-H7
0870 33 990C	161	015	2-D7	0866 34 910E	166-	1	037 2-J7
0870 33 990C	161	015	2-D7	0866 34 960E	166-	1	037 2-J7
1919 33 990	161	015	2-D7	8038 37 170	136	031	2-I2
3710 33 990	161	015	2-D7	8038 37 170	136-	9	031 2-H3
0370 34 011A	164	001	2-G7	8038 37 170	162-	1	030 2-F7
0866 34 011	164	001	2-G7	1011 37 180B	136	032	2-I2
0866 34 013A	164	002	2-G7	1011 37 180B	162-	1	031 2-F7
0866 34 015	164	003	2-G7	1011 37 182B	136	032	2-I2
1011 34 019	164	004	2-G7	1011 37 182B	162-	1	031 2-F7
0866 34 111	164	011	2-G7	1011 37 182C	136	032	2-I2
0866 34 151C	164	012	2-G7	1011 37 182C	136-	8	025 2-G3
0603 34 153	145	024	2-E5	8527 37 190	136-	1	036 2-J2
1757 34 153	164	013	2-G7	8527 37 190	136-	5	036 2-E3
0259 34 155	164	014	2-G7	8527 37 190	162-	1	033 2-F7
1891 34 156	164	015	2-G7	8021 37 191	136-	10	035 2-I3
0866 34 157	164	017	2-G7	1011 37 192	136-	1	037 2-J2
0866 34 153	165	018	2-H7	1011 37 192	136-	5	035 2-E3
1011 34 159A	165	020	2-H7	1011 37 192	136-	10	036 2-I3
0866 34 310C	165	024	2-H7	1011 37 192	162-	1	032 2-F7
0866 34 310D	165	024	2-H7	1243 37 192A	136-	1	036 2-J2
8650 34 310	165	024	2-H7	1243 37 192A	136-	5	037 2-E3
1011 34 311	166	026	2-I7	1243 37 192A	162-	1	034 2-F7
8650 34 311	166	026	2-I7	0370 39 020D	168	001	2-C8
0866 34 313A	166	035	2-I7	1540 39 020D	168	006	2-C8
0866 34 320C	165	024	2-H7	1540 39 020F	168	006	2-C8
0866 34 320D	165	024	2-H7	0370 39 025A	168	004	2-C8
8650 34 320	165	024	2-H7	0370 39 026	168	005	2-C8
0866 34 340	164	005	2-G7	0370 39 030C	168	002	2-C8
0866 34 381	164	006	2-G7	1540 39 030D	168	007	2-C8
0866 34 381A	164	006	2-G7	1540 39 030F	168	007	2-C8
0866 34 382	164	007	2-G7	0370 39 040	168	003	2-C8
0866 34 390A	164	008	2-G7	0370 39 040A	168	003	2-C8
0866 34 390B	164	008	2-G7	0370 39 040B	168	003	2-C8
0866 34 460	166	027	2-I7	1668 39 040C	168	008	2-C8
0187 34 536	166	031	2-I7	1668 39 040D	168	008	2-C8
0866 34 565	166	030	2-I7	1668 39 045A	168	009	2-C8
8531 34 565	166	030	2-I7	1668 39 045B	168	009	2-C8
0305 34 707	166-	1	038 2-J7	0378 39 340	168	010	2-C8
0259 34 719A	166-	1	039 2-J7	0437 39 340A	168	010	2-C8
0305 34 720	166-	1	042 2-J7	8531 39 340A	168	010	2-C8
0183 34 731	166-	1	040 2-J7	0370 39 381A	168	011	2-C8
0866 34 738A	166-	1	043 2-J7	0378 39 381B	168	011	2-C8
0866 34 760	166-	1	041 2-J7	1540 39 381	169	011	2-D8
0370 34 800D	165	021	2-H7	3885 39 381	169	011	2-D8

PARTS COMP.				PARTS COMP.			
LIST				LIST			
PAGE				PAGE			
PARTS NUMBER	FIG. NO.	FIG. INDEX		PARTS NUMBER	FIG. NO.	FIG. INDEX	
8037 58 580 02	273	037	3-K7	0390 58 821 03	269-	2 020	3-H7
8037 58 580A02	273	037	3-K7	0398 58 821A00	269-	1 020	3-G7
8037 58 585 02	274	042	3-L7	0398 58 821A00	391-	2 025	4-M6
0866 58 603	269-	1 015	3-G7	0398 58 821A01	269-	1 020	3-G7
0376 58 604	269-	1 017	3-G7	0398 58 821A01	391-	2 025	4-M6
0866 58 604	269-	1 017	3-G7	0398 58 821A23	269-	1 020	3-G7
0376 58 605	267	004	3-D7	0398 58 821A23	391-	2 025	4-M6
0866 58 605	267	004	3-D7	0398 58 822A	269-	2 022	3-H7
0866 58 620	269	009	3-F7	0398 58 822A00	391-	2 026	4-M6
0259 58 691	271	003	3-I7	0398 58 822A01	269-	2 022	3-H7
0259 58 691	393	003	4-C7	0398 58 822A01	391-	2 026	4-M6
0223 58 721	272	013	3-J7	0398 58 822A23	269-	2 022	3-H7
0223 58 721	272	021	3-J7	0398 58 822A23	391-	2 026	4-M6
0223 58 721	394	012	4-D7	0376 58 851	269-	2 024	3-H7
0223 58 721	394	020	4-D7	0866 58 851	269-	2 024	3-H7
0187 58 731	272	014	3-J7	0866 58 851	269-	2 024	3-H7
0187 58 731	272	022	3-J7	0305 58 872	309	031	3-H11
0187 58 731	394	021	4-D7	0376 58 880	268	008	3-E7
0398 58 755	269-	2 023	3-H7	0376 58 880A	268	008	3-E7
0398 58 755	389	008	4-I6	0866 58 880	269	008	3-F7
0398 58 755 00	389	008	4-I6	0866 58 880A	269	008	3-F7
0376 58 760A	266	001	3-C7	0259 58 906	273	026	3-K7
0866 58 760A	266	001	3-C7	0208 58 921	269-	1 019	3-G7
0305 58 762	266	002	3-C7	0208 58 921	309	029	3-H11
0305 58 762	391	014	4-K6	0208 58 921	385	041	4-F6
0376 58 781D	268	007	3-E7	0208 58 921	391-	1 024	4-L6
0866 58 781D	268	007	3-E7	0187 58 922	269-	1 018	3-G7
0376 58 791	268	006	3-E7	0187 58 922	309	028	3-H11
0376 58 791	268	006	3-E7	0187 58 922	385	040	4-F6
0866 58 791	268	006	3-E7	0187 58 922	391-	1 023	4-L6
0866 58 791	268	006	3-E7	0223 58 961	399	012	4-H7
0862 58 810E	269-	1 013	3-G7	0223 58 962	398	006	4-G7
1561 58 810E	269-	1 013	3-C7	0376 59 010E	266	003	3-C7
0368 58 811B	269	013	3-F7	0376 59 010E	266	003	3-C7
0370 58 811B	269	013	3-F7	0866 59 010F	266	003	3-C7
0375 58 811C	269	013	3-F7	0866 59 010F	266	003	3-C7
0370 58 812A	269-	1 014	3-G7	1510 59 010	266	003	3-C7
0370 58 812A	391-	1 021	4-L6	1514 59 010	266	003	3-C7
0390 58 821	391-	1 025	4-L6	0376 59 020A	267	003	3-D7
0390 58 821 00	269-	2 020	3-H7	0376 59 020A	267	003	3-D7
0390 58 821 00	391-	1 025	4-L6	0866 59 020A	267	003	3-D7
0390 58 821 01	269-	2 020	3-H7	1514 59 020	267	003	3-D7
0390 58 821 01	391-	1 025	4-L6	0866 59 240D	272	015	3-J7
0390 58 821 02	269-	2 020	3-H7	0866 59 303B00	273	029	3-K7
0390 58 821 02	391-	1 025	4-L6	0866 59 303B00	395	027	4-E7



PARTS NUMBER	PARTS COMP. LIST PAGE	FIG. NO.	FICHE INDEX	PARTS NUMBER	PARTS COMP. LIST PAGE	FIG. NO.	FICHE INDEX
0866 70 801B00	374	026	4-I4	0866 70 920	375	036	4-J4
0866 70 801B00	377	013	4-C5	0866 70 920	380	040	4-F5
0376 70 802A00	374	034	4-I4	1529 70 920A01	359	015	4-C3
0866 70 802C00	374	028	4-I4	1529 70 920A15	359	015	4-C3
0866 70 802C00	378	015	4-D5	1529 70 920A16	360	015	4-D3
1880 70 802 00	374	034	4-I4	1881 70 920	375	036	4-J4
0483 70 804	307	007	3-F11	1881 70 920	380	040	4-F5
0585 70 811C	380-	048	4-G5	0866 70 925	375	041	4-J4
0376 70 821B	373	020	4-H4	0866 70 925	380	043	4-F5
0866 70 821B	373	020	4-H4	0866 70 926	375-	042	4-K4
0866 70 821B	379	032	4-E5	0866 70 926	375-	049	4-K4
8038 70 821	373	020	4-H4	0866 70 926	380	044	4-F5
8038 70 821	379	032	4-E5	0866 70 927	375-	043	4-K4
8042 70 821	373	020	4-H4	0866 70 927	380	045	4-F5
0376 70 822B	373	023	4-H4	1529 70 930	361	031	4-E3
0585 70 822B	379	034	4-E5	0370 70 980	106	027	1-I12
0866 70 822D	373	023	4-H4	0370 70 985A	106	028	1-I12
8038 70 822	374	023	4-I4	0866 71 310B	367	001	4-C4
8042 70 822	373	023	4-H4	0866 71 343	367	009	4-C4
8043 70 822	379	034	4-E5	0866 71 351	368	018	4-D4
0866 70 823B	373	022	4-H4	0866 71 351A	368	018	4-D4
0866 70 823B	379	036	4-E5	0866 71 352	368	019	4-D4
1524 70 851	375	038	4-J4	0585 71 420A	353-	034	4-G2
1524 70 851	375	038	4-J4	0866 71 420	353	020	4-F2
1524 70 851	380	038	4-F5	8038 71 420	353	020	4-F2
1524 70 851	380	038	4-F5	0376 71 421	353	025	4-F2
1527 70 851	375-	046	4-K4	0376 71 422	353	026	4-F2
1527 70 851	375-	046	4-K4	0585 71 423A	353-	035	4-G2
0305 70 861C	374	025	4-I4	0376 71 431A00	353-	032	4-G2
0305 70 861C	379	037	4-E5	0376 71 431A02	353-	032	4-G2
1524 70 870	375	036	4-J4	0585 71 431	353-	038	4-G2
1524 70 870	375	036	4-J4	0866 71 431E	353	023	4-F2
1524 70 870	380	040	4-F5	0376 71 484A	372	015	4-G4
1524 70 870	380	040	4-F5	0866 71 484A	372	015	4-G4
1524 70 870	380	041	4-F5	0585 71 521C	379	028	4-E5
0376 70 910	375-	046	4-K4	0585 71 531A	378	021	4-D5
0866 70 910	375	038	4-J4	0585 71 532A	378	023	4-D5
0866 70 910	379	038	4-E5	1529 71 551A	378	026	4-D5
1881 70 910	375	038	4-J4	1544 71 551A	378	026	4-D5
1881 70 910	380	038	4-F5	1544 71 551B	378	026	4-D5
1882 70 910	375-	046	4-K4	1544 71 551C	379	026	4-E5
1529 70 911	361	027	4-E3	0376 71 801B00	374	033	4-I4
0376 70 915	375-	048	4-K4	0866 71 801B00	374	027	4-I4
0866 70 915	375	040	4-J4	0866 71 801B00	378	014	4-D5
0866 70 915	380	042	4-F5	0376 71 802A00	375	035	4-J4



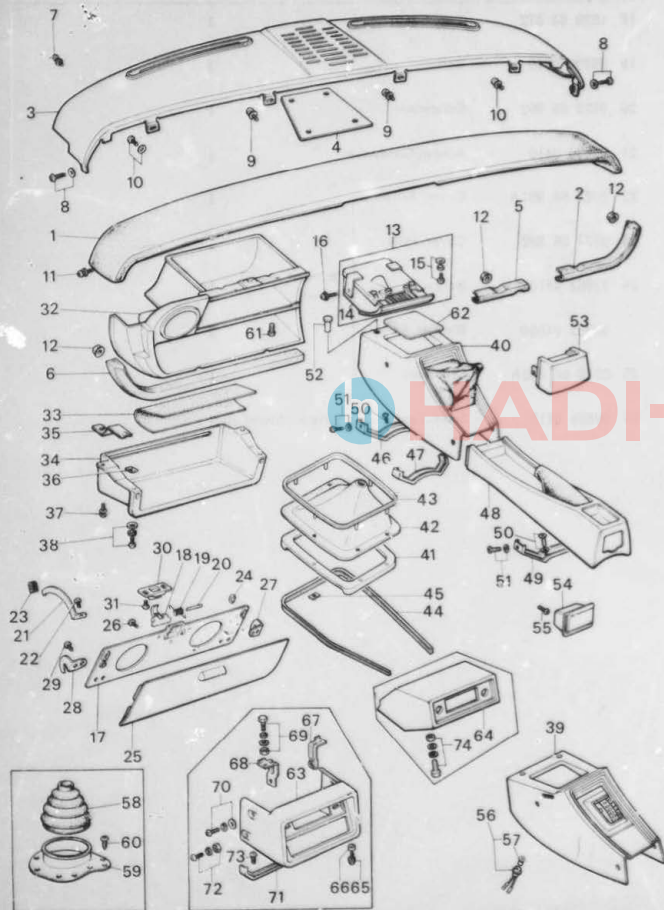
PARTS NUMBER	PARTS COMP. LIST PAGE	FIG. NO.	FICHE INDEX	PARTS NUMBER	PARTS COMP. LIST PAGE	FIG. NO.	FICHE INDEX
9965 53 0010	136-	9 030	2-H3	9970 09 450	313	020	3-D12
9965 53 0015	136	030	2-I2	9970 12 050	313	024	3-D12
9965 53 0015	136-	5 033	2-E3	9970 12 050	313-	1 028	3-E12
9965 53 0015	136-	9 030	2-H3	9970 12 050	317	037	3-H12
9965 53 0020	136	030	2-I2	9970 12 050	317-	3 016	3-D13
9965 53 0020	136-	5 033	2-E3	9970 12 050	317-	4 031	3-E13
9965 53 0020	136-	9 030	2-H3	9970 12 050	320	026	3-H13
9965 53 0025	136	070	2-I2	9970 12 080	316	029	3-G12
9965 53 0025	136-	5 033	2-E3	9970 12 080	317-	4 023	3-E13
9965 53 0025	136-	9 030	2-H3	9970 12 080	320	026	3-H13
9965 53 0030	136	030	2-I2	9970 12 083	317-	4 018	3-E13
9965 53 0030	136-	5 033	2-E3	9970 13 210	313	025	3-D12
9965 53 0030	136-	9 030	2-H3	9970 13 210	316	019	3-G12
9965 53 0035	136	030	2-I2	9970 13 210	317-	3 017	3-D13
9965 53 0035	136-	5 033	2-E3	9970 13 210	317-	4 018	3-E13
9965 53 0035	136-	9 030	2-H3	9970 13 210	319	006	3-G13
9965 53 0040	136	030	2-I2	9970 13 230	315	010	3-F12
9965 53 0040	136-	5 033	2-E3	9970 13 230	317-	3 017	3-D13
9965 53 0040	136-	9 030	2-H3	9970 13 230	320	014	3-H13
9965 53 0045	136	030	2-I2	9970 14 215	316	020	3-G12
9965 53 0045	136-	5 033	2-E3	9970 14 215	319	007	3-G13
9965 53 0045	136-	9 030	2-H3	9970 14 237	315	011	3-F12
9965 53 0050	136	030	2-I2	9970 14 237	317-	3 016	3-D13
9965 53 0050	136-	5 033	2-E3	9970 15 050	233	010	3-C4
9965 53 0050	136-	9 030	2-H3	9970 15 050	323	003	3-C14
9965 53 0060	136	030	2-I2	9970 16 030	242-	1 013	3-L4
9965 53 0060	136-	5 033	2-E3	9970 16 030	242-	1 013	3-L4
9965 53 0060	136-	9 030	2-H3	9970 16 030	242-	2 026	3-M4
9968 10 801	238	078	3-H4	9970 16 030	313-	1 028	3-E12
9968 11 505	191	039	2-I10	9970 16 030	313-	1 028	3-E12
9968 41 000	199-	4 019	2-J11	9970 16 030	344	057	4-H1
9968 60 800	189	016	2-G10	9970 18 100	316	021	3-G12
9968 60 800	236	041	3-F4	9970 18 100	320	014	3-H13
9968 61 000	328	047	3-H14	9970 60 110	323	011	3-C14
9968 61 200	059	026	1-G7	9970 60 110	328-	2 077	3-J14
9968 61 200	059-	3 022	1-I7	9970 60 115	323	011	3-C14
9968 61 200	059-	6 030	1-K7	9970 60 115	328-	2 077	3-J14
9968 61 200	328	047	3-H14	9970 60 120	323	011	3-C14
9968 81 020	375-	2 054	4-L4	9970 60 120	328-	2 077	3-J14
9968 81 020	380-	1 054	4-G5	9970 90 108	055	025	1-D7
9968 81 160	375-	2 055	4-L4	9970 90 108	056	038	1-E7
9968 81 160	380-	1 055	-G5	9970 90 108	110	042	1-E13
9968 81 190	375-	2 054	4-L4	9970 90 108	126-	3 026	1-M14
9968 81 190	380-	1 054	4-G5	9970 90 108	126-	4 041	1-N14
9968 82 020	208-	1 024	3-E1	9970 90 108	175	030	2-D9

 **HADI-MAZDA**  
*Club*

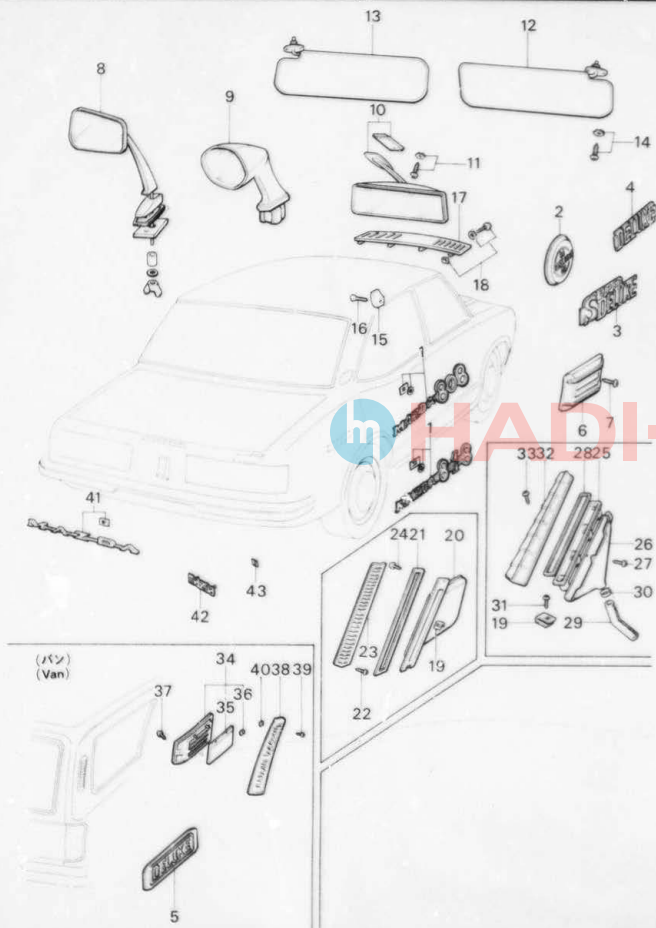
 **HADI-MAZDA**  
*Club*



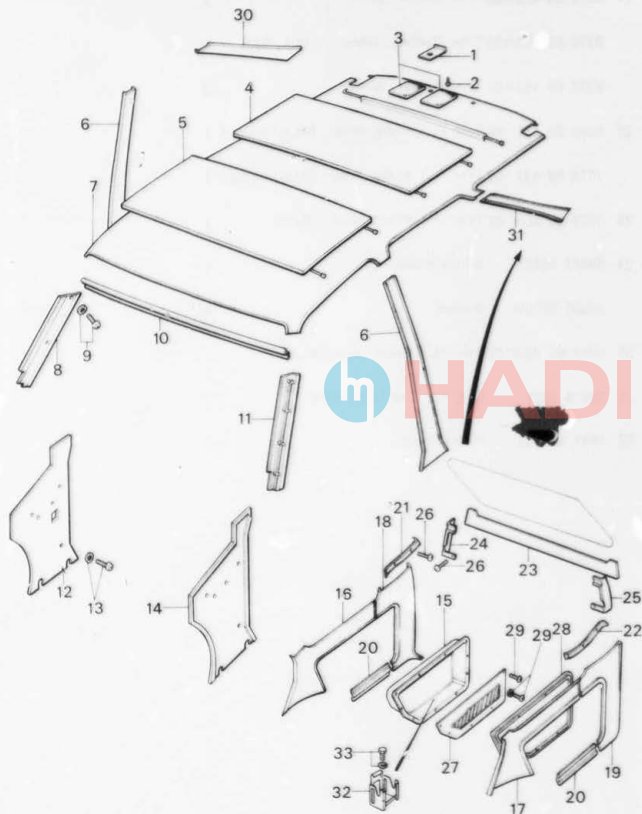




No.	Part Number	Description	Qty	Remarks
16	99833 0512	Screw, Front Ash Tray	2	
	99952 0516	Washer, Plain	2	
	99971 0500	Washer, Spring	2	
17	0866 68 331-00	Lid, Glove Pocket Inner (BLK)	1	
18	0866 68 332	Hook	1	
19	0866 68 333	Spring	1	
20	0866 68 334	Pin	1	
21	0866 68 335B	Stopper	1	
22	99832 0408B	Screw, Stopper	1	
23	u275 55 195A	Cushion, Rubber	1	
24	0317 70 269	Cushion	2	
25	0865 68 340-00	Lid, Glove-Outer (BLK)	1	
	0866 68 340-20	Lid, Glove-Outer (BRN)	Selective use 1	
	0866 68 340-30	Lid, Glove-Outer (GRY)	1	76/8 ~ Added Anew
26	99262 1806B	Screw, Glove Lid	8	
27	0866 68 351A	Hinge (R), Glove Pocket Lid	1	
28	0866 68 352A	Hinge (L), Glove Pocket Lid	1	
29	99834 0412B	Screw, Hinge	4	
	99952 0400B	Washer, Plain	4	
	99971 0400B	Washer, Spring	4	



No.	Part Number	Description	Q'ty	Remarks
	1511 69 240-00	Sun Visor (L) (BLK)	1	
	1511 69 240-25	Sun Visor (L) (BRN)	1	(1300 cc Australia)
	<del>1511 69 240-31</del>	<del>Sun Visor (L) (GRY)</del>	<del>1</del>	
	1511 69 240 31	Sun Visor (L) (BEIG)	1	From Car No. 1
	1727 69 320-31	Sun Visor (L), (BEIG)	1	
	1727 69 320A-31	Sun Visor (L) (BEIG)	1	77/5 ~ Δ
	1727 69 320-09	Sun Visor (L) (BLK)	1	
	1727 69 320A-09	Sun Visor (L) (BLK)	1	77/5 ~ Δ
	1727 69 320-25	Sun Visor (L) (BRN)	1	(1600 cc Australia)
	1727 69 320A-25	Sun Visor (L) (BRN)	1	77/5 ~ Δ
	1727 69 320-32	Sun Visor (L) (GRY)	1	
	1727 69 320A-32	Sun Visor (L) (GRY)	1	77/5 ~ Δ
14	99837 0516C	Screw, Sun Visor	4	
	99975 0500	Washer, Toothed	2	
15	0376 69 941-00	Hanger, Coat (GRY)	1	(1514, 1520)
16	99837 0620C	Screw, Coat Hanger	1	
17	0866 70 401A	Grille	1	
18	99864 0412B	Screw, Grille	4	
	99952 0412B	Washer, Plain	4	
	0866 56 405	Washer, Spring	4	



No. Part Number	Description	Q'ty	Remarks
-----------------	-------------	------	---------

27	1529 70 911	© Cover, Pocket	1
----	-------------	-----------------	---

When ordering the following TRIMS  
add a colour code listed below after parts number listed of ©.

(BRN)	(BLK)	(BEIG)	(GRY)	Changed Date
-35	-37	-38		
-35	-37	-38	-36	76/10 ~

28	0585 71 911B	© Trim (L), Side	1
----	--------------	------------------	---

29	99862 0416B	Screw, Tapping	23
----	-------------	----------------	----

(Selective use)

99862 0416C	Screw, Tapping	23
-------------	----------------	----

99967 0400A	Washer	23
-------------	--------	----

(Selective use)

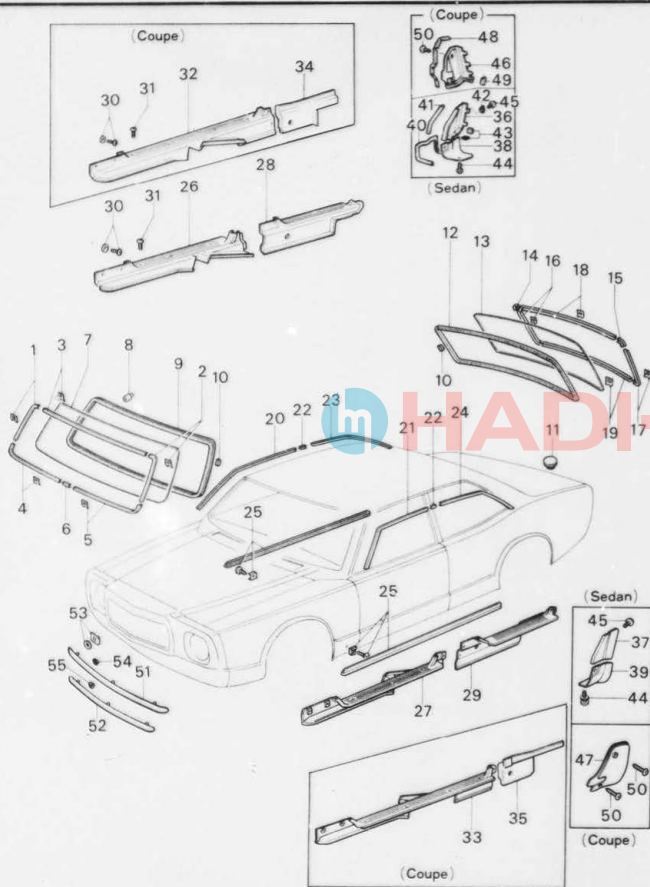
99967 0400B	Washer	23
-------------	--------	----

30	0899 69 561C31	Trim (R), Quarter (BEIG)	1
----	----------------	--------------------------	---

31	0899 69 571C31	Trim (L), Quarter (BEIG)	1
----	----------------	--------------------------	---

31	1529 70 930	Bracket, Jack	1
----	-------------	---------------	---

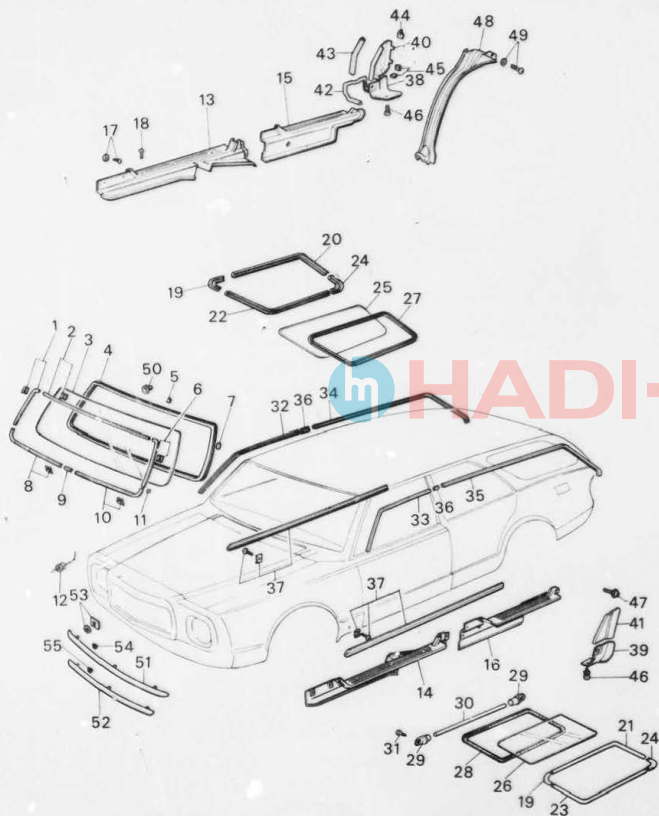
33	99780 0625	Bolt	3
----	------------	------	---



No.	Part Number	Description	Q'ty	Remarks
1	0376 99 743A	Mould Set (R), Front (Coupe)	1	
	0866 99 743A	Mould Set (R), Front (Sedan)	1	
2	0376 99 744A	Mould Set (L), Front (Coupe)	1	
	0866 99 744A	Mould Set (L), Front (Sedan)	1	
3	0376 99 741	Mould Set, Front-Upper (Coupe)	1	
	0866 99 741	Mould Set, Front-Upper (Sedan)	1	
4	0866 99 742A	Mould Set (R), Front-Lower	1	
	0376 99 742	Mould Set (R), Front-Lower (Coupe)	1	76/1 ~ Δ
5	0866 99 745	Mould Set (L), Front-Lower	1	
	0376 99 745	Mould Set (L), Front-Lower (Coupe)	1	76/1 ~ Δ
6	0866 70 454	Joint, Mould	1	Order by 0866 70 540
6-1	1011 50 506A	Clip-Moulding	19	
7	0368 70 441	Glass, Front Window (Transparent)	1	
	0370 70 441	Glass, Front Window (Blue Pane)	1	
	1531 70 441	Glass, Front Window (Transparent H.P.R.)	1	
	1540 70 441	Glass, Front Window (Blue Pane H.P.R.)	1	
	1540 70 441A	Glass, Front Window (Blue Pane H.P.R.)	1	76/9 ~ Δ
	1540 70 441B	Glass, Front Window (Blue Pane H.P.R.)	1	77/9 ~ Δ
	0376 70 441	Glass, Front Window (Blue Pane)	1	
	1542 70 441	Glass, Front Window (Blue Pane)	1	

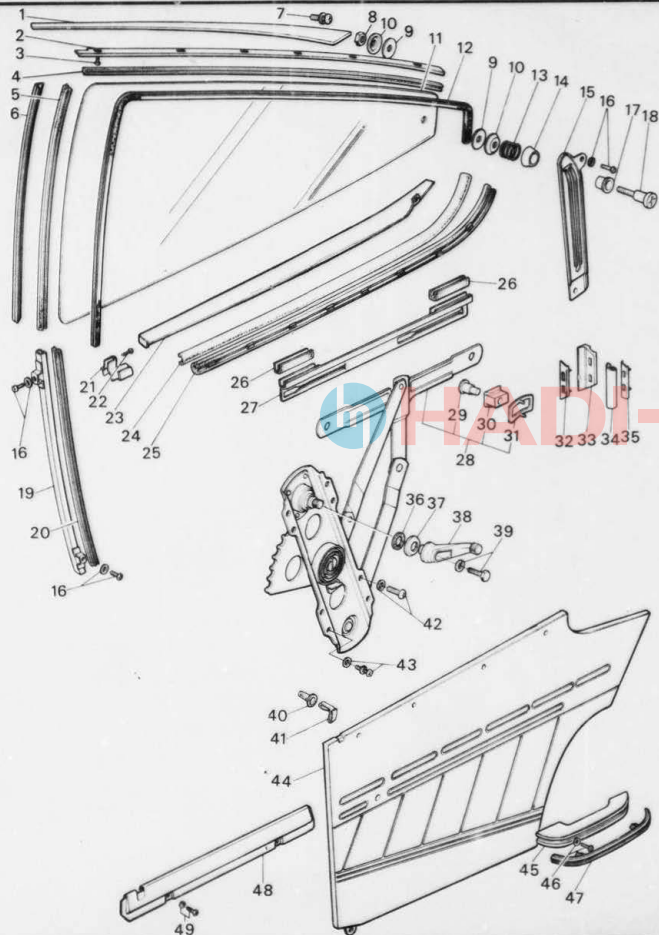


70 71 WINDOW GLASS & MOULDING (WAGON)

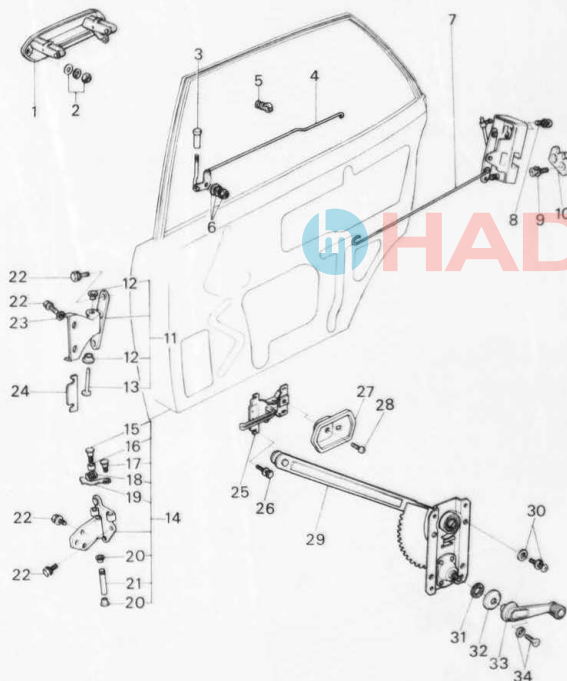


70 71 WINDOW GLASS & MOULDING (WAGON)

No.	Part Number	Description	Q'ty	Remarks
1544	71 551C	Glass (L), Rear Side (Blue Pane)	1	77/9 ~ Δ
27	0585 70 521C	Weatherstrip (R)	1	
28	0585 71 521C	Weatherstrip (L)	1	
29	0585 70 694A	Joint, Guard Rail	4	
30	0652 70 691B	Rail, Guard	2	
31	99862 0416C	Screw, Tapping-JOINT	4	
32	0866 70 821B	Mould (R), Drip-Front	1	
	8038 70 821	Mould (R), Drip-Front	1	76/10 ~ X
33	0866 71 821B	Mould (L), Drip	1	
	8038 71 821	Mould (L), Drip	1	76/10 ~ X
34	0585 70 822B	Mould (R), Drip-Rear	1	
	8043 70 822	Mould (R), Drip-Rear	1	76/10 ~ X
35	0585 71 822B	Mould (L), Drip-Rear	1	
	8043 71 822	Mould (L), Drip-Rear	1	76/10 ~ X
36	0866 70 823B	Joint, Drip Mould	2	
	0419 50 443A	Joint, Drip Mould	2	76/10 ~ X
37	1128 99 721	Mould Set, Step	2	
	1128 99 721A	Mould Set, Step	2	75/12 ~ X
37-1	0305 70 861C	Clip-Step Moulding	10	
38	0866 70 910	Guard "A" (R), Stone (1522)	1	Order by 1881 70 910



No.	Part Number	Description	Q'ty	Remarks
26	4300 72 502	Strip, Rubber	4	
27	0376 72 505	Bracket, Lift	2	
28	0376 72 560	Regulator (R), Window	1	
	0376 73 560	Regulator (L), Window	1	
29	0223 58 303A	Pin	4	
30	0223 58 304A	Guide	4	
31	0223 58 311	Spring, Guide	4	
32	0376 72 901C	Weatherstrip, Inner "B" (R)	2	
33	0376 72 902B	Plate Set	2	
34	0376 72 890	Weatherstrip, Inner "B" (R)	1	
	0376 73 890	Weatherstrip, Inner "B" (L)	1	
35	0376 72 892	Retainer (R)	1	
	0376 73 892	Retainer (L)	1	
36	0259 58 305B	Gasket, Regulator	2	
37	0223 58 375A00	Escutcheon (BLK)	2	
38	0223 58 370D	Handle, Regulator	2	



No.	Part Number	Description	Q'ty	Remarks
27	0866 58 303B 00	Cover (R) (BLK)	1	
	0866 59 303B 00	Cover (L) (BLK)	1	
28	99832 0408B	Screw, Cover	2	
29	0866 72 560	Regulator (R), Window	1	
	0866 73 560	Regulator (L), Window	1	
30	99796 0610	Bolt Set, Window Regulator	8	
31	1011 58 552	Gasket, Window Regulator	2	
32	0223 58 375A 00	Escutcheon (BLK)	2	
33	0223 58 370D	Handle, Regulator (BLK)	2	
34	99806 0516	Bolt, Regulator Handle	2	
	99971 0500	Washer, Plain	2	
35	0398 58 319A	Bush, Link	8	From Car No. 1
	99278 0405	Clip, In. (R)	2	76/1 ~ X
	99278 0404	Clip, In. (L)	2	76/1 ~ X

PARTS NUMBER	PARTS COMP. LIST PAGE	FIG. NO.	FICHE INDEX	PARTS NUMBER	PARTS COMP. LIST PAGE	FIG. NO.	FICHE INDEX
0370 10 521	012	038	1-L1	0370 11 399	013-	1	1-N1
0221 10 523A	017		1-E2	0370 11 399	024	015	1-E3
0221 10 523A	020	018	1-G2	0453 11 399	017		1-E2
0370 10 523A	012	039	1-L1	0453 11 399	024	015	1-E3
0290 10 551	003-	1	026 1-E1	0324 11 401A	024	013	1-E3
0290 10 551	016	023	1-D2	3710 11 401	024	013	1-E3
0290 10 561	007	040	1-H1	0305 11 500	024	016	1-E3
0221 10 602B	017		1-E2	0370 11 500	024	016	1-E3
0221 10 602B	019	009	1-F2	0110 11 502	024	017	1-E3
0208 10 605	012	034	1-L1	0249 11 502	024	017	1-E3
0636 10 902	012	034	1-L1	0221 11 511	024	018	1-E3
0107 11 205	026	024	1-G3	0221 11 511	108	005	1-C13
0221 11 205	026	024	1-G3	0290 11 511	024	018	1-E3
0222 11 210A	022	001	1-C3	0290 11 511	024	019	1-E3
0324 11 210	022	001	1-C3	0249 11 512	024	018	1-E3
0107 11 212	022	002	1-C3	0290 11 512	024	019	1-E3
0249 11 213	022	002	1-C3	0290 11 515	024	020	1-E3
0221 11 214A	022	003	1-C3	0290 11 515	126-	2	005 1-L14
0222 11 214A	022	003	1-C3	0290 11 516	024	020	1-E3
0222 11 216	022	004	1-C3	0290 12 111C	028	002	1-I3
0249 11 216	022	004	1-C3	0324 12 111A	028	002	1-I3
0222 11 225B	022	005	1-C3	0221 12 112	028	003	1-I3
0552 11 225C	022	005	1-C3	0305 12 112	028	003	1-I3
0305 11 301D	023	006	1-D3	0370 12 113	028	004	1-I3
0305 11 301E	023	006	1-D3	0305 12 114	028	005	1-I3
0324 11 301E	023	006	1-D3	0324 12 114	028	005	1-I3
8034 11 301	023	006	1-D3	0324 12 115	028	006	1-I3
0305 11 315B	023	007	1-D3	0221 12 116	028	007	1-I3
0324 11 315A	023	007	1-D3	0305 12 117	028	008	1-I3
0290 11 316	023	008	1-D3	0305 12 121	028	009	1-I3
0370 11 321	023	011	1-D3	0488 12 121	028	009	1-I3
3953 11 321	023	011	1-D3	0221 12 123	028	010	1-I3
0324 11 322C	023	009	1-D3	0305 12 130H	028	011	1-I3
0370 11 323	023	011	1-D3	0324 12 130A	028	011	1-I3
0305 11 325A	024	011	1-E3	0324 12 130C	028	011	1-I3
0324 11 326A	023	010	1-D3	0221 12 140	029	013	1-J3
0459 11 370	024	013	1-E3	0488 12 141	029	013	1-J3
0305 11 371A	024	013	1-E3	0488 12 141	029	013	1-J3
0222 11 376A	024	014	1-E3	0305 12 150E	029	012	1-J3
0222 11 376B	024	014	1-E3	0324 12 150A	028	012	1-I3
0370 11 376	024	014	1-E3	0324 12 150C	029	012	1-J3
0324 11 380	026-	1	026 1-H3	0305 12 161	029	015	1-J3
8034 11 380	026-	1	026 1-H3	0324 12 161	029	015	1-J3
0324 11 390	026-	1	026 1-H3	0324 12 161B	029	015	1-J3
8034 11 390	026-	1	026 1-H3	0324 12 165	029	016	1-J3



PARTS NUMBER	PARTS COMP. LIST PAGE	FIG. NO.	FICHE INDEX	PARTS NUMBER	PARTS COMP. LIST PAGE	FIG. NO.	FICHE INDEX
0338 19 655	126- 16	023	1-K15	0338 19 734A	126	021	1-K14
0338 19 656	123	037	1-I14	0338 19 734A	126- 20	021	1-N15
0338 19 656	126- 17	037	1-L15	0338 19 735	113	023	1-G13
0436 19 656	123	037	1-I14	0338 19 735	126- 7	023	1-D15
0436 19 656	126- 17	037	1-L15	0338 19 737	113	024	1-G13
0378 19 660	122	024	1-H14	0338 19 737	126- 7	024	1-D15
0378 19 660	126- 16	024	1-K15	0338 19 739	113	024	1-G13
0338 19 661	122	025	1-H14	0338 19 739	126- 7	024	1-D15
0338 19 661	126- 17	025	1-L15	0397 19 750	114	044	1-H13
0338 19 663	122	026	1-H14	0397 19 750	126- 8	044	1-E15
0338 19 663	126- 17	026	1-L15	0338 19 768	114	045	1-H13
0338 19 664	122	027	1-H14	0338 19 768	126- 8	045	1-E15
0338 19 664	126- 17	027	1-L15	0338 19 815	114	046	1-H13
0378 19 665	122	028	1-H14	0338 19 815	126- 8	046	1-E15
0378 19 665	126- 17	028	1-L15	1675 19 821	113	025	1-G13
0338 19 666	122	029	1-H14	1675 19 821	126- 7	025	1-D15
0338 19 666	126- 17	029	1-L15	0338 19 822	113	026	1-G13
0338 19 667	122	030	1-H14	0338 19 822	126- 7	026	1-D15
0338 19 667	126- 17	030	1-L15	1758 19 823	113	027	1-G13
0338 19 670A	126- 17	031	1-L15	1758 19 823	126- 7	027	1-D15
0378 19 670	123	031	1-I14	0338 19 825	113	028	1-G13
0338 19 676	123	032	1-I14	0338 19 825	126- 7	028	1-D15
0338 19 676	126- 17	032	1-L15	0338 19 826	113	028	1-G13
0338 19 678	109	019	1-D13	0338 19 826	126- 7	028	1-D15
0338 19 678	126- 3	019	1-M14	0338 19 827	113	028	1-G13
0338 19 701A	125	013	1-J14	0338 19 827	126- 7	028	1-D15
0338 19 701A	126- 19	013	1-M15	0338 19 828	113	028	1-G13
0338 19 702A	125	014	1-J14	0338 19 828	126- 7	028	1-D15
0338 19 702A	126- 19	014	1-M15	0338 19 829	113	028	1-G13
0338 19 703	125	015	1-J14	0338 19 829	126- 7	028	1-D15
0338 19 703	126- 19	015	1-M15	0338 19 835	126- 7	029	1-D15
0338 19 704	125	016	1-J14	0338 19 835A	113	029	1-G13
0338 19 704	126- 19	016	1-M15	0338 19 835A	126	029	1-K14
0338 19 706	125	017	1-J14	0338 19 836	113	030	1-G13
0338 19 706	126- 19	017	1-M15	0338 19 836	126- 7	030	1-D15
0378 19 710	113	021	1-G13	0338 19 837	113	031	1-G13
0378 19 710A	113	021	1-G13	0338 19 837	126- 8	031	1-E15
0378 19 710C	113	021	1-G13	1758 19 838	113	020	1-G13
3526 19 710	126- 7	021	1-D15	1758 19 838	126	022	1-K14
0338 19 731	125	018	1-J14	1758 19 838	126- 7	020	1-D15
0338 19 731	126- 19	018	1-M15	1758 19 838	126- 20	022	1-N15
0338 19 732	125	019	1-J14	0378 19 870D	114	032	1-H13
0338 19 732	126- 19	019	1-M15	0378 19 870E	114	032	1-H13
0338 19 733C	126	020	1-K14	0378 19 870F	114	032	1-H13
0338 19 733C	126- 20	020	1-N15	0397 19 870	126- 8	032	1-E15

PARTS NUMBER	PARTS COMP. LIST PAGE	FIG. NO.	FICHE INDEX	PARTS NUMBER	PARTS COMP. LIST PAGE	FIG. NO.	FICHE INDEX
1845 40 060	171	004	2-E8	0603 41 331	185	015	2-D10
0305 40 061	171	003	2-E8	4084 41 341	185	016	2-D10
0603 40 068A	171	005	2-E8	0370 41 342	191	045	2-I10
0603 40 068A	171	006	2-E8	0118 41 375	198	001	2-F11
0370 40 080A	172	017	2-F8	0118 41 375	199-	3 001	2-I11
1540 40 080A	172	018	2-F8	0633 41 380	185	001	2-D10
3975 40 080	172	018	2-F8	0866 41 400A	185	003	2-D10
0866 40 091	171	010	2-E8	0839 41 461	185	007	2-D10
0366 40 100D	171	001	2-E8	8056 41 610	183	001	2-C10
0585 40 100D	171	002	2-E8	8056 41 610A	183	001	2-C10
1540 40 100B	171	001	2-E8	8056 41 610B	183	001	2-C10
1544 40 100B	171	002	2-E8	0866 41 617	183	015	2-C10
1114 40 160	171	004	2-E8	0370 41 619	183	002	2-C10
0820 40 166	171	005	2-E8	1286 41 619	183	002	2-C10
0820 40 166	171	006	2-E8	0259 41 644	183	003	2-C10
1114 40 170	171	007	2-E8	0370 41 660B	183	005	2-C10
0370 40 300C	172	015	2-F8	0426 41 660D	183	005	2-C10
1540 40 300B	172	015	2-F8	0426 41 660E	183	005	2-C10
8832 40 300	172	015	2-F8	0426 41 660F	183	005	2-C10
0839 40 352A	172	016	2-F8	8531 41 660A	183	005	2-C10
2158 40 355	172	021	2-F8	0249 41 671	183	006	2-C10
0183 40 356	171	010	2-E8	0118 41 681	183	010	2-C10
1540 40 380B	171	011	2-E8	0118 41 682	183	011	2-C10
0727 41 023	188	001	2-F10	0111 41 692	333	007	3-N14
0727 41 023	191	046	2-I10	0559 41 710B	183	013	2-C10
8038 41 030A	188	002	2-F10	4084 41 920	185	010	2-D10
8038 41 030B	188	002	2-F10	0866 42 046	176	045	2-E9
8056 41 030A	188	002	2-F10	0866 42 046	181	046	2-M9
8056 41 030B	188	002	2-F10	1011 42 250	177	056	2-F9
0136 41 121	188	007	2-F10	1011 42 250	180	027	2-L9
0136 41 121	188	007	2-F10	0585 42 302A	180	020	2-L9
0223 41 131A	188	003	2-F10	0899 42 302	180	020	2-L9
0370 41 150C	191	037	2-I10	0652 42 304	180	024	2-L9
0370 41 150D	191	037	2-I10	0585 42 305	180	023	2-L9
8531 41 150	191	037	2-I10	0585 42 306	180	021	2-L9
8531 41 150A	191	037	2-I10	0223 42 307	177	060	2-F9
0370 41 161	191	038	2-I10	0223 42 307	177-	4 028	2-I9
0370 41 167	191	050	2-I10	0223 42 307	180	025	2-L9
0370 41 180	191	040	2-I10	0585 42 307A	180	033	2-L9
0370 41 180A	191	040	2-I10	0585 42 308	181	043	2-M9
0370 41 191	191	048	2-I10	0459 42 310A	176	043	2-E9
0183 41 308	202-	1 022	2-E12	0459 42 310A	177-	2 001	2-G9
0613 41 308	188	007	2-F10	0459 42 310C	177-	2 001	2-G9
0613 41 308	188	007	2-F10	0585 42 310H	181	044	2-M9
0810 41 308	191	043	2-I10	1524 42 310	177-	2 001	2-G9

PARTS NUMBER		PARTS COMP. LIST PAGE	FIG. NO.	FICHE INDEX	PARTS NUMBER		PARTS COMP. LIST PAGE	FIG. NO.	FICHE INDEX
0376 59 310H	271	008	3-17	0378 60 075	236	040	3-F4		
0376 59 310I	271	008	3-17	0866 60 101	236	043	3-F4		
0866 59 310H	271	008	3-17	0866 60 102	236	044	3-F4		
0866 59 310I	271	008	3-17	0866 60 120	236	048	3-F4		
0376 59 330C	271	004	3-17	0866 60 130	236	049	3-F4		
0376 59 330D	271	004	3-17	1511 60 250	236	051	3-F4		
0866 59 330C	271	004	3-17	0866 60 251	236	052	3-F4		
0866 59 330D	271	004	3-17	0317 60 252	236	053	3-F4		
0866 59 361C	272	011	3-J7	0317 60 253	237	054	3-G4		
0866 59 361C	393	010	4-C7	0317 60 254	237	055	3-G4		
0866 59 410A	271	001	3-17	0317 60 255	237	056	3-G4		
0866 59 410B	271	001	3-17	0317 60 256	237	057	3-G4		
0368 59 501A	267	005	3-D7	0317 60 257	237	058	3-G4		
0374 59 501A	268	005	3-E7	0317 60 258	237	059	3-G4		
0376 59 501A	268	005	3-E7	0317 60 259	237	060	3-G4		
0376 59 501B	268	005	3-E7	0317 60 261	237	061	3-G4		
0376 59 501C	268	005	3-E7	0317 60 262	237	062	3-G4		
0866 59 501A	267	005	3-D7	0866 60 263	237	063	3-G4		
0866 59 501B	267	005	3-D7	0866 60 264	237	064	3-G4		
0866 59 501C	267	005	3-D7	0866 60 265A	237	065	3-G4		
0305 59 505	269	012	3-F7	0317 60 266	237	066	3-G4		
0866 59 560	273	031	3-K7	0866 60 267	237	067	3-G4		
0866 59 603	269-	1 015	3-G7	0866 60 335A00	237	068	3-G4		
0376 59 604	269-	1 017	3-G7	0866 60 345A00	237	069	3-G4		
0866 59 604	269-	1 017	3-G7	1510 60 430A20	240	001	3-14		
0376 59 760A	266	001	3-C7	1512 60 430A20	240	001	3-14		
0866 59 760A	266	001	3-C7	1512 60 430A20	241	001	3-14		
0376 59 791	268	006	3-E7	1514 60 430A20	240	001	3-14		
0866 59 791	268	006	3-E7	1515 60 430 20	240	001	3-14		
0862 59 810D	269-	1 013	3-G7	1516 60 430A20	240	001	3-14		
0368 59 811B	269	013	3-F7	1518 60 430 20	241	001	3-J4		
0370 59 811B	269	013	3-F7	1518 60 430A20	241	001	3-J4		
0375 59 811C	269	013	3-F7	1520 60 430 20	240	001	3-14		
0376 59 880	268	008	3-E7	1511 60 520A20	241	001	3-J4		
0376 59 880A	268	008	3-E7	1513 60 520A20	241	001	3-J4		
0866 59 880	269	008	3-F7	2652 60 520 20	241	001	3-J4		
0866 59 880A	269	008	3-F7	1511 60 530C	241	001	3-J4		
0370 60 050	235	036	3-E4	1513 60 530B	241	001	3-J4		
0426 60 050 00	235	036	3-E4	1513 60 530C	241	001	3-J4		
0305 60 053	235	037	3-E4	2652 60 530	241	001	3-J4		
0370 60 070B	235	038	3-E4	0305 60 715	238	073	3-H4		
0426 60 070	236	038	3-F4	0866 60 720A00	238	072	3-H4		
0370 60 071	236	039	3-F4	0370 60 721	238	076	3-H4		
0370 60 073B	236	042	3-F4	3874 60 962	176	047	2-E9		
0866 60 073	236	042	3-F4	3874 60 962	177-	3 013	2-H9		

PARTS NUMBER			PARTS COMP. LIST PAGE	FIG. NO.	FICHE INDEX	PARTS NUMBER			PARTS COMP. LIST PAGE	FIG. NO.	FICHE INDEX
0866	71	802C00	374	029	4-I4	0866	72	210B	393	011	4-C7
0866	71	802C00	378	016	4-D5	1004	72	210	393	011	4-C7
1880	71	802 00	375	035	4-J4	0866	72	212A	394	013	4-D7
0376	71	821B	373	021	4-H4	0866	72	240C	394	014	4-D7
0866	71	821B	373	021	4-H4	0866	72	292A	394	018	4-D7
0866	71	821B	379	033	4-E5	0866	72	310G	393	007	4-C7
8038	71	821	373	021	4-H4	0866	72	310H	393	007	4-C7
8038	71	821	379	033	4-E5	0866	72	330B	393	004	4-C7
8042	71	821	373	021	4-H4	1524	72	330B	393	004	4-C7
0376	71	822B	374	024	4-I4	0866	72	410A	393	001	4-C7
0585	71	822B	379	035	4-E5	0866	72	410B	393	001	4-C7
0866	71	822D	374	024	4-I4	0368	72	501A	390	012	4-J6
8038	71	822	374	024	4-I4	0374	72	501A	382	011	4-C6
8042	71	822	374	024	4-I4	0376	72	501A	382	011	4-C6
8043	71	822	379	035	4-E5	0376	72	501B	382	011	4-C6
1524	71	851	375	039	4-J4	0376	72	501C	382	011	4-C6
1524	71	851	375	039	4-J4	0583	72	501A	390	012	4-J6
1524	71	851	380	039	4-F5	0585	72	501A	390	012	4-J6
1524	71	851	380	039	4-F5	0585	72	501B	390	012	4-J6
1527	71	851	375-1	047	4-K4	0585	72	501C	390	012	4-J6
1527	71	851	375-1	047	4-K4	0866	72	501A	390	012	4-J6
1524	71	870	375	037	4-J4	0866	72	501B	390	012	4-J6
1524	71	870	375	037	4-J4	0866	72	501C	390	012	4-J6
1524	71	870	380	041	4-F5	4300	72	502	269	011	3-F7
0376	71	910	375-1	047	4-K4	4300	72	502	384	026	4-E6
0866	71	910	375	039	4-J4	4300	72	502	391	016	4-K6
0866	71	910	380	039	4-F5	0376	72	505	384	027	4-E6
1881	71	910	375	039	4-J4	0259	72	509	271	006	3-I7
1881	71	910	380	039	4-F5	0376	72	560	384	028	4-E6
1882	71	910	375-1	047	4-K4	0866	72	560	395	029	4-E7
0585	71	911B	361	028	4-E3	0376	72	602	383	019	4-D6
0866	71	920	375	037	4-J4	0585	72	602C	389	005	4-I6
0866	71	920	380	041	4-F5	0866	72	602A00	389	005	4-I6
1881	71	920	375	037	4-J4	0376	72	603	383	015	4-D6
1881	71	920	380	041	4-F5	0376	72	605	382	005	4-C6
0585	72	010B	388	001	4-H6	0585	72	605	388	002	4-H6
0585	72	010B	388	001	4-H6	0866	72	605	388	002	4-H6
0866	72	010D	388	001	4-H6	0376	72	606	383	020	4-D6
0866	72	010D	388	001	4-H6	0585	72	606	389	003	4-I6
1620	72	010	388	001	4-H6	0866	72	606	388	003	4-H6
1636	72	010	388	001	4-H6	0585	72	651A	389	006	4-I6
0866	72	020A	388	001	4-H6	0866	72	651B	389	006	4-I6
0259	72	080	389	010	4-I6	1524	72	661C	390	013	4-J6
0866	72	201	394	024	4-D7	1529	72	661A	391	013	4-K6
0259	72	210	391	015	4-K6	1540	72	661B	390	013	4-J6



PARTS NUMBER	PARTS COMP. LIST PAGE	FIG. NO.	FICHE INDEX	PARTS NUMBER	PARTS COMP. LIST PAGE	FIG. NO.	FICHE INDEX
9970 90 108	238	079	3-H4	9978 31 028	144	012	2-D5
9970 90 108	299	022	3-J10	9978 31 035	164	016	2-G7
9970 90 255	174	018	2-C9	9978 40 610	031	036	1-L3
9970 90 255	179	010	2-K9	9978 50 612	195	005	2-D11
9970 90 255	328-	1 070	3-I14	9978 50 616	205	030	2-D13
9970 93 250	278	028	3-E8	9978 50 825	148	014	2-G5
9970 93 250	328-	1 071	3-I14	9978 60 512	175	034	2-D9
9973 50 512	154	066	2-G6	9978 60 512	177-	4 023	2-I9
9973 50 512	174	008	2-C9	9978 60 512	181	036	2-M9
9973 90 410	375-	1 045	4-K4	9978 60 516	176	055	2-E9
9973 90 410	380-	1 047	4-G5	9978 60 516	177-	2 004	2-G9
9975 01 101	162	027	2-E7	9978 60 516	177-	2 008	2-G9
9975 23 081	128-	2 005	2-E1	9978 60 516	180	029	2-L9
9975 32 1018	140	013	2-E4	9978 60 516	181	036	2-M9
9975 36 1018	140	013	2-E4	9978 60 612	038-	4 033	1-M4
9975 37 8118	076	012	1-D9	9978 60 612	055	027	1-D7
9975 42 1022	140	013	2-E4	9978 60 612	058	014	1-F7
9975 46 1022	140	013	2-E4	9978 60 612	059	023	1-G7
9976 70 412	208-	1 023	3-E1	9978 60 612	059	028	1-G7
9976 70 516	208-	1 020	3-E1	9978 60 612	059	034	1-G7
9976 70 525	319	010	3-G13	9978 60 612	059-	2 013	1-H7
9976 90 410	375-	1 050	4-K4	9978 60 612	059-	3 025	1-I7
9976 90 416	313-	1 029	3-E12	9978 60 612	059-	3 032	1-I7
9976 90 416	321	029	3-I13	9978 60 612	059-	5 016	1-J7
9977 30 410	317	038	3-H12	9978 60 612	059-	6 022	1-K7
9977 30 410	317-	4 032	3-E13	9978 60 612	059-	6 029	1-K7
9977 30 410	320	025	3-H13	9978 60 612	092	003	1-C11
9977 30 416	320	015	3-H13	9978 60 612	098-	2 041	1-L11
9977 40 416	317	044	3-H12	9978 60 612	199	018	2-G11
9978 00 625	361	033	4-E3	9978 60 612	199-	1 028	2-H11
9978 10 612	333	015	3-N14	9978 60 612	199-	3 008	2-I11
9978 10 614	345	069	4-I1	9978 60 612	199-	5 028	2-K11
9978 10 820F	130	002	2-C2	9978 60 612	231		3-G3
9978 10 820F	130	002	2-C2	9978 60 612	299	017	3-J10
9978 10 880F	130	002	2-C2	9978 60 612	324	016	3-D14
9978 11 012	108	002	1-C13	9978 60 616	183	014	2-C10
9978 11 012	126-	2 002	1-L14	9978 60 616	202	014	2-D12
9978 11 030	287	072	3-G9	9978 60 616	229-	1 032	3-F3
9978 11 080	158	017	2-J6	9978 60 616	344	050	4-H1
9978 11 035	153	054	2-F6	9978 60 620	069	030	1-I8
9978 11 220	016	029	1-D2	9978 60 620	073	038	1-L8
9978 11 225	166	033	2-I7	9978 60 620	324	017	3-D14
9978 11 235	166	034	2-I7	9978 60 625	202-	2 026	2-F12
9978 30 830	272	023	3-J7	9978 60 816	234	016	3-D4
9978 30 830	394	022	4-D7	9978 60 820B	252	023	3-J5



 HADI-MAZDA  
*Club*

 HADI-MAZDA  
*Club*

## List of Chassis Number

Month Model	JUL. 75/7	AUG. 75/8	SEP. 75/9	OCT. 75/10	NOV. 75/11	DEC. 75/12
1300 Sedan Coupe				347505	350571	356060
1300 S.Wagon				201590	202245	204225
1600 Sedan Coupe				154968	154968	156971

Month Model	JAN. 76/1	FEB. 76/2	MAR. 76/3	APR. 76/4	MAY 76/5	JUN. 76/6
1300 Sedan Coupe	363051	369997	376175	381302	386890	394695
1300 S.Wagon	205973	208530	210848	213135	214224	216256
1600 Sedan Coupe	156971	156971	156971	156971	156971	156971

Month Model	JUL. 76/7	AUG. 76/8	SEP. 76/9	OCT. 76/10	NOV. 76/11	DEC. 76/12
1300 Sedan Coupe	402501	408141	411161	415323	419190	421994
1300 S.Wagon	217576	218591	220142	221785	223195	224552
1600 Sedan Coupe	161956	162192	162242	162456	162675	163070

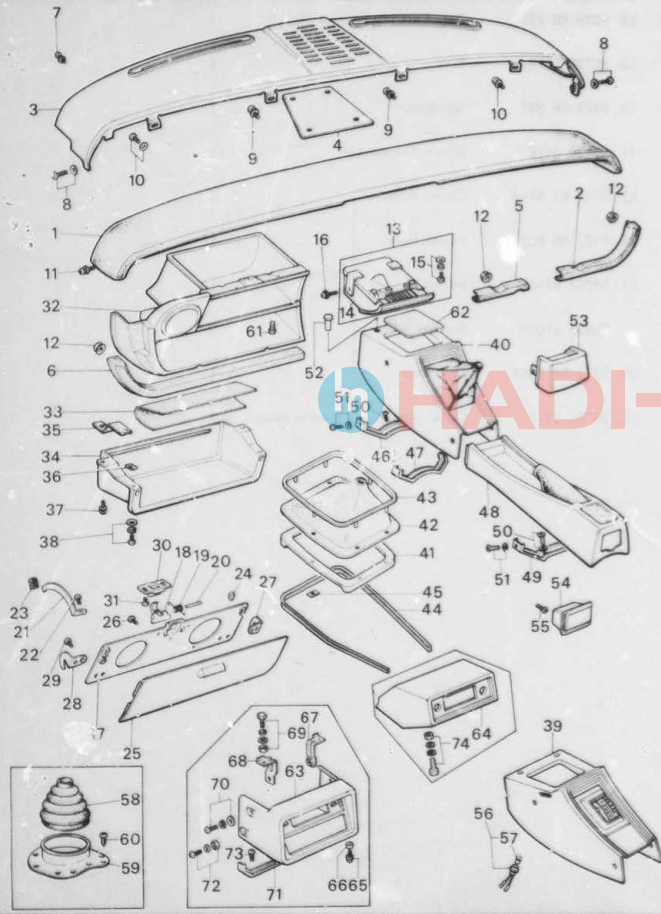
Month Model	JAN. 77/1	FEB. 77/2	MAR. 77/3	APR. 77/4	MAY 77/5	JUN. 77/6
1300 Sedan Coupe	423996	424413	424590	425892	426649	427231
1300 S.Wagon	225439	225709	225892	226327	226973	227557
1600 Sedan Coupe	163116	163163	163207	163617	164147	164357
1600 S.Wagon	—	134392	134695	135252	136008	136698

Month Model	JUL. 77/7	AUG. 77/8	SEP. 77/9	OCT. 77/10	NOV. 77/11	DEC. 77/12
1300 Sedan Coupe	428441	428765	429869	430796	431251	432218
1300 S.Wagon	227814	227965	228372	228733	229042	229672
1600 Sedan Coupe	164663	164664	164724	164727	164829	164934
1600 S.Wagon	137187	137190	137530	137618	137891	138168

Month Model	JAN. 78/1	FEB. 78/2	MAR. 78/3	APR. 78/4	MAY 78/5	JUN. 78/6
1300 Sedan Coupe	433901	434602	435747	436504	437233	437552
1300 S.Wagon	230042	230361	230721	231532	—	—
1600 Sedan Coupe	165026	—	165027	165109	165176	165230
1600 S.Wagon	138263	138295	138412	—	—	—

Month Model	JUL. 78/7	AUG. 78/8	SEP. 78/9	OCT. 78/10	NOV. 78/11	DEC. 78/12
1300 Sedan Coupe	438097	438354	—			
1300 S.Wagon	—	—	—			
1600 Sedan Coupe	165302	165332	—			
1600 S.Wagon	—	—	—			

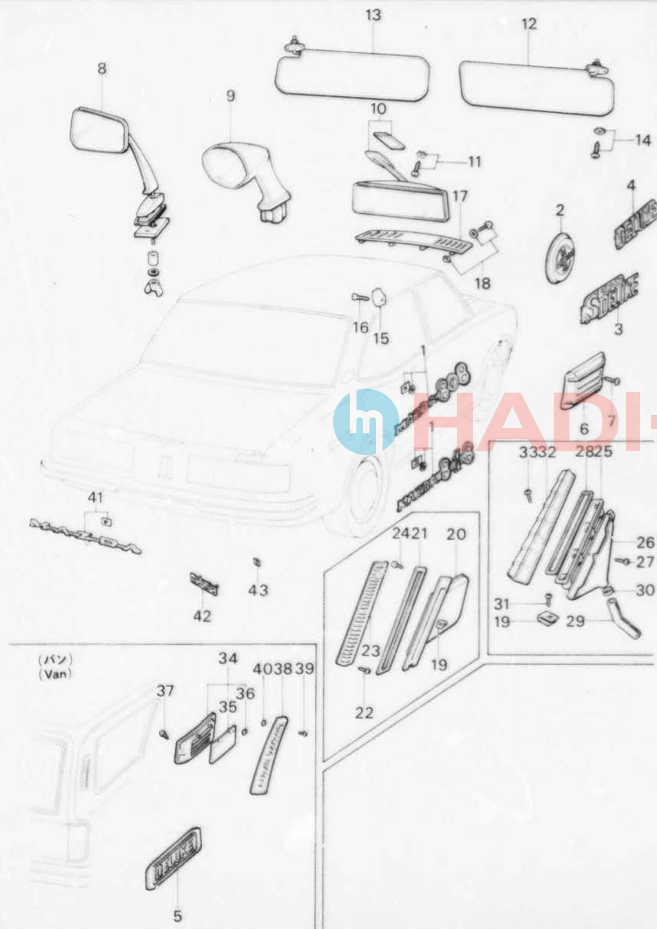
CRUSH PAD, GLOVE POCKET & CONSOLE



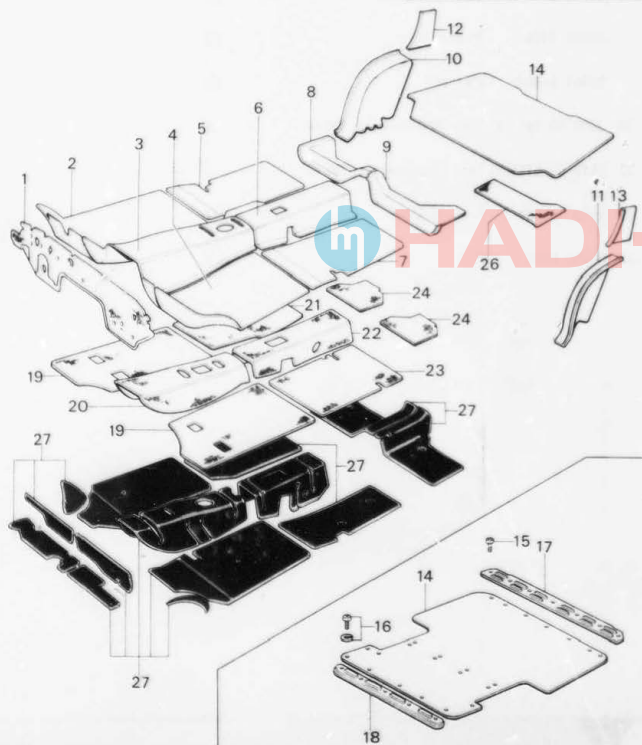
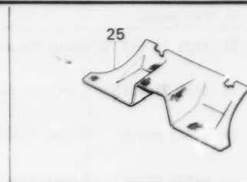
CRUSH PAD, GLOVE POCKET & CONSOLE

No.	Part Number	Description	Qty	Remarks
30	0866 68 361	Striker	1	
31	99833 0512B	Screw	2	
	99952 0500B	Washer, Plain	2	
	99971 0500B	Washer, Spring	2	
32	0865 68 380-00	Lid, Glove-Outer (BLK)	1	
	0866 68 380C20	Lid, Glove-Outer (BRN)	1	Selective use!
	0866 68 380C30	Lid, Glove-Outer (GRY)	1	76/8 ~ Added Anew
33	0866 68 011	Sheet, Glove Tray	1	1510, 1515 Excluded Order by 0866 68 011 30
34	0866 69 811-00	Shelf, Parcel (BLK)	1	
35	0866 69 821A	Bracket, Parcel Shelf	1	
36	0820 56 905	Nut, Spring-Parcel Shelf	2	
37	99833 0616	Bolt, Parcel Shelf	1	
	99952 0618	Washer, Plain	1	
	99971 0600	Washer, Spring	1	
38	91863 0520B	Screw, Parcel Shelf	3	
	99952 0500B	Washer, Plain	3	
	99971 0500	Washer, Spring	3	
	99836 0500	Nut, Spring	1	
39	0378 68 890A00	Console, Front (BLK)	1	





No.	Part Number	Description	Q'ty	Remarks
19	0866 70 412	Nut, Spring	(Sedan) 6 (Coupe) 8	
20	0866 70 420	Extractor (R)	} (Sedan) 2 77/1~X	1 Order by 8038 70 420
	8038 70 420	Extractor (R)		1 77/1~Δ
	0866 71 420	Extractor (L)		1 Order by 8038 71 420
	8038 71 420	Extractor (L)		1 77/1~Δ
21	0866 70 426	Gasket	} (Sedan) 2 77/1~X	
	8038 70 426	Gasket		2
22	99863 0412D	Screw, Tapping	2	
	99863 0425B	Screw, Tapping	2	
23	0866 70 431E	Grille (R), Extractor	} (Coupe) 8 2	1 Order by 0866 70 431F 02
	0370 70 431F	Grille (R), Extractor		1 76/9 ~ Δ
	0866 71 431E	Grille (L), Extractor		1 Order by 0866 71 431F 02
24	99864 0416	Screw, Extractor	4	
25	0376 70 421	Frame (R), Extractor	} (Coupe) 2	
	0376 71 421	Frame (L), Extractor		1
26	0376 70 422	Chamber (R)	} (Coupe) 2	
	0376 71 422	Chamber (L)		1
27	99864 0410	Screw, Chamber	8	
28	0376 70 426	Gasket	2	
29	0376 70 427	Pipe	2	
30	0376 70 428	Clip	2	
31	99864 0416	Screw	8	
32	0376 70 431A00	Grille (R), Extractor (GRY. DULL)	} (Coupe) 2	1
	0376 70 431A02	Grille (R), Extractor (GRY. S. DULL)		1



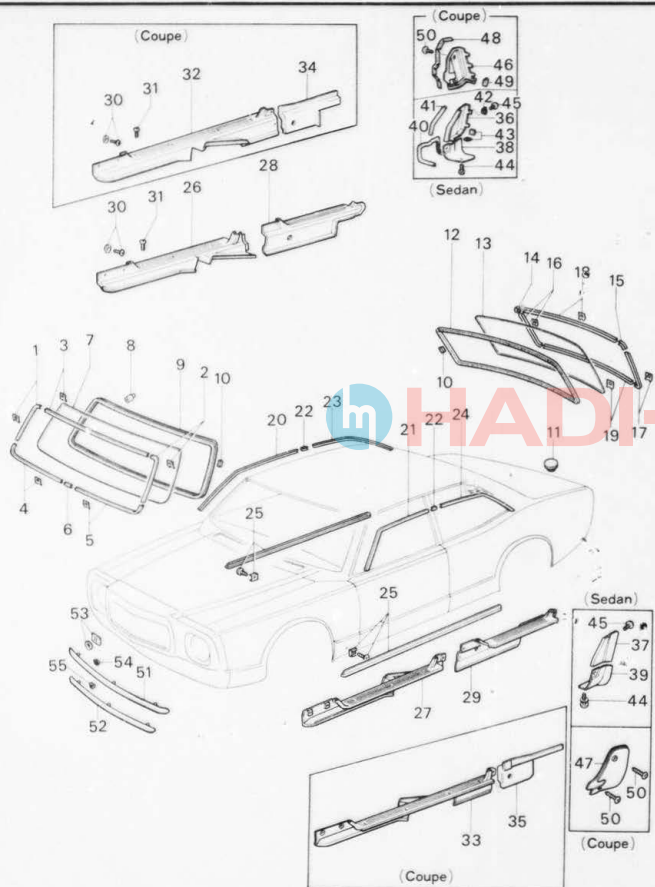
No. Part Number Description Q'ty Remarks

When ordering the following MAT  
add a colour code listed below after parts number listed of © .

(BLK)	(BRN)			Changed Date
-34	-38			
-08	-22			75/10 ~ X

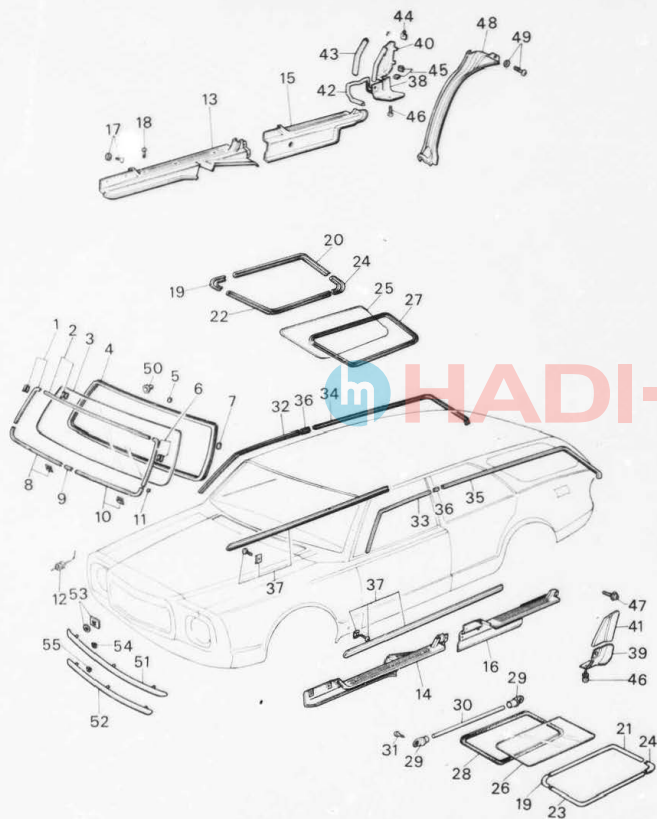
1	8038 69 660	Insulator (1300cc)	1	
	8056 69 660	Insulator (1300cc)	1	75/11 ~ Δ
	8056 69 660A	Insulator (1300cc)	1	75/12 ~ ○
	8056 69 660B	Insulator (1300cc)	1	76/5 ~ X
	8056 69 660C	Insulator (1300 cc)	1	77/9 ~ Δ
	8056 69 660	Insulator (1600cc)	1	
	8056 69 660A	Insulator (1600cc)	1	75/12 ~ ○
	8056 69 660B	Insulator (1600cc)	1	76/5 ~ X
	8056 69 660C	Insulator (1600 cc)	1	77/9 ~ Δ
2	0585 69 612A-05	Mat (Frt., R) (BLK) (Vinyl)	1	
	8038 69 612 ©	Mat (Frt., R) (Carpet)	1	(Manual) (Selective use)
	8038 69 612A ©	Mat (Frt.,R) (Carpet)	1	75/10 ~ X
	3506 69 612 ©	Mat (Frt., R)	1	
	3506 69 612A ©	Mat (Frt., R)	1	(Automatic) 75/10 ~ X
3	0585 69 611A-05	Mat (Frt., C) (BLK) (Vinyl)	1	
	8038 69 611 ©	Mat (Frt., C) (Carpet)	1	(Manual, Sedan) (Selective use)
	8038 69 611A ©	Mat (Frt., C) (Carpet)	1	75/10 ~ X
	0582 69 611A-05	Mat (Frt., C) (BLK) (Vinyl)	1	

**70** **71** WINDOW GLASS & MOULDING  
(SEDAN & COUPE)



**70** **71** WINDOW GLASS & MOULDING  
(SEDAN & COUPE)

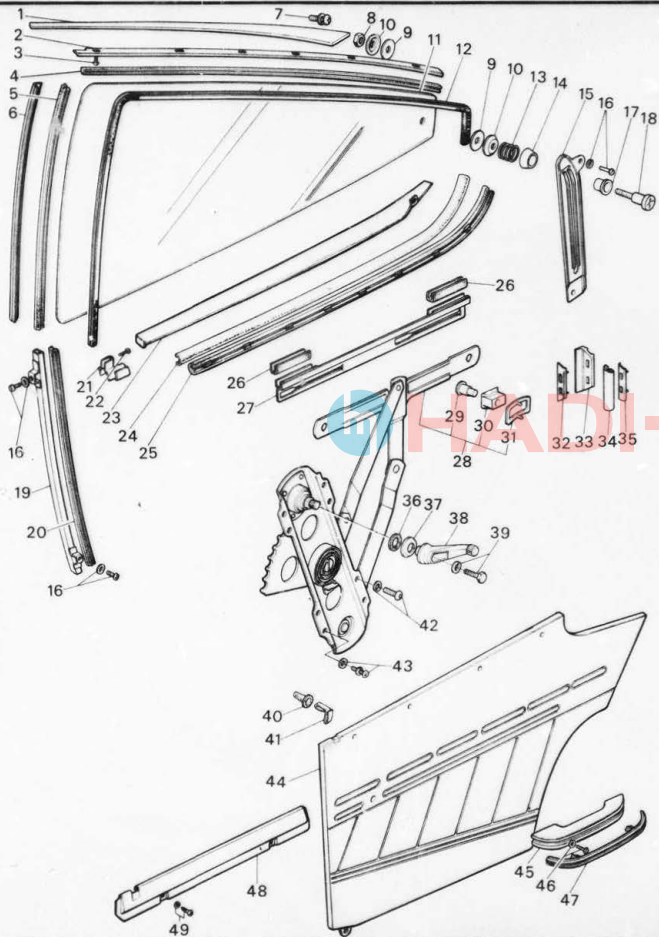
No.	Part Number	Description	Qty	Remarks
				(Coupe)
	1542 70 441A	Glass, Front Window (Blue Pane)	1	76/9 ~ Δ
	1542 70 441B	Glass, Front Window (Blue Pane)	1	77/9 ~ Δ
	1568 70 441	Glass, Front Window (Transparent H.P.R.)	1	
8	0305 53 999	Stud	36	
9	0305 70 443B	Dam, Window Glass	1	Order by 1243 63 902
	8052 63 902	Dam, Window Glass	1	77/3 ~ Δ
10	0305 70 447B	Spacer "A"	6	
	0305 70 448A	Spacer "B"	4	
	0839 70 449	Spacer "C" (Selective use)	4	
11	0118 56 241	Grommet	1	
12	0866 70 473	Dam, Back Window Glass	1	
	8042 63 902	Dam, Back Window Glass	1	77/3 ~ Δ
13	1510 70 471	Glass, Back Window (Transparent 5 m/m)	1	
	1511 70 471	Glass, Back Window (Transparent 5 m/m) (With Heating Wire)	1	
	1523 70 471A	Glass, Back Window (Transparent 4 m/m)	1	Order by 1510 70 471
	1524 70 471A	Glass, Back Window (Transparent 4 m/m) (With Heating Wire)	1	
	1893 70 471	Glass, Back Window (Transparent 4 m/m) (With Heating Wire)	1	(Sedan) (Selective use)
	1534 70 471A	Glass, Back Window (Blue Pane) (With Heating Wire)	1	
	134 70 471B	Glass, Back Window (Blue Pane) (With Heating Wire)	1	76/9 ~ Δ
	1534 70 471C	Glass, Back Window (Blue Pane)	1	77/9 ~ Δ



No.	Part Number	Description	Qty	Remarks
	1524 70 851	Guard "A" (R), Stone (1522)	1	77/1 ~ X
	1881 70 910	Guard "A" (R), Stone (1516, 8835)	1	
	1524 70 851	Guard "A" (R), Stone (1516, 8835)	1	77/1 ~ X
39	0866 71 910	Guard "A" (L), Stone (1522)	1	Order by 1881 71 910
	1524 71 851	Guard "A" (L), Stone (1522)	1	77/1 ~ X
	1881 71 910	Guard "A" (L), Stone (1516, 8835)	1	
	1524 71 851	Guard "A" (L), Stone (1516, 8835)	1	77/1 ~ X
40	0866 70 920	Guard "B" (R), Stone (1522)	1	Order by 1881 70 920
	1524 70 870	Guard "B" (R), Stone (1522)	1	77/1 ~ X
	1881 70 920	Guard "B" (R), Stone (1516, 8835)	1	
	1524 70 870	Guard "B" (R), Stone (1516, 8835)	1	77/1 ~ X
41	0866 71 920	Guard "B" (L), Stone (1522)	1	
	1524 71 870	Guard "B" (L), Stone (1522)	1	77/1 ~ X
	1881 71 920	Guard "B" (L), Stone (1516, 8835)	1	
	1524 71 870	Guard "B" (L), Stone (1516, 8835)	1	77/1 ~ X
42	0866 70 915	Protector	2	
43	0866 70 925	Protector	2	
44	0866 70 926	Protector	2	
45	0866 70 927	Protector	4	

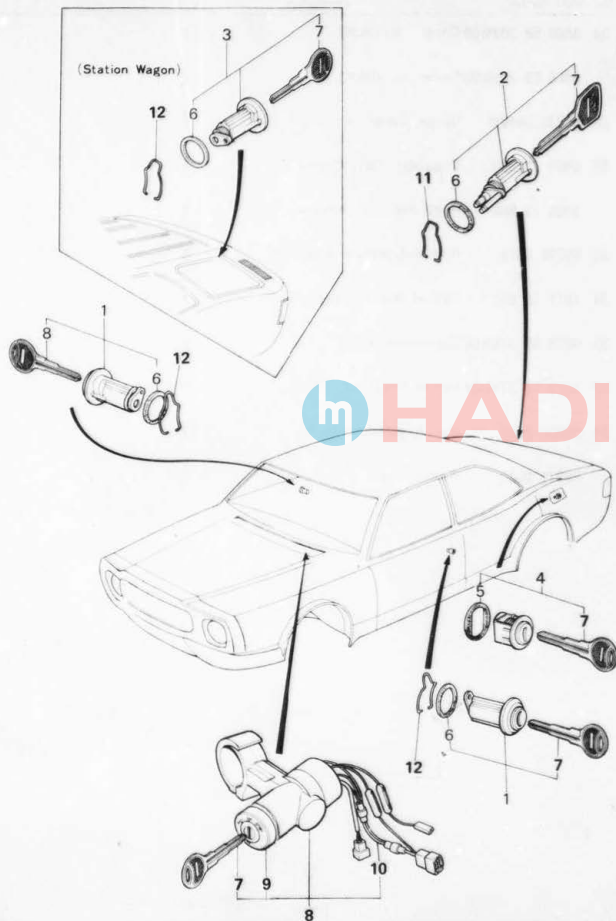


**72 73 REAR SIDE WINDOW (COUPE)**



**72 73 REAR SIDE WINDOW (COUPE)**

No.	Part Number	Description	Q'ty	Remarks	
39	99806 0516	Bolt	2		
	99971 0500	Washer, Spring	2		
40	0187 58 922	Cap, Fastener-Quarter Trim	8		
41	0208 58 921	Fastener, Quarter Trim	8		
42	907940 6 16	Bolt Set, Regulator	4		
43	99806 0612	Bolt, Regulator	8		
	99971 0600	Washer, Spring	8		
	99951 0618	Washer, Plain	8		
When ordering the following TRIMS add a colour code listed below after parts number instead of C.					
	(BRN)	(BLK)	(BEIG)	(GRY)	Changed Date
	-35	-37	-38		
	-35	-37	-38	-36	
44	0376 72 810A C	Trim (R), Quarter	1	(1514,1520,8834)	
	0376 73 810A C	Trim (L), Quarter	1		
	0375 72 811A C	Trim (R), Quarter	1	(1513,3475)	
	0375 73 811A C	Trim (L), Quarter	1		
45	1011 69 430A00	Rest, Arm (BLK)	2		
	1011 69 430A08	Rest, Arm (GRY)	2		
	1011 69 430A09	Rest, Arm (BRN)	2		
46	99833 0520	Screw, Arm Rest	4		
	99952 0500	Washer, Plain	4		



No.	Part Number	Description	Q'ty	Remarks
1511 09 010D	Key Set		1	
1511 09 010E	Key Set	(Sedan & Coupe) (Except Australia & U.K.)	1	76/3 ~ X
8038 09 010B	Key Set		1	76/8 ~ O
1511 09 010D	Key Set		1	
1511 09 010E	Key Set		1	76/3 ~ X
1510 09 010	Key Set	(Sedan & Coupe) (Australia)	1	76/10 ~ X
1510 09 010A	Key Set		1	78/3 ~ O
1511 09 010D	Key Set		1	
1511 09 010E	Key Set		1	76/3 ~ X
8038 09 010B	Key Set	(Sedan & Coupe) (U.K.)	1	76/8 ~ O
1513 09 010	Key Set		1	77/10 ~ X
1516 09 010D	Key Set		1	
1516 09 010E	Key Set	(Wagon) (Except Australia & U.K.)	1	76/3 ~ X
8060 09 010B	Key Set		1	76/8 ~ O
1516 09 010D	Key Set		1	
1516 09 010E	Key Set		1	76/3 ~ X
1515 09 010	Key Set	(Wagon) (Australia)	1	76/10 ~ X
1515 09 010A	Key Set		1	78/3 ~ O
1515 09 010D	Key Set		1	
1516 09 010E	Key Set		1	76/3 ~ X

PARTS NUMBER	PARTS COMP. LIST PAGE	FIG. NO.	FICHE INDEX	PARTS NUMBER	PARTS COMP. LIST PAGE	FIG. NO.	FICHE INDEX
0324 12 166	029	017	1-J3	0208 13 105	052	048	1-K6
0488 12 167	029	016	1-J3	2350 13 107	038-	2 003	1-K4
0221 12 171	029	018	1-J3	0324 13 111	013		1-M1
0324 12 171	029	018	1-J3	0324 13 111	033	004	1-C4
0324 12 171A	029	018	1-J3	0324 13 111	035-	2 005	1-F4
0221 12 190A	029	019	1-J3	0381 13 111A	017		1-E2
0453 12 201A	030	020	1-K3	0381 13 111A	037	007	1-14
0221 12 211	030	021	1-K3	0381 13 111A	038-	2 005	1-K4
0221 12 211B	030	021	1-K3	0118 13 113	037	008	1-14
0324 12 211	030	021	1-K3	0118 13 113	040	012	1-C5
0370 12 401	029	020	1-J3	0223 13 119A	071	001	1-J8
3953 12 401	029	020	1-J3	0222 13 130B	038-	2 009	1-K4
0221 12 411	030	022	1-K3	0222 13 130C	038	014	1-J4
0221 12 414	030	024	1-K3	0324 13 161C	033	008	1-C4
0305 12 420A	030	025	1-K3	0324 13 161C	035-	2 009	1-F4
0370 12 420	030	025	1-K3	0324 13 162C	033	009	1-C4
0221 12 423	030	026	1-K3	0324 13 162C	035-	2 010	1-F4
0222 12 425	030	027	1-K3	0324 13 163C	034	010	1-D4
0370 12 425	030	027	1-K3	0324 13 163C	035-	2 011	1-F4
3953 12 425	030	027	1-K3	0324 13 165	034	013	1-D4
0222 12 426	030	028	1-K3	0324 13 165	035-	2 014	1-F4
0324 12 431	030	030	1-K3	0324 13 166	034	014	1-D4
0381 12 500C	031	031	1-L3	0324 13 166	035-	3 015	1-G4
0488 12 500B	030	031	1-K3	0324 13 170A	034	012	1-D4
0488 12 500C	030	031	1-K3	0324 13 170A	035-	2 013	1-F4
0488 12 500C	031	031	1-L3	0268 13 315	048-	1 084	1-H6
3953 12 500	031	031	1-L3	0381 13 315	052	045	1-K6
0222 12 610	031	033	1-L3	0381 13 315	052-	4 039	1-N6
0370 12 610B	031	033	1-L3	0381 13 316	017		1-E2
3593 12 610	031	033	1-L3	0381 13 316	052	046	1-K6
3953 12 610A	031	033	1-L3	0381 13 316	052-	4 040	1-N6
0488 12 650	031	035	1-L3	0268 13 317	013		1-M1
0222 12 660A	031	035	1-L3	0268 13 317	048-	1 085	1-H6
0324 12 660	031	035	1-L3	0519 13 320A	042	001	1-D5
0370 13 100B	033	001	1-C4	0519 13 320A	042	001	1-D5
0370 13 100B	035-	2 001	1-F4	1531 13 320B	040	001	1-C5
0370 13 100C	033	001	1-C4	1531 13 320C	040	001	1-C5
0370 13 100C	035-	2 001	1-F4	1632 13 320A	042	001	1-D5
0370 13 100D	033	001	1-C4	1931 13 320	042	001	1-D5
0370 13 100D	035-	2 001	1-F4	0370 13 321	042	011	1-D5
0370 13 100E	033	001	1-C4	0370 13 321	056	031	1-E7
0370 13 100E	035-	2 001	1-F4	0324 13 330	040	007	1-C5
0494 13 100	037	001	1-14	2850 13 331	042	012	1-D5
0494 13 100A	037	001	1-14	2850 13 332	042	013	1-D5
1632 13 100D	038-	2 001	1-K4	2850 13 332	269-	1 016	3-67

PARTS NUMBER	PARTS COMP. LIST PAGE	FIG. NO.	FICHE INDEX	PARTS NUMBER	PARTS COMP. LIST PAGE	FIG. NO.	FICHE INDEX
0338 19 880	114	033	1-H13	2579 19 988	110	036	1-E13
0338 19 880	126-	8 033	1-E15	2579 19 989	110	033	1-E13
0338 19 880A	114	033	1-H13	0398 22 333	080	013	1-G9
0338 19 880A	126	033	1-K14	1820 22 333	080	013	1-G9
0338 19 904	126-	3 022	1-M14	0221 23 021	003-	1 028	1-E1
0338 19 904A	109	023	1-D13	0221 23 021	007	048	1-H1
0378 19 910A	109	022	1-D13	0305 23 090	002	006	1-C1
3728 19 910	126-	3 021	1-M14	0305 23 090	005	008	1-F1
3728 19 910A	126	021	1-K14	0222 23 105	022	005	1-C3
8029 19 910	109	022	1-D13	0222 23 105A	022	005	1-C3
0842 19 915A	109	026	1-D13	0249 23 105	022	005	1-C3
0842 19 915A	126-	3 025	1-M14	0552 23 105	022	005	1-C3
3728 19 915	109	026	1-D13	8034 23 105	022	005	1-C3
3728 19 915	126	025	1-K14	8936 23 105	022	005	1-C3
0436 19 917	110	037	1-E13	0222 23 106	023	005	1-D3
0436 19 917	126-	4 043	1-N14	0222 23 106A	023	005	1-D3
0378 19 920B	109	028	1-D13	0249 23 106	022	005	1-C3
0378 19 920C	109	028	1-D13	8034 23 106	022	005	1-C3
0378 19 920D	109	028	1-D13	8936 23 106	022	005	1-C3
1541 19 920	126-	3 028	1-M14	0222 23 107	023	005	1-D3
1541 19 920A	126-	3 028	1-M14	0222 23 107A	023	005	1-D3
0338 19 930B	126-	3 029	1-M14	0249 23 107	022	005	1-C3
0338 19 930C	126-	3 029	1-M14	0552 23 107	023	005	1-D3
0378 19 930	109	029	1-D13	8034 23 107	022	005	1-C3
0378 19 930A	109	029	1-D13	8936 23 107	022	005	1-C3
0378 19 933	109	030	1-D13	0222 23 108	023	005	1-D3
1541 19 933	126-	3 030	1-M14	0222 23 108A	023	005	1-D3
1541 19 933A	126-	3 030	1-M14	0249 23 108	022	005	1-C3
3954 19 933	109	030	1-D13	0552 23 108	023	005	1-D3
0338 19 934	126-	3 031	1-M14	8034 23 108	022	005	1-C3
0338 19 934A	126	031	1-K14	8936 23 108	022	005	1-C3
0378 19 934A	109	031	1-D13	0324 23 130	025	022	1-F3
0842 19 934	126	018	1-K14	0494 23 130	025	022	1-F3
3959 19 934	109	031	1-D13	8034 23 130	025	022	1-F3
0338 19 936A	126-	3 033	1-M14	0324 23 131	025	022	1-F3
0842 19 936	110	034	1-E13	0494 23 131	025	022	1-F3
0338 19 937A	126-	4 034	1-N14	8034 23 131	025	022	1-F3
1541 19 938	126-	4 037	1-N14	0324 23 132	025	022	1-F3
2070 19 939	126-	4 038	1-N14	0494 23 132	025	022	1-F3
0397 19 947	126-	4 039	1-N14	8034 23 132	025	022	1-F3
3959 19 960	110	040	1-E13	0324 23 133	025	022	1-F3
0378 19 970	110	040	1-E13	0494 23 133	025	022	1-F3
0378 19 980A	110	041	1-E13	8034 23 133	025	022	1-F3
0378 19 986	110	035	1-E13	0494 23 134	025	022	1-F3
0378 19 987	110	037	1-E13	0222 23 141	022	005	1-C3



PARTS NUMBER	PARTS COMP. LIST PAGE	FIG. NO.	FICHE INDEX	PARTS NUMBER	PARTS COMP. LIST PAGE	FIG. NO.	FICHE INDEX
1524 42 310A	177-	2 001	2-G9	0866 42 410C	177-	2 009	2-G9
1544 42 310F	181	044	2-M9	0621 42 455	398	005	4-G7
8037 42 310	177-	2 001	2-G9	2280 42 460	177	056	2-F9
8038 42 310	176	043	2-E9	2280 42 460	177-	2 005	2-G9
8038 42 310	177-	2 001	2-G9	2280 42 460	180	027	2-L9
8056 42 310	177-	2 001	2-G9	2280 42 462B	177	057	2-F9
8056 42 310A	177-	2 001	2-G9	2280 42 462B	177-	2 006	2-G9
0585 42 350B	180	031	2-L9	2280 42 462B	180	028	2-L9
0866 42 350C	176	053	2-E9	0866 42 521	175	039	2-D9
0866 42 350C	177-	2 002	2-G9	0866 42 521	177-	3 017	2-H9
8037 42 350	177-	2 002	2-G9	0866 42 523	176	040	2-E9
0259 42 364C	175	033	2-D9	0866 42 523	177-	3 018	2-H9
0259 42 364C	177-	4 022	2-I9	0866 42 544	175	020	2-D9
0866 42 366	176	054	2-E9	0866 42 544	175	024	2-D9
0866 42 366	177-	2 003	2-G9	0866 42 544	179	009	2-K9
0866 42 366	180	030	2-L9	0866 42 551	175	035	2-D9
0187 42 371	176	042	2-E9	0866 42 551	177-	4 024	2-I9
1540 42 381D	176	051	2-E9	0866 42 551	181	035	2-M9
1540 42 381E	177-	3 010	2-H9	0866 42 552	175	036	2-D9
0259 42 390	175	022	2-D9	0866 42 552	177-	4 025	2-I9
0259 42 390	177-	5 041	2-J9	0866 42 552	181	034	2-M9
0376 42 410	177	059	2-F9	0866 42 555	177	058	2-F9
0376 42 410	177-	2 009	2-G9	0866 42 555	181	037	2-M9
0376 42 410A	177	059	2-F9	0866 42 561	175	038	2-D9
0376 42 410A	177	059	2-F9	0866 42 561	177-	3 019	2-H9
0376 42 410A	177-	2 009	2-G9	0866 42 570B	177-	5 044	2-J9
0376 42 410B	177	059	2-F9	8037 42 570	177-	5 038	2-J9
0376 42 410B	177	059	2-F9	1544 42 610B	174	001	2-C9
0376 42 410B	177-	2 009	2-G9	1544 42 610B	179	014	2-K9
0376 42 410C	177	059	2-F9	1544 42 613A	179	017	2-K9
0376 42 410C	177	059	2-F9	1544 42 614A	180	019	2-L9
0376 42 410C	177-	2 009	2-G9	2691 42 710A	174	014	2-C9
0585 42 410	181	038	2-M9	2691 42 710A	177-	4 030	2-I9
0585 42 410A	181	038	2-M9	2691 42 710A	179	004	2-K9
0585 42 410B	181	038	2-M9	1011 42 711	176	041	2-E9
0866 42 410	177	059	2-F9	2691 42 716	174	013	2-C9
0866 42 410	177-	2 009	2-G9	2691 42 716	177-	4 033	2-I9
0866 42 410A	177	059	2-F9	2691 42 716	179	003	2-K9
0866 42 410A	177	059	2-F9	2691 42 750	174	012	2-C9
0866 42 410A	177-	2 009	2-G9	2691 42 750	177-	4 031	2-I9
0866 42 410B	177	059	2-F9	8006 42 910	177-	4 030	2-I9
0866 42 410B	177	059	2-F9	8006 42 910	179	004	2-K9
0866 42 410B	177-	2 009	2-G9	8006 42 910A	177-	4 030	2-I9
0866 42 410C	177	059	2-F9	8006 42 910A	179	004	2-K9
0866 42 410C	177	059	2-F9	8006 42 910B	177-	4 030	2-I9

PARTS COMP.			PARTS COMP.		PARTS COMP.		
PARTS NUMBER	LIST PAGE	FIG. NO.	FICHE INDEX	PARTS NUMBER	LIST PAGE	FIG. NO.	FICHE INDEX
8531 60 962	177-	3	013 2-H9	0376 61 450	283	001	3-C9
8531 60 962A	177-	3	013 2-H9	0376 61 450	303		3-C11
0257 61 051	278		031 3-E8	0459 61 450	292	020	3-D10
0366 61 071	278		032 3-E8	0459 61 450	303		3-C11
0370 61 080	276		3-C8	1540 61 461A	292	023	3-D10
8038 61 080	276		3-C8	0370 61 462B	283	003	3-C9
8038 61 080	276		3-C8	1540 61 462	292	024	3-D10
0862 61 130	276	001	3-C8	0458 61 463	283	004	3-C9
0862 61 130	280	036	3-G8	0458 61 463	292	025	3-D10
0862 61 130A	276	001	3-C8	0866 61 463	283	004	3-C9
0862 61 130A	280	036	3-G8	0866 61 463	292	025	3-D10
0866 61 140C	276	002	3-C8	0866 61 464A	283	005	3-C9
0866 61 140C	280	011	3-G8	0866 61 464A	292	026	3-D10
1518 61 140A	288	084	3-H9	8058 61 464	283	005	3-C9
1518 61 140A	295	068	3-G10	0370 61 465A	283	006	3-C9
8038 61 140	276	002	3-C8	0426 61 465	292	027	3-D10
8038 61 140	276	002	3-C8	0370 61 466	283	007	3-C9
8038 61 140	281	011	3-H8	0376 61 466	283	007	3-C9
8038 61 140	281	011	3-H8	0370 61 467	283	008	3-C9
0866 61 151A	276	003	3-C8	0370 61 467	293	028	3-E10
0862 61 156	276	004	3-C8	1562 61 467	293	029	3-E10
0370 61 190E00	276	005	3-C8	0370 61 468A	283	009	3-C9
3719 61 190	288	085	3-H9	0370 61 469	283	010	3-C9
3719 61 190	296	069	3-H10	0370 61 471	283	011	3-C9
8038 61 190	276	005	3-C8	0370 61 471	293	030	3-E10
8038 61 190	276	005	3-C8	8043 61 471	283	011	3-C9
0866 61 195B	277	012	3-D8	0370 61 472	283	012	3-C9
0866 61 195B	278-	1	035 3-F8	0370 61 473	283	013	3-C9
0370 61 211	277	019	3-D8	0866 61 475	283	014	3-C9
0426 61 211	277	019	3-D8	0866 61 475	293	031	3-E10
0370 61 212	278	020	3-E8	0866 61 476	283	015	3-C9
0426 61 212A	278	020	3-E8	0866 61 476	293	032	3-E10
0824 61 236A	285	042	3-E9	1540 61 476	293	033	3-E10
0824 61 236A	295	057	3-G10	0370 61 477	283	016	3-C9
0866 61 251	277	014	3-D8	8043 61 477	283	016	3-C9
1540 61 340	278	026	3-E8	0458 61 480	284	023	3-D9
1540 61 340A	278	026	3-E8	0458 61 480	293	039	3-E10
1540 61 350	278	027	3-E8	0866 61 480	284	023	3-D9
0259 61 405	278	021	3-E8	0866 61 480	284	023	3-D9
1518 61 410	283	024	3-C9	0866 61 480	293	039	3-E10
3474 61 410B	291		3-C10	0866 61 500	284	024	3-D9
8043 61 410	283	024	3-C9	0866 61 500	293	042	3-E10
8043 61 410A	283	024	3-C9	0370 61 520	284	028	3-D9
8043 61 410B	283	024	3-C9	0370 61 520	294	045	3-F10
8832 61 410	291		3-C10	0370 61 520	301		3-K10

PARTS NUMBER	PARTS COMP. LIST PAGE	FIG. NO.	FICHE INDEX	PARTS NUMBER	PARTS COMP. LIST PAGE	FIG. NO.	FICHE INDEX
1540 72 661C	390	013	4-J6	0866 73 330B	393	004	4-C7
1540 72 661D	391	013	4-K6	1524 73 330B	393	004	4-C7
1544 72 661A	391	013	4-K6	0866 73 410A	393	001	4-C7
1544 72 661B	391	013	4-K6	0866 73 410B	393	001	4-C7
1544 72 661C	391	013	4-K6	0368 73 501A	390	012	4-J6
0376 72 755A00	382	012	4-C6	0374 73 501A	382	011	4-C6
0585 72 760A	389	007	4-I6	0376 73 501A	382	011	4-C6
0866 72 760A	389	007	4-I6	0376 73 501B	382	011	4-C6
0376 72 761	382	004	4-C6	0376 73 501C	382	011	4-C6
0376 72 771	382	002	4-C6	0583 73 501A	390	012	4-J6
0376 72 781C	383	024	4-D6	0585 73 501A	390	012	4-J6
0866 72 781C	391	019	4-K6	0585 73 501B	390	012	4-J6
0376 72 790	383	025	4-D6	0585 73 501C	390	012	4-J6
0866 72 791	391	018	4-K6	0866 73 501A	390	012	4-J6
0376 72 810A	385	044	4-F6	0866 73 501B	390	012	4-J6
0368 72 811A	391-	1 022	4-L6	0866 73 501C	390	012	4-J6
0370 72 811A	391-	1 022	4-L6	0376 73 560	384	028	4-E6
0375 72 811A	385	044	4-F6	0866 73 560	395	029	4-E7
0375 72 812	386	048	4-G6	0376 73 602	383	019	4-D6
0585 72 821 00	391-	2 027	4-M6	0585 73 602C	389	005	4-I6
0585 72 821 01	391-	2 027	4-M6	0866 73 602A00	389	005	4-I6
0585 72 821 02	391-	2 027	4-M6	0376 73 603	383	015	4-D6
0376 72 851B00	382	006	4-C6	1524 73 661C	390	013	4-J6
0376 72 855	382	001	4-C6	1529 73 661A	391	013	4-K6
0376 72 880	383	023	4-D6	1540 73 661B	391	013	4-K6
0376 72 880A	383	023	4-D6	1540 73 661C	391	013	4-K6
0866 72 880	391	020	4-K6	1540 73 661D	391	013	4-K6
0866 72 880A	391-	1 020	4-L6	1544 73 661A	391	013	4-K6
0376 72 881 00	383	021	4-D6	1544 73 661B	391	013	4-K6
0376 72 890	384	034	4-E6	1544 73 661C	391	013	4-K6
0376 72 892	384	035	4-E6	0585 73 760A	389	007	4-I6
0376 72 901C	384	032	4-E6	0866 73 760A	389	007	4-I6
0376 72 902B	384	033	4-E6	0376 73 761	382	004	4-C6
0585 73 010B	388	001	4-H6	0376 73 771	382	002	4-C6
0585 73 010B	388	001	4-H6	0376 73 790	383	025	4-D6
0866 73 010D	388	001	4-H6	0376 73 810A	385	044	4-F6
0866 73 010D	388	001	4-H6	0368 73 811A	391-	1 022	4-L6
1620 73 010	388	001	4-H6	0370 73 811A	391-	1 022	4-L6
1636 73 010	388	001	4-H6	0375 73 811A	385	044	4-F6
0866 73 020A	388	001	4-H6	0375 73 812	386	048	4-G6
0866 73 210B	394	011	4-D7	0376 73 851B00	382	006	4-C6
1004 73 210	394	011	4-D7	0376 73 855	382	001	4-C6
0866 73 240C	394	014	4-D7	0376 73 880	383	023	4-D6
0866 73 310G	393	007	4-C7	0376 73 880A	383	023	4-D6
0866 73 310H	393	007	4-C7	0866 73 880	391-	1 020	4-L6



PARTS NUMBER	PARTS COMP. LIST PAGE	FIG. NO.	FICHE INDEX	PARTS NUMBER	PARTS COMP. LIST PAGE	FIG. NO.	FICHE INDEX
9978 60 820B	253	029	3-K5	9979 60 612	126-	4 040	1-N14
9978 60 820B	262	023	3-16	9979 60 612	126-	8 043	1-E15
9978 60 825	154	065	2-G6	9979 60 612	214	006	3-I1
9978 60 825	257	027	3-E6	9979 60 612	298	005	3-I10
9978 60 825	263	029	3-J6	9979 60 616	064	012	1-E8
9978 60 825B	248	028	3-G5	9979 60 616	072	018	1-K8
9978 60 825B	253	030	3-K5	9979 60 630	031	032	1-L3
9978 90 820F	130	002	2-C2	9979 60 630	061	008	1-C8
9978 90 820F	130	002	2-C2	9979 60 812	040	008	1-C5
9978 90 880F	130	002	2-C2	9979 60 812	040	010	1-C5
9979 10 512	174	011	2-C9	9979 60 812	042	017	1-D5
9979 10 512	177-	4 032	2-I9	9979 60 812	289	091	3-I9
9979 40 616	211	029	3-G1	9979 60 812	292	022	3-D10
9979 41 025	207	004	3-C1	9979 60 814	038-	3 024	1-L4
9979 50 616	308	022	3-G11	9979 60 816	094-	2 037	1-G11
9979 50 625	298	015	3-I10	9979 60 825	005	015	1-F1
9979 51 032	189	012	2-G10	9979 60 825	020	020	1-G2
9979 60 508	273	028	3-K7	9979 60 825	065	025	1-F8
9979 60 508	394	026	4-D7	9979 60 830	054	008	1-C7
9979 60 512	174	011	2-C9	9979 60 835	020	021	1-G2
9979 60 608	031	036	1-L3	9979 60 835	068	021	1-H8
9979 60 608	073	033	1-L8	9979 60 840	020	022	1-G2
9979 60 608	081-	1 028	1-I9	9979 60 845	020	023	1-G2
9979 60 608	391	017	4-K6	9979 60 850	007	046	1-H1
9979 60 610	058	007	1-F7	9979 60 850	013	041	1-M1
9979 60 610	069	027	1-I8	9979 60 850	065	017	1-F8
9979 60 610	072	018	1-K8	9979 60 855	007	046	1-H1
9979 60 610	094-	2 042	1-G11	9979 60 865	067	012	1-G8
9979 60 610	098-	2 043	1-L11	9979 60 870	013	043	1-M1
9979 60 610	114	035	1-H13	9979 60 870	067	012	1-G8
9979 60 610	126-	8 034	1-E15	9979 61 016	176	044	2-E9
9979 60 610	288	081	3-H9	9979 61 016	181	045	2-M9
9979 60 610	317	033	3-H12	9979 61 020	181	042	2-M9
9979 60 610	317	042	3-H12	9979 61 020	229-	1 034	3-F3
9979 60 610	317-	4 027	3-E13	9979 61 030	102	024	1-E12
9979 60 610	317-	5 036	3-F13	9979 61 035	077	017	1-E9
9979 60 610	337	019	3-E15	9979 61 035	126-	3 020	1-M14
9979 60 610	395	030	4-E7	9979 61 040	077	018	1-E9
9979 60 612	054	018	1-C7	9979 61 040	126-	3 020	1-M14
9979 60 612	064	012	1-E8	9979 61 050	077	019	1-E9
9979 60 612	081	025	1-H9	9979 61 050	226-	3 020	1-M14
9979 60 612	081	025	1-H9	9979 61 220	016	028	1-D2
9979 60 612	109	027	1-D13	9979 61 225	016	030	1-D2
9979 60 612	114	043	1-H13	9979 68 112	141	022	2-F4
9979 60 612	126-	3 027	1-M14	9979 70 512	325	027	3-E14



 **HADI-MAZDA**  
*Club*

 **HADI-MAZDA**  
*Club*

## HOW TO USE THIS PARTS CATALOG

### (I) Outline of Parts Catalog

This parts catalog consists of parts group index, illustrations, parts composition lists and part number index.

### (II) How to locate parts

#### 1) When part number is not known

- A. Refer to a parts group index and locate the group which your parts requirement would be located.



- B. Open to the illustration page according to the parts group index and locate the part wanted.



- C. See the key number given for the part in the illustration and find the corresponding number in the parts composition list.



- D. Then, you will find the part number and the name of the part adjacent to that key number.

#### 2) When part number is known

- A. See a part number index at back of parts catalog and find the page where the part number and the key number are listed.





- B. Open to the page indicated and locate the part number in the parts composition list, then you will see the description, the quantity, etc.



- C. Moreover, you can see the illustration of part on the opposite page of the parts composition list by referring the key number.

### (III) On Groups

- The number enclosed with a triangle at the top of each page (Example ) indicates group number.
- Group numbers are determined according to structure and function of parts.
- The group numbers given in the parts group index at front of the parts catalog coincides with the numbers (Example ) in the illustrations and parts composition lists.

### (IV) Explanation on Parts Composition Lists

#### 1) Relation between an assembly and components

- A. A description of component parts that comprises an assembly is set to the right and listed after an assembly part.
- B. In other words, when a part description is not set to the right, it means that a part is not included in any assembly.

Example:

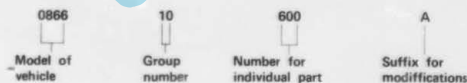
No.	Part Number	Description	Q'ty	Remarks
1	0866 18 300	Alternator	1	
2	0866 24 533	Nut Set	1	
...	...	...	...	
8	0866 24 540	Rotor	1	Fig. No. 9 included
9	0820 24 503	Bearing, Ball	1	
10	99906 0500	Nut, Alternator	1	

- (a) 1 includes 2 thru 9.  
 (b) 8 includes 9.  
 (c) 10 is not included in any part.

#### 2) On part numbers

##### A. General parts

Example:



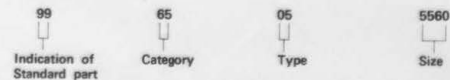
##### B. Standard parts (General)

Example:

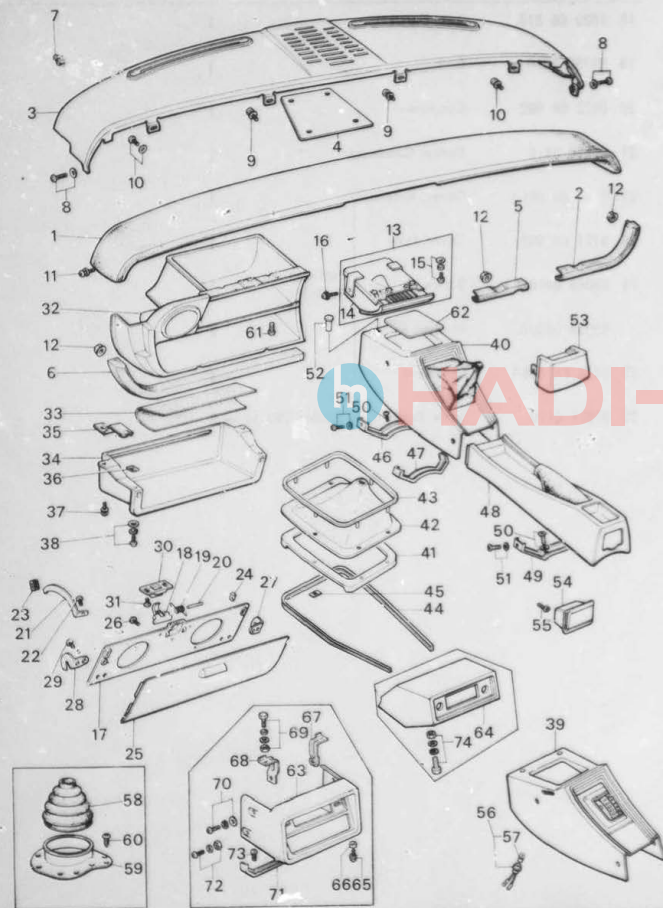


##### C. Standard parts (Tires, Tubes, Disc Wheels, etc.)

Example:



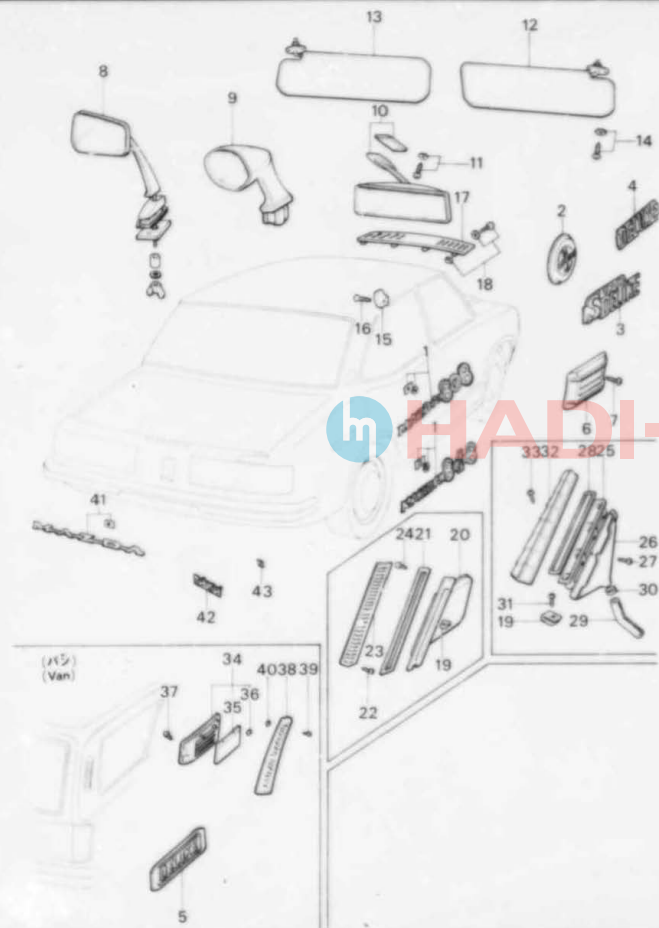
## CRUSH PAD, GLOVE POCKET &amp; CONSOLE



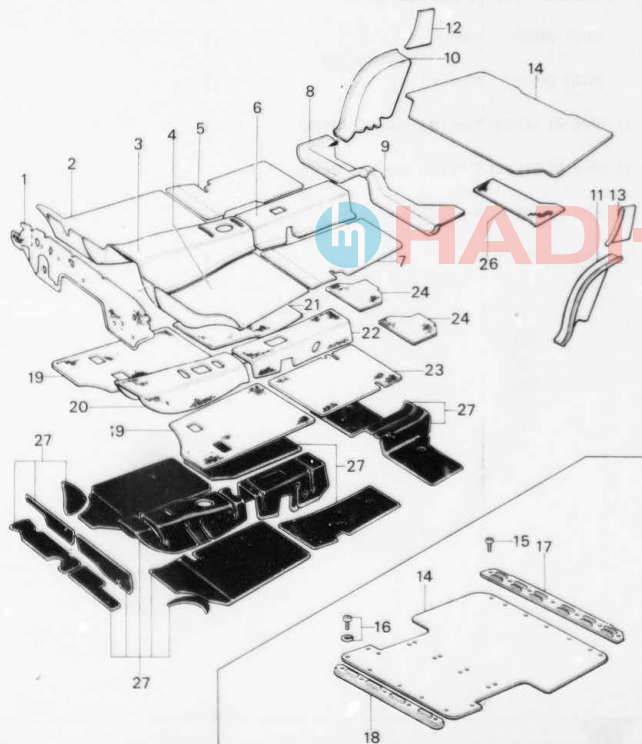
## CRUSH PAD, GLOVE POCKET &amp; CONSOLE

No.	Part Number	Description	Qty	Remarks
0379	68 890A20	Console, Front (BRN) (With Console) (Automatic)	1	
0379	68 890A30	Console, Front (GRY)	1	76/8 ~ Added Anew
40	0376 68 890B00	Console, Front (BLK)	1	
0866	68 890B20	Console, Front (BRN) (With Console) (Manual)	1	
0866	68 890B30	Console, Front (GRY)	1	76/8 ~ Added Anew
41	0376 68 892	Plate, Set	1	
0376	68 892	Plate, Set (Automatic & Std.)	1	76/4 ~ Discarded
42	0376 68 893	Boot, Change	1	
43	0376 68 894	Mould, Change	1	
44	0376 68 895	Mould (Frt.)	1	
45	99579 3000	Nut, Speed	6	
46	0376 68 900	Bracket (Frt.), Console (With Console) (Manual)	1	
0376	68 901	Bracket (Frt.), Console	1	75/12 ~ ○
0378	68 900	Bracket (Frt.), Console (With Console) (Automatic)	1	
0378	68 901	Bracket (Frt.), Console	1	75/12 ~ ○
47	0376 68 910	Bracket (C), Console (With Console) (Manual & Automatic)	1	
0376	68 911	Bracket (C), Console	1	75/12 ~ ○
48	0376 68 940-00	Console, Rear (BLK)	1	
0866	68 940-20	Console, Rear (BRN)	1	

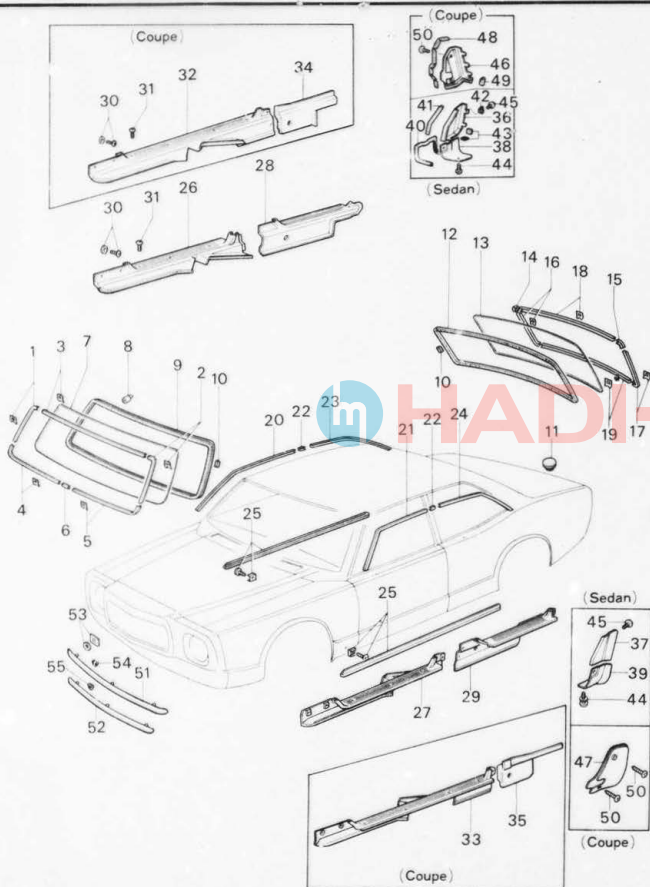




No.	Part Number	Description	Q'ty	Remarks
	0376 71 431 A00	Grille (L), Extractor (GRY DULL)	1	
	0376 71 431 A02	Grille (L), Extractor (GRY S DULL)	1	(Coupe)
33	99864 0416B	Screw, Tapping-Grille	6	
				<b>Order by</b>
			1	<b>0585 70 431 02</b>
34	0585 70 420 A	Extractor (R)	1	
	0585 71 420 A	Extractor (L)	1	<b>Order by 0585 71 420A 00</b>
35	0585 70 423 A	Valve (R)	1	
	0585 71 423 A	Valve (L)	1	
36	99579 2000	Nut, Speed	4	(Wagon)
37	99864 0412B	Screw, Tapping-Extractor	4	
38	0585 70 431-3	Grille (R)	1	
	0585 71 431-3	Grille (L)	1	<b>Order by 0585 71 431 02</b>
39	99863 0416B	Screw, Tapping-Grille	4	
40	99896 0400	Nut, Spring-Grille	2	
41	0866 89 604	Ornament, MAZDA (Sedan & Coupe)	1	
42	<del>8501 51 771 A</del>	<del>Ornament, MAZDA</del>	<del>1</del>	
	8501 51 781A	Ornament, MAZDA - Rear (Sedan & Coupe)	1	<b>From Car No. 1</b>
	8702 51 781	Ornament, MAZDA - Rear (Sedan & Coupe)	1	77/9 ~ Δ
	99579 3000	Nut, Speed	2	
	8501 51 771A	Ornament, MAZDA - Front	1	
	8702 51 771	Ornament, MAZDA - Front	1	77/9 ~ Δ

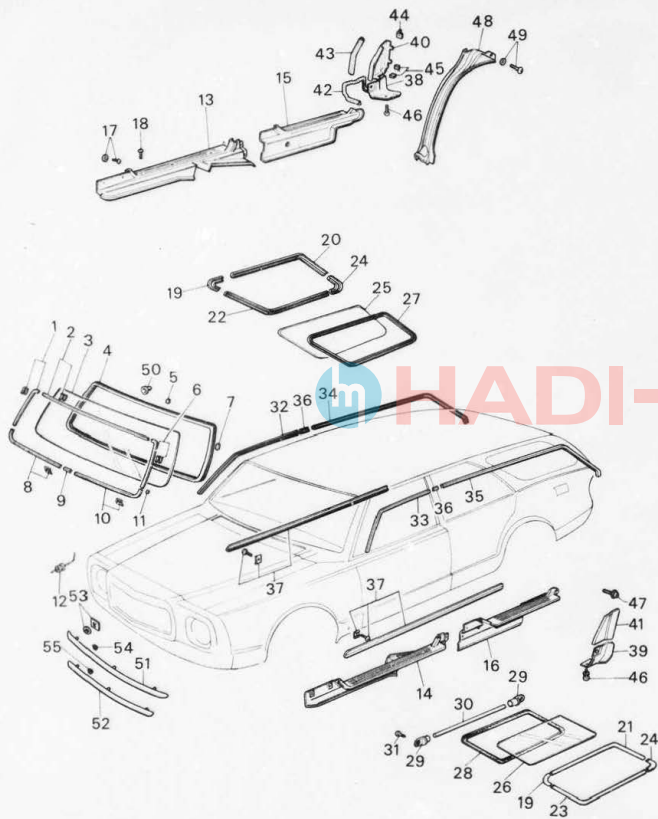


No.	Part Number	Description	Qty	Remarks
	1517 69 611A	Ⓢ Mat (Frnt., C) (Carpet)	(Manual, 1510) (Selective use)	1
	1517 69 611B	Ⓢ Mat (Frnt., C) (Carpet)		1 75/10 ~ X
	0585 69 611A-05	Ⓢ Mat (Frnt., C) (BLK) (Vinyl)		1
	8038 69 611	Ⓢ Mat (Frnt., C) (Carpet)	(Manual, Coupe) (Selective use)	1
	8038 69 611A	Ⓢ Mat (Frnt., C) (Carpet)		1 75/10 ~ X
	3506 69 611	Ⓢ Mat (Frnt., C) (Automatic, Sedan)		1
	3506 69 611A	Ⓢ Mat (Frnt., C) (Automatic, Sedan)		1 75/10 ~ X
	0582 69 611A-05	Ⓢ Mat (Frnt., C) (BLK) (Vinyl)		1
	1517 69 611A	Ⓢ Mat (Frnt., C) (Carpet)	(Manual Wagon) (1515, 8835) (Selective use)	1
	1517 69 611B	Ⓢ Mat (Frnt., C) (Carpet)		1 75/10 ~ N
	0585 69 611A-05	Ⓢ Mat (Frnt., C) (BLK) (Vinyl)		1
	8038 69 611	Ⓢ Mat (Frnt., C) (Carpet)	(Manual Wagon) (1516, 1522) (Selective use)	1
	8038 69 611A	Ⓢ Mat (Frnt., C) (Carpet)		1 75/10 ~ X
4	0585 69 613A-05	Ⓢ Mat (Frnt., L) (BLK) (Vinyl)		1
	8038 69 613	Ⓢ Mat (Frnt., L) (Carpet)	(Manual) (Selective use)	1
	8038 69 613A	Ⓢ Mat (Frnt., L) (Carpet)		1 75/10 ~ X
	3506 69 613	Ⓢ Mat (Frnt., L) (Automatic)		1
	3506 69 613A	Ⓢ Mat (Frnt., L) (Automatic)		1 75/10 ~ X
5	0585 69 617A-05	Ⓢ Mat (Rr., R) (BLK) (Vinyl)		1
	0585 69 617B-05	Ⓢ Mat (Rr., R) (BLK) (Vinyl)		1 76/11 ~ Δ
	0585 69 617C-05	Ⓢ Mat (Rr., R) (BLK) (Vinyl)		1 78/3 ~ X



No.	Part Number	Description	Qty	Remarks
	1535 70 471B	Glass, Back Window	1	
	1535 70 471C	Glass, Back Window	1	77/9 ~ Δ
	0374 70 471A	Glass, Back Window (Transparent 4 m/m)	1	
	1554 70 471	Glass, Back Window (Transparent 5 m/m) (With Heating Wire)	1	
	1895 70 471	Glass, Back Window (Transparent 5 m/m) (With Heating Wire)	1	76/9 ~ Δ
	0375 70 471A	Glass, Back Window (Blue Pane)	1	
	0375 70 471B	Glass, Back Window (Blue Pane)	1	76/9 ~ Δ
	0375 70 471C	Glass, Back Window (Blue Pane)	1	77/9 ~ Δ (Coupe)
	0376 70 471A	Glass, Back Window (Blue Pane) (With Heating Wire)	1	(Selective use)
	0376 70 471B	Glass, Back Window (Blue Pane) (With Heating Wire)	1	76/9 ~ Δ
	0376 70 471C	Glass, Back Window (Blue Pane) (With Heating Wire)	1	77/9 ~ Δ
	1514 70 471	Glass, Back Window (Transparent 5 m/m)	1	
	1562 70 471A	Glass, Back Window (Transparent 4 m/m) (With Heating Wire)	1	
14	0376 70 484A	Joint (R) (Coupe)	1	Order by 0376 70 570A
	0866 70 484A	Joint (R) (Sedan)	1	Order by 0866 70 570A
15	0376 71 484A	Joint (L) (Coupe)	1	Order by 0376 71 570A
	0866 71 484A	Joint (L) (Sedan)	1	Order by 0866 71 570A
16	0376 99 748A	Mould Set (R), Rear (Coupe)	1	
	0866 99 748A	Mould Set (R), Rear (Sedan)	1	

**70 71** WINDOW GLASS & MOULDING (WAGON)

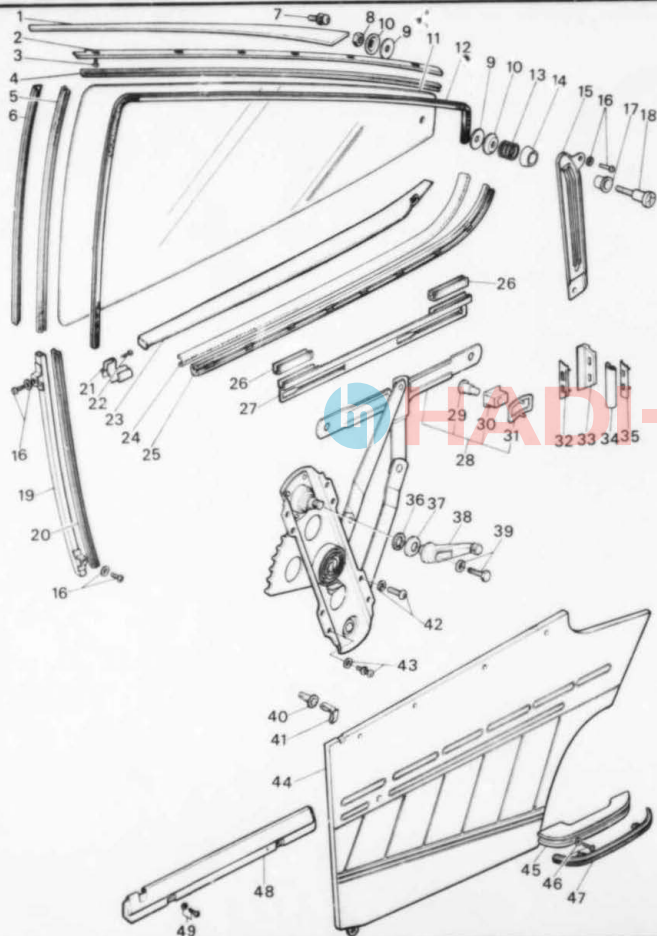


**70 71** WINDOW GLASS & MOULDING (WAGON)

No.	Part Number	Description	Qty	Remarks
46	99865 0512	Screw, Stone Guard	4	
47	99739 0410	Screw, Tapping	2	
48	0585 70 811C	Plate (R), Scarf	1	
49	99864 0412B	Screw, Scarf Plate	2	
	99952 0412B	Washer, Plain	2	
50	0305 53 999	Stud	9	
51	8038 70 210	Grille, Upper	1	
52	8038 70 220	Grille, Lower	1	
53	0730 69 057A	Nut, Speed	6	
	99579 4000	Gasket	6	
54	99688 1190	Rubber	4	
	99688 1020	Rubber	4	
55	99688 1160	Rubber	4	



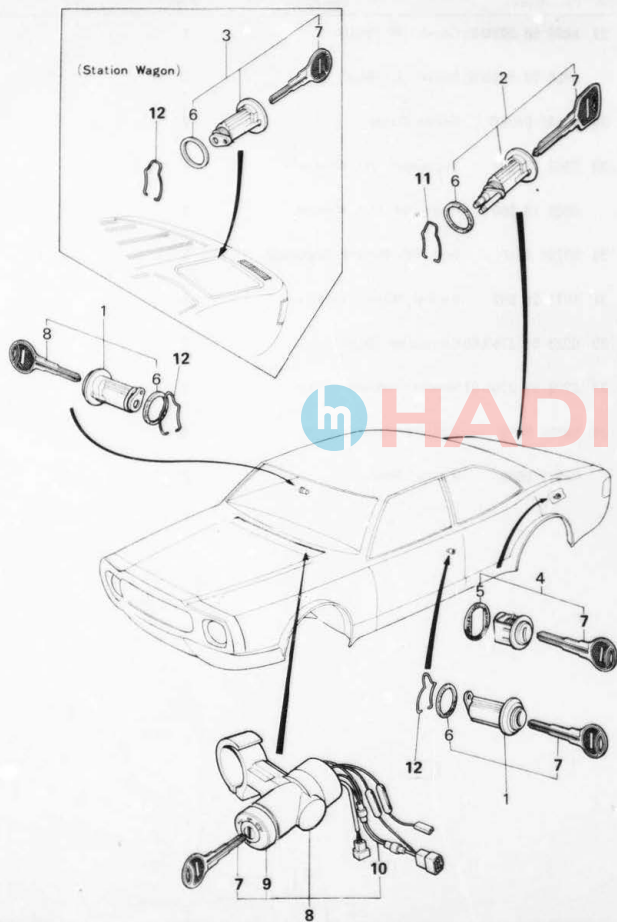
## REAR SIDE WINDOW (COUPE)



## REAR SIDE WINDOW (COUPE)

No. Part Number	Description	Q'ty	Remarks
47 1009 69 421 -00	Garnish, Arm Rest (BLK)	2	
48 0375 72 812	Garnish (R), Trim	1	
0375 73 812	Garnish (L), Trim	1	
49 99860 0410	Screw, Garnish	4	
99952 0400	Washer, Plain	4	

MAZDA  
Club



No.	Part Number	Description	Q'ty	Remarks
	8060 09 010B	Key Set (Wagon) (U.K.)	1	
	8043 09 010	Key Set	1	77/10 ~ X
1	0839 74 910A	Key Sub Set, Door	2	Order by 0305 74 910A
	0305 74 910	Key Sub Set, Door	2	76/6 ~ O
	0305 74 910A	Key Sub Set, Door	2	72/8 ~ Δ
2	0866 75 930	Key Sub Set, Trunk Lid (Sedan & Coupe)	1	
	0370 75 930	Key Sub Set, Trunk Lid (Sedan & Coupe)	1	76/6 ~ O
3	0899 75 960	Key Sub Set, Back Door (Wagon)	1	
	0585 75 960	Key Sub Set, Back Door (Wagon)	1	76/6 ~ O
4	0866 75 940	Key Sub Set, Filler Lid	1	
	0437 75 940	Key Sub Set, Filler Lid	1	76/6 ~ O
5	0621 42 455	Seat, Filler Lid Lock	1	
6	0223 58 962	Gasket	3	
7	0305 58 492A	Key, Primary	2	
8	8038 75 990	Key Sub Set, Steering Lock (Except Australia & U.K.)	1	
	8038 75 990	Key Sub Set, Steering Lock (Australia)	1	
	1510 75 990	Key Sub Set, Steering Lock (Australia)	1	76/7 ~ X
	8038 75 990	Key Sub Set, Steering Lock (U.K.)	1	
	1513 75 990	Key Sub Set, Steering Lock (U.K.)	1	77/10 ~ X
9	8038 66 155	Switch, Ignition	1	

PARTS NUMBER		PARTS COMP. LIST PAGE	FIG. NO.	FICHE INDEX	PARTS NUMBER		PARTS COMP. LIST PAGE	FIG. NO.	FICHE INDEX
1531 13 335	040	011	1-C5	1690 13 361	059-	2	003	1-H7	
0324 13 336	035-	2	008	1-F4	1690 13 361	059-	5	009	
0324 13 336	037	008	1-I4	2404 13 361	035	023	1-E4		
0324 13 336	037	009	1-I4	0164 13 363	054	002	1-C7		
0324 13 336	038-	2	008	1-K4	0223 13 363	058	001	1-F7	
0324 13 336	038-	2	011	1-K4	0223 13 363	059-	2	001	
0324 13 336	038-	4	034	1-M4	0223 13 363	059-	5	007	
0324 13 336	040	012	1-C5	0164 13 374	054	003	1-C7		
0324 13 336	042	015	1-D5	0305 13 390F	038	016	1-J4		
0324 13 336	059-	3	030	1-I7	0305 13 390F	038-	2	013	
0324 13 336	059-	6	027	1-K7	0305 13 390G	038	016	1-J4	
1531 13 337	035	032	1-E4	0305 13 390G	038-	2	013	1-K4	
1531 13 337A	035	032	1-E4	0866 13 402A	058	006	1-F7		
1531 13 337A	035-	3	016	1-G4	0866 13 402B	058	006	1-F7	
1531 13 337B	035	016	1-E4	0866 13 402B	059-	2	006	1-H7	
1531 13 337B	035	032	1-E4	0866 13 402B	059-	5	012	1-J7	
0305 13 340A	042	016	1-D5	0259 13 410B	054	010	1-C7		
1540 13 342A	042	018	1-D5	1690 13 410	050	002	1-I6		
0305 13 344C	038-	2	012	1-K4	1690 13 410	052-	2	007	
0305 13 344C	042	019	1-D5	0370 13 421B	054	011	1-C6		
0324 13 344A	040	015	1-C5	0370 13 421C	054	011	1-C7		
0190 13 345	056	039	1-E7	1690 13 425A	037	010	1-I4		
0370 13 350A	054	001	1-C7	1690 13 425A	038-	3	015		
0370 13 350D	054	001	1-C7	1690 13 425B	037	010	1-I4		
1690 13 350	058	004	1-F7	1690 13 425B	038-	3	015		
1690 13 350	059-	2	004	1-H7	0370 13 431D	054	012	1-C7	
1690 13 350	059-	5	010	1-J7	0370 13 441	054	015	1-C7	
8036 13 350	054	001	1-C7	1570 13 447	058	008	1-F7		
8072 13 350	058	004	1-F7	1570 13 447	059-	2	007		
8072 13 350	059-	2	004	1-H7	1570 13 447	059-	5	001	
8072 13 350	059-	5	010	1-J7	0107 13 448	054	013	1-C7	
8072 13 350A	058	004	1-F7	0107 13 449	013	013	1-M1		
8072 13 350A	059-	2	004	1-H7	0107 13 449	054	014	1-C7	
8072 13 350A	059-	5	010	1-J7	0305 13 450B	038	018	1-J4	
8072 13 350B	058	004	1-F7	0305 13 450B	038-	3	016		
8072 13 350B	059	002	1-G7	0305 13 450C	038	018	1-J4		
8914 13 350	054	001	1-C7	0305 13 450C	038-	3	016		
0324 13 355	054	009	1-C7	0324 13 450A	035	025	1-E4		
0222 13 358	298	013	3-I10	0324 13 450A	035-	3	019		
1690 13 359	058	002	1-F7	2306 13 456	035	026	1-E4		
1690 13 359	059-	2	002	1-H7	2306 13 456	035-	3	020	
1690 13 359	059-	5	008	1-J7	2306 13 456	038	019	1-J4	
0324 13 360A	035	022	1-E4	2306 13 456	038-	3	017		
0324 13 360A	035-	3	017	1-G4	0208 13 458	172	013	2-F8	
1690 13 361	058	003	1-F7	0208 13 458	172	020	2-F8		

PARTS NUMBER	PARTS COMP. LIST PAGE	FIG. NO.	FICHE INDEX	PARTS NUMBER	PARTS COMP. LIST PAGE	FIG. NO.	FICHE INDEX
0552 23 141A	023	005	1-D3	0370 23 230	026	023	1-G3
0222 23 142	023	005	1-D3	8034 23 230	026	023	1-G3
0552 23 142A	023	005	1-D3	0305 23 240A	026	023	1-G3
0222 23 143	023	005	1-D3	0370 23 240	026	023	1-G3
0552 23 143A	023	005	1-D3	8034 23 240	026	023	1-G3
0305 23 151B	026	025	1-G3	0305 23 250	007	049	1-H1
0324 23 151A	026	025	1-G3	0305 23 260	008	049	1-11
8034 23 151	026	025	1-G3	0222 23 261	050	003	1-16
0305 23 152B	026	025	1-G3	0222 23 261	052-	3 028	1-M6
0324 23 152	026	025	1-G3	1540 23 264A	052-	3 030	1-M6
8034 23 152	026	025	1-G3	0305 23 270	008	049	1-11
0305 23 153B	026	025	1-G3	1540 23 271A	052-	3 023	1-M6
0324 23 153	026	025	1-G3	0305 23 280	008	049	1-11
8034 23 153	026	025	1-G3	0222 23 282	051	035	1-J6
0305 23 154B	026	025	1-G3	0222 23 282B	051	035	1-J6
0324 23 154	026	025	1-G3	0222 23 291A	050	004	1-16
8034 23 154	026	025	1-G3	0222 23 291A	052-	3 024	1-M6
0324 23 166	026-	1 026	1-H3	0222 23 296A	050	005	1-16
8034 23 166	026-	1 026	1-H3	0222 23 296A	052-	2 017	1-L6
0324 23 167	026-	1 026	1-H3	0259 23 301A	045	018	1-D6
8034 23 167	026-	1 026	1-H3	0305 23 301A	050	006	1-16
0324 23 168	026-	1 026	1-H3	0305 23 301A	052-	2 008	1-L6
8034 23 168	026-	1 026	1-H3	0249 23 302	045	019	1-D6
0324 23 175	025	022	1-F3	0324 23 303	045	020	1-D6
0324 23 175	025	022	1-F3	0585 23 303	045	020	1-D6
8034 23 175	025	022	1-F3	0324 23 304	048	076	1-G6
8034 23 175	025	022	1-F3	0324 23 305	047	065	1-F6
0603 23 197	040	013	1-C5	0370 23 306	044	003	1-C6
0603 23 198	040	006	1-C5	0268 23 307A	048	077	1-G6
0603 23 198	040	014	1-C5	0324 23 307A	044	010	1-C6
0603 23 198	042	002	1-B5	0222 23 308A	052-	2 006	1-L6
0305 23 200A	026	023	1-G3	0324 23 308A	044	008	1-C6
0370 23 200	025	023	1-F3	0585 23 308	044	008	1-C6
8034 23 200	025	023	1-F3	0249 23 309	045	021	1-D6
0305 23 201B	026-	1 026	1-H3	0494 23 310	050	007	1-16
0305 23 202B	026-	1 026	1-H3	1540 23 310	050	008	1-16
0305 23 203B	026-	1 026	1-H3	1540 23 310	052-	2 004	1-L6
0305 23 204B	026-	1 026	1-H3	1893 23 310	052-	2 002	1-L6
0305 23 210A	026	023	1-G3	0222 23 311C	050	009	1-16
0370 23 210	025	023	1-F3	0370 23 311	044	011	1-C6
8034 23 210	026	023	1-G3	0268 23 312A	045	014	1-D6
0305 23 220A	026	023	1-G3	0180 23 313	046	036	1-E6
0370 23 220	026	023	1-G3	0324 23 313A	044	007	1-C6
8034 23 220	026	023	1-G3	0585 23 313	044	007	1-C6
0305 23 230A	026	023	1-G3	0603 23 313	050	011	1-16



PARTS NUMBER		PARTS COMP. LIST PAGE	FIG. NO.	FICHE INDEX	PARTS NUMBER		PARTS COMP. LIST PAGE	FIG. NO.	FICHE INDEX
8006	42 910B	179	004	2-K9	0114	43 625	327	044	3-G14
3725	42 920	174	012	2-C9	0114	43 625	328-	1 067	3-I14
3729	42 920	179	001	2-K9	0136	43 635	186	018	2-E10
0118	43 028A	188	009	2-F10	0136	43 635	198	004	2-F11
0259	43 028	188	009	2-F10	0305	43 635	198	005	2-F11
0268	43 028	189	009	2-G10	0305	43 635	199-	3 003	2-I11
0187	43 029	189	010	2-G10	0370	43 650A	198	006	2-F11
0378	43 030	189	011	2-G10	0370	43 650A	198	006	2-F11
0866	43 030	189	011	2-G10	0370	43 650A	199-	3 016	2-I11
0866	43 030A	189	011	2-G10	0585	43 650A	198	006	2-F11
0866	43 062	189	017	2-G10	0585	43 650A	198	006	2-F11
0866	43 063	189	018	2-G10	0585	43 650A	199-	4 016	2-J11
8056	43 070A	189	019	2-G10	0370	43 660B	198	007	2-F11
8056	43 070C	189	019	2-G10	0370	43 660B	198	007	2-F11
0259	43 088	155	068	2-H6	0370	43 660B	199-	4 017	2-J11
0259	43 088	189	020	2-G10	0585	43 660A	198	007	2-F11
0118	43 090	189	013	2-G10	0585	43 660A	199-	4 017	2-J11
0106	43 092	189	014	2-G10	0899	43 660	198	007	2-F11
0225	43 092	190	025	2-H10	0899	43 660	199-	4 017	2-J11
0304	43 131B	190	027	2-H10	1312	43 690	035-	2 004	1-F4
0304	43 131B	190	027	2-H10	1312	43 690	199-	5 024	2-K11
0259	43 140	190	028	2-H10	0221	43 694A	198	008	2-F11
0305	43 140	190	031	2-H10	0221	43 694A	199-	3 005	2-I11
8037	43 170A	190	033	2-H10	3637	43 694	199-	5 024	2-K11
8037	43 170A	190	033	2-H10	0839	43 770A	198	009	2-F11
0498	43 400	193	001	2-C11	0839	43 770A	199-	5 030	2-K11
0498	43 400A	193	001	2-C11	0839	43 770A	199-	5 030	2-K11
0865	43 400B	193	011	2-C11	0839	43 770A	199-	5 030	2-K11
0870	43 422B	196	019	2-E11	0437	43 800A	195	009	2-D11
1881	43 422	196	020	2-E11	8126	43 800	195	009	2-D11
1128	43 424	196	022	2-E11	0866	43 810	198	010	2-F11
0111	43 432	185	008	2-D10	0370	43 820	198	011	2-F11
0111	43 432	193	016	2-C11	0370	43 820	199-	3 010	2-I11
0111	43 511	193	005	2-C11	0613	43 820A	198	012	2-F11
0111	43 511	193	015	2-C11	0461	43 830	199	023	2-G11
3597	43 540	195	002	2-D11	0461	43 830	199-	4 023	2-J11
3597	43 542	195	002	2-D11	0461	43 830	199-	5 023	2-K11
8531	43 542	195	002	2-D11	1510	43 830	199-	4 023	2-J11
3597	43 549	195	002	2-D11	1510	43 830	199-	4 023	2-J11
0595	43 550	195	001	2-D11	1512	43 830	199-	4 023	2-J11
0839	43 550A	195	001	2-D11	1512	43 830	199-	5 023	2-K11
3593	43 550	193	007	2-C11	1598	43 830	198	013	2-F11
3648	43 550	195	001	2-D11	1598	43 830A	199	013	2-G11
0870	43 570	195	004	2-D11	1598	43 830A	199-	5 023	2-K11
0870	43 580	195	006	2-D11	8129	43 830	199-	4 023	2-J11

PARTS NUMBER	PARTS COMP. LIST PAGE	FIG. NO.	FICHE INDEX	PARTS NUMBER	PARTS COMP. LIST PAGE	FIG. NO.	FICHE INDEX
0370 61 520	301		3-K10	1540 61 611	291	003	3-C10
1518 61 520	294	045	3-F10	0317 61 612	284	018	3-D9
1518 61 520	301		3-K10	0461 61 612	298	006	3-I10
8038 61 520	284	028	3-D9	1540 61 612	291	004	3-C10
8038 61 520	284	028	3-D9	0461 61 613	298	007	3-I10
8038 61 520	301		3-K10	1540 61 613	291	006	3-C10
3743 61 524	301		3-K10	0461 61 614	298	009	3-I10
0866 61 525A	284	029	3-D9	0483 61 614	284	020	3-D9
0866 61 525A	294	046	3-F10	0483 61 614	284	020	3-D9
0866 61 526A	285	030	3-E9	1540 61 614	291	007	3-C10
0866 61 526A	294	047	3-F10	0461 61 615	298	010	3-I10
0866 61 527	285	031	3-E9	1540 61 615	291	008	3-C10
0866 61 527	296	073	3-H10	0461 61 616	298	011	3-I10
0866 61 531	285	032	3-E9	1540 61 616	291	010	3-C10
0866 61 531	294	048	3-F10	0461 61 620A	298	012	3-I10
0866 61 532	285	033	3-E9	0459 61 621	291	011	3-C10
0866 61 532	294	049	3-F10	0461 61 641	299	016	3-J10
0866 61 533	285	034	3-E9	0866 61 641	286	058	3-F9
0866 61 533	294	050	3-F10	1528 62 510G	308	025	3-G11
0866 61 534	285	035	3-E9	1528 62 510G	308	025	3-G11
0866 61 534	294	051	3-F10	1529 62 510G	308	025	3-G11
0866 61 535	285	036	3-E9	0585 62 610	308	012	3-G11
0866 61 535	294	052	3-F10	0621 62 640A	309	035	3-H11
0866 61 536	285	037	3-E9	0621 62 641	309	036	3-H11
0866 61 536	294	053	3-F10	0621 62 642	309	036	3-H11
0866 61 541	286	043	3-F9	0585 62 650C	308	014	3-G11
0866 61 541	295	058	3-G10	0585 62 671A	308	021	3-G11
0866 61 542	286	046	3-F9	0585 62 672A	308	023	3-G11
0866 61 542	298	001	3-I10	0585 62 690	309	032	3-H11
0866 61 543A	286	045	3-F9	0585 62 710B	310	042	3-I11
0866 61 543A	295	060	3-G10	0585 62 720D	310	038	3-I11
1622 61 545	286	049	3-F9	0585 62 750	310	044	3-I11
1622 61 545	295	061	3-G10	0621 62 792	308	015	3-G11
3725 61 546	286	050	3-F9	1528 62 801A	307	001	3-F11
3743 61 546	286	050	3-F9	1529 62 801A	307	001	3-F11
8038 61 546	286	050	3-F9	1544 62 801A	307	001	3-F11
8058 61 546	295	062	3-G10	1544 62 801B	307	001	3-F11
1052 61 548	286	051	3-F9	1544 62 801C	307	001	3-F11
1052 61 548	295	063	3-G10	1545 62 801A	307	001	3-F11
0866 61 549	286	048	3-F9	1545 62 801B	307	001	3-F11
0866 61 549	298	002	3-I10	1545 62 801C	307	001	3-F11
0866 61 552	301-1	017	3-L10	1901 62 801	307	001	3-F11
1540 61 602	291	001	3-C10	0585 62 802A	307	002	3-F11
1540 61 610	291	002	3-C10	0585 62 823C	307	003	3-F11
0461 61 611	298	004	3-I10	0585 62 826	307	005	3-F11

PARTS NUMBER	PARTS COMP. LIST PAGE	FIG. NO.	FICHE INDEX	PARTS NUMBER	PARTS COMP. LIST PAGE	FIG. NO.	FICHE INDEX
0866 73 880A	391-	1	020 4-L6	1510 75 010	241	002	3-J4
0376 73 881 00	383		021 4-B6	1510 75 010	241	002	3-J4
0376 73 890	384		034 4-E6	1515 75 010	242	002	3-K4
0376 73 892	384		035 4-E6	3725 75 011	242	003	3-K4
0376 74 030	217		002 3-C2	3728 75 011	242	003	3-K4
0585 74 030	223		001 3-I2	0370 75 012	242	004	3-K4
0866 74 030	220		001 3-F2	0370 75 013	242	005	3-K4
0866 74 040	214		010 3-I1	0866 75 013	242	005	3-K4
0866 74 040B	214		010 3-I1	0370 75 015C	241	001	3-J4
0376 74 050	218-	1	031 3-E2	3728 75 015	241	001	3-J4
0376 74 050B	218-	1	031 3-E2	0368 75 016	242-	1	016 3-L4
0866 74 050	221-	1	033 3-H2	0370 75 018	242-	1	016 3-L4
0866 74 050A	221-	1	033 3-H2	1510 75 020 20	242	002	3-K4
0376 74 090	217		007 3-C2	1510 75 020 20	242	002	3-K4
0866 74 090	220		006 3-F2	1510 75 020 30	242	002	3-K4
0866 74 090	223		008 3-I2	1515 75 020 20	242	002	3-K4
0376 74 100	217		013 3-C2	1515 75 020 30	242	002	3-K4
0376 74 100A	217		013 3-C2	1513 75 021	242	006	3-K4
0376 74 100B	217		013 3-C2	1513 75 021A	242	006	3-K4
0376 74 100C	217		013 3-C2	1515 75 021A	242	006	3-K4
0866 74 100	220		009 3-F2	1523 75 021A	242	006	3-K4
0866 74 100A	220		009 3-F2	1524 75 021A	242	006	3-K4
0866 74 100B	220		009 3-F2	1525 75 021A	242	006	3-K4
0866 74 100C	220		009 3-F2	1525 75 021A	242	006	3-K4
0376 74 120	218		017 3-D2	1527 75 021A	242	006	3-K4
0866 74 120	221		023 3-G2	2652 75 021	242	006	3-K4
0866 74 120	224		026 3-J2	0370 75 022	242-	1	007 3-L4
0376 74 130	218		026 3-D2	0370 75 023	242-	1	008 3-L4
0376 74 130A	218-	1	026 3-E2	1126 75 024	242-	1	009 3-L4
0376 74 130B	218-	1	026 3-E2	1893 75 025B	242-	1	010 3-L4
0376 74 130C	218-	1	026 3-E2	1895 75 025A	242-	1	010 3-L4
0866 74 130	221		028 3-G2	0866 75 028	242-	1	012 3-L4
0866 74 130A	221		028 3-G2	1511 75 040	242-	1	017 3-L4
0866 74 130B	221		028 3-G2	0376 75 122A	242-	2	021 3-M4
0866 74 130C	221		028 3-G2	0376 75 123A	242-	2	022 3-M4
0305 74 158	399		012 4-H7	3507 75 124	242-	2	023 3-M4
0839 74 158	399		012 4-H7	3507 75 125A	242-	2	024 3-M4
0305 74 168	399		012 4-H7	0275 75 140	242-	2	028 3-M4
0305 74 168	399		012 4-H7	0376 75 200A	242-	2	025 3-M4
0839 74 168	399		012 4-H7	0376 75 200B	242-	2	025 3-M4
0866 74 250	210		001 3-F1	0710 75 436	242-	1	015 3-L4
0866 74 250A	210		001 3-F1	0370 75 930	398	002	4-G7
0305 74 910	398		001 4-G7	0866 75 930	398	002	4-G7
0305 74 910A	398		001 4-G7	0437 75 940	398	004	4-G7
0839 74 910A	398		001 4-G7	0866 75 940	398	004	4-G7

PARTS NUMBER	PARTS COMP. LIST PAGE	FIG. NO.	FICHE INDEX	PARTS NUMBER	PARTS COMP. LIST PAGE	FIG. NO.	FICHE INDEX
9979 70 512	336	011	3-D15	9980 60 612	075	008	1-C9
9979 70 612	031	034	1-L3	9980 60 612	081-	1 032	1-I9
9979 90 825	154	065	2-G6	9980 60 612	108	008	1-C13
9980 00 8115	102	025	1-E12	9980 60 612	136-	4 019	2-D3
9980 10 622	292	019	3-D10	9980 60 612	207	010	3-C1
9980 10 812	020	011	1-G2	9980 60 612	269-	1 016	3-G7
9980 10 812	038-	2 014	1-K4	9980 60 612	273	038	3-K7
9980 10 814	133	012	2-F2	9980 60 612	284	025	3-D9
9980 10 816	012	040	1-L1	9980 60 612	285	038	3-E9
9980 10 816	040	009	1-C5	9980 60 612	288	083	3-H9
9980 10 816	153	049	2-F6	9980 60 612	293	043	3-E10
9980 10 820	080	011	1-G9	9980 60 612	294	054	3-F10
9980 10 820	245	010	3-D5	9980 60 612	383	016	4-D6
9980 10 820	251	010	3-I5	9980 60 612	385	043	4-F6
9980 10 820	256	010	3-D6	9980 60 612	389	011	4-I6
9980 10 820	261	010	3-H6	9980 60 614	006	022	1-G1
9980 10 820	287	068	3-G9	9980 60 616	012	031	1-L1
9980 10 820	325	025	3-E14	9980 60 616	064	005	1-E8
9980 10 822	144	003	2-D5	9980 60 616	210	015	3-F1
9980 10 822	147	005	2-F5	9980 60 616	211	018	3-G1
9980 10 825	035-	4 042	1-H4	9980 60 616	285	039	3-E9
9980 10 825	288	079	3-H9	9980 60 616	289	092	3-I9
9980 10 828	015	002	1-C2	9980 60 616	294	055	3-F10
9980 10 828	291	012	3-C10	9980 60 616	296	074	3-H10
9980 10 830	169	016	2-D8	9980 60 616	326	036	3-F14
9980 10 830	171	012	2-E8	9980 60 616	328-	1 066	3-I14
9980 10 835	172	012	2-F8	9980 60 620	061	015	1-C8
9980 10 835	172	019	2-F8	9980 60 620	258	028	3-F6
9980 10 840	291	013	3-C10	9980 60 620	263	030	3-J6
9980 10 855	013	041	1-M1	9980 60 620	310	041	3-I11
9980 10 860	190	023	2-H10	9980 60 620	310	043	3-I11
9980 10 865	013	042	1-M1	9980 62 612	019	003	1-F2
9980 10 870	287	069	3-G9	9980 62 625	199	021	2-G11
9980 10 880	035-	2 007	1-F4	9980 62 625	199-	4 020	2-J11
9980 10 880	287	070	3-G9	9981 11 020	160	014	2-C7
9980 10 885	071	014	1-J8	9981 11 020	169	012	2-D8
9980 10 895	071	014	1-J8	9981 11 025	102	024	1-E12
9980 50 830	288	086	3-H9	9981 11 030	292	014	3-D10
9980 50 830	296	070	3-H10	9981 11 032	077	017	1-E9
9980 60 510	331-	1 033	3-M14	9981 11 032	109	020	1-D13
9980 60 516	274	040	3-L7	9981 11 035	077	018	1-E9
9980 60 516	385	039	4-F6	9981 11 035	109	020	1-D13
9980 60 516	395	034	4-E7	9981 11 050	077	019	1-E9
9980 60 610	035-	3 018	1-G4	9981 11 050	109	020	1-D13
9980 60 612	068	015	1-H8	9981 11 050	139	009	2-D4



 **HADI-MAZDA**  
*Club*

 **HADI-MAZDA**  
*Club*

3) On Quantities

The quantity given in the parts composition list shows number of parts used in the area shown by illustration and does not mean a package unit.

4) Abbreviations

(R) . . . . .	Right	BEIG . . . . .	Beige
(L) . . . . .	Left	BLK . . . . .	Black
(C) . . . . .	Center	BLU . . . . .	Blue
(Frt.) . . . . .	Front	BLU/M . . . . .	Blue Metallic
(Rr.) . . . . .	Rear	BLU/GRY . . . . .	Bluish Gray
Cpt. . . . .	Complete	BRN . . . . .	Brown
Ass'y . . . . .	Assembly	D.BLU . . . . .	Dark Blue
		D.BRN . . . . .	Dark Brown
		D.GRN . . . . .	Dark Green
		D.GRY . . . . .	Dark Gray
Std. . . . .	Standard	D.YLW . . . . .	Dark Yellow
O.S. . . . .	Over Size	GLD.M . . . . .	Gold Metallic
U.S. . . . .	Under Size	GRN . . . . .	Green
		GRN.M . . . . .	Green Metallic
EX. . . . .	Exhaust	GRY . . . . .	Gray
IN. . . . .	Inlet	GRY/GRN . . . . .	Grayish Green
		GRY/YLW . . . . .	Grayish Yellow
T/M . . . . .	Transmission	IVRY . . . . .	Ivory
T/Mission . . . . .	Transmission	L.BLU . . . . .	Light Blue
Trans. . . . .	Transmission	L.GRN . . . . .	Light Green
Manual . . . . .	Manual Transmission	L.GRY . . . . .	Light Gray
Automatic . . . . .	Automatic Transmission	MRN . . . . .	Maroon
		PRPL/BLU . . . . .	Purplish Blue
EM. . . . .	Emission Control System	PRPL/WHT . . . . .	Purplish White
W/O EM. . . . .	Without Emission Control System	RED . . . . .	Red
		SILV.M . . . . .	Silver Metallic
		WHT . . . . .	White
W/Chassis . . . . .	Windshield Chassis	YLW . . . . .	Yellow
C.K.D. . . . .	Complete Knock Down	YLW/D.GRN . . . . .	Yellowish Dark Green
		YLW/GRN . . . . .	Yellowish Green
U.K. . . . .	The United Kingdom of Great Britain and Northern Ireland	YLW/WHT . . . . .	Yellowish White
		DUL . . . . .	Dull Finish
		S.DUL . . . . .	Semi Dull Finish

(VI) Definition of the following marks

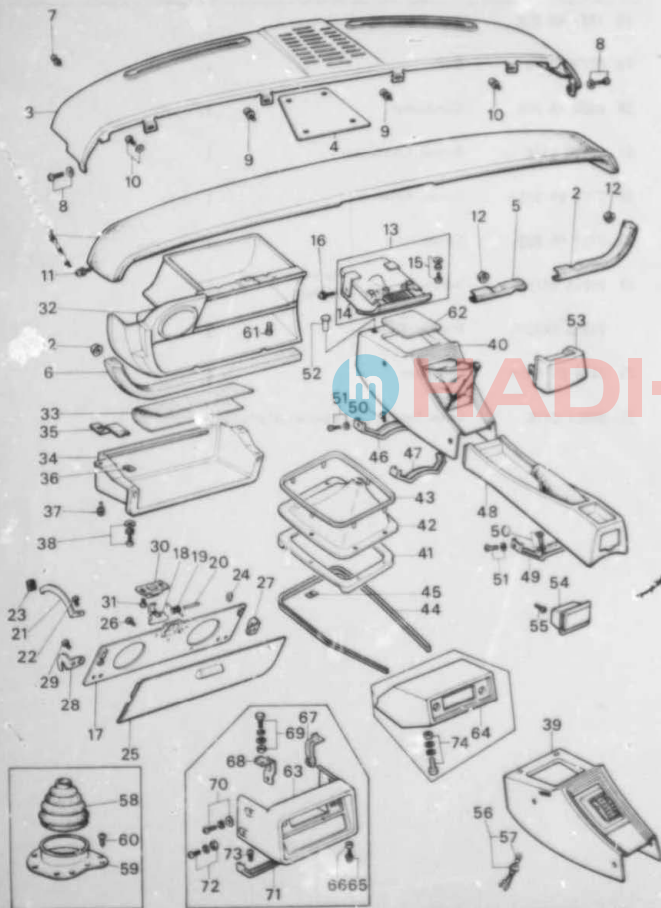
- 1) 73/7 . . . . . This is an example for an effective date of modification. 73 shows 1973 year and 7 means July (7th month of year).
- 2) ○ . . . . . A new part and an old part are completely interchangeable.
- 3) × . . . . . A new part and an old part are not interchangeable.
- 4) △ . . . . . A new part can be used in place of old part but an old part can not be used in place of new part.
- 5) ● . . . . . This dot at front of part number shows the part that is concerned in modifications since the last edition.
- 6) © . . . . . The part with © is required to put a colour code after the part number in order to specify a colour.
- 7) ☆ . . . . . The part marked thus is not available as a spare part, therefore order by the assembly unit or the set including this part.
- 8) ▲ . . . . . Indication of Group.

(V) Precautions to be taken when placing an order for parts

- 1) Always specify part number, name of part and quantity required
- 2) It is a part number that is important as your orders are allocated by our computer which reads a part number only. Therefore, in case that a part name does not correspond to a part number, a part will be sent to you in accordance with a part number.
- 3) Distinction of colour on parts is done with colour code at 11th and 12th digits of part number. Therefore, add a colour code to the end of the corresponding part number when ordering.

Example: 1011 60 720A 00  
└───┬───┘  
Colour code

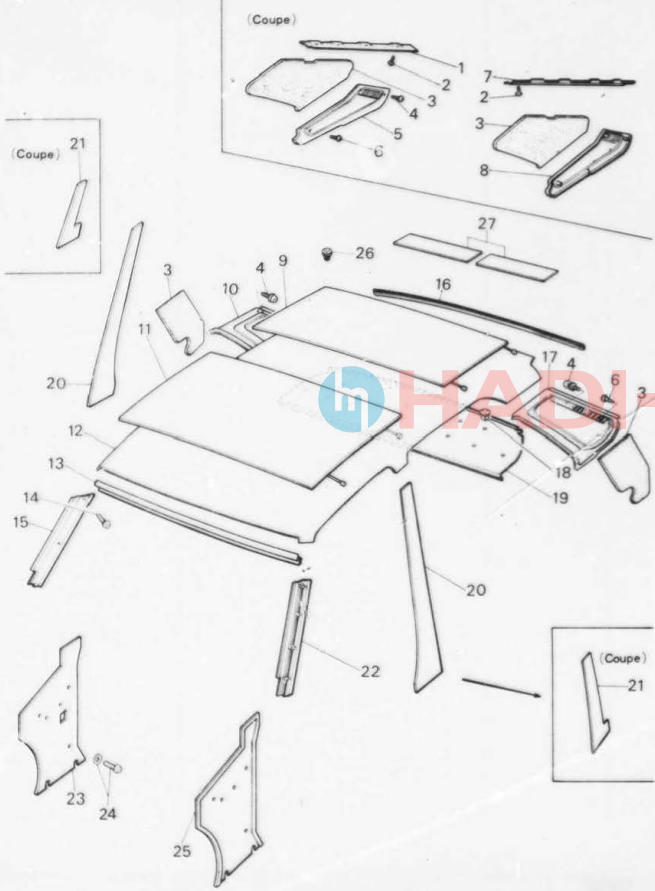
68 CRUSH PAD, GLOVE POCKET & CONSOLE



68. CRUSH PAD, GLOVE POCKET & CONSOLE

No.	Part Number	Description	Qty	Remarks
	0866 68 940-30	Console, Rear (GRY)	(1514, 1520) 8834	1 76/8 ~ Added Anew
49	0376 68 950A	Bracket Rear		1
	0376 68 951	Bracket, Rear		1 75/12 ~ ○
	0376 68 951A	Bracket, Rear		1 75/12 ~ ○
50	99786 0616	Screw, Console		5
51	99832 0516B	Screw, Console		5
52	99264 0732B	Rivet, Front Console		4
53	0370 68 920-00	Consol., End (BLK)		1 Order by 0370 68 920
	3737 68 920-20	Console, End (BRN)	(Except 1514, 1520 8834)	1
	3737 68 920-30	Console, End (GRY)		1
54	0866 68 250-01	Tray, Ash-Rear	(1514, 1520, 8834)	1
55	99839 0416	Screw		1
56	0305 66 580A	Bulb & Socket	(Automatic)	1
57	99701 6030	Bulb		1
58	0247 56 274	Boot, Change (Without Console)		1
59	0367 68 832A	Seat, Boot		1
	0862 68 871	Seat, Boot	(Automatic Excluded)	1 76/1 ~ ○
60	99864 05*2	Screw, Tapping		4
61	99834 0616B	Screw, Glove Lid & Crush Pad		2



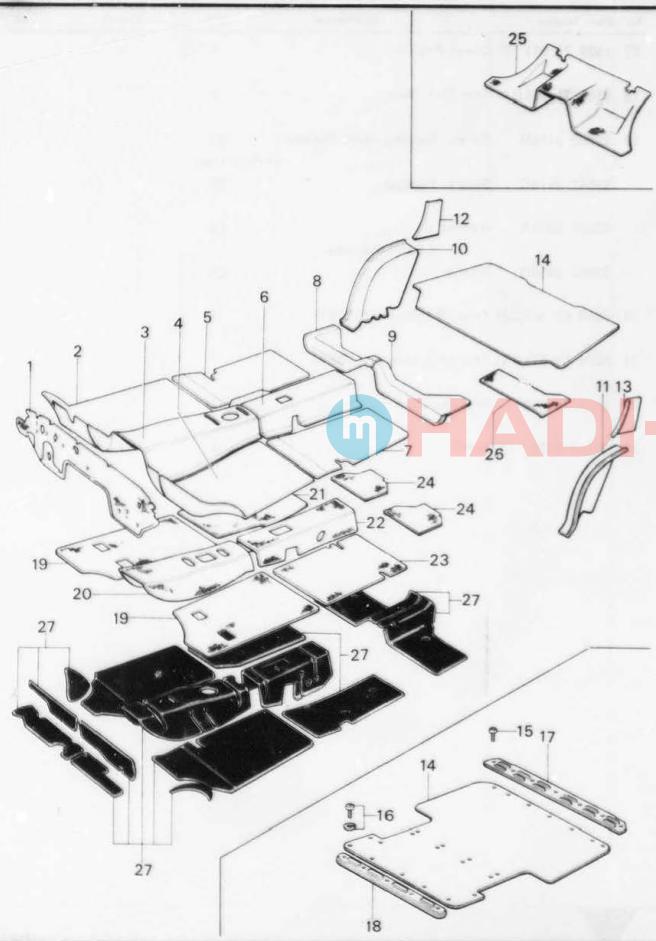


No. Part Number Description Q'ty Remarks

When ordering the following TRIMS  
add a colour code listed below after parts number instead of ©.

(BLK)	(BRN)	(BEIG)	(GRY)	Changed Date
-00	-05	-07		
-00	-05	-07	-06	76/8 ~

- 1 0376 69 342 Plate No. 2, Fixing-Rear 1  
(Coupe)
- 2 99864 0412 Screw, Top Ceiling & Plate 8
- 3 0866 69 314A Pad, Rear Pillar (Sedan) 2
- 0376 69 314B Pad, Rear Pillar (Coupe) 2
- 4 99864 0412 Screw, Rear Pillar Trim (Sedan) 2
- 99864 0525B Screw, Rear Pillar Trim (Coupe) 2
- 5 0376 69 511 © Trim (R), Rear Pillar (Without Safety Belt) 1  
(Coupe)
- 1559 69 511B © Trim (R), Rear Pillar (With Safety Belt) 1
- 6 99864 0416 Screw, Rear Pillar Trim (Sedan) 4
- 99864 0516B Screw, Rear Pillar Trim (Coupe) 4
- 7 0376 69 343 Plate No. 3, Rear-Fixing (Coupe) 4
- 8 0376 69 521 © Trim (L), Rear Pillar (Without Safety Belt) 1  
(Coupe)
- 1559 69 521B © Trim (L), Rear Pillar (With Safety Belt) 1
- 9 0259 69 311A Insulator No. 1 1
- 10 0866 69 511-02 Trim (R), Rear Pillar (BEIG) (Without Safety Belt) 1  
(Sedan)
- 1504 69 511A-02 Trim (R), Rear Pillar (BEIG) (With Safety Belt) 1
- 11 0866 69 311A Lining, Head 1



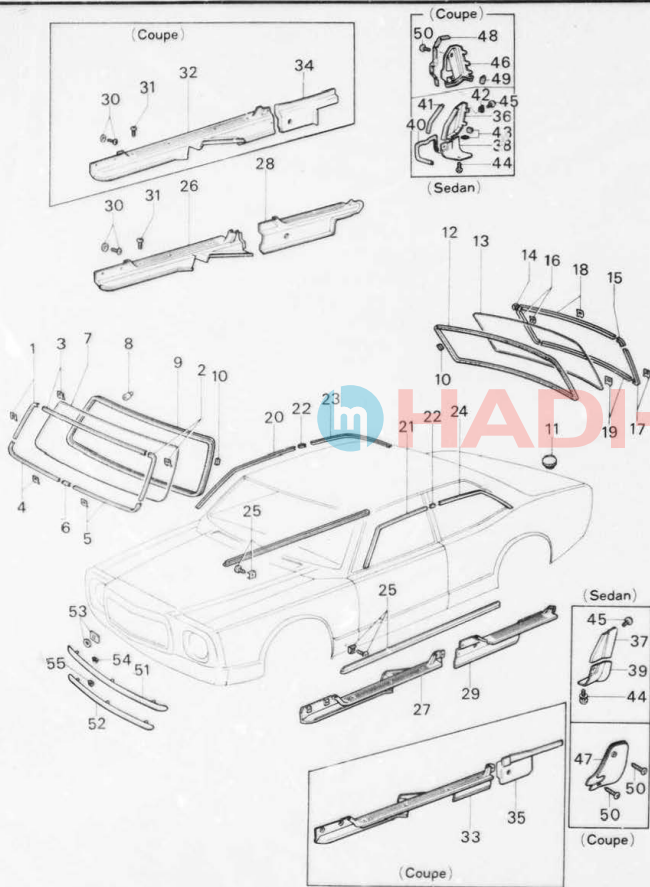
No. Part Number Description Q'ty Remarks

- 8038 69 617 C Mat (Rr., R) (Carpet) (Carpet) (Selective use) 1
- 8038 69 617A C Mat (Rr., F) (Carpet) (Carpet) 1 75/10 ~ X
- 8038 69 617B C Mat (Rr., R) (Carpet) (Carpet) 1 76/11 ~ Δ
- 6 0585 69 616B-05 Mat (Rr., C) (BLK) (Vinyl) 1
- 0585 69 616D-05 Mat (Rr., C) (BLK) (Vinyl) 1 78/3 ~ X
- 0585 69 616C-05 Mat (Rr., C) (BLK) (Vinyl) 1 76/11 ~ Δ
- 0585 69 616D-05 Mat (Rr., C) (BLK) (Vinyl) (Selective use) 1 78/3 ~ X
- 8038 69 616 C Mat (Rr., C) (Carpet) 1
- 8038 69 616A C Mat (Rr., C) (Carpet) 1 75/10 ~ X
- 8038 69 616B C Mat (Rr., C) (Carpet) 1 76/11 ~ Δ
- 7 0585 69 618A-05 Mat (Rr., C) (BLK) (Vinyl) 1
- 0585 69 618C-05 Mat (Rr., C) (BLK) (Vinyl) 1 78/43
- 0585 69 618B-05 Mat (Rr., C) (BLK) (Vinyl) 1 76/11 ~ X
- 0585 69 618D-05 Mat (Rr., C) (BLK) (Vinyl) (Selective use) 1 78/3 ~ X
- 8038 69 618 C Mat (Rr., C) (Carpet) 1
- 8038 69 618A C Mat (Rr., C) (Carpet) 1 75/10 ~ X
- 8038 69 618B C Mat (Rr., C) (Carpet) 1 76/11 ~ Δ
- 8 0866 69 625A-05 Mat (Rr., R), End (BLK) (Sedan & Coupe) 1
- 1529 69 625-05 Mat (Rr., R), End (BLK) (Wagon) 1
- 9 0866 69 626A-05 Mat (Rr., L), End (BLK) (Sedan & Coupe) 1
- 1529 69 626-05 Mat (Rr., L), End (BLK) (Wagon) 1

When ordering the following TRIMS add a colour code listed below after parts number instead of C .

(BRN)	(BLK)	(BEIG)	(GRY)	Changed Date
-35	-37	-38		
-35	-37	-38	-36	76/8 ~

70 71

WINDOW GLASS & MOULDING  
(SEDAN & COUPE)

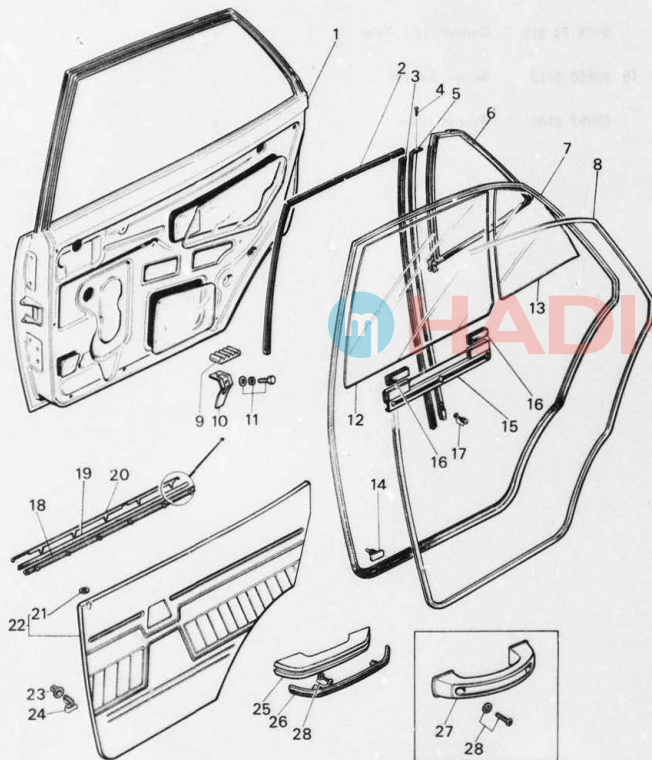
70 71

WINDOW GLASS & MOULDING  
(SEDAN & COUPE)

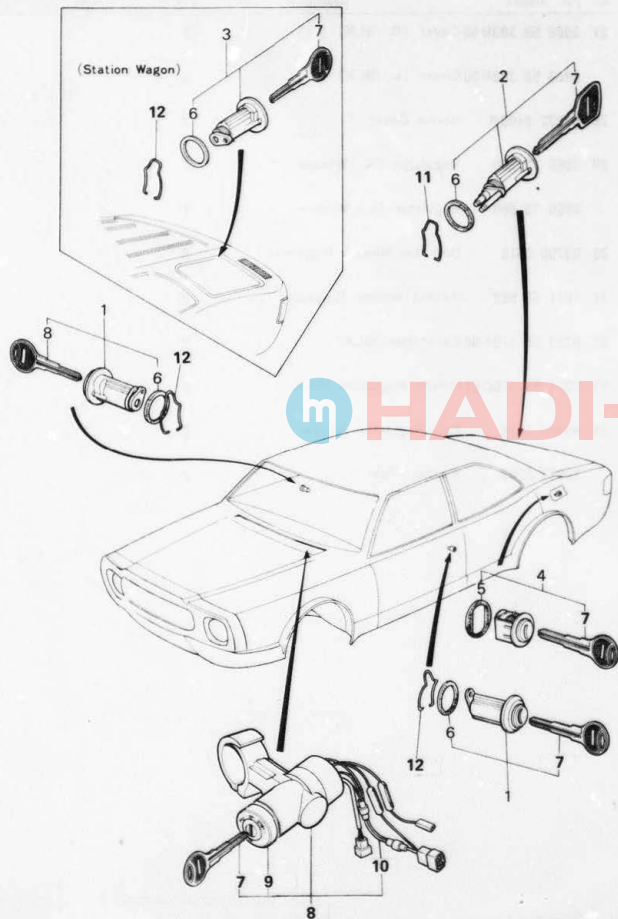
No.	Part Number	Description	Q'ty	Remarks
17	0376 99 749A	Mould Set (L), Rear (Coupe)	1	
	0866 99 749A	Mould Set (L), Rear (Sedan)	1	
18	0376 99 746	Mould Set, Rear-Upper (Coupe)	1	
	0866 99 746	Mould Set, Rear-Upper (Sedan)	1	
19	0376 99 747	Mould Set, Rear-Lower (Coupe)	1	
	0866 99 747	Mould Set, Rear-Lower (Sedan)	1	
19-1	1011 50 506A	Clip-Moulding	17	
20	0376 70 821B	Mould (R), Drip-Front (Coupe)	1	
	8042 70 821	Mould (R), Drip-Front (Coupe)	1	76/10 ~ X
	0866 70 821B	Mould (R), Drip-Front (Sedan)	1	
	8038 70 821	Mould (R), Drip-Front (Sedan)	1	76/10 ~ X
21	0376 71 821B	Mould (L), Drip-Front (Coupe)	1	
	8042 71 821	Mould (L), Drip-Front (Coupe)	1	76/10 ~ X
	0866 71 821B	Mould (L), Drip-Front (Sedan)	1	
	8038 71 821	Mould (L), Drip-Front (Sedan)	1	76/10 ~ X
22	0866 70 823B	Joint, Drip Mould	2	
	0419 50 443A	Joint, Drip Mould	2	76/10 ~ X
23	0376 70 822B	Mould (R), Drip-Rear (Coupe)	1	
	8042 70 822	Mould (R), Drip-Rear (Coupe)	1	76/10 ~ X
	0866 70 822D	Mould (R), Drip-Rear (Sedan)	1	

 **HADI-MAZDA**  
*Club*





No.	Part Number	Description	Qty	Remarks
1	0866 72 010D	Body (R), Door	1	
	0866 73 010D	Body (L), Door	1	(Sedan) (Except Australia)
	0866 72 010D	Body (R), Door	1	
	1620 72 010	Body (R), Door	1	76/10 ~ Δ
	0866 73 010D	Body (L), Door	1	(Sedan) (Australia)
	1620 73 010	Body (L), Door	1	76/10 ~ Δ
	0585 72 010B	Body (R), Door	1	(Wagon) (Except Australia)
	0585 73 010B	Body (R), Door	1	
	0585 72 010B	Body (R), Door	1	
	1636 72 010	Body (R), Door	1	76/10 ~ Δ
	0585 73 010B	Body (L), Door	1	(Wagon) (Australia)
	1636 73 010	Body (L), Door	1	76/10 ~ Δ
	0866 72 020A	Panel (R), Door Outer	1	
	0866 73 020A	Panel (R), Door Outer	1	
2	0866 72 605	Channel "A", Glass Run (Sedan)	2	
	0585 72 605	Channel "A", Glass Run (Wagon)	2	
3	0866 72 606	Channel "B", Glass Run (Sedan)	2	



No.	Part Number	Description	Qty	Remarks
10	1175 66 710	Link, Fusible (Except Australia & U.K.)	1	
	1175 66 710A	Link, Fusible	1	77/9 ~ Δ
11	0305 52 802	Retainer	1	
12	0223 58 961	Fastener (Sedan & Coupe Wagon)	2 3	
	0839 74 158	Key, Blank-Primary (Key No. 2500 ~ 2999)	-	Order by 8531 75 901
	0305 74 158	Key, Blank-primary (Key No. 3500 ~ 4599)	-	Order by 76/6 ~ X 8531 75 901
	0839 74 168	Key, Blank-Primary (Key No. 3000 ~ 3499)	-	Order by 0305 74 168
	0305 74 168	Key, Blank-primary (Key No. 3000 ~ 3499)	-	76/6 ~ O
	0305 74 168	Key, Blank-Primary (Key No. 3000 ~ 3499)	-	76/6 ~ Discarded

PARTS NUMBER	PARTS COMP. LIST PAGE	FIG. NO.	FICHE INDEX	PARTS NUMBER	PARTS COMP. LIST PAGE	FIG. NO.	FICHE INDEX
0305 13 461	038	020	1-J4	0114 13 726	046	045	1-E6
0305 13 461	038- 3	018	1-L4	0114 13 742A	047	049	1-F6
0453 13 462	016		1-D2	0114 13 754A	046	038	1-E6
0453 13 462	038	021	1-J4	0114 13 757	047	052	1-F6
0453 13 462	038- 3	019	1-L4	0114 13 759	047	051	1-F6
0222 13 470B	054	016	1-C7	0114 13 788A	047	055	1-F6
0222 13 470B	058	012	1-F7	0114 13 795	046	033	1-E6
0222 13 470B	059- 2	011	1-H7	0114 13 795	046	033	1-E6
0222 13 470B	059- 5	014	1-J7	1114 13 795	056		1-E7
0381 13 481	054	017	1-C7	0114 13 798	047	058	1-F6
0381 13 481	058	013	1-F7	1531 13 870	035	030	1-E4
0381 13 481	059- 2	012	1-H7	0370 13 890	035	031	1-E4
0381 13 481	059- 5	015	1-J7	0453 13 890	035	031	1-E4
0290 13 483	017		1-E2	0453 13 890	035- 3	030	1-G4
0290 13 483	035	033	1-E4	0453 13 890	037	011	1-I4
0290 13 483	035- 3	022	1-G4	0453 13 890	038- 3	020	1-L4
2306 13 483	013- 1		1-N1	0453 13 895	037	013	1-I4
2306 13 483	017		1-E2	0453 13 895A	037	013	1-I4
2306 13 483	038	022	1-J4	0453 13 895A	038- 3	022	1-L4
0249 13 488	172	016	2-F8	0370 13 940	035- 4	032	1-H4
0222 13 493	071	002	1-J8	0453 13 940	038- 3	023	1-L4
0324 13 502	013- 1		1-N1	1540 13 942	038- 3	026	1-L4
0324 13 502	035	027	1-E4	1700 13 945	289	089	3-I9
0324 13 502	035- 3	023	1-G4	1700 13 945	299	019	3-J10
0324 13 503	013- 1		1-N1	0370 13 950A	035- 4	034	1-H4
0324 13 503	035	028	1-E4	1540 13 950	038- 3	027	1-L4
0324 13 503	035- 3	024	1-G4	0370 13 951A	035- 4	035	1-H4
0324 13 591	034	015	1-D4	1540 13 951B	038- 3	028	1-L4
0370 13 591A	034	015	1-D4	0519 13 970B	038- 4	032	1-H4
0370 13 591B	035- 3	025	1-G4	0519 13 970B	059- 3	027	1-I7
0370 13 600	044	001	1-C6	0519 13 970B	059- 6	024	1-K7
0370 13 600	044	001	1-C6	0706 13 970A	056	037	1-E7
0370 13 600A	044	001	1-C6	1510 13 970	056	037	1-E7
0370 13 600B	044	001	1-C6	0585 13 971B	056	033	1-E7
0370 13 600C	044	001	1-C6	1510 13 971	056	033	1-E7
1512 13 600A	044	001	1-C6	1540 13 971B	038- 3	029	1-L4
1893 13 600	052- 2	001	1-L6	1540 13 971B	059- 3	028	1-I7
1894 13 600A	052- 2	001	1-L6	1540 13 971B	059- 6	025	1-K7
1942 13 600	050	001	1-I6	0585 13 972B	038- 3	030	1-L4
1942 13 600A	050	001	1-I6	0585 13 972B	056	034	1-E7
1942 13 600B	050	001	1-I6	0585 13 972B	059- 3	029	1-I7
0370 13 605	048- 1	083	1-H6	0585 13 972B	059- 6	026	1-K7
0136 13 717A	046	047	1-E6	1510 13 972	056	034	1-E7
0114 13 718	046	044	1-E6	0398 13 973	038- 4	031	1-H4
0114 13 723A	046	048	1-E6	0706 13 973	056	040	1-E7

PARTS NUMBER	PARTS COMP. LIST PAGE	FIG. NO.	FICHE INDEX	PARTS NUMBER	PARTS COMP. LIST PAGE	FIG. NO.	FICHE INDEX		
0603 23 313	052-	3	020	1-M6	0305 23 352	051	029	1-J6	
0221 23 314	047		054	1-F6	2850 23 352	051	029	1-J6	
0249 23 314	045		022	1-D6	2850 23 352	052-	2	018	1-L6
0268 23 314	046		032	1-F6	0259 23 353	047	064	1-F6	
0324 23 315	044		005	1-L6	0603 23 354A	050	019	1-I6	
0180 23 316	046		035	1-E6	0603 23 354A	052-	3	034	1-M6
0221 23 316	047		056	1-F6	0222 23 355B	051	027	1-J6	
0249 23 316	045		023	1-D6	0222 23 355B	052-	3	032	1-M6
0305 23 316	050		012	1-I6	0208 23 357	046	039	1-E6	
0305 23 316	052-	3	021	1-M6	0305 23 357	050	010	1-I6	
0324 23 317	046		035	1-E6	0305 23 357	052-	2	012	1-L6
0324 23 319	045		016	1-D6	0187 23 359A	047	062	1-F6	
0249 23 321	045		025	1-D6	0221 23 359	044	009	1-C6	
0324 23 323	044		004	1-C6	0370 23 359	044	009	1-C6	
0305 23 324	050		013	1-I6	0324 23 363	046	034	1-E6	
0305 23 324	052-	2	009	1-L6	0305 23 364A	051	032	1-J6	
0268 23 325	046		030	1-E6	0221 23 366	047	061	1-F6	
0268 23 326	045		015	1-D6	0221 23 367	045	027	1-D6	
0118 23 329A	048		068	1-G6	0221 23 368	046	041	1-E6	
0249 23 330A	046		031	1-E6	1540 23 368A	051	021	1-J6	
0494 23 330	050		014	1-I6	1540 23 370	051	039	1-J6	
1893 23 330	052-	3	025	1-M6	1540 23 370	052-	4	038	1-N6
0249 23 331A	044		012	1-C6	1819 23 371	051	040	1-J6	
0585 23 331	044		012	1-C6	1819 23 371	052-	4	038	1-N6
0222 23 332B	051		034	1-J6	0268 23 372	047	059	1-F6	
0324 23 332A	044		006	1-C6	0324 23 372	046	040	1-E6	
1540 23 332	052-	3	029	1-M6	0221 23 373	045	028	1-D6	
0813 23 333	045		029	1-D6	0305 23 374A	051	022	1-J6	
0324 23 334	047		060	1-F6	0221 23 375	047	057	1-F6	
1531 23 334	047		060	1-F6	0221 23 377	047	050	1-F6	
0324 23 337	044		002	1-C6	1919 23 377	047	050	1-F6	
0268 23 339	045		013	1-D6	0231 23 381A	046	042	1-E6	
0118 23 341B	046		037	1-E6	0221 23 382A	045	026	1-D6	
1540 23 341	050		015	1-I6	0222 23 382	051	036	1-J6	
1540 23 341	052-	2	010	1-L6	0222 23 382	052-	3	035	1-M6
0118 23 342	046		043	1-E6	0813 23 383	046	046	1-E6	
0222 23 346A	050		016	1-I6	1893 23 385	052-	4	038	1-N6
0222 23 346A	052-	3	022	1-M6	0187 23 387A	047	063	1-F6	
0118 23 348	047		053	1-F6	0370 23 388	047	066	1-F6	
1540 23 349	050		017	1-I6	0370 23 389	048	067	1-G6	
0453 23 350	050		018	1-I6	0453 23 390	051	023	1-J6	
1540 23 350	051		038	1-J6	3716 23 390	047	059	1-F6	
1540 23 350	052-	4	038	1-N6	0324 23 391	048	073	1-G6	
0603 23 351	051		037	1-J6	0643 23 391	052-	3	019	1-M6
0603 23 351	052-	3	019	1-M6	0370 23 392	048	070	1-G6	



PARTS NUMBER	PARTS COMP. LIST PAGE	FIG. NO.	FICHE INDEX	PARTS NUMBER	PARTS COMP. LIST PAGE	FIG. NO.	FICHE INDEX		
8129 43 830	199-	5	023	2-K11	0866 44 051	202	011	2-D12	
8051 43 836	199-	5	026	2-K11	1243 44 051	202	011	2-D12	
0494 43 840	199		017	2-G11	0303 44 053	202	013	2-D12	
8832 43 840	199-	5	027	2-K11	8871 44 053	202	013	2-D12	
0460 43 842	199		015	2-G11	1881 44 130	202	015	2-D12	
0460 43 842	199-	6	031	2-L11	1881 44 130A	202	015	2-D12	
1598 43 842	199-	5	026	2-K11	1881 44 131	202	016	2-D12	
1598 43 842A	199		019	2-G11	8531 44 132	202	015	2-D12	
8038 43 842A	199-	5	031	2-K11	0370 44 140	201	001	2-C12	
8038 43 842A	199-	5	031	2-K11	0483 44 140	201	001	2-C12	
8051 43 842	199		015	2-G11	0866 44 150A	202-	1	023	2-E12
8051 43 842	199-	6	031	2-L11	0866 44 187A	202-	1	024	2-E12
8126 43 842	199-	5	031	2-K11	0866 44 187A	202-	1	024	2-E12
0118 43 853	199		020	2-G11	3725 44 187A	202-	1	024	2-E12
0118 43 853	199-	4	018	2-J11	0866 44 189	202-	1	025	2-E12
1510 43 900	199-	4	021	2-J11	0866 44 189	202-	1	025	2-E12
1510 43 900	199-	4	021	2-J11	3725 44 189	202-	1	025	2-E12
1515 43 900	199-	4	021	2-J11	0866 44 410B	202-	1	021	2-E12
1515 43 900	199-	4	021	2-J11	0866 44 410B	202-	1	021	2-E12
1515 43 900	199-	4	021	2-J11	0866 44 410B	202-	1	021	2-E12
3591 43 900	199-	4	021	2-J11	1929 44 410	202-	1	021	2-E12
8056 43 980	198		010	2-F11	3606 44 410	202-	1	021	2-E12
8056 43 980	199-	3	009	2-I11	3725 44 410	202-	1	021	2-E12
1128 43 990A	196		018	2-E11	3729 44 410	202-	1	021	2-E12
0866 44 010	201		002	2-C12	0866 44 439	202-	2	026	2-F12
0866 44 010	201		002	2-C12	0866 44 439	202-	2	026	2-F12
0866 44 010A	201		002	2-C12	0305 44 471	202-	1	020	2-E12
0866 44 010A	201		002	2-C12	8038 45 061A	055	019	1-D7	
3743 44 010	201		002	2-C12	8038 45 061B	055	019	1-D7	
3743 44 010A	201		002	2-C12	8038 45 061C	055	019	1-D7	
3743 44 010B	201		002	2-C12	8038 45 061D	055	019	1-D7	
3743 44 010C	201		002	2-C12	8056 45 061	058	015	1-F7	
0813 44 031	201		004	2-C12	8056 45 061	059-	2	014	1-H7
0813 44 031A	201		004	2-C12	0866 45 062	058	016	1-F7	
0303 44 032	201		003	2-C12	0866 45 062	059-	2	015	1-H7
0303 44 032	201		003	2-C12	0585 45 071E	055	019	1-D7	
3743 44 032	201		003	2-C12	0585 45 071F	055	019	1-D7	
0221 44 033	201		006	2-C12	3729 45 071	059-	5	018	1-J7
0813 44 034	201		007	2-C12	0899 45 091B	059-	5	006	1-J7
0813 44 035	201		005	2-C12	1510 45 250	199-	3	011	2-I11
0221 44 044	202		009	2-D12	1510 45 250A	199-	3	011	2-I11
0221 44 044	202		009	2-D12	0370 45 280A	199	022	2-G11	
1243 44 044	202		009	2-D12	0518 45 280A	199	022	2-G11	
1243 44 044A	202		009	2-D12	1128 45 280B	199	022	2-G11	
0866 44 051	202		011	2-D12	1128 45 280B	199-	3	012	2-I11

PARTS NUMBER	PARTS COMP. LIST PAGE	FIG. NO.	FICHE INDEX	PARTS NUMBER	PARTS COMP. LIST PAGE	FIG. NO.	FICHE INDEX
0585 62 828	307	006	3-F11	1011 66 130	328-	1 068	3-I14
0585 62 831B	309	030	3-H11	1524 66 142A	313	022	3-D12
0585 62 851B35	308	026	3-G11	0866 66 143	313	023	3-D12
0585 62 851B36	309	026	3-H11	8038 66 155	398	009	4-G7
0585 62 851B37	309	026	3-H11	0370 66 211 13	316	017	3-G12
0585 62 851B38	309	026	3-H11	1286 66 211	317-	2 001	3-C13
0585 62 871C01	308	018	3-G11	1532 66 211	317-	2 001	3-C13
0585 62 940A01	307	008	3-F11	0494 66 212	315	002	3-F12
0585 63 610	308	013	3-G11	1529 66 212	319	003	3-G13
0585 63 650C	308	016	3-G11	1532 66 212	317-	2 002	3-C13
0585 63 823C	307	004	3-F11	0494 66 213	315	003	3-F12
0585 63 871C01	308	019	3-G11	1524 66 213	316	018	3-G12
1011 63 902	377	004	4-C5	1529 66 213	319	004	3-G13
8042 63 902	371	012	4-F4	1532 66 213A	317-	2 003	3-C13
8052 63 902	371	009	4-F4	0370 66 214	316	016	3-G12
8052 63 902	377	004	4-C5	0494 66 214	315	004	3-F12
0585 63 940A01	307	009	3-F11	1529 66 214	319	005	3-G13
0370 64 630 00	340	014	4-D1	1532 66 214A	317-	2 004	3-C13
0372 64 630 20	340	014	4-D1	0494 66 215A	315	005	3-F12
0572 64 630 30	340	014	4-D1	0585 66 215	319	008	3-G13
0106 66 011A	312	002	3-C12	1532 66 215A	317-	2 005	3-C13
0106 66 014A	312	003	3-C12	0494 66 216	315	006	3-F12
0106 66 014A	312	010	3-C12	0585 66 216	319	008	3-G13
0014 66 023	312	004	3-C12	1286 66 216	317-	2 006	3-C13
0014 66 023	313	011	3-D12	1532 66 216A	317-	2 006	3-C13
8038 66 025	312	005	3-C12	0370 66 217	316	022	3-G12
8038 66 025	313	012	3-D12	0494 66 217	315	007	3-F12
8038 66 052A	312	006	3-C12	1529 66 217	319	011	3-G13
0483 66 053	312	006	3-C12	1532 66 217	317-	3 007	3-D13
0483 66 053A	312	006	3-C12	0370 66 218	316	023	3-G12
0483 66 053A	313	013	3-D12	0494 66 218	315	008	3-F12
0483 66 054A	312	007	3-C12	1532 66 218	317-	3 008	3-D13
0483 66 054A	313	014	3-D12	1512 66 219	315	009	3-F12
8038 66 055	312	007	3-C12	1524 66 219	316	024	3-G12
8038 66 056	312	003	3-C12	1529 66 219	319	002	3-G13
0483 66 057	312	009	3-C12	1532 66 219	317-	3 009	3-D13
0483 66 057	313	019	3-D12	0370 66 231 13	316	017	3-G12
0483 66 059	312	008	3-C12	1286 66 231	317-	2 001	3-C13
0483 66 059	313	015	3-D12	1532 66 231	317-	2 001	3-C13
1511 66 061	313	016	3-D12	1532 66 232	317-	2 002	3-C13
2369 66 071	313	017	3-D12	1532 66 233A	317-	2 003	3-C13
2369 66 075	313	018	3-D12	0494 66 234	315	004	3-F12
1524 66 112A	313	022	3-D12	1532 66 234A	317-	2 004	3-C13
0866 66 113	313	023	3-D12	0494 66 235A	315	005	3-F12
1511 66 120	236	051	3-F4	1532 66 235A	317-	2 005	3-C13

PARTS NUMBER	PARTS COMP. LIST PAGE	FIG. NO.	FICHE INDEX	PARTS NUMBER	PARTS COMP. LIST PAGE	FIG. NO.	FICHE INDEX
0585 75 960	398	003	4-G7	0866 76 501	280	001	3-G8
0899 75 960	398	003	4-G7	0862 76 502	280	002	3-G8
1510 75 990	398	008	4-G7	0866 76 503	280	003	3-G8
1513 75 990	398	008	4-G7	0866 76 503	280	003	3-G8
8038 75 990	398	008	4-G7	8531 76 503	280	003	3-G8
8038 75 990	398	008	4-G7	0866 76 504	280	004	3-G8
8038 75 990	398	008	4-G7	0866 76 505	280	005	3-G8
0208 76 071	365-	2 027	4-J3	0862 76 506	280	007	3-G8
0370 76 403A	276	006	3-C8	0866 76 506	280	007	3-G8
8038 76 403	276	006	3-C8	0862 76 507	280	008	3-G8
8038 76 403	276	006	3-C8	0866 76 507	280	008	3-G8
0370 76 406A	277	009	3-D8	0862 76 508	280	009	3-G8
0370 76 407A	277	010	3-D8	0866 76 508	280	009	3-G8
0370 76 408A	277	011	3-D8	0866 76 509	280	010	3-G8
0862 76 409A	276	007	3-C8	0866 76 511	280	011	3-G8
1690 76 409	276	007	3-C8	0862 76 512	281-	1 027	3-L8
1690 76 409A	276	007	3-C8	0866 76 601	331-	1 035	3-K14
0866 76 411A	276	008	3-C8	0866 76 602	331-	1 034	3-K14
1690 76 411A	277	008	3-D8	0866 76 602A	331-	1 034	3-K14
1690 76 411A	277	008	3-D8	0866 76 603	330	009	3-K14
0866 76 451	281	012	3-H8	0866 76 604	330	008	3-K14
8038 76 451	281	012	3-H8	0866 76 605	330	011	3-K14
8038 76 451	281	012	3-H8	0866 76 607A	331	018	3-L14
0866 76 452	281	013	3-H8	0866 76 608	331	024	3-L14
0866 76 453	281	014	3-H8	1011 76 612A	331	022	3-L14
0866 76 454A	281	015	3-H8	8531 76 615	331	022	3-L14
8038 76 454	281	015	3-H8	3856 76 641A	331-	1 035	3-K14
8038 76 454	281	015	3-H8	8532 76 672	333	004	3-K14
0866 76 455A	281	016	3-H8	1391 76 673	333	002	3-K14
0866 76 456A	281	017	3-H8	0370 76 701	301	001	3-K10
0866 76 457	281	019	3-H8	1273 76 701	301	001	3-K10
0866 76 458	281	020	3-H8	1518 76 701	301	001	3-K10
0866 76 459	281	021	3-H8	0370 76 702	301	002	3-K10
8038 76 459	281	021	3-H8	8038 76 702	301	002	3-K10
8038 76 459	281	021	3-H8	0370 76 703	301	003	3-K10
0866 76 461	281	022	3-H8	1273 76 703	301	003	3-K10
0866 76 462	281	023	3-H8	0370 76 704	301	004	3-K10
0866 76 464	281-	1 025	3-L8	1273 76 704	301	004	3-K10
0866 76 465	281-	1 026	3-L8	0370 76 705	301	005	3-K10
0866 76 467	281-	1 028	3-L8	1273 76 705	301	005	3-K10
0866 76 468	281-	1 029	3-L8	0370 76 706	301	006	3-K10
0866 76 469	281-	1 030	3-L8	1273 76 706	301	006	3-K10
0866 76 471	281-	1 031	3-L8	0370 76 707	301	007	3-K10
0866 76 472A	281	018	3-H8	0866 76 707	304	035	3-D11
0866 76 473	281-	1 024	3-L8	0370 76 708	301	008	3-K10

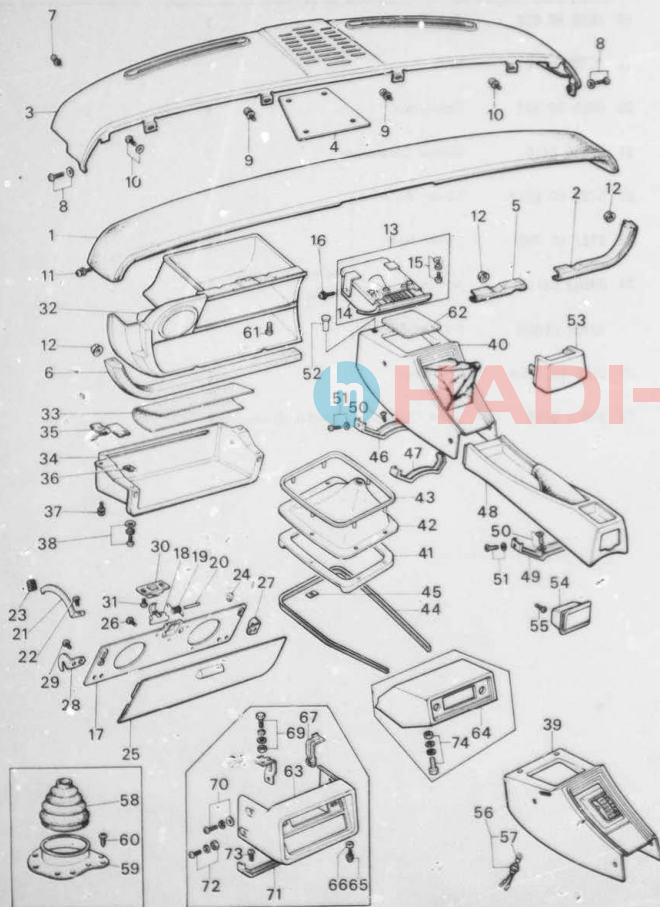
PARTS NUMBER	PARTS COMP. LIST PAGE	FIG. NO.	FICHE INDEX	PARTS NUMBER	PARTS COMP. LIST PAGE	FIG. NO.	FICHE INDEX
9981 11 055	077	020	1-E9	9983 30 520	269-	2	021 3-H7
9981 11 055	109	020	1-D13	9983 30 520	345	065	4-I1
9981 11 060	077	020	1-E9	9983 30 520	385	046	4-F6
9981 11 075	105	022	1-H12	9983 30 612	326	037	3-F14
9981 31 0110	189	021	2-G10	9983 30 616	002	003	1-C1
9981 31 0165	189	021	2-G10	9983 30 616	005	007	1-F1
9983 00 410	337	021	3-E15	9983 30 616	235	028	3-E4
9983 00 512	179	002	2-K9	9983 30 616	242-	1	018 3-L4
9983 00 512	336	013	3-D15	9983 30 616	309	034	3-H11
9983 00 520	391-	2	028 4-M6	9983 30 616	319	009	3-G13
9983 10 410	269	010	3-F7	9983 30 616	342	037	4-F1
9983 10 425B	233	013	3-C4	9983 30 625	323	012	3-C14
9983 10 516	350	011	4-C2	9983 30 812	133	002	2-F2
9983 10 600	199	014	2-G11	9983 30 812	136-	1	035 2-J2
9983 10 600	199-	5	024 2-K11	9983 30 812	136-	3	002 2-C3
9983 10 640	210	005	3-F1	9983 30 812	136-	7	002 2-F3
9983 20 408B	237	070	3-G4	9983 30 812	136-	10	034 2-I3
9983 20 408B	273	030	3-K7	9983 30 812	325	030	3-E14
9983 20 408B	341	022	4-E1	9983 30 825	031	034	1-L3
9983 20 408B	395	028	4-E7	9983 30 825	031	036	1-L3
9983 20 410	389	004	4-I6	9983 40 412B	341	029	4-E1
9983 20 516B	344	051	4-H1	9983 40 535	235	035	3-E4
9983 20 516B	345-	1	072 4-J1	9983 40 616B	344	061	4-H1
9983 20 630	271	009	3-I7	9983 50 316	150	015	2-C6
9983 20 630	393	008	4-C7	9983 60 516B	242-	1	019 3-L4
9983 30 408	150	005	2-C6	9983 60 516B	340	008	4-D1
9983 30 408	176	048	2-E9	9983 70 516C	352	014	4-E2
9983 30 408	177-	3	015 2-H9	9983 70 620C	352	016	4-E2
9983 30 408	181	040	2-M9	9983 80 510	323	006	3-C14
9983 30 410	367	017	4-C4	9983 80 630	242-	1	018 3-L4
9983 30 412	315	012	3-F12	9983 80 650	234	015	3-D4
9983 30 510	081-	1	030 1-I9	9983 90 416	344	055	4-H1
9983 30 512	277	017	3-D8	9984 00 4350	035-	4	033 1-H4
9983 30 512	288	087	3-H9	9985 10 612A	019	010	1-F2
9983 30 512	296	071	3-H10	9985 10 616A	006	033	1-G1
9983 30 512	340	010	4-D1	9985 10 625A	035-	2	003 1-F4
9983 30 512	340	015	4-D1	9985 10 640A	005	010	1-F1
9983 30 512	341	016	4-E1	9985 10 812A	005	012	1-F1
9983 30 512	345-	1	074 4-J1	9985 10 812A	019	011	1-F2
9983 30 512B	286	052	3-F9	9985 10 814	080	014	1-G9
9983 30 512B	295	064	3-G10	9985 10 814A	005	011	1-F1
9983 30 512B	342	031	4-F1	9985 10 816	080	014	1-G9
9983 30 516	277	013	3-D8	9985 10 820	079	005	1-F9
9983 30 516	345	070	4-I1	9985 10 822	079	005	1-F9
9983 30 516B	339	007	4-C1	9985 10 822A	002	005	1-C1



 **HADI-MAZDA**  
*Club*

 **HADI-MAZDA** *Club*

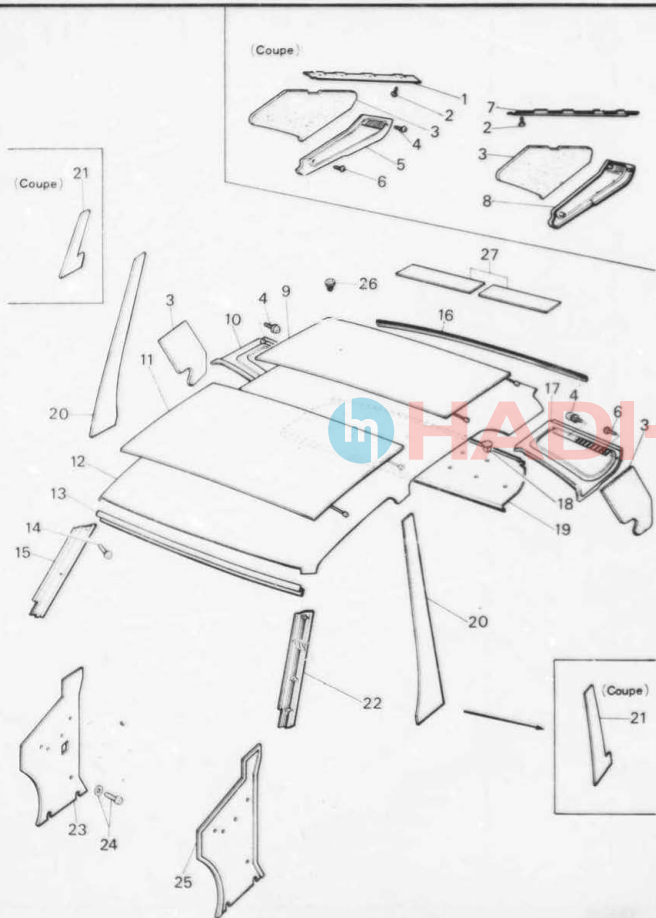
 **HADI-MAZDA**  
*Club*



No.	Part Number	Description	Qty	Remarks
62	0370 68 851-30	Sheet, Console-(BLK)(Without Radio Box)	1	
63	0376 68 870A00	Radio-(BLK) Selective use	1	
	0379 68 870A20	Box, Radio (BRN)	1	
	0379 68 870A30	Box, Radio (GRY)	1	76/8 ~ Added Anew
64	0866 79 510A00	Box, Radio (BLK)	1	Selective use
	0376 79 510A30	Box, Radio (GRY)	1	76/8 ~ Added Anew
65	99833 0520	Screw	2	
	99952 0500	Washer, Plain	2	
	99971 0500	Washer, Spring	2	
66	0376 68 861A	Spacer	2	
67	0376 68 862A	Bracket (R)	1	1513, 1514, 1520, 8834
68	0376 68 863A	Bracket (L)	1	
69	99781 0614	Bolt, Bracket	1	
	99952 0618	Washer, Plain	1	
	99971 0500	Washer, Plain	1	
	99906 0600	Nut	1	
70	99833 0516	Screw, Bracket & Radio Box	2	
	99952 0500	Washer, Plain	2	
	99971 0500	Washer, Spring	2	
71	0376 68 864	Bracket, Lower	1	

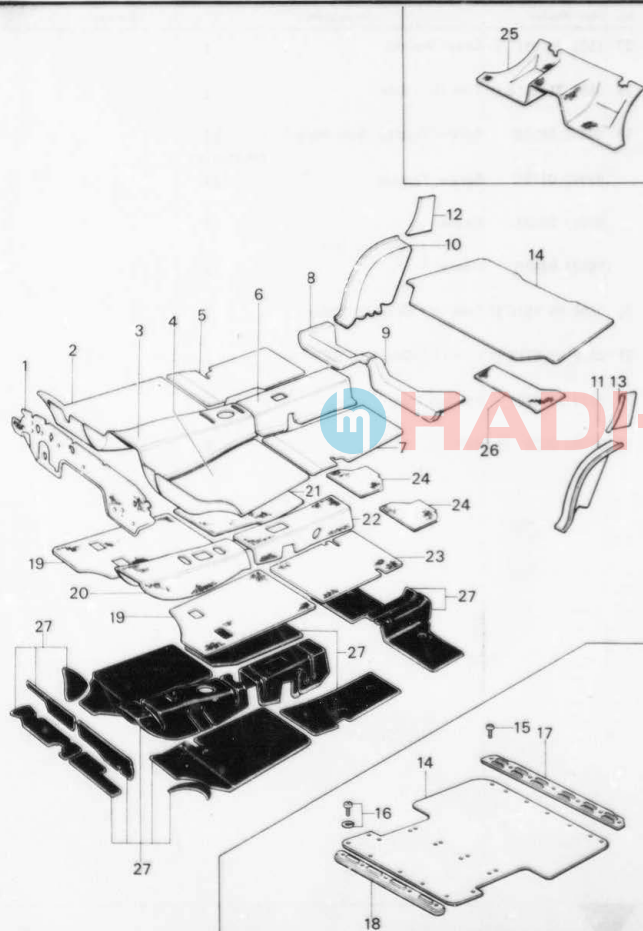


69 TOP CEILING & TRIM (SEDAN & COUPE)

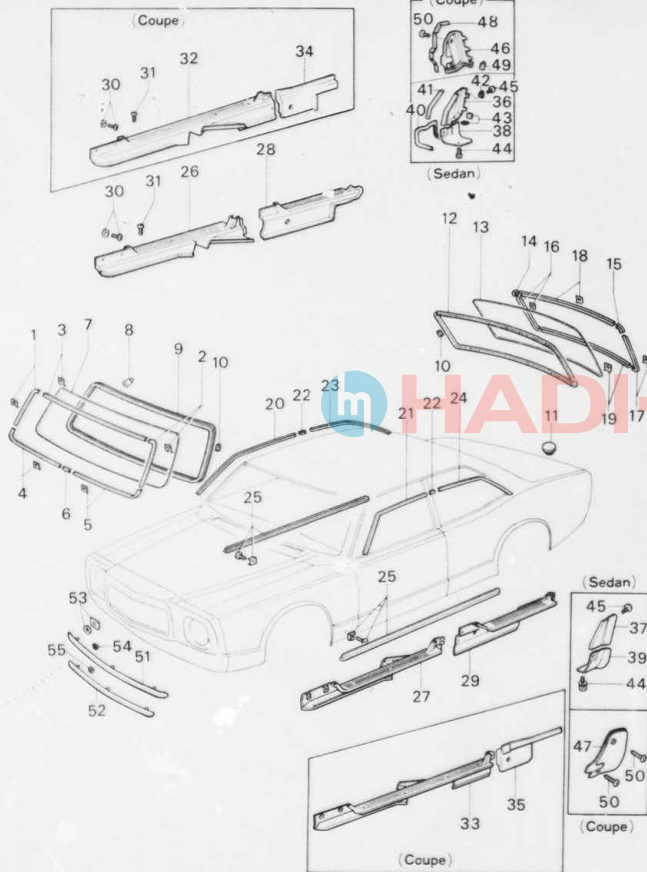


69 TOP CEILING & TRIM (SEDAN & COUPE)

No.	Part Number	Description	Q'ty	Remarks
12	0866 69 290-31	Ceiling, Top (BEIG) (Sedan)	1	
	0376 69 290C-00	Ceiling, Top (BLK)	1	(Coupe)
	0376 69 290C-25	Ceiling, Top (BRN)	1	
	0376 69 290C-31	Ceiling, Top (BEIG)	1	
	0376 69 290C-32	Ceiling, Top (GRY)	1	
13	0866 69 321	Plate, Fixing-Front (Sedan)	1	
	0376 69 321	Plate, Fixing-Front (Coupe)	1	
14	99862 0412B	Screw, Front Pillar Trim	4	
15	0866 69 411-00	Trim (R), Front Pillar (BLK) (Sedan)	1	
	0376 69 411-00	Trim (R), Front Pillar (BLK) (Coupe)	1	
16	0866 69 341	Plate, Fixing-Rear (Sedan)	1	
	0376 69 341	Plate, Fixing-Rear (Coupe)	1	
17	0866 69 521-02	Trim (L), Rear Pillar (BEIG) (Without Safety Belt)	1	(Sedan)
	1504 69 521A-02	Trim (L), Rear Pillar (BEIG) (With Safety Belt)	1	
18	0866 69 885	Fastener, Package Tray Trim	2	Order by 0866 69 885 00
19	0866 69 870C-00	Trim, Package Tray (BLK)	1	
	1511 69 870B-00	Trim, Package Tray (BLK) (Australia)	1	76/4 ~ Δ
			7	(Sedan)
	1524 69 870C-00	Trim, Package Tray (With Loud Speaker) (BLK)	1	
	1510 69 870B-00	Trim, Package Tray (With Loud Speaker) (BLK) (Australia)	1	76/4 ~ Δ



No.	Part Number	Description	Q'ty	Remarks
10	0866 69 541	C Trim (R), Tire House (Sedan & Coupe)	1	
	1636 69541A	C Trim (R), Tire House (Wagon)	1	
11	0866 69 542	C Trim (L), Tire House (Sedan & Coupe)	1	
	1636 69 543A	C Trim (L), Tire House (Wagon)	1	
12	0866 69 543A	C Trim (R), Rear Seat Side	1	(Sedan)
13	0866 69 544A	C Trim (L), Rear Seat Side	1	
14	0866 69 627A-05	Mat, Trunk Room (BLK) (Sedan & Coupe)	1	Order by 0866 69 627A
	1529 69 627A-05	Mat, Trunk Room (BLK)	1	
15	99862 0410	Screw, Tapping	5	(Wagon)
	99864 0410	Screw, Tapping	4	
	99864 0420	Screw, Tapping	4	
	99864 0412B	Screw, Tapping	7	
16	99862 0410B	Screw, Tapping	4	(Wagon)
	99967 0400B	Washer	4	
17	0585 69 628F	Plate No. 1, Set-Mat Rear Side	1	
18	1529 69 629	Plate No. 2, Set-Mat Front Side	1	
19	8043 69 684	Pad (Frnt.) (Manual)	2	
	1525 69 684	Pad (Frnt., R)	1	(Automatic)
	1525 69 685	Pad (Frnt., L)	1	
20	8043 69 683	Pad (Frnt., C) (Manual)	1	



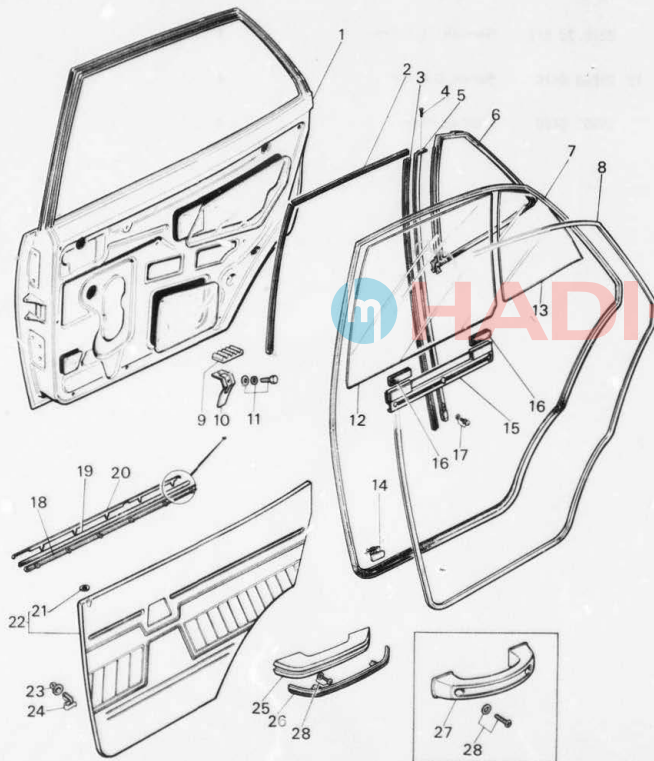
No.	Part Number	Description	Qty	Remarks
	8038 70 822	Mould (R), Drip-Rear (Sedan)	1	76/10 ~ X
24	0376 71 822B	Mould (L), Drip-Rear (Coupe)	1	
	8042 71 822	Mould (L), Drip-Rear (Coupe)	1	76/10 ~ X
	0866 71 822D	Mould (L), Drip-Rear (Sedan)	1	
	8038 71 822	Mould (L), Drip-Rear (Sedan)	1	76/10 ~ X
25	1128 99 721	Mould Set, Step	2	
	1128 99 721A	Mould Set, Step	2	75/12 ~ X
25-1	0305 70 861C	Cli-Step Mould	10	
26	0866 70 801B-00	Plate (R), Scarf-Front (BLK)	1	
27	0866 71 801B-00	Plate (L), Scarf-Front (BLK)	1	(Sedan)
28	0866 70 802C-00	Plate (R), Scarf-Rear (BLK)	1	
29	0866 71 802C-00	Plate (L), Scarf-Rear (BLK)	1	
30	99864 0416B	Screw, Scarf Plate	2	
	99865 0416B	Screw	12	
	99952 0516B	Washer, Plain	2	
31	99862 0425B	Screw, Scarf Plate	10	
32	0376 70 801B-00	Plate (R), Scarf-Front (BLK)	1	
33	0376 71 801B-00	Plate (L), Scarf-Front (BLK)	1	
34	0376 70 802A-00	Plate (R), Scarf-Rear (BLK) (Without Safety Belt)	1	(Coupe)
	1880 70 802	Plate (R), Scarf-Rear (BLK) (With Safety Belt)	1	

 **HADI-MAZDA**  
*Club*



72 73

## REAR SIDE DOOR (GLASS &amp; BODY)



-387-

4-16

72 73

## REAR SIDE DOOR (GLASS &amp; BODY)

No.	Part Number	Description	Qty	Remarks
	0585 72 606	Channel "B", Glass Run (Wagon)	2	
4	99832 0410	Screw, Center Channel	4	
5	0866 72 602A-00	Channel (R), Center (BLK)	1	} (Sedan)
	0866 73 602A-00	Channel (L), Center (BLK)	1	
	0585 72 602C	Channel (R), Center	1	} (Wagon)
	0585 73 602C	Channel (L), Center	1	
6	0866 72 651B	Weatherstrip, Quarter Window (Sedan)	2	
	0585 72 651A	Weatherstrip, Quarter Window (Sedan)	2	
7	0866 72 760A	Weatherstrip (R) (Sedan)	1	} (Sedan)
	0866 73 760A	Weatherstrip (L)	1	
	0585 72 760A	Weatherstrip (R)	1	} (Wagon)
	0585 73 760A	Weatherstrip (L)	1	
8	0398 58 755-00	Welt, Seaming (BLK) (Sedan)	2	
	1004 68 911	Welt (R), Seaming	1	} (Wagon)
	0398 58 755	Welt (L), Seaming	1	
9	0187 56 235	Rubber, Support	2	
10	0259 72 080	Stop, Glass	2	
11	99806 0612	Bolt, Glass Stop	2	
	99971 0600	Washer, Spring	2	
	99951 0618	Washer, Plain	2	

-389-

 **HADI-MAZDA**  
*Club*

PARTS NUMBER	PARTS COMP. LIST PAGE	FIG. NO.	FICHE INDEX	PARTS NUMBER	PARTS COMP. LIST PAGE	FIG. NO.	FICHE INDEX	
0453 14 100	064	002	1-E8	0221 15 117	071	007	1-J8	
0222 14 110B	064	003	1-E8	0324 15 117A	067	005	1-G8	
0221 14 115	061	002	1-C8	0221 15 118	067	006	1-G8	
0221 14 115	064	006	1-E8	0324 15 120	067	007	1-G8	
0221 14 116	064	007	1-E8	1757 15 120	067	007	1-G8	
0324 14 116A	061	003	1-C8	1757 15 120	071	008	1-J8	
0222 14 118	061	004	1-C8	0305 15 131B	072	016	1-K8	
0222 14 118	064	008	1-E8	0324 15 131	068	013	1-H8	
0324 14 120A	061	001	1-C8	0324 15 140A	068	014	1-H8	
0222 14 121A	064	011	1-E8	0324 15 140A	072	017	1-K8	
0222 14 130	064	013	1-E8	0459 15 140A	072	017	1-K8	
0324 14 130B	061	006	1-C8	1540 15 140A	072	017	1-K8	
0324 14 133	061	007	1-C8	0305 15 144	072	019	1-K8	
0305 14 143	064	016	1-E8	0324 15 150	068	019	1-H8	
0221 14 145	061	012	1-C8	0324 15 160A	068	019	1-H8	
0221 14 145	065	018	1-F8	0324 15 165	013-	1	1-N1	
0222 14 151A	065	019	1-F8	0324 15 165	068	020	1-H8	
0324 14 151	061	010	1-C8	0324 15 166	278	025	3-E8	
0370 14 181	061	011	1-C8	0223 15 171D	007	043	1-H1	
0305 14 240A	064	014	1-E8	0223 15 171D	034	017	1-D4	
0370 14 240	061	013	1-C8	0223 15 171D	035-	4	039	1-H4
0370 14 240A	061	013	1-C8	8124 15 171	034	017	1-D4	
0324 14 248	061	014	1-C8	8124 15 171	035	039	1-E4	
0820 14 252	030	023	1-K3	0290 15 172A	007	044	1-H1	
0222 14 300C	065	020	1-F8	0324 15 172	034	018	1-D4	
0324 14 300	062	018	1-D8	0324 15 172	035-	4	040	1-H4
0221 14 320	031-	1	038	0221 15 173	007	045	1-H1	
0221 14 342	016		1-D2	0221 15 173	017		1-E2	
0221 14 342	065	024	1-F8	0221 15 173A	007	045	1-H1	
0118 14 355	052	049	1-K6	0221 15 173A	017		1-E2	
0305 15 010D	071	003	1-J8	0324 15 173	013-	1	1-N1	
0305 15 010E	071	003	1-J8	0324 15 173	034	019	1-D4	
0324 15 010D	067	001	1-G8	0324 15 173	035-	4	041	1-H4
0376 15 026	242-	1	011	0305 15 185	072	020	1-K8	
0222 15 090A	071	004	1-J8	0305 15 185A	072	020	1-K8	
2994 15 104	071	012	1-J8	0370 15 185	068	016	1-H8	
0603 15 113	067	002	1-G8	0305 15 186B	072	021	1-K8	
0118 15 114	067	003	1-G8	0370 15 186	068	017	1-H8	
0118 15 114	071	006	1-J8	0222 15 188C	072	023	1-K8	
0118 15 115A	067	004	1-G8	0370 15 200B	068	022	1-H8	
0222 15 116	017		1-E2	0370 15 200C	068	022	1-H8	
0222 15 116	071	013	1-J8	0494 15 200A	072	025	1-K8	
0324 15 116	013-	1	1-N1	0496 15 200A	072	025	1-K8	
0324 15 116	067	011	1-G8	1524 15 200B	068	022	1-H8	
0324 15 116	288	080	3-H9	1525 15 200C	068	022	1-H8	

PARTS NUMBER	PARTS COMP. LIST PAGE	FIG. NO.	FICHE INDEX	PARTS NUMBER	PARTS COMP. LIST PAGE	FIG. NO.	FICHE INDEX
0778 23 392	048	070	1-G6	1893 23 434	052- 4	036	1-N6
0324 23 393	048	071	1-G6	1893 23 435	052- 4	037	1-N6
0268 23 394	048	072	1-G6	0820 23 436	048- 1	087	1-H6
0324 23 395	048	069	1-G6	0820 23 436	052	047	1-K6
0370 23 396	048	074	1-G6	1919 23 445	048	079	1-G6
0222 23 397	051	024	1-J6	8531 23 455	048	083	1-G6
0222 23 397	052- 2	015	1-L6	1893 23 459	052- 2	003	1-L6
0221 23 398	045	024	1-D6	1752 23 460	051	022	1-J6
0222 23 398	051	031	1-J6	1531 23 465	048	082	1-G6
0222 23 398	052- 2	014	1-L6	1752 23 465	052	043	1-K6
0268 23 399	048	082	1-G6	1611 23 467	045	017	1-D6
1540 23 399A	051	025	1-J6	1611 23 468	045	026	1-D6
0453 23 401	051	026	1-J6	0305 23 520	052	006	1-K6
1632 23 401	052- 3	033	1-M6	0114 23 603A	045	017	1-D6
1633 23 401	052- 3	033	1-M6	0259 23 603	040	005	1-C5
0603 23 402A	051	028	1-J6	0305 23 603	042	003	1-D5
0603 23 402A	052- 2	011	1-L6	8914 23 603	040	005	1-C5
1633 23 402	052- 3	032	1-M6	0249 23 604	040	002	1-C5
1632 23 403	052- 2	013	1-L6	0305 23 604	042	004	1-D5
0305 23 408	051	030	1-J6	8914 23 604	040	002	1-C5
0305 23 408	052- 3	026	1-M6	0324 23 605	040	004	1-C5
0370 23 411	048- 1	082	1-H6	1540 23 605	042	005	1-D5
1633 23 411	052- 2	014	1-L6	0305 23 609	042	006	1-D5
0305 23 412	052	016	1-K6	0324 23 609	040	003	1-C5
1632 23 412	052- 2	016	1-L6	2850 23 610	042	007	1-D5
0222 23 413	065	023	1-F8	0305 23 613	042	008	1-D5
0370 23 415	048- 1	082	1-H6	0305 23 614	042	009	1-D5
0324 23 420A	048	075	1-G6	1540 23 615	042	010	1-D5
0453 23 420	051	033	1-J6	0370 23 625	054	004	1-C7
1540 23 420	052	016	1-K6	0324 23 627	054	005	1-C7
1540 23 420	052- 4	038	1-N6	0324 23 631	054	006	1-C7
1893 23 420	052- 3	027	1-M6	0324 23 632	054	007	1-C7
0494 23 421	050	020	1-I6	0305 23 800G	008		1-I1
1632 23 421	052- 3	031	1-M6	0305 23 800G	017		1-E2
0453 23 422	052	041	1-K6	0305 23 800G	017		1-E2
1893 23 422	052- 4	038	1-N6	0305 23 800H	008		1-I1
0585 23 425	048	081	1-G6	0305 23 800H	017		1-E2
0221 23 427	065	027	1-F8	0305 23 800H	017		1-E2
1632 23 427	052- 2	005	1-L6	0305 23 800I	008		1-I1
0221 23 428	065	028	1-F8	0305 23 800I	017		1-E2
0585 23 428A	048	078	1-G6	0305 23 800I	017		1-E2
0453 23 429	052	042	1-K6	0370 23 800	003- 1		1-E1
0453 23 429	052- 4	038	1-N6	0370 23 800	013- 1		1-N1
0585 23 429	048	080	1-G6	0370 23 800	013- 1		1-N1
0370 23 430	048- 1	082	1-H6	0370 23 800C	003- 1		1-E1



PARTS NUMBER	PARTS COMP. LIST PAGE	FIG. NO.	FICHE INDEX	PARTS NUMBER	PARTS COMP. LIST PAGE	FIG. NO.	FICHE INDEX
0370 45 320B	199	023	2-G11	0866 45 903A	199-	3 007	2-I11
0518 45 320	199	023	2-G11	1932 46 010A	205	022	2-D13
0870 45 320C	199	023	2-G11	1244 46 021	205	017	2-D13
0870 45 320D	199	023	2-G11	1840 46 021	205	017	2-D13
1510 45 320	199-	3 013	2-I11	3959 46 021	205	017	2-D13
0370 45 350C	199	024	2-G11	1840 46 022	205	023	2-D13
0585 45 350B	199	024	2-G11	0308 46 030D	204	001	2-C13
0866 45 350C	199-	1 024	2-H11	1244 46 030	204	001	2-C13
1510 45 350A	199-	3 014	2-I11	1244 46 030A	204	001	2-C13
1510 45 350B	199-	3 014	2-I11	1244 46 032	204	011	2-C13
8056 45 350	199-	1 024	2-H11	1244 46 035	204	012	2-C13
1515 45 360	199-	3 015	2-I11	1244 46 038	204	013	2-C13
8649 45 360	199-	3 015	2-I11	1244 46 039	204	014	2-C13
8649 45 360A	199-	3 015	2-I11	0308 46 051	204	003	2-C13
1128 45 452	199-	1 025	2-H11	2375 46 J52	204	005	2-C13
1128 45 452	199-	3 006	2-I11	2375 46 053	204	004	2-C13
0426 45 510A	199-	1 026	2-H11	0308 46 054	204	006	2-C13
0426 45 510A	199-	4 022	2-J11	1244 46 055	204	015	2-C13
0136 45 635	199-	3 004	2-I11	2375 46 055	204	007	2-C13
0584 45 711B	056	041	1-E7	0308 46 056A	204	010	2-C13
0584 45 711C	056	041	1-E7	0308 46 057A	204	002	2-C13
3729 45 711A	059-	6 023	1-K7	2375 46 061	205	021	2-D13
8038 45 711A	056	041	1-E7	2375 46 062	205	018	2-D13
8056 45 711A	059-	3 026	1-I7	0842 46 081	205-	1 035	2-E13
0866 45 801	059	019	1-G7	0308 46 083	205	026	2-D13
0866 45 801	059-	2 018	1-H7	1015 46 085	188	008	2-F10
0899 45 801	059-	5 004	1-J7	1015 46 085	205	020	2-D13
0866 45 802	059	020	1-G7	0842 46 110A	205	025	2-D13
0866 45 802	059-	3 019	1-I7	0378 46 150	205	027	2-D13
0899 45 802	059-	5 005	1-J7	0378 46 571B	205-	1 037	2-E13
0899 45 803	059-	5 002	1-J7	1541 46 571	205-	1 031	2-E13
0866 45 806A	055	028	1-D7	0223 46 683	190	034	2-H10
0866 45 806A	059	025	1-G7	1015 46 684	205-	1 032	2-E13
0866 45 807	059	021	1-G7	0259 46 691	205	029	2-D13
0866 45 807	059-	3 020	1-I7	3725 49 061	148	020	2-G5
0866 45 810A	059	022	1-G7	0866 49 111	162	021	2-E7
0866 45 810B	059	022	1-G7	0866 49 112	162	022	2-E7
0866 45 810B	059-	3 021	1-I7	0866 49 114	162	023	2-E7
0899 45 810A	059-	5 017	1-J7	0866 49 115	162	024	2-E7
0419 45 901	055	026	1-D7	0866 49 117	162	026	2-E7
0866 45 903A	055	026	1-D7	0376 49 230A	161	016	2-D7
0866 45 903A	059	027	1-G7	0376 49 230A	161	016	2-D7
0866 45 903A	059-	3 024	1-I7	0376 49 230A	161	016	2-D7
0866 45 903A	059-	6 021	1-K7	0870 49 230D	161	016	2-D7
0866 45 903A	199-	1 027	2-H11	0870 49 230D	161	016	2-D7

PARTS NUMBER	PARTS COMP. LIST PAGE	FIG. NO.	FICHE INDEX	PARTS NUMBER	PARTS COMP. LIST PAGE	FIG. NO.	FICHE INDEX		
1286 66 236	317-	2	006	3-C13	0585 66 378	320	024	3-H13	
1532 66 236A	317-	2	006	3-C13	0390 66 410	323	001	3-C14	
1529 66 237	319		011	3-G13	0390 66 411	323	005	3-C14	
1532 66 237	317-	3	007	3-D13	0398 66 412	323	002	3-C14	
0370 66 238	316		023	3-G12	0398 66 413	323	004	3-C14	
1532 66 238	317-	3	008	3-D13	8531 66 450	202-	1	018	2-E12
1524 66 239	316		024	3-G12	0866 66 481A	313-	1	027	3-E12
1529 66 239	319		002	3-G13	0866 66 481A	313-	1	027	3-E12
1532 66 239	317-	3	009	3-D13	1531 66 481	313-	1	027	3-E12
3953 66 250	238		072	3-H4	0866 66 491A	313-	1	027	3-E12
1532 66 251	317-	3	010	3-D13	0866 66 491A	313-	1	027	3-E12
1532 66 252	317-	3	011	3-D13	1531 66 491	313-	1	027	3-E12
1532 66 253	317-	3	012	3-D13	0305 66 580A	344		056	4-H1
1532 66 254	317-	3	013	3-D13	0208 66 683	059		030	1-G7
1532 66 255	317-	3	014	3-D13	0208 66 683	059-	3	023	1-17
1286 66 256	317-	3	015	3-D13	0208 66 683	059-	5	013	1-J7
1532 66 256	317-	3	015	3-D13	1175 66 710	399		010	4-H7
1532 66 261	317-	3	010	3-D13	1175 66 710A	399		010	4-H7
1286 66 266	317-	3	015	3-D13	8038 66 730A	323		007	3-C14
1532 66 266	317-	3	015	3-D13	8038 66 730A	328-	2	075	3-J14
0585 66 333	320		013	3-H13	8038 66 731	323		008	3-C14
0212 66 371	330		005	3-K14	8038 66 731	328-	2	076	3-J14
0223 66 371	330		004	3-K14	8038 66 732	323		009	3-C14
0212 66 372	330		006	3-K14	8038 66 732	328-	2	077	3-J14
0212 66 372A	330		006	3-K14	0866 66 733	323		010	3-C14
0866 66 372	316		027	3-G12	1128 66 750	323		013	3-C14
0866 66 372	317-	4	021	3-E13	1708 66 760	324		014	3-D14
1531 66 372	317		039	3-H12	2852 66 763	324		015	3-D14
1531 66 372	317-	4	033	3-E13	1708 66 765	324		015	3-D14
0585 66 373	320		018	3-H13	0243 66 773	176		047	2-E9
0866 66 373	317		032	3-H12	0243 66 773	177-	3	013	2-H9
0866 66 373	317-	4	026	3-E13	0864 66 780	324		018	3-D14
1531 66 373	317		041	3-H12	0864 66 780A	324		018	3-D14
1531 66 373	317-	5	035	3-F13	0864 66 780B	324		018	3-D14
0585 66 374	320		019	3-H13	0865 66 780A	324		019	3-D14
0866 66 374	316		028	3-G12	0865 66 780B	324		019	3-D14
0866 66 374	317-	4	022	3-E13	0233 66 790	190		035	2-H10
1531 66 374	317		035	3-H12	0865 66 790A	324		020	3-D14
1531 66 374	317-	4	029	3-E13	0865 66 800	324		021	3-D14
1531 66 375A	317		036	3-H12	0864 66 805	324		022	3-D14
1531 66 375A	317-	4	030	3-E13	0865 66 805	324		023	3-D14
0585 66 376	320		020	3-H13	0865 66 809	324		024	3-D14
1531 66 376	317		040	3-H12	0209 66 820	328-	1	062	3-114
1531 66 376	317-	4	034	3-E13	0209 66 820A	328-	1	062	3-114
0585 66 377	320		023	3-H13	0209 66 821	328-	1	063	3-114

PARTS NUMBER	PARTS COMP. LIST PAGE	FIG. NO.	FICHE INDEX	PARTS NUMBER	PARTS COMP. LIST PAGE	FIG. NO.	FICHE INDEX
0866 76 708	305	036	3-E11	0259 76 966	304	023	3-D11
1273 76 708	301	008	3-K10	0317 76 967	304	024	3-D11
0317 76 709	305	037	3-E11	0259 76 971	304	019	3-D11
0370 76 709	301-	1 009	3-L10	0259 76 980	303	011	3-C11
0370 76 711	301-	1 010	3-L10	0259 76 985	304	022	3-D11
0370 76 712	301-	1 011	3-L10	0259 76 987	304	028	3-D11
0370 76 713	301-	1 012	3-L10	0370 78 021	286	054	3-F9
0370 76 714	301-	1 013	3-L10	0370 78 021B	286	054	3-F9
0370 76 715	301-	1 014	3-L10	0370 78 022A	286	055	3-F9
0370 76 716	301-	1 015	3-L10	0317 78 023	286	056	3-F9
0370 76 717	301-	1 016	3-L10	0370 78 030	286	057	3-F9
8038 76 718	301		3-K10	0317 78 032	286	059	3-F9
0866 76 719	301-	1 018	3-L10	0370 78 033	287	062	3-G9
1273 76 719	301-	1 018	3-L10	0317 78 034	287	063	3-G9
0866 76 720	304	029	3-D11	0370 78 035	287	065	3-G9
0866 76 723	304	018	3-D11	0317 78 036	287	060	3-G9
0317 76 750	303	013	3-C11	0370 78 037	287	066	3-G9
0866 76 754	303	004	3-C11	0370 78 041	287	071	3-G9
0866 76 755	303	003	3-C11	0370 78 041A	287	071	3-G9
0866 76 763	304	030	3-D11	0370 78 049	287	072	3-G9
0866 76 764	304	031	3-D11	0324 78 050B	288	026	1-18
0866 76 765	304	032	3-D11	0324 78 050B	288	074	3-H9
0866 76 766	304	033	3-D11	0324 78 054	288	075	3-H9
0866 76 790	304	034	3-D11	0370 78 073A	288	077	3-H9
0459 76 811	303	006	3-C11	0370 78 074A	288	078	3-H9
0459 76 812	303	001	3-C11	0702 78 200C00	249	032	3-H5
0459 76 813	304	017	3-D11	0702 78 200C00	253	033	3-K5
0459 76 814	304	020	3-D11	0702 78 200C00	258	043	3-F6
0459 76 815	304	025	3-D11	0702 78 200C00	264	045	3-F6
0459 76 816	304	021	3-D11	0730 78 541	207	007	3-C1
0376 76 818	303	002	3-C11	8038 78 541	229-	1 033	3-F3
0483 76 850	303	010	3-C11	8038 78 541A	229-	1 033	3-F3
0483 76 851	303	014	3-C11	0208 78 736	287	061	3-G9
0483 76 852	304	016	3-D11	0223 78 748	292	015	3-D10
0483 76 870	303	005	3-C11	0208 78 834A	284	027	3-D9
0376 76 890	303		3-C11	0208 78 834A	296	075	3-H10
0459 76 890	303		3-C11	0820 78 851	283	002	3-C9
0259 76 951	303	002	3-C11	0259 78 857	283	010	3-C9
0259 76 953	303	007	3-C11	0259 78 857	293	034	3-E10
0259 76 954	303	008	3-C11	0259 78 858	284	019	3-D9
0259 76 955	303	009	3-C11	0259 78 858	293	035	3-E10
0259 76 956	303	012	3-C11	0259 78 868	284	020	3-D9
0259 76 958	303	015	3-C11	0259 78 868	293	036	3-E10
0259 76 959	304	027	3-D11	0208 78 875	284	021	3-D9
0259 76 961	304	026	3-D11	0208 78 875	293	037	3-E10

PARTS NUMBER	PARTS COMP. LIST PAGE	FIG. NO.	FICHE INDEX	PARTS NUMBER	PARTS COMP. LIST PAGE	FIG. NO.	FICHE INDEX	
9985 10 822A	005	012	1-F1	9986 40 406	252	015	3-J5	
9985 10 822A	012	035	1-L1	9986 40 406	262	015	3-I6	
9985 10 822A	020	012	1-G2	9986 40 408	246	015	3-E5	
9985 10 828A	038-	002	1-K4	9986 40 408	256	014	3-D6	
9985 10 845	079	006	1-F9	9986 40 408	382	003	4-C6	
9985 10 848	079	006	1-F9	9986 40 410	337	026	3-E15	
9985 20 612	134	015	2-G2	9986 40 410	353	027	4-F2	
9985 20 865A	011	015	1-K1	9986 40 410	365-	1	015	4-I3
9985 20 870A	011	016	1-K1	9986 40 410	367	010	4-C4	
9985 51 025A	020	013	1-G2	9986 40 410B	383	022	4-D6	
9985 91 020	013	044	1-M1	9986 40 410C	360	026	4-D3	
9986 00 410	386	049	4-G8	9986 40 412	236	050	3-F4	
9986 10 412	249	036	3-H5	9986 40 412	328-	1	064	3-I14
9986 10 412	253	035	3-K5	9986 40 412	355	002	4-H2	
9986 10 412	259	045	3-G6	9986 40 412	355	004	4-H2	
9986 10 412	264	047	3-K6	9986 40 412B	352	018	4-E2	
9986 10 420B	233	012	3-C4	9986 40 412B	353-	1	037	4-G2
9986 20 410	365-	1	015	9986 40 412B	365-	1	015	4-I3
9986 20 410B	365-	1	016	9986 40 412B	380-	1	049	4-G5
9986 20 412B	356	014	4-I2	9986 40 416	353	024	4-F2	
9986 20 412B	359	009	4-C3	9986 40 416	353	011	4-F2	
9986 20 415B	309	027	3-H11	9986 40 416	355	006	4-H2	
9986 20 415B	361	029	4-E3	9986 40 416B	353-	1	033	4-G2
9986 20 415C	309	027	3-H11	9986 40 416B	374	030	4-I4	
9986 20 415C	361	029	4-E3	9986 40 416B	378	017	4-D5	
9986 20 415C	379	031	4-E5	9986 40 420	365-	1	015	4-I3
9986 20 425B	374	031	4-I4	9986 40 512	344	060	4-H1	
9986 20 425B	378	018	4-D5	9986 40 516B	355	006	4-H2	
9986 20 512B	357	024	4-J2	9986 40 516C	308	020	3-G11	
9986 20 512B	359	013	4-C3	9986 40 525B	355	004	4-H2	
9986 20 512C	359	002	4-C3	9986 40 616	215	027	3-J1	
9986 30 308	151	022	2-D6	9986 40 625	258	041	3-F6	
9986 30 310	151	016	2-D6	9986 40 625	263	043	3-J6	
9986 30 410B	337	024	3-E15	9986 50 410	382	007	4-C6	
9986 30 412B	353	022	4-F2	9986 50 416B	374	030	4-I4	
9986 30 414	350	007	4-C2	9986 50 416B	378	017	4-D5	
9986 30 416	151	023	2-D6	9986 50 512	233	011	3-C4	
9986 30 416	315	013	3-F12	9986 50 512	234	020	3-D4	
9986 30 416B	353-	1	039	9986 50 512	234	023	3-D4	
9986 30 425B	353	022	4-F2	9986 50 512	242-	2	029	3-H4
9986 30 512B	277	015	3-D8	9986 50 512	328	054	3-H14	
9986 30 516	278-	1	036	9986 50 512	340	010	4-D1	
9986 30 520B	342	038	4-F1	9986 50 512	375-	1	044	4-K4
9986 30 620	286	044	3-F9	9986 50 512	380-	1	046	4-G5
9986 30 620	295	059	3-G10	9986 50 516	236	045	3-F4	

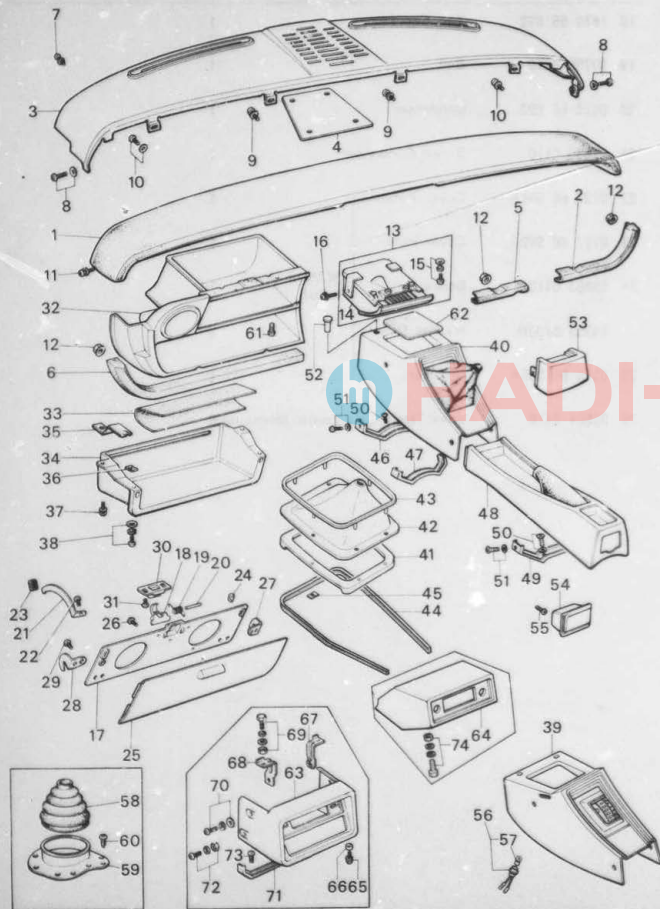


 **HADI-MAZDA**  
*Club*

 **HADI-MAZDA**  
*Club*

 **HADI-MAZDA**  
*Club*

68 CRUSH PAD, GLOVE POCKET & CONSOLE



4-J1

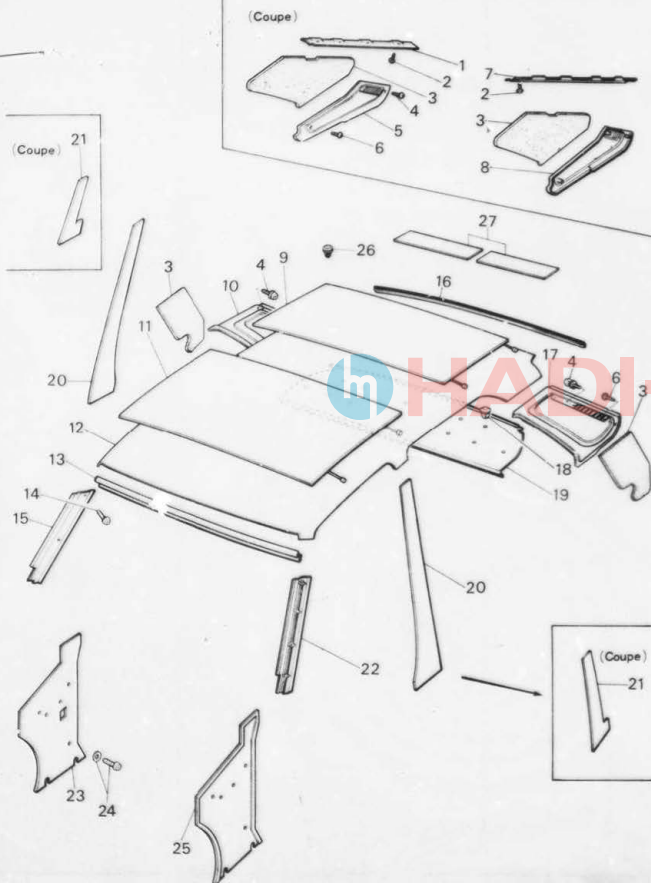
68 CRUSH PAD, GLOVE POCKET & CONSOLE

No.	Part Number	Description	Q'ty	Remarks
72	99832 0516B	Screw, Bracket & Radio Box	2	
	99967 0500B	Washer	2	
	99906 0500	Nut	2	
73	90830 0512B	Screw, Bracket & Console	2	
74	99833 0512	Screw, Radio Box	2	1513, 1514, 1520, 8834
	99952 0500	Washer, Plain	2	
	99971 0500	Washer, Spring	2	
	99906 0500	Nut	2	

MAZDA  
Club

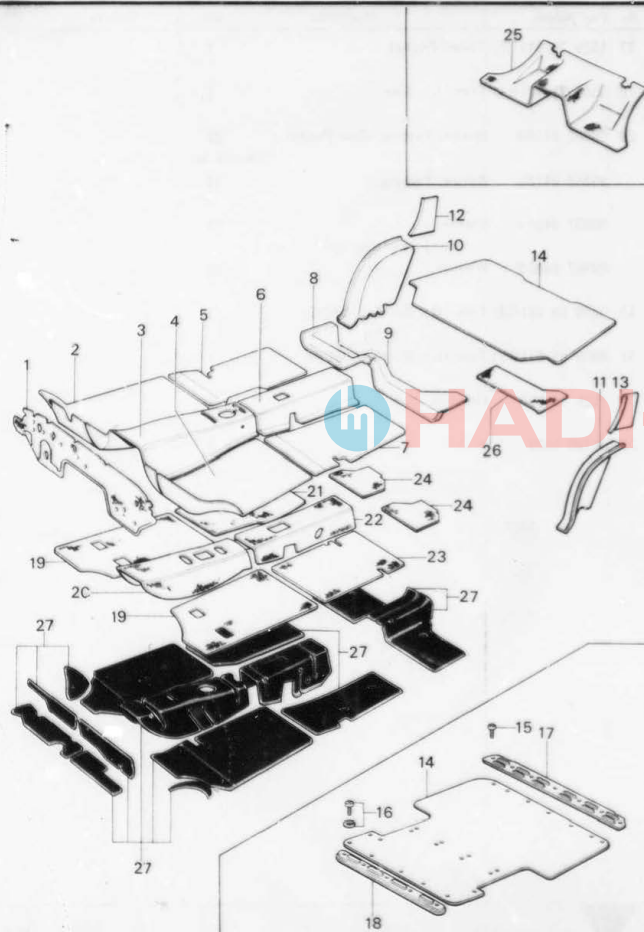


## TOP CEILING &amp; TRIM (SEDAN &amp; COUPE)

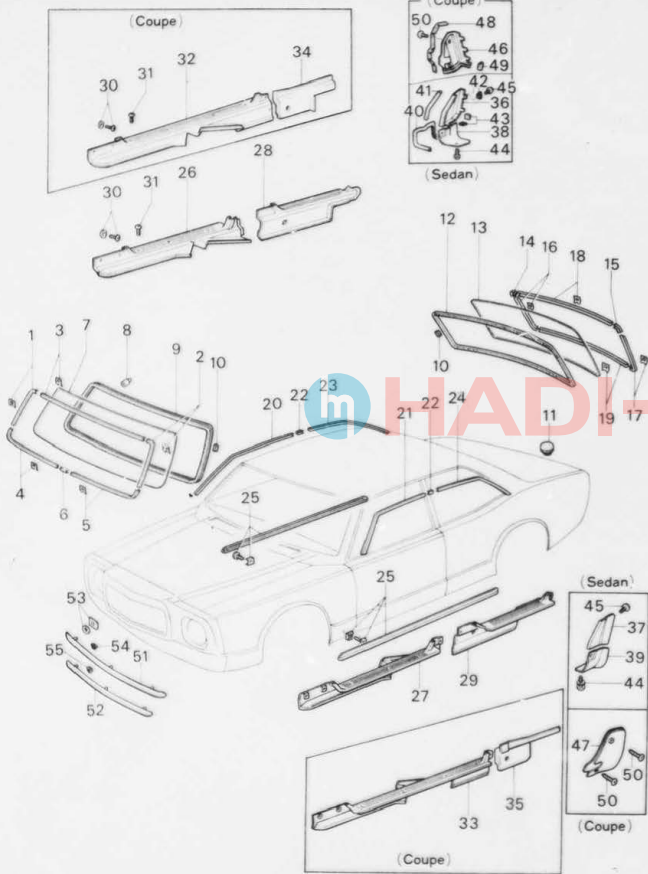


## TOP CEILING &amp; TRIM (SEDAN &amp; COUPE)

No.	Part Number	Description	Q'ty	Remarks
	0376 69 870B-00	Trim, Package Tray (BLK)	1	
	1513 69 870A-00	Trim, Package Tray (BLK)	1	76/4 ~ Δ
	1513 69 870B00	Trim, Package (Australia)	1	76/4 ~ Δ
	0870 69 870B-00	Trim, Package Tray (With Loud Speaker) (BLK)	Coupe 1	
	1514 69 870B-00	Trim, Package Tray (With Loud Speaker) (BLK) (Australia)	1	76/4 ~ Δ
20	0866 69 461B-36	Trim, Center (BLK) (BRN)	2	
	0866 69 461B-37	Trim, Center (BRN) (BLK)	(Sedan) 2	
	0866 69 461B-38	Trim, Center (BEIG)	2	
	0866 69 461B-32	Trim, Center (GRY)	2	76/8 ~ Added Anew
21	0376 69 462A00	Trim, Center (BLK)	2	
	0376 69 462A25	Trim, Center (BRN)	(Coupe) 2	
	0376 69 462A31	Trim, Center (BEIG)	2	
	0376 69 462A32	Trim, Center (GRY)	2	76/10 ~ Added Anew
22	0866 69 431-00	Trim(L), Front Pillar (BLK) (Sedan)	1	
	0376 69 431-00	Trim(L), Front Pillar (BLK) (Coupe)	1	
23	0866 69 360C01	Trim(R), Front Side (BLK)	1	
	0866 69 360D02	Trim(R), Front Side (BLK)	1	76/6 ~ X
	0866 69 360E02	Trim(R), Front Side (BLK)	1	78/1 ~ X
24	99862 0512B	Screw, Front	4	
	99967 0500B	Washer	4	
25	0866 69 380D01	Trim(L), Front Side (BLK)	1	
	0459 69 380 02	Trim(L), Front Side (BLK)	1	76/6 ~ X
26	99274 0821	Clip, Top Ceiling (Coupe)	2	
27	1011 68 022	Pad (Coupe)	2	

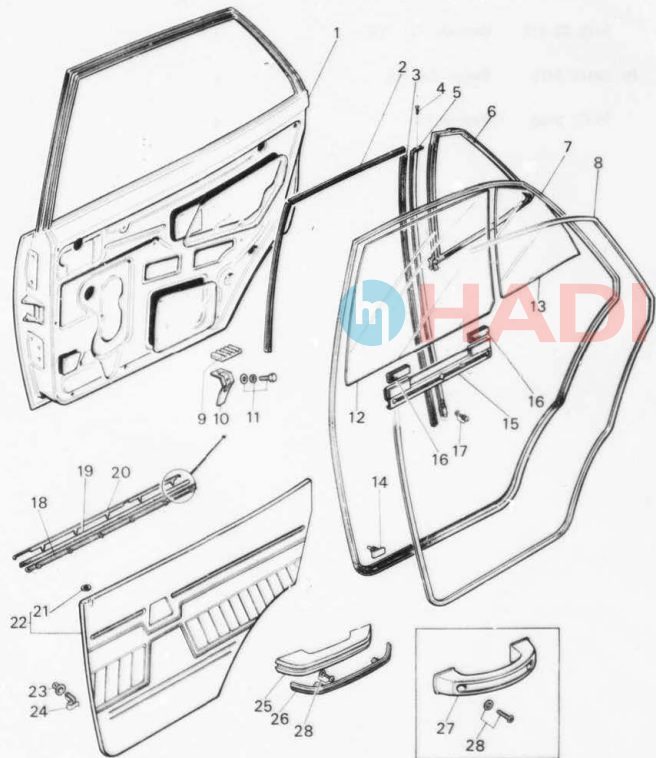


No.	Part Number	Description	Q'ty	Remarks
	1525 69 683	Pad (Frt., C) (Automatic)	1	
21	8043 69 688	Pad (Rr., R)	1	
	8043 69 688A	Pad (Rr., R)	1	76/11 ~ Δ
22	8043 69 687	Pad (Rr., C) (1514, 1520)	1	
	8043 69 687A	Pad (Rr., C) (1514, 1520, 8834)	1	76/11 ~ Δ
	8043 69 687B	Pad (Rr., C) (1514, 1520, 8834)	1	77/3 ~ Δ
	8043 69 687C	Pad (Rr., C) (1514, 1520, 8834)	1	77/4 ~ Δ
23	8043 69 689	Pad (Rr., L)	1	
	8043 69 689A	Pad (Rr., L)	1	76/11 ~ Δ
24	3723 69 692	Pad, End (Wagon)	2	
25	3719 69 692	Pad, End (Sedan & Coupe)	1	
26	0899 69 696A	Pad, Trunk Room (Wagon)	1	
	0899 69 696A	Pad, Trunk Room (Wagon)	2	76/5 ~ Q'ty
	0899 69 696B	Pad, Trunk Room (wagon)	2	76/11 ~ X
27	0208 76 071	Silencer, Floor (A30 cm square sheet)	-	



No.	Part Number	Description	Qty	Remarks
35	0376 71 802A-00	Plate (L), Scarf-Rear (BLK) (Without Safety Belt)	1	
	1880 71 802	Plate (L), Scarf-Rear (BLK) (With Safety Belt)	1	
36	0866 70 920	Guard "B" (R), Stone (1518, 3474)	1	Order by 1881 70 920
	1524 70 870	Guard "B" (R), Stone (1518, 3474)	1	77/1 ~ X
	1881 70 920	Guard "B" (R), Stone (1510 ~ 1512, 2652)	1	
	1524 70 870	Guard "B" (R), Stone (8832, 8833)	1	77/1 ~ X
37	0866 71 920	Guard "B" (L), Stone (1518, 3474)	1	Order by 1881 71 920
	1524 71 870	Guard "B" (L), Stone (1518, 3474)	1	77/1 ~ X
	1881 71 920	Guard "B" (L), Stone (1510 ~ 1512, 2652)	1	
	1524 71 870	Guard "B" (L), Stone (8832, 8833)	1	77/1 ~ X
38	0866 70 910	Guard "A" (R), Stone (1518, 3474)	1	(Sedan)
	1524 70 851	Guard "A" (R), Stone (1518, 3474)	1	77/1 ~ X
	1881 70 910	Guard "A" (R), Stone (1510 ~ 1512, 2652)	1	Order by 1881 70 910
	1524 70 851	Guard "A" (R), Stone (8832, 8833)	1	77/1 ~ X
39	0866 71 910	Guard "A" (L), Stone (1518, 3474)	1	
	1524 71 851	Guard "A" (L), Stone (1518, 3474)	1	77/1 ~ X
	1881 71 910	Guard "A" (L), Stone (1510 ~ 1512, 2652)	1	
	1524 71 851	Guard "A" (L), Stone (8832, 8833)	1	77/1 ~ X
40	0866 70 915	Protector	2	
41	0866 70 925	Protector	2	77/1 ~ Discarded

 **HADI-MAZDA**  
*Club*



No.	Part Number	Description	Qty	Remarks
12	0368 72 501A	Glass (R), Door	1	
		(Transparent)		
	0368 73 501A	Glass (L), Door	1	
	0866 72 501A	Glass (R), Door	1	
	0866 72 501B	Glass (R), Door	1	76/9 ~ Δ
	0866 72 501C	Glass (R), Door	1	77/9 ~ Δ
	0866 73 501A	Glass (L), Door	1	
	0866 73 501B	Glass (L), Door		
	0866 73 501C	Glass (L), Door		
	0866 73 501C	Glass (L), Door	1	77/9 ~ Δ
	0583 72 501A	Glass (R), Door	1	
	0583 73 501A	Glass (L), Door		
	0585 72 501A	Glass (R), Door	1	
	0585 72 501B	Glass (R), Door	1	76/9 ~ Δ
	0585 72 501C	Glass (R), Door	1	77/9 ~ Δ
	0585 73 501A	Glass (L), Door	1	
	0585 73 501B	Glass (L), Door		
	0585 73 501C	Glass (L), Door		
	0585 73 501C	Glass (L), Door	1	77/9 ~ Δ
13	1524 72 661C	Glass (R), Quarter Window	1	Ord. By 1511 72 661A
	1524 73 661C	Glass (L), Quarter Window		
	1540 72 661B	Glass (R), Quarter Window	1	
	1540 72 661C	Glass (R), Quarter Window	1	76/9 ~ Δ



 **HADI-MAZDA**  
*Club*

PARTS NUMBER	PARTS COMP. LIST PAGE	FIG. NO.	FICHE INDEX	PARTS NUMBER	PARTS COMP. LIST PAGE	FIG. NO.	FICHE INDEX
1525 15 200D	068	022	1-H8	0305 16 225A	081-1	032	1-19
1525 15 200E	068	022	1-H8	0317 16 225	075	003	1-C9
1525 15 200E	068	022	1-H8	0305 16 243	016	026	1-D2
0488 15 205	068	023	1-H8	0305 16 410	076	009	1-D9
0488 15 205	072	026	1-K8	0324 16 410A	076	009	1-D9
2981 15 205	068	023	1-H8	4077 16 410	076	009	1-D9
0370 15 207	068	024	1-H8	0839 16 432	076	011	1-D9
0370 15 207	072	027	1-K8	0498 16 460	076	010	1-D9
2228 15 208	068	024	1-H8	0498 16 460	076	010	1-D9
2228 15 208	072	028	1-K8	1308 16 460A	076	010	1-D9
0305 15 210D	072	030	1-K8	1308 16 460B	076	010	1-D9
0290 15 214	072	031	1-K8	8052 16 460	076	010	1-D9
0222 15 215	073	032	1-L8	0370 16 510	076	013	1-D9
0222 15 215	288	076	3-H9	0820 16 510	076	013	1-D9
0370 15 277	069	031	1-L8	8531 16 510A	076	013	1-D9
0494 15 277	073	034	1-L8	8540 16 510	076	013	1-D9
0324 15 281A	278	023	3-E8	8540 16 510B	076	013	1-D9
0324 15 282	278	024	3-E8	0820 16 515	076	014	1-D9
0324 15 282A	278	024	3-E8	0305 16 520A	076	015	1-D9
0324 15 290A	278	029	3-E8	0305 16 520B	076	015	1-D9
1052 15 350A	069	028	1-L8	0317 16 520	076	015	1-D9
1052 15 350A	073	036	1-L8	8056 16 520	076	015	1-D9
1052 15 355	073	041	1-L8	8531 16 520A	076	015	1-D9
1883 15 356	069	029	1-L8	0303 17 100H	079	001	1-F9
1883 15 356	073	037	1-L8	0303 17 100I	079	001	1-F9
0603 16 102B	075	005	1-C9	0317 17 100A	079	001	1-F9
0403 16 103	075	002	1-C9	3922 17 100	079	001	1-F9
0613 16 103	075	002	1-C9	3922 17 100A	079	001	1-F9
0222 16 105	079	002	1-F9	3922 17 100B	079	001	1-F9
0137 16 114	088	001	1-H10	3922 17 100C	079	001	1-F9
0222 16 121A	016	025	1-D2	8085 17 100	079	001	1-F9
0249 16 121	108	007	1-C13	8085 17 100A	079	001	1-F9
3975 16 121A	016	025	1-D2	8085 17 100B	079	001	1-F9
0259 16 141	075	007	1-C9	8085 17 100C	079	001	1-F9
0866 16 214A	075	006	1-C9	8085 17 100D	079	001	1-F9
3975 16 214	075	006	1-C9	8085 17 100E	079	001	1-F9
0305 16 220B	075	001	1-C9	8085 17 100F	079	001	1-F9
0305 16 220C	075	001	1-C9	0600 17 121	080	008	1-G9
0305 16 220D	075	001	1-C9	0259 17 123	079	007	1-F9
0305 16 220E	075	001	1-C9	0437 17 201	083	004	1-C10
0370 16 220	075	001	1-C9	0437 17 201A	083	004	1-C10
0370 16 220A	075	001	1-C9	2370 17 201B	083	004	1-C10
0370 16 220B	075	001	1-C9	8531 17 201	083	004	1-C10
0222 16 222	076	013	1-D9	8531 17 201A	083	004	1-C10
0305 16 225A	075	003	1-C9	0317 17 207	083	001	1-C10

PARTS NUMBER	PARTS COMP. LIST PAGE	FIG. NO.	FICHE INDEX	PARTS NUMBER	PARTS COMP. LIST PAGE	FIG. NO.	FICHE INDEX
0370 23 800C	013-	1	1-N1	0453 24 314	097	021	1-I11
0370 23 800C	013-	1	1-N1	0453 24 314	098	021	1-J11
0370 23 800D	003-	1	1-E1	0494 24 314	094	021	1-E11
0370 23 800D	013-	1	1-N1	0494 24 314	097	021	1-I11
0370 23 800D	013-	1	1-N1	0494 24 314	098	021	1-J11
0494 23 800	017		1-E2	3823 24 314	094	021	1-E11
0494 23 800	017		1-E2	3823 24 314	097	021	1-I11
2873 23 800	003-	1	1-E1	3823 24 314	098	021	1-J11
2873 23 800	013-	1	1-N1	3823 24 314	098	021	1-J11
2873 23 800	013-	1	1-N1	0453 24 315	094	022	1-E11
8034 23 800	003		1-D1	0453 24 315	098	022	1-J11
8034 23 800	013-	1	1-N1	0453 24 317	094	023	1-E11
8034 23 800	013-	1	1-N1	0453 24 317	094	023	1-E11
0813 23 802B	065		1-F8	0453 24 317	098	023	1-J11
0813 23 803	065	022	1-F8	0483 24 317	094	023	1-E11
0745 24 210	093	014	1-D11	0453 24 318	094-	1 032	1-F11
0745 24 210	096	005	1-H11	0453 24 318	098-	1 034	1-K11
3648 24 304	094-	1 034	1-F11	0453 24 322	094	024	1-E11
3648 24 304	098-	1 032	1-K11	0453 24 322	098	024	1-J11
3823 24 304	094-	1 034	1-F11	0453 24 322	098	024	1-J11
3823 24 304	098-	1 032	1-K11	0453 24 322A	094	024	1-E11
3648 24 305	094-	1 035	1-F11	0453 24 322A	098	024	1-J11
3648 24 305	098-	1 033	1-K11	3823 24 322	094	024	1-E11
3823 24 305	094-	1 035	1-F11	3823 24 322	098	024	1-J11
3823 24 305	098-	1 033	1-K11	3823 24 322	098	024	1-J11
0453 24 308	097	017	1-I11	3823 24 322	098	024	1-J11
0453 24 308A	097	017	1-I11	0324 24 328	094	025	1-E11
0488 24 308A	094-	1 027	1-F11	0324 24 328A	094	025	1-E11
0494 24 308	097	017	1-I11	0324 24 328A	098	025	1-J11
3719 24 308	097	017	1-I11	0324 24 328A	098	025	1-J11
3719 24 308	097	017	1-I11	0324 24 328A	098	025	1-J11
0324 24 310	094	017	1-E11	0453 24 328	094	025	1-E11
0324 24 310	097	018	1-I11	0453 24 328	098	025	1-J11
0324 24 312	094	019	1-E11	0488 24 330A	094-	1 026	1-F11
0324 24 312	097	019	1-I11	0494 24 330	098	026	1-J11
0453 24 313	097	020	1-I11	0494 24 330A	098	026	1-J11
0453 24 313	097	020	1-I11	1893 24 330	098	026	1-J11
0453 24 313A	097	020	1-I11	1931 24 330	098	026	1-J11
0488 24 313	094	020	1-E11	1931 24 330	098	026	1-J11
0488 24 313A	094	020	1-E11	0290 24 340	094-	1 028	1-F11
3823 24 313	097	020	1-I11	0290 24 340	098	027	1-J11
3823 24 313	097	020	1-I11	0488 24 350	094-	1 029	1-F11
3823 24 313	097	020	1-I11	0488 24 350	094-	1 029	1-F11
8028 24 313	094	020	1-E11	1893 24 350	098	028	1-J11
0453 24 314	094	021	1-E11	1919 24 350	094-	1 029	1-F11

PARTS NUMBER	PARTS COMP. LIST PAGE	FIG. NO.	FICHE INDEX	PARTS NUMBER	PARTS COMP. LIST PAGE	FIG. NO.	FICHE INDEX
3710 49 230	161	016	2-D7	0585 50 320D	208	012	3-D1
0870 49 231	161	017	2-D7	0866 50 320B	208	012	3-D1
0376 49 234	161	019	2-D7	0866 50 320B	208	012	3-D1
0866 49 235	161	018	2-D7	1525 50 320	208	012	3-D1
0376 49 238	162	019	2-E7	1529 50 320	208	012	3-D1
0866 49 240	162	020	2-E7	0585 50 330D	208	013	3-D1
0498 49 610	193	002	2-C11	0585 50 330D	208	013	3-D1
0498 49 610A	193	002	2-C11	0866 50 330B	208	013	3-D1
1128 49 610	196	023	2-E11	0866 50 330B	208	013	3-D1
8126 49 610	196	023	2-E11	1525 50 330	208	013	3-D1
0305 49 638	193	004	2-C11	1529 50 330	208	013	3-D1
0305 49 638	196	024	2-E11	0866 50 340	208	014	3-D1
0512 49 651	193	006	2-C11	0866 50 350	208	015	3-D1
0512 49 651	196	025	2-E11	0585 50 360	208	014	3-D1
0305 49 686B	193	009	2-C11	0585 50 370	208	015	3-D1
0839 49 686A	196	026	2-E11	0419 50 443A	373	022	4-H4
0391 49 692	193	010	2-C11	0419 50 443A	379	036	4-E5
0512 49 696	193	003	2-C11	1011 50 506A	370	006	4-E4
0839 49 693	196	027	2-E11	1011 50 506A	373	019	4-H4
0839 49 699A	196	028	2-E11	1011 50 506A	377	009	4-C5
2657 49 699	196	028	2-E11	8038 50 511	208-1	018	3-E1
2657 49 699A	196	028	2-E11	8038 50 521	208-1	019	3-E1
3743 49 720	195	009	2-D11	8038 50 521A	208-1	019	3-E1
8056 49 720	195	010	2-D11	8038 50 531A	208-1	021	3-E1
0824 49 745	195	011	2-D11	8038 50 531B	208	021	3-D1
2046 49 746	196	012	2-E11	8038 50 541A	208-1	022	3-E1
2046 49 747	196	013	2-E11	8038 50 541B	208	022	3-D1
0870 49 770	196	014	2-E11	1524 51 020B	214	001	3-11
0824 49 781	196	015	2-E11	1524 51 020C	214	001	3-11
0824 49 782	196	016	2-E11	0419 51 032	312	002	3-C12
0866 50 102A	207	006	3-C1	1524 51 120B	214	002	3-11
1525 50 110	207	001	3-C1	1524 51 120C	214	002	3-11
8037 50 110	207	001	3-C1	8501 51 771A	353-1	043	4-G2
8037 50 110	207	001	3-C1	8702 51 771	353-1	043	4-G2
1128 50 141	207	002	3-C1	8501 51 781A	353-1	042	4-G2
1128 50 151	207	003	3-C1	8702 51 781	353-1	042	4-G2
1690 50 181	207	009	3-C1	0187 52 141	210	012	3-F1
0223 50 275	207	005	3-C1	0110 52 265	177-2	007	2-G9
0585 50 310A	208	011	3-D1	0259 52 301	210	008	3-F1
0585 50 310A	208	011	3-D1	0259 52 301	377	012	4-C5
1529 50 310	208	011	3-D1	0223 52 302	211	016	3-G1
1524 50 311	207	011	3-C1	0305 52 312B	210	011	3-F1
1524 50 311	207	011	3-C1	0305 52 330A	210	013	3-F1
1525 50 311	207	011	3-C1	0305 52 331	210	014	3-F1
0585 50 320D	208	012	3-D1	0866 52 390	210	002	3-F1

PARTS NUMBER	PARTS COMP. LIST PAGE	FIG. NO.	FICHE INDEX	PARTS NUMBER	PARTS COMP. LIST PAGE	FIG. NO.	FICHE INDEX
0706 66 830A	328- 2	081	3-J14	0727 66 992	337	023	3-E15
0820 66 840	202- 1	018	2-E12	0820 66 992	337	020	3-E15
0370 66 860C	335		3-C15	0370 66 994	336	007	3-D15
0376 66 860C	335		3-C15	1511 67 010	325	028	3-E14
1510 66 860B	335		3-C15	1511 67 010C	325	028	3-E14
1511 66 860B	335		3-C15	1511 67 010D	325	028	3-E14
1512 66 860B	335		3-C15	1511 67 010F	325	028	3-E14
1513 66 860C	335		3-C15	1531 67 010B	325	028	3-E14
1514 66 860C	335		3-C15	1531 67 020A	325	029	3-E14
1520 66 860C	335		3-C15	1531 67 020B	325	029	3-E14
0317 66 862	336	016	3-D15	1511 67 030	325	033	3-E14
0316 66 865A	337	025	3-E15	1549 67 030A	325	032	3-E14
1820 66 871	336	017	3-D15	1690 67 030A	325	033	3-E14
1820 66 872	337	018	3-E15	8060 67 030	325	032	3-E14
0813 66 879	333	008	3-N14	8060 67 030A	325	032	3-E14
0370 66 900A	335	001	3-C15	0585 67 035G	325	034	3-E14
0376 66 900A	335	001	3-C15	0585 67 036B	326	035	3-F14
1524 66 900A	335	001	3-C15	0372 67 040B	326	038	3-F14
1525 66 900A	335	001	3-C15	1510 67 050	326	039	3-F14
1527 66 900	335	001	3-C15	1510 67 050A	326	039	3-F14
1532 66 900	335	001	3-C15	1512 67 050	326	039	3-F14
1536 66 900	335	002	3-C15	1512 67 050A	326	039	3-F14
1540 66 900A	335	002	3-C15	1514 67 050B	326	039	3-F14
0376 66 903	336	010	3-D15	1514 67 050B	326	039	3-F14
1527 66 903	336	010	3-D15	1514 67 050B	326	039	3-F14
1532 66 903	336	010	3-D15	1514 67 050B	326	039	3-F14
1536 66 903	336	010	3-D15	1515 67 050A	326	039	3-F14
0866 66 905	336	012	3-D15	1515 67 050B	326	039	3-F14
0870 66 905	336	009	3-D15	1515 67 050C	326	039	3-F14
1520 66 905	336	009	3-D15	1520 67 050B	326	039	3-F14
0370 66 930B	336	008	3-D15	1520 67 050C	327	039	3-G14
0208 66 949	210	009	3-F1	1520 67 050D	327		3-G14
0208 66 949	233		3-C4	0866 67 059	328	053	3-H14
0208 66 949	328	051	3-H14	1512 67 060	327	041	3-G14
0866 66 960	335	003	3-C15	1690 67 060C	327	041	3-G14
0376 66 965	335	005	3-C15	1690 67 060D	327	041	3-G14
0866 66 965	335	005	3-C15	8028 67 060	327	041	3-G14
0870 66 970B	335	004	3-C15	8028 67 060	327	041	3-G14
0870 66 975A	336	006	3-D15	8028 67 060A	327	041	3-G14
0187 66 991	174	017	2-C9	8028 67 060A	327	041	3-G14
0187 66 991	177- 5	040	2-J9	8038 67 060C	327	041	3-G14
0187 66 991	179	008	2-K9	8038 67 060C	327	041	3-G14
0187 66 991	238	077	3-H4	8833 67 060	327	041	3-G14
0187 66 991	238	078	3-H4	0862 67 065B	327	042	3-G14
0727 66 991A	337	022	3-E15	3607 67 070	327	040	3-G14



PARTS NUMBER	PARTS COMP. LIST PAGE	FIG. NO.	FICHE INDEX	PARTS NUMBER	PARTS COMP. LIST PAGE	FIG. NO.	FICHE INDEX
0820 78 883	286	053	3-F9	0866 88 102	245	007	3-D5
0820 78 883	295	065	3-G10	0866 88 102	251	007	3-I5
0305 79 243C	295	066	3-G10	0866 88 102	256	007	3-D6
0305 79 252	102-	029	1-F12	0866 88 102	261	007	3-H6
0305 79 252	292	016	3-D10	0866 88 103	245	008	3-D5
0305 79 257A	292	017	3-D10	0866 88 103	251	008	3-I5
0305 79 258A	292	018	3-D10	0866 88 103	256	008	3-D6
0290 79 259	295	067	3-G10	0866 88 103	261	008	3-H6
0426 79 320B	291		3-C10	0866 88 105	247	021	3-F5
0426 79 320C	291		3-C10	0866 88 105	252	021	3-J5
0426 79 320D	291		3-C10	0866 88 105	257	020	3-E6
0376 79 510A30	345	064	4-I1	0866 88 105	262	021	3-I6
0866 79 510A00	345	064	4-I1	0866 88 106	247	021	3-F5
0730 87 013	312	004	3-C12	0866 88 106	252	021	3-J5
0730 87 013	312	004	3-C12	0866 88 106	257	020	3-E6
0305 87 032	316	030	3-G12	0866 88 106	262	021	3-I6
0305 87 032	317-	024	3-E13	1518 88 108	252	020	3-J5
0259 87 103	331	025	3-L14	1518 88 108	262	020	3-I6
2158 87 104	331	026	3-L14	0370 88 110	244	003	3-C5
0259 87 105	331	021	3-L14	0370 88 110	251	003	3-I5
0259 87 106	331	023	3-L14	0370 88 110	255	003	3-C6
0257 87 107	331	017	3-L14	0370 88 110	261	003	3-H6
0259 87 107	331	019	3-L14	1532 88 110C	245	003	3-D5
0257 87 108	331	015	3-L14	1568 88 110	245	003	3-D5
0259 87 108A	331	020	3-L14	0370 88 111	245	004	3-D5
0259 87 109A	331	014	3-L14	0370 88 111	251	004	3-I5
0259 87 119	331	027	3-L14	0370 88 111	255	004	3-C6
0259 87 120	331	028	3-L14	0370 88 111	261	004	3-H6
0275 87 123	316	031	3-G12	0866 88 111	245	004	3-D5
0275 87 123	317-	025	3-E13	0259 88 123	251	011	3-I5
0259 87 134	330	012	3-K14	0259 88 123	261	011	3-H6
0702 87 135	331	037	3-L14	0370 88 130A	246	012	3-E5
0702 87 138	331-	032	3-H14	0370 88 130A	256	011	3-D6
0738 87 803	331	029	3-L14	0866 88 130A	246	012	3-E5
0738 87 804	331	031	3-L14	1518 88 130	251	012	3-I5
0305 87 906	330	007	3-K14	1518 88 130	261	012	3-H6
0727 87 992	333	002	3-N14	0370 88 131	246	013	3-E5
0305 87 993	333	004	3-N14	0370 88 131	256	012	3-D6
0727 87 994	333	005	3-N14	0370 88 131A	246	013	3-E5
0727 87 995	333	006	3-N14	0866 88 131B	246	013	3-E5
0881 88 061	246	011	3-E5	1518 88 131	251	013	3-I5
0368 88 101	246	018	3-E5	1518 88 131	261	013	3-H6
0368 88 101	256	017	3-D6	0368 88 151	247	019	3-F5
0866 88 101	246	018	3-E5	0368 88 151	256	018	3-D6
0866 88 101	256	017	3-D6	0866 88 151	247	019	3-F5

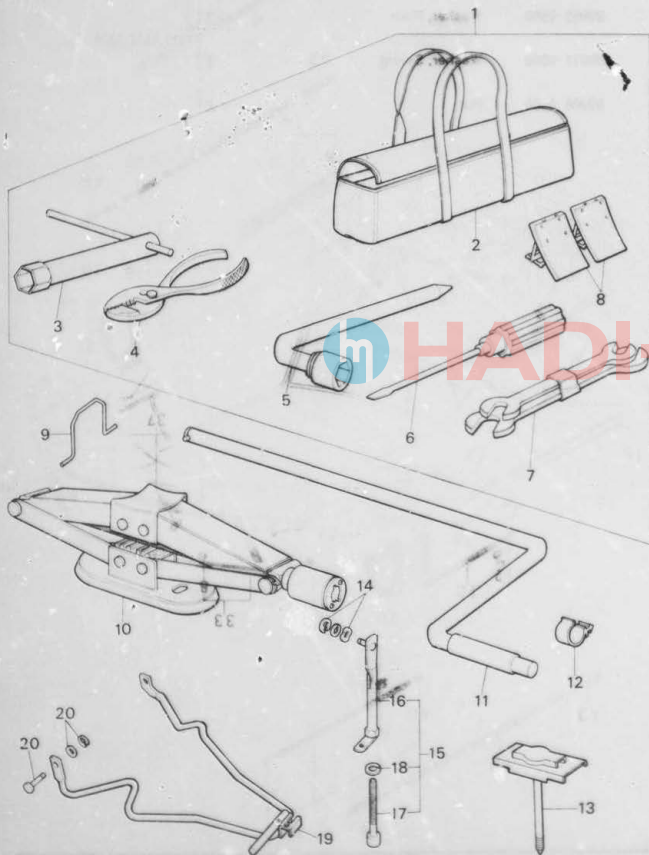
PARTS NUMBER	PARTS COMP. LIST PAGE	FIG. NO.	FICHE INDEX	PARTS NUMBER	PARTS COMP. LIST PAGE	FIG. NO.	FICHE INDEX
9986 50 525	328-	1 072	3-114	9990 10 800B	202	012	2-D12
9986 50 612	229-	1 037	3-F3	9990 10 800B	202	012	2-D12
9986 80 308	151	022	2-D6	9990 20 800	205	028	2-D13
9986 80 312	152	034	2-E6	9990 60 400	242-	2 030	3-M4
9986 80 408	006	025	1-G1	9990 60 500	092	004	1-C11
9986 80 408	229	030	3-E3	9990 60 500	096	004	1-H11
9986 80 410	150	006	2-C6	9990 60 500	102-	1 027	1-F12
9986 80 412	317-	4 019	3-E13	9990 60 500	234	021	2-D4
9986 80 416	204	016	2-C13	9990 60 500	271	002	3-17
9986 80 416	319	011	3-G13	9990 60 500	284	017	3-D9
9986 80 420	151	023	2-D6	9990 60 500	298	008	3-110
9986 80 512	006	032	1-G1	9990 60 500	345-	1 072	4-J1
9986 80 512	106-	1 038	1-J12	9990 60 500	345-	1 074	4-J1
9986 80 520	284	022	3-D9	9990 60 500	382	008	4-C6
9986 80 520	293	038	3-E10	9990 60 500	393	002	4-C7
9986 90 400B	208-	1 023	3-E1	9990 60 600	019	004	1-F2
9988 70 412	204	009	2-C13	9990 60 600	042	014	1-D5
9989 60 400	353-	1 040	4-G2	9990 60 600	048-	1 086	1-H6
9989 60 500	174	008	2-C9	9990 60 600	134	021	2-G2
9989 60 500	236	046	3-F4	9990 60 600	136-	8 019	2-G3
9989 60 500	319	010	3-G13	9990 60 600	191	044	2-110
9989 60 500	342	038	4-F1	9990 60 600	284	025	3-D9
9989 60 500B	208-	1 020	3-E1	9990 60 600	284	026	3-D9
9989 60 600	215	027	3-J1	9990 60 600	285	040	3-E9
9990 10 800	020	019	1-G2	9990 60 600	289	092	3-D9
9990 10 800	035-	2 006	1-F4	9990 60 600	294	044	3-F10
9990 10 800	035-	3 021	1-G4	9990 60 600	294	055	3-F10
9990 10 800	035-	3 028	1-G4	9990 60 600	296	074	3-H10
9990 10 800	052	044	1-K6	9990 60 600	298	013	3-110
9990 10 800	052-	4 041	1-N6	9990 60 600	324	024	3-D14
9990 10 800	067	012	1-G8	9990 60 600	328-	1 061	3-114
9990 10 800	071	015	1-J8	9990 60 600	331-	1 035	3-M14
9990 10 800	102	022	1-E12	9990 60 600	345	069	4-11
9990 10 800	102	026	1-E12	9990 60 800	196	017	2-E11
9990 10 800	131-	1 015	2-E2	9990 60 800	285	041	3-E9
9990 10 800	131-	1 015	2-E2	9990 60 800	288	088	3-H9
9990 10 800	144	003	2-D5	9990 60 800	295	056	3-G10
9990 10 800	144	004	2-D5	9990 60 800	296	072	3-H10
9990 10 800	147	005	2-F5	9990 70 600	183	012	2-C10
9990 10 800	169	015	2-D8	9990 70 600	210	006	3-F1
9990 10 800	190	024	2-H10	9990 91 000	287	073	3-G9
9990 10 800	191	049	2-110	9991 70 500	177-	4 032	2-19
9990 10 800	195	008	2-D11	9992 11 000	061	009	1-C8
9990 10 800	202	012	2-D12	9992 11 000	077	021	1-E9
9990 10 800	287	067	3-G9	9992 11 000	109	021	1-D13

 **HADI-MAZDA**  
*Club*

 HADI-MAZDA  
*Club*

 **HADI-MAZDA**  
*Club*

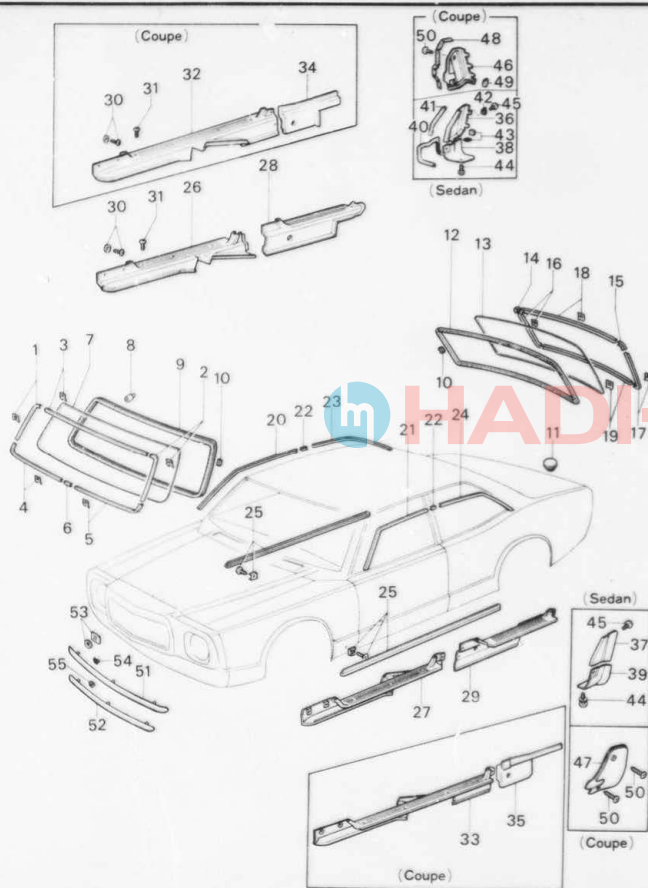




No.	Part Number	Description	Qty	Remarks
1	0259 68 660	Tools	1	
	<del>0305 68 660</del>	<del>Tools</del>	<del>1</del>	
	0518 69 650	Tools	1	78/1 ~ O
2	0259 68 670A	Bag, Tool	1	
	<del>0305 68 670A</del>	<del>Bag, Tool</del>	<del>1</del>	
	0518 69 670	Bag, Tool	1	78/1 ~ O
3	0603 68 720	Wrench, Plug	1	
4	0118 68 180A	Wrench	1	
5	0603 68 070A	Wrench, Hub Nut	1	
6	0223 68 110A	Driver Set	1	
7	0672 68 060A	Spanner Set	1	Order by 8065 69 680
8	0208 68 230	Stopper, Wheel	2	78/1 ~ Discarded
9	0866 56 991	Wire	1	
10	0305 68 800F	Jack	1	
	0305 68 800G	Jack	1	77/11 ~ Δ
11	0305 68 810A	Handle, Jack	1	
12	99715 1101	Holder, Rod	3	(Sedan & Coupe)
13	1128 56 960	Clamp	1	75/12 ~ Discarded
14	99576 0700	Ring, Retaining-Spare Tire Lock	2	

 **HADI-MAZDA**  
*Club*

 **HADI-MAZDA**  
*Club*



No.	Part Number	Description	Qty	Remarks
42	0866 70 926	Protector	2	
43	0866 70 927	Protector	4	
44	99865 0512	Screw, Stone Guard	4	(Sedan)
45	99739 0410	Screw, Tapping	2	
46	0376 70 910	Guard (R), Stone (1520, 3475)	1	Order by 1882 70 910
	1527 70 851	Guard (R), Stone (1520, 3475)	1	77/1 ~ X
	1882 70 910	Guard (R), Stone (1513, 1514, 8834)	1	
	1527 70 851	Guard (R), Stone (1513, 1514, 8834)	1	77/1 ~ X
47	0376 71 910	Guard (L), Stone (1520, 3475)	1	Order by 1882 71 910
	1527 71 851	Guard (L), Stone (1520, 3475)	1	77/1 ~ X
	1882 71 910	Guard (L), Stone (1513, 1514, 8834)	1	
	1527 71 851	Guard (L), Stone (1513, 1514, 8834)	1	77/1 ~ X
48	0376 70 915	Protector	2	
49	0866 70 926	Protector	2	
50	99769 0410	Screw, Stone Guard	4	
51	8038 70 210	Grille, Upper	1	
52	8038 70 220	Grille, Lower	1	
53	0730 69 057A	Nut, Speed	6	

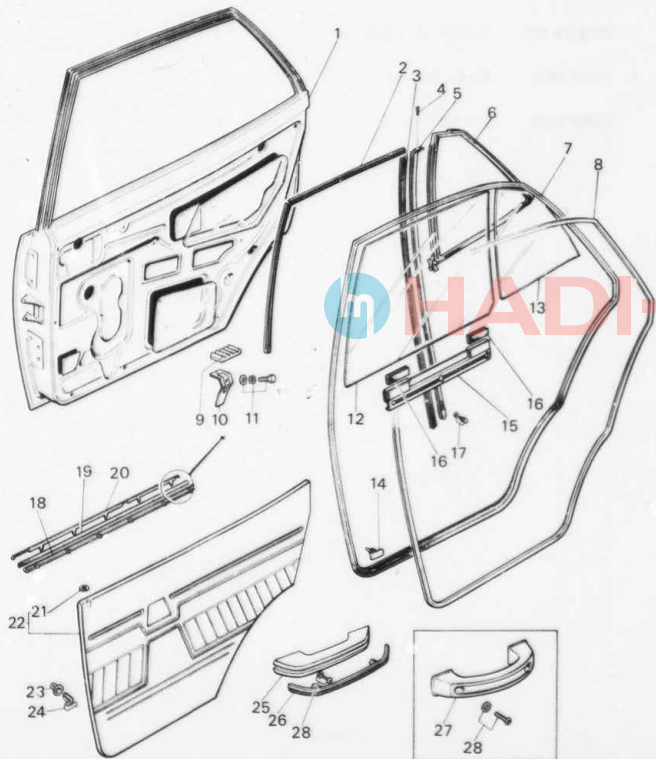
 **HADI-MAZDA**  
*Club*



72

73

## REAR SIDE DOOR (GLASS &amp; BODY)



72

73

## REAR SIDE DOOR (GLASS &amp; BODY)

No.	Part Number	Description	Qty	Remarks
1540	72 661D	Glass (R), Quarter Window	1	77/9 ~ Δ
1540	73 661B	Glass (L), Quarter Window	1	(Blue Pane)
1540	73 661C	Glass (L), Quarter Window	1	
1540	73 661D	Glass (L), Quarter Window	1	77/9 ~ Δ
1529	72 661A	Glass (R), Quarter Window	1	(Transparent)
1529	73 661A	Glass (L), Quarter Window	1	
1544	72 661A	Glass (R), Quarter Window	1	
1544	72 661B	Glass (R), Quarter Window	1	76/9 ~ Δ (Wagon)
1544	72 661C	Glass (R), Quarter Window	1	(Blue Pane)
1544	73 661A	Glass (L), Quarter Window	1	
1544	73 661B	Glass (L), Quarter Window	1	76/9 ~ Δ
1544	73 661C	Glass (L), Quarter Window	1	77/9 ~ Δ
14	0305 58 762	Fastener, Weatherstrip	48	
15	0259 72 210	Bracket, Lift-Door Glass	2	
16	4300 72 502	Strip, Rubber-Door Glass	2	
17	99796 0608	Bolt, Glass Run Channel	2	
	99952 0618	Washer, Spring	2	
18	0866 72 791	Weatherstrip, Inner	2	
19	0866 72 781C	Weatherstrip, Outer	2	
20	0866 72 880	Mould (R), Beltline	1	

 **HADI-MAZDA**  
*Club*

PARTS NUMBER	PARTS COMP. LIST PAGE	FIG. NO.	FICHE INDEX	PARTS NUMBER	PARTS COMP. LIST PAGE	FIG. NO.	FICHE INDEX
0317 17 208	083	J01	1-C10	0259 17 277	085	017	1-E10
0249 17 210	083	005	1-C10	0259 17 278	085	017	1-E10
0603 17 210	083	005	1-C10	0259 17 279	085	017	1-E10
0305 17 221A	083	006	1-C10	0259 17 281	085	020	1-E10
0317 17 221	083	006	1-C10	0305 17 281	085	020	1-E10
8531 17 221	083	006	1-C10	0305 17 281	085	020	1-E10
0317 17 225	083	007	1-C10	1819 17 281	085	020	1-E10
0437 17 231	084	008	1-D10	8531 17 281	085	020	1-E10
2257 17 231A	083	008	1-C10	0187 17 283	085	021	1-E10
8531 17 231	083	008	1-C10	0187 17 284	085	022	1-E10
8531 17 231A	083	008	1-C10	0839 17 285	086	024	1-F10
0259 17 241B	084	009	1-D10	0821 17 297	086	025	1-F10
0290 17 241B	084	009	1-D10	0821 17 297	086	026	1-F10
0862 17 241	084	009	1-D10	8086 17 297	086	025	1-F10
0862 17 241A	084	009	1-D10	0305 17 301C	086	027	1-F10
8531 17 241	084	009	1-D10	0305 17 301D	086	027	1-F10
8531 17 241A	084	009	1-D10	2370 17 301	086	027	1-F10
0371 17 242	084	014	1-D10	8531 17 301	086	027	1-F10
0187 17 243	084	010	1-D10	8531 17 301A	086	027	1-F10
0103 17 244A	086	032	1-F10	8531 17 301B	086	027	1-F10
0371 17 245	084	011	1-D10	0259 17 302	086	028	1-F10
0371 17 245A	084	011	1-D10	0305 17 302A	086	028	1-F10
0881 17 245B	084	011	1-D10	8531 17 302	086	028	1-F10
0881 17 245C	084	011	1-D10	0603 17 305	086	029	1-F10
0259 17 251A	084	012	1-D10	0259 17 310	086	030	1-F10
0305 17 251C	084	012	1-D10	0305 17 310	086	030	1-F10
8085 17 251	084	012	1-D10	8531 17 310	086	030	1-F10
8531 17 251	084	012	1-D10	0118 17 313	088	002	1-H10
8531 17 251A	084	012	1-D10	0305 17 321A	086	031	1-F10
0259 17 261B	084	013	1-D10	0111 17 323	088	003	1-H10
0437 17 261	084	013	1-D10	0600 17 324	086	032	1-F10
0820 17 261B	084	013	1-D10	0305 17 326C	080	010	1-G9
8531 17 261	084	013	1-D10	0317 17 326	080	010	1-G9
0398 17 262	084	014	1-D10	0317 17 326A	080	010	1-G9
0862 17 262B	085	014	1-E10	0305 17 327	086	033	1-F10
0259 17 271A	085	015	1-E10	0305 17 328	086	033	1-F10
0437 17 271	085	015	1-E10	0303 17 330E	080	012	1-G9
0437 17 271A	085	015	1-E10	0313 17 330	080	012	1-G9
8531 17 271	085	015	1-E10	3919 17 330	080	012	1-G9
8531 17 271A	085	015	1-E10	8085 17 330A	080	012	1-G9
0259 17 274	085	017	1-E10	0437 17 335	080	017	1-G9
0259 17 275	085	016	1-E10	0437 17 335	113	022	1-G13
8531 17 275	085	016	1-E10	0437 17 335	126-	7	022
0259 17 276	085	017	1-E10	0324 17 341	086-	1	034
0866 17 276	085	017	1-E10	0324 17 341	123	033	1-I14

PARTS NUMBER	PARTS COMP. LIST PAGE	FIG. NO.	FICHE INDEX	PARTS NUMBER	PARTS COMP. LIST PAGE	FIG. NO.	FICHE INDEX
1932 24 350	098-	1 028	1-K11	8028 24 537	101	014	1-D12
1942 24 350	098	028	1-J11	0483 24 540	100	007	1-C12
0453 24 360	094-	1 030	1-F11	4109 24 540	100	007	1-C12
0453 24 360	098-	1 029	1-K11	8028 24 540	100	007	1-C12
0453 24 360	098-	1 029	1-K11	1011 24 541	101	017	1-D12
0453 24 360A	094-	1 030	1-F11	0483 24 550	101	009	1-D12
0453 24 360A	098-	1 029	1-K11	8028 24 550	101	009	1-D12
3823 24 360	098-	1 029	1-K11	0483 24 560	101	012	1-D12
3823 24 360	098-	1 029	1-K11	0483 24 560A	101	012	1-D12
3823 24 360	098-	1 029	1-K11	1011 24 563	101	018	1-D12
8028 24 360	094-	1 030	1-F11	0290 24 581	101	019	1-D12
3823 24 396	094-	1 033	1-F11	8028 24 581	101	019	1-D12
3823 24 396	098-	1 035	1-K11	0222 24 701	104	002	1-G12
3823 24 396	098-	1 035	1-K11	0222 24 705	104	003	1-G12
0453 24 398	094-	1 031	1-F11	0324 24 710	104	005	1-G12
0453 24 398	098-	1 030	1-K11	0324 24 710A	104	005	1-G12
0453 24 398	098-	1 030	1-K11	0426 24 710	104	005	1-G12
0494 24 398	094-	1 031	1-F11	8088 24 710	104	005	1-G12
0494 24 398	094-	1 031	1-F11	0426 24 712	104	007	1-G12
0494 24 398	098-	1 030	1-K11	0426 24 715	104	006	1-G12
0494 24 398	098-	1 030	1-K11	0426 24 715A	104	006	1-G12
0324 24 496	094	018	1-E11	0222 24 720	104	008	1-G12
0324 24 496	098-	1 031	1-K11	0222 24 722	104	009	1-G12
0483 24 501	100	002	1-C12	8088 24 722	104	009	1-G12
4109 24 501	100	002	1-C12	0426 24 725	104	010	1-G12
8028 24 501	100	002	1-C12	0426 24 726	104	011	1-G12
0820 24 503	100	008	1-C12	0426 24 728	105	021	1-H12
0483 24 510	101	013	1-D12	8088 24 728	105	021	1-H12
8028 24 510	101	013	1-D12	0222 24 730	104	012	1-G12
0483 24 514	101	010	1-D12	0426 24 731	105	013	1-H12
0866 24 526	101	011	1-D12	0222 24 740	105	014	1-H12
1757 24 526	101	011	1-D12	0222 24 741	105	015	1-H12
1757 24 526	101	016	1-D12	0222 24 750	105	016	1-H12
1011 24 527	100	003	1-C12	0222 24 752A	105	017	1-H12
1757 24 527	100	003	1-C12	0222 24 753	104	004	1-G12
0483 24 530	100	004	1-C12	0426 24 753	105	018	1-H12
0571 24 530A	100	004	1-C12	0426 24 754	105	019	1-H12
8028 24 530	100	004	1-C12	0222 24 760A	105	020	1-H12
0483 24 533	100	005	1-C12	0324 24 760	105	020	1-H12
1011 24 533	101	014	1-D12	0324 24 761	105	021	1-H12
8028 24 533	100	005	1-C12	0259 25 021B	128	002	2-C1
0483 24 534	101	015	1-D12	0259 25 021B	128	002	2-C1
0483 24 535	100	006	1-C12	0259 25 071A	128	004	2-C1
8028 24 535	100	006	1-C12	0259 25 071A	128-	004	2-D1
0483 24 536	101	016	1-D12	0259 25 072A	128	004	2-C1



PARTS NUMBER	PARTS COMP. LIST PAGE	FIG. NO.	FICHE INDEX	PARTS NUMBER	PARTS COMP. LIST PAGE	FIG. NO.	FICHE INDEX
0866 52 397A	210	003	3-F1	0866 53 330	220	011	3-F2
0305 52 410A	210	007	3-F1	0866 53 330	223	013	3-I2
0866 52 410A	210	007	3-F1	0376 53 340	217	011	3-C2
0866 52 451	210	004	3-F1	0585 53 340A	223	014	3-I2
0376 52 510	211	023	3-G1	0866 53 340B	220	012	3-F2
0376 52 510A	211	023	3-G1	0866 53 350C	220	010	3-F2
0866 52 510	211	023	3-G1	0866 53 350D	220	010	3-F2
0866 52 510A	211	023	3-G1	1514 53 350	217	010	3-C2
0866 52 610	211	020	3-G1	1514 53 350A	217	010	3-C2
0866 52 620	211	021	3-G1	1514 53 350B	217	010	3-C2
0305 52 628	211	022	3-G1	1514 53 350C	217	010	3-C2
0866 52 631	211	031	3-G1	1559 53 350C	217	010	3-C2
0866 52 661A	211	024	3-G1	1559 53 350D	217	010	3-C2
0866 52 661B	211	024	3-G1	1559 53 350E	217	010	3-C2
0866 52 671A	211	025	3-G1	3458 53 350A	217	010	3-C2
0866 52 671B	211	025	3-G1	1881 53 380A	220	014	3-F2
0866 52 750A	211	028	3-G1	1881 53 380A	223	016	3-I2
0305 52 802	399	011	4-H7	0866 53 381A	220	014	3-F2
0305 52 850B	211	026	3-G1	0376 53 391A	218	015	3-D2
0376 52 901A	212	033	3-H1	0376 53 391B	218	015	3-D2
0376 52 901B	212	023	3-H1	0376 53 430	217	008	3-C2
0866 52 901A	212	033	3-H1	0585 53 430	223	010	3-I2
0866 52 901B	212	023	3-H1	0866 53 430	220	008	3-F2
0866 53 020G	214	012	3-I1	0366 53 451	221	016	3-G2
0866 53 020H	214	012	3-I1	0366 53 451A	221	016	3-G2
0866 53 029A	214	011	3-I1	0366 53 451A	224	017	3-J2
0378 53 100I	214	013	3-I1	0376 53 451	218	014	3-D2
1275 53 100	214	013	3-I1	0376 53 451A	218	014	3-D2
1275 53 100A	214	013	3-I1	0376 53 451B	218	014	3-D2
1275 53 100B	214	013	3-I1	0866 53 451C	221	016	3-G2
1275 53 100C	214	013	3-I1	0866 53 452	220	015	3-F2
8038 53 100	214	013	3-I1	0866 53 452	224	018	3-J2
8038 53 100B	214	013	3-I1	0866 53 452A	220	015	3-F2
8038 53 100C	214	013	3-I1	0866 53 452A	224	018	3-J2
8038 53 100F	214	013	3-I1	0259 53 455	218-	034	3-E2
8038 53 100G	214	013	3-I1	0259 53 455	221-	035	3-H2
8038 53 100H	214	013	3-I1	0259 53 455	224	033	3-J2
8038 53 100I	214	013	3-I1	0585 53 480B	224	020	3-J2
0866 53 220I	215	016	3-J1	0376 53 500A	217	012	3-C2
0866 53 281A	214	014	3-I1	0866 53 500A	220	013	3-F2
3629 53 310	223	012	3-I2	0866 53 500A	223	015	3-I2
0866 53 320	217	005	3-C2	1514 53 500	217	012	3-C2
0866 53 320	220	005	3-F2	0376 53 591	217	009	3-C2
0866 53 320	223	007	3-I2	0585 53 591	223	009	3-I2
0376 53 330	217	006	3-C2	0866 53 591	220	007	3-F2



PARTS NUMBER	PARTS COMP. LIST PAGE	FIG. NO.	FICHE INDEX	PARTS NUMBER	PARTS COMP. LIST PAGE	FIG. NO.	FICHE INDEX
3607 67 070A	327	040	3-G14	0866 67 302	331-	1 037	3-M14
0366 67 080	327	043	3-G14	0866 67 321A	330	001	3-K14
0866 67 080	327	043	3-G14	0866 67 321B	330	001	3-K14
0866 67 080	327	043	3-G14	0305 67 330A	330	002	3-K14
3776 67 099	328-	2 079	3-J14	0305 67 330B	330	002	3-K14
0370 67 100C	106	031	1-112	0866 67 340D	330	003	3-K14
0370 67 100D	106	031	1-112	0866 67 340E	330	003	3-K14
0426 67 100C	106	031	1-112	0866 67 340F	330	003	3-K14
0426 67 100D	106	031	1-112	0866 67 340G	330	003	3-K14
1540 67 100D	106	031	1-112	0866 67 340H	330	003	3-K14
0839 67 105	106	036	1-112	0866 67 350A	330	013	3-K14
0370 67 110A	106	032	1-112	0866 67 350B	331	013	3-L14
0426 67 110	106	032	1-112	1823 67 352	330	010	3-K14
1540 67 110	106	032	1-112	0317 67 480	333	001	3-N14
0866 67 133	328-	1 065	3-114	0317 67 480A	333	001	3-N14
0866 67 133	328-	1 065	3-114	0866 67 510A	333	012	3-N14
1881 67 135B	202-	1 019	2-E12	0317 67 511	333	003	3-N14
1881 67 135C	202-	1 019	2-E12	0317 67 511A	333	003	3-N14
0585 67 151	328	050	3-H14	0866 67 511A	333	011	3-N14
0820 67 151	327	045	3-G14	0866 67 512	333	013	3-N14
1273 67 151	328-	1 074	3-114	0866 67 512A	333	013	3-N14
0866 67 152	328	049	3-H14	0866 67 521	333	014	3-N14
0866 67 153A	327	045	3-G14	1016 67 620	325	026	3-E14
0866 67 153A	336	014	3-D15	0866 67 710E	328	055	3-H14
0585 67 154	327	046	3-G14	0866 67 712C	328	056	3-H14
0862 67 155	328	048	3-H14	0866 67 716	328	057	3-H14
0866 67 155	328	048	3-H14	0866 67 717	328	059	3-H14
1524 67 155	328	048	3-H14	0866 67 718	328	060	3-H14
0866 67 156	328	050	3-H14	0866 67 719	328	058	3-H14
0585 67 170C	181	039	2-M9	3775 67 755A	328-	2 078	3-J14
0585 67 170D	181	039	2-M9	0305 67 992A	106	037	1-112
0585 67 170E	181	039	2-M9	0866 68 011	342	033	4-F1
0866 67 170	176	046	2-E9	0865 68 020C00	339	001	4-C1
0866 67 170	177-	3 012	2-H9	0865 68 020C09	339	001	4-C1
0866 67 170A	176	046	2-E9	0866 68 020C20	339	001	4-C1
0866 67 170A	177-	3 012	2-H9	0866 68 020C30	339	001	4-C1
0866 67 170B	177-	3 012	2-H9	0419 68 021	359	003	4-C3
1273 67 170	177-	3 012	2-H9	1011 68 022	357	027	4-J2
1273 67 170A	177-	3 012	2-H9	0865 68 040C00	339	002	4-C1
1273 67 170B	177-	3 012	2-H9	0865 68 040C09	339	002	4-C1
0866 67 175	176	049	2-E9	0866 68 040C20	339	002	4-C1
0866 67 175	177-	3 014	2-H9	0866 68 040C30	339	002	4-C1
0866 67 176	176	050	2-E9	0866 68 040D30	339	002	4-C1
0866 67 176	177-	3 016	2-H9	0369 68 060B00	339	005	4-C1
0866 67 301A	331-	1 036	3-M14	0369 68 060B09	339	005	4-C1

PARTS NUMBER	PARTS COMP. LIST PAGE	FIG. NO.	FICHE INDEX	PARTS NUMBER	PARTS COMP. LIST PAGE	FIG. NO.	FICHE INDEX
0866 88 151	256	018	3-06	1531 88 730	256	011	3-06
0866 88 152	245	009	3-05	3501 88 730	246	012	3-E5
0866 88 152	251	009	3-15	3501 88 731	246	013	3-E5
0866 88 152	256	009	3-06	3501 88 731	256	012	3-06
0866 88 152	261	009	3-H6	3501 88 760	245	005	3-05
1514 88 152	245	009	3-05	3501 88 760	255	005	3-C6
1554 88 153	245	009	3-05	3503 88 760	245	005	3-05
0370 88 160	245	005	3-05	3501 88 761	245	006	3-05
0370 88 160	251	005	3-15	3501 88 761	255	006	3-C6
0370 88 160	255	005	3-C6	3501 88 780	246	016	3-E5
0370 88 160	261	005	3-H6	3501 88 780	256	015	3-06
1532 88 160	245	005	3-05	3501 88 781	246	017	3-E5
1568 88 160	245	005	3-05	3501 88 781	256	016	3-06
0370 88 161	245	006	3-05	3501 88 801	248	030	3-G5
0370 88 161	251	006	3-15	3501 88 801A	247	025	3-F5
0370 88 161	255	006	3-C6	3518 88 801	257	024	3-E6
0370 88 161	261	006	3-H6	3501 88 851	248	027	3-G5
0866 88 161	245	006	3-05	3518 88 851	257	026	3-E6
0370 88 180A	246	016	3-E5	1750 88 901A00	249	037	3-H5
0370 88 180A	256	015	3-06	1750 88 901A00	259	037	3-G6
0866 88 180A	246	016	3-E5	1510 88 941A00	249	037	3-H5
1518 88 180	252	016	3-J5	1750 88 941A00	259	037	3-G6
1518 88 180	262	016	3-16	0303 89 175	081	032	1-19
0370 88 181A	246	017	3-E5	0259 89 181	006	017	1-G1
0370 88 181A	256	016	3-06	0259 89 251	128	003	2-C1
0866 88 181	246	017	3-E5	0259 89 251	128	003	2-C1
1518 88 181	252	017	3-J5	3919 89 251	128	003	2-C1
1518 88 181	262	017	3-16	1052 89 411	185	014	2-010
0370 88 201	252	026	3-J5	1052 89 411A	185	014	2-010
0370 88 201A	247	025	3-F5	0839 89 431A	185	006	2-010
0375 88 201A	247	025	3-F5	0839 89 431B	185	006	2-010
0376 88 201A	247	025	3-F5	0317 89 435	185	004	2-010
0370 88 251	248	027	3-G5	0329 89 435A	193	012	2-C11
0370 88 251	253	028	3-K5	0391 89 435	193	007	2-C11
0866 88 251	248	027	3-G5	0317 89 436A	185	005	2-010
1516 88 401	262	026	3-16	0317 89 436A	193	008	2-C11
1516 88 401A	257	024	3-E6	0317 89 436A	193	013	2-C11
1516 88 451	263	028	3-J6	0317 89 436A	195	002	2-011
1516 88 451A	257	026	3-E6	0865 89 439A	193	014	2-C11
3501 88 710	245	003	3-05	0865 89 439B	193	014	2-C11
3501 88 710	255	003	3-C6	0866 89 604	353-	041	4-G2
3503 88 710	245	003	3-05	0585 89 654	320	012	3-H13
3501 88 711	245	004	3-05	1529 89 654A	320	012	3-H13
3501 88 711	255	004	3-16	0483 89 661	312	001	3-C12
1531 88 730	246	012	3-15	0483 89 661	312	001	3-C12

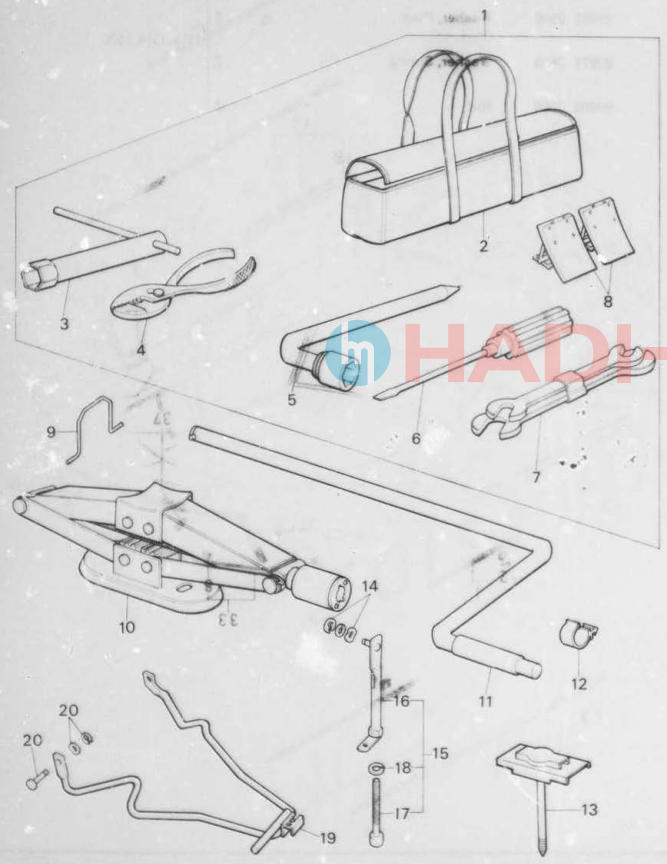
PARTS NUMBER	PARTS COMP. LIST PAGE	FIG. NO.	FICHE INDEX	PARTS NUMBER	PARTS COMP. LIST PAGE	FIG. NO.	FICHE INDEX
9992 11 000	144	010	2-D5	9994 00 600	059-	2 005	1-H7
9992 11 000	147	004	2-F5	9994 00 600	059-	5 011	1-J7
9992 11 000	148	016	2-G5	9994 00 600	271	007	3-I7
9992 11 000	154	055	2-G6	9994 00 600	325	031	3-E14
9992 11 000	158	018	2-J6	9994 00 600	328-	1 073	3-I14
9992 11 000	166-	1 036	2-J7	9994 00 600	393	006	4-C7
9992 11 000	169	013	2-D8	9994 00 601	007	034	1-H1
9992 11 000	169	014	2-D8	9994 00 602	207	005	3-C1
9992 11 000	190	022	2-H10	9994 00 602	207	010	3-C1
9992 11 000	292	015	3-D10	9994 00 602	211	030	3-G1
9992 11 000	292	015	3-D10	9994 00 602	215	026	3-J1
9992 11 800	154	059	2-G6	9994 00 602	233	003	3-C4
9992 20 800	029	014	1-J3	9994 00 602	234	025	3-D4
9992 20 800	188	004	2-F10	9994 00 602	235	031	3-E4
9992 21 000	153	051	2-F6	9994 00 602	309	033	3-H11
9992 21 000	189	012	2-G10	9994 00 602	309	037	3-H11
9992 21 000	189	015	2-G10	9994 00 602	321	027	3-I13
9992 21 000	190	029	2-H10	9994 00 603	211	032	3-G1
9992 21 000	205	024	2-D13	9994 00 618	309	037	3-H11
9992 21 000	287	064	3-G9	9994 00 800	144	005	2-D5
9992 21 000	291	009	3-C10	9994 00 800	148	018	2-G5
9992 21 200	064	015	1-E8	9994 00 800	171	005	2-E8
9992 21 400	125	006	1-J14	9994 00 800	171	006	2-E8
9992 21 400	126-	19 006	1-H15	9994 00 800	171	009	2-E8
9992 21 400	157	007	2-I6	9994 00 800	172	014	2-F8
9992 31 400	165	019	2-H7	9994 00 800	185	009	2-D10
9992 41 000	158	016	2-J6	9994 00 800	186	017	2-E10
9992 41 200	157	015	2-I6	9994 00 800	190	026	2-H10
9992 41 200	166	032	2-I7	9994 00 800	190	036	2-H10
9992 41 201	154	058	2-G6	9994 00 800	191	049	2-I10
9992 41 201	157	005	2-I6	9994 00 800	193	017	2-C11
9992 61 000	088	001	1-H10	9994 00 800	234	026	3-D4
9994 00 400	317	045	3-H12	9994 00 800	247	023	3-F5
9994 00 500	336	015	3-D15	9994 00 800	252	024	3-J5
9994 00 501	174	015	2-C9	9994 00 800	253	031	3-K5
9994 00 501	177-	4 034	2-I9	9994 00 800	257	022	3-E6
9994 00 501	179	005	2-K9	9994 00 800	262	024	3-I6
9994 00 501	235	034	3-E4	9994 00 801	007	041	1-H1
9994 00 501	236	047	3-F4	9994 00 801	007	047	1-H1
9994 00 501	340	012	4-D1	9994 00 801	038-	2 006	1-K4
9994 00 502	315	014	3-F12	9994 00 801	067	012	1-G8
9994 00 502	316	025	3-G12	9994 00 801	075	004	1-C9
9994 00 502	320	016	3-H13	9994 00 801	080	015	1-G9
9994 00 502	336	013	3-D15	9994 00 801	098-	1 037	1-K11
9994 00 600	058	005	1-F7	9994 00 802	164	009	2-G7

 HADI-MAZDA *Club*

 **HADI-MAZDA**  
*Club*



 HADI-MAZDA  
*Club*

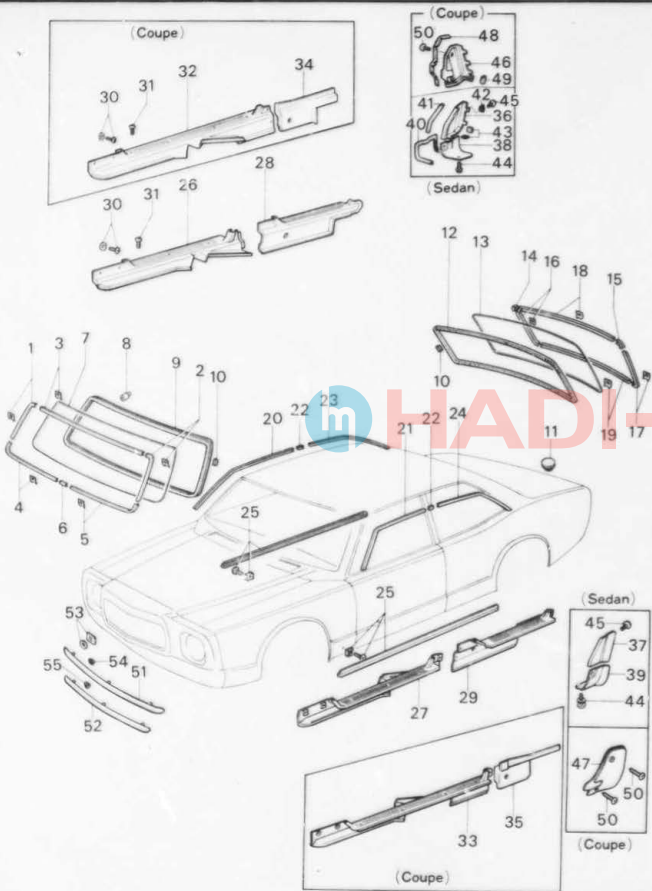


No.	Part Number	Description	Q'ty	Remarks
99952	1000	Washer, Plain	2	
99972	1000	Washer, Wave	2	
15	0585 70 720A	Lock, Spare Tire	1	} (Wagon)
16	0585 70 730	Clamp	1	
17	0585 70 733A	Bolt	1	} (Wagon)
18	99951 0822	Washer, Plain	1	
19	0585 70 710A	Frame, Hanger-Spare Tire	1	Order by 8912 56 210
20	99230 0820	Pin, Joint	2	
	99576 0500	Ring, Retaining	2	
	99953 0800	Washer, Plain	2	

 **HADI-MAZDA**  
*Club*

 **HADI-MAZDA**  
*Club*

**70** **71** WINDOW GLASS & MOULDING  
(SEDAN & COUPE)



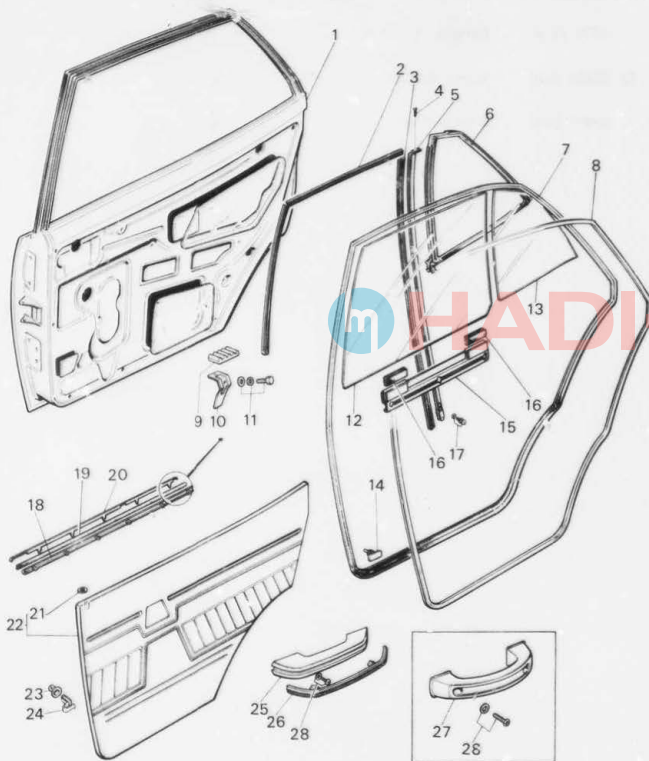
**70** **71** WINDOW GLASS & MOULDING  
(SEDAN & COUPE)

No.	Part Number	Description	Qty	Remarks
	99579 4000	Gasket	6	
54	99688 1190	Rubber	4	
	99688 1020	Rubber	4	
55	99688 1160	Rubber	4	

**HADI MAZDA**  
*Club*



 **HADI-MAZDA**  
*Club*



No.	Part Number	Description	Qty	Remarks	
0866	72 880A	Mould (R), Beltline	1	76/7 ~ Δ	
0866	73 880	Mould (L), Beltline	1	(Except 1515)	
0866	73 880A	Mould (L), Beltline	1	76/7 ~ Δ	
21	0370 58 812A	Grommet	2		
<p>When ordering the following TRIMS add a colour code listed below after parts number instead of © .</p>					
	(BRN)	(BLK)	(BEIG)	(GRY)	Chnged Date
	-35	-37	-38		
		-37	-38	-36	76/8 ~
22	0368 72 811A	Trim (R), Door	1	(Australia)	
	0368 73 811A	Trim (L), Door	1		
	0370 72 811A	Trim (R), Door	1	(Except Australia)	
	0370 73 811A	Trim (L), Door	1		
23	0187 58 922	Cap, Fastener	16		
24	0208 58 921	Fastener	16		
25	<del>0390 58 821</del>	<del>Rest, Arm (1510, 1512) (Sedan)</del>	<del>2</del>		
	0390 58 821-00	Rest, Arm (BLK) (1510, 1512)	2		
	0390 58 821-01	Rest, Arm (BRN) (1510, 1512)	2		
	0390 58 821-02	Rest, Arm (BEIG) (1510, 1512)	2		
	1011 09 430A-00	Rest, Arm (BLK)	1		

 **HADI-MAZDA**  
*Club*

PARTS NUMBER	PARTS COMP. LIST PAGE	FIG. NO.	FICHE INDEX	PARTS NUMBER	PARTS COMP. LIST PAGE	FIG. NO.	FICHE INDEX		
0713 17 341	086-	1	034	1-G10	0303 17 420	088	011	1-H10	
1281 17 341	086-	1	034	1-G10	0271 17 430	088	013	1-H10	
1526 17 341	086-	1	034	1-G10	0303 17 430	089	013	1-I10	
1526 17 341	086-	1	034	1-G10	0305 17 430B	088	012	1-H10	
1526 17 341	123		033	1-I14	0259 17 431	088	013	1-H10	
1526 17 341A	086-	1	034	1-G10	0303 17 431A	089	013	1-I10	
3728 17 341	126-	17	033	1-L15	0259 17 441	089	014	1-I10	
3877 17 341	086-	1	034	1-G10	1526 17 441	080	018	1-G9	
3877 17 341A	086-	1	034	1-G10	1669 17 441	080	018	1-G9	
3877 17 341A	126		033	1-K14	3728 17 441	126-	8	036	1-E15
0324 17 345	080		018	1-G9	8832 17 441	080	018	1-G9	
0324 17 345	114		036	1-H13	0862 17 442	081	019	1-H9	
1691 17 345	080		018	1-G9	0862 17 442	081	019	1-H9	
0183 17 346	081		019	1-H9	0862 17 442	126-	8	037	1-E15
0187 17 346B	081		019	1-H9	0271 17 450B	089	017	1-I10	
0187 17 346B	114		037	1-H13	0303 17 450	089	017	1-I10	
0114 17 351	088		004	1-H10	0303 17 450A	089	017	1-I10	
0183 17 351	081		022	1-H9	8531 17 450	089	017	1-I10	
0187 17 351A	081		022	1-H9	0398 17 461A	089	018	1-I10	
0187 17 351A	114		038	1-H13	8531 17 461	089	018	1-I10	
0862 17 351	081		022	1-H9	0398 17 462A	089	019	1-I10	
1011 17 351	081		022	1-H9	0303 17 470	089	020	1-I10	
1011 17 351	081		022	1-H9	0498 17 470	089	020	1-I10	
1011 17 351	114		038	1-H13	8085 17 470	089	020	1-I10	
1011 17 351	126-	8	038	1-E15	8085 17 470A	089	020	1-I10	
0187 17 352	081		023	1-H9	8531 17 470	089	020	1-I10	
0187 17 352	081		023	1-H9	8531 17 470A	089	020	1-I10	
0187 17 352	114		039	1-H13	0647 17 473	090	023	1-J10	
0187 17 352	126-	8	039	1-E15	0303 17 474	081-	1	032	1-I9
0180 17 353	081		023	1-H9	0303 17 474	090-	1	037	1-K10
0111 17 354	081		024	1-H9	0862 17 475	090	025	1-J10	
0111 17 354	081		024	1-H9	8531 17 475	090	025	1-J10	
0111 17 354	114		042	1-H13	0271 17 478	081-	1	032	1-I9
0111 17 354	126-	8	042	1-E15	0271 17 478	090	026	1-J10	
0187 17 402	088		005	1-H10	0303 17 482	090-	1	039	1-K10
0290 17 402	088		005	1-H10	0183 17 491	090	027	1-J10	
0259 17 404	088		006	1-H10	0187 17 492	090	029	1-J10	
1650 17 404	088		006	1-H10	0398 17 510B	090	030	1-J10	
0271 17 406	088		007	1-H10	0498 17 510A	090	030	1-J10	
0303 17 406A	088		007	1-H10	0398 17 520	081	026	1-H9	
0271 17 410	088		008	1-H10	1931 17 520	090	031	1-J10	
0303 17 410B	088		008	1-H10	1934 17 520	090	031	1-J10	
0014 17 411	088		009	1-H10	0271 17 524	081	027	1-H9	
0103 17 411	088		010	1-H10	0271 17 524	081-	1	032	1-I9
0271 17 420	088		011	1-H10	0305 17 540	081-	1	029	1-I9

PARTS NUMBER		PARTS COMP. LIST PAGE	FIG. NO.	FICHE INDEX	PARTS NUMBER		PARTS COMP. LIST PAGE	FIG. NO.	FICHE INDEX
0259 25 072A	128-	1	004	2-D1	0870 26 111B	131	006	2-D2	
0259 25 073A	128		004	2-C1	3514 26 111A	131	006	2-D2	
0259 25 073A	128-	1	004	2-D1	0870 26 115A	131	006	2-D2	
0259 25 074A	128		004	2-C1	0870 26 115A	131	006	2-D2	
0259 25 074A	128-	1	004	2-D1	0870 26 115B	131	006	2-D2	
0259 25 075A	128-	1	004	2-D1	0870 26 115B	131	006	2-D2	
0259 25 075A	128-	1	004	2-D1	3514 26 115A	131	006	2-D2	
0259 25 076A	128-	1	004	2-D1	0317 26 121	131	010	2-D2	
0259 25 076A	128-	1	004	2-D1	0317 26 121	131	010	2-D2	
0259 25 077A	128-	1	004	2-D1	0317 26 121	131	010	2-D2	
0259 25 077A	128-	1	004	2-D1	0259 26 129	131	012	2-D2	
0259 25 078A	128-	1	004	2-D1	0259 26 129A	131	012	2-D2	
0259 25 078A	128-	2	004	2-E1	0259 26 129A	131	012	2-D2	
0259 25 079A	128-	1	004	2-D1	3514 26 130	131	010	2-D2	
0259 25 079A	128-	2	004	2-E1	3728 26 130	131	010	2-D2	
0324 25 100	128		001	2-C1	0259 26 132	131-	1	014	2-E2
0378 25 100	128		001	2-C1	0259 26 132	131-	1	014	2-E2
1525 25 100	128		001	2-C1	0259 26 132	131-	1	014	2-E2
1540 25 100B	128		001	2-C1	3514 26 132	131-	1	014	2-E2
3919 25 100	128		001	2-C1	3728 26 132	131-	1	014	2-E2
3936 25 100	128		001	2-C1	0259 26 141	131-	1	013	2-E2
3919 25 121	128		002	2-C1	0259 26 142	131-	1	013	2-E2
3919 25 171	128		004	2-C1	0317 26 151A	131	002	2-D2	
3919 25 172	128		004	2-C1	8871 26 151	131	002	2-D2	
3919 25 173	128		004	2-C1	0259 26 152	131	009	2-D2	
3919 25 174	128-	1	004	2-D1	8531 26 152	131	009	2-D2	
3919 25 175	128-	1	004	2-D1	0187 26 154	131	011	2-D2	
3919 25 176	128-	1	004	2-D1	0259 26 155	131	008	2-D2	
3919 25 177	128-	1	004	2-D1	1504 26 251B	133	001	2-F2	
3919 25 178	128-	1	004	2-D1	1504 26 251B	136-	3	001	2-C3
3919 25 179	128-	1	004	2-D1	1504 26 251C	133	001	2-F2	
0370 26 010	130		001	2-C2	1504 26 251C	136-	3	001	2-C3
1529 26 010	130		001	2-C2	8527 26 251	136-	7	001	2-F3
1540 26 010A	130		001	2-C2	0305 26 255	136-	1	035	2-J2
0370 26 020	130		001	2-C2	0866 26 280B	133	003	2-F2	
0899 26 020D	130		001	2-C2	3514 26 280	136-	7	003	2-F3
1529 26 020	130		001	2-C2	3728 26 280	136-	3	003	2-C3
1540 26 020A	130		001	2-C2	0603 26 288	136-	8	020	2-G3
0259 26 041	130		004	2-C2	3648 26 288	136-	4	021	2-D3
0259 26 041A	130		004	2-C2	0866 26 290B	133	003	2-F2	
0259 26 051	130		005	2-C2	3514 26 290	136-	7	003	2-F3
0866 26 060	130		003	2-C2	3728 26 290	136-	3	003	2-C3
0870 26 111A	130		006	2-C2	0866 26 310A	133	004	2-F2	
0870 26 111A	130		006	2-C2	3514 26 310A	136-	7	004	2-F3
0870 26 111B	130		006	2-C2	3728 26 310	136-	3	004	2-C3



PARTS NUMBER	PARTS COMP. LIST PAGE	FIG. NO.	FICHE INDEX	PARTS NUMBER	PARTS COMP. LIST PAGE	FIG. NO.	FICHE INDEX
1529 53 600B	223	011	3-12	0305 53 999	371	008	4-F4
1529 53 600C	223	011	3-12	0305 53 999	380-	050	4-G5
0585 53 651	224	021	3-J2	8038 54 220	215	017	3-J1
0585 53 660A	224	022	3-J2	0866 54 281A	215	015	3-J1
0585 53 670A	224	019	3-J2	0585 54 310A	224	030	3-J2
0585 53 691	224	023	3-J2	0866 54 320A	218	016	3-D2
0585 53 701A	224	024	3-J2	0866 54 320A	221	022	3-G2
0866 53 720E	215	018	3-J1	0866 54 320A	224	025	3-J2
0866 53 720F	215	018	3-J1	0376 54 330	218	018	3-D2
0866 53 720G	215	018	3-J1	0866 54 330	221	018	3-G2
0866 53 720H	215	018	3-J1	0866 54 330	224	027	3-J2
0866 53 750A	215	020	3-J1	0376 54 340	218	019	3-D2
0370 53 770B	215	021	3-J1	0585 54 340A	224	029	3-J2
0111 53 771	211	019	3-G1	0866 54 340A	221	020	3-G2
0866 53 780B	214	004	3-I1	0866 54 350C	221	021	3-G2
0376 53 810C	218-	1 030	3-E2	0866 54 350D	221	021	3-G2
0376 53 810D	218-	1 030	3-E2	1514 54 350	218	023	3-D2
0866 53 810D	221-	1 032	3-H2	1514 54 350A	218	023	3-D2
0866 53 810D	221-	1 032	3-H2	1514 54 350B	218	023	3-D2
0866 53 810E	221-	1 032	3-H2	1514 54 350C	218	023	3-D2
0866 53 810E	221-	1 032	3-H2	1559 54 350C	218	023	3-D2
1510 53 810	221-	1 032	3-H2	1559 54 350D	218	023	3-D2
1510 53 810A	221-	1 032	3-H2	1559 54 350E	218	023	3-D2
1511 53 810	221-	1 032	3-H2	3458 54 350	218	023	3-D2
1511 53 810A	221-	1 032	3-H2	1881 54 380A	221	024	3-G2
1514 53 810	218-	1 030	3-E2	1881 54 380A	224	034	3-J2
0866 53 830A	218-	1 027	3-E2	0866 54 381A	221	024	3-G2
0866 53 830A	221-	1 029	3-H2	0376 54 391A	218	025	3-D2
0866 53 845	218-	1 029	3-E2	0376 54 391B	218	025	3-D2
0866 53 845	221-	1 031	3-H2	0376 54 430	218	020	3-D2
0603 53 862	106	026	1-112	0585 54 430	224	028	3-J2
0376 53 920	217	001	3-C2	0866 54 430	221	019	3-G2
0866 53 920	220	002	3-F2	0366 54 451	221	025	3-G2
0866 53 920	223	002	3-I2	0366 54 451	225	036	3-K2
0376 53 941	217	003	3-C2	0366 54 451A	221	025	3-G2
0585 53 941	223	006	3-I2	0366 54 451A	225	036	3-K2
0585 53 941A	223	006	3-I2	0376 54 451	218	024	3-D2
0866 53 941	220	004	3-F2	0376 54 451A	218	024	3-D2
0376 53 950	217	004	3-C2	0376 54 451B	218	024	3-D2
0866 53 950	220	003	3-F2	0866 54 452	221	027	3-G2
0866 53 950	223	003	3-I2	0866 54 452	225	037	3-K2
0866 53 951	223	004	3-I2	0866 54 452A	221	027	3-G2
0585 53 970A	223	005	3-I2	0866 54 452A	225	037	3-K2
0866 53 979A	214	008	3-I1	0585 54 480B	225	039	3-K2
0866 53 980	214	007	3-I1	0376 54 500A	218	022	3-D2

PARTS NUMBER		PARTS COMP. LIST PAGE	FIG. NO.	FICHE INDEX	PARTS NUMBER		PARTS COMP. LIST PAGE	FIG. NO.	FICHE INDEX
0371	68 060B20	339	005	4-C1	0370	68 851 30	345	062	4-11
0371	68 060B30	339	005	4-C1	0376	68 861A	345	066	4-11
0672	68 060A	347	007	4-K1	0376	68 862A	345	067	4-11
0603	68 070A	347	005	4-K1	0376	68 863A	345	068	4-11
0275	68 088	336	015	3-D15	0376	68 864	345	071	4-11
0866	68 090B00	339	003	4-C1	0376	68 870A00	345	063	4-11
0866	68 095	339	004	4-C1	0379	68 870A20	345	063	4-11
0223	68 110A	347	006	4-K1	0379	68 870A30	345	063	4-11
0370	68 140B00	339	006	4-C1	0862	68 871	344	059	4-H1
0370	68 140B09	339	006	4-C1	0376	68 890B00	343	040	4-G1
0372	68 140B20	339	006	4-C1	0378	68 890A00	342	039	4-F1
0372	68 140B30	339	006	4-C1	0379	68 890A20	343	039	4-G1
0118	68 180A	347	004	4-K1	0379	68 890A30	343	039	4-G1
0370	68 180B00	340	013	4-D1	0866	68 890B20	343	040	4-G1
0372	68 180A20	340	013	4-D1	0866	68 890B30	343	040	4-G1
0372	68 180A30	340	013	4-D1	0376	68 892	343	041	4-G1
0208	68 230	347	008	4-K1	0376	68 892	343	041	4-G1
0259	68 250	246	014	3-E5	0376	68 893	343	042	4-G1
0259	68 250	251	014	3-I5	0376	68 894	343	043	4-G1
0259	68 250	256	013	3-O6	0376	68 895	343	044	4-G1
0259	68 250	261	014	3-H6	0376	68 900	343	046	4-G1
0866	68 250 01	344	054	4-H1	0378	68 900	343	046	4-G1
0866	68 331 00	341	017	4-E1	0376	68 901	343	046	4-G1
0866	68 332	341	018	4-E1	0378	68 901	343	046	4-G1
0866	68 333	341	019	4-E1	0376	68 910	343	047	4-G1
0866	68 334	341	020	4-E1	0376	68 911	343	047	4-G1
0866	68 335B	341	021	4-E1	1004	68 911	389	008	4-I6
0865	68 340 00	341	025	4-E1	0370	68 920 00	344	053	4-H1
0866	68 340 20	341	025	4-E1	3737	68 920 20	344	053	4-H1
0866	68 340 30	341	025	4-E1	3737	68 920 30	344	053	4-H1
0866	68 351A	341	027	4-E1	0376	68 940 00	343	048	4-G1
0866	68 352A	341	028	4-E1	0866	68 940 20	343	048	4-G1
0866	68 361	342	030	4-F1	0866	68 940 30	344	048	4-H1
0865	68 380 00	342	032	4-F1	0376	68 950A	344	049	4-H1
0866	68 380C20	342	032	4-F1	0305	68 951	307	010	3-F11
0866	68 380C30	342	032	4-F1	0376	68 951A	344	049	4-H1
0259	68 660	347	001	4-K1	0305	68 952	307	010	3-F11
0305	68 660	347	001	4-K1	0223	69 032	308	024	3-G11
0259	68 670A	347	002	4-K1	1531	69 053	350	001	4-C2
0305	68 670A	347	002	4-K1	1532	69 053	350	001	4-C2
0603	68 720	347	003	4-K1	0368	69 055A	350	002	4-C2
0305	68 800F	347	010	4-K1	0368	69 055A	350	002	4-C2
0305	68 800G	347	010	4-K1	0374	69 055A	350	004	4-C2
0305	68 810A	347	01	4-K1	0583	69 055	350	005	4-C2
0367	68 832A	344	059	4-H1	1511	69 055	350	002	4-C2

PARTS NUMBER	PARTS COMP. LIST PAGE	FIG. NO.	FICHE INDEX	PARTS NUMBER	PARTS COMP. LIST PAGE	FIG. NO.	FICHE INDEX
1511 89 661	312	001	3-C12	1128 99 721A	374	025	4-14
8038 89 661A	312	001	3-C12	1128 99 721A	379	037	4-E5
8038 89 661A	312	001	3-C12	0376 99 741	370	003	4-E4
1524 89 662B	313	021	3-D12	0866 99 741	370	003	4-E4
0866 89 663	313- 1	026	3-E12	0866 99 741	377	002	4-C5
0866 89 663	313- 1	026	3-E12	0376 99 742	370	004	4-E4
1531 89 663B	313- 1	026	3-E12	0866 99 742	377	008	4-C5
1286 89 664	317- 2		3-C13	0866 99 742A	370	004	4-E4
1512 89 664A	315	001	3-F12	0376 99 743A	370	001	4-E4
1524 89 664A13	315	015	3-F12	0866 99 743A	370	001	4-E4
1529 89 664E	319	001	3-G13	0866 99 743A	377	001	4-C5
1532 89 664	317- 2		3-C13	0376 99 744A	370	002	4-E4
0585 89 665	320	017	3-H13	0866 99 744	377	006	4-C5
0866 89 665	316	026	3-G12	0866 99 744A	370	002	4-E4
0866 89 665	317- 4	020	3-E13	0376 99 745	370	005	4-E4
1529 89 665B	320	017	3-H13	0866 99 745	370	005	4-E4
1531 89 665A	317	034	3-H12	0866 99 745	377	010	4-C5
1531 89 665A	317- 4	028	3-E13	0376 99 746	373	018	4-H4
1524 89 667B	313	021	3-D12	0866 99 746	373	018	4-H4
0866 89 668	313- 1	026	3-E12	0376 99 747	373	019	4-H4
0866 89 668	313- 1	026	3-E12	0866 99 747	373	019	4-H4
1531 89 668B	313- 1	026	3-E12	0376 99 748A	372	016	4-E4
1286 89 669	317- 2		3-C13	0866 99 748A	372	016	4-G4
1512 89 669A	315	001	3-F12	0376 99 749A	373	017	4-H4
1524 89 669A13	315	015	3-F12	0866 99 749A	373	017	4-H4
1529 89 669E	319	001	3-G13	1128 99 801A	208- 1	025	3-E1
1532 89 669	317- 2		3-C13	1128 99 802A	208- 1	026	3-E1
0324 99 100C	013		1-M1	0866 99 806	208- 1	027	3-E1
1934 99 100	016		1-D2	9078 60 616	056	036	1-E7
0305 99 150	071	011	1-J8	9078 60 616	059	033	1-G7
0317 99 150	067	010	1-G8	9078 60 616	094- 2	040	1-G11
0305 99 178	090- 1	036	1-K10	9078 60 616	096	002	1-H11
0585 99 281B	148	010	2-G5	9078 60 616	179	015	2-K9
0866 99 281C	145	021	2-E5	9078 60 616	211	027	3-G1
8038 99 322	157	002	2-16	9078 60 616	235	030	3-E4
1175 99 324A	157	003	2-16	9078 60 616	331- 1	038	3-M14
0866 99 356A	166	028	2-17	9078 60 620	183	007	2-C10
8650 99 356	166	028	2-17	9078 60 620	207	008	3-C1
0259 99 361	166- 1	045	2-J7	9078 60 620	368	020	4-D4
8545 99 361	166- 1	045	2-J7	9078 60 6816	072	029	1-K8
0317 99 362A	166- 1	044	2-J7	9078 60 816	068	025	1-H8
0305 99 521	210	010	3-F1	9078 60 816	069	025	1-18
0866 99 522A	211	017	3-G1	9078 60 816	231	008	3-G3
1128 99 721	374	025	4-14	9078 60 820	056	036	1-E7
1128 99 721	379	037	4-E5	9078 60 820	175	037	2-D9

PARTS NUMBER	PARTS COMP. LIST PAGE	FIG. NO.	FICHE INDEX	PARTS NUMBER	PARTS COMP. LIST PAGE	FIG. NO.	FICHE INDEX
9994 00 802	233	005	3-C4	9995 20 500	277	013	3-D8
9994 00 802	277	018	3-D8	9995 20 500	278-	1 036	3-F8
9994 01 001	016	024	1-D2	9995 20 500	283	017	3-C9
9994 01 001	102	026	1-E12	9995 20 500	284	022	3-D9
9994 01 002	208-	1 017	3-E1	9995 20 500	286	052	3-F9
9994 21 000	165	022	2-H7	9995 20 500	293	038	3-E10
9994 21 400	164	010	2-G7	9995 20 500	295	064	3-G10
9994 41 400	157	008	2-I6	9995 20 500	298	008	3-I10
9994 50 500B	237	071	3-G4	9995 20 500	328	060	3-H14
9994 81 200	152	035	2-E6	9995 20 500	336	011	3-D15
9994 90 800	171	006	2-E8	9995 20 500	340	010	4-D1
9995 10 618	269-	1 016	3-G7	9995 20 500	340	015	4-D1
9995 10 618	271	002	3-I7	9995 20 500	345	065	4-I1
9995 10 618	274	039	3-L7	9995 20 500	345	070	4-I1
9995 10 618	310	043	3-I11	9995 20 500	345-	1 074	4-J1
9995 10 618	383	016	4-D6	9995 20 500	350	011	4-C2
9995 10 618	385	043	4-F6	9995 20 500	385	046	4-F6
9995 10 618	389	011	4-I6	9995 20 500B	237	071	3-G4
9995 10 618	393	002	4-C7	9995 20 500B	339	007	4-C1
9995 10 816	035-	3 021	1-G4	9995 20 500B	342	031	4-F1
9995 10 816	038-	3 018	1-L4	9995 20 500B	342	038	4-F1
9995 10 818	308	017	3-G11	9995 20 516	106-	038	1-J12
9995 10 822	054	008	1-C7	9995 20 516	236	045	3-F4
9995 10 822	171	008	2-E8	9995 20 516	277	017	3-D8
9995 10 822	394	023	4-D7	9995 20 516	341	016	4-E1
9995 11 022	154	055	2-G6	9995 20 516B	277	015	3-D8
9995 11 022	207	004	3-C1	9995 20 516B	374	030	4-I4
9995 11 030	154	054	2-G6	9995 20 516B	378	017	4-D5
9995 11 030	165	022	2-H7	9995 20 600	211	018	3-G1
9995 11 030	169	014	2-D8	9995 20 600	234	015	3-D4
9995 11 030	208-	1 017	3-E1	9995 20 600	234	016	3-D4
9995 11 430	164	010	2-G7	9995 20 600	258	028	3-F6
9995 20 300	152	034	2-E6	9995 20 600	258	041	3-F6
9995 20 400	151	023	2-D6	9995 20 600	263	030	3-J6
9995 20 400	242-	2 030	3-M4	9995 20 600	264	043	3-K6
9995 20 400	386	049	4-G6	9995 20 600	284	025	3-D9
9995 20 400B	341	029	4-E1	9995 20 600	284	025	3-D9
9995 20 412	319	011	3-G13	9995 20 600	285	038	3-E9
9995 20 412	382	007	4-C6	9995 20 600	286	044	3-F9
9995 20 412B	352	018	4-E2	9995 20 600	289	092	3-I9
9995 20 412B	380-	1 049	4-G5	9995 20 600	292	019	3-D10
9995 20 500	092	004	1-C11	9995 20 600	293	043	3-E10
9995 20 500	096	004	1-H11	9995 20 600	294	054	3-F10
9995 20 500	102-	1 027	1-F12	9995 20 600	294	055	3-F10
9995 20 500	234	021	3-D4	9995 20 600	295	059	3-G10



 **HADI-MAZDA**  
*Club*



 **HADI-MAZDA**  
*Club*

 **HADI-MAZDA**  
*Club*

 **HADI-MAZDA**  
*Club*

 **HADI-MAZDA**  
*Club*

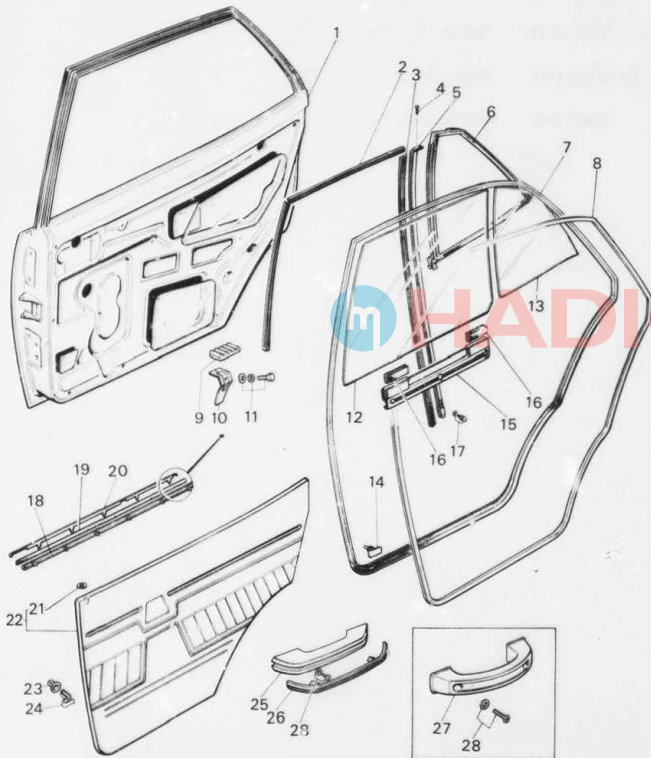
 **HADI-MAZDA**  
*Club*



 **HADI-MAZDA**  
*Club*

 **HADI-MAZDA**  
*Club*

72 73 REAR SIDE DOOR (GLASS & BODY)



72 73 REAR SIDE DOOR (GLASS & BODY)

No.	Part Number	Description	Q'ty	Remarks
	0398 58 821A-00	Rest, Arm (BLK)	2	
	<del>1011 69 430A-08</del>	<del>Rest, Arm (GRY)</del>	2	Discarded From 77/2 ~ Australia
	0398 58 821A-01	Rest, Arm (BEIG)	2	77/5 ~ Except Australia (Except 1510, 1512)
	<del>1011 69 430A-09</del>	<del>Rest, Arm (BRN)</del>	2	Discarded From 77/2 ~ Australia
	0398 58 821A-23	Rest, Arm (BRN)	2	77/5 ~ Except Australia
	8531 69 371-03	Rest, Arm (BLK)	2	
	8531 69 371-28	Rest, Arm (BRN)	2	Added Anew 77/2 ~ Australia
	8531 69 371-32	Rest, Arm (BEIG)	2	77/5 ~ Except Australia
	8531 69 371-33	Rest, Arm (GRY)	2	
	26 1009 69 421-00	Garnish, Arm Rest (BLK)	2	
	0398 58 822A-00	Garnish, Arm Rest (BLK)	2	Discarded From 77/2 ~ Australia
	0398 58 822A-01	Garnish, Arm Rest (BEIG)	2	77/5 ~ Except Australia (Except 1510, 1512)
	0398 58 822A-23	Garnish, Arm Rest (BRN)	2	
	27 9585 72 821	Handle, Pull (Wagon)	2	
	0585 72 821-00	Handle, Pull (BLK) (Wagon)	2	From Car No. 1 Added Anew
	0585 72 821-01	Handle, Pull (BRN) (Wagon)	2	From Car No. 1 Added Anew
	0585 72 821-02	Handle, Pull (BEIG) (Wagon)	2	From Car No. 1 Added Anew
	28 99830 0520	Screw	4	

 HADI-MAZDA *Club*

PARTS NUMBER	PARTS COMP. LIST PAGE	FIG. NO.	FICHE INDEX	PARTS NUMBER	PARTS COMP. LIST PAGE	FIG. NO.	FICHE INDEX
0313 17 540	081-	1 029	1-19	0290 18 160	096	008	1-H11
3919 17 540	081-	1 029	1-19	0324 18 160A	093	008	1-D11
3919 17 540A	081-	1 029	1-19	0290 18 170	096	009	1-H11
8085 17 540	081-	1 029	1-19	0324 18 170A	093	009	1-D11
0221 17 551A	090	032	1-J10	0290 18 180	096	010	1-H11
0221 17 552	090	033	1-J10	0324 18 180A	093	010	1-D11
0303 17 561	090	034	1-J10	0290 18 190	096	011	1-H11
0376 17 640A	090	035	1-J10	0324 18 190B	093	011	1-D11
0370 18 100	092	001	1-C11	0488 18 200A	093	015	1-D11
0370 18 100	092	001	1-C11	0488 18 200A	093	015	1-D11
0370 18 100	096	001	1-H11	0488 18 200B	093	015	1-D11
1524 18 100A	092	001	1-C11	1893 18 200	097	015	1-I11
1524 18 100A	092	001	1-C11	1919 18 200	093	015	1-D11
1524 18 100A	092	001	1-C11	1919 18 200A	093	015	1-D11
1524 18 100A	096	001	1-H11	1931 18 200A	097	015	1-I11
0578 18 101	092	002	1-C11	1932 18 200A	097	015	1-I11
0578 18 101	096	003	1-H11	1932 18 200B	097	015	1-I11
0222 18 110	093	014	1-D11	1932 18 200B	097	015	1-I11
0222 18 110	096	005	1-H11	1942 18 200	097	015	1-I11
0259 18 110	093	014	1-D11	1942 18 200A	097	015	1-I11
0259 18 110	096	005	1-H11	1942 18 200B	097	015	1-I11
1690 18 110	093	014	1-D11	0107 18 201	013-	1	1-N1
0823 18 111	328	052	3-H14	0107 18 201	017		1-E2
0823 18 111	328	052	3-H14	0107 18 201	094-	1	036 1-F11
0290 18 140	096	006	1-H11	0107 18 201	098-	1	036 1-K11
0324 18 140B	092	005	1-C11	0107 18 216A	094	016	1-E11
0324 18 140B	092	005	1-C11	0107 18 216A	097	016	1-I11
1524 18 140	092	005	1-C11	0305 18 290	098-	2	038 1-L11
1524 18 140	092	005	1-C11	0324 18 290	094-	2	038 1-G11
1524 18 140	092	005	1-C11	0381 18 290	098-	2	038 1-L11
0107 18 141	096	007	1-H11	0290 18 295	098-	2	039 1-L11
0249 18 141	092	006	1-C11	0483 18 300	100	001	1-C12
0370 18 141	093	012	1-D11	0483 18 300A	100	001	1-C12
0370 18 141	096	012	1-H11	3488 18 300	100	001	1-C12
0324 18 142A	092	006	1-C11	3936 18 300	100	001	1-C12
0512 18 145	093	013	1-D11	1011 18 319	328-	1	074 3-I14
0512 18 145	096	013	1-H11	0324 18 361	101	020	1-D12
0290 18 150	092	007	1-C11	0578 18 361A	102	020	1-E12
0290 18 150	093	007	1-D11	3874 18 361	102	020	1-E12
0290 18 150	096	014	1-H11	3916 18 361A	102	020	1-E12
1893 18 150	092	007	1-C11	0324 18 371	102	023	1-E12
1893 18 150	092	007	1-C11	2677 18 371	102	023	1-E12
1893 18 150	093	007	1-D11	3874 18 371	102	023	1-E12
1893 18 150	093	007	1-D11	3916 18 371	102	023	1-E12
1893 18 150	096	001	1-H11	0459 18 374	102	025	1-E12



PARTS NUMBER	PARTS COMP. LIST PAGE	FIG. NO.	FICHE INDEX	PARTS NUMBER	PARTS COMP. LIST PAGE	FIG. NO.	FICHE INDEX
3648 26 315	136-	4 026	2-D3	1011 26 342	136-	3 006	2-C3
0187 26 341	133	005	2-F2	3728 26 342	136	006	2-I2
1011 26 341	136-	7 005	2-F3	3728 26 342	136-	7 006	2-F3
3728 26 341	136-	3 005	2-C3	0110 26 345	133	007	2-F2
0118 26 342	133	006	2-F2	0223 26 345A	136-	4 023	2-D3
1011 26 345	136-	8 022	2-G3	1011 26 392	136-	8 024	2-G3
1011 26 346	136-	8 023	2-G3	0710 26 461	133	011	2-F2
0710 26 352	133	010	2-F2	0305 26 500A	133	009	2-F2
0223 26 391	136-	8 021	2-G3	0820 26 570A	136	033	2-I2
3728 26 391	136-	4 022	2-D3	0820 26 570A	136-	9 032	2-H3
1011 26 392	136-	8 024	2-G3	1004 26 571	136-	1 034	2-J2
0710 26 461	133	011	2-F2	1004 26 571	136-	10 033	2-I3
0305 26 500A	133	009	2-F2	0433 26 610A	136-	3 011	2-C3
0820 26 570A	136	033	2-I2	0433 26 610A	136-	7 011	2-F3
0820 26 570A	136-	9 032	2-H3	0613 26 610A	134	013	2-G2
1004 26 571	136-	1 034	2-J2	0813 26 610A	133	013	2-F2
1004 26 571	136-	10 033	2-I3	0813 26 610A	134	013	2-G2
0433 26 610A	136-	3 011	2-C3	0813 26 610B	133	013	2-F2
0433 26 610A	136-	7 011	2-F3	1175 26 615	136-	4 018	2-D3
0613 26 610A	134	013	2-G2				
0813 26 610A	133	013	2-F2	0208 26 671	134	016	2-G2
0813 26 610B	134	013	2-G2	0208 26 671	136-	3 012	2-C3
1175 26 615	136-	4 018	2-D3	0208 26 671	136-	7 013	2-F3
				0810 26 671	134	016	2-G2
				0810 26 671	134	016	2-G2
0208 26 671	134	016	2-G2	0866 26 681	134	017	2-G2
0208 26 671	136-	3 012	2-C3	0866 26 681	134	017	2-G2
0208 26 671	136-	7 013	2-F3	1011 26 681A	136-	3 013	2-C3
0810 26 671	134	016	2-G2	1011 26 681A	136-	7 014	2-F3
0810 26 671	134	016	2-G2	3728 26 730	136-	4 025	2-D3
0866 26 681	134	017	2-G2	3728 26 740	136-	4 025	2-D3
0866 26 681	134	017	2-G2	0305 26 800A	135	022	2-H2
1011 26 681A	136-	3 013	2-C3	1011 26 800A	136-	7 007	2-F3
1011 26 681A	136-	7 014	2-F3	3728 26 800	136-	3 007	2-C3
3728 26 730	136-	4 025	2-D3	0305 26 810A	135	022	2-H2
3728 26 740	136-	4 025	2-D3	1011 26 810A	136-	7 007	2-F3
0305 26 800A	135	022	2-H2	3728 26 810	136-	3 007	2-F3
1011 26 800A	136-	7 007	2-F3	0187 26 821	135	026	2-H2
3728 26 800	136-	3 007	2-C3	1011 26 821	136-	8 028	2-G3
0305 26 810A	135	022	2-H2	1011 26 831	136-	8 025	2-G3
1011 26 810A	136-	7 007	2-F3	3728 26 831	136-	4 024	2-D3
3728 26 810	136-	3 007	2-F3	0118 26 832	135	023	2-H2
0187 26 821	135	026	2-H2	1011 26 832	136-	7 008	2-F3
1011 26 821	136-	8 028	2-G3	3728 26 832	136-	3 008	2-C3
1011 26 831	136-	8 025	2-G3	0118 26 834	135	024	2-H2
3728 26 831	136-	4 024	2-D3	3514 26 835	136-	8 025	2-G3
0118 26 832	135	023	2-H2	3728 26 835	136-	4 028	2-D3
1011 26 832	136-	7 008	2-F3	3728 26 845	136-	4 028	2-D3
3728 26 832	136-	3 008	2-C3	3728 26 892	136-	4 027	2-D3
0118 26 834	135	024	2-H2	0118 26 897	135	027	2-H2
3514 26 835	136-	8 025	2-G3	0187 26 921	135	026	2-H2
3728 26 835	136-	4 028	2-D3	0613 26 922	134	014	2-G2
3728 26 845	136-	4 028	2-D3	0613 26 922	136-	3 017	2-C3
3728 26 892	136-	4 027	2-D3	0613 26 922	136-	8 018	2-G3
0118 26 897	135	027	2-H2	0223 27 012	138	001	2-C4
0187 26 921	135	026	2-H2	0249 27 012	138	001	2-C4
0613 26 922	134	014	2-G2	3919 27 012	138	001	2-C4
0613 26 922	136-	3 017	2-C3	0223 27 018	138	002	2-C4
0613 26 922	136-	8 018	2-G3	0249 27 018	138	002	2-C4
0223 27 012	138	001	2-C4	0223 27 020B	138	003	2-C4
0249 27 012	138	001	2-C4	0259 27 020B	138	003	2-C4
3919 27 012	138	001	2-C4	0223 27 030	138	004	2-C4
0223 27 018	138	002	2-C4	0249 27 030	138	004	2-C4
0249 27 018	138	002	2-C4	1052 27 100	138	037	2-C4
0223 27 020B	138	003	2-C4	1524 27 100	138	037	2-C4
0259 27 020B	138	003	2-C4	3832 27 100	138	037	2-C4
0223 27 030	138	004	2-C4	8038 27 100	138	037	2-C4
0249 27 030	138	004	2-C4	8051 27 100	138		2-C4
1052 27 100	138	037	2-C4	8051 27 100A	138		2-C4
1524 27 100	138	037	2-C4	8051 27 100B	138		2-C4
3832 27 100	138	037	2-C4	1052 27 110A	139	005	2-D4
8038 27 100	138	037	2-C4	1524 27 110	138	005	2-C4
8051 27 100	138		2-C4	3832 27 110	139	005	2-D4
8051 27 100A	138		2-C4	8038 27 110A	138	005	2-C4
8051 27 100B	138		2-C4	8038 27 110B	138	005	2-C4
1052 27 110A	139	005	2-D4	8051 27 110A	139	005	2-D4
1524 27 110	138	005	2-C4	8051 27 110B	139		2-D4
3832 27 110	139	005	2-D4	3919 27 130	138	004	2-C4
8038 27 110A	138	005	2-C4	0221 27 141	139	006	2-D4
8038 27 110B	138	005	2-C4	0221 27 141	139	007	2-D4
8051 27 110A	139	005	2-D4				
8051 27 110B	139		2-D4				
3919 27 130	138	004	2-C4				
0221 27 141	139	006	2-D4				
0221 27 141	139	007	2-D4				

PARTS NUMBER	PARTS COMP. LIST PAGE	FIG. NO.	FICHE INDEX	PARTS NUMBER	PARTS COMP. LIST PAGE	FIG. NO.	FICHE INDEX
0866 54 500A	221	026	3-G2	1512 55 430A	240	001	3-14
0866 54 500A	224	035	3-J2	1512 55 430A	240	001	3-14
1514 54 500	218	022	3-D2	1515 55 430	240	001	3-14
0376 54 591	218	021	3-D2	1515 55 430A	240	001	3-14
0585 54 591	224	031	3-J2	1518 55 430	241	001	3-J4
0866 54 591	221	017	3-G2	1518 55 430A	241	001	3-J4
1529 54 600B	225	038	3-K2	1520 55 430	240	001	3-14
1529 54 600C	225	038	3-K2	1514 55 460	242-	2	3-M4
0585 54 651	225	040	3-K2	1514 55 460A	242-	2	020 3-M4
0585 54 660A	225	041	3-K2	0187 55 554	055	029	1-07
0585 54 670A	225	043	3-K2	0259 55 556	153	053	2-F6
0585 54 691	225	042	3-K2	0488 55 710	234	018	3-04
0866 54 720B	215	019	3-J1	0372 55 711	234	019	3-04
0866 54 720C	215	019	3-J1	0370 55 720 00	234	022	3-04
0866 54 830A	218-	1 028	3-E2	0866 55 720A00	234	022	3-04
0866 54 830A	221-	1 030	3-H2	0259 55 951	238	074	3-H4
0370 55 100H	233	001	3-C4	0257 55 952	238	075	3-H4
0376 55 100F	233	001	3-C4	0376 56 010F	227	004	3-C3
0370 55 150	233	002	3-C4	0376 56 010G	227	004	3-C3
0275 55 195A	341	023	4-E1	0376 56 010H	227	004	3-C3
0866 55 210B	234	024	3-D4	1527 56 010C	227	004	3-C3
0866 55 215A	235	027	3-E4	1527 56 010D	227	004	3-C3
0866 55 216	235	032	3-E4	1527 56 010E	227	004	3-C3
0866 55 217	235	032	3-E4	3450 56 010B	227	004	3-C3
0866 55 218	235	032	3-E4	0866 56 019	227	006	3-C3
0866 55 230D	235	029	3-E4	0376 56 080C	227	009	3-C3
0368 55 250A	233	006	3-C4	0376 56 080D	227	009	3-C3
0370 55 250A	233	006	3-C4	0866 56 080D	228	009	3-03
0259 55 261	242-	1 014	3-L4	0866 56 080E	228	009	3-03
0259 55 261	242-	2 027	3-M4	8038 56 110A	227	002	3-C3
1128 55 331 00	235	033	3-E4	0866 56 171A	227	001	3-C3
1133 55 331 20	235	033	3-E4	8038 56 180A	227	004	3-C3
1133 55 331 30	235	033	3-E4	8038 56 180B	227	004	3-C3
0370 55 401B00	233	007	3-C4	8038 56 180C	227	004	3-C3
0372 55 401B20	233	007	3-C4	8038 56 180D	227	004	3-C3
0372 55 401B30	233	007	3-C4	8038 56 180E	227	004	3-C3
0366 55 405B00	233	008	3-C4	0866 56 210F	228	011	3-03
0370 55 405B00	233	008	3-C4	0866 56 210G	228	011	3-C3
0376 55 405B00	233	008	3-C4	0866 56 210H	228	011	3-03
0369 55 410	233	009	3-C4	0187 56 235	231	006	3-63
0375 55 430G	240	001	3-14	0187 56 235	389	009	4-16
0375 55 430H	240	001	3-14	0118 56 241	059	029	1-07
1510 55 430F	240	001	3-14	0118 56 241	231	002	3-63
1511 55 430E	240	001	3-14	0118 56 241	371	011	4-F4
1512 55 430	240	001	3-14	0118 56 242B	056	030	1-E7

PARTS NUMBER		PARTS COMP. LIST PAGE	FIG. NO.	FICHE INDEX	PARTS NUMBER		PARTS COMP. LIST PAGE	FIG. NO.	FICHE INDEX
1562 69 055A00	350	003	4-C2	0866 69 311A	355	011	4-H2		
1562 69 055A02	350	003	4-C2	0866 69 311A	359	005	4-C3		
0730 69 057A	350	001	4-C2	0376 69 314B	355	003	4-H2		
0730 69 057A	375- 1	053	4-K4	0866 69 314A	355	003	4-H2		
0730 69 057A	380- 1	053	4-G5	1727 69 320 09	352	013	4-E2		
0862 69 061	350	006	4-C2	1727 69 320 25	352	013	4-E2		
0862 69 065	350	006	4-C2	1727 69 320 31	352	013	4-E2		
0866 69 110A	350	008	4-C2	1727 69 320 32	352	013	4-E2		
1057 69 110	350	009	4-C2	1727 69 320A09	352	013	4-E2		
1511 69 110B	350	008	4-C2	1727 69 320A25	352	013	4-E2		
0866 69 130A	350	008	4-C2	1727 69 320A31	352	013	4-E2		
1057 69 130	350	009	4-C2	1727 69 320A32	352	013	4-E2		
0310 69 170	350	010	4-C2	0376 69 321	356	013	4-I2		
0310 69 170	350	010	4-C2	0866 69 321	356	013	4-I2		
0407 69 170	350	010	4-C2	0866 69 321	359	010	4-C3		
0866 69 210 00	351	012	4-D2	0603 69 323A	308	011	3-G11		
0866 69 210 25	351	012	4-D2	0376 69 341	356	016	4-I2		
0866 69 210 31	351	012	4-D2	0585 69 341B00	359	001	4-C3		
0866 69 210 32	351	012	4-D2	0866 69 341	356	016	4-I2		
1511 69 210 00	351	012	4-D2	0376 69 342	355	001	4-H2		
1511 69 210 25	351	012	4-D2	0376 69 343	355	007	4-H2		
1511 69 210 31	351	012	4-D2	0866 69 360C01	357	023	4-J2		
3954 69 220	350	010	4-C2	0866 69 360C01	359	012	4-C3		
0866 69 240 00	351	013	4-D2	0866 69 360D02	357	023	4-J2		
0866 69 240 25	351	013	4-D2	0866 69 360D02	359	012	4-C3		
0866 69 240 31	351	013	4-D2	0866 69 360E02	357	023	4-J2		
0866 69 240 32	351	013	4-D2	0866 69 360E02	359	012	4-C3		
0866 69 240A31	351	013	4-D2	8531 69 371 03	269- 2	020	3-H7		
1511 69 240 00	352	013	4-E2	8531 69 371 03	391- 2	025	4-M6		
1511 69 240 25	352	013	4-E2	8531 69 371 22	269- 2	020	3-H7		
1511 69 240 31	352	013	4-E2	8531 69 371 28	269- 2	020	3-H7		
1727 69 270 09	351	012	4-D2	8531 69 371 28	391- 2	025	4-M6		
1727 69 270 25	351	012	4-D2	8531 69 371 32	269- 2	020	3-H7		
1727 69 270 31	351	012	4-D2	8531 69 371 32	391- 2	025	4-M6		
1727 69 270 32	351	012	4-D2	8531 69 371 33	391- 2	025	4-M6		
1727 69 270A09	351	012	4-D2	0459 69 380 02	357	025	4-J2		
1727 69 270A25	351	012	4-D2	0459 69 380 02	359	014	4-C3		
1727 69 270A31	351	012	4-D2	0866 69 380D01	357	025	4-J2		
1727 69 270A32	351	012	4-D2	0866 69 380D01	359	014	4-C3		
0376 69 290C00	356	012	4-I2	0376 69 411 00	356	015	4-I2		
0376 69 290C25	356	012	4-I2	0866 69 411 00	356	015	4-I2		
0585 69 290 31	359	007	4-C3	0866 69 411 00	359	008	4-C3		
0866 69 290 31	356	012	4-I2	1009 69 421 00	386	047	4-G6		
0259 69 311A	355	009	4-H2	1011 69 430A00	385	045	4-F6		
0585 69 311A	359	004	4-C3	1011 69 430A08	385	045	4-F6		



PARTS NUMBER	PARTS COMP. LIST PAGE	FIG. NO.	FICHE INDEX	PARTS NUMBER	PARTS COMP. LIST PAGE	FIG. NO.	FICHE INDEX
9078 60 820	177-	4	020	2-19	160	005	2-C7
9078 60 820	233		004	3-C4	081-	1	032 1-I9
9078 60 820B	247		022	3-F5	126-	8	047 1-E15
9078 60 820B	257		021	3-E6	204	006	2-C13
9078 60 830	277		016	3-D8	183	008	2-C10
9078 62 820	308		017	3-G11	201	008	2-C12
9078 66 020	207		008	3-C1	201	008	2-C12
9079 40 616	385		042	4-F6	201	008	2-C12
9079 60 612	181		041	2-M9	348	020	4-L1
9079 60 612	214		003	3-I1	190	030	2-H10
9079 60 612	215		025	3-J1	9923 41 212	010	008 1-J1
9079 60 816	214		005	3-I1	9923 41 412	002	004 1-C1
9079 60 816	215		022	3-J1	9923 41 412	011	017 1-K1
9079 60 820	102		021	1-E12	9923 60 550	024	012 1-E3
9079 76 512	283		017	3-C9	9923 60 563	024	012 1-E3
9080 12 814	035-	3	026	1-G4	9923 60 722	086	024 1-F10
9080 12 816	035-	3	027	1-G4	9923 90 516	031	037 1-L3
9080 12 820	169		015	2-D8	9924 61 232	079	003 1-F9
9080 12 820	169		016	2-D8	9924 61 232	079	003 1-F9
9080 16 825	191		042	2-I10	9924 61 232	079	003 1-F9
9080 62 612	136-	7	012	2-F3	9924 61 235	079	003 1-F9
9080 62 612	191		041	2-I10	9926 21 806B	341	026 4-E1
9083 00 512B	340		009	4-D1	9926 40 531B	214	009 3-I1
9083 00 512B	340		011	4-D1	9926 40 531B	293	041 3-E10
9083 00 512B	345-	1	073	4-J1	9926 40 732B	344	052 4-H1
9083 24 620	328-	2	080	3-J14	9927 40 821	357	026 4-J2
9083 32 512	195		003	2-D11	9927 60 506	081-	1 031 1-I9
9083 36 412	202		017	2-D12	9927 60 508	080	016 1-G9
9083 37 620	234		017	3-D4	9927 60 810	077	016 1-E9
9086 02 612	019		010	1-F2	9927 60 810	126-	4 042 1-N14
9922 10 820B	257		020	3-E6	9927 61 008	289	090 3-I9
9922 11 610	035-	4	037	1-H4	9927 61 008	292	021 3-D10
9922 12 015	158		016	2-J6	9927 61 406	328-	1 069 3-I14
9922 12 020	190		032	2-H10	9927 61 608	008	050 1-I1
9922 12 020	205		019	2-D13	9927 61 608	020	024 1-G2
9922 13 020	154		058	2-G6	9927 61 610	102-	1 030 1-F12
9922 13 020	157		005	2-I6	9927 80 404	274	041 3-L7
9922 13 020	157		014	2-I6	9927 80 404	395	035 4-E7
9922 13 020	166		032	2-I7	9927 80 405	274	041 3-L7
9922 13 020	247		021	3-F5	9927 80 405	395	035 4-E7
9922 13 020	252		021	3-J5	9927 81 201	059	024 1-G7
9922 13 020	262		021	3-I6	9928 21 401	196	021 2-E11
9922 13 035	061		005	1-C8	9928 21 700	110	032 1-E13
9922 13 035	064		009	1-E8	9928 21 700	126-	3 032 1-M14
9922 13 035	165		023	2-H7	9928 21 801	035-	2 012 1-F4

PARTS NUMBER		PARTS COMP. LIST PAGE	FIG. NO.	FICHE INDEX	PARTS NUMBER		PARTS COMP. LIST PAGE	FIG. NO.	FICHE INDEX
9995 20 600		296	074	3-H10	9995 20 822		289	088	3-19
9995 20 600		308	022	3-G11	9995 20 822		296	070	3-H10
9995 20 600		319	009	3-G13	9995 20 822		296	072	3-H10
9995 20 600		326	036	3-F14	9995 21 000		102	025	1-E12
9995 20 600		326	037	3-F14	9995 21 000		109	027	1-D13
9995 20 600		328-	1 066	3-I14	9995 21 000		144	012	2-D5
9995 20 618		058	014	1-F7	9995 21 000		147	004	2-F5
9995 20 618		205	030	2-D13	9995 21 000		169	013	2-D8
9995 20 618		210	015	3-F1	9995 21 000		190	022	2-H10
9995 20 618		215	027	3-J1	9995 21 018		292	014	3-D10
9995 20 618		235	028	3-E4	9995 21 224		005	036	1-F1
9995 20 618		242-	1 018	3-L4	9995 30 400		035-	4 014	1-H4
9995 20 618		284	026	3-D9	9995 30 400B		337	024	3-E15
9995 20 618		285	040	3-E9	9995 30 600		058	005	1-F7
9995 20 618		294	044	3-F10	9995 30 600		058	007	1-F7
9995 20 618		294	055	3-F10	9995 30 600		059-	2 005	1-H7
9995 20 618		328-	1 061	3-I14	9995 30 600		059-	5 011	1-J7
9995 20 618		342	037	4-F1	9995 30 800		035-	2 006	1-F4
9995 20 618		345	069	4-I1	9995 30 800		035-	2 007	1-F4
9995 20 618		391	017	4-K6	9995 30 800		035-	4 042	1-H4
9995 20 800		031	034	1-L3	9995 30 800		067	012	1-G8
9995 20 800		038-	2 014	1-K4	9995 30 800		205-	1 033	2-E13
9995 20 800		102	026	1-E12	9995 30 800		291	010	3-C10
9995 20 800		141	022	2-F4	9995 30 800		348	020	4-L1
9995 20 800		141	022	2-F4	9995 31 000		075	005	1-C9
9995 20 800		154	065	2-G6	9995 31 000		077	017	1-E9
9995 20 800		285	041	3-E9	9995 31 000		077	018	1-E9
9995 20 800		295	056	3-G10	9995 31 000		077	019	1-E9
9995 20 800		298	014	3-I10	9995 31 000		077	021	1-E9
9995 20 816		205-	1 036	2-E13	9995 31 000		287	073	3-G9
9995 20 816		246	010	3-E5	9995 62 1400		081-	1 032	1-I9
9995 20 816		251	010	3-I5	9995 81 018		140	014	2-E4
9995 20 816		256	010	3-D6	9995 81 018		140	014	2-E4
9995 20 816		261	010	3-H6	9996 36 310		085	019	1-E10
9995 20 822		190	023	2-H10	9996 36 315		083	001	1-C10
9995 20 822		190	024	2-H10	9996 36 330		083	001	1-C10
9995 20 822		191	049	2-I10	9996 36 330		085	019	1-E10
9995 20 822		207	008	3-C1	9996 70 400A		309	027	3-H11
9995 20 822		247	022	3-F5	9996 70 400A		361	029	4-E3
9995 20 822		252	023	3-J5	9996 70 400B		309	027	3-H11
9995 20 822		253	029	3-K5	9996 70 400B		361	029	4-E3
9995 20 822		257	022	3-E6	9996 70 400B		365-	1 016	4-I3
9995 20 822		262	023	3-T6	9996 70 500A		359	002	4-C3
9995 20 822		277	018	3-L8	9996 70 500B		242-	2 019	3-M4
9995 20 822		288	086	3-H9	9996 70 500B		340	008	4-D1



 **HADI-MAZDA**  
*Club*

 HADI-MAZDA *Club*

 **HADI-MAZDA**  
*Club*

 HADI-MAZDA  
*Club*

 **HADI-MAZDA**  
*Club*



 **HADI-MAZDA**  
*Club*

 **HADI-MAZDA**  
*Club*

 **HADI-MAZDA**  
*Club*

 HADI-MAZDA *Club*

 **HADI-MAZDA**  
*Club*



PARTS NUMBER	PARTS COMP. LIST PAGE	FIG. NO.	FICHE INDEX	PARTS NUMBER	PARTS COMP. LIST PAGE	FIG. NO.	FICHE INDEX
0222 18 375	102-	1 028	1-F12	0378 19 031B	126-	19 005	1-M15
0222 18 376	102-	1 028	1-F12	0268 19 063	108	004	1-C13
0222 18 377	102-	1 028	1-F12	3649 19 064	108	002	1-C13
1308 18 380	102	025	1-E12	0294 19 066	126-	2 004	1-L14
0305 18 381A	102-	1 029	1-F12	0294 19 068	126-	2 005	1-L14
0324 18 381A	102-	1 C29	1-F12	3728 19 090	126-	20 022	1-N15
0604 18 381B	102-	1 029	1-F12	3728 19 090A	126		1-K14
1620 18 390	094-	2 041	1-G11	3959 19 090C	114		1-H13
1620 18 390	098-	2 042	1-L11	0224 19 096	016	027	1-D2
0259 18 391B	094-	2 039	1-G11	0338 19 100A	126-	2 006	1-L14
0259 18 391B	098-	2 040	1-L11	0378 19 100A	108	009	1-C13
0324 18 400A	104	001	1-G12	0378 19 211A	108	010	1-C13
0324 18 400B	104	001	1-G12	0378 19 211B	108	010	1-C13
0426 18 400A	104	001	1-G12	3976 19 211	126-	2 007	1-L14
0426 18 400B	104	001	1-G12	1758 19 215	108	011	1-C13
8088 18 400A	104	001	1-G12	1758 19 215	126-	2 008	1-L14
2691 18 501A	011	020	1-K1	0338 19 216	108	012	1-C13
2691 18 501A	0-5	026	1-F8	0338 19 216	126-	2 009	1-L14
0259 18 510	034	021	1-D4	1758 19 220	108	013	1-C13
0259 18 510	035-	4 043	1-H4	1758 19 220	126-	2 010	1-L14
1757 18 510A	034	021	1-D4	0338 19 223	108	014	1-C13
1757 18 510A	035-	4 043	1-H4	0338 19 223	126-	2 011	1-L14
0110 18 515	006	018	1-G1	1758 19 240	126-	2 013	1-L14
0110 18 515	034	021	1-D4	0338 19 245A	126-	2 015	1-L14
0110 18 515	035-	4 044	1-H4	0338 19 247	126-	2 014	1-L14
0187 18 520	105	025	1-H12	0338 19 248	126-	2 016	1-L14
0187 18 520A	105	025	1-H12	0338 19 255	108	015	1-C13
0370 18 520	105	025	1-H12	0338 19 256	108	016	1-C13
0605 18 520A	105	025	1-H12	0338 19 256	126-	3 018	1-M14
0710 18 520A	106	025	1-I12	0338 19 257	108	017	1-C13
0710 18 520B	106		1-I12	0338 19 257	126-	2 017	1-L14
3922 18 520	106	025	1-I12	0338 19 258	109	018	1-D13
3922 18 520A	106	025	1-I12	0338 19 258	126-	2 012	1-L14
3934 18 520	105	025	1-H12	0338 19 310A	126-	6 001	1-C15
8086 18 520	105	025	1-H12	0378 19 310	112	001	1-F13
2691 18 660	183	017	2-C10	3728 19 310	126-	6 001	1-C15
1650 18 994	035-	4 045	1-H4	3959 19 310	112	001	1-F13
0381 18 995	106	034	1-I12	0338 19 331A	112	002	1-F13
0338 19 020	126-	2 001	1-L14	0338 19 331A	126-	6 002	1-C15
0378 19 020	108	001	1-C13	0338 19 336	112	004	1-F13
0397 19 022	108	002	1-C13	0338 19 336	126-	6 004	1-C15
0397 19 022	126-	2 002	1-L14	0338 19 337	112	005	1-F13
0338 19 025A	126-	2 003	1-L14	0338 19 337	126-	6 005	1-C15
0378 19 025	108	003	1-C13	0338 19 338	112	006	1-F13
0378 19 031B	125	005	1-J14	0338 19 338	126-	6 006	1-C15

PARTS NUMBER	PARTS COMP. LIST PAGE	FIG. NO.	FICHE INDEX	PARTS NUMBER	PARTS COMP. LIST PAGE	FIG. NO.	FICHE INDEX
0755 27 141	139	006	2-D4	0259 27 402	141	024	2-F4
0444 27 142	139	007	2-D4	0223 27 403A	141- 1	024	2-G4
0755 27 142	139	007	2-D4	0259 27 403	141	024	2-F4
3919 27 142	139	007	2-D4	0223 27 404A	141- 1	024	2-G4
8051 27 142	139	007	2-D4	0259 27 404	141	024	2-F4
0370 27 150	139	008	2-D4	0223 27 405A	141- 1	024	2-G4
0370 27 150A	139	008	2-D4	0259 27 405	141	024	2-F4
0820 27 150B	139	008	2-D4	0223 27 406A	141- 1	024	2-G4
0866 27 150	139	008	2-D4	0259 27 406	141	024	2-F4
3919 27 150	139	008	2-D4	0223 27 407A	141- 1	024	2-G4
0305 27 171	139	010	2-D4	0259 27 407	141	024	2-F4
0324 27 171	139	010	2-D4	0223 27 408A	141- 1	024	2-G4
0370 27 172	139	011	2-D4	0259 27 408	141- 1	024	2-G4
0866 27 172	139	011	2-D4	0223 27 409A	141- 1	024	2-G4
0259 27 231	139	012	2-D4	0259 27 409	141- 1	024	2-G4
0290 27 231B	140	012	2-E4	0223 27 411A	141- 1	024	2-G4
3919 27 231	139	012	2-D4	0259 27 411	141- 1	024	2-G4
0249 27 235	140	013	2-E4	0223 27 412A	141- 1	024	2-G4
0249 27 236	140	013	2-E4	0259 27 412	141- 1	024	2-G4
0187 27 245	140	014	2-E4	0223 27 413A	141- 1	024	2-G4
0662 27 251	140	015	2-E4	0259 27 413	141- 1	024	2-G4
0820 27 251A	140	015	2-E4	0223 27 414A	141- 1	024	2-G4
0259 27 252A	140	016	2-E4	0259 27 414	141- 1	024	2-G4
0290 27 252	140	016	2-E4	0223 27 415A	141- 1	024	2-G4
0259 27 253A	140	016	2-E4	0259 27 415	141- 1	024	2-G4
0290 27 253	140	016	2-E4	0370 28 010A	143	001	2-C5
0259 27 254A	140	016	2-E4	0376 28 010A	143	001	2-C5
0290 27 254	140	016	2-E4	0376 28 010A	143	001	2-C5
0221 27 255	140	017	2-E4	0866 28 010A	143	001	2-C5
0221 27 255A	140	017	2-E4	1137 28 010	147	001	2-F5
0221 27 255B	140	017	2-E4	1526 28 010	143	001	2-C5
0249 27 255	140	017	2-E4	1889 28 010A	147	001	2-F5
0259 27 261	141	018	2-F4	3637 28 010	143	001	2-C5
0305 27 261	141	018	2-F4	3728 28 010	143	001	2-C5
0114 27 262	141	019	2-F4	3729 28 010	147	001	2-F5
0180 27 301	141	020	2-F4	3729 28 010A	147	001	2-F5
0290 27 301	141	020	2-F4	0370 28 011A	143	001	2-C5
0180 27 302	141	021	2-F4	0376 28 011A	143	001	2-C5
0290 27 302	141	021	2-F4	0866 28 011A	143	001	2-C5
0290 27 302	141	021	2-F4	1137 28 011	147	001	2-F5
0221 27 305	141	023	2-F4	1889 28 011	147	001	2-F5
0249 27 305	141	023	2-F4	0370 28 012A	143	001	2-C5
0223 27 401A	141- 1	024	2-G4	0376 28 012A	143	001	2-C5
0259 27 401	141	024	2-F4	0866 28 012A	143	001	2-C5
0223 27 402A	141- 1	024	2-G4	1137 28 012	147	001	2-F5

PARTS NUMBER	PARTS COMP. LIST PAGE	FIG. NO.	FICHE INDEX	PARTS NUMBER	PARTS COMP. LIST PAGE	FIG. NO.	FICHE INDEX
0118 56 242B	059	029	1-G7	0866 56 810C	228	013	3-D3
0118 56 242B	221- 1	036	3-H2	0585 56 830E	229	026	3-E3
0118 56 242B	224	032	3-J2	0866 56 830	228	015	3-D3
0118 56 242B	231	001	3-G3	0866 56 850	228	017	3-D3
0118 56 242B	235	037	3-E4	0866 56 850A	228	017	3-D3
0118 56 242B	278	031	3-E8	0376 56 880	229	019	3-E3
0247 56 274	344	058	4-H1	0376 56 880A	229	019	3-E3
1508 56 300	229	024	3-E3	0376 56 880B	229	019	3-E3
3518 56 300C	229	024	3-E3	0866 56 880	228	019	3-D3
0483 56 310	229	023	3-E3	0866 56 880A	229	019	3-E3
0866 56 310B	228	012	3-D3	0866 56 880B	229	019	3-E3
0866 56 310D	228	012	3-D3	0370 56 901A	229	031	3-E3
0586 56 330B	229	025	3-E3	0585 56 901B	229	028	3-E3
0866 56 330	228	014	3-D3	0585 56 901C	229	028	3-E3
1137 56 330	229	025	3-E3	0585 56 902	229	029	3-E3
0866 56 350B	228	016	3-D3	0820 56 905	278- 1	036	3-F8
0866 56 350C	228	016	3-D3	0820 56 905	342	036	4-F1
0376 56 381A	228	018	3-D3	8038 56 920	215	027	3-J1
0376 56 381B	228	018	3-D3	8038 56 940	229- 1	031	3-F3
0376 56 381C	228	018	3-D3	8038 56 940	231	031	3-G3
0866 56 381A	228	018	3-D3	8038 56 940A	229- 1	031	3-F3
0866 56 381B	228	018	3-D3	8038 56 940A	229- 1	031	3-F3
0866 56 381C	228	018	3-D3	8038 56 940A	231	031	3-G3
0866 56 400	229	020	3-E3	8038 56 940B	229- 1	031	3-F3
0866 56 405	352	018	4-E2	8038 56 940B	229- 1	031	3-F3
0866 56 450A	229	021	3-E3	8038 56 940B	231	031	3-G3
0866 56 450B	229	021	3-E3	8038 56 951	231	031	3-G3
0866 56 470A	229	022	3-E3	1128 56 960	347	013	4-K1
0866 56 470B	229	022	3-E3	0585 56 961	229- 1	035	3-F3
0866 56 481A	229	023	3-E3	0585 56 962	229- 1	036	3-F3
0866 56 481B	229	023	3-E3	0866 56 971	231	004	3-G3
0585 56 500B	229	027	3-E3	8038 56 972	231	005	3-G3
0866 56 519	227	007	3-C3	0376 56 981	227	008	3-C3
0585 56 540A	231	007	3-G3	1540 56 981	227	008	3-C3
0376 56 580B	228	010	3-D3	0866 56 991	347	009	4-K1
0866 56 580B	228	010	3-D3	0824 56 999	218- 1	033	3-E2
0866 56 580C	228	010	3-D3	3629 57 012A	258	030	3-F6
8038 56 610A	227	003	3-C3	3629 57 012A	263	032	3-J6
0208 56 615	231	005	3-G3	3629 57 013A	258	031	3-F6
0810 56 639	231	003	3-G3	3629 57 013A	263	033	3-J6
0459 56 751	293	040	3-E10	0317 57 015	248	029	3-G5
0866 56 781A	059	031	1-G7	0317 57 015	253	030	3-K5
0866 56 781A	059- 3	033	1-I7	0317 57 015	258	027	3-F6
0866 56 782	059	032	1-G7	0317 57 015	263	029	3-J6
0866 56 782	059- 3	034	1-I7	0585 57 015	258	032	3-F6



PARTS NUMBER		PARTS COMP. LIST PAGE	FIG. NO.	FICHE INDEX	PARTS NUMBER		PARTS COMP. LIST PAGE	FIG. NO.	FICHE INDEX
1011 69 430A09	385	045	4-F6	8038 69 611A	364	001	4-G3		
0376 69 431 00	357	022	4-J2	0585 69 612A05	363	002	4-F3		
0866 69 431 00	357	022	4-J2	3506 69 612	363	002	4-F3		
0866 69 431 00	359	011	4-C3	3506 69 612A	363	002	4-F3		
0866 69 461B36	357	020	4-J2	8038 69 612	363	002	4-F3		
0866 69 461B36	359	006	4-C3	8038 69 612A	363	002	4-F3		
0866 69 461B37	357	020	4-J2	0585 69 613A05	364	004	4-G3		
0866 69 461B37	359	006	4-C3	3506 69 613	364	004	4-G3		
0866 69 461B38	357	020	4-J2	3506 69 613A	364	004	4-G3		
0866 69 461B38	359	006	4-C3	8038 69 613	364	004	4-G3		
0376 69 462A00	357	021	4-J2	8038 69 613A	364	004	4-G3		
0376 69 462A25	357	021	4-J2	0585 69 616B05	365	006	4-H3		
0376 69 462A31	357	021	4-J2	0585 69 616C05	365	006	4-H3		
0376 69 511	355	005	4-H2	0585 69 616D05	365	006	4-H3		
0866 69 511 02	355	010	4-H2	0585 69 616D05	365	006	4-H3		
1504 69 511A02	355	010	4-H2	8038 69 616	365	006	4-H3		
1559 69 511B	355	005	4-H2	8038 69 616A	365	006	4-H3		
0376 69 521	355	008	4-H2	8038 69 616B	365	006	4-H3		
0866 69 521 02	356	017	4-I2	0585 69 617A05	364	005	4-G3		
1504 69 521A02	356	017	4-I2	0585 69 617B05	364	005	4-G3		
1559 69 521B	355	008	4-H2	0585 69 617C05	364	005	4-G3		
0866 69 541	365- 1	010	4-I3	8038 69 617	365	005	4-H3		
1636 69 541A	365- 1	010	4-I3	8038 69 617A	365	005	4-H3		
0866 69 542	365- 1	011	4-I3	8038 69 617B	365	005	4-H3		
0866 69 543A	365- 1	012	4-I3	0585 69 618A05	365	007	4-H3		
1636 69 543A	365- 1	011	4-I3	0585 69 618B05	365	007	4-H3		
0866 69 544A	365- 1	013	4-I3	0585 69 618B05	365	007	4-H3		
0899 69 561C31	361	030	4-E3	0585 69 618C05	365	007	4-H3		
0899 69 571C31	361	031	4-E3	8038 69 618	365	007	4-H3		
0582 69 611A05	363	003	4-F3	8038 69 618A	365	007	4-H3		
0582 69 611A05	364	003	4-G3	8038 69 618B	365	007	4-H3		
0585 69 611A05	363	003	4-F3	2981 69 623	249	037	3-H5		
0585 69 611A05	364	003	4-G3	2981 69 623	253	036	3-K5		
0585 69 611A05	364	003	4-G3	2981 69 623	259	046	3-G6		
1517 69 611A	364	003	4-G3	2981 69 623	264	048	3-K6		
1517 69 611A	364	003	4-G3	0866 69 625A05	365	008	4-H3		
1517 69 611B	364	003	4-G3	1529 69 625 05	365	008	4-H3		
3506 69 611	364	003	4-G3	0866 69 626A05	365	009	4-H3		
3506 69 611A	364	003	4-G3	1529 69 626 05	365	009	4-H3		
8038 69 611	363	003	4-F3	0866 69 627A05	365- 1	014	4-I3		
8038 69 611	364	003	4-G3	1529 69 627A05	365- 1	014	4-I3		
8038 69 611	364	003	4-G3	0585 69 628F	365- 1	017	4-I3		
8038 69 611A	363	003	4-F3	1529 69 629	365- 1	017	4-I3		
8038 69 611A	364	003	4-G3	0518 69 650	347	001	4-K1		
				8038 69 660	363	001	4-F3		

PARTS NUMBER		PARTS COMP. LIST PAGE	FIG. NO.	FICHE INDEX	PARTS NUMBER	PARTS COMP. LIST PAGE	FIG. NO.	FICHE INDEX
9928 21 901	199		016	2-G11	9928 50 800	195	007	2-D11
9928 21 901	199-	5	025	2-K11	9928 80 808	299	021	3-J10
9928 22 001	056		032	1-E7	9928 90 701	069	033	1-I8
9928 22 200	278		022	3-E8	9928 90 701	073	040	1-L8
9928 22 200	280		006	3-G8	9929 51 506	288	082	3-H9
9928 22 201	175		031	2-D9	9929 51 508	073	039	1-L8
9928 22 201	179		016	2-K9	9930 11 100	249	034	3-H5
9928 22 600	072		024	1-K8	9930 11 100	253	037	3-K5
9928 24 300	068		018	1-H8	9930 11 100	259	047	3-G6
9928 24 300	072		022	1-K8	9930 11 100	264	049	3-K6
9928 26 000	175		032	2-D9	9930 21 100	249	034	3-H5
9928 26 000	177-		021	2-I9	9930 61 400	079	004	1-F9
9928 26 000	180	4	032	2-L9	9930 62 000	010	009	1-J1
9928 31 000	055		022	1-D7	9930 62 000	015	014	1-C2
9928 31 000	056		035	1-E7	9930 63 500	010	010	1-J1
9928 31 000	059-	3	031	1-17	9930 63 500	015	015	1-C2
9928 31 000	059-	6	028	1-K7	9930 64 000	010	011	1-E1
9928 31 000	174		004	2-C9	9930 64 950	015	009	1-C2
9928 31 000	177-	5	039	2-J9	9930 71 600	064	004	1-E8
9928 31 000	179		013	2-K9	9933 50 4015	333	009	3-N14
9928 31 100	055		023	1-D7	9933 50 4066	333	010	3-N14
9928 31 100	058		010	1-F7	9933 50 8008	367	008	4-C4
9928 31 100	059-	2	009	1-H7	9934 00 4110	038-	3	025
9928 31 100	059-	6	019	1-K7	9934 00 4250	035-	4	038
9928 31 100	174		002	2-C9	9934 10 4100	299	018	3-J10
9928 31 100	174		005	2-C9	9934 10 4350	299	020	3-J10
9928 31 100	174		009	2-C9	9934 60 6150	174	003	2-C9
9928 31 100	175		025	2-D9	9934 60 6200	177-	5	036
9928 31 100	177-	4	027	2-I9	9934 60 6220	180	022	2-L9
9928 31 100	177-	5	035	2-J9	9934 60 6330	174	010	2-C9
9928 31 100	177-	5	046	2-J9	9934 60 6420	179	011	2-K9
9928 31 100	179		012	2-K9	9934 60 6520	174	007	2-C9
9928 31 200	055		024	1-D7	9934 60 6540	177-	5	037
9928 31 200	056		035	1-E7	9934 60 6580	174	016	2-C9
9928 31 200	058		011	1-F7	9934 60 6580	174	019	2-C9
9928 31 200	059-	2	010	1-H7	9934 60 6580	179	006	2-K9
9928 31 200	059-	5	003	1-J7	9934 60 6800	179	007	2-K9
9928 31 200	174		006	2-C9	9934 60 6880	175	023	2-D9
9928 31 200	175		026	2-D9	9934 60 6880	175	027	2-D9
9928 31 200	177-	5	045	2-J9	9934 60 6880	177-	5	042
9928 31 300	069		032	1-I8	9934 61 4400	175	021	2-D9
9928 31 300	073		035	1-L8	9934 61 4400	175	028	2-D9
9928 31 300	177		061	2-F9	9934 61 4400	177-	4	026
9928 31 300	177-	4	029	2-I9	9934 61 4700	180	018	2-L9
9928 31 300	180		026	2-L9	9934 70 6440	175	029	2-D9



PARTS NUMBER	PARTS COMP. LIST PAGE	FIG. NO.	FICHE INDEX	PARTS NUMBER	PARTS COMP. LIST PAGE	FIG. NO.	FICHE INDEX		
9996 70 500B	345-	1	072	4-J1	9997 10 600	006	022	1-G1	
9996 70 500B	357		024	4-J2	9997 10 600	012	031	1-L1	
9996 70 500B	359		013	4-C3	9997 10 600	019	003	1-F2	
9997 10 300	150		015	2-C6	9997 10 600	019	004	1-F2	
9997 10 300	151		022	2-D6	9997 10 600	031	034	1-L3	
9997 10 400	150		005	2-C6	9997 10 600	035-	3	018	1-G4
9997 10 400	150		006	2-C6	9997 10 600	048-	1	086	1-H6
9997 10 400	242-	2	030	3-M4	9997 10 600	061	015		1-C8
9997 10 400	367		017	4-C4	9997 10 600	064	005		1-E8
9997 10 400B	341		029	4-E1	9997 10 600	068	015		1-H8
9997 10 500	081-	1	030	1-I9	9997 10 600	075	008		1-C9
9997 10 500	092		004	1-C11	9997 10 600	081-	1	032	1-I9
9997 10 500	096		004	1-H11	9997 10 600	108	008		1-C13
9997 10 500	102-	1	027	1-F12	9997 10 600	134	021		2-G2
9997 10 500	106-	1	038	1-J12	9997 10 600	136-	4	020	2-D3
9997 10 500	234		021	3-D4	9997 10 600	136-	8	019	2-G3
9997 10 500	238		071	3-H4	9997 10 600	195	005		2-D11
9997 10 500	271		002	3-I7	9997 10 600	210	015		3-F1
9997 10 500	274		040	3-L7	9997 10 600	211	018		3-F1
9997 10 500	277		013	3-D8	9997 10 600	229-	1	032	3-F3
9997 10 500	277		017	3-D8	9997 10 600	234	015		3-D4
9997 10 500	284		022	3-D9	9997 10 600	234	016		3-D4
9997 10 500	288		087	3-H9	9997 10 600	235	028		3-E4
9997 10 500	293		038	3-E10	9997 10 600	242-	1	018	3-L4
9997 10 500	295		064	3-G10	9997 10 600	258	028		3-F6
9997 10 500	296		071	3-H10	9997 10 600	263	030		3-J6
9997 10 500	298		008	3-I10	9997 10 600	269-	1	016	3-G7
9997 10 500	325		027	3-E14	9997 10 600	273	038		3-K7
9997 10 500	331		018	3-L14	9997 10 600	284	026		3-D9
9997 10 500	331-	1	033	3-M14	9997 10 600	285	038		3-E9
9997 10 500	336		011	3-D15	9997 10 600	285	039		3-E9
9997 10 500	340		007	4-D1	9997 10 600	285	040		3-E9
9997 10 500	340		010	4-D1	9997 10 600	286	044		3-F9
9997 10 500	340		015	4-D1	9997 10 600	288	083		3-H9
9997 10 500	341		016	4-E1	9997 10 600	292	019		3-D10
9997 10 500	342		038	4-F1	9997 10 600	293	043		3-E10
9997 10 500	345		065	4-I1	9997 10 600	294	044		3-F10
9997 10 500	345		070	4-I1	9997 10 600	294	054		3-F10
9997 10 500	345-	1	074	4-J1	9997 10 600	294	055		3-F10
9997 10 500	385		039	4-F6	9997 10 600	295	055		3-G10
9997 10 500	393		002	4-C7	9997 10 600	295	059		3-G10
9997 10 500	395		034	4-E7	9997 10 600	296	074		3-H10
9997 10 500B	342		031	4-F1	9997 10 600	298	013		3-I10
9997 10 600	002		003	1-C1	9997 10 600	309	034		3-H11
9997 10 600	005		007	1-F1	9997 10 600	310	041		3-I11

 **HADI-MAZDA**  
*Club*

 **HADI-MAZDA**  
*Club*

 **HADI-MAZDA**  
*Club*