

is a versatile 27" borderless monitor with an advanced ergonomic design built for boosting productivity and efficiency at work.



VG2739



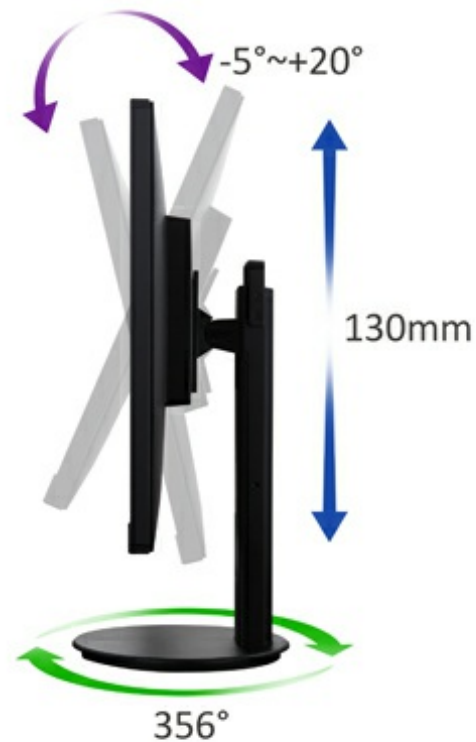
The ViewSonic VG2739 is a versatile 27" borderless monitor with an advanced ergonomic design built for boosting productivity and efficiency at work. VG2739 features an edge-to-edge borderless bezel, which allows you to set multiple monitors up side-by-side for extra screen real estate and efficiency at work. The ergonomic stand offers a wide range of tilt, swivel, pivot, and height adjustments, while Flicker-Free and Blue Light Filter eye-care technologies eliminate eye strain caused by extended viewing for a more comfortable and customizable experience. VG2739 delivers crystal clear picture quality with Full HD 1920×1080 resolution and an 80M:1 mega dynamic contrast ratio to meet the demands of all types of fast-paced professional business environments. Connectivity options including DisplayPort, HDMI, VGA, and USB 3.0 deliver future-proofed multitasking capabilities, while the VESA compatible design offers you the flexibility to wall-mount VG2739. In addition, with optional ViewSplit software, users can divide, organize, and customize your screen layout for better workflow efficiency.

Advanced comfort

Advanced ergonomic features allow VG2739 to provide a greater range of adjustments for increased comfort and productivity. Users can easily adjust the monitor to their desired angle to reduce

eyestrain and physical fatigue via swivel, pivot, tilt, and height adjustment options.

| **Swivel | Pivot | Tilt | Height adjustment** |



Unbounded viewing

The frameless bezel design delivers a fuller viewing experience and is convenient when used in multi-monitor setups by creating a simple, seamless transition between extended content side by side.

| **3 Sides frameless bezel** |



Flexible connectivity

HDMI, DisplayPort, VGA, and USB 3.0 inputs offer a wide range of compatibility, giving you the ultimate flexibility when connecting your high-definition devices.

| **HDMI** | **DisplayPort** | **VGA** | **USB 3.0** |

DisplayPort



HDMI



USB 3.0



VGA



MEGA dynamic contrast

A superior mega dynamic contrast ratio adds more definition to the relationship between the darkest and brightest colours on the screen to make sure images on VG2739 are full of details.

80M:1 DCR



Normal



80:1 DCR

Full HD 1080p

The VG2739 features Full HD 1920x1080 resolution for unbelievably clear pixel-by-pixel image performance. You'll experience amazing clarity and details whether working, gaming, or enjoying the latest entertainment.



Dual integrated speakers

Designed with dual integrated speakers, this monitor combines incredible screen performance with stereo sound for an immersive multimedia experience.

2W Speakers



Eye care technology

Flicker-Free technology and Blue Light Filter minimize eye strain over extended viewing periods.

Blue Light Filter & Flicker-Free



Blue light filter & Flicker Free

Lower energy consumption

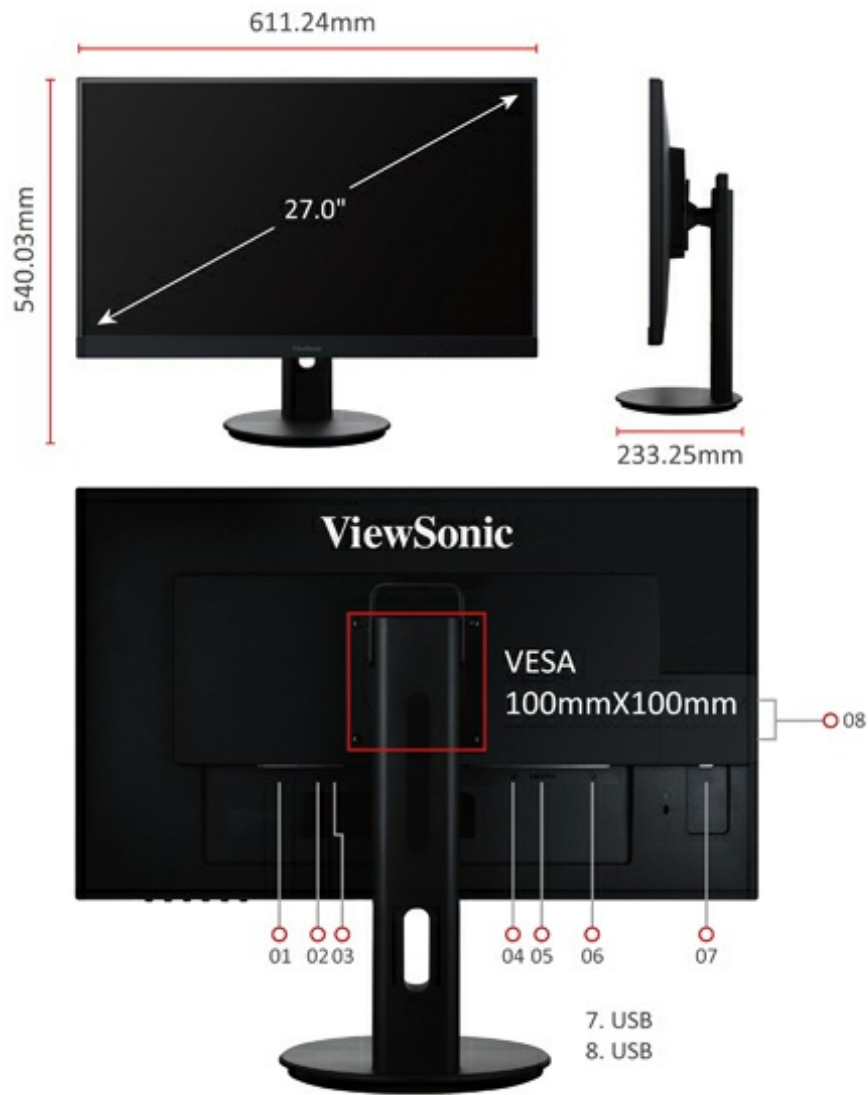
An energy-saving ECO-mode feature along with ENERGY STAR compliance incorporates energy efficiency and power savings into its stunning screen performance.

Eco mode



VESA compatibility

Conveniently mount the monitor exactly to your liking by utilizing the 100 x 100mm VESA compatible mount design.



- 1. Power
- 2. Line In
- 3. HeadPhone
- 4. DisplayPort
- 5. HDMI
- 6. VGA
- 7. USB
- 8. USB

Technical Specifications

LCD PANEL	Monitor Size	27"W (27" Viewable) LED Monitor
	Panel Technology	VA type
	Resolution	Full HD 1920 x 1080
	Display Area	596.6mm (H) x 336.15mm (V)
	Aspect Ratio	16:9
	Brightness	300 cd/m2 (Typ)
	Contrast Ratio	3000:1 (Typ)

Dynamic Contrast Ratio	80,000,000:1
Viewing Angle	178 degrees / 178 degrees (Typ)
Response Time	5 ms (GtG)
Colours	1.67M colors (RGB 8 bits)
Pixel Pitch	0.31125mm (H) x 0.31125mm (V)

INPUT SIGNAL	Frequency	FH = 24~82Hz; Fv = 50~75hz
	Sync	Separate Sync / Composite Sync / Sync on Green

COMPATIBILITY	PC	Windows 7, Windows 8, Window 8.1, Windows 10 certified
	Mac®	Power Mac tested

CONNECTOR	Digital	HDMI x 1 DisplayPort x 1
	Analog	VGA x 1
	Audio Out	Earphone out x 1
	Audio In	Audio in x 1

SPEAKERS	2W x 2
-----------------	--------

USB	USB 3.0 Upstream x 1 USB 3.0 Downstream: x 2
------------	---

POWER	Power	3-pin plug (CEE22) x 1
	Voltage	AC 100-240V (Universal); 50/60Hz
	Consumption	27W
	Optimize	22W
	Conserve	18W

ERGONOMICS	Tilt	20 ~ -5 degrees
	Swivel	356 degrees
	Rotation	90 degrees
	Height Adjustment	0 ~ 130mm

WALL MOUNT	VESA®	100mm x 100mm
-------------------	-------	---------------

OPERATING CONDITIONS	Temperature (° F / ° C)	32°F to 104°F (0°C to 40°C)
	Humidity	20% to 90% (no condensation)

DIMENSIONS (W x H x D) (mm)	Physical with stand (mm)	611 (W) x 540 (H) x 233 (D)
------------------------------------	--------------------------	-----------------------------

Physical without stand (mm)	611 (W) x 371 (H) x 53 (D)
Packaging (mm)	734mm (W) x 454mm (H) x 203mm (D)

WEIGHT

Net with stand (kg)	6.15kg
Net without stand (kg)	3.86kg
Gross (kg)	8kg

REGULATIONS

FCC-B, Energy Star 7.0, EPEAT, CE EMC, CB, RoHS Green BOM & RoHS DoC, ErP, REACH SVHC List & DoC, WEEE, TCO 7.0, GS, EAC / CU

PACKAGE CONTENTS

LCD Display
Power Cable (1.8m)
DP Cable (1.8m)
USB3.0 Cable (1.8m)
Quick Start Guide
*Actual content may differ from market to market

ViewSonic® Limited Warranty

ViewSonic provides customers with the security of a manufacturer's warranty against defected products. The type and duration of the applicable warranty service varies by product type, country of purchase and can also vary on an individual basis according to customer requirements agreed at time of purchase. The warranty will expire after the end of the warranty period.

For more product information, visit us at **www.viewsoniceurope.com**

All rights reserved by ViewSonic Corporation. All other Corporate names and trademarks are the property of their respective companies. E&EO. All prices and specifications are subject to change without written notice. Images are for illustrative purpose only. Terms & Conditions Apply.