



Hewlett Packard
Enterprise

HPE Advanced G2 Series Racks User Guide

Abstract

This document provides guidance for using HPE Advanced G2 Series racks.



Part Number: 868358-002
Published: March 2017
Edition: 2

Notices

The information contained herein is subject to change without notice. The only warranties for Hewlett Packard Enterprise products and services are set forth in the express warranty statements accompanying such products and services. Nothing herein should be construed as constituting an additional warranty. Hewlett Packard Enterprise shall not be liable for technical or editorial errors or omissions contained herein.

Confidential computer software. Valid license from Hewlett Packard Enterprise required for possession, use, or copying. Consistent with FAR 12.211 and 12.212, Commercial Computer Software, Computer Software Documentation, and Technical Data for Commercial Items are licensed to the U.S. Government under vendor's standard commercial license.

Links to third-party websites take you outside the Hewlett Packard Enterprise website. Hewlett Packard Enterprise has no control over and is not responsible for information outside the Hewlett Packard Enterprise website.

Acknowledgments

Intel[®], Itanium[®], Pentium[®], Intel Inside[®], and the Intel Inside logo are trademarks of Intel Corporation in the United States and other countries.

Microsoft[®] and Windows[®] are either registered trademarks or trademarks of Microsoft Corporation in the United States and/or other countries.

Adobe[®] and Acrobat[®] are trademarks of Adobe Systems Incorporated.

Java[®] and Oracle[®] are registered trademarks of Oracle and/or its affiliates.

UNIX[®] is a registered trademark of The Open Group.

Contents

- Configuration factors.....5**
 - Rack configuration software.....5
 - HPE eCo-Enterprise Configurator.....5
 - Optimum environment.....5
 - Space requirements.....5
 - Power requirements.....5
 - Temperature requirements.....6
 - Airflow requirements.....6

- Preparing the rack for component installation..... 7**
 - Warning labels..... 7
 - Checking the hardware..... 8
 - Hardware kit contents..... 8
 - Required tools..... 8
 - Removing the rack doors..... 8
 - Removing the front door.....9
 - Removing the rear doors.....9
 - Removing the side panels.....10
 - Stabilizing requirements..... 11
 - Rack Tie-down Option kit..... 12

- Installing components..... 13**
 - Installing components on an HPE Advanced G2 Series Rack..... 13
 - Installing the cage nuts..... 13
 - Installing the 1/4 turn hook-and-loop cabling strap clips..... 14

- Rack options.....16**
 - Ordering rack options..... 16
 - HPE Rack Baying kit options..... 19

- HPE Advanced G2 Series rack specifications.....21**

- Support and other resources.....24**
 - Accessing Hewlett Packard Enterprise Support..... 24
 - Accessing updates.....24
 - Websites..... 25
 - Customer self repair.....25
 - Documentation feedback..... 25

- Regulatory information.....26**
 - Turkey RoHS material content declaration..... 26
 - Ukraine RoHS material content declaration.....26
 - Warranty information.....26

Acronyms and abbreviations.....27

Configuration factors

Rack configuration software

To help you plan your rack configuration more efficiently, Hewlett Packard Enterprise provides eCo-Enterprise Configurator, a powerful web-based service that enables you to build, store, and export end-to-end rack configurations. Hewlett Packard Enterprise strongly recommends that you configure the rack using the eCo-Enterprise Configurator, which provides factory default racking. The latest version of the software is available on the [Hewlett Packard Enterprise website](#).

HPE eCo-Enterprise Configurator

The eCo-Enterprise Configurator provides factory default racking for Hewlett Packard Enterprise hardware. This approach is aligned with the strategic direction to meet the needs and expectations of valued customers. If you require a custom rack configuration, contact the Hewlett Packard Enterprise Customer Business Center or an authorized partner for assistance.

If you require factory default racking for the Hewlett Packard Enterprise hardware portfolio, you can use the HPE eCo-Enterprise Configurator, which is available on the [Hewlett Packard Enterprise website](#).

Optimum environment

Specific requirements for space, power, temperature, and airflow must be met to provide optimum performance with minimum maintenance for your rack environment.

For additional information, refer to the Best Practices document on the [Hewlett Packard Enterprise website](#).

Space requirements

When deciding where to place your rack:

- At least 1219 mm (48 in) of clearance is needed all the way around the pallet and above the rack to enable the removal of the packing material.
- At least 1219 mm (48 in) of clearance is needed in front of the rack to enable the door to open completely.
- At least 762 mm (30 in) of clearance is needed in the rear of the rack to provide access to components.
- At least 380 mm (15 in) of clearance is needed around a power supply to facilitate servicing.

Power requirements

When planning for power distribution requirements for your rack configuration:

- The power load must be balanced between available AC supply branch circuits.
- The overall system AC current load must not exceed 80% of the branch circuit AC current rating.
- If a UPS is used, the load should not exceed 80% of the marked electrical current rating for the UPS.

This equipment must be installed in accordance with local and regional electrical regulations governing the installation of information technology equipment by licensed electricians. This equipment is designed to operate in installations covered by the Nation Electric Code (ANSI/NFPA-70, 1993) and the code for protection of Electronic Computer/Data Processing Equipment (NFPA-75, 1992).

For electrical power ratings on options, refer to the products rating label or user documentation supplied with that option.

Temperature requirements

To ensure continued safe and reliable equipment operation, install or position the rack in a well-ventilated, climate-controlled environment.

The operating temperature inside the rack is always higher than the room temperature and is dependent on the configuration of equipment in the rack. Check the TMRA for each piece of equipment before installation.



CAUTION:

To reduce the risk of damage to the equipment when installing third-party options:

-
- Do not permit optional equipment to impede airflow around the component or to increase the internal rack temperature beyond the maximum allowable limits.
 - Do not exceed the manufacturer's TMRA.

Airflow requirements

Hewlett Packard Enterprise rack-mountable products typically draw in cool air through the front and exhaust warm air out through the rear of the rack. The front door of the rack, therefore, must be adequately ventilated to enable ambient room air to enter the rack, and the rear door must be adequately ventilated to enable the warm air to escape the rack. Do not block the ventilation apertures.

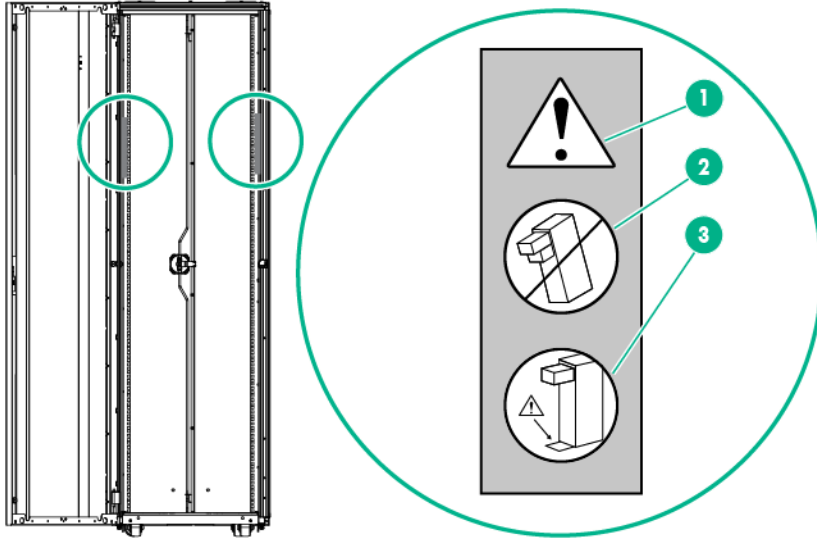
Blanking panels

If the front of the rack is not completely filled with components, the remaining gaps between the components can cause changes in the airflow, which can adversely affect cooling within the rack. Cover these gaps with blanking panels.

Preparing the rack for component installation

Warning labels

The following warning labels are located on the rack.



Item	Description
1	<p>This symbol in conjunction with any of the following symbols indicates the presence of a potential hazard. The potential for injury exists if warnings are not observed. Consult your documentation for specific details.</p>
2	<p>This symbol indicates the presence of risk of personal injury as the rack may become unstable if more than one component within the rack is extended for any reason.</p> <hr/> <p>⚠ WARNING: To reduce the risk of injury, only extend one component at a time.</p> <hr/>
3	<p>This symbol is to ensure that the rack is adequately stabilized before extending a component outside of the rack. Consult your documentation for specific details on how to stabilize the rack.</p> <hr/> <p>⚠ WARNING: To reduce the risk of injury, verify the rack is stabilized.</p> <hr/>

Checking the hardware

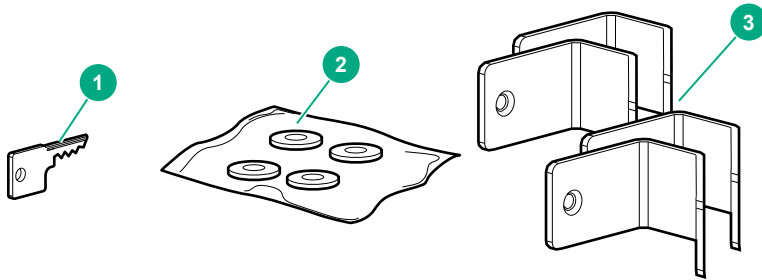
After unpacking the component to be installed, locate the documentation that was shipped with that component. Verify that you received all of the listed hardware pieces.

You will typically have extra fasteners after completing your component installation.

ⓘ IMPORTANT:
Retain the extra fasteners for future use.

Hardware kit contents

If any of the following items are missing or damaged, contact your Hewlett Packard Enterprise authorized reseller.



Item	Description	Quantity
1	Door/side panel key	2
2	Leveling pads	4
3	Baying bracket, 24"	4
4	Baying bracket, 6mm	4

Required tools

The following tools are required for installation:

- Flathead screwdriver
- T-25 Torx driver
- T-30 Torx driver
- Adjustable wrench
- Cage nut insertion tool

For comfort and efficiency while setting up your rack, use power tools where applicable.

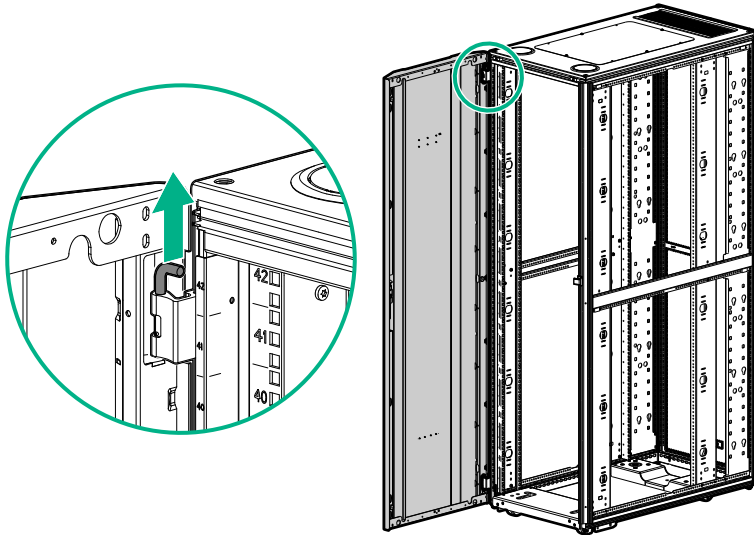
Removing the rack doors

To provide access to all sides of the rack while you are installing the various components, first remove the rack doors. If your rack has side panels, also remove them before installing mounting brackets and other hardware.

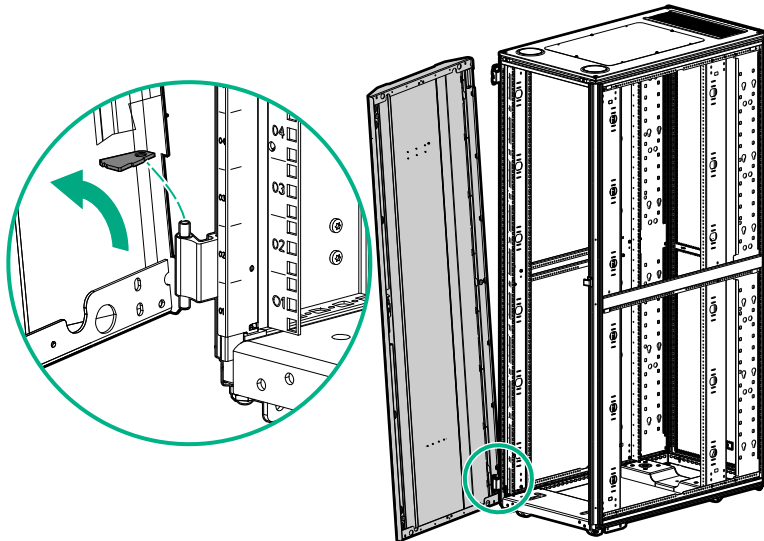
Removing the front door

Procedure

1. Unlock the door and open it.
2. Lift the top hinge pin up, and then tilt the door away from the rack.

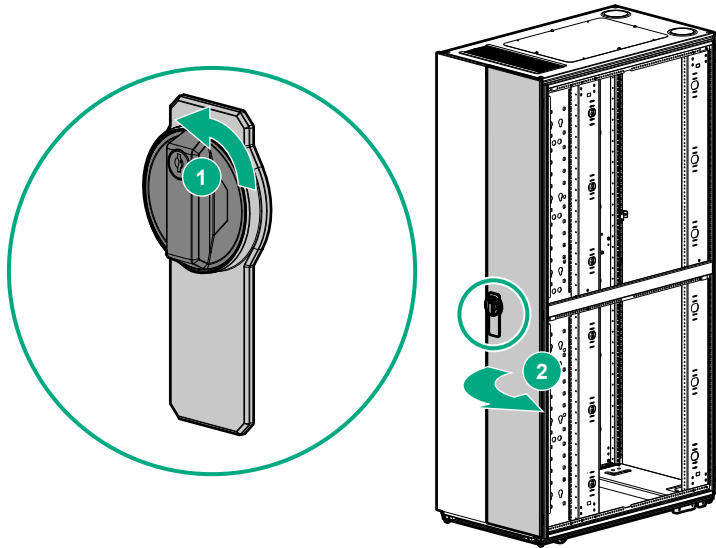


3. Lift the door up to remove it from the bottom hinge. Store the door in an upright position, taking care to protect it from damage.

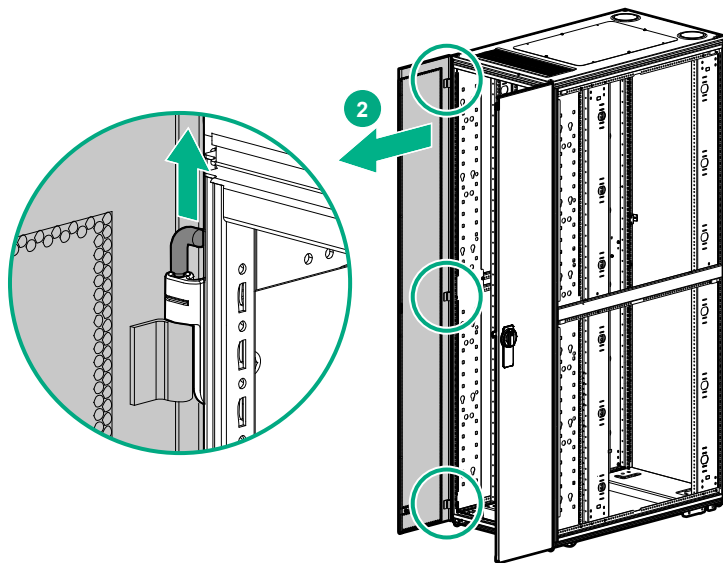


Removing the rear doors

1. Unlock the doors, and then open them.



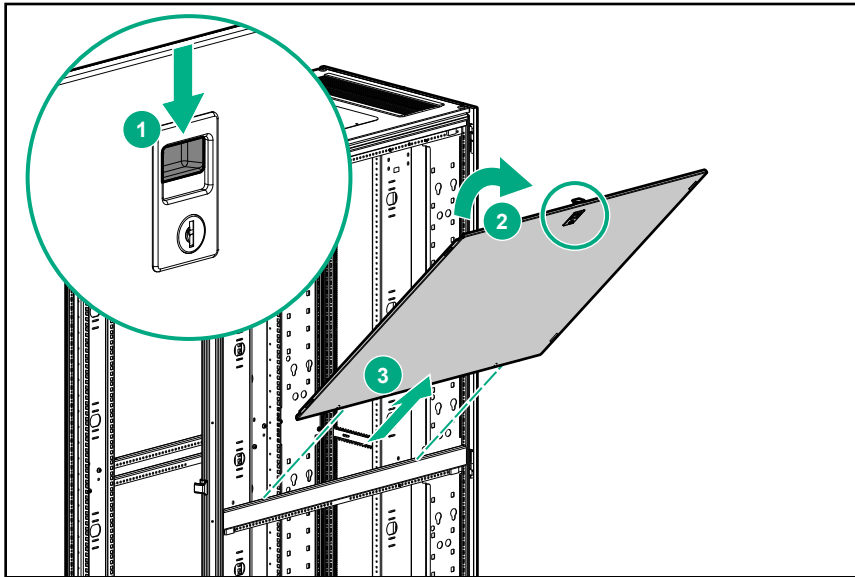
2. Open the hinge brackets by pulling up on the top hinge pin and pulling down on the bottom hinge pin for each door.
3. Lift the rear doors off of the hinge brackets (1), and remove them from the rack (2). Store the doors in an upright position, taking care to protect them from damage.



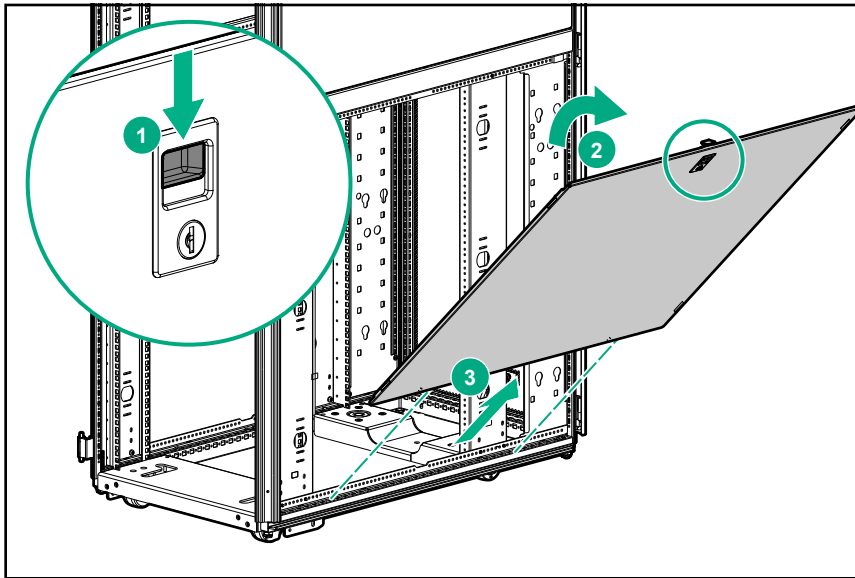
Removing the side panels

Procedure

1. Unlock the top side panel.
2. Tilt the panel at a 45 degree angle and slide it away from the rack.



3. Repeat steps 1 and 2 for the bottom side panel.



4. Store the panels in an upright position, taking care to protect them from damage.

To replace the side panels, reverse this procedure.

Stabilizing requirements

Rack stability is important when equipment is routinely installed, removed, or accessed within the rack. Stabilization can be achieved through the use of the Rack Tie-Down Option Kit.

The stabilizer kit is either required or recommended, depending on your rack configuration. There are four stabilizer kit options.

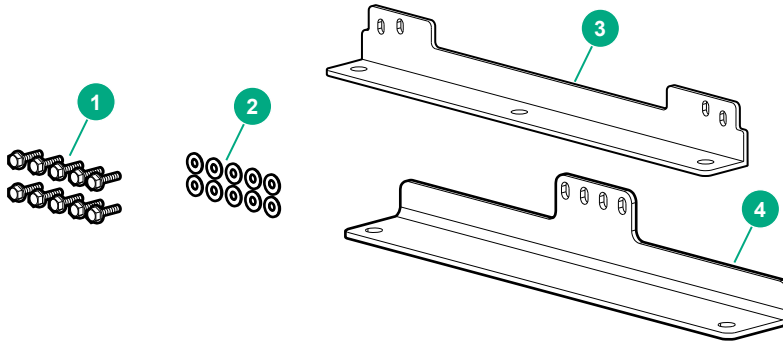
- The standard 600-mm (23.6 in) or 800-mm (31.5 in) front foot is required with deployments of stand-alone racks. Rack rows with four or more bayed racks, without a single rack-mountable component exceeding 99.8 kg (220 lb), do not need a stabilizer kit installed.
- The heavy duty 600-mm (23.6 in) front foot is required when a single rack-mountable component weighing 99.8 kg (220 lb) or more is installed in a stand-alone rack or in a rack belonging to a rack row of three or fewer bayed racks.

Observe the following guidelines when using multiple-rack configurations:

- A stabilizer kit is required or recommended, depending on your rack configuration.
- The side feet are required for standalone racks.
- The number of baying kits needed is one less than the total number of racks in a row.
- Position and install the baying option kit before populating the racks with components.
- The weight of the rack must rest on the leveling feet.

Rack Tie-down Option kit

The Rack Tie-Down Option kit is used to secure HPE Advanced G2 Series Racks to the floor.



Hewlett Packard Enterprise recommends having the building structural engineer drill the holes. Secure the rack to the floor with approved bolts and washers.

For more information, see the rack options installation guide for HPE Advanced G2 Series Racks.

Installing components

Installing components on an HPE Advanced G2 Series Rack

The following steps outline the sequence for installing rack-mountable components in a rack.

ⓘ IMPORTANT:

These installation instructions are for standard installations. For specific installation instructions, refer to the documentation included with the component.

Hewlett Packard Enterprise strongly recommends installing a stabilizer foot before any other component. Install 0U devices first, such as PDUs, console switches, and so on.

Procedure

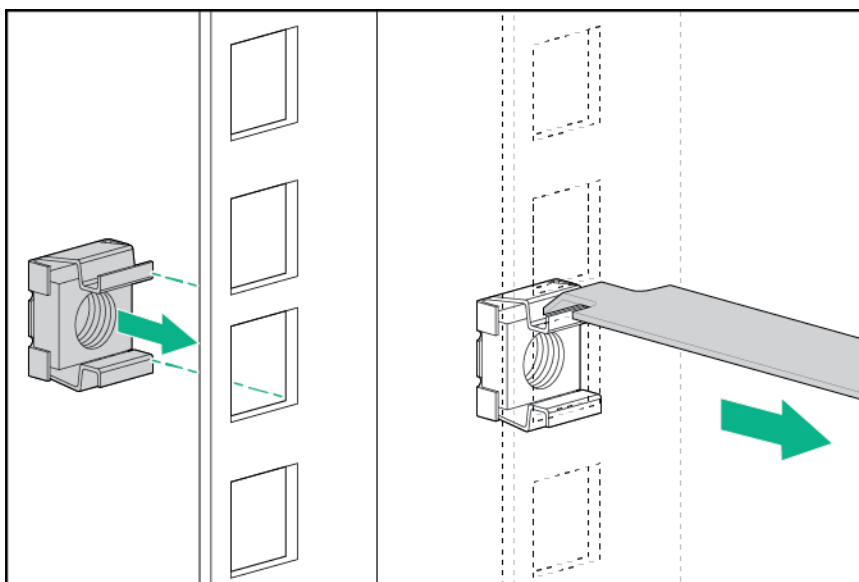
1. Install the cage nuts into the rack (if required).
2. Prepare and install the rails into the rack.
3. Prepare and install the component into the rack and secure it.
4. Attach the cable management arm to the rack and then to the component.
5. Attach any cables and power cords. Be sure to adhere to all cautions and warnings contained in the individual component installation instructions.
6. Remove the cable access panel and route the cables.

Installing the cage nuts

Use the cage nut insertion tool to install the cage nuts on the inside of the mounting rails.

Procedure

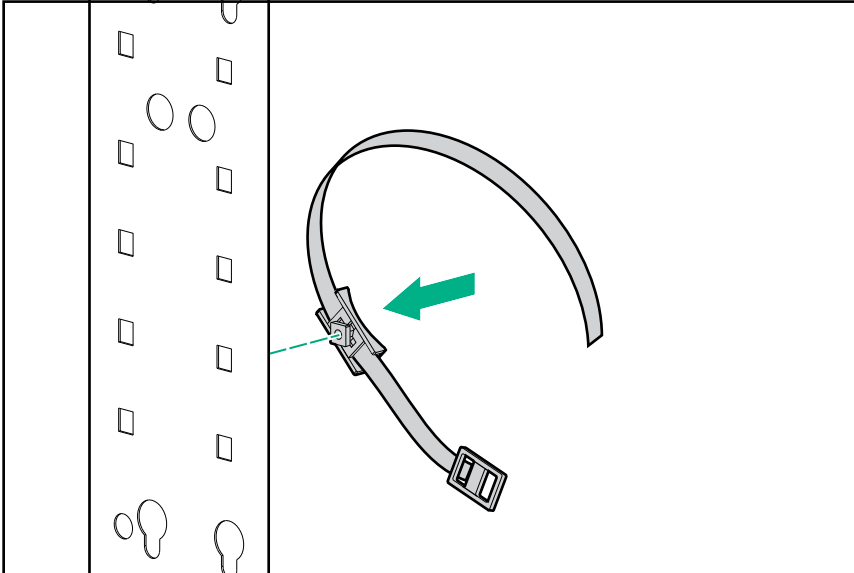
1. Hook the bottom lip of the cage nut in the square-rail perforation.
2. Insert the tip of the insertion tool through the perforation and hook the top lip of the cage nut.
3. Use the insertion tool to pull the cage nut through the hole until the top lip snaps into position.



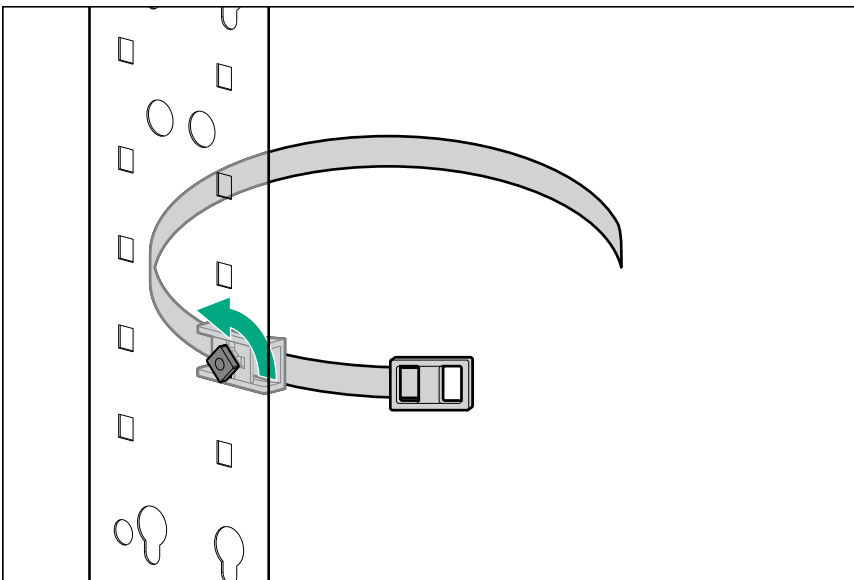
Installing the 1/4 turn hook-and-loop cabling strap clips

Procedure

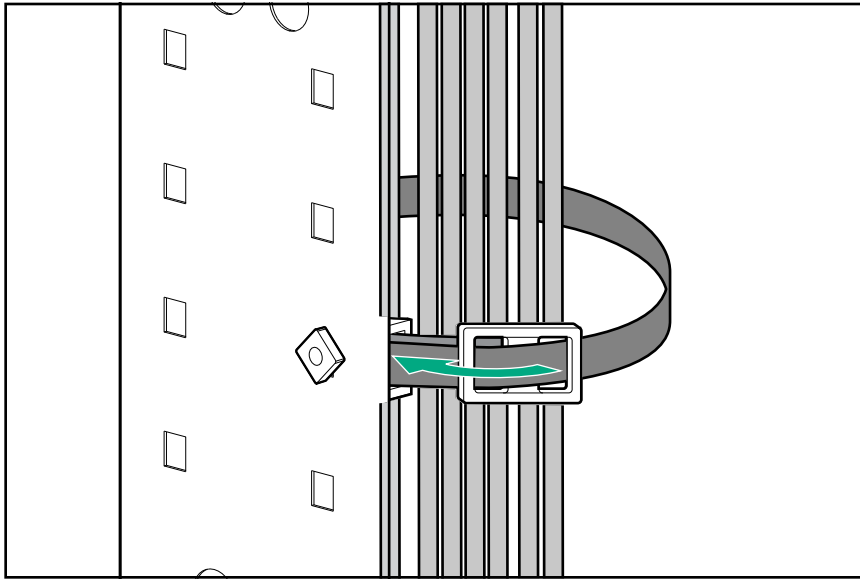
1. Route and secure your cables with the hook-and-loop cabling strap clips.
2. Turn the hook-and-loop cabling strap clip at a slight angle to align the square nut with the square hole on the rack.



3. Insert the square nut into the square hole on the rack, and then turn it at a 45 degree angle to lock it into place.



4. Bundle rack cables as required.



Rack options

Ordering rack options

Hewlett Packard Enterprise provides several rack option kits to complement or complete your rack solution. The following table lists the available rack option kits.

For information about ordering rack option kits, see the [Hewlett Packard Enterprise website](#), or contact your nearest authorized reseller.

HPE Advanced and Enterprise G2 Series racks

Rack option kit	Part number	Description
Rack Tie-down kit	AF076A (600mm) --or-- BW927A (800mm)	Seismic anchoring of rack (IBC zone 4 complaint)
100 Kilo Sliding Shelf kit	234672-B21	This kit enables easy access to various rack components.
1U Universal Filler Panel	BW928A (10pk) --or-- BW929A (100pk)	This kit ensures proper airflow within the rack.
Airflow Optimization kit	BW930A	The Airflow Optimization kit Improves rack airflow of your rack by preventing hot air recirculation to the front of the rack
Ballast kit	120672-B21	The Ballast kit provides additional stability and support when heavy equipment is installed, removed, or accessed within the rack.
Baying kit	P9L12A	The Baying kit joins multiple racks of the same series, height, and depth. This kit comes standard with HPE Advanced G2 Series racks.
Offset baying kit	BW941A --or-- BW952A	The Offset Baying kit enables you to connect multiple racks of different depths. To determine which Offset baying kit to use for your rack pair, see Baying kit options .

Table Continued

Rack option kit	Part number	Description
Cable Management Bracket kit	AF099A	The Cable Management Bracket kit enables you to manage your cable configurations. This kit includes a 1U and 2U front cable entry panel with brush inserts, 2x crossover cable brackets, 10x D-rings, 10x hook and loop straps (8 in), 10x hook and loop straps (10 in), and mounting hardware.
Cable Management Ring	168233-B21	The Cable Management Ring kit allows cables to be routed and organized within the rack. This kit includes 10 "D" rings.
Cable Management tray kit	383982-B21 (600mm) --or-- 383983-B21 (800mm) --or-- 383984-B21 (Rack top cable management transfer tray)	The HPE Rack Top Cable Management Tray connects two aisles of racks with HPE Rack Top Cable trays to run overhead cables.
Hook-and-loop Cabling Strap Clip kit	379820-B21	Hook-and-loop Cabling Strap kits enable you to manage your cable configurations.
1/4 Turn Hook and Loop Cabling Strap kit	BW963A (10 PK) --or-- BW964A (100 PK)	Hook-and-loop Cabling Strap kits enable you to manage your cable configurations.
Custom Door Branding kit	BW935A	The Custom Door Branding kit enables you to add your own brand name label to the rack
Ground Bonding kit	P9L11A	The Rack Grounding kit can be used to reduce the level of electromagnetic emissions outside of the rack. This kit includes (3) 6" grounding straps, (3) 14.5" grounding straps, (6) 6" grounding straps with connectors, and (6) 14.5" grounding straps with connectors.
LED light kit	BW939A	The LED light kit enables you to add LED lighting to the rack
Rack Hardware kit	H6J85A	Mounting hardware kit

Table Continued

Rack option kit	Part number	Description
Roof Mount Fan kit	257413-B21 (110V) --or-- 257414-B21 (220V)	The Roof Mount fan kit enhances natural convection cooling within the rack
Server/utility shelf kit	253449-B21	The Server/utility Shelf kit holds rack components inside of the rack.
Side Panel kit	P9L15A (42U, 1075mm) --or-- P9L16A (42U, 1200mm) --or-- P9L17A (48U, 1075mm) --or-- P9L18A (48U, 1200mm)	The Side Panel kit provides enclosures for the sides of a rack. This kit comes standard with HPE Advanced G2 Series racks.
Stabilizer kit	BW932A (600mm) --or-- BW933A (800mm)	Anti-tip stabilizer kits provide stability and support when equipment is installed, removed, or accessed within the rack. Heavy duty Stabilizer kits should be used when a single racked component exceeds 200lbs.
Heavy Duty V2 Stabilizer kit	BW961A (600mm)	Anti-tip stabilizer kits provide stability and support when equipment is installed, removed, or accessed within the rack. Heavy duty Stabilizer kits should be used when a single racked component exceeds 200lbs. This kit is only available for 600mm wide racks.

Table Continued

Rack option kit	Part number	Description
Depth Adjustable Fixed Rail kit	332558-B21	This kit contains two - 48.26cm (19 inches) to 78.74cm (31 inches) - depth adjustable rails that mount rack-mountable servers, storage boxes, UPSs, and networking products in third party racks. It also allows for most third-party rack-mountable products to be mounted in racks.
2U Universal Locking Drawer	361591-B21	This locking drawer is used to store instruction manuals, CD, tools or other items that is required frequently used at the rack and requires safekeeping. Kit includes sliding rails and lock with keys.

HPE Rack Baying kit options

Not all baying kits fit with all 42u x 600mm racks. Use the table below to determine which baying kit to use based on how the racks are set up in your data center. For example, if you want to connect a 42u x 600mm x 1200mm legacy rack to a 42u x 600mm x 1075mm HPE Advanced G2 series rack, using the table below, you can determine that an Offset baying kit (BW941A) is needed to connect the two racks.

NOTE:

The term "legacy" refers to any rack older than the HPE Advanced and Enterprise G2 Series racks.

	Legacy rack 42u x 600mm x 1000mm	Legacy rack 42u x 600mm x 1075mm	Legacy rack 42u x 600mm x 1200mm	HPE Advanced & Enterprise G2 racks 42u x 600mm x 1075mm	HPE Advanced & Enterprise G2 racks 42u x 600mm x 1200mm
Legacy rack 42u x 600mm x 1000mm	Baying kit (P9L12A)	Offset baying kit (BW952A)	N/A	N/A	N/A
Legacy rack 42u x 600mm x 1075mm	Offset baying kit (BW952A)	Baying kit (P9L12A)	Offset baying kit (BW941A)	Baying kit (P9L12A)	N/A
Legacy rack 42u x 600mm x 1200mm	N/A	Offset baying kit (BW941A)	Baying kit (P9L12A)	Offset baying kit (BW941A)	Baying kit (P9L12A)

Table Continued

	Legacy rack 42u x 600mm x 1000mm	Legacy rack 42u x 600mm x 1075mm	Legacy rack 42u x 600mm x 1200mm	HPE Advanced & Enterprise G2 racks 42u x 600mm x 1075mm	HPE Advanced & Enterprise G2 racks 42u x 600mm x 1200mm
HPE Advanced & Enterprise G2 racks 42u x 600mm x 1075mm	N/A	Baying kit (P9L12A)	Offset baying kit (BW941A)	Baying kit (P9L12A)	N/A
HPE Advanced & Enterprise G2 racks 42u x 600mm x 1200mm	N/A	N/A	Baying kit (P9L12A)	N/A	Baying kit (P9L12A)

HPE Advanced G2 Series rack specifications

HPE 22U 600x1075mm Advanced G2 Pallet rack

Part number	U height	Width	Depth	Dynamic CTO load (gross)	Static load
P9K03A	22U	597.92 mm (23.54 in)	1,125.22 mm (44.30 in)	—	1,131.61 kg (3,000 lbs)

HPE 22U 600x1075mm Advanced G2 Shock rack

Part number	U height	Width	Depth	Dynamic CTO load (gross)	Static load
P9K04	22U	597.92 mm (23.54 in)	1,125.22 mm (44.30 in)	1,133.98 kg (2,500 lbs)	1,131.61 kg (3,000 lbs)

HPE 36U 600x1075mm Advanced G2 Pallet rack

Part number	U height	Width	Depth	Dynamic CTO load (gross)	Static load
P9K05	36U	597.92 mm (23.54 in)	1,125.22 mm (44.30 in)	—	1,131.61 kg (3,000 lbs)

HPE 36U 600x1075mm Advanced G2 Shock rack

Part number	U height	Width	Depth	Dynamic CTO load (gross)	Static load
P9K06A	36U	597.92 mm (23.54 in)	1,125.22 mm (44.30 in)	1,133.98 kg (2,500 lbs)	1,131.61 kg (3,000 lbs)

HPE 42U 600x1075mm Advanced G2 Pallet rack

Part number	U height	Width	Depth	Dynamic CTO load (gross)	Static load
P9K07A	42U	597.92 mm (23.54 in)	1,125.22 mm (44.30 in)	—	1,131.61 kg (3,000 lbs)

HPE 42U 600x1075mm Advanced G2 Shock rack

Part number	U height	Width	Depth	Dynamic CTO load (gross)	Static load
P9K08A	42U	597.92 mm (23.54 in)	1,125.22 mm (44.30 in)	1,133.98 kg (2,500 lbs)	1,131.61 kg (3,000 lbs)

HPE 42U 600x1200mm Advanced G2 Pallet rack

Part number	U height	Width	Depth	Dynamic CTO load (gross)	Static load
P9K09A	42U	597.92 mm (23.54 in)	1,300.20 mm (51.19 in)	—	1,131.61 kg (3,000 lbs)

HPE 42U 600x1200mm Advanced G2 Shock rack

Part number	U height	Width	Depth	Dynamic CTO load (gross)	Static load
P9K10A	42U	597.92 mm (23.54 in)	1,300.20 mm (51.19 in)	1,133.98 kg (2,500 lbs)	1,131.61 kg (3,000 lbs)

HPE 42U 800x1075mm Advanced G2 Pallet rack

Part number	U height	Width	Depth	Dynamic CTO load (gross)	Static load
P9K11A	42U	797.80 mm (31.41 in)	1,125.22 mm (44.30 in)	—	1,131.61 kg (3,000 lbs)

HPE 42U 800x1075mm Advanced G2 Shock rack

Part number	U height	Width	Depth	Dynamic CTO load (gross)	Static load
P9K12A	42U	797.80 mm (31.41 in)	1,125.22 mm (44.30 in)	1,133.98 kg (2,500 lbs)	1,131.61 kg (3,000 lbs)

HPE 42U 800x1075mm Advanced G2 Network Pallet rack

Part number	U height	Width	Depth	Dynamic CTO load (gross)	Static load
P9K17A	42U	797.80 mm (31.41 in)	1,125.22 mm (44.30 in)	—	1,131.61 kg (3,000 lbs)

HPE 42U 800x1200mm Advanced G2 Pallet rack

Part number	U height	Width	Depth	Dynamic CTO load (gross)	Static load
P9K15A	42U	797.80 mm (31.41 in)	1,300.20 mm (51.19 in)	—	1,131.61 kg (3,000 lbs)

HPE 42U 800x1200mm Advanced G2 Shock rack

Part number	U height	Width	Depth	Dynamic CTO load (gross)	Static load
P9K16A	42U	797.80 mm (31.41 in)	1,300.20 mm (51.19 in)	1,133.98 kg (2,500 lbs)	1,131.61 kg (3,000 lbs)

HPE 42U 800x1200mm Advanced G2 Network Shock rack

Part number	U height	Width	Depth	Dynamic CTO load (gross)	Static load
P9K18A	42U	797.80 mm (31.41 in)	1,300.20 mm (51.19 in)	1,133.98 kg (2,500 lbs)	1,131.61 kg (3,000 lbs)

HPE 48U 600x1075mm Advanced G2 Pallet rack

Part number	U height	Width	Depth	Dynamic CTO load (gross)	Static load
P9K19A	48U	597.92 mm (23.54 in)	1,125.22 mm (44.30 in)	—	1,131.61 kg (3,000 lbs)

HPE 48U 800x1075mm Advanced G2 Pallet rack

Part number	U height	Width	Depth	Dynamic CTO load (gross)	Static load
P9K21A	48U	797.80 mm (31.41 in)	1,125.22 mm (44.30 in)	—	1,131.61 kg (3,000 lbs)

Support and other resources

Accessing Hewlett Packard Enterprise Support

- For live assistance, go to the Contact Hewlett Packard Enterprise Worldwide website:
<http://www.hpe.com/assistance>
- To access documentation and support services, go to the Hewlett Packard Enterprise Support Center website:
<http://www.hpe.com/support/hpesc>

Information to collect

- Technical support registration number (if applicable)
- Product name, model or version, and serial number
- Operating system name and version
- Firmware version
- Error messages
- Product-specific reports and logs
- Add-on products or components
- Third-party products or components

Accessing updates

- Some software products provide a mechanism for accessing software updates through the product interface. Review your product documentation to identify the recommended software update method.
- To download product updates:

Hewlett Packard Enterprise Support Center

www.hpe.com/support/hpesc

Hewlett Packard Enterprise Support Center: Software downloads

www.hpe.com/support/downloads

Software Depot

www.hpe.com/support/softwaredepot

- To subscribe to eNewsletters and alerts:

www.hpe.com/support/e-updates

- To view and update your entitlements, and to link your contracts and warranties with your profile, go to the Hewlett Packard Enterprise Support Center **More Information on Access to Support Materials** page:

www.hpe.com/support/AccessToSupportMaterials

❗ **IMPORTANT:**

Access to some updates might require product entitlement when accessed through the Hewlett Packard Enterprise Support Center. You must have an HP Passport set up with relevant entitlements.

Websites

General websites

Hewlett Packard Enterprise Information Library	www.hpe.com/info/EIL
Hewlett Packard Enterprise Support Center	www.hpe.com/support/hpesc
Contact Hewlett Packard Enterprise Worldwide	www.hpe.com/assistance
Subscription Service/Support Alerts	www.hpe.com/support/e-updates
Software Depot	www.hpe.com/support/softwaredepot
Customer Self Repair	www.hpe.com/support/selfrepair
Insight Remote Support	www.hpe.com/info/insightremotesupport/docs
Serviceguard Solutions for HP-UX	www.hpe.com/info/hpux-serviceguard-docs
Single Point of Connectivity Knowledge (SPOCK) Storage compatibility matrix	www.hpe.com/storage/spock
Storage white papers and analyst reports	www.hpe.com/storage/whitepapers

For additional websites, see [Support and other resources](#).

Customer self repair

Hewlett Packard Enterprise customer self repair (CSR) programs allow you to repair your product. If a CSR part needs to be replaced, it will be shipped directly to you so that you can install it at your convenience. Some parts do not qualify for CSR. Your Hewlett Packard Enterprise authorized service provider will determine whether a repair can be accomplished by CSR.

For more information about CSR, contact your local service provider or go to the CSR website:

<http://www.hpe.com/support/selfrepair>

Documentation feedback

Hewlett Packard Enterprise is committed to providing documentation that meets your needs. To help us improve the documentation, send any errors, suggestions, or comments to Documentation Feedback (docsfeedback@hpe.com). When submitting your feedback, include the document title, part number, edition, and publication date located on the front cover of the document. For online help content, include the product name, product version, help edition, and publication date located on the legal notices page.

Regulatory information

To view the regulatory information for your product, view the *Safety and Compliance Information for Server, Storage, Power, Networking, and Rack Products*, available at the Hewlett Packard Enterprise Support Center:

www.hpe.com/support/Safety-Compliance-EnterpriseProducts

Additional regulatory information

Hewlett Packard Enterprise is committed to providing our customers with information about the chemical substances in our products as needed to comply with legal requirements such as REACH (Regulation EC No 1907/2006 of the European Parliament and the Council). A chemical information report for this product can be found at:

www.hpe.com/info/reach

For Hewlett Packard Enterprise product environmental and safety information and compliance data, including RoHS and REACH, see:

www.hpe.com/info/ecodata

For Hewlett Packard Enterprise environmental information, including company programs, product recycling, and energy efficiency, see:

www.hpe.com/info/environment

Turkey RoHS material content declaration

Türkiye Cumhuriyeti: EEE Yönetmeliğine Uygundur

Ukraine RoHS material content declaration

Обладнання відповідає вимогам Технічного регламенту щодо обмеження використання деяких небезпечних речовин в електричному та електронному обладнанні, затвердженого постановою Кабінету Міністрів України від 3 грудня 2008 № 1057

Warranty information

To view the warranty for your product, see the *Safety and Compliance Information for Server, Storage, Power, Networking, and Rack Products* document, available at the Hewlett Packard Enterprise Support Center:

www.hpe.com/support/Safety-Compliance-EnterpriseProducts

Additional warranty information

HPE ProLiant and x86 Servers and Options	<u>www.hpe.com/support/ProLiantServers-Warranties</u>
HPE Enterprise Servers	<u>www.hpe.com/support/EnterpriseServers-Warranties</u>
HPE Storage Products	<u>www.hpe.com/support/Storage-Warranties</u>
HPE Networking Products	<u>www.hpe.com/support/Networking-Warranties</u>

Acronyms and abbreviations

CTO

configure to order

PDU

power distribution unit

TMRA

recommended ambient operating temperature

UPS

uninterruptible power system