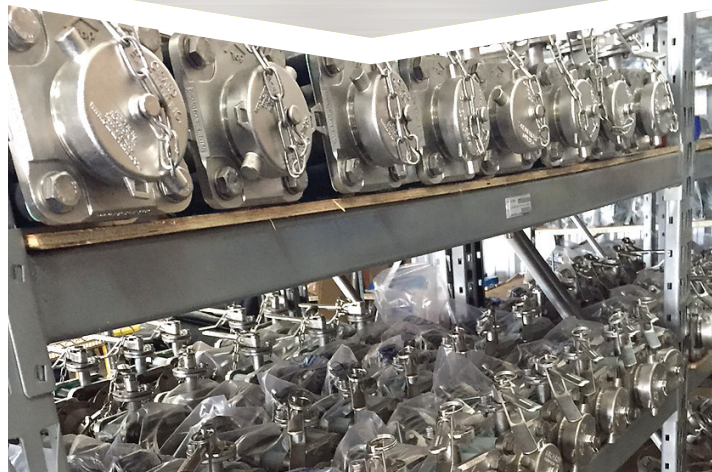




GIRARD ***EQUIPMENT, INC.***

Specialists for the Tank Transportation Industry Since 1952





Thank You FOR YOUR BUSINESS

Girard Equipment is dedicated to providing superior products with exceptional value. Our daily task is to remain one of the most trusted names in the North American Tank Trailer Industry.

By constantly seeking renewal through education and learning, Girard Equipment is heavily invested in the latest production technologies. We will always prove our dedication to our customers by providing superior products of exceptional value. Our efforts help our customers gain the competitive advantage they will need in their markets. We always have and always will continue to apply the best business practices to ensure an exceptional buying experience for our customers around the world.

To provide the highest standards of service available, Girard takes great pride in its well trained domestic and international field representatives and customer service personnel. Representatives of Girard Equipment are expected to serve its customers with the highest level of technical knowledge in the industry.

Girard promotes the principals of a growth-oriented environment and encourages all of our employees to be highly productive and to grow personally and professionally every day.

This catalog contains most of our products for the North American style of Tank Trailers. We want to emphasize that we also build a variety of custom products for our many customers. Feel free to speak to one of our Sales Representatives about any item not seen in our catalog. In 2012, we opened our own purpose-built foundry to supply our growing needs for quality castings. From an original concept to the finished part, ***we can provide a solution to fit your needs.***

Sincerely,

Timothy Girard

Timothy Girard
President
Girard Equipment, Inc.

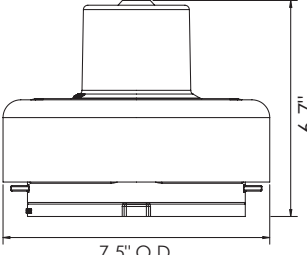
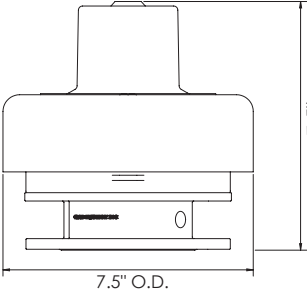
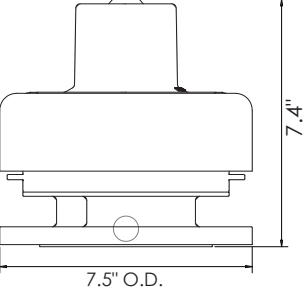


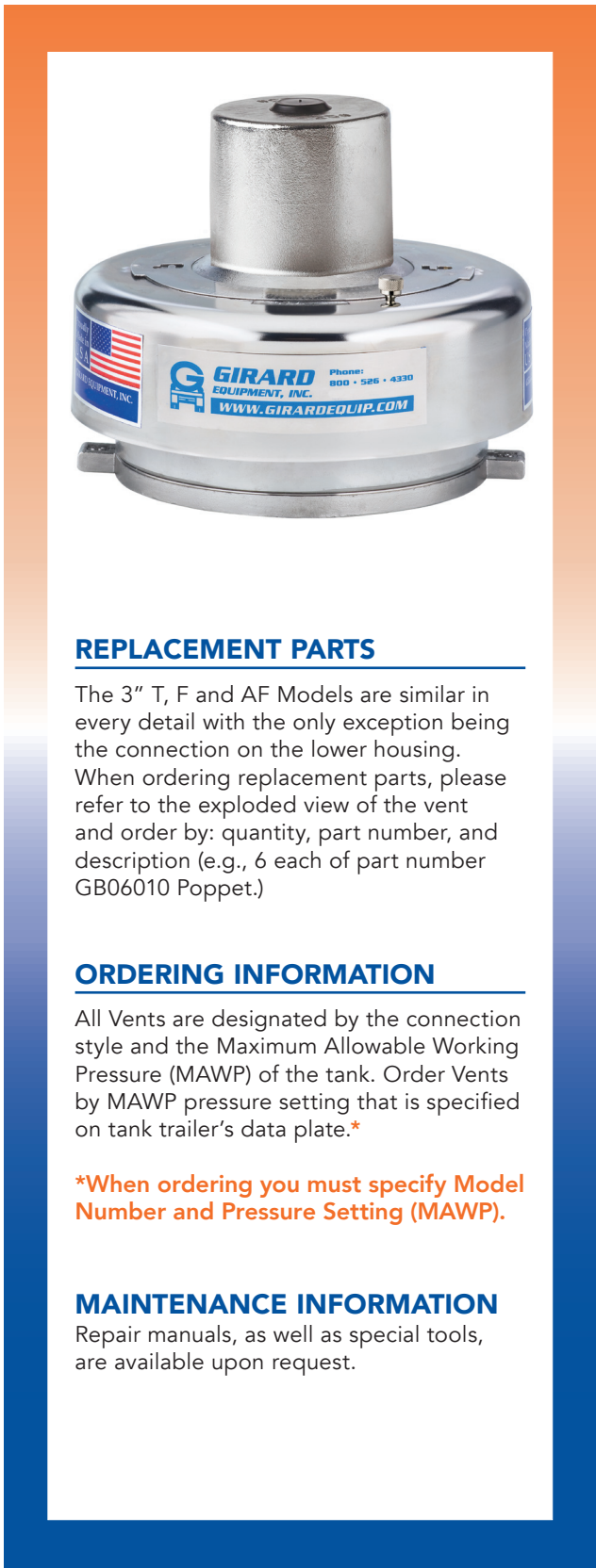
	Model Number: DOT 407 Pressure Relief Vents	
	3" DOT 407 Pressure Relief Vent.....	1
	4" DOT 407 Pressure Relief Vent.....	3
	DOT 407 Combination Pressure/Vacuum Relief Vent.....	5
	3" & 4" NPS DOT 407 Swivel Vent.....	7
	Special "Weld-In" DOT 407 Pressure Relief Vent.....	9
	Special Venting - 2" NPT Aerovent.....	11
	3" Multipurpose Pressure/Vacuum Combo Vent.....	12
	4" ANSI Flange GEILINER® VENT.....	13
	3" ANSI Flange GEILINER® VENT.....	14
	2" ANSI Flange GEILINER® VENT.....	15
	DOT 407 GEILINER® VENT Combo Pressure/Vacuum Relief Vent.....	16
	Model Number: DOT 407 Magnetic Vacuum Breakers	
	"New Generation" DOT 407 Magnetic Vacuum Breaker.....	17
	3" ANSI Flange DOT 407 GEILINER® Magnetic Vacuum Breaker.....	20
	Pressure Relief Vents	
	MC 307 Pressure Relief Vent.....	21
	Valve Seat Kit (VSKs).....	23
	Test Box.....	23
	3" Magnetic Vacuum Breaker (MC 307 Style)	
	Connections Styles, Valve Housings and Parts.....	25
	Manways	
	Manway.....	27
	Security Dome.....	28
	Test Fixture.....	28
	Superdome Manway.....	30
	Vapor Recovery Adapters	
	Hydraulic - One and Two Outlet Design.....	31
	Air Operated.....	33
	Manually Operated.....	34
	Air Unloading Assemblies.....	34
	Chemical Unloading Equipment	
	HydraFlo Valve.....	35
	ChemOvation Valve.....	37
	Sumps.....	39
	Hydraulic Pump.....	39
	HASCO Valve.....	40
	Miscellaneous Accessories	
	Caps and Reducers.....	41
	Spanner Wrench, NEW Rain Cover Retaining Screws.....	42
	Cone Strainers.....	42
	Gaskets	
	Teflon® Envelope Gaskets.....	43
	Ring Type Gaskets.....	44

FUNCTION

Our DOT 407 Vent combines a low profile, light weight design with increased flow rates to meet the most demanding needs of virtually any DOT 407 tank. See table on next page for specific flow rates.

The stainless steel valve seat seals on a Teflon® encapsulated silicone O-Ring. This O-Ring provides complete chemical resistance and a bubble-tight seal to meet the latest DOT requirements. The unit also meets the surge requirements of 178.345-10 (b) (3) (ii) 1 liter.

Model	Description
	<p>DOT 3X407T (GA00100) (25# MAWP) Vent with a 3" NPS female pipe thread. Attaches to a 3" pipe nipple and seals against a solid Teflon® O-Ring gasket.</p> <p>Weight: 12 lbs.</p> <p>Installed Height: 5 1/4" over the top of the pipe nipple</p>
	<p>DOT 3X407F (GA10100) (25# MAWP) Vent to mount on a 3" TTMA flange. Supplied with a Teflon® envelope flange gasket.</p> <p>Weight: 19 lbs.</p>
	<p>DOT 3X407AF (GA40100) (25# MAWP) Vent to mount on a 3", 4-Bolt ANSI flange. Supplied with a Teflon® envelope flange gasket and a 1/4" NPS with a tap for a gauge.</p> <p>Weight: 15 lbs.</p>



REPLACEMENT PARTS

The 3" T, F and AF Models are similar in every detail with the only exception being the connection on the lower housing. When ordering replacement parts, please refer to the exploded view of the vent and order by: quantity, part number, and description (e.g., 6 each of part number GB06010 Poppet.)

ORDERING INFORMATION

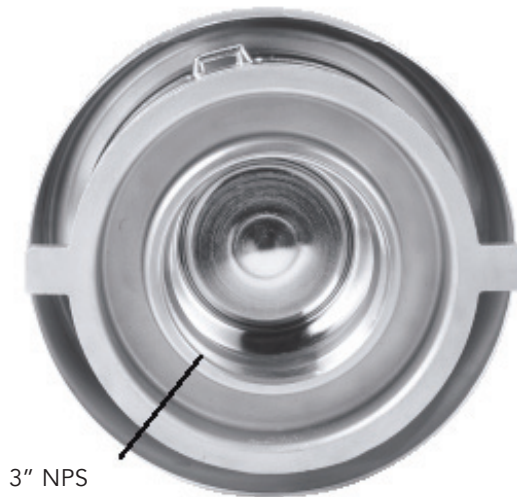
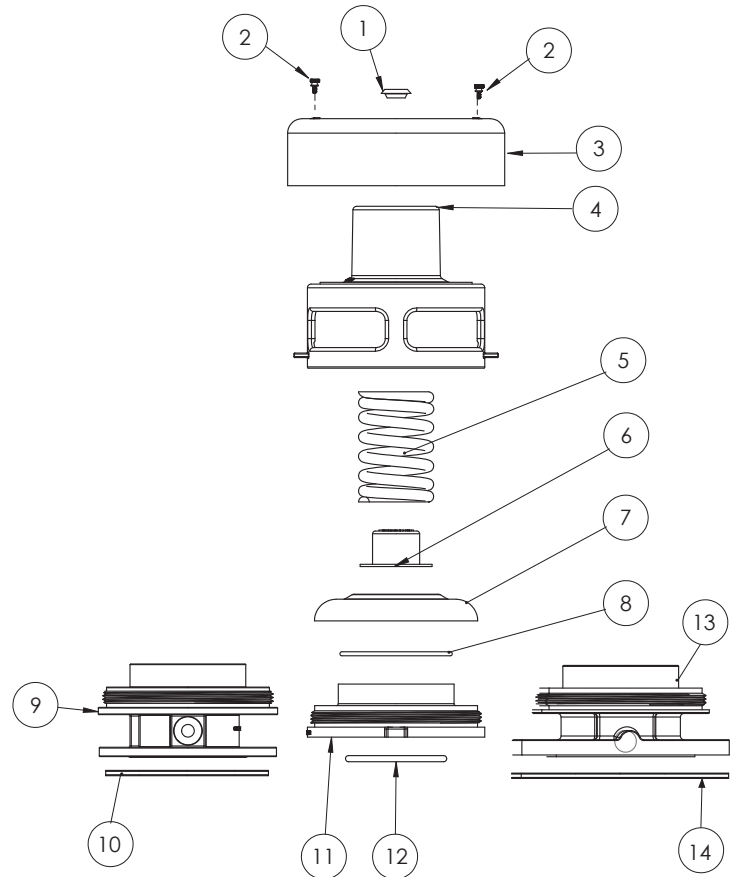
All Vents are designated by the connection style and the Maximum Allowable Working Pressure (MAWP) of the tank. Order Vents by MAWP pressure setting that is specified on tank trailer's data plate.*

***When ordering you must specify Model Number and Pressure Setting (MAWP).**

MAINTENANCE INFORMATION

Repair manuals, as well as special tools, are available upon request.

ITEM	PART NO.	DESCRIPTION
1	GB19000	Upper Housing Hole Plug
2	GB03020	Rain Cover Retaining Screw 8-32 x 3/8 (NEW see p.42)
3	GB03010	Rain Cover
4	GB04001	Upper Housing, 25#
5	GB05000	Pressure Spring - 25#, 30# MAWP Vents, all others please consult with Girard
6	GB25010	Spring Retainer
7	GB06010	Poppet
8	GB07000	Teflon® O-Ring Pressure
9	GB20000	3" TTMA Flanged Lower Housing
10	GM32100	8-Hole 3" TTMA Teflon® Envelope Gasket
11	GB18000	3" NPS Connection Threaded Lower Housing
12	GM30010	3" Teflon® O-Ring Gasket
13	GB21000	3" ANSI Flange, Lower Housing
14	GM32150	3" ANSI Teflon® Envelope Gasket



3" NPS
Female
Thread

PERFORMANCE SPECIFICATIONS (3" DESIGN)

MAWP	TEST PRESSURE	FLOW (SCFH)	EXPOSED SURFACE
25	40	383,114	768
25	45	418,367	897
30	45	418,367	897
35	52.5	460,443	1061

MATERIALS OF CONSTRUCTION

All metallic parts	316L Stainless Steel
O-Ring	Teflon® Encapsulated Silicone
Gasket	Teflon®

Teflon® is a Registered Trademark of Dupont.

FUNCTION

Our DOT 407 Vent combines a low profile, light weight design with increased flow rates to meet the most demanding needs of virtually any DOT 407 tank. *See table on next page for specific flow rates.*

The stainless steel valve seat seals on a Teflon® encapsulated silicone O-Ring. This O-Ring provides complete chemical resistance and a bubble-tight seal to meet the latest DOT requirements. The unit also meets the surge requirements of 178.345-10 (b) (3) (ii) 1 liter.

Model	Description
	<p>DOT 407LT (GA00010) (25# MAWP) Vent with a 4" NPS female pipe thread. Attaches to a 4" pipe nipple and seals against a solid Teflon® ring gasket.</p> <p>Weight: 12 lbs.</p> <p>Installed Height: 5 1/2" over the top of the pipe nipple.</p>
	<p>DOT 407LF (GA10010) (25# MAWP) Vent to mount on a 4" TTMA flange. Cast for a 3/8" Hex Bolt and a Teflon® envelope flange gasket.</p> <p>Weight: 15 lbs.</p>
	<p>DOT 407LS1 (GA21010) (25# MAWP) Stub end vent. Lower housing ends in a straight stub end. Designed to be welded to the tank shell.</p> <p>Weight: 16 lbs.</p>
	<p>DOT 407LAF (GA40010) (25# MAWP) Vent to mount on a 4" ANSI, 8-Bolt flange. Supplied with a Teflon® envelope flange gasket.</p> <p>Weight: 25 lbs.</p>



REPLACEMENT PARTS

The 4" T, F and AF Models are similar in every detail with the only exception being the connection on the lower housing. When ordering replacement parts, please refer to the exploded view of the vent and order by: quantity, part number, and description (e.g., 6 each of part number GB06010 Poppet.)

ORDERING INFORMATION

All Vents are designated by the connection style and the Maximum Allowable Working Pressure (MAWP) of the tank. Order Vents by MAWP pressure setting that is specified on tank trailer's data plate.*

***When ordering you must specify Model Number and Pressure Setting (MAWP).**

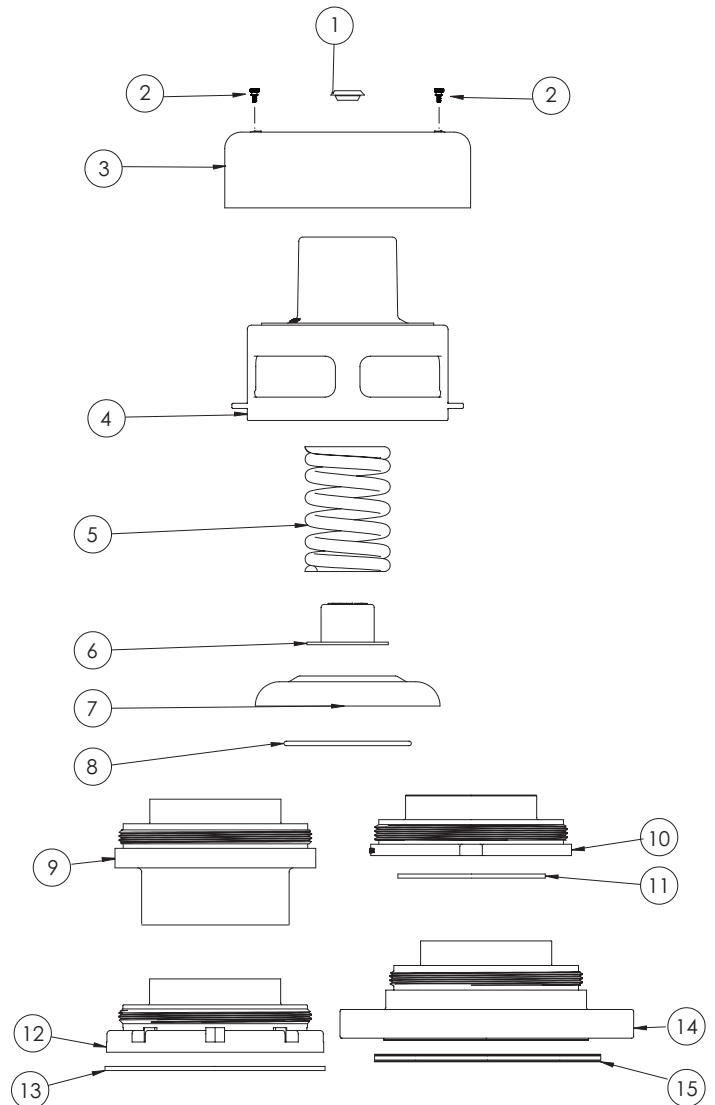
MAINTENANCE INFORMATION

Repair manuals, as well as special tools, are available upon request.

ITEM	PART NO.	DESCRIPTION
1	GB19000	Upper Housing Hole Plug
2	GB03020	Rain Cover Retaining Screw 8-32 x 3/8 (NEW see p.42)
3	GB03010	Rain Cover
4	GB04001	Upper Housing, 25#
5	GB05000	Pressure Spring - 25#, 30# MAWP Vents, all others please consult with Girard
6	GB25010	Spring Retainer
7	GB06010	Poppet
8	GB07000	Teflon® O-Ring Pressure
9	GB12010	Stub End, Lower Housing
10	GB11010	4" NPS Connection Threaded Lower Housing
11	GM40000	4" Teflon® Ring Gasket
12	GB14010	4" TTMA Flanged, Lower Housing
13	GM42100	4" TTMA Teflon® Envelope Gasket
14	GB15010	4" ANSI Flanged, Lower Housing
15	GB16000	4" ANSI Teflon® Envelope Gasket

PERFORMANCE SPECIFICATIONS (4" DESIGN)

MAWP	TEST PRESSURE	FLOW (SCFH)	EXPOSED SURFACE
25	40	426,983	930
25	45	466,115	1083
30	45	466,115	1083
35	52.5	484,718	1156



MATERIALS OF CONSTRUCTION

All metallic parts	316L Stainless Steel
O-Ring	Teflon® Encapsulated Silicone
Gasket	Teflon®

Repair and Disassembly: (Patent #9,121,523 B2) Pressure spring "caging" mechanism only available from Girard Equipment. This disassembly feature allows users to easily disassemble the vent in less than one minute.



1) Remove the Plug.



2) Insert the T-Wrench into the Spring Retainer.

3) Tighten the Lifting Nut.



4) Remove the Upper Housing.



5) Remove and replace the O-Ring.

FUNCTION

This spring-loaded, dual-acting pressure and vacuum relief vent provides much needed protection from dangerous build-up of positive and negative forces, known as pressure and vacuum, on tank trailers transporting hazardous chemicals. Each vent is carefully assembled and tested to each customers' exact specifications. Careful attention was paid to the design around the idea of a minimization of repair parts and a vent which could be easily disassembled with simple hand tools.

DISASSEMBLY

Our patented design can be disassembled using our pressure spring "caging" disassembly feature (See page 4). This feature effectively "traps" the spring and reduces the internal pressure enough to allow easy separation of the valve housings. The main wearable parts are exposed, facilitating cleaning and repair. The vent can be returned to service within minutes.

MATERIALS OF CONSTRUCTION

All metallic parts	316L Stainless Steel
O-Ring	Teflon® Encapsulated Silicone
Gasket	Teflon®

PERFORMANCE SPECIFICATIONS (3" DESIGN)

MAWP	TEST PRESSURE	FLOW (SCFH)	EXPOSED SURFACE
25	40	383,114	768
25	45	418,367	897
30	45	418,367	897
35	52.5	460,443	1061

PERFORMANCE SPECIFICATIONS (4" DESIGN)

MAWP	TEST PRESSURE	FLOW (SCFH)	EXPOSED SURFACE
25	40	426,983	930
25	45	466,115	1083
30	45	466,115	1083
35	52.5	484,718	1156

VACUUM PERFORMANCE

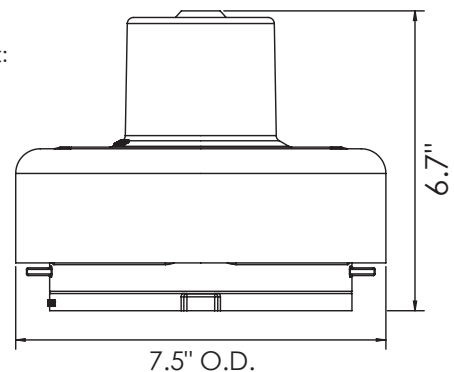
3,726 SCFH



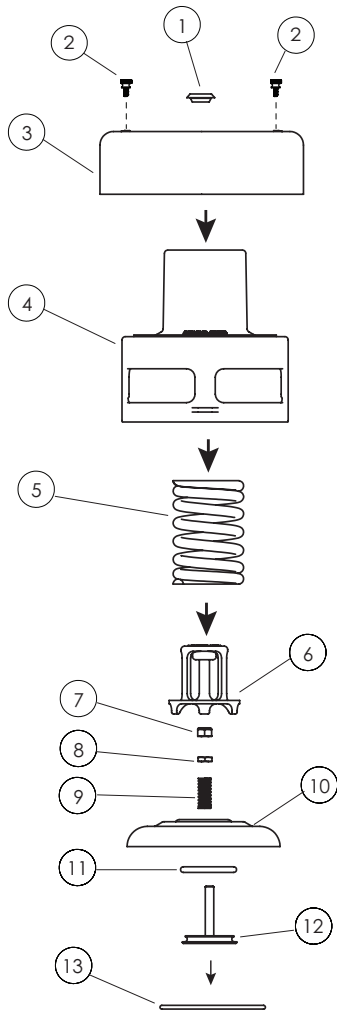
3" DOT 3X407TWV (GA00300) (25# MAWP) and 4" DOT 407LTWV (GA00400) (25# MAWP)

Weight: 11 lbs.

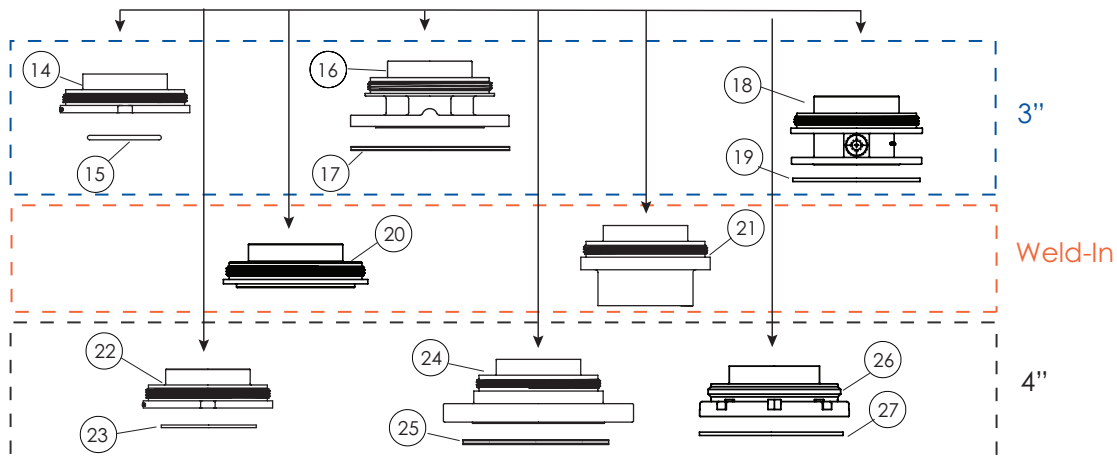
Installed Height: 5 1/4" over the top of the pipe nipple



PARTS AND ORDERING INFORMATION



ITEM	PART NO.	DESCRIPTION
1	GB19000	Upper Housing Hole Plug
2	GB03020	Rain Cover Retaining Screw 8-32 x 3/8
3	GB03010EP	Rain Cover
4	GB04002	Upper Housing, 25#
5	GB05000	Pressure Spring - 25#, 30# MAWP Vents, all others please consult with Girard
6	GB25000	Spring Retainer (Pressure/Vacuum Combo)
7	GR05010	Hex Lock Nut
8	GR05000	Hex Jam Nut
9	GR06000	Vacuum Spring
10	GB06060EP	Poppet
11	GB07715	Teflon® O-Ring Vacuum
12	GB09000	Vacuum Poppet
13	GB07000	Teflon® O-Ring Pressure
14	GB18000	3" NPS Threaded Lower Housing
15	GM30010	3" Teflon® O-Ring Gasket
16	GB21000	3" ANSI Flanged Lower Housing
17	GM32150	3" ANSI Teflon® Envelope Gasket
18	GB20000	3" TTMA Flanged Lower Housing
19	GM32100	8-Hole 3" TTMA Teflon® Envelope Gasket
20	GB17000	Weld-In Lower Housing - Low Profile
21	GB12010	Stub End Lower Housing
22	GB11010	4" NPS Threaded Lower Housing
23	GM40000	4" Teflon® Ring Gasket
24	GB15010	4" ANSI Flanged Lower Housing
25	GB16000	4" ANSI Teflon® Envelope Gasket
26	GB14010	4" TTMA Flanged Lower Housing
27	GM42100	4" TTMA Teflon® Envelope Gasket



FUNCTION

Girard Equipment Pressure Relief Vents are now available with a 4-inch or 3-inch swivel connection. This valve was designed to allow easy positioning of air inlet assemblies and/or pressure gauges. Pressure Only and Pressure/Vacuum styles are available. Common repair parts are interchangeable with all other styles of Girard DOT 407 Vents.

MATERIALS OF CONSTRUCTION

All metallic parts	316L Stainless Steel
O-Ring	Teflon® Encapsulated Silicone
Gasket	Teflon®

PERFORMANCE SPECIFICATIONS (3" DESIGN)

MAWP	TEST PRESSURE	FLOW (SCFH)	EXPOSED SURFACE
25	40	383,114	768
25	45	418,367	897
30	45	418,367	897
35	52.5	460,443	1061

PERFORMANCE SPECIFICATIONS (4" DESIGN)

MAWP	TEST PRESSURE	FLOW (SCFH)	EXPOSED SURFACE
25	40	426,983	930
25	45	466,115	1083
30	45	466,115	1083
35	52.5	484,718	1156

VACUUM PERFORMANCE

3,726 SCFH

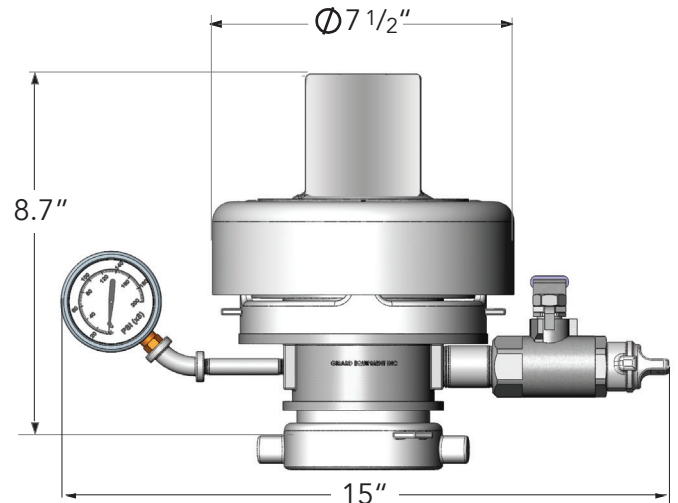
ORDERING INFORMATION

3" CONNECTIONS - PRESSURE ONLY

DOT 3X407T-SVL (GA00200)	25# MAWP
DOT 3X407T1-SVL (GA01200)	30# MAWP
DOT 3X407T2-SVL (GA02200)	35# MAWP
DOT 3X407T3-SVL (GA03200)	Special Setting (Specify)

3" CONNECTIONS - PRESSURE/VACUUM COMBO

DOT 3X407TWW-SVL (GA00310)	25# MAWP
DOT 3X407TWW1-SVL (GA01310)	30# MAWP
DOT 3X407TWW2-SVL (GA02310)	35# MAWP
DOT 3X407TWW3-SVL (GA03310)	Special Setting (Specify)



3-inch DOT 407 Combo Vent with swivel connection

4" CONNECTIONS - PRESSURE ONLY

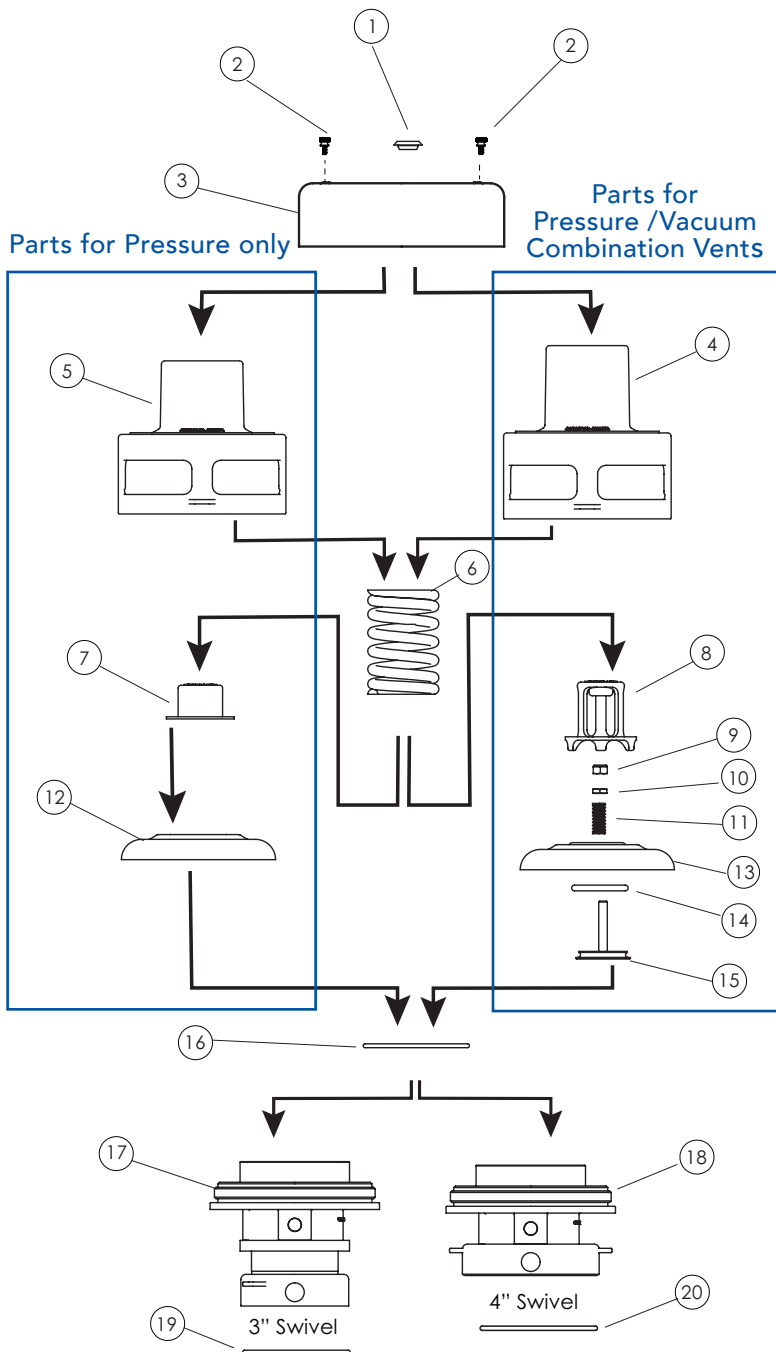
DOT 407LT-SVL (GA00020)	25# MAWP
DOT 407LT1-SVL (GA01020)	30# MAWP
DOT 407LT2-SVL (GA02305)	35# MAWP
DOT 407LT3-SVL (GA03010)	Special Setting (Specify)

4" CONNECTIONS - PRESSURE/VACUUM COMBO

DOT 407LTWW-SVL (GA00420)	25# MAWP
DOT 407LTWW1-SVL (GA01320)	30# MAWP
DOT 407LTWW2-SVL (GA02320)	35# MAWP
DOT 407LTWW3-SVL (GA03420)	Special Setting (Specify)

Above vents include a 3/4" Air Accessory Package containing part numbers: GF16000, GF17000, GF18000, GF19000, GF21000, GF22000

Parts And Ordering Information



ITEM	PART NO.	DESCRIPTION
1	GB19000	Upper Housing Hole Plug
2	GB03020	Rain Cover Retaining Screw 8-32 x 3/8 (NEW see p. 42)
3	GB03010EP	Rain Cover
4	GB04002	Upper Housing, 25# (Pressure/Vacuum Combo)
5	GB04001	Upper Housing, 25# (Pressure Only)
6	GB05000	Pressure Spring - 25#, 30# MAWP Vents, all others please consult with Girard
7	GB25010	Spring Retainer (Pressure Only)
8	GB25000	Spring Retainer (Pressure/Vacuum Combo)
9	GR05010	Hex Lock Nut
10	GR05000	Hex Jam Nut
11	GR06000	Vacuum Spring
12	GB06010	Poppet (Pressure Only)
13	GB06060EP	Poppet (Pressure/Vacuum Combo)
14	GB07715	Teflon® O-Ring Vacuum
15	GB09000	Vacuum Poppet
16	GB07000	Teflon® O-Ring Pressure
17	GB50005	3" Swivel Housing
18	GB50000	4" Swivel Housing
19	GM30030	Orange DuraSeal Ring Gasket
20	GM40000	4" Teflon® Ring Gasket

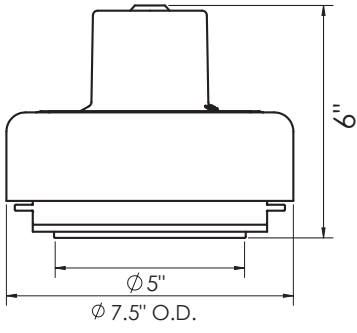
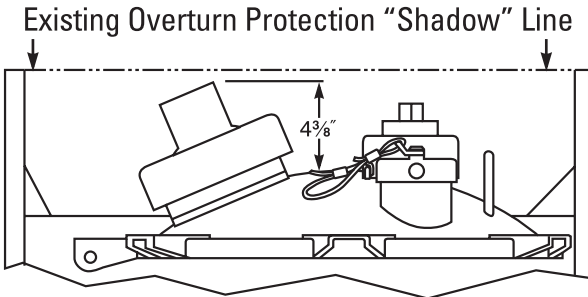
FUNCTION

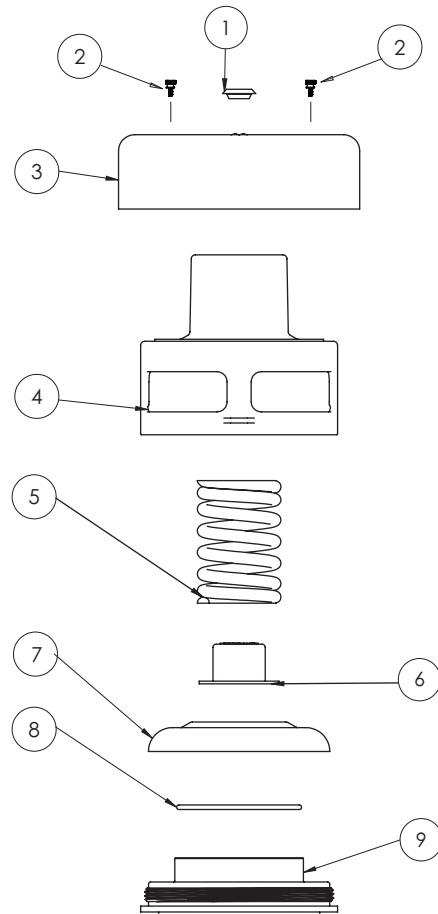
Girard's Special Low Profile "Weld-In" (LW) Series DOT 407 Vent combines an ultra-low profile, light-weight design with high flow rates to meet the most demanding needs of virtually any tank. See the table below for specific flow rates. The LW Vent welds directly to your manway thus avoiding expensive hot-work to the shell of your tank, and is low enough to be "retro-fitted" to most any tank without having to alter the overturn protection.

PERFORMANCE SPECIFICATIONS (WELD-IN)

MAWP	TEST PRESSURE	FLOW (SCFH)	EXPOSED SURFACE
25	40	426,983	930
25	45	466,115	1083
30	45	466,115	1083
35	52.5	484,718	1156

ITEM	PART NO.	DESCRIPTION
1	GB19000	Upper Housing Hole Plug
2	GB03020	Rain Cover Retaining Screw 8-32 x 3/8 (NEW see p.42)
3	GB03010	Rain Cover
4	GB04001	Upper Housing, 25#
5	GB05000	Pressure Spring - 25#, 30# MAWP Vents, all others please consult with Girard
6	GB25010	Spring Retainer
7	GB06010	Poppet
8	GB07000	Teflon® O-Ring Pressure
9	GB17000	Weld-In Lower Housing - Low Profile

Model	Description
	<p>DOT 407LW (GA50000) (25# MAWP)</p> <p>Designed to weld directly to a domecover to conform to its curvature</p> <p>Weight: 10 lbs.</p>
	





DOT 407 Pressure/Vacuum Combination Relief Vent

Girard's optimal performance combination DOT 407 Pressure Relief Vent and Vacuum Breaker gives most carriers the option to upgrade their older, less efficient vents. For the majority, upgrading your venting system will be as simple as taking off the old vent and replacing it with this newest design.

Many customers will find our DOT 407 Pressure/Vacuum Combination Relief Vent to be a more workable alternative. This is especially true on multi-compartmented trailers needing somewhat limited vacuum protection. Mechanics and Wash Rack Personnel can easily gain access to common repair areas in seconds with the quick disassembly feature built into every vent. Please contact our office or your local Girard distributor for more information.



FUNCTION

This low profile, dual-acting pressure relief vent provides protection against excessive pressure and vacuum on intermediate bulk containers (IBCs). The Aerovent can be configured to set at 1 PSI up to 15 PSI. Our featured valve is set to discharge at 12 PSI with 2" Hg vacuum and is approved to ADR/RID/IMDG Ch. 6.7 and ISO 4126. Designed to withstand highly corrosive ladings.

MODEL

DESCRIPTION

GE70104 Aerovent 12 PSI PRV 2" NPT

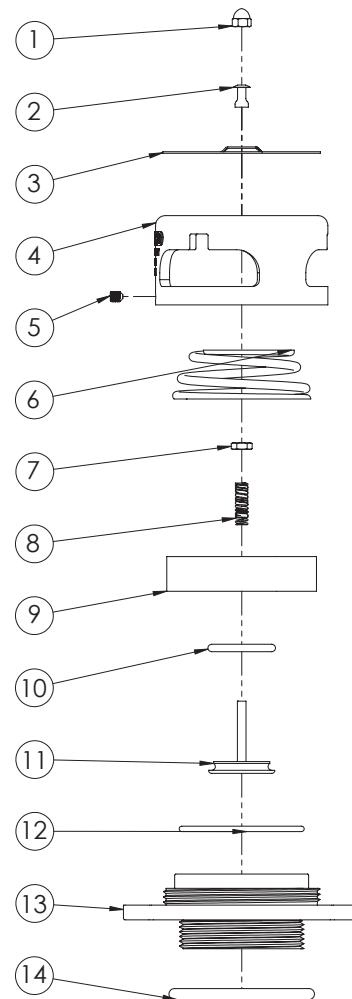
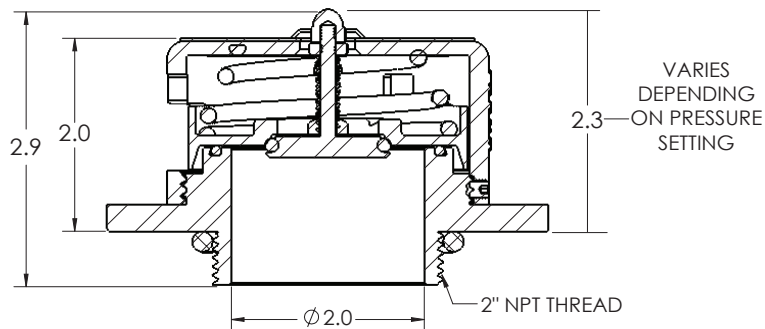
MATERIALS OF CONSTRUCTION

All metallic parts 316L Stainless Steel
O-Rings Viton® & Tef-O-Sil



Available with 2" BSP Thread
Available with DuPont® Teflon® PTFE coating

ITEM	PART NO.	DESCRIPTION
1	GF39030	Stainless Steel Cap Nut
2	GB98030	Rivet
3	GF02005	Blank Disc
4	GF04610	Upper Housing
5	GQ60021	M5 Set Screw
6	GF05130	Conical Spring (12 PSI)
7	GF39000	Hex Nut
8	GF38000	Vacuum Spring
9	GF04650	Pressure Poppet With Vacuum
10	GF37000	Vacuum Tef-O-Sil O-Ring
11	GF35000	Vacuum Poppet
12	GF08050	Viton® O-Ring
13	GF04630	Lower Housing
14	GS10012	Tef-O-Sil Body O-Ring





FUNCTION

This vent is designed for the transportation of food grade lading and can be equipped with or without vacuum. Set pressures range from 5 PSI to 15 PSI. Sealing materials comply with 21 CFR 177.2600.

MODEL

GE79000

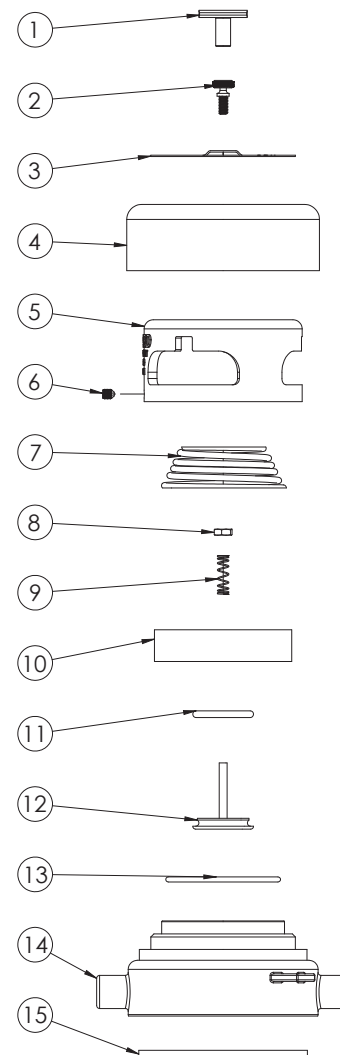
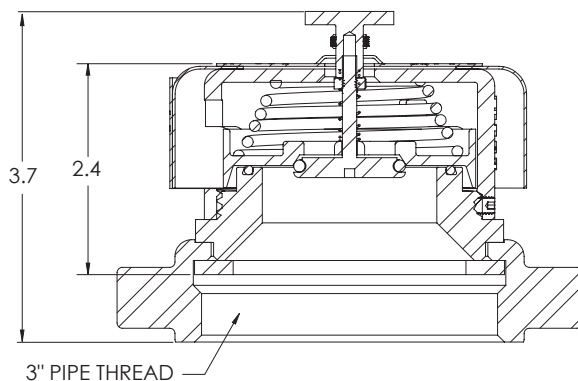
DESCRIPTION

Multipurpose Pressure/Vacuum Combo Vent 7 PSI PRV 3" NPS

MATERIALS OF CONSTRUCTION

All metallic parts	316L Stainless Steel
O-Rings	White Neoprene
Gasket	White EPDM

ITEM	PART NO.	DESCRIPTION
1	GF39032	Vacuum Relief Button
2	GB03020	Rain Cover Retaining Screw
3	GF02005	Blank Disc
4	GD32010	Ultra Low Rain Cover
5	GF04610	Upper Housing
6	GQ60021	M5 Set Screw
7	GF05160	Spring (7 PSI)
8	GF39000	Hex Nut
9	GT06000	Vacuum Spring
10	GF04650	Pressure Poppet With Vacuum
11	GT10030	White Neoprene Vacuum O-Ring
12	GF35002	Vacuum Poppet
13	GF08090	White Neoprene O-Ring
14	GF04690	Lower Housing
15	GM35020	White EPDM Gasket



MODEL

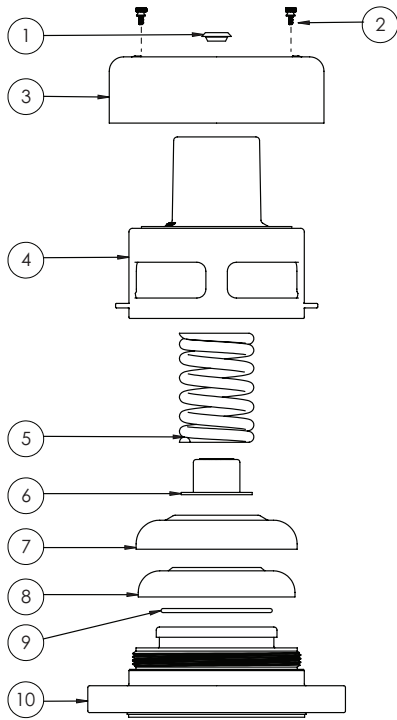
DESCRIPTION

DOT407-LAFTL
(GA40020) (25# MAWP)

Vent to mount on a 4" ANSI, 8-Bolt Flange. Supplied with a Teflon® liner and a valve seat.

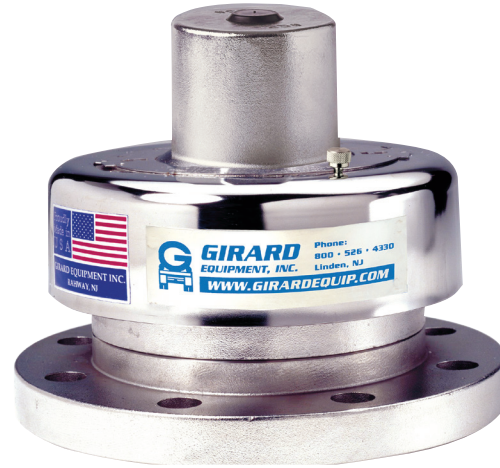
(When ordering, please specify pressure setting.)

Also available as a pressure/vacuum combination vent. (see page 16)



Teflon® liner doubles as the inlet gasket.

ITEM	PART NO.	DESCRIPTION
1	GB19000	Upper Housing Hole Plug
2	GB03020	Rain Cover Retaining Screw 8-32 x 3/8 (NEW see p.42)
3	GB03010	Rain Cover
4	GB04003	Upper Housing, 25#
5	GB05000	Pressure Spring - 25#, 30# MAWP Vents, all others please consult with Girard
6	GB25010	Spring Retainer
7	GB06030	Poppet Geiliner®
8	GB08005	Teflon® Seat Geiliner®
9	GB07000	Teflon® O-Ring Pressure
10	GB15030	4" ANSI Teflon® Lined Lower Housing



4" ANSI Flange, 8-Bolt



MATERIALS OF CONSTRUCTION

All metallic parts	316L Stainless Steel
O-Ring	Teflon® Encapsulated Silicone
Valve Seat	White Teflon®
Liner	White Teflon®

GEILINER® is a Registered Trademark of Girard Equipment, Inc.



3" ANSI Flange, 4-Bolt



MATERIALS OF CONSTRUCTION

All metallic parts	316L Stainless Steel
O-Ring	Teflon® Encapsulated Silicone
Valve Seat	White Teflon®
Liner	White Teflon®

FUNCTION

Girard Equipment's Teflon® Lined Pressure Relief Vent is designed to protect against aggressive ladings that normally chemically attack stainless steel. All wetted surfaces are lined with a 1/8" thick Teflon® liner. The valve seat seals on a Teflon® encapsulated silicone O-Ring. This O-Ring provides complete chemical resistance and a bubble-tight seal. The vent is designed to be easily removed from the tank for inspection and cleaning.

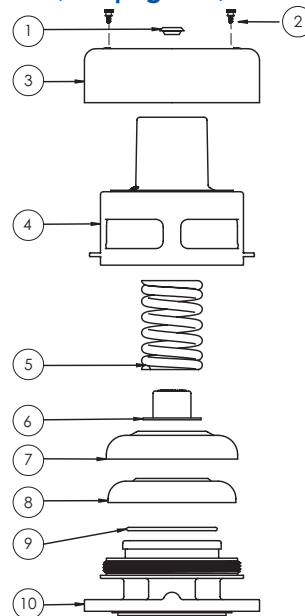
MODEL

DOT 3X407- AFTL
(GA40110) (25# MAWP)

DESCRIPTION

Vent to mount on a 3" ANSI, 4-Bolt Flange. Supplied with a Teflon® liner and a valve seat.
(When ordering, please specify pressure setting.)

Also available as a pressure/vacuum combination vent. (see page 16)



Teflon® liner doubles as the inlet gasket.

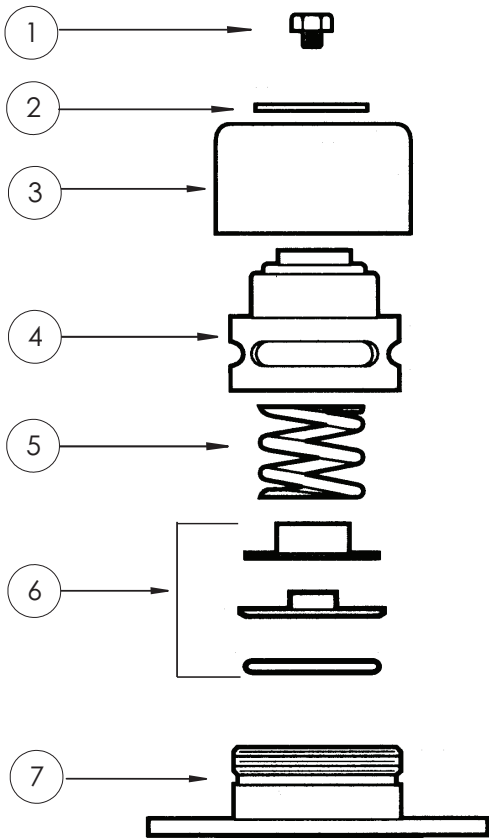
ITEM	PART NO.	DESCRIPTION
1	GB19000	Upper Housing Hole Plug
2	GB03020	Rain Cover Retaining Screw 8-32 x 3/8 (NEW see p.42)
3	GB03010	Vent Rain Cover
4	GB04003	Upper Housing, 25#
5	GB05000	Pressure Spring - 25#, 30# MAWP Vents, all others please consult with Girard
6	GB25010	Spring Retainer
7	GB06030	Poppet Geiliner®
8	GB08005	Teflon® Seat Geiliner®
9	GB07000	Teflon® O-Ring Pressure
10	GB21010	3" ANSI Teflon® Lined Lower Housing

MODEL

DESCRIPTION

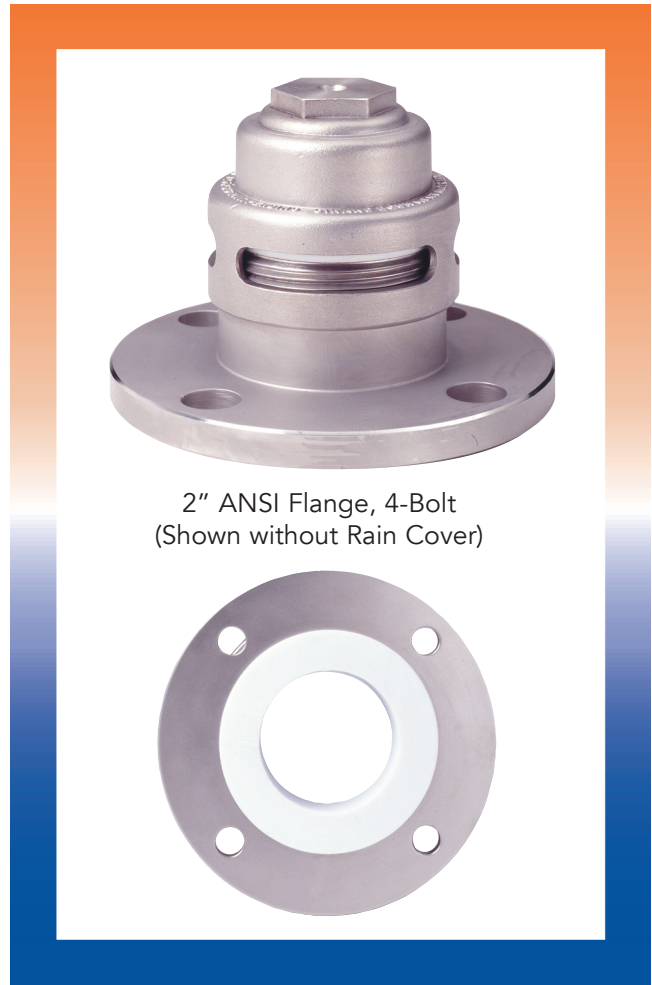
GE-PV300-2AFTL
(GE43010)

Vent to mount on a 2" ANSI, 4-Bolt Flange. Supplied with a Teflon® liner and a valve seat. **(When ordering, please specify pressure setting.)**



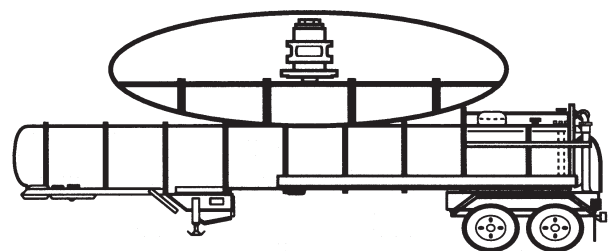
Teflon® liner doubles as the inlet gasket.

ITEM	PART NO.	DESCRIPTION
1	GF01000	Bolt
2	GF02040	Identification & Rating Disc
3	GF03010	Rain Cover
4	GF04010	Upper Housing
5	GF05000	Pressure Spring
6	GG70000	Valve Seat Kit
7	GF14040	Teflon® Lined Lower Housing



MATERIALS OF CONSTRUCTION

All metallic parts	316L Stainless Steel
O-Ring	Teflon® Encapsulated Silicone
Valve Seat	White Teflon®
Liner	White Teflon®





FUNCTION

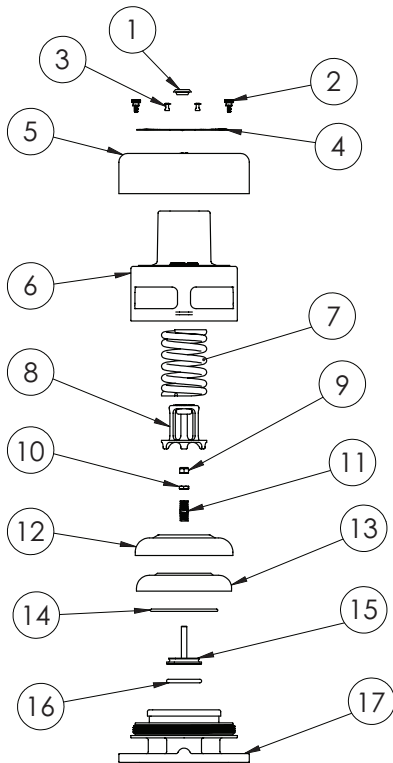
This spring loaded, dual-acting relief vent provides protection from both pressure and vacuum forces while also protecting the vent from most aggressive chemical ladings* with a 1/8" thick hard shell Teflon® liner. The vacuum valve seat seals on a Viton® Extreme O-Ring, while the pressure valve seat seals on a Tef-O-Sil encapsulated O-Ring, providing a complete chemical resistance and a bubble-tight seal. It is also designed to be easily removed from the tank for inspection or cleaning. It comes with 8" Hg standard vacuum.

Model: GA40303 (25# MAWP)

MATERIALS OF CONSTRUCTION

All metallic parts	316L Stainless Steel
O-Ring	Viton® Extreme*
Valve Seat	White Teflon®
Liner	White Teflon®

*Check for chemical compatibility of your lading with optional sealing elastomers: Kalrez®, Tef-O-Sil.

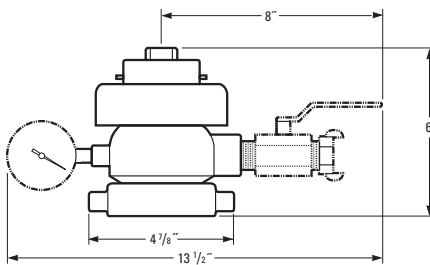


ITEM	PART NO.	DESCRIPTION
1	GB19000	Upper Housing Hole Plug
2	GB03020	Rain Cover Retaining Screw 8-32 x 3/8 (NEW see p.42)
3	GB98030	Rivet, 5/32" Diameter
4	GB02080	Rating Disc, 25 PSI
5	GB03010	Rain Cover
6	GB04004	Upper Housing, 25#
7	GB05000	Pressure Spring - 25#, 30# MAWP Vents, all others please consult with Girard
8	GB25000	Spring Retainer
9	GR05010	Hex Lock Nut
10	GR05000	Hex Jam Nut
11	GB10000	Vacuum Spring
12	GB06037	Poppet for Vacuum Combo
13	GB08010	Teflon® Seat with Vacuum
14	GB07000	Teflon® O-Ring Pressure
15	GB09001	Vacuum Poppet Assembly, Lined
16	GB07710	Viton® Extreme O-Ring
17	GB21010	3" ANSI Lined Lower Housing

FUNCTION

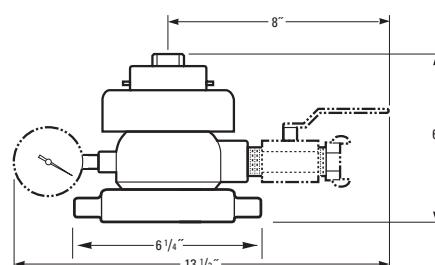
The DOT 407 Magnetic Vacuum Breaker is a valve designed to limit negative pressure (vacuum) in a typical tank trailer. A permanent magnetic force controls the movement of the valve poppet to open on demand at 4" Hg or greater. All working parts are kept away from the airflow paths, which promotes easy cleaning and hassle-free repairs. The valve body has a 1" female port inlet to accept a variety of air inlet fittings. A 1/4" female port is standard to accept a gauge. The unit is equipped with either: Tef-O-Sil, Viton® or Kalrez® O-Ring seal.

Special elastomers and accessory packages are available upon request.



3" NPS Thread
Complete vacuum breaker designed to thread on a 3" Nipple. Swivels 360° for easy positioning of air accessory package.

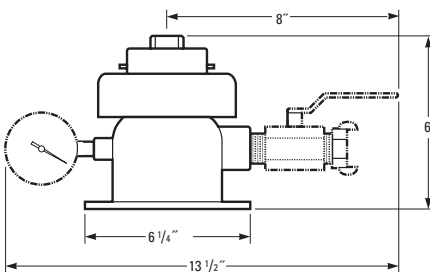
3X407MVBT-T Teflon® (GC62000)
3X407MVBT-K Kalrez® (GC61000)



4" NPS Thread
Complete vacuum breaker designed to thread on a 4" Nipple. Swivels 360° for easy positioning of air accessory package.

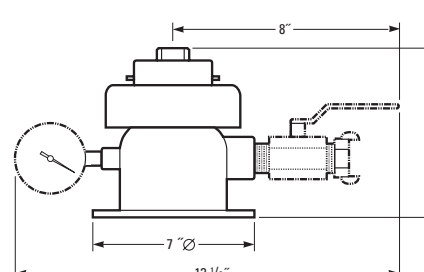
407MVBLT-T Teflon® (GC72000)
407MVBLT-K Kalrez® (GC71000)

Viton® available on request.



3" TTMA Flange
Complete vacuum breaker designed for installation on a tank trailer flanged nozzle.

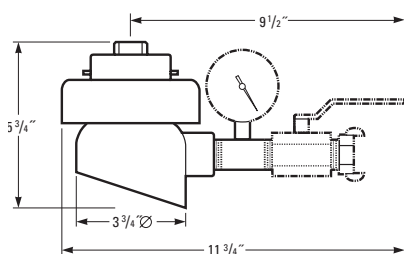
3X407MVBF-T Teflon® (GC62100)
3X407MVBF-K Kalrez® (GC61100)



4" TTMA Flange
Complete vacuum breaker designed for installation on a tank trailer flanged nozzle.

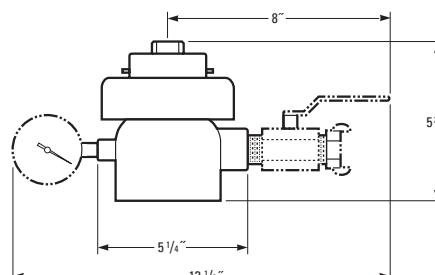
407MVBLF-T Teflon® (GC72100)
407MVBLF-K Kalrez® (GC71100)

Viton® available on request.



Mitered Cut
Complete vacuum breaker designed to be welded to a domecover and conform to its curvature.

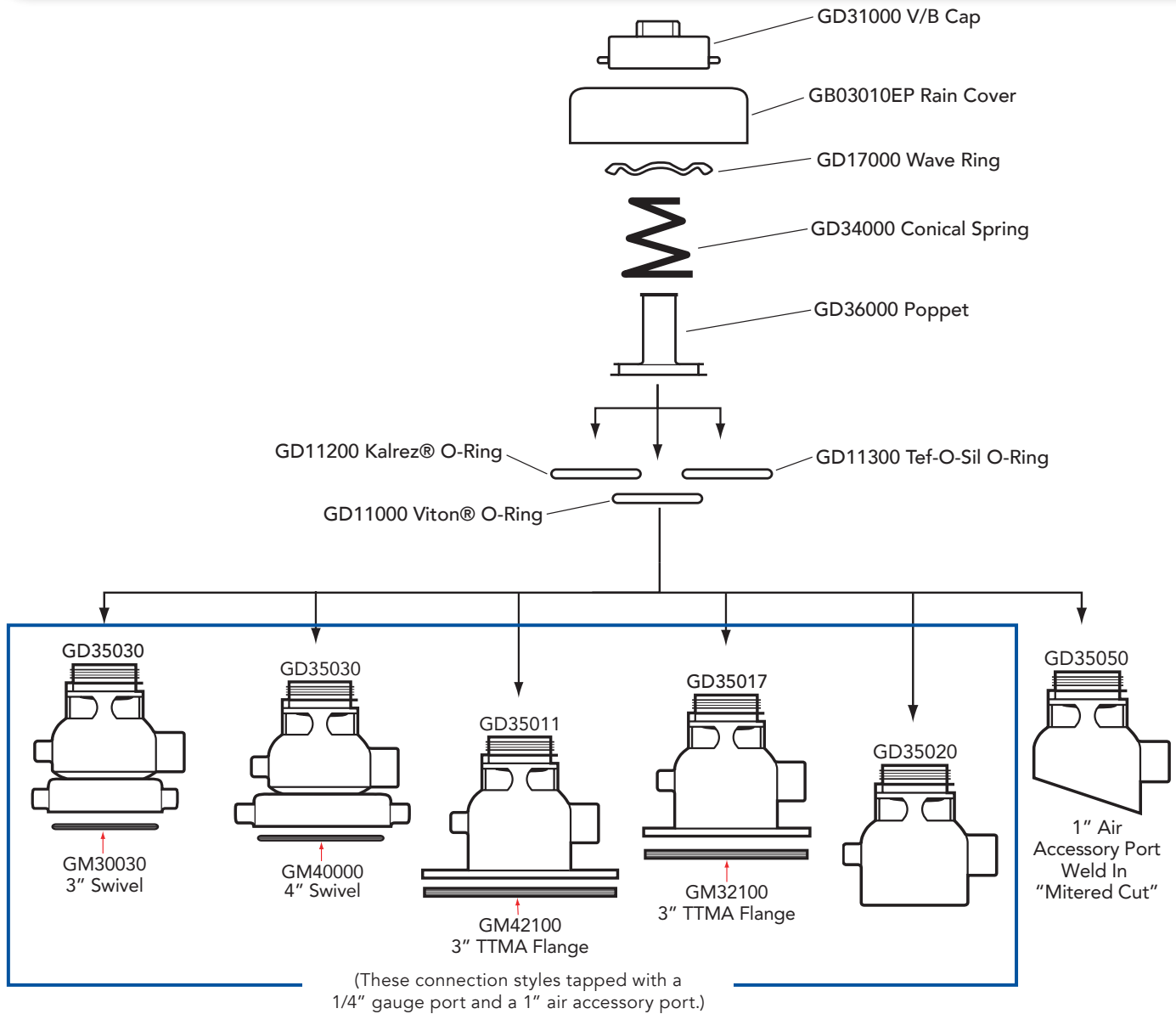
407MVBLM-T Teflon® (GC72300)
407MVBLM-K Kalrez® (GC71300)



Straight Stub
Complete vacuum breaker designed to weld to a domecover or tank shell.

407MVBLS-T Teflon® (GC72200)
407MVBLS-K Kalrez® (GC71200)

Viton® available on request.



PERFORMANCE

Instant opening	at 4" Hg
Flow Rates	12,000 SCFH at 6" Hg
Test Pressure	Seat is bubble tight from 0-50 PSI.
Magnetic Field	Coated magnets. Can not be contaminated by surrounding metals or products being transported.
Teflon®	Suited for all ladings. (Check with the manufacturer.)
Kalrez®	Identical chemical properties as Teflon®. Suited for all ladings.
Viton®	Suited for most ladings. Check compatibility.

MATERIALS OF CONSTRUCTION

All metallic parts	316L Stainless Steel
O-Ring	Teflon® Encapsulated Silicone
Liner	White Teflon®

Special elastomers are available upon request

FUNCTION

The new ultra low-profile Magnetic Vacuum Breaker is a valve designed to limit negative pressure (vacuum) in a typical tank trailer.

This model has a 3" NPS swivel connection and stands less than 3" when installed on a typical tank nozzle, making it easy to install under already existing overturn protection.

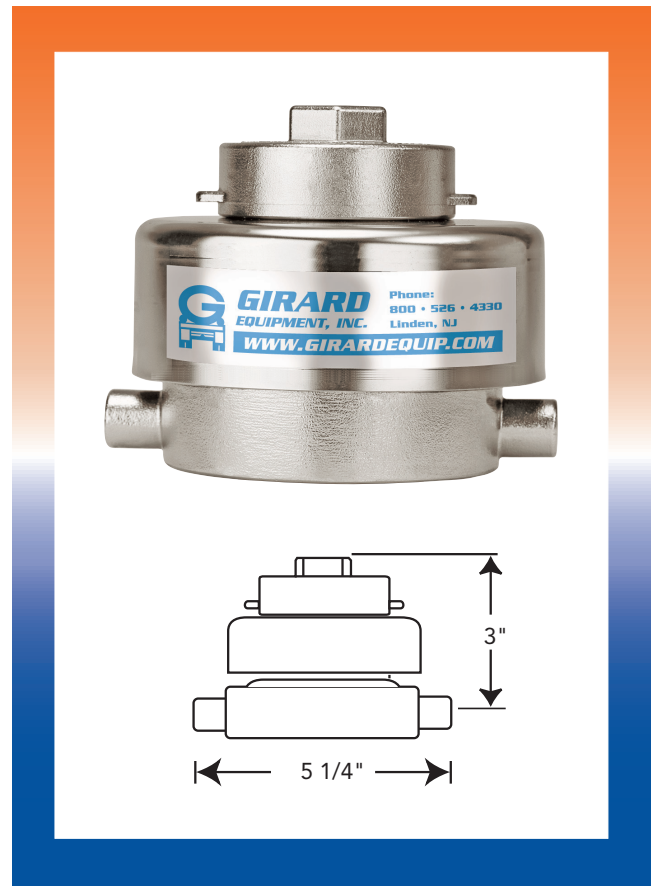
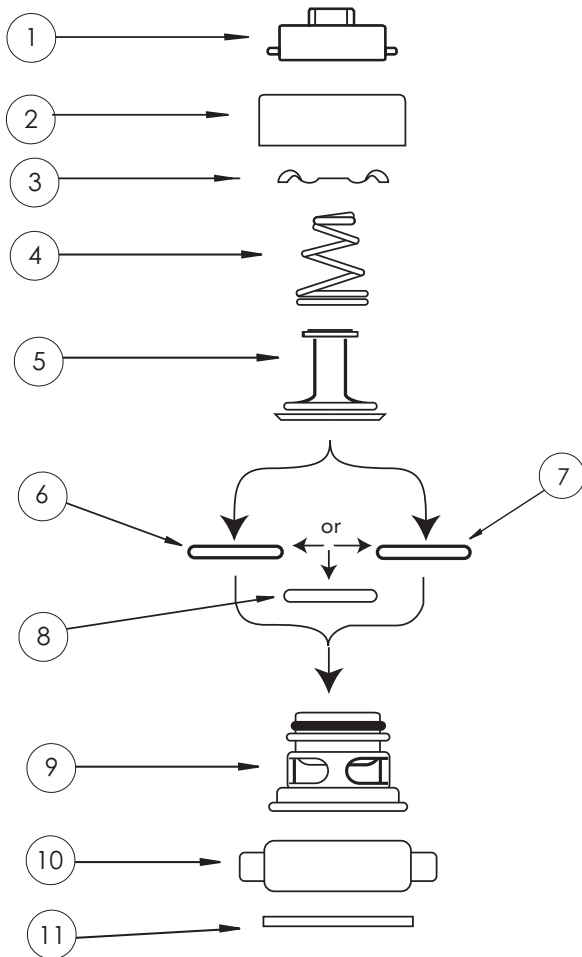
Customers using the older MC307 style 3MVB should consider this new model which is lower in cost and will provide an increased flow rate over the 3MVB.

MODEL

DOT 3X407-MVB-UT
(GC62010)

DESCRIPTION

A standard style vacuum Breaker with a Tef-O-Sil O-Ring seal.



ITEM	PART NO.	DESCRIPTION
1	GD31000	Cap
2	GD32010	Rain Cover
3	GD17000	Wave Ring
4	GD34000	Conical Spring
5	GD36000	Poppet
6	GD11200	Kalrez® O-Ring
7	GD11300	Tef-O-Sil O-Ring
8	GD11000	Viton® O-Ring
9	GD35060	Ultralow Housing
10	GO40300	3" Swivel NPS Nut
11	GM30030	Orange DuraSeal Ring Gasket



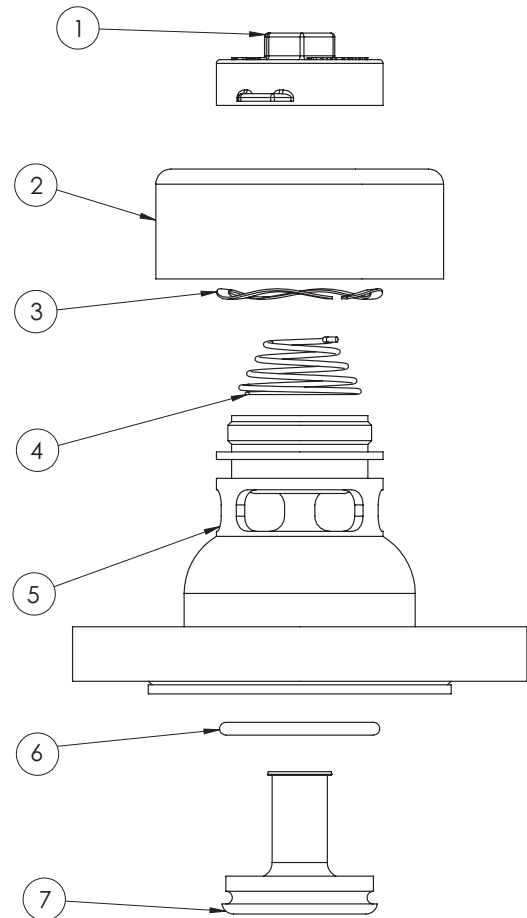
FUNCTION

This Teflon® lined, ultra low profile Magnetic Vacuum Breaker is a valve designed to limit a negative pressure (Vacuum) in a typical tank trailer. A permanent magnetic force controls the movement of the valve poppet to open on demand at 4" Hg or greater. This lined vacuum breaker is designed to protect against aggressive ladings that normally would chemically attack stainless steel. All wetted surfaces are lined with a 1/8" thick Teflon® liner. The valve seat seals on a Tef-O-Sil encapsulated silicone O-Ring. This O-Ring provides complete chemical resistance and a bubble-tight seal. All working parts are kept away from the airflow paths, which promotes easy cleaning and hassle-free repairs.

MODEL DESCRIPTION

GC62410 Standard DOT 407 Vacuum Breaker with 3" ANSI Flange and Teflon® lined internals.

Viton® and Kalrez® O-Rings available on request.



ITEM	PART NO.	DESCRIPTION
1	GD31600	Cap
2	GD32000	Rain Cover
3	GD17000	Wave Ring
4	GD34000	Conical Spring
5	GD35057	3"ANSI Housing, Teflon® Lined
6	GD11300	Tef-O-Sil O-Ring
7	GD36005	Poppet, Teflon® Lined

This vent meets the "leaks less than one gallon" surge requirements of 178.345.10 (b) (3) (i).



FUNCTION

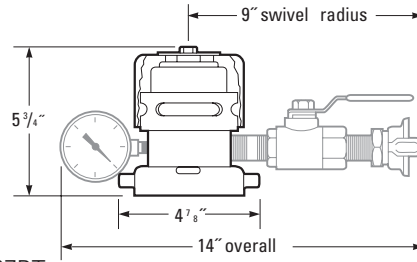
The MC 307 Pressure Relief Vent is a stainless steel, pressure actuated unit that is engineered to limit excessive internal pressure to 130 percent of tank design. The standard model vent set at 25 PSIG will exhaust 26,700 SCFH at 32.5 PSIG and conforms to the emergency venting requirement code for MC 307 tanks having a total exposed surface area up to 700 square feet.

The stainless steel valve seat is equipped with a replaceable Tef-O-Sil O-Ring. The unit doubles as an unloading device, since the valve body is tapped 3/4" NPT to accommodate the addition of inlet fittings for air unloading of transports. Provision is also made for a pressure gauge to be attached to the vent body.

An optional incorporation of a small vacuum section in the valve seat is also available upon request. It should be noted that this section, due to its limited size, may not be adequate enough to prohibit tank implosion. For additional vacuum protection, refer to "Girard Magnetic Vacuum Breakers" for tank transports.

The entire vent is designed to be easily removed from the tank vehicle for inspection and cleaning.

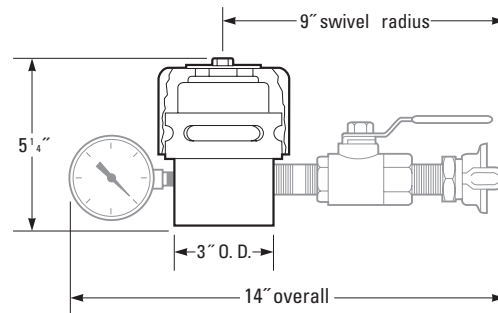
Model and Description



MC-307BT
(GE00500 - 25#) (GE01500 - 30#) (GE02500 - 35#)
(GE03500 - Special setting, consult with Girard)

Vent with a 3" swivel nut. Mounts on a 3" nipple and seals against a solid Teflon® gasket.

7 lbs. with accessories / 5 lbs., 8 oz. without



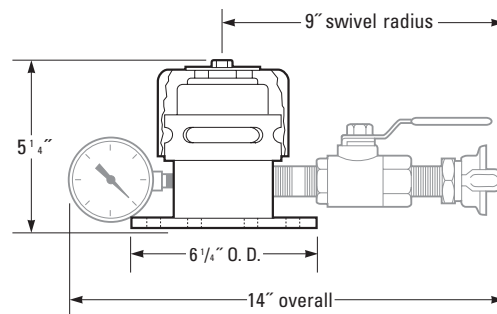
MC-307ST
(GE20500 - 25#) (GE21500 - 30#) (GE22500 - 35#)
(GE23500 - Special setting, please specify)

Stub end vent. Lower housing ends in a straight stub end. Welds to the dome cover.

MC-307MT
(GE30500 - 25#) (GE31500 - 30#) (GE32500 - 35#)
(GE33500 - Special setting, consult with Girard)

Same as the above, but the stub end is on an 18 degree angle to conform to the curvature of the dome cover. Note: 3/4" and 1/4" NPT tap are not available in this style.

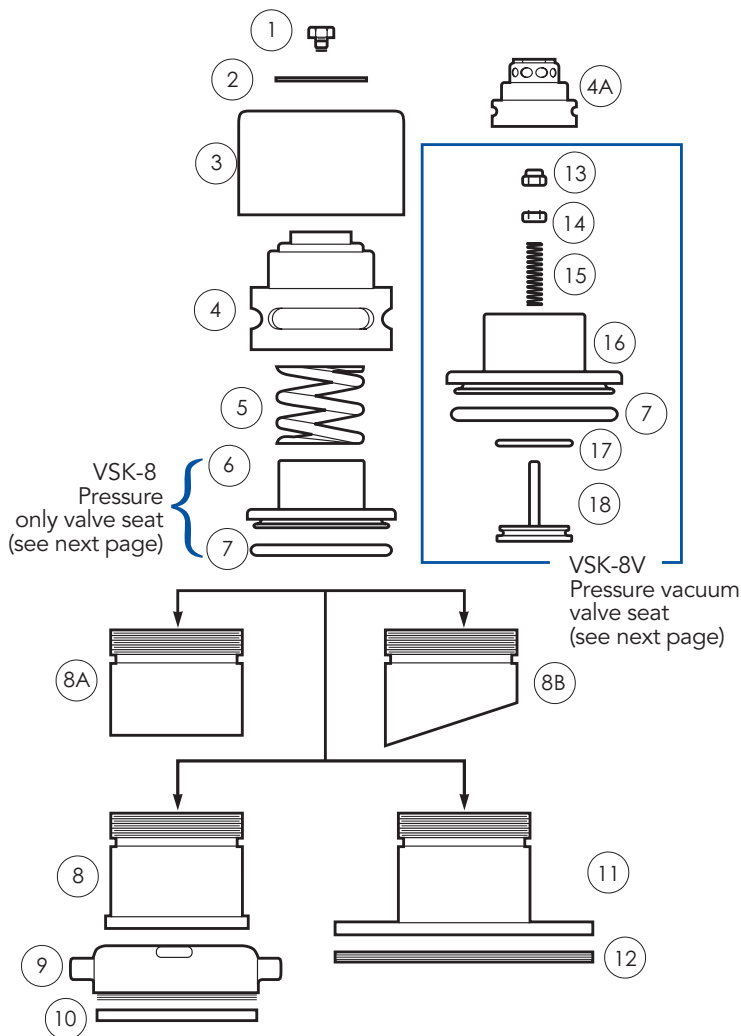
5 lbs., 10oz with accessories / 4 lbs., 2 oz. without



MC-307FT
(GE10500 - 25#) (GE11500 - 30#) (GE12500 - 35#)
(GE13500 - Special setting, consult with Girard)

Vent with a 3" TTMA drilled tank truck flange. Mounts to a 3" TTMA drilled companion flange on the transport. Supplied with a Teflon® envelope flange gasket.

5 lbs., 10oz with accessories / 4 lbs., 2 oz. without



ITEM	PART NO.	DESCRIPTION
1	GF01000	Bolt
2	GF05000	Pressure Spring - 25#, 30#, MAWP Vents, all others please consult with Girard
3	GF03010	Rain Cover
4	GF04010	Upper Housing - Pressure Only
4A	GF04000	Upper Housing - Pressure Vacuum Vents
5	GF05000	Pressure Spring
6	GF06040	VSK-8 Spring Retainer
7	GF08040	Tef-O-Sil Pressure O-Ring
8	GF11000	Lower Housing - B Model
8A	GF11200	Lower Housing - S Model
8B	GF11300	Lower Housing - M Model 18 Degree Bias
9	GF12000	Swivel Nut - B Model
10	GM30030	Orange DuraSeal Ring Gasket
11	GF14000	Lower Housing - F Model
12	GF15000	Teflon® Envelope Flange Gasket
13	GF39010	Locknut
14	GF39000	Nut
15	GF38000	Vacuum Spring
16	GF06041	VSK-8V Spring Retainer
17	GF37000	Tef-O-Sil O-Ring (Vacuum)
18	GF35000	Vacuum Poppet

PERFORMANCE

At 25# (standard), vent cracks at 25 - 27.5 PSIG and relieves 26,700 SCFH when it is fully open at 32.5 PSIG.

At 30#, vent cracks at 30 - 33 PSIG and relieves 38,200 SCFH when it is fully open at 39 PSIG.

At 35#, vent cracks at 35 - 38.5 PSIG and relieves 63,600 SCFH when it is fully open at 45.5 PSIG.

ACCESSORIES

Air inlet assemblies (Ball Valve, Chicago, etc.) are an available option. Please specify when ordering. Zero - 60 PSI liquid filled gauges are also available.

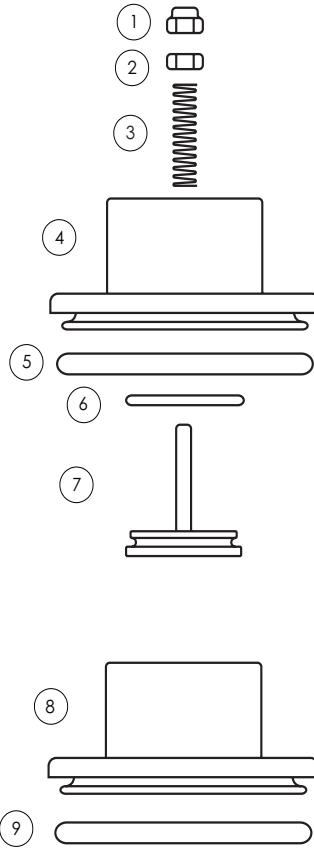
MATERIALS OF CONSTRUCTION

All metallic parts	316L Stainless Steel
Valve Seat	Tef-O-Sil
Gaskets	Teflon®

GG81000
Valve Seat with Tef-O-Sil
O-Ring Seal Pressure/Vacuum
Combination



GG80000
Valve Seat with Tef-O-Sil
O-Ring Seal



ITEM	PART NO.	DESCRIPTION
1	GF39010	Locknut
2	GF39000	Nut
3	GF38000	Vacuum Spring
4	GF06041	VSK-8V Spring Retainer
5	GF08040	Tef-O-Sil Pressure O-Ring
6	GF37000	Vacuum O-Ring
7	GF35000	Vacuum Poppet
8	GF06040	VSK-8 Spring Retainer
9	GF08040	Tef-O-Sil Pressure O-Ring

Also available in Kalrez®



FUNCTION

- User-friendly and reliable portable testing box for testing Safety Relief Vents.
- Easy to read digital compound gauges register both pressure and vacuum settings.
- Training available upon request.

MODEL DESCRIPTION

GW00010	2.5" BSP Female Connection
GW00020	3" NPT Male Connection
GW00005	4" NPT Male Connection

We've Got You Covered



It's hard to concentrate on the road ahead of you when you're worrying about what pressure relief device you have behind you. For years, Girard Equipment has revolutionized the way corrosives are hauled in acid transports. Our patented Pressure Relief Vent, with an integral Teflon® liner, protects the relief vent's vital components from chemical attack. Single function vents, such as rupture

discs, usually fail at the most inopportune time, when it's time to deliver a payload. This often means a driver must perform either a dangerous field repair or must face rejection from the facility altogether. These are two options that wouldn't sit well with any carrier. If you're planning



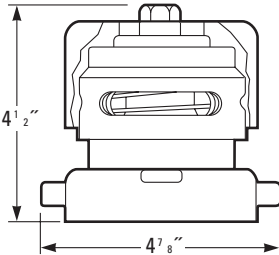
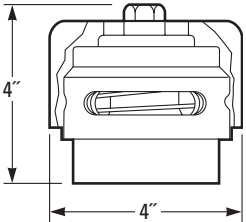
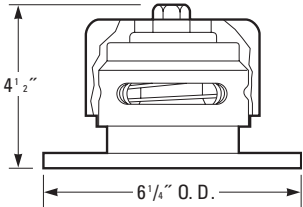
to purchase a new trailer or updating an existing one, insist on Girard products because "We've Got You Covered."

Girard Equipment, Inc. • 800-526-4330 • www.girardequip.com

Teflon® is a Registered Trademark of Dupont.

FUNCTION

The Girard Equipment 3" Magnetic Vacuum Breaker is a valve designed to prevent negative pressure (vacuum) from developing and imploding a typical tank transport. Girard Equipment uses a permanent magnetic force along with conventional springs to control the movement of the valve seat. Permanent magnetization within the valve, holds the seat tightly closed during transit and allows movement only on demand at 2" Hg or greater. The unit is equipped with either a Tef-O-Sil O-Ring, Viton® O-Ring, or a Kalrez® gasket to meet the requirements for bubble-tightness given in docket HM-183.

Model	Description
<p>3MVB-T (Shown in photo) (GH00000 Viton®) (GH01000 Kalrez®) (GH02000 Tef-O-Sil)</p> 	<p>Complete vacuum breaker with a 3" NPS swivel nut outlet. Designed for attachment to a tank truck "cleanout" nipple.</p> <p>Weight: 5 lbs., 4 oz.</p>
<p>3MVB-S (GH20000 Viton®) (GH21000 Kalrez®) (GH22000 Tef-O-Sil)</p> 	<p>Complete vacuum breaker with stub end outlet. Designed to be welded in the dome of the transport. To conform to the curvature of a dome cover, please specify 18° angle cut. (3 MVB-M)</p> <p>Weight: 4 lbs., 4 oz.</p>
<p>3MVB-F (GH10000 Viton®) (GH11000 Kalrez®) (GH12000 Tef-O-Sil)</p> 	<p>Complete vacuum breaker with 3" TTMA drilled flange outlet. Designed for installation on the flanged nozzle in the transports.</p> <p>Weight: 5 lbs., 4 oz.</p>

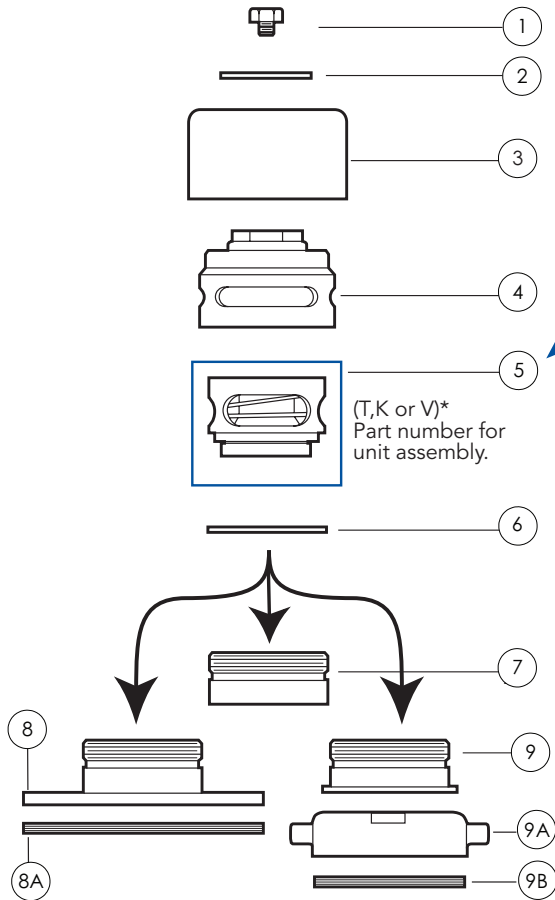


MATERIALS OF CONSTRUCTION

All Metallic Parts	316L Stainless Steel
Valve Seat	Teflon® or Kalrez®
Gaskets	Teflon® or Teflon® Envelope
Magnets	Ferrite

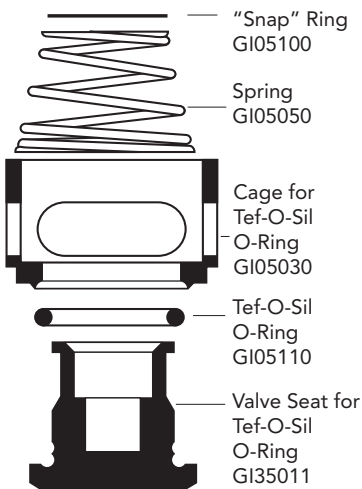
PERFORMANCE

Instant Opening	Flow rates at 2" Hg - 11,900 SCFH. For high flow rate vacuum breakers see "New Generation" DOT 407 Magnetic Vacuum Breakers.
Test Pressure	Seat is bubble tight from 0-50 PSIG.
Vibration Test	Can withstand 25 times gravitational acceleration, or 25G.
Magnetic Field	Ferrite Magnets - can not be contaminated by surrounding metals or products being transported.
Teflon®	Suited for all ladings. (Check with the manufacturer.)
Kalrez®	Identical chemical properties as Teflon®. Suited for all ladings.

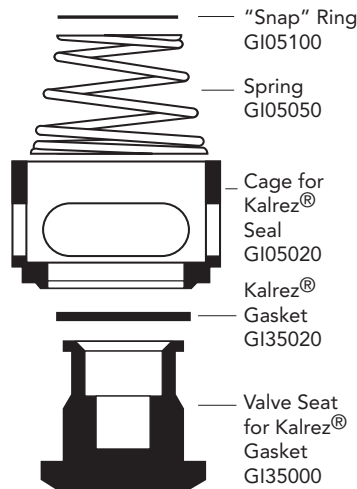


ITEM	PART NO.	DESCRIPTION
1	GI01000	Bolt
2	GI02000	Rating Disc
3	GI03000	Rain Cover
4	GI04000	Upper Housing
5T*	GI05001 (see below)	Same as the above, with Tef-O-Sil O-Ring. *(Assembled Unit)
5K*	GI05010 (see below)	Valve Housing with Kalrez® *(Assembled Unit)
5V*	GI05000 (see below)	Same as the above, with green Viton® O-Ring. *(Assembled Unit)
6	GI06010	Tef-O-Sil O-Ring
7	GI07010	Stub End - Lower Housing
8	GI08000	3" TTMA Flanged Lower Housing
8A	GI09000	Teflon® Envelope Flange Gasket
9	GI07000	Swivel Spud - Lower Housing
9A	GI11000	Swivel Nut - 3" NPS
9B	GM30030	Orange DuraSeal Ring Gasket

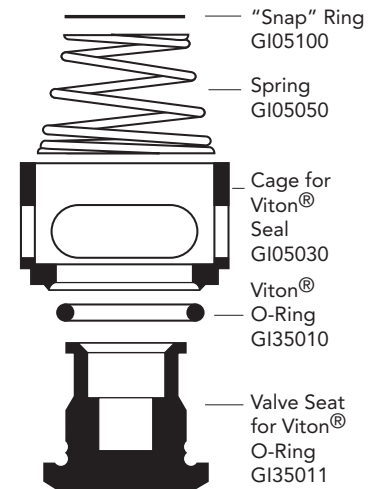
TEF-O-SIL O-RING VALVE SEAT
Assembly Part GI05001



KALREZ® GASKET VALVE SEAT
Assembly Part GI05010



VITON® O-RING VALVE SEAT
Assembly Part GI05000



FUNCTION

The Girard 20" full opening Manways are built with 21st century technologies. Precision welds, along with many advancements in the design, offer the user unsurpassed quality and strength. One piece hinge pins are superior in strength and reliability. Lid assembly is interchangeable with other major brands on the market today.

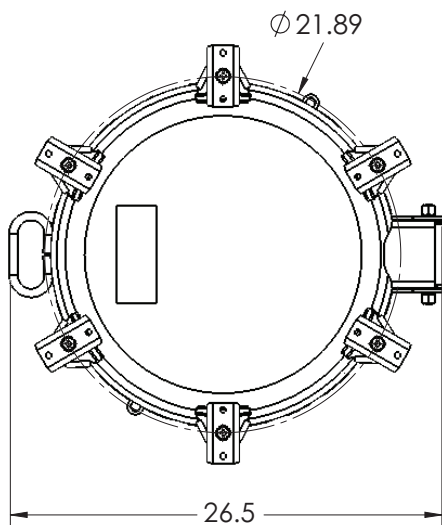
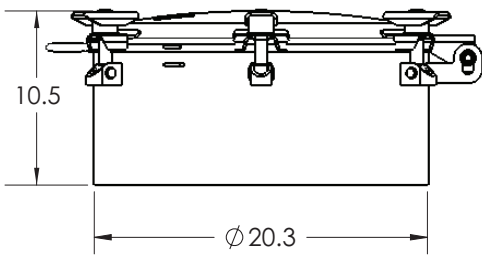
PRODUCT SPECIFICATIONS

PART NO.	COLLAR HEIGHT	COLLAR MATERIAL	LID MATERIAL	WORKING PRESSURE
GP19800	8"	316L	316L	43.5 PSI
GP19810	10"	316L	316L	43.5 PSI

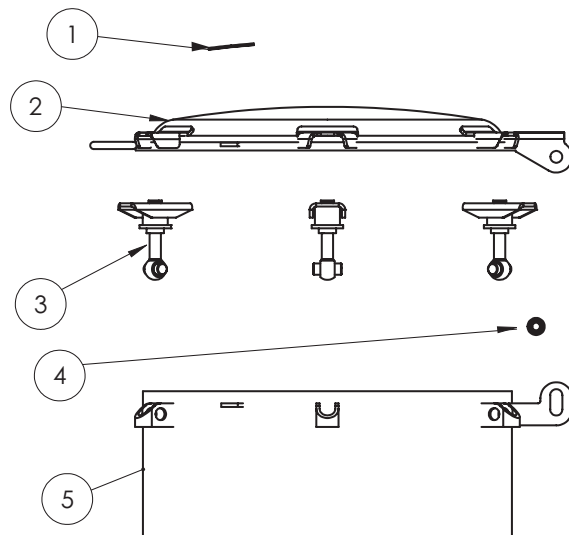
GASKET MATERIALS

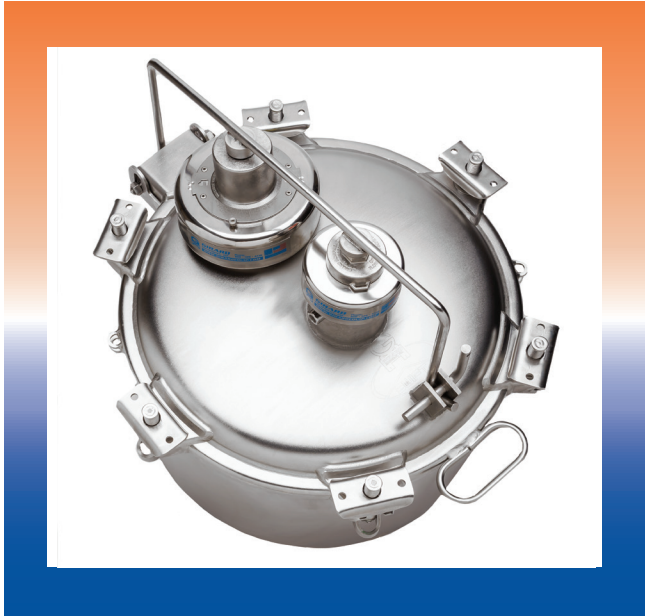
PART NO.	DESCRIPTION
GP19870	20" Gasket - Tef-O-Sil
GP19875	20" Gasket - Buna
GP19880	20" Gasket - EPDM
GP19885	20" Gasket - Viton® - A
GP19890	20" Gasket - Hypalon

Note: Manway Gasket should be ordered separately and will arrive uninstalled.



ITEMS	PART NO.	DESCRIPTION
1	GP19899	Pressure Warning Label
2	GP19809	6-Point Low Profile Lid Assembly
3	GP19894	Swing Bolt Assembly
4	GP19896	Hinge Pin Arrangement
5	GP19808	6-Point Neck Ring 316L



**FUNCTION**

The Girard Equipment Security Dome is built to provide a cost-effective and 100% tamper-proof venting system. The venting system is held down by a locking arm that is fitted with barrier evident seals to prevent costly theft or vandalism.

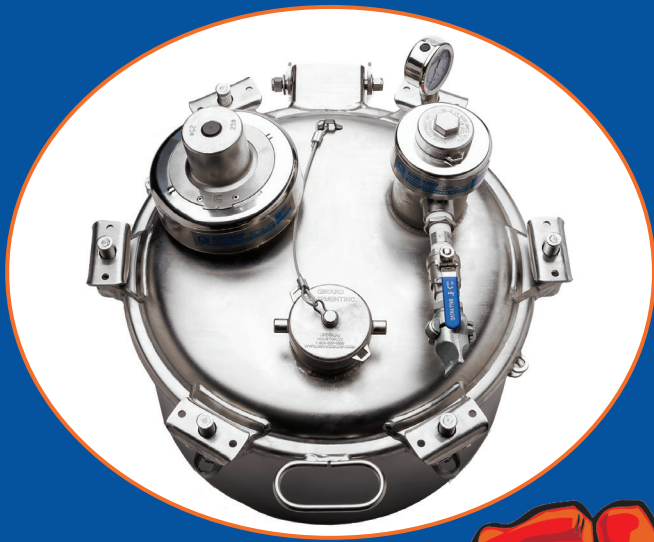
MODEL	DESCRIPTION
GP19605	Security Dome

**FUNCTION**

The Girard Equipment Test Fixture is used to test pressures up to 75 PSI on both Superdome and the 6 or 4 point Manways. The entire unit is built from 316L stainless steel and has fittings for attaching a compressed air line equipped with a digital stainless steel gauge. Testing can be customized to customer's request.

MODEL	DESCRIPTION
GP19699	Test Fixture

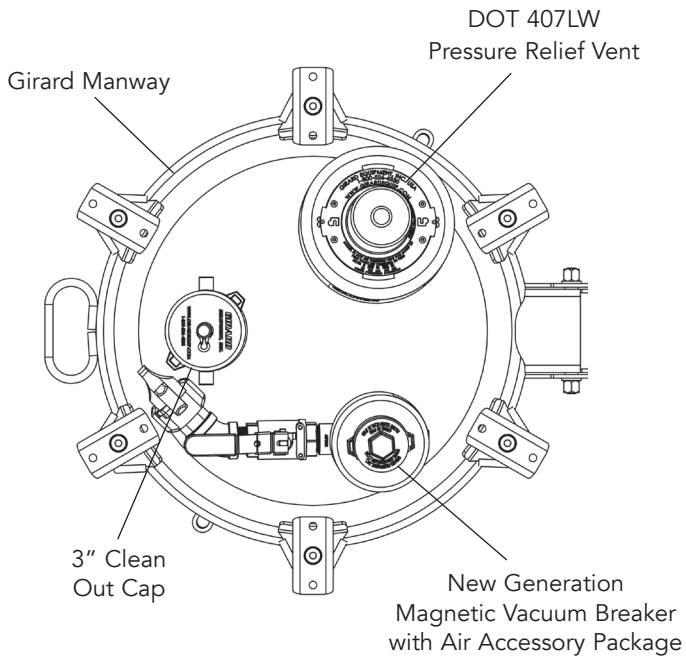
Please consult with a Girard Equipment Sales Representative for more information about customization.



THE GIRARD SUPERDOME MANWAY INCLUDES:

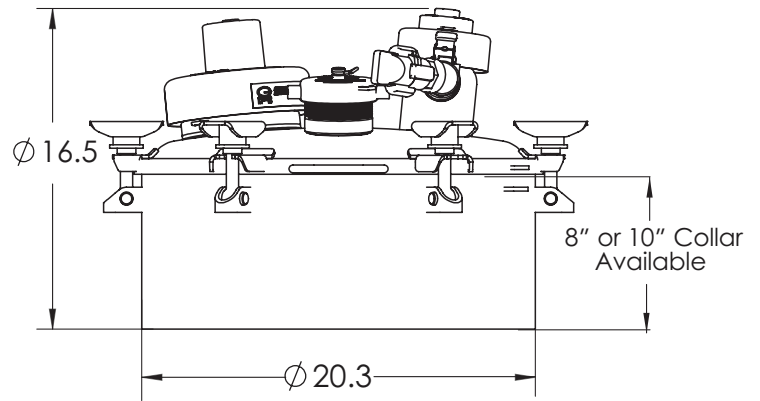
- Girard DOT 407LW Pressure Relief Vent
- Girard DOT 407 "New Generation" Magnetic Vacuum Breaker with 1" Air Accessory Package
- Stainless Steel Air Accessory Package:
1" Full Port Ball Valve, 45° Elbow, Universal "Chicago" connection with dust cap
- Girard liquid-filled pressure gauge (0-60 PSI) housing and all internal components are stainless steel
- Girard Manway cover model GP19800 and collar (6-Hold Down)
- Girard 3" Stainless Steel Cap on a 3" nozzle. Built in accordance with RP33-98 "Screw Threads for Clean-Out Nipples"
- Two strategically placed sealing/security tabs
- 1/8" vinyl coated stainless steel braided cable attached to a 3" cap



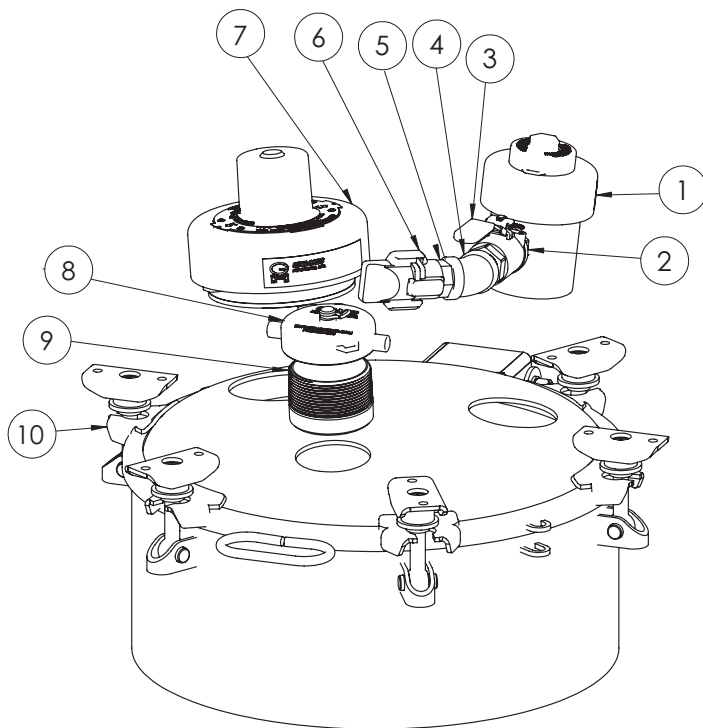


MODEL DESCRIPTION

GP19850	8" Collar
GP19855	10" Collar



Girard can design and fabricate any configuration dome lid arrangement. Ask our sales people for more information.



ITEM	PART NO.	DESCRIPTION
1	GC72200	407 Magnetic Vacuum Breaker Straight Stub
2	GD38100	1" x Close Stainless Steel Nipple
3	GF17015	1" Stainless Steel Ball Valve
4	AT26020	1" 316L Stainless Steel 45 Degree Pipe Elbow
5	GF18030	1" PV Stainless Steel Universal Male
6	DV49500	1" 316L Stainless Steel Air King Hose End
7	GA50000	DOT 407LW, 4" Weld-In, 25#
8	GK30000	3" NPS Cap Assembly
9	GW00810	3x2 Stainless Steel Nipple Toe
10	GP19802	504mm/20" 6-Point Low Profile Cut

FUNCTION

Our hydraulically operated vapor recovery adapters are manufactured from 316L stainless steel investment castings and are electropolished for easy cleaning.

The standard unit can be supplied with a 3" straight threaded female swivel outlet for mounting on a 3" clean-out nipple and one or two 2" NPT outlets to allow for both top and bottom vapor recovery.

The adapter is closed in transit and opens consecutively with the tanks' hydraulic internal valve using the existing hydraulic hand pump.

The external hydraulic cylinder is completely isolated from the tanks' lading. The main sealing surface is a Teflon® encapsulated O-Ring (Tef-O-Sil), which is compatible with most chemicals. The adapter is designed to be "Cleaned-In-Place" without removing the assembly from the tank trailers pipework. A fluorescent orange indicator provides positive visual confirmation that the valve is open and can be seen from ground level. An additional provision has been added to enable the use of a variety of valve position sensors. This assembly has an effective flow-through area of 2", which should be more than adequate to handle most industrial vapor recovery applications. The unit can also double as an air-unloading device.

MODEL	MOUNTING	OUTLET CONFIG.	FOR USE ON:
GU00000	3" NPS Swivel	2" NPT (Single)	3" Tank Nozzle
GU02000	3" NPS Swivel	2" NPT (T-Style)	3" Tank Nozzle

Other mounting and inlet styles are available, please consult customer service with any inquiries.

MATERIALS OF CONSTRUCTION

Valve Body/Cylinder	316L Stainless Steel
O-Ring Seals	Teflon® Encapsulated Silicone (Tef-O-Sil)
Wipers and Gaskets	Orange DuraSeal

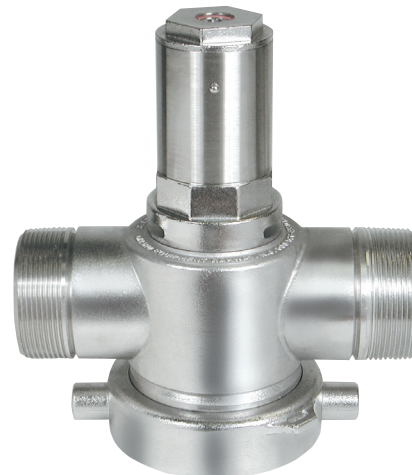


Girard's Hydraulic Vapor Recovery Adapters are easy to clean and maintain in place. Repair manuals are included with each adapter. For additional repair manuals, please contact our office.



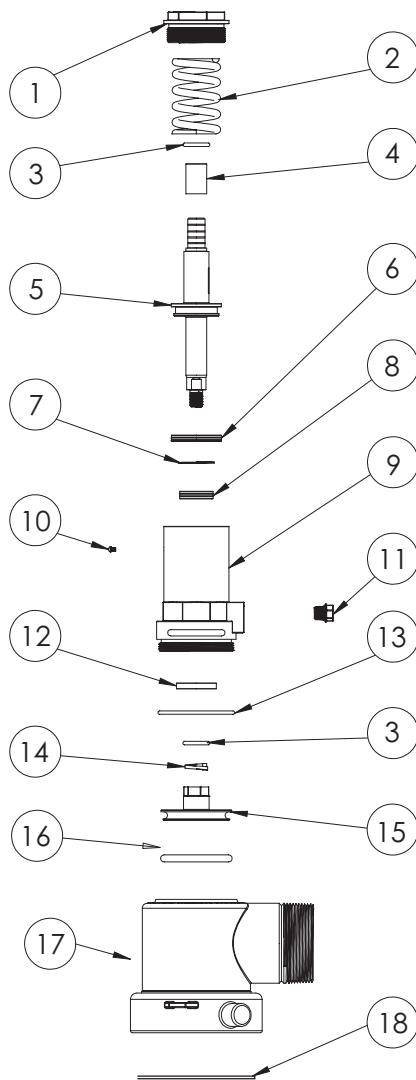
GU00000

- Mounts on a 3" Tank Nozzle
- 2" NPT Male Outlet
- Hydraulic Cylinder completely isolated from tank lading
- Shear Section on Outlet

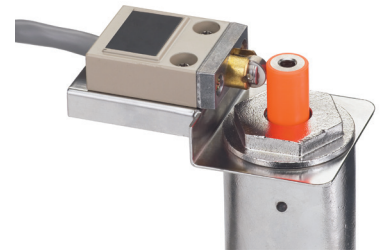


GU02000

- Mounts on a 3" Tank Nozzle
- 2" NPT Male Outlet
- 2 Outlets (T-Style), for both top and bottom vapor recovery
- Shear Section on Outlets



ITEM	PART NO.	DESCRIPTION
1	GV01000	Cylinder Cap
2	GV10000	Spring
3	GV02000	Rod O-Ring
4	GV06800	Indicator
5	GV06000	Piston Rod
6	GV08010	Upper Hydraulic Seal
7	GV13500	Internal Retaining Ring Stainless Steel
8	GV08000	Lower Hydraulic Seal
9	GV03000	Cylinder
10	GV80000	Plug Nail
11	GV40000	Screw Caplug
12	GV09000	Wiper
13	GV05000	Cylinder Housing O-Ring
14	GQ97900	Split Ring Lock Washer
15	GV11000	Poppet
16	GV12000	Poppet O-Ring
17	GV14000	Standard Swivel Swage Assembly
18	GM30030	3" Orange DuraSeal Ring Gasket

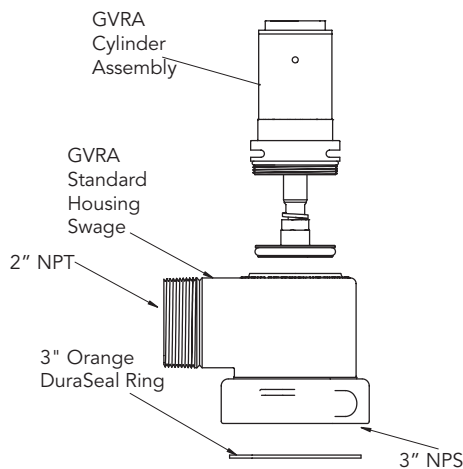


A fluorescent orange indicator provides positive visual confirmation that the valve is open and can be seen from ground level. An additional provision has been added to enable the use of a variety of valve position sensors.



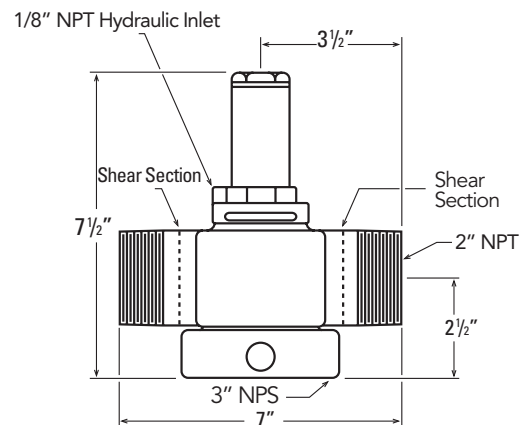
Hydraulic Vapor Recovery Valve with EZ-Clean Piping (GV50000)

SINGLE - GVRA-B2 (GU00000)



Note: Installed height is 7" over pipe nipple.

DUAL T-STYLE - GVRA-BXT (GU02000)



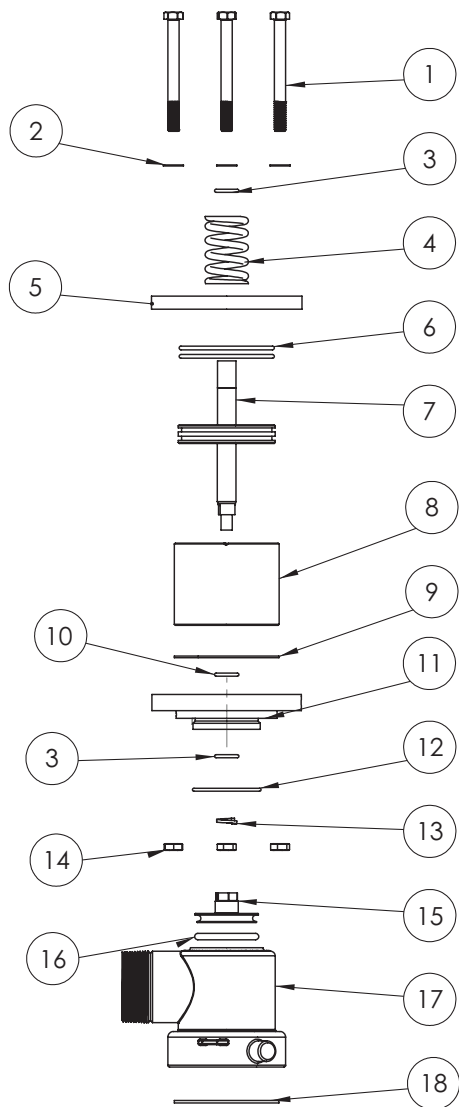
GU00010

Air Actuated Vapor Recovery Adapter

The standard unit is supplied with a 3" NPS Female swivel outlet for mounting on a 3" NPT Nozzle and one or two 2" NPT outlets for both top and bottom vapor recovery. The adapter is closed in transit and opens when actuated by 70 PSIG air pressure through the 1/8" port.

The main sealing surface is a Teflon® encapsulated O-Ring (Tef-O-Sil) which is compatible with most chemicals. A fluorescent orange indicator provides visual confirmation that the valve is open and can be seen from ground level.

Also available in 2 outlet (T-Style) design: GU00015.



ITEM	PART NO.	DESCRIPTION
1	GV98050	Hex Head Cap Screw
2	GV13000	3/8 Internal Tooth Lock Washer
3	GV02000	Rod O-Ring
4	GV10000	Spring
5	GV20030	Top Flange
6	GV51045	Air Upper Seal
7	GV06005	Air Rod
8	GV20020	Tube
9	GV20021	Tube Seal
10	GV51040	O-Ring Buna
11	GV20040	Bottom Flange
12	GV05000	Cylinder Housing O-Ring
13	GQ97900	Split Ring Lock Washer
14	GV98055	Jam Nuts
15	GV11000	Poppet
16	GV12000	Poppet O-Ring
17	GV14000	Standard Housing Swage
18	GM30030	3" Orange DuraSeal Ring Gasket

GO52010**3" x 2" Vapor Recovery Adapter**

The 3" x 2" Vapor Recovery Adapter is designed for use on an existing 3" tank nozzle. The swivel connection allows easy positioning in confined spaces. The fixed 3" male NPT section could accommodate a 3" cap (solid or fusible). Adapter comes standard with a 2" full-port ball valve. Dust cap and chain sold separately.

**GO52000****3" Vapor Recovery Adapter**

This 90° Vapor Recovery Adapter with a 3" NPS Swivel inlet is used to safely recover vapors in a "Closed Loop" loading and unloading situation. The valve is designed to be opened manually (as opposed to hydraulically actuated valves on previous pages.) Dust cap and chain sold separately.

**GO55010**

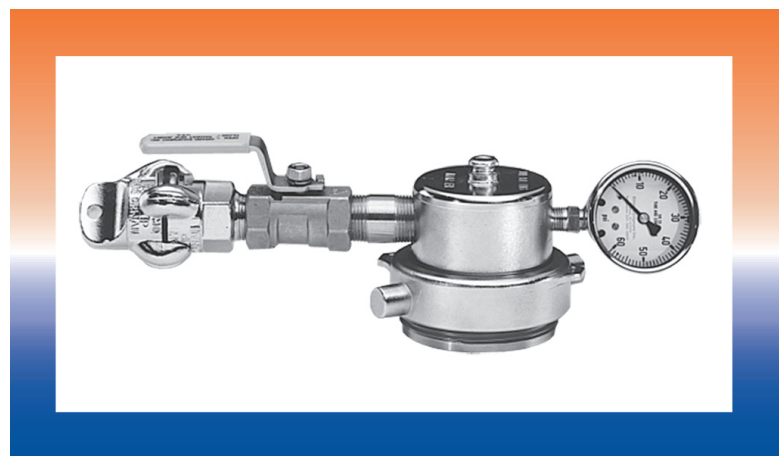
3" Air Unloading Assembly with 3/4" Accessory Package with malleable iron "Chicago" fitting and Pressure Gauge (Cap sold separately.)

GO55030

3" Air Unloading Assembly with 3/4" Accessory Package with Stainless Steel "Chicago" fitting and Pressure Gauge (Cap sold separately.)

GO55000

3" Air Unloading Assembly with No Kit



FUNCTION

The Girard HydraFlo valve is made from heavy duty investment cast stainless steel. Internal structure design will eliminate any trapped areas, which would be difficult to clean. Easy open and closing wheel can be actuated safely with a gloved hand. Turning post can be removed if clearance is an issue. Mounting flange holes have clear access to allow for easy mounting with either a socket or a crescent wrench. All soft parts are interchangeable with other current manufacturers on the market today.

5 YEAR WARRANTY

MODEL	DESCRIPTION
GH50000	Complete valve with 3" TTMA Flange connection with 3" NPT outlet
GH50002	Assembly with Steam Jacket

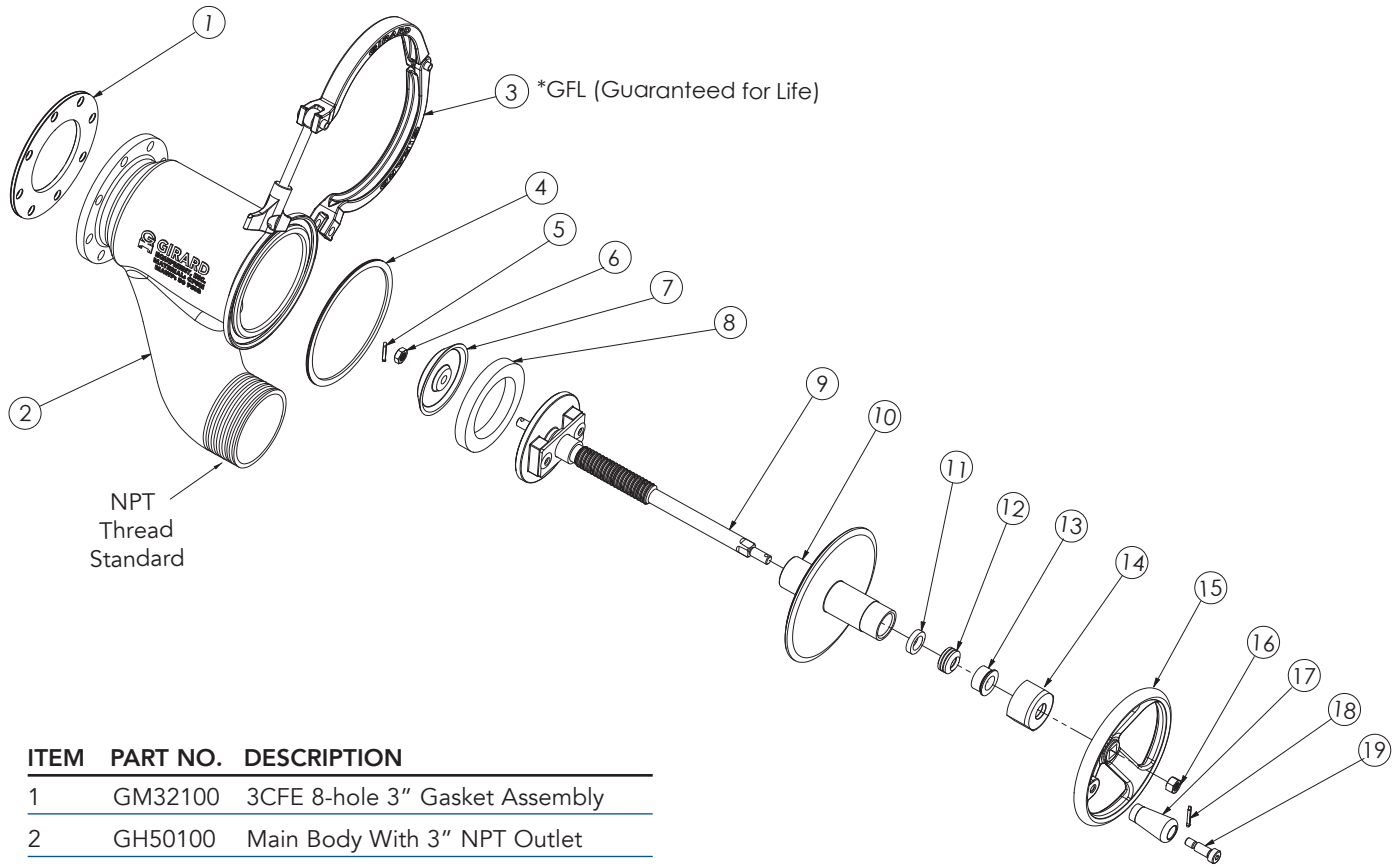
OPTIONS

- DuPont® Teflon® PTFE Spray Coated Internal Valve
- Hastelloy® B Material
- 3" NPS Cap (shown in photo) Sold Separately



The Girard HydraFlo Compression Clamp is guaranteed for the life of the owner against everything except for loss, intentional damage or misuse of the product. Girard will replace the product free of any costs including the cost of the product and shipping.





ITEM	PART NO.	DESCRIPTION
1	GM32100	3CFE 8-hole 3" Gasket Assembly
2	GH50100	Main Body With 3" NPT Outlet
3	GH50380	6" Compression Clamp*
4	GH50240	Envelope Gasket
5	GH50420	1/8" Diameter x 3/4" Long Cotter Pin
6	GH50180	Hex Jam Nut
7	GH50160	Poppet Retainer
8	GH50140	Poppet Seal
9	GH50232	Poppet & Shaft Assembly
10	GH50260	Bonnet
11	GH50320	Shaft Seal Washer
12	GH50280	Teflon® Packing Seal
13	GH50300	Shaft Seal Retainer
14	GH50340	Bonnet Cap
15	GH50362	Handwheel
16	GH50400	3/8-16 Hex Nut
17	GH50364	Handwheel Knob
18	GH50420	1/8" Diameter x 3/4" Long Cotter Pin
19	GH50370	5/16" - 18 Shoulder Bolt 3/4" Long

REPAIR KITS

DESCRIPTION

GH50380	Compression Clamp
GH50250	Bonnet Assembly includes Item #4 through 19
GH50499	Seal Kit includes Item #1, 4, 8, 12
GH50360	Handwheel Assembly includes Item #15, 16, 17, 18, 19

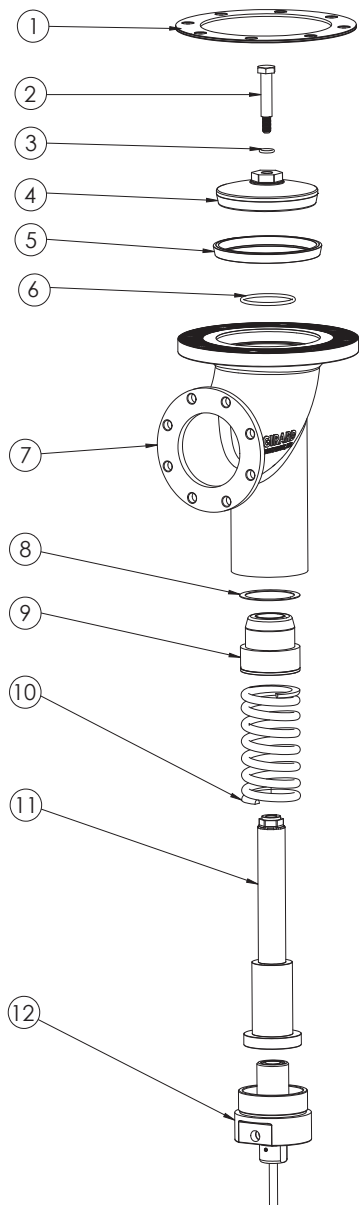
GQ86000

ChemOvation 4" x 3" External Valve

The Girard ChemOvation External Valve is made from heavy duty investment cast stainless steel. A smooth, electropolished finish allows for easy cleaning and increased chemical resistance. All working parts are housed away from tank lading. A single indicator pin can be used for visual valve positioning and in case of emergency to manually open valve. Most repair parts, including soft goods, are interchangeable with other current manufacturers on the market today. Meets CFR 178.345 code regulations.

OPTIONS

- Optional Hastelloy® Poppet and Shoulder Bolt
- Optional Steam Jacket



ITEM	PART NO.	DESCRIPTION
1	GQ85035	Envelope Gasket
2	GQ86025	Shoulder Bolt
3	GQ86030	Tef-O-Sil O-Ring
4	GQ86060	Poppet Stainless Steel
5	GQ86020	Teflon Seat
6	GQ86055	Tef-O-Sil O-Ring
7	GQ86010	Main Body
8	GQ86085	Seal Retainer Gasket
9	GQ86200	Packing Seal Retainer Assembly
10	GQ86040	Poppet Spring
11	GQ86067	Poppet Stem
12	GQ86100	Hydraulic Assembly

**NEW
PRODUCTS**

GQ87000

ChemOvation 4" x 3" Internal Valve

Please consult with a Girard Equipment Sales Representative for more information.

GQ87020

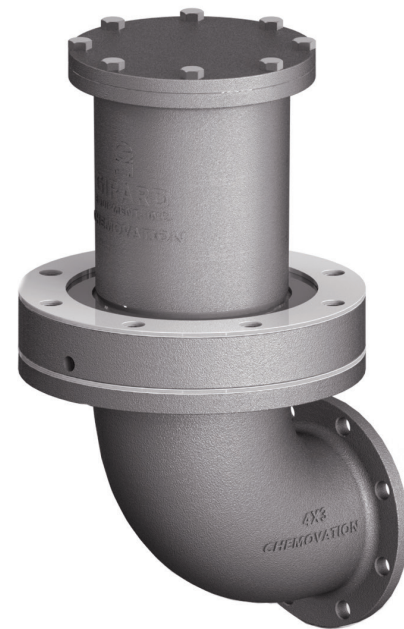
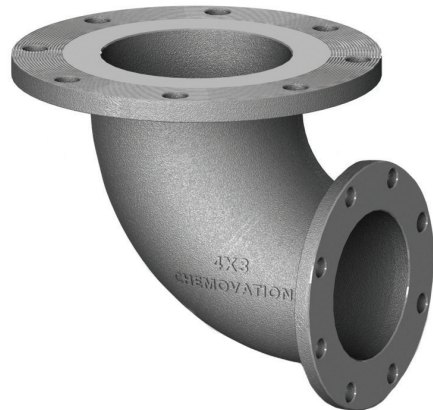
ChemOvation 4" x 3" TTMA 90° Flanged Discharge Elbow (Gasket Included)

- Optional Steam Jacket

Please consult with a Girard Equipment Sales Representative for more information.

Combination ChemOvation 4" x 3" Internal Valve & TTMA 90° Flanged Discharge Elbow

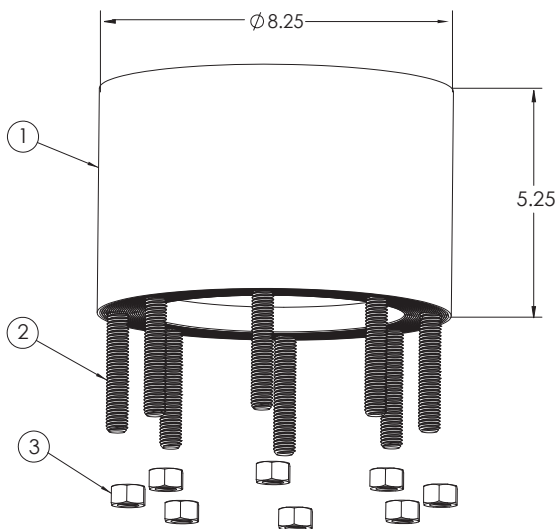
Please consult with a Girard Equipment Sales Representative for more information.



GP40110 & GP40165

Sumps

Girard’s drain sump is specifically designed for tank trailers hauling corrosive and hazardous materials. The ID of the sump is designed and machined to allow for clean flow delivery of product from the tank. Every sump is cast and electropolished at Girard’s foundry in Ft. Pierce, FL and are machined, assembled and tested in Vero Beach, FL. Sumps are shipped with a chemical and physical certification and pressure tested at 75 PSI for leaks. Sumps can be ordered in various lengths, e.g. 1¾”, 5¼” and 8”. Standard material is CF3M (316L) or 2205 Duplex (CD3MN). Standard 4” TTMA Flange dimensions with optional ASME studs and nuts A193/A194 available for ASME certified tanks. Serrations are machined on the mounting face according to ASME B16.5.



ITEM	PART NO.	DESCRIPTION
1	GP40165	4" Mounting Pad Machined - 5¼" Tall (shown)
	GP40110	4" Mounting Pad Machined - 1¾" Tall
2	GQ98550	Threaded Stud 316 Stainless Steel 2½" Long
	GQ98555	Threaded Stud 316 Stainless Steel 3½" Long
3	GQ98560	Hex Nut 316 Stainless Steel

Hydraulic Pump

GZ30000

Hydraulic Pump

The Girard Hydraulic Pump provides tamper-resistant pressure relief. Seals are compatible with a variety of fluids; e.g., hydraulic fluid, glycol, ATF, etc. The pump provides a service lifting ability of 3,000 PSI with a safety factor of 150%. The pump is easy to maintain and repair and mounting holes are compatible with other current manufacturers on the market today.

Please consult with a Girard Equipment Sales Representative for more information.

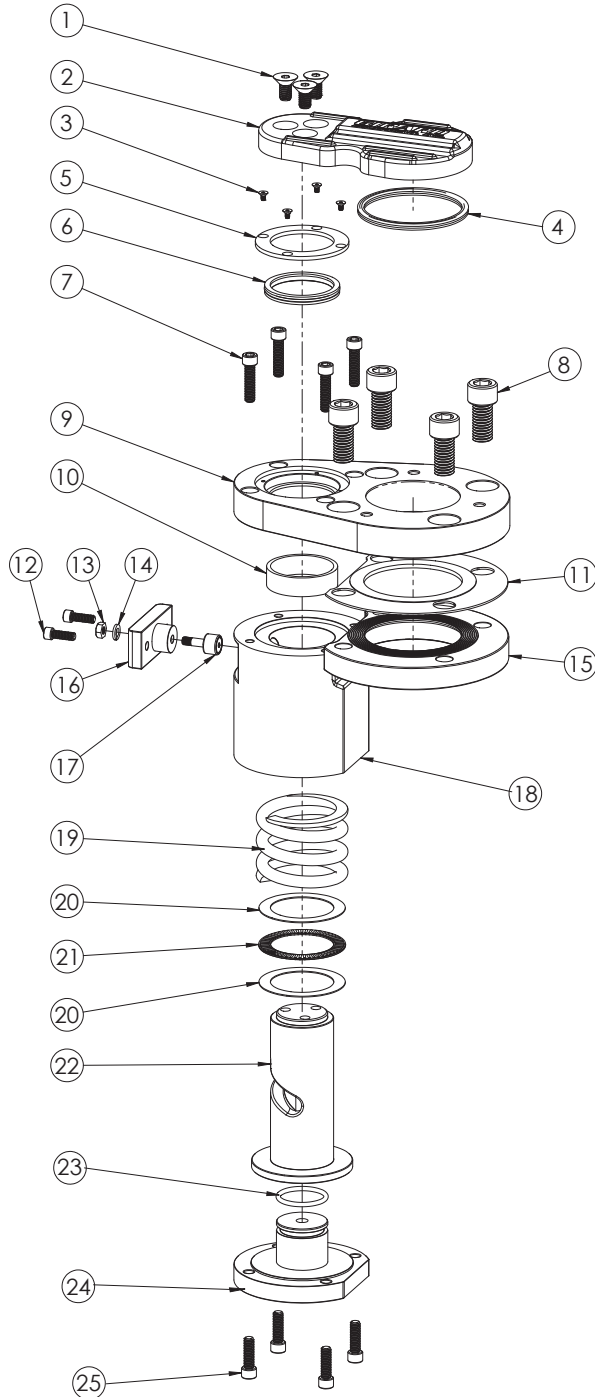


GU60000

HASCO Valve
(Hydraulically Actuated Safety Clean Out)

Girard's hydraulically actuated access valve safely and reliably allows the interior of the cargo tank to be accessible from the ground.

Patent Number: USPTO #9,150,140



ITEM	PART NO.	DESCRIPTION
1	GQ95060	Flat Socket Head Screw 3/8"
2	GV60200	Lid
3	GQ95055	Flat Head Socket Cap Screw
4	GV60380	O-Ring Seal
5	GV60440	Ring Plate, Wiper
6	GV60420	Wiper
7	GV60575	1 1/4" Socket Head Cap Screw
8	GQ95115	Socket Head Screw 5/8"
9	GV60120	Flange Cover
10	GV60340	Sleeve Bearing, Bronze
11	GV60540	Gasket Replacement Cap
12	GQ95105	Socket Head Screw 1/4"
13	GQ95150	Hex Jam Nut
14	GQ95155	Lock Washer
15	GV60240	Weld Flange
16	GV60460	Cam Holder
17	GV60280	Cam Follower
18	GV60040	Housing
19	GV60360	Spring
20	GV60320	Needle Bearing Washer
21	GV60300	Thrust Needle Roller Bearing
22	GV60160	Piston
23	GV60400	O-Ring Seal
24	GV60060	Base
25	GV60570	1" Socket Head Cap Screw



3" STAINLESS SOLID CAP GK30000

- Straight thread, seals on gasket
- Large sealing tabs
- Seals on an extra thick Teflon® gasket
- Swivelhook for attaching cable or chain



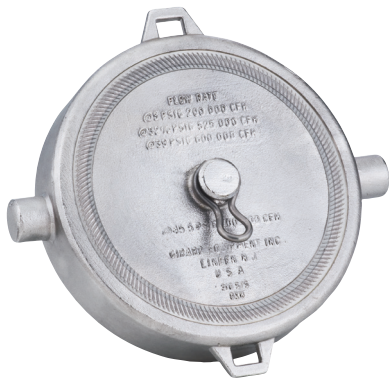
3" STAINLESS FUSIBLE GJ30000

- Straight thread, seals on gasket
- Large sealing tabs
- Swivelhook for attaching cable or chain
- Built with low-melt alloy



3" STAINLESS POLYMER FUSIBLE GJ36000

- Straight thread, seals on gasket
- Large sealing tabs
- Chemically inert thermoplastic polymer used to join two piece cap together
- Fully repairable, call factory for details



4" STAINLESS FUSIBLE GJ40000

- Straight thread, seals on gasket
- Large sealing tabs
- Extra thick Teflon® gasket, standard
- Built with low-melt alloy



4" STAINLESS SOLID CAP GK40000

- Straight thread, seals on gasket
- Large sealing tabs
- Swivelhook for attaching cable or chain



REDUCER GL30070

- Straight thread, seals on gasket
- To reduce from 3" NPS (female) to a 2" NPT (male) thread



3" X 3" ADAPTER GL30080

This heavy duty adapter can be used to restore 3" NPT (tapered) nipples like those found on tank trailers clean-out nipples, nose lines, and valve outlets that have been damaged due to "cross threading." Also, threads that are galled, out of round, or partially stripped can be renewed without the need for costly work on the trailer.

WHEN YOU'RE BUYING GIRARD PARTS, MAKE SURE YOU'RE GETTING GIRARD PARTS.



When you're the leading American manufacturer of pressure relief vents and magnetic vacuum breakers, someone will always try to horn in on your replacement parts business.

The problem is, the counterfeiter does not know what the manufacturer's product is designed to do, nor does he have to care. The counterfeiters use words like "aftermarket parts" or "generic parts" and this is supposed to instill confidence that these parts are up to Girard's specifications. Often times the supplier doesn't even notify you when he's supplying a counterfeit part and you find out the hard way with a loss of your tank or someone gets hurt. All they see is a commercial opportunity for themselves while you are stuck with parts that will not work properly. This has a direct effect on your bottom line and your reputation as a reliable carrier.

We design our products to work when you need them if only you insist on genuine Girard replacement parts. Check your parts room and make sure you're getting what you paid for. Each Girard part is marked with our name and part number and/or is sealed in identifiable plastic bags so you can guarantee their quality and traceability.

**3-IN-1 COMBINATION
SPANNER WRENCH** **GT60002**

Combination wrench for use with IBC Vent, Smart Vent, and all 3" and 4" lug products.



3" SPANNER WRENCH **GO45000**

A light weight, universal spanner type wrench for pin lug fittings and pipe caps. Cast in malleable iron.

4" SPANNER WRENCH **GO45100**

A light weight, universal spanner type wrench for pin lug fittings and pipe caps. Cast in malleable iron.



**STAINLESS STEEL PSI
AND BAR PRESSURE GAUGES**

PART NUMBER:	SCALE:
GF19000	0-60 PSI
GF19010	0-100 PSI / 0-7 BAR

A Stainless Steel (liquid glycerin filled) Pressure Gauge.



**STAINLESS STEEL NPT
AND BSP BALL VALVES**

Stainless Steel Ball Valves with locking handles



PART NUMBER:	SIZE:
A GF16500	1/2" Port
B GF17000	3/4" Port
C GF17010	1" Port
D GN20100	1 1/2" Port
GN20110	1 1/2" BSP Port
E GF17030	2" Full Port

NEW
RAIN COVER RETAINING SCREW

PART NUMBER:	SIZE:
GB03020	8-32 x 3/8



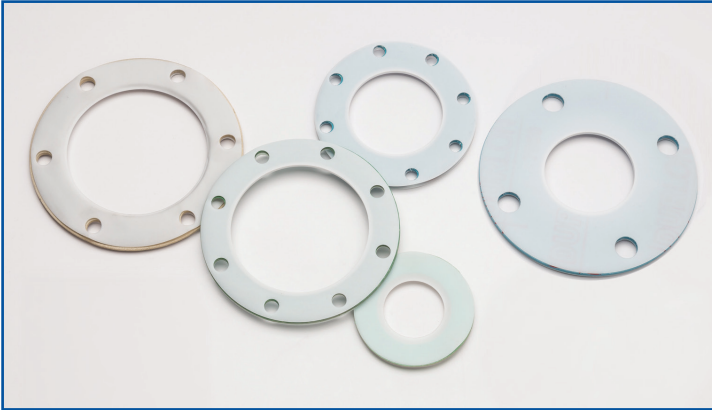
**3" STAINLESS STEEL
CONE STRAINER**
GO30600

Installs into a 3" opening (i.e. quick connect female, 3" x 3" adapter) and prevents large objects from entering the cargo pumps intake line. The cone-shaped design allows the strainer to be filled with 75% of material before restricting flow. Standard stainless steel screens are available in number 6 mesh (shown).

Also available in the following sizes and mesh:

#6 Mesh Strainer 4"	GO30700
#20 Mesh Strainer 3"	GO30300
#24 Mesh Strainer 3"	GO30400
#50 Mesh Strainer 3"	GO30500
#100 Mesh Strainer 3"	GO30100

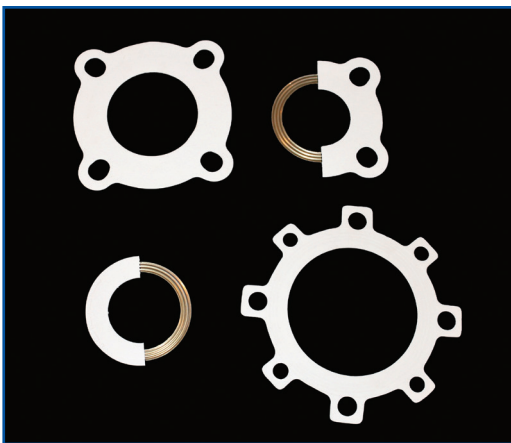




All gaskets are Teflon® full faced.

TEFLON® ENVELOPE TYPE FOR FLANGES, SUMPS, VALVES, ETC.

DESCRIPTION	PART NUMBER	OUTSIDE DIMENSION	INSIDE DIMENSION/THICKNESS	BOLT CIRCLE
2" ANSI 150 lb. Gasket	GM22100	4"	2 1/2" 1/8"	N/A
3" TTMA 8 Hole Flange Gasket	GM32100	5 5/8"	3 1/4" 1/8"	4 7/8"
4" TTMA 8 Hole Flange Gasket	GM42100	6 5/8"	4 5/8" 1/8"	5 7/8"
3" TTMA 6 Hole Sump Gasket	GM52100	7 1/4"	4 7/8" 1/8"	6 1/4"
4" TTMA 8 Hole Sump Gasket	GM62100	8 1/4"	5 3/4" 1/8"	7 1/4"



Pita® combines expanded PTFE for low stress to seal with a 316 stainless steel core resulting in 5x the gasket recovery of other EPTFE/PTFE gaskets. The patented, encapsulated design uses no adhesive for zero process contamination and complete chemical inertness. It provides the highest level of performance, chemical compatibility, and long term reliability for ISO tank applications.

VSP ISO DNA™ PITA® GASKETS

DESCRIPTION	PART NUMBER	OUTSIDE DIMENSION	INSIDE DIMENSION/THICKNESS	BOLT CIRCLE
PRV Mount Gasket	VSP8275	3 3/4"	2 15/16" 1/8"	N/A
PRV 6 Hole Flange Gasket	VSP8305	5"	3 1/4" 1/8"	4 1/8"
Bottom Discharge Gasket - 4 Hole & 8 Hole Dual Pattern	VSP8514	8 1/4"	4 3/4" 1/8"	7"
Butterfly Valve Gasket -4 Hole & 6 Hole Dual Pattern	VSP8391	7 5/8"	3 1/2" 1/8"	6"
3" ANSI 150#/DIN 80	VSP8383	7 7/8"	3 1/2" 1/8"	6"



TEFLON® RING TYPE GASKETS FOR HOSE, CAPS, REDUCERS, ETC.

PART NUMBER	OUTSIDE DIMENSION	INSIDE DIMENSION	THICKNESS
GM20000	2 3/8"	1 3/4"	1/16"
GM30000	3 1/2"	2 4/5"	3/32"
GM40000	4 1/2"	3 3/4"	1/8"

BUNA-N RING TYPE GASKETS FOR HOSE, CAPS, REDUCERS, ETC.

PART NUMBER	OUTSIDE DIMENSION	INSIDE DIMENSION	THICKNESS
GM31000	3 1/2"	2 5/8"	3/16"
GM41000	4 5/8"	3 5/8"	3/16"



ORANGE DURASEAL RING TYPE GASKETS FOR DOT 407 AND MC 307 VACUUM BREAKER AND PRESSURE VENTS WITH 3" SWIVEL NUTS

PART NUMBER	OUTSIDE DIMENSION	INSIDE DIMENSION	THICKNESS
GM30030	3 1/2"	2 4/5"	3/32"

THE GIRARD EQUIPMENT FAMILY OF PRODUCTS

For over 65 years, Girard Equipment has been supplying a full range of innovative equipment to the tank transportation industry for the safe and efficient transport of their products. By constantly seeking renewal through education and learning, Girard Equipment utilizes the latest production technologies. We are dedicated to providing our customers with superior products of exceptional value. Our efforts help our customers gain the competitive advantage they need to excel within their markets.

We will continue to apply the best business practices to ensure an exceptional buying experience for our customers around the world.



WORLD CLASS PRODUCTS, WORLD WIDE SERVICE



SMITHERS
QUALITY ASSESSMENTS

Successful companies are driven to deliver quality – from the way they operate, to the customer service standards they establish, and the products they deliver. The ISO 9001 certification is a globally recognized symbol of an organization’s ongoing commitment to excellence, sustainability and reliability.

Girard Equipment, Inc. is proud to announce we have achieved ISO 9001 certification.

Producing quality work is a key priority for us at Girard Equipment – it’s even something of an obsession. The ISO Certification shows just how dedicated we are and how far we will go to ensure the best quality of work for all of our clients and we are proud of what we have achieved.

Additionally, we are members of the following memberships and programs all dedicated to quality and safety.



The Association of American Railroad Certification was developed to ensure safety, and cost effectiveness of manufactured materials, products, and services. The certification requires a documented and demonstrated quality system that includes policies, procedures, inspection and test plans, work instructions, and quality records.



The 3-A Sanitary Standards program exists to protect consumable products from contamination and ensure that all product contact surfaces are cleaned and sanitized.



TTMA exists to instill public confidence by strengthening trusting relationships between manufacturers of truck trailers, cargo tank, inter-modal containers and their suppliers.



The NTTC exists to advance the standard for safe and sustainable transportation.



PRICING:	Price is subject to change without notice.
TERMS OF PAYMENT:	(2/10 net 30) An additional 2% discount on all Girard Products when the invoice is paid within 10 days. The net amount of the total invoice will be due in 30 days. Freight and special handling charges still apply.
MINIMUM ORDER:	A \$50 minimum order per charge invoice.
RETURN GOODS POLICY:	No goods may be returned without a Girard Equipment, Inc. Return Materials Authorization Number (RMA#). Request for return must express condition of goods and reason for return. Returned goods must be freight pre-paid. Goods returned without permission will not be accepted. Returns are subject to a re-stocking and handling charge. Specified cut or fabricated items are not returnable.
FREIGHT POLICY:	Full freight is allowed on individual orders with a NET value of \$7,500.00 or more to one destination in the contiguous United States on pre-paid shipments. Girard Equipment, Inc. reserves the right to select the carrier.
PRODUCT WARRANTY:	All goods manufactured by Girard Equipment, Inc. from "genuine" Girard parts are warranted to be free from defects and will be replaced free of charge if failure occurs within 5 years of date of shipment, provided that these parts have been used in accordance with seller's recommendations. Our liability in any case shall be limited to the sale price of the product and will not extend to any consequential damage.
CONCEALED DAMAGE:	Any freight received with damage should immediately be brought to the driver's attention. Freight should be acknowledged by authorized personnel at your destination and not accepted. Once shipment is signed for, all claims against damage of that shipment will no longer be considered.
CLAIMS:	A claim of shortage, pricing errors or erroneous charges must be reported within five (5) business days of receipt.
SPECIAL ORDERS	Orders for special non-stock items are subject to cancellation only with our approval and will call for payment to us for all costs involved to date of termination. Specially cut or fabricated parts are not returnable.
DELIVERY SCHEDULE:	We are not responsible for delays due to transportation, strikes or force majeure.
BILLING:	Typographical and clerical errors are subject to correction.
GENERAL:	No employee or agent of Girard Equipment, Inc. has the authority to make any representation agreement, amendment, or promise contrary to above terms and conditions, except in writing, and signed by an officer of Girard Equipment, Inc.
METHOD OF PAYMENT:	Cash, check, money order, wire transfer, MasterCard, Visa and American Express are acceptable forms of payment.
DROP SHIPMENTS:	Drop shipments on behalf of a distributor to an end-user customer subject to 10% drop ship fee.
PRODUCT DIMENSIONS:	Product dimensions may change at any time. Please verify with the factory and your sales representative.

**CORPORATE HEADQUARTERS
GIRARD EQUIPMENT, INC.**

3455 Airport West Drive

Vero Beach, FL 32960

800-526-4330

gsales@girardequip.com



GIRARD HOUSTON REPAIR FACILITY

531 Highway 146 North

LaPorte, TX 77571

281-842-7500

